

# DC MOTOR PERFORMANCE IN SMALL ACTUATORS

ROBERT L NUCKOLLS III  
AEROELECTRIC CONNECTION  
[HTTP://AEROELECTRIC.COM](http://aeroelectric.com)  
WICHITA, KS

TITLE	PAGE
COVER	1.0

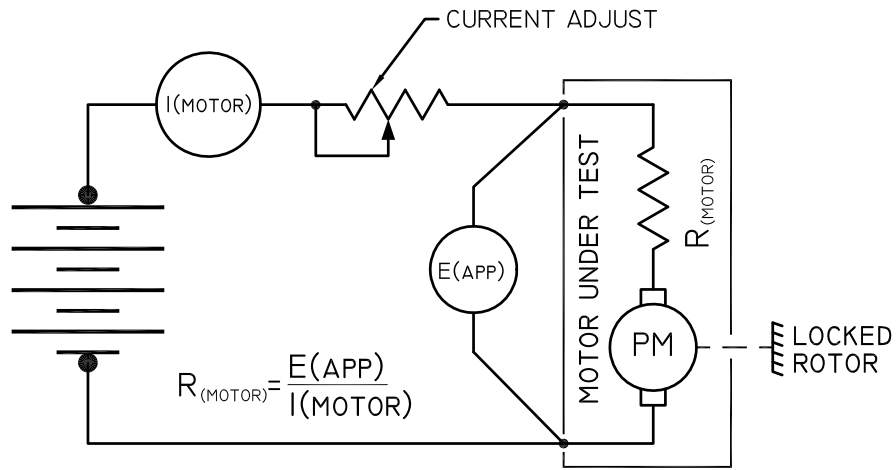


FIGURE 1. MOTOR RESISTANCE TEST SETUP

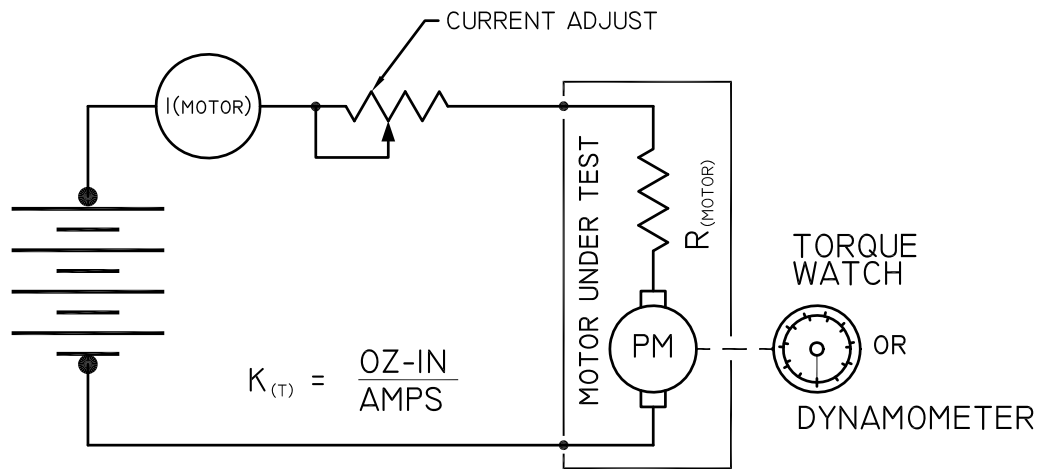


FIGURE 2. TORQUE CONSTANT TEST SETUP

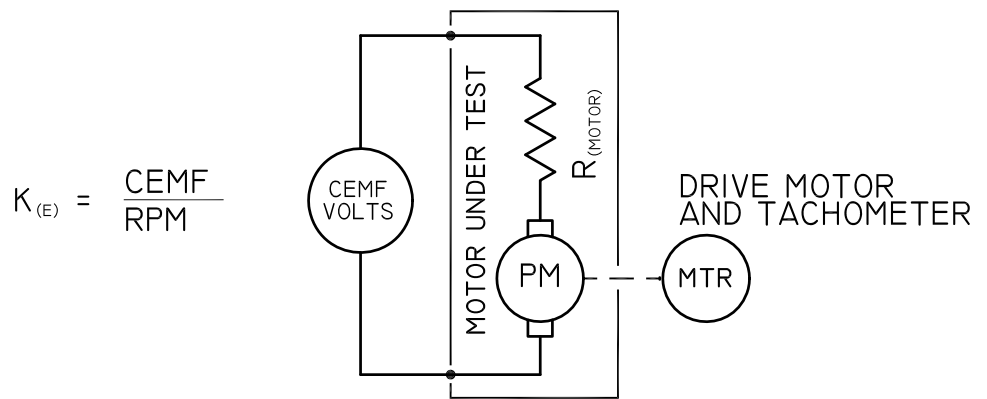


FIGURE 3. CEMF CONSTANT TEST SETUP

TITLE	PAGE
FIGURES 1 THRU 3	2.0

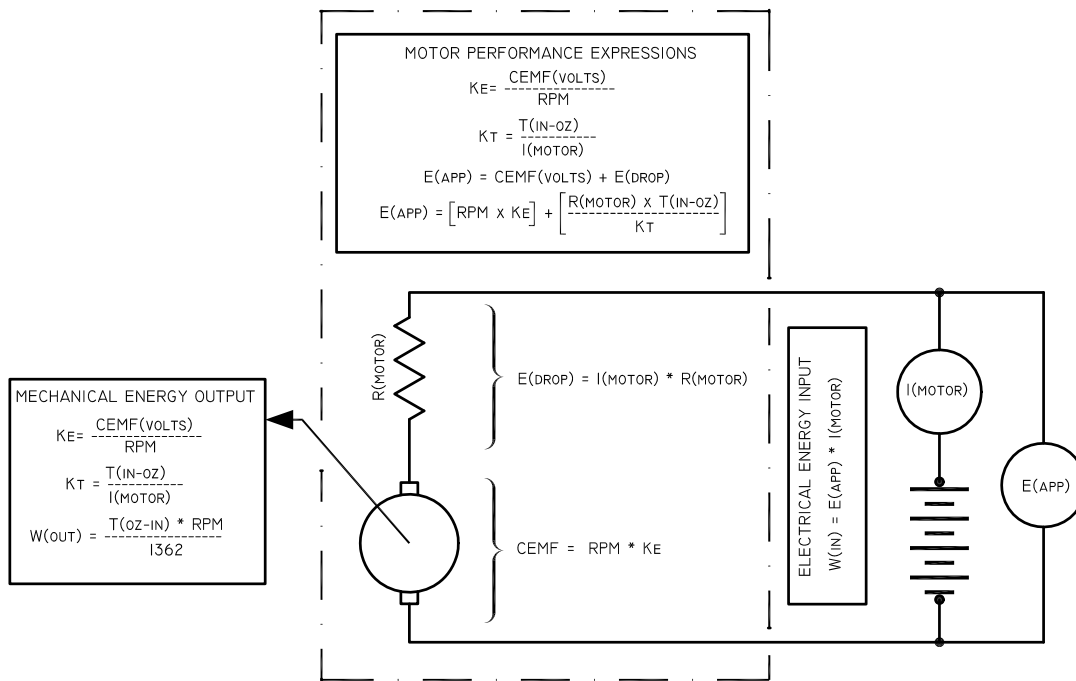


FIGURE 4. DC MOTOR PERFORMANCE MODEL

TITLE	PAGE
FIGURE 4	3.0

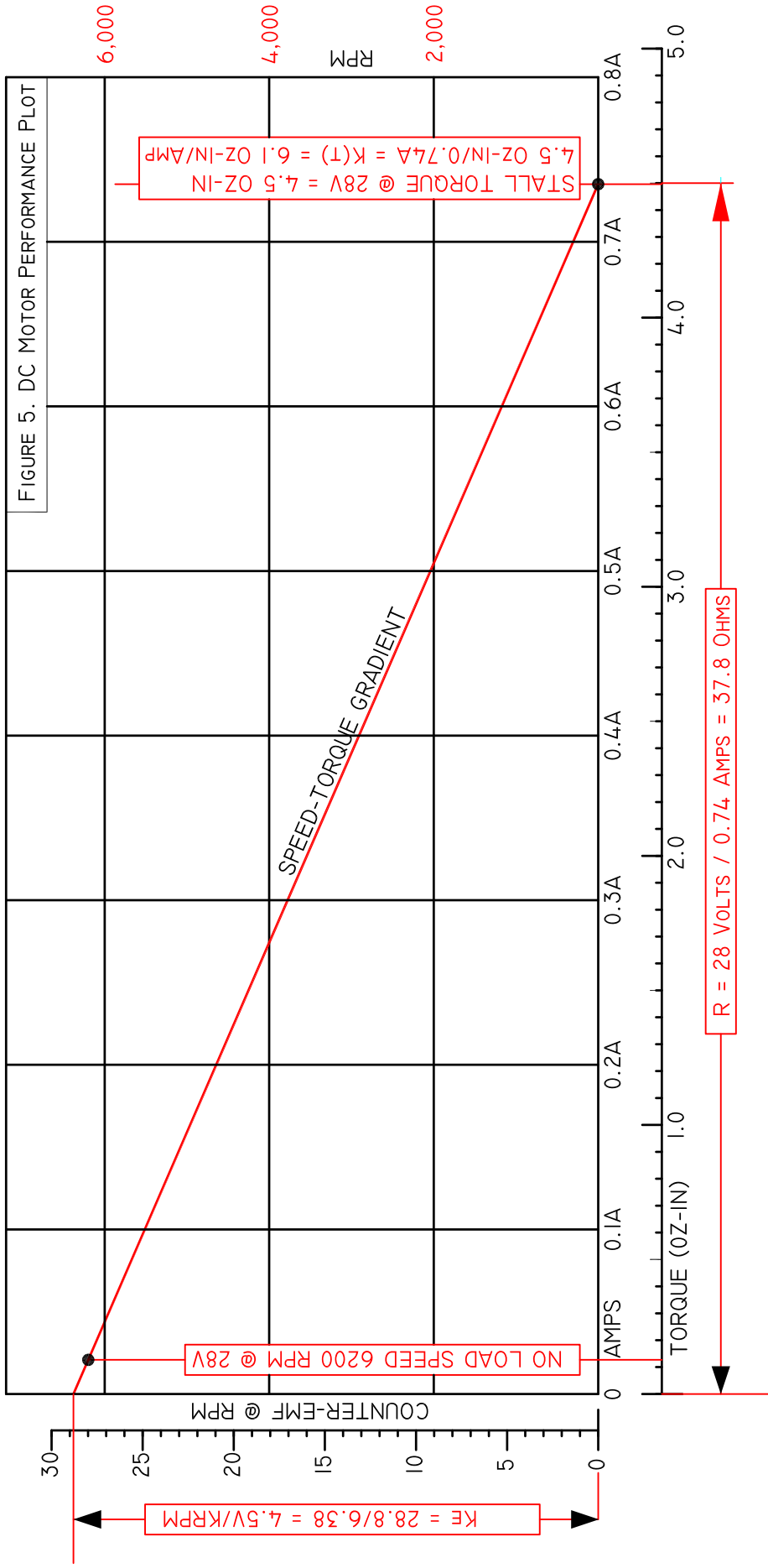
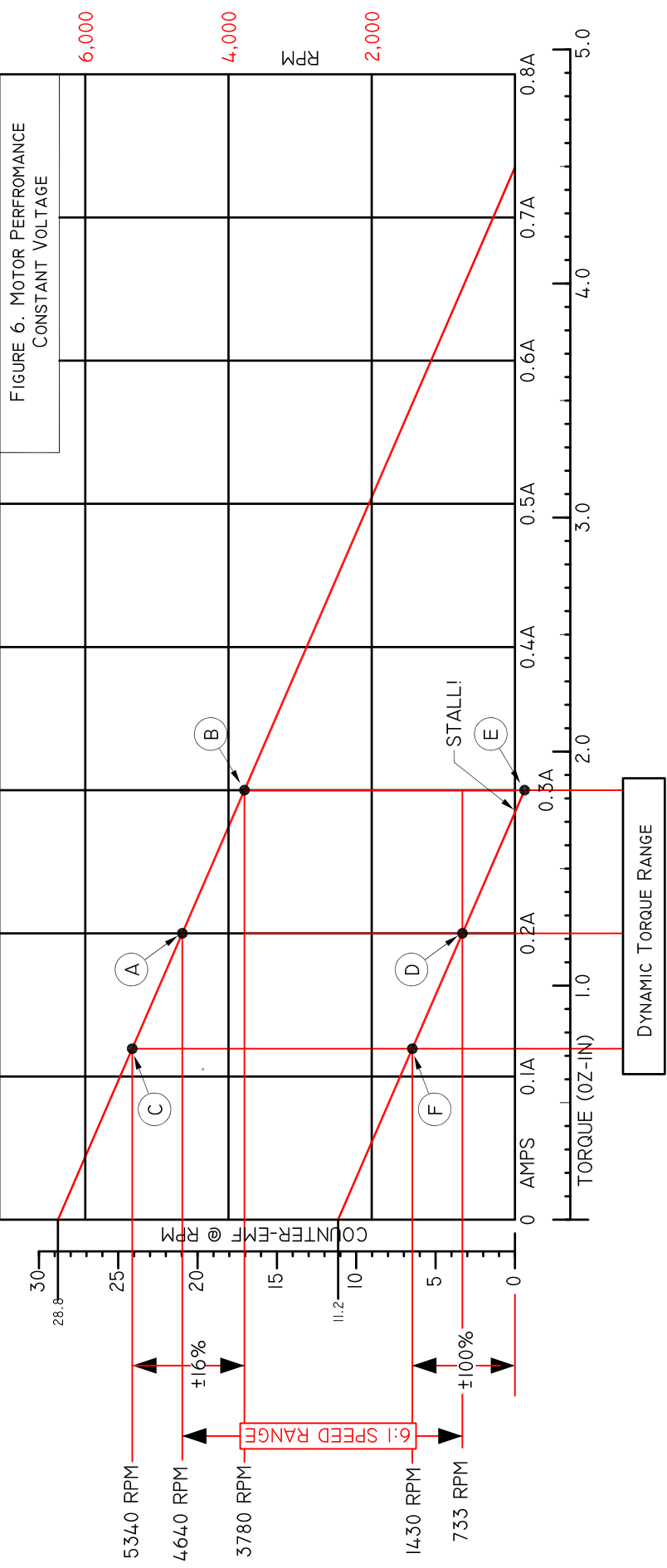
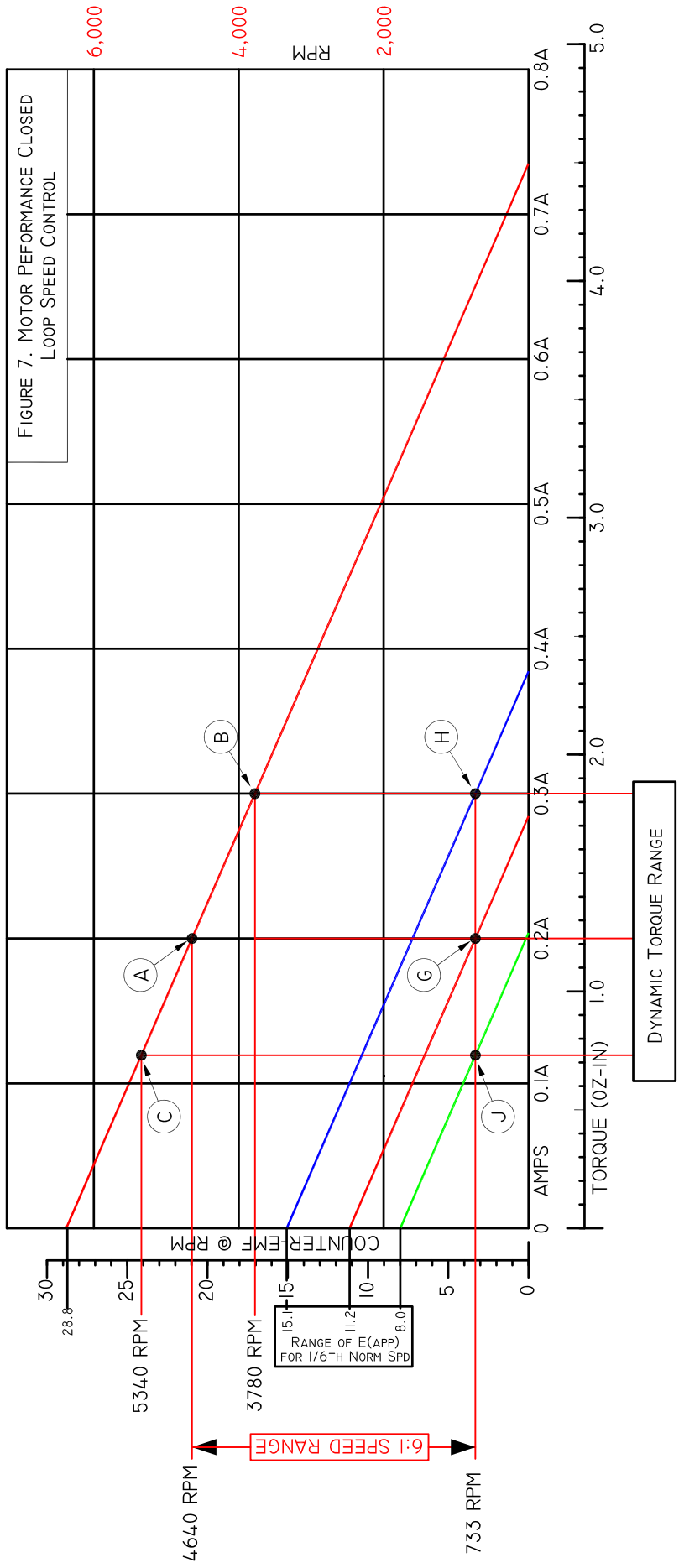


FIGURE 5. DC MOTOR PERFORMANCE PLOT



TITLE	PAGE
FIGURE 6	5.0



REV -A- 01/22/06

TITLE	PAGE
FIGURE 7	6.0