

**PRESSURIZED  
NAVAJO  
PARTS CATALOG**

CARD 1 OF 2

**PA-31P PRESSURIZED NAVAJO**

Courtesy of Bomar Flying Service  
[www.bomar.biz](http://www.bomar.biz)

**PIPER AIRCRAFT CORPORATION**

# PIPER PARTS CATALOG

## AEROFICHE EXPLANATION AND REVISION STATUS

The Parts Catalog information incorporated in this set of Aerofiche cards has been arranged in accordance with the general specifications of Aerofiche adopted by the General Aircraft Manufacturer's Association.

Conversion of Aerofiche alpha/numeric code numbers:

First number is the Aerofiche card identifier.

Letter is the horizontal line reference per card.

Second number is the vertical line reference per card.

Example: 2J16 = Aerofiche card number two of given set, Grid location J16.

To aid in locating the various sections and related information desired, the following is provided:

A complete Catalog Table of Contents is given at Grid 1A8 of Aerofiche card number 1 of this set. Each additional card in this set will have a Table of Contents for all sections on that particular card. This table will start at Grid A3.

## REVISIONS

The information compiled in this Aerofiche Parts Catalog will be kept current by revisions distributed periodically. These revisions will supersede all previous revisions and will be complete Aerofiche card replacements and shall supersede Aerofiche cards of the same number in the set.

Current Revisions to this PA-31P Parts Catalog issued December 18, 1972 are as follows:

753 769 (PR750314).....	Dated March 1975
753 769 (PR760109).....	Dated January 1976
753 769 (PR760716).....	Dated July 1976
753 769 (PR770325).....	Dated March 1977
753 769 (PR800512).....	Dated May 1980
753 769 (PR840611).....	Dated June 1984

NOTE: Refer to the last card of the Piper - Parts Price List - Aerofiche for a check list of current revision dates and card effectivities for this parts catalog.

# INTRODUCTION

This Illustrated Parts Catalog is designed to provide simple but positive identification of replacement parts for the Piper Model PA-31P, "Pressurized Navajo", manufactured by the Piper Aircraft Corporation of Lock Haven, Pennsylvania.

**NOTE: UNDER NO CIRCUMSTANCES SHALL THIS CATALOG BE USED FOR RIGGING AND INSTALLATION PURPOSES.**

It is suggested that this catalog be thoroughly studied to determine its arrangement prior to its utilization.

1. The Catalog is divided into fourteen (14) major sections described as follows:
  - a. Section I to XIII inclusive contains all replacement parts for the complete airplane. Each section is subdivided and each division includes an illustration and a parts listing.
  - b. Section XIV is the Miscellaneous Group. This Group includes an illustration and parts list for the Placards and Exterior Stencils and a listing of the Optional Equipment Kits, Repair Kits and Special Tools.
2. The following is a brief explanation of the columns in the parts lists: (Refer to EXAMPLE below).
  - a. The "FIGURE AND INDEX NUMBER" column indicates the illustration figure number and its part index number. Example: (2-1), the 2 is the figure number and the 1 is the index number. The figure number appears only at the top of each parts list page.
  - b. The "PART NUMBER" column contains the identifying number of the replacement part and this number must be shown on all Parts Orders.
  - c. The "CODE" column is for the purpose of indicating special uses of the part. An explanation of the letter code used is shown below each listing.
  - d. The "NOMENCLATURE" column indicates the part name. This name must be shown on all Parts Orders.
  - e. The "NO. REQ." (Number Required) column represents the total quantity of parts used per aircraft per figure when the part is not indented and the quantity of parts used per assembly when the part is indented. The symbol "AR" listed in this column means "As Required."
  - f. The "SERIAL NUMBERS AFFECTED" column indicates the part application by airplane serial number.

Figure and Index Number	Part Number	Code	EXAMPLE NOMENCLATURE	No. Req.	SERIAL NUMBERS AFFECTED
2-1	XXXXX-XX		DOOR ASSEMBLY - Baggage compartment	X	
-2	XXXXX-XX		* TUBE ASSEMBLY - Baggage door latch	X	
-3	XXXXX-XX		* * CLEVIS - Door latch tube assembly	X	
-4	XXXXX-XX		* * CLIP - Door latch tube assembly	X	

In the Nomenclature column, the next higher assembly relationship of items covered is shown by the degree of indentation of each item and is indicated by an asterisk (\*). One asterisk signifies one indentation, two signifies two indentions, etc. The example listing above is interpreted as follows:

If the DOOR ASSEMBLY (not indented) is ordered, it will include the three items listed under the Door Assembly.

If the TUBE ASSEMBLY (indented one space) is ordered, it will include the two items indented under the Tube Assembly.

If you want only a CLEVIS or CLIP, you order only that item.

3. The "ATTACHING PARTS" such as nuts, bolts, screws, etc., that are available as commercial hardware items, are not generally supplied by the Piper Aircraft Corporation. This catalog lists, for your convenience, those attaching parts required for main assemblies and installations. The identifying number for these parts appears after the part name.
4. All items of Optional Equipment are contained in the parts list in their proper sequence and sections. These items were not marked optional, since they are fully identified by their descriptions.

---

# PIPER PARTS CATALOG

---

## HOW TO IDENTIFY A PART IF YOU KNOW WHAT IT LOOKS LIKE AND KNOW WHERE IT IS LOCATED

1. Refer to Figure 1 to determine the section number in which the part is used.
2. Refer to the Table of Contents and locate the section. Note the figure numbers that illustrate the various subgroups of this main section.
  - a. Select the Figure title you think might contain the part you wish to identify and proceed to the (grid) page specified.
3. Find the part on the illustration and note the index number.

NOTE: If you don't find the part on this illustration, try another figure in this group.
4. Refer to the "Figure and Index Number" in the Parts Listing for complete description of the part.

## HOW TO ORDER PARTS

In ordering parts for your Piper Airplanes, observe the following instructions which will aid in your getting the right parts required without delay.

- a. Place your order with the distributor or dealer for your territory, since parts are available only through our distributor organization.
- b. Always specify the model and serial number of your airplane.
- c. Always specify part number, name, type and quantity required.
- d. Specify the method of shipment - freight, express, parcel post, air express, air freight or air parcel post. Where the nature of the shipment requires it or when no instructions are given, we reserve the right to ship the most suitable way.

## GENERAL INFORMATION

### a. Shortages

All orders are checked and rechecked before leaving our Shipping Department. A packing slip is enclosed with the shipment and claims for errors or shortages must be made within three (3) days after receipt of orders.

### b. Returned Goods

No material should be returned to us without first securing our written permission. Material sent in without notice will be held at the owner's risk for thirty (30) days and will then be disposed of as we see fit.

Transportation charges must be PREPAID on returned goods or the shipment will be refused.

### c. Transportation Liabilities

The Piper Aircraft Corporation cannot be held liable for damages to parts in transit from the factory. If a shipment is received in a damaged condition, have the delivery man or Transportation Company make a notation of the damage and file your claim with the Carrier. In case of concealed damage, do not attempt to remove the part from the shipping container, or endeavor to repair the damage, but call the Carrier and have his Claim Agent inspect the damage before filing your claim with the Carrier.

# PIPER PARTS CATALOG

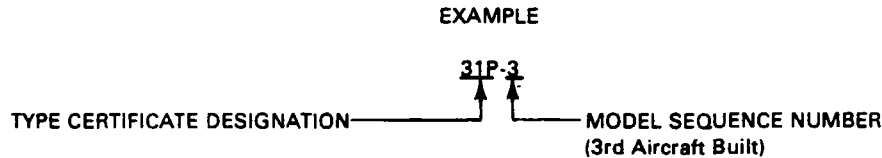
## PA-31P SERIAL NUMBER INFORMATION

The following information should be kept in mind when ordering from this Catalog:

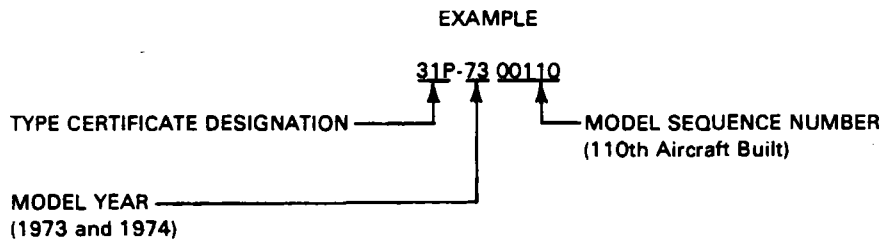
- a. The serial numbers of the aircraft covered by this Parts Catalog are as follows:
- (1) Serial numbers of the 1970 PA-31P Pressurized Navajo Models are 31P-3 to 31P-30 inclusive.
  - (2) Serial numbers of the 1971 PA-31P Pressurized Navajo Models are 31P-31 to 31P-66 inclusive.
  - (3) Serial numbers of the 1972 PA-31P Pressurized Navajo Models are 31P-67 to 31P-109 inclusive.
  - (4) Serial numbers of the 1973 PA-31P Pressurized Navajo Models are 31P-7300110 to 31P-7300172 inclusive.
  - (5) Serial numbers of the 1974 PA-31P Pressurized Navajo Models are 31P-7400173 to 31P-7400230 inclusive.
  - (6) Serial numbers of the 1975 PA-31P Pressurized Navajo Models are 31P-7530001 to 31P-7530028 inclusive.
  - (7) Serial numbers of the 1976 PA-31P Pressurized Navajo Models are 31P-7630001 to 31P-7630019 inclusive.
  - (8) Serial numbers of the 1977 PA-31P Pressurized Navajo Models are 31P-7730001 to 31P-7730012 inclusive.

### SERIAL NUMBER EXPLANATION

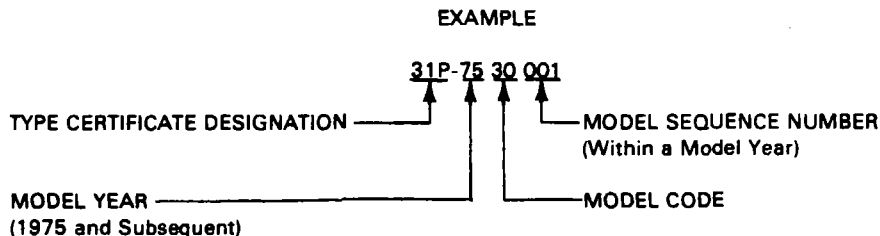
For aircraft manufactured in 1970, 1971 and 1972 model years, the Serial Number on the Manufacturer's Identification Plate is based on a 2-number set system. The first number set defines the Type Certificate Designation, the second set is the Model Sequence Number.



For aircraft manufactured in 1973 and 1974 model years, the Serial Number on the Manufacturer's Identification Plate is based on a 3-number set system. The first number set defines the Type Certificate Designation, the second set is the Model Year, while the third set is the Model Sequence Number.



For aircraft manufactured in 1975 model year and subsequent, the Serial Number on the Manufacturer's Identification Plate is based on a 4-number set system. The first number set defines the Type Certificate Designation, the second set is the Model Year, the third set is the Model Code, while the fourth set is the Model Sequence Number (within a model year).



# PIPER PARTS CATALOG

## STANDARD PAINT CHART

	MFG. NO.	PIPER PART NUMBER	
		QUART	GALLON
<b>EXTERIOR</b>			
<b>ACRYLIC LACQUER</b>			
Dakota Black	8906	4175 375	1175 375
Bahama Blue	8911	4175 442	1175 442
Beaumont Blue	8993	4175 754	1175 754
Lakeland Blue	8979	4175 753	1175 753
Newport Blue (base coat)	8988	4175 756	1175 756
Newport Blue (top coat)	8991	4175 755	1175 755
Denver Brown (base coat)	8989	4175 297	1175 297
Denver Brown (top coat)	8977	4175 298	1175 298
Las Vegas Gold (base coat)	8931	4175 327	1175 327
Las Vegas Gold (top coat)	8929	4175 328	1175 328
Reno Gold (base coat)	8976	4175 343	1175 343
Reno Gold (top coat)	8974	4175 342	1175 342
Lincoln Gray	8987	4175 205	1175 205
Polar Gray	8986	4175 204	1175 204
Orlando Green	8981	4175 206	1175 206
Tampa Green (base coat)	8998	4175 208	1175 208
Tampa Green (top coat)	8997	4175 207	1175 207
Monterey Maroon (base coat)	8908	4175 758	1175 758
Monterey Maroon (top coat)	8904	4175 757	1175 757
Ocala Orange (base coat)	8909	4175 503	1175 503
Ocala Orange (top coat)	8907	4175 502	1175 502
Madrid Red (base coat)	8276	4175 131	1175 131
Madrid Red (top coat)	8910	4175 589	1175 589
Pontiac Red	8954	4175 590	1175 590
Mocha Tan	8985	4175 750	1175 750
Bimini Turquoise	8992	4175 752	1175 752
Nassau Turquoise	8978	4175 751	1175 751
Juneau White	L8973	4175 655	1175 655
Dallas Yellow	8975	4175 702	1175 702
Thinner (fast drying) Titanine	8930	4179 138	1179 138
Thinner (slow drying) Titanine	8970	4179 134	1179 134

# PIPER PARTS CATALOG

## STANDARD PAINT CHART

	MFG. NO.	PIPER PART NUMBER	
		QUART	GALLON
<b>EXTERIOR</b>			
<b>POLYURETHANE ENAMEL (Titanine)</b>			
Juneau White	6373	4170 901	1170 901
Dakota Black	6306-N	4176 181	1176 181
Las Vegas Gold	6328-N	4177 000	1177 000
Lime Green	6326	4177 029	1177 029
Bahama Blue	6348-N	4177 260	1177 260
Madrid Red	6310-N	4177 386	1177 386
Baja Yellow	6327	4177 454	1177 454
Ocala Orange	6307-N	4177 575	1177 575
Catalyst	6352	4170 807	1170 807
Reducer	6350	4179 141	1179 141
<b>POLYURETHANE PRIMER (Titanine)</b>			
Primer	6351	4170 735	1170 735
Reducer	6350	4179 141	1179 141
Catalyst	6352	4170 807	1170 807
Epoxy Primer	8951	4170 729	1170 729
Epoxy Reducer	8905-A	4179 139	1179 139
Epoxy Converter	8678	4179 825	1179 825

# TABLE OF CONTENTS

FIGURE NUMBER	FIGURE TITLE	GRID NUMBER
1	View of Complete Airplane .....	1A13
SECTION I WING		
2	Wing Installation .....	1A14
3	Wing Panel Inboard Parts Installation .....	1A19
4	Wing Panel Outboard Parts Installation .....	1A21
5	Wing Panel Leading Edge Assembly .....	1B1
6	Leading Edge Spar Assembly .....	1B4
7	Wing Panel Rear Spar Assembly .....	1B7
8	Aileron Assembly .....	1B13
9	Flap Assembly .....	1B16
SECTION II FUSELAGE		
10	Fuselage Assembly .....	1B19
11	Upper Forward Section Assembly .....	1B21
12	Upper Cabin Section Assembly .....	1C1
13	Lower Forward Section Assembly .....	1C5
14	Lower Forward Frame Assembly .....	1C8
15	Pressure Bulkhead Assembly .....	1C12
16	Lower Rear Section Assembly .....	1C14
17	Lower Center Frame Assembly .....	1C18
18	Lower Rear Frame Assembly .....	1C21
19	Aft Section .....	1D1
20	Structure Installation, Sta. 375 to Sta. 215 .....	1D6
21	Structure Installation, Sta. 215 to Sta. 244 .....	1D9
22	Inner Skin Installation .....	1D11
23	Floorboard Installation .....	1D13
24	Windshield Installation .....	1D16
25	Windows Installation (External) .....	1D18
26	Emergency Exit Window Installation (31P-3 to 31P-109 incl.) .....	1D20
26A	Emergency Exit Window Installation (31P-7300110 and up) .....	1D22
26B	Overhead Window Installation .....	1E1
27	Nose Cone Installation .....	1E3
28	Cabin Entrance Door Installation .....	1E6
28A	Cabin Entrance Door Assembly .....	1E10
29	Cabin Door Latch Installation .....	1E12
30	Cabin Door Step Installation .....	1E15
31	Cabin Door Snubber Installation .....	1E18
32	Cabin Door Inflation System Installation .....	1E20
33	Forward Baggage Door Installation .....	1E22



# TABLE OF CONTENTS

FIGURE NUMBER	FIGURE TITLE	GRID NUMBER
SECTION III TAIL SURFACES		
34	Tail Surfaces Installation .....	1F1
35	Fin Assembly .....	1F5
36	Rudder Assembly .....	1F7
37	Stabilizer Assembly .....	1F10
38	Elevator Assembly .....	1F12
SECTION IV LANDING GEAR		
39	Main Landing Gear Installation .....	1F16
40	Main Gear Strut Assembly .....	1F20
41	Main Wheel Assembly .....	1F23
42	Main Wheel Brake Assembly .....	1G1
43	Nose Landing Gear Installation .....	1G3
44	Nose Gear Strut Assembly .....	1G7
45	Nose Wheel Assembly .....	1G10
46	Nose Gear Steering Installation .....	1G12
47	Brake System Installation .....	1G15
48	Dual Brake Installation .....	1G18
49	Master Cylinder and Parking Brake Valve .....	1G20
50	Landing Gear Selector Mechanism Installation .....	1G22
SECTION V CABIN EQUIPMENT		
51	Cabin Interior Finishing Installation (31P-3 to 31P-7630005 incl.) .....	1H1
51A	Cabin Interior Finishing Installation (31P-7630006 and up) .....	1H7
52	Interior Windows and Curtains Installation .....	1H10
53	Cabin Headliner Installation (31P-3 to 31P-7630019 incl.) .....	1H13
53A	Cabin Headliner Installation (31P-7730001 and up) .....	1H16
54	Carpet Installation .....	1H18
55	Crew Seats Installation .....	1I1
56	Passenger Seats Installation .....	1I7
57	7th Seat Installation .....	1I14
58	8th Seat Installation .....	1I19
59	Toilet Seat Installation .....	1J1
60	Forward Cabin Divider and Fire Extinguisher Instl. (31P-3 to 31P-7630005 incl.) .....	1J5
60A	Forward Cabin Divider and Storage Cabinet Instl. (31P-7630006 and up) .....	1J8
61	Folding Table and Refreshment Cabinet Installation .....	1J10
62	Rear Divider Panel and Beverage Dispenser Installation .....	1J12
63	Baggage Compartments Finishing Installation .....	1J14

# TABLE OF CONTENTS

FIGURE NUMBER FIGURE TITLE GRID NUMBER

SECTION VI  
INSTRUMENTS

64	Instrument Panel Installation .....	1J17
65	Dual Instrument Panel Installation .....	1K1
66	True Airspeed Indicator Installation .....	1K4
67	Miscellaneous Air and Fluid Lines Installation .....	1K6
68	Static Air System Installation .....	1K9
69	Gyro Instrument Lines Installation .....	1K12
70	Dual Instrument Air System Installation .....	1K14

SECTION VII  
POWER PLANT

71	Power Plant Installation .....	1K16
72	Engine Baffle Installation .....	1K20
73	Cylinder Head Baffle Installation .....	1K22
74	Engine Controls Installation .....	1L1
75	Engine Cowl Installation .....	1L4
76	Cowl Flap Actuating Mechanism Installation .....	1L7
77	Nacelle Installation .....	1L9
78	Oil Cooler Installation .....	1L13
79	Propeller Assembly .....	1L15
79A	Propeller Synchronizer System Installation .....	1L18
79B	Propeller Synchronizer System Installation .....	1L20

SECTION VIII  
FUEL SYSTEM

80	Fuel Control Panel Installation .....	2A6
81	Left Engine Fuel System Installation .....	2A9
82	Right Engine Fuel System Installation .....	2A14
83	Auxiliary Fuel Lines Installation .....	2A19
84	Fuel System Components .....	2A22
85	Fuel Flow Gauge Installation .....	2B1
86	Main Fuel Cell and Liner Installation .....	2B3
87	Nacelle and Auxiliary Fuel Cells and Liner Installation .....	2B6

SECTION IX  
CONTROLS

88	Pedestal Installation .....	2B9
89	Pedestal Control Assembly .....	2B14
90	Aileron Control Installation .....	2B17
91	Aileron Trim Installation .....	2B20
92	Rudder Control Installation .....	2C1
93	Rudder Trim Installation .....	2C4
94	Elevator Control Installation .....	2C7
95	Elevator Trim Installation .....	2C10
96	Flap Control Installation .....	2C13
97	Control Wheel Installation .....	2C15
98	Rudder Pedal Installation .....	2C19

# TABLE OF CONTENTS

FIGURE NUMBER	FIGURE TITLE	GRID NUMBER
<b>SECTION X HYDRAULIC SYSTEM</b>		
99	Forward Hydraulic System Installation .....	2C22
100	Aft Hydraulic System Installation .....	2D1
101	Hydraulic Pumps Installation .....	2D3
102	Hydraulic System Components (Ozone) .....	2D6
102A	Hydraulic System Components (Wiebel) .....	2D8
103	Hydraulic Powerpak Assembly (Ozone) .....	2D11
103A	Hydraulic Powerpak Components (Ozone) .....	2D14
104	Hydraulic Powerpak Assembly (Wiebel) .....	2D16
104A	Hydraulic Powerpak Components (Wiebel) .....	2D19
<b>SECTION XI ENVIRONMENTAL</b>		
105	Heater and Evaporator Installation .....	2D21
106	Heater Assembly .....	2E1
107	Heater Combustion Air Blower and Motor Assembly .....	2E3
108	Heater Ignition Assembly .....	2E5
109	Cabin Pressure Control System Installation .....	2E7
110	Air Distribution Duct Installation .....	2E10
111	Fuselage Pressurization Air Supply Installation .....	2E12
112	Wing Pressurization and Pneumatic Air Supply Installation .....	2E15
113	Oxygen System Installation .....	2E18
114	Fuselage Freon Lines Installation .....	2E21
115	Wing Freon Lines Installation .....	2E23
116	Freon Condenser Scoop Installation .....	2F1
117	Windshield Defroster System Installation .....	2F3
118	Pneumatic Deicing System Installation .....	2F5
<b>SECTION XII ELECTRICAL SYSTEM</b>		
119	Primary and Auxiliary Power Installation .....	2F8
120	Forward Electrical System Installation .....	2F11
120A	Instrument Panel Harness Installation .....	2F14
121	Aft Electrical System Installation .....	2F17
121A	Switch and Circuit Breakers System Installation .....	2F19
122	Strobe Lights Installation (31P-3 to 31P-7300146 incl.) .....	2F22
122A	Strobe Lights Installation (31P-7300147 and up) .....	2G1
123	Overhead Switch Panel Installation .....	2G3
124	Landing Light and Ice Detection Light Installation .....	2G6
125	Electric Windshield Wiper Installation .....	2G8
126	Propeller Electric Deicer Installation .....	2G10

# TABLE OF CONTENTS

FIGURE NUMBER FIGURE TITLE GRID NUMBER

**SECTION XIII  
ELECTRONICS SYSTEM**

126A	AltiMatic Pilot III B Installation .....	2G13
126B	AltiMatic Pilot III B-1 Installation .....	2G16
127	AltiMatic Pilot III C Installation .....	2G19
127A	AltiMatic V-F/D and V F/D-1 AutoPilot Installation .....	2H1
127B	AltiMatic V and V-1 AutoPilot Installation .....	2H5
127C	Radio Magnetic Indicator Instl. (Used with AltiMatic III B and AltiMatic III B-1) .....	2H8
127D	Radio Magnetic Indicator Instl. (Used with AltiMatic V, V-1, V F/D and V F/D-1) .....	2H10
128	Glide Slope Coupler Installation .....	2H12
128A	Piper Automatic Locator (ELT) Installation (Garrett Mfg. Ltd.) .....	2H14
128B	Piper Automatic Locator (ELT) Installation (Communications Components Corp.) .....	2H16
128C	Piper Automatic Locator (ELT) Installation (Narco Avionics) .....	2H18
128D	R.C.A. Radar Installation .....	2H20
128E	Bendix Radar Installation (RDR-110) .....	2H22
129	Bendix Radar Installation (RDR-130) .....	2I1
129A	Bendix Radar Installation (RDR-140) .....	2I3
129B	Bendix Radar Installation (RDR-150) .....	2I5
129C	Radar Altimeter Installation .....	2I7
129D	Collins Radio Altimeter Installation .....	2I9
129E	Encoding Altimeter and Altitude Alerter Installation .....	2I11
129F	Radio Telephone System Installation .....	2I13
130	Antenna Cable, Speaker, Static Wicks, Jack and Mike Installation .....	2I15
130A	Radio Junction Box and Transmitter Selector Assemblies .....	2I17
	Radio Drawings .....	2I20

**SECTION XIV  
MISCELLANEOUS**

131	Placards and Exterior Stencils .....	2J1
	Optional Equipment Kits and Repair Kits .....	2J6

NUMERICAL INDEX 2J10

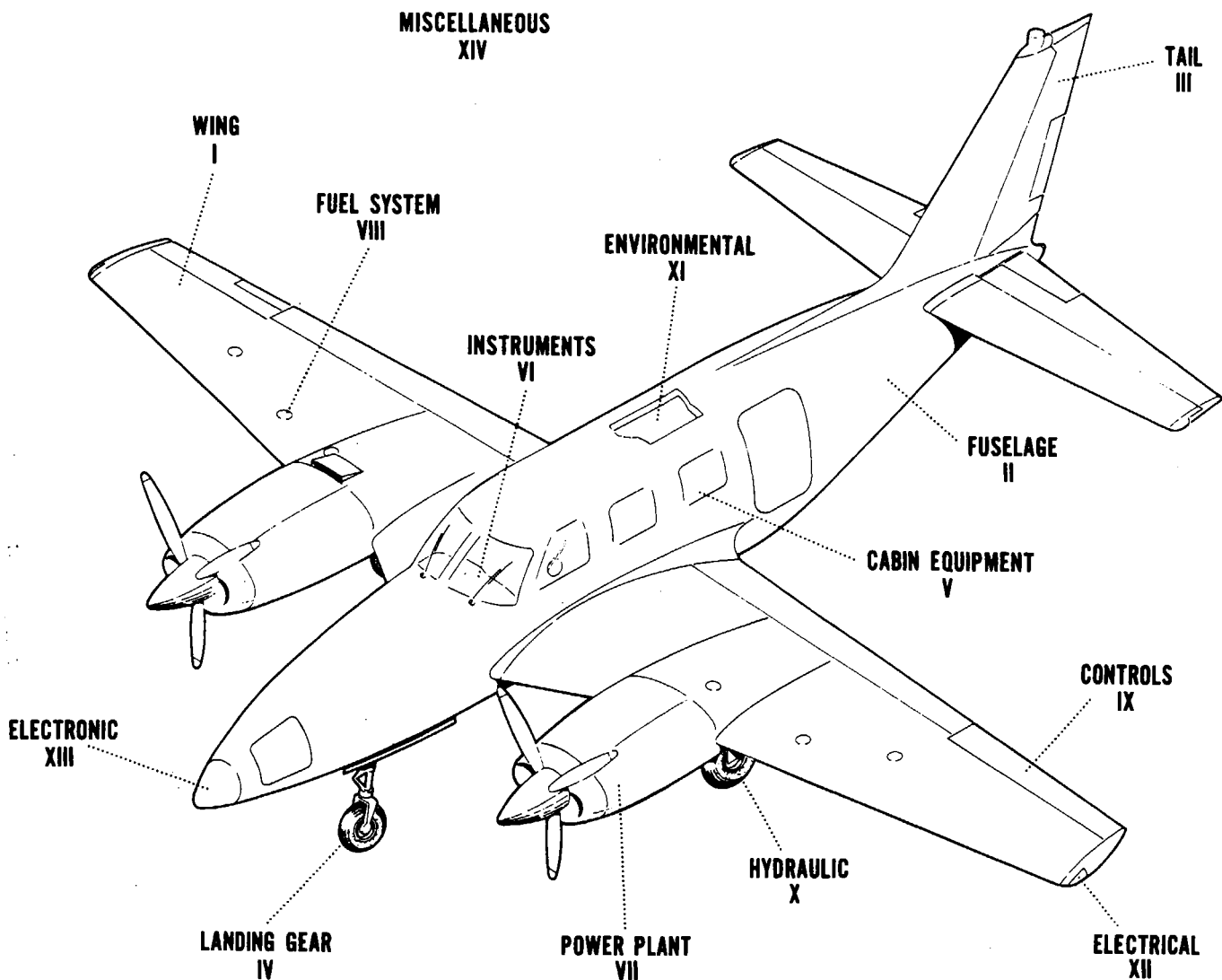


Figure 1. View of Complete Airplane

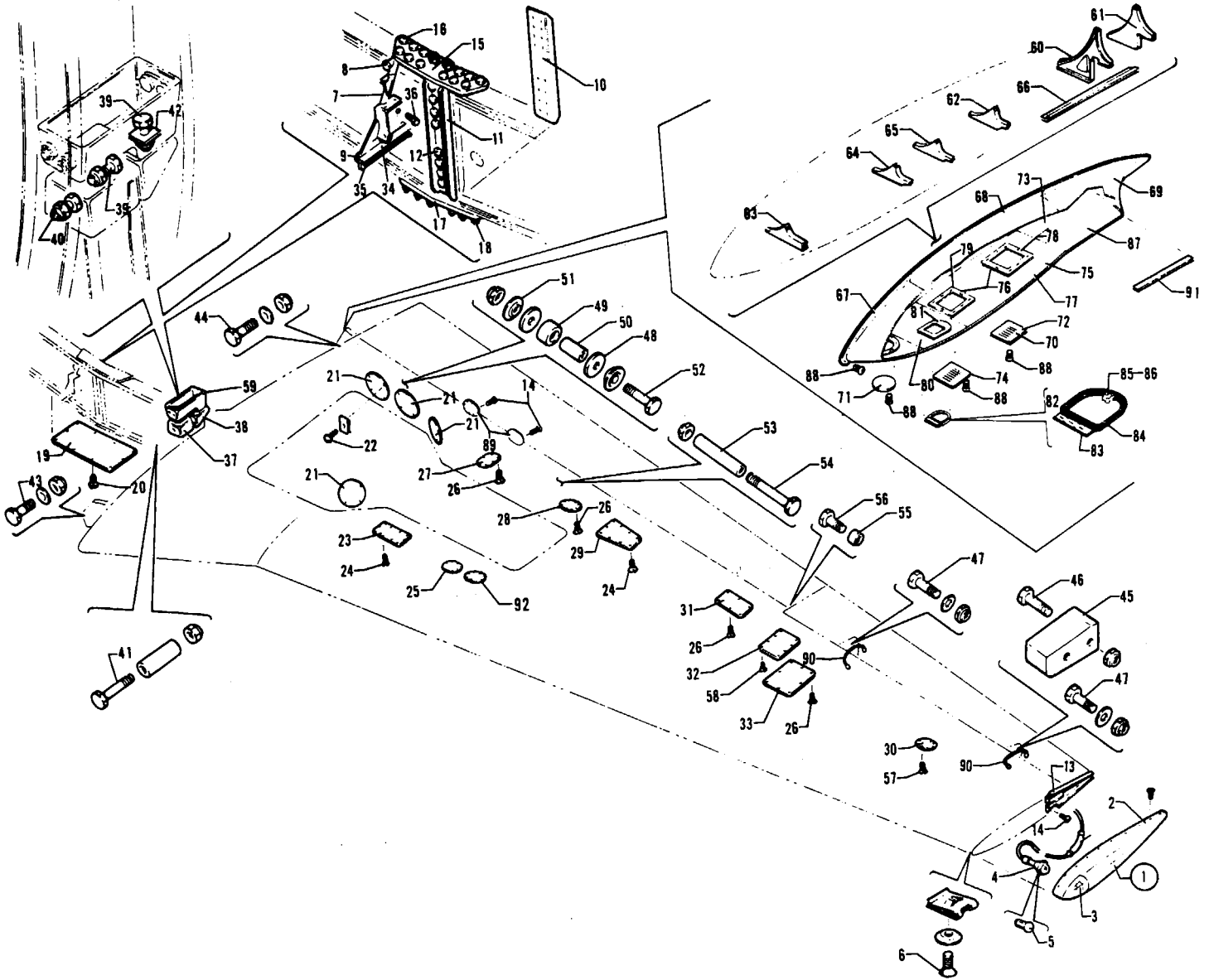


Figure 2. Wing Installation

**PIPER PARTS CATALOG**

Figure and Index Number	Part Number	Code	NOMENCLATURE	No. Req.	SERIAL NUMBERS AFFECTED
2-	45415 41488 41565		DRAWING - Wing Installation DRAWING - Flap Installation DRAWING - Aileron Installation		
-1	42027-07 42027-15 44587-16 42027-08 42027-16 44587-17	A A B A A B	TIP ASSEMBLY - Wing, left (with navigation light) TIP ASSEMBLY - Wing, left (with navigation light) TIP ASSEMBLY - Wing, left (less navigation and strobe light) TIP ASSEMBLY - Wing, right (with navigation light) TIP ASSEMBLY - Wing, right (with navigation light) TIP ASSEMBLY - Wing, right (less navigation and strobe light)	1 1 1 1 1 1	31P-3 to 31P-7300132 incl. 31P-7300133 to 31P-7300146 incl. 31P-7300147 and up 31P-3 to 31P-7300132 incl. 31P-7300133 to 31P-7300146 incl. 31P-7300147 and up
-2	42027-02 42027-03	A A	* TIP ASSEMBLY - Wing tip assembly, left * TIP ASSEMBLY - Wing tip assembly, right	1 1	31P-3 to 31P-7300146 incl. 31P-3 to 31P-7300146 incl.
-3	42027-04 42027-05	A A	* PLEXIGLASS - Wing tip assembly, left * PLEXIGLASS - Wing tip assembly, right	1 1	31P-3 to 31P-7300146 incl. 31P-3 to 31P-7300146 incl.
-4	43258-04 43258-03	A A	* LIGHT ASSEMBLY - Wing tip, red, left * LIGHT ASSEMBLY - Wing tip, green, right	1 1	31P-3 to 31P-7300146 incl. 31P-3 to 31P-7300146 incl.
-5	753 478	A	* * BULB - Wing tip, light (#A-7512-24)	1	31P-3 to 31P-7300146 incl.
-6	414 748 494 071 406 362		SCREW - (AN507-632R8) WASHER - (A3236-012-1) NUT - (C8095-632-1)	44 44 44	
-7	41027-09		BRACE ASSEMBLY - Wing spar	2	
-8	400 012 407 565 407 585 404 888		BOLT - (AN4-17A) WASHER - (AN960-416) WASHER - (AN960-416L) NUT - (MS20365-428C)	2 2 2 2	
-9	400 440 407 564 407 584 404 887		BOLT - (AN3-6A) WASHER - (AN960-10) WASHER - (AN960-10L) NUT - (MS20365-1032C)	4 4 4 4	
-10	45541-00		CHANNEL ASSEMBLY - Spar attachment, wing	1	
-11	40624-00		CHANNEL - Spar attachment, wing	1	
-12	400 441 404 887		BOLT - (AN3-7A) NUT - (MS20365-1032C)	16 16	
-13	40510-00 40510-01		RIB - Wing tip attachment, Sta. 239, left RIB - Wing tip attachment, Sta. 239, right	1 1	
-14	415 533		SCREW - (MS35206-243)	36	
-15	45238-00		PLATE - Wing, main spar attachment, upper	1	
-16	401 394 407 567 404 890		BOLT - (AN6-13A) WASHER - (AN960-616) NUT - (MS20365-624C)	18 18 18	
-17	45237-02		PLATE - Wing, main spar attachment, lower	1	
-18	401 395 407 567 404 890		BOLT - (AN6-14A) WASHER - (AN960-616) NUT - (MS20365-624C)	18 18 18	

A - Refer to Figure 122 if wing tip strobe lights are installed.  
B - See Figure 122A for navigation and strobe lights.

When ordering, always specify Part Number, Description and Serial Number of Aircraft



Figure and Index Number	Part Number	Code	NOMENCLATURE	No. Req.	SERIAL NUMBERS AFFECTED
2-19	41028-00		PLATE - Fuselage access cover, Sta. 135 to Sta. 140	1	
-20	415 535		SCREW - (MS35206-245)	10	
-21	40468-00		PLATE - Wing cover	8	
-22	415 518		SCREW - (MS35206-228)	32	
	408 434		NUT - (A188-632-1)	32	
-23	45387-00		PLATE - Wing access, bottom	1	
-24	414 779		SCREW - (MS24693-549)	38	
-26	45386-00		PLATE ASSEMBLY - Wing access, bottom	3	
-26	414 761		SCREW - (MS24693-548)	96	
-27	40563-00		PLATE - Wing access, bottom	2	
-28	40567-00		PLATE - Wing access, bottom	2	
-29	40567-00		PLATE - Wing access, bottom, left	1	
	40567-01		PLATE - Wing access, bottom, right	1	
-30	20370-00		PLATE - Wing access, bottom	2	
-31	40629-00		COVER - Aileron pulley access, wing bottom, left	1	
	40629-01		COVER - Aileron pulley access, wing bottom, right	1	
-32	42118-01		COVER - Aileron mechanism access, wing bottom, left	1	
	42118-00		COVER - Aileron mechanism access, wing bottom, right	1	
-33	40636-00		COVER - Aileron bellcrank access, wing bottom, left	1	
	40636-01		COVER - Aileron bellcrank access, wing bottom, right	1	
-34	46168-00		ANGLE ASSEMBLY - Longitudinal beam splice, left	1	
	46168-01		ANGLE ASSEMBLY - Longitudinal beam splice, right	1	
-35	400 440		BOLT - (AN4-6A)	4	
	407 564		WASHER - (AN960-10)	4	
	404 887		NUT - (MS20365-1032C)	4	
-36	401 266		BOLT - (AN3-5A)	4	
	407 564		WASHER - (AN960-10)	4	
	404 887		NUT - (MS20365-1032C)	4	
-37	40329-00		FITTING - Main spar attachment, lower, forward	2	
-38	40319-00		FITTING - Main spar attachment, lower, rear	2	
-39	401 353		BOLT - (AN5-12A)	2	
	407 566		WASHER - (AN960-518)	2	
	404 889		NUT - (MS20365-524C)	2	
-40	401 186		BOLT - (AN5-8A)	2	
	404 889		NUT - (MS20365-524C)	2	
-41	401 365		BOLT - (AN5-26A)	2	
	41413-36		BUSHING - Spacer	2	
	407 566		WASHER - (AN960-518)	2	
	404 889		NUT - (MS20365-524C)	2	
-42	44155-00		SHIM - Washer, square (.016 thickness)	AR	
	44155-02		SHIM - Washer, square (.064 thickness)	AR	
-43	401 505		BOLT - (AN7-11A)	2	
	407 591		WASHER - (AN960-716L) (under nut)	2	
	407 568		WASHER - (AN960-716) (1 under nut and 1 under bolt head)	4	
	404 891		NUT - (MS20365-720C)	2	
-44	400 622		BOLT - (AN8-13A)	2	
	407 589		WASHER - (AN960-816L) (under nut)	2	
	407 569		WASHER - (AN960-816) (1 under nut and 1 under bolt head)	4	
	404 900		NUT - (MS20365-820C)	2	
-45	40374-00		WEIGHT - Aileron balance, left	1	
	40373-00		WEIGHT - Aileron balance, right	1	
-46	400 446		BOLT - (AN3-16A)	4	
	404 835		NUT - (MS20364-1032C)	4	
-47	401 311		BOLT - (AN4-11A)	2	
	19513-64		WASHER	2	
	404 888		NUT - (MS20365-428C)	2	

When ordering, always specify Part Number, Description and Serial Number of Aircraft



Figure and Index Number	Part Number	Code	NOMENCLATURE	No. Req.	SERIAL NUMBERS AFFECTED
2-48	40559-43		WASHER - Flap, outboard track	8	
	40559-42		WASHER - Flap, inboard and center track	16	
-49	86102-104		BUSHING - Flap, outboard track	4	
	86102-105		BUSHING - Flap, center track	4	
	86102-106		BUSHING - Flap, inboard track	4	
-50	41413-05		BUSHING - Flap, inboard center and outboard track	12	
-51	408 825		WASHER - Flap, outboard and inboard track assembly (#3512-20-03-0511)	16	
-52	401 312		BOLT - (AN4-12A)	12	
	407 565		WASHER - (AN960-416)	12	
	404 888		NUT - (MS21044-N4)	12	
-53	41413-37		BUSHING - Transmission bracket spacer, left	1	
-54	400 460		BOLT - Left (AN3-35A)	2	
	407 564		WASHER - Left (AN960-10)	6	
	404 887		NUT - Left (MS21044-N3)	2	
-55	41413-51		BUSHING - Aileron tab, right	1	
-56	400 440		BOLT - (AN3-6A) Right	1	
	81342-09		WASHER - Right	1	
-57	414 763		SCREW - (MS24693-S50)	16	
-58	414 747		SCREW - (MS24693-S48)	10	
-59	45155-00		FITTING - Main spar attachment	2	
-60	43646-04		BULKHEAD - Wing fillet, Sta. 181, left	1	
	43646-05		BULKHEAD - Wing fillet, Sta. 181, right	1	
-61	43649-04		BULKHEAD - Wing fillet, Sta. 191.7, left	1	
	43649-05		BULKHEAD - Wing fillet, Sta. 191.7, right	1	
-62	43645-00		BULKHEAD ASSEMBLY - Wing fillet, Sta. 162.6, left	1	
	43645-01		BULKHEAD ASSEMBLY - Wing fillet, Sta. 162.6, right	1	
-63	43647-00		BULKHEAD ASSEMBLY - Wing fillet, Sta. 111.5, left	1	
	43647-01		BULKHEAD ASSEMBLY - Wing fillet, Sta. 111.5, right	1	
-64	43648-00		BULKHEAD ASSEMBLY - Wing fillet, Sta. 140, left	1	
	43648-01		BULKHEAD ASSEMBLY - Wing fillet, Sta. 140, right	1	
-65	43683-00		BULKHEAD ASSEMBLY - Wing fillet, Sta. 151.3, left	1	
	43683-01		BULKHEAD ASSEMBLY - Wing fillet, Sta. 151.3, right	1	
-66	42003-00		CHANNEL - Wing fillet, left	1	
	42003-01		CHANNEL - Wing fillet, right	1	
-67	42224-00		FILLET ASSEMBLY - Wing root forward, left	1	
	42224-01		FILLET ASSEMBLY - Wing root forward, right	1	
-68	42274-00		FILLET ASSEMBLY - Wing root center, left	1	
	42274-01		FILLET ASSEMBLY - Wing root center, right	1	
-69	42342-00		FILLET - Wing root rear, left	1	
	42342-01		FILLET - Wing root rear, right	1	
-70	17316-00		PLATE - Aileron bellcrank access hole cover, left and right	2	
-71	17318-02		PLATE - Access hole cover	2	
-72	47050-00		PLATE - Access hole cover, right	1	
-73	42279-00		PLATE - Wing fillet bottom rear, left	1	
	42279-01		PLATE - Wing fillet bottom rear, right	1	
-74	41840-03		PLATE ASSEMBLY - Access hole cover, left	1	
-75	42130-00		PLATE ASSEMBLY - Wing fillet bottom center, left	1	
-76	17315-00		PLATE ASSEMBLY - Access hole reinforcement, rear	1	
	17315-06		PLATE ASSEMBLY - Access hole reinforcement, front	1	
-77	47054-00		PLATE ASSEMBLY - Wing fillet bottom center, right	1	
-78	17315-00		PLATE ASSEMBLY - Access hole reinforcement, rear	1	
-79	47045-00		PLATE ASSEMBLY - Access hole reinforcement, front	1	

When ordering, always specify Part Number, Description and Serial Number of Aircraft



Figure and Index Number	Part Number	Code	NOMENCLATURE	No. Req.	SERIAL NUMBERS AFFECTED
2-80	42211-00		PLATE ASSEMBLY - Wing fillet bottom access, left	1	
	42211-01		PLATE ASSEMBLY - Wing fillet bottom access, right	1	
-81	19803-04		PLATE - Wing fillet reinforcement	1	
-82	42173-00		PLATE ASSEMBLY - Wing fillet access	1	
-83	19799-00		HINGE ASSEMBLY - Wing fillet access	1	
-84	42008-00		GASKET - Wing fillet access	1	
-85	487 614		STUD - (#2600-2W)	1	
-86	494 060		WASHER - Lock (#2600 LW)	1	
-87	42308-00		SKIN - Wing fillet, inner	2	
-88	414 763		SCREW - (MS24693-S50)	132	
-89	40607-00		PLATE - Wing access	4	
-90	49972-02		STRAP ASSEMBLY - Lightning protection	4	
-91	43508-00		STRIP - Chafing	1	
-92	45386-00		PLATE ASSEMBLY - Access, bottom (4.84" L)	1	
	45387-00		PLATE - Access, bottom (8" L)	1	

When ordering, always specify Part Number, Description and Serial Number of Aircraft

# PIPER PARTS CATALOG

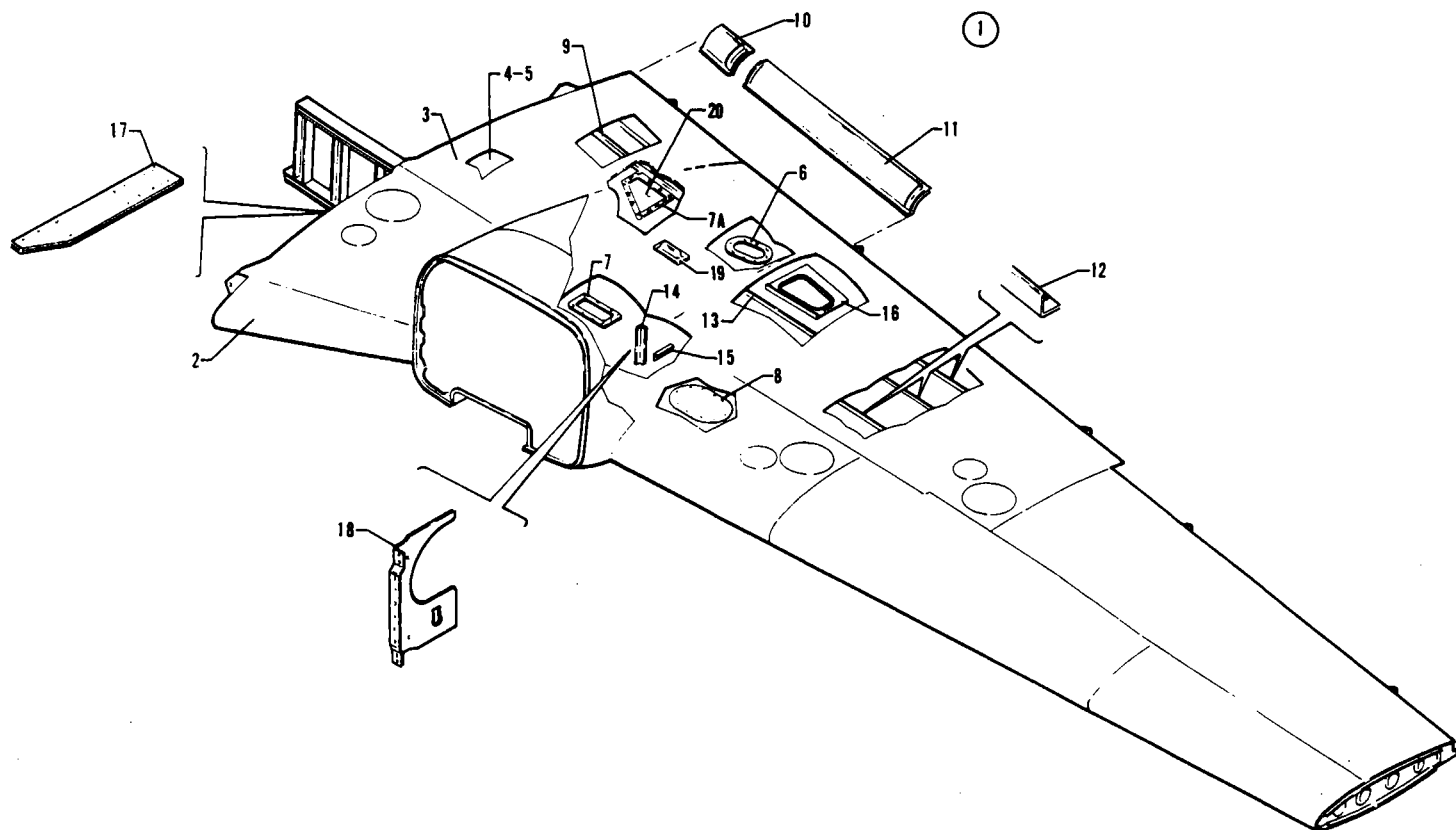


Figure 3. Wing Panel Inboard Parts Installation



Figure and Index Number	Part Number	Code	NOMENCLATURE	No. Req.	SERIAL NUMBERS AFFECTED
3-1	45410-00	A	PANEL ASSEMBLY - Wing, left	1	31P-3 to 31P-7300115 inclusive
	45410-08	A	PANEL ASSEMBLY - Wing, left	1	31P-7300116 to 31P-7400207 incl.
	45410-10	A	PANEL ASSEMBLY - Wing, left	1	31P-7400208 and up
	45410-01	A	PANEL ASSEMBLY - Wing, right	1	31P-3 to 31P-7300115 inclusive
	45410-07	A	PANEL ASSEMBLY - Wing, right	1	31P-7300116 to 31P-7400207 incl.
-2	45410-11	A	PANEL ASSEMBLY - Wing, right	1	31P-7400208 and up
	45411-00	B	LEADING EDGE ASSEMBLY - Wing panel, left	1	31P-3 to 31P-7300115 inclusive
	45411-10	B	LEADING EDGE ASSEMBLY - Wing panel, left	1	31P-7300116 to 31P-7400207 incl.
	45411-12	B	LEADING EDGE ASSEMBLY - Wing panel, left	1	31P-7400208 and up
	45411-01	B	LEADING EDGE ASSEMBLY - Wing panel, right	1	31P-3 to 31P-7300115 inclusive
-3	45411-11	B	LEADING EDGE ASSEMBLY - Wing panel, right	1	31P-7300116 to 31P-7400207 incl.
	45411-13	B	LEADING EDGE ASSEMBLY - Wing panel, right	1	31P-7400208 and up
	45647-12		SKIN - Wing panel assembly, top, left	1	
-4	45647-13		SKIN - Wing panel assembly, top, right	1	
	45410-04		PANEL ASSEMBLY - Wing bottom, left	1	31P-3 to 31P-7300115 inclusive
-5	45410-06		PANEL ASSEMBLY - Wing bottom, left	1	31P-7300116 and up
	45410-05		PANEL ASSEMBLY - Wing bottom, right	1	
	45647-16		SKIN - Wing panel assembly, bottom, left	1	31P-3 to 31P-7300115 inclusive
-6	45647-25		SKIN - Wing panel assembly, bottom, left	1	31P-7300116 and up
	45647-16		SKIN - Wing panel assembly, bottom, right	1	
-7	40670-00		PLATE - Wing access hole reinforcement	1	
-7a	45702-00		PLATE - Wing access hole reinforcement	2	
-8	52054-03		PLATE - Reinforcement, left	1	
-8	406 834		NUT - Anchor (NAS686A08)	28	
-9	45414-00	C	SPAR ASSEMBLY - Wing, rear, left	1	
	45414-01	C	SPAR ASSEMBLY - Wing, rear, right	1	
-10	40633-00		SPAR ASSEMBLY - False, Sta. 30 to Sta. 39.5, left	1	
	40633-01		SPAR ASSEMBLY - False, Sta. 30 to Sta. 39.5, right	1	
-11	40634-08		SPAR ASSEMBLY - False, Sta. 39.5 to Sta. 87.5, left	1	
	40634-09		SPAR ASSEMBLY - False, Sta. 39.5 to Sta. 87.5, right	1	
-12	40686-44		STRINGER - Wing panel (6' length)	AR	
-13	45907-14		STRINGER - Wing panel, Sta. 87.5 to Sta. 97.5, left	1	
	45907-15		STRINGER - Wing panel, Sta. 87.5 to Sta. 97.5, right	1	
-14	40460-00		ANGLE - Fuel cell liner support	1	
-15	40464-00		ANGLE - Fuel cell liner support	1	
-16	45997-00		PLATE ASSEMBLY - Access hole reinforcement, left	1	
	45997-01		PLATE ASSEMBLY - Access hole reinforcement, right	1	
-17	46024-00		PLATE - Wing panel doubler, left	1	
	46024-01		PLATE - Wing panel doubler, right	1	
-18	45952-00		PLATE - Rib attachment, main spar, left	1	
	45952-01		PLATE - Rib attachment, main spar, right	1	
-19	40517-00		COVER - Wing	1	
-20	52054-04		PLATE - Access, wing	1	

A - All items on Figures 4, 5, 6, 7, 77, 86 and 87 are components of this assembly.  
 B - See Figure 5 for component parts.  
 C - See Figure 7 for component parts.

When ordering, always specify Part Number, Description and Serial Number of Aircraft

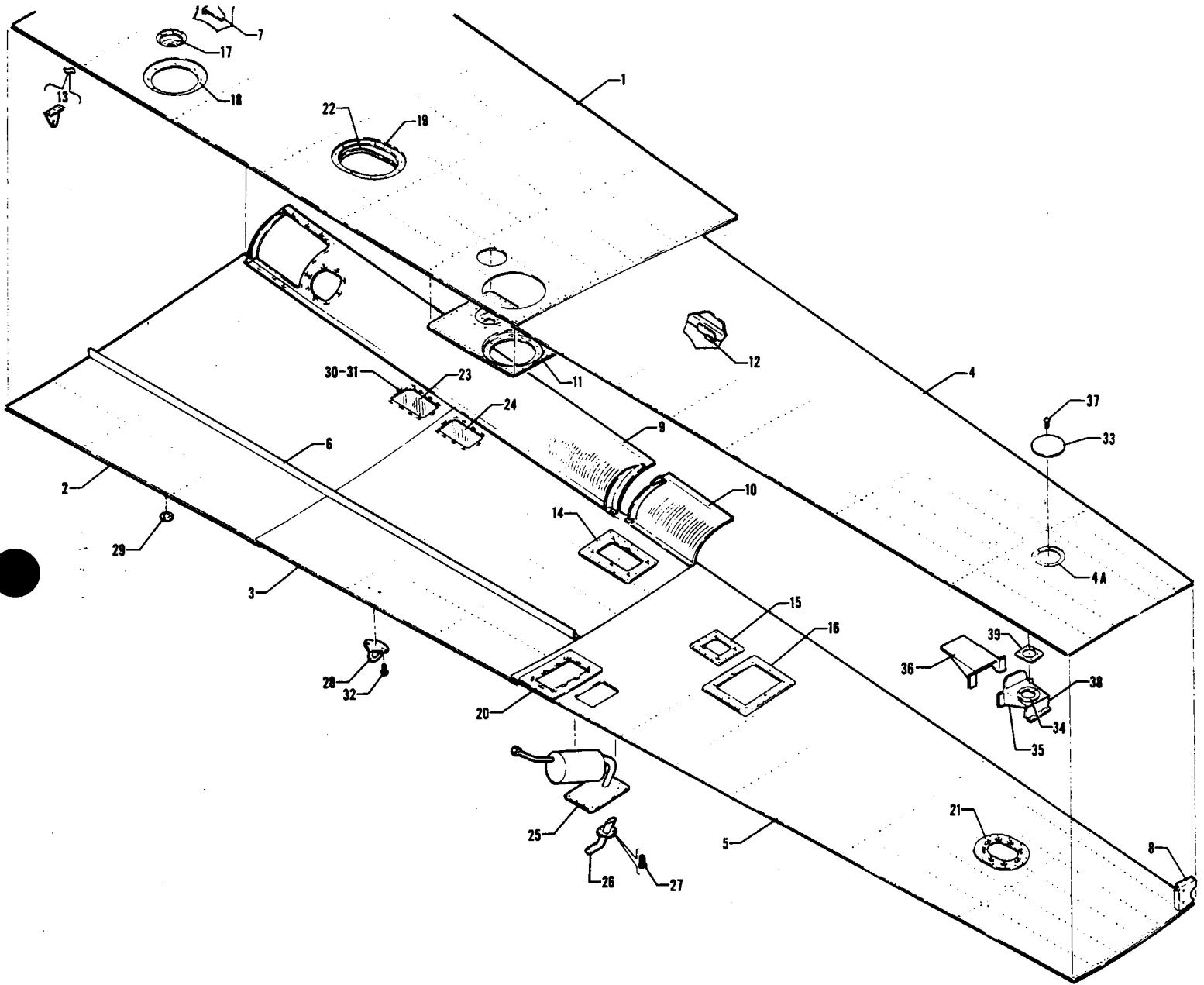


Figure 4. Wing Panel Outboard Parts Installation

**PIPER PARTS CATALOG**

Figure and Index Number	Part Number	Code	NOMENCLATURE	No. Req.	SERIAL NUMBERS AFFECTED
4-	45412		DRAWING - Wing Panel Outboard Parts Installation		
-1	45647-11		SKIN - Wing outboard, top, Sta. 86.5 to Sta. 160.5	2	
-2	40585-21		SKIN - Wing outboard, bottom, Sta. 86.5 to Sta. 119.5	2	
-3	40585-22		SKIN - Wing outboard, bottom, Sta. 119.5 to Sta. 160.5, left	1	
	40585-27		SKIN - Wing outboard, bottom, Sta. 119.5 to Sta. 160.5, right	1	
-4	45412-10		SKIN ASSEMBLY - Wing outboard, top, Sta. 160.5 to Sta. 239, left	1	
	40585-13		SKIN - Wing outboard, top, Sta. 160.5 to Sta. 239, right	1	
-4a	47744-00		* PLATE ASSEMBLY - Access reinforcement, left	1	
-5	45647-14	A	SKIN - Wing outboard, bottom, Sta. 160.5 to Sta. 239, left	1	31P-3 to 31P-7400224 incl.
	45647-15	A	SKIN - Wing outboard, bottom, Sta. 160.5 to Sta. 239, right	1	31P-3 to 31P-7400224 incl.
	45647-30		SKIN - Wing outboard, bottom, Sta. 160.5 to Sta. 239, left	1	31P-7400225 and up
	45647-31		SKIN - Wing outboard, bottom, Sta. 160.5 to Sta. 239, right	1	31P-7400225 and up
-6	40586-44		STRINGER - Wing outboard, skin (6' length)	AR	
-7	43870-00		ANGLE - Stringer support, left	1	
	43870-01		ANGLE - Stringer support, right	1	
-8	40492-08		BULKHEAD ASSEMBLY - Wing outboard, Sta. 239, left	1	
	40492-09		BULKHEAD ASSEMBLY - Wing outboard, Sta. 239, right	1	
-9	40535-00		SPAR ASSEMBLY - False, wing outboard, Sta. 87.5 to Sta. 147.5, left	1	
	40535-01		SPAR ASSEMBLY - False, wing outboard, Sta. 87.5 to Sta. 147.5, right	1	
-10	40536-00		SPAR ASSEMBLY - False, wing outboard, Sta. 147.5 to Sta. 160.5, left	1	
	40536-01		SPAR ASSEMBLY - False, wing outboard, Sta. 147.5 to Sta. 160.5, right	1	
-11	45888-00		BRACKET ASSEMBLY - Wing outboard, fuel cell support, left	1	31P-3 to 31P-91 incl.
	45888-04		BRACKET ASSEMBLY - Wing outboard, fuel cell support, left	1	31P-92 and up
	45888-01		BRACKET ASSEMBLY - Wing outboard, fuel cell support, right	1	31P-3 to 31P-91 incl.
	45888-05		BRACKET ASSEMBLY - Wing outboard, fuel cell support, right	1	31P-92 and up
-12	40396-00		BRACKET - Mounting, wing outboard, Sta. 166.6, right	1	
-13	41601-00		BRACKET - Potentiometer mounting, left	1	
-14	40628-00		PLATE ASSEMBLY - Aileron pulley access reinforcement, Sta. 150, bottom, left	1	
	40628-01		PLATE ASSEMBLY - Aileron pulley access reinforcement, Sta. 150, bottom, right	1	
-15	42117-00		PLATE ASSEMBLY - Aileron pulley access reinforcement, Sta. 173, bottom, left	1	
	42117-01		PLATE ASSEMBLY - Aileron pulley access reinforcement, Sta. 173, bottom, right	1	
-16	40635-00		PLATE ASSEMBLY - Aileron pulley access reinforcement, Sta. 180, bottom, left	1	
	40635-01		PLATE ASSEMBLY - Aileron pulley access reinforcement, Sta. 180, bottom, right	1	

A - Order part for serial numbers 31P-7400225 and up if Heated Fuel Vent Replacement Kit 763 994 has been installed.

When ordering, always specify Part Number, Description and Serial Number of Aircraft

**PIPER PARTS CATALOG**

Figure and Index Number	Part Number	Code	NOMENCLATURE	No. Req.	SERIAL NUMBERS AFFECTED
4-17	40378-00		PLATE ASSEMBLY - Fuel gauge support, left	1	31P-3 to 31P-91 incl.
	40378-06		PLATE ASSEMBLY - Fuel gauge support, left	1	31P-92 to 31P-7630018 incl.
	40378-10		PLATE ASSEMBLY - Fuel gauge support, left	1	31P-7630019 and up
	40378-01		PLATE ASSEMBLY - Fuel gauge support, right	1	31P-3 to 31P-91 incl.
	40378-07		PLATE ASSEMBLY - Fuel gauge support, right	1	31P-92 to 31P-7630018 incl.
	40378-11		PLATE ASSEMBLY - Fuel gauge support, right	1	31P-7630019 and up
-18	40532-00		PLATE ASSEMBLY - Fuel cell access reinforcement, Sta. 109.5	2	31P-3 to 31P-91 incl.
	40532-06		PLATE ASSEMBLY - Fuel cell access reinforcement, Sta. 109.5	2	31P-92 and up
-19	40526-00		PLATE ASSEMBLY - Fuel cell access reinforcement, Sta. 121.5	2	31P-3 to 31P-91 incl.
	40526-05		PLATE ASSEMBLY - Fuel cell access reinforcement, Sta. 121.5	2	31P-92 and up
-20	45545-00		PLATE ASSEMBLY - Fuel cell access reinforcement, Sta. 160.5, left	1	
	45545-01		PLATE ASSEMBLY - Fuel cell access reinforcement, Sta. 160.5, right	1	
-21	20372-03		PLATE ASSEMBLY - Wing, outboard, bottom, Sta. 221.5	2	
-22	42590-00		PLATE - Wing, outboard, fuel cell stand-off	2	
-23	42638-00		PLATE - Access hole cover, bottom, Sta. 121.5	2	
-24	46012-00		PLATE - Access hole cover, right, Sta. 128	1	
-25	47726-00	B	VENT ASSEMBLY - Wing outboard, fuel cell, left	1	31P-3 to 31P-7400224 incl.
	47726-01	B	VENT ASSEMBLY - Wing outboard, fuel cell, right	1	31P-3 to 31P-7400224 incl.
	43910-10		VENT ASSEMBLY - Wing outboard, fuel cell, left	1	31P-7400225 and up
	43910-11		VENT ASSEMBLY - Wing outboard, fuel cell, right	1	31P-7400225 and up
-26	47816-00	A	VENT ASSEMBLY - Fuel cell heated, left	1	31P-3 to 31P-7400224 incl.
	47816-01	A	VENT ASSEMBLY - Fuel cell heated, right	1	31P-3 to 31P-7400224 incl.
-27	415 518		SCREW - (MS35206-228)	8	31P-3 to 31P-7400224 incl.
-28	18457-00		RING - Tie down, wing, outboard	2	
-29	25597-00		PAD - Jack, wing panel assembly	2	
-30	415 533		SCREW - (MS35206-243)	30	
-31	406 826		NUT - Anchor (NAS686A08K)	6	
-32	410 040		SCREW - (MS24694-S52)	4	
-33	47745-00		PLATE - Access, left	1	
-34	47831-00		PLATE ASSEMBLY - Flux detector mounting	1	
-35	51359-00		BRACKET - Flux detector	1	
-36	52072-00		BRACKET ASSEMBLY - Compensator mounting	1	
-37	414 425		SCREW - (MS24693-BB50)	8	
-38	54716-04		BRACKET - Flux detector	1	
-39	48975-02		PLATE ASSEMBLY - Adapter, flux detector	1	

A - No longer available. Order Heated Fuel Vent Replacement Kit 763 994 which will update the Fuel Vent System of both left and right wings to the configuration used on serial numbers 31P-7400225 and up.

B - Order part for serial numbers 31P-7400225 and up if Heated Fuel Vent Replacement Kit 763 994 has been installed.

When ordering, always specify Part Number, Description and Serial Number of Aircraft

**1A24**

**INTENTIONALLY LEFT BLANK**



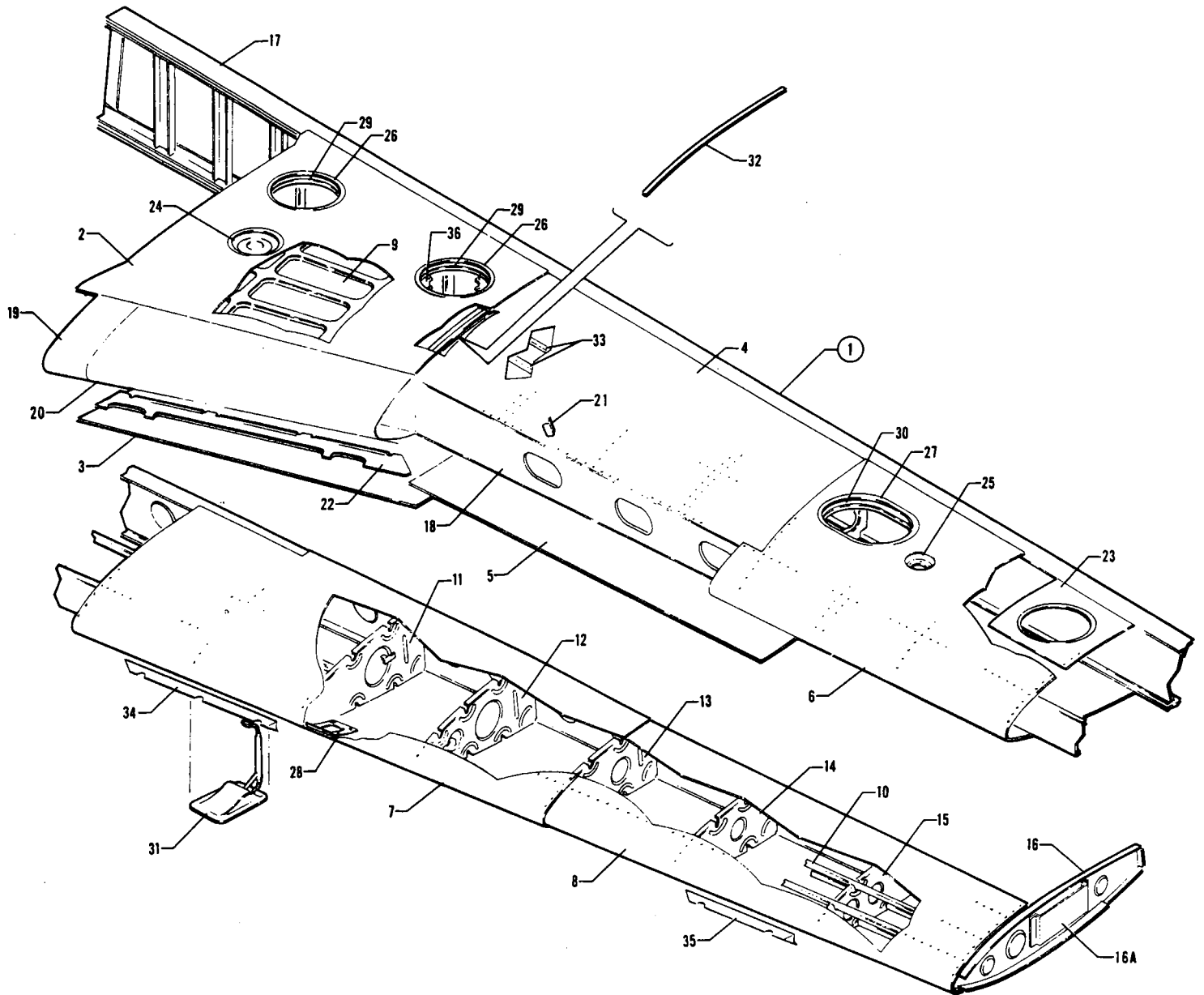


Figure 5. Wing Panel Leading Edge Assembly



Figure and Index Number	Part Number	Code	NOMENCLATURE	No. Req.	SERIAL NUMBERS AFFECTED
5-1	45411-00	A	LEADING EDGE ASSEMBLY - Wing, left	1	31P-3 to 31P-7300115 inclusive
	45411-10	A	LEADING EDGE ASSEMBLY - Wing, left	1	31P-7300116 to 31P-7400207 inclusive
	45411-12	A	LEADING EDGE ASSEMBLY - Wing, left	1	31P-7400208 and up
	45411-01	A	LEADING EDGE ASSEMBLY - Wing, right	1	31P-3 to 31P-7300115 inclusive
	45411-11	A	LEADING EDGE ASSEMBLY - Wing, right	1	31P-7300116 to 31P-7400207 inclusive
	45411-13	A	LEADING EDGE ASSEMBLY - Wing, right	1	31P-7400208 and up
	-2	45647-10		SKIN - Wing, top, inboard, Sta. 30 to Sta. 58.5	1
-3	40659-06		SKIN - Wing, bottom, inboard, Sta. 30 to Sta. 58.5, left	1	
	40659-07		SKIN - Wing, bottom, inboard, Sta. 30 to Sta. 58.5, right	1	
-4	40585-16		SKIN - Wing, top, center, Sta. 58.5 to Sta. 97.5	1	
-5	40585-20		SKIN - Wing, bottom, center, Sta. 58.5 to Sta. 97.5	1	
-6	45647-06		SKIN - Leading edge, center, Sta. 97.5 to Sta. 160.5, left	1	31P-3 to 31P-7400207 inclusive
	45647-26		SKIN - Leading edge, center, Sta. 97.5 to Sta. 160.5, left	1	31P-7400208 and up
	45647-07		SKIN - Leading edge, center, Sta. 97.5 to Sta. 160.5, right	1	31P-3 to 31P-7400207 inclusive
	45647-27		SKIN - Leading edge, center, Sta. 97.5 to Sta. 160.5, right	1	31P-7400208 and up
-7	40659-02		SKIN - Leading edge, center, outboard, Sta. 160.5 to Sta. 205, left	1	
	40659-03		SKIN - Leading edge, center, outboard, Sta. 160.6 to Sta. 205, right	1	
-8	40585-28		SKIN - Leading edge, outboard, Sta. 205 to Sta. 239, left	1	
	40585-29		SKIN - Leading edge, outboard, Sta. 205 to Sta. 239, right	1	
-9	40506-06		SKIN ASSEMBLY - Wing, inner, bottom, left	1	31P-3 to 31P-7300115 inclusive
	40506-12		SKIN ASSEMBLY - Wing, inner, bottom, left	1	31P-7300116 and up
	40506-07		SKIN ASSEMBLY - Wing, inner, bottom, right	1	31P-3 to 31P-115 inclusive
	40506-13		SKIN ASSEMBLY - Wing, inner, bottom, right	1	31P-3 to 31P-7300115 inclusive
-10	40588-44		STRINGER - Wing, skin (6' length)	AR	
-11	40475-08		RIB ASSEMBLY - Wing, leading edge, Sta. 160.5, left	1	
	40475-09		RIB ASSEMBLY - Wing, leading edge, Sta. 160.5, right	1	
-12	40479-02		RIB ASSEMBLY - Wing, leading edge, Sta. 174.5, left	1	
	40479-03		RIB ASSEMBLY - Wing, leading edge, Sta. 174.5, right	1	
-13	40630-02		RIB ASSEMBLY - Wing, leading edge, Sta. 189.5, left	1	
	40630-03		RIB ASSEMBLY - Wing, leading edge, Sta. 189.5, right	1	
-14	40530-08		RIB ASSEMBLY - Wing, leading edge, Sta. 205, left	1	
	40530-09		RIB ASSEMBLY - Wing, leading edge, Sta. 205, right	1	
-15	40492-04		RIB ASSEMBLY - Wing, leading edge, Sta. 221.5, left	1	
	40492-05		RIB ASSEMBLY - Wing, leading edge, Sta. 221.5, right	1	
-16	40492-06		RIB ASSEMBLY - Wing, tip, Sta. 239, left	1	
	40492-07		RIB ASSEMBLY - Wing, tip, Sta. 239, right	1	
-16a	48816-02		BRACKET ASSEMBLY - Power supply	1	
-17	45146-00		SPAR ASSEMBLY - Wing, main, left	1	
	45146-01		SPAR ASSEMBLY - Wing, main, right	1	
-18	45413-00	B	SPAR ASSEMBLY - Leading edge, left (complete)	1	
	45413-01	B	SPAR ASSEMBLY - Leading edge, right (complete)	1	
-19	40585-10		SKIN - Wing, leading edge, inboard, left	1	
	40585-11		SKIN - Wing, leading edge, inboard, right	1	
-20	47666-00		PANEL - Wing, leading edge, access, left	1	
	47666-01		PANEL - Wing, leading edge, access, right	1	

A - All items on Figures 6 and 86 are components of this assembly.  
B - See Figure 6 for component parts.

When ordering, always specify Part Number, Description and Serial Number of Aircraft

## PIPER PARTS CATALOG

Figure and Index Number	Part Number	Code	NOMENCLATURE	No. Req.	SERIAL NUMBERS AFFECTED
5-21	46939-00		* BRACKET - Cable support	1	
-22	43936-08		* CHANNEL ASSEMBLY - Wing leading edge attachment, left	1	
	43936-09		* CHANNEL ASSEMBLY - Wing leading edge attachment, right	1	
-23	45382-00		* BRACKET ASSEMBLY - Fuel cell support, Sta. 134.5, left	1	
	45382-01		* BRACKET ASSEMBLY - Fuel cell support, Sta. 134.5, right	1	
-24	40378-00		* PLATE ASSEMBLY - Fuel cell gauge support, main, left	1	31P-3 to 31P-91 incl.
	40378-06		* PLATE ASSEMBLY - Fuel cell gauge support, main, left	1	31P-92 and up
	40378-01		* PLATE ASSEMBLY - Fuel cell gauge support, main, right	1	31P-3 to 31P-91 incl.
	40378-07		* PLATE ASSEMBLY - Fuel cell gauge support, main, right	1	31P-92 and up
-25	42437-00		* PLATE ASSEMBLY - Fuel cell gauge support, Sta. 109.5, left	1	31P-3 to 31P-91 incl.
	53170-00		* PLATE ASSEMBLY - Fuel cell gauge support, Sta. 109.5, left	1	31P-92 and up
	42437-01		* PLATE ASSEMBLY - Fuel cell gauge support, Sta. 109.5, right	1	31P-3 to 31P-91 incl.
	53170-01		* PLATE ASSEMBLY - Fuel cell gauge support, Sta. 109.5, right	1	31P-92 and up
-26	40532-00		* PLATE ASSEMBLY - Fuel cell access reinforcement, Sta. 54	2	31P-3 to 31P-91 incl.
	40532-06		* PLATE ASSEMBLY - Fuel cell access reinforcement, Sta. 54	2	31P-92 and up
-27	40526-00		* PLATE ASSEMBLY - Fuel cell access reinforcement, Sta. 97.5	1	31P-3 to 31P-91 incl.
	40526-05		* PLATE ASSEMBLY - Fuel cell access reinforcement, Sta. 97.5	1	31P-92 to 31P-7400207 incl.
	53908-00		* PLATE ASSEMBLY - Fuel cell access reinforcement, left Sta. 97.5	1	31P-7400208 and up
	53908-01		* PLATE ASSEMBLY - Fuel cell access reinforcement, right Sta. 97.5	1	31P-7400208 and up
-28	27065-06		* PLATE ASSEMBLY - Reinforcement, Sta. 162.3, right	1	
-29	42589-00		* PLATE - Fuel cell stand-off, Sta. 34.5 and Sta. 54	2	
-30	42590-00		* PLATE - Fuel cell stand-off, Sta. 97.5	1	31P-3 to 31P-7400207 incl.
	53906-00		* PLATE - Fuel cell stand-off, left, Sta. 97.5	1	31P-7400208 and up
	53906-01		* PLATE - Fuel cell stand-off, right, Sta. 97.5	1	31P-7400208 and up
-31	43911-00		* VENT ASSEMBLY - Fuel cell, left	1	
	43911-01		* VENT ASSEMBLY - Fuel cell, right	1	
-32	45539-00		* SHIM - Wing top, Sta. 58.5	1	
-33	40586-70		* STRINGER - Left, Sta. 58.5 to Sta. 67.5	2	
	40586-71		* STRINGER - Right, Sta. 58.5 to Sta. 67.5	2	
-34	44275-02	A	* STRIP - Flow	1	
-35	44275-04	A	* STRIP - Flow, left	1	
-36	53358-00		* BRACKET - Fuel cell nut flange mounting	4	31P-7300116 and up

A - See Figure 118 if Pneumatic Deicer System is installed.

When ordering, always specify Part Number, Description and Serial Number of Aircraft

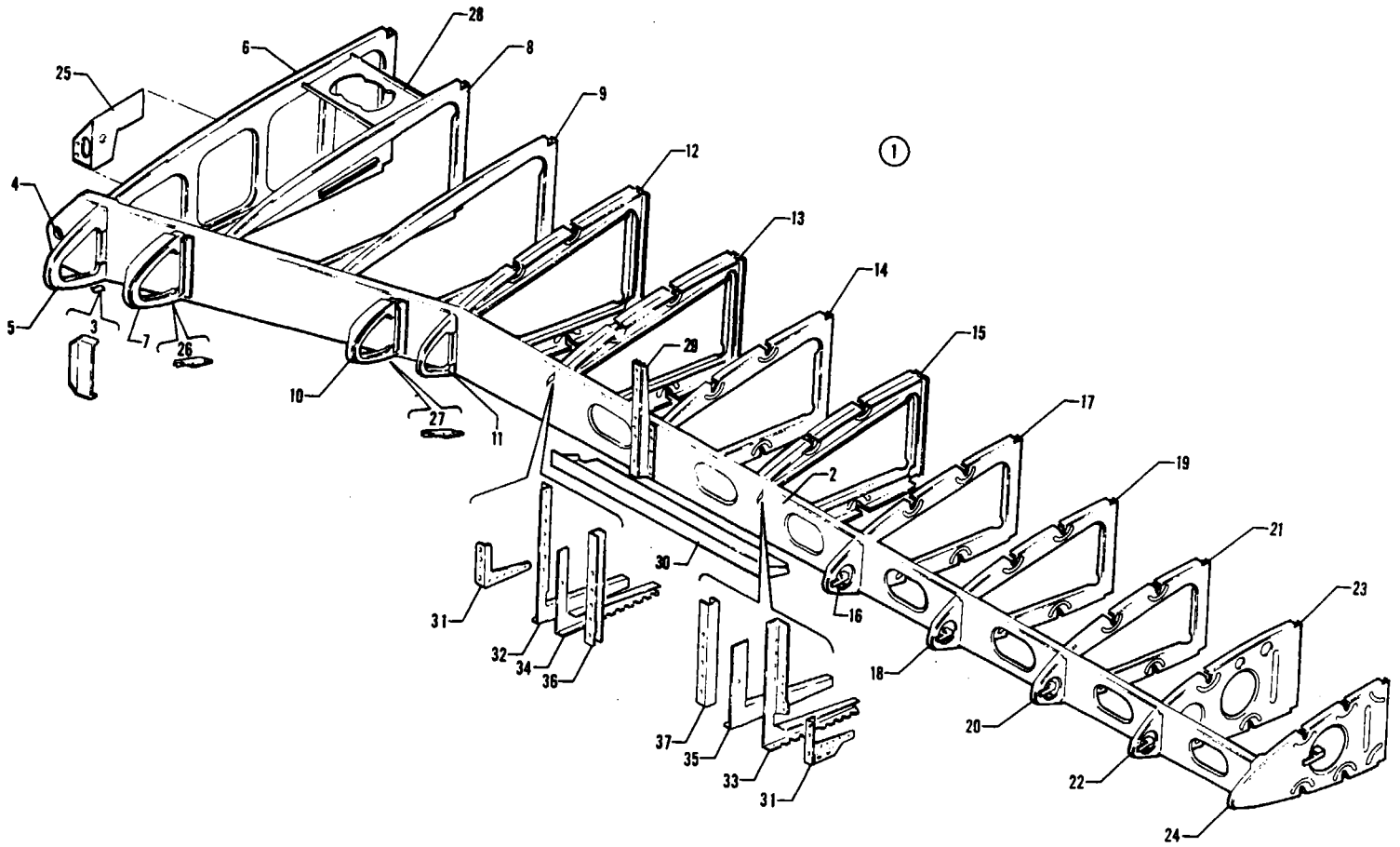


Figure 6. Leading Edge Spar Assembly



Figure and Index Number	Part Number	Code	NOMENCLATURE	No. Req.	SERIAL NUMBERS AFFECTED
6-1	45413-00		SPAR ASSEMBLY - Wing front, complete, left	1	
	45413-01		SPAR ASSEMBLY - Wing front, complete, right	1	
-2	45814-00		SPAR ASSEMBLY - Left	1	
	45814-01		SPAR ASSEMBLY - Right	1	
-3	40359-10		PLATE ASSEMBLY - Leading edge spar reinforcement, left	1	
	40359-11		PLATE ASSEMBLY - Leading edge spar reinforcement, right	1	
-4	49999-03		BUSHING - Leading edge spar, inboard, Sta. 25.608	1	
-5	40383-02		RIB ASSEMBLY - Front spar, nose, Sta. 30, left	1	
	40383-03		RIB ASSEMBLY - Front spar, nose, Sta. 30, right	1	
-6	45430-02		RIB ASSEMBLY - Front spar, Sta. 30, left	1	
	45430-03		RIB ASSEMBLY - Front spar, Sta. 30, right	1	
-7	40450-06		RIB ASSEMBLY - Front spar, nose, Sta. 34.5, left	1	
	40450-07		RIB ASSEMBLY - Front spar, nose, Sta. 34.5, right	1	
-8	45439-08		RIB ASSEMBLY - Front spar, Sta. 39.5, left	1	
	45439-09		RIB ASSEMBLY - Front spar, Sta. 39.5, right	1	
-9	45449-02		RIB ASSEMBLY - Front spar, Sta. 49, left	1	
	45449-03		RIB ASSEMBLY - Front spar, Sta. 49, right	1	
-10	47656-00		RIB ASSEMBLY - Front spar, nose, Sta. 54, left	1	
	47656-01		RIB ASSEMBLY - Front spar, nose, Sta. 54, right	1	
-11	47657-00		RIB ASSEMBLY - Front spar, nose, Sta. 58.5, left	1	
	47657-01		RIB ASSEMBLY - Front spar, nose, Sta. 58.5, right	1	
-12	45458-06		RIB ASSEMBLY - Front spar, Sta. 58.5, left	1	
	45458-07		RIB ASSEMBLY - Front spar, Sta. 58.5, right	1	
-13	45467-02		RIB ASSEMBLY - Front spar, Sta. 67.5, left	1	
	45467-03		RIB ASSEMBLY - Front spar, Sta. 67.5, right	1	
-14	45477-12		RIB ASSEMBLY - Front spar, Sta. 77.5, left	1	
	45477-13		RIB ASSEMBLY - Front spar, Sta. 77.5, right	1	
-15	45487-12		RIB ASSEMBLY - Front spar, Sta. 87.5, left	1	
	45487-13		RIB ASSEMBLY - Front spar, Sta. 87.5, right	1	
-16	45497-04		RIB ASSEMBLY - Front spar, nose, Sta. 97.5, left	1	
	45497-05		RIB ASSEMBLY - Front spar, nose, Sta. 97.5, right	1	
-17	45497-08		RIB ASSEMBLY - Front spar, Sta. 97.5, left	1	
	45497-09		RIB ASSEMBLY - Front spar, Sta. 97.5, right	1	
-18	50244-00		RIB - Front spar, nose, Sta. 109.5, left	1	
	50244-01		RIB - Front spar, nose, Sta. 109.5, right	1	
-19	45409-10		RIB ASSEMBLY - Front spar, Sta. 109.5, left	1	
	45409-11		RIB ASSEMBLY - Front spar, Sta. 109.5, right	1	
-20	50243-00		RIB - Front spar, nose, Sta. 121.5, left	1	
	50243-01		RIB - Front spar, nose, Sta. 121.5, right	1	
-21	45421-08		RIB ASSEMBLY - Front spar, Sta. 121.5, left	1	
	45421-09		RIB ASSEMBLY - Front spar, Sta. 121.5, right	1	
-22	50242-00		RIB - Front spar, nose, Sta. 134.5, left	1	
	50242-01		RIB - Front spar, nose, Sta. 134.5, right	1	
-23	45434-10		RIB ASSEMBLY - Front spar, Sta. 134.5, left	1	
	45434-11		RIB ASSEMBLY - Front spar, Sta. 134.5, right	1	
-24	45447-06		RIB - Front spar, Sta. 147.5, left	1	
	45447-07		RIB - Front spar, Sta. 147.5, right	1	
-25	41646-14		BRACKET ASSEMBLY - Fuel filter and pump, left	1	
	41646-15		BRACKET ASSEMBLY - Fuel filter and pump, right	1	
-26	41636-04		BRACKET - Retaining block, Sta. 34.5, left	1	
	41636-05		BRACKET - Retaining block, Sta. 34.5, right	1	
-27	41636-02		BRACKET - Retaining block, Sta. 54, left	1	
	41636-03		BRACKET - Retaining block, Sta. 54, right	1	

When ordering, always specify Part Number, Description and Serial Number of Aircraft

## PIPER PARTS CATALOG

Figure and Index Number	Part Number	Code	NOMENCLATURE	No. Req.	SERIAL NUMBERS AFFECTED
6-28	40484-00		* BRACKET - Fuel cell support, Sta. 30 to Sta. 39.5	1	
-29	45852-00		BRACKET ASSEMBLY - Firewall support, left	1	
	45851-00		BRACKET ASSEMBLY - Firewall support, right	1	
-30	45812-00		PLATE - Firewall shear, left	1	
	45812-01		PLATE - Firewall shear, right	1	
-31	45540-00		BRACKET ASSEMBLY - Engine mount, lower, outboard, left and right	2	
	45541-00		BRACKET ASSEMBLY - Engine mount, lower, inboard, left and right	2	
-32	46410-00		DOUBLER - Nacelle longitudinal bulkhead, Sta. 65.69, left	1	
	46410-01		DOUBLER - Nacelle longitudinal bulkhead, Sta. 65.69, right	1	
-33	46095-00		DOUBLER - Nacelle longitudinal bulkhead, Sta. 89.31, left	1	
	46095-01		DOUBLER - Nacelle longitudinal bulkhead, Sta. 89.31, right	1	
-34	46221-00		BULKHEAD - Longitudinal, lower, Sta. 65.69, left	1	
	46221-01		BULKHEAD - Longitudinal, lower, Sta. 65.69, right	1	
-35	46312-00		BULKHEAD - Longitudinal, lower, Sta. 89.31, left	1	
	46312-01		BULKHEAD - Longitudinal, lower, Sta. 89.31, right	1	
-36	45817-04		CHANNEL - Nacelle longitudinal bulkhead, inboard, left	1	
	45817-05		CHANNEL - Nacelle longitudinal bulkhead, inboard, right	1	
-37	45791-04		CHANNEL - Nacelle longitudinal bulkhead, outboard, left	1	
	45791-05		CHANNEL - Nacelle longitudinal bulkhead, outboard, right	1	

When ordering, always specify Part Number, Description and Serial Number of Aircraft

# PIPER PARTS CATALOG

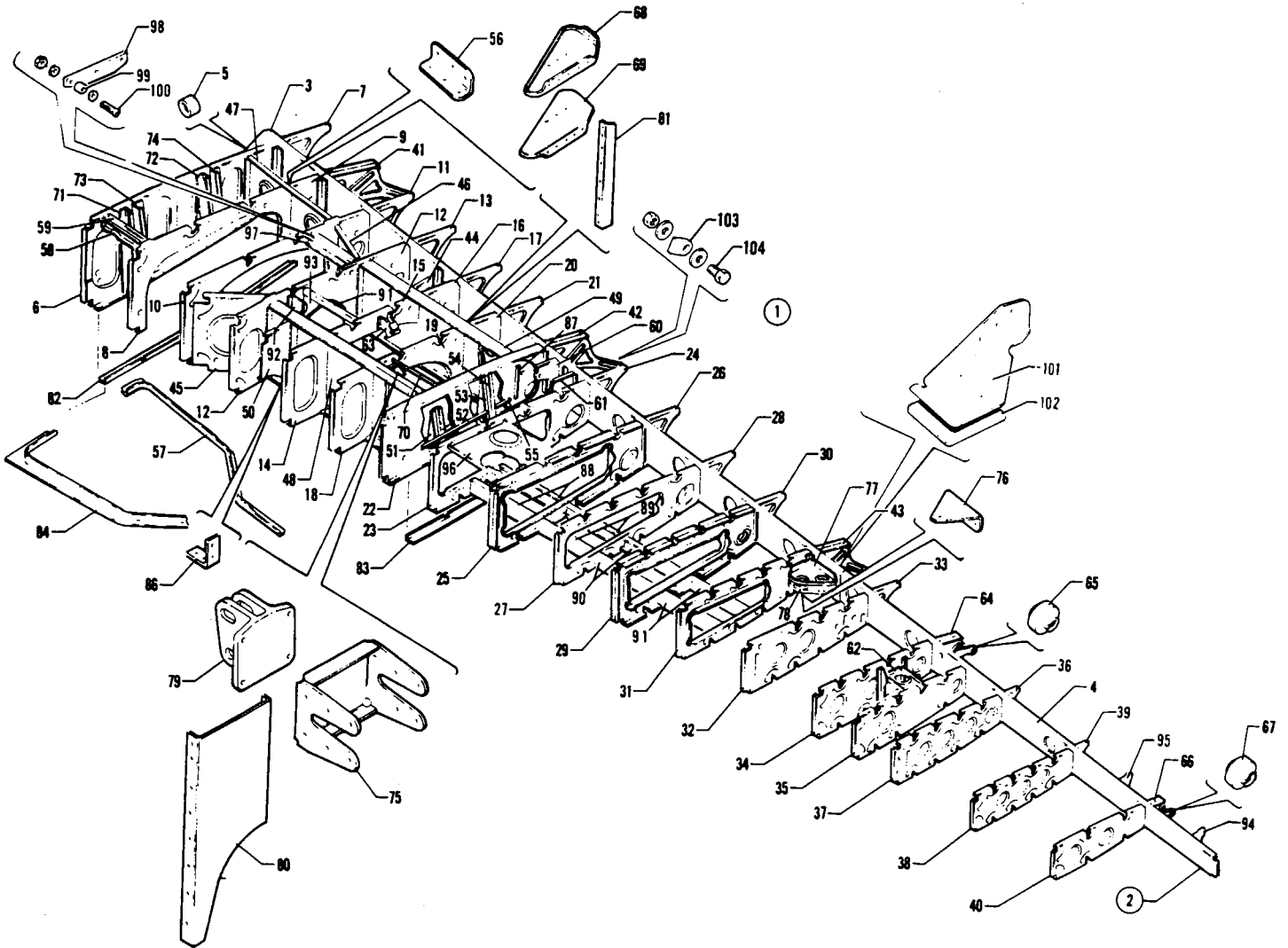


Figure 7. Wing Panel Rear Spar Assembly



Figure and Index Number	Part Number	Code	NOMENCLATURE	No. Req.	SERIAL NUMBERS AFFECTED
7-1	45414-00		REAR SPAR ASSEMBLY - Left	1	
	45414-01		REAR SPAR ASSEMBLY - Right	1	
-2	45165-00		SPAR ASSEMBLY - Wing, rear, left	1	
	45165-01		SPAR ASSEMBLY - Wing, rear, right	1	
-3	45165-02		SPAR - Wing, rear, inboard, left	1	
	45165-03		SPAR - Wing, rear, inboard, right	1	
-4	40362-24		SPAR - Wing, rear, outboard, left	1	31P-3 to 31P-7730009 incl.
	40362-36		SPAR - Wing, rear, outboard, left	1	31P-7730010 and up
	40362-25		SPAR - Wing, rear, outboard, right	1	31P-3 to 31P-7730009 incl.
	40362-37		SPAR - Wing, rear, outboard, right	1	31P-7730010 and up
-5	49999-04		BUSHING - Wing, rear, spar	1	
-6	45430-04		RIB ASSEMBLY - Rear spar assembly, Sta. 30, left	1	
	45430-05		RIB ASSEMBLY - Rear spar assembly, Sta. 30, right	1	
-7	40383-08		RIB ASSEMBLY - Rear spar assembly, Sta. 30 trailing edge, left	1	
	40383-09		RIB ASSEMBLY - Rear spar assembly, Sta. 30, trailing edge, right	1	
-8	45439-06		RIB ASSEMBLY - Rear spar assembly, Sta. 39.5, left	1	
	45439-07		RIB ASSEMBLY - Rear spar assembly, Sta. 39.5, right	1	
-9	45439-02		RIB ASSEMBLY - Rear spar assembly, Sta. 39.5, trailing edge, left	1	
	45439-03		RIB ASSEMBLY - Rear spar assembly, Sta. 39.5, trailing edge, right	1	
-10	45449-06		RIB ASSEMBLY - Rear spar assembly, Sta. 49, left	1	
	45449-07		RIB ASSEMBLY - Rear spar assembly, Sta. 49, right	1	
-11	45449-08		RIB ASSEMBLY - Rear spar assembly, Sta. 49, trailing edge, left	1	
	45449-09		RIB ASSEMBLY - Rear spar assembly, Sta. 49, trailing edge, right	1	
-12	45458-04		RIB ASSEMBLY - Rear spar assembly, Sta. 58.5, left	1	
	45458-05		RIB ASSEMBLY - Rear spar assembly, Sta. 58.5, right	1	
-13	45458-02		RIB ASSEMBLY - Rear spar assembly, Sta. 58.5, trailing edge, left	1	
	45458-03		RIB ASSEMBLY - Rear spar assembly, Sta. 58.5, trailing edge, right	1	
-14	45467-18		RIB ASSEMBLY - Rear spar assembly, Sta. 67.5, left	1	
	45467-19		RIB ASSEMBLY - Rear spar assembly, Sta. 67.5, right	1	
-15	45467-16		RIB ASSEMBLY - Rear spar assembly, Sta. 67.5, left	1	
	45467-17		RIB ASSEMBLY - Rear spar assembly, Sta. 67.5, right	1	
-16	45467-12		RIB ASSEMBLY - Rear spar assembly, Sta. 67.5, left	1	
	45467-13		RIB ASSEMBLY - Rear spar assembly, Sta. 67.5, right	1	
-17	45467-14		RIB ASSEMBLY - Rear spar assembly, Sta. 67.5, trailing edge, left	1	
	45467-15		RIB ASSEMBLY - Rear spar assembly, Sta. 67.5, trailing edge, right	1	
-18	45477-16		RIB ASSEMBLY - Rear spar assembly, Sta. 77.5, left	1	
	45477-17		RIB ASSEMBLY - Rear spar assembly, Sta. 77.5, right	1	
-19	45477-06		RIB ASSEMBLY - Rear spar assembly, Sta. 77.5, left	1	
	45477-07		RIB ASSEMBLY - Rear spar assembly, Sta. 77.5, right	1	

When ordering, always specify Part Number, Description and Serial Number of Aircraft



Figure and Index Number	Part Number	Code	NOMENCLATURE	No. Req.	SERIAL NUMBERS AFFECTED
7-20	45477-04		RIB ASSEMBLY - Rear spar assembly, Sta. 77.5, left	1	
	45477-05		RIB ASSEMBLY - Rear spar assembly, Sta. 77.5, right	1	
-21	45477-02		RIB ASSEMBLY - Rear spar assembly, Sta. 77.5, trailing edge, left	1	
	45477-03		RIB ASSEMBLY - Rear spar assembly, Sta. 77.5, trailing edge, right	1	
-22	45487-10		RIB ASSEMBLY - Rear spar assembly, Sta. 87.5, left	1	
	45487-11		RIB ASSEMBLY - Rear spar assembly, Sta. 87.5, right	1	
-23	45497-12		RIB ASSEMBLY - Rear spar assembly, Sta. 97.5, left	1	
	45497-13		RIB ASSEMBLY - Rear spar assembly, Sta. 97.5, right	1	
-24	45497-16		RIB ASSEMBLY - Rear spar assembly, Sta. 97.5, trailing edge, left	1	
	45497-15		RIB ASSEMBLY - Rear spar assembly, Sta. 97.5, trailing edge, right	1	
-25	45409-14		RIB ASSEMBLY - Rear spar assembly, Sta. 109.5, left	1	
	45409-15		RIB ASSEMBLY - Rear spar assembly, Sta. 109.5, right	1	
-26	45409-02		RIB ASSEMBLY - Rear spar assembly, Sta. 109.5, trailing edge, left	1	
	45409-03		RIB ASSEMBLY - Rear spar assembly, Sta. 109.5, trailing edge, right	1	
-27	45421-04		RIB ASSEMBLY - Rear spar assembly, Sta. 121.5, left	1	
	45421-05		RIB ASSEMBLY - Rear spar assembly, Sta. 121.5, right	1	
-28	45421-02		RIB ASSEMBLY - Rear spar assembly, Sta. 121.5, trailing edge, left	1	
	45421-03		RIB ASSEMBLY - Rear spar assembly, Sta. 121.5, trailing edge, right	1	
-29	45434-04		RIB ASSEMBLY - Rear spar assembly, Sta. 134.5, left	1	
	45434-05		RIB ASSEMBLY - Rear spar assembly, Sta. 134.5, right	1	
-30	45434-02		RIB ASSEMBLY - Rear spar assembly, Sta. 134.5, trailing edge, left	1	
	45434-03		RIB ASSEMBLY - Rear spar assembly, Sta. 134.5, trailing edge, right	1	
-31	45447-04		RIB ASSEMBLY - Rear spar assembly, Sta. 147.5, left	1	
	45447-05		RIB ASSEMBLY - Rear spar assembly, Sta. 147.5, right	1	
-32	45460-06		RIB ASSEMBLY - Rear spar assembly, Sta. 160.5, left	1	
	45460-07		RIB ASSEMBLY - Rear spar assembly, Sta. 160.5, right	1	
-33	45460-02		RIB ASSEMBLY - Rear spar assembly, Sta. 160.5, trailing edge, left	1	
	45460-03		RIB ASSEMBLY - Rear spar assembly, Sta. 160.5, trailing edge, right	1	
-34	45473-00		RIB ASSEMBLY - Rear spar assembly, Sta. 174.5, left	1	
	45473-01		RIB ASSEMBLY - Rear spar assembly, Sta. 174.5, right	1	

When ordering, always specify Part Number, Description and Serial Number of Aircraft



Figure and Index Number	Part Number	Code	NOMENCLATURE	No. Req.	SERIAL NUMBERS AFFECTED
7-35	40550-02		RIB - Wing rear spar assembly, Sta. 182, left	1	
	40550-03		RIB - Wing rear spar assembly, Sta. 182, right	1	
-36	40530-14		RIB ASSEMBLY - Rear spar assembly, Sta. 189.5, left	1	
	40530-15		RIB ASSEMBLY - Rear spar assembly, Sta. 189.5, right	1	
-37	40530-04		RIB ASSEMBLY - Rear spar assembly, Sta. 189.5, trailing edge, left	1	
	40530-05		RIB ASSEMBLY - Rear spar assembly, Sta. 189.5, trailing edge, right	1	
-38	40530-10		RIB ASSEMBLY - Rear spar assembly, Sta. 205, left	1	
	40530-11		RIB ASSEMBLY - Rear spar assembly, Sta. 205, right	1	
-39	40530-16		RIB ASSEMBLY - Rear spar assembly, Sta. 205, trailing edge, left	1	
	40530-17		RIB ASSEMBLY - Rear spar assembly, Sta. 205, trailing edge, right	1	
-40	40492-22		RIB ASSEMBLY - Rear spar assembly, Sta. 221.5, left	1	
	40492-03		RIB ASSEMBLY - Rear spar assembly, Sta. 221.5 right	1	
-41	45379-00		TRACK ASSEMBLY - Flap, inboard, Sta. 39.5	1	
-42	45809-09		TRACK ASSEMBLY - Flap, center, Sta. 87.5	1	
-43	45381-00		TRACK ASSEMBLY - Flap, outboard, Sta. 147.5, left	1	
	45381-01		TRACK ASSEMBLY - Flap, outboard, Sta. 147.5, right	1	
-44	45385-00		BULKHEAD ASSEMBLY - Rear spar assembly, Sta. 62.81, left	1	
	45385-01		BULKHEAD ASSEMBLY - Rear spar assembly, Sta. 62.81, right	1	
-45	45377-00		BULKHEAD ASSEMBLY - Rear spar assembly, wheel well, front, left	1	
	45377-01		BULKHEAD ASSEMBLY - Rear spar assembly, wheel well, front, right	1	
-46	40466-00		BULKHEAD - Rear spar assembly, wheel well, rear outboard, left	1	
	40466-01		BULKHEAD - Rear spar assembly, wheel well, rear outboard, right	1	
-47	40474-02		BULKHEAD - Rear spar assembly, wheel well, rear inboard, left	1	
	40474-03		BULKHEAD - Rear spar assembly, wheel well, rear inboard, right	1	
-48	45422-00		BULKHEAD ASSEMBLY - Main gear support, forward, left	1	
	45422-01		BULKHEAD ASSEMBLY - Main gear support, forward, right	1	
-49	45501-00		BULKHEAD ASSEMBLY - Main gear support, aft, left	1	
	45501-01		BULKHEAD ASSEMBLY - Main gear support, aft, right	1	
-50	45383-00		BULKHEAD - Wing, rear spar assembly, Sta. 62.8, left	1	
	45383-01		BULKHEAD - Wing, rear spar assembly, Sta. 62.8, right	1	
-51	40502-02		BRACKET ASSEMBLY - Main gear door, outboard hinge, forward, left	1	
	40502-03		BRACKET ASSEMBLY - Main gear door, outboard hinge, forward, right	1	

When ordering, always specify Part Number, Description and Serial Number of Aircraft

Figure and Index Number	Part Number	Code	NOMENCLATURE	No. Req.	SERIAL NUMBERS AFFECTED
7-52	40502-05		BRACKET ASSEMBLY - Main gear door, outboard hinge, aft, left	1	
	40502-04		BRACKET ASSEMBLY - Main gear door, outboard hinge, aft, right	1	
-53	45691-04		BRACKET ASSEMBLY - Main gear door, outboard hinge, forward, left	1	
	45691-05		BRACKET ASSEMBLY - Main gear door, outboard hinge, forward, right	1	
-54	45691-03		BRACKET ASSEMBLY - Main gear door, outboard hinge, aft, left	1	
	45691-02		BRACKET ASSEMBLY - Main gear door, outboard hinge, aft, right	1	
-55	40465-00		ANGLE - Rear spar assembly, fuel cell liner support	1	
-56	40485-00		ANGLE - Pulley bracket attachment, right	1	
-57	45838-00		ANGLE - Wing bottom, rear spar assembly, aft, left	1	
	45838-01		ANGLE - Wing bottom, rear spar assembly, aft, right	1	
-58	46357-01		BRACKET ASSEMBLY - Landing gear door cylinder support, forward, left	1	
	46357-00		BRACKET ASSEMBLY - Landing gear door cylinder support, forward, right	1	
-59	46357-00		BRACKET ASSEMBLY - Landing gear door cylinder support, aft, left	1	
	46357-01		BRACKET ASSEMBLY - Landing gear door cylinder support, aft, right	1	
-60	45968-03		BRACKET ASSEMBLY - Flap actuator mounting, inboard, left	1	
	45968-02		BRACKET ASSEMBLY - Flap actuator mounting, inboard, right	1	
-61	45968-04		BRACKET ASSEMBLY - Flap actuator mounting, outboard, left	1	
	45968-05		BRACKET ASSEMBLY - Flap actuator mounting, outboard, right	1	
-62	40561-00		BRACKET ASSEMBLY - Rear spar assembly, aileron bellcrank, left	1	
	40561-01		BRACKET ASSEMBLY - Rear spar assembly, aileron bellcrank, right	1	
-63	40658-00		BRACKET ASSEMBLY - Main gear up switch	1	
-64	45384-00		BRACKET ASSEMBLY - Aileron hinge, inboard, left	1	
	45384-01		BRACKET ASSEMBLY - Aileron hinge, inboard, right	1	
-65	452 386		BEARING - Aileron hinge (NAS506-4)	1	
-66	45380-00		BRACKET ASSEMBLY - Aileron hinge, Sta. 222, left	1	
	45380-01		BRACKET ASSEMBLY - Aileron hinge, Sta. 222, right	1	
-67	452 386		BEARING - Aileron hinge (NAS506-4)	1	
-68	40509-02		BRACKET - Rear spar assembly, aileron pulley, upper left	1	
	40509-03		BRACKET - Rear spar assembly, aileron pulley, upper right	1	
-69	40509-05		BRACKET - Rear spar assembly, aileron pulley, upper left	1	
	40509-04		BRACKET - Rear spar assembly, aileron pulley, upper right	1	
-70	40389-00		BRACKET - Main landing gear actuator support, left	1	
	40389-01		BRACKET - Main landing gear actuator support, right	1	
-71	40560-12		BRACKET - Main gear door hinge, forward, left	1	
	40560-11		BRACKET - Main gear door hinge, forward, right	1	
-72	40560-04		BRACKET - Main gear door hinge, forward, left	1	
	40560-05		BRACKET - Main gear door hinge, forward, right	1	

When ordering, always specify Part Number, Description and Serial Number of Aircraft

PIPER PARTS CATALOG

Figure and Index Number	Part Number	Code	NOMENCLATURE	No. Req.	SERIAL NUMBERS AFFECTED
7-73	40560-03		* BRACKET - Main gear door hinge, aft, left	1	
	40560-02		* BRACKET - Main gear door hinge, aft, right	1	
-74	40560-05		* BRACKET - Main gear door hinge, aft, left	1	
	40560-04		* BRACKET - Main gear door hinge, aft, right	1	
-75	40776-00		* BRACKET - Main gear actuator reinforcement	1	
-76	40515-00		* BRACKET - Aileron tab pulley, Sta. 147.5, right	1	
-77	40513-00		* BRACKET - Aileron pulley, Sta. 147.5, top left	1	
	40513-01		* BRACKET - Aileron pulley, Sta. 147.5, top right	1	
-78	40513-01		* BRACKET - Aileron pulley, Sta. 147.5, bottom left	1	
	40513-00		* BRACKET - Aileron pulley, Sta. 147.5, bottom right	1	
-79	40652-00		* BRACKET - Main gear actuator	1	
-80	40439-00		* CHANNEL - Actuator bracket support, left	1	
	40439-01		* CHANNEL - Actuator bracket support, right	1	
-81	40438-00		* ANGLE - Wing rib rear attachment, left	1	
	40438-01		* ANGLE - Wing rib rear attachment, right	1	
-82	45955-00		* ANGLE - Main gear door cutout, Sta. 32, left	1	
	45955-01		* ANGLE - Main gear door cutout, Sta. 32, right	1	
-83	45825-00		* ANGLE - Main gear door cutout, Sta. 85, left	1	
	45825-01		* ANGLE - Main gear door cutout, Sta. 85, right	1	
-84	45824-00		* ANGLE - Wing bottom, rear spar assembly, forward, left	1	
	45824-01		* ANGLE - Wing bottom, rear spar assembly, forward, right	1	
-85	53042-05		* * SUPPORT - Fuel cell liner, Sta. 134.5 to Sta. 147.5	2	
-86	40512-00		* ANGLE - Wing, rear spar assembly, Sta. 58.5	1	
-87	40463-00		* ANGLE - Rear spar assembly, fuel cell liner support	1	
-88	53042-02		* SUPPORT - Fuel cell liner, Sta. 97.5 to Sta. 109.5	2	
-89	53042-03		* SUPPORT - Fuel cell liner, Sta. 109.5 to Sta. 121.5	2	
-90	53042-04		* SUPPORT - Fuel cell liner, Sta. 121.5 to Sta. 134.5	2	
-91	40625-00		* ANGLE - Main gear uplock	1	
-92	40616-00		* BRACKET ASSEMBLY - Main landing gear uplock, left	1	
	40616-01		* BRACKET ASSEMBLY - Main landing gear uplock, right	1	
-93	40616-03		* BRACKET ASSEMBLY - Main landing gear uplock, left	1	
	40616-02		* BRACKET ASSEMBLY - Main landing gear uplock, right	1	
-94	55800-04		* BULKHEAD - Rear spar, trailing edge, Sta. 231, left	1	31P-7730010 and up
	55800-05		* BULKHEAD - Rear spar, trailing edge, Sta. 231, right	1	31P-7730010 and up
-95	55801-04		* BULKHEAD - Rear spar, trailing edge, Sta. 213.9, left	1	31P-7730010 and up
	55801-05		* BULKHEAD - Rear spar, trailing edge, Sta. 213.9, right	1	31P-7730010 and up
-96	43961-00		BRACKET ASSEMBLY - Fuel cell upper support, left	1	
	43961-01		BRACKET ASSEMBLY - Fuel cell upper support, right	1	
-97	43016-00		BUMPER ASSEMBLY - Landing gear, left	1	
	43016-01		BUMPER ASSEMBLY - Landing gear, right	1	
-98	42746-00		* BUMPER - Landing gear	4	
-99	41413-57		* BUSHING - Landing gear bumper	4	
-100	417 702		* SCREW - (AN526-1032R24)	4	
	407 564		* WASHER - (AN960-10)	8	
	404 887		* NUT - (MS20365-1032C)	4	
-101	71132-02	A	GUSSET - Flap track reinforcement, inboard, left	1	
	71132-03	A	GUSSET - Flap track reinforcement, inboard, right	1	
	71132-04	A	GUSSET - Flap track reinforcement, outboard, right	1	
	71132-05	A	GUSSET - Flap track reinforcement, outboard, left	1	
-102	56956-14	A	PLATE - Filler, outboard, left and right	2	
	56956-15	A	PLATE - Filler, inboard, left and right	2	
-103	74245-02	B	STOP - Flap travel	2	
-104	401 266	B	BOLT - (AN3-5A)	2	
	407 564	B	WASHER - (AN960-10)	2	
	40559-07	B	WASHER	4	
	404 887	B	NUT - (MS20365-1032C)	2	

A - Used on aircraft that have installed Outboard Flap Track Inspection and Reinforcement Installation Kit 763 986 per Service Bulletin No. 647A.  
 B - Used if Flap Travel Restriction and Placard Installation Kit 764 397 has been installed per Service Bulletin 739.

When ordering, always specify Part Number, Description and Serial Number of Aircraft

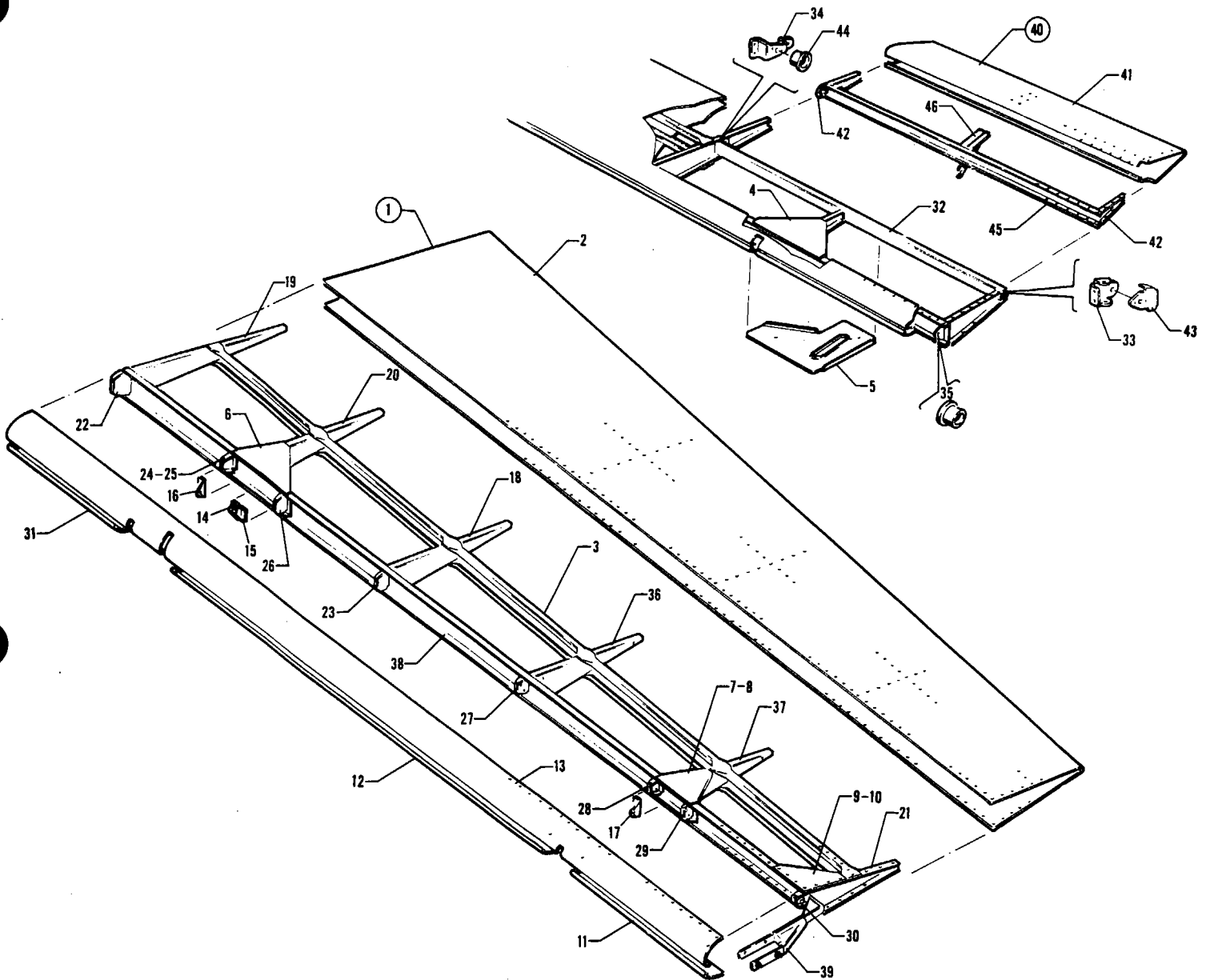


Figure 8. Aileron Assembly

## PIPER PARTS CATALOG

Figure and Index Number	Part Number	Code	NOMENCLATURE	No. Req.	SERIAL NUMBERS AFFECTED
8-1	40200-00		AILERON ASSEMBLY - Left	1	
	40200-37		AILERON ASSEMBLY - Right	1	
-2	40200-12		* SKIN ASSEMBLY - Aileron, left	1	
	40200-13		* SKIN ASSEMBLY - Aileron, right	1	
-3	40200-16		* * CHANNEL - Aileron skin assembly, left	2	
	40200-17		* * CHANNEL - Aileron skin assembly, right	2	
-4	40135-00		* * GUSSET - Aileron, top, right, Sta. 175	1	
-5	40138-00		* * PLATE - Aileron tab skin reinforcement, bottom, right	1	
-6	40113-00		* * GUSSET - Aileron, inboard, left, top	1	
	40113-01		* * GUSSET - Aileron, inboard, left, bottom	1	
-7	40114-00		* * GUSSET - Aileron, Sta. 222, left, top	1	
	40114-01		* * GUSSET - Aileron, Sta. 222, left, bottom	1	
-8	40114-01		* * GUSSET - Aileron, Sta. 222, right, top	1	
	40114-00		* * GUSSET - Aileron, Sta. 222, right, bottom	1	
-9	40200-19		* GUSSET - Aileron, outboard, bottom, left	1	
	40200-18		* GUSSET - Aileron, outboard, bottom, right	1	
-10	40200-18		* GUSSET - Aileron, outboard, top, left	1	
	40200-19		* GUSSET - Aileron, outboard, top, right	1	
-11	40200-10		* SKIN - Aileron, front bottom outboard, left	1	
	40200-11		* SKIN - Aileron, front bottom outboard, right	1	
-12	40200-08		* SKIN - Aileron, front bottom center, left	1	
	40200-09		* SKIN - Aileron, front bottom center, right	1	
-13	40200-04		* SKIN - Aileron, front top, left	1	
	40200-05		* SKIN - Aileron, front top, right	1	
-14	40109-00		* HORN - Aileron, front, inboard, left	1	
	40109-01		* HORN - Aileron, front, inboard, right	1	
-15	40109-01		* HORN - Aileron, front, outboard, left	1	
	40109-00		* HORN - Aileron, front, outboard, right	1	
-16	40110-02		* BRACKET - Aileron, front, Sta. 174.5, left	1	
	40110-03		* BRACKET - Aileron, front, Sta. 174.5, right	1	
-17	40112-02		* BRACKET - Aileron, front, Sta. 221.5, left	1	
	40112-03		* BRACKET - Aileron, front, Sta. 221.5, right	1	
-18	40115-00		* RIB - Aileron, Sta. 189.5, left	1	
	40115-01		* RIB - Aileron, Sta. 189.5, right	1	
-19	40182-00		* RIB - Aileron, Sta. 161.38, left	1	
	40116-00		* RIB - Aileron, Sta. 161.38, right	1	
-20	40117-00		* RIB - Aileron, Sta. 175.12, left	1	
	40118-00		* RIB - Aileron, Sta. 175.12, right	1	
-21	40119-00		* RIB - Aileron, outboard end, left	1	
	40119-01		* RIB - Aileron, outboard end, right	1	
-22	40127-02		* BULKHEAD - Aileron nose, Sta. 161.38, left	1	
	40127-03		* BULKHEAD - Aileron nose, Sta. 161.38, right	1	
-23	40127-04		* BULKHEAD - Aileron nose, Sta. 189.5, left	1	
	40127-05		* BULKHEAD - Aileron nose, Sta. 189.5, right	1	
-24	40128-02		* BULKHEAD - Aileron nose, Sta. 171, right	1	
-25	40128-03		* BULKHEAD - Aileron nose, Sta. 173, left	1	
-26	40129-02		* BULKHEAD - Aileron nose, Sta. 179, left	1	
	40129-03		* BULKHEAD - Aileron nose, Sta. 179, right	1	
-27	40130-00		* BULKHEAD - Aileron nose, Sta. 205, left	1	
	40130-01		* BULKHEAD - Aileron nose, Sta. 205, right	1	
-28	40132-02		* BULKHEAD - Aileron nose, Sta. 218.4, left	1	
	40132-03		* BULKHEAD - Aileron nose, Sta. 218.4, right	1	
-29	40132-04		* BULKHEAD - Aileron nose, Sta. 222, left	1	
	40132-05		* BULKHEAD - Aileron nose, Sta. 222, right	1	

When ordering, always specify Part Number, Description and Serial Number of Aircraft

## PIPER PARTS CATALOG

Figure and Index Number	Part Number	Code	NOMENCLATURE	No. Req.	SERIAL NUMBERS AFFECTED
8-30	40133-00		* BULKHEAD - Aileron nose, Sta. 238, left	1	
	40133-01		* BULKHEAD - Aileron nose, Sta. 238, right	1	
-31	40200-06		* SKIN - Aileron, front bottom inboard, left	1	
	40200-07		* SKIN - Aileron, front bottom inboard, right	1	
-32	40145-00		* SPAR - Aileron, stub, Sta. 161 to Sta. 189, right	1	
-33	40152-00		* BRACKET ASSEMBLY - Aileron tab attachment, right	1	
-34	40163-00		* BEARING ASSEMBLY - Aileron tab attachment, right	1	
-35	452 331		* * BEARING - Aileron bearing assembly (#F-310-3)	1	
-36	40183-00		* RIB - Aileron, Sta. 205, left	1	
	40183-01		* RIB - Aileron, Sta. 205, right	1	
-37	40184-00		* RIB - Aileron, Sta. 222, left	1	
	40184-01		* RIB - Aileron, Sta. 222, right	1	
-38	40190-00		* SPAR ASSEMBLY - Aileron, left	1	
	40190-13		* SPAR ASSEMBLY - Aileron, right	1	
-39	40375-00		* BRACKET ASSEMBLY - Aileron balance weight, left	1	
	40375-01		* BRACKET ASSEMBLY - Aileron balance weight, right	1	
-40	40178-00		* TAB ASSEMBLY - Aileron, right	1	
-41	40178-02		* * SKIN - Aileron tab	1	
-42	40172-00		* * RIB - Aileron tab, Sta. 188.6, outboard	1	
	40149-00		* * RIB - Aileron tab, Sta. 118, inboard	1	
-43	40153-00		* * HINGE ASSEMBLY - Aileron tab assembly, Sta. 118	1	
-44	453 787		* * * BEARING - Aileron tab, hinge assembly (NAS77A5-19P)	1	
-45	40142-00		* * SPAR - Aileron tab assembly, Sta. 161 to Sta. 189	1	
-46	41860-00		* * HORN ASSEMBLY - Aileron tab, Sta. 172	1	

When ordering, always specify Part Number, Description and Serial Number of Aircraft

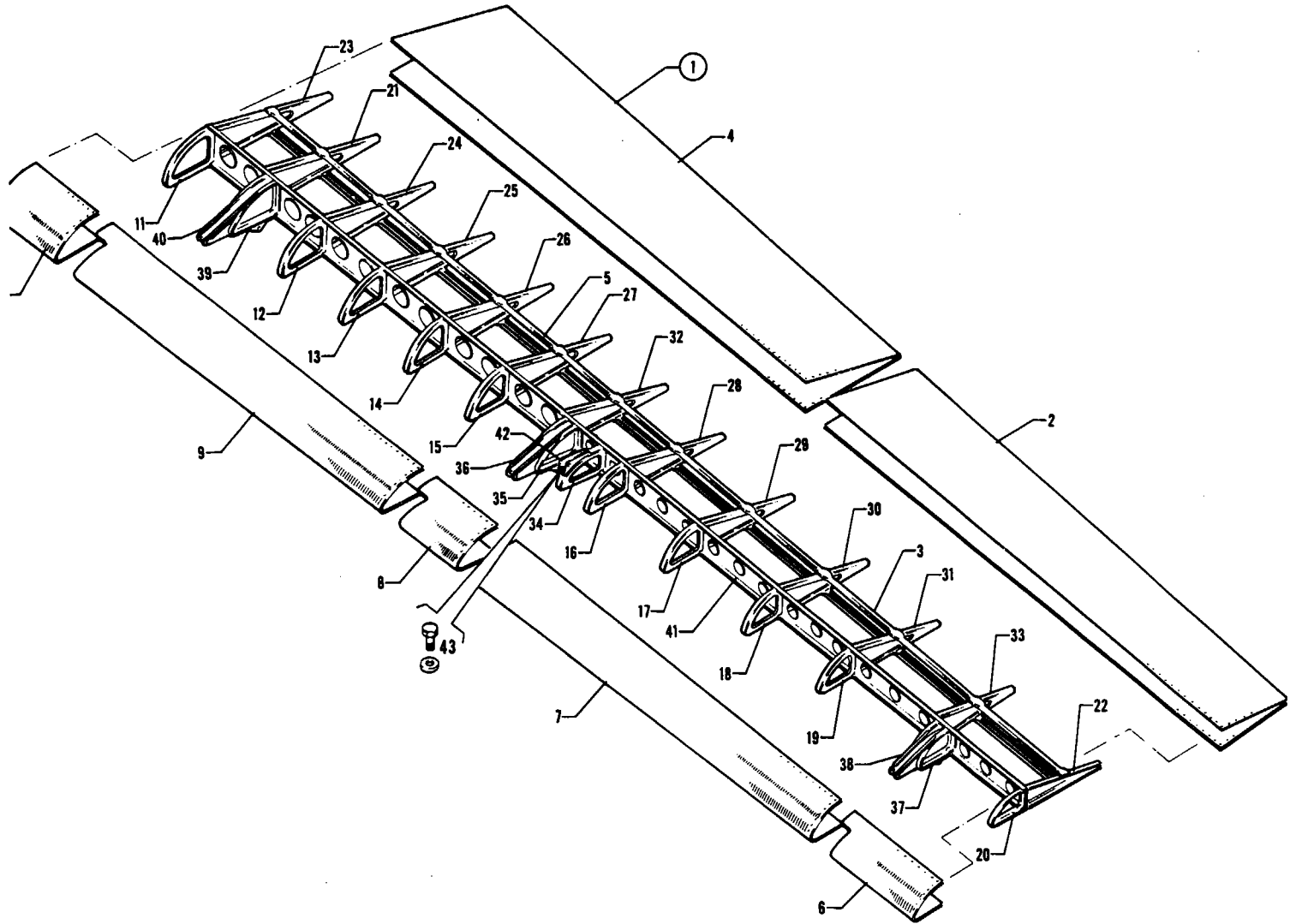


Figure 9. Flap Assembly



Figure and Index Number	Part Number	Code	NOMENCLATURE	No. Req.	SERIAL NUMBERS AFFECTED
9-1	40185-24		FLAP ASSEMBLY - Left	1	
	40185-25		FLAP ASSEMBLY - Right	1	
-2	50075-10		SKIN ASSEMBLY - Flap, trailing edge, outboard, left	1	
	50075-11		SKIN ASSEMBLY - Flap, trailing edge, outboard, right	1	
-3	40185-17		CHANNEL - Flap, trailing edge, outboard	2	
-4	50075-12		SKIN ASSEMBLY - Flap, trailing edge, inboard, left	1	
	50075-13		SKIN ASSEMBLY - Flap, trailing edge, inboard, right	1	
-5	40185-16		CHANNEL - Flap, trailing edge, inboard	2	
-6	40185-06		SKIN - Flap, leading edge, outboard, left	1	
	40185-07		SKIN - Flap, leading edge, outboard, right	1	
-7	40185-08		SKIN - Flap, leading edge, Sta. 97.5 to Sta. 147.5, left	1	
	40185-09		SKIN - Flap, leading edge, Sta. 97.5 to Sta. 147.5, right	1	
-8	40185-10		SKIN - Flap, leading edge, center, left	1	
	40185-11		SKIN - Flap, leading edge, center, right	1	
-9	40185-12		SKIN - Flap, leading edge, Sta. 40 to Sta. 87.5, left	1	
	40185-13		SKIN - Flap, leading edge, Sta. 40 to Sta. 87.5, right	1	
-10	40185-14		SKIN - Flap, leading edge, inboard, left	1	
	40185-15		SKIN - Flap, leading edge, inboard, right	1	
-11	40137-02		BULKHEAD - Flap nose, Sta. 30, left	1	
	40137-03		BULKHEAD - Flap nose, Sta. 30, right	1	
-12	40137-04		BULKHEAD - Flap nose, Sta. 49, left	1	
	40137-05		BULKHEAD - Flap nose, Sta. 49, right	1	
-13	40144-02		BULKHEAD - Flap nose, Sta. 58.5, left	1	
	40144-03		BULKHEAD - Flap nose, Sta. 58.5, right	1	
-14	40144-04		BULKHEAD - Flap nose, Sta. 67.5, left	1	
	40144-05		BULKHEAD - Flap nose, Sta. 67.5, right	1	
-15	40144-06		BULKHEAD - Flap nose, Sta. 77.5, left	1	
	40144-07		BULKHEAD - Flap nose, Sta. 77.5, right	1	
-16	40147-02		BULKHEAD - Flap nose, Sta. 97.5, left	1	
	40147-03		BULKHEAD - Flap nose, Sta. 97.5, right	1	
-17	40147-04		BULKHEAD - Flap nose, Sta. 109.5, left	1	
	40147-05		BULKHEAD - Flap nose, Sta. 109.5, right	1	
-18	40147-06		BULKHEAD - Flap nose, Sta. 121.5, left	1	
	40147-07		BULKHEAD - Flap nose, Sta. 121.5, right	1	
-19	40147-08		BULKHEAD - Flap nose, Sta. 134.5, left	1	
	40147-09		BULKHEAD - Flap nose, Sta. 134.5, right	1	
-20	40147-10		BULKHEAD - Flap nose, Sta. 160.5, left	1	
	40147-11		BULKHEAD - Flap nose, Sta. 160.5, right	1	
-21	40157-00		RIB - Flap, Sta. 39.5, left	1	
	40157-01		RIB - Flap, Sta. 39.5, right	1	
-22	40165-00		RIB - Flap, Sta. 160.5, left	1	
	40165-01		RIB - Flap, Sta. 160.5, right	1	
-23	40166-00		RIB - Flap, Sta. 30, left	1	
	40166-01		RIB - Flap, Sta. 30, right	1	
-24	40166-02		RIB - Flap, Sta. 49, left	1	
	40166-03		RIB - Flap, Sta. 49, right	1	
-25	40167-00		RIB - Flap, Sta. 58.5, left	1	
	40167-01		RIB - Flap, Sta. 58.5, right	1	
-26	40167-02		RIB - Flap, Sta. 67.5, left	1	
	40167-03		RIB - Flap, Sta. 67.5, right	1	
-27	40167-04		RIB - Flap, Sta. 77.5, left	1	
	40167-05		RIB - Flap, Sta. 77.5, right	1	

When ordering, always specify Part Number, Description and Serial Number of Aircraft



Figure and Index Number	Part Number	Code	NOMENCLATURE	No. Req.	SERIAL NUMBERS AFFECTED
9-28	40167-06		RIB - Flap, Sta. 97.5, left	1	
	40167-07		RIB - Flap, Sta. 97.5, right	1	
-29	40167-08		RIB - Flap, Sta. 109.5, left	1	
	40167-09		RIB - Flap, Sta. 109.5, right	1	
-30	40167-10		RIB - Flap, Sta. 121.5, left	1	
	40167-11		RIB - Flap, Sta. 121.5, right	1	
-31	40167-12		RIB - Flap, Sta. 134.5, left	1	
	40167-13		RIB - Flap, Sta. 134.5, right	1	
-32	40168-00		RIB - Flap, Sta. 87.5, left	1	
	40168-01		RIB - Flap, Sta. 87.5, right	1	
-33	40168-02		RIB - Flap, Sta. 147.5, left	1	
	40168-03		RIB - Flap, Sta. 147.5, right	1	
-34	42078-00		BULKHEAD ASSEMBLY - Flap nose, Sta. 92.94, left	1	
	42078-01		BULKHEAD ASSEMBLY - Flap nose, Sta. 92.94, right	1	
-35	40175-02		BRACKET ASSEMBLY - Flap roller, Sta. 87.5, outboard, left	1	
	40175-03		BRACKET ASSEMBLY - Flap roller, Sta. 87.5, outboard, right	1	
-36	40175-04		BRACKET ASSEMBLY - Flap roller, Sta. 87.5, inboard, left	1	
	40175-05		BRACKET ASSEMBLY - Flap roller, Sta. 87.5, inboard, right	1	
-37	40176-02		BRACKET ASSEMBLY - Flap roller, Sta. 147.5, outboard, left	1	
	40176-03		BRACKET ASSEMBLY - Flap roller, Sta. 147.5, outboard, right	1	
-38	40176-04		BRACKET ASSEMBLY - Flap roller, Sta. 147.5, inboard, left	1	
	40176-05		BRACKET ASSEMBLY - Flap roller, Sta. 147.5, inboard, right	1	
-39	40177-02		BRACKET ASSEMBLY - Flap roller, Sta. 39.5, outboard, left	1	
	40177-03		BRACKET ASSEMBLY - Flap roller, Sta. 39.5, outboard, right	1	
-40	40177-04		BRACKET ASSEMBLY - Flap roller, Sta. 39.5, inboard, left	1	
	40177-05		BRACKET ASSEMBLY - Flap roller, Sta. 39.5, inboard, right	1	
-41	40162-00		SPAR - Flap, left	1	
	40162-01		SPAR - Flap, right	1	
-42	40124-00		HORN ASSEMBLY - Flap control, Sta. 92.94	1	
-43	401 266		BOLT - (AN3-5A)	2	
	407 564		WASHER - (AN960-10)	2	

When ordering, always specify Part Number, Description and Serial Number of Aircraft

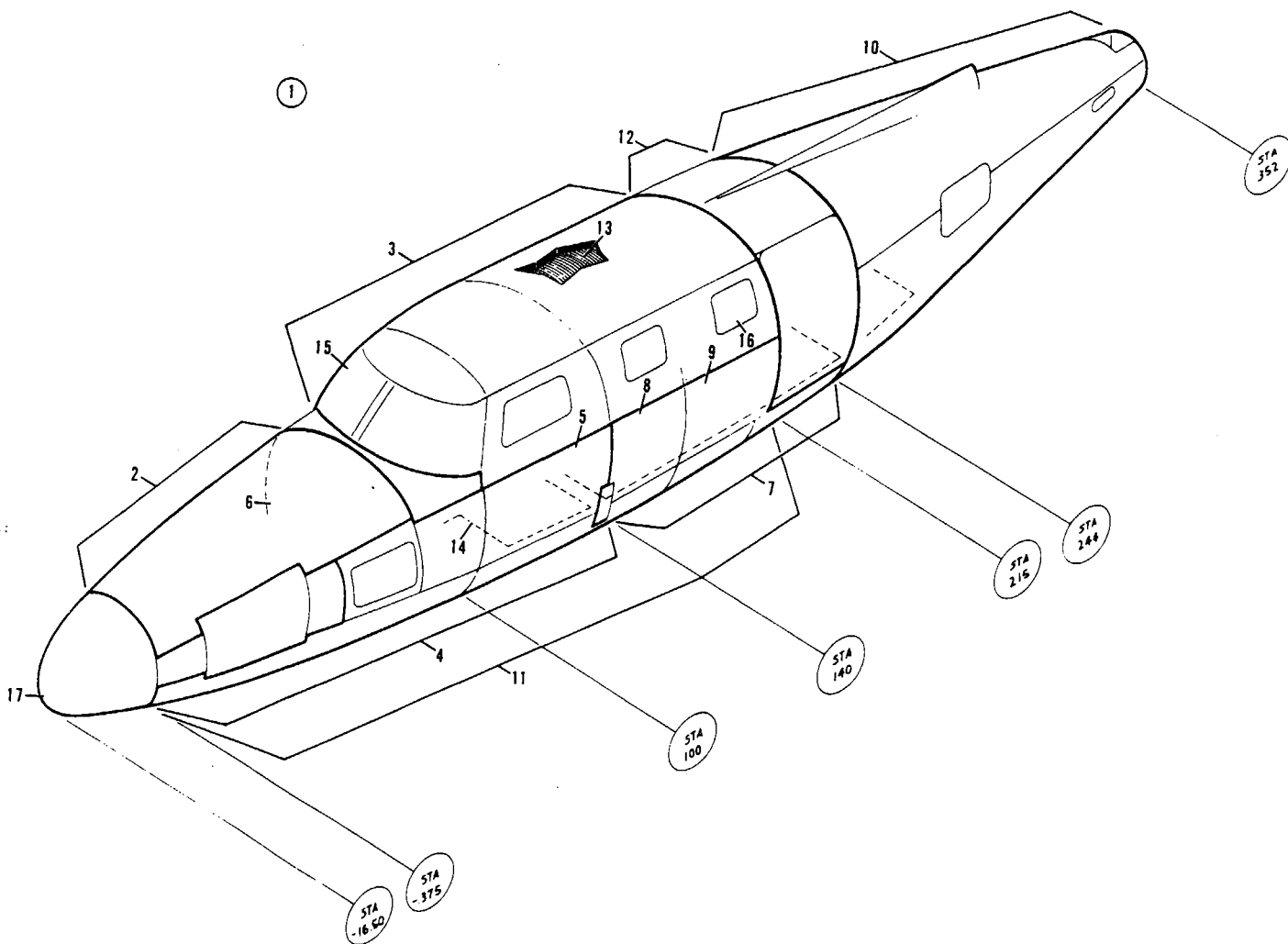


Figure 10. Fuselage Assembly



Figure and Index Number	Part Number	Code	NOMENCLATURE	No. Req.	SERIAL NUMBERS AFFECTED
10-	45400 45401		DRAWING - Fuselage Assembly (Complete) DRAWING - Fuselage Assembly		
-1	45401-00		FUSELAGE ASSEMBLY	1	
-2		A	UPPER FORWARD SECTION ASSEMBLY - Fuselage	1	
-3		B	UPPER CABIN SECTION ASSEMBLY - Fuselage	1	
-4		C	LOWER FORWARD SECTION ASSEMBLY - Fuselage	1	
-5		D	LOWER FORWARD FRAME ASSEMBLY - Fuselage	1	
-6		E	PRESSURE BULKHEAD ASSEMBLY - Fuselage, Sta. 81	1	
-7		F	LOWER REAR SECTION ASSEMBLY - Fuselage	1	
-8		G	LOWER CENTER FRAME ASSEMBLY - Fuselage	1	
-9		H	LOWER REAR FRAME ASSEMBLY - Fuselage	1	
-10		J	AFT SECTION - Fuselage	1	
-11		K	STRUCTURE INSTALLATION - Fuselage, Sta. .375 to 215	1	
-12		L	STRUCTURE INSTALLATION - Fuselage, Sta. 215 to 244	1	
-13		M	INNER SKIN INSTALLATION - Fuselage	1	
-14		N	FLOORBOARD INSTALLATION	1	
-15		P	WINDSHIELD INSTALLATION	1	
-16		Q	WINDOWS INSTALLATION - Exterior	1	
-17		R	NOSE CONE INSTALLATION	1	
			A - See Figure 11 for component parts. B - See Figure 12 for component parts. C - See Figure 13 for component parts. D - See Figure 14 for component parts. E - See Figure 15 for component parts. F - See Figure 16 for component parts. G - See Figure 17 for component parts. H - See Figure 18 for component parts. J - See Figure 19 for component parts. K - See Figure 20 for component parts. L - See Figure 21 for component parts. M - See Figure 22 for component parts. N - See Figure 23 for component parts. P - See Figure 24 for component parts. Q - See Figure 25 for component parts. R - See Figure 27 for component parts.		

When ordering, always specify Part Number, Description and Serial Number of Aircraft

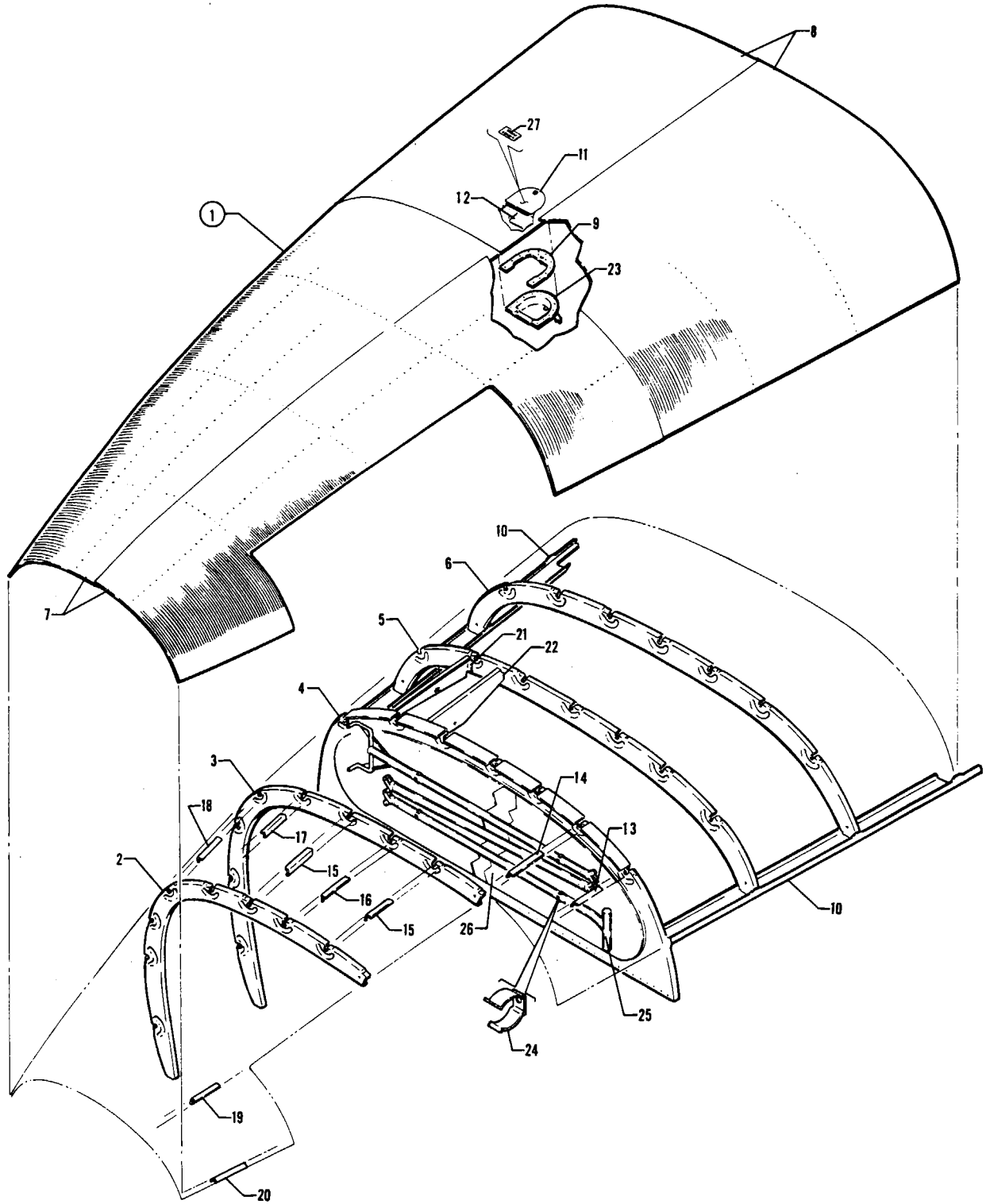


Figure 11. Upper Forward Section Assembly



Figure and Index Number	Part Number	Code	NOMENCLATURE	No. Req.	SERIAL NUMBERS AFFECTED
11-1	45733-00		SECTION ASSEMBLY - Upper forward fuselage	1	
-2	45324-05		BULKHEAD - Upper forward fuselage (Sta. 24)	1	
-3	45337-06		BULKHEAD - Upper forward fuselage (Sta. 37)	1	
-4	45349-03		BULKHEAD ASSEMBLY - Upper forward fuselage (Sta. 49.6)	1	
-5	45359-00		BULKHEAD ASSEMBLY - Upper forward fuselage (Sta. 59)	1	
-6	45370-00		BULKHEAD - Upper forward fuselage (Sta. 70)	1	
-7	45864-00		SKIN - Upper forward fuselage, left (Sta. 0 to Sta. 49.6)	1	
	45864-01		SKIN - Upper forward fuselage, right (Sta. 0 to Sta. 49.6)	1	
-8	45871-00		SKIN - Upper forward fuselage, left (Sta. 49.6 to Sta. 81)	1	
	45871-01		SKIN - Upper forward fuselage, right (Sta. 49.6 to Sta. 81)	1	
-9	43833-00		PLATE ASSEMBLY - Reinforcement, hydraulic reservoir door	1	
-10	45232-00		CHANNEL - Access upper area, left (Sta. 49.6 to Sta. 83.75)	1	
	45232-01		CHANNEL - Access upper area, right (Sta. 49.6 to Sta. 83.75)	1	
-11	42912-04		PLATE ASSEMBLY - Access	1	31P-3 to 31P-47 inclusive
	42912-05		PLATE ASSEMBLY - Access	1	31P-48 and up
-12	43801-00		PLACARD - Hydraulic reservoir	1	31P-3 to 31P-47 inclusive
	48023-00		PLACARD - Hydraulic reservoir	1	31P-48 and up
-13	45843-02		STRINGER - Fuselage upper forward, left (Sta. 37 to Sta. 81)	1	
-14	45843-03		STRINGER - Fuselage upper forward, left (Sta. 32 to Sta. 81)	1	
-15	45843-04		STRINGER - Fuselage upper forward, left (Sta. 0 to Sta. 81)	1	
	45843-08		STRINGER - Fuselage upper forward, right (Sta. 0 to Sta. 81)	1	
-16	45843-06		STRINGER - Fuselage upper forward (Sta. 0 to Sta. 81, B.L.O.)	1	
-17	45843-10		STRINGER - Fuselage upper forward, right (Sta. 0 to Sta. 81)	1	
-18	45843-12		STRINGER - Fuselage upper forward, right (Sta. 0 to Sta. 81)	1	
-19	45843-09		STRINGER - Fuselage upper forward, left (Sta. 0 to Sta. 15)	1	
-20	45843-11		STRINGER - Fuselage upper forward, left (Sta. 0 to Sta. 9)	1	
-21	46225-00		BRACKET ASSEMBLY - Upper forward fuselage, outside air box support, upper, Sta. 49.6 to Sta. 59	1	
-22	46118-00		BRACKET ASSEMBLY - Upper forward fuselage, outside air box support, lower, Sta. 49.6 to Sta. 59	1	
-23	43831-00		PLATE ASSEMBLY - Hydraulic reservoir	1	
-24	454 982		CLIP - (C4956-020-16)	4	
-25	47353-00		TOW BAR ASSEMBLY	1	
-26	45349-04		COVER - Bulkhead	1	
-27	48022-00		DECAL - Brake reservoir	1	

When ordering, always specify Part Number, Description and Serial Number of Aircraft

**1B23 THRU 1B24**  
**INTENTIONALLY LEFT BLANK**

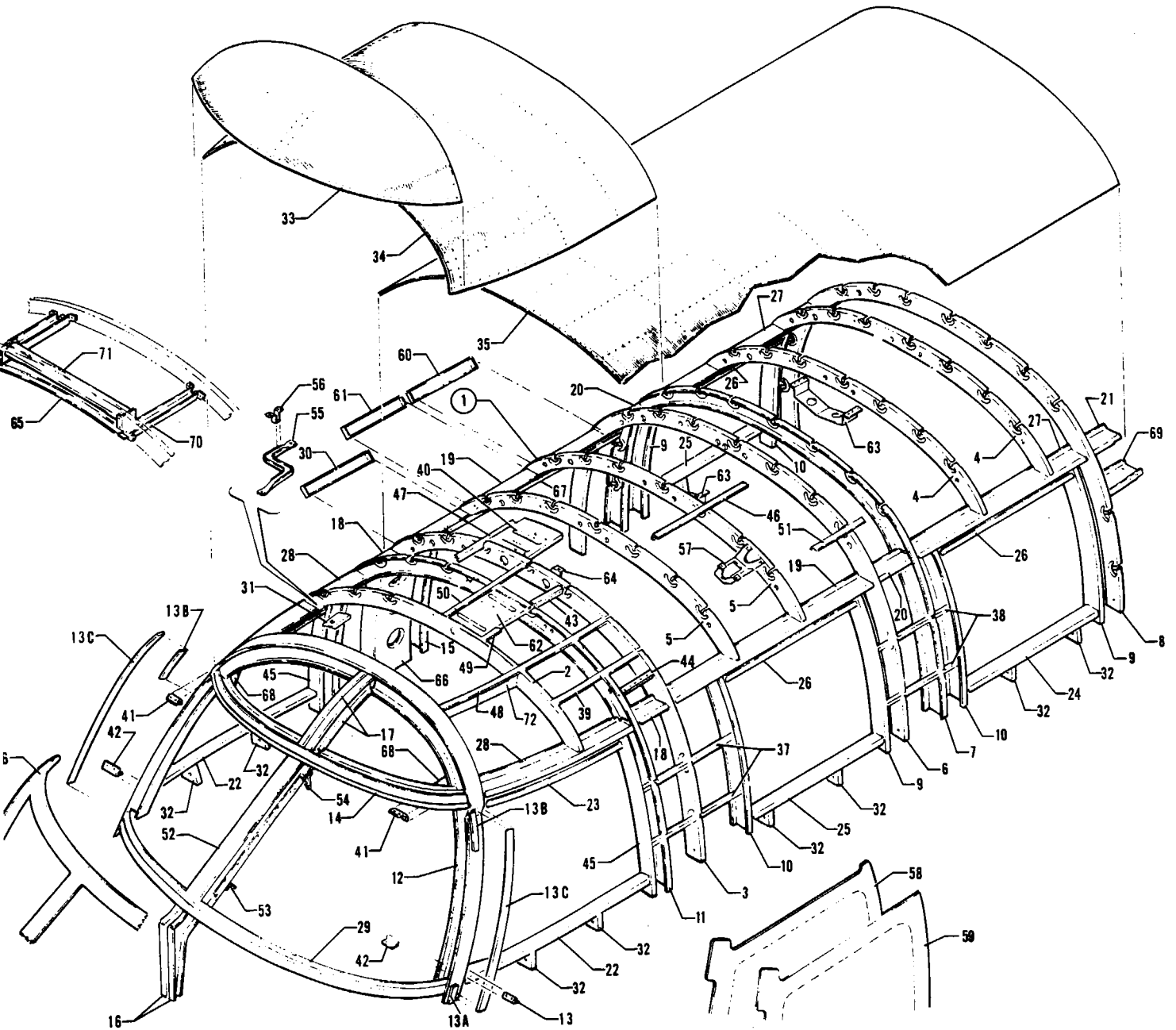


Figure 12. Upper Cabin Section Assembly





Figure and Index Number	Part Number	Code	NOMENCLATURE	No. Req.	SERIAL NUMBERS AFFECTED
12-1	45406-00		SECTION ASSEMBLY - Fuselage, upper cabin	1	31P-3 to 31P-7400177 inclusive
	45406-05		SECTION ASSEMBLY - Fuselage, upper cabin	1	31P-7400178 to 31P-7630019 incl.
	54910-03		SECTION ASSEMBLY - Fuselage, upper cabin	1	31P-7730001 and up
-2	45126-00		BULKHEAD - Fuselage, Sta. 126	1	31P-3 to 31P-7630019 inclusive
	54822-02		BULKHEAD - Fuselage, Sta. 126	1	31P-7730001 and up
-3	45139-00		BULKHEAD - Fuselage, top, Sta. 140	1	
-4	45150-00		BULKHEAD - Fuselage, top, Sta. 191.7, Sta. 203	2	
-5	45150-02		BULKHEAD - Fuselage, top, Sta. 151.3, Sta. 162.6	2	
-6	45173-02		BULKHEAD - Fuselage, top, Sta. 174	1	
-7	45180-00		BULKHEAD - Fuselage, top, Sta. 180	1	
-8	45208-00		BULKHEAD - Fuselage, top, Sta. 209.50	1	
-9	46085-00		BULKHEAD - Window frame	3	
-10	45085-01		BULKHEAD - Window frame	3	
-11	45134-00		BULKHEAD - Fuselage, top, Sta. 135	1	
-12	45115-00		BULKHEAD ASSEMBLY - Fuselage canted, Sta. 100 to Sta. 115.30	1	
-13	45189-00		ANGLE - Windshield attachment, left	1	
	45189-01		ANGLE - Windshield attachment, right	1	
-13a	45186-06		STRIP - Windshield filler	2	
-13b	45186-04		STRIP - Windshield filler, left	1	
	45186-05		STRIP - Windshield filler, right	1	
-13c	45186-02		STRIP - Windshield filler, left	1	
	45186-03		STRIP - Windshield filler, right	1	
-14	45138-00		BULKHEAD ASSEMBLY - Eyebrow	1	
-15	45141-00		BULKHEAD ASSEMBLY - Emergency exit frame	1	
-16	45219-00		BULKHEAD - Windshield center channel, left	1	
	45219-01		BULKHEAD - Windshield center channel, right	1	
-17	45149-00		BULKHEAD - Windshield support channel, left	1	
	45149-01		BULKHEAD - Windshield support channel, right	1	
-18	45060-00		CHANNEL - Fuselage, Sta. 135 to Sta. 140, left	1	
	45060-01		CHANNEL - Fuselage, Sta. 135 to Sta. 140, right	1	
-19	45016-00		CHANNEL - Fuselage, Sta. 140 to Sta. 174, left	1	
	45062-00		CHANNEL - Fuselage, Sta. 140 to Sta. 174, right	1	31P-3 to 31P-109 inclusive
	48288-00		CHANNEL - Fuselage, Sta. 140 to Sta. 174, right	1	31P-7300110 and up
-20	45067-00		CHANNEL - Fuselage, Sta. 174 to Sta. 181, left	1	
	45067-02		CHANNEL - Fuselage, Sta. 174 to Sta. 181, right	1	
-21	45074-00		CHANNEL - Fuselage, Sta. 209 to Sta. 215, left	1	
	45076-00		CHANNEL - Fuselage, Sta. 209.50 to Sta. 251, right	1	
-22	45086-00		CHANNEL - Front, window lower frame, left	1	
	45086-01		CHANNEL - Front, window lower frame, right	1	
-23	45088-00		CHANNEL - Front, window upper frame, left	1	31P-3 to 31P-7630019 inclusive
	54894-04		CHANNEL - Front, window upper frame, left	1	31P-7730001 and up
	45088-01		CHANNEL - Front, window upper frame, right	1	31P-3 to 31P-7630019 inclusive
	54894-05		CHANNEL - Front, window upper frame, right	1	31P-7730001 and up
-24	45112-00		CHANNEL - Window lower frame	1	
-25	45112-01		CHANNEL - Window lower frame	2	
-26	45113-00		CHANNEL - Window upper frame	3	
-27	45071-00		CHANNEL - Fuselage, Sta. 181 to Sta. 209.50	2	
-28	45056-00		CHANNEL - Fuselage, Sta. 111.50 to Sta. 135, left	1	31P-3 to 31P-7630019 inclusive
	45056-01		CHANNEL - Fuselage, Sta. 111.50 to Sta. 135, right	1	31P-3 to 31P-7630019 inclusive
-29	45179-00		CHANNEL ASSEMBLY - Windshield lower support	1	
-30	48269-00		CHANNEL - Fuselage emergency exit, Sta. 140 to Sta. 151.3	1	31P-7300110 and up
-31	45417-00		CHANNEL - Antenna reinforcement	1	
-32	45083-00		SUPPORT - Window frame, left	6	
	45083-01		SUPPORT - Window frame, right	4	

When ordering, always specify Part Number, Description and Serial Number of Aircraft



Figure and Index Number	Part Number	Code	NOMENCLATURE	No. Req.	SERIAL NUMBERS AFFECTED
12-33	45498-00		SKIN - Fuselage, upper forward, Sta. 101.87 to Sta. 115.3	1	
-34	45499-00		SKIN - Fuselage, upper, Sta. 115.3 to Sta. 140	1	31P-3 to 31P-7630019 inclusive
	54898-02		SKIN - Fuselage, upper, Sta. 115.3 to Sta. 140	1	31P-7730001 and up
-35	45500-00		SKIN - Fuselage, upper, Sta. 140 to Sta. 215	1	
-36	45235-00		COLLAR - Windshield	1	
-37	45673-00		STRINGER - Fuselage, left, Sta. 131 to Sta. 148	2	
	45671-00		STRINGER - Fuselage, right, Sta. 131 to Sta. 146	2	
-38	45672-00		STRINGER - Fuselage, left, Sta. 170 to Sta. 184	2	
	45675-00		STRINGER - Fuselage, right, Sta. 170 to Sta. 184	2	
-39	45390-02	A	STRINGER - Upper cabin section forward, left	1	
	45390-10		STRINGER - Upper cabin section forward, left	1	31P-7400178 to 31P-7630019 incl.
	45390-03	A	STRINGER - Upper cabin section forward, right	1	
	45390-09		STRINGER - Upper cabin section forward, right	1	31P-7400178 to 31P-7630019 incl.
-40	45388-00		PLATE - Antenna mounting	1	
-41	45177-00		ANGLE - Eyebrow bulkhead attachment, left	1	
	45177-01		ANGLE - Eyebrow bulkhead attachment, right	1	
-42	47573-00		ANGLE - Windshield channel attachment, left	1	
	47573-01		ANGLE - Windshield channel attachment, right	1	
-43	45376-00		SPLICE - Stringer	7	
-44	54902-02		STRINGER - Upper cabin	2	31P-7730001 and up
-45	45085-00		BULKHEAD - Window frame, left	1	31P-3 to 31P-7630019 inclusive
	54802-02		BULKHEAD - Window frame, left	1	31P-7730001 and up
	45085-01		BULKHEAD - Window frame, right	1	31P-3 to 31P-7630019 inclusive
	54802-03		BULKHEAD - Window frame, right	1	31P-7730001 and up
-46	45389-00		STRINGER - Upper cabin section	3	
-47	45389-01		STRINGER - Upper cabin section	3	
-48	45390-04	A	STRINGER - Upper cabin section forward, left	1	
	45390-12		STRINGER - Upper cabin section forward, left	1	31P-7400178 to 31P-7630019 incl.
	45390-05	A	STRINGER - Upper cabin section forward, right	1	
	45390-11		STRINGER - Upper cabin section forward, right	1	31P-7400178 to 31P-7630019 incl.
-49	45390-06		STRINGER - Upper cabin section forward, left	1	
	45390-07		STRINGER - Upper cabin section forward, right	1	
-50	45390-08		STRINGER - Upper cabin section forward, center	1	
-51	45389-02		STRINGER - Upper cabin section	1	
-52	45207-00		CHANNEL ASSEMBLY - Windshield	1	
-53	46872-00		BRACKET ASSEMBLY	1	
-54	46873-00		BRACKET ASSEMBLY - Windshield channel cover	1	
-55	46811-00		CHANNEL - Overhead switch panel mounting, left	1	31P-3 to 31P-7400177 inclusive
	46811-01		CHANNEL - Overhead switch panel mounting, right	1	31P-3 to 31P-7400177 inclusive
-56	46812-00		BRACKET - Overhead switch panel mounting	2	31P-3 to 31P-7400177 inclusive
-57	46968-00		BRACKET ASSEMBLY - Reading light mounting	4	31P-3 to 31P-7630001 inclusive
-58	45110-00		SKIN - Fuselage, front window doubler, left, Sta. 100 to Sta. 140	1	31P-3 to 31P-7630019 inclusive
	54895-02		SKIN - Fuselage, front window doubler, left, Sta. 100 to Sta. 140	1	31P-7730001 and up
	45110-01		SKIN - Fuselage, front window doubler, right, Sta. 100 to Sta. 140	1	31P-3 to 31P-7630019 inclusive
	54895-03		SKIN - Fuselage, front window doubler, right, Sta. 100 to Sta. 140	1	31P-7730001 and up
-59	45132-00		SKIN - Fuselage, front window, left, Sta. 100 to Sta. 140	1	31P-3 to 31P-7630019 inclusive
	54897-02		SKIN - Fuselage, front window, left, Sta. 100 to Sta. 140	1	31P-7730001 and up
	45132-01		SKIN - Fuselage, front window, right, Sta. 100 to Sta. 140	1	31P-3 to 31P-7630019 inclusive
	54897-03		SKIN - Fuselage, front window, right, Sta. 100 to Sta. 140	1	31P-7730001 and up

A - Used on serial numbers 31P-3 to 31P-7400177 inclusive and 31P-7730001 and up.

When ordering, always specify Part Number, Description and Serial Number of Aircraft



Figure and Index Number	Part Number	Code	NOMENCLATURE	No. Req.	SERIAL NUMBERS AFFECTED
12-60	48268-00		CHANNEL - Fuselage emergency exit, Sta. 162.6 to Sta. 174	1	31P-7300110 and up
-61	48267-00		CHANNEL - Fuselage emergency exit, Sta. 151.3 to Sta. 162.6	1	31P-7300110 and up
-62	45737-00		PLATE ASSEMBLY - Antenna mounting	1	
-63	49056-02		BRACKET ASSEMBLY - Light retaining	2	31P-7630006 and up
-64	49065-02		BRACKET ASSEMBLY - No smoking sign	1	31P-7630006 and up
-65	46803-00		ANGLE ASSEMBLY	1	31P-3 to 31P-66 inclusive
-66	45424-00		SKIN - Inner, fuselage upper, Sta. 140 to Sta. 146	1	
-67	45039-00		GUSSET - Fuselage upper, Sta. 140 to Sta. 174	1	
-68	45231-00		GUSSET - Fuselage canted bulkhead	2	31P-3 to 31P-7630019 inclusive
	54899-02		GUSSET - Fuselage canted bulkhead	2	31P-7730001 and up
-69	45646-00		CHANNEL - Door frame support, Sta. 209 to Sta. 215	1	
-70	46623-00		CHANNEL ASSEMBLY - Left	1	31P-3 to 31P-66 inclusive
	46623-01		CHANNEL ASSEMBLY - Right	1	31P-3 to 31P-66 inclusive
-71	46824-00		CONTAINER ASSEMBLY - Roll up curtain	1	31P-3 to 31P-66 inclusive
-72	51208-00		BRACKET ASSEMBLY - Overhead cover, left	1	
	51208-01		BRACKET ASSEMBLY - Overhead cover, right	1	

When ordering, always specify Part Number, Description and Serial Number of Aircraft

PIPER PARTS CATALOG

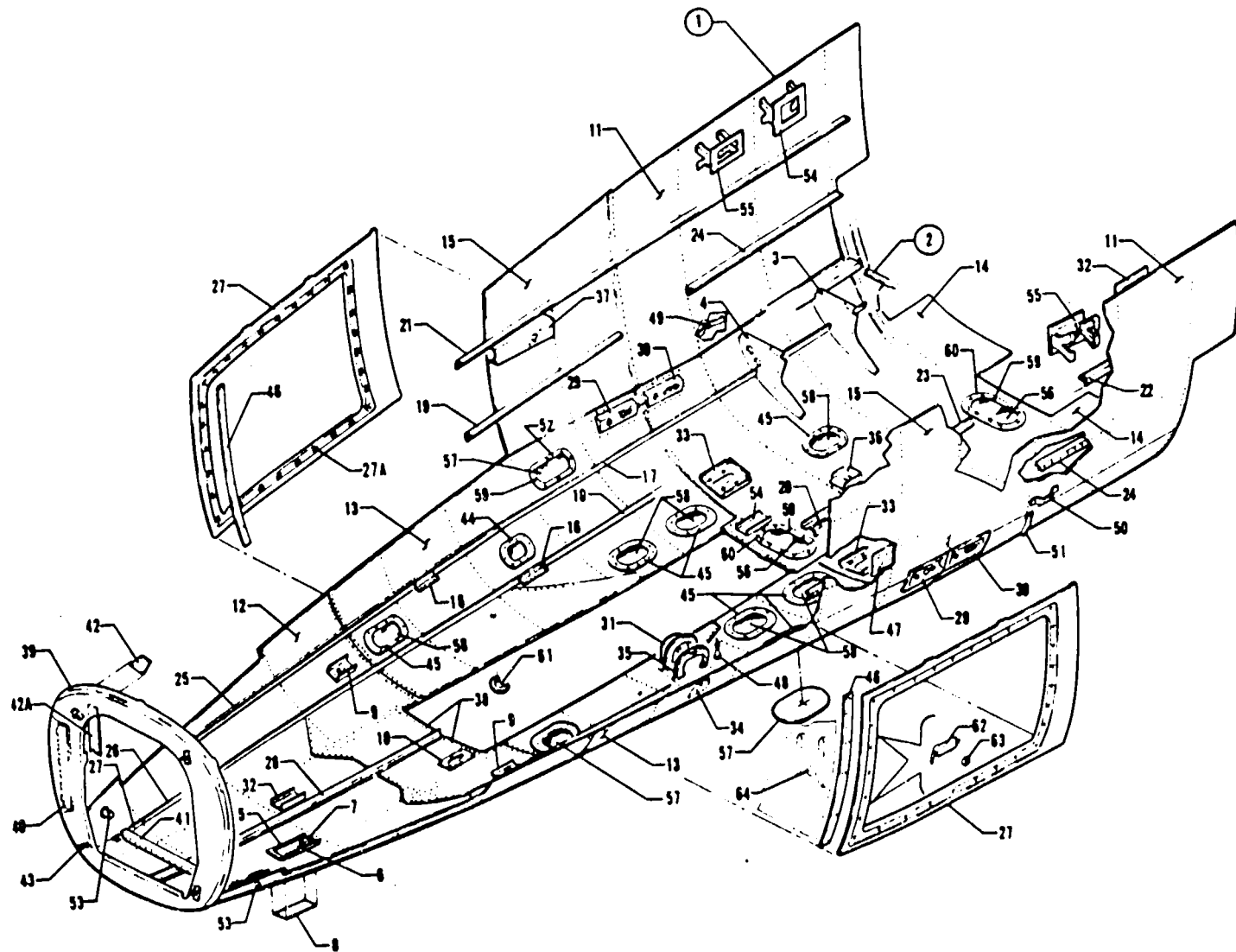


Figure 13. Lower Forward Section Assembly

## PIPER PARTS CATALOG

Figure and Index Number	Part Number	Code	NOMENCLATURE	No. Req.	SERIAL NUMBERS AFFECTED
13-1	45703-00		SECTION ASSEMBLY - Lower forward fuselage	1	
-2	45614-00	A	* FRAME ASSEMBLY - Lower forward fuselage	1	
-3	45392-00		* BULKHEAD ASSEMBLY - Seat track support, outboard, Sta. 128.68, left	1	
	45392-01		* BULKHEAD ASSEMBLY - Seat track support, outboard, Sta. 128.68, right	1	
-4	45394-00		* BULKHEAD ASSEMBLY - Seat track support, outboard, Sta. 117.26, left	1	
	45394-01		* BULKHEAD ASSEMBLY - Seat track support, outboard, Sta. 117.26, right	1	
-5	42512-00		* FRAME - Power receptacle door	1	
-6	42513-04		* DOOR ASSEMBLY - Power receptacle	1	
-7	472 017		* * LATCH - Push button (#KM610-32)	1	
-8	47757-00		* * PLACARD - Starting procedure, external power	1	
-9	45417-00		* CHANNEL - Antenna reinforcement	2	
-10	41466-06		* MAST ASSEMBLY - Pitot tube	1	
-11	45663-00		* SKIN - Fuselage side, Sta. 100 to Sta. 140, left	1	
	45663-01		* SKIN - Fuselage side, Sta. 100 to Sta. 140, right	1	
-12	45666-00		* SKIN - Fuselage bottom, Sta. 0 to Sta. 49.6, left	1	
	45666-01		* SKIN - Fuselage bottom, Sta. 0 to Sta. 49.6, right	1	
-13	45668-00		* SKIN - Fuselage bottom, Sta. 49.6 to Sta. 100, left	1	
	45668-01		* SKIN - Fuselage bottom, Sta. 49.6 to Sta. 100, right	1	
-14	45673-00		* SKIN - Fuselage bottom, Sta. 96.25 to Sta. 140, left	1	
	45673-01		* SKIN - Fuselage bottom, Sta. 96.25 to Sta. 140, right	1	
-15	45661-00		* SKIN - Fuselage side, Sta. 81 to Sta. 100, left	1	
	45661-01		* SKIN - Fuselage side, Sta. 81 to Sta. 100, right	1	
-16	45376-00		* SPLICE - Stringer	4	
-17	45696-02		* STRINGER - Lower forward fuselage, left	1	
	45696-03		* STRINGER - Lower forward fuselage, right	1	
-18	45696-04		* STRINGER - Lower forward fuselage, left	1	
	45696-05		* STRINGER - Lower forward fuselage, right	1	
-19	45696-06		* STRINGER - Lower forward fuselage, left	1	
	45696-07		* STRINGER - Lower forward fuselage, right	1	
-20	45696-08		* STRINGER - Lower forward fuselage, left	1	
-21	45696-09		* STRINGER - Lower forward fuselage, right	1	
-22	45696-10		* STRINGER - Lower forward fuselage, left	1	
-23	45696-11		* STRINGER - Lower forward fuselage, center	1	
-24	45696-12		* STRINGER - Lower forward fuselage, left	1	
	45696-13		* STRINGER - Lower forward fuselage, right	1	
-25	45696-14		* STRINGER - Lower forward fuselage, left	1	
	45696-15		* STRINGER - Lower forward fuselage, right	1	
-26	45696-16		* STRINGER - Lower forward fuselage, left	1	
	45696-17		* STRINGER - Lower forward fuselage, right	1	
-27	45248-00		* FRAME ASSEMBLY - Access area, left	1	
	45248-01		* FRAME ASSEMBLY - Access area, right	1	
-27a	484 293		* * RECEPTACLE - (214-16D)	18	
-28	45696-20		* STRINGER - Lower forward fuselage, center	1	
-29	41145-00		* PLATE - Tube support, left front	1	
	41145-01		* PLATE - Tube support, right front	1	
-30	41145-02		* PLATE - Tube support, left rear	1	
	41145-03		* PLATE - Tube support, right rear	1	
-31	42910-00		* PLATE - Oxygen recharge valve mounting	1	

A - See Figure 14 for component parts.

When ordering, always specify Part Number, Description and Serial Number of Aircraft



Figure and Index Number	Part Number	Code	NOMENCLATURE	No. Req.	SERIAL NUMBERS AFFECTED
13-32	43589-00		BRACKET - Antenna mounting	2	
-33	43845-00		PLATE ASSEMBLY - Reinforcement, left	1	
	43845-01		PLATE ASSEMBLY - Reinforcement, right	1	
-34	42912-00		PLATE ASSEMBLY - Oxygen access	1	
-35	42913-00		PLATE ASSEMBLY - Oxygen recharge valve doubler	1	
-36	47579-00		PLATE - Antenna mounting	1	
-37	45693-00		BRACKET ASSEMBLY - Torque tube, Sta. 87.25, left	1	
	45693-01		BRACKET ASSEMBLY - Torque tube, Sta. 87.25, right	1	
-38	45283-00		GUSSET - Fuselage bottom	1	
-39	45307-07		BULKHEAD ASSEMBLY - Sta. .375	1	
-40	45282-02		HINGE - Bulkhead assembly, Sta. .375	1	
-41	45358-00		ANGLE ASSEMBLY - Bulkhead assembly, Sta. .375	1	
-42	45530-00		PLATE - Latch bracket reinforcement	4	
-42a	51828-02		PLATE ASSEMBLY - Adjustment, radome hinge	1	
-43	45352-00		BRACKET - Latch bulkhead assembly, Sta. .375	4	
-44	46366-00		BRACKET ASSEMBLY - Heater exhaust shroud	1	
-45	20372-03		PLATE ASSEMBLY - Access hole reinforcement	7	
-46	45145-02		STRAP - Bulkhead flange, left	2	
-47	41585-00		BRACKET - Support	1	
-48	44107-00		TUBE ASSEMBLY - Powerpak vent	1	
-49	47036-00		BRACKET - Valve cable support, left	1	
-50	47034-00		BRACKET - Valve cable support, right	1	
-51	43647-02		ANGLE - Wing fillet, left	1	
	43647-03		ANGLE - Wing fillet, right	1	
-52	47439-00		PLATE ASSEMBLY - Access hole reinforcement	1	
-53	17758-02		TUBE ASSEMBLY	2	
-54	42659-00		PLATE ASSEMBLY - Oxygen outlet mounting	2	
-55	42496-00		SUPPORT ASSEMBLY - Ash tray	2	31P-3 to 31P-7630005 inclusive
-56	50551-00		PLATE - Access	2	
-57	47454-00		COVER PLATE - Access	3	
-58	20370-02		COVER PLATE - Access	7	
-59	414 762		SCREW - (MS24693-S51)	72	
-60	50550-00		PLATE ASSEMBLY - Access hole reinforcement	2	
-61	22482-00	A	SCOOP - Baggage compartment vent	2	
-62	55371-02		LATCH ASSEMBLY - Access cover	2	31P-7730006 and up
-63	81102-20		WASHER - Latch assembly	2	31P-7730006 and up
-64	80495-02		PLACARD - Access panel	1	31P-7730006 and up

A - Used on aircraft that comply with C.A.A. (United Kingdom) requirements.

When ordering, always specify Part Number, Description and Serial Number of Aircraft

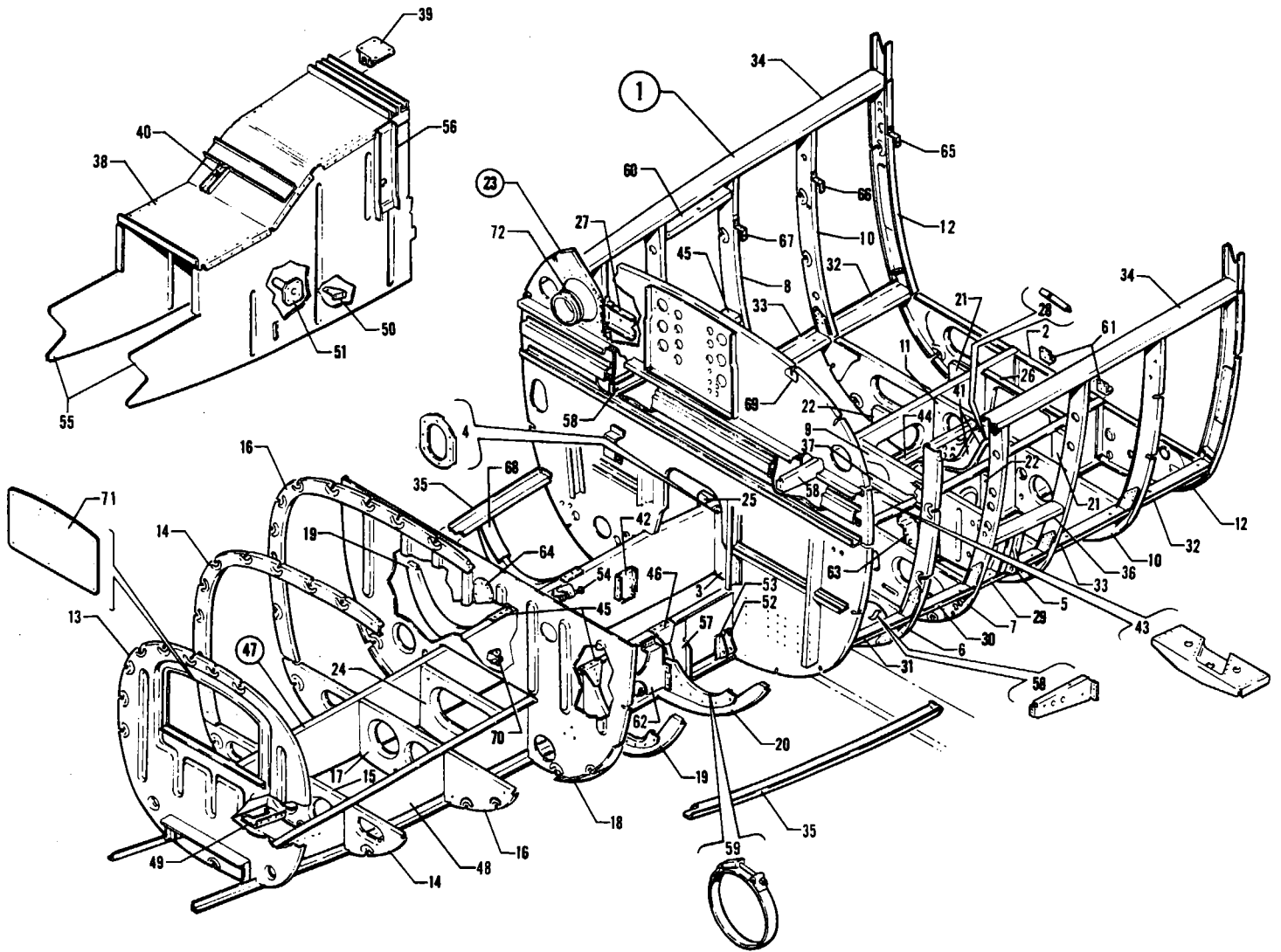


Figure 14. Lower Forward Frame Assembly



Figure and Index Number	Part Number	Code	NOMENCLATURE	No. Req.	SERIAL NUMBERS AFFECTED
14-1	45614-00		FRAME ASSEMBLY - Lower forward fuselage	1	
-2	40994-07		BULKHEAD ASSEMBLY - Fuselage, Sta. 135	1	
-3	41102-04		BULKHEAD ASSEMBLY - Fuselage center, Sta. 96.25	1	
-4	41427-00		PLATE ASSEMBLY - Access hole reinforcement	1	
-5	45015-00		BULKHEAD ASSEMBLY - Front spar attachment, left	1	31P-3 to 31P-96 inclusive, 31P-98 and 31P-99
	48313-00		BULKHEAD ASSEMBLY - Front spar attachment, left	1	31P-97, 31P-100 and up
	45015-01		BULKHEAD ASSEMBLY - Front spar attachment, right	1	31P-3 to 31P-96 inclusive, 31P-98 and 31P-99
	48313-01		BULKHEAD ASSEMBLY - Front spar attachment, right	1	31P-97, 31P-100 and up
-6	45090-02		BULKHEAD ASSEMBLY - Fuselage, Sta. 90.5, left	1	
	45090-03		BULKHEAD ASSEMBLY - Fuselage, Sta. 90.5, right	1	
-7	45100-02		BULKHEAD ASSEMBLY - Fuselage, Sta. 100, left	1	
	45100-03		BULKHEAD ASSEMBLY - Fuselage, Sta. 100, right	1	
-8	45111-05		BULKHEAD ASSEMBLY - Fuselage, Sta. 111.5, left	1	
	45111-07		BULKHEAD ASSEMBLY - Fuselage, Sta. 111.5, right	1	
-9	45111-06		BULKHEAD ASSEMBLY - Fuselage, Sta. 111.5, center	1	
-10	45123-04		BULKHEAD ASSEMBLY - Fuselage, Sta. 123, left	1	
	45123-02		BULKHEAD ASSEMBLY - Fuselage, Sta. 123, right	1	
-11	45123-06		BULKHEAD ASSEMBLY - Fuselage, Sta. 123, center	1	
-12	45135-02		BULKHEAD ASSEMBLY - Fuselage, Sta. 135, left	1	31P-3 to 31P-7730004 inclusive
	45135-16		BULKHEAD ASSEMBLY - Fuselage, Sta. 135, left	1	31P-7730005 and up
	45135-03		BULKHEAD ASSEMBLY - Fuselage, Sta. 135, right	1	31P-3 to 31P-7730004 inclusive
	45135-15		BULKHEAD ASSEMBLY - Fuselage, Sta. 135, right	1	31P-7730005 and up
-13	45309-03		BULKHEAD ASSEMBLY - Fuselage, Sta. 9	1	
-14	45324-02		BULKHEAD - Fuselage, Sta. 24, left	1	
	45324-04		BULKHEAD - Fuselage, Sta. 24, right	1	
-15	45324-03		BULKHEAD - Fuselage, Sta. 24, center	1	
-16	45337-03		BULKHEAD - Fuselage, Sta. 37, left	1	
	45337-05		BULKHEAD - Fuselage, Sta. 37, right	1	
-17	45337-04		BULKHEAD - Fuselage, Sta. 37, center	1	
-18	45350-00		BULKHEAD ASSEMBLY - Fuselage, Sta. 49.6, lower	1	31P-3 to 31P-7630013 inclusive
	45350-08		BULKHEAD ASSEMBLY - Fuselage, Sta. 49.6, lower	1	31P-7630014 and up
-19	45360-00		BULKHEAD ASSEMBLY - Fuselage, Sta. 59, left	1	
	45361-00		BULKHEAD ASSEMBLY - Fuselage, Sta. 59, right	1	
-20	45372-00		BULKHEAD ASSEMBLY - Fuselage, lower left, Sta. 70	1	
	45371-00		BULKHEAD ASSEMBLY - Fuselage, lower right, Sta. 70	1	
-21	45396-03		BULKHEAD ASSEMBLY - Seat track support, left inboard, Sta. 128.68	1	
	45393-00		BULKHEAD ASSEMBLY - Seat track support, right inboard, Sta. 128.68	1	
-22	45396-02		BULKHEAD ASSEMBLY - Seat track support, left inboard, Sta. 117.26	1	
	47058-00		BULKHEAD ASSEMBLY - Seat track support, right inboard, Sta. 117.26	1	
-23	45638-00	A	BULKHEAD ASSEMBLY - Fuselage (complete) Sta. 81	1	31P-3 to 31P-7630013 inclusive
	45638-03	A	BULKHEAD ASSEMBLY - Fuselage (complete) Sta. 81	1	31P-7630014 and up
-24	45346-00		BULKHEAD - Fuselage, center, Sta. 46	1	
-25	45451-00		BULKHEAD - Wheel well support, left	1	
	45451-01		BULKHEAD - Wheel well support, right	1	
-26	45551-00		BULKHEAD - Center, Sta. 131.50	1	
-27	45517-00		CHANNEL ASSEMBLY - Brake fitting support, Sta. 90.50	1	
-28	40964-00		CHANNEL - Guide, Sta. 123	1	

A - See Figure 15 for component parts.

When ordering, always specify Part Number, Description and Serial Number of Aircraft





Figure and Index Number	Part Number	Code	NOMENCLATURE	No. Req.	SERIAL NUMBERS AFFECTED
14-29	45028-00		CHANNEL - Floorboard support, left, Sta. 100 to Sta. 111.5	1	
	45028-01		CHANNEL - Floorboard support, right, Sta. 100 to Sta. 111.5	1	
-30	45029-00		CHANNEL - Floorboard support, left, Sta. 90.5 to Sta. 100	1	
	45029-01		CHANNEL - Floorboard support, right, Sta. 90.5 to Sta. 100	1	
-31	45032-00		CHANNEL - Floorboard support, left, Sta. 81 to Sta. 90.5	1	
	45032-01		CHANNEL - Floorboard support, right, Sta. 81 to Sta. 90.5	1	
-32	45035-00		CHANNEL - Floorboard support, left, Sta. 123 to Sta. 135	1	
	45035-01		CHANNEL - Floorboard support, right, Sta. 123 to Sta. 135	1	
-33	45036-00		CHANNEL - Floorboard support, left, Sta. 111.5 to Sta. 123	1	
	45036-01		CHANNEL - Floorboard support, right, Sta. 111.5 to Sta. 123	1	
-34	45055-00		CHANNEL - Fuselage, left, Sta. 81 to Sta. 135	1	
	45055-01		CHANNEL - Fuselage, right, Sta. 81 to Sta. 135	1	
-35	45247-00		CHANNEL - Access, lower left, Sta. 46 to Sta. 81	1	
	45247-01		CHANNEL - Access, lower left, Sta. 46 to Sta. 81	1	
-36	45294-02		CHANNEL - Front spar attachment, left, Sta. 100 to Sta. 111.5	1	
	45294-03		CHANNEL - Front spar attachment, right, Sta. 100 to Sta. 111.5	1	
-37	45662-00		CHANNEL ASSEMBLY - Floorboard support, Sta. 104.58	1	
-38	45342-00		PLATE ASSEMBLY - Nose gear cover, top	1	
-39	40985-00		BRACKET - Nose gear actuator	1	
-40	402 030		BOLT - Eye (AN42B-3A)	1	
	407 564		WASHER - (AN960-10)	1	
	404 887		NUT - (MS20365-1032C)	1	
-41	40947-04		BRACKET - Hydraulic hand pump, left	1	
	40947-05		BRACKET - Hydraulic hand pump, right	1	
-42	45018-00		BRACKET - Nose gear cover	1	
-43	47137-00		BRACKET ASSEMBLY - Trim drum mounting	1	
-44	48597-00		ANGLE ASSEMBLY - Floorboard support, Sta. 111.5 to Sta. 123	1	
-45	45063-00		CLIP - Bulkhead attachment, left, Sta. 59	1	
	45058-00		CLIP - Bulkhead attachment, right, Sta. 59	1	
-46	45374-00		CLIP - Bulkhead attachment, left, Sta. 70	1	
-47	45433-00		BEAM ASSEMBLY - Longitudinal, complete, left	1	31P-3 to 31P-7730004 inclusive
	45433-04		BEAM ASSEMBLY - Longitudinal, complete, left	1	31P-7730005 and up
	45433-01		BEAM ASSEMBLY - Longitudinal, complete, right	1	31P-3 to 31P-7730004 inclusive
	45433-05		BEAM ASSEMBLY - Longitudinal, complete, right	1	31P-7730005 and up
-48	45306-00		BEAM ASSEMBLY - Longitudinal, left	1	31P-3 to 31P-7730004 inclusive
	45306-16		BEAM ASSEMBLY - Longitudinal, left	1	31P-7730005 and up
	45306-01		BEAM ASSEMBLY - Longitudinal, right	1	31P-3 to 31P-7730004 inclusive
	45306-17		BEAM ASSEMBLY - Longitudinal, right	1	31P-7730005 and up
-49	41439-00		BRACKET - Power receptacle mounting, left	1	
-50	40620-00		BRACKET - Spring attachment, left	1	
	40620-01		BRACKET - Spring attachment, right	1	
-51	41033-00		FITTING ASSEMBLY - Nose gear door actuator, Sta. 63	1	
-52	45194-01		BRACKET ASSEMBLY - Nose gear door hinge	2	
-53	45194-00		BRACKET ASSEMBLY - Nose gear door hinge	2	

When ordering, always specify Part Number, Description and Serial Number of Aircraft



Figure and Index Number	Part Number	Code	NOMENCLATURE	No. Req.	SERIAL NUMBERS AFFECTED
14-54	40998-00		STOP ASSEMBLY - Nose gear downlock, right	1	
-55	45341-00		PLATE ASSEMBLY - Nose gear cover, side, left	1	
	45341-01		PLATE ASSEMBLY - Nose gear cover, side, right	1	
-56	46867-00		CHANNEL - Wheel well reinforcement, left	1	
-57	46907-00		BRACKET - Drag link reinforcement, left	1	
	41054-01		BRACKET - Drag link reinforcement, right	1	
-58	45887-00		BRACKET - Brake fitting support, left, Sta. 81 to Sta. 90.5	1	
	45887-01		BRACKET - Brake fitting support, right, Sta. 81 to Sta. 90.5	1	
-59	47420-00		CLAMP - Oxygen cylinder attachment	2	
-60	46727-00		BRACKET ASSEMBLY - Static air selector attachment	1	
-61	42835-00		BRACKET - Control cable support	2	
-62	46949-00		BRACKET - Nose gear steering pulley	1	
-63	47041-00		BRACKET - Nose gear steering pulley	1	
-64	48103-00		PLATE - Access hole cover	1	
-65	46976-02		BRACKET - Sidewall armrest mounting, Sta. 135	2	31P-3 to 31P-7630005 inclusive
-66	46976-02		BRACKET - Sidewall armrest mounting, Sta. 123	2	31P-3 to 31P-7630005 inclusive
-67	46976-05		BRACKET - Sidewall armrest mounting, Sta. 111.50	2	31P-3 to 31P-7630005 inclusive
-68	50820-00		REINFORCEMENT - Bulkhead (Sta. 70, right)	1	
-69	47480-00		PLATE - Stringer seal	10	
-70	40617-00		BRACKET ASSEMBLY - Stop	2	
-71	45075-00		COVER - Radar access (Sta. 9.00)	1	
-72	46102-00		OUTLET ASSEMBLY - Recirculated air	1	

When ordering, always specify Part Number, Description and Serial Number of Aircraft

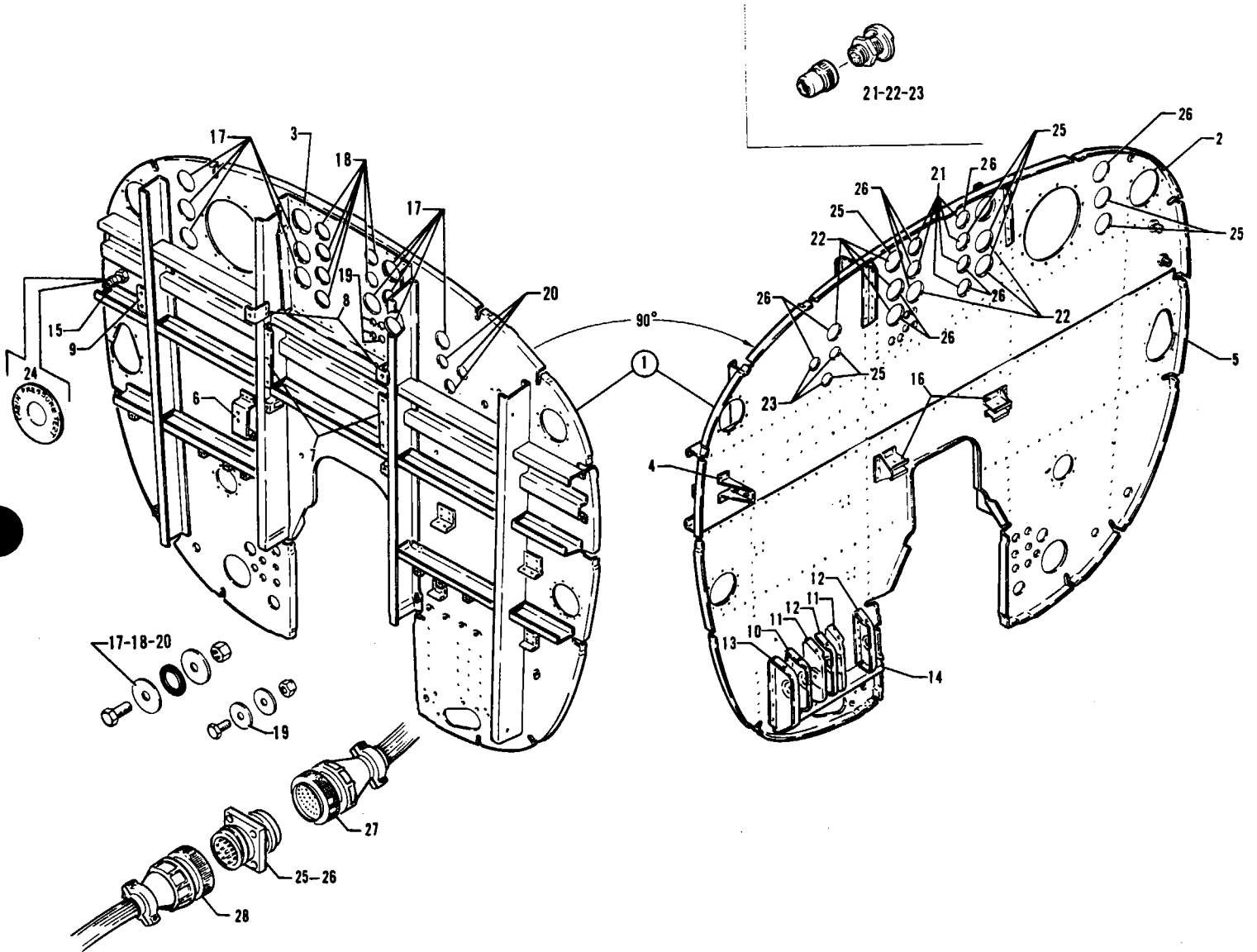


Figure 15. Pressure Bulkhead Assembly



Figure and Index Number	Part Number	Code	NOMENCLATURE	No. Req.	SERIAL NUMBERS AFFECTED
15-1	45638-00		FUSELAGE BULKHEAD ASSEMBLY - (Complete) Sta. 81	1	31P-3 to 31P-7630013 inclusive
	45638-03		FUSELAGE BULKHEAD ASSEMBLY - (Complete) Sta. 81	1	31P-7630014 and up
-2	45281-00		BULKHEAD ASSEMBLY - Upper, Sta. 81	1	31P-3 to 31P-7630013 inclusive
	54566-04		BULKHEAD ASSEMBLY - Upper, Sta. 81	1	31P-7630014 and up
-3	45169-00		PLATE - Bulkhead reinforcement	1	31P-3 to 31P-7630013 inclusive
	54568-02		PLATE - Bulkhead reinforcement	1	31P-7630014 and up
-4	45854-00		BRACKET - Brake valve mounting	1	
-5	45081-00		BULKHEAD ASSEMBLY - Lower, Sta. 81	1	31P-3 to 31P-7630013 inclusive
	45081-04		BULKHEAD ASSEMBLY - Lower, Sta. 81	1	31P-7630014 and up
-6	46289-00		BRACKET - Heater fuel valve	1	
-7	46460-00		ANGLE ASSEMBLY - Air and fluid lines attachment, left	1	
	46460-01		ANGLE ASSEMBLY - Air and fluid lines attachment, right	1	
-8	46734-00		CLIP - Heater tube attachment	2	
-9	47346-00		BRACKET ASSEMBLY - Tube support block	1	
-10	40999-03		BRACKET - Pulley, Sta. 81	1	
-11	45157-00		BRACKET ASSEMBLY - Pulley, Sta. 81	2	
-12	45157-01		BRACKET ASSEMBLY - Pulley, Sta. 81	2	
-13	45158-00		BRACKET ASSEMBLY - Pulley, Sta. 81	1	
-14	40937-02		BRACKET - Pulley support	1	
-15	477 618		NUT - (AN924-4D)	1	
	491 060		UNION - (AN832-4D)	1	
	454 173		CAP ASSEMBLY - (AN929-4)	1	
-16	48611-00		BRACKET ASSEMBLY - Rudder cable pulley, left	1	
	48611-01		BRACKET ASSEMBLY - Rudder cable pulley, right	1	
-17	46374-03		RETAINER	10	31P-3 to 31P-7630013 inclusive
	85012-113		WASHER	10	31P-3 to 31P-7630013 inclusive
	400 440		BOLT - (AN3-6A)	10	31P-3 to 31P-7630013 inclusive
	484 810		"O" RING - (MS28775-134)	10	31P-3 to 31P-7630013 inclusive
	404 887		NUT - (MS20365-1032C)	10	31P-3 to 31P-7630013 inclusive
-18	46374-02		RETAINER	6	31P-3 to 31P-7630013 inclusive
	85012-114		WASHER	6	31P-3 to 31P-7630013 inclusive
	400 440		BOLT - (AN3-6A)	6	31P-3 to 31P-7630013 inclusive
	484 809		"O" RING - (MS28775-128)	6	31P-3 to 31P-7630013 inclusive
	404 887		NUT - (MS20365-1032C)	6	31P-3 to 31P-7630013 inclusive
-19	400 438		BOLT - (AN3-4A)	7	31P-3 to 31P-7630013 inclusive
	407 800		WASHER - (AN970-3)	14	31P-3 to 31P-7630013 inclusive
	404 887		NUT - (MS20365-1032C)	7	31P-3 to 31P-7630013 inclusive
-20	46374-05		RETAINER	3	31P-3 to 31P-7630013 inclusive
	49981-02		WASHER	3	31P-3 to 31P-7630013 inclusive
	484 813		"O" RING - (MS28775-130)	3	31P-3 to 31P-7630013 inclusive
	400 440		BOLT - (AN3-6A)	3	31P-3 to 31P-7630013 inclusive
	404 887		NUT - (MS20365-1032C)	3	31P-3 to 31P-7630013 inclusive
-21	484 263		RECEPTACLE - (BFR22-14P-1) (19 pins)	6	31P-3 to 31P-7630013 inclusive
	581 573		PLUG - (CA106BR22-14S)	6	31P-3 to 31P-7630013 inclusive
-22	484 264		RECEPTACLE - (BFR28-2009-51P-1) (43 pins)	7	31P-3 to 31P-7630013 inclusive
	581 606		PLUG - (CA3106ER28-2009-51S)	7	31P-3 to 31P-7630013 inclusive
-23	484 266		RECEPTACLE - (BFR24-28P-1) (24 pins)	3	31P-3 to 31P-7630013 inclusive
	581 571		PLUG - (CA3106-BR24-28S)	3	31P-3 to 31P-7630013 inclusive
-24	40849-19		PLACARD - Cabin pressure test	1	
-25	556 142		CONNECTOR - Pressure bulkhead (207363-1) (63 pins)	8	31P-7630014 and up
-26	556 143		CONNECTOR - Pressure bulkhead (207364-1) (37 pins)	11	31P-7630014 and up
-27	556 811		CONNECTOR - Pressure bulkhead, inside (206370-1) (37 pins)	11	31P-7630014 and up
	556 812		CONNECTOR - Pressure bulkhead, inside (206378-1) (63 pins)	8	31P-7630014 and up
-28	556 810		CONNECTOR - Pressure bulkhead, outside (206369-1) (37 pins)	11	31P-7630014 and up
	556 813		CONNECTOR - Pressure bulkhead, outside (206377-1) (63 pins)	8	31P-7630014 and up

When ordering, always specify Part Number, Description and Serial Number of Aircraft

# PIPER PARTS CATALOG

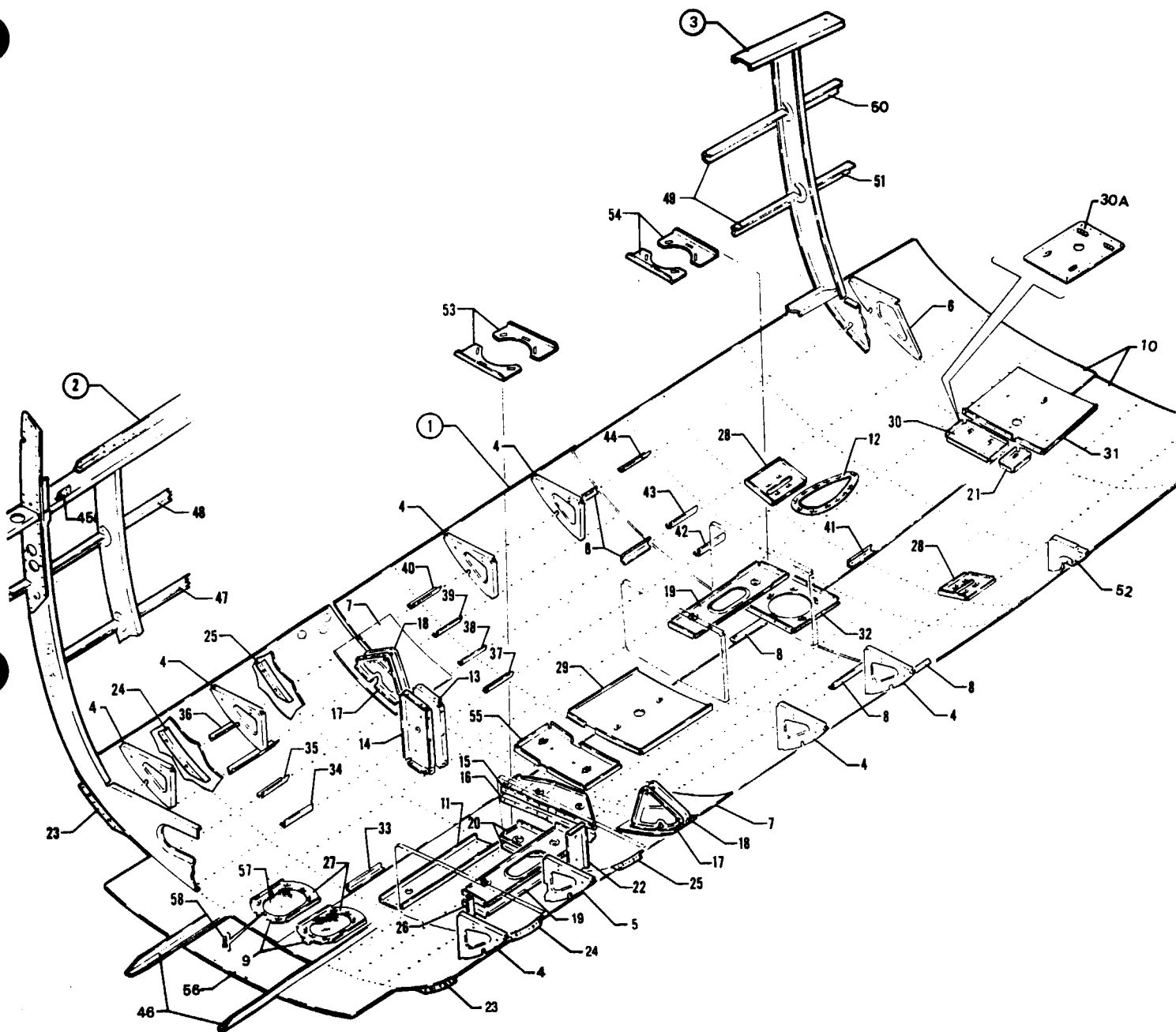


Figure 16. Lower Rear Section Assembly

REVISED: MAY 1980

1C14

PA-31P



Figure and Index Number	Part Number	Code	NOMENCLATURE	No. Req.	SERIAL NUMBERS AFFECTED
16-1	45407-00		SECTION ASSEMBLY - Lower rear fuselage	1	
-2	45527-02	A	FRAME ASSEMBLY - Lower fuselage, cabin, center	1	
-3	45613-00	B	FRAME ASSEMBLY - Lower fuselage, cabin, rear	1	
-4	45395-00		BULKHEAD ASSEMBLY - Outboard, left, seat track support	3	
	45395-01		BULKHEAD ASSEMBLY - Outboard, right, seat track support	4	
-5	45395-04		BULKHEAD ASSEMBLY - Outboard, left, seat track support (Sta. 156.92)	1	
-6	45766-00		BULKHEAD ASSEMBLY - Outboard, seat track support (Sta. 236.19)	1	
-7	42979-00		PLATE - Fuselage reinforcement (Sta. 174)	2	
-8	45376-00		PLATE - Splice, lower fuselage	5	
-9	45407-04		SKIN ASSEMBLY - Fuselage bottom, left (Sta. 135 to Sta. 203)	1	
	45407-03		SKIN ASSEMBLY - Fuselage bottom, right (Sta. 135 to Sta. 203)	1	
-10	45152-00		SKIN - Fuselage bottom, left (Sta. 203 to Sta. 244)	1	
	45153-00		SKIN - Fuselage bottom, right (Sta. 203 to Sta. 244)	1	
-11	42345-00		BRACKET ASSEMBLY - Marker beacon mounting	1	
-12	43888-00		PLATE ASSEMBLY - Relief tube venturi attachment	1	
-13	41049-04		BRACKET ASSEMBLY - Aileron cable pulley, rear	1	
-14	41049-02		BRACKET ASSEMBLY - Aileron cable pulley, front	1	
-15	41163-00		BRACKET ASSEMBLY - Aileron pulley, upper (Sta. 162.6)	1	
-16	41299-00		BRACKET ASSEMBLY - Aileron pulley, lower (Sta. 162.6)	1	
-17	42978-00		BRACKET ASSEMBLY - Aileron balance cable pulley, left forward and right rear	2	
-18	42978-01		BRACKET ASSEMBLY - Aileron balance cable pulley, right forward and left rear	2	
-19	41106-00		BRACKET - Elevator pulley, left	2	
	41106-01		BRACKET - Elevator pulley, right	2	
-20	41120-04		BRACKET - Rudder cable pulley, left	1	
	41120-02		BRACKET - Rudder cable pulley, right	1	
-21	48046-00		PLATE ASSEMBLY - Antenna reinforcement	1	31P-3 to 31P-7530015 inclusive
-22	42079-00		REINFORCEMENT - Pulley bracket (Sta. 162.6)	1	
-23	45705-00		ANGLE - Wing fillet attachment, left (Sta. 140)	1	
	45705-01		ANGLE - Wing fillet attachment, right (Sta. 140)	1	
-24	45710-00		ANGLE - Wing fillet attachment, left (Sta. 151.3)	1	
	45710-01		ANGLE - Wing fillet attachment, right (Sta. 151.3)	1	
-25	45713-00		ANGLE - Wing fillet attachment, left (Sta. 162.6)	1	
	45713-01		ANGLE - Wing fillet attachment, right (Sta. 162.6)	1	
-26	41898-00		ANGLE - Bulkhead reinforcement	1	
-27	41427-00		PLATE ASSEMBLY - Access hole reinforcement	2	
-28	43845-00		PLATE ASSEMBLY - Reinforcement, left (Sta. 215)	1	
	43845-01		PLATE ASSEMBLY - Reinforcement, right (Sta. 215)	1	
-29	45732-00	C	PLATE ASSEMBLY - Antenna reinforcement (Sta. 181)	1	
	45732-03	D	PLATE ASSEMBLY - Antenna reinforcement (Sta. 181)	1	
-30	46058-00		PLATE ASSEMBLY - Antenna reinforcement	1	31P-3 to 31P-7530015 inclusive
-30a	54556-02		PLATE ASSEMBLY - Antenna reinforcement	1	31P-7530016 and up
-31	45727-00		PLATE ASSEMBLY - Antenna reinforcement	1	31P-3 to 31P-7530015 inclusive
-32	45651-00		PLATE ASSEMBLY - Beacon reinforcement	1	31P-3 to 31P-7300146 inclusive

A - See Figure 17 for component parts.  
 B - See Figure 18 for component parts.  
 C - Incorporates (8) anchor nuts.  
 D - Incorporates (6) anchor nuts.

When ordering, always specify Part Number, Description and Serial Number of Aircraft



Figure and Index Number	Part Number	Code	NOMENCLATURE	No. Req.	SERIAL NUMBERS AFFECTED
16-33	45757-00		STRINGER - Fuselage, lower cabin, Sta. 140 to Sta. 203, B.L.O.	1	31P-3 to 31P-7300146 inclusive
	48826-00		STRINGER - Fuselage, lower cabin, Sta. 140 to Sta. 203, B.L.O.	1	31P-7300147 and up
-34	45758-00		STRINGER - Fuselage, lower cabin, left, Sta. 140 to Sta. 174	1	
	45758-01		STRINGER - Fuselage, lower cabin, right, Sta. 140 to Sta. 174	1	
-35	45759-00		STRINGER - Fuselage, lower cabin, left, Sta. 140 to Sta. 174	1	
	45759-01		STRINGER - Fuselage, lower cabin, right, Sta. 140 to Sta. 174	1	
-36	45760-00		STRINGER - Fuselage, lower cabin, left, Sta. 140 to Sta. 174	2	
	45760-01		STRINGER - Fuselage, lower cabin, right, Sta. 140 to Sta. 174	2	
-37	45761-00		STRINGER - Fuselage, lower cabin, left, Sta. 174 to Sta. 203	1	
	45761-01		STRINGER - Fuselage, lower cabin, right, Sta. 174 to Sta. 203	1	
-38	45762-00		STRINGER - Fuselage, lower cabin, left, Sta. 174 to Sta. 200	1	
	45762-01		STRINGER - Fuselage, lower cabin, right, Sta. 174 to Sta. 200	1	
-39	45763-00		STRINGER - Fuselage, lower cabin, left, Sta. 174 to Sta. 203	1	
	45763-01		STRINGER - Fuselage, lower cabin, right, Sta. 174 to Sta. 203	1	
-40	45764-00		STRINGER - Fuselage, lower cabin, left, Sta. 200	1	
	45764-01		STRINGER - Fuselage, lower cabin, right, Sta. 200	1	
-41	45765-02		STRINGER - Fuselage, lower cabin, Sta. 209 to Sta. 244, B.L.O.	1	31P-3 to 31P-7300146 inclusive
	45765-08		STRINGER - Fuselage, lower cabin, Sta. 209 to Sta. 244, B.L.O.	1	31P-7300147 and up
-42	45765-03		STRINGER - Fuselage, lower cabin, right, Sta. 203 to Sta. 215	1	
-43	45765-04		STRINGER - Fuselage, lower cabin, left, Sta. 200 to Sta. 244	1	
	45765-05		STRINGER - Fuselage, lower cabin, right, Sta. 200 to Sta. 244	1	
-44	45765-06		STRINGER - Fuselage, lower cabin, left, Sta. 200 to Sta. 244	1	
	45765-07		STRINGER - Fuselage, lower cabin, right, Sta. 200 to Sta. 244	1	
-45	47337-00		BRACKET ASSEMBLY - Divider panel retainer	1	
-46	41066-00		ANGLE ASSEMBLY - Longitudinal beam reinforcement, left	1	
	41066-01		ANGLE ASSEMBLY - Longitudinal beam reinforcement, right	1	
-47	45978-00		STRINGER - Fuselage, left, Sta. 140 to Sta. 174, W.L. -7.25	1	
	45978-01		STRINGER - Fuselage, right, Sta. 140 to Sta. 174, W.L. -7.25	1	
-48	45979-00		STRINGER - Fuselage, left, Sta. 140 to Sta. 174, W.L. -1.38	1	
	45979-01		STRINGER - Fuselage, right, Sta. 140 to Sta. 174, W.L. -1.38	1	

When ordering, always specify Part Number, Description and Serial Number of Aircraft



Figure and Index Number	Part Number	Code	NOMENCLATURE	No. Req.	SERIAL NUMBERS AFFECTED
16-49	46977-00		STRINGER - Fuselage, left, Sta. 174 to Sta. 215	2	
	45976-00		STRINGER - Fuselage, right, Sta. 174 to Sta. 215	2	
-50	46025-03		STRINGER - Fuselage, right side	1	
-51	46025-02		STRINGER - Fuselage, right side	1	
-52	48101-00		BULKHEAD - Fuselage, Sta. 222.19	1	
-53	51779-02		BRACKET ASSEMBLY - Antenna mounting, front, Sta. 164.27	1	
	51779-03		BRACKET ASSEMBLY - Antenna mounting, rear, Sta. 171.35	1	
-54	51779-02		BRACKET ASSEMBLY - Antenna mounting, front, Sta. 194.86	1	
	51779-03		BRACKET ASSEMBLY - Antenna mounting, rear, Sta. 201.94	1	
-55	55218-02	A	PLATE ASSEMBLY - Antenna doubler	1	31P-7730001 and up
-56	41028-00		PLATE - Fuselage access cover, Sta. 135 to Sta. 140	1	
-57	20370-02		COVER PLATE - Access	2	
-58	414 762		SCREW - (MS24693-S51)	16	

A - Used if Collins ADF-60A is installed.

When ordering, always specify Part Number, Description and Serial Number of Aircraft



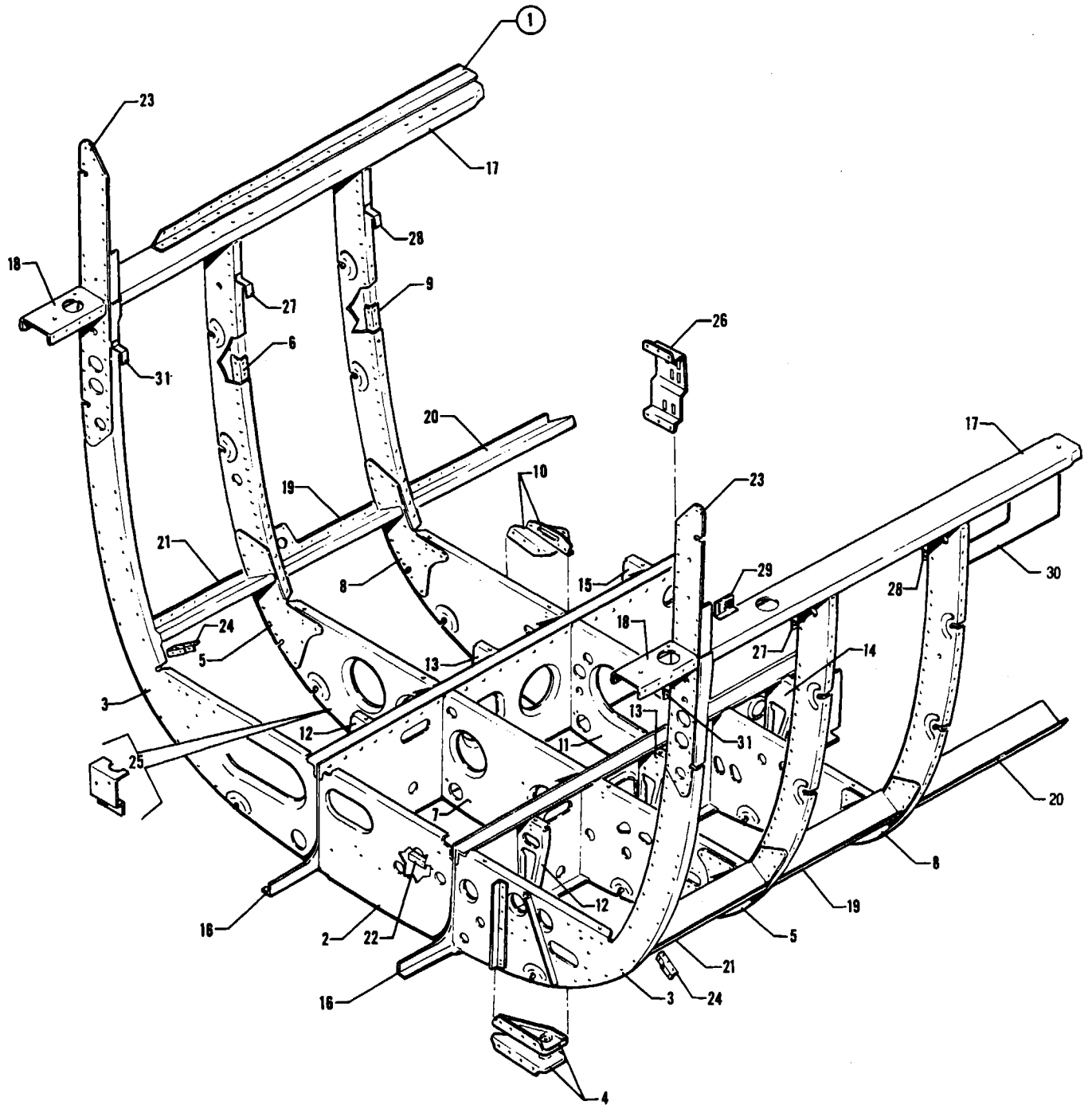


Figure 17. Lower Center Frame Assembly



Figure and Index Number	Part Number	Code	NOMENCLATURE	No. Req.	SERIAL NUMBERS AFFECTED
17-1	45527-02		FRAME ASSEMBLY - Fuselage cabin, lower, center	1	
-2	40995-13		BULKHEAD ASSEMBLY - Fuselage, Sta. 140, center	1	
-3	45140-02		BULKHEAD ASSEMBLY - Fuselage, Sta. 140, left	1	
	45140-03		BULKHEAD ASSEMBLY - Fuselage, Sta. 140, right	1	
-4	41120-03		BRACKET - Pulley, left, upper	1	
	41120-04		BRACKET - Pulley, left, lower	1	
-5	45151-02		BULKHEAD ASSEMBLY - Fuselage, bottom, Sta. 151.3, left	1	
	45151-04		BULKHEAD ASSEMBLY - Fuselage, bottom, Sta. 151.3, right	1	
-6	45204-00		ANGLE - Bulkhead reinforcement, left	1	
	45204-01		ANGLE - Bulkhead reinforcement, right	1	
-7	45151-09		BULKHEAD ASSEMBLY - Fuselage, center, Sta. 151.3	1	
-8	45162-02		BULKHEAD ASSEMBLY - Fuselage, bottom, Sta. 162.6, left	1	
	45162-04		BULKHEAD ASSEMBLY - Fuselage, bottom, Sta. 162.6, right	1	
-9	45204-00		ANGLE - Bulkhead reinforcement, left	1	
	45204-01		ANGLE - Bulkhead reinforcement, right	1	
-10	40944-00		BRACKET - Aileron trim pulley, Sta. 162.6, lower right	1	
	40945-00		BRACKET - Aileron trim pulley, Sta. 162.6, upper right	1	
-11	45162-06		BULKHEAD ASSEMBLY - Fuselage, Sta. 162.6, center	1	
-12	45550-00		BULKHEAD ASSEMBLY - Seat track support, Sta. 145.62, left inboard	1	
	45398-02		BULKHEAD ASSEMBLY - Seat track support, Sta. 145.62, right inboard	1	
-13	45397-00		BULKHEAD ASSEMBLY - Seat track support, Sta. 156.92, left inboard	1	
	45398-03		BULKHEAD ASSEMBLY - Seat track support, Sta. 156.92, right inboard	1	
-14	45550-00		BULKHEAD ASSEMBLY - Seat track support, Sta. 168.25, left inboard	1	
-15	45398-06		BULKHEAD ASSEMBLY - Seat track support, Sta. 169.66, right inboard	1	
-16	41119-14		BEAM ASSEMBLY - Longitudinal, Sta. 135 to Sta. 174, left	1	
	41119-15		BEAM ASSEMBLY - Longitudinal, Sta. 135 to Sta. 174, right	1	
-17	45010-00		CHANNEL - Fuselage, Sta. 140 to Sta. 174, left	1	
	45061-00		CHANNEL - Fuselage, Sta. 140 to Sta. 174, right	1	
	45061-05		CHANNEL - Fuselage, Sta. 140 to Sta. 174, right	1	31P-3 to 31P-109 inclusive 31P-7300110 and up
-18	45057-00		CHANNEL - Fuselage, Sta. 135 to Sta. 140, left	1	
	45057-01		CHANNEL - Fuselage, Sta. 135 to Sta. 140, right	1	
-19	45019-00		CHANNEL - Floorboard support, Sta. 151.3 to Sta. 162.6, left	1	
	45019-01		CHANNEL - Floorboard support, Sta. 151.3 to Sta. 162.6, right	1	
-20	45024-00		CHANNEL - Floorboard support, Sta. 162.6 to Sta. 174, left	1	
	45024-01		CHANNEL - Floorboard support, Sta. 162.6 to Sta. 174, right	1	

When ordering, always specify Part Number, Description and Serial Number of Aircraft



Figure and Index Number	Part Number	Code	NOMENCLATURE	No. Req.	SERIAL NUMBERS AFFECTED
17-21	45033-00		CHANNEL - Floorboard support, Sta. 140 to Sta. 151.3, left	1	
	45033-01		CHANNEL - Floorboard support, Sta. 140 to Sta. 151.3, right	1	
-22	47143-00		BRACKET - De-icer tee	1	
-23	45212-00		PLATE - Bulkhead doubler, Sta. 140	2	
-24	45026-00		ANGLE - Channel attachment, left	1	
	45026-01		ANGLE - Channel attachment, right	1	
-25	50440-00		BRACKET ASSEMBLY - Pneumatic check valve mounting	1	
-26	50409-00		BRACKET ASSEMBLY - De-icer equipment	1	
-27	46978-02		BRACKET - Sidewall armrest mounting, Sta. 153.3	2	31P-3 to 31P-7630005 inclusive
-28	46978-02		BRACKET - Sidewall armrest mounting, Sta. 162.6	2	31P-3 to 31P-7630005 inclusive
-29	47337-00		BRACKET ASSEMBLY - Divider panel retainer	1	
-30	45038-00		GUSSET - Fuselage, lower, Sta. 140 to Sta. 174	1	
-31	46978-02		BRACKET - Sidewall armrest mounting, Sta. 140	2	31P-3 to 31P-7630005 inclusive

When ordering, always specify Part Number, Description and Serial Number of Aircraft

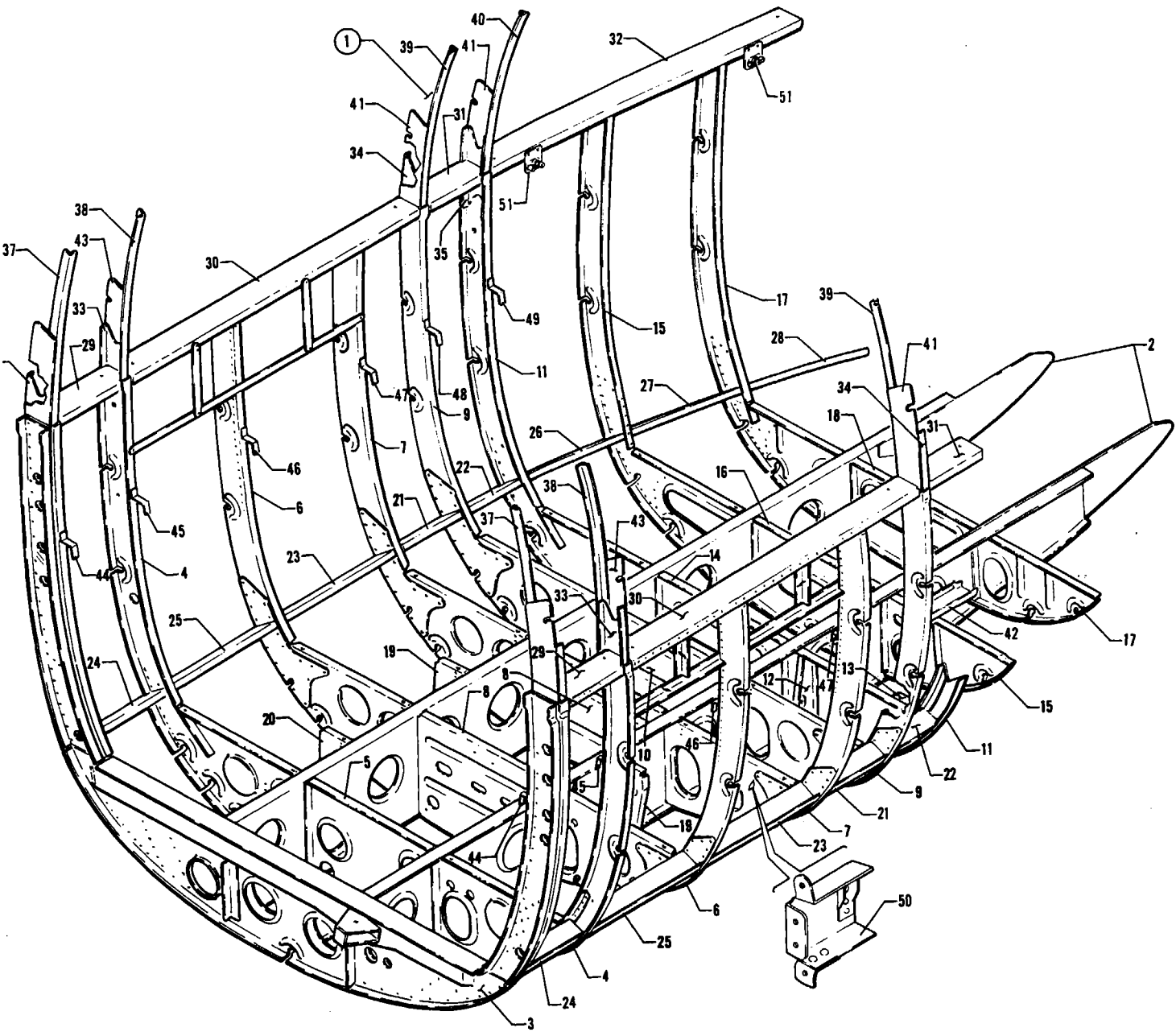


Figure 18. Lower Rear Frame Assembly

PIPER PARTS CATALOG

Figure and Index Number	Part Number	Code	NOMENCLATURE	No. Req.	SERIAL NUMBERS AFFECTED
18-1	45613-00		FRAME ASSEMBLY - Fuselage cabin, lower, rear	1	
-2	45037-00		* BEAM ASSEMBLY - Longitudinal, Sta. 174 to Sta. 244, left	1	
	45037-01		* BEAM ASSEMBLY - Longitudinal, Sta. 174 to Sta. 244, right	1	
-3	45174-00		* BULKHEAD ASSEMBLY - Fuselage, bottom, Sta. 174	1	
-4	45181-02		* BULKHEAD ASSEMBLY - Fuselage, bottom, Sta. 181, left	1	
	45181-04		* BULKHEAD ASSEMBLY - Fuselage, bottom, Sta. 181, right	1	
-5	45181-06		* BULKHEAD ASSEMBLY - Fuselage, bottom, Sta. 181, center	1	
-6	45191-02		* BULKHEAD ASSEMBLY - Fuselage, bottom, Sta. 191.7, left	1	
	45191-03		* BULKHEAD ASSEMBLY - Fuselage, bottom, Sta. 191.7, right	1	
-7	45203-02		* BULKHEAD ASSEMBLY - Fuselage, bottom, Sta. 203, left	1	
	45203-03		* BULKHEAD ASSEMBLY - Fuselage, bottom, Sta. 203, right	1	
-8	45203-07		* BULKHEAD ASSEMBLY - Fuselage, bottom, Sta. 191.7 and Sta. 203, center	2	
-9	45209-02		* BULKHEAD ASSEMBLY - Fuselage, bottom, Sta. 209.5, left	1	
	45209-03		* BULKHEAD ASSEMBLY - Fuselage, bottom, Sta. 209.5, right	1	
-10	45210-00		* BULKHEAD - Fuselage, bottom, Sta. 209.5, center	1	
-11	45215-02		* BULKHEAD ASSEMBLY - Fuselage, bottom, Sta. 215, left	1	
	45217-00		* BULKHEAD ASSEMBLY - Fuselage, bottom, Sta. 215, right	1	
-12	40759-00		* * BRACKET - Rudder cable pulley, left	1	
-13	45351-00		* * ANGLE - Floorboard support, left	1	
-14	45216-02		* BULKHEAD - Fuselage, bottom, Sta. 215, center	1	
-15	45224-02		* BULKHEAD ASSEMBLY - Fuselage, bottom, Sta. 224.5, left	1	
	45224-07		* BULKHEAD ASSEMBLY - Fuselage, bottom, Sta. 224.5, right	1	
-16	45224-03		* BULKHEAD ASSEMBLY - Fuselage, bottom, Sta. 224.5, center	1	
-17	45234-02		* BULKHEAD ASSEMBLY - Fuselage, bottom, Sta. 234, left	1	
	45234-05		* BULKHEAD ASSEMBLY - Fuselage, bottom, Sta. 234, right	1	
-18	45234-03		* BULKHEAD - Fuselage, bottom, Sta. 234, center	1	
-19	45550-00		* BULKHEAD ASSEMBLY - Seat track support, Sta. 197.35, left inboard	1	
	45398-02		* BULKHEAD ASSEMBLY - Seat track support, Sta. 197.35, right inboard	1	
-20	45398-02		* BULKHEAD ASSEMBLY - Seat track support, Sta. 185.75, right inboard	1	
-21	45001-00		* CHANNEL - Floorboard support, Sta. 203 to Sta. 209.5, left	1	
	45001-01		* CHANNEL - Floorboard support, Sta. 203 to Sta. 209.5, right	1	

When ordering, always specify Part Number, Description and Serial Number of Aircraft



Figure and Index Number	Part Number	Code	NOMENCLATURE	No. Req.	SERIAL NUMBERS AFFECTED
18-22	45002-00		CHANNEL - Floorboard support, Sta. 209.5 to Sta. 215, left	1	
	45006-00		CHANNEL - Floorboard support, Sta. 209.5 to Sta. 215, right	1	
-23	45019-00		CHANNEL - Floorboard support, Sta. 191.7 to Sta. 203, left	1	
	45049-01		CHANNEL - Floorboard support, Sta. 191.7 to Sta. 203, right	1	
-24	45047-00		CHANNEL - Floorboard support, Sta. 174 to Sta. 181, left	1	
	45047-01		CHANNEL - Floorboard support, Sta. 174 to Sta. 181, right	1	
-25	45048-00		CHANNEL - Floorboard support, Sta. 181 to Sta. 191.7, left	1	
	45048-01		CHANNEL - Floorboard support, Sta. 181 to Sta. 191.7, right	1	
-26	45052-00		CHANNEL - Floorboard support, Sta. 215 to Sta. 224.5, right	1	
-27	45054-00		CHANNEL - Floorboard support, Sta. 224.5 to Sta. 234, right	1	
-28	45082-00		CHANNEL - Floorboard support, Sta. 234 to Sta. 244, right	1	
-29	45065-00		CHANNEL - Fuselage, Sta. 174 to Sta. 181, left	1	
	45066-00		CHANNEL - Fuselage, Sta. 174 to Sta. 181, right	1	
-30	45068-00		CHANNEL - Fuselage, Sta. 181 to Sta. 209.5, left	1	
	45068-01		CHANNEL - Fuselage, Sta. 181 to Sta. 209.5, right	1	
-31	45072-00		CHANNEL - Fuselage, Sta. 209.5 to Sta. 215, left	1	
	45073-00		CHANNEL - Fuselage, Sta. 209.5 to Sta. 215, right	1	
-32	45077-00		CHANNEL - Fuselage, Sta. 215 to Sta. 244, left	1	
-33	45020-00		CHANNEL - Bulkhead splice, Sta. 181, left	1	
	45020-01		CHANNEL - Bulkhead splice, Sta. 181, right	1	
-34	45020-01		CHANNEL - Bulkhead splice, Sta. 209.5, left	1	
	45020-00		CHANNEL - Bulkhead splice, Sta. 209.5, right	1	
-35	45020-01		CHANNEL - Bulkhead splice, Sta. 215, right	1	
-36	45051-00		CHANNEL - Bulkhead splice, Sta. 174, left	1	
	45079-00		CHANNEL - Bulkhead splice, Sta. 174, right	1	
-37	45046-00		ANGLE - Bulkhead reinforcement, Sta. 174, left	1	
	45046-01		ANGLE - Bulkhead reinforcement, Sta. 174, right	1	
-38	45185-00		ANGLE - Bulkhead reinforcement, Sta. 181, left	1	
	45185-01		ANGLE - Bulkhead reinforcement, Sta. 181, right	1	
-39	45185-01		ANGLE - Bulkhead reinforcement, Sta. 209.5, left	1	
	45185-00		ANGLE - Bulkhead reinforcement, Sta. 209.5, right	1	
-40	45185-01		ANGLE - Bulkhead reinforcement, Sta. 215, right	1	
-41	45212-00		PLATE - Bulkhead doubler, Sta. 209.5, left and right, and Sta. 215	3	
-42	45645-00		CHANNEL - Door frame support, Sta. 215, W.L. - 1.75	1	
-43	46914-00		PLATE - Bulkhead doubler, Sta. 181, left and right	2	
-44	46976-02		BRACKET - Armrest mounting, Sta. 174	2	31P-3 to 31P-7630006 inclusive
-45	46976-02		BRACKET - Armrest mounting, Sta. 181	2	31P-3 to 31P-7630006 inclusive
-46	46976-02		BRACKET - Armrest mounting, Sta. 191.7	2	31P-3 to 31P-7630006 inclusive
-47	46976-02		BRACKET - Armrest mounting, Sta. 203	2	31P-3 to 31P-7630006 inclusive
-48	46976-03		BRACKET - Armrest mounting, Sta. 215	1	31P-3 to 31P-7630006 inclusive
-49	46976-04		BRACKET - Armrest mounting, Sta. 224.5	1	31P-3 to 31P-7630006 inclusive
-50	47196-00		BRACKET ASSEMBLY - Pressure storage can, Sta. 174 to Sta. 244	1	
-51	49109-02		PLATE ASSEMBLY - Toilet back	2	31P-7630006 to 31P-7630019 incl.

When ordering, always specify Part Number, Description and Serial Number of Aircraft

**1C24**

**INTENTIONALLY LEFT BLANK**

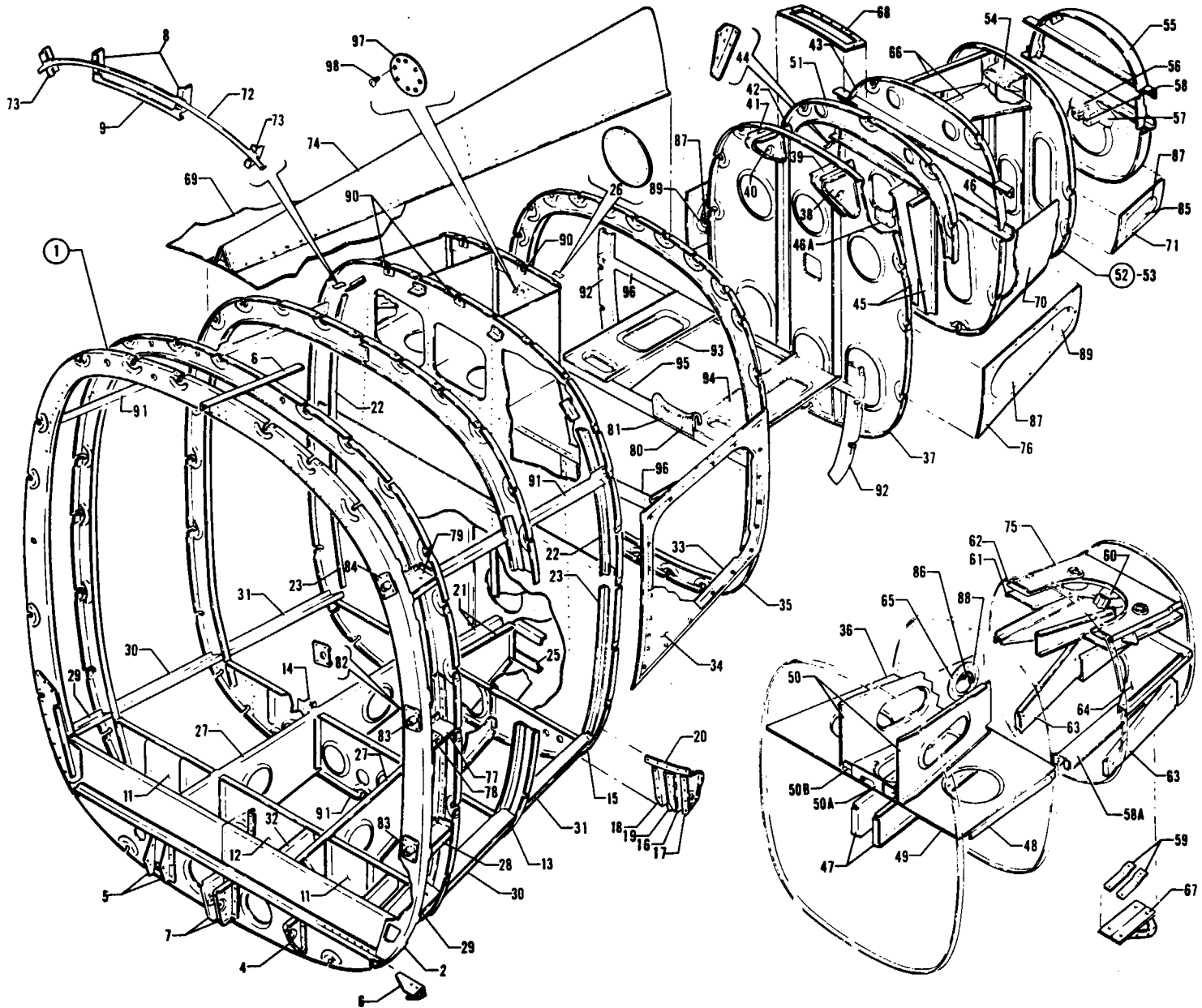


Figure 19. Aft Section





Figure and Index Number	Part Number	Code	NOMENCLATURE	No. Req.	SERIAL NUMBERS AFFECTED
19-1	45408-00		AFT SECTION - Fuselage assembly	1	
-2	45244-00		BULKHEAD ASSEMBLY - Sta. 244	1	
-3	45225-00		BRACKET - Door sill support, Sta. 244	1	
-4	40720-00		BRACKET - Rudder pulley, Sta. 244	1	
-5	40744-02		BRACKET - Elevator and rudder pulley, right outboard, Sta. 244	1	
	40744-03		BRACKET - Elevator and rudder pulley, right inboard, Sta. 244	1	
-6	45040-00		STRINGER - Fuselage (6' L) (149 205)	AR	
-7	40719-00		BRACKET - Elevator pulley, left, Sta. 244	1	
	40719-01		BRACKET - Elevator pulley, right, Sta. 244	1	
-8	46636-02		BRACKET - Coat hanger support, left	1	
	46636-03		BRACKET - Coat hanger support, right	1	
-9	46211-00		BRACKET ASSEMBLY - Coat hanger support	1	
-10	45261-11		BULKHEAD ASSEMBLY - Center, Sta. 261	1	
-11	45249-04		BULKHEAD ASSEMBLY - Left, Sta. 249	1	
	45249-05		BULKHEAD ASSEMBLY - Right, Sta. 249	1	31P-3 to 31P-7630011 inclusive
	45249-16		BULKHEAD ASSEMBLY - Right, Sta. 249	1	31P-7630012 and up
-12	45249-11		BULKHEAD ASSEMBLY - Center, Sta. 249	1	31P-3 to 31P-7630011 inclusive
	45249-12		BULKHEAD ASSEMBLY - Center, Sta. 249	1	31P-7630012 and up
-13	45261-04		BULKHEAD ASSEMBLY - Left, Sta. 261	1	
	45261-05		BULKHEAD ASSEMBLY - Right, Sta. 261	1	
-14	47538-00		BRACKET - Elevator trim pulley, Sta. 261, right inboard	1	
	47539-00		BRACKET - Elevator trim pulley, Sta. 261, right outboard	1	
-15	45274-00		BULKHEAD ASSEMBLY - Complete, Sta. 274	1	31P-3 to 31P-7630005 inclusive
	45274-08		BULKHEAD ASSEMBLY - Complete, Sta. 274	1	31P-7630006 and up
-16	40794-02		BRACKET - Rudder cable pulley, left, Sta. 274	1	31P-3 to 31P-7630007 inclusive
	40794-04		BRACKET - Rudder cable pulley, left, Sta. 274	1	31P-7630008 and up
-17	40794-03		BRACKET - Rudder cable pulley, left, Sta. 274	1	
-18	40795-02		BRACKET - Rudder cable pulley, left, Sta. 274	1	
-19	40795-03		BRACKET - Rudder cable pulley, left, Sta. 274	1	31P-3 to 31P-7630007 inclusive
	40795-04		BRACKET - Rudder cable pulley, left, Sta. 274	1	31P-7630008 and up
-20	45190-00		ANGLE - Pulley bracket support, Sta. 274	1	
-21	45615-00		BRACKET - Pulley, left, Sta. 274	1	
	45615-01		BRACKET - Pulley, right, Sta. 274	1	
-22	45531-00		ANGLE ASSEMBLY - Panel support, left, Sta. 274	1	
	45531-01		ANGLE ASSEMBLY - Panel support, right, Sta. 274	1	
-23	45427-03		ANGLE ASSEMBLY - Panel support, left, Sta. 274	1	
	45427-04		ANGLE ASSEMBLY - Panel support, right, Sta. 274	1	
-24	45532-00		ANGLE - Plenum, plate upper support, Sta. 274	1	
-25	45533-00		ANGLE - Plenum, plate lower support, Sta. 274	1	
-26	45616-02		COVER - Plenum access, Sta. 274	3	
-27	45423-00		BULKHEAD - Longitudinal, left, Sta. 244 to Sta. 274	1	
	45423-01		BULKHEAD - Longitudinal, right, Sta. 244 to Sta. 274	1	
-28	45496-00		CHANNEL - Door frame support, Sta. 244	1	
-29	45631-00		CHANNEL - Floorboard support, left, Sta. 244 to Sta. 249	1	
	45687-00		CHANNEL - Floorboard support, right, Sta. 244 to Sta. 249	1	
-30	45340-00		CHANNEL - Floorboard support, left, Sta. 249 to Sta. 261	1	
	45685-00		CHANNEL - Floorboard support, right, Sta. 249 to Sta. 261	1	

When ordering, always specify Part Number, Description and Serial Number of Aircraft



Figure and Index Number	Part Number	Code	NOMENCLATURE	No. Req.	SERIAL NUMBERS AFFECTED
19-31	45632-00		CHANNEL - Floorboard support, left, Sta. 261 to Sta. 274	1	
	45630-00		CHANNEL - Floorboard support, right, Sta. 261 to Sta. 274	1	
-32	45689-00		CHANNEL ASSEMBLY - Seat support, Sta. 244 to Sta. 249	3	
-33	45891-04		FRAME ASSEMBLY - Aft fuselage access area, left, Sta. 274 to Sta. 296	1	
	45891-05		FRAME ASSEMBLY - Aft fuselage access area, right, Sta. 274 to Sta. 296	1	
-34	45904-00		COVER ASSEMBLY - Aft fuselage access area, left	1	
	45904-01		COVER ASSEMBLY - Aft fuselage access area, right	1	
-35	45296-05		BULKHEAD ASSEMBLY - Aft fuselage, Sta. 296	1	
-36	52154-04		FRAME ASSEMBLY - Fuselage, Sta. 317 to Sta. 332	1	
-37	49091-04		BULKHEAD ASSEMBLY - Fuselage, Sta. 317.75	1	
-38	45593-05		BRACKET ASSEMBLY - Rudder pulley, left outboard, Sta. 317	1	
-39	45593-03		BRACKET ASSEMBLY - Rudder pulley, left inboard, Sta. 317	1	
-40	45594-02		BRACKET ASSEMBLY - Rudder pulley, right inboard, Sta. 317	1	
-41	45594-03		BRACKET ASSEMBLY - Rudder pulley, right outboard, Sta. 317	1	
-42	40630-00		DOUBLER - Bulkhead, Sta. 317	1	
-43	45583-08		BULKHEAD ASSEMBLY - Fuselage, Sta. 332	1	
-44	51336-00		BRACKET - Rudder tab pulley, right inboard, Sta. 332	1	
-45	45584-00		ANGLE - Elevator bellcrank attachment, left, Sta. 332	1	
	45584-01		ANGLE - Elevator bellcrank attachment, right, Sta. 332	1	
-46	45947-00		ANGLE - Bulkhead, left, Sta. 332	1	
	45947-01		ANGLE - Bulkhead, right, Sta. 332	1	
-46a	47903-00		RUB BLOCK - Trim cable	1	
-47	40704-00		BRACKET ASSEMBLY - Elevator bellcrank, left, Sta. 317 to Sta. 332	1	
	40704-01		BRACKET ASSEMBLY - Elevator bellcrank, right, Sta. 317 to Sta. 332	1	
-48	45815-00		ANGLE - Stiffener support, left, Sta. 317 to Sta. 332	1	
	45815-01		ANGLE - Stiffener support, right, Sta. 317 to Sta. 332	1	
-49	40709-02		PLATE - Bulkhead stiffener, Sta. 317 to Sta. 332	1	
-50	45610-00		PLATE - Fuselage reinforcement, left, Sta. 317 to Sta. 332	1	
	45610-01		PLATE - Fuselage reinforcement, right, Sta. 317 to Sta. 332	1	
-50a	44810-00		ANGLE - Fuselage reinforcement, Sta. 317.75	1	
-50b	44808-00		ANGLE ASSEMBLY - Bulkhead reinforcement, Sta. 317.75	1	
-51	45538-00		BULKHEAD - Fuselage, Sta. 325	1	
-52	45799-02		FRAME ASSEMBLY - Fuselage, aft, Sta. 342 to Sta. 352	1	
-53	45555-00		BULKHEAD ASSEMBLY - Fuselage, Sta. 342	1	
-54	40647-00		BRACKET - Rudder tab pulley, Sta. 342	1	

When ordering, always specify Part Number, Description and Serial Number of Aircraft

## PIPER PARTS CATALOG

Figure and Index Number	Part Number	Code	NOMENCLATURE	No. Req.	SERIAL NUMBERS AFFECTED
19-55	45799-03		* * BULKHEAD ASSEMBLY - Fuselage, Sta. 352	1	
-56	47704-02		* * * CHANNEL - Extrusion	1	
-57	47703-00		* * * BLOCK - Elevator tab control	2	
-58	400 444		* * * BOLT - (AN3-13A)	4	
	407 564		* * * WASHER - (AN960-10)	4	
	404 887		* * * NUT - (MS20365-1032C)	4	
-58a	47806-00		* * * CHANNEL ASSEMBLY - Fuselage aft section	1	
-59	40793-00		* * * * PLATE - Tail skid reinforcement, left	1	
	40793-01		* * * * PLATE - Tail skid reinforcement, right	1	
-60	45800-00		* * GUARD ASSEMBLY - Rudder cable	1	
-61	45802-00		* * SUPPORT ASSEMBLY - Rudder pulley, bottom	1	
-62	45930-02		* * SUPPORT ASSEMBLY - Rudder pulley, upper	1	
-63	45923-00		* * CHANNEL - Reinforcement, left, Sta. 342 to Sta. 352	1	
	45923-01		* * CHANNEL - Reinforcement, right, Sta. 342 to Sta. 352	1	
-64	45986-00		* * PLATE ASSEMBLY - Reinforcement, Sta. 342 to Sta. 352	1	
-65	17317-03		* PLATE ASSEMBLY - Access hole reinforcement, right	1	
-66	40633-00		* STIFFENER - Bulkhead, left, Sta. 332 to Sta. 342	1	
	40633-01		* STIFFENER - Bulkhead, right, Sta. 332 to Sta. 342	1	
-67	40790-00		* SKID ASSEMBLY - Tail	1	
-68	40688-02		* DOUBLER - Opening, Sta. 317	1	
-69	45918-00		* SKIN - Aft fuselage, left, upper, Sta. 244 to Sta. 352	1	
	45918-01		* SKIN - Aft fuselage, right, upper, Sta. 244 to Sta. 352	1	
-70	45927-00		* SKIN - Aft fuselage, left, lower, Sta. 244 to Sta. 352	1	
	45927-01		* SKIN - Aft fuselage, right, lower, Sta. 244 to Sta. 352	1	
-71	45946-00		* PLATE ASSEMBLY - Access, left, Sta. 346	1	
	45946-01		* PLATE ASSEMBLY - Access, right, Sta. 346	1	
-72	46116-00		* ANGLE - Headliner attachment	1	
-73	46636-00		* BRACKET ASSEMBLY - Headliner support, left	1	
	46636-01		* BRACKET ASSEMBLY - Headliner support, right	1	
-74	46132-00		* DORSAL FIN ASSEMBLY - Sta. 244 to Sta. 296	1	
-75	45930-06		* BRACKET - Fuselage, left, Sta. 342 to Sta. 352	1	
	45930-05		* BRACKET - Fuselage, right, Sta. 342 to Sta. 352	1	
-76	40799-04		* REINFORCEMENT ASSEMBLY - Left	1	
	40799-05		* REINFORCEMENT ASSEMBLY - Right	1	
-77	45738-00		* CHANNEL - Door frame reinforcement, Sta. 244	1	
-78	45739-00		* ANGLE - Door retaining block support, Sta. 244	1	
-79	46821-00		* CHANNEL - Cabin support bracket	1	
-80	415 535		SCREW - (MS35206-245)	2	
	49999-32		BUSHING	2	
	404 910		NUT - (MS20365-832C)	2	
-81	47720-00		GUARD - Cable	1	
-82	46736-00		PLATE ASSEMBLY - Pin guide attachment	3	
-83	46548-00		GUIDE ASSEMBLY - Door latch pin	2	
-84	46555-00		GUIDE ASSEMBLY - Door latch pin	1	
-85	47255-00		COVER PLATE - Access	2	
-86	17318-02		COVER PLATE - Access	1	
-87	40872-00		COVER PLATE - Access	2	
-88	414 763		SCREW - (MS24693-S50)	18	
-89	415 518		SCREW - (MS35206-228)	20	
-90	47480-00		PLATE - Stringer seal	21	
-91	47700-00		ANGLE - Headliner attachment, left	1	
	47700-01		ANGLE - Headliner attachment, right	1	
-92	45767-00		BRACKET - Radio shelf, rear, left	1	
	45767-01		BRACKET - Radio shelf, rear, right	1	

When ordering, always specify Part Number, Description and Serial Number of Aircraft

## PIPER PARTS CATALOG

Figure and Index Number	Part Number	Code	NOMENCLATURE	No. Req.	SERIAL NUMBERS AFFECTED
19-93	45774-03	A	SHELF - Radio, rear, upper right, Sta. 296 to Sta. 310	1	
	45774-05	B	SHELF - Radio, rear, upper right, Sta. 296 to Sta. 310	1	
	47837-00	C	SHELF ASSEMBLY - Radio, rear, upper right, Sta. 296 to Sta. 310	1	
-94	45774-04		SHELF - Radio, rear, upper left, Sta. 296 to Sta. 310	1	
-95	46008-00		ANGLE - Radio shelf, upper, Sta. 296	1	
-96	46006-00		ANGLE - Radio shelf, upper, Sta. 310	1	
-97	48893-02		PLATE - Rupture disc opening	1	31P-3 to 31P-7530027 incl.
-98	48659-05		SCREW ASSEMBLY - Seal	6	31P-3 to 31P-7530027 incl.
<p>A - Used with King Group D Radio Installation.            B - Used with Narco Group B Radio Installation.            C - Used if AltiMatic III B with RMI is installed.</p>					

When ordering, always specify Part Number, Description and Serial Number of Aircraft

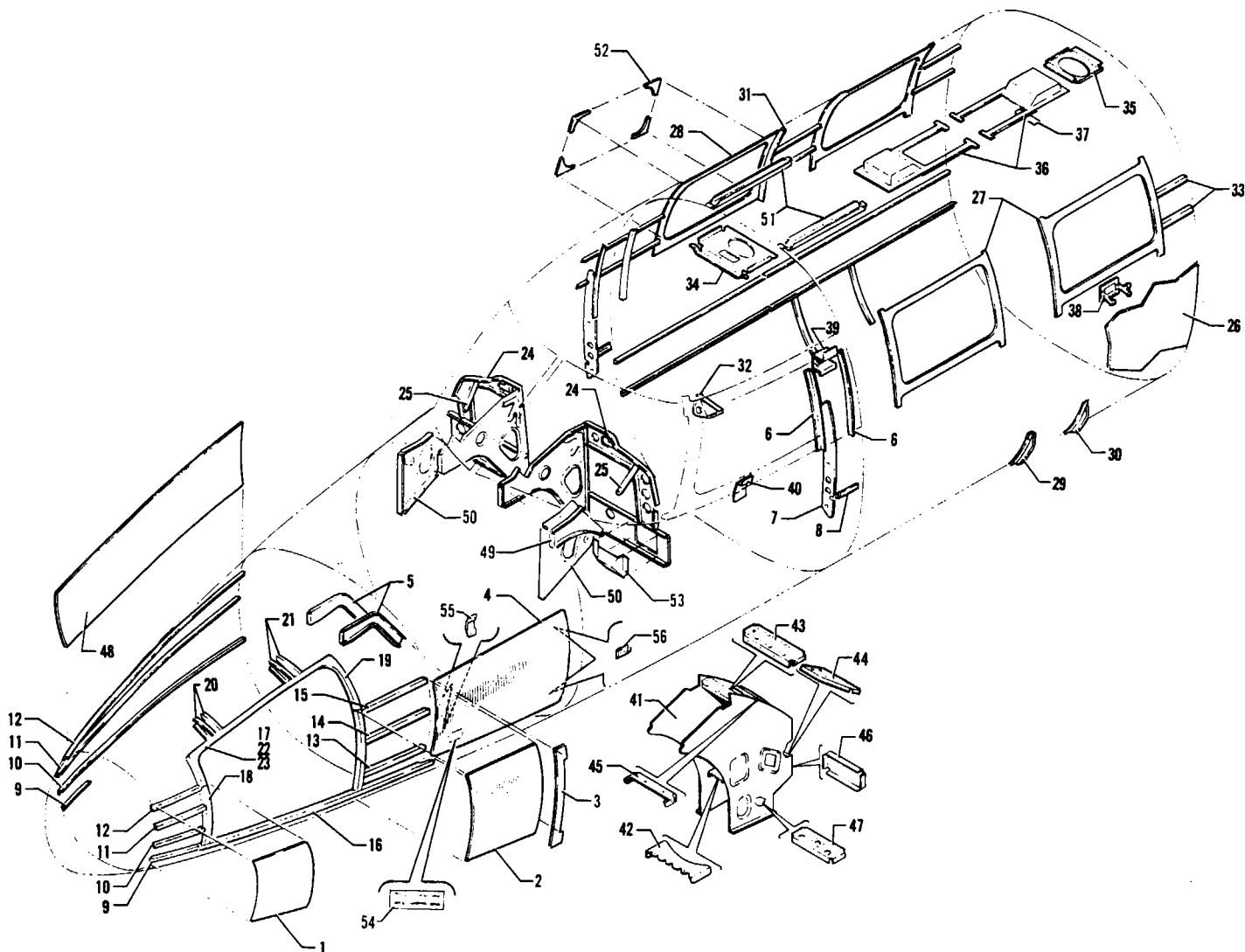


Figure 20. Structure Installation, Sta. .375 to Sta. 215



Figure and Index Number	Part Number	Code	NOMENCLATURE	No. Req.	SERIAL NUMBERS AFFECTED
20-	45402		DRAWING - Fuselage Structures Installation, Sta. .375 to Sta. 140		
	45970		DRAWING - Front Baggage Door Frame Installation, Sta. 11 to Sta. 37		
	46136		DRAWING - Fuselage Structure Installation, Instrument Panel, Sta. 81 to Sta. 100		
	45403		DRAWING - Fuselage Structure Installation, Sta. 140 to Sta. 215		
	47029		DRAWING - Pedestal Housing Installation		
-1	46144-02		SKIN - Fuselage, left side, Sta. .375 to Sta. 24	1	
-2	46144-04		SKIN - Fuselage, left side, Sta. 24 to Sta. 49.6	1	
-3	46612-02		SHIELD - Propeller ice, left	1	
	46612-03		SHIELD - Propeller ice, right	1	
-4	45264-00		COVER ASSEMBLY - Fuselage access area, left, Sta. 49.6 to Sta. 81	1	
	45264-01		COVER ASSEMBLY - Fuselage access area, right, Sta. 49.6 to Sta. 81	1	
-5	45269-00		BRACKET - Powerpak support, left, Sta. 49.6	1	
	45269-01		BRACKET - Powerpak support, right, Sta. 49.6	1	
-6	45041-00		ANGLE - Bulkhead reinforcement, left, Sta. 135 to Sta. 140	2	
	45041-01		ANGLE - Bulkhead reinforcement, right, Sta. 135 to Sta. 140	2	
-7	45212-00		PLATE - Bulkhead doubler, Sta. 135	2	
-8	45376-00		SPLICE - Stringer, fuselage	8	
-9	46084-02		STRINGER - Fuselage, left, Sta. 0 to Sta. 9, W.L. -13	1	
	46084-13		STRINGER - Fuselage, right, Sta. 0 to Sta. 9, W.L. -13	1	
-10	46084-04		STRINGER - Fuselage, left, Sta. 0 to Sta. 9, W.L. -7.4	1	
	46084-05		STRINGER - Fuselage, right, Sta. 0 to Sta. 49.6, W.L. -7.4	1	
-11	46084-06		STRINGER - Fuselage, left, Sta. 0 to Sta. 9, W.L. -3.84	1	
	46084-07		STRINGER - Fuselage, right, Sta. 0 to Sta. 49.6, W.L. -3.84	1	
-12	46084-08		STRINGER - Fuselage, left, Sta. 0 to Sta. 9, W.L. -1.0	1	
	46084-09		STRINGER - Fuselage, right, Sta. 0 to Sta. 49.6, W.L. -1.0	1	
-13	46084-10		STRINGER - Fuselage, left, Sta. 37 to Sta. 49.6, W.L. -7.30	1	
-14	46084-11		STRINGER - Fuselage, left, Sta. 37 to Sta. 49.6, W.L. -.62	1	
-15	46084-03		STRINGER - Fuselage, left, Sta. 37 to Sta. 49.6, W.L. -4.9	1	
-16	46064-00		FRAME - Forward baggage compartment, bottom	1	
-17	45970-04		ANGLE - Forward baggage compartment, upper	1	
-18	45970-02		CHANNEL - Forward baggage compartment, Sta. 11	1	
-19	45970-03		CHANNEL - Forward baggage compartment, Sta. 37	1	
-20	46074-00		BRACKET ASSEMBLY - Baggage door hinge, front	1	
	46074-01		BRACKET ASSEMBLY - Baggage door hinge, rear	1	
-21	46079-00		BRACKET ASSEMBLY - Baggage door hinge, front	1	
	46079-01		BRACKET ASSEMBLY - Baggage door hinge, rear	1	
-22	45843-07		STRINGER - Upper forward fuselage, Sta. 9	1	
-23	45843-05		STRINGER - Upper forward fuselage, Sta. 37	1	

When ordering, always specify Part Number, Description and Serial Number of Aircraft



Figure and Index Number	Part Number	Code	NOMENCLATURE	No. Req.	SERIAL NUMBERS AFFECTED
20-24	46136-02		BULKHEAD ASSEMBLY - Instrument panel, left	1	31P-3 to 31P-7300132 inclusive
	46136-08		BULKHEAD ASSEMBLY - Instrument panel, left	1	31P-7300133 to 31P-7400194 incl.
	46136-09		BULKHEAD ASSEMBLY - Instrument panel, left	1	31P-7400195 to 31P-7400230 incl.
	46136-10		BULKHEAD ASSEMBLY - Instrument panel, left	1	31P-7530001 and up
	46136-03		BULKHEAD ASSEMBLY - Instrument panel, right	1	31P-3 to 31P-7300132 inclusive
	46136-07		BULKHEAD ASSEMBLY - Instrument panel, right	1	31P-7300133 and up
-25	45836-00		TUBE - Instrument panel support, left	1	
	45836-01		TUBE - Instrument panel support, right	1	
-26	45629-00		SKIN - Fuselage, left, Sta. 135 to Sta. 215	1	
	45629-01		SKIN - Fuselage, right, Sta. 135 to Sta. 215	1	
-27	45114-00		SKIN - Center window doubler	3	
-28	45612-00		SKIN - Emergency exit window doubler	1	
-29	45717-00		ANGLE - Wing fillet attachment, left, Sta. 181	1	
	45717-01		ANGLE - Wing fillet attachment, right, Sta. 181	1	
-30	45718-00		ANGLE - Wing fillet attachment, left, Sta. 191.7	1	
	45718-01		ANGLE - Wing fillet attachment, right, Sta. 191.7	1	
-31	45173-05		ANGLE - Bulkhead reinforcement, left, Sta. 174	1	
-32	46099-00		BRACKET - Freon lines reinforcement	1	
-33	45974-00		STRINGER - Fuselage, left, Sta. 208 to Sta. 215	2	
	46000-00		STRINGER - Fuselage, right, Sta. 208 to Sta. 215	2	
-34	46761-00		BRACKET ASSEMBLY - Speaker and light mounting	1	31P-3 to 31P-7630005 inclusive
	49081-02		BRACKET ASSEMBLY - Speaker and light mounting	1	31P-7630006 and up
-35	46316-00		BRACKET ASSEMBLY - Speaker, aft	1	
-36	48591-02		BOX ASSEMBLY - Oxygen mask storage	2	31P-3 to 31P-7630005 inclusive
	49072-03		BOX ASSEMBLY - Oxygen mask storage	2	31P-7630006 and up
-37	42080-00		PLACARD - Oxygen mask container cover	1	
-38	42496-00		SUPPORT ASSEMBLY - Ash tray	3	31P-3 to 31P-7630005 inclusive
-39	47416-00		BRACKET ASSEMBLY - Shoulder harness attachment, left	1	
	47416-01		BRACKET ASSEMBLY - Shoulder harness attachment, right	1	
-40	47504-00		BRACKET - Microphone reinforcement	2	
-41	47029-02		PEDESTAL HOUSING ASSEMBLY	1	
-42	40918-04		BRACKET ASSEMBLY - Engine control support	1	
-43	41545-03		BRACKET ASSEMBLY - Pedestal cover attachment	1	
-44	47011-00		BRACKET ASSEMBLY - Rudder trim indicator	1	
-45	47030-00		BRACKET ASSEMBLY - Pedestal cover support	1	
-46	47031-00		BRACKET ASSEMBLY - Aileron trim mounting	1	
-47	47032-00		BRACKET - Gear box mounting	1	
-48	46144-03		SKIN - Fuselage, right side, Sta. .375 to Sta. 49.6	1	
-49	45277-00		BRACKET ASSEMBLY - Elevator pulley	1	
-50	45009-00		BRACKET - Elevator forward control mounting, left	1	
	45009-03		BRACKET - Elevator forward control mounting, right	1	
-51	48162-00		CHANNEL ASSEMBLY - Support	2	31P-67 and up
-52	48290-00		SHIM - Emergency exit window	4	31P-7300110 and up
-53	48425-00		BRACKET - Instrument mounting	1	31P-3 to 31P-7530022 inclusive
	54495-02		BRACKET - Instrument mounting	1	31P-7530023 and up
-54	49172-02		DECAL - Access panel, left	1	31P-7730006 and up
-55	55376-02		PLATE - Latch, left	2	31P-7730006 and up
-56	55374-02		RETAINER - Access cover, left	2	31P-7730006 and up

When ordering, always specify Part Number, Description and Serial Number of Aircraft

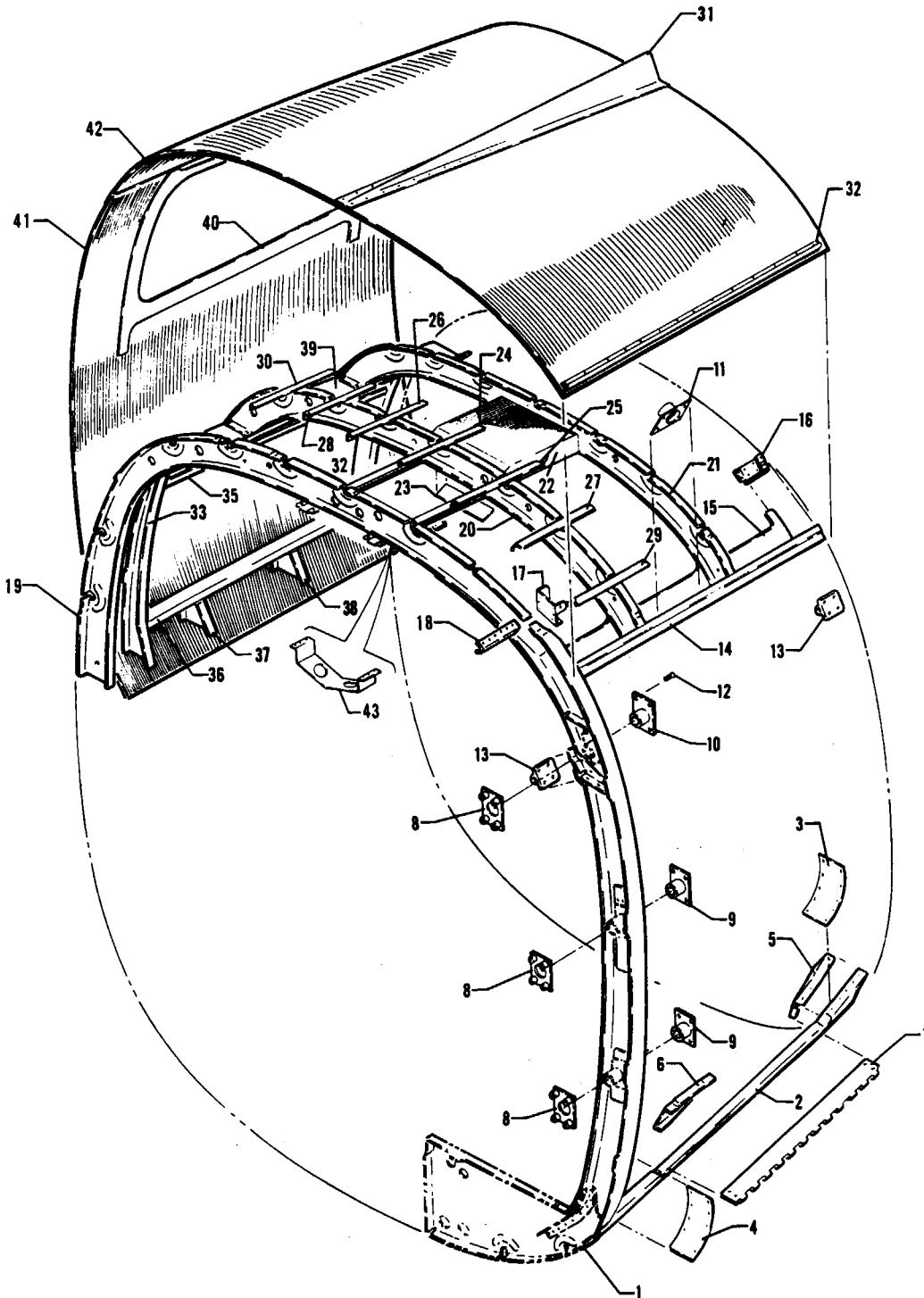


Figure 21. Structure Installation, Sta. 215 to Sta. 244





Figure and Index Number	Part Number	Code	NOMENCLATURE	No. Req.	SERIAL NUMBERS AFFECTED
21-	46820 46404		DRAWING - Cabin Door Frame Installation DRAWING - Fuselage Structure Installation		
-1	45215-04		BULKHEAD ASSEMBLY - Fuselage, left side (Sta. 215)	1	
-2	46678-02		PLATE ASSEMBLY - Door seal support	1	
-3	46678-05		PLATE	1	
-4	46678-04		PLATE	1	
-5	46678-06		ANGLE	1	
-6	46678-07		ANGLE	1	
-7	46395-00		HINGE - Door	1	
-8	46736-00		PLATE ASSEMBLY - Pin guide attachment	3	
-9	46648-00		GUIDE ASSEMBLY - Door latch pin	2	
-10	46657-00		GUIDE ASSEMBLY - Door latch pin	1	
-11	47189-00		GUIDE ASSEMBLY - Door latch pin	1	
-12	486 200		SCREW - (LP24694-S62)	12	
-13	45641-00		BRACKET - Door support	2	31P-3 to 31P-7630005 inclusive
	51682-02		BRACKET - Door support	2	31P-7630006 and up
-14	45660-00		CHANNEL ASSEMBLY - Door header	1	
-15	45619-00		GUSSET - Door header	1	
-16	45228-00		BRACKET - Door header, channel attachment	1	
-17	45642-00		BRACKET - Door header, channel attachment	1	
-18	45376-00		SPLICE - Fuselage stringer	1	
-19	45218-00		BULKHEAD - Fuselage, top (Sta. 215)	1	
-20	45223-00		BULKHEAD - Fuselage, top (Sta. 224.5)	1	
-21	45233-00		BULKHEAD - Fuselage, top (Sta. 234)	1	
-22	48591-03		BOX ASSEMBLY - Oxygen mask storage	1	31P-3 to 31P-7630005 inclusive
	49072-02		BOX ASSEMBLY - Oxygen mask storage	1	31P-7630006 and up
-23	42080-00		PLACARD - Oxygen mask container cover	1	
-24	46025-04		STRINGER - Fuselage (B.L. 0)	1	
-25	46025-06		STRINGER - Fuselage, left side (B.L. 6.20)	1	
-26	46025-05		STRINGER - Fuselage, right side (B.L. 6.20)	1	
-27	46025-08		STRINGER - Fuselage, left side (B.L. 12.31)	1	
-28	46025-07		STRINGER - Fuselage, right side (B.L. 12.31)	1	
-29	46025-10		STRINGER - Fuselage, left side (B.L. 18.06)	1	
-30	46025-09		STRINGER - Fuselage, right side (B.L. 18.06)	1	
-31	46133-00		FIN - Dorsal (Sta. 215 to Sta. 244)	1	
-32	47759-00		GUTTER - Rain	1	
-33	45118-00		BULKHEAD ASSEMBLY - Window frame, forward	1	
-34	45119-00		BULKHEAD ASSEMBLY - Window frame, aft	1	
-35	45117-00		CHANNEL - Rear window, upper frame	1	
-36	45116-00		CHANNEL - Rear window, lower frame	1	
-37	45083-03		SUPPORT - Window frame, forward	1	
-38	45083-02		SUPPORT - Window frame, aft	1	
-39	45078-00		CHANNEL - Fuselage, intercostal (Sta. 215 to Sta. 244)	1	
-40	45124-00		SKIN - Rear window doubler	1	
-41	45515-00		SKIN - Fuselage, lower (Sta. 215 to Sta. 244)	1	
-42	45516-00		SKIN - Fuselage, upper (Sta. 215 to Sta. 244)	1	
-43	49056-02		BRACKET ASSEMBLY - Light retaining	1	31P-7630006 and up

When ordering, always specify Part Number, Description and Serial Number of Aircraft

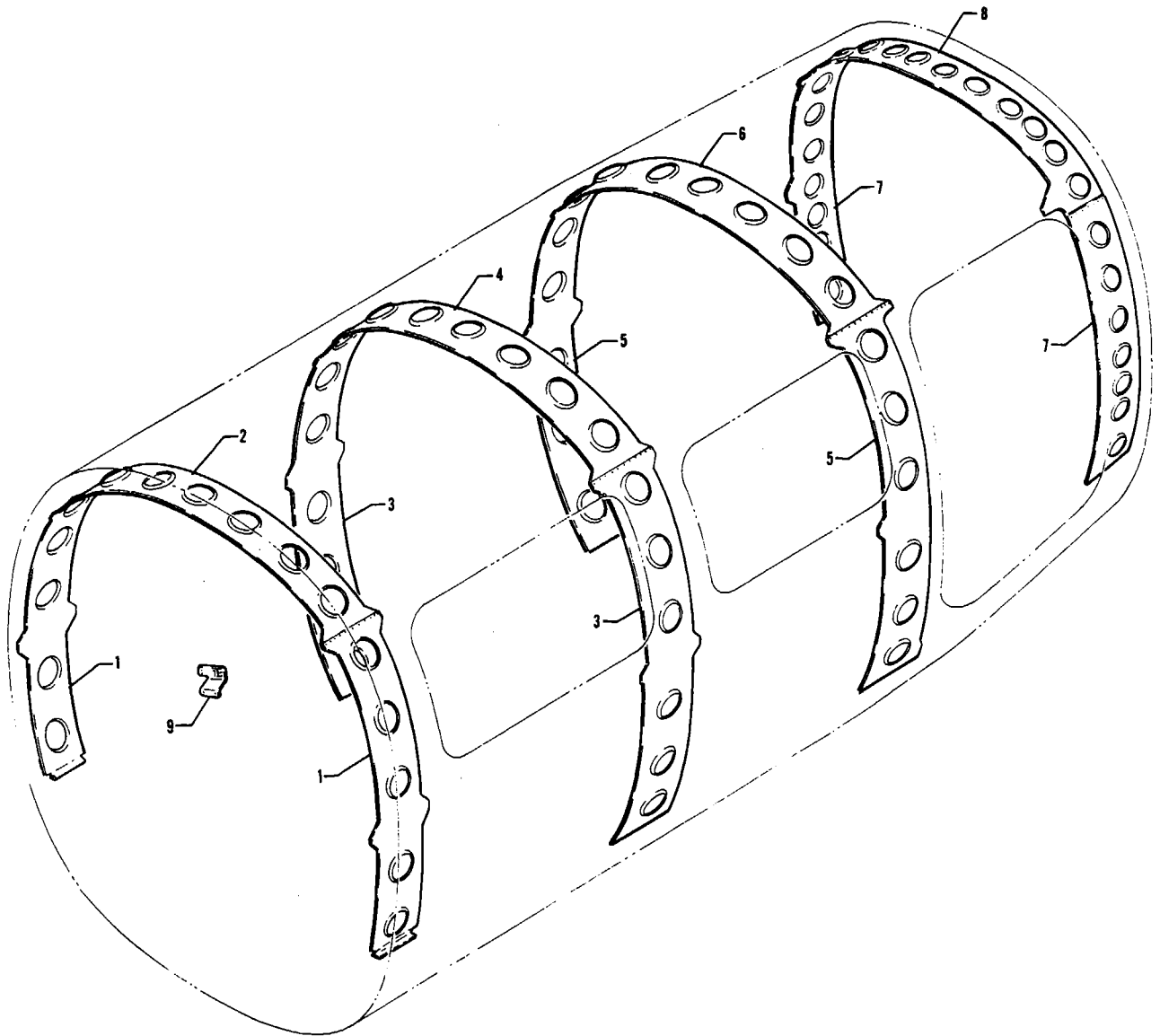


Figure 22. Inner Skin Installation



Figure and Index Number	Part Number	Code	NOMENCLATURE	No. Req.	SERIAL NUMBERS AFFECTED
22-	45031		DRAWING - Fuselage Inner Skin Installation, Sta. 135 to Sta. 140		
	45034		DRAWING - Fuselage Inner Skin Installation, Sta. 174 to Sta. 181		
	45639		DRAWING - Fuselage Inner Skin Installation, Sta. 209.5 to Sta. 215		
	45990		DRAWING - Fuselage Inner Skin Installation, Sta. 244 to Sta. 249.38		
-1	45031-06		INNER SKIN ASSEMBLY - Fuselage, left, Sta. 135 to Sta. 140	1	
	45031-05		INNER SKIN ASSEMBLY - Fuselage, right, Sta. 135 to Sta. 140	1	
-2	45031-04		INNER SKIN - Fuselage, top, Sta. 135 to Sta. 140	1	
-3	45034-02		INNER SKIN ASSEMBLY - Fuselage, left, Sta. 174 to Sta. 181	1	
	45034-03		INNER SKIN ASSEMBLY - Fuselage, right, Sta. 174 to Sta. 181	1	
-4	45034-04		INNER SKIN - Fuselage, top, Sta. 174 to Sta. 181	1	
-5	45639-02		INNER SKIN ASSEMBLY - Fuselage, left, Sta. 209.5 to Sta. 215	1	
	45639-05		INNER SKIN ASSEMBLY - Fuselage, right, Sta. 209.5 to Sta. 215	1	
-6	45639-04		INNER SKIN - Fuselage, top, Sta. 209.5 to Sta. 215	1	
-7	45990-02		INNER SKIN ASSEMBLY - Fuselage, left, Sta. 244 to Sta. 249.38	1	
	45990-03		INNER SKIN ASSEMBLY - Fuselage, right, Sta. 244 to Sta. 249.38	1	
-8	45990-04		INNER SKIN - Fuselage, top, Sta. 244 to Sta. 249.38	1	
-9	47338-00		BRACKET ASSEMBLY - Divider panel retainer, left	1	

When ordering, always specify Part Number, Description and Serial Number of Aircraft

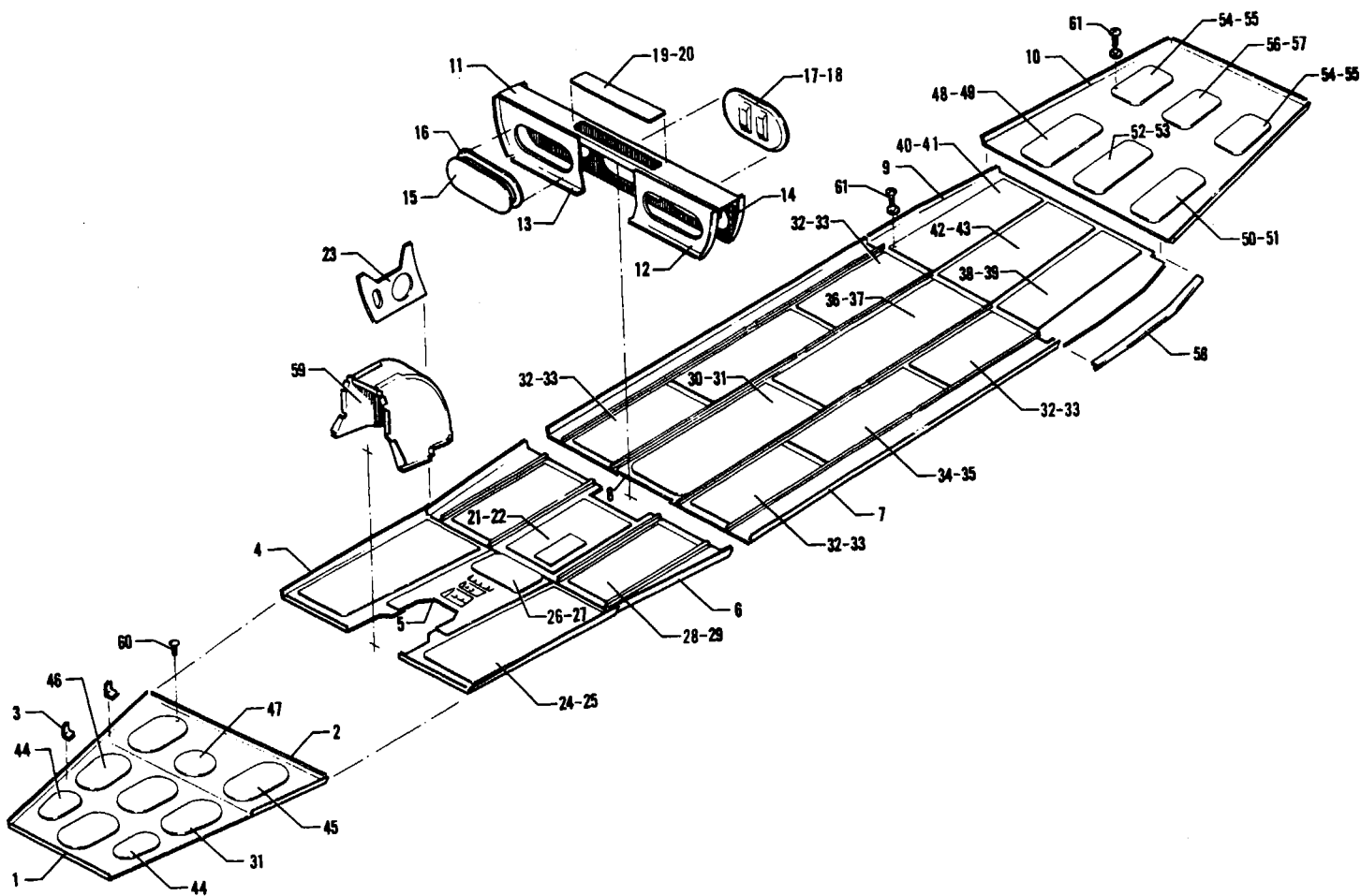


Figure 23. Floorboard Installation



Figure and Index Number	Part Number	Code	NOMENCLATURE	No. Req.	SERIAL NUMBERS AFFECTED
23-	45285		DRAWING - Floorboard Installation, Forward Baggage Compartment		
	45695		DRAWING - Floorboard Installation (Sta. 81 to Sta. 135)		
	45798		DRAWING - Floorboard Installation (Sta. 140 to Sta. 244)		
	45684		DRAWING - Floorboard Installation (Sta. 244 to Sta. 274)		
-1	45285-04		FLOORBOARD ASSEMBLY - Forward baggage compartment (Sta. 9 to Sta. 37)	1	
-2	45285-05		FLOORBOARD ASSEMBLY - Forward baggage compartment (Sta. 37 to Sta. 49.60)	1	
-3	45338-00		CLIP - Floorboard assembly, forward baggage compartment	2	
-4	45669-00		FLOORBOARD ASSEMBLY - Outboard, left (Sta. 81 to Sta. 111.50)	1	
	45669-01		FLOORBOARD ASSEMBLY - Outboard, right (Sta. 81 to Sta. 111.50)	1	
-5	45649-00		FLOORBOARD ASSEMBLY - Center (Sta. 90.50 to Sta. 111.50)	1	
-6	45692-00		FLOORBOARD ASSEMBLY - (Sta. 111.50 to Sta. 135)	1	31P-3 to 31P-7730003 inclusive
	45692-05		FLOORBOARD ASSEMBLY - (Sta. 111.50 to Sta. 135)	1	31P-7730004 and up
-7	45626-00		FLOORBOARD ASSEMBLY - Outboard, left (Sta. 140 to Sta. 215)	1	
	45626-01		FLOORBOARD ASSEMBLY - Outboard, right (Sta. 140 to Sta. 215)	1	
-8	45625-00		FLOORBOARD ASSEMBLY - Center (Sta. 140 to Sta. 215)	1	
-9	45686-00		FLOORBOARD ASSEMBLY - (Sta. 215 to Sta. 244)	1	
-10	45684-03		FLOORBOARD ASSEMBLY - (Sta. 244 to Sta. 274)	1	
-11	45782-00		COVER ASSEMBLY - Spar (Sta. 135 to Sta. 140)	1	
-12	45782-04		PLATE ASSEMBLY - Spar cover, forward, left	1	
-13	45782-05		PLATE ASSEMBLY - Spar cover, forward, right	1	
-14	45782-07		PLATE ASSEMBLY - Spar cover, aft	1	
-15	45779-00		PLATE ASSEMBLY - Spar cover, access	4	
-16	45779-04		GASKET - Plate cover	1	
-17	45780-00		PLATE ASSEMBLY - Spar cover, access	1	
-18	45780-04		GASKET - Plate cover	1	
-19	45781-00		PLATE ASSEMBLY - Spar cover, access, top	1	
-20	45781-03		GASKET - Plate cover	1	
-21	45704-00		PLATE ASSEMBLY - Floorboard cover, center (Sta. 111.50 to Sta. 128.68)	1	
-22	85512-39		STRIP - Sponge rubber	4	
-23	45013-02		PLATE ASSEMBLY - Fuselage reinforcement, left (Sta. 100 to Sta. 111.50)	1	
	45013-03		PLATE ASSEMBLY - Fuselage reinforcement, right (Sta. 100 to Sta. 111.50)	1	
-24	45627-00		PLATE ASSEMBLY - Floorboard cover, left (Sta. 81 to Sta. 111.50)	1	
	45627-01		PLATE ASSEMBLY - Floorboard cover, right (Sta. 81 to Sta. 111.50)	1	
-25	45627-04		GASKET - Floorboard cover	1	
-26	45628-00		PLATE ASSEMBLY - Floorboard cover, center (Sta. 111.50)	1	
-27	80020-02		GASKET - Floorboard cover	1	
-28	45706-00		PLATE ASSEMBLY - Floorboard cover, left (Sta. 111.50 to Sta. 135)	1	
	45707-00		PLATE ASSEMBLY - Floorboard cover, right (Sta. 111.50 to Sta. 135)	1	
-29	85512-39		STRIP - Sponge rubber	4	

When ordering, always specify Part Number, Description and Serial Number of Aircraft



Figure and Index Number	Part Number	Code	NOMENCLATURE	No. Req.	SERIAL NUMBERS AFFECTED
23-30	45653-00		PLATE ASSEMBLY - Floorboard cover, center (Sta. 140.69 to Sta. 173.34)	1	
-31	45653-03		GASKET - Cover plate	1	
-32	45655-00		PLATE ASSEMBLY - Floorboard cover, outboard, left	2	
	45655-01		PLATE ASSEMBLY - Floorboard cover, outboard, right	2	
-33	85512-35		STRIP - Sponge rubber	4	
-34	45656-00		PLATE ASSEMBLY - Floorboard cover, outboard, left (Sta. 163.29 to Sta. 191.70)	1	
	45656-02		PLATE ASSEMBLY - Floorboard cover, outboard, right (Sta. 163.29 to Sta. 191.70)	1	
-35	85512-35		STRIP - Sponge rubber	4	
-36	45654-00		PLATE ASSEMBLY - Floorboard cover, center (Sta. 174.66 to Sta. 214.31)	1	
-37	85512-35		STRIP - Sponge rubber	4	
-38	45747-00		PLATE ASSEMBLY - Floorboard cover, left (Sta. 215 to Sta. 244)	1	
-39	45747-03		GASKET - Cover plate	1	
-40	45748-00		PLATE ASSEMBLY - Floorboard cover, right (Sta. 215 to Sta. 244)	1	
-41	45748-03		GASKET - Cover plate	1	
-42	45746-00		PLATE ASSEMBLY - Floorboard cover, center (Sta. 215 to Sta. 244)	1	
-43	85512-35		STRIP - Sponge rubber	4	
-44	45303-00		COVER - Floorboard assembly, forward baggage compartment	2	
-45	45304-00		COVER - Floorboard assembly, forward baggage compartment	4	
-46	45302-00		COVER - Floorboard assembly, forward baggage compartment	2	
-47	45301-00		COVER - Floorboard assembly, forward baggage compartment	1	
-48	45682-02		COVER ASSEMBLY - Floor access (Sta. 244 to Sta. 274)	1	
-49	80020-04		GASKET - Cover	1	
-50	45682-03		COVER ASSEMBLY - Floor access (Sta. 244 to Sta. 274)	1	
-51	80020-05		GASKET - Cover	1	
-52	45682-04		COVER ASSEMBLY - Floor access (Sta. 244 to Sta. 274)	1	
-53	80020-04		GASKET - Cover	1	
-54	45683-00		COVER ASSEMBLY - Floor access (Sta. 244 to Sta. 274)	2	
-55	80020-03		GASKET - Cover	1	
-56	45683-02		COVER ASSEMBLY - Floor access (Sta. 244 to Sta. 274)	1	
-57	80020-03		GASKET - Cover	1	
-58	45648-00		SILL - Cabin door	1	
-59	45454-00		WHEEL WELL ASSEMBLY - Nose	1	
-60	415 533		SCREW - (MS35206-243)	66	
-61	415 535		SCREW - (MS35206-245)	629	
	494 063		WASHER	629	

When ordering, always specify Part Number, Description and Serial Number of Aircraft

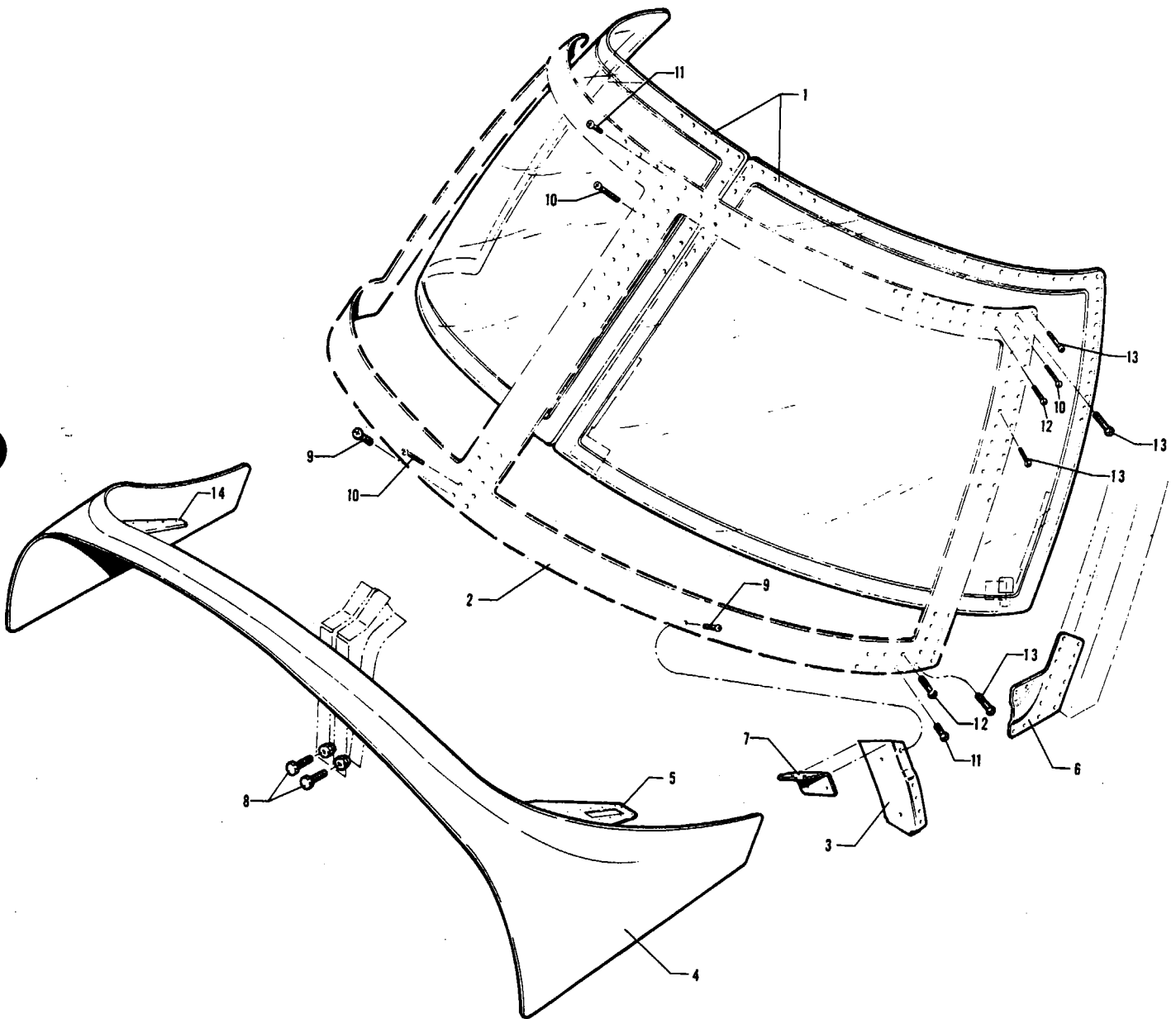


Figure 24. Windshield Installation



Figure and Index Number	Part Number	Code	NOMENCLATURE	No. Req.	SERIAL NUMBERS AFFECTED
24-	45339 47401		DRAWING - Windshield Installation DRAWING - Windshield Installation Co-Pilot Heated		
-1	45213-00 45213-01 45213-03		WINDSHIELD ASSEMBLY - Heated, left (494 671) WINDSHIELD ASSEMBLY - Heated, right (494 672) WINDSHIELD ASSEMBLY - Unheated, right (494 673)	1 1 1	
-2	45235-00		COLLAR - Windshield	1	
-3	45239-00 45239-01		BULKHEAD - Fuselage upper, Sta. 90.5, left BULKHEAD - Fuselage upper, Sta. 90.5, right	1 1	
-4	45363-00		SKIN - Fuselage upper, Sta. 81 to Sta. 100	1	
-5	45900-00		GUSSET - Windshield channel	1	
-6	45059-00 45059-01		GUSSET - Fuselage, Sta. 100 and W.L. 10, left GUSSET - Fuselage, Sta. 100 and W.L. 10, right	1 1	
-7	45280-00 45280-01		CLIP - Bulkhead attachment, Sta. 90.5, left CLIP - Bulkhead attachment, Sta. 90.5, right	1 1	
-8	401 266 407 564 404 887		BOLT - (AN3-5A) WASHER - (AN960-10) NUT - (MS20365-1032C)	2 2 2	
-9	48966-03 407 563 404 910		SCREW - Demagnetized WASHER - (AN960-8) NUT - (MS20365-832C)	4 4 4	
-10	48966-06 407 563 404 910		SCREW - Demagnetized WASHER - (AN960-8) NUT - (MS20365-832C)	44 44 44	
-11	48966-02 407 563 404 910		SCREW - Demagnetized WASHER - (AN960-8) NUT - (MS20365-832C)	118 118 118	
-12	48966-04 407 563 404 910		SCREW - Demagnetized WASHER - (AN960-8) NUT - (MS20365-832C)	116 116 116	
-13	48966-05 407 563 404 910		SCREW - Demagnetized WASHER - (AN960-8) NUT - (MS20365-832C)	82 82 82	
-14	45043-01		GUSSET - Elevator control bracket	1	

When ordering, always specify Part Number, Description and Serial Number of Aircraft



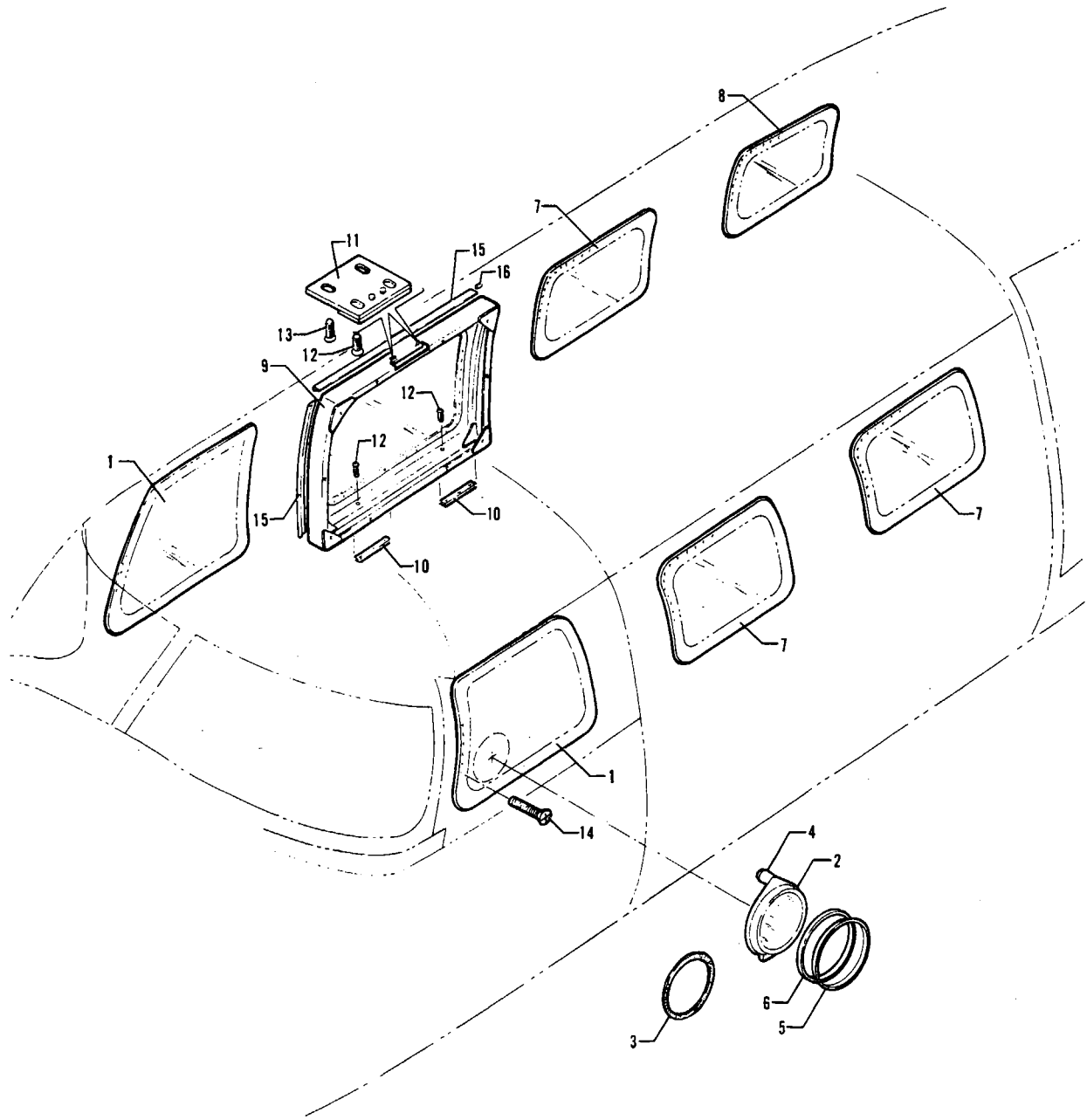


Figure 25. Windows Installation (External)

**PIPER PARTS CATALOG**

Figure and Index Number	Part Number	Code	NOMENCLATURE	No. Req.	SERIAL NUMBERS AFFECTED
25-	45099 54901 46176 48300		DRAWING - Windows Installation DRAWING - Windows Installation DRAWING - Emergency Exit Window Installation DRAWING - Emergency Exit Window Installation		31P-3 to 31P-7630019 incl. 31P-7730001 and up 31P-3 to 31P-109 incl. 31P-7300110 and up
-1	45099-12 45099-08 54901-04 45099-03 54901-05		WINDOW - Fuselage, left front WINDOW - Fuselage, left front (with storm window hole) WINDOW - Fuselage, left front (with storm window hole) WINDOW - Fuselage, right front WINDOW - Fuselage, right front	1 1 1 1 1	31P-3 to 31P-7400177 incl. 31P-7400178 to 31P-7630019 incl. 31P-7730001 and up 31P-3 to 31P-7630019 incl. 31P-7730001 and up
-2	51234-00		WINDOW ASSEMBLY - Storm	1	31P-7400178 and up
-3	51234-02		* SEAL - Storm window	1	31P-7400178 and up
-4	571 159		* KNOB - (34-10-201-20)	1	31P-7400178 and up
-5	51223-00		RING - Storm window trim	1	31P-7400178 and up
-6	01117-02		SPACER - Storm window (rubber)	1	31P-7400178 and up
-7	45099-13		WINDOW - Fuselage	3	
-8	45099-11		WINDOW - Fuselage, right rear	1	
-9	46175-00 48299-00	A B	WINDOW ASSEMBLY - Emergency exit WINDOW ASSEMBLY - Emergency exit	1 1	31P-3 to 31P-109 incl. 31P-7300110 and up
-10	45547-00		PLATE - Retainer emergency exit	2	31P-3 to 31P-109 incl.
-11	46924-00		PLATE ASSEMBLY - Emergency exit release latch	2	31P-3 to 31P-109 incl.
-12	414 762		SCREW - (MS24693-S51)	10	31P-3 to 31P-109 incl.
-13	414 779		SCREW - (MS24693-S49)	4	31P-3 to 31P-109 incl.
-14	410 243 81342-06 404 910		SCREW - Window attachment (AN509-832R12) WASHER - Window attachment (408 278) NUT - Window attachment (MS20365-832C)	329 329 329	
-15	46176-08 46176-06		STRIP - "P", Neoprene (X-4381) upper and lower STRIP - "P", Neoprene (X-4381) aft and forward	2 2	31P-3 to 31P-109 incl. 31P-3 to 31P-109 incl.
-16	46176-05		CORD - Rubber, 5/16 diameter (R-1412-N)	8	31P-3 to 31P-109 incl.

A - See Figure 26 for component parts.  
B - See Figure 26A for component parts.

When ordering, always specify Part Number, Description and Serial Number of Aircraft

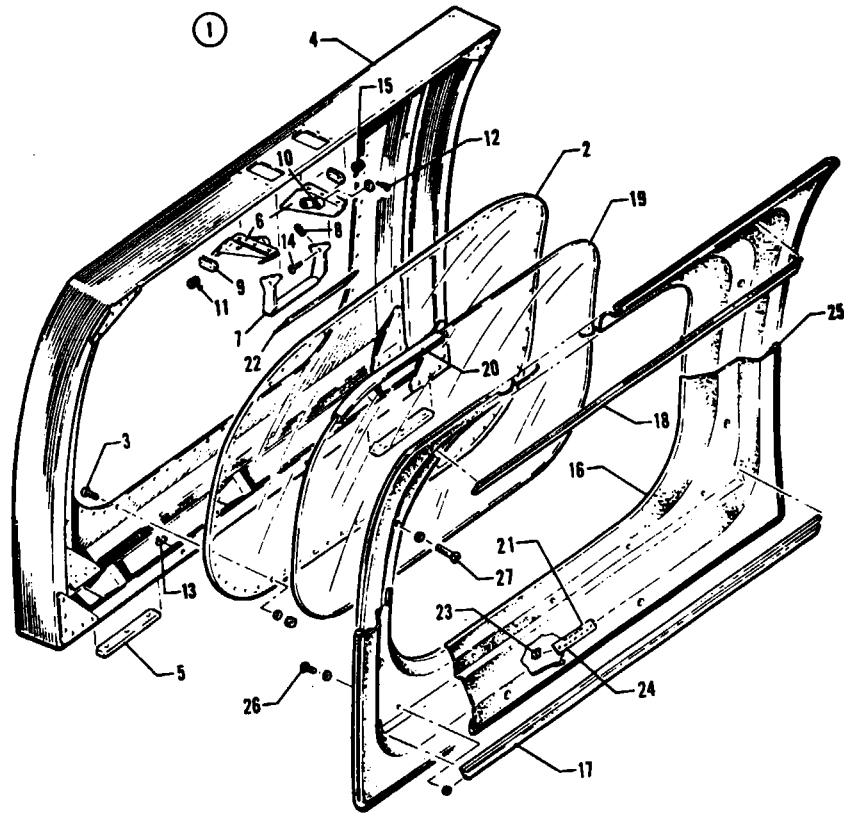


Figure 26. Emergency Exit Window Installation  
(Serial Nos. 31P-3 to 31P-109 inclusive)

## PIPER PARTS CATALOG

Figure and Index Number	Part Number	Code	NOMENCLATURE	No. Req.	SERIAL NUMBERS AFFECTED
26-	46176		DRAWING - Emergency Exit Window Installation		
-1	46175-00		WINDOW ASSEMBLY - Emergency exit	1	
-2	46174-00		* WINDOW - Emergency exit	1	
-3	410 243		* SCREW - (MS24694-S9)	52	
	81342-06		* WASHER - (408 278)	52	
	404 910		* NUT - (MS20365-832C)	52	
-4	45603-00		* FRAME ASSEMBLY - Emergency exit	1	
-5	45548-00		* * PLATE - Emergency exit retainer	2	
-6	45588-00		* * BRACKET - Emergency exit release, forward	1	
	45588-01		* * BRACKET - Emergency exit release, aft	1	
-7	46931-00		* * HANDLE RELEASE - Emergency exit latch	1	
-8	419 961		* * * SCREW - Socket set (#6-32 x 3/8)	2	
-9	46921-00		* * BRACKET - Emergency exit latch	2	
-10	46923-00		* * LINK ASSEMBLY - Emergency exit latch	2	
-11	46928-00		* * SPRING - Emergency exit latch, forward	1	
-12	407 564		* * WASHER - (AN960-10)	2	
	424 050		* * PIN - Cotter (AN380-2-1)	2	
-13	406 826		* * NUT - Anchor (NAS686A08K)	8	
-14	486 200		* * SCREW - (LP24694-S52)	2	
-15	46928-01		* * SPRING - Emergency exit latch, aft	1	
-16	46883-02		MOULDING ASSEMBLY - Inner window	1	
-17	46883-03		TRACK - Curtain lower	1	
-18	46883-04		TRACK - Curtain upper	1	
-19	46882-06		WINDOW - Inner (tinted)	1	
	46882-10		WINDOW - Inner (clear)	1	
-20	46883-06		MOULDING - Window extruded, 70" length (187 530)	1	
-21	42457-00		PLACARD - Seat latching (581 270)	1	
-22	46925-00		PLACARD - Emergency exit release (581 562)	1	
-23	406 343		NUT - Push on (A872-012-1)	2	
-24	420 185		RIVET - (AN470AD2-5)	2	
-25	80001-73		WELT ASSEMBLY	1	
-26	415 503		SCREW - (MS35206-213)	10	
	407 561		WASHER - (AN960-4)	10	
	404 596		NUT - (MS20341-4S)	10	
-27	415 261		SCREW - (#8-32 x 3/4)	8	
	494 116		WASHER - (#C-169)	8	

When ordering, always specify Part Number, Description and Serial Number of Aircraft

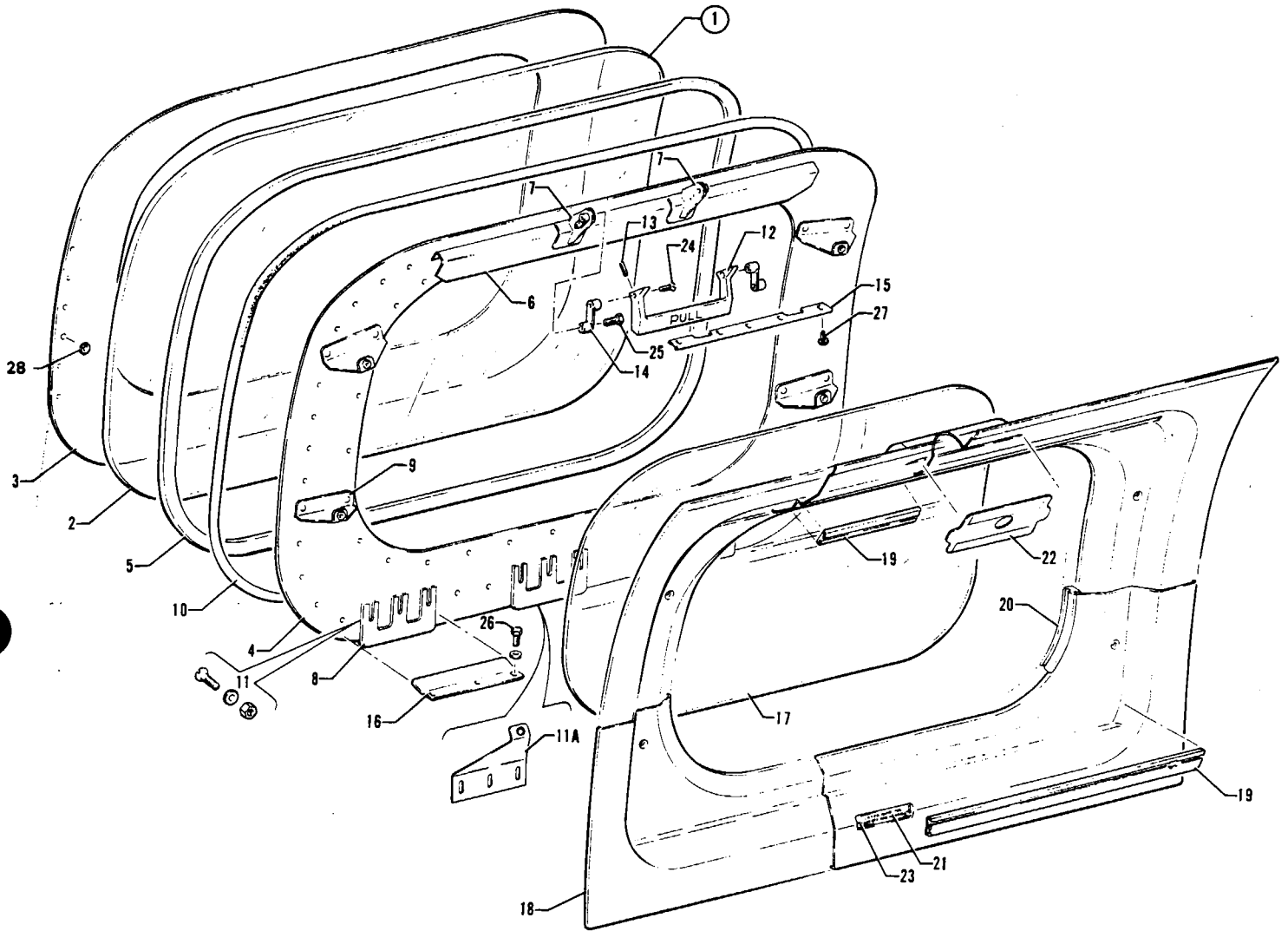


Figure 26A. Emergency Exit Window Installation  
(Serial Nos. 31P-7300110 and up)



Figure and Index Number	Part Number	Code	NOMENCLATURE	No. Req.	SERIAL NUMBERS AFFECTED
26A-	48300		DRAWING - Emergency Exit Window Installation		
-1	48299-00		WINDOW ASSEMBLY - Emergency exit	1	
-2	48299-02		WINDOW - Emergency exit	1	
-3	48299-03		FRAME - Window, outer	1	
-4	48299-04		FRAME - Window, inner	1	
-5	48299-05		SPACER - Window frame	1	
-6	48287-00		CHANNEL ASSEMBLY - Emergency exit	1	
-7	48276-00		BRACKET ASSEMBLY - Emergency exit handle, front	1	
	48276-01		BRACKET ASSEMBLY - Emergency exit handle, rear	1	
-8	48273-00		PLATE - Emergency exit retainer	3	
-9	48274-00		CLIP ASSEMBLY - Emergency exit moulding	4	
-10	187 659		SEAL - Emergency exit window	8*	
-11	410 248		SCREW - (MS24694-S13)	9	
	407 563		WASHER - (AN960-8)	9	
	404 833		NUT - (MS20364-832C)	9	
-11a	49131-02		CLIP ASSEMBLY - Molding	1	31P-7630006 and up
-12	48931-00		HANDLE - Emergency exit release	1	
-13	419 961		SCREW - Socket set (6-32 x 3/8")	2	
-14	48275-00		LINK ASSEMBLY - Emergency exit release	2	
-15	48271-00		STRIKE CATCH - Emergency latch	1	
-16	48272-00		STRIP - Emergency exit retainer	3	
-17	48464-05		WINDOW - Inner (tinted)	1	
	48464-06		WINDOW - Inner (clear)	1	
18	48464-04	A	MOULDING - Inner window	1	31P-3 to 31P-7630005 inclusive
	48464-09		MOULDING - Inner window	1	31P-7630006 and up
-19	46883-03		TRACK - Curtain, lower	1	31P-3 to 31P-7630006 inclusive
	46883-04		TRACK - Curtain, upper	1	31P-3 to 31P-7630006 inclusive
	48464-10		TRACK - Curtain	2	31P-7630006 and up
-20	46883-06		MOULDING - Window extruded, 70" (187 530)	1	
-21	42467-00		PLACARD - Seat latching (581 270)	1	
-22	54587-02		PLACARD - Emergency exit latch	1	
-23	420 185		RIVET - (MS20470AD2-5)	2	
	406 343		NUT - Push on (A872-012-1)	2	
-24	486 223		SCREW - Handle (LP12G02P9)	2	
-25	400 440		BOLT - (AN3-6A)	2	
-26	400 438		BOLT - (AN3-4A)	9	
	407 564		WASHER - (AN960-10)	9	
-27	415 535		SCREW - (MS35206-245)	5	
	407 120		WASHER - (AN93688)	5	
-28	407 583		WASHER - (AN960-8)	AR	
	407 583		WASHER - (AN960-8L)	AR	

A - When ordering, specify color white or beige.

When ordering, always specify Part Number, Description and Serial Number of Aircraft

**1D24**

**INTENTIONALLY LEFT BLANK**

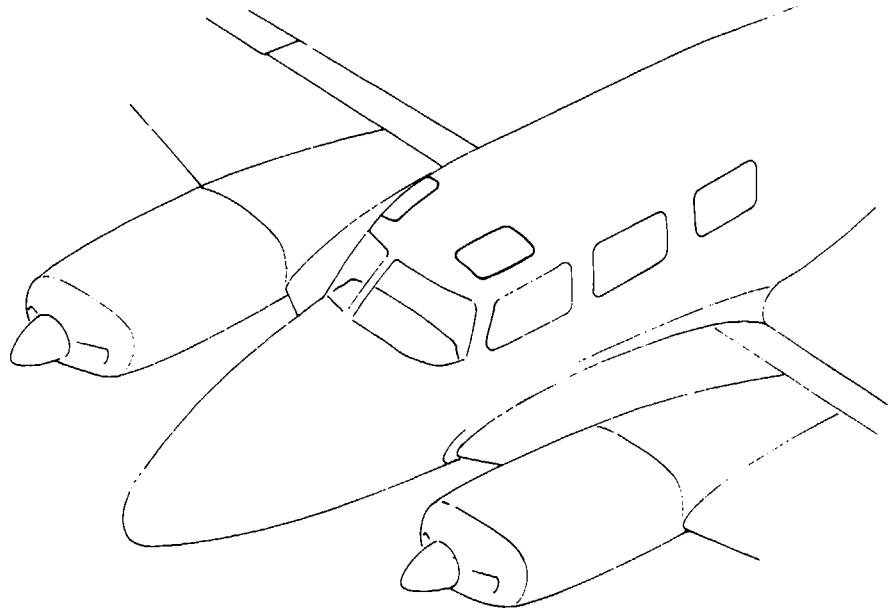
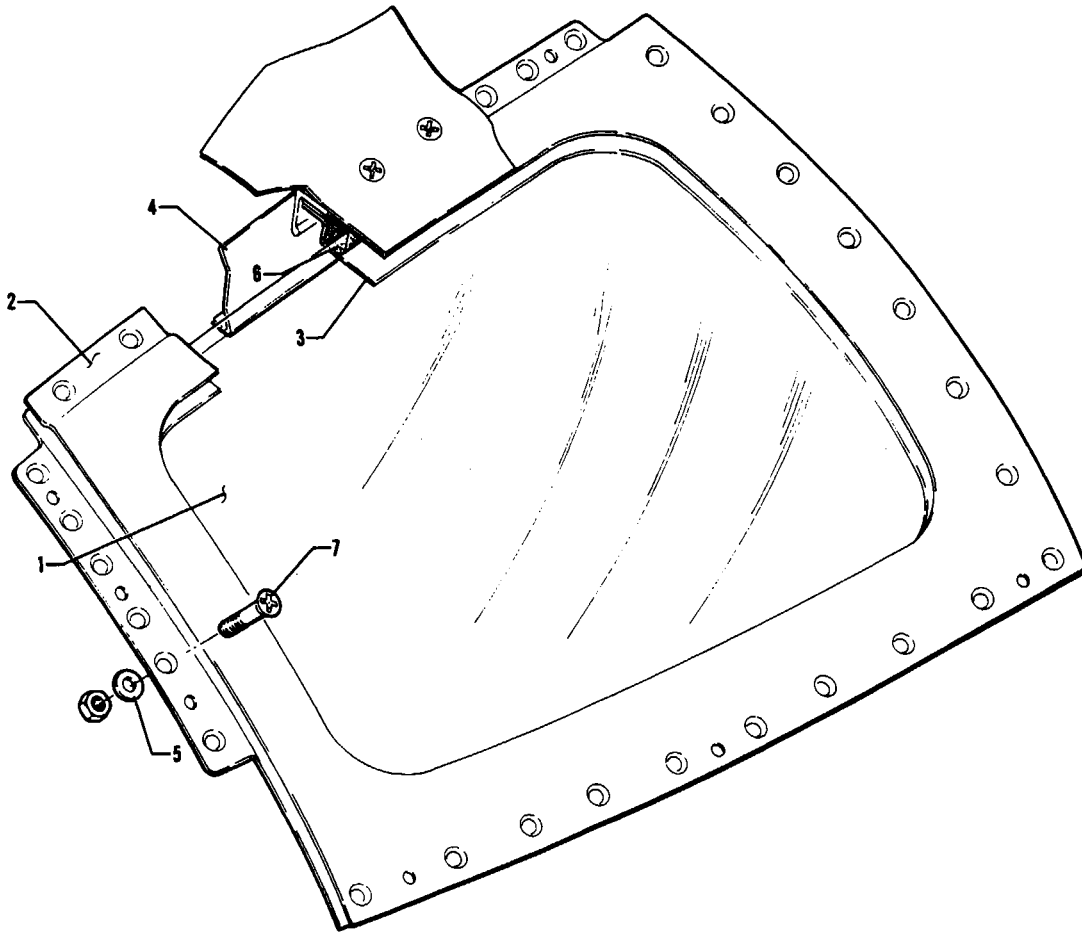


Figure 26B. Overhead Window Installation  
(Serial Nos. 31P-7400178 to 31P-7630019 inclusive)





Figure and Index Number	Part Number	Code	NOMENCLATURE	No. Req.	SERIAL NUMBERS AFFECTED
268-	51214		DRAWING - Overhead Window Installation		
-1	51214-02		WINDOW - Overhead, left	1	
	51214-03		WINDOW - Overhead, right	1	
-2	51214-04		DOUBLER - Window, left	1	
	51214-05		DOUBLER - Window, right	1	
-3	51214-08		RETAINER ASSEMBLY - Window, left	1	
	51214-09		RETAINER ASSEMBLY - Window, right	1	
-4	51208-00		BRACKET ASSEMBLY - Overhead cover, left	1	
	51208-01		BRACKET ASSEMBLY - Overhead cover, right	1	
-5	81342-06		WASHER	66	
-6	187 651		CORD - Rubber 5/16 Dia. (R-1412-N)	3'	
-7	410 243		SCREW - (MS24694-S9)	33	
	404 910		NUT - (MS20365-832C)	33	

When ordering, always specify Part Number, Description and Serial Number of Aircraft

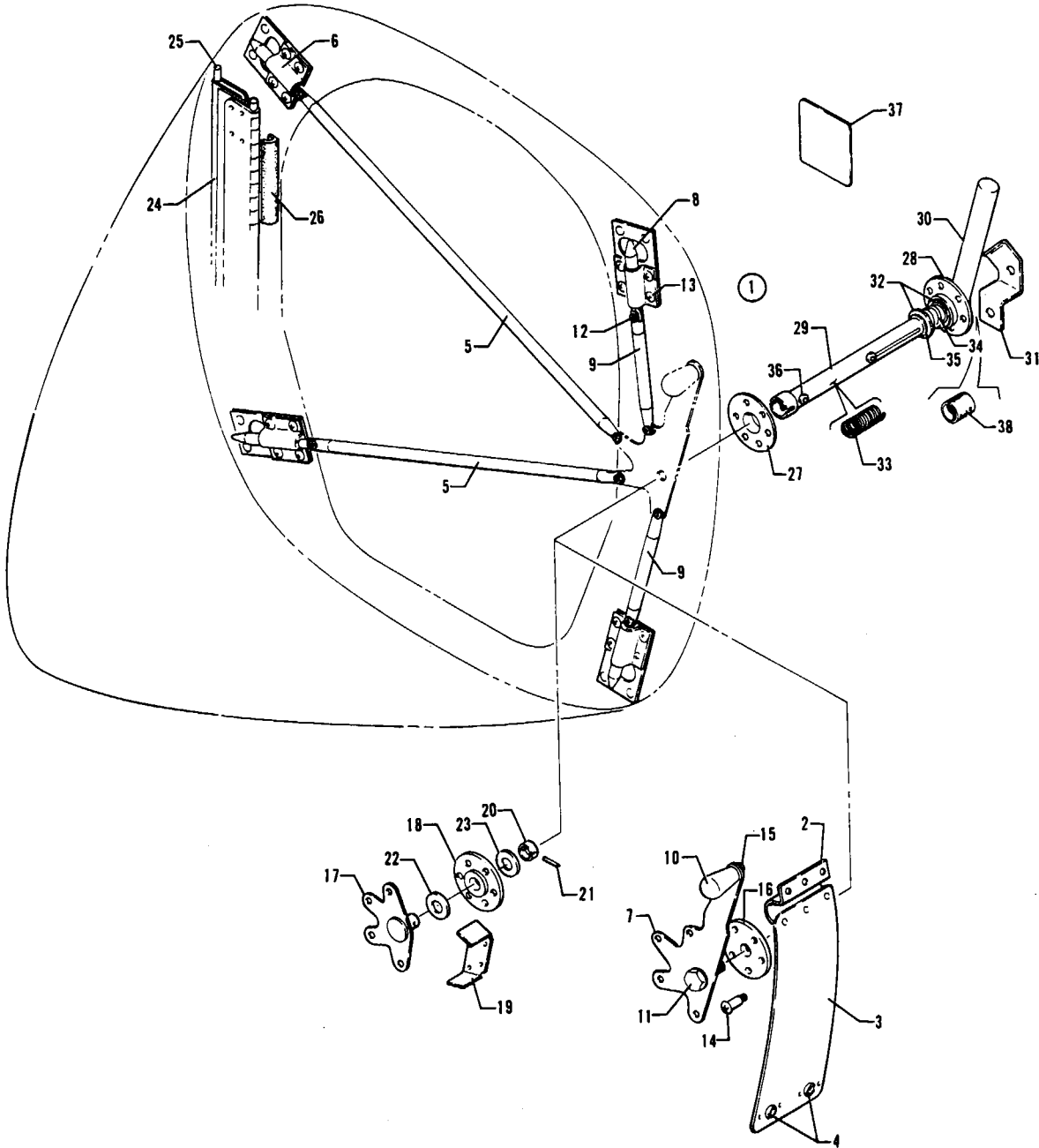


Figure 27. Nose Cone Installation



Figure and Index Number	Part Number	Code	NOMENCLATURE	No. Req.	SERIAL NUMBERS AFFECTED
27-	46177 54627	B	DRAWING - Nose Cone Installation DRAWING - Nose Cone Installation		31P-3 to 31P-7530022 inclusive 31P-7530023 and up
-1	46173-06 09958-02 46173-05 48918-06	A A	NOSE CONE ASSEMBLY NOSE CONE ASSEMBLY NOSE CONE ASSEMBLY - Radar NOSE CONE ASSEMBLY - Radar	1 1 1 1	31P-3 to 31P-7530022 inclusive 31P-7530023 and up 31P-3 to 31P-7530022 inclusive 31P-7530023 and up
-2	46014-00		HINGE ASSEMBLY	1	31P-3 to 31P-7530022 inclusive
-3	48862-02		COVER - Nose Cone Latch Access	1	31P-3 to 31P-7530022 inclusive
-4	487 734 484 322 484 447		STUD - (2-0-160) RECEPTACLE - (82-35-302-15) RETAINER - (82-32-101-17)	2 2 2	31P-3 to 31P-7530022 inclusive 31P-3 to 31P-7530022 inclusive 31P-3 to 31P-7530022 inclusive
-5	45268-03		TUBE - Nose cone latch	2	
-6	45271-00		GUIDE ASSEMBLY - Nose cone latch plunger	4	
-7	45265-00		HANDLE - Nose cone latch	1	31P-3 to 31P-7530022 inclusive
-8	45266-00		PLUNGER - Nose cone latch	4	
-9	45268-02		TUBE - Nose cone latch	2	
-10	571 091		KNOB - (225)	1	31P-3 to 31P-7530022 inclusive
-11	42965-00 407 566 407 567 407 587 404 226		BOLT WASHER - (AN960-516) WASHER - (AN960-616) WASHER - (AN960-616L) NUT - (AN315-5R)	1 1 1 1	31P-3 to 31P-7530022 inclusive 31P-3 to 31P-7530022 inclusive 31P-3 to 31P-7530022 inclusive 31P-3 to 31P-7530022 inclusive
-12	424 140 407 582 424 050		PIN - (MS20392-1C7) WASHER - (AN960-6L) PIN - Cotter (AN380-2-1)	8 8 8	
-13	415 535 404 910		SCREW - (MS35206-245) NUT - Locking (MS20366-832C)	16 16	
-14	411 535		SCREW - (MS35207-266)	1	31P-3 to 31P-7530022 inclusive
-15	61402-83 411 533 407 584 407 043		BUSHING SCREW - (MS35207-264) WASHER - (AN960-10L) WASHER - Lock (MS35338-43)	1 1 1 1	31P-3 to 31P-7530022 inclusive 31P-3 to 31P-7530022 inclusive 31P-3 to 31P-7530022 inclusive 31P-3 to 31P-7530022 inclusive

A - Not available. Order Nose Cone Assembly for serial nos. 31P-7530023 and up and Nose Cone Latch Mechanism Installation Kit 760 931. If Kit 760 931 has previously been installed, order only Nose Cone Assembly for serial nos. 31P-7530023 and up.  
B - Also used on serial nos. 31P-3 to 31P-7530022 inclusive if Nose Cone Latch Mechanism Installation Kit 760 931 has been installed.

When ordering, always specify Part Number, Description and Serial Number of Aircraft



Figure and Index Number	Part Number	Code	NOMENCLATURE	No. Req.	SERIAL NUMBERS AFFECTED
27-16	45267-00		PLATE - Latch handle bearing	1	31P-3 to 31P-7530022 inclusive
-17	48892-02	A	LATCH ASSEMBLY - Nose cone	1	31P-7530023 and up
-18	45267-02	A	PLATE - Latch bearing	1	31P-7530023 and up
-19	48920-02	A	STOP - Nose cone latch	1	31P-7530023 and up
-20	48898-02	A	COLLAR - Nose cone latch	1	31P-7530023 and up
-21	480 736	A	PIN - Roll (59-028-125-1250)	1	31P-7530023 and up
-22	494 268	A	WASHER - Spring (V500-0170)	1	31P-7530023 and up
-23	407 569	A	WASHER - (AN960-816)	1	31P-7530023 and up
-24	45282-04		HINGE ASSEMBLY - Nose cone	1	
-25	81761-61		PIN - Nose cone hinge	2	
-26	23183-00		SEAL - Molded rubatex, 6'	1	
-27	45267-04	A	PLATE - Torque shaft bearing	1	31P-7530023 and up
-28	45267-03	A	PLATE - Torque shaft bearing	1	31P-7530023 and up
-29	48903-06	A	SHAFT ASSEMBLY - Torque	1	31P-7530023 and up
-30	48901-02	A	HANDLE ASSEMBLY	1	31P-7530023 and up
-31	48899-02	A	KEEPER	1	31P-7530023 and up
-32	49979-04	A	WASHER	3	31P-7530023 and up
-33	587 385	A	SPRING - (C0360-040-2500)	3	31P-7530023 and up
-34	587 386	A	SPRING - (C0720-055-1750)	1	31P-7530023 and up
-35	484 801	A	RING - Retaining (5100-56)	2	31P-7530023 and up
-36	424 147	A	PIN - (AN392-21)	2	31P-7530023 and up
	407 561	A	WASHER - (AN960-4)	2	31P-7530023 and up
	424 032	A	PIN - Cotter (MS24665-170)	2	31P-7530023 and up
-37	80385-02	A	PLACARD - Latching operation	1	31P-7530023 and up
-38	82371-139		STOP - Torque shaft	1	

A - Also used on serial nos. 31P-3 to 31P-7530022 inclusive if Nose Cone Latch Mechanism Installation Kit 760 931 has been installed.

When ordering, always specify Part Number, Description and Serial Number of Aircraft

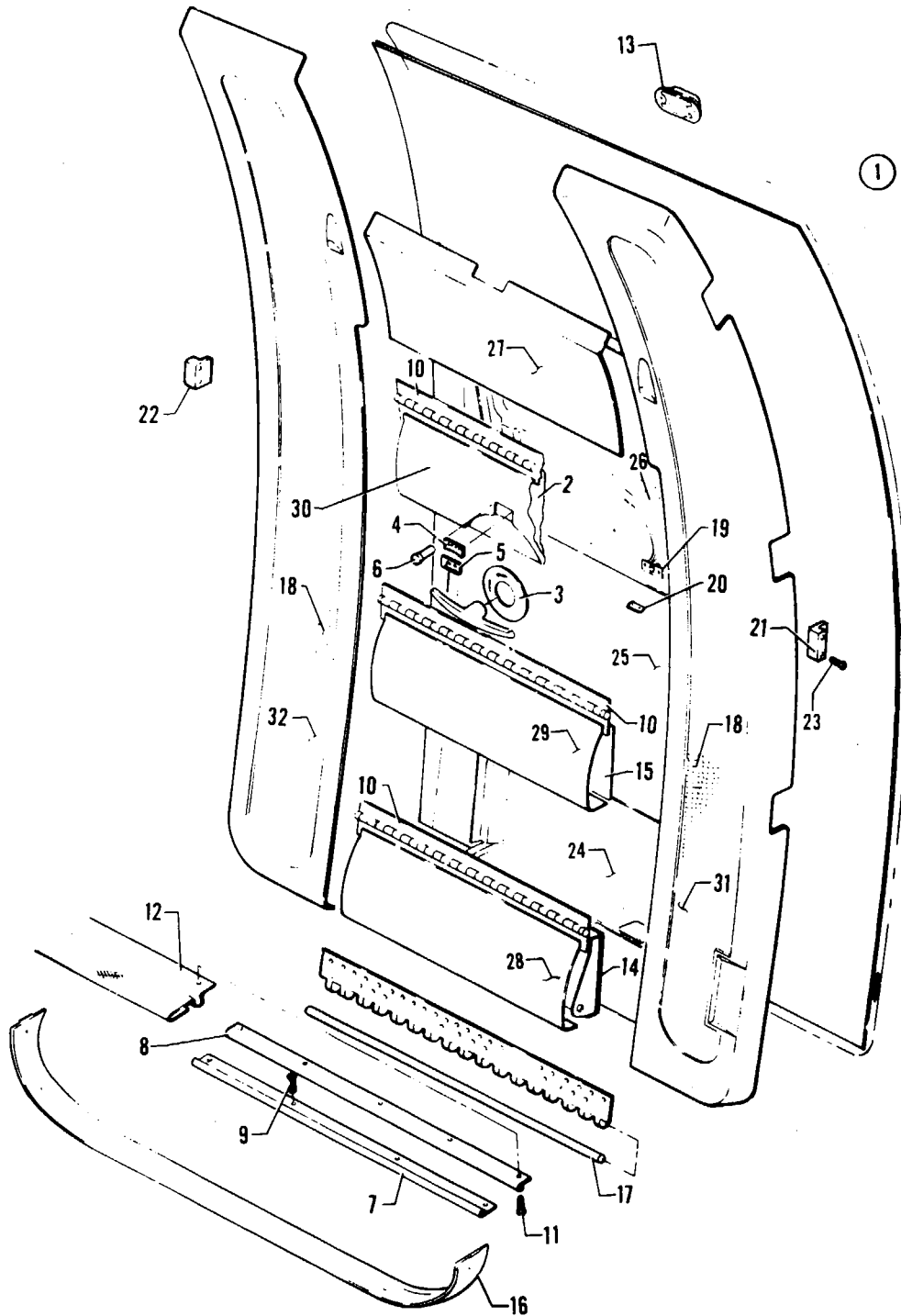


Figure 28. Cabin Entrance Door Installation

PIPER PARTS CATALOG

Figure and Index Number	Part Number	Code	NOMENCLATURE	No. Req.	SERIAL NUMBERS AFFECTED
28-	46352 48511		DRAWING - Cabin Entrance Door Installation DRAWING - Cabin Entrance Door Installation		31P-3 to 31P-7300132 incl. 31P-7300133 and up
-1	46776-00	C	DOOR ASSEMBLY - Cabin entrance	1	
-2	47396-02		TREAD - Step, lower, red	1	31P-3 to 31P-83 incl.
	47396-03		TREAD - Step, lower, gold	1	31P-3 to 31P-83 incl.
	47396-04		TREAD - Step, lower, blue	1	31P-3 to 31P-83 incl.
	47396-05		TREAD - Step, lower, rust	1	31P-3 to 31P-83 incl.
	47396-11	A	TREAD - Step, lower	1	31P-84 to 31P-7300132 incl.
	48479-00	B	TREAD - Step, lower	1	31P-7300133 to 31P-7400202 incl.
	48479-02	B	TREAD - Step, lower	1	31P-7400203 and up
-3	47060-00		PLACARD - Cabin door latch (581 569)	1	
-4	47059-00		PLACARD - Cabin door lock (581 560)	1	
-5	47563-00		PLACARD - Door auxiliary lock (581 592)	1	
-6	24567-00		KNOB - Door lock	1	
-7	47673-00		STRIP - Hinge trim	1	
-8	47674-00		STRIP - Hinge trim	1	
-9	415 260		SCREW - Machine (#8-32 x 5/8 Oval Ph. Hd. nickel finish)	4	
-10	46583-03		HINGE - Step, half	3	
-11	419 649		SCREW - (#6 x 3/8 L, truss head, Type A)	5	
-12	47675-02		COVER - Hinge trim, red	1	31P-3 to 31P-83 incl.
	47675-03		COVER - Hinge trim, gold	1	31P-3 to 31P-83 incl.
	47675-04		COVER - Hinge trim, blue	1	31P-3 to 31P-83 incl.
	47675-05		COVER - Hinge trim, rust	1	31P-3 to 31P-83 incl.
	43325-06		COVER - Hinge, trim, black	1	31P-84 and up
-13	47949-00		BUMPER ASSEMBLY - Cabin door	1	
-14	47396-09	A	TREAD - Step, top	1	31P-3 to 31P-83 incl.
	47396-11	A	TREAD - Step, top	1	31P-84 to 31P-7300132 incl.
	48479-00	B	TREAD - Step, top	1	31P-7300133 and up
-15	47396-10	A	TREAD - Step, center	1	31P-3 to 31P-83 incl.
	47396-11	A	TREAD - Step, center	1	31P-84 to 31P-7300132 incl.
	48479-00	B	TREAD - Step, center	1	31P-7300133 and up
-16	47741-02		PLATE ASSEMBLY - Lower door seal	1	
-17	81761-70		PIN - Hinge	1	
-18	48666-04		VINYL MAT - Cabin door, forward	1	
	48666-05		VINYL MAT - Cabin door, aft	1	
-19	48663-00		PLATE ASSEMBLY - Catch mounting (includes catch)	2	31P-7400203 and up
-20	48789-02		STRIKE KIT - Step catch (includes catch and strike plate)	2	31P-7400203 and up
-21	46536-00		BLOCK - Retaining	1	
-22	48362-00		BLOCK - Retaining	1	
-23	410 082		SCREW - (MS24694-S106)	4	
	407 585		WASHER - (AN960-416L)	4	
	404 888		NUT - (MS20365-428C)	4	
-24	47263-02		PANEL - Door trim, lower cover, red	1	31P-3 to 31P-83 incl.
	47263-03		PANEL - Door trim, lower cover, blue	1	31P-3 to 31P-83 incl.
	47263-04		PANEL - Door trim, lower cover, black	1	31P-3 to 31P-83 incl.
	47263-05		PANEL - Door trim, lower cover, pearl beige	1	31P-3 to 31P-83 incl.
	48151-00		PANEL - Door trim, lower cover, walnut supreme	1	31P-84 to 31P-7300132 incl.
	48476-00	B	PANEL - Door trim, lower cover	1	31P-7300133 to 31P-7400202 incl.
	48652-00	B	PANEL - Door trim, lower cover	1	31P-7400203 to 31P-7630005 incl.
	48652-03	B	PANEL - Door trim, lower cover	1	31P-7630006 and up

A - When ordering specify color red, gold, blue or rust.  
 B - Serial number of aircraft must be supplied when ordering this part.  
 C - See Figure 28A for component parts.

When ordering, always specify Part Number, Description and Serial Number of Aircraft

PIPER PARTS CATALOG

Figure and Index Number	Part Number	Code	NOMENCLATURE	No. Req.	SERIAL NUMBERS AFFECTED	
28-25	47262-02		PANEL - Door trim, middle lower cover, red	1	31P-3 to 31P-83 incl.	
	47262-03		PANEL - Door trim, middle lower cover, blue	1	31P-3 to 31P-83 incl.	
	47262-04		PANEL - Door trim, middle lower cover, black	1	31P-3 to 31P-83 incl.	
	47262-05		PANEL - Door trim, middle lower cover, pearl beige	1	31P-3 to 31P-83 incl.	
	47262-06		PANEL - Door trim, middle lower cover, walnut supreme	1	31P-84 to 31P-7300132 incl.	
	48467-00	A	PANEL - Door trim, middle lower cover	1	31P-7300133 to 31P-7400202 incl.	
	48658-00	A	PANEL - Door trim, middle lower cover	1	31P-7400203 to 31P-7630005 incl.	
	48658-03	A	PANEL - Door trim, middle lower cover	1	31P-7630006 and up	
-26	47261-02		PANEL - Door trim, middle upper cover, red (with door handle recess)	1	31P-3 to 31P-83 incl.	
	47261-03		PANEL - Door trim, middle upper cover, blue (with door handle recess)	1	31P-3 to 31P-83 incl.	
	47261-04		PANEL - Door trim, middle upper cover, black (with door handle recess)	1	31P-3 to 31P-83 incl.	
	47261-05		PANEL - Door trim, middle upper cover, pearl beige (with door handle recess)	1	31P-3 to 31P-83 incl.	
	47261-06		PANEL - Door trim, middle upper cover, walnut supreme (with door handle recess)	1	31P-84 to 31P-7300132 incl.	
	48466-00	A	PANEL - Door trim, middle upper cover (with door handle recess)	1	31P-7300133 to 31P-7400202 incl.	
	48656-00	A	PANEL - Door trim, middle upper cover (with door handle recess)	1	31P-7400203 to 31P-7630005 incl.	
	48656-03	A	PANEL - Door trim, middle upper cover (with door handle recess)	1	31P-7630006 and up	
	-27	47359-02		PANEL - Door trim, upper cover, red	1	31P-3 to 31P-83 incl.
		47359-03		PANEL - Door trim, upper cover, blue	1	31P-3 to 31P-83 incl.
47359-04			PANEL - Door trim, upper cover, black	1	31P-3 to 31P-83 incl.	
47359-05			PANEL - Door trim, upper cover, pearl beige	1	31P-3 to 31P-83 incl.	
48142-00			PANEL - Door trim, upper cover, walnut supreme	1	31P-84 to 31P-7300132 incl.	
48472-00		A	PANEL - Door trim, upper cover	1	31P-7300133 to 31P-7630005 incl.	
-28	48472-03	A	PANEL - Door trim, upper cover	1	31P-7630006 and up	
	47362-02		PANEL - Step trim, lower, red	1	31P-3 to 31P-83 incl.	
	47362-03		PANEL - Step trim, lower, blue	1	31P-3 to 31P-83 incl.	
	47362-04		PANEL - Step trim, lower, black	1	31P-3 to 31P-83 incl.	
	47362-05		PANEL - Step trim, lower, pearl beige	1	31P-3 to 31P-83 incl.	
	47362-06		PANEL - Step trim, lower, walnut supreme	1	31P-84 to 31P-7300132 incl.	
	48478-00	A	PANEL - Step trim, lower	1	31P-7300133 to 31P-7400202 incl.	
	48662-00	A	PANEL - Step trim, lower	1	31P-7400203 to 31P-7630005 incl.	
-29	48662-03	A	PANEL - Step trim, lower	1	31P-7630006 and up	
	47361-02		PANEL - Step trim, middle, red	1	31P-3 to 31P-83 incl.	
	47361-03		PANEL - Step trim, middle, blue	1	31P-3 to 31P-83 incl.	
	47361-04		PANEL - Step trim, middle, black	1	31P-3 to 31P-83 incl.	
	47361-05		PANEL - Step trim, middle, pearl beige	1	31P-3 to 31P-83 incl.	
	47361-06		PANEL - Step trim, middle, walnut supreme	1	31P-84 to 31P-7300132 incl.	
-30	48468-00	A	PANEL - Step trim, middle	1	31P-7300133 to 31P-7400202 incl.	
	48661-00	A	PANEL - Step trim, middle	1	31P-7400203 to 31P-7630005 incl.	
	48661-03	A	PANEL - Step trim, middle	1	31P-7630006 and up	
	47360-02		PANEL - Step trim, upper, red	1	31P-3 to 31P-83 incl.	
	47360-03		PANEL - Step trim, upper, blue	1	31P-3 to 31P-83 incl.	
	47360-04		PANEL - Step trim, upper, black	1	31P-3 to 31P-83 incl.	
	47360-05		PANEL - Step trim, upper, pearl beige	1	31P-3 to 31P-83 incl.	
	47360-06		PANEL - Step trim, upper, walnut supreme	1	31P-84 to 31P-7300132 incl.	
	48475-00	A	PANEL - Step trim, upper	1	31P-7300133 to 31P-7400202 incl.	
	48654-00	A	PANEL - Step trim, upper	1	31P-7400203 to 31P-7630005 incl.	
48654-03	A	PANEL - Step trim, upper	1	31P-7630006 and up		

A - Serial number of aircraft must be supplied when ordering this part.

When ordering, always specify Part Number, Description and Serial Number of Aircraft

**PIPER PARTS CATALOG**

Figure and Index Number	Part Number	Code	NOMENCLATURE	No. Req.	SERIAL NUMBERS AFFECTED
28-31	46642-04		PANEL ASSEMBLY - Cabin door, forward, walnut supreme	1	31P-3 to 31P-83 incl.
	48143-00		PANEL ASSEMBLY - Cabin door, forward, walnut supreme	1	31P-84 to 31P-7300132 incl.
-32	48470-00	A	PANEL ASSEMBLY - Cabin door, forward	1	31P-7300133 to 31P-7630005 incl.
	48470-02	A	PANEL ASSEMBLY - Cabin door, forward	1	31P-7630006 and up
	46645-04		PANEL ASSEMBLY - Cabin door, aft, walnut supreme	1	31P-3 to 31P-83 incl.
	48159-00		PANEL ASSEMBLY - Cabin door, aft, walnut supreme	1	31P-84 to 31P-7300132 incl.
	48474-00	A	PANEL ASSEMBLY - Cabin door, aft	1	31P-7300133 to 31P-7630005 incl.
	48474-02	A	PANEL ASSEMBLY - Cabin door, aft	1	31P-7630006 and up
			A - Serial number of aircraft must be supplied when ordering this part.		

When ordering, always specify Part Number, Description and Serial Number of Aircraft



PIPER PARTS CATALOG

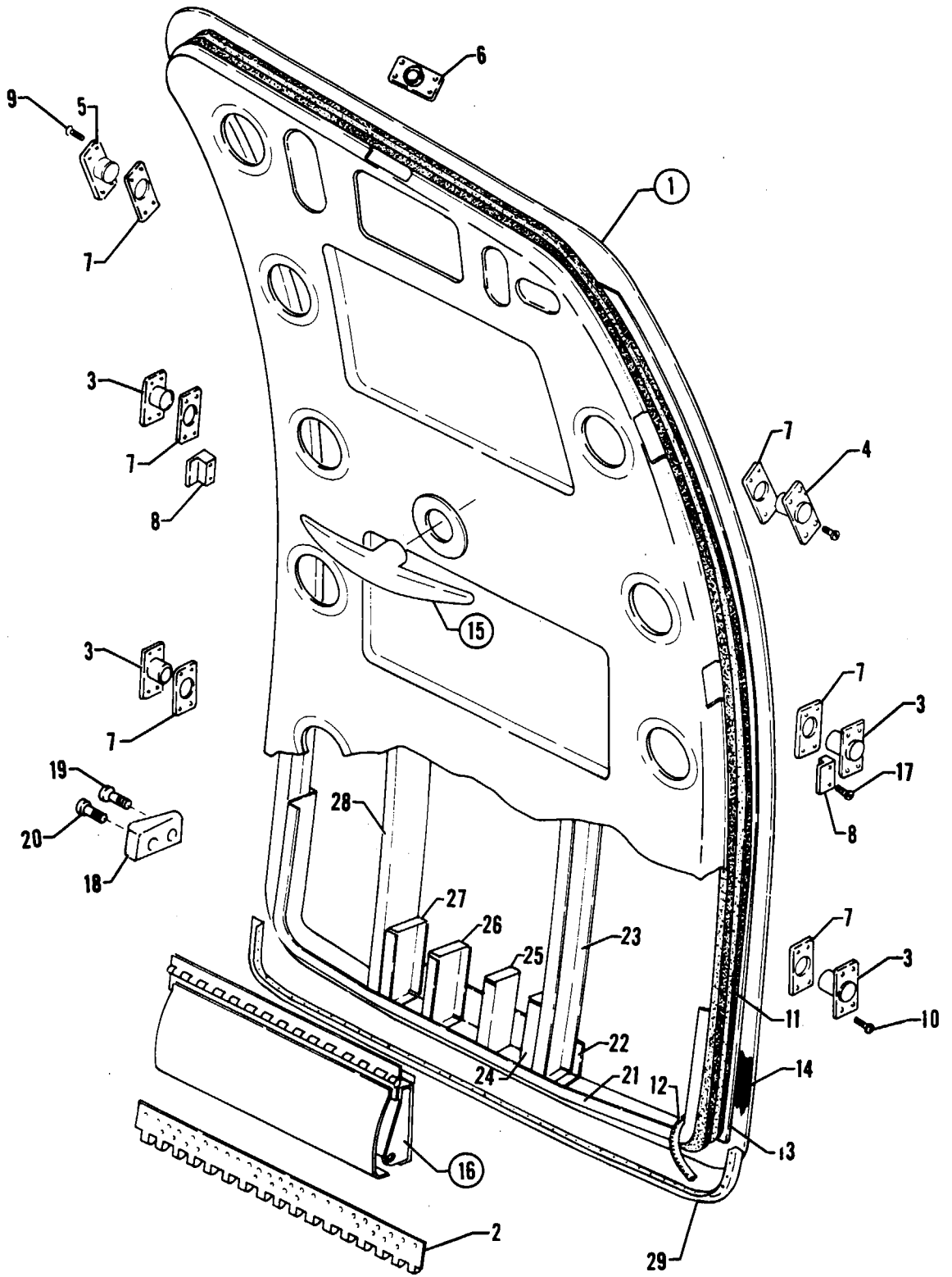


Figure 28A. Cabin Entrance Door Assembly

PIPER PARTS CATALOG

Figure and Index Number	Part Number	Code	NOMENCLATURE	No. Req.	SERIAL NUMBERS AFFECTED
28A-1	46776-00		DOOR ASSEMBLY - Cabin entrance	1	
-2	46396-00		* HINGE - Door, half	1	
-3	46543-00		* GUIDE ASSEMBLY - Door latch pin	4	
-4	46556-00		* GUIDE ASSEMBLY - Door latch pin	1	
-5	46554-00		* GUIDE ASSEMBLY - Door latch pin	1	
-6	47185-00		* GUIDE ASSEMBLY - Door latch pin	1	
-7	46736-00		* PLATE ASSEMBLY - Pin guide attachment	6	
-8	46536-00		* BLOCK - Door retaining	2	
-9	486 203		* SCREW - (LP24693-S55)	8	
-10	486 200		* SCREW - (LP24693-S52)	16	
-11	46726-00		* SEAL ASSEMBLY - Cabin door inflation	1	
-12	687 548		* * TUBING - Cabin door seal (36" long)	1	
-13	47252-02		* WEATHERSEAL - Lower aft (width 1 1/8")	1	
	47252-06		* WEATHERSEAL - Lower aft (width 3/8")	1	
	47252-03		* WEATHERSEAL - Upper aft (width 1 1/8")	1	
	47252-07		* WEATHERSEAL - Upper aft (width 3/8")	1	
	47252-05		* WEATHERSEAL - Lower forward (width 1 1/8")	1	
	47252-09		* WEATHERSEAL - Lower forward (width 3/8")	1	
	47252-04		* WEATHERSEAL - Upper forward (width 1 1/8")	1	
	47252-08		* WEATHERSEAL - Upper forward (width 3/8")	1	
-14	48330-00		* WEATHERSEAL - (Half round type)	11	
-15		A	* LATCH INSTALLATION - Main door	1	
-16		B	* STEP INSTALLATION - Main door	1	
-17	410 077		* SCREW - (MS24694-S104)	4	
	404 888		* NUT - (MS20365-428C)	4	
-18	46286-00		* BLOCK - Door guide	1	
-19	400 864		* BOLT - (AN23-12A)	1	
	404 887		* NUT - (MS20365-1032C)	1	
-20	400 669		* BOLT - (AN23-9A)	1	
	404 887		* NUT - (MS20365-1032C)	1	
-21	46624-02		* BULKHEAD - Cabin door ("Z" Section)	1	
-22	46624-03		* BRACKET - Support ("U" Section)	1	
-23	46550-02		* BULKHEAD - Cabin door, forward	1	
-24	46550-04		* BULKHEAD - Cabin door	1	
-25	46526-00		* BULKHEAD - Cabin door	1	
-26	46522-00		* BULKHEAD - Cabin door	1	
-27	46582-04		* BULKHEAD - Cabin door	1	
-28	46582-02		* BULKHEAD - Cabin door	1	
-29	46777-05		* RETAINER - Door seal	1	

A - See Figure 29 for component parts.  
B - See Figure 30 for component parts.

When ordering, always specify Part Number, Description and Serial Number of Aircraft

PIPER PARTS CATALOG

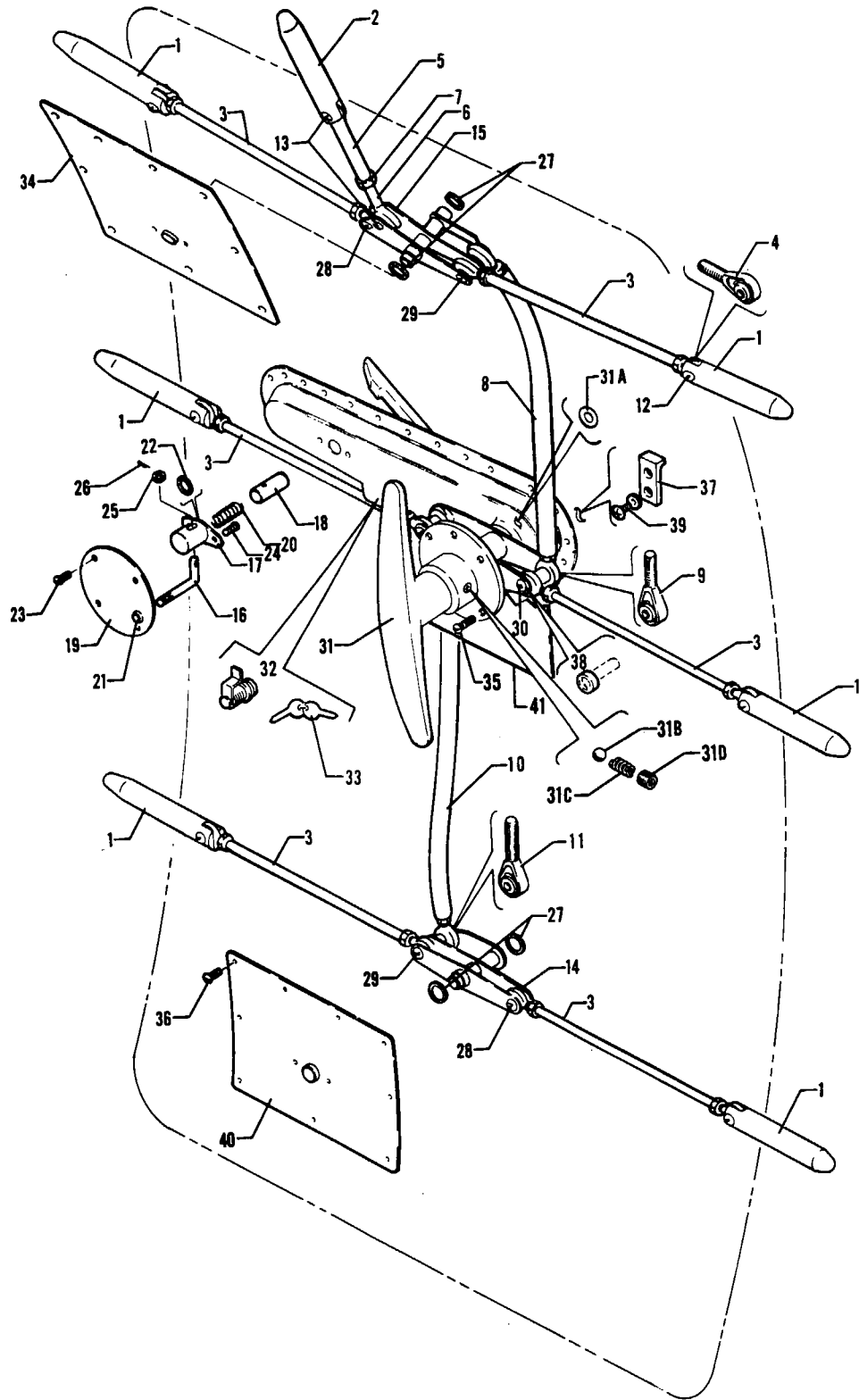


Figure 29. Cabin Door Latch Installation



Figure and Index Number	Part Number	Code	NOMENCLATURE	No. Req.	SERIAL NUMBERS AFFECTED
29-	46626		DRAWING - Main Door Latch Installation		
-1	46482-00		PIN - Door latch	6	
-2	46482-02		PIN - Door latch	1	
-3	46539-00		ROD ASSEMBLY - Door latch	6	
-4	452 383		BEARING ASSEMBLY	2	
-5	453 843		BEARING - (#HF-4M)	1	
-6	452 383		BEARING ASSEMBLY	1	
-7	404 322		NUT - (AN316-4R)	1	
-8	46534-00		ROD ASSEMBLY - Door latch, upper	1	
-9	452 412		BEARING - (#HMX-4S)	2	
-10	46637-00		ROD ASSEMBLY - Door latch, lower	1	
-11	452 412		BEARING - (#HMX-4S)	2	
-12	400 904		BOLT - (AN24-14A)	6	
	407 585		WASHER - (AN960-416L)	6	
	404 836		NUT - (MS20364-428C)	6	
-13	400 905		BOLT - (AN24-15A)	2	
	407 585		WASHER - (AN960-416L)	2	
	404 836		NUT - (MS20364-428C)	2	
-14	46519-02		BELLCRANK ASSEMBLY - Door latch	1	
-15	46288-00		BELLCRANK ASSEMBLY - Door latch	1	
-16	47564-00		ROD - Door auxiliary lock	1	
-17	47565-00		BUSHING - Door auxiliary lock	1	
-18	47566-00		PLUNGER - Door auxiliary lock	1	
-19	47572-00		COVER - Door auxiliary lock	1	
-20	83302-67		SPRING - Door auxiliary lock	1	
-21	453 836		BUSHING - (#SB-437-5)	1	
-22	484 701		"O" RING - (AN6227-7)	1	
-23	415 518		SCREW - (MS35206-228)	4	
	406 358		NUT - (#A6487-632-1)	4	
-24	415 520		SCREW - (MS35206-230)	2	
	407 582		WASHER - (AN960-6L)	2	
	488 583		THREADSEAL - (#7500-6)	2	
	404 909		NUT - (MS20365-632C)	2	
-25	407 583		WASHER - (AN960-8L)	1	
-26	424 051		PIN - Cotter (MS24665-132)	1	
-27	40559-29		WASHER	4	
-28	400 905		BOLT - (AN24-15A)	2	
	407 565		WASHER - (AN960-416)	2	
	407 585		WASHER - (AN960-416L)	2	
	404 836		NUT - (MS20364-428C)	2	
-29	400 916		BOLT - (AN24-26A)	2	
	407 565		WASHER - (AN960-416)	2	
	407 585		WASHER - (AN960-416L)	2	
	404 836		NUT - (MS20364-428C)	2	
-30	400 917		BOLT - (AN24-27A)	2	
	64076-03		BUSHING	2	
	407 565		WASHER - (AN960-416)	2	
	407 585		WASHER - (AN960-416L)	2	
	404 836		NUT - (MS20364-428C)	2	

When ordering, always specify Part Number, Description and Serial Number of Aircraft

**PIPER PARTS CATALOG**

Figure and Index Number	Part Number	Code	NOMENCLATURE	No. Req.	SERIAL NUMBERS AFFECTED
29-31	46628-02		HANDLE ASSEMBLY - Door latch (without lock)	1	
-31a	762 583		* ROLLER - Cabin door handle (nylon)	2	
-31b	758 590		* BALL - Detente (#20065-105)	1	
-31c	764 805		* SPRING - Detente (#LS451)	1	
-31d	764 806		* SCREW - Set (AN565DC416H3)	1	
-32	764 049		KIT - Cabin door and forward baggage door locks (with matching keys)	1	
-33	763 915	A	KEY BLANK - Cabin door	1	
-34	46560-00		COVER ASSEMBLY - Upper bellcrank	1	
-35	410 040		SCREW - (MS24694-S52)	6	
	407 584		WASHER - (AN960-10L)	6	
	404 835		NUT - (MS20364-1032C)	6	
-36	415 535		SCREW - (MS35206-245)	30	
-37	47909-00		STOP ASSEMBLY - Door handle	1	
-38	49999-35		BUSHING	1	
-39	411 529		SCREW - (MS35207-260)	2	
	407 135		WASHER - (AN936-A10)	2	
-40	46563-00		COVER ASSEMBLY - Lower bellcrank	1	
-41	46528-00		COVER ASSEMBLY - Door handle access	1	

A - Used only if cabin door lock is flush with outer surface of door handle assembly.

When ordering, always specify Part Number, Description and Serial Number of Aircraft

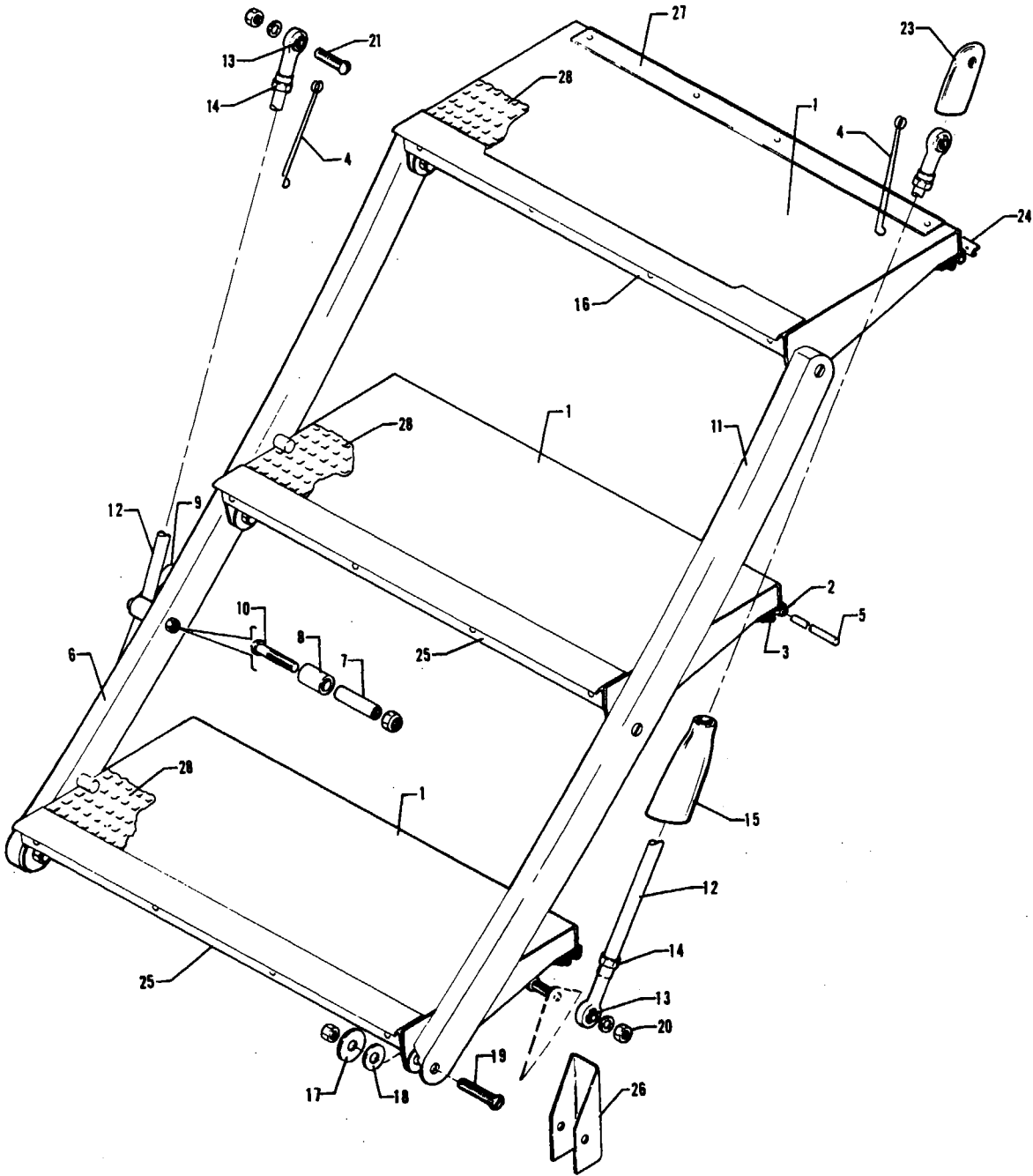


Figure 30. Cabin Door Step Installation

**PIPER PARTS CATALOG**

Figure and Index Number	Part Number	Code	NOMENCLATURE	No. Req.	SERIAL NUMBERS AFFECTED
30-	46604		DRAWING - Door Step Installation		
-1	46584-04		STEP ASSEMBLY - Door, bottom	1	31P-3 to 31P-7400202 inclusive
	48644-04		STEP ASSEMBLY - Door, bottom	1	31P-7400203 and up
	46584-03		STEP ASSEMBLY - Door, middle	1	31P-3 to 31P-7400202 inclusive
	48644-03		STEP ASSEMBLY - Door, middle	1	31P-7400203 and up
	46584-02		STEP ASSEMBLY - Door, top	1	31P-3 to 31P-7400202 inclusive
	48644-02		STEP ASSEMBLY - Door, top	1	31P-7400203 and up
-2	46583-02		* HINGE - Step, half	1	31P-3 to 31P-7400202 inclusive
	48649-00		* HINGE - S.ep, half	1	31P-7400203 and up
-3	47384-00		* STRIP - Step trim attachment	1	31P-3 to 31P-7400202 inclusive
	48648-00		* STRIP - Step trim attachment	1	31P-7400203 and up
-4	48418-00		SPRING - Door cable	2	31P-7300133 and up
-5	81761-69		PIN - Hinge	3	
-6	46494-00		TUBE ASSEMBLY - Step support, forward	1	
-7	49982-08		* BUSHING - Step support	1	
-8	49982-07		* BUSHING - Step support	1	
-9	47500-00		* GUARD - Door support cable	1	
-10	400 875		* BOLT - (AN23-23A)	1	
	406 702		* NUT - (22K1-02)	1	
-11	46494-01		TUBE ASSEMBLY - Step support, aft	1	
-12	47716-05		CABLE ASSEMBLY - Door support, forward	1	
	47716-04		CABLE ASSEMBLY - Door support, aft	1	
-13	452 335		* BEARING - (F34-14)	1	
-14	404 322		* NUT - Check (AN316-4R)	2	
-15	48463-00		* BOOT ASSEMBLY - Door support cable	2	31P-84 and up
-16	47379-02	A	EDGING - Cabin door step	1	31P-3 to 31P-83 inclusive
	48165-00	C	EDGING - Cabin door step	1	31P-84 to 31P-7400202 inclusive
	48650-00	B	EDGING - Cabin door step	1	31P-7400203 and up
-17	40559-27		WASHER	6	
-18	40559-28		WASHER	12	31P-3 to 31P-7400202 inclusive
	40559-28		WASHER	18	31P-7400203 and up
-19	410 080		SCREW - (MS24694-S107)	6	
	404 836		NUT - (MS20364-428C)	6	
-20	400 676		BOLT - (AN23-14)	2	31P-3 to 31P-7630006 inclusive
	400 678		BOLT - (AN23-16)	2	31P-7630007 and up
	407 564		WASHER - (AN960-10)	2	
	404 887		NUT - (MS20365-1032C)	2	
-21	400 690		BOLT - (AN23-40)	2	31P-3 to 31P-7300132 inclusive
	415 341		SCREW - (MS27039-1-41)	2	31P-7300133 to 31P-7630004 incl.
	415 367		SCREW - (MS27039-4-17)	2	31P-7630005 and up
	407 564		WASHER - (AN960-10)	2	31P-3 to 31P-7300132 inclusive
	407 584		WASHER - (AN960-10L)	4	31P-7300133 to 31P-7630004 incl.
	407 585		WASHER - (AN960-416L)	4	31P-7630005 and up
	80012-06		BUSHING	2	31P-7300133 to 31P-7630004 incl.
	404 887		NUT - (MS20365-1032C)	2	31P-3 to 31P-7300132 inclusive
-22	414 747		SCREW - (MS24693-S26)	12	
-23	48506-00		BOOT ASSEMBLY - Door support cable, left	1	31P-84 to 31P-7630005 inclusive
	48506-04		BOOT ASSEMBLY - Door support cable, left	1	31P-7630006 and up
	48506-01		BOOT ASSEMBLY - Door support cable, right	1	31P-84 to 31P-7630005 inclusive
	48506-05		BOOT ASSEMBLY - Door support cable, right	1	31P-7630006 and up

A - Covers front edge of step only.  
B - Covers three edges of step.  
C - Covers all four edges of step.

When ordering, always specify Part Number, Description and Serial Number of Aircraft

**PIPER PARTS CATALOG**

Figure and Index Number	Part Number	Code	NOMENCLATURE	No. Req.	SERIAL NUMBERS AFFECTED
30-24	47384-00		STRIP - Step trim attachment	3	31P-3 to 31P-7400202 inclusive
	48648-00		STRIP - Step trim attachment	3	31P-7400203 and up
-25	47379-00	A	EDGING - Cabin door step	2	31P-3 to 31P-83 inclusive
	48165-00	C	EDGING - Cabin door step	2	31P-84 to 31P-7400202 inclusive
	48650-00	B	EDGING - Cabin door step	2	31P-7400203 and up
-26	49129-02		CHANNEL - Door cable support	2	31P-7630007 and up
-27	55595-02		EDGING - Cabin door step (rear strip)	3	31P-7400203 and up
-28	48666-03		VINYL MAT - Cabin door step	3	
			A - Covers front edge of step only.		
			B - Covers three edges of step.		
			C - Covers all four edges of step.		

When ordering, always specify Part Number, Description and Serial Number of Aircraft



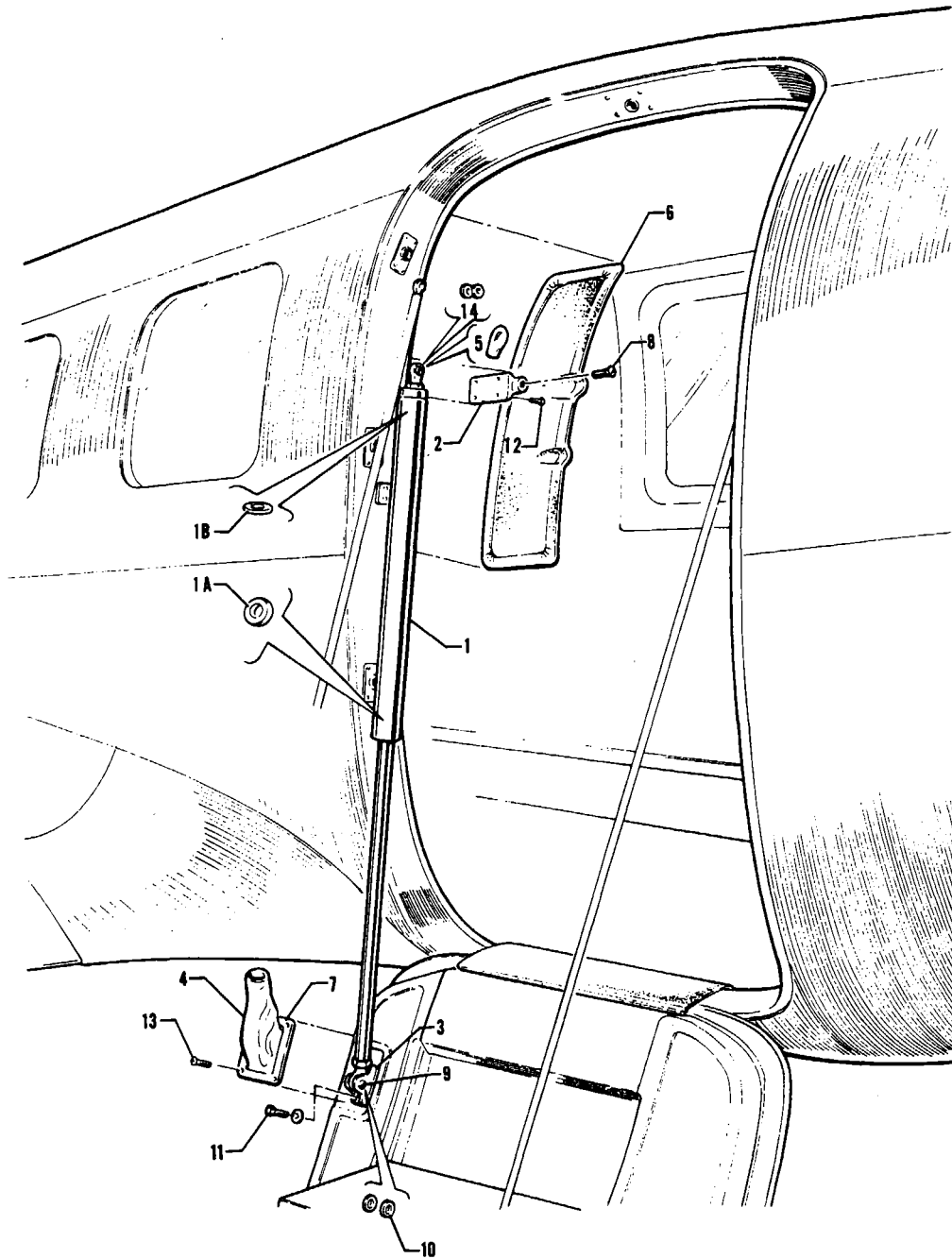


Figure 31. Cabin Door Snubber Installation



Figure and Index Number	Part Number	Code	NOMENCLATURE	No. Req.	SERIAL NUMBERS AFFECTED
31-	45922 48575		DRAWING - Cabin Door Snubber Installation DRAWING - Cabin Door Snubber Installation		31P-3 to 31P-7300132 inclusive 31P-7300133 and up
-1	486 559 47958-00	A	SNUBBER ASSEMBLY - Door, cabin (3/4" dia. shaft) SNUBBER ASSEMBLY - Door, cabin (1/2" dia. shaft)	1 1	31P-3 to 31P-53 inclusive 31P-54 and up
-1a	484 726		"O" RING - (AN6227B-10) (1/2" I.D.)	1	31P-54 and up
-1b	484 703		"O" RING - (AN6227-21) (1 1/8" I.D.)	3	31P-54 and up
-2	45623-00 48348-00	B	BRACKET - Door snubber attachment BRACKET - Door snubber attachment	1 1	31P-3 to 31P-53 inclusive 31P-54 and up
-3	45624-00		BRACKET ASSEMBLY - Door snubber attachment	1	
-4	45882-00 48583-02	B	BOOT - Snubber BOOT - Snubber	1 1	31P-3 to 31P-53 inclusive 31P-54 and up
-5	48569-00 49111-02		BOOT ASSEMBLY - Door snubber BOOT - Door snubber	1 1	31P-3 to 31P-7630001 inclusive 31P-7630002 and up
-6	47638-00 47945-08 48568-00		PANEL ASSEMBLY - Window trim, rear, left PANEL ASSEMBLY - Window trim, rear, left PANEL ASSEMBLY - Window trim, rear, left	1 1 1	31P-3 to 31P-23 inclusive 31P-24 to 31P-7300132 inclusive 31P-7300133 to 31P-7630001 incl.
-7	46622-00	C	PLATE - Trim	1	
-8	47616-00 47616-02	B	BOLT ASSEMBLY - Clevis BOLT ASSEMBLY - Clevis	1 1	31P-3 to 31P-53 inclusive 31P-54 and up
-9	400 910 404 836		BOLT - (AN24-20A) NUT - (MS20364-428C)	1 1	
-10	85012-119		WASHER	2	31P-54 and up
-11	401 226		BOLT - (AN3-5A)	2	
-12	400 861 400 867 407 564		BOLT - (AN23-8A) BOLT - (AN23-15A) WASHER - (AN960-10)	4 4 AR	31P-3 to 31P-53 inclusive 31P-54 and up
-13	419 919		SCREW - (8 x 5/8 L, sheet metal, truss recessed head, Type B)	4	
-14	407 565		WASHER - Shim (AN960-416)	2	

A - Not available. Order Part No. 47958-00 as a replacement. It will also be necessary to order a replacement trim panel, upper attachment bracket, attachment bolt, snubber boot, clevis bolt and washers for serial numbers 31P-54 and up when making replacement.

B - If the shaft of the existing snubber assembly measures 1/2" diameter, order part for serial numbers 31P-54 and up.

C - When ordering, specify color white or beige.

When ordering, always specify Part Number, Description and Serial Number of Aircraft

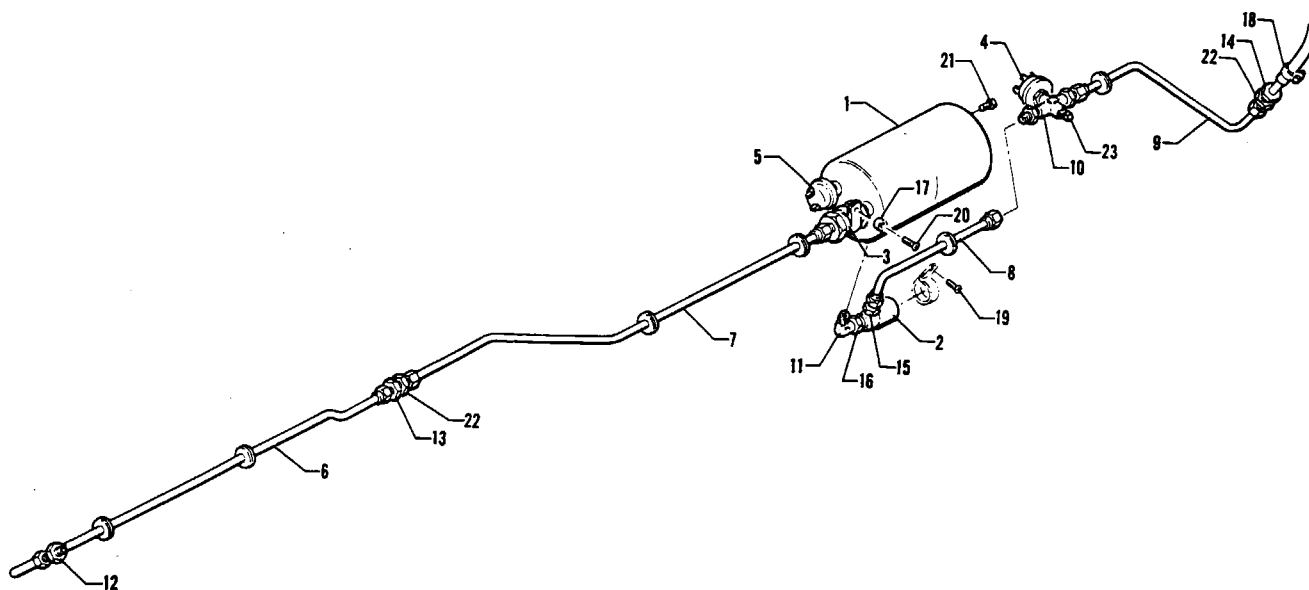


Figure 32. Cabin Door Inflation System Installation



Figure and Index Number	Part Number	Code	NOMENCLATURE	No. Req.	SERIAL NUMBERS AFFECTED
32-	47136		DRAWING - System Installation, Door Inflation		
-1	46088-00		CAN ASSEMBLY - Pressure storage door seal	1	
-2	46633-00		VALVE ASSEMBLY - Door inflation	1	
-3	492 161		VALVE - Check (366-00-23)	1	
-4	487 983		SWITCH - (M-4009-12)	1	
-5	487 984		SWITCH - (M-4013-14)	1	
-6	47127-00		TUBE ASSEMBLY - Door inflation	1	
-7	47128-00		TUBE ASSEMBLY - Door inflation	1	
-8	47129-00		TUBE ASSEMBLY - Door inflation	1	
-9	47130-00		TUBE ASSEMBLY - Door inflation	1	
-10	455 405		CROSS - (AN918-1D)	1	
-11	458 904		ELBOW - (AN914-1D)	1	
-12	491 050		UNION - (AN815-4D)	1	
-13	491 060		UNION - (AN832-4D)	1	
-14	451 853		ADAPTER - (AN807-4D)	1	
-15	476 648		NIPPLE - (AN816-4D)	4	
-16	476 643		NIPPLE - (AN911-1D)	1	
-17	60998-07		BUSHING	1	
-18	554 983		CLAMP - (QS700M4H)	1	
-19	411 531		SCREW - (MS35207-262)	1	
-20	417 767		SCREW - (AN520-10R9)	1	
-21	400 437		BOLT - (AN3-3A)	2	
-22	477 618		NUT - (AN924-4D)	2	
-23	581 312		PLUG - (AN913-1D)	1	

When ordering, always specify Part Number, Description and Serial Number of Aircraft

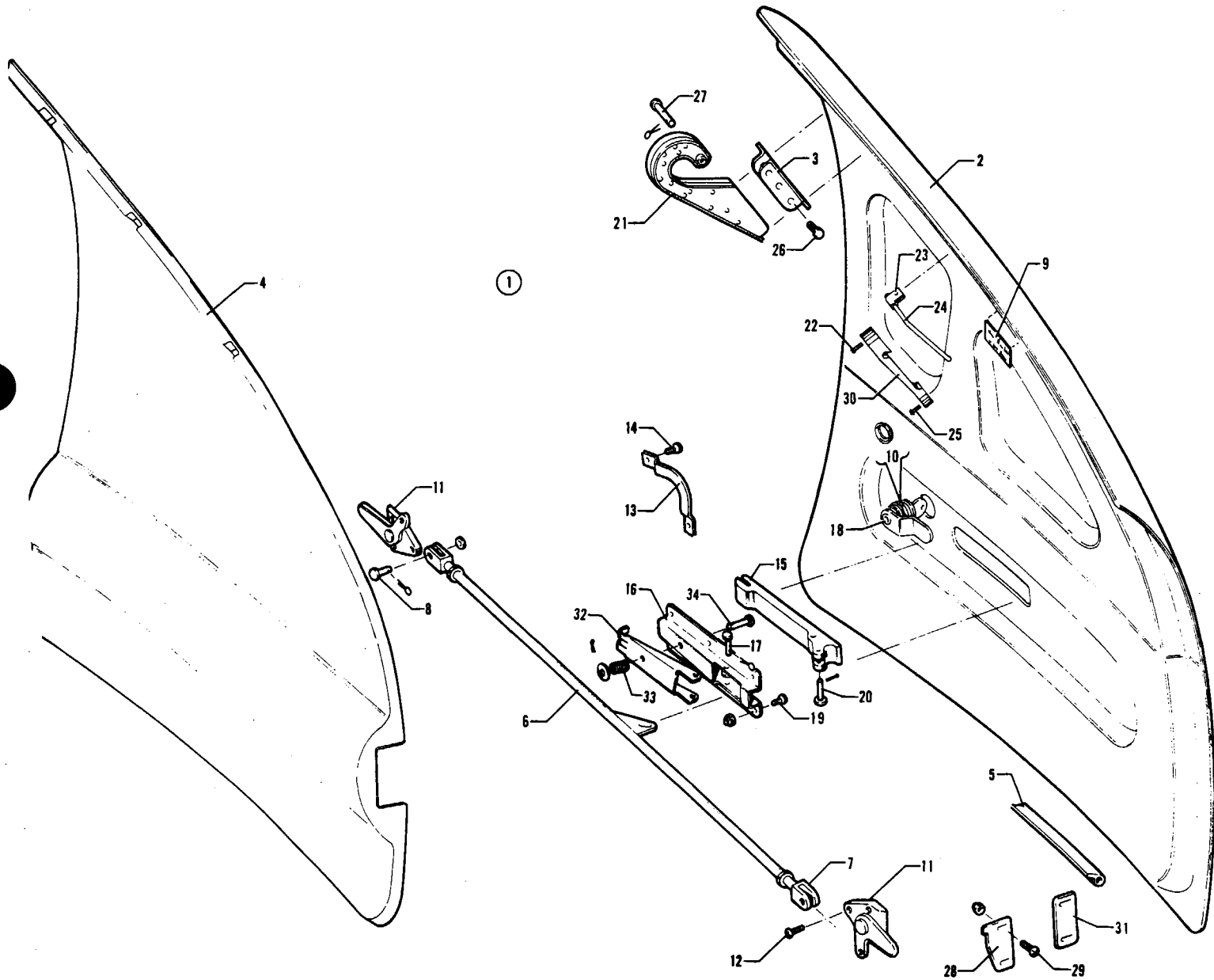


Figure 33. Forward Baggage Door Installation

## PIPER PARTS CATALOG

Figure and Index Number	Part Number	Code	NOMENCLATURE	No. Req.	SERIAL NUMBERS AFFECTED
33-	46111 48509		DRAWING - Forward Baggage Compartment Door Installation DRAWING - Forward Baggage Compartment Door Installation		31P-3 to 31P-7300132 incl. 31P-7300133 and up
-1	46141-00 48504-00		DOOR ASSEMBLY - Forward baggage compartment (complete) DOOR ASSEMBLY - Forward baggage compartment (complete)	1 1	31P-3 to 31P-7300132 incl. 31P-7300133 and up
-2	46036-00		* DOOR ASSEMBLY - Forward baggage compartment	1	
-3	46301-00		* * ANGLE - Hinge attachment, baggage door	4	
-4	48498-00		* COVER - Forward baggage compartment	1	
-5	187 527		* EXTRUSION - Rubber, baggage door seal (130342)	9'	
-6	46109-00		* TUBE ASSEMBLY - Baggage door latch	1	
-7	30576-00		* * CLEVIS - Tube assembly, door latch	2	
-8	424 176 407 584 424 051		* PIN - Clevis, tube assembly (MS20392-2C15) * WASHER - (AN960-10L) * COTTER PIN - (MS24665-132)	2 2 2	
-9	47545-00		* PLACARD - Baggage capacity (581 585)	1	
-10	25590-00		* WASHER - Door lock	1	
-11	46106-00 46107-00		* ARM ASSEMBLY - Baggage door latch, aft * ARM ASSEMBLY - Baggage door latch, forward	1 1	
-12	414 756		* SCREW - (MS24693-S30)	6	
-13	30852-00		* PLATE ASSEMBLY - Door lock guide	1	
-14	415 518		* SCREW - (MS35206-228)	2	
-15	22641-02		* HANDLE - Forward baggage door	1	
-16	30580-00		* BRACKET - Baggage door handle	1	
-17	424 183 424 186 19513-53 424 051	A	* PIN - Door hinge handle (MS20392-2C29) (1.07" L.) * PIN - Door hinge handle (MS20392-2C35) (1.26" L.) * WASHER - Door handle spacer * COTTER PIN - (MS24665-132)	1 1 2 1	
-18	752 350	B	* LOCK - Forward baggage door	1	
-19	415 518 404 909		* SCREW - (MS35206-228) * NUT - (MS20365-632C)	6 6	
-20	424 148 424 052		* PIN - (MS20392-1C23) * COTTER PIN - (MS24665-134)	1 1	
-21	46083-00		HINGE ASSEMBLY - Forward baggage door	2	
-22	411 536		SCREW - (MS35207-267)	1	
-23	46112-00		CLAMP - Baggage door holder	1	
-24	47998-00		LINK - Baggage door holder	1	
-25	411 534		SCREW - (MS35207-265)	1	
-26	400 438 407 564 404 835		BOLT - (AN3-4A) WASHER - (AN960-10) NUT - (MS20364-1032C)	6 6 6	
-27	424 188 407 564 424 051		PIN - (MS20392-2C41) WASHER - (AN960-10) COTTER PIN - (MS24665-132)	2 2 2	
-28	48017-00		PLATE - Lock, forward baggage door	2	
-29	415 520 415 521 404 909		SCREW - (MS35206-230) SCREW - (MS35206-231) NUT - (MS20365-632C)	4 4 4	
-30	46038-00		BRACKET - Baggage door holder	1	
-31	48687-00		SPACER - Lock, forward baggage door	AR	
-32	28467-03	A	BRACKET - Baggage door handle	1	
-33	83302-67	A	SPRING - Baggage door handle	1	
-34	424 145 407 562 424 051	A A A	PIN - (MS20392-1C17) WASHER - (AN960-6) COTTER PIN - (MS24665-132)	1 1 1	

A - Used if Kit 763 922 or Kit 763 923 has been installed per Service Bulletin No. 604A.  
B - Order Kit 764 049 if matching cabin door and baggage door locks are desired.

When ordering, always specify Part Number, Description and Serial Number of Aircraft

**1E24**

**INTENTIONALLY LEFT BLANK**

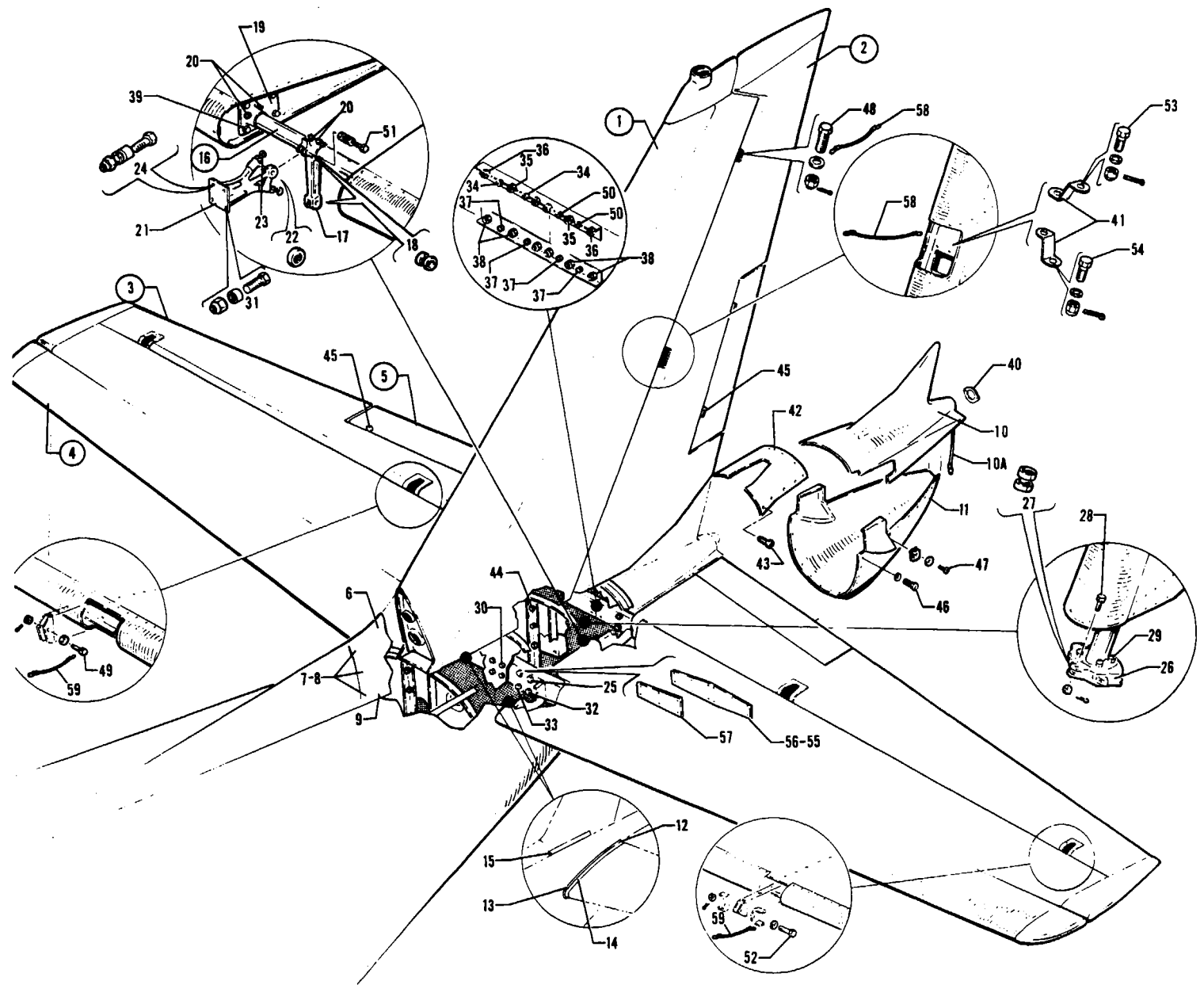


Figure 34. Tail Surfaces Installation

PA-31P



PIPER PARTS CATALOG

Figure and Index Number	Part Number	Code	NOMENCLATURE	No. Req.	SERIAL NUMBERS AFFECTED
34-	46300		DRAWING - Tail Surfaces Installation		
-1	45700-00	A	FIN ASSEMBLY	1	31P-3 to 31P-7300146 incl. 31P-7300147 and up
	45700-14	A	FIN ASSEMBLY	1	
-2	40046-27	B	RUDDER ASSEMBLY - Tail surfaces	1	
-3	46022-18	C,E,G	ELEVATOR ASSEMBLY - Tail surfaces, left	1	
	46022-26	C,H	ELEVATOR ASSEMBLY - Tail surfaces, left	1	
	46022-22	C,F,J	ELEVATOR ASSEMBLY - Tail surfaces, left	1	
	46022-28	C,K	ELEVATOR ASSEMBLY - Tail surfaces, left	1	
	46022-17	C,E,G	ELEVATOR ASSEMBLY - Tail surfaces, right	1	
	46022-27	C,H	ELEVATOR ASSEMBLY - Tail surfaces, right	1	
	46022-21	C,F,J	ELEVATOR ASSEMBLY - Tail surfaces, right	1	
	46022-29	C,K	ELEVATOR ASSEMBLY - Tail surfaces, right	1	
-4	46500-00	D	STABILIZER ASSEMBLY - Tail surfaces, left	1	
	46500-01	D	STABILIZER ASSEMBLY - Tail surfaces, right	1	
-5	45751-00	C	TAB ASSEMBLY - Elevator, left	1	
	45751-01	C	TAB ASSEMBLY - Elevator, right	1	
-6	46218-00		FAIRING ASSEMBLY - Fin	1	
-7	406 834		* NUT - Anchor (NAS686A08)	6	
-8	414 763		SCREW - (MS24693-S50)	6	
-9	414 748		SCREW - (MS24693-S28)	20	
	494 071		WASHER - (A3236-012-1)	20	
	406 362		NUT - (C8095-632-1)	20	
-10	46299-02		FAIRING ASSEMBLY - Fuselage tail, upper	1	31P-3 to 31P-7300132 incl. 31P-7300133 and up
	46299-16		FAIRING ASSEMBLY - Fuselage tail, upper	1	
-10a	48460-00		* STRAP ASSEMBLY - Lightning protection	1	
-11	46299-03		FAIRING ASSEMBLY - Fuselage tail, lower	1	31P-3 to 31P-7300132 incl. 31P-7300133 and up
	46299-15		FAIRING ASSEMBLY - Fuselage tail, lower	1	
-12	46344-02		FAIRING - Stabilizer, left	1	
	46344-03		FAIRING - Stabilizer, right	1	
-13	49302-02		MOULDING - Stabilizer fairing	2	
-14	415 518		SCREW - (MS35206-228)	18	
-15	20666-04		MOULDING - Fin skin (475 164)	2	
-16	45982-00		TUBE ASSEMBLY - Elevator torque	1	
-17	40006-00		* HORN ASSEMBLY - Elevator torque tube	1	
-18	14843-106		* * BUSHING - Horn assembly	4	
-19	45259-00		* BRACKET - Elevator torque tube	2	
-20	402 321		* BOLT - (AN174-22A)	6	
	407 565		* WASHER - (AN960-416)	12	
	404 888		* NUT - (MS20365-428C)	6	
-21	45253-03		HINGE ASSEMBLY - Elevator center	1	
-22	452 386		* BEARING - (NAS506-4)	1	
-23	71533-02		* SCREW - Stop	2	
	506 619		* NUT - (MS21340-22)	2	
			A - See Figure 35 for component parts.		
			B - See Figure 36 for component parts.		
			C - See Figure 38 for component parts.		
			D - See Figure 37 for component parts.		
			E - Used on serial numbers 31P-3 to 31P-7400219 incl., and 31P-7400228 to 31P-7530012 incl.		
			F - Used on serial numbers 31P-7400220 to 31P-7400227 incl., and 31P-7530013 and up.		
			G - Order part coded "H" if Elevator Inspection and Reinforcement Kit 763 943 has been installed per Service Bulletin No. 658.		
			H - Used on code "E" serial numbers if Elevator Inspection and Reinforcement Kit 763 943 has been installed per Service Bulletin No. 658.		
			J - Order part coded "K" if Elevator Inspection and Reinforcement Kit 763 943 has been installed per Service Bulletin No. 658.		
			K - Used on code "F" serial numbers if Elevator Inspection and Reinforcement Kit 763 943 has been installed per Service Bulletin No. 658.		

When ordering, always specify Part Number, Description and Serial Number of Aircraft

PIPER PARTS CATALOG

Figure and Index Number	Part Number	Code	NOMENCLATURE	No. Req.	SERIAL NUMBERS AFFECTED
34-24	401 354		BOLT - (AN5-13A)	2	
	407 566		WASHER - (AN960-516)	2	
	406 728		NUT - (RM52LH2935-054)	2	
	484 786		RING - (2935-05)	2	
-25	401 353		BOLT - (AN5-12A)	2	
	406 728		NUT - (RM52LH2935-054)	2	
	484 786		RING - (2935-05)	2	
-26	45441-00		SECTOR ASSEMBLY - Rudder	1	
-27	14843-106		* BUSHING	2	
-28	400 706		BOLT - (AN24-19)	1	
	404 393		NUT - (AN320-4)	1	
	424 052		COTTER PIN - (MS24665-134)	1	
-29	400 008		BOLT - (AN4-13A)	4	
	407 565		WASHER - (AN960-416)	4	
	404 888		NUT - (MS20365-428C)	4	
-30	401 353		BOLT - (AN5-12A)	4	
	407 566		WASHER - (AN960-516)	4	
	406 728		NUT - (RM52LH2935-054)	4	
	484 786		RING - (2935-05)	4	
-31	401 353		BOLT - (AN5-12A)	2	
	406 728		NUT - (RM52LH2935-054)	2	
	484 786		RING - (2935-05)	2	
-32	401 188		BOLT - (AN5-10A)	4	
	406 728		NUT - (RM52LH2935-054)	4	
	484 786		RING - (2935-05)	4	
-33	401 189		BOLT - (AN5-11A)	2	
	407 566		WASHER - (AN960-516)	2	
	406 728		NUT - (RM52LH2935-054)	2	
	484 786		RING - (2935-05)	2	
-34	401 269		BOLT - (AN3-10A)	2	
	406 727		NUT - (RM52LH2935-02)	2	
	484 785		RING - (2935-0)	2	
-35	401 353		BOLT - (AN5-12A)	2	
	407 566		WASHER - (AN960-516)	2	
	406 728		NUT - (RM52LH2935-054)	2	
	484 786		RING - (2935-05)	2	
-36	401 189		BOLT - (AN5-11A)	2	
	406 728		NUT - (RM52LH2935-054)	2	
	484 786		RING - (2935-05)	2	
-37	400 441		BOLT - (AN3-7A)	4	
	406 727		NUT - (RM52LH2935-02)	4	
	484 785		RING - (2935-0)	4	
-38	401 189		BOLT - (AN5-11A)	4	
	407 566		WASHER - (AN960-516)	4	
	406 728		NUT - (RM52LH2935-054)	4	
	484 786		RING - (2935-05)	4	
-39	401 266		BOLT - (AN3-5A)	8	
	407 584		WASHER - (AN960-10L)	AR	
-40	40365-11		REINFORCEMENT ASSEMBLY	1	
-41	46848-00		LINK ASSEMBLY	2	
-42	45994-00		COVER - Fuselage access, Sta. 342.25 to Sta. 352	1	
-43	415 520		SCREW - (MS35206-230)	19	
-44	401 187		BOLT - (AN5-7A)	12	
	407 566		WASHER - (AN960-516)	12	
	404 889		NUT - (MS20365-524C)	12	
-45	400 441		BOLT - (AN3-6A)	6	
	81342-09		WASHER - Spacer, center and outboard tab hinge	4	
	407 564		WASHER - (AN960-10)	AR	
	407 584		WASHER - (AN960-10L)	AR	
	49999-22		BUSHING - Center and outboard tab hinge	4	
-46	414 748		SCREW - (MS24693-S28)	16	
	494 071		WASHER - (A3236-012-1)	16	
-47	414 736		SCREW - (MS24693-S28)	16	
	494 071		WASHER - (A3236-012-1)	16	
	406 823		NUT - Anchor (NAS686A06K)	16	

When ordering, always specify Part Number, Description and Serial Number of Aircraft



Figure and Index Number	Part Number	Code	NOMENCLATURE	No. Req.	SERIAL NUMBERS AFFECTED
34-48	400 107		BOLT - (AN4-12)	1	
	407 565		WASHER - (AN960-416)	1	
	404 101		NUT - (AN310-4)	1	
-49	424 052		COTTER PIN - (MS24665-134)	1	
	400 107		BOLT - (AN4-12)	2	
	407 565		WASHER - (AN960-416)	2	
	404 101		NUT - (AN310-4)	2	
-50	424 052		COTTER PIN - (MS24665-134)	2	
	401 270		BOLT - (AN3-11A)	2	
	406 727		NUT - (RM52LH2935-02)	2	
-51	484 785		RING - (2935-0)	2	
	400 018		BOLT - (AN4-25A)	1	
	80122-20		WASHER	2	
-52	407 565		WASHER - (AN960-416)	7	
	404 888		NUT - (MS20365-428C)	1	
	400 108		BOLT - (AN4-13)	2	
	407 565		WASHER - (AN960-416)	2	
-53	404 101		NUT - (AN310-4)	2	
	424 052		COTTER PIN - (MS24665-134)	2	
	400 113		BOLT - (AN4-20)	1	
	407 565		WASHER - (AN960-416)	1	
-54	404 101		NUT - (AN310-4)	1	
	424 052		COTTER PIN - (MS24665-134)	1	
	400 102		BOLT - (AN4-5)	1	
	407 565		WASHER - (AN960-416)	1	
-55	404 101		NUT - (AN310-4)	1	
	424 052		COTTER PIN - (MS24665-134)	1	
	47920-02		SHIM - Stabilizer (.032 in. thick x 22.31 in. long)	AR	
	47920-03		SHIM - Stabilizer (.064 in. thick x 22.31 in. long)	AR	
-56	47920-04		SHIM - Stabilizer (.091 in. thick x 22.31 in. long)	AR	
	47919-02		SHIM - Stabilizer, tapered (.064 in. thick x 22.31 in. long)	AR	
	47919-03		SHIM - Stabilizer, tapered (.091 in. thick x 22.31 in. long)	AR	
-57	47921-02		SHIM - Stabilizer, tapered (.064 in. thick x 11.16 in. long)	AR	
	47921-03		SHIM - Stabilizer, tapered (.091 in. thick x 11.16 in. long)	AR	
-58	49972-03		STRAP ASSEMBLY - Lightning protection	2	
-59	49972-05		STRAP ASSEMBLY - Lightning protection	4	

When ordering, always specify Part Number, Description and Serial Number of Aircraft

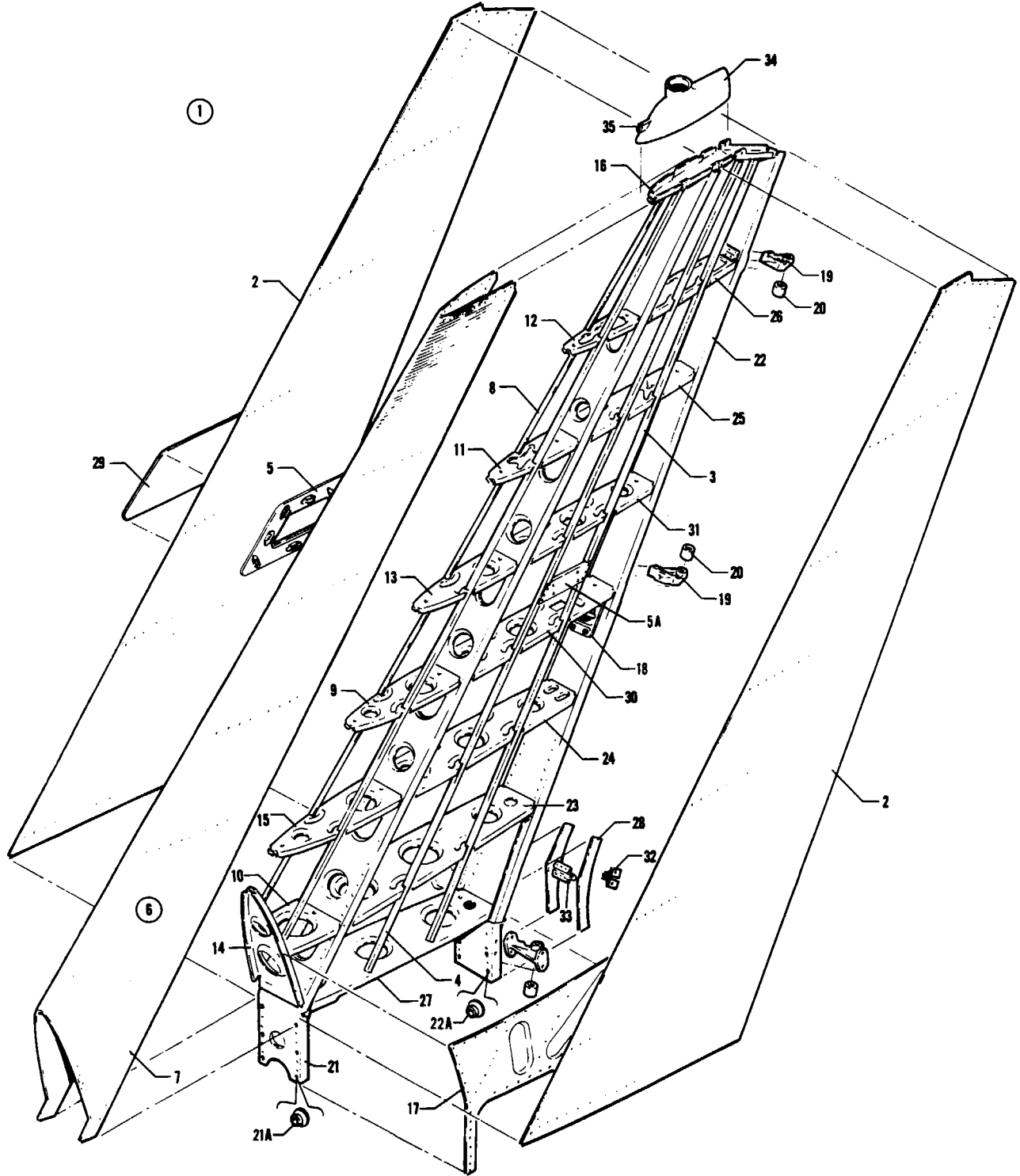


Figure 35. Fin Assembly

**PIPER PARTS CATALOG**

Figure and Index Number	Part Number	Code	NOMENCLATURE	No. Req.	SERIAL NUMBERS AFFECTED
35-1	45700-00		FIN ASSEMBLY	1	31P-3 to 31P-7300146 incl.
	45700-14		FIN ASSEMBLY	1	31P-7300147 and up
-2	45700-08		* SKIN ASSEMBLY - Fin, left	1	
	45700-07		* SKIN ASSEMBLY - Fin, right	1	
-3	40170-02		* * STRINGER - Fin, skin assembly, left	1	
	40170-03		* * STRINGER - Fin, skin assembly, right	1	
-4	40170-04		* * STRINGER - Fin, skin assembly, left	1	
	40170-05		* * STRINGER - Fin, skin assembly, right	1	
-5	42303-00		* * REINFORCEMENT ASSEMBLY - Fin, skin assembly, right	1	
-5a	48613-00		* * BRACKET ASSEMBLY - Antenna mounting, left	1	31P-7300133 and up
	48613-01		* * BRACKET ASSEMBLY - Antenna mounting, right	1	31P-7300133 and up
-6	45700-13		* LEADING EDGE ASSEMBLY - Fin	1	
-7	40170-13		* * SKIN ASSEMBLY - Fin, leading edge	1	
-8	40170-06		* * * STRINGER - Fin, leading edge, left	1	
	40170-07		* * * STRINGER - Fin, leading edge, right	1	
-9	48118-00		* * RIB - Fin, leading edge, W.L. 55	1	
-10	46228-00		* * RIB - Fin, leading edge, W.L. 36.75	1	
-11	40094-03		* * RIB - Fin, leading edge, W.L. 74.50	1	
-12	40094-05		* * RIB - Fin, leading edge, W.L. 84.50	1	
-13	40095-03		* * RIB - Fin, leading edge, W.L. 64.75	1	
-14	40096-00		* * RIB - Fin, leading edge, W.L. 30.175 to W.L. 44.75	1	
-15	40125-02		* * RIB - Fin, leading edge, W.L. 46	1	
-16	40104-05		* RIB ASSEMBLY - Fin tip, front	1	
	40104-03		* RIB ASSEMBLY - Fin tip, rear	1	
-17	46001-00		* GUSSET - Fin	1	
	46001-01		* GUSSET - Fin	1	
-18	46897-00	A	* SCREW ASSEMBLY - Rudder trim tab	1	
-19	40219-00		* HINGE ASSEMBLY - Rudder attachment, lower	1	
	40233-00		* HINGE ASSEMBLY - Rudder attachment, center	1	
	48055-00		* HINGE ASSEMBLY - Rudder attachment, upper	1	
-20	452 386		* * BEARING - Fin hinge assembly (NAS506-4)	1	
-21	45365-06		* SPAR ASSEMBLY - Fin front	1	
-21a	453 845		* * BUSHING - (NAS77-5-15)	6	
-22	40026-14		* SPAR ASSEMBLY - Fin rear	1	
-22a	453 818		* * BUSHING - (NAS77-5-12)	6	
-23	40080-04		* RIB - Fin, main, W.L. 36.75	1	
-24	74027-02		* RIB ASSEMBLY - Fin, main, W.L. 46	1	
-25	40094-02		* RIB - Fin, main, W.L. 74.5	1	
-26	40094-04		* RIB - Fin, main, W.L. 84.5	1	
-27	44294-00		* RIB - Fin, main, bottom	1	
-28	40108-00		* PLATE - Fin, bottom rear spar reinforcement	2	
-29	42301-00		* PLATE - Fin access hole cover	1	
-30	40126-04		* RIB - Fin, main, W.L. 55	1	
-31	47719-00		* RIB - Fin, main, W.L. 64.75	1	
-32	40344-00		* CLIP - Fin, bottom, forward and rear spar stiffener	8	
-33	40342-02		* CHANNEL - Fin, spar stiffener, rear	1	
	40342-03		* CHANNEL - Fin, spar stiffener, forward	1	
-34	50253-00		* TIP ASSEMBLY - Fin	1	31P-3 to 31P-7300146 incl.
	44943-03		* TIP ASSEMBLY - Fin	1	31P-7300147 and up
-35	42819-00		* * FITTING - Antenna attachment, left	1	
	42819-01		* * FITTING - Antenna attachment, right	1	

A - See Figure 93 for components.

When ordering, always specify Part Number, Description and Serial Number of Aircraft





Figure and Index Number	Part Number	Code	NOMENCLATURE	No. Req.	SERIAL NUMBERS AFFECTED
36-1	40046-27		RUDDER ASSEMBLY	1	
-2	40046-04		SKIN - Rudder leading edge, upper	1	
-3	40046-11		SKIN - Rudder leading edge	1	
-4	40046-24		SKIN - Rudder, lower	1	
-5	40046-03		SKIN ASSEMBLY - Rudder	1	
-6	40046-02		SKIN - Rudder side	1	
-7	40046-05		CHANNEL - Rudder skin reinforcement	2	
-8	40046-08		CHANNEL - Rudder skin reinforcement, left	1	
-9	40046-07		CHANNEL - Rudder skin reinforcement, right	1	
-10	40046-09		CHANNEL - Rudder skin reinforcement, right	1	
-11	40046-16		PLATE - Opening reinforcement, rudder tab control, rod right	1	
-12	40045-00		CHANNEL ASSEMBLY - Rudder tip support	1	
-13	40046-18		CHANNEL - Rudder skin reinforcement, left	1	
	40046-19		CHANNEL - Rudder skin reinforcement, right	1	
-14	40069-00		CHANNEL - Rudder skin support	1	
-15	40021-00		CHANNEL - Rudder skin support	1	
-16	40077-07		ANGLE - Rudder skin support, front	2	
-17	40077-08		ANGLE - Rudder skin support, left, rear	2	
	40077-09		ANGLE - Rudder skin support, right, rear	1	
-18	40363-12		TIP - Rudder	1	
-19	40356-00		BALANCE WEIGHT - Rudder	1	
-20	40040-07		TUBE ASSEMBLY - Rudder torque	1	
-21	51108-04		HINGE ASSEMBLY - Rudder, upper	1	
-22	51110-03		HINGE ASSEMBLY - Rudder, lower	1	
-23	40068-05		SPAR ASSEMBLY - Rudder, front	1	
-24	40067-00		SPAR - Rudder stub	1	
-25	40044-00		RIB ASSEMBLY - Rudder tip	1	
-26	40083-05		RIB - Rudder leading edge, W. L. 84.5	1	
-27	40083-04		RIB - Rudder, main, W. L. 84.5	1	
-28	40023-03		RIB - Rudder leading edge, W. L. 81.75	1	
-29	40083-06		RIB - Rudder leading edge, W. L. 74.5	1	
-30	40083-03		RIB - Rudder, main, W. L. 74.5	1	
-31	40083-07		RIB - Rudder leading edge, W. L. 64.75	1	
-32	40083-02		RIB - Rudder, main, W. L. 64.75	1	
-33	40079-04		RIB - Rudder leading edge, W. L. 55	1	
-34	40079-05		RIB - Rudder, main, W. L. 55	1	
-35	46959-00		RIB - Rudder leading edge, W. L. 50	1	
-36	40079-02		RIB - Rudder leading edge, W. L. 46	1	
-37	40079-03		RIB - Rudder, main, W. L. 46	1	
-38	40078-02		RIB - Rudder leading edge, W. L. 36.75	1	
-39	40078-03		RIB - Rudder, main, W. L. 36.75	1	
-40	47452-00		RIB - Rudder, bottom	1	
-41	40043-00		BRACKET ASSEMBLY - Rudder tab hinge, upper	1	
-42	40042-02		BRACKET ASSEMBLY - Rudder tab hinge, lower	1	
-43	41413-51		BUSHING - Rudder tab hinge	2	
-44	40008-03		TAB ASSEMBLY - Rudder	1	
-45	40008-02		SKIN - Rudder tab	1	
-46	40009-00		SPAR - Rudder tab	1	
-47	40014-03		RIB - Rudder tab, upper	1	
-48	40013-04		RIB - Rudder tab, W. L. 54.94	1	
-49	40014-02		RIB - Rudder tab, lower	1	
-50	40012-03		HINGE ASSEMBLY - Rudder tab, upper	1	
-51	40012-02		HINGE ASSEMBLY - Rudder tab, lower	1	
-52	46881-00		HORN ASSEMBLY - Rudder tab	1	
-53	40340-00		CHANNEL - Rudder tab	1	

When ordering, always specify Part Number, Description and Serial Number of Aircraft



Figure and Index Number	Part Number	Code	NOMENCLATURE	No. Req.	SERIAL NUMBERS AFFECTED
36-54	40048-00		CLIP - Rudder spar	1	
-55	400 441		BOLT - Rudder balance weight attachment (AN3-7A)	1	
-56	400 460		BOLT - Rudder balance weight attachment (AN3-35A)	1	
-57	414 748		SCREW - Rudder tip attachment (AN507-632R8)	16	
	494 071		WASHER - Rudder tip attachment (AN3236-012-1)	16	
-58	406 355		NUT - Rudder tip attachment (A6052-632-1)	16	
-59	400 438		BOLT - Rudder hinge attachment (AN3-4A)	4	
-60	400 440		BOLT - Rudder tab hinge attachment (AN3-6A)	2	
	81342-09		WASHER - Rudder tab hinge attachment (408 281)	2	
-61	47018-00		BRACKET - Rudder servo pivot	1	
-62	49999-17		SPACER - Rudder hinge assembly, lower	2	
-63	401 270		BOLT - (AN3-11A)	2	
	407 564		WASHER - (AN960-10)	4	
	404 887		NUT - (MS20365-1032C)	2	
-64	400 438		BOLT - (AN3-4A)	2	
	407 564		WASHER - (AN960-10)	2	
	404 887		NUT - (MS20365-1032C)	2	
-65	410 319		SCREW - (MS27039C1-06)	6	
	404 835		NUT - (MS20364-1032C)	6	

When ordering, always specify Part Number, Description and Serial Number of Aircraft



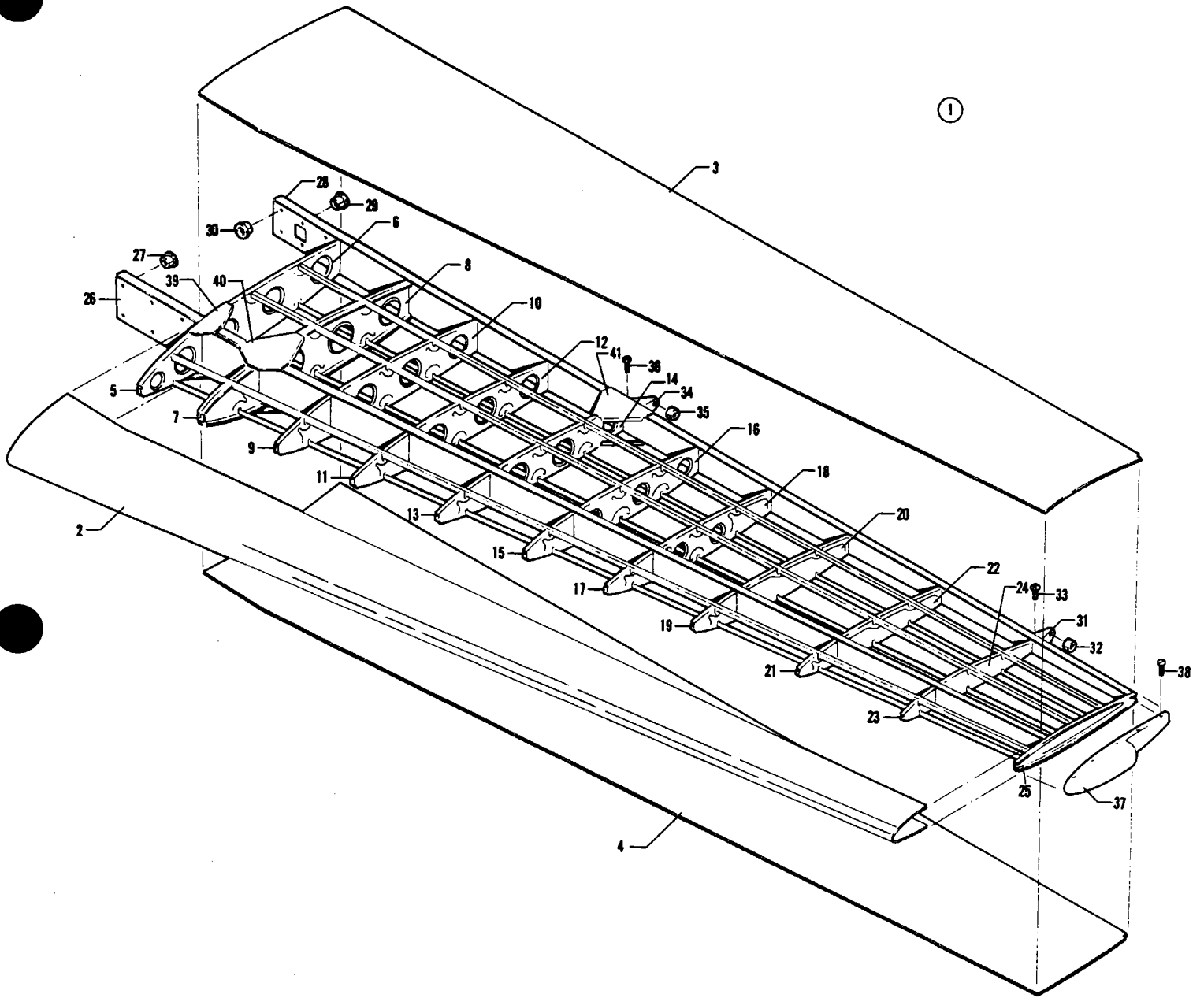


Figure 37. Stabilizer Assembly

## PIPER PARTS CATALOG

Figure and Index Number	Part Number	Code	NOMENCLATURE	No. Req.	SERIAL NUMBERS AFFECTED
37-1	46500-00		STABILIZER ASSEMBLY - Left	1	
	46500-01		STABILIZER ASSEMBLY - Right	1	
-2	46500-08		* SKIN ASSEMBLY - Stabilizer, leading edge, left	1	
	46500-07		* SKIN ASSEMBLY - Stabilizer, leading edge, right	1	
-3	46500-10		* SKIN ASSEMBLY - Stabilizer, top, left	1	
	46500-09		* SKIN ASSEMBLY - Stabilizer, top, right	1	
-4	46500-12		* SKIN ASSEMBLY - Stabilizer, bottom, left	1	
	46500-11		* SKIN ASSEMBLY - Stabilizer, bottom, right	1	
-5	46521-02		* RIB - Stabilizer, canted, leading edge, B.L. 9 to B.L. 14.383	1	
-6	46521-03		* RIB - Stabilizer, canted, main, B.L. 9 to B.L. 14.383	1	
-7	46496-06		* RIB ASSEMBLY - Stabilizer, leading edge, B.L. 19.5	1	
-8	46496-07		* RIB ASSEMBLY - Stabilizer, main, B.L. 19.5	1	
-9	46492-02		* RIB - Stabilizer, leading edge, B.L. 28.5	1	
-10	46492-03		* RIB - Stabilizer, main, B.L. 28.5	1	
-11	46515-02		* RIB - Stabilizer, leading edge, B.L. 38	1	
-12	46515-03		* RIB - Stabilizer, main, B.L. 38	1	
-13	46510-02		* RIB - Stabilizer, leading edge, B.L. 48	1	
-14	46510-03		* RIB - Stabilizer, main, B.L. 48	1	
-15	46517-02		* RIB - Stabilizer, leading edge, B.L. 58	1	
-16	46517-03		* RIB - Stabilizer, main, B.L. 58	1	
-17	46484-02		* RIB - Stabilizer, leading edge, B.L. 68	1	
-18	46484-03		* RIB - Stabilizer, main, B.L. 68	1	
-19	46520-04		* RIB - Stabilizer, leading edge, B.L. 78	1	
-20	46520-02		* RIB - Stabilizer, main, B.L. 78	1	
-21	46520-05		* RIB - Stabilizer, leading edge, B.L. 90	1	
-22	46520-03		* RIB - Stabilizer, main, B.L. 90	1	
-23	46523-03		* RIB - Stabilizer, leading edge, B.L. 102	1	
-24	46523-02		* RIB - Stabilizer, main, B.L. 102	1	
-25	46530-00		* RIB - Stabilizer, B.L. 114	1	
-26	46538-02		* SPAR ASSEMBLY - Stabilizer, forward	1	
-27	453 729		* * BUSHING - Spar assembly, forward (NAS77-5-23)	6	
-28	46538-03		* SPAR ASSEMBLY - Stabilizer, aft	1	
-29	453 729		* * BUSHING - Spar assembly, aft (NAS77-5-23)	4	
-30	453 819		* * BUSHING - Spar assembly, aft (NAS75-5-007)	2	
-31	45201-00		* HINGE ASSEMBLY - Elevator attachment, outboard	1	
-32	452 386		* * BEARING - Stabilizer hinge assembly (NAS506-4)	1	
-33	411 211		* SCREW - Hinge assembly attachment (NAS221-11)	4	
	407 584		* WASHER - Hinge assembly attachment (AN960-10L)	4	
	404 887		* NUT - Hinge assembly attachment (MS20365-1032C)	4	
-34	45242-00		* HINGE ASSEMBLY - Elevator attachment, inboard	1	
-35	452 386		* * BEARING - Stabilizer hinge assembly (NAS506-4)	1	
-36	411 214		* SCREW - Hinge assembly attachment (NAS221-14)	4	
	407 584		* WASHER - Hinge assembly attachment (AN960-10L)	4	
	404 887		* NUT - Hinge assembly attachment (MS20365-1032C)	4	
-37	46384-02		* TIP - Stabilizer	1	
-38	414 748		* SCREW - Stabilizer tip attachment (AN507-632R8)	10	
	494 071		* WASHER - Stabilizer tip attachment (A3236-012-1)	10	
	406 355		* NUT - Stabilizer tip attachment (A6052-632-1)	10	
-39	46978-00		* GUSSET - Stabilizer, upper left, lower right	1	
	46978-01		* GUSSET - Stabilizer, upper right, lower left	1	
-40	46981-00		* GUSSET - Stabilizer, upper left, lower right	1	
	46981-01		* GUSSET - Stabilizer, upper right, lower left	1	
-41	46977-00		* GUSSET - Stabilizer, upper left, lower right	1	
	46977-01		* GUSSET - Stabilizer, upper right, lower left	1	

When ordering, always specify Part Number, Description and Serial Number of Aircraft

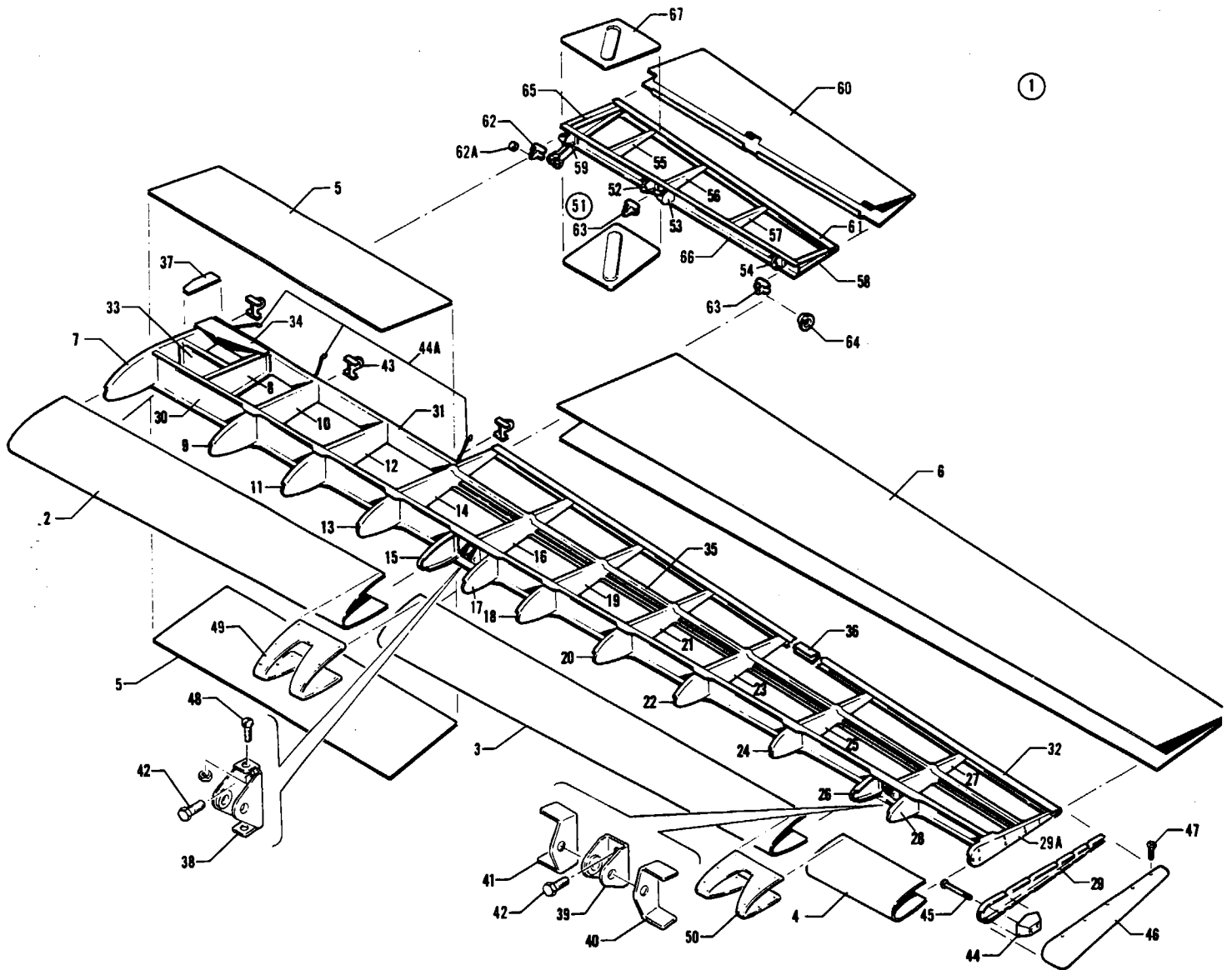


Figure 38. Elevator Assembly

PIPER PARTS CATALOG

Figure and Index Number	Part Number	Code	NOMENCLATURE	No. Req.	SERIAL NUMBERS AFFECTED
38-1	46022-18	A,C	ELEVATOR ASSEMBLY - Left (less tab assembly)	1	
	46022-26	D	ELEVATOR ASSEMBLY - Left (less tab assembly)	1	
	46022-22	B,E	ELEVATOR ASSEMBLY - Left (with tab assembly)	1	
	46022-28	F	ELEVATOR ASSEMBLY - Left (with tab assembly)	1	
	46022-17	A,C	ELEVATOR ASSEMBLY - Right (less tab assembly)	1	
	46022-27	D	ELEVATOR ASSEMBLY - Right (less tab assembly)	1	
	46022-21	B,E	ELEVATOR ASSEMBLY - Right (with tab assembly)	1	
	46022-29	F	ELEVATOR ASSEMBLY - Right (with tab assembly)	1	
-2	46022-05		* SKIN - Elevator leading edge, B.L. 7.05 to B.L. 45.31	1	
-3	46022-06		* SKIN - Elevator leading edge, B.L. 49.81 to B.L. 99.31	1	
-4	46022-07		* SKIN - Elevator leading edge, B.L. 103.81 to B.L. 115.1	1	
-5	46022-11		* SKIN - Elevator, inboard, B.L. 7.05 to B.L. 38	2	
-6	46022-08		* SKIN ASSEMBLY - Elevator, outboard, B.L. 38 to B.L. 115.1, left	1	
	46022-23		* SKIN ASSEMBLY - Elevator, outboard, B.L. 38 to B.L. 115.1, right	1	
-7	54755-02		* RIB ASSEMBLY - Elevator, B.L. 7.62	1	
-8	45795-00		* RIB - Elevator, intermediate, B.L. 13	1	
-9	45775-00		* RIB - Elevator, leading edge, B.L. 19.5	1	
-10	45775-03		* RIB - Elevator, intermediate, B.L. 19.5	1	
-11	45784-02		* RIB - Elevator, leading edge, B.L. 28.5	1	
-12	45784-03		* RIB - Elevator, intermediate, B.L. 28.5	1	
-13	45792-02		* RIB - Elevator, leading edge, B.L. 38	1	
-14	45792-03		* RIB - Elevator, main, B.L. 38	1	
-15	45935-03		* RIB - Elevator, leading edge, B.L. 45.31	1	
-16	45742-00		* RIB ASSEMBLY - Elevator, main, B.L. 48	1	
-17	45935-02		* RIB - Elevator, leading edge, B.L. 49.81	1	
-18	45770-02		* RIB - Elevator, leading edge, B.L. 58	1	
-19	45770-03		* RIB - Elevator, main, B.L. 58	1	
-20	45785-02		* RIB - Elevator, leading edge, B.L. 68	1	
-21	45785-03		* RIB - Elevator, main, B.L. 68	1	
-22	46020-02		* RIB - Elevator, leading edge, B.L. 78	1	
-23	46020-03		* RIB - Elevator, main, B.L. 78	1	
-24	46019-02		* RIB - Elevator, leading edge, B.L. 90	1	
-25	46019-03		* RIB - Elevator, main, B.L. 90	1	
-26	45934-02		* RIB - Elevator, leading edge, B.L. 99.31	1	
-27	46011-00		* RIB ASSEMBLY - Elevator, main, B.L. 102	1	
-28	45934-03		* RIB - Elevator, leading edge, B.L. 103.81	1	
-29	51775-10		* RIB ASSEMBLY - Elevator tip, left, B.L. 115.1	1	
	51775-11		* RIB ASSEMBLY - Elevator tip, right, B.L. 115.1	1	
-29a	45998-05		* * RIB - Elevator tip	1	
-30	45951-00	G	* SPAR ASSEMBLY - Elevator leading edge, B.L. 7.62 to B.L. 115.1	1	
	45951-13	H	* SPAR ASSEMBLY - Elevator leading edge, B.L. 7.62 to B.L. 115.1	1	
-31	45956-00		* SPAR - Elevator stub, B.L. 6.5 to B.L. 38	1	
-32	46022-02		* CHANNEL - Elevator, trailing edge, outboard	1	
	46022-03		* CHANNEL - Elevator, trailing edge, inboard	1	
-33	45807-00	G	* CHANNEL ASSEMBLY - Elevator, B.L. 7.62 to B.L. 13	1	
	45807-03	H	* CHANNEL ASSEMBLY - Elevator, B.L. 7.62 to B.L. 13	1	
			A - Used on serial nos. 31P-3 to 31P-7400219 inclusive, and 31P-7400228 to 31P-7530012 inclusive.		
			B - Used on serial nos. 31P-7400220 to 31P-7400227 inclusive, and 31P-7530013 to 31P-7730012 incl.		
			C - Order part with code "D" if Elevator Inspection and Reinforcement Kit 763 943 has been installed per Service Bulletin No. 658.		
			D - Used on code "A" serial nos. if Elevator Inspection and Reinforcement Kit 763 943 has been installed per Service Bulletin No. 658.		
			E - Order part with code "F" if Elevator Inspection and Reinforcement Kit 763 943 has been installed per Service Bulletin No. 658		
			F - Used on code "B" serial nos. if Elevator Inspection and Reinforcement Kit 763 943 has been installed per Service Bulletin No. 658.		
			G - Used on aircraft with serial nos. 31P-3 to 31P-7730012 inclusive. Order part with code "H" if Elevator Inspection and Reinforcement Kit 763 943 has been installed per Service Bulletin No. 658.		
			H - Used on aircraft which have had Elevator Inspection and Reinforcement Kit 763 943 installed per Service Bulletin No. 658.		

When ordering, always specify Part Number, Description and Serial Number of Aircraft



Figure and Index Number	Part Number	Code	NOMENCLATURE	No. Req.	SERIAL NUMBERS AFFECTED
38-34	45989-00		CHANNEL - Elevator reinforcement, B.L. 7.62 to B.L. 13	1	
-35	46022-12		CHANNEL - Elevator, B.L. 38 to B.L. 115.1	2	
-36	40140-27		SPLICE - Channel, elevator trailing edge	1	
-37	46004-00		GUSSET - Elevator reinforcement, B.L. 7.62	2	
-38	44955-07		HINGE ASSEMBLY - Elevator, inboard	1	
-39	44963-00		HINGE ASSEMBLY - Elevator, outboard	1	
-40	44961-00		HINGE - Elevator, outboard	1	
-41	44962-00		HINGE ASSEMBLY - Elevator, outboard	1	
-42	400 438		BOLT - Elevator hinge assembly attachment (AN3-4A)	4	
-43	45945-02		BRACKET ASSEMBLY - Elevator tab hinge, inboard	1	
	45945-04		BRACKET ASSEMBLY - Elevator tab hinge, center	1	
	45945-06		BRACKET ASSEMBLY - Elevator tab hinge, outboard	1	
-44	46126-00	A	WEIGHT - Elevator tip	1	
	48860-02	B	WEIGHT - Elevator tip	1	
-44a	49972-04		STRAP ASSEMBLY - Lightning protection	3	
-45	400 885		BOLT - Elevator weight attachment (AN23-36A)	2	
	407 564		WASHER - Elevator weight attachment (AN960-10)	2	
	404 887		NUT - Elevator weight attachment (MS20365-1032C)	2	
-46	46384-04		TIP - Elevator, left	1	
	46384-03		TIP - Elevator, right	1	
-47	414 748		SCREW - Elevator tip attachment (MS24693-S28)	10	
	494 071		WASHER - Elevator tip attachment (A3236-012-1)	10	
	406 355		NUT - Elevator tip attachment (A6052-632-1)	10	
-48	410 319		SCREW - (MS27039C1-06)	2	
	404 835		NUT - (MS20364-1032C)	2	
-49	46034-02		COVER - Elevator hinge, inboard left	1	
	46034-03		COVER - Elevator hinge, inboard right	1	
-50	46028-00		COVER - Elevator hinge, outboard left	1	
	46028-01		COVER - Elevator hinge, outboard right	1	
-51	45751-00		TAB ASSEMBLY - Elevator, left	1	
	45751-01		TAB ASSEMBLY - Elevator, right	1	
-52	45932-03		RIB - Elevator tab, leading edge, center, inboard	1	
-53	45932-04		RIB - Elevator tab, leading edge, center, outboard	1	
-54	45932-05		RIB - Elevator tab, leading edge, outboard	1	
-55	45884-04		RIB - Elevator tab, main, B.L. 13	1	
-56	45775-04		RIB - Elevator tab, main, B.L. 19.5	1	
-57	45784-04		RIB - Elevator tab, main, B.L. 28.5	1	
-58	45884-05		RIB - Elevator tab, main, B.L. 36.51	1	
-59	45932-02		RIB - Elevator tab, leading edge, inboard	1	

A - Used on serial nos. 31P-3 to 31P-7400219 inclusive, and 31P-7400228 to 31P-7530012 inclusive.  
 B - Used on serial nos. 31P-7400220 to 31P-7400227 inclusive, and 31P-7530013 and up.

When ordering, always specify Part Number, Description and Serial Number of Aircraft



Figure and Index Number	Part Number	Code	NOMENCLATURE	No. Req.	SERIAL NUMBERS AFFECTED
38-60	45751-08		SKIN ASSEMBLY - Elevator tab, left	1	
	45751-09		SKIN ASSEMBLY - Elevator tab, right	1	
-81	16754-03		CHANNEL - Elevator tab, trailing edge, B.L. 5.25 to B.L. 37.13	1	
-62	47782-02		HINGE ASSEMBLY - Elevator tab, inboard	1	
-62a	452 457		BEARING - Inboard hinge assembly (LS-3)	1	
-63	45949-04		HINGE ASSEMBLY - Elevator tab, center	1	
	45949-06		HINGE ASSEMBLY - Elevator tab, outboard	1	
-64	453 818		BUSHING - Elevator tab hinge assembly (NAS77-5-12)	1	
-65	45893-00		HORN ASSEMBLY - Elevator tab, B.L. 6	1	
-66	45842-00		SPAR - Elevator tab, leading edge	1	
-67	45751-02		PLATE - Tab assembly reinforcement, B.L. 6 to B.L. 13	1	
	45751-03		PLATE - Tab assembly reinforcement, B.L. 6 to B.L. 13	1	

When ordering, always specify Part Number, Description and Serial Number of Aircraft

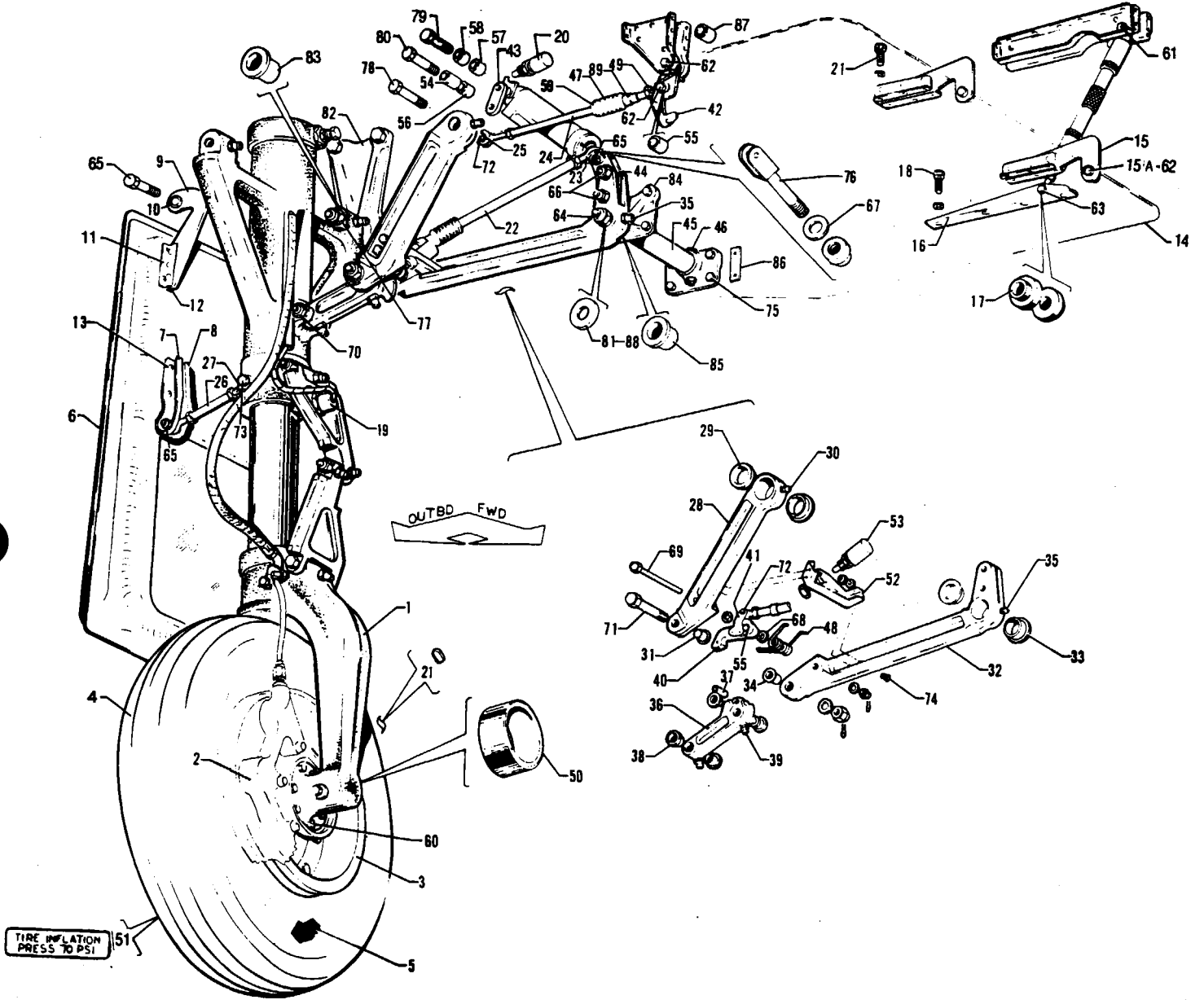


Figure 39. Main Landing Gear Installation

PIPER PARTS CATALOG

Figure and Index Number	Part Number	Code	NOMENCLATURE	No. Req.	SERIAL NUMBERS AFFECTED
39-	45519		DRAWING - Main Landing Gear Installation		
-1	45504-00	A	STRUT ASSEMBLY - Main landing gear, left	1	
	45504-01	A	STRUT ASSEMBLY - Main landing gear, right	1	
-2	551 710	B	BRAKE ASSEMBLY - Main landing gear (9544482)	2	
-3	551 761	C	WHEEL ASSEMBLY - Main landing gear (9544171-1)	2	
-4	761 979		TIRE - (6.50 x 10, 8 ply) B. F. Goodrich	2	
	761 997		TIRE - (6.50 x 10, 8 ply) McCreary, Airhawk	2	
	762 035		TIRE - (6.50 x 10, 8 ply) Goodyear Flight Custom II	2	
-5	451 738		TUBE - (6.50 x 10, Reg.)	2	
-6	42059-06		DOOR ASSEMBLY - Main landing gear, outboard	2	
-7	42025-00		* BRACKET ASSEMBLY - Gear door actuator, rear	2	
-8	42025-01		* BRACKET ASSEMBLY - Gear door actuator, forward	2	
-9	42059-07		* HINGE ASSEMBLY - Door, main gear, outboard	2	
-10	25704-00		* * BEARING - Hinge assembly	1	
-11	46121-02		* * ANGLE - Hinge attachment, rear	2	
-12	46121-03		* * ANGLE - Hinge attachment, forward	2	
-13	400 438		* BOLT - (AN3-4A)	16	
-14	47529-30		DOOR ASSEMBLY - Main landing gear, inboard, left	1	
	47529-31		DOOR ASSEMBLY - Main landing gear, inboard, right	1	
-15	47529-32		* HINGE ASSEMBLY - Door, main landing gear, inboard	2	
-15a	25704-00		* * BEARING - Door hinge, main landing gear	1	
-16	43711-00		* BRACKET ASSEMBLY - Main gear door, inboard	1	
-17	20737-37		* * BUSHING - Main gear door bracket assembly	1	
-18	401 266		* BOLT - (AN3-5A)	16	
	407 564		* WASHER - (AN960-10)	16	
-19	47940-02		SWITCH ASSEMBLY - Gear safety, left	1	
	47940-03		SWITCH ASSEMBLY - Gear safety, right	1	
-20	47938-02		SWITCH ASSEMBLY - Gear up, left	1	
	47938-03		SWITCH ASSEMBLY - Gear up, right	1	
-21	753 850		CAP - Bleeder fitting (183-1)	2	
-22	41949-02		ROD ASSEMBLY - Landing gear lock, main	2	
-23	452 383		* BEARING - (24166-00)	2	
-24	41949-03		ROD ASSEMBLY - Landing gear lock, main	2	
-25	452 383		* BEARING - (24166-00)	2	
-26	41297-00		ROD ASSEMBLY - Main landing gear, outboard door	4	
-27	452 441		* BEARING - (M44-14)	2	
-28	40280-00		LINK ASSEMBLY - Main gear side, aft, left	1	
	40280-01		LINK ASSEMBLY - Main gear side, aft, right	1	
-29	753 468		* BUSHING - (NAS77-8-38)	2	
-30	460 823		* FITTING - Lubrication (MS15001-1)	1	
-31	753 469		* BUSHING - (NAS77-8-72)	1	
-32	40279-08		LINK ASSEMBLY - Main gear side, forward, left	1	
	40279-09		LINK ASSEMBLY - Main gear side, forward, right	1	
-33	753 470		* BUSHING - (NAS77-18-50)	2	
-34	753 469		* BUSHING - (NAS77-8-72)	1	
-35	460 823		* FITTING - Lubricating (MS15001-1)	1	
-36	40284-00		LINK ASSEMBLY - Landing gear side brace, lower	2	
-37	40376-00		* PIN - Main landing gear lock	1	
-38	453 777		* BUSHING - (NAS77-8-44)	4	
-39	460 691		* FITTING - Lubricating (AN944-101)	2	

A - See Figure 40 for component parts.  
 B - See Figure 42 for component parts.  
 C - See Figure 41 for component parts.

When ordering, always specify Part Number, Description and Serial Number of Aircraft



## PIPER PARTS CATALOG

Figure and Index Number	Part Number	Code	NOMENCLATURE	No. Req.	SERIAL NUMBERS AFFECTED
39-40	41983-00		HOOK ASSEMBLY - Main landing gear downlock, left	1	
	41983-01		HOOK ASSEMBLY - Main landing gear downlock, right	1	
-41	41982-03		* CLIP - Main gear downlock hook, forward	1	
	41982-02		* CLIP - Main gear downlock hook, aft	1	
-42	41797-03		HOOK ASSEMBLY - Landing gear uplock, main	2	
-43	42041-00		CRANK ASSEMBLY - Main gear uplock	2	
-44	42042-00		ARM - Main gear retraction	2	
	42042-02	A	ARM - Main gear retraction	2	
-45	43286-02		SHAFT ASSEMBLY - Main landing gear brace pivot	2	
-46	400 012		* BOLT - (AN4-17A)	1	
	407 565		* WASHER - (AN960-416)	1	
	404 888		* NUT - (MS20365-428C)	1	
-47	453 206		DUST BOOT - (ONN-401-4-13-2)	2	
-48	41952-00		SPRING - Main landing gear downlock	2	
-49	41979-00		SPRING - Landing gear uplock	2	
-50	40337-02		SPACER - Landing gear wheel bearing	2	
-51	41398-05		PLACARD - Tire inflation, main (581 417)	2	
-52	41985-00		BRACKET - Main landing gear downlock switch, left	2	
	41985-01		BRACKET - Main landing gear downlock switch, right	2	
-53	47936-02		SWITCH ASSEMBLY - Gear down, left	1	
	47936-03		SWITCH ASSEMBLY - Gear down, right	1	
-54	42129-06		BUSHING - Main landing gear	2	
-55	42129-07		BUSHING - Main landing gear	2	
-56	42129-08		BUSHING - Main landing gear	2	
-57	42129-09		BUSHING - Main landing gear	2	
-58	42129-10		BUSHING - Main landing gear	2	
-59	454 924		CLAMP - (A3122-10-1)	2	
-60	401 187		BOLT - (AN5-7A)	12	
	404 889		NUT - (MS20365-524C)	12	
-61	401 270		BOLT - (AN3-11A)	2	
	407 564		WASHER - (AN960-10)	2	
	404 887		NUT - (MS20365-1032C)	2	
-62	400 008		BOLT - (AN4-13A)	8	
	407 565		WASHER - (AN960-416)	8	
	404 888		NUT - (MS20365-428C)	8	
-63	400 444		BOLT - (AN3-13A)	2	
	407 564		WASHER - (AN960-10)	2	
	404 887		NUT - (MS20365-1032C)	2	
-64	404 103		NUT - (AN310-6)	2	
	407 567		WASHER - (AN960-616)	2	
	424 060		COTTER PIN - (MS24665-285)	2	
-65	401 311		BOLT - (AN4-11A)	10	
	407 565		WASHER - (AN960-416)	10	
	404 888		NUT - (MS20365-428C)	10	
-66	400 209		BOLT - (AN6-14)	4	
	407 567		WASHER - (AN960-616)	4	
	404 103		NUT - (AN310-6)	4	
	424 060		COTTER PIN - (MS24665-285)	4	
-67	407 565		WASHER - (AN960-416)	2	
	407 566	A	WASHER - (AN960-516)	2	
	404 888		NUT - (MS20365-428C)	2	
	404 889	A	NUT - (MS20365-524C)	2	
-68	407 566		WASHER - (AN960-516)	4	

A - Used if Main Landing Gear Lock Rod Attachment Fork Replacement Kit 764 127 has been installed per Service Letter No. 921.

When ordering, always specify Part Number, Description and Serial Number of Aircraft

PIPER PARTS CATALOG

Figure and Index Number	Part Number	Code	NOMENCLATURE	No. Req.	SERIAL NUMBERS AFFECTED
39-69	400 188		BOLT - (AN5-46)	2	
	407 566		WASHER - (AN960-516)	2	
	404 102		NUT - (AN310-5)	2	
	424 052		COTTER PIN - (MS24665-134)	2	
-70	402 517		BOLT - (AN178-26)	2	
	407 569		WASHER - (AN960-816)	2	
	404 105		NUT - (AN310-8)	2	
	424 060		COTTER PIN - (MS24665-285)	2	
-71	402 526		BOLT - (AN178-34)	2	
	407 569		WASHER - (AN960-816)	2	
	404 105		NUT - (AN310-8)	2	
	424 060		COTTER PIN - (MS24665-285)	2	
-72	401 310		BOLT - (AN4-10A)	4	
	407 565		WASHER - (AN960-416)	4	
	404 888		NUT - (MS20365-428C)	4	
-73	43972-00		BOLT	4	
	407 565		WASHER - (AN960-416)	4	
-74	415 536		SCREW - (MS35206-246)	8	
	407 563		WASHER - (AN960-8)	8	
	404 910		NUT - (MS20365-832C)	8	
-75	400 003		BOLT - (AN4-6A)	8	
	407 565		WASHER - (AN960-416)	8	
-76	41789-00		FORK - Main gear lock rod attachment	2	
	41789-02	A	FORK - Main gear lock rod attachment	2	
-77	400 384		BOLT - (AN10-36)	4	
	407 571		WASHER - (AN960-1016)	AR	
	80122-128		WASHER	AR	
	404 107		NUT - (AN310-10)	4	
	424 068		COTTER PIN - (MS24665-355)	4	
-78	400 309		BOLT - (AN8-30)	2	
	407 569		WASHER - (AN960-816)	AR	
	404 105		NUT - (AN310-8)	2	
	424 060		COTTER PIN - (MS24665-285)	2	
-79	401 195		BOLT - (AN5-17A)	2	
	40559-34		WASHER	4	
	404 889		NUT - (MS20365-524C)	2	
-80	401 404		BOLT - (AN6-24A)	2	
	407 567		WASHER - (AN960-616)	2	
	404 890		NUT - (MS20365-624C)	2	
-81	85012-105		WASHER - Main gear link assembly	2	
-82	40288-00		TRUNNION ASSEMBLY - Landing gear, aft	2	
	40290-00		TRUNNION ASSEMBLY - Landing gear, forward	2	
-83	453 768		* BUSHING - Trunnion (NAS77-10-94)	1	
-84	40294-00		FITTING ASSEMBLY - Main gear side brace, aft	2	
	40309-00		FITTING ASSEMBLY - Main gear side brace, forward	2	
-85	453 770		* BUSHING - Fitting assembly (NAS77-8-84) aft	1	
	453 778		* BUSHING - Fitting assembly (NAS77-18-88) forward	1	
-86	43300-02		SHIM - Landing gear pivot shaft (.040)	AR	
	43300-03		SHIM - Landing gear pivot shaft (.032)	AR	
	43300-04		SHIM - Landing gear pivot shaft (.025)	AR	
	43300-05		SHIM - Landing gear pivot shaft (.020)	AR	
	43300-06		SHIM - Landing gear pivot shaft (.012)	AR	
-87	42129-04		BUSHING - Main landing gear	2	
-88	80122-129		WASHER - (.020)	AR	
	80122-130		WASHER - (.032)	AR	
	80122-131		WASHER - (.042)	AR	
-89	488 670		TIE - Cable (TY25M TY Rap)	2	

A - Used if Main Landing Gear Lock Rod Attachment Fork Replacement Kit 764 127 has been installed per Service Letter No. 921.

When ordering, always specify Part Number, Description and Serial Number of Aircraft

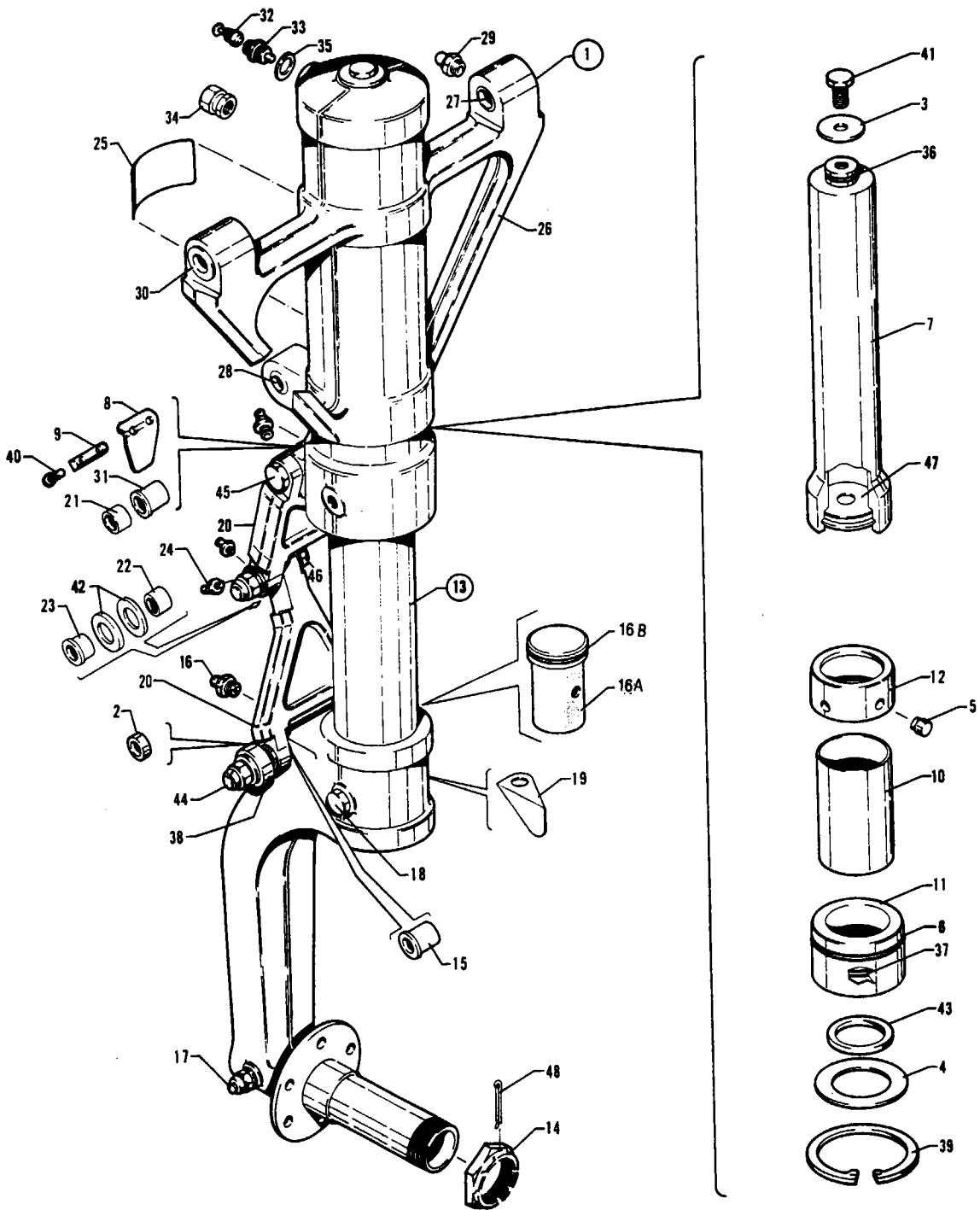


Figure 40. Main Gear Strut Assembly

## PIPER PARTS CATALOG

Figure and Index Number	Part Number	Code	NOMENCLATURE	No. Req.	SERIAL NUMBERS AFFECTED
40-1	45504-00		STRUT ASSEMBLY - Main gear, left	1	
	45504-01		STRUT ASSEMBLY - Main gear, right	1	
-2	14175-106		* BUSHING - Main gear, retraction bearing spacer	1	
-3	19513-95		* WASHER - Orifice tube bolt	1	
-4	19513-96		* WASHER - Wiper strip retainer	1	
-5	01821-07		* PIN - Main gear bearing retainer	4	
-6	462 051		* GASKET - "O" Ring (AN6230-14)	1	
-7	44933-03		* TUBE ASSEMBLY - Main gear orifice (includes orifice plate and retaining ring)	1	
-8	40242-00		* DEFLECTOR - Anti-retraction switch, left	1	
	40242-01		* DEFLECTOR - Anti-retraction switch, right	1	
-9	40243-00		* PLATE - Anti-retraction switch attachment	1	
-10	40244-00		* TUBE - Main gear spacer	1	
-11	40246-00		* BEARING - Main gear, bottom	1	
-12	40247-00		* BEARING - Main gear, top	1	
-13	45504-04		* FORK ASSEMBLY - Main gear, left (includes piston tube, fork and axle)	1	
	45504-05		* FORK ASSEMBLY - Main gear, right (includes piston tube, fork and axle)	1	
-14	45334-00		** NUT - Axle	1	
-15	43256-02	A	** BUSHING - Main gear fork (.5140 O. D.) notched	2	
	20737-40	A	** BUSHING - Main gear fork (.5015 O. D.) unnotched	2	
-16	460 823		** FITTING - Lubrication (MS15001-1)	1	
-16a	45332-00		** PLUG - Main gear piston tube	1	
-16b	484 781		** GASKET - "O" Ring (MS28775-140)	1	
-17	401 410		** BOLT - Axle attachment (AN6-31A)	1	
	407 567		** WASHER - Axle attachment (AN960-616)	1	
	404 890		** NUT - Axle attachment (MS20365-624C)	1	
-18	401 420		** BOLT - Fork attachment (AN6-40A)	1	
	404 890		** NUT - Fork attachment (MS20365-624C)	1	
-19	41219-00		** BRACKET - Main gear brake line, left	1	
	41219-01		** BRACKET - Main gear brake line, right	1	
-20	40257-00		* LINK ASSEMBLY - Main gear torque	2	
-21	453 786		** BUSHING - Main gear link (NAS75-6-011)	2	
-22	453 809		** BUSHING - Main gear link (NAS75-7-011)	1	
-23	453 775		** BUSHING - Main gear link (NAS77-7-35)	1	
-24	460 691		** FITTING - Lubrication (AN944-101)	1	
-25	40292-04		* PLACARD - Oleo service instructions	1	
-26	40327-00		* HOUSING ASSEMBLY - Main gear	1	
-27	43256-05	B	** BUSHING - Main gear housing (.7628 O. D.) notched	2	
	61402-99	B	** BUSHING - Main gear housing (.7518 O. D.) unnotched	2	
-28	43256-03	B	** BUSHING - Main gear housing (.6378 O. D.) notched	2	
	61402-98	B	** BUSHING - Main gear housing (.6268 O. D.) unnotched	2	
-29	460 691		** FITTING - Lubrication (AN944-101)	3	
-30	43256-04	B	** BUSHING - Main gear housing (.7628 O. D.) notched	2	
	20737-23	B	** BUSHING - Main gear housing (.7518 O. D.) unnotched	2	
-31	43256-02	B	** BUSHING - Main gear housing (.5140 O. D.) notched	2	
	20737-40	B	** BUSHING - Main gear housing (.5015 O. D.) unnotched	2	
-32	455 124		* CORE - Air valve (AN809-1)	1	
-33	453 124		* BODY - Air valve (AN812-1)	1	
-34	454 053		* CAP - Air valve (AN813-1B)	1	
-35	751 834		* GASKET - Air valve (AN901-5A)	1	
-36	752 713		* PACKING - "O" Ring (AN6227-15)	1	
-37	484 760		* PACKING - "O" Ring (AN6227-38)	1	

A - When ordering, ascertain if bushing is notched or unnotched on the end and O. D.

B - When ordering, ascertain if bearing is notched or unnotched on the end and O. D.

When ordering, always specify Part Number, Description and Serial Number of Aircraft

PIPER PARTS CATALOG

Figure and Index Number	Part Number	Code	NOMENCLATURE	No. Req.	SERIAL NUMBERS AFFECTED
40-38	452 429		* BEARING - Main gear (#6NBF817YJ2C)	1	
-39	484 762		* RING - Retaining (5000-350)	1	
-40	416 098		* SCREW - Switch mounting plate (AN500-A8-8)	2	
-41	401 388		* BOLT - Orifice tube (AN6H-5A)	1	
-42	407 568		* WASHER - (AN960-716)	1	
	407 591		* WASHER - (AN960-716L)	AR	
-43	187 625	A	* STRIP - Wiper (10V70)	1	
-44	402 377		* BOLT - Torque link, lower (AN176-51)	1	
	407 567		* WASHER - Torque link, lower (AN960-616)	3	
	404 103		* NUT - Torque link, lower (AN310-6)	1	
	424 059		* PIN - Torque link, lower (AN380-3-3)	1	
-45	402 370		* BOLT - Torque link, upper (AN176-42)	1	
	407 567		* WASHER - Torque link, upper (AN960-616)	1	
	404 103		* NUT - Torque link, upper (AN310-6)	1	
	424 059		* PIN - Torque link, upper (AN380-3-3)	1	
-46	400 263		* BOLT - Torque link, center (AN7-22)	1	
	407 591		* WASHER - Torque link, center (AN960-716L)	1	
	404 104		* NUT - Torque link, center (AN310-7)	1	
	424 059		* PIN - Torque link, center (AN380-3-3)	1	
-47	54066-00	B	SHIM - Main gear orifice tube	1	
-48	424 071		PIN - Cotter (MS24665-360)	2	

A - Sold by the foot length.  
 B - Used only if retaining ring groove in orifice tube assembly is .105 wide.

When ordering, always specify Part Number, Description and Serial Number of Aircraft

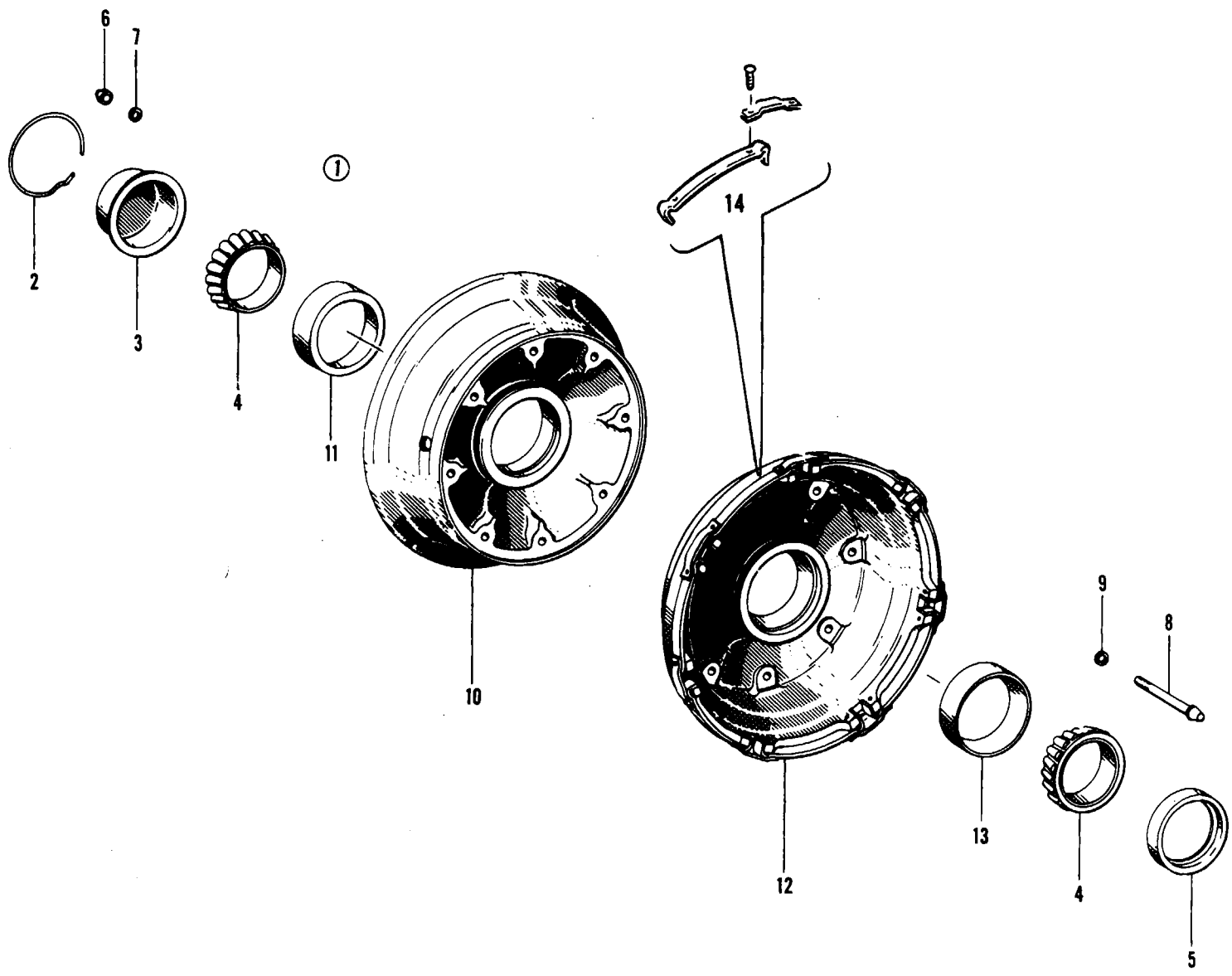


Figure 41. Main Wheel Assembly

**PIPER PARTS CATALOG**

Figure and Index Number	Part Number	Code	NOMENCLATURE	No. Req.	SERIAL NUMBERS AFFECTED
41-1	551 761		MAIN WHEEL ASSEMBLY	2	
-2	756 031		* RING - Retaining	1	
-3	757 894		* CAP - Hub	1	
-4	757 895		* CONE - Bearing	2	
-5	757 617		* SEAL - Inboard bearing	1	
-6	752 538		* NUT - Self-locking	8	
-7	756 628		* WASHER - Plain (MS20002-5)	8	
-8	758 158		* BOLT - Internal wrenching (MS20005-25)	8	
-9	756 629		* WASHER - Countersunk (MS20002C5)	8	
-10	756 630		* WHEEL SUB-ASSEMBLY - Outboard half	1	
-11	757 896		* * CUP - Bearing	1	
-12	756 631		* WHEEL SUB-ASSEMBLY - Inboard half	1	
-13	757 896		* * CUP - Bearing	1	
-14	760 715		* * KIT - Wheel slot shield, liner keyway and rivet package (package contains amount required for one wheel)	1	

When ordering, always specify Part Number, Description and Serial Number of Aircraft

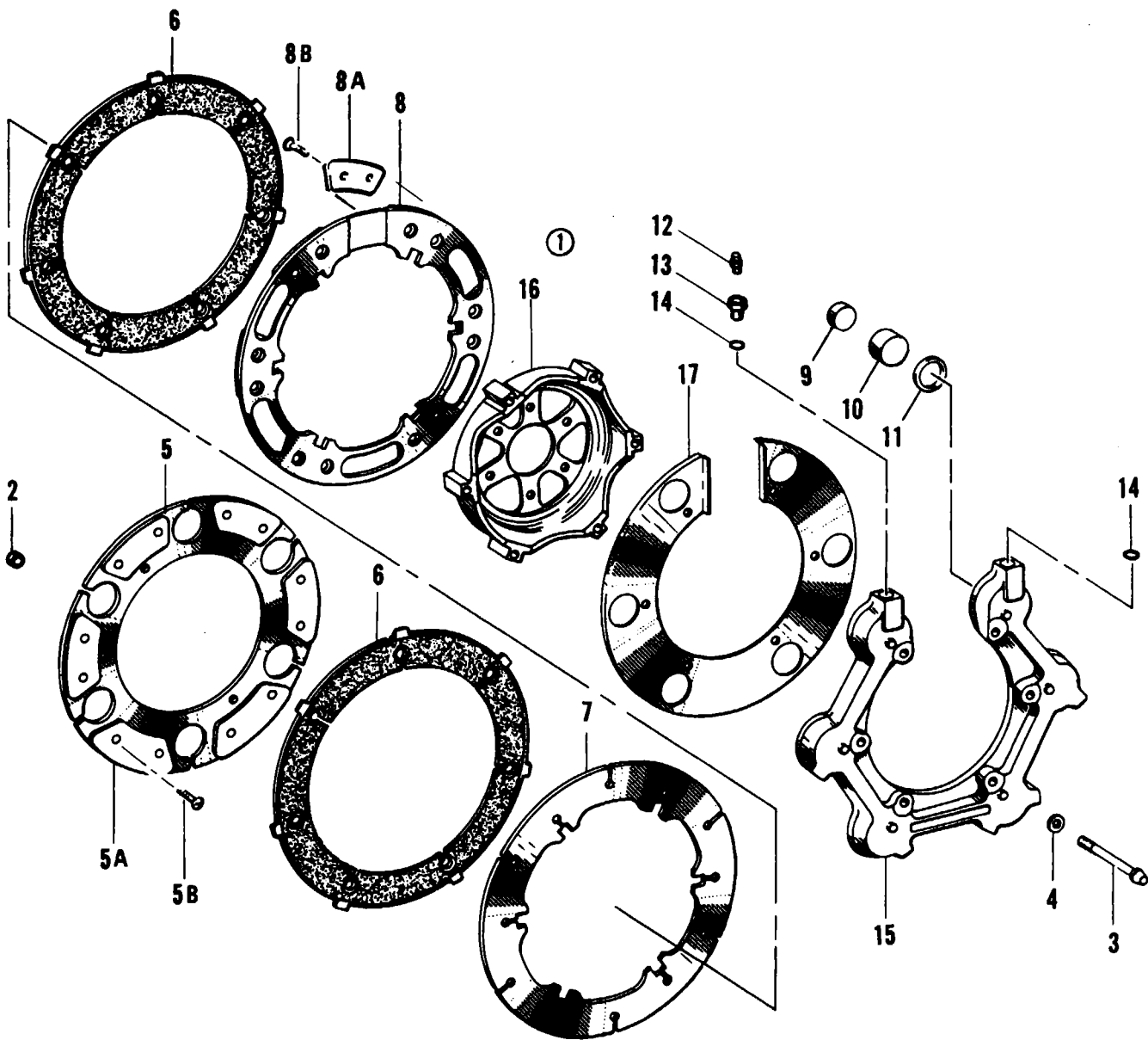


Figure 42. Main Wheel Brake Assembly



PIPER PARTS CATALOG

Figure and Index Number	Part Number	Code	NOMENCLATURE	No. Req.	SERIAL NUMBERS AFFECTED
42-1	551 710		BRAKE ASSEMBLY - Main wheel	2	
-2	752 538		* NUT - Self-locking	6	
-3	758 159		* BOLT - Brake (MS20005-34)	6	
-4	756 629		* WASHER - Countersunk (MS20002C5)	6	
-5	757 337		* BACK PLATE SUBASSEMBLY	1	
-5a	757 383		* * PAD - Wear	6	
	763 523		* * PAD - Wear, pre-ground	6	
-5b	756 054	A	* * RIVET - Wear pad	12	
	762 631	B	* * RIVET - Wear pad	12	
-6	754 580		* DISC - Rotating	2	
-7	754 581		* DISC - Stationary	1	
-8	757 338		* PRESSURE PLATE SUBASSEMBLY	1	
-8a	757 383		* * PAD - Wear	6	
	763 523		* * PAD - Wear, pre-ground	6	
-8b	756 054	A	* * RIVET - Wear pad	12	
	762 631	B	* * RIVET - Wear pad	12	
-9	755 425		* INSULATOR - Piston	6	
-10	757 339		* PISTON	6	
-11	484 693		* PACKING - O-ring (MS28775-220)	6	
-12	752 965		* VALVE - Bleeder	1	
-13	751 305		* ADAPTER - Bleeder	1	
-14	757 276		* PACKING - O-ring (MS28778-4)	2	
-15	752 023		* HOUSING - Subassembly	1	
-16	756 393		* TUBE - Torque	1	
-17	757 705		* SHIELD - Snow	1	

A - Used if pre-ground wear pads are not installed.  
B - Used if pre-ground wear pads are installed.

When ordering, always specify Part Number, Description and Serial Number of Aircraft

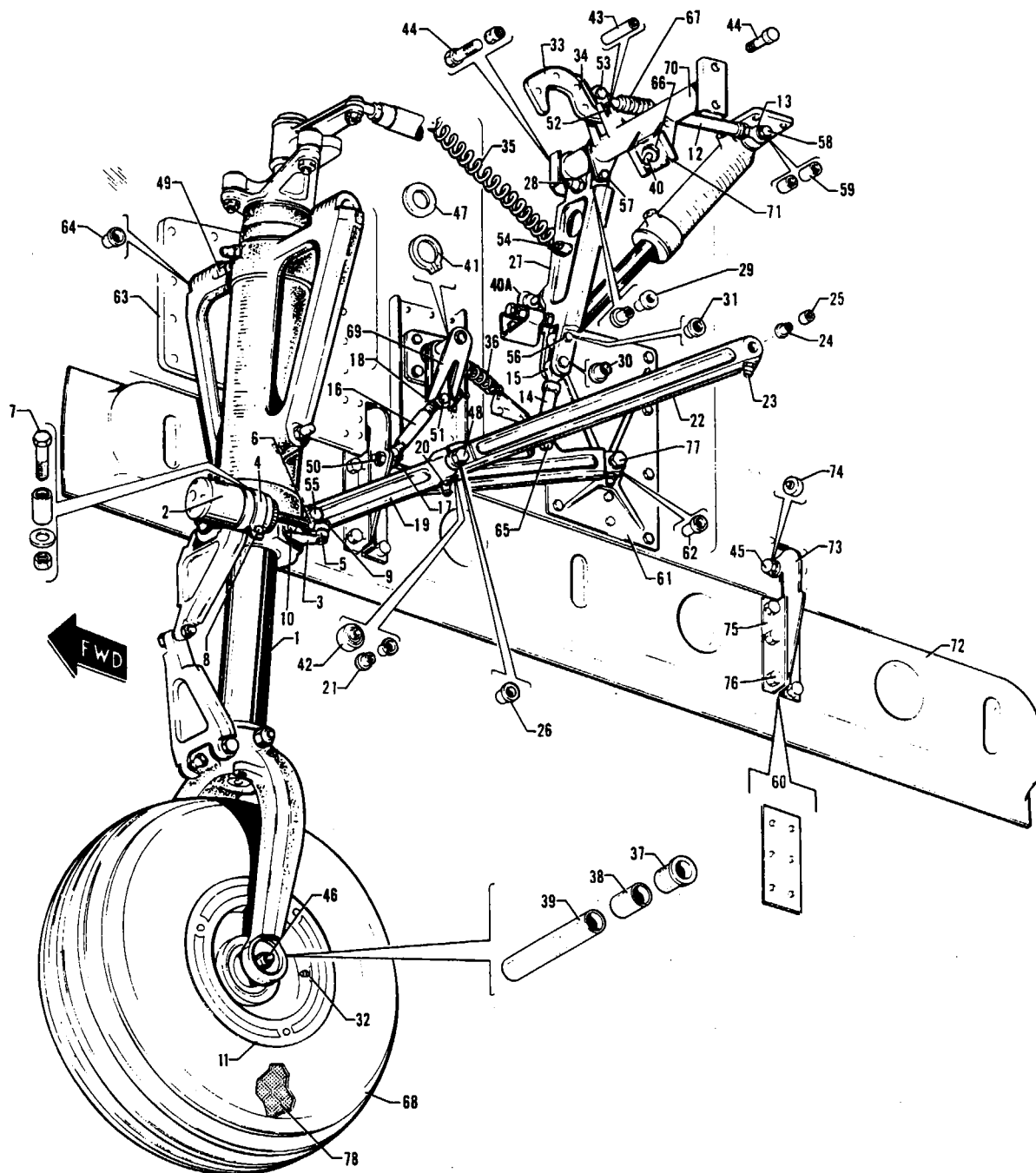


Figure 43. Nose Landing Gear Installation

**PIPER PARTS CATALOG**

Figure and Index Number	Part Number	Code	NOMENCLATURE	No. Req.	SERIAL NUMBERS AFFECTED
43-	45520		DRAWING - Nose Landing Gear Installation		
-1	45333-00	A	STRUT ASSEMBLY - Nose gear	1	
-2	456 010		* SHOCK ABSORBER - Shimmy dampener	1	
-3	47150-00		* BRACKET - Nose gear shimmy dampener	1	
-4	47153-00	C	* CLAMP ASSEMBLY - Nose gear shimmy dampener	1	
-5	452 357		* BEARING - (#M34-14)	1	
-6	404 225		* NUT - (AN315-4R)	1	
-7	400 015		* BOLT - (AN4-22A)	1	
	14843-116		* BUSHING	1	
	407 565		* WASHER - (AN960-416)	2	
	404 888		* NUT - (MS20365-428C)	1	
-8	400 440	C	* BOLT - (AN3-6A)	1	
	407 564	C	* WASHER - (AN960-10)	1	
	404 887	C	* NUT - (MS20365-1032C)	1	
-9	400 441		* BOLT - (AN3-7A)	1	
	404 887		* NUT - (MS20365-1032C)	1	
-10	401 263		* BOLT - (AN3H-3A)	2	
	407 584		* WASHER - (AN960-10L)	2	
-11	451 784	B,D	WHEEL ASSEMBLY - Nose gear (40-76B)	1	
	551 791	B	WHEEL ASSEMBLY - Nose gear (40-140)	1	
-12	41949-00		ROD ASSEMBLY - Landing gear lock, nose	1	
-13	452 383		* BEARING - (24166-00)	2	
-14	41790-00		ROD ASSEMBLY - Nose gear idler link	1	
-15	452 412		* BEARING - (#HMX-4S)	2	
-16	41793-00		ROD ASSEMBLY - Nose landing gear door	2	
-17	452 439		* BEARING - (PS10020-17-1R)	1	
-18	452 412		* BEARING - (#HMX-4S)	1	
-19	40317-00		LINK ASSEMBLY - Nose gear drag brace, lower	1	
-20	460 691		* FITTING - Lubrication (AN944-101)	2	
-21	453 776		* BUSHING - (NAS77-7-38)	4	
-22	40335-00		LINK ASSEMBLY - Nose gear drag brace, upper, left side	1	
	40336-00		LINK ASSEMBLY - Nose gear drag brace, upper, right side	1	
-23	460 823		* FITTING - Lubrication (MS15001-1)	1	
-24	453 776		* BUSHING - (NAS77-7-38)	1	
-25	753 471		* BUSHING - (NAS75-7-014)	1	
-26	453 723		* BUSHING - (NAS77-7-68)	1	
-27	46933-00		LINK ASSEMBLY - Nose gear idler	1	
-28	460 691		* FITTING - Lubrication (AN944-101)	1	
-29	453 774		* BUSHING - (NAS77-4-50)	2	
-30	20737-32		* BUSHING - Nose gear idler	2	
-31	20737-30		* BUSHING - Nose gear idler	2	
-32	41398-04		PLACARD - Tire inflation, nose (581 416)	1	
-33	41797-02		HOOK ASSEMBLY - Landing gear uplock, nose	1	
-34	41796-00		SPRING - Nose landing gear uplock hook	1	
-35	83302-54		SPRING - Coil, nose landing gear	1	
-36	83302-32		SPRING - Coil, nose landing gear	2	
-37	31798-02		PLUG - Axle, nose landing gear	2	
-38	31786-02		SPACER - Wheel, nose landing gear	2	
-39	31797-02		AXLE - Nose landing gear	1	

A - See Figure 44 for balance of component parts.  
 B - See Figure 45 for component parts.  
 C - Used if Monroe shimmy dampener is installed.  
 D - Order part no. 551 791 if nose wheel assembly has been replaced per Service Bulletin No. 700A.

When ordering, always specify Part Number, Description and Serial Number of Aircraft



Figure and Index Number	Part Number	Code	NOMENCLATURE	No. Req.	SERIAL NUMBERS AFFECTED
43-40	47937-00		SWITCH ASSEMBLY - Nose gear up	1	
-40a	47935-00		SWITCH ASSEMBLY - Nose gear down	1	
-41	484 768		RING - Snap (5100-62)	2	
-42	452 440		BEARING - (7NBC1015YJ2C)	1	
-43	42129-04		BUSHING - Nose landing gear	1	
-44	400 002		BOLT - (AN4-5A)	4	
	407 565		WASHER - (AN960-416)	8	
	404 888		NUT - (MS20365-428C)	4	
-45	401 311		BOLT - (AN4-11A)	2	
	407 565		WASHER - (AN960-416)	2	
	404 888		NUT - (MS20365-428C)	2	
-46	401 455		BOLT - (AN6-74A)	1	
	404 838		NUT - (MS20364-624C)	1	
-47	407 601		WASHER - (AN960-1016L)	4	
-48	402 437		BOLT - (AN177-37)	1	
	407 568		WASHER - (AN960-716)	1	
	404 104		NUT - (AN310-7)	1	
	424 059		COTTER PIN - (MS24665-283)	1	
-49	400 363		BOLT - (AN9-30)	2	
	407 570		WASHER - (AN960-916)	AR	
	55233-02		WASHER - Nose gear	AR	
	404 106		NUT - (AN310-9)	2	
	424 067		COTTER PIN - (MS24665-353)	2	
-50	400 441		BOLT - (AN3-7A)	2	
	407 564		WASHER - (AN960-10)	2	
	404 887		NUT - (MS20365-1032C)	2	
-51	400 105		BOLT - (AN4-10)	2	
	407 565		WASHER - (AN960-416)	2	
	404 101		NUT - (AN310-4)	2	
	424 052		COTTER PIN - (MS24665-134)	2	
-52	400 108		BOLT - (AN4-13)	1	
	407 565		WASHER - (AN960-416)	2	
	404 101		NUT - (AN310-4)	1	
	424 052		COTTER PIN - (MS24665-134)	1	
-53	400 106		BOLT - (AN4-11)	1	
	407 565		WASHER - (AN960-416)	1	
	407 585		WASHER - (AN960-416L)	1	
	404 101		NUT - (AN310-4)	1	
	424 052		COTTER PIN - (MS24665-134)	2	
-54	404 031		BOLT - Eye (AN42B-4)	1	
	407 564		WASHER - (AN960-10)	1	
	404 887		NUT - (MS20365-1032C)	1	
-55	402 425		BOLT - (AN177-25)	1	
	407 568		WASHER - (AN960-716)	1	
	404 104		NUT - (AN310-7)	1	
	424 059		COTTER PIN - (MS24665-283)	1	
-56	400 108		BOLT - (AN4-13)	2	
	407 585		WASHER - (AN960-416L)	2	
	404 101		NUT - (AN310-4)	2	
	424 052		COTTER PIN - (MS24665-134)	2	
-57	400 124		BOLT - (AN4-33)	1	
	404 101		NUT - (AN310-4)	1	
	424 052		COTTER PIN - (MS24665-134)	1	
-58	41792-00		BOLT - Hydraulic actuator, uplock rod	1	
	407 565		WASHER - (AN960-416)	2	
	404 888		NUT - (MS20365-428C)	1	

When ordering, always specify Part Number, Description and Serial Number of Aircraft

## PIPER PARTS CATALOG

Figure and Index Number	Part Number	Code	NOMENCLATURE	No. Req.	SERIAL NUMBERS AFFECTED
43-59	42129-03		BUSHING - Hydraulic actuator, uplock rod	2	
-60	53853-00		SHIM - Nose landing gear door (.032 thick)	AR	
	53853-02		SHIM - Nose landing gear door (.064 thick)	AR	
-61	40325-00		BRACKET ASSEMBLY - Nose gear drag link attachment, left	1	
	40325-01		BRACKET ASSEMBLY - Nose gear drag link attachment, right	1	
-62	453 736		* BUSHING - (NAS77-7-40)	1	
-63	45192-00		PLATE ASSEMBLY - Nose gear trunnion support, left	1	
	45192-01		PLATE ASSEMBLY - Nose gear trunnion support, right	1	
-64	453 782		* BUSHING - (NAS77-9-36)	1	
-65	400 107		BOLT - (AN4-12)	1	
	407 565		WASHER - (AN960-416)	1	
	404 101		NUT - (AN310-4)	1	
	424 052		COTTER PIN - (MS24665-134)	1	
-66	494 125		WASHER - Micro switch (EN10013)	1	
-67	453 206		BOOT - Nylon dust (ONN-401-4-13-2)	1	
-68	761 975		TIRE - (6.00 x 6, 8 ply) B. F. Goodrich	1	
	761 996		TIRE - (6.00 x 6, 8 ply) McCreary Airhawk	1	
	762 034		TIRE - (6.00 x 6, 8 ply) Goodyear Flight Custom II	1	
	451 748		TIRE - (17.5 x 6.25-6, 10 ply) B. F. Goodrich	1	
-69	41794-08		ARM ASSEMBLY - Nose landing gear door actuator, left	1	
	41794-09		ARM ASSEMBLY - Nose landing gear door actuator, right	1	
-70	41770-00		TUBE ASSEMBLY - Nose landing gear idler link support	1	
-71	41771-00		* BRACKET - Nose gear up switch	1	
-72	45794-00		DOOR ASSEMBLY - Nose landing gear, left	1	
	45794-01		DOOR ASSEMBLY - Nose landing gear, right	1	
-73	45786-02		* HINGE ASSEMBLY - Nose landing gear door, forward	1	
	45786-03		* HINGE ASSEMBLY - Nose landing gear door, aft	1	
-74	25704-00		* * BEARING - Hinge assembly	1	
-75	41612-04		* ANGLE - Nose landing gear door hinge attachment	4	
-76	400 438		* BOLT - Nose landing gear door hinge attachment (AN3-4A)	12	
-77	402 422		BOLT - (AN177-23)	2	
	407 591		WASHER - (AN960-716L)	AR	
	407 568		WASHER - (AN960-716)	AR	
	404 104		NUT - (AN310-7)	2	
	424 059		COTTER PIN - (MS24665-283)	2	
-78	451 735		TUBE - (6.00 x 6, Reg. balanced)	1	

When ordering, always specify Part Number, Description and Serial Number of Aircraft

# PIPER PARTS CATALOG

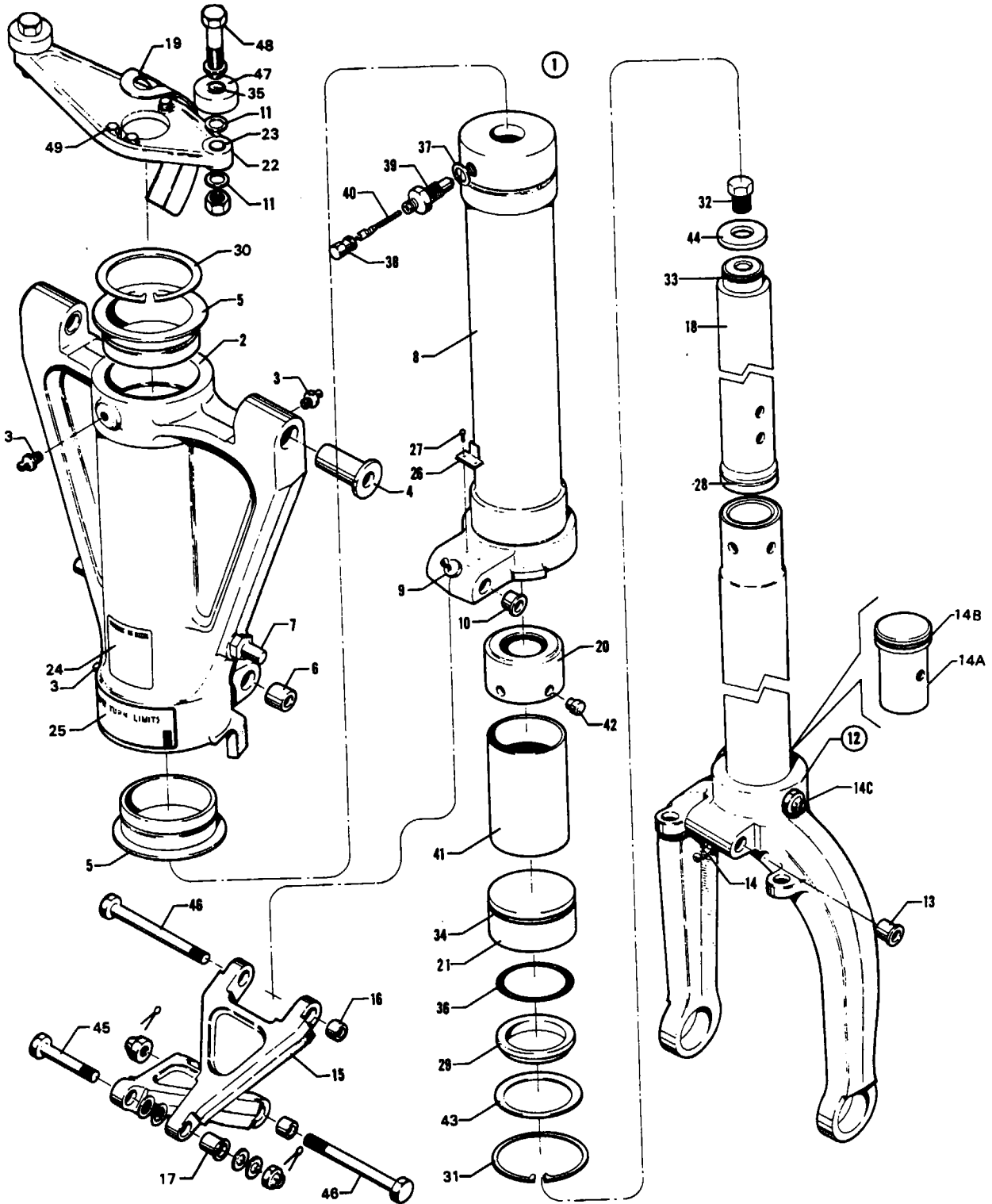


Figure 44. Nose Gear Strut Assembly

PIPER PARTS CATALOG

Figure and Index Number	Part Number	Code	NOMENCLATURE	No. Req.	SERIAL NUMBERS AFFECTED
44-1	45333-00		STRUT ASSEMBLY - Nose gear	1	
-2	45316-00		* HOUSING ASSEMBLY - Nose gear	1	
-3	460 691		* * FITTING - Lubrication (AN944-101)	4	
-4	43262-00	A	* * BUSHING - Nose gear housing (.7625 O. D.) notched	2	
	31766-02	A	* * BUSHING - Nose gear housing (.7525 O. D.) unnotched	2	
-5	40250-02		* * BUSHING - Nose gear housing, top and bottom (3.1285/3.1275 O. D.)	2	
	40250-03		* * BUSHING - Nose gear housing, top and bottom (3.1385/3.1375 O. D.)	2	
-6	43256-07	A	* * BUSHING - Nose gear housing (.5748 O. D.) notched	2	
	453 735	A	* * BUSHING - Nose gear housing (NAS75-7-016) (.5638 O. D.) unnotched	2	
-7	40263-00		* * STUD - Nose gear door pick-up	2	
-8	45314-00		* CYLINDER ASSEMBLY - Nose gear strut	1	
-9	460 691		* * FITTING - Lubrication (AN944-101)	1	
-10	43256-06	A	* * BUSHING - Nose gear strut cylinder (.4496 O. D.) notched	2	
	453 744	A	* * BUSHING - Nose gear strut cylinder (NAS77-5-42) (.4368 O. D.) unnotched	2	
-11	407 586		* WASHER - (AN960-516L)	4	
-12	45333-03		* FORK ASSEMBLY - Nose gear (complete) (includes fork, piston tube and plug)	1	
-13	751 367		* * BUSHING - Nose gear fork (PAC 31785-00)	2	
-14	460 800		* * FITTING - Lubrication (AN944-201)	1	
-14a	752 765		* * PLUG - Nose gear piston (PAC 31791-00)	1	
-14b	484 695		* * PACKING - "O" Ring (AN6227-25)	1	
-14c	402 360		* * BOLT - (AN176-33A)	1	
	407 567		* * WASHER - (AN960-616)	1	
	404 838		* * NUT - (MS20364-624C)	1	
-15	45318-00		* LINK ASSEMBLY - Nose gear torque	2	
-16	453 808		* * BUSHING - (#NAS75-5-011)	2	
-17	453 815		* * BUSHING - (#NAS77-4-42)	1	
-18	44865-03		* TUBE ASSEMBLY - Nose gear orifice	1	
-19	47555-00		* BRACKET ASSEMBLY - Nose gear aligner guide	1	
-20	751 363		* BEARING - Nose gear upper (PAC 31779-00)	1	
-21	45328-00		* BEARING - Nose gear lower	1	
-22	44386-00		* ARM ASSEMBLY - Nose gear steering	1	
-23	14976-11		* * BUSHING - Arm assembly	2	
-24	40292-02		* PLACARD - Oleo service instructions (581 156)	1	
-25	45331-00		* PLACARD - Tow turn limits (581 419)	1	
-26	42740-00		* INDICATOR - Tow turn	1	
-27	419 600		* SCREW - Drive (#MS21318-15)	2	
-28	484 674		* RING - Piston (PAC 29219-02)	1	
-29	187 625	B	* STRIP - Wiper (#10V70)	1	
-30	484 759		* RING - Retainer (#NAS51-300)	1	
-31	484 757		* RING - Retainer (#NAS50-262)	1	
-32	401 388		* BOLT - (AN6H-5A)	1	
-33	752 713		* PACKING - "O" Ring (#AN6227-15)	1	
-34	752 722		* GASKET - "O" Ring (#AN6230-6)	1	
-35	29999-05		* BUSHING - Nose gear steering roller	2	
-36	484 782		* PACKING - "O" Ring (#AN6227-32)	1	
-37	751 834		* GASKET - Air valve (#AN901-5A)	1	
-38	454 053		* CAP - Air valve (#AN813-1B)	1	
-39	453 124		* BODY - Air valve (#AN812-1)	1	
-40	455 124		* CORE - Air valve (#AN809-1)	1	

A - When ordering, ascertain if bushing is notched or unnotched on the end and O. D.  
B - Sold by foot length.

When ordering, always specify Part Number, Description and Serial Number of Aircraft

**PIPER PARTS CATALOG**

Figure and Index Number	Part Number	Code	NOMENCLATURE	No. Req.	SERIAL NUMBERS AFFECTED
44-41	31777-00		* SPACER - Nose gear bearing	1	
-42	01821-06		* PIN - Bearing retainer	4	
-43	31773-03		* WASHER - Nose gear lower bearing	1	
-44	45329-00		* WASHER - Nose gear	1	
-45	402 312		* BOLT - Nose gear torque link center (#AN174-14)	1	
	407 565		* WASHER - Nose gear torque link center (#AN960-416)	2	
	407 585		* WASHER - Nose gear torque link center (#AN960-416L)	2	
	404 101		* NUT - Nose gear torque link center (#AN310-4)	1	
	424 052		* PIN - Nose gear torque link center (MS24665-134)	1	
-46	402 344		* BOLT - Nose gear torque link (#AN175-32)	2	
	407 566		* WASHER - Nose gear torque link (#AN960-516)	2	
	404 102		* NUT - Nose gear torque link (#AN310-5)	2	
	424 052		* PIN - Nose gear torque link (#MS24665-134)	2	
-47	46783-00		* ROLLER - Nose gear steering, dia. 1.500	AR	
	46783-02		* ROLLER - Nose gear steering, dia. 1.620	AR	
	46783-03		* ROLLER - Nose gear steering, dia. 1.750	AR	
	46783-04		* ROLLER - Nose gear steering, dia. 1.375	AR	
	46783-05		* ROLLER - Nose gear steering, dia. 1.420	AR	
-48	401 359		* BOLT - (#AN5-20A)	2	
	407 566		* WASHER - (#AN960-516)	2	
	404 889		* NUT - (#MS20365-524C)	2	
-49	401 265		* BOLT - (AN3H-7A)	3	
	407 564		* WASHER - (AN960-10)	3	

When ordering, always specify Part Number, Description and Serial Number of Aircraft



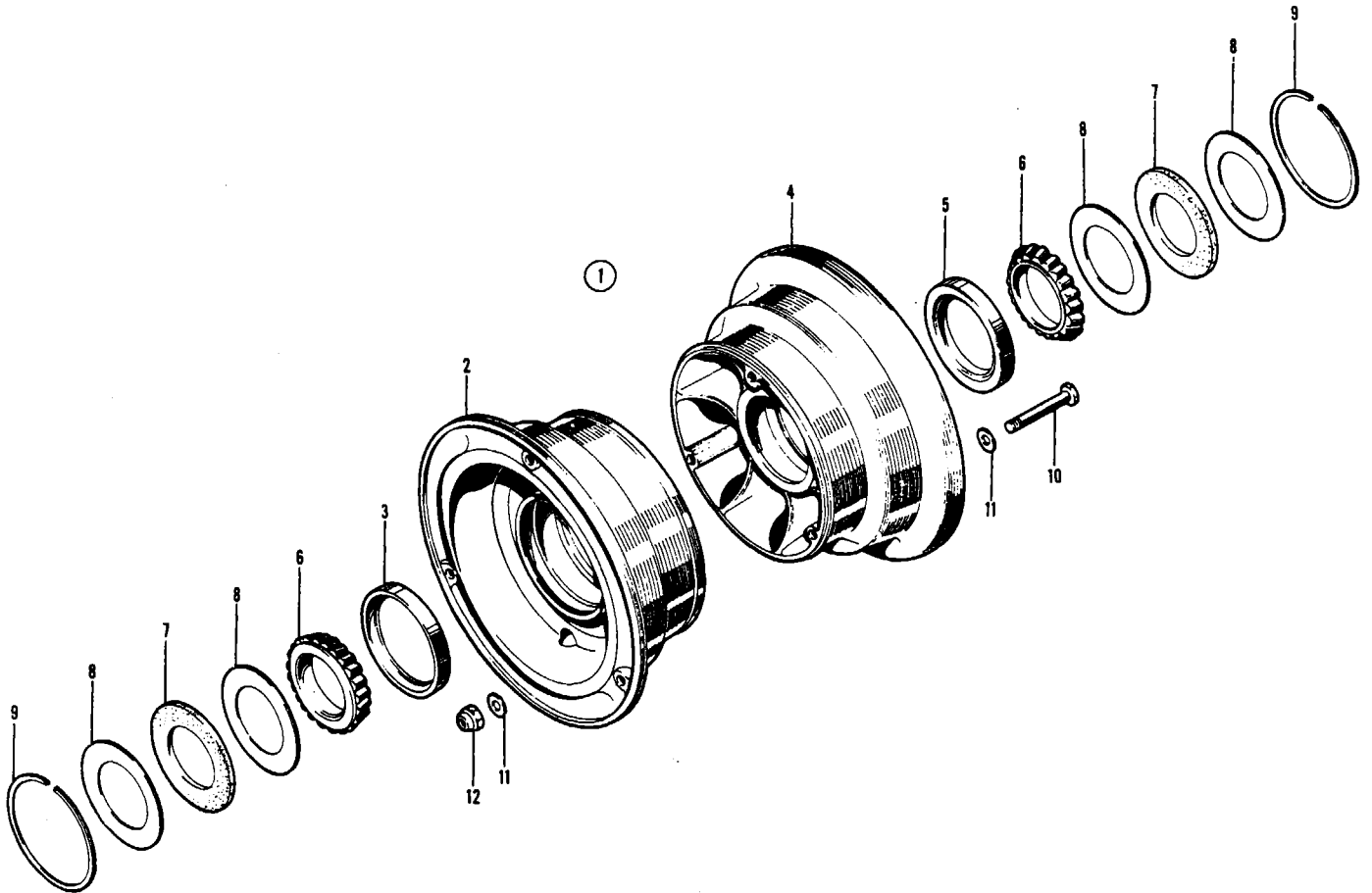


Figure 45. Nose Wheel Assembly

**PIPER PARTS CATALOG**

Figure and Index Number	Part Number	Code	NOMENCLATURE	No. Req.	SERIAL NUMBERS AFFECTED
45-1	451 784	C	WHEEL ASSEMBLY - Nose (40-76B)	1	
	551 791		WHEEL ASSEMBLY - Nose (40-140)	1	
-2	753 194	A	* WHEEL HALF ASSEMBLY - Outer (162-27) (with valve hole)	1	
	763 715	B	* WHEEL HALF ASSEMBLY - Outer (162-77) (with valve hole)	1	
-3	751 494		* * CUP - Bearing (13836)	1	
-4	753 195	A	* WHEEL HALF ASSEMBLY - Inner (161-30)	1	
	763 717	B	* WHEEL HALF ASSEMBLY - Inner (161-82)	1	
-5	751 494		* * CUP - Bearing (13836)	1	
-6	751 489		* BEARING CONE - (13889)	2	
-7	751 819		* FELT - Grease seal (154-14)	2	
-8	755 964		* RING - Grease seal (153-9)	4	
-9	752 830		* RING - Snap (3023)	2	
-10	751 405	A	* BOLT - (AN5-35A)	3	
	751 405	B	* BOLT - (AN5-35A)	6	
-11	407 566	A	* WASHER - (AN960-516)	6	
	407 566	B	* WASHER - (AN960-516)	12	
-12	404 889	A	* NUT - (AN365-524)	3	
	404 889	B	* NUT - (AN365-524)	6	

A - Used with Wheel Assembly 40-76B only.  
 B - Used with Wheel Assembly 40-140 only.  
 C - Order part no. 551 791 if nose wheel assembly has been replaced per Service Bulletin No. 700A.

When ordering, always specify Part Number, Description and Serial Number of Aircraft

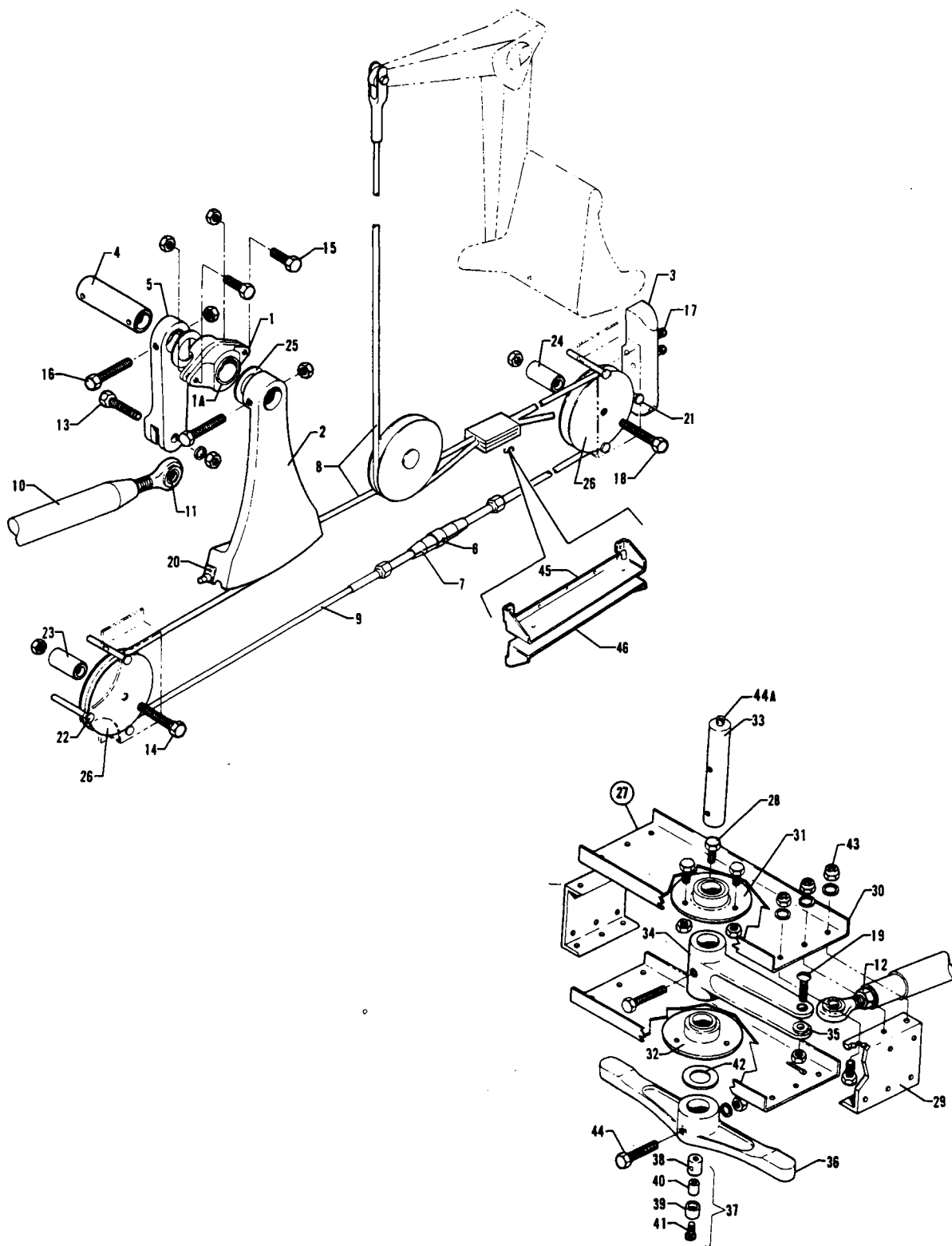


Figure 46. Nose Gear Steering Installation

PIPER PARTS CATALOG

Figure and Index Number	Part Number	Code	NOMENCLATURE	No. Req.	SERIAL NUMBERS AFFECTED
46-	46863		DRAWING - Nose Gear Steering Installation		
-1	47134-00		BRACKET ASSEMBLY - Nose gear steering	2	
-1a	20737-43		* BUSHING - Nose gear steering bracket	1	
-2	46947-00		SECTOR - Nose gear steering	1	
-3	47881-00		BLOCK - Rub	1	
-4	47080-00		SHAFT - Nose gear steering	1	
-5	46936-00		ARM - Nose gear steering, aft	1	
-6	452 011		TURNBUCKLE - Barrel (NAS649-B32S)	1	
-7	454 867		CLIP - Locking	1	
-8	48436-00		CABLE ASSEMBLY - Rudder and nose gear steering	1	
-9	46845-04		CABLE ASSEMBLY - Rudder	1	
-10	46986-00		TUBE ASSEMBLY - Nose gear steering	1	
-11	452 412		* BEARING - Magnaflexed (HMX-4S)	2	
-12	404 226		* NUT - (AN315-5R)	2	
	407 566		* WASHER - (AN960-516)	1	
-13	401 312		BOLT - (AN4-12A)	1	
	407 565		WASHER - (AN960-416)	1	
	404 888		NUT - (MS20365-428C)	1	
-14	400 011		BOLT - (AN4-16A)	1	
	404 888		NUT - (MS20365-428C)	1	
-15	400 004		BOLT - (AN4-7A)	2	
	404 888		NUT - (MS20365-428C)	2	
-16	400 012		BOLT - (AN4-17A)	2	
	404 888		NUT - (MS20365-428C)	2	
-17	415 522		SCREW - (MS35206-232)	2	
-18	400 009		BOLT - (AN4-14A)	1	
	404 888		NUT - (MS20365-428C)	1	
-19	400 708		BOLT - (AN24-23)	1	
	404 393		NUT - (AN320-4)	1	
	424 051		PIN - Cotter (MS24665-132)	1	
-20	415 535		SCREW - (MS35206-245)	2	
	407 042		WASHER - Lock (MS35338-42)	2	
-21	424 511		PIN - (NAS427K-17)	3	
-22	424 517		PIN - (NAS427K-22)	3	
-23	60998-05		BUSHING	1	
-24	60998-06		BUSHING	1	
-25	407 572		WASHER - (AN960-1616L)	AR	
-26	481 627		PULLEY - (MS24566-4B)	2	
-27	47074-02		ARM ASSEMBLY - Nose gear steering	1	
-28	400 438		* BOLT - (AN3-4A)	6	
	407 564		* WASHER - (AN960-10)	6	
	404 887		* NUT - (MS20365-1032C)	6	
-29	47144-00		* CHANNEL - Nose wheel steering	2	
-30	47071-00		* CHANNEL - Nose gear steering bearing	2	
-31	47056-02		* BEARING ASSEMBLY - Nose gear steering	1	
-32	47056-00		* BEARING ASSEMBLY - Nose gear steering	1	
-33	02052-02		* SHAFT ASSEMBLY - Nose gear steering	1	
-34	46961-00		* ARM ASSEMBLY - Nose gear steering	1	
-35	20737-42		* * BUSHING	2	
-36	47047-00		* ACTUATOR - Nose gear steering	1	

When ordering, always specify Part Number, Description and Serial Number of Aircraft

**PIPER PARTS CATALOG**

Figure and Index Number	Part Number	Code	NOMENCLATURE	No. Req.	SERIAL NUMBERS AFFECTED
46-37	47069-00		* ALIGNER ASSEMBLY - Nose gear	1	
-38	47068-00		* * ALIGNER	1	
-39	14976-15		* * BUSHING	1	
-40	14976-16		* * BUSHING	1	
-41	411 349		* * SCREW - (AN526-428-R14)	1	
-42	407 575		* WASHER - (AN960-1416)	1	
-43	401 266		* BOLT - (AN3-5A)	12	
	407 564		* WASHER - (AN960-10)	24	
	404 887		* NUT - (MS20365-1032C)	12	
-44	402 338		* BOLT - (AN175-16A)	2	
	407 566		* WASHER - (AN960-516)	2	
	404 889		* NUT - (MS20365-524C)	2	
-44a	460 691		* FITTING - Lubrication (AN944-101)	1	
-45	48868-02		BRACKET - Cable guide, top	1	
-46	48869-02		BRACKET - Cable guide, bottom	1	

When ordering, always specify Part Number, Description and Serial Number of Aircraft

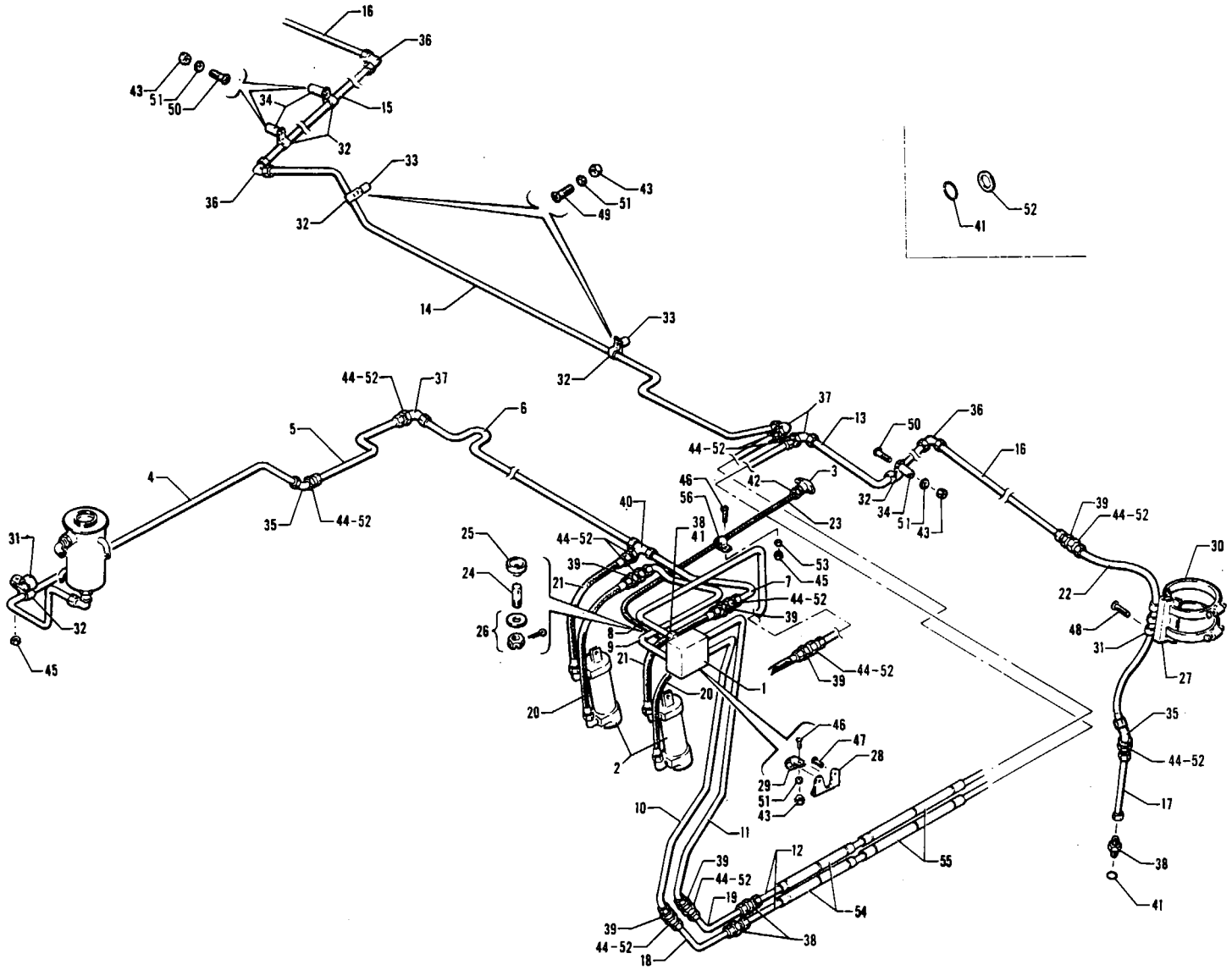


Figure 47. Brake System Installation



Figure and Index Number	Part Number	Code	NOMENCLATURE	No. Req.	SERIAL NUMBERS AFFECTED
47-	46837		DRAWING - Hydraulic Brake System Installation		
-1	492 152	A	VALVE - Parking brake (060-00301)	1	
-2	455 943	A	MASTER CYLINDER ASSEMBLY - Brake (10-17)	2	
-3	471 080		KNOB - Tee (KN578A)	1	
-4	46413-00		LINE ASSEMBLY - Hydraulic brake	1	
-5	45920-00		LINE ASSEMBLY - Hydraulic brake	1	
-6	45925-02	B	LINE ASSEMBLY - Hydraulic brake	1	
-7	42094-00	B	LINE ASSEMBLY - Hydraulic brake	1	
-8	45921-00		LINE ASSEMBLY - Hydraulic brake	1	
-9	45897-00		LINE ASSEMBLY - Hydraulic brake	1	
-10	46408-00		LINE ASSEMBLY - Hydraulic brake	1	
-11	46407-00		LINE ASSEMBLY - Hydraulic brake	1	
-12	42300-06		LINE ASSEMBLY - Hydraulic brake	2	
-13	46730-00		LINE ASSEMBLY - Hydraulic brake	1	
-14	46724-00		LINE ASSEMBLY - Hydraulic brake	1	
-15	46725-00		LINE ASSEMBLY - Hydraulic brake	1	
-16	42300-03		LINE ASSEMBLY - Hydraulic brake	1	
-17	47556-00		LINE ASSEMBLY - Hydraulic brake	2	
-18	46828-00		LINE ASSEMBLY - Hydraulic brake, right	1	
-19	46829-00		LINE ASSEMBLY - Hydraulic brake, left	1	
-20	565 226		HOSE ASSEMBLY - Flexible (80026-06)	2	
-21	565 225		HOSE ASSEMBLY - Flexible (80026-07)	2	
-22	17766-73		HOSE ASSEMBLY - Flexible, hydraulic brake	2	
-23	16775-03		CABLE ASSEMBLY - Parking brake	1	
-24	42809-00		STUD - Swivel fitting	1	
-25	70371-02		FITTING - Swivel	1	
-26	424 051		PIN - Cotter (MS24665-132)	1	
	407 584		WASHER - (AN960-10L)	1	
	404 100		NUT - (AN310-3)	1	
-27	41220-00		BRACKET ASSEMBLY	2	
-28	45853-00		BRACKET	1	
-29	454 887		CLAMP - (A4886S-3-1)	1	
-30	554 874		CLAMP - (QS200-MS65)	4	
-31	454 933		CLAMP - (A4908S-8-91)	6	
-32	454 929		CLAMP - (A4908S-4-91)	6	
-33	42129-11		BUSHING	2	
-34	42129-12		BUSHING	3	
-35	458 910		ELBOW - 45 degrees (AN837-4D)	3	
-36	458 880		ELBOW - 90 degrees (AN821-4D)	3	
-37	458 900		ELBOW - 90 degrees (AN833-4D)	3	
-38	491 050		UNION - (AN815-4D)	6	
-39	491 060		UNION - (AN832-4D)	7	
-40	488 383	B	TEE - (AN834-4D)	1	
-41	462 027		GASKET - (AN6290-4)	4	
-42			NUT - (AN315-3)	1	
-43	404 887		NUT - (MS20365-1032C)	6	
-44	477 618		NUT - (AN924-4D)	14	
-45	404 910		NUT - (MS20365-832C)	2	

A - See Figure 49 for component parts.  
B - See Figure 48 if Dual Brake is installed.

When ordering, always specify Part Number, Description and Serial Number of Aircraft



Figure and Index Number	Part Number	Code	NOMENCLATURE	No. Req.	SERIAL NUMBERS AFFECTED
47-46	411 532		SCREW - (MS35207-263)	1	
-47	417 703		SCREW - (AN526-1032R26)	2	
-48	411 530		SCREW - (MS35207-261)	6	
-49	416 998		SCREW - (AN526-1032R 18)	2	
-50	411 539		SCREW - (MS35207-270)		
-51	407 564		WASHER - (AN960-10)	6	
-52	407 568		WASHER - (AN960-716)	14	
-53	407 563		WASHER - (AN960-8)	1	
-54	80000-06		TUBE - Anti-chafing, rubber	2	
-55	80000-07		TUBE - Anti-chafing, rubber	2	
-56	454 887		CLAMP - Brake cable (PS10017-1-3)	1	

When ordering, always specify Part Number, Description and Serial Number of Aircraft







Figure and Index Number	Part Number	Code	NOMENCLATURE	No. Req.	SERIAL NUMBERS AFFECTED
48-	47245		DRAWING - Dual Brake Installation		
-1	455 943	A	MASTER CYLINDER ASSEMBLY - Brake (#10-17)	2	
-2	565 225		HOSE ASSEMBLY - Brake cylinder, upper port (80026-07)	2	
-3	565 226		HOSE ASSEMBLY - Brake cylinder, lower port (80026-06)	2	
-4	42062-00		TUBE ASSEMBLY - Hydraulic brake	1	
-5	45925-00		TUBE ASSEMBLY - Hydraulic brake	1	
-6	42064-00		TUBE ASSEMBLY - Hydraulic brake	1	
-7	42065-00		TUBE ASSEMBLY - Hydraulic brake	1	
-8	484 752		RING - (AN6291-4)	4	
-9	462 027		GASKET - (AN6290-4)	4	
-10	488 383		TEE - (AN834-4D)	1	
-11	458 900		ELBOW - (AN833-4D)	8	
-12	491 060		UNION - (AN832-4D)	1	
-13	424 176		PIN - Flat head (AN393-15)	2	
-14	424 051		COTTER PIN - (AN380-2-2)	2	
-15	400 116		BOLT - (AN4-23)	2	
	407 565		WASHER - (AN960-416)	2	
	404 101		NUT - (AN310-4)	2	
	424 052		COTTER PIN - (AN380-2-3)	2	
-16	477 676		NUT - (AN6289-D4)	4	
-17	407 584		WASHER - (AN960-10L)	2	
-18	477 618		NUT - (AN924-4D)	6	
	407 568		WASHER - (AN960-716)	6	
			A - See Figure 49 for component parts.		

When ordering, always specify Part Number, Description and Serial Number of Aircraft

# PIPER PARTS CATALOG

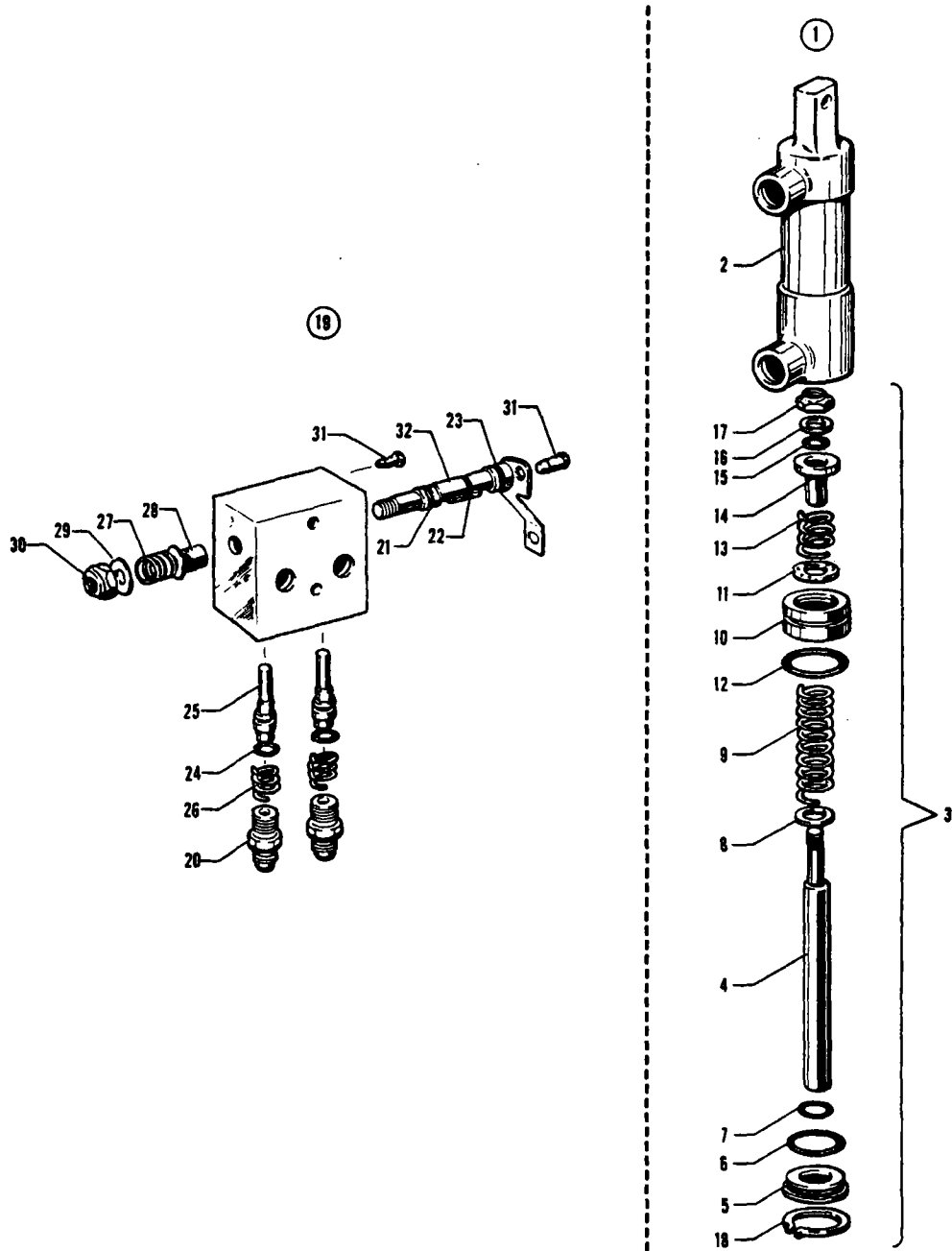


Figure 49. Master Cylinder and Parking Brake Valve

**PIPER PARTS CATALOG**

Figure and Index Number	Part Number	Code	NOMENCLATURE	No. Req.	SERIAL NUMBERS AFFECTED
49-1	455 943		MASTER CYLINDER ASSEMBLY - Brake (#10-17)	2	
-2	753 960		* CYLINDER ASSEMBLY - Hydraulic (#189-10)	1	
-3	755 952		* ROD ASSEMBLY - Piston (#182-8)	1	
-4	755 953		** ROD - Piston (#142-7)	1	
-5	751 890		** GLAND - Packing (#141-8)	1	
-6	484 730		** O-RING - (AN6227-14)	1	
-7	484 701		** O-RING - (AN6227-7)	1	
-8	407 567		** WASHER - (AN960-616)	1	
-9	756 259		** SPRING - (#82-19)	1	
-10	757 219		** PISTON - (#148-8)	1	
-11	753 215		** WASHER - (#95-251)	1	
-12	484 696		** O-RING - (AN6227-13)	1	
-13	756 119		** SPRING - (#82-10)	1	
-14	756 508		** VALVE - (#146-5)	1	
-15	752 735		** O-RING - (AN6227-3) (484 707)	1	
-16	407 564		** WASHER - (AN960-10)	1	
-17	404 835		** NUT - (AN364-1032)	1	
-18	755 955		* RING - Retaining (IRR3000-100) (#155-11)	1	
-19	492 152		VALVE ASSEMBLY - Parking brake (#060-00301)	1	
-20	476 648		* FITTING - Tube (AN816-4D)	2	
-21	752 735		* O-RING - (AN6227-3) (484 707)	1	
-22	484 700		* O-RING - (AN6227-5)	1	
-23	484 708		* O-RING - (AN6227-6)	1	
-24	755 908		* O-RING - (AN6227-1)	2	
-25	753 110		* VALVE - (146-2)	2	
-26	756 121		* SPRING - (82-11)	2	
-27	756 119		* SPRING - (82-10)	1	
-28	751 445		* BUSHING - (145-7)	1	
-29	407 564		* WASHER - (AN960-10)	2	
-30	404 835		* NUT - (AN364-1032)	1	
-31	757 238		* PIN - (177-2)	2	
-32	757 879		* CAM ASSEMBLY - Valve (#181-00301)	1	

When ordering, always specify Part Number, Description and Serial Number of Aircraft

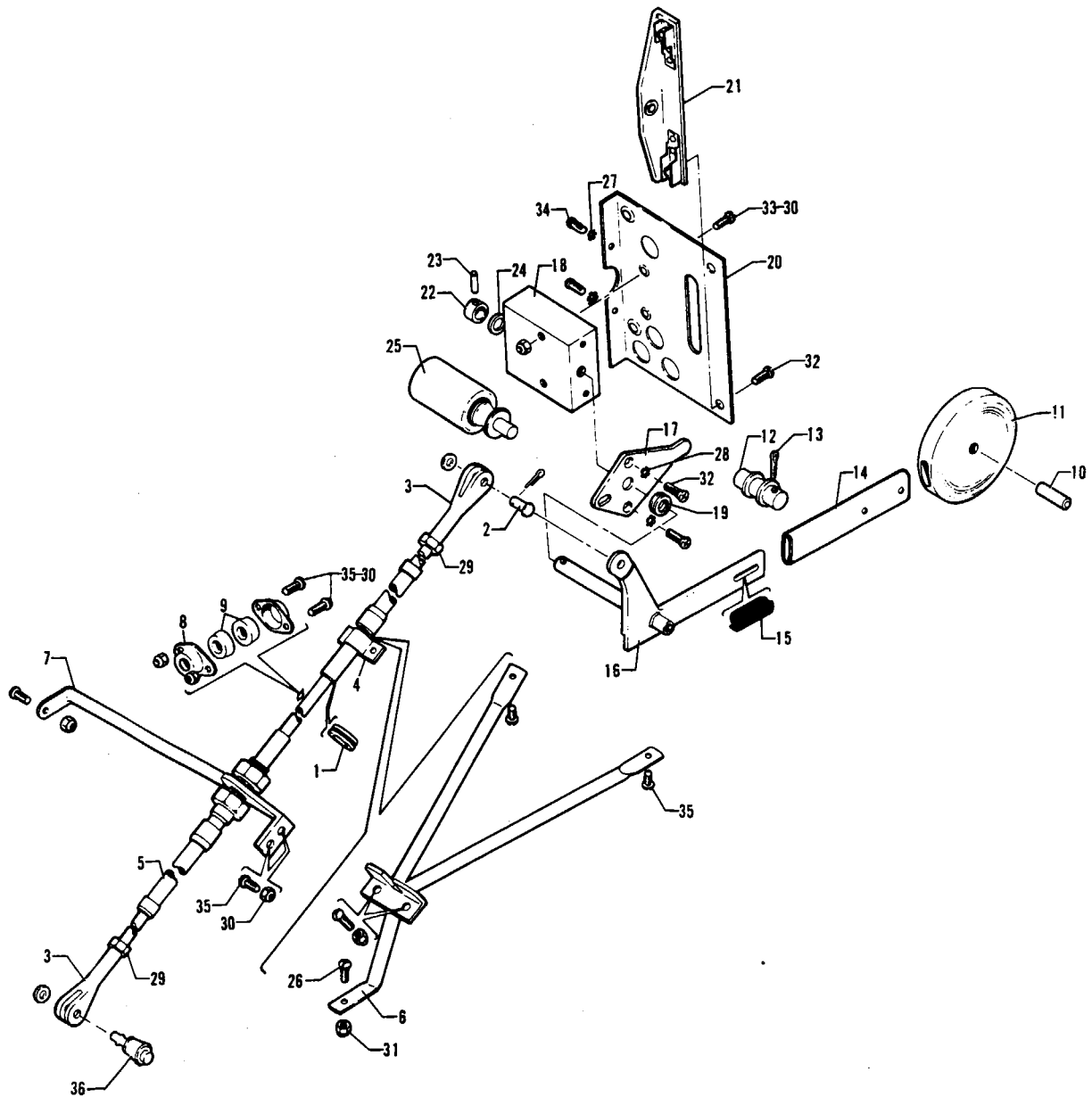


Figure 50. Landing Gear Selector Mechanism Installation



Figure and Index Number	Part Number	Code	NOMENCLATURE	No. Req.	SERIAL NUMBERS AFFECTED
50-	46260		DRAWING - Landing Gear Selector Mechanism Installation		
-1	434 127		GROMMET - (MS35489-5)	1	
-2	424 175		PIN - (MS20392-2C13)	1	
	407 584		WASHER - (AN960-10L)	1	
	424 051		PIN - Cotter (MS24665-132)	1	
-3	488 327		TERMINAL - (AN665-21R)	2	
-4	18219-02		CLAMP - Control cable	1	
-5	47132-00		CABLE ASSEMBLY - Flexible, push-pull	1	
-6	46258-00		BRACKET ASSEMBLY - Hydraulic powerpak control	1	
-7	45911-00		BRACKET ASSEMBLY - Powerpak control	1	
-8	22103-02		PLATE	2	
-9	22104-08		GROMMET	2	
-10	480 738		ROLL PIN - (#59-040-187-0500)	1	
-11	571 077		KNOB - (#OAS294-078-1)	1	
-12	41228-00		STOP PIN	1	
-13	424 050		COTTER PIN - (AN380-2-1)	1	
	407 584		WASHER - (AN960-10L)	1	
-14	41089-00		SLEEVE	1	
-15	487 464		SPRING - (#LC-026B-11)	1	
-16	46259-00		LEVER ASSEMBLY - Landing gear control	1	
-17	41139-00		STOP - Gear selector lever	1	
-18	41138-00		BLOCK - Lever mounting	1	
-19	407 566		WASHER - (AN960-516)	AR	
-20	46257-00		PLATE ASSEMBLY - Mounting	1	
-21	46256-00		ANGLE ASSEMBLY - Mounting	1	
-22	46255-00		BUSHING	1	
-23	480 705		ROLL PIN - (#59-028-125-0500)	1	
-24	408 815		WASHER - (#3502-18-04)	1	
-25	487 155		SOLENOID - (#L-3011)	1	
-26	411 532		SCREW - (MS35207-263)	3	
-27	407 134		LOCK WASHER - (AN936-A8)	2	
-28	407 151		LOCK WASHER - (AN936-D8)	2	
-29	404 224		NUT - (AN315-3R)	2	
-30	404 910		NUT - (MS20365-832C)	9	
-31	404 887		NUT - (MS20365-1032C)	1	
-32	414 763		SCREW - (MS24693-S50)	6	
-33	414 722		SCREW - (MS24693-S56)	2	
-34	415 533		SCREW - (MS35206-243)	2	
-35	415 535		SCREW - (MS35206-245)	7	
-36	53599-00		PIN - Cable attachment	1	

When ordering, always specify Part Number, Description and Serial Number of Aircraft

**1G24**

**INTENTIONALLY LEFT BLANK**

# PIPER PARTS CATALOG

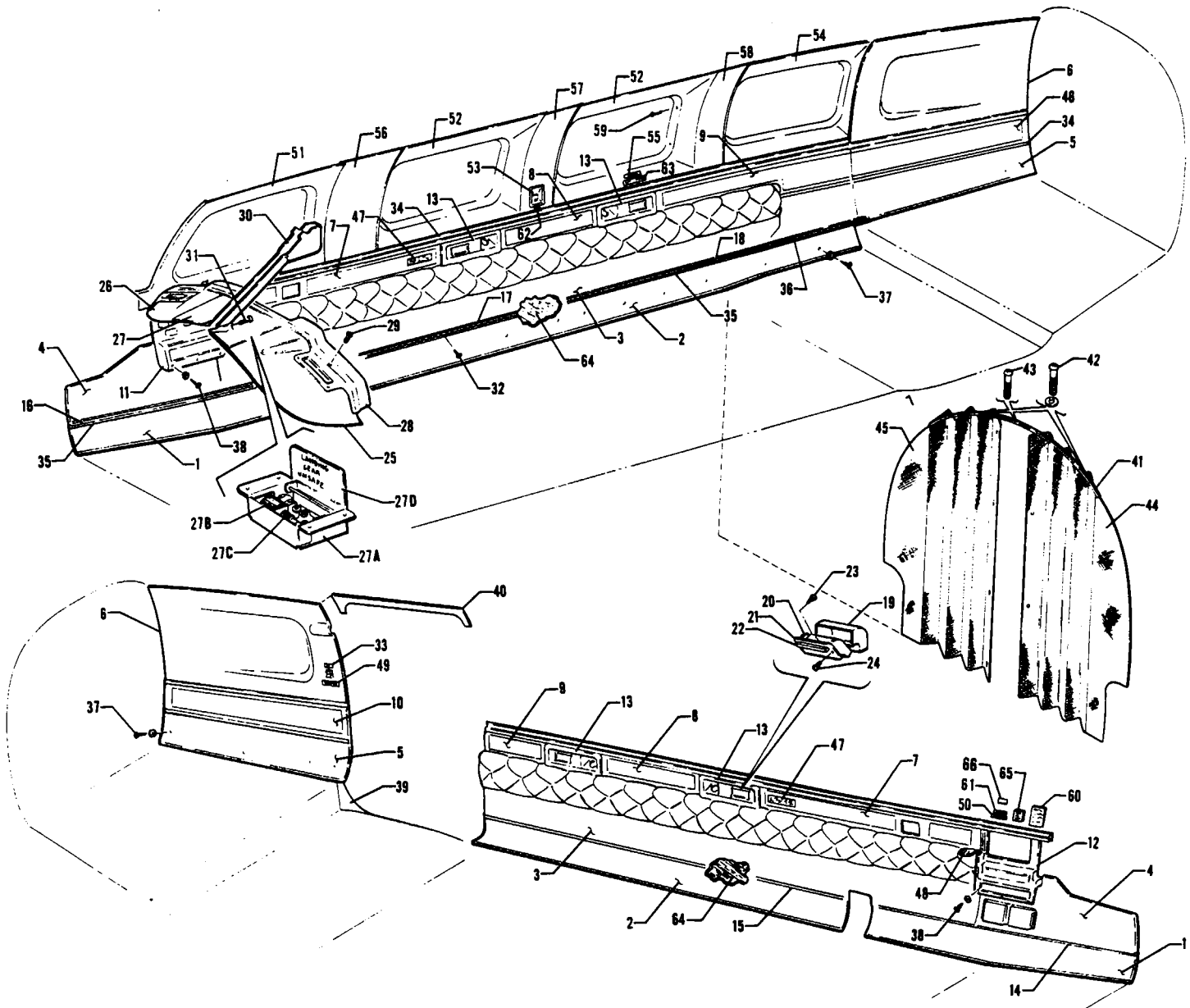


Figure 51. Cabin Interior Finishing Installation  
(31P-3 to 31P-7630005 inclusive)





Figure and Index Number	Part Number	Code	NOMENCLATURE	No. Req.	SERIAL NUMBERS AFFECTED
51-	47300 48400 48471		DRAWING - Cabin Interior Finishing Installation DRAWING - Cabin Interior Finishing Installation DRAWING - Window Trim Installation		31P-3 to 31P-7300132 inclusive 31P-7300133 and up
-1	47231-00 47231-02		PANEL ASSEMBLY - Trim, lower forward, left, red PANEL ASSEMBLY - Trim, lower forward, left, blue/green	1 1	31P-3 to 31P-7300132 inclusive 31P-3 to 31P-7300132 inclusive
	47231-04 47231-06 48390-00 48528-00 47231-01 47231-03	B,C B,D	PANEL ASSEMBLY - Trim, lower forward, left, copper PANEL ASSEMBLY - Trim, lower forward, left, gold PANEL ASSEMBLY - Trim, lower forward, left PANEL ASSEMBLY - Trim, lower forward, left PANEL ASSEMBLY - Trim, lower forward, right, red PANEL ASSEMBLY - Trim, lower forward, right, blue/green	1 1 1 1 1 1	31P-3 to 31P-7300132 inclusive 31P-3 to 31P-7300132 inclusive 31P-3 to 31P-7300132 inclusive 31P-7300133 and up 31P-7300133 and up 31P-3 to 31P-7300132 inclusive
	47231-05 47231-07 48390-01 48528-01	B,C B,D	PANEL ASSEMBLY - Trim, lower forward, right, copper PANEL ASSEMBLY - Trim, lower forward, right, gold PANEL ASSEMBLY - Trim, lower forward, right PANEL ASSEMBLY - Trim, lower forward, right	1 1 1 1	31P-3 to 31P-7300132 inclusive 31P-3 to 31P-7300132 inclusive 31P-7300133 and up 31P-7300133 and up
-2	47052-02 47052-03 47052-04 47052-05 48376-00 48524-00 47221-02 47221-03 47221-04 47221-05 48386-00 48530-00	B,C B,D	PANEL ASSEMBLY - Trim, center, left, red PANEL ASSEMBLY - Trim, center, left, blue/green PANEL ASSEMBLY - Trim, center, left, copper PANEL ASSEMBLY - Trim, center, left, gold PANEL ASSEMBLY - Trim, center, left PANEL ASSEMBLY - Trim, center, left PANEL ASSEMBLY - Trim, center, right, red PANEL ASSEMBLY - Trim, center, right, blue/green PANEL ASSEMBLY - Trim, center, right, copper PANEL ASSEMBLY - Trim, center, right, gold	1 1 1 1 1 1 1 1 1 1 1 1	31P-3 to 31P-7300132 inclusive 31P-3 to 31P-7300132 inclusive 31P-3 to 31P-7300132 inclusive 31P-3 to 31P-7300132 inclusive 31P-7300133 and up 31P-7300133 and up 31P-3 to 31P-7300132 inclusive 31P-3 to 31P-7300132 inclusive 31P-3 to 31P-7300132 inclusive 31P-3 to 31P-7300132 inclusive 31P-7300133 and up 31P-7300133 and up
-3	47258-02 47258-03 47258-04 47258-05 47258-24 48397-13 47253-02 47253-03 47253-04 47253-05 48393-02	A B	PANEL ASSEMBLY - Trim, center, right, red PANEL ASSEMBLY - Trim, center, right, blue/green PANEL ASSEMBLY - Trim, center, right, gold PANEL ASSEMBLY - Trim, center, right, rust PANEL ASSEMBLY - Trim, center, left PANEL ASSEMBLY - Trim, center, left PANEL ASSEMBLY - Trim, center, right, red PANEL ASSEMBLY - Trim, center, right, blue/green PANEL ASSEMBLY - Trim, center, right, gold PANEL ASSEMBLY - Trim, center, right, rust PANEL ASSEMBLY - Trim, center, right	1 1 1 1 1 1 1 1 1 1 1	31P-3 to 31P-109 inclusive 31P-3 to 31P-109 inclusive 31P-3 to 31P-109 inclusive 31P-3 to 31P-109 inclusive 31P-3 to 31P-7300110 to 31P-7300132 incl. 31P-7300133 and up 31P-3 to 31P-7300132 inclusive 31P-3 to 31P-7300132 inclusive 31P-3 to 31P-7300132 inclusive 31P-3 to 31P-7300132 inclusive 31P-7300133 and up

A - When ordering, specify color red, blue/green, gold or rust.  
B - Serial number of aircraft must be supplied when ordering this part.  
C - Used with contemporary and classic interiors only.  
D - Used with continental interiors only.

When ordering, always specify Part Number, Description and Serial Number of Aircraft



Figure and Index Number	Part Number	Code	NOMENCLATURE	No. Req.	SERIAL NUMBERS AFFECTED	
51-4	47219-00		PANEL ASSEMBLY - Trim, center forward, left, red	1	31P-3 to 31P-45 inclusive	
	47219-02		PANEL ASSEMBLY - Trim, center forward, left, blue/green	1	31P-3 to 31P-45 inclusive	
	47219-04		PANEL ASSEMBLY - Trim, center forward, left, gold	1	31P-3 to 31P-45 inclusive	
	47219-06		PANEL ASSEMBLY - Trim, center forward, left, rust	1	31P-3 to 31P-45 inclusive	
	48136-00	D	PANEL ASSEMBLY - Trim, center forward, left	1	31P-46 to 31P-7300132 inclusive	
	48384-00	E	PANEL ASSEMBLY - Trim, center forward, left	1	31P-7300133 and up	
	47670-02		PANEL ASSEMBLY - Trim, center forward, right, red	1	31P-3 to 31P-45 inclusive	
	47670-03		PANEL ASSEMBLY - Trim, center forward, right, blue/green	1	31P-3 to 31P-45 inclusive	
	47670-04		PANEL ASSEMBLY - Trim, center forward, right, gold	1	31P-3 to 31P-45 inclusive	
	47670-06		PANEL ASSEMBLY - Trim, center forward, right, rust	1	31P-3 to 31P-45 inclusive	
	47670-12	D	PANEL ASSEMBLY - Trim, center forward, right	1	31P-46 to 31P-7300132 inclusive	
	48381-00	E	PANEL ASSEMBLY - Trim, center forward, right	1	31P-7300133 and up	
	-5	47237-02		PANEL ASSEMBLY - Trim, lower, left, red	1	31P-3 to 31P-7300132 inclusive
		47237-03		PANEL ASSEMBLY - Trim, lower, left, blue/green	1	31P-3 to 31P-7300132 inclusive
47237-04			PANEL ASSEMBLY - Trim, lower, left, gold	1	31P-3 to 31P-7300132 inclusive	
47237-05			PANEL ASSEMBLY - Trim, lower, left, rust	1	31P-3 to 31P-7300132 inclusive	
48392-00		E	PANEL ASSEMBLY - Trim, lower, left	1	31P-7300133 and up	
47243-02			PANEL ASSEMBLY - Trim, lower, right, red	1	31P-3 to 31P-7300132 inclusive	
47243-03			PANEL ASSEMBLY - Trim, lower, right, blue/green	1	31P-3 to 31P-7300132 inclusive	
47243-04			PANEL ASSEMBLY - Trim, lower, right, gold	1	31P-3 to 31P-7300132 inclusive	
47243-05			PANEL ASSEMBLY - Trim, lower, right, rust	1	31P-3 to 31P-7300132 inclusive	
48389-00		E	PANEL ASSEMBLY - Trim, lower, right	1	31P-7300133 and up	
-6		46886-00		PANEL - Trim, rear baggage compartment, left	1	31P-3 to 31P-7300132 inclusive
	48455-00	F	PANEL - Trim, rear baggage compartment, left	1	31P-7300133 and up	
	46886-01		PANEL - Trim, rear baggage compartment, right	1	31P-3 to 31P-7300132 inclusive	
	48455-01	F	PANEL - Trim, rear baggage compartment, right	1	31P-7300133 and up	
-7	47758-00		STRIP ASSEMBLY - Trim, upper forward, left	1	31P-3 to 31P-109 inclusive	
	48379-02	C	STRIP ASSEMBLY - Trim, upper forward, left	1	31P-7300110 to 31P-7300152 incl.	
	48379-03		STRIP ASSEMBLY - Trim, upper forward, left	1	31P-7300153 and up	
-8	48383-00		STRIP ASSEMBLY - Trim, upper forward, right	1		
	48366-04		PANEL - Interior trim, upper, center, left and right	2		
-9	48366-03	A	PANEL - Interior trim, upper, center, right	1		
	48366-02		PANEL - Interior trim, upper, center, left	1		
-10	48380-02		PANEL - Interior trim, upper, center, right	1		
	48377-03	A	PANEL - Interior trim, upper, center, right	1		
	48380-03	B	PANEL - Interior trim, upper, center, right	1		
	48377-02		PANEL - Interior trim, upper, left	1		

A - Used if 7th Seat is installed.  
 B - Used if toilet seat is installed.  
 C - Order Part No. 48379-03 if Auxiliary Circuit Protector Panel is installed.  
 D - When ordering, specify color red, blue, gold or black.  
 E - Serial number of aircraft must be supplied when ordering this part.  
 F - When ordering, specify color white or beige.

When ordering, always specify Part Number, Description and Serial Number of Aircraft



Figure and Index Number	Part Number	Code	NOMENCLATURE	No. Req.	SERIAL NUMBERS AFFECTED
51-11	46629-14		COVER ASSEMBLY - Instrument mounting plate, walnut supreme	1	31P-3 to 31P-7300132 inclusive
	48387-03	A,B	COVER ASSEMBLY - Instrument mounting plate, walnut supreme	1	31P-7300133 and up
	48388-00	A,C	COVER ASSEMBLY - Instrument mounting plate	1	31P-7300133 and up
-12	47006-06		COVER - Circuit breaker mounting plate, walnut supreme	1	31P-3 to 31P-45 inclusive
-13	48371-00		TRIM COVER - Air vent and ash tray, left forward and right aft	2	
	48371-01		TRIM COVER - Air vent and ash tray, left aft and right forward	2	
-14	47224-00		STRIP - Panel trim, front, left	1	
-15	47224-02		STRIP - Panel trim, rear, left	1	
-16	47224-01		STRIP - Panel trim, front, right	1	
-17	47224-03		STRIP - Panel trim, center, right	1	
-18	47224-04		STRIP - Panel trim, rear, right	1	
-19	484 425		RETAINER ASSEMBLY - Ash tray (2A3310)	6	
-20	453 186		ASH TRAY AND SNUFFER ASSEMBLY - (2A17682)	6	
-21	480 264		PANEL - Ash tray front (2A16922)	6	
-22	42082-04		KNOB - Ash tray	6	
-23	419 753		SCREW - (6 x 3/8" L, Type A)	12	
-24	415 495		SCREW - (MS35206-230) Nickel finish	12	
-25	48396-02		ACCESS PANEL ASSEMBLY - Left	1	
-26	48396-03		ACCESS PANEL ASSEMBLY - Right	1	
-27	47178-04		ACCESS PANEL ASSEMBLY - Center	1	31P-3 to 31P-7300146 inclusive
	48396-04		ACCESS PANEL ASSEMBLY - Center	1	31P-7300147 and up
-27a	53691-00		BOX ASSEMBLY - Gear warning (complete)	1	31P-7300147 to 31P-7400230 incl.
-27b	53690-00		SOLENOID ASSEMBLY - Gear warning	1	31P-7300147 to 31P-7400230 incl.
-27c	83302-86		SPRING - Solenoid assembly	1	31P-7300147 to 31P-7400230 incl.
-27d	53685-00		PLACARD - Landing gear unsafe	1	31P-7300147 to 31P-7400230 incl.
-28	47190-00		TRIM PANEL ASSEMBLY	1	31P-3 to 31P-7400177 inclusive
	48732-05		TRIM PANEL ASSEMBLY	1	31P-7400178 and up
-29	415 449		SCREW - (AN526-832R8)	17	
-30	47131-00		COVER - Windshield panel trim	1	
-31	415 145		SCREW - (AN526-832R5)	1	
-32	419 956		SCREW - (6 x 3/8" L, Truss Sheet Metal, Type A)	57	
-33	41433-00		PLACARD - "Overhead Light Switch"	1	
-34	41322-00		EXTRUSION - Side panel trim (6' length)	AR	
-35	43943-00		EXTRUSION - Side panel trim (6' length)	AR	
-36	46469-00		EXTRUSION - Side panel trim (6' length)	AR	
-37	419 690		SCREW - (6 x 1/2" L, Pk. Oval head, Type A)	24	
	494 102		WASHER - (C-394)	24	
-38	419 693		SCREW - (6 x 5/8" L, Pk. Oval head, Type A)	6	31P-3 to 31P-45 inclusive
	494 102		WASHER - (C-394)	6	31P-3 to 31P-45 inclusive
-39	50696-13	D	CARPET ASSEMBLY - Door trim	1	31P-3 to 31P-7300132 inclusive
	48370-00	A	CARPET ASSEMBLY - Door trim	1	31P-7300133 and up

A - Serial number of aircraft must be supplied when ordering this part.  
 B - Used with contemporary and classic interiors only.  
 C - Used with continental interiors only.  
 D - When ordering, specify color red, blue/green, gold or rust.

When ordering, always specify Part Number, Description and Serial Number of Aircraft



Figure and Index Number	Part Number	Code	NOMENCLATURE	No. Req.	SERIAL NUMBERS AFFECTED
51-40	48368-00	C	PANEL ASSEMBLY - Interior trim, upper door	1	
-41	32547-00	A	EXTRUSION - Curtain track (6' length)	AR	
-42	415 745	A	SCREW - (6-32 x 5/8" L, Mach., Std. Oval P.H. nickel finish)	2	
	494 102	A	WASHER - (C-394)	2	
-43	415 522	A	SCREW - (MS35206-232)	1	
-44	50847-02	A	CURTAIN ASSEMBLY - Cabin divider, aft, left, white	1	31P-3 to 31P-7300132 inclusive
	50847-04	A	CURTAIN ASSEMBLY - Cabin divider, aft, left, opal	1	31P-3 to 31P-7300132 inclusive
	50847-06	A	CURTAIN ASSEMBLY - Cabin divider, aft, left, gold dust	1	31P-3 to 31P-7300132 inclusive
	50847-08	A	CURTAIN ASSEMBLY - Cabin divider, aft, left, apricot	1	31P-3 to 31P-7300132 inclusive
	53367-00	A,B	CURTAIN ASSEMBLY - Cabin divider, aft, left	1	31P-7300133 and up
-45	50847-03	A	CURTAIN ASSEMBLY - Cabin divider, aft, right, white	1	31P-3 to 31P-7300132 inclusive
	50847-05	A	CURTAIN ASSEMBLY - Cabin divider, aft, right, opal	1	31P-3 to 31P-7300132 inclusive
	50847-07	A	CURTAIN ASSEMBLY - Cabin divider, aft, right, gold dust	1	31P-3 to 31P-7300132 inclusive
	50847-09	A	CURTAIN ASSEMBLY - Cabin divider, aft, right, apricot	1	31P-3 to 31P-7300132 inclusive
	53367-01	A,B	CURTAIN ASSEMBLY - Cabin divider, aft, right	1	31P-7300133 and up
-46	48367-00		PANEL - Interior trim, upper, center, rear, right	1	
-47	44545-00		PLACARD - Aft facing seats	2	
-48	484 097		RECEIVER - Ash (6A33030)	1	31P-7300110 to 31P-7300132 incl.
	489 385		RECEIVER - Ash (65A2206)	1	31P-7300133 and up
-49	53777-02		PLACARD - Interior identification, continental	1	31P-7300133 and up
	53777-03		PLACARD - Interior identification, classic	1	31P-7300133 to 31P-7400230 incl.
	53777-04		PLACARD - Interior identification, contemporary	1	31P-7300133 and up
-50	48625-00		PLACARD - Strobe light	1	31P-7300133 to 31P-7630005 incl.
-51	46884-02		MOULDING - Window, left front	1	31P-3 to 31P-7300132 inclusive
	51249-00	C	MOULDING - Window, left front	1	31P-7300133 and up
	46884-03		MOULDING - Window, right front	1	31P-3 to 31P-7300132 inclusive
	48450-03	C	MOULDING - Window, right front	1	31P-7300133 and up
-52	46882-02		MOULDING - Window	3	31P-3 to 31P-7300132 inclusive
	48421-02	C	MOULDING - Window	3	31P-7300133 and up
-53	51270-00	C	TRIM COVER - Lighter	2	31P-7300153 and up
-54	46885-02		MOULDING - Window, rear, right	1	31P-3 to 31P-7300132 inclusive
	48451-04	C	MOULDING - Window, rear, right	1	31P-7300133 and up
-55	42457-00		PLACARD - Seat latching (581 270)	3	
-56	47200-00		PANEL ASSEMBLY - Window trim, front, left	1	31P-3 to 31P-7300132 inclusive
	48415-00	C	PANEL ASSEMBLY - Window trim, front, left	1	31P-7300133 and up
	48016-00	D	PANEL ASSEMBLY - Window trim, front, left	1	31P-3 to 31P-7300132 inclusive
	48579-00	C,D	PANEL ASSEMBLY - Window trim, front, left	1	31P-7300133 and up
	47200-01		PANEL ASSEMBLY - Window trim, front, right	1	31P-3 to 31P-7300132 inclusive
	48415-01	C	PANEL ASSEMBLY - Window trim, front, right	1	31P-7300133 and up
	48016-01	D	PANEL ASSEMBLY - Window trim, front, right	1	31P-3 to 31P-7300132 inclusive
	48579-01	C,D	PANEL ASSEMBLY - Window trim, front, right	1	31P-7300133 and up
-57	47201-00	E	PANEL ASSEMBLY - Window trim, front, center, left and right	2	31P-3 to 31P-7300132 inclusive
	48411-03	C	PANEL ASSEMBLY - Window trim, front, center, left and right	2	31P-7300133 and up

A - Used when toilet seat is installed.  
 B - Serial number of aircraft must be supplied when ordering this part.  
 C - When ordering, specify color white or beige.  
 D - Used when shoulder harness assembly is installed.  
 E - See Figure 61 if folding table is installed.

When ordering, always specify Part Number, Description and Serial Number of Aircraft

## PIPER PARTS CATALOG

Figure and Index Number	Part Number	Code	NOMENCLATURE	No. Req.	SERIAL NUMBERS AFFECTED
51-58	47203-00	A	PANEL ASSEMBLY - Window trim, rear, left	1	31P-3 to 31P-23 incl.
	47944-02	A	PANEL ASSEMBLY - Window trim, rear, left	1	31P-24 to 31P-7300132 incl.
	48398-00	A,B	PANEL ASSEMBLY - Window trim, rear, left	1	31P-7300133 and up
	47203-01		PANEL ASSEMBLY - Window trim, rear, right	1	31P-3 to 31P-23 incl.
	47951-02		PANEL ASSEMBLY - Window trim, rear, right	1	31P-24 to 31P-7300132 incl.
	48394-00		PANEL ASSEMBLY - Window trim, rear, right	1	31P-7300133 and up
-59	415 420		SCREW - (8-32 x 7/8" L, Phillips Hd.)	32	
	494 116		WASHER - (C-169)	32	
-60	47697-00		PLACARD - Check list	1	31P-3 to 31P-109 incl.
	47697-02		PLACARD - Check list	1	31P-7300110 and up
-61	54098-00	B	PLACARD - Armrest stowage	2	
-62	80247-02		PLACARD - Cigar lighter	2	
-63	80280-02		PLACARD - Seat limitation	1	
-64	187 967		INSULATION - (Foam-Sound-TAF 1/2) 34" wide	AR	31P-7630001 and up
-65	80487-02		PLACARD - Airspeed	1	31P-3 to 31P-7630005 incl.
-66	71859-02	C	PLACARD - Flap limitations	1	
<p>A - Refer to Figure 31 if cabin door snubber is installed.                      B - Used on aircraft that comply with C.A.A. (United Kingdom) requirements.                      C - Used if Flap Travel Restriction and Placard Installation Kit 764 397 has been installed per Service Bulletin 739.</p>					

When ordering, always specify Part Number, Description and Serial Number of Aircraft

# PIPER PARTS CATALOG

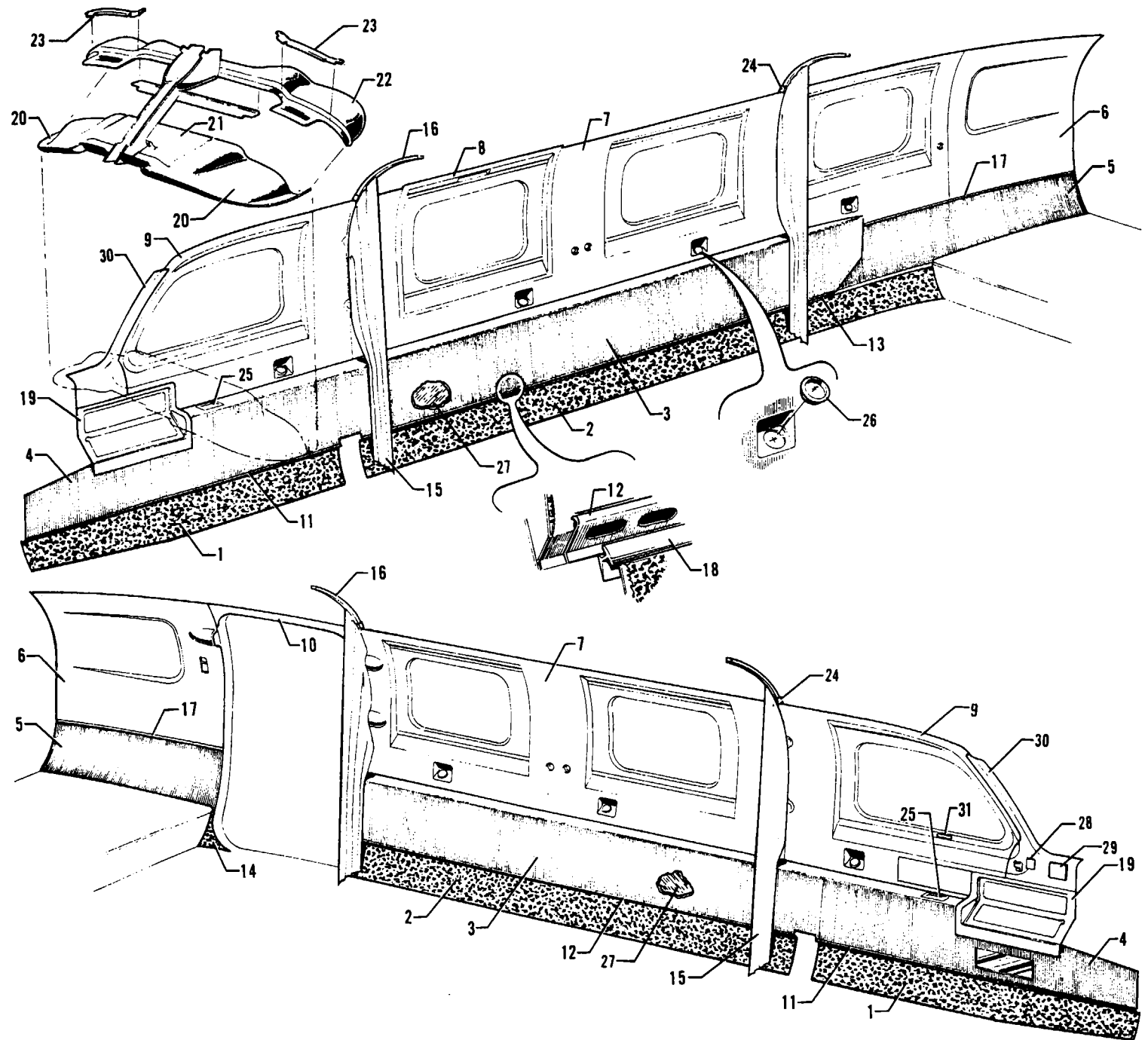


Figure 51A. Cabin Interior Finishing Installation  
(31P-7630006 and up)



Figure and Index Number	Part Number	Code	NOMENCLATURE	No. Req.	SERIAL NUMBERS AFFECTED
51A-	49100		DRAWING - Cabin Interior Finishing Installation		
-1	48528-04	A	PANEL ASSEMBLY - Trim, lower forward, left	1	
	48528-05	A	PANEL ASSEMBLY - Trim, lower forward, right	1	
-2	48524-04	A	PANEL ASSEMBLY - Trim, center, left	1	
	48530-04	A	PANEL ASSEMBLY - Trim, center, right	1	
-3	49083-03	A	PANEL ASSEMBLY - Trim, center, left, armrest	1	
	49083-05	A	PANEL ASSEMBLY - Trim, center, right, armrest	1	
-4	48384-04	A	PANEL ASSEMBLY - Trim, center forward, left	1	
	48381-04	A	PANEL ASSEMBLY - Trim, center forward, right	1	31P-3 to 31P-7730003 inclusive
	51480-04	A	PANEL ASSEMBLY - Trim, center forward, right	1	31P-7730004 and up
-5	48392-06	A	PANEL ASSEMBLY - Trim, lower rear, left	1	
	48389-06	A	PANEL ASSEMBLY - Trim, lower rear, right	1	
-6	49077-03		MOULDING ASSEMBLY - Baggage compartment, left, rear	1	
	49070-06		MOULDING - Baggage compartment, right, rear	1	
-7	49060-06		MOULDING - Center and rear window, left	1	31P-7630006 to 31P-7630017 incl.
	49060-13		MOULDING - Center and rear window, left	1	31P-7630018 and up
	49067-06		MOULDING - Center forward and rear window, right	1	31P-7630006 to 31P-7630017 incl.
	49067-10		MOULDING - Center forward and rear window, right	1	31P-7630018 and up
-8	48464-09		MOULDING - Emergency exit window, right	1	
-9	49066-06		MOULDING - Window, front, left (one piece)	1	31P-7630006 to 31P-7630019 incl.
	54903-12		MOULDING - Window, front, left	1	31P-7730001 and up
	49066-07		MOULDING - Window, front, right (one piece)	1	31P-7630006 to 31P-7630019 incl.
	54903-13		MOULDING - Window, front, right	1	31P-7730001 and up
-10	48368-04		PANEL - Interior trim, upper door, left	1	
-11	47224-00		STRIP - Trim panel, left, front	1	
	47224-01		STRIP - Trim panel, right, front	1	
-12	47224-02		STRIP - Trim panel, center, left	1	
	47224-03		STRIP - Trim panel, center, right	1	
-13	47224-04		STRIP - Trim panel, rear, right	1	
-14	48370-04	A	CARPET ASSEMBLY - Door trim, left	1	
-15	49091-02	A,B	CURTAIN ASSEMBLY - Left	2	
	49091-03	A,B	CURTAIN ASSEMBLY - Right	2	
-16	47251-37		TRACK - Curtain, rear	1	
	48197-02		TRACK - Curtain, front	1	
-17	47251-22		EXTRUSION ASSEMBLY - Left, rear	1	
	47251-18		EXTRUSION ASSEMBLY - Right, rear	1	
-18	43943-00		EXTRUSION - Side panel trim (6' length)	AR	
-19	48387-08		COVER ASSEMBLY - Instrument mounting plate, right	1	31P-3 to 31P-7730003 inclusive
	49169-02		COVER ASSEMBLY - Instrument mounting plate, right	1	31P-7730004 and up
-20	48396-08		ACCESS PANEL ASSEMBLY - Left	1	
	48396-09		ACCESS PANEL ASSEMBLY - Right	1	
-21	48396-10		ACCESS PANEL ASSEMBLY - Center	1	
-22	48732-07		TRIM PANEL ASSEMBLY	1	
-23	48429-02		STRIP - Instrument trim panel finishing, left	1	
	48429-04		STRIP - Instrument trim panel finishing, right	1	
-24	49124-02		COVER - Trim, curtain track, front	2	
	49124-03		COVER - Trim, curtain track, rear	2	

A - Serial number of aircraft must be supplied when ordering this part.  
B - See Figure 60A if forward cabin divider and storage cabinet is installed.

When ordering, always specify Part Number, Description and Serial Number of Aircraft

**PIPER PARTS CATALOG**

Figure and Index Number	Part Number	Code	NOMENCLATURE	No. Req.	SERIAL NUMBERS AFFECTED
51A-25	489 365		ASH TRAY - (PRM65A2206)	2	
-26	49060-09		RING - Trim, air outlet	4	31P-7630006 to 31P-7630019 incl.
-27	187 967		INSULATION - (Foam-Sound-TAF 1/2) 34" wide	AR	
-28	80487-02		PLACARD - Airspeed	1	31P-7630006 to 31P-7630019 incl.
-29	51 228-00		PLACARD - Checklist	1	31P-7630006 to 31P-7630019 incl.
	80542-00		PLACARD - Checklist	1	31P-7730001 and up
-30	54903-20		MOULDING - Window, front, left	1	31P-7730001 and up
	54903-19		MOULDING - Window, front, right	1	31P-7730001 and up
-31	71859-02	A	PLACARD - Flap limitations	1	
			<p>A - Used if Flap Travel Restriction and Placard Installation Kit 764 397 has been installed per Service Bulletin 739.</p>		

When ordering, always specify Part Number, Description and Serial Number of Aircraft



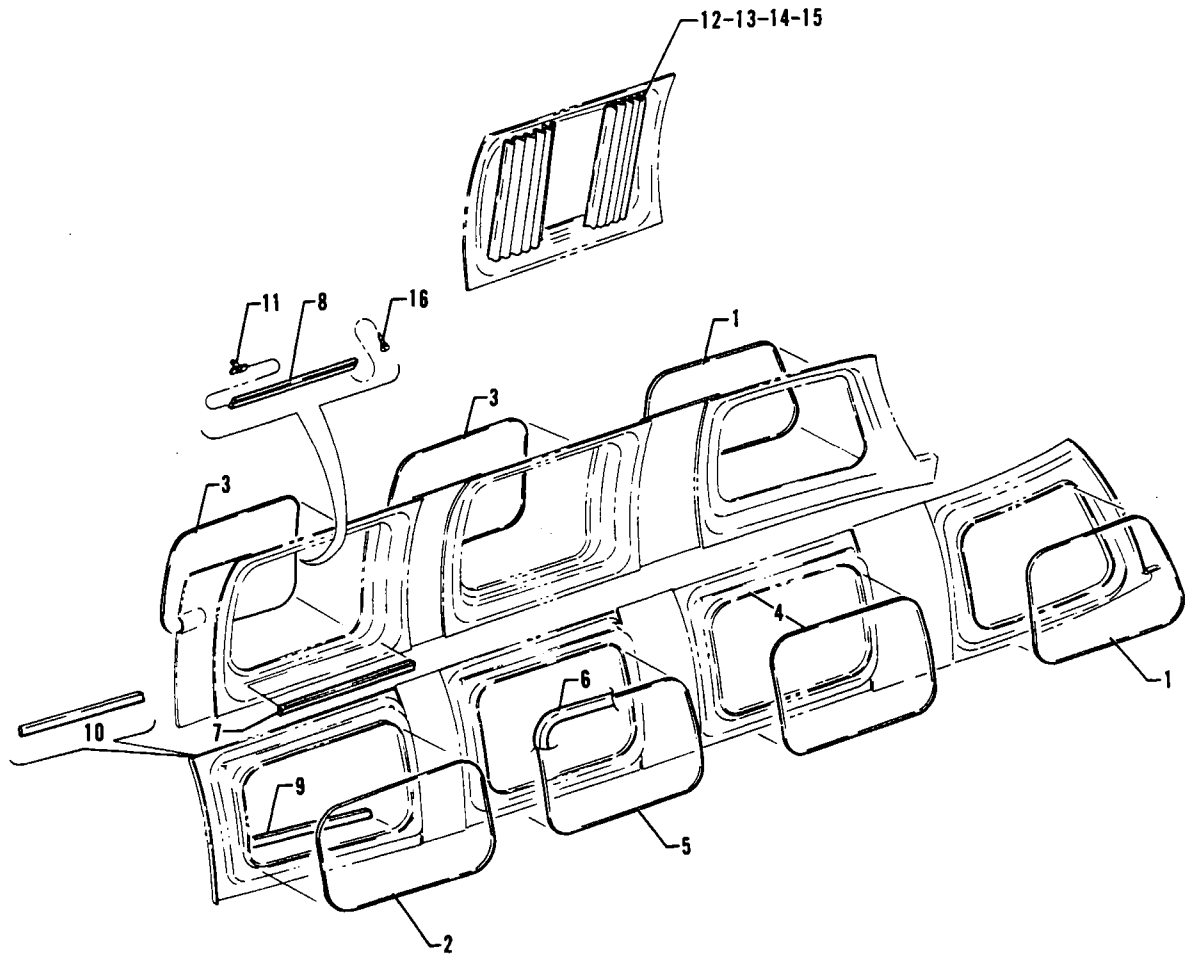


Figure 52. Interior Windows and Curtains Installation

PIPER PARTS CATALOG

Figure and Index Number	Part Number	Code	NOMENCLATURE	No. Req.	SERIAL NUMBERS AFFECTED
52-	47079 48471 49098		DRAWING - Window Trim Installation DRAWING - Window Trim Installation DRAWING - Tinted Windows Installation		31P-3 to 31P-7300132 inclusive 31P-7300133 to 31P-7630005 incl. 31P-7630006 and up
-1	46884-07 51248-03 54903-16 46884-07 49075-14 54903-17 46884-04 51248-02 46884-04 49075-15 54903-15		WINDOW - Front, clear WINDOW - Left front, clear (with storm window hole) WINDOW - Left front, clear (with storm window hole) WINDOW - Right front, clear WINDOW - Right front, clear WINDOW - Right front, clear WINDOW - Front, tinted WINDOW - Left front, tinted (with storm window hole) WINDOW - Right front, tinted WINDOW - Right front, tinted WINDOW - Right front, tinted	2 1 1 1 1 1 2 1 1 1 1	31P-3 to 31P-7400177 inclusive 31P-7400178 to 31P-7630019 incl. 31P-7730001 and up 31P-7400178 to 31P-7630005 incl. 31P-7630006 to 31P-7630019 incl. 31P-7730001 and up 31P-3 to 31P-7400177 inclusive 31P-7400178 to 31P-7630019 incl. 31P-7400178 to 31P-7630005 incl. 31P-7630006 to 31P-7630019 incl. 31P-7730001 and up
-2	46885-07 46885-05		WINDOW - Rear, right, clear WINDOW - Rear, right, tinted	1 1	
-3	46882-10 46882-06		WINDOW - Front and rear, left, clear WINDOW - Front and rear, left, tinted	2 2	
-4	46175-00 48299-00	A B	WINDOW ASSEMBLY - Emergency exit WINDOW ASSEMBLY - Emergency exit	1 1	31P-3 to 31P-109 inclusive 31P-7300110 and up
-5	46882-10 46882-06		WINDOW - Center rear, right, clear WINDOW - Center rear, right, tinted	1 1	
-6	46885-06		MOULDING - Window, extruded (80" L.)	6	
-7	46882-04		TRACK - Curtain, lower, front and rear windows, left; center rear window, right	3	
-8	46882-05		TRACK - Curtain, upper, front and rear windows, left; center rear window, right	3	
-9	46885-04		TRACK - Curtain, lower, right rear window	1	
-10	46885-03 49070-07		TRACK - Curtain, upper, right rear window TRACK - Curtain, upper, right rear window	1 1	31P-3 to 31P-7630005 inclusive 31P-7630006 and up
-11	47494-00 404 596		STUD ASSEMBLY - Curtain track NUT - (MS20341-4S)	72 72	
-12	47025-02 47025-03 47025-04 47025-05 48419-02 49108-04		CURTAIN ASSEMBLY - Front, white CURTAIN ASSEMBLY - Front, opal CURTAIN ASSEMBLY - Front, gold CURTAIN ASSEMBLY - Front, apricot CURTAIN ASSEMBLY - Front CURTAIN ASSEMBLY - Front	4 4 4 4 4 4	31P-3 to 31P-7300132 inclusive 31P-3 to 31P-7300132 inclusive 31P-3 to 31P-7300132 inclusive 31P-3 to 31P-7300132 inclusive 31P-7300133 to 31P-7630005 incl. 31P-7630006 and up
-13	47026-02 47026-03 47026-04 47026-05 48458-03 49108-04	C  C	CURTAIN ASSEMBLY - Rear, white CURTAIN ASSEMBLY - Rear, opal CURTAIN ASSEMBLY - Rear, gold CURTAIN ASSEMBLY - Rear, apricot CURTAIN ASSEMBLY - Rear CURTAIN ASSEMBLY - Rear	4 4 4 4 4 4	31P-3 to 31P-7300132 inclusive 31P-3 to 31P-7300132 inclusive 31P-3 to 31P-7300132 inclusive 31P-3 to 31P-7300132 inclusive 31P-7300133 to 31P-7630005 incl. 31P-7630006 and up

A - See Figure 26 for component parts.  
B - See Figure 26A for component parts.  
C - Serial number of aircraft must be supplied when ordering this part.

When ordering, always specify Part Number, Description and Serial Number of Aircraft



Figure and Index Number	Part Number	Code	NOMENCLATURE	No. Req.	SERIAL NUMBERS AFFECTED
52-14	47015-02	A	CURTAIN ASSEMBLY - Front, rear window, right, white	1	31P-3 to 31P-7300132 inclusive
	47015-03		CURTAIN ASSEMBLY - Front, rear window, right, opal	1	31P-3 to 31P-7300132 inclusive
	47015-04		CURTAIN ASSEMBLY - Front, rear window, right, gold	1	31P-3 to 31P-7300132 inclusive
	47015-05		CURTAIN ASSEMBLY - Front, rear window, right, apricot	1	31P-3 to 31P-7300132 inclusive
	48419-03		CURTAIN ASSEMBLY - Front, rear window, right	1	31P-7300133 to 31P-7630005 incl.
-15	49108-05	A	CURTAIN ASSEMBLY - Front, rear window, right	1	31P-7630006 and up
	47016-02		CURTAIN ASSEMBLY - Rear, rear window, right, white	1	31P-3 to 31P-7300132 inclusive
	47016-03		CURTAIN ASSEMBLY - Rear, rear window, right, opal	1	31P-3 to 31P-7300132 inclusive
	47016-04		CURTAIN ASSEMBLY - Rear, rear window, right, gold	1	31P-3 to 31P-7300132 inclusive
	47016-05		CURTAIN ASSEMBLY - Rear, rear window, right, apricot	1	31P-3 to 31P-7300132 inclusive
-16	48458-02	A	CURTAIN ASSEMBLY - Rear, rear window, right	1	31P-7300133 to 31P-7630005 incl.
	49108-02		CURTAIN ASSEMBLY - Rear, rear window, right	1	31P-7630006 and up
	419 953		SCREW - (6 x 1/2 L, Type A)	20	

A - Serial number of aircraft must be supplied when ordering this part.

When ordering, always specify Part Number, Description and Serial Number of Aircraft

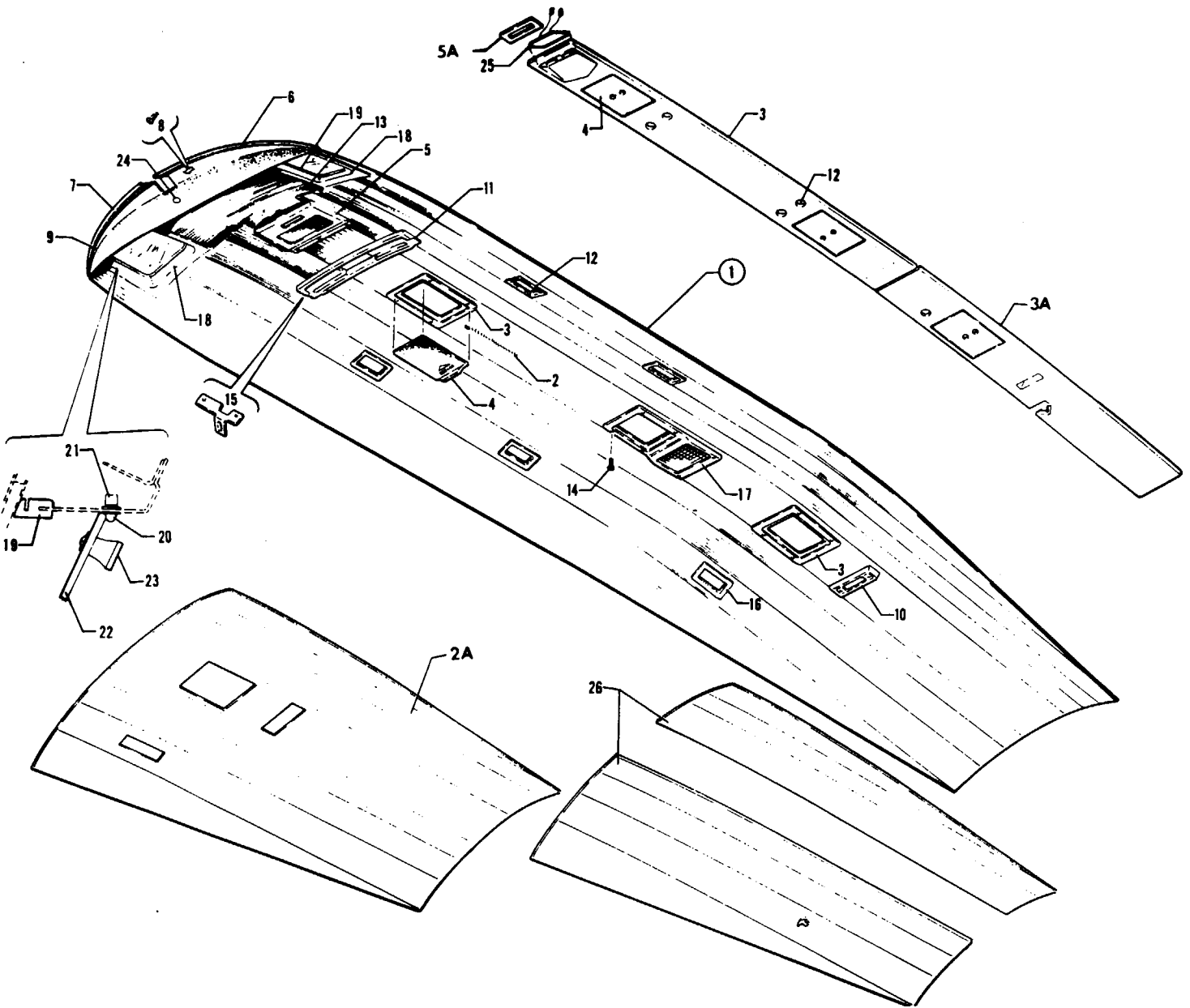


Figure 53. Cabin Headliner Installation  
(31P-3 to 31P-7630019 inclusive)



Figure and Index Number	Part Number	Code	NOMENCLATURE	No. Req.	SERIAL NUMBERS AFFECTED
53-	47202 48423 48634 49063 54151 54160	C C	DRAWING - Headliner Installation DRAWING - Headliner Installation DRAWING - Headliner Installation DRAWING - Headliner Installation DRAWING - Headliner Installation, Aft Cabin DRAWING - Headliner Installation, Aft Cabin		31P-3 to 31P-7300132 inclusive 31P-7300133 to 31P-7400177 incl. 31P-7400178 to 31P-7630005 incl. 31P-7630006 and up 31P-3 to 31P-7630005 inclusive 31P-7630006 and up
-1	47114-05 47114-09 48422-00 51257-00 47114-00 47114-07 51257-03	A	HEADLINER ASSEMBLY - Vinyl, white HEADLINER ASSEMBLY - Vinyl, white HEADLINER ASSEMBLY - Vinyl, white HEADLINER ASSEMBLY - Vinyl HEADLINER ASSEMBLY - Fabric, white HEADLINER ASSEMBLY - Fabric, white HEADLINER ASSEMBLY - Vinyl, cream	1 1 1 1 1 1 1	31P-3 to 31P-66 inclusive 31P-67 to 31P-7300132 inclusive 31P-7300133 to 31P-7400177 incl. 31P-7400178 to 31P-7630005 incl. 31P-3 to 31P-66 inclusive 31P-67 to 31P-7300132 inclusive 31P-7630006 and up
-2	489 965		ZIPPER - Antenna access	1	31P-67 to 31P-7630005 inclusive
-2a	54151-08	C	HEADLINER ASSEMBLY - Cabin, aft	1	31P-3 to 31P-7630005 inclusive
-3	46844-00 48404-00 49063-06		STORAGE RIM - Oxygen mask STORAGE RIM - Oxygen mask PANEL ASSEMBLY - Oxygen mask storage, forward	2 2 1	31P-3 to 31P-7300132 inclusive 31P-7300133 to 31P-7630005 incl. 31P-7630006 and up
-3a	49063-07		PANEL ASSEMBLY - Oxygen mask storage, aft	1	31P-7630006 and up
-4	46896-00 48412-00 49063-05	A	COVER - Oxygen mask storage COVER - Oxygen mask storage COVER - Oxygen mask storage	3 3 1	31P-3 to 31P-7300132 inclusive 31P-7300133 to 31P-7630005 incl. 31P-3 to 31P-7300132 inclusive
-5	46774-00 53197-00	A	COVER ASSEMBLY - Speaker and light COVER ASSEMBLY - Speaker and light	1 1	31P-3 to 31P-7300132 inclusive 31P-7300133 to 31P-7630005 incl.
-5a	53209-00		COVER - Courtesy light	1	31P-7630006 and up
-6	45528-03 48413-02 48405-02	A	BOLT COVER - Left BOLT COVER - Left BOLT COVER - Left	1 1 1	31P-3 to 31P-7300132 inclusive 31P-7300133 to 31P-7630005 incl. 31P-7630006 and up
-7	45528-04 48413-03 48405-03		BOLT COVER - Right BOLT COVER - Right BOLT COVER - Right	1 1 1	31P-3 to 31P-7300132 inclusive 31P-7300133 to 31P-7630005 incl. 31P-7630006 and up
-8	519 946 415 245		SCREW - (6 x 3/8" L) SCREW - (6-32 x 5/8)	6 6	31P-3 to 31P-7630005 inclusive 31P-7630006 and up
-9	45528-02 45528-08 48405-05	B A	PANEL - Overhead instrument PANEL - Overhead instrument PANEL - Overhead instrument	1 1 1	31P-3 to 31P-7300132 inclusive 31P-3 to 31P-7300132 inclusive 31P-7300133 and up
-10	46394-00 48407-00	A A	TRIM COVER - Courtesy light TRIM COVER - Courtesy light	1 1	31P-3 to 31P-7300132 inclusive 31P-7300133 to 31P-7630005 incl.
-11	46784-00		TRIM PANEL - Roll-up curtain	1	31P-3 to 31P-66 inclusive
-12	48401-00 555 832	A	TRIM COVER - Reading light COLLAR - Retaining reading light (2681)	4 4	31P-3 to 31P-7630005 inclusive 31P-7630006 and up

A - When ordering, specify color white or beige.  
B - Used when alternator malfunction lights and starter energizer light is installed.  
C - Used on aircraft that comply with C.A.A. (United Kingdom) requirements.

When ordering, always specify Part Number, Description and Serial Number of Aircraft



Figure and Index Number	Part Number	Code	NOMENCLATURE	No. Req.	SERIAL NUMBERS AFFECTED
53-13	47552-00		SHEET - Rubber	1	
-14	415 241		SCREW - (6-32 x 5/8 L)	41	31P-3 to 31P-7630005 inclusive
	494 102		WASHER - (C-394)	41	31P-3 to 31P-7630005 inclusive
-15	47692-00		BRACKET - Divider panel mounting, left	1	31P-3 to 31P-66 inclusive
	47692-01		BRACKET - Divider panel mounting, right	1	31P-3 to 31P-66 inclusive
-16	48401-00	A,B	TRIM COVER - Reading light	1	31P-3 to 31P-7630005 inclusive
	555 832	A	COLLAR - Retaining, reading light (2681)	1	31P-7630006 and up
-17	46778-00		COVER ASSEMBLY - Oxygen and speaker	1	31P-3 to 31P-7300132 inclusive
	48408-00	B	COVER ASSEMBLY - Oxygen and speaker	1	31P-7300133 to 31P-7630005 incl.
-18	51252-10	B	MOULDING ASSEMBLY - Overhead window, left	1	31P-7400178 and up
	51252-11	B	MOULDING ASSEMBLY - Overhead window, right	1	31P-7400178 and up
-19	51252-06		MOULDING - Retainer	1	31P-7400178 and up
-20	554 349		CATCH - (685)	1	31P-7400178 and up
-21	460 068		FASTENER - (PV3750157)	1	31P-7400178 and up
-22	51252-07		WINDOW - Overhead, inner	1	31P-7400178 and up
-23	571 174		KNOB - Black (107401)	2	
-24	453 664		PLUG - Button	1	
-25	52593-00		SIGN ASSEMBLY - No Smoking and Fasten Belts	1	
-26	55640-04	C	PANEL - Headliner, cabin aft, left	1	31P-7630006 and up
	55640-03	C	PANEL - Headliner, cabin aft, right	1	31P-7630006 and up

A - Used when toilet seat is installed.  
 B - When ordering, specify color white or beige.  
 C - Used on aircraft that comply with C.A.A. (United Kingdom) requirements.

When ordering, always specify Part Number, Description and Serial Number of Aircraft

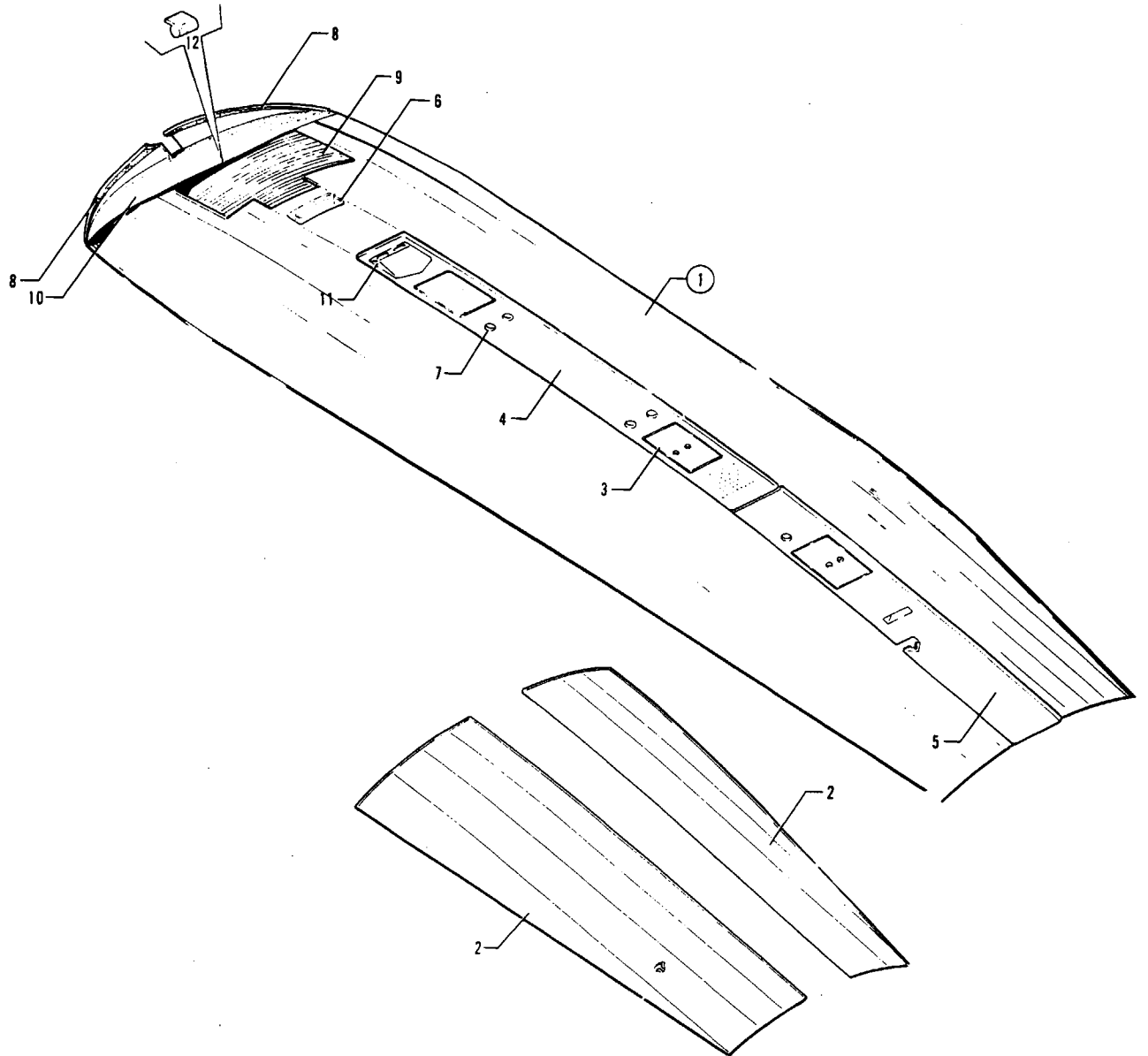


Figure 53A. Cabin Headliner Installation  
(Serial Nos. 31P-7730001 and up)



Figure and Index Number	Part Number	Code	NOMENCLATURE	No. Req.	SERIAL NUMBERS AFFECTED
53A-	49130 54160	A	DRAWING - Headliner Installation DRAWING - Headliner Installation, Aft Cabin		
-1	48422-03		HEADLINER ASSEMBLY - Vinyl, cream	1	
-2	55640-04	A	PANEL - Headliner, cabin aft, left	1	
	55640-03	A	PANEL - Headliner, cabin aft, right	1	
-3	49063-05		COVER - Oxygen mask storage	3	
-4	49063-06		PANEL ASSEMBLY - Oxygen mask storage, forward	1	
-5	49063-07		PANEL ASSEMBLY - Oxygen mask storage, aft	1	
-6	53209-00		TRIM COVER - Courtesy light	1	
-7	555 832		COLLAR - Retaining, reading light (2681)	5	
-8	48405-02		BOLT COVER - Left	1	
	48405-03		BOLT COVER - Right	1	
-9	47552-00		SHEET - Rubber	1	
-10	48405-05	B	PANEL - Overhead instrument	1	
-11	52593-00		SIGN ASSEMBLY - No Smoking and Fasten Belts	1	
-12	80044-09		WELT ASSEMBLY - Overhead panel	4	

A - Used on aircraft that comply with C.A.A. (United Kingdom) requirements.  
B - When ordering, specify color white or beige.

When ordering, always specify Part Number, Description and Serial Number of Aircraft



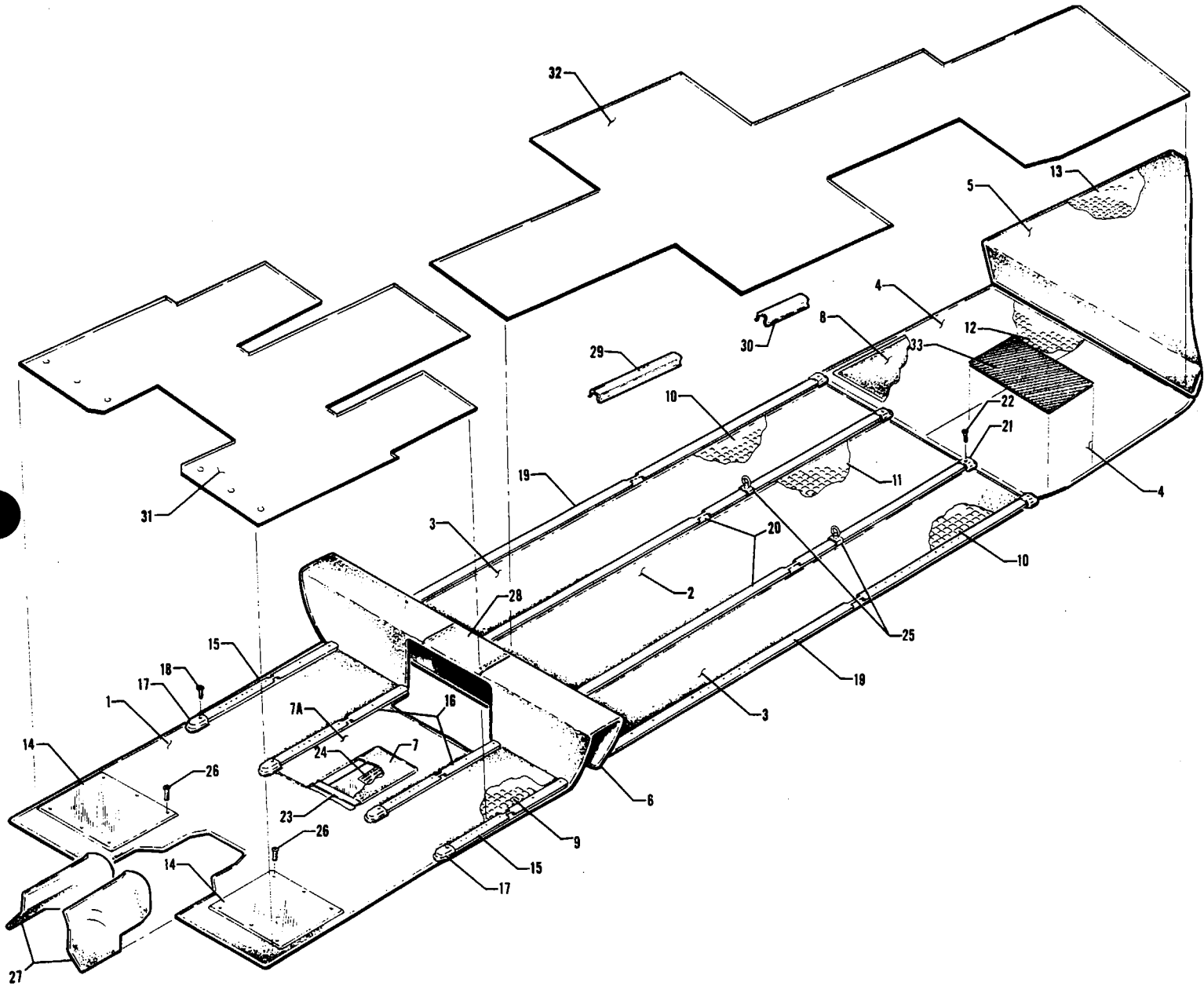


Figure 54. Carpet Installation

**PIPER PARTS CATALOG**

Figure and Index Number	Part Number	Code	NOMENCLATURE	No. Req.	SERIAL NUMBERS AFFECTED
54-	47293 48477 49090		DRAWING - Carpet Installation DRAWING - Carpet Installation DRAWING - Carpet Installation		31P-3 to 31P-7300132 inclusive 31P-7300133 to 31P-7630005 incl. 31P-7630006 and up
-1	47240-02 47240-03 47240-04 47240-05 48452-00 48527-00 49090-21	B,C B,D B	CARPET ASSEMBLY - Crew compartment, red CARPET ASSEMBLY - Crew compartment, blue/green CARPET ASSEMBLY - Crew compartment, copper CARPET ASSEMBLY - Crew compartment, gold CARPET ASSEMBLY - Crew compartment CARPET ASSEMBLY - Crew compartment CARPET ASSEMBLY - Crew compartment	1 1 1 1 1 1 1	31P-3 to 31P-7300132 inclusive 31P-3 to 31P-7300132 inclusive 31P-3 to 31P-7300132 inclusive 31P-3 to 31P-7300132 inclusive 31P-7300133 to 31P-7630005 incl. 31P-7300133 to 31P-7630005 incl. 31P-7630006 and up
-2	44057-52 53218-02 53623-02 49090-07 49090-35	A B,C B,D B B	CARPET ASSEMBLY - Passenger compartment, center CARPET ASSEMBLY - Passenger compartment, center CARPET ASSEMBLY - Passenger compartment, center CARPET ASSEMBLY - Passenger compartment, complete CARPET ASSEMBLY - Passenger compartment, complete	1 1 1 1 1	31P-3 to 31P-7300132 inclusive 31P-7300133 to 31P-7630005 incl. 31P-7300133 to 31P-7630005 incl. 31P-7630006 to 31P-7630019 incl. 31P-7730001 and up
-3	44057-56 53218-03 53623-03	A B,C B,D	CARPET ASSEMBLY - Passenger compartment, outboard CARPET ASSEMBLY - Passenger compartment, outboard CARPET ASSEMBLY - Passenger compartment, outboard	2 2 2	31P-3 to 31P-7300132 inclusive 31P-7300133 to 31P-7630005 incl. 31P-7300133 to 31P-7630005 incl.
-4	48347-00 48456-00 48519-00 49090-06 48346-00 48457-00 48517-00 49090-05	A B,C B,D B A B,C B,D B	CARPET ASSEMBLY - Cabin entrance, left CARPET ASSEMBLY - Cabin entrance, left CARPET ASSEMBLY - Cabin entrance, left CARPET ASSEMBLY - Cabin entrance, left CARPET ASSEMBLY - Cabin entrance, right CARPET ASSEMBLY - Cabin entrance, right CARPET ASSEMBLY - Cabin entrance, right CARPET ASSEMBLY - Cabin entrance, right	1 1 1 1 1 1 1 1	31P-3 to 31P-7300132 inclusive 31P-7300133 to 31P-7630005 incl. 31P-7300133 to 31P-7630005 incl. 31P-7630006 and up 31P-3 to 31P-7300132 inclusive 31P-7300133 to 31P-7630005 incl. 31P-7300133 to 31P-7630005 incl.
-5	47230-02 47230-03 47230-04 47230-05 48453-00 48525-00 49090-04	B,C B,D B	CARPET ASSEMBLY - Baggage compartment, red CARPET ASSEMBLY - Baggage compartment, blue/green CARPET ASSEMBLY - Baggage compartment, copper CARPET ASSEMBLY - Baggage compartment, gold CARPET ASSEMBLY - Baggage compartment CARPET ASSEMBLY - Baggage compartment CARPET ASSEMBLY - Baggage compartment	1 1 1 1 1 1 1	31P-3 to 31P-7300132 inclusive 31P-3 to 31P-7300132 inclusive 31P-3 to 31P-7300132 inclusive 31P-3 to 31P-7300132 inclusive 31P-7300133 to 31P-7630005 incl. 31P-7300133 to 31P-7630005 incl. 31P-7630006 and up
-6	47249-02 47249-03 47249-04 47249-05 48449-00 48449-02 49090-08	B,D C,D B	CARPET ASSEMBLY - Spar cover, red CARPET ASSEMBLY - Spar cover, blue/green CARPET ASSEMBLY - Spar cover, copper CARPET ASSEMBLY - Spar cover, gold CARPET ASSEMBLY - Spar cover CARPET ASSEMBLY - Spar cover CARPET ASSEMBLY - Spar cover	1 1 1 1 1 1 1	31P-3 to 31P-7300132 inclusive 31P-3 to 31P-7300132 inclusive 31P-3 to 31P-7300132 inclusive 31P-3 to 31P-7300132 inclusive 31P-7300133 to 31P-7630005 incl. 31P-7300133 to 31P-7630005 incl. 31P-7630006 and up

- A - When ordering, specify color red, blue/green, copper or gold.
- B - Serial number of aircraft must be supplied when ordering this part.
- C - Used with contemporary and classic interiors only.
- D - Used with continental interiors only.

When ordering, always specify Part Number, Description and Serial Number of Aircraft



Figure and Index Number	Part Number	Code	NOMENCLATURE	No. Req.	SERIAL NUMBERS AFFECTED
54-7	47285-02		CARPET ASSEMBLY - Floorboard, hydraulic hand pump, red	1	31P-3 to 31P-7300132 inclusive
	47285-03		CARPET ASSEMBLY - Floorboard, hydraulic hand pump, blue/green	1	31P-3 to 31P-7300132 inclusive
	47285-04		CARPET ASSEMBLY - Floorboard, hydraulic hand pump, copper	1	31P-3 to 31P-7300132 inclusive
	47285-05		CARPET ASSEMBLY - Floorboard, hydraulic hand pump, gold	1	31P-3 to 31P-7300132 inclusive
	48417-00	B,C	CARPET ASSEMBLY - Floorboard, hydraulic hand pump	1	31P-7300133 to 31P-7630005 incl.
	48514-00	B,D	CARPET ASSEMBLY - Floorboard, hydraulic hand pump	1	31P-7300133 to 31P-7630005 incl.
	49090-10	B	CARPET ASSEMBLY - Floorboard, hydraulic hand pump	1	31P-7630006 and up
-7a	49090-19	B	CARPET ASSEMBLY	1	31P-7630006 and up
-8	44062-02		MAT ASSEMBLY - Door, red	1	31P-3 to 31P-7300132 inclusive
	44062-03		MAT ASSEMBLY - Door, copper	1	31P-3 to 31P-7300132 inclusive
	44062-04		MAT ASSEMBLY - Door, blue/green	1	31P-3 to 31P-7300132 inclusive
	44062-05		MAT ASSEMBLY - Door, gold	1	31P-3 to 31P-7300132 inclusive
	53185-00	B,C	MAT ASSEMBLY - Door	1	31P-7300133 to 31P-7630005 incl.
	53625-00	B,D	MAT ASSEMBLY - Door	1	31P-7300133 to 31P-7630005 incl.
-9	47277-00		COVER - Carpet, crew compartment, clear	1	
-10	47278-06		COVER ASSEMBLY - Carpet, passenger compartment, outboard, clear	2	
-11	47278-07		COVER ASSEMBLY - Carpet, passenger compartment, center, clear	1	
-12	47276-00		COVER ASSEMBLY - Carpet, cabin entrance, clear	1	
	47475-00	A	COVER ASSEMBLY - Carpet, cabin entrance, clear	1	
-13	43477-00		COVER - Carpet, baggage compartment, clear	1	
-14	47267-00		PLATE - Heel, left	1	
	47267-01		PLATE - Heel, right	1	
-15	45399-04		TRACK - Seat, crew compartment, outboard (Sta. 111.50 to Sta. 135)	2	
-16	45399-05		TRACK - Seat, crew compartment, inboard (Sta. 111.50 to Sta. 135)	2	
-17	25552-00		END COVER - Seat track	4	
-18	410 031		SCREW - (MS24694-S60) Nickel finish	4	
-19	45399-02		TRACK - Seat, passenger compartment, left outboard (Sta. 140 to Sta. 215)	1	
	45399-06		TRACK - Seat, passenger compartment, right outboard (Sta. 140 to Sta. 215)	1	
-20	45399-03		TRACK - Seat, passenger compartment, inboard (Sta. 140 to Sta. 215)	2	
-21	44023-00		END COVER - Seat track	4	
-22	410 038		SCREW - (MS24694-S56) Nickel finish	4	
-23	45658-00		PANEL ASSEMBLY - Floorboard cover, hydraulic hand pump	1	
-24	48242-00		PLACARD - Emergency gear extension	1	
-25	46654-00		RING ASSEMBLY - Baggage tie down	AR	
-26	414 733		SCREW - (MS24693-S24) Nickel finish	12	
-27	48385-00		CARPET - Wheel well, left	1	31P-3 to 31P-7630005 inclusive
	48385-01		CARPET - Wheel well, right	1	31P-3 to 31P-7630005 inclusive
	48385-02		CARPET - Wheel well left	1	31P-7630006 and up
	48385-03		CARPET - Wheel well, right	1	31P-7630006 and up
-28	47399-00		COVER ASSEMBLY - Spar carpet, clear	1	31P-3 to 31P-7630009 inclusive

A - Used if toilet seat is installed.  
 B - Serial number of aircraft must be supplied when ordering this part.  
 C - Used with contemporary and classic interiors only.  
 D - Used with continental interiors only.

When ordering, always specify Part Number, Description and Serial Number of Aircraft

**PIPER PARTS CATALOG**

Figure and Index Number	Part Number	Code	NOMENCLATURE	No. Req.	SERIAL NUMBERS AFFECTED
54-29	55665-04		COVER - Seat track, inboard	2	31P-7730001 and up
	55665-05		COVER - Seat track, outboard	2	31P-7730001 and up
-30	55665-03		COVER - Seat track, outboard, right	1	31P-7730001 and up
	55665-02		COVER - Seat track	3	31P-7730001 and up
-31	54430-02	A	COVER ASSEMBLY - Carpet, crew compartment	1	31P-3 to 31P-7630005 incl.
	54430-04	A	COVER ASSEMBLY - Carpet, crew compartment	1	31P-7630006 and up
-32	48853-02	A	COVER ASSEMBLY - Carpet, passenger compartment	1	31P-3 to 31P-7630005 incl.
	48853-04	A	COVER ASSEMBLY - Carpet, passenger compartment	1	31P-7630006 inclusive
-33	48328-00	B	MAT ASSEMBLY - Cabin entrance	1	31P-3 to 31P-7300132 incl.
	48564-00	B	MAT ASSEMBLY - Cabin entrance	1	31P-7300133 to 31P-7630005 incl.
	49105-02	A	MAT ASSEMBLY - Cabin entrance	1	31P-7630006 and up
			<p>A - Serial number of aircraft must be supplied when ordering this part.</p> <p>B - When ordering, specify color red, blue/green, gold or copper.</p>		

When ordering, always specify Part Number, Description and Serial Number of Aircraft

**1H22 THRU 1H24  
INTENTIONALLY LEFT BLANK**

# PIPER PARTS CATALOG

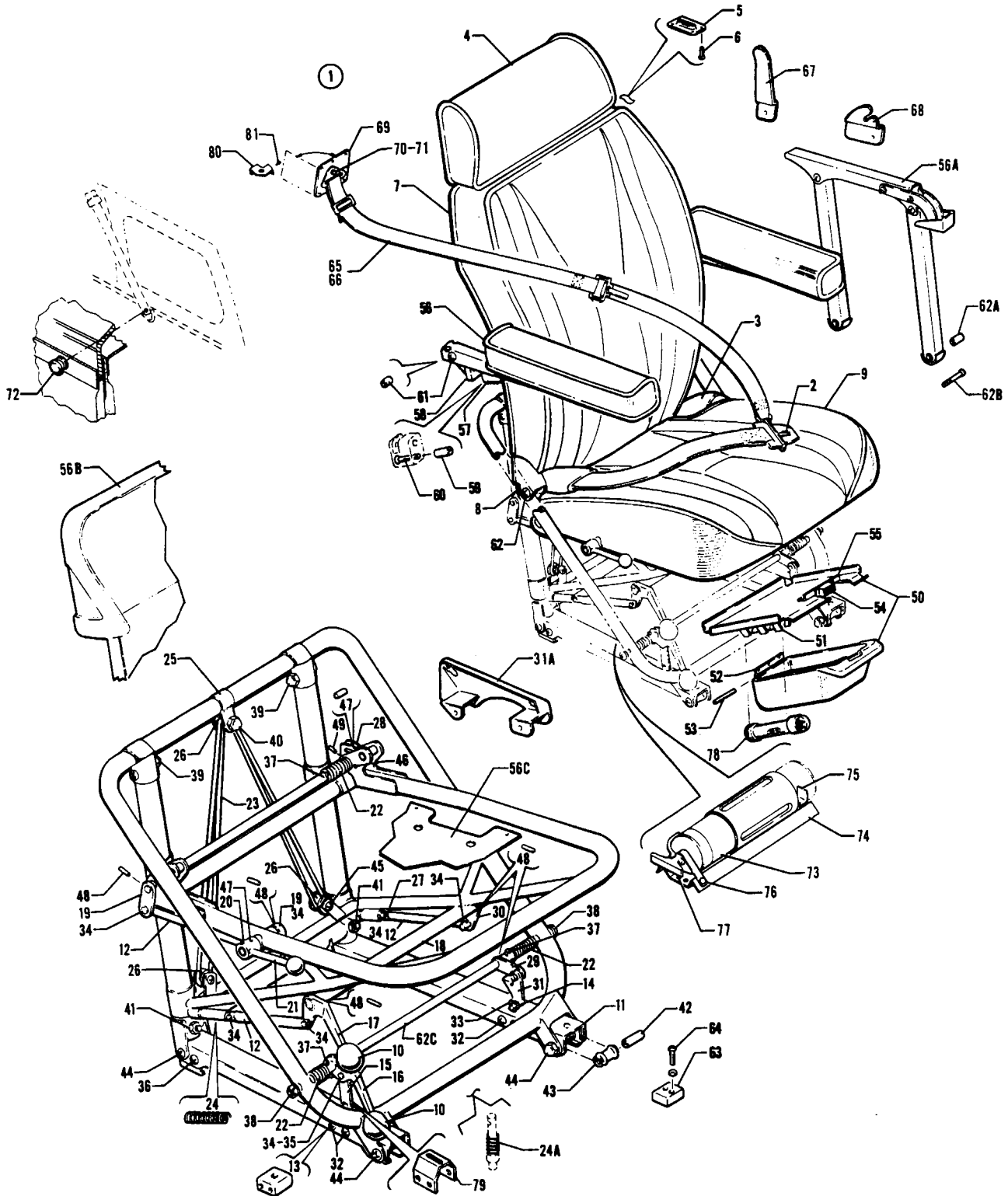


Figure 55. Crew Seats Installation



Figure and Index Number	Part Number	Code	NOMENCLATURE	No. Req.	SERIAL NUMBERS AFFECTED
55-	47283 48535 49150		DRAWING - Seats Installation DRAWING - Seats Installation DRAWING - Seats Installation		31P-3 to 31P-7300132 inclusive 31P-7300133 to 31P-7630006 incl. 31P-7630006 and up
-1	47292-00 47292-02 47292-04 47292-06 47292-08 47292-10 47292-12 47292-14 47292-01 47292-03 47292-05 47292-07 47292-09 47292-11 47292-13 47292-15 48520-00 48520-01 48520-04 48520-05	B B B B	SEAT ASSEMBLY - Crew (complete) left, fabric, red SEAT ASSEMBLY - Crew (complete) left, fabric, blue SEAT ASSEMBLY - Crew (complete) left, fabric, rust SEAT ASSEMBLY - Crew (complete) left, fabric, gold SEAT ASSEMBLY - Crew (complete) left, leather, red SEAT ASSEMBLY - Crew (complete) left, leather, blue SEAT ASSEMBLY - Crew (complete) left, leather, black SEAT ASSEMBLY - Crew (complete) left, leather, gold SEAT ASSEMBLY - Crew (complete) right, fabric, red SEAT ASSEMBLY - Crew (complete) right, fabric, blue SEAT ASSEMBLY - Crew (complete) right, fabric, rust SEAT ASSEMBLY - Crew (complete) right, fabric, gold SEAT ASSEMBLY - Crew (complete) right, leather, red SEAT ASSEMBLY - Crew (complete) right, leather, blue SEAT ASSEMBLY - Crew (complete) right, leather, black SEAT ASSEMBLY - Crew (complete) right, leather, gold SEAT ASSEMBLY - Crew (complete) left SEAT ASSEMBLY - Crew (complete) right SEAT ASSEMBLY - Crew (complete) left SEAT ASSEMBLY - Crew (complete) right	1 1	31P-3 to 31P-7300132 inclusive 31P-3 to 31P-7300132 inclusive 31P-3 to 31P-7300132 inclusive 31P-3 to 31P-7300132 inclusive 31P-3 to 31P-7300132 inclusive 31P-3 to 31P-7300132 inclusive 31P-3 to 31P-7300132 inclusive 31P-3 to 31P-7300132 inclusive 31P-3 to 31P-7300132 inclusive 31P-3 to 31P-7300132 inclusive 31P-3 to 31P-7300132 inclusive 31P-3 to 31P-7300132 inclusive 31P-3 to 31P-7300132 inclusive 31P-3 to 31P-7300132 inclusive 31P-3 to 31P-7300132 inclusive 31P-3 to 31P-7300132 inclusive 31P-7300133 to 31P-7630006 incl. 31P-7300133 to 31P-7630006 incl. 31P-7630006 and up 31P-7630006 and up
-2	25801-08 25801-10 25801-11	A A A	BELT ASSEMBLY - Safety, fawn BELT ASSEMBLY - Safety, black BELT ASSEMBLY - Safety, blue	1 1 1	31P-3 to 31P-7400230 inclusive 31P-3 to 31P-7630006 inclusive 31P-3 to 31P-7400230 inclusive
-3	25598-29 25598-30 25598-31 25598-32 53134-00 49102-02	B B	SHROUD ASSEMBLY - Safety belt fitting, red SHROUD ASSEMBLY - Safety belt fitting, blue SHROUD ASSEMBLY - Safety belt fitting, black SHROUD ASSEMBLY - Safety belt fitting, gold SHROUD ASSEMBLY - Safety belt fitting SHROUD ASSEMBLY - Safety belt fitting	2 2 2 2 2 2	31P-3 to 31P-7300132 inclusive 31P-3 to 31P-7300132 inclusive 31P-3 to 31P-7300132 inclusive 31P-3 to 31P-7300132 inclusive 31P-7300133 to 31P-7630006 incl. 31P-7630006 and up
-4	46832-02 46832-03 46832-04 46832-05 46832-06 46832-07 46832-08 46832-09 53233-04 49089-02	B B	HEADREST ASSEMBLY - Fabric, red HEADREST ASSEMBLY - Fabric, blue HEADREST ASSEMBLY - Fabric, rust HEADREST ASSEMBLY - Fabric, gold HEADREST ASSEMBLY - Leather, red HEADREST ASSEMBLY - Leather, blue HEADREST ASSEMBLY - Leather, black HEADREST ASSEMBLY - Leather, gold HEADREST ASSEMBLY HEADREST ASSEMBLY	1 1 1 1 1 1 1 1 1 1	31P-3 to 31P-7300132 inclusive 31P-3 to 31P-7300132 inclusive 31P-3 to 31P-7300132 inclusive 31P-3 to 31P-7300132 inclusive 31P-3 to 31P-7300132 inclusive 31P-3 to 31P-7300132 inclusive 31P-3 to 31P-7300132 inclusive 31P-3 to 31P-7300132 inclusive 31P-3 to 31P-7300132 inclusive 31P-7630006 and up
-5	25607-00		PLATE - Trim	2	31P-3 to 31P-7300132 inclusive
-6	419 875		SCREW - (4 x 3/8 L, RD. Hd.)	8	31P-3 to 31P-7300132 inclusive

A - Not used when shoulder harness is installed.  
B - Serial number of aircraft must be supplied when ordering this part.

When ordering, always specify Part Number, Description and Serial Number of Aircraft



Figure and Index Number	Part Number	Code	NOMENCLATURE	No. Req.	SERIAL NUMBERS AFFECTED
55-7	47260-02		BACK ASSEMBLY - Seat, crew, fabric, red	1	31P-3 to 31P-7300132 inclusive
	47260-03		BACK ASSEMBLY - Seat, crew, fabric, blue/green	1	31P-3 to 31P-7300132 inclusive
	47260-04		BACK ASSEMBLY - Seat, crew, fabric, rust	1	31P-3 to 31P-7300132 inclusive
	47260-05		BACK ASSEMBLY - Seat, crew, fabric, gold	1	31P-3 to 31P-7300132 inclusive
	47260-06		BACK ASSEMBLY - Seat, crew, leather, red	1	31P-3 to 31P-7300132 inclusive
	47260-07		BACK ASSEMBLY - Seat, crew, leather, blue/green	1	31P-3 to 31P-7300132 inclusive
	47260-08		BACK ASSEMBLY - Seat, crew, leather, black	1	31P-3 to 31P-7300132 inclusive
	47260-09		BACK ASSEMBLY - Seat, crew, leather, gold	1	31P-3 to 31P-7300132 inclusive
	48516-00	C	BACK ASSEMBLY - Seat, crew	1	31P-7300133 to 31P-7630006 incl.
	49073-02	C	BACK ASSEMBLY - Seat, crew	1	31P-7630006 and up
-8	43088-00		STUD	2	
-9	47242-16		COVER ASSEMBLY - Bottom, fabric, red	1	31P-3 to 31P-7300132 inclusive
	47242-17		COVER ASSEMBLY - Bottom, fabric, blue/green	1	31P-3 to 31P-7300132 inclusive
	47242-18		COVER ASSEMBLY - Bottom, fabric, rust	1	31P-3 to 31P-7300132 inclusive
	47242-19		COVER ASSEMBLY - Bottom, fabric, gold	1	31P-3 to 31P-7300132 inclusive
	47242-20		COVER ASSEMBLY - Bottom, leather, red	1	31P-3 to 31P-7300132 inclusive
	47242-21		COVER ASSEMBLY - Bottom, leather, blue	1	31P-3 to 31P-7300132 inclusive
	47242-22		COVER ASSEMBLY - Bottom, leather, black	1	31P-3 to 31P-7300132 inclusive
	47242-23		COVER ASSEMBLY - Bottom, leather, gold	1	31P-3 to 31P-7300132 inclusive
	48521-02	C	COVER ASSEMBLY - Bottom	1	31P-7300133 to 31P-7630006 incl.
	49074-04	C	COVER ASSEMBLY - Bottom, left	1	31P-7630006 and up
	49074-05	C	COVER ASSEMBLY - Bottom, right	1	31P-7630006 and up
-10	471 085		KNOB - Oval (187) black	2	
-11	41725-00		CHANNEL ASSEMBLY - Seat runner	2	
-12	41693-02		TUBE - Seat position mechanism, lower	2	
	41693-03		TUBE - Seat position mechanism, upper	1	
-13	41695-00	B	GUIDE - Seat latch plunger (1/4" plunger hole)	2	
	41695-02	B	GUIDE - Seat latch plunger (3/8" plunger hole)	2	
	53900-00	A	GUIDE - Seat latch plunger	2	
-14	41690-00	B	PLUNGER - Seat latch (1/4" diameter)	2	
	47678-00	B	PLUNGER - Seat latch (3/8" diameter)	2	
	53999-00	A	PLUNGER - Seat latch	2	
-15	60054-36		LINK - Seat mechanism (2.50" L)	1	
	60054-43		LINK - Seat mechanism (2.31" L)	1	
-16	41694-00		LEVER - Seat track latch, left	1	
	41694-01		LEVER - Seat track latch, right	1	
-17	41691-00		LEVER - Seat position	1	
-18	41968-00		TUBE - Seat mechanism	1	
-19	41698-04		LINK - Seat mechanism	2	
-20	41965-00		TUBE - Seat handle attachment, left	1	
	41965-01		TUBE - Seat handle attachment, right	1	
-21	32380-00		HANDLE - Seat recliner	1	
-22	19336-01		SPRING - Left	2	
	19336-00		SPRING - Right	2	
-23	31322-09		RING - Shock cord	1	
-24	50111-00		SPRING - Seat plunger	2	
-24a	83302-61		SPRING - Seat plunger (LC-038C-1)	2	
-25	80002-84		CLAMP - Pulley	1	
-26	41699-00		PULLEY - Seat position mechanism	3	
-27	12073-03		PLUNGER ASSEMBLY - Seat bottom	2	
-28	43097-00		CAM - Reclining seat	2	

A - Used if Seat Plunger Spring, Item 24a, is installed.  
 B - Used if Seat Plunger Spring, Item 24a, is not installed.  
 C - Serial number of aircraft must be supplied when ordering this part.

When ordering, always specify Part Number, Description and Serial Number of Aircraft





Figure and Index Number	Part Number	Code	NOMENCLATURE	No. Req.	SERIAL NUMBERS AFFECTED
55-29	41698-02		LINK - Seat mechanism	1	
-30	41698-03		LINK - Seat mechanism	1	
-31	43538-00		LINK - Seat mechanism (2.50" L)	1	
	60054-43		LINK - Seat mechanism (2.31" L)	1	
-31a	53071-00		BRACKET ASSEMBLY - Armrest attachment, left	1	31P-7300133 and up
	53071-01		BRACKET ASSEMBLY - Armrest attachment, right	1	31P-7300133 and up
-32	400 879		BOLT - (AN23-27A)	4	
	477 707		NUT - (26C-02)	4	
-33	424 142		PIN - Flat head (MS20392-1C11)	4	
	407 562		WASHER - (AN960-6)	4	
	424 061		COTTER PIN - (MS24665-132)	4	
-34	424 139		PIN - Flat head (MS20392-1C13)	6	
	407 562		WASHER - (AN960-6)	6	
	424 061		COTTER PIN - (MS24665-132)	6	
-35	81342-64		WASHER	1	
-36	400 917		BOLT - (AN24-27A)	2	
	41413-38		BUSHING	2	
	477 708		NUT - (26C-048)	2	
-37	424 060		COTTER PIN - (MS24665-285)	4	
-38	400 899		BOLT - (AN24-9A)	2	
	407 136		WASHER - (AN936-A416)	2	
-39	400 915		BOLT - (AN24-25A)	2	
	407 565		WASHER - (AN960-416)	2	
	477 708		NUT - (26C-048)	2	
-40	400 867		BOLT - (AN23-15A)	1	
	407 564		WASHER - (AN960-10)	1	
	477 707		NUT - (26C-02)	1	
-41	400 915		BOLT - (AN24-25A)	2	
	407 565		WASHER - (AN960-416)	2	
	404 836		NUT - (MS20364-428)	2	
-42	41413-38		BUSHING	4	
-43	18968-00		ROLLER	4	
-44	400 919		BOLT - (AN24-29A)	4	
	477 708		NUT - (26C-048)	4	
-45	400 867		BOLT - (AN23-15A)	2	
	407 564		WASHER - (AN960-10)	2	
	404 887		NUT - (MS20365-1032C)	2	
-46	480 732		ROLL PIN - (59-040-187-0937)	2	
-47	480 701		ROLL PIN - (59-028-125-0625)	3	
-48	480 696		ROLL PIN - (59-022-094-0625)	6	
-49	480 683		ROLL PIN - (59-028-125-0687)	2	
-50	43127-06		CONTAINER ASSEMBLY - Oxygen mask, left, black	1	31P-3 to 31P-7300132 inclusive
	43127-07		CONTAINER ASSEMBLY - Oxygen mask, left, red	1	31P-3 to 31P-7300132 inclusive
	43127-08		CONTAINER ASSEMBLY - Oxygen mask, left, blue	1	31P-3 to 31P-7300132 inclusive
	43127-09		CONTAINER ASSEMBLY - Oxygen mask, left, pearl/beige	1	31P-3 to 31P-7300132 inclusive
	43127-02		CONTAINER ASSEMBLY - Oxygen mask, right, black	1	31P-3 to 31P-7300132 inclusive
	43127-03		CONTAINER ASSEMBLY - Oxygen mask, right, red	1	31P-3 to 31P-7300132 inclusive
	43127-04		CONTAINER ASSEMBLY - Oxygen mask, right, blue	1	31P-3 to 31P-7300132 inclusive
	43127-05		CONTAINER ASSEMBLY - Oxygen mask, right, pearl/beige	1	31P-3 to 31P-7300132 inclusive
	53255-02	A	CONTAINER ASSEMBLY - Oxygen mask	1	31P-7300133 and up
-51	554 914		CLIP - Flashlight, left (40)	1	
-52	43123-00		HINGE	1	

A - Serial number of aircraft must be supplied when ordering this part.

When ordering, always specify Part Number, Description and Serial Number of Aircraft

PIPER PARTS CATALOG

Figure and Index Number	Part Number	Code	NOMENCLATURE	No. Req.	SERIAL NUMBERS AFFECTED
55-53	81761-65		* * PIN - Hinge	1	
-54	454 294		* * CATCH - Magnetic (9798)	1	
-55	43353-00		* * ANGLE	1	
-56	46212-02		* ARMREST ASSEMBLY - Crew, left, fabric, red	1	31P-3 to 31P-7300132 inclusive
	46212-03		* ARMREST ASSEMBLY - Crew, left, fabric, blue/green	1	31P-3 to 31P-7300132 inclusive
	46212-04		* ARMREST ASSEMBLY - Crew, left, fabric, rust	1	31P-3 to 31P-7300132 inclusive
	46212-05		* ARMREST ASSEMBLY - Crew, left, fabric, gold	1	31P-3 to 31P-7300132 inclusive
	46212-06		* ARMREST ASSEMBLY - Crew, left, leather, black	1	31P-3 to 31P-7300132 inclusive
	46212-07		* ARMREST ASSEMBLY - Crew, left, leather, red	1	31P-3 to 31P-7300132 inclusive
	46212-08		* ARMREST ASSEMBLY - Crew, left, leather, blue	1	31P-3 to 31P-7300132 inclusive
	46212-09		* ARMREST ASSEMBLY - Crew, left, leather, gold	1	31P-3 to 31P-7300132 inclusive
	46212-10		* ARMREST ASSEMBLY - Crew, right, fabric, red	1	31P-3 to 31P-7300132 inclusive
	46212-11		* ARMREST ASSEMBLY - Crew, right, fabric, blue/green	1	31P-3 to 31P-7300132 inclusive
	46212-12		* ARMREST ASSEMBLY - Crew, right, fabric, rust	1	31P-3 to 31P-7300132 inclusive
	46212-13		* ARMREST ASSEMBLY - Crew, right, fabric, gold	1	31P-3 to 31P-7300132 inclusive
	46212-14		* ARMREST ASSEMBLY - Crew, right, leather, black	1	31P-3 to 31P-7300132 inclusive
	46212-15		* ARMREST ASSEMBLY - Crew, right, leather, red	1	31P-3 to 31P-7300132 inclusive
	46212-16		* ARMREST ASSEMBLY - Crew, right, leather, blue	1	31P-3 to 31P-7300132 inclusive
	46212-17		* ARMREST ASSEMBLY - Crew, right, leather, gold	1	31P-3 to 31P-7300132 inclusive
	53260-02	A	* ARMREST ASSEMBLY - Crew	1	31P-7300133 to 31P-7630005 incl.
	49099-04	A	* ARMREST ASSEMBLY - Crew, left	1	31P-7630006 and up
	49099-05	A	* ARMREST ASSEMBLY - Crew, right	1	31P-7630006 and up
-56a	52904-02		* * SUPPORT ASSEMBLY - Armrest	1	31P-7300133 and up
-56b	43000-02		* COVER - Bottom crew seat, red	1	31P-3 to 31P-7300132 inclusive
	43000-03		* COVER - Bottom crew seat, blue	1	31P-3 to 31P-7300132 inclusive
	43000-04		* COVER - Bottom crew seat, beige	1	31P-3 to 31P-7300132 inclusive
	43000-05		* COVER - Bottom crew seat, black	1	31P-3 to 31P-7300132 inclusive
	53251-11	A	* COVER - Bottom crew seat	1	31P-7300133 to 31P-7630005 incl.
	49074-06	A	* COVER - Bottom crew seat	1	31P-7630006 and up
-56c	587 600		* SUSPENSION - Elastaseat (P-151)	1	
	41722-10		* NETTING - Nylon	1	
-57	47193-03		* BLOCK - Armrest pivot, left	1	31P-3 to 31P-7300132 inclusive
	47193-02		* BLOCK - Armrest pivot, right	1	31P-3 to 31P-7300132 inclusive
-58	47194-01		* BRACKET ASSEMBLY - Armrest pivot, left	1	31P-3 to 31P-7300132 inclusive
	47194-00		* BRACKET ASSEMBLY - Armrest pivot, right	1	31P-3 to 31P-7300132 inclusive
-59	49982-12		* BUSHING	2	31P-3 to 31P-7300132 inclusive
-60	401 277		* BOLT - (AN3-14A)	4	31P-3 to 31P-7300132 inclusive
-61	400 872		* BOLT - (AN23-21A)	2	31P-3 to 31P-7300132 inclusive
	49982-02		* BUSHING	2	31P-3 to 31P-7300132 inclusive
	407 564		* WASHER	3	31P-3 to 31P-7300132 inclusive
	477 742		* NUT - (26C-02)	2	31P-3 to 31P-7300132 inclusive
-62	400 919		* BOLT - (AN24-29A)	2	
	41413-26		* BUSHING	2	
	44114-00		* WASHER	2	
	407 565		* WASHER - (AN960-416)	2	
	477 709		* NUT - (26C-048)	2	
-62a	80012-116		* BUSHING - Armrest support	2	31P-7300133 and up
-62b	400 907		* BOLT - (AN24-17A)	2	31P-7300133 and up
-62c	41980-00		* TUBE - Seat latch mechanism	1	
-63	43776-00		SEAT - Stop	2	
-64	415 521		SCREW - (MS35206-231)	4	
	407 041		LOCK WASHER - (MS35338-41)	4	

A - Serial number of aircraft must be supplied when ordering this part.

When ordering, always specify Part Number, Description and Serial Number of Aircraft

## PIPER PARTS CATALOG

Figure and Index Number	Part Number	Code	NOMENCLATURE	No. Req.	SERIAL NUMBERS AFFECTED
55-65	43813-03		HARNESS ASSEMBLY - Shoulder, fawn	2	31P-3 to 31P-7300132 incl.
	43813-04		HARNESS ASSEMBLY - Shoulder, black	2	31P-3 to 31P-7300132 incl.
	43813-05		HARNESS ASSEMBLY - Shoulder, blue	2	31P-3 to 31P-7300132 incl.
-66	54534-02		HARNESS ASSEMBLY - Shoulder, inertia reel, black	2	
-67	44512-00		CLIP - Shoulder harness retainer	2	
-68	44514-00		CATCH - Shoulder harness retainer, left	1	31P-3 to 31P-58 incl.
	44514-01		CATCH - Shoulder harness retainer, right	1	31P-3 to 31P-58 incl.
-69	494 338		WEDJIT ASSEMBLY - (295307)	2	31P-3 to 31P-86 incl.
	32884-03		PLATE ASSEMBLY - Shoulder harness mounting	2	31P-87 and up
	410 043		SCREW - (MS24694-S56)	8	
-70	487 712		STUD - (295460-3-4)	2	31P-3 to 31P-86 incl.
	41413-26		BUSHING	2	31P-3 to 31P-86 incl.
	407 565		WASHER - (AN960-416)	2	31P-3 to 31P-86 incl.
	477 709		NUT - Cap (26C-048)	2	31P-3 to 31P-86 incl.
-71	29999-10		BUSHING - Shoulder harness	2	31P-87 and up
	29999-11		BUSHING - Shoulder harness	2	31P-87 and up
	401 310		BOLT - (AN4-10A)	2	31P-87 and up
	407 565		WASHER - (AN960-416)	2	31P-87 and up
-72	487 560		STUD - (XX-10369-12)	2	31P-59 and up
-73	459 848		EXTINGUISHER - Fire (42211-00)	1	31P-7630006 and up
-74	52718-00		BRACKET ASSEMBLY - Fire extinguisher	1	31P-7630006 and up
-75	52716-00		ANGLE - Fire extinguisher retaining	1	31P-7630006 and up
-76	52717-00		STRAP ASSEMBLY - Fire extinguisher	1	31P-7630006 and up
-77	415 533		SCREW - (MS35206-243)	4	31P-7630006 and up
-78	460 928		FLASHLIGHT - (2D Cell)	1	
-79	55842-02		BRACKET - Seat frame	2	
-80	54499-02		RETAINER - Shoulder harness boot	2	
-81	419 882		SCREW - (4 x 1/4, Type "A")	4	

When ordering, always specify Part Number, Description and Serial Number of Aircraft

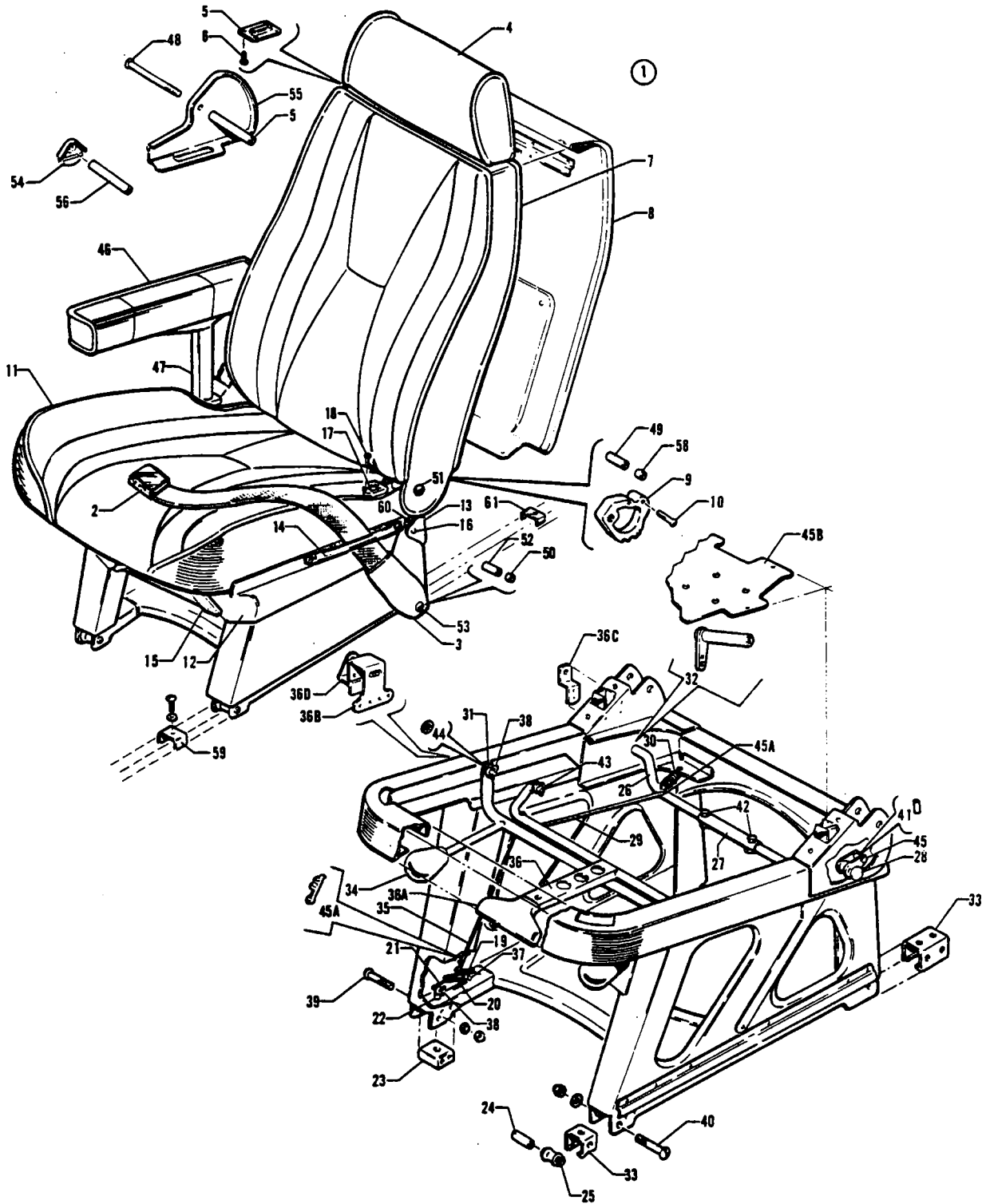


Figure 56. Passenger Seats Installation



Figure and Index Number	Part Number	Code	NOMENCLATURE	No. Req.	SERIAL NUMBERS AFFECTED
56-	47283 48535 49150		DRAWING - Passenger Seats Installation DRAWING - Passenger Seats Installation DRAWING - Passenger Seats Installation		31P-3 to 31P-7300132 inclusive 31P-7300133 to 31P-7630006 incl. 31P-7630006 and up
-1	47343-02 47343-03	D D	SEAT ASSEMBLY - Passenger (complete) fabric, red, left SEAT ASSEMBLY - Passenger (complete) fabric, blue/green, left	2 2	31P-3 to 31P-77 inclusive 31P-3 to 31P-77 inclusive
	47343-04 47343-05 47343-06 47343-07 47343-08 47343-09 47343-10 47343-32 47343-34 48537-02 48537-10 47343-11 47343-12	D D D D D D D A,D B,D C,D C,E D D	SEAT ASSEMBLY - Passenger (complete) fabric, rust, left SEAT ASSEMBLY - Passenger (complete) fabric, gold, left SEAT ASSEMBLY - Passenger (complete) leather, white, left SEAT ASSEMBLY - Passenger (complete) leather, black, left SEAT ASSEMBLY - Passenger (complete) leather, red, left SEAT ASSEMBLY - Passenger (complete) leather, blue, left SEAT ASSEMBLY - Passenger (complete) leather, gold, left SEAT ASSEMBLY - Passenger (complete) fabric, left SEAT ASSEMBLY - Passenger (complete) leather, left SEAT ASSEMBLY - Passenger (complete) left SEAT ASSEMBLY - Passenger (complete) left SEAT ASSEMBLY - Passenger (complete) fabric, red, right SEAT ASSEMBLY - Passenger (complete) fabric, blue/green, right	2 2 2 2 2 2 2 2 2 2 2 2 2	31P-3 to 31P-77 inclusive 31P-3 to 31P-77 inclusive 31P-3 to 31P-77 inclusive 31P-3 to 31P-77 inclusive 31P-3 to 31P-77 inclusive 31P-3 to 31P-77 inclusive 31P-3 to 31P-77 inclusive 31P-78 to 31P-7300132 inclusive 31P-78 to 31P-7300132 inclusive 31P-7300133 to 31P-7630005 incl. 31P-7630006 and up 31P-3 to 31P-77 inclusive 31P-3 to 31P-77 inclusive 31P-3 to 31P-77 inclusive 31P-3 to 31P-77 inclusive 31P-3 to 31P-77 inclusive 31P-3 to 31P-77 inclusive 31P-3 to 31P-77 inclusive 31P-3 to 31P-77 inclusive 31P-78 to 31P-7300132 inclusive 31P-78 to 31P-7300132 inclusive 31P-7300133 to 31P-7630005 incl. 31P-7630006 and up 31P-3 to 31P-77 inclusive 31P-3 to 31P-77 inclusive 31P-78 to 31P-7300132 inclusive 31P-78 to 31P-7300132 inclusive 31P-7300133 to 31P-7630005 incl. 31P-7630006 and up
	47343-13 47343-14 47343-15 47343-16 47343-17 47343-18 47343-19 47343-33 47343-35 48537-03 48537-11 47343-29 47343-31 47343-46 47343-47 48537-04 48537-12	D D D D D D D A,D B,D C,D C,E A,F B,F A,F B,F C,F C,F	SEAT ASSEMBLY - Passenger (complete) fabric, rust, right SEAT ASSEMBLY - Passenger (complete) fabric, gold, right SEAT ASSEMBLY - Passenger (complete) leather, white, right SEAT ASSEMBLY - Passenger (complete) leather, black, right SEAT ASSEMBLY - Passenger (complete) leather, red, right SEAT ASSEMBLY - Passenger (complete) leather, blue, right SEAT ASSEMBLY - Passenger (complete) leather, gold, right SEAT ASSEMBLY - Passenger (complete) fabric, right SEAT ASSEMBLY - Passenger (complete) leather, right SEAT ASSEMBLY - Passenger (complete) right SEAT ASSEMBLY - Passenger (complete) right SEAT ASSEMBLY - Passenger (complete) fabric, left SEAT ASSEMBLY - Passenger (complete) leather, left SEAT ASSEMBLY - Passenger (complete) fabric, left SEAT ASSEMBLY - Passenger (complete) leather, left SEAT ASSEMBLY - Passenger (complete) left SEAT ASSEMBLY - Passenger (complete) left	2 2 2 2 2 2 2 2 2 2 2 1 1 1 1 1 1	31P-3 to 31P-77 inclusive 31P-3 to 31P-77 inclusive 31P-3 to 31P-77 inclusive 31P-3 to 31P-77 inclusive 31P-3 to 31P-77 inclusive 31P-3 to 31P-77 inclusive 31P-3 to 31P-77 inclusive 31P-78 to 31P-7300132 inclusive 31P-78 to 31P-7300132 inclusive 31P-7300133 to 31P-7630005 incl. 31P-7630006 and up 31P-3 to 31P-77 inclusive 31P-3 to 31P-77 inclusive 31P-78 to 31P-7300132 inclusive 31P-78 to 31P-7300132 inclusive 31P-7300133 to 31P-7630005 incl. 31P-7630006 and up
			A - When ordering, specify color red, blue/green, rust or gold. B - When ordering, specify color red, blue, black, white or gold. C - Serial number of aircraft must be supplied when ordering this part. D - Used when 3rd, 4th, 5th and 6th seats are in forward facing position. E - Used when 5th and 6th seats are in forward facing position. F - Used when 3rd and 4th seats are in aft facing position.		

When ordering, always specify Part Number, Description and Serial Number of Aircraft



Figure and Index Number	Part Number	Code	NOMENCLATURE	No. Req.	SERIAL NUMBERS AFFECTED
56-1	47343-28	A,C	SEAT ASSEMBLY - Passenger (complete) fabric, right	1	31P-3 to 31P-77 inclusive
	47343-30	B,C	SEAT ASSEMBLY - Passenger (complete) leather, right	1	31P-3 to 31P-77 inclusive
	47343-44	A,C	SEAT ASSEMBLY - Passenger (complete) fabric, right	1	31P-78 to 31P-7300132 inclusive
	47343-46	B,C	SEAT ASSEMBLY - Passenger (complete) leather, right	1	31P-78 to 31P-7300132 inclusive
	48537-06	C,D	SEAT ASSEMBLY - Passenger (complete) right	1	31P-7300133 to 31P 7630006 incl.
	48537-13	C,D	SEAT ASSEMBLY - Passenger (complete) right	1	31P-7630006 and up
-2	25801-02		BELT ASSEMBLY - Safety, black	1	
	25801-03		BELT ASSEMBLY - Safety, blue	1	31P-3 to 31P-7400230 inclusive
	25801-04		BELT ASSEMBLY - Safety, fawn	1	31P-3 to 31P-7400230 inclusive
-3	43229-04		SHROUD ASSEMBLY - Safety belt fitting, red	2	31P-3 to 31P-7300132 inclusive
	43229-06		SHROUD ASSEMBLY - Safety belt fitting, blue	2	31P-3 to 31P-7300132 inclusive
	43229-08		SHROUD ASSEMBLY - Safety belt fitting, black	2	31P-3 to 31P-7300132 inclusive
	43229-10		SHROUD ASSEMBLY - Safety belt fitting, gold	2	31P-3 to 31P-7300132 inclusive
	43229-12		SHROUD ASSEMBLY - Safety belt fitting, white	2	31P-3 to 31P-7300132 inclusive
-4	53134-00	D	SHROUD ASSEMBLY - Safety belt fitting	2	31P-7300133 to 31P-7630006 incl.
	46832-02		HEADREST ASSEMBLY - Fabric, red	1	31P-3 to 31P-7300132 inclusive
	46832-03		HEADREST ASSEMBLY - Fabric, blue/green	1	31P-3 to 31P-7300132 inclusive
	46832-04		HEADREST ASSEMBLY - Fabric, rust	1	31P-3 to 31P-7300132 inclusive
	46832-05		HEADREST ASSEMBLY - Fabric, gold	1	31P-3 to 31P-7300132 inclusive
	46832-06		HEADREST ASSEMBLY - Leather, red	1	31P-3 to 31P-7300132 inclusive
	46832-07		HEADREST ASSEMBLY - Leather, blue	1	31P-3 to 31P-7300132 inclusive
	46832-08		HEADREST ASSEMBLY - Leather, black	1	31P-3 to 31P-7300132 inclusive
	46832-09		HEADREST ASSEMBLY - Leather, gold	1	31P-3 to 31P-7300132 inclusive
	46832-10		HEADREST ASSEMBLY - Leather, white	1	31P-3 to 31P-7300132 inclusive
	47931-02	A,C	HEADREST ASSEMBLY - Fabric	1	31P-3 to 31P-7300132 inclusive
	47931-03	B,C	HEADREST ASSEMBLY - Leather	1	31P-3 to 31P-7300132 inclusive
	53288-00	D	HEADREST ASSEMBLY - (5" high)	1	31P-7300133 to 31P-7630006 incl.
	53276-00	C,D	HEADREST ASSEMBLY - (10" high)	1	31P-7300133 to 31P-7630006 incl.
	49089-02	D	HEADREST ASSEMBLY - Forward facing seats	1	31P-7630006 and up
	49103-02	D	HEADREST ASSEMBLY - Aft facing seats	1	31P-7630006 and up
	-5	25607-00		PLATE - Trim	2
419 875			SCREW - (4 x 3/8 L, Rd. Hd.)	8	31P-3 to 31P-7300132 inclusive
-7	47321-02		BACK ASSEMBLY - Seat, fabric, red	1	31P-3 to 31P-77 inclusive
	47321-03		BACK ASSEMBLY - Seat, fabric, blue/green	1	31P-3 to 31P-77 inclusive
	47321-04		BACK ASSEMBLY - Seat, fabric, rust	1	31P-3 to 31P-77 inclusive
	47321-05		BACK ASSEMBLY - Seat, fabric, gold	1	31P-3 to 31P-77 inclusive
	47321-06		BACK ASSEMBLY - Seat, leather, white	1	31P-3 to 31P-77 inclusive
	47321-07		BACK ASSEMBLY - Seat, leather, black	1	31P-3 to 31P-77 inclusive
	47321-41		BACK ASSEMBLY - Seat, leather, red	1	31P-3 to 31P-77 inclusive
	47321-42		BACK ASSEMBLY - Seat, leather, blue	1	31P-3 to 31P-77 inclusive
	47321-43		BACK ASSEMBLY - Seat, leather, gold	1	31P-3 to 31P-77 inclusive
	48245-02	A	BACK ASSEMBLY - Seat, fabric	1	31P-78 to 31P-7300132 inclusive
	48245-04	E	BACK ASSEMBLY - Seat, leather	1	31P-78 to 31P-7300132 inclusive
	48245-06		BACK ASSEMBLY - Seat, leather, black	1	31P-78 to 31P-7300132 inclusive
	48536-00	D	BACK ASSEMBLY - Seat	1	31P-7300133 to 31P-7630006 incl.
	49095-02	D	BACK ASSEMBLY - Seat	1	31P-7630006 and up

A - When ordering, specify color red, blue/green, rust or gold.  
 B - When ordering, specify color red, blue, black, white or gold.  
 C - Used when 3rd and 4th seats are in aft facing position.  
 D - Serial number of aircraft must be supplied when ordering this part.  
 E - When ordering, specify color red, blue, white or gold.

When ordering, always specify Part Number, Description and Serial Number of Aircraft



Figure and Index Number	Part Number	Code	NOMENCLATURE	No. Req.	SERIAL NUMBERS AFFECTED	
56-8	46957-02		PANEL ASSEMBLY - Seat back trim, red	1	31P-3 to 31P-77 inclusive	
	46957-03		PANEL ASSEMBLY - Seat back trim, blue	1	31P-3 to 31P-77 inclusive	
	46957-04		PANEL ASSEMBLY - Seat back trim, black	1	31P-3 to 31P-77 inclusive	
	46957-05		PANEL ASSEMBLY - Seat back trim, white	1	31P-3 to 31P-77 inclusive	
	46957-06		PANEL ASSEMBLY - Seat back trim, gold	1	31P-3 to 31P-77 inclusive	
	44867-10	B	PANEL ASSEMBLY - Seat back trim	1	31P-78 to 31P-7300132 inclusive	
	53129-03	A	PANEL ASSEMBLY - Seat back trim	1	31P-7300133 to 31P-7630006 incl.	
	49095-04		PANEL ASSEMBLY - Seat back trim	1	31P-7630006 and up	
	-9	47624-00		DETENT - Seat hinge	2	31P-3 to 31P-7300132 inclusive
		34447-00		DETENT - Seat hinge	2	31P-7300133 and up
-10		400 873		BOLT - (AN23-21A)	4	31P-3 to 31P-7300132 inclusive
	401 270		BOLT - (AN3-11A)	4	31P-7300133 and up	
	407 564		WASHER - (AN960-10)	4	31P-7300133 and up	
-11	404 887		NUT - (MS20365-1032C)	4		
	47311-02		BOTTOM ASSEMBLY - Seat, fabric, red	1	31P-3 to 31P-7300132 inclusive	
	47311-04		BOTTOM ASSEMBLY - Seat, fabric, blue/green	1	31P-3 to 31P-7300132 inclusive	
	47311-06		BOTTOM ASSEMBLY - Seat, fabric, rust	1	31P-3 to 31P-7300132 inclusive	
	47311-08		BOTTOM ASSEMBLY - Seat, fabric, gold	1	31P-3 to 31P-7300132 inclusive	
	47311-10		BOTTOM ASSEMBLY - Seat, leather, black	1	31P-3 to 31P-7300132 inclusive	
	47311-11		BOTTOM ASSEMBLY - Seat, leather, white	1	31P-3 to 31P-7300132 inclusive	
	47311-69		BOTTOM ASSEMBLY - Seat, leather, red	1	31P-3 to 31P-7300132 inclusive	
	47311-71		BOTTOM ASSEMBLY - Seat, leather, blue	1	31P-3 to 31P-7300132 inclusive	
	47311-73		BOTTOM ASSEMBLY - Seat, leather, gold	1	31P-3 to 31P-7300132 inclusive	
-12	48531-02	A	BOTTOM ASSEMBLY - Seat, left	1	31P-7300133 to 31P-7630006 incl.	
	48531-03	A	BOTTOM ASSEMBLY - Seat, right	1	31P-7300133 to 31P-7630006 incl.	
	49092-02	A	BOTTOM ASSEMBLY - Seat, left	1	31P-7630006 and up	
	49092-03	A	BOTTOM ASSEMBLY - Seat, right	1	31P-7630006 and up	
	-13	43976-02		SKIRT - Passenger seat, red, front	1	31P-3 to 31P-7300132 inclusive
		43976-03		SKIRT - Passenger seat, blue, front	1	31P-3 to 31P-7300132 inclusive
43976-04			SKIRT - Passenger seat, black, front	1	31P-3 to 31P-7300132 inclusive	
43976-05			SKIRT - Passenger seat, pearl/beige, front	1	31P-3 to 31P-7300132 inclusive	
43976-06			SKIRT - Passenger seat, white, front	1	31P-3 to 31P-7300132 inclusive	
48529-03		A	COVER - Seat bottom trim, front	1	31P-7300133 to 31P-7630006 incl.	
-14	53122-05		COVER - Seat bottom trim, front	1	31P-7630006 and up	
	42322-02		COVER - Bottom seat trim, red, rear	1	31P-3 to 31P-7300132 inclusive	
	42322-03		COVER - Bottom seat trim, blue, rear	1	31P-3 to 31P-7300132 inclusive	
	42322-04		COVER - Bottom seat trim, black, rear	1	31P-3 to 31P-7300132 inclusive	
	42322-05		COVER - Bottom seat trim, pearl/beige, rear	1	31P-3 to 31P-7300132 inclusive	
	42322-06		COVER - Bottom seat trim, white, rear	1	31P-3 to 31P-7300132 inclusive	
	48534-00	A	COVER - Bottom seat trim, rear	1	31P-7300133 to 31P-7630006 incl.	
	53126-02		COVER - Bottom seat trim, rear	1	31P-7630006 and up	
-14	44024-02		LOOP ASSEMBLY - Seat belt, red	2	31P-3 to 31P-7300132 inclusive	
	44024-05		LOOP ASSEMBLY - Seat belt, blue	2	31P-3 to 31P-7300132 inclusive	
	44024-07		LOOP ASSEMBLY - Seat belt, black	2	31P-3 to 31P-7300132 inclusive	
	44024-09		LOOP ASSEMBLY - Seat belt, gold	2	31P-3 to 31P-7300132 inclusive	
	44024-11		LOOP ASSEMBLY - Seat belt, white	2	31P-3 to 31P-7300132 inclusive	
	53120-00	A	LOOP ASSEMBLY - Seat belt	2	31P-7300133 to 31P-7630006 incl.	
	49092-08		LOOP ASSEMBLY - Seat belt	2	31P-7630006 and up	

Note: With 3rd and 4th seats facing aft, items indented under complete seat assembly designated left become right and items designated right become left.

- A - Serial number of aircraft must be supplied when ordering this part.
- B - When ordering, specify color red, blue, black, white or gold.

When ordering, always specify Part Number, Description and Serial Number of Aircraft



Figure and Index Number	Part Number	Code	NOMENCLATURE	No. Req.	SERIAL NUMBERS AFFECTED
56-15	47754-00		BRACKET ASSEMBLY - Armrest storage	1	31P-3 to 31P-7300132 inclusive
-16	419 683		SCREW - (4 x 1/2 L, Type A, oval head)	8	
	494 001		WASHER - Finishing (4)	8	
-17	46688-00		PLATE - Armrest socket trim, left	1	31P-3 to 31P-7300132 inclusive
	46688-01		PLATE - Armrest socket trim, right	1	31P-3 to 31P-7300132 inclusive
-18	419 683		SCREW - (4 x 1/2 L, Type A, oval head)	2	
-19	42282-00		SPRING - Seat track latch	2	
-20	41763-00		BRACKET - Seat track latch	2	
-21	47963-00		LINK - Seat track lock	2	
-22	47678-00		PLUNGER - Seat latch	2	
-23	41695-02		GUIDE - Seat latch plunger	2	
-24	41413-38		BUSHING - Seat roller	4	
-25	18968-00		ROLLER - Seat	4	
-26	42075-00		TUBE - Seat recliner mechanism	2	
-27	42097-00		TUBE - Seat recliner mechanism union	1	
-28	42098-00		PLUG - Seat recliner mechanism tube	2	
-29	86092-86		WIRE - Seat adjustment	2	31P-3 to 31P-7530022 inclusive
	47960-00		ROD - Seat adjustment (threaded end)	2	31P-3 to 31P-7530022 inclusive
	54179-04		ROD - Seat adjustment	2	31P-7530023 and up
-30	487 479		SPRING - (LE-045E-2)	2	
-31	47964-00		TUBE ASSEMBLY - Seat recliner release	1	31P-3 to 31P-7530022 inclusive
	54182-02		TUBE ASSEMBLY - Seat recliner release	1	31P-7530023 and up
-32	47959-00		ARM ASSEMBLY - Seat recliner mechanism	2	
-33	12074-03		BRACKET - Seat roller, front	2	
	47615-00		BRACKET - Seat roller, rear	2	
-34	571 067		KNOB - (225, black, 10-32 insert)	2	
-35	86092-85		WIRE - Seat plunger	2	31P-3 to 31P-7530022 inclusive
	47960-00		ROD - Seat plunger (threaded end)	2	31P-3 to 31P-7530022 inclusive
	54179-02		ROD - Seat plunger, left	1	31P-7530023 and up
	54179-03		ROD - Seat plunger, right	1	31P-7530023 and up
-36	44029-00		HANDLE ASSEMBLY - Seat track latch release	1	31P-3 to 31P-7530022 inclusive
	44029-02		HANDLE ASSEMBLY - Seat track latch release	1	31P-7530023 and up
-36a	45255-00		HANDLE - Seat track latch release	1	
-36b	52898-00		BRACKET ASSEMBLY - Armrest attachment	1	31P-7300133 and up
-36c	52889-00		BRACKET - Armrest attachment	1	31P-7300133 and up
-36d	52893-00		BRACKET - Armrest attachment	1	31P-7300133 and up
-37	424 145		PIN - (MS20392-1C17)	2	
	407 561		WASHER - (AN960-4)	6	
	424 061		COTTER PIN - (MS24665-132)	2	
-38	424 143		PIN - (MS20392-1C13)	2	
	407 561		WASHER - (AN960-4)	2	
	424 061		COTTER PIN - (MS24665-132)	2	
-39	400 882		BOLT - (AN23-30A)	4	
	407 584		WASHER - (AN960-10L)	4	
	477 707		NUT - (28C-02)	4	
-40	400 920		BOLT - (AN24-30A)	4	
	407 585		WASHER - (AN960-416L)	4	
	477 708		NUT - (28C-048)	4	
-41	480 701		ROLL PIN - (59-028-125-0.625)	2	
-42	400 441		BOLT - (AN3-7A)	2	
	407 564		WASHER - (AN960-10)	2	
	404 835		NUT - (MS20365-1032C)	2	

Note: With 3rd and 4th seats facing aft, items indented under complete seat assembly designated left become right and items designated right become left.

When ordering, always specify Part Number, Description and Serial Number of Aircraft



**PIPER PARTS CATALOG**

Figure and Index Number	Part Number	Code	NOMENCLATURE	No. Req.	SERIAL NUMBERS AFFECTED
56-43	424 141		* * PIN - (MS20392-1C9)	2	
	407 564		* * WASHER - (AN960-10)	4	
	424 051		* * COTTER PIN - (MS24665-132)	2	
-44	80122-06		* * WASHER	2	
-45	42074-00		* * PAWL ASSEMBLY - Seat recliner	2	
-45a	406 369		* * NUT - (A 1037-012-3) (with 1/8" dia. rod)	4	31P-3 to 31P-7530022 inclusive
	554 671		* * CLIP - (HS-99339-2L) (with 5/32" dia. rod), left	3	31P-7530023 and up
	554 670		* * CLIP - (HS-99355-2R) (with 5/32" dia. rod), right	3	31P-7530023 and up
-45b	587 600		* * SUSPENSION - Elastaseat (P-151)	1	
	41722-10		* * NETTING - Nylon	1	
-46	46814-01		* ARMREST ASSEMBLY - (Complete) fabric, red, left seat	1	31P-3 to 31P-7300132 inclusive
	46814-03		* ARMREST ASSEMBLY - (Complete) fabric, blue/green, left seat	1	31P-3 to 31P-7300132 inclusive
	46814-05		* ARMREST ASSEMBLY - (Complete) fabric, rust, left seat	1	31P-3 to 31P-7300132 inclusive
	46814-07		* ARMREST ASSEMBLY - (Complete) fabric, gold, left seat	1	31P-3 to 31P-7300132 inclusive
	46814-09		* ARMREST ASSEMBLY - (Complete) leather, black, left seat	1	31P-3 to 31P-7300132 inclusive
	46814-11		* ARMREST ASSEMBLY - (Complete) leather, white, left seat	1	31P-3 to 31P-7300132 inclusive
	46814-29		* ARMREST ASSEMBLY - (Complete) leather, red, left seat	1	31P-3 to 31P-7300132 inclusive
	46814-31		* ARMREST ASSEMBLY - (Complete) leather, blue, left seat	1	31P-3 to 31P-7300132 inclusive
	46814-33		* ARMREST ASSEMBLY - (Complete) leather, gold, left seat	1	31P-3 to 31P-7300132 inclusive
	46814-00		* ARMREST ASSEMBLY - (Complete) fabric, red, right seat	1	31P-3 to 31P-7300132 inclusive
	46814-02		* ARMREST ASSEMBLY - (Complete) fabric, blue/green, right seat	1	31P-3 to 31P-7300132 inclusive
	46814-04		* ARMREST ASSEMBLY - (Complete) fabric, rust, right seat	1	31P-3 to 31P-7300132 inclusive
	46814-06		* ARMREST ASSEMBLY - (Complete) fabric, gold, right seat	1	31P-3 to 31P-7300132 inclusive
	46814-08		* ARMREST ASSEMBLY - (Complete) leather, black, right seat	1	31P-3 to 31P-7300132 inclusive
	46814-10		* ARMREST ASSEMBLY - (Complete) leather, white, right seat	1	31P-3 to 31P-7300132 inclusive
	46814-28		* ARMREST ASSEMBLY - (Complete) leather, red, right seat	1	31P-3 to 31P-7300132 inclusive
	46814-30		* ARMREST ASSEMBLY - (Complete) leather, blue, right seat	1	31P-3 to 31P-7300132 inclusive
	46814-32		* ARMREST ASSEMBLY - (Complete) leather, gold, right seat	1	31P-3 to 31P-7300132 inclusive
	53260-04	A	* ARMREST ASSEMBLY - (Complete)	1	31P-7300133 to 31P-7630005 incl.
	49099-02		* ARMREST ASSEMBLY - (Complete) left seat	1	31P-7630006 and up
	49099-03		* ARMREST ASSEMBLY - (Complete) right seat	1	31P-7630006 and up
			Note: With 3rd and 4th seats facing aft, items indented under complete seat assembly designated left become right and items designated right become left.		
			A - Serial number of aircraft must be supplied when ordering this part.		

When ordering, always specify Part Number, Description and Serial Number of Aircraft



Figure and Index Number	Part Number	Code	NOMENCLATURE	No. Req.	SERIAL NUMBERS AFFECTED
56-47	46785-00		SUPPORT ASSEMBLY - Post armrest, right seat	1	31P-3 to 31P-7300132 inclusive
	46785-01		SUPPORT ASSEMBLY - Post armrest, left seat	1	31P-3 to 31P-7300132 inclusive
	52904-00		SUPPORT ASSEMBLY - Folding armrest	1	31P-7300133 and up
-48	400 890		BOLT - (AN23-40A)	2	31P-7300133 and up
-49	14175-111		BUSHING	2	
-50	41413-26		BUSHING	2	
-51	400 916		BOLT - (AN24-26A)	2	31P-3 to 31P-7300132 inclusive
	400 917		BOLT - (AN24-27A)	2	31P-7300133 to 31P-7630005 incl.
	400 919		BOLT - (AN24-29A)	2	31P-7630006 and up
	44114-00		WASHER - Trim	2	
	407 567		WASHER - (AN960-616) (3/8 I.D.)	4	31P-3 to 31P-7300132 inclusive
	407 565		WASHER - (AN960-416)	2	
	407 585		WASHER - (AN960-416L)	2	31P-7630006 and up
	477 709		NUT - (26C-048)	2	
-52	41413-38		BUSHING	2	
-53	400 926		BOLT - (AN26-36A)	2	
	44114-00		WASHER - Trim	2	
	407 565		WASHER - (AN960-416)	2	
	407 585		WASHER - (AN960-416L)	2	
	477 709		NUT - (26C-048)	2	
-54	52917-00		COVER - Armrest bracket trim	1	31P-7300133 and up
-55	53246-01		PANEL ASSEMBLY - Armrest trim, left seat	1	31P-7300133 to 31P-7630005 incl.
	53246-00		PANEL ASSEMBLY - Armrest trim, right seat	1	31P-7300133 to 31P-7630005 incl.
	48537-15	B	PANEL ASSEMBLY - Armrest trim, left seat	1	31P-7630006 and up
	48537-14	B	PANEL ASSEMBLY - Armrest trim, right seat	1	31P-7630006 and up
-56	49982-27		BUSHING - Armrest attachment	1	31P-7300133 and up
-57	49982-28		BUSHING - Armrest attachment	1	31P-7300133 and up
-58	41413-26		BUSHING - Seat attachment	2	31P-3 to 31P-7300132 inclusive
	49982-31		BUSHING - Seat attachment	4	31P-7300133 and up
-59	52338-00		STOP - Seat track	4	31P-3 to 31P-7630019 inclusive
	43759-00	A	STOP - Seat track	2	
	43759-00		STOP - Seat track	2	31P-7730001 and up
	415 448		SCREW - (MS35206-243)	8	
	407 042		LOCK WASHER - (MS35338-42)	8	
-60	400 916	A	BOLT - (AN24-26A)	4	
	404 836	A	NUT - (MS20364-428C)	4	
-61	18842-03		STOP - Seat track	6	31P-7730001 and up

Note: With 3rd and 4th seats facing aft, items indented under complete seat assembly designated left become right and items designated right become left.

A - Used when 3rd and 4th seats are in aft facing position.  
B - Serial number of aircraft must be supplied when ordering this part.

When ordering, always specify Part Number, Description and Serial Number of Aircraft

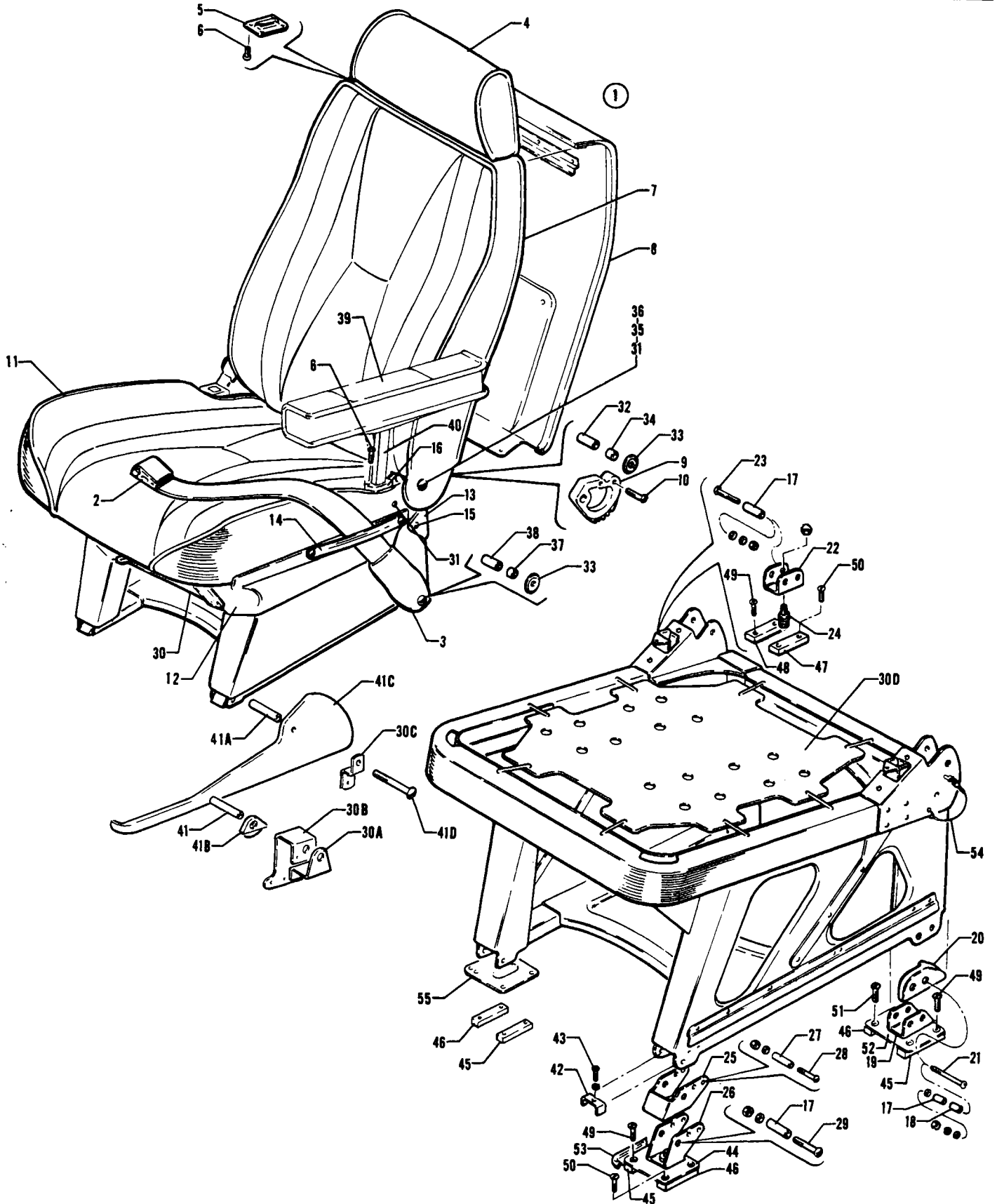


Figure 57. 7th Seat Installation



Figure and Index Number	Part Number	Code	NOMENCLATURE	No. Req.	SERIAL NUMBERS AFFECTED
57-	47437 48565 49107		DRAWING - 7th Seat Installation DRAWING - 7th Seat Installation DRAWING - 7th Seat Installation		31P-3 to 31P-7300132 inclusive 31P-7300133 to 31P-7630005 incl. 31P-7630006 and up
-1	47375-02 47375-03		SEAT ASSEMBLY - Passenger (complete) fabric, red SEAT ASSEMBLY - Passenger (complete) fabric, blue/green	1	31P-3 to 31P-77 inclusive
	47375-04		SEAT ASSEMBLY - Passenger (complete) fabric, rust	1	31P-3 to 31P-77 inclusive
	47375-05		SEAT ASSEMBLY - Passenger (complete) fabric, gold	1	31P-3 to 31P-77 inclusive
	47375-06		SEAT ASSEMBLY - Passenger (complete) leather, black	1	31P-3 to 31P-77 inclusive
	47375-07		SEAT ASSEMBLY - Passenger (complete) leather, white	1	31P-3 to 31P-77 inclusive
	47375-08		SEAT ASSEMBLY - Passenger (complete) leather, red	1	31P-3 to 31P-77 inclusive
	47375-09		SEAT ASSEMBLY - Passenger (complete) leather, blue	1	31P-3 to 31P-77 inclusive
	47375-10		SEAT ASSEMBLY - Passenger (complete) leather, gold	1	31P-3 to 31P-77 inclusive
	47375-13	A	SEAT ASSEMBLY - Passenger (complete) fabric	1	31P-78 to 31P-7300132 inclusive
	47375-14	B	SEAT ASSEMBLY - Passenger (complete) leather	1	31P-78 to 31P-7300132 inclusive
	48551-00	C	SEAT ASSEMBLY - Passenger (complete)	1	31P-7300133 to 31P-7630005 incl.
	48551-03	C	SEAT ASSEMBLY - Passenger (complete)	1	31P-7630006 and up
-2	25801-02		BELT ASSEMBLY - Safety, black	1	31P-3 to 31P-7630005 inclusive
	25801-03		BELT ASSEMBLY - Safety, blue	1	31P-3 to 31P-7400230 inclusive
	25801-04		BELT ASSEMBLY - Safety, fawn	1	31P-3 to 31P-7400230 inclusive
-3	43229-04		SHROUD ASSEMBLY - Safety belt fitting, red	2	31P-3 to 31P-7300132 inclusive
	43229-06		SHROUD ASSEMBLY - Safety belt fitting, blue	2	31P-3 to 31P-7300132 inclusive
	43229-08		SHROUD ASSEMBLY - Safety belt fitting, black	2	31P-3 to 31P-7300132 inclusive
	43229-10		SHROUD ASSEMBLY - Safety belt fitting, gold	2	31P-3 to 31P-7300132 inclusive
	43229-12		SHROUD ASSEMBLY - Safety belt fitting white	2	31P-3 to 31P-7300132 inclusive
	53134-00	C	SHROUD ASSEMBLY - Safety belt fitting	2	31P-7300133 to 31P-7630005 incl.
-4	46832-02		HEADREST ASSEMBLY - Fabric, red	1	31P-3 to 31P-7300132 inclusive
	46832-03		HEADREST ASSEMBLY - Fabric, blue	1	31P-3 to 31P-7300132 inclusive
	46832-04		HEADREST ASSEMBLY - Fabric, rust	1	31P-3 to 31P-7300132 inclusive
	46832-05		HEADREST ASSEMBLY - Fabric, gold	1	31P-3 to 31P-7300132 inclusive
	46832-06		HEADREST ASSEMBLY - Leather, red	1	31P-3 to 31P-7300132 inclusive
	46832-07		HEADREST ASSEMBLY - Leather, blue	1	31P-3 to 31P-7300132 inclusive
	46832-08		HEADREST ASSEMBLY - Leather, black	1	31P-3 to 31P-7300132 inclusive
	46832-09		HEADREST ASSEMBLY - Leather, gold	1	31P-3 to 31P-7300132 inclusive
	46832-10		HEADREST ASSEMBLY - Leather, white	1	31P-3 to 31P-7300132 inclusive
	53288-00	C	HEADREST ASSEMBLY	1	31P-7300133 to 31P-7630005 incl.
	49089-02	C	HEADREST ASSEMBLY	1	31P-7630006 and up
-5	25607-00		PLATE - Trim	2	31P-3 to 31P-7300132 inclusive
-6	419 875		SCREW - (4 x 3/8 L, Rd. Hd.)	8	31P-3 to 31P-7300132 inclusive

A - When ordering, specify color red, blue/green, rust or gold.  
 B - When ordering, specify color red, blue, gold, black or white.  
 C - Serial number of aircraft must be supplied when ordering this part.

When ordering, always specify Part Number, Description and Serial Number of Aircraft



Figure and Index Number	Part Number	Code	NOMENCLATURE	No. Req.	SERIAL NUMBERS AFFECTED	
57-7	47321-02		BACK ASSEMBLY - Seat, fabric, red	1	31P-3 to 31P-77 inclusive	
	47321-03		BACK ASSEMBLY - Seat, fabric, blue/green	1	31P-3 to 31P-77 inclusive	
	47321-04		BACK ASSEMBLY - Seat, fabric, rust	1	31P-3 to 31P-77 inclusive	
	47321-05		BACK ASSEMBLY - Seat, fabric, gold	1	31P-3 to 31P-77 inclusive	
	47321-06		BACK ASSEMBLY - Seat, leather, white	1	31P-3 to 31P-77 inclusive	
	47321-07		BACK ASSEMBLY - Seat, leather, black	1	31P-3 to 31P-77 inclusive	
	47321-41		BACK ASSEMBLY - Seat, leather, red	1	31P-3 to 31P-77 inclusive	
	47321-42		BACK ASSEMBLY - Seat, leather, blue	1	31P-3 to 31P-77 inclusive	
	47321-43		BACK ASSEMBLY - Seat, leather, gold	1	31P-3 to 31P-77 inclusive	
	48245-02	B	BACK ASSEMBLY - Seat, fabric	1	31P-78 to 31P-7300132 inclusive	
	48245-04	C	BACK ASSEMBLY - Seat, leather	1	31P-78 to 31P-7300132 inclusive	
	48245-06		BACK ASSEMBLY - Seat, leather, black	1	31P-78 to 31P-7300132 inclusive	
	48536-00	D	BACK ASSEMBLY - Seat	1	31P-7300133 to 31P-7630006 incl.	
	49095-02	D	BACK ASSEMBLY - Seat	1	31P-7630006 and up	
-8	46957-02		PANEL ASSEMBLY - Seat back trim, red	1	31P-3 to 31P-77 inclusive	
	46957-03		PANEL ASSEMBLY - Seat back trim, blue	1	31P-3 to 31P-77 inclusive	
	46957-04		PANEL ASSEMBLY - Seat back trim, black	1	31P-3 to 31P-77 inclusive	
	46957-05		PANEL ASSEMBLY - Seat back trim, white	1	31P-3 to 31P-77 inclusive	
	46957-06		PANEL ASSEMBLY - Seat back trim, gold	1	31P-3 to 31P-77 inclusive	
	44867-10	A	PANEL ASSEMBLY - Seat back trim	1	31P-78 to 31P-7300132 inclusive	
	53129-03	D	PANEL ASSEMBLY - Seat back trim	1	31P-7300133 to 31P-7630006 incl.	
	49095-04		PANEL ASSEMBLY - Seat back trim	1	31P-7630006 and up	
	-9	47624-00		DETENT - Seat hinge	2	31P-3 to 31P-7300132 inclusive
		34447-00		DETENT - Seat hinge	2	31P-7300133 and up
-10	400 873		BOLT - (AN23-21A)	4		
	404 887		NUT - (MS20365-1032C)	4		
-11	47311-03		BOTTOM ASSEMBLY - Seat, fabric, red	1	31P-3 to 31P-7300132 inclusive	
	47311-05		BOTTOM ASSEMBLY - Seat, fabric, blue/green	1	31P-3 to 31P-7300132 inclusive	
	47311-07		BOTTOM ASSEMBLY - Seat, fabric, rust	1	31P-3 to 31P-7300132 inclusive	
	47311-09		BOTTOM ASSEMBLY - Seat, fabric, gold	1	31P-3 to 31P-7300132 inclusive	
	47311-67		BOTTOM ASSEMBLY - Seat, leather, black	1	31P-3 to 31P-7300132 inclusive	
	47311-68		BOTTOM ASSEMBLY - Seat, leather, white	1	31P-3 to 31P-7300132 inclusive	
	47311-70		BOTTOM ASSEMBLY - Seat, leather, red	1	31P-3 to 31P-7300132 inclusive	
	47311-72		BOTTOM ASSEMBLY - Seat, leather, blue	1	31P-3 to 31P-7300132 inclusive	
	47311-74		BOTTOM ASSEMBLY - Seat, leather, gold	1	31P-3 to 31P-7300132 inclusive	
	48531-07	D	BOTTOM ASSEMBLY - Seat	1	31P-7300133 to 31P-7630006 incl.	
	49092-33	D	BOTTOM ASSEMBLY - Seat	1	31P-7630006 and up	
	-12	43976-07		SKIRT - Passenger seat, red, front	1	31P-3 to 31P-7300132 inclusive
		43976-08		SKIRT - Passenger seat, blue, front	1	31P-3 to 31P-7300132 inclusive
		43976-09		SKIRT - Passenger seat, black, front	1	31P-3 to 31P-7300132 inclusive
43976-10			SKIRT - Passenger seat, pearl/beige, front	1	31P-3 to 31P-7300132 inclusive	
43976-17			SKIRT - Passenger seat, white, front	1	31P-3 to 31P-7300132 inclusive	
48529-02		D	COVER - Seat bottom trim, front	1	31P-7300133 to 31P-7630006 incl.	
-13	53122-04		COVER - Seat bottom trim, front	1	31P-7630006 and up	
	42322-02		COVER - Bottom seat trim, red, rear	1	31P-3 to 31P-7300132 inclusive	
	42322-03		COVER - Bottom seat trim, blue, rear	1	31P-3 to 31P-7300132 inclusive	
	42322-04		COVER - Bottom seat trim, black, rear	1	31P-3 to 31P-7300132 inclusive	
	42322-05		COVER - Bottom seat trim, pearl/beige, rear	1	31P-3 to 31P-7300132 inclusive	
	42322-06		COVER - Bottom seat trim, white, rear	1	31P-3 to 31P-7300132 inclusive	
	48534-00	D	COVER - Bottom seat trim, rear	1	31P-7300133 to 31P-7630006 incl.	
	53126-02		COVER - Bottom seat trim, rear	1	31P-7630006 and up	

A - When ordering specify color red, blue, gold, black or white.  
 B - When ordering, specify color red, blue/green, rust or gold.  
 C - When ordering, specify color red, blue, white or gold.  
 D - Serial number of aircraft must be supplied when ordering this part.

When ordering, always specify Part Number, Description and Serial Number of Aircraft

**PIPER PARTS CATALOG**

Figure and Index Number	Part Number	Code	NOMENCLATURE	No. Req.	SERIAL NUMBERS AFFECTED
57-14	44024-02		** LOOP ASSEMBLY - Seat belt, red	2	31P-3 to 31P-7300132 inclusive
	44024-05		** LOOP ASSEMBLY - Seat belt, blue	2	31P-3 to 31P-7300132 inclusive
	44024-07		** LOOP ASSEMBLY - Seat belt, black	2	31P-3 to 31P-7300132 inclusive
	44024-09		** LOOP ASSEMBLY - Seat belt, gold	2	31P-3 to 31P-7300132 inclusive
	44024-11		** LOOP ASSEMBLY - Seat belt, white	2	31P-3 to 31P-7300132 inclusive
	53120-00	A	** LOOP ASSEMBLY - Seat belt	1	31P-7300133 to 31P-7630005 incl.
	49092-08	A	** LOOP ASSEMBLY - Seat belt	2	31P-7630006 and up
-15	419 683		** SCREW - (4 x 1/2 L, Type A, oval head)	8	
	494 001		** WASHER - (Finishing 4)	8	
-16	46688-00		** PLATE - Armrest socket trim, left	1	31P-3 to 31P-7300132 inclusive
	46688-01		** PLATE - Armrest socket trim, right	1	31P-3 to 31P-7300132 inclusive
-17	42571-02		** BUSHING	4	
-18	14843-108		** BUSHING	1	
-19	46711-00		** BRACKET	1	
-20	46704-00		** COVER	1	
-21	400 932		** BOLT - (AN24-46A)	1	
	407 565		** WASHER - (AN960-416)	3	
	477 708		** NUT - (26C-048)	1	
-22	42570-00		** BRACKET	1	
-23	400 922		** BOLT - (AN24-32A)	1	
	407 565		** WASHER - (AN960-416)	2	
	477 708		** NUT - (26C-048)	1	
-24	487 712		** STUD - (295460-3-4)	2	
	404 888		** NUT - (MS20365-428C)	2	
-25	42561-00		** COVER - Seat attachment	2	
-26	42558-00		** BRACKET ASSEMBLY - Seat attachment, front	2	
-27	14976-97		** BUSHING	4	
-28	400 882		** BOLT - (AN23-30A)	4	
	407 584		** WASHER - (AN960-10L)	4	
	404 835		** NUT - (MS20364-1032C)	4	
-29	400 920		** BOLT - (AN24-30A)	2	
	407 585		** WASHER - (AN960-416L)	2	
	404 836		** NUT - (MS20364-428C)	2	
-30	47754-00		** BRACKET ASSEMBLY - Armrest storage	1	31P-3 to 31P-7300132 inclusive
-30a	52893-00		** BRACKET - Armrest attachment	1	31P-7300133 and up
-30b	52898-00		** BRACKET ASSEMBLY - Armrest attachment	1	31P-7300133 and up
-30c	52889-00		** BRACKET - Armrest attachment	1	31P-7300133 and up
-30d	587 600		** SUSPENSION - Elastaseat (P-151)	1	
	41722-10		** NETTING - Nylon	1	
-31	400 916		** BOLT - (AN24-26A)	4	31P-3 to 31P-7300132 inclusive
	400 917		** BOLT - (AN24-27A)	4	31P-7300133 and up
-32	14175-111		** BUSHING	2	
-33	44114-00		** WASHER	4	
-34	41413-26		** BUSHING	2	31P-3 to 31P-7300132 inclusive
	49982-31		** BUSHING	4	31P-7300133 and up
-35	407 567		** WASHER - (AN960-616)	4	
-36	407 565		** WASHER - (AN960-416)	2	
-37	86102-11		** BUSHING - Left	1	
-38	14843-109		** BUSHING - Right	1	

A - Serial number of aircraft must be supplied when ordering this part.

When ordering, always specify Part Number, Description and Serial Number of Aircraft



Figure and Index Number	Part Number	Code	NOMENCLATURE	No. Req.	SERIAL NUMBERS AFFECTED
57-39	46814-00		ARMREST ASSEMBLY - Passenger (complete) fabric, red	1	31P-3 to 31P-7300132 inclusive
	46814-02		ARMREST ASSEMBLY - Passenger (complete) fabric, blue/green	1	31P-3 to 31P-7300132 inclusive
	46814-04		ARMREST ASSEMBLY - Passenger (complete) fabric, rust	1	31P-3 to 31P-7300132 inclusive
	46814-06		ARMREST ASSEMBLY - Passenger (complete) fabric, gold	1	31P-3 to 31P-7300132 inclusive
	46814-08		ARMREST ASSEMBLY - Passenger (complete) leather, black	1	31P-3 to 31P-7300132 inclusive
	46814-10		ARMREST ASSEMBLY - Passenger (complete) leather, white	1	31P-3 to 31P-7300132 inclusive
	46814-28		ARMREST ASSEMBLY - Passenger (complete) leather, red	1	31P-3 to 31P-7300132 inclusive
	46814-30		ARMREST ASSEMBLY - Passenger (complete) leather, blue	1	31P-3 to 31P-7300132 inclusive
	46814-32		ARMREST ASSEMBLY - Passenger (complete) leather, gold	1	31P-3 to 31P-7300132 inclusive
	53260-04	A	ARMREST ASSEMBLY - Passenger (complete)	1	31P-7300133 to 31P-7630005 incl.
	49099-03	A	ARMREST ASSEMBLY - Passenger (complete)	1	31P-7630006 and up
-40	46785-00		SUPPORT ASSEMBLY - Armrest, post	1	31P-3 to 31P-7300132 inclusive
	52904-00		SUPPORT ASSEMBLY - Armrest, folding	1	31P-7300133 and up
-41	49982-27		BUSHING - Armrest attachment	1	31P-7300133 and up
-41a	49982-28		BUSHING - Armrest attachment	1	31P-7300133 and up
-41b	52917-00		COVER - Armrest bracket trim	1	31P-7300133 and up
-41c	53246-00		PANEL ASSEMBLY - Armrest trim	1	31P-7300133 to 31P-7630005 incl.
	48537-14		PANEL ASSEMBLY - Armrest trim	1	31P-7630006 and up
-41d	400 890		BOLT - (AN23-40A)	2	31P-7300133 and up
-42	18842-00		STOP - Seat	2	
-43	407 042		LOCK WASHER	2	
	415 448		SCREW - (MS35207-243)	2	
-44	41214-02		PLATE - Seat attachment	2	
-45	46695-02		SPACER - Seat attachment wedjit	3	
-46	46695-03		SPACER - Seat attachment wedjit	3	
-47	46695-04		SPACER - Seat attachment wedjit	1	
-48	46695-05		SPACER - Seat attachment wedjit	1	
-49	410 043		SCREW - (MS24694-S56)	10	
-50	410 044		SCREW - (MS24694-S57)	4	
-51	410 045		SCREW - (MS24694-S58)	2	
-52	494 338		WEDJIT ASSEMBLY - (295307)	2	
-53	46696-00		PLATE - Wedjit trim	4	
-54	43986-00		LANYARD ASSEMBLY - Lock, seat back	1	
-55	41215-00		PLATE - Seat attachment closure	2	

A - Serial number of aircraft must be supplied when ordering this part.

When ordering, always specify Part Number, Description and Serial Number of Aircraft

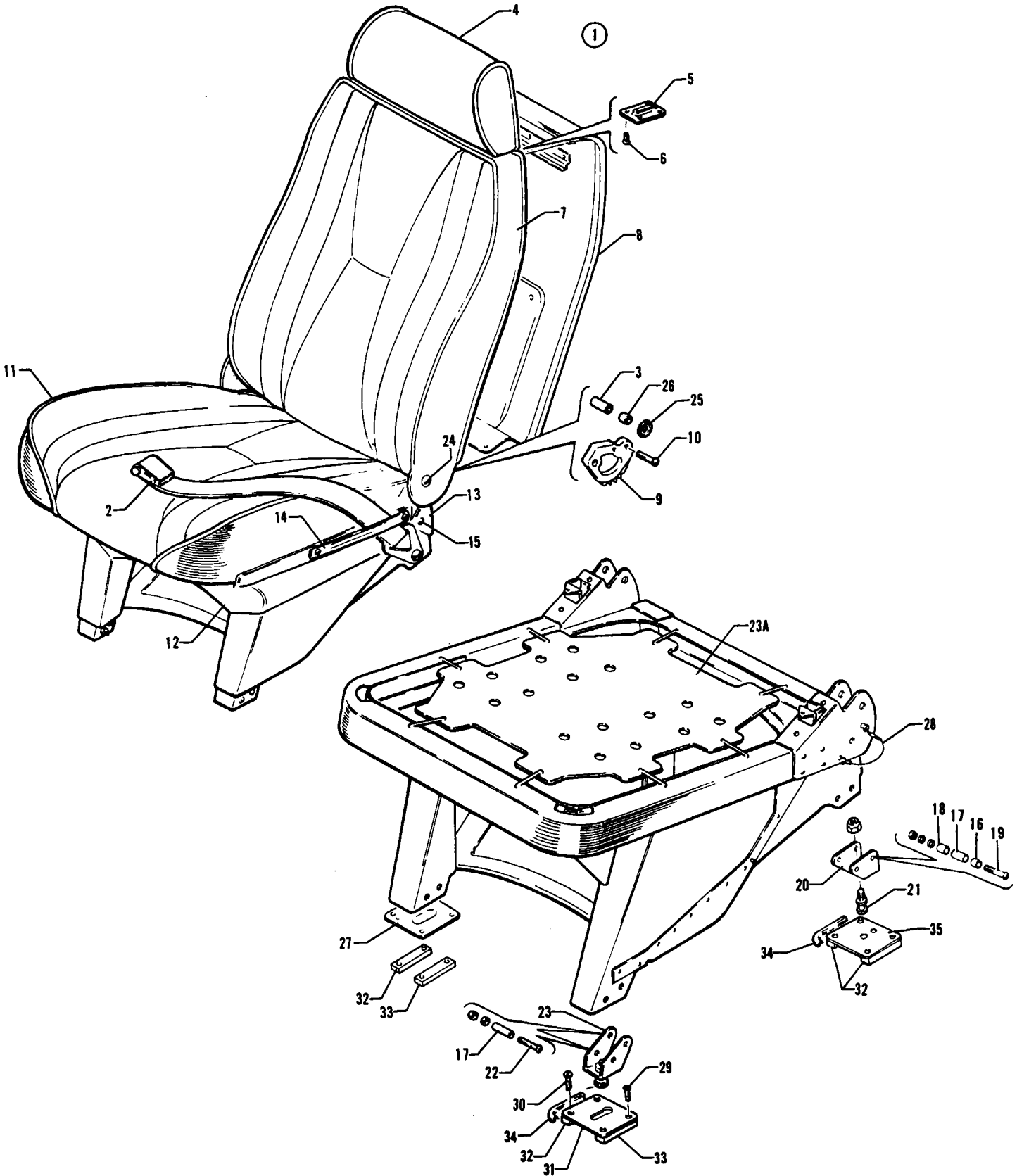


Figure 58. 8th Seat Installation





Figure and Index Number	Part Number	Code	NOMENCLATURE	No. Req.	SERIAL NUMBERS AFFECTED
58-	47437 48565 49107		DRAWING - 8th Seat Installation DRAWING - 8th Seat Installation DRAWING - 8th Seat Installation		31P-3 to 31P-7300132 inclusive 31P-7300133 to 31P-7630005 incl. 31P-7630006 and up
-1	47432-02 47432-03		SEAT ASSEMBLY - Passenger (complete) fabric, red SEAT ASSEMBLY - Passenger (complete) fabric, blue/green	1	31P-3 to 31P-77 inclusive
	47432-04		SEAT ASSEMBLY - Passenger (complete) fabric, rust	1	31P-3 to 31P-77 inclusive
	47432-05		SEAT ASSEMBLY - Passenger (complete) fabric, gold	1	31P-3 to 31P-77 inclusive
	47432-06		SEAT ASSEMBLY - Passenger (complete) leather, black	1	31P-3 to 31P-77 inclusive
	47432-07		SEAT ASSEMBLY - Passenger (complete) leather, white	1	31P-3 to 31P-77 inclusive
	47432-08		SEAT ASSEMBLY - Passenger (complete) leather, red	1	31P-3 to 31P-77 inclusive
	47432-09		SEAT ASSEMBLY - Passenger (complete) leather, blue	1	31P-3 to 31P-77 inclusive
	47432-10		SEAT ASSEMBLY - Passenger (complete) leather, gold	1	31P-3 to 31P-77 inclusive
	47432-13	A	SEAT ASSEMBLY - Passenger (complete) fabric	1	31P-78 to 31P-7300132 inclusive
	47432-14	B	SEAT ASSEMBLY - Passenger (complete) leather	1	31P-78 to 31P-7300132 inclusive
	48560-00	D	SEAT ASSEMBLY - Passenger (complete)	1	31P-7300133 to 31P-7630005 incl.
	48560-03	D	SEAT ASSEMBLY - Passenger (complete)	1	31P-7630006 and up
-2	25801-08		BELT ASSEMBLY - Safety, fawn	1	31P-3 to 31P-7400230 inclusive
	25801-10		BELT ASSEMBLY - Safety, black	1	
	25801-11		BELT ASSEMBLY - Safety, blue	1	31P-3 to 31P-7400230 inclusive
-3	14175-111		BUSHING	2	
-4	46832-02		HEADREST ASSEMBLY - Fabric, red	1	31P-3 to 31P-7300132 inclusive
	46832-03		HEADREST ASSEMBLY - Fabric, blue	1	31P-3 to 31P-7300132 inclusive
	46832-04		HEADREST ASSEMBLY - Fabric, rust	1	31P-3 to 31P-7300132 inclusive
	46832-05		HEADREST ASSEMBLY - Fabric, gold	1	31P-3 to 31P-7300132 inclusive
	46832-06		HEADREST ASSEMBLY - Fabric, red	1	31P-3 to 31P-7300132 inclusive
	46832-07		HEADREST ASSEMBLY - Leather, blue	1	31P-3 to 31P-7300132 inclusive
	46832-08		HEADREST ASSEMBLY - Leather, black	1	31P-3 to 31P-7300132 inclusive
	46832-09		HEADREST ASSEMBLY - Leather, gold	1	31P-3 to 31P-7300132 inclusive
	46832-10		HEADREST ASSEMBLY - Leather, white	1	31P-3 to 31P-7300132 inclusive
	53288-00	D	HEADREST ASSEMBLY	1	31P-7300133 to 31P-7630005 incl.
	49089-02	D	HEADREST ASSEMBLY - Passenger (complete)	1	31P-7630006 and up
-5	26607-00		PLATE - Trim	2	31P-3 to 31P-7300132 inclusive
-6	419 875		SCREW - (4 x 3/8 L, Rd. Hd.)	8	31P-3 to 31P-7300132 inclusive
-7	47321-02		BACK ASSEMBLY - Seat, fabric, red	1	31P-3 to 31P-77 inclusive
	47321-03		BACK ASSEMBLY - Seat, fabric, blue/green	1	31P-3 to 31P-77 inclusive
	47321-04		BACK ASSEMBLY - Seat, fabric, rust	1	31P-3 to 31P-77 inclusive
	47321-05		BACK ASSEMBLY - Seat, fabric, gold	1	31P-3 to 31P-77 inclusive
	47321-06		BACK ASSEMBLY - Seat, leather, white	1	31P-3 to 31P-77 inclusive
	47321-07		BACK ASSEMBLY - Seat, leather, black	1	31P-3 to 31P-77 inclusive
	47321-41		BACK ASSEMBLY - Seat, leather, red	1	31P-3 to 31P-77 inclusive
	47321-42		BACK ASSEMBLY - Seat, leather, blue	1	31P-3 to 31P-77 inclusive
	47321-43		BACK ASSEMBLY - Seat, leather, gold	1	31P-3 to 31P-77 inclusive
	48245-02	A	BACK ASSEMBLY - Seat, fabric	1	31P-78 to 31P-7300132 inclusive
	48245-04	C	BACK ASSEMBLY - Seat, leather	1	31P-78 to 31P-7300132 inclusive
	48245-06		BACK ASSEMBLY - Seat, leather, black	1	31P-78 to 31P-7300132 inclusive
	48536-00	D	BACK ASSEMBLY - Seat	1	31P-7300133 to 31P-7630005 incl.
	49095-02	D	BACK ASSEMBLY - Seat	1	31P-7630006 and up

A - When ordering, specify color red, blue/green, rust or gold.  
 B - When ordering, specify color red, blue, gold, black or white.  
 C - When ordering specify color red, blue, white or gold.  
 D - Serial numbers of aircraft must be supplied when ordering this part.

When ordering, always specify Part Number, Description and Serial Number of Aircraft



Figure and Index Number	Part Number	Code	NOMENCLATURE	No. Req.	SERIAL NUMBERS AFFECTED	
58-8	46957-02		PANEL ASSEMBLY - Seat back trim, red	1	31P-3 to 31P-77 inclusive	
	46957-03		PANEL ASSEMBLY - Seat back trim, blue	1	31P-3 to 31P-77 inclusive	
	46957-04		PANEL ASSEMBLY - Seat back trim, black	1	31P-3 to 31P-77 inclusive	
	46957-05		PANEL ASSEMBLY - Seat back trim, white	1	31P-3 to 31P-77 inclusive	
	46957-06		PANEL ASSEMBLY - Seat back trim, gold	1	31P-3 to 31P-77 inclusive	
	44867-10	A	PANEL ASSEMBLY - Seat back trim	1	31P-78 to 31P-7300132 inclusive	
	53129-03	B	PANEL ASSEMBLY - Seat back trim	1	31P-7300133 to 31P-7630005 incl.	
	49095-04	B	PANEL ASSEMBLY - Seat back trim	1	31P-7630006 and up	
	-9	47624-00		DETENT - Seat hinge	2	31P-3 to 31P-7300132 inclusive
		34447-00		DETENT - Seat hinge	2	31P-7300133 and up
-10	400 873		BOLT - (AN23-21A)	4		
	404 887		NUT - (MS20385-1032)	4		
-11	47418-02		BOTTOM ASSEMBLY - Seat, fabric, red	1	31P-3 to 31P-7300132 inclusive	
	47418-03		BOTTOM ASSEMBLY - Seat, fabric, blue/green	1	31P-3 to 31P-7300132 inclusive	
	47418-04		BOTTOM ASSEMBLY - Seat, fabric, rust	1	31P-3 to 31P-7300132 inclusive	
	47418-05		BOTTOM ASSEMBLY - Seat, fabric, gold	1	31P-3 to 31P-7300132 inclusive	
	47418-06		BOTTOM ASSEMBLY - Seat, leather, black	1	31P-3 to 31P-7300132 inclusive	
	47418-07		BOTTOM ASSEMBLY - Seat, leather, white	1	31P-3 to 31P-7300132 inclusive	
	47418-08		BOTTOM ASSEMBLY - Seat, leather, red	1	31P-3 to 31P-7300132 inclusive	
	47418-09		BOTTOM ASSEMBLY - Seat, leather, blue	1	31P-3 to 31P-7300132 inclusive	
	47418-10		BOTTOM ASSEMBLY - Seat, leather, gold	1	31P-3 to 31P-7300132 inclusive	
	48558-00	B	BOTTOM ASSEMBLY - Seat	1	31P-7300133 to 31P-7630005 incl.	
-12	49096-02	B	BOTTOM ASSEMBLY - Seat	1	31P-7630006 and up	
	43976-17		SKIRT - Passenger seat, white	1	31P-3 to 31P-7300132 inclusive	
	43976-07		SKIRT - Passenger seat, red	1	31P-3 to 31P-7300132 inclusive	
	43976-08		SKIRT - Passenger seat, blue	1	31P-3 to 31P-7300132 inclusive	
	43976-09		SKIRT - Passenger seat, black	1	31P-3 to 31P-7300132 inclusive	
	43976-10		SKIRT - Passenger seat, pearl/beige	1	31P-3 to 31P-7300132 inclusive	
	48553-00	B	SKIRT - Passenger seat	1	31P-7300133 to 31P-7630005 incl.	
	49096-04	B	SKIRT - Passenger seat	1	31P-7630006 and up	
	-13	42322-02		COVER - Seat bottom frame trim, red	1	31P-3 to 31P-7300132 inclusive
		42322-03		COVER - Seat bottom frame trim, blue	1	31P-3 to 31P-7300132 inclusive
42322-04			COVER - Seat bottom frame trim, black	1	31P-3 to 31P-7300132 inclusive	
42322-05			COVER - Seat bottom frame trim, pearl/beige	1	31P-3 to 31P-7300132 inclusive	
42322-06			COVER - Seat bottom frame trim, white	1	31P-3 to 31P-7300132 inclusive	
48534-00		B	COVER - Seat bottom frame trim	1	31P-7300133 to 31P-7630005 incl.	
49096-03		B	COVER - Seat bottom frame trim	1	31P-7630006 and up	
-14	44024-02		LOOP ASSEMBLY - Seat belt, red	2	31P-3 to 31P-7300132 inclusive	
	44024-05		LOOP ASSEMBLY - Seat belt, blue	2	31P-3 to 31P-7300132 inclusive	
	44024-07		LOOP ASSEMBLY - Seat belt, black	2	31P-3 to 31P-7300132 inclusive	
	44024-09		LOOP ASSEMBLY - Seat belt, gold	2	31P-3 to 31P-7300132 inclusive	
	44024-11		LOOP ASSEMBLY - Seat belt, white	2	31P-3 to 31P-7300132 inclusive	
	53120-00	B	LOOP ASSEMBLY - Seat belt	2	31P-7300133 to 31P-7630005 incl.	
	49092-08		LOOP ASSEMBLY - Seat belt	2	31P-7630006 and up	
-15	419 683		SCREW - (4 x 1/2 L, Type A, oval head)	2		
	494 001		WASHER - Finishing (4)	2		
-16	86102-11		BUSHING	2		
-17	42571-02		BUSHING	6		
-18	42571-03		BUSHING	2		
-19	400 931		BOLT - (AN24-44A)	2		
	407 565		WASHER - (AN960-416)	4		
	477 709		NUT - (26C-048)	2		

A - When ordering, specify color red, blue, gold, black or white.  
B - Serial number of aircraft must be supplied when ordering this part.

When ordering, always specify Part Number, Description and Serial Number of Aircraft

PIPER PARTS CATALOG

Figure and Index Number	Part Number	Code	NOMENCLATURE	No. Req.	SERIAL NUMBERS AFFECTED
58-20	42575-00		* * BRACKET	2	
-21	487 712		* * STUD - (295460-3-4)	2	
	404 836		* * NUT - (MS20365-428C)	2	
-22	400 919		* * BOLT - (AN24-29A)	4	
	407 565		* * WASHER - (AN960-416)	4	
	404 836		* * NUT - (MS20364-428C)	4	
-23	42576-00		* * BRACKET ASSEMBLY - Seat attachment	2	
-23a	587 600		* * SUSPENSION - Elastaseat (P-151)	1	
	41722-10		* * NETTING - Nylon	1	
-24	400 916		* BOLT - (AN24-26A)	2	31P-3 to 31P-7300132 inclusive
	400 917		* BOLT - (AN24-27A)	2	31P-7300133 and up
	407 567		* WASHER - (AN960-616)	4	31P-3 to 31P-7300132 inclusive
	407 565		* WASHER - (AN960-416)	2	
	477 709		* NUT - (26C-048)	2	
-25	44114-00		* WASHER	4	
-26	41413-26		* BUSHING	2	31P-3 to 31P-7300132 inclusive
	49982-31		* BUSHING	4	31P-7300133 and up
-27	41215-00		PLATE - Seat attachment closure	2	
-28	43986-00		LANYARD ASSEMBLY - Lock, seat back	1	
-29	410 044		SCREW - (MS24694-S57)	2	
-30	410 043		SCREW - (MS24694-S56)	14	
-31	41214-02		PLATE - Seat attachment	2	
-32	46695-02		SPACER - Seat attachment wedjit	6	
-33	46695-03		SPACER - Seat attachment wedjit	2	
-34	46696-00		PLATE - Trim	4	
-35	494 338		WEDJIT ASSEMBLY - (295307)	2	

When ordering, always specify Part Number, Description and Serial Number of Aircraft

**1123 THRU 1124**  
**INTENTIONALLY LEFT BLANK**

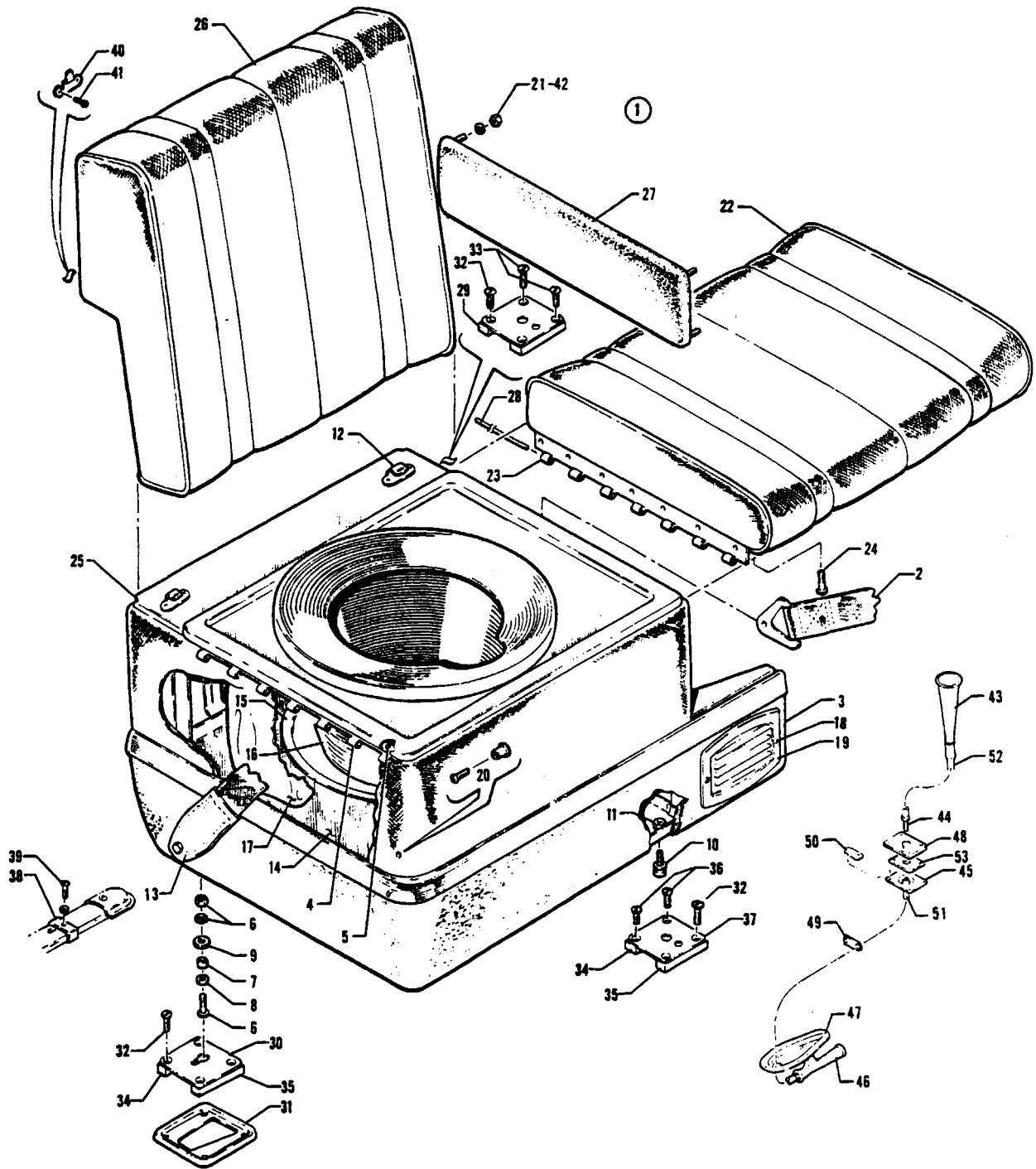


Figure 59. Toilet Seat Installation



Figure and Index Number	Part Number	Code	NOMENCLATURE	No. Req.	SERIAL NUMBERS AFFECTED
59-	47487 48580 49104		DRAWING - Toilet Seat Installation DRAWING - Toilet Seat Installation DRAWING - Toilet Seat Installation		31P-3 to 31P-7300132 inclusive 31P-7300133 to 31P-7630006 incl. 31P-7630006 and up
-1	47479-15 47479-19 47479-20	A B B	SEAT ASSEMBLY - Toilet, bottom (complete) SEAT ASSEMBLY - Toilet, bottom (complete) SEAT ASSEMBLY - Toilet, bottom (complete)	1 1 1	31P-3 to 31P-7300132 inclusive 31P-7300133 to 31P-7630006 incl. 31P-7630006 and up
-2	25801-02 25801-03 25801-04		BELT ASSEMBLY - Safety, black BELT ASSEMBLY - Safety, blue BELT ASSEMBLY - Safety, fawn	1 1 1	31P-3 to 31P-7400230 inclusive 31P-3 to 31P-7400230 inclusive
-3	47468-19 53250-00 53250-04	A B B	FRAME ASSEMBLY - Bottom, upholstered FRAME ASSEMBLY - Bottom, upholstered FRAME ASSEMBLY - Bottom, upholstered	1 1 1	31P-3 to 31P-7300132 inclusive 31P-7300133 to 31P-7630006 incl. 31P-7630006 and up
-4	47448-00		HINGE - Seat (half)	1	
-5	414 763		SCREW - (MS24693-S50)	4	
-6	400 673 407 584 404 887		BOLT - (AN23-11) WASHER - (AN960-10L) NUT - (MS20365-1032C)	1 1 1	
-7	49982-06		BUSHING	1	
-8	80122-133		WASHER	1	
-9	80122-134		WASHER	1	
-10	487 712		STUD - (295460-3-4)	2	
-11	404 888		NUT - (MS20365-428C)	2	
-12	47426-00		CLIP - Retaining	2	31P-3 to 31P-7630006 inclusive
-13	43229-04 43229-06 43229-08 43229-10 53134-00 49102-02		SHROUD ASSEMBLY - Safety belt fitting, red SHROUD ASSEMBLY - Safety belt fitting, blue SHROUD ASSEMBLY - Safety belt fitting, black SHROUD ASSEMBLY - Safety belt fitting, gold SHROUD ASSEMBLY - Safety belt fitting SHROUD ASSEMBLY - Safety belt fitting	1 1 1 1 1 1	31P-3 to 31P-7300132 inclusive 31P-3 to 31P-7300132 inclusive 31P-3 to 31P-7300132 inclusive 31P-3 to 31P-7300132 inclusive 31P-7300133 to 31P-7630006 incl. 31P-7630006 and up
-14	47425-00 48549-00 48547-02	B B B	PANEL - Toilet seat bottom PANEL - Toilet seat bottom PANEL - Toilet seat bottom	1 1 1	31P-3 to 31P-7300132 inclusive 31P-7300133 to 31P-7630006 incl. 31P-7630006 and up
-15	42787-00		LID - Pail, toilet	1	
-16	42789-00		PAIL ASSEMBLY - Toilet	1	
-17	43274-00		PACK ASSEMBLY - Disposable bags	1	
-18	415 249		SCREW - (6-32 x 3/4" L, Oval P.H. chrome finish)	2	
-19	42973-00		LOUVER - Heater outlet box	1	
-20	415 537 477 705		SCREW - (MS35206-247) TEE NUT - (SS-68191-K2215)	3 3	
-21	407 562 404 909		WASHER - (AN960-6) NUT - (MS20364-632C)	4 4	31P-3 to 31P-7300132 inclusive 31P-3 to 31P-7300132 inclusive

A - When ordering, specify color red, blue/green, gold or old gold.  
B - Serial number of aircraft must be supplied when ordering this part.

When ordering, always specify Part Number, Description and Serial Number of Aircraft



Figure and Index Number	Part Number	Code	NOMENCLATURE	No. Req.	SERIAL NUMBERS AFFECTED
59-22	47472-02		LID ASSEMBLY - Seat, red, fabric	1	31P-3 to 31P-7300132 inclusive
	47472-03		LID ASSEMBLY - Seat, blue/green, fabric	1	31P-3 to 31P-7300132 inclusive
	47472-04		LID ASSEMBLY - Seat, gold, fabric	1	31P-3 to 31P-7300132 inclusive
	47472-05		LID ASSEMBLY - Seat, rust, fabric	1	31P-3 to 31P-7300132 inclusive
	47472-31		LID ASSEMBLY - Seat, white, leather	1	31P-3 to 31P-7300132 inclusive
	47472-32		LID ASSEMBLY - Seat, black, fabric	1	31P-3 to 31P-7300132 inclusive
	47472-33		LID ASSEMBLY - Seat, red, leather	1	31P-3 to 31P-7300132 inclusive
	47472-34		LID ASSEMBLY - Seat, blue, leather	1	31P-3 to 31P-7300132 inclusive
	47472-35		LID ASSEMBLY - Seat, gold, leather	1	31P-3 to 31P-7300132 inclusive
	53306-02	C	LID ASSEMBLY - Seat	1	31P-7300133 to 31P-7630005 incl.
	49093-02	C	LID ASSEMBLY - Seat	1	31P-7630006 and up
-23	48872-02		HINGE - Toilet lid, half	1	
-24	415 754		SCREW - (MS35206-245)	4	
-25	47470-00		SEAT ASSEMBLY - Toilet	1	31P-3 to 31P-7300132 inclusive
	53354-00	C	SEAT ASSEMBLY - Toilet	1	31P-7300133 to 31P-7630019 incl.
	53354-02	C	SEAT ASSEMBLY - Toilet	1	31P-7730001 and up
-26	47460-86	A	BACK ASSEMBLY - Toilet seat (complete) fabric	1	31P-3 to 31P-7300132 inclusive
	47460-87	B	BACK ASSEMBLY - Toilet seat (complete) leather	1	31P-3 to 31P-7300132 inclusive
	53307-00	C	BACK ASSEMBLY - Toilet seat	1	31P-7300133 to 31P-7630005 incl.
	49094-02	C	BACK ASSEMBLY - Toilet seat	1	31P-7630006 and up
-27	47446-03		PAD ASSEMBLY - Refreshment unit, fabric, red	1	31P-3 to 31P-94 inclusive
	47446-04		PAD ASSEMBLY - Refreshment unit, fabric, blue/green	1	31P-3 to 31P-94 inclusive
	47446-05		PAD ASSEMBLY - Refreshment unit, fabric, gold	1	31P-3 to 31P-94 inclusive
	47446-06		PAD ASSEMBLY - Refreshment unit, fabric, rust	1	31P-3 to 31P-94 inclusive
	47446-27		PAD ASSEMBLY - Refreshment unit, leather, red	1	31P-3 to 31P-94 inclusive
	47446-28		PAD ASSEMBLY - Refreshment unit, leather, blue	1	31P-3 to 31P-94 inclusive
	47446-29		PAD ASSEMBLY - Refreshment unit, leather, gold	1	31P-3 to 31P-94 inclusive
	47446-30		PAD ASSEMBLY - Refreshment unit, leather, black	1	31P-3 to 31P-94 inclusive
	47446-31		PAD ASSEMBLY - Refreshment unit, leather, white	1	31P-3 to 31P-94 inclusive
	53140-16	A	PAD ASSEMBLY - Refreshment unit, fabric	1	31P-95 to 31P-7300132 inclusive
	53140-03	B	PAD ASSEMBLY - Refreshment unit, leather	1	31P-95 to 31P-7300132 inclusive
	54296-02	C	PAD ASSEMBLY - Refreshment unit	1	31P-7300133 to 31P-7630005 incl.
	49104-04	C	PAD ASSEMBLY - Refreshment unit	1	31P-7630006 and up
-28	86092-87		PIN - Hinge	1	
-29	46695-06		SPACER - Wedjit, seat attachment	2	
-30	41214-03		PLATE - Keyhole	1	
-31	46696-00		PLATE	3	
-32	410 043		SCREW - (MS24694-S56)	8	
-33	410 044		SCREW - (MS24694-S57)	2	
-34	46695-03		SPACER - Wedjit, seat attachment	2	
-35	46695-02		SPACER - Wedjit, seat attachment	2	
-36	410 045		SCREW - (MS24694-S58)	2	
-37	494 338		WEDJIT - (295-307)	2	
-38	18842-00		STOP - Seat	2	
-39	415 533		SCREW - (MS35206-243)	2	
	407 042		LOCK WASHER - (MS35338-42)	2	
-40	47410-00		CLIP - Back retaining	2	31P-3 to 31P-7630019 inclusive
-41	419 956		SCREW - (6 x 3/8 L)	4	31P-3 to 31P-7630019 inclusive
-42	415 522		SCREW - (MS35206-232)	4	31P-7300133 and up
	407 041		WASHER - (MS35338-41)	4	31P-7300133 and up

A - When ordering, specify color red, blue/green, gold or old gold.  
 B - When ordering, specify color red, blue, gold, black, white or rawhide.  
 C - Serial number of aircraft must be supplied when ordering this part.

When ordering, always specify Part Number, Description and Serial Number of Aircraft



Figure and Index Number	Part Number	Code	NOMENCLATURE	No. Req.	SERIAL NUMBERS AFFECTED
59-43	565 598		HORN AND VALVE ASSEMBLY - (20248-1)	1	31P-7730001 and up
-44	456 712		DISCONNECT - Quick, size "B" (64027) male	1	31P-7730001 and up
-45	43288-00		DISCONNECT ASSEMBLY - Relief tube	1	31P-7730001 and up
-46	43949-00		VENTURI ASSEMBLY - Relief tube	1	31P-7730001 and up
-47	43643-00		PYLON ASSEMBLY - Relief tube venturi	1	31P-7730001 and up
-48	43284-00		PLATE - Relief tube disconnect trim	1	31P-7730001 and up
-49	43639-00		BRACKET - Relief tube support	1	31P-7730001 and up
-50	43278-00		COVER ASSEMBLY - Relief tube disconnect	1	31P-7730001 and up
-51	49998-35		HOSE - Lower (25" L)	1	31P-7730001 and up
-52	49998-03		HOSE - Upper (25" L)	1	31P-7730001 and up
-53	43279-00		PLATE - Disconnect, relief tube	1	31P-7730001 and up

When ordering, always specify Part Number, Description and Serial Number of Aircraft



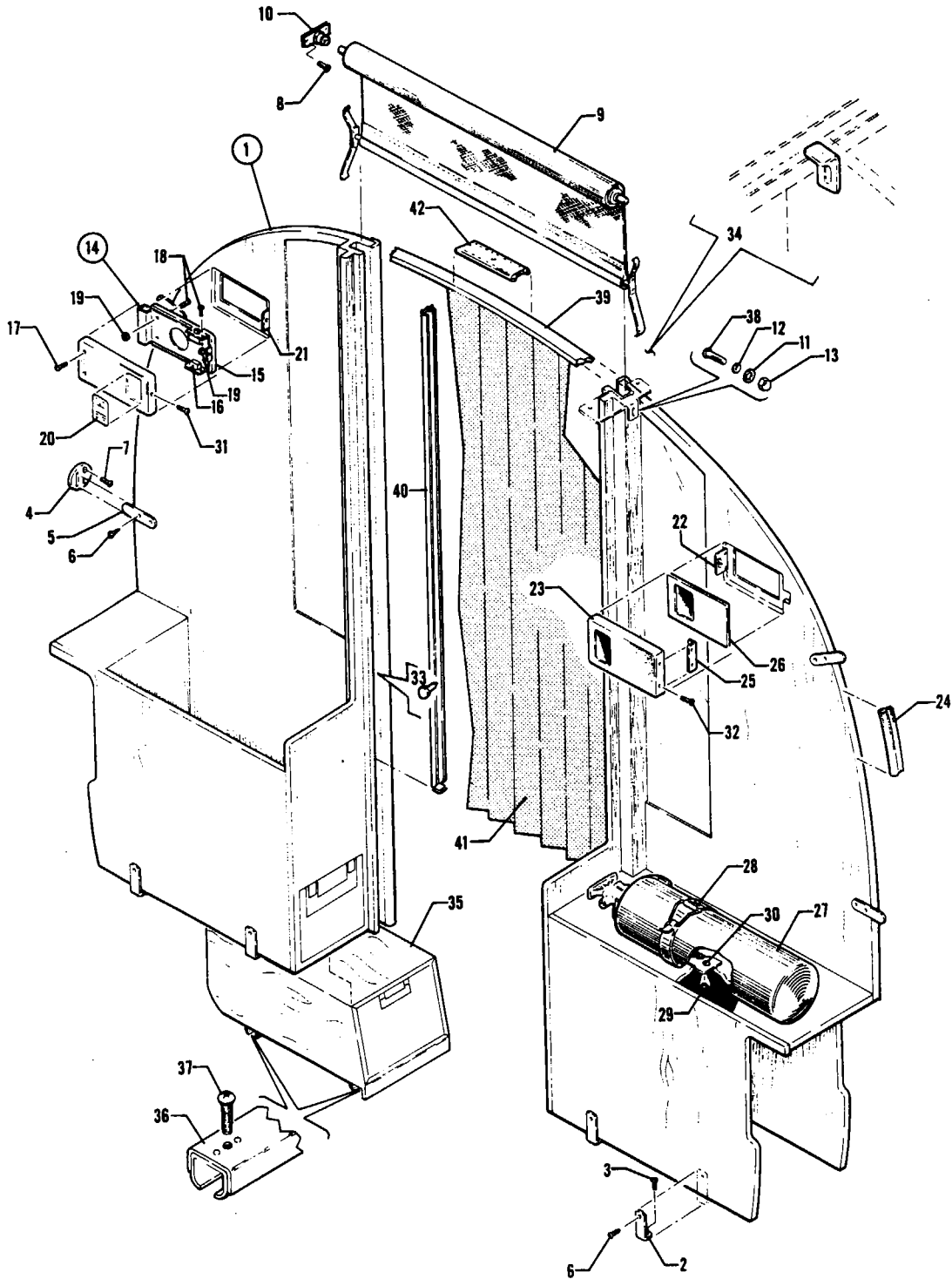


Figure 80. Forward Cabin Divider, Fire Extinguisher and Storage Cabinet Installation (31P-3 to 31P-7630005 inclusive)

**PIPER PARTS CATALOG**

Figure and Index Number	Part Number	Code	NOMENCLATURE	No. Req.	SERIAL NUMBERS AFFECTED
60-	47365 48197 48486 47687		DRAWING - Forward Cabin Divider Panel Installation DRAWING - Forward Cabin Divider Panel Installation DRAWING - Forward Cabin Divider Panel Installation DRAWING - Storage Cabinet Installation		31P-3 to 31P-66 inclusive 31P-67 to 31P-7300132 incl. 31P-7300133 to 31P-7630005 incl.
-1	47367-00 48158-00 47333-00 48139-00		PANEL ASSEMBLY - Cabin divider, left forward PANEL ASSEMBLY - Cabin divider, left forward PANEL ASSEMBLY - Cabin divider, right forward PANEL ASSEMBLY - Cabin divider, right forward	1 1 1 1	31P-3 to 31P-66 incl. 31P-67 and up 31P-3 to 31P-66 incl. 31P-67 and up
-2	47655-00		CLIP - Forward cabin divider attachment	4	
-3	414 777		SCREW - (MS24693-S47)	4	
-4	47339-00		BRACKET - Divider panel retainer	4	
-5	47340-00		LUG - Divider, panel retaining	4	
-6	415 254		SCREW - (8-32 x 3/8" L, Oval head)	12	
-7	414 763		SCREW - (MS24693-S50)	8	
-8	415 517		SCREW - (MS35206-227)	4	31P-3 to 31P-66 incl.
-9	47310-00		CURTAIN ASSEMBLY - Roll up	1	31P-3 to 31P-66 incl.
-10	453 434		BRACKET - Mounting (set) 263	1	31P-3 to 31P-66 incl.
-11	407 584		WASHER - (AN960-10L)	2	31P-3 to 31P-66 incl.
-12	49979-07		BUSHING	2	31P-3 to 31P-66 incl.
-13	477 707		NUT - (26C-02)	2	31P-3 to 31P-66 incl.
-14	47374-00 48461-00		LIGHT ASSEMBLY - No smoking/fasten seat belts LIGHT ASSEMBLY - No smoking/fasten seat belts	1 1	31P-3 to 31P-7300132 incl. 31P-7300133 and up
-15	472 789		* LIGHT - Warning (10-0246-7)	1	
-16	487 846		* SWITCH - (SS-36-1-C5)	2	
-17	415 688		* SCREW - (4-40 x 1/2 L, Rd. slotted head)	2	
-18	415 685		* SCREW - (4-40 x 1/4 L, Rd. slotted head)	8	
-19	404 908		* NUT - (MS20365-440C)	8	
-20	47218-00		* PLACARD - No smoking/fasten seat belts	1	
-21	47207-00		PLATE - Light assembly mounting	1	
-22	47567-00		PLATE ASSEMBLY - Cover attachment	1	31P-3 to 31P-41 incl.
-23	47557-00		COVER ASSEMBLY	1	31P-3 to 31P-41 incl.
-24	80044-05		WELT ASSEMBLY - Cabin divider panel	9'	
-25	47560-00		BRACKET ASSEMBLY - Cover attachment	1	31P-3 to 31P-41 incl.
-26	47561-00		PANEL ASSEMBLY	1	31P-3 to 31P-41 incl.
-27	459 848		EXTINGUISHER - Fire (42211-00)	1	
-28	453 411		BRACKET - Fire extinguisher (273228)	1	
-29	477 705		NUT - Tee (SS-58191-K2215)	2	
-30	415 450		SCREW - (AN526-832R10)	2	
-31	415 520		SCREW - (MS35206-230)	1	
-32	415 518		SCREW - (MS35206-228)	3	31P-3 to 31P-41 incl.
-33	487 560		STUD - Curtain (XX10369-12)	4	31P-67 and up
-34	48160-00 48160-01		CLIP - Cabin divider attachment, left CLIP - Cabin divider attachment, right	1 1	31P-67 and up 31P-67 and up
-35	47684-00		CABINET ASSEMBLY - Storage	2	
-36	47681-00 47681-02		CHANNEL ASSEMBLY - Storage cabinet mounting, outboard CHANNEL ASSEMBLY - Storage cabinet mounting, inboard	2 2	

When ordering, always specify Part Number, Description and Serial Number of Aircraft



Figure and Index Number	Part Number	Code	NOMENCLATURE	No. Req.	SERIAL NUMBERS AFFECTED
60-37	411 534		SCREW - (MS35207-265)	8	
-38	416 788		SCREW - (MS24693-S274)	4	31P-3 to 31P-66 inclusive
-39	48197-02		TRACK - Curtain	1	31P-67 and up
-40	48129-00		CHANNEL - Curtain guide	2	31P-3 to 31P-66 inclusive
-41	48182-00	A	CURTAIN ASSEMBLY - Folding	1	31P-67 to 31P-7300132 inclusive
	53191-03	B	CURTAIN ASSEMBLY - Folding	1	31P-7300133 and up
-42	48473-02	C	GIMP ASSEMBLY - Curtain track	1	31P-67 and up
<p>A - When ordering, specify color white, opal, gold dust or apricot.                      B - Serial number of aircraft must be supplied when ordering this part.                      C - When ordering, specify color white or beige.</p>					

When ordering, always specify Part Number, Description and Serial Number of Aircraft

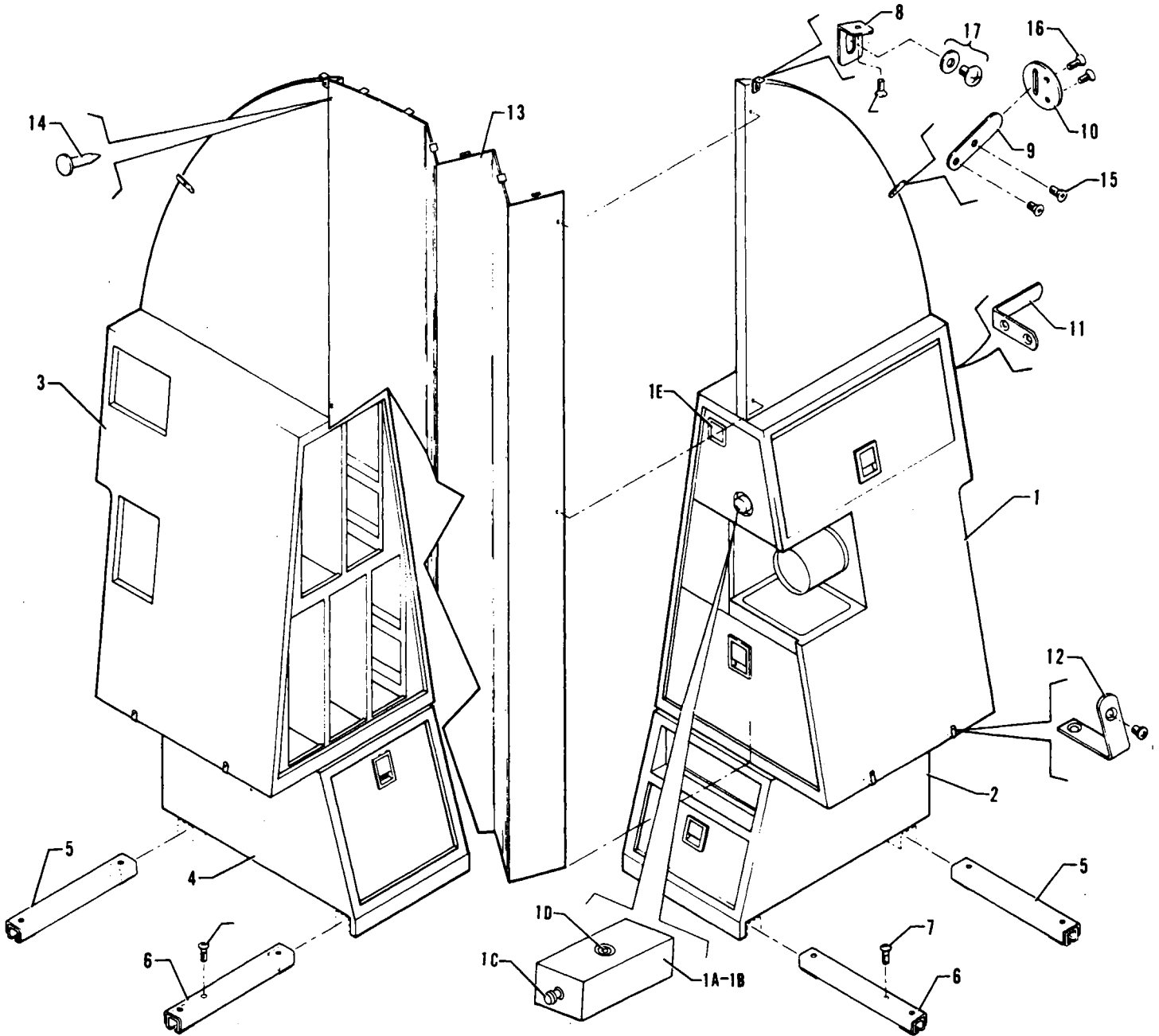


Figure 60A. Forward Cabin Divider and Storage Cabinet Installation  
(31P-7630006 and up)

## PIPER PARTS CATALOG

Figure and Index Number	Part Number	Code	NOMENCLATURE	No. Req.	SERIAL NUMBERS AFFECTED
60A-	49078		DRAWING - Forward Cabin Divider and Panel Installation		31P-7630006 and up
-1	49078-03		CABINET ASSEMBLY - Cabin divider, refreshment, left, forward	1	
-1a	753 090		* UNIT - Coffee (764-20) 28 V., 40 W.	1	
-1b	754 796		* * ELEMENT - Heating, coffee unit	1	
-1c	764 825		* * SPIGOT ASSEMBLY - (#275)	1	
-1d	764 828		* * STOPPER - Coffee unit (nylon)	1	
-1e	762 355		* SWITCH - Coffee unit	1	
	755 297		* HOUSING - Coffee unit switch	1	
	761 242		* LENS - "Mapco", coffee switch	1	
	472 047		* BULB - (PS10008-335)	1	
-2	49078-05		CABINET ASSEMBLY - Stereo, left, forward	1	
-3	49078-04		CABINET ASSEMBLY - Cabin divider, jepp case storage, right, forward	1	
-4	49078-06		CABINET ASSEMBLY - Storage drawer, right, forward	1	
-5	47681-00		CHANNEL ASSEMBLY - Mounting, outboard	2	
-6	47681-02		CHANNEL ASSEMBLY - Mounting, inboard	2	
-7	411 536		SCREW - (MS35207-267)	8	
-8	48160-00		CLIP - Cabin divider attachment, left	1	
	48160-01		CLIP - Cabin divider attachment, right	1	
-9	47340-00		LUG - Cabin divider retainer	3	
-10	47339-00		BRACKET - Cabin divider retainer	4	
-11	49097-02		ANGLE - Cabin divider retainer	1	
-12	49120-02		CLIP - Cabin divider retainer, left	2	
	49121-02		CLIP - Cabin divider retainer, right	2	
-13	53191-06		CURTAIN ASSEMBLY - Folding	1	
-14	487 560		STUD - Curtain (XX10369-12)	4	
-15	415 266		SCREW - (8-32 x 3/8 L, oval head, nickel finish)	8	
-16	414 793		SCREW - (MS24693-S50)	4	
-17	415 533		SCREW - (MS35206-243)	2	
	407 584		WASHER - (AN960-10L)	2	
-18	414 508		SCREW - (MS24693-S28)	2	

When ordering, always specify Part Number, Description and Serial Number of Aircraft

# PIPER PARTS CATALOG

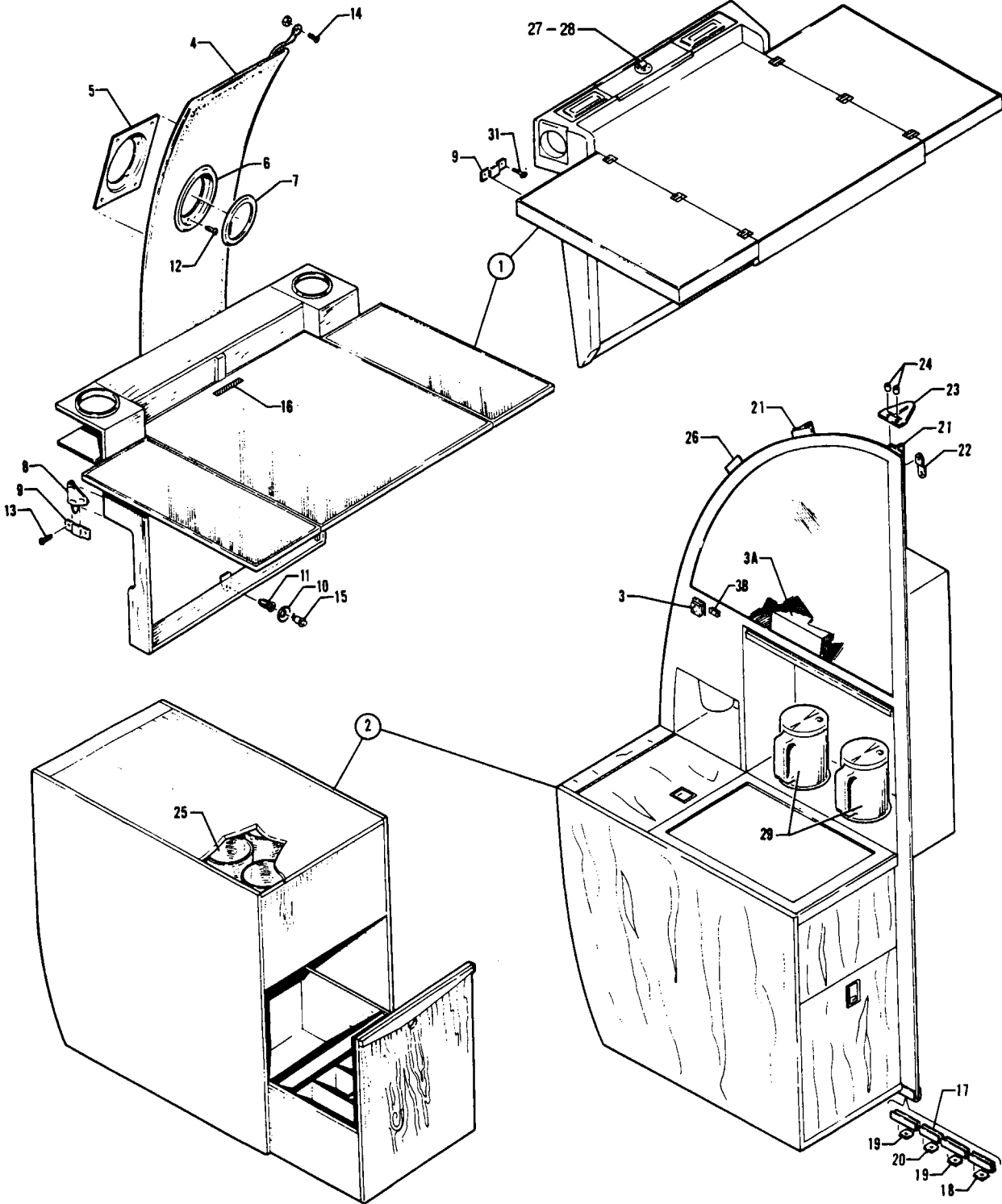


Figure 61. Folding Table and Refreshment Cabinet Installation

**PIPER PARTS CATALOG**

Figure and Index Number	Part Number	Code	NOMENCLATURE	No. Req.	SERIAL NUMBERS AFFECTED
61-	47433 48581 49079 47473 48485 49080		DRAWING - Table Installation, Folding DRAWING - Table Installation, Folding DRAWING - Table Installation, Folding DRAWING - Cabinet Installation, Refreshment DRAWING - Cabinet Installation, Refreshment DRAWING - Cabinet Installation, Refreshment		31P-3 to 31P-7300132 incl. 31P-7300133 to 31P-7630005 incl. 31P-7630006 and up 31P-3 to 31P-7300132 incl. 31P-7300133 to 31P-7630005 incl. 31P-7630006 and up
-1	47434-00 49079-03		TABLE ASSEMBLY - Folding TABLE ASSEMBLY - Folding	1 1	31P-3 to 31P-7630005 incl. 31P-7630006 and up
-2	47464-00 49080-03		CABINET ASSEMBLY - Refreshment CABINET ASSEMBLY - Refreshment	1 1	31P-3 to 31P-7630005 incl. 31P-7630006 and up
-3	762 355 755 297 761 225 472 047		* SWITCH - Razor outlet * HOUSING - Razor outlet switch * LENS - Razor outlet switch * BULB - (PS10008-335)	1 1 1 1	31P-7630006 and up 31P-7630006 and up 31P-7630006 and up 31P-7630006 and up
-3a	467 145		* INVERTER - Razor outlet (60-2526-1)	1	31P-7630006 and up
-3b	762 510		* OUTLET - Razor	1	
-4	47201-05 48411-02	A	PANEL ASSEMBLY - Window trim PANEL ASSEMBLY - Window trim	1 1	31P-3 to 31P-7300132 incl. 31P-7300133 to 31P-7630005 incl.
-5	47532-00		PLATE ASSEMBLY - Tablelight mounting	1	31P-3 to 31P-7630005 incl.
-6	48567-00	A	TRIM - Tablelight	1	31P-3 to 31P-7630005 incl.
-7	47509-00		RING - Tablelight	1	31P-3 to 31P-7630005 incl.
-8	47387-00 47387-01		BRACKET - Folding table retainer, left BRACKET - Folding table retainer, right	1 1	
-9	47386-00		CLIP - Folding table retainer	2	
-10	47690-00		WASHER - Folding table trim	1	31P-3 to 31P-7630005 incl.
-11	484 262		RECEPTACLE - (15R1-1AC)	1	31P-3 to 31P-7630005 incl.
-12	414 757		SCREW - (MS24693-S29)	5	31P-3 to 31P-7630005 incl.
-13	415 533		SCREW - (MS35206-243)	4	
-14	411 532 404 887		SCREW - (MS35207-263) NUT - (MS20365-1032C)	1 1	31P-3 to 31P-7630005 incl. 31P-3 to 31P-7630005 incl.
-15	587 562		STUD ASSEMBLY - (15S1-1-1AC)	2	31P-3 to 31P-7630005 incl.
-16	80279-02		PLACARD - Table storage	1	31P-3 to 31P-7630005 incl.
-17	49118-02		CHANNEL ASSEMBLY - Divider panel support	1	31P-7630006 and up
-18	47306-04		SPACER - Divider panel support	1	31P-7630006 and up
-19	47306-02		SPACER - Divider panel support	2	31P-7630006 and up
-20	47306-03		SPACER - Divider panel support	1	31P-7630006 and up
-21	47328-00 47328-00		RETAINER - Divider panel support RETAINER - Divider panel support	4 3	31P-7630006 to 31P-7630018 incl. 31P-7630019 and up
-22	47344-02		LUG - Divider panel support	1	31P-7630006 and up
-23	47302-00		GUIDE - Divider panel support	4	31P-7630006 and up
-24	80022-113		BUSHING	4	31P-7630006 and up
-25	43272-00		GLASS SET - Beverage (6 - 10 1/2 oz. glasses) "NAVAJO" (462 880)	1	
-26	47328-00 47328-02		RETAINER - Divider panel support RETAINER - Divider panel support	1 1	31P-7630006 to 31P-7630018 incl. 31P-7630019 and up
-27	754 785		LIGHTER ASSEMBLY - 24 Volt (less housing)	1	
-28	565 608		HOUSING - Lighter (207410)	1	31P-7630006 and up
-29	553 228		PITCHER - Thermos (1 qt.)	2	31P-7630006 and up

A - When ordering, specify color white or beige.

When ordering, always specify Part Number, Description and Serial Number of Aircraft

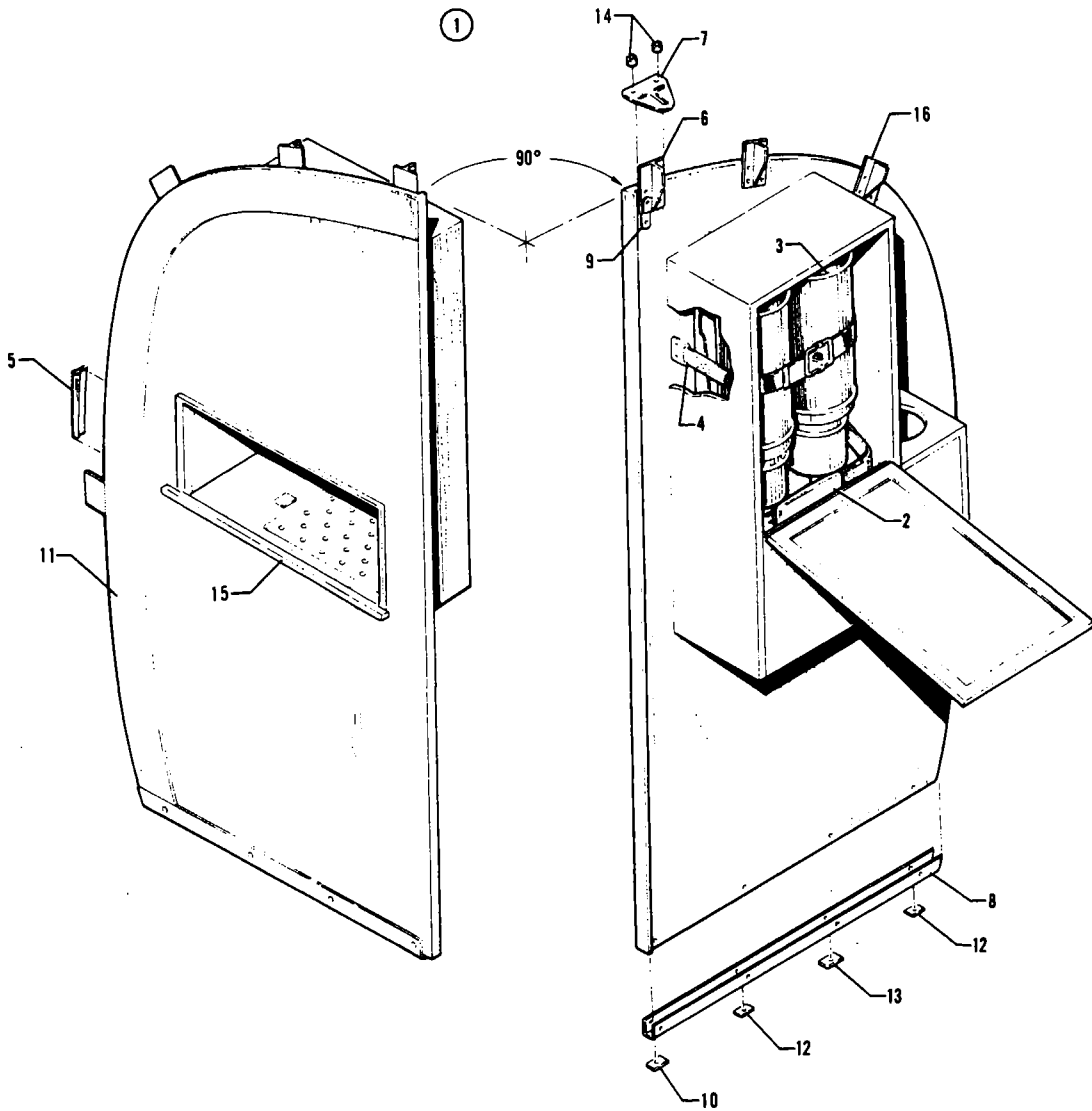


Figure 62. Rear Divider Panel and Beverage Dispenser Installation



REAR DIVIDER PANEL AND BEVERAGE  
DISPENSER INSTALLATION



SECTION V  
Cabin Equipment

Figure and Index Number	Part Number	Code	NOMENCLATURE	No. Req.	SERIAL NUMBERS AFFECTED
62-	47345 48480 49080		DRAWING - Panel Installation DRAWING - Panel Installation DRAWING - Panel Installation		31P-3 to 31P-7300123 inclusive 31P-7300124 to 31P-7630006 incl. 31P-7630006 and up
-1	47299-00 48227-00 48691-00 49080-04	A B B	PANEL ASSEMBLY - Rear divider (Sta. 249.38) PANEL ASSEMBLY - Rear divider (Sta. 249.38) PANEL ASSEMBLY - Rear divider (Sta. 249.38) PANEL ASSEMBLY - Rear divider (Sta. 249.38)	1 1 1 1	31P-3 to 31P-7630006 inclusive 31P-3 to 31P-7400219 inclusive 31P-7400220 to 31P-7630006 incl. 31P-7630006 and up
-2	43701-02		DISPENSER ASSEMBLY - Beverage	1	31P-3 to 31P-7630006 inclusive
-3	453 189		BOTTLE ASSEMBLY - Thermos (A5417)	2	31P-3 to 31P-7630006 inclusive
-4	43696-00 43696-03 43697-00 43697-03	C D C D	STRAP ASSEMBLY - Beverage bottle tie down, tip end STRAP ASSEMBLY - Beverage bottle tie down, tip end STRAP ASSEMBLY - Beverage bottle tie down, buckle end STRAP ASSEMBLY - Beverage bottle tie down, buckle end	1 1 1 1	31P-3 to 31P-7630006 inclusive 31P-3 to 31P-7630006 inclusive 31P-3 to 31P-7630006 inclusive 31P-3 to 31P-7630006 inclusive
-5	80044-05 80044-12		WELT ASSEMBLY - Divider panel WELT ASSEMBLY - Divider panel	3' 3'	31P-3 to 31P-7630006 inclusive 31P-7630006 and up
-6	47328-00 47328-00		RETAINER RETAINER	4 3	31P-3 to 31P-7630018 inclusive 31P-7630019 and up
-7	47302-00		GUIDE	4	
-8	46802-00 49118-02		CHANNEL ASSEMBLY CHANNEL ASSEMBLY	1 1	31P-3 to 31P-7630006 inclusive 31P-7630006 and up
-9	47344-02		LUG	1	
-10	47306-04		SPACER - Divider panel support	1	
-11	48227-02		TRIM STRIP	1	
-12	47306-02		SPACER - Divider panel support	2	31P-3 to 31P-7630006 inclusive
-13	47306-03		SPACER - Divider panel support	1	
-14	49999-34 80022-113		BUSHING BUSHING	4 4	31P-3 to 31P-7630006 inclusive 31P-7630006 and up
-15	48227-03		TRIM STRIP	1	31P-3 to 31P-7630006 inclusive
-16	47328-00 47328-02		RETAINER RETAINER	1 1	31P-3 to 31P-7630018 inclusive 31P-7630019 and up

A - Used if beverage dispenser is not installed.  
B - Used if beverage dispenser is installed.  
C - Used if beverage dispenser door with bottom hinge is installed.  
D - Used if beverage dispenser door with side hinge is installed.

When ordering, always specify Part Number, Description and Serial Number of Aircraft

PIPER PARTS CATALOG

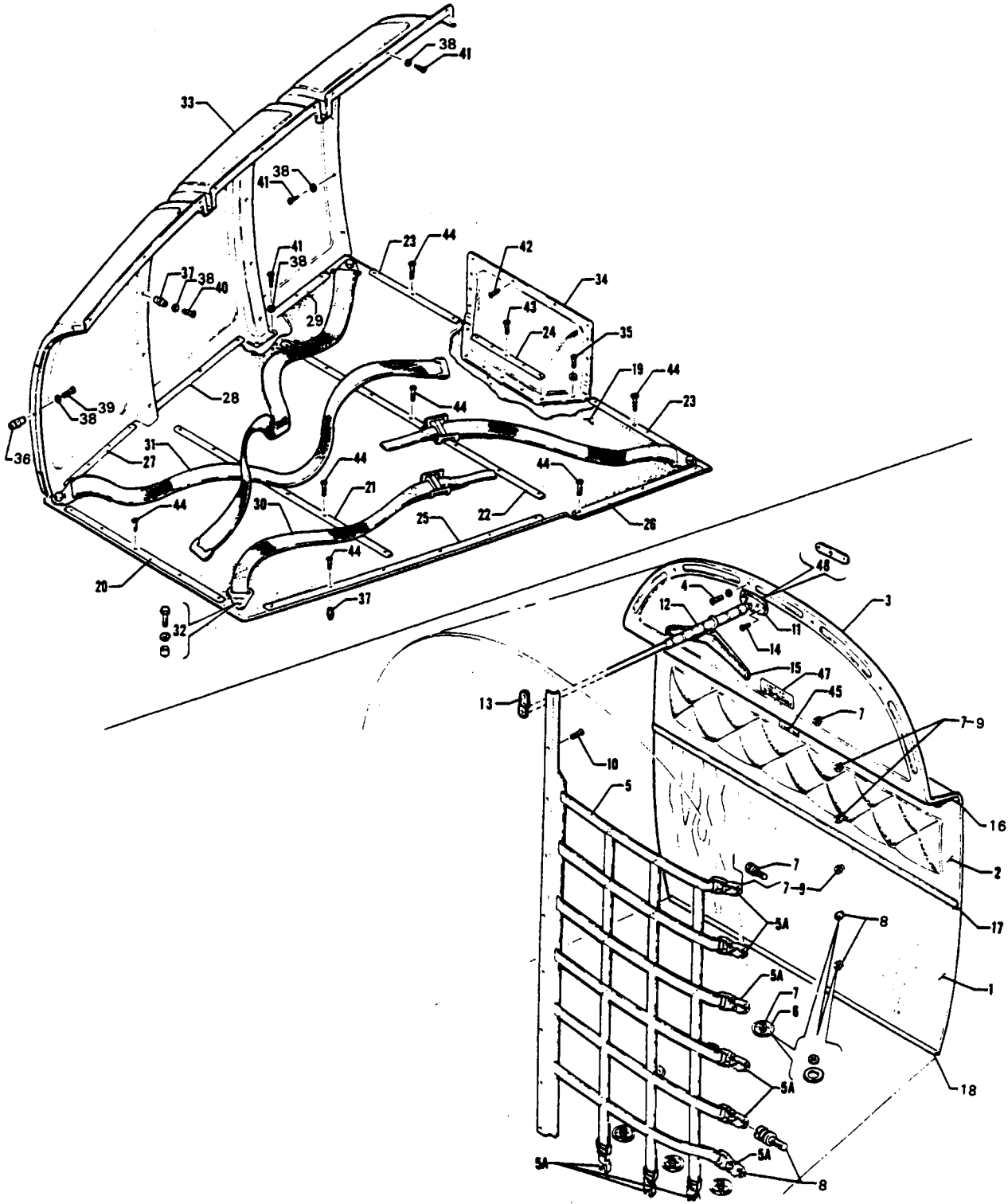


Figure 63. Baggage Compartments Finishing Installation

PIPER PARTS CATALOG

Figure and Index Number	Part Number	Code	NOMENCLATURE	No. Req.	SERIAL NUMBERS AFFECTED
63-	47290		DRAWING - Forward Baggage Compartment Installation		31P-3 to 31P-7300132 incl.
	48543		DRAWING - Forward Baggage Compartment Installation		31P-7300133 and up
	47300		DRAWING - Cabin Interior Finishing Installation		31P-3 to 31P-7300132 incl.
	48400		DRAWING - Cabin Interior Finishing Installation		31P-7300133 to 31P-7630005 incl.
	49100		DRAWING - Cabin Interior Finishing Installation		31P-7630006 and up
-1	48373-00		PANEL ASSEMBLY - Lower trim	1	31P-3 to 31P-7630009 incl.
	49088-02		PANEL ASSEMBLY - Lower trim	1	31P-7630010 and up
-2	47021-02		PANEL ASSEMBLY - Center trim, red	1	31P-3 to 31P-7300132 incl.
	47021-03		PANEL ASSEMBLY - Center trim, marigold	1	31P-3 to 31P-7300132 incl.
	47021-04		PANEL ASSEMBLY - Center trim, aqua-blue	1	31P-3 to 31P-7300132 incl.
	47021-05		PANEL ASSEMBLY - Center trim, butterscotch	1	31P-3 to 31P-7300132 incl.
	54607-02		PANEL ASSEMBLY - Center trim, beige	1	31P-7300133 to 31P-7630005 incl.
	49127-02		PANEL ASSEMBLY - Center trim, beige	1	31P-7630006 to 31P-7630009 incl.
	49085-03		PANEL - Center trim, beige	1	31P-7630010 and up
-3	46750-00		COVER ASSEMBLY - Pressure valve trim	1	31P-3 to 31P-7300132 incl.
	48391-00	A	COVER ASSEMBLY - Pressure valve trim	1	31P-7300133 and up
-4	415 242		SCREW - (6-32 x 3/8" L, oval head)	4	
	494 102		WASHER - (C-394)	4	
-5	47318-00		CARGO NET ASSEMBLY - (Walnut)	1	
	47318-02		CARGO NET ASSEMBLY - (Fawn)	1	
-5a	758 604		* BUCKLE ASSEMBLY - Cargo net (FDC-5520)	9	
-6	47633-00		COVER - Cargo net stud trim	6	
-7	47378-00		STUD - Cargo net attachment	14	
-8	47378-00		STUD - Cargo net attachment	4	
-9	40559-36		WASHER	11	
	407 569		WASHER - (AN960-816)	11	
-10	411 530		SCREW - (MS35207-261)	6	
-11	53241-00	A	COVER	1	
-12	47662-00		HOLDER ASSEMBLY - Coat hook	1	
-13	47344-00		LUG	1	
-14	415 261		SCREW - (8-32 x 3/4" L, oval head)	2	
-15	43251-02		COAT HANGER	6	
-16	41322-00		EXTRUSION - Panel trim (6' length)	AR	
-17	43943-00		EXTRUSION - Panel trim (6' length)	AR	
-18	46469-00		EXTRUSION - Panel trim (6' length)	AR	
-19	47398-08		CARPET - Red	1	31P-3 to 31P-7300152 incl.
	47398-02		CARPET - Gold	1	31P-3 to 31P-7300152 incl.
	47398-03		CARPET - Blue/Green	1	31P-3 to 31P-7300152 incl.
	47398-04		CARPET - Rust	1	31P-3 to 31P-7300152 incl.
	47398-00		CARPET - Black	1	31P-3 to 31P-7300152 incl.
	48532-00		CARPET - Black	1	31P-7300153 to 31P-7630005 incl.
	48543-05		CARPET - Gray	1	31P-7630006 and up
-20	47391-00		TRIM STRIP - Forward baggage	1	31P-3 to 31P-7630005 incl.
-21	47391-02		TRIM STRIP - Forward baggage	1	31P-3 to 31P-7630005 incl.
-22	47391-03		TRIM STRIP - Forward baggage	1	31P-3 to 31P-7630005 incl.
-23	47391-05		TRIM STRIP - Forward baggage	2	31P-3 to 31P-7630005 incl.
-24	47391-06		TRIM STRIP - Forward baggage	1	31P-3 to 31P-7630005 incl.
-25	47404-00		TRIM STRIP - Forward baggage	1	31P-3 to 31P-7630005 incl.
-26	47391-04		TRIM STRIP - Forward baggage	1	31P-3 to 31P-7630005 incl.
-27	47391-09		TRIM STRIP - Forward baggage	1	31P-3 to 31P-7630005 incl.
-28	47391-08		TRIM STRIP - Forward baggage	1	31P-3 to 31P-7630005 incl.
-29	47391-07		TRIM STRIP - Forward baggage	1	31P-3 to 31P-7630005 incl.
-30	43375-02		STRAP ASSEMBLY - Baggage tie down	2	
-31	43376-02		STRAP ASSEMBLY - Baggage tie down	2	

A - When ordering, specify color white or beige.

When ordering, always specify Part Number, Description and Serial Number of Aircraft



Figure and Index Number	Part Number	Code	NOMENCLATURE	No. Req.	SERIAL NUMBERS AFFECTED
63-32	400 440		BOLT - (AN3-6A)	4	
	80122-07		WASHER	8	
	14175-45		BUSHING	4	
-33	48510-00		TRIM PANEL - Forward baggage compartment	1	31P-3 to 31P-7630006 inclusive
	48507-04		TRIM PANEL - Forward baggage compartment, forward	1	31P-7630006 and up
	48507-03		TRIM PANEL - Forward baggage compartment, aft	1	31P-7630006 and up
-34	47005-03		ACCESS COVER	1	
-35	414 763		SCREW - (MS24693-S50)	2	
	494 116		WASHER - (C-189)	2	
-36	406 846		RIVNUT - (A6K-3F-75)	4	
-37	406 848		RIVNUT - (A6K-75)	42	
-38	494 102		WASHER - (C-394)	29	
-39	415 232		SCREW - (6-32 x 3/4" L, Oval head)	4	
-40	415 241		SCREW - (6-32 x 5/8" L, Oval head)	8	
-41	416 691		SCREW - (6 x 3/8" L, Oval head)	27	
-42	415 533		SCREW - (MS35206-243)	10	
-43	414 762		SCREW - (MS24693-S51)	5	
-44	414 774		SCREW - (MS24693-S54)	34	
-45	47545-00		PLACARD - Baggage capacity (581 585)	1	
-46	411 532		SCREW - (MS35207-263)	1	
-47	47955-00		PLACARD - Relief valve obstruction	1	
-48	47992-00		LUG - Coat hanger support	1	

When ordering, always specify Part Number, Description and Serial Number of Aircraft

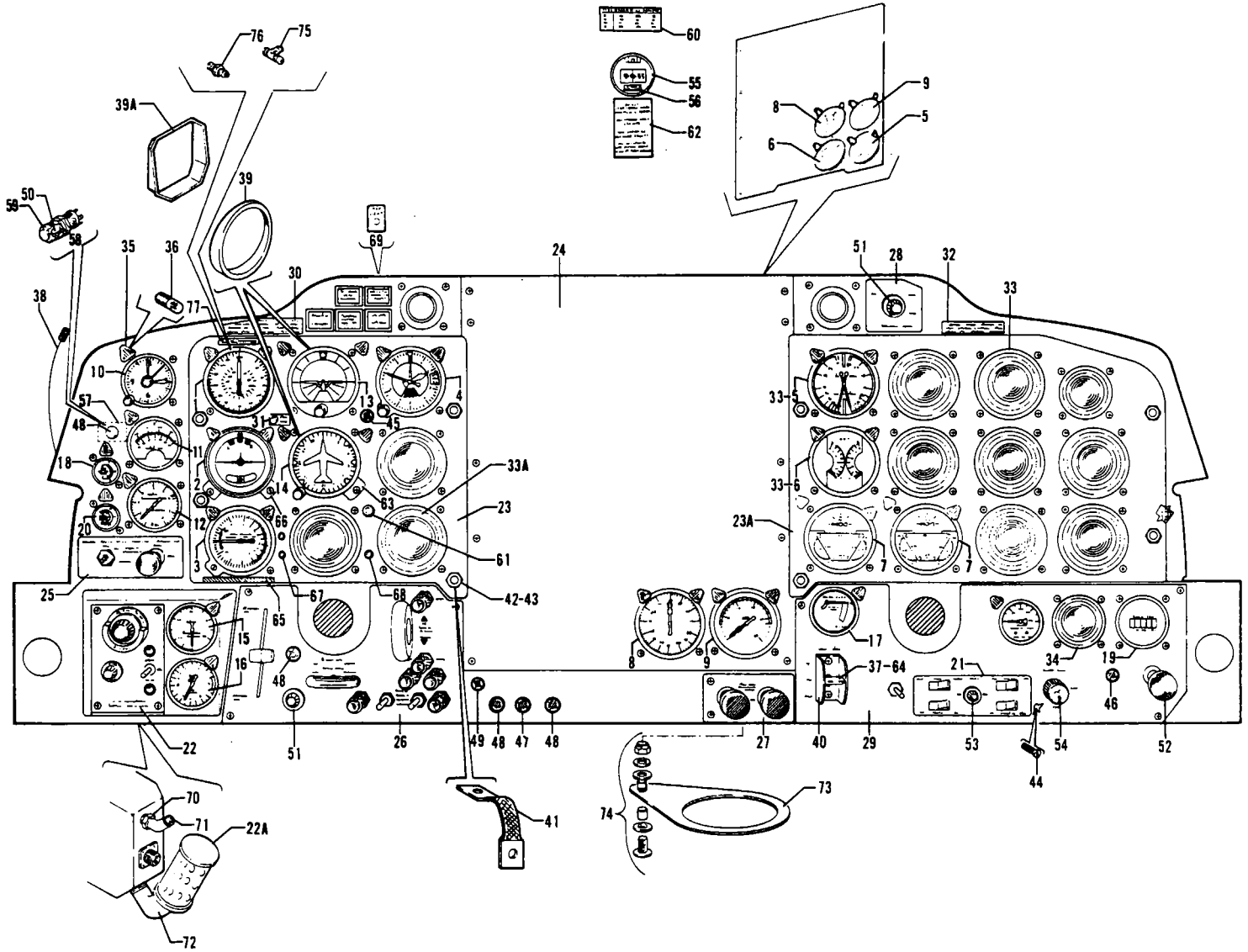


Figure 64. Instrument Panel Installation

## PIPER PARTS CATALOG

Figure and Index Number	Part Number	Code	NOMENCLATURE	No. Req.	SERIAL NUMBERS AFFECTED
64-	46461		DRAWING - Instrument Panel Installation		
-1	41507-06	A	INDICATOR - True airspeed, mph (550 855)	1	31P-3 to 31P-7630019 incl.
	41507-17		INDICATOR - True airspeed, knots (548 143)	1	31P-7730001 and up
	48845-02		INDICATOR - True airspeed, knots (548 042) (with temperature sensing bulb)	1	31P-3 to 31P-7630019 incl.
	48845-03		INDICATOR - True airspeed, knots (548 147) with temperature sensing bulb)	1	31P-7730001 and up
	46566-04	C	INDICATOR - Airspeed, knots (550 534)	1	31P-3 to 31P-7630019 incl.
	46566-07		INDICATOR - Airspeed, knots (550 433) domestic	1	31P-3 to 31P-7630019 incl.
	46566-09		INDICATOR - Airspeed, knots (548 146)	1	31P-7730001 and up
-2	32737-06		INDICATOR - Turn and bank (Mitchell)	1	
	43220-00		INDICATOR - Turn and bank (R.C. Allen)	1	
	44378-00		INDICATOR - Turn coordinator (R.C. Allen)	1	
-3	548 602		INDICATOR - Rate of climb (PS50104-5-6)	1	
	755 450		INDICATOR - Instantaneous vertical speed (SLZ9068D6WB)	1	
-4	32281-03		INDICATOR - Altimeter, sensitive (scale in inches of mercury) (550 743)	1	
	32281-04		INDICATOR - Altimeter, sensitive (scale in millibars) (550 744)	1	
-5	46430-00		INDICATOR - Fuel flow, dual (550 806)	1	
-6	751 904	E	INDICATOR - Engine gas temperature (41498-00)	1	
	548 036	F	INDICATOR - Engine gas temperature (PS50101-33L)	1	
-7	48040-00		GAUGE ASSEMBLY - Engine oil pressure and temperature, cylinder head temperature (550 542)	2	
-8	46603-00		GAUGE ASSEMBLY - Manifold pressure, dual (550 817)	1	
-9	46809-02		INDICATOR - Tachometer, dual (550 527)	1	
-10	450 706		CLOCK ASSEMBLY - (W-33-7510ET)	1	
-11	46457-00		GAUGE ASSEMBLY - Outside air temperature (550 809)	1	
-12	46497-00		GAUGE ASSEMBLY - Cabin differential pressure (550 812)	1	31P-3 to 31P-7300132 incl.
	53973-00		PLATE - Cover	1	31P-7300133 and up
-13	755 428	B	INDICATOR - Attitude gyro	1	
	53707-00	B,D	INDICATOR - Attitude gyro (with adjusting knob covered)	1	
-14	755 427	B	INDICATOR - Directional gyro	1	
-15	46597-00		INDICATOR - Cabin pressure, altitude (550 816)	1	31P-3 to 31P-7300132 incl.
	50589-00		INDICATOR - Cabin pressure, altitude and cabin differential pressure (dual)	1	31P-7300133 and up
-16	550 422		INDICATOR - Cabin rate of climb	1	
-17	48053-00		INDICATOR - Flap position (550 536)	1	
-18	46320-00		GAUGE ASSEMBLY - Gyro pressure (550 846)	1	
-19	32658-02		INDICATOR - Engine hour recorder (550 788)	1	
-20	46319-00		GAUGE - Pneumatic pressure (550 845)	1	
			<p>A - Refer to Figure 66 if true airspeed indicator, Piper Part No. 47506-00 is installed on serial numbers 31P-3 to 31P-7530028 inclusive.</p> <p>B - See Figure 126A if AltiMatic III B is installed, Figure 127 if AltiMatic III B-1 is installed, Figure 127A if AltiMatic V F/D or V F/D-1 is installed, or Figure 127B if AltiMatic V or V-1 is installed.</p> <p>C - Used on aircraft that comply with C.A.A. (United Kingdom) and D.O.T. (Australia) requirements.</p> <p>D - Used on aircraft that comply with C.A.A. (United Kingdom) requirements.</p> <p>E - Used if Radair E.G.T. system is installed.</p> <p>F - Used if Lewis or Rosemount E.G.T. system is installed.</p>		

When ordering, always specify Part Number, Description and Serial Number of Aircraft

**PIPER PARTS CATALOG**

Figure and Index Number	Part Number	Code	NOMENCLATURE	No. Req.	SERIAL NUMBERS AFFECTED
64-21	48021-00		CONTROL ASSEMBLY - Cabin comfort (555 418)	1	
-22	758 058		CONTROL ASSEMBLY - Cabin altitude, new (less filter)	1	
	763 295		CONTROL ASSEMBLY - Cabin altitude, reconditioned (less filter)	1	
-22a	754 831		FILTER - Tobacco (3344-52)	1	
-23	46415-02		PANEL - Instrument, left, black (standard)	1	31P-3 to 31P-60 inclusive
	48318-02		PANEL - Instrument, left, black (standard)	1	31P-61 to 31P-7300132 inclusive
	48318-03	A,B	PANEL - Instrument, left (standard)	1	31P-7300133 to 31P-7400194 incl.
	48318-15	A,B	PANEL - Instrument, left (standard)	1	31P-7400195 and up
	48141-02	D	PANEL - Instrument, left, black	1	31P-3 to 31P-60 inclusive
	48141-04	E	PANEL - Instrument, left, black	1	31P-3 to 31P-60 inclusive
	48141-06	F	PANEL - Instrument, left, black	1	31P-3 to 31P-60 inclusive
	48141-07	G	PANEL - Instrument, left, black	1	31P-3 to 31P-60 inclusive
	48141-08	H	PANEL - Instrument, left, black	1	31P-3 to 31P-60 inclusive
	48141-10	J	PANEL - Instrument, left, black	1	31P-3 to 31P-60 inclusive
	46415-05	K	PANEL - Instrument, left, black	1	31P-3 to 31P-60 inclusive
	46415-08	L	PANEL - Instrument, left, black	1	31P-3 to 31P-60 inclusive
	46415-03	N	PANEL - Instrument, left, black	1	31P-3 to 31P-60 inclusive
	46415-04	O	PANEL - Instrument, left, black	1	31P-3 to 31P-60 inclusive
	46415-06	P	PANEL - Instrument, left, black	1	31P-3 to 31P-60 inclusive
	46415-07	Q	PANEL - Instrument, left, black	1	31P-3 to 31P-60 inclusive
	46415-09	R	PANEL - Instrument, left, black	1	31P-3 to 31P-60 inclusive
	46415-10	S	PANEL - Instrument, left, black	1	31P-3 to 31P-60 inclusive
	46415-11	M	PANEL - Instrument, left, black	1	31P-3 to 31P-60 inclusive
	46415-12	C	PANEL - Instrument, left, black	1	31P-3 to 31P-60 inclusive

- A - If special instruments and/or avionics are installed on serial nos. 31P-7300133 and up, check part number stamped on back of panel and order that part number.
- B - When ordering, specify color black or beige.
- C - Used if Narco Radios, AltiMatic III B and Single King ADF are installed.
- D - Used if King Radios with VHF, Single King ADF and AltiMatic V F/D are installed.
- E - Used if King Radios with VHF, Single or Dual ADF and AltiMatic V F/D are installed.
- F - Used if Narco Radios with VHF, Single or Dual ADF and AltiMatic V F/D are installed.
- G - Used if Narco Radios with VHF, Single King ADF and AltiMatic V F/D are installed.
- H - Used if King Radios with VHF, AltiMatic V F/D and RMI are installed.
- J - Used if King Radios with VHF, AltiMatic V and RMI are installed.
- K - Used if King Radios, AltiMatic III B and RMI are installed.
- L - Used if King Radios, AltiMatic III B, Dual ADF/VOR and RMI are installed.
- M - Used if King Radios, AltiMatic III B and RMI are installed.
- N - Used if Narco Radios, AltiMatic V and Single or Dual ADF are installed.
- O - Used if King Radios, AltiMatic V and Single or Dual ADF are installed.
- P - Used if Narco Radios, AltiMatic V and Single King ADF are installed.
- Q - Used if King Radios, AltiMatic V and Single King ADF are installed.
- R - Used if Narco Radios, AltiMatic III B, ADF and RMI are installed.
- S - Used if King Radios, AltiMatic III B, ADF and RMI are installed.

When ordering, always specify Part Number, Description and Serial Number of Aircraft

**PIPER PARTS CATALOG**

Figure and Index Number	Part Number	Code	NOMENCLATURE	No. Req.	SERIAL NUMBERS AFFECTED
64-23	46415-13	M	PANEL - Instrument, left, black	1	31P-3 to 31P-60 incl.
	46415-14	K	PANEL - Instrument, left, black	1	31P-3 to 31P-60 incl.
	48318-02	A	PANEL - Instrument, left, black	1	31P-61 to 31P-7300132 incl.
	48318-03	B,L	PANEL - Instrument, left	1	31P-61 to 31P-7300132 incl.
	48318-04	C,L	PANEL - Instrument, left	1	31P-61 to 31P-7300132 incl.
	48318-05	D,L	PANEL - Instrument, left	1	31P-61 to 31P-7300132 incl.
	48318-06	E,L	PANEL - Instrument, left	1	31P-61 to 31P-7300132 incl.
	48318-07	F,L	PANEL - Instrument, left	1	31P-61 to 31P-7300132 incl.
	48318-10	G,L	PANEL - Instrument, left	1	31P-61 to 31P-7300132 incl.
	48318-11	H,L	PANEL - Instrument, left	1	31P-61 to 31P-7300132 incl.
	48318-12	J,L	PANEL - Instrument, left	1	31P-61 to 31P-7300132 incl.
				<p>A - Used if Narco Radios, AltiMatic III B or AltiMatic III B-1, AltiMatic V or AltiMatic V-1 are installed.</p> <p>B - Used if King Radios, AltiMatic III B or AltiMatic III B-1, AltiMatic V or AltiMatic V-1, and ADF or Allen RMI with Dual or Single ADF/Single Omni are installed.</p> <p>C - Used if King Radios, AltiMatic III B or AltiMatic III B-1, AltiMatic V or AltiMatic V-1, and Allen RMI with Dual ADF/Dual Omni are installed.</p> <p>D - Used if King Radios, AltiMatic V F/D or AltiMatic V F/D-1 and ADF are installed.</p> <p>E - Used if Narco Radios, AltiMatic V F/D or AltiMatic V F/D-1 and ADF are installed.</p> <p>F - Used if King Radios, AltiMatic V F/D or AltiMatic V F/D-1 and R.C.A. RMI with ADF are installed.</p> <p>G - Used if King Radios, AltiMatic V or AltiMatic V-1 and R.C.A. RMI with ADF are installed.</p> <p>H - Used if King Radios, AltiMatic V F/D or AltiMatic V F/D-1, ADF and Radar Altimeter are installed.</p> <p>J - Used if King Radios, AltiMatic V F/D or AltiMatic V F/D-1, R.C.A. RMI (with ADF) and Radar Altimeter are installed.</p> <p>K - Used if King Radios, AltiMatic III B, Dual ADF/VOR and RMI are installed.</p> <p>L - When ordering, specify color black or beige.</p> <p>M - Used if King Radios, AltiMatic III B and Single King ADF are installed.</p>	

When ordering, always specify Part Number, Description and Serial Number of Aircraft





Figure and Index Number	Part Number	Code	NOMENCLATURE	No. Req.	SERIAL NUMBERS AFFECTED
64-23a	46421-00	B,C	PANEL - Instrument, right (standard)	1	
	46421-02	D	PANEL - Instrument, right, black	1	31P-3 to 31P-7300132 inclusive
	46857-00	B,F	PANEL - Instrument, right	1	31P-3 to 31P-7300132 inclusive
	46857-02	B,E	PANEL - Instrument, right	1	31P-3 to 31P-7300132 inclusive
-24	46574-00		PANEL - Instrument, engine, black (standard)	1	31P-3 to 31P-7300132 inclusive
	48584-00	B,C	PANEL - Instrument, engine (standard)	1	31P-7300133 and up
-25	48179-04		PANEL ASSEMBLY - Electroluminescent, cabin pressure	1	31P-3 to 31P-7730003 inclusive
	80492-02		PLACARD - Cabin pressure	1	31P-7730004 and up
-26	48179-06		PANEL ASSEMBLY - Electroluminescent, controls, left	1	31P-3 to 31P-7530022 inclusive, 31P-7630005 and up
	48179-34		PANEL ASSEMBLY - Electroluminescent, controls, left	1	31P-7530023 to 31P-7630004 incl.
-27	48179-05		PANEL ASSEMBLY - Electroluminescent, alternate air	1	
-28	47895-00		PANEL - Electroluminescent, windshield wiper	1	31P-3 to 31P-7530022 inclusive
-29	48179-07		PANEL ASSEMBLY - Electroluminescent, panel controls	1	31P-3 to 31P-7300148 inclusive
	48179-15		PANEL ASSEMBLY - Electroluminescent, panel controls	1	31P-7300149 and up
-30	46454-00		PLACARD - Airspeed, mph (581 531), black	1	31P-3 to 31P-7630019 inclusive
	48670-02		PLACARD - Airspeed, mph (582 103), beige	1	31P-3 to 31P-7630019 inclusive
	46454-02	A	PLACARD - Airspeed, knots (581 743), black	1	31P-3 to 31P-7630019 inclusive
	48670-03	A	PLACARD - Airspeed, knots (582 104), beige	1	31P-3 to 31P-7630019 inclusive
	46454-03		PLACARD - Airspeed, knots (582 051) (domestic), black	1	31P-3 to 31P-7630019 inclusive
	48670-04		PLACARD - Airspeed, knots (582 105) (domestic), beige	1	31P-3 to 31P-7630019 inclusive
	80514-02		PLACARD - Airspeed, knots (582 713)	1	31P-7730001 and up
-31	46465-00		PLACARD - Stall warning (581 532)	1	31P-3 to 31P-7300132 inclusive
	48669-02		PLACARD - Stall warning (582 416), black	1	31P-7300133 to 31P-7530022 incl.
	48669-00		PLACARD - Stall warning (582 102), beige	1	31P-7300133 to 31P-7530022 incl.
-32	46576-00		PLACARD - Windshield wiper, mph (581 534), black	1	31P-3 to 31P-7530022 inclusive
	48668-02		PLACARD - Windshield wiper, mph (582 099), beige	1	31P-3 to 31P-7530022 inclusive
	46576-03		PLACARD - Windshield wiper, knots (582 052), black	1	31P-3 to 31P-7530022 inclusive
	48668-04		PLACARD - Windshield wiper, knots (582 101), beige	1	31P-3 to 31P-7530022 inclusive
-33	41678-00	B	PLATE - Cover	9	
-33a	43468-00	B	PLATE - Cover	1	
-34	41679-02	B	PLATE - Cover	2	
-35	472 829		LIGHT - Bolt (Glar-Ban) (20-0121-15-B-24)	31	
-36	472 028		BULB - (Bolt Light)	1	
-37	419 982		SCREW - Set (10-32 x 1 1/4 L)	1	
-38	556 743		WIRE AND NUT ASSEMBLY - (5954-8ND-2)	43	
-39	40885-00		SPACER - Gyro mounting (1/2" thick)	2	
	40885-02		SPACER - Gyro mounting (5/8" thick)	1	
-39a	48146-00		SPACER - Gyro mounting	2	
-40	26356-00		GUARD - Flap switch	1	
-41	42034-00		STRAP - Ground	4	
-42	475 109		MOUNT - (J7219-22)	8	

A - Used on aircraft that comply with C.A.A. (United Kingdom) and D. O. T. (Australia) requirements.  
 B - When ordering, specify color black or beige.  
 C - If special instrument and/or avionics are installed on serial numbers 31P-7300133 and up, check part number stamped on back of panel and order that part number.  
 D - Used if AltiMatic V F/D or AltiMatic V with Copilot Gyros are installed.  
 E - Used if King Radios and AltiMatic V, V-1, V F/D or V F/D-1 with Copilot Gyros are installed.  
 F - Used if King Radios, AltiMatic V, V-1, V F/D or V F/D-1 with Copilot Gyros and Dual Instruments are installed.

When ordering, always specify Part Number, Description and Serial Number of Aircraft

## PIPER PARTS CATALOG

Figure and Index Number	Part Number	Code	NOMENCLATURE	No. Req.	SERIAL NUMBERS AFFECTED
64-43	477 793		NUT - Cap (26C-02)	8	
-44	487 744		THREAD STUD - (77-08-106-13)	4	
-45	453 841		PLUG - Button	1	31P-3 to 31P-60 incl.
	453 897		PLUG - Button	1	31P-61 and up
-46	453 840		PLUG - Button (207-241141-00)	1	
-47	453 716		PLUG - Button (HS-51026)	1	
-48	453 602		PLUG - Button (SS-48152)	5	
-49	453 664		PLUG - Button (SS-48192)	1	31P-3 to 31P-7300132 incl.
-50	472 028		LAMP - (28V, 327)	1	
-51	571 124		KNOB - Bar (108)	1	
-52	571 120		KNOB - Flanged (5FC-1B2)	1	
-53	571 121		KNOB - Flanged (5FC-2B2)	1	
-54	571 122		KNOB - Plain (9CC-2B2)	1	31P-3 to 31P-7300148 incl.
-55	42580-00		COMPASS ASSEMBLY	1	
-56	41345-00		PLACARD - Heated windshield (581 204)	1	
-57	27178-00		PLACARD - "Pitch Out Of Trim" (581 681), black	1	
	48679-00		PLACARD - "Pitch Out Of Trim" (582 115), beige	1	
-58	472 816		LIGHT ASSEMBLY - Pitch trim warning (800-1030-0333-504)	1	
-59	757 938		* CAP ASSEMBLY - (800-0333-500)	1	
-60	48051-00	A	PLACARD - Fuel quantity (581 745)	1	
-61	453 897		PLUG - Button	1	31P-61 and up
-62	80503-02	A	PLACARD - Operation limitations (582 669)	1	
-53	52826-02	B	PLATE - Cover	1	
-64	23943-00		KNOB - Flap switch	1	
-65	53965-00		PLACARD - Maneuver warning	1	31P-3 to 31P-7300115 incl.
	80326-02		PLACARD - Windshield wiper	1	31P-7530023 to 31P-7630019 incl.
	80502-02		PLACARD - Windshield wiper	1	31P-7730001 and up
-66	52826-03	B	PLATE - Cover	7	31P-61 and up
-67	26870-00		PLUG - Button	4	31P-61 and up
-68	453 898		PLUG - Button	1	31P-61 and up
-69	48548-00		PLACARD - Map light (581 979), black	1	31P-7300133 and up
	48671-00		PLACARD - Map light (582 106), beige	1	31P-7300133 and up
-70	453 616		REDUCER - (AN912-1D)	1	31P-7530023 and up
-71	458 891		ELBOW - (AN823-4D)	1	31P-7530023 and up
-72	458 919		ELBOW - (AN914-2D)	1	31P-7530023 and up
-73	54628-03		HOLDER - Crew cup	2	31P-7630006 and up
-74	411 533		SCREW - (MS35207-264)	2	31P-7630006 and up
	408 813		WASHER - Spring (3502-10-79-0511)	2	31P-7630006 and up
	19513-38		WASHER	2	31P-7630006 and up
	80012-06		BUSHING - (.250 O.D.)	2	31P-7630006 and up
	407 564		WASHER - (AN960-10)	2	31P-7630006 and up
	404 887		NUT - (MS20365-1032C)	2	31P-7630006 and up
	41413-26		BUSHING - (.375 O.D.)	2	31P-7630006 and up
-75	488 499		TEE - (AN825-4D)	1	31P-7730001 and up
-76	476 648		NIPPLE - (AN816-4D)	1	31P-7730001 and up
-77	81008-02	C	PLACARD - Stall speed	1	31P-1 to 31P-7630019 incl.
	81007-02	C	PLACARD - Stall speed	1	31P-7730001 and up

- A - Used on aircraft that comply with C.A.A. (United Kingdom) requirements.  
 B - When ordering, specify color black or beige.  
 C - Used if Flap Travel Restrictions and Placard Installation Kit 764 397 has been installed per Service Bulletin 739.

When ordering, always specify Part Number, Description and Serial Number of Aircraft

**1J23 THRU 1J24**  
**INTENTIONALLY LEFT BLANK**

# PIPER PARTS CATALOG

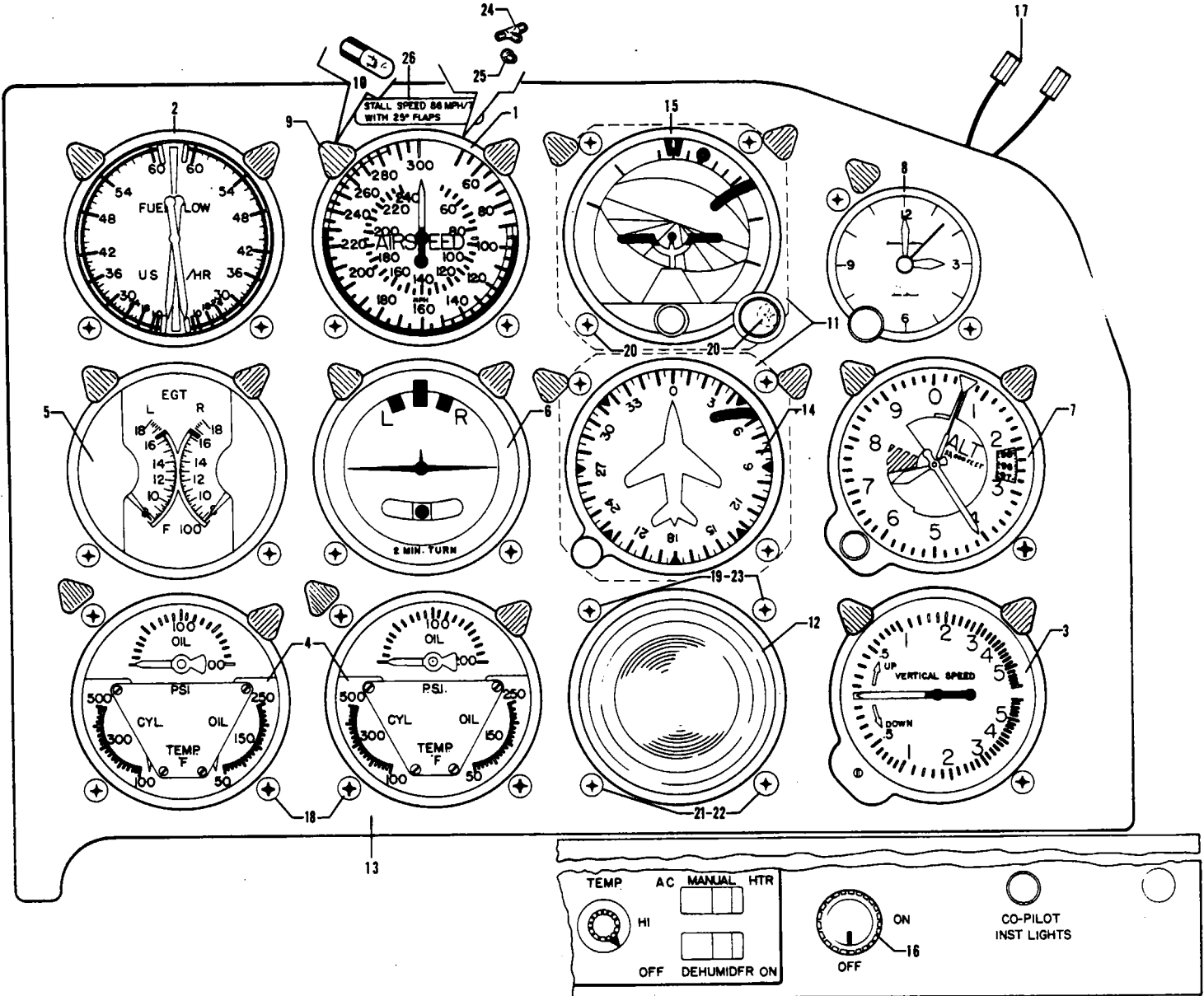


Figure 65. Dual Instrument Panel Installation

**PIPER PARTS CATALOG**

Figure and Index Number	Part Number	Code	NOMENCLATURE	No. Req.	SERIAL NUMBERS AFFECTED	
65-	46833		DRAWING - Dual Instrument Panel Installation			
-1	41507-05	A	INDICATOR - True airspeed M.P.H. (550 584)	1	31P-3 to 31P-7630019 inclusive	
	41507-17		INDICATOR - True airspeed knots (548 143)	1		31P-7730001 and up
	46566-03		INDICATOR - Airspeed knots (550 533)	1		31P-3 to 31P-7630019 inclusive
	46566-06		INDICATOR - Airspeed knots (550 432) Domestic	1		31P-3 to 31P-7630019 inclusive
	46566-09		INDICATOR - Airspeed knots (548 146)	1		31P-7730001 and up
-2	46430-00		INDICATOR - Dual fuel flow (550 806)	1		
-3	548 602		INDICATOR - Rate of climb (PS50104-5-6)	1		
-4	48040-00		INDICATOR - Engine, oil pressure, temperature, cylinder head temperature (550 542)	2		
-5	751 904		INDICATOR - Exhaust, gas, temperature (41498-00)	1		
-6	32737-06		INDICATOR - Turn and bank (Mitchell)	1		
	43220-00		INDICATOR - Turn and bank (R. C. Allen)	1		
	44378-00		INDICATOR - Turn coordinator (R. C. Allen)	1		
-7	32281-03		INDICATOR - Altimeter mercury scale (550 743)	1		
	32281-04		INDICATOR - Altimeter, sensitive (scale in millibars) (550 744)	1		
-8	450 706		INDICATOR - Clock (W-33-7510 ET)	1		
-9	472 829		LIGHT - Bolt (20-0121-15-B-24)	21		
-10	472 028		* BULB - Bolt light (327)	1		
-11	40885-00	B	SPACER - Gyro mounting	2		
	40885-03	C	SPACER - Gyro mounting	2		
-12	41678-00		PLATE - Cover	1		
-13	46421-00		PANEL - Instrument, right	1		
	46421-02	D	PANEL - Instrument, right	1		
	46857-00	G	PANEL - Instrument, right	1		
	46857-02	H	PANEL - Instrument, right	1		
-14	46911-00	E	INDICATOR ASSEMBLY - Directional gyro (electric) (A. I. M.)	1		
	48149-00	E	INDICATOR ASSEMBLY - Directional gyro (electric) (R. C. Allen)	1	31P-3 to 31P-7730005 incl.	
	55683-02	E	INDICATOR ASSEMBLY - Directional gyro (electric) (R. C. Allen)	1	31P-7730006 and up	
-15	46912-00	E	INDICATOR ASSEMBLY - Attitude gyro (electric) (A. I. M.)	1		
	48150-00	E	INDICATOR ASSEMBLY - Attitude gyro (electric) (R. C. Allen)	1	31P-3 to 31P-7730005 incl.	
	55684-02	E	INDICATOR ASSEMBLY - Attitude gyro (electric) (R. C. Allen)	1	31P-7730006 and up	
	46639-00	E,F	INDICATOR ASSEMBLY - Attitude gyro (A. I. M.) (with adjusting knob covered)	1		
	53709-00	E,F	INDICATOR ASSEMBLY - Attitude gyro (R. C. Allen) (with adjusting knob covered)	1		
-16	46607-00		RHEOSTAT ASSEMBLY - Panel lights	1		
-17	556 743		WIRE AND NUT ASSEMBLY - Bolt light (5954-8ND-2)	31		
-18	414 756		SCREW - Black (AN507-632R12)	20		
-19	414 763		SCREW - Black (AN507-832R8)	2		
-20	514 752		SCREW - Black (AN507-632R16)	2		
-21	415 149		SCREW - Black (AN507-632R8)	2		

- A - Used on aircraft that comply with C. A. A. (United Kingdom) and D. O. T. (Australia) requirements.
- B - Used if Aim Gyros are installed.
- C - Used if R. C. Allen Gyros are installed.
- D - Used if AltiMatic V, V-1, V F/D or V F/D-1 with Co-pilot Gyros are installed.
- E - See Figure 127A or 127B if AltiMatic V F/D, V F/D-1, V or V-1 with Co-pilot Gyros are installed.
- F - Used on aircraft that comply with C. A. A. (United Kingdom) requirements.
- G - Used if King Radios are installed.
- H - Used if AltiMatic V F/D, V F/D-1, V or V-1 with Co-pilot Gyros and King Radios are installed.

When ordering, always specify Part Number, Description and Serial Number of Aircraft

**PIPER PARTS CATALOG**

Figure and Index Number	Part Number	Code	NOMENCLATURE	No. Req.	SERIAL NUMBERS AFFECTED
65-22	404 909		NUT - (MS20365-632C)	4	
-23	404 910		NUT - (MS20365-832C)	2	
-24	458 894		ELBOW - (MS20822-4D)	1	31P-7730001 and up
-25	476 648		NIPPLE - (AN816-4D)	1	31P-7730001 and up
-26	81008-02	A	PLACARD - Stall speed	1	31P-1 to 31P-7630019 incl.
	81007-02	A	PLACARD - Stall speed	1	31P-7730001 and up
			<p>A - Used if Flap Travel Restriction and Placard Installation Kit 764 397 has been installed per Service Bulletin 739.</p>		

When ordering, always specify Part Number, Description and Serial Number of Aircraft

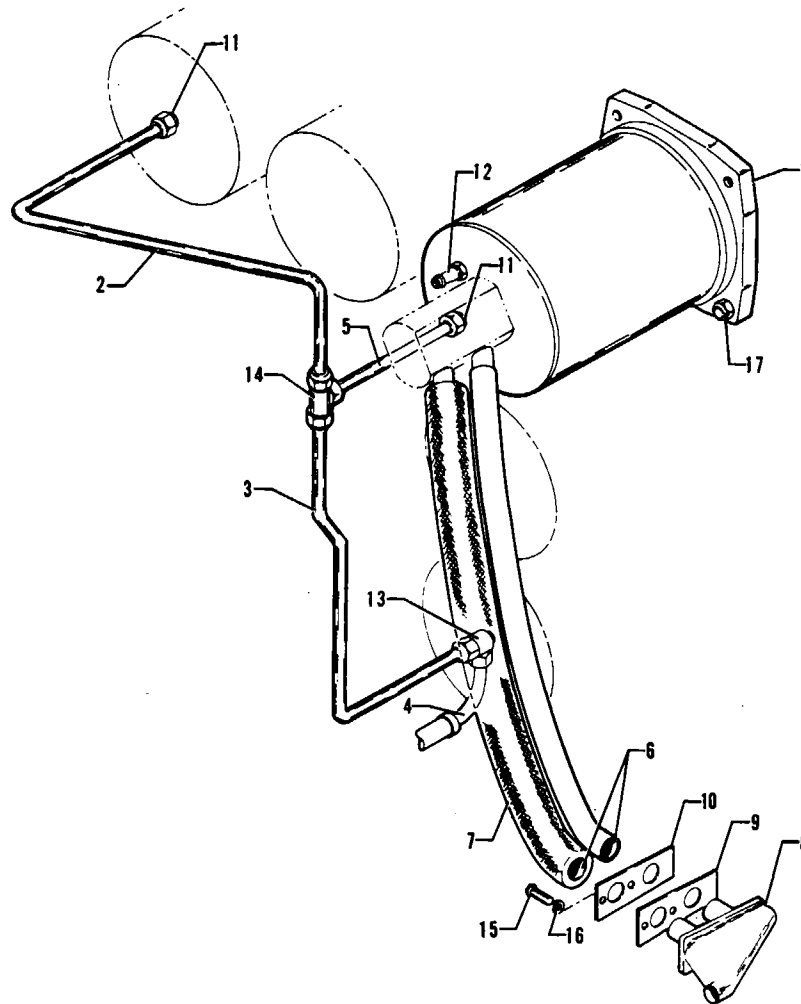


Figure 66. True Airspeed Indicator Installation  
(31P-3 to 31P-7530028 inclusive)



Figure and Index Number	Part Number	Code	NOMENCLATURE	No. Req.	SERIAL NUMBERS AFFECTED
66-	47508		DRAWING - True Airspeed Indicator Installation		
-1	47506-00	A	INDICATOR - True airspeed (27-001-1)	1	
-2	47517-00		LINE ASSEMBLY	1	
-3	47516-00		LINE ASSEMBLY	1	
-4	46722-00		LINE ASSEMBLY	1	
-5	47515-00		LINE ASSEMBLY	1	
-6	752 024		HOSE - Inlet/outlet (27-038-1)	2	
-7	755 426		INSULATION - Inlet hose (27-038-3)	1	
-8	757 618		AIRSCOOP - (27-030-1)	1	
-9	755 000		GASKET - (27-030-3)	1	
-10	757 341		PLATE - (27-030-5)	1	
-11	476 648		NIPPLE - (AN816-4D) (static)	3	
-12	451 857		ADAPTER - (AN840-4D) (pressure)	1	
-13	488 316		TEE - (AN826-4D)	1	
-14	488 320		TEE - (AN824-4D)	1	
-15	415 259		SCREW - Machine (8-32 x 1/2 L)	2	
-16	407 120		LOCK WASHER - (8 EXT)	2	
-17	414 756		SCREW - Machine (AN507-632R12)	1	
	404 908		NUT - (MS20365-632C)	1	
			A - No longer available. Order True Airspeed Indicator Kit P/N 761 028 as a replacement.		

When ordering, always specify Part Number, Description and Serial Number of Aircraft



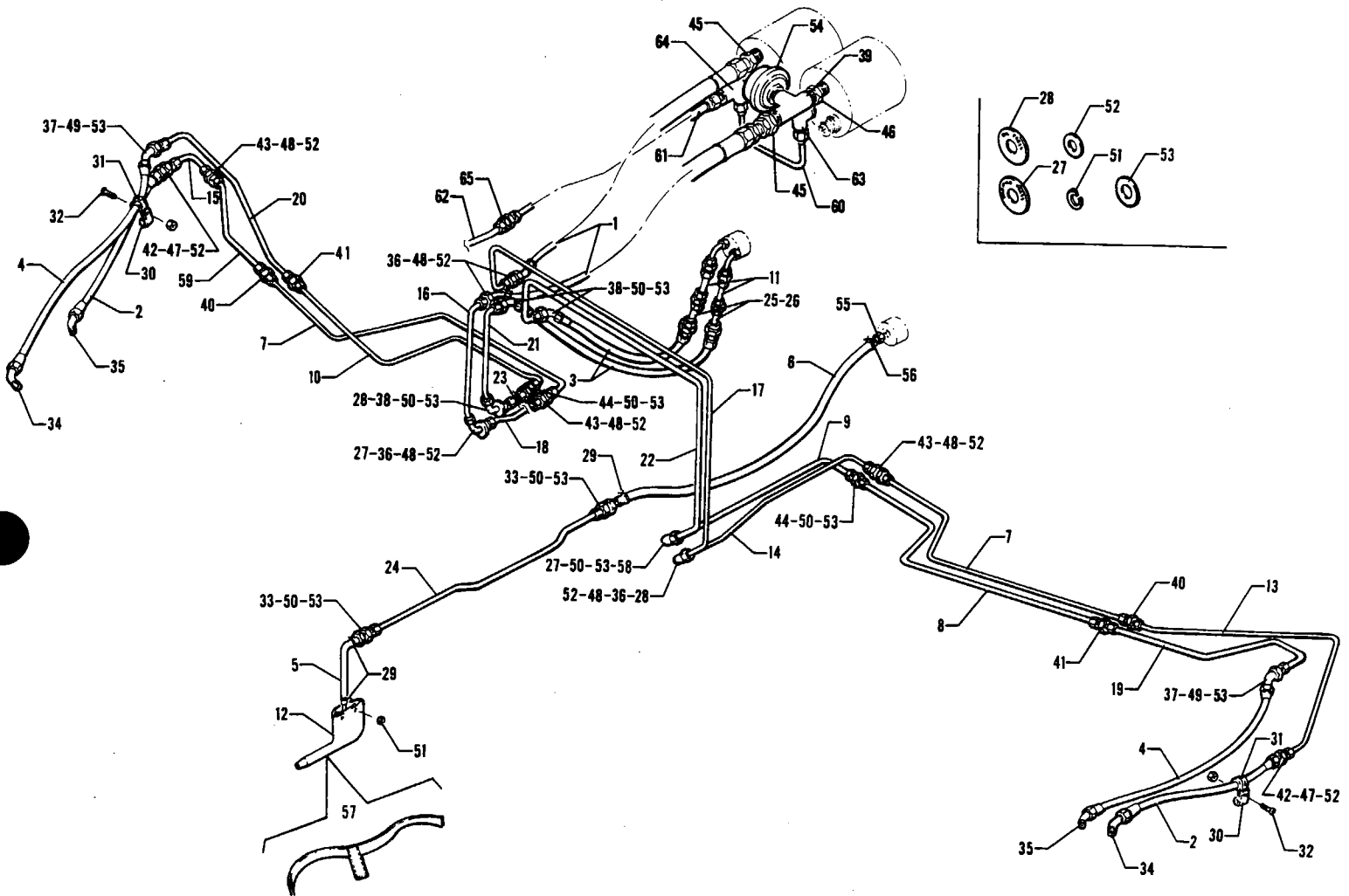


Figure 67. Miscellaneous Air and Fluid Lines Installation

## PIPER PARTS CATALOG

Figure and Index Number	Part Number	Code	NOMENCLATURE	No. Req.	SERIAL NUMBERS AFFECTED
67-	46670		DRAWING - Miscellaneous Air and Fluid Lines Installation		
-1	17766-46		HOSE ASSEMBLY - Oil pressure	2	
-2	23745-14		HOSE ASSEMBLY - Oil pressure	2	
-3	17766-42		HOSE ASSEMBLY - Manifold pressure (length 37")	2	
-4	39997-02		HOSE ASSEMBLY - Manifold pressure	2	
-5	49998-09		HOSE - Instrument air	1	
-6	49998-10		HOSE - Instrument air	1	
-7	22673-72		TUBE ASSEMBLY - Oil pressure, left	1	
	22673-74		TUBE ASSEMBLY - Oil pressure, right	1	
-8	41906-00		TUBE ASSEMBLY - Manifold pressure	1	
-9	48314-00		TUBE ASSEMBLY - Manifold pressure	1	
-10	42123-00		TUBE ASSEMBLY - Manifold pressure	1	
-11	43405-00		TUBE ASSEMBLY - Manifold pressure	1	
-12	46609-00		TUBE ASSEMBLY - Pitot, heated	1	
-13	46224-00		LINE ASSEMBLY - Oil pressure, left	1	
-14	46420-00		LINE ASSEMBLY - Oil pressure	1	
-15	47342-00		LINE ASSEMBLY - Oil pressure	1	
-16	46051-04		LINE ASSEMBLY - Oil pressure	1	
-17	46411-03		LINE ASSEMBLY - Oil pressure	1	
-18	46490-02		LINE ASSEMBLY - Oil pressure	1	
-19	46219-00		LINE ASSEMBLY - Manifold pressure, left side	1	
-20	47335-00		LINE ASSEMBLY - Manifold pressure, right	1	
-21	46051-02		LINE ASSEMBLY - Manifold pressure	1	
-22	46411-02		LINE ASSEMBLY - Manifold pressure	1	
-23	46490-03		LINE ASSEMBLY - Manifold pressure	1	
-24	54855-02		LINE ASSEMBLY - Instrument air, left	1	
-25	43404-00		FILTER ASSEMBLY - Manifold pressure gauge	2	
-26	754 817		* FILTER	1	
-27	40849-15		PLACARD - Manifold pressure (581 552)	4	
-28	40849-16		PLACARD - Oil pressure (581 553)	4	
-29	554 861		CLAMP - Hose (SAE TY F-4)	3	
-30	454 862		CLAMP - (A3046S-14-91)	2	
-31	454 977		CLAMP - (A3046S-16-91)	2	
-32	416 966		SCREW - (AN526-1032R10)	2	
	404 887		NUT - (MS20365-1032C)	2	
-33	451 853		ADAPTER - (AN807-4D)	2	
-34	17803-00		ELBOW - 45 restricted (red)	2	
-35	458 865		ELBOW - (AN823-4)	2	
-36	458 909		ELBOW - (AN837-3D)	4	
-37	458 938		ELBOW - (AN837-4)	2	
-38	458 910		ELBOW - (AN837-4D)	3	
-39	488 474		TEE - (AN917-1D)	1	
-40	491 049		UNION - (AN815-3D)	2	
-41	491 050		UNION - (AN815-4D)	2	
-42	491 067		UNION - (AN832-3)	2	
-43	491 059		UNION - (AN832-3D)	3	
-44	491 060		UNION - (AN832-4D)	2	
-45	476 647		NIPPLE - (AN816-3D)	2	
-46	476 643		NIPPLE - (AN911-1D)	1	

When ordering, always specify Part Number, Description and Serial Number of Aircraft

**PIPER PARTS CATALOG**

Figure and Index Number	Part Number	Code	NOMENCLATURE	No. Req.	SERIAL NUMBERS AFFECTED
67-47	477 628		NUT - (AN924-3)	2	
-48	477 617		NUT - (AN924-3D)	7	
-49	477 629		NUT - (AN924-4)	2	
-50	477 618		NUT - (AN924-4D)	8	
-51	407 102		WASHER - (AN935-6)	4	
-52	407 567		WASHER - (AN960-616)	9	
-53	407 568		WASHER - (AN960-716)	10	
-54	41511-00		SWITCH ASSEMBLY - Pressure sensing (487 885)	1	
-55	17881-06		LINE ASSEMBLY - Static instrument air	1	
-56	554 983		CLAMP - (#QS700M4H)	1	
-57	43561-00		COVER ASSEMBLY - Pitot tube	1	
-58	458 900		ELBOW - (AN833-4D)	1	
-59	46612-00		LINE ASSEMBLY - Oil pressure	1	
-60	80004-08		TUBE ASSEMBLY - Engine gauge vent	1	
-61	80004-09		TUBE ASSEMBLY - Engine gauge vent	1	
-62	80004-10		TUBE ASSEMBLY - Engine gauge vent	1	
-63	458 872		ELBOW - (AN822-2D)	1	
-64	588 372		TEE - (MS20826-2D)	1	
-65	491 058		UNION - (AN832-2D)	1	
	407 566		WASHER - (AN960-516)	1	
	477 619		NUT - (AN924-4D)	1	

When ordering, always specify Part Number, Description and Serial Number of Aircraft

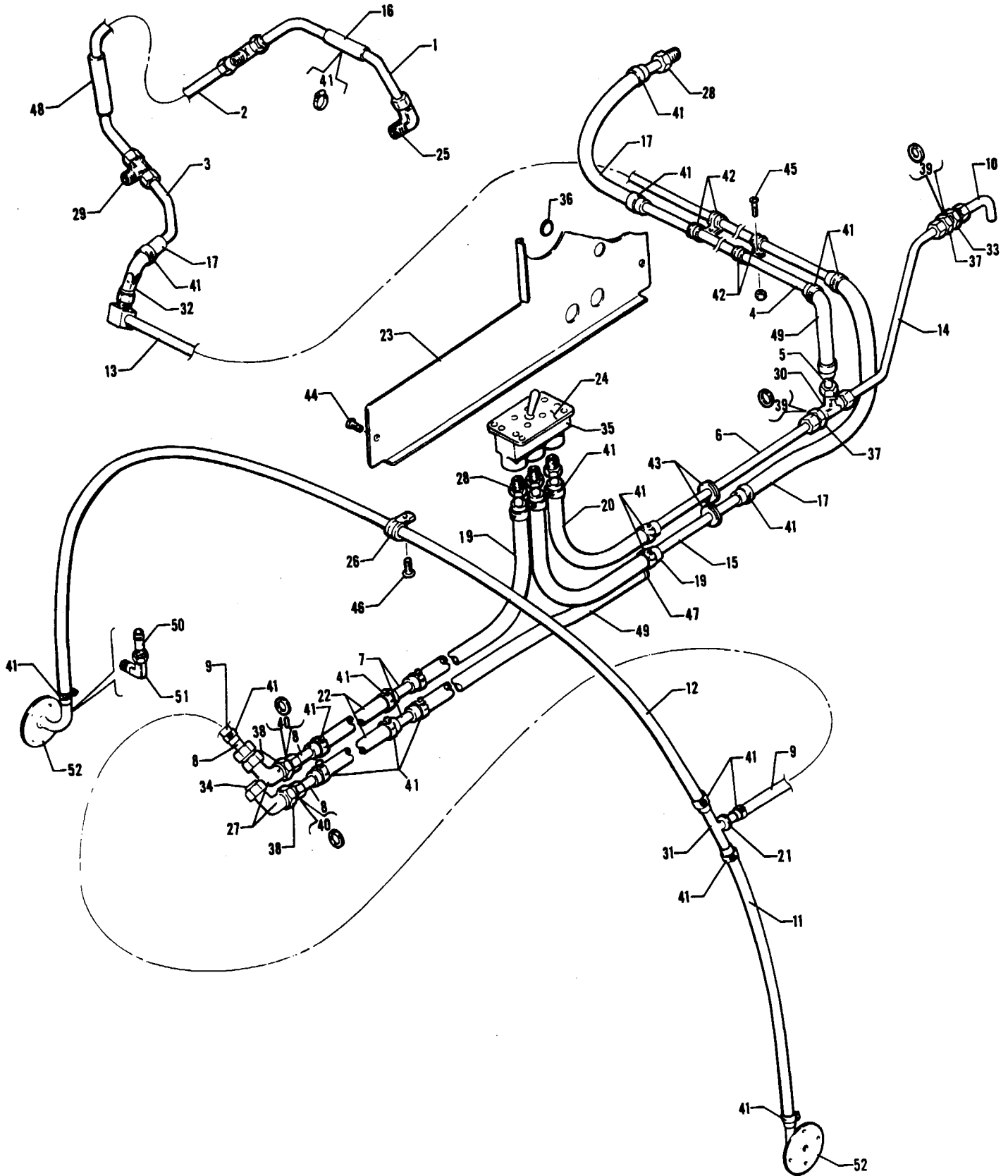


Figure 68. Static Air System Installation

**PIPER PARTS CATALOG**

Figure and Index Number	Part Number	Code	NOMENCLATURE	No. Req.	SERIAL NUMBERS AFFECTED
68-	46887		DRAWING - Static Air System Installation		
-1	46720-00	A	LINE ASSEMBLY - Static pressure (fittings both ends)	1	
	17881-06	A	LINE ASSEMBLY - Static pressure (fittings one end)	2	
-2	46716-00	A	LINE ASSEMBLY - Static pressure	1	
-3	46715-00	A	LINE ASSEMBLY - Static pressure	1	
-4	48092-00		LINE ASSEMBLY - Static pressure	1	
-5	46723-00		LINE ASSEMBLY - Static pressure	1	
-6	46738-00		LINE ASSEMBLY - Static pressure	1	
-7	45222-00		LINE ASSEMBLY - Static pressure	2	
-8	46810-00		LINE ASSEMBLY - Static pressure	3	
-9	80007-03		LINE ASSEMBLY - Static pressure	1	
-10	46876-00		LINE ASSEMBLY - Static pressure	1	
-11	80007-04		LINE ASSEMBLY - Static pressure	1	
-12	80007-02		LINE ASSEMBLY - Static pressure	1	
-13	46742-00		LINE ASSEMBLY - Static pressure	1	
-14	46732-00		LINE ASSEMBLY - Static pressure	1	
-15	46731-00		LINE ASSEMBLY - Static pressure	1	
-16	80000-02		HOSE - Static pressure, split (3" length)	1	
	82371-95		HOSE - Static pressure (9" length)	1	
-17	16633-47		HOSE - Static pressure	3	
-18	16633-93		HOSE - Static pressure	1	
-19	16633-62		HOSE - Static pressure	2	
-20	16633-91		HOSE - Static pressure	1	
-21	434 138		GROMMET - (MS35489-17)	1	
-22	16633-97		HOSE - Static pressure	2	
-23	46572-00		PLATE ASSEMBLY - Instrument mounting	1	
-24	48000-00	B	PLACARD - Static selector valve and alternator control switches (581 707)	1	31P-3 to 31P-83 incl.
	48000-02	B	PLACARD - Static selector valve and alternator control switches (581 842)	1	31P-84 and up
-25	458 894	A	ELBOW - (90°) (AN822-4D)	1	
-26	454 976		CLAMP - (A3046S-11-91)	4	
-27	458 913		ELBOW - (45°) (AN837-6D)	2	
-28	451 857		ADAPTER - (AN840-4D)	4	
-29	488 499		TEE - (AN825-4D)	1	
-30	488 311		TEE - (AN804-4D)	1	
-31	47652-00		TEE - Static air	1	
-32	555 363		COUPLING - (#1147-10-3)	1	
-33	491 060		UNION - (AN832-4D)	1	
-34	454 299		CAP - (AN929-6)	1	
-35	492 168		VALVE - Static air pressure (#K-4566)	1	
-36	453 799		PLUG - Button	1	
-37	477 618		NUT - (AN924-4D)	2	
-38	477 620		NUT - (AN924-6D)	2	
-39	407 568		WASHER - (AN960-716)	2	
-40	407 567		WASHER - (AN960-616)	2	

A - Refer to Figure 66 if true airspeed indicator is installed.  
 B - Refer to Figure 128A if Piper Automatic Locator (ELT) is installed.

When ordering, always specify Part Number, Description and Serial Number of Aircraft

**PIPER PARTS CATALOG**

Figure and Index Number	Part Number	Code	NOMENCLATURE	No. Req.	SERIAL NUMBERS AFFECTED
68-41	554 861		CLAMP - (SAE TY F-4)	27	
-42	454 929		CLAMP - (#A4980S-4-91)	4	
-43	434 128		GROMMET - (MS35489-6)	2	
-44	415 520		SCREW - (MS35206-230)	4	
-45	415 521		SCREW - (MS35206-231)	2	
-46	411 532		SCREW - (MS35207-263)	4	
-47	453 829		PLUG - Button (#207-161741-00)	1	
-48	80000-02		HOSE - Static pressure, split	1	
-49	49998-37		HOSE - Static pressure	1	
-50	51376-00		TUBE ASSEMBLY - Static air	1	31P-7400178 to 31P-7530014 incl.
-51	458 915		ELBOW - (MS20822-4-4D)	1	31P-7400178 to 31P-7530014 incl.
-52	47695-00		FITTING ASSEMBLY - Static line vent, left	1	31P-3 to 31P-7400177 incl.
	41995-00		FITTING ASSEMBLY - Static line vent, left	1	31P-7400178 to 31P-7530014 incl.
	47695-00		FITTING ASSEMBLY - Static line vent, left	1	31P-7530015 and up
	47695-00		FITTING ASSEMBLY - Static line vent, right	1	

When ordering, always specify Part Number, Description and Serial Number of Aircraft

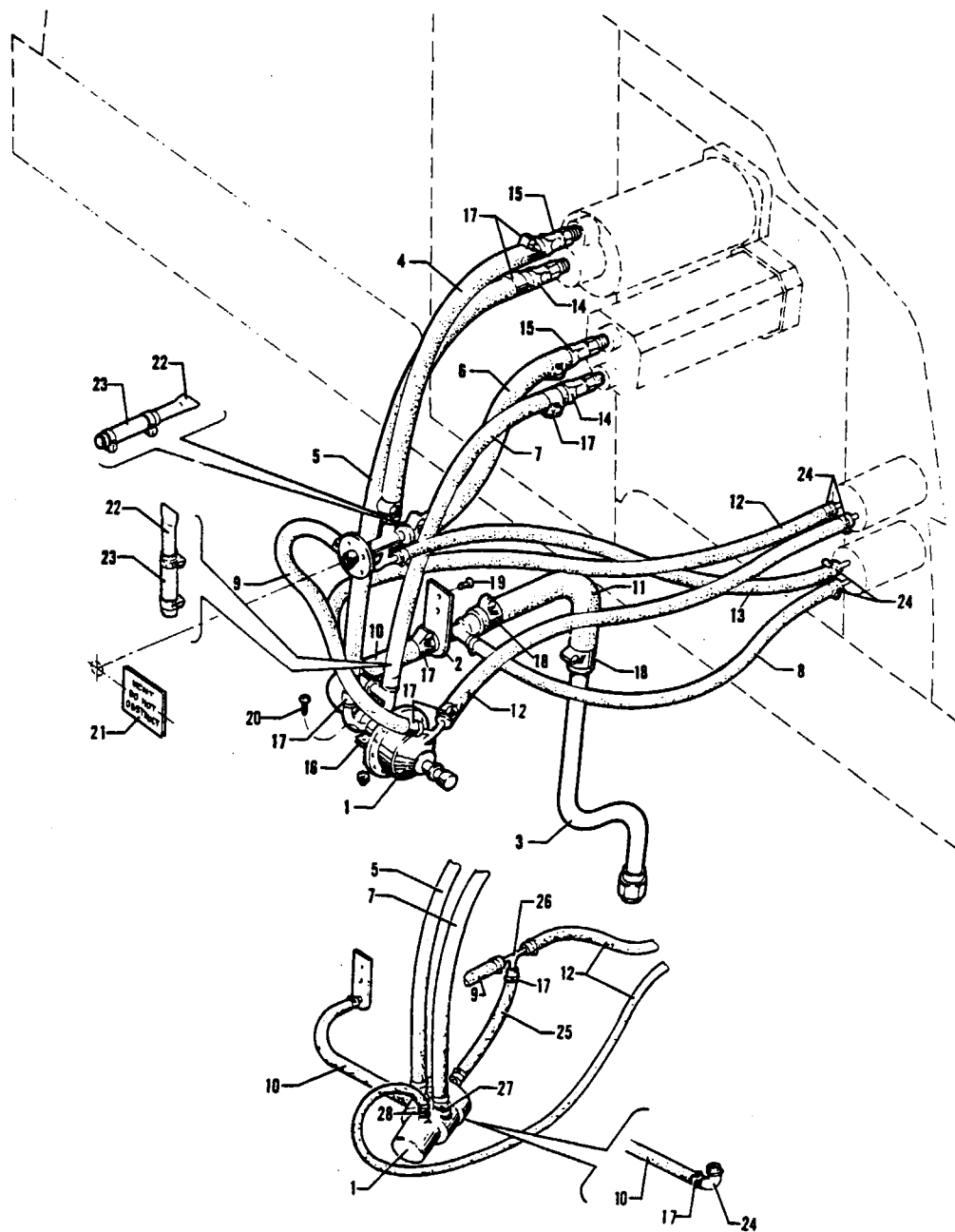


Figure 69. Gyro Instrument Lines Installation



Figure and Index Number	Part Number	Code	NOMENCLATURE	No. Req.	SERIAL NUMBERS AFFECTED
69-	46680		DRAWING - Gyro Instrument Lines Installation		
-1	46592-00	A,B	REGULATOR ASSEMBLY - Instrument pressure	1	31P-3 to 31P-7630019 inclusive
	484 130	A,B	REGULATOR ASSEMBLY - Instrument pressure (3H64-3)	1	31P-7730001 and up
	46592-02	C	REGULATOR ASSEMBLY - Instrument pressure	1	31P-3 to 31P-7630019 inclusive
	484 129	C	REGULATOR ASSEMBLY - Instrument pressure (3H64-2)	1	31P-7730001 and up
-2	46568-00		REDUCER ASSEMBLY - Instrument air	1	
-3	46585-00		LINE ASSEMBLY - Instrument air	1	
-4	61541-48		HOSE - Attitude gyro, air exhaust	1	
-5	82371-99		HOSE - Attitude gyro, air pressure	1	
-6	16633-24		HOSE - Directional gyro, air exhaust (12 3/4")	1	
-7	61541-20		HOSE - Directional gyro, air pressure (21 1/2")	1	
-8	16633-49	A	HOSE - Flexible (3")	2	
-9	16633-51		HOSE - Air exhaust	1	
-10	82371-93		HOSE - Instrument air	1	31P-3 to 31P-7630019 inclusive
	82371-48		HOSE - Instrument air	1	31P-7730001 and up
-11	82371-70		HOSE - Instrument air	1	
-12	16633-70		HOSE - Gyro pressure	3	
-13	82371-80		HOSE - Pneumatic pressure gauge	1	
-14	555 346		COUPLING - Hose (1147-11-4, red)	2	
-15	555 345		COUPLING - Hose (1147-11-4)	2	
-16	454 976		CLAMP - (PS10017-2-11)	1	31P-3 to 31P-7630019 inclusive
-17	554 871		CLAMP - (SAE TY F6SS)	11	31P-3 to 31P-7630019 inclusive
	554 871		CLAMP - (SAE TY F6SS)	14	31P-7730001 and up
-18	554 946		CLAMP - (SAE TY F8SS)	2	
-19	415 149		SCREW - (MS35206-230)	2	
-20	415 533		SCREW - (MS35206-243)	1	31P-3 to 31P-7630019 inclusive
	407 563		WASHER - (AN960-8)	1	31P-3 to 31P-7630019 inclusive
	404 910		NUT - (MS20365-832C)	1	31P-3 to 31P-7630019 inclusive
-21	46752-00		PLACARD - Cabin vent	1	
-22	47863-00	A	PLUG - Flexible hose	2	
-23	554 778		CLAMP - (SAE TY F4SS)	8	
-24	458 925		ELBOW - (AN842-8D)	1	31P-7730001 and up
-25	16633-89		HOSE - Regulator to tee	1	31P-7730001 and up
-26	588 494		TEE - (1K14-4-4-4)	1	31P-7730001 and up
-27	551 874		ADAPTER - (1K10-6-6)	2	31P-7730001 and up
-28	451 857		ADAPTER - (AN840-4D)	1	31P-7730001 and up

A - Used only if AltiMatic V F/D or V F/D-1 is installed.  
 B - Used if regulator is used to operate one gyro.  
 C - Used if regulator is used to operate two gyros.

When ordering, always specify Part Number, Description and Serial Number of Aircraft



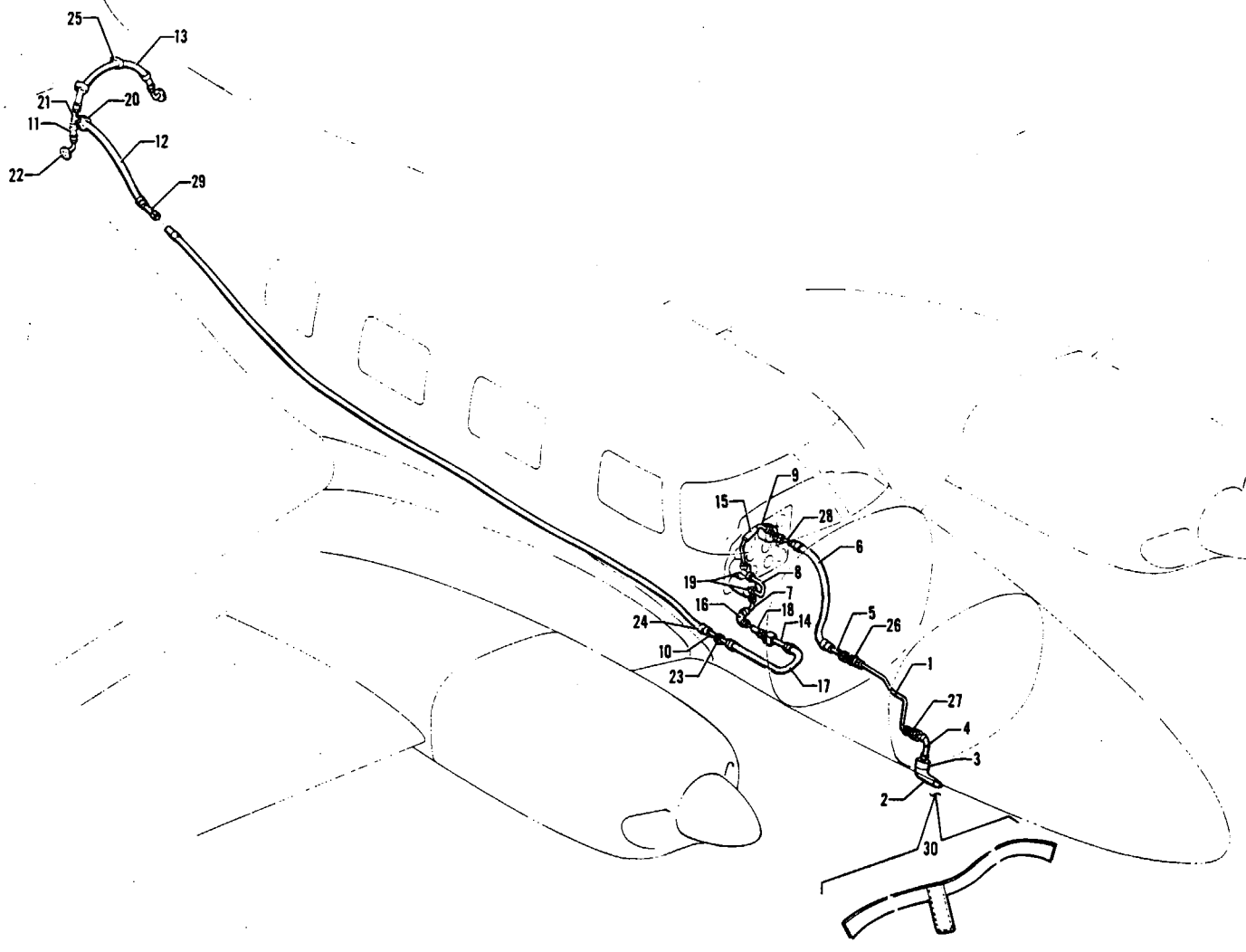


Figure 70. Dual Instrument Air System Installation



Figure and Index Number	Part Number	Code	NOMENCLATURE	No. Req.	SERIAL NUMBERS AFFECTED
70-	46833		DRAWING - Dual Instrument Air System Installation		
-1	54855-02		LINE ASSEMBLY - Instrument air pressure, right	1	
-2	46771-00		TUBE ASSEMBLY - Heated pitot	1	
-3	41466-05		MAST ASSEMBLY - Pitot tube	1	
-4	49998-09		HOSE - Instrument air pressure	1	
-5	46723-00		LINE ASSEMBLY - Static pressure	1	
-6	49998-10		HOSE - Instrument air pressure	1	
-7	46722-00		LINE ASSEMBLY - Static pressure	1	
-8	46713-00		LINE ASSEMBLY - Static pressure	1	
-9	46709-00		LINE ASSEMBLY - Static pressure (fittings both ends)	1	
	17881-06		LINE ASSEMBLY - Static pressure (fittings one end)	2	
-10	46731-00		LINE ASSEMBLY - Static pressure	1	
-11	80007-04		HOSE ASSEMBLY - Static pressure	1	
-12	80007-03		HOSE ASSEMBLY - Static pressure	1	
-13	80007-02		HOSE ASSEMBLY - Static pressure	1	
-14	46962-00		LINE ASSEMBLY - Static pressure	1	
-15	80000-02		HOSE - Static pressure, split (3" length)	1	
	82371-121		HOSE - Static pressure (8" length)	1	
-16	16633-38		HOSE - Instrument air pressure	1	
-17	82371-80		HOSE - Instrument air pressure	1	
-18	555 363		COUPLING - (1147-10-3)	1	
-19	488 316		TEE - (AN826-4D)	2	
-20	434 138		GROMMET - (MS35489-17)	1	
-21	47652-00		TEE - Static air	1	
-22	47695-00		FITTING ASSEMBLY - Static line vent	2	
-23	434 128		GROMMET - (MS35489-6)	1	
-24	554 861		CLAMP - (SAE TY F-4)	16	
-25	47721-00		CLAMP	4	
	411 532		SCREW - (MS35207-263)	4	
-26	491 060		UNION - (AN832-4D)	1	
	407 568		WASHER - (AN960-716)	1	
	477 618		NUT - (AN924-4D)	1	
-27	451 853		ADAPTER - (AN807-4D)	1	
	407 568		WASHER - (AN960-716)	1	
	477 618		NUT - (AN924-4D)	1	
-28	17881-06		LINE ASSEMBLY - Static air	1	
-29	46810-00		LINE ASSEMBLY - Static air	1	
-30	43561-00		COVER ASSEMBLY - Pitot tube	1	

When ordering, always specify Part Number, Description and Serial Number of Aircraft

# PIPER PARTS CATALOG

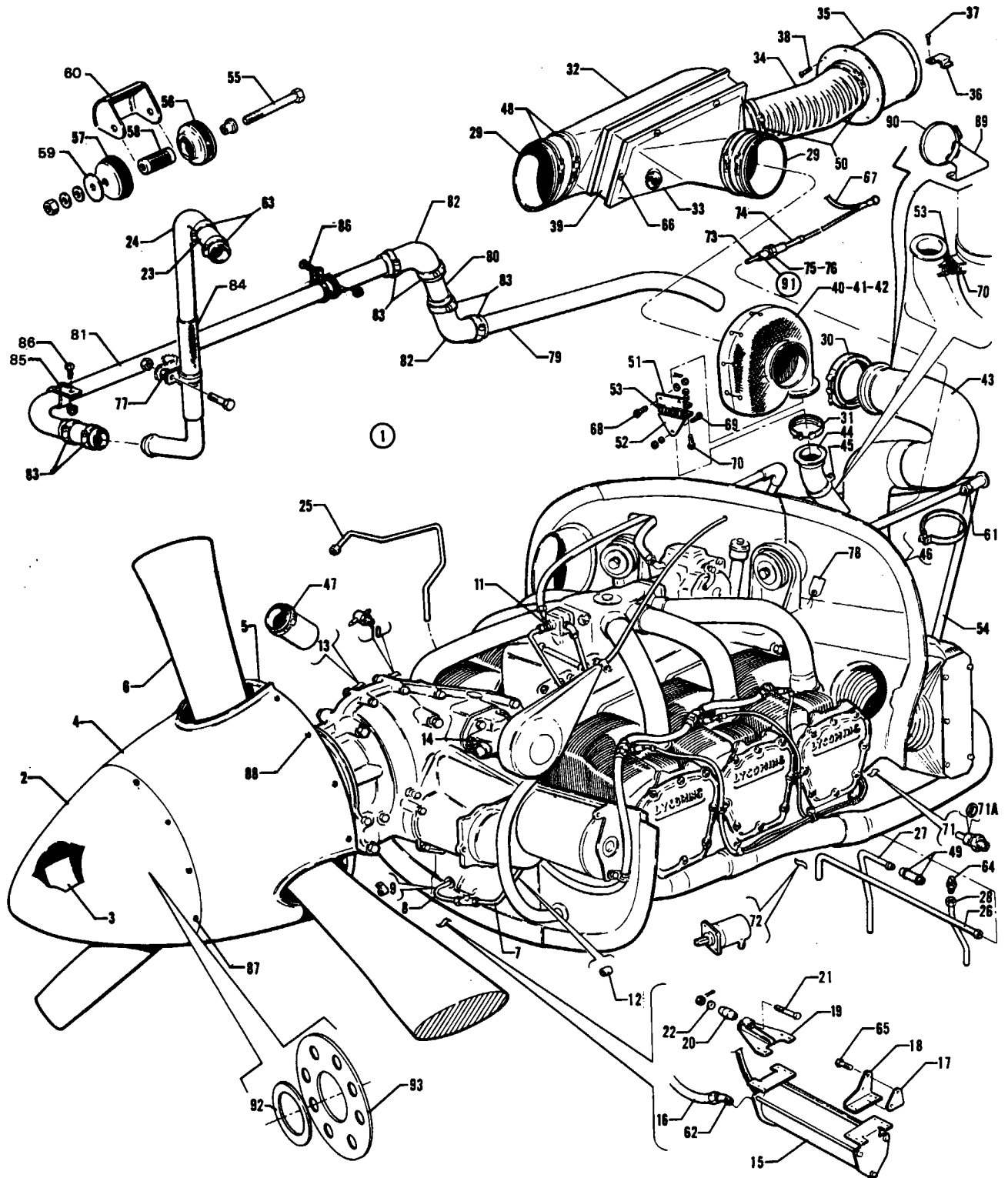


Figure 71. Power Plant Installation

## PIPER PARTS CATALOG

Figure and Index Number	Part Number	Code	NOMENCLATURE	No. Req.	SERIAL NUMBERS AFFECTED
71-	46700		DRAWING - Power Plant Installation		
-1		A	ENGINE ASSEMBLY - Lycoming (TIGO-541-E1A)	2	
-2	46313-02		CAP ASSEMBLY - Propeller spinner	2	
-3	46348-06		* DECAL - Pressure temperature	1	
-4	46350-00		SPINNER ASSEMBLY - Propeller	2	
-5	46223-00		BULKHEAD ASSEMBLY - Spinner, rear	2	
-6	550 932	B,C,F	PROPELLER ASSEMBLY - Hartzell (HC-C3YN-2LF/FJC9684-3R)	2	
	550 960	B,C	PROPELLER ASSEMBLY - Hartzell (HC-C3YN-2LAUF/FJC9684-3R)	2	
-7	45958-00		DRAIN LINE ASSEMBLY - Induction housing	2	
-8	45948-00		DRAIN LINE ASSEMBLY - Induction housing	2	
-9	46852-04		CLAMP - Offset	2	
-10	14184-00		VALVE ASSEMBLY	2	
-11	45847-00		NIPPLE ASSEMBLY - Restricted	2	
-12	14976-65		SPACER	2	
-13	565 327		HOSE - (ONFSS-104-16-16)	2	
-14	47039-00	D,E	GOVERNOR ASSEMBLY - Woodward (210463)	2	
	47991-02	D,E	GOVERNOR ASSEMBLY - Woodward (210664)	2	
-15	46851-00		ACCUMULATOR ASSEMBLY - (Woodward 8907-001)	2	
-16	39995-11		HOSE ASSEMBLY	2	
-17	46999-00		SPACER - Accumulator	2	
-18	46233-00		BRACKET - Accumulator	2	
-19	45353-00		BRACKET ASSEMBLY - Accumulator	2	
-20	475 169		MOUNT - Accumulator (J-6344-2)	2	
-21	46850-00		SCREW - Accumulator mount	2	
-22	85012-112		WASHER	2	
-23	49990-11		TUBE - Crankcase breather	4	
-24	47922-00		TUBE - Crankcase breather	2	
-25	46267-00		TUBE ASSEMBLY - Induction housing drain	2	
-26	47187-00		TUBE ASSEMBLY - Waste gate drain	2	
-27	46265-00		TUBE ASSEMBLY - Hydraulic pump drain	2	
-28	46266-00		TUBE ASSEMBLY - Fuel pump drain	2	
-29	42172-02		COUPLING - Hose	4	
-30	556 053		COUPLING - Tail pipe (NH1000897-50)	2	
	54851-03	G	COUPLING - Tail pipe (62-99-151)	2	
-31	555 365		COUPLING - Waste gate (24502-225-M)	2	
	462 062		GASKET - Waste gate (24096-225-N)	2	
			A - Secure from Lycoming-Division Avco Corporation Williamsport, Penna.		
			B - See Figure 79 for component parts.		
			C - See Figure 126 if electric propeller deicer is installed.		
			D - Refer to Figure 79A if propeller synchronizer is installed or Figure 79B if propeller synchrophaser is installed.		
			E - When ordering, ascertain vendor's part number stamped on nameplate.		
			F - Not available. Order Propeller Part No. 550 960 (HC-C3YN-2LAUF/FJC9684-3R) which incorporates a Feather Assist Spring Kit. The opposite propeller must also include a Feather Assist Spring Kit per Piper Service Bulletin No. 470 and Hartzell Service Bulletin No. 111.		
			G - Used on aircraft that comply with C.A.A. (United Kingdom) requirements.		

When ordering, always specify Part Number, Description and Serial Number of Aircraft



Figure and Index Number	Part Number	Code	NOMENCLATURE	No. Req.	SERIAL NUMBERS AFFECTED
71-32	46291-00		DUCT ASSEMBLY - Air filter inlet	2	
	48089-00	B	DUCT ASSEMBLY - Air filter inlet	2	
-33	46631-00		DUCT ASSEMBLY - Air filter outlet	2	
	46631-16	B	DUCT ASSEMBLY - Air filter outlet	2	
-34	48076-03		HOSE - Air duct	2	
-35	46306-00		BOX ASSEMBLY - Alternate air	2	
-36	554 046		CATCH - Magnetic (41ALD)	1	
-37	415 754		SCREW - (AN515-832R8)	2	
-38	415 535		SCREW - (MS35206-245)	16	
-39	47075-00		FILTER ASSEMBLY - Induction air	2	
	47075-02	B	FILTER ASSEMBLY - Induction air	2	
-40	452 921		BLANKET - Insulator, turbocharger housing, lower half (8-674116-3)	2	
-41	452 922		BLANKET - Insulator, turbocharger housing, upper rear (8-674116-5)	2	
-42	452 923		BLANKET - Insulator, turbocharger housing, upper forward (8-674116-7)	2	
-43	46323-05		TAIL PIPE ASSEMBLY - Upper	2	
	48788-05		TAIL PIPE ASSEMBLY - Lower	2	
-44	48788-04		TAIL PIPE ASSEMBLY - Waste gate	2	
-45	47857-03	A	CLAMP - Tail pipe	2	31P-3 to 31P-7400216 inclusive
-46	47857-00	A	CLAMP - Tail pipe	2	31P-3 to 31P-7400216 inclusive
-47	554 988		CLAMP - (QS200-M36S)	2	
-48	554 992		CLAMP - (QS200-M88S)	8	
-49	454 983		CLAMP - (SAE 8)	2	
-50	554 991		CLAMP - (QS200-M60S)	4	
-51	47014-02		BRACKET - Isolator, upper	2	
-52	47013-02		BRACKET - Isolator, lower	2	
-53	467 442		ISOLATOR - (CA-3383-1)	4	
-54	45279-00		MOUNT ASSEMBLY - Engine	2	
-55	401 538		BOLT - (AN7-37A)	8	
	407 568		WASHER - (AN960-716)	8	
	477 664		NUT - (32FL720)	8	
-56	475 117		MOUNT ASSEMBLY - Engine, rear (J-9612-8)	8	
-57	475 106		MOUNT ASSEMBLY - Engine, front (J-7763-26)	8	
-58	487 436		SPACER - Mount (J-7766-9)	8	
-59	85012-101		WASHER - Mount assembly	8	
-60	24754-05		SHIELD ASSEMBLY - Heat	4	
-61	401 408		BOLT - Engine mount, upper, rear (AN6-30A)	4	
	401 414		BOLT - Engine mount, lower, rear (AN6-34A)	4	
	407 567		WASHER - (AN960-616)	8	
	404 890		NUT - (MS20365-624C)	8	
-62	458 871		ELBOW - (AN823-6)	2	
-63	554 864		CLAMP - (QS200-M12)	4	
-64	476 648		NIPPLE - (AN816-4D)	2	
-65	418 934		SCREW - Cap (5/16-18 NC3 x 1L)	4	
	407 566		WASHER - (AN960-516)	4	
	407 144		WASHER - (AN936-B516)	4	
-66	400 895		BOLT - Clevis (AN23-48A)	10	
	407 564		WASHER - (AN960-10)	10	
-67	756 623	C	WIRE - E.G.T. extension (A-108)	2	
	494 686	D	WIRE - E.G.T. extension (3199127)	2	

A - Used only if isolator is not installed.  
 B - Used on aircraft that comply with C.A.A. (United Kingdom) requirements.  
 C - Used if Radair E.G.T. system is installed.  
 D - Used if Lewis or Rosemount E.G.T. system is installed.

When ordering, always specify Part Number, Description and Serial Number of Aircraft

## PIPER PARTS CATALOG

Figure and Index Number	Part Number	Code	NOMENCLATURE	No. Req.	SERIAL NUMBERS AFFECTED
71-68	407 564		WASHER - (AN960-10)	4	
	404 100		NUT - (AN310-3)	4	
	424 057		PIN - Cotter (AN381-2-12)	4	
-69	400 051		BOLT - (AN3-4)	2	
	407 564		WASHER - (AN960-10)	4	
	404 100		NUT - (AN310-3)	2	
	424 057		PIN - Cotter (AN381-2-12)	2	
-70	514 791		SCREW - (MS24693-S274)	16	
	407 564		WASHER - (AN960-10)	16	
	404 824		NUT - (AN363-1032)	16	
-71	453 742		BULB - Oil temperature (MS28034-1)	1	
-71a	462 030		* GASKET - (MS35769-10)	1	
-72	462 105		GENERATOR - Tachometer (MS25038-2)	2	
-73	756 317	A	THERMOCOUPLE - Exhaust gas temperature (A-101-1)	2	
-74	753 972	A	CONNECTOR - (MK-125-A)	2	
-75	756 273	A	SPACER - Exhaust gas temperature (A-126) large	12	
-76	756 274	A	SPACER - Exhaust gas temperature (A-127) small	12	
-77	80022-104		BUSHING	2	
	454 945		CLAMP - (A2980S-20-1)	2	
	400 441		BOLT - (AN3-7A)	2	
-78	44713-02		TAG - Oil specification	1	
-79	48035-00		TUBE - Engine crankcase breather	2	
-80	48034-00		TUBE - Engine crankcase breather	2	
-81	48036-00		TUBE - Engine crankcase breather	2	
-82	45850-00		ELBOW	4	
-83	454 981		CLAMP - (H-1-5160)	8	
-84	187 159		FIRESHIELD - Breather tube (17 1/2" long)	1	
-85	454 977		CLAMP - (PS10017-2-16)	1	
-86	411 532		SCREW - (MS35207-263)	1	
	404 887		NUT - (MS20365-1032C)	1	
-87	414 518		SCREW - (MS24693-S51)	1	
-88	411 533		SCREW - (MS35207-264)	12	
	494 119		WASHER - Nylomatic (3/16 x 3/8 x .032)	12	
-89	54609-02		BRACKET ASSEMBLY - Tail pipe support	2	
-90	554 631		CLAMP - (NH1002876-10)	2	
-91	55841-02	B	PROBE ASSEMBLY - E.G.T. (complete)	2	
-92	85012-126		WASHER	2	
-93	47967-00		PLATE - Reinforcing	2	

A - Used if Radair E.G.T. system is installed.

B - Used if Lewis or Rosemount E.G.T. system is installed.

When ordering, always specify Part Number, Description and Serial Number of Aircraft

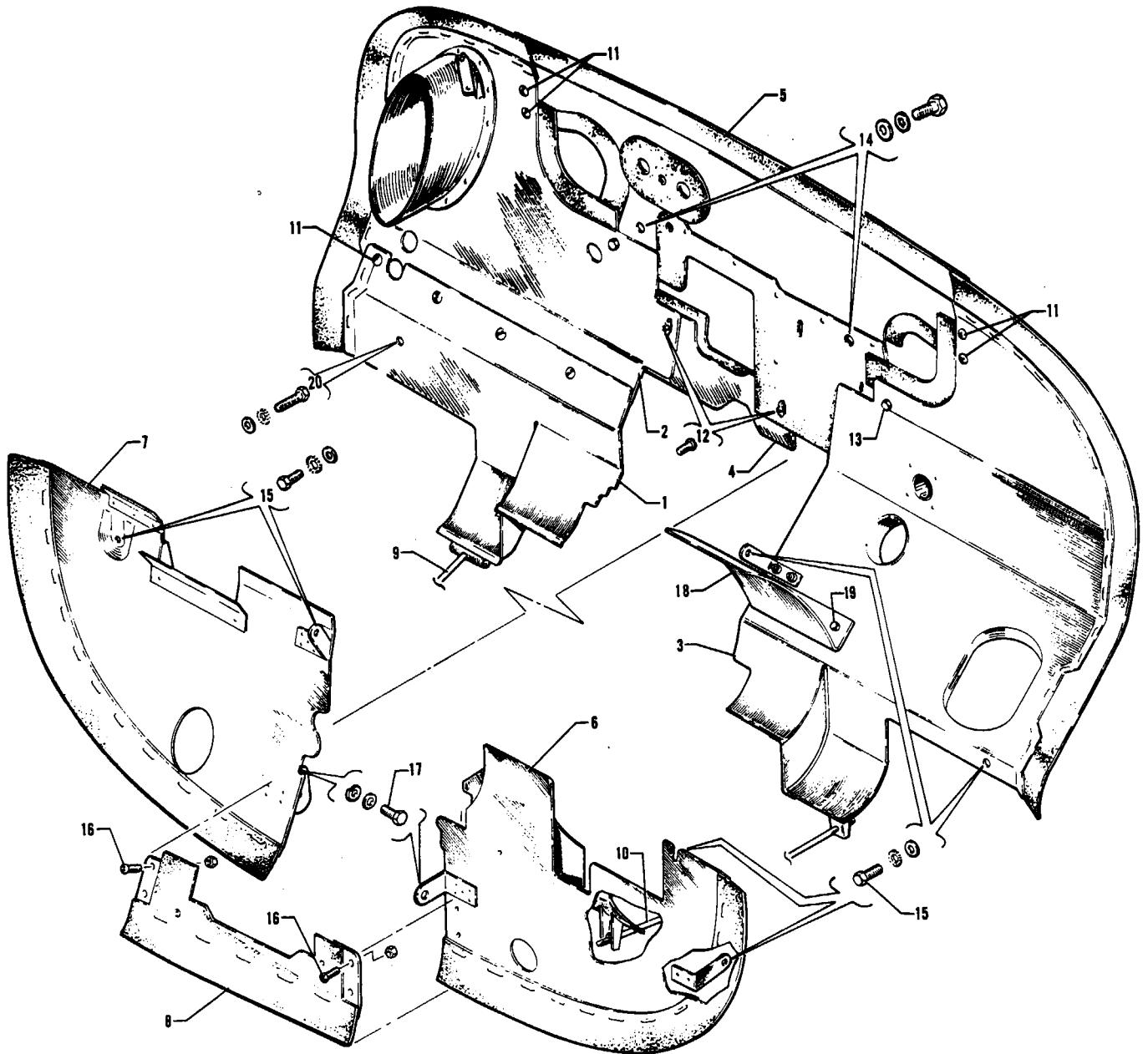


Figure 72. Engine Baffle Installation

## PIPER PARTS CATALOG

Figure and Index Number	Part Number	Code	NOMENCLATURE	No. Req.	SERIAL NUMBERS AFFECTED
72-	46698		DRAWING - Engine Baffle Installation		
-1	46676-12	A	BAFFLE ASSEMBLY - Engine, right rear, lower	2	
-2	46676-13		BAFFLE ASSEMBLY - Engine, right rear, upper	2	
	46676-14		BAFFLE ASSEMBLY - Engine, right rear, upper	2	
-3	46658-15		BAFFLE ASSEMBLY - Engine, left rear	2	
-4	47206-00		BAFFLE ASSEMBLY - Engine, rear	2	
-5	46682-00		BAFFLE ASSEMBLY - Engine, center rear	2	
-6	46701-00		BAFFLE ASSEMBLY - Engine, left front	2	
-7	46721-00		BAFFLE ASSEMBLY - Engine, right front	2	
-8	46314-00		BAFFLE ASSEMBLY - Engine, center front	2	
-9	47115-00		ROD - Baffle tie	2	
-10	14183-10		ROD - Baffle tie	2	
-11	415 533		SCREW - (MS35206-243)	16	
	404 910		NUT - (MS20365-832C)	16	
-12	415 535		SCREW - (MS35206-245)	4	
-13	400 440		BOLT - (AN3-6A)	4	
	404 887		NUT - (MS20365-1032C)	4	
-14	418 401		SCREW - Cap (3/8-16NC-3 x 1/2 in. L)	4	
	408 829		LOCK WASHER - (1220-00)	4	
	407 567		WASHER - (AN960-616)	4	
-15	418 420		SCREW - (1/4-20NC-3 x 1/2 in. L)	12	
	408 811	LOCK WASHER - (1214-00-00-0511)	12		
	407 565	WASHER - (AN960-416)	12		
-16	411 530	SCREW - (MS35207-261)	8		
	404 887	NUT - (MS20365-1032C)	8		
-17	418 400	SCREW - (5/16-18NC-3 x 1/2 in. L)	4		
	408 828	LOCK WASHER - (1218-00)	4		
	407 566	WASHER - (AN960-516)	4		
-18	47727-00	PLATE - Engine baffle	2		
-19	415 535	SCREW - (MS35206-245)	6		
	404 910	NUT - (MS20365-832C)	6		
-20	418 418	SCREW - (1/4-20 UNC2A x 3/4 L.)	2		
	408 811	LOCK WASHER - (1214-00-00-0511)	2		
	407 565	WASHER - (AN960-416)	2		
			A - Used on aircraft that comply with C.A.A. (United Kingdom) requirements.		

When ordering, always specify Part Number, Description and Serial Number of Aircraft



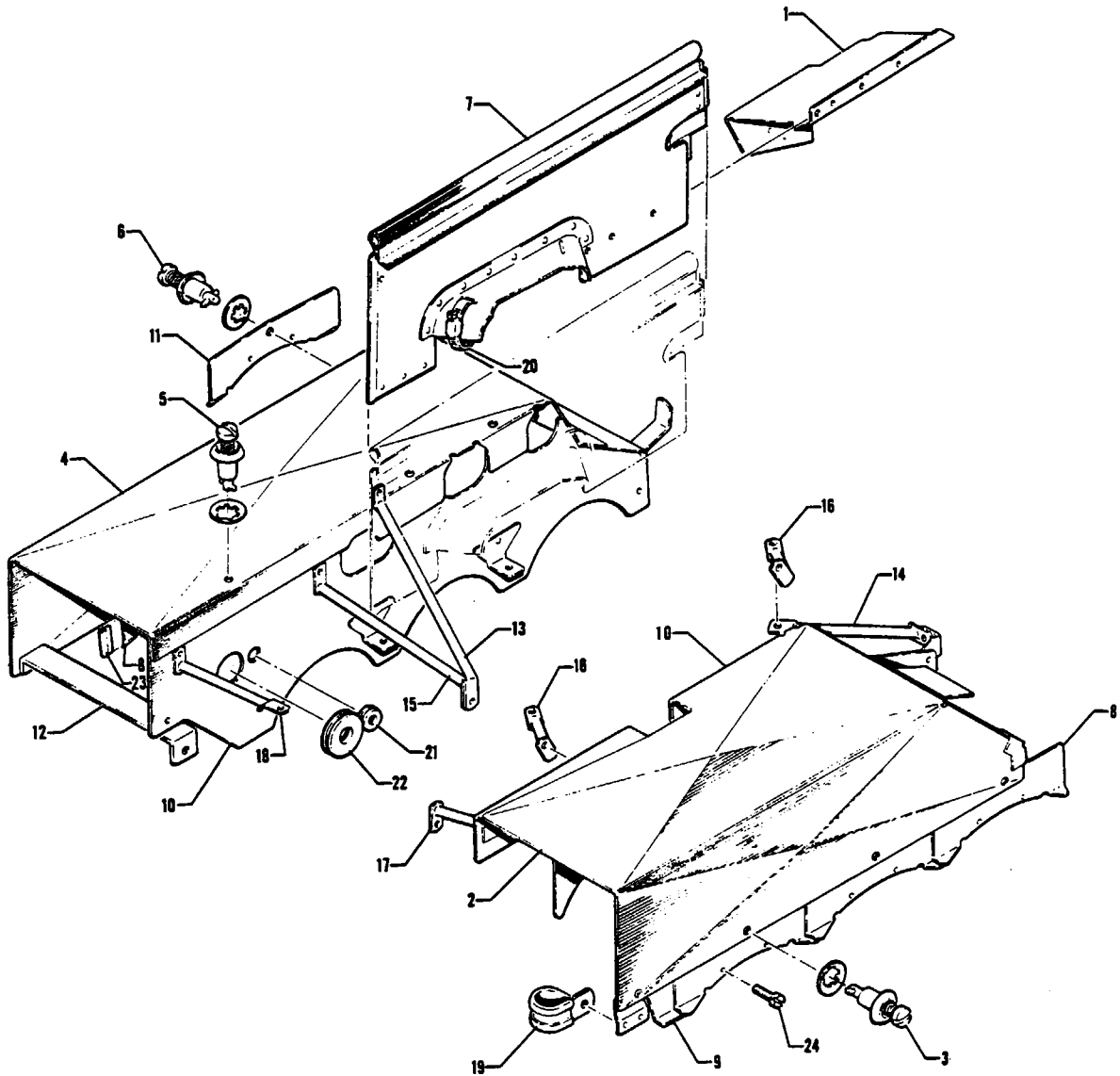


Figure 73. Cylinder Head Baffle Installation



Figure and Index Number	Part Number	Code	NOMENCLATURE	No. Req.	SERIAL NUMBERS AFFECTED
73-	48219		DRAWING - Cylinder Head Baffle Installation		
-1	48210-00		BAFFLE ASSEMBLY - Cylinder	2	
-2	48213-00		BAFFLE ASSEMBLY - Cylinder, upper cover, left side	2	
	48213-05	A	BAFFLE ASSEMBLY - Cylinder, upper cover, left side, right engine	1	
-3	487 585		STUD - (2600-3)	8	
	494 060		WASHER - (2600-LW)	8	
-4	48214-00		BAFFLE ASSEMBLY - Cylinder, upper cover, right side	2	
-5	487 585		STUD - (2600-3)	8	
	494 060		WASHER - (2600-LW)	8	
-6	487 587		STUD - (2600-5)	1	
	494 060		WASHER - (2600-LW)	1	
-7	48218-00		BAFFLE ASSEMBLY - Splitter	2	
-8	48199-00		PLATE ASSEMBLY - Cylinder baffle	10	
-9	48200-00		PLATE ASSEMBLY - Cylinder baffle	2	
-10	48216-00		PLATE ASSEMBLY - Cylinder, upper baffle, left side	2	
	48215-00		PLATE ASSEMBLY - Cylinder, upper baffle, right side	2	
-11	48199-04		PLATE ASSEMBLY - Cylinder baffle	2	
-12	48201-00		BRACKET ASSEMBLY - Cylinder baffle	2	
-13	48211-00		BRACE - Splitter baffle	2	
-14	48252-00		BRACE ASSEMBLY - Cylinder baffle	2	
-15	48250-00		BRACE ASSEMBLY - Cylinder baffle	2	
-16	48684-00		BRACE ASSEMBLY - Cylinder baffle	4	
-17	48248-00		BRACE ASSEMBLY - Cylinder baffle	2	
-18	48253-00		BRACE ASSEMBLY - Cylinder baffle	2	
-19	454 868		CLAMP - (PS10017-2-12)	2	
-20	554 988		CLAMP - (QS200-M36S)	2	
-21	434 154		GROMMET - (MS35489-11S)	2	
-22	434 184		GROMMET - (MS35489-21S)	2	
-23	149 111		EXTRUSION - Nylon (40-101)	1'	
-24	418 420		SCREW - Cap (1/4-20NC-3 x 1/2 L)	12	
	407 044		WASHER - Lock (MS35338-44)	12	
			A - Used only if propeller synchronizer is installed.		

When ordering, always specify Part Number, Description and Serial Number of Aircraft

**1K24**

**INTENTIONALLY LEFT BLANK**

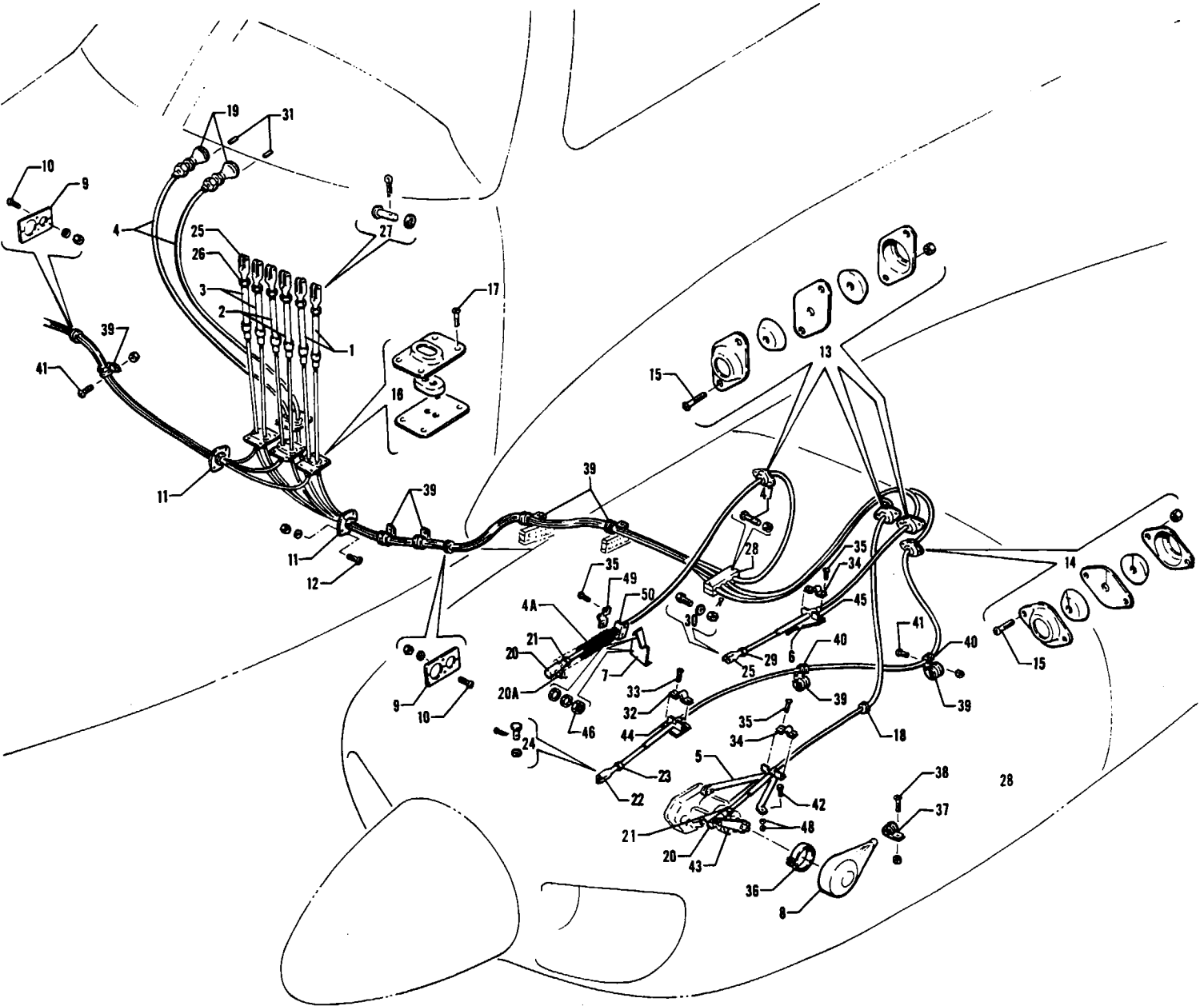


Figure 74. Engine Controls Installation



Figure and Index Number	Part Number	Code	NOMENCLATURE	No. Req.	SERIAL NUMBERS AFFECTED
74-	46920		DRAWING - Engine Controls Installation		
-1	46918-02		CABLE ASSEMBLY - Throttle, left engine	1	
	46918-07		CABLE ASSEMBLY - Throttle, right engine	1	
-2	46918-05		CABLE ASSEMBLY - Propeller pitch, left engine	1	
	46918-04		CABLE ASSEMBLY - Propeller pitch, right engine	1	
-3	46918-03		CABLE ASSEMBLY - Mixture control, left engine	1	
	46918-06		CABLE ASSEMBLY - Mixture control, right engine	1	
-4	46331-02		CABLE ASSEMBLY - Alternate air, left engine	1	
	46331-00		CABLE ASSEMBLY - Alternate air, right engine	1	
-4a	553 182		BOOT - De-icer, throttle cable	2	
-5	46315-00		BRACKET ASSEMBLY - Propeller governor control support	2	
-6	46307-00		BRACKET ASSEMBLY - Mixture control support	2	
-7	46685-02		BRACKET ASSEMBLY - Throttle control	2	
-8	46612-00	B	SHIELD ASSEMBLY - Propeller governor	2	
	48604-00	C	SHIELD ASSEMBLY - Propeller governor	2	
-9	41848-02		PLATE - Cabin attachment, upper	2	
	41848-03		PLATE - Cabin attachment, lower	2	
	434 171		GROMMET - (MS35489-46S)	2	
-10	415 535		SCREW - (MS35206-245)	4	
	407 563		WASHER - (AN960-8)	4	
-11	41849-00		PLATE - Cable attachment	4	
	434 172		GROMMET - (MS35489-19S)	2	
-12	415 535		SCREW - (MS35206-245)	4	
	407 563		WASHER - (AN960-8)	4	
	404 910		NUT - (MS20365-832C)	4	
-13	22103-02		PLATE - Firewall seal grommet	12	
	22104-08		GROMMET - Firewall seal	12	
	22105-10		GASKET - Firewall seal	6	
-14	22103-02		PLATE - Firewall seal grommet	4	
	22104-08		GROMMET - Firewall seal	4	
	22105-10		GASKET - Firewall seal	2	
-15	415 535		SCREW - (MS35206-245)	16	
	404 910		NUT - (MS20365-832C)	16	
-16	46268-00		PLATE - Cover, engine controls seal	4	
	46269-00		INSERT - Seal, engine controls	4	
	46270-00		SEAL - Bottom, engine controls	4	
-17	411 532		SCREW - (MS35207-263)	16	
-18	434 155		GROMMET - (MS35489-75)	4	
-19	571 141		KNOB - Red (KN639A-2)	2	
	404 322		NUT - (AN316-4R)	2	
	48084-00		WASHER - Special	2	
-20	54175-00	A	JOINT - Ball (BL-103)	4	
	452 568		JOINT - Ball (PS10020-2-5RX)	4	31P-7630005, 31P-7630008 and up
	404 835	A	NUT - (MS20364-1032C)	4	
-20a	400 440		BOLT - (AN3-6A)	4	31P-7630005, 31P-7630008 and up
	407 564		WASHER - (AN960-10)	4	31P-7630005, 31P-7630008 and up
	404 887		NUT - (MS20365-1032C)	4	31P-7630005, 31P-7630008 and up

A - Used on serial nos. 31P-3 to 31P-7630004 incl., 31P-7630006 and 31P-7630007. Order part for serial nos. 31P-7630005, 31P-7630008 and up, if Ball Joint Replacement Kit 761 031 has been installed per Service Bulletin 497.  
 B - Used with Woodward Governor Part No. 210463 only.  
 C - Used with Woodward Governor Part No. 210664 only.

When ordering, always specify Part Number, Description and Serial Number of Aircraft



Figure and Index Number	Part Number	Code	NOMENCLATURE	No. Req.	SERIAL NUMBERS AFFECTED
74-21	404 224		NUT - (AN315-3R)	4	
-22	24091-00		CLEVIS - Control cable attachment	2	
-23	404 224		NUT - (AN315-3R)	2	
-24	424 175		PIN - (MS20392-2C13)	2	
	407 584		WASHER - (AN960-10L)	2	
	424 061		PIN - Cotter (MS24665-132)	2	
-25	554 757		CLEVIS - (MS35812-1)	8	
-26	404 224		NUT - (AN315-3R)	6	
-27	424 177		PIN - (MS20392-2C17)	6	
	407 564		WASHER - (AN960-10)	6	
	424 061		PIN - Cotter (MS24665-132)	6	
-28	46938-00		BLOCK - Cable support	4	
-29	404 224		NUT - (AN315-3R)	2	
-30	400 674		BOLT - (AN23-12)	2	
	407 584		WASHER - (AN960-10L)	2	
	404 392		NUT - (AN320-3)	2	
	424 061		PIN - Cotter (MS24665-132)	2	
-31	480 702		PIN - Roll (59-012-062-0312)	2	
-32	18219-00		CLAMP - Control cable attachment	2	
-33	415 535		SCREW - (MS35206-245)	4	
-34	18219-02		CLAMP - Control cable attachment	4	
-35	415 535		SCREW - (MS35206-245)	12	
	404 833		NUT - (MS20364-832C)	12	
-36	554 866		CLAMP - (SAE TY F-48SS)	2	
-37	454 934		CLAMP - (A4980S-9-91)	2	
-38	411 532		SCREW - (MS35207-263)	2	
	404 835		NUT - (MS20364-1032C)	2	
-39	454 868		CLAMP - (A3046S-12-91)	6	
-40	454 929		CLAMP - (A4980S-4-91)	8	
-41	411 532		SCREW - (MS35207-263)	8	
	404 887		NUT - (MS20365-1032C)	8	
-42	418 421		SCREW - Cap (1/4-20UNC2A x 5/8)	2	
	408 811		WASHER - Lock (1214-00-00-0511)	2	
-43	46836-00		ARM - Propeller governor control extension (straight)	2	
	49106-02		ARM - Propeller governor control extension (curved)	2	
-44	18132-00		LUG - Control cable support bracket	2	
-45	18132-02		LUG - Control cable support bracket	2	
-46	407 136		WASHER - (AN936-A416)	4	
	407 565		WASHER - (AN960-416)	4	
	404 390		NUT - (1/4-20)	4	
-47	415 538		SCREW - (MS35206-248)	4	
	404 910		NUT - (MS20365-832C)	4	
-48	407 566		WASHER - (AN960-516)	4	
	407 586		WASHER - (AN960-516L)	4	
-49	18219-02	A	CLAMP - Control cable attachment	2	
	18219-04		CLAMP - Control cable attachment	2	31P-7630005, 31P-7630008 and up
-50	18132-02	A	LUG - Control cable support bracket	2	
	18132-05		LUG - Control cable support bracket	2	31P-7630005, 31P-7630008 and up

A - Used on serial nos. 31P-3 to 31P-7630004 incl., 31P-7630006 and 31P-7630007. Order part for serial nos. 31P-7630005, 31P-7630008 and up, if Ball Joint Replacement Kit 761 031 has been installed per Service Bulletin 497.

When ordering, always specify Part Number, Description and Serial Number of Aircraft

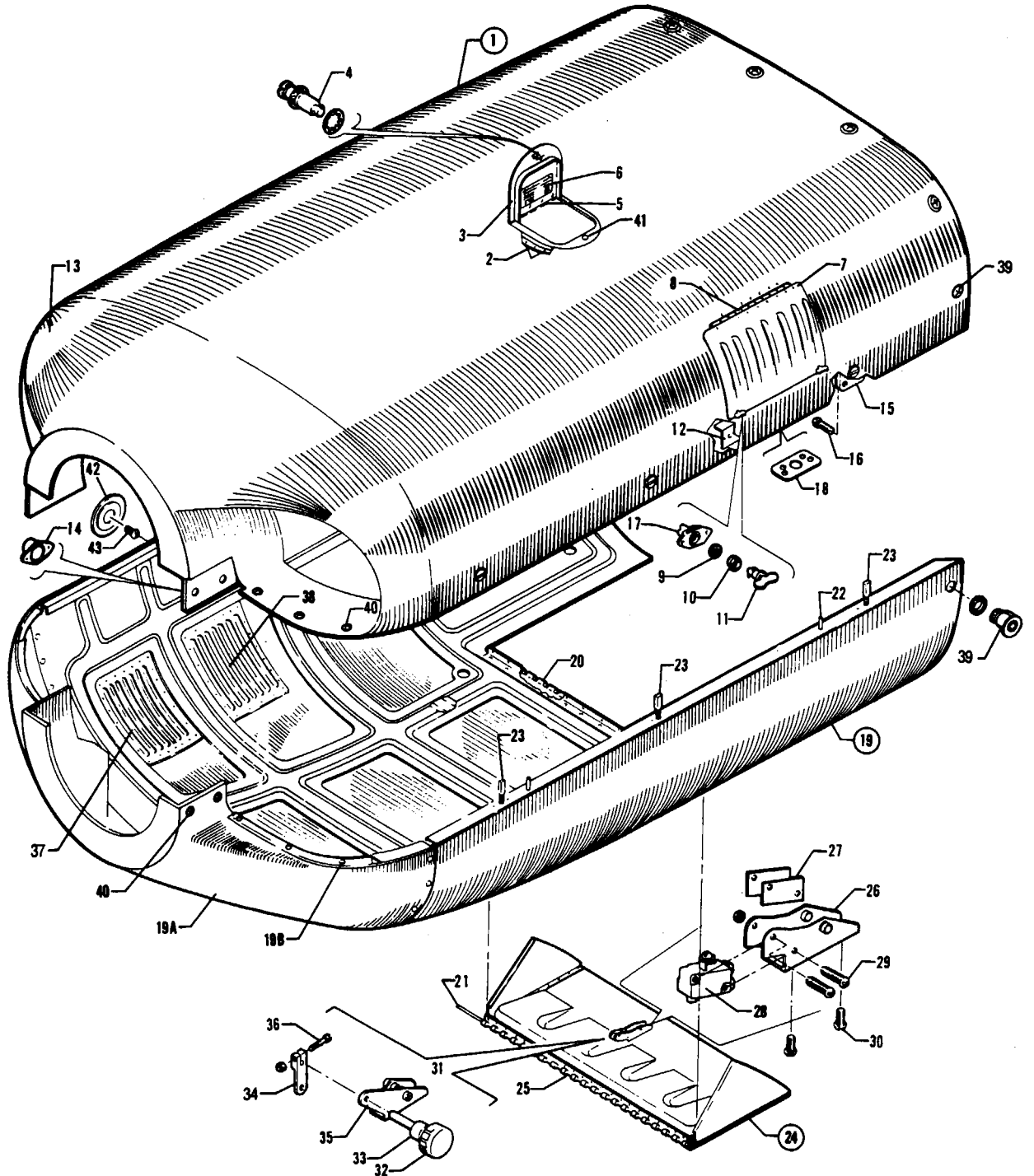


Figure 75. Engine Cowl Installation

PIPER PARTS CATALOG

Figure and Index Number	Part Number	Code	NOMENCLATURE	No. Req.	SERIAL NUMBERS AFFECTED
75-	46659		DRAWING - Engine Cowl Installation		
-1	46606-05		COWL ASSEMBLY - Upper	2	
-2	46401-02		* PLATE - Reinforcement, cutout	1	
-3	46355-00		* PLATE ASSEMBLY - Access, oil filler	1	
-4	487 643		** STUD - (#2700-2)	1	
	494 088		** WASHER - (#27S5-1)	1	
-5	41143-02		** HINGE - Access plate	1	
-6	46298-00		** PLACARD - Engine oil specifications (581 499)	1	
-7	41800-00		* LOUVER ASSEMBLY - Top cowl	1	
-8	41800-05		** HINGE - Access cover	1	
-9	484 755		** RING - Snap (#R4G)	2	
-10	463 416		** GROMMET - (#4002-N)	2	
-11	587 548		** STUD - (#4002-3W)	2	
-12	46606-04		* REINFORCEMENT	1	
-13	46662-02		* COWL ASSEMBLY - Nose, upper	1	
-14	484 301		** RECEPTACLE - (#FX10-1502)	6	
-15	565 251		* HOUSING ASSEMBLY - (#H767-K868)	6	
-16	411 533		* SCREW - (MS35207-264)	24	
	406 714		* NUT - (#RM52LHA4972-10-02)	24	
-17	484 312		* RECEPTACLE - (#244-16D)	2	
-18	41808-00		* RECEPTACLE - Pin	2	
-19	48154-12		COWL ASSEMBLY - Lower, left	1	31P-3 to 31P-53 inclusive
	48154-13		COWL ASSEMBLY - Lower, right	1	31P-3 to 31P-53 inclusive
	48154-02		COWL ASSEMBLY - Lower, left	1	31P-54 and up
	48154-03		COWL ASSEMBLY - Lower, right	1	31P-54 and up
-19a	46662-03		* NOSE COWL ASSEMBLY - Lower	1	
-19b	484 301		** RECEPTACLE - (FX10-1502)	6	
-20	41829-00		* HINGE HALF - Lower cowl assembly	1	
-21	81761-63		* PIN - Hinge	1	
-22	45914-00		* PIN ASSEMBLY - Cowl	2	
-23	453 198		* BOLT - Eye (H897-1)	6	
-24	48067-00	A	* FLAP ASSEMBLY - Cowl	1	31P-3 to 31P-53 inclusive
	48067-06		* FLAP ASSEMBLY - Cowl	1	31P-54 and up
-25	41829-00		** HINGE HALF - Cowl flap assembly	1	
-26	46409-00	A	** BRACKET ASSEMBLY - Cowl flap	1	31P-3 to 31P-53 inclusive
-27	47282-00	A	** SPACER - Switch	2	31P-3 to 31P-53 inclusive
-28	487 940	A	** SWITCH - (MS25253-2)	1	31P-3 to 31P-53 inclusive
-29	415 510	A	** SCREW - (MS35206-220)	2	31P-3 to 31P-53 inclusive
	404 908	A	** NUT - (MS20365-440C)	2	31P-3 to 31P-53 inclusive
-30	411 531		** SCREW - (MS35207-262)	2	
-31	48796-02		** RHEOSTAT ASSEMBLY - Cowl flap indicator	1	31P-54 and up
-32	481 178	B	** RHEOSTAT - Cowl flap (CM42093)	1	31P-54 and up
-33	486 403		** SEAL - Shaft (N-9033-1/4)	1	31P-54 and up
-34	42785-02		** ARM - Cowl flap actuator	1	31P-54 and up
-35	48112-00		** BRACKET ASSEMBLY - Cowl flap actuator	1	31P-54 and up
-36	416 095		** SCREW - (MS35265-32)	1	31P-54 and up
	404 909		** NUT - (MS20365-632C)	1	31P-54 and up

A - Order part for serial numbers 31P-54 and up if cowl flap position indicator has been installed per Kit 760 582.  
 B - Ascertain Rheostat Assembly part number. If Rheostat Assembly 48119-00 is installed order part number 48796-02. Rheostat Assembly 48119-00 can be identified by a stamped harness tie attached to the rheostat wires.

When ordering, always specify Part Number, Description and Serial Number of Aircraft



**PIPER PARTS CATALOG**

Figure and Index Number	Part Number	Code	NOMENCLATURE	No. Req.	SERIAL NUMBERS AFFECTED
75-37	47730-00		* LOUVER - Bottom cowl, left outboard, right inboard	2	
	47730-01		* LOUVER - Bottom cowl, left inboard, right outboard	2	
-38	48154-09		* LOUVER - Bottom cowl, left outboard	1	
	48154-10		* LOUVER - Bottom cowl, right outboard	1	
	47730-03		* LOUVER - Bottom cowl, left inboard	1	
	47730-02		* LOUVER - Bottom cowl, right inboard	1	
-39	487 704		STUD - (FX10-1558-1P)	30	
-40	587 552		STUD - (FX10-1558-3P)	20	
-41	484 342		RECEPTACLE - Camloc	1	
-42	474 641		MIRROR - Left nacelle, inboard (#G-300)	1	
-43	415 517		SCREW - (MS35206-227)		

When ordering, always specify Part Number, Description and Serial Number of Aircraft

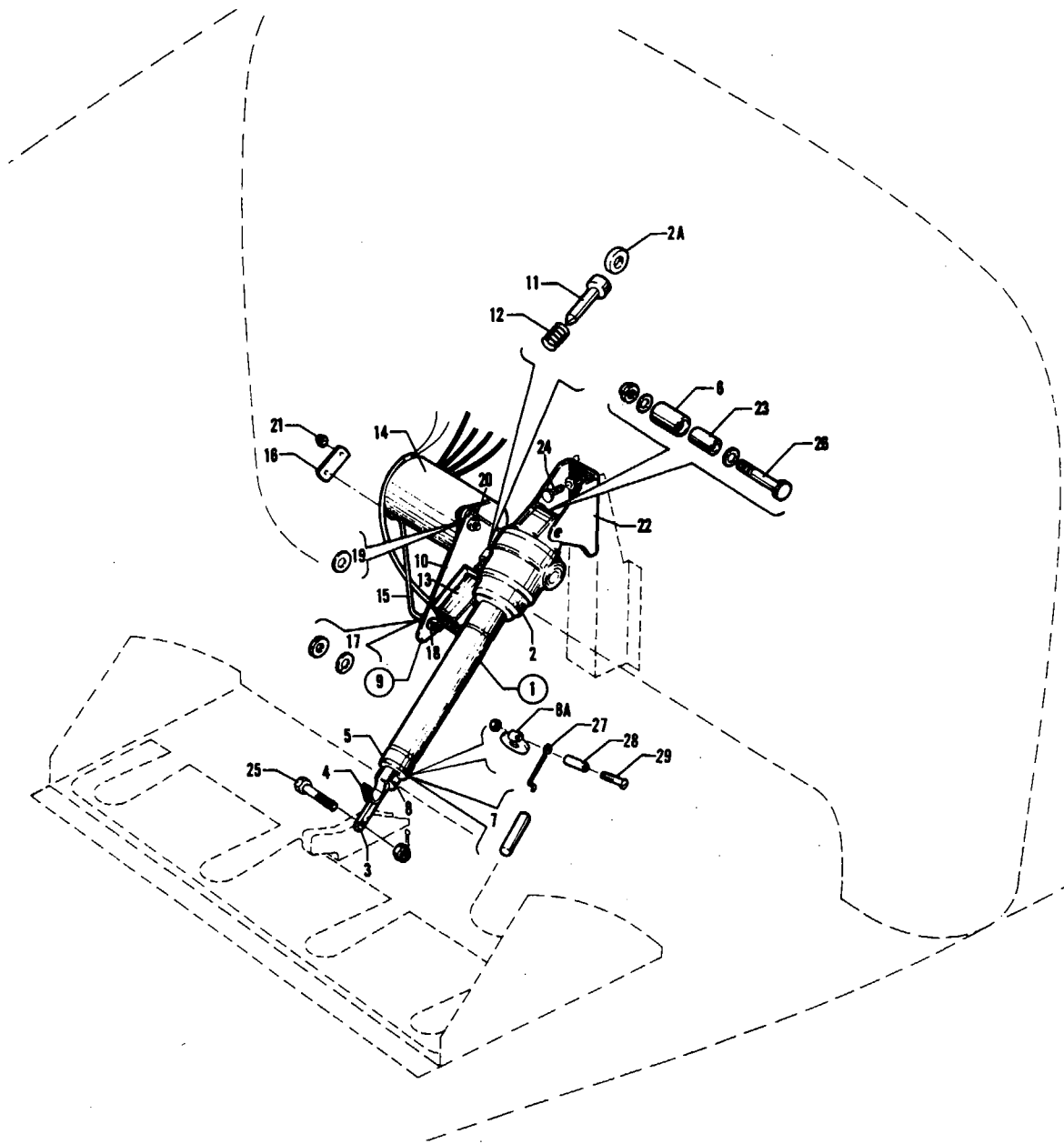


Figure 76. Cowl Flap Actuating Mechanism Installation

PIPER PARTS CATALOG

Figure and Index Number	Part Number	Code	NOMENCLATURE	No. Req.	SERIAL NUMBERS AFFECTED
76-	47106		DRAWING - Cowl Flap Actuating Mechanism Installation		
-1	47135-00		TRANSMISSION ASSEMBLY - Cowl flap actuating	1	31P-3 to 31P-53 incl.
	47135-02		TRANSMISSION ASSEMBLY - Cowl flap actuating	1	31P-54 and up
-2	47246-00		* TRANSMISSION ASSEMBLY - Cowl flap (489 387)	1	
-2a	757 833		* * COUPLING - Transmission assembly	1	
-3	47133-00		* SHAFT - Cowl flap transmission	1	
-4	47288-00		* ACTUATOR - Cowl flap switch	1	31P-3 to 31P-53 incl.
-5	47254-00		* WASHER - Cowl flap transmission	1	31P-3 to 31P-53 incl.
-6	42129-23		* BUSHING - Cowl flap actuating	1	
-7	480 763		* PIN - (19-078-0437)	1	
-8	477 741		* NUT - (E6CR-624E)	1	
-8a	48109-00		* FITTING ASSEMBLY - Rheostat arm	1	31P-54 and up
-9	24948-02		BRAKE AND ARM ASSEMBLY - (Complete)	1	
-10	24932-00		* ARM - Spring attachment	1	
-11	24933-00		* PLUNGER - Brake solenoid	1	
-12	83302-61		* SPRING - Solenoid plunger	1	
-13	43988-03		* SOLENOID - Motor brake	1	
-14	475 194		MOTOR - Flap actuating (M0581177A)	1	
-15	21418-02		ROD - Motor brake support	1	
-16	60054-18		LINK - Rod attachment	1	
-17	407 102		WASHER - (AN935-6)	2	
	405 099		NUT - (6-32 Hex)	2	
-18	404 909		NUT - (MS20365-632C)	2	
-19	407 564		WASHER - (AN960-10)	2	
-20	407 104		WASHER - (AN935-10)	2	
	405 312		NUT - (10-32 Hex)	2	
-21	404 910		NUT - (MS20365-832C)	1	
-22	47072-00		BRACKET - Transmission attachment	1	
-23	42129-02		BUSHING - Transmission attachment	1	
-24	401 266		BOLT - (AN3-5A)	3	
	407 564		WASHER - (AN960-10)	3	
-25	400 058		BOLT - (AN3-13)	1	
	404 100		NUT - (AN310-3)	1	
	424 051		PIN - Cotter (MS24665-132)	1	
-26	401 274		BOLT - (AN3-15A)	1	
	407 564		WASHER - (AN960-10)	2	
	404 887		NUT - (MS20365-1032C)	1	
-27	40930-04		ROD - Flap actuating mechanism	1	31P-54 and up
-28	14175-61		BUSHING - Flap actuating mechanism	1	31P-54 and up
-29	415 153		SCREW - (AN526-632R14)	1	31P-54 and up
	404 909		NUT - (MS20365-632C)	1	31P-54 and up

When ordering, always specify Part Number, Description and Serial Number of Aircraft

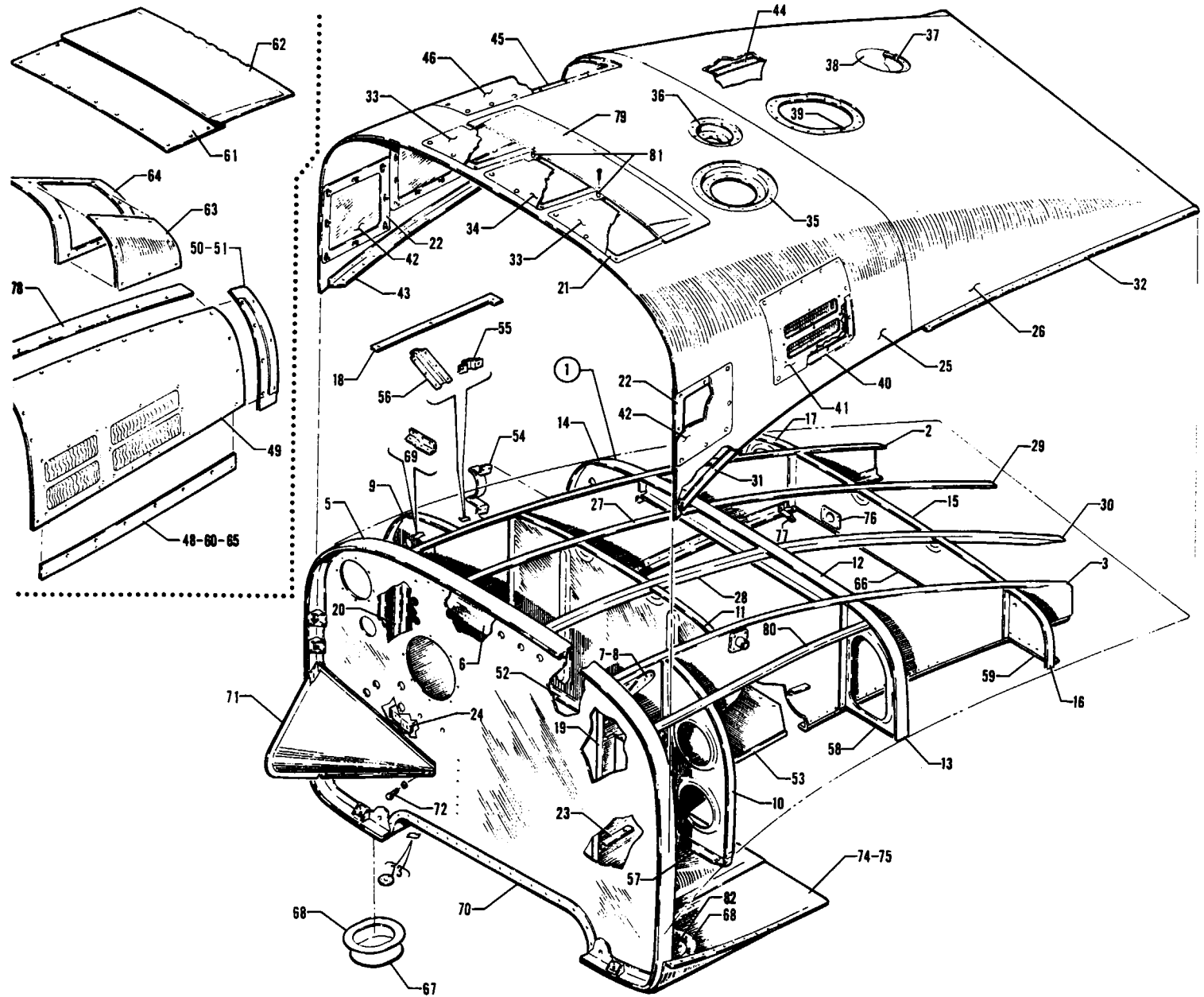


Figure 77. Nacelle Installation

**PIPER PARTS CATALOG**

Figure and Index Number	Part Number	Code	NOMENCLATURE	No. Req.	SERIAL NUMBERS AFFECTED
77-	47099		DRAWING - Nacelle Installation		
-1	46692-00		FRAME ASSEMBLY - Left nacelle	1	
	46692-01		FRAME ASSEMBLY - Right nacelle	1	
-2	46276-04		* BULKHEAD ASSEMBLY - Longitudinal, wing Sta. 65.69, left nacelle	1	
	46276-05		* BULKHEAD ASSEMBLY - Longitudinal, wing Sta. 65.69, right nacelle	1	
-3	46275-04		* BULKHEAD ASSEMBLY - Longitudinal, wing Sta. 89.31, left nacelle	1	
	46275-05		* BULKHEAD ASSEMBLY - Longitudinal, wing Sta. 89.31, right nacelle	1	
-4	47402-00		* * FITTING ASSEMBLY - Nacelle fuel cell vent	2	
-5	46284-00		* FIREWALL ASSEMBLY - Sta. 116.50, left nacelle	1	
	46284-02		* FIREWALL ASSEMBLY - Sta. 116.50, right nacelle	1	
-6	46690-00		* CHANNEL - Firewall reinforcement	2	
-7	46104-00		* BRACKET - Upper, inboard right, outboard left	2	
-8	46104-01		* BRACKET - Upper, inboard left, outboard right	2	
-9	46905-00		* BULKHEAD ASSEMBLY - Right inboard	1	
	46422-04		* BULKHEAD ASSEMBLY - Left inboard	1	
-10	46875-00		* BULKHEAD ASSEMBLY - Right outboard	1	
	46424-04		* BULKHEAD ASSEMBLY - Left outboard	1	
-11	46423-03		* BULKHEAD ASSEMBLY - Nacelle, right, Sta. 129.25	1	
	46423-02		* BULKHEAD ASSEMBLY - Nacelle, left, Sta. 129.25	1	
-12	46281-00		* BULKHEAD ASSEMBLY - Nacelle, Sta. 143.50	2	
-13	46278-04		* BULKHEAD - Outboard, left nacelle, Sta. 143.50	1	
	46278-05		* BULKHEAD - Outboard, right nacelle, Sta. 143.50	1	
-14	46279-00		* BULKHEAD - Inboard, left nacelle, Sta. 143.50	1	
	46279-01		* BULKHEAD - Inboard, right nacelle, Sta. 143.50	1	
-15	46241-02		* BULKHEAD ASSEMBLY - Left nacelle, Sta. 160.50	1	
	46241-03		* BULKHEAD ASSEMBLY - Right nacelle, Sta. 160.50	1	
-16	46240-02		* BULKHEAD - Outboard, left nacelle, Sta. 160.50	1	
	46240-03		* BULKHEAD - Outboard, right nacelle, Sta. 160.50	1	
-17	48068-00		* BULKHEAD - Inboard, left nacelle, Sta. 160.50	1	
	46239-01		* BULKHEAD - Inboard, right nacelle, Sta. 160.50	1	
-18	46596-00		* SHIM - Right nacelle	2	
-19	45791-02		* CHANNEL - Longitudinal bulkhead, outboard, left nacelle	1	
	45791-03		* CHANNEL - Longitudinal bulkhead, outboard, right nacelle	1	
-20	45817-02		* CHANNEL - Longitudinal bulkhead, inboard, left nacelle	1	
	45817-03		* CHANNEL - Longitudinal bulkhead, inboard, right nacelle	1	
-21	46478-00		* REINFORCEMENT ASSEMBLY - Nacelle access hole, left nacelle	1	
-22	46354-00		* PLATE ASSEMBLY - Wing inspection, left nacelle	1	
-23	46277-00		* ANGLE - De-icer tube support, left nacelle	1	
-24	46380-00		* BRACKET - Hydraulic filter support	2	
-25	46282-04		SKIN - Forward, left nacelle	1	
	46282-05		SKIN - Forward, right nacelle	1	
-26	46282-02		SKIN - Aft, left nacelle	1	
	46282-03		SKIN - Aft, right nacelle	1	

When ordering, always specify Part Number, Description and Serial Number of Aircraft

## PIPER PARTS CATALOG

Figure and Index Number	Part Number	Code	NOMENCLATURE	No. Req.	SERIAL NUMBERS AFFECTED
77-27	46387-02		STRINGER - Forward, inboard, left nacelle	1	
	46387-03		STRINGER - Forward, inboard, right nacelle	1	
-28	46386-02		STRINGER - Forward, outboard, left nacelle	1	
	46386-03		STRINGER - Forward, outboard, right nacelle	1	
-29	46387-04		STRINGER - Aft, inboard, left nacelle	1	
	46387-05		STRINGER - Aft, inboard, right nacelle	1	
-30	46386-04		STRINGER - Aft, outboard, left nacelle	1	
	46386-05		STRINGER - Aft, outboard, right nacelle	1	
-31	46140-00		ANGLE - Forward, outboard, left nacelle	1	
	46140-01		ANGLE - Forward, outboard, right nacelle	1	
-32	46149-00		ANGLE - Aft, outboard, left nacelle	1	
	46149-01		ANGLE - Aft, outboard, right nacelle	1	
-33	47977-02		PLATE - Access hole, left nacelle	2	
-34	47977-03		PLATE - Access hole, center, left nacelle	1	
-35	45912-00		BRACKET ASSEMBLY - Left nacelle	1	
	45912-03		BRACKET ASSEMBLY - Right nacelle	1	
-36	40378-00		PLATE ASSEMBLY - Fuel gauge support, left nacelle	1	31P-3 to 31P-91 incl.
	40378-06		PLATE ASSEMBLY - Fuel gauge support, left nacelle	1	31P-92 and up
	40378-01		PLATE ASSEMBLY - Fuel gauge support, right nacelle	1	31P-3 to 31P-91 incl.
	40378-07		PLATE ASSEMBLY - Fuel gauge support, right nacelle	1	31P-92 and up
-37	46016-00		REINFORCEMENT ASSEMBLY - Fuel line access hole	2	
-38	46017-00		PLATE - Fuel cell access	2	
-39	46018-00		REINFORCEMENT ASSEMBLY - Nacelle fuel cell access	2	
-40	47653-00		PLATE ASSEMBLY - Nacelle reinforcement, left	1	
-41	47978-00		COVER ASSEMBLY - Nacelle alternate air, left	1	
-42	17316-00		COVER - Left nacelle	2	
-43	46142-00		ANGLE - Forward, inboard, left nacelle	1	
	46142-01		ANGLE - Forward, inboard, right nacelle	1	
-44	46156-02		ANGLE - Aft, inboard, left nacelle	1	
	46156-01		ANGLE - Aft, inboard, right nacelle	1	
-45	46341-00		REINFORCEMENT ASSEMBLY - Inboard left nacelle	1	
-46	47975-00		COVER - Left nacelle	1	
-47	47897-01		STRIP ASSEMBLY - Right nacelle, upper inboard	1	
	47897-00		STRIP ASSEMBLY - Right nacelle, upper outboard	1	
-48	47923-00		STRIP ASSEMBLY - Right nacelle, lower inboard	1	
	46972-01		STRIP ASSEMBLY - Right nacelle, lower outboard	1	
-49	47725-01		COVER ASSEMBLY - Nacelle access, inboard, right nacelle	1	
	47725-00		COVER ASSEMBLY - Nacelle access, outboard, right nacelle	1	
-50	47929-00		STRIP ASSEMBLY - Right nacelle, access cover attachment	1	
-51	46963-01		STRIP ASSEMBLY - Outboard, right nacelle	1	
-52	46423-04		ANGLE - Bulkhead, center, left nacelle, Sta. 129.25	1	
	46423-05		ANGLE - Bulkhead, center, right nacelle, Sta. 129.25	1	
-53	45954-00		PLATE ASSEMBLY - Fuel cell support	2	
-54	46825-00		BRACKET - Air filter mounting	2	
-55	47010-00		BRACKET ASSEMBLY - De-icer solenoid, left nacelle	1	
-56	47161-00		BRACKET ASSEMBLY - Pneumatic pressure regulator	2	
-57	46424-02		ANGLE - Bulkhead attachment, left nacelle, outboard, Sta. 123.25	1	
	46424-03		ANGLE - Bulkhead attachment, right nacelle, outboard, Sta. 123.25	1	
-58	46278-06		ANGLE - Bulkhead attachment, Sta. 143.50	4	
-59	46240-04		ANGLE - Bulkhead attachment, left nacelle	2	
	46240-05		ANGLE - Bulkhead attachment, right nacelle	2	

When ordering, always specify Part Number, Description and Serial Number of Aircraft



Figure and Index Number	Part Number	Code	NOMENCLATURE	No. Req.	SERIAL NUMBERS AFFECTED
77-60	11473-106	A	PLATE - Reinforcement, right nacelle, lower outboard	1	
-61	47839-00		COVER ASSEMBLY - Condenser access, right nacelle	1	
-62			SCOOP INSTALLATION - Freon compressor, right nacelle	1	
-63	46458-00		PLATE - Freon line access hole, right nacelle, inboard	1	
-64	46452-00		REINFORCEMENT - Freon line access hole	1	
-65	11473-107		PLATE - Right nacelle, inboard	1	
-66	46241-04		ANGLE - Center bulkhead, left nacelle, Sta. 160.50	1	
	46241-05		ANGLE - Center bulkhead, right nacelle, Sta. 160.50	1	
-67	20370-02		PLATE - Access hole cover	2	
-68	20372-06		REINFORCEMENT - Access hole cover	4	
-69	46422-02		ANGLE - Bulkhead, inboard, left nacelle, Sta. 123.25	1	
	46422-03		ANGLE - Bulkhead, inboard, right nacelle, Sta. 123.25	1	
-70	46431-00		SHIELD ASSEMBLY - Exhaust heat, left nacelle	1	
	46431-01		SHIELD ASSEMBLY - Exhaust heat, right nacelle	1	
-71	46475-00		SHIELD ASSEMBLY - Engine tubes and lines, left nacelle	1	
	46475-01		SHIELD ASSEMBLY - Engine tubes and lines, right nacelle	1	
-72	400 437		BOLT - (AN3-3A)	24	
	407 564		WASHER - (AN980-10)	24	
-73	463 391		GROMMET - (AN231-4)	2	
-74	46282-06		SKIN - Bottom inboard, left nacelle	1	
	46282-07		SKIN - Bottom inboard, right nacelle	1	
-75	46282-08		SKIN - Bottom outboard, left nacelle	1	
	46282-09		SKIN - Bottom outboard, right nacelle	1	
-76	47403-00		FITTING ASSEMBLY - Nacelle fuel cell vent	1	
-77	47408-00		COVER - Nacelle fuel cell drain	1	
-78	80013-06		PLATE - Reinforcement, right nacelle upper inboard and outboard	2	
-79	47976-00		SCOOP ASSEMBLY - Nacelle air inlet	1	
-80	48335-00		ANGLE - Reinforcement inboard, right nacelle	1	
	48335-01		ANGLE - Reinforcement, outboard, right nacelle	1	
-81	80012-117		BUSHING - Scoop assembly, left nacelle	2	
-82	20370-02		PLATE - Access hole cover	2	31P-3 to 31P-7400224 inclusive
	48708-00		PLATE - Access hole cover	2	31P-7400225 and up
			A - See Figure 116 for component parts.		

When ordering, always specify Part Number, Description and Serial Number of Aircraft

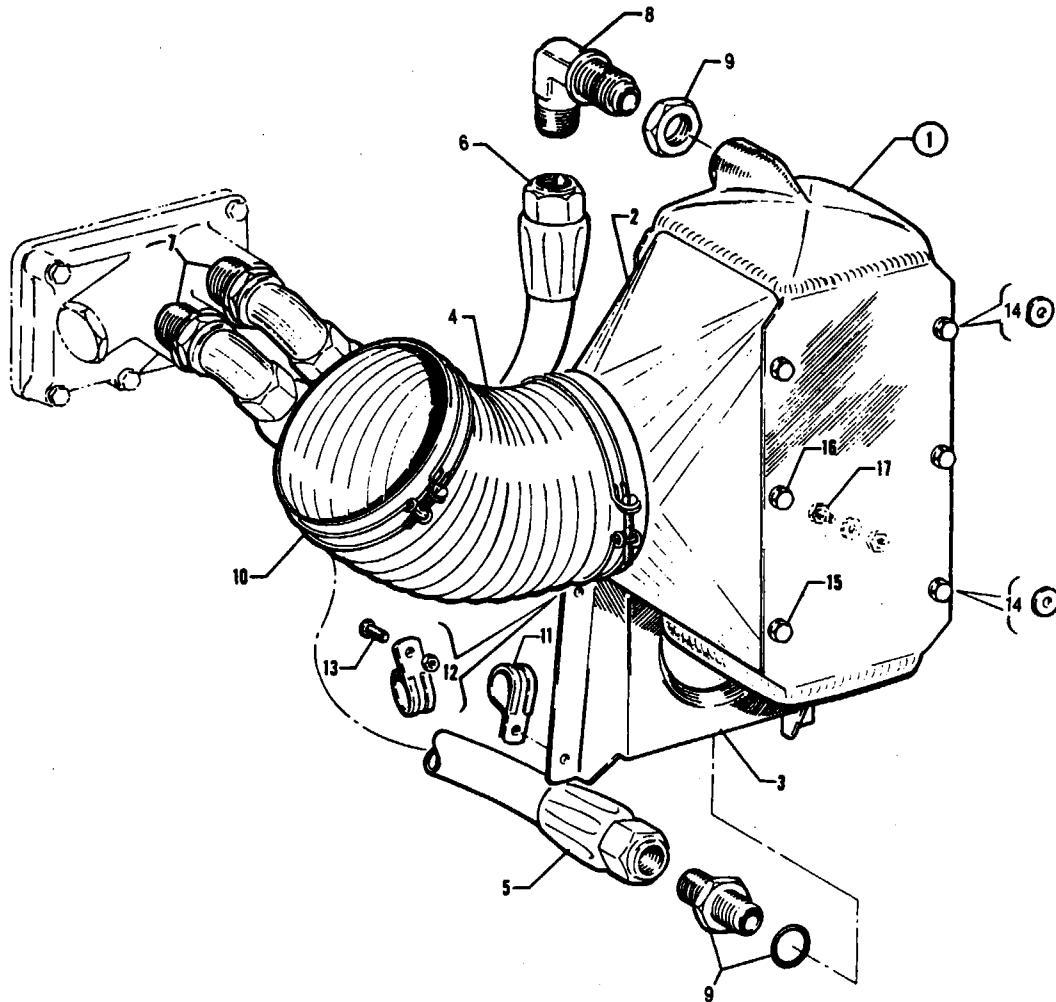


Figure 78. Oil Cooler Installation



**PIPER PARTS CATALOG**

Figure and Index Number	Part Number	Code	NOMENCLATURE	No. Req.	SERIAL NUMBERS AFFECTED
78-	46988		DRAWING - Oil Cooler Installation		
-1	46965-00		COOLER ASSEMBLY - Oil	2	
-2	48185-00		DUCT ASSEMBLY - Oil cooler	2	
-3	46611-00		BRACKET - Oil cooler	2	
-4	48186-00		HOSE - Air duct	2	
-5	39995-29		HOSE ASSEMBLY - Flexible (15 inches long)	2	
-6	39995-30		HOSE ASSEMBLY - Flexible (22 inches long)	2	
-7	46762-00		ELBOW - Bulkhead fitting reducer	4	
	462 063		GASKET - (AN6290-12)	4	
	477 738		NUT - (AN924-12D)	4	
-8	458 857		ELBOW - (AN833-10D)	2	
	462 053		GASKET - (AN6290-10)	2	
	477 704		NUT - (AN924-10D)	2	
-9	491 057		UNION - (AN815-10D)	2	
	462 053		GASKET - (AN6290-10)	2	
-10	554 749		CLAMP - (SAE TY F-104SS)	4	
-11	454 977		CLAMP - (PS10017-2-16)	2	
-12	454 852		CLAMP - (PS10017-2-18)	6	
-13	411 533		SCREW - (MS35207-264)	8	
	404 887		NUT - (MS20365-1032C)	8	
-14	40559-25		WASHER - Spacer	4	
-15	400 479		BOLT - (AN3-56A)	8	
	46232-00		SPACER - Oil cooler mounting	8	
	407 564		WASHER - (AN960-10)	16	
	404 887		NUT - (MS20365-1032C)	8	
-16	400 437		BOLT - (AN3-3A)	4	
	407 564		WASHER - (AN960-10)	4	
-17	400 437		BOLT - (AN3-3A)	2	
	407 564		WASHER - (AN960-10)	4	
	404 887		NUT - (MS20365-1032C)	2	

When ordering, always specify Part Number, Description and Serial Number of Aircraft

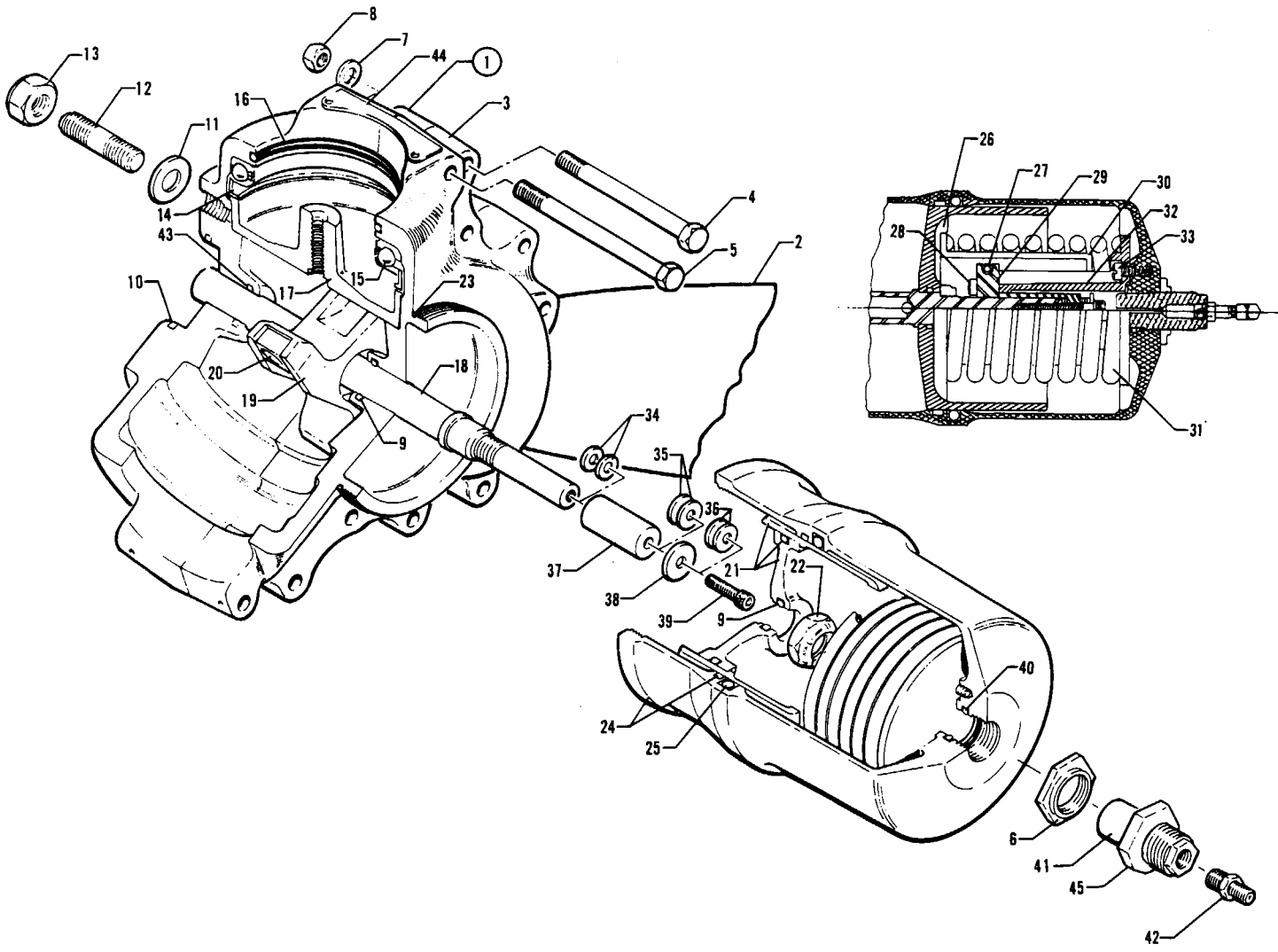


Figure 79. Propeller Assembly



Figure and Index Number	Part Number	Code	NOMENCLATURE	No. Req.	SERIAL NUMBERS AFFECTED
79-1	550 932	D	PROPELLER ASSEMBLY - Hartzell (HC-C3YN-2LF/FJC9684-3R)	2	
	550 960		PROPELLER ASSEMBLY - Hartzell (HC-C3YN-2LAUF/FJC9684-3R)	2	
-2	758 143	A	BLADE - Propeller (JC9684-3R)	3	
	758 203	B	BLADE - Propeller (FJC9684-3R)	3	
-3	752 022	A	HUB ASSEMBLY - Propeller (C-3260-6)	1	
	755 227	B	HUB ASSEMBLY - Propeller (C-3260-6F)	1	
-4	753 461		BOLT - Hex head (A-2431)	9	
-5	753 462	C	BOLT - Hex head (A-2433)	6	
-6	752 515		NUT - Check (A-2405)	1	
-7	407 567		WASHER - (AN960-816)	15	
-8	752 511		NUT - Elastic (A-2043)	15	
-9	752 713		"O" RING - Rod (PRP-902-15)	2	
-10	756 028		"O" RING - Shaft (PRP-914-45)	1	
-11	756 627		WASHER - (A-2048-2)	8	
-12	757 607		STUD - Flange (A-3254)	8	
-13	752 536		NUT - Elastic (A-3257)	8	
-14	755 968		RING - Guide (A-2204)	3	
-15	753 463		BEARING - Split (A2202)	3	
-16	755 934		"O" RING - Blade (PRP-902-42)	3	
-17	757 249		PLATE UNIT - Preload (B-2256)	3	
-18	762 519		ROD - Pitch change (B-2491-5)	1	
-19	754 813		FORK UNIT - Pitch change (B-3252-L)	1	
-20	758 149	A	BLOCK - Pitch change (A-3253)	3	
	758 205	B	BLOCK - Pitch change (A-3253-2)	3	
-21	757 335		PISTON UNIT - (B3237)	1	
-22	752 537		NUT - (AN364-1018)	1	
-23	755 935		"O" RING - Cylinder mounting (PRP-909-25)	1	
-24	753 982		CYLINDER UNIT - (B-2423-1)	1	
-25	755 977		"O" RING - Cylinder (A-3223)	1	
-26	755 043	B	GUIDE - Spring (A-1591)	1	
-27	762 257	B	SPRING - High pitch stop (A-1596)	1	
-28	762 258	B	SCREW - Shoulder (A-1595)	4	
-29	756 674	B	WEIGHTS - High pitch stop (A-1590)	1	
-30	762 259	B	SPRING - Retainer (B-1592)	1	
-31	762 260	B	SPRING - Feathering (B-1594)	1	
-32	758 356	B	BRACKET - High pitch stop (B-1593)	1	
-33	756 286		SCREW - Fillister head (AN501A416-10)	4	
-34	756 603		WASHER - High pitch adjustment (A-2435)	AR	
-35	756 604		WASHER - High pitch adjustment (A-2435-1)	AR	
-36	407 676		WASHER - High pitch adjustment (AN960-C516)	AR	
	407 677		WASHER - High pitch adjustment (AN960-C516L)	AR	

A - Used with propeller assemblies HC-C3YN-2L/JC9684-3R and HC-C3YN-2L/JC9684B-3R.  
 B - Used with propeller assemblies HC-C3YN-2LAUF/FJC9684-3R and HC-C3YN-2LAUF/FJC9684B-3R.  
 C - See Figure 126 if propeller electric de-icer is installed.  
 D - Not available. Order Propeller Part No. 550 960 (HC-C3YN-2LAUF/FJC9684-3R) which incorporates a Feather Assist Spring Kit. The opposite propeller must also include a Feather Assist Spring Kit per Piper Service Bulletin No. 470 and Hartzell Service Bulletin No. 111.

When ordering, always specify Part Number, Description and Serial Number of Aircraft



Figure and Index Number	Part Number	Code	NOMENCLATURE	No. Req.	SERIAL NUMBERS AFFECTED
79-37	756 289		SLEEVE - High stop (A2499-10)	1	
-38	756 606		WASHER - Feathering stop (A-2411-1)	1	
-39	756 291		SCREW - Socket head cap (A-3205)	1	
-40	755 933		"O" RING - Stop seal (PRP-914-17)	1	
-41	756 293		STOP - Low pitch (A-2404-1)	1	
-42	756 510		AIR VALVE - (A625)	1	
-43	755 932		"O" RING - Rod (PRP-902-13)	1	
-44	756 607		WEIGHT - Balance (A-2424)	1	
-45	752 510		NUT - Check (A-2405-1)	1	

When ordering, always specify Part Number, Description and Serial Number of Aircraft

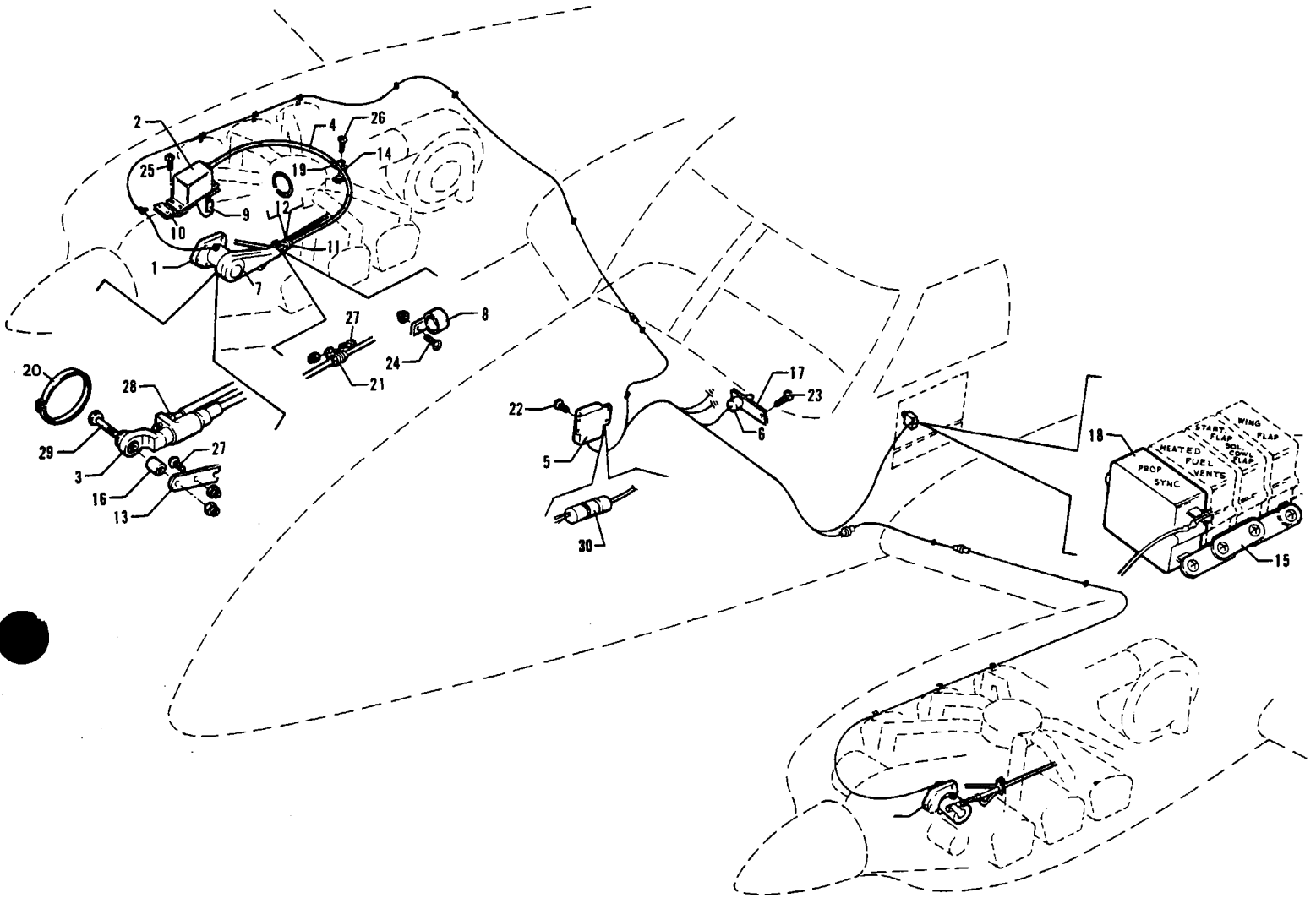


Figure 79A. Propeller Synchronizer System Installation

PIPER PARTS CATALOG

Figure and Index Number	Part Number	Code	NOMENCLATURE	No. Req.	SERIAL NUMBERS AFFECTED
79A-	47994		DRAWING - Propeller Synchronizer System Installation		
-1	47991-00		GOVERNOR ASSEMBLY - Woodward (210464)	2	31P-3 to 31P-7300138 inclusive
	47991-03		GOVERNOR ASSEMBLY - Woodward (210665)	2	31P-7300139 and up
-2	751 309		ACTUATOR ASSEMBLY - Propeller synchronizer (5485-016)	1	
-3	756 043		ROD END ASSEMBLY - (213448)	1	
-4	757 648		SHAFT ASSEMBLY - Flexible (213192)	1	
-5	757 912		CONTROL BOX ASSEMBLY - (213350)	1	
-6	757 649		* SWITCH ASSEMBLY - (5440-028)	1	
-7	46512-00		SHIELD ASSEMBLY - Propeller governor (left engine)	1	31P-3 to 31P-7300138 incl.
	48604-00		SHIELD ASSEMBLY - Propeller governor (left engine)	1	31P-7300139 and up
	47987-04		SHIELD ASSEMBLY - Propeller governor (right engine)	1	31P-3 to 31P-7300138 incl.
	47987-00		SHIELD ASSEMBLY - Propeller governor (right engine)	1	31P-7300139 and up
-8	47984-00		BRACKET ASSEMBLY - Cable guide support	1	
-9	47985-00		BRACKET - Actuator support	1	
-10	47986-00		BRACKET - Actuator support	1	
-11	40701-04		SEGMENT - Cable fairlead	2	
-12	40081-00		RING - Snap	1	
-13	46836-00		ARM - Control extension	1	
-14	47993-00		BRACKET - Cable support	1	
-15	31506-02		BUS BAR	3	
-16	80022-113		BUSHING	1	
	80122-10		WASHER	1	
-17	47979-00		PLACARD - "Prop Sync" (581 712) size 3.75 x .94, black	1	31P-3 to 31P-7300132 incl.
	48557-00		PLACARD - "Prop Sync" (582 058) size 3.46 x .82, black	1	31P-7300133 and up
	48675-00		PLACARD - "Prop Sync" (582 108) size 3.46 x .82, beige	1	31P-7300133 and up
	48606-00		PLACARD - "Prop Sync" (581 949) size 1.88 x 1.12, black	1	31P-7300133 and up
	48678-00		PLACARD - "Prop Sync" (582 114) size 1.88 x 1.12, beige	1	31P-7300133 and up
	80346-02		PLACARD - "Prop Sync" (582 483) size 3.20 x .82, black	1	31P-7530001 and up
	80346-03		PLACARD - "Prop Sync" (582 484) size 3.20 x .82, beige	1	31P-7530001 and up
-18	454 672		CIRCUIT PROTECTOR - (111-202-105)	1	
-19	454 931		CLAMP - (A4980S-5-91)	1	
-20	554 866		CLAMP - (SAE TY F-48SS)	1	
-21	454 934		CLAMP - (A4980S-9-91)	1	
-22	415 518		SCREW - (MS35206-228)	3	
-23	415 150		SCREW - (AN526-632R10)	1	
	404 909		NUT - (MS20365-632C)	1	
-24	415 536		SCREW - (MS35206-246)	1	
	404 833		NUT - (MS20364-832C)	1	
	407 563		WASHER - (AN960-8)	2	
-25	411 532		SCREW - (MS35207-263)	4	
	407 574		WASHER - (AN960PD10)	4	
	404 887		NUT - (MS20365-1032C)	4	
-26	415 535		SCREW - (MS35206-245)	1	
	407 604		WASHER - (AN960PD8)	1	
	404 910		NUT - (MS20365-832C)	1	
-27	411 532		SCREW - (MS35207-263)	2	
	404 835		NUT - (MS20364-1032C)	2	
-28	404 224		NUT - (AN315-3R)	1	
-29	400 441		BOLT - (AN3-7A)	1	
	404 835		NUT - (MS20364-1032C)	1	
-30	560 807		FILTER - Control box (213733)	1	

When ordering, always specify Part Number, Description and Serial Number of Aircraft

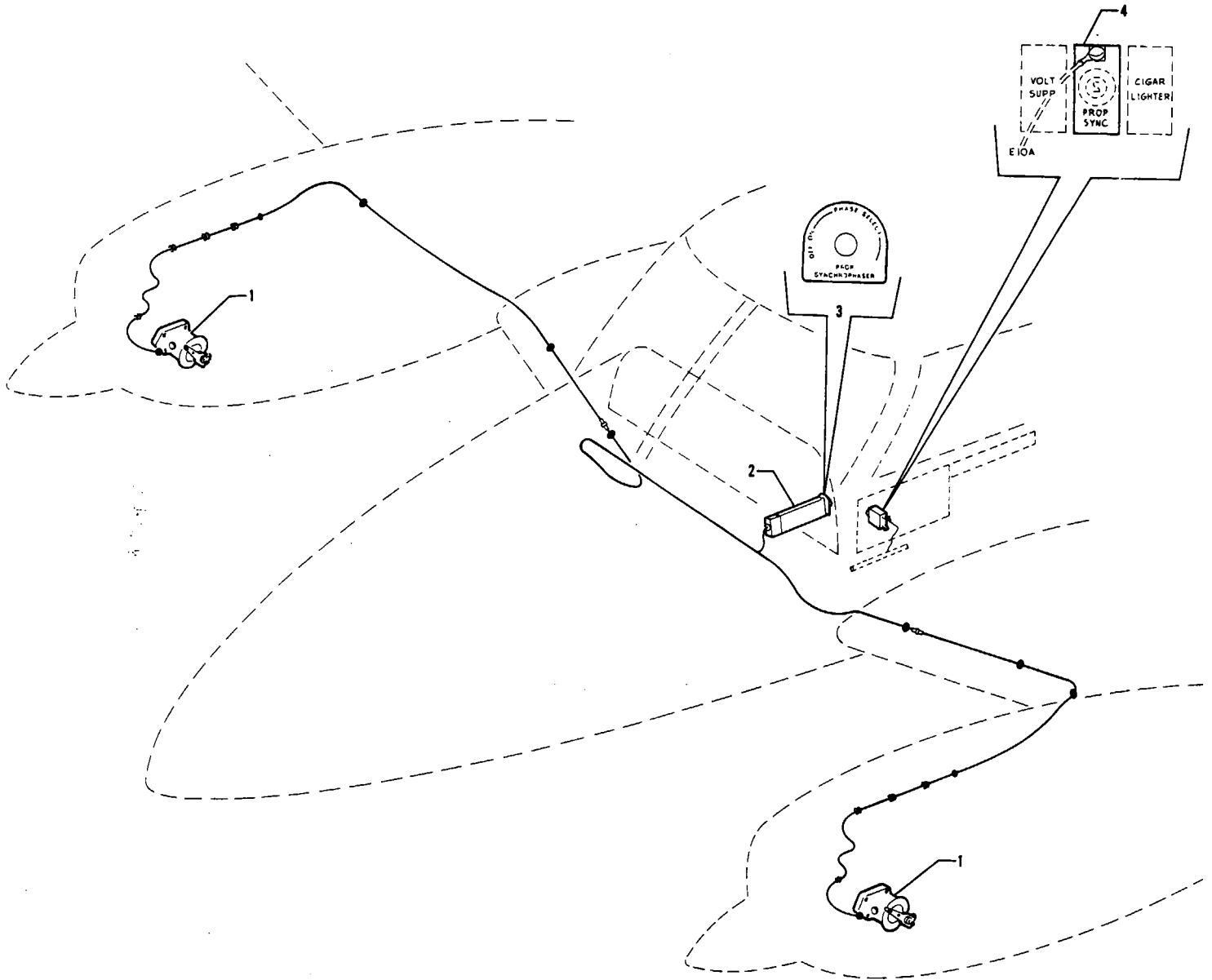


Figure 79B. Propeller Synchrophaser System Installation

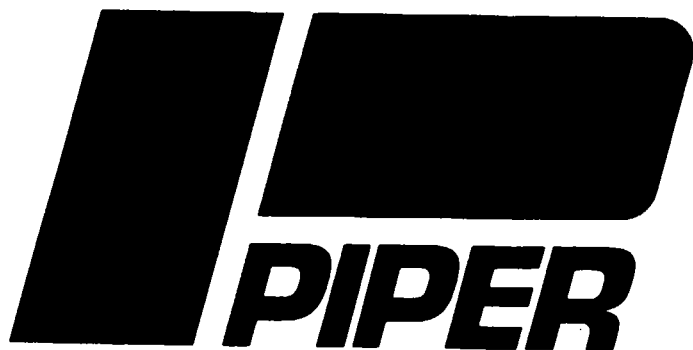


Figure and Index Number	Part Number	Code	NOMENCLATURE	No. Req.	SERIAL NUMBERS AFFECTED
798-	48446		DRAWING - Propeller Synchrophaser System Installation		
-1	48447-02		GOVERNOR ASSEMBLY	2	
-2	47995-03		CONTROL BOX ASSEMBLY	1	
-3	80364-02		PLACARD - Prop Synchrophaser	1	
-4	454 672		CIRCUIT BREAKER - (111-202-105) 2 amp	1	

When ordering, always specify Part Number, Description and Serial Number of Aircraft



1L22 THRU 1L24  
INTENTIONALLY LEFT BLANK



**PRESSURIZED  
NAVAJO  
PARTS CATALOG**

CARD 2 OF 2

**PA-31P PRESSURIZED NAVAJO**

**PIPER AIRCRAFT CORPORATION**

---

# PIPER PARTS CATALOG

---

## AEROFICHE EXPLANATION AND REVISION STATUS

The Parts Catalog information incorporated in this set of Aerofiche cards has been arranged in accordance with the general specifications of Aerofiche adopted by the General Aircraft Manufacturer's Association.

Conversion of Aerofiche alpha/numeric code numbers:

First number is the Aerofiche card identifier.

Letter is the horizontal line reference per card.

Second number is the vertical line reference per card.

Example: 2J16 = Aerofiche card number two of given set, Grid location J16.

To aid in locating the various sections and related information desired, the following is provided:

A complete Catalog Table of Contents is given at Grid 1A8 of Aerofiche card number 1 of this set. Each additional card in this set will have a Table of Contents for all sections on that particular card. This table will start at Grid A3.

## REVISIONS

The information compiled in this Aerofiche Parts Catalog will be kept current by revisions distributed periodically. These revisions will supersede all previous revisions and will be complete Aerofiche card replacements and shall supersede Aerofiche cards of the same number in the set.

Current Revisions to this PA-31P Parts Catalog issued December 18, 1972 are as follows:

753 769 (PR750314).....	Dated March 1975
753 769 (PR760109).....	Dated January 1976
753 769 (PR760716).....	Dated July 1976
753 769 (PR770325).....	Dated March 1977
753 769 (PR800512).....	Dated May 1980
753 769 (PR840611).....	Dated June 1984

NOTE: Refer to the last card of the Piper - Parts Price List - Aerofiche for a check list of current revision dates and card effectivities for this parts catalog.

# TABLE OF CONTENTS

FIGURE NUMBER	FIGURE TITLE	GRID NUMBER
---------------	--------------	-------------

SECTION XI  
ENVIRONMENTAL (cont.)

111	Fuselage Pressurization Air Supply Installation .....	2E12
112	Wing Pressurization and Pneumatic Air Supply Installation .....	2E15
113	Oxygen System Installation .....	2E18
114	Fuselage Freon Lines Installation .....	2E21
115	Wing Freon Lines Installation .....	2E23
116	Freon Condenser Scoop Installation .....	2F1
117	Windshield Defroster System Installation .....	2F3
118	Pneumatic Deicing System Installation .....	2F5

SECTION XII  
ELECTRICAL SYSTEM

119	Primary and Auxiliary Power Installation .....	2F8
120	Forward Electrical System Installation .....	2F11
120A	Instrument Panel Harness Installation .....	2F14
121	Aft Electrical System Installation .....	2F17
121A	Switch and Circuit Breakers System Installation .....	2F19
122	Strobe Lights Installation (31P-3 to 31P-7300146 incl.) .....	2F22
122A	Strobe Lights Installation (31P-7300147 and up) .....	2G1
123	Overhead Switch Panel Installation .....	2G3
124	Landing Light and Ice Detection Light Installation .....	2G6
125	Electric Windshield Wiper Installation .....	2G8
126	Propeller Electric Deicer Installation .....	2G10

SECTION XIII  
ELECTRONICS SYSTEM

126A	AltiMatic Pilot III B Installation .....	2G13
126B	AltiMatic Pilot III B-1 Installation .....	2G16
127	AltiMatic Pilot III C Installation .....	2G19
127A	AltiMatic V F/D and V F/D-1 AutoPilot Installation .....	2H1
127B	AltiMatic V and V-1 AutoPilot Installation .....	2H5
127C	Radio Magnetic Indicator Instl. (Used with AltiMatic III B and AltiMatic III B-1) .....	2H8
127D	Radio Magnetic Indicator Instl. (Used with AltiMatic V, V-1, V F/D and V F/D-1) .....	2H10
128	Glide Slope Coupler Installation .....	2H12
128A	Piper Automatic Locator (ELT) Installation (Garrett Mfg. Ltd.) .....	2H14
128B	Piper Automatic Locator (ELT) Installation (Communications Components Corp.) .....	2H16
128C	Piper Automatic Locator (ELT) Installation (Narco Avionics) .....	2H18
128D	R.C.A. Radar Installation .....	2H20
128E	Bendix Radar Installation (RDR-110) .....	2H22
129	Bendix Radar Installation (RDR-130) .....	2I1
129A	Bendix Radar Installation (RDR-140) .....	2I3
129B	Bendix Radar Installation (RDR-150) .....	2I5

# TABLE OF CONTENTS

FIGURE NUMBER	FIGURE TITLE	GRID NUMBER
<b>SECTION VIII FUEL SYSTEM</b>		
80	Fuel Control Panel Installation .....	2A6
81	Left Engine Fuel System Installation .....	2A9
82	Right Engine Fuel System Installation .....	2A14
83	Auxiliary Fuel Lines Installation .....	2A19
84	Fuel System Components .....	2A22
85	Fuel Flow Gauge Installation .....	2B1
86	Main Fuel Cell and Liner Installation .....	2B3
87	Nacelle and Auxiliary Fuel Cells and Liner Installation .....	2B6
<b>SECTION IX CONTROLS</b>		
88	Pedestal Installation .....	2B9
89	Pedestal Control Assembly .....	2B14
90	Aileron Control Installation .....	2B17
91	Aileron Trim Installation .....	2B20
92	Rudder Control Installation .....	2C1
93	Rudder Trim Installation .....	2C4
94	Elevator Control Installation .....	2C7
95	Elevator Trim Installation .....	2C10
96	Flap Control Installation .....	2C13
97	Control Wheel Installation .....	2C15
98	Rudder Pedal Installation .....	2C19
<b>SECTION X HYDRAULIC SYSTEM</b>		
99	Forward Hydraulic System Installation .....	2C22
100	Aft Hydraulic System Installation .....	2D1
101	Hydraulic Pumps Installation .....	2D3
102	Hydraulic System Components (Ozone) .....	2D6
102A	Hydraulic System Components (Wiebel) .....	2D8
103	Hydraulic Powerpak Assembly (Ozone) .....	2D11
103A	Hydraulic Powerpak Components (Ozone) .....	2D14
104	Hydraulic Powerpak Assembly (Wiebel) .....	2D16
104A	Hydraulic Powerpak Components (Wiebel) .....	2D19
<b>SECTION XI ENVIRONMENTAL</b>		
105	Heater and Evaporator Installation .....	2D21
106	Heater Assembly .....	2E1
107	Heater Combustion Air Blower and Motor Assembly .....	2E3
108	Heater Ignition Assembly .....	2E5
109	Cabin Pressure Control System Installation .....	2E7
110	Air Distribution Duct Installation .....	2E10

# TABLE OF CONTENTS

FIGURE NUMBER	FIGURE TITLE	GRID NUMBER
SECTION XIII ELECTRONICS SYSTEM (cont.)		
129C	Radar Altimeter Installation .....	2I7
129D	Collins Radio Altimeter Installation .....	2I9
129E	Encoding Altimeter and Altitude Alerter Installation .....	2I11
129F	Radio Telephone System Installation .....	2I13
130	Antenna Cable, Speaker, Static Wicks, Jack and Mike Installation .....	2I15
130A	Radio Junction Box and Transmitter Selector Assemblies .....	2I17
	Radio Drawings .....	2I20
SECTION XIV MISCELLANEOUS		
131	Placards and Exterior Stencils .....	2J1
	Optional Equipment Kits and Repair Kits .....	2J6
	NUMERICAL INDEX	2J10

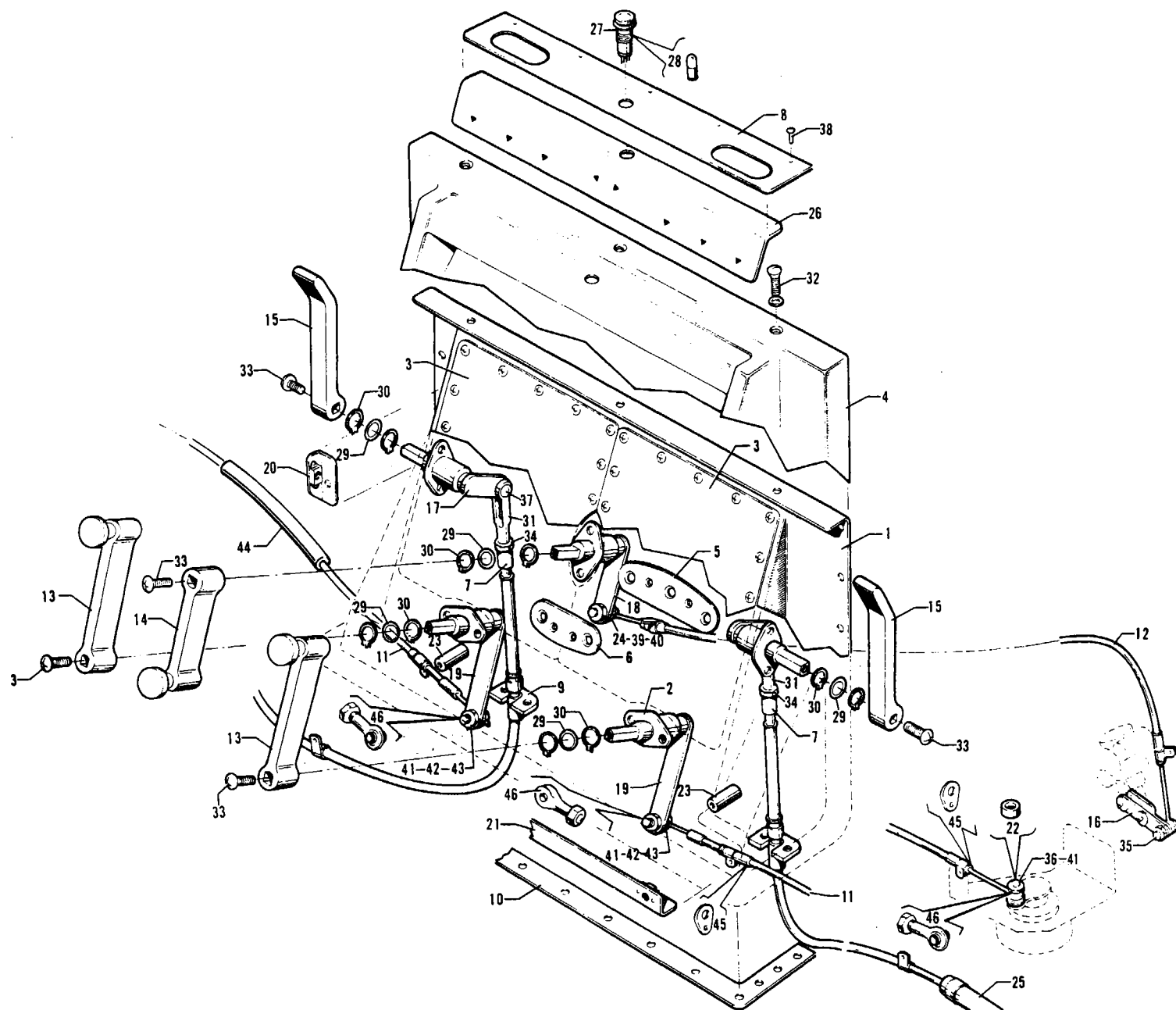


Figure 80. Fuel Control Panel Installation



Figure and Index Number	Part Number	Code	NOMENCLATURE	No. Req.	SERIAL NUMBERS AFFECTED
80-	48716 49139		DRAWING - Fuel Control Panel Installation DRAWING - Fuel Control Panel Installation		31P-3 to 31P-7730003 inclusive 31P-7730004 and up
-1	46075-00		PANEL ASSEMBLY - Fuel control	1	
-2	46040-00		SEAL - Control shaft	5	
-3	46063-02		PLATE ASSEMBLY - Fuel panel cover, left	1	
	46063-03		PLATE ASSEMBLY - Fuel panel cover, right	1	
-4	46097-02		COVER ASSEMBLY - Fuel panel, red	1	31P-3 to 31P-7400177 inclusive
	46097-03		COVER ASSEMBLY - Fuel panel, blue	1	31P-3 to 31P-7400177 inclusive
	46097-04		COVER ASSEMBLY - Fuel panel, black	1	31P-3 to 31P-7400177 inclusive
	46097-05		COVER ASSEMBLY - Fuel panel, beige	1	31P-3 to 31P-7400177 inclusive
	48706-00	A	COVER ASSEMBLY - Fuel panel	1	31P-7400178 to 31P-7630006 incl.
	48706-03	A	COVER ASSEMBLY - Fuel panel	1	31P-7630006 and up
-5	46086-00		PLATE - Fuel valve detent	2	
-6	46087-00		PLATE - Valve detent	1	
-7	49999-31		BUSHING	2	
-8	47407-02		COVER PLATE - Fuel handling placard, red	1	31P-3 to 31P-7400177 inclusive
	47407-03		COVER PLATE - Fuel handling placard, blue	1	31P-3 to 31P-7400177 inclusive
	47407-04		COVER PLATE - Fuel handling placard, black	1	31P-3 to 31P-7400177 inclusive
	47407-05		COVER PLATE - Fuel handling placard, beige	1	31P-3 to 31P-7400177 inclusive
	48697-00	A	COVER PLATE - Fuel handling placard	1	31P-7400178 to 31P-7630006 incl.
	48697-02	A	COVER PLATE - Fuel handling placard	1	31P-7630006 and up
-9	42836-00		PLATE - Control cable support	2	
-10	46044-00		PLATE - Fuel panel shim	1	
-11	31384-02		CABLE ASSEMBLY - Flexible push-pull control	2	31P-3 to 31P-7730004 inclusive
	42628-12		CABLE ASSEMBLY - Flexible push-pull control, left	1	31P-7730005 and up
	42628-08		CABLE ASSEMBLY - Flexible push-pull control, right	1	31P-7730005 and up
-12	41492-04		CABLE ASSEMBLY - Flexible push-pull control	1	
-13	53890-02		HANDLE ASSEMBLY - Fuel control	2	
-14	53890-03		HANDLE ASSEMBLY - Fuel control	1	
-15	45965-00		HANDLE - Fuel control, left	1	
	45965-01		HANDLE - Fuel control, right	1	
-16	41480-00		ARM ASSEMBLY - Crossfeed valve	1	
-17	46061-00		ARM ASSEMBLY - Fuel control actuator, left	1	
	46061-01		ARM ASSEMBLY - Fuel control actuator, right	1	
-18	46061-02		ARM ASSEMBLY - Fuel control actuator	1	
-19	46061-03		ARM ASSEMBLY - Fuel control actuator	2	
-20	46045-00		ANGLE ASSEMBLY - Fuel panel cover, left	1	
	46045-01		ANGLE ASSEMBLY - Fuel panel cover, right	1	
-21	46683-00		ANGLE ASSEMBLY - Fuel control panel	1	
-22	14976-87		BUSHING - Fuel selector valve	2	31P-3 to 31P-7730004 inclusive
	82732-72		BUSHING - Fuel selector valve	2	31P-7730005 and up
-23	80012-28		BUSHING - Control cable mounting	2	31P-3 to 31P-7730004 inclusive
-24	70371-05		STUD - Swivel	1	
-25	16633-89		HOSE - Flexible	2	
-26	47008-00		PLACARD - Fuel control panel (581 550)	1	
-27	47192-00		LIGHT ASSEMBLY - Fuel panel	1	
-28	472 028		BULB - (327)	1	
-29	484 701		SEAL - "O" Ring (AN6227-7)	5	
-30	484 802		RING - Retaining (5100-37)	10	
-31	554 757		CLEVIS - Fuel control (MS35812-1)	2	
-32	415 244		SCREW - (6-32 x 1/2)	8	
	494 102		WASHER - (C-394)	8	

A - Serial number of aircraft must be supplied when ordering this part.

When ordering, always specify Part Number, Description and Serial Number of Aircraft





Figure and Index Number	Part Number	Code	NOMENCLATURE	No. Req.	SERIAL NUMBERS AFFECTED
80-33	411 530		SCREW - (MS35207-261)	6	
-34	404 224		NUT - (AN315-3R)	2	
-35	400 672		BOLT - (AN23-10)	1	
	407 564		WASHER - (AN960-10)	1	
	407 584		WASHER - (AN960-10L)	1	
	404 100		NUT - (AN310-3)	1	
	424 051		PIN - Cotter (MS24665-132)	1	
-36	400 673		BOLT - (AN23-11)	2	31P-3 to 31P-7730004 inclusive
	407 564		WASHER - (AN960-10)	6	31P-3 to 31P-7730004 inclusive
	404 100		NUT - (AN310-3)	2	31P-3 to 31P-7730004 inclusive
	424 051		PIN - Cotter (MS24665-132)	2	31P-3 to 31P-7730004 inclusive
-37	400 674		BOLT - (AN23-12)	2	
	404 392		NUT - (AN320-3)	2	
	424 051		PIN - Cotter (MS24665-132)	2	
-38	420 693		RIVET - (MS20426A3-7)	4	
	406 385		NUT - (A1553-012-1)	4	
-39	91193-00		FITTING - Swivel	1	
-40	81342-19		WASHER - Swivel fitting	1	
	404 392		NUT - (AN320-3)	1	
	424 051		COTTER PIN - (MS24665-132)	1	
-41	400 441		BOLT - (AN3-7A)	4	31P-7730005 and up
	404 564		WASHER - (AN960-10) (under nut)	4	31P-7730005 and up
	404 887		NUT - (MS20365-1032C)	4	31P-7730005 and up
-42	82732-72		BUSHING	2	31P-7730005 and up
-43	70371-05		STUD - Swivel	2	31P-3 to 31P-7730004 inclusive
	81342-19		WASHER - Swivel fitting	2	31P-3 to 31P-7730004 inclusive
	404 392		NUT - (AN320-3)	2	31P-3 to 31P-7730004 inclusive
	424 051		COTTER PIN - (MS24665-132)	2	31P-3 to 31P-7730004 inclusive
-44	83161-33		HOSE - Cable protector	1	31P-7730005 and up
-45	52244-00		RETAINER - Fuel control cable	4	31P-7730005 and up
-46	452 568		BEARING - (PS10020-2-5RX)	4	31P-7730005 and up
	404 224		NUT - (AN315-3R)	4	31P-7730005 and up

When ordering, always specify Part Number, Description and Serial Number of Aircraft

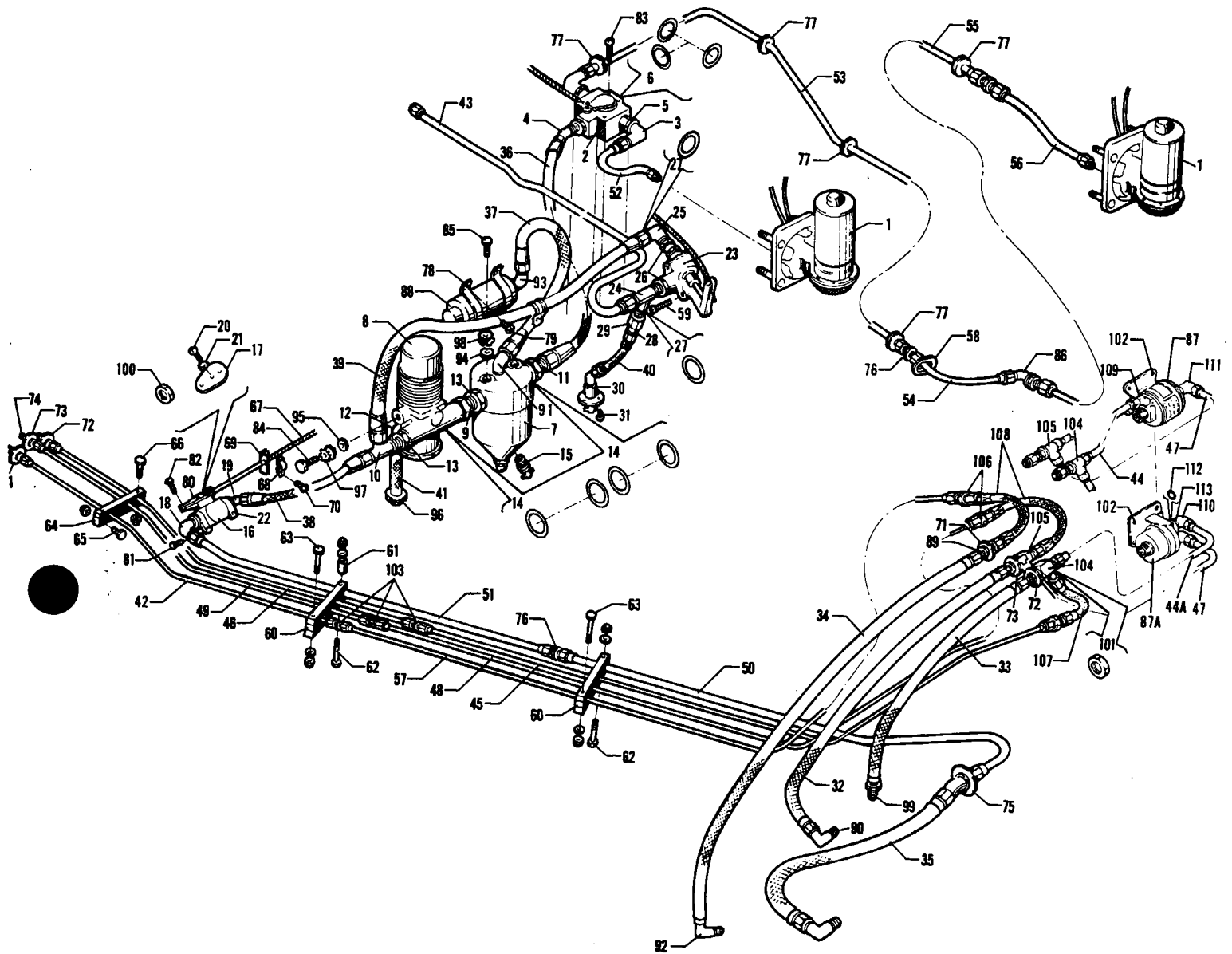


Figure 81. Left Engine Fuel System Installation



Figure and Index Number	Part Number	Code	NOMENCLATURE	No. Req.	SERIAL NUMBERS AFFECTED
81-	47057		DRAWING - Fuel System Installation		
-1	48812-00		FUEL PUMP ASSEMBLY - Submerged	2	
-2	492 109	A B	VALVE ASSEMBLY - Fuel selector (800412-00) Scott	1	31P-3 to 31P-7300147 inclusive
	492 239	A	VALVE ASSEMBLY - Fuel selector (3487-00-1) Dukes	1	31P-7300148 and up
-3	41622-00		ELBOW - Fuel valve, 90°	2	
-4	41623-00		ELBOW - Fuel valve, 45°	1	
-5	477 621		NUT - (AN924-8D)	3	
-6	462 061		GASKET - (MS29512-8)	3	
-7	42110-02	A	FILTER ASSEMBLY - Fuel	1	
-8	48885-02	A	PUMP ASSEMBLY - Fuel, emergency	1	
-9	41617-02		UNION - Filter to pump	1	
-10	41618-00		TEE - Pump "out"	1	
-11	41620-00		UNION - Filter "in"	1	
-12	458 894		ELBOW - 90° (AN822-4D)	1	
-13	477 621		NUT - (AN924-8D)	2	
-14	462 061		GASKET - (MS29512-8)	4	
-15	492 100		VALVE - Drain, fuel filter (* CCA-7450)	1	
-16	492 111	A	VALVE ASSEMBLY - Fuel shutoff (* P4-757A)	1	
-17	41626-00		ARM - Valve actuator	1	
-18	458 898		ELBOW - 90° (AN822-8D)	1	
-19	458 886		ELBOW - 45° (AN823-8D)	1	
-20	415 533		SCREW - (MS35206-243)	2	
-21	407 120		WASHER - Tooth lock (AN936-B8)	2	
-22	42335-00		CLAMP	2	
-23	492 110	A	VALVE ASSEMBLY - Fuel crossfeed (800411-00)	1	
-24	41618-00		TEE	1	
-25	458 905		ELBOW - 90° (AN833-8D)	1	
-26	477 621		NUT - (AN924-8D)	2	
-27	462 061		GASKET - (MS29512-8)	2	
-28	484 297		REDUCER - (* 8-4 TRTX-D)	1	
-29	477 624		NUT - Crossfeed (AN818-8D)	1	
-30	41683-05		VALVE ASSEMBLY	1	
-31	415 533		SCREW - (MS35206-243)	6	
-32	39995-13		HOSE ASSEMBLY - Heater fuel	1	
-33	39997-04		HOSE ASSEMBLY - Instrument air deck pressure	1	
-34	39995-14		HOSE ASSEMBLY - Fuel flow pressure	1	
-35	39995-12		HOSE ASSEMBLY - Fuel supply	1	
-36	41230-04		HOSE ASSEMBLY - Fuel supply	1	
-37	17766-45		HOSE ASSEMBLY - Flexible	1	
-38	41230-10		HOSE ASSEMBLY - Flexible	1	
-39	41230-07		HOSE ASSEMBLY - Flexible	1	
-40	17766-101		HOSE ASSEMBLY - Flexible	1	
-41	17766-95		HOSE - Drain	1	
-42	22673-60		LINE ASSEMBLY - Fuel flow pressure	1	
-43	46984-00		LINE ASSEMBLY - Crossfeed	1	

A - See Figure 84 for component parts.  
B - If Dukes fuel selector valve has been installed, order part for serial numbers 31P-7300148 and up.

When ordering, always specify Part Number, Description and Serial Number of Aircraft



Figure and Index Number	Part Number	Code	NOMENCLATURE	No. Req.	SERIAL NUMBERS AFFECTED
81-44	46123-00	A	LINE ASSEMBLY - Instrument air, deck pressure	1	31P-3 to 31P-7400190 inclusive 31P-7400191 and up
-44a	46124-02		LINE ASSEMBLY - Instrument air, deck pressure	1	
-45	22673-91		LINE ASSEMBLY - Instrument air, deck pressure	1	
-46	22673-22		LINE ASSEMBLY - Instrument air, deck pressure	1	
-47	47905-00		LINE ASSEMBLY - Heater fuel	1	
-48	22673-92		LINE ASSEMBLY - Heater fuel	1	
-49	22673-41		LINE ASSEMBLY - Heater fuel	1	
-50	46657-00		LINE ASSEMBLY - Fuel supply	1	
-51	41651-00		LINE ASSEMBLY - Fuel supply	1	
-52	46994-00		LINE ASSEMBLY - Fuel supply	1	
-53	41647-00		LINE ASSEMBLY - Fuel supply	1	
-54	41648-00		LINE ASSEMBLY - Fuel supply	1	
-55	41649-00		LINE ASSEMBLY - Fuel supply	1	
-56	46993-00		LINE ASSEMBLY - Fuel supply	1	
-57	22673-93		LINE ASSEMBLY - Fuel flow pressure	1	
-58	434 144		GROMMET - (AN931-16-22)	1	
-59	417 781		SCREW - (AN520-10R24)	2	
-60	41580-05		BLOCK ASSEMBLY - Tube retaining	2	
-61	80012-59		BUSHING	2	
-62	400 453		BOLT - (AN3-21A)	2	
	407 564		WASHER - (AN960-10)	2	
	404 887		NUT - (MS20365-1032C)	2	
-63	400 446		BOLT - (AN3-16A)	2	
	407 564		WASHER - (AN960-10)	2	
	404 887		NUT - (MS20365-1032C)	2	
-64	41584-00		BLOCK ASSEMBLY - Tube retaining	1	
-65	400 441		BOLT - (AN3-7A)	2	
	404 887		NUT - (MS20365-1032C)	2	
-66	401 273		BOLT - (AN3-14A)	2	
	404 887		NUT - (MS20365-1032C)	2	
-67	42628-02		CABLE ASSEMBLY - Fuel shutoff valve	1	
-68	18219-00		CLAMP - Fuel shutoff valve cable	1	
-69	18132-00		LUG - Fuel shutoff valve cable	1	
-70	415 535		SCREW - (MS35206-245)	2	
	404 833		NUT - (MS20364-832C)	2	
-71	40849-08		PLACARD - "Fuel flow pressure" (581 223)	2	
-72	40849-09		PLACARD - "Instrument air deck pressure" (581 224)	3	
-73	40849-13		PLACARD - "Heater fuel" (581 390)	2	
-74	491 058		UNION - (AN832-2D)	3	
	407 566		WASHER - (AN960-516)	3	
	477 619		NUT - (AN924-2D)	3	
-75	40849-11		PLACARD - "Fuel supply" (581 226)	1	
	491 068		UNION - (AN832-8)	1	
	477 691		NUT - (AN924-8)	1	
-76	491 053		UNION - (AN815-8D)	3	
-77	41586-00		GROMMET	6	
-78	47222-00		CLAMP - Pressure switch	2	
-79	415 754		SCREW - (AN515-832R8)	4	
-80	24091-03		CLEVIS	1	

A - Order Part No. 46124-02 if Differential Pressure Switch Replacement Kit 760 819, which incorporates a switch with both ports at the same end, has been installed.

When ordering, always specify Part Number, Description and Serial Number of Aircraft

PIPER PARTS CATALOG

Figure and Index Number	Part Number	Code	NOMENCLATURE	No. Req.	SERIAL NUMBERS AFFECTED
81-81	415 754		SCREW - (AN515-832R8)	2	
	404 910		NUT - (MS20365-832C)	2	
-82	400 674		BOLT - (AN23-12)	1	
	404 120		NUT - (AN310-C3)	1	
	424 059		COTTER PIN - (MS24665-283)	1	
-83	415 542		SCREW - (MS35206-252)	3	
	404 910		NUT - (MS20365-832C)	3	
-84	418 431		CAP SCREW - (MS35291-6)	3	
	41413-15		BUSHING	3	
	85012-65		WASHER	3	
-85	418 448		CAP SCREW - (MS35291-33)	2	
	41413-16		BUSHING	2	
	81342-08		WASHER	2	
-86	458 914		ELBOW - 45° (AN837-8D)	1	
	407 573		WASHER - (AN960-1216)	1	
	477 621		NUT - (AN924-8D)	1	
-87	47521-00	A,B	SWITCH - Differential pressure (left engine fuel system)	1	31P-3 to 31P-7400190 incl.
-87a	48756-00		SWITCH - Differential pressure (left engine fuel system)	1	31P-7400191 and up
-88	47522-00		PRESSURE SWITCH - (487 997)	1	31P-3 to 31P-7400190 incl.
	48762-00		PRESSURE SWITCH - (587 949)	1	31P-7400191 and up
-89	491 067		UNION - Flared tube (AN832-3)	1	
	40849-08		PLACARD - "Fuel flow pressure" (581 223)	1	
	477 628		NUT - (AN924-3)	1	
-90	45846-00		ELBOW - 90°	1	
	462 058		GASKET - (MS29512-4)	1	
	477 629		NUT - (AN924-4)	1	
-91	458 888		ELBOW - 45° (MS20823-3D)	1	
-92	45844-00		ELBOW - 90°	1	
-93	458 893		ELBOW - 90° (AN822-3D)	1	
-94	434 166		GROMMET - (MS35489-40)	2	
-95	434 129		GROMMET - (MS35489-9)	3	
-96	434 135		GROMMET - (MS35489-14)	1	
-97	407 127		LOCK WASHER - (AN936-B416)	4	
-98	407 144		LOCK WASHER - (AN936-B516)	2	
-99	45847-00		NIPPLE ASSEMBLY - Restricted	1	
-100	404 224		NUT - (AN315-3R)	1	
-101	477 628		NUT - (AN924-3)	2	
-102	417 774		SCREW - (AN520-1032R6)	4	
-103	491 048		UNION - (AN815-2D)	4	
-104	488 344		TEE - (3-3-2-37-511)	1	
-105	588 383		TEE - (AN804-3)	1	
-106	484 348		REDUCER - (AN919-0D)	2	

A - Order Part No. 48756-00 if Differential Pressure Switch Replacement Kit 760 819, which incorporates a switch with both fitting ports at the same end, has been installed.  
B - When ordering, specify differential pressure switch for left engine fuel system.

When ordering, always specify Part Number, Description and Serial Number of Aircraft



Figure and Index Number	Part Number	Code	NOMENCLATURE	No. Req.	SERIAL NUMBERS AFFECTED
81-107	17766-06		HOSE ASSEMBLY - Instrument air, deck pressure	1	
-108	39999-12		HOSE ASSEMBLY - Flexible, fuel	2	
-109	458 888	B	ELBOW - 45° (MS20823-3D)	1	31P-3 to 31P-7400190 inclusive
-110	458 899	A	ELBOW - 90° (AN833-3D)	2	31P-7400191 and up
-111	458 893	B	ELBOW - 90° (AN822-3D)	1	31P-3 to 31P-7400190 inclusive
-112	462 067	A	GASKET - (MS29512-3)	2	31P-7400191 and up
-113	477 617	A	NUT - (AN924-3D)	2	31P-7400191 and up

A - Used on serial numbers 31P-3 to 31P-7400190 inclusive, if Differential Pressure Switch Replacement Kit 760 819, which incorporates a switch with both fitting ports at the same end, has been installed.

B - Not used if Differential Pressure Switch Replacement Kit 760 819 has been installed.

When ordering, always specify Part Number, Description and Serial Number of Aircraft

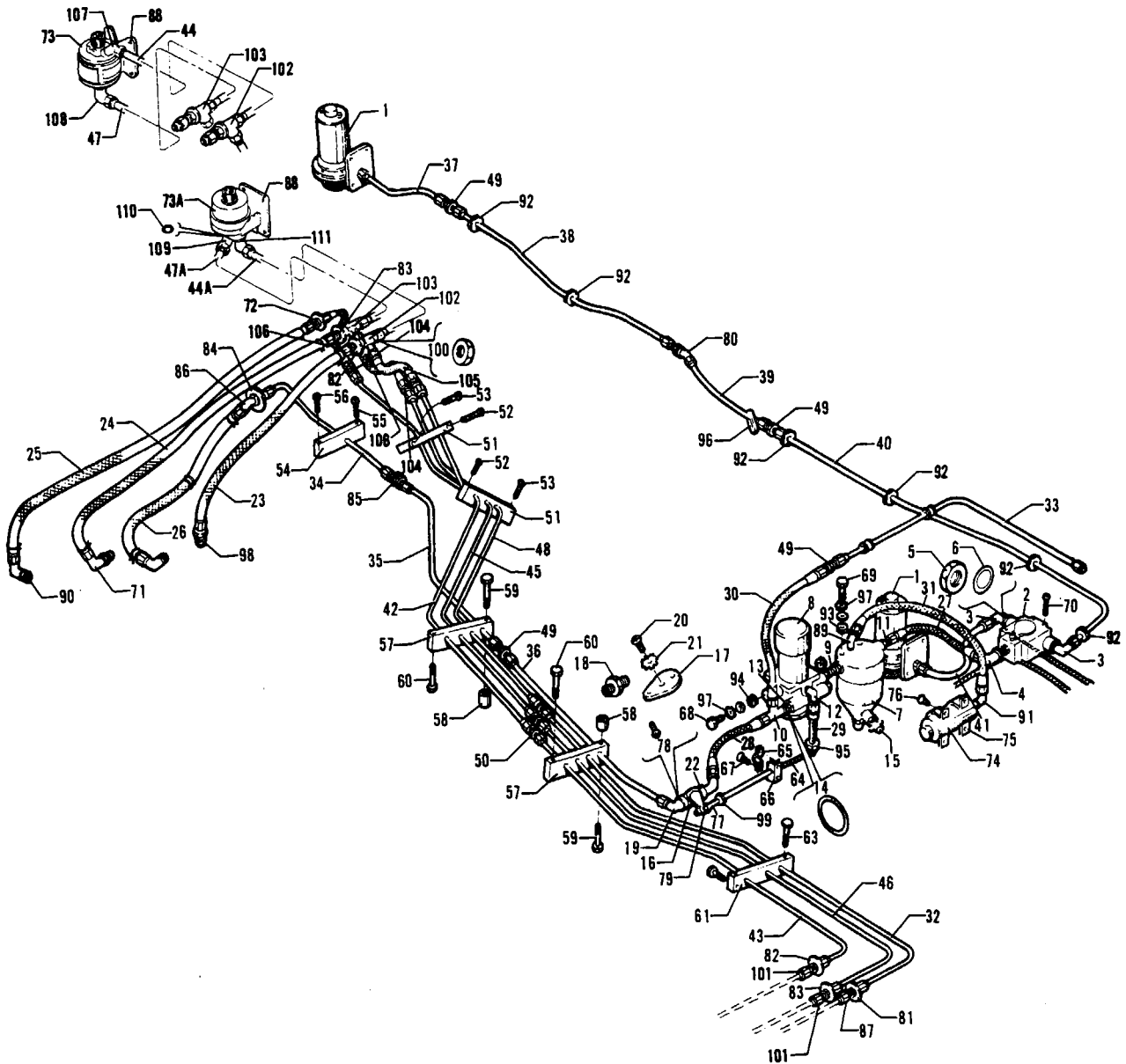


Figure 82. Right Engine Fuel System Installation



Figure and Index Number	Part Number	Code	NOMENCLATURE	No. Req.	SERIAL NUMBERS AFFECTED
82-	47057		DRAWING - Fuel System Installation		
-1	48812-00		FUEL PUMP ASSEMBLY - Submerged	2	
-2	492 109	A,B	VALVE ASSEMBLY - Fuel selector (800412-00) Scott	1	31P-3 to 31P-7300147 inclusive
	492 239	A	VALVE ASSEMBLY - Fuel selector (3487-00-1) Dukes	2	31P-7300148 and up
-3	41622-00		ELBOW - Fuel valve, 90°	2	
-4	41623-00		ELBOW - Fuel valve, 45°	1	
-5	477 621		NUT - (AN924-8D)	3	
-6	462 061		GASKET - (MS29512-8)	3	
-7	42110-02	A	FILTER ASSEMBLY - Fuel	1	
-8	48885-02	A	PUMP ASSEMBLY - Fuel, emergency	1	
-9	41617-02		UNION - Filter to pump	1	
-10	41618-00		TEE - Pump "out"	1	
-11	41620-00		UNION - Filter "in"	1	
-12	458 894		ELBOW - 90° (AN822-4D)	1	
-13	477 621		NUT - (AN924-8D)	2	
-14	462 061		GASKET - (MS29512-8)	4	
-15	492 100		VALVE - Drain, fuel filter (* CCA-7450)	1	
-16	492 111	A	VALVE ASSEMBLY - Fuel shutoff (* P4-757A)	1	
-17	47694-00		ARM - Valve actuator	1	
-18	476 664		NIPPLE - (AN816-8D)	1	
-19	458 898		ELBOW - 90° (AN822-8D)	1	
-20	415 533		SCREW - (MS35206-243)	2	
-21	407 120		WASHER - Tooth lock (AN936-B8)	2	
-22	42335-00		CLAMP	2	
-23	39997-04		HOSE ASSEMBLY - Instrument air deck pressure	1	
-24	39995-13		HOSE ASSEMBLY - Heater fuel	1	
-25	39995-14		HOSE ASSEMBLY - Fuel flow pressure	1	
-26	39995-12		HOSE ASSEMBLY - Fuel supply	1	
-27	41230-04		HOSE ASSEMBLY - Fuel supply	1	
-28	41230-06		HOSE ASSEMBLY - Fuel supply	1	
-29	17766-95		HOSE - Drain	1	
-30	41230-06		HOSE ASSEMBLY - Flexible	1	
-31	17766-45		HOSE ASSEMBLY - Flexible	1	
-32	22673-66		LINE ASSEMBLY - Fuel flow pressure	1	
-33	46990-00		LINE ASSEMBLY - Crossfeed	1	
-34	47363-00		LINE ASSEMBLY - Fuel supply	1	
-35	46234-00		LINE ASSEMBLY - Fuel supply	1	
-36	41651-00		LINE ASSEMBLY - Fuel supply	1	
-37	46993-00		LINE ASSEMBLY - Fuel supply	1	
-38	41649-00		LINE ASSEMBLY - Fuel supply	1	
-39	41648-00		LINE ASSEMBLY - Fuel supply	1	
-40	41647-01		LINE ASSEMBLY - Fuel supply	1	
-41	46994-00		LINE ASSEMBLY - Fuel supply	1	
-42	22673-98		LINE ASSEMBLY - Instrument air, deck pressure	1	
-43	22673-28		LINE ASSEMBLY - Instrument air, deck pressure	1	

A - See Figure 84 for component parts.  
B - If Dukes fuel selector valve has been installed, order part for serial numbers 31P-7300148 and up

When ordering, always specify Part Number, Description and Serial Number of Aircraft



## PIPER PARTS CATALOG

Figure and Index Number	Part Number	Code	NOMENCLATURE	No. Req.	SERIAL NUMBERS AFFECTED
82-44	47852-00	A	LINE ASSEMBLY - Instrument air, deck pressure	1	31P-3 to 31P-7400190 inclusive
-44a	48759-00		LINE ASSEMBLY - Instrument air, deck pressure	1	31P-7400191 and up
-45	22673-99		LINE ASSEMBLY - Heater fuel	1	
-46	22673-47		LINE ASSEMBLY - Heater fuel	1	
-47	47851-00	A	LINE ASSEMBLY - Fuel pressure	1	31P-3 to 31P-7400190 inclusive
-47a	48758-00		LINE ASSEMBLY - Fuel pressure	1	31P-7400191 and up
-48	22673-96		LINE ASSEMBLY - Fuel flow pressure	1	
-49	491 053		UNION - (AN815-8D)	4	
-50	491 048		UNION - (AN815-2D)	4	
-51	47376-00		BLOCK ASSEMBLY - Tube retaining	2	
-52	415 155		SCREW - (AN526-632R20)	4	
	404 909		NUT - (MS20365-632C)	4	
-53	417 701		SCREW - (AN526-1032R22)	2	
	404 887		NUT - (MS20365-1032C)	2	
-54	47371-00		BLOCK ASSEMBLY - Tube retaining	1	
-55	415 455		SCREW - (AN526-832R18)	2	
-56	415 152		SCREW - (AN526-632R16)	1	
	404 909		NUT - (MS20365-632C)	1	
-57	41580-05		BLOCK ASSEMBLY - Tube retaining	2	
-58	80012-59		BUSHING	2	
-59	400 453		BOLT - (AN3-21A)	2	
	407 564		WASHER - (AN960-10)	2	
	404 887		NUT - (MS20365-1032C)	2	
-60	400 446		BOLT - (AN3-16A)	2	
	407 564		WASHER - (AN960-10)	2	
	404 887		NUT - (MS20365-1032C)	2	
-61	41584-00		BLOCK ASSEMBLY - Tube retaining	1	
-62	400 441		BOLT - (AN3-7A)	2	
	404 887		NUT - (MS20365-1032C)	2	
-63	401 273		BOLT - (AN3-14A)	2	
	404 887		NUT - (MS20365-1032C)	2	
-64	42628-02		CABLE ASSEMBLY - Fuel shutoff valve	1	
-65	18219-00		CLAMP - Fuel shutoff valve cable	1	
-66	18132-00		LUG - Fuel shutoff valve cable	1	
-67	415 535		SCREW - (MS35206-245)	2	
	404 833		NUT - (MS20364-832C)	2	
-68	418 431		CAP SCREW - (MS35291-6)	3	
	41413-15		BUSHING	3	
	85012-65		WASHER	3	
-69	418 448		CAP SCREW - (MS35291-33)	2	
	41413-16		BUSHING	2	
	81342-08		WASHER	2	
-70	415 542		SCREW - (MS35206-252)	3	
	404 910		NUT - (MS20365-832C)	3	
-71	45846-00		ELBOW - 90°	1	
	462 058		GASKET - (MS29512-4)	1	
	477 629		NUT - (AN924-4)	1	
-72	23319-00		UNION - Flared tube	1	
	40849-08		PLACARD - "Fuel flow pressure" (581 223)	1	
	477 628		NUT - (AN924-3)	1	

A - Order instrument air or fuel pressure line assembly with serial numbers 31P-7400191 and up, if Differential Pressure Switch Replacement Kit 760 820, which incorporates a switch with both fitting ports at the same end, has been installed.

When ordering, always specify Part Number, Description and Serial Number of Aircraft

**PIPER PARTS CATALOG**

Figure and Index Number	Part Number	Code	NOMENCLATURE	No. Req.	SERIAL NUMBERS AFFECTED
82-73	47521-00	A,B	SWITCH - Differential pressure (right engine fuel system)	1	31P-3 to 31P-7400190 incl.
-73a	48756-00		SWITCH - Differential pressure (right engine fuel system)	1	31P-7400191 and up
-74	47522-00		PRESSURE SWITCH - (487 997)	1	31P-3 to 31P-7400190 incl.
	48762-00		PRESSURE SWITCH - (587 949)	1	31P-7400191 and up
-75	47222-00		CLAMP - Pressure switch	2	
-76	415 754		SCREW - (AN515-832R8)	4	
-77	24091-03		CLEVIS	1	
-78	415 754		SCREW - (AN515-832R8)	2	
	404 910		NUT - (MS20365-832C)	2	
-79	400 674		BOLT - (AN23-12)	1	
	404 120		NUT - (AN310-C3)	1	
	424 059		COTTER PIN - (MS24665-283)	1	
-80	458 914		ELBOW - (AN837-8D)	1	
	407 573		WASHER - (AN960-1216)	1	
	477 621		NUT - (AN924-8D)	1	
-81	40849-08		PLACARD - "Fuel flow pressure" (581 223)	1	
-82	40849-09		PLACARD - "Instrument air deck pressure" (581 224)	2	
-83	40849-13		PLACARD - "Heater fuel" (581 390)	2	
-84	40849-11		PLACARD - "Fuel supply" (581 226)	1	
-85	491 058		UNION - (AN832-8D)	1	
	477 621		NUT - (AN924-8D)	1	
-86	491 068		UNION - (AN832-8)	1	
	477 691		NUT - (AN924-8)	1	
-87	491 058		UNION - (AN832-2D)	3	
	407 566		WASHER - (AN960-516)	3	
	477 619		NUT - (AN924-2D)	3	
-88	411 530		SCREW - (MS35207-261)	4	
-89	458 888		ELBOW - 45° (MS20823-3D)	1	
-90	45844-00		ELBOW - 90°	1	
-91	458 893		ELBOW - 90° (AN822-3D)	1	
-92	41586-00		GROMMET	6	
-93	434 166		GROMMET - (MS35489-40)	2	
-94	434 129		GROMMET - (MS35489-9)	3	
-95	434 135		GROMMET - (MS35489-14)	1	
-96	434 144		GROMMET - (MS35489-23)	1	
-97	407 127		LOCK WASHER - (AN936-B416)	5	
-98	45847-00		NIPPLE ASSEMBLY - Restricted	1	
-99	404 224		NUT - (AN315-3R)	1	
-100	477 628		NUT - (AN924-3)	4	
-101	458 876		UNION - (AN833-2D)	2	
	407 566		WASHER - (AN960-516)	2	
	477 619		NUT - (AN924-2D)	2	
-102	488 344		TEE - (3-3-2-37-511)	1	
-103	588 383		TEE - (AN804-3)	1	

A - Order Part No. 48756-00 if Differential Pressure Switch Replacement Kit 760 820, which incorporates a switch with both fitting ports at the same end, has been installed.

B - When ordering, specify differential pressure switch for right engine fuel system.

When ordering, always specify Part Number, Description and Serial Number of Aircraft



Figure and Index Number	Part Number	Code	NOMENCLATURE	No. Req.	SERIAL NUMBERS AFFECTED
82-104	484 348		REDUCER - (AN919-0D)	2	
-105	17766-08		HOSE ASSEMBLY - Instrument air, deck pressure	1	
-106	39999-12		HOSE ASSEMBLY - Flexible, fuel	2	
-107	458 888	B	ELBOW - 45° (MS20823-3D)	1	31P-3 to 31P-7400190 inclusive
-108	458 893	B	ELBOW - 90° (AN822-3D)	1	31P-3 to 31P-7400190 inclusive
-109	458 899	A	ELBOW - 90° (AN833-3D)	2	31P-7400191 and up
-110	462 057	A	GASKET - (MS29512-3)	2	31P-7400191 and up
-111	477 617	A	NUT - (AN924-3D)	2	31P-7400191 and up

A - Used for serial nos. 31P-3 to 31P-7400190 inclusive, if Differential Pressure Switch Replacement Kit 760 820, which incorporates a switch with both fitting ports at the same end, has been installed.  
 B - Not used if Differential Pressure Switch Replacement Kit 760 820 has been installed.

When ordering, always specify Part Number, Description and Serial Number of Aircraft

# PIPER PARTS CATALOG

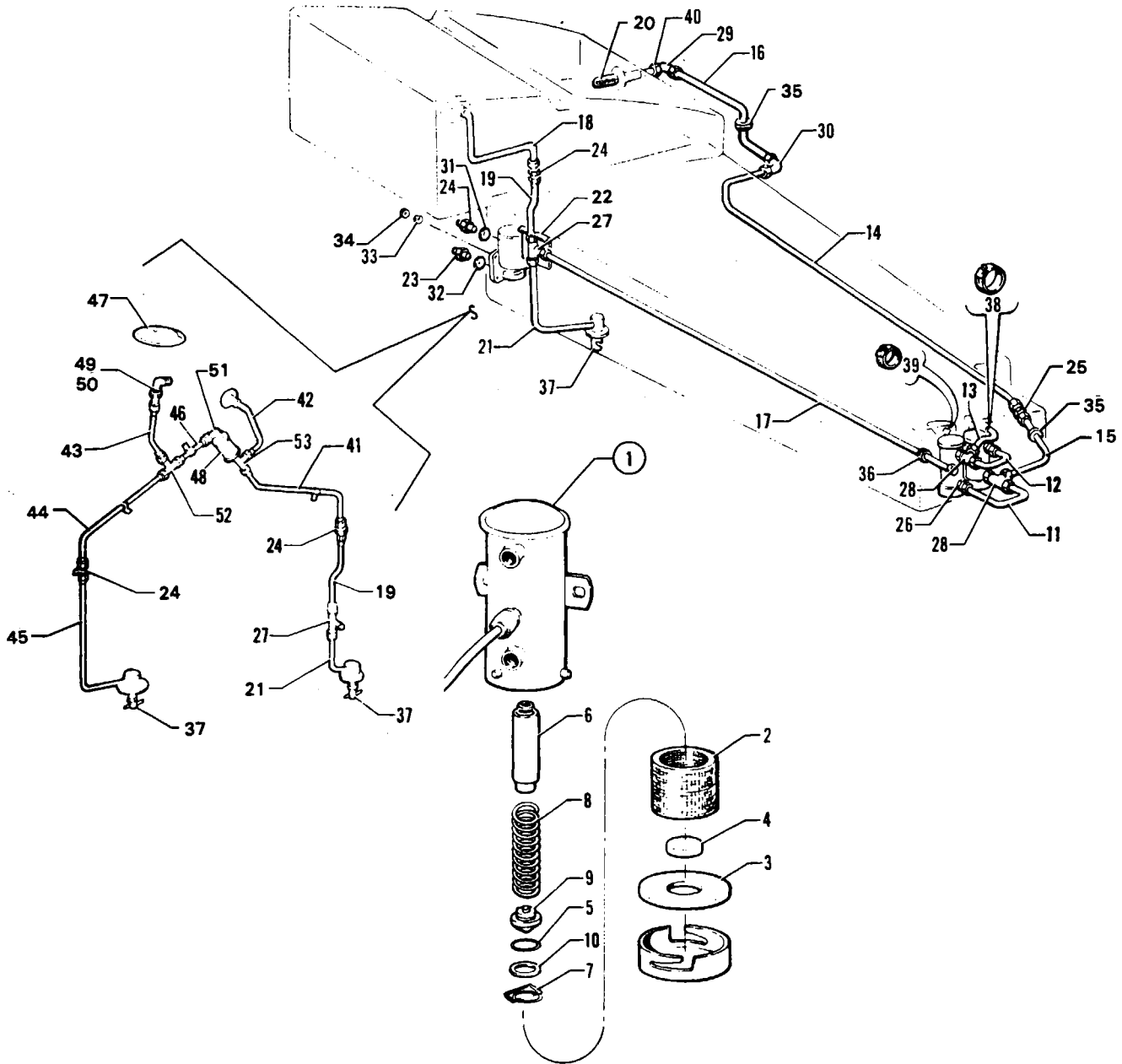


Figure 83. Auxiliary Fuel Lines Installation

PIPER PARTS CATALOG

Figure and Index Number	Part Number	Code	NOMENCLATURE	No. Req.	SERIAL NUMBERS AFFECTED
83-	45906		DRAWING - Nacelle and Auxiliary Fuel Cell Installation		
-1	481 724		PUMP ASSEMBLY - Fuel (480564)	4	
-2	751 799		* SCREEN - Filter (479135)	1	
-3	751 872		* GASKET - Cover (479136)	1	
-4	753 650		* MAGNET - (479012)	1	
-5	756 162		* SEAL - "O-Ring" (479139)	1	
-6	757 343		* PLUNGER ASSEMBLY - (479464)	1	
-7	752 869		* RETAINER - (479137)	1	
-8	756 108		* SPRING - (475127)	1	
-9	753 119		* CUP VALVE - (479132)	1	
-10	753 193		* WASHER - (479138)	1	
-11	47511-00		LINE ASSEMBLY - Fuel, crossover, inlet	2	
-12	45840-03		LINE ASSEMBLY - Fuel, crossover, outlet	2	
-13	45813-00		LINE ASSEMBLY - Fuel, crossover, outlet	2	
-14	45818-00		LINE ASSEMBLY - Fuel, nacelle	2	
-15	45819-00		LINE ASSEMBLY - Fuel, nacelle	2	
-16	45894-00		LINE ASSEMBLY - Fuel, nacelle	2	
-17	45828-00		LINE ASSEMBLY - Fuel, vent nacelle	2	
-18	45202-00	A	LINE ASSEMBLY - Fuel, vent nacelle, left	1	31P-3 to 31P-7400224 incl.
	45202-01	A	LINE ASSEMBLY - Fuel, vent nacelle, right	1	31P-3 to 31P-7400224 incl.
-19	45899-00		LINE ASSEMBLY - Fuel, vent nacelle	2	
-20	45820-00		STRAINER ASSEMBLY - Nacelle fuel cell	2	
-21	45996-00		DRAIN ASSEMBLY - Nacelle vent line, left	1	
	45996-01		DRAIN ASSEMBLY - Nacelle vent line, right	1	
-22	45995-00		SHIELD - Vent line, left	1	
	45995-01		SHIELD - Vent line, right	1	
-23	41620-00		UNION - Fuel pump	2	
-24	491 050		UNION - (AN815-4D)	8	
-25	491 052		UNION - (AN815-6D)	2	
-26	476 662		NIPPLE - (AN816-6D)	4	
-27	488 320		TEE - (AN824-4D)	2	
-28	488 314		TEE - (AN826-6D)	4	
-29	458 882		ELBOW - (AN821-6D)	2	
-30	458 901		ELBOW - (AN833-6D)	2	
-31	462 058		GASKET - (MS29512-4)	2	
-32	462 061		GASKET - (MS29512-8)	2	
-33	407 585		WASHER - (AN960-416L)	8	
-34	404 888		NUT - (MS20365-428C)	8	
-35	434 133		GROMMET - (MS35489-12)	4	
-36	434 124		GROMMET - (MS35489-7)	2	
-37	492 100		VALVE - Drain (CCA-7450)	4	
-38	554 679		CLAMP - (H-10)	8	
-39	554 639		CLAMP - (H-12)	2	
-40	477 620		NUT - (AN924-6D)	2	
			A - Not used if Heated Fuel Vent Replacement Kit 763 994 has been installed.		

When ordering, always specify Part Number, Description and Serial Number of Aircraft

**PIPER PARTS CATALOG**

Figure and Index Number	Part Number	Code	NOMENCLATURE	No. Req.	SERIAL NUMBERS AFFECTED
83-41	48693-00	A	LINE ASSEMBLY - Fuel vent, left	1	31P-7400225 and up
	48693-01	A	LINE ASSEMBLY - Fuel vent, right	1	31P-7400225 and up
-42	48694-00	A	LINE ASSEMBLY - Fuel vent, left	1	31P-7400225 and up
	48694-01	A	LINE ASSEMBLY - Fuel vent, right	1	31P-7400225 and up
-43	48696-00	A	LINE ASSEMBLY - Fuel vent	2	31P-7400225 and up
-44	48703-00	A	LINE ASSEMBLY - Fuel vent, left	1	31P-7400225 and up
	48703-01	A	LINE ASSEMBLY - Fuel vent, right	1	31P-7400225 and up
-45	48707-00	A	LINE ASSEMBLY - Fuel vent	2	31P-7400225 and up
-46	80004-13	A	LINE ASSEMBLY - Fuel vent	2	31P-7400225 and up
-47	48748-00	A	COVER - Fuel vent line	1	31P-7400225 and up
-48	492 236	A	VALVE - Check (3617-00)	2	31P-7400225 and up
-49	458 900	A	ELBOW - (AN833-4D)	2	31P-7400225 and up
-50	477 618	A	NUT - (AN924-4D)	2	31P-7400225 and up
	407 568	A	WASHER - (AN960-716)	2	31P-7400225 and up
-51	458 894	A	ELBOW - (AN822-4D)	2	31P-7400225 and up
-52	488 320	A	TEE - (AN824-4D)	2	31P-7400225 and up
-53	488 316	A	TEE - (MS20826-4D)	2	31P-7400225 and up
			<p>A - Also used on serial numbers 31P-3 to 31P-7400224 inclusive if Heated Fuel Vent Replacement Kit 763 994 been installed.</p>		

When ordering, always specify Part Number, Description and Serial Number of Aircraft

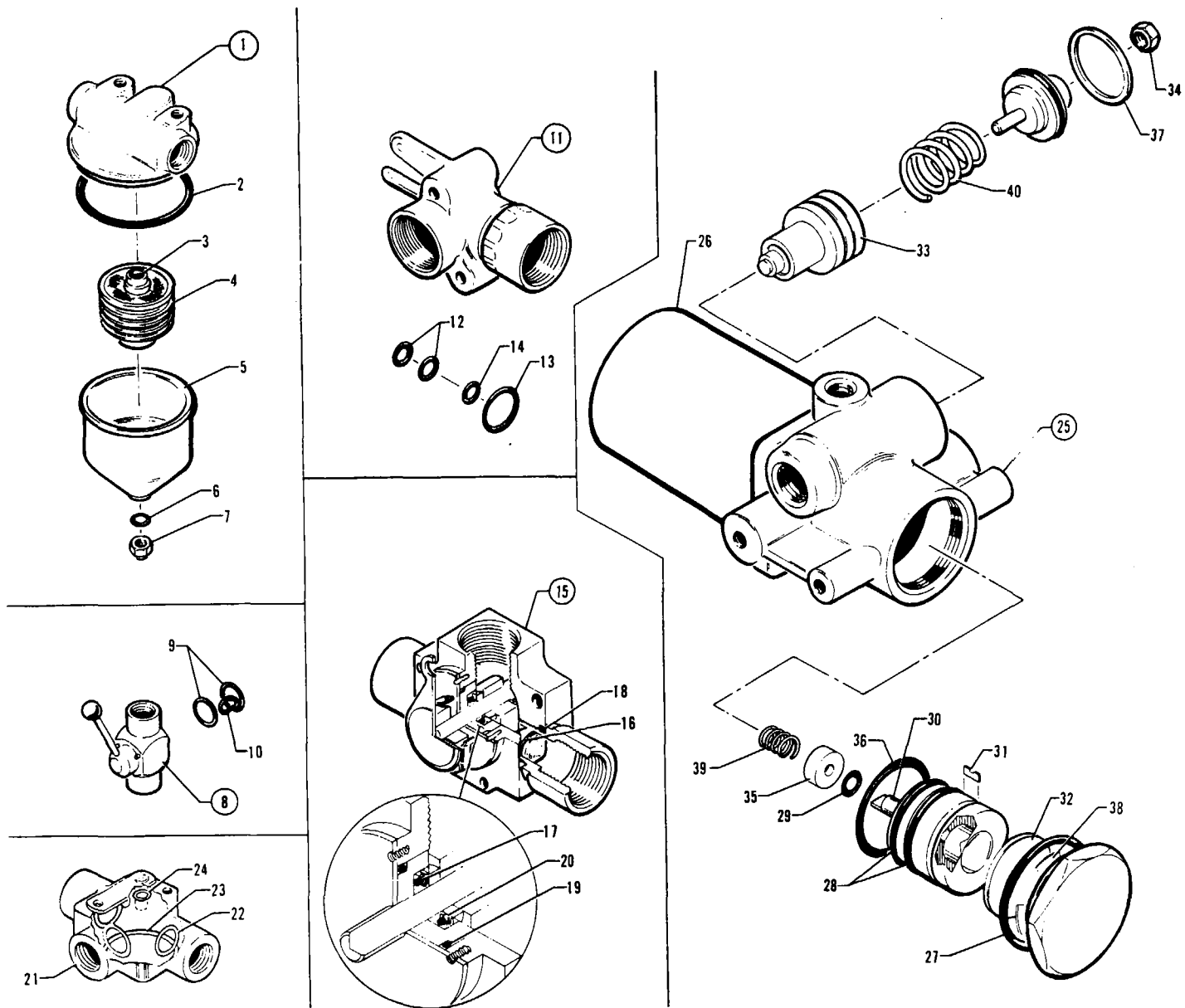


Figure 84. Fuel System Components

**PIPER PARTS CATALOG**

Figure and Index Number	Part Number	Code	NOMENCLATURE	No. Req.	SERIAL NUMBERS AFFECTED
84-1	42110-02		FILTER ASSEMBLY - Fuel	2	
-2	757 255		* PACKING - "O" Ring, head and stud assembly	1	
-3	753 986		* CARTRIDGE ASSEMBLY - Fuel filter	1	
-4	751 821		* * FILTER - Cartridge assembly	5	
-5	753 987		* CONTAINER - Fuel filter	1	
-6	751 898		* GASKET - Container nut	1	
-7	752 517		* NUT - Container	1	
-8	492 111		VALVE - Fuel shutoff (P4-757A)	2	
-9	757 256		* PACKING - "O" Ring, shutoff valve	2	
-10	757 257		* PACKING - "O" Ring, shutoff valve	2	
-11	492 110		VALVE ASSEMBLY - Fuel crossfeed (800411-00)	1	
-12	752 742		* PACKING - "O" Ring, fuel crossfeed	2	
-13	752 760		* PACKING - "O" Ring, fuel crossfeed	1	
-14	757 258		* PACKING - "O" Ring, fuel crossfeed	1	
-15	492 109	A	VALVE ASSEMBLY - Fuel selector (800412-00) Scott	2	31P-3 to 31P-7300147 inclusive
-16	760 504		* KIT - Valve "O" Rings (package of four)	1	31P-3 to 31P-7300147 inclusive
-17	755 835		* PACKING - "O" Ring, fuel selector	1	31P-3 to 31P-7300147 inclusive
-18	755 836		* PACKING - "O" Ring, fuel selector	2	31P-3 to 31P-7300147 inclusive
-19	755 834		* PACKING - "O" Ring, fuel selector	1	31P-3 to 31P-7300147 inclusive
-20	757 633		* SEAL - Fuel selector valve	1	31P-3 to 31P-7300147 inclusive
-21	492 239		VALVE ASSEMBLY - Fuel selector (3487-00-1) Dukes	2	31P-7300148 and up
-22	755 909		* PACKING - "O" Ring, fuel selector	3	31P-7300148 and up
-23	757 259		* PACKING - "O" Ring, fuel selector	1	31P-7300148 and up
-24	756 069		* PACKING - "O" Ring, fuel selector	1	31P-7300148 and up
-25	48885-02		PUMP ASSEMBLY - Fuel, emergency	2	
-26	761 055	B	* MOTOR ASSEMBLY - Fuel pump	1	
	761 642	C	* MOTOR ASSEMBLY - Fuel pump	1	
-27	757 259		* PACKING - "O" Ring	1	
-28	757 260		* PACKING - "O" Ring	2	
-29	757 324		* PACKING - "O" Ring	1	
-30	756 015		* ROTOR - Fuel pump	1	
-31	758 130		* BLADE - Fuel pump	2	
-32	757 315		* PLATE - Wear, fuel pump	1	
-33	757 329		* PISTON ASSEMBLY - Fuel pump	1	
-34	752 518		* LOCKNUT - Valve	1	
-35	756 608		* WASHER - Seal	1	
-36	762 524		* RING - Blade retainer	1	
-37	755 973		* RING - Retaining	1	
-38	757 578		* SPRING - Wear plate	1	
-39	756 298		* SPRING - Seal	1	
-40	756 296		* SPRING - Valve	1	

A - If Dukes fuel selector valve has been installed, order Part No. 492 239.  
 B - Used with Fuel Pump Assembly Part Number 46638-00 (Model A10007-B) only.  
 C - Used with Fuel Pump Assembly Part Number 48885-02 (Model B10007-C) or (Model B10007-D) only.

When ordering, always specify Part Number, Description and Serial Number of Aircraft



**2A24**

**INTENTIONALLY LEFT BLANK**

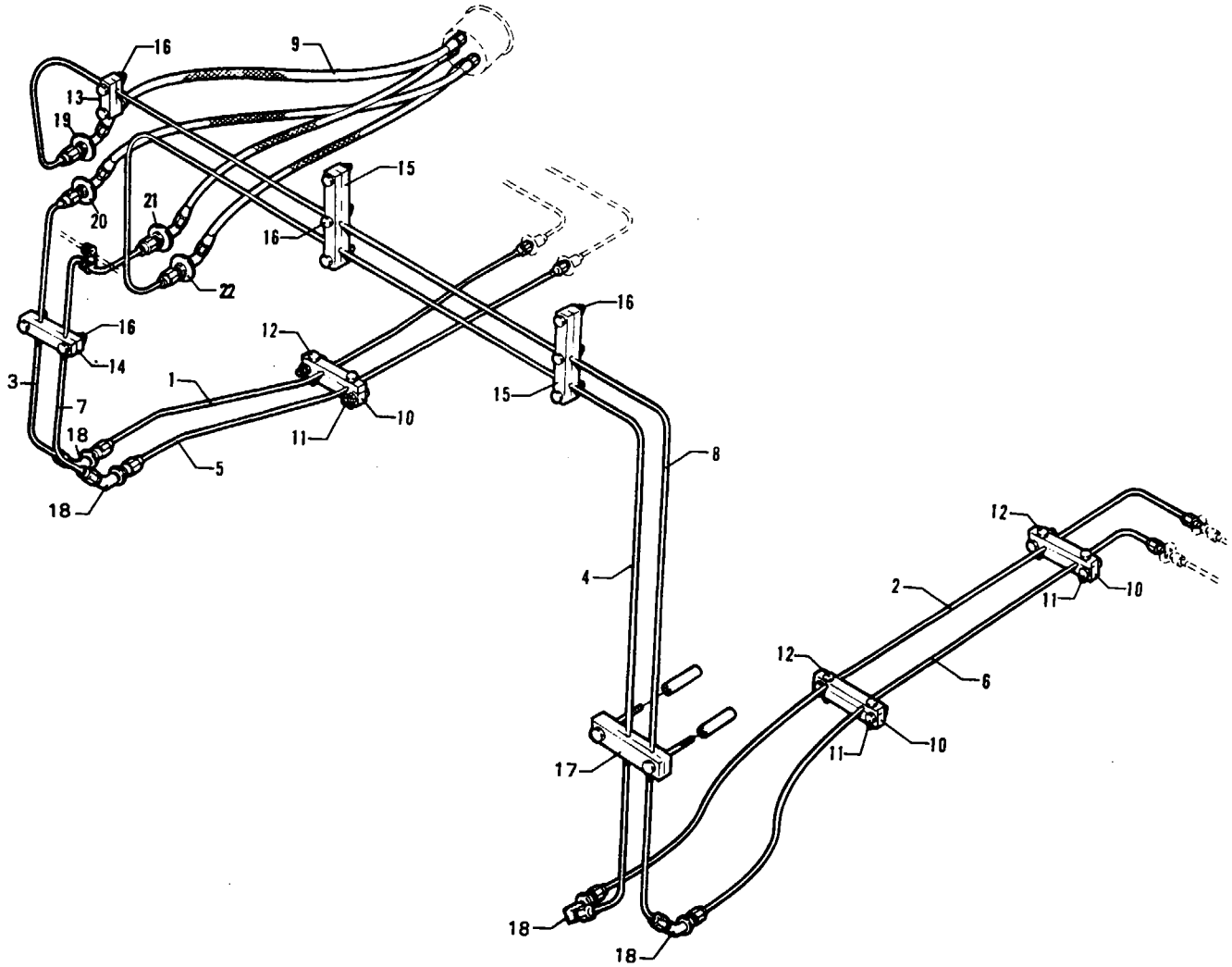


Figure 85. Fuel Flow Gauge Installation



Figure and Index Number	Part Number	Code	NOMENCLATURE	No. Req.	SERIAL NUMBERS AFFECTED
85-	47057		DRAWING - Fuel System Installation		
-1	22673-88		LINE ASSEMBLY - Instrument air, deck pressure	1	
-2	22673-22		LINE ASSEMBLY - Instrument air, deck pressure	1	
-3	46049-02		LINE ASSEMBLY - Instrument air, deck pressure	1	
-4	46049-05		LINE ASSEMBLY - Instrument air, deck pressure	1	
-5	22673-89		LINE ASSEMBLY - Fuel flow pressure	1	
-6	22673-86		LINE ASSEMBLY - Fuel flow pressure	1	
-7	46049-04		LINE ASSEMBLY - Fuel flow pressure	1	
-8	46049-07		LINE ASSEMBLY - Fuel flow pressure	1	
-9	39999-15		HOSE ASSEMBLY - Flexible (length 35")	4	
	39999-20		HOSE ASSEMBLY - Flexible (length 44")	4	
-10	41584-00		BLOCK ASSEMBLY - Tube retaining	3	
-11	400 441		BOLT - (AN3-7A)	6	
	404 887		NUT - (MS20365-1032C)	6	
-12	401 273		BOLT - (AN3-14A)	6	
	404 887		NUT - (MS20365-1032C)	6	
-13	47347-00		BLOCK ASSEMBLY - Tube retaining	1	
-14	47349-00		BLOCK ASSEMBLY - Tube retaining	1	
-15	47019-00		BLOCK ASSEMBLY - Tube retaining	2	
-16	401 269		BOLT - (AN3-10A)	10	
-17	47348-00		BLOCK ASSEMBLY - Tube retaining	1	
	42571-04		BUSHING	2	
	400 451		BOLT - (AN3-20A)	2	
-18	458 947		ELBOW - 45 degrees (AN837-2D)	4	
	407 566		WASHER - (AN960-516)	4	
	477 619		NUT - (AN924-2D)	4	
-19	40849-08		PLACARD - "Fuel Flow Pressure" (581 223)	1	
	491 058		UNION - (AN832-2D)	1	
	407 566		WASHER - (AN960-516)	1	
	477 619		NUT - (AN924-2D)	1	
-20	40849-09		PLACARD - "Instrument Air Deck Pressure" (581 224)	1	
	491 058		UNION - (AN832-2D)	1	
	407 566		WASHER - (AN960-516)	1	
	477 619		NUT - (AN924-2D)	1	
-21	40849-08		PLACARD - "Fuel Flow Pressure" (581 223)	1	
	458 876		ELBOW - (AN833-2D)	1	
	407 566		WASHER - (AN960-516)	1	
	477 619		NUT - (AN924-2D)	1	
-22	40849-09		PLACARD - "Instrument Air Deck Pressure" (581 224)	1	
	458 876		ELBOW - (AN833-2D)	1	
	407 566		WASHER - (AN960-516)	1	
	477 619		NUT - (AN924-2D)	1	

When ordering, always specify Part Number, Description and Serial Number of Aircraft

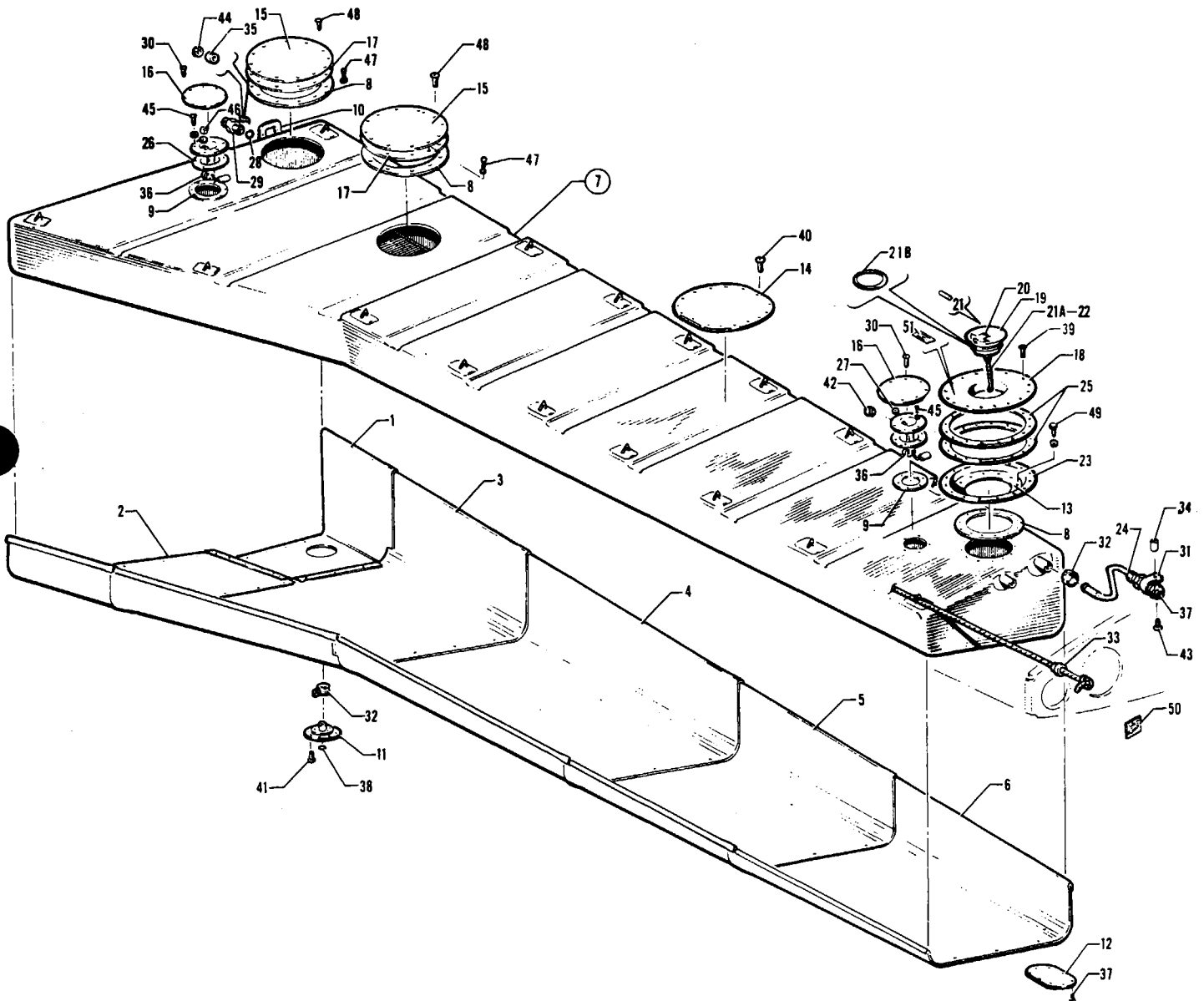


Figure 86. Main Fuel Cell and Liner Installation



Figure and Index Number	Part Number	Code	NOMENCLATURE	No. Req.	SERIAL NUMBERS AFFECTED
86-	40639 46905 48609		DRAWING - Main Fuel Cell Liner Installation DRAWING - Main Fuel Cell Installation DRAWING - Main Fuel Cell Installation		31P-3 to 31P-7300115 inclusive 31P-7300116 and up
-1	40637-18 40637-19		LINER - Fuel cell, left rear, Sta. 30 to Sta. 39 LINER - Fuel cell, right rear, Sta. 30 to Sta. 39	1 1	
-2	40637-10 40637-11		LINER - Fuel cell, left forward, Sta. 30 to Sta. 39 LINER - Fuel cell, right forward, Sta. 30 to Sta. 39	1 1	
-3	40637-08 40637-09		LINER - Fuel cell, left, Sta. 39.5 to Sta. 58.5 LINER - Fuel cell, right, Sta. 39.5 to Sta. 58.5	1 1	
-4	40637-06 40637-07		LINER - Fuel cell, left, Sta. 58.5 to Sta. 87.5 LINER - Fuel cell, right, Sta. 58.5 to Sta. 87.5	1 1	
-5	40637-04 40637-05		LINER - Fuel cell, left, Sta. 87.5 to Sta. 109.5 LINER - Fuel cell, right, Sta. 87.5 to Sta. 109.5	1 1	
-6	40637-02 40637-03		LINER - Fuel cell, left, Sta. 109.5 to Sta. 134.5 LINER - Fuel cell, right, Sta. 109.5 to Sta. 134.5	1 1	
-7	40618-02 52778-02 40618-03 52778-03		FUEL CELL ASSEMBLY - Main, left FUEL CELL ASSEMBLY - Main, left FUEL CELL ASSEMBLY - Main, right FUEL CELL ASSEMBLY - Main, right	1 1 1 1	31P-3 to 31P-7300115 31P-7300116 and up 31P-3 to 31P-7300115 31P-7300116 and up
-8	755 016 755 016		GASKET - Fuel cell (2F1-2-14523) GASKET - Fuel cell (2F1-2-14523)	2 3	31P-3 to 31P-7300115 inclusive 31P-7300116 and up
-9	755 017		GASKET - Sender unit (2F1-2-33849)	2	
-10	755 018		GASKET - Fuel pump assembly (2F1-2-36746)	1	
-11	40649-02		PLATE ASSEMBLY - Fuel drain valve	2	
-12	40667-00		PLATE - Fuel cell access hole cover	2	
-13	42191-00		PLATE - Fuel cell attachment	2	
-14	40644-00 40644-02 53907-00		COVER - Fuel cell access COVER - Fuel cell access COVER - Fuel cell access	2 2 2	31P-3 to 31P-91 inclusive 31P-92 to 31P-7400207 inclusive 31P-7400208 and up
-15	40645-03 40645-04		COVER - Fuel cell access COVER - Fuel cell access	4 4	31P-3 to 31P-91 inclusive 31P-92 and up
-16	40646-04 40646-06 40646-08		COVER - Fuel cell access, outboard COVER - Fuel cell access, inboard COVER - Fuel cell access	6 2 8	31P-3 to 31P-91 inclusive 31P-3 to 31P-91 inclusive 31P-92 and up
-17	40658-00 40658-00		COVER - Fuel cell COVER - Fuel cell	2 4	31P-3 to 31P-7300115 inclusive 31P-7300116 and up
-18	40343-00 53797-00		ADAPTER - Filler cap ADAPTER - Filler cap	2 2	31P-3 to 31P-7300144 inclusive 31P-7300145 and up
-19	454 258 554 257 554 119		CAP ASSEMBLY - (416-50) CAP ASSEMBLY - (431-139) CAP ASSEMBLY - (457-2) (Lightning shielded with retainer)	2 2 2	31P-3 to 31P-7300144 inclusive 31P-7300145 and up 31P-7300145 and up
-20	752 003 755 241	A B,C	HANDLE - Fuel cell cap (416-327) HANDLE - Fuel cell cap (431-15)	1 1	
-21	757 313		PIN - Fuel cell cap (416-9-1)	1	
-21a	472 059	B,C	RETAINER - (452-16-6)	2	
-21b	762 514 762 515 762 516	A B C	RING - "O" (MS29513-232) RING - "O" (MS29513-338) RING - "O" (457-98-1)	1 1 1	

A - Used on Cap Assembly, Part No. 454 258 (416-50).  
B - Used on Cap Assembly, Part No. 554 257 (431-139).  
C - Used on Cap Assembly, Part No. 554 119 (457-2) and Part No. 554 482 (457-370-6).

When ordering, always specify Part Number, Description and Serial Number of Aircraft



Figure and Index Number	Part Number	Code	NOMENCLATURE	No. Req.	SERIAL NUMBERS AFFECTED
86-22	454 593		CHAIN ASSEMBLY - (417-20-6)	2	31P-3 to 31P-7300144 inclusive
-23	40524-00		BRACKET ASSEMBLY - Fuel cell filler neck	2	
-24	45711-00		TUBE ASSEMBLY - Fuel cell vent	2	
-25	40655-00		GASKET - Filler cap adapter	4	
-26	42470-00		GASKET - Fuel sender	4	
-27	407 128		WASHER - (AN936-B10)	4	
-28	462 061		GASKET - (MS29512-8)	2	
-29	41620-00		UNION - Fuel pump	2	
-30	414 763		SCREW - (MS24693-S50)	32	
-31	454 977		CLAMP - (A3046S-16-91)	2	
-32	554 639		CLAMP - (H-12)	4	
-33	453 732		BUSHING - Snap (SB-375-4)	44	
-34	86102-12		BUSHING - Spacer	2	
-35	64076-15		BUSHING - Fuel pump mounting	8	
-36	40648-03		GAUGE ASSEMBLY - Main fuel cell, inboard (550 696)	2	
	40648-02		GAUGE ASSEMBLY - Main fuel cell outboard (550 695)	2	
-37	492 108		VALVE - Check (366-00N)	2	
-38	492 100		VALVE - Drain (CCA-7450)	2	
-39	414 763		SCREW - (MS24693-S50)	32	
-40	414 761		SCREW - (MS24693-S48)	48	
-41	415 498		SCREW - (MS35206-245)	12	
-42	434 126		GROMMET - (MS35489-4)	4	
-43	415 537		SCREW - (MS35206-247)	2	
-44	407 585		WASHER - (AN960-416L)	8	
	404 888		NUT - (MS20365-428C)	8	
-45	417 775		SCREW - (MS35207-263)	20	
	494 063		WASHER - (3/8 O.D. x 3/16 I.D.)	20	
-46	406 312		NUT - Hex (10-32)	4	
	407 104		WASHER - (MS35338-43)	4	
-47	401 307		BOLT - (AN4-4A)	48	
	407 136		WASHER - (AN936-A416)	48	
-48	414 779		SCREW - (MS24693-S49)	48	
-49	400 002		BOLT - (AN4-5A)	24	
	407 136		WASHER - (AN936-A416)	24	
-50	53983-02		PLACARD - Fuel vent check valve, left	1	
	53983-03		PLACARD - Fuel vent check valve, right	1	
-51	42332-00		DECAL - Fuel cell quantity, main	2	

When ordering, always specify Part Number, Description and Serial Number of Aircraft

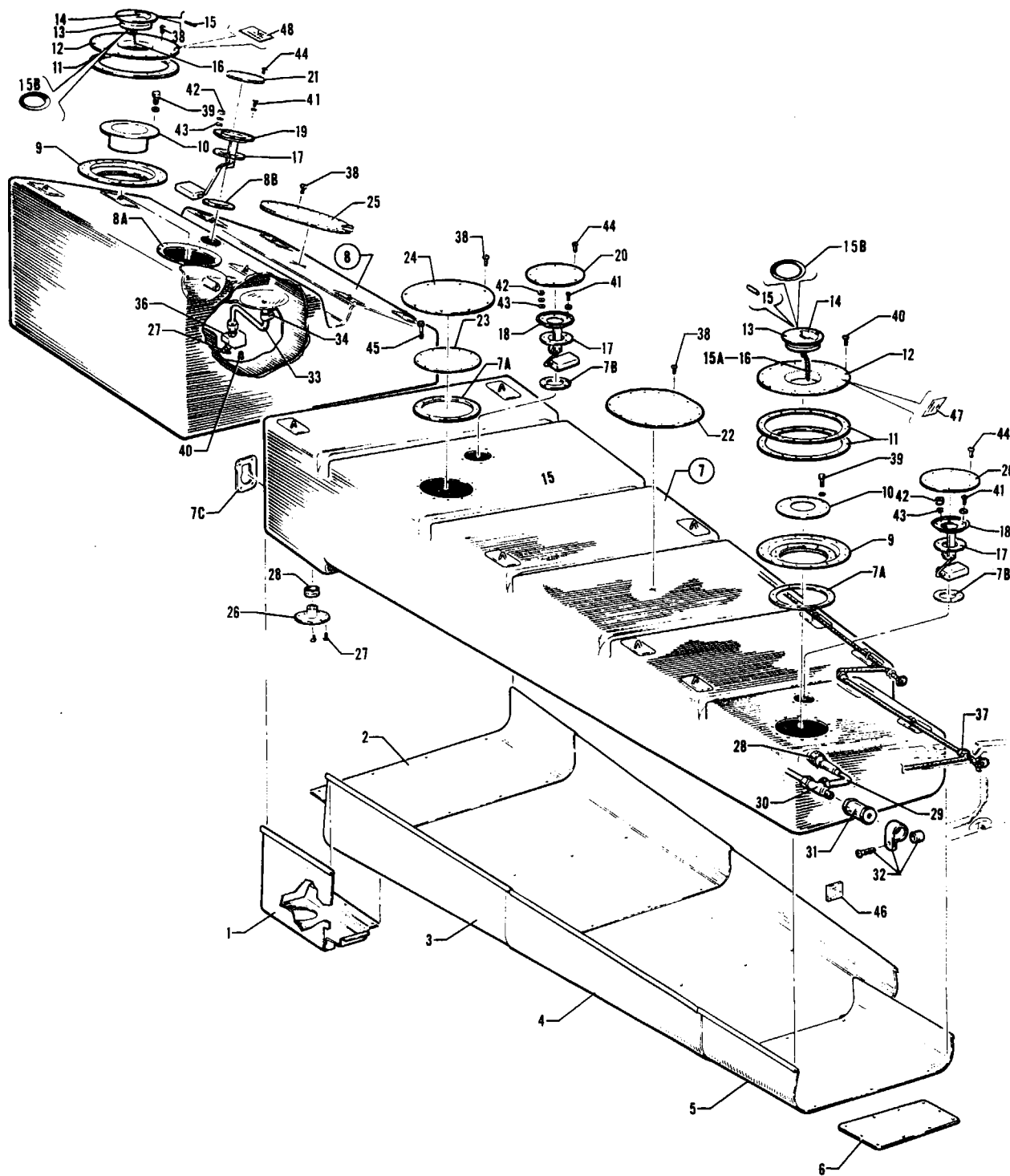


Figure 87. Nacelle and Auxiliary Fuel Cell and Liner Installation

PIPER PARTS CATALOG

Figure and Index Number	Part Number	Code	NOMENCLATURE	No. Req.	SERIAL NUMBERS AFFECTED
87-	46029 45906		DRAWING - Auxiliary Fuel Cell Liner Installation DRAWING - Nacelle and Auxiliary Fuel Cell Installation		
-1	45712-20		LINER - Fuel cell, Sta. 87.5 to Sta. 97.5, forward, left	1	
	45712-21		LINER - Fuel cell, Sta. 87.5 to Sta. 97.5, forward, right	1	
-2	45712-08		LINER - Fuel cell, Sta. 87.5 to Sta. 97.5, aft, left	1	
	45712-09		LINER - Fuel cell, Sta. 87.5 to Sta. 97.5, aft, right	1	
-3	45712-04		LINER - Fuel cell, Sta. 97.5 to Sta. 121.5, left	1	
	45712-05		LINER - Fuel cell, Sta. 97.5 to Sta. 121.5, right	1	
-4	45712-02		LINER - Fuel cell, Sta. 121.5 to Sta. 147.5, left	1	
	45712-03		LINER - Fuel cell, Sta. 121.5 to Sta. 147.5, right	1	
-5	40538-02		LINER - Fuel cell, Sta. 147.5 to Sta. 160.5, left	1	
	40538-03		LINER - Fuel cell, Sta. 147.5 to Sta. 160.5, right	1	
-6	45544-00		PLATE - Wing access	2	
-7	40519-02		FUEL CELL ASSEMBLY - Auxiliary, left	1	
	40519-03		FUEL CELL ASSEMBLY - Auxiliary, right	1	
-7a	755 016		* GASKET - Fuel cell	1	
-7b	755 017		* GASKET - Sender unit	1	
-7c	755 018		* GASKET - Fuel pump assembly	1	
-8	45919-00		FUEL CELL ASSEMBLY - Nacelle, left	1	
	45919-01		FUEL CELL ASSEMBLY - Nacelle, right	1	
-8a	755 016		* GASKET - Fuel cell	1	
-8b	755 017		* GASKET - Sender unit	1	
-9	40524-00		BRACKET ASSEMBLY - Fuel cell filler neck	4	
-10	42191-00		PLATE - Fuel cell attachment, auxiliary	2	
	47409-00		PLATE - Fuel cell attachment, nacelle	2	
-11	40555-00		GASKET - Fuel cell	6	
-12	40343-00		ADAPTER - Filler can	4	31P-3 to 31P-7300144 incl.
	53797-00		ADAPTER - Filler can	4	31P-7300145 and up
-13	454 258		CAP ASSEMBLY - (416-50)	4	31P-3 to 31P-7300144 incl.
	554 257		CAP ASSEMBLY - (431-139)	4	31P-7300145 and up
	554 119		CAP ASSEMBLY - (457-2) (Lightning shielded with retainer)	4	31P-7300145 and up
-14	752 003	A	* HANDLE - Fuel cell cap (416-327)	1	
	755 241	B,C	* HANDLE - Fuel cell cap (431-15)	1	
-15	757 313		* PIN - (416-9-1)	1	
-15a	472 059	B,C	* RETAINER - (452-16-6)	1	
-15b	762 514	A	* RING - "O" (MS29513-232)	1	
	762 515	B	* RING - "O" (MS29513-338)	1	
	762 516	C	* RING - "O" (457-98-1)	1	
-16	454 593		CHAIN ASSEMBLY - (417-20-6)	4	31P-3 to 31P-7300144 incl.
-17	42470-00		GASKET - Fuel sender	6	
-18	40648-04		SENDER ASSEMBLY - Auxiliary fuel cell, outboard (550 697)	2	
	40648-05		SENDER ASSEMBLY - Auxiliary fuel cell, inboard (550 698)	2	
-19	46979-00		SENDER ASSEMBLY - Nacelle fuel cell	2	
-20	40546-04		COVER - Fuel cell access	4	31P-3 to 31P-91 incl.
	40546-08		COVER - Fuel cell access	4	31P-92 and up
-21	40546-06		COVER - Fuel cell access	2	31P-3 to 31P-91 incl.
	40546-08		COVER - Fuel cell access	2	31P-92 and up

A - Used on Cap Assembly, Part No. 454 258 (416-50).  
 B - Used on Cap Assembly, Part No. 554 257 (431-139).  
 C - Used on Cap Assembly, Part No. 554 119 (457-2) and Part No. 554 482 (457-370-6).

When ordering, always specify Part Number, Description and Serial Number of Aircraft



### PIPER PARTS CATALOG

Figure and Index Number	Part Number	Code	NOMENCLATURE	No. Req.	SERIAL NUMBERS AFFECTED
87-22	40544-00		COVER - Fuel cell access	2	31P-3 to 31P-91 incl.
	40544-02		COVER - Fuel cell access	2	31P-92 and up
-23	40558-00		COVER - Fuel cell	2	
-24	40545-02		COVER - Fuel cell access	2	31P-3 to 31P-91 incl.
	40545-04		COVER - Fuel cell access	2	31P-92 and up
-25	46023-00		PLATE - Nacelle fuel cell access	2	
-26	40549-03		PLATE ASSEMBLY - Fuel drain valve	2	
-27	492 100		VALVE - Drain (CCA-7450)	4	
-28	554 864		CLAMP - (QS200-M12)	4	
-29	45834-00	A	LINE ASSEMBLY - Fuel cell vent	1	31P-3 to 31P-7400224 incl.
	48742-00		LINE ASSEMBLY - Fuel cell vent	1	31P-7400225 and up
-30	488 316	A	TEE - (AN826-4D)	2	31P-3 to 31P-7400224 incl.
	48739-00		TEE - Special	2	31P-7400225 and up
-31	492 142	A	VALVE - Check (366-00-19)	2	31P-3 to 31P-7400224 incl.
	492 238		VALVE - Check (3601-00)	2	31P-7400225 and up
-32	454 977		CLAMP - (A3046S-16-91)	2	
	86102-12		BUSHING - Spacer	2	
	415 633		SCREW - (MS35206-333)	2	
-33	45837-00		LINE ASSEMBLY - Fuel cell drain	2	
-34	554 947		CLAMP - (SAE TY F-10SS)	10	
-35	476 662		NIPPLE - (AN816-6D)	2	
-36	45778-00		BRACKET - Drain valve support	2	
-37	453 732		BUSHING - Snap (SB-375-4)	48	
-38	414 761		SCREW - (MS24693-S48)	156	
-39	400 002		BOLT - (AN4-5A)	48	
	407 136		WASHER - (AN936-A416)	48	
-40	414 763		SCREW - (MS24693-S50)	40	
-41	417 775		SCREW - (AN520-10R8)	30	
	494 063		WASHER - (3/8 O.D. x 3/16 I.D.)	30	
-42	405 312		NUT - Hex (10-32)	6	
	407 104		WASHER - (AN935-10)	6	
-43	407 128		WASHER - (AN936-B10)	6	
-44	414 763		SCREW - (AN507-832R8)	48	
-45	401 307		BOLT - (AN4-4A)	24	
	407 136		WASHER - (AN936-A416)	24	
-46	53983-05		PLACARD - Fuel vent check valve, left	1	
	53983-04		PLACARD - Fuel vent check valve, right	1	
-47	42333-00		DECAL - Fuel cell quantity, auxiliary	2	
-48	47526-00		DECAL - Fuel cell quantity, nacelle	2	

A - Order part for serial numbers 31P-7400225 and up if Heated Fuel Vent Replacement Kit 763 994 has been installed.

When ordering, always specify Part Number, Description and Serial Number of Aircraft

# PIPER PARTS CATALOG

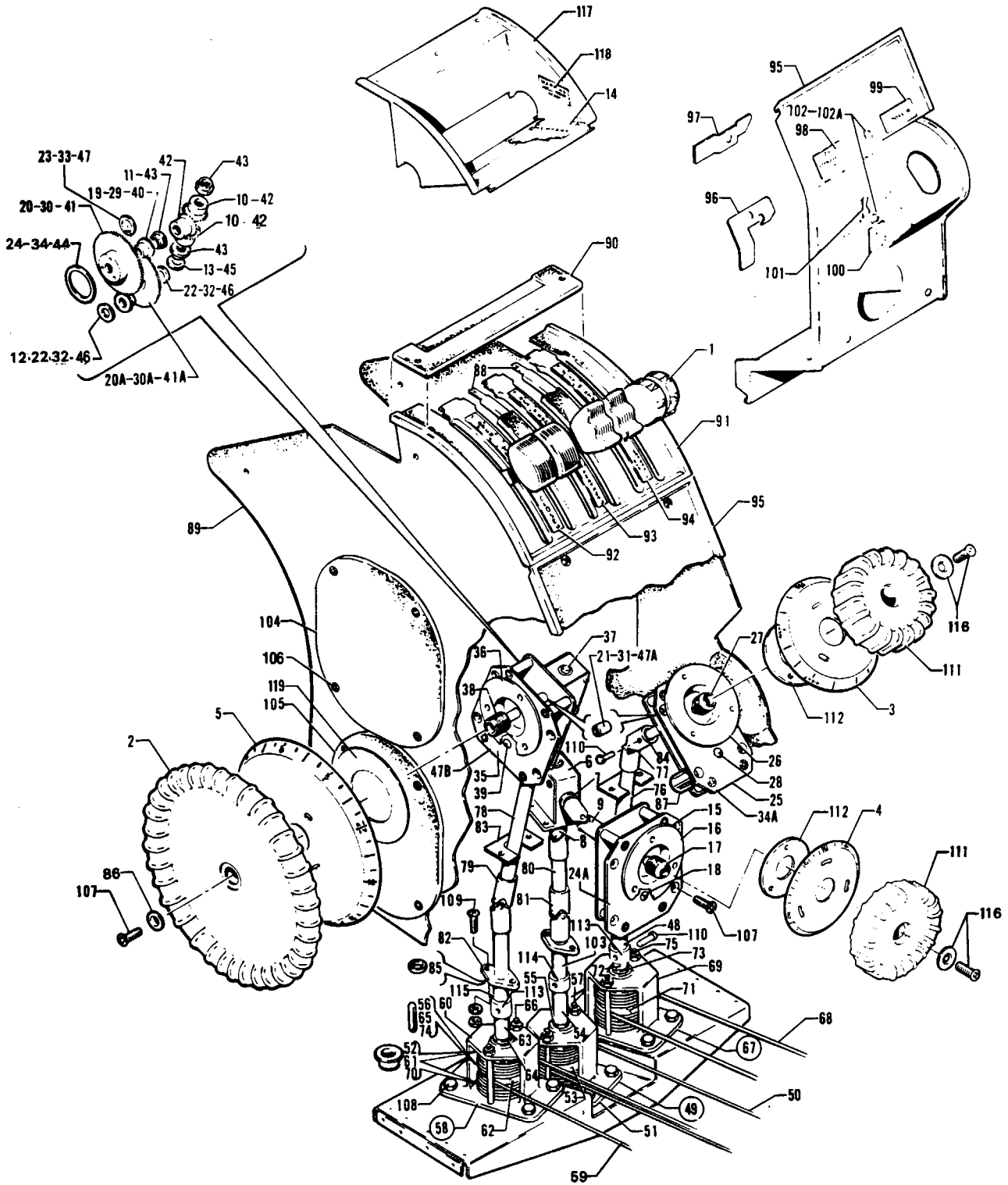


Figure 88. Pedestal Installation

**PIPER PARTS CATALOG**

Figure and Index Number	Part Number	Code	NOMENCLATURE	No. Req.	SERIAL NUMBERS AFFECTED
88-	45559 48505		DRAWING - Pedestal Installation DRAWING - Pedestal Installation		31P-3 to 31P-7300132 incl. 31P-7300133 and up
-1	43438-02 43438-04 48072-00 48072-02	A A,B A,C A,B,C	CONTROL ASSEMBLY - Pedestal CONTROL ASSEMBLY - Pedestal CONTROL ASSEMBLY - Pedestal CONTROL ASSEMBLY - Pedestal	1 1 1 1	
-2	43751-00		WHEEL ASSEMBLY - Elevator trim control	1	
-3	47685-00		INDICATOR ASSEMBLY - Rudder trim	1	
-4	47603-00		INDICATOR ASSEMBLY - Aileron trim	1	
-5	48014-00		INDICATOR ASSEMBLY - Elevator trim	1	
-6	47102-00		BOX ASSEMBLY - Aileron trim gear	1	
-7	47085-02		* SHAFT - Gear box	1	
-8	47085-03		* SHAFT - Gear box	1	
-9	47082-00		* JOINT - Universal	1	
-10	45367-00		* GEAR - Bevel	3	
-11	453 825		* BUSHING - (NAS77A-4-12)	3	
-12	494 183		* WASHER - (W-12)	AR	
-13	407 565		* WASHER - (AN960-416)	2	
-14	48052-00	C	PLACARD - Throttle quadrant (581 746)	1	
-15	47116-02		BOX ASSEMBLY - Aileron trim indicator	1	
-16	47157-00		* HUB ASSEMBLY - Trim indicator mounting	1	
-17	47090-02		* SHAFT - Aileron trim gear box	1	
-18	47117-00		* SHAFT - Aileron trim gear box	1	
-19	45405-00		* GEAR - Aileron trim gear box	2	
-20	47109-00		* GEAR - Aileron trim gear box	1	31P-3 to 31P-7630014 incl.
	54940-02		* GEAR ASSEMBLY - Aileron trim gear box	1	31P-7630015 and up
-20a	47109-00		* GEAR - Aileron trim gear box	1	31P-3 to 31P-7630014 incl.
	47109-02		* GEAR - Aileron trim gear box	1	31P-7630015 and up
-21	39991-13		* BUSHING - Spacer	1	
-22	494 183		* WASHER - Spacer (W-12)	2	
-23	494 184		* WASHER - Spacer (W-14)	1	
-24	494 038		* WASHER - Spacer (RE-11)	1	
-24a	54938-02		* PLATE ASSEMBLY - Aileron trim gear box	1	31P-7630015 and up
-25	47116-03		BOX ASSEMBLY - Rudder trim indicator	1	
-26	47157-00		* HUB ASSEMBLY - Trim indicator mounting	1	
-27	47090-03		* SHAFT - Rudder trim gear box	1	
-28	47117-00		* SHAFT - Rudder trim gear box	1	
-29	45405-00		* GEAR - Rudder trim gear box	2	
-30	47109-00		* GEAR - Rudder trim gear box	1	31P-3 to 31P-7630014 incl.
	54940-02		* GEAR ASSEMBLY - Rudder trim gear box	1	31P-7630015 and up
-30a	47109-00		* GEAR - Rudder trim gear box	1	31P-3 to 31P-7630014 incl.
	47109-02		* GEAR - Rudder trim gear box	1	31P-7630015 and up
-31	39991-13		* BUSHING - Spacer	1	
-32	494 183		* WASHER - Spacer (W-12)	2	
-33	494 184		* WASHER - Spacer (W-14)	1	
-34	494 038		* WASHER - Spacer (RE-11)	1	
-34a	54938-02		* PLATE ASSEMBLY - Rudder trim gear box	1	31P-7630015 and up

A - See Figure 89 for component parts.  
 B - Used if Altimatec V, V-1, V F/D or V F/D-1 is installed.  
 C - Used on aircraft that comply with C.A.A. (United Kingdom) requirements.

When ordering, always specify Part Number, Description and Serial Number of Aircraft

**PIPER PARTS CATALOG**

Figure and Index Number	Part Number	Code	NOMENCLATURE	No. Req.	SERIAL NUMBERS AFFECTED
88-35	46890-00		BOX ASSEMBLY - Elevator trim indicator	1	
-36	47157-00		* HUB ASSEMBLY - Trim indicator mounting	1	
-37	47085-03		* SHAFT - Elevator trim gear box	1	
-38	47091-00		* SHAFT - Elevator trim gear box	1	
-39	47117-00		* SHAFT - Elevator trim gear box	1	
-40	45405-00		* GEAR - Elevator trim gear box	2	
-41	47109-00		* GEAR - Elevator trim gear box	1	31P-3 to 31P-7630014 incl.
	54940-02		* GEAR ASSEMBLY - Elevator trim gear box	1	31P-7630015 and up
-41a	47109-00		* GEAR - Elevator trim gear box	1	31P-3 to 31P-7630014 incl.
	47109-02		* GEAR - Elevator trim gear box	1	31P-7630015 and up
-42	45367-00		* GEAR - Bevel	3	
-43	453 825		* BUSHING - (NAS77A-4-12)	3	
-44	494 038		* WASHER - Spacer (RE-11)	1	
-45	407 565		* WASHER - (AN960-416)	1	
-46	494 183		* WASHER - Spacer (W-12)	AR	
-47	494 184		* WASHER - Spacer (W-14)	1	
-47a	39991-13		* BUSHING - Spacer	1	
-47b	54938-02		* PLATE ASSEMBLY - Elevator trim gear box	1	31P-7630015 and up
-48	47660-04		SHAFT - Rudder trim control	1	
-49	46927-03		SCREW ASSEMBLY - Aileron trim	1	
-50	41734-17		* CABLE ASSEMBLY - Aileron trim	1	
-51	46910-00		* BRACKET ASSEMBLY - Trim drum support	1	
-52	452 381		* * BEARING - (FF-609-1)	2	
-53	41394-00		* DRUM - Trim	1	
-54	46913-05		* SHAFT - Trim control	1	
-55	41393-00		* BUSHING - Shaft	1	
-56	17089-00		* PIN - Cable	1	
-57	410 251		* SCREW - (MS24694-S33)	2	
	407 563		* WASHER - (AN960-8)	2	
	404 910		* NUT - (MS20365-832C)	2	
-58	46927-02		SCREW ASSEMBLY - Elevator trim	1	31P-3 to 31P-48 incl.
	46927-05		SCREW ASSEMBLY - Elevator trim	1	31P-49 and up
	46927-06	A	SCREW ASSEMBLY - Elevator trim	1	
-59	41734-16		* CABLE ASSEMBLY - Elevator trim	1	31P-3 to 31P-48 incl.
	41734-36		* CABLE ASSEMBLY - Elevator trim	1	31P-49 and up
	41734-42	A	* CABLE ASSEMBLY - Elevator trim	1	
-60	46910-00		* BRACKET ASSEMBLY - Trim drum support	1	
-61	452 381		* * BEARING - (FF-609-1)	1	
-62	41394-00		* DRUM - Trim	1	
-63	46913-04		* SHAFT - Trim control	1	
-64	41393-00		* BUSHING - Shaft	1	
-65	17089-00		* PIN - Cable	1	
-66	410 251		* SCREW - (MS24694-S33)	2	
	407 563		* WASHER - (AN960-8)	2	
	404 910		* NUT - (MS20365-832C)	2	
-67	46927-04		SCREW ASSEMBLY - Rudder trim	1	
-68	41734-18		* CABLE ASSEMBLY - Rudder trim	1	
-69	46910-00		* BRACKET ASSEMBLY - Trim drum support	1	
-70	452 381		* * BEARING - (FF-609-1)	1	
-71	41394-00		* DRUM - Trim	1	
-72	46913-04		* SHAFT - Trim control	1	
-73	41393-00		* BUSHING - Shaft	1	
-74	17089-00		* PIN - Cable	1	
-75	410 251		* SCREW - (MS24694-S33)	2	
	407 563		* WASHER - (AN960-8)	2	
	404 910		* NUT - (MS20365-832C)	2	

A - Used if AltiMatic III B or AltiMatic III B-1 is installed.

When ordering, always specify Part Number, Description and Serial Number of Aircraft

**PIPER PARTS CATALOG**

Figure and Index Number	Part Number	Code	NOMENCLATURE	No. Req.	SERIAL NUMBERS AFFECTED
88-76	47089-02		SHAFT ASSEMBLY - Rudder trim	1	
-77	47082-00		* JOINT - Universal	2	
-78	47089-03		SHAFT ASSEMBLY - Elevator trim	1	
-79	47082-00		* JOINT - Universal	2	
-80	47092-00		SHAFT ASSEMBLY - Aileron trim	1	
-81	47082-00		* JOINT - Universal	2	
-82	46656-00		PLATE - Trim shaft seal	3	
-83	47160-00		GUIDE - Trim shaft	2	
-84	47159-00		BUSHING - Trim shaft	2	
-85	41413-74		BUSHING	3	
-86	494 081		WASHER - (A3135-017-1)	1	
-87	41413-76		BUSHING	4	
-88	46917-00	A	CHANNEL ASSEMBLY - Pedestal cover support	2	
-89	47121-00		COVER - Pedestal, left side	1	31P-3 to 31P-7300132 inclusive
	48492-00		COVER - Pedestal, left side	1	31P-7300133 and up
	47122-00		COVER - Pedestal, right side	1	31P-3 to 31P-7300132 inclusive
	48489-02		COVER - Pedestal, right side	1	31P-7300133 and up
-90	47119-00	A	COVER - Pedestal, front top	1	31P-3 to 31P-7300132 inclusive
	48482-00	A	COVER - Pedestal, front top	1	31P-7300133 and up
-91	47120-00		COVER ASSEMBLY - Pedestal, front upper	1	31P-3 to 31P-7300132 inclusive
	48500-00		COVER ASSEMBLY - Pedestal, front upper	1	31P-7300133 and up
-92	40583-03		* PLACARD - Throttle control	1	
-93	40584-03		* PLACARD - Propeller control	1	
-94	40594-03		* PLACARD - Mixture control	1	
-95	47125-00		COVER ASSEMBLY - Pedestal front	1	31P-3 to 31P-7300132 inclusive
	47125-02	B	COVER ASSEMBLY - Pedestal front	1	31P-3 to 31P-7300132 inclusive
	48495-02		COVER ASSEMBLY - Pedestal front	1	31P-7300133 and up
	48495-03	C	COVER ASSEMBLY - Pedestal front	1	31P-7300133 and up
-96	47734-00		* BRACKET - Light retaining	1	
-97	47735-00		* BRACKET - Light retaining	1	
-98	47736-00		* PLACARD - Elevator trim	1	
-99	47737-00		* PLACARD - Rudder trim	1	
-100	47738-00		* PLACARD - Aileron trim	1	
-101	47714-00		* PLATE - Pedestal lighting	1	
-102	456 794		* LIGHT ASSEMBLY - (271-8430-0171-702)	2	
-102a	472 028		* * BULB - (327)	1	
-103	47660-02		SHAFT - Aileron trim control	1	
-104	47124-00		COVER - Pedestal access, left	1	31P-3 to 31P-7300132 inclusive
	48494-00		COVER - Pedestal access, left	1	31P-7300133 and up
	47389-00		COVER - Pedestal access, right	1	31P-3 to 31P-7300132 inclusive
	48484-00		COVER - Pedestal access, right	1	31P-7300133 and up
-105	47123-00		COVER - Pedestal access	2	31P-3 to 31P-7300132 inclusive
	48499-00		COVER - Pedestal access	2	31P-7300133 and up
-106	415 149		SCREW - (AN526-632R8)	28	
-107	414 763		SCREW - (MS24693-S50)	9	
-108	400 438		BOLT - (AN3-4A)	12	
	407 564		WASHER - (AN960-10)	12	
	404 887		NUT - (MS20365-1032C)	12	
-109	415 537		SCREW - (MS35206-247)	6	
	407 563		WASHER - (AN960-8)	6	
	404 910		NUT - (MS20365-832C)	6	

A - Not used on aircraft that comply with C. A. A. (United Kingdom) requirements.  
 B - Used if AltiMatic III B, AltiMatic III B-1, AltiMatic V F/D, AltiMatic V F/D-1, AltiMatic V or AltiMatic V-1 is installed.  
 C - Used if AltiMatic III B-1, AltiMatic V-1 or AltiMatic V F/D-1 is installed.

When ordering, always specify Part Number, Description and Serial Number of Aircraft



Figure and Index Number	Part Number	Code	NOMENCLATURE	No. Req.	SERIAL NUMBERS AFFECTED
88-110	424 145		PIN - Flat head (MS20392-1C17)	10	
	424 051		COTTER PIN - (MS24665-132)	10	
-111	47148-00		KNOB ASSEMBLY - Rudder and aileron control	2	
-112	47607-00		SPACER - Indicator mounting	2	31P-3 to 31P-7300132 inclusive
-113	47659-02		SLEEVE - Trim control shaft	2	
-114	47659-03		SLEEVE - Trim control shaft	1	
-115	47660-03		SHAFT - Elevator trim control	1	
-116	80030-02		WASHER - Countersunk	2	
	414 763		SCREW - (AN507-832R8)	2	
-117	53757-05	A	COVER ASSEMBLY - Pedestal, front upper, black	1	
-118	48075-00	A	PLACARD - Quadrant warning (581 748)	2	
-119	47607-00		SPACER - Indicator mounting	2	

A - Used on aircraft that comply with C.A.A. (United Kingdom) requirements.

When ordering, always specify Part Number, Description and Serial Number of Aircraft

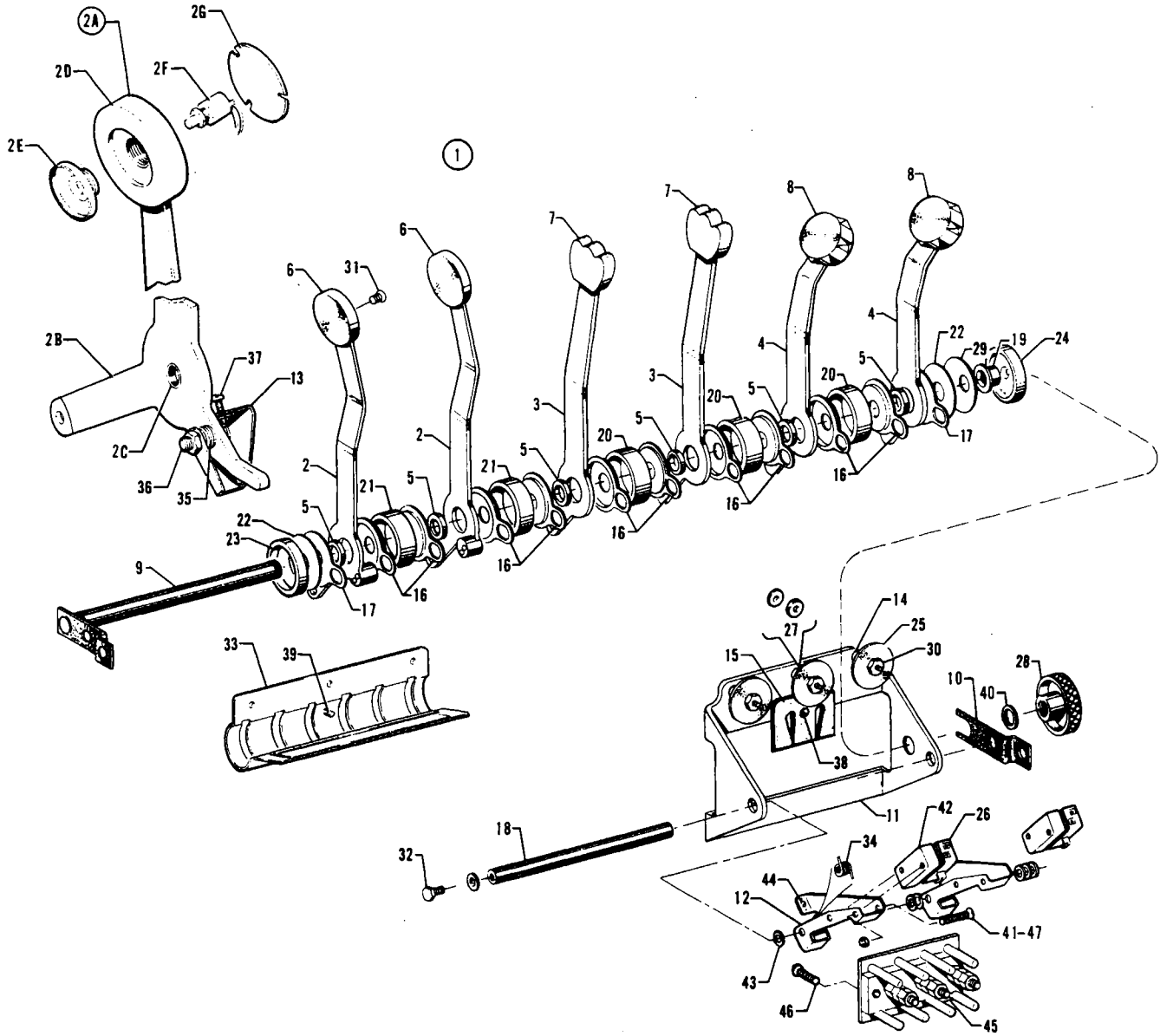


Figure 89. Pedestal Control Assembly



Figure and Index Number	Part Number	Code	NOMENCLATURE	No. Req.	SERIAL NUMBERS AFFECTED
89-1	43438-02		CONTROL ASSEMBLY - Pedestal	1	
	43438-04	A	CONTROL ASSEMBLY - Pedestal	1	
	48072-00	B	CONTROL ASSEMBLY - Pedestal	1	
	48072-02	AB	CONTROL ASSEMBLY - Pedestal	1	
-2	43454-00		LEVER ASSEMBLY - Throttle, left	1	
	43454-02		LEVER ASSEMBLY - Throttle, right	1	
	48045-00	B	LEVER ASSEMBLY - Throttle, left	1	
	48045-02	B	LEVER ASSEMBLY - Throttle, right	1	
-2a	52024-00	A	LEVER ASSEMBLY - Throttle (complete)	1	
	52024-02	AB	LEVER ASSEMBLY - Throttle (complete)	1	
-2b	43454-06		LEVER ASSEMBLY - Throttle	1	
	48045-06	B	LEVER ASSEMBLY - Throttle	1	
-2c	452 359		BEARING - (#A-306-11)	1	
-2d	52017-00		KNOB - Throttle control and switch housing	1	
-2e	52020-00		GUARD - Switch	1	
-2f	487 775		SWITCH - "Go Around" (39-2)	1	
-2g	52018-00		DISC - Throttle control knob	1	
-3	41475-00		LEVER ASSEMBLY - Propeller control	2	
-4	41476-02		LEVER ASSEMBLY - Mixture control, left	1	
	41476-00		LEVER ASSEMBLY - Mixture control, right	1	
-5	452 359		BEARING - (#A-306-11)	1	
-6	41415-00		KNOB - Throttle control	2	
-7	41416-00		KNOB - Propeller control	2	
-8	41417-00		KNOB - Mixture control	2	
-9	41526-00		SHAFT ASSEMBLY - Pedestal controls	1	
	48049-00	B	SHAFT ASSEMBLY - Pedestal controls	1	
-10	41525-00		BRACKET - Pedestal control shaft	1	
-11	40891-00		BRACKET ASSEMBLY - Engine control lever	1	
	48042-00	B	BRACKET ASSEMBLY - Engine control lever	1	
-12	43435-00		BRACKET ASSEMBLY - Throttle switch, left	1	
	43435-02		BRACKET ASSEMBLY - Throttle switch, right	1	
-13	48050-00	B	BRACKET ASSEMBLY - Throttle switch	2	
-14	19936-00		STUD - Control lever stop	3	
-15	43551-00		PLATE - Friction	1	
	43551-02	B	PLATE - Friction	1	
-16	17852-02		PLATE - Friction, pedestal controls	10	
-17	17852-03		PLATE - Friction, pedestal controls	2	
	17852-02	B	PLATE - Friction, pedestal controls	2	
-18	17850-00		TUBE - Pedestal control keeper	1	
	17850-03	B	TUBE - Pedestal control keeper	1	
-19	17848-00		BEARING - Pedestal control shaft	1	
	17848-03	B	BEARING - Pedestal control shaft	1	
-20	14175-37		BUSHING - Pedestal control shaft	3	
-21	43455-00		BUSHING - Pedestal control shaft	2	
	14175-37	B	BUSHING - Pedestal control shaft	2	
-22	81342-68		WASHER - Pedestal control shaft	2	
-23	49982-13	B	BUSHING - Pedestal control shaft, left	1	
-24	43455-03	B	BUSHING - Pedestal control shaft, right	1	
-25	81342-100		WASHER - Pedestal control	3	

A - Used if AltiMatic V F/D, V F/D-1, V or V-1 is installed.  
 B - Used on aircraft that comply with C. A. A. (United Kingdom) requirements.

When ordering, always specify Part Number, Description and Serial Number of Aircraft



**PIPER PARTS CATALOG**

Figure and Index Number	Part Number	Code	NOMENCLATURE	No. Req.	SERIAL NUMBERS AFFECTED
89-26	487 940		* SWITCH - Limit, Class "E" (MS25253-2)	2	
-27	404 224		* NUT - (AN315-3R)	1	
	407 584		* WASHER - (AN960-10L)	1	
-28	471 044		* KNOB - Black (#646)	1	
-29	408 816		* WASHER - Shakeproof (#3802-18-04-2114)	1	
-30	404 224		* NUT - (AN315-3R)	3	
-31	414 779		* SCREW - (MS24693-S49)	6	
-32	411 532		* SCREW - (MS35207-263)	2	
	407 043		* WASHER - (MS35338-43)	2	
	416 785	A	* SCREW - (MS24693-S272)	2	
	407 129	A	* WASHER - (AN936-D10)	2	
-33	48043-00	A	* COVER ASSEMBLY - Control lever	1	
-34	43457-00		* SPRING - Throttle switch	2	
-35	48048-00	A	* SPRING - Throttle switch	2	
-36	415 539	A	* SCREW - (MS35206-249)	2	
	80012-57	A	* BUSHING	4	
	404 833	A	* NUT - (MS20364-832C)	2	
-37	415 522	A	* SCREW - (MS35206-232)	2	
-38	415 514	A	* SCREW - (MS35206-234)	1	
	407 562	A	* WASHER - (AN960-6)	1	
	404 829	A	* NUT - (MS20364-632C)	1	
-39	419 938	A	* SCREW - (#4 x 1/2 L, Type F truss head, sheet metal)	2	
-40	407 566		* WASHER - (AN960-516)	1	
-41	414 705		* SCREW - (MS24693-S11)	4	
	406 638		* NUT - (#H10-04)	4	
-42	43981-00		* SPACER - Throttle switch	2	
-43	407 565		* WASHER - (AN960-416)	4	
	407 585		* WASHER - (AN960-416L)	2	
-44	415 537		* SCREW - (MS35206-247)	2	
-45	488 421		BLOCK - Terminal (MS27212-1-3)	1	
-46	414 695		SCREW - (MS24693-S4)	2	
	405 095		NUT - (#4-40)	2	
	404 596	A	NUT - (MS20341-4S)	2	
-47	415 626	A	SCREW - (MS35206-326)	2	
	49982-15	A	SPACER	2	
	406 638	A	NUT - (#H10-04)	2	

A - Used on aircraft that comply with C.A.A (United Kingdom) requirements.

When ordering, always specify Part Number, Description and Serial Number of Aircraft

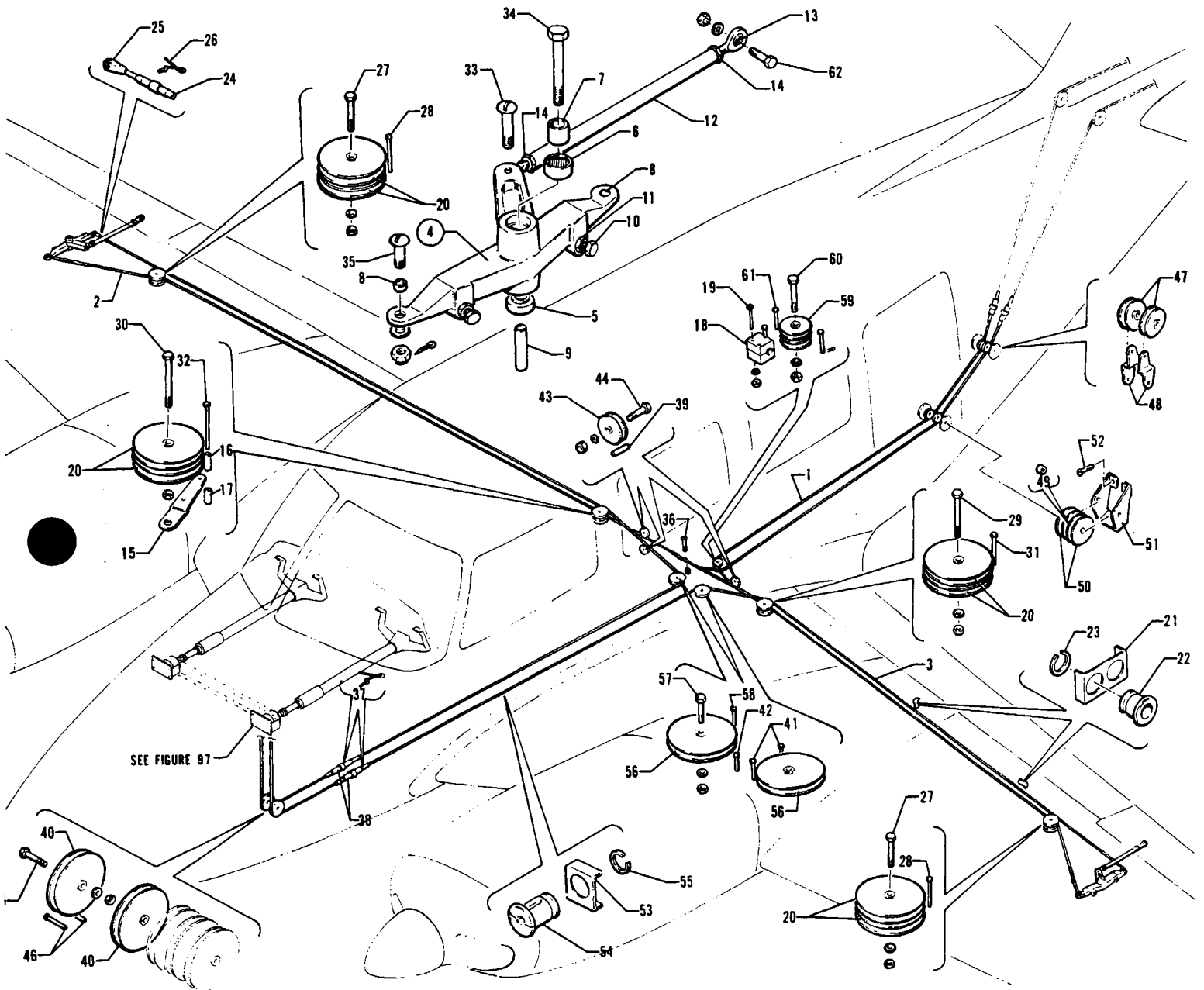


Figure 90. Aileron Control Installation



Figure and Index Number	Part Number	Code	NOMENCLATURE	No. Req.	SERIAL NUMBERS AFFECTED
90-	46880 41565		DRAWING - Control System Installation DRAWING - Aileron Installation		
-1	41724-00 55406-02		CABLE ASSEMBLY - Aileron balance, left CABLE ASSEMBLY - Aileron balance, left	1 1	31P-3 to 31P-7630016 inclusive 31P-7630017 and up
-2	41717-00 55408-02		CABLE ASSEMBLY - Aileron balance, right CABLE ASSEMBLY - Aileron balance, right	1 1	31P-3 to 31P-7630016 inclusive 31P-7630017 and up
-3	41754-02 41754-03		CABLE ASSEMBLY - Control, aileron, left CABLE ASSEMBLY - Control, aileron, right	1 1	
-4	40339-00 40339-01		BELLCRANK ASSEMBLY - Aileron, left (452 432) BELLCRANK ASSEMBLY - Aileron, right (452 433)	1 1	
-5	452 344		BEARING - (5035)	1	
-6	452 361		BEARING - (B-86)	1	
-7	452 362		BEARING - Race (1RA-5)	1	
-8	80022-74		BUSHING - Aileron bellcrank	2	
-9	80022-87		BUSHING - Aileron bellcrank	1	
-10	418 347		SCREW - Cap (1/4-20NC3-1 1/16 L)	2	
-11	406 581		NUT - Hex (1/4-20NC3) cadmium plated	2	
-12	40599-03		ROD ASSEMBLY - Aileron control	2	
-13	24166-02		BEARING ASSEMBLY - Rod, aileron control	2	
-14	404 322		NUT - (AN316-4R)	2	
-15	40494-00		GUARD - Aileron pulley, right	1	
-16	42571-04		BUSHING - Pulley, right, Sta. 30	1	
-17	42571-05		BUSHING - Pulley, right, Sta. 30	1	
-18	42337-00		FAIRLEAD - Aileron balance cable	2	
-19	415 633 407 563 404 910		SCREW - (MS36206-333) WASHER - (AN960-8) NUT - (MS20365-832C)	2 2 2	
-20	481 627		PULLEY - Control cable (MS24566-4B)	8	
-21	41669-00		BRACKET - Fairlead, Sta. 58.5 and Sta. 121.5	4	
-22	40071-00		SEGMENT - Cable fairlead	16	
-23	40081-00		RING - Fairlead snap	8	
-24	452 011		BARREL - Turnbuckle (NAS649-B32S)	4	
-25	461 133		FORK - Turnbuckle (NAS645-32RS)	4	
-26	454 867		CLIP - Turnbuckle locking (NAS651-16S)	8	
-27	400 009 407 565 404 888		BOLT - (AN4-14A) WASHER - (AN960-416) NUT - (MS20365-428C)	2 2 2	
-28	424 514		PIN - (NAS427-K20)	2	
-29	400 008 407 565 404 888		BOLT - (AN4-13A) WASHER - (AN960-416) NUT - (MS20365-428C)	1 1 1	
-30	400 016 404 888		BOLT - (AN4-23A) NUT - (MS20365-428C)	1 1	
-31	424 512		PIN - (NAS427-K18)	1	
-32	424 527		PIN - (NAS427-K32)	1	
-33	400 703 407 585 404 393 424 051		BOLT - Clevis (AN24-16) WASHER - (AN960-416L) NUT - (AN320-4) COTTER PIN - (MS24665-132)	2 4 2 4	
-34	401 366 407 566		BOLT - (AN5-27A) WASHER - (AN960-516)	2 2	
-35	400 700 407 585 404 393 424 051		BOLT - (AN24-13) WASHER - (AN960-416L) NUT - (AN320-4) COTTER PIN - (MS24665-132)	4 4 4 4	

When ordering, always specify Part Number, Description and Serial Number of Aircraft



Figure and Index Number	Part Number	Code	NOMENCLATURE	No. Req.	SERIAL NUMBERS AFFECTED
90-36	400 673		BOLT - (AN23-11)	1	
	404 392		NUT - (AN320-3)	1	
	424 051		COTTER PIN - (MS24665-132)	1	
-37	454 867		CLIP - Turnbuckle (NAS651-16S)	4	
-38	452 011		BARREL - Turnbuckle (NAS649B-32S)	2	
-39	424 506		PIN - (NAS427-K12)	3	
-40	481 627		PULLEY - (MS24566-4B)	2	
-41	424 508		PIN - (NAS427-K14)	2	
-42	424 509		PIN - (NAS427-K15)	1	
-43	481 651		PULLEY - (MS20220-1)	3	
-44	401 189		BOLT - (AN5-11A)	3	
	407 566		WASHER - (AN960-516)	3	
	404 837		NUT - (MS20364-524C)	3	
-45	401 310		BOLT - (AN4-10A)	1	
	407 565		WASHER - (AN960-416)	1	
	404 836		NUT - (MS20364-428C)	1	
-46	424 507		PIN - (NAS427-K13)	2	
-47	481 626		PULLEY - (MS20219-2)	2	
-48	41451-00		BRACKET ASSEMBLY - Cable pulley, left, Sta. 274	1	
	41451-01		BRACKET ASSEMBLY - Cable pulley, right, Sta. 274	1	
-49	41413-30		BUSHING - Spacer, aileron cable pulley	1	
-50	481 626		PULLEY - (MS20219-2)	2	
-51	41449-00		GUARD - Cable pulley, Sta. 244	1	
-52	415 518		SCREW - (MS35206-228)	2	
-53	11151-02		BRACKET - Fairlead	2	
-54	40701-04		SEGMENT - Cable fairlead	4	
-55	40081-00		RING - Snap, fairlead	2	
-56	481 627		PULLEY - (MS24566-4B)	2	
-57	401 310		BOLT - (AN4-10A)	2	
	407 565		WASHER - (AN960-416)	2	
	404 836		NUT - (MS20364-428C)	2	
-58	424 507		PIN - (NAS427-K13)	1	
-59	481 626		PULLEY - (MS20219-2)	2	
-60	400 008		BOLT - (AN4-13A)	1	
	407 565		WASHER - (AN960-416)	1	
	404 888		NUT - (MS20365-428C)	1	
-61	424 154		PIN - (MS20392-1C33)	1	
	424 051		COTTER PIN - (AN380-2-2)	3	
-62	401 311		BOLT - (AN4-11A)	2	
	407 565		WASHER - (AN960-416)	2	
	404 888		NUT - (MS20365-428C)	2	

When ordering, always specify Part Number, Description and Serial Number of Aircraft

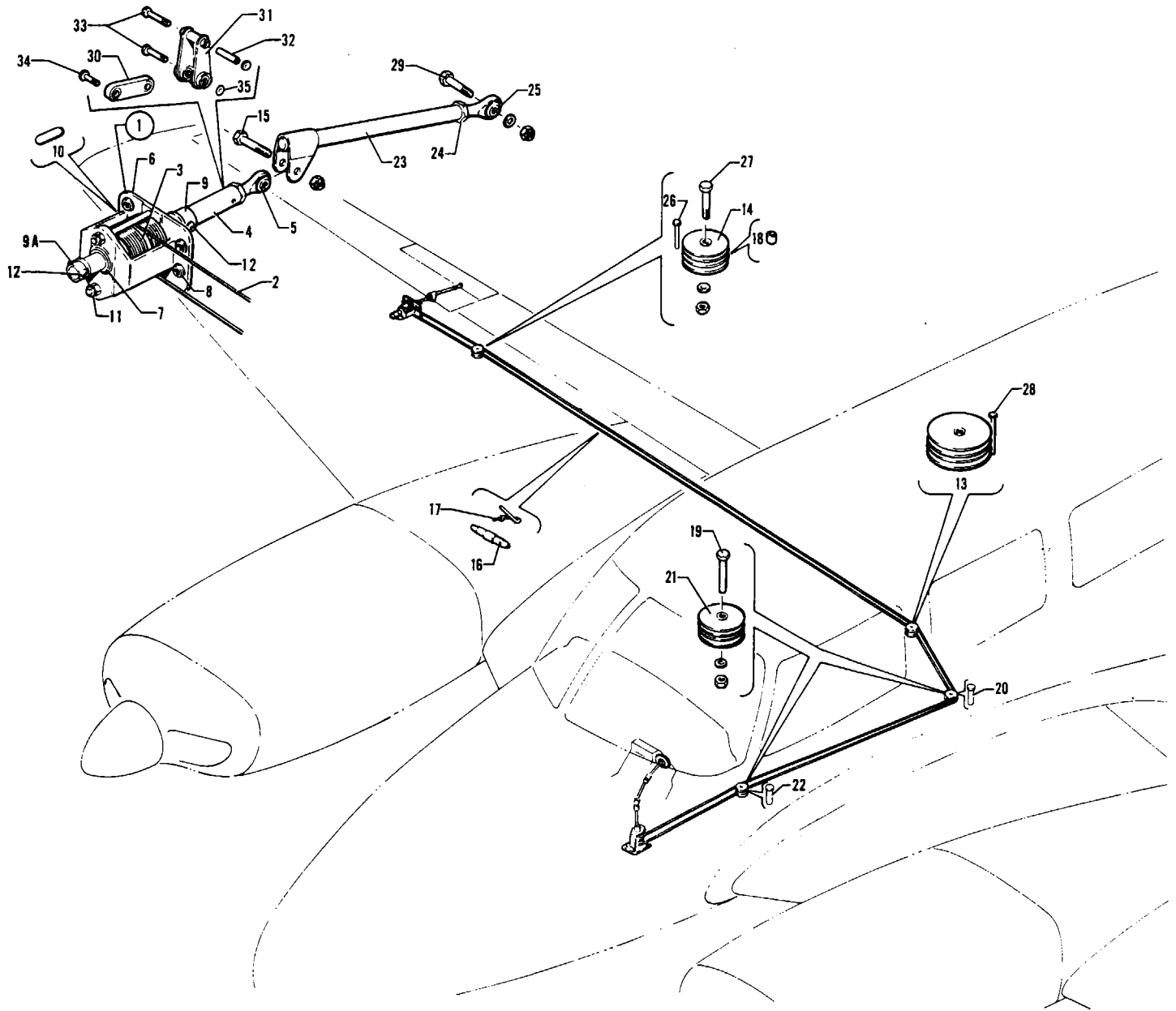


Figure 91. Aileron Trim Installation



Figure and Index Number	Part Number	Code	NOMENCLATURE	No. Req.	SERIAL NUMBERS AFFECTED
91-	41585 46864		DRAWING - Aileron Installation DRAWING - Trim Tab Installation		
-1	47778-00	A	SCREW ASSEMBLY - Aileron trim tab, right	1	
	48809-02	B	SCREW ASSEMBLY - Aileron trim tab, right	1	
-2	41734-02		CABLE ASSEMBLY - Aileron trim	1	
-3	17088-00		DRUM - Trim tab	1	
-4	42985-00	A	SCREW ASSEMBLY - Aileron trim tab	1	
	51271-02	B	SCREW - Aileron trim tab	1	
-5	452 357	A	BEARING - Aileron trim tab (M34-14)	1	
-6	40035-00		BRACKET ASSEMBLY - Trim drum support	1	
-7	452 381		BEARING - (FF-609-1)	2	
-8	477 684		NUT - Splined (22ND8-02)	4	
-9	40027-00	A	BUSHING - Trim tab screw stop	1	
-9a	40027-00	A	BUSHING - Trim tab screw stop	1	
	48437-02	B	BUSHING - Trim tab screw stop	1	
-10	17089-00		PIN - Aileron trim cable	1	
-11	410 253		SCREW - (MS24694-S35)	2	
	407 563		WASHER - (AN960-8)	2	
	404 910		NUT - (MS20365-832C)	2	
-12	400 868		BOLT - Clevis (AN23-16A)	2	
	404 887		NUT - (MS20365-1032C)	2	
-13	481 626		PULLEY - Sta. 30, right (MS20219-2)	2	
-14	481 640		PULLEY - Aileron cable (MS24566-1B)	2	
-15	400 441	A	BOLT - (AN3-7A)	1	
	404 887	A	NUT - (MS20365-1032C)	1	
-16	452 015		BARREL - Turnbuckle (NAS649-B8S)	2	
-17	454 867		CLIP - Turnbuckle locking (NAS651-16S)	4	
-18	80022-113		BUSHING - Aileron tab control	1	
-19	401 269		BOLT - (AN3-10A)	2	
	407 564		WASHER - (AN960-10)	2	
	404 835		NUT - (MS20364-1032C)	2	
-20	424 506		PIN - (NAS427-K12)	1	
-21	481 640		PULLEY - (MS24566-1B)	4	
-22	424 505		PIN - (NAS427-K11)	1	
-23	41859-00	A	TUBE ASSEMBLY - Aileron tab control, right	1	
	41859-06	B	TUBE ASSEMBLY - Aileron tab control, right	1	
-24	404 322		NUT - (AN316-4R)	1	
-25	452 357		BEARING - Aileron tab control (M34-14)	1	
-26	424 513		PIN - (NAS427-K19)	1	
-27	400 444		BOLT - (AN3-13A)	1	
	407 564		WASHER - (AN960-10)	1	
	404 887		NUT - (MS20365-1032C)	1	
-28	424 509		PIN - (NAS427-K15)	1	
-29	400 441		BOLT - (AN3-7A)	1	
	407 564		WASHER - (AN960-10)	1	
	404 887		NUT - (MS20365-1032C)	1	

A - Used on serial nos. 31P-3 to 31P-7400227 inclusive, and 31P-7400230.  
 B - Used on serial nos. 31P-7400228, 31P-7400229, 31P-7530001 and up.

When ordering, always specify Part Number, Description and Serial Number of Aircraft



Figure and Index Number	Part Number	Code	NOMENCLATURE	No. Req.	SERIAL NUMBERS AFFECTED
91-30	48807-02	A	LINK ASSEMBLY - Aileron tab control, right	1	
-31	48808-02	A	LINK ASSEMBLY - Aileron tab control, right	1	
-32	29999-21	A	BUSHING - Aileron link assembly, right	1	
-33	400 450	A	BOLT - (AN3-17A)	2	
	404 887	A	NUT - (MS20365-1032C)	2	
-34	401 269	A	BOLT - (AN3-10A)	1	
	404 887	A	NUT - (MS20365-1032C)	1	
-35	407 800	A	WASHER - (AN970-3)	2	
			A - Used on serial nos. 31P-7400228, 31P-7400229, 31P-7530001 and up.		

When ordering, always specify Part Number, Description and Serial Number of Aircraft

**2B23 THRU 2B24**  
**INTENTIONALLY LEFT BLANK**



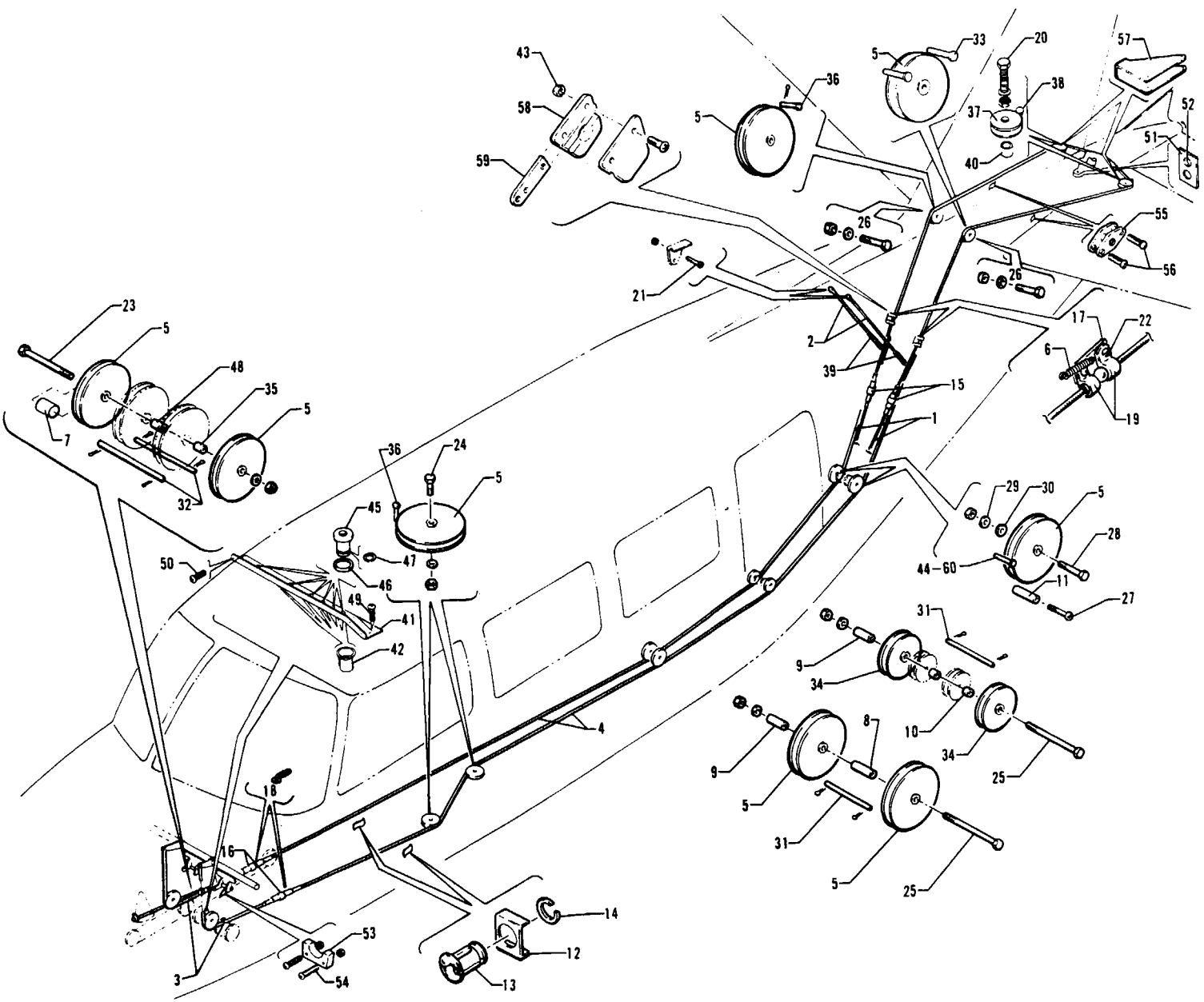


Figure 92. Rudder Control Installation



Figure and Index Number	Part Number	Code	NOMENCLATURE	No. Req.	SERIAL NUMBERS AFFECTED
92-	46880		DRAWING - Control System Installation		
-1	24631-03		CABLE ASSEMBLY - Connector, rudder cable support, left	1	31P-3 to 31P-52 inclusive
	24631-07		CABLE ASSEMBLY - Connector, rudder cable support, left	1	31P-53 and up
	24631-05		CABLE ASSEMBLY - Connector, rudder cable support, right	1	31P-3 to 31P-52 inclusive
	24631-08		CABLE ASSEMBLY - Connector, rudder cable support, right	1	31P-53 and up
-2	41925-00		CABLE ASSEMBLY - Support, rudder cable, left	1	
	41925-02		CABLE ASSEMBLY - Support, rudder cable, right	1	
-3	41947-03		CABLE ASSEMBLY - Rudder cable, forward, left	1	
	48436-00		CABLE ASSEMBLY - Rudder and nose gear steering, forward, right	1	
-4	46845-00		CABLE ASSEMBLY - Rudder, rear, outboard	1	
	46845-02		CABLE ASSEMBLY - Rudder, rear, inboard	1	
-5	481 627		PULLEY - (MS24566-4B)	10	
-6	24629-00		SPRING - Control cable connector	2	
-7	41413-11		BUSHING - Spacer, rudder cable pulley	1	
-8	41413-20		BUSHING - Spacer, rudder cable pulley	1	
-9	41413-77		BUSHING - Spacer, rudder cable pulley	2	
-10	41413-29		BUSHING - Spacer, rudder cable pulley	1	
-11	41413-31		BUSHING - Spacer, rudder cable pulley	2	
-12	11151-02		BRACKET - Fairlead, left	1	
	11151-03		BRACKET - Fairlead, right	1	
-13	40701-04		SEGMENT - Cable fairlead	4	
-14	40081-00		RING - Snap, fairlead	2	
-15	452 015		BARREL - Turnbuckle (NAS649B-8S)	2	
-16	452 011		BARREL - Turnbuckle (NAS649B-32S)	2	
-17	24632-00		LINK - Cable spring	2	31P-3 to 31P-52 inclusive
-18	454 867		CLIP - Turnbuckle (NAS651-16S)	4	
-19	454 887		CLAMP - (#A4886S-3-1)	4	31P-3 to 31P-52 inclusive
-20	401 193		BOLT - (AN5-15A)	2	
	407 566		WASHER - (AN960-516)	4	
	404 889		NUT - (MS20365-524C)	2	
-21	415 518		SCREW - (MS35206-228)	4	
	404 829		NUT - (MS20364-632C)	4	
-22	415 520		SCREW - (MS35206-230)	4	31P-3 to 31P-52 inclusive
	404 909		NUT - (MS20365-632C)	4	31P-3 to 31P-52 inclusive
-23	400 012		BOLT - (AN4-17A)	1	
	407 565		WASHER - (AN960-416)	1	
	404 836		NUT - (MS20364-428C)	1	
-24	401 310		BOLT - (AN4-10A)	2	
	407 565		WASHER - (AN960-416)	2	
	404 836		NUT - (MS20364-428C)	2	
-25	401 334		BOLT - (AN4-36A)	2	
	407 565		WASHER - (AN960-416)	2	
	404 836		NUT - (MS20364-428C)	2	
-26	401 310		BOLT - (AN4-10A)	2	
	404 888		NUT - (MS20365-428C)	2	
-27	415 514		SCREW - (MS35206-234)	2	
-28	400 912		BOLT - Outboard (AN24-22A)	1	
	400 009		BOLT - Inboard (AN4-14A)	1	
	407 565		WASHER - (AN960-416)	2	
	404 836		NUT - (MS20364-428C)	2	
-29	407 565		WASHER - (AN960-416)	2	
-30	407 585		WASHER - (AN960-416L)	2	

When ordering, always specify Part Number, Description and Serial Number of Aircraft



Figure and Index Number	Part Number	Code	NOMENCLATURE	No. Req.	SERIAL NUMBERS AFFECTED
92-31	41576-02		PIN - Rudder cable guard, forward	2	
	424 051		COTTER PIN - (MS24665-132)	4	
-32	424 541		PIN - (NAS427-K62)	2	
-33	424 507		PIN - (NAS427-K12)	2	
-34	481 626		PULLEY - Control (MS20219-2)	2	
-35	41413-10		BUSHING - Spacer, elevator cable pulley	2	
-36	424 149		PIN - (MS20392-1C25)	4	
	424 051		COTTER PIN - (MS24665-132)	4	
-37	581 652		PULLEY - (MS20220-2)	2	
-38	424 513		PIN - (NAS427-K19)	4	
-39	487 291		SPRING - Cable (180C, 2 1/2)	4	
-40	42129-26		BUSHING - Rudder control	2	
-41	45597-00		BRACKET - Fairlead	1	
-42	45599-00		KEEPER - Fairlead	6	
-43	415 521		SCREW - (MS35206-231)	4	31P-53 and up
	404 909		NUT - (MS20365-632C)	4	31P-53 and up
-44	424 149		PIN - (MS20392-1C25)	2	
	424 051		COTTER PIN - (MS24665-132)	2	
-45	45604-00		SEGMENT - Fairlead	12	
-46	85012-110		WASHER - Fairlead segment	6	
-47	484 801		RING - (5100-56)	6	
-48	41413-14		BUSHING - Rudder control	1	
-49	415 536		SCREW - (MS35206-246)	1	
-50	415 535		SCREW - (MS35206-245)	18	
-51	40956-00		PLATE - Cable attachment	2	
-52	416 258		SCREW - (AN503-8-8)	2	
-53	44188-02		BLOCK - Deflector	1	31P-3 to 31P-7530019 inclusive
-54	415 537		SCREW - (MS35206-247)	2	31P-3 to 31P-7530019 inclusive
	404 910		NUT - (MS20365-832C)	2	31P-3 to 31P-7530019 inclusive
-55	20623-00		PLATE - Cable rub	4	
-56	415 688		SCREW - (4-40 x 1/2 in., recessed head)	4	
-57	47713-00		BRACKET - Rudder cable pulley	2	
-58	52167-00		PLATE - Cable attachment	4	31P-53 and up
-59	52168-00		PLATE - Cable and spring attachment	2	31P-53 and up
-60	424 507		PIN - (NAS427-K13)	2	

When ordering, always specify Part Number, Description and Serial Number of Aircraft

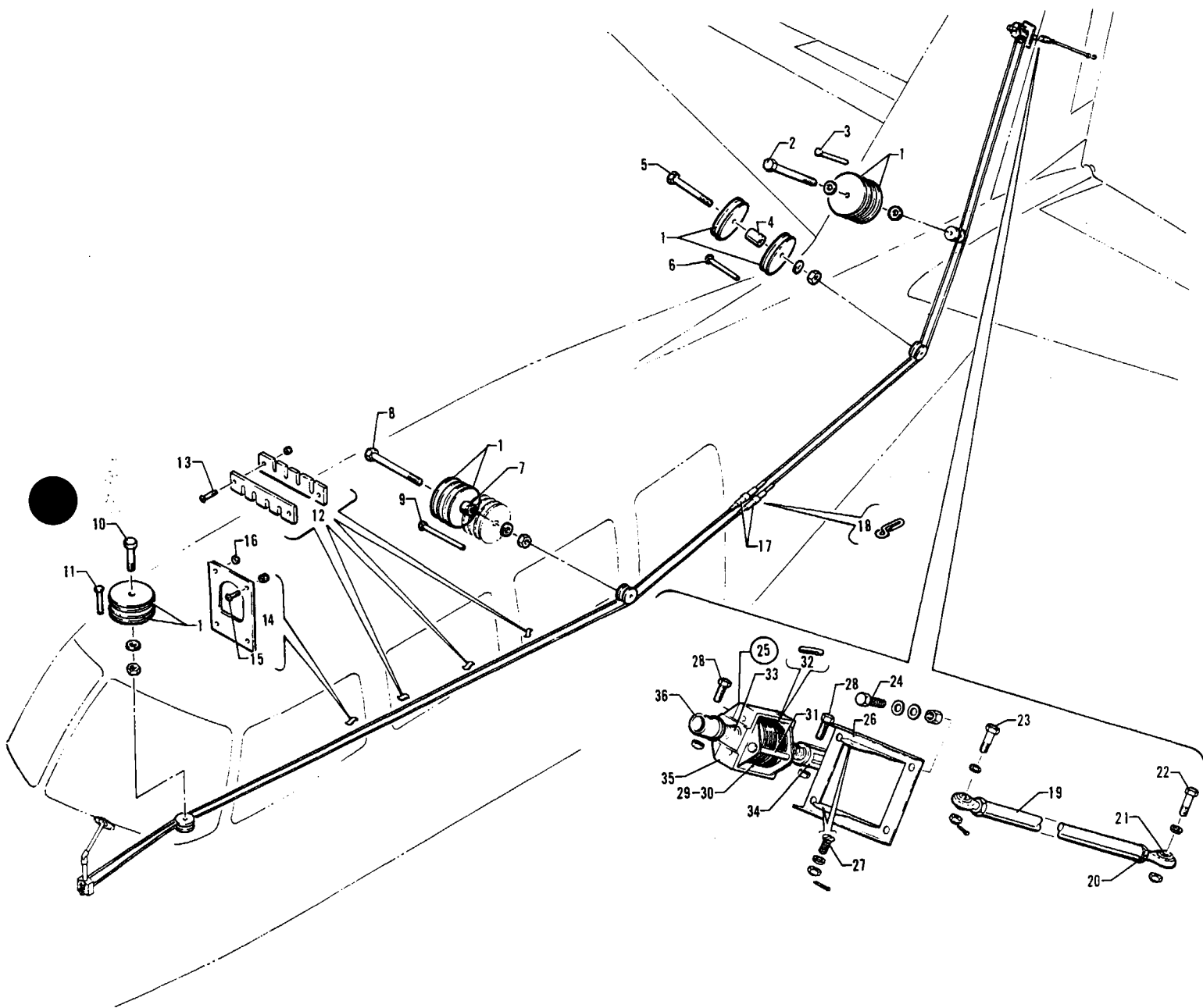


Figure 93. Rudder Trim Installation

Figure and Index Number	Part Number	Code	NOMENCLATURE	No. Req.	SERIAL NUMBERS AFFECTED
93-	46864		DRAWING - Trim Tab System Installation		
-1	481 640		PULLEY - (MS24566-1B)	8	
-2	401 270		BOLT - (AN3-11A)	1	
	407 564		WASHER - (AN960-10)	1	
	407 584		WASHER - (AN960-10L)	1	
-3	424 506		PIN - (NAS427-K12)	1	
-4	41413-19		BUSHING - Spacer, rudder trim pulley	1	
-5	401 273		BOLT - (AN3-14A)	1	
	407 584		WASHER - (AN960-10L)	1	
	404 835		NUT - (MS20364-1032C)	1	
-6	424 513		PIN - (NAS427-K19)	1	
-7	41413-17		BUSHING - Spacer, rudder trim pulley	1	
-8	400 450		BOLT - (AN3-17A)	1	
	407 564		WASHER - (AN960-10)	1	
	404 835		NUT - (MS20364-1032C)	1	
-9	424 520		PIN - (NAS427-K25)	1	
-10	401 269		BOLT - (AN3-10A)	1	
	407 564		WASHER - (AN960-10)	1	
	404 835		NUT - (MS20364-1032C)	1	
-11	424 505		PIN - (NAS427-K11)	1	
-12	40619-00		BLOCK - Rub, rudder trim	6	
-13	415 688		SCREW - (#4-40 x 1/2 L, Rd. head)	6	
	404 908		NUT - (MS20365-440C)	6	
-14	43377-00		BLOCK - Rub, wing spar	1	
-15	415 450		SCREW - (AN526-832R10)	4	
	404 833		NUT - (MS20364-832C)	4	
-16	407 564		WASHER - (AN960-10)	2	
-17	452 015		BARREL - Turnbuckle (NAS649B-8S)	2	
-18	454 867		CLIP - Turnbuckle (NAS651-16S)	2	
-19	46874-00		TUBE ASSEMBLY - Rudder trim tab	1	
-20	404 225		NUT - (AN315-4R)	2	
-21	452 480		BEARING - Rod end (MVF34-14B)	2	
-22	400 441		BOLT - (AN3-7A)	1	
	407 564		WASHER - (AN960-10)	2	
	404 887		NUT - (MS20365-1032C)	1	
-23	400 057		BOLT - (AN3-12)	1	
	407 564		WASHER - (AN960-10)	2	
	404 100		NUT - (AN310-3)	1	
	424 051		PIN - Cotter (MS24665-132)	1	
-24	401 266	A	BOLT - (AN3-5A)	4	
	407 571	A	WASHER - (AN960-1016)	8	
	404 887	A	NUT - (MS20365-1032C)	4	
-25	46897-00	A	SCREW ASSEMBLY - Rudder trim tab	1	
-26	46862-00		BRACKET ASSEMBLY - Rudder trim screw	1	
-27	402 735		BOLT - (NAS333CP5)	2	
	407 571		WASHER - (AN960-1016)	4	
	404 100		NUT - (AN310-3)	2	
	424 051		PIN - Cotter (AN380-2-2)	2	
-28	400 441		BOLT - (AN3-7A)	2	
	404 887		NUT - (MS20365-1032C)	2	

A - Component part of 45700-00 Fin Assembly.

When ordering, always specify Part Number, Description and Serial Number of Aircraft



Figure and Index Number	Part Number	Code	NOMENCLATURE	No. Req.	SERIAL NUMBERS AFFECTED
93-29	41734-06		CABLE ASSEMBLY - Screw, rudder trim tab	1	
-30	17088-00		DRUM - Screw, rudder trim tab	1	
-31	424 163		PIN - (AN392-53)	2	
	424 051		PIN - Cotter (AN380-2-2)	2	
-32	17089-00		PIN - Rudder trim cable	1	
-33	46865-00		SCREW - Rudder trim tab	1	
-34	46868-00		CLEVIS - Rudder trim screw	1	
-35	16276-00		BRACKET ASSEMBLY - Control cable drum	1	
-36	48437-02		BUSHING - Screw, rudder trim tab	1	

When ordering, always specify Part Number, Description and Serial Number of Aircraft

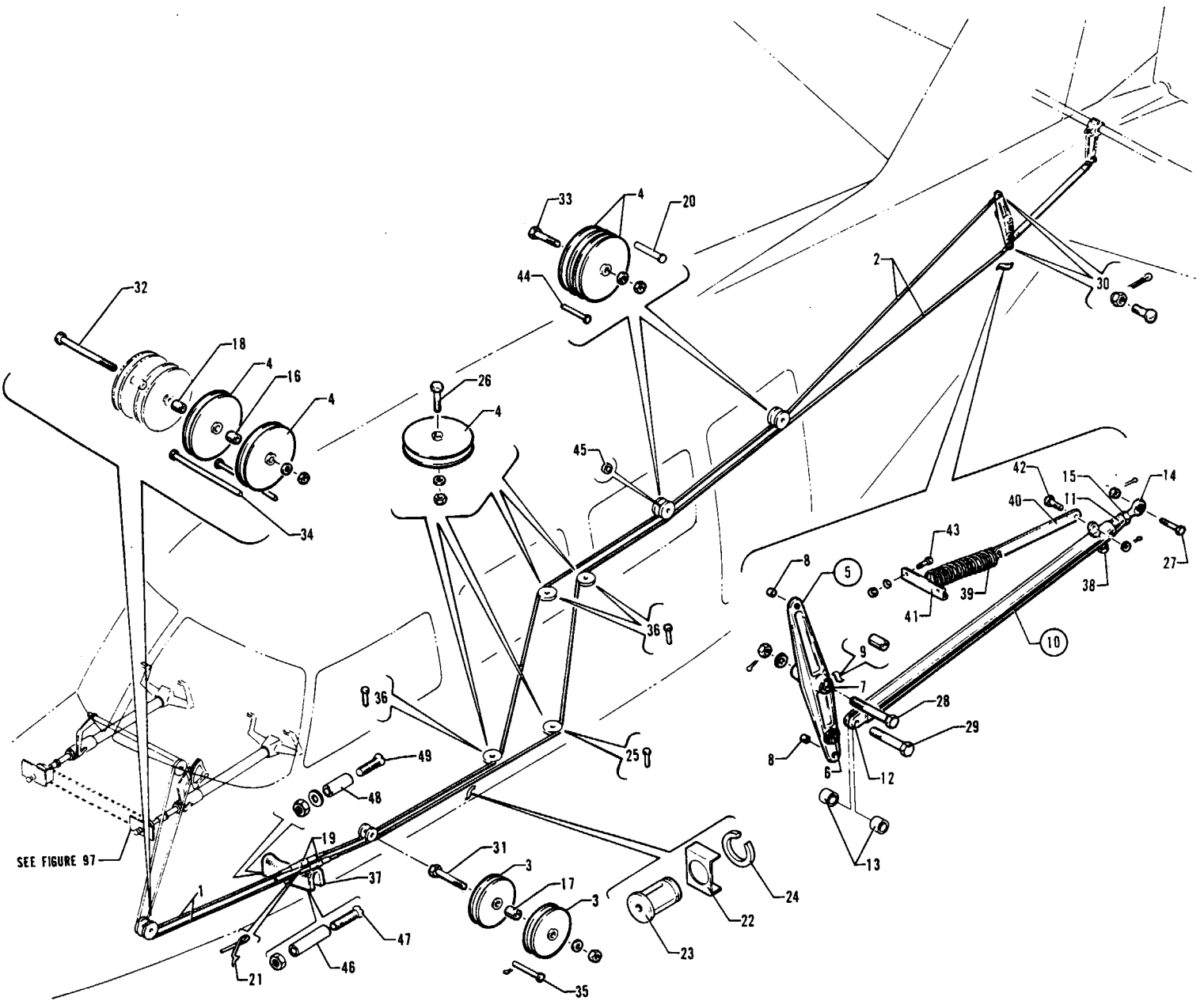


Figure 94. Elevator Control Installation

**PIPER PARTS CATALOG**

Figure and Index Number	Part Number	Code	NOMENCLATURE	No. Req.	SERIAL NUMBERS AFFECTED
94-	46880		DRAWING - Control System Installation		
-1	41942-00		CABLE ASSEMBLY - Elevator control, forward (up)	1	
	41942-02		CABLE ASSEMBLY - Elevator control, forward (down)	1	
-2	41947-02		CABLE ASSEMBLY - Elevator control, rear (up)	1	
	41947-00		CABLE ASSEMBLY - Elevator control, rear (down)	1	
-3	41001-03		PULLEY - Elevator control cable	2	
-4	481 627		PULLEY - (MS24566-4B)	10	
-5	40307-00		BELLCRANK ASSEMBLY - Elevator	1	
-6	49265-02		* BEARING - Spherical	1	
-7	452 344		* BEARING - (5035)	2	
-8	61402-101		* BUSHING - Bellcrank	2	
-9	61402-102		* BUSHING - Bellcrank	1	
-10	40847-04		TUBE ASSEMBLY - Elevator control	1	
-11	17235-00		* FITTING - Elevator control tube	1	
-12	19086-03		* FITTING ASSEMBLY - Elevator control tube	1	
-13	41413-03		* * BUSHING - Elevator control tube fitting	2	
-14	49261-02		* BEARING - Rod end	1	
-15	404 226		* NUT - (AN315-5R)	1	
-16	41413-10		BUSHING - Spacer, elevator cable pulley	1	
-17	41413-12		BUSHING - Spacer, elevator cable pulley	1	
-18	41413-14		BUSHING - Spacer, elevator trim pulley	1	
-19	452 011		BARREL - Turnbuckle (NAS649B-32S)	2	
-20	424 515		PIN - (NAS427-K21)	1	
-21	454 867		CLIP - Turnbuckle (NAS651-16S)	4	
-22	11151-02		BRACKET - Fairlead	2	
-23	40701-04		SEGMENT - Cable fairlead	4	
-24	40081-00		RING - Snap, fairlead	2	
-25	424 507		PIN - (NAS427-K13)	1	
-26	401 310		BOLT - (AN4-10A)	4	
	407 565		WASHER - (AN960-416)	4	
	404 836		NUT - (MS20365-428C)	4	
-27	400 106		BOLT - (AN4-11)	1	31P-3 to 31P-7730006 inclusive
	401 311		BOLT - (AN4-11A)	1	31P-7730007 and up
	404 101		NUT - (AN310-4)	1	31P-3 to 31P-7730006 inclusive
	404 888		NUT - (MS20365-428C)	1	31P-7730007 and up
	424 051		COTTER PIN - (MS24665-132)	1	31P-3 to 31P-7730006 inclusive
-28	400 168		BOLT - (AN5-25)	1	
	407 566		WASHER - (AN960-516)	1	
	404 102		NUT - (AN310-5)	1	
	424 051		COTTER PIN - (MS24665-132)	1	
-29	400 107		BOLT - (AN4-12)	1	31P-3 to 31P-7730006 inclusive
	401 312		BOLT - (AN4-12A)	1	31P-7730007 and up
	404 101		NUT - (AN310-4)	1	31P-3 to 31P-7730006 inclusive
	404 888		NUT - (MS20365-428C)	1	31P-7730007 and up
	424 051		COTTER PIN - (MS24665-132)	1	31P-3 to 31P-7730006 inclusive
-30	400 053		BOLT - (AN3-6)	2	
	404 100		NUT - (AN310-3)	2	
	424 051		COTTER PIN - (MS24665-132)	2	
-31	401 318		BOLT - (AN4-20A)	1	
	407 565		WASHER - (AN960-416)	1	
	404 836		NUT - (MS20364-428C)	1	
-32	401 335		BOLT - (AN4-40A)	1	
	407 565		WASHER - (AN960-416)	1	
	404 836		NUT - (MS20364-428C)	1	
-33	400 009		BOLT - (AN4-14A)	2	
	407 565		WASHER - (AN960-416)	2	
	404 836		NUT - (MS20364-428C)	2	
-34	424 541		PIN - Elevator and rudder cable (NAS427-K62)	2	

When ordering, always specify Part Number, Description and Serial Number of Aircraft





Figure and Index Number	Part Number	Code	NOMENCLATURE	No. Req.	SERIAL NUMBERS AFFECTED
94-35	424 164		PIN - (MS20392-1C55)	1	
	424 051		COTTER PIN - (MS24665-132)	1	
-36	424 507		PIN - (NAS427-K13)	3	
-37	40963-02		GUARD - Cable	1	
-38	402 038		BOLT - Eye (AN42B-13A)	1	
	407 564		WASHER - (AN960-10)	1	
	404 887		NUT - (MS20365-1032C)	1	
-39	42377-02		SPRING - Elevator bungee	1	
-40	42376-05		LINK - Elevator bungee (4.50 long)	1	
-41	42390-00		BRACKET - Bungee spring attachment	1	
-42	400 051		BOLT - (AN3-4)	1	
	407 564		WASHER - (AN960-10)	1	
	424 051		COTTER PIN - (MS24665-132)	1	
-43	400 440		BOLT - (AN3-6A)	2	
	407 564		WASHER - (AN960-10)	2	
	404 887		NUT - (MS20365-1032C)	2	
-44	424 518		PIN - (NAS427-K23)	1	
-45	80012-94		BUSHING	1	
-46	41413-53		BUSHING - Cable guard	2	
-47	415 542		SCREW - (MS35206-252)	2	
	404 910		NUT - (MS20365-832C)	2	
-48	41413-50		BUSHING - Cable guard	1	
-49	415 632		SCREW - (MS35206-332)	1	
	407 563		WASHER - (AN960-8)	2	
	404 910		NUT - (MS20365-832C)	1	

When ordering, always specify Part Number, Description and Serial Number of Aircraft

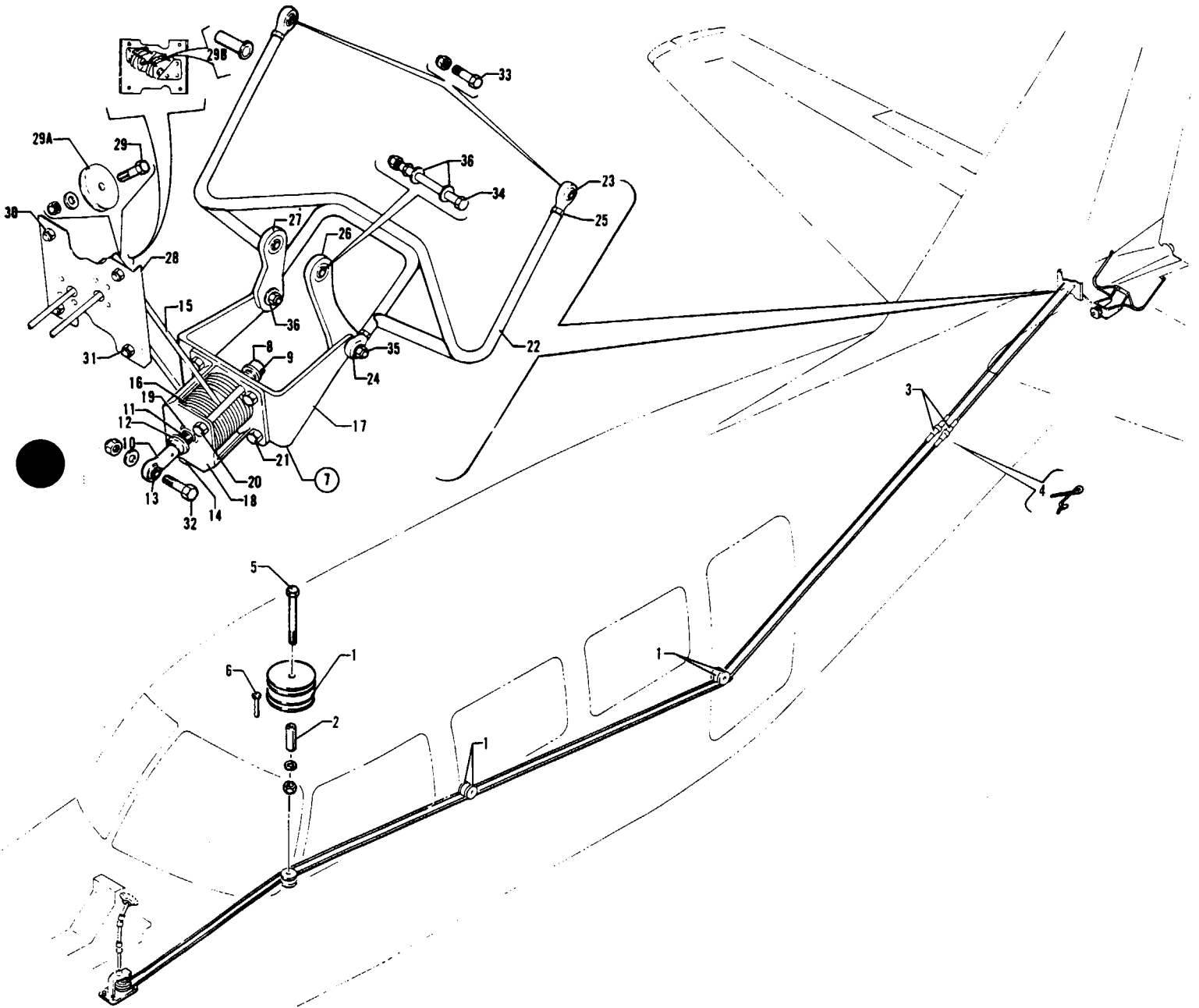


Figure 96. Elevator Trim Installation



Figure and Index Number	Part Number	Code	NOMENCLATURE	No. Req.	SERIAL NUMBERS AFFECTED
95-	46864		DRAWING - Trim Tab System Installation		
-1	481 640		PULLEY - (MS24566-1B)	6	
-2	80012-112		BUSHING - Spacer, elevator trim pulley	1	
-3	452 015		BARREL - Turnbuckle (NAS649B-8S)	2	
-4	454 867		CLIP - Locking, turnbuckle (NAS651-16S)	4	
-5	400 460		BOLT - (AN3-17A)	1	
	407 564		WASHER - (AN960-10)	1	
	404 835		NUT - (MS20364-1032C)	1	
-6	424 505		PIN - (NAS427-K11)	1	
-7	47672-02		SCREW ASSEMBLY - Elevator trim tab	1	31P-3 to 31P-48 inclusive
	47672-03		SCREW ASSEMBLY - Elevator trim tab	1	31P-49 and up
	47672-07	A	SCREW ASSEMBLY - Elevator trim tab	1	
-8	48437-02		BUSHING	1	
-9	400 876		BOLT - (AN23-15A)	1	
	407 564		WASHER - (AN960-10)	1	
	404 835		NUT - (MS20364-1032C)	1	
-10	47702-00		SCREW ASSEMBLY - Elevator trim tab	1	
-11	47702-02		SCREW	1	
-12	85012-119		WASHER	1	
-13	452 483		BEARING - Rod end (HF-4M)	1	
-14	480 735		ROLL PIN - (79-02B-125-0500)	1	
-15	41734-24		CABLE ASSEMBLY - Elevator trim tab	1	31P-3 to 31P-48 inclusive
	41734-34		CABLE ASSEMBLY - Elevator trim tab	1	31P-49 and up
	41734-50	A	CABLE ASSEMBLY - Elevator trim tab	1	
-16	17088-00		DRUM - Elevator trim tab	1	
-17	47711-00		BRACKET - Elevator tab control	1	
-18	47712-00		BRACKET ASSEMBLY - Trim drum support	1	
-19	452 381		BEARING - (FF-609-1)	2	
-20	400 449		BOLT - (AN3-24A)	2	
	407 584		WASHER - (AN960-10L)	2	
	404 887		NUT - (MS20365-1032C)	2	
-21	401 266		BOLT - (AN3-5A)	4	
	407 584		WASHER - (AN960-10L)	4	
	404 887		NUT - (MS20365-1032C)	4	
-22	47707-00		TUBE ASSEMBLY - Elevator tab control	1	
-23	452 480		BEARING - Rod end (MVV34-14B)	2	
-24	452 556		BEARING ASSEMBLY - Rod end (HMOVV-4MCB)	2	
-25	404 322		NUT - (AN316-4R)	4	
-26	47701-04		LINK ASSEMBLY - Elevator tab control, left	1	
-27	47701-05		LINK ASSEMBLY - Elevator tab control, right	1	
-28	48004-00		PULLEY ASSEMBLY - Elevator tab control	1	
-29	400 440		BOLT - (AN3-6A)	2	
	407 584		WASHER - (AN960-10L)	2	
	404 887		NUT - (MS20365-1032C)	2	
-29a	481 640		PULLEY - (MS24566-1B)	2	
-29b	424 501		PIN - Pulley guard (NAS427-K7)	4	

A - Used if AltiMatic V F/D, V F/D-1, V, V-1 or AltiMatic III C is installed.

When ordering, always specify Part Number, Description and Serial Number of Aircraft



Figure and Index Number	Part Number	Code	NOMENCLATURE	No. Req.	SERIAL NUMBERS AFFECTED
95-30	401 270		BOLT - (AN3-11A)	2	
	484 785		RING - (2935-0)	2	
	406 727		NUT - (RM52LH2935-02)	2	
-31	401 269		BOLT - (AN3-10A)	2	
	407 564		WASHER - (AN960-10)	2	
	404 785		RING - (2935-0)	2	
-32	406 727		NUT - (RM52LH2935-02)	2	
	401 318		BOLT - (AN4-20A)	1	
	407 565		WASHER - (AN960-416)	1	
-33	404 888		NUT - (MS20365-428C)	1	
	401 269		BOLT - (AN3-10A)	2	
-34	404 887		NUT - (MS20365-1032C)	2	
	400 018		BOLT - (AN4-25A)	1	
	407 565		WASHER - (AN960-416)	7	
-35	404 888		NUT - (MS20365-428C)	1	
	400 009		BOLT - (AN4-14A)	2	
	407 565		WASHER - (AN960-416)	2	
-36	404 888		NUT - (MS20365-428C)	2	
	80122-20		WASHER	4	

When ordering, always specify Part Number, Description and Serial Number of Aircraft

PIPER PARTS CATALOG

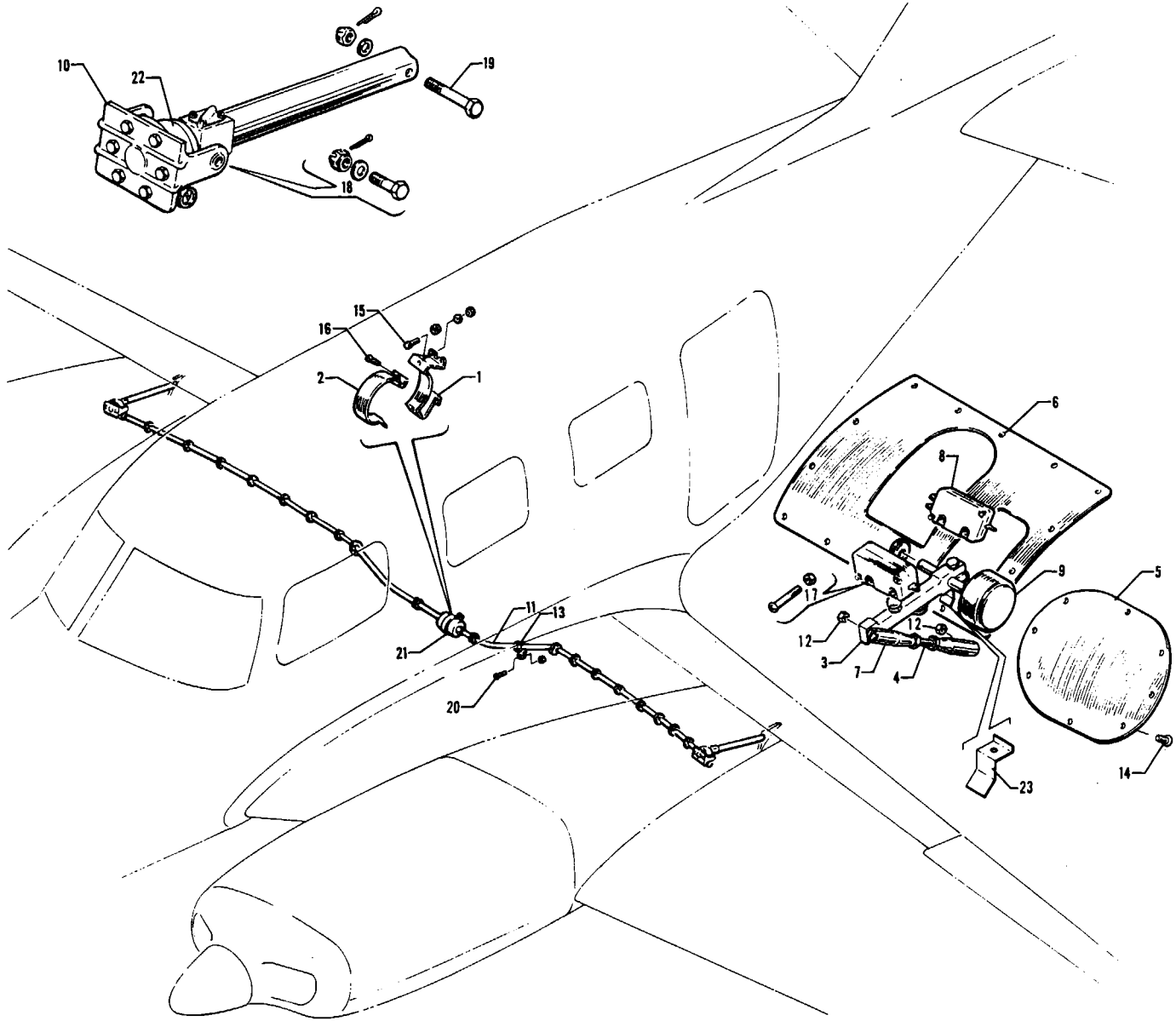


Figure 96. Flap Control Installation

**PIPER PARTS CATALOG**

Figure and Index Number	Part Number	Code	NOMENCLATURE	No. Req.	SERIAL NUMBERS AFFECTED
96-	41488		DRAWING - Flap Installation		
-1	41358-00		BRACKET ASSEMBLY - Flap actuating motor, left	1	
-2	41359-00		MOUNTING CLAMP - Flap actuating motor, left	1	
-3	41454-04		ACTUATOR ASSEMBLY - Flap position and limit switch, left	1	
-4	43555-00		ROD - Flap position and limit switch, left	1	
-5	40607-00		PLATE - Wing access, left	1	
-6	40608-00		PLATE - Flap actuator access, left	1	
-7	54175-00		JOINT - Ball (BL-103), left	2	
-8	487 927		SWITCH - (6PL41)	2	
-9	47138-00		POTENTIOMETER - Left	1	
-10	489 425	B	TRANSMISSION ASSEMBLY - (Dukes 1209-00-1) Left	1	
	489 426	B	TRANSMISSION ASSEMBLY - (Dukes 1210-00-1) Right	1	
	489 516	C	TRANSMISSION ASSEMBLY - (Calco 8537)	2	
-11	486 597		SHAFT ASSEMBLY - Flexible (12131Y)	2	
-12	404 887		NUT - (MS21044-N3)	1	
-13	454 932		CLAMP - (A4980S-7-91) Left	1	
-14	415 533		SCREW - (MS35206-243) Left	22	
-15	400 438		BOLT - (AN3-4A)	3	
	407 584		WASHER - (AN960-10L)	3	
	404 887		NUT - (MS21044-N3)	3	
-16	411 530		SCREW - (MS35207-261)	2	
-17	415 514		SCREW - (MS35206-234) Left	4	
	404 909		NUT - (MS21044-N06) Left	4	
-18	400 103		BOLT - (AN4-6)	4	
	407 565		WASHER - (AN960-416)	4	
	404 101		NUT - (AN310-4)	4	
	424 052		COTTER PIN - (MS24665-134)	4	
-19	400 110		BOLT - (AN4-15)	2	
	407 565		WASHER - (AN960-416)	2	
	404 101		NUT - (AN310-4)	2	
	424 052		COTTER PIN - (MS24665-134)	2	
-20	411 535		SCREW - (MS35207-266) Left	2	
	404 887		NUT - (MS21044-N3)	2	
-21	475 208		MOTOR - Flap control (1202-00-1)	1	
-22	760 367		KIT - Flap transmission bumper replacement	1	
-23	71951-02	A	ACTUATOR - Flap limit switch	1	

A - Used if Flap Travel Restriction and Placard Installation Kit 764 397 has been installed per Service Bulletin 739.  
 B - Order Transmission Assembly, Part No. 489 516, if Flap Transmission Replacement Kit 764 957L has been installed per Service Letter 959.  
 C - Used if Flap Transmission Replacement Kit 764 957L has been installed per Service Letter 959.

When ordering, always specify Part Number, Description and Serial Number of Aircraft

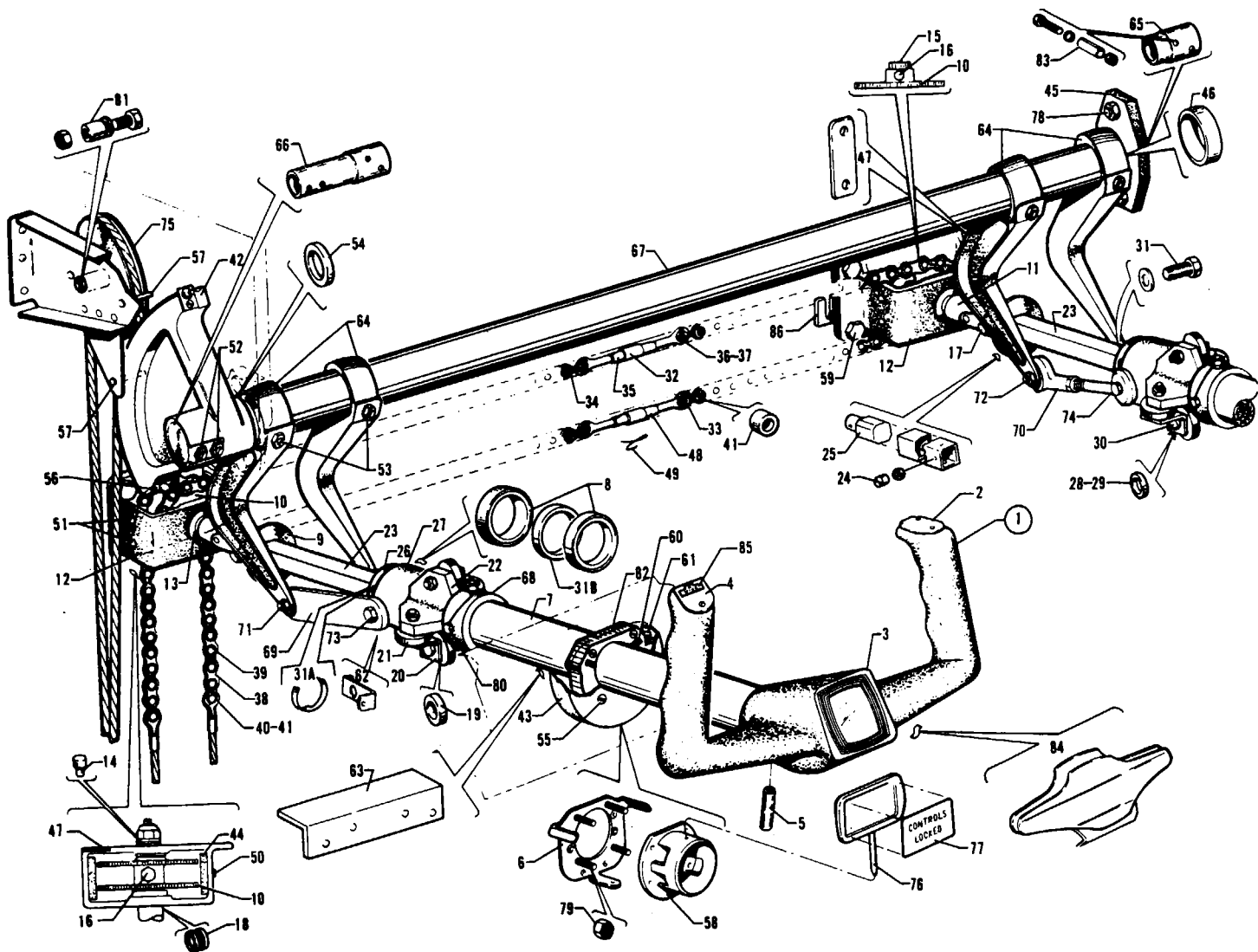


Figure 97. Control Wheel Installation



Figure and Index Number	Part Number	Code	NOMENCLATURE	No. Req.	SERIAL NUMBERS AFFECTED
97-	46819		DRAWING - Elevator and Aileron Control Mechanism Installation		
-1	43052-04	A	WHEEL ASSEMBLY - Control	2	
-2	53856-03	A	PLATE - Control wheel, cover	1	
-3	474 345		MEDALLION - Control wheel (Red and Silver "P" Crest)	1	
	48657-00		MEDALLION - Control wheel (Red, Blue and Silver Logo)	1	
-4	53856-00	A	PLATE - Control wheel, cover	1	
-5	480 710		PIN - Roll (59-040-187-1875)	1	
-6	43688-00		PLATE ASSEMBLY - Control shaft collar	1	31P-3 to 31P-7400177 inclusive
-7	46349-00		TUBE ASSEMBLY - Control, left	1	
	46349-02		TUBE ASSEMBLY - Control, right	1	
-8	462 458		BEARING - Control tube assembly (B543)	2	
-9	40950-00		COLLAR - Control wheel stop	1	
-10	40983-00		SPROCKET - Double, left	1	
	20999-00		SPROCKET - Right	1	
-11	46203-00		UNIVERSAL ASSEMBLY - Control wheel shaft	1	
-12	46199-00		BRACKET ASSEMBLY - Control wheel shaft bearing	1	
-13	453 824		BUSHING - (NAS77A7-25)	2	
-14	23322-00		PIN - Stop, aileron	1	
-15	21001-00		BUSHING - Spacer, right	1	
-16	401 270		BOLT - (AN3-11A)	1	
	407 564		WASHER - (AN960-10)	1	
	406 636		NUT - (H10-1032 Hex)	1	
-17	400 443		BOLT - (AN3-12A)	1	
	407 564		WASHER - (AN960-10)	1	
	404 835		NUT - (MS20364-1032C)	1	
-18	407 568		WASHER - (AN960-716)	2	
-19	20956-00		BUSHING - Control shaft	4	
-20	20957-00		ANGLE - Control shaft support	2	
-21	25358-00		BEARING ASSEMBLY - Ball	4	
-22	41852-00		FITTING - Roller attachment	1	
-23	42939-00		TUBE ASSEMBLY - Control shaft	1	
-24	21470-00		BLOCK - Guide, control wheel tube	4	
	81342-78		WASHER - Guide block	AR	
-25	42938-00		STUD - Control shaft	1	
-26	42943-00		COLLAR - Control shaft	1	
-27	42945-00		HOUSING - Control shaft bearing	1	
-28	81342-89		WASHER - (.012 thickness)	AR	
	81342-90		WASHER - (.016 thickness)	AR	
	81342-91		WASHER - (.020 thickness)	AR	
-29	81342-92		WASHER - (.064 thickness)	4	
-30	400 444		BOLT - (AN3-13A)	4	
	407 564		WASHER - (AN960-10)	8	
	404 835		NUT - (MS20364-1032C)	4	
-31	401 264		BOLT - (AN3H-4A)	2	
	407 584		WASHER - (AN960-10L)	2	
-31a	53785-00		STRAP - Safety wire restraining	1	
-31b	53971-00		SPACER - Housing control shaft	1	

A - When ordering, specify color black or beige.

When ordering, always specify Part Number, Description and Serial Number of Aircraft



## PIPER PARTS CATALOG

Figure and Index Number	Part Number	Code	NOMENCLATURE	No. Req.	SERIAL NUMBERS AFFECTED
97-32	21619-02		CHAIN ASSEMBLY - Upper control column	1	
-33	13445-03		* CHAIN ASSEMBLY - Roller, left	1	
	13445-04		* CHAIN ASSEMBLY - Roller, right	1	
-34	472 684		* LINK - Connector	4	
-35	452 011		* BARREL - Turnbuckle (NAS649-B32S)	1	
-36	459 930		* EYE - Turnbuckle, left (NAS648-22-RS)	2	
	459 928		* EYE - Turnbuckle, right (NAS648-22-LS)	2	
-37	80012-95		* BUSHING - Eye	4	
-38	41532-00		CHAIN ASSEMBLY - Aileron control	1	
-39	13445-06		* CHAIN ASSEMBLY - Roller	1	
-40	472 684		* LINK - Connector	2	
-41	80012-95		* BUSHING - Eye	2	
-42	40323-02		SECTOR - Elevator control	1	
-43	43640-00		COVER - Control shaft, left	1	31P-3 to 31P-7400177 incl.
	42537-00		COVER - Control shaft, right	1	31P-3 to 31P-7400177 incl.
	42537-02		COVER - Control shaft	2	31P-7400178 and up
-44	40954-02		GUARD - Aileron chain, left	1	
	40954-03		GUARD - Aileron chain, right	1	
-45	44272-00		BEARING ASSEMBLY - Torque tube end	2	
-46	452 512		* BEARING - (KP16BSA1405)	1	
-47	41179-00		SHIM - Control wheel shaft bracket	2	
-48	452 011		BARREL - Turnbuckle (NAS649B32S)	1	
-49	454 867		CLIP - Locking, turnbuckle (NAS651-16S)	4	
-50	419 883		SCREW - (4 x 1/4 L, P.K. Type Z, Rd. slotted head, nickel finish)	2	
-51	419 886		SCREW - (4 x 3/8 L, P.K. Type Z, Rd. slotted head, nickel finish)	2	
-52	480 743		PIN - Roll (59-048-250-1750)	2	
	415 528		SCREW - (MS35206-238)	2	
	407 562		WASHER - (AN960-6)	4	
	404 909		NUT - (MS20365-632C)	2	
-53	480 743		PIN - Roll (59-048-250-1750)	4	
	415 528		SCREW - (MS35206-238)	4	
	407 562		WASHER - (AN960-6)	8	
	404 909		NUT - (MS20365-632C)	4	
-54	40559-35		WASHER - Torque tube	1	
-55	415 539		SCREW - (MS35206-249)	4	
-56	415 535		SCREW - (MS35206-245)	2	
	407 042		WASHER - (MS35338-42)	2	
-57	424 519		PIN - (NAS427-K24)	3	
-58	43687-00		BUSHING - Control lock retainer	1	31P-3 to 31P-7400177 incl.
-59	401 266		BOLT - (AN3-5A)	8	
	407 584		WASHER - (AN960-10L)	8	
-60	42538-00		SLIDE - Control shaft	6	
-61	415 521		SCREW - (MS35206-231)	2	
	404 829		NUT - (MS20364-632C)	2	
-62	54945-02		STOP - Bolt	4	
-63	40796-00		STOP - Control wheel	2	
-64	42756-00		CONTROL ARM - Elevator actuator, left	2	
	42756-01		CONTROL ARM - Elevator actuator, right	2	
-65	44270-00		TUBE - Torque extension	1	
-66	44271-00		TUBE - Torque extension	1	
-67	42901-02		TUBE - Torque, elevator control	1	
-68	42942-00		RING - Control shaft	2	
-69	42944-00		LINK ASSEMBLY - Control shaft, outboard	2	
-70	44269-03		LINK ASSEMBLY - Control shaft, inboard	2	

When ordering, always specify Part Number, Description and Serial Number of Aircraft



Figure and Index Number	Part Number	Code	NOMENCLATURE	No. Req.	SERIAL NUMBERS AFFECTED
97-71	42964-00		BOLT - (Special)	2	
	407 567		WASHER - (AN960-616)	2	
	407 565		WASHER - (AN960-416)	2	
	404 101		NUT - (AN310-4)	2	
	424 061		COTTER PIN - (MS24665-132)	2	
-72	401 312		BOLT - (AN4-12A)	2	
	407 585		WASHER - (AN960-416L)	2	
	407 565		WASHER - (AN960-416)	4	
	404 888		NUT - (MS20365-428C)	2	
-73	42965-00		BOLT - (Special)	2	
	407 567		WASHER - (AN960-616)	2	
-74	401 191		BOLT - (AN5H-7A)	2	
	408 825		WASHER - (3512-20-03-0511)	2	
	40569-41		WASHER	2	
-75	481 652		PULLEY - (MS20220-2)	1	
-76	43691-00		LOCK ASSEMBLY - Control shaft	1	31P-3 to 31P-7400177 inclusive
-77	43693-00		PLACARD - Control shaft lock (581 423)	1	31P-3 to 31P-7400177 inclusive
-78	410 071		SCREW - Flat head (MS24694-S98)	4	
	404 888		NUT - (MS20365-428C)	4	
-79	404 835		NUT - (MS20364-1032C)	4	
-80	401 263		BOLT - (AN3H-3A)	8	
-81	42571-06		BUSHING - Elevator control	1	
	401 194		BOLT - (AN5-16A)	1	
	407 566		WASHER - (AN960-516)	2	
	404 889		NUT - (MS20365-524C)	1	
-82	42536-02		COLLAR - Control shaft, left	1	31P-3 to 31P-7400177 inclusive
	42536-00		COLLAR - Control shaft, right	1	31P-3 to 31P-7400177 inclusive
	42536-00		COLLAR - Control shaft	2	31P-7400178 and up
-83	480 767		PIN - Roll (59-048-250-1250)	2	
	415 158		SCREW - (AN526-632R26)	2	
	407 562		WASHER - (AN960-8)	4	
	404 909		NUT - (MS20365-632C)	2	
-84	43818-00	A	CLIP ASSEMBLY - Map	1	
-85	43364-00		PLACARD - Control wheel, mike	1	
-86	55817-02		SHIM - Control shaft	AR	

A - Optional equipment.

When ordering, always specify Part Number, Description and Serial Number of Aircraft

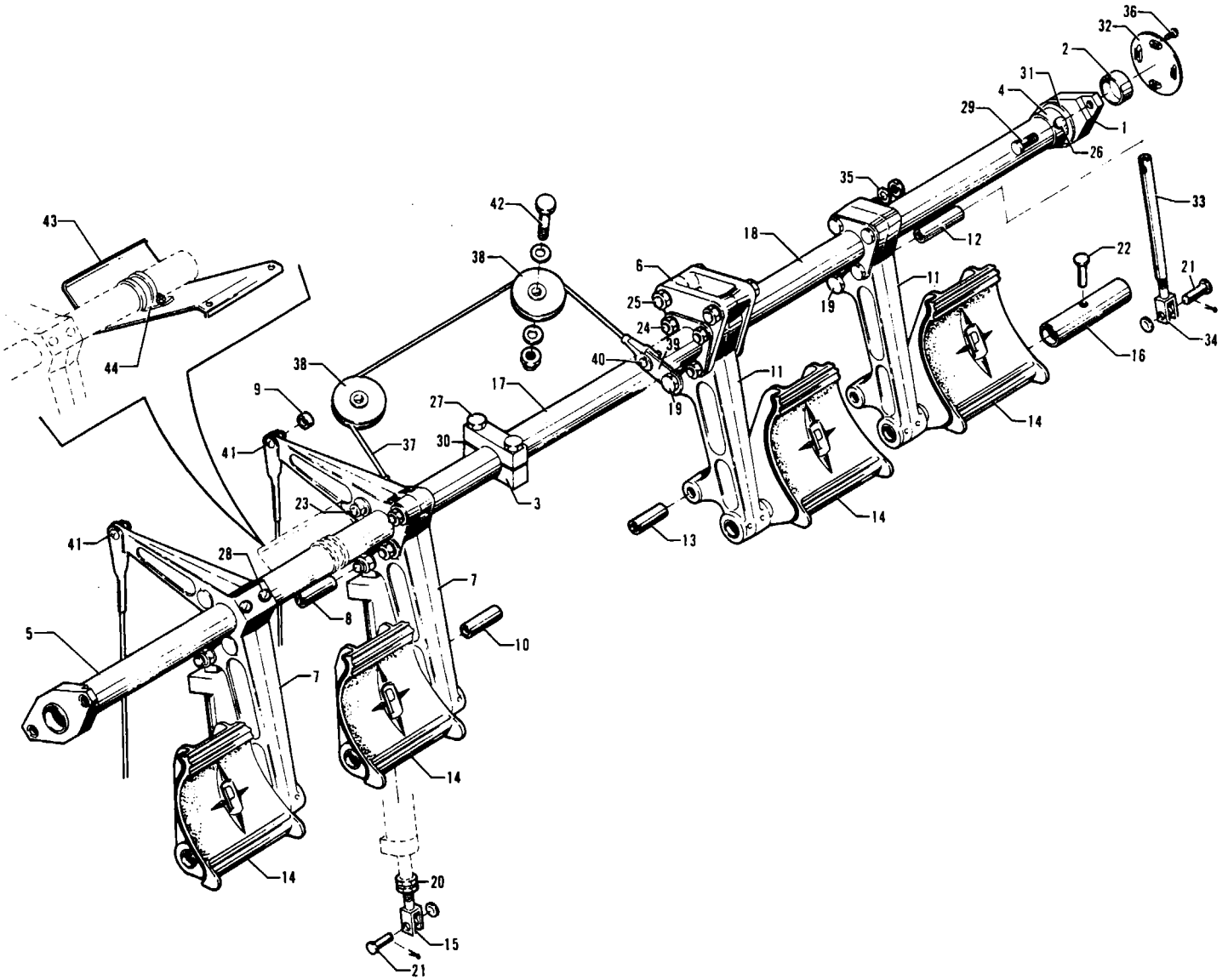


Figure 98. Rudder Pedal Installation



Figure and Index Number	Part Number	Code	NOMENCLATURE	No. Req.	SERIAL NUMBERS AFFECTED
98-	46473		DRAWING - Rudder Pedal Installation		
-1	40968-04		BEARING ASSEMBLY - Torque tube end	2	
-2	452 431		BEARING - (#B-208)	1	
-3	41473-00		BLOCK - Torque tube bearing	2	
-4	41453-00		COLLAR - Brake and rudder pedal torque tube	2	
-5	41465-00		TUBE - Brake and rudder pedal torque	1	
-6	40313-00		LINK - Rudder pedal torque tube	2	
-7	40298-03		ARM ASSEMBLY - Rudder pedal, left, inboard	1	
	40298-02		ARM ASSEMBLY - Rudder pedal, left, outboard	1	
-8	80012-108		BUSHING - Rudder pedal arm assembly	2	
-9	80012-109		BUSHING - Rudder pedal arm assembly	2	
-10	80012-110		BUSHING - Rudder pedal arm assembly	2	
-11	40302-02		ARM ASSEMBLY - Rudder pedal, right inboard	1	
	40302-03		ARM ASSEMBLY - Rudder pedal, right outboard	1	
-12	80012-108		BUSHING - Rudder pedal arm assembly	2	
-13	80012-110		BUSHING - Rudder pedal arm assembly	2	
-14	44182-00		PEDAL - Brake and rudder, left	2	
	44182-01		PEDAL - Brake and rudder, right	2	
-15	12605-00		CLEVIS - Brake cylinder	2	
-16	41402-00		TUBE - Brake and rudder pedal spacer	4	
-17	41423-00		TUBE ASSEMBLY - Interconnecting torque, center	1	
-18	41435-00		TUBE ASSEMBLY - Interconnecting torque, right	1	
-19	400 116		BOLT - (AN4-23)	4	
	407 565		WASHER - (AN960-416)	4	
	404 101		NUT - (AN310-4)	4	
	424 051		PIN - Cotter (MS24665-132)	4	
-20	404 322		NUT - (AN316-4R)	4	
-21	424 176		PIN - Flat head (AN393-15)	4	
	407 584		WASHER - (AN960-10L)	4	
	424 051		PIN - Cotter (AN380-2-2)	4	
-22	424 185		PIN - Flat head (AN393-33)	4	
	407 584		WASHER - (AN960-10L)	4	
	424 051		PIN - Cotter (AN380-2-2)	4	
-23	400 451		BOLT - (AN3-20A)	6	
	407 584		WASHER - (AN960-10L)	6	
	404 835		NUT - (MS20364-1032C)	6	
-24	410 042		SCREW - (AN509-10R-12)	6	
	407 564		WASHER - (AN960-10)	6	
	404 835		NUT - (MS20364-1032C)	6	
-25	400 018		BOLT - (AN4-25A)	2	
	407 565		WASHER - (AN960-416)	2	
	404 836		NUT - (MS20364-428C)	2	
-26	400 446		BOLT - (AN3-16A)	2	
	407 564		WASHER - (AN960-10)	2	
	404 835		NUT - (MS20364-1032C)	2	
-27	400 451		BOLT - (AN3-20A)	2	
-28	480 744		PIN - Roll (#59-048-250-1875)	4	
	415 161		SCREW - (AN526-632R34)	4	
	407 562		WASHER - (AN960-6)	8	
	404 829		NUT - (MS20364-632C)	4	
-29	400 003		BOLT - (AN4-6A)	4	
-30	81102-35		WASHER - Square, shim (.012)	AR	
	81102-36		WASHER - Square, shim (.020)	AR	
	81102-37		WASHER - Square, shim (.037)	AR	

When ordering, always specify Part Number, Description and Serial Number of Aircraft



Figure and Index Number	Part Number	Code	NOMENCLATURE	No. Req.	SERIAL NUMBERS AFFECTED
98-31	40559-06		WASHER - Collar, torque tube	2	
-32	46082-00		COVER ASSEMBLY - Rudder pedal tube access	1	
-33	42143-00		LINK ASSEMBLY - Rudder pedal	2	
-34	12605-00		CLEVIS - Rudder pedal link assembly	1	
-35	81342-89		WASHER - (.012 thickness)	AR	
	81342-90		WASHER - (.016 thickness)	AR	
	81342-91		WASHER - (.020 thickness)	AR	
-36	414 747		SCREW - (MS24693-S26)	4	
-37	48138-00		CABLE ASSEMBLY - Rudder balance	1	
-38	481 626		PULLEY - Rudder balance cable (MS20219-2)	2	
-39	45511-00		CLIP - Cable attachment	2	
-40	424 173		PIN - Flat head (MS20392-2C9)	2	
	407 564		WASHER - (AN960-10)	2	
	424 051		PIN - Cotter (MS24665-132)	2	
-41	400 673		BOLT - (AN23-11)	2	
	407 584		WASHER - (AN960-10L)	2	
	404 100		NUT - (AN310-3)	2	
	424 051		PIN - Cotter (MS24665-132)	2	
-42	401 310		BOLT - (AN4-10A)	2	
	407 565		WASHER - (AN960-416)	4	
	404 888		NUT - (MS20365-428C)	2	
-43	54174-02		GUARD - Rudder torque tube, left, inboard	1	31P-7400209 and up
	54174-03		GUARD - Rudder torque tube, left, outboard	1	31P-7400209 and up
-44	554 963		CLAMP - (PS10017-8-24)	2	31P-7400209 and up

When ordering, always specify Part Number, Description and Serial Number of Aircraft

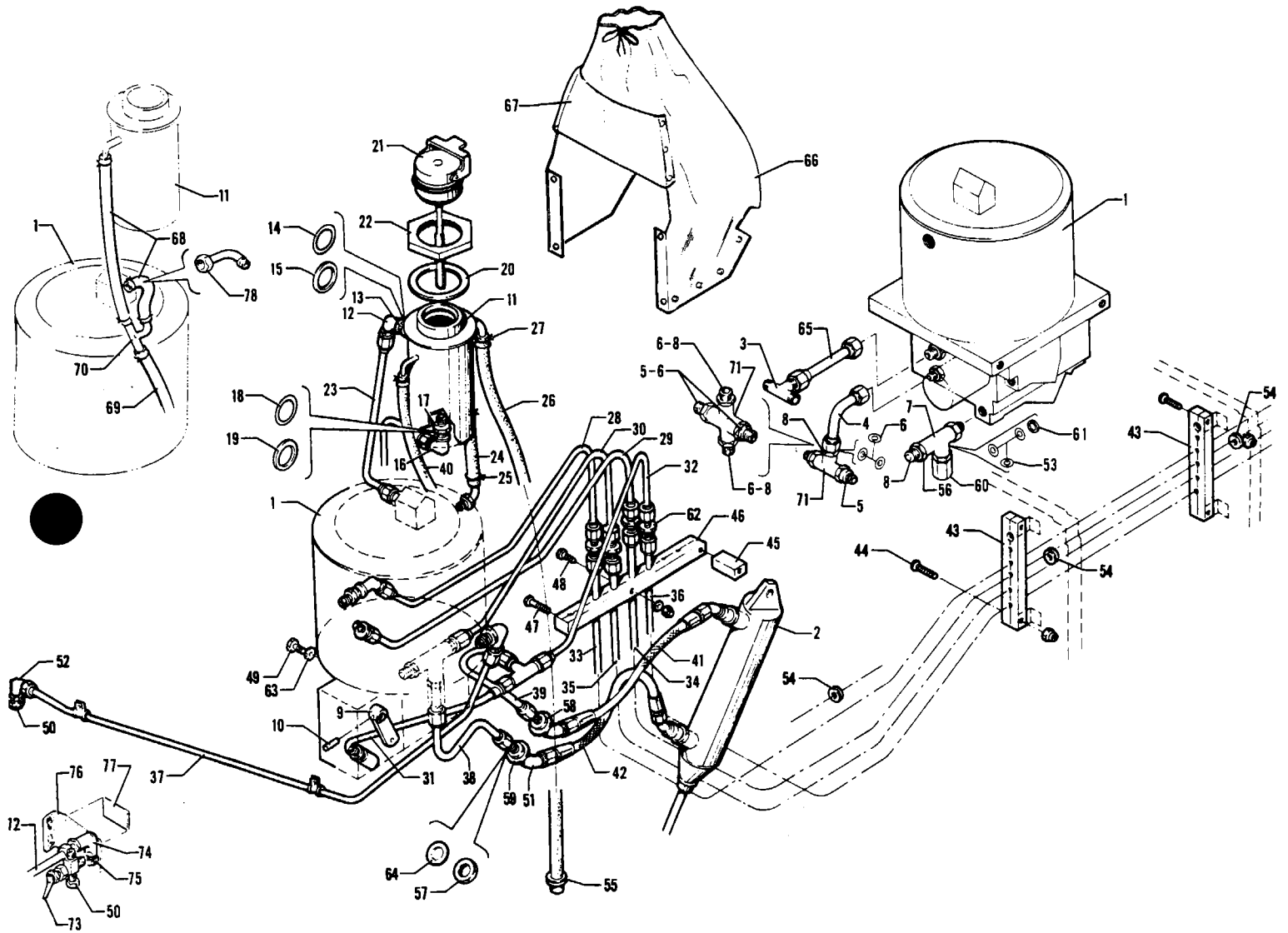


Figure 99. Forward Hydraulic System Installation

**PIPER PARTS CATALOG**

Figure and Index Number	Part Number	Code	NOMENCLATURE	No. Req.	SERIAL NUMBERS AFFECTED
99-	46891		DRAWING - Hydraulic System Installation		
-1	481 133	B	POWERPAK - New (Ozone OAS2930-3)	1	31P-3 to 31P-47 inclusive
	757 303	B	POWERPAK - Reconditioned (Ozone OAS2930-3)	1	31P-3 to 31P-47 inclusive
	481 140	B	POWERPAK - New (Ozone OAS2930-5)	1	31P-48 to 31P-7300172 inclusive
	757 374	B	POWERPAK - Reconditioned (Ozone OAS2930-5)	1	31P-48 to 31P-7300172 inclusive
	757 473	C	POWERPAK - New (Wiebel 2135-3)	1	31P-3 to 31P-7300172 inclusive
	481 166	B	POWERPAK - New (Ozone OAS2930-7)	1	31P-7400173 and up
	757 457	B	POWERPAK - Reconditioned (Ozone OAS2930-7)	1	31P-7400173 and up
	481 171	C	POWERPAK - New (Wiebel 2135-1)	1	31P-7400173 and up
-2	451 826	A	ACTUATOR - Hydraulic (Ozone OAS2923-3)	1	
	451 825	D	ACTUATOR - Hydraulic (Wiebel 2115-1)	1	
-3	488 509		TEE - (AN824-8D)	1	
-4	45858-00		LINE ASSEMBLY - Hydraulic	1	
-5	492 163		CHECK VALVE - (2C5040)	2	
-6	462 027		GASKET - (AN6290-4)	4	
-7	488 510		TEE - (AN938-D4)	1	
-8	491 050		UNION - (AN815-4D)	2	
-9	40879-07		ARM ASSEMBLY - Powerpak actuating (Ozone)	1	
	763 009		ARM ASSEMBLY - Powerpak actuating (Wiebel)	1	
-10	480 705		PIN - Roll (59-028-125-0500)	1	
-11	46297-00		RESERVOIR ASSEMBLY - Hydraulic	1	31P-3 to 31P-47 inclusive
	48028-00		RESERVOIR ASSEMBLY - Hydraulic	1	31P-48 and up
-12	458 901		* ELBOW - 90 degrees (AN833-6D)	1	31P-3 to 31P-47 inclusive
-13	477 726		* NUT - (AN6289-D6)	1	31P-3 to 31P-47 inclusive
-14	462 029		* GASKET - (AN6290-6)	1	31P-3 to 31P-47 inclusive
-15	484 784		* RING - (AN6291-6)	1	31P-3 to 31P-47 inclusive
-16	458 900		* ELBOW - 90 degrees (AN833-4D)	1	
-17	477 676		* NUT - (AN6289-D4)	1	
-18	462 027		* GASKET - (AN6290-4)	1	
-19	484 752		* RING - (AN6291-4)	1	
-20	43840-00		GASKET	1	
-21	44490-00		GAUGE ASSEMBLY - Hydraulic fluid level (550 571)	1	
-22	43712-00		NUT	1	
-23	46322-00		LINE ASSEMBLY - Reservoir to powerpak	1	31P-3 to 31P-47 inclusive
-24	61541-45	E	HOSE ASSEMBLY - Reservoir to powerpak (3.60" L.)	1	31P-3 to 31P-47 inclusive
	82371-90	F	HOSE ASSEMBLY - Reservoir to powerpak (12.50" L.)	1	31P-3 to 31P-47 inclusive
-25	454 987		CLAMP - (SAE 12, Type E)	2	31P-3 to 31P-47 inclusive
-26	19790-35		TUBE - Flexible	1	
-27	454 806		CLAMP - (SAE 7, Type E)	1	
-28	45862-00		LINE ASSEMBLY - Hydraulic, door close	1	
-29	45861-00		LINE ASSEMBLY - Hydraulic, door open	1	
-30	45855-00		LINE ASSEMBLY - Hydraulic, gear up	1	
-31	45868-00		LINE ASSEMBLY - Hydraulic, gear down	1	
-32	45845-00		LINE ASSEMBLY - Hydraulic, gear down	1	
-33	40827-03		LINE ASSEMBLY - Hydraulic, door close	1	
-34	40834-03		LINE ASSEMBLY - Hydraulic, door open	1	
-35	46444-00		LINE ASSEMBLY - Hydraulic, gear up	1	
-36	46440-00		LINE ASSEMBLY - Hydraulic, gear down	1	
-37	46138-00		LINE ASSEMBLY - Drain	1	
-38	45857-00		LINE ASSEMBLY - Hydraulic, nose gear up	1	
-39	45856-00		LINE ASSEMBLY - Hydraulic, nose gear down	1	
-40	19790-36		TUBE - Flexible	1	31P-3 to 31P-47 inclusive

A - See Figure 102 for component parts.  
 B - See Figure 103 and 103A for component parts.  
 C - See Figure 104 and 104A for component parts.  
 D - See Figure 102A for component parts.  
 E - Used if Ozone Powerpak is installed.  
 F - Used if Wiebel Powerpak is installed.

When ordering, always specify Part Number, Description and Serial Number of Aircraft



Figure and Index Number	Part Number	Code	NOMENCLATURE	No. Req.	SERIAL NUMBERS AFFECTED
99-41	17766-03		HOSE ASSEMBLY - Flexible	1	
-42	17766-04		HOSE ASSEMBLY - Flexible	1	
-43	40919-00		BLOCK - Retaining	4	
-44	415 746		SCREW - (AN515-6R22)	4	
	404 909		NUT - (MS20365-632C)	4	
-45	40923-02		BLOCK - Retaining	2	
-46	40923-03		BLOCK - Retaining	2	
-47	400 460		BOLT - (AN3-25A)	2	
-48	400 443		BOLT - (AN3-12A)	1	
	407 564		WASHER - (AN960-10)	1	
	404 887		NUT - (MS20365-1032C)	1	
-49	401 307		BOLT - (AN4-4A)	4	
-50	454 299		CAP ASSEMBLY - Pressure seal (AN929-6)	1	
-51	458 910		ELBOW - 45 degrees (AN837-4D)	4	
-52	458 882		ELBOW - 90 degrees (AN821-6D)	1	31P-3 to 31P-47 inclusive
-53	462 027		GASKET - (AN6290-4)	4	
-54	434 168		GROMMET - (MS35489-5S)	3	
-55	434 135		GROMMET - (MS35489-14)	1	
-56	477 676		NUT - (AN6289-D4)	3	
-57	477 618		NUT - (AN924-4D)	8	
-58	40849-02		PLACARD - "Hydraulic - Gear Down" (581 217)	1	
-59	40849-03		PLACARD - "Hydraulic - Gear Up" (581 218)	1	
-60	484 459		RESTRICTOR - Valve check (1143-A0610)	1	
-61	484 752		RING - (AN6291-4)	1	
-62	491 050		UNION - (AN815-4D)	4	
-63	407 105		WASHER - (AN935-416)	4	
-64	407 568		WASHER - (AN960-716)	2	
-65	45877-00		LINE ASSEMBLY - Hydraulic	1	
-66	47063-00		COVER ASSEMBLY - Hydraulic powerpak	1	
-67	47065-00		COVER ASSEMBLY - Front, hydraulic powerpak	1	
-68	80006-13		TUBE - Reservoir drain	2	31P-48 and up
-69	80006-14		TUBE - Reservoir drain	1	31P-48 and up
-70	16632-00		TUBE ASSEMBLY - Reservoir drain	1	31P-48 and up
-71	488 510		TEE - (AN938-4)	1	31P-3 to 31P-47 inclusive
	455 422		CROSS - (AN937-D4)	1	31P-48 and up
-72	48032-00		LINE ASSEMBLY - Hydraulic pressure	1	31P-48 and up
-73	492 191		VALVE - Suction, fill (7-1470-3)	1	31P-48 and up
-74	492 190		VALVE - Pressure port (2C5836)	1	31P-48 and up
-75	454 173		CAP - (AN929-4)	1	31P-48 and up
-76	48033-00		BRACKET ASSEMBLY - Hydraulic valve support	1	31P-48 and up
-77	48030-00		PLACARD - Hydraulic system	1	31P-48 and up
-78	46722-00		LINE ASSEMBLY - Hydraulic drain	1	31P-48 and up

When ordering, always specify Part Number, Description and Serial Number of Aircraft



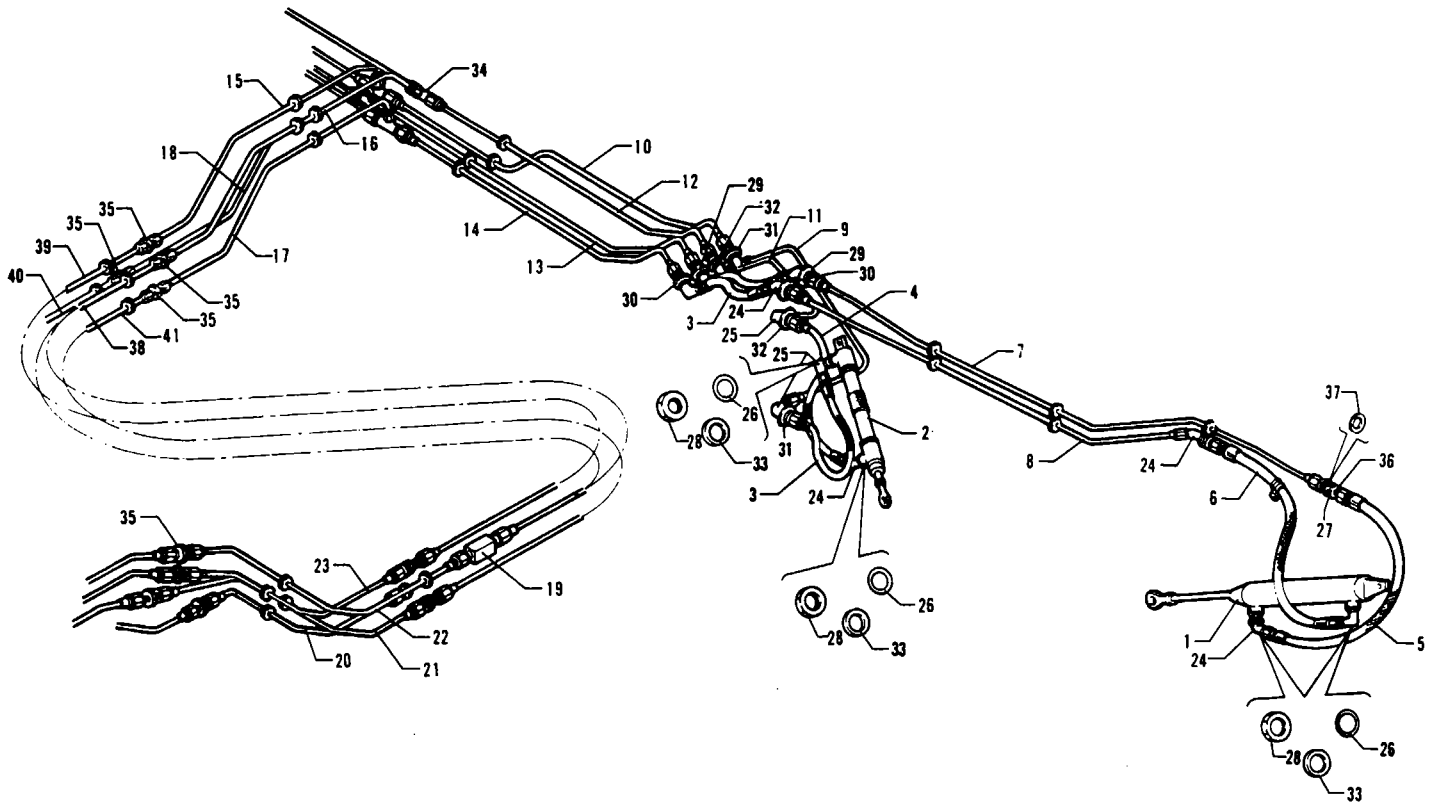


Figure 100. Aft Hydraulic System Installation

## PIPER PARTS CATALOG

Figure and Index Number	Part Number	Code	NOMENCLATURE	No. Req.	SERIAL NUMBERS AFFECTED
100-	46891		DRAWING - Hydraulic System Installation		
-1	451 826	A	ACTUATOR - Hydraulic (Ozone OAS2923-3)	2	
	451 825	B	ACTUATOR - Hydraulic (Wiebel 2115-1)	2	
	552 575	B,C	ACTUATOR - Hydraulic (Wiebel 2115-3)	2	
-2	455 946	A	CYLINDER - Lock (Ozone OAS2924-3)	2	
	455 961	B	CYLINDER - Lock (Wiebel 2114-1)	2	
-3	17766-02		HOSE ASSEMBLY - Flexible	4	
-4	17766-04		HOSE ASSEMBLY - Flexible	1	
-5	17766-27		HOSE ASSEMBLY - Flexible	2	
-6	17766-91		HOSE ASSEMBLY - Flexible	2	
-7	40848-00		LINE ASSEMBLY - Hydraulic, L.H.	1	
	40848-01		LINE ASSEMBLY - Hydraulic, R.H.	1	
-8	40841-00		LINE ASSEMBLY - Hydraulic, L.H.	1	
	40841-01		LINE ASSEMBLY - Hydraulic, R.H.	1	
-9	40836-00		LINE ASSEMBLY - Hydraulic, door open, L.H.	1	
	40836-01		LINE ASSEMBLY - Hydraulic, door open, R.H.	1	
-10	42204-00		LINE ASSEMBLY - Hydraulic, door open, L.H.	1	
	42204-01		LINE ASSEMBLY - Hydraulic, door open, R.H.	1	
-11	40832-00		LINE ASSEMBLY - Hydraulic, door close	2	
-12	40830-08		LINE ASSEMBLY - Hydraulic, door close, L.H.	1	
	40830-05		LINE ASSEMBLY - Hydraulic, door close, R.H.	1	
-13	40830-09		LINE ASSEMBLY - Hydraulic, gear down, L.H.	1	
	40830-02		LINE ASSEMBLY - Hydraulic, gear down, R.H.	1	
-14	40830-07		LINE ASSEMBLY - Hydraulic, gear up, L.H.	1	
	40830-03		LINE ASSEMBLY - Hydraulic, gear up, R.H.	1	
-15	48310-00		LINE ASSEMBLY - Hydraulic, door open (19.83" L.)	1	
-16	48309-00		LINE ASSEMBLY - Hydraulic, door close (18.52" L.)	1	
-17	52858-00		LINE ASSEMBLY - Hydraulic, gear up (18.15" L.)	1	
-18	52857-00		LINE ASSEMBLY - Hydraulic, gear down (19.35" L.)	1	
-19	484 459		RESTRICTOR - Valve check (1143-A0610)	1	31P-3 to 31P-20 incl.
	491 050		UNION - (AN815-4D)	1	31P-21 and up
-20	42102-00		LINE ASSEMBLY - Hydraulic, gear down	1	
-21	42103-00		LINE ASSEMBLY - Hydraulic, gear up	1	
-22	40828-00		LINE ASSEMBLY - Hydraulic, door close	1	
-23	42104-00		LINE ASSEMBLY - Hydraulic, door open	1	
-24	458 910		ELBOW - 45 degrees (AN837-4D)	12	
-25	458 900		ELBOW - 90 degrees (AN833-4D)	14	
-26	462 027		GASKET - (AN6290-4)	8	
-27	477 618		NUT - (AN924-4D)	20	
-28	477 676		NUT - (AN6289-D4)	8	
-29	40849-02		PLACARD - "Hydraulic - Gear Down" (581 217)	4	
-30	40849-03		PLACARD - "Hydraulic - Gear Up" (581 218)	4	
-31	40849-04		PLACARD - "Hydraulic - Door Open" (581 219)	4	
-32	40849-05		PLACARD - "Hydraulic - Door Close" (581 220)	4	
-33	484 752		RING - (AN6291-4)	8	
-34	488 320		TEE - (AN824-4D)	7	
-35	491 050		UNION - (AN815-4D)	8	
-36	491 060		UNION - (AN832-4D)	5	
-37	407 568		WASHER - (AN960-716)	23	
-38	80024-15		TUBE ASSEMBLY - Hydraulic, door close (12" L)	1	
-39	80024-16		TUBE ASSEMBLY - Hydraulic, door open (14.50" L)	1	
-40	80024-18		TUBE ASSEMBLY - Hydraulic, gear down (13" L)	1	
-41	80024-19		TUBE ASSEMBLY - Hydraulic, gear up (13" L)	1	
			A - See Figure 102 for component parts.		
			B - See Figure 102A for component parts.		
			C - Used if Main Landing Gear Lock Rod Attachment Fork Replacement Kit 764 127 has been installed per Service Letter No. 921.		

When ordering, always specify Part Number, Description and Serial Number of Aircraft

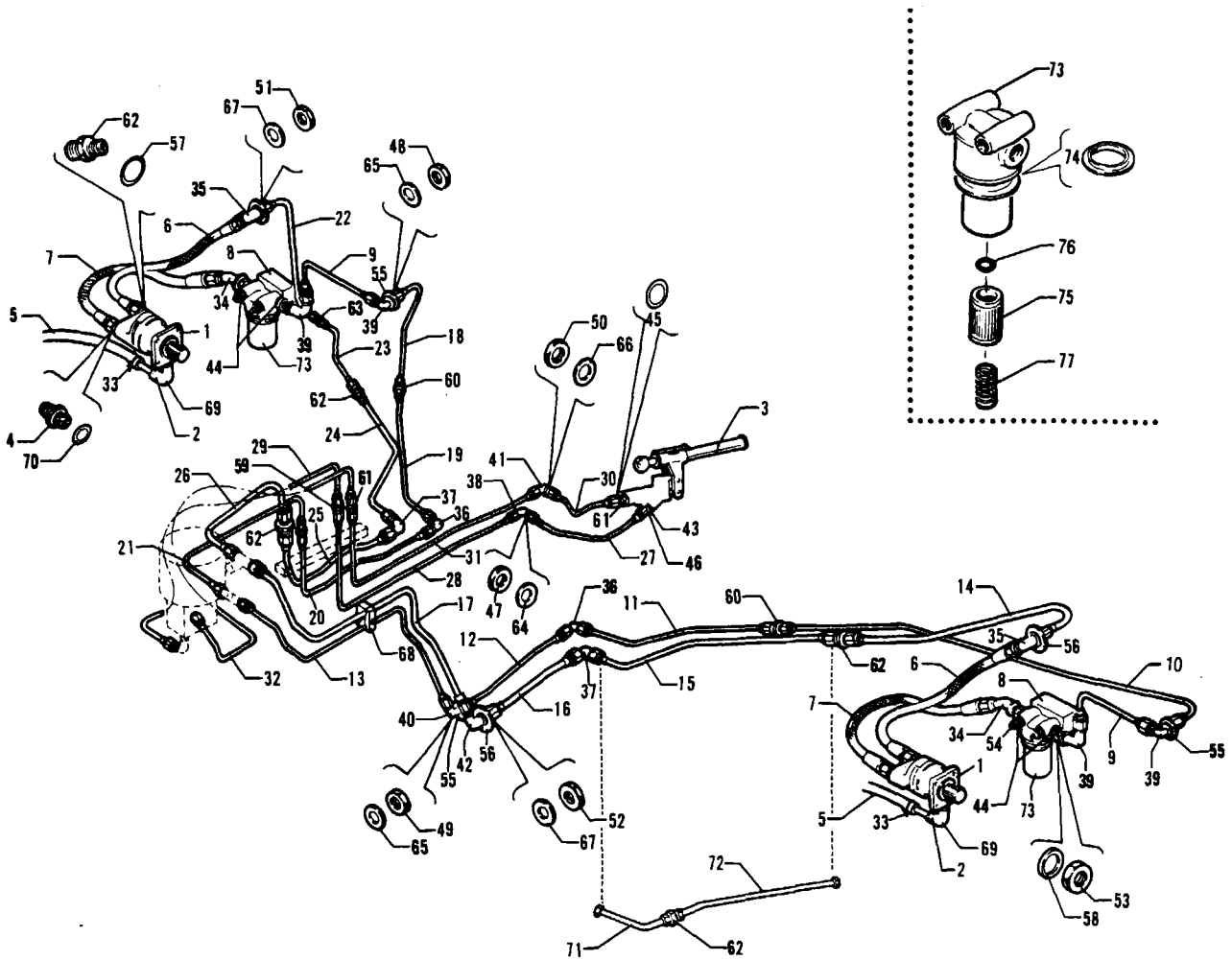


Figure 101. Hydraulic Pumps Installation



Figure and Index Number	Part Number	Code	NOMENCLATURE	No. Req.	SERIAL NUMBERS AFFECTED
101-	46891		DRAWING - Hydraulic System Installation		
-1	26802-05	B	PUMP - (1213 HBG, Type 294)	2	31P-3 to 31P-7300133 inclusive 31P-7300134 and up
	26802-08		PUMP - (1213 HBG, Type 310)	2	
-2	462 023		GASKET - Seal (AN4045-1)	1	
-3	481 717	A	PUMP - Hand (Ozone OAS2950-9)	1	
	481 771	C	PUMP - Hand (Wiebel 2112-1)	1	
-4	484 353	B	REDUCER - (AN919-6D)	2	31P-3 to 31P-7300133 inclusive 31P-7300134 and up
	484 283		REDUCER - (AN919-10D)	2	
-5	61541-27		HOSE ASSEMBLY - Flexible	2	
-6	39995-04		HOSE ASSEMBLY - Flexible	2	
-7	80029-02		HOSE ASSEMBLY - Flexible	2	
-8	40920-00		BLOCK - Back-up	4	
-9	40819-00		LINE ASSEMBLY - Hydraulic, engine pump pressure	2	
-10	46220-00		LINE ASSEMBLY - Hydraulic, engine pump pressure, L.H.	1	
-11	40823-00		LINE ASSEMBLY - Hydraulic, engine pump pressure, L.H.	1	
-12	45502-00		LINE ASSEMBLY - Hydraulic, engine pump pressure, L.H.	1	
-13	45885-00		LINE ASSEMBLY - Hydraulic, engine pump pressure, L.H.	1	
-14	46451-00		LINE ASSEMBLY - Hydraulic, engine pump suction, L.H.	1	
-15	40810-00		LINE ASSEMBLY - Hydraulic, engine pump suction, L.H. (25.75 L)	1	
-16	40809-00		LINE ASSEMBLY - Hydraulic, engine pump suction, L.H.	1	
-17	45883-00		LINE ASSEMBLY - Hydraulic, engine pump suction, L.H.	1	31P-3 to 31P-7630004 inclusive 31P-7630005 and up
	48992-02		LINE ASSEMBLY - Hydraulic, engine pump suction, L.H.	1	
-18	46217-00		LINE ASSEMBLY - Hydraulic, engine pump pressure, R.H.	1	
-19	46866-00		LINE ASSEMBLY - Hydraulic, engine pump pressure, R.H.	1	
-20	46595-00		LINE ASSEMBLY - Hydraulic, engine pump pressure, R.H.	1	
-21	45859-00		LINE ASSEMBLY - Hydraulic, engine pump pressure, R.H.	1	
-22	47354-00		LINE ASSEMBLY - Hydraulic, engine pump suction, R.H.	1	
-23	46459-00		LINE ASSEMBLY - Hydraulic, engine pump suction, R.H.	1	
-24	40805-00		LINE ASSEMBLY - Hydraulic, engine pump suction, R.H.	1	
-25	50028-00		LINE ASSEMBLY - Hydraulic, engine pump suction, R.H.	1	
-26	45886-00		LINE ASSEMBLY - Hydraulic, engine pump suction, R.H.	1	
-27	52965-00		LINE ASSEMBLY - Hydraulic, hand pump pressure	1	
-28	40855-00		LINE ASSEMBLY - Hydraulic, hand pump pressure	1	
-29	45860-00		LINE ASSEMBLY - Hydraulic, hand pump pressure	1	
-30	52960-00		LINE ASSEMBLY - Hydraulic, hand pump suction	1	
-31	40852-00		LINE ASSEMBLY - Hydraulic, hand pump suction	1	
-32	45875-00		LINE ASSEMBLY - Hydraulic, hand pump suction	1	
-33	454 983		CLAMP - (SAE 8, Type E)	2	
-34	40910-00		ELBOW - 45 Degrees	2	
-35	491 068		UNION - (AN832-8)	2	
-36	458 880		ELBOW - 90 Degrees (AN821-4D)	2	
-37	458 881		ELBOW - 90 Degrees (AN821-8D)	2	
-38	458 889		ELBOW - 90 Degrees (AN833-3D)	1	
-39	458 934		ELBOW - 90 Degrees (AN833-4)	4	
-40	458 900		ELBOW - 90 Degrees (AN833-4D)	1	
-41	458 878		ELBOW - 90 Degrees (AN833-5D)	1	
-42	458 905		ELBOW - 90 Degrees (AN833-8D)	1	

A - See Figure 102 for component parts.  
 B - If hydraulic pump 26802-08 (1213 HBG, Type 310) has been installed, order part with serial numbers 31P-7300134 and up.  
 C - See Figure 102A for component parts.

When ordering, always specify Part Number, Description and Serial Number of Aircraft



Figure and Index Number	Part Number	Code	NOMENCLATURE	No. Req.	SERIAL NUMBERS AFFECTED
101-43	491 048		UNION - (AN815-3D)	1	
-44	462 027		GASKET - (AN6290-4)	3	
-45	462 028		GASKET - (AN6290-5)	1	
-46	462 026		GASKET - (AN6290-3)	1	
-47	477 617		NUT - (AN924-3D)	1	
-48	477 629		NUT - (AN924-4)	2	
-49	477 618		NUT - (AN924-4D)	1	
-50	477 623		NUT - (AN924-5D)	1	
-51	477 691		NUT - (AN924-8)	2	
-52	477 621		NUT - (AN924-8D)	2	
-53	477 713		NUT - (AN6289-4)	2	
-54	400 019		BOLT - (AN4-26A)	4	
	407 565		WASHER - (AN960-416)	4	
	404 888		NUT - (MS20365-428C)	4	
-55	40849-06		PLACARD - "Hydraulic Pressure" (581 221)	2	
-56	40849-10		PLACARD - "Hydraulic Suction" (581 225)	2	
-57	462 031		GASKET - (AN6290-8)	2	
-58	484 752		RING - (AN6291-4)	2	
-59	492 170		VALVE - Check (2C9326)	1	
-60	491 050		UNION - (AN815-4D)	4	
-61	491 051		UNION - (AN815-5D)	1	
-62	491 053		UNION - (AN815-8D)	6	
-63	491 074		UNION - (AN832-8D)	1	
-64	407 567		WASHER - (AN960-616)	1	
-65	407 568		WASHER - (AN960-716)	3	
-66	407 569		WASHER - (AN960-816)	1	
-67	407 573		WASHER - (AN960-1216)	4	
-68	47158-00		BLOCK - Retaining	1	
-69	458 929		ELBOW - (AN842-4D)	2	
-70	462 029	A	GASKET - (AN6290-6)	2	31P-3 to 31P-7300133 inclusive
	462 031		GASKET - (AN6290-8)	2	31P-7300134 and up
-71	55319-02		LINE ASSEMBLY - Hydraulic suction (12.69" L)	1	
-72	55320-02		LINE ASSEMBLY - Hydraulic suction (12.22" L)	1	
-73	460 635		FILTER ASSEMBLY - Oil (AN6234-1)	2	
-74	752 604	B	* "O" RING - (MS28778-16)	1	
	751 869	C	* "O" RING - (AN6227-B22)	1	
-75	751 759		* ELEMENT - Filter (AN6235-1A)	1	
-76	484 701		* * PACKING - "O" Ring (AN6227-7)	1	
-77	756 164		* SPRING - (572 755)	1	

A - If hydraulic pump 26802-08 (1213-HBG, Type 310) has been installed, order part with serial numbers 31P-7300134 and up.  
 B - Used when Purolator filter is installed.  
 C - Used when Bendix filter is installed.

When ordering, always specify Part Number, Description and Serial Number of Aircraft

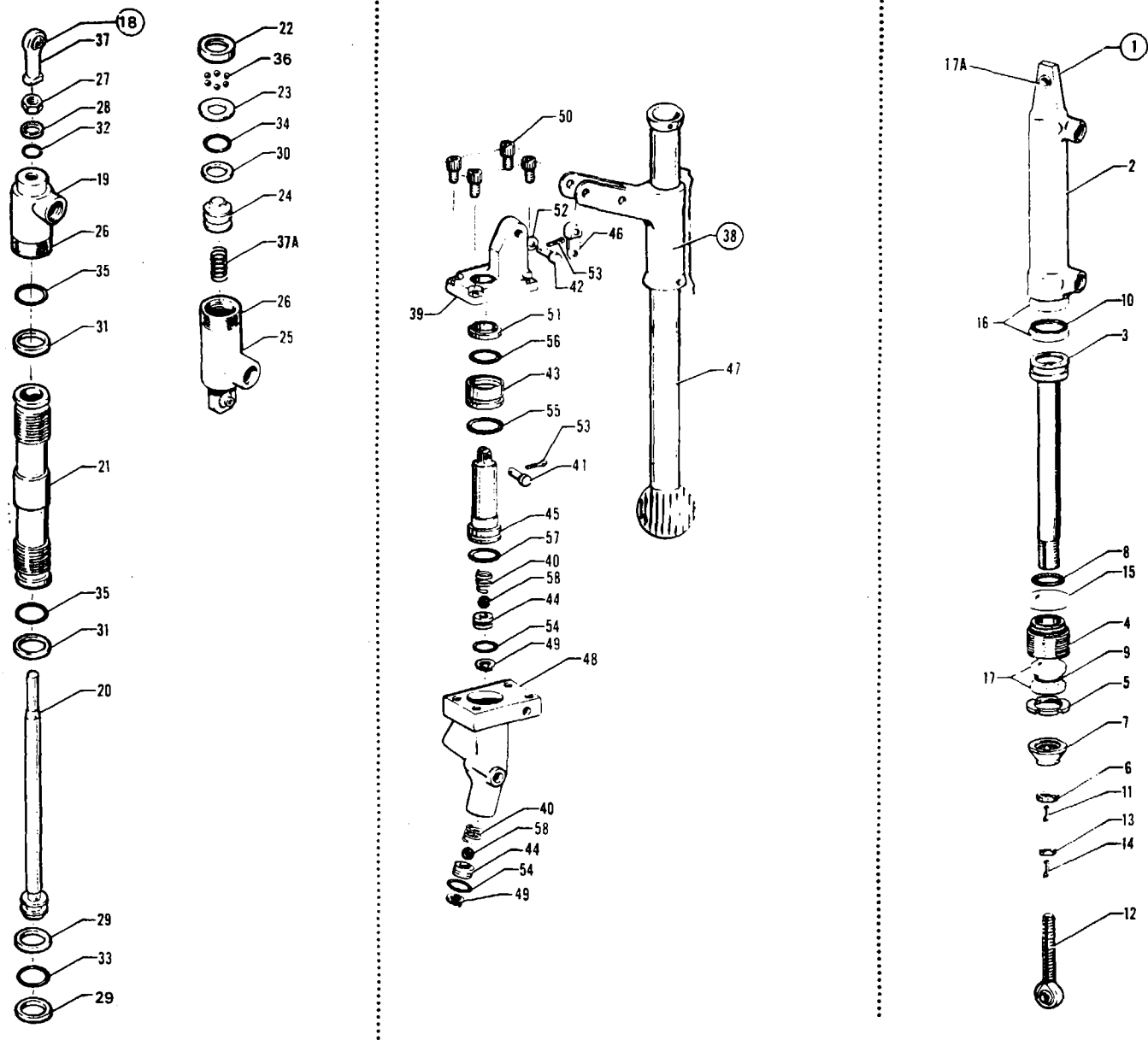


Figure 102. Hydraulic System Components (Ozone)

## PIPER PARTS CATALOG

Figure and Index Number	Part Number	Code	NOMENCLATURE	No. Req.	SERIAL NUMBERS AFFECTED
102-1	451 826		ACTUATOR - Hydraulic (Ozone OAS2923-3)	3	
-2	757 864		* CYLINDER ASSEMBLY - (292310-1)	1	
-3	757 319		* PISTON - (292308-1)	1	
-4	751 916		* GLAND - (292309-1)	1	
-5	752 358		* LOCKNUT (292304-1)	1	
-6	752 359		* LOCKNUT - (292305-1)	1	
-7	756 263		* STOP - (292306-1)	1	
-8	757 320		* PACKING - (MS28775-025)	1	
-9	757 223		* PACKING - (MS28775-114)	1	
-10	757 224		* PACKING - (MS28775-216)	1	
-11	754 550		* LOCK - (NAS559-1)	1	
-12	762 554		* ROD END - (MXK-46-16A)	1	
-13	752 526		* NUT - (NAS509-6)	1	
-14	752 365		* LOCK - (NAS559-2)	1	
-15	756 020		* RING - Glyd (S-12547-026)	1	
-16	756 021		* RING - Back-up (MS28774-216)	2	
-17	756 022		* RING - Back-up (MS28774-114)	2	
-17a	453 845		* BUSHING - (NAS 77-5-15)	2	
-18	455 946		CYLINDER - Lock (Ozone OAS2924-3)	2	
-19	753 965		* CAP - End (292401-101)	1	
-20	757 225		* PISTON - (294903-105)	1	
-21	753 444		* BARREL - (294902-101)	1	
-22	755 957		* RACE - (294904-101)	1	
-23	753 216		* WASHER - (294905-101)	1	
-24	757 226		* PLUNGER - (294906-101)	1	
-25	753 966		* CLEVIS ASSEMBLY - End (294908-041)	1	
-26	752 508		* NUT - (294909-101)	2	
-27	754 551		* DYNALOCK - (AB0428-SCN3)	1	
-28	755 902		* RING - Back-up (MS28774-011)	1	
-29	755 958		* RING - Back-up (MS28774-111)	2	
-30	755 959		* RING - Back-up (MS28774-112)	1	
-31	755 960		* RING - Back-up (MS28774-18)	2	
-32	755 941		* PACKING - (MS28775-011)	1	
-33	757 227		* PACKING - (MS28775-111)	1	
-34	757 228		* PACKING - (MS28775-112)	1	
-35	757 229		* PACKING - (MS28775-018)	2	
-36	753 445		* BALL - (MS150453)	6	
-37	755 961		* ROD END - (F34-14)	1	
-37a	756 265		* SPRING - (294715-1)	1	
-38	481 717		PUMP - Hand (Ozone OAS2950-9)	1	
-39	753 446		* BRACKET ASSEMBLY - (295002-1)	1	
-40	756 266		* SPRING - (294018-1)	2	
-41	757 230		* PIN - (294025-1)	2	
-42	757 231		* PIN - (294025-3)	1	
-43	751 892		* GLAND - Packing (294050-1)	1	
-44	756 267		* SEAL - (294051-1)	2	
-45	757 232		* PLUNGER - (294053-1)	1	
-46	752 360		* LINK - (294055-1)	1	
-47	755 277		* HANDLE AND LEVER ASSEMBLY - Hand pump	1	
-48	758 166		* BODY - Hand pump (295001-1)	1	
-49	755 962		* RETAINER - (5000-43H)	2	
-50	756 271		* SCREW - (NAS608C41-18)	4	
-51	756 269		* SCRAPER - (MS28776-3)	1	
-52	753 217		* WASHER - (294079-1)	3	
-53	757 237		* COTTER PIN - (MS24665-148)	3	
-54	755 941		* PACKING - (MS28775-011)	2	
-55	757 233		* PACKING - (MS28775-021)	1	
-56	757 223		* PACKING - (MS28775-114)	1	
-57	757 234		* PACKING - (MS28775-115)	1	
-58	753 484		* BALL - (MS150457)	2	

When ordering, always specify Part Number, Description and Serial Number of Aircraft

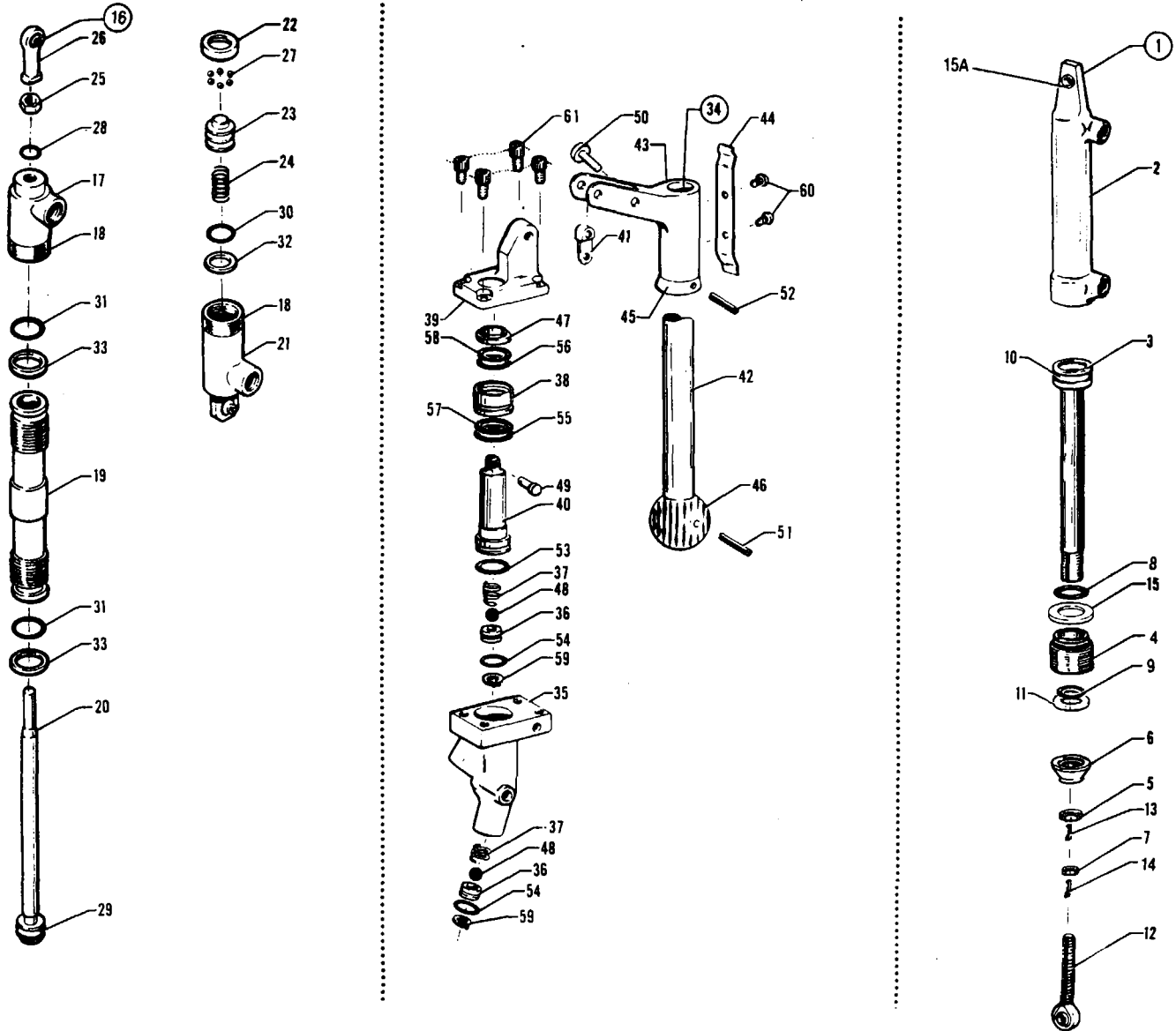


Figure 102A. Hydraulic System Components (Wiebel)



**PIPER PARTS CATALOG**

Figure and Index Number	Part Number	Code	NOMENCLATURE	No. Req.	SERIAL NUMBERS AFFECTED
102A-1	451 825		ACTUATOR - Hydraulic (Wiebel 2115-1)	3	
	451 825	A	ACTUATOR - Hydraulic, nose gear (Wiebel 2115-1)	1	
	552 575	A	ACTUATOR - Hydraulic, main gear (Wiebel 2115-3)	2	
-2	763 211		* CYLINDER ASSEMBLY - (2115001-1)	1	
-3	757 499		* PISTON - (2115002-1)	1	
-4	763 208		* CAP - End (2115003-1)	1	
-5	752 568		* NUT - (2115005-1)	1	
-6	762 313		* STOP - (2115006-1)	1	
-7	404 528		* NUT - (MS21042-6)	1	
-8	752 588		* "O" RING - (MS28775-124)	1	
-9	762 548		* RING - Seal (7114FS-160-T)	1	
-10	762 549		* RING - Seal (7216MS-160-T)	1	
-11	762 285		* SCRAPER - (S-11065-3)	1	
-12	762 554		* ROD END - (MXK-46-16A)	1	
	758 440	A	* ROD END - (HMXX-5)	1	
-13	754 550		* LOCK - (NAS559-1)	1	
-14	761 115		* KEY - (2115004-1)	1	
-15	762 541		* RETAINER - Back-up (MS28774-124)	1	
-15a	453 845		* BUSHING - (NAS77-5-15)	2	
-16	455 961		CYLINDER - Lock (Wiebel 2114-1)	2	
-17	763 209		* CAP - End (2114001-1)	1	
-18	752 569		* NUT - (2114002-1)	2	
-19	758 377		* BARREL - (2114003-1)	1	
-20	757 500		* PISTON - (2114004-1)	1	
-21	754 854		* FITTING ASSEMBLY - (2114005-1)	1	
-22	762 535		* RACE - (2114006-1)	1	
-23	763 404		* PLUNGER - (2114007-1)	1	
-24	762 308		* SPRING - (2114008-1)	1	
-25	752 570		* NUT - (10081 ESLOK)	1	
-26	755 961		* ROD END - (F34-14)	1	
-27	753 445		* BALL - (MS150453)	6	
-28	762 550		* RING - Seal (7011FS-160-T)	1	
-29	762 551		* RING - Seal (7111MS-160-T)	1	
-30	757 266		* "O" RING - (MS28775-015)	1	
-31	757 229		* "O" RING - (MS28775-018)	2	
-32	762 539		* RETAINER - Back-up (MS28774-015)	1	
-33	755 960		* RETAINER - Back-up (MS28774-018)	2	
-34	481 771		PUMP - Hand (Wiebel 2112-1)	1	
-35	758 385		* BODY ASSEMBLY - Hand pump (2112001-1)	1	
-36	762 316		* SEAT - (2112002-1)	2	
-37	762 302		* SPRING - (2112003-1)	2	
-38	755 095		* GLAND - (2112004-1)	1	
-39	758 386		* BRACKET ASSEMBLY - (2112005-1)	1	
-40	763 405		* PLUNGER - (2112006-1)	1	
-41	761 205		* LINK - (2112007-1)	1	
-42	755 276		* HANDLE - (2112008-1)	1	
-43	761 204		* LEVER ASSEMBLY - (2112009-1)	1	
-44	762 309		* SPRING - (2112010-1)	1	
-45	762 314		* STOP - (2112011-1)	1	
-46	755 096		* GRIP - (2112012-1)	1	
-47	762 285		* SCRAPER - (S-11065-3)	1	
-48	753 484		* BALL - (MS150457)	2	
-49	757 496		* PIN - Quick click (3/16 x .437)	1	
-50	757 497		* PIN - Quick click (3/16 x .750)	2	
-51	757 236		* PIN - Spring (MS171537)	1	
-52	757 494		* PIN - Spring (MS171532)	1	
-53	762 552		* RING - Seal (7115MS-160-T)	1	

A - Used if Main Landing Gear Lock Rod Attachment Fork Replacement Kit 764 127 has been installed per Service Letter No. 921.

When ordering, always specify Part Number, Description and Serial Number of Aircraft

**PIPER PARTS CATALOG**

Figure and Index Number	Part Number	Code	NOMENCLATURE	No. Req.	SERIAL NUMBERS AFFECTED
102A-54	755 941		* "O" RING - (MS28775-011)	2	
-55	757 233		* "O" RING - (MS28775-021)	1	
-56	757 223		* "O" RING - (MS28775-114)	1	
-57	762 540		* RETAINER - Back-up (MS28774-021)	1	
-58	762 542		* RETAINER - Back-up (MS28774-114)	1	
-59	755 962		* RETAINER - Snap ring (5000-43H)	2	
-60	762 292		* SCREW - Drive (AN535-4-3)	2	
-61	762 291		* SCREW - (NAS1351C4-10)	4	

When ordering, always specify Part Number, Description and Serial Number of Aircraft

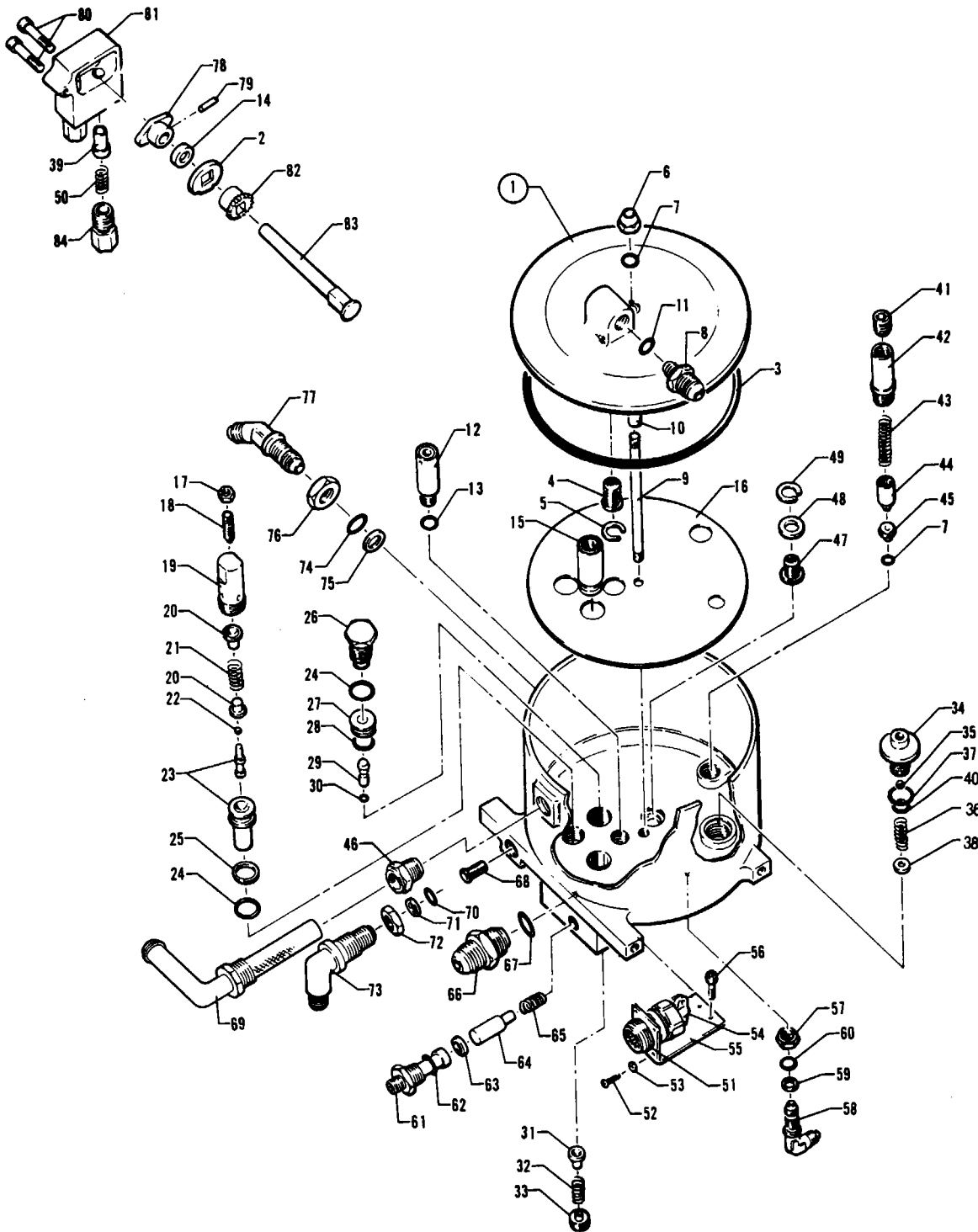


Figure 103. Hydraulic Powerpak Assembly (Ozone)

**PIPER PARTS CATALOG**

Figure and Index Number	Part Number	Code	NOMENCLATURE	No. Req.	SERIAL NUMBERS AFFECTED
103-1	481 133	A	POWERPAK ASSEMBLY - New (Ozone OAS2930-3)	1	31P-3 to 31P-47 inclusive
	757 303	A	POWERPAK ASSEMBLY - Reconditioned (Ozone OAS2930-3)	1	31P-3 to 31P-47 inclusive
	481 140	A	POWERPAK ASSEMBLY - New (Ozone OAS2930-5)	1	31P-48 to 31P-7300172 inclusive
	757 374	A	POWERPAK ASSEMBLY - Reconditioned (Ozone OAS2930-5)	1	31P-48 to 31P-7300172 inclusive
	481 166	A	POWERPAK ASSEMBLY - New (Ozone OAS2930-7)	1	31P-7400173 and up
	757 457	A	POWERPAK ASSEMBLY - Reconditioned (Ozone OAS2930-7)	1	31P-7400173 and up
-2	757 804		* CAM - (295203-1)	1	
-3	757 262		* PACKING - (MS28775-257)	1	
-4	751 822		* FILTER - (294061-3)	1	
-5	755 980		* RING - Snap (5000-50H)	1	
-6	752 519		* NUT - (294081-1)	1	
-7	757 263		* PACKING - (MS28775-010)	2	
-8	491 052		* UNION - (AN815-6D)	1	31P-3 to 31P-47 inclusive
	484 353		* REDUCER - (AN919-6D)	1	31P-48 and up
-9	755 981		* ROD - (294046-1)	1	
-10	757 502		* SPACER - (294044-1)	1	
-11	462 029		* PACKING - (AN6290-6)	1	
-12	756 511		* VALVE - Vent (OAS2925-1)	1	
-13	757 265		* PACKING - (MS28778-3)	1	
-14	757 533		* SPACER - (294068-1)	1	
-15	751 823		* FILTER ASSEMBLY - (293008-1)	1	
-16	753 479		* BAFFLE - (294042)	1	
-17	752 520		* NUT - (NAS509-5)	1	
-18	757 503		* SCREW - (294032-1)	1	
-19	755 982		* RETAINER (294033-1)	1	
-20	753 480		* BUTTON - (294034-1)	2	
-21	757 504		* SPRING - (294035-1)	1	
-22	753 481		* BALL - (MS150455)	1	
-23	757 505		* SEAT AND POPPET - (294007-1)	1	
-24	757 266		* PACKING - (MS28775-015)	2	
-25	753 482		* BACK-UP - (MS28774-15)	1	
-26	755 983		* RETAINER ASSEMBLY - (294036-1)	1	
-27	757 506		* SEAT - (294307-1)	1	
-28	757 267		* PACKING - (MS28775-014)	1	
-29	757 285		* POPPET - (294038-1)	1	
-30	757 268		* PACKING - (MS28775-006)	1	
-31	753 483		* BUTTON - (294039-1)	1	
-32	757 507		* SPRING - (294090-1)	1	
-33	755 984		* RETAINER - (294064-1)	1	
-34	755 985		* RETAINER - (294020-1)	1	
-35	753 484		* BALL - (MS150457)	1	
-36	756 266		* SPRING - (294018-1)	1	
-37	757 269		* PACKING - (MS28775-016)	1	
-38	757 509		* SPACER - (294019-1)	1	
-39	757 328		* PLUNGER ASSEMBLY - (293012-1)	2	
-40	757 270		* PACKING - (MS28775-012)	1	
-41	755 986		* RETAINER ASSEMBLY - (294030-1)	1	
-42	753 485		* BODY - (294045-1)	1	
-43	757 524		* SPRING - (294087-1)	1	
-44	757 286		* POPPET - (294091-1)	1	
-45	757 512		* SEAT - (294092-1)	1	
-46	751 900	B	* GAUGE - Oil (4040)	1	
-47	754 810		* FILTER ASSEMBLY - (293023-1)	1	
-48	757 513		* SPACER - (294062-1)	1	
-49	757 514		* SNAP RING - (CR-62)	1	
-50	757 594		* SPRING - (293013-1)	2	
-51	753 999		* CONNECTOR - (MS2100A14S-2P)	1	

A - See Figure 103A for balance of powerpak components.  
B - Used on Powerpak Assembly No. OAS2930-5 or OAS2930-7 only.

When ordering, always specify Part Number, Description and Serial Number of Aircraft



Figure and Index Number	Part Number	Code	NOMENCLATURE	No. Req.	SERIAL NUMBERS AFFECTED
103-52	757 517		SCREW - (NAS609-448-4)	4	
-53	407 101		WASHER - (AN935-4)	4	
-54	757 801		CLAMP - (MS3057-6A)	1	
-55	757 289		PLATE - Mounting (294074-1)	1	
-56	757 518		SCREW - (NAS608C3H6)	2	
-57	752 524		NUT - (AN6289D3)	1	
-58	458 899		ELBOW - (AN833-3D)	1	
-59	753 490		BACK-UP - (MS28777-3)	1	
-60	757 265		PACKING - (MS28778-3)	1	
-61	754 801		FITTING - (294066-1)	1	
-62	755 940		PACKING - (MS28778-6)	1	
-63	755 941		PACKING - (MS28775-011)	1	
-64	757 290		PLUNGER - (294066-1)	1	
-65	757 526		SPRING - (294072-1)	1	
-66	491 053		UNION - (AN815-8D)	1	
-67	757 275		PACKING - (MS28778-8)	1	
-68	754 800		FILTER ASSEMBLY - (294061-5)	1	
-69	754 809	A	FILLER ASSEMBLY - (293014-1)	1	
-70	755 940		PACKING - (MS28778-6)	1	
-71	753 486		BACK-UP - (MS28777-6)	1	
-72	752 521		NUT - (AN6289-D6)	1	
-73	458 901		ELBOW - (AN833-6D)	1	
-74	757 283		PACKING - (MS28777-5)	1	
-75	757 284		PACKING - (MS28778-5)	1	
-76	752 525		NUT - (AN6289-D5)	1	
-77	458 911		ELBOW - (AN837-5D)	1	
-78	757 803		CAM - (294009-1)	1	
-79	757 291		PIN - Spring (MS171528)	1	
-80	757 528		SCREW - (NAS608C4H16)	2	
-81	752 013		HOUSING - (293010-1)	1	
-82	751 902		GEAR - (294063-1)	1	
-83	757 532		SHAFT - (294043-1)	1	
-84	757 327		PLUG ASSEMBLY - (293011-1)	2	

A - Used on Powerpak Assembly No. OAS2930-3 only.

When ordering, always specify Part Number, Description and Serial Number of Aircraft

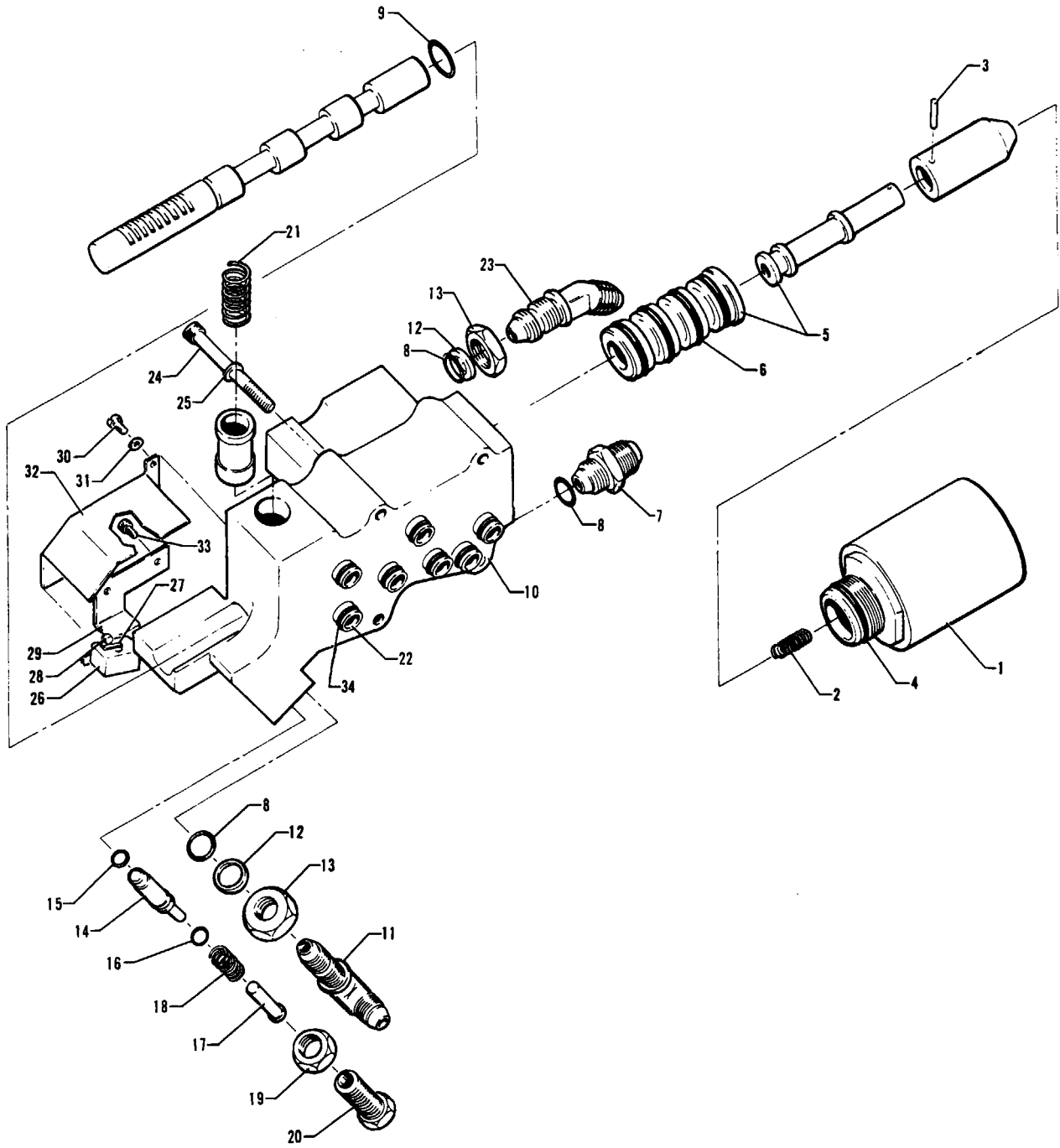


Figure 103A. Hydraulic Powerpak Components (Ozone)



Figure and Index Number	Part Number	Code	NOMENCLATURE	No. Req.	SERIAL NUMBERS AFFECTED
103A-1	757 515		SOLENOID - (294013-3)	1	
-2	757 516		SPRING - (294014-1)	1	
-3	757 288		PIN - (294015-1)	1	
-4	757 229		PACKING - (MS28775-018)	1	
-5	757 519		SLEEVE AND SPOOL - (294016-3)	1	
-6	757 269		PACKING - (MS28775-016)	4	
-7	491 050		UNION - (AN815-4D)	2	
-8	757 276		PACKING - (MS28778-4)	4	
-9	757 277		PACKING - (MS28775-013)	1	
-10	753 790		MANIFOLD ASSEMBLY - (294002-3)	1	
-11	458 900		ELBOW - (AN833-4D)	1	
-12	484 752		BACK-UP - (AN6291-4)	2	
-13	477 676		NUT - (AN6289-D4)	2	
-14	757 287		POPPET ASSEMBLY - (294028-1)	1	
-15	757 268		PACKING - (MS28775-008)	1	
-16	757 279		PACKING - (MS28775-008)	1	
-17	751 901		GUIDE - (294088-1)	1	
-18	757 524		SPRING - (294087-1)	1	
-19	752 523		NUT - (NAS509-7)	1	
-20	755 988		RETAINER - (294089-1)	1	
-21	757 510		SPRING - (294017-1)	1	
-22	756 323		TUBE - Transfer (294076-1)	7	
-23	458 910		ELBOW - (AN837-4D)	1	
-24	757 527		SCREW - (NAS608C3H24)	4	
-25	756 610		WASHER - (NAS620C10)	4	
-26	757 529		SWITCH ASSEMBLY - (294070-3)	1	
-27	757 530		STRAP - Mounting (80-160028)	1	
-28	751 281		ACTUATOR - (294071-1)	1	
-29	753 491		BRACKET - (294069-1)	1	
-30	756 270		SCREW - (AN500AD6-3)	2	
-31	753 218		WASHER - (MS122028)	2	
-32	757 802		COVER - (294082-1)	1	
-33	757 537		SCREW - (NAS608C3H6)	2	
-34	755 941		PACKING - (MS28775-011)	15	

When ordering, always specify Part Number, Description and Serial Number of Aircraft

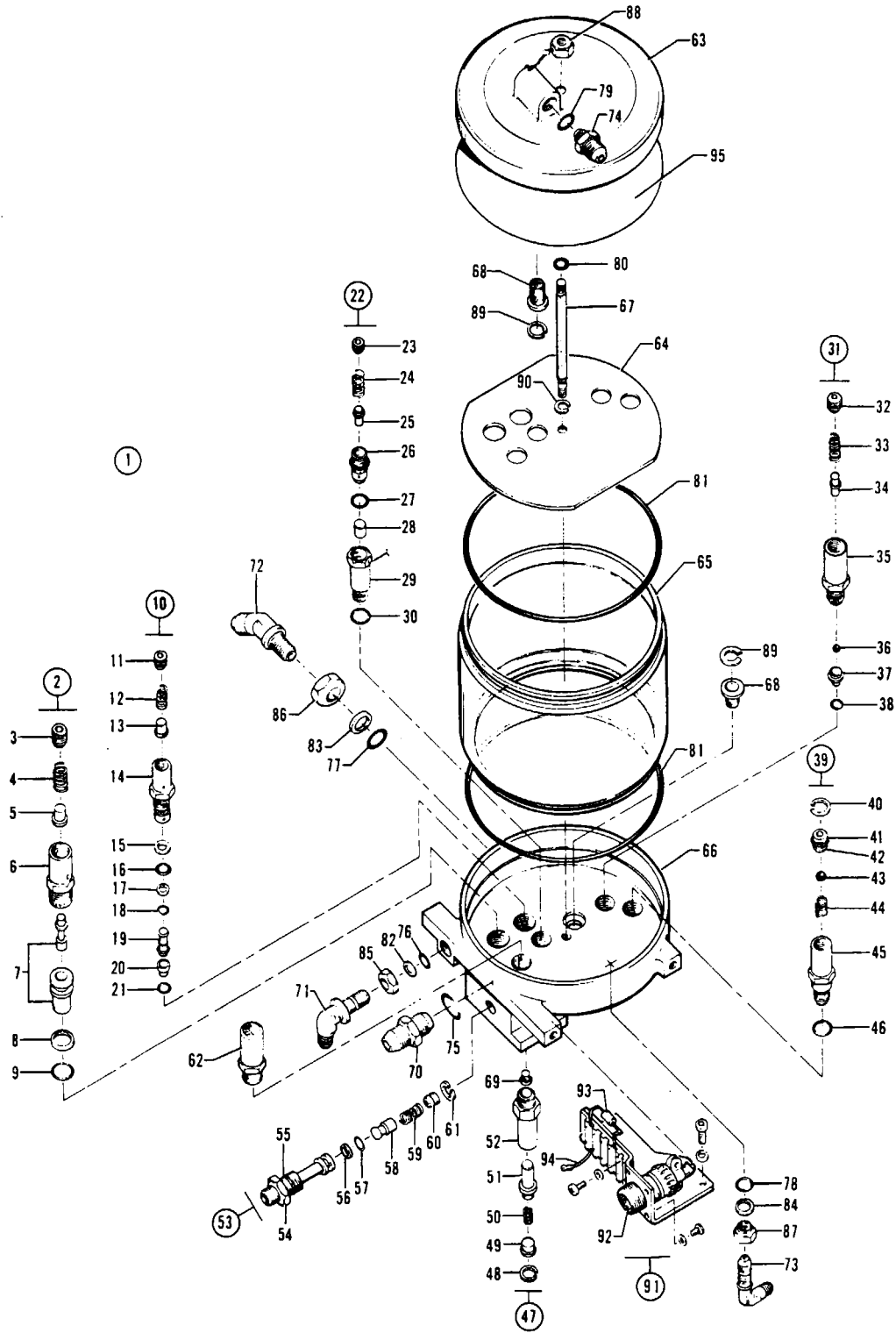


Figure 104. Hydraulic Powerpak Assembly (Wiebel)



**PIPER PARTS CATALOG**

Figure and Index Number	Part Number	Code	NOMENCLATURE	No. Req.	SERIAL NUMBERS AFFECTED
104-1	757 473	A	POWERPAK ASSEMBLY - New (Wiebel 2135-3)	1	31P-3 to 31P-7300172 inclusive
	481 171	A	POWERPAK ASSEMBLY - New (Wiebel 2135-1)	1	31P-7400173 and up
-2	756 549		* PRIMARY RELIEF VALVE ASSEMBLY - (2135-101)	1	
-3	762 286		** SCREW - Adjusting (2135008-1)	1	
-4	762 298		** SPRING - (2135010-1)	1	
-5	758 387		** BUTTON - Guide (2135009-1)	1	
-6	758 379		** BODY - Relief valve (2135007-1)	1	
-7	763 408		** POPPET SEAT - (2135006-1)	1	
-8	762 536		** RETAINER - Back-up (MS28774-013)	1	
-9	757 277		** "O" RING - (MS28775-013)	1	
-10	756 550		* PRIORITY VALVE ASSEMBLY - (2135-102)	1	
-11	762 286		** SCREW - Adjusting (2135008-1)	1	
-12	762 299		** SPRING - (2135012-1)	1	
-13	758 387		** BUTTON - Guide (2135009-1)	1	
-14	758 380		** BODY - Priority valve (2135011-1)	1	
-15	762 536		** RETAINER - Back-up (MS28774-013)	1	
-16	757 277		** "O" RING - (MS28775-013)	1	
-17	762 537		** RETAINER - Back-up (MS28774-006)	1	
-18	757 268		** "O" RING - (MS28775-006)	1	
-19	763 406		** POPPET - (2135013-1)	1	
-20	762 293		** SEAT - Poppet (2135014-1)	1	
-21	757 270		** "O" RING - (MS28775-012)	1	
-22	756 551		* DOOR VENT VALVE ASSEMBLY - (2135-106)	1	
-23	762 287		** SCREW - Adjusting (2135045-1)	1	
-24	762 300		** SPRING - (2135044-1)	1	
-25	762 311		** STEM - Guide (2135043-1)	1	
-26	762 296		** SLEEVE - (2135042-1)	1	
-27	757 263		** "O" RING - (MS28775-010)	1	
-28	757 498		** PISTON - (2135041-1)	1	
-29	758 381		** BODY - Vent valve (2135040-1)	1	
-30	757 265		** "O" RING - (MS28778-3)	1	
-31	756 552		* HAND PUMP RELIEF VALVE ASSEMBLY - (2135-107)	1	
-32	762 288		** SCREW - Adjusting (2135028-1)	1	
-33	762 301		** SPRING - (2135029-1)	1	
-34	762 312		** STEM - Guide (2135031-1)	1	
-35	758 382		** BODY - Relief valve (2135030-1)	1	
-36	753 445		** BALL - (MS150453)	1	
-37	762 317		** SEAT - Ball (2135032-1)	1	
-38	755 941		** "O" RING - (MS28775-011)	1	
-39	756 553		* TIME DELAY CHECK VALVE ASSEMBLY - (2135-105)	1	
-40	755 962		** RING - Snap (5000-43H)	1	
-41	755 941		** "O" RING - (MS28775-011)	1	
-42	762 316		** SEAT - (2112002-1)	1	
-43	753 484		** BALL - (MS150457)	1	
-44	762 302		** SPRING - (2112003-1)	1	
-45	758 383		** BODY - Delay valve (2135027-1)	1	
-46	757 265		** "O" RING - (MS28778-3)	1	
-47	763 204		* CARTRIDGE ASSEMBLY - Handle return (2135-104)	2	
-48	755 980		** RING - Snap (5000-50H)	1	
-49	758 388		** BUTTON - Plug (2135024-1)	1	
-50	762 303		** SPRING - (2135023-1)	1	
-51	763 402		** PLUNGER - (2135022-1)	1	
-52	758 384		** BODY - Handle return (2135021-1)	1	

A - See Figure 104A for balance of powerpak components.

When ordering, always specify Part Number, Description and Serial Number of Aircraft



Figure and Index Number	Part Number	Code	NOMENCLATURE	No. Req.	SERIAL NUMBERS AFFECTED
104-53	756 554		ENGINE PUMP CHECK VALVE ASSEMBLY - (2135-108)	1	
-54	754 853		FITTING - (2135035-1)	1	
-55	757 266		"O" RING - (MS28775-015)	1	
-56	762 536		RETAINER - Back-up (MS28774-013)	1	
-57	757 277		"O" RING - (MS28775-013)	1	
-58	763 407		POPPET - (2135038-1)	1	
-59	762 304		SPRING - (2135037-1)	1	
-60	758 389		BUTTON - Plug (2135036-1)	1	
-61	762 546		RING - Snap (5000-31H)	1	
-62	754 851		STAND PIPE FILTER - (2135039-1)	1	
-63	763 210		COVER - Reservoir (2135004-1)	1	
-64	763 401		PLATE - Baffle (2135046-1)	1	
-65	762 545		RESERVOIR - (2135058-1)	1	
-66	758 378		BODY - Powerpak (2135001-1)	1	
-67	762 553		ROD - (2135033-1)	1	
-68	754 852		FILTER - (2135034-1)	2	
-69	762 289		SCREW - Stop (2135018-1)	2	
-70	491 063		UNION - (AN815-8D)	1	
-71	488 471		TEE - (AN834-6D)	1	31P-3 to 31P-47 inclusive
	458 901		ELBOW - (AN833-6D)	1	31P-48 and up
-72	458 911		ELBOW - (AN837-5D)	1	
-73	458 899		ELBOW - (AN833-3D)	1	
-74	491 052		UNION - (AN815-6D)	1	31P-3 to 31P-47 inclusive
	491 060		UNION - (AN815-4D)	1	31P-48 and up
-75	757 275		"O" RING - (MS28778-8)	1	
-76	755 940		"O" RING - (MS28778-6)	1	
-77	757 284		"O" RING - (MS28778-5)	1	
-78	757 265		"O" RING - (MS28778-3)	1	
-79	757 276		"O" RING - (MS28778-4)	1	
-80	752 587		"O" RING - (MS28775-009)	1	
-81	752 589		"O" RING - (2-257N-304-75)	2	
-82	753 486		RETAINER - Back-up (MS28777-6)	1	
-83	757 283		RETAINER - Back-up (MS28777-5)	1	
-84	753 490		RETAINER - Back-up (MS28777-3)	1	
-85	752 521		NUT - (AN6289-D6)	1	
-86	752 525		NUT - (AN6289-D5)	1	
-87	752 524		NUT - (AN6289-D3)	1	
-88	752 520		NUT - (NAS509-5)	1	
-89	755 980		RETAINER - Snap ring (5000-50H)	2	
-90	762 547		RETAINER - Snap ring (5133-37)	1	
-91	758 390		BRACKET ASSEMBLY - Receptacle and capacitor (2135055-102)	1	
-92	762 555		RECEPTACLE ASSEMBLY - (2135055-103)	1	
-93	763 212		CAPACITOR ASSEMBLY - (2135055-104)	1	
-94	755 057		GROUND WIRE ASSEMBLY - (2135055-105)	1	
-95	763 411		PLATE - Deflector (2135060-1)	1	

When ordering, always specify Part Number, Description and Serial Number of Aircraft

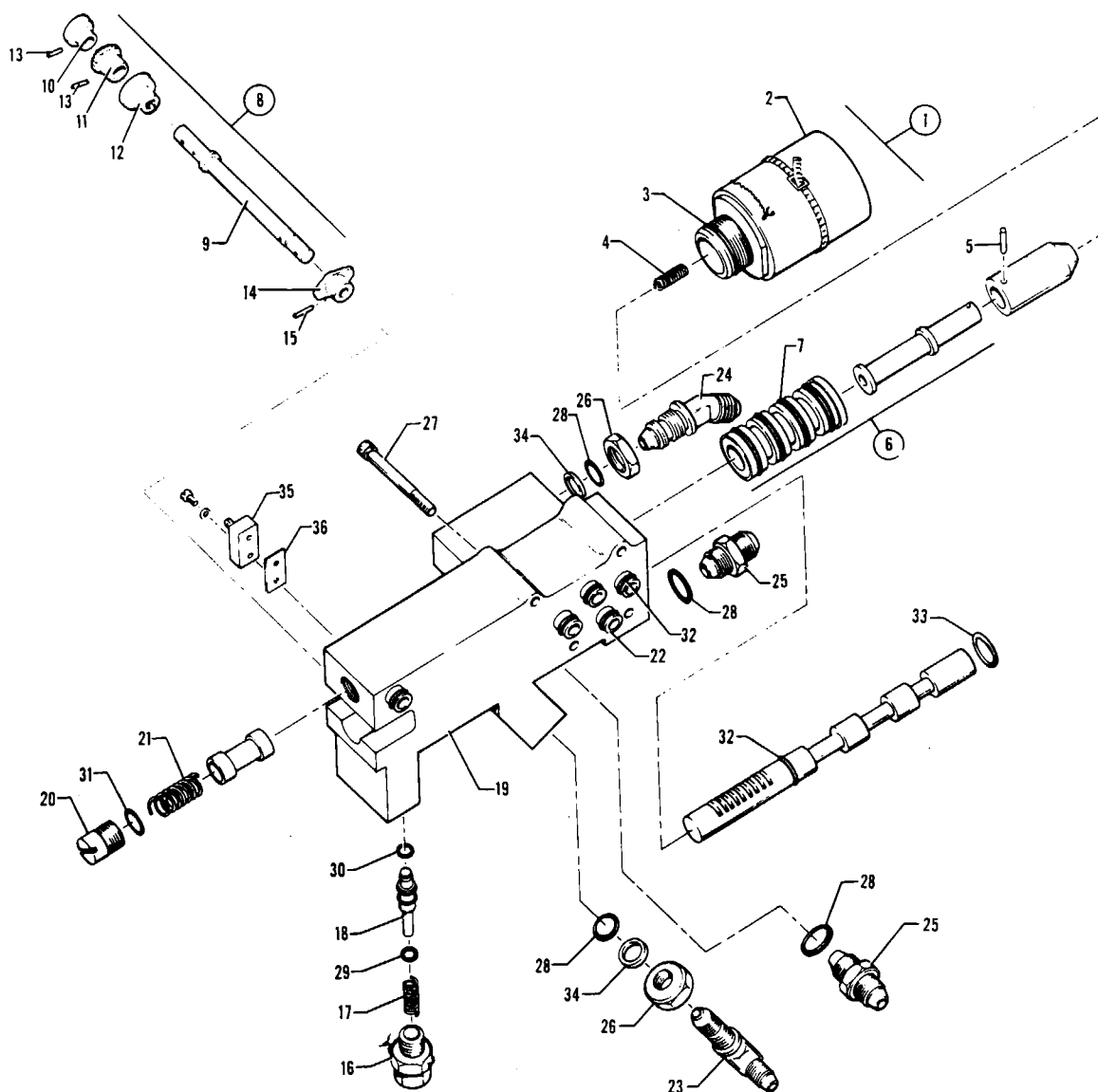


Figure 104A. Hydraulic Powerpak Components (Wiebel)



Figure and Index Number	Part Number	Code	NOMENCLATURE	No. Req.	SERIAL NUMBERS AFFECTED
104A-1	756 555		SOLENOID VALVE ASSEMBLY - (2135-109)	1	
-2	762 310		SOLENOID ASSEMBLY - (2135015-1)	1	
-3	757 229		"O" RING - (MS28775-018)	1	
-4	762 305		SPRING - Plunger return (2135053-1)	1	
-5	757 495		PIN - (2135054-1)	1	
-6	762 297		SLEEVE AND SPOOL - (2135005-1)	1	
-7	757 269		"O" RING - (MS28775-016)	4	
-8	762 294		INPUT SHAFT ASSEMBLY - (2135-103)	1	
-9	762 295		SHAFT - Input (2135020-1)	1	
-10	763 207		CAM - Switch (2135048-1)	1	
-11	755 054		GEAR - Spur (2135026-1)	1	
-12	763 205		CAM - Detent (2135025-1)	1	
-13	757 291		ROLL PIN - (MS171528)	2	
-14	763 206		CAM - Rocker (2135019-1)	1	
-15	757 291		ROLL PIN - (MS171528)	1	
-16	762 543		RETAINER - (2135016-1)	1	
-17	762 306		SPRING - (2135057-1)	1	
-18	763 403		PLUNGER - (2135017-1)	1	
-19	761 656		MANIFOLD ASSEMBLY - (2135002-1)	1	
-20	762 544		RETAINER - (2135049-1)	1	
-21	762 307		SPRING - (2135050-1)	1	
-22	761 983		TUBE - Transfer (2135051-1)	5	
-23	458 900		ELBOW - (AN833-4D)	1	
-24	458 910		ELBOW - (AN837-4D)	1	
-25	491 050		UNION - (AN815-4D)	2	
-26	477 676		NUT - (AN6289-D4)	2	
-27	762 290		SCREW - (NAS1351C4-28)	4	
-28	757 276		"O" RING - (MS28778-4)	4	
-29	757 263		"O" RING - (MS28775-010)	1	
-30	757 279		"O" RING - (MS28775-008)	1	
-31	757 270		"O" RING - (MS28775-012)	1	
-32	755 941		"O" RING - (MS28775-011)	11	
-33	757 277		"O" RING - (MS28775-013)	1	
-34	762 538		RETAINER - Back-up (MS28777-4)	2	
-35	762 315		SWITCH ASSEMBLY - (2135055-101)	1	
-36	763 409		PLATE - Insulating (2135055-11)	1	

When ordering, always specify Part Number, Description and Serial Number of Aircraft

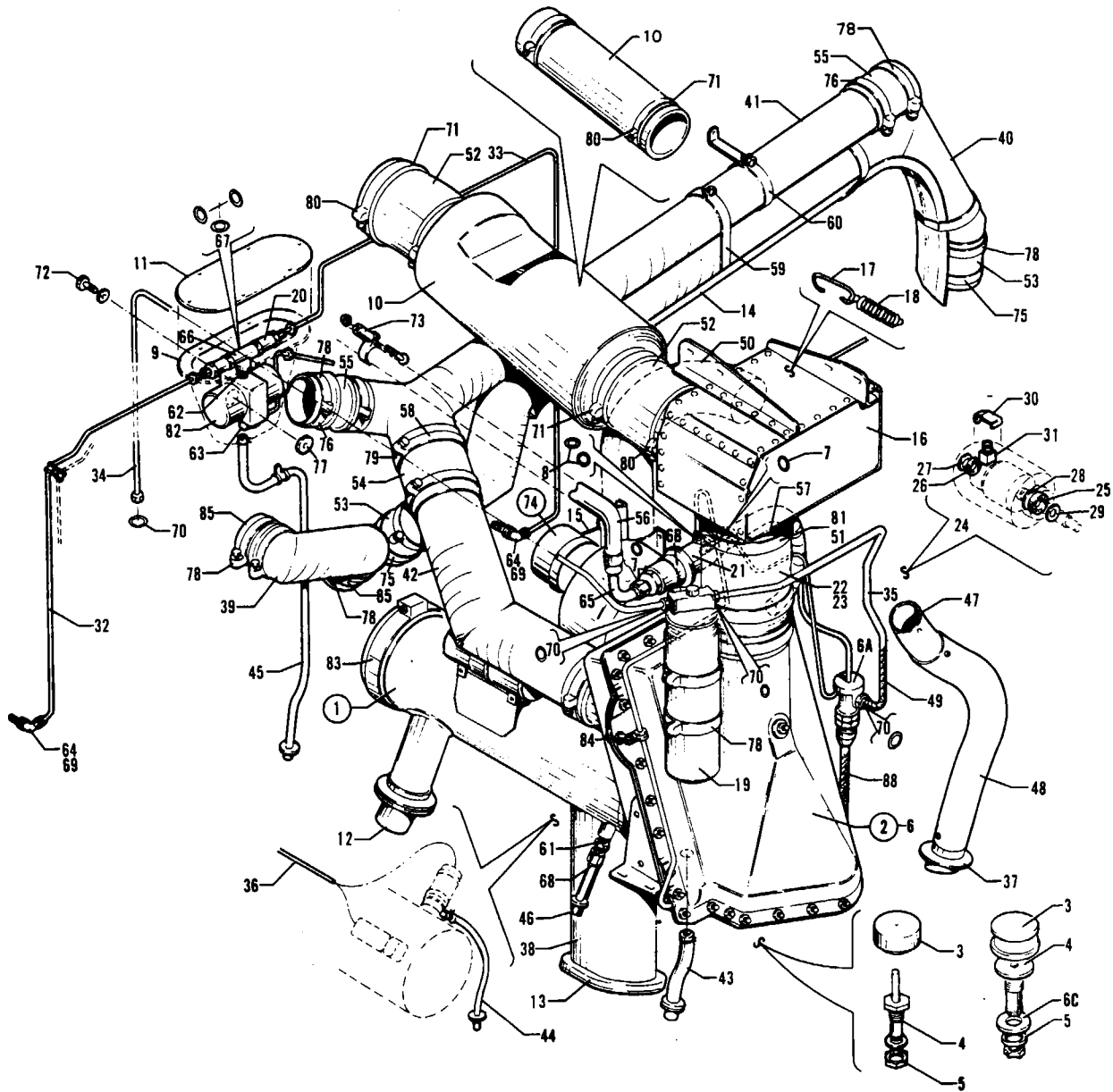


Figure 105. Heater and Evaporator Installation

**PIPER PARTS CATALOG**

Figure and Index Number	Part Number	Code	NOMENCLATURE	No. Req.	SERIAL NUMBERS AFFECTED
105-	46400		DRAWING - Heater and Evaporator Installation		
-1		A	HEATER ASSEMBLY	1	
-2	46273-00		EVAPORATOR ASSEMBLY - (Complete)	1	
-3	48037-00	E	* FLOAT ASSEMBLY - Drain valve	1	
	560 756	F	* FILTER - Drain (33340)	1	
-4	47807-00	E	* STEM ASSEMBLY - Drain valve	1	
	55851-02	F	* VALVE - Drain	1	
-5	407 569	E	* WASHER - (AN960-816)	1	
	407 592	F	* WASHER - (AN960-PD816)	1	
	477 623		* NUT - (AN924-5D)	1	
-6	46245-00		* EVAPORATOR ASSEMBLY	1	
-6a	756 576		* * VALVE - Expansion (5910759)	1	
-6b	46071-00		* CLAMP - Valve attachment	1	
-6c	85012-110	F	* WASHER - Seal	1	
-7	484 795		"O" RING - (2-17C147-7)	1	
-8	756 029		"O" RING - (2-8C147-1)	2	
-9	47163-00		SHROUD ASSEMBLY - Heater fuel valve	1	
-10	46318-00	D	MUFFLER ASSEMBLY - Return air duct	1	31P-3 to 31P-7730005 incl.
	49478-02		HOSE ASSEMBLY - Return air duct	1	31P-7730006 and up
-11	47149-00		COVER ASSEMBLY - Heater valve shroud	1	
-12	46347-00		OUTLET ASSEMBLY - Heater exhaust	1	
-13	46197-00		SCREEN ASSEMBLY - Fresh air	1	
-14	46113-00		DRIP TRAY ASSEMBLY	1	
-15	45987-00		BRACKET ASSEMBLY - Combustion air blower	1	
-16	46253-00		BOX ASSEMBLY - Outside air	1	
-17	46251-00		* CLIP - Spring valve	1	
-18	83302-74		* SPRING - Valve	1	
-19	456 405		DEHYDRATOR - Receiver (3012944)	1	
-20	492 143		VALVE - Check (3345-00)	2	
-21	492 144		VALVE - Evaporator control (5910704 P.O.A.S.T.)	1	
-22	48365-00		FAN ASSEMBLY - Recirculating	1	
-23	754 818	B	* FILTER - Radio (1591)	1	
-24	753 803	B	* MOTOR ASSEMBLY - D. C. (M2916DJA)	1	
	761 650	C	* MOTOR ASSEMBLY - (1092-23-1)	1	
-25	758 160	B	* * BEARING - Ball, annular (K271B-200L)	1	
-26	758 161	B	* * BEARING - Ball, annular (K271B-38L)	1	
-27	757 619	B	* * SPRING - Loading (K129-25)	1	
-28	757 620	B	* * SHIELD - Bearing (536-2)	1	
-29	757 621	B	* * SLINGER - Flat (461)	1	
-30	757 897	B	* * CAP - Electric contact (417H-3)	2	
-31	758 162	B	* * BRUSH - Electric contact (420A-24)	2	
-32	46049-03		LINE ASSEMBLY - Heater fuel	1	
-33	46049-06		LINE ASSEMBLY - Heater fuel	1	
-34	46080-00		LINE ASSEMBLY - Freon	1	
-35	46100-00		LINE ASSEMBLY - Freon	1	
-36	46049-09		LINE ASSEMBLY - Heater fuel	1	
-37	47535-00		TUBE ASSEMBLY - Takeoff	1	
-38	46179-00		TUBE ASSEMBLY - Fresh air	1	

- A - See Figure 106 for component parts.
- B - Used if Dynamic Air Engineering Fan, P/N M4941R-6A 1, is installed.
- C - Used if Dukes Astronautics Fan, P/N 1092-001, is installed.
- D - Not available. Order part for serial numbers 31P-7730006 and up.
- E - Used if float type vent drain is installed.
- F - Used if constant flow type vent drain is installed.

When ordering, always specify Part Number, Description and Serial Number of Aircraft



Figure and Index Number	Part Number	Code	NOMENCLATURE	No. Req.	SERIAL NUMBERS AFFECTED
105-39	46502-00		TUBE ASSEMBLY - Fresh air distribution, complete	1	
-40	46504-00		TUBE ASSEMBLY - Fresh air distribution, complete	1	
-41	46505-00		TUBE ASSEMBLY - Fresh air distribution, complete	1	
-42	46508-00		TUBE ASSEMBLY - Fresh air distribution, complete	1	
-43	13586-99		TUBE - Drain	1	
-44	22369-47		TUBE - Drain, fuel shroud (24" L)	1	
-45	13586-101		TUBE - Drain, fuel shroud	1	
-46	41775-00		TUBE - Drain, heater	1	
-47	46376-00		TUBE - Heater blower	1	
-48	85052-46		TUBE - Combustion air	1	
-49	189 777		TAPE - Insulating 1/8 x 2" (30' roll)	AR	
-50	457 598		HOSE - Fresh air duct (OLSH-100-24-96-6)	1	
-51	49989-08		STRAP - Tube clamp	4	
-52	49990-03		HOSE - Outside air	2	31P-3 to 31P-7730006 inclusive
-53	49990-06		HOSE - Fresh air distribution	2	
-54	49990-07		HOSE - Fresh air distribution	2	
-55	49990-08		HOSE - Fresh air distribution	2	
-56	755 320		HOSE ASSEMBLY - Freon line (PAC 80011-10)	1	
-57	46333-00		COUPLING - Fresh air	2	
-58	49989-05		STRAP - Tube clamp	4	
-59	46472-00		CLAMP - Ventilating duct	1	
-60	80032-102		CLAMP - Offset, fresh air duct	2	
-61	476 686		NIPPLE - (AN816-4)	1	
-62	476 648		NIPPLE - (AN816-4D)	1	
-63	458 872		ELBOW - (AN822-2D)	1	
-64	458 947		ELBOW - (AN837-2D)	2	
-65	558 943		ELBOW - (750-277)	1	
-66	488 510		TEE - (AN938-4D)	1	
-67	462 058		GASKET - (MS29512-4)	3	
-68	486 906		SLEEVE - (AN819-4)	1	
	477 634		NUT - (AN818-4)	1	
-69	407 566		WASHER - (AN960-516)	2	
	477 619		NUT - (AN924-2D)	2	
-70	484 794		"O" RING - (2-11C147-7)	4	
-71	49989-07		STRAP - Tube clamp	2	
-72	400 438		BOLT - (AN3-4A)	2	
	407 043		LOCK WASHER - (MS35338-43)	2	
-73	49999-25		BUSHING	1	
	415 633		SCREW - (MS35206-333)	1	
	404 910		NUT - (MS20365-832C)	1	
-74		A	COMBUSTION AIR BLOWER AND MOTOR ASSEMBLY	1	
-75	49989-03		STRAP - Tube clamp	8	
-76	49989-04		STRAP - Tube clamp	4	
-77	751 903		GROMMET - (MS36489-2)	1	
-78	554 927		CLAMP - (SAE TY F-48)	16	
-79	454 808		CLAMP - (SAE TY F-60)	4	
-80	554 936		CLAMP - (SAE TY F-72)	4	
-81	554 937		CLAMP - (QS100M88S)	4	
-82	756 560		FUEL REGULATOR AND SHUTOFF VALVE	1	
-83	757 889		COUPLING ASSEMBLY - "V" Band	2	
-84	61402-24		BUSHING	1	
	415 514		SCREW - (MS35206-234)	1	
	407 562		WASHER - (AN960-6)	2	
	454 931		CLAMP - (A4980S-5-91)	1	
	404 909		NUT - (MS20365-632C)	1	
-85	49990-15		HOSE - Fresh air distribution	2	

A - See Figure 107 for component parts.

When ordering, always specify Part Number, Description and Serial Number of Aircraft

**2D24**

**INTENTIONALLY LEFT BLANK**



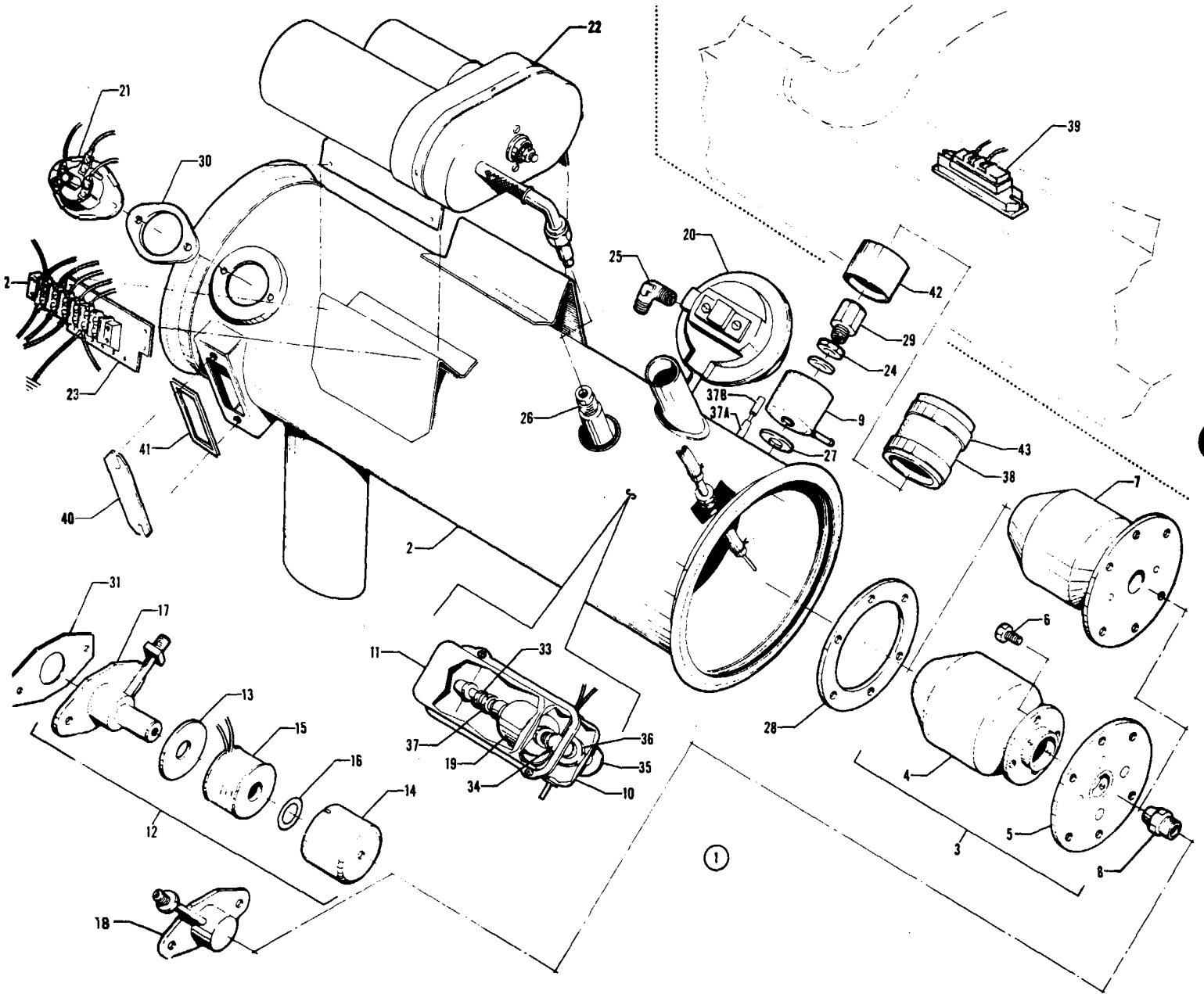


Figure 106. Heater Assembly

## PIPER PARTS CATALOG

Figure and Index Number	Part Number	Code	NOMENCLATURE	No. Req.	SERIAL NUMBERS AFFECTED
106-1	752 018	A	HEATER ASSEMBLY - (47D65)	1	
	755 260	B	HEATER ASSEMBLY - (47D65-1)	1	
-2	756 340	C	* COMBUSTION TUBE AND JACKET ASSEMBLY	1	
	758 041	D	* COMBUSTION TUBE AND JACKET ASSEMBLY	1	
-3	752 021	C	* HEAD ASSEMBLY - Combustion	1	
-4	752 019	C	* * HEAD ASSEMBLY	1	
-5	757 332	C	* * PLATE ASSEMBLY - Head	1	
-6	754 811	C	* * FASTENER	2	
-7	755 243	D	* HEAD ASSEMBLY - Combustion	1	
-8	752 529		* NOZZLE - Fuel spray	1	
-9	756 183	C	* SHROUD ASSEMBLY - Fuel fitting, lower	1	
-10	758 320	D	* BOX ASSEMBLY - Fuel shroud, lower	1	
-11	758 300	D	* BOX - Fuel shroud, upper	1	
-12	754 820	C	* FUEL FEED - Nozzle holder and valve assembly	1	
-13	755 864	C	* * PLATE - Solenoid base	1	
-14	753 900	C	* * COVER - Solenoid	1	
-15	757 884	C	* * COIL - Solenoid	1	
-16	755 865	C	* * PACKING - "O" Ring	1	
-17	753 121	C	* * VALVE ASSEMBLY - Fuel	1	
-18	754 839	D	* FUEL FEED AND NOZZLE HOLDER ASSEMBLY	1	
-19	762 215	D	* SOLENOID ASSEMBLY - Fuel	1	
-20	757 602		* SWITCH - Combustion air pressure	1	
-21	757 604		* SWITCH - Limit	1	
-22	755 467	C,E	* IGNITION ASSEMBLY	1	
	755 483	D,E	* IGNITION ASSEMBLY	1	
-23	755 401	C	* INSULATOR - Terminal board	1	
	752 107	D	* INSULATOR - Terminal board	1	
-24	477 629	C	* NUT - (AN924-4)	1	
-25	754 771		* ELBOW - Pressure switch	1	
-26	757 334		* PLUG - Spark	1	
-27	751 919	C	* GASKET - Shroud	1	
-28	751 920		* GASKET - Head	1	
-29	753 390	C	* BUSHING - (AN894-4-2)	1	
-30	751 874		* GASKET - Limit switch	1	
-31	751 922		* GASKET - Valve body	1	
-32	753 049	C	* STRIP - Terminal	1	
	761 946	D	* STRIP - Terminal	1	
-33	476 696	D	* NIPPLE - (AN816-2)	1	
-34	754 779	D	* ELBOW	1	
-35	755 022	D	* GASKET	1	
-36	752 549	D	* NUT - (MS21083N9)	1	
-37	758 309	D	* BUSHING	1	
-37a	762 453	C	* SLEEVE - High temperature	1	
-37b	762 454	C	* SLEEVE - High temperature	1	
-38	751 962	C	HOSE - Fuel fitting shroud	1	
-39	757 603		SWITCH - Cycling	1	
-40	48238-00	C	PLATE - Cover	1	
-41	751 921	C	GASKET - Cycling switch	1	
-42	756 187	C	SHROUD - Fuel fitting, upper	1	
-43	753 904	C	CLAMP - Hose	2	

A - Used on serial nos. 31P-3 to 31P-7530008 inclusive, 31P-7530010 to 31P-7630006 inclusive, 31P-7630009 and 31P-7630010. If Heater Assembly (47D65) has been replaced with (47D65-1), order part no. 755 260.

B - Used on serial nos. 31P-7530009, 31P-7630007, 31P-7630008 and 31P-7630011 and up.

C - Used with Heater Assembly 47D65 only.

D - Used with Heater Assembly 47D65-1 only.

E - See Figure 108 for component parts.

When ordering, always specify Part Number, Description and Serial Number of Aircraft

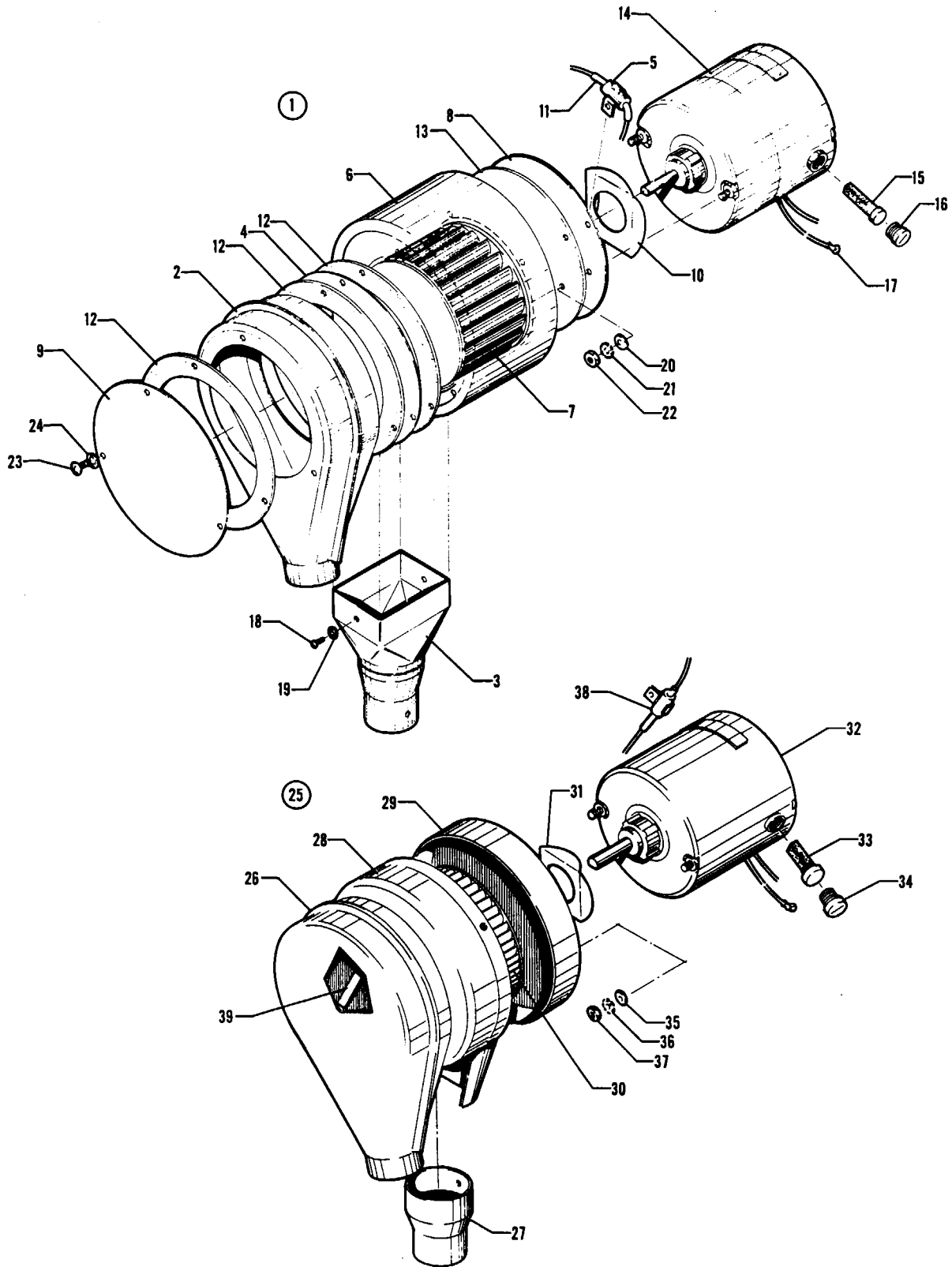


Figure 107. Heater Combustion Air Blower and Motor Assembly



Figure and Index Number	Part Number	Code	NOMENCLATURE	No. Req.	SERIAL NUMBERS AFFECTED
107-1	758 148	A	COMBUSTION AIR BLOWER AND MOTOR ASSEMBLY (57D77)	1	
-2	751 260		ADAPTER - Inlet	1	
-3	751 304		ADAPTER - Fan outlet	1	
-4	757 220		PLATE - Inlet	1	
-5	757 806		CAPACITOR	1	
-6	751 977		HOUSING - Blower	1	
-7	751 817		WHEEL - Blower	1	
-8	755 866		PLATE - Back	1	
-9	753 906		COVER - Adapter	1	
-10	756 184		SPACER - Motor	1	
-11	762 455		SLEEVE - Capacitor	1	
-12	751 924		GASKET - Adapter	3	
-13	751 878		GASKET - Adapter	1	
-14	753 800		MOTOR ASSEMBLY - Combustion air blower	1	
-15	753 391		BRUSH ASSEMBLY	2	
-16	753 392		CAP - Brush assembly	2	
-17			TERMINAL - Pre-insulated	1	
-18			SCREW - (G45A27)	9	
-19	407 133		WASHER - (AN936A6)	9	
-20	407 584		WASHER - (AN960-10L)	2	
-21	407 128		WASHER - (AN936-B10)	2	
-22	404 678		NUT - (AN345-10)	2	
-23			SCREW - (F45A27)	3	
-24	407 135		WASHER - (AN936-A10)	3	
-25	758 042	B	COMBUSTION AIR BLOWER AND MOTOR ASSEMBLY (89D23-1)	1	
-26	751 332		ADAPTER - Inlet	1	
-27	751 339		ADAPTER - Fan outlet	1	
-28	755 253		HOUSING - Half, outer	1	
-29	755 252		HOUSING - Half, inner	1	
-30	751 817		WHEEL - Blower	1	
-31	756 184		SPACER - Motor	1	
-32	761 608		MOTOR ASSEMBLY - Combustion air blower	1	
-33	753 391		BRUSH ASSEMBLY	2	
-34	753 392		CAP - Brush assembly	2	
-35	407 584		WASHER - (AN960-10L)	2	
-36	407 128		WASHER - (AN936-B10)	2	
-37	404 678		NUT - (AN345-10)	2	
-38	758 013		CAPACITOR	1	
-39	758 302		BRACKET	1	

A - Used on serial nos. 31P-3 to 31P-7530008 inclusive, 31P-7530010 to 31P-7630006 inclusive, 31P-7630009 and 31P-7630010. If Combustion Air Blower and Motor Assembly (57D77) has been replaced with (89D23-1), order part no. 758 042.

B - Used on serial nos. 31P-7530009, 31P-7630007, 31P-7630008 and 31P-7630011 and up.

When ordering, always specify Part Number, Description and Serial Number of Aircraft

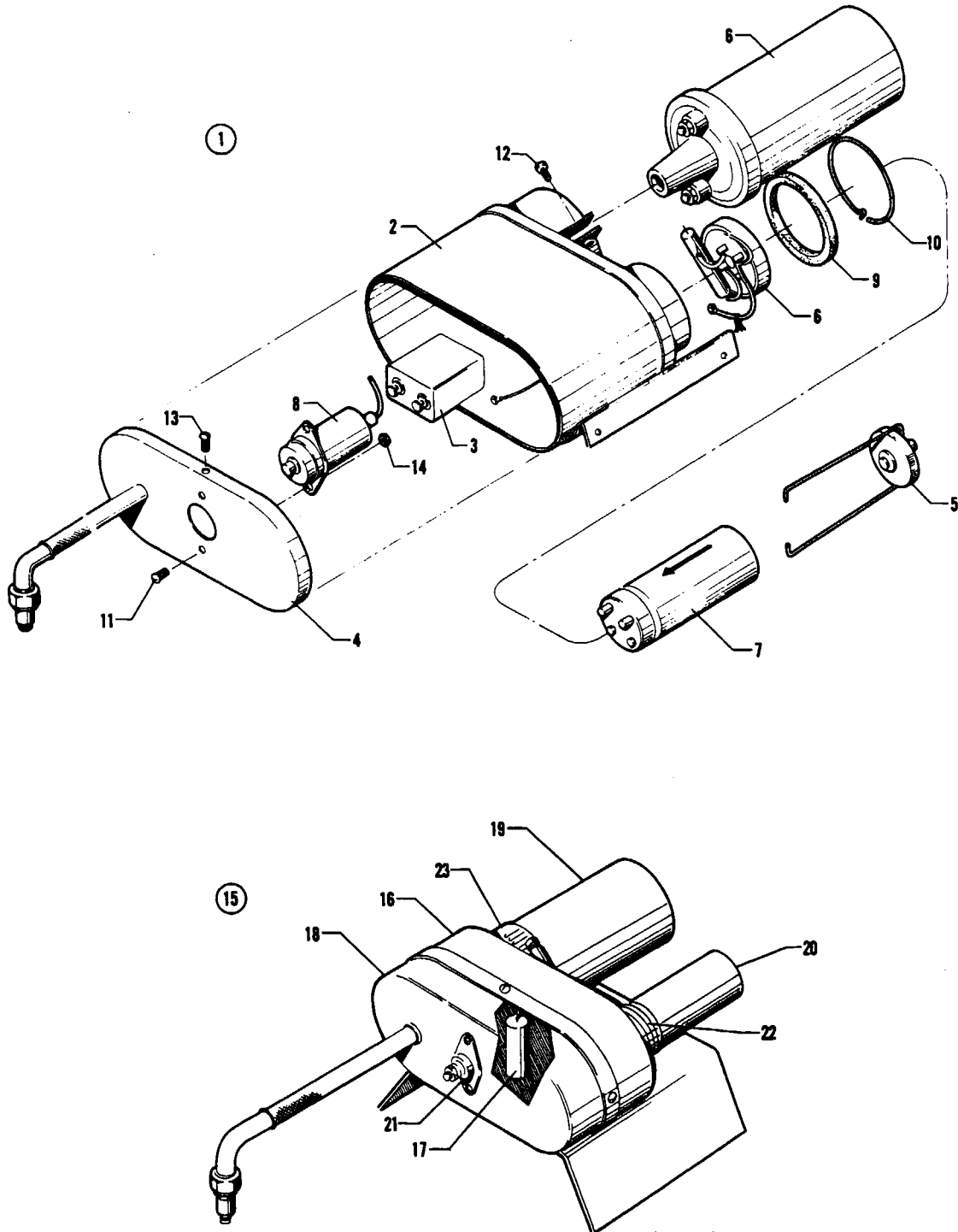


Figure 108. Heater Ignition Assembly

## PIPER PARTS CATALOG

Figure and Index Number	Part Number	Code	NOMENCLATURE	No. Req.	SERIAL NUMBERS AFFECTED
108-1	755 424	A,C	IGNITION ASSEMBLY	1	
-2	758 150		* BOX ASSEMBLY - Ignition	1	
-3	757 885		* * CONDENSER	1	
-4	757 886		* COVER ASSEMBLY - Ignition	1	
-5	757 887		* CLAMP ASSEMBLY - Vibrator	1	
-6	757 888		* COIL - Ignition	1	
-7	753 120	C	* VIBRATOR	1	
-8	754 812		* FILTER	1	
-9	751 923		* GASKET - Vibrator	1	
-10	757 605		* SPRING - Retaining	1	
-11			* SCREW - (MS35265-28)	2	
-12	757 606		* SCREW - (MS35266-67)	1	
-13			* SCREW - Thread cutting	4	
-14			* NUT - (MS20364D632)	2	
-15	755 467	A	IGNITION ASSEMBLY	1	
	755 483	B	IGNITION ASSEMBLY	1	
-16	758 343	A	* BOX ASSEMBLY - Ignition	1	
	758 321	B	* BOX ASSEMBLY - Ignition	1	
-17	758 043		* * CONDENSER	1	
-18	758 044		* COVER ASSEMBLY - Ignition	1	
-19	757 888		* COIL - Ignition	1	
-20	756 577		* VIBRATOR - (Solid State)	1	
-21	754 812		* FILTER	1	
-22	758 045		* CLAMP - Vibrator	1	
-23	758 046		* CLAMP - Coil	1	

A - Used with Heater Assembly 47D65 only.  
B - Used with Heater Assembly 47D65-1 only.  
C - No longer available. Order Ignition Assembly Part. No. 755 467 as a replacement.

When ordering, always specify Part Number, Description and Serial Number of Aircraft

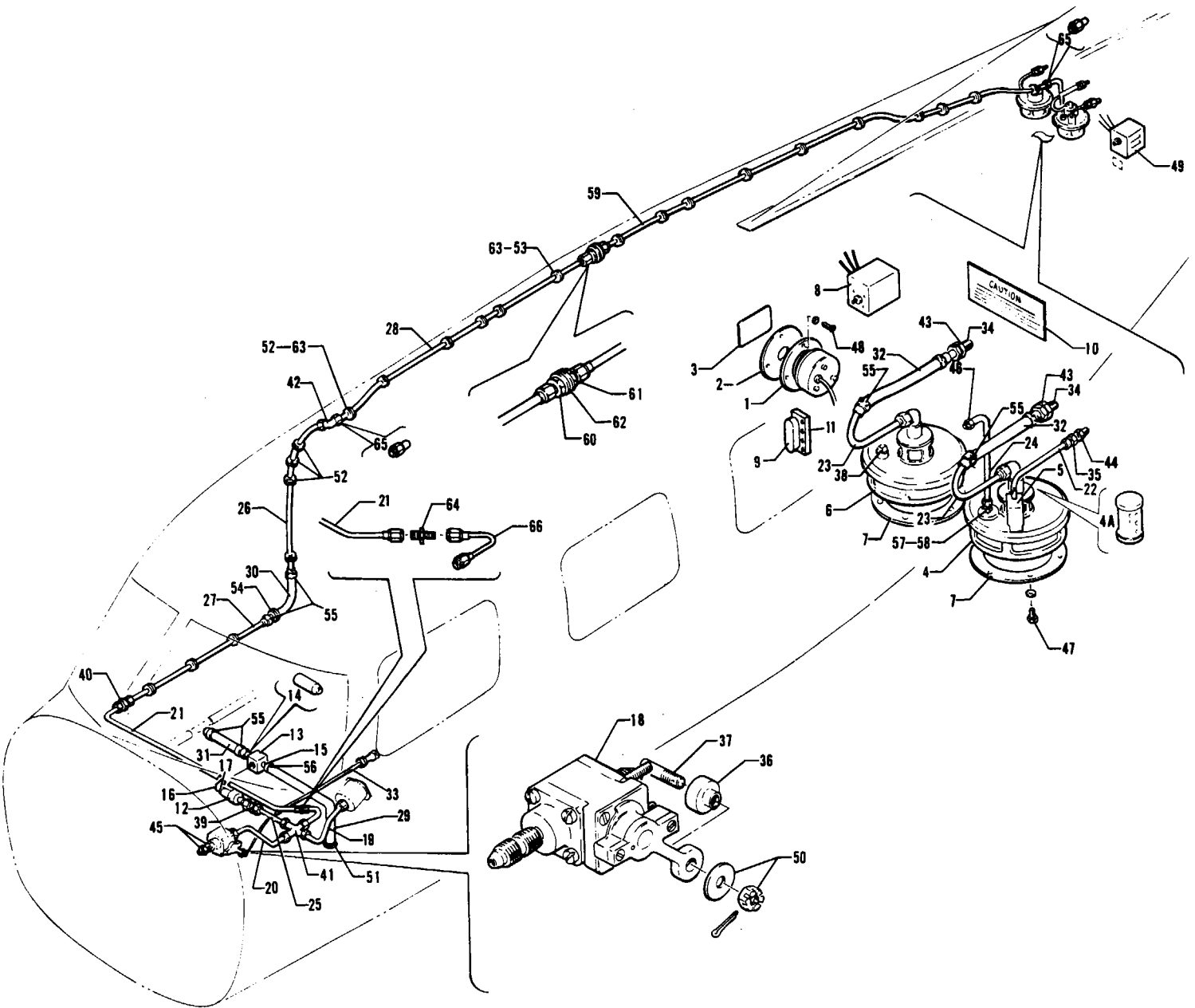


Figure 109. Cabin Pressure Control System Installation

**PIPER PARTS CATALOG**

Figure and Index Number	Part Number	Code	NOMENCLATURE	No. Req.	SERIAL NUMBERS AFFECTED
109-	46753		DRAWING - Cabin Pressure Control System Installation		
-1	48066-00 487 992	A	SWITCH ASSEMBLY - Pressure SWITCH ASSEMBLY - Pressure (3357-00)	1 1	31P-32 31P-3 to 31P-31 inclusive, 31P-33 to 31P-7300117 inclusive
-2	48063-02 46035-00		GASKET - Pressure switch GASKET - Pressure switch	1 1	31P-32 31P-3 to 31P-31 inclusive, 31P-33 to 31P-7300117 inclusive
-3	46752-00 46752-00		PLACARD - Cabin vent (581 540) PLACARD - Cabin vent (581 540)	4 3	31P-3 to 31P-31 inclusive, 31P-33 to 31P-7300117 inclusive 31P-7730003 inclusive 31P-7730004 and up
-4	492 229		VALVE - Isobaric and pressure differential (4610-00)	1	
-4a	754 831		* FILTER - Tobacco (3344-52)	1	
-5	47580-00		GUARD - Isobaric valve	1	
-6	492 187		VALVE - Cabin safety (PS50023-1)	1	
-7	47536-00		GASKET - Valve	2	
-8	757 702	A	SWITCH ASSEMBLY - Pressure (3549-00)	1	31P-3 to 31P-31 inclusive, 31P-33 to 31P-7300117 inclusive
-9	460 901		FLASHER - (617)	1	
-10	47583-00		PLACARD - Isobaric valve (581 589)	1	
-11	452 897		BLOCK - Flasher	1	
-12	48351-00		VALVE - Solenoid relief	1	
-13	47753-00		EJECTOR ASSEMBLY - Isobaric valve	1	
-14	46445-00		* NOZZLE - Isobaric valve	1	
-15	46446-02		* DIFFUSER - Isobaric valve	1	
-16	458 904		* ELBOW - (AN914-1D)	1	
-17	476 643		* NIPPLE - (AN911-1D)	1	
-18	492 145		VALVE - Pressure release (301-00-505)	1	31P-3 to 31P-7730003 inclusive
-19	46337-00 54748-02		LINE ASSEMBLY - Cabin pressure control LINE ASSEMBLY - Cabin pressure control	1 1	31P-3 to 31P-7530022 inclusive 31P-7530023 and up
-20	46338-00 54487-02		LINE ASSEMBLY - Cabin pressure control LINE ASSEMBLY - Cabin pressure control	1 1	31P-3 to 31P-7530022 inclusive 31P-7530023 to 31P-7730003 incl.
-21	46339-00 48323-00		LINE ASSEMBLY - Cabin pressure control LINE ASSEMBLY - Cabin pressure control	1 1	31P-3 to 31P-68 inclusive 31P-69 to 31P-7530022 inclusive
-22	54485-02		LINE ASSEMBLY - Cabin pressure control	1	31P-7530023 and up
-22	47581-00		LINE ASSEMBLY - isobaric valve	1	
-23	47024-00		LINE ASSEMBLY - Pressure differential control	2	
-24	80024-03 48257-00		LINE ASSEMBLY - Cabin pressure control LINE ASSEMBLY - Cabin pressure control	1 1	31P-3 to 31P-68 inclusive 31P-69 and up
-25	11987-89 54486-02		TUBE ASSEMBLY - Isobaric TUBE ASSEMBLY - Isobaric	1 1	31P-3 to 31P-7530022 inclusive 31P-7530023 and up
-26	11987-91 48260-02		TUBE ASSEMBLY - Isobaric TUBE ASSEMBLY - Isobaric	1 1	31P-3 to 31P-68 inclusive 31P-69 and up
-27	11987-93 48260-03		TUBE ASSEMBLY - Isobaric TUBE ASSEMBLY - Isobaric	1 1	31P-3 to 31P-68 inclusive 31P-69 and up
-28	11987-95 48259-02		TUBE ASSEMBLY - Isobaric TUBE ASSEMBLY - Isobaric	1 1	31P-3 to 31P-68 inclusive 31P-69 and up
-29	49998-32		HOSE	1	
-30	49998-30 80007-20		HOSE HOSE	1 1	31P-3 to 31P-68 inclusive 31P-69 and up
-31	16633-14		HOSE	1	
-32	16633-81		HOSE	2	
-33	19331-08		CONTROL CABLE ASSEMBLY	1	31P-3 to 31P-7730003 inclusive
-34	47793-00		ADAPTER - Special	2	
-35	47789-00		UNION - Special	1	

A - Order combination Differential and Pressure Switch  
48338-00 if Differential Switch and Absolute Pressure  
Switch Replacement Kit 760 718 has been installed.

When ordering, always specify Part Number, Description and Serial Number of Aircraft



**PIPER PARTS CATALOG**

Figure and Index Number	Part Number	Code	NOMENCLATURE	No. Req.	SERIAL NUMBERS AFFECTED
109-36	91193-00		FITTING - Swivel	1	31P-3 to 31P-7730003 inclusive
-37	70371-03		STUD	1	31P-3 to 31P-7730003 inclusive
-38	581 312		PLUG - Pipe (AN913-1D)	1	
-39	476 648		NIPPLE - (AN816-4D)	1	
-40	491 050		UNION - (AN815-4D)	1	31P-3 to 31P-68 inclusive
	491 051		UNION - (AN815-5D)	1	31P-69 and up
-41	455 418		CROSS - (AN827-4D)	1	31P-3 to 31P-7730003 inclusive
	488 320		TEE - (AN824-4D)	1	31P-7730004 and up
-42	458 880		ELBOW - (AN821-4D)	1	31P-3 to 31P-68 inclusive
	458 884		ELBOW - (AN821-5D)	1	31P-69 and up
-43	477 620		NUT - (AN924-6D)	2	
-44	477 618		NUT - (AN924-4D)	1	
-45	477 621		NUT - (AN924-8D)	2	31P-3 to 31P-7730003 inclusive
-46	491 060		UNION - (AN832-4D)	1	31P-3 to 31P-68 inclusive
	491 061		UNION - (AN832-5D)	1	31P-69 and up
	407 568		WASHER - (AN960-716)	1	31P-3 to 31P-68 inclusive
	407 569		WASHER - (AN960-816)	1	31P-69 and up
	477 618		NUT - (AN924-4D)	1	31P-3 to 31P-68 inclusive
	477 623		NUT - (AN924-5D)	1	31P-69 and up
-47	400 437		BOLT - (AN3-3A)	12	
	407 128		WASHER - (AN936-B10)	12	
-48	415 536		SCREW - (MS35206-246)	4	31P-3 to 31P-7300117 inclusive
	494 194		WASHER - (NAS1598D08Y)	4	31P-3 to 31P-7300117 inclusive
-49	48338-00		SWITCH ASSEMBLY - Differential and pressure	1	31P-7300118 and up
-50	81342-18		WASHER	1	31P-3 to 31P-7730003 inclusive
	404 392		NUT - (AN320-3)	1	31P-3 to 31P-7730003 inclusive
	424 051		COTTER PIN - (MS24665-132)	1	31P-3 to 31P-7730003 inclusive
-51	434 141		GROMMET - (MS35489-20)	1	
-52	434 155		GROMMET - (MS35489-7S)	10	31P-3 to 31P-68 inclusive
-53	463 431		GROMMET - Split (Z453)	10	31P-3 to 31P-68 inclusive
-54	434 156		GROMMET - (MS35489-14S)	1	31P-3 to 31P-68 inclusive
	189 625		GROMMET - (MS21266-IN)	1	31P-69 and up
-55	554 888		CLAMP - (SAE TY F-6)	8	
-56	554 916		CLAMP - (SAE TY F-10)	1	
-57	476 648		NIPPLE - (AN816-4D)	1	31P-3 to 31P-68 inclusive
	476 671		NIPPLE - (AN816-5-4D)	1	31P-69 and up
-58	451 911		ADAPTER - (PF110-4-2)	1	31P-69 and up
-59	48259-03		TUBE ASSEMBLY - Isobaric	1	31P-69 and up
-60	491 061		UNION - (AN832-5D)	1	31P-69 and up
-61	477 623		NUT - (AN924-5D)	1	31P-69 and up
-62	80122-141		WASHER - Isobaric line	2	31P-69 and up
-63	434 151		GROMMET - (MS35489-10S)	20	31P-69 and up
-64	484 350		REDUCER - (AN919-3D)	1	31P-69 and up
-65	477 613		NUT - (AN818-5D)	2	31P-69 and up
	486 898		SLEEVE - (MS20819-5D)	2	31P-69 and up
-66	48324-00		LINE ASSEMBLY - Cabin pressure	1	31P-69 and up

When ordering, always specify Part Number, Description and Serial Number of Aircraft

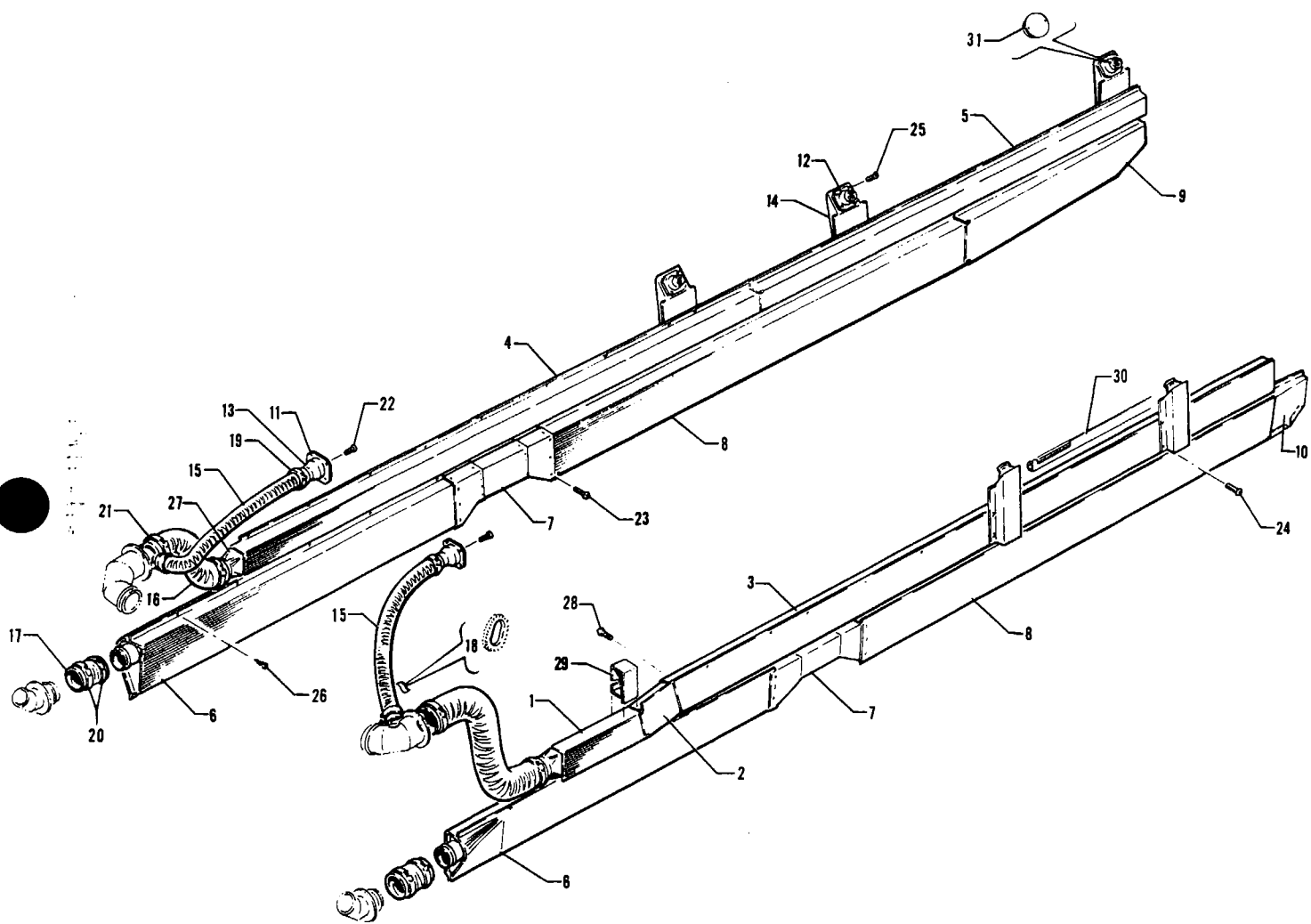


Figure 110. Air Distribution Duct Installation



Figure and Index Number	Part Number	Code	NOMENCLATURE	No. Req.	SERIAL NUMBERS AFFECTED
110-	46377		DRAWING - Air Distribution Duct Installation		
-1	48445-02		DUCT ASSEMBLY - Ventilating air, left, Sta. 99 to Sta. 112.59	1	31P-3 to 31P-45 inclusive
	48131-00		DUCT ASSEMBLY - Ventilating air, left, Sta. 99.31 to Sta. 112.19	1	31P-46 and up
-2	46356-00		DUCT ASSEMBLY - Ventilating air, left	1	
-3	46359-00		DUCT ASSEMBLY - Ventilating air, left, Sta. 118.12 to Sta. 203	1	31P-3 to 31P-7630006 inclusive
	46359-08		DUCT ASSEMBLY - Ventilating air, left, Sta. 118.12 to Sta. 203	1	31P-7630006 and up
-4	46375-00		DUCT ASSEMBLY - Ventilating air, right, Sta. 99 to Sta. 203	1	31P-3 to 31P-7630006 inclusive
	46375-04		DUCT ASSEMBLY - Ventilating air, right, Sta. 99 to Sta. 203	1	31P-7630006 and up
-5	46970-00		DUCT ASSEMBLY - Ventilating air, rear, Sta. 203 to Sta. 228	1	
-6	46326-12		DUCT ASSEMBLY - Air distribution, left, Sta. 84 to Sta. 131.25	1	
	46326-01		DUCT ASSEMBLY - Air distribution, right, Sta. 84 to Sta. 131.25	1	
-7	46363-00		DUCT ASSEMBLY - Air distribution, removable	2	
-8	46329-00		DUCT ASSEMBLY - Air distribution, left, Sta. 142.75 to Sta. 203.69	1	
	46329-01		DUCT ASSEMBLY - Air distribution, right, Sta. 142.75 to Sta. 203.69	1	
-9	46372-00		DUCT ASSEMBLY - Air distribution, right, Sta. 203 to Sta. 228.62	1	
-10	47571-00		DUCT ASSEMBLY - Air distribution, left, Sta. 203 to Sta. 210.6	1	
-11	492 140		VALVE ASSEMBLY - Air vent, black (2473)	2	
-12	492 141		VALVE ASSEMBLY - Air vent, clear (2473-1)	5	31P-3 to 31P-7630017 inclusive
	492 203		VALVE ASSEMBLY - Air vent, (2541)	5	31P-7630018 and up
-13	46272-00		ADAPTER ASSEMBLY - Ventilating air	2	
-14	46207-00		BOX ASSEMBLY - Ventilating air	5	31P-3 to 31P-7630017 inclusive
	46207-07		BOX ASSEMBLY - Ventilating air	5	31P-7630018 and up
-15	22502-87		HOSE - Ventilating air, left	1	
	22502-89		HOSE - Ventilating air, right	1	
-16	49997-14		HOSE - Ventilating air	2	
-17	22502-88		HOSE - Air distribution	2	
-18	42707-04		GROMMET - Air distribution	1	31P-3 to 31P-7630006 inclusive
	189 625		GROMMET - Air distribution (MS21266-1N)	1	31P-7630006 and up
-19	554 925		CLAMP - (SAE TY F-24)	4	
-20	554 926		CLAMP - (SAE TY F-44)	4	
-21	554 927		CLAMP - (SAE TY F-48)	4	
-22	514 747		SCREW - (PS10084-24-2)	8	
-23	415 513		SCREW - (MS35206-226)	20	
	406 526		NUT - (C8090-632-1)	20	
-24	415 518		SCREW - (MS35206-228)	23	
-25	414 777		SCREW - (MS24693-S47)	4	
-26	419 633		SCREW - (6-1/2)	72	
-27	46244-00		INLET - Ventilating air, right side	1	
	47631-00		INLET - Ventilating air, left side	1	
-28	415 513		SCREW - (MS35206-226)	7	
	406 355		NUT - (A6052-632-1)	7	
-29	48133-00		JOINT - Heat duct	1	31P-46 and up
-30	49087-03		RETAINER - Panel, Sta. 111.50 to Sta. 215.62, left	1	31P-7630006 and up
	49087-04		RETAINER - Panel, Sta. 111.50 to Sta. 224.5, right	1	31P-7630006 and up
-31	582 615		PLUG - Flanged (2406)	1	31P-7630006 and up

When ordering, always specify Part Number, Description and Serial Number of Aircraft

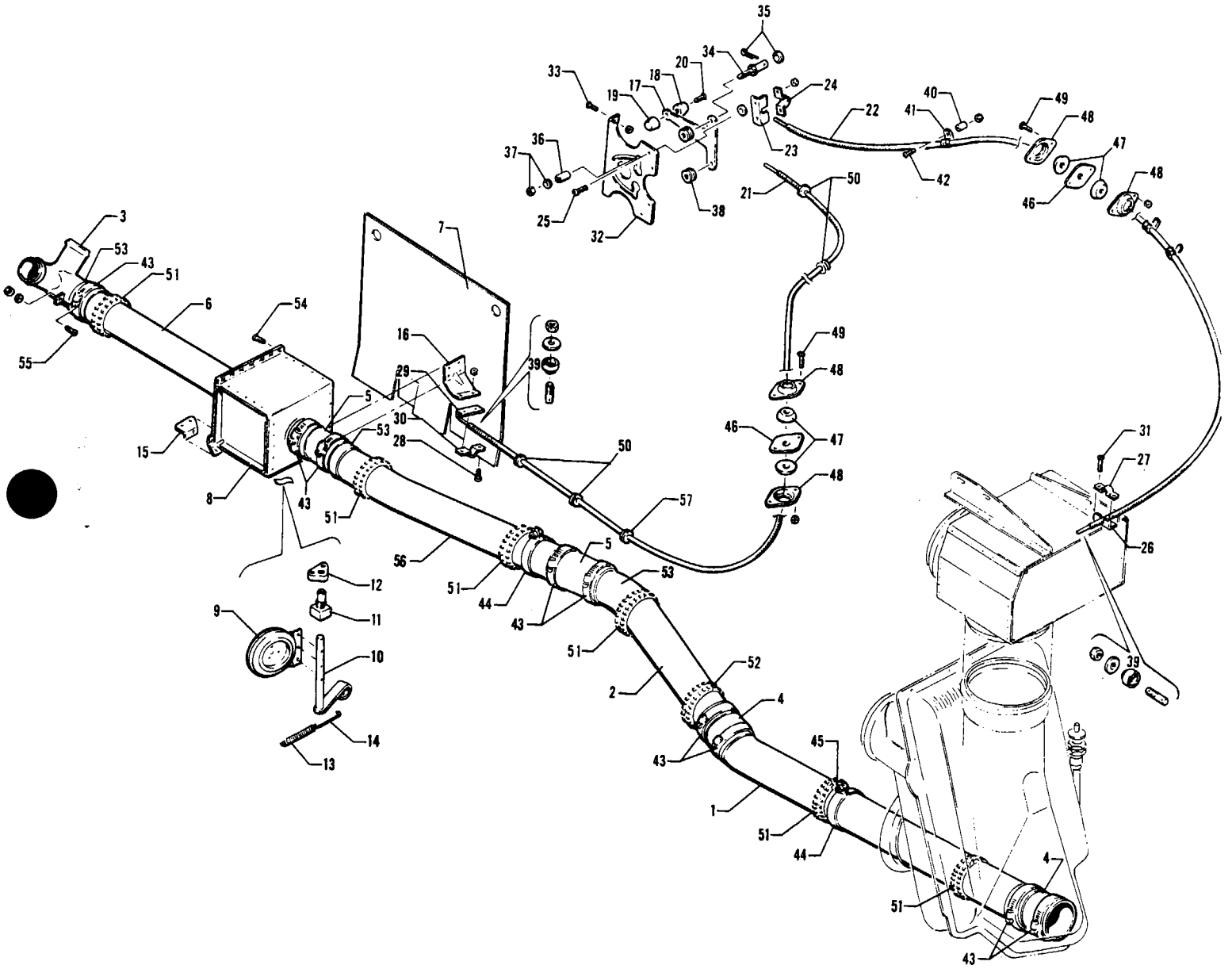


Figure 111. Fuselage Pressurization Air Supply Installation



Figure and Index Number	Part Number	Code	NOMENCLATURE	No. Req.	SERIAL NUMBERS AFFECTED
111-	46381		DRAWING - Fuselage Pressurization Air Supply Installation		
-1	46261-00		TUBE - Pressure air supply	1	
-2	47946-02		TUBE - Pressure air supply	1	
-3	46161-00		TUBE ASSEMBLY - Cabin air supply	1	
-4	49990-04		HOSE - Air duct (2 1/2 x 3 in. L)	2	
-5	49990-05		HOSE - Air duct (2 1/2 x 4 in. L)	2	
-6	565 311		HOSE - Air duct (OLSH-100-20-54-6)	1	
-7	45804-00		BAFFLE ASSEMBLY - Pressurization air supply	1	
-8	46185-00		BOX ASSEMBLY - Pressure air supply control	1	
-9	46078-00		VALVE ASSEMBLY - Flow direction selector	1	
-10	46103-00		ARM ASSEMBLY - Air supply control	1	
-11	46183-00		BEARING - Air supply control, outside	1	
-12	46184-00		BEARING - Air supply control, inside	1	
-13	83302-74		SPRING - Air supply control	1	
-14	46182-00		CLIP - Valve spring	1	
-15	46070-00		BRACKET - Valve spring closure	1	
-16	46115-00		BRACKET - Control cable mounting	1	
-17	46137-00		LEVER - Pneumatic control	1	
-18	46134-02		KNOB - Pneumatic control	1	
-19	46134-03		KNOB - Pneumatic control (threaded)	1	
-20	414 738		SCREW - (MS24693-S32)	1	
-21	46129-02		CABLE ASSEMBLY - Pressure air control (94 in. L)	1	
-22	46129-03		CABLE ASSEMBLY - Pressure air control (66 in. L)	1	
-23	18132-00		LUG - Cable attachment	2	
-24	18219-03		CLAMP - Cable attachment	2	
-25	415 535		SCREW - (MS35206-245)	4	
	40559-30		WASHER - Spacer	4	
	404 910		NUT - (MS20365-832C)	4	
-26	18132-02		LUG - Cable attachment	1	
-27	18219-02		CLAMP - Cable attachment	1	
-28	415 535		SCREW - (MS35206-245)	2	
	404 910		NUT - (MS20365-832C)	2	
-29	18132-02		LUG - Cable attachment	1	
-30	18219-02		CLAMP - Cable attachment	1	
-31	415 535		SCREW - (MS35206-245)	2	
-32	46147-00		BRACKET - Pneumatic control	1	
-33	416 784		SCREW - Black (MS24693S-272)	3	
	404 887		NUT - (MS20365-1032C)	3	
-34	46128-02		STUD - Pneumatic control	2	
-35	407 565		WASHER - (AN960-416)	2	
	424 051		PIN - Cotter (MS24665-132)	2	
-36	41413-71		BUSHING	2	
-37	407 564		WASHER - (AN960-10)	2	
	404 887		NUT - (MS20365-1032C)	2	
-38	46117-00		BEARING - Control	2	
-39	70371-00		FITTING ASSEMBLY - Swivel	2	
-40	41413-61		BUSHING - Cable attachment	1	
-41	454 929		CLAMP - (PS10017-2-4)	5	
-42	411 533		SCREW - (MS35207-264)	1	
	404 887		NUT - (MS20365-1032C)	1	

When ordering, always specify Part Number, Description and Serial Number of Aircraft

**PIPER PARTS CATALOG**

Figure and Index Number	Part Number	Code	NOMENCLATURE	No. Req.	SERIAL NUMBERS AFFECTED
111-43	554 834		CLAMP - (SAE TY F-40)	10	
-44	80002-87		CLAMP - Tube assembly support	2	
-45	411 530		SCREW - (MS35207-261)	2	
	404 887		NUT - (MS20365-1032C)	2	
-46	22105-10		GASKET - Seal	2	
-47	22104-08		GROMMET	4	
-48	22103-02		PLATE	4	
-49	415 518		SCREW - (MS35206-228)	6	
	404 909		NUT - (MS20365-632C)	6	
-50	434 118		GROMMET - (MS35489-9S)	4	
-51	189 625		GROMMET - Caterpillar (#G51H, Type A) 12 3/4" L	AR	
-52	189 627		GROMMET - Caterpillar (#G51H, Type B) 12 3/4" L	AR	
-53	49989-02		STRAP - Tube clamp	10	
-54	415 533		SCREW - (MS35206-243)	6	
-55	415 520		SCREW - (MS35206-230)	2	
	407 563		WASHER - (AN960-8)	2	
	404 909		NUT - (MS20365-632C)	2	
-56	47946-03		TUBE - Pressure air supply	1	
-57	434 152		GROMMET - (MS35489-118S)	1	

When ordering, always specify Part Number, Description and Serial Number of Aircraft

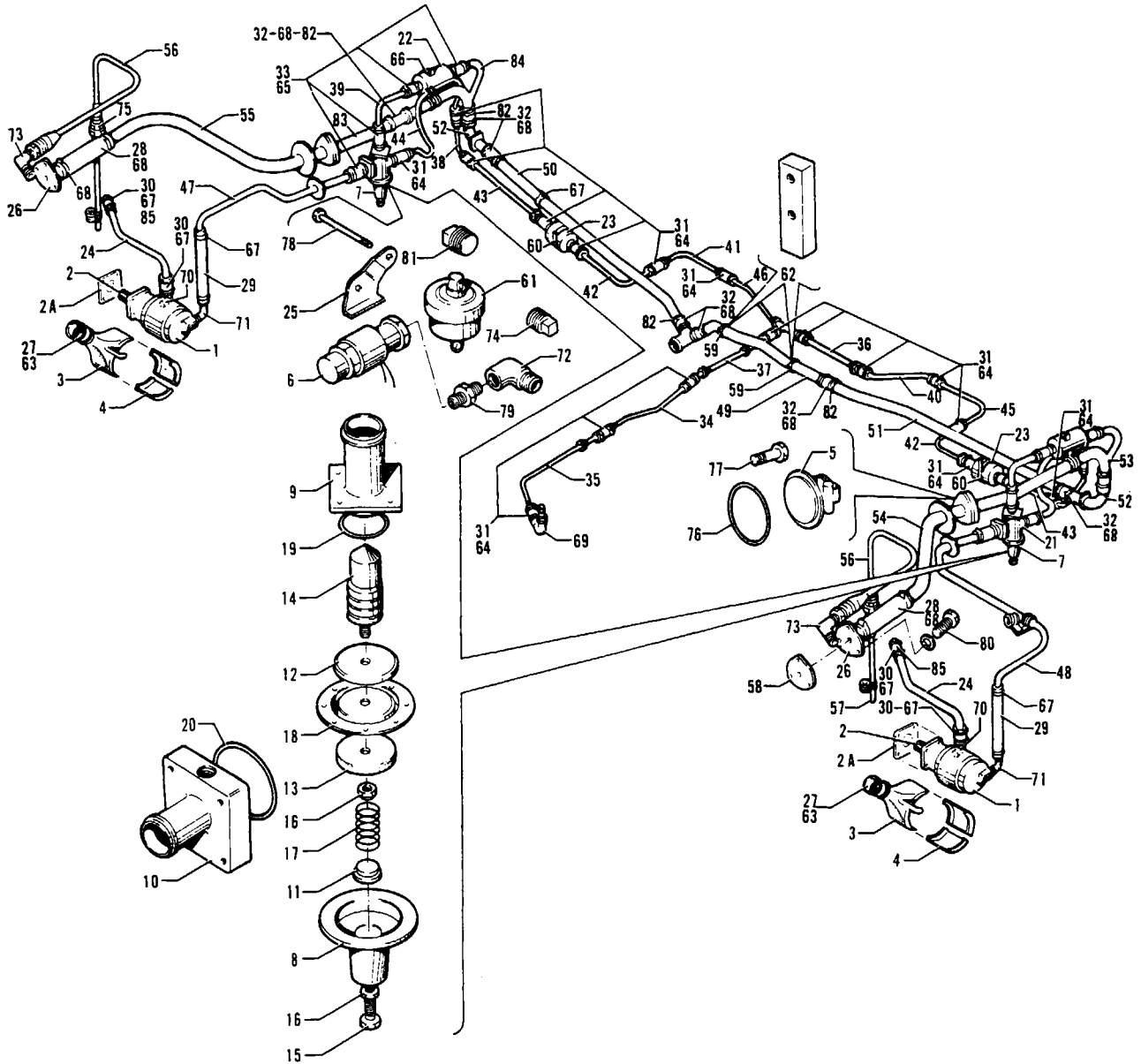


Figure 112. Wing Pressurization and Pneumatic Air Supply Installation



Figure and Index Number	Part Number	Code	NOMENCLATURE	No. Req.	SERIAL NUMBERS AFFECTED
112-	46858		DRAWING - Wing Pressurization and Pneumatic Air Supply Installation		
-1	26749-11		PUMP - Dry air (842 CW)	2	
-2	758 050		COUPLING ASSEMBLY - Pump drive (B1-10-3)	1	
-2a	751 859		GASKET - Pump (B3-1-2)	1	
-3	46378-00		SHROUD ASSEMBLY - Dry air pump	2	
-4	46243-00		EXTENSION - Dry air pump shroud	4	
-5	492 150		VALVE - Check (3325-00)	2	
-6	492 292		VALVE - Solenoid (1287-00-9)	2	
-7	46760-00		VALVE ASSEMBLY - Air pressure control	2	
-8	46757-00		COVER - Air pressure control valve	1	
-9	46746-00		ADAPTER - Air pressure control valve	1	
-10	46745-00		VALVE ASSEMBLY - Check, air pressure control	1	
-11	46191-00		PLATE - Spring adjusting	1	
-12	46749-00		PLATE - Valve diaphragm, upper	1	
-13	46748-00		PLATE - Valve diaphragm, lower	1	
-14	46744-00		PISTON - Pressure control valve	1	
-15	46190-00		BOLT - Special	1	
-16	404 836		NUT - Lock (MS20364-428C)	2	
-17	587 236		SPRING - (LC-055H6)	1	
-18	456 723		DIAPHRAGM - (4-175-44CB176)	1	
-19	484 806		"O" RING - (06-28)	1	
-20	484 807		"O" RING - (06-31)	1	
-21	451 861		ADAPTER - (AN840-9D)	1	
-22	554 777		AIR CLEANER - (EBD03-0014)	2	
-23	460 866		AIR FILTER - (1J4-6)	2	
-24	46047-00		LINE - Pressure pump suction	2	
	46047-02	A	LINE - Pressure pump suction	2	
-25	47009-00		BRACKET - Deicer solenoid	2	
-26	47492-00		NOZZLE - Sonic	2	
-27	29998-05		HOSE - Flexible (1.97 I.D. x 2.50 L)	2	
-28	29998-08		HOSE - Flexible, left (1.50 I.D. x 9.25 L)	1	
	29998-09		HOSE - Flexible, right (1.50 I.D. x 11.00 L)	1	
-29	29998-10		HOSE - Flexible (1.00 I.D. x 9.00 L)	2	
-30	421 72-03		COUPLING - Hose	4	
-31	49990-09		HOSE - Air duct (5/8 I.D. x 2.50 L)	20	
-32	49990-10		HOSE - Air duct (1 3/4 I.D. x 3.00 L)	8	
-33	49990-11		HOSE - Air duct (1.00 I.D. x 2.50 L)	8	
-34	46388-00		TUBE - Instrument air	1	
-35	46406-00		TUBE - Instrument air	1	
-36	46418-03		TUBE - Instrument air	1	
-37	46714-00		TUBE - Instrument air pressure	1	
-38	46214-00		TUBE - Pneumatic, left	1	
	46214-01		TUBE - Pneumatic, right	1	
-39	46908-00		TUBE - Pneumatic	2	
-40	46643-00		TUBE - Pneumatic pressure	1	
-41	46707-00		TUBE - Pneumatic pressure	1	
-42	46719-00		TUBE - Pneumatic pressure, left	1	
	46719-01		TUBE - Pneumatic pressure, right	1	

A - Used on aircraft that comply with C.A.A. (United Kingdom) requirements.

When ordering, always specify Part Number, Description and Serial Number of Aircraft





Figure and Index Number	Part Number	Code	NOMENCLATURE	No. Req.	SERIAL NUMBERS AFFECTED
112-43	46878-00		TUBE - Pneumatic air supply	2	
-44	47037-00		TUBE - Pneumatic air supply, left	1	
	47037-01		TUBE - Pneumatic air supply, right	1	
-45	46708-02		TUBE ASSEMBLY - Pneumatic pressure	1	
-46	46705-00		TUBE ASSEMBLY - Pneumatic air	1	
-47	46667-00		TUBE ASSEMBLY - Pneumatic air supply	1	
-48	46772-00		TUBE ASSEMBLY - Pneumatic air supply	1	
-49	46146-00		TUBE - Pressure air supply	1	
-50	46155-00		TUBE - Pressure air supply	1	
-51	46170-00		TUBE - Pressure air supply	1	
-52	46148-01		TUBE ASSEMBLY - Pressure air supply, left	1	
	46148-00		TUBE ASSEMBLY - Pressure air supply, right	1	
-53	46879-00		TUBE ASSEMBLY - Pressure air supply	1	
-54	46649-00		TUBE ASSEMBLY - Pressurization air	1	
-55	46775-00		TUBE ASSEMBLY - Pressurization air	1	
-56	39995-04		HOSE ASSEMBLY - Flexible	2	
-57	47699-00		LINE ASSEMBLY - Sonic nozzle	2	
-58	462 064		GASKET - (75993)	2	
-59	46852-02		CLAMP - Offset	2	
-60	46852-03		CLAMP - Offset	2	
-61	53897-00		SWITCH - Pressure	2	
-62	47043-00		BLOCK - Air tube clamp support	2	
-63	454 994		CLAMP - (SAE TY A-2 1/16)	4	
-64	554 871		CLAMP - (SAE TY F-6SS)	38	
-65	554 797		CLAMP - (SAE TY F-12)	12	
-66	554 972		CLAMP - (SAE TY F-52)	2	
-67	554 947		CLAMP - (SAE TY F-10SS)	12	
-68	554 798		CLAMP - (SAE TY F-24SS)	18	
-69	458 850		ELBOW - (AN838-10D)	1	
	477 704		NUT - (AN924-10D)	1	
	407 575		WASHER - (AN960-1416)	3	
-70	458 930		ELBOW - (AN842-21D)	2	
-71	458 943		ELBOW - (AN842-16D)	2	
-72	458 904		ELBOW - (AN914-1D)	2	
-73	458 898		ELBOW - (AN822-8D)	2	
-74	581 312		PLUG - (AN913-1D)	2	
-75	491 053		UNION - (AN815-8D)	2	
-76	484 803		"O" RING - (04-143)	2	
-77	401 302		BOLT - (AN4H-5A)	6	
-78	401 288		BOLT - (AN3H-31A)	4	
-79	476 643		NIPPLE - (AN911-1D)	2	
-80	407 565		WASHER - (AN960-416)	6	
	407 136		LOCK WASHER - (AN936-A416)	6	
	418 346		SCREW - Cap (1/4-20 NC-3 x 7/8 L)	6	
-81	581 750		PLUG - (AN932-D4)	4	
-82	49989-09		STRAP - Tube clamp	16	
-83	47971-06		TUBE ASSEMBLY - Pressure air supply	1	
-84	47971-04		TUBE ASSEMBLY - Pressure air supply	1	
-85	42172-05	A	COUPLING - Hose	2	

A - Used on aircraft that comply with C.A.A. (United Kingdom) requirements.

When ordering, always specify Part Number, Description and Serial Number of Aircraft

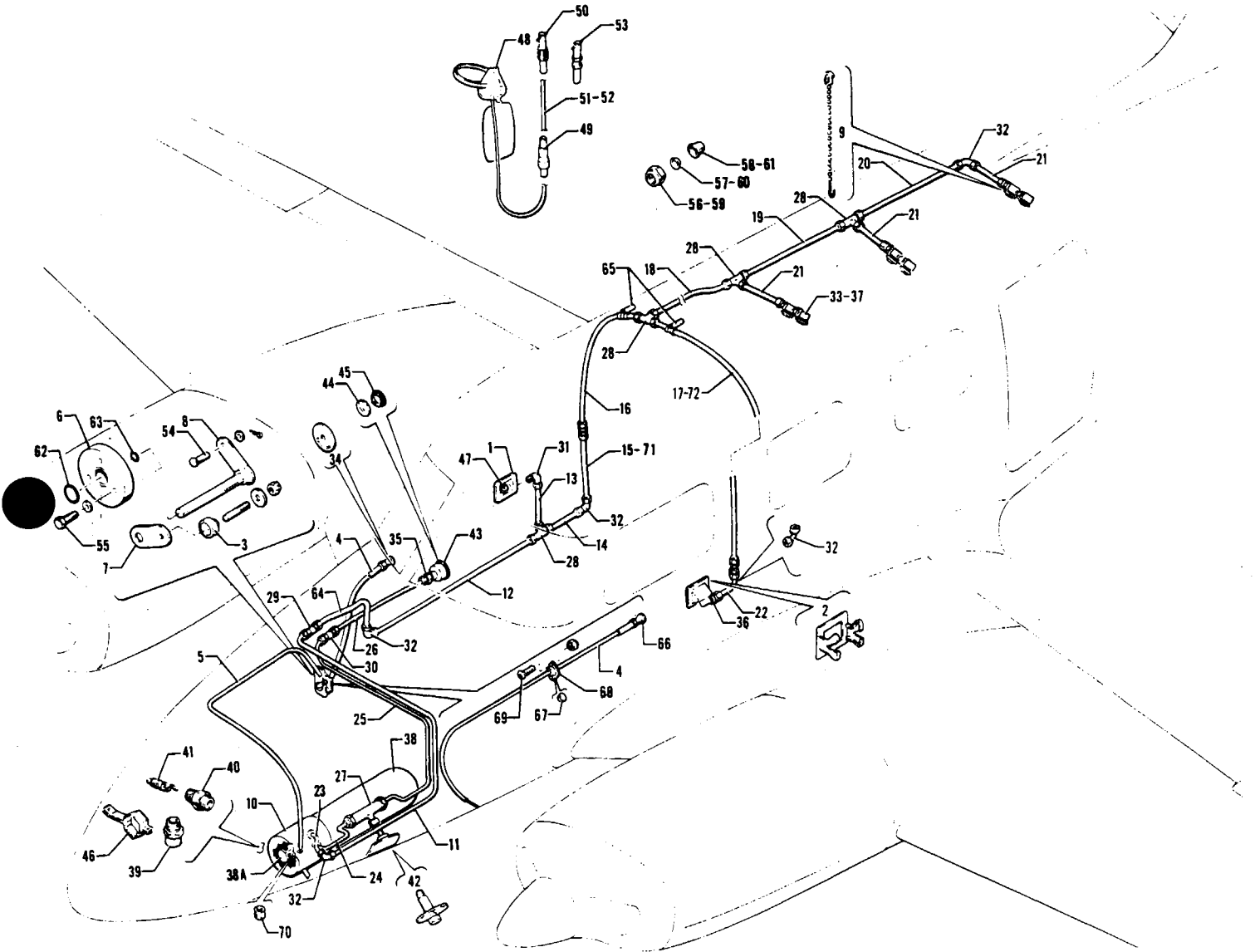


Figure 113. Oxygen System Installation



Figure and Index Number	Part Number	Code	NOMENCLATURE	No. Req.	SERIAL NUMBERS AFFECTED
113-	46493 48490		DRAWING - Oxygen System Installation DRAWING - Oxygen System Installation		31P-3 to 31P-7300132 inclusive 31P-7300133 and up
-1	42022-03 42022-04 42022-05 42022-06 53406-02		COVER - Oxygen outlet, crew (black) COVER - Oxygen outlet, crew (red) COVER - Oxygen outlet, crew (blue) COVER - Oxygen outlet, crew (beige) COVER - Oxygen outlet, crew (walnut supreme)	2 2 2 2 2	
-2	42659-00		PLATE ASSEMBLY - Oxygen outlet mounting	2	31P-3 to 31P-7630005 inclusive
-3	70371-04		FITTING ASSEMBLY - Fuel shutoff swivel	1	31P-3 to 31P-10 inclusive
-4	46791-00 47947-00		CONTROL ASSEMBLY - Oxygen, push-pull CONTROL ASSEMBLY - Oxygen, push-pull	1 1	31P-3 to 31P-10 inclusive 31P-11 and up
-5	46792-00		CONTROL ASSEMBLY - Oxygen, push-pull	1	31P-3 to 31P-10 inclusive
-6	46794-00		RETAINER - Oxygen control bellcrank	1	31P-3 to 31P-10 inclusive
-7	46795-00		ARM ASSEMBLY - Oxygen control bellcrank	1	31P-3 to 31P-10 inclusive
-8	46796-00		SHAFT ASSEMBLY - Oxygen control bellcrank	1	31P-3 to 31P-10 inclusive
-9	46919-00		CHAIN ASSEMBLY - Oxygen manifold attachment	6	
-10	45985-00		SHROUD ASSEMBLY - Oxygen, bottle	1	
-11	42189-19		LINE - Oxygen, low pressure (90.25" L)	1	
-12	42189-20		LINE - Oxygen, low pressure (35.38" L)	1	
-13	42189-21		LINE - Oxygen, low pressure (9.00" L)	1	
-14	42189-22		LINE - Oxygen, low pressure (5.50" L)	1	31P-3 to 31P-7730001 inclusive
	42189-63		LINE - Oxygen, low pressure (18.00" L)	1	31P-7730002 and up
-15	42189-23		LINE - Oxygen, low pressure (13.00" L)	1	31P-3 to 31P-7730001 inclusive
-16	42189-24		LINE - Oxygen, low pressure (33.25" L)	1	31P-3 to 31P-7730001 inclusive
-17	42189-25		LINE - Oxygen, low pressure (55.00" L)	1	31P-3 to 31P-7730001 inclusive
-18	42189-26		LINE - Oxygen, low pressure (26.00" L)	1	31P-3 to 31P-7730001 inclusive
	42189-36		LINE - Oxygen, low pressure (20.00" L)	1	31P-7730002 and up
-19	42189-27		LINE - Oxygen, low pressure (32.50" L)	1	
-20	42189-28		LINE - Oxygen, low pressure (31.12" L)	1	
-21	42189-29		LINE - Oxygen, low pressure (5.75" L)	3	
-22	42189-30		LINE - Oxygen, low pressure (10.00" L)	1	31P-3 to 31P-7730001 inclusive
	42189-64		LINE - Oxygen, low pressure (19.00" L)	1	31P-7730002 and up
-23	42189-34		LINE - Oxygen, low pressure (15.00" L)	1	
-24	756 343		LINE - Oxygen, high pressure	1	
	756 394	B	LINE - Oxygen, high pressure	1	
-25	42189-32		LINE - Oxygen, high pressure	1	
	756 395	B	LINE - Oxygen, high pressure	1	
-26	42189-33		LINE - Oxygen, high pressure	1	
	756 396	B	LINE - Oxygen, high pressure	1	
-27	756 327	A	TEE - High pressure (33522-602)	1	
	756 397	A,B	TEE - High pressure (33521-702)	1	
-28	756 302	A	TEE - Low pressure (33529-204)	4	
-29	753 079	A	UNION - Bulkhead (33529-603)	3	31P-3 to 31P-7730001 inclusive
	753 079	A	UNION - Bulkhead (33529-603)	1	31P-7730002 and up
-30	753 082	A	UNION - Bulkhead (33522-401)	1	
	753 084	A,B	UNION - Bulkhead (33522-601)	1	
-31	754 761	A	ELBOW - (33529-106)	1	
-32	754 762	A	ELBOW - (33529-704)	4	31P-3 to 31P-7730001 inclusive
	754 762	A	ELBOW - (33529-704)	5	31P-7730002 and up
-33	757 213		PLATE - Instruction	8	
-34	754 547		PLATE - Instruction	1	
-35	753 945	A	CONNECTOR - (Straight) (33525-702)	1	
	757 950	A,B	CONNECTOR - (Straight) (33525-202)	1	
-36	753 944	A	CONNECTOR - (Male) (33529-009)	4	

A - Nuts and ferrules supplied with fitting.  
B - Used on aircraft that comply with C.A.A. (United Kingdom) requirements.

When ordering, always specify Part Number, Description and Serial Number of Aircraft

**PIPER PARTS CATALOG**

Figure and Index Number	Part Number	Code	NOMENCLATURE	No. Req.	SERIAL NUMBERS AFFECTED
113-37	47537-00		OUTLET ASSEMBLY - Oxygen, dual	3	
-38	757 890		CYLINDER AND REGULATOR ASSEMBLY	1	
-38a	756 038		* REGULATOR ASSEMBLY - Oxygen	1	
-39	756 507		* * RELIEF VALVE - Regulator assembly	1	
-40	756 505		* * VALVE ASSEMBLY - Charging	1	
-41	753 947		* * * CORE - Valve assembly	1	
-42	756 524		VALVE - Charging, oxygen	1	
-43	751 896		GAUGE ASSEMBLY - Oxygen (includes mounting bracket)	1	
-44	752 355		* LENS - Oxygen gauge	1	
-45	753 433		* BEZEL - Oxygen gauge	1	
-46	753 437		BRACKET ASSEMBLY - Control cable	1	
-47	752 583		OUTLET ASSEMBLY - Oxygen	2	
-48	474 055	A	MASK ASSEMBLY - Oxygen, "nasal type," (crew) 2.0 LPM	AR	
	474 099		MASK ASSEMBLY - Oxygen, "K-S disposable," (passenger) 2.0 LPM	5	
	753 743	B	MASK ASSEMBLY - Oxygen, "oronasal with microphone," 2.0 LPM (crew)	AR	
	474 111	B	MASK ASSEMBLY - Oxygen, duo-seal mask with microphone, 2.0 LPM (crew)	AR	
	479 445	C	MASK ASSEMBLY - Oxygen, duo-seal mask with microphone and remote switch, 2.0 LPM (crew)	AR	
-49	752 122		* FLOW INDICATOR	1	
-50	753 974		* COUPLING - Oxygen plug-in, 2.0 LPM	1	
	753 974		* COUPLING - Oxygen plug-in, 1.5 LPM	1	
-51	753 074		* TUBING - Plastic, oxygen mask (5' length)	1	
-52	756 319		* TUBING - Rubber, oxygen mask (4 1/2' length)	1	
-53	753 941		COUPLING - Oxygen plug-in therapeutic	AR	
-54	424 141		PIN - (MS20392-1C9)	1	31P-3 to 31P-10 inclusive
	407 561		WASHER - (AN960-4)	1	31P-3 to 31P-10 inclusive
	424 051		PIN - Cotter (MS24665-132)	1	31P-3 to 31P-10 inclusive
-55	400 437		BOLT - (AN3-3A)	3	31P-3 to 31P-10 inclusive
	21586-00		WASHER	3	31P-3 to 31P-10 inclusive
-56	752 504		NUT - Flareless fitting (1/8")	AR	
-57	751 811		FERRULE - Flareless fitting, front (1/8")	AR	
-58	751 812		FERRULE - Flareless fitting, rear (1/8")	AR	
-59	752 505		NUT - Flareless fitting (1/4")	AR	
-60	751 813		FERRULE - Flareless fitting, front (1/4")	AR	
-61	751 814		FERRULE - Flareless fitting, rear (1/4")	AR	
-62	752 717		"O" RING - Tube assembly (AN6227-10)	1	31P-3 to 31P-10 inclusive
-63	484 700		"O" RING - Tube assembly (AN6227-5)	1	31P-3 to 31P-10 inclusive
-64	42189-35		LINE - Oxygen, low pressure (21.50" L.)	1	
-65	454 929		CLAMP - (PS10017-2-4)	6	
	411 532		SCREW - (MS35207-263)	6	
	404 887		NUT - (MS20365-1032C)	6	
-66	471 053		KNOB - Control cable (3004-SM)	1	31P-11 and up
-67	22104-03		GROMMET	1	31P-11 and up
-68	22103-03		PLATE	1	31P-11 and up
-69	415 535		SCREW - (MS35206-245)	2	31P-11 and up
	404 910		NUT - (MS20365-832C)	2	31P-11 and up
-70	80012-109		BUSHING - Control assembly end	1	
-71	42189-66		LINE - Oxygen, low pressure (42.50" L.)	1	31P-7730002 and up
-72	42189-65		LINE - Oxygen, low pressure (60.00" L.)	1	31P-7730002 and up

A - No longer available. Order mask assembly part number 474 111 or part number 479 445 or part number 753 743.  
 B - Used if boom mike is installed.  
 C - Used if boom mike is not installed.

When ordering, always specify Part Number, Description and Serial Number of Aircraft

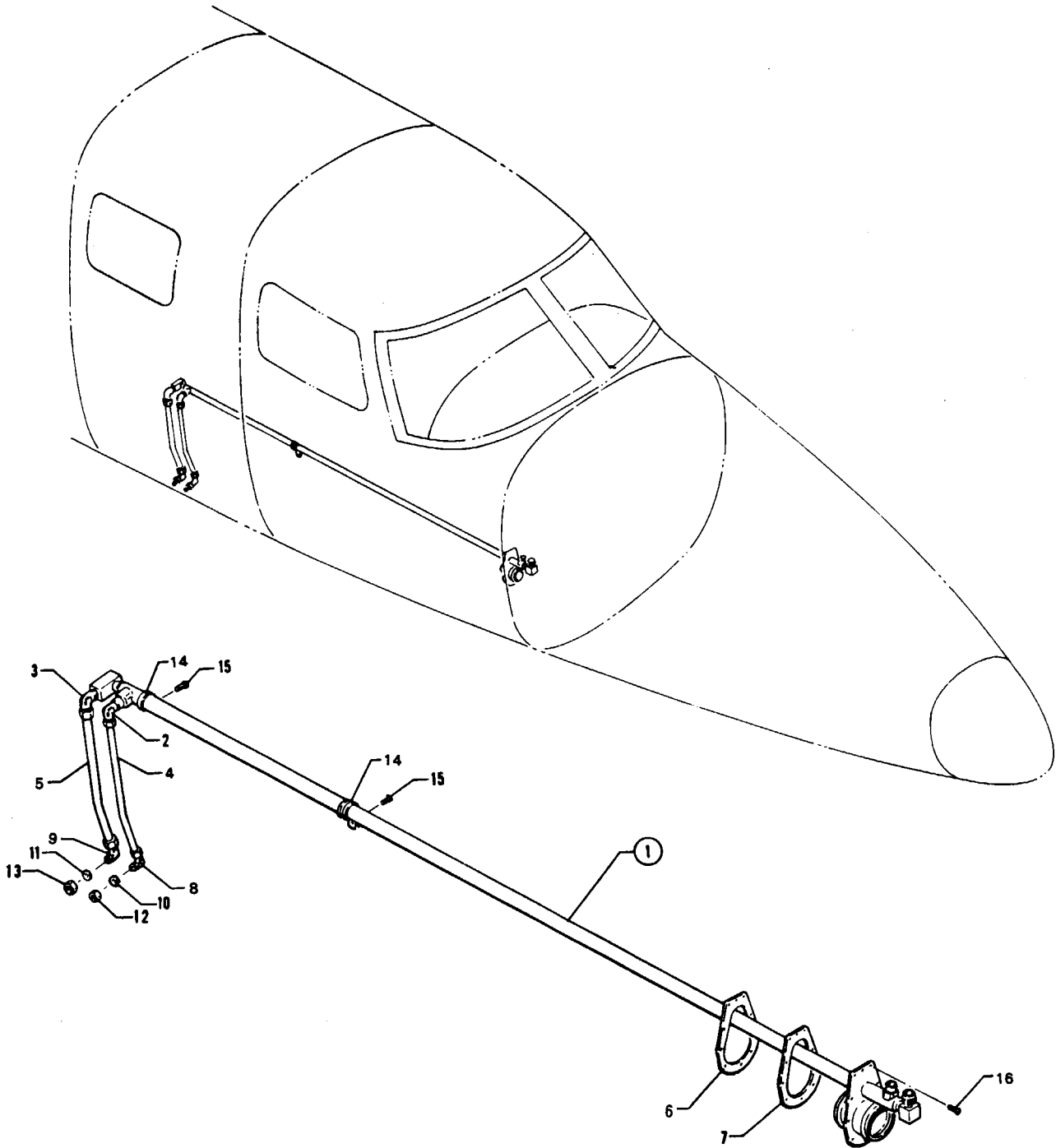


Figure 114. Fuselage Freon Lines Installation

PIPER PARTS CATALOG

Figure and Index Number	Part Number	Code	NOMENCLATURE	No. Req.	SERIAL NUMBERS AFFECTED
114-	46509		DRAWING - Fuselage Freon Lines Installation		
-1	45937-08		LINE ASSEMBLY - Freon	1	
-2	458 898		* ELBOW - (AN822-8D)	1	
-3	458 851		* ELBOW - Freon line (#AN822-12D)	1	
-4	46769-00		LINE ASSEMBLY - Freon	1	
-5	46770-00		LINE ASSEMBLY - Freon	1	
-6	46068-00		PLATE - Freon line attachment	1	
-7	46067-00		GASKET - Freon line	1	
-8	458 905		ELBOW - (AN833-8D)	1	
-9	458 852		ELBOW - Freon line (AN833-12D)	1	
-10	407 573		WASHER - (AN960-1216)	1	
-11	407 576		WASHER - (AN960-1716)	1	
-12	477 621		NUT - (AN924-8D)	1	
-13	477 738		NUT - (AN924-12D)	1	
-14	454 852		CLAMP - (#A3046S-18-91)	2	
-15	415 536		SCREW - (MS35206-246)	2	
-16	411 531		SCREW - (MS35207-262)	10	

When ordering, always specify Part Number, Description and Serial Number of Aircraft

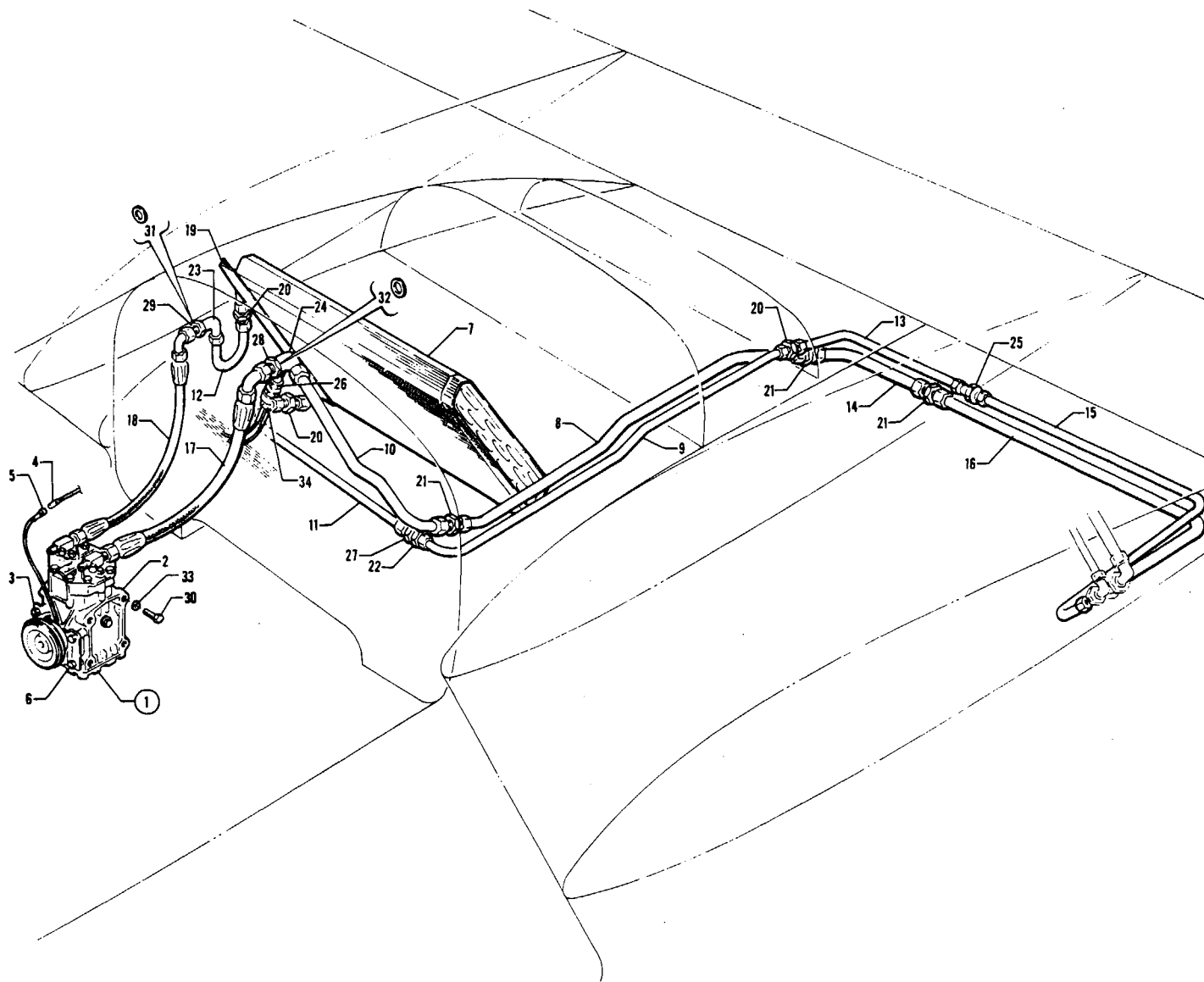


Figure 115. Freon Lines Installation - Wing



Figure and Index Number	Part Number	Code	NOMENCLATURE	No. Req.	SERIAL NUMBERS AFFECTED
115-	46782		DRAWING - Freon Lines Installation, Wing		
-1	46334-00		COMPRESSOR ASSEMBLY - Freon (complete)	1	
-2	47864-00		COMPRESSOR - Freon	1	
-3	46336-00		CLUTCH ASSEMBLY - Magnetic	1	
-4	488 478		TERMINAL - (1189 ATL)	1	
-5	581 482		PLUG - (1619P)	1	
-6	401 919		BOLT - (MS20074-04-04)	4	
	80122-123		WASHER	4	
-7	47040-00		CONDENSER ASSEMBLY - (Complete)	1	
-8	46901-00		LINE ASSEMBLY - Freon	1	
-9	46902-00		LINE ASSEMBLY - Freon	1	
-10	46903-00		LINE ASSEMBLY - Freon	1	
-11	46904-00		LINE ASSEMBLY - Freon	1	
-12	46940-00		LINE ASSEMBLY - Freon	1	
-13	47061-00		LINE ASSEMBLY - Freon	1	
-14	47062-00		LINE ASSEMBLY - Freon	1	
-15	47066-00		LINE ASSEMBLY - Freon	1	
-16	47067-00		LINE ASSEMBLY - Freon	1	
-17	755 318		HOSE ASSEMBLY - Flexible (PAC 80011-08)	1	
-18	755 319		HOSE ASSEMBLY - Flexible (PAC 80011-09)	1	
-19	46889-00		ANGLE ASSEMBLY - Condenser support, outboard	1	
-20	491 063		UNION - (AN815-8D)	3	
-21	491 073		UNION - (AN815-12D)	3	
-22	491 074		UNION - (AN832-8D)	1	
-23	458 849		ELBOW - (AN833-8)	1	
-24	52097-03		ELBOW - Freon line	1	
-25	491 063		UNION - (AN815-8D)	1	
-26	460 682		FITTING - Connector, male W/H 48 x 4	1	
-27	477 621		NUT - (AN924-8D)	1	
-28	477 737		NUT - (AN924-12)	1	
-29	477 691		NUT - (AN924-8)	1	
-30	418 780		CAP SCREW - (MS90728-65)	4	
	407 046		WASHER - (MS35338-46)	4	
-31	407 573		WASHER - (AN960-1216)	1	
-32	407 576		WASHER - (AN960-1716)	1	
-33	40559-05		WASHER	8	
-34	588 018		SWITCH - Pressure (20PS000FC040K01D)	1	

When ordering, always specify Part Number, Description and Serial Number of Aircraft



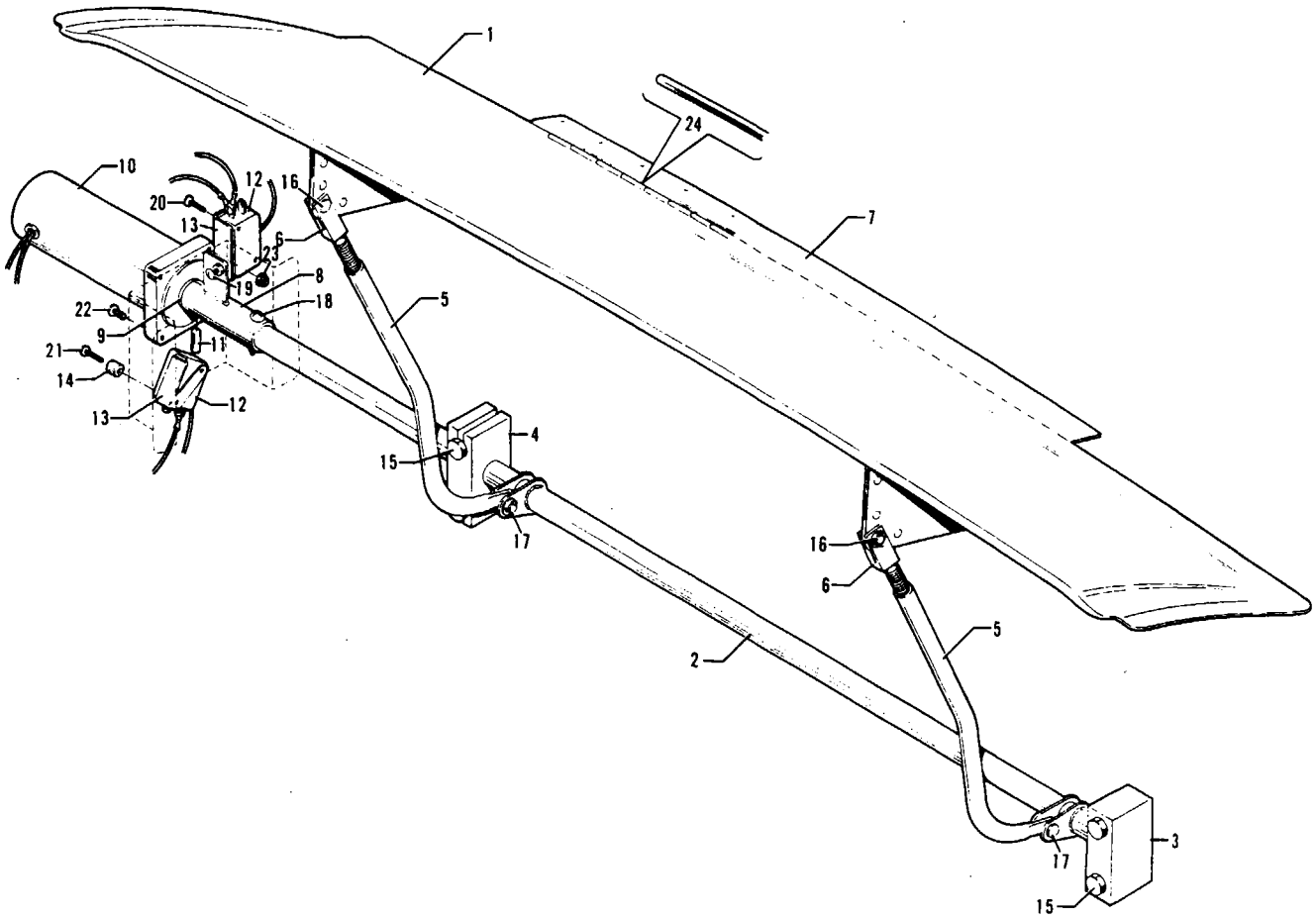


Figure 116. Freon Condenser Scoop Installation

## PIPER PARTS CATALOG

Figure and Index Number	Part Number	Code	NOMENCLATURE	No. Req.	SERIAL NUMBERS AFFECTED
116-	47847		DRAWING - Freon Condenser Scoop Installation		
-1	47828-00		SCOOP ASSEMBLY - Consenser air inlet	1	
-2	47824-00		TUBE ASSEMBLY - Nacelle scoop torque	1	
-3	47820-00		BLOCK - Torque tube bearing	1	
-4	47819-00		BLOCK - Torque tube bearing	1	
-5	47798-00		ARM - Nacelle scoop actuator	2	
-6	41132-00		CLEVIS - Male thread	2	
-7	47842-00		HINGE ASSEMBLY - (Half) Nacelle, scoop	1	
-8	47821-00		SLEEVE ASSEMBLY - Scoop torque tube	1	
-9	47830-00		BUSHING - Scoop torque tube	1	
-10	475 198		MOTOR - (#317A246)	1	
-11	86092-96		PIN	1	
-12	487 925		MICROSWITCH - (#V3-1)	2	
-13	46541-01		PLATE - Switch actuator	2	
-14	41413-46		BUSHING	2	
-15	400 444		BOLT - (AN3-13A)	4	
-16	424 174		PIN - (MS20392-2C11)	2	
	407 584		WASHER - (AN960-10L)	2	
	424 051		COTTER PIN - (MS24665-132)	2	
-17	424 173		PIN - (MS20392-2C15)	2	
	407 564		WASHER - (AN960-10)	2	
-18	415 538		SCREW - (MS35206-248)	1	
	404 910		NUT - (MS20365-832C)	1	
-19	415 505		SCREW - (MS35206-215)	1	
	407 132		WASHER - (AN936-A4)	1	
	404 908		NUT - (MS20365-440C)	1	
-20	415 508		SCREW - (MS35206-218)	2	
	407 132		WASHER - (AN936-A4)	2	
	404 596		NUT - (MS20341-4S)	2	
-21	415 510		SCREW - (MS35206-220)	2	
	407 132		WASHER - (AN936-A4)	2	
	404 596		NUT - (MS20341-4S)	2	
-22	415 505		SCREW - (MS35206-215)	3	
-23	404 908		NUT - (MS20365-440C)	2	
-24	86092-97		PIN - Hinge	1	

When ordering, always specify Part Number, Description and Serial Number of Aircraft

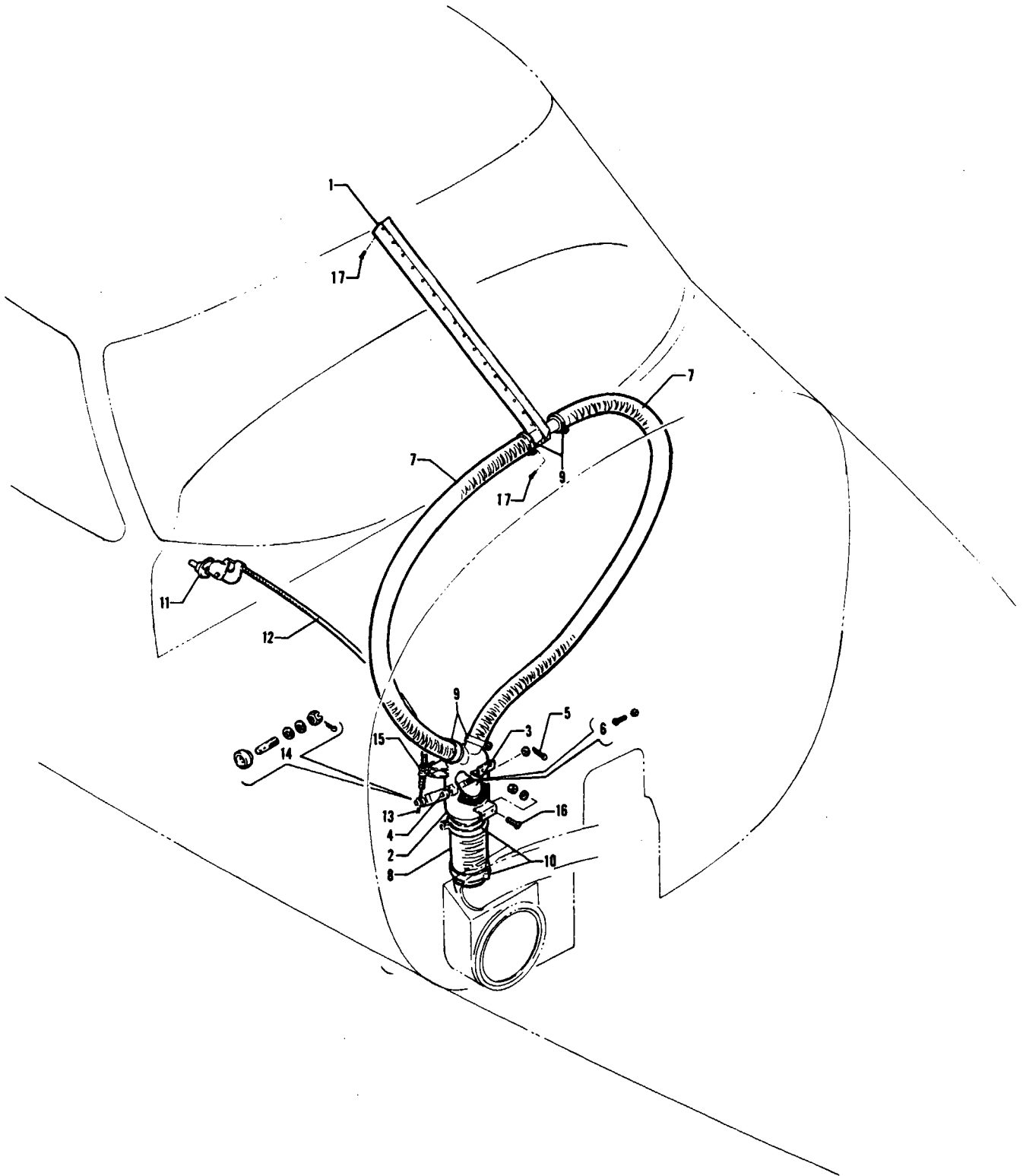


Figure 117. Windshield Defroster System Installation



Figure and Index Number	Part Number	Code	NOMENCLATURE	No. Req.	SERIAL NUMBERS AFFECTED
117-	46906		DRAWING - Windshield Defroster System Installation		
-1	47722-00		DUCT ASSEMBLY - Defroster warm air, left	1	
	47722-01		DUCT ASSEMBLY - Defroster warm air, right	1	
-2	46470-00		VALVE ASSEMBLY - Defroster air (complete)	1	31P-3 to 31P-7300148 inclusive
	48618-00		TUBE ASSEMBLY - Defroster air	1	31P-7300149 and up
-3	46443-00		VALVE ASSEMBLY - Defroster air	1	31P-3 to 31P-7300148 inclusive
-4	46437-00		SHAFT ASSEMBLY - Defroster air	1	31P-3 to 31P-7300148 inclusive
-5	407 585		WASHER - (AN960-416L)	1	31P-3 to 31P-7300148 inclusive
	424 051		PIN - Cotter (AN380-2-2)	1	31P-3 to 31P-7300148 inclusive
-6	415 687		SCREW - (4-40 x 7/16)	2	31P-3 to 31P-7300148 inclusive
	407 561		WASHER - (AN960-4)	2	31P-3 to 31P-7300148 inclusive
-7	49997-13		HOSE - Defroster air duct	2	
-8	10525-10		HOSE - Defroster air duct	1	31P-3 to 31P-7300148 inclusive
	10525-02		HOSE - Defroster air duct	1	31P-7300149 and up
-9	554 971		CLAMP - (* SAE TY F-16SS)	4	
-10	554 945		CLAMP - (SAE TY F-28)	2	
-11	554 364		CONTROL CONVERTER - (* 270-000)	1	31P-3 to 31P-7300148 inclusive
-12	22472-22		HOUSING - Control cable	1	31P-3 to 31P-7300148 inclusive
-13	22470-16		WIRE - Control cable	1	31P-3 to 31P-7300148 inclusive
-14	70371-03		STUD - Swivel fitting	1	31P-3 to 31P-7300148 inclusive
	70371-02		FITTING - Swivel	1	31P-3 to 31P-7300148 inclusive
	81342-18		WASHER - Swivel fitting	1	31P-3 to 31P-7300148 inclusive
	407 585		WASHER - (AN960-416L)	1	31P-3 to 31P-7300148 inclusive
	404 392		NUT - (AN320-3)	1	31P-3 to 31P-7300148 inclusive
	424 051		PIN - Cotter (MS24665-132)	1	31P-3 to 31P-7300148 inclusive
-15	454 928		CLAMP - (PS10017-2-3)	1	31P-3 to 31P-7300148 inclusive
	415 533		SCREW - (MS35206-243)	1	31P-3 to 31P-7300148 inclusive
	404 910		NUT - (MS20365-832C)	1	31P-3 to 31P-7300148 inclusive
-16	415 544		SCREW - Valve assembly attachment (MS35206-244)	4	
	407 563		WASHER - Valve assembly attachment (* AN960-8)	4	
	404 910		NUT - Valve assembly attachment (* MS20365-832C)	4	
-17	419 943		SCREW - (* 6 x 7/8 L, sheet metal)	4	

When ordering, always specify Part Number, Description and Serial Number of Aircraft

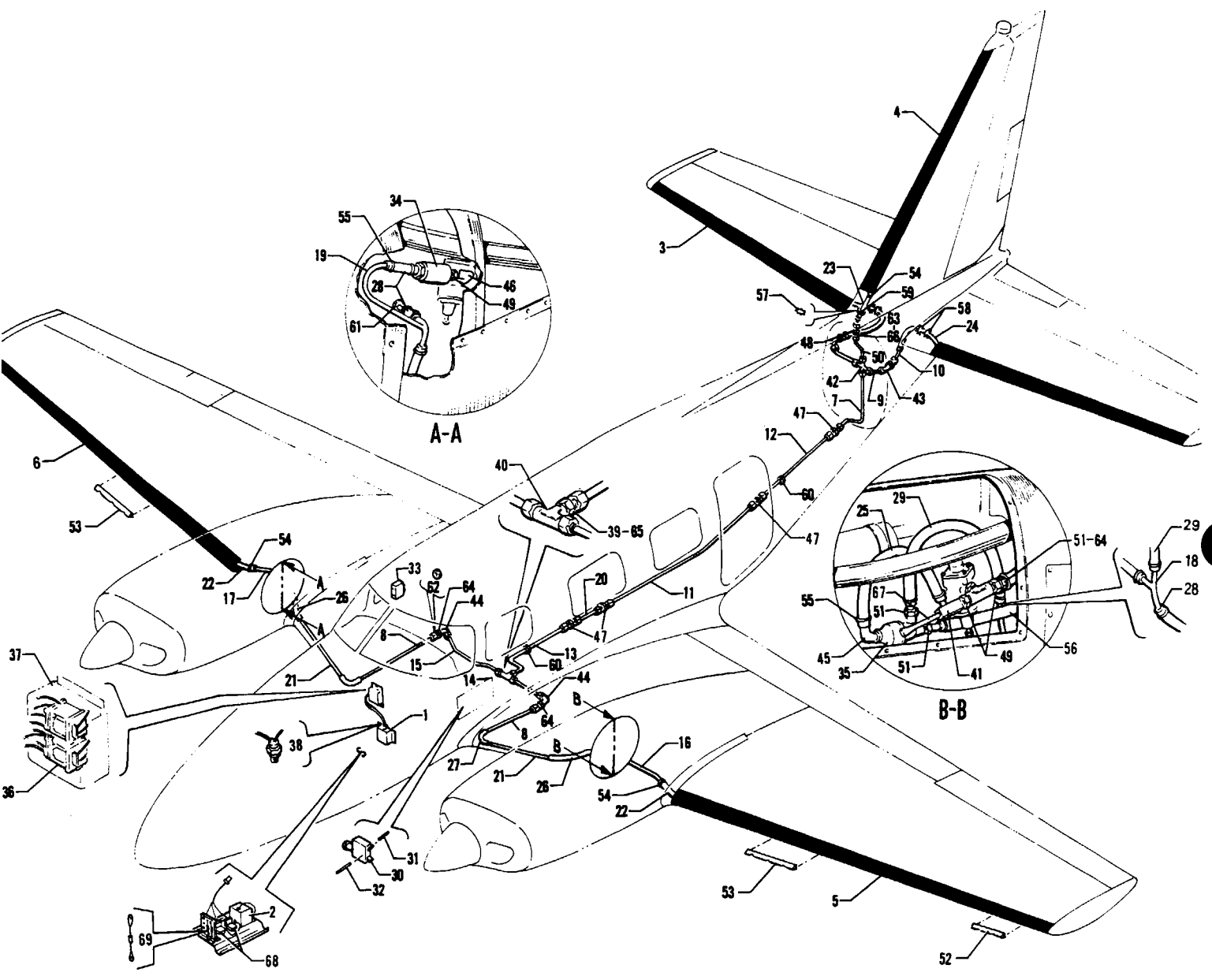


Figure 118. Pneumatic De-Icing System Installation



Figure and Index Number	Part Number	Code	NOMENCLATURE	No. Req.	SERIAL NUMBERS AFFECTED
118-	47100		DRAWING - Pneumatic De-Icing System Installation		
-1	756 329	A	TIMER - De-icer	1	
	761 917	C	TIMER - De-icer	1	
-2	488 699		TIMER - De-icer	1	31P-7530028 and up
-3	754 558		DE-ICER - Horizontal stabilizer	2	31P-3 to 31P-7530027 inclusive
	758 239		DE-ICER - Horizontal stabilizer, left	1	31P-7530028 and up
	758 240		DE-ICER - Horizontal stabilizer, right	1	31P-7530028 and up
-4	754 559		DE-ICER - Vertical fin	1	31P-3 to 31P-7530029 inclusive
	758 241		DE-ICER - Vertical fin	1	31P-7530030 and up
-5	754 560		DE-ICER - Left wing	1	31P-3 to 7530027 inclusive
	758 237		DE-ICER - Left wing	1	31P-7530028 and up
-6	754 561		DE-ICER - Right wing	1	31P-3 to 31P-7530027 inclusive
	758 238		DE-ICER - Right wing	1	31P-7530028 and up
-7	42621-00		TUBE ASSEMBLY - De-icer, top	1	
	42632-00		TUBE ASSEMBLY - De-icer, bottom	1	
-8	46779-02		TUBE ASSEMBLY - De-icer, left	1	
	46779-03		TUBE ASSEMBLY - De-icer, right	1	
-9	42635-00		TUBE ASSEMBLY - De-icer, left	1	
	42636-00		TUBE ASSEMBLY - De-icer, right	1	
-10	42704-00		TUBE ASSEMBLY - De-icer	2	
-11	42706-02		TUBE ASSEMBLY - De-icer	1	
-12	42706-04		TUBE ASSEMBLY - De-icer	1	
-13	46402-00		TUBE ASSEMBLY - De-icer	1	
-14	46403-00		TUBE ASSEMBLY - De-icer	1	
-15	46439-00		TUBE ASSEMBLY - De-icer	1	
-16	46581-00		TUBE ASSEMBLY - De-icer	1	
-17	46602-00		TUBE ASSEMBLY - De-icer	1	
-18	47012-00		TUBE ASSEMBLY - De-icer, tee	1	
-19	47020-00		TUBE ASSEMBLY - De-icer	1	
-20	47405-00		TUBE ASSEMBLY - De-icer	1	
-21	42709-00		TUBE - De-icer	2	
-22	16633-25		HOSE	2	
-23	16633-28		HOSE	1	
-24	82371-124		HOSE	2	
-25	49998-16		HOSE	1	
-26	49998-17		HOSE	2	
-27	82371-114		HOSE	2	
-28	82371-47		HOSE	3	
-29	82371-92		HOSE	1	
-30	454 657		CIRCUIT PROTECTOR - (109-210-102)	1	
-31	31506-02		BAR - Bus	2	
-32	31506-06		BAR - Bus	1	
-33	47664-03	A	SWITCH - Surface de-icer (TIGL54-1S-WH) (487 773)	1	
	47664-08	B	SWITCH - Surface de-icer (TIGL5E-1S-WH) (587 919)	1	

A - Used on serial nos. 31P-3 to 31P-7530001 inclusive, 31P-7530003 to 31P-7530008 inclusive, 31P-7530010, 31P-7530011, 31P-7530013 and 31P-7530016.  
 B - Used on serial nos. 31P-7530002, 31P-7530009, 31P-7530012, 31P-7530014, 31P-7530015, 31P-7530017 and up.  
 C - Used on serial nos. 31P-7530002, 31P-7530009, 31P-7530012, 31P-7530014, 31P-7530015, 31P-7530017 to 31P-7530027 inclusive.

When ordering, always specify Part Number, Description and Serial Number of Aircraft



Figure and Index Number	Part Number	Code	NOMENCLATURE	No. Req.	SERIAL NUMBERS AFFECTED
118-34	492 157		VALVE - Coaxial solenoid (3319-00)	1	
-35	492 158		VALVE - Coaxial solenoid (3385-00)	1	
-36	484 211		RELAY - De-icer (1245-2C-24D)	2	31P-3 to 31P-7530027 inclusive
-37	42626-03		COVER - De-icer relay	1	31P-3 to 31P-7530027 inclusive
-38	455 329		CONNECTOR - De-icer (MS3137E-7S-059)	1	31P-3 to 31P-7530027 inclusive
-39	484 294		REDUCER - De-icer (A55-8-6)	1	
-40	488 509		TEE - De-icer (AN824-8D)	1	
-41	488 323		TEE - (AN917-3D)	1	
-42	455 420		CROSS - (AN827-6D)	1	
-43	458 901		ELBOW - (AN833-6D)	2	
-44	458 905		ELBOW - (AN833-8D)	2	
-45	458 925		ELBOW - (90 degree) (AN842-8D)	1	
-46	458 918		ELBOW - (90 degree) (AN914-3D)	1	
-47	491 052		UNION - (AN815-6D)	4	
-48	491 062		UNION - (AN832-6D)	1	
-49	476 645		NIPPLE - (AN911-3D)	3	
-50	46257-00		TUBE ASSEMBLY - De-icer	1	
-51	451 859		ADAPTER - (AN840-8D)	3	
-52	44275-05		STRIP - Flow, left	1	
-53	44275-03		STRIP - Flow	2	
-54	454 832		CLAMP - (SAE 10) Type "E"	10	
-55	454 987		CLAMP - (SAE 12) Type "E"	20	
-56	82371-110		HOSE - Flexible	1	
-57	189 625		GROMMET - Caterpillar (G51H Type "A") 14.75 L	2	
-58	189 627		GROMMET - Caterpillar (G51H Type "B") 24.52 L	2	
-59	434 138		GROMMET - (MS35489-17)	1	
-60	434 158		GROMMET - (MS35489-12S)	2	
-61	434 135		GROMMET - (MS35489-14)	1	
-62	407 573		WASHER - (AN960-1216)	2	
-63	407 570		WASHER - (AN960-916)	3	
-64	477 621		NUT - (AN924-8D)	3	
-65	477 624		NUT - (AN818-8D)	1	
-66	477 620		NUT - (AN924-6D)	3	
-67	47038-00		EJECTOR ASSEMBLY - De-icer	1	
-68	484 244		RELAY - (KN-105-1C-24D)	2	31P-7530028 and up
-69	456 707		DIODE - (IN4002)	2	31P-7530028 and up

When ordering, always specify Part Number, Description and Serial Number of Aircraft

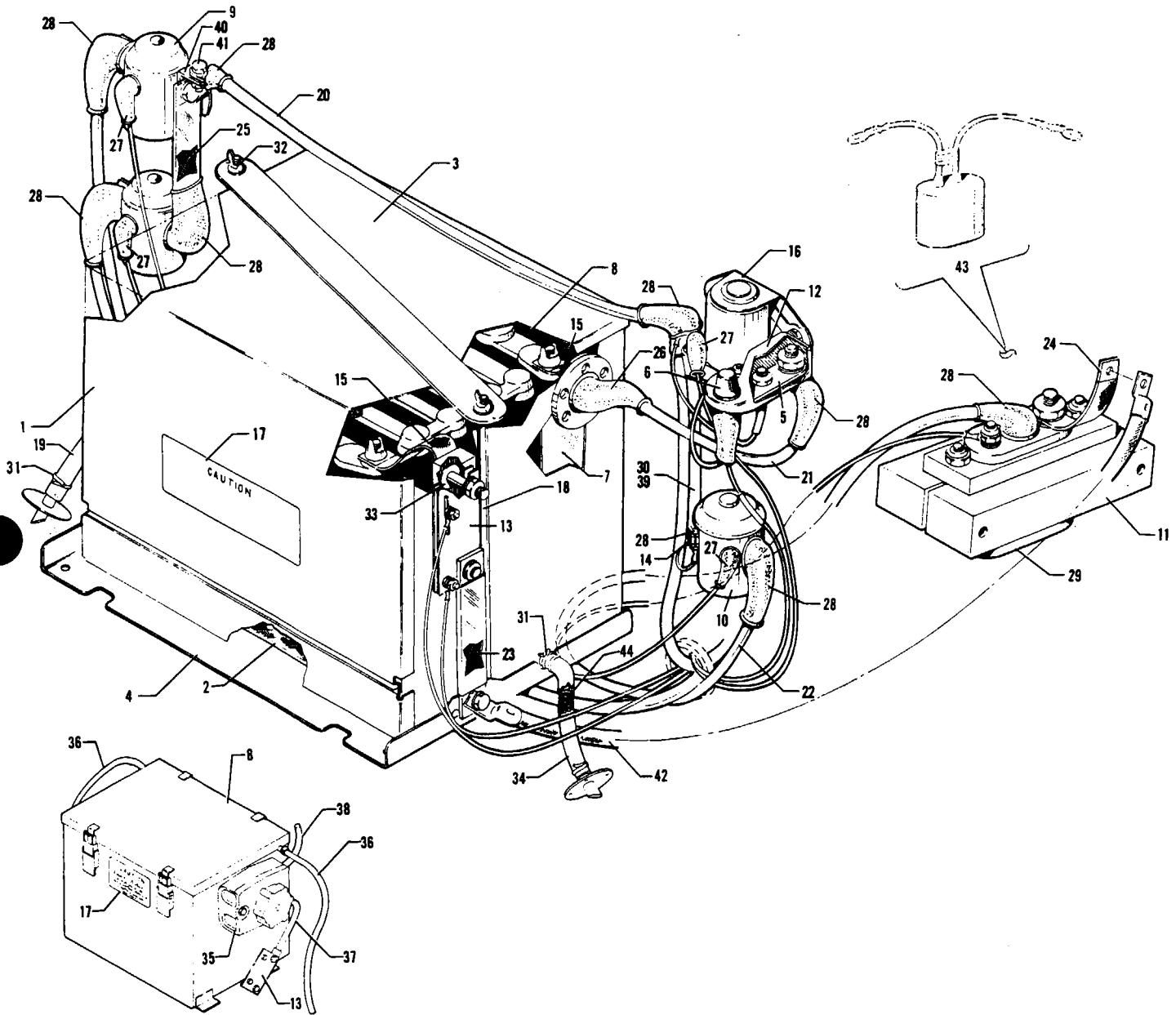


Figure 119. Primary and Auxiliary Power Installation



PIPER PARTS CATALOG

Figure and Index Number	Part Number	Code	NOMENCLATURE	No. Req.	SERIAL NUMBERS AFFECTED
119-	45437 47752		DRAWING - Primary and Auxiliary Power Supply Installation DRAWING - Nickel Cadmium Battery Installation		
-1	45311-00	A	BOX ASSEMBLY - Battery	1	
-2	90150-03		* STRIP - Fiber	3	
-3	45310-00	A	LID ASSEMBLY - Battery box	1	
-4	45312-00	A	SHELF ASSEMBLY - Battery	1	
	45312-04	B	SHELF ASSEMBLY - Battery	1	
-5	44009-00		LINK ASSEMBLY - Bus bar, battery box	1	
-6	465 256		* HOLDER - Fuse (HKP-GG)	1	
-7	17555-00	A	PLATE - Battery box insulator	1	
-8	450 027	A	BATTERY - (12-GCAS-24) 25 amp	1	
	47751-00	B	BATTERY - Nickel cadmium, 24-volt	1	
-9	26898-03		SOLENOID - Left and right starter (487 152)	2	
-10	487 167		SOLENOID - Auxiliary power (487 167)	1	
-11	41440-00		BLOCK - Power receptacle mounting	2	
-12	43680-00	A	COVER - Master contactor	1	
-13	23844-00		SHUNT ASSEMBLY - (486 615)	1	
-14	456 706		DIODE - (IN2154) Auxiliary power	1	
-15	14069-02	A	TERMINAL ASSEMBLY - Battery box, front	1	
	42826-03	A	TERMINAL ASSEMBLY - Battery box, rear	1	
-16	455 211		CONTACTOR - Battery box (6041H202A)	1	
-17	45456-00	A	PLACARD - Battery caution (581 424)	1	
	50743-00	B	PLACARD - Battery caution (581 655)	1	
-18	14183-08	A	ROD - Battery box	2	
-19	19790-20	A	TUBE - Plastic, battery box	1	
-20	14226-42		WIRE ASSEMBLY - Starter solenoids	1	
-21	14226-43	A	WIRE ASSEMBLY - Battery to solenoid	1	
-22	14226-13		WIRE ASSEMBLY - Auxiliary power receptacle	1	
-23	80035-11	A	CABLE ASSEMBLY - Auxiliary power	1	
-24	80035-12		CABLE ASSEMBLY - Auxiliary power	1	
-25	17604-36		CABLE ASSEMBLY - Auxiliary power	1	
-26	453 171	A	BOOT - Electrical terminal (5466)	1	
-27	23969-02		NIPPLE - Electrical terminal	4	
-28	23969-04		NIPPLE - Electrical terminal	10	
-29	44259-00		RECEPTACLE - External power	1	
-30	26793-08		CABLE - Solenoid	1	
-31	454 983		CLAMP - (SAE 8, Type "E")	4	
-32	404 753	A	NUT - Wing (AN350-4)	2	
	407 565	A	WASHER - (AN960-416)	2	
-33	81342-56	A	WASHER - Battery box terminal	2	
-34	22369-02	A	TUBE - Plastic, battery box	1	
-35	555 393	B	CONNECTOR - (BD6-3)	1	
-36	13586-95	B	TUBE	2	
-37	14226-17	B	WIRE ASSEMBLY	1	
-38	41530-08	B	WIRE ASSEMBLY	1	
-39	80006-30		TUBE - Plastic	1	
-40	47972-00		LINK - Bus bar	1	

A - Not used when nickel cadmium battery is installed.

B - Used when nickel cadmium battery is installed.

When ordering, always specify Part Number, Description and Serial Number of Aircraft

**PIPER PARTS CATALOG**

Figure and Index Number	Part Number	Code	NOMENCLATURE	No. Req.	SERIAL NUMBERS AFFECTED
119-41	401 185		BOLT - (AN5-5A)	1	
	407 566		WASHER - (AN960-516)	2	
	407 045		LOCK WASHER - (MS35338-45)	1	
	404 226		NUT - (AN315-5R)	1	
-42	14226-47	A	WIRE ASSEMBLY	1	
-43	757 862		CABLE ASSEMBLY - External power (#X8349-312)	1	
			A - Not used when nickel cadmium battery is installed.		

When ordering, always specify Part Number, Description and Serial Number of Aircraft

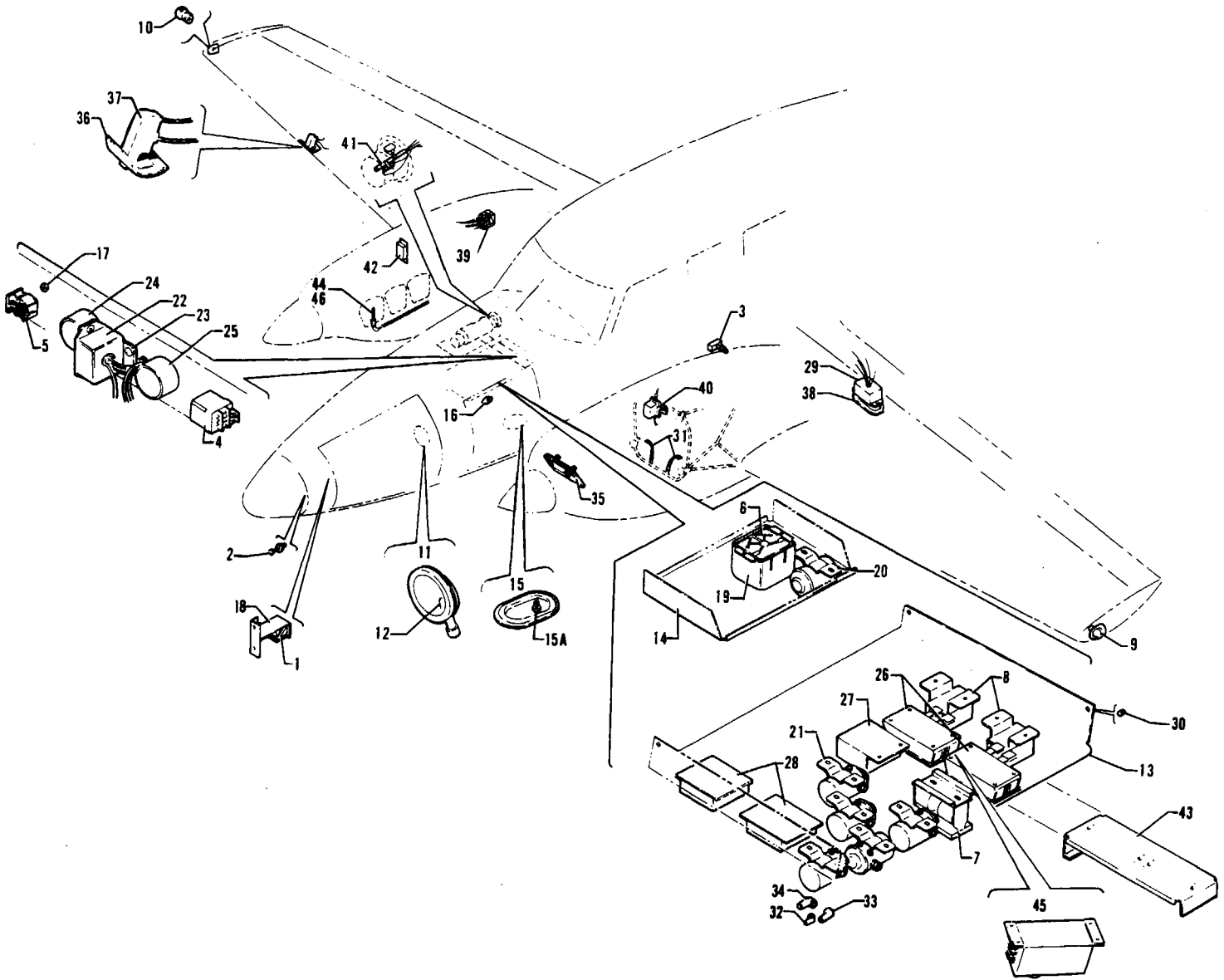


Figure 120. Forward Electrical System Installation

PIPER PARTS CATALOG

Figure and Index Number	Part Number	Code	NOMENCLATURE	No. Req.	SERIAL NUMBERS AFFECTED
120-	47001 47003		DRAWING - Forward Fuselage Electrical Details DRAWING - Wing and Engine Electrical Details		
-1	47094-00		SWITCH ASSEMBLY - Baggage compartment	1	
-2	487 878		SWITCH - Nose cone ajar (9251)	1	
-3	487 933		SWITCH - Main gear door (BZ-2RQ181) left	1	
	487 933		SWITCH - Main gear door (BZ-2RQ181) right	1	31P-84 and up
-4	47166-00		RELAY ASSEMBLY - Time delay (484 269)	1	31P-3 to 31P-7530027 inclusive
-5	484 211		RELAY - Medium power (1245-2C-24D) (Recirc. Fan)	1	
-6	484 377	D	RELAY - Flap brake (PR5DY)	1	31P-3 to 31P-7730011 incl.
	487 084		SOLENOID - Flap brake (124-314111)	1	31P-7730012
-7	484 270		RELAY - Door latching (KB17D24DC)	1	
-8	550 382	C	RELAY - Overvoltage (X-17620)	2	31P-3 to 31P-109 inclusive
	484 182		RELAY - Overvoltage (B-00266-2)	2	31P-7300110 and up
-9	43258-04	A,B	LIGHT ASSEMBLY - Wing tip (red) left	1	31P-3 to 31P-7300146 inclusive
	43258-03	A,B	LIGHT ASSEMBLY - Wing tip (green) right	1	31P-3 to 31P-7300146 inclusive
-10	753 478		* BULB - Wing tip light (A-7512-24)	1	
-11	472 785		LIGHT ASSEMBLY - Baggage (B-2270A-10)	1	
-12	472 057		* BULB - Baggage light (313)	1	
-13	46641-00		SHELF ASSEMBLY - Electrical accessory	1	31P-3 to 31P-109 inclusive
	48298-00		SHELF ASSEMBLY - Electrical accessory	1	31P-7300110 to 31P-7530027 incl.
	54593-02		SHELF ASSEMBLY - Electrical accessory	1	31P-7530028 and up
-14	46754-00		SHELF ASSEMBLY - Relay	1	31P-3 to 31P-7530014 inclusive
	48822-02		SHELF ASSEMBLY - Relay	1	31P-7530015 and up
-15	46958-00		PLATE ASSEMBLY - Air temperature bulb	1	
-15a	453 854		* BULB - Temperature (MS28034-3)	1	
-16	22103-03		PLATE - Firewall seal grommet	4	
-17	456 724		DIODE - (IN3319)	1	
-18	46804-00		COVER - Switch assembly	1	
-19	42626-02		COVER	1	
-20	26898-04	D	SOLENOID - (487 157)	1	31P-3 to 31P-7730011 incl.
	487 084		SOLENOID - Flap (124-314111)	1	31P-7730012
-21	487 167		SOLENOID - Continuous duty (487 167)	5	
-22	48123-02		TIME DELAY - Stall warning	1	
-23	48127-00		BRACKET - Time delay mounting	1	
-24	565 323		HORN - Stall warning (02404-4)	1	
-25	565 326		HORN - Gear warning (AC-155F)	1	
-26	48026-00		REGULATOR - Voltage	2	31P-3 to 31P-109 inclusive
	550 390		REGULATOR - Voltage (B-00286-1)	2	31P-7300110 and up
-27	492 687		VIBRATOR - Starting (10-357487-242)	1	
-28	555 799		TIMER - Windshield heat (HYLZ-8882-1)	2	
-29	44407-00		SWITCH ASSEMBLY - Time delay	1	
-30	475 109		MOUNT ASSEMBLY - (J-7219-22)	4	
-31	17604-33		CABLE ASSEMBLY - Fuel pump ground	4	
-32	23969-02		NIPPLE - (476 680)	8	
-33	23969-03		NIPPLE - (476 681)	4	
-34	23969-04		NIPPLE - (476 682)	3	
-35	47147-00		SHUNT ASSEMBLY	2	
-36	19807-00		PLATE ASSEMBLY - Lift detector mounting	1	
-37	450 742		LIFT DETECTOR - (C52207-04)	1	
-38	44399-00		GASKET - Time delay switch	1	
-39	47825-00		RELAY ASSEMBLY - Nacelle scoop	1	
-40	484 226		RELAY ASSEMBLY - Alternator malfunction (RAN-4001)	1	31P-3 to 31P-109 inclusive

- A - Refer to Figure 122 if wing tip strobe lights are installed.
- B - See Figure 122A for aircraft with serial nos. 31P-7300147 and up.
- C - Order P/N 484 182 if Overvoltage Relay Replacement Kit 760 787 has been installed per Service Letter 674.
- D - Order part for serial no. 31P-7730012, if Flap Solenoid and Relay Replacement Kit 763 824 has been installed per Service Letter 834.

When ordering, always specify Part Number, Description and Serial Number of Aircraft



Figure and Index Number	Part Number	Code	NOMENCLATURE	No. Req.	SERIAL NUMBERS AFFECTED
120-41	488 584		THERMOSTAT - Cabin (5-09181B)	1	
-42	47974-00		FILTER ASSEMBLY - Alternator (complete)	1	
-43	48027-00		BRACKET ASSEMBLY	1	
-44	453 751		BULB - Cylinder head temperature (AN5546-1)	2	
-45	48305-00	A	UNIT - Surge load (voltage spike suppressor)	1	
-46	460 664		FITTING - (AN4076-1) Cylinder head temperature	2	
<p>A - Used on serial numbers 31P-7300110 and up. Used on serial numbers 31P-32 and up, if used on aircraft that comply with C.A.A. (United Kingdom) requirements.</p>					

When ordering, always specify Part Number, Description and Serial Number of Aircraft

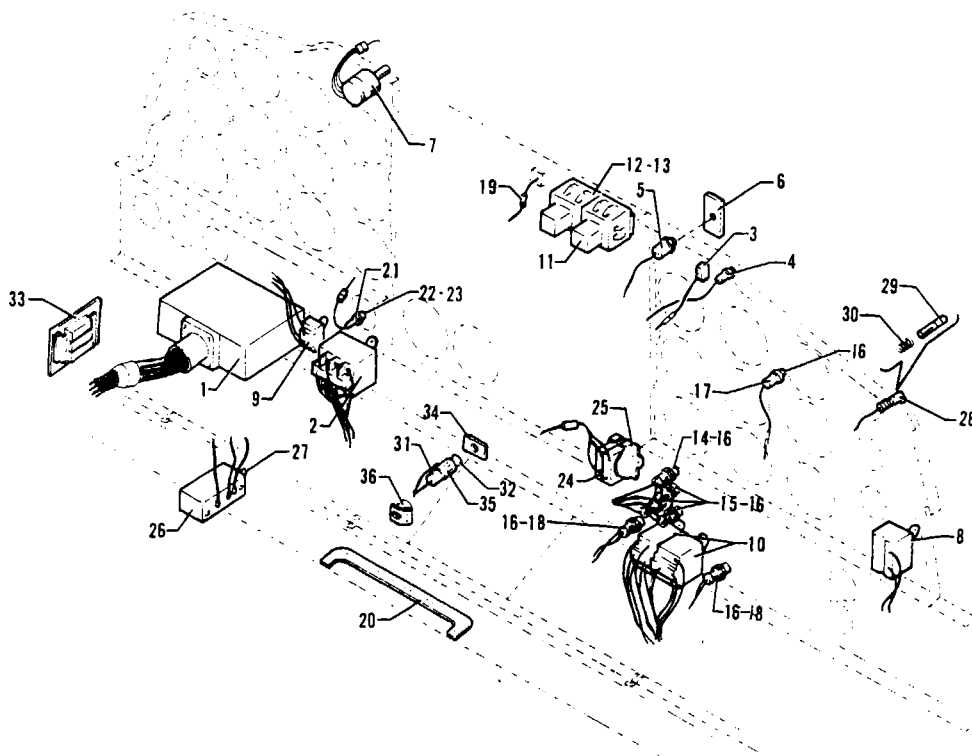


Figure 120A. Instrument Panel Harness Installation



Figure and Index Number	Part Number	Code	NOMENCLATURE	No. Req.	SERIAL NUMBERS AFFECTED
120A-	47001		DRAWING - Electrical Details, Forward Fuselage		
-1	48021-00		CONTROL ASSEMBLY - Cabin comfort (555 418)	1	
-2	487 839		SWITCH - Flap (4TL57-1)	1	
-3	487 915		SWITCH - Map light (7101)	1	31P-7300133 and up
-4	472 754		LIGHT ASSEMBLY - Map (15-0100-1)	1	31P-7300133 and up
-5	587 849		SWITCH - Warning light test (30-1)	1	31P-7300133 and up
-6	48550-00		PLACARD - Warning light test, black	1	
	48674-00		PLACARD - Warning light test, beige	1	
-7	487 977		SWITCH - Windshield wiper (XW21527)	1	
-8	487 990		SWITCH - Cabin pressure (6FA6B-73)	1	
-9	487 860		SWITCH - Heater flap (2FA54-73)	1	
-10	487 960		SWITCH - Cowl flap (HM27S-73)	2	
-11	452 038		BASE ASSEMBLY - Switch dial light (513-0109-001)	7	31P-3 to 31P-7300132 inclusive
	452 043		BASE ASSEMBLY - Switch dial light (513-0901)	9	31P-7300133 and up
-12	472 058		BULB - Warning light (PS10008-387)	9	
-13	50406-03		CAP ASSEMBLY - Warning light, baggage door, nose cone	1	
	50406-04		CAP ASSEMBLY - Warning light, cabin door	1	
	50406-05		CAP ASSEMBLY - Warning light, left pneumatic source	1	
	50406-06		CAP ASSEMBLY - Warning light, right pneumatic source	1	
	50406-07		CAP ASSEMBLY - Warning light, left fuel boost pump	1	31P-3 to 31P-7300132 inclusive
	50406-08		CAP ASSEMBLY - Warning light, right fuel boost pump	1	31P-3 to 31P-7300132 inclusive
	50406-15		CAP ASSEMBLY - Warning light, cabin altitude exceeds 10,000 feet	1	31P-32
	50406-16		CAP ASSEMBLY - Warning light, cabin pressure warning	1	31P-3 to 31P-31 inclusive, 31P-33 and up
	50406-18		CAP ASSEMBLY - Warning light, left fuel pressure low	1	31P-7300133 and up
	50406-17		CAP ASSEMBLY - Warning light, right fuel pressure low	1	31P-7300133 and up
	50406-19		CAP ASSEMBLY - Warning light, left fuel supply warning	1	31P-7300133 and up
	50406-20		CAP ASSEMBLY - Warning light, right fuel supply warning	1	31P-7300133 and up
-14	472 739		LIGHT ASSEMBLY - Gear unlocked (801-1030-0331-504) red (less bulb)	1	
-15	472 740		LIGHT ASSEMBLY - Gear down (801-1030-0332-504) green (less Bulb)	3	
-16	472 028		BULB - (PS10008-327)	4	
-17	472 741		LIGHT ASSEMBLY - Stall warning (911-1112-1631-525) (less bulb)	1	31P-3 to 31P-7630022 inclusive
-18	472 061		LIGHT ASSEMBLY - Indicator (801-1030-0334-504) blue (less bulb)	2	31P-3 to 31P-53 inclusive
-19	456 707		DIODE ASSEMBLY - Throttle switches (IN4002)	1	
-20	47142-00		BUS BAR - Ground	1	
-21	487 118		SOCKET ASSEMBLY - (2506)	1	
-22	472 078		BULB - (PS10008-1450)	1	
-23	560 690		FILTER - Lamp (1813/27B-1)	1	
-24	43145-00	A	INDICATOR ASSEMBLY - Cowl flap	2	31P-54 and up
-25	48128-00	A	BRACKET ASSEMBLY - Cowl flap indicator	2	31P-54 and up
-26	48171-00	A	BOX ASSEMBLY - Voltage clamper (complete)	1	31P-54 and up
-27	456 705	A	DIODE - (IN2984B)	1	31P-54 and up
-28	472 829	A	LIGHT - Bolt (20-0121-15-B-24)	1	31P-54 and up
-29	472 028		BULB - Bolt light	1	31P-54 and up
-30	757 570		SPRING - Bolt light	1	31P-54 and up
-31	472 869		LIGHTER ASSEMBLY - Knob and element (60328-01)	1	31P-7300153 to 31P-7630005 incl.
	754 785		LIGHTER ASSEMBLY - 24 Volt (less housing)	1	31P-7630006 and up

A - Used on serial numbers 31P-1 to 31P-53 inclusive if Cowl Flap Position Indicator has been installed per Kit 760 582.

When ordering, always specify Part Number, Description and Serial Number of Aircraft



Figure and Index Number	Part Number	Code	NOMENCLATURE	No. Req.	SERIAL NUMBERS AFFECTED
120A-32	487 179		SOCKET - Lighter (70627-01)	1	31P-7300153 to 31P-7630005 incl.
	565 608		HOUSING - Lighter (207410)	1	31P-7630006 and up
-33	48430-00		RESISTOR ASSEMBLY - Cigar lighter	1	31P-7300153 to 31P-7630005 incl.
-34	80247-02		PLACARD - Cigar lighter	1	
-35	486 623		SHELL - Cigar lighter (pedestal)	1	31P-7300153 to 31P-7630005 incl.
-36	48432-00		BRACKET ASSEMBLY - Cigar lighter mounting (cabin side)	2	31P-7300153 and up

When ordering, always specify Part Number, Description and Serial Number of Aircraft



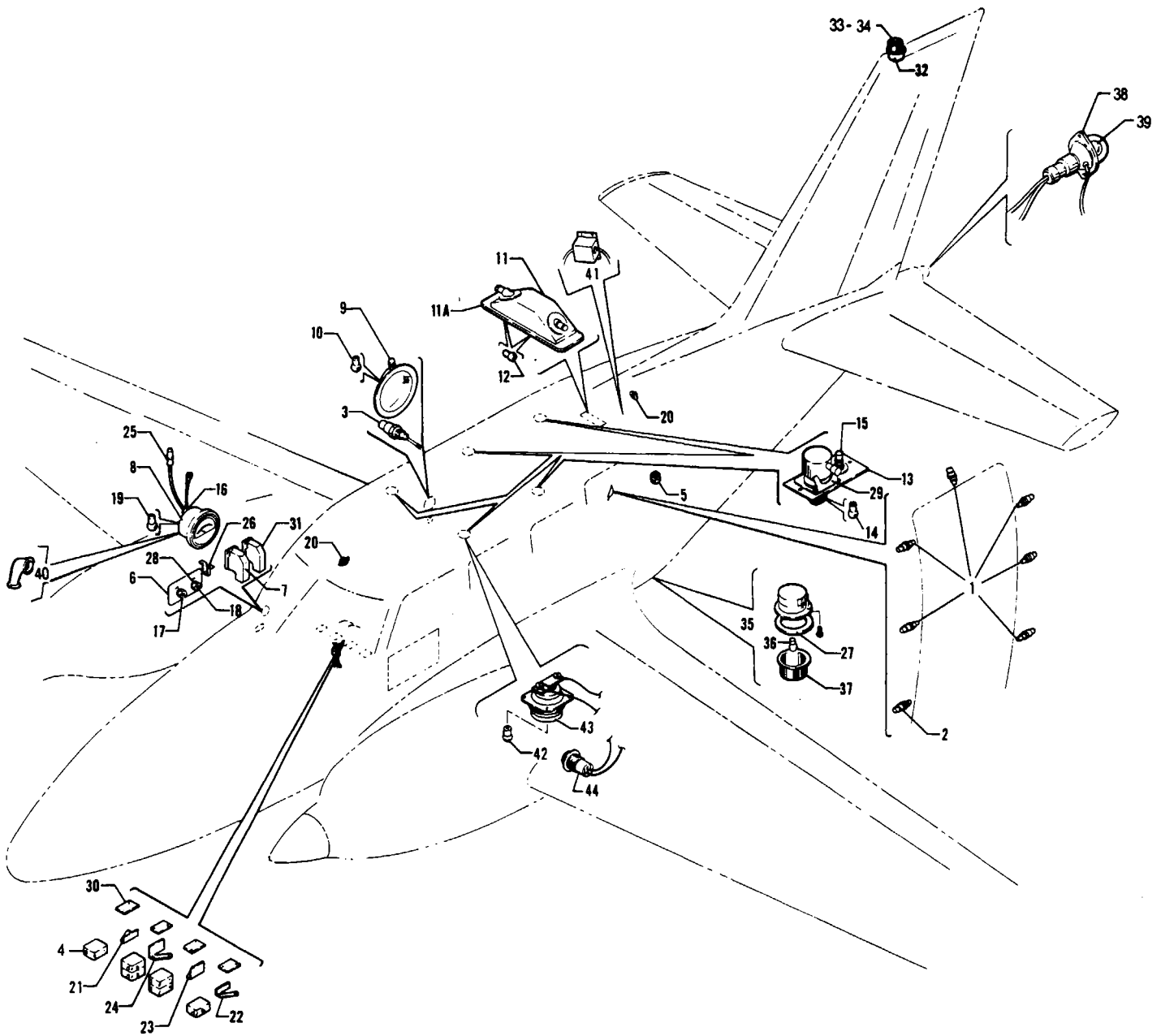


Figure 121. Aft Electrical System Installation

## PIPER PARTS CATALOG

Figure and Index Number	Part Number	Code	NOMENCLATURE	No. Req.	SERIAL NUMBERS AFFECTED
121-	47002		DRAWING - Electrical Details, Aft Fuselage		
-1	587 817		SWITCH - Door warning (C3100-L-5)	6	
-2	487 978		SWITCH - Door warning (C200L-5)	1	
-3	47877-01		SWITCH - Reading light	1	31P-3 to 31P-7630005 inclusive
-4	487 940		SWITCH - Fuel selector (MS25253-2)	6	
-5	487 913		SWITCH - Rear dome (TILB64-1S-WH-F)	1	
-6	41347-00		PLACARD - Phone jacks (581 206)	1	
-7	463 605		GUARD - Switch (8497K3)	2	31P-3 to 31P-109 inclusive
-8	43816-00		VOLTMETER ASSEMBLY - (550 767)	1	
-9	472 785		LIGHT ASSEMBLY - Refreshment table (B2270A-10)	1	
-10	472 057		* LAMP - Refreshment table light (313)	1	
-11	472 788		LIGHT ASSEMBLY - Dome (B-8110-1)	2	
-11a	761 238		* LENS - Cabin dome light	2	
-12	758 151		* BULB - (MS15584-15)	2	
-13	472 819		LIGHT ASSEMBLY - Reading (10-0129-11)	5	31P-3 to 31P-7630005 inclusive
-14	758 152		* BULB - Reading (MS35478-305)	1	31P-3 to 31P-7630005 inclusive
-15	757 571		* SWITCH - Reading light (55-0045-5)	1	31P-3 to 31P-7630005 inclusive
-16	487 118		SOCKET ASSEMBLY - (2506)	1	
-17	468 002		MIKE JACK - (S12B)	1	
-18	468 006		PHONE JACK - (11)	1	
-19	453 792		BULB - (PS10008-1828)	1	
-20	22103-03		PLATE - Firewall seal grommet	6	
-21	46541-00		PLATE - Switch actuator, right outboard	1	
-22	46541-01		PLATE - Switch actuator, left outboard	1	
-23	46541-02		PLATE - Switch actuator, left inboard	1	
-24	46541-03		PLATE - Switch actuator, right inboard	1	
-25	488 478		TERMINAL - (1189 ATL)	1	
-26	52188-00		CLAMP - Relay	1	
-27	21523-02		GASKET - Rotating beacon	1	
-28	18397-00		BUSHING - Insulator	2	
-29	47406-00		BRACKET - Overhead light	5	31P-3 to 31P-7630005 inclusive
-30	45916-00		PLATE - Switch insulator	4	
-31	487 907		SWITCH - Alternator control (2GK54-73)	2	31P-3 to 31P-109 inclusive
-32	452 471	A	BEACON ASSEMBLY - Rotating (40-0103-25)	1	31P-3 to 31P-7 inclusive
-33	753 440		* BULB - Rotating beacon (1939 x 24 volt)	1	31P-3 to 31P-7 inclusive
-34	754 549		* DOME - Rotating beacon (41-1063-1)	1	31P-3 to 31P-7 inclusive
-35	452 444	A	BEACON ASSEMBLY - Rotating (40-0101-5-24)	1	31P-3 to 31P-7300146 inclusive
-36	753 440		* BULB - Rotating beacon (1939 x 24 volt)	1	31P-3 to 31P-7300146 inclusive
-37	754 555		* DOME - Rotating beacon (41-1063-3)	1	31P-3 to 31P-7300146 inclusive
-38	43346-02	B	LIGHT ASSEMBLY - Tail	1	31P-3 to 31P-7300146 inclusive
-39	753 477	B	* BULB - Tail light (1683)	1	31P-3 to 31P-7300146 inclusive
-40	23969-02		NIPPLE - Electrical terminal	2	
-41	467 145		INVERTER - Razor outlet (60-2526-1)	1	31P-7530002 and up
-42	453 886		LAMP - (1309)	5	31P-7630006 and up
-43	472 911		LIGHT ASSEMBLY - Reading (2680)	5	31P-7630006 and up
-44	47877-02		SWITCH ASSEMBLY - Reading light	5	31P-7630006 and up

A - See Figure 122 if red strobe light is installed.  
 B - See Figure 122A for aircraft with serial numbers  
 31P-7300147 and up.

When ordering, always specify Part Number, Description and Serial Number of Aircraft





Figure and Index Number	Part Number	Code	NOMENCLATURE	No. Req.	SERIAL NUMBERS AFFECTED
121A-	46580		DRAWING - Switch and Circuit Breakers System Installation		
-1	47239-00		PANEL - Circuit breaker, upper, electroluminescent	1	31P-3 to 31P-48 inclusive
	48179-02		PANEL - Circuit breaker, upper, electroluminescent	1	31P-49 to 31P-109 inclusive
	48179-09		PANEL - Circuit breaker, upper, electroluminescent	1	31P-7300110 to 31P-7400222 incl.
	48179-19		PANEL - Circuit breaker, upper, electroluminescent	1	31P-7400223 to 31P-7530022 incl.
	48817-02		PANEL - Circuit breaker, upper, electroluminescent	1	31P-7630023 to 31P-7630019 incl.
	48179-52		PANEL - Circuit breaker, upper, electroluminescent	1	31P-7730001 and up
	46737-02	A	PANEL - Circuit breaker, upper, electroluminescent	1	31P-3 to 31P-109 inclusive
	48179-14	A	PANEL - Circuit breaker, upper, electroluminescent	1	31P-7300110 to 31P-7400222 incl.
	48179-20	A	PANEL - Circuit breaker, upper, electroluminescent	1	31P-7400223 and up
-2	48179-03		PANEL - Circuit breaker, lower, electroluminescent	1	31P-3 to 31P-109 inclusive
	48179-11		PANEL - Circuit breaker lower, electroluminescent	1	31P-7300110 and up
-3	47006-06		COVER - Circuit breaker mounting plate	1	31P-3 to 31P-45 inclusive
-4	46417-00		PANEL ASSEMBLY - Circuit breaker mounting	1	31P-3 to 31P-45 inclusive
	48134-00		PANEL ASSEMBLY - Circuit breaker mounting	1	31P-46 to 31P-109 inclusive
	48264-00		PANEL ASSEMBLY - Circuit breaker mounting	1	31P-7300110 and up
-5	454 694		CIRCUIT BREAKER - (PS50120-3-23) 2 amp	AR	
	454 656		CIRCUIT BREAKER - (PS50120-3-7) 5 amp	AR	
	454 657		CIRCUIT BREAKER - (PS50120-3-12) 10 amp	AR	
	454 658		CIRCUIT BREAKER - (PS50120-3-14) 15 amp	AR	
	454 659		CIRCUIT BREAKER - (PS50120-3-16) 20 amp	AR	
	454 660		CIRCUIT BREAKER - (PS50120-3-17) 25 amp	AR	
	454 663		CIRCUIT BREAKER - (PS50120-3-19) 35 amp	AR	
	454 691		CIRCUIT BREAKER - (PS50120-7-1) 50 amp (switch type)	AR	
-6	581 657		PLUG - Hole (P-437)	2	
-7	581 656		PLUG - Hole (P-375)	AR	
-8	48179-08		PANEL - Circuit breaker, electroluminescent	1	31P-7300110 to 31P-7300152 incl.
	48179-16		PANEL - Circuit breaker, electroluminescent	1	31P-7300153 to 31P-7400202 incl.
	48179-21		PANEL - Circuit breaker, electroluminescent	1	31P-7400203 to 31P-7630013 incl.
	48179-37		PANEL - Circuit breaker, electroluminescent	1	31P-7630014 to 31P-7630019 incl.
	48179-53		PANEL - Circuit breaker, electroluminescent	1	31P-7730001 and up
-9	31506-08		BAR - Bus	1	31P-7300110 and up
-10	31508-00		LINK - Bus bar	1	
-11	454 713		CIRCUIT BREAKER - (PS50120-6-2) 125 amp	AR	
-12	587 775		SWITCH - Master	1	31P-3 to 31P-109 inclusive
	48435-00		SWITCH ASSEMBLY - Master	1	31P-7300110 and up
-13	487 852		SWITCH - Voltage regulator (1L254-73)	1	31P-3 to 31P-109 inclusive
-14	468 002		MIKE JACK - (S12B)	1	
-15	468 006		PHONE JACK - (11)	1	
-16	48279-00		BLOCK - Spacer	1	31P-7300110 and up
-17	45287-00		BAR - Bus	1	
-18	31506-02		BAR - Bus (3/4 in. between holes)	AR	
-19	31506-05		BAR - Bus (3 in. between holes)	AR	
-20	31506-06		BAR - Bus (3/4 in. between holes, 3 holes)	AR	
-21	45288-00		BAR - Bus (3/4 in. between holes, 4 holes)	AR	
-22	31506-04		BAR - Bus (2 1/2 in. between holes)	AR	
-22a	31506-09		BAR - Bus (3/4 in. between holes, 5 holes)	1	31P-7400223 and up
-23	45292-00		LINK - Bus bar	1	
-24	45291-00		LINK - Bus bar	1	
-25	45289-00		LINK - Bus bar	1	
-26	46718-00		LINK - Bus bar	1	
-27	45290-00		LINK - Bus bar	2	

A - Used only if AltiMatic V F/D or V F/D-1 is installed.

When ordering, always specify Part Number, Description and Serial Number of Aircraft



Figure and Index Number	Part Number	Code	NOMENCLATURE	No. Req.	SERIAL NUMBERS AFFECTED
121A-28	47540-00		BLOCK - Spacer	2	
-29	18397-00		BUSHING	2	
-30	48031-00		GUARD - Voltage regulator switch	1	31P-3 to 31P-109 inclusive
-31	515 738		SCREW - (AN526-632R6)	6	
	494 120		WASHER - Nylomatic (5/32 x 1/4 x .032)	6	
-32	515 742		SCREW - (AN526-632R14)	6	
	494 140		WASHER - Nylomatic (.135 x .38 x .032)	6	
-33	477 740		NUT - (55008A)	58	
	494 189		WASHER - Nylomatic (.38 x .62 x .047)	58	
-34	415 532		SCREW - (MS35206-242)	4	
	407 099		WASHER - (MS35338-99)	4	
-35	415 533		SCREW - (MS35206-243)	56	
	407 099		WASHER - (MS35338-99)	56	
-36	415 531		SCREW - (MS35206-241)	56	
	407 099		WASHER - (MS35338-99)	56	
-37	411 532		SCREW - (MS35207-263)	5	
	407 098		WASHER - (MS35338-100)	5	
	404 224		NUT - (AN315-3R)	5	
-38	49196-03	A	GUARD - Switch, avionics emergency bus power	1	31P-7730004 to 31P-7730012 incl.

A - Used if Switch Guard has been installed per Service Letter No. 847.

When ordering, always specify Part Number, Description and Serial Number of Aircraft

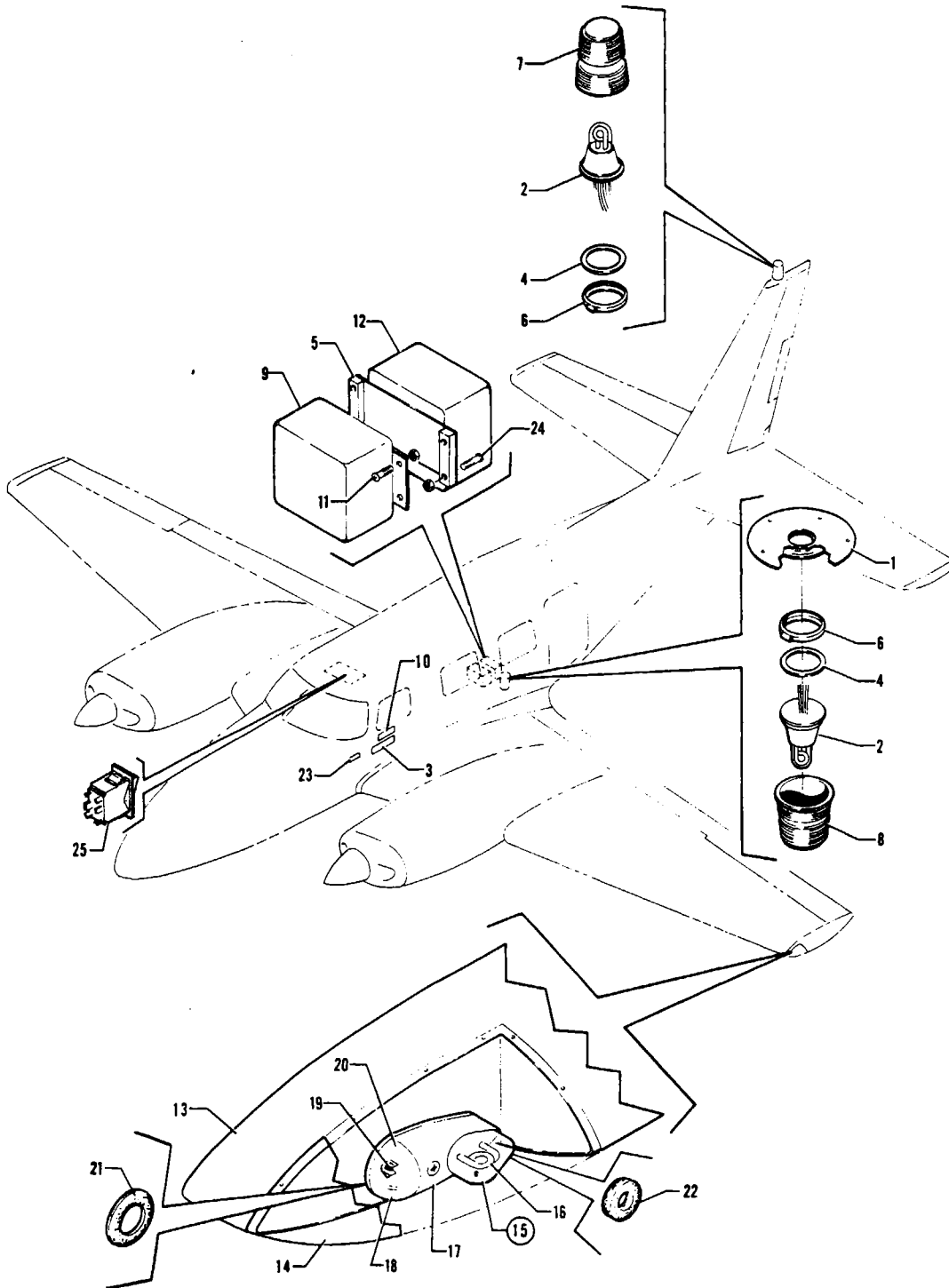


Figure 122. Strobe Lights Installation  
(Serial Nos. 31P-3 to 31P-7300146 inclusive)

**PIPER PARTS CATALOG**

Figure and Index Number	Part Number	Code	NOMENCLATURE	No. Req.	SERIAL NUMBERS AFFECTED
122-	47671 47696 48047		DRAWING - Red Strobe Light Installation DRAWING - White Wing Tip Strobe Light Installation DRAWING - Red Strobe Light and Rotating Beacon Installation		
-1	48015-00		PLATE ASSEMBLY - Adapter mounting	1	
-2	761 189		LIGHT ASSEMBLY - Strobe (Shielded)	2	
-3	33038-00		PLACARD - Strobe light, tip (581 679)	1	
-4	755 042		GASKET - (A467)	2	
-5	47693-00		BLOCK - Spacer	2	
-6	755 200		HOUSING - Clamp ring (A409)	2	
-7	44291-02		LENS - Strobe light, red	1	
-8	44291-03		LENS - Strobe light, red	1	
-9	481 203		POWER SUPPLY - Strobe lights	1	
	481 214	A	POWER SUPPLY - Strobe lights	1	
-10	33048-00		PLACARD - (581 684)	1	
-11	411 532		SCREW - (MS35207-263)	4	
	404 887		NUT - (MS20365-1032C)	4	
-12	481 203		POWER SUPPLY - (28 VDC)	1	
-13	44587-02		TIP ASSEMBLY - Wing, left	1	31P-3 to 31P-7300132 incl.
	44587-16		TIP ASSEMBLY - Wing, left	1	31P-7300133 and up
	44587-03		TIP ASSEMBLY - Wing, right	1	31P-3 to 31P-7300132 incl.
	44587-17		TIP ASSEMBLY - Wing, right	1	31P-7300133 and up
-14	44587-04		PLEXIGLASS - Wing tip, left	1	
	44587-05		PLEXIGLASS - Wing tip, right	1	
-15	472 835		NAVIGATION AND STROBE LIGHT ASSEMBLY - Tip, red (shielded) (A429-PR-D-24)	1	
	472 836		NAVIGATION AND STROBE LIGHT ASSEMBLY - Tip, green (shielded) (A429-PG-D-24)	1	
-16	761 156		* LIGHT ASSEMBLY - Wing tip strobe (A427)	1	
-17	761 162		* LENS AND RETAINER ASSEMBLY - Wing tip strobe (A428-D)	1	
-18	472 710		* LIGHT ASSEMBLY - Wing, Type E, green (A1285-G-24)	1	
	472 709		* LIGHT ASSEMBLY - Wing, Type E, red (A1285-R-24)	1	
-19	753 478		* * BULB - (A-7512-24)	1	
-20	751 201		* * LENS - Green	1	
	751 202		* * LENS - Red	1	
-21	755 075		* GASKET - Navigation light (W1283)	1	
-22	755 076		* GASKET - Wing strobe (A-427-4)	1	
-23	31506-02		BUS BAR	AR	
-24	415 538		SCREW - (MS35206-248)	4	
	404 910		NUT - (MS20365-832C)	4	
-25	47664-07		SWITCH - Strobe	1	

A - Used when rotating beacon is installed.

When ordering, always specify Part Number, Description and Serial Number of Aircraft

**2F24**

**INTENTIONALLY LEFT BLANK**



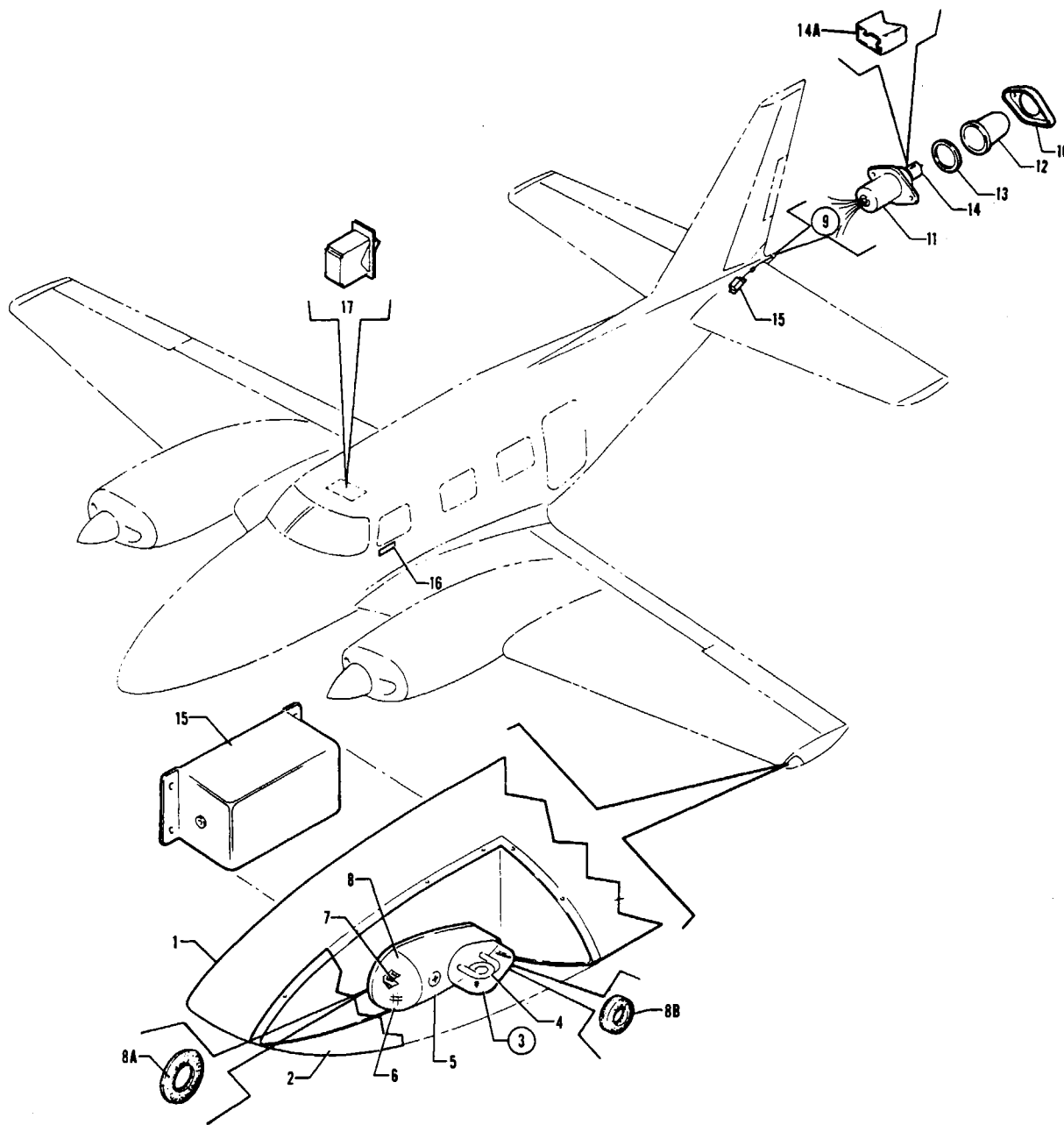


Figure 122A. Strobe Lights Installation  
(Serial Nos. 31P-7300147 and up)

PIPER PARTS CATALOG

Figure and Index Number	Part Number	Code	NOMENCLATURE	No. Req.	SERIAL NUMBERS AFFECTED
122A-1	44587-16		TIP ASSEMBLY - Wing, left	1	
	44587-17		TIP ASSEMBLY - Wing, right	1	
-2	44587-04		PLEXIGLASS - Wing tip, left	1	
	44587-05		PLEXIGLASS - Wing tip, right	1	
-3	51210-02		NAVIGATION AND STROBE LIGHT ASSEMBLY - Tip, red (shielded)	1	
	51210-03		NAVIGATION AND STROBE LIGHT ASSEMBLY - Tip, green (shielded)	1	
-4	761 187		* LIGHT ASSEMBLY - Wing tip strobe	1	
-5	761 162		* LENS AND RETAINER ASSEMBLY - Wing tip strobe	1	
-6	472 710		* LIGHT ASSEMBLY - Wing, Type E, green	1	
	472 709		* LIGHT ASSEMBLY - Wing, Type E, red	1	
-7	753 478		* * BULB - Light assembly	1	
-8	751 201		* * LENS - Green	1	
	751 202		* * LENS - Red	1	
-8a	755 075		* GASKET - Navigation light (W1283)	1	
-8b	755 076		* GASKET - Wing strobe (A427-4)	1	
-9	51213-02		NAVIGATION AND STROBE LIGHT ASSEMBLY - Tail	1	
-10	756 072		* RETAINER - Light lens	1	
-11	761 207		* LIGHT ASSEMBLY - Strobe and socket base, tail	1	
-12	761 184		* LENS ASSEMBLY - Light	1	
-13	755 021		* GASKET - Light assembly	1	
-14	761 183		* LAMP - Navigation light assembly (round base)	1	
	761 208		* LAMP - Navigation light assembly (rectangular base)	1	
-14a	762 320		* SHIELD - Rectangular base lamp	1	
-15	51212-04		POWER SUPPLY - Strobe light, double flash	3	
-16	48625-00		PLACARD - Strobe light	1	
-17	47664-02		SWITCH - Strobe	1	

When ordering, always specify Part Number, Description and Serial Number of Aircraft

# PIPER PARTS CATALOG

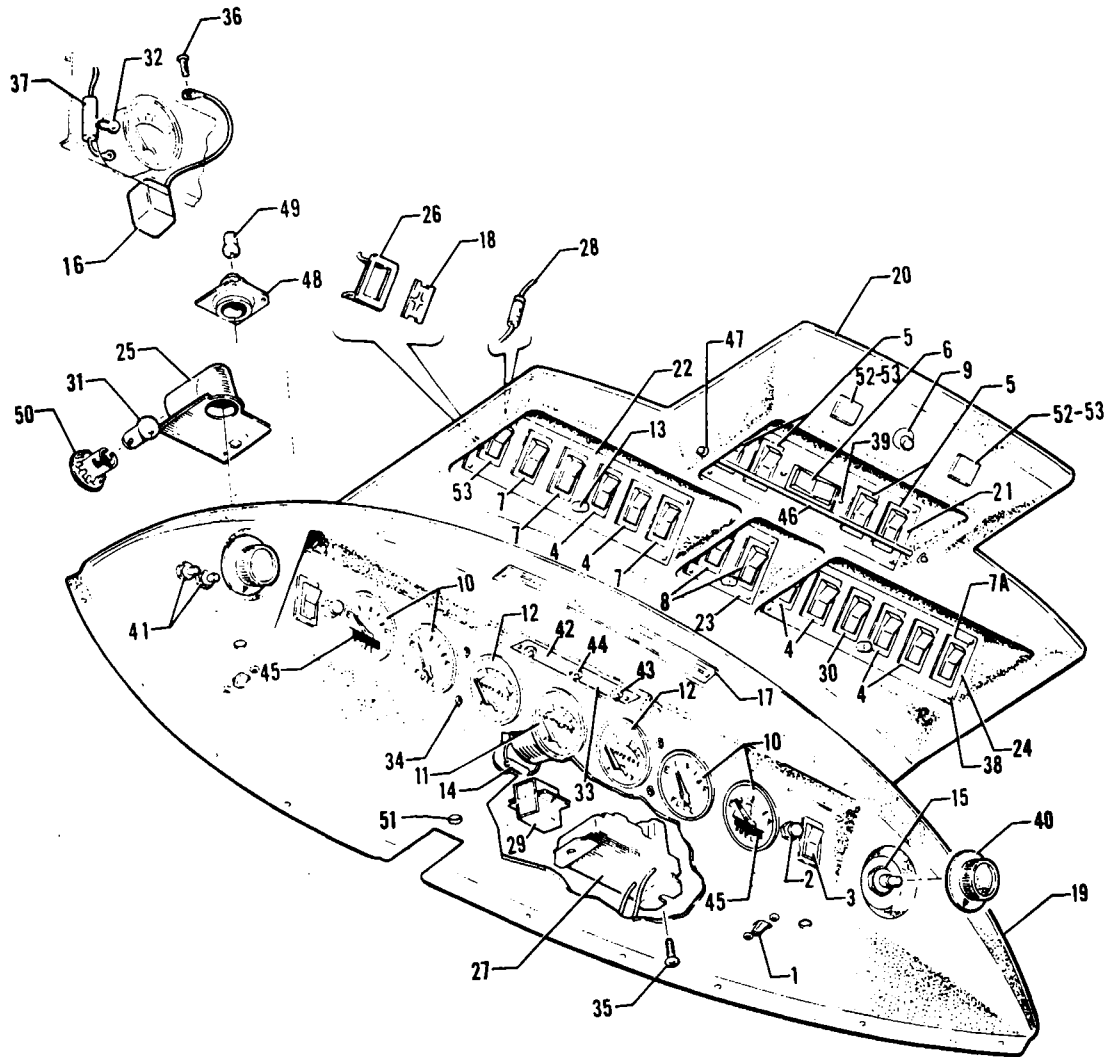


Figure 123. Overhead Switch Panel Installation



Figure and Index Number	Part Number	Code	NOMENCLATURE	No. Req.	SERIAL NUMBERS AFFECTED
123-	46840 48409 46889 48420		DRAWING - Overhead Instrument Panel Assembly DRAWING - Overhead Instrument Panel Assembly DRAWING - Overhead Switch Panel Assembly DRAWING - Overhead Switch Panel Assembly		31P-3 to 31P-7300132 inclusive 31P-7300133 and up 31P-3 to 31P-7300132 inclusive 31P-7300133 and up
-1	487 777		SWITCH - Map light (5518)	2	
-2	487 938		SWITCH - Nacelle quantity (46-200B)	2	
-3	46843-00		SWITCH - Transfer pump (487 976) (LTILA54-1S-WH-XKR1)	2	
-4	47664-02		SWITCH - (TILA54-1A-WH) (487 772)	7	
-5	47664-04		SWITCH - (TILA54-1S-WH) (487 779)	4	
-6	487 882		SWITCH - Starter (4TP12-7)	1	
-7	47664-03		SWITCH - (TIGL54-1S-WH) (487 773)	4	
-7a	47664-03	D	SWITCH - Surface de-ice (TIGL54-1S-WH) (487 773)	1	
	47664-08	E	SWITCH - Surface de-ice (TIGL5E-1S-WH) (587 919)	1	
-8	46842-00		SWITCH - Fuel pump, left and right (487 975)	2	31P-3 to 31P-7630007 inclusive
	47664-02		SWITCH - Fuel pump, left and right (487 772)	2	31P-7630008 and up
-9	46887-00		SWITCH ASSEMBLY - Dome light	1	
-10	43242-00		GAUGE ASSEMBLY - Fuel quantity, inboard (550 749)	2	
	47739-00		GAUGE ASSEMBLY - Fuel quantity, outboard (550 875)	2	
-11	41505-00		AMMETER - (550 690)	1	
-12	46835-00		AMMETER - (550 822)	2	
-13	46815-00		LIGHT ASSEMBLY - Overhead panel	1	
-14	456 725		DIODE ASSEMBLY - (OMC 7111)	1	
-15	47732-02		DIMMER ASSEMBLY - (456 731)	2	
-16	486 407		SENSOR - Fuel (500B0014)	2	
-17	46495-00		PLACARD - Category (581 533)	1	
-18	32510-00		PLATE - Cover (581 445)	5	
-19	45528-02		PANEL - Overhead instrument	1	31P-3 to 31P-7300132 inclusive
	45528-08	A	PANEL - Overhead instrument	1	31P-3 to 31P-7300132 inclusive
	48405-05	C	PANEL - Overhead instrument	1	31P-7300133 and up
-20	45529-00		PANEL - Overhead switches	1	31P-3 to 31P-7300132 inclusive
	48416-00		PANEL - Overhead switches	1	31P-7300133 to 31P-7400177 incl.
	51255-02	C	PANEL - Overhead switches	1	31P-7400178 to 31P-7630005 incl.
	51255-04		PANEL - Overhead switches	1	31P-7630006 and up
-21	46892-00		PANEL - Electroluminescent (558 947)	1	
-22	47875-00		PANEL - Electroluminescent (558 981)	1	
-23	46894-00		PANEL - Electroluminescent (558 949)	1	
-24	46895-00		PANEL - Electroluminescent (558 950)	1	
-25	47843-00		BRACKET ASSEMBLY - Map light, left	1	
	47843-01		BRACKET ASSEMBLY - Map light, right	1	
-26	453 424		BRACKET - "F" narrow snap-in	5	
-27	467 094		INVERTER - (X17512)	1	
-28	484 434		RESISTOR - (500 ohm, 1 watt)	1	
-29	587 857	B	SWITCH - Alternator inoperative (A-00258-2) 28 V.	2	31P-7300110 and up

A - Used when alternator malfunction lights and starter energized light is installed.  
 B - Used on serial nos. 31P-3 to 31P-109 inclusive, if Alternator Inoperative Relay Replacement Kit 760 810 has been installed.  
 C - When ordering, specify color white or beige.  
 D - Used on serial nos. 31P-3 to 31P-7530001 inclusive, 31P-7530003 to 31P-7530008 inclusive, 31P-7530010, 31P-7530011, 31P-7530013 and 31P-7530016.  
 E - Used on serial nos. 31P-7530002, 31P-7530009, 31P-7530012, 31P-7530014, 31P-7530015, 31P-7530017 and up.

When ordering, always specify Part Number, Description and Serial Number of Aircraft

**PIPER PARTS CATALOG**

Figure and Index Number	Part Number	Code	NOMENCLATURE	No. Req.	SERIAL NUMBERS AFFECTED
123-30	47664-03		SWITCH - (TIGL54-1S-WH) (487 773)	1	31P-3 to 31P-7400224 inclusive
	47664-02		SWITCH - (TILA54-1A-WH) (487 772)	1	31P-7400225 and up
-31	472 052		LAMP - Panel (304)	2	
-32	453 791		BULB - (PS10008-356)	7	
	560 690		FILTER - Blue (1813/27B-1)	7	
-33	420 192		RIVET - (MS20470A3-3)	2	
	406 385		NUT - (A1553-012-1)	2	
-34	415 230		SCREW - (6-32X1/2)	4	
	494 102		WASHER - Finishing (C-394)	4	
-35	415 518		SCREW - (MS35206-228)	4	
	407 562		WASHER - (AN960-6)	4	
	404 909		NUT - (MS20365-532C)	4	
-36	415 520		SCREW - (MS35206-230)	2	
	404 909		NUT - (MS20365-632C)	2	
-37	43496-00		RESISTOR ASSEMBLY - Fuel gauge (484 429)	4	
-38	415 686		SCREW - (4-40 x 3/8)	16	
	407 132		WASHER - (AN936-A4)	16	
	405 095		NUT - (4-40)	16	
-39	415 740		SCREW - (AN515-632R10)	2	
-40	571 123		KNOB - Flanged (9FF2B2)	2	
-41	472 815		LIGHT - Indicator (102S1-R-FB38)	2	
-42	48056-02		PLACARD - Alternator malfunction (581 742)	1	
	48056-03		PLACARD - Alternator malfunction and starter energized (581 747)	1	
-43	472 861		LIGHT - Indicator, alternator malfunction (106S-R-FB59)	2	
-44	472 815		LIGHT - Indicator, starter energized (10S1-R-FB38)	1	
-45	SK-2293		PLACARD - No take-off, no landing	2	31P-1 to 31P-7300115 inclusive
-46	82352-110		TUBE - Switch guard	1	
-47	406 391		NUT - Push on (A871-012-1)	2	
-48	472 714		LIGHT ASSEMBLY - (2195-501P)	2	31P-7300113, 31P-7300131
-49	472 057		BULB - (PS10008-313)	2	31P-7300113, 31P-7300131
-50	487 144		SOCKET - Plug button (12-240)	2	
-51	453 664		PLUG - Button (SS-48192)	1	
-52	587 967		SWITCH - Belt and smoking lights (SC2CXL191-96)	2	31P-7630002 and up
-53	758 569		* BULB - (SW8FL)	1	

When ordering, always specify Part Number, Description and Serial Number of Aircraft

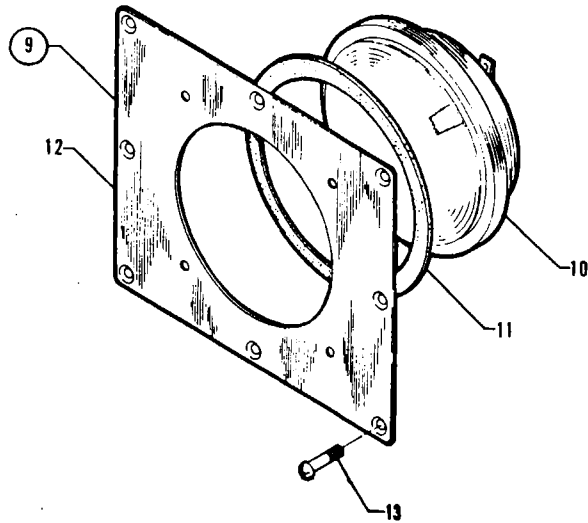
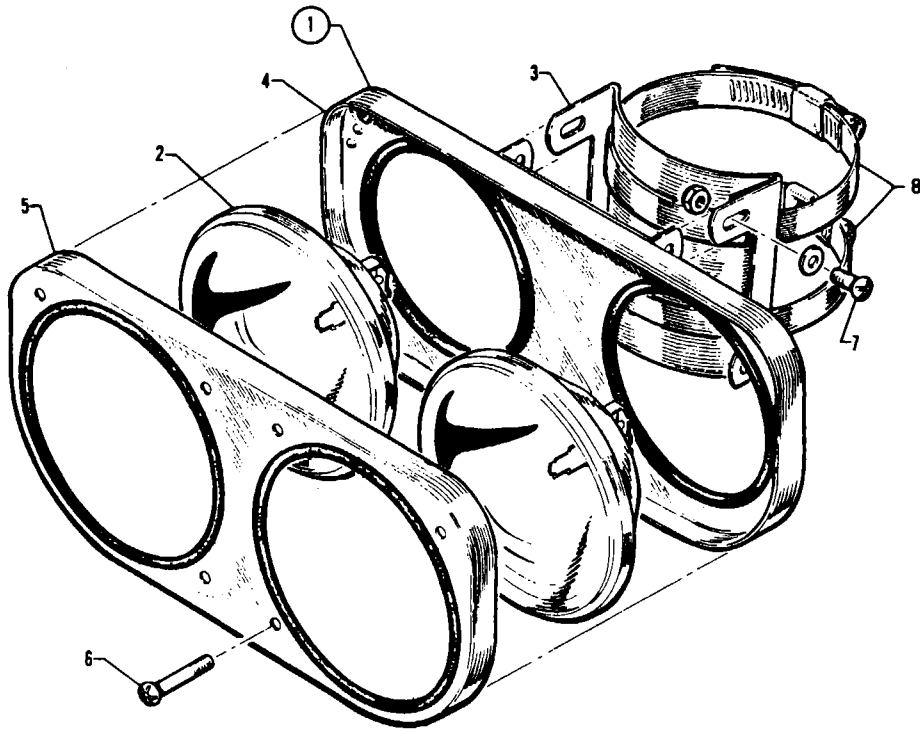


Figure 124. Landing Light and Ice Detection Light Installation

**PIPER PARTS CATALOG**

Figure and Index Number	Part Number	Code	NOMENCLATURE	No. Req.	SERIAL NUMBERS AFFECTED
124-	47168		DRAWING - Light Installation, Ice Detection		
-1	43048-00		LIGHT ASSEMBLY - Landing	1	
-2	472 769		* LIGHT - (#4596) 250 Watt, 28 Volt	2	
-3	43020-00		* BRACKET - Landing light assembly	1	
-4	43021-00		* PLATE ASSEMBLY - Landing light	1	
-5	43022-00		* PLATE ASSEMBLY - Landing light face	1	
-6	415 745		* SCREW - (AN515-632R18)	6	
-7	415 146		* SCREW - (AN526-632R7)	4	
	407 562		* WASHER - (AN960-6)	8	
	404 829		* NUT - (MS20364-632C)	4	
-8	554 901		CLAMP - (#64SS)	2	
-9	42114-00		LIGHT ASSEMBLY - Wing inspection	1	
-10	472 049		* BULB - (#4593)	1	
-11	42109-00		* GASKET - Wing inspection light	1	
-12	42091-00		* BRACKET - Wing inspection light	1	
-13	414 763		SCREW - (AN507-832R8)	8	

When ordering, always specify Part Number, Description and Serial Number of Aircraft

PIPER PARTS CATALOG

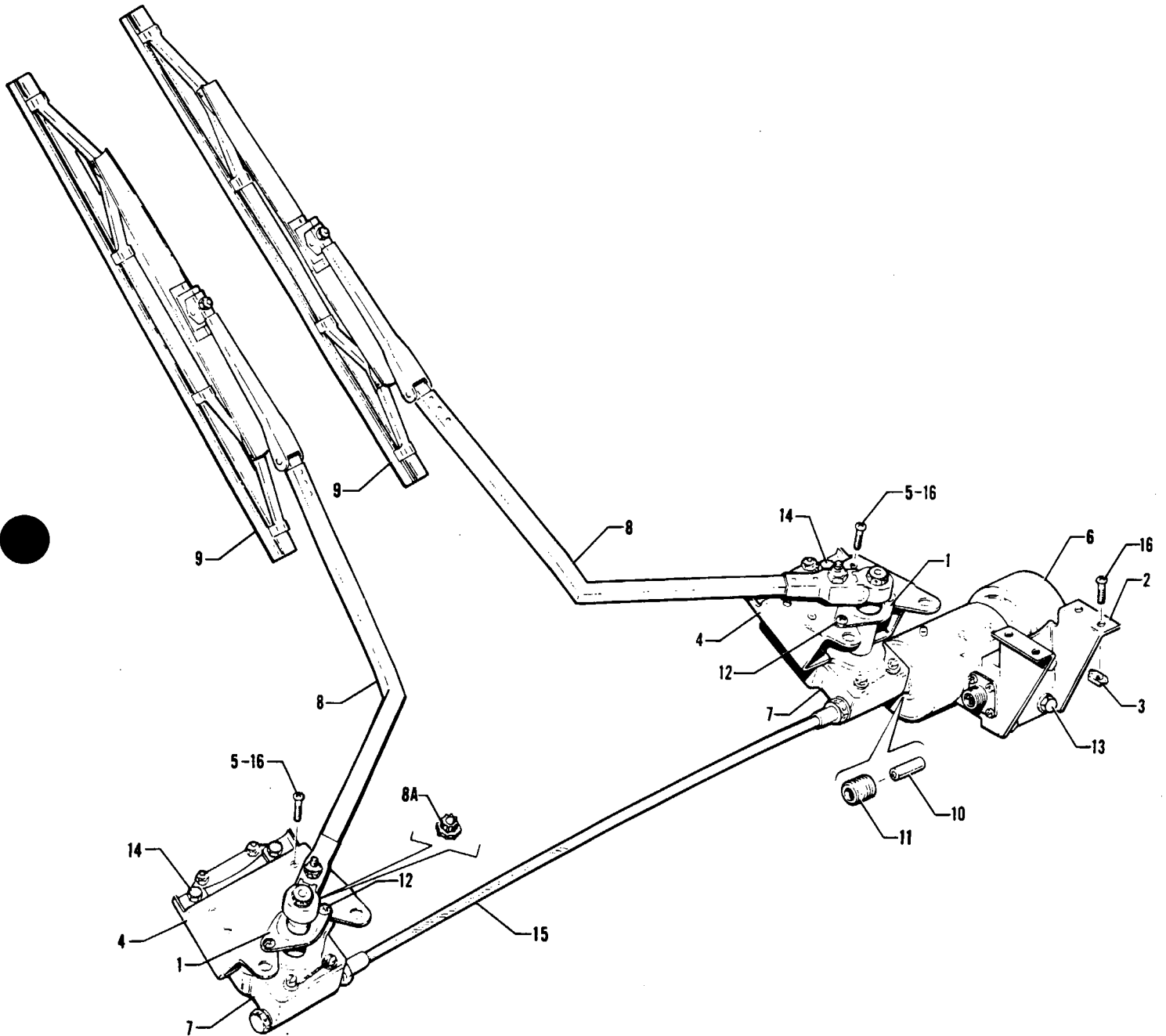


Figure 125. Electric Windshield Wiper Installation



## PIPER PARTS CATALOG

Figure and Index Number	Part Number	Code	NOMENCLATURE	No. Req.	SERIAL NUMBERS AFFECTED
125-	46285 47241		DRAWING - Windshield Wiper Installation, Electric DRAWING - Dual Windshield Wiper Installation, Electric		
-1	45889-00		COVER - Windshield wiper shaft	2	
-2	45881-00		BRACKET ASSEMBLY - Windshield wiper motor	1	
-3	406 826		* NUT - Anchor (#NAS686A08K)	4	
-4	45892-00		BRACKET ASSEMBLY - Windshield wiper mounting	2	
-5	406 820		* NUT - Anchor (#NAS687-A08)	4	
-6	475 197		MOTOR - (#XW20173-G2)	1	
-7	555 356		CONVERTER - (#XW20345-275-50)	2	
-8	551 920		ARM - Left (#XW21559-1)	1	
	551 923		ARM - Right (#XW21559-2)	1	
-8a	764 807		* SLEEVE - Splined, wiper arm (W-20362)	1	
-9	452 918		BLADE - (#XW21558-12A)	2	
-10	555 355		COUPLING - (#W20398-2)	1	
-11	476 701		NIPPLE - (#W20395-2)	1	
-12	415 535		SCREW - (MS35206-245)	12	
-13	401 307		BOLT - (AN4-4A)	4	
	407 044		LOCKWASHER - (MS35338-44)	4	
	407 565		WASHER - (AN960-416)	4	
-14	401 273		BOLT - (AN3-14A)	8	
	407 564		WASHER - (AN960-10)	8	
	404 887		NUT - (MS20365-1032C)	8	
-15	457 360		DRIVE ASSEMBLY - Flexible (#XW20067-1600)	1	
-16	415 449		SCREW - (AN526-832R8)	6	

When ordering, always specify Part Number, Description and Serial Number of Aircraft

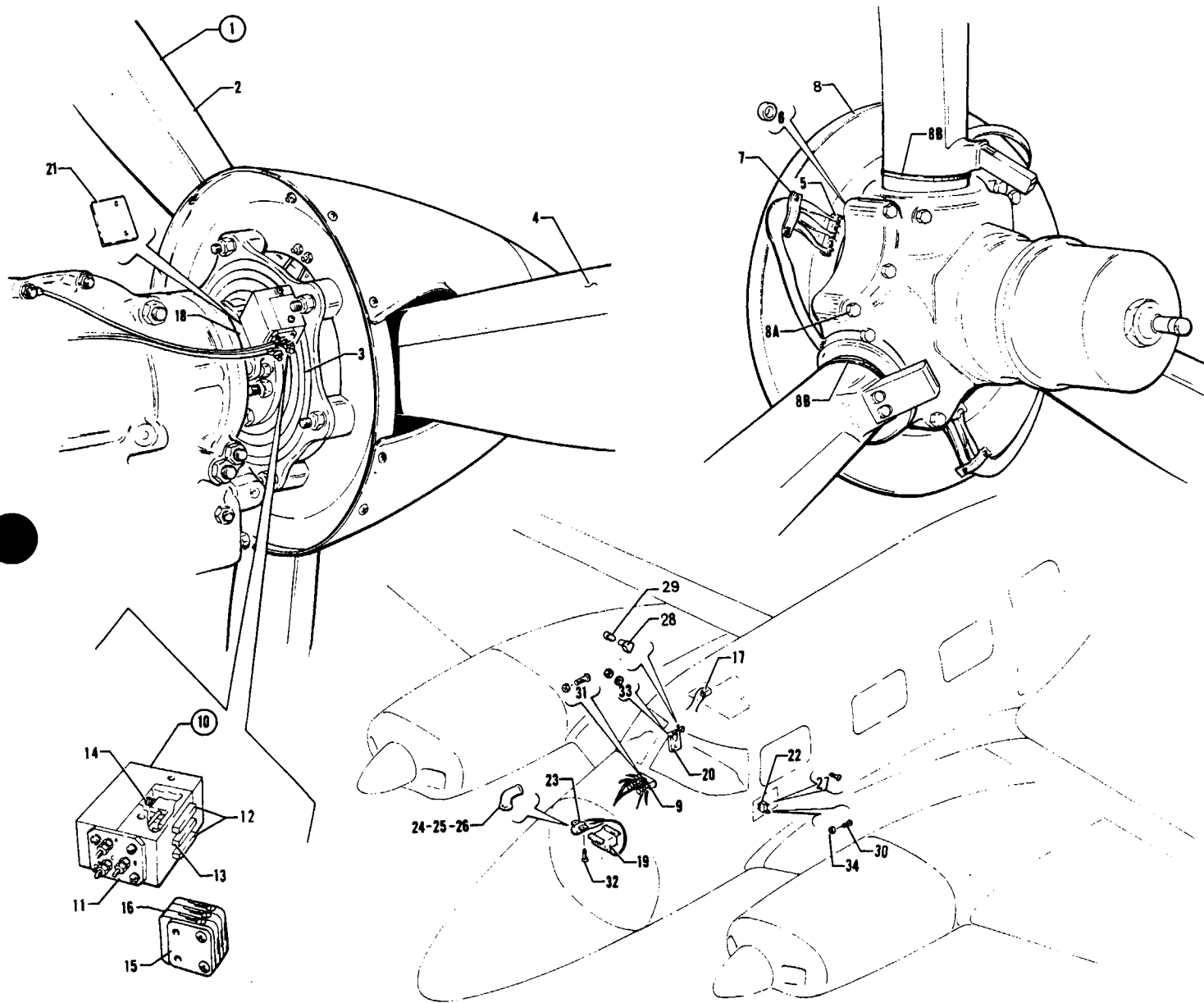


Figure 126. Propeller Electric De-Icer Installation

**PIPER PARTS CATALOG**

Figure and Index Number	Part Number	Code	NOMENCLATURE	No. Req.	SERIAL NUMBERS AFFECTED
126-	47380		DRAWING - Propeller Electric De-Icer Installation		
-1	47850-02	C	PROPELLER ASSEMBLY - Complete	2	
	47850-04		PROPELLER ASSEMBLY - Complete	2	
-2	550 932	A,D	* PROPELLER ASSEMBLY - (HC-C3YN-2LF/FJC9684-3R)	1	
	550 960	A	* PROPELLER ASSEMBLY - (HC-C3YN-2LAUF/FJC9684-3R)	1	
-3	757 608		* SLIP RING ASSEMBLY - (4E1731-1)	2	
-4	758 154		* BOOT - Propeller de-icer (4E1601-3)	6	
-5	757 610		* STRIP - Terminal (1E1150-2)	6	
-6	757 612		* SPACER - (2E1312)	6	
-7	757 891		* CLAMP - Strap (3E1271-2)	6	
-8	46223-00		* BULKHEAD ASSEMBLY - Propeller	1	
-8a	758 195		* BOLT - (A-3219-1)	6	
-8b	757 673		* STRAP - Tie (MS17821-3-9)	3	
-9	757 541		SHUNT - (MS91586-1)	1	
-10	758 153	E	BRUSH BLOCK ASSEMBLY - (4E1387-6)	2	
-11	756 033		* RETAINER ASSEMBLY - Brush (3E1562)	1	
-12	758 175	B	* * BRUSH - (3E1443-1)	2	
-13	758 170	B	* * BRUSH - (3E1443-2)	1	
-14	757 626		* * SPRING - (1E1136)	3	
-15	763 854	F	* KIT - Brush block assembly replacement (65-401)	1	
	758 431	G	* MODULAR BRUSH ASSEMBLY - (3E2042-1)	1	
-16	758 434	G	* * BRUSH MODULE ASSEMBLY - (3E2011-1)	1	
	758 435	G	* * BRUSH MODULE ASSEMBLY - (3E2011-2)	1	
	758 436	G	* * BRUSH MODULE ASSEMBLY - (3E2011-3)	1	
-17	47664-02		SWITCH - Rocker (487 772)	1	
-18	758 155		BRACKET - Brush block mounting (3E1561)	2	
-19	761 990		TIMER - (3E1150-10)	1	
-20	751 298		AMMETER - (3E1389-2)	1	

- A - See Figure 79 for component parts.
- B - It is recommended new springs, item 14, be installed when replacing brushes.
- C - Not available. Order Propeller Assembly (Complete) Part No. 47850-04 which incorporates a Feather Assist Spring Kit. The opposite propeller assembly must also include a Feather Assist Spring Kit per Piper Service Bulletin No. 470 and Hartzell Service Bulletin No. 111.
- D - Not available. Order Propeller Part No. 550 960 (HC-C3YN-2LAUF/FJC9684-3R) which incorporates a Feather Assist Spring Kit. The opposite propeller must also include a Feather Assist Spring Kit per Piper Service Bulletin No. 470 and Hartzell Service Bulletin No. 111.
- E - No longer available. Order Brush Block Assembly Replacement Kit 763 854.
- F - This Kit is required when replacing a Brush Block Assembly with a Modular Brush Assembly.
- G - Used if Modular Brush Assembly is installed.

When ordering, always specify Part Number, Description and Serial Number of Aircraft

**PIPER PARTS CATALOG**

Figure and Index Number	Part Number	Code	NOMENCLATURE	No. Req.	SERIAL NUMBERS AFFECTED
126-21	757 611		SHIM - (1E1157)	2	
-22	454 659		PROTECTOR - Circuit (109-220-102)	1	
-23	487 167		SOLENOID - (487 167)	1	
-24	23969-02		NIPPLE - (476 680)	2	
-25	23969-03		NIPPLE - (476 681)	1	
-26	23969-04		NIPPLE - (476 682)	1	
-27	415 532		SCREW - (MS35206-242)	1	
-28	472 829		LIGHT - Bolt (20-0121-15-B-24)	1	
-29	472 028		* BULB - Bolt light	1	
-30	415 531		SCREW - (MS35206-241)	1	
-31	415 521		SCREW - (MS35206-231)	2	
	404 909		NUT - (MS20365-632C)	2	
-32	415 520		SCREW - (MS35206-230)	6	
-33	407 040		WASHER - (MS35338-40)	4	
	404 588		NUT - (MS20341-4S)	4	
-34	407 099		LOCK WASHER - (MS35338-99)	2	

When ordering, always specify Part Number, Description and Serial Number of Aircraft

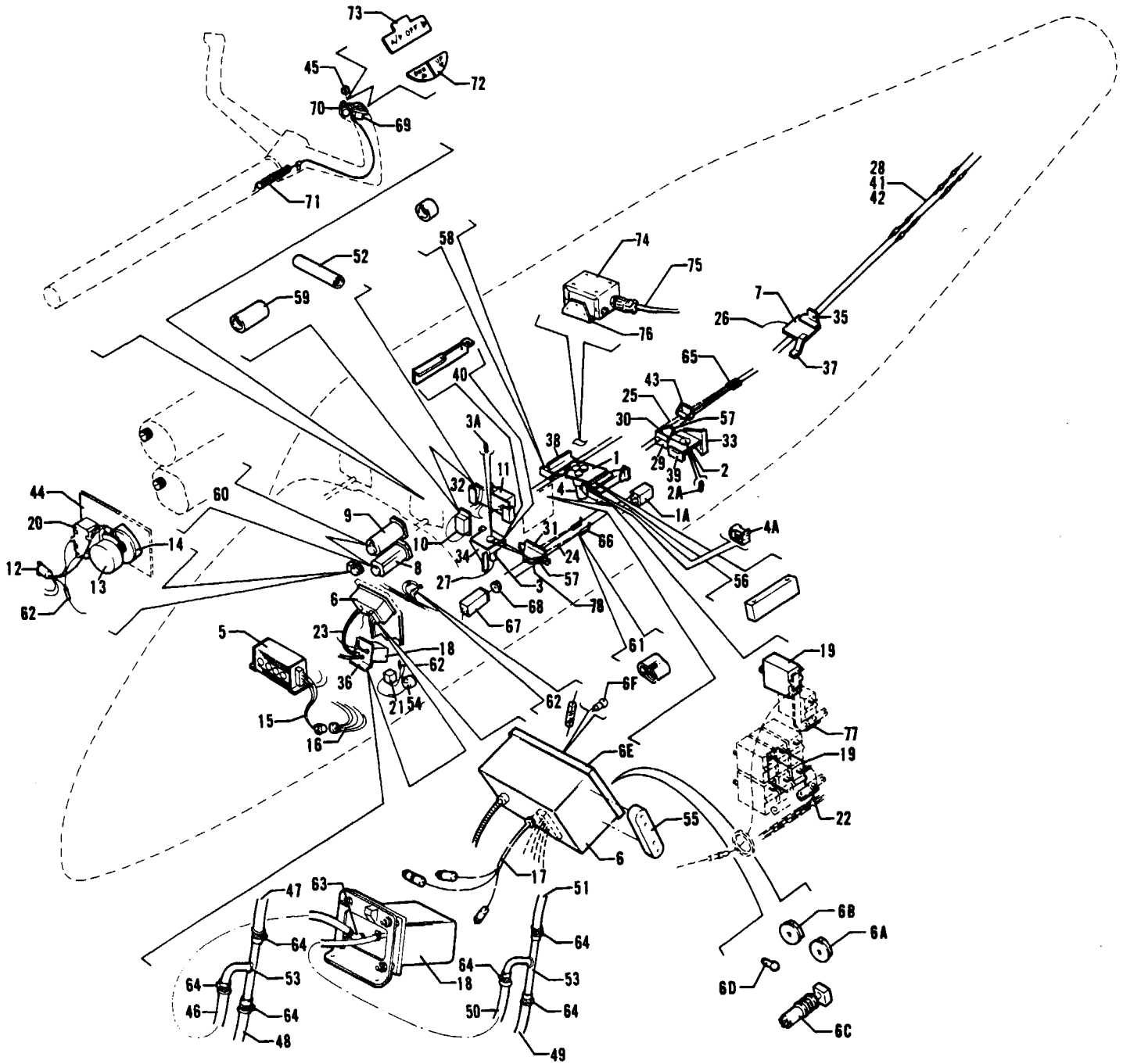


Figure 126A. AltiMatic Pilot III B Installation

**PIPER PARTS CATALOG**

Figure and Index Number	Part Number	Code	NOMENCLATURE	No. Req.	SERIAL NUMBERS AFFECTED
126A-	47490		DRAWING - Altimatic Pilot IIIB Installation		31P-3 to 31P-73 inclusive
-1	757 614		SERVO ASSEMBLY - Trim (1C463-1-290)	1	
-1a	751 303		* AMPLIFIER - Trim servo (79C53-2)	1	
-2	43909-07		SERVO ASSEMBLY - Pitch (1C470-1-290P)	1	
-2a	757 579		* SET SCREW - Capstan (3S326)	1	
-3	43909-08		SERVO ASSEMBLY - Roll (1C465-1-290R)	1	
-3a	757 579		* SET SCREW - Capstan (3S326)	1	
-4	751 278		AMPLIFIER - Gyro (1C359-1)	1	
-4a	756 052		* RELAY - Gyro amplifier (80S11)	1	
-5	751 314		AMPLIFIER - (1C515-1)	1	
-6	26882-00		CONSOLE - Altimatic IIIB (1C519)	1	
-6a	757 052		* KNOB - Roll (36A98)	1	
-6b	757 051		* KNOB - Selector (36A123)	1	
-6c	758 179		* BUTTON - Push (36S137)	3	
-6d	758 207		* BULB - Blue (65A22-1)	3	
	752 317		* BULB - Clear (327)	3	
-6e	757 381		* PLATE ASSEMBLY - Face (13B-439) (with four bulbs)	1	
-6f	758 295		* BULB - Console, roll switch (65A28-1)	1	
-7	757 615		SENSOR ASSEMBLY - Trim (1C365-290)	1	
-8	550 778	A	INSTRUMENT - Directional gyro (32168-00)	1	
-9	550 559	C	INDICATOR - Attitude gyro (32173-02) (3 inch)	1	
	550 560	C	INDICATOR - Attitude gyro (32173-03) (3 inch)	1	
	53708-00	B	INDICATOR - Attitude gyro (with adjusting knob covered)	1	
-10	754 557		VOLTAGE DIVIDER - (1C472)	1	
-11	755 991		RELAY - Switching box (1B405-24)	1	
-12	751 996		HARNESS ASSEMBLY - AutoFlite (32207-03)	1	
-13	757 296		* POTENTIOMETER - (18A18-2)	1	
-14	757 052		* KNOB - Potentiometer (36A98)	1	
-15	47377-02		HARNESS ASSEMBLY - Altimatic IIIB	1	
-16	47377-03		HARNESS ASSEMBLY - Altimatic IIIB	1	
-17	32210-08		HARNESS ASSEMBLY - Trim servo (used if trim warning unit is not installed.)	1	
	32210-07		HARNESS ASSEMBLY - Trim servo (used if trim warning unit is installed)	1	
-18	757 616		ALTITUDE SELECTOR - (1D391-290)	1	
-19	454 656		CIRCUIT BREAKER - (PS50120-3-7)	2	
-20	487 860		SWITCH - (2FA54-73)	1	
-21	26838-02		RELAY ASSEMBLY - AutoPilot	1	
-22	31506-02		BAR - Bus	1	
-23	32212-02		CABLE ASSEMBLY - Flexible (81A16-186)	1	
-24	25960-06		CABLE ASSEMBLY - Bridle	1	
-25	25960-22		CABLE ASSEMBLY - Bridle	1	
-26	32005-02		CABLE ASSEMBLY - Trim sensor	1	
-27	32203-10		CABLE ASSEMBLY - Servo extension	2	
-28	42484-03		CABLE ASSEMBLY - AutoPilot (Length 8.84")	1	

A - See Figure 127C if RMI is installed.  
 B - Used on aircraft that comply with C.A.A. (United Kingdom) requirements.  
 C - Instruments P/N 550 559 and P/N 550 560 are interchangeable on this model.

When ordering, always specify Part Number, Description and Serial Number of Aircraft



Figure and Index Number	Part Number	Code	NOMENCLATURE	No. Req.	SERIAL NUMBERS AFFECTED
126A-29	42475-02		BRACKET - Pitch servo pulley	1	
-30	42475-03		BRACKET - Pitch servo pulley	1	
-31	42478-04		BRACKET ASSEMBLY - Aileron servo pulley	1	
-32	42487-00		BRACKET - Gyro amplifier mounting	2	
-33	42940-00		BRACKET - Pitch servo mounting	1	
-34	43719-00		BRACKET - Roll servo mounting	1	
-35	47319-00		BRACKET - Trim sensor mounting	1	
-36	47332-00		BRACKET - Altitude selector mounting	1	
-37	47341-00		BRACKET - Trim sensor support	1	
-38	47501-00		BRACKET ASSEMBLY - Servo mounting, inboard	1	
	47510-00		BRACKET ASSEMBLY - Servo mounting, outboard	1	
-39	43718-06		ANGLE ASSEMBLY - Servo mounting	1	
-40	48690-00		ANGLE ASSEMBLY - Servo mounting	1	
-41	452 015		BARREL - Turnbuckle (NAS649B-8S)	1	
-42	454 867		CLIP - Turnbuckle (NAS651-16S)	2	
-43	43444-00		GUIDE ASSEMBLY	1	
-44	47271-00		ELECTROLUMINESCENT - Panel	1	
-46	27214-00		NUT - AutoPilot switch	1	
-46	49998-05		HOSE - Static air line	1	
-47	49998-25		HOSE - Static air line	1	
-48	49998-26		HOSE - Static air line	1	
-49	49998-27		HOSE - Static air line	1	
-50	49998-28		HOSE - Static air line	1	
-51	49998-29		HOSE - Static air line	1	
-52	83161-33		HOSE - Pressure air line	1	
-53	16632-00		TUBE ASSEMBLY	2	
-54	754 807		FILTER - Noise (1A479)	1	
-55	47336-00		SPACER	2	
-56	47421-00		SPACER - Block	1	
-57	481 826		PULLEY - (MS20219-2)	4	
-58	49999-21		BUSHING	2	
-59	80022-114		BUSHING	2	
-60	24712-02		PLUG - Pipe	2	
-61	26100-02		SLEEVE - Bridle cable	4	
-62	90797-72		SLEEVE	7	
-63	458 940		ELBOW - (AN844-4D)	1	
-64	554 871		CLAMP - (GS6SS)	8	
-65	753 981		CLAMP ASSEMBLY - Pitch bridle cable (42A173)	2	
-66	757 872		CLAMP ASSEMBLY - Bridle cable (42A184)	2	
-67	551 114		COUPLER ASSEMBLY - Omni (25690-00)	1	
-68	757 052		KNOB - (36A98)	1	
-69	761 039	V	KIT - Electric trim switch replacement	1	
-70	487 904		SWITCH ASSEMBLY - Altimatic IIIB (39-1)	1	
-71	26934-00		CORD ASSEMBLY - Altimatic IIIB	1	
-72	43360-00		PLACARD - Control wheel ("DWN-UP"), black	1	
	53868-00		PLACARD - Control wheel ("DWN-UP"), beige	1	
-73	43365-00		PLACARD - Control wheel ("A/P OFF"), black	1	
	53867-00		PLACARD - Control wheel ("A/P OFF"), beige	1	
-74	756 347		TRIM WARNING ASSEMBLY UNIT - (1C547)	1	
-75	755 218		HARNESS ASSEMBLY - Trim warning assembly (30C358-1)	1	
-76	27175-00		BRACKET - Mounting, pitch trim warning system	2	
-77	31506-06		BAR - Bus	1	
-78	42478-07		BRACKET ASSEMBLY - Aileron servo pulley	1	

V - These parts must be ordered from Service Spares Department, Piper Aircraft Corporation, Vero Beach, Fla.

When ordering, always specify Part Number, Description and Serial Number of Aircraft

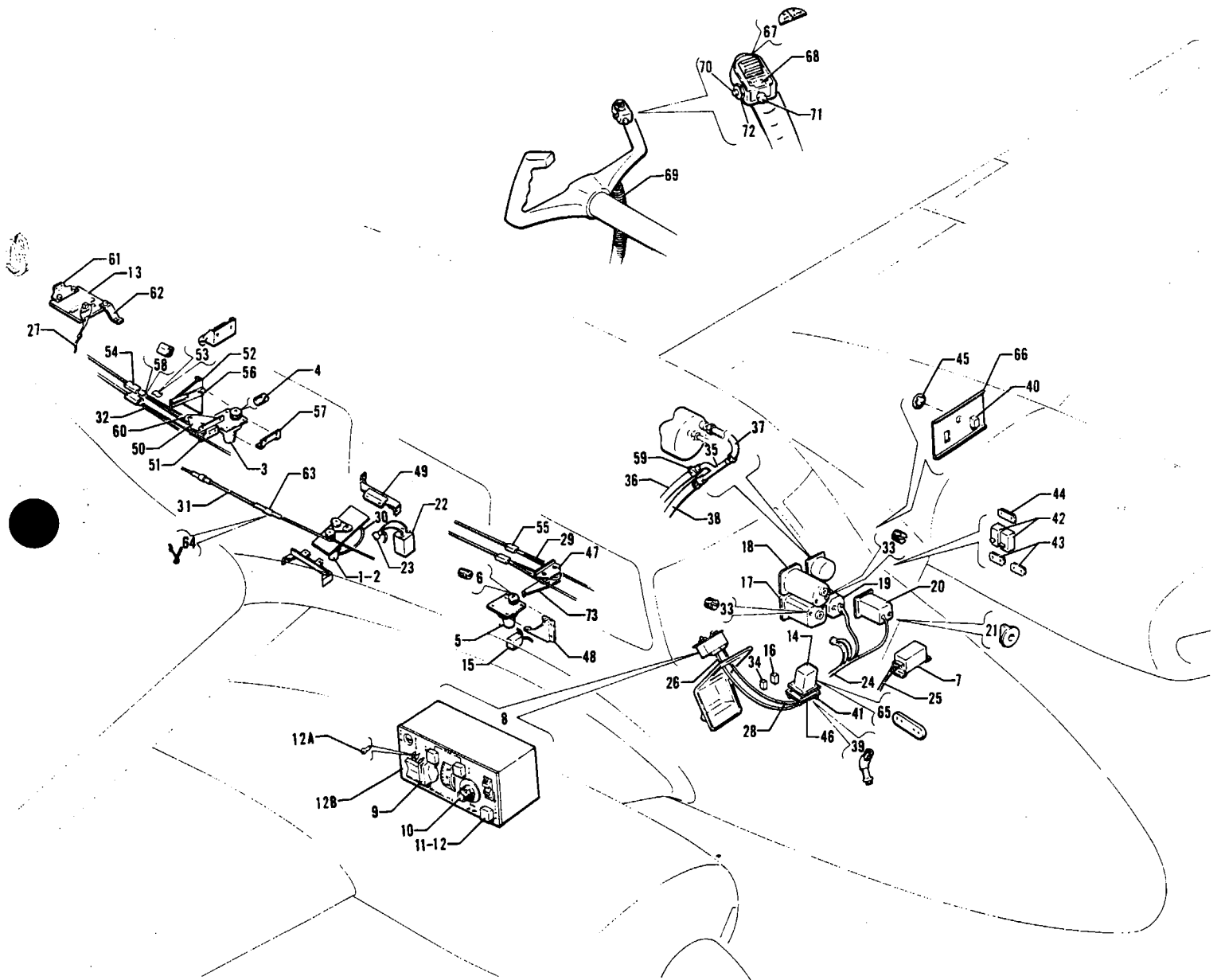


Figure 126B. AltiMatic Pilot III B-1 Installation





Figure and Index Number	Part Number	Code	NOMENCLATURE	No. Req.	SERIAL NUMBERS AFFECTED
126B-	48307		DRAWING - AltiMatic Pilot III B-1 Installation		31P-74 to 31P-7530022 incl.
-1	757 614		SERVO ASSEMBLY - Trim (1C463-1-290)	1	
-2	751 303		AMPLIFIER - Trim servo (79C53-2)	1	
-3	43909-07		SERVO ASSEMBLY - Pitch (1C470-1-290P)	1	
-4	757 579		SET SCREW - Capstan (3S326)	1	
-5	43909-08		SERVO ASSEMBLY - Roll (1C465-1-290R)	1	
-6	757 579		SET SCREW - Capstan (3S326)	1	
-7	751 314		AMPLIFIER - (1C515-1)	1	
-8	26882-02		CONSOLE - AltiMatic III B-1 (1C519-2)	1	
-9	757 052		KNOB - Roll (36A98)	1	
-10	757 051		KNOB - Selector (36A123)	1	
-11	758 207		BULB - Blue (65A22-1)	3	
	752 317		BULB - Clear (327)	3	
-12	758 179		BUTTON - Push (36S137)	3	
-12a	758 295		BULB - Console, roll switch (65A28-1)	1	
-12b	757 382		PLATE - Face (13B-439-1) (with four bulbs)	1	
-13	757 615		SENSOR ASSEMBLY - Trim (1C365-290)	1	
-14	44377-04		ALTITUDE SELECTOR - (1D391-2)	1	
-15	755 991		RELAY SWITCHING BOX - (1B405-24)	1	
-16	754 807		FILTER - Noise (1A479)	1	
-17	550 778	A	INSTRUMENT - Directional gyro (32168-00) 3 inch	1	
-18	550 559		INSTRUMENT - Attitude gyro (32173-02) 3 inch	1	
	550 560	C	INSTRUMENT - Attitude gyro (32173-03) 3 inch	1	
	53708-00	B	INSTRUMENT - Attitude gyro (with adjusting knob covered) 3 inch	1	
-19	52586-03		INDICATOR ASSEMBLY - Turn and bank (550 498)	1	
-20	551 114		COUPLER ASSEMBLY - Omni (25690-00)	1	
-21	757 052		KNOB - (36A98)	1	
-22	756 347		TRIM WARNING ASSEMBLY UNIT - (1C547)	1	
-23	755 218		HARNES ASSEMBLY - Trim warning assembly (30C358-1)	1	
-24	48261-02		HARNES ASSEMBLY - AltiMatic III B-1	1	
-25	48261-03		HARNES ASSEMBLY - AltiMatic III B-1	1	
-26	32210-07		HARNES ASSEMBLY - Trim servo	1	
-27	32005-02		CABLE ASSEMBLY - Pitch trim sensor	1	
-28	757 893		CABLE ASSEMBLY - Flexible (81A16-186)	1	
-29	25960-06		CABLE ASSEMBLY - Bridle, roll servo	1	
-30	32203-10		CABLE ASSEMBLY - Pitch servo extension	1	
-31	42484-03		CABLE ASSEMBLY - Elevator trim (length 8.94")	1	
-32	25960-22		CABLE ASSEMBLY - Bridle, pitch servo	1	
-33	24712-02		PLUG - Pipe, plated (581 212)	2	
-34	52624-00		RELAY ASSEMBLY - AutoPilot	1	
-35	16632-00		TUBE ASSEMBLY - Connector	1	
-36	49998-05		HOSE - Static air line	1	
-37	49998-25		HOSE - Static air line	1	
-38	49998-26		HOSE - Static air line	1	
-39	458 940		ELBOW - (AN844-4D)	1	
-40	48263-00		SWITCH ASSEMBLY - AltiMatic III B-1	1	
-41	475 130		MOUNT - Shock, altitude selector (323B)	4	
-42	454 656		CIRCUIT BREAKER - (PS50120-3-7)	2	

A - See Figure 127C if RMI is installed.  
 B - Used on aircraft that comply with C.A.A. (United Kingdom) requirements.  
 C - Instruments P/N 550 559 and P/N 550 560 are interchangeable on this model.

When ordering, always specify Part Number, Description and Serial Number of Aircraft

### PIPER PARTS CATALOG

Figure and Index Number	Part Number	Code	NOMENCLATURE	No. Req.	SERIAL NUMBERS AFFECTED
126B-43	31506-02		BAR - Bus	2	
-44	31506-06		BAR - Bus	1	
-45	453 855		BUTTON - Plug (207-170201-00)	1	
-46	47332-00		BRACKET ASSEMBLY - Altitude selector mounting	1	
-47	42478-04		BRACKET ASSEMBLY - Aileron servo pulley	1	
-48	43719-00		BRACKET ASSEMBLY - Roll servo mounting	1	
-49	47501-00		BRACKET ASSEMBLY - Servo mounting, inboard	1	
	47510-00		BRACKET ASSEMBLY - Servo mounting, outboard	1	
-50	42475-02		BRACKET - Pitch servo pulley	1	
-51	42475-03		BRACKET - Pitch servo pulley	1	
-52	42940-00		BRACKET ASSEMBLY - Pitch servo mounting	1	
-53	43444-00		BRACKET ASSEMBLY - Cable guide	1	
-54	753 981		CLAMP ASSEMBLY - Pitch bridle cable (42A173)	2	
-55	757 872		CLAMP ASSEMBLY - Roll bridle cable (42A184)	2	
-56	48690-00		ANGLE ASSEMBLY - Roll servo mounting	1	
-57	43718-06		ANGLE ASSEMBLY - Pitch servo mounting	1	
-58	26100-02		SLEEVE - Safety, control cable	4	
-59	554 861		CLAMP - (SAE TY F-4)	4	
-60	481 626		PULLEY - (MS20219-2)	4	
-61	47319-00		BRACKET - Trim sensor mounting	1	
-62	47341-00		BRACKET - Trim sensor support	1	
-63	452 015		BARREL - Turnbuckle (NAS649B-8S)	1	
-64	454 867		CLIP - Turnbuckle (NAS651-16S)	2	
-65	47336-00		SPACER	2	
-66	48180-06		PANEL ASSEMBLY - Control, electroluminescent	1	31P-74 to 31P-7300132 incl.
	48559-06		PLACARD - Control, black (581 948)	1	31P-7300133 to 31P-7530022 incl.
	48677-06		PLACARD - Control, beige (582 113)	1	31P-7300133 to 31P-7530022 incl.
-67	43360-00		PLACARD - AutoFlite ("DWN-UP"), black	1	
	53868-00		PLACARD - AutoFlite ("DWN-UP"), beige	1	
-68	43365-00		PLACARD - Control wheel ("A/P OFF"), black	1	
	53867-00		PLACARD - Control wheel ("A/P OFF"), beige	1	
-69	26934-00		CORD ASSEMBLY - Control wheel	1	
-70	587 865		SWITCH ASSEMBLY - (800452-03)	1	
-71	487 904		SWITCH ASSEMBLY - (39-1)	1	
-72	27214-00		NUT - AutoPilot switch	1	
-73	42478-07		BRACKET ASSEMBLY - Aileron servo pulley	1	

When ordering, always specify Part Number, Description and Serial Number of Aircraft

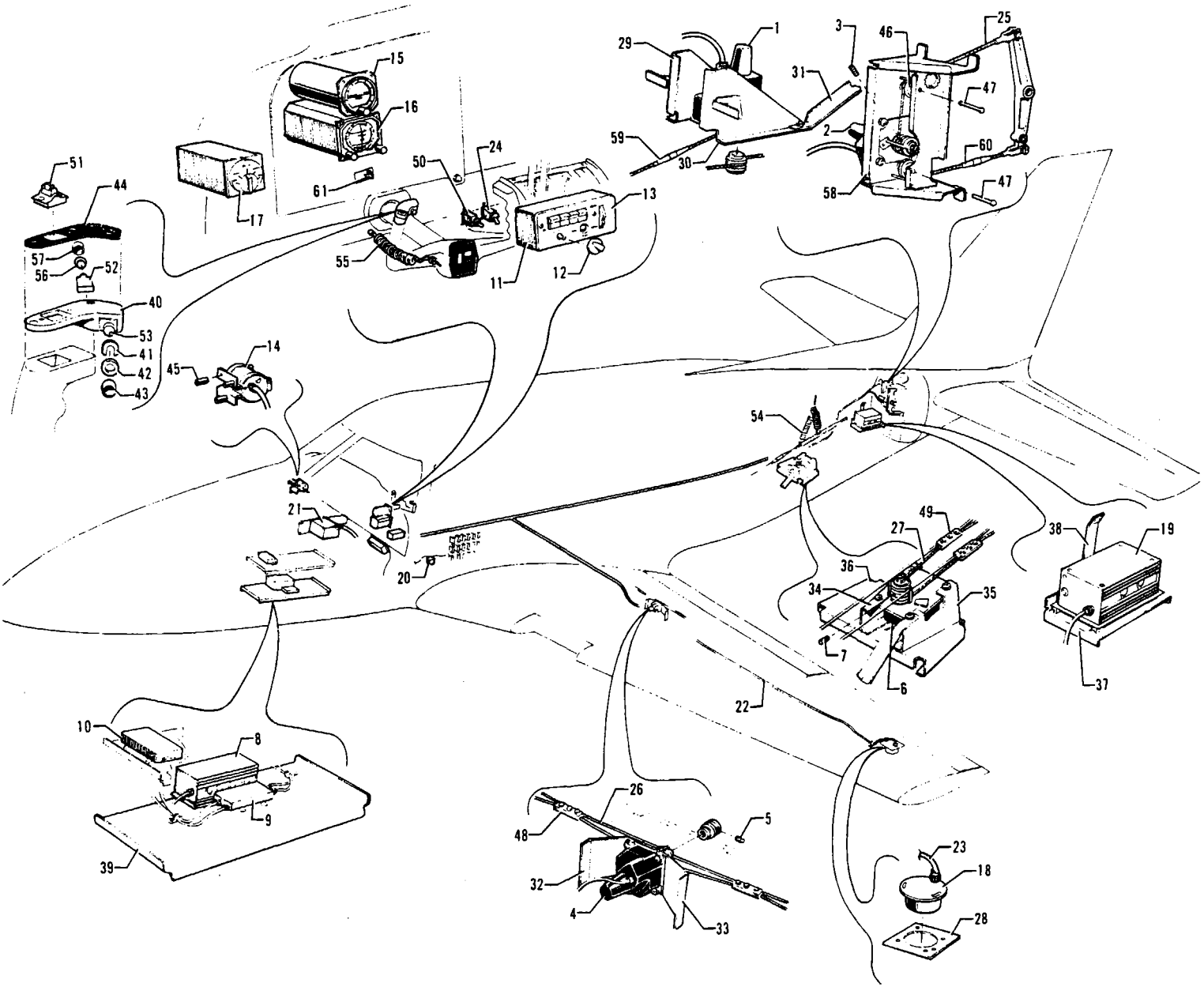


Figure 127. AltiMatic Pilot III C Installation

**PIPER PARTS CATALOG**

Figure and Index Number	Part Number	Code	NOMENCLATURE	No. Req.	SERIAL NUMBERS AFFECTED
127-	48870 48969		DRAWING - AltiMatic Pilot III C Installation DRAWING - Yaw Damper System Installation		31P-7630014 and up 31P-7630014 and up
-1	762 261		SERVO ASSEMBLY - Trim (1C469-6-484)	1	
-2	762 262		SERVO ASSEMBLY - Pitch (1C470-1-484P)	1	
-3	757 579		* SET SCREW - Capstan (3S326)	1	
-4	762 263		SERVO ASSEMBLY - Roll (1C465-1-484R)	1	
-5	757 579		* SET SCREW - Capstan (3S326)	1	
-6	762 220	A	SERVO ASSEMBLY - Rudder (1C465-1-491Y)	1	
-7	757 579		* SET SCREW - Capstan (3S326)	1	
-8	751 314		AMPLIFIER - (1C515-1)	1	
-9	751 340		AMPLIFIER - Trim (1C709-6)	1	
-10	751 336	B	AMPLIFIER - Gyro slaving (1C-714)	1	
	751 348	C	AMPLIFIER - Gyro slaving (1C-722)	1	
-11	758 026		CONSOLE - (1D720)	1	
-12	760 899		* KNOB - Roll (36B141)	1	
-13	757 456		* PLATE - Face (13C767) (with 6 bulbs)	1	
-14	751 287		ALTITUDE HOLD - (1C407)	1	
-15	550 559	E	INDICATOR - Attitude gyro (32173-02) 3 inch	1	
	550 560	E	INDICATOR - Attitude gyro (32173-03) 3 inch	1	
-16	596 510		INDICATOR - Horizontal situation indicator (NSD-360-23/52D137-1020)	1	
-17	25690-02		COUPLER ASSEMBLY - Omni (1C388-2)	1	
-18	754 838		FLUX DETECTOR - Magnetic (1B495)	1	
-19	753 228		YAW DAMPER - (1C651-3)	1	
-20	754 844		FILTER - Noise (1B479)	1	
-21	758 260		BOX - Relay (1A526-1)	1	
-22	52117-00		HARNESS ASSEMBLY - Flux detector	1	
-23	54558-02		HARNESS ASSEMBLY - Flux sensor	1	
-24	587 888		SWITCH - Trim master (7201)	1	
-25	54569-02		CABLE ASSEMBLY - Bridle, pitch servo	1	
-26	54567-03		CABLE ASSEMBLY - Bridle, roll servo	1	
-27	54567-02		CABLE ASSEMBLY - Bridle, rudder servo	1	
-28	48975-02		PLATE ASSEMBLY - Flux detector	1	
-29	48947-02		BRACKET ASSEMBLY - Elevator trim servo, right	1	
-30	48948-02		BRACKET ASSEMBLY - Elevator trim servo, left	1	
-31	48944-02		ANGLE - Elevator trim servo	1	
-32	54458-02		BRACKET - Aileron servo	1	
-33	54457-02		BRACKET - Aileron servo	1	
-34	54451-02		BRACKET - Rudder servo	1	
-35	54453-02		BRACKET - Rudder servo	1	
-36	54449-02		BRACKET - Rudder servo	1	
-37	54531-02		BRACKET - Yaw damper	1	
-38	54529-02		BRACKET - Yaw damper	1	
-39	15596-02		BRACKET - Trim amplifier	1	
-40	53755-02		BRACKET ASSEMBLY - Switch, control wheel	1	
-41	15660-02		ADAPTER - Trim switch	1	
-42	15661-02		ADAPTER - Trim switch	1	
-43	553 601		CAP - Switch (8Z0083)	1	
-44	80338-02		PLACARD - Control wheel	1	
	80338-03	D	PLACARD - Control wheel	1	
			A - Used when Yaw Damper System is installed. B - Used when RMI is not installed. C - Used when RMI is installed. D - Used if Boom Mike is installed. E - Instruments P/N 550 559 and P/N 550 560 are interchangeable on this model.		

When ordering, always specify Part Number, Description and Serial Number of Aircraft



Figure and Index Number	Part Number	Code	NOMENCLATURE	No. Req.	SERIAL NUMBERS AFFECTED
127-45	475 088		SHOCKMOUNT - (JA-6984-1)	1	
-46	481 617		PULLEY - Pitch servo (MS20219-1)	2	
-47	424 522		PIN - (NAS427K-27)	2	
-48	758 082		CLAMP - Roll bridle cable (42A184-1)	2	
-49	757 863		CLAMP - Rudder bridle cable (42A173-1)	2	
-50	587 994		SWITCH - (7303)	1	
-51	587 950		SWITCH - (1C670-2)	1	
-52	487 904	A	SWITCH - (39-1)	1	
-53	587 986		SWITCH - (8N3021)	1	
-54	762 221		SPRING - (41A134)	1	
-55	26934-00		CORD ASSEMBLY - Control wheel	1	
-56	26870-00		BUTTON - Plug	1	
-57	454 277	A	CAP - Switch (30B1012)	1	
-58	44975-00		MOUNTING ASSEMBLY - Elevator servo	1	
-59	452 015		BARREL - Turnbuckle (MS21251-B2S)	1	
-60	454 867		CLIP - Turnbuckle (NAS651-16S)	2	
-61	487 915	B	SWITCH - (7101)	1	

A - Used if Boom Mike is installed.  
B - Used when RMI is installed.

When ordering, always specify Part Number, Description and Serial Number of Aircraft

**2G22 THRU 2G24  
INTENTIONALLY LEFT BLANK**

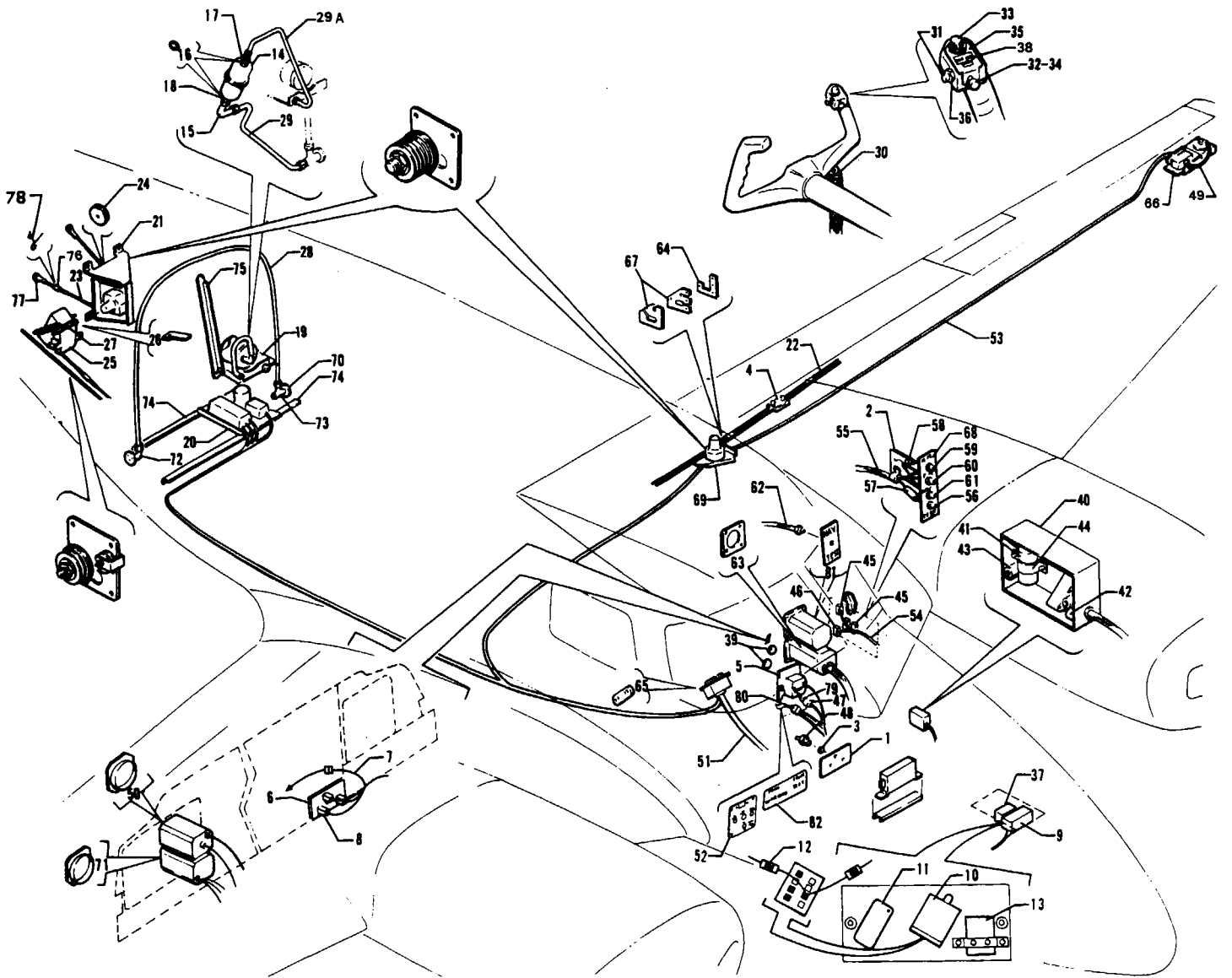


Figure 127A. AltiMatic V F/D and V F/D-1 AutoPilot Installation  
(See Code "A")

## PIPER PARTS CATALOG

Figure and Index Number	Part Number	Code	NOMENCLATURE	No. Req.	SERIAL NUMBERS AFFECTED
127A-	48184		DRAWING - AltiMatic V F/D and V F/D-1 AutoPilot Installation		
-1	48180-03		PANEL ASSEMBLY - Control, electroluminescent	1	31P-3 to 31P-7300132 inclusive
	48559-03		PLACARD - Control, black (581 945)	1	31P-7300133 and up
	48677-03		PLACARD - Control, beige (582 110)	1	31P-7300133 and up
-2	52180-00	B	ANGLE ASSEMBLY - Diode mounting	1	
-3	494 190		WASHER - Nylomatic (.25 x .37 x .047)	1	
-4	33078-02		CLAMP - Cable	4	
-5	33087-02		PANEL - Trim warning	1	31P-3 to 31P-7300132 inclusive
	48425-00		PANEL - Trim warning	1	31P-7300133 to 31P-7630001 incl.
	48888-02		PANEL - Trim warning	1	31P-7630002 and up
-6	48180-02		PANEL ASSEMBLY - Electroluminescent, control	1	31P-3 to 31P-7300132 inclusive
	48559-02	C	PLACARD - Control, black (581 944)	1	31P-7300133 to 31P-7530028 incl.
	48677-02	C	PLACARD - Control, beige (582 109)	1	31P-7300133 to 31P-7530028 incl.
-7	52292-04	C	HARNESSE ASSEMBLY - CoPilot gyro switching	1	
-8	487 915		* SWITCH - (7101)	3	
-9	52277-00	B	BOX ASSEMBLY - Attitude gyro switching	1	
-10	484 141		* RELAY - (TF-154-4C-24VDC)	1	
-11	484 211		* RELAY - (1245-2C-24VDC)	1	
-12	456 758		* DIODE - (1N4005)	2	
-13	555 409		* CONNECTOR - (57-40240)	1	
-14	54165-00		SUMP ASSEMBLY - Static air	1	
-15	54167-00		ELBOW - Sump assembly	1	
-16	462 058		RING - "O" (MS29512-04)	2	
-17	491 050		UNION - (AN815-4D)	1	
-18	477 618		NUT - (AN924-4D)	1	
-19	51338-00		SHELF - Altitude controller	1	
-20	48156-00		SHELF ASSEMBLY - Radio, rear	1	
-21	44975-00		MOUNTING ASSEMBLY - Elevator servo	1	
-22	33067-06		CABLE ASSEMBLY - Bridle, roll servo	1	
-23	52004-00		CABLE ASSEMBLY - Bridle, pitch servo	1	
-24	481 617		PULLEY - (MS20219-1)	2	
-25	48096-00		BRACKET ASSEMBLY - Elevator trim servo	1	
-26	48097-00		STRIP - Rub, elevator trim cable	1	
-27	48099-00		ANGLE - Elevator trim servo	1	
-28	80024-14		LINE ASSEMBLY - Static air	1	
-29	54163-00		LINE ASSEMBLY - Static air	1	
-29a	54164-00		LINE ASSEMBLY - Static air	1	
-30	26934-00		CORD ASSEMBLY - AltiMatic	1	
-31	487 775	D	SWITCH - AutoPilot disconnect (39-2)	1	
-32	487 904	E	SWITCH - (39-1)	1	
-33	587 822		SWITCH ASSEMBLY - (S22048-0001)	1	

- A - This installation is relative only to associated Piper Aircraft Corporation parts that are used when installing Bendix AltiMatic V F/D and V F/D-1 AutoPilot. All Bendix equipment and components must be procured from an approved Bendix Service Facility or from Bendix Avionics Repair Services, Department 390, Post Office Box 9414, Fort Lauderdale, Florida, 33310.
- B - Used only if King Radios are installed.
- C - Used if Bendix CoPilot gyros are installed on serial nos. 31P-3 to 31P-7530028 inclusive.
- D - Used if AutoPilot Disconnect Switch is installed on side of control wheel.
- E - Used if Boom Mike is installed.

When ordering, always specify Part Number, Description and Serial Number of Aircraft



**PIPER PARTS CATALOG**

Figure and Index Number	Part Number	Code	NOMENCLATURE	No. Req.	SERIAL NUMBERS AFFECTED
127A-34	454 277	C	CAP - (30B1012)	1	
-35	33054-00		PLATE - Cover	1	
-36	27214-00	D	NUT - AutoPilot disconnect switch	1	
-37	33173-00	B	BOX ASSEMBLY - Reverse course datum	1	31P-3 to 31P-7530028 inclusive
-38	43365-00	D	PLACARD - Control wheel ("A/P OFF"), black	1	
	53867-00	D	PLACARD - Control wheel ("A/P OFF"), beige	1	
	80291-02	E	PLACARD - Control wheel	1	
	43362-00	C,D	PLACARD - Control wheel ("Mike A/P OFF"), black	1	
	53870-00	C,D	PLACARD - Control wheel ("Mike A/P OFF"), beige	1	
	80291-03	C,E	PLACARD - Control wheel	1	
-39	453 855		BUTTON - Plug (207-17021-00)	2	
-40	52274-00		BOX ASSEMBLY - Relay, NAV, heading switching	1	
-41	484 376		* RELAY - (TF154-CCC-CCC-24VDC)	1	
-42	481 141		* POTENTIOMETER - (AS3609)	1	
-43	82371-119		* HOSE - Screw mounting	2	
-44	52188-00		* CLAMP - Relay	1	
-45	454 656		CIRCUIT BREAKER - (PS50120-3-7)	2	
-46	454 657		CIRCUIT BREAKER - (PS50120-3-12)	1	
-47	587 820		SWITCH ASSEMBLY - (46-101B)	1	
-48	52293-00		SWITCH ASSEMBLY - AltiMatic V F/D	1	
-49	33093-02		HARNESS ASSEMBLY - Flux sensor	1	
-50	40885-00	B	SPACER - Gyro mounting (1/2" thick)	1	31P-3 to 31P-7530028 inclusive
	40885-02	B	SPACER - Gyro mounting (5/8" thick)	1	31P-3 to 31P-7530028 inclusive
-51	48183-00		HARNESS ASSEMBLY - AltiMatic V F/D (used with Bendix Horizontal Situation Indicator)	1	31P-3 to 31P-7630013 inclusive
	48906-02		HARNESS ASSEMBLY - AltiMatic V F/D (used with Bendix Horizontal Situation Indicator)	1	31P-7630014 and up 31P-7630002 and up
-52	80355-02		PLACARD - Function switch, altimatic V F/D master	1	
-53	52117-00		HARNESS ASSEMBLY - N-S/E-W Corrector	1	
-54	48188-00		HARNESS ASSEMBLY - Circuit protector	1	
-55	52177-00	H	HARNESS ASSEMBLY - Marker beacon lights	1	31P-3 to 31P-80 inclusive
-56	487 904		* SWITCH - (39-1)	1	31P-3 to 31P-80 inclusive
-57	484 382		* RESISTOR - Type 5KT, 40 ohm, 5W.	1	31P-3 to 31P-80 inclusive
-58	456 707		* DIODE - (1N4002)	3	31P-3 to 31P-80 inclusive
-59	472 833		* LIGHT - Indicator (106S-A-F9)	1	31P-3 to 31P-80 inclusive
-60	472 831		* LIGHT - Indicator (106S-B-F99)	1	31P-3 to 31P-80 inclusive
-61	472 832		* LIGHT - Indicator (106S-W-F9)	1	31P-3 to 31P-80 inclusive
-62	52254-00	F	SWITCH ASSEMBLY - Nav test	1	
	33186-00	F,G	SWITCH ASSEMBLY - Nav test and fast slave	1	
	52594-00	H	SWITCH ASSEMBLY - Fast slave	1	
-63	596 200		PLATE - Mooring (073-0044-00)	1	
-64	52039-00		PLATE ASSEMBLY - Cable rub strip mounting	1	
-65	47336-00		SPACER - Flight controller	2	
-66	52072-00		BRACKET ASSEMBLY - N-S/E-W Corrector mounting	1	
-67	52040-00		STRIP - Rub, aileron, inboard	1	
	52042-00		STRIP - Rub, aileron outboard	1	

- A - This installation is relative only to associated Piper Aircraft Corporation parts that are used when installing Bendix AltiMatic V F/D and V F/D-1 AutoPilot. All Bendix equipment and components must be procured from an approved Bendix Service Facility or from Bendix Avionics Repair Services, Department 390, Post Office Box 9414, Fort Lauderdale, Florida, 33310.
- B - Used if Bendix CoPilot Gyros are installed.
- C - Used if Boom Mike is installed.
- D - Used if AutoPilot Disconnect Switch is installed on side of control wheel.
- E - Used if AutoPilot Disconnect Switch is not installed on side of control wheel.
- F - Used only if Narco Mark 16 Radios are installed.
- G - Used only if Narco NAV 14 Radios are installed.
- H - Used only if King Radios are installed.

When ordering, always specify Part Number, Description and Serial Number of Aircraft

## PIPER PARTS CATALOG

Figure and Index Number	Part Number	Code	NOMENCLATURE	No. Req.	SERIAL NUMBERS AFFECTED
127A-68	52179-00	E	PLACARD - Marker beacon lights	1	31P-3 to 31P-7300132 inclusive
-69	52058-00		BRACKET ASSEMBLY - Aileron servo	1	
-70	41995-00		FITTING ASSEMBLY - Static line vent	2	
-71	40885-00	C	SPACER - Gyro mounting	1	
-72	458 894		ELBOW - (AN822-4D)	1	
-73	488 316		TEE - (AN826-4D)	1	
-74	46009-00		ANGLE - Radio shelf, lower, Sta. 296	1	
	46007-00		ANGLE - Radio shelf, lower, Sta. 310	1	
-75	44947-00		ANGLE - Support	1	
-76	452 015		BARREL - Turnbuckle (NAS649-B8S)	1	
-77	459 958		EYE - Turnbuckle (NAS648-8RS)	1	
-78	454 867		CLIP - Turnbuckle (NAS651-16S)	2	
-79	472 827		LIGHT ASSEMBLY - (162-84300-0931-502)	1	
-80	472 054		LAMP - Indicator (PS10008-330) 14V.	1	
-81	52144-00	B	PLACARD - Nav test	1	
	33167-00	B,D	PLACARD - Nav test and fast slave	1	
	52595-00	E	PLACARD - Fast slave, black	1	
	48681-00	E	PLACARD - Fast slave, beige	1	
-82	33088-00		PLACARD - Trim warning, black	1	
	48680-00		PLACARD - Trim warning, beige	1	31P-7300133 and up
<p><b>A</b> - This installation is relative only to associated Piper Aircraft corporation parts that are used when installing Bendix AltiMatic V F/D and V F/D-1 AutoPilot. All Bendix equipment and components must be procured from an approved Bendix Service Facility or from Bendix Avionics Repair Services, Department 390, Post Office Box 9414, Fort Lauderdale, Florida, 33310.</p> <p><b>B</b> - Used only if Narco Mark 16 Radios are installed.</p> <p><b>C</b> - Used if Bendix CoPilot gyros are installed on serial nos. 31P-3 to 31P-7530028 inclusive.</p> <p><b>D</b> - Used only if Narco NAV 14 Radios are installed.</p> <p><b>E</b> - Used only if King Radios are installed.</p>					

When ordering, always specify Part Number, Description and Serial Number of Aircraft

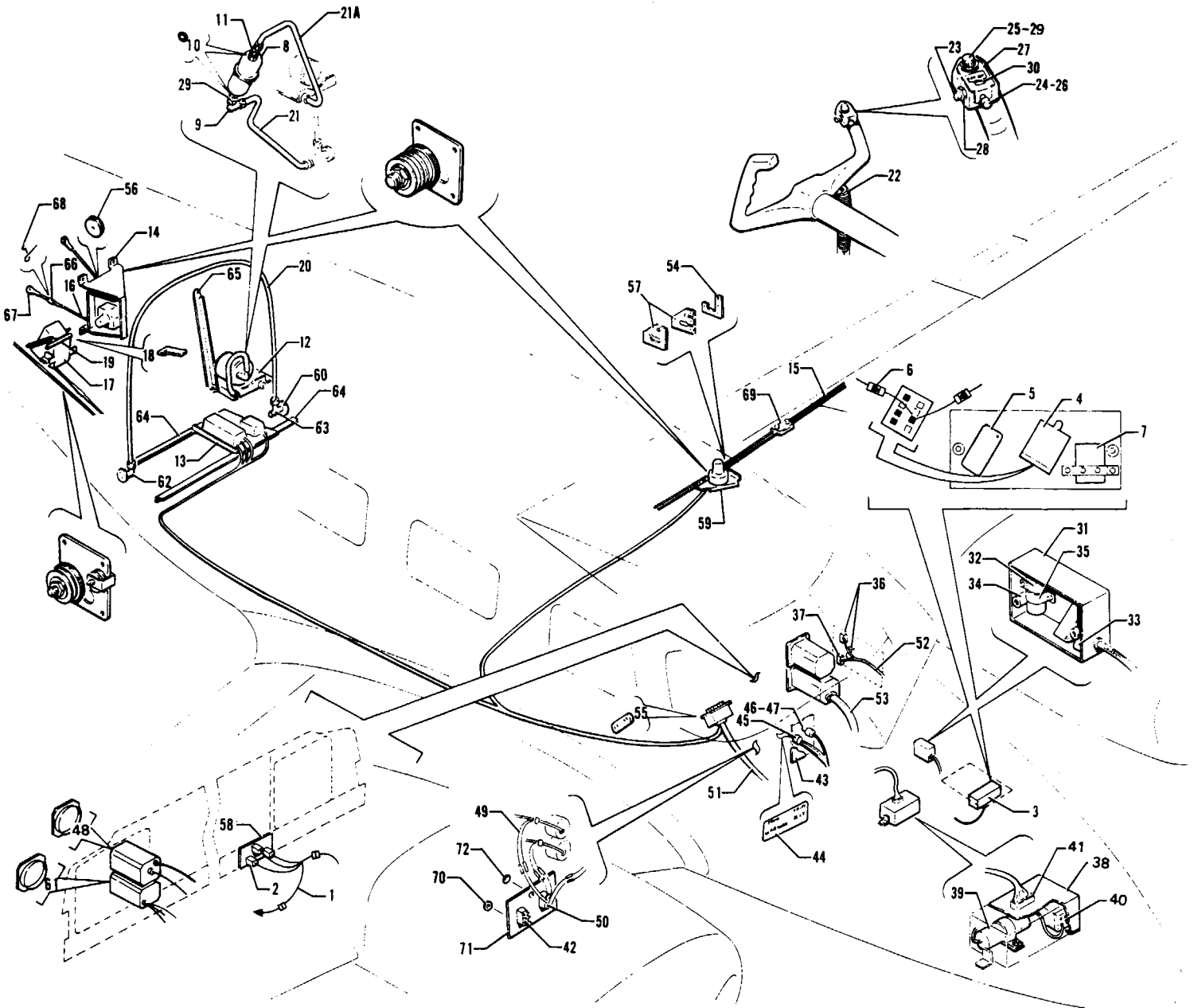


Figure 127B. AltiMatic V and V-1 AutoPilot Installation  
(See Code "A")

**PIPER PARTS CATALOG**

Figure and Index Number	Part Number	Code	NOMENCLATURE	No. Req.	SERIAL NUMBERS AFFECTED
127B-	48190		DRAWING - AltiMatic V and V-1 AutoPilot Installation		
-1	52292-04	C	HARNESS ASSEMBLY - Copilot gyro switching	1	
-2	487 915		* SWITCH - (7101)	3	
-3	52277-00	C	BOX ASSEMBLY - Attitude gyro switching	1	
-4	484 141		* RELAY - (TF-154-4D-24VDC)	1	
-5	484 211		* RELAY - (1245-2C-24VDC)	1	
-6	456 758		* DIODE - (IN4005)	2	
-7	555 409		* CONNECTOR - (57-40240)	1	
-8	54165-00		SUMP ASSEMBLY - Static air	1	
-9	54167-00		ELBOW - Sump assembly	1	
-10	462 058		RING - "O" (MS29512-04)	2	
-11	491 050		UNION - (AN815-4D)	1	
-12	51338-00		SHELF - Altitude controller	1	
-13	48156-00		SHELF ASSEMBLY - Radio, rear	1	
-14	44975-00		MOUNTING ASSEMBLY - Elevator servo	1	
-15	33067-06		CABLE ASSEMBLY - Roll servo	1	
-16	52004-00		CABLE ASSEMBLY - Pitch servo	1	
-17	48096-00		BRACKET ASSEMBLY - Elevator trim servo	1	
-18	48097-00		STRIP - Rub, elevator trim cable	1	
-19	48099-00		ANGLE - Elevator trim servo	1	
-20	80024-14		LINE ASSEMBLY - Static air	1	
-21	54163-00		LINE ASSEMBLY - Static air	1	
-21a	54164-00		LINE ASSEMBLY - Static air	1	
-22	26934-00		CORD ASSEMBLY - AltiMatic	1	
-23	487 775	D	SWITCH - AutoPilot disconnect (39-2)	1	
-24	487 904	B	SWITCH - (39-1)	1	
-25	587 822		SWITCH ASSEMBLY - (S22048-0001)	1	
-26	454 277	B	CAP - (30B1012)	1	
-27	33054-00		PLATE - Cover	1	
-28	27214-00	D	NUT - AutoPilot disconnect switch	1	
-29	477 618		NUT - (AN924-4D)	1	
-30	43365-00	D	PLACARD - Control wheel ("A/P OFF"), black	1	
	53867-00	D	PLACARD - Control wheel ("A/P OFF"), beige	1	
	80291-02	E	PLACARD - Control wheel	1	
	43362-00	B,D	PLACARD - Control wheel ("MIKE A/P OFF"), black	1	
	53870-00	B,D	PLACARD - Control wheel ("MIKE A/P OFF"), beige	1	
	80291-03	B,E	PLACARD - Control wheel	1	
-31	52274-00		BOX ASSEMBLY - Relay, NAV heading switching	1	
-32	484 376		* RELAY - (TF154-CCC-CCC-24VDC)	1	
-33	481 141		* POTENTIOMETER - (AS3609)	1	
-34	82371-119		* HOSE - Screw mounting	2	
-35	52188-00		* CLAMP - Relay	1	
-36	454 656		CIRCUIT BREAKER - (PS50120-3-7)	1	
-37	454 657		CIRCUIT BREAKER - (PS50120-3-12)	1	
-38	33117-00		BOX ASSEMBLY - Accessory (complete)	1	
			A - This installation is relative only to associated Piper Aircraft Corporation parts that are used when installing Bendix AltiMatic V and V-1 AutoPilot. All Bendix equipment and components must be procured from an approved Bendix Service facility or from Bendix Avionics Repair Services, Department 390, Post Office Box 9414, Fort Lauderdale, Florida, 33310.		
			B - Used if boom mike is installed.		
			C - Used if Bendix copilot gyros are installed on serial numbers 31P-3 to 31P-7530028 inclusive.		
			D - Used if AutoPilot Disconnect Switch is installed on side of control wheel.		
			E - Used if AutoPilot Disconnect Switch is not installed on side of control wheel.		

When ordering, always specify Part Number, Description and Serial Number of Aircraft

## PIPER PARTS CATALOG

Figure and Index Number	Part Number	Code	NOMENCLATURE	No. Req.	SERIAL NUMBERS AFFECTED
127B-39	554 175		* CAPACITOR - (308G030JS4) Type 39D	1	
-40	484 254		* RELAY - (KA11DG) 10 AMP	1	
-41	555 451		* CONNECTOR - (DBF-25P)	1	
-42	52293-00		SWITCH ASSEMBLY - AutoPilot	1	
-43	48187-00	B	PANEL ASSEMBLY - Trim warning	1	31P-3 to 31P-7300132 inclusive
	48187-03	B	PANEL ASSEMBLY - Trim warning, (with black placard)	1	31P-7300133 and up
	48187-04	B	PANEL ASSEMBLY - Trim warning, (with beige placard)	1	31P-7300133 and up
-44	33088-00		* PLACARD - Trim warning, black	1	
	48680-00		* PLACARD - Trim warning, beige	1	
-45	587 820		* SWITCH ASSEMBLY - (46-101B)	1	
-46	472 827		* LIGHT ASSEMBLY - (162-8430-0931-502)	1	
-47	472 054		* LAMP - Indicator (PS10008-330) 14 V.	1	
-48	40885-00	C	SPACER - Gyro mounting (1/2" thick)	1	31P-3 to 31P-7530028 inclusive
	40885-02	C	SPACER - Gyro mounting (5/8" thick)	1	31P-3 to 31P-7530028 inclusive
-49	48181-00		HARNESS ASSEMBLY - NAV switching	1	
-50	487 917		* SWITCH - (7203)	1	
-51	48183-00		HARNESS ASSEMBLY - AutoPilot	1	
-52	48861-02		HARNESS ASSEMBLY - Circuit protector	1	
-53	52339-00		HARNESS ASSEMBLY - Directional gyro adapter	1	
-54	52039-00		PLATE ASSEMBLY - Cable rub strip mounting	1	
-55	47336-00		SPACER - Flight controller	2	
-56	481 617		PULLEY - (MS20219-1)	2	
-57	52040-00		STRIP - Rub, aileron, inboard	1	
	52042-00		STRIP - Rub, aileron, outboard	1	
-58	48180-04	E	PANEL ASSEMBLY - Control, electroluminescent	1	31P-3 to 31P-7300132 inclusive
	48559-04	E	PLACARD - Control, black (581 946)	1	31P-7300133 to 31P-7530028 incl.
	48677-04	E	PLACARD - Control, beige (582 111)	1	31P-7300133 to 31P-7530028 incl.
-59	52058-00		BRACKET ASSEMBLY - Aileron servo	1	
-60	41995-00		FITTING ASSEMBLY - Static line vent	2	
-61	40885-00	D	SPACER - Gyro mounting	1	
-62	458 894		ELBOW - (AN822-4D)	1	
-63	488 316		TEE - (AN826-4D)	1	
-64	46009-00		ANGLE - Radio shelf, lower, Sta. 296	1	
	46007-00		ANGLE - Radio shelf, lower, Sta. 310	1	
-65	44947-00		ANGLE - Support	1	
-66	452 015		BARREL - Turnbuckle (NAS649-B8S)	1	
-67	459 958		EYE - Turnbuckle (NAS648-BRS)	1	
-68	454 867		CLIP - Turnbuckle (NAS651-16S)	2	
-69	33078-02		CLAMP - Cable	4	
-70	494 190		WASHER - Nylomatic (.25 x .37 x .047)	2	
-71	48180-05		PANEL ASSEMBLY - Control, electroluminescent	1	31P-3 to 31P-7300132 inclusive
	48559-05		PLACARD - Control, black (581 947)	1	31P-7300133 and up
	48677-05		PLACARD - Control, beige (582 112)	1	31P-7300133 and up
-72	453 691		BUTTON - Plug (SS-48151)	1	

A - This installation is relative only to associated Piper Aircraft Corporation parts that are used when installing Bendix AltiMatic V F/D and V F/D-1 AutoPilot. All Bendix equipment and components must be procured from an approved Bendix Service facility or from Bendix Avionics Repair Services, Department 390, Post Office Box 9414, Fort Lauderdale, Florida, 33310.

B - See Figure 127D if RMI is installed.

C - Used if Bendix copilot gyros are installed.

D - Used if boom mike is installed.

E - Used if Bendix copilot gyros are installed on serial numbers 31P-3 to 31P-7530028 inclusive.

When ordering, always specify Part Number, Description and Serial Number of Aircraft

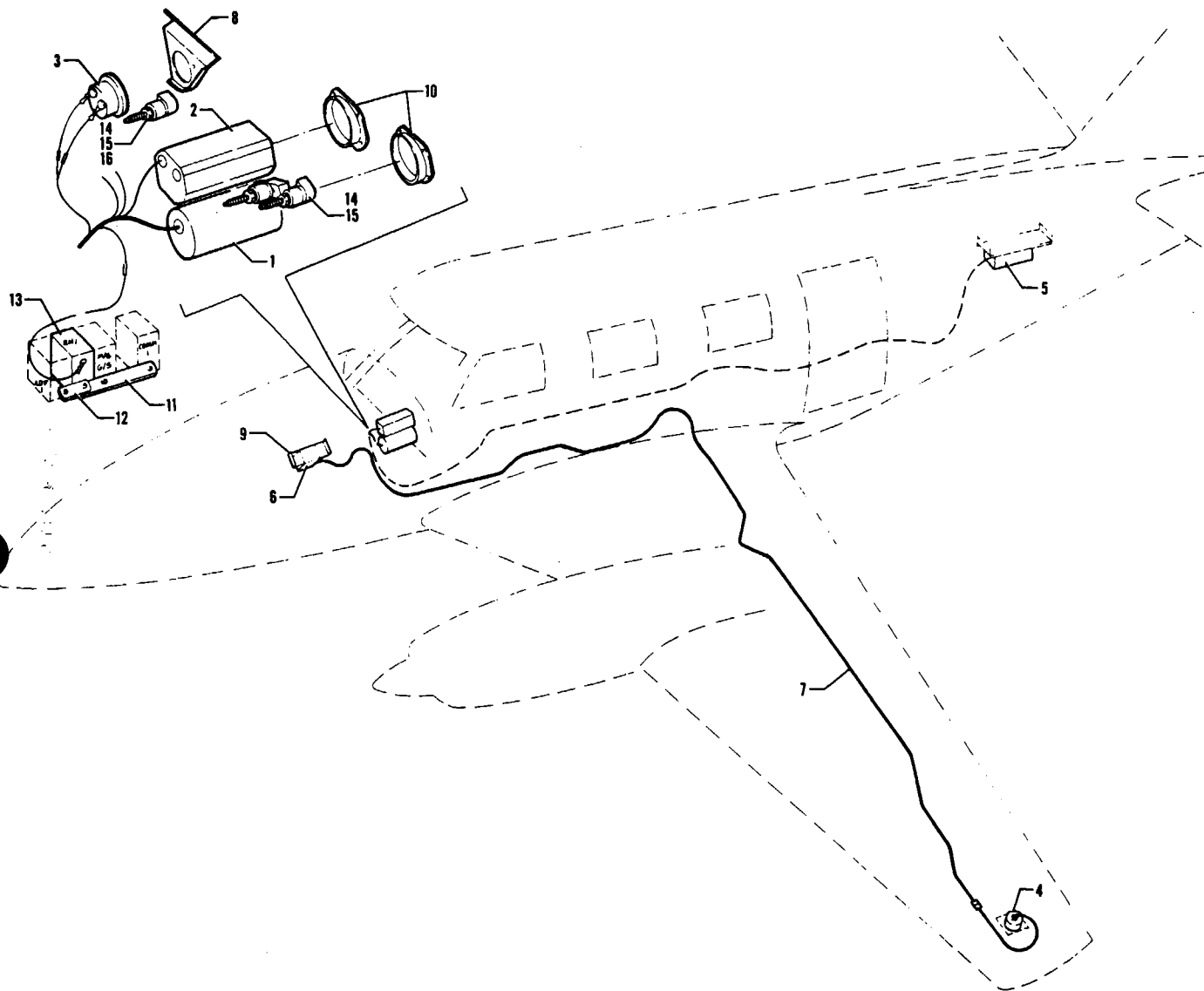


Figure 127C. Radio Magnetic Indicator Installation  
(Used with AltiMatic III B and AltiMatic III B-1)



Figure and Index Number	Part Number	Code	NOMENCLATURE	No. Req.	SERIAL NUMBERS AFFECTED
127C-	47890		DRAWING - Radio Magnetic Indicator Installation		31P-3 to 31P-7530022 inclusive
-1	596 175	A	INDICATOR - RMI (2105D-B-6)	1	
	596 176	B	INDICATOR - RMI (2107DF-B-6)	1	
	550 594	C	INDICATOR - RMI (2108D-B-6)	1	
	596 191	D	INDICATOR - RMI (2107D-B-6)	1	
-2	755 403	D	DIRECTIONAL GYRO - Slaved (52D54S)	1	
	596 234	E	DIRECTIONAL GYRO - Slaved (400A)	1	
-3	596 174		SLAVING METER - (254-147)	1	
-4	596 173		FLUX DETECTOR - (254-11)	1	
-5	596 172		INVERTER - RMI (P20) solid state	1	
-6	596 153		COUPLER - RMI (292)	1	
-7	47785-00		HARNESS ASSEMBLY - Flux detector	1	
-8	47950-00		BRACKET - RMI Slaving meter	1	31P-3 to 31P-7300132 inclusive
	47950-02		BRACKET - RMI Slaving meter	1	31P-7300133 to 31P-7530022 incl.
-9	47787-00		BRACKET ASSEMBLY - Coupler mounting	1	
-10	40885-00		SPACER - Instrument mounting	2	
-11	45288-00		LINK - Bus bar	1	
-12	31506-02		LINK - Bus bar	1	
-13	454 656		CIRCUIT BREAKER - (PS50120-3-7)	1	
-14	472 829		LIGHT - Bolt (20-0121-15-B-24)	3	
-15	472 028		BULB - Bolt light	1	

A - Used if AltiMatic III B or AltiMatic III B-1 Single ADF/Omni and King Radios are installed.  
 B - Used if AltiMatic III B or AltiMatic III B-1 Dual ADF/Omni and King Radios are installed.  
 C - Used if AltiMatic III B or AltiMatic III B-1 Dual ADF and King or Narco Radios are installed.  
 D - Used if AltiMatic III B or AltiMatic III B-1 Dual ADF/Dual Omni and King Radios are installed.  
 E - Used if Dual ADF/Dual Omni and King Radios without AltiMatic III B or AltiMatic III B-1 are installed.

When ordering, always specify Part Number, Description and Serial Number of Aircraft

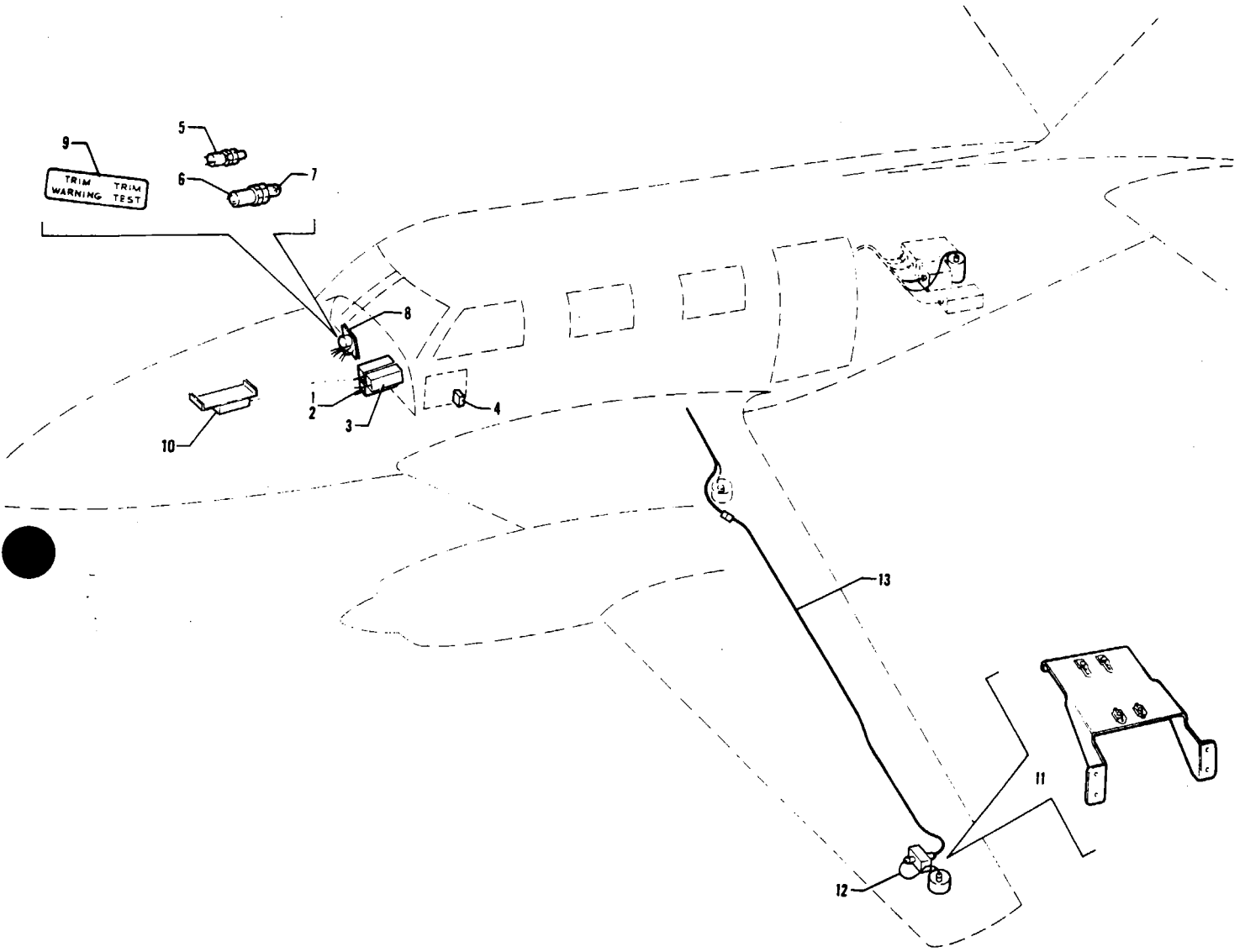


Figure 127D. Radio Magnetic Indicator Installation  
(Used with AltiMatic V, V-1, V F/D or V F/D-1)



## PIPER PARTS CATALOG

Figure and Index Number	Part Number	Code	NOMENCLATURE	No. Req.	SERIAL NUMBERS AFFECTED
127D-	48239		DRAWING - Radio Magnetic Indicator Installation (AltiMatic V and V-1)		
	48228		DRAWING - Radio Magnetic Indicator Installation (AltiMatic V F/D and V F/D-1)		
-1	755 437	A	INDICATOR - RMI (AVI-200)	1	
-2	755 439	B	INDICATOR - RMI (AVI-202)	1	
-3	755 438	C	INDICATOR - RMI (AVI-201)	1	
-4	454 656	C	CIRCUIT BREAKER - (PS50120-3-7) 5 amp	1	
-5	587 820	C	SWITCH ASSEMBLY - (46-101B)	1	
-6	472 827	C	LIGHT ASSEMBLY - (162-8430-0931-502)	1	
-7	472 037	C	LAMP - Indicator (PS10008-330) 14-volt	1	
-8	33087-02	C	PANEL - Trim warning	1	31P-3 to 31P-7300132 inclusive
	48425-00	C	PANEL - Trim warning	1	31P-7300133 and up
-9	33088-00	C	PLACARD - Trim warning, black	1	
	48680-00	C	PLACARD - Trim warning, beige	1	
-10	596 172	A,B	INVERTER - RMI (P-20)	1	
	467 119	A,B,D	INVERTER - RMI (PC-14A)	1	
-11	52072-00	C	BRACKET ASSEMBLY - (N-S/E-W) Corrector mounting	1	
-12	33093-02	C	HARNESS ASSEMBLY - Flux sensor	1	
-13	52117-00	C	HARNESS ASSEMBLY - (N-S/E-W) Corrector	1	
<p><b>A</b> - This installation is relative only to associated Piper Aircraft Corporation parts that are used when installing Bendix AltiMatic V, V-1, V F/D and V F/D-1 Autopilot. All Bendix equipment and components must be procured from an approved Bendix Service facility or from Bendix Avionics Repair Services, Department 390, Post Office Box 9414, Fort Lauderdale, Florida, 33310.</p> <p><b>B</b> - Used if AltiMatic V F/D or V F/D-1 Dual VOR/Dual ADF is installed.</p> <p><b>C</b> - Used if AltiMatic V or V-1 Dual VOR/Single ADF is installed.</p> <p><b>D</b> - Used on aircraft that comply with D. O. T. (Australia) requirements.</p> <p><b>E</b> - Used if AltiMatic V F/D or V F/D-1 Dual VOR/Single ADF is installed.</p>					

When ordering, always specify Part Number, Description and Serial Number of Aircraft

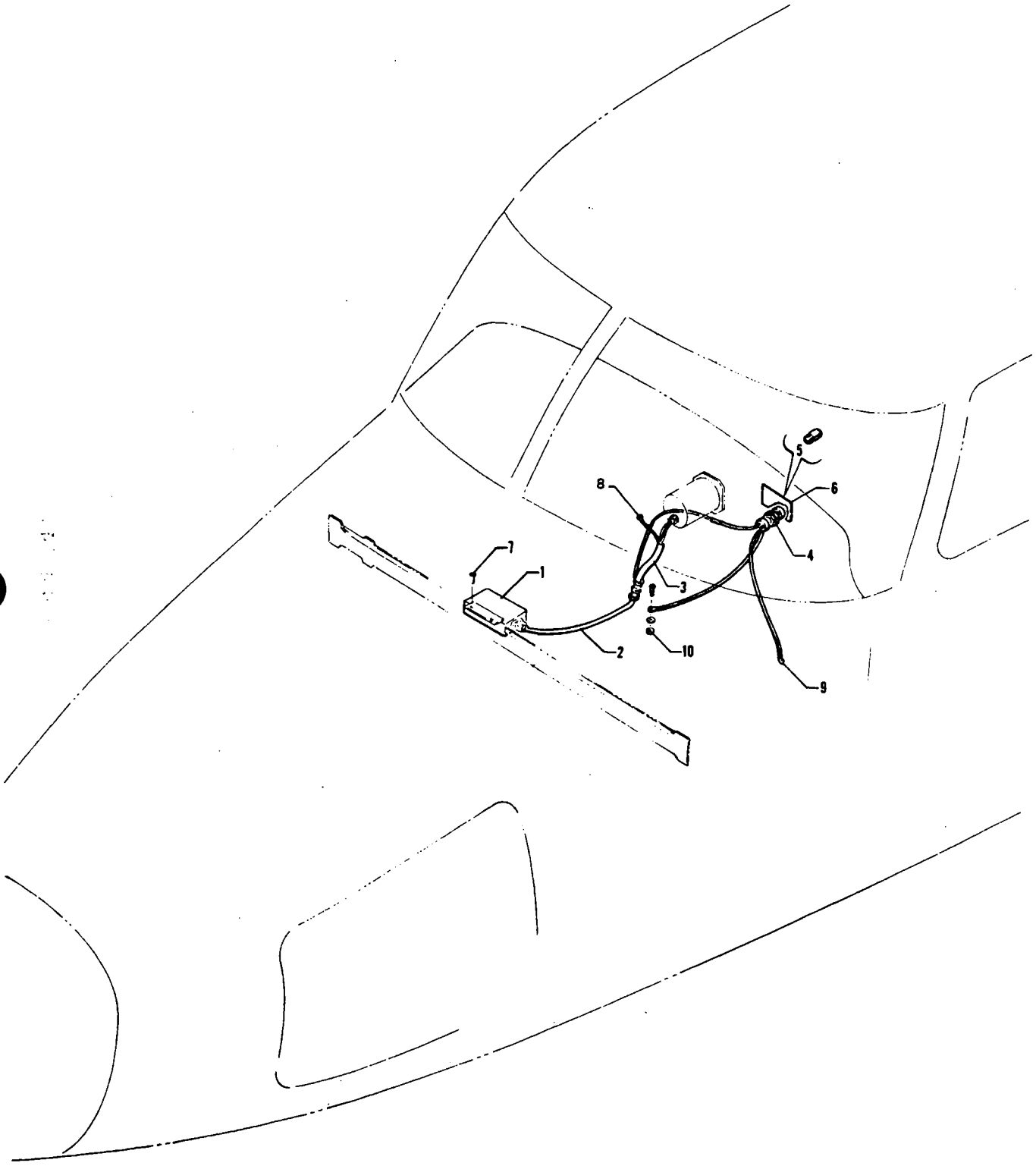


Figure 128. Glide Slope Coupler Installation

## PIPER PARTS CATALOG

Figure and Index Number	Part Number	Code	NOMENCLATURE	No. Req.	SERIAL NUMBERS AFFECTED
128-	47534		DRAWING - Glide Slope Coupler Installation		
-1	751 300		COUPLER ASSEMBLY - Glide slope (1C493)	1	
-2	752 010		HARNES ASSEMBLY - Glide slope (30C291)	1	
-3	752 011		HARNES ASSEMBLY - Glide slope (30B295)	1	
-4	752 371		LIGHT ASSEMBLY - Indicator (30A296)	1	
-5	472 028		LAMP - Indicator (#327)	1	
-6	43918-00		PLACARD - Glide slope (581 471)	1	
-7	415 520		SCREW - (MS35206-230)	2	
-8	488 406		TERMINAL - (41099)	1	
-9	488 478		TERMINAL - (1189ATL)	2	
-10	415 535		SCREW - (MS35206-245)	1	
	407 042		WASHER - (MS35338-42)	1	

When ordering, always specify Part Number, Description and Serial Number of Aircraft

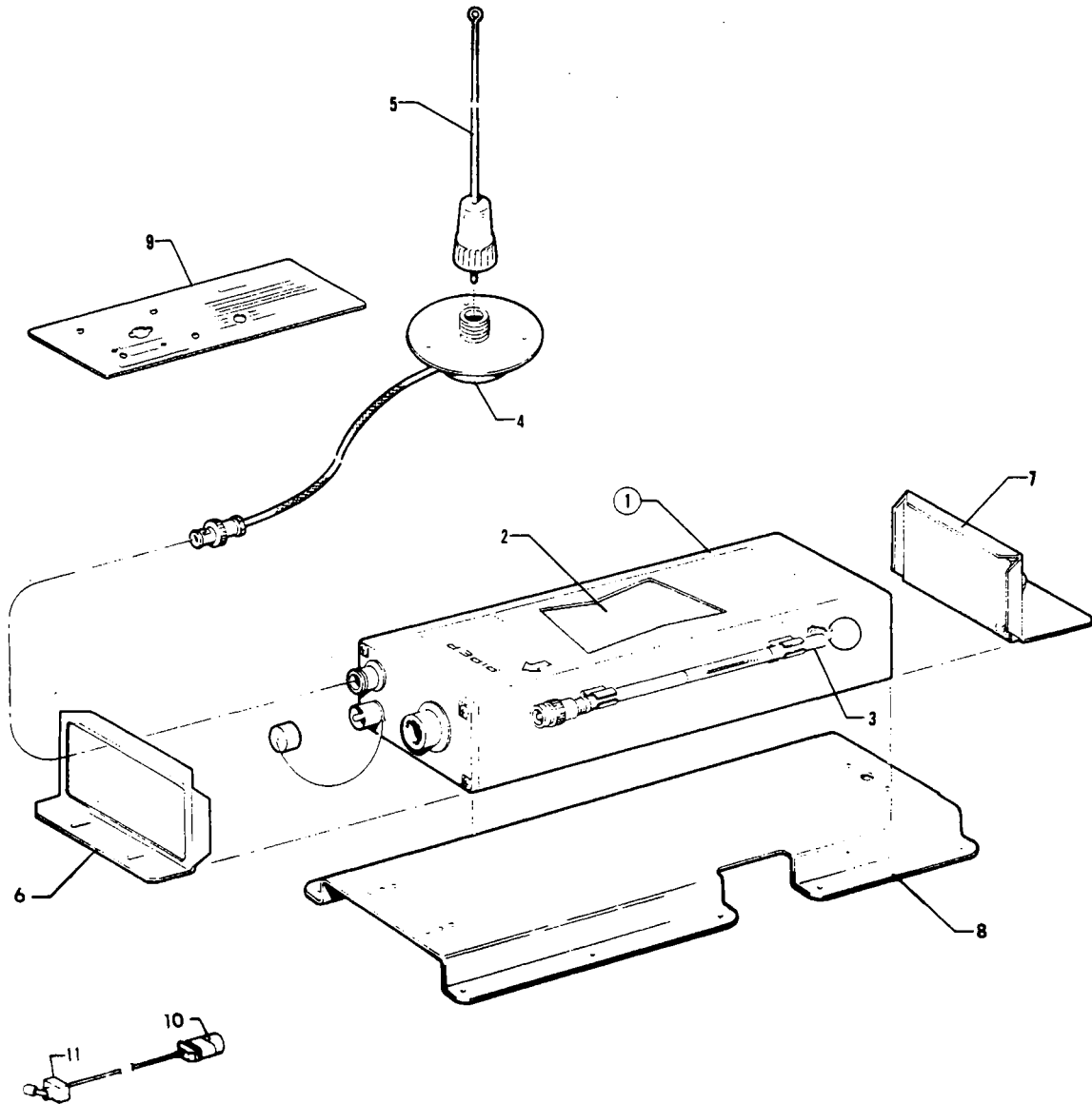


Figure 128A. Piper Automatic Locator (ELT) Installation  
(Garrett Mfg. Ltd.)

**PIPER PARTS CATALOG**

Figure and Index Number	Part Number	Code	NOMENCLATURE	No. Req.	SERIAL NUMBERS AFFECTED
128A-	53106 53730	A B,C	DRAWING - Piper Automatic Locator (ELT) Installation DRAWING - Piper Automatic Locator (ELT) Installation		
-1	756 398	D	TRANSMITTER ASSEMBLY - Automatic locator (627484-1) (includes magnesium battery pack)	1	
	761 939	D	TRANSMITTER ASSEMBLY - Automatic locator (627674-1) (includes magnesium battery pack)	1	
	761 967	D	TRANSMITTER ASSEMBLY - Automatic locator (627810-1) (includes lithium battery pack)	1	
-2	758 281	A,B	* BATTERY PACK - Transmitter assembly (magnesium)	1	
	758 364	C,D	* BATTERY PACK - Transmitter assembly (lithium)	1	
-3	751 316		* ANTENNA ASSEMBLY - Telescopic	1	
-4	751 318		CABLE AND BASE ASSEMBLY - Whip antenna	1	
-5	751 319		ANTENNA ASSEMBLY - Whip (less cable and base)	1	
-6	758 266		BRACKET - Forward transmitter mounting	1	
-7	758 267		BRACKET ASSEMBLY - Aft transmitter mounting (includes lock knob)	1	
-8	53093-00		BRACKET ASSEMBLY - Emergency locator transmitter	1	
-9	48735-00	B	PLACARD - Warning (E.L.T.) and static selector	1	
	80419-02	C	PLACARD - Warning (E.L.T.) and static selector	1	
-10	555 731	B,C	CONNECTOR - (612129-3)	1	
-11	587 951	B	SWITCH - E.L.T. (7103K)	1	
	587 965	C	SWITCH - E.L.T. (7101K)	1	
			A - Used with Transmitter Assembly P/N 756 398 (Model 627484-1).		
			B - Used with Transmitter Assembly P/N 761 939 (Model 627674-1).		
			C - Used with Transmitter Assembly P/N 761 967 (Model 627810-1).		
			D - No longer available. Order ELT Replacement Kit 764 082 (Garrett ELT to Narco ELT 10) as a replacement.		

When ordering, always specify Part Number, Description and Serial Number of Aircraft

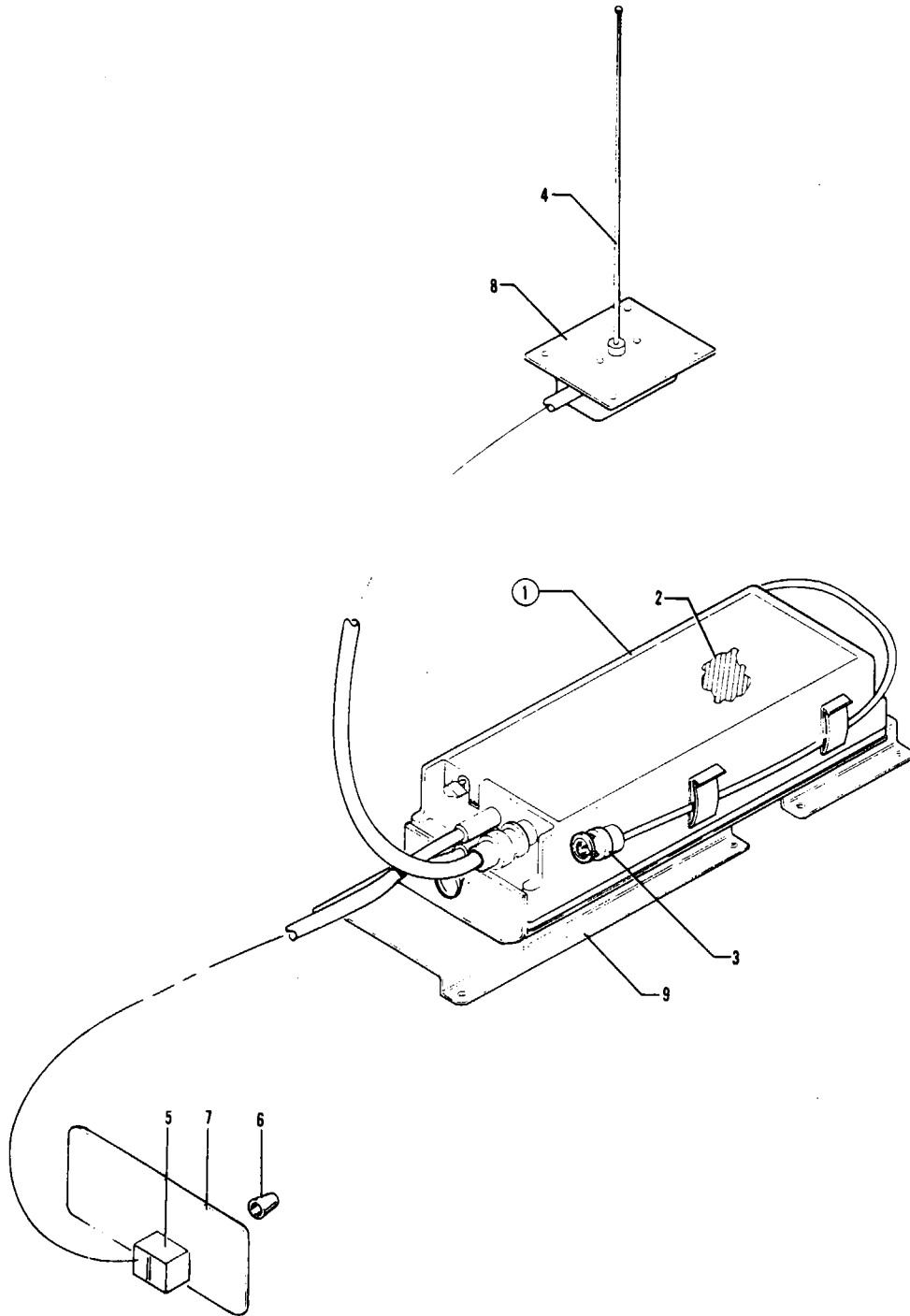


Figure 128B. Piper Automatic Locator (ELT) Installation  
(Communications Components Corp.)

**PIPER PARTS CATALOG**

Figure and Index Number	Part Number	Code	NOMENCLATURE	No. Req.	SERIAL NUMBERS AFFECTED
128B-	55675		DRAWING - Piper Automatic Locator (ELT) Installation		
-1	762 030	V	TRANSMITTER ASSEMBLY - Automatic locator (CIR-11-2), (includes alkaline battery pack)	1	
-2	758 528	V	* BATTERY PACK - Transmitter assembly (alkaline)	1	
-3	758 092		* ANTENNA ASSEMBLY - Portable (10-249)	1	
-4	763 004	V	ANTENNA ASSEMBLY - Whip (10-234)	1	
-5	588 043		SWITCH - (7207)	1	
-6	477 829		NUT - Dress (8025)	1	
-7	80530-02		PLACARD - Warning (ELT)	1	
-8	60704-02		PLATE - Doubler	1	
-9	53093-04		BRACKET ASSEMBLY - ELT mounting	1	
			V - These parts must be ordered from Service Spares Department, Piper Aircraft Corporation, Vero Beach, Florida.		

When ordering, always specify Part Number, Description and Serial Number of Aircraft

PIPER PARTS CATALOG

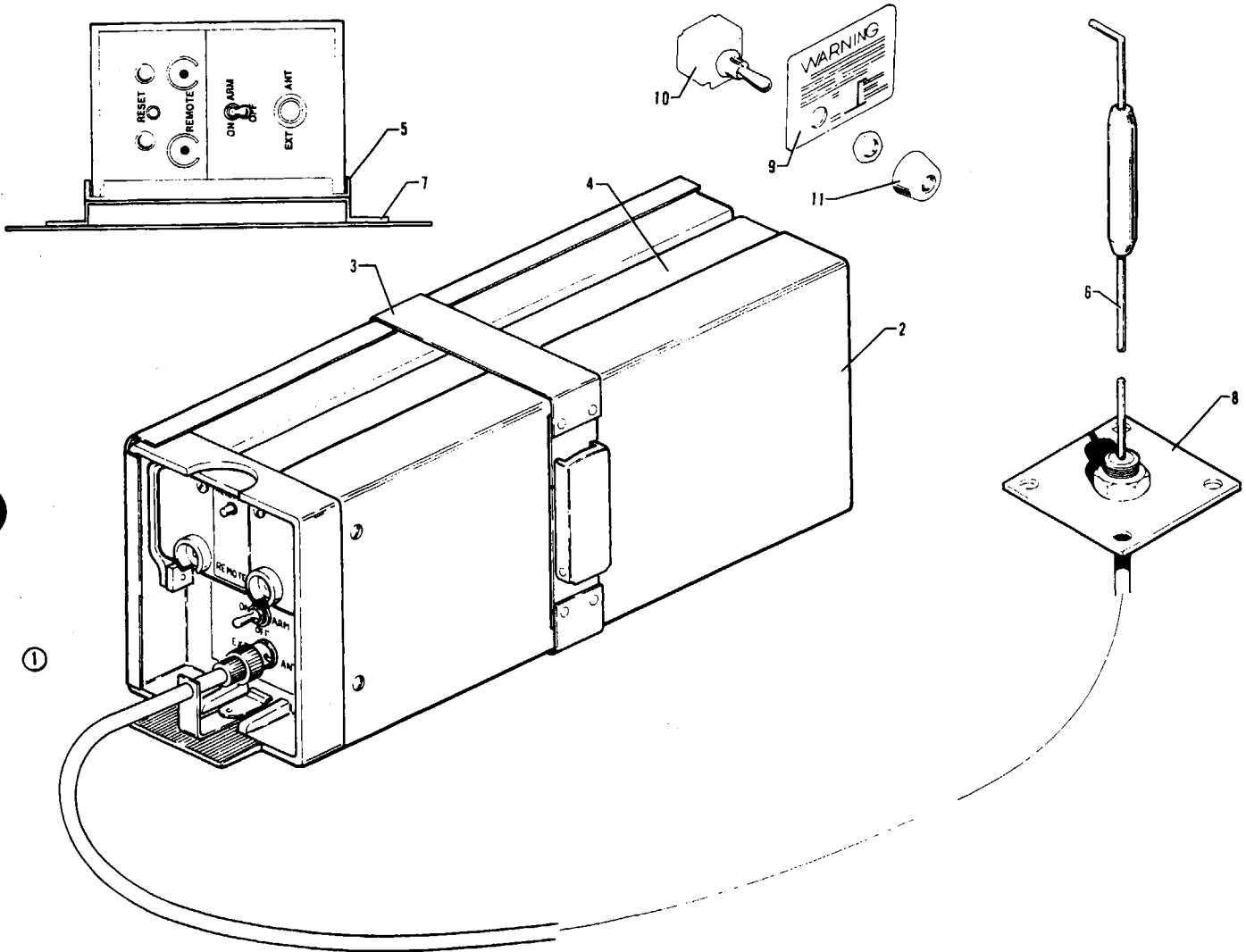


Figure 128C. Piper Automatic Locator (ELT) Installation (Narco Avionics)



## PIPER PARTS CATALOG

Figure and Index Number	Part Number	Code	NOMENCLATURE	No. Req.	SERIAL NUMBERS AFFECTED
128C-	49736		DRAWING - Piper Automatic Locator (ELT) Installation		
-1	54800-54		TRANSMITTER ASSEMBLY - Automatic locator (ELT 10) (includes alkaline battery pack)	1	
-2	758 452		* BATTERY PACK - Transmitter assembly (57674-0001)	1	
-3	762 357		* STRAP - Transmitter assembly (57682-0101)	1	
-4	763 019		* ANTENNA - Blade, portable (57667-0001)	1	
-5	758 453		* BASE - Transmitter assembly (57666-0001)	1	
-6	597 257		ANTENNA ASSEMBLY - E.L.T. (01652-0101)	1	
-7	39273-02		BRACKET ASSEMBLY - E.L.T., mounting	1	
-8	60704-02		BRACKET - Doubler	1	
-9	80687-02		PLACARD - Warning, E.L.T.	1	
-10	587 965		SWITCH - (7101-K)	1	
-11	477 829		NUT - Dress (8025)	1	

When ordering, always specify Part Number, Description and Serial Number of Aircraft

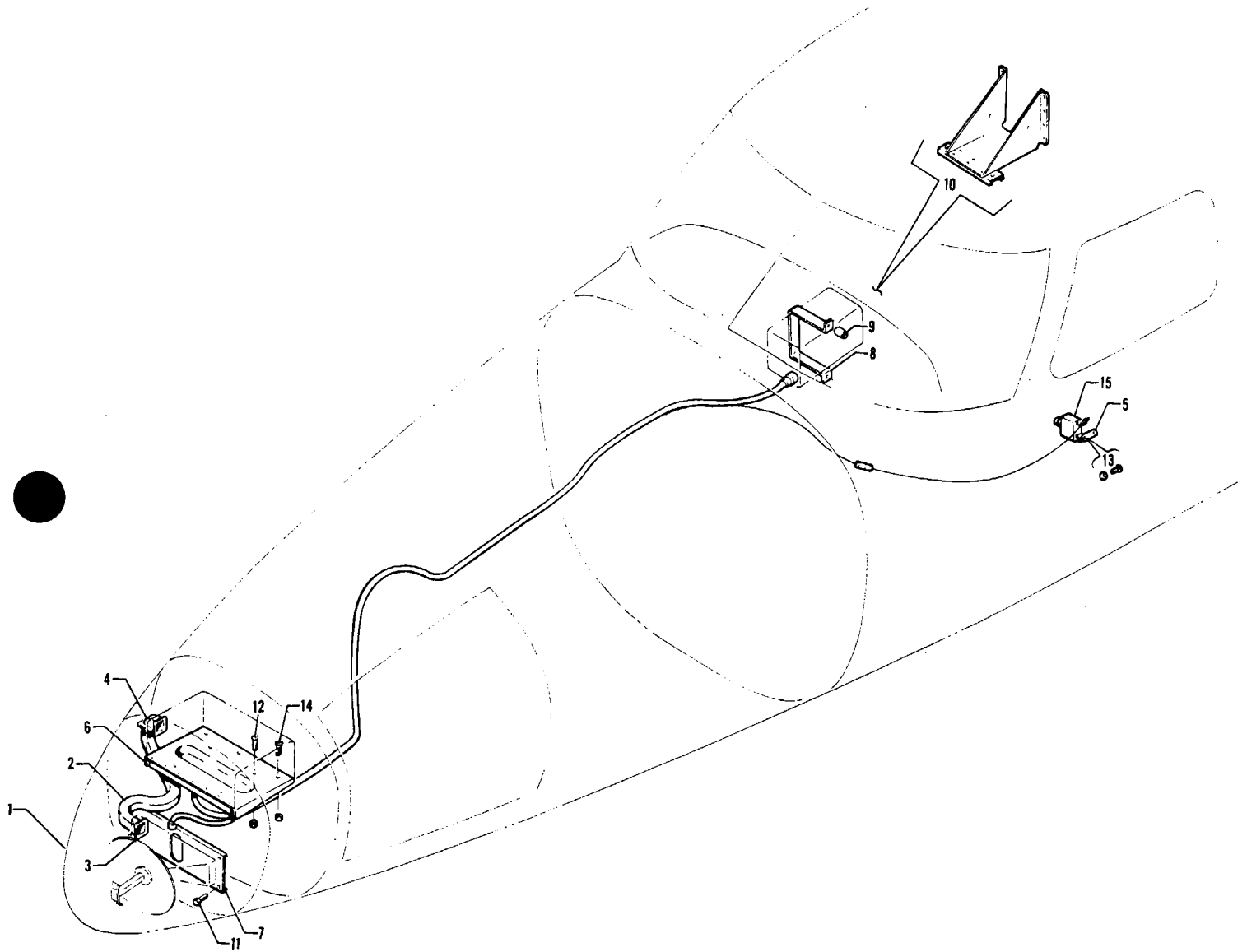


Figure 128D. R.C.A. Radar Installation



Figure and Index Number	Part Number	Code	NOMENCLATURE	No. Req.	SERIAL NUMBERS AFFECTED
128D-	45101		DRAWING - R.C.A. Radar Installation		
-1		A	CONE ASSEMBLY - Fuselage nose	1	
-2	596 249		WAVE GUIDE - Flexible (AT-7-B-090-24)	1	
-3	596 038		ADAPTER - Wave guide (X624B) "H" Plane 90 degrees	1	
-4	596 152		WAVE GUIDE BEND - (103X07, E-Plane) 90 degrees	1	
-5	31506-02		BAR - Bus	1	
-6	46130-00		SHELF ASSEMBLY - Radar mounting	1	
-7	46031-00		PLATE ASSEMBLY - Radar mounting	1	
-8	46096-00		BRACKET - Radar mounting	1	31P-3 to 31P-7300137 incl.
	46096-04		BRACKET - Radar mounting	1	31P-7300138 to 31P-7530022 incl.
	48818-02		BRACKET - Radar mounting	1	31P-7530023 and up
-9	41413-48		BUSHING	2	31P-3 to 31P-7530022 incl.
-10	48830-02		BRACKET ASSEMBLY - Radar	1	31P-7530023 and up
-11	401 307		BOLT - (AN4-4A)	8	
-12	415 538		SCREW - (MS35206-248)	4	
	404 910		NUT - (MS20365-832C)	4	
-13	415 536		SCREW - (MS35206-246)	1	
	407 042		WASHER - (MS35338-42)	1	
-14	415 535		SCREW - (MS35206-245)	5	
	404 910		NUT - (MS20365-832C)	5	
-15	454 657		BREAKER - Circuit (PS50120-3-12)	1	
			A - See Figure 27 for component parts.		

When ordering, always specify Part Number, Description and Serial Number of Aircraft

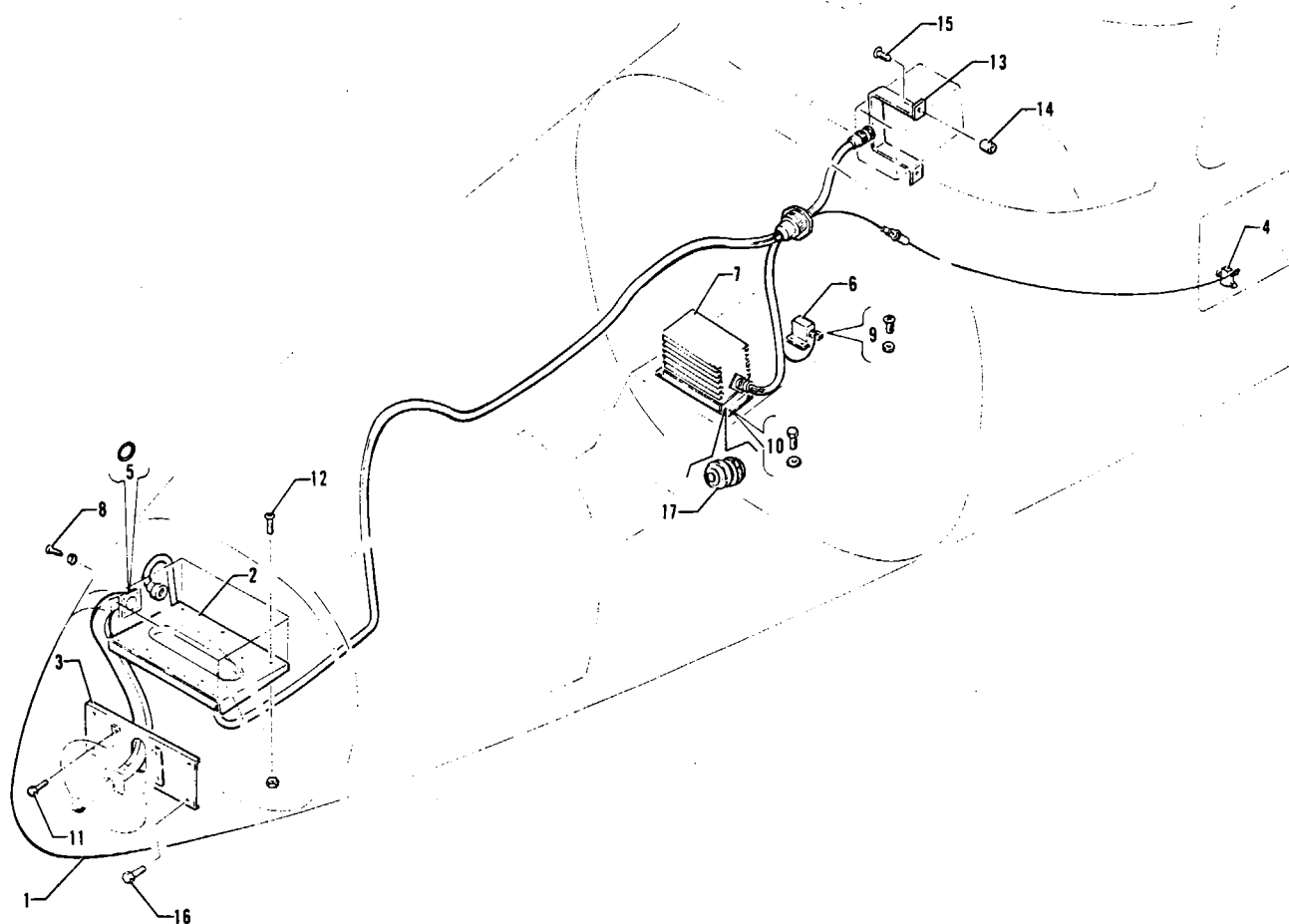


Figure 128E. Bendix Radar Installation (RDR-110)  
(31P-3 to 31P-7530022 inclusive)



Figure and Index Number	Part Number	Code	NOMENCLATURE	No. Req.	SERIAL NUMBERS AFFECTED
128E-	47576		DRAWING - Bendix Radar Installation (RDR-110)		31P-3 to 31P-7530022 inclusive
-1		A	CONE ASSEMBLY - Fuselage nose	1	
-2	46130-00		SHELF ASSEMBLY - Radar mounting	1	
-3	46031-00		PLATE ASSEMBLY - Radar mounting	1	
-4	454 657		PROTECTOR - Circuit (109-210-102)	1	
-5	484 773		"O" RING - (AN6227-18)	2	
-6	47677-00		BOX ASSEMBLY - Relay	1	
-7	467 150		INVERTER - (PC-14B(A)125 VA)	1	
-8	412 676		SCREW - Brass (AN515B8R8)	8	
	407 041		WASHER - Lock (MS35338-41)	12	
-9	415 493		SCREW - (MS35206-228)	4	
	407 041		WASHER - Lock (MS35338-41)	4	
-10	400 438		BOLT - (AN3-4A)	6	
	407 043		WASHER - Lock (MS35338-43)	6	
-11	401 266		BOLT - (AN3-5A)	4	
-12	415 498		SCREW - (MS35206-245)	5	
	404 910		NUT - (MS20365-832C)	5	
-13	46096-00		BRACKET ASSEMBLY - Radar indicator mount	1	31P-3 to 31P-7300137 incl.
	46096-04		BRACKET ASSEMBLY - Radar indicator mount	1	31P-7300138 and up
-14	41413-48		BUSHING - Bracket assembly	2	
-15	416 998		SCREW - (AN526-1032R18)	2	
-16	401 307		BOLT - (AN4-4A)	4	
-17	556 129		CONNECTOR - Inverter (MS3106B-14S-6S)	1	
			A - See Figure 27 for component parts.		

When ordering, always specify Part Number, Description and Serial Number of Aircraft

**2H24**

**INTENTIONALLY LEFT BLANK**

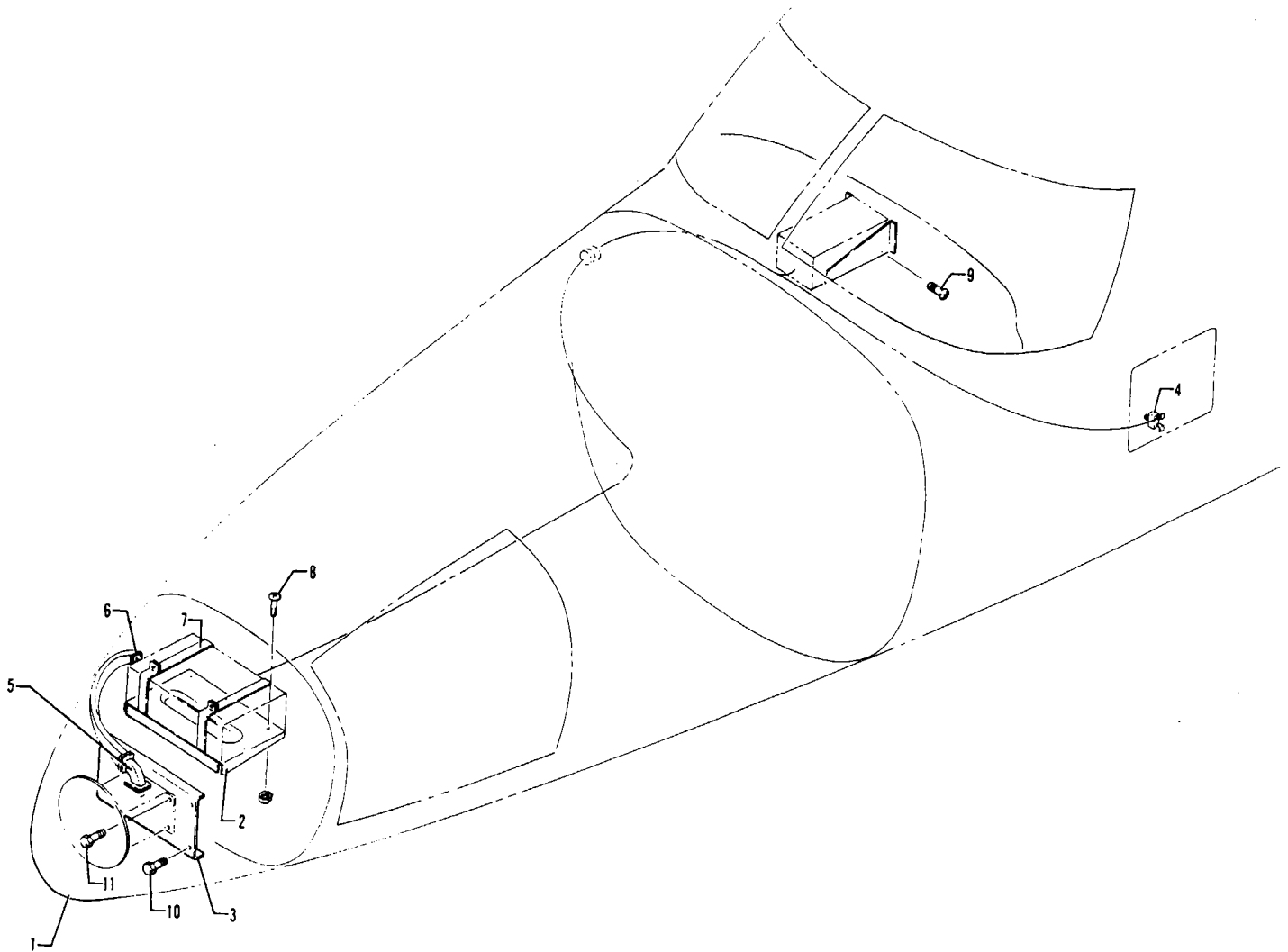


Figure 129. Bendix Radar Installation (RDR-130)



Figure and Index Number	Part Number	Code	NOMENCLATURE	No. Req.	SERIAL NUMBERS AFFECTED
129-	48879		DRAWING - Bendix Radar Installation (RDR-130)		31P-7530023 and up
-1		A	CONE ASSEMBLY - Fuselage nose	1	
-2	46130-00		SHELF ASSEMBLY - Radar mounting	1	
-3	48881-02		PLATE ASSEMBLY - Radar mounting	1	
-4	454 656		BREAKER - Circuit (PS50120-3-7)	1	
-5	596 038		ADAPTER - Wave guide (X624B) "H" Plane 90 degrees	1	
-6	551 865		ADAPTER - Wave guide (X623B) "E" Bend	1	
-7	475 180		MOUNT - Shock (MI-592083)	1	
-8	415 498		SCREW - (MS35206-245)	5	
	404 910		NUT - (MS20365-832C)	5	
-9	414 507		SCREW - (MS24693-526)	4	
-10	400 438		BOLT - (AN3-4A)	4	
-11	401 307		BOLT - (AN4-4A)	8	
A - See Figure 27 for component parts.					

When ordering, always specify Part Number, Description and Serial Number of Aircraft



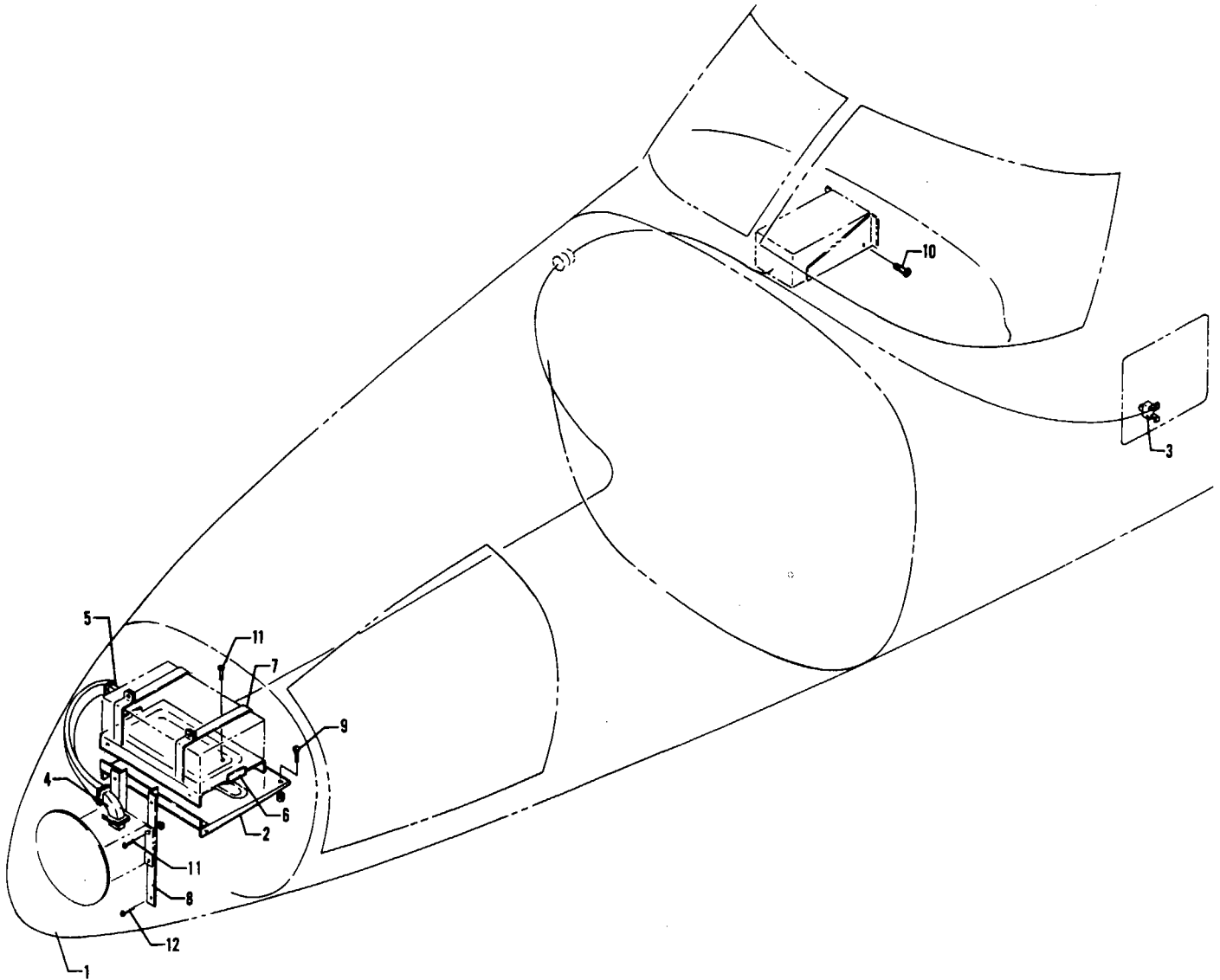


Figure 129A. Bendix Radar Installation (RDR-140)



Figure and Index Number	Part Number	Code	NOMENCLATURE	No. Req.	SERIAL NUMBERS AFFECTED
129A-	54689		DRAWING - Bendix Radar Installation (RDR-140)		31P-7630011 and up
-1		A	CONE ASSEMBLY - Fuselage nose	1	
-2	46130-00		SHELF ASSEMBLY - Radar mounting	1	
-3	454 666		BREAKER - Circuit (PS51020-3-7)	1	
-4	596 038		ADAPTER - Waveguide (X624B) "H" Plane 90 degrees	1	
-5	551 865		ADAPTER - Waveguide (X623B) "E" Bend	1	
-6	51292-03		TRAY ASSEMBLY - Receiver/transmitter	1	
-7	51290-04		STRAP ASSEMBLY - Receiver/transmitter	2	
-8	51289-00		ANGLE - Antenna support, left	1	
	51289-01		ANGLE - Antenna support, right	1	
-9	415 498		SCREW - (MS35206-245)	5	
	404 910		NUT - (MS20365-832C)	5	
-10	414 507		SCREW - (MS24893-S26)	4	
-11	411 532		SCREW - (MS35207-263)	8	
	404 887		NUT - (MS20365-1032C)	8	
-12	411 532		SCREW - (MS35207-263)	4	
			A - See Figure 27 for component parts.		

When ordering, always specify Part Number, Description and Serial Number of Aircraft

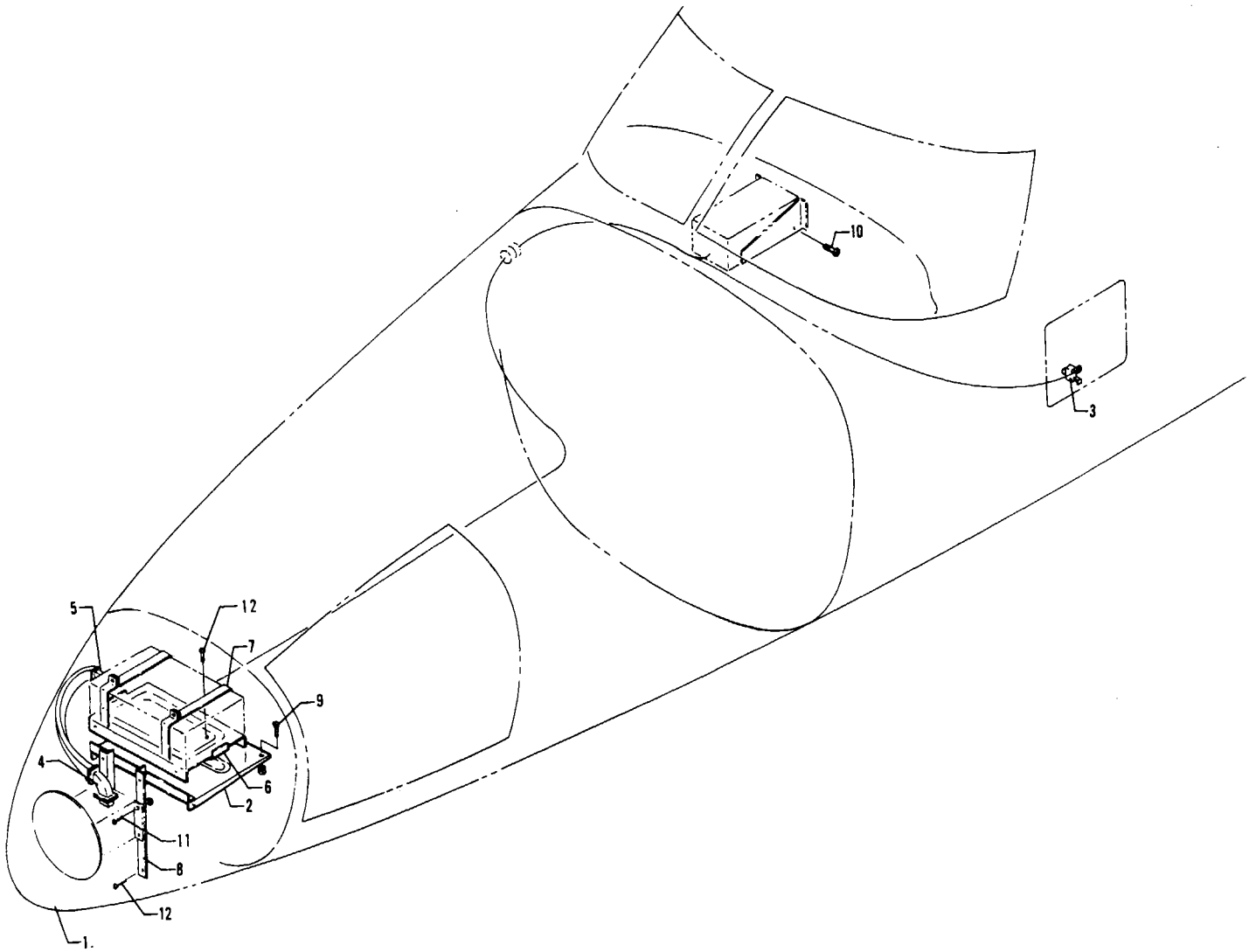


Figure 129B. Bendix Radar Installation (RDR-150)



Figure and Index Number	Part Number	Code	NOMENCLATURE	No. Req.	SERIAL NUMBERS AFFECTED
129B-	55579		DRAWING - Bendix Radar Installation (RDR-150)		31P-7730004 and up
-1		A	CONE ASSEMBLY - Fuselage nose	1	
-2	46130-00		SHELF ASSEMBLY - Radar mounting	1	
-3	454 656		BREAKER - Circuit (PS50120-3-7)	1	
-4	596 038		ADAPTER - Waveguide (X624B) "H" Plane 90 degrees	1	
-5	551 865		ADAPTER - Waveguide (X623B) "E" Bend	1	
-6	51292-03		TRAY ASSEMBLY - Receiver/Transmitter	1	
-7	51290-04		STRAP ASSEMBLY - Receiver/Transmitter	2	
-8	51289-00		ANGLE - Antenna support, left	1	
	51289-01		ANGLE - Antenna support, right	1	
-9	415 498		SCREW - (MS35206-245)	5	
	404 910		NUT - (MS20365-832C)	5	
-10	414 507		SCREW - (MS24693-S26)	4	
-11	400 438		BOLT - (AN4-3A)	4	
	404 888		NUT - (MS20365-428C)	4	
-12	411 532		SCREW - (MS35207-263)	8	
	404 887		NUT - (MS20365-1032C)	8	
A - See Figure 27 for component parts.					

When ordering, always specify Part Number, Description and Serial Number of Aircraft

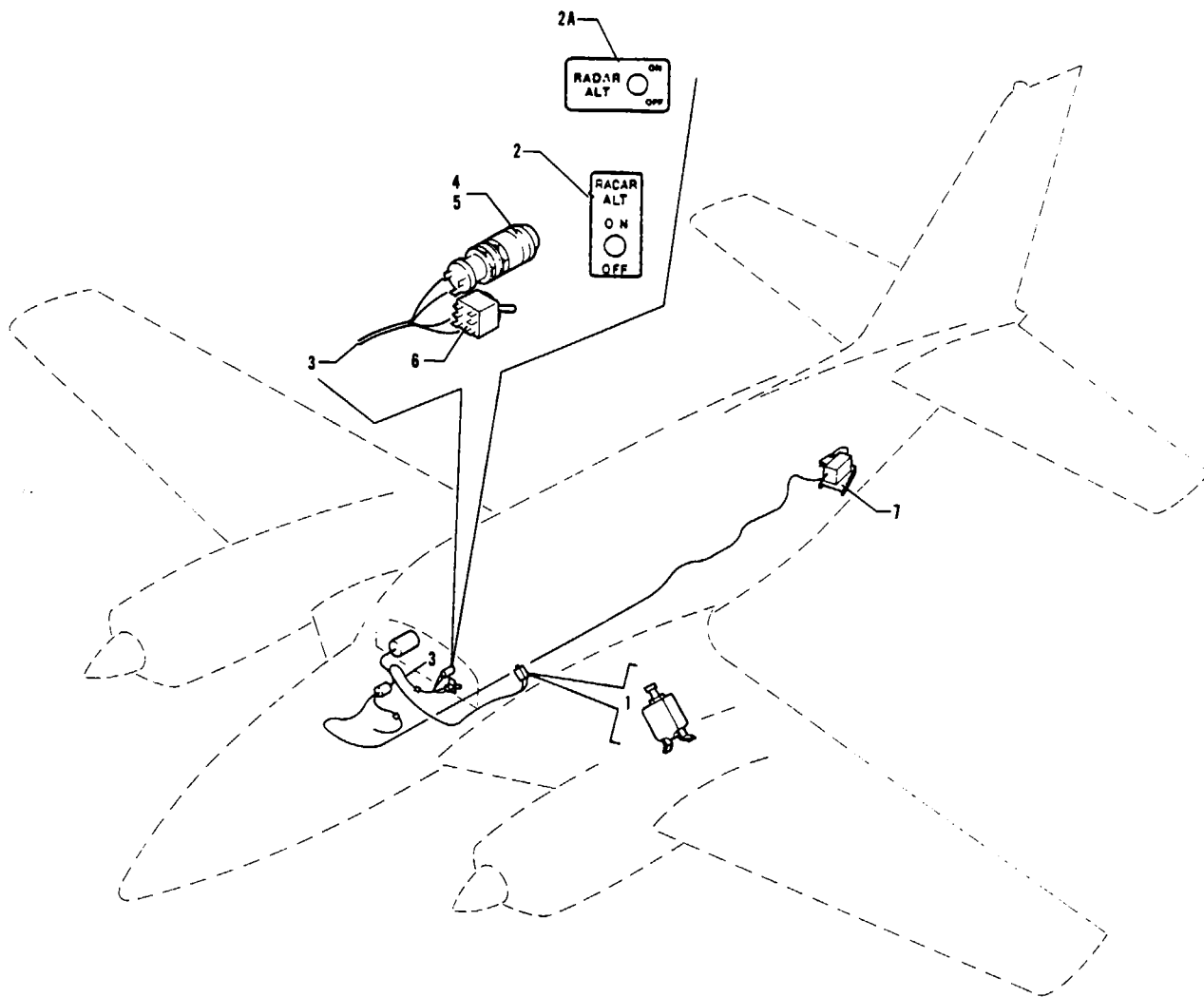


Figure 129C. Radar Altimeter Installation



Figure and Index Number	Part Number	Code	NOMENCLATURE	No. Req.	SERIAL NUMBERS AFFECTED
129C-	48286		DRAWING - Radar Altimeter Installation		
-1	454 656		CIRCUIT BREAKER - (PS50120-3-7)	1	
-2	52838-00		PLACARD - Radar altimeter, black	1	
	48673-00		PLACARD - Radar altimeter, beige	1	
-2a	80366-02		PLACARD - Radar altimeter, black	1	
	80366-03		PLACARD - Radar altimeter, beige	1	
-3	51858-02		HARNESSE ASSEMBLY - Radar altimeter	1	
-4	761 163		LIGHT ASSEMBLY - Indicator (136-0004-00)	1	
-5	472 028		BULB - (PS10008-327)	1	
-6	487 915		SWITCH - Radar altimeter (7101)	1	
-7	48265-00		SHELF ASSEMBLY - Receiver/Transmitter	1	
			A - This installation is not available when AltiMatic III C is installed.		

When ordering, always specify Part Number, Description and Serial Number of Aircraft

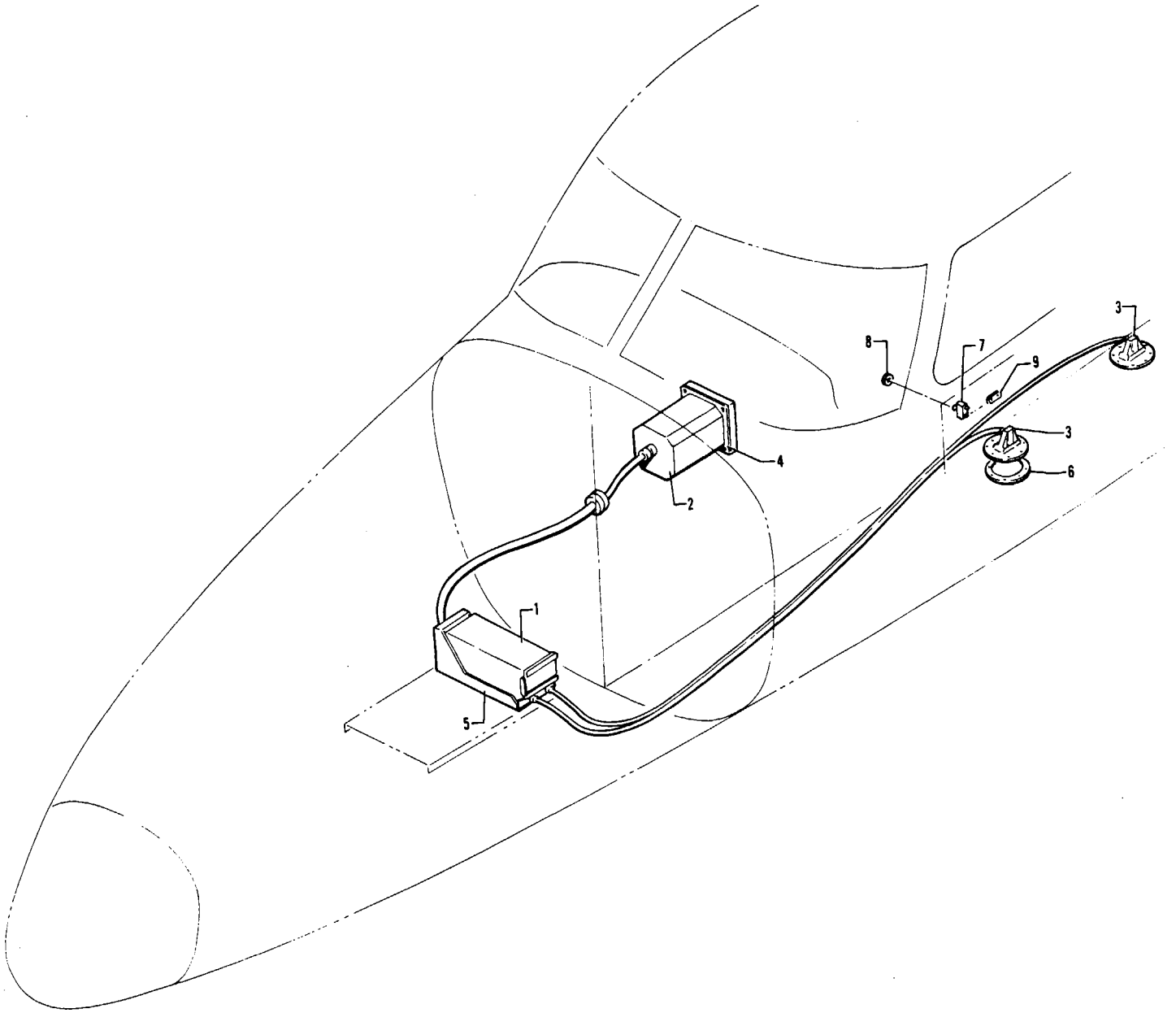


Figure 129D. Collins Radio Altimeter Installation



Figure and Index Number	Part Number	Code	NOMENCLATURE	No. Req.	SERIAL NUMBERS AFFECTED
129D-	51788		DRAWING - Collins Radio Altimeter Installation		31P-7530001 and up
-1	596 410		RECEIVER/TRANSMITTER - (860F-2/622-0410-000)	1	
-2	596 406		INDICATOR - Radio altitude (339H-4/622-1204-001)	1	
-3	451 809		ANTENNA - (437X-1A/522-4255-001)	2	
-4	582 294		PLATE - Mooring (553-6588-004)	1	
-5	51786-02		MOUNT ASSEMBLY - (ALT-50)	1	
-6	462 081		GASKET - Antenna (081-1394-020)	2	
-7	454 694		CIRCUIT BREAKER - (PS50120-3-23)	1	
-8	477 740		NUT - (55008A)	2	
-9	31506-02		BAR - Bus	3	

When ordering, always specify Part Number, Description and Serial Number of Aircraft



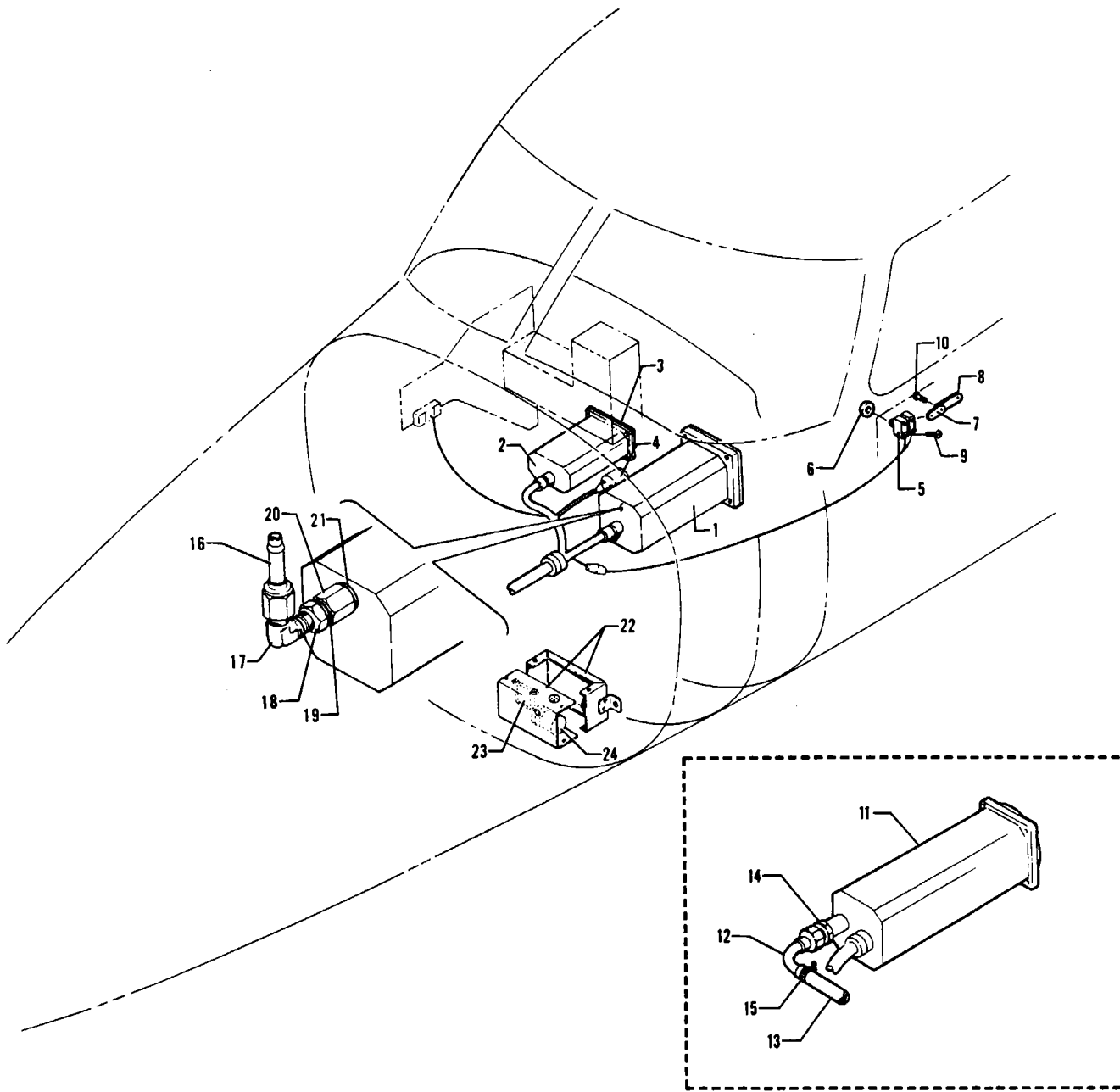


Figure 129E. Encoding Altimeter and Altitude Alerter Installation

ENCODING ALTIMETER AND  
ALTITUDE ALERTER INSTALLATION



SECTION XIII  
Electronics Group

Figure and Index Number	Part Number	Code	NOMENCLATURE	No. Req.	SERIAL NUMBERS AFFECTED
129E-	51771 51862 15564	A,C B,C D	DRAWING - Encoding Altimeter Installation DRAWING - Encoding Altimeter Installation DRAWING - Encoding Altimeter Installation		31P-7530001 and up 31P-7530001 and up 31P-7530001 and up
-1	548 173	C	ALTIMETER - Encoding (519-28702-051)	1	
-2	551 862	C	ALERTER - Altitude (540-22722-034)	1	
-3	551 869	C,E	ADAPTER - Mounting (18565)	1	
-4	565 367	C,E	HORN - Warning (5C628)	1	
-5	454 694		CIRCUIT BREAKER - (PS50120-3-23)	1	
-6	477 740	C	NUT - (55008A)	2	
-7	31506-02	C	BAR - Bus	1	
-8	31506-05	C	BAR - Bus	1	
-9	415 531	C	SCREW - (MS35206-241)	1	
	407 099	C	WASHER - Lock (MS35338-99)	1	
-10	415 533	C	SCREW - (MS35206-243)	1	
	407 099	C	WASHER - Lock (MS35338-99)	1	
-11	548 045	D	ALTIMETER - Encoding (81-41-M3H0)	1	
-12	48835-02	D	LINE ASSEMBLY - Encoding altimeter	1	
-13	80007-32	D	HOSE	1	
-14	476 648	D	NIPPLE - (AN816-4D)	1	
-15	554 861	D	CLAMP - (SAE TY F-4)	1	
-16	46723-00	C	LINE ASSEMBLY - Static pressure	1	
-17	458 900	C	ELBOW - (AN833-4D)	1	
-18	477 618	C	NUT - (AN924-4D)	1	
-19	484 854	C	"O" RING - (MS29512-02)	1	
-20	453 666	C	BUSHING - (AN893-2D)	1	
-21	484 842	C	"O" RING - (MS29512-04)	1	
-22	54674-02	E	BOX ASSEMBLY - Altitude alerter	1	31P-7630015 and up
-23	484 141	E	RELAY - (T154-4C-24VDC)	1	31P-7630015 and up
-24	554 254	E	CAPACITOR - (TVA-1316-1000MFD-50VDC)	1	31P-7630015 and up

A - Used with Collins Avionics groups.  
 B - Used with King Avionics groups.  
 C - Used if Intercontinental Dynamics Corporations Altimeter is installed.  
 D - Used if AERO Mechanism Inc. Altimeter is installed.  
 E - Used if Altitude Alerter is installed.

When ordering, always specify Part Number, Description and Serial Number of Aircraft

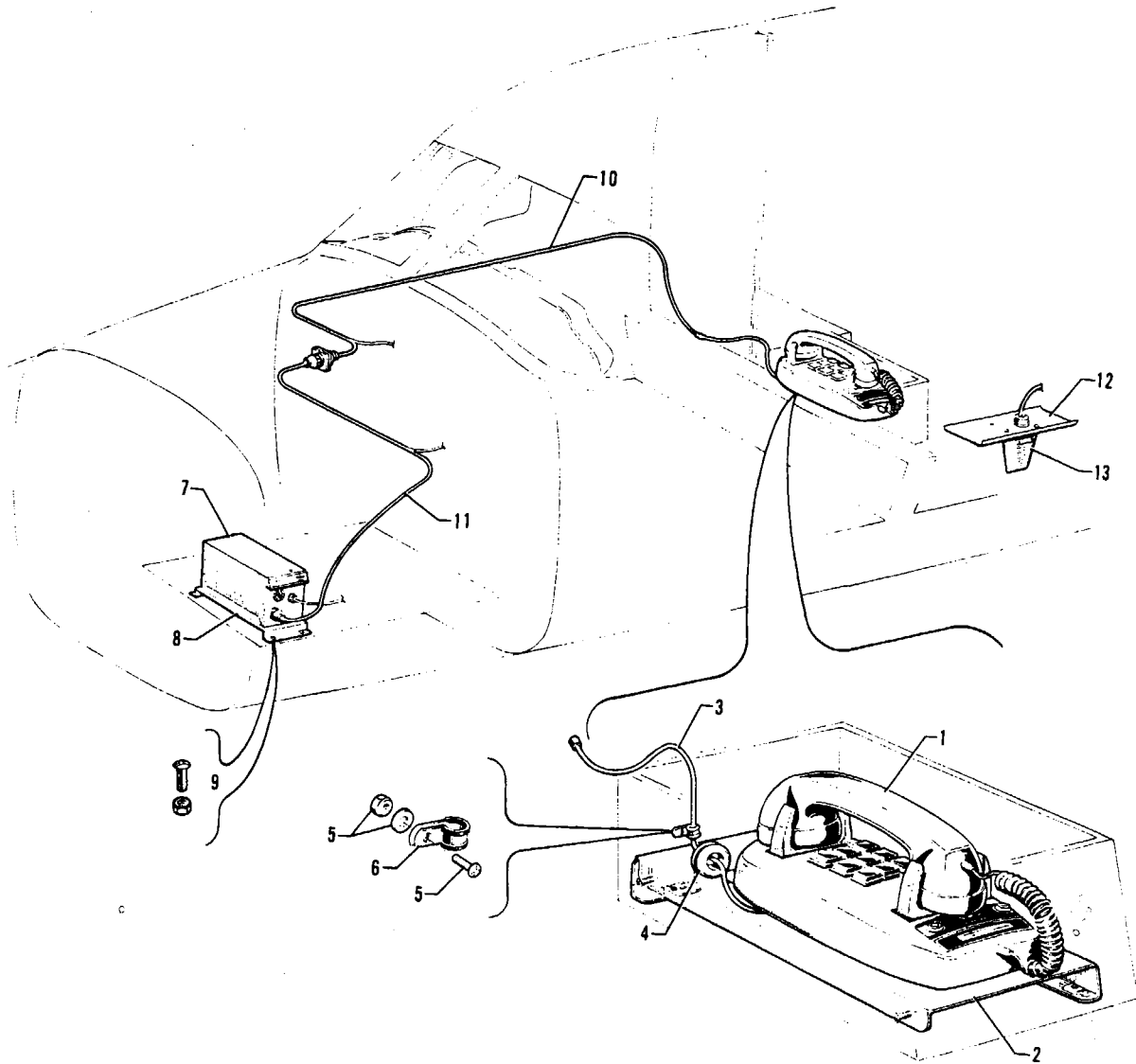


Figure 129F. Radio Telephone System Installation



Figure and Index Number	Part Number	Code	NOMENCLATURE	No. Req.	SERIAL NUMBERS AFFECTED
129F-	54811		DRAWING - Radio Telephone System Installation		31P-7630001 and up
-1	758 081		CONTROL UNIT - (064-1008-01)	1	
-2	54812-02		PANEL ASSEMBLY - Radio telephone	1	
-3	48999-04		HARNESS ASSEMBLY - Radio telephone	1	
-4	463 428		GROMMET - (MS21266-1N)	1	
-5	415 536		SCREW - (MS35206-246)	1	
	407 563		WASHER - (AN960-8)	1	
	404 910		NUT - (MS20365-832C)	1	
-6	554 955		CLAMP - (PS10017-8-5)	1	
-7	762 517		REMOTE UNIT - (064-1007-02)	1	
-8	762 518		RACK ASSEMBLY - (071-4014-00)	1	
-9	415 520		SCREW - (MS35206-230)	4	
	404 909		NUT - (MS20365-832C)	4	
-10	48999-02		HARNESS ASSEMBLY - Radio telephone	1	
-11	48999-03		HARNESS ASSEMBLY - Radio telephone	1	
-12	54808-02		BRACKET ASSEMBLY - Radio telephone	1	
-13	763 001		ANTENNA - Radio telephone (071-1046-00)	1	

When ordering, always specify Part Number, Description and Serial Number of Aircraft

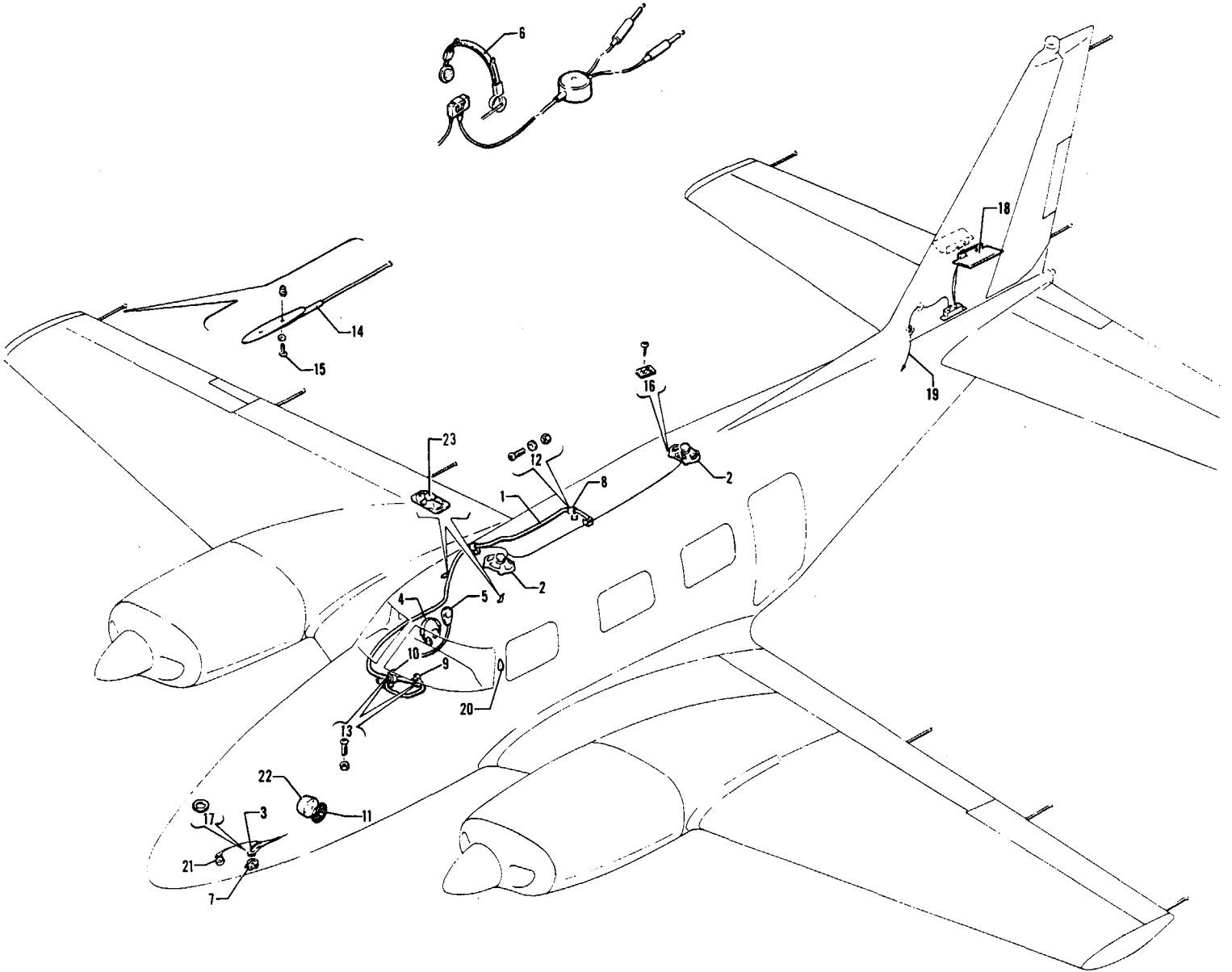


Figure 130. Antenna Cable, Speaker, Static Wicks, Jack and Mike Installation



Figure and Index Number	Part Number	Code	NOMENCLATURE	No. Req.	SERIAL NUMBERS AFFECTED
130-	42387		DRAWING - Static Wicks Installation		
	47330		DRAWING - External Mike Jack Installation		
	51878		DRAWING - External Mike and Phone Jack Installation		
	47152		DRAWING - Antenna Coaxial and Speaker Installation		31P-3 to 31P-7400230 inclusive
	54850		DRAWING - Antenna Coaxial and Speaker Installation		31P-7530001 and up
	47728		DRAWING - Copilot Headset and Microphone Installation		31P-3 to 31P-7630005 inclusive
	48737		DRAWING - Copilot Headset and Microphone Installation		31P-7630006 and up
	48736		DRAWING - Pilot Headset and Microphone Installation		31P-3 to 31P-7400194 inclusive
	47444		DRAWING - Boom Mike Installation		31P-7400195 and up
	48615		DRAWING - VOR/LOC, All Weather Antenna Installation		31P-7400195 and up
-1	49985-02		CABLE ASSEMBLY - Antenna coaxial	1	
-2	42777-00		SPEAKER ASSEMBLY - Radio, front	1	31P-3 to 31P-7630005 inclusive
	42777-00		SPEAKER ASSEMBLY - Radio, rear	1	
-3	468 002		JACK - Mike (S12B)	1	
-4	464 327		HEADPHONE - (23,300 ohm)	1	
-5	47717-00		MICROPHONE	1	31P-3 to 31P-7400194 inclusive
	474 657		MICROPHONE ASSEMBLY - (Telex 62800-01 Model 100-T)	1	31P-7400195 and up
-6	27004-00		HEADSET AND MIKE ASSEMBLY	1	
-7	555 375		COVER - Jack (512)	1	
-8	454 929		CLAMP - (A4980S-4-91)	1	
-9	454 931		CLAMP - (A4980S-5-91)	1	
-10	554 906		CLAMP - (A3046S-13-91)	1	
-11	462 054		GASKET - Bell (36G22)	1	
-12	415 149		SCREW - (AN526-832R8)	1	
	407 562		WASHER - (AN960-6)	1	
	404 909		NUT - (MS20365-632C)	1	
-13	415 449		SCREW - (AN526-832R8)	2	
	404 910		NUT - (MS20365-832C)	2	
-14	494 678		WICK - Static (SW10-96-3)	10	
-15	515 709		SCREW - (MS35206-230)	20	
	407 041		WASHER - (MS35338-41)	20	
	406 848		RIVNUT - (A6K-75)	20	
-16	419 953		SCREW - (6 x 1/2, truss head, Type A, nickel plated)	12	
	406 372		NUT - (NAS395-6-3)	12	
-17	494 068		WASHER - (6517-M)	1	
-18	54800-18		KIT - VOR/LOC Antenna (includes antenna and phasing coupler)	1	31P-7300133 and up
-19	42743-26		CABLE ASSEMBLY - VOR/LOC Antenna	1	31P-7300133 and up
-20	565 446		BRACKET - Boom mike headset (XP-96208)	1	
-21	468 006		JACK - Phone (11)	1	31P-7530001 and up
-22	454 343		SPEAKER ASSEMBLY - Ramp hailer (3623)	1	
-23	54848-03		SPEAKER ASSEMBLY - Radio, left	1	31P-7630006 and up
	54848-04		SPEAKER ASSEMBLY - Radio, right	1	31P-7630006 and up

When ordering, always specify Part Number, Description and Serial Number of Aircraft

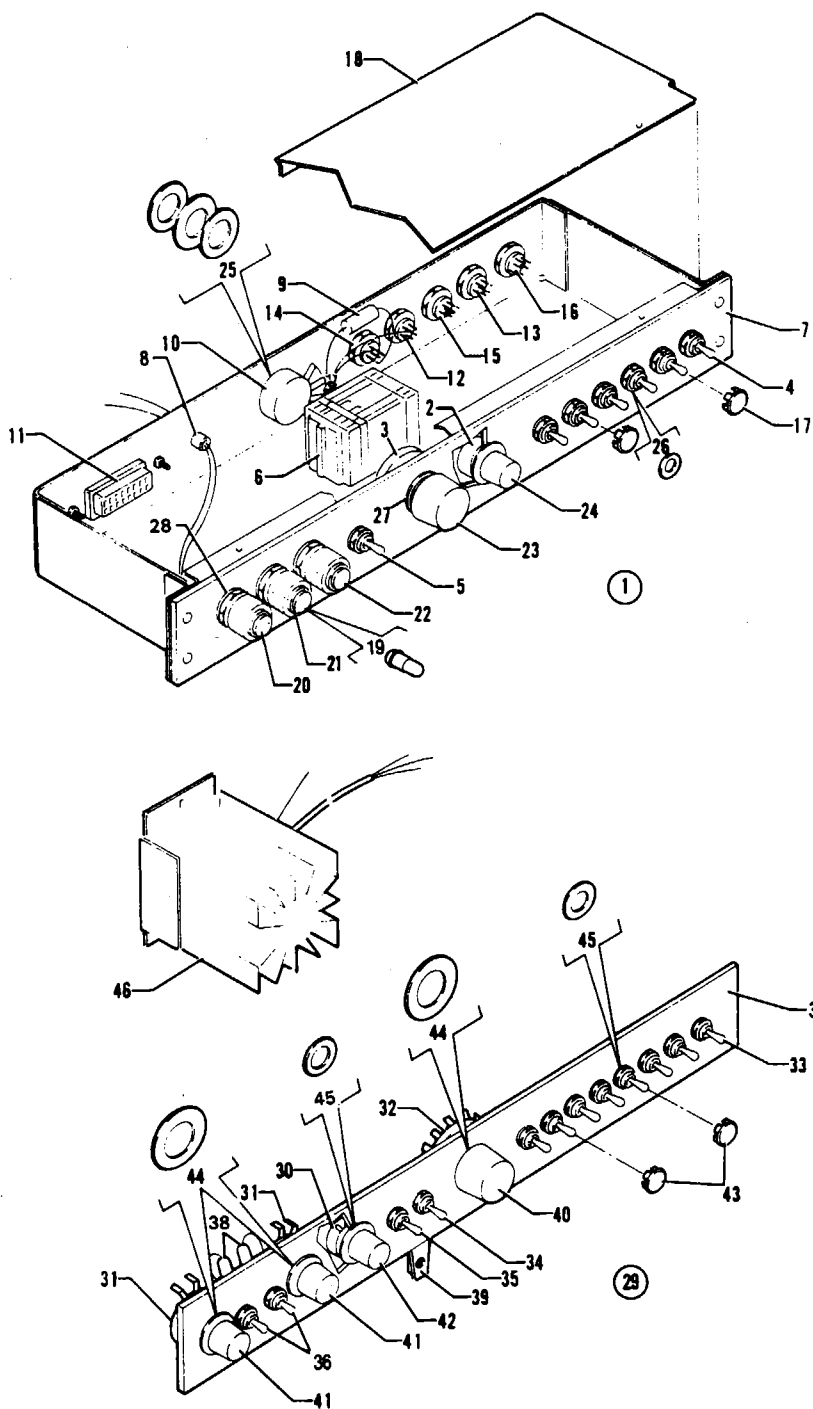


Figure 130A. Radio Junction Box and Transmitter Selector Assemblies



Figure and Index Number	Part Number	Code	NOMENCLATURE	No. Req.	SERIAL NUMBERS AFFECTED
130A-	47325 47625  47908		DRAWING - Audio Amplifier Installation (KAA-445) DRAWING - Audio Amplifier and Marker Beacon Installation (KA-25 and PM-1) DRAWING - Audio Amplifier and Marker Beacon Installation (KA-25 and MBT-R-24)		
-1	47569-02 47569-03 47569-05 47569-07 47569-08 47569-09	A B C D E F	BOX ASSEMBLY - Radio junction (complete) BOX ASSEMBLY - Radio junction (complete) BOX ASSEMBLY - Radio junction (complete) BOX ASSEMBLY - Radio junction (complete) BOX ASSEMBLY - Radio junction (complete) BOX ASSEMBLY - Radio junction (complete)	1 1 1 1 1 1	
-2	47954-02		POTENTIOMETER ASSEMBLY - Lights	1	
-3	47548-00		SWITCH ASSEMBLY - Selector	1	
-4	487 916		SWITCH - Audio (#7103)	6	
-5	487 917 487 915	ABC DEF	SWITCH - (#7203) Piper Marker Beacon SWITCH - (#7101) Narco Marker Beacon	1 1	
-6	484 211		RELAY - (#1245-2C-24D)	1	
-7	47514-00  47896-00	ABC  DEF	PANEL ASSEMBLY - Radio control, electroluminescent (Piper Marker Beacon)  PANEL ASSEMBLY - Radio control, electroluminescent (Narco Marker Beacon)	1  1	
-8	453 864		BUSHING - Snap (PS10064-250-2)	1	
-9	47849-00		RESISTOR ASSEMBLY - Control	1	
-10	455 337		CONTROL - "L" Pad (#TSA-10)	1	
-11	555 409		CONNECTOR --Receptacle (#57-40240)	1	
-12	455 226		CONNECTOR - (#126-197)	1	
-13	455 227		CONNECTOR - (#126-198)	1	
-14	455 228		CONNECTOR - (#126-216)	1	
-15	455 309		CONNECTOR - (#126-219)	1	
-16	455 229		CONNECTOR - (#126-221)	1	
-17	453 855		BUTTON - Plug (#207-170201-00)	2	
-18	47617-00		COVER - Junction box assembly	1	
-19	453 695		BULB - (PS10008-328)	3	
-20	472 817		LIGHT ASSEMBLY - Indicator (#801-1030-0337-504) clear (less bulb)	1 1	
-21	472 061		LIGHT ASSEMBLY - Indicator (#801-1030-0334-504) blue (less bulb)	1 1	
-22	472 793		LIGHT ASSEMBLY - Indicator (#801-1030-0333-504) amber (less bulb)	1 1	
-23	571 125		KNOB - Selector control (#506)	1	
-24	571 127		KNOB - Dimmer control (#1-525-D)	1	
			A - Used with Dual Narco Mark 16 Radios, HF Comm, Dual ADF and Piper Marker Beacon. B - Used with Dual Narco Mark 16 Radios, Single ADF and Piper Marker Beacon. C - Used with Single Narco Mark 16 Radios, HF Comm, Dual ADF and Piper Marker Beacon. D - Used with Dual Narco Mark 16 Radios, HF Comm, Dual ADF and Narco Marker Beacon. E - Used with Dual Narco Mark 16 Radios, Single ADF and Narco Marker Beacon. F - Used with Single Narco Mark 16 Radios, HF Comm, Dual ADF and Narco Marker Beacon.		

When ordering, always specify Part Number, Description and Serial Number of Aircraft





Figure and Index Number	Part Number	Code	NOMENCLATURE	No. Req	SERIAL NUMBERS AFFECTED
130A-25	494 068		WASHER - (#6517-M)	1	
	407 138		WASHER - (AN936-A616)	1	
	494 067		WASHER - (#6529-M)	1	
-26	494 190		WASHER - Nylomatic (. 25 x . 37 x . 047)	8	
-27	494 189		WASHER - Nylomatic (. 38 x . 62 x . 047)	1	
-28	494 222		WASHER - Nylomatic (. 50 x . 62 x . 047)	3	
-29	47298-02	A	PANEL ASSEMBLY - Audio transmitter selector	1	
	47298-03	B	PANEL ASSEMBLY - Audio transmitter selector	1	
	47298-04	C	PANEL ASSEMBLY - Audio transmitter selector	1	
	47298-05	D	PANEL ASSEMBLY - Audio transmitter selector	1	
-30	47954-04		POTENTIOMETER ASSEMBLY - Lights	1	
-31	47275-00		POTENTIOMETER - Audio	2	
-32	47270-00		SWITCH ASSEMBLY - Selector	1	
-33	47268-00		SWITCH ASSEMBLY - Audio	8	
-34	487 915		SWITCH - (#7101) DME	1	
-35	487 917		SWITCH - (#7203) Marker Beacon	1	
-36	487 916		SWITCH - (#7103)	2	
-37	47049-00		PANEL ASSEMBLY - Radio control, electroluminescent	1	
-38	484 401		RESISTOR - (1000 ohm, 1/2 Watt, Type CVF)	2	
-39	47248-00		BRACKET ASSEMBLY - Audio selector placard	1	
-40	571 125		KNOB - Selector switch (#506)	1	
-41	571 126		KNOB - Volume control (#525-D)	2	
-42	571 127		KNOB - Potentiometer (#1-525-D)	1	
-43	453 855		BUTTON - Plug (#207-170201-00)	2	
-44	494 189		WASHER - Nylomatic (. 38 x . 62 x . 047)	3	
-45	494 190		WASHER - Nylomatic (. 25 x . 37 x . 047)	13	
-46	47954-03		DIMMER ASSEMBLY - Lights	1	

- A - Used with Dual King Radios, HF Comm, Dual ADF and Marker Beacon.
- B - Used with Dual King Radios, Single ADF and Marker Beacon.
- C - Used with Single King Radios, HF Comm, Dual ADF and Marker Beacon.
- D - Used with Dual King Radios, HF Comm, Single ADF and Marker Beacon.

When ordering, always specify Part Number, Description and Serial Number of Aircraft



Figure and Index Number	Part Number	Code	NOMENCLATURE	No. Req.	SERIAL NUMBERS AFFECTED
47575			DRAWING - Narco Radio Installation (Domestic - Group A)		31P-3 to 31P-7300137 inclusive
47649			DRAWING - Narco Radio Installation (Export - Group B)		31P-3 to 31P-7300137 inclusive
47513			DRAWING - King Radio Installation (Domestic - Group C)		31P-3 to 31P-7400191 inclusive
47764			DRAWING - King Radio Installation (Export - Group D)		31P-3 to 31P-7400191 inclusive
47209			DRAWING - King Radio Installation (Domestic)		31P-3 to 31P-7300137 inclusive
48750			DRAWING - King Radio Installation (KTG-31P, Group 604)		31P-7400192 to 31P-7400230 incl.
48760			DRAWING - King Radio Installation (KTG-31PI, Group 614)		31P-7400192 to 31P-7400230 incl.
47553	AB		DRAWING - Narco Mark 16 NAV/COMM 1 Installation includes VOA-9 VOR/ILS Localizer Converter Indicator and UGR-2 Glide Slope Indicator		
47588	AB		DRAWING - Narco Mark 16 NAV/COMM 2 Installation (includes VOA-8 VOR/ILS Localizer Converter Indicator)		
46499	CDEFG		DRAWING - King KTR 900 (COMM 1) Radio Installation		
47269	CDEFG		DRAWING - King KTR 900 (COMM 2) Radio Installation		
47307	CDE		DRAWING - King KNI-500 L (NAV 1) Radio Installation		
51422	FG		DRAWING - King KNR-600A (NAV 1) Radio Installation		31P-7400192 to 31P-7400230 incl.
47081	CDE		DRAWING - King KNI-500 (NAV 2) Radio Installation		
51424	FG		DRAWING - King KNR-600A (NAV 2) Radio Installation		31P-7400192 to 31P-7400230 incl.
47274	ABCDE FG		DRAWING - King KXP-750A Transponder Installation		31P-3 to 31P-7300137 inclusive
47331	BCD		DRAWING - Sunair SA-14RA Radio Installation		31P-3 to 31P-7300137 inclusive
47872	BCD		DRAWING - Sunair ABS-60 Radio Installation and Sunair ABS-125 Radio Installation		
47626	AB		DRAWING - King KA-25 Audio Amplifier and Piper PM-1 Marker Beacon Installation		
47908	AB		DRAWING - King KA-25 Audio Amplifier and Narco MBT-R-24 Marker Beacon Installation		
47325	CDE		DRAWING - King KAA-445 Audio Amplifier Installation		31P-3 to 31P-7300137 inclusive
48588	CDFG		DRAWING - King KAA-445 and KA-37 Audio Amplifier Installation		31P-7300138 to 31P-7400230 incl.
47604	AB		DRAWING - Narco UDI-4 DME Installation		
47247	CDE		DRAWING - King KDM-700 DME Radio Installation		
51425	FG		DRAWING - King KDM-705 DME Radio Installation		31P-7400192 to 31P-7400230 incl.
47595	A		DRAWING - Bendix ADF-T-12C Single ADF Installation (with or without BFO)		
47866	A		DRAWING - King KDF-800 Single ADF Installation (with or without dual control head)		

- A - Components of Narco Radio Installation (Domestic - Group A).
- B - Components of Narco Radio Installation (Export - Group B).
- C - Components of King Radio Installation (Domestic - Group C).
- D - Components of King Radio Installation (Export - Group D).
- E - Components of King Radio Installation (Domestic).
- F - Component of King Radio Installation (KTG-31P, Group 604-73).
- G - Component of King Radio Installation (KTG-31PI, Group 614-73).

When ordering, always specify Part Number, Description and Serial Number of Aircraft



Figure and Index Number	Part Number	Code	NOMENCLATURE	No. Req.	SERIAL NUMBERS AFFECTED
47761 47315	AC DEF		DRAWING - ARC-21B Single ADF Installation DRAWING - King KDF-800 ADF Radio Installation (available with dual control head)		31P-3 to 31P-7300137 incl.
47885 47878 47791	BD B B		DRAWING - ARC-21B ADF Installation DRAWING - King KDF-800 Dual ADF Installation DRAWING - Bendix ADF-T-12C Dual ADF Installation (with or without BFO)		31P-3 to 31P-7300137 incl.
47317 48105 48728 47569 47554 47298 46391	DG A G AB AB CDE CDE		DRAWING - King KDF-800 Dual ADF Radio Installation DRAWING - King KR-85 Single ADF Installation DRAWING - Sunair ASB-130 HF Comm Installation BOX ASSEMBLY - Radio junction (complete) WIRING DIAGRAM PANEL ASSEMBLY - Audio transmitter selector WIRING DIAGRAM		31P-7400192 to 31P-7400230 incl.
48610 48105 48607 48555 48556 48605			DRAWING - King Radio Installation (KTS-31P, Group 602) DRAWING - King KR-85 Single ADF Installation DRAWING - King KN-65 DME Radio Installation DRAWING - King KX-175B NAV/COMM 1 Installation DRAWING - King KX-175B NAV/COMM 2 Installation DRAWING - King DMA Audio Amplifier and M/B Installation		31P-7300138 to 31P-7400230 incl. 31P-7300138 to 31P-7400230 incl. 31P-7300138 to 31P-7400230 incl. 31P-7300138 to 31P-7400230 incl. 31P-7300138 to 31P-7400230 incl.
48595 48770 48145 48607 48555 48556 48605 48595 48728			DRAWING - King KT-76 Transponder Installation DRAWING - King Radio Installation (KTS-31Pi, Group 612) DRAWING - King KR-85 Dual ADF Installation DRAWING - King KN-65 DME Radio Installation DRAWING - King KX-175B NAV/COMM 1 Installation DRAWING - King KX-175B NAV/COMM 2 Installation DRAWING - King DMA Audio Amplifier and M/B Installation DRAWING - King KT-76 Transponder Installation DRAWING - Sunair ASB-130 HF Comm Installation		31P-7300138 to 31P-7400230 incl. 31P-7300138 to 31P-7400230 incl. 31P-7400203 to 31P-7400230 incl. 31P-7400203 to 31P-7400230 incl. 31P-7400203 to 31P-7400230 incl. 31P-7400203 to 31P-7400230 incl. 31P-7400203 to 31P-7400230 incl. 31P-7400203 to 31P-7400230 incl. 31P-7400203 to 31P-7400230 incl.
			A - Components of Narco Radio Installation (Domestic- Group A). B - Components of Narco Radio Installation (Export - Group B). C - Components of King Radio Installation (Domestic - Group C). D - Components of King Radio Installation (Export - Group D). E - Components of King Radio Installation (Domestic). F - Component of King Radio Installation (KTG-31P, Group 604-73). G - Component of King Radio Installation (KTG-31Pi, Group 614-73).		

When ordering, always specify Part Number, Description and Serial Number of Aircraft



Figure and Index Number	Part Number	Code	NOMENCLATURE	No. Req.	SERIAL NUMBERS AFFECTED
	48440		DRAWING - King Radio Installation (KTG-1-31P Group)		31P-7530001 and up
	51840		DRAWING - King NAV 1, RNAV and DME Installation		31P-7530001 and up
	51826		DRAWING - King NAV 2 and KNR-630 Installation		31P-7530001 and up
	51814		DRAWING - King COMM 1 and 2 Installation		31P-7530001 to 31P-7630013 incl.
	54847		DRAWING - King COMM 1 and 2 Installation		31P-7630014 and up
	51812		DRAWING - King Transponder Installation		31P-7530001 and up
	48821		DRAWING - ADF and RMI Installation		31P-7530001 and up
	48588		DRAWING - King KAA-445 and KA-37 Audio Amplifier Installation		31P-7530001 and up
	48991		DRAWING - Electric Copilot Trim Installation		31P-7630008 and up
	49114		DRAWING - Memory Power Battery Pack Installation		31P-7630008 and up
	55635		DRAWING - Copilot HSI (NSD-360) Installation		31P-7730001 and up
	48832		DRAWING - Collins Radio Installation (CT-1-31P Group)		31P-7530001 and up
	51542		DRAWING - Collins COMM 1 and 2 VHF-20 Installation		31P-7530001 and up
	51545		DRAWING - Collins NAV 1 and 2 VIR-30 Installation		31P-7530001 to 31P-7630013 incl.
	48878		DRAWING - Collins NAV 1 and 2 VIR-30 Installation		31P-7630014 and up
	51548		DRAWING - King KDF-800 ADF Installation		31P-7530001 to 31P-7630013 incl.
	48821		DRAWING - ADF and RMI Installation		31P-7630014 to 31P-7630019 incl.
	55291		DRAWING - Collins ADF-60A Installation		31P-7730001 and up
	51549		DRAWING - Collins DME, Transponder and Audio Control Center		31P-7530001 and up
	48991		DRAWING - Electric Copilot Trim Installation		31P-7630008 and up
	55635		DRAWING - Copilot HSI (NSD-360) Installation		31P-7730001 and up
	48836		DRAWING - King Radio Installation (KTS-3-31P Group)		31P-7530001 and up
	49191		DRAWING - King KR-85 Single ADF Installation		31P-7530001 and up
	48607		DRAWING - King KN-65 DME Radio Installation		31P-7530001 to 31P-7630007 incl.
	49055		DRAWING - King KN-65A DME Radio Installation		31P-7630008 and up
	48555		DRAWING - King KX-175B NAV/COMM 1 Installation		31P-7530001 and up
	48556		DRAWING - King KX-175B NAV/COMM 2 Installation		31P-7530001 and up
	48852		DRAWING - King KMA-20 Audio Amplifier and M/B Installation		31P-7530001 and up
	48595		DRAWING - King KT-76 Transponder Installation		31P-7530001 and up
	48991		DRAWING - Electric Copilot Trim Installation		31P-7630008 and up
	55635		DRAWING - Copilot HSI (NSD-360) Installation		31P-7730001 and up
	48866		DRAWING - King Radio Installation (KTG-2-31P Group)		31P-7530001 and up
	51910		DRAWING - King NAV 1 Installation		31P-7530001 and up
	51913		DRAWING - King NAV 2 Installation		31P-7530001 and up
	51814		DRAWING - King COMM 1 and 2 Installation		31P-7530001 to 31P-7630013 incl.
	54847		DRAWING - King COMM 1 and 2 Installation		31P-7630014 and up
	51812		DRAWING - King Transponder Installation		31P-7530001 and up
	48821		DRAWING - ADF and RMI Installation		31P-7530001 and up
	51917		DRAWING - King KDM-705 DME Installation		31P-7530001 and up
	48859		DRAWING - King KAA-445 Audio Amplifier Installation		31P-7530001 and up
	48991		DRAWING - Electric Copilot Trim Installation		31P-7630008 and up
	55635		DRAWING - Copilot HSI (NSD-360) Installation		31P-7730001 and up
	48924		DRAWING - Collins Radio Installation (CT/D-2-31P Group)		31P-7530001 and up
	48925		DRAWING - Collins Digital Equipment Installation		31P-7530001 and up
	51932		DRAWING - Collins Equipment Installation (Top Shelf)		31P-7530001 and up
	51933		DRAWING - Collins Equipment Installation (Bottom Shelf)		31P-7530001 and up
	51927		DRAWING - Shelf, Equipment Installation		31P-7530001 to 31P-7630004 incl.
	48982		DRAWING - Shelf, Equipment Installation		31P-7630005 and up
	51854		DRAWING - Avionics Dimmer Installation		31P-7530001 and up
	51943		DRAWING - Power Wire Installation (NCS-31)		31P-7530001 and up
	48910		DRAWING - Harness Installation		31P-7530001 and up
	51965		DRAWING - Antenna and Coax Installation		31P-7530001 and up
	48913		DRAWING - Circuit Protector Installation		31P-7530001 and up
	48991		DRAWING - Electric Copilot Trim Installation		31P-7630008 and up
	55635		DRAWING - Copilot HSI (NSD-360) Installation		31P-7730001 and up

When ordering, always specify Part Number, Description and Serial Number of Aircraft



Figure and Index Number	Part Number	Code	NOMENCLATURE	No. Req.	SERIAL NUMBERS AFFECTED
	51892 51889 51958 48995	A B C D	DRAWING - King KNC-610 RNAV Installation DRAWING - Collins Dual TDR-90 Transponder DRAWING - Collins Dual TDR-90 Transponder DRAWING - King KN-74 RNAV Installation  A - Used with King Radio Installation (KTG-2-31P Group). B - Used with Collins Radio Installation (CT-1-31P Group). C - Used with Collins Radio Installation (CT/D-2-31P Group). D - Used with King Radio Instalation (KTS-3-31P Group).		31P-7530001 and up 31P-7530001 and up 31P-7530001 and up 31P-7630008 and up

When ordering, always specify Part Number, Description and Serial Number of Aircraft

**2124**

**INTENTIONALLY LEFT BLANK**

# PIPER PARTS CATALOG

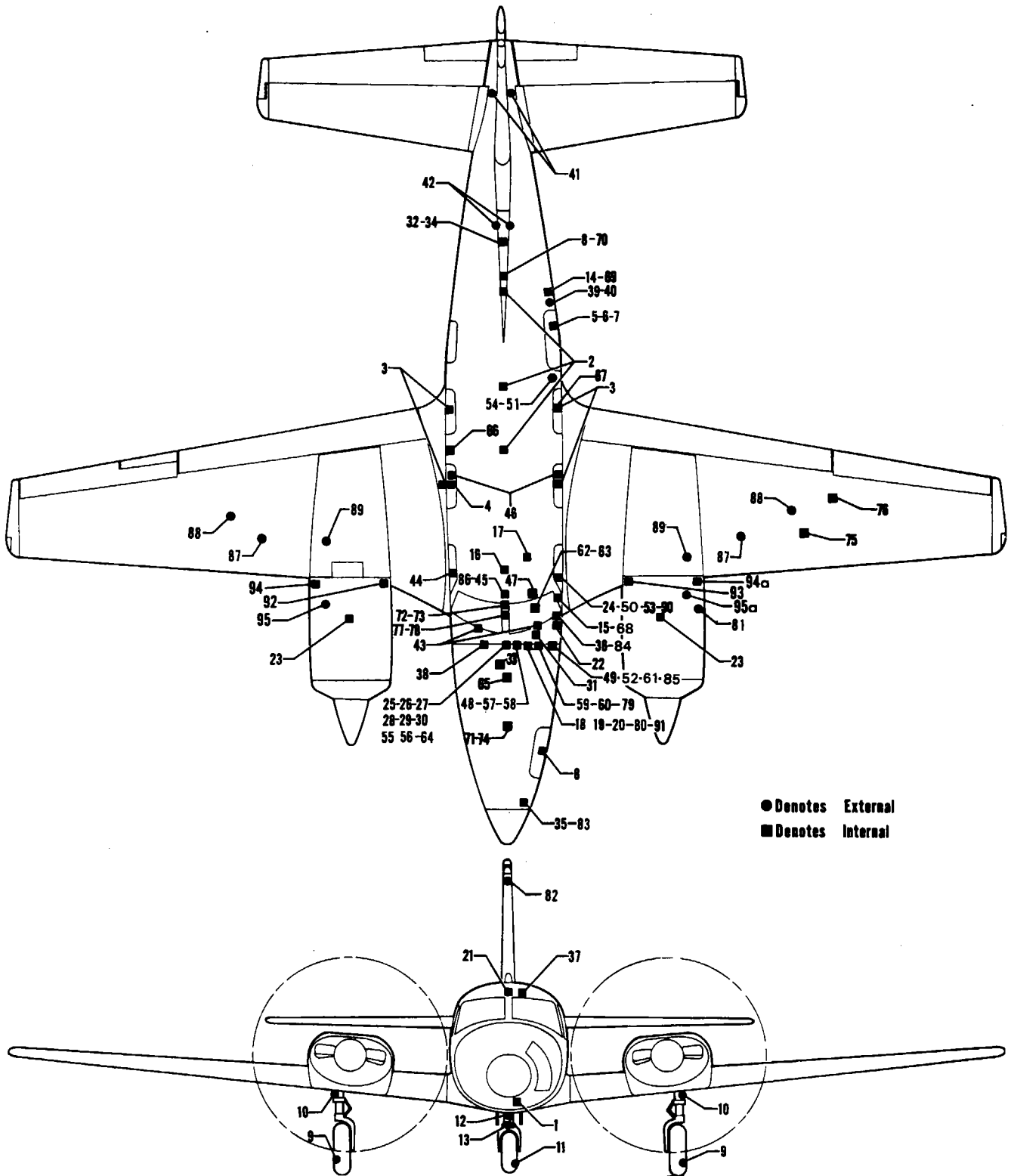


Figure 131. Placards and Exterior Stencils



Figure and Index Number	Part Number	Code	NOMENCLATURE	No. Req.	SERIAL NUMBERS AFFECTED
131-1	47757-00		PLACARD - Starting procedures, external power	1	
-2	42080-00		PLACARD - Oxygen mask container cover	3	
-3	42457-00		PLACARD - Seat latching	4	
-4	46925-00		PLACARD - Emergency exit release	1	31P-3 to 31P-109 inclusive
	54587-02		PLACARD - Emergency exit release	1	31P-7300110 and up
-5	47060-00		PLACARD - Cabin door latch	1	
-6	47059-00		PLACARD - Cabin door lock	1	
-7	47563-00		PLACARD - Door auxiliary lock	1	
-8	47545-00		PLACARD - Baggage capacity	1	
-9	41398-05		PLACARD - Main tire inflation	2	
-10	40292-04		PLACARD - Oleo service instructions	2	
-11	41398-04		PLACARD - Nose tire inflation	1	
-12	40292-02		PLACARD - Oleo service instructions	1	
-13	45331-00		PLACARD - Tow turn limits	1	
-14	41433-00		PLACARD - Overhead light switch	1	
-15	47697-00		PLACARD - Checklist	1	31P-3 to 31P-109 inclusive
	47697-02		PLACARD - Checklist	1	31P-7300110 to 31P-7630005 incl.
	51228-00		PLACARD - Checklist	1	31P-7630006 to 31P-7630019 incl.
	80542-00		PLACARD - Checklist	1	31P-7730001 and up
-16	48242-00		PLACARD - Emergency gear extension	1	
-17	47218-00		PLACARD - No smoking/fasten seat belts	1	
-18	46454-00		PLACARD - Airspeed mph, black	1	31P-3 to 31P-7630019 inclusive
	48670-02		PLACARD - Airspeed mph, beige	1	31P-3 to 31P-7630019 inclusive
	46454-02	A	PLACARD - Airspeed knots, black	1	31P-3 to 31P-7630019 inclusive
	48670-03	A	PLACARD - Airspeed knots, beige	1	31P-3 to 31P-7630019 inclusive
	46454-03		PLACARD - Airspeed knots, domestic, black	1	31P-3 to 31P-7630019 inclusive
	48670-04		PLACARD - Airspeed knots, domestic, beige	1	31P-3 to 31P-7630019 inclusive
	80514-02		PLACARD - Airspeed knots (582 713)	1	31P-7730001 and up
-19	46465-00		PLACARD - Stall warning, black	1	31P-3 to 31P-7300132 inclusive
	48669-02		PLACARD - Stall warning, black	1	31P-7300133 to 31P-7530022 incl.
	48669-00		PLACARD - Stall warning, beige	1	31P-7300133 to 31P-7530022 incl.
-20	46576-00		PLACARD - Windshield wiper, mph, black	1	31P-3 to 31P-7530022 inclusive
	48668-02		PLACARD - Windshield wiper, mph, beige	1	31P-3 to 31P-7530022 inclusive
	46576-03		PLACARD - Windshield wiper, knots, black	1	31P-3 to 31P-7530022 inclusive
	48668-04		PLACARD - Windshield wiper, knots, beige	1	31P-3 to 31P-7530022 inclusive
	80326-02		PLACARD - Windshield wiper, mph and knots, black	1	31P-7530023 to 31P-7630019 incl.
	80502-02		PLACARD - Windshield wiper	1	31P-7730001 and up
-21	41345-00		PLACARD - Heated windshield	1	
-22	52179-00		PLACARD - Marker beacon lights	1	31P-3 to 31P-7300132 inclusive
-23	46298-00		PLACARD - Engine oil specification	2	
-24	47008-00		PLACARD - Fuel control panel	1	
-25	40583-03		PLACARD - Throttle control	1	
-26	40584-03		PLACARD - Propeller control	1	
-27	40594-03		PLACARD - Mixture control	1	
-28	47736-00		PLACARD - Elevator trim	1	
-29	47737-00		PLACARD - Rudder trim	1	
-30	47738-00		PLACARD - Aileron trim	1	
-31	43693-00		PLACARD - Control shaft lock	1	31P-3 to 31P-7400177 inclusive
-32	46752-00		PLACARD - Cabin vent	1	
-33	48022-00		DECAL - Brake reservoir	1	
-34	47583-00		PLACARD - Isobaric valve	1	
-35	45456-00		PLACARD - Battery caution	1	
	50743-00		PLACARD - Battery caution (nickel cadmium)	1	
-36	41347-00		PLACARD - Phone jack	2	
-37	46495-00		PLACARD - Category	1	
-38	43918-00		PLACARD - Glide slope	1	
-39	43029-00		PLACARD - Radar equipped	1	

A - Used on aircraft that comply with C.A.A. (United Kingdom) and D.O.T. (Australia) requirements.

When ordering, always specify Part Number, Description and Serial Number of Aircraft



**PIPER PARTS CATALOG**

Figure and Index Number	Part Number	Code	NOMENCLATURE	No. Req.	SERIAL NUMBERS AFFECTED
131-40	47322-00		STENCIL - Pressurized	1	31P-3 to 31P-7300132 inclusive
	47650-00		DECAL - Pressurized	1	31P-3 to 31P-7300132 inclusive
	48627-00		DECAL - Pressurized	1	31P-7300133 and up
-41	22859-00		STENCIL - Piper	2	31P-3 to 31P-7300132 inclusive
-42	41340-00		STENCIL - Navajo	2	31P-3 to 31P-7300132 inclusive
	48628-00		DECAL - Navajo	2	31P-7300133 and up
-43	474 345		MEDALLION - Control wheel	2	31P-3 to 31P-7300132 inclusive
	48657-00		MEDALLION - Control wheel	2	31P-7300133 and up
-44	48000-00		PLACARD - Static selector valve and alternator control switches (581 707)	1	31P-3 to 31P-109 inclusive
	48000-02		PLACARD - Static selector valve and alternator control switches (581 842)	1	31P-7300110 and up
	48735-00	A	PLACARD - Static selector valve and ELT switch (582 201)	1	
	80419-02	C	PLACARD - Static selector valve and ELT switch	1	
	80530-02	D	PLACARD - Static selector valve and ELT switch	1	
-45	48056-02		PLACARD - Alternator malfunction	1	
	48056-03		PLACARD - Alternator malfunction and starter energizer	1	
-46	44545-00		PLACARD - Aft facing seats	2	
-47	48360-00		CHECKLIST	1	31P-3 to 31P-7630019 inclusive
	55848-02		CHECKLIST	1	31P-7730001 and up
-48	19099-00		PLACARD - Aircraft registration number	1	
-49	27178-00		PLACARD - Pitch out of trim (581 681), black	1	
	48679-00		PLACARD - Pitch out of trim (582 115), beige	1	
-50	54098-00	B	PLACARD - Armrest stowage	2	
-51	79315-00	V	DECAL - Piper Aire	1	31P-3 to 31P-7300132 inclusive
-52	53695-00		PLACARD - Maneuver	1	31P-3 to 31P-7300115 inclusive
-53	33038-00		PLACARD - Strobe light (white strobe)	1	31P-3 to 31P-7300146 inclusive
	33048-00		PLACARD - Strobe light (red strobe)	1	31P-3 to 31P-7300146 inclusive
	48625-00		PLACARD - Strobe light	1	31P-7300147 and up
-54	48629-00		MEDALLION - Piper logo	1	31P-3 to 31P-7400216 inclusive
	48784-00		PLATE - Piper logo	1	31P-7400217 and up
-55	53685-00		PLACARD - Landing gear unsafe	1	31P-7300122 and up
-56	48550-00		PLACARD - Warning light test, black	1	
	48674-00		PLACARD - Warning light test, beige	1	
-57	47979-00		PLACARD - "Prop. Sync." (size 3.75 x .94), black	1	31P-3 to 31P-7300132 inclusive
	48557-00		PLACARD - "Prop. Sync." (size 3.46 x .82), black	1	31P-7300133 and up
	48675-00		PLACARD - "Prop. Sync." (size 3.46 x .82), beige	1	31P-7300133 and up
	48606-00		PLACARD - "Prop. Sync." (size 1.88 x 1.12), black	1	31P-7300133 and up
	48678-00		PLACARD - "Prop. Sync." (size 1.88 x 1.12), beige	1	31P-7300133 and up
	80346-02		PLACARD - "Prop. Sync." (size 3.20 x .82), black	1	31P-7530001 and up
	80346-03		PLACARD - "Prop. Sync." (size 3.20 x .82), beige	1	31P-7530001 and up
	80364-02		PLACARD - Prop. Synchrophaser	1	

- A - Used if Garrett Model 627674-1 Emergency Locator Transmitter is installed.
- B - Used on aircraft that comply with C. A. A. (United Kingdom) requirements.
- C - Used if Garrett Model 627810-1 Emergency Locator Transmitter is installed.
- D - Used if Communications Components Corp. Emergency Locator Transmitter is installed.
- V - These parts must be ordered from Service Spares Department, Piper Aircraft Corporation, Vero Beach, Florida.

When ordering, always specify Part Number, Description and Serial Number of Aircraft

**PIPER PARTS CATALOG**

Figure and Index Number	Part Number	Code	NOMENCLATURE	No. Req.	SERIAL NUMBERS AFFECTED
131-58	48559-02	B	PLACARD - Control, black	1	31P-7300133 and up
	48677-02	B	PLACARD - Control, beige	1	31P-7300133 and up
	48559-03	A	PLACARD - Control, black	1	31P-7300133 and up
	48677-03	A	PLACARD - Control, beige	1	31P-7300133 and up
	48559-04	D	PLACARD - Control, black	1	31P-7300133 and up
	48677-04	D	PLACARD - Control, beige	1	31P-7300133 and up
	48559-05	C	PLACARD - Control, black	1	31P-7300133 and up
	48677-05	C	PLACARD - Control, beige	1	31P-7300133 and up
	48559-06	H	PLACARD - Control, black	1	31P-7300133 and up
	48677-06	H	PLACARD - Control, beige	1	31P-7300133 and up
-59	48548-00		PLACARD - Map light, black	1	31P-7300133 and up
	48671-00		PLACARD - Map light, beige	1	31P-7300133 and up
-60	52144-00		PLACARD - NAV Test	1	
	33167-00		PLACARD - NAV Test and fast slave	1	
	52595-00		PLACARD - Fast slave, black	1	
	48681-00		PLACARD - Fast slave, beige	1	
-61	33088-00		PLACARD - Trim warning, black	1	
	48680-00		PLACARD - Trim warning, beige	1	
-62	43365-00	F	PLACARD - Control wheel ("A/P OFF"), black	1	
	53867-00	F	PLACARD - Control wheel ("A/P OFF"), beige	1	
	80291-02	G	PLACARD - Control wheel	1	
	43362-00	E,F	PLACARD - Control wheel ("Mike A/P OFF"), black	1	
	53870-00	E,F	PLACARD - Control wheel ("Mike A/P OFF"), beige	1	
	80291-03	E,G	PLACARD - Control wheel	1	
-63	43360-00		PLACARD - Control wheel ("DWN-UP"), black	1	
	53868-00		PLACARD - Control wheel ("DWN-UP"), beige	1	
-64	80247-02		PLACARD - Cigar lighter	3	
-65	40849-02		PLACARD - Fitting identification, hydraulic - gear down	AR	
	40849-03		PLACARD - Fitting identification, hydraulic - gear up	AR	
	40849-04		PLACARD - Fitting identification, hydraulic - door open	AR	
	40849-05		PLACARD - Fitting identification, hydraulic - door close	AR	
	40849-06		PLACARD - Fitting identification, hydraulic pressure	AR	
	40849-08		PLACARD - Fitting identification, fuel flow pressure	AR	
	40849-09		PLACARD - Fitting identification, instrument air deck pressure	AR	
	40849-10		PLACARD - Fitting identification, hydraulic suction	AR	
	40849-11		PLACARD - Fitting identification, fuel supply	AR	
	40849-13		PLACARD - Fitting identification, heater fuel	AR	
	40849-15		PLACARD - Fitting identification, manifold pressure	AR	
	40849-16		PLACARD - Fitting identification, oil pressure	AR	
	40849-19		PLACARD - Fitting identification, cabin pressure test	AR	
-66	80279-02		PLACARD - Table storage	1	
-67	80280-02		PLACARD - Seat limitation	1	
-68	52838-00		PLACARD - Radar altimeter, black (1.25H x .62 L.)	1	
	48673-00		PLACARD - Radar altimeter, beige (1.25H x .62 L.)	1	
	80366-02		PLACARD - Radar altimeter, black (.62H x 1.25 L.)	1	
	80366-03		PLACARD - Radar altimeter, beige (.62H x 1.25 L.)	1	
-69	53777-02		PLACARD - Interior identification, continental	1	31P-7300133 and up
	53777-03		PLACARD - Interior identification, classic	1	31P-7300133 to 31P-7400230 incl.
	53777-04		PLACARD - Interior identification, contemporary	1	31P-7300133 and up
-70	47955-00		PLACARD - Relief valve obstruction	1	
-71	43801-00		PLACARD - Hydraulic reservoir	1	31P-3 to 31P-47 inclusive
	48023-00		PLACARD - Hydraulic reservoir	1	31P-48 and up

- A - Used if AltiMatic V F/D and V F/D-1 AutoPilot are installed.
- B - Used is AltiMatic V F/D and V F/D-1 AutoPilot with Bendix Copilot Gyros are installed.
- C - Used if AltiMatic V and V-1 AutoPilot are installed.
- D - Used if AltiMatic V and V-1 AutoPilot with Bendix Copilot Gyros are installed.
- E - Used if Boom Mike is installed.
- F - Used if AutoPilot Disconnect Switch is installed on side of control wheel.
- G - Used if AutoPilot Disconnect Switch is not installed on side of control wheel.
- H - Used if AltiMatic Pilot III B-1 is installed.

When ordering, always specify Part Number, Description and Serial Number of Aircraft

**PIPER PARTS CATALOG**

Figure and Index Number	Part Number	Code	NOMENCLATURE	No. Req.	SERIAL NUMBERS AFFECTED
131-72	48075-00	A	PLACARD - Quadrant warning	2	
-73	48052-00	A	PLACARD - Throttle quadrant	2	
-74	48030-00		PLACARD - Hydraulic system	1	
-75	53983-02		PLACARD - Main fuel vent check valve, left	1	
	53983-03		PLACARD - Main fuel vent check valve, right	1	
-76	53983-05		PLACARD - Auxiliary fuel vent check valve, left	1	
	53983-04		PLACARD - Auxiliary fuel vent check valve, right	1	
-77	48051-00	A	PLACARD - Fuel quantity	1	
-78	80503-02	A	PLACARD - Operation limitations (582 669)	1	
-79	80338-02		PLACARD - Control wheel	1	31P-7630014 and up
	80338-03	B	PLACARD - Control wheel	1	31P-7630014 and up
-80	80355-02		PLACARD - Function switch, A/P	1	31P-7630002 and up
-81	55548-02		DECAL - Navajo	4	31P-7730001 and up
-82	55549-02		DECAL - Piper	2	31P-7730001 and up
-83	80385-02	C	PLACARD - Latching operation	1	31P-7530023 and up
-84	80487-02		PLACARD - Airspeed (at altitude -Vno-Vne) mph	1	31P-7630006 to 31P-7630019 incl.
-85	80492-02		PLACARD - Cabin pressure	1	31P-7730004 and up
-86	SK-2293		PLACARD - No take-off, no landing	2	31P-3 to 31P-7300115 incl.
-87	42332-00		DECAL - Fuel cell capacity, main	2	
-88	42333-00		DECAL - Fuel cell capacity, auxiliary	2	
-89	47526-00		DECAL - Fuel cell capacity, nacelle	2	
-90	71859-02	D	PLACARD - Flap limitations	1	
	71934-03	E	PLACARD - Flap caution	1	
-91	81008-02	D	PLACARD - Stall speed	1	31P-1 to 31P-7630019 incl.
	81007-02	D	PLACARD - Stall speed	1	31P-7730001 and up

- A - Used on aircraft that comply with C.A.A. (United Kingdom) requirements.
- B - Used if Boom Mike is installed.
- C - Also used on serial nos. 31P-3 to 31P-7530022 inclusive if Nose Cone Latch Mechanism Installation Kit 760 931 has been installed.
- D - Used if Flap Travel Restriction and Placard Installation Kit 764 397 has been installed per Service Bulletin 739.
- E - Used if Flap Transmission Replacement Kit 764 957L has been installed per Service Letter 959.

When ordering, always specify Part Number, Description and Serial Number of Aircraft



Figure and Index Number	Part Number	Code	NOMENCLATURE	No. Req.	SERIAL NUMBERS AFFECTED
<b>OPTIONAL EQUIPMENT KITS</b>					
	42766-03 760 498	A	PLOTTER ASSEMBLY - Weight and balance INERTIA REEL SHOULDER HARNESS INSTALLATION - (One Seat)		31P-3 to 31P-7300132 inclusive
	760 432	B	SHOULDER HARNESS INSTALLATION - (One Seat)		31P-3 to 31P-7300132 inclusive
	760 433	C	SEAT INSTALLATION - Seventh		31P-3 to 31P-77 inclusive
	760 434	D	SEAT INSTALLATION - Eighth		31P-3 to 31P-77 inclusive
	760 437	E	CABINET INSTALLATION - Refreshment unit		31P-3 to 31P-7300132 inclusive
<p>A - This kit is less the following items which must be ordered separately: Inertia Shoulder Harness Assembly, Part No. 44762-02 (black) and Window Trim Panel, Part No. 48016-00 (left) or 48016-01 (right).</p> <p>B - This kit is less the following items which must be ordered separately: Shoulder Harness Assembly, Part No. 43813-03 (fawn), 43813-04 (black) or 43813-05 (blue) and Window Trim Panel, Part No. 48016-00 (left) or 48016-01 (right).</p> <p>C - This kit is less the complete seat assembly which must be ordered separately. Seat Assembly, Part No. 47375-02 (Red Fabric), 47375-03 (Blue/Green Fabric), 47375-04 (Rust Fabric), 47375-05 (Gold Fabric), 47375-06 (Black Leather), 47375-07 (White Leather), 47375-08 (Red Leather), 47375-09 (Blue Leather) or 47375-10 (Gold Leather).</p> <p>D - This kit is less the complete seat assembly which must be ordered separately. Seat Assembly, Part No. 47432-02 (Red Fabric), 47432-03 (Blue/Green Fabric), 47432-04 (Rust Fabric), 47432-05 (Gold Fabric), 47432-06 (Black Leather), 47432-07 (White Leather), 47432-08 (Red Leather), 47432-09 (Blue Leather) or 47432-10 (Gold Leather).</p> <p>E - This kit cannot be installed if installation is not made in conjunction with toilet seat installation.</p>					

When ordering, always specify Part Number, Description and Serial Number of Aircraft



Figure and Index Number	Part Number	Code	NOMENCLATURE	No. Req.	SERIAL NUMBERS AFFECTED	
<b>OPTIONAL EQUIPMENT KITS (cont.)</b>						
	760 435	B	TOILET SEAT INSTALLATION		31P-3 to 31P-7300132 inclusive	
	760 497		FOLDING TABLE INSTALLATION			31P-3 to 31P-7300132 inclusive
	760 412		TINTED WINDOWS INSTALLATION			31P-3 to 31P-7400177 inclusive
	760 413		WINDSHIELD WIPER INSTALLATION - Copilot			
	760 422		FIRE EXTINGUISHER INSTALLATION		31P-3 to 31P-7630005 inclusive	
	760 189		MAP CLIP INSTALLATION			
	760 416		TOE BRAKE INSTALLATION - Copilot			
	761 028		TRUE AIRSPEED INDICATOR INSTALLATION			
	760 414		A	DUAL INSTRUMENTS INSTALLATION		
	757 112			NITROGEN CYLINDER ASSEMBLY - (With fittings)		
	760 418	ICE DETECTION LIGHT INSTALLATION - (left wing)				
	760 431	STATIC WICKS INSTALLATION				
<p>A - This kit is less the following items which must be ordered separately: Altimeter, Scale in inches of Mercury, Part No. 32281-03 or Altimeter, Scale in Millibars, Part No. 32281-04; Turn and Bank Indicator, Part No. 32737-06; Airspeed Indicator, Part No. 41507-05 (MPH) or Part No. 46566-03 (KNOTS); Rate of Climb Indicator, Part No. 550 808; Directional Gyro Indicator, Part No. 46911-00; Altitude Gyro Indicator, Part No. 46912-00; and Clock, Part No. 450 706.</p> <p>B - This kit cannot be installed if airplane does not contain a cabin refreshment cabinet. This kit is less the following items which must be purchased separately: One Pad Assembly, Part No. 47446-03 (Red Fabric), 47446-04 (Blue/Green Fabric), 47446-05 (Gold Fabric), 47446-06 (Rust Fabric), 47446-27 (Red Leather), 47446-28 (Blue Leather), 47446-29 (Gold Leather), 47446-30 (Black Leather) or 47446-31 (White Leather), One Seat Back Assembly, Part No. 47460-02 (Red Fabric), 47460-03 (Blue/Green Fabric), 47460-04 (Gold Fabric), 47460-05 (Rust Fabric), 47460-37 (White Leather), 47460-38 (Black Leather), 47460-39 (Red Leather), 47460-40 (Blue Leather) or 47460-41 (Gold Leather), One Seat Bottom Assembly, Part No. 47479-02 (Red), 47479-03 (Blue/Green), 47479-04 (Gold) or 47479-05 (Rust), One Lid Assembly, Part No. 47472-02 (Red Fabric), 47472-03 (Blue/Green Fabric), 47472-04 (Gold Fabric), 47472-05 (Rust Fabric), 47472-31 (White Leather), 47472-32 (Black Leather), 47472-33 (Red Leather), 47472-34 (Blue Leather) or 47472-35 (Gold Leather), One L.H. Curtain Assembly, Part No. 50847-02 (White), 50847-04 (Black), 50847-06 (Gold) or 50847-08 (Apricot), One R.H. Curtain Assembly, Part No. 50847-03 (White), 50847-05 (Black), 50847-07 (Gold) or 50847-09 (Apricot).</p>						

When ordering, always specify Part Number, Description and Serial Number of Aircraft



Figure and Index Number	Part Number	Code	NOMENCLATURE	No. Req.	SERIAL NUMBERS AFFECTED
<b>OPTIONAL EQUIPMENT KITS (cont.)</b>					
	760 420		MICROPHONE AND HEADSET INSTALLATION - Copilot		
	760 421		MICROPHONE JACK INSTALLATION - External		
	760 419		MIKE INSTALLATION - Boom		
	760 429		RADAR - Bendix (RDR-110) (complete with installation)		31P-3 to 31P-7530022 inclusive
	760 430		RADAR - Bendix (RDR-110) (installation only)		31P-3 to 31P-7530022 inclusive
	760 427		RADAR - R.C.A. (AVQ-47) (complete with installation)		
	760 428		RADAR - R.C.A. (AVQ-47) (installation only)		
	760 425	A	RADIO COUPLER INSTALLATION		31P-3 to 31P-7530022 inclusive
	760 426		GLIDE SLOPE COUPLER INSTALLATION		
	760 423		ALTIMATIC III B (complete with installation)		31P-3 to 31P-73 inclusive
	760 648		ALTIMATIC III B-1 (complete with installation)		31P-74 to 31P-7530022 inclusive
	760 528	B	ALTIMATIC V F/D AUTOPILOT (For aircraft equipped with Narco Mark 16 Radios)		31P-3 to 31P-7300111 inclusive
	760 529	B	ALTIMATIC V F/D AUTOPILOT (For aircraft equipped with King Radios)		31P-3 to 31P-7300111 inclusive
	760 566		PROPELLER DE-ICER (Electric)		
	760 568		PNEUMATIC DE-ICER SYSTEM		
	760 582		COWL FLAP POSITION INDICATOR INSTALLATION		31P-3 to 31P-53 inclusive
	764 082		ELT REPLACEMENT (Garrett ELT to Narco ELT 10)		
<p>A - This kit is less the following items which must be purchased separately: Harness Assemblies, Part No. 47496-02 and 47496-03 when used with King Radio. and Harness Assembly, Part No. 47928-00 when used with Narco Radio.</p> <p>B - This kit is less the required Left Throttle Lever Assembly which incorporates a Go-Around Switch and one of the following must be ordered separately: Part No. 52024-00 required for all countries that do not comply to A.R.B. requirements or Part No. 52024-02 required for all countries that do comply to A.R.B. requirements.</p>					

When ordering, always specify Part Number, Description and Serial Number of Aircraft

**PIPER PARTS CATALOG**

Figure and Index Number	Part Number	Code	NOMENCLATURE	No. Req.	SERIAL NUMBERS AFFECTED
<b>REPAIR KITS</b>					
	757 125	A,B	HYDRAULIC PUMP SEALS AND RINGS		
	760 629	A	HYDRAULIC PUMP CENTERPLATE ASSEMBLY		
	760 630	B	HYDRAULIC PUMP CENTERPLATE ASSEMBLY		
	760 631	B	HYDRAULIC PUMP SHAFTS		
	760 400	A,B	HYDRAULIC PUMP MISCELLANEOUS HARDWARE		
	760 632	B	HYDRAULIC PUMP DRIVE SIDE ASSEMBLY		
	760 633	B	HYDRAULIC PUMP REAR SIDE ASSEMBLY		
	760 246		PROPELLER REPAIR KIT (HC-C3YN-2L/JC9684-3R)		
	914 046		CARTRIDGE - Semkit Sealer B2 (6 oz.)		
	914 047		CARTRIDGE - Semkit Sealer B2 (2 1/2 oz.)		
	923 120		GREASE - Flap transmission packing (Dukes Flap Transmissions Only) 1 lb. can		
<b>SPECIAL TOOLS</b>					
	764 963		JANITROL HEATER PRESSURE CHECK KIT		
			A - Used with Eastern Industries Hydraulic Pump, Part No. 26802-05 (1213-HBG, Type 294).		
			B - Used with Eastern Industries Hydraulic Pump, Part No. 26802-08 (1213-HBG, Type 310).		

When ordering, always specify Part Number, Description and Serial Number of Aircraft

# NUMERICAL INDEX

Part Number	Figure and Index No.
SK-2293	123-45
SK-2293	131-86
09958-02	27-1
01117-02	25-6
01821-06	44-42
01821-07	40-5
02052-02	46-33
10525-02	117-8
10525-10	117-8
11151-02	90-53
11151-02	92-12
11151-02	94-22
11151-03	92-12
11473-106	77-60
11473-107	77-65
11987-89	109-25
11987-91	109-26
11987-93	109-27
11987-95	109-28
12073-03	55-27
12074-03	56-33
12605-00	98-15
12605-00	98-34
13445-03	97-33
13445-04	97-33
13445-06	97-39
13586-95	119-36
13586-99	105-43
13586-101	105-45
14069-02	119-15
14175-37	89-20
14175-37	89-21
14175-45	63-32
14175-61	76-28
14175-106	40-2
14175-111	56-49
14175-111	57-32
14175-111	58-3
14183-08	119-18
14183-10	72-10
14184-00	71-10
14226-13	119-22
14226-17	119-37
14226-42	119-20
14226-43	119-21
14226-47	119-42
14843-106	34-18
14843-106	34-27

Part Number	Figure and Index No.
14843-108	57-18
14843-109	57-38
14843-116	43-7
14976-11	44-23
14976-15	46-39
14976-16	46-40
14976-65	71-12
14976-87	80-22
14976-97	57-27
15596-02	127-39
15660-02	127-41
15661-02	127-42
16276-00	93-35
16632-00	99-70
16632-00	126A-53
16632-00	126B-35
16633-14	109-31
16633-24	69-6
16633-25	118-22
16633-28	118-23
16633-38	70-16
16633-47	68-17
16633-49	69-8
16633-51	69-9
16633-62	68-19
16633-70	69-12
16633-81	109-32
16633-89	69-25
16633-89	80-25
16633-91	68-20
16633-93	68-18
16633-97	68-22
16754-03	38-61
16775-03	47-23
17088-00	91-3
17088-00	93-30
17088-00	95-16
17089-00	88-56
17089-00	88-65
17089-00	88-74
17089-00	91-10
17089-00	93-32
17235-00	94-11
17315-00	2-76
17315-00	2-78
17315-06	2-76
17316-00	2-70
17316-00	77-42

Part Number	Figure and Index No.
17317-03	19-65
17318-02	2-71
17318-02	19-86
17555-00	119-7
17604-33	120-31
17604-36	119-25
17758-02	13-53
17766-02	100-3
17766-03	99-41
17766-04	99-42
17766-04	100-4
17766-06	81-107
17766-06	82-105
17766-27	100-5
17766-42	67-3
17766-45	81-37
17766-45	82-31
17766-46	67-1
17766-73	47-22
17766-91	100-6
17766-95	81-41
17766-95	82-29
17766-101	81-40
17803-00	67-34
17848-00	89-19
17848-03	89-19
17850-00	89-18
17850-03	89-18
17852-02	89-16
17852-02	89-17
17852-03	89-17
17881-06	67-55
17881-06	68-1
17881-06	70-9
17881-06	70-28
18132-00	74-44
18132-00	81-69
18132-00	82-66
18132-00	111-23
18132-02	74-45
18132-02	74-50
18132-02	111-26
18132-02	111-29
18132-05	74-50
18219-00	74-32
18219-00	81-68
18219-00	82-65
18219-02	50-4

Part Number	Figure and Index No.
18219-02	74-34
18219-02	74-49
18219-02	111-27
18219-02	111-30
18219-03	111-24
18219-04	74-49
18397-00	121-28
18397-00	121A-29
18457-00	4-28
18842-00	57-42
18842-00	59-38
18842-03	56-61
18968-00	55-43
18968-00	56-25
19086-03	94-12
19099-00	131-48
19331-08	109-33
19336-00	55-22
19336-01	55-22
19513-38	64-74
19513-53	33-17
19513-64	2-47
19513-95	40-3
19513-96	40-4
19790-20	119-19
19790-35	99-26
19790-36	99-40
19799-00	2-83
19803-04	2-81
19807-00	120-36
19936-00	89-14
20370-00	2-30
20370-02	13-58
20370-02	16-57
20370-02	77-67
20370-02	77-82
20372-03	4-21
20372-03	13-45
20372-06	77-68
20623-00	92-55
20666-04	34-15
20737-23	40-30
20737-30	43-31
20737-32	43-30
20737-37	39-17
20737-40	40-15
20737-40	40-31
20737-42	46-35



# PIPER PARTS CATALOG

Part Number	Figure and Index No.
20737-43	46-1a
20956-00	97-19
20957-00	97-20
20999-00	97-10
21001-00	97-15
21418-02	76-15
21470-00	97-24
21523-02	121-27
21586-00	113-55
21619-02	97-32
22103-02	50-8
22103-02	74-13
22103-02	74-14
22103-02	111-48
22103-03	113-68
22103-03	120-16
22103-03	121-20
22104-03	113-67
22104-08	50-9
22104-08	74-13
22104-08	74-14
22104-08	111-47
22105-10	74-13
22105-10	74-14
22105-10	111-46
22369-02	119-34
22369-47	105-44
22470-16	117-13
22472-22	117-12
22482-00	13-61
22502-87	110-15
22502-88	110-17
22502-89	110-15
22641-02	33-15
22673-22	81-46
22673-22	85-2
22673-28	82-43
22673-41	81-49
22673-47	82-46
22673-60	81-42
22673-66	82-32
22673-72	67-7
22673-74	67-7
22673-86	85-6
22673-88	85-1
22673-89	85-5
22673-91	81-45
22673-92	81-48
22673-93	81-57
22673-96	82-48
22673-98	82-42
22673-99	82-45
22859-00	131-41
23183-00	27-26
23319-00	82-72
23322-00	97-14
23745-14	67-2
23844-00	119-13

Part Number	Figure and Index No.
23943-00	64-64
23969-02	119-27
23969-02	120-32
23969-02	121-40
23969-02	126-24
23969-03	120-33
23969-03	126-25
23969-04	119-28
23969-04	120-34
23969-04	126-26
24091-00	74-22
24091-03	81-80
24091-03	82-77
24166-02	90-13
24567-00	28-6
24629-00	92-6
24631-03	92-1
24631-05	92-1
24631-07	92-1
24631-08	92-1
24632-00	92-17
24712-02	126A-60
24712-02	126B-33
24754-05	71-60
24932-00	76-10
24933-00	76-11
24948-02	76-9
25358-00	97-21
25552-00	54-17
25590-00	33-10
25597-00	4-29
25598-29	55-3
25598-30	55-3
25598-31	55-3
25598-32	55-3
25607-00	55-5
25607-00	56-5
25607-00	57-5
25607-00	58-5
25690-02	127-17
25704-00	39-10
25704-00	39-15a
25704-00	43-74
25801-02	56-2
25801-02	57-2
25801-02	59-2
25801-03	56-2
25801-03	57-2
25801-03	59-2
25801-04	56-2
25801-04	57-2
25801-04	59-2
25801-08	55-2
25801-08	58-2
25801-10	55-2
25801-10	58-2
25801-11	55-2
25801-11	58-2

Part Number	Figure and Index No.
25960-06	126A-24
25960-06	126B-29
25960-22	126A-25
25960-22	126B-32
26100-02	126A-61
26100-02	126B-58
26356-00	64-40
26749-11	112-1
26793-08	119-30
26802-05	101-1
26802-08	101-1
26838-02	126A-21
26870-00	64-67
26870-00	127-56
26882-00	126A-6
26882-02	126B-8
26898-03	119-9
26898-04	120-20
26934-00	126A-71
26934-00	126B-69
26934-00	127-55
26934-00	127A-30
26934-00	127B-22
27004-00	130-6
27065-06	5-28
27175-00	126A-76
27178-00	64-57
27178-00	131-49
27214-00	126A-45
27214-00	126B-72
27214-00	127A-36
27214-00	127B-28
28467-03	33-32
29998-05	112-27
29998-08	112-28
29998-09	112-28
29998-10	112-29
29999-05	44-35
29999-10	55-71
29999-11	55-71
29999-21	91-32
30576-00	33-7
30580-00	33-16
30852-00	33-13
31322-09	55-23
31384-02	80-11
31506-02	79A-15
31506-02	118-31
31506-02	121A-18
31506-02	122-23
31506-02	126A-22
31506-02	126B-43
31506-02	127C-12
31506-02	128D-5
31506-02	129D-9
31506-02	129E-7
31506-04	121A-22
31506-05	121A-19

Part Number	Figure and Index No.
31506-05	129E-8
31506-06	118-32
31506-06	121A-20
31506-06	126A-77
31506-06	126B-44
31506-08	121A-9
31506-09	121A-22a
31508-00	121A-10
31766-02	44-4
31773-03	44-43
31777-00	44-41
31786-02	43-38
31797-02	43-39
31798-02	43-37
32005-02	126A-26
32005-02	126B-27
32203-10	126A-27
32203-10	126B-30
32210-07	126A-17
32210-07	126B-26
32210-08	126A-17
32212-02	126A-23
32281-03	64-4
32281-03	65-7
32281-04	64-4
32281-04	65-7
32380-00	55-21
32510-00	123-18
32547-00	51-41
32658-02	64-19
32737-06	64-2
32737-06	65-6
32884-03	55-69
33038-00	122-3
33038-00	131-53
33048-00	122-10
33048-00	131-53
33054-00	127A-35
33054-00	127B-27
33067-06	127A-22
33067-06	127B-15
33078-02	127A-4
33078-02	127B-69
33087-02	127A-5
33087-02	127D-8
33088-00	127A-82
33088-00	127B-44
33088-00	127D-9
33088-00	131-61
33093-02	127A-49
33093-02	127D-12
33117-00	127B-38
33166-00	127A-62
33167-00	127A-81
33167-00	131-60
33173-00	137A-37
34447-00	56-9
34447-00	57-9

# PIPER PARTS CATALOG

Part Number	Figure and Index No.
34447-00	58-9
39273-02	128C-7
39991-13	88-21
39991-13	88-31
39991-13	88-47a
39995-04	101-6
39995-04	112-56
39995-11	71-16
39995-12	81-35
39995-12	82-26
39995-13	81-32
39995-13	82-24
39995-14	81-34
39995-14	82-25
39995-29	78-5
39995-30	78-6
39997-02	67-4
39997-04	81-33
39997-04	82-23
39999-12	81-108
39999-12	82-106
39999-15	85-9
39999-20	85-9
40006-00	34-17
40008-02	36-45
40008-03	36-44
40009-00	36-46
40012-02	36-51
40012-03	36-50
40013-04	36-48
40014-02	36-49
40014-03	36-47
40021-00	36-15
40023-03	36-28
40026-14	35-22
40027-00	91-9
40027-00	91-9a
40035-00	91-6
40040-07	36-20
40042-02	36-42
40043-00	36-41
40044-00	36-25
40045-00	36-12
40046-02	36-6
40046-03	36-5
40046-04	36-2
40046-05	36-7
40046-07	36-9
40046-08	36-8
40046-09	36-10
40046-11	36-3
40046-16	36-11
40046-18	36-13
40046-19	36-13
40046-24	36-4
40046-27	34-2
40046-27	36-1
40048-00	36-54

Part Number	Figure and Index No.
40067-00	36-24
40068-05	36-23
40069-00	36-14
40071-00	90-22
40077-07	36-16
40077-08	36-17
40077-09	36-17
40078-02	36-38
40078-03	36-39
40079-02	36-36
40079-03	36-37
40079-04	36-33
40079-05	36-34
40080-04	35-23
40081-00	79A-12
40081-00	90-23
40081-00	90-55
40081-00	92-14
40081-00	94-24
40083-02	36-32
40083-03	36-30
40083-04	36-27
40083-05	36-26
40083-06	36-29
40083-07	36-31
40094-02	35-25
40094-03	35-11
40094-04	35-26
40094-05	35-12
40095-03	35-13
40096-00	35-14
40104-03	35-16
40104-05	35-16
40108-00	35-28
40109-00	8-14
40109-00	8-15
40109-01	8-14
40109-01	8-15
40110-02	8-16
40110-03	8-16
40112-02	8-17
40112-03	8-17
40113-00	8-6
40113-01	8-6
40114-00	8-7
40114-00	8-8
40114-01	8-7
40114-01	8-8
40115-00	8-18
40115-01	8-18
40116-00	8-19
40117-00	8-20
40118-00	8-20
40119-00	8-21
40119-01	8-21
40124-00	9-42
40125-02	35-15
40126-04	35-30

Part Number	Figure and Index No.
40127-02	8-22
40127-03	8-22
40127-04	8-23
40127-05	8-23
40128-02	8-24
40128-03	8-25
40129-02	8-26
40129-03	8-26
40130-00	8-27
40130-01	8-27
40132-02	8-28
40132-03	8-28
40132-04	8-29
40132-05	8-29
40133-00	8-30
40133-01	8-30
40135-00	8-4
40137-02	9-11
40137-03	9-11
40137-04	9-12
40137-05	9-12
40138-00	8-5
40140-27	38-36
40142-00	8-45
40144-02	9-13
40144-03	9-13
40144-04	9-14
40144-05	9-14
40144-06	9-15
40144-07	9-15
40145-00	8-32
40147-02	9-16
40147-03	9-16
40147-04	9-17
40147-05	9-17
40147-06	9-18
40147-07	9-18
40147-08	9-19
40147-09	9-19
40147-10	9-20
40147-11	9-20
40149-00	8-42
40152-00	8-33
40153-00	8-43
40157-00	9-21
40157-01	9-21
40162-00	9-41
40162-01	9-41
40163-00	8-34
40165-00	9-22
40165-01	9-22
40166-00	9-23
40166-01	9-23
40166-02	9-24
40166-03	9-24
40167-00	9-25
40167-01	9-25
40167-02	9-26

Part Number	Figure and Index No.
40167-03	9-26
40167-04	9-27
40167-05	9-27
40167-06	9-28
40167-07	9-28
40167-08	9-29
40167-09	9-29
40167-10	9-30
40167-11	9-30
40167-12	9-31
40167-13	9-31
40168-00	9-32
40168-01	9-32
40168-02	9-33
40168-03	9-33
40170-02	35-3
40170-03	35-3
40170-04	35-4
40170-05	35-4
40170-06	35-8
40170-07	35-8
40170-13	35-7
40172-00	8-42
40175-02	9-35
40175-03	9-35
40175-04	9-36
40175-05	9-36
40176-02	9-37
40176-03	9-37
40176-04	9-38
40176-05	9-38
40177-02	9-39
40177-03	9-39
40177-04	9-40
40177-05	9-40
40178-00	8-40
40178-02	8-41
40182-00	8-19
40183-00	8-36
40183-01	8-36
40184-00	8-37
40184-01	8-37
40185-06	9-6
40185-07	9-6
40185-08	9-7
40185-09	9-7
40185-10	9-8
40185-11	9-8
40185-12	9-9
40185-13	9-9
40185-14	9-10
40185-15	9-10
40185-16	9-5
40185-17	9-3
40185-24	9-1
40185-25	9-1
40190-00	8-38
40190-13	8-38

# PIPER PARTS CATALOG

Part Number	Figure and Index No.
40200-00	8-1
40200-04	8-13
40200-05	8-13
40200-06	8-31
40200-07	8-31
40200-08	8-12
40200-09	8-12
40200-10	8-11
40200-11	8-11
40200-12	8-2
40200-13	8-2
40200-16	8-3
40200-17	8-3
40200-18	8-9
40200-18	8-10
40200-19	8-9
40200-19	8-10
40200-37	8-1
40219-00	35-19
40233-00	35-19
40242-00	40-8
40242-01	40-8
40243-00	40-9
40244-00	40-10
40246-00	40-11
40247-00	40-12
40250-02	44-5
40250-03	44-5
40257-00	40-20
40263-00	44-7
40279-08	39-32
40279-09	39-32
40280-00	39-28
40280-01	39-28
40284-00	39-36
40288-00	39-82
40290-00	39-82
40292-02	44-24
40292-02	131-12
40292-04	40-25
40292-04	131-10
40294-00	39-84
40298-02	98-7
40298-03	98-7
40302-02	98-11
40302-03	98-11
40307-00	94-5
40309-00	39-84
40313-00	98-6
40317-00	43-19
40319-00	2-38
40323-02	97-42
40325-00	43-61
40325-01	43-61
40327-00	40-26
40329-00	2-37
40335-00	43-22
40336-00	43-22

Part Number	Figure and Index No.
40337-02	39-50
40339-00	90-4
40339-01	90-4
40340-00	36-53
40342-02	35-33
40342-03	35-33
40343-00	86-18
40343-00	87-12
40344-00	35-32
40356-00	36-19
40359-10	6-3
40359-11	6-3
40362-24	7-4
40362-25	7-4
40362-36	7-4
40362-37	7-4
40363-12	36-18
40365-11	34-40
40373-00	2-45
40374-00	2-45
40375-00	8-39
40375-01	8-39
40376-00	39-37
40378-00	4-17
40378-00	5-24
40378-00	77-36
40378-01	4-17
40378-01	5-24
40378-01	77-36
40378-06	4-17
40378-06	5-24
40378-06	77-36
40378-07	4-17
40378-07	5-24
40378-07	77-36
40378-10	4-17
40378-11	4-17
40383-02	6-5
40383-03	6-5
40383-08	7-7
40383-09	7-7
40389-00	7-70
40389-01	7-70
40396-00	4-12
40438-00	7-81
40438-01	7-81
40439-00	7-80
40439-01	7-80
40450-06	6-7
40450-07	6-7
40460-00	3-14
40463-00	7-87
40464-00	3-15
40465-00	7-55
40466-00	7-46
40466-01	7-46
40468-00	2-21
40474-02	7-47

Part Number	Figure and Index No.
40474-03	7-47
40475-08	5-11
40475-09	5-11
40479-02	5-12
40479-03	5-12
40484-00	6-28
40485-00	7-56
40492-03	7-40
40492-04	5-15
40492-05	5-15
40492-06	5-16
40492-07	5-16
40492-08	4-8
40492-09	4-8
40492-22	7-40
40494-00	90-15
40502-02	7-51
40502-03	7-51
40502-04	7-52
40502-05	7-52
40506-06	5-9
40506-07	5-9
40506-12	5-9
40506-13	5-9
40509-02	7-68
40509-03	7-68
40509-04	7-69
40509-05	7-69
40510-00	2-13
40510-01	2-13
40512-00	7-86
40513-00	7-77
40513-00	7-78
40513-01	7-77
40513-01	7-78
40515-00	7-76
40517-00	3-19
40518-02	86-7
40518-03	86-7
40519-02	87-7
40519-03	87-7
40524-00	86-23
40524-00	87-9
40526-00	4-19
40526-00	5-27
40526-05	4-19
40526-05	5-27
40530-02	5-13
40530-03	5-13
40530-04	7-37
40530-05	7-37
40530-08	5-14
40530-09	5-14
40530-10	7-38
40530-11	7-38
40530-14	7-36
40530-15	7-36
40530-16	7-39

Part Number	Figure and Index No.
40530-17	7-39
40532-00	4-18
40532-00	5-26
40532-06	4-18
40532-06	5-26
40533-00	3-10
40533-01	3-10
40534-08	3-11
40534-09	3-11
40535-00	4-9
40535-01	4-9
40536-00	4-10
40536-01	4-10
40537-02	86-6
40537-03	86-6
40537-04	86-5
40537-05	86-5
40537-06	86-4
40537-07	86-4
40537-08	86-3
40537-09	86-3
40537-10	86-2
40537-11	86-2
40537-18	86-1
40537-19	86-1
40538-02	87-5
40538-03	87-5
40544-00	86-14
40544-00	87-22
40544-02	86-14
40544-02	87-22
40545-02	87-24
40545-03	86-15
40545-04	86-15
40545-04	87-24
40546-04	86-16
40546-04	87-20
40546-06	86-16
40546-06	87-21
40546-08	86-16
40546-08	87-20
40546-08	87-21
40549-02	86-11
40549-03	87-26
40550-02	7-35
40550-03	7-35
40555-00	86-25
40555-00	87-11
40558-00	86-17
40558-00	87-23
40559-05	115-33
40559-06	98-31
40559-07	7-104
40559-25	78-14
40559-27	30-17
40559-28	30-18
40559-29	29-27
40559-30	111-25

# PIPER PARTS CATALOG

Part Number	Figure and Index No.
40559-34	39-79
40559-35	97-54
40559-36	63-9
40559-41	97-74
40559-42	2-48
40559-43	2-48
40560-02	7-73
40560-03	7-73
40560-04	7-72
40560-04	7-74
40560-05	7-72
40560-05	7-74
40560-11	7-71
40560-12	7-71
40561-00	7-62
40561-01	7-62
40563-00	2-27
40567-00	2-28
40567-00	86-12
40570-00	3-6
40583-03	88-92
40583-03	131-25
40584-03	88-93
40584-03	131-26
40585-10	5-19
40585-11	5-19
40585-13	4-4
40585-16	5-4
40585-20	5-5
40585-21	4-2
40585-22	4-3
40585-27	4-3
40585-28	5-8
40585-29	5-8
40586-44	3-12
40586-44	4-6
40586-44	5-10
40586-70	5-33
40586-71	5-33
40587-00	2-29
40587-01	2-29
40594-03	88-94
40594-03	131-27
40599-03	90-12
40607-00	2-89
40607-00	96-5
40608-00	96-6
40616-00	7-92
40616-01	7-92
40616-02	7-93
40616-03	7-93
40617-00	14-70
40619-00	93-12
40620-00	14-50
40620-01	14-50
40624-00	2-11
40625-00	7-91
40628-00	4-14

Part Number	Figure and Index No.
40628-01	4-14
40629-00	2-31
40629-01	2-31
40630-00	19-42
40633-00	19-66
40633-01	19-66
40635-00	4-16
40635-01	4-16
40636-00	2-33
40636-01	2-33
40647-00	19-54
40648-02	86-36
40648-03	86-36
40648-04	87-18
40648-05	87-18
40652-00	7-79
40658-00	7-63
40659-02	5-7
40659-03	5-7
40659-06	5-3
40659-07	5-3
40688-02	19-68
40701-04	79A-11
40701-04	90-54
40701-04	92-13
40701-04	94-23
40704-00	19-47
40704-01	19-47
40709-02	19-49
40719-00	19-7
40719-01	19-7
40720-00	19-4
40744-02	19-5
40744-03	19-5
40759-00	18-12
40776-00	7-75
40790-00	19-67
40793-00	19-59
40793-01	19-59
40794-02	19-16
40794-03	19-17
40794-04	19-16
40795-02	19-18
40795-03	19-19
40795-04	19-19
40796-00	97-63
40799-04	19-76
40799-05	19-76
40805-00	101-24
40809-00	101-16
40810-00	101-15
40819-00	101-9
40823-00	101-11
40827-03	99-33
40828-00	100-22
40830-02	100-13
40830-03	100-14
40830-05	100-12

Part Number	Figure and Index No.
40830-07	100-14
40830-08	100-12
40830-09	100-13
40832-00	100-11
40834-03	99-34
40836-00	100-9
40836-01	100-9
40841-00	100-8
40841-01	100-8
40847-04	94-10
40848-00	100-7
40848-01	100-7
40849-02	99-58
40849-02	100-29
40849-02	131-65
40849-03	99-59
40849-03	100-30
40849-03	131-65
40849-04	100-31
40849-04	131-65
40849-05	100-32
40849-05	131-65
40849-06	101-55
40849-06	131-65
40849-08	81-71
40849-08	81-89
40849-08	82-72
40849-08	82-81
40849-08	85-19
40849-08	85-21
40849-08	131-65
40849-09	81-72
40849-09	82-82
40849-09	85-20
40849-09	85-22
40849-09	131-65
40849-10	101-56
40849-10	131-65
40849-11	81-75
40849-11	82-84
40849-11	131-65
40849-13	81-73
40849-13	82-83
40849-13	131-65
40849-15	67-27
40849-15	131-65
40849-16	67-28
40849-16	131-65
40849-19	15-24
40849-19	131-65
40852-00	101-31
40855-00	101-28
40872-00	19-87
40879-07	99-9
40885-00	64-39
40885-00	65-11
40885-00	127A-50
40885-00	127A-71

Part Number	Figure and Index No.
40885-00	127B-48
40885-00	127B-61
40885-00	127C-10
40885-02	64-39
40885-02	127A-50
40885-02	127B-48
40885-03	65-11
40891-00	89-11
40910-00	101-34
40918-04	20-42
40919-00	99-43
40920-00	101-8
40923-02	99-45
40923-03	99-46
40930-04	76-27
40937-02	15-14
40944-00	17-10
40945-00	17-10
40947-04	14-41
40947-05	14-41
40950-00	97-9
40954-02	97-44
40954-03	97-44
40956-00	92-51
40963-02	94-37
40964-00	14-28
40968-04	98-1
40983-00	97-10
40985-00	14-39
40994-07	14-2
40995-13	17-2
40998-00	14-54
40999-03	15-10
41001-03	94-3
41027-09	2-7
41028-00	2-19
41028-00	16-56
41033-00	14-51
41049-02	16-14
41049-04	16-13
41054-01	14-57
41066-00	16-46
41066-01	16-46
41089-00	50-14
41102-04	14-3
41106-00	16-19
41106-01	16-19
41119-14	17-16
41119-15	17-16
41120-02	16-20
41120-03	17-4
41120-04	16-20
41120-04	17-4
41132-00	116-6
41138-00	50-18
41139-00	50-17
41143-02	75-5
41145-00	13-29

# PIPER PARTS CATALOG

Part Number	Figure and Index No.
41145-01	13-29
41145-02	13-30
41145-03	13-30
41163-00	16-15
41179-00	97-47
41214-02	57-44
41214-02	58-31
41214-03	59-30
41215-00	57-55
41215-00	58-27
41219-00	40-19
41219-01	40-19
41220-00	47-27
41228-00	50-12
41230-04	81-36
41230-04	82-27
41230-05	82-28
41230-06	82-30
41230-07	81-39
41230-10	81-38
41297-00	39-26
41299-00	16-16
41322-00	51-34
41322-00	63-16
41340-00	131-42
41345-00	64-56
41345-00	131-21
41347-00	121-6
41347-00	131-36
41358-00	96-1
41359-00	96-2
41393-00	88-55
41393-00	88-64
41393-00	88-73
41394-00	88-53
41394-00	88-62
41394-00	88-71
41398-04	43-32
41398-04	131-11
41398-05	39-51
41398-05	131-9
41402-00	98-16
41413-03	94-13
41413-05	2-50
41413-10	92-35
41413-10	94-16
41413-11	92-7
41413-12	94-17
41413-14	92-48
41413-14	94-18
41413-15	81-84
41413-15	82-68
41413-16	81-85
41413-16	82-69
41413-17	93-7
41413-19	93-4
41413-20	92-8
41413-26	55-62

Part Number	Figure and Index No.
41413-26	55-70
41413-26	56-50
41413-26	56-58
41413-26	57-34
41413-26	58-26
41413-26	64-74
41413-29	92-10
41413-30	90-49
41413-31	92-11
41413-36	2-41
41413-37	2-53
41413-38	55-36
41413-38	55-42
41413-38	56-24
41413-38	56-52
41413-46	116-14
41413-48	128D-9
41413-48	128E-14
41413-50	94-48
41413-51	2-55
41413-51	36-43
41413-53	94-46
41413-57	7-99
41413-61	111-40
41413-71	111-36
41413-74	88-85
41413-76	88-87
41413-77	92-9
41415-00	89-6
41416-00	89-7
41417-00	89-8
41423-00	98-17
41427-00	14-4
41427-00	16-27
41433-00	51-33
41433-00	131-14
41435-00	98-18
41439-00	14-49
41440-00	119-11
41449-00	90-51
41451-00	90-48
41451-01	90-48
41453-00	98-4
41454-04	96-3
41465-00	98-5
41466-05	70-3
41466-06	13-10
41473-00	98-3
41475-00	89-3
41476-00	89-4
41476-02	89-4
41480-00	80-16
41492-04	80-12
41505-00	123-11
41507-05	65-1
41507-06	64-1
41507-17	64-1
41507-17	65-1

Part Number	Figure and Index No.
41511-00	67-54
41525-00	89-10
41526-00	89-9
41530-08	119-38
41532-00	97-38
41545-03	20-43
41576-02	92-31
41580-05	81-60
41580-05	82-57
41584-00	81-64
41584-00	82-61
41584-00	85-10
41585-00	13-47
41586-00	81-77
41586-00	82-92
41601-00	4-13
41612-04	43-75
41617-02	81-9
41617-02	82-9
41618-00	81-10
41618-00	81-24
41618-00	82-10
41620-00	81-11
41620-00	82-11
41620-00	83-23
41620-00	86-29
41622-00	81-3
41622-00	82-3
41623-00	81-4
41623-00	82-4
41626-00	81-17
41636-02	6-27
41636-03	6-27
41636-04	6-26
41636-05	6-26
41646-14	6-25
41646-15	6-25
41647-00	81-53
41647-01	82-40
41648-00	81-54
41648-00	82-39
41649-00	81-55
41649-00	82-38
41651-00	81-51
41651-00	82-36
41669-00	90-21
41678-00	64-33
41678-00	65-12
41679-02	64-34
41683-05	81-30
41690-00	55-14
41691-00	55-17
41693-02	55-12
41693-03	55-12
41694-00	55-16
41694-01	55-16
41695-00	55-13
41695-02	55-13

Part Number	Figure and Index No.
41695-02	56-23
41698-02	55-29
41698-03	55-30
41698-04	55-19
41699-00	55-26
41717-00	90-2
41722-10	55-56c
41722-10	56-45b
41722-10	57-30d
41722-10	58-23a
41724-00	90-1
41725-00	55-11
41734-02	91-2
41734-06	93-29
41734-16	88-59
41734-17	88-50
41734-18	88-68
41734-24	95-15
41734-34	95-15
41734-36	88-59
41734-42	88-59
41734-50	95-15
41754-02	90-3
41754-03	90-3
41763-00	56-20
41770-00	43-70
41771-00	43-71
41775-00	105-46
41789-00	39-76
41789-02	39-76
41790-00	43-14
41792-00	43-58
41793-00	43-16
41794-08	43-69
41794-09	43-69
41796-00	43-34
41797-02	43-33
41797-03	39-42
41800-00	75-7
41800-05	75-8
41808-00	75-18
41829-00	75-20
41829-00	75-25
41840-03	2-74
41848-02	74-9
41848-03	74-9
41849-00	74-11
41852-00	97-22
41859-00	91-23
41859-06	91-23
41860-00	8-46
41898-00	16-26
41906-00	67-8
41925-00	92-2
41925-02	92-2
41942-00	94-1
41942-02	94-1
41947-00	94-2

# PIPER PARTS CATALOG

Part Number	Figure and Index No.
41947-02	94-2
41947-03	92-3
41949-00	43-12
41949-02	39-22
41949-03	39-24
41952-00	39-48
41965-00	55-20
41965-01	55-20
41968-00	55-18
41979-00	39-49
41980-00	55-62c
41982-02	39-41
41982-03	39-41
41983-00	39-40
41983-01	39-40
41985-00	39-52
41985-01	39-52
41995-00	68-52
41995-00	127A-70
41995-00	127B-60
42003-00	2-66
42003-01	2-66
42008-00	2-84
42022-03	113-1
42022-04	113-1
42022-05	113-1
42022-06	113-1
42025-00	39-7
42025-01	39-8
42027-02	2-2
42027-03	2-2
42027-04	2-3
42027-05	2-3
42027-07	2-1
42027-08	2-1
42027-15	2-1
42027-16	2-1
42034-00	64-41
42041-00	39-43
42042-00	39-44
42042-02	39-44
42059-06	39-6
42059-07	39-9
42062-00	48-4
42064-00	48-6
42065-00	48-7
42074-00	56-45
42075-00	56-26
42078-00	9-34
42078-01	9-34
42079-00	16-22
42080-00	20-37
42080-00	21-23
42080-00	131-2
42082-04	51-22
42091-00	124-12
42094-00	47-7
42097-00	56-27

Part Number	Figure and Index No.
42098-00	56-28
42102-00	100-20
42103-00	100-21
42104-00	100-23
42109-00	124-11
42110-02	81-7
42110-02	82-7
42110-02	84-1
42114-00	124-9
42117-00	4-15
42117-01	4-15
42118-00	2-32
42118-01	2-32
42123-00	67-10
42129-02	76-23
42129-03	43-59
42129-04	39-87
42129-04	43-43
42129-06	39-54
42129-07	39-55
42129-08	39-56
42129-09	39-57
42129-10	39-58
42129-11	47-33
42129-12	47-34
42129-23	76-6
42129-26	92-40
42130-00	2-75
42143-00	98-33
42172-02	71-29
42172-03	112-30
42172-05	112-85
42173-00	2-82
42189-19	113-11
42189-20	113-12
42189-21	113-13
42189-22	113-14
42189-23	113-15
42189-24	113-16
42189-25	113-17
42189-26	113-18
42189-27	113-19
42189-28	113-20
42189-29	113-21
42189-30	113-22
42189-32	113-25
42189-33	113-26
42189-34	113-23
42189-35	113-64
42189-36	113-18
42189-63	113-14
42189-64	113-22
42189-65	113-72
42189-66	113-71
42191-00	86-13
42191-00	87-10
42204-00	100-10
42204-01	100-10

Part Number	Figure and Index No.
42211-00	2-80
42211-01	2-80
42224-00	2-67
42224-01	2-67
42274-00	2-68
42274-01	2-68
42279-00	2-73
42279-01	2-73
42282-00	56-19
42300-03	47-16
42300-06	47-12
42301-00	35-29
42303-00	35-5
42308-00	2-87
42322-02	56-13
42322-02	57-13
42322-02	58-13
42322-03	56-13
42322-03	57-13
42322-03	58-13
42322-04	56-13
42322-04	57-13
42322-04	58-13
42322-04	58-13
42322-05	56-13
42322-05	57-13
42322-05	58-13
42322-06	56-13
42322-06	57-13
42322-06	58-13
42332-00	86-51
42332-00	131-87
42333-00	87-47
42333-00	131-88
42335-00	81-22
42335-00	82-22
42337-00	90-18
42342-00	2-69
42342-01	2-69
42345-00	16-11
42376-05	94-40
42377-02	94-39
42390-00	94-41
42437-00	5-25
42437-01	5-25
42457-00	26-21
42457-00	26A-21
42457-00	51-55
42457-00	131-3
42470-00	86-26
42470-00	87-17
42475-02	126A-29
42475-02	126B-50
42475-03	126A-30
42475-03	126B-51
42478-04	126A-31
42478-04	126B-47
42478-07	126A-78
42478-07	126B-73

Part Number	Figure and Index No.
42484-03	126A-28
42484-03	126B-31
42487-00	126A-32
42496-00	13-55
42496-00	20-38
42512-00	13-5
42513-04	13-6
42536-00	97-82
42536-02	97-82
42537-00	97-43
42537-02	97-43
42538-00	97-60
42558-00	57-26
42561-00	57-25
42570-00	57-22
42571-02	57-17
42571-02	58-17
42571-03	58-18
42571-04	85-17
42571-04	90-16
42571-05	90-17
42571-06	97-81
42575-00	58-20
42576-00	58-23
42580-00	64-55
42589-00	5-29
42590-00	4-22
42590-00	5-30
42621-00	118-7
42626-02	120-19
42626-03	118-37
42628-02	81-67
42628-02	82-64
42628-08	80-11
42628-12	80-11
42632-00	118-7
42635-00	118-9
42636-00	118-9
42638-00	4-23
42659-00	13-54
42659-00	113-2
42704-00	118-10
42706-02	118-11
42706-04	118-12
42707-04	110-18
42709-00	118-21
42740-00	44-26
42743-26	130-19
42746-00	7-98
42756-00	97-64
42756-01	97-64
42766-03	Misc.
42777-00	130-2
42785-02	75-34
42787-00	59-15
42789-00	59-16
42809-00	47-24
42819-00	35-35

# PIPER PARTS CATALOG

Part Number	Figure and Index No.
42819-01	35-35
42826-03	119-15
42835-00	14-61
42836-00	80-9
42901-02	97-67
42910-00	13-31
42912-00	13-34
42912-04	11-11
42912-05	11-11
42913-00	13-35
42938-00	97-25
42939-00	97-23
42940-00	126A-33
42940-00	126B-52
42942-00	97-68
42943-00	97-26
42944-00	97-69
42945-00	97-27
42964-00	97-71
42965-00	27-11
42965-00	97-73
42973-00	59-19
42978-00	16-17
42978-01	16-18
42979-00	16-7
42985-00	91-4
43000-02	55-56b
43000-03	55-56b
43000-04	55-56b
43000-05	55-56b
43016-00	7-97
43016-01	7-97
43020-00	124-3
43021-00	124-4
43022-00	124-5
43029-00	131-39
43048-00	124-1
43052-04	97-1
43088-00	55-8
43097-00	55-28
43123-00	55-52
43127-02	55-50
43127-03	55-50
43127-04	55-50
43127-05	55-50
43127-06	55-50
43127-07	55-50
43127-08	55-50
43127-09	55-50
43145-00	120A-24
43220-00	64-2
43220-00	65-6
43229-04	56-3
43229-04	57-3
43229-04	59-13
43229-06	56-3
43229-06	57-3
43229-06	59-13

Part Number	Figure and Index No.
43229-08	56-3
43229-08	57-3
43229-08	59-13
43229-10	56-3
43229-10	57-3
43229-10	59-13
43229-12	56-3
43229-12	57-3
43242-00	123-10
43251-02	63-15
43256-02	40-15
43256-02	40-31
43256-03	40-28
43256-04	40-30
43256-05	40-27
43256-06	44-10
43256-07	44-6
43258-03	2-4
43258-03	120-9
43258-04	2-4
43258-04	120-9
43262-00	44-4
43272-00	61-25
43274-00	59-17
43278-00	59-50
43279-00	59-53
43284-00	59-48
43286-02	39-45
43288-00	59-45
43300-02	39-86
43300-03	39-86
43300-04	39-86
43300-05	39-86
43300-06	39-86
43325-06	28-12
43346-02	121-38
43353-00	55-55
43360-00	126A-72
43360-00	126B-67
43360-00	131-63
43362-00	127A-38
43362-00	127B-30
43362-00	131-62
43364-00	97-85
43365-00	126A-73
43365-00	126B-68
43365-00	127A-38
43365-00	127B-30
43365-00	131-62
43375-02	63-30
43376-02	63-31
43377-00	93-14
43404-00	67-25
43405-00	67-11
43435-00	89-12
43435-02	89-12
43438-02	88-1
43438-02	89-1

Part Number	Figure and Index No.
43438-04	88-1
43438-04	89-1
43444-00	126A-43
43444-00	126B-53
43454-00	89-2
43454-02	89-2
43454-06	89-2b
43455-00	89-21
43455-03	89-24
43457-00	89-34
43468-00	64-33a
43477-00	54-13
43496-00	123-37
43508-00	2-91
43538-00	55-31
43551-00	89-15
43551-02	89-15
43555-00	96-4
43561-00	67-57
43561-00	70-30
43599-00	13-32
43618-00	97-84
43639-00	59-49
43640-00	97-43
43643-00	59-47
43645-00	2-62
43645-01	2-62
43646-04	2-60
43646-05	2-60
43647-00	2-63
43647-01	2-63
43647-02	13-51
43647-03	13-51
43648-00	2-64
43648-01	2-64
43649-04	2-61
43649-05	2-61
43680-00	119-12
43683-00	2-65
43683-01	2-65
43687-00	97-58
43688-00	97-6
43691-00	97-76
43693-00	97-77
43693-00	131-31
43696-00	62-4
43696-03	62-4
43697-00	62-4
43697-03	62-4
43701-02	62-2
43711-00	39-16
43712-00	99-22
43718-06	126A-39
43718-06	126B-57
43719-00	126A-34
43719-00	126B-48
43751-00	88-2
43759-00	56-59

Part Number	Figure and Index No.
43776-00	55-63
43801-00	11-12
43801-00	131-71
43813-03	55-65
43813-04	55-65
43813-05	55-65
43816-00	121-8
43831-00	11-23
43833-00	11-9
43840-00	99-20
43845-00	13-33
43845-00	16-28
43845-01	13-33
43845-01	16-28
43870-00	4-7
43870-01	4-7
43888-00	16-12
43909-07	126A-2
43909-07	126B-3
43909-08	126A-3
43909-08	126B-5
43910-10	4-25
43910-11	4-25
43911-00	5-31
43911-01	5-31
43918-00	128-6
43918-00	131-38
43936-08	5-22
43936-09	5-22
43943-00	51-35
43943-00	51A-18
43943-00	63-17
43949-00	59-46
43961-00	7-96
43961-01	7-96
43972-00	39-73
43976-02	56-12
43976-03	56-12
43976-04	56-12
43976-05	56-12
43976-06	56-12
43976-07	57-12
43976-07	58-12
43976-08	57-12
43976-08	58-12
43976-09	57-12
43976-09	58-12
43976-10	57-12
43976-10	58-12
43976-17	57-12
43976-17	58-12
43981-00	89-42
43986-00	57-54
43986-00	58-28
43988-03	76-13
44009-00	119-5
44023-00	54-21
44024-02	56-14

# PIPER PARTS CATALOG

Part Number	Figure and Index No.
44024-02	57-14
44024-02	58-14
44024-05	56-14
44024-05	57-14
44024-05	58-14
44024-07	56-14
44024-07	57-14
44024-07	58-14
44024-09	56-14
44024-09	57-14
44024-09	58-14
44024-11	56-14
44024-11	57-14
44024-11	58-14
44029-00	56-36
44029-02	56-36
44057-52	54-2
44057-56	54-3
44062-02	54-8
44062-03	54-8
44062-04	54-8
44062-05	54-8
44107-00	13-48
44114-00	55-62
44114-00	56-51
44114-00	56-53
44114-00	57-33
44114-00	58-25
44155-00	2-42
44155-02	2-42
44182-00	98-14
44182-01	98-14
44188-02	92-53
44259-00	119-29
44269-03	97-70
44270-00	97-65
44271-00	97-66
44272-00	97-45
44275-02	5-34
44275-03	118-53
44275-04	5-35
44275-05	118-52
44291-02	122-7
44291-03	122-8
44294-00	35-27
44377-04	126B-14
44378-00	64-2
44378-00	65-6
44386-00	44-22
44399-00	120-38
44407-00	120-29
44490-00	99-21
44512-00	55-67
44514-00	55-68
44514-01	55-68
44545-00	51-47
44545-00	131-46
44587-02	122-13

Part Number	Figure and Index No.
44587-03	122-13
44587-04	122-14
44587-04	122A-2
44587-05	122-14
44587-05	122A-2
44587-16	2-1
44587-16	122-13
44587-16	122A-1
44587-17	2-1
44587-17	122-13
44587-17	122A-1
44713-02	71-78
44808-00	19-50b
44810-00	19-50a
44865-03	44-18
44867-10	56-8
44867-10	57-8
44867-10	58-8
44933-03	40-7
44943-03	35-34
44947-00	127A-75
44947-00	127B-65
44955-07	38-38
44961-00	38-40
44962-00	38-41
44963-00	38-39
44975-00	127-58
44975-00	127A-21
44975-00	127B-14
45001-00	18-21
45001-01	18-21
45002-00	18-22
45006-00	18-22
45009-00	20-50
45009-03	20-50
45010-00	17-17
45013-02	23-23
45013-03	23-23
45015-00	14-5
45015-01	14-5
45016-00	12-19
45018-00	14-42
45019-00	17-19
45019-00	18-23
45019-01	17-19
45020-00	18-33
45020-00	18-34
45020-01	18-33
45020-01	18-34
45020-01	18-35
45024-00	17-20
45024-01	17-20
45026-00	17-24
45026-01	17-24
45028-00	14-29
45028-01	14-29
45029-00	14-30
45029-01	14-30

Part Number	Figure and Index No.
45031-04	22-2
45031-05	22-1
45031-06	22-1
45032-00	14-31
45032-01	14-31
45033-00	17-21
45033-01	17-21
45034-02	22-3
45034-03	22-3
45034-04	22-4
45035-00	14-32
45035-01	14-32
45036-00	14-33
45036-01	14-33
45037-00	18-2
45037-01	18-2
45038-00	17-30
45039-00	12-67
45040-00	19-6
45041-00	20-6
45041-01	20-6
45043-01	24-14
45046-00	18-37
45046-01	18-37
45047-00	18-24
45047-01	18-24
45048-00	18-25
45048-01	18-25
45049-01	18-23
45051-00	18-36
45052-00	18-26
45054-00	18-27
45055-00	14-34
45055-01	14-34
45056-00	12-28
45056-01	12-28
45057-00	17-18
45057-01	17-18
45058-00	14-45
45059-00	24-6
45059-01	24-6
45060-00	12-18
45060-01	12-18
45061-00	17-17
45061-05	17-17
45062-00	12-19
45063-00	14-45
45065-00	18-29
45066-00	18-29
45067-00	12-20
45067-02	12-20
45068-00	18-30
45068-01	18-30
45071-00	12-27
45072-00	18-31
45073-00	18-31
45074-00	12-21
45075-00	14-71

Part Number	Figure and Index No.
45076-00	12-21
45077-00	18-32
45078-00	21-39
45079-00	18-36
45081-00	15-5
45081-04	15-5
45082-00	18-28
45083-00	12-32
45083-01	12-32
45083-02	21-38
45083-03	21-37
45085-00	12-9
45085-00	12-45
45085-01	12-10
45085-01	12-45
45086-00	12-22
45086-01	12-22
45088-00	12-23
45088-01	12-23
45090-02	14-6
45090-03	14-6
45099-03	25-1
45099-08	25-1
45099-11	25-8
45099-12	25-1
45099-13	25-7
45100-02	14-7
45100-03	14-7
45110-00	12-58
45110-01	12-58
45111-05	14-8
45111-06	14-9
45111-07	14-8
45112-00	12-24
45112-01	12-25
45113-00	12-26
45114-00	20-27
45115-00	12-12
45116-00	21-36
45117-00	21-35
45118-00	21-33
45119-00	21-34
45123-02	14-10
45123-04	14-10
45123-06	14-11
45124-00	21-40
45126-00	12-2
45132-00	12-59
45132-01	12-59
45134-00	12-11
45135-02	14-12
45135-03	14-12
45135-15	14-12
45135-16	14-12
45138-00	12-14
45139-00	12-3
45140-02	17-3
45140-03	17-3



# PIPER PARTS CATALOG

Part Number	Figure and Index No.
45141-00	12-15
45145-02	13-46
45146-00	5-17
45146-01	5-17
45149-00	12-17
45149-01	12-17
45150-00	12-4
45150-02	12-5
45151-02	17-5
45151-04	17-5
45151-09	17-7
45152-00	16-10
45153-00	16-10
45155-00	2-59
45157-00	15-11
45157-01	15-12
45158-00	15-13
45162-02	17-8
45162-04	17-8
45162-06	17-11
45165-00	7-2
45165-01	7-2
45165-02	7-3
45165-03	7-3
45169-00	15-3
45173-02	12-6
45173-05	20-31
45174-00	18-3
45177-00	12-41
45177-01	12-41
45179-00	12-29
45180-00	12-7
45181-02	18-4
45181-04	18-4
45181-06	18-5
45185-00	18-38
45185-00	18-39
45185-01	18-38
45185-01	18-39
45185-01	18-40
45186-02	12-13c
45186-03	12-13c
45186-04	12-13b
45186-05	12-13b
45186-06	12-13a
45189-00	12-13
45189-01	12-13
45190-00	19-20
45191-02	18-6
45191-03	18-6
45192-00	43-63
45192-01	43-63
45194-00	14-53
45194-01	14-52
45201-00	37-31
45202-00	83-18
45202-01	83-18
45203-02	18-7

Part Number	Figure and Index No.
45203-03	18-7
45203-07	18-8
45204-00	17-6
45204-00	17-9
45204-01	17-6
45204-01	17-9
45207-00	12-52
45208-00	12-8
45209-02	18-9
45209-03	18-9
45210-00	18-10
45212-00	17-23
45212-00	18-41
45212-00	20-7
45213-00	24-1
45213-01	24-1
45213-03	24-1
45215-02	18-11
45215-04	21-1
45216-02	18-14
45217-00	18-11
45218-00	21-19
45219-00	12-16
45219-01	12-16
45222-00	68-7
45223-00	21-20
45224-02	18-15
45224-03	18-16
45224-07	18-15
45225-00	19-3
45228-00	21-16
45231-00	12-68
45232-00	11-10
45232-01	11-10
45233-00	21-21
45234-02	18-17
45234-03	18-18
45234-05	18-17
45235-00	12-36
45235-00	24-2
45237-02	2-17
45238-00	2-15
45239-00	24-3
45239-01	24-3
45242-00	37-34
45244-00	19-2
45247-00	14-35
45247-01	14-35
45248-00	13-27
45248-01	13-27
45249-04	19-11
45249-05	19-11
45249-11	19-12
45249-12	19-12
45249-16	19-11
45253-03	34-21
45255-00	56-36a
45259-00	34-19

Part Number	Figure and Index No.
45261-04	19-13
45261-05	19-13
45261-11	19-10
45264-00	20-4
45264-01	20-4
45265-00	27-7
45266-00	27-8
45267-00	27-16
45267-02	27-18
45267-03	27-28
45267-04	27-27
45268-02	27-9
45268-03	27-5
45269-00	20-5
45269-01	20-5
45271-00	27-6
45274-00	19-15
45274-08	19-15
45277-00	20-49
45279-00	71-54
45280-00	24-7
45280-01	24-7
45281-00	15-2
45282-02	13-40
45282-04	27-24
45283-00	13-38
45285-04	23-1
45285-05	23-2
45287-00	121A-17
45288-00	121A-21
45288-00	127C-11
45289-00	121A-25
45290-00	121A-27
45291-00	121A-24
45292-00	121A-23
45294-02	14-36
45294-03	14-36
45296-05	19-35
45301-00	23-47
45302-00	23-46
45303-00	23-44
45304-00	23-45
45306-00	14-48
45306-01	14-48
45306-16	14-48
45306-17	14-48
45307-07	13-39
45309-03	14-13
45310-00	119-3
45311-00	119-1
45312-00	119-4
45312-04	119-4
45314-00	44-8
45316-00	44-2
45318-00	44-15
45324-02	14-14
45324-03	14-15
45324-04	14-14

Part Number	Figure and Index No.
45324-05	11-2
45328-00	44-21
45329-00	44-44
45331-00	44-25
45331-00	131-13
45332-00	40-16a
45333-00	43-1
45333-00	44-1
45333-03	44-12
45334-00	40-14
45337-03	14-16
45337-04	14-17
45337-05	14-16
45337-06	11-3
45338-00	23-3
45340-00	19-30
45341-00	14-55
45341-01	14-55
45342-00	14-38
45346-00	14-24
45349-03	11-4
45349-04	11-26
45350-00	14-18
45350-08	14-18
45351-00	18-13
45352-00	13-43
45353-00	71-19
45358-00	13-41
45359-00	11-5
45360-00	14-19
45361-00	14-19
45363-00	24-4
45365-06	35-21
45367-00	88-10
45367-00	88-42
45370-00	11-6
45371-00	14-20
45372-00	14-20
45374-00	14-46
45376-00	12-43
45376-00	13-16
45376-00	16-8
45376-00	20-8
45376-00	21-18
45377-00	7-45
45377-01	7-45
45379-00	7-41
45380-00	7-66
45380-01	7-66
45381-00	7-43
45381-01	7-43
45382-00	5-23
45382-01	5-23
45383-00	7-50
45383-01	7-50
45384-00	7-64
45384-01	7-64
45385-00	7-44

# PIPER PARTS CATALOG

Part Number	Figure and Index No.
45385-01	7-44
45386-00	2-25
45386-00	2-92
45387-00	2-23
45387-00	2-92
45388-00	12-40
45389-00	12-46
45389-01	12-47
45389-02	12-51
45390-02	12-39
45390-03	12-39
45390-04	12-48
45390-05	12-48
45390-06	12-49
45390-07	12-49
45390-08	12-50
45390-09	12-39
45390-10	12-39
45390-11	12-48
45390-12	12-48
45392-00	13-3
45392-01	13-3
45393-00	14-21
45394-00	13-4
45394-01	13-4
45395-00	16-4
45395-01	16-4
45395-04	16-5
45396-02	14-22
45396-03	14-21
45397-00	17-13
45398-02	17-12
45398-02	18-19
45398-02	18-20
45398-03	17-13
45398-06	17-15
45399-02	54-19
45399-03	54-20
45399-04	54-15
45399-05	54-16
45399-06	54-19
45401-00	10-1
45405-00	88-19
45405-00	88-29
45405-00	88-40
45406-00	12-1
45406-05	12-1
45407-00	16-1
45407-03	16-9
45407-04	16-9
45408-00	19-1
45409-02	7-26
45409-03	7-26
45409-10	6-19
45409-11	6-19
45409-14	7-25
45409-15	7-25
45410-00	3-1

Part Number	Figure and Index No.
45410-01	3-1
45410-04	3-4
45410-05	3-4
45410-06	3-4
45410-07	3-1
45410-08	3-1
45410-10	3-1
45410-11	3-1
45411-00	3-2
45411-00	5-1
45411-01	3-2
45411-01	5-1
45411-10	3-2
45411-10	5-1
45411-11	3-2
45411-11	5-1
45411-12	3-2
45411-12	5-1
45411-13	3-2
45411-13	5-1
45412-10	4-4
45413-00	5-18
45413-00	6-1
45413-01	5-18
45413-01	6-1
45414-00	3-9
45414-00	7-1
45414-01	3-9
45414-01	7-1
45417-00	12-31
45417-00	13-9
45421-02	7-28
45421-03	7-28
45421-04	7-27
45421-05	7-27
45421-08	6-21
45421-09	6-21
45422-00	7-48
45422-01	7-48
45423-00	19-27
45423-01	19-27
45424-00	12-66
45427-03	19-23
45427-04	19-23
45430-02	6-6
45430-03	6-6
45430-04	7-6
45430-05	7-6
45433-00	14-47
45433-01	14-47
45433-04	14-47
45433-05	14-47
45434-02	7-30
45434-03	7-30
45434-04	7-29
45434-05	7-29
45434-10	6-23
45434-11	6-23

Part Number	Figure and Index No.
45439-02	7-9
45439-03	7-9
45439-06	7-8
45439-07	7-8
45439-08	6-8
45439-09	6-8
45441-00	34-26
45447-04	7-31
45447-05	7-31
45447-06	6-24
45447-07	6-24
45449-02	6-9
45449-03	6-9
45449-06	7-10
45449-07	7-10
45449-08	7-11
45449-09	7-11
45451-00	14-25
45451-01	14-25
45454-00	23-59
45456-00	119-17
45456-00	131-35
45458-02	7-13
45458-03	7-13
45458-04	7-12
45458-05	7-12
45458-06	6-12
45458-07	6-12
45460-02	7-33
45460-03	7-33
45460-06	7-32
45460-07	7-32
45467-02	6-13
45467-03	6-13
45467-12	7-16
45467-13	7-16
45467-14	7-17
45467-15	7-17
45467-16	7-15
45467-17	7-15
45467-18	7-14
45467-19	7-14
45473-00	7-34
45473-01	7-34
45477-02	7-21
45477-03	7-21
45477-04	7-20
45477-05	7-20
45477-06	7-19
45477-07	7-19
45477-12	6-14
45477-13	6-14
45477-16	7-18
45477-17	7-18
45487-10	7-22
45487-11	7-22
45487-12	6-15
45487-13	6-15

Part Number	Figure and Index No.
45496-00	19-28
45497-04	6-16
45497-05	6-16
45497-08	6-17
45497-09	6-17
45497-12	7-23
45497-13	7-23
45497-15	7-24
45497-16	7-24
45498-00	12-33
45499-00	12-34
45500-00	12-35
45501-00	7-49
45501-01	7-49
45502-00	101-12
45504-00	39-1
45504-00	40-1
45504-01	39-1
45504-01	40-1
45504-04	40-13
45504-05	40-13
45511-00	98-39
45515-00	21-41
45516-00	21-42
45517-00	14-27
45527-02	16-2
45527-02	17-1
45528-02	53-9
45528-02	123-19
45528-03	53-6
45528-04	53-7
45528-08	53-9
45528-08	123-19
45529-00	123-20
45530-00	13-42
45531-00	19-22
45531-01	19-22
45532-00	19-24
45533-00	19-25
45538-00	19-51
45539-00	5-32
45540-00	6-31
45541-00	2-10
45541-00	6-31
45544-00	87-6
45545-00	4-20
45545-01	4-20
45547-00	25-10
45548-00	26-5
45550-00	17-12
45550-00	17-14
45550-00	18-19
45551-00	14-26
45555-00	19-53
45583-08	19-43
45584-00	19-45
45584-01	19-45
45588-00	26-6

# PIPER PARTS CATALOG

Part Number	Figure and Index No.
45588-01	26-6
45593-03	19-39
45593-05	19-38
45594-02	19-40
45594-03	19-41
45597-00	92-41
45599-00	92-42
45603-00	26-4
45604-00	92-45
45610-00	19-50
45610-01	19-50
45612-00	20-28
45613-00	16-3
45613-00	18-1
45614-00	13-2
45614-00	14-1
45615-00	19-21
45615-01	19-21
45616-02	19-26
45619-00	21-15
45622-00	31-7
45623-00	31-2
45624-00	31-3
45625-00	23-8
45626-00	23-7
45626-01	23-7
45627-00	23-24
45627-01	23-24
45627-04	23-25
45628-00	23-26
45629-00	20-26
45629-01	20-26
45630-00	19-31
45631-00	19-29
45632-00	19-31
45638-00	14-23
45638-00	15-1
45638-03	14-23
45638-03	15-1
45639-02	22-5
45639-04	22-6
45639-05	22-5
45641-00	21-13
45642-00	21-17
45645-00	18-42
45646-00	12-69
45647-06	5-6
45647-07	5-6
45647-10	5-2
45647-11	4-1
45647-12	3-3
45647-13	3-3
45647-14	4-5
45647-15	4-5
45647-16	3-5
45647-25	3-5
45647-26	5-6
45647-27	5-6

Part Number	Figure and Index No.
45647-30	4-5
45647-31	4-5
45648-00	23-58
45649-00	23-5
45651-00	16-32
45653-00	23-30
45653-03	23-31
45654-00	23-36
45655-00	23-32
45655-01	23-32
45656-00	23-34
45656-02	23-34
45658-00	54-23
45660-00	21-14
45661-00	13-15
45661-01	13-15
45662-00	14-37
45663-00	13-11
45663-01	13-11
45666-00	13-12
45666-01	13-12
45668-00	13-13
45668-01	13-13
45669-00	23-4
45669-01	23-4
45673-00	13-14
45673-01	13-14
45682-02	23-48
45682-03	23-50
45682-04	23-52
45683-00	23-54
45683-02	23-56
45684-03	23-10
45685-00	19-30
45686-00	23-9
45687-00	19-29
45689-00	19-32
45691-02	7-54
45691-03	7-54
45691-04	7-53
45691-05	7-53
45692-00	23-6
45692-05	23-6
45693-00	13-37
45693-01	13-37
45696-02	13-17
45696-03	13-17
45696-04	13-18
45696-05	13-18
45696-06	13-19
45696-07	13-19
45696-08	13-20
45696-09	13-21
45696-10	13-22
45696-11	13-23
45696-12	13-24
45696-13	13-24
45696-14	13-25

Part Number	Figure and Index No.
45696-15	13-25
45696-16	13-26
45696-17	13-26
45696-20	13-28
45700-00	34-1
45700-00	35-1
45700-07	35-2
45700-08	35-2
45700-13	35-6
45700-14	34-1
45700-14	35-1
45702-00	3-7
45703-00	13-1
45704-00	23-21
45705-00	16-23
45705-01	16-23
45706-00	23-28
45707-00	23-28
45710-00	16-24
45710-01	16-24
45711-00	86-24
45712-02	87-4
45712-03	87-4
45712-04	87-3
45712-05	87-3
45712-08	87-2
45712-09	87-2
45712-20	87-1
45712-21	87-1
45713-00	16-25
45713-01	16-25
45717-00	20-29
45717-01	20-29
45718-00	20-30
45718-01	20-30
45727-00	16-31
45732-00	16-29
45732-03	16-29
45733-00	11-1
45737-00	12-62
45738-00	19-77
45739-00	19-78
45742-00	38-16
45746-00	23-42
45747-00	23-38
45747-03	23-39
45748-00	23-40
45748-03	23-41
45751-00	34-5
45751-00	38-51
45751-01	34-5
45751-01	38-51
45751-02	38-67
45751-03	38-67
45751-08	38-60
45751-09	38-60
45757-00	16-33
45758-00	16-34

Part Number	Figure and Index No.
45758-01	16-34
45759-00	16-35
45759-01	16-35
45760-00	16-36
45760-01	16-36
45761-00	16-37
45761-01	16-37
45762-00	16-38
45762-01	16-38
45763-00	16-39
45763-01	16-39
45764-00	16-40
45764-01	16-40
45765-02	16-41
45765-03	16-42
45765-04	16-43
45765-05	16-43
45765-06	16-44
45765-07	16-44
45765-08	16-41
45766-00	16-6
45767-00	19-92
45767-01	19-92
45770-02	38-18
45770-03	38-19
45774-03	19-93
45774-04	19-94
45774-05	19-93
45775-00	38-9
45775-03	38-10
45775-04	38-56
45778-00	87-36
45779-00	23-15
45779-04	23-16
45780-00	23-17
45780-04	23-18
45781-00	23-19
45781-03	23-20
45782-00	23-11
45782-04	23-12
45782-05	23-13
45782-07	23-14
45784-02	38-11
45784-03	38-12
45784-04	38-57
45785-02	38-20
45785-03	38-21
45786-02	43-73
45786-03	43-73
45791-02	77-19
45791-03	77-19
45791-04	6-37
45791-05	6-37
45792-02	38-13
45792-03	38-14
45794-00	43-72
45794-01	43-72
45795-00	38-8

# PIPER PARTS CATALOG

Part Number	Figure and Index No.
45799-02	19-52
45799-03	19-55
45800-00	19-60
45802-00	19-61
45804-00	111-7
45807-00	38-33
45807-03	38-33
45809-09	7-42
45812-00	6-30
45812-01	6-30
45813-00	83-13
45814-00	6-2
45814-01	6-2
45815-00	19-48
45815-01	19-48
45817-02	77-20
45817-03	77-20
45817-04	6-36
45817-05	6-36
45818-00	83-14
45819-00	83-15
45820-00	83-20
45824-00	7-84
45824-01	7-84
45825-00	7-83
45825-01	7-83
45828-00	83-17
45834-00	87-29
45836-00	20-25
45836-01	20-25
45837-00	87-33
45838-00	7-57
45838-01	7-57
45840-03	83-12
45842-00	38-66
45843-02	11-13
45843-03	11-14
45843-04	11-15
45843-05	20-23
45843-06	11-16
45843-07	20-22
45843-08	11-15
45843-09	11-19
45843-10	11-17
45843-11	11-20
45843-12	11-18
45844-00	81-92
45844-00	82-90
45845-00	99-32
45846-00	81-90
45846-00	82-71
45847-00	71-11
45847-00	81-99
45847-00	82-98
45850-00	71-82
45851-00	6-29
45852-00	6-29
45853-00	47-28

Part Number	Figure and Index No.
45854-00	15-4
45855-00	99-30
45856-00	99-39
45857-00	99-38
45858-00	99-4
45859-00	101-21
45860-00	101-29
45861-00	99-29
45862-00	99-28
45864-00	11-7
45864-01	11-7
45868-00	99-31
45871-00	11-8
45871-01	11-8
45875-00	101-32
45877-00	99-65
45881-00	125-2
45882-00	31-4
45883-00	101-17
45884-04	38-55
45884-05	38-58
45885-00	101-13
45886-00	101-26
45887-00	14-58
45887-01	14-58
45888-00	4-11
45888-01	4-11
45888-04	4-11
45888-05	4-11
45889-00	125-1
45891-04	19-33
45891-05	19-33
45892-00	125-4
45893-00	38-65
45894-00	83-16
45897-00	47-9
45899-00	83-19
45900-00	24-5
45904-00	19-34
45904-01	19-34
45907-14	3-13
45907-15	3-13
45911-00	50-7
45912-00	77-35
45912-03	77-35
45914-00	75-22
45916-00	121-30
45918-00	19-69
45918-01	19-69
45919-00	87-8
45919-01	87-8
45920-00	47-5
45921-00	47-8
45923-00	19-63
45923-01	19-63
45925-00	48-5
45925-02	47-6
45927-00	19-70

Part Number	Figure and Index No.
45927-01	19-70
45930-02	19-62
45930-05	19-75
45930-06	19-75
45932-02	38-59
45932-03	38-52
45932-04	38-53
45932-05	38-54
45934-02	38-26
45934-03	38-28
45935-02	38-17
45935-03	38-15
45937-08	114-1
45945-02	38-43
45945-04	38-43
45945-06	38-43
45946-00	19-71
45946-01	19-71
45947-00	19-46
45947-01	19-46
45948-00	71-8
45949-04	38-63
45949-06	38-63
45951-00	38-30
45951-13	38-30
45952-00	3-18
45952-01	3-18
45954-00	77-53
45955-00	7-82
45955-01	7-82
45956-00	38-31
45958-00	71-7
45965-00	80-15
45965-01	80-15
45968-02	7-60
45968-03	7-60
45968-04	7-61
45968-05	7-61
45970-02	20-18
45970-03	20-19
45970-04	20-17
45971-00	12-37
45972-00	12-38
45973-00	12-37
45974-00	20-33
45975-00	12-38
45976-00	16-49
45977-00	16-49
45978-00	16-47
45978-01	16-47
45979-00	16-48
45979-01	16-48
45982-00	34-16
45985-00	113-10
45986-00	19-64
45987-00	105-15
45989-00	38-34
45990-02	22-7

Part Number	Figure and Index No.
45990-03	22-7
45990-04	22-8
45994-00	34-42
45995-00	83-22
45995-01	83-22
45996-00	83-21
45996-01	83-21
45997-00	3-16
45997-01	3-16
45998-05	38-29 <sup>a</sup>
46000-00	20-33
46001-00	35-17
46001-01	35-17
46004-00	38-37
46006-00	19-96
46007-00	127A-74
46007-00	127B-64
46008-00	19-95
46009-00	127A-74
46009-00	127B-64
46011-00	38-27
46012-00	4-24
46014-00	27-2
46016-00	77-37
46017-00	77-38
46018-00	77-39
46019-02	38-24
46019-03	38-25
46020-02	38-22
46020-03	38-23
46022-02	38-32
46022-03	38-32
46022-05	38-2
46022-06	38-3
46022-07	38-4
46022-08	38-6
46022-11	38-5
46022-12	38-35
46022-17	34-3
46022-17	38-1
46022-18	34-3
46022-18	38-1
46022-21	34-3
46022-21	38-1
46022-22	34-3
46022-22	38-1
46022-23	38-6
46022-26	34-3
46022-26	38-1
46022-27	34-3
46022-27	38-1
46022-28	34-3
46022-28	38-1
46022-29	34-3
46022-29	38-1
46023-00	87-25
46024-00	3-17
46024-01	3-17

# PIPER PARTS CATALOG

Part Number	Figure and Index No.
46025-02	16-51
46025-03	16-50
46025-04	21-24
46025-05	21-26
46025-06	21-25
46025-07	21-28
46025-08	21-27
46025-09	21-30
46025-10	21-29
46028-00	38-50
46028-01	38-50
46031-00	128D-7
46031-00	128E-3
46034-02	38-49
46034-03	38-49
46035-00	109-2
46036-00	33-2
46038-00	33-30
46040-00	80-2
46044-00	80-10
46045-00	80-20
46045-01	80-20
46046-00	16-21
46047-00	112-24
46047-02	112-24
46049-02	85-3
46049-03	105-32
46049-04	85-7
46049-05	85-4
46049-06	105-33
46049-07	85-8
46049-09	105-36
46051-02	67-21
46051-04	67-16
46058-00	16-30
46061-00	80-17
46061-01	80-17
46061-02	80-18
46061-03	80-19
46063-02	80-3
46063-03	80-3
46064-00	20-16
46067-00	114-7
46068-00	114-6
46070-00	111-15
46071-00	105-6b
46074-00	20-20
46074-01	20-20
46075-00	80-1
46078-00	111-9
46079-00	20-21
46079-01	20-21
46080-00	105-34
46082-00	98-32
46083-00	33-21
46084-02	20-9
46084-03	20-15
46084-04	20-10

Part Number	Figure and Index No.
46084-05	20-10
46084-06	20-11
46084-07	20-11
46084-08	20-12
46084-09	20-12
46084-10	20-13
46084-11	20-14
46084-13	20-9
46086-00	80-5
46087-00	80-6
46088-00	32-1
46095-00	6-33
46095-01	6-33
46096-00	128D-8
46096-00	128E-13
46096-04	128D-8
46096-04	128E-13
46097-02	80-4
46097-03	80-4
46097-04	80-4
46097-05	80-4
46099-00	20-32
46100-00	105-35
46102-00	14-72
46103-00	111-10
46104-00	77-7
46104-01	77-8
46106-00	33-11
46107-00	33-11
46109-00	33-6
46112-00	33-23
46113-00	105-14
46115-00	111-16
46116-00	19-72
46117-00	111-38
46118-00	11-22
46121-02	39-11
46121-03	39-12
46123-00	81-44
46124-02	81-44a
46126-00	38-44
46128-02	111-34
46129-02	111-21
46129-03	111-22
46130-00	128D-6
46130-00	128E-2
46130-00	129-2
46130-00	129A-2
46130-00	129B-2
46132-00	19-74
46133-00	21-31
46134-02	111-18
46134-03	111-19
46136-02	20-24
46136-03	20-24
46136-07	20-24
46136-08	20-24
46136-09	20-24

Part Number	Figure and Index No.
46136-10	20-24
46137-00	111-17
46138-00	99-37
46140-00	77-31
46140-01	77-31
46141-00	33-1
46142-00	77-43
46142-01	77-43
46144-02	20-1
46144-03	20-48
46144-04	20-2
46146-00	112-49
46147-00	111-32
46148-00	112-52
46148-01	112-52
46149-00	77-32
46149-01	77-32
46155-00	112-50
46156-01	77-44
46156-02	77-44
46161-00	111-3
46168-00	2-34
46168-01	2-34
46170-00	112-51
46173-05	27-1
46173-06	27-1
46174-00	26-2
46175-00	25-9
46175-00	26-1
46175-00	52-4
46176-05	25-16
46176-06	25-15
46176-08	25-15
46179-00	105-38
46182-00	111-14
46183-00	111-11
46184-00	111-12
46185-00	111-8
46190-00	112-15
46191-00	112-11
46197-00	105-13
46199-00	97-12
46203-00	97-11
46207-00	110-14
46207-07	110-14
46211-00	19-9
46212-02	55-56
46212-03	55-56
46212-04	55-56
46212-05	55-56
46212-06	55-56
46212-07	55-56
46212-08	55-56
46212-09	55-56
46212-10	55-56
46212-11	55-56
46212-12	55-56
46212-13	55-56

Part Number	Figure and Index No.
46212-14	55-56
46212-15	55-56
46212-16	55-56
46212-17	55-56
46214-00	112-38
46214-01	112-38
46217-00	101-18
46218-00	34-6
46219-00	67-19
46220-00	101-10
46221-00	6-34
46221-01	6-34
46223-00	71-5
46223-00	126-8
46224-00	67-13
46225-00	11-21
46228-00	35-10
46232-00	78-15
46233-00	71-18
46234-00	82-35
46239-01	77-17
46240-02	77-16
46240-03	77-16
46240-04	77-59
46240-05	77-59
46241-02	77-15
46241-03	77-15
46241-04	77-66
46241-05	77-66
46243-00	112-4
46244-00	110-27
46245-00	105-6
46251-00	105-17
46253-00	105-16
46255-00	50-22
46256-00	50-21
46257-00	50-20
46257-00	118-50
46258-00	50-6
46259-00	50-16
46261-00	111-1
46265-00	71-27
46266-00	71-28
46267-00	71-25
46268-00	74-16
46269-00	74-16
46270-00	74-16
46272-00	110-13
46273-00	105-2
46275-04	77-3
46275-05	77-3
46276-04	77-2
46276-05	77-2
46277-00	77-23
46278-04	77-13
46278-05	77-13
46278-06	77-58
46279-00	77-14

# PIPER PARTS CATALOG

Part Number	Figure and Index No.
46279-01	77-14
46281-00	77-12
46282-02	77-26
46282-03	77-26
46282-04	77-25
46282-05	77-25
46282-06	77-74
46282-07	77-74
46282-08	77-75
46282-09	77-75
46284-00	77-5
46284-02	77-5
46286-00	28A-18
46288-00	29-15
46289-00	15-6
46291-00	71-32
46297-00	99-11
46298-00	75-6
46298-00	131-23
46299-02	34-10
46299-03	34-11
46299-15	34-11
46299-16	34-10
46301-00	33-3
46306-00	71-35
46307-00	74-6
46312-00	6-35
46312-01	6-35
46313-02	71-2
46314-00	72-8
46315-00	74-5
46316-00	20-35
46318-00	105-10
46319-00	64-20
46320-00	64-18
46322-00	99-23
46323-05	71-43
46326-01	110-6
46326-12	110-6
46329-00	110-8
46329-01	110-8
46331-00	74-4
46331-02	74-4
46333-00	105-57
46334-00	115-1
46336-00	115-3
46337-00	109-19
46338-00	109-20
46339-00	109-21
46341-00	77-45
46344-02	34-12
46344-03	34-12
46347-00	105-12
46348-06	71-3
46349-00	97-7
46349-02	97-7
46350-00	71-4
46354-00	77-22

Part Number	Figure and Index No.
46355-00	75-3
46356-00	110-2
46357-00	7-58
46357-00	7-59
46357-01	7-58
46357-01	7-59
46359-00	110-3
46359-08	110-3
46363-00	110-7
46366-00	13-44
46372-00	110-9
46374-02	15-18
46374-03	15-17
46374-05	15-20
46375-00	110-4
46375-04	110-4
46376-00	105-47
46378-00	112-3
46380-00	77-24
46384-02	37-37
46384-03	38-46
46384-04	38-46
46386-02	77-28
46386-03	77-28
46386-04	77-30
46386-05	77-30
46387-02	77-27
46387-03	77-27
46387-04	77-29
46387-05	77-29
46388-00	112-34
46394-00	53-10
46395-00	21-7
46396-00	28A-2
46401-02	75-2
46402-00	118-13
46403-00	118-14
46406-00	112-35
46407-00	47-11
46408-00	47-10
46409-00	75-26
46410-00	6-32
46410-01	6-32
46411-02	67-22
46411-03	67-17
46413-00	47-4
46415-02	64-23
46415-03	64-23
46415-04	64-23
46415-05	64-23
46415-06	64-23
46415-07	64-23
46415-08	64-23
46415-09	64-23
46415-10	64-23
46415-11	64-23
46415-12	64-23
46415-13	64-23

Part Number	Figure and Index No.
46415-14	64-23
46417-00	121A-4
46418-03	112-36
46420-00	67-14
46421-00	64-23a
46421-00	65-13
46421-02	64-23a
46421-02	65-13
46422-02	77-69
46422-03	77-69
46422-04	77-9
46423-02	77-11
46423-03	77-11
46423-04	77-52
46423-05	77-52
46424-02	77-57
46424-03	77-57
46424-04	77-10
46425-00	20-53
46430-00	64-5
46430-00	65-2
46431-00	77-70
46431-01	77-70
46437-00	117-4
46439-00	118-15
46440-00	99-36
46443-00	117-3
46444-00	99-35
46445-00	109-14
46446-02	109-15
46451-00	101-14
46452-00	77-64
46454-00	64-30
46454-00	131-18
46454-02	64-30
46454-02	131-18
46454-03	64-30
46454-03	131-18
46457-00	64-11
46458-00	77-63
46459-00	101-23
46460-00	15-7
46460-01	15-7
46465-00	64-31
46465-00	131-19
46469-00	51-36
46469-00	63-18
46470-00	117-2
46472-00	105-59
46475-00	77-71
46475-01	77-71
46478-00	77-21
46482-00	29-1
46482-02	29-2
46484-02	37-17
46484-03	37-18
46490-02	67-18
46490-03	67-23

Part Number	Figure and Index No.
46492-02	37-9
46492-03	37-10
46494-00	30-6
46494-01	30-11
46495-00	123-17
46495-00	131-37
46496-06	37-7
46496-07	37-8
46497-00	64-12
46500-00	34-4
46500-00	37-1
46500-01	34-4
46500-01	37-1
46500-07	37-2
46500-08	37-2
46500-09	37-3
46500-10	37-3
46500-11	37-4
46500-12	37-4
46502-00	105-39
46504-00	105-40
46505-00	105-41
46508-00	105-42
46510-02	37-13
46510-03	37-14
46512-00	74-8
46512-00	79A-7
46515-02	37-11
46515-03	37-12
46517-02	37-15
46517-03	37-16
46519-02	29-14
46520-02	37-20
46520-03	37-22
46520-04	37-19
46520-05	37-21
46521-02	37-5
46521-03	37-6
46522-00	28A-26
46523-02	37-24
46523-03	37-23
46526-00	28A-25
46528-00	29-41
46530-00	37-25
46534-00	29-8
46536-00	28-21
46536-00	28A-8
46538-02	37-26
46538-03	37-28
46539-00	29-3
46541-00	121-21
46541-01	116-13
46541-01	121-22
46541-02	121-23
46541-03	121-24
46543-00	28A-3
46548-00	19-83
46548-00	21-9

# PIPER PARTS CATALOG

Part Number	Figure and Index No.
46550-02	28A-23
46550-04	28A-24
46554-00	28A-5
46555-00	19-84
46556-00	28A-4
46557-00	21-10
46560-00	29-34
46563-00	29-40
46566-03	65-1
46566-04	64-1
46566-06	65-1
46566-07	64-1
46566-09	64-1
46566-09	65-1
46568-00	69-2
46572-00	68-23
46574-00	64-24
46576-00	64-32
46576-00	131-20
46576-03	64-32
46576-03	131-20
46581-00	118-16
46582-02	28A-28
46582-04	28A-27
46583-02	30-2
46583-03	28-10
46584-02	30-1
46584-03	30-1
46584-04	30-1
46585-00	69-3
46592-00	69-1
46592-02	69-1
46595-00	101-20
46596-00	77-18
46597-00	64-15
46602-00	118-17
46603-00	64-8
46606-04	75-12
46606-05	75-1
46607-00	65-16
46609-00	67-12
46611-00	78-3
46612-00	67-59
46623-00	12-70
46623-01	12-70
46624-02	28A-21
46624-03	28A-22
46628-02	29-31
46629-14	51-11
46631-00	71-33
46631-16	71-33
46633-00	32-2
46636-00	19-73
46636-01	19-73
46636-02	19-8
46636-03	19-8
46637-00	29-10
46639-00	65-15

Part Number	Figure and Index No.
46641-00	120-13
46642-04	28-31
46643-00	112-40
46645-04	28-32
46649-00	112-54
46654-00	54-25
46656-00	88-82
46657-00	81-50
46658-15	72-3
46662-02	75-13
46662-03	75-19a
46667-00	112-47
46676-12	72-1
46676-13	72-2
46676-14	72-2
46678-02	21-2
46678-04	21-4
46678-05	21-3
46678-06	21-5
46678-07	21-6
46682-00	72-5
46683-00	80-21
46685-02	74-7
46688-00	56-17
46688-00	57-16
46688-01	56-17
46688-01	57-16
46690-00	77-6
46692-00	77-1
46692-01	77-1
46695-02	57-45
46695-02	58-32
46695-02	59-35
46695-03	57-46
46695-03	58-33
46695-03	59-34
46695-04	57-47
46695-05	57-48
46695-06	59-29
46696-00	57-53
46696-00	58-34
46696-00	59-31
46701-00	72-6
46704-00	57-20
46705-00	112-46
46707-00	112-41
46708-02	112-45
46709-00	70-9
46711-00	57-19
46713-00	70-8
46714-00	112-37
46715-00	68-3
46716-00	68-2
46718-00	121A-26
46719-00	112-42
46719-01	112-42
46720-00	68-1
46721-00	72-7

Part Number	Figure and Index No.
46722-00	66-4
46722-00	70-7
46722-00	99-78
46723-00	68-5
46723-00	70-5
46723-00	129E-16
46724-00	47-14
46725-00	47-15
46726-00	28A-11
46727-00	14-60
46730-00	47-13
46731-00	68-15
46731-00	70-10
46732-00	68-14
46734-00	15-8
46736-00	19-82
46736-00	21-8
46736-00	28A-7
46737-02	121A-1
46738-00	68-6
46742-00	68-13
46744-00	112-14
46745-00	112-10
46746-00	112-9
46748-00	112-13
46749-00	112-12
46750-00	63-3
46752-00	69-21
46752-00	109-3
46752-00	131-32
46754-00	120-14
46757-00	112-8
46760-00	112-7
46761-00	20-34
46762-00	78-7
46769-00	114-4
46770-00	114-5
46771-00	70-2
46772-00	112-48
46774-00	53-5
46775-00	112-55
46776-00	28-1
46776-00	28A-1
46777-05	28A-29
46778-00	53-17
46779-02	118-8
46779-03	118-8
46783-00	44-47
46783-02	44-47
46783-03	44-47
46783-04	44-47
46783-05	44-47
46784-00	53-11
46785-00	56-47
46785-00	57-40
46785-01	56-47
46791-00	113-4
46792-00	113-5

Part Number	Figure and Index No.
46794-00	113-6
46795-00	113-7
46796-00	113-8
46802-00	62-8
46803-00	12-65
46804-00	120-18
46809-02	64-9
46810-00	68-8
46810-00	70-29
46811-00	12-55
46811-01	12-55
46812-00	12-56
46814-00	56-46
46814-00	57-39
46814-01	56-46
46814-02	56-46
46814-02	57-39
46814-03	56-46
46814-04	56-46
46814-04	57-39
46814-05	56-46
46814-06	56-46
46814-06	57-39
46814-07	56-46
46814-08	56-46
46814-08	57-39
46814-09	56-46
46814-10	56-46
46814-10	57-39
46814-11	56-46
46814-28	56-46
46814-28	57-39
46814-29	56-46
46814-30	56-46
46814-30	57-39
46814-31	56-46
46814-32	56-46
46814-32	57-39
46814-33	56-46
46815-00	123-13
46821-00	19-79
46824-00	12-71
46825-00	77-54
46828-00	47-18
46829-00	47-19
46832-02	55-4
46832-02	56-4
46832-02	57-4
46832-02	58-4
46832-03	55-4
46832-03	56-4
46832-03	57-4
46832-03	58-4
46832-04	55-4
46832-04	56-4
46832-04	57-4
46832-04	58-4
46832-05	55-4

## PIPER PARTS CATALOG

Part Number	Figure and Index No.	Part Number	Figure and Index No.	Part Number	Figure and Index No.	Part Number	Figure and Index No.
46832-05	56-4	46882-06	52-3	46924-00	25-11	46978-01	37-39
46832-05	57-4	46882-06	52-5	46925-00	26-22	46979-00	87-19
46832-05	58-4	46882-10	26-19	46925-00	131-4	46981-00	37-40
46832-06	55-4	46882-10	52-3	46927-02	88-58	46981-01	37-40
46832-06	56-4	46882-10	52-5	46927-03	88-49	46984-00	81-43
46832-06	57-4	46883-02	26-16	46927-04	88-67	46986-00	46-10
46832-06	58-4	46883-03	26-17	46927-05	88-58	46987-00	123-9
46832-07	55-4	46883-03	26A-19	46927-06	88-58	46990-00	82-33
46832-07	56-4	46883-04	26-18	46928-00	26-11	46993-00	81-56
46832-07	57-4	46883-04	26A-19	46928-01	26-15	46993-00	82-37
46832-07	58-4	46883-06	26-20	46931-00	26-7	46994-00	81-52
46832-08	55-4	46883-06	26A-20	46931-00	26A-12	46994-00	82-41
46832-08	56-4	46884-02	51-51	46933-00	43-27	46999-00	71-17
46832-08	57-4	46884-03	51-51	46936-00	46-5	47005-03	63-34
46832-08	58-4	46884-04	52-1	46938-00	74-28	47006-06	51-12
46832-09	55-4	46884-07	52-1	46939-00	5-21	47006-06	121A-3
46832-09	56-4	46885-02	51-54	46940-00	115-12	47008-00	80-26
46832-09	57-4	46885-03	52-10	46947-00	46-2	47008-00	131-24
46832-09	58-4	46885-04	52-9	46949-00	14-62	47009-00	112-25
46832-10	56-4	46885-05	52-2	46957-02	56-8	47010-00	77-55
46832-10	57-4	46885-06	52-6	46957-02	57-8	47011-00	20-44
46832-10	58-4	46885-07	52-2	46957-02	58-8	47012-00	118-18
46835-00	123-12	46886-00	51-6	46957-03	56-8	47013-02	71-52
46836-00	74-43	46886-01	51-6	46957-03	57-8	47014-02	71-51
46836-00	79A-13	46889-00	115-19	46957-03	58-8	47015-02	52-14
46842-00	123-8	46890-00	88-35	46957-04	56-8	47015-03	52-14
46843-00	123-3	46892-00	123-21	46957-04	57-8	47015-04	52-14
46844-00	53-3	46894-00	123-23	46957-04	58-8	47015-05	52-14
46845-00	92-4	46895-00	123-24	46957-05	56-8	47016-02	52-15
46845-02	92-4	46896-00	53-4	46957-05	57-8	47016-03	52-15
46845-04	46-9	46897-00	35-18	46957-05	58-8	47016-04	52-15
46848-00	34-41	46897-00	93-25	46957-06	56-8	47016-05	52-15
46850-00	71-21	46901-00	115-8	46957-06	57-8	47018-00	36-61
46851-00	71-15	46902-00	115-9	46957-06	58-8	47019-00	85-15
46852-02	112-59	46903-00	115-10	46958-00	120-15	47020-00	118-19
46852-03	112-60	46904-00	115-11	46959-00	36-35	47021-02	63-2
46852-04	71-9	46905-00	77-9	46961-00	46-34	47021-03	63-2
46857-00	64-23a	46907-00	14-57	46962-00	70-14	47021-04	63-2
46857-00	65-13	46908-00	112-39	46963-01	77-51	47021-05	63-2
46857-02	64-23a	46910-00	88-51	46965-00	78-1	47024-00	109-23
46857-02	65-13	46910-00	88-60	46968-00	12-57	47025-02	52-12
46862-00	93-26	46910-00	88-69	46970-00	110-5	47025-03	52-12
46865-00	93-33	46911-00	65-14	46972-01	77-48	47025-04	52-12
46866-00	101-19	46912-00	65-15	46976-02	14-65	47025-05	52-12
46867-00	14-56	46913-04	88-63	46976-02	14-66	47026-02	52-13
46868-00	93-34	46913-04	88-72	46976-02	17-27	47026-03	52-13
46872-00	12-53	46913-05	88-54	46976-02	17-28	47026-04	52-13
46873-00	12-54	46914-00	18-43	46976-02	17-31	47026-05	52-13
46874-00	93-19	46917-00	88-88	46976-02	18-44	47029-02	20-41
46875-00	77-10	46918-02	74-1	46976-02	18-45	47030-00	20-45
46876-00	68-10	46918-03	74-3	46976-02	18-46	47031-00	20-46
46878-00	112-43	46918-04	74-2	46976-02	18-47	47032-00	20-47
46879-00	112-53	46918-05	74-2	46976-03	18-48	47034-00	13-50
46881-00	36-52	46918-06	74-3	46976-04	18-49	47036-00	13-49
46882-02	51-52	46918-07	74-1	46976-05	14-67	47037-00	112-44
46882-04	52-7	46919-00	113-9	46977-00	37-41	47037-00	112-4
46882-05	52-8	46921-00	26-9	46977-01	37-41	47038-00	118-67
46882-06	26-19	46923-00	26-10	46978-00	37-39	47039-00	71-14



# PIPER PARTS CATALOG

Part Number	Figure and Index No.
47040-00	115-7
47041-00	14-63
47043-00	112-62
47045-00	2-79
47047-00	46-36
47049-00	130A-37
47050-00	2-72
47052-02	51-2
47052-03	51-2
47052-04	51-2
47052-05	51-2
47054-00	2-77
47056-00	46-32
47056-02	46-31
47058-00	14-22
47059-00	28-4
47059-00	131-6
47060-00	28-3
47060-00	131-5
47061-00	115-13
47062-00	115-14
47063-00	99-66
47065-00	99-67
47066-00	115-15
47067-00	115-16
47068-00	46-38
47069-00	46-37
47071-00	46-30
47072-00	76-22
47074-02	46-27
47075-00	71-39
47075-02	71-39
47080-00	46-4
47082-00	88-9
47082-00	88-77
47082-00	88-79
47082-00	88-81
47085-02	88-7
47085-03	88-8
47085-03	88-37
47089-02	88-76
47089-03	88-78
47090-02	88-17
47090-03	88-27
47091-00	88-38
47092-00	88-80
47094-00	120-1
47102-00	88-6
47109-00	88-20
47109-00	88-20a
47109-00	88-30
47109-00	88-30a
47109-00	88-41
47109-00	88-41a
47109-02	88-20a
47109-02	88-30a
47109-02	88-41a
47114-00	53-1

Part Number	Figure and Index No.
47114-05	53-1
47114-07	53-1
47114-09	53-1
47115-00	72-9
47116-02	88-15
47116-03	88-25
47117-00	88-18
47117-00	88-28
47117-00	88-39
47119-00	88-90
47120-00	88-91
47121-00	88-89
47122-00	88-89
47123-00	88-105
47124-00	88-104
47125-00	88-95
47125-02	88-95
47127-00	32-6
47128-00	32-7
47129-00	32-8
47130-00	32-9
47131-00	51-30
47132-00	50-5
47133-00	76-3
47134-00	46-1
47135-00	76-1
47135-02	76-1
47137-00	14-43
47138-00	96-9
47142-00	120A-20
47143-00	17-22
47144-00	46-29
47147-00	120-35
47148-00	88-111
47149-00	105-11
47150-00	43-3
47153-00	43-4
47157-00	88-16
47157-00	88-26
47157-00	88-36
47158-00	101-68
47159-00	88-84
47160-00	88-83
47161-00	77-56
47163-00	105-9
47166-00	120-4
47178-04	51-27
47185-00	28A-6
47187-00	71-26
47189-00	21-11
47190-00	51-28
47192-00	80-27
47193-02	55-57
47193-03	55-57
47194-00	55-58
47194-01	55-58
47196-00	18-50
47200-00	51-56

Part Number	Figure and Index No.
47200-01	51-56
47201-00	51-57
47201-05	61-4
47203-00	51-58
47203-01	51-58
47206-00	72-4
47207-00	60-21
47218-00	60-20
47218-00	131-17
47219-00	51-4
47219-02	51-4
47219-04	51-4
47219-06	51-4
47221-02	51-2
47221-03	51-2
47221-04	51-2
47221-05	51-2
47222-00	81-78
47222-00	82-75
47224-00	51-14
47224-00	51A-11
47224-01	51-16
47224-01	51A-11
47224-02	51-15
47224-02	51A-12
47224-03	51-17
47224-03	51A-12
47224-04	51-18
47224-04	51A-13
47230-02	54-5
47230-03	54-5
47230-04	54-5
47230-05	54-5
47231-00	51-1
47231-01	51-1
47231-02	51-1
47231-03	51-1
47231-04	51-1
47231-05	51-1
47231-06	51-1
47231-07	51-1
47237-02	51-5
47237-03	51-5
47237-04	51-5
47237-05	51-5
47239-00	121A-1
47240-02	54-1
47240-03	54-1
47240-04	54-1
47240-05	54-1
47242-16	55-9
47242-17	55-9
47242-18	55-9
47242-19	55-9
47242-20	55-9
47242-21	55-9
47242-22	55-9
47242-23	55-9

Part Number	Figure and Index No.
47243-02	51-5
47243-03	51-5
47243-04	51-5
47243-05	51-5
47246-00	76-2
47248-00	130A-39
47249-02	54-6
47249-03	54-6
47249-04	54-6
47249-05	54-6
47251-18	51A-17
47251-22	51A-17
47251-37	51A-16
47252-02	28A-13
47252-03	28A-13
47252-04	28A-13
47252-05	28A-13
47252-06	28A-13
47252-07	28A-13
47252-08	28A-13
47252-09	28A-13
47253-02	51-3
47253-03	51-3
47253-04	51-3
47253-05	51-3
47254-00	76-5
47255-00	19-85
47258-02	51-3
47258-03	51-3
47258-04	51-3
47258-05	51-3
47258-24	51-3
47260-02	55-7
47260-03	55-7
47260-04	55-7
47260-05	55-7
47260-06	55-7
47260-07	55-7
47260-08	55-7
47260-09	55-7
47261-02	28-26
47261-03	28-26
47261-04	28-26
47261-05	28-26
47261-06	28-26
47262-02	28-25
47262-03	28-25
47262-04	28-25
47262-05	28-25
47262-06	28-25
47263-02	28-24
47263-03	28-24
47263-04	28-24
47263-05	28-24
47267-00	54-14
47267-01	54-14
47268-00	130A-33
47270-00	130A-32

# PIPER PARTS CATALOG

Part Number	Figure and Index No.
47271-00	126A-44
47275-00	130A-31
47276-00	54-12
47277-00	54-9
47278-06	54-10
47278-07	54-11
47282-00	75-27
47285-02	54-7
47285-03	54-7
47285-04	54-7
47285-05	54-7
47288-00	76-4
47292-00	55-1
47292-01	55-1
47292-02	55-1
47292-03	55-1
47292-04	55-1
47292-05	55-1
47292-06	55-1
47292-07	55-1
47292-08	55-1
47292-09	55-1
47292-10	55-1
47292-11	55-1
47292-12	55-1
47292-13	55-1
47292-14	55-1
47292-15	55-1
47298-02	130A-29
47298-03	130A-29
47298-04	130A-29
47298-05	130A-29
47299-00	62-1
47302-00	61-23
47302-00	62-7
47306-02	61-19
47306-02	62-12
47306-03	61-20
47306-03	62-13
47306-04	61-18
47306-04	62-10
47310-00	60-9
47311-02	56-11
47311-03	57-11
47311-04	56-11
47311-05	57-11
47311-06	56-11
47311-07	57-11
47311-08	56-11
47311-09	57-11
47311-10	56-11
47311-11	56-11
47311-67	57-11
47311-68	57-11
47311-69	56-11
47311-70	57-11
47311-71	56-11
47311-72	57-11

Part Number	Figure and Index No.
47311-73	56-11
47311-74	57-11
47318-00	63-5
47318-02	63-5
47319-00	126A-35
47319-00	126B-61
47321-02	56-7
47321-02	57-7
47321-02	58-7
47321-03	56-7
47321-03	57-7
47321-03	58-7
47321-04	56-7
47321-04	57-7
47321-04	58-7
47321-05	56-7
47321-05	57-7
47321-05	58-7
47321-06	56-7
47321-06	57-7
47321-06	58-7
47321-07	56-7
47321-07	57-7
47321-07	58-7
47321-41	56-7
47321-41	57-7
47321-41	58-7
47321-42	56-7
47321-42	57-7
47321-42	58-7
47321-43	56-7
47321-43	57-7
47321-43	58-7
47322-00	131-40
47328-00	61-21
47328-00	61-26
47328-00	62-6
47328-00	62-16
47328-02	61-26
47328-02	62-16
47332-00	126A-36
47332-00	126B-46
47333-00	60-1
47335-00	67-20
47336-00	126A-55
47336-00	126B-65
47336-00	127A-65
47336-00	127B-55
47337-00	16-45
47337-00	17-29
47338-00	22-9
47339-00	60-4
47339-00	60A-10
47340-00	60-5
47340-00	60A-9
47341-00	126A-37
47341-00	126B-62
47342-00	67-15

Part Number	Figure and Index No.
47343-02	56-1
47343-03	56-1
47343-04	56-1
47343-05	56-1
47343-06	56-1
47343-07	56-1
47343-08	56-1
47343-09	56-1
47343-10	56-1
47343-11	56-1
47343-12	56-1
47343-13	56-1
47343-14	56-1
47343-15	56-1
47343-16	56-1
47343-17	56-1
47343-18	56-1
47343-19	56-1
47343-28	56-1
47343-29	56-1
47343-30	56-1
47343-31	56-1
47343-32	56-1
47343-33	56-1
47343-34	56-1
47343-35	56-1
47343-44	56-1
47343-45	56-1
47343-46	56-1
47343-47	56-1
47344-00	63-13
47344-02	61-22
47344-02	62-9
47346-00	15-9
47347-00	85-13
47348-00	85-17
47349-00	85-14
47353-00	11-25
47354-00	101-22
47359-02	28-27
47359-03	28-27
47359-04	28-27
47359-05	28-27
47360-02	28-30
47360-03	28-30
47360-04	28-30
47360-05	28-30
47360-06	28-30
47361-02	28-29
47361-03	28-29
47361-04	28-29
47361-05	28-29
47361-06	28-29
47362-02	28-28
47362-03	28-28
47362-04	28-28
47362-05	28-28
47362-06	28-28

Part Number	Figure and Index No.
47363-00	82-34
47367-00	60-1
47371-00	82-54
47374-00	60-14
47375-02	57-1
47375-03	57-1
47375-04	57-1
47375-05	57-1
47375-06	57-1
47375-07	57-1
47375-08	57-1
47375-09	57-1
47375-10	57-1
47375-13	57-1
47375-14	57-1
47376-00	82-51
47377-02	126A-15
47377-03	126A-16
47378-00	63-7
47378-00	63-8
47379-00	30-25
47379-02	30-16
47384-00	30-3
47384-00	30-24
47386-00	61-9
47387-00	61-8
47387-01	61-8
47389-00	88-104
47391-00	63-20
47391-02	63-21
47391-03	63-22
47391-04	63-26
47391-05	63-23
47391-06	63-24
47391-07	63-29
47391-08	63-28
47391-09	63-27
47396-02	28-2
47396-03	28-2
47396-04	28-2
47396-05	28-2
47396-09	28-14
47396-10	28-15
47396-11	28-2
47396-11	28-14
47396-11	28-15
47398-00	63-19
47398-02	63-19
47398-03	63-19
47398-04	63-19
47398-08	63-19
47399-00	54-28
47402-00	77-4
47403-00	77-76
47404-00	63-25
47405-00	118-20
47406-00	121-29
47407-02	80-8

# PIPER PARTS CATALOG

Part Number	Figure and Index No.
47407-03	80-8
47407-04	80-8
47407-05	80-8
47408-00	77-77
47409-00	87-10
47410-00	59-40
47416-00	20-39
47416-01	20-39
47418-02	58-11
47418-03	58-11
47418-04	58-11
47418-05	58-11
47418-06	58-11
47418-07	58-11
47418-08	58-11
47418-09	58-11
47418-10	58-11
47420-00	14-59
47421-00	126A-56
47425-00	59-14
47426-00	59-12
47432-02	58-1
47432-03	58-1
47432-04	58-1
47432-05	58-1
47432-06	58-1
47432-07	58-1
47432-08	58-1
47432-09	58-1
47432-10	58-1
47432-13	58-1
47432-14	58-1
47434-00	61-1
47439-00	13-52
47446-03	59-27
47446-04	59-27
47446-05	59-27
47446-06	59-27
47446-27	59-27
47446-28	59-27
47446-29	59-27
47446-30	59-27
47446-31	59-27
47448-00	59-4
47452-00	36-40
47454-00	13-57
47460-86	59-26
47460-87	59-26
47464-00	61-2
47468-19	59-3
47470-00	59-25
47472-02	59-22
47472-03	59-22
47472-04	59-22
47472-05	59-22
47472-31	59-22
47472-32	59-22
47472-33	59-22

Part Number	Figure and Index No.
47472-34	59-22
47472-35	59-22
47475-00	54-12
47479-15	59-1
47479-19	59-1
47479-20	59-1
47480-00	14-69
47480-00	19-90
47492-00	112-26
47494-00	52-11
47500-00	30-9
47501-00	126A-38
47501-00	126B-49
47504-00	20-40
47506-00	66-1
47509-00	61-7
47510-00	126A-38
47510-00	126B-49
47511-00	83-11
47514-00	130A-7
47515-00	66-5
47516-00	66-3
47517-00	66-2
47521-00	81-87
47521-00	82-73
47522-00	81-88
47522-00	82-74
47526-00	87-48
47526-00	131-89
47529-30	39-14
47529-31	39-14
47529-32	39-15
47532-00	61-5
47535-00	105-37
47536-00	109-7
47537-00	113-37
47538-00	19-14
47539-00	19-14
47540-00	121A-28
47545-00	33-9
47545-00	63-45
47545-00	131-8
47548-00	130A-3
47552-00	53-13
47552-00	53A-9
47555-00	44-19
47556-00	47-17
47557-00	60-23
47560-00	60-25
47561-00	60-26
47563-00	28-5
47563-00	131-7
47564-00	29-16
47565-00	29-17
47566-00	29-18
47567-00	60-22
47569-02	130A-1
47569-03	130A-1

Part Number	Figure and Index No.
47569-05	130A-1
47569-07	130A-1
47569-08	130A-1
47569-09	130A-1
47571-00	110-10
47572-00	29-19
47573-00	12-42
47573-01	12-42
47579-00	13-36
47580-00	109-5
47581-00	109-22
47583-00	109-10
47583-00	131-34
47603-00	88-4
47607-00	88-112
47607-00	88-119
47615-00	56-33
47616-00	31-8
47616-02	31-8
47617-00	130A-18
47624-00	56-9
47624-00	57-9
47624-00	58-9
47631-00	110-27
47633-00	63-6
47638-00	31-6
47650-00	131-40
47652-00	68-31
47652-00	70-21
47653-00	77-40
47655-00	60-2
47656-00	6-10
47656-01	6-10
47657-00	6-11
47657-01	6-11
47659-02	88-113
47659-03	88-114
47660-02	88-103
47660-03	88-115
47660-04	88-48
47662-00	63-12
47664-02	122A-17
47664-02	123-4
47664-02	123-8
47664-02	123-30
47664-02	126-17
47664-03	118-33
47664-03	123-7
47664-03	123-7a
47664-03	123-30
47664-04	123-5
47664-07	122-25
47664-08	118-33
47664-08	123-7a
47666-00	5-20
47666-01	5-20
47670-02	51-4
47670-03	51-4

Part Number	Figure and Index No.
47670-04	51-4
47670-05	51-4
47670-12	51-4
47672-02	95-7
47672-03	95-7
47672-07	95-7
47673-00	28-7
47674-00	28-8
47675-02	28-12
47675-03	28-12
47675-04	28-12
47675-05	28-12
47677-00	128E-6
47678-00	55-14
47678-00	56-22
47681-00	60-36
47681-00	60A-5
47681-02	60-36
47681-02	60A-6
47684-00	60-35
47685-00	88-3
47690-00	61-10
47692-00	53-15
47692-01	53-15
47693-00	122-5
47694-00	82-17
47695-00	68-52
47695-00	70-22
47697-00	51-60
47697-00	131-15
47697-02	51-60
47697-02	131-15
47699-00	112-57
47700-00	19-91
47700-01	19-91
47701-04	95-26
47701-05	95-27
47702-00	95-10
47702-02	95-11
47703-00	19-57
47704-02	19-56
47707-00	95-22
47711-00	95-17
47712-00	95-18
47713-00	92-57
47714-00	88-101
47716-04	30-12
47716-05	30-12
47717-00	130-5
47719-00	35-31
47720-00	19-81
47721-00	70-25
47722-00	117-1
47722-01	117-1
47725-00	77-49
47725-01	77-49
47726-00	4-25
47726-01	4-25

# PIPER PARTS CATALOG

Part Number	Figure and Index No.
47727-00	72-18
47730-00	75-37
47730-01	75-37
47730-02	75-38
47730-03	75-38
47732-02	123-15
47734-00	88-96
47735-00	88-97
47736-00	88-98
47736-00	131-28
47737-00	88-99
47737-00	131-29
47738-00	88-100
47738-00	131-30
47739-00	123-10
47741-02	28-16
47744-00	4-4a
47745-00	4-33
47751-00	119-8
47753-00	109-13
47754-00	56-15
47754-00	57-30
47757-00	13-8
47757-00	131-1
47758-00	51-7
47759-00	21-32
47778-00	91-1
47782-02	38-62
47785-00	127C-7
47787-00	127C-9
47789-00	109-35
47793-00	109-34
47798-00	116-5
47806-00	19-58a
47807-00	105-4
47816-00	4-26
47816-01	4-26
47819-00	116-4
47820-00	116-3
47821-00	116-8
47824-00	116-2
47825-00	120-39
47828-00	116-1
47830-00	116-9
47831-00	4-34
47837-00	19-93
47839-00	77-61
47842-00	116-7
47843-00	123-25
47843-01	123-25
47849-00	130A-9
47850-02	126-1
47850-04	126-1
47851-00	82-47
47852-00	82-44
47854-00	115-2
47857-00	71-46
47857-03	71-45

Part Number	Figure and Index No.
47863-00	69-22
47875-00	123-22
47877-01	121-3
47877-02	121-44
47881-00	46-3
47895-00	64-28
47896-00	130A-7
47897-00	77-47
47897-01	77-47
47903-00	19-46a
47905-00	81-47
47909-00	29-37
47919-02	34-56
47919-03	34-56
47920-02	34-55
47920-03	34-55
47920-04	34-55
47921-02	34-57
47921-03	34-57
47922-00	71-24
47923-00	77-48
47929-00	77-50
47931-02	56-4
47931-03	56-4
47935-00	43-40a
47936-02	39-53
47936-03	39-53
47937-00	43-40
47938-02	39-20
47938-03	39-20
47940-02	39-19
47940-03	39-19
47944-02	51-58
47945-08	31-6
47946-02	111-2
47946-03	111-56
47947-00	113-4
47949-00	28-13
47950-00	127C-8
47950-02	127C-8
47951-02	51-58
47954-02	130A-2
47954-03	130A-46
47954-04	130A-30
47955-00	63-47
47955-00	131-70
47958-00	31-1
47959-00	56-32
47960-00	56-29
47960-00	56-35
47963-00	56-21
47964-00	56-31
47967-00	71-93
47971-04	112-84
47971-06	112-83
47972-00	119-40
47974-00	120-42
47975-00	77-46

Part Number	Figure and Index No.
47976-00	77-79
47977-02	77-33
47977-03	77-34
47978-00	77-41
47979-00	79A-17
47979-00	131-57
47984-00	79A-8
47985-00	79A-9
47986-00	79A-10
47987-00	79A-7
47987-04	79A-7
47991-00	79A-1
47991-02	71-14
47991-03	79A-1
47992-00	63-48
47993-00	79A-14
47995-03	79B-2
47998-00	33-24
48000-00	68-24
48000-00	131-44
48000-02	68-24
48000-02	131-44
48004-00	95-28
48014-00	88-5
48015-00	122-1
48016-00	51-56
48016-01	51-56
48017-00	33-28
48021-00	64-21
48021-00	120A-1
48022-00	11-27
48022-00	131-33
48023-00	11-12
48023-00	131-71
48026-00	120-26
48027-00	120-43
48028-00	99-11
48030-00	99-77
48030-00	131-74
48031-00	121A-30
48032-00	99-72
48033-00	99-76
48034-00	71-80
48035-00	71-79
48036-00	71-81
48037-00	105-3
48040-00	64-7
48040-00	65-4
48042-00	89-11
48043-00	89-33
48045-00	89-2
48045-02	89-2
48045-06	89-2b
48048-00	89-35
48049-00	89-9
48050-00	89-13
48051-00	64-60
48051-00	131-77

Part Number	Figure and Index No.
48052-00	88-14
48052-00	131-73
48053-00	64-17
48055-00	35-19
48056-02	123-42
48056-02	131-45
48056-03	123-42
48056-03	131-45
48063-02	109-2
48066-00	109-1
48067-00	75-24
48067-06	75-24
48068-00	77-17
48072-00	88-1
48072-00	89-1
48072-02	88-1
48072-02	89-1
48075-00	88-118
48075-00	131-72
48076-03	71-34
48084-00	74-19
48089-00	71-32
48091-04	19-37
48092-00	68-4
48096-00	127A-25
48096-00	127B-17
48097-00	127A-26
48097-00	127B-18
48099-00	127A-27
48099-00	127B-19
48101-00	16-52
48103-00	14-64
48109-00	76-8a
48112-00	75-35
48118-00	35-9
48123-02	120-22
48127-00	120-23
48128-00	120A-25
48129-00	60-40
48131-00	110-1
48133-00	110-29
48134-00	121A-4
48136-00	51-4
48138-00	98-37
48139-00	60-1
48141-02	64-23
48141-04	64-23
48141-06	64-23
48141-07	64-23
48141-08	64-23
48141-10	64-23
48142-00	28-27
48143-00	28-31
48146-00	64-39a
48149-00	65-14
48150-00	65-15
48151-00	28-24
48154-02	75-19

# PIPER PARTS CATALOG

Part Number	Figure and Index No.
48154-03	75-19
48154-09	75-38
48154-10	75-38
48154-12	75-19
48154-13	75-19
48156-00	127A-20
48156-00	127B-13
48158-00	60-1
48159-00	28-32
48160-00	60-34
48160-00	60A-8
48160-01	60-34
48160-01	60A-8
48162-00	20-51
48165-00	30-16
48165-00	30-25
48171-00	120A-26
48179-02	121A-1
48179-03	121A-2
48179-04	64-25
48179-05	64-27
48179-06	64-26
48179-07	64-29
48179-08	121A-8
48179-09	121A-1
48179-11	121A-2
48179-14	121A-1
48179-15	64-29
48179-16	121A-8
48179-19	121A-1
48179-20	121A-1
48179-21	121A-8
48179-34	64-26
48179-37	121A-8
48179-52	121A-1
48179-53	121A-8
48180-02	127A-6
48180-03	127A-1
48180-04	127B-58
48180-05	127B-71
48180-06	126B-66
48181-00	127B-49
48182-00	60-41
48183-00	127A-51
48183-00	127B-51
48185-00	78-2
48186-00	78-4
48187-00	127B-43
48187-03	127B-43
48187-04	127B-43
48188-00	127A-54
48197-02	51A-16
48197-02	60-39
48199-00	73-8
48199-04	73-11
48200-00	73-9
48201-00	73-12
48210-00	73-1

Part Number	Figure and Index No.
48211-00	73-13
48213-00	73-2
48213-05	73-2
48214-00	73-4
48215-00	73-10
48216-00	73-10
48218-00	73-7
48227-00	62-1
48227-02	62-11
48227-03	62-15
48238-00	106-40
48242-00	54-24
48242-00	131-16
48245-02	56-7
48245-02	57-7
48245-02	58-7
48245-04	56-7
48245-04	57-7
48245-04	58-7
48245-06	56-7
48245-06	57-7
48245-06	58-7
48248-00	73-17
48250-00	73-15
48252-00	73-14
48253-00	73-18
48257-00	109-24
48259-02	109-28
48259-03	109-59
48260-02	109-26
48260-03	109-27
48261-02	126B-24
48261-03	126B-25
48263-00	126B-40
48264-00	121A-4
48265-00	129C-7
48267-00	12-61
48268-00	12-60
48269-00	12-30
48271-00	26A-15
48272-00	26A-16
48273-00	26A-8
48274-00	26A-9
48275-00	26A-14
48276-00	26A-7
48276-01	26A-7
48279-00	121A-16
48287-00	26A-6
48288-00	12-19
48290-00	20-52
48298-00	120-13
48299-00	25-9
48299-00	26A-1
48299-00	52-4
48299-02	26A-2
48299-03	26A-3
48299-04	26A-4
48299-05	26A-5

Part Number	Figure and Index No.
48305-00	120-45
48309-00	100-16
48310-00	100-15
48313-00	14-5
48313-01	14-5
48314-00	67-9
48318-02	64-23
48318-03	64-23
48318-04	64-23
48318-05	64-23
48318-06	64-23
48318-07	64-23
48318-10	64-23
48318-11	64-23
48318-12	64-23
48318-15	64-23
48323-00	109-21
48324-00	109-66
48328-00	54-33
48330-00	28A-14
48335-00	77-80
48335-01	77-80
48338-00	109-49
48346-00	54-4
48347-00	54-4
48348-00	31-2
48351-00	109-12
48360-00	131-47
48362-00	28-22
48365-00	105-22
48366-02	51-9
48366-03	51-8
48366-04	51-8
48367-00	51-46
48368-00	51-40
48368-04	51A-10
48370-00	51-39
48370-04	51A-14
48371-00	51-13
48371-01	51-13
48373-00	63-1
48376-00	51-2
48377-02	51-10
48377-03	51-9
48379-02	51-7
48379-03	51-7
48380-02	51-9
48380-03	51-9
48381-00	51-4
48381-04	51A-4
48383-00	51-7
48384-00	51-4
48384-04	51A-4
48385-00	54-27
48385-01	54-27
48385-02	54-27
48385-03	54-27
48386-00	51-2

Part Number	Figure and Index No.
48387-03	51-11
48387-08	51A-19
48388-00	51-11
48389-00	51-5
48389-06	51A-5
48390-00	51-1
48390-01	51-1
48391-00	63-3
48392-00	51-5
48392-06	51A-5
48393-02	51-3
48394-00	51-58
48396-02	51-25
48396-03	51-26
48396-04	51-27
48396-08	51A-20
48396-09	51A-20
48396-10	51A-21
48397-13	51-3
48398-00	51-58
48401-00	53-12
48401-00	53-16
48404-00	53-3
48405-02	53-6
48405-02	53A-8
48405-03	53-7
48405-03	53A-8
48405-05	53-9
48405-05	53A-10
48405-05	123-19
48407-00	53-10
48408-00	53-17
48411-02	61-4
48411-03	51-57
48412-00	53-4
48413-02	53-6
48413-03	53-7
48415-00	51-56
48415-01	51-56
48416-00	123-20
48417-00	54-7
48418-00	30-4
48419-02	52-12
48419-03	52-14
48421-02	51-52
48422-00	53-1
48422-03	53A-1
48425-00	127A-5
48425-00	127D-8
48429-02	51A-23
48429-04	51A-23
48430-00	120A-33
48432-00	120A-36
48435-00	121A-12
48436-00	46-8
48436-00	92-3
48437-02	91-9a
48437-02	93-36

# PIPER PARTS CATALOG

Part Number	Figure and Index No.
48437-02	95-8
48445-02	110-1
48447-02	79B-1
48449-00	54-6
48449-02	54-6
48450-03	51-51
48451-04	51-54
48452-00	54-1
48453-00	54-5
48455-00	51-6
48455-01	51-6
48456-00	54-4
48457-00	54-4
48458-02	52-15
48458-03	52-13
48460-00	34-10a
48461-00	60-14
48463-00	30-15
48464-04	26A-18
48464-05	26A-17
48464-06	26A-17
48464-09	26A-18
48464-09	51A-8
48464-10	26A-19
48466-00	28-26
48467-00	28-25
48468-00	28-29
48470-00	28-31
48470-02	28-31
48472-00	28-27
48472-03	28-27
48473-02	60-42
48474-00	28-32
48474-02	28-32
48475-00	28-30
48476-00	28-24
48478-00	28-28
48479-00	28-2
48479-00	28-14
48479-00	28-15
48479-02	28-2
48482-00	88-90
48484-00	88-104
48489-02	88-89
48492-00	88-89
48494-00	88-104
48495-02	88-95
48495-03	88-95
48498-00	33-4
48499-00	88-105
48500-00	88-91
48504-00	23-1
48506-00	30-23
48506-01	30-23
48506-04	30-23
48506-05	30-23
48507-03	63-33
48507-04	63-33

Part Number	Figure and Index No.
48510-00	63-33
48514-00	54-7
48516-00	55-7
48517-00	54-4
48519-00	54-4
48520-00	55-1
48520-01	55-1
48520-04	55-1
48520-05	55-1
48521-02	55-9
48524-00	51-2
48524-04	51A-2
48525-00	54-5
48527-00	54-1
48528-00	51-1
48528-01	51-1
48528-04	51A-1
48528-05	51A-1
48529-02	57-12
48529-03	56-12
48530-00	51-2
48530-04	51A-2
48531-02	56-11
48531-03	56-11
48531-07	57-11
48532-00	63-19
48534-00	56-13
48534-00	57-13
48534-00	58-13
48536-00	56-7
48536-00	57-7
48536-00	58-7
48537-02	56-1
48537-03	56-1
48537-04	56-1
48537-05	56-1
48537-10	56-1
48537-11	56-1
48537-12	56-1
48537-13	56-1
48537-14	56-55
48537-14	57-41c
48537-15	56-55
48543-05	63-19
48547-02	59-14
48548-00	64-69
48548-00	131-59
48549-00	59-14
48550-00	120A-6
48550-00	131-56
48551-00	57-1
48551-03	57-1
48553-00	58-12
48557-00	79A-17
48557-00	131-57
48558-00	58-11
48559-02	127A-6
48559-02	131-58

Part Number	Figure and Index No.
48559-03	127A-1
48559-03	131-58
48559-04	127B-58
48559-04	131-58
48559-05	127B-71
48559-05	131-58
48559-06	126B-66
48559-06	131-58
48560-00	58-1
48560-03	58-1
48564-00	54-33
48567-00	61-6
48568-00	31-6
48569-00	31-5
48579-00	51-56
48579-01	51-56
48583-02	31-4
48584-00	64-24
48591-02	20-36
48591-03	21-22
48597-00	14-44
48604-00	74-8
48604-00	79A-7
48606-00	79A-17
48606-00	131-57
48611-00	15-16
48611-01	15-16
48612-02	20-3
48612-03	20-3
48613-00	35-5a
48613-01	35-5a
48616-02	5-16a
48618-00	117-2
48625-00	51-50
48625-00	122A-16
48625-00	131-53
48626-00	16-33
48627-00	131-40
48628-00	131-42
48629-00	131-54
48644-02	30-1
48644-03	30-1
48644-04	30-1
48648-00	30-3
48648-00	30-24
48649-00	30-2
48650-00	30-16
48650-00	30-25
48652-00	28-24
48652-03	28-24
48654-00	28-30
48654-03	28-30
48656-00	28-26
48656-03	28-26
48657-00	97-3
48657-00	131-43
48658-00	28-25
48658-03	28-25

Part Number	Figure and Index No.
48659-05	19-98
48661-00	28-29
48661-03	28-29
48662-00	28-28
48662-03	28-28
48663-00	28-19
48666-03	30-28
48666-04	28-18
48666-05	28-18
48668-02	64-32
48668-02	131-20
48668-04	64-32
48668-04	131-20
48669-00	64-31
48669-00	131-19
48669-02	64-31
48669-02	131-19
48670-02	64-30
48670-02	131-18
48670-03	64-30
48670-03	131-18
48670-04	64-30
48670-04	131-18
48671-00	64-69
48671-00	131-59
48673-00	129C-2
48673-00	131-68
48674-00	120A-6
48674-00	131-56
48675-00	79A-17
48675-00	131-57
48677-02	127A-6
48677-02	131-58
48677-03	127A-1
48677-03	131-58
48677-04	127B-58
48677-04	131-58
48677-05	127B-71
48677-05	131-58
48677-06	126B-66
48677-06	131-58
48678-00	79A-17
48678-00	131-57
48679-00	64-57
48679-00	131-49
48680-00	127A-82
48680-00	127B-44
48680-00	127D-9
48680-00	131-61
48681-00	127A-81
48681-00	131-60
48684-00	73-16
48687-00	33-31
48690-00	126A-40
48690-00	126B-56
48691-00	62-1
48693-00	83-41
48693-01	83-41

# PIPER PARTS CATALOG

Part Number	Figure and Index No.
48694-00	83-42
48694-01	83-42
48696-00	83-43
48697-00	80-8
48697-02	80-8
48703-00	83-44
48703-01	83-44
48706-00	80-4
48706-03	80-4
48707-00	83-45
48708-00	77-82
48732-05	51-28
48732-07	51A-22
48735-00	128A-9
48735-00	131-44
48739-00	87-30
48742-00	87-29
48748-00	83-47
48756-00	81-87a
48756-00	82-73a
48758-00	82-47a
48759-00	82-44a
48762-00	81-88
48762-00	82-74
48784-00	131-54
48788-04	71-44
48788-05	71-43
48789-02	28-20
48796-02	75-31
48807-02	91-30
48808-02	91-31
48809-02	91-1
48812-00	81-1
48812-00	82-1
48817-02	121A-1
48818-02	128D-8
48822-02	120-14
48830-02	128D-10
48835-02	129E-12
48845-02	64-1
48845-03	64-1
48853-02	54-32
48853-04	54-32
48860-02	38-44
48861-02	127B-52
48862-02	27-3
48868-02	46-45
48869-02	46-46
48872-02	59-23
48881-02	129-3
48885-02	81-8
48885-02	82-8
48885-02	84-25
48888-02	127A-5
48892-02	27-17
48893-02	19-97
48898-02	27-20
48899-02	27-31

Part Number	Figure and Index No.
48901-02	27-30
48903-06	27-29
48906-02	127A-51
48918-06	27-1
48920-02	27-19
48944-02	127-31
48947-02	127-29
48948-02	127-30
48966-02	24-11
48966-03	24-9
48966-04	24-12
48966-05	24-13
48966-06	24-10
48975-02	4-39
48975-02	127-28
48992-02	101-17
48999-02	129F-10
48999-03	129F-11
48999-04	129F-3
49056-02	12-63
49056-02	21-43
49060-06	51A-7
49060-09	51A-26
49060-13	51A-7
49063-05	53-4
49063-05	53A-3
49063-06	53-3
49063-06	53A-4
49063-07	53-3a
49063-07	53A-5
49065-02	12-64
49066-06	51A-9
49066-07	51A-9
49067-06	51A-7
49067-10	51A-7
49070-06	51A-6
49070-07	52-10
49072-02	21-22
49072-03	20-36
49073-02	55-7
49074-04	55-9
49074-05	55-9
49074-06	55-56b
49075-14	52-1
49075-15	52-1
49077-03	51A-6
49078-03	60A-1
49078-04	60A-3
49078-05	60A-2
49078-06	60A-4
49079-03	61-1
49080-03	61-2
49080-04	62-1
49081-02	20-34
49083-03	51A-3
49083-05	51A-3
49085-03	63-2
49087-03	110-30

Part Number	Figure and Index No.
49087-04	110-30
49088-02	63-1
49089-02	55-4
49089-02	56-4
49089-02	57-4
49089-02	58-4
49090-04	54-5
49090-05	54-4
49090-06	54-4
49090-07	54-2
49090-08	54-6
49090-10	54-7
49090-19	54-7a
49090-21	54-1
49090-35	54-2
49091-02	51A-15
49091-03	51A-15
49092-02	56-11
49092-03	56-11
49092-08	56-14
49092-08	57-14
49092-08	58-14
49092-33	57-11
49093-02	59-22
49094-02	59-26
49095-02	56-7
49095-02	57-7
49095-02	58-7
49095-04	56-8
49095-04	57-8
49095-04	58-8
49096-02	58-11
49096-03	58-13
49096-04	58-12
49097-02	60A-11
49099-02	56-46
49099-03	56-46
49099-03	57-39
49099-04	55-56
49099-05	55-56
49102-02	55-3
49102-02	59-13
49103-02	56-4
49104-04	59-27
49105-02	54-33
49106-02	74-43
49108-02	52-15
49108-04	52-12
49108-04	52-13
49108-05	52-14
49109-02	18-51
49111-02	31-5
49118-02	61-17
49118-02	62-8
49120-02	60A-12
49121-02	60A-12
49124-02	51A-24
49124-03	51A-24

Part Number	Figure and Index No.
49127-02	63-2
49129-02	30-26
49131-02	26A-11a
49169-02	51A-19
49172-02	20-54
49196-03	121A-38
49261-02	94-14
49265-02	94-6
49302-02	34-13
49478-02	105-10
49972-02	2-90
49972-03	34-58
49972-04	38-44a
49972-05	34-59
49979-04	27-32
49979-07	60-12
49981-02	15-20
49982-02	55-61
49982-06	59-7
49982-07	30-8
49982-08	30-7
49982-12	55-59
49982-13	89-23
49982-15	89-47
49982-27	56-56
49982-27	57-41
49982-28	56-57
49982-28	57-41a
49982-31	56-58
49982-31	57-34
49982-31	58-26
49985-02	130-1
49989-02	111-53
49989-03	105-75
49989-04	105-76
49989-05	105-58
49989-07	105-71
49989-08	105-51
49989-09	112-82
49990-03	105-52
49990-04	111-4
49990-05	111-5
49990-06	105-53
49990-07	105-54
49990-08	105-55
49990-09	112-31
49990-10	112-32
49990-11	71-23
49990-11	112-33
49990-15	105-85
49997-13	117-7
49997-14	110-16
49998-03	59-52
49998-05	126A-46
49998-05	126B-36
49998-09	67-5
49998-09	70-4
49998-10	67-6

# PIPER PARTS CATALOG

Part Number	Figure and Index No.
49998-10	70-6
49998-16	118-25
49998-17	118-26
49998-25	126A-47
49998-25	126B-37
49998-26	126A-48
49998-26	126B-38
49998-27	126A-49
49998-28	126A-50
49998-29	126A-51
49998-30	109-30
49998-32	109-29
49998-35	59-51
49998-37	68-49
49999-03	6-4
49999-04	7-5
49999-17	36-62
49999-21	126A-58
49999-22	34-45
49999-25	105-73
49999-31	80-7
49999-32	19-80
49999-34	62-14
49999-35	29-38
50028-00	101-25
50075-10	9-2
50075-11	9-2
50075-12	9-4
50075-13	9-4
50111-00	55-24
50242-00	6-22
50242-01	6-22
50243-00	6-20
50243-01	6-20
50244-00	6-18
50244-01	6-18
50253-00	35-34
50406-03	120A-13
50406-04	120A-13
50406-05	120A-13
50406-06	120A-13
50406-07	120A-13
50406-08	120A-13
50406-15	120A-13
50406-16	120A-13
50406-17	120A-13
50406-18	120A-13
50406-19	120A-13
50406-20	120A-13
50409-00	17-26
50440-00	17-25
50550-00	13-60
50551-00	13-56
50589-00	64-15
50696-13	51-39
50743-00	119-17
50743-00	131-35
50820-00	14-68

Part Number	Figure and Index No.
50847-02	51-44
50847-03	51-45
50847-04	51-44
50847-05	51-45
50847-06	51-44
50847-07	51-45
50847-08	51-44
50847-09	51-45
51108-04	36-21
51110-03	36-22
51208-00	12-72
51208-00	26B-4
51208-01	12-72
51208-01	26B-4
51210-02	122A-3
51210-03	122A-3
51212-04	122A-15
51213-02	122A-9
51214-02	26B-1
51214-03	26B-1
51214-04	26B-2
51214-05	26B-2
51214-08	26B-3
51214-09	26B-3
51223-00	25-5
51225-00	25-6
51228-00	51A-29
51228-00	131-15
51234-00	25-2
51234-02	25-3
51248-02	52-1
51248-03	52-1
51249-00	51-51
51252-06	53-19
51252-07	53-22
51252-10	53-18
51252-11	53-18
51255-02	123-20
51255-04	123-20
51257-00	53-1
51257-03	53-1
51270-00	51-53
51271-02	91-4
51289-00	129A-8
51289-00	129B-8
51289-01	129A-8
51289-01	129B-8
51290-04	129A-7
51290-04	129B-7
51292-03	129A-6
51292-03	129B-6
51336-00	19-44
51338-00	127A-19
51338-00	127B-12
51359-00	4-35
51376-00	68-50
51480-04	51A-4
51662-02	21-13

Part Number	Figure and Index No.
51775-10	38-29
51775-11	38-29
51779-02	16-53
51779-02	16-54
51779-03	16-53
51779-03	16-54
51786-02	129D-5
51828-02	13-42a
51858-02	129C-3
52004-00	127A-23
52004-00	127B-16
52017-00	89-2d
52018-00	89-2g
52020-00	89-2e
52024-00	89-2a
52024-02	89-2a
52039-00	127A-64
52039-00	127B-54
52040-00	127A-67
52040-00	127B-57
52042-00	127A-67
52042-00	127B-57
52054-03	3-7a
52054-04	3-20
52058-00	127A-69
52058-00	127B-59
52072-00	4-36
52072-00	127A-66
52072-00	127D-11
52097-03	115-24
52117-00	127-22
52117-00	127A-53
52117-00	127D-13
52144-00	127A-81
52144-00	131-60
52154-04	19-36
52167-00	92-58
52168-00	92-59
52177-00	127A-55
52179-00	127A-68
52179-00	131-22
52180-00	127A-2
52188-00	121-26
52188-00	127A-44
52188-00	127B-35
52244-00	80-45
52254-00	127A-62
52274-00	127A-40
52274-00	127B-31
52277-00	127A-9
52277-00	127B-3
52292-04	127A-7
52292-04	127B-1
52293-00	127A-48
52293-00	127B-42
52338-00	56-59
52339-00	127B-53
52586-03	126B-19

Part Number	Figure and Index No.
52593-00	53-25
52593-00	53A-11
52594-00	127A-62
52595-00	127A-81
52595-00	131-60
52624-00	126B-34
52716-00	55-75
52717-00	55-76
52718-00	55-74
52778-02	86-7
52778-03	86-7
52826-02	64-63
52826-03	64-66
52838-00	129C-2
52838-00	131-68
52857-00	100-18
52858-00	100-17
52889-00	56-36c
52889-00	57-30c
52893-00	56-36d
52893-00	57-30a
52898-00	56-36b
52898-00	57-30b
52904-00	56-47
52904-00	57-40
52904-02	55-56a
52917-00	56-54
52917-00	57-41b
52960-00	101-30
52965-00	101-27
53042-02	7-88
53042-03	7-89
53042-04	7-90
53042-05	7-85
53071-00	55-31a
53071-01	55-31a
53093-00	128A-8
53093-04	128B-9
53120-00	56-14
53120-00	57-14
53120-00	58-14
53122-04	57-12
53122-05	56-12
53126-02	56-13
53126-02	57-13
53129-03	56-8
53129-03	57-8
53129-03	58-8
53134-00	55-3
53134-00	56-3
53134-00	57-3
53134-00	59-13
53140-03	59-27
53140-16	59-27
53170-00	5-25
53170-01	5-25
53185-00	54-8
53191-03	60-41



# PIPER PARTS CATALOG

Part Number	Figure and Index No.
53191-06	60A-13
53197-00	53-5
53209-00	53-5a
53209-00	53A-6
53218-02	54-2
53218-03	54-3
53233-04	55-4
53241-00	63-11
53246-00	56-55
53246-00	57-41c
53246-01	56-55
53250-00	59-3
53250-04	59-3
53251-11	55-56b
53255-02	55-50
53260-02	55-56
53260-04	56-46
53260-04	57-39
53276-00	56-4
53288-00	56-4
53288-00	57-4
53288-00	58-4
53306-02	59-22
53307-00	59-26
53354-00	59-25
53354-02	59-25
53358-00	5-36
53367-00	51-44
53367-01	51-45
53406-02	113-1
53599-00	50-36
53623-02	54-2
53623-03	54-3
53625-00	54-8
53685-00	51-27d
53685-00	131-55
53690-00	51-27b
53691-00	51-27a
53695-00	64-65
53695-00	131-52
53707-00	64-13
53708-00	126A-9
53708-00	126B-18
53709-00	65-15
53755-02	127-40
53757-05	88-117
53777-02	51-49
53777-02	131-69
53777-03	51-49
53777-03	131-69
53777-04	51-49
53777-04	131-69
53785-00	97-31a
53797-00	86-18
53797-00	87-12
53853-00	43-60
53853-02	43-60
53856-00	97-4

Part Number	Figure and Index No.
53856-03	97-2
53867-00	126A-73
53867-00	126B-68
53867-00	127A-38
53867-00	127B-30
53867-00	131-62
53868-00	126A-72
53868-00	126B-67
53868-00	131-63
53870-00	127A-38
53870-00	127B-30
53870-00	131-62
53890-02	80-13
53890-03	80-14
53897-00	112-61
53899-00	55-14
53900-00	55-13
53906-00	5-30
53906-01	5-30
53907-00	86-14
53908-00	5-27
53908-01	5-27
53971-00	97-31b
53973-00	64-12
53983-02	86-50
53983-02	131-75
53983-03	86-50
53983-03	131-75
53983-04	87-46
53983-04	131-76
53983-05	87-46
53983-05	131-76
54066-00	40-47
54098-00	51-61
54098-00	131-50
54151-08	53-2a
54163-00	127A-29
54163-00	127B-21
54164-00	127A-29a
54164-00	127B-21a
54165-00	127A-14
54165-00	127B-8
54167-00	127A-15
54167-00	127B-9
54174-02	98-43
54174-03	98-43
54175-00	74-20
54175-00	96-7
54179-02	56-35
54179-03	56-35
54179-04	56-29
54182-02	56-31
54296-02	59-27
54430-02	54-31
54430-04	54-31
54449-02	127-36
54451-02	127-34
54453-02	127-35

Part Number	Figure and Index No.
54457-02	127-33
54458-02	127-32
54485-02	109-21
54486-02	109-25
54487-02	109-20
54495-02	20-53
54499-02	55-80
54529-02	127-32
54531-02	127-37
54534-02	55-66
54556-02	16-30a
54558-02	127-23
54565-04	15-2
54567-02	127-27
54567-03	127-26
54568-02	15-3
54569-02	127-25
54587-02	26A-22
54587-02	131-4
54593-02	120-13
54607-02	63-2
54609-02	71-89
54628-03	64-73
54674-02	129E-22
54716-04	4-38
54748-02	109-19
54755-02	38-7
54800-18	130-18
54800-54	128C-1
54802-02	12-45
54802-03	12-45
54808-02	129F-12
54812-02	129F-2
54822-02	12-2
54848-03	130-23
54848-04	130-23
54851-03	71-30
54855-02	67-24
54855-02	70-1
54894-04	12-23
54894-05	12-23
54895-02	12-58
54895-03	12-58
54897-02	12-59
54897-03	12-59
54898-02	12-34
54899-02	12-68
54901-04	25-1
54901-05	25-1
54902-02	12-44
54903-12	51A-9
54903-13	51A-9
54903-15	52-1
54903-16	52-1
54903-17	52-1
54903-19	51A-30
54903-20	51A-30
54910-03	12-1

Part Number	Figure and Index No.
54938-02	88-24a
54938-02	88-34a
54938-02	88-47b
54940-02	88-20
54940-02	88-30
54940-02	88-41
54945-02	97-62
55218-02	16-55
55233-02	43-49
55319-02	101-71
55320-02	101-72
55371-02	13-62
55374-02	20-56
55376-02	20-55
55406-02	90-1
55408-02	90-2
55548-02	131-81
55549-02	131-82
55595-02	30-27
55640-03	53-26
55640-03	53A-2
55640-04	53-26
55640-04	53A-2
55665-02	54-30
55665-03	54-30
55665-04	54-29
55665-05	54-29
55683-02	65-14
55684-02	65-15
55800-04	7-94
55800-05	7-94
55801-04	7-95
55801-05	7-95
55817-02	97-86
55841-02	71-91
55842-02	55-79
55848-02	131-47
55851-02	105-4
56956-14	7-102
56956-15	7-102
60054-18	76-16
60054-36	55-15
60054-43	55-15
60054-43	55-31
60704-02	128B-8
60704-02	128C-8
60998-05	46-23
60998-06	46-24
60998-07	32-17
61402-24	105-84
61402-83	27-14
61402-98	40-28
61402-99	40-27
61402-101	94-8
61402-102	94-9
61541-20	69-7
61541-27	101-5
61541-45	99-24

# PIPER PARTS CATALOG

Part Number	Figure and Index No.
61541-48	69-4
64076-03	29-30
64076-15	86-35
70371-00	111-39
70371-02	47-25
70371-02	117-14
70371-03	109-37
70371-03	117-14
70371-04	113-3
70371-05	80-24
70371-05	80-43
71132-02	7-101
71132-03	7-101
71132-04	7-101
71132-05	7-101
71533-02	34-23
71859-02	51-66
71859-02	51A-31
71859-02	131-90
71934-03	131-90
71951-02	96-23
74027-02	35-24
74245-02	7-103
79315-00v	131-51
80000-02	68-16
80000-02	68-48
80000-02	70-15
80000-06	47-54
80000-07	47-55
80001-73	26-25
80002-84	55-25
80002-87	111-44
80004-08	67-60
80004-09	67-61
80004-10	67-62
80004-13	83-46
80006-13	99-68
80006-14	99-69
80006-30	119-39
80007-02	68-12
80007-02	70-13
80007-03	68-9
80007-03	70-12
80007-04	68-11
80007-04	70-11
80007-20	109-30
80007-32	129E-13
80012-06	30-21
80012-06	64-74
80012-28	80-23
80012-57	89-36
80012-59	81-61
80012-59	82-58
80012-94	94-45
80012-95	97-37
80012-95	97-41
80012-108	98-8
80012-108	98-12

Part Number	Figure and Index No.
80012-109	98-9
80012-109	113-70
80012-110	98-10
80012-110	98-13
80012-112	95-2
80012-116	55-62a
80012-117	77-81
80013-06	77-78
80020-02	23-27
80020-03	23-55
80020-03	23-57
80020-04	23-49
80020-04	23-53
80020-05	23-51
80022-74	90-8
80022-87	90-9
80022-104	71-77
80022-113	61-24
80022-113	62-14
80022-113	79A-16
80022-113	91-18
80022-114	126A-59
80024-03	109-24
80024-14	127A-28
80024-14	127B-20
80024-15	100-38
80024-16	100-39
80024-18	100-40
80024-19	100-41
80029-02	101-7
80030-02	88-116
80032-102	105-60
80035-11	119-23
80035-12	119-24
80044-05	60-24
80044-05	62-5
80044-09	53A-12
80044-12	62-5
80122-06	56-44
80122-07	63-32
80122-10	79A-16
80122-20	34-51
80122-20	95-36
80122-123	115-6
80122-128	39-77
80122-129	39-88
80122-130	39-88
80122-131	39-88
80122-133	59-8
80122-134	59-9
80122-141	109-62
80247-02	51-62
80247-02	120A-34
80247-02	131-64
80279-02	61-16
80279-02	131-66
80280-02	51-63
80280-02	131-67

Part Number	Figure and Index No.
80291-02	127A-38
80291-02	127B-30
80291-02	131-62
80291-03	127A-38
80291-03	127B-30
80291-03	131-62
80326-02	64-65
80326-02	131-20
80338-02	127-44
80338-02	131-79
80338-03	127-44
80338-03	131-79
80346-02	79A-17
80346-02	131-57
80346-03	79A-17
80346-03	131-57
80355-02	127A-52
80355-02	131-80
80364-02	79B-3
80364-02	131-57
80366-02	129C-2a
80366-02	131-68
80366-03	129C-2a
80366-03	131-68
80385-02	27-37
80385-02	131-83
80419-02	128A-9
80419-02	131-44
80487-02	51-65
80487-02	51A-28
80487-02	131-84
80492-02	64-25
80492-02	131-85
80495-02	13-64
80502-02	64-65
80502-02	131-20
80503-02	64-62
80503-02	131-78
80514-02	64-30
80514-02	131-18
80530-02	128B-7
80530-02	131-44
80542-00	51A-29
80542-00	131-15
80687-02	128C-9
81007-02	64-77
81007-02	65-26
81007-02	131-91
81008-02	64-77
81008-02	65-26
81008-02	131-91
81102-20	13-63
81102-35	98-30
81102-36	98-30
81102-37	98-30
81342-06	25-14
81342-06	26-3
81342-06	26B-5

Part Number	Figure and Index No.
81342-08	81-85
81342-08	82-69
81342-09	2-56
81342-09	34-45
81342-09	36-60
81342-18	109-50
81342-18	117-14
81342-19	80-40
81342-19	80-43
81342-56	119-33
81342-64	55-35
81342-68	89-22
81342-78	97-24
81342-89	97-28
81342-89	98-35
81342-90	97-28
81342-90	98-35
81342-91	97-28
81342-91	98-35
81342-92	97-29
81342-100	89-25
81761-61	27-25
81761-63	75-21
81761-65	55-53
81761-69	30-5
81761-70	28-17
82352-110	123-46
82371-47	118-28
82371-48	69-10
82371-70	69-11
82371-80	69-13
82371-80	70-17
82371-90	99-24
82371-92	118-29
82371-93	69-10
82371-95	68-16
82371-99	69-5
82371-110	118-56
82371-114	118-27
82371-119	127A-43
82371-119	127B-34
82371-121	70-15
82371-124	118-24
82371-139	27-38
82732-72	80-22
82732-72	80-42
83161-33	80-44
83161-33	126A-52
83302-32	43-36
83302-54	43-35
83302-61	55-24a
83302-61	76-12
83302-67	29-20
83302-67	33-33
83302-74	105-18
83302-74	111-13
83302-86	51-27c
85012-65	81-84

# PIPER PARTS CATALOG

Part Number	Figure and Index No.
85012-65	82-68
85012-101	71-59
85012-105	39-81
85012-110	92-46
85012-110	105-6c
85012-112	71-22
85012-113	15-17
85012-114	15-18
85012-119	31-10
85012-119	95-12
85012-126	71-92
85052-46	105-48
85512-35	23-33
85512-35	23-35
85512-35	23-37
85512-35	23-43
85512-39	23-22
85512-39	23-29
86092-85	56-35
86092-86	56-29
86092-87	59-28
86092-96	116-11
86092-97	116-24
86102-11	57-37
86102-11	58-16
86102-12	86-34
86102-12	87-32
86102-104	2-49
86102-105	2-49
86102-106	2-49
90150-03	119-2
90797-72	126A-62
91193-00	80-39
91193-00	109-36
149 111	73-23
187 159	71-84
187 527	33-5
187 625	40-43
187 625	44-29
187 651	26B-6
187 659	26A-10
187 967	51-64
187 967	51A-27
189 625	109-54
189 625	110-18
189 625	111-51
189 625	118-57
189 627	111-52
189 627	118-58
189 777	105-49
400 002	43-44
400 002	86-49
400 002	87-39

Part Number	Figure and Index No.
400 003	39-75
400 003	98-29
400 004	46-15
400 008	34-29
400 008	39-62
400 008	90-29
400 008	90-60
400 009	46-18
400 009	90-27
400 009	92-28
400 009	94-33
400 009	95-35
400 011	46-14
400 012	2-8
400 012	39-46
400 012	46-16
400 012	92-23
400 015	43-7
400 016	90-30
400 018	34-51
400 018	95-34
400 018	98-25
400 019	101-54
400 051	71-69
400 051	94-42
400 053	94-30
400 057	93-23
400 058	76-25
400 102	34-54
400 103	96-18
400 105	43-51
400 106	43-53
400 106	94-27
400 107	34-48
400 107	34-49
400 107	43-65
400 107	94-29
400 108	34-52
400 108	43-52
400 108	43-56
400 110	96-19
400 113	34-53
400 116	48-15
400 116	98-19
400 124	43-57
400 168	94-28
400 188	39-69
400 209	39-66
400 263	40-46
400 309	39-78
400 363	43-49
400 384	39-77
400 437	32-21
400 437	77-72
400 437	78-16
400 437	78-17
400 437	109-47
400 437	113-55

Part Number	Figure and Index No.
400 438	15-19
400 438	26A-26
400 438	33-26
400 438	36-59
400 438	36-64
400 438	38-42
400 438	39-13
400 438	43-76
400 438	46-28
400 438	88-108
400 438	96-15
400 438	105-72
400 438	128E-10
400 438	129-10
400 438	129B-11
400 440	2-9
400 440	2-35
400 440	2-56
400 440	15-17
400 440	15-18
400 440	15-20
400 440	26A-25
400 440	36-60
400 440	43-8
400 440	63-32
400 440	72-13
400 440	94-43
400 440	74-20a
400 440	95-29
400 441	2-12
400 441	34-37
400 441	34-45
400 441	36-55
400 441	43-9
400 441	43-50
400 441	56-42
400 441	71-77
400 441	79A-29
400 441	80-41
400 441	81-65
400 441	82-62
400 441	85-11
400 441	91-15
400 441	91-29
400 441	93-22
400 441	93-28
400 443	97-17
400 443	99-48
400 444	19-58
400 444	39-63
400 444	91-27
400 444	97-30
400 444	116-15
400 446	2-46
400-446	81-63
400 446	82-60
400 446	98-26
400 449	95-20

Part Number	Figure and Index No.
400 450	91-33
400 450	93-8
400 450	95-5
400 451	85-17
400 451	98-23
400 451	98-27
400 453	81-62
400 453	82-59
400 460	2-54
400 460	36-56
400 460	99-47
400 479	78-15
400 622	2-44
400 669	28A-20
400 672	80-35
400 673	59-6
400 673	80-36
400 673	90-36
400 673	98-41
400 674	74-30
400 674	80-37
400 674	81-82
400 674	82-79
400 676	30-20
400 678	30-20
400 690	30-21
400 700	90-35
400 703	90-33
400 706	34-28
400 708	46-19
400 861	31-12
400 864	28A-19
400 867	31-12
400 867	55-40
400 867	55-45
400 868	91-12
400 872	55-61
400 873	56-10
400 873	57-10
400 873	58-10
400 875	30-10
400 876	95-9
400 879	55-32
400 882	56-39
400 882	57-28
400 885	38-45
400 890	56-48
400 890	57-41 d
400 895	71-66
400 899	55-38
400 904	29-12
400 905	29-13
400 905	29-28
400 907	55-62b
400 910	31-9
400 912	92-28
400 915	55-39
400 915	55-41

# PIPER PARTS CATALOG

Part Number	Figure and Index No.
400 916	29-29
400 916	56-51
400 916	56-60
400 916	57-31
400 916	58-24
400 917	29-30
400 917	55-36
400 917	56-51
400 917	57-31
400 917	58-24
400 919	55-44
400 919	55-62
400 919	56-51
400 919	58-22
400 920	56-40
400 920	57-29
400 922	57-23
400 926	56-53
400 931	58-19
400 932	57-21
401 185	119-41
401 186	2-40
401 187	34-44
401 187	39-60
401 188	34-32
401 189	34-33
401 189	34-36
401 189	34-38
401 189	90-44
401 191	97-74
401 193	92-20
401 194	97-81
401 195	39-79
401 226	31-11
401 263	43-10
401 263	97-80
401 264	97-31
401 265	44-49
401 266	2-36
401 266	7-104
401 266	9-43
401 266	24-8
401 266	34-39
401 266	39-18
401 266	46-43
401 266	76-24
401 266	93-24
401 266	95-21
401 266	97-59
401 266	128E-11
401 269	34-34
401 269	85-16
401 269	91-19
401 269	91-34
401 269	93-10
401 269	95-31
401 269	95-33
401 270	34-50

Part Number	Figure and Index No.
401 270	36-63
401 270	39-61
401 270	56-10
401 270	93-2
401 270	95-30
401 270	97-16
401 273	81-66
401 273	82-63
401 273	85-12
401 273	93-5
401 273	125-14
401 274	76-26
401 277	55-60
401 288	112-78
401 302	112-77
401 307	86-47
401 307	87-45
401 307	99-49
401 307	125-13
401 307	128D-11
401 307	128E-16
401 307	129-11
401 310	39-72
401 310	55-71
401 310	90-45
401 310	90-57
401 310	92-24
401 310	92-26
401 310	94-26
401 310	98-42
401 311	2-47
401 311	39-65
401 311	43-45
401 311	90-62
401 311	94-27
401 312	2-52
401 312	46-13
401 312	94-29
401 312	97-72
401 318	94-31
401 318	95-32
401 334	92-25
401 335	94-32
401 353	2-39
401 353	34-25
401 353	34-30
401 353	34-31
401 353	34-35
401 354	34-24
401 359	44-48
401 365	2-41
401 366	90-34
401 388	40-41
401 388	44-32
401 394	2-16
401 395	2-18
401 404	39-80
401 408	71-61

Part Number	Figure and Index No.
401 410	40-17
401 414	71-61
401 420	40-18
401 455	43-46
401 505	2-43
401 538	71-55
401 919	115-6
402 030	14-40
402 038	94-38
402 312	44-45
402 321	34-20
402 338	46-44
402 344	44-46
402 360	44-14c
402 370	40-45
402 377	40-44
402 422	43-77
402 425	43-55
402 437	43-48
402 517	39-70
402 526	39-71
402 735	93-27
404 031	43-54
404 100	47-26
404 100	71-68
404 100	71-69
404 100	76-25
404 100	80-35
404 100	80-36
404 100	93-23
404 100	93-27
404 100	94-30
404 100	98-41
404 101	34-48
404 101	34-49
404 101	34-52
404 101	34-53
404 101	34-54
404 101	43-51
404 101	43-52
404 101	43-53
404 101	43-56
404 101	43-57
404 101	43-65
404 101	44-45
404 101	48-15
404 101	94-27
404 101	94-29
404 101	96-18
404 101	96-19
404 101	97-71
404 101	98-19
404 102	39-69
404 102	44-46
404 102	94-28
404 103	39-64
404 103	39-66
404 103	40-44

Part Number	Figure and Index No.
404 103	40-45
404 104	40-46
404 104	43-48
404 104	43-55
404 104	43-77
404 105	39-70
404 105	39-71
404 105	39-78
404 106	43-49
404 107	39-77
404 120	81-82
404 120	82-79
404 224	50-29
404 224	74-21
404 224	74-23
404 224	74-26
404 224	74-29
404 224	79A-28
404 224	80-34
404 224	80-46
404 224	81-100
404 224	82-99
404 224	89-27
404 224	89-30
404 224	121A-37
404 225	43-6
404 225	93-20
404 226	27-11
404 226	46-12
404 226	94-15
404 226	119-41
404 322	29-7
404 322	30-14
404 322	74-19
404 322	90-14
404 322	91-24
404 322	95-25
404 322	98-20
404 390	74-46
404 392	74-30
404 392	80-37
404 392	80-40
404 392	80-43
404 392	90-36
404 392	109-50
404 392	117-14
404 393	34-28
404 393	46-19
404 393	90-33
404 393	90-35
404 393	102A-7
404 564	80-41
404 588	126-33
404 596	26-26
404 596	52-11
404 596	89-46
404 596	116-20
404 596	116-21

# PIPER PARTS CATALOG

Part Number	Figure and Index No.
404 678	107-22
404 678	107-37
404 753	119-32
404 785	95-31
404 824	71-70
404 829	89-38
404 829	92-21
404 829	97-61
404 829	98-28
404 829	124-7
404 833	26A-11
404 833	74-35
404 833	79A-24
404 833	81-70
404 833	82-67
404 833	89-36
404 833	93-15
404 835	2-46
404 835	29-35
404 835	33-26
404 835	36-65
404 835	38-48
404 835	49-17
404 835	49-30
404 835	56-42
404 835	57-28
404 835	74-20
404 835	74-38
404 835	79A-27
404 835	79A-29
404 835	91-19
404 835	93-5
404 835	93-8
404 835	93-10
404 835	95-5
404 835	95-9
404 835	97-17
404 835	97-30
404 835	97-79
404 835	98-23
404 835	98-24
404 835	98-26
404 836	29-12
404 836	29-13
404 836	29-28
404 836	29-29
404 836	29-30
404 836	30-19
404 836	31-9
404 836	55-41
404 836	56-60
404 836	57-29
404 836	58-21
404 836	58-22
404 836	90-45
404 836	90-57
404 836	92-23
404 836	92-24

Part Number	Figure and Index No.
404 836	92-25
404 836	92-28
404 836	94-26
404 836	94-31
404 836	94-32
404 836	94-33
404 836	98-25
404 836	112-16
404 837	90-44
404 838	43-46
404 838	44-14c
404 887	2-9
404 887	2-12
404 887	2-35
404 887	2-36
404 887	2-54
404 887	7-100
404 887	7-104
404 887	14-40
404 887	15-17
404 887	15-18
404 887	15-19
404 887	15-20
404 887	19-58
404 887	24-8
404 887	28A-19
404 887	28A-20
404 887	30-20
404 887	30-21
404 887	36-63
404 887	36-64
404 887	37-33
404 887	37-36
404 887	38-45
404 887	39-61
404 887	39-63
404 887	43-8
404 887	43-9
404 887	43-50
404 887	43-54
404 887	46-28
404 887	46-43
404 887	47-43
404 887	50-31
404 887	55-45
404 887	56-10
404 887	57-10
404 887	58-10
404 887	59-6
404 887	61-14
404 887	64-74
404 887	67-32
404 887	71-86
404 887	72-13
404 887	72-16
404 887	74-20a
404 887	74-41
404 887	76-26

Part Number	Figure and Index No.
404 887	78-13
404 887	78-15
404 887	78-17
404 887	79A-25
404 887	80-41
404 887	81-62
404 887	81-63
404 887	81-65
404 887	81-66
404 887	82-53
404 887	82-59
404 887	82-60
404 887	82-62
404 887	82-63
404 887	85-11
404 887	85-12
404 887	88-108
404 887	91-12
404 887	91-15
404 887	91-27
404 887	91-29
404 887	91-33
404 887	91-34
404 887	93-22
404 887	93-24
404 887	93-28
404 887	94-38
404 887	94-43
404 887	95-20
404 887	95-21
404 887	95-29
404 887	95-33
404 887	96-12
404 887	96-15
404 887	96-20
404 887	99-48
404 887	111-33
404 887	111-37
404 887	111-42
404 887	111-45
404 887	113-65
404 887	122-11
404 887	125-14
404 887	129A-11
404 887	129B-12
404 888	2-8
404 888	2-47
404 888	2-52
404 888	28-23
404 888	28A-17
404 888	34-20
404 888	34-29
404 888	34-51
404 888	39-46
404 888	39-62
404 888	39-65
404 888	39-67
404 888	39-72

Part Number	Figure and Index No.
404 888	43-7
404 888	43-44
404 888	43-45
404 888	43-58
404 888	46-13
404 888	46-14
404 888	46-15
404 888	46-16
404 888	46-18
404 888	57-24
404 888	59-11
404 888	83-34
404 888	86-44
404 888	90-27
404 888	90-29
404 888	90-30
404 888	90-60
404 888	90-62
404 888	92-26
404 888	94-27
404 888	94-29
404 888	95-32
404 888	95-34
404 888	95-35
404 888	97-72
404 888	97-78
404 888	98-42
404 888	101-54
404 888	129B-11
404 889	2-39
404 889	2-40
404 889	2-41
404 889	34-44
404 889	39-60
404 889	39-67
404 889	39-79
404 889	44-48
404 889	45-12
404 889	46-44
404 889	92-20
404 889	97-81
404 890	2-16
404 890	2-18
404 890	39-80
404 890	40-17
404 890	40-18
404 890	71-61
404 891	2-43
404 900	2-44
404 908	60-19
404 908	75-29
404 908	93-13
404 908	116-19
404 908	116-23
404 909	29-24
404 909	33-19
404 909	33-29
404 909	59-21

# PIPER PARTS CATALOG

Part Number	Figure and Index No.
404 909	65-22
404 909	66-17
404 909	75-36
404 909	76-18
404 909	76-29
404 909	79A-23
404 909	82-52
404 909	82-56
404 909	92-22
404 909	92-43
404 909	96-17
404 909	97-52
404 909	97-53
404 909	97-83
404 909	99-44
404 909	105-84
404 909	111-49
404 909	111-55
404 909	123-35
404 909	123-36
404 909	126-31
404 909	129F-9
404 909	130-12
404 910	19-80
404 910	24-9
404 910	24-10
404 910	24-11
404 910	24-12
404 910	24-13
404 910	25-14
404 910	26-6
404 910	26B-7
404 910	27-13
404 910	39-74
404 910	47-45
404 910	50-30
404 910	65-23
404 910	69-20
404 910	72-11
404 910	72-19
404 910	74-12
404 910	74-15
404 910	74-47
404 910	76-21
404 910	79A-26
404 910	81-81
404 910	81-83
404 910	82-70
404 910	82-78
404 910	88-57
404 910	88-66
404 910	88-75
404 910	88-109
404 910	90-19
404 910	91-11
404 910	92-54
404 910	94-47
404 910	94-49

Part Number	Figure and Index No.
404 910	105-73
404 910	111-25
404 910	111-28
404 910	113-69
404 910	116-18
404 910	117-15
404 910	117-16
404 910	122-24
404 910	128D-12
404 910	128D-14
404 910	128E-12
404 910	129-8
404 910	129A-9
404 910	129B-9
404 910	129F-5
404 910	130-13
405 095	89-46
405 095	123-38
405 099	76-17
405 312	76-20
405 312	86-46
405 312	87-42
405 581	90-11
406 343	26-23
406 343	26A-23
406 355	36-58
406 355	37-38
406 355	38-47
406 355	110-28
406 358	29-23
406 362	2-6
406 362	34-9
406 369	56-45a
406 372	130-16
406 385	80-38
406 385	123-33
406 391	123-47
406 434	2-22
406 526	110-23
406 636	97-16
406 638	89-41
406 638	89-47
406 702	30-10
406 714	75-16
406 727	34-34
406 727	34-37
406 727	34-50
406 727	95-30
406 727	95-31
406 728	34-24
406 728	34-25
406 728	34-30
406 728	34-31
406 728	34-32
406 728	34-33
406 728	34-35
406 728	34-36
406 728	34-38

Part Number	Figure and Index No.
406 820	125-5
406 823	34-47
406 826	4-31
406 826	26-13
406 826	125-3
406 834	3-8
406 834	34-7
406 846	63-36
406 848	63-37
406 848	130-15
407 040	126-33
407 041	55-64
407 041	59-42
407 041	128E-8
407 041	128E-9
407 041	130-15
407 042	46-20
407 042	56-59
407 042	57-43
407 042	59-39
407 042	97-56
407 042	128-10
407 042	128D-13
407 043	27-15
407 043	89-32
407 043	105-72
407 043	128E-10
407 044	73-24
407 044	125-13
407 045	119-41
407 046	115-30
407 098	121A-37
407 099	121A-34
407 099	121A-35
407 099	121A-36
407 099	126-34
407 099	129E-9
407 099	129E-10
407 101	103-53
407 102	67-51
407 102	76-17
407 104	76-20
407 104	86-46
407 104	87-42
407 105	99-63
407 120	26A-27
407 120	66-16
407 120	81-21
407 120	82-21
407 127	81-97
407 127	82-97
407 128	86-27
407 128	87-43
407 128	107-21
407 128	107-36
407 128	109-47
407 129	89-32
407 132	116-19

Part Number	Figure and Index No.
407 132	116-20
407 132	116-21
407 132	123-38
407 133	107-19
407 134	50-27
407 135	29-39
407 135	107-24
407 136	55-38
407 136	74-46
407 136	86-47
407 136	86-49
407 136	87-39
407 136	87-45
407 136	112-80
407 138	130A-25
407 144	71-65
407 144	81-98
407 151	50-28
407 561	26-26
407 561	27-36
407 561	56-37
407 561	56-38
407 561	113-54
407 561	117-6
407 562	33-34
407 562	55-33
407 562	55-34
407 562	59-21
407 562	89-38
407 562	97-52
407 562	97-53
407 562	97-83
407 562	98-28
407 562	105-84
407 562	123-35
407 562	124-7
407 562	130-12
407 563	24-9
407 563	24-10
407 563	24-11
407 563	24-12
407 563	24-13
407 563	26A-11
407 563	26A-28
407 563	39-74
407 563	47-53
407 563	69-20
407 563	71-70
407 563	74-10
407 563	74-12
407 563	79A-24
407 563	88-57
407 563	88-66
407 563	88-75
407 563	88-109
407 563	90-19
407 563	91-11
407 563	94-49

## PIPER PARTS CATALOG

Part Number	Figure and Index No.
407 563	111-55
407 563	117-16
407 563	129F-5
407 564	2-9
407 564	2-35
407 564	2-36
407 564	2-54
407 564	7-100
407 564	7-104
407 564	9-43
407 564	14-40
407 564	19-58
407 564	24-8
407 564	26-12
407 564	26A-26
407 564	30-20
407 564	30-21
407 564	31-12
407 564	33-26
407 564	33-27
407 564	34-45
407 564	36-63
407 564	36-64
407 564	38-45
407 564	39-18
407 564	39-61
407 564	39-63
407 564	43-8
407 564	43-50
407 564	43-54
407 564	44-49
407 564	46-28
407 564	46-43
407 564	47-51
407 564	49-16
407 564	49-29
407 564	55-40
407 564	55-45
407 564	55-61
407 564	56-10
407 564	56-42
407 564	56-43
407 564	64-74
407 564	71-66
407 564	71-68
407 564	71-69
407 564	71-70
407 564	74-20a
407 564	74-27
407 564	76-19
407 564	76-24
407 564	76-26
407 564	77-72
407 564	78-15
407 564	78-16
407 564	78-17
407 564	80-35
407 564	80-36

Part Number	Figure and Index No.
407 564	81-62
407 564	81-63
407 564	82-59
407 564	82-60
407 564	88-108
407 564	91-19
407 564	91-27
407 564	91-29
407 564	93-2
407 564	93-8
407 564	93-10
407 564	93-16
407 564	93-22
407 564	93-23
407 564	94-38
407 564	94-42
407 564	94-43
407 564	95-5
407 564	95-9
407 564	95-31
407 564	97-16
407 564	97-17
407 564	97-30
407 564	98-24
407 564	98-26
407 564	98-40
407 564	99-48
407 564	111-37
407 564	116-17
407 564	125-14
407 565	2-8
407 565	2-52
407 565	29-28
407 565	29-29
407 565	29-30
407 565	31-14
407 565	34-20
407 565	34-29
407 565	34-48
407 565	34-49
407 565	34-51
407 565	34-52
407 565	34-53
407 565	34-54
407 565	39-46
407 565	39-62
407 565	39-65
407 565	39-67
407 565	39-72
407 565	39-73
407 565	39-75
407 565	43-7
407 565	43-44
407 565	43-45
407 565	43-51
407 565	43-52
407 565	43-53
407 565	43-58

Part Number	Figure and Index No.
407 565	43-65
407 565	44-45
407 565	46-13
407 565	48-15
407 565	55-39
407 565	55-41
407 565	55-62
407 565	55-70
407 565	55-71
407 565	56-51
407 565	56-53
407 565	57-21
407 565	57-23
407 565	57-36
407 565	58-19
407 565	58-22
407 565	58-24
407 565	72-15
407 565	72-20
407 565	74-46
407 565	88-13
407 565	88-45
407 565	89-43
407 565	90-27
407 565	90-29
407 565	90-45
407 565	90-57
407 565	90-60
407 565	90-62
407 565	92-23
407 565	92-24
407 565	92-25
407 565	92-28
407 565	92-29
407 565	94-26
407 565	94-31
407 565	94-32
407 565	94-33
407 565	95-32
407 565	95-34
407 565	95-35
407 565	96-18
407 565	96-19
407 565	97-71
407 565	97-72
407 565	98-19
407 565	98-25
407 565	98-42
407 565	101-54
407 565	111-35
407 565	112-80
407 565	119-32
407 565	125-13
407 566	2-39
407 566	2-41
407 566	27-11
407 566	34-24
407 566	34-30

Part Number	Figure and Index No.
407 566	34-33
407 566	34-35
407 566	34-38
407 566	34-44
407 566	39-67
407 566	39-68
407 566	39-69
407 566	44-46
407 566	44-48
407 566	45-11
407 566	46-12
407 566	46-44
407 566	50-19
407 566	67-65
407 566	71-65
407 566	72-17
407 566	74-48
407 566	81-74
407 566	82-87
407 566	82-101
407 566	85-18
407 566	85-19
407 566	85-20
407 566	85-21
407 566	85-22
407 566	89-40
407 566	90-34
407 566	90-44
407 566	92-20
407 566	94-28
407 566	97-81
407 566	105-69
407 566	119-41
407 567	2-16
407 567	2-18
407 567	27-11
407 567	39-64
407 567	39-66
407 567	39-80
407 567	40-17
407 567	40-44
407 567	40-45
407 567	44-14c
407 567	49-8
407 567	56-51
407 567	57-35
407 567	58-24
407 567	67-52
407 567	68-40
407 567	71-61
407 567	72-14
407 567	79-7
407 567	97-71
407 567	97-73
407 567	101-64
407 568	2-43
407 568	40-42
407 568	43-48

# PIPER PARTS CATALOG

Part Number	Figure and Index No.
407 568	43-55
407 568	43-77
407 568	47-52
407 568	48-18
407 568	67-53
407 568	68-39
407 568	70-26
407 568	70-27
407 568	71-55
407 568	83-50
407 568	97-18
407 568	99-64
407 568	100-37
407 568	101-65
407 568	109-46
407 569	2-44
407 569	27-23
407 569	39-70
407 569	39-71
407 569	39-78
407 569	63-9
407 569	101-66
407 569	105-5
407 569	109-46
407 570	43-49
407 570	118-63
407 571	39-77
407 571	93-24
407 571	93-27
407 572	46-25
407 573	81-86
407 573	82-80
407 573	101-67
407 573	114-10
407 573	115-31
407 573	118-62
407 574	79A-25
407 575	46-42
407 575	112-69
407 576	114-11
407 576	115-32
407 582	27-12
407 582	29-24
407 583	26A-28
407 583	29-25
407 584	2-9
407 584	27-15
407 584	29-35
407 584	30-21
407 584	33-8
407 584	34-39
407 584	34-45
407 584	37-33
407 584	37-36
407 584	43-10
407 584	47-26
407 584	48-17
407 584	50-2

Part Number	Figure and Index No.
407 584	50-13
407 584	56-39
407 584	57-28
407 584	59-6
407 584	60-11
407 584	60A-17
407 584	74-24
407 584	74-30
407 584	80-35
407 584	89-27
407 584	93-2
407 584	93-5
407 584	95-20
407 584	95-21
407 584	95-29
407 584	96-15
407 584	97-31
407 584	97-59
407 584	98-21
407 584	98-22
407 584	98-23
407 584	98-41
407 584	107-20
407 584	107-35
407 584	116-16
407 585	2-8
407 585	28-23
407 585	29-12
407 585	29-13
407 585	29-28
407 585	29-29
407 585	29-30
407 585	30-21
407 585	43-53
407 585	43-56
407 585	44-45
407 585	56-40
407 585	56-51
407 585	56-53
407 585	57-29
407 585	83-33
407 585	86-44
407 585	89-43
407 585	90-33
407 585	90-35
407 585	92-30
407 585	97-72
407 585	117-5
407 585	117-14
407 586	44-11
407 586	74-48
407 587	27-11
407 589	2-44
407 591	2-43
407 591	40-42
407 591	40-46
407 591	43-77
407 592	105-5

Part Number	Figure and Index No.
407 601	43-47
407 604	79A-26
407 676	79-36
407 677	79-36
407 800	15-19
407 800	91-35
408 811	72-15
408 811	72-20
408 811	74-42
408 813	64-74
408 815	50-24
408 816	89-29
408 825	2-51
408 825	97-74
408 828	72-17
408 829	72-14
410 031	54-18
410 038	54-22
410 040	4-32
410 040	29-35
410 042	98-24
410 043	55-69
410 043	57-49
410 043	58-30
410 043	59-32
410 044	57-50
410 044	58-29
410 044	59-33
410 045	57-51
410 045	59-36
410 071	97-78
410 077	28A-17
410 080	30-19
410 082	28-23
410 243	25-14
410 243	26-3
410 243	26B-7
410 248	26A-11
410 251	88-57
410 251	88-66
410 251	88-75
410 253	91-11
410 319	36-65
410 319	38-48
411 211	37-33
411 214	37-36
411 349	46-41
411 529	29-39
411 530	47-48
411 530	63-10
411 530	72-16
411 530	80-33
411 530	82-88
411 530	96-16
411 530	111-45
411 531	32-19
411 531	75-30
411 531	114-16

Part Number	Figure and Index No.
411 532	47-46
411 532	50-26
411 532	61-14
411 532	63-46
411 532	68-46
411 532	70-25
411 532	71-86
411 532	74-17
411 532	74-38
411 532	74-41
411 532	79A-25
411 532	79A-27
411 532	89-32
411 532	113-65
411 532	121A-37
411 532	122-11
411 532	129A-11
411 532	129A-12
411 532	129B-12
411 533	27-15
411 533	64-74
411 533	71-88
411 533	75-16
411 533	78-13
411 533	111-42
411 534	33-25
411 534	60-37
411 535	27-14
411 535	96-20
411 536	33-22
411 536	60A-7
411 539	47-50
412 676	128E-8
414 425	4-37
414 507	129-9
414 507	129A-10
414 507	129B-10
414 508	60A-18
414 518	71-87
414 695	89-46
414 705	89-41
414 722	50-33
414 733	54-26
414 736	34-47
414 738	111-20
414 747	2-58
414 747	30-22
414 747	98-36
414 748	2-6
414 748	34-9
414 748	34-46
414 748	36-57
414 748	37-38
414 748	38-47
414 756	33-12
414 756	65-18
414 756	66-17
414 757	61-12



# PIPER PARTS CATALOG

Part Number	Figure and Index No.
414 761	2-26
414 761	86-40
414 761	87-38
414 762	13-59
414 762	16-58
414 762	25-12
414 762	63-43
414 763	2-57
414 763	2-88
414 763	19-88
414 763	34-8
414 763	50-32
414 763	59-5
414 763	60-7
414 763	63-35
414 763	65-19
414 763	86-30
414 763	86-39
414 763	87-40
414 763	87-44
414 763	88-107
414 763	88-116
414 763	124-13
414 774	63-44
414 777	60-3
414 777	110-25
414 779	2-24
414 779	25-13
414 779	86-48
414 779	89-31
414 793	60A-16
415 145	51-31
415 146	124-7
415 149	65-21
415 149	69-19
415 149	88-106
415 149	130-12
415 150	79A-23
415 152	82-56
415 153	76-29
415 155	82-52
415 158	97-83
415 161	98-28
415 230	123-34
415 232	63-39
415 241	53-14
415 241	63-40
415 242	63-4
415 244	80-32
415 245	53-8
415 249	59-18
415 254	60-6
415 259	66-15
415 260	28-9
415 261	26-27
415 261	63-14
415 266	60A-15
415 341	30-21

Part Number	Figure and Index No.
415 367	30-21
415 420	51-59
415 448	56-59
415 448	57-43
415 449	51-29
415 449	125-16
415 449	130-13
415 450	60-30
415 450	93-15
415 455	82-55
415 493	128E-9
415 495	51-24
415 498	86-41
415 498	128E-12
415 498	129-8
415 498	129A-9
415 498	129B-9
415 503	26-26
415 505	116-19
415 505	116-22
415 508	116-20
415 510	75-29
415 510	116-21
415 513	110-23
415 513	110-28
415 514	89-38
415 514	92-27
415 514	96-17
415 514	105-84
415 517	60-8
415 517	75-43
415 518	2-22
415 518	4-27
415 518	19-89
415 518	29-23
415 518	33-14
415 518	33-19
415 518	34-14
415 518	60-32
415 518	79A-22
415 518	90-52
415 518	92-21
415 518	110-24
415 518	111-49
415 518	123-35
415 520	29-24
415 520	33-29
415 520	34-43
415 520	60-31
415 520	68-44
415 520	92-22
415 520	111-55
415 520	123-36
415 520	126-32
415 520	128-7
415 520	129F-9
415 521	33-29
415 521	55-64

Part Number	Figure and Index No.
415 521	68-45
415 521	92-43
415 521	97-61
415 521	126-31
415 522	46-17
415 522	51-43
415 522	59-42
415 522	89-37
415 528	97-52
415 528	97-53
415 531	121A-36
415 531	126-30
415 531	129E-9
415 532	121A-34
415 532	126-27
415 533	2-14
415 533	4-30
415 533	23-60
415 533	50-34
415 533	55-77
415 533	59-39
415 533	60A-17
415 533	61-13
415 533	63-42
415 533	69-20
415 533	72-11
415 533	81-20
415 533	81-31
415 533	82-20
415 533	96-14
415 533	111-54
415 533	117-15
415 533	121A-35
415 533	129E-10
415 535	2-20
415 535	19-80
415 535	23-61
415 535	26A-27
415 535	27-13
415 535	29-36
415 535	46-20
415 535	50-35
415 535	71-38
415 535	72-12
415 535	72-19
415 535	74-10
415 535	74-12
415 535	74-15
415 535	74-33
415 535	74-35
415 535	79A-26
415 535	81-70
415 535	82-67
415 535	92-50
415 535	97-56
415 535	111-25
415 535	111-28
415 535	111-31

Part Number	Figure and Index No.
415 535	113-69
415 535	125-12
415 535	128-10
415 535	128D-14
415 536	39-74
415 536	79A-24
415 536	92-49
415 536	109-48
415 536	114-15
415 536	128D-13
415 536	129F-5
415 537	59-20
415 537	86-43
415 537	88-109
415 537	89-44
415 537	92-54
415 538	74-47
415 538	116-18
415 538	122-24
415 538	128D-12
415 539	89-36
415 539	97-55
415 542	81-83
415 542	82-70
415 542	94-47
415 544	117-16
415 626	89-47
415 632	94-49
415 633	87-32
415 633	90-19
415 633	105-73
415 685	60-18
415 686	123-38
415 687	117-6
415 688	60-17
415 688	92-56
415 688	93-13
415 740	123-39
415 745	51-42
415 745	124-6
415 746	99-44
415 754	59-24
415 754	71-37
415 754	81-79
415 754	81-81
415 754	82-76
415 754	82-78
416 095	75-36
416 098	40-40
416 258	92-52
416 691	63-41
416 784	111-33
416 785	89-32
416 788	60-38
416 966	67-32
416 998	47-49
416 998	128E-15
417 701	82-53

# PIPER PARTS CATALOG

Part Number	Figure and Index No.
417 702	7-100
417 703	47-47
417 767	32-20
417 774	81-102
417 775	86-45
417 775	87-41
417 781	81-59
418 346	112-80
418 347	90-10
418 400	72-17
418 401	72-14
418 418	72-20
418 420	72-15
418 420	73-24
418 421	74-42
418 431	81-84
418 431	82-68
418 448	81-85
418 448	82-69
418 760	115-30
418 934	71-65
419 600	44-27
419 633	110-26
419 649	28-11
419 683	56-16
419 683	56-18
419 683	57-15
419 683	58-15
419 690	51-37
419 693	51-38
419 753	51-23
419 875	55-6
419 875	56-6
419 875	57-6
419 875	58-6
419 882	55-81
419 883	97-50
419 886	97-51
419 919	31-13
419 938	89-39
419 943	117-17
419 953	52-16
419 953	130-16
419 956	51-32
419 956	59-41
419 961	26-8
419 961	26A-13
419 982	64-37
420 185	26-24
420 185	26A-23
420 192	123-33
420 693	80-38
424 032	27-36
424 050	26-12
424 050	27-12
424 050	50-13
424 051	29-26
424 051	33-8

Part Number	Figure and Index No.
424 051	33-17
424 051	33-27
424 051	33-34
424 051	46-19
424 051	47-26
424 051	48-14
424 051	50-2
424 051	55-33
424 051	55-34
424 051	56-37
424 051	56-38
424 051	56-43
424 051	74-24
424 051	74-27
424 051	74-30
424 051	76-25
424 051	80-35
424 051	80-36
424 051	80-37
424 051	80-40
424 051	80-43
424 051	88-110
424 051	90-33
424 051	90-35
424 051	90-36
424 051	90-61
424 051	92-31
424 051	92-36
424 051	92-44
424 051	93-23
424 051	93-27
424 051	93-31
424 051	94-27
424 051	94-28
424 051	94-29
424 051	94-30
424 051	94-35
424 051	94-42
424 051	97-71
424 051	98-19
424 051	98-21
424 051	98-22
424 051	98-40
424 051	98-41
424 051	109-50
424 051	111-35
424 051	113-54
424 051	116-16
424 051	117-5
424 051	117-14
424 052	33-20
424 052	34-28
424 052	34-48
424 052	34-49
424 052	34-52
424 052	34-53
424 052	34-54
424 052	39-69

Part Number	Figure and Index No.
424 052	43-51
424 052	43-52
424 052	43-53
424 052	43-56
424 052	43-57
424 052	43-65
424 052	44-45
424 052	44-46
424 052	48-15
424 052	96-18
424 052	96-19
424 057	71-68
424 057	71-69
424 059	40-44
424 059	40-45
424 059	40-46
424 059	43-48
424 059	43-55
424 059	43-77
424 059	81-82
424 059	82-79
424 060	39-64
424 060	39-66
424 060	39-70
424 060	39-71
424 060	39-78
424 060	55-37
424 067	43-49
424 068	39-77
424 071	40-48
424 139	55-34
424 140	27-12
424 141	56-43
424 141	113-54
424 142	55-33
424 143	56-38
424 145	33-34
424 145	56-37
424 145	88-110
424 147	27-36
424 148	33-20
424 149	92-36
424 149	92-44
424 154	90-61
424 163	93-31
424 164	94-35
424 173	98-40
424 173	116-17
424 174	116-16
424 175	50-2
424 175	74-24
424 176	33-8
424 176	48-13
424 176	98-21
424 177	74-27
424 183	33-17
424 185	98-22
424 186	33-17

Part Number	Figure and Index No.
424 188	33-27
424 501	95-29b
424 505	91-22
424 505	93-11
424 505	95-6
424 506	90-39
424 506	91-20
424 506	93-3
424 507	90-46
424 507	90-58
424 507	92-33
424 507	92-60
424 507	94-25
424 507	94-36
424 508	90-41
424 509	90-42
424 509	91-28
424 511	46-21
424 512	90-31
424 513	91-26
424 513	92-38
424 513	93-6
424 514	90-28
424 515	94-20
424 517	46-22
424 518	94-44
424 519	97-57
424 520	93-9
424 522	127-47
424 527	90-32
424 541	92-32
424 541	94-34
434 118	111-50
434 124	83-36
434 126	86-42
434 127	50-1
434 128	68-43
434 128	70-23
434 129	81-95
434 129	82-94
434 133	83-35
434 135	81-96
434 135	82-95
434 135	99-55
434 135	118-61
434 138	68-21
434 138	70-20
434 138	118-59
434 141	109-51
434 144	81-58
434 144	82-96
434 151	109-63
434 152	111-57
434 154	73-21
434 155	74-18
434 155	109-52
434 156	109-54
434 158	118-60

# PIPER PARTS CATALOG

Part Number	Figure and Index No.
434 166	81-94
434 166	82-93
434 168	99-54
434 171	74-9
434 172	74-11
434 184	73-22
450 027	119-8
450 706	64-10
450 706	65-8
450 742	120-37
451 735	43-78
451 738	39-5
451 748	43-68
451 784	43-11
451 784	45-1
451 809	129D-3
451 825	99-2
451 825	100-1
451 825	102A-1
451 826	99-2
451 826	100-1
451 826	102-1
451 853	32-14
451 853	67-33
451 853	70-27
451 857	66-12
451 857	68-28
451 857	69-28
451 859	118-51
451 861	112-21
451 911	109-58
452 011	46-6
452 011	90-24
452 011	90-38
452 011	92-16
452 011	94-19
452 011	97-35
452 011	97-48
452 015	91-16
452 015	92-15
452 015	93-17
452 015	95-3
452 015	126A-41
452 015	126B-63
452 015	127-59
452 015	127A-76
452 015	127B-66
452 038	120A-11
452 043	120A-11
452 331	8-35
452 335	30-13
452 344	90-5
452 344	94-7
452 357	43-5
452 357	91-5
452 357	91-25
452 359	89-2c
452 359	89-5

Part Number	Figure and Index No.
452 361	90-6
452 362	90-7
452 381	88-52
452 381	88-61
452 381	88-70
452 381	91-7
452 381	95-19
452 383	29-4
452 383	29-6
452 383	39-23
452 383	39-25
452 383	43-13
452 386	7-65
452 386	7-67
452 386	34-22
452 386	35-20
452 386	37-32
452 386	37-35
452 412	29-9
452 412	29-11
452 412	43-15
452 412	43-18
452 412	46-11
452 429	40-38
452 431	98-2
452 439	43-17
452 440	43-42
452 441	39-27
452 444	121-35
452 457	38-62a
452 458	97-8
452 471	121-32
452 480	93-21
452 480	95-23
452 483	95-13
452 512	97-46
452 556	95-24
452 568	74-20
452 568	80-46
452 897	109-11
452 918	125-9
452 921	71-40
452 922	71-41
452 923	71-42
453 124	40-33
453 124	44-39
453 171	119-26
453 186	51-20
453 189	62-3
453 198	75-23
453 206	39-47
453 206	43-67
453 411	60-28
453 424	123-26
453 434	60-10
453 602	64-48
453 616	64-70
453 664	53-24

Part Number	Figure and Index No.
453 664	64-49
453 664	123-51
453 666	129E-20
453 691	127B-72
453 695	130A-19
453 716	64-47
453 723	43-26
453 729	37-27
453 729	37-29
453 732	86-33
453 732	87-37
453 735	44-6
453 736	43-62
453 742	71-71
453 744	44-10
453 751	120-44
453 768	39-83
453 770	39-85
453 774	43-29
453 775	40-23
453 776	43-21
453 776	43-24
453 777	39-38
453 778	39-85
453 782	43-64
453 786	40-21
453 787	8-44
453 791	123-32
453 792	121-19
453 799	68-36
453 808	44-16
453 809	40-22
453 815	44-17
453 818	35-22a
453 818	38-64
453 819	37-30
453 824	97-13
453 825	88-11
453 825	88-43
453 829	68-47
453 836	29-21
453 840	64-46
453 841	64-45
453 843	29-5
453 845	35-21a
453 845	102-17a
453 845	102A-15a
453 854	120-15a
453 855	126B-45
453 855	127A-39
453 855	130A-17
453 855	130A-43
453 864	130A-8
453 886	121-42
453 897	64-45
453 897	64-61
453 898	64-68
454 053	40-34

Part Number	Figure and Index No.
454 053	44-38
454 173	15-15
454 173	99-75
454 258	86-19
454 258	87-13
454 277	127-57
454 277	127A-34
454 277	127B-26
454 294	55-54
454 299	68-34
454 299	99-50
454 343	130-22
454 593	86-22
454 593	87-16
454 656	121A-5
454 656	126A-19
454 656	126B-42
454 656	127A-45
454 656	127B-36
454 656	127C-13
454 656	127D-4
454 656	129-4
454 656	129A-3
454 656	129B-3
454 656	129C-1
454 657	118-30
454 657	121A-5
454 657	127A-46
454 657	127B-37
454 657	128D-15
454 657	128E-4
454 658	121A-5
454 659	121A-5
454 659	126-22
454 660	121A-5
454 663	121A-5
454 672	79A-18
454 672	79B-4
454 691	121A-5
454 694	121A-5
454 694	129D-7
454 694	129E-5
454 713	121A-11
454 806	99-27
454 808	105-79
454 832	118-54
454 852	78-12
454 852	114-14
454 862	67-30
454 867	46-7
454 867	90-26
454 867	90-37
454 867	91-17
454 867	92-18
454 867	93-18
454 867	94-21
454 867	95-4
454 867	97-49

## PIPER PARTS CATALOG

Part Number	Figure and Index No.	Part Number	Figure and Index No.	Part Number	Figure and Index No.	Part Number	Figure and Index No.
454 867	126A-42	455 946	100-2	458 898	81-18	459 928	97-36
454 867	126B-64	455 946	102-18	458 898	82-19	459 930	97-36
454 867	127-60	455 961	100-2	458 898	112-73	459 958	127A-77
454 867	127A-78	455 961	102A-16	458 898	114-2	459 958	127B-67
454 867	127B-68	456 010	43-2	458 899	81-110	460 068	53-21
454 868	73-19	456 405	105-19	458 899	82-109	460 635	101-73
454 868	74-39	456 705	120A-27	458 899	103-58	460 664	120-46
454 887	47-29	456 706	119-14	458 899	104-73	460 682	115-26
454 887	47-56	456 707	118-69	458 900	47-37	460 691	39-39
454 887	92-19	456 707	120A-19	458 900	48-11	460 691	40-24
454 924	39-59	456 707	127A-58	458 900	67-58	460 691	40-29
454 928	117-15	456 712	59-44	458 900	83-49	460 691	43-20
454 929	47-32	456 723	112-18	458 900	99-16	460 691	43-28
454 929	68-42	456 724	120-17	458 900	100-25	460 691	44-3
454 929	74-40	456 725	123-14	458 900	101-40	460 691	44-9
454 929	111-41	456 758	127A-12	458 900	103A-11	460 691	46-44a
454 929	113-65	456 758	127B-6	458 900	104A-23	460 800	44-14
454 929	130-8	456 794	88-102	458 900	129E-17	460 823	39-30
454 931	79A-19	457 360	125-15	458 901	83-30	460 823	39-35
454 931	105-84	457 598	105-50	458 901	99-12	460 823	40-16
454 931	130-9	458 849	115-23	458 901	103-73	460 823	43-23
454 932	96-13	458 850	112-69	458 901	104-71	460 866	112-23
454 933	47-31	458 851	114-3	458 901	118-43	460 901	109-9
454 934	74-37	458 852	114-9	458 904	32-11	460 928	55-78
454 934	79A-21	458 857	78-8	458 904	109-16	461 133	90-25
454 945	71-77	458 865	67-35	458 904	112-72	462 023	101-2
454 976	68-26	458 871	71-62	458 904	81-25	462 026	101-46
454 976	69-16	458 872	67-63	458 905	101-42	462 027	47-41
454 977	67-31	458 872	105-63	458 905	114-8	462 027	48-9
454 977	71-85	458 876	82-101	458 905	118-44	462 027	99-6
454 977	78-11	458 876	85-21	458 909	67-36	462 027	99-18
454 977	86-31	458 876	85-22	458 910	47-35	462 027	99-53
454 977	87-32	458 878	101-41	458 910	67-38	462 027	100-26
454 981	71-83	458 880	47-36	458 910	99-51	462 027	101-44
454 982	11-24	458 880	101-36	458 910	100-24	462 028	101-45
454 983	71-49	458 880	109-42	458 910	103A-23	462 029	99-14
454 983	101-33	458 881	101-37	458 910	104A-24	462 029	101-70
454 983	119-31	458 882	83-29	458 911	103-77	462 029	103-11
454 987	99-25	458 882	99-52	458 911	104-72	462 030	71-71a
454 987	118-55	458 884	109-42	458 913	68-27	462 031	101-57
454 994	112-63	458 886	81-19	458 914	81-86	462 031	101-70
455 124	40-32	458 888	81-91	458 914	82-80	462 051	40-6
455 124	44-40	458 888	81-109	458 915	68-51	462 053	78-8
455 211	119-16	458 888	82-89	458 918	118-46	462 053	78-9
455 226	130A-12	458 888	82-107	458 919	64-72	462 054	130-11
455 227	130A-13	458 889	101-38	458 925	69-24	462 057	81-112
455 228	130A-14	458 891	64-71	458 925	118-45	462 057	82-110
455 229	130A-16	458 893	81-93	458 929	101-69	462 058	81-90
455 309	130A-15	458 893	81-111	458 930	112-70	462 058	82-71
455 329	118-38	458 893	82-91	458 934	101-39	462 058	83-31
455 337	130A-10	458 893	82-108	458 938	67-37	462 058	105-67
455 405	32-10	458 894	65-24	458 940	126A-63	462 058	127A-16
455 418	109-41	458 894	68-25	458 940	126B-39	462 058	127B-10
455 420	118-42	458 894	81-12	458 943	112-71	462 061	81-6
455 422	99-71	458 894	82-12	458 947	85-18	462 061	81-14
455 943	47-2	458 894	83-51	458 947	105-64	462 061	81-27
455 943	48-1	458 894	127A-72	459 848	55-73	462 061	82-6
455 943	49-1	458 894	127B-62	459 848	60-27	462 061	82-14

# PIPER PARTS CATALOG

Part Number	Figure and Index No.
462 061	83-32
462 061	86-28
462 062	71-31
462 063	78-7
462 064	112-58
462 081	129D-6
462 105	71-72
463 391	77-73
463 416	75-10
463 428	129F-4
463 431	109-53
463 605	121-7
464 327	130-4
465 256	119-6
467 094	123-27
467 119	127D-10
467 145	61-3a
467 145	121-41
467 150	128E-7
467 442	71-53
468 002	121-17
468 002	121A-14
468 002	130-3
468 006	121-18
468 006	121A-15
468 006	130-21
471 044	89-28
471 053	113-66
471 065	55-10
471 080	47-3
472 017	13-7
472 028	64-36
472 028	64-50
472 028	65-10
472 028	80-28
472 028	88-102a
472 028	120A-16
472 028	120A-29
472 028	126-29
472 028	127C-15
472 028	128-5
472 028	129C-5
472 037	127D-7
472 047	60A-1e
472 047	61-3
472 049	124-10
472 052	123-31
472 054	127A-80
472 054	127B-47
472 057	120-12
472 057	121-10
472 057	123-49
472 058	120A-12
472 059	86-21a
472 059	87-15a
472 061	120A-18
472 061	130A-21
472 078	120A-22

Part Number	Figure and Index No.
472 684	97-34
472 684	97-40
472 709	122-18
472 709	122A-6
472 710	122-18
472 710	122A-6
472 714	123-48
472 739	120A-14
472 740	120A-15
472 741	120A-17
472 754	120A-4
472 769	124-2
472 785	120-11
472 785	121-9
472 788	121-11
472 789	60-15
472 793	130A-22
472 815	123-41
472 815	123-44
472 816	64-58
472 817	130A-20
472 819	121-13
472 827	127A-79
472 827	127B-46
472 827	127D-6
472 829	64-35
472 829	65-9
472 829	120A-28
472 829	126-28
472 829	127C-14
472 831	127A-60
472 832	127A-61
472 833	127A-59
472 835	122-15
472 836	122-15
472 861	123-43
472 869	120A-31
472 911	121-43
474 055	113-48
474 099	113-48
474 111	113-48
474 345	97-3
474 345	131-43
474 641	75-42
474 657	130-5
475 098	127-45
475 106	71-57
475 109	64-42
475 109	120-30
475 117	71-56
475 130	126B-41
475 169	71-20
475 180	129-7
475 194	76-14
475 197	125-6
475 198	116-10
475 208	96-21
476 643	32-16

Part Number	Figure and Index No.
476 643	67-46
476 643	109-17
476 643	112-79
476 645	118-49
476 647	67-45
476 648	32-15
476 648	49-20
476 648	64-76
476 648	65-25
476 648	66-11
476 648	71-64
476 648	105-62
476 648	109-39
476 648	109-57
476 648	129E-14
476 662	83-26
476 662	87-35
476 664	82-18
476 671	109-57
476 686	105-61
476 696	106-33
476 701	125-11
477 613	109-65
477 617	67-48
477 617	81-113
477 617	82-111
477 617	101-47
477 618	15-15
477 618	32-22
477 618	47-44
477 618	48-18
477 618	67-50
477 618	68-37
477 618	70-26
477 618	70-27
477 618	83-50
477 618	99-57
477 618	100-27
477 618	101-49
477 618	109-44
477 618	109-46
477 618	127A-18
477 618	127B-29
477 618	129E-18
477 619	67-65
477 619	81-74
477 619	82-87
477 619	82-101
477 619	85-18
477 619	85-19
477 619	85-20
477 619	85-21
477 619	85-22
477 619	105-69
477 620	68-38
477 620	83-40
477 620	109-43
477 620	118-66

Part Number	Figure and Index No.
477 621	81-5
477 621	81-13
477 621	81-26
477 621	81-86
477 621	82-5
477 621	82-13
477 621	82-80
477 621	82-85
477 621	101-52
477 621	109-45
477 621	114-12
477 621	115-27
477 621	118-64
477 623	101-50
477 623	105-5
477 623	109-46
477 623	109-61
477 624	81-29
477 624	118-65
477 628	67-47
477 628	81-89
477 628	81-101
477 628	82-72
477 628	82-100
477 629	67-49
477 629	81-90
477 629	82-71
477 629	101-48
477 629	106-24
477 634	105-68
477 664	71-55
477 676	48-16
477 676	99-17
477 676	99-56
477 676	100-28
477 676	103A-13
477 676	104A-26
477 684	91-8
477 691	81-75
477 691	82-86
477 691	101-51
477 691	115-29
477 704	78-8
477 704	112-69
477 705	59-20
477 705	60-29
477 707	55-32
477 707	55-40
477 707	56-39
477 707	60-13
477 708	55-36
477 708	55-39
477 708	55-44
477 708	56-40
477 708	57-21
477 708	57-23
477 709	55-62
477 709	55-70

# PIPER PARTS CATALOG

Part Number	Figure and Index No.
477 709	56-51
477 709	56-53
477 709	58-19
477 709	58-24
477 713	101-53
477 726	99-13
477 737	115-28
477 738	78-7
477 738	114-13
477 740	121A-33
477 740	129D-8
477 740	129E-6
477 741	76-8
477 742	55-61
477 793	64-43
477 829	128B-6
477 829	128C-11
479 445	113-48
480 264	51-21
480 683	55-49
480 696	55-48
480 701	55-47
480 701	56-41
480 702	74-31
480 705	50-23
480 705	99-10
480 710	97-5
480 732	55-46
480 735	95-14
480 736	27-21
480 738	50-10
480 743	97-52
480 743	97-53
480 744	98-28
480 763	76-7
480 767	97-83
481 133	99-1
481 133	103-1
481 140	99-1
481 140	103-1
481 141	127A-42
481 141	127B-33
481 166	99-1
481 166	103-1
481 171	99-1
481 171	104-1
481 178	75-32
481 203	122-9
481 203	122-12
481 214	122-9
481 617	127-46
481 617	127A-24
481 617	127B-56
481 626	90-47
481 626	90-50
481 626	90-59
481 626	91-13
481 626	92-34

Part Number	Figure and Index No.
481 626	98-38
481 626	126A-57
481 626	126B-60
481 627	46-26
481 627	90-20
481 627	90-40
481 627	90-56
481 627	92-5
481 627	94-4
481 640	91-14
481 640	91-21
481 640	93-1
481 640	95-1
481 640	95-29a
481 651	90-43
481 652	97-75
481 717	101-3
481 717	102-38
481 724	83-1
481 771	101-3
481 771	102A-34
484 097	51-48
484 129	69-1
484 130	69-1
484 141	127A-10
484 141	127B-4
484 141	129E-23
484 182	120-8
484 211	118-36
484 211	120-5
484 211	127A-11
484 211	127B-5
484 211	130A-6
484 226	120-40
484 244	118-68
484 254	127B-40
484 262	61-11
484 263	15-21
484 264	15-22
484 265	15-23
484 270	120-7
484 283	101-4
484 293	13-27a
484 294	118-39
484 297	81-28
484 301	75-14
484 301	75-19b
484 312	75-17
484 322	27-4
484 342	75-41
484 348	81-106
484 348	82-104
484 350	109-64
484 353	101-4
484 353	103-8
484 376	127A-41
484 376	127B-32
484 377	120-6

Part Number	Figure and Index No.
484 382	127A-57
484 401	130A-38
484 425	51-19
484 434	123-28
484 447	27-4
484 459	99-60
484 459	100-19
484 674	44-28
484 693	42-11
484 695	44-14b
484 696	49-12
484 700	49-22
484 700	113-63
484 701	29-22
484 701	49-7
484 701	80-29
484 701	101-76
484 703	31-1b
484 708	49-23
484 726	31-1a
484 730	49-6
484 752	48-8
484 752	99-19
484 752	99-61
484 752	100-33
484 752	101-58
484 752	103A-12
484 755	75-9
484 757	44-31
484 759	44-30
484 760	40-37
484 762	40-39
484 768	43-41
484 773	128E-5
484 781	40-16b
484 782	44-36
484 784	99-15
484 785	34-34
484 785	34-37
484 785	34-50
484 785	95-30
484 786	34-24
484 786	34-25
484 786	34-30
484 786	34-31
484 786	34-32
484 786	34-33
484 786	34-35
484 786	34-36
484 786	34-38
484 794	105-70
484 795	105-7
484 801	27-35
484 801	92-47
484 802	80-30
484 803	112-76
484 806	112-19
484 807	112-20

Part Number	Figure and Index No.
484 809	15-18
484 810	15-17
484 813	15-20
484 842	129E-21
484 854	129E-19
486 200	21-12
486 200	26-14
486 200	28A-10
486 203	28A-9
486 223	26A-24
486 403	75-33
486 407	123-16
486 559	31-1
486 597	96-11
486 623	120A-35
486 898	109-65
486 906	105-68
487 084	120-6
487 084	120-20
487 118	120A-21
487 118	121-16
487 144	123-50
487 155	50-25
487 167	119-10
487 167	120-21
487 167	126-23
487 179	120A-32
487 291	92-39
487 436	71-58
487 464	50-15
487 479	56-30
487 560	55-72
487 560	60-33
487 560	60A-14
487 585	73-3
487 585	73-5
487 587	73-6
487 614	2-85
487 643	75-4
487 704	75-39
487 712	55-70
487 712	57-24
487 712	58-21
487 712	59-10
487 734	27-4
487 744	64-44
487 775	89-2f
487 775	127A-31
487 775	127B-23
487 777	123-1
487 839	120A-2
487 846	60-16
487 852	121A-13
487 860	120A-9
487 860	126A-20
487 878	120-2
487 882	123-6
487 904	126A-70

# PIPER PARTS CATALOG

Part Number	Figure and Index No.
487 904	126B-71
487 904	127-52
487 904	127A-32
487 904	127A-56
487 904	127B-24
487 907	121-31
487 913	121-5
487 915	120A-3
487 915	127-61
487 915	127A-8
487 915	127B-2
487 915	129C-6
487 915	130A-5
487 915	130A-34
487 916	130A-4
487 916	130A-36
487 917	127B-50
487 917	130A-5
487 917	130A-35
487 925	116-12
487 927	96-8
487 933	120-3
487 938	123-2
487 940	75-28
487 940	89-26
487 940	121-4
487 960	120A-10
487 977	120A-7
487 978	121-2
487 983	32-4
487 984	32-5
487 990	120A-8
487 992	109-1
488 311	68-30
488 314	83-28
488 316	66-13
488 316	70-19
488 316	83-53
488 316	87-30
488 316	127A-73
488 316	127B-63
488 320	66-14
488 320	83-27
488 320	83-52
488 320	100-34
488 320	109-41
488 323	118-41
488 327	50-3
488 344	81-104
488 344	82-102
488 383	47-40
488 383	48-10
488 406	128-8
488 421	89-45
488 471	104-71
488 474	67-39
488 478	115-4
488 478	121-25

Part Number	Figure and Index No.
488 478	128-9
488 499	64-75
488 499	68-29
488 509	99-3
488 509	118-40
488 510	99-7
488 510	99-71
488 510	105-66
488 583	29-24
488 584	120-41
488 670	39-89
488 699	118-2
489 365	51-48
489 365	51A-25
489 425	96-10
489 426	96-10
489 516	96-10
491 048	81-103
491 048	82-50
491 048	101-43
491 049	67-40
491 050	32-12
491 050	47-38
491 050	67-41
491 050	83-24
491 050	99-8
491 050	99-62
491 050	100-19
491 050	100-35
491 050	101-60
491 050	103A-7
491 050	104-74
491 050	104A-25
491 050	109-40
491 050	127A-17
491 050	127B-11
491 051	101-61
491 051	109-40
491 052	83-25
491 052	103-8
491 052	104-74
491 052	118-47
491 053	81-76
491 053	82-49
491 053	101-62
491 053	103-66
491 053	104-70
491 053	112-75
491 053	115-20
491 053	115-25
491 057	78-9
491 058	67-65
491 058	81-74
491 058	82-85
491 058	82-87
491 058	85-19
491 058	85-20
491 059	67-43

Part Number	Figure and Index No.
491 060	15-15
491 060	32-13
491 060	47-39
491 060	48-12
491 060	67-44
491 060	68-33
491 060	70-26
491 060	100-36
491 060	109-46
491 061	109-46
491 061	109-60
491 062	118-48
491 067	67-42
491 067	81-89
491 068	81-75
491 068	82-86
491 068	101-35
491 073	115-21
491 074	101-63
491 074	115-22
491 086	82-86
492 100	81-15
492 100	82-15
492 100	83-37
492 100	86-38
492 100	87-27
492 108	86-37
492 109	81-2
492 109	82-2
492 109	84-15
492 110	81-23
492 110	84-11
492 111	81-16
492 111	82-16
492 111	84-8
492 140	110-11
492 141	110-12
492 142	87-31
492 143	105-20
492 144	105-21
492 145	109-18
492 150	112-5
492 152	47-1
492 152	49-19
492 157	118-34
492 158	118-35
492 161	32-3
492 163	99-5
492 168	68-35
492 170	101-59
492 187	109-6
492 190	99-74
492 191	99-73
492 203	110-12
492 229	109-4
492 236	83-48
492 238	87-31
492 239	81-2

Part Number	Figure and Index No.
492 239	82-2
492 239	84-21
492 292	112-6
492 687	120-27
494 001	56-16
494 001	57-15
494 001	58-15
494 038	88-24
494 038	88-34
494 038	88-44
494 060	2-86
494 060	73-3
494 060	73-5
494 060	73-6
494 063	23-61
494 063	86-45
494 063	87-41
494 067	130A-25
494 068	130-17
494 068	130A-25
494 071	2-6
494 071	34-9
494 071	34-46
494 071	34-47
494 071	36-57
494 071	37-38
494 071	38-47
494 081	88-86
494 088	75-4
494 102	51-37
494 102	51-38
494 102	51-42
494 102	53-14
494 102	63-4
494 102	63-38
494 102	80-32
494 102	123-34
494 116	26-27
494 116	51-59
494 116	63-35
494 119	71-88
494 120	121A-31
494 125	43-66
494 140	121A-32
494 183	88-12
494 183	88-22
494 183	88-32
494 183	88-46
494 184	88-23
494 184	88-33
494 184	88-47
494 184	88-47
494 189	121A-33
494 189	130A-27
494 189	130A-44
494 190	127A-3
494 190	127B-70
494 190	130A-26

# PIPER PARTS CATALOG

Part Number	Figure and Index No.
494 190	130A-45
494 194	109-48
494 222	130A-28
494 268	27-22
494 338	55-69
494 338	57-52
494 338	58-35
494 338	59-37
494 678	130-14
494 686	71-67
499 965	53-2
506 619	34-23
514 747	110-22
514 752	65-20
514 791	71-70
515 709	130-15
515 738	121A-31
515 742	121A-32
519 946	53-8
548 036	64-6
548 045	129E-11
548 173	129E-1
548 602	64-3
548 602	64-3
550 382	120-8
550 390	120-26
550 422	64-16
550 559	126A-9
550 559	126B-18
550 559	127-15
550 560	126A-9
550 560	126B-18
550 560	127-15
550 594	127C-1
550 778	126A-8
550 778	126B-17
550 932	71-6
550 932	79-1
550 932	126-2
550 960	71-6
550 960	79-1
550 960	126-2
551 114	126A-67
551 114	126B-20
551 710	39-2
551 710	42-1
551 761	39-3
551 761	41-1
551 791	43-11
551 791	45-1
551 865	129-6
551 865	129A-5
551 865	129B-5
551 869	129E-3
551 874	69-27
551 920	125-8
551 923	125-8
551 982	129E-2

Part Number	Figure and Index No.
552 575	100-1
552 575	102A-1
553 182	74-4a
553 228	61-29
553 601	127-43
554 046	71-36
554 119	86-19
554 119	87-13
554 175	127B-39
554 254	129E-24
554 257	86-19
554 257	87-13
554 349	53-20
554 364	117-11
554 631	71-90
554 639	83-39
554 639	86-32
554 670	56-45a
554 671	56-45a
554 679	83-38
554 749	78-10
554 757	74-25
554 757	80-31
554 777	112-22
554 778	69-23
554 797	112-65
554 798	112-68
554 834	111-43
554 861	67-29
554 861	68-41
554 861	70-24
554 861	126B-59
554 861	129E-15
554 864	71-63
554 864	87-28
554 866	74-36
554 866	79A-20
554 871	69-17
554 871	112-64
554 871	126A-64
554 874	47-30
554 888	109-55
554 901	124-8
554 906	130-10
554 914	55-51
554 916	109-56
554 925	110-19
554 926	110-20
554 927	105-78
554 927	110-21
554 936	105-80
554 937	105-81
554 945	117-10
554 946	69-18
554 947	87-34
554 947	112-67
554 955	129F-6
554 963	98-44

Part Number	Figure and Index No.
554 971	117-9
554 972	112-66
554 983	32-18
554 983	67-56
554 988	71-47
554 988	73-20
554 991	71-50
554 992	71-48
555 345	69-15
555 346	69-14
555 355	125-10
555 356	125-7
555 363	68-32
555 363	70-18
555 365	71-31
555 375	130-7
555 393	119-35
555 409	127A-13
555 409	127B-7
555 409	130A-11
555 451	127B-41
555 731	128A-10
555 799	120-28
555 810	15-28
555 811	15-27
555 812	15-27
555 813	15-28
555 832	53-12
555 832	53-16
555 832	53A-7
556 053	71-30
556 129	128E-17
556 142	15-25
556 143	15-26
556 743	64-38
556 743	65-17
558 943	105-65
560 690	120A-23
560 690	123-32
560 756	105-3
560 807	79A-30
565 225	47-21
565 225	48-2
565 226	47-20
565 226	48-3
565 251	75-15
565 311	111-6
565 323	120-24
565 326	120-25
565 327	71-13
565 367	129E-4
565 446	130-20
565 598	59-43
565 608	61-28
565 608	120A-32
571 057	56-34
571 077	50-11
571 091	27-10

Part Number	Figure and Index No.
571 120	64-52
571 121	64-53
571 122	64-54
571 123	123-40
571 124	64-51
571 125	130A-23
571 125	130A-40
571 126	130A-41
571 127	130A-24
571 127	130A-42
571 141	74-19
571 159	25-4
571 174	53-23
581 312	32-23
581 312	109-38
581 312	112-74
581 482	115-5
581 571	15-23
581 573	15-21
581 606	15-22
581 652	92-37
581 656	121A-7
581 657	121A-6
581 750	112-81
582 294	129D-4
582 615	110-31
587 236	112-17
587 385	27-33
587 386	27-34
587 548	75-11
587 552	75-40
587 562	61-15
587 600	55-56c
587 600	56-45b
587 600	57-30d
587 600	58-23a
587 775	121A-12
587 817	121-1
587 820	127A-47
587 820	127B-45
587 820	127D-5
587 822	127A-33
587 822	127B-25
587 849	120A-5
587 857	123-29
587 865	126B-70
587 888	127-24
587 950	127-51
587 951	128A-11
587 965	128A-11
587 965	128C-10
587 967	123-52
587 985	127-53
587 994	127-50
588 018	115-34
588 043	128B-5
588 372	67-64
588 383	81-105



# PIPER PARTS CATALOG

Part Number	Figure and Index No.
588 383	82-103
588 494	69-26
596 038	128D-3
596 038	129-5
596 038	129A-4
596 038	129B-4
596 152	128D-4
596 153	127C-6
596 172	127C-5
596 172	127D-10
596 173	127C-4
596 174	127C-3
596 175	127C-1
596 176	127C-1
596 191	127C-1
596 200	127A-63
596 234	127C-2
596 249	128D-2
596 406	129D-2
596 410	129D-1
596 510	127-16
597 257	128C-6
687 548	28A-12
751 201	122-20
751 201	122A-8
751 202	122-20
751 202	122A-8
751 260	107-2
751 278	126A-4
751 281	103A-28
751 287	127-14
751 298	126-20
751 300	128-1
751 303	126A-1a
751 303	126B-2
751 304	107-3
751 305	42-13
751 309	79A-2
751 314	126A-5
751 314	126B-7
751 314	127-8
751 316	128A-3
751 318	128A-4
751 319	128A-5
751 332	107-26
751 336	127-10
751 339	107-27
751 340	127-9
751 348	127-10
751 363	44-20
751 367	44-13
751 405	45-10
751 445	49-28
751 489	45-6
751 494	45-3
751 494	45-5
751 759	101-75
751 799	83-2

Part Number	Figure and Index No.
751 811	113-57
751 812	113-58
751 813	113-60
751 814	113-61
751 817	107-7
751 817	107-30
751 819	45-7
751 821	84-4
751 822	103-4
751 823	103-15
751 834	40-35
751 834	44-37
751 859	112-2a
751 869	101-74
751 872	83-3
751 874	106-30
751 878	107-13
751 890	49-5
751 892	102-43
751 896	113-43
751 898	84-6
751 900	103-46
751 901	103A-17
751 902	103-82
751 903	105-77
751 904	64-6
751 904	65-5
751 916	102-4
751 919	106-27
751 920	106-28
751 921	106-41
751 922	106-31
751 923	108-9
751 924	107-12
751 962	106-38
751 977	107-6
751 996	126A-12
752 003	86-20
752 003	87-14
752 010	128-2
752 011	128-3
752 013	103-81
752 018	106-1
752 019	106-4
752 021	106-3
752 022	79-3
752 023	42-15
752 024	66-6
752 107	106-23
752 122	113-49
752 317	126A-6d
752 317	126B-11
752 350	33-18
752 355	113-44
752 358	102-5
752 359	102-6
752 360	102-46
752 365	102-14

Part Number	Figure and Index No.
752 371	128-4
752 504	113-56
752 505	113-59
752 508	102-26
752 510	79-45
752 511	79-8
752 515	79-6
752 517	84-7
752 518	84-34
752 519	103-6
752 520	103-17
752 520	104-88
752 521	103-72
752 521	104-85
752 523	103A-19
752 524	103-57
752 524	104-87
752 525	103-76
752 525	104-86
752 526	102-13
752 529	106-8
752 536	79-13
752 537	79-22
752 538	41-6
752 538	42-2
752 549	106-36
752 568	102A-5
752 569	102A-18
752 570	102A-25
752 583	113-47
752 587	104-80
752 588	102A-8
752 589	104-81
752 604	101-74
752 713	40-36
752 713	44-33
752 713	79-9
752 717	113-62
752 722	44-34
752 735	49-15
752 735	49-21
752 742	84-12
752 760	84-13
752 765	44-14a
752 830	45-9
752 869	83-7
752 965	42-12
753 049	106-32
753 074	113-51
753 079	113-29
753 082	113-30
753 084	113-30
753 090	60A-1a
753 110	49-25
753 119	83-9
753 120	108-7
753 121	106-17
753 193	83-10

Part Number	Figure and Index No.
753 194	45-2
753 195	45-4
753 215	49-11
753 216	102-23
753 217	102-52
753 218	103A-31
753 228	127-19
753 390	106-29
753 391	107-15
753 391	107-33
753 392	107-16
753 392	107-34
753 433	113-45
753 437	113-46
753 440	121-33
753 440	121-36
753 444	102-21
753 445	102-36
753 445	102A-27
753 445	104-36
753 446	102-39
753 461	79-4
753 462	79-5
753 463	79-15
753 468	39-29
753 469	39-31
753 469	39-34
753 470	39-33
753 471	43-25
753 477	121-39
753 478	2-5
753 478	120-10
753 478	122-19
753 478	122A-7
753 479	103-16
753 480	103-20
753 481	103-22
753 482	103-25
753 483	103-31
753 484	102-58
753 484	102A-48
753 484	103-35
753 484	104-43
753 485	103-42
753 486	103-71
753 486	104-82
753 490	103-59
753 490	104-84
753 491	103A-29
753 650	83-4
753 743	113-48
753 790	103A-10
753 800	107-14
753 803	105-24
753 850	39-21
753 900	106-14
753 904	106-43
753 906	107-9

# PIPER PARTS CATALOG

Part Number	Figure and Index No.
753 941	113-53
753 944	113-36
753 945	113-35
753 947	113-41
753 960	49-2
753 965	102-19
753 966	102-25
753 972	71-74
753 974	113-50
753 981	126A-65
753 981	126B-54
753 982	79-24
753 986	84-3
753 987	84-5
753 999	103-51
754 547	113-34
754 549	121-34
754 550	102-11
754 550	102A-13
754 551	102-27
754 555	121-37
754 557	126A-10
754 558	118-3
754 559	118-4
754 560	118-5
754 561	118-6
754 580	42-6
754 581	42-7
754 761	113-31
754 762	113-32
754 771	106-25
754 779	106-34
754 785	61-27
754 785	120A-31
754 796	60A-1b
754 800	103-68
754 801	103-61
754 807	126A-54
754 807	126B-16
754 809	103-69
754 810	103-47
754 811	106-6
754 812	108-8
754 812	108-21
754 813	79-19
754 817	67-26
754 818	105-23
754 820	106-12
754 831	64-22a
754 831	109-4a
754 838	127-18
754 839	106-18
754 844	127-20
754 851	104-62
754 852	104-68
754 853	104-54
754 854	102A-21
755 000	66-9

Part Number	Figure and Index No.
755 016	86-8
755 016	87-7a
755 016	87-8a
755 017	86-9
755 017	87-7b
755 017	87-8b
755 018	86-10
755 018	87-7c
755 021	122A-13
755 022	106-35
755 042	122-4
755 043	79-26
755 054	104A-11
755 057	104-94
755 075	122-21
755 075	122A-8a
755 076	122-22
755 076	122A-8b
755 095	102A-38
755 096	102A-46
755 200	122-6
755 218	126A-75
755 218	126B-23
755 227	79-3
755 241	86-20
755 241	87-14
755 243	106-7
755 252	107-29
755 253	107-28
755 260	106-1
755 276	102A-42
755 277	102-47
755 297	60A-1e
755 297	61-3
755 318	115-17
755 319	115-18
755 320	105-56
755 401	106-23
755 403	127C-2
755 424	108-1
755 425	42-9
755 426	66-7
755 427	64-14
755 428	64-13
755 437	127D-1
755 438	127D-3
755 439	127D-2
755 450	64-3
755 467	106-22
755 467	108-15
755 483	106-22
755 483	108-15
755 834	84-19
755 835	84-17
755 836	84-18
755 864	106-13
755 865	106-16
755 866	107-8

Part Number	Figure and Index No.
755 902	102-28
755 908	49-24
755 909	84-22
755 932	79-43
755 933	79-40
755 934	79-16
755 935	79-23
755 940	103-62
755 940	103-70
755 940	104-76
755 941	102-32
755 941	102-54
755 941	102A-54
755 941	103-63
755 941	103A-34
755 941	104-38
755 941	104-41
755 941	104A-32
755 952	49-3
755 953	49-4
755 955	49-18
755 957	102-22
755 958	102-29
755 959	102-30
755 960	102-31
755 960	102A-33
755 961	102-37
755 961	102A-26
755 962	102-49
755 962	102A-59
755 962	104-40
755 964	45-8
755 968	79-14
755 973	84-37
755 977	79-25
755 980	103-5
755 980	104-48
755 980	104-89
755 981	103-9
755 982	103-19
755 983	103-26
755 984	103-33
755 985	103-34
755 986	103-41
755 988	103A-20
755 991	126A-11
755 991	126B-15
756 015	84-30
756 020	102-15
756 021	102-16
756 022	102-17
756 028	79-10
756 029	105-8
756 031	41-2
756 033	126-11
756 038	113-38a
756 043	79A-3
756 052	126A-4a

Part Number	Figure and Index No.
756 054	42-5b
756 054	42-8b
756 069	84-24
756 072	122A-10
756 108	83-8
756 119	49-13
756 119	49-27
756 121	49-26
756 162	83-5
756 164	101-77
756 183	106-9
756 184	107-10
756 184	107-31
756 187	106-42
756 259	49-9
756 263	102-7
756 265	102-37a
756 266	102-40
756 266	103-36
756 267	102-44
756 269	102-51
756 270	103A-30
756 271	102-50
756 273	71-75
756 274	71-76
756 286	79-33
756 289	79-37
756 291	79-39
756 293	79-41
756 296	84-40
756 298	84-39
756 302	113-28
756 317	71-73
756 319	113-52
756 323	103A-22
756 327	113-27
756 329	118-1
756 340	106-2
756 343	113-24
756 347	126A-74
756 347	126B-22
756 393	42-16
756 394	113-24
756 395	113-25
756 396	113-26
756 397	113-27
756 398	128A-1
756 505	113-40
756 507	113-39
756 508	49-14
756 510	79-42
756 511	103-12
756 524	113-42
756 549	104-2
756 550	104-10
756 551	104-22
756 552	104-31
756 553	104-39

# PIPER PARTS CATALOG

Part Number	Figure and Index No.
756 554	104-53
756 555	104A-1
756 560	105-82
756 576	105-6a
756 577	108-20
756 603	79-34
756 604	79-35
756 606	79-38
756 607	79-44
756 608	84-35
756 610	103A-25
756 623	71-67
756 627	79-11
756 628	41-7
756 629	41-9
756 629	42-4
756 630	41-10
756 631	41-12
756 674	79-29
757 051	126A-6b
757 051	126B-10
757 052	126A-6a
757 052	126A-14
757 052	126A-68
757 052	126B-9
757 052	126B-21
757 112	Misc.
757 125	Misc.
757 213	113-33
757 219	49-10
757 220	107-4
757 223	102-9
757 223	102-56
757 223	102A-56
757 224	102-10
757 225	102-20
757 226	102-24
757 227	102-33
757 228	102-34
757 229	102-35
757 229	102A-31
757 229	103A-4
757 229	104A-3
757 230	102-41
757 231	102-42
757 232	102-45
757 233	102-55
757 233	102A-55
757 234	102-57
757 236	102A-51
757 237	102-53
757 238	49-31
757 249	79-17
757 255	84-2
757 256	84-9
757 257	84-10
757 258	84-14
757 259	84-23

Part Number	Figure and Index No.
757 259	84-27
757 260	84-28
757 262	103-3
757 263	103-7
757 263	104-27
757 263	104A-29
757 265	103-13
757 265	103-60
757 265	104-30
757 265	104-46
757 265	104-78
757 266	102A-30
757 266	103-24
757 266	104-55
757 267	103-28
757 268	103-30
757 268	103A-15
757 268	104-18
757 269	103-37
757 269	103A-6
757 269	104A-7
757 270	103-40
757 270	104-21
757 270	104A-31
757 275	103-67
757 275	104-75
757 276	42-14
757 276	103A-8
757 276	104-79
757 276	104A-28
757 277	103A-9
757 277	104-9
757 277	104-16
757 277	104-57
757 277	104A-33
757 279	103A-16
757 279	104A-30
757 283	103-74
757 283	104-83
757 284	103-75
757 284	104-77
757 285	103-29
757 286	103-44
757 287	103A-14
757 288	103A-3
757 289	103-55
757 290	103-64
757 291	103-79
757 291	104A-13
757 291	104A-15
757 296	126A-13
757 303	99-1
757 303	103-1
757 313	86-21
757 313	87-15
757 315	84-32
757 319	102-3
757 320	102-8

Part Number	Figure and Index No.
757 324	84-29
757 327	103-84
757 328	103-39
757 329	84-33
757 332	106-5
757 334	106-26
757 335	79-21
757 337	42-5
757 338	42-8
757 339	42-10
757 341	66-10
757 343	83-6
757 374	99-1
757 374	103-1
757 381	126A-6e
757 382	126B-12b
757 383	42-5a
757 383	42-8a
757 456	127-13
757 457	99-1
757 457	103-1
757 473	99-1
757 473	104-1
757 494	102A-52
757 495	104A-5
757 496	102A-49
757 497	102A-50
757 498	104-28
757 499	102A-3
757 500	102A-20
757 502	103-10
757 503	103-18
757 504	103-21
757 505	103-23
757 506	103-27
757 507	103-32
757 509	103-38
757 510	103A-21
757 512	103-45
757 513	103-48
757 514	103-49
757 515	103A-1
757 516	103A-2
757 517	103-52
757 518	103-56
757 519	103A-5
757 524	103-43
757 524	103A-18
757 526	103-65
757 527	103A-24
757 528	103-80
757 529	103A-26
757 530	103A-27
757 532	103-83
757 533	103-14
757 537	103A-33
757 541	126-9
757 570	120A-30

Part Number	Figure and Index No.
757 571	121-15
757 578	84-38
757 579	126A-2a
757 579	126A-3a
757 579	126B-4
757 579	126B-6
757 579	127-3
757 579	127-5
757 579	127-7
757 594	103-50
757 602	106-20
757 603	106-39
757 604	106-21
757 605	108-10
757 606	108-12
757 607	79-12
757 608	126-3
757 610	126-5
757 611	126-21
757 612	126-6
757 614	126A-1
757 614	126B-1
757 615	126A-7
757 615	126B-13
757 616	126A-18
757 617	41-5
757 618	66-8
757 619	105-27
757 620	105-28
757 621	105-29
757 626	126-14
757 633	84-20
757 648	79A-4
757 649	79A-6
757 673	126-8b
757 702	109-8
757 705	42-17
757 801	103-54
757 802	103A-32
757 803	103-78
757 804	103-2
757 806	107-5
757 833	76-2a
757 862	119-43
757 863	127-49
757 864	102-2
757 872	126A-66
757 872	126B-55
757 879	49-32
757 884	106-15
757 885	108-3
757 886	108-4
757 887	108-5
757 888	108-6
757 888	108-19
757 889	105-83
757 890	113-38
757 891	126-7

# PIPER PARTS CATALOG

Part Number	Figure and Index No.
757 893	126B-28
757 894	41-3
757 895	41-4
757 896	41-11
757 896	41-13
757 897	105-30
757 912	79A-5
757 938	64-59
757 950	113-35
758 013	107-38
758 026	127-11
758 041	106-2
758 042	107-25
758 043	108-17
758 044	108-18
758 045	108-22
758 046	108-23
758 050	112-2
758 058	64-22
758 081	129F-1
758 082	127-48
758 092v	128B-3
758 130	84-31
758 143	79-2
758 148	107-1
758 149	79-20
758 150	108-2
758 151	121-12
758 152	121-14
758 153	126-10
758 154	126-4
758 155	126-18
758 158	41-8
758 159	42-3
758 160	105-25
758 161	105-26
758 162	105-31
758 166	102-48
758 170	126-13
758 175	126-12
758 179	126A-6c
758 179	126B-12
758 195	126-8a
758 203	79-2
758 205	79-20
758 207	126A-6d
758 207	126B-11
758 237	118-5
758 238	118-6
758 239	118-3
758 240	118-3
758 241	118-4
758 260	127-21
758 266	128A-6
758 267	128A-7
758 281	128A-2
758 295	126A-6f
758 295	126B-12a

Part Number	Figure and Index No.
758 300	106-11
758 302	107-39
758 309	106-37
758 320	106-10
758 321	108-16
758 343	108-16
758 356	79-32
758 364	128A-2
758 377	102A-19
758 378	104-66
758 379	104-6
758 380	104-14
758 381	104-29
758 382	104-35
758 383	104-45
758 384	104-52
758 385	102A-35
758 386	102A-39
758 387	104-5
758 387	104-13
758 388	104-49
758 389	104-60
758 390	104-91
758 431	126-15
758 434	126-16
758 435	126-16
758 436	126-16
758 440	102A-12
758 452	128C-2
758 453	128C-5
758 528	128B-2
758 569	123-53
758 590	29-31b
758 604	63-5a
760 189	Misc.
760 246	Misc.
760 367	96-22
760 400	Misc.
760 412	Misc.
760 413	Misc.
760 414	Misc.
760 416	Misc.
760 418	Misc.
760 419	Misc.
760 420	Misc.
760 421	Misc.
760 422	Misc.
760 423	Misc.
760 425	Misc.
760 426	Misc.
760 427	Misc.
760 428	Misc.
760 429	Misc.
760 430	Misc.
760 431	Misc.
760 432	Misc.
760 433	Misc.
760 434	Misc.

Part Number	Figure and Index No.
760 435	Misc.
760 437	Misc.
760 497	Misc.
760 498	Misc.
760 504	84-16
760 528	Misc.
760 529	Misc.
760 566	Misc.
760 568	Misc.
760 582	Misc.
760 629	Misc.
760 630	Misc.
760 631	Misc.
760 632	Misc.
760 633	Misc.
760 648	Misc.
760 715	41-14
760 899	127-12
761 028	Misc.
761 039	126A-69
761 055	84-26
761 115	102A-14
761 156	122-16
761 162	122-17
761 162	122A-5
761 163	129C-4
761 183	122A-14
761 184	122A-12
761 187	122A-4
761 189	122-2
761 204	102A-43
761 205	102A-41
761 207	122A-11
761 208	122A-14
761 225	61-3
761 238	121-11a
761 242	60A-1e
761 608	107-32
761 642	84-26
761 650	105-24
761 656	104A-19
761 917	118-1
761 939	128A-1
761 946	106-32
761 967	128A-1
761 975	43-68
761 979	39-4
761 983	104A-22
761 990	126-19
761 996	43-68
761 997	39-4
762 030	128B-1
762 034	43-68
762 035	39-4
762 215	106-19
762 220	127-6
762 221	127-54
762 257	79-27

Part Number	Figure and Index No.
762 258	79-28
762 259	79-30
762 260	79-31
762 261	127-1
762 262	127-2
762 263	127-4
762 285	102A-11
762 285	102A-47
762 286	104-3
762 286	104-11
762 287	104-23
762 288	104-32
762 289	104-69
762 290	104A-27
762 291	102A-61
762 292	102A-60
762 293	104-20
762 294	104A-8
762 295	104A-9
762 296	104-26
762 297	104A-6
762 298	104-4
762 299	104-12
762 300	104-24
762 301	104-33
762 302	102A-37
762 302	104-44
762 303	104-50
762 304	104-59
762 305	104A-4
762 306	104A-17
762 307	104A-21
762 308	102A-24
762 309	102A-44
762 310	104A-2
762 311	104-25
762 312	104-34
762 313	102A-6
762 314	102A-45
762 315	104A-35
762 316	102A-36
762 316	104-42
762 317	104-37
762 320	122A-14a
762 355	60A-1e
762 355	61-3
762 357	128C-3
762 453	106-37a
762 454	106-37b
762 455	107-11
762 510	61-3b
762 514	86 21b
762 514	87-15b
762 515	86-21b
762 515	87-15b
762 516	86-21b
762 516	87-15b
762 517	129F-7

## PIPER PARTS CATALOG

Part Number	Figure and Index No.
762 518	129F-8
762 519	79-18
762 524	84-36
762 535	102A-22
762 536	104-8
762 536	104-15
762 536	104-56
762 537	104-17
762 538	104A-34
762 539	102A-32
762 540	102A-57
762 541	102A-15
762 542	102A-58
762 543	104A-16
762 544	104A-20
762 545	104-65
762 546	104-61
762 547	104-90
762 548	102A-9
762 549	102A-10
762 550	102A-28
762 551	102A-29
762 552	102A-53
762 553	104-67
762 554	102-12
762 554	102A-12
762 555	104-92
762 583	29-31a
762 631	42-5b
762 631	42-8b
763 001	129F-13
763 004V	128B-4
763 009	99-9
763 019	128C-4
763 204	104-47
763 205	104A-12
763 206	104A-14
763 207	104A-10
763 208	102A-4
763 209	102A-17
763 210	104-63
763 211	102A-2
763 212	104-93
763 295	64-22
763 401	104-64
763 402	104-51
763 403	104A-18
763 404	102A-23
763 405	102A-40
763 406	104-19
763 407	104-58
763 408	104-7
763 409	104A-36
763 411	104-95
763 523	42-5a
763 523	42-8a
763 715	45-2
763 717	45-4

Part Number	Figure and Index No.
763 854	126-15
763 915	29-33
764 049	29-32
764 082	Misc.
764 805	29-31c
764 806	29-31d
764 807	125-8a
764 825	60A-1c
764 828	60A-1d
764 963	Misc.
914 046	Misc.
914 047	Misc.
923 120	Misc.

Part Number	Figure and Index No.
-------------	----------------------

Part Number	Figure and Index No.
-------------	----------------------

2L8 THRU 2L24  
INTENTIONALLY LEFT BLANK