



PA-28 AND PA-28R
CHEROKEE
PARTS CATALOG

CARD 1 OF 4

PA-28-140

PA-28-180

PA-28-150

PA-28-235

PA 28-160

PA-28R-180

PA-28R-200

PIPER AIRCRAFT CORPORATION

Courtesy of Bomar Flying Service

www.bomar.biz

(PART NUMBER 753 582)

PIPER PARTS CATALOG

AEROFICHE EXPLANATION

The Parts Catalog information incorporated in this set of Aerofiche cards has been arranged in accordance with the general specifications of Aerofiche adopted by the General Aviation Manufacturer's Association.

Conversion of Aerofiche alpha/numeric code numbers:

First number is the Aerofiche card identifier.

Letter is the horizontal line reference per card.

Second number is the vertical line reference per card.

Example: 2-J16 = Aerofiche card number two of given set, Grid location J16.

To aid in locating the various sections and related information desired, the following is provided:

A complete Catalog Table of Contents is given at Grid 1A8 of Aerofiche card number 1 of this set. Each additional card in this set will have a Table of Contents for all sections on that particular card. This table will start at Grid A3.

REVISIONS

The information compiled in this Aerofiche Parts Catalog will be kept current by revisions distributed periodically. These revisions will supersede all previous revisions and will be complete Aerofiche card replacements and shall supersede Aerofiche cards of the same number in the set.

Current revisions to this PA-28 and PA-28R Parts Catalog issued August 16, 1973 are as follows:

753 582 (PR750815).....	Dated August 1975
753 582 (PR460430).....	Dated April 1976
753 582 (PR760831).....	Dated August 1976
753 582 (PR770304).....	Dated March 1977
753 582 (PR770715).....	Dated July 1977
753 582 (PR780908).....	Dated September 1978
753 582 (PR790405).....	Dated April 1979
753 582 (PR800520).....	Dated May 1980
753 582 (IR860226).....	Dated February 1986 (Interim change)
753 582 (IR950215).....	Dated February 1995 (Interim change)
753 582 (PR030310).....	Dated March 10, 2003

INTRODUCTION

The Illustrated Parts Catalog is designed to provide simple but positive identification of replacement parts for the Piper "CHEROKEE" Model PA-28 and PA-28R manufactured by the Piper Aircraft Corporation of Vero Beach, Florida,

NOTE: UNDER NO CIRCUMSTANCES SHALL THIS CATALOG BE USED FOR RIGGING AND INSTALLATION PURPOSES.

It is suggested that this catalog be thoroughly studied to determine its arrangement prior to its utilization.

1. The catalog is divided into eleven (11) major sections described as follows:
 - a. Section I to X inclusive contains all replacement parts for the complete airplane. Each section is subdivided and each division includes an illustration and a parts listing.
 - b. Section XI is the Miscellaneous Group. This group includes a listing of the Optional Equipment Kits, Repair Kits and Special Tools
2. The following is a brief explanation of the column in the parts Listing:
 - a. The "FIGURE AND INDEX" column indicates the illustration figure number and its part index number EXAMPLE (2-1), the 2 is the figure number and the 1 is the index number. The figure number appears only at the top of each parts listing page or at the beginning of each new parts listing.
 - b. The "PART NUMBER" column contains the identifying number of the replacement part and the part number must be shown on all Parts Orders.
 - c. The "CODE" column is for the purpose of indicating special use of the part. An explanation of the letter code used is shown below each listing

ALL PARTS CODED WITH A "W" MUST BE PURCHASED FROM
PIPER AIRCRAFT CORPORATION, LOCK HAVEN, PENNA

ALL PARTS NOT CODED WITH A "W" MUST BE PURCHASED FROM
PIPER AIRCRAFT CORPORATION, VERO BEACH, FLORIDA

- d. The "NOMENCLATURE" column indicates the part name. The name must be shown on all Parts Orders.
- e. The "NO REQ." (Number Required) column represents the total quantity of parts used per aircraft per figure when the part is not indented and the quantity of parts used per assembly when the part is indented. The symbol "AR" listed in the column means "As Required".

Identification Example: Indentations of listings in the "Nomenclature column" indicates "assemblies" and "components" or "parts", in order of their indentations.

EXAMPLE						
Figure and Index Number	Part Number	Code	NOMENCLATURE	NO Req.	SERIAL NUMBERS AFFECTED	
			DOOR ASSEMBLY - Baggage compartments • FRAME ASSEMBLY - Baggage compartment door •• HINGE ASSEMBLY - Baggage door •• CLIP - Baggage door spring			

This listing is interpreted as follows:

If the DOOR ASSEMBLY (not indented) is ordered, it will include the three items listed under that item,

If the FRAME ASSEMBLY (indented one space) is ordered, it will include the two items listed under the sub-assembly.

If you want only a HINGE ASSEMBLY or CLIP, you order only that item

- f. The "SERIAL NUMBERS AFFECTED" column indicates the part application by airplane serial number.

PIPER PARTS CATALOG

3. The "ATTACHING PARTS" such as nuts, bolts, screws, etc., that are available as commercial hardware items, are not generally supplied by the Piper Aircraft Corporation. The catalog lists for your convenience, those attaching parts required for main assemblies and in installation. The identifying number for these parts appear after the part name.
4. All items of Optional Equipment are contained in the parts list in their proper sequence and sections. The items were not marked optional, since they are fully identified by their descriptions.

HOW TO IDENTIFY A PART IF YOU KNOW WHAT IT LOOKS LIKE AND KNOW WHERE IT IS LOCATED

1. Refer to Figure 1 to determine the Section number in which the part is used.
2. Refer to the Table of Contents and locate the section. Note the figure number that illustrate the various subgroups of this main section.
 - a. Select the figure title you think might continue the part you wish to identify and proceed to the grid (page) specified.
3. Find the part on the illustration and note the index number.

NOTE If you don't find the part on this illustration, try another figure in this group.
4. Refer to the "Figure and Index Number" in the Parts Listing for complete description of the part.

HOW TO ORDER PARTS

In ordering parts for your Piper Airplanes, observe the following instructions which will aid in your getting the right parts required without delay:

- a. Place your order with the distributor or dealer for your territory, since parts are available only through our distributor organization.
- b. Always specify the model and serial number of your airplane.
- c. Always specify Part Number, Name, type and quantity required.
- d. Specify the method of shipment - freight, express, parcel post, air express, air freight, or air parcel post. Where the nature of the shipment requires it or when no instructions are given, we reserve the right to ship the most suitable way.

GENERAL INFORMATION

a. Shortages

All orders are checked and rechecked before leaving our Shipping Department. A packing slip is enclosed with the shipment and claims for errors or shortages must be made within the (3) days after receipt of orders.

b. Returned Goods

No material should be returned to us without first securing our written permission. Material sent in without notice will be held at the owner's risk for thirty (30) days and will then be disposed of as we see fit.

Transportation charge must be PREPAID on returned goods or the shipment will be refused.

c. Transportation Liabilities

The Piper Aircraft Corporation cannot be held liable for damages to Parts in transit from the factory. If a shipment is received in a damaged condition, have the delivery man or Transportation Company make a notation of the damage and file your claim with the Carrier. In case of concealed damage, do not attempt to remove the part from the shipping container, or endeavor to repair the damage, but call the Carrier and have his Claim Agent inspect the damage before filing your claim with the Carrier.

PIPER PARTS CATALOG

PA-28 AND PA-28R SERIAL NUMBER INFORMATION

The following information should be kept in mind when ordering from this catalog:

- a. The serial numbers of the aircraft covered by this Part Catalog are as follows:
- (1) Serial numbers of the 1961 PA-28-150 and PA-28-160 Models are 28-1 to 28-84 inclusive.
 - (2) Serial numbers of the 1962 PA-28-150 and PA-28-160 Models are 28-85 to 28-670 inclusive.
 - (3) Serial numbers of the 1963 PA-28-150 and PA-28-160 Cherokee "B" Models are 28-725 to 28-1760 inclusive.
 - (4) Serial numbers of the PA-28-180 Cherokee "B" Models are 28-671 to 28-1760 inclusive.
 - (5) Serial numbers of the PA-28-150, PA-28-160 and PA-28-180 Cherokee "C" Models are 28-1761 to 28-4377 inclusive.
 - (6) Serial numbers of the PA-28-180 Cherokee "D" Models are 284378 to 28-5600 inclusive.
 - (7) Serial numbers of the PA-28-180 Cherokee "E" Model- are 28-5601 to 28-5869 inclusive.
 - (8) Serial numbers of the PA-28-180 Cherokee "F" Models are 28-7105001 to 28-7105244 inclusive.
 - (9) Serial numbers of the PA-28-180 Cherokee "G" Models are 28-7205001 to 28-7205328 inclusive.
 - (10) Serial numbers of the 1973 PA-28-180 Cherokee Models are 28-7305001 to 28-7305611 inclusive, and 28-E13. (SEE NOTE)
 - (11) Serial numbers of the 1974 PA-28-180 Cherokee Models are 28-7405001 to 28-7405290 inclusive.
 - (12) Serial numbers of the 1975 PA-28-180 Cherokee Models are 28-7505001 to 28-7505261 inclusive.
 - (13) Serial numbers of the PA-28-140 Models are 28-20002 to 28-24999 inclusive.
 - (14) Serial numbers of the PA-28-140 Cherokee "B" Models are 28-25000 to 28-26400 inclusive.
 - (15) Serial numbers of the PA-28-140 Cherokee "C" Models are 28-26401 to 28-26956 inclusive.
 - (16) Serial numbers of the PA-28-140 Cherokee "D" Models are 28-7125001 to 28-7125651 inclusive.
 - (17) Serial numbers of the PA-28-140 Cherokee "E" Models are 28-7225001 to 28-7225612 inclusive.
 - (18) Serial numbers of the 1973 PA-28-140 Cherokee Models are 28-7325001 to 28-7325684 inclusive.
 - (19) Serial numbers of the 1974 PA-28-140 Cherokee Model are 28-7425001 to 28-7425454 inclusive.
 - (20) Serial numbers of the 1975 PA-28-140 Cherokee Models are 28-7525001 to 28-7525350 inclusive
 - (21) Serial number of the 1976 PA-28-140 Cherokee Models are 28-7625001 to 28-7625234 inclusive.
 - (22) Serial numbers of the 1977 PA-28-140 Cherokee Models are 28-7725001 to 28-7725290 inclusive,
 - (23) Serial numbers of the PA-28-235 Models are 28-10003 to 28-10719 inclusive,
 - (24) Serial numbers of the PA-28-235 Cherokee "B" Models are 28-10720 to 28-11039 inclusive.
 - (25) Serial numbers of the PA-28-235 Cherokee "C" Model are 28-11040 to 28-11300 inclusive.
 - (26) Serial numbers of the PA-28-235 Cherokee "D" Models are 28-11301 to 28-11393 inclusive.
 - (27) Serial numbers of the PA-28-235 Cherokee "E" Models are 28-7110001 to 28-7110042 inclusive.
 - (28) Serial numbers of the PA-28-235 Cherokee "F" Models are 28-7210001 to 28-7210033 inclusive.
 - (29) Serial numbers of the 1973 PA-28-235 Cherokee Models are 28-7310001 to 28-7310187 inclusive, and 28-E11. (SEE NOTE)
 - (30) Serial numbers of the 1974 PA-28-235 Cherokee Models are 28-7410001 to 28-7410120 inclusive.
 - (31) Serial numbers of the 1975 PA-28-235 Cherokee Models are 28-7510001 to 28-7510145 inclusive.
 - (32) Serial numbers of the 1976 PA-28-235 Cherokee Models are 28-7610001 to 28-7610206 inclusive.
 - (33) Serial numbers of the 1977 PA-28-235 Cherokee Models are 28-7710001 to 28-7710089 inclusive.

NOTE: PA-28-180 with serial number 28-E13 and PA-28-235 with serial number 28-E11 are not referenced in the various Parts Lists throughout this catalog.

PA-28-180 with serial number 28-E13 is to be serviced the same as serial number 28-7305001.

PA-28-235 with serial number 28-E11 is to be serviced the same as serial number 28-7310001.

PIPER PARTS CATALOG

PA-28 AND PA-28R SERIAL NUMBER INFORMATION (cont.)

- (34) Serial numbers of the PA-28R-180 Cherokee Models are 28R-30005 to 28R-30481 inclusive, and 28R-30483 to 28R-31279 inclusive.
- (35) Serial number of the PA-28R-180 Cherokee "B" Models are 28R-7130001 to 28R-7130019 inclusive.
- (36) Serial numbers of the PA-28R-200 Cherokee Models are 28R-30482, 28R-35001 to 28R-35830 inclusive.
- (37) Serial numbers of the PA-28R-200 Cherokee "B" Models are 28R-7135001 to 28R-7135238 inclusive.
- (38) Serial number of the PA-28R-200 Cherokee "II" Models are 28R-7235001 to 28R-7235330 inclusive
- (39) Serial numbers of the 1973 PA-28R-200 Cherokee "II" Models are 28R-7335001 to 28R-7335455 inclusive,
- (40) Serial numbers of the 1974 PA-28R-200 Cherokee "II" Models are 28R-7435001 to 28R-7435331 inclusive.
- (41) Serial numbers of she 1975 PA-28R-200 Cherokee "I" Models are 28R-7535001 to 28R-7535303 inclusive.
- (42) Serial numbers of the 1976 PA-28R-200 Cherokee "II" Models are 28R-7635001 to 28R-7635545 inclusive.

PIPER PARTS CATALOG

STANDARD PAINT CHART

EXTERIOR	MFG. NO.	PIPER PART NUMBER	
		QUART	GALLON
ENAMEL			
Daytona	J-9545	751 700	751 701
Bahama Blue	H-9170	751 714	751 715
Phoenix	W-3557	754 718	754 719
Portland Green	W-3558	754 724	754 725
Pontiac Red	W-3665	754 716	754 717
El Paso Brown (Metallic)	W-8433	754 737	754 738
Tampa Green (Metallic)	W-8427	754 739	754 740
Newport Blue (Metallic)	W-8430	754 741	754 742
ACRYLIC LACQUER			
Pontiac Red	B-7943	4175 592	1175 592
Tampa Green	B-5430	4175 360	1175 360
Newport Blue	B-5501	4175 434	1175 434
Monterey Maroon (base coat)	K-2789	4175 441	1175 441
Monterey Maroon (top coat)	B-5480	4175 437	1175 437
Juneau White	B-7784-A	4175 657	1175 657
Lakeland Blue	B-5440	4175 433	1175 433
Orlando Green	B-5490	4175 361	1175 361
Mocha Tan	B-5450	4175 627	1175 627
Denver Brown (base coat)	K-2790	4175 299	1175 299
Denver Brown (top coat)	B-5460	4175 409	1175
Madrid Red	B-5511	4175 593	1175
Dakota Black	H-6117-R	4175 373	1175 373
Beaumont Blue	B-5530	4175 435	1175 435
Bahama Blue	B-9170	4175 436	1175 436
Bimini Turquoise	B-9915	4175 438	1175 438
Nassau Turquoise	B-9914	4175 439	1175 439
Reno Gold	B-9916	4175 345	1175 345
Lincoln Gray	B-7919	4175 362	1175 362
Dallas Yellow	Y-5783	4175 701	1175 701
Ocala Orange (base coat)	P-7946	4175 499	1175 499
Ocala Orange (top coat)	C-2065-A	4175 500	1175 500
Polar Gray	Y-6100-R	4175 341	1175 341
Las Vegas Gold	G-2124-A	4175 332	1175 332
Avocado	G-2352	4175 331	1175 331
Thinner	B-5408-B	4179 102	1179 402

TABLE OF CONTENTS

FIGURE NUMBER	FIGURE TITLE	GRID NUMBER
1	View of Complete Airplane	1A15
SECTION I WING GROUP		
2	Wing Installation (PA-28-140/150/160/180/235, PA-28R-180/200).....	1A16
3	Wing Leading Edge Assembly (PA-28-140/150/160/180/235, PA-28R-180/200)	1A21
4	Wing Trailing Edge Assembly (PA-28-140/150/160/180/235)	1B1
5	Wing Trailing Edge Assembly (PA-28R-180/200)	1B4
6	Aileron Assembly (PA-28-140/150/160/180/235, PA-28R-180/200)	1B7
7	Flap Assembly	1B9
SECTION II FUSELAGE GROUP		
8	Complete Fuselage (PA-28-140, PA-28-150/160/180 - S/N 28-1 to 28 4377 incl., PA-28-235 - S/N 28-10003 to 28-11039 incl.)	1B12
9	Complete Fuselage (PA-28-180 - S/N 28-4378 to 28-7505261 incl., PA-28-235 S/N 28-1 1040 and up, PA-28R-180 - S/N 28R-30005 to 28R-30481 incl., 28R-30483 to 28R-7130019 incl. PA-28R-200 - S/N 28R-30482, 28R-35001 and up).....	1C1
10	Upper Forward Cockpit Assembly (PA-28-140/ 150/ 160/ 180/235)	1C14
11	Upper Forward Cockpit Assembly (PA-28R-180/200)	1D1
12	Upper Center Cockpit Assembly	1D6
13	Lower Forward Cockpit Assembly	1E1
14	Lower Aft Cockpit Assembly	1E14
15	Fuselage Aft Section	1E18
16	Instrument Panel Installation (PA-28-140 - S/N 28-20002 to 28-24999 incl., PA-28-150/160/180 - S/N 28-1 to 28-4377 incl., PA-28-235 - S/N 28-10003 to 28-1 1039 incl.)	1F1
17	Instrument Panel Installation (PA-28-140 - S/N 28-25000 and up, PA-28-180 - S/N 28-4378 and up, PA-28-235 - S/N 28-11040 and up, PA-28R-180 - S/N 28R-30005 to 28R-30481 incl., 28R-30483 to 28R-7130019 incl., PA-28R-200 - S/N 28R-30482, 28R-35001 and up).....	1F8
18	Vacuum System Installation (PA-28-1 40 - S/N 28-20002 to 28-24999 incl., PA-28-150/160/180 - S/N 28-1 to 28-4377 incl., PA-28-235 - S/N 28-10003 to 28-1 1039 incl.)	1G6
19	Vacuum System Installation (PA-28-180 - S/N 28-4378 to 28-5121 28-5123 to 28-5129, 28-5180 to 28-5227 incl., PA-28R-180 - S/N 28R-30005 to 28R-30481 incl., 28R-30483 to 28R-30878 incl.)	1G11
19A	Vacuum System Installation (PA-28-140 - S/N 28-25000 to 28-26956 incl. , PA-28-180 - S/N 28-5122, 28-5130 to 28-5179 incl. , 28-5228 to 28-5869 incl. , PA-28-235 - S/N 28-11040 to 28-11393 incl. , PA-28R-180 - S/N 28R-30879 to 28R-31279 incl., PA-28R-200 - S/N 28R-30482, 28R-35001 to 28R-35830 incl.)	1G13
19B	Vacuum System Installation (PA-28-140 - S/N 28-7125001 and up, PA-28-180 - S/N 28-7105001 and up, PA-28-235 - S/N 28-7110001 and up, PA-28R-180 - S/N 28R-7130001 and up, PA-28R-200 - S/N 28R-7135001 and up)	1G15
20	Pitot-Static System Installation (PA-28-140 - S/N 28-20002 to 28-24999 incl., PA-28-150/160/180 - S/N 28-1 to 28-4377 incl. , PA-28-235 - S/N 28-10003 to 28-11039 incl.)	1G18

TABLE OF CONTENTS

FIGURE NUMBER	FIGURE TITLE	GRID NUMBER
SECTION II (cont.) FUSELAGE GROUP		
21	Pitot-Static System Installation (PA-28-140 - S/N 28-25000 and up, PA-28-180 S/N 28-4378 and up, PA-28-235 - S/N 28-11040 and up, PA-28R-180 - S/N 28R-30005 to 28R-30481 incl., 28R-30483 and up, PA-28R-200 - S/N 28R-30482, 28R-35001 and up)	1G22
22	Fuselage Enclosure Installation (PA-28-140 - S/N 28-20002 to 28-7225612 incl., PA-28-150/160/180 - S/N 28-1 to 28-4377 incl., PA-28-235 - S/N 28-10003 to 28-1 1039 incl.)	1H1
22A	Fuselage Enclosure Installation (PA-28-235 - S/N 28-11040 to 28-7210033 incl.)	1H7
23	Fuselage Enclosure Installation (PA-28-180 - S/N 28-4378 to 28-7205328 incl. PA-28R-180 - S/N 28R-30005 to 28R-30481 incl., 28R-30483 to 28R-7130019 incl., PA-28R-200 - S/N 28R-30482, 28R-35001 to 28R-7235330 incl.)	1H10
23A	Fuselage Enclosure Installation (PA-28-180 - S/N 28-7305001 and up, PA-28-235 S/N 28-7310001 and up, PA-28R-200 - S/N 28R-7335001 and up)	1H14
23B	Fuselage Enclosure Installation (PA-28-140 - S/N 28-7325001 and up).....	1H21
24	Cabin and Baggage Door Installation (PA-28-140 - S/N 28-20002 to 28-7625030 incl., PA-28-150/160/180 - S/N 28-1 to 28-7505261 incl., PA-28-235 - S/N 28-10003 to 28-7610020 incl., PA-28R-180, PA-28R-200 - S/N 28R-30482, 28R-35001 to 28R-7635017 incl.)	1I1
24A	Cabin and Baggage Door Installation (PA-28-140 - S/N 28-7625031 and up, PA-28-235 - S/N 28-7610021 and up, PA-28R-200 - S/N 28R-7635018 and up)	1J4
25	Cockpit Finishing Installation (PA-28-150/160/180 - S/N 28-1 to 28-4377 incl., PA-28-235 - S/N 28-1003 to 28-11039 incl.	1J9
26	Cockpit Finishing Installation (PA-28-140)	1K1
27	Cockpit Finishing Installation (PA-28-180 - S/N 28-4378 and up, PA-28R-180 - S/N 28R-30005 to 28R-30481 incl. 28R-30483 and up, PA-28R-200 - S/N 28R-30482, 28R-35001 and up).....	2A6
27A	Cockpit Finishing Installation (PA-28-235 - S/N 28-11040 and up)	2B17
27B	Window Curtains Installation (PA-28-235 - S/N 28-7710001 and up, PA-28R-200 S/N 28R-7635504 and up).....	2C9
28	Seats Installation (PA-28-140 - S/N 28-20002 to 28-26956 incl., PA-28-150/160/180 S/N 28-1 to 28-5869 incl. PA-28-235 - S/N 28-10003 to 28-11393 incl. , PA-28R-1 80 S/N 28R-30005 to 28R-30481 incl., 28R-30483 to 28R-31279 incl., PA-28R-200 - S/N 28R-30482, 28R-35001 to 28R-31279 incl.).....	2C11
28A	Seats Installation (PA-28-140 - S/N 28-7125001 and up, PA-28-180 - S/N 28-7105001 and up, PA-28-235 - S/N 28-7110001 and up, PA-28R-180 - S/N 28R-7130001 and up PA-28R-200 - S/N 28R-7135001 and up)	2D3
28B	Vertically Adjustable Front Seat Assembly (PA-28-140 - S/N 28-26401 to 28-7325684 incl. , PA-28-180 - S/N 28-5601 to 28-7205328 incl., PA-28-235 - S/N 28-11301 to 28-7210033 incl., PA-28R-180 - S/N 28R-31251 to 28R-7130019 incl., PA-28R-200 - S/N 28R-35601 to 28R-7135238 incl.)	2E1
28C	Vertically Adjustable Front Seat Assembly (PA-28-140 - S/N 28-7425061 and up, PA-28-180 - S/N 28-7405035 and up, PA-28-235 - S/N 28-7410027 and up, PA-28R-200 - S/N 28R-7435035 and up).....	2E5
29	Rear Seat Installation (PA-28-140).....	2E11
30	Cabin Heat, Defroster and Fresh Air System (PA-28-140 - S/N 28-20002 to 28-24999 incl. , PA-28-150/160/180 - S/N 28-1 to 28-1760 incl.)	2E14
31	Cabin Heat Defroster and Fresh Air System (PA-28-235 - S/N 28-10003 to 28-11039 incl. , PA-28-150/160/180 - S/N 28-1761 to 28-4377 incl.	2E19

TABLE OF CONTENTS

FIGURE NUMBER	FIGURE TITLE	GRID NUMBER
SECTION II (cont.) FUSELAGE GROUP		
31A	Cabin Heat and Defroster Installation (PA-28-180 - S/N 28-4378 and up, PA-28-235 - S/N 28-11040 and up)	2F1
31B	Cabin Heat and Defroster Installation (PA-28-140 - S/N 28-25000 and up)	2F7
32	Cabin Heat and Defroster Installation (PA-28R-180/200)	2F10
32A	Air Conditioning Compressor, Refrigerant Lines and Alternator Installation (PA-28-140 S/N 28-25001, 28-7125472 and up, PA-28-180 - S/N 28-5653, 28-7205092 and up, PA-28R-200- S/N 28R-7235001 and up).....	2F15
32B	Air Conditioning Duct and Evaporator Installation (PA-28-140 - S/N 28-25001, 28-7125472 and up, PA-28-180 - S/N 28-5653 28-7205092 and up. PA-28R-200 S/N 28R-7235001 and up).....	2F20
32C	Air Conditioning Condenser Installation (PA-28-140 - S/N 28-25001, 28-71 25472 and up PA-28-180 - S/N 28-5653, 28-7205092 and up PA-28R-200 - S/N 28R-7235001 and up).....	2G1
32D	Cabin Overhead Air Vent Installation (PA-28-140 - S/N 28-26401 to 28-7325684 incl., PA-28-180 - S/N 28-5601 to 28-730561 1 incl., PA-28-235 - S/N 28-1 1 301 to 28-7310187 incl., PA-28R-180 - S/N 28R-31251 to 28R-7130019 incl., PA-28R-200 S/N 28R-35601 to 28R-7335455 incl.)	2G5
32E	Fresh Air Ventilation Installation (PA-28-140 - S/N 28-7425001 and up, PA-28-180 - S/N 28-7405001 and up, PA-28-235 - S/N 28-7410001 and up PA-28R-200 - S/N 28R-7435001 and up)	2G7
SECTION III CHASSIS GROUP		
33	Nose Gear Installation (PA-28-140/150/160/180/235)	2G12
33A	Nose Gear Strut Assembly (PA-28-140/150/160/180/235)	2G18
34	Nose Gear Installation (PA-28R-180/200)	2H1
35	Nose Gear Assembly (PA-28R-180/200)	2H6
36	Nose Wheel Assembly (Cleveland)	2H10
36A	Nose Wheel Assembly (McCauley) (PA-28-140/150/160/180/235)	2H12
36B	Nose Wheel Assembly (McCauley) (PA-28R-180/200)	2H14
37	Main Gear Installation (PA-28-140/150/160/180/235)	2H16
38	Main Gear Installation (PA-28R-180/200)	2H21
39	Main Gear Assembly (PA-28R-180/200)	2I1
40	Main Wheel Assembly	2I4
41	Brake Assembly	2I7
42	Landing Gear Door Installation (PA-28R-180/200).....	2I10
43	Main and Nose Wheel Fairing Installation (PA-28-140/150/160/180/235)	2I13
44	Main Landing Gear Strut Fairing Installation (PA-28-140/150/160/180/235).....	2J1
45	Hand Brake Installation (PA-28-150/160 - S/N 28-1 to 28-250 incl.)	2J3
46	Hand Brake Installation (PA-28-150/160 - S/N 28-251 and up, PA-28-140/180/235)	2J6
47	Hand Brake Installation (PA-28R-180/200)	2J11
48	Toe Brake Installation,	2J14
48A	Toe Brake Master Cylinder Installation	2J18
49	EDO Float Installation (PA-28S-180 - S/N 28S-671 to 28S-7205328 incl.).....	2J21

TABLE OF CONTENTS

FIGURE NUMBER	FIGURE TITLE	GRID NUMBER
SECTION IV TAIL SURFACES GROUP		
50	Tail Surfaces Installation.....	2K1
50A	Fin Assembly	2K8
50B	Rudder Assembly	2K12
50C	Stabilator Assembly (PA-28-150/160/180 - S/N 28-1 to 28-7205328 incl. PA-28-140 - S/N 28-20002 and up PA-28-235 - S/N 28-10003 to 28-7205328 incl., PA-28R-180 - S/N 28R-30005 to 28R-30481, 28R-30483 to 28R-7130019 incl. PA-28R-200- S/N 28R-30482 28R-35001 to 28R-7135238 incl.).....	2K14
50D	Stabilator Assembly (PA-28-180 - S/N 28-7305001 and up, PA-28-235 - S/N 28-7310001 and up, PA-28R-200 - S/N 28R-7235001 and up)	2K17
SECTION V FUEL SYSTEM GROUP		
51	Fuel System Installation (PA-28-140).....	2K19
52	Fuel System Installation (PA-28-150/160/180 - S/N 28-1 to 28-1760 incl.).....	2L1
53	Fuel System Installation (PA-28-150/160/180 - S/N 28-1761 and up)	2L7
54	Fuel System Installation (PA-28R-180/200)	2L12
55	Fuel System Installation (PA-28-235).....	2L16
SECTION VI POWER PLANT GROUP		
56	Power Plant Installation (PA-28-140 - S/N 28-20002 and up, PA-28-150/160/180 S/N 28-1 to 28-1760 incl.).....	3A6
57	Power Plant Installation (PA-28-150/160/180 - S/N 28-1761 to 28-4377 incl.)	3A15
57A	Power Plant Installation (PA-28-180 - S/N 28-4378 and up)	3A19
57B	Engine Controls Installation (PA-28-140 - S/N 28-25000 and up, PA-28-180 - S/N 28-4378 and up PA-28-235 - S/N 28-11040 to 28-7210033 incl.)	3B1
57C	Engine Controls Installation (PA-28-235 - S/N 28-7310001 and up).....	3B6
58	Power Plant Installation (PA-28R-180/200).....	3B10
59	Engine Controls Installation(PA-28R-180/200	3B16
60	Engine Exhaust System Installation (PA-28-140/150/160/180).....	3B21
61	Engine Exhaust System Installation (PA-28R-180/200)	3C2
62	Engine Baffle Installation (PA-28-140/150/160/180)	3C5
63	Engine Baffle Installation (PA-28R-180/200	3C9
64	Engine Cowl Installation (PA-28-140/150/160/180).....	3C12
65	Engine Cowl Installation (PA-28R-180/200)	3C16
66	Power Plant Installation (PA-28-235)	3C18
67	Constant Speed Propeller Installation (PA-28-235 - S/N 28-10166 to 28-11039 incl.).....	3D1
67A	Constant Speed Propeller Installation (PA-28-235 - S/N 28-11040 to 28-7210033 incl.)....	3D3
67B	Propeller Assembly (Hartzell) (PA-28-235, PA-28R-180/200).....	3D6
67C	Propeller Assembly (McCaughey) (PA-28R-200).....	3D9

TABLE OF CONTENTS

FIGURE NUMBER	FIGURE TITLE	GRID NUMBER
SECTION VII ELECTRICAL SYSTEM GROUP		
68	Electrical System Installation	3D11
68A	Air Conditioning Electrical Installation (PA-28-140 - S/N 28-25001 28-7125472 and up, PA-28-180 - S/N 28-5653, 28-7205092 and up, PA-28R-200 - S/N 28R-7235001 and up).....	3D20
69	Instrument Panel Electrical Installation (PA-28-140 - S/N 28-20002 to 28-24999 incl. , PA-28-150/160/180 - S/N 28-1 to 28-4377 incl. , PA-28-235 - S/N 28-10003 to 28-1 1039 incl.)	3E1
69A	Instrument Panel Electrical Installation (PA-28-140 - S/N 28-25000 to 28-7425454 incl.)	3E4
70	Instrument Panel Electrical Installation (PA-28-140 - S/N 28-7525001 and up, PA-28-180 - S/N 28-4378 and up, PA-28-235 - S/N 28-1 1040 and up, PA-28R-180 S/N 28R-30005 to 28R-30481 incl., 28R-30483 and up, PA-28R-200- S/N 28R-30482, 28R-35001 and up).....	3E6
71	Alternator Installation (Chrysler)	3E13
71A	Alternator Assembly (Prestolite) (PA-28-140 - S/N 28-25001, 28-7125472 and up, PA-28-180 - S/N 28-5653, 28-7205092 and up, PA-28R-200 - S/N 28R-7235001 and up)	3E18
72	External Power Supply Installation (PA-28-150/160/180/235, PA-28R-180/200).....	3E20
73	External Power Supply Installation (PA-28-140)	3E22
73A	Strobe Light Installation (PA-28-140/180/235, PA-28R-180/200)	3F1
73B	Battery Installation	3F3
SECTION VIII CONTROL SYSTEM GROUP		
74	Control System Installation (PA-28-140/150/160/180/235)	3F6
75	Control System Installation (PA-28R-180/200).....	3F11
76	Flap Control Installation	3F15
77	Stabilator Trim Installation (PA-28-140 - S/N 28-20002 to 28-7225612 incl. , PA-28-150/160/180 - S/N 28-1 to 28-4377 incl., PA-28-235 - S/N 28-10003 to 28-10719 incl.).....	3G1
78	Stabilator Trim Installation (PA-28-140 - S/N 28-7325001 and up, PA-28-180 - S/N 28-4378 and up, PA-28-235 - S/N 28-10720 and up, PA-28R-180 - S/N 28R-30005 to 28R-30481 incl. , 28R-30483 and up, PA-28R-200 - S/N 28R-30482, 28R-35001 and up)	3G8
79	Rudder Trim Installation	3G12
80	Control Wheel Installation (PA-28-150/160/180 - S/N 28-1 to 28-4377 incl., PA-28-140 - S/N 28-20002 and up, PA-28-235 - S/N 28-10003 to 28-11039 incl.).....	3G16
81	Control Wheel Installation (PA-28-180 - S/N 28-4378 and up, PA-28-235 - S/N 28-11040 and up, PA-28R-180 - S/N 28R-30005 to 28R-30481 incl., 28R-30483 and up, PA-28R-200- S/N 28R-30482, 28R-35001 and up).....	3H1
82	Rudder Pedal Installation (PA-28-140/150/160/180/235)	3H4
83	Rudder Pedal Installation (PA-28R-180/200)	3H10

TABLE OF CONTENTS

FIGURE NUMBER	FIGURE TITLE	GRID NUMBER
SECTION IX HYDRAULIC SYSTEM GROUP		
84	Hydraulic System Installation (PA-28R-180/200)	3H12
SECTION X ELECTRONICS GROUP		
85	Electric Trim Installation	3H16
86	AutoFlite Installation (PA-28-140 - S/N 28-20002 to 28-26956 incl. PA-28-150/160/180 - S/N 28-1231 to 28-5869 incl., PA-28-235 - S/N 28-10003 to 28-11 393 incl. PA-28R-180 - S/N 28R-30005 to 28R-30481 incl. 28R-30483 to 28R-31279 incl. , PA-28R-200 - S/N 28R-30482, 28R-35001 to 28R-35830 incl.)	3H20
86A	AutoFlite II Installation (PA-28-140 - S/N 28-7125001 and up, PA-28-180 - S/N 28-7105001 and up, PA-28-235 - S/N 28-7110001 and up, PA-28R-180 - S/N 28R-7130001 and up, PA-28R-200 - S/N 28R-7135001 and up)	3H23
87	AutoControl I Installation (PA-28-140/150/160/180/235).....	3I1
88	AutoControl II Installation (PA-28-140/150/160/180/235).....	3I3
89	AutoControl III Installation (PA-28-150/160/180 - S/N 28-3590 to 28-4377 incl., PA-28-235 - S/N 28-10741 to 28-11039 incl.)	3I6
90	AutoControl III and III B Installation (PA-28-140 - S/N 28-25000 and up, PA-28-180 S/N 28-4378 and up, PA-28-235 - S/N 28-11040 and up PA-28R-180 - S/N 28R-30005 to 28R-30481 incl., 28R-30483 and up, PA-28R-200 - S/N 28R-30482, 28R-35001 and up).....	3I8
91	Piper PRC-4 AutoNav Radio Installation (PA-28-140/150/160/180/235)	3I11
92	Piper PTR-1 Radio Installation (PA-28-140/150/160/180/235).....	3I15
93	Radio, Antenna System and Static Wick Installation (PA-28-140 - S/N 28-25000 and up, PA-28-180 - S/N 28-4378 and up, PA-28-235 - S/N 28-11040 and up, PA-28R-180 - S/N 28R-30005 to 28R-30481 incl., 28R-30483 and up, PA-28R-200- S/N 28R-30482, 28R-35001 and up).....	3I18
93A	Piper Automatic Locator (ELT) Installation (Garrett Mfg, LTD).....	3I22
93B	Piper Automatic Locator (ELT) Installation (Communications Components Corp).....	3J1
93C	Piper Automatic Locator (ELT) Installation (Narco Avionics)	3J3
94	Piper PM-1 Marker Beacon Installation (PA-28-140 - S/N 28-25000 to 28-7425454 incl., PA-28-150/160/180 - S/N 28-1761 to 28-7405290 incl. PA-28-235 - S/N 28-10487 to 28-7410120 incl. , PA-28R-180 - S/N 28R-30005 to 28R-30481 incl.. 28R-30483 to 28R-7130019 incl. , PA-28R-200 - S/N 28R-30482, 28R-35001 to 28R-7435331 incl.)	3J5
95	Radio Junction Boxes (PA-28-140 - S/N 28-25000 and up, PA-28-180 - S/N 28-4378 and up, PA-28-235 - S/N 28-11040 and up, PA-28R-180 - S/N 28R-30005 to 28R-30481 incl. , 28R-30483 and up, PA-28R-200 - S/N 28R-30482, 28R-35001	
96	Radar Altimeter Installation (PA-28R-200)	3J10
97	Encoder Installation (Narco - AR 500) (PA-28-140 - S/N 28-7725001 and up PA-28-235 - S/N 28-7710001 and Up)	3J12
	Radio Installation Drawings	3J14

TABLE OF CONTENTS

FIGURE NUMBER	FIGURE TITLE	GRID NUMBER
	SECTION XI MISCELLANEOUS GROUP	
	Optional Equipment Kits and Repair Kits	3J18
	Decal.....	3K1
	NUMERICAL INDEX	4A4

PIPER PARTS CATALOG

PIPER AIRCRAFT



CORPORATION

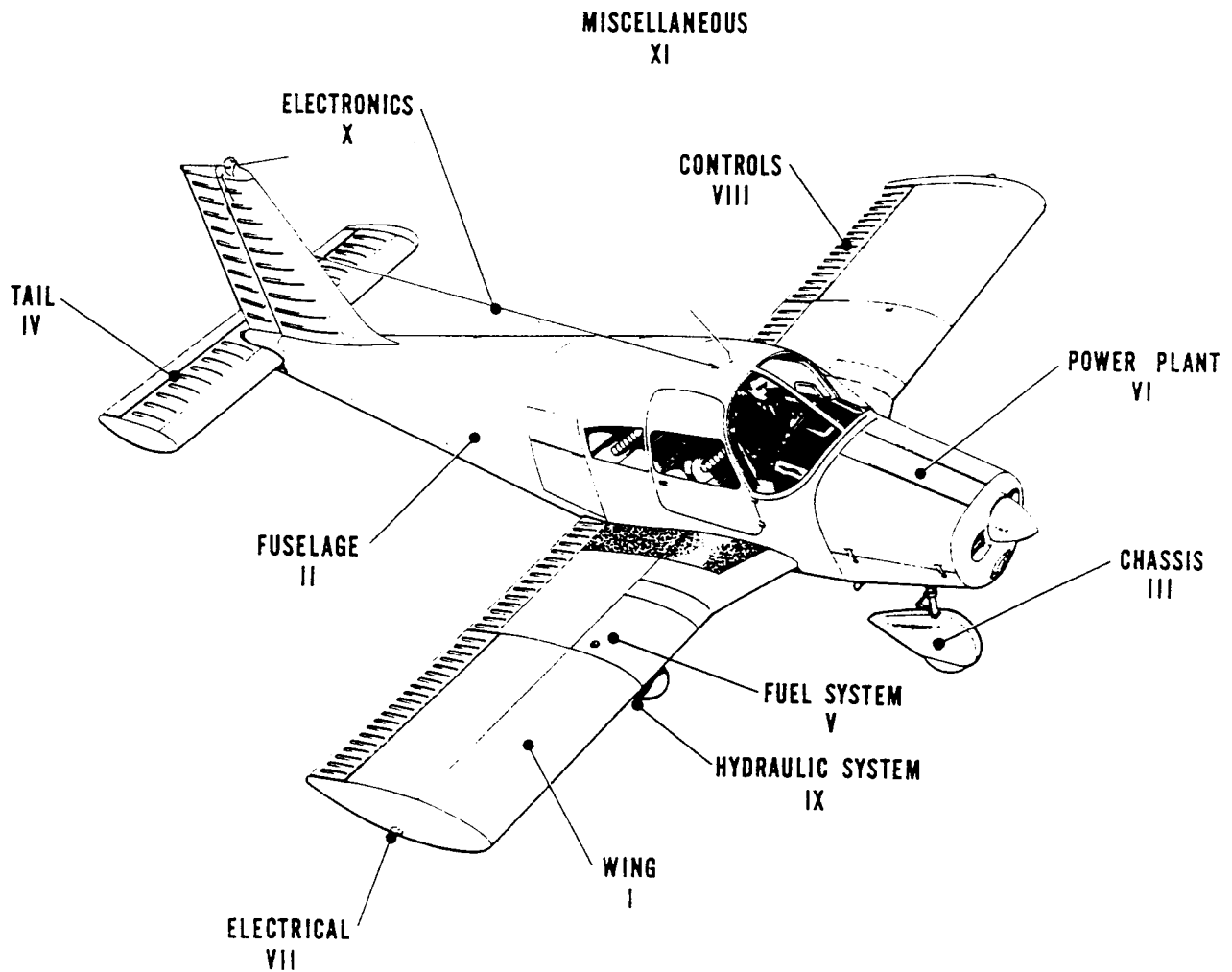


Figure 1. Complete Airplane

PIPER PARTS CATALOG

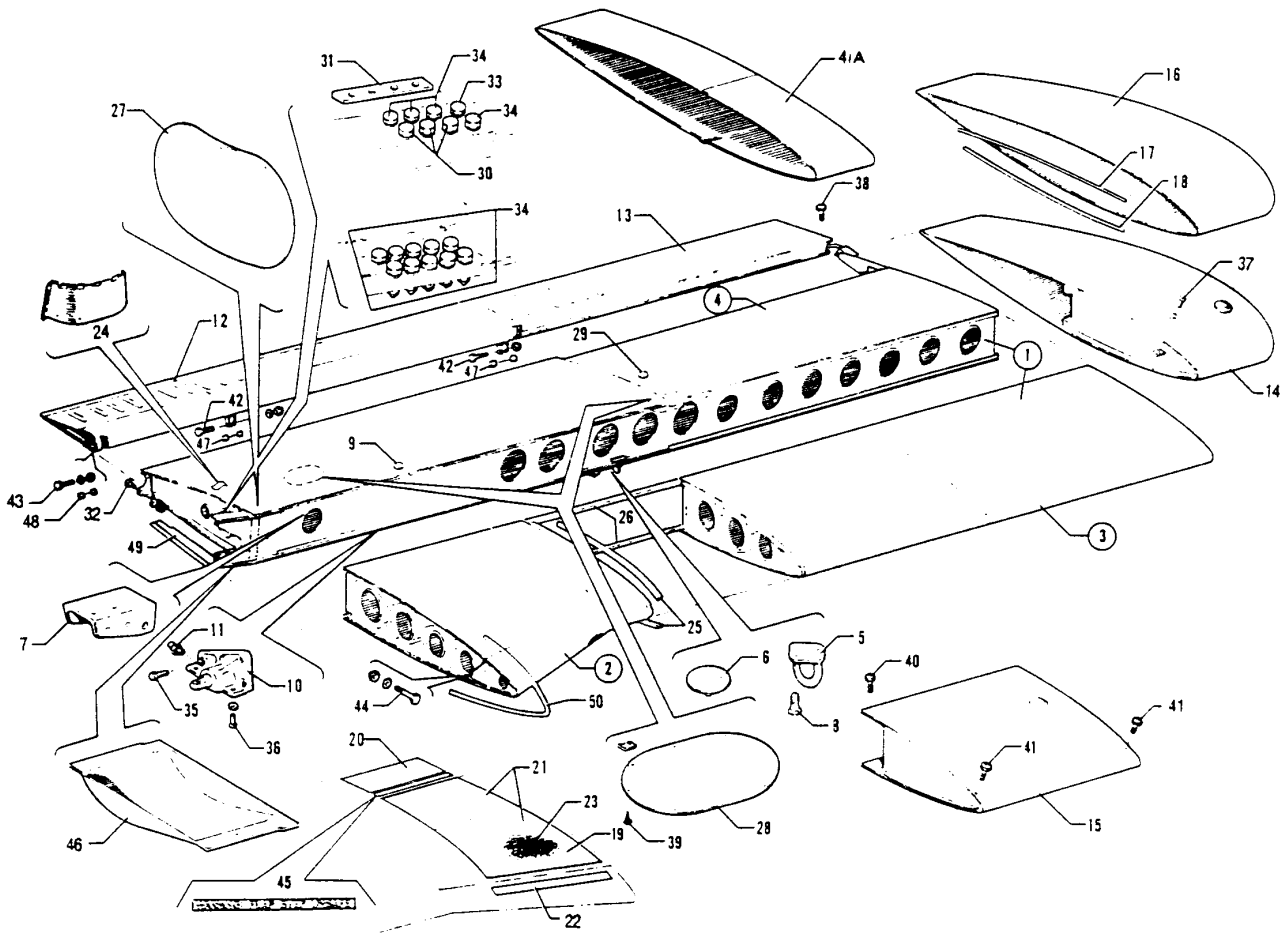


Figure 2. Wing Installation

REVISED: MAY 1980

1A16

PA-28-140
 PA-28-150
 PA-28-160
 PA-28-180
 PA-28-235
 PA-28R-180
 PA-28R-200

PIPER PARTS CATALOG

Figure and Index Number	Part Number	Code	NOMENCLATURE	No. Req.	SERIAL NUMBERS AFFECTED
2-	62013		DRAWING - Wing Installation		
	66600	A,C	DRAWING -Wing Assembly (Complete)		
	67015	B	DRAWING -Wing Assembly (Complete)		
-1	66601-04	J	WING ASSEMBLY - Left	1	
	66601-06	H	WING ASSEMBLY - Left	1	
	66601-02	C	WING ASSEMBLY - Left	1	
	67016-02	E,K	WING ASSEMBLY - Left	1	
	67016-06	E L	WING ASSEMBLY - Left	1	
	66601-05	J	WING ASSEMBLY - Right	1	
	66601-07	H	WING ASSEMBLY - Right	1	
	66601-03	C	WING ASSEMBLY - Right	1	
	67016-03	E,K	WING ASSEMBLY - Right	1	
	6701 6-07	E,L	WING ASSEMBLY - Right	1	
-2	66595-00	D	LEADING EDGE ASSEMBLY - Wing inboard, left	1	
	66595-01	D	LEADING EDGE ASSEMBLY - Wing inboard, right	1	
-3	66770-04	A,D	LEADING EDGE ASSEMBLY - Wing outboard, left	1	
	66770-00	C,D	LEADING EDGE ASSEMBLY - Wiring outboard, left	1	
	66770-02	B D	LEADING EDGE ASSEMBLY - Wing outboard, left	1	
	66770-01	D	LEADING EDGE ASSEMBLY - Wing outboard, right	1	
-4	66602-02	A,F	TRAILING EDGE ASSEMBLY - Wing aft section, left	1	
	66602-00	C,F	TRAILING EDGE ASSEMBLY - Wing aft section, left	1	
	67045-00	B,G	TRAILING EDGE ASSEMBLY - Wing aft section, left	1	
	66602-03	A,F	TRAILING EDGE ASSEMBLY - Wing aft section, right	1	
	66602-01	C,F	TRAILING EDGE ASSEMBLY - Wing aft section, right	1	
	67045-01	B,G	TRAILING EDGE ASSEMBLY -Wing aft section, right	1	
-4a	76295-00	D,H L	EXTENSION ASSEMBLY - Wing, left	1	
	76295-01	D,H L	EXTENSION ASSEMBLY - Wing, right	1	
-5	18457-00	W	RING - Tie down	1	
-6	35725-02		PAD - Jack	1	
-7	67071-00	B	BRACKET - Main gear cylinder left	1	
	67071-01	B	BRACKET - Main gear cylinder r right	1	
-8	410 043	W	SCREW - (MS24694-S56)	2	
-9	63595-00	A,B	BUTTON ASSEMBLY - Plug gear service with retaining ring)	2	
			A- Used on PA-28-140, PA-28-150, PA-28-160 and PA-28-180 airplanes only.		
			B- Used on PA-28R 180 and PA-2BR-200 airplanes only.		
			C- Used on PA-28-235 airplanes only.		
			D- See Figure 3 for component parts.		
			E- Includes electrical wires and hydraulic lines. Left wing also includes pitot heed.		
			F- See Figure 4 for component parts.		
			G- See Figure 5 for component parts.		
			H- Used on PA-28-180 with serial number 28-7305001 and up.		
			J- Used on PA-28-180 with serial numbers 28-671 to 28-7205328 inclusive and PA-28-140 PA-28-150 and PA-28-160 airplanes only.		
			K- Used on PA-28R-180 with serial numbers 28R-30005 to 28R-7130019 inclusive and PA-28R-200 with serial numbers 28R-30482, 28R-35001 to 28R-7135238 inclusive.		
			L- Used on PA-28R-200 with serial numbers 28R-7235001 and up.		
			W- These parts must be ordered from Service Spares Department Piper Aircraft, Lock Haven Penna.		

When ordering, always specify Part Number, Description, and Serial Number of Aircraft

PA-28-140
PA-28-150
PA-28-160
PA-28-180
PA-28-235
PA-28R-180
PA-28R-200

PIPER PARTS CATALOG

Figure and Index Number	Part Number	Code	NOMENCLATURE	No. Req.	SERIAL NUMBERS AFFECTED
2-10	95643-06		BRACKET ASSEMBLY - Main gear truss left	1	
	95643-07	B	BRACKET ASSEMBLY - Main gear truss, right	1	
-11	460 691	W	FITTING - Lubricator straight (AN944-101)	1	
	460 801	W	FITTING - Lubricator 90 degrees (MS15001-4)	1	
-12	62320-00	D,K	FLAP ASSEMBLY - Left	1	
	65591-00	D,L	FLAP ASSEMBLY - Left	1	
	62320-02	D,K	FLAP ASSEMBLY - Right	1	
	65590-01	D,L	FLAP ASSEMBLY - Right	1	
-13	62360-00	E,J	AILERON ASSEMBLY - Left	1	28-1 to 28-1450 inclusive
	62360-01	E, J	AILERON ASSEMBLY - Right	1	28-1 to 28-1450 inclusive
	65355-00	E, H	AILERON ASSEMBLY - Left	1	
	65355-01	E, H	AILERON ASSEMBLY Right	1	
	68129-00	C,E	AI LERON ASSEMBLY - Left	1	28-10720 to 28-11211 inclusive
	68129-01	C,E	AILERON ASSEMBLY - Right	1	28-10720 to 28-11211 inclusive
	66767-00	C,E	AILERON ASSEMBLY - Left	1	28-11212 and up
	66767-01	C,E	AILERON ASSEMBLY- Right	1	28-11212 and up
	68129-02	A,E	AILERON ASSEMBLY - Left	1	
	68129-03	A,E	AILERON ASSEMBLY - Right	1	
	66767-02	E,G	AILERON ASSEMBLY - Left	1	
	66767-03	E,G	AILERON ASSEMBLY- Right	1	
-14	65815-04	C,F	TANK ASSEMBLY - Fuel, wing tip, left	1	
	65815-05	C,F	TAN K ASSEMBLY - Fuel, wing tip , right	1	
			A- Used on PA-28-140 with serial numbers 28-21596 to 28-25382 inclusive PA-28-150, PA-28-160 and PA-28-180 with serial numbers 28-3178 to 28-5287 inclusive and PA-28R-180 with serial numbers 28R-30005 to 28R-30481 inclusive, and 28R-30483 to 28R-31086 inclusive.		
			B- Used on PA-28R-180 and PA-28R-200 airplanes only.		
			C- Used on PA-28-235 airplanes only.		
			D- See Figure 7 for component parts.		
			E- See Figure 6 for component parts.		
			F- See Figure 55 for component parts.		
			G- Used on PA-28-140 with serial numbers 28-25383 and up, PA-28-180 with serial numbers 28-5288 and up, PA-28R-180 with serial numbers 28R-31087 and up, and PA-28R-200 with serial numbers 28R-30482, 28R-35001 and up.		
			H- Used on PA-28-140 with serial numbers 28-20002 to 28-21595 inclusive- PA-28-150 PA-28-160 and PA-28-180 with serial numbers 28-1451 to 28-3177 inclusive and PA-28-235 with serial numbers 28-10003 to 28-10719 inclusive.		
			J- Used on PA-28-150, PA-28-180 and PA-28-180 only.		
			K- Used on PA-28-235 with serial numbers 28-1 0003 to 28-10719 inc1usive, PA-28-140 with serial numbers 28-20002 to 28-21595 inclusive , PA-28-150, PA-28-180 and PA-28-180 with serial numbers 28-1 to 28-3177 inclusive.		
			L- Used on PA-28-235 with serial numbers 28-10720 and up, PA-28-140 with serial numbers 28-21596 and up, PA-28-150, PA 28-160 and PA-28-180 with serial numbers 28-3178 and up, PA-28R- 180 and PA-28R-200 airplanes.		
			W- These parts must be ordered from Service Spares Department, Piper Aircraft, Lock Haven, Penna.		

When ordering, always specify Part Number, Description, and Serial Number of Aircraft

PA-28-140
PA-28-150
PA-28-160
PA-28-180
PA-28-235
PA-28R-180
PA-28R-200

PIPER PARTS CATALOG

Figure and Index Number	Part Number	Code	NOMENCLATURE	No. Req.	SERIAL NUMBERS AFFECTED
2-15	63998-16	D	TANK ASSEMBLY - Fuel, wing, left	1	
	63998-17	D	TANK ASSEMBLY - Fuel, wing, right	1	
-16	62090-00	E	TIP ASSEMBLY - Wing, left	1	
	78022-00	B	TIP ASSEMBLY - Wing, left	1	
	62090-01	E	TIP ASSEMBLY - Wing, right	1	
	78022-01	B	TIP ASSEMBLY - Wing, right	1	
-17	62090-20	E	STIFFENER - Wing tip, upper, left	1	
	78022-14	B	STIFFENER - Wing tip, upper, left	1	
	62090-21	E	STIFFENER - Wing tip, upper, right	1	
	78022-15	B	STIFFENER - Wing tip, upper, right	1	
-18	62090-22	E	STIFFENER - Wing tip, lower, left	1	
	78022-20	B	STIFFENER - Wing tip, lower, left	1	
	62090-23	E	STIFFENER - Wing tip, lower, right	1	
	78022-23	B	STIFFENER - Wing tip, lower, right	1	
-19	763 848	C	KIT - Pressure Sensitive Wingwalk Installation	1	
-20	79174-04		• WING WALK - Safety, flap	1	
-21	79174-00		• WING WALK - Safety, wing, front and rear	1	
-22	69736-02		• RETAINER - Wing walk	1	
-23	179 872		SAFETY WALK COMPOUND - Black (One quart can)	1	
-24	67164-00	A	COVER - Cylinder access, left	1	
	67164-01	A	COVER - Cylinder access, right	1	
-25	406 940		CHANNEL - Gang (PS10062-2-3) length 24.50	8	
	406 941		CHANNEL - Gang (PS10062-2-6) length 7.00	8	
	406 942		CHANNEL - Gang (PS10062-2-7) length 17.00	8	
-26	406 927		CHANNEL - Gang (PS10062-2-2) length 27.64	4	
-27	67101-00	A	COVER - Inspection	2	
-28	62109-00		COVER - Inspection	6	
-29	453 802		BUTTON - Plug (30-8PB)	2	
-30	402 351	W	BOLT - (AN176-12A)	6	
	96352-03		WASHER	6	
	407 567	W	WASHER - (AN960-616)	12	
	404 890	W	NUT - (MS20365-624C)	6	
-31	62121-00		SHIM - Wing attachment	2	

- A- Used on PA-28R-180 and PA-28R-200 only
- B- Used on PA-28-180 with serial numbers 28-7305001 and up, and PA-28R-200 with serial numbers 28R-7335001 and up.
- C- Complete Kit required it replacing safety walk compound painted on wing.
- D- See Figure 51, 52, 53, 54 or 55 for component parts
- E- Used on PA-28-180 with serial numbers 28-671 to 28-7205328 inclusive, PA-28R-200 with serial numbers 28R-30482, 28R-35001 to 28R-7235330 inclusive, PA-28-140, PA-28-150, PA-28-160 and PA-28R-180 airplanes only
- W- These parts must be ordered from Service Spares Department, Piper Aircraft, Lock Haven

When ordering, always specify Part Number, Description, and Serial Number of Aircraft

PA-28-140
PA-28-150
PA-28-160
PA-28-180
PA-28-235
PA-28R-180
PA-28R-200

PIPER PARTS CATALOG

Figure and Index Number	Part Number	Code	NOMENCLATURE	No. Req.	SERIAL NUMBERS AFFECTED
2-32	401 187	W	BOLT - (AN5-7A)	2	
	407 566	W	WASHER - (AN960-516)	2	
	404 889	W	NUT - (MS20365-524C)	2	
-33	402 349		BOLT - (AN176-14A)	2	
	96352-03		WASHER	2	
	407 567	W	WASHER - (AN960-616)	4	
	404 890	W	NUT - (MS20365-624C)	2	
-34	402 352	W	BOLT - (AN176-13A)	28	
	96352-03		WASHER	28	
	407 567	W	WASHER - (AN960- 616)	56	
	404 890	W	NUT - (MS20365-624C)	28	
-35	400 004	A,W	BOLT - (AN4-7A)	3	
	407 567	A,W	WASHER - (AN960-416)	3	
-36	410 076	W	SCREW - (MS24694-S103)	2	
	407 585	W	WASHER - (AN960-416L)	2	
	404 888	W	NUT - (M520365-428C)	2	
-37	414 467		SCREW - (MS24693-C51)	52	
	494 1 01	W	WASHER - (A3135-017-24A)	52	
	477 672		NUT - (MU832-.38-.025/.050-L-F10)	52	
-38	415 320		SCREW - (MS27039-1-10)	16	
	407 564	W	WASHER - (AN960-10)	16	
	404 887	W	NUT - (MS20365-1032C)	16	
-39	419 920	W	SCREW - (8 x 1/2 L) Type "B"	32	
	406 382		NUT - (A1789-8-3)	32	
-40	415 312		SCREW - (MS27039-0812)	60	
-41	415 309		SCREW- (MS27039-0809)	80	
-42	401 270	W	BOLT - (AN3- 11A)	4	
	407 564	W	WASHER - (AN960-10)	4	
	404 887	W	NUT - (MS20365-1032C)	4	
-43	400 444	W	BOLT - (AN3-13A)	2	
	407 564	W	WASHER - (AN960-10)	2	
	404 887	W	NUT - (MS20365-1032C)	2	
-44	400 009	W	BOLT - (AN4-14A)	2	
	407 585	W	WASHER - (AN960-41 6L) (under head)	2	
	407 565	W	WASHER - (AN960-41 6) (under nut)	2	
	404 888	W	NUT - (MS20365-428C)	2	
-45	35664-02		PLACARD - Flap warning	1	
-46	63942-00		COVER - Wing bolt, left	1	
	63942-01		COVER - Wing bolt, right	1	
-47	63900- 19		BUSHING - Flap hinge, center and outboard	8	
-48	63900-20		BUSHING - Flap hinge, inboard	4	
-49	67723-00		PLATE ASSEMBLY - Aft wing access, left	1	
	67723-01		PLATE ASSEMBLY - Aft wing access, right	1	
-50	65773-00		MOULDING - Wing root	2	

A- Used on PA-28R-180 and PA-28R-200 only.
W- These parts must be ordered from Service Spares Department, Piper Aircraft, Lock Haven, Penna.

When ordering, always specify Part Number, Description, and Serial Number of Aircraft

PA-28-140
PA-28-150
PA-28-160
PA-28-180
PA-28-235
PA-28R-180
PA-28R-200

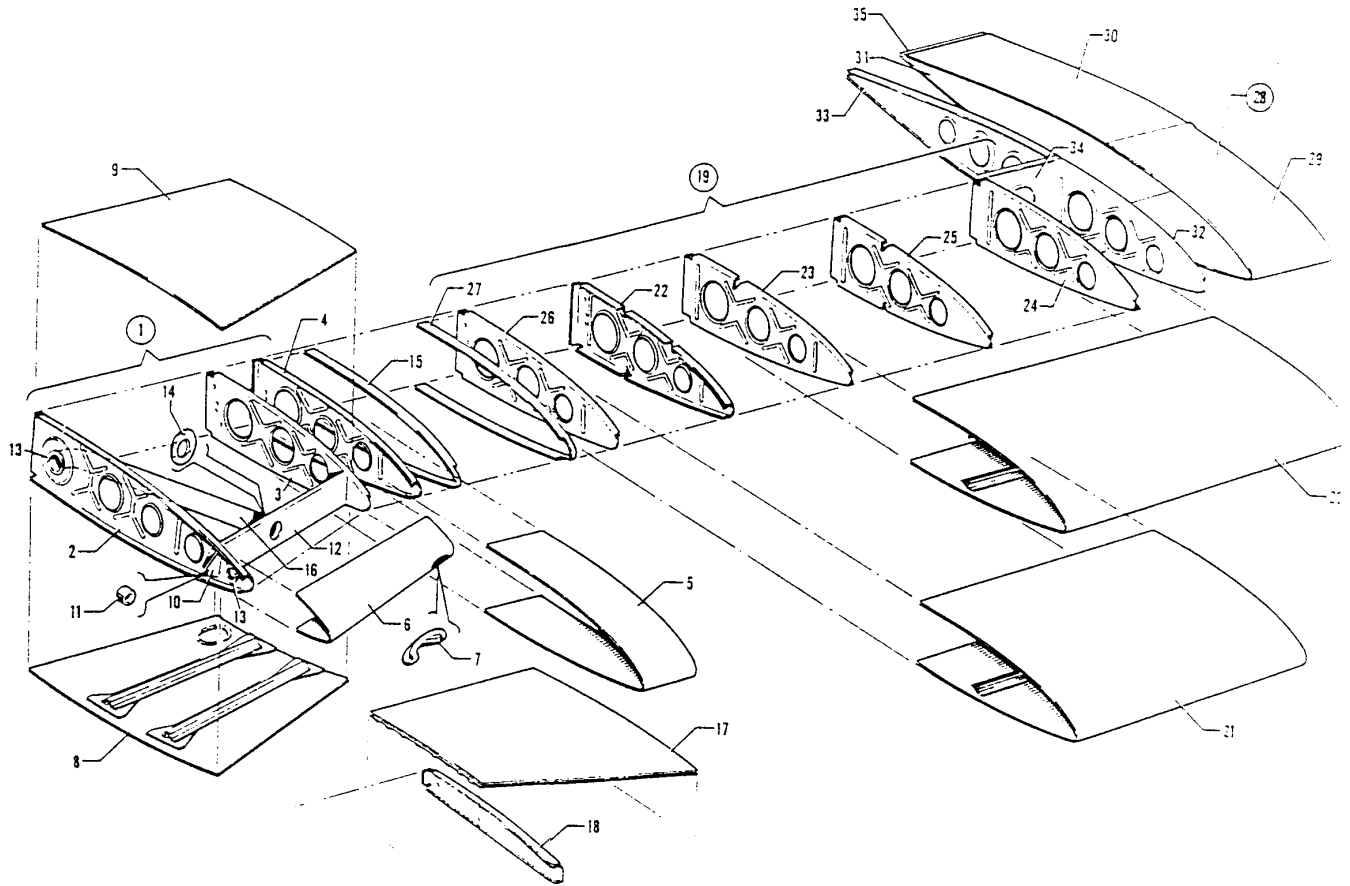


Figure 3. Wing Leading Edge Assembly

PIPER PARTS CATALOG

Figure and Index Number	Part Number	Code	NOMENCLATURE	No. Req.	SERIAL NUMBERS AFFECTED
3-1	66595-00		LEADING EDGE ASSEMBLY - Wing inboard, left	1	
	66595-01		LEADING EDGE ASSEMBLY-Wing inboard, right	1	
-2	95639-02		RIB -Wing nose, root, left	1	
	95639-03		RIB - Wing nose, root, right	1	
-3	62021-00		RIB - Wing nose, Sta. 49.25, left	1	
	62021-01		RIB-Wing nose, Sta.49.25, right	1	
-4	6202242		RIB-Wing nose, Sta. 57.00, left	1	
	62022-03		R I B - Wing nose, Sta. 57.00, right	1	
-5	62084-00		SKIN - Inboard wing	1	
-6	68113-200		SKIN ASSEMBLY - Leading edge left	1	
	68113-201		SKIN ASSEMBLY - Leading edge,, right	1	
-7	68111- 00		DOUBLER - Air inlet	1	
-8	62086-00		S K I N ASSEMB LY - Bottom,, inboard root left	1	
	62086-01		SKIN ASSEMBLY - Bottom, inboard root right	1	
-9	62087-00		SKIN ASSEMBLY-Top inboard root, left	1	
-10	66761-02		FITTING - Forward spar, left	1	
	66761-03		FITTING - Forward spar, right	1	
-11	63900-30	E	BUSHING - Front spar attachment	1	
-12	66623-00		SPAR - Leading edge inboard, left	1	
	66623-01		SPAR - Leading edge inboard, right	1	
-13	68119-00		GASKET- Air duct	2	
-14	66621-00		DOUBLER - Forward spar	1	
-15	62091-00		STRAP - Fuel tank attachment	1	
-16	66620-00		TUBE ASSEMBLY - Air duct	1	
-17	62061-02		WING WALK - Forward, right	1	
-18	62066-00		RIB - Wing walk, right	1	
-19	66770-04	A	LEADING EDGE ASSEMBLY - Wing outboard, left	1	
	66770-00	B	LEADING EDGE ASSEMBLY - Wing outboard, left	1	
	66770-02	C	LEADING EDGE ASSEMBLY - Wing outboard, left	1	
	66770-01		LEADING EDGE ASSEMBLY -Wing outboard, right	1	
-20	62082-00	D	SKIN ASSEMBLY - Outboard, length 48.00, left	1	
	66771-00	D	SKIN ASSEMBLY - Outboard, length 47.30, left	1	
	62082-01	D	SKIN ASSEMBLY - Outboard, length 48.00, right	1	
	66771-01	D	SKIN ASSEMBLY - Outboard, length 47.30, right	1	
-21	62083-00	A D	SKIN ASSEMBLY - Middle section length 35.98, left	1	
	66772-04	A D	SKIN ASSEMBLY - Middle section length 36.58, left	1	
	62083-06	B,D	SKIN ASSEMBLY - Middle section length 35.98, left	1	
	66772-00	B,D	SKIN ASSEMBLY - Middle section length 36.58, left	1	
	62083-08	C,D	SKIN ASSEMBLY - Middle section length 35.98, left	1	
	66772-02	C,D	SKIN ASSEMBLY - Middle section, length 36.58, left	1	
	62083-01	D	SKIN ASSEMBLY - Middle section length 35.98, right	1	
	66772-01	D	SKIN ASSEMBLY - Middle section, length 36.58, right	1	
-22	62023 00		RIB -Wing nose, left	1	
	62023-01		RIB -Wing nose, right	1	

- A- Used on PA 28-140 PA-28-150, PA-28-160 and PA-28 180 airplanes only,
- B- Us d on PA-28-235 airplanes only.
- C- Used on PA-28R-180 and PA-28R-200 airplanes only.
- D- Ascertain skin length and order accordingly.
- E- Used if the Forward Soar Fitting Assembly incorporates an aluminum attaching plate.

When ordering, always specify Part Number, Description, and Serial Number of Aircraft

PA-28-140
PA-28-150
PA-28-160
PA-28-180
PA-28-235
PA-28R-180
PA-28R-200

PIPER PARTS CATALOG

Figure and Index Number	Part Number	Code	NOMENCLATURE	No. Req.	SERIAL NUMBERS AFFECTED
3-23	62024-01		RIB - Wing nose, left	1	
	62024-00		RIB - Wing nose, right	1	
-24	62024-00		RIB - Wing nose, left	1	
	62024-01		RIB - Wing nose, right	1	
-25	62024-02		RIB - Wing nose, left	1	
	62024-03		RIB - Wing nose, right	1	
-26	62049-00		RIB - Wing nose, left	1	
	62049-01		RIB - Wing nose, right	1	
-27	62091-00		STRAP - Fuel tank attachment	1	
-28	76295-00	A	EXTENSION ASSEMBLY - Wing, left	1	
	76295-01	A	EXTENSION ASSEMBLY - Wing, right	1	
-29	96610-06	A	SKIN - Forward, left	1	
	96610-07	A	SKIN - Forward, right	1	
-30	76295-02	A	SKIN - Aft top, left	1	
	76295-03	A	SKIN - Aft top, right	1	
-31	76295-04	A	SKIN - Aft bottom, left	1	
	76295-05	A	SKIN - Aft bottom, right	1	
-32	62024-00	A	RIB - Nose, Sta. 185.21, left	1	
	62024-01	A	RIB - Nose Sta. 185.21, right	1	
-33	62115-02	A	RIB - Aft Sta. 185.21, left	1	
	62115-03	A	RIB - Aft Sta. 185.21, right	1	
-34	96437-00	A	STIFFENER -Wing extension	1	
-35	78043-06	A	STRIP - Beaded	1	
			A- Used on PA-28-180 with serial numbers 28-7305001 and up and PA-28R-200 with serial number 28-7305001 and up.		

When ordering, always specify Part Number, Description, and Serial Number of Aircraft

PA-28-140
PA-28-150
PA-28-160
PA-28-180
PA-28-235
PA-28R-180
PA-28R-200

1A24
INTENTIONALLY LEFT BLANK

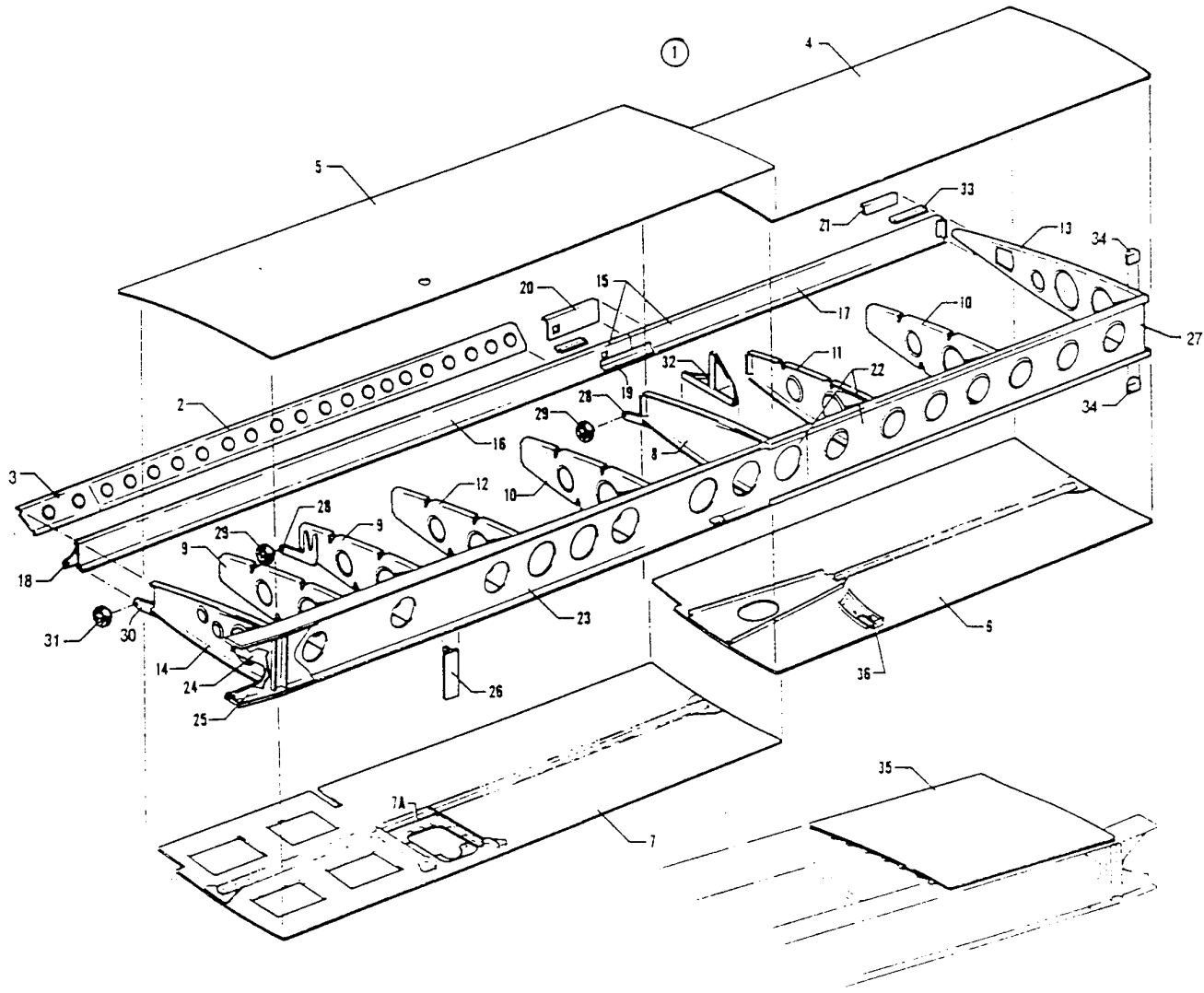


Figure 4. Wing Trailing Edge Assembly

PIPER PARTS CATALOG

Figure and Index Number	Part Number	Code	NOMENCLATURE	No. Req.	SERIAL NUMBERS AFFECTED
4-1	66602-00	A	TRAILING EDGE ASSEMBLY - Wing, left	1	
	66602-02	B	TRAILING EDGE ASSEMBLY - Wing, left	1	
	66602-01	A	TRAILING EDGE ASSEMBLY - Wing, right	1	
	66602-03	B	TRAILING EDGE ASSEMBLY - Wing, right	1	
-2	62129-04		* STIFFENER - Outboard, left	1	
	62129-03		* STIFFENER - Outboard, right	1	
-3	62129-08		* STIFFENER - Inboard, left	1	
	62129-07		* STIFFENER - Inboard, right	1	
-4	67060-00		* SKIN ASSEMBLY - Top, outboard, left	1	
	67060-01		* SKIN ASSEMBLY - Top, outboard, right	1	
-5	99038-00		* SKIN ASSEMBLY - Top, inboard, left	1	
	99039-00		* SKIN ASSEMBLY - Top, inboard, right	1	
-6	67061-00		* SKIN ASSEMBLY - Bottom, outboard, left	1	
	67061-01		* SKIN ASSEMBLY - Bottom, outboard, right	1	
-7	99040-00	A	* SKIN ASSEMBLY - Bottom, inboard, left	1	
	99040-02	B	* SKIN ASSEMBLY - Bottom, inboard, left	1	
	99040-01	A	* SKIN ASSEMBLY - Bottom, inboard, right	1	
	99040-03	B	* SKIN ASSEMBLY - Bottom, inboard, right	1	
-7a	65690-00		** DOUBLER - Fairing plate, left	1	
	65690-01		** DOUBLER - Fairing plate, right	1	
-8	62047-06		* RIB ASSEMBLY - Sta. 106.19, left	1	
	62047-07		* RIB ASSEMBLY - Sta. 106.19, right	1	
-9	66597-00		* RIB - Sta. 36.22 and Sta. 49.25, left	2	
	66597-01		* RIB - Sta. 36.22 and Sta. 49.25, right	2	
-10	66598-00		* RIB - Sta. 86.03 and Sta. 147.00, left	2	
	66598-01		* RIB - Sta. 86.03 and Sta. 147.00, right	2	
-11	66598-01		* RIB - Sta. 125.45, left	1	
	66598-00		* RIB - Sta. 125.45, right	1	
-12	66599-00		* RIB - Sta. 64.59, left	1	
	66599-01		* RIB - Sta. 64.59, right	1	
-13	65020-06		* RIB - Wing aft, tip, left	1	
	65020-07		* RIB - Wing aft, tip, right	1	
-14	95636-00		* RIB - Wing aft, butt, left	1	
	95636-01		* RIB - Wing aft, butt, right	1	
-15	62053-00		* SPAR ASSEMBLY - Wing, aft, left	1	
	62053-01		* SPAR ASSEMBLY - Wing, aft, right	1	
-16	62054-00		** SPAR - Aft, inboard, left	1	
	62054-01		** SPAR - Aft, inboard, right	1	
-17	62055-00		** SPAR - Aft, outboard	1	
-18	66762-00		* * PLATE - Aft spar	1	
-19	62057-00		** DOUBLER - Aft spar, forward	1	
-20	62058-00		** DOUBLER - Aft spar. rear, left	1	
	62058-01		** DOUBLER - Aft spar. rear right	1	
-21	62105-00		** DOUBLER - Aft spar, outboard	1	
-22	62070-08	A	* SPAR ASSEMBLY - Wing, main. left	1	
	62070-00	B	* SPAR ASSEMBLY - Wing, main, left	1	
	62070 09	A	* SPAR ASSEMBLY - Wing, main. right	1	
	62070-01	B	* SPAR ASSEMBLY - Wing, main, right	1	

A- Used on PA-28-235 airplanes only.
 B- Used on PA-28-140, PA-28-150, PA-28-160 and PA-28-180 airplanes only.

When ordering, always specify Part Number, Description, and Serial Number of Aircraft

PA-28-140
 PA-28-150
 PA-28-160
 PA-28-180
 PA-28-235

PIPER PARTS CATALOG

Figure and Index Number	Part Number	Code	NOMENCLATURE	No. Req.	SERIAL NUMBERS AFFECTED
4-23	62070-06		SPAR ASSEMBLY - Main, inboard, left	1	
	62070-07		SPAR ASSEMBLY - Main, inboard, right	1	
-24	62072-00		DOUBLER ASSEMBLY - Aft, left	1	
	62072-01		DOUBLER ASSEMBLY - Aft, right	1	
-25	62071-00	B	DOUBLER ASSEMBLY - Forward, left	1	
	62071-04	A	DOUBLER ASSEMBLY - Forward, left	1	
	62071-01	B	DOUBLER ASSEMBLY - Forward, right	1	
	62071-05	A	DOUBLER ASSEMBLY - Forward, right	1	
-26	62079-00		TEE - Landing gear attachment	1	
-27	62074-00	B	SPAR - Main, outboard, left	1	
	66582-00	A	SPAR - Main, outboard, left	1	
	62074-01	B	SPAR - Main, outboard, right	1	
	66582-01	A	SPAR - Main, outboard, right	1	
-28	65898-04		SUPPORT ASSEMBLY - Flap outboard and center	2	
-29	452 387		BEARING - (#KP3A)	1	
-30	65898-00		SUPPORT ASSEMBLY - Flap inboard, left	1	
	65898-01		SUPPORT ASSEMBLY - Flap inboard, right	1	
-31	452 387		BEARING - (#KP3A)	1	
-32	62102-00		SUPPORT ASSEMBLY - Aileron bellcrank, left	1	
	62102-01		SUPPORT ASSEMBLY - Aileron bellcrank, right	1	
-33	62371-08		HINGE ASSEMBLY - Aileron	2	
-34	65056-00	A	FITTING ASSEMBLY - Sta., 174.05	2	
-35	62061-04		WING WALK - Aft, right	1	
-36	63465-00		DOUBLER ASSEMBLY - Pitot head. left	1	

A- Used on PA-28-235 airplanes only.
 B- Used on PA-28-140, PA-28-150, PA-28-160 and PA-28-180 airplanes only.

When ordering, always specify Part Number, Description, and Serial Number of Aircraft

PA-28-140
 PA-28-150
 PA-28-160
 PA-28-180
 PA-28-235

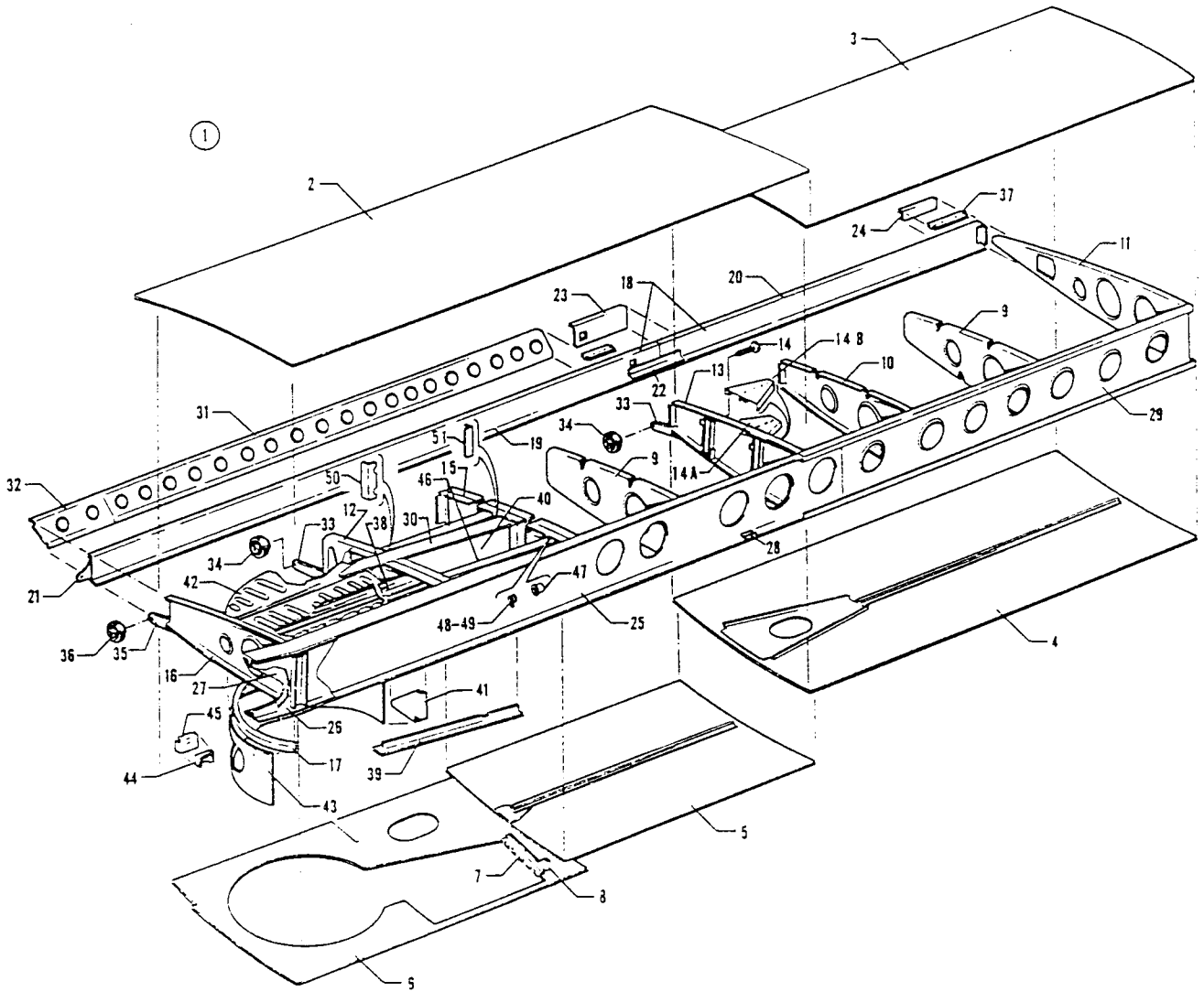


Figure 5. Wing Trailing Edge Assembly

PIPER PARTS CATALOG

Figure and Index Number	Part Number	Code	NOMENCLATURE	No. Req.	SERIAL NUMBERS AFFECTED
5-1	67045-00		TRAILING EDGE ASSEMBLY- Wing, left	1	
	67045-01		TRAILING EDGE ASSEMBLY - Wing, right	1	
-2	67672-00		SKIN ASSEMBLY - Top, inboard, left	1	
	67672-01		SKIN ASSEMBLY - Top, inboard, right	1	
-3	67060-00		SKIN ASSEMBLY - Top, outboard, left	1	
	67060-01		SKIN ASSEMBLY - Top, outboard, right	1	
-4	67061-00		SKIN ASSEMBLY - Bottom, outboard, left	1	
	67061-01		SKIN ASSEMBLY - Bottom, outboard, right	1	
-5	67062-00		SKIN ASSEMBLY - Bottom, cent r, left	1	
	67062-01		SKIN ASSEMBLY - Bottom, center, right	1	
-6	67690-04		SKIN ASSEMBLY - Bottom, inboard, left	1	
	67690-05		SKIN ASSEMBLY - Bottom, inboard, right	1	
-7	67095-00		HINGE - Main gear door, left	1	
	67095-01		HINGE - Main gear door, right	1	
-8	67096-00		BRACKET - Main gear up switch, left	1	
	67096-01		BRACKET - Main gear up switch, right	1	
-9	66598-00		RIB - Sta. 86.03 and Sta., 147.00, left	2	
	66598-01		RIB - Sta., 86.03 and Sta. 147.00, right	2	
-10	66598-01		RIB - Sta. 125.45, left	1	
	66598-00		RIB - Sta. 125.45, right	1	
-11	65020-06		RIB - Sta. 172.05, left	1	
	65020-07		RIB - Sta. 172.05, right	1	
-12	78475-04		RIB ASSEMBLY - Sta. 4925, left	1	
	78475-05		RIB ASSEMBLY - Sta. 49.25, right	1	
-13	67055-00		RIB ASSEMBLY - Sta. 106.19, left	1	
	67055-01		RIB ASSEMBLY - Sta. 106.19, right	1	
-14	66614-00		STOP ASSEMBLY - Aileron bellcrank	2	
-14a	67058-00		SUPPORT - Aileron bellcrank, upper, left	1	
	67058-01		SUPPORT - Aileron bellcrank, upper, right	1	
-14b	67550-01		SUPPORT ASSEMBLY - Aileron bellcrank, lower, left	1	
	67550-00		SUPPORT ASSEMBLY - Aileron bellcrank, lower, right	1	
-15	78500-08		RIB ASSEMBLY - Sta., 69.24, left	1	
	78500-09		RIB ASSEMBLY - Sta., 69.24, right	1	
-16	95636-00		RIB - Sta. 24.24, left	1	
	95636-01		RIB - Sta., 24.24, right	1	
-17	67687-00		ANGLE - Wheel well, left	1	
	67687-01		ANGLE - Wheel well, right	1	
-18	62053-00		SPAR ASSEMBLY - Wing, aft, left	1	
	62053-01		SPAR ASSEMBLY - Wing, aft, right	1	
-19	62054-00		SPAR - Aft, inboard, left	1	
	62054-01		SPAR - Aft, inboard, right	1	
-20	62055-00		SPAR - Aft, outboard	1	
-21	66762-00		PLATE - Aft spar	1	
-22	62057-00		DOUBLER - Aft spar, forward	1	
-23	62058-00		DOUBLER - Aft spar, rear, left	1	
	62058-01		DOUBLER - Aft spar, rear, right	1	
-24	62105-00		DOUBLER - Aft spar, outboard	1	
-25	67070-02		SPAR ASSEMBLY - Wing, main, inboard, left	1	
	67070-03		SPAR ASSEMBLY - Wing, main, inboard, right	1	
-26	62071-00		DOUBLER ASSEMBLY- Forward, left	1	
	62071-01		DOUBLER ASSEMBLY - Forward, right	1	
-27	62072-00		DOUBLER ASSEMBLY - Aft, left	1	
	62072-01		DOUBLER ASSEMBLY - Aft, right	1	
-28	66529-00		CHANNEL - Gang	1	

When ordering, always specify Part Number, Description, and Serial Number of Aircraft

PIPER PARTS CATALOG

Figure and Index Number	Part Number	Code	NOMENCLATURE	No. Req.	SERIAL NUMBERS AFFECTED
5-29	62074-00		SPAR - Main, outboard, left	1	
	62074-01		SPAR - Main, outboard, right	1	
-30	67097-00		CAP - False spar, top, left	1	
	67097-01		CAP - False spar, top, right	1	
-31	62129-01		STIFFENER - Left outboard	1	
	62129-03		STIFFENER - Right outboard	1	
-32	62129-08		STIFFENER - Left outboard	1	
	62129-07		STIFFENER - Right outboard	1	
-33	65898-04		SUPPORT ASSEMBLY - Flap outboard and center	2	
-34	452 387		BEARING - (#KP3A)	1	
-35	65898-00		SUPPORT ASSEMBLY - Flap inboard, left	1	
	65898-01		SUPPORT ASSEMBLY - Flap inboard, right	1	
-36	452 387		BEARING - (#KP3A)	1	
-37	62371-05		HINGE ASSEMBLY - Aileron	2	
-38	67670-00		COVER - Control cable, left	1	
	67670-01		COVER - Control cable, right	1	
-39	67689-00		CAP - False spar, bottom, left	1	
	67689-01		CAP - False spar, bottom, right	1	
-40	67079-00		WEB - False spar, left	1	
	67079-01		WEB - False spar, right	1	
-41	67691-00		BRACKET - Wheel well, left	1	
	67691-01		BRACKET - Wheel well, right	1	
-42	67673-00		PAN - Wheel well	2	
-43	67694-00		WEB - Wheel well	1	
-44	67677-00		BRACKET - Pulley, aft wing, left	1	
	67677-01		BRACKET - Pulley, aft wing, right	1	
-45	67678-00		BRACKET ASSEMBLY - Pulley, aft wing, left	1	
	67678-01		BRACKET ASSEMBLY - Pulley aft wing, right	1	
-46	63904-24		HOSE - Aileron cable protection	2	
-47	463 422		GROMMET - (SB- 1093- 15)	1	
-48	454 862	W	CLAMP - (PS10017-2-14)	2	
-49	519 851		SCREW - (M524622-30)	2	
	406 415		NUT - ((NAS395-16-3)	2	
-50	67065-00		ANGLE - False spar	1	
-51	67166-00		ANGLE - Aft rib	1	

W- These parts must be ordered from Service Spares Department, Piper Aircraft, Lock Haven, Penna.

When ordering, always specify Part Number, Description, and Serial Number of Aircraft

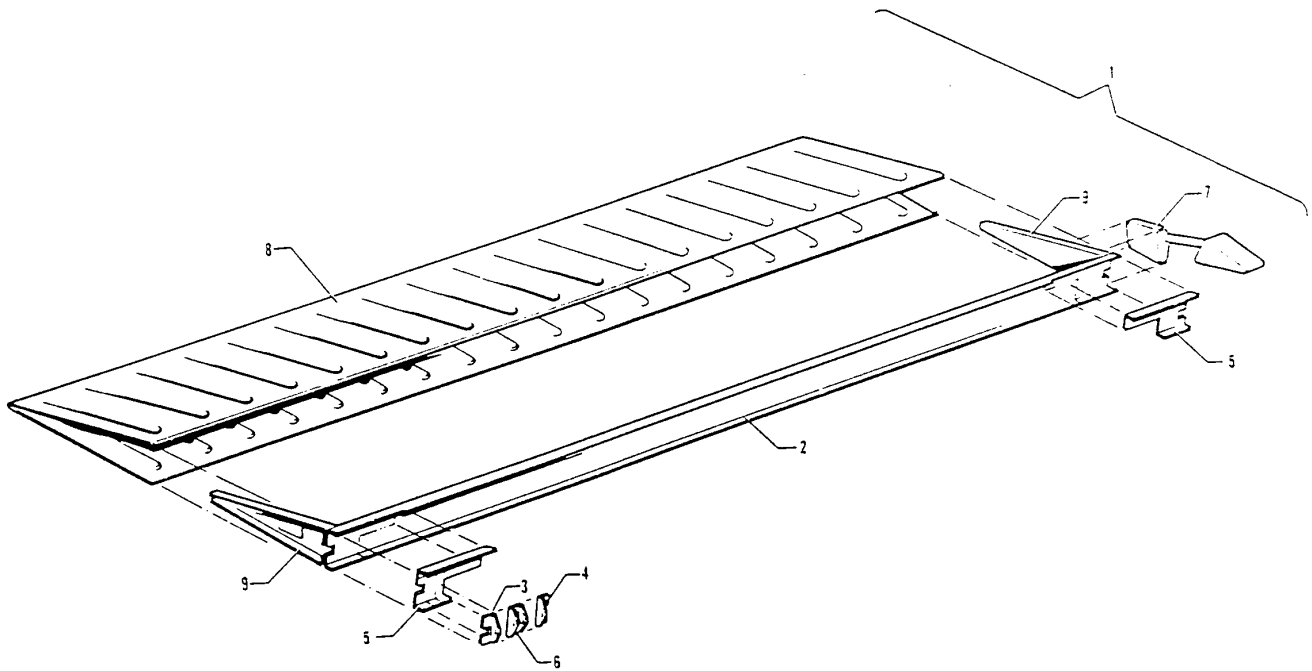


Figure 6. Aileron Assembly

PIPER PARTS CATALOG

Figure and Index Number	Part Number	Code	NOMENCLATURE	No. Req.	SERIAL NUMBERS AFFECTED
6-1	62360-00		AILERON ASSEMBLY - Left	1	28-1 to 28-1450 inclusive
	62360-01	A	AILERON ASSEMBLY - Right	1	28-1 to 28-1450 inclusive
	65355-00	C	AILERON ASSEMBLY - Left	1	
	65355-01	C	AILERON ASSEMBLY - Right	1	
	68129-00	B	AILERON ASSEMBLY - Left	1	28-10720 to 28-11211 inclusive
	68129-01	B	AILERON ASSEMBLY - Right	1	28-10720 to 28-11211 inclusive
	66767-00	B	AILERON ASSEMBLY - Left	1	28-11212 and up
	66767-01	B	AILERON ASSEMBLY - Right	1	28-11212 and up
	68129-02	D	AILERON ASSEMBLY - Left	1	
	68128-03	D	AILERON ASSEMBLY - Right	1	
	66767-02	E	AILERON ASSEMBLY - Left	1	
	66767-03	E	AILERON ASSEMBLY - Right	1	
	-2	62361-00		SPAR ASSEMBLY - Aileron, Left	1
62361-01			SPAR ASSEMBLY - Aileron, right	1	
-3	62372-01		ANGLE -Aileron push rod	1	
-4	62372-00		ANGLE - Aileron push rod	1	
-5	62373-00		DOUBLER - Aileron hinge, inboard left, outboard right	1	
	62373-01		DOUBLER - Aileron hinge, inboard right, outboard left	1	
-6	62367-00		CHANNEL - Aileron push rod	1	
-7	65388-34	A	BALANCE WEIGHT ASSEMBLY - Left	1	28-1 to 28-1450 inclusive
	65388-35	A	BALANCE WEIGHT ASSEMBLY - Right	1	28-1 to 28-1450 inclusive
	66766-00		BALANCE WEIGHT ASSEMBLY - Left	1	28-1451 and up
-8	66766-01		BALANCE WEIGHT ASSEMBLY - Right	1	28-1451 and up
	62365-00	A	SKIN - Aileron, left	1	28-1 to 28-1450 inclusive
	62365-01	A	SKIN - Aileron, right	1	28-1 to 28-1450 inclusive
-9	65299-00	C	SKIN - Aileron, left	1	
	65299-01	C	SKIN - Aileron, right	1	
	68106-00	B	SKIN - Aileron, left	1	28-10720 and up
	68106-01	B	SKIN - Aileron, right	1	28-10720 and up
	68106-02	F	SKIN - Aileron, left	1	
	68106-03	F	SKIN - Aileron, right	1	
-9	62366-00		RIB - Aileron, left inboard, right outboard	1	28-1 to 28-1450 inclusive
	62366-01		RIB - Aileron, right inboard, left outboard	1	28-1 to 28-1450 inclusive
	65265-00		RIB - Aileron, left inboard, right outboard	1	28-1451 and up
	65265-01		RIB - Aileron, right inboard, left outboard	1	28-1451 and up

- A- Used on PA-28-150, PA-28-160 and PA-28-180 only.
- B- Used on PA-28-235 airplanes only.
- C- Used on PA 28-140 with serial numbers 28-20002 to 28-21 595 inclusive, PA-28-150, PA-28-160 and PA-28-180 with serial number 28-1451 to 28-3177 inclusive, and PA-28-235 with serial numbers 28-10003 to 28-10119 inclusive.
- D- Used on PA-28-140 with serial numbers 28-21 596 to 28-25382 inclusive, PA-28-150, PA-28-160 and PA-28-180 with serial numbers 28-3178 to 28-5287 inclusive, and PA-28R-180 with serial numbers 28R-30005 to 28R-30481 inclusive, and 28R-30483 to 28R-31086 inclusive.
- E- Used on PA-28-140 with serial numbers 28-25383 and up, PA-28-180 with serial numbers 28-5288 and up, PA-28R-180 with serial numbers 28R-3087 and DU, and PA-28R-200 with serial numbers 28R-30482, 28R-36001 and up.
- F- Used on PA-28-140 with serial numbers 28-21 596 and up, PA-28-150, PA-28-160 and PA-28-180 with serial numbers 28-3178 and up, PA-28R-180 and PA-28R-200 airplanes.

When ordering, always specify Part Number, Description, and Serial Number of Aircraft

PA-28-140
PA-28-150
PA-28-160
PA-28-180
PA-28-235
PA-28R-180
PA-28R-200

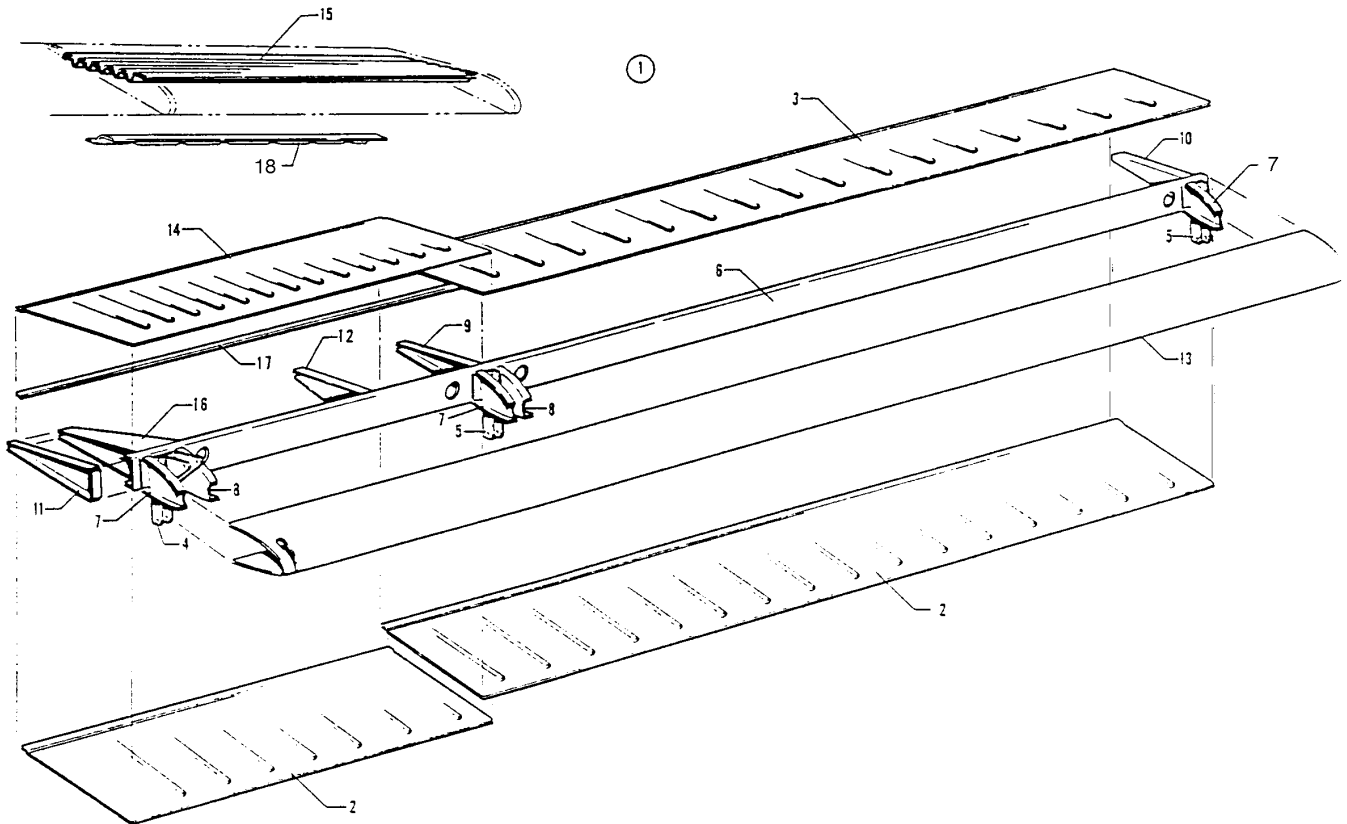


Figure 7. Flap Assembly

PIPER PARTS CATALOG

Figure and Index Number	Part Number	Code	NOMENCLATURE	No. Req.	SERIAL NUMBERS AFFECTED
7-1	62320-00	B	FLAP ASSEMBLY - left	1	
	65591-00	A	FLAP ASSEMBLY - left	1	
	62320-02	B	FLAP ASSEMBLY - Right	1	
	65590-01	A	FLAP ASSEMBLY - Right	1	
-2	62321-00	B	SKIN - Flap, bottom, left	1	
	62321-01	B	SKIN - Flap, bottom, right	1	
	65592-00	A	SKIN - Flap, bottom, left, inboard	1	
	65592-01	A	SKIN - Flap, bottom, right, inboard	1	
	65588-00	A	SKIN - Flap, bottom, left and right, outboard	1	
-3	62322-00	B	SKIN - Flap, top, left	1	
	62322-02	B	SKIN - Flap, top, right, outboard	1	
	65589-00	A	SKIN - Flap, top, left and right, outboard	1	
-4	62324-00		HINGE - Flap, inboard, left	1	
	62324-01		HINGE - Flap, inboard, right	1	
-5	62323-00	C	BRACKET - Flap hinge center and outboard	2	
	65899-00	D	BRACKET - Flap hinge center and outboard	2	
-6	62327-00		SPAR - Flap	1	
-7	62328-40		RIB - left flap	3	
	62329-01		RIB Right flap	3	
-8	62328-01		RIB - left flap	2	
	62328-00		RIB - Right flap	2	
-9	62329-00	B	RIB - Flap, left and right, wing, Sta. 49	1	
	62332-02	A	RIB - Flap, left, wing, Sta. 49	1	
	62332-00	A	RIB - Flap, right, wing, Sta.49	1	
-10	62330-00		RIB - Flap, left	1	
	62330-01		RIB - Flap, right	1	
-11	62331-00		RIB - Flap, left, inboard	1	
	62331-01		RIB - Flap, right, inboard	1	
-12	62332-00	B	RIB - Flap, right, wing, Sta. 41	1	
		A-	Used on PA-28-235 with serial numbers 28-10720 and up, PA-28-140 with serial numbers 28-21596 and up, PA-28-150, PA-28-160 and PA-28-180 with serial numbers 28-3178 and up, PA-28R-180 and PA-28R-200 airplanes.		
		B-	Used on PA-28-235 with serial numbers 28-10003 to 29-10719 inclusive, PA-28-140 with serial numbers 28-20002 to 28-21595 inclusive, PA-28-150 PA-28-160 and PA-28-180 with serial numbers 28-1 to 28-3177 inclusive		
		C-	Used on PA-28-140 with serial numbers 28-20002 to 28-23544 inclusive, PA-28-150, PA-28-160 and PA-28-180 with serial numbers 28-1 to 28-4254 inclusive, PA-28-235 with serial numbers 28-10003 to 23-10983 inclusive and PA-28R-180 with serial numbers 28R-30005 to 28R-30060 inclusive.		
		D-	Used on PA-28-140 with serial numbers 28-23545 and up. PA-28-150, PA-28-160 and PA-28-180 with serial numbers 28-4255 and up, PA-29-235 with serial numbers 28-10984 and up, PA-28R-180 with serial numbers 28R-30061 to 28R-30481 inclusive 28R-30483 and up. and PA-28R-200 with serial numbers 29R-30482, 28R-35001 and up.		

When ordering, always specify Part Number, Description, and Serial Number of Aircraft

PIPER PARTS CATALOG

Figure and Index Number	Part Number	Code	NOMENCLATURE	No. Req.	SERIAL NUMBERS AFFECTED
7-13	62333-00	B	SKIN - Flap, left, nose	1	
	62333-01	B	SKIN - Flap, right, nose	1	
	65586-04	A	SKIN - Flap, left, nose	1	
	65586-05	A	SKIN - Flap, right, nose	1	
	-14	62334-00	B	SKIN - Flap, top, right, inboard	1
65594-01		A	SKIN - Flap, top, right, inboard	1	
65587-00		A	SKIN - Flap, top, left, inboard	1	
-15	62335-00	B	CORRUGATION - Flap, top, right, inboard	1	
	65593-01	A	CORRUGATION - Flap, top, right, inboard	1	
-16	62336-00		DOUBLER ASSEMBLY - left	1	
	62336-01		DOUBLER ASSEMBLY - Right	1	
-17	62320-03		STRIP - Flap rear edge	1	
-18	62320-04	B	ZEE - Flap, inboard right	1	
	65595-01	A	ZEE - Flap, inboard right	1	
			<p>A- Used on PA-28-235 with serial numbers 28-10720 and up, PA-28-140 with serial numbers 28-21596 and up, PA-28-150, PA-28-160 and PA-28-180 with serial numbers 28-3178 and up, PA-28R-180 and PA-28R-200 airplanes.</p> <p>B- Used on PA-28-235 with serial numbers 28-10003 to 28-10719 inclusive, PA-28-140 with serial numbers 28-20002 to 28-21595 inclusive, PA-28-150, PA-28-160 and PA-28-180 with serial numbers 28-1 to 28-3177 inclusive.</p>		

When ordering, always specify Part Number, Description, and Serial Number of Aircraft

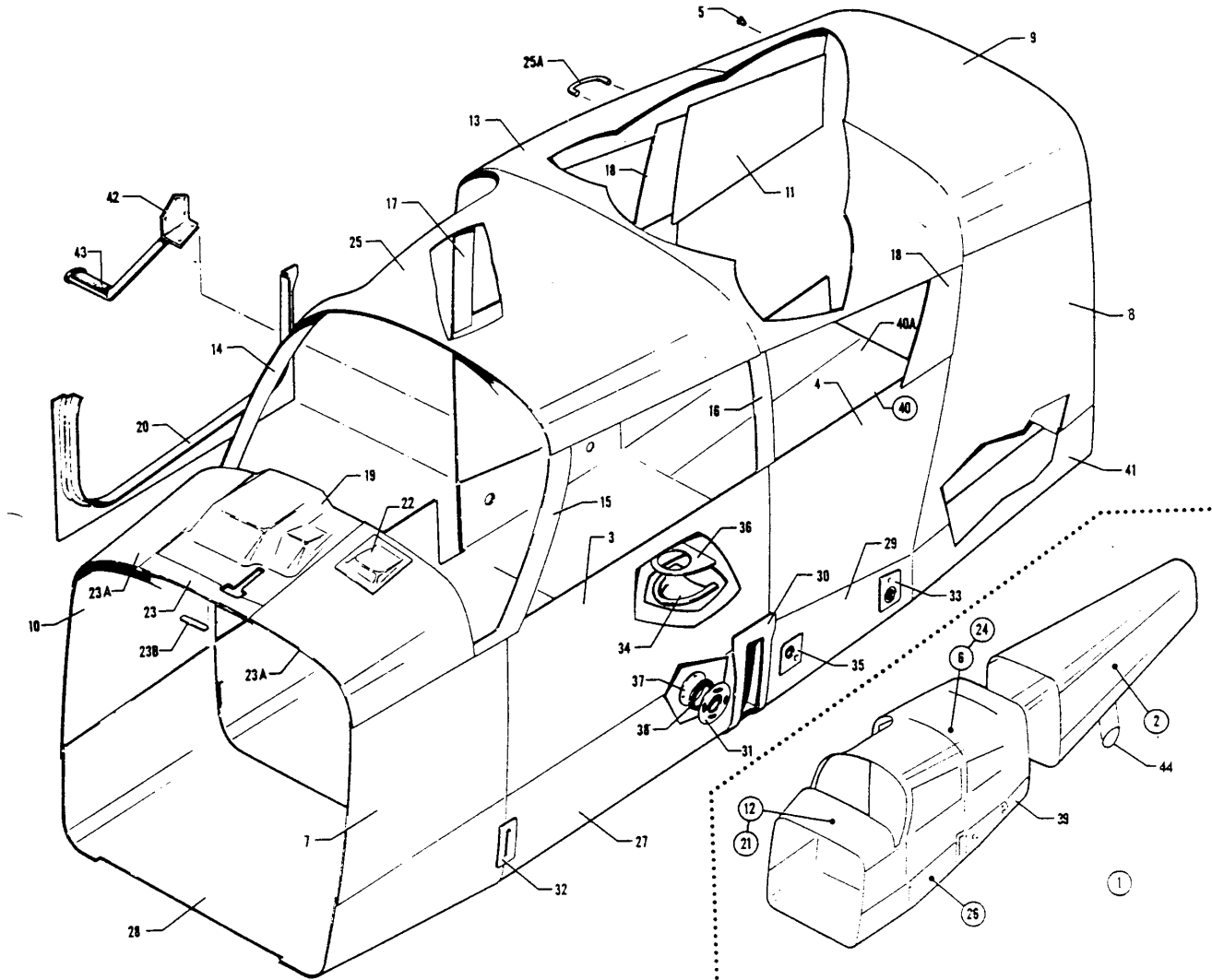


Figure 8. Complete Fuselage
 (PA-28-150-160-180 - Serial Nos. 28-1 to 28-4377 inclusive
 (PA-28-235 - Serial Nos. 28-10003 to 28-11039 inclusive
 (PA-28-140 - Serial Nos. 28-20002 and up)

PIPER PARTS CATALOG

Figure and Index Number	Part Number	Code	NOMENCLATURE	No. Req.	SERIAL NUMBERS AFFECTED
8-	62400 62299 65073 66445 62284 66665 99981	E B B C C C	DRAWING - Fuselage Assembly (Complete) DRAWING - Fuselage Assembly (Complete) DRAWING - Fuselage Assembly (Complete) DRAWING - Fuselage Assembly (Complete) DRAWING - Fuselage Assembly (Complete) DRAWING - Fuselage Assembly (Complete) DRAWING - Fuselage Assembly (Complete)		28-1 to 28-1760 inclusive 28-1761 to 28-4377 inclusive 28-10003 to 28-10486inclusive 28-10487 to 28-11039inclusive 28-20002 to 28-24999inclusive 23-25000 to 28-7225612 incl. 28-7325001 and up
-1	62419 00 62419-17 62419-21 62884-00 66611-00 66611-11 65087-00 65444-00 65476-00 65624-00 62285-00 62882-00 62882-03 68694-00 66694-05 66694-07 66694-09 66694-11 79131-00 79131-04 79549-00	E E E E E E B B B B C C C C C C C C C C	FUSELAGE ASSEMBLY FUSELAGE ASSEMBLY FUSELAGE ASSEMBLY FUSELAGE ASSEMBLY FUSELAGE ASSEMBLY FUSELAGE ASSEMBLY FUSELAGE ASSEMBLY FUSELAGE ASSEMBLY FUSELAGE ASSEMBLY FUSELAGE ASSEMBLY FUSELAGE ASSEMBLY FUSELAGE ASSEMBLY FUSELAGE ASSEMBLY FUSELAGE ASSEMBLY FUSELAGE ASSEMBLY FUSELAGE ASSEMBLY FUSELAGE ASSEMBLY FUSELAGE ASSEMBLY FUSELAGE ASSEMBLY FUSELAGE ASSEMBLY	1 1 1 1 1 1 1 1 1 1 1 1 1 1 1 1 1 1 1 1	28-1 to 28-670 inclusive 28-671 to 28-990 inclusive 28-991 to 28-1760 inclusive 28-1761 to 28-2477 inclusive 28-2478 to 28-3377 inclusive 28-3378 to 28-4377 inclusive 28-10003 to 28-10486inclusive 28-10487 to 28-10675inclusive 28-10676 to 28-10719 inclusive 28-10720 to 28-11039inclusive 28-20002 to 28-20280 inclusive 28-20281 to 28-21845 inclusive, 28-21931 to 28-21934 inclusive 28-21846 to 28-21930inclusive, 28-21935 to 28-24999 inclusive 28-25000 to 28-26400inclusive 28-26401 to 28-26956inclusive 28-7125001 to 28-712565 28-7225001 to 28-722561 28-7325001 to 28-7325684inc. 28-7425001 to 28-7425298 incl. 28-7425300 to 28-7425454 incl, 28-7425299, 28-7525001 to 28-7625030 inclusive 28-7525031 and up
-2	99466-00 99466-02 99466-03 99466-04 99466-12 99466-09 99466-13	D,E B,D B,D C,D C,D,F C,D C,D,F	AFT SECTION - Fuselage AFT SECTION - Fuselage AFT SECTION - Fuselage AFT SECTION - Fuselage AFT SECTION - Fuselage AFT SECTION - Fuselage AFT SECTION - Fuselage	1 1 1 1 1 1 1	28-1 to 28-4377 inclusive 28-10003 to 28-10719inclusive 28-10720 to 28-11039 inclusive 28-20002 to 28-7325684 incl, 28-25001, 28-7125472 to 28-7325684 inclusive 28-7425001 and up 28-7425001 and up
			A- Used on PA-28-140 with serial numbers 28-20002 and up, PA-28-150, PA-28-160 and PA-28-180 with serial numbers 28-1 to 28-4377 inclusive, and PA-28-235 with serial numbers 28-10003 to 28-11039 inclusive. B- Used on PA-28-235 airplanes only. C- Used on PA-28-140 airplanes only. D- See Figure 15 for component parts. E- Used on PA-28-150, PA-28-160 and PA-28-180 only. F- Used if air conditioning is installed.		

When ordering, always specify Part Number, Description, and Serial Number of Aircraft

PA-28-140
PA-28-150
PA-28-160
PA-28-180
PA-28-235

PIPER PARTS CATALOG

Figure and Index Number	Part Number	Code	NOMENCLATURE	No. Req.	SERIAL NUMBERS AFFECTED
8-3	62419-03	C	SKIN - left side	1	28-20002 to 28-24999inclusive
	76474-02	C	SKIN - left side	1	28-25000 to 28-7625030 incl,
	76474-902	C	SKIN - left side	1	28-7625031 and up
	62419-03	F	SKIN - left side	1	
	76474-02	D	SKIN - left side	1	
-4	62419-04	F	SKIN - left side	1	
	76476-00	G	SKIN - left side	1	
	76476-900	C	SKIN - left side	1	28-7625031 and up
	62419-10	F	SKIN - Right side	1	
	76476-01	G	SKIN - Right side	1	
-5	76476-901	C	SKIN - Right side	1	28-7625031 and up
	487 632 487 674		STUD - Fastener (63316) (used with eyelet type baggage straps) STUD - Fastener (XX-16362 x 3/8) (used with socket type baggage straps)	1 1	
-6	62419-09	E	COCKPIT ASSEMBLY - Fuselage	1	28-1 to 28-670 inclusive
	62419-18	E	COCKPIT ASSEMBLY - Fuselage	1	28-671 to 28-990 inclusive
	62419-20	E	COCKPIT ASSEMBLY - Fuselage	1	28-991 to 28-1760 inclusive
	62884-02	E	COCKPIT ASSEMBLY - Fuselage	1	28-1761 to 28-2477 inclusive
	65611-02	E	COCKPIT ASSEMBLY - Fuselage	1	28-2478 to 28-3377 inclusive
	65611-10	E	COCKPIT ASSEMBLY - Fuselage	1	28-3378 to 28-4377 inclusive
	65087-03	B	COCKPIT ASSEMBLY - Fuselage	1	28-10003 to 28-10486 inclusive
	65441-02	B	COCKPIT ASSEMBLY - Fuselage	1	28-10487 to 28-10675inclusive
	65476-02	B	COCKPIT ASSEMBLY - Fuselage	1	28-10676 to 28-10719inclusive
	65624-02	B	COCKPIT ASSEMBLY - Fuselage	1	28-10720 to 28-11039 inclusive
	62285-05	C	COCKPIT ASSEMBLY - Fuselage	1	28-20002 to 28-20280inclusive
	62882-02	C	COCKPIT ASSEMBLY - Fuselage	1	28-20281 to 28-21845 inclusive
	62882-04	C	COCKPIT ASSEMBLY - Fuselage	1	28-21931 to 28-21934inclusive
	66694-02	C	COCKPIT ASSEMBLY - Fuselage	1	28-21846 to 28-21930inclusive
	66694-06	C	COCKPIT ASSEMBLY - Fuselage	1	28-21935 to 28-24999 inclusive
	66694-08	C	COCKPIT ASSEMBLY - Fuselage	1	28-25000 to 28-26400inclusive
	66694-10	C	COCKPIT ASSEMBLY - Fuselage	1	28-26401 to 28-26956 inclusive
	66694-12	C	COCKPIT ASSEMBLY - Fuselage	1	28-7125001 to 28-7125651 incl.
	79131-02	C	COCKPIT ASSEMBLY - Fuselage	1	28-7225001 to 28-7225612incl.
	79131-03	C	COCKPIT ASSEMBLY - Fuselage	1	28-7325001 to 28-7325684incl.
	79549-903	C	COCKPIT ASSEMBLY - Fuselage	1	28-7425001 to 28-7425298 incl. 28-7425300 to 28-7425454incl. 28-7425299, 28-7525001 to 28-7625030 incl, 28-7625031 and up

When ordering, always specify Part Number, Description, and Serial Number of Aircraft

PA-28-140
PA-28-150
PA-28-160
PA-28-180
PA-28-235

PIPER PARTS CATALOG

Figure and Index Number	Part Number	Code	NOMENCLATURE	No. Req.	SERIAL NUMBERS AFFECTED	
8-7	62419-02	B	SKIN - Cockpit, left front	1	28-1 to 28-1760 inclusive	
	62419-02	C	SKIN - Cockpit, left front	1	28-20002 to 28-24999 inclusive	
	66694-04	C	SKIN - Cockpit, left front	1	28-25000 to 28-7625030 incl.	
	79563-900	C	SKIN - Cockpit, left front	1	28-7625031 and up	
	65087-05	B	SKIN - Cockpit, left front	1	128-10003 to 28-10675 inclusive	
	65087-05	F	SKIN - Cockpit, left front	1	28-1761 to 28-2477 inclusive	
	66611-07	D	SKIN - Cockpit, left front	1		
-8	79570-00	G	SKIN - Cockpit, left rear	1		
	79570-900	C	SKIN - Cockpit, left rear	1	28-7625031 and up	
-9	79677-02	G	SKIN - Cockpit, top rear	1		
	79577-901	C	SKIN - Cockpit, top rear	1	28-7625031 and up	
-10	62419-07	F	SKIN - Cockpit, right front	1	28-1 to 28-544 inclusive	
	62419-16	F	SKIN - Cockpit, right front	1	28-545 to 28-1760 inclusive	
	62419-16	C	SKIN - Cockpit, right front	1	28-20002 to 28-24999 inclusive	
	66694-03	C	SKIN - Cockpit, right front	1	28-25000 to 28-7625030 incl.	
	79563-904	C	SKIN - Cockpit, right front	1	28-7625031 and up	
	65087-04	B	SKIN - Cockpit, right front	1	28-10003 to 28-10675 inclusive	
	60087-04	F	SKIN - Cockpit, right front	1	28-1761 to 28-2477 inclusive	
	65611-06	D	SKIN - Cockpit, right front	1		
	-11	62419-08	B,F	SKIN - Cockpit, right side rear	1	
		79670-00	C	SKIN - Cockpit, right side rear	1	28-20002 to 28-7625030 incl.
79570-901		C	SKIN - Cockpit, right side rear	1	28-7625031 and up	
-12	62420-00	F	UPPER COCKPIT ASSEMBLY - Complete	1	28-1 to 28-990 inclusive	
	62873-00	E	UPPER COCKPIT ASSEMBLY - Complete	1		
	62873-07	C	UPPER COCKPIT ASSEMBLY - Complete	1	28-21846 to 28-21930 inclusive, 28-21935 to 28-24999 inclusive	
	66699-00	C	UPPER COCKPIT ASSEMBLY - Complete	1	28-25000 to 28-26400 incl.	
	66699-06	C	UPPER COCKPIT ASSEMBLY - Complete	1	28-26401 to 28-26956 inc.	
	99388-00	C	UPPER COCKPIT ASSEMBLY - Complete	1	28-7125001 to 28-7125661 incl.	
	99388-06	C	UPPER COCKPIT ASSEMBLY - Complete	1	28-7225001 to 28-7225612 incl.,	
	99388-08	C	UPPER COCKPIT ASSEMBLY - Complete	1	28-7325001 to 28-7325684 incl.	
	76364-00	C	UPPER COCKPIT ASSEMBLY - Complete	1	28-7425001 to 28-7425298 incl, 28-7425300 to 28-7425454 incl	
	76364-02	C	UPPER COCKPIT ASSEMBLY - Complete	1	28-7425299, 28-7525001 to 28-7625030 inclusive	
	79649-908	C	UPPER COCKPIT ASSEMBLY - Complete	1	28-7625031 and up	
	62375-05	F	UPPER COCKPIT ASSEMBLY - Complete	1	28-1761 to 28-3377 inclusive	
	62375-10	F	UPPER COCKPIT ASSEMBLY - Complete	1	28-3378 to 28-4377 inclusive	
				A-	Used on PA-28-140 with serial numbers 28-20002 and up, PA-28-150, PA-28-160 and PA-28-180 with serial numbers 28 1 to 28-4377 inclusive, and PA-28 235 with serial number 28-10003 to 28-11039 inclusive.	
				B-	Used on PA-28-235 airplanes only.	
			C-	Used on PA-28-140 airplanes only.		
			D-	Used on PA-28-150, PA-28-160 and PA-28-180 with serial number 28-2478 to 28-4377 inclusive, and PA-28-235 with serial number 28-10676 to 28-11039 inclusive.		
			E-	Used on PA-28-150, PA-28-160 and PA-28-180 with serial number 28491 to 28-1760 inclusive, and PA-28-140 with serial number 28-20002 to 28-21845 inclusive, 28-21931 to 28-21934 inclusive,		
			F-	Used on PA-28-150, PA-28-160 and PA-28-180 only,		
			G-	Used on PA-28-140 with serial numbers 28-20002 to 28-7625030 inclusive, PA-28-150, PA-28-160 and PA-28-180 with serial number 28-1 to 28-4377 inclusive, and PA-28-235 with serial number 28-10003 to 28-11039 inclusive.		

When ordering, always specify Part Number, Description, and Serial Number of Aircraft

PA-28-140
PA-28-150
PA-28-160
PA-28-180
PA-28-235

PIPER PARTS CATALOG

Figure and Index Number	Part Number	Code	NOMENCLATURE	No. Req.	SERIAL NUMBERS AFFECTED
8-12	65088-00	B	UPPER COCKPIT ASSEMBLY - Complete	1	28-10003 to 28-10486 inclusive
	65443-03	B	UPPER COCKPIT ASSEMBLY - Complete	1	28-10487 to 28-10719 inclusive
	65563-00	B	UPPER COCKPIT ASSEMBLY - Complete	1	28-10720 to 28-11039 inclusive
-13	62420-09	C	SKIN - Upper cockpit, top center	1	28-20002 to 28-24999 inclusive
	79573-00	C	SKIN - Upper cockpit, top center	1	28-25000 to 28-7625030 incl.
	79573-900	C	SKIN - Upper cockpit, top center	1	28-7625031 and up
	62420-09	F	SKIN - Upper cockpit, top center	1	
	62420-09	B	SKIN - Upper cockpit, top center	1	28-10003 to 28-10719 inclusive
	65563-03	B	SKIN - Upper cockpit, top center	1	28-10720 to 28-11039 inclusive
-14	62420-11	G	SKIN - Windshield, right side trim	1	
	79561-03	C	SKIN - Windshield, right side trim	1	28-7625031 and up
-15	62420-22	E	SKIN - Windshield, left side trim	1	
	76255-00	C	SKIN - Windshield, left side trim	1	28-7425001 and up
-16	62490-00	E	SKIN - Window trim, left side center	1	
	79132-00	C	SKIN - Window trim, left side center	1	28-7425001 and up
-17	62491-00	E	SKIN - Window trim, right side front	1	
	79133-00	C	SKIN - Window trim, right side front	1	28-7425001 and up
-18	62693-00	E	SKIN - Upper cockpit, left side rear window	1	
	79176-00	C	SKIN - Upper cockpit, right side rear window	1	28-7425001 and up
	62693-01	E	SKIN - Upper cockpit, right side rear window	1	
	79176-01	C	SKIN - Upper cockpit, right side rear window	1	28-7425001 and up
-19	62691-00	F	SKIN ASSEMBLY - Upper cockpit assembly	1	28-1 to 28-1760 inclusive
	62691-00	C	SKIN ASSEMBLY - Upper cockpit assembly	1	28-20002 to 28-24999 inclusive
	62691-03	B	SKIN ASSEMBLY - Upper cockpit assembly	1	28-10003 to 28-10486 inclusive
	63081-00	D	SKIN ASSEMBLY - Upper cockpit assembly	1	
-20	62493 00	G	PAN - Upper cockpit, outboard	1	
	79647-02	C	PAN - Upper cockpit, outboard	1	28-7625031 and up

- A- Used on PA-28-140 with serial numbers 28-20002 and up, PA-28-150, PA-28-160 and PA-28-180 with serial numbers 28-1 to 28-4377 inclusive, and PA-28-235 with serial number 28-10003 to 28-11039 inclusive.
- B- Used on PA-28-235 airplanes only.
- C- Used on PA-28-140 airplanes only.
- D- Used on PA-28-150, PA-28-160 and PA-28-180 with serial number 28-1761 to 28-4377 inclusive, and PA-28-235 with serial number 28-10487 to 28-11039 inclusive.
- E- Used on PA-28-140 with serial numbers 28-20002 to 28-7325684 inclusive, PA-28-150, PA-28-160 and PA-28-180 with serial number 28-1 to 28 4377 inclusive, and PA-28-235 with serial numbers 28-10003 to 28-11039 inclusive.
- F- Used on PA-28-150, PA-28-160 and PA-28-180 only.
- G- Used on PA-28-140 with serial numbers 28-20002 to 28-7625030 inclusive, PA-28-150, PA-28-160 and PA-28-180 with serial numbers 28-1 to 28-4377 inclusive, and PA-28-235 with serial numbers 28-10003 to 28-11039 inclusive.

When ordering, always specify Part Number, Description, and Serial Number of Aircraft

PA-28-140
PA-28-150
PA-28-160
PA-28-180
PA-28-235

PIPER PARTS CATALOG

Figure and Index Number	Part Number	Code	NOMENCLATURE	No. Req.	SERIAL NUMBERS AFFECTED
8-21	62420-14	E,F	UPPER COCKPIT ASSEMBLY - Forward	1	28-1 to 28-1760 inclusive
	62420-14	C,E	UPPER COCKPIT ASSEMBLY - Forward	1	28-20002 to 28-21845 inclusive,
	62420-21	C,E	UPPER COCKPIT ASSEMBLY - Forward	1	28-21931 to 28-21934 inclusive
	66699-02	C,E	UPPER COCKPIT ASSEMBLY - Forward	1	28-21846 to 28-21930 inclusive,
	66699-07	C,E	UPPER COCKPIT ASSEMBLY - Forward	1	28-21935 to 28-24999 inclusive
	99388-02	C,E	UPPER COCKPIT ASSEMBLY - Forward	1	28-25000 to 28-26400 inclusive
	99388-07	C,E	UPPER COCKPIT ASSEMBLY - Forward	1	28-26401 to 28-26956 inclusive
	99388-10	C,E	UPPER COCKPIT ASSEMBLY - Forward	1	28-7125001 to 28-7225612 incl.
				1	28-7325001 to 28-7325684 incl.
				1	28-7425001 to 28-7425298 incl.
				1	28-7425300 to 28-7425454 incl.
				1	28-7425299, 28-7525001 to
				1	28-7625030 inclusive
				1	28-7625031 and up
-22	79549-909	C,E	UPPER COCKPIT ASSEMBLY - Forward	1	28-1761 to 28-3377 inclusive
	62375-06	E,F	UPPER COCKPIT ASSEMBLY - Forward	1	28-3378 to 28-4377 inclusive
	62375-11	E,F	UPPER COCKPIT ASSEMBLY - Forward	1	28-10003 to 28-10486 inclusive
	65088-02	B,E	UPPER COCKPIT ASSEMBLY - Forward	1	28-10487 to 28-10719 inclusive
	65443-04	B,E	UPPER COCKPIT ASSEMBLY - Forward	1	28-10720 to 28-11039 inclusive
	65563-02	B,E	UPPER COCKPIT ASSEMBLY - Forward	1	28-2053 to 28-4377 inclusive
	63596-00	F	COVER - Forward upper cockpit	1	28-10591 to 28-11039 inclusive
	63596-00	B	COVER - Forward upper cockpit	1	28-10003 to 28-10486 inclusive
	62406-00	B	FILLER - Upper cockpit, forward	1	28-10487 to 28-11039 inclusive
	62406-00	F	FILLER - Upper cockpit, forward	1	28-1761 to 28-4377 inclusive
-23	62507 00	C	FILLER - Upper cockpit, forward	1	28-7625031 and up
	62420-04	F	SKIN - Instruments cover, left	1	28-1 to 28-1760 inclusive
	62420-04	C	SKIN - Instruments cover, left	1	28-20002 to 28-24999 inclusive
	65088-04	B	SKIN - Instruments cover, left	1	28-10003 to 28-10486 inclusive
	62375-04	F	SKIN - Instruments cover, left	1	28-1761 to 28-2052 inclusive
	62375-04	B	SKIN - Instruments cover, left	1	28-10487 to 28-10690 inclusive
	62375-07	F	SKIN - Instruments cover, left	1	28-2053 to 28-4377 inclusive
	62375-07	B	SKIN - Instruments cover, left	1	28-10591 and up
	62420-05	F	SKIN - Instruments cover, right	1	28-1 to 28-1760 inclusive
	62420-05	C	SKIN - Instruments cover, right	1	28-20002 to 28-24999 inclusive
-23a	65088-03	B	SKIN - Instruments cover, right	1	28-10003 to 28-10486 inclusive
	62375-03	D	SKIN - Instruments cover, right	1	
	66699-05	C	SKIN - Instruments cover, complete	1	28-25000 to 28-26956 inclusive
	99388-05	C	SKIN - Instruments cover, complete	1	28-7125001 to 28-7225612 incl.
	99388-09	C	SKIN - Instruments cover, complete	1	28-7425001 to 28-7425298 incl.
				1	28-7425300 to 28-7425454 incl.
	79569-00	C	SKIN - Instruments cover, complete	1	28-7425299, 28-7525001 to
				1	28-7625030 inclusive
	79569-900	C	SKIN - Instruments cover, complete	1	28-7625031 and up
	68817-50	C	DOUBLER - Forward upper cockpit, top	1	28-7625031 and up
-23b			A- Used on PA-28-140 with serial number 28-20002 and up, PA-28-150, PA-28-160 and PA-28-180 with serial numbers 28-1 to 284377 inclusive, and PA-28-235 with serial numbers 28-10003 to 28-11039 inclusive.		
			B- Used on PA-28-235 airplanes only.		
			C- Used on PA-28-140 airplanes only.		
			D- Used on PA-28-150, PA-28-160 and PA-28-180 with serial numbers 28-1761 to 28-4377 inclusive, and PA-28-235 with serial numbers 28-10487 to 28-11039 inclusive.		
			E- See Figure 10 for component parts.		
			F- Used on PA-28-150, PA-28-160 and PA-28-180 only.		

When ordering, always specify Part Number, Description, and Serial Number of Aircraft

PA-28-140
PA-28-150
PA-28-160
PA-28-180
PA-28-235

PIPER PARTS CATALOG

Figure and Index Number	Part Number	Code	NOMENCLATURE	No. Req.	SERIAL NUMBERS AFFECTED
8-24	62420-15	G	UPPER CENTER COCKPIT ASSEMBLY	1	28-1 to 28-990 inclusive
	62873-02	E,G	UPPER CENTER COCKPIT ASSEMBLY	1	
	62873-09	C,G	UPPER CENTER COCKPIT ASSEMBLY	1	28-26401 to 28-7325684 incl.
	62873-13	C,G	UPPER CENTER COCKPIT ASSEMBLY	1	28-7425001 to 28-7625030 incl.
	79549-910	C,G	UPPER CENTER COCKPIT ASSEMBLY	1	28-7625031 and up
	65563-07	B,G	UPPER CENTER COCKPIT ASSEMBLY	1	28-10720 to 28-11039 inclusive
-25	62420-03		SKIN - Top front	1	28-1 to 28-990 inclusive
	79576-00		SKIN - Top front	1	28-991 and up
	79576-900	C	SKIN - Top front	1	28-7625031 and up
-25a	761 077	J,W	KIT - Cabin assist handle replacement	1	
	481 772	C,W	HANDLE - (N1 2865)	1	128-7525262 and up
-26	62422-00	F,H	LOWER COCKPIT ASSEMBLY - Complete	1	28-1 to 28-1 760 inclusive
	62315-00	F,H	LOWER COCKPIT ASSEMBLY - Complete	1	28-1761 to 28-2477 inclusive
	65600-00	F,H	LOWER COCKPIT ASSEMBLY - Complete	1	28-2478 to 28-4377 inclusive
	65089-00	B,H	LOWER COCKPIT ASSEMBLY - Complete	1	28-10003 to 28-10486 inclusive
	65089-04	B,H	LOWER COCKPIT ASSEMBLY - Complete	1	28-10487 to 28-10675 inclusive
	65467-00	B,H	LOWER COCKPIT ASSEMBLY - Complete	1	28-10676 to 28-10719 inclusive
	65534-00	B,H	LOWER COCKPIT ASSEMBLY - Complete	1	28-10720 to 28-1 1039 inclusive
	62422-14	C,H	LOWER COCKPIT ASSEMBLY - Complete	1	28-20002 to 28-20280 inclusive
	62314-00	C,H	LOWER COCKPIT ASSEMBLY - Complete	1	28-20281 to 28-24999 inclusive
	62314-03	C,H	LOWER COCKPIT ASSEMBLY - Complete	1	28-25000 to 28-26956 inclusive
	62314-06	C,H	LOWER COCKPIT ASSEMBLY - Complete	1	28-7125001 to 28-7125651 incl.
	62314-07	C,H	LOWER COCKPIT ASSEMBLY - Complete	1	28-7225001 to 28-7325684 incl.
	62314-08	C,H	LOWER COCKPIT ASSEMBLY - Complete	1	28-7425001 to 28-7625030 incl.
	79549-905	C,H	LOWER COCKPIT ASSEMBLY - Complete	1	28-7625031 and up
	-27	62422-02	F	SKIN - Cockpit. center front, bottom	1
62422-02		B	SKIN - Cockpit. center front, bottom	1	28-10003 to 28-10675 inclusive
62422-02		C	SKIN - Cockpit. center front, bottom	1	28-20002 to 28-20280 inclusive
62315-03		D	SKIN - Cockpit. center front, bottom	1	
			A- Used on PA-28-140 with serial numbers 28-20002 and up, PA-28-150, PA-28-160 and PA-28-180 with serial numbers 28-1 to 28-4377 inclusive. and PA-28-235 with serial numbers 28-10003 to 28-11039 inclusive-		
			B- Used on PA-28-235 airplanes only.		
			C- Used on PA-28-140 airplanes only.		
			D- Used on PA-28-140 with serial numbers 28-20281 to 28-24999 inclusive, PA-28-150, PA-28-160 and PA-28-180 with serial numbers 28-1761 to 28-2477 inclusive,		
			E- Used on PA-28-140 with serial numbers 28-20002 to 28-26400 inclusive, PA-28-150, PA-28-160 and PA-28-180 with serial numbers 28-991 to 28-4377 inclusive, and PA-28-235 with serial numbers 28-10003 to 28-10719 inclusive.		
			F- Used on PA-28-150, PA-28-160 and PA-28-180 airplanes only.		
			G- See Figure 12 for component parts.		
			H- See Figure 13 and 14 for component parts.		
			J- Used on PA-28-140 with serial numbers 28-20002 to 28-7525261 inclusive, PA-28-150, PA-28-160 and PA-28-180 with serial numbers 28-1 to 28-4377 inclusive, and PA-28-235 with serial numbers 28-1 0003 to 28-11039 inclusive.		
			W- These parts must be ordered from Service Spares Department, Piper Aircraft, Lock Haven, Penna.		

When ordering, always specify Part Number, Description, and Serial Number of Aircraft

PA-28-140
PA-28-150
PA-28-160
PA-28-180
PA-28-235

PIPER PARTS CATALOG

Figure and Index Number	Part Number	Code	NOMENCLATURE	No. Req.	SERIAL NUMBERS AFFECTED	
8-27	79585-00	C	SKIN - Cockpit, center front, bottom	1	28-25000 to 28-7625030 incl.	
	79585-900	C	SKIN - Cockpit, center front, bottom	1	28-7625031 and up	
	79585-00	F	SKIN - Cockpit, center front, bottom	1	28-2478 to 28-4377 inclusive	
	79585-00	B	SKIN - Cockpit, center front, bottom	1	28-10676 to 28-10719 inclusive	
	65534-03	B	SKIN - Cockpit, center front, bottom	1	28-10720 to 28-11039 inclusive	
-28	62422-12	F	SKIN - Cockpit, front, bottom	1	28-1 to 28-1760 inclusive	
	62422-12	C	SKIN - Cockpit, front, bottom	1	28-20002 to 28-24999 inclusive	
	79582-00	C	SKIN - Cockpit, front, bottom	1	28-25000 to 28-7625030 incl.	
	79582-900	C	SKIN - Cockpit, front, bottom	1	28-7625031 and up	
	65089-03	B	SKIN - Cockpit, front, bottom	1	28-10003 to 28-10675 inclusive	
	65089-03	F	SKIN - Cockpit, front, bottom	1	28-1761 to 28-2477 inclusive	
	65467-02	F	SKIN - Cockpit, front, bottom	1	28-2478 to 28-4377 inclusive	
	65467-02	B	SKIN - Cockpit, front, bottom	1	28-10676 to 28-10719 inclusive	
	65534-04	B	SKIN - Cockpit, front, bottom	1	28-10720 to 28-11039 inclusive	
	-29	62422-04	F	SKIN - Cockpit, center rear, bottom	1	28-1 to 28-1760 inclusive
		62315-02	F	SKIN - Cockpit, center rear, bottom	1	28-1761 to 28-4377 inclusive
65089-02		B	SKIN - Cockpit, center rear, bottom	1	28-10003 to 28-10719 inclusive	
79578-02		B	SKIN - Cockpit, center rear, bottom	1	28-10720 to 28-11039 inclusive	
62422-13		C	SKIN - Cockpit, center rear, bottom	1	28-20002 to 28-20280 inclusive	
62314-02		C	SKIN - Cockpit, center rear, bottom	1	28-20281 to 28-24999 inclusive	
79578-00		C	SKIN - Cockpit, center rear, bottom	1	28-25000 to 28-7625030 incl.	
79578-900		C	SKIN - Cockpit, center rear, bottom	1	28-7625031 and up	
-30	62541-00		DOUBLER - Cockpit, left	1		
	62541-01		DOUBLER - Cockpit, right	1		
-31	68539-00	D	DOUBLER ASSEMBLY - Lower cockpit	2		
-32	62538-00	E	DOUBLER - Lower cockpit assembly, left	2		
	62538-00	C	DOUBLER - Lower cockpit assembly, right	2	28-20002 to 28-24999 inclusive	
	68540-00	D	DOUBLER ASSEMBLY - Lower cockpit, left	1		
	68540-01	D	DOUBLER ASSEMBLY - Lower cockpit, right	1		
-33	62549-00		DOUBLER - Lower cockpit	2		
-34	66609-00	B	SCOOP - Cabin air exhaust	1	28-10720 to 28-11039 inclusive	
	66609-00	C,G	SCOOP - Cabin air exhaust	1	28-25000 and up	
-35	65130-00	B	DOUBLER - Forward lower cockpit, left	1	28-10003 to 28-10719 inclusive	
	68569-00	B	DOUBLER - Forward lower cockpit, left	1	28-10720 to 28-11039 inclusive	
-36	65556-00	B	DOUBLER - Lower cockpit air scoop	1	28-10720 to 28-11039 inclusive	
	65556-00	C,H	DOUBLER - Lower cockpit air scoop	1	28-25000 and up	
	65556-02	C	DOUBLER - Lower cockpit air scoop (less 44 hole)	1	28-7125472 and up	

- A- Used on PA-28-140 with serial numbers 28-20002 and up, PA-28-150, PA-28-160 and PA-28-180 with serial numbers 28-1 to 28-4377 inclusive, and PA-28-235 with serial numbers 28-10003 to 28-11039 inclusive.
- B- Used on PA-28-235 airplanes only.
- C- Used on PA-28-140 airplanes only.
- D- Used on PA-28-140 with serial numbers 28-25000 and up, PA-28-150, PA-28-160 and PA-28-180 with serial numbers 28-2478 to 28-4377 inclusive, and PA-28-235 with serial numbers 28-10676 to 28-11039 inclusive.
- E- Used on PA-28-150, PA-28-160 and PA-28-180 with serial numbers 28-1 to 28-2477 inclusive, and PA-28-235 with serial numbers 28-10003 to 28-10675 inclusive.
- F- Used on PA-28-150, PA-28-160 and PA-28-180 airplanes only.
- G- See Figure 32D if Cabin Overhead Air Vent Installation is made.
- H- Order P/N 65556-02 if air conditioning is installed.

When ordering, always specify Part Number, Description, and Serial Number of Aircraft

PA-28-140
PA-28-150
PA-28-160
PA-28-180
PA-28-235

PIPER PARTS CATALOG

Figure and Index Number	Part Number	Code	NOMENCLATURE	No. Req.	SERIAL NUMBERS AFFECTED
8-37	66679-00	C	*** COVER PLATE - Doubler assembly	2	28-25000 and up
-38	68584-00	C	*** GASKET - Cover plate	2	28-25000 and up
-39	62660-00	E,F	*** LOWER COCKPIT ASSEMBLY - Aft	1	
	62600-12	B,E	*** LOWER COCKPIT ASSEMBLY - Aft	1	
	62277-00	C,E	*** LOWER COCKPIT ASSEMBLY - Aft	1	28-20002 to 28-24999 inclusive
	62277-02	C,E	*** LOWER COCKPIT ASSEMBLY - Aft	1	28-25000 to 28-71 25651 incl.
	62277-03	C,E	*** LOWER COCKPIT ASSEMBLY - Aft	1	28-7225001 to 28-7620530 incl.
	79549-907	C,E	*** LOWER COCKPIT ASSEMBLY - Aft	1	28-7625031 and up
-40	62660-06	B,F	**** SKIN ASSEMBLY - Bottom center	1	
	62660-06	C	**** SKIN ASSEMBLY - Bottom center	1	28-20002 to 28-20909 inclusive
	62660-13	C	**** SKIN ASSEMBLY - Rear bottom center	1	28-20910 to 28-7625030 incl.
	79549-963	C	*** SKIN ASSEMBLY - Rear bottom center	1	28-7625031 and up
-40a	79581-900	C	**** SKIN - Rear bottom center	1	28-7625031 and up
-41	79580-00	G	**** SKIN - Rear left, bottom	1	
	79580-900	C	**** SKIN - Rear left, bottom	1	28-7625031 and up
	79580-01	G	**** SKIN - Rear right, bottom	1	
	79580-901	C	**** SKIN - Rear right, bottom	1	28-7625031 and up
-42	65384-00	C,D	STEP ASSEMBLY	1	
-43	65431-00		* STRIP - Safety	1	
-44	79427-02		COVER - ADF antenna closeout	1	

- A- Used on PA-28-140 with serial numbers 28-20002 and up, PA-28-150, PA-28-160 and PA-28-180 with serial numbers 28-1 to 28-4377 inclusive, and PA-28-235 with serial numbers 28-10003 to 28-11039 inclusive,
- B- Used on PA-28-235 airplanes only.
- C- Used on PA-28-140 airplanes only.
- D- Used on PA-28-150, PA-28-160 and PA-28-180 with serial numbers 28-1521 to 28-4377 inclusive, and PA-28-235 with serial numbers 28-10233 to 28-11039 inclusive,
- E- See Figure 14 for component parts.
- F- Used on PA-28-150, PA-28-160 and PA-28-180 airplanes only.
- G- Used on PA-28-140 with serial numbers 28-20002 to 28-7625030 inclusive, PA-28-150, PA-28-160 and PA-28-180 with serial numbers 28-1 to 28-4377 inclusive, and PA-28-235 with serial numbers 28-10003 to 28-11039 inclusive.

When ordering, always specify Part Number, Description, and Serial Number of Aircraft

PA-28-140
PA-28-150
PA-28-160
PA-28-180
PA-28-235

**1B21 THRU 1B24
INTENTIONALLY LEFT BLANK**

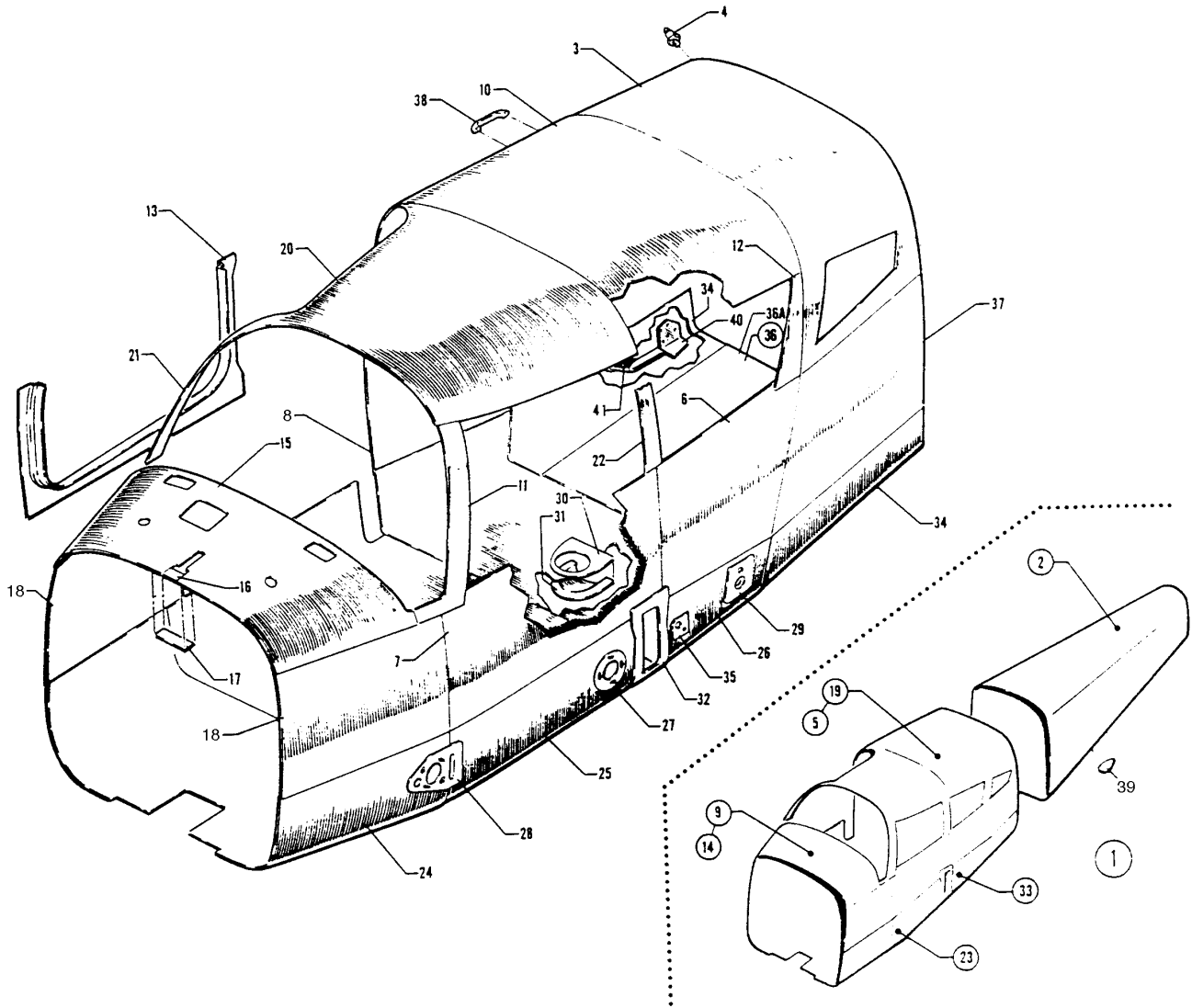


Figure 9. Complete Fuselage
 (PA-28-180 - Serial Nos. 28-4378 to 28-7505261 inclusive)
 (PA-28R-180 - Serial Nos. 28R-30005 to 28R-30481 inclusive, 28R-30483 to 28R-7130019 inclusive)
 (PA-28-235 - Serial Nos. 28-11040 and up)
 (PA-28R-200 - Serial Nos. 28R-30482, 28R-35001 and up)

PIPER PARTS CATALOG

Figure and Index Number	Part Number	Code	NOMENCLATURE	No. Req.	SERIAL NUMBERS AFFECTED
9-	67007 76110 76210	F E	DRAWING - Fuselage Assembly (Complete) DRAWING - Fuselage Assembly (Complete) DRAWING - Fuselage Assembly (Complete)		28R-7235001 and up
-1	67250-00 67250-07 67250-09 67250-11 76111-00 76111-04 76359-00 76359-05 67930-00 65830-00 65830-06 65830-10 65830-14 65830-18 76211 -00 76254-00 76254-08	H B D G F F F F F C C C C C C C C	FUSELAGE ASSEMBLY FUSELAGE ASSEMBLY FUSELAGE ASSEMBLY FUSELAGE ASSEMBLY FUSELAGE ASSEMBLY FUSELAGE ASSEMBLY FUSELAGE ASSEMBLY FUSELAGE ASSEMBLY FUSELAGE ASSEMBLY FUSELAGE ASSEMBLY FUSELAGE ASSEMBLY FUSELAGE ASSEMBLY FUSELAGE ASSEMBLY FUSELAGE ASSEMBLY FUSELAGE ASSEMBLY FUSELAGE ASSEMBLY	1 1 1 1 1 1 1 1 1 1 1 1 1 1 1 1	28R-7235001 to 28R-7235330 incl. 28R-7335001 to 28R-7335455 incl. 28R-7435001 to 28R-7435232 incl. 28R-7435234 to 28R-7435331 incl. 28R-7435233, 28R-7535001 to 28R-7635017 inclusive 28R-7635018 and up 28-4378 to 28-4877 inclusive 28-4878 to 28-5600 inclusive 28-5601 to 28-5869 inclusive 28-7105001 to 28-7105244 incl. 28-7205001 to 28-7205328 incl. 28-7305001 to 28-7305611 incl. 28-7405001 to 28-7405158 incl. 28-7405160 to 28-7405290 incl. 28-7405159, 28-7505001 and up
			<p>A - Used on PA-28-180 with serial numbers 28-4378 to 28-7505261 inclusive, PA-28-235 with serial numbers 28-11040 and up, PA-28R-180 and PA-28R-200 airplanes only.</p> <p>B - Used on PA-28R-180 with serial numbers 28R-30679 to 28R-31250 inclusive, and PA-28R-200 with serial numbers 28R-30482, 28R-35001 to 28R-35600 inclusive.</p> <p>C - Used on PA-28-180 airplanes only.</p> <p>D - Used on PA-28R-180 with serial numbers 28R-31251 to 28R-31279 inclusive, and PA-28R-200 with serial numbers 28R-35601 to 28R-35830 inclusive.</p> <p>E - Used on PA-28-180 with serial numbers 28-7305001 to 28-7505261 inclusive, and PA-28-235 with serial numbers 28-7310001 and up.</p> <p>F - Used on PA-28R-200 airplanes only.</p> <p>G - Used on PA-28R-180 with serial numbers 28R-7130001 to 28R-7130019 inclusive, and PA-28R-200 with serial numbers 28R-7135001 to 28R-7135238 inclusive.</p> <p>H - Used on PA-28R-180 with serial numbers 28R-30005 to 28R-30481 inclusive, 28R-30483 to 28R-30678 inclusive.</p> <p>J - Used on PA-28-180 with serial numbers 28-4378 to 28-7205328 inclusive, PA-28-235 with serial numbers 28-11040 to 28-7210033 inclusive, PA-28R-180 with serial numbers 28R-30005 to 28R-7130019 inclusive, and PA-28R-200 with serial numbers 28R-30482, 28R-35001 to 28R-7135238 inclusive.</p>		

When ordering, always specify Part Number, Description, and Serial Number of Aircraft

PA-28-180
PA-28-235
PA-28R-180
PA-28R-200

PIPER PARTS CATALOG

Figure and Index Number	Part Number	Code	NOMENCLATURE	No. Req.	SERIAL NUMBERS AFFECTED
9-1	65830-04	C	FUSELAGE ASSEMBLY	1	28-11040 to 28-11300 incl.
	65830-08	C	FUSELAGE ASSEMBLY	1	28-11301 to 28-11393 inclusive
	65830-12	C	FUSELAGE ASSEMBLY	1	28-7110001 to 28-7110042 incl.
	65830-16	C	FUSELAGE ASSEMBLY	1	28-7210001 to 28-7210033 incl.
	76211-03	C	FUSELAGE ASSEMBLY	1	28-7310001 to 28-7310187 incl.
	76254-03	C	FUSELAGE ASSEMBLY	1	28-7410001 to 28-7410072 inc. 28-7410074 to 28-7410120 incl.
	7654-10	C	FUSELAGE ASSEMBLY	1	28-7410073, 28-7510001 to 28-7610020 inclusive
	76471-00	C	FUSELAGE ASSEMBLY	1	28-7610021 and up
-2	99466-05	J,K	AFT SECTION - Fuselage	1	
	99466-14	B,H,J	AFT SECTION - Fuselage	1	28-5653, 28-7205092 to 28-7305611 inclusive
	99466-16	F,H,J	AFT SECTION - Fuselage	1	28R-7235001 to 28R-7335455 incl.
	99466-10	E,J	AFT SECTION - Fuselage	1	
	99466-15	D,H,J	AFT SECTION - Fuselage	1	28-7405001 and up
	99466-17	F,H,J	AFT SECTION - Fuselage	1	28R-7435001 and up
-3	79577-00	G	SKIN - Cockpit, top rear	1	
	79577-900	D	SKIN - Cockpit, top rear	1	
-4	487 674		STUD - Fastener (XX-16362 x 3/8)	1	
			A - Used on PA-28-180 with serial numbers 28-4378 to 28-7505261 inclusive, PA-28-235 with serial numbers 28-11040 and up, PA-28R-180 and PA-28R-200 airplanes only.		
			B - Used on PA-28-180 airplanes only.		
			C - Used on PA-28-235 airplanes only.		
			D - Used on PA-28-235 with serial numbers 28-7610021 and up, and PA-28R-200 with serial numbers 28R-7635018 and up.		
			E - Used on PA-28-180 with serial numbers 28-7405001 to 28-7505261 inclusive, PA-28-235 with serial numbers 28-7410001 and up, PA-28R-200 with serial numbers 28R-7435001 and up.		
			F - Used on PA-28R-200 airplanes only.		
			G - Used on PA-28-180 with serial numbers 28-4378 to 28-7505261 inclusive, PA-28-235 with serial numbers 28-11040 to 28-7610020 inclusive, PA-28R-180, and PA-28R-200 with serial numbers 28R-30482, 28R-35001 to 28R-7635017 inclusive.		
			H - Used if air conditioning is installed.		
			J - See Figure 15 for component parts.		
			K - Used on PA-28-180 with serial numbers 28-4378 to 28-7305611 inclusive, PA-28-235 with serial numbers 28-11040 to 28-7310187 inclusive, PA-28R-180 with serial numbers 28R-30005 to 28R-7130019 inclusive, and PA-28R-200 with serial numbers 28R-30482, 28R-35001 to 28R-7335455 inclusive		

When ordering, always specify Part Number, Description, and Serial Number of Aircraft

PA-28-180
PA-28-235
PA-28R-180
PA-28R-200

PIPER PARTS CATALOG

Figure and Index Number	Part Number	Code	NOMENCLATURE	No. Req.	SERIAL NUMBERS AFFECTED	
9-5	67250-02	G	COCKPIT ASSEMBLY - Fuselage	1		
	67250-08	B	COCKPIT ASSEMBLY - Fuselage	1		
	67250-10	E	COCKPIT ASSEMBLY - Fuselage	1		
	67250-12	F	COCKPIT ASSEMBLY - Fuselage	1		
	76111-02	C	COCKPIT ASSEMBLY - Fuselage	1		
	76111-05	C	COCKPIT ASSEMBLY - Fuselage	1	28R-7235001 to 28R-7335455 incl.	
	76359-02	C	COCKPIT ASSEMBLY - Fuselage	1	28R-7435001 to 28R-7435232 incl. 28R-7435234 to 28R-7435331 incl.	
	76359-04	C	COCKPIT ASSEMBLY - Fuselage	1	28R-7435233, 28R-7535001 to 28R-7635017 inclusive	
	67930-903	C	COCKPIT ASSEMBLY - Fuselage	1	28R-7635018 and up	
	65830-02	H	COCKPIT ASSEMBLY - Fuselage	1	28-4378 to 28-4877 inclusive	
	65830-07	H	COCKPIT ASSEMBLY - Fuselage	1	28-4878 to 28-5600 inclusive	
	65830-11	H	COCKPIT ASSEMBLY - Fuselage	1	28-5601 to 28-5869 inclusive	
	65830-15	H	COCKPIT ASSEMBLY - Fuselage	1	28-7105001 to 28-7105244 incl.	
	65830-19	H	COCKPIT ASSEMBLY - Fuselage	1	28-7205001 to 28-7205328 incl.	
	76211-02	H	COCKPIT ASSEMBLY - Fuselage	1	28-7305001 to 28-7305611 incl.	
	76254-02	H	COCKPIT ASSEMBLY - Fuselage	1	28-7405001 to 28-7405158 incl. 28-7405160 to 28-7405290 incl.	
	76254-07	H	COCKPIT ASSEMBLY - Fuselage	1	28-7405159, 28-7505001 and up	
	65830-05	D	COCKPIT ASSEMBLY - Fuselage	1	28-11040 to 28-11300 inclusive	
	65830-09	D	COCKPIT ASSEMBLY - Fuselage	1	28-11301 to 28-11393 inclusive	
	65830-13	D	COCKPIT ASSEMBLY - Fuselage	1	28-7110001 to 28-7110042 incl.	
	65830-17	D	COCKPIT ASSEMBLY - Fuselage	1	28-7210001 to 28-7210033 incl.	
	76211-04	D	COCKPIT ASSEMBLY - Fuselage	1	28-7310001 to 28-7310187 incl.	
	76254-04	D	COCKPIT ASSEMBLY - Fuselage	1	28-7410001 to 28-7410072 incl. 28-7410074 to 28-7410120 incl.	
	76254-09	D	COCKPIT ASSEMBLY - Fuselage	1	28-7410073, 28-7510001 to 28-7610020 inclusive	
	76471-903	D	COCKPIT ASSEMBLY - Fuselage	1	28-7610021 and up	
				A- Used on PA-28-180 with serial numbers 28 4378 to 28-7505261 inclusive, PA-28-235 with serial numbers 28-11040 and up, PA-28R-180 and PA-28R-200 airplanes only.		
				B- Used on PA-28R-180 with serial numbers 28R-30679 to 28R-31250 inclusive, and PA-28R-200 with serial numbers 28R-30482, 28R-35001 to 28R-35600 inclusive.		
				C- Used on PA-28R-200 airplanes only.		
				D- Used on PA-28-235 airplanes only.		
				E- Used on PA-28R-180 with serial numbers 28R-31251 to 28R-31279 inclusive, and PA-28R-200 with serial numbers 28R-35601 to 28R-35830 inclusive.		
				F- Used on PA-28R-180 with serial numbers 28R-7130001 to 28R-7130019 inclusive, and PA-28R-200 with serial numbers 28R-7135001 to 28R-7135238 inclusive.		
				G- Used on PA-28R-180 with serial numbers 28R-30005 to 28R-30481 inclusive, 28R-30483 to 28R-30678 inclusive.		
			H- Used on PA-28-180 airplanes only.			

When ordering, always specify Part Number, Description, and Serial Number of Aircraft

PA-28-180
PA-28-235
PA-28R-180
PA-28R-200

PIPER PARTS CATALOG

Figure and Index Number	Part Number	Code	NOMENCLATURE	No. Req.	SERIAL NUMBERS AFFECTED
9-6	76476-00	L	SKIN - Cockpit, left side	1	28R-30005 to 28R-30481 incl.. 28R-30483 to 28R-7130019 incl.
	76476-900	E	SKIN - Cockpit, left side	1	
	65830-03	H	SKIN - Cockpit, left side	1	
-7	76474-02	K	SKIN - Cockpit, left side	1	
	76474-00	J	SKIN - Cockpit, left side	1	
	76474-900	E	SKIN - Cockpit left side	1	
-8	76476-01	D	SKIN - Cockpit, right side	1	
	76476-901	E	SKIN - Cockpit, right side	1	
-9	67251-00	G	UPPER COCKPIT ASSEMBLY - Fuselage	1	
	67251-12	B	UPPER COCKPIT ASSEMBLY - Fuseage		
	67251-14	F	UPPER COCKPIT ASSEMBLY - Fuselage	1	
	99390-02	C	UPPER COCKPIT ASSEMBLY - Fuselage	1	
	76130-00	M	UPPER COCKPIT ASSEMBLY - Fuselage	1	28R-7235001 to 28R-7235330 incl.
	76130-10	M	UPPER COCKPIT ASSEMBLY - Fuselage	1	28R-7335001 to 28R-7335455 incl.
			A - Used on PA-28-180 with serial numbers 28-4378 to 28-7505261 inclusive, PA-28-235 with serial numbers 28-11040 and up, PA-28R-180 and PA-28R-200 airplanes only.		
			B - Used on PA-28R-180 with serial numbors 28R-30679 to 28R-31250 inclusive, and PA-28R-200 with serial numbers 28R-30482. 28R-35001 to 28R-35600 inclusive.		
			C - Used on PA-28R-180 with serial numbers 28R-7130001 to 28R-7130019 inclusive, and PA-28R-200 with serial numbers 28R-7135001 to 28R-7135238 inclusive.		
			D - Used on PA-28-180 with serial numbers 28-4378 to 28-7505261 inclusive, PA-28-235 with serial numbers 28-11040 to 28-7610020 inclusive, PA-28R-180, and PA-28R-200 with serial numbers 28R-30482, 28R-35001 to 28R-7635017 inclusive.		
			E - Used on PA-28-235 with serial numbers 28-7610021 and up. and PA-28R-200 with serial numbers 28R-7635018 and up.		
			F - Used on PA-28R-180 with serial numbers 28R-31251 to 28R-31279 inclusive, and PA-28R-200 with serial numbers 28R-35601 to 28R-35830 inclusive.		
			G - Used on PA-28R-180 with serial numbers 28R-30005 to 28R-30481 inclusive, 28R-30483 to 28R-30678 inclusive.		
			H - Used on PA-28-180 with serial numbers 28-4378 to 28-7505261 inclusive, and PA-28-235 with serial numbers 28-11040 to 28-7610020 inclusive.		
			J - Used on PA-28-180 with serial numbers 28-7305001 to 28-7505261 inclusive, PA-28-235 with serial numbers 28-7310001 to 28-7610020 inclusive, and PA-28R-200 with serial numbers 28R-7235001 to 28R-7635017 inclusive.		
			K - Used on PA-28-180 with serial numbers 28-4378 to 28-7205328 inclusive, PA-28-235 with serial numbers 28-11040 to 28-7210033 inclusive, PA-28R-180 with serial numbers 28R-30005 to 28R-7130019 inclusive, and PA-28R-200 with serial numbers 28R-30482, 28R-35001 to 28R-7135238 inclusive.		
			L - Used on PA-28R-180 airplanes only.		
			M - Used on PA-28R-200 airplanes only.		

When ordering, always specify Part Number, Description, and Serial Number of Aircraft

PA-28-180
PA-28-235
PA-28R-180
PA-28R-200

PIPER PARTS CATALOG

Figure and Index Number	Part Number	Code	NOMENCLATURE	No. Req.	SERIAL NUMBERS AFFECTED
9-9	76360-00	G	UPPER COCKPIT ASSEMBLY - Fuselage	1	28R-7435001 to 28R-7435232 incl.
	76360-04	G	UPPER COCKPIT ASSEMBLY - Fuselage	1	28R-7435234 to 28R-7435331 incl.
	67930-908	G	UPPER COCKPIT ASSEMBLY - Fuselage	1	28R-7635017 inclusive
	67251-09	B	UPPER COCKPIT ASSEMBLY - Fuselage	1	28R-7635018 and up
	67251-13	B	UPPER COCKPIT ASSEMBLY - Fuselage	1	28-4378 to 28-4877 inclusive
	67251-15	B	UPPER COCKPIT ASSEMBLY - Fuselage	1	28-4878 to 28-5600 inclusive
	99390-00	B	UPPER COCKPIT ASSEMBLY - Fuselage	1	28-5601 to 28-5869 inclusive
	99390-06	B	UPPER COCKPIT ASSEMBLY - Fuselage	1	28-7105001 to 28-7105244 incl.
	76213-00	B	UPPER COCKPIT ASSEMBLY - Fuselage	1	28-7205001 to 28-7205328 incl.
	76299-00	B	UPPER COCKPIT ASSEMBLY - Fuselage	1	28-7305001 to 28-7305611 incl.
	76299-08	B	UPPER COCKPIT ASSEMBLY - Fuselage	1	28-7405001 to 28-7405158 incl..
	69251-00	E	UPPER COCKPIT ASSEMBLY - Fuselage	1	28-7405160 to 28-7405290 incl.
	69251-03	E	UPPER COCKPIT ASSEMBLY - Fuselage	1	28-7405159, 28-7505001 and up
	99389-00	E	UPPER COCKPIT ASSEMBLY - Fuselage	1	28-11040 to 28-11300 inclusive
	99389-03	E	UPPER COCKPIT ASSEMBLY - Fuselage	1	28-11301 to 28-11393 inclusive
	76213-03	E	UPPER COCKPIT ASSEMBLY - Fuselage	1	28-7110001 to 28-7110042 incl.
	76299-03	E	UPPER COCKPIT ASSEMBLY - Fuselage	1	28-7110001 to 28-7110042 incl.
	76299-10	E	UPPER COCKPIT ASSEMBLY - Fuselage	1	28-7210001 to 28-7210033 incl.
	76471-908	E	UPPER COCKPIT ASSEMBLY - Fuselage	1	28-7210001 to 28-7210033 incl.
	76470-908	F	UPPER COCKPIT ASSEMBLY - Fuselage	1	28-7310001 to 28-7310187 incl.
-10	79573-02	H	SKIN - Upper cockpit, top center	1	28-7410001 to 28-7410072 incl..
	79573-901	F	SKIN - Upper cockpit, top center	1	28-7410074 to 28-7410120 incl.
-11	62420-22	C	SKIN - Windshield trim, left side	1	28-7410073, 28-7510001 to
	76255-00	D	SKIN - Windshld trim, left side	1	28-7610020 inclusive
			A- Used on PA-28-180 with serial numbers 28-4378 to 28-7505261 inclusive, PA-28-235 with serial numbers 28-11040 and up. PA-28R-180 and PA-28R-200 airplanes only.		28-7610021 and up
			B- Used on PA-28-180 airplanes only.		
			C- Used on PA-28-180 with serial numbers 28-4378 to 28-7305611 inclusive, PA-28-235 with serial numbers 28-11040 to 28-7310187 inclusive, PA-28R-180 with serial numbers 28R-30005 to 28R-7130019 inclusive, and PA-28R-200 with serial numbers 28R-30482, 28R-35001 to 28R-7335455 inclusive.		
			D- Used on PA-28-180 with serial numbers 28-7405001 to 28-7505261 inclusive, PA-28-235 with serial numbers 28-7410001 and up, PA-28R-200 with serial numbers 28R-7435001 and up.		
			E- Used on PA-28-235 airplanes only.		
			F- Used on PA-28-235 with serial numbers 28-7610021 and up, and PA-28R-200 with serial numbers 28R-7635018 and up.		
			G- Used on PA-28R-200 airplanes only.		
			H- Used on PA-28-180 with serial numbers 28-4378 to 28-7505261 inclusive, PA-28-235 with serial numbers 28-11040 to 28-7610020 inclusive, PA-28R-180, and PA-28R-200 with serial numbers 28R-30482, 28R-35001 to 28R-7635017 inclusive.		

When ordering, always specify Part Number, Description, and Serial Number of Aircraft

PA-28-180
PA-28-235
PA-28R-180
PA-28R-200

PIPER PARTS CATALOG

Figure and Index Number	Part Number	Code	NOMENCLATURE	No. Req.	SERIAL NUMBERS AFFECTED
9-12	67263-00	L	SKIN ASSEMBLY - Window trim, left side	1	
	76297-00	D	SKIN ASSEMBLY- Window trim, left side	1	
	67263-01	L	SKIN ASSEMBLY- Window trim, right side	1	
	76297-01	D	SKIN ASSEMBLY - Window trim, right side	1	
-13	62493-00	H	PAN - Door trim, right side	1	
	76467-02	E	PAN - Door trim, right side	1	
-14	67251-02	B,G	UPPER COCKPIT ASSEMBLY - Forward	1	
	67251-10	B,J	UPPER COCKPIT ASSEMBLY - Forward	1	
	67251-16	B,F	UPPER COCKPIT ASSEMBLY - Forward	1	
	99390-04	B,C	UPPER COCKPIT ASSEMBLY - Forward	1	
	76130-02	B,K	UPPER COCKPIT ASSEMBLY - Forward	1	28R-7235001 to 28R-7235612 incl.
	76130-11	B,K	UPPER COCKPIT ASSEMBLY - Forward	1	28R-7335001 to 28R-7335455 incl.
	76360-02	B,K	UPPER COCKPIT ASSEMBLY - Forward	1	28R-7435001 to 28R-7435232 incl. 28R-7435234 to 28R-7435331 incl.
	76360-03	B,K	UPPER COCKPIT ASSEMBLY - Forward	1	28R-7435233, 28R-7535001 to 28R-7635017 inclusive
	67930-909	B,K	UPPER COCKPIT ASSEMBLY - Forward	1	28R-7635018 and up
	67251-08	M,N	UPPER COCKPIT ASSEMBLY - Forward	1	28-4378 to 28-4877 inclusive
	67251-11	M,N	UPPER COCKPIT ASSEMBLY - Forward	1	28-4878 to 28-5600 inclusive
			A - Used on PA-28-180 with serial numbers 28-4378 to 28-7505261 inclusive, PA-28-235 with serial numbers 28-11040 and up, PA-28R-180 and PA-28R-200 airplanes only.		
			B - See Figure 11 for component parts.		
			C - Used on PA-28R-180 with serial numbers 28R-7130001 to 28R-7130019 inclusive, and PA-28R-200 with serial numbers 28R-7135001 to 28R-7135238 inclusive.		
			D - Used on PA-28-180 with serial numbers 28-7405001 to 28-7505261 inclusive, PA-28-235 with serial numbers 28-7410001 and up, PA-28R-200 with serial numbers 28R-7435001 and up.		
			E - Used on PA-28-235 with serial numbers 28-7610021 and up, and PA-28R-200 with serial numbers 28R-7635018 and up.		
			F - Used on PA-28R-180 with serial numbers 28R-31251 to 28R-31279 inclusive, and PA-28R-200 with serial numbers 28R-35601 to 28R-35830 inclusive.		
			G - Used on PA-28R-180 with serial numbers 28R-30005 to 28R-30481 inclusive, 28R-30483 to 28R-30678 inclusive.		
			H - Used on PA-28-180 with serial numbers 28-4378 to 28-7505261 inclusive, PA-28-235 with serial numbers 28-11040 to 28-7610020 inclusive, PA-28R-180, PA-28R-200 with serial numbers 28R-30482, 28R-35001 to 28R-7635017 inclusive.		
			J - Used on PA-28R-180 with serial numbers 28R-30678 to 28R-31250 inclusive, and PA-28R-200 with serial numbers 28R-30482, 28R-35001 to 28R-35600 inclusive.		
			K - Used on PA-28R-200 airplanes only.		
			L - Used on PA-28-180 with serial numbers 28-4378 to 28-7305611 inclusive, PA-28-235 with serial numbers 28-11040 to 28-7310187 inclusive, PA-28R-180 with serial numbers 28R-30005 to 28R-7130019 inclusive, and PA-28R-200 with serial numbers 28R-30482, 28R-35001 to 28R-7335455 inclusive.		
			M - Used on PA-28-180 airplanes only.		
			N - See Figure 10 for component parts.		

When ordering, always specify Part Number, Description, and Serial Number of Aircraft

PA-28-180
PA-28-235
PA-28R-180
PA-28R-200

PIPER PARTS CATALOG

Figure and Index Number	Part Number	Code	NOMENCLATURE	No. Req.	SERIAL NUMBERS AFFECTED
9-14	67251-17	H,J	UPPER COCKPIT ASSEMBLY - Forward	1	28-5601 to 28-5869 inclusive
	99390-03	H,J	UPPER COCKPIT ASSEMBLY - Forward	1	28-7105001 to 28-7205328 incl.
	76213-02	H,J	UPPER COCKPIT ASSEMBLY - Forward	1	28-7305001 to 28-7305611 incl.
	76299-02	H,J	UPPER COCKPIT ASSEMBLY - Forward	1	28-7405001 to 28-7405158 incl..
					28-7405160 to 28-7405290 incl.
	76299-07	H,J	UPPER COCKPIT ASSEMBLY - Forward	1	28-7405159, 28-7505001 to 28-7505261 inclusive
	69251-02	J,K	UPPER COCKPIT ASSEMBLY - Forward	1	28-11040 to 28-11300 inclusive
	69251-04	J,K	UPPER COCKPIT ASSEMBLY - Forward	1	28-11301 to 28-11393 inclusive
	99389-02	J,K	UPPER COCKPIT ASSEMBLY - Forward	1	28-71100a1 to 28-7210033 incl.
	76213-04	J,K	UPPER COCKPIT ASSEMBLY - Forward	1	28-7310001 to 28-7310187 incl.
	76299-04	J,K	UPPER COCKPIT ASSEMBLY - Forward	1	28-7410001 to 28-7410072 incl..
					28-7410074 to 28-7410120 incl.
	76299-09	J,K	UPPER COCKPITASSEMBLY- Forward	1	28-7410073, 28-7510001 to 28-7610020 inclusive
					28-7610021 and up
-15	76471-909	J,K	UPPER COCKPIT ASSEMBLY- Forward	1	
	76470-909	J	UPPER COCKPIT ASSEMBLY - Forward	1	
	67251-04	B	SKIN - Forward upper cockpit, top	1	
	99390-05	D,E	SKIN - Forward upper cockpit, top	1	
	99390-07	F	SKIN - Forward upper cockpit, top	1	
	79569-00	C	SKIN - Forward upper cockpit, top	1	
	79569-901	G	SKIN - Forward upper cockpit, top	1	
			A- Used on PA-28-180 with serial numbers 28-4378 to 28-7505261 inclusive, PA-28-235 with serial numbers 28-11040 and up, PA-28R-180 and PA-28R-200 airplanes only.		
			B- Used on PA-28-180 with serial numbers 28 4378 to 28-5869 inclusive, PA-28R-180 with serial numbers 28R-30005 to 28R-30481 inclusive, 28R-30483 to 28R-31279 inclusive, PA-28R-200with serial numbers 28R-30482, 28R-35001 to 28R-35830 inclusive, and PA-28-235 with serial numbers 28-11040 to 28-11393 inclusive.		
			C- Used on PA-28-180 with serial numbers 28-7405159, 28-7505001 to 28-7505261 inclusive. PA-28-235 with serial numbers 28-7410073, 28-7510001 to 28-7610020 inclusive, and PA-28R-200 with serial numbers 28R-7435233, 28R-7535001 to 28R-7635017 inclusive.		
			D- Used on PA-28R-180 with serial numbers 28R-7310001 to 28R-7130019 inclusive, and PA-28R-200 with serial numbers 28R-7135001 to 28R-7235330 inclusive.		
			E- Used on PA-28-180 with serial numbers 28-7105001 to 28-7205328 inclusive, and PA-28-235 with serial numbers 28-7110001 to 28-7210033 inclusive.		
			F- Used on PA-28-180 with serial numbers 28-7305001 to 28-7405158 inclusive, 28-7405160 to 28-7405290 inclusive, PA-28-235 with serial numbers 28-7310001 to 28-7410072 inclusive, 28-7410074 to 28-7410120 inclusive, and PA-28R-200 with serial numbers 28R-7335001 to 28R-7435232 inclusive, 28R-7435234 to 28R-7435331 inclusive.		
			G- Used on PA-28-235 with serial numbers 28-7610021 and up, and PA-28R-200 with serial numbers 28R-7635018 and up.		
		H- Used on PA-28-180 airplanes only.			
		J- See Figure 10 for component parts.			
		K- Used on PA-28-235 airplanes only.			

When ordering, always specify Part Number, Description, and Serial Number of Aircraft

PA-28-180
PA-28-235
PA-28R-180
PA-28R-200

PIPER PARTS CATALOG

Figure and Index Number	Part Number	Code	NOMENCLATURE	No. Req.	SERIAL NUMBERS AFFECTED
9-16	62507-00		FILLER - Forward upper cockpit, top	1	
-17	68817-50		DOUBLER - Forward upper cockpit, top	1	
-18	65611-07	C	SKIN - Cockpit, left front	1	
	79563-905	J	SKIN - Cockpit, left front	1	
	65611-06	C	SKIN - Cockpit, right front	1	
	79563-901	J	SKIN - Cockpit, right front	1	
-19	62873-02	G,H	UPPER COCKPIT ASSEMBLY - Center	1	
	62873-08	F,G	UPPER COCKPIT ASSEMBLY - Center	1	
	76130-04	B,G	UPPER COCKPIT ASSEMBLY - Center	1	
	76130-15	D,G	UPPER COCKPIT ASSEMBLY - Center	1	
	67930-910	G,K	UPPER COCKPIT ASSEMBLY - Center	1	
	65563-07	E,G	UPPER COCKPIT ASSEMBLY - Center	1	28-11040 to 28-11300 inclusive
	65563-08	E,G	UPPER COCKPIT ASSEMBLY - Center	1	28-11301 to 28-7210033 incl.
	76471-910	E,G	UPPER COCKPIT ASSEMBLY - Center	1	28-7610021 and up
	76470-910	G,J	UPPER COCKPIT ASSEMBLY - Center	1	
<p>A - Used on PA-28-180 with serial numbers 28-4378 to 28-7505261 inclusive, PA-28-235 with serial numbers 28-11040 and up, PA-28R-180 and PA-28R-200 airplanes only.</p> <p>B - Used on PA-28-180 with serial numbers 28-7305001 to 28-7305611 inclusive, PA-28-235 with serial numbers 28-7310001 to 28-7310187 inclusive, and PA-28R-200 with serial numbers 28R-7235001 to 28R-7335455 inclusive.</p> <p>C - Used on PA-28-180 with serial numbers 28 4378 to 28-7505261 inclusive, PA-28-235 with serial numbers 28-11040 to 28-7610020 inclusive, PA-28R-180, and PA-28R-200 with serial numbers 28R-30482, 28R-35001 to 28R-7635017 inclusive.</p> <p>D - Used on PA-28-180 with serial numbers 28-7405001 to 28-7505261 inclusive, PA-28-235 with serial numbers 28-7410001 to 28-7610020 inclusive, and PA-28R-200 with serial numbers 28R-7435001 to 28R-7635017 inclusive.</p> <p>E - Used on PA-28-235 airplanes only.</p> <p>F - Used on PA-28-180 with serial numbers 28-5601 to 28-7205328 inclusive, PA-28R-180 with serial numbers 28R-31251 to 28R-7130019 inclusive, and PA-28R-200 with serial numbers 28R-35601 to 28R-7135238 inclusive.</p> <p>G - See Figure 12 for component parts.</p> <p>H - Used on PA-28-180 with serial numbers 28-437B to 28-5600 inclusive, PA-28R-180 with serial numbers 28R-30005 to 28R-30481 inclusive, 28R-30483 to 28R-31250 inclusive, and PA-28R-200 with serial numbers 28R-30482, 28R-35001 to 28R-35600 inclusive.</p> <p>J - Used on PA-28-235 with serial numbers 28-7610021 and up, and PA-28R-200 with serial numbers 28R-7635018 and up.</p> <p>K - Used on PA-28R-200 airplanes only.</p>					

When ordering, always specify Part Number, Description, and Serial Number of Aircraft

PA-28-180
PA-28-235
PA-28R-180
PA-28R-200

PIPER PARTS CATALOG

Figure and Index Number	Part Number	Code	NOMENCLATURE	No. Req.	SERIAL NUMBERS AFFECTED
9-20	79576-00		SKIN - Upper cockpit, top front	1	
	79576-02	C	SKIN - Upper cockpit, top front	1	
	79576-901	D	SKIN - Upper cockpit, top front	1	
-21	62420-11	E	SKIN - Windshield trim, right side	1	
	79561-03	D	SKIN - Windshield trim, right side	1	
-22	62490-00	F	SKIN - Window trim, left side	1	
	76256-00	B	SKIN - Window trim, left side	1	
	62491-00	F	SKIN - Window trim, right side	1	
	76257-00	B	SKIN - Window trim, right side	1	
			A - Used on PA-28-180 with serial numbers 28-4378 to 28-7505261 inclusive, PA-28-235 with serial numbers 28-11040 and up, PA-28R-180 and PA-28R-200 airplanes only.		
			B - Used on PA-28-180 with serial numbers 28-7405001 to 28-7505261 inclusive, PA-28-235 with serial numbers 28-7410001 and up, PA-28R-200 with serial numbers 28R-7435001 and up.		
			C - Used on PA-28-180 with serial numbers 28-7305001 to 28-7505261 inclusive, PA-28-235 with serial numbers 28-7310001 to 28-7610020 inclusive, and PA-28R-200 with serial numbers 28R-7235001 to 28R-7635017 inclusive.		
			D - Used on PA-28-235 with serial numbers 28-7610021 and up, and PA-28R-200 with serial numbers 28R-7635018 and up.		
			E - Used on PA-28-180 with serial numbers 28-4378 to 28-7505261 inclusive, PA-28-235 with serial numbers 28-11040 to 28-7610020 inclusive, PA-28R-180 PA-28R-200 with serial numbers 28R-30482, 28R-35001 to 28R-7635017 inclusive.		
			F - Used on PA-28-180 with serial numbers 28-4378 to 28-7305611 inclusive, PA-28-235 with serial numbers 28-11040 to 28-7310187 inclusive, PA-28R-180 with serial numbers 28R-30005 to 28R-7130019 inclusive, and PA-28R-200 with serial numbers 28R-30482, 28R-35001 to 28R-7335455 inclusive.		
			G - Used on PA-28-180 with serial numbers 28-4378 to 28-7205328 inclusive, PA-28-235 with serial numbers 28-11040 to 28-7210033 inclusive, PA-28R-180 with serial numbers 28R-30005 to 28R-7130019 inclusive, and PA-28R-200 with serial numbers 28R-30482, 23R-35001 to 28R-7135238 inclusive		

When ordering, always specify Part Number, Description, and Serial Number of Aircraft

PA-28-180
PA-28-235
PA-28R-180
PA-28R-200

PIPER PARTS CATALOG

Figure and Index Number	Part Number	Code	NOMENCLATURE	No. Req.	SERIAL NUMBERS AFFECTED	
9-23	67252-00	G,K	LOWER COCKPIT ASSEMBLY - Fuselage	1		
	67252-05	G,J	LOWER COCKPIT ASSEMBLY - Fuselage	1		
	76112-00	G,H	LOWER COCKPIT ASSEMBLY - Fuselage	1	2BR-7235001 to 28R-7335455incl.	
	76112-07	G,H	LOWER COCKPIT ASSEMBLY - Fuselage	1	28R-7435001 to 28R-7635017incl.	
	67930-905	G,H	LOWER COCKPIT ASSEMBLY - Fuselage	1	28R-7635018 and up	
	65600-02	D,G	LOWER COCKPIT ASSEMBLY - Fuselage	1	28-4378 to 28-5869 inclusive	
	65600-03	D,G	LOWER COCKPIT ASSEMBLY - Fuselage	1	28-7105001 to 28-7105244 incl.	
	65600-04	D,G	LOWER COCKPIT ASSEMBLY - Fuselage	1	28-7205001 to 28-7205328 incl.	
	76212-00	D,G	LOWER COCKPIT ASSEMBLY - Fuselage	1	28-7305001 to 28-7305611 incl.	
	76212-03	D,G	LOWER COCKPIT ASSEMBLY - Fuselage	1	28-7405001 to 28-7505261i ncl.	
	65534-00	E,G	LOWER COCKPIT ASSEMBLY - Fuselage	1	28-11040 to 28-11393 inclusive	
	65534-05	E,G	LOWER COCKPIT ASSEMBLY - Fuselage	1	28-7110001 to 28-7110042 incl.	
	65534-06	E,G	LOWER COCKPIT ASSEMBLY - Fuselage	1	28-7210001 to 28-7210033 incl	
	76312-00	E,G	LOWER COCKPIT ASSEMBLY - Fuselage	1	28-7310001 to 28-7310187 incl.	
	76312-02	E,G	LOWER COCKPIT ASSEMBLY - Fuselage	1	28-7410001 to 28-7610020 incl.	
	76471-905	E,G	LOWER COCKPIT ASSEMBLY - Fuselage	1	28-7610021 and up	
	76470-905	G	LOWER COCKPIT ASSEMBLY - Fuselage	1		
	-24	67252-02	F	SKIN - Lower cockpit, front	1	
		79582-03	H	SKIN - Lower cockpit, front	1	28R-7235001 to 28R-7635017 incl.
		79582-901	H	SKIN - Lower cockpit, front	1	28R-7635018 and up
65467-02		D	SKIN - Lower cockpit, front	1	28-4378 to 28-7205328 incl.	
65534-04		E	SKIN - Lower cockpit, front	1	28-11040 to 28-7210033 incl.	
79582-02		B	SKIN - Lower cockpit, front	1		
79582-902		C	SKIN - Lower cockpit, front	1		
			A - Used on PA-28-180 with serial numbers 284378 to 28-7505261 inclusive, PA-28-235 with serial numbers 28-11040 and up, PA-28R-180 and PA-28R-200 airplanes only.			
			B - Used on PA-28-180 with serial numbers 28-7305001 to 28-7505261 inclusive, and PA-28-235 with serial numbers 28-7310001 to 28-7610020 inclusive.			
			C - Used on PA-28-235 with serial numbers 28-7610021 and up.			
		D - Used on PA-28-180 airplanes only.				
		E - Used on PA-28-235 airplanes only.				
		F - Used on PA-28R-180 with serial numbers 28R-30005 to 28R-7130019 inclusive, and PA-28R-200 with serial numbers 28R-30482, 28R-35001 to 28R-7135238 inclusive.				
		G - See Figure 13 and 14 for component parts.				
		H - Used on PA-28R-200 airplanes only.				
		J - Used on PA-28R-180 with serial numbers 28R-7130001 to 28R-7130019 inclusive, and PA-28R-200 with serial numbers 28R-7135001 to 28R-7135238 inclusive.				
		K - Used on PA-28R-180 with serial numbers 28R-30005 to 28R-30481 inclusive, 28R-30483 to 28R-31279 inclusive, and PA-28R-200 with serial numbers 28R-30482, 28R-35001 to 28R-35830 inclusive.				

When ordering, always specify Part Number, Description, and Serial Number of Aircraft

PIPER PARTS CATALOG

Figure and Index Number	Part Number	Code	NOMENCLATURE	No. Req.	SERIAL NUMBERS AFFECTED
9-25	79585-00	J	*** SKIN - Lower cockpit, center front	1	
	79585-02	G	*** SKIN - Lower cockpit, center front	1	
	65534-03	E	*** SKIN - Lower cockpit, center front	1	28-11040 to 28-7210033 incl.
	79585-901	F	*** SKIN - Lower cockpit, center front	1	
-26	79578-03	C	*** SKIN - Lower cockpit, center rear	1	
	79578-903	H	*** SKIN - Lower cockpit, center rear	1	28R-7635018 and up
	79578-00	D	*** SKIN - Lower cockpit, center rear	1	28-4378 to 28-7505261 incl.
	79578-02	E	*** SKIN - Lower cockpit, center rear	1	28-11040 to 28-7610020 incl.
	79578-902	E	*** SKIN - Lower cockpit, center rear	1	28-7610021 and up
-27	68539-00		*** DOUBLER ASSEMBLY - Lower cockpit	2	
-28	68540-00		*** DOUBLER ASSEMBLY - Lower cockpit, left	1	
	68540-01		*** DOUBLER ASSEMBLY - Lower cockpit, right	1	
-29	62549-00		*** DOUBLER - Lower cockpit	2	
-30	65556-00	B	*** DOUBLER - Lower cockpit air scoop	1	
	65556-02	H	*** DOUBLER - Lower cockpit air scoop (less 4" hole)	1	28R-7235001 and up
	65556-02	D	*** DOUBLER - Lower cockpit air scoop (less 4" hole)	1	28-7205092 and up
<p>A - Used on PA-28-180 with serial numbers 28-4378 to 28-7505261 inclusive, PA-28-235 vnth serial numbers 28-11040 and up, PA-28R-180 and PA-28R-200 airplanes only.</p> <p>B - Order P/N 65556-02 if air conditioning is installed.</p> <p>C - Used on PA-28R-180 and PA-28R-200 with serial numbers 28R-30482, 28R-35001 to 28R-7635017 inclusive.</p> <p>D - Used on PA-28-180 airplanes only.</p> <p>E - Used on PA-28-235 airplanes only.</p> <p>F - Used on PA-28-235 with serial numbers 28-7610021 and up, and PA-28R-200 with serial numbers 28R-7635018 and up.</p> <p>G - Used on PA-28-180 with serial numbers 28-7305001 to 28-7505261 inclusive, PA-28-235 with serial numbers 28-7310001 to 28-7610020 inclusive, and PA-28R-200 with serial numbers 28R-7235001 to 28R-7635017 inclusive.</p> <p>H - Used on PA-28R-200 airplanes only.</p> <p>J - Used on PA-28-180 with serial numbers 28-4378 to 28-7205328 inclusive, PA-28R-180 with serial numbers 28R-30005 to 28R-7130019 inclusive, and PA-28R-200 with serial numbers 28R-30482, 28R-35001 to 28R-7135238 inclusive.</p>					

When ordering, always specify Part Number, Description, and Serial Number of Aircraft

PA-28-180
PA-28-235
PA-28R-180
PA-28R-200

PIPER PARTS CATALOG

Figure and Index Number	Part Number	Code	NOMENCLATURE	No. Req.	SERIAL NUMBERS AFFECTED
9-31	66609-00	B	*** SCOOP - Cabin air exhaust	1	
-32	62541-00		*** DOUBLER - Lower cockpit, left	1	
	62541-01		*** DOUBLER - Lower cockpit, right	1	
-33	62660-00	C,F	*** LOWER COCKPIT ASSEMBLY - Aft	1	
	62660-00	D,F	*** LOWER COCKPIT ASSEMBLY - Aft	1	28-7105001 to 28-7105244 incl.
	62660-15	D,F	*** LOWER COCKPIT ASSEMBLY - Aft	1	28-7205001 to 28-7505261 incl.
	62660-12	E,F	*** LOWER COCKPIT ASSEMBLY - Aft	1	28-10003 to 28-7110042 incl.
	62660-16	E,F	*** LOWER COCKPIT ASSEMBLY - Aft	1	28-7210001 to 28-7610020 incl.
	76470-907	F,H	*** LOWER COCKPIT ASSEMBLY - Aft	1	
-34	79580-00	G	*** SKIN - Lower cockpit, left rear	1	
	79580-900	H	*** SKIN - Lower cockpit, left rear	1	
	79580-01	G	*** SKIN - Lower cockpit, right rear	1	
	79580-901	H	*** SKIN - Lower cockpit, right rear	1	
-35	68569-00	E	*** DOUBLER - Lower cockpit, left	1	
-36	62660-06	G	*** SKIN ASSEMBLY - Lower cockpit, center	1	
	76470-963	H	*** SKIN ASSEMBLY - Lower cockpit, center	1	
-36a	79581-900	H	*** SKIN - Lower cockpit, center	1	
-37	76475-00	G	* SKIN - Cockpit, left rear	1	
	76475-900	H	* SKIN - Cockpit, left rear	1	
-38	761 077	J,W	* KIT - Cabin assist handle replacement	1	
	481 772	K,W	* HANDLE - Upper cockpit (N12865)	1	
-39	79427-02		COVER - ADF antenna closeout	1	
-40	65384-00		STEP ASSEMBLY - Fuselage	1	
-41	65431-00		* STRIP - Safety	1	
<p>A - Used on PA-28-180 with serial numbers 28-4378 to 28-7505261 inclusive, PA-28-235 with serial numbers 28-11040 and up, PA-28R-180 and PA-28R-200 airplanes only.</p> <p>B - See Figure 32D or Figure 32E if Cabin Overhead Air Vent Installation is made.</p> <p>C - Used on PA-28R-180 and PA-28R-200 airplanes only.</p> <p>D - Used on PA-28-180 airplanes only.</p> <p>E - Used on PA-28-235 airplanes only.</p> <p>F - See Figure 14 for component parts.</p> <p>G - Used on PA-28-180 with serial numbers 28-4378 to 28-7505261 inclusive, PA-28-235 with serial numbers 28-11040 to 28-7610020 inclusive, PA-28R-180, and PA-28R-200 with serial numbers 28R-30482, 28R-35001 to 28R-7635017 inclusive.</p> <p>H - Used on PA-28-235 with serial numbers 28-7610021 and up, and PA-28R-200 with serial numbers 28R-7635018 and up.</p> <p>J - Used on PA-28-180 with serial numbers 28-4378 to 28-7505184 inclusive, PA-28-235 with serial numbers 28-11040 to 28-7510059 inclusive, PA-28R-180 with serial numbers 28R-30005 to 28R-7130019 inclusive, and PA-28R-200 with serial numbers 28R-30482, 28R-35001 to 28R-7535189 inclusive.</p> <p>K - Used on PA-28-180 with serial numbers 28-7505185 to 28-7505261 inclusive, PA-28-235 with serial numbers 28-7510060 and up, and PA-28R-200 with serial numbers 28R-7535190 and up.</p> <p>W - These parts must be ordered from Service Spares Department, Piper Aircraft, Lock Haven. Penna.</p>					

When ordering, always specify Part Number, Description, and Serial Number of Aircraft

PA-28-180
PA-28-235
PA-28R-180
PA-28R-200

PIPER PARTS CATALOG

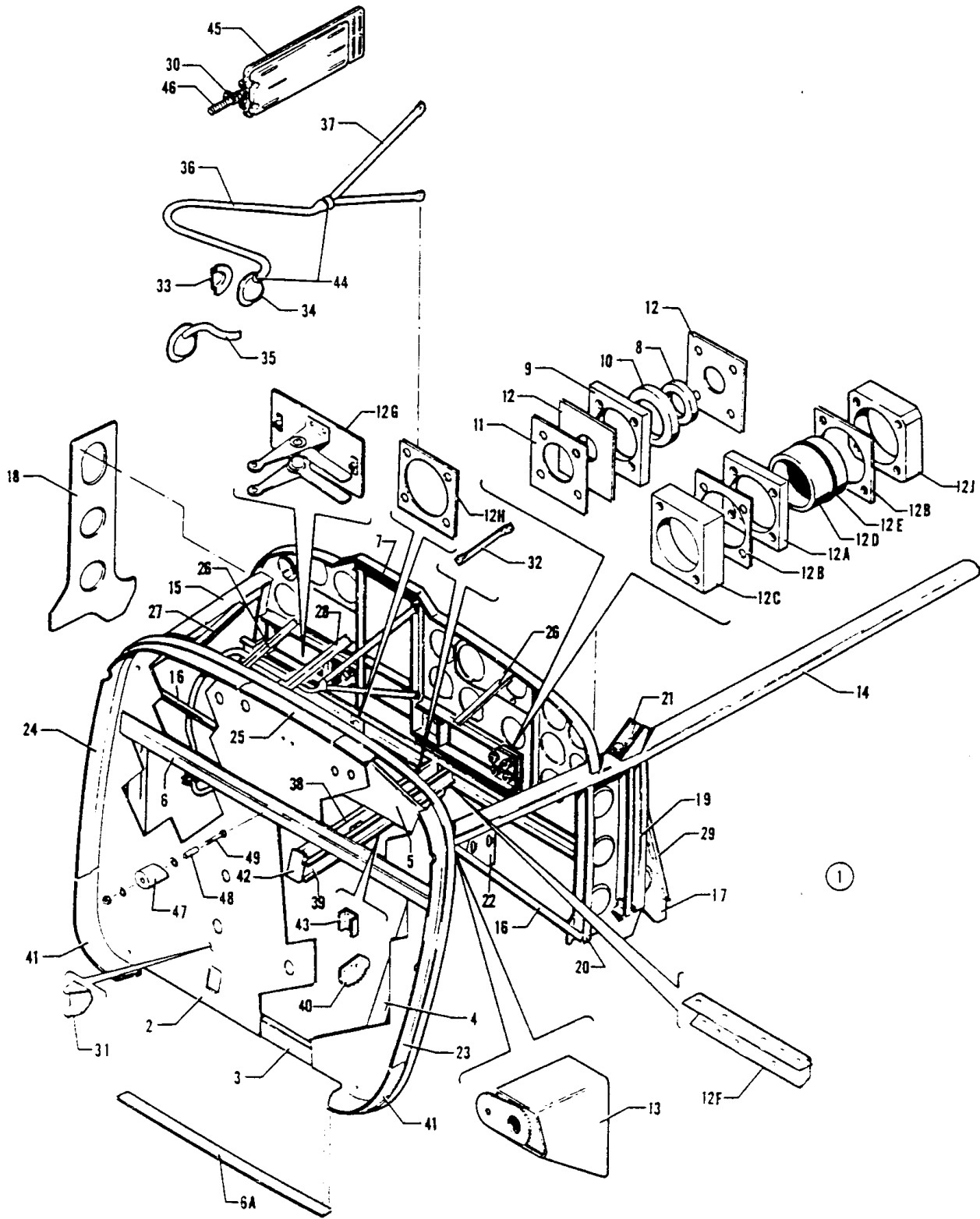


Figure 10. Upper Forward Cockpit Assembly

REVISED: MAY 1980

1C14

PA-28-140
 PA-28-150
 PA-28-160
 PA-28-180
 PA-28-235

PIPER PARTS CATALOG

Figure and Index Number	Part Number	Code	NOMENCLATURE	No. Req.	SERIAL NUMBERS AFFECTED
10-1	62420-14	B	UPPER COCKPIT ASSEMBLY - Forward	1	28-21846 to 28-21930 inclusive. 28-21935 to 28-24999 inclusive 28-25000 to 28-26400 inclusive 28-26401 to 28-26956 inclusive 28-7125001 to 28-7225612 incl. 28-7325001 to 28-7325684 incl. 28-7425001 to 28-7425298 incl.. 28-7425300 to 28-7425454 incl. 28-7425299 to 28-7525001 to 28-7625030 inclusive 28-7625031 and up 28-1761 to 28-3377 inclusive 28-3378 to 28-4377 inclusive 28-10003 to 28-10486 inclusive 28-10487 to 28-10719 inclusive 28-10720 to 28-11039 inclusive 28-4378 to 28-4877 inclusive 28-11040 to 28-11300 inclusive 28-11301 to 28-11393 inclusive 28-7110001 to 28-7210033 incl. 28-7310001 to 28-7310187 incl. 28-7410001 to 28-7410072 incl.. 28-7410074 to 28-7410120 incl. 28-7410073, 28-7510001 to 28-7610020 inclusive 28-7610021 and up 28-4878 to 28-5600 inclusive 28-5601 to 28-5869 inclusive 28-7105001 to 28-7205328 incl. 28-7305001 to 28-7305611 incl. 28-7405001 to 28-7405158 incl.. 28-7405160 to 28-7405290 incl. 28-7405159, 28-7505001 to 28-7505261 inclusive 28-1 to 28-1520 inclusive 28-1521 to 28-1760 inclusive 28-20002 to 28-20520 inclusive 28-10003 to 28-10486 inclusive 28-1761 to 28-3377 inclusive 28-3378 to 28-4377 inclusive 28-10487 to 28-10719 inclusive 28-10720 to 28-11039 inclusive 28-20521 to 28-21845 inclusive. 28-21931 to 28-21934 inclusive. 28-21846 to 28-21930 inclusive. 28-21935 to 28-22095 inclusive
	62420-21	D	UPPER COCKPIT ASSEMBLY - Forward	1	
	66699-02	D	UPPER COCKPIT ASSEMBLY - Forward	1	
	66699-07	D	UPPER COCKPIT ASSEMBLY - Forward	1	
	99388-02	D	UPPER COCKPIT ASSEMBLY - Forward	1	
	99388-07	D	UPPER COCKPIT ASSEMBLY - Forward	1	
	99388-10	D	UPPER COCKPIT ASSEMBLY - Forward	1	
	99388-14	D	UPPER COCKPIT ASSEMBLY - Forward	1	
	79549-909	D	UPPER COCKPIT ASSEMBLY - Forward	1	
	62375-06	A	UPPER COCKPIT ASSEMBLY - Forward	1	
	62375-11	A	UPPER COCKPIT ASSEMBLY - Forward	1	
	65088-02	C	UPPER COCKPIT ASSEMBLY - Forward	1	
	65443-04	C	UPPER COCKPIT ASSEMBLY - Forward	1	
	65563-02	C	UPPER COCKPIT ASSEMBLY - Forward	1	
	67251-08	E	UPPER COCKPIT ASSEMBLY - Forward	1	
	69251-02	C	UPPER COCKPIT ASSEMBLY - Forward	1	
	69251-04	C	UPPER COCKPIT ASSEMBLY - Forward	1	
	99389-02	C	UPPER COCKPIT ASSEMBLY - Forward	1	
	76213-04	C	UPPER COCKPIT ASSEMBLY - Forward	1	
	76299-04	C	UPPER COCKPIT ASSEMBLY - Forward	1	
	76299-09	C	UPPER COCKPIT ASSEMBLY - Forward	1	
	76471-909	C	UPPER COCKPIT ASSEMBLY - Forward	1	
	67251-11	E	UPPER COCKPIT ASSEMBLY - Forward	1	
	67251-17	E	UPPER COCKPIT ASSEMBLY - Forward	1	
	99390-03	E	UPPER COCKPIT ASSEMBLY - Forward	1	
	76213-02	E	UPPER COCKPIT ASSEMBLY - Forward	1	
	76299-02	E	UPPER COCKPIT ASSEMBLY - Forward	1	
76299-07	E	UPPER COCKPIT ASSEMBLY - Forward	1		
-2	63284-00	A	FRAME ASSEMBLY - Firewall	1	
	63284-02	A	FRAME ASSEMBLY - Firewall	1	
	63284-02	D	FRAME ASSEMBLY - Firewall	1	
	65111-00	C	FRAME ASSEMBLY - Firewall	1	
	62319-00	A	FRAME ASSEMBLY - Firewall	1	
	62319-03	A	FRAME ASSEMBLY - Firewall	1	
	65111-02	C	FRAME ASSEMBLY - Firewall	1	
	65547-00	C	FRAME ASSEMBLY - Firewall	1	
	63462-00	D	FRAME ASSEMBLY - Firewall	1	
	63462-02	D	FRAME ASSEMBLY - Firewall	1	
	<p>A Used on PA-28-50, PA-28-160 and PA-28-180 airplanes only.</p> <p>B - Used on PA-28-150, PA-28-160 and PA-28-180 with serial numbers 28-1 to 28-1760 inclusive, and PA-28-140 with serial numbers 28-20002 to 28-21845 inclusive.</p> <p>C - Used on PA-28-235 airplanes only.</p> <p>D - Used on PA-28-140 airplanes only.</p> <p>E - Used on PA-28-180 airplanes only.</p>				

When ordering, always specify Part Number, Description, and Serial Number of Aircraft

PA-28-140
PA-28-150
PA-28-160
PA-28-180
PA-28-235

PIPER PARTS CATALOG

Figure and Index Number	Part Number	Code	NOMENCLATURE	No. Req.	SERIAL NUMBERS AFFECTED
10-2	63462-03	D	* FRAME ASSEMBLY - Firewall	1	28-22096 to 28-24999 inclusive
	66706-00	D	* FRAME ASSEMBLY - Firewall	1	28-25000 to 28-7325684 incl.
	66706-02	D	* FRAME ASSEMBLY - Firewall	1	28-7425001 to 28-7425298 incl.. 28-7425300 to 28-7425454 incl.
	66706-03	D	* FRAME ASSEMBLY - Firewall	1	28-7425299, 28-7525001 and up
	65845-00	B	* FRAME ASSEMBLY - Firewall	1	28-4378 to 28-4877 inclusive
	65845-02	B	* FRAME ASSEMBLY - Firewall	1	28-4878 to 28-7305611 incl.
	65845-03	B	* FRAME ASSEMBLY - Firewall	1	28-7405001 to 28-7405158 incl.. 28-7405160 to 28-7405290 incl.
	65845-04	B	* FRAME ASSEMBLY - Firewall	1	28-7405149, 28-7505001 and up
	69250-00	C	* FRAME ASSEMBLY - Firewall	1	28-11040 to 28-7310187 incl.
	69250-02	C	* FRAME ASSEMBLY - Firewall	1	28-7410001 to 28-7410072 incl.. 28-7410074 to 28-7410120 incl.
	69250-03	C	* FRAME ASSEMBLY - Firewall	1	28-7410073, 28-7510001 and up
-3	62438-00		** CHANNEL - Upper cockpit assembly, firewall	1	
-4	62435-00	E	** CHANNEL - Upper cockpit, firewall, left	1	
	62435-01	E	** CHANNEL - Upper cockpit, firewall, right	1	
	63436-00	A	** CHANNEL - Upper cockpit, firewall, left	1	
	63436-01	A	** CHANNEL - Upper cockpit, firewall, right	1	
-5	62439-00	F	** BEAM - Upper cockpit, firewall	1	
	67266-02	D	** BEAM - Upper cockpit, firewall	1	28-25000 and up
	65555-00	C	** BEAM - Upper cockpit, firewall	1	28-10720 to 28-11039 inclusive
	67266-00	B	** BEAM - Upper cockpit, firewall	1	28-4378 to 28-4877 inclusive
	67266-02	B	** BEAM - Upper cockpit, firewall	1	28-4878 and up
	67266-02	C	** BEAM - Upper cockpit, firewall	1	28-11040 and up
-6	63423-00	G	** CHANNEL ASSEMBLY - Toe brake reinforcement	1	
	63423-04	D	** CHANNEL ASSEMBLY - Toe brake reinforcement	1	28-25000 and up
	63423-04	B	** CHANNEL ASSEMBLY - Toe brake reinforcement	1	28-4378 and up
	63423-04	C	** CHANNEL ASSEMBLY - Toe brake reinforcement	1	28-11040 and up
-6a	63285-00		** ANGLE - Firewall	1	

A - Used on PA-28-150, PA-28-160 and PA-28-180 airplanes only.
 B - Used on PA-28-180 airplanes only.
 C - Used on PA-28-235 airplanes only.
 D - Used on PA-28-140 airplanes only.
 E - Used on PA-28-140 with serial numbers 28-20002 to 28-20520 inclusive, PA-28-235 with serial numbers 28-10003 to 28-10486 inclusive, and PA-28-150, PA-28-160 and PA-28-180 with serial numbers 28-1 to 28-1760 inclusive.
 F - Used on PA-28-140 with serial numbers 28-20002 to 28-24999 inclusive, PA-28-150, PA-28-160 and PA-28-180 with serial numbers 28-1 to 28-4377 inclusive, and PA-28-235 with serial numbers 28-10003 to 28-10719 inclusive.
 G - Used on PA-28-140 with serial numbers 28-20521 to 28-24999 inclusive, PA-28-150, PA-28-160 and PA-28-180 with serial numbers 28-1761 to 28-4377 inclusive, and PA-28-235 with serial numbers 28-10487 to 28-11039 inclusive

When ordering, always specify Part Number, Description, and Serial Number of Aircraft

PA-28-140
 PA-28-150
 PA-28-160
 PA-28-180
 PA-28-235

PIPER PARTS CATALOG

Figure and Index Number	Part Number	Code	NOMENCLATURE	No. Req.	SERIAL NUMBERS AFFECTED	
10-7	62521-14		PANEL ASSEMBLY - Instrument	1	28-1 to 28-1230 inclusive	
	62154 00	A	PANEL ASSEMBLY - Instrument	1	28-1231 to 28-1760 inclusive	
	62154-00	D	PANEL ASSEMBLY - Instrument	1	28-20002 to 28-24999 inclusive	
	67120-04	D	PANEL ASSEMBLY - Instrument	1	28-25000 to 28-26400 inclusive	
	67120-07	D	PANEL ASSEMBLY - Instrument	1	28-26401 to 28-26956 inclusive	
	67120-11	D	PANEL ASSEMBLY - Instrument	1	28-7125001to 28-7225612 incl.	
	67120-14	D	PANEL ASSEMBLY - Instrument	1	28-7325001 to 28-7325684 incl.	
	67120-17	D	PANEL ASSEMBLY - Instrument	1	28-7425001 to 28-7425298 incl.. 28-7425300 to 28-7425454 incl.	
	79329-00	D	PANEL ASSEMBLY - Instrument	1	28-7425299, 28-7525001 and up	
	65140-00	C	PANEL ASSEMBLY - Instrument	1	28-10003 to 28-10486 inclusive	
	62881-00	C	PANEL ASSEMBLY - Instrument	1	28-10487 to 28-10660 inclusive	
	62881-00	A	PANEL ASSEMBLY - Instrument	1	28-1761 to 28-2422 inclusive	
	63765-00	C	PANEL ASSEMBLY - Instrument	1	28-10661 to 28-10719 inclusive	
	63765-02	C	PANEL ASSEMBLY - Instrument	1	28-10720 to 28-11039 inclusive	
	63765-00	A	PANEL ASSEMBLY - Instrument	1	28-2423 to 28-3377 inclusive	
	63765-03	A	PANEL ASSEMBLY - Instrument	1	28-3378 to 284377 inclusive	
	67120-02	H	PANEL ASSEMBLY - Instrument	1		
	67120-06	E	PANEL ASSEMBLY - Instrument	1		
	67120-10	F	PANEL ASSEMBLY - Instrument	1		
	67120-13	G	PANEL ASSEMBLY - Instrument	1		
	67120-16	J	PANEL ASSEMBLY - Instrument	1		
	79329-02	B	PANEL ASSEMBLY - Instrument	1		
				A - Used on PA-28-150, PA-28-160 and PA-28-180 airplanes only.		
				B - Used on PA-28-180 with serial numbers 28-7405159, 28-7505001 to 28-7505261 inclusive, and PA-28-235 with serial numbers 28-7410073, 28-7510001 and up.		
				C - Used on PA-28-235 airplanes only.		
				D - Used on PA-28-140 airplanes only.		
				E - Used on PA-28-180 with serial numbers 28-5601 to 28-5869 inclusive, and PA-28-235 with serial numbers 28-11301 to 28-11393 inclusive.		
			F - Used on PA-28-180 with serial numbers 28-7105001 to 28-7205328 inclusive, and PA-28-235 with serial numbers 28-7110001 to 28-7210033 inclusive.			
			G - Used on PA-28-180 with serial numbers 28-7305001 to 28-7305611 inclusive, and PA-28-235 with serial numbers 28-7310001 to 28-7310187 inclusive.			
			H - Used on PA-28-180 with serial numbers 28-4378 to 28-5600 inclusive, and PA-28-235 with serial numbers 28-11040 to 28-11300 inclusive.			
			J - Used on PA-28-180 with serial numbers 28-7405001 to 28-7405158 inclusive, 28-7405160 to 28-7405290 inclusive, and PA-28-235 with serial numbers 28-7410001 to 28-7410072, 28-7410074 to 28-7410120 inclusive			

When ordering, always specify Part Number, Description, and Serial Number of Aircraft

PA-28-140
PA-28-150
PA-28-160
PA-28-180
PA-28-235

PIPER PARTS CATALOG

Figure and Index Number	Part Number	Code	NOMENCLATURE	No. Req.	SERIAL NUMBERS AFFECTED
10-8	62788-00		BUSHING - Control wheel "150" and "160"	2	28-1 to 28-840 inclusive
	62870-00	A	BUSHING - Control wheel "150" and "160"	2	
-9	62869-00	A	PLATE - Control wheel	2	
-10	62871-00	A	SPACER - Control wheel	2	
-11	62521-09	G	PLATE - Control wheel	2	
-12	62521-15	G	WASHER - Control wheel	2	
-12a	68272-02	B	PLATE - Control wheel	2	
-12b	68272-03	B	PLATE - Control wheel	4	
-12c	68272-04		PLATE - Control wheel	2	
-12d	68273-02	B	BUSHING - Control wheel	2	
-12e	484 792	B	"O" RING - Control wheel (MS28775-218)	2	
-12f	67125-00	H	CHANNEL - Hand brake	1	
-12g	67390-03	F	CONTROL ASSEMBLY - Heat and defroster	1	28-4378 to 28-4877 inclusive
	69283-03	J	CONTROL ASSEMBLY - Heat and defroster	1	
	79863-03	E	CONTROL ASSEMBLY - Heat and defroster	1	
-12h	66695-00	D	RETAINER - Instrument	1	28-25000 and up
-12j	66931-00	C	PLATE - Control wheel lock	1	
			<p>A - Used on PA-28-150 and PA-28-160 with serial numbers 28-841 to 28-3377 inclusive, PA-28-180 with serial numbers 28-671 to 28-3377 inclusive, PA-28-140 with serial numbers 28-20002 to 28-24999 inclusive, and PA-28-235 with serial numbers 28-10003 to 28-10719 inclusive.</p> <p>B - Used on PA-28-140 with serial numbers 28-25000 and up, PA-28-150, PA-28-160 and PA-28-180 with serial numbers 28-3378 to 28-7505261 inclusive, and PA-28-235 with serial numbers 28-10720 and up.</p> <p>C - Used on PA-28-140 with serial numbers 28-26401 to 28-7225612 inclusive, PA-28-180 with serial numbers 28-5601 to 28-7205328 inclusive, and PA-28-235 with serial numbers 28-11301 to 28-7210033 inclusive.</p> <p>D - Used on PA-28-140 airplanes only.</p> <p>E - Used on PA-28-140 with serial numbers 28-7125001 and up, PA-28-180 with serial numbers 28-7105001 to 28-7505261 inclusive, and PA-28-235 with serial numbers 28-7110001 and up.</p> <p>F - Used on PA-28-180 airplanes only.</p> <p>G - Used on PA-28-150, PA-28-160 and PA-28-180 with serial numbers 28-1 to 28-3377 inclusive, PA-28-235 with serial numbers 28-10003 to 28-10719 inclusive, and PA-28-140 with serial numbers 28-20002 to 28-24999 inclusive.</p> <p>H - Used on PA-28-140 with serial numbers 28-25000 and up, PA-28-180 with serial numbers 28-4378 to 28-7505261 inclusive, and PA-28-235 with serial numbers 28-11040 and up.</p> <p>J - Used on PA-28-1-0 with serial numbers 28-25000 to 28-26956 inclusive, PA-28-180 with serial numbers 28-4878 to 28-5869 inclusive, and PA-28-235 with serial numbers 28-11040 to 28-11393 inclusive.</p>		

When ordering, always specify Part Number, Description, and Serial Number of Aircraft

PA-28-140
PA-28-150
PA-28-160
PA-28-180
PA-28-235

PIPER PARTS CATALOG

Figure and Index Number	Part Number	Code	NOMENCLATURE	No. Req.	SERIAL NUMBERS AFFECTED
10-13	62425-00	K	FITTING - Engine mount center, left	1	
	62425-01	K	FITTING - Engine mount center, right	1	
	79739-02	L	FITTING - Engine mount center, left	1	
	79739-03	L	FITTING - Engine mount center, right	1	
-14	62472-00	A	LONGERON - Upper, left	1	28-1 to 284377 inclusive
	62472-00	D	LONGERON - Upper left	1	
	62472-00	C	LONGERON - Upper left	1	28-10003 to 28-10719 inclusive
	65571-00	C	LONGERON - Upper, left	1	28-10720 to 28-7210033 incl.
	76489-02	C	LONGERON - Upper, left	1	28-7310001 and up
	65571-00	B	LONGERON - Upper, left	1	28-4378 to 28-7205328 incl.
	76489-02	B	LONGERON - Upper, left	1	28-7305001 to 28-7505261 incl.
-15	62473 00	G	LONGERON - Upper, right, front	1	
	62473-02	J	LONGERON - Upper, right, front	1	
-16	62485-00		CHANNEL - Left	1	
	62485-01		CHANNEL - Right	1	
-17	62498-00	E	WEB - Fuselage, left side	1	
	76136-00	F	WEB - Fuselage, left side	1	
-18	62499-00		WEB - Fuselage, right side	1	
-19	62653-04		FRAME ASSEMBLY - Upper forward cockpit, left	1	
-20	62674-00	A	ZEE - Upper forward cockpit, left	1	28-1 to 284377 inclusive
	62674-03	H	ZEE - Upper forward cockpit, left	1	
	62674-01		ZEE - Upper forward cockpit, right	1	
-21	62522-00	G	FITTING - Upper forward cockpit, Sta, 73	1	
	79553-00	J	FITTING - Upper forward cockpit, Sta, 73, left	1	
	79553-01	J	FITTING - Upper forward cockpit, Sta, 73, right	1	

- A - Used on PA-28-150, PA-28-160 and PA-28-180 airplanes only.
- B - Used on PA-28-180 airplanes only.
- C - Used on PA-28-235 airplanes only.
- D - Used on PA-28-140 airplanes only.
- E - Used on PA-28-180 with serial numbers 28-671 to 28-7205328 inclusive, PA-28-235 with serial numbers 28-10003 to 28-7210033 inclusive, and PA-28-140, PA-28-150 and PA-28-160 airplanes-
- F - Used on PA-28-180 with serial numbers 28-7305001 to 28-7505261 inclusive, and PA-28-235 with serial numbers 28-7310001 and up.
- G - Used on PA-28-140 with serial numbers 28-20002 to 28-7625030 inclusive, PA-28-150, PA-28-160, PA-28-180, and PA-28-235 with serial numbers 28-10003 to 28-7610020 inclusive.
- H - Used on PA-28-180 with serial numbers 28-4378 to 28-7505261 inclusive, PA-28-140, PA-28-150 and PA-28-235.
- J - Used on PA-28-140 with serial numbers 28-7625031 and up, and PA-28-235 with serial numbers 28-7610021 and up.
- K - Used on PA-28-150, PA-28-160, PA-28-180 and PA-28-140 with serial numbers 28-25000 to 28-7725091 inclusive, and PA-28-235 with serial numbers 28-10003 to 28-7610188 inclusive.
- L - Used on PA-28-140 with serial numbers 28-7725092 and up, and PA-28-235 with serial numbers 28-7610189 and up.

When ordering, always specify Part Number, Description, and Serial Number of Aircraft

PA-28-140
PA-28-150
PA-28-160
PA-28-180
PA-28-235

PIPER PARTS CATALOG

Figure and Index Number	Part Number	Code	NOMENCLATURE	No. Req.	SERIAL NUMBERS AFFECTED
10-22	63275-00	A	PLATE ASSEMBLY - Voltage regulator support, left	1	
	66541-00	E	PLATE ASSEMBLY - Voltage regulator support, left	1	
	79468-00	B	PLATE ASSEMBLY - Voltage regulator support, left	1	
	79655-00	D	PLATE ASSEMBLY - Voltage regulator support, left	1	
-23	65134-02	C	FLANGE - Nose cowl attaching, left	1	28-10003 to 28-10486 inclusive
	65134-02	F	FLANGE - Nose cowl attaching, left	1	
	65458-02	C	FLANGE - Nose cowl attaching, left	1	28-10487 to 28-7710040 incl.
	79795-08	C	FLANGE - Nose cowl attaching, left	1	28-7710041 and up
-24	65134-03	C	FLANGE - Nose cowl attaching, right	1	28-10003 to 28-10486 inclusive
	65134-03	F	FLANGE - Nose cowl attaching, right	1	
	65458-03	C	FLANGE - Nose cowl attaching, right	1	28-10487 to 28-7710040 incl.
	79795-09	C	FLANGE - Nose cowl attaching, right	1	28-7710041 and up
-25	65134-04	C	FLANGE - Nose cowl attaching, top	1	28-10003 to 28-10486 inclusive
	65134-04	F	FLANGE - Nose cowl attaching, top	1	
	65458-04	C	FLANGE - Nose cowl attaching, top	1	28-10487 to 28-7710040 incl.
	79795-02	G	FLANGE - Nose cowl attaching, top	1	
-26	67259-02	J	ANGLE - Stiffener, upper forward cockpit	2	
-27	67258-00	J	ANGLE - Stiffener, upper forward cockpit	1	
-28	67260-00	K	ANGLE - Stiffener, upper forward cockpit	1	
-29	76137-02	H	CHANNEL - Sta. 73.04	1	
<p>A - Used on PA-28-140 with serial numbers 28-20002 to 28-24999 inclusive, PA-28-150, PA-28-160 and PA-28-180 with serial numbers 28-1 to 28-3377 inclusive, and PA-28-235 with serial numbers 28-10003 to 28-10719 inclusive.</p> <p>B - Used on PA-28-140 with serial numbers 28-7425299, 28-7525001 to 28-7625284 inclusive, PA-28-180 with serial numbers 28-7405159, 28-7505001 to 28-7505261 inclusive, and PA-28-235 with serial numbers 28-7410073, 28-75100-01 to 28-7610206 inclusive.</p> <p>C - Used on PA-28-235 airplanes only</p> <p>D - Used on PA-28-140 with serial numbers 28-7725001 and up. and PA-28-235 with serial numbers 28-7710001 and up.</p> <p>E - Used on PA-28-140 with serial numbers 28-25000 to 28-7425298 inclusive, 28-7425300 to 28-7425454 inclusive, PA-28-150, PA-28-160 and PA-28-180 with serial numbers 28-3378 to 28-7405158 inclusive, 28-7405160 to 28-7405290 inclusive, and PA-28-235 with serial numbers 28-10720 to 28-7410072 inclusive, 28-7410074 to 28-7410120 inclusive.</p> <p>F - Used on PA-28-150, PA-28-160 and PA-28-180 with serial numbers 28-1761 and up-</p> <p>G - Used on PA-28-235 with serial numbers 28-7710041 and up.</p> <p>H - Used on PA-28-180 with serial numbers 28-7305001 to 28-7505261 inclusive, and PA-28-235 with serial numbers 28-7310001 and up.</p> <p>J - Used on PA-28-140 with serial numbers 28-25000 and up, and PA-28-235 with serial numbers 28-7610021 and up.</p> <p>K - Used on PA-28-140 with serial numbers 28-25000 to 28-26956 inclusive, PA-28-180 with serial numbers 28-4378 to 28-5869 inclusive, and PA-28-235 with serial numbers 28-11040 to 28-11393 inclusive.</p>					

When ordering, always specify Part Number, Description, and Serial Number of Aircraft

PA-28-140
PA-28-150
PA-28-160
PA-28-180
PA-28-235

PIPER PARTS CATALOG

Figure and Index Number	Part Number	Code	NOMENCLATURE	No. Req.	SERIAL NUMBERS AFFECTED
10-30	554 888	C,W	CLAMP - Radio cooling hose (SAE TYF-6)	2	
-31	76325-00	A	CHANNEL - Rudder centering	1	28-7310001 to 28-7310187 incl.
-32	62153-00	B	BRACE - Ash receiver box	1	
-33	22482-00	D,W	SCOOP - Air, AutoFlite cooling	1	
-34	63218-00	D	BOX ASSEMBLY - Ventilator, AutoFlite cooling	1	
-35	63633-15		HOSE - AutoFlite cooling (12")	1	28-1 to 28-1230 inclusive
	63633-14	E	HOSE - Radio cooling (28 1/2")	1	
	63633-25	F	HOSE - Radio cooling (33")	1	
-36	13586-80	G	TUBE - Radio cooling	1	
	63633-47	H	HOSE - Radio cooling	1	
-37	63220-00	E	TUBE ASSEMBLY - Radio cooling	1	
	62940-00	F	TUBE ASSEMBLY - Radio cooling	1	
	68098-05	G	TUBE ASSEMBLY - Radio cooling	1	
	67469-00	H	TUBE ASSEMBLY - Radio cooling	1	
<p>A - Used on PA-28-235 airplanes only.</p> <p>B - Used on PA-28-150, PA-28-160 and PA-28-180 with serial numbers 28-1231 to 28-1760 inclusive, and PA-28-140 with serial numbers 28-20002 to 28-24999 inclusive.</p> <p>C - Used on PA-28-140 with serial numbers 28-7525001 and up, PA-28-180 with serial numbers 28-7505001 to 28-7505261 inclusive, and PA-28-235 with serial numbers 28-7510001 and up.</p> <p>D - Used on PA-28-140 with serial numbers 28-20002 to 28-24999 inclusive, PA-28-150, PA-28-160 and PA-28-180 with serial numbers 28-1 to 28-2477 inclusive, and PA-28-235 with serial numbers 28-10003 to 28-10675 inclusive.</p> <p>E - Used on PA-28-150, PA-28-160 and PA-28-180 with serial numbers 28-1 to 28-1760 inclusive, PA-28-235 with serial numbers 28-10003 to 28-10486 inclusive, and PA-28-140 with serial numbers 28-20002 to 28-24999 inclusive.</p> <p>F - Used on PA-28-150, PA-28-160 and PA-28-180 with serial numbers 28-1761 to 28-2477 inclusive, and PA-28-235 with serial numbers 28-10487 to 28-10675 inclusive.</p> <p>G - Used on PA-28-150, PA-28-160 and PA-28-180 with serial numbers 28-2478 to 28-4377 inclusive, and PA-28-235 with serial numbers 28-10676 to 28-11039 inclusive.</p> <p>H - Used on PA-28-140 with serial numbers 28-25000 to 28-7425454 inclusive, PA-28-180 with serial numbers 28-4378 to 28-7405290 inclusive, and PA-28-235 with serial numbers 28-11040 to 28-7410120 inclusive.</p> <p>W - These parts must be ordered from Service Spares Department, Piper Aircraft, Lock Haven, Penna.</p>					

When ordering, always specify Part Number, Description, and Serial Number of Aircraft

PA-28-140
PA-28-150
PA-28-160
PA-28-180
PA-28-235

PIPER PARTS CATALOG

Figure and Index Number	Part Number	Code	NOMENCLATURE	No. Req.	SERIAL NUMBERS AFFECTED
10-38	62698-00	B	CHANNEL ASSEMBLY - Brake support, right	1	
	67138-00	D	CHANNEL ASSEMBLY - Brake support, right	1	
-39	62699-04	B	CHANNEL ASSEMBLY - Brake support, left	1	
	67137-00	D	CHANNEL ASSEMBLY - Brake support, left	1	
-40	63354-00		RATCHET - Brake handle	1	28-251 and up
-41	65134-05	A	FLANGE - Nose cowl attaching, bottom, left	1	
	65134-06	C	FLANGE - Nose cowl attaching, bottom, left	1	28-10003 to 28-10486 inclusive
	65458-06	C	FLANGE - Nose cowl attaching, bottom, left	1	28-10487 to 28-7710040 incl.
	65134-05	A	FLANGE - Nose cowl attaching, bottom, right	1	
	65134-05	C	FLANGE - Nose cowl attaching, bottom, right	1	28-10003 to 28-10486 inclusive
	65458-05	C	FLANGE - Nose cowl attaching, bottom, right	1	28-10487 to 28-7710040 incl.
-42	62648-00	B	CHANNEL - Brake support, forward	1	
	67139-00	D	CHANNEL - Brake support, forward	1	
-43	62649-00	B	CHANNEL - Brake support, aft	1	
	67140-02	D	CHANNEL ASSEMBLY - Brake support, aft	1	
-44	454 985	E,W	CLAMP - Radio cooling hose (SAE TYA-1)	2	
-45	79405-00	F	BOX ASSEMBLY - Radio cooling	1	
-46	63633-136	F	HOSE - Radio cooling	1	
-47	63927-00		BUMPER - Tee bar	1	
-48	63900-64		BUSHING - Tee bar bumper	1	
-49	400 444	W	BOLT - (AN3-13A)	1	
	407 564	W	WASHER - (AN960-10)	1	
	404 887	W	NUT - (MS20365-1032C)	1	
			A - Used on PA-28-150, PA-28-160 and PA-28-180 with serial numbers 28-1761 and up.		
			B - Used on PA-28-150, PA-28-160 and PA-28-180 with serial numbers 28-251 to 28-4377 inclusive, PA-28-235 with serial numbers 28-10003 to 28-11039 inclusive, and PA-28-140 with serial numbers 28-20002 to 28-24999 inclusive.		
			C - Used on PA-28-235 airplanes only.		
			D - Used on PA-28-180 with serial numbers 28-4378 to 28-7505261 inclusive, PA-28-235 with serial numbers 28-11040 and up, and PA-28-140 with serial numbers 28-25000 and up.		
			E - Used on PA-28-150, PA-28-160 and PA-28-180 with serial numbers 28-1 to 28-7405290 inclusive. PA-28-140 with serial numbers 28-20002 to 28-7425454 inclusive, and PA-28-235 with serial numbers 28-10003 to 28-7410120 inclusive.		
			F - Used on PA-28-140 with serial numbers 28-7525001 and up, PA-28-180 with serial numbers 28-7505001 to 28-7505261 inclusive, and PA-28-235 with serial numbers 28-7510001 and up.		
			W - These parts must be ordered from Service Spares Department, Piper Aircraft, Lock Haven, Penna.		

When ordering, always specify Part Number, Description, and Serial Number of Aircraft

PA-28-140
PA-28-150
PA-28-160
PA-28-180
PA-28-235

**1C23 THRU 1C24
INTENTIONALLY LEFT BLANK**

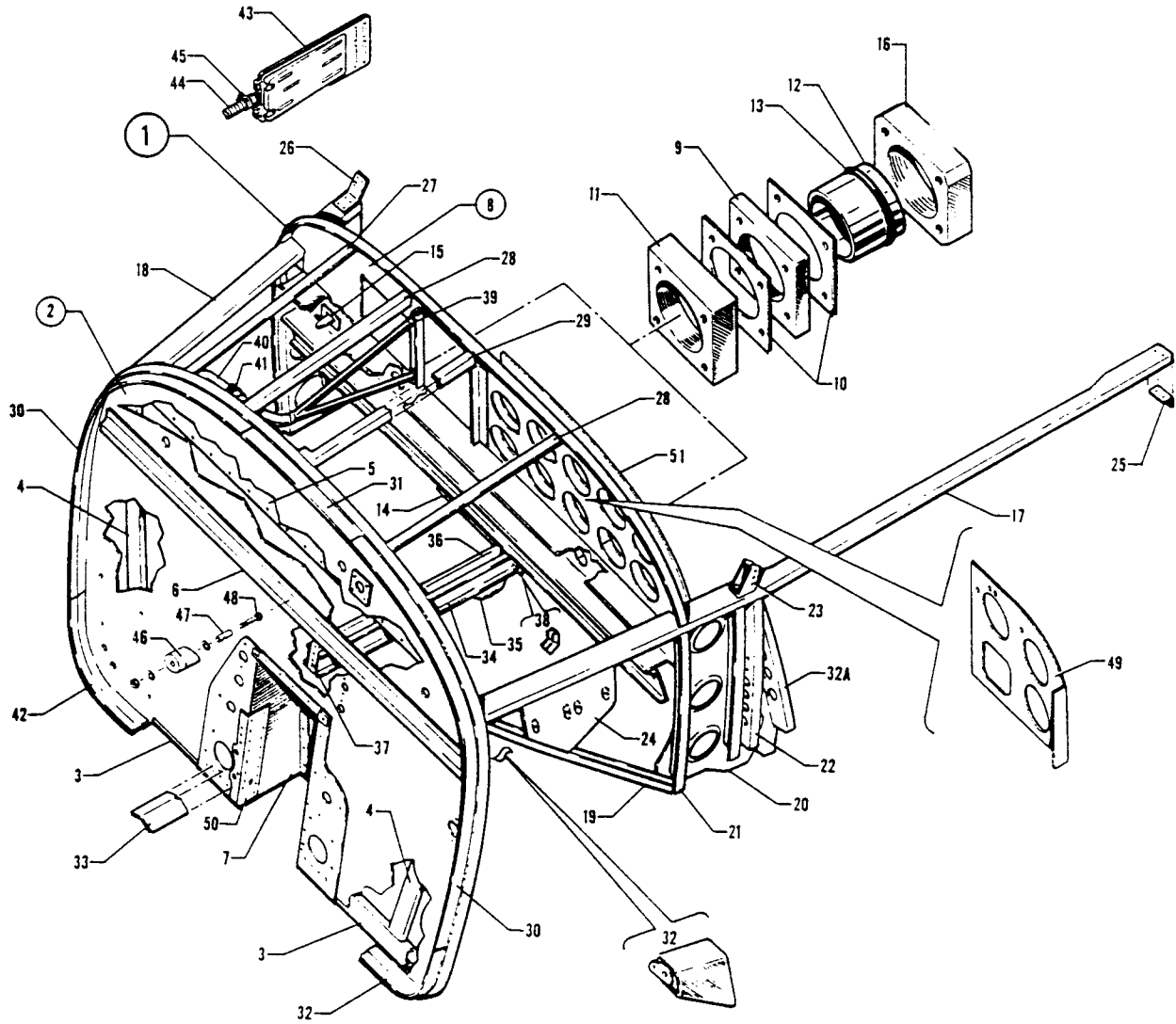


Figure 11. Upper Forward Cockpit Assembly

PIPER PARTS CATALOG

Figure and Index Number	Part Number	Code	NOMENCLATURE	No. Req.	SERIAL NUMBERS AFFECTED
11-1	67251-02	G	UPPER COCKPIT ASSEMBLY - Forward	1	
	67251-10	A	UPPER COCKPIT ASSEMBLY - Forward	1	
	67251-16	F	UPPER COCKPIT ASSEMBLY - Forward	1	
	99390-04	D	UPPER COCKPIT ASSEMBLY - Forward	1	
	76130-02	E	UPPER COCKPIT ASSEMBLY - Forward	1	28R-7235001 to 28R-7235330 incl.
	76130-11	E	UPPER COCKPIT ASSEMBLY - Forward	1	28R-7335001 to 28R-7335455 incl.
	76360-02	E	UPPER COCKPIT ASSEMBLY - Forward	1	28R-7435001 to 28R-7435232 incl., 28R-7435234 to 28R-7435331 incl.
	76360-03	E	UPPER COCKPIT ASSEMBLY - Forward	1	28R-7435233, 28R-7535001 to 28R-7635017 inclusive
	67930-909	E	UPPER COCKPIT ASSEMBLY - Forward	1	28R-7635018 and up
-2	67253-00	G	FIREWALL ASSEMBLY - Upper cockpit	1	
	67253-02	C	FIREWALL ASSEMBLY - Upper cockpit	1	
	76437-00	E	FIREWALL ASSEMBLY - Upper cockpit	1	28R-7435001 to 28R-7435232 Incl., 28R-7435234 to 28R-7435331 Incl..
	76437-02	E	FIREWALL ASSEMBLY - Upper cockpit	1	28R-7435233, 28R-7535001 and up
-3	67257-00		CHANNEL- Firewall, left	1	
	67257-01		CHANNEL- Firewall, right	1	
-4	63436-00		CHANNEL- Firewall, left	1	
	63436-01		CHANNEL - Firewall, right	1	
-5	67266-00	G	BEAM - Firewall	1	
	67266-02		BEAM - Firewall	1	28R-30679 and up
-6	63423-04		CHANNEL ASSEMBLY - Firewall	1	
-7	67255-00	B	WHEEL WELL ASSEMBLY - Firewall	1	
		E	WHEEL WELL ASSEMBLY - Firewall	1	28R-7435001 and up
			A - Used on PA-28R-180 with serial numbers 28R-30679 to 28R-31250 inclusive, and PA-28R-200 with serial numbers 28R-30482, 28R-35001 to 28R-35600 inclusive.		
			B - Used on PA-28R-180 with serial numbers 28R-30005 to 28R-7130019 inclusive, and PA-28R-200 with serial numbers 28R-30482, 28R-35001 to 28R-7335455 inclusive.		
			C - Used on PA-28R-180 with serial numbers 28R-30679 to 28R-7130019 inclusive, and PA-28R-200 with serial numbers 28R-30482, 28R-35001 to 28R-7335455 inclusive.		
			D - Used on PA-28R-180 with serial numbers 28R-7130001 to 28R-7130019 inclusive, and PA-28R-200 with serial numbers 28R-30482, 28R-35001 to 28R-7135238 inclusive.		
			E - Used on PA-28R-200 airplanes only.		
			F - Used on PA-28R-180 with serial numbers 28R-31251 to 28R-31279 inclusive, and PA-28R-200 with serial numbers 28R-35601 to 28R-35830 inclusive.		
			G - Used on PA-28R-180 with serial numbers 28R-30005 to 28R-30481 inclusive, 28R-30483 to 28R-30678 inclusive		

When ordering, always specify Part Number, Description, and Serial Number of Aircraft

PIPER PARTS CATALOG

Figure and Index Number	Part Number	Code	NOMENCLATURE	No. Req.	SERIAL NUMBERS AFFECTED
11-8	67120-00	C	* PANEL ASSEMBLY - Instrument	1	
	67120-05	L	* PANEL ASSEMBLY- Instrument	1	
	67120-09	B	* PANEL ASSEMBLY - Instrument	1	
	67120-12	A	* PANEL ASSEMBLY - Instrument	1	28R-7335001 to 28R-7335455 Incl.
	67120-15	A	* PANEL ASSEMBLY - Instrument	1	28R-7435001 to 28R-7435232 Incl., 28R-7435234 to 28R-7435331 Incl.
	79329-03	A	* PANEL ASSEMBLY - Instrument	1	28R-7435233, 28R-7535001 and up
-9	68272-02		* * PLATE - control wheel	2	
-10	68272-03		* * PLATE - control wheel	4	
-11	68272-04		* * PLATE - Control wheel	2	
-12	68273-02		* * BUSHING - Control wheel	2	
-13	484 792		* * O-RING - Control wheel (MS28775-218)	2	
-14	67125-00		* * CHANNEL - Hand brake	1	
-15	67390-00	G	* * CONTROL ASSEMBLY - Heat and defroster	1	
	69283-00	D	* * CONTROL ASSEMBLY - Heat and defroster	1	
	79863-02	E	* * CONTROL ASSEMBLY - Heat and defroster	1	
-16	66931-00	F	* * PLATE - Control wheel lock	1	
-17	65571-00	H	* LONGERON - Upper forward cockpit, left	1	
	76489-02	A	* LONGERON - Upper forward cockpit, left	1	28R-7235001 and up
-18	62473-00	J	* LONGERON - Upper forward cockpit, right	1	
	62473-02	A	* LONGERON - Upper forward cockpit, right	1	28R-7635018 and up
			A - Used on PA-28R-200 airplanes only.		
			B - Used on PA-28R-180 with serial numbers 28R-7130001 to 28R-7130019 inclusive, and PA-28R-200 with serial numbers 28R-7135001 to 28R-7235330 inclusive.		
			C - Used on PA-28R-180 with serial numbers 28R-30005 to 28R-30481 inclusive, 28R-30483 to 28R-31250 inclusive, and PA-28R-200 with serial numbers 28R-30482, 28R-35001 to 28R-35600 inclusive.		
			D - Used on PA-28R-180 with serial numbers 28R-30679 to 28R-31279 inclusive, and PA-28R-200 with serial numbers 28R-30482, 28R-35001 to 28R-35830 inclusive.		
			E - Used on PA-28R-180 with serial numbers 28R-7130001 and up, and PA-28R-200 with serial numbers 28R-7135001 and up.		
			F - Used on PA-28R-180 with serial numbers 28R-31251 to 28R-7130019 inclusive, and PA-28R-200 with serial numbers 28R-35601 to 28R-7235330 inclusive.		
			G - Used on PA-28R-180 with serial numbers 28R-30005 to 28R-30481 inclusive, 28R-30483 to 28R-30678 inclusive.		
			H - Used on PA-28R-180 with serial numbers 28R-30005 to 28R-7130019 inclusive, and PA-28R-200 with serial numbers 28R-30482, 28R-35001 to 28R-7135238 inclusive.		
			J - Used on PA-28R-180 and PA-28R-200 with serial numbers 28R-30482, 28R-35001 to 28R-7635017 Inclusive.		
			K - Used if NSD-360 is installed.		
			L - Used on PA-28R-180 with serial numbers 28R-31251 to 28R-31279 inclusive, and PA-28R-200 with serial numbers 28R-35601 to 28R-35830 inclusive.		

When ordering, always specify Part Number, Description, and Serial Number of Aircraft

PIPER PARTS CATALOG

Figure and Index Number	Part Number	Code	NOMENCLATURE	No. Req.	SERIAL NUMBERS AFFECTED
11-19	62485-00		CHANNEL - Upper forward cockpit, left	1	
	62485-01		CHANNEL - Upper forward cockpit, right	1	
-20	62498-00	B	WEB - Upper forward cockpit, left	1	
	76136-00	D	WEB - Upper forward cockpit, left	1	28R-7235001 and up
	62499-00		WEB - Upper forward cockpit, right	1	
-21	62674-03		ZEE - Upper forward cockpit, left	1	
	62674-01		ZEE - Upper forward cockpit, right	1	
-22	62653-04		FRAME ASSEMBLY - Upper forward cockpit, left	1	
-23	62522-00	G	FITTING - Upper forward cockpit, left	1	
	79553-00	D	FITTING - Upper forward cockpit, left	1	28R-7635018 and up
	79553-01	D	FITTING - Upper forward cockpit, right	1	28R-7635018 and up
-24	66541-00	C	PLATE ASSEMBLY - Voltage regulator support, left	1	
	79468-00	D	PLATE ASSEMBLY - Voltage regulator support, left	1	28R-7535001 and up
-25	62506-00	B	CLIP - Upper cockpit, left	1	
-26	62517-00		CLIP - Upper cockpit, right	1	
-27	67258-00		ANGLE - Stiffener, upper forward cockpit	1	
-28	67259-02		ANGLE - Stiffener, upper forward cockpit	1	
-29	67260-00	A	ANGLE - Stiffener, upper forward cockpit	1	
-30	65134-02	F	FLANGE - Nose cowl attaching, top left	1	
	79795-04	D	FLANGE - Nose cowl attaching, top left	1	28R-7635531 and up
	65134-03	F	FLANGE - Nose cowl attaching, top right	1	
	79795-03	D	FLANGE - Nose cowl attaching, top right	1	28R-7635531 and up
-31	65134-04	F	FLANGE - Nose cowl attaching, top center	1	
	79795-02	D	FLANGE - Nose cowl attaching, top center	1	28R-7635531 and up
-32	62425-00	E	FITTING ASSEMBLY - Engine mount, left	1	
	62425-01	E	FITTING ASSEMBLY - Engine mount, right	1	
	79739-02	D	FITTING ASSEMBLY - Engine mount, left	1	28R-7635484 and up
	79739-03	D	FITTING ASSEMBLY - Engine mount, right	1	28R-7635484 and up
-32a	76137-02	D	CHANNEL - Sta. 73.04	1	

- A - Used on PA-28R-180 with serial numbers 28R-30005 to 8R-30481 inclusive, 28R-30483 to 28R-31279 inclusive, and PA-28R-200 with serial numbers 28R-30482, 28R-35001 to 28R-35830 inclusive.
- B - Used on PA-28R-180 with serial numbers 28R-30005 to 28R-7130019 inclusive, and PA-28R-200 with serial numbers 28R-30482, 28R-35001 to 28R-7135238 inclusive.
- C - Used on PA-28R-180 with serial numbers 28R-30005 to 28R-7130019 inclusive, and PA-28R-200 with serial numbers 28R-30482, 28R-35001 to 28R-7435331 inclusive.
- D - Used on PA-28R-200 airplanes only.
- E - Used on PA-28R-180 with serial numbers 28R-30005 to 28R-30481 inclusive, 28R-30483 to 28R-7130019 inclusive, and PA-28R-200 with serial numbers 28R-30482, 28R-35001 to 28R-7635483 inclusive.
- F - Used on PA-28R-180 with serial numbers 28R-30005 to 28R-30481, 28R-30483 to 28R-7130019 inclusive, and PA-28R-200 with serial numbers 28R-30482, 28R-35001 to 28R-7635530 inclusive.
- G - Used on PA-28R-180 and PA-28R-200 with serial numbers 28R-30482, 28R-35001 to 28R-7635017 inclusive.

When ordering, always specify Part Number, Description, and Serial Number of Aircraft

PIPER PARTS CATALOG

Figure and Index Number	Part Number	Code	NOMENCLATURE	No. Req.	SERIAL NUMBERS AFFECTED
11-33	67365-00		SHIELD - Nose wheel hydraulic cylinder	1	
-34	67137-00		CHANNEL ASSEMBLY - Brake support, left	1	
-35	63354-00		* RATCHET- Brake handle	1	
-36	67138-00		CHANNEL ASSEMBLY - Brake support, right	1	
-37	67139-00		CHANNEL- Brake support, forward	1	
-38	67140-00		CHANNEL - Brake support, aft	1	
-39	67448-00	C	TUBE ASSEMBLY - Radio cooling	1	28R-30005 to 28R-30242 inclusive
	67469-00	A	TUBE ASSEMBLY - Radio cooling	1	
-40	63633-47	B	HOSE - Radio cooling	1	
-41	454 985	B,W	CLAMP - Radio cooling hose (SAE TYA-1)	2	
-42	65134-06	F	FLANGE - Nose cowl attaching, bottom left	1	
	65134-05	F	FLANGE - Nose cowl attaching, bottom right	1	
-43	79405-00	D	BOX ASSEMBLY - Radio cooling	1	28R-7535001 and up
44	63633-136	D	HOSE - Radio cooling	1	28R-7535001 and up
-45	554 888	D,W	CLAMP - Radio cooling hose (SAE TYF-6)	2	28R-7535001 and up
-46	63927-00		BUMPER - Tee bar	1	
-47	63900-64		BUSHING - Tee bar bumper	1	
-48	400 444	W	BOLT - (AN3-13A)	1	
	407 564	W	WASHER - (AN960-10)	1	
	404 887	W	NUT - (MS20365-1032C)	1	
-49	79566-00	D,E	DOUBLER - Instrument panel	1	28R-7635001 and up
-50	67972-02		STIFFENER - Wheel well, right	1	
-51	79567-00	D,E	PANEL- Instrument, upper Left	1	28R-7635001 and up

A - Used on PA-28R-180 with serial numbers 28R-30243 to 28R-7130019 inclusive, and PA-28R-200 with serial numbers 28R-30482, 28R-35001 to 28R-7435331 inclusive.

B - Used on PA-28R-180 with serial numbers 28R-30005 to 28R-7130019 inclusive, and PA-28R-200 with serial numbers 28R-30482, 28R-35001 to 28R-7435331 inclusive.

C - Used on PA-28R-180 airplanes only.

D - Used on PA-28R-200 airplanes only.

E - Used if NSD-360 is installed.

F - Used on PA-28R-180 with serial numbers 28R-30005 to 28R-30481, 28R-30483 to 28R-7130019 inclusive. and PA-28R-200 with serial numbers 28R-30482, 28R-35001 to 28R-7635530 inclusive.

W - These parts must be ordered from Service Spares Department, Piper Aircraft, Lock Haven, Penna.

When ordering, always specify Part Number, Description, and Serial Number of Aircraft

PIPER PARTS CATALOG

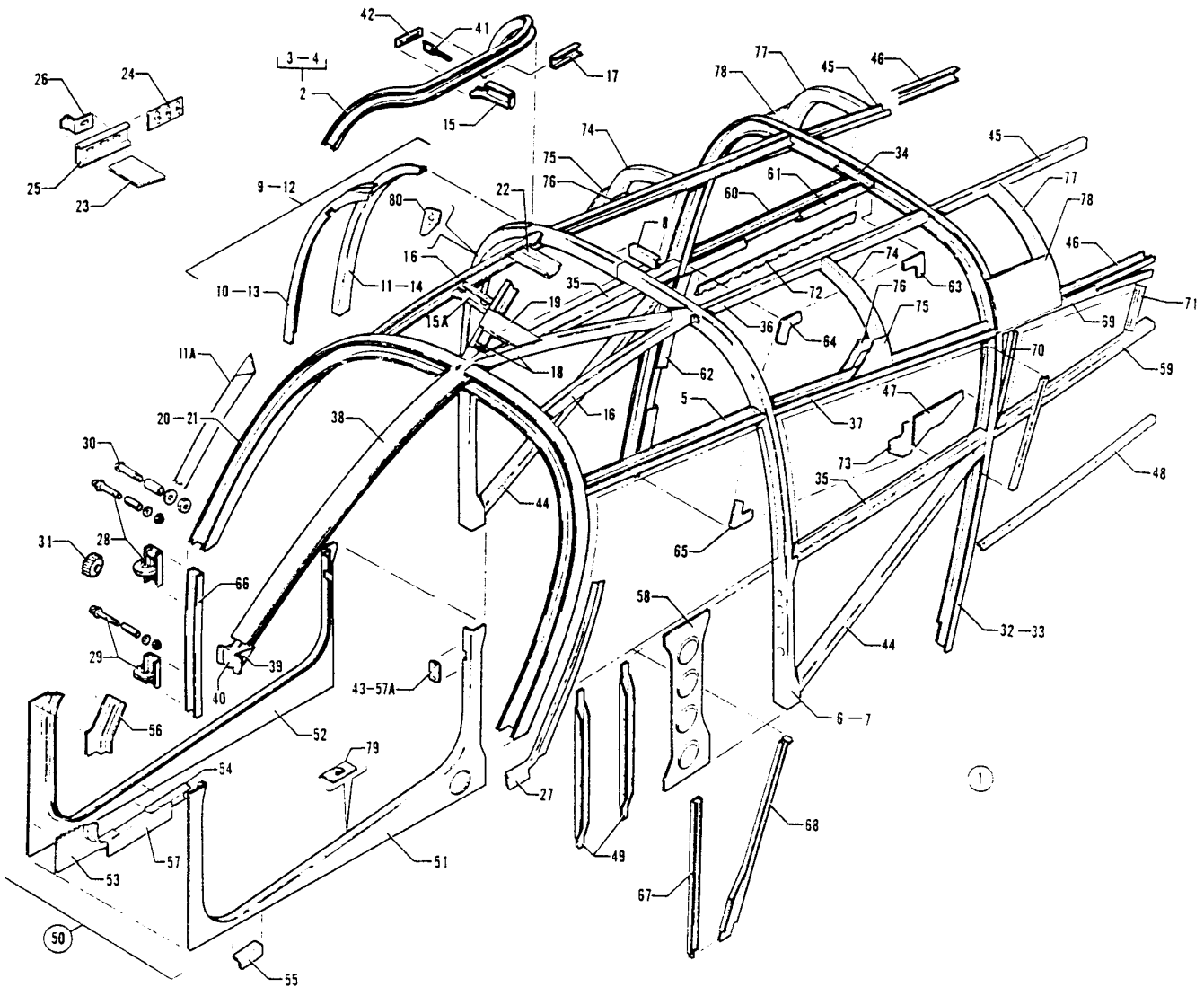


Figure 12. Upper Center Cockpit Assembly

PIPER PARTS CATALOG

Figure and Index Number	Part Number	Code	NOMENCLATURE	No. Req.	SERIAL NUMBERS AFFECTED
12-1	62420-15		UPPER COCKPIT ASSEMBLY - Center	1	
	62873-02	F	UPPER COCKPIT ASSEMBLY - Center	1	
	62873-08	D	UPPER COCKPIT ASSEMBLY - Center	1	
	76130-04	G	UPPER COCKPIT ASSEMBLY - Center	1	
	76130-15	H	UPPER COCKPIT ASSEMBLY - Center	1	
	76471-910	C	UPPER COCKPIT ASSEMBLY - Center	1	
	67930-910	B	UPPER COCKPIT ASSEMBLY - Center	1	
	62873-09	E	UPPER COCKPIT ASSEMBLY - Center	1	28-26401 to 28-7325684 Incl.
	62873-13	E	UPPER COCKPIT ASSEMBLY - Center	1	28-7425001 to 28-7625030 Incl..
	79549-910	E	UPPER COCKPIT ASSEMBLY - Center		
	65563-07	C	UPPER COCKPIT ASSEMBLY - Center	1	28-10720 to 28-11300 inclusive
	65563-08	C	UPPER COCKPIT ASSEMBLY - Center	1	28-11301 to 28-7210033 Incl.
				<p>A - Used on PA-28-150, PA-28-160 and PA-28-180 with serial numbers 28-1 to 28-990 inclusive.</p> <p>B - Used on PA-28R-200 airplanes only.</p> <p>C - Used on PA-28-235 airplanes only.</p> <p>D - Used on PA-28-180 with serial numbers 28-5601 to 28-7205328 inclusive, PA-28R-180 with serial numbers 28R-31251 to 28R-7130019 inclusive, and PA-28R-200 with serial numbers 28R-35601 to 28R-7135238 inclusive.</p> <p>E - Used on PA-28-140 airplanes only.</p> <p>F - Used on PA-28-140 with serial numbers 28-20002 to 28-26400 inclusive, PA-28-150, PA-28-160 and PA-2B-180 with serial numbers 28-991 to 28-5600 inclusive, PA-28-235 with serial numbers 28-10003 to 28-10719 inclusive, PA-28R-180 with serial numbers 28R-30005 to 28R-30481 inclusive, 28R-30483 to 28R-31250 inclusive, and PA-28R-200 with serial numbers 28R-30482, 28R-35001 to 28R-35600 inclusive.</p> <p>G - Used on PA-28-180 with serial numbers 28-7305001 to 28-7305611 inclusive, PA-28-235 with serial numbers 28-7310001 to 28-7310187 inclusive, and PA-28R-200 with serial numbers 28R-7235001 to 28R-7335455 inclusive.</p> <p>H - Used on PA-28-180 with serial numbers 28-7405001 to 28-7505261 inclusive, PA-28-235 with serial numbers 28-7410001 to 28-7610020 inclusive, and PA-28R-200 with serial numbers 28R-7410001 to 28R-7635017 inclusive.</p>	

When ordering, always specify Part Number, Description, and Serial Number of Aircraft

PIPER PARTS CATALOG

Figure and Index Number	Part Number	Code	NOMENCLATURE	No. Req.	SERIAL NUMBERS AFFECTED
12-2	62512-00		PAN ASSEMBLY - Upper center	1	28-1 to 28-370 inclusive
	62420-16		PAN ASSEMBLY - Upper center	1	28-371 to 28-990 inclusive
	62873-03	A	PAN ASSEMBLY - Upper center	1	
	62873-10	B	PAN ASSEMBLY - Upper center	1	28-7325295 to 28-7625030 incl.
	79561-901	B	PAN ASSEMBLY - Upper center	1	28-7625031 and up
	76130-05	C	PAN ASSEMBLY - Upper center	1	
-3	76130-12	E	PAN ASSEMBLY - Upper center	1	
	79561-900	F	PAN ASSEMBLY - Upper center	1	
	62496-00		PAN - Outer	1	28-1 to 28-370 inclusive
	62420-13		PAN - Outer	1	28-371 to 28-990 inclusive
	62873-06	A	PAN - Outer	1	
	62873-12	B	PAN - Outer	1	28-7325295 to 28-7625030 incl.
-4	79561-05	B	PAN - Outer	1	28-7625031 and up
	76130-07	C	PAN - Outer	1	
	76130-14	D	PAN - Outer	1	
	62497-00		PAN - Inner	1	28-1 to 28-370 inclusive
	62420-12		PAN - Inner	1	28-371 to 28-990 inclusive
	62873-05	A	PAN - Inner	1	
	62873-11	B	PAN - Inner	1	28-7325295 to 28-7625030 incl.
	79561-06	B	PAN - Inner	1	28-7625031 and up
	76130-06	C	PAN - Inner	1	
	76130-13	D	PAN - Inner	1	
			<p>A - Used on PA-28R-200 with serial numbers 28R-30482, 28R-35001 to 28R-7135238 inclusive, PA-28-180 with serial numbers 28-991 to 28-7205328 inclusive, PA-28-235 with serial numbers 28-10003 to 28-7210033 inclusive, PA-28-140 with serial numbers 28-20002 to 28-7325294 inclusive, PA-28-150, PA-28-160 and PA-28R-180.</p> <p>B - Used on PA-28-140 airplanes only.</p> <p>C - Used on PA-28-180 with serial numbers 28-7305001 to 28-7305361 inclusive, PA-28-235 with serial numbers 28-7310001 to 28-7310127 inclusive, and PA-28R-200 with serial numbers 28R-7235001 to 28R-7335218 inclusive.</p> <p>D - Used on PA-28-180 with serial numbers 28-7305362 and up, PA-28-235 with serial numbers 28-7310128 and up, and PA-28R-200 with serial numbers 28R - 7335219 and up.</p> <p>E - Used on PA-28-180 with serial numbers 28-7305362 to 28-7505261 inclusive, PA-28-235 with serial numbers 28-7310128 to 28-7610020 inclusive, and PA-28R-200 with serial numbers 28R-7335219 to 28R-7635017 inclusive.</p> <p>F - Used on PA-28-235 with serial numbers 28-7610021 and up, and PA-28R-200 with serial numbers 28R-7635018 and up.</p>		

When ordering, always specify Part Number, Description, and Serial Number of Aircraft

PIPER PARTS CATALOG

Figure and Index Number	Part Number	Code	NOMENCLATURE	No. Req.	SERIAL NUMBERS AFFECTED
12-5	62479-00	E	CHANNEL - Left front window, top	1	28-7625031 and up
	62479-02	G	CHANNEL - Left front window, top	1	
	76132-00	F	CHANNEL - Left front window, top	1	
	76132-03	H	CHANNEL - Left front window, top	1	
-6	62426-00	A	FRAME ASSEMBLY - Fuselage, Sta. 108.16	1	
	62426-03	C	FRAME ASSEMBLY - Fuselage, Sta. 108.16	1	
	62426-05	D	FRAME ASSEMBLY - Fuselage, Sta. 108.16	1	
	62426-06	J	FRAME ASSEMBLY - Fuselage, Sta. 108.16	1	
-7	62427-00		CHANNEL - Fuselage frame, left	1	
	62427-01	A	CHANNEL - Fuselage frame, right	1	
	62427-02	B	CHANNEL - Fuselage frame, right	1	
-8	62429-00		CHANNEL - Splice plate	1	
			A - Used on PA-28-150, PA-28-160 and PA-28-180 with serial numbers 28-1 to 28-990 inclusive.		
			B - Used on PA-28-150, PA-28-160 and PA-28-180 with serial numbers 28-991 to 28-7505261 inclusive, PA-28-235 with serial numbers 28-10003 and up, PA-28-140 with serial numbers 28-20002 and up, PA-28R-180, and PA-28R-200.		
			C - Used on PA-28-140 with serial numbers 28-20002 to 28-7225612 inclusive, PA-28-150, PA-28-160 and PA-28-180 with serial numbers 28-991 to 28-4377 inclusive, and PA-28-235 with serial numbers 28-10003 to 28-10719 inclusive,		
			D - Used on PA-28-140 with serial numbers 28-7325001 to 28-7625030 inclusive, PA-28-180 with serial numbers 28-4378 to 28-7505261 inclusive, PA-28-235 with serial numbers 28-10720 to 28-7610020 inclusive, PA-28R-180, and PA-28R-200 with serial numbers 28R-30482, 28R-35001 to 28R-7635017 inclusive,		
			E - Used on PA-28-180 with serial numbers 28-671 to 28-7205328 inclusive, PA-28-235 with serial numbers 28-10003 to 28-7210033 inclusive, PA-28R-200 with serial numbers 28R-30482, 28R-35001 to 28R-7135238 inclusive, PA-28-140 with serial numbers 28-20002 to 28-7625030 inclusive, PA-28-150, PA-28-160 and PA-28R-180.		
			F - Used on PA-28-180 with serial numbers 28-7305001 to 28-7505261 inclusive, PA-28-235 with serial numbers 28-7310001 to 28-7610020 inclusive, and PA-28R-200 with serial numbers 28R-7235001 to 28R-7635017 inclusive.		
			G - Used on PA-28-140 airplanes only.		
			H - Used on PA-28-235 with serial numbers 28-7610021 and up, and PA-28R-200 with serial numbers 28R-7635018 and up.		
			J - Used on PA-28-140 with serial numbers 28-7625031 and up, PA-28-235 with serial numbers 28-7610021 and up, and PA-28R-200 with serial numbers 28R-7635018 and up.		

When ordering, always specify Part Number, Description, and Serial Number of Aircraft

PIPER PARTS CATALOG

Figure and Index Number	Part Number	Code	NOMENCLATURE	No. Req.	SERIAL NUMBERS AFFECTED
12-9	62511-02	D	PAN ASSEMBLY - Side	1	
	79561-903	E	PAN ASSEMBLY - Side	1	
-10	62494-02	D	PAN - Inner	1	
	79561-08	E	PAN - Inner	1	
-11	62495-02	D	PAN - Outer	1	
	79561-07	E	PAN - Outer	1	
-11a	79561-04	E	JAMB - Door, forward	1	
-12	62511-00	A	PAN ASSEMBLY - Side	1	
-13	62494 00	A	PAN	1	
-14	62495 00	A	PAN	1	
-15	63038-00	B	CHANNEL ASSEMBLY - Door latch	1	
	76134-00	C	CHANNEL ASSEMBLY - Door latch	1	
-15a	63038-02	F	CHANNEL - Support	1	
			A - Used on PA-28-150, PA-28-160 and PA-28-180 with serial numbers 28-1 to 28-990 inclusive.		
			B - Used on PA-28-150, PA-28-160 and PA-28-180 with serial numbers 28-991 to 28-7205328 inclusive, PA-28-235 with serial numbers 28-10003 to 28-7210033 inclusive. PA-28-140 with serial numbers 28-20002 to 28-7325294 inclusive, PA-28R-180 with serial numbers 28R-30005 to 28R-7130019 inclusive. and PA-28R-200 with serial numbers 28R-30482, 28R-35001 to 28R-7135235 inclusive.		
			C - Used on PA-28-180 with serial numbers 28-7305001 to 28-7305361 inclusive, PA-28-235 with serial numbers 28-7310001 to 28-7310127 inclusive, and PA-28R-200 with serial numbers 28R-7235001 to 28R-7335218 inclusive.		
			D- Used on PA-28-150, PA-28-160 and PA-28-180 with serial numbers 28-991 to 28-7505261 inclusive, PA-28-235 with serial numbers 28-10003 to 28-7610021 inclusive, PA-28-140 with serial numbers 28-20002 to 28-7625030 inclusive, PA-28R-180, and PA-28R-200 with serial numbers 28R-30482, 28R-35001 to 28R-7635017 inclusive.		
			E- Used on PA-28-140 with serial numbers 28-7625031 and up, PA-28-235 with serial numbers 28-7610021 and up, and PA-28R-200 with serial numbers 28R-7635018 and up.		
			F- Used on PA-28-180 with serial numbers 28-7305001 to 28-7505261 inclusive, PA-28-235 with serial numbers 28-7310001 and up, and PA-28R-200 with serial numbers 28R-7235001 and up.		

When ordering, always specify Part Number, Description, and Serial Number of Aircraft

PIPER PARTS CATALOG

Figure and Index Number	Part Number	Code	NOMENCLATURE	No. Req.	SERIAL NUMBERS AFFECTED
12-16	62480-00	E	CHANNEL - Upper center cockpit, left	1	28-7625031 and up
	62480-04	J	CHANNEL - Upper center cockpit, left	1	
	76131-00	C	CHANNEL - Upper center cockpit, left	1	
	62480-01	B	CHANNEL - Upper center cockpit, left	1	
	76140-03	F	CHANNEL - Upper center cockpit, left	1	
	62480-02	G	CHANNEL - Upper center cockpit, right	1	
	62480-03	J	CHANNEL - Upper center cockpit, right	1	
	62480-05	J	CHANNEL - Upper center cockpit, right	1	
	76131-01	H	CHANNEL - Upper center cockpit, right	1	
	76131-02	D	CHANNEL - Upper center cockpit, right	1	
	76140 04	F	CHANNEL - Upper center cockpit, right	1	
-17	63049-00	A	CHANNEL - Door Latch	1	
			A - Used on PA-28-150, PA-28-160 and PA-28-180 with serial numbers 28-991 to 28-7305361 inclusive, PA-28-235 with serial numbers 28-10003 to 28-7310127 inclusive, PA-28-140 with serial numbers 28-20002 to 28-7325294 inclusive, and PA-28R-180.		
			B - Used on PA-28-150, PA-28-160 and PA-28-180 with serial numbers 28-1 to 28-990 inclusive.		
			C - Used on PA-28-180 with serial numbers 28-7305001 to 28-7505261 inclusive. PA-28-235 with serial numbers 28-7310001 and up, and PA-28R-200 with serial numbers 28R-7235001 and up.		
			D - Used on PA-28-180 with serial numbers 28-7305362 to 28-7505261 inclusive, PA-28-235 with serial numbers 28-7310128 to 28-7610020 inclusive, and PA-28R-200 with serial numbers 28R-7335219 to 28R-7635017 inclusive.		
			E - Used on PA-28-180 with serial numbers 28-671 to 28-7205328 inclusive, PA-28-235 with serial numbers 28-10003 to 28-7210033 inclusive, PA-28R-200 with serial numbers 28R-30482, 28R-35001 to 28R-7135238 inclusive, PA-28-140 with serial numbers 28-20002 to 28-7625030 inclusive, PA-28-150, PA-28-160 and PA-28R-180.		
			F - Used on PA-28-235 with serial numbers 28-7610021 and up, and PA-28R-200 with serial numbers 28R-7635018 and up.		
			G - Used on PA-28-150, PA-28-160 and PA-28-180 with serial numbers 28-991 to 28-7205328 inclusive, PA-28-235 with serial numbers 28-10003 to 28-7210033 inclusive, PA-28-140 with serial numbers 28-20002 to 28-7325294 inclusive, PA-28R-180 with serial numbers 28R-30005 to 28R-7130019 inclusive, and PA-28R-200 with serial numbers 28R-30482, 28R-35001 to 28R-7125238 inclusive.		
			H - Used on PA-28-180 with serial numbers 28-7305001 to 28-7305361 inclusive, PA-28-235 with serial numbers 28-7310001 to 28-7310127 inclusive, and PA-28R-200 with serial numbers 28R-7235001 to 28R-7335218 inclusive.		
			J - Used on PA-28-140 airplanes only.		

When ordering, always specify Part Number, Description, and Serial Number of Aircraft

PIPER PARTS CATALOG

Figure and Index Number	Part Number	Code	NOMENCLATURE	No. Req.	SERIAL NUMBERS AFFECTED
12-18	62481-00	C	CHANNEL - Upper center fuselage, left	1	
	66968-00	F	CHANNEL ASSEMBLY - Upper center fuselage, left	1	
	66969-02	D	CHANNEL - Upper center fuselage, left	1	
	62676-00	C	CHANNEL ASSEMBLY - Upper center fuselage, right	1	
	66968-01	F	CHANNEL ASSEMBLY - Upper center fuselage, right	1	
	66969-03	D	CHANNEL - Upper center fuselage, right	1	
-19	62237-00	A	DOUBLER - Antenna	1	
	67555-00	E	DOUBLER - Antenna	1	
	79161 -00	B	DOUBLER - Antenna	1	
			<p>A - Used on PA-28-140 with serial numbers 28-20081 to 28-22645 inclusive, PA-28-150, PA-28-160 and PA-28-180 with serial numbers 28-1681 to 28-3977 inclusive, and PA-28-235 with serial numbers 28-10353 to 28-10885 inclusive.</p> <p>B - Used on PA-28-140 with serial numbers 28-26401 and up, PA-28-180 with serial numbers 28-7305001 to 28-7505261 inclusive, PA-28-235 with serial numbers 28-7310001 and up, and PA-28R-200 with serial numbers 28R-7235001 and up.</p> <p>C - Used on PA-28-140 with serial numbers 28-20002 to 28-26400 inclusive, PA-28-150, PA-28-160 and PA-28-180 with serial numbers 28-1 to 28-5600 inclusive, PA-28R-180 with serial numbers 28R-30005 to 28R-30481 inclusive, 28R-30483 to 28R-31250 inclusive, PA-28R-200 with serial numbers 28R-30482, 28R-35001 to 28R-35600 inclusive, and PA-28-235 with serial numbers 28-10003 to 28-11300 inclusive.</p> <p>D - Used on PA-28-140 with serial numbers 28-7625031 and up, PA-28-235 with serial numbers 28-7610021 and up, and PA-28R-200 with serial numbers 28R-7635018 and up.</p> <p>E - Used on PA-28-150, PA-28-160 and PA-28-180 with serial numbers 28-3978 to 28-7205328 inclusive, PA-28-235 with serial numbers 28-10886 to 28-7210033 inclusive, PA-28-140 with serial numbers 28-22646 to 28-264080 inclusive, PA-28R-200 with serial numbers 28R-30482, 28R-35001 to 28R-7135238 inclusive, and PA-28R-180.</p> <p>F - Used on PA-28-140 with serial numbers 28-26401 to 28-7625030 inclusive, PA-28-180 with serial numbers 28-5601 to 28-7505261 inclusive, PA-28R-180 with serial numbers 28R-31251 to 28R-7130019 inclusive, and PA-28-235 with serial numbers 28-11301 to 28-7610020 inclusive.</p>		

When ordering, always specify Part Number, Description, and Serial Number of Aircraft

PIPER PARTS CATALOG

Figure and Index Number	Part Number	Code	NOMENCLATURE	No. Req.	SERIAL NUMBERS AFFECTED	
12-20	62518-00	C	FRAME ASSEMBLY - Canted, fuselage, Sta. 85.6	1		
	62518-16	G	FRAME ASSEMBLY - Canted, fuselage, Sta. 85.6	1		
	62518-17	F	FRAME ASSEMBLY - Canted, fuselage, Sta. 85.6	1		
	76468-00	B	FRAME ASSEMBLY - Canted, fuselage, Sta. 85.6	1		
	-21	62518-02	C	CHANNEL ASSEMBLY - Left	1	
		62518-14	A	CHANNEL ASSEMBLY - Left	1	
	76468-02	B	CHANNEL - Left	1		
	62518-03	C	CHANNEL ASSEMBLY - Right	1		
	62518-15	A	CHANNEL ASSEMBLY - Right	1		
	76468-03	B	CHANNEL - Right	1		
	-22	68364-00	D	CHANNEL - Upper cockpit	1	
		76239 00	E	CHANNEL - Upper cockpit	1	
			A - Used on PA-28-140 with serial numbers 28-26401 to 28-7625030 inclusive, PA-28-180 with serial numbers 28-5601 to 28-7505261 inclusive, PA-28R-180 with serial numbers 28R-31251 to 28R-7130019 inclusive, PA-28R-200 with serial numbers 28R-35601 to 28R-7635017 inclusive, and PA-28-235 with serial numbers 28-11301 to 28-7610020 inclusive.			
			B - Used on PA-28-140 with serial numbers 28-7625031 and up, PA-28-235 with serial numbers 28-7610021 and up, and PA-28R-200 with serial numbers 28R-7635018 and up.			
			C - Used on PA-28-140 with serial numbers 28-20002 to 28-26400 inclusive, PA-28-150, PA-28-160 and PA-28-1 80 with serial numbers 28-1 to 28-5600 inclusive, PA-28R- 180 with serial numbers 28R-30005 to 28R-30481 inclusive, 28R~30483 to 28R-31250 inclusive, PA-28R-200 with serial numbers 28R-30482, 28R-35001 to 28R-35600 inclusive, and PA-28-235 with serial numbers 28-10003 to 28-11300 inclusive.			
			D - Used on PA-28- 180 with serial numbers 28-7305001 to 28-7305065 inclusive, and PA-28R-200 with serial numbers 28R-7235001 to 28R-7335101 inclusive.			
			E - Used on PA-28-180 with serial numbers 28-7305066 and up, PA-28R-200 with serial numbers 28R-7335102 and up, and PA-28-235 with serial numbers 28-7310001 and up.			
			F - Used on PA-28-140 with serial numbers 28-7425001 to 28-7625030 inclusive, PA-28-180 with serial numbers 28-7405001 to 28-7505261 inclusive, PA-28-235 with serial numbers 28-7410001 to 28-7610020 inclusive, and PA-28R-200 with serial numbers 28R-7435001 to 28R-7635017 inclusive.			
			G - Used on PA-28-140 with serial numbers 28-26401 to 28-7325684 inclusive, PA-28-180 with serial numbers 28-5601 to 28-7305611 inclusive, PA-28R-180 with serial numbers 28R-31251 to 28R-7130019 inclusive, PA-28R-200 with serial numbers 28R-35601 to 28R-7335455 inclusive, and PA-28-235 with serial numbers 28-11301 to 28-7310187 inclusive.			

When ordering, always specify Part Number, Description, and Serial Number of Aircraft

PIPER PARTS CATALOG

Figure and Index Number	Part Number	Code	NOMENCLATURE	No. Req.	SERIAL NUMBERS AFFECTED
12-23	79173-00	H	PLATE - Door Latch	1	28-7335255 and up
	76365-00	G	PLATE - Door latch	1	
-24	69738-00	J	PLATE ASSEMBLY - Door Latch	1	
-25	69740-00	C	CHANNEL - Door Latch	1	
	69740-02	F	CHANNEL- Door Latch	1	
-26	69739-00	J	CLIP - Door Latch	1	
-27	62420-08	A	RETAINER - Windshield, left	1	
	79296-12	D,E	RETAINER - Windshield, left	1	
	65563-04	B	RETAINER - Windshield, left	1	28-10720 to 28-7210033 incl.
			<p>A - Used on PA-28-140 with serial numbers 28-20002 to 28-7425367 inclusive, PA-28-150, PA-28-160 and PA-28-180 with serial numbers 28-1 to 28-7405194 inclusive, PA-28-235 with serial numbers 28-10003 to 28-10719 inclusive, 28-7310001 to 28-7410082 inclusive, PA-28R-180 with serial numbers 28R-30005 to 28R-7130019 inclusive, and PA-28R-200 with serial numbers 28R-30482, 28R-35001 to 28R-7435268 inclusive.</p> <p>B - Used on PA-28-235 airplanes only.</p> <p>C - Used on PA-28-140 with serial numbers 28-7325295 to 28-7625030 inclusive, PA-28-180 with serial numbers 28-7305362 to 28-7505261 inclusive, PA-28-235 with serial numbers 28-7310128 to 28-7610020 inclusive, and PA-28R-200 with serial numbers 28R-7335219 to 28R-7635017 inclusive.</p> <p>D - Used on PA-28-140 with serial numbers 28-7425001 to 28-7425367 inclusive, PA-28-180 with serial numbers 28-7405001 to 28-7405194 inclusive, PA-28-235 with serial numbers 28-7410001 to 28-7410082 inclusive, and PA-28R-200 with serial numbers 28R-7435001 to 28R-7435268 inclusive.</p> <p>E - Used if .250 thick sound reduction windshield is installed.</p> <p>F - Used on PA-28-140 with serial numbers 28-7625031 and up, PA-28-235 with serial numbers 28-7610021 and up, and PA-28R-200 with serial numbers 28R-7635018 and up.</p> <p>G - Used on PA-28-180 with serial numbers 28-7305362 and up, PA-28-235 with serial numbers 28-7310128 and up, and PA-28R-200 with serial numbers 28R-7335219 and up.</p> <p>H - Used on PA-28-140 airplanes only.</p> <p>J - Used on PA-28-140 with serial numbers 28-7325295 and up, PA-28-180 with serial numbers 28-7305362 to 28-7505261 inclusive, PA-28-235 with serial numbers 28-7310128 and up, and PA-28R-200 with serial numbers 28R-7335219 and up.</p>		

When ordering, always specify Part Number, Description, and Serial Number of Aircraft

PIPER PARTS CATALOG

Figure and Index Number	Part Number	Code	NOMENCLATURE	No. Req.	SERIAL NUMBERS AFFECTED
12-27	62420-23	C	RETAINER - Windshield, left, upper	1	28-10720 to 28-7210033 incl.
	69891-10	F	RETAINER - Windshield, left, upper	1	
	69891-12	E,H	RETAINER - Windshield, left, upper	1	
	62420-25	C	RETAINER - Windshield, left, lower	1	
	69891-02	F	RETAINER - Windshield, left, lower	1	
	69891-04	E,H	RETAINER - Windshield, left, lower	1	
	62420-10	A	RETAINER - Windshield, right	1	
	79296-13	D,E	RETAINER - Windshield, right	1	
	65563-05	B	RETAINER - Windshield, right	1	
	62420-24	C	RETAINER - Windshield, right, upper	1	
	69891-11	F	RETAINER - Windshield, right upper	1	
	69891-13	E,G	RETAINER - Windshield, right upper	1	
	62420-26	C	RETAINER - Windshield, right, lower	1	
	69891-03	F	RETAINER - Windshield, right, lower	1	
	69891-05	E,G	RETAINER - Windshield, right, lower	1	
			A - Used on PA-28-140 with serial numbers 28-20002 to 28-7425367 inclusive, PA-28-150, PA-28-160 and PA-28-180 with serial numbers 28-1 to 28-7405194 inclusive, PA-28-235 with serial numbers 28-10003 to 28-10719 inclusive, 28-7310001 to 28-7410082 inclusive, PA-28R-180 with serial numbers 28R-30005 to 28R-7130019 inclusive, and PA-28R-200 with serial numbers 28R-30482, 28R-35001 to 28R-7435268 inclusive.		
			B - Used on PA-28-235 airplanes only.		
			C - Used on PA-28-140 with serial numbers 28-7425368 to 28-7625030 inclusive, PA-28-180 with serial numbers 28-7405195 to 28-7505261 inclusive, PA-28-235 with serial numbers 28-7410083 to 28-7610020 inclusive, and PA-28R-200 with serial numbers 28R-7435269 to 28R-7635017 inclusive.		
			D - Used on PA-28-140 with serial numbers 28-7425001 to 28-7425367 inclusive, PA-28-180 with serial numbers 28-7405001 to 28-7405194 inclusive, PA-28-235 with serial numbers 28-7410001 to 28-7410082 inclusive, and PA-28R-200 with serial numbers 28R-7435001 to 28R-7435268 inclusive.		
			E - Used if .250 thick sound reduction windshield is installed.		
			F - Used on PA-28-140 with serial numbers 28-7625031 and up, PA-28-235 with serial numbers 28-7610021 and up, and PA-28R-200 with serial numbers 28R-7635018 and up.		
			G - Used on PA-28-140 with serial numbers 28-7425368 and up, PA-28-180 with serial numbers 28-7405195 and up, PA-28-235 with serial numbers 28-7410083 and up, and PA-28R-200 with serial numbers 28R-7435269 and up.		
			H - Used on PA-28-140 with serial numbers 28-7425368 and up, PA-28-180 with serial numbers 28-7405195 to 28-7505261 inclusive, PA-28-235 with serial numbers 28-7410083 and up, and PA-28R-200 with serial numbers 28R-7435269 and up.		

When ordering, always specify Part Number, Description, and Serial Number of Aircraft

PIPER PARTS CATALOG

Figure and Index Number	Part Number	Code	NOMENCLATURE	No. Req.	SERIAL NUMBERS AFFECTED
12-28	62415-00		BRACKET ASSEMBLY - Upper door hinge attachment	1	28-1 to 28-544 inclusive
	402 057		BOLT - Eye, upper door hinge attachment (AN44-17A)	1	
	407 586	W	WASHER - (AN960-516L)	1	
	404 837	W	NUT - (MS20364-524C)	1	
	63900-47		BUSHING - Upper door hinge	1	
-29	62416-00		BRACKET ASSEMBLY - Lower door hinge attachment	1	28-1 to 28-544 inclusive
	402 057		BOLT - Eye, lower door hinge attachment (AN44-17A)	1	
	407 586	W	WASHER - (AN960-516L)	1	
	404 837	W	NUT - (MS20364-524C)	1	
	63900-46		BUSHING - Lower door hinge	1	
-30	480 883		BOLT - Clevis (AN23-31A)	1	
	407 584	W	WASHER - (AN960-10L)	1	
	404 887	W	NUT - (MS20365-1032C)	1	
	63900-48		BUSHING - door hinge	1	
-31	21741-00		BUSHING - Serrated door hinge	1	
-32	62412-00	B	FRAME ASSEMBLY - Fuselage, Sta. 128.737, upper	1	
	62412-02	A	FRAME ASSEMBLY - Fuselage, Sta. 128.737, upper	1	
-33	62410-00		CHANNEL - Upper frame, left	1	
	62410-01		CHANNEL - Upper frame, right	1	
-34	62430-00		CHANNEL - Splice plate	1	
-35	62474 00	D,E	LONGERON - Upper center cockpit	2	28-10003 to 28-10719 inclusive
	62474-00	F	LONGERON - Upper center cockpit	2	
	65572-00	C	LONGERON - Upper center cockpit, left	1	
	65572-01	C	LONGERON - Upper center cockpit, right	1	
-36	62477-00		CHANNEL - Upper center cockpit, left	1	
	62477-01		CHANNEL - Upper center cockpit, right	1	

A - Used on PA-28-140 with serial numbers 28-7325001 and up, PA-28-235 with serial numbers 28-10720 and up, PA-28-180 with serial numbers 28-4378 to 28-7505261 inclusive, PA-28R-180 and PA-28R-200.

B - Used on PA-28-140 with serial numbers 28-20002 to 28-7225612 inclusive, PA-28-150, PA-28-160 and PA-28-180 with serial numbers 28-1 to 28-4377 inclusive, and PA-28-235 with serial numbers 28-10003 to 28-10719 inclusive.

C - Used on PA-28-235 with serial numbers 28- 10720 and up, PA-28-180 with serial numbers 28-4378 to 28-7505261 inclusive, PA-28R-180 and PA-28R-200.

D - Used on PA-28-150, PA-28-160 and PA-28-180 with serial numbers 28-1 to 28-4377 inclusive.

E - Used on PA-28-140 airplanes only.

F - Used on PA-28-235 airplanes only.

W - These parts must be ordered from Service Spares Department, Piper Aircraft, Lock Haven, Penna.

When ordering, always specify Part Number, Description, and Serial Number of Aircraft

PIPER PARTS CATALOG

Figure and Index Number	Part Number	Code	NOMENCLATURE	No. Req.	SERIAL NUMBERS AFFECTED
12-37	62476-00	C	CHANNEL - Upper center cockpit, top left	1	28-1 to 28-1680 inclusive
	62476-00	J	CHANNEL - Upper center cockpit, top left	1	28-10003 to 28-10352 inclusive
	62476-00	D	CHANNEL - Upper center cockpit, top left	1	28-20002 to 28-200 80 inclusive
	65426-00	C	CHANNEL - Upper center cockpit, top left	1	28-1681 to 28-4377 inclusive
	65426-00	J	CHANNEL - Upper center cockpit, top left	1	28-10353 to 28-11039 inclusive
	65426-00	D	CHANNEL - Upper center cockpit, top left	1	28-20081 and up
	67262-02	K	CHANNEL - Upper center cockpit, left	1	
	62476-01	C	CHANNEL - Upper center cockpit, top right	1	28-1 to 28-1680 inclusive
	62476-01	J	CHANNEL - Upper center cockpit, top right	1	28-10003 to 28-10352 inclusive
	62476-01	D	CHANNEL - Upper center cockpit, top right	1	28-20002 to 28-2 0080 inclusive
	65426-01	C	CHANNEL - Upper center cockpit, top right	1	28-1681 to 28-4377 inclusive
	65426-01	J	CHANNEL - Upper center cockpit, top right	1	28-10353 to 28-11039 inclusive
	65426-01	D	CHANNEL - Upper center cockpit, top right	1	28-20081 and up
	67262-03	K	CHANNEL - Upper center cockpit, right	1	
-38	62509-02	E	HAT ASSEMBLY - Windshield	1	
	62509-03	F	HAT ASSEMBLY - Windshield	1	
	62509-04	F,G	HAT ASSEMBLY - Windshield	1	
-39	62505-00		BRACKET - Windshield	1	
-40	62423-00		FITTING - Upper engine mount	1	
-41	63037-00		LOOP ASSEMBLY - Door latch	1	28-991 and up
-42	63040-00	B	PLATE - Door latch	1	
	68353-00	A	PLATE - Door latch	1	
	79234-00	H	PLATE - Door latch	1	
			A - Used on PA-28-150, PA-28-160 and PA-28-180 with serial numbers 28-3378 to 28-7305361 inclusive, PA-28-235 with serial numbers 28-10720 to 28-7310127 inclusive, PA-28R-200 with serial numbers 28R-30482 to 28R-7335218 inclusive, and PA-28R-180.		
			B - Used on PA-28-140 with serial numbers 28-20002 to 28-7325294 inclusive, PA-28-150, PA-28-160 and PA-28-180 with serial numbers 28-991 to 28-3377 inclusive, and PA-28-235 with serial numbers 28-10003 to 28-10719 inclusive.		
			C - Used on PA-28-150, PA-28-160 and PA-28-180 airplanes only.		
			D - Used on PA-28-140 airplanes only.		
			E - Used on PA-28-140 with serial numbers 28-20 002 to 28-7625030 inclusive, PA-28-150, PA-28-160, PA-28-180, PA-28R-180, PA-28-235 with serial numbers 28-10003 to 28-7610020 inclusive, and PA-28R-200 with serial numbers 28R-30482, 28R-35001 to 28R-7635017 inclusive.		
			F - Used on PA-28-140 with serial numbers 28-7625031 and up, PA-28-235 with serial numbers 28-7610021 and up, and PA-28R-200 with serial numbers 28R-7635018 and up.		
			G - Used if .250 thick sound reduction windshield is installed.		
			H - Used on PA-28-140 with serial numbers 28-7325295 and up, PA-28-180 with serial numbers 28-7305362 to 28-7505261 inclusive, PA-28R-200 with serial numbers 28R-7335219 and up, and PA-28-235 with serial numbers 28-7310128 and up.		
			J - Used on PA-28-235 airplanes only.		
			K - Used on PA-28-180 with serial numbers 28-4378 to 28-7505261 inclusive, PA-28-235 with serial numbers 28-11040 and up, PA-28R-180 and PA-28R-200.		

When ordering, always specify Part Number, Description, and Serial Number of Aircraft

PIPER PARTS CATALOG

Figure and Index Number	Part Number	Code	NOMENCLATURE	No. Req.	SERIAL NUMBERS AFFECTED
12-43	63293-02	A	PLATE - Striker	1	
-44	62475-00	C	CHANNEL - Upper center cockpit, left	1	
	65570-00	D	CHANNEL - Upper center cockpit, left	1	
	62475-01	C	CHANNEL - Upper center cockpit, right	1	
	65570-01	D	CHANNEL - Upper center cockpit, right	1	
-45	62639-00		CHANNEL - Upper center cockpit, left	1	
	62639-01		CHANNEL - Upper center cockpit, right	1	
-46	62638-00	F	STRINGER - Upper center cockpit, left	1	
	62638-01	F	STRINGER - Upper center cockpit, right	1	
	67291-00	G	STRINGER - Upper center cockpit, left	1	
	67291-01	G	STRINGER - Upper center cockpit, right	1	
47	62504-00		GUSSET - Upper center cockpit	2	28-1 to 28-990 inclusive
	65117-00		GUSSET - Upper center cockpit, left	1	28-991 and up
	65116-00		GUSSET - Upper center cockpit, right	1	28-991 and up
-48	62677-00	B	STIFFENER - Left side, rear	1	
	62677-00	E	STIFFENER - Right side, rear	1	28-20095 and up
			A - Used on PA-28-140 with serial numbers 28-20002 to 28-7625030 inclusive, PA-28-150, PA-28-160. PA-28-180, PA-28R-180, PA-28-235 with serial numbers 28-10003 to 28-7610020 inclusive, and PA-28R-200 with serial numbers 28R-30482, 28R-35001 to 28R-7635017 inclusive.		
			B - Used on PA-28-140 with serial numbers 28-20095 and up, PA-28-180, PA-28R-180, PA-28R-200 and PA-28-235 .		
			C - Used on PA-28-140 with serial numbers 28-20002 and up, PA-28-150, PA-28-160 and PA-28-180 with serial numbers 28-1 to 28-4377 inclusive, and PA-28-235 with serial numbers 28-10003 to 28-10719 inclusive.		
			D - Used on PA-28-180 with serial numbers 28-4378 to 28-7505261 inclusive, PA-28-235, PA-28R-180 and PA-28R-200.		
			E - Used on PA-28-140 airplanes only.		
			F - Used on PA-28-140 with serial numbers 28-20002 and up, PA-28-150, PA-28-160 and PA-28-180 with serial numbers 28-1 to 28-4377 inclusive, and PA-28-235 with serial numbers 28-10003 to 28-11039 inclusive.		
			G - Used on PA-28-180 with serial numbers 28-4378 to 28-7505261 inclusive, PA-28-235 with serial numbers 28-11040 and up, PA-28R-180 and PA-28R-200		

When ordering, always specify Part Number, Description, and Serial Number of Aircraft

PIPER PARTS CATALOG

Figure and Index Number	Part Number	Code	NOMENCLATURE	No. Req.	SERIAL NUMBERS AFFECTED
12-49	62640-00	C	SUPPORT- Rear, left	1	
	99421-00	H	SUPPORT- Rear, left	1	
	62641-00	B	SUPPORT - Front, left	1	
	62640-00	G	SUPPORT - Front, left	1	
	99421-00	H	SUPPORT - Front, left	1	
-50	62510-00	E	PAN ASSEMBLY - lower, upper cockpit	1	
	76139-00	F	PAN ASSEMBLY - lower, upper cockpit	1	
	76467-00	D	PAN ASSEMBLY - lower, upper cockpit	1	
	79547-00	A	PAN ASSEMBLY - lower, upper cockpit	1	28-7625031 and up
-51	62492-00	E	PAN - Inboard	1	
	76467-03	D	PAN - Inboard	1	
	79547-03	A	PAN - Inboard	1	28-7625031 and up
-52	62493-00	E	PAN - Outboard	1	
	76467-02	D	PAN - Outboard	1	
	79547-02	A	PAN - Outboard	1	28-7625031 and up
			<p>A - Used on PA-28-140 airplanes only.</p> <p>B - Used on PA-28-150, PA-28-160 and PA-28-180 with serial numbers 28-1 to 28-1760 inclusive, and PA-28-140 with serial numbers 28-20002 to 28-24999 inclusive.</p> <p>C - Used on PA-28-150, PA-28-160 and PA-28-180 with serial numbers 28-1 to 28-1760 inclusive, and 28-5601 to 28-5869 inclusive, PA-28-140 with serial numbers 28-20002 to 28-26956 inclusive. PA-28R-180 with serial numbers 28R-31251 to 28R-31279 inclusive, PA-28R-200 with serial numbers 28R-35601 to 28R-35830 inclusive, and PA-28-235 with serial number 28-11301 to 28-11393 inclusive,</p> <p>D - Used on PA-28-235 with serial number 28-7610021 and up, and PA-28R-200 with serial numbers 28R-7635018 and up,</p> <p>E - Used on PA-28-180 with serial numbers 28-671 to 28-7205328 inclusive, PA-28R-200 with serial numbers 28R-30482. 28R-35001 to 28R-7135238 inclusive, PA-28-235 with serial numbers 28-10003 to 28-7210033 inclusive, PA-28-140 with serial numbers 28-20002 to 28-7625030 inclusive, PA-28-150, PA-28-160 and PA-28R-180.</p> <p>F - Used on PA-28-180 with serial numbers 28-7305001 to 28-7505261 inclusive, PA-28-235 with serial numbers 28-7310001 to 28-7610020 inclusive, and PA-28R-200 with serial numbers 28R-7235001 to 28R-7635017 inclusive.</p> <p>G - Used on PA-28-140 with serial numbers 28-25000 to 28-26956 inclusive, PA-28-180 with serial numbers 28-5601 to 28-5869 inclusive, PA-28R-180 with serial numbers 28R-31251 to 28R-31279 inclusive, PA-28R-200 with serial numbers 28R-35601 to 28R-35830 inclusive, and PA-28-235 with serial numbers 28-11301 to 28-11393 inclusive.</p> <p>H - Used on PA-28-140 with serial numbers 28-7125001 to 28-7325684 inclusive, PA-28R-1B0 with serial numbers 28R-7130001 to 28R-7130019 inclusive, PA-28-180 with serial numbers 28-7310001 to 28-7505261 inclusive, PA-28R-200 with serial numbers 28R-7135001 and up, and PA-28-235 with serial numbers 28-7110001 and up.</p>		

When ordering, always specify Part Number, Description, and Serial Number of Aircraft

PIPER PARTS CATALOG

Figure and Index Number	Part Number	Code	NOMENCLATURE	No. Req.	SERIAL NUMBERS AFFECTED
12-53	76139-02	F	PAN ASSEMBLY - Inboard and outboard, front	1	
-54	76139-03	F	PAN ASSEMBLY - Inboard and outboard, rear	1	
-55	62656-00		ANGLE ASSEMBLY - Door holder	1	
-56	62501-00	E,F	CHANNEL - Door frame splice	1	
	76467-04	C	CHANNEL - Door frame splice	1	
-57	76138-00	F	CHANNEL - Pan upper cockpit	1	
-57a	79639-02	C	PLATE - Door Latch	1	
-58	62644-00		WEB - Upper center fuselage, left	1	
-59	62637-00		CHANNEL - Fuselage rear, left	1	
-60	62635-00		CHANNEL - Baggage door frame, top, inner	1	
-61	62634-00	B	CHANNEL - Baggage door frame, top, inner	1	
-62	62636-00	B	CHANNEL - Baggage door frame, front	1	
-63	62631-00	G	GUSSET - Baggage door frame, top, rear	1	
	69269-00	B	GUSSET - Baggage door frame, top, rear	1	
	76279-00	D	GUSSET - Baggage door frame, top, rear	1	
-64	62632-00	A	GUSSET - Baggage door frame, top, front	1	
-65	62633-00	A	GUSSET - Baggage door frame, bottom, front	1	
			A - Used on PA-28-150, PA-28-160, PA-28-180, PA-28R-180, PA-28R-200 and PA-28-235.		
			B - Used on PA-28-180 with serial numbers 28-7305001 to 28-7305611 inclusive, PA-28-235 with serial numbers 28-11040 to 28-7310187 inclusive, and PA-28R-200 with serial numbers 28R-7235001 to 28R-7335455 inclusive.		
			C - Used on PA-28-140 with serial numbers 28-7625031 and up, PA-28-235 with serial numbers 28-7610021 and up, and PA-28R-200 with serial numbers 28R-7635018 and up,		
			D - Used on PA-28-180 with serial numbers 28-7405001 to 28-7505261 inclusive, PA-28-235 with serial numbers 28-7410001 and up, and PA-28R-200 with serial numbers 28R-7435001 and up,		
			E- Used on PA-28-180 with serial numbers 28-671 to 28-7205328 inclusive, PA-28R-200 with serial numbers 28R-30482, 28R-35001 to 28R-7135238 inclusive, PA-28-235 with serial numbers 28-10003 to 28-7210033 inclusive, PA-28-140 with serial numbers 28-20002 to 28-7625030 inclusive, PA-28-150, PA-28-160 and PA-28R-180,		
			F - Used on PA-28-180 with serial numbers 28-7305001 to 28-7505261 inclusive, PA-28-235 with serial numbers 28-7310001 to 28-7610020 inclusive, and PA-28R-200 with serial numbers 28R-7235001 to 28R-7635017 inclusive.		
			G - Used on PA-28R-200 with serial numbers 28R-30482, 28R-35001 to 28R-7135238 inclusive, PA-28-235 with serial numbers 28-10003 to 28-11039 inclusive, PA-28R-180 with serial numbers 28R-30005 to 28R-7130019 inclusive, PA-28-150, PA-28-160 and PA-28-180 with serial numbers 28-1 to 28-7205328 Inclusive.		

When ordering, always specify Part Number, Description, and Serial Number of Aircraft

PIPER PARTS CATALOG

Figure and Index Number	Part Number	Code	NOMENCLATURE	No. Req.	SERIAL NUMBERS AFFECTED
12-66	62483-02		CHANNEL - Right door, front, Sta. 72.6	1	
-67	68229-04	F	CHANNEL - Armrest support	1	
-68	68274-00	B	CHANNEL - Armrest support	1	28-10720 to 28-11039 inclusive
	67318-00	E	CHANNEL - Armrest support	1	
-69	67267-00	C	CHANNEL - Support, left	1	
	67267-01	C	CHANNEL - Support, right	1	
-70	67268-00	H	ANGLE - Support, left	1	
	76261-00	D	ANGLE - Support, left	1	
	67268-01	H	ANGLE - Support, right	1	
	76261-01	D	ANGLE - Support, right	1	
-71	67292-00	H	ANGLE - Support, left	1	
	76262-00	D	ANGLE - Support, left	1	
	67292-00	G	ANGLE - Support, right	1	
-72	62419-11		HINGE HALF - Baggage door	1	
-73	62571-00	A	GUSSET - Baggage door frame, bottom, rear	1	
			A - Used on PA-28-150, PA-28-160, PA-28-180, PA-28R-180, PA-28R-200 and PA-28-235.		
			B - Used on PA-28-235 airplanes only.		
			C - Used on PA-28-180 with serial numbers 28-4378 to 28-7505261 inclusive, PA-28-235 with serial numbers 28-11040 and up, PA-28R-180 and PA-28R-200.		
			D - Used on PA-28-180 with serial numbers 28-7405001 to 28-7505261 inclusive, PA-28-235 with serial numbers 28-7410001 and up, and PA-28R-200 with serial numbers 28R-7435001 and up.		
			E - Used on PA-28-180 with serial numbers 28-4378 to 28-5600 inclusive, PA-28R-180 with serial numbers 28R-30005 to 28R-30481 inclusive, 28R-30483 to 28R-31250 inclusive, PA-28R-200 with serial numbers 28R-30482, 28R-35001 to 28R-35600 inclusive, and PA-28-235 with serial numbers 28-11040 to 28-11300 inclusive.		
			F - Used on PA-28-180 with serial numbers 28-4378 to 28-5600 inclusive, PA-28R-180 with serial numbers 28R-30005 to 28R-30481 inclusive, 28R-30483 to 28R-31250 inclusive, PA-28R-200 with serial numbers 28R-30482, 28R-35001 to 28R-35600 inclusive, and PA-28-235 with serial numbers 28-10720 to 28-11300 inclusive.		
			G - Used on PA-28-180 with serial numbers 28-4378 to 28-7205328 inclusive, PA-28R-180 with serial numbers 28R-30005 to 28R-7130019 inclusive, and PA-28R-200 with serial numbers 28R-30482, 28R-35001 to 28R-7135238 inclusive.		
			H - Used on PA-28-180 with serial numbers 28-4378 to 28-7305611 inclusive, PA-28-235 with serial numbers 28-11040 to 28-7310187 inclusive, PA-28R-180 with serial numbers 28R-30005 to 28R-7130019 inclusive, and PA-28R-200 with serial numbers 28R-30482, 28R-35001 to 28R-7335455 inclusive.		

When ordering, always specify Part Number, Description, and Serial Number of Aircraft

PIPER PARTS CATALOG

Figure and Index Number	Part Number	Code	NOMENCLATURE	No. Req.	SERIAL NUMBERS AFFECTED
12-74	99690-00	A	CHANNEL - Upper cockpit, left	1	
	99686-00	B	CHANNEL - Upper cockpit, left	1	
	99690-01	A	CHANNEL - Upper cockpit, right	1	
	99686-01	B	CHANNEL - Upper cockpit, right	1	
-75	99692-00	A	DOUBLER - Shoulder harness, left	1	
	99692-01	A	DOUBLER - Shoulder harness, right	1	
	99688-00	B	DOUBLER - Shoulder harness, left	1	
	99688-01	B	DOUBLER - Shoulder harness, right	1	
-76	99741-00	A,B	GUSSET - Headliner attachment, left	1	
	99741-01	A,B	GUSSET - Headliner attachment, right	1	
-77	99691-00	A	CHANNEL - Upper cockpit, rear, left	1	
	99687-00	B	CHANNEL - Upper cockpit, rear, left	1	
	99691-01	A	CHANNEL - Upper cockpit, rear, right	1	
	99687-01	B	CHANNEL - Upper cockpit, rear, right	1	
-78	99693-00	A	DOUBLER - Shoulder harness, rear	2	
	99689-00	B	DOUBLER - Shoulder harness, rear	2	
-79	96866-00	C,D	PLATE - Striker, lower door latch	1	
-80	96873 00	F	PLATE - Striker, upper door latch	1	
	78123-00	E	PLATE - Striker, upper door latch	1	
			A - Used on PA-28-180 with serial numbers 28-7205001 to 28-7505261 inclusive, PA-28-235 with serial numbers 28-7210001 and up, and PA-28R-200 with serial numbers 28R-7235001 and up,		
			B - Used on PA-28-140 with serial numbers 28-7225001 and up.		
			C - Used on PA-28-140 with serial numbers 28-7325033 to 28-7625030 inclusive, PA-28-180 with serial numbers 28-7305001 to 28-7505261 inclusive, PA-28-235 with serial numbers 28-7310001 to 28-7610020 inclusive, and PA-28R-200 with serial numbers 28R-7235001 to 28R-7635017 inclusive.		
			D - Used on PA-28-140 with serial numbers 28-25000 to 28-7325032 inclusive, PA-28-180 with serial numbers 28-5428 to 28-7205328 inclusive, PA-28-235 with serial numbers 28-11186 to 28-7210033 inclusive, PA-28R-180 with serial numbers 28R-31251 to 28R-7130019 inclusive, and PA-28R-200 with serial numbers 28R-30482, 28R-35001 to 28R-7135238 inclusive if Lower Door Latch is installed.		
			E - Used on PA-28-180 with serial numbers 28-7405001 to 28-7505261 inclusive, PA-28-235 with serial numbers 28-7410001 to 28-7610020 inclusive, and PA-28R-200 with serial numbers 28R-7435001 to 28R-7635017 inclusive.		
			F - Used on PA-28-180 with serial numbers 28-7305001 to 28-7305611 inclusive, PA-28-235 with serial numbers 28-7310001 to 28-7310187 inclusive, and PA-28R-200 with serial numbers 28R-7235001 to 28R-7335455 inclusive		

When ordering, always specify Part Number, Description, and Serial Number of Aircraft

**1D23 THRU 1D24
INTENTIONALLY LEFT BLANK**

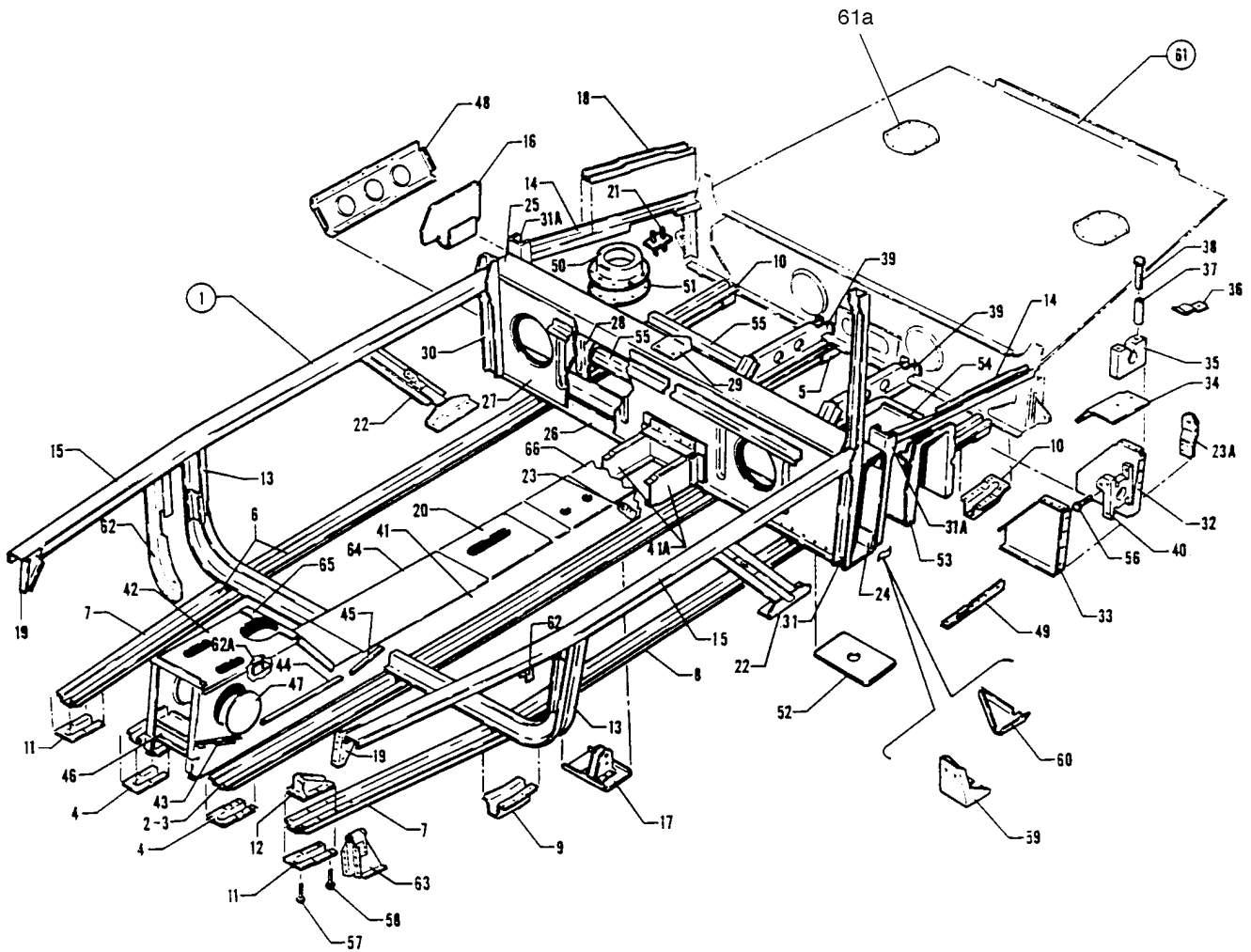


Figure 13. Lower Forward Cockpit Assembly

PIPER PARTS CATALOG

Figure and Index Number	Part Number	Code	NOMENCLATURE	No. Req.	SERIAL NUMBERS AFFECTED	
13-1	62422-00	A	COCKPIT ASSEMBLY - Lower	1	28-1 to 28-1760 inclusive	
	62315-00	A	COCKPIT ASSEMBLY - Lower	1	28-1761 to 28-2477 inclusive	
	65600-00	A	COCKPIT ASSEMBLY - Lower	1	28-2478 to 28 4377 inclusive	
	62422-14	B	COCKPIT ASSEMBLY - Lower	1	28-20002 to 28-20280 inclusive	
	62314-00	B	COCKPIT ASSEMBLY - Lower	1	28-20281 to 28-24999 inclusive	
	62314-03	B	COCKPIT ASSEMBLY - Lower	1	2B-25000 to 28-26956 inclusive	
	62314-06	B	COCKPIT ASSEMBLY - Lower	1	28-7125001 to 28-7125651 incl.	
	62314-07	B	COCKPIT ASSEMBLY - Lower	1	28-7225001 to 28-7325684 incl.	
	62314-08	B	COCKPIT ASSEMBLY - Lower	1	28-7425001 to 28-7625030 incl..	
	79549-905	B	COCKPIT ASSEMBLY - Lower	1	28-7625031 and up	
	65089-00	C	COCKPIT ASSEMBLY - Lower	1	2B-10003 to 28-10486 inclusive	
	65089-04	C	COCKPIT ASSEMBLY - Lower	1	2B-10487 to 28-10675 inclusive	
	65467-00	C	COCKPIT ASSEMBLY - Lower	1	28-10676 to 28-10719 inclusive	
	65534-00	C	COCKPIT ASSEMBLY - Lower	1	28-10720 to 28-11 393 inclusive	
	65534-05	C	COCKPIT ASSEMBLY - Lower	1	28-7110001 to 28-7110042 incl.	
	65534-06	C	COCKPIT ASSEMBLY - Lower	1	28-7210001 to 28-7210033 incl.	
	76312-00	C	COCKPIT ASSEMBLY - Lower	1	28-7310001 to 28-7310187 incl.	
	76312-02	C	COCKPIT ASSEMBLY - Lower	1	28-7410001 to 28-7610020 incl.	
	76471-905	C	COCKPIT ASSEMBLY - Lower	1	28-7610021 and up	
	67252-00	F	COCKPIT ASSEMBLY - Lower	1		
	67252-05	D	COCKPIT ASSEMBLY - Lower	1		
	76112-00	E	COCKPIT ASSEMBLY - Lower	1	28R-7235001 to 28R-7335455 incl.	
	76112-07	E	COCKPIT ASSEMBLY - Lower	1	28R-7435001 to 28R-7635017 incl.	
	67930-905	E	COCKPIT ASSEMBLY - Lower	1	28R-7635018 and up	
	65600-02	G	COCKPIT ASSEMBLY - Lower	1	28-4378 to 28-5869 inclusive	
	65600-03	G	COCKPIT ASSEMBLY - Lower	1	28-7105001 to 28-7105244 incl.	
	65600-04	G	COCKPIT ASSEMBLY - Lower	1	28-7205001 to 28-7205328 incl.	
	76212-00	G	COCKPIT ASSEMBLY - Lower	1	28-7305001 to 28-7305611 incl.	
	76212-03	G	COCKPIT ASSEMBLY - Lower	1	28-7405001 to 28-7505261 incl.	
				A - Used on PA-28-150, PA-28-160 and PA-28-180 airplanes only.		
				B - Used on PA-28-140 airplanes only.		
				C - Used on PA-28-235 airplanes only.		
			D - Used on PA-28R-180 with serial numbers 28R-7130001 to 28R-7130019 inclusive, and PA-28R-200 with serial numbers 28R-7135001 to 28R-7135238 inclusive			
			E - Used on PA-28R-200 airplanes only.			
			F - Used on PA-28R-180 with serial numbers 28R-30005 to 28R-31279 inclusive, and PA-28R-200 with serial numbers 28R-30482, 28R-35001 to 28R-35830 inclusive.			
			G - Used on PA 28-180 airplanes only.			

When ordering, always specify Part Number, Description, and Serial Number of Aircraft

PIPER PARTS CATALOG

Figure and Index Number	Part Number	Code	NOMENCLATURE	No. Req.	SERIAL NUMBERS AFFECTED	
13-2	62422-09	F,K	HAT ASSEMBLY - inboard, left	1	28-7625031 and up	
	79549-946	B	HAT ASSEMBLY - inboard, left	1		
	76112-04	H	HAT ASSEMBLY - Inboard, left	1		
	76469-946	G	HAT ASSEMBLY - inboard, left	1		
	62422-09	K	HAT ASSEMBLY - inboard, right	1	28-7625031 and up	
	79549-946	B	HAT ASSEMBLY - inboard, right	1		
	67270-00	F	HAT ASSEMBLY - inboard, right	1		
	76116-00	J	HAT ASSEMBLY - inboard, right	1		
	3	76112-04	C	HAT ASSEMBLY- inboard, right	1	28R-7235001 to 28R-763501 incl.
		76469-946	G	HAT ASSEMBLY - inboard, right	1	
		62527-40	E	HAT	1	
		62221-00	D	HAT	1	
		76114-00	A	HAT	1	
			A - Used on PA-28-180 with serial numbers 28-7305001 to 28-7505261 inclusive, PA-2B-235 with serial numbers 28-7310001 and up, and PA-28R-200 with serial numbers 28R-7235001 and up.			
			B - Used on PA-28-140 airplanes only.			
			C - Used on PA-28-180 with serial numbers 28-7305001 to 28-7505261 inclusive, and PA-28-235 with serial numbers 28-7310001 and up.			
			D - Used on PA-28-150, PA-28-160 and PA-28-180 with serial numbers 28-1601 to 28-7205328 inclusive, PA-28-235 with serial numbers 28-10233 and up. PA-28-140 with serial numbers 28-20002 and up, PA-28R-180 with serial numbers 28R-30005 to 28R-7130019 inclusive, and PA-28R-200 with serial numbers 28R-30482, 28R-35001 to 28R-7135238 inclusive.			
			E - Used on PA-28-150, PA-28-160 and PA-28-180 with serial numbers 28-1 to 28-1600 inclusive, and PA-28-235 with serial numbers 28-10003 to 28-10232 inclusive.			
			F - Used on PA-28R-180 with serial numbers 28R-30005 to 28R-31279 inclusive, and PA-28R-200 with serial numbers 28R-30482, 28R-35001 to 28R-35830 inclusive.			
			G - Used on PA-28-235 with serial numbers 28-7610021 and up, and PA-28R-200 with serial numbers 28R-7635018 and up.			
			H - Used on PA-28-180 with serial numbers 28-7305001 to 28-7505261 inclusive, PA-28-235 with serial numbers 28-7310001 to 28-7610020 inclusive, and PA-28R-200 with serial numbers 28R-7235001 to 28R-7635017 inclusive.			
			J - Used on PA-28R-200 airplanes only.			
			K - Used on PA-28-150, PA-28-160 and PA-28-180 with serial numbers 28-1 to 28-7205328 inclusive, PA-28-235 with serial numbers 28-10003 to 28-7210033 inclusive. and PA-28-140 with serial numbers 28-20002 to 28-7625030 inclusive.			

When ordering, always specify Part Number, Description, and Serial Number of Aircraft

PIPER PARTS CATALOG

Figure and Index Number	Part Number	Code	NOMENCLATURE	No. Req.	SERIAL NUMBERS AFFECTED	
13-4	62543-00		FAIRING - Front, left	1		
	62543-02	J,O	FAIRING - Front, left	1		
	62543-00	B,LM	FAIRING - Front, right	1		
	62543-02	J,N	FAIRING - Front, right	1		
	67271-00	K	FAIRING - Front, right (with jack pad fitting)	1		
-5	62554-00		FAIRING - Rear	1		
-6	62422-10	A,D,E,F	HAT ASSEMBLY - Outboard, left	1		
	79549-947	B	HAT ASSEMBLY - Outboard, left	1		
	76112-05	C	HAT ASSEMBLY - Outboard, left	1		
	76469-947	G	HAT ASSEMBLY - Outboard, left	1		
	62422-11	A,D,E,F	HAT ASSEMBLY - Outboard, right	1		
	79549-948	B	HAT ASSEMBLY - Outboard, right	1		
	76112-06	C	HAT ASSEMBLY - Outboard, right	1		
	76469-948	G	HAT ASSEMBLY - Outboard, right	1		
	-7	62528-00		HAT - Front, left	1	
		62528-01		HAT - Front, right	1	
-8	62524-00	A,B,D,E	HAT - Rear, left	1		
	76115-00	H	HAT - Rear, left	1		
	62524-01	A,B,D,E	HAT - Rear, right	1		
	76115-01	H	HAT - Rear, right	1		
			A - Used on PA-28R-180 with serial numbers 28R-30005 to 28R-31279 inclusive, and PA-28R-200 with serial numbers 28R-30482. 28R-35001 to 28R-35830 inclusive.			
			B - Used on PA-28-140 airplanes only.			
			C - Used on PA-28-180 with serial numbers 28-7305001 to 28-7505261 inclusive, PA-28-235 with serial numbers 28-7310001 to 28-7610020 inclusive. and PA-28R-200 with serial numbers 28R-7235001 to 28R-7635017 inclusive.			
			D - Used on PA-28-150. PA-28-160 and PA-28-180 with serial numbers 28-1 to 28-7205328 inclusive.			
			E - Used on PA-28-235 with serial numbers 28-10003 to 28-7210033 inclusive.			
			F - Used on PA-28-140 with serial numbers 28-20002 to 28-7625030 inclusive.			
			G - Used on PA-28-235 with serial numbers 28-7610021 and up. and PA-28R-200 with serial numbers 28R-7635018 and up.			
			H - Used on PA-28-180 with serial numbers 28-7305001 to 28-7505261 inclusive, PA-28-235 with serial numbers 28-7310001 and up, and PA-28R-200 with serial numbers 28R-7235001 and up.			
			J - Used if air conditioning is installed.			
			K - Used on PA-28R-180 and PA-28R-200 airplanes only.			
			L - Used on PA-28-150, PA-28-160 and PA-28-180 airplanes only.			
			M - Used on PA-28-235 airplanes only.			
			N - Used on PA-28-140 with serial numbers 28-7125472 and up, and PA-28-180 with serial numbers 28-7205092 to 28-7505261 inclusive.			
			O - Used on PA-28-140 with serial numbers 28-7125472 and up, PA-28-180 with serial numbers 28-7205092 to 28-7505261 inclusive, and PA-28R-200 with serial numbers 28R-7235001 and up.			

When ordering, always specify Part Number, Description, and Serial Number of Aircraft

PIPER PARTS CATALOG

Figure and Index Number	Part Number	Code	NOMENCLATURE	No. Req.	SERIAL NUMBERS AFFECTED
13-9	62588-00		FAIRING - Center, left	1	
	62558-01		FAIRING - Center, right	1	
-10	62554-00		FAIRING - Rear, left and right	2	
-11	62544-00		FAIRING - Front, left	1	
	62544-01		FAIRING - Front, right	1	
-12	62441-00		FITTING - Engine, lower, left	1	
	62441-01		FITTING - Engine, lower, right	1	
-13	62519-00	B,D,E,F	FRAME ASSEMBLY - Fuselage, Sta. 73.04	1	
	76126-00	A	FRAME ASSEMBLY - Fuselage, Sta. 73.04	1	
-14	62525-00		STRINGER - Rear of spar box, left	1	
	62525-01		STRINGER - Rear of spar box, right	1	
-15	62526-00		LONGERON - Lower cockpit, left	1	28-1 to 28-1760 inclusive
	62526-02	C	LONGERON - Lower cockpit, left	1	
	62526-01	G	LONGERON - Lower cockpit, right	1	
	76490-02	A	LONGERON - Lower cockpit, left	1	
	76490-03	A	LONGERON - Lower cockpit, right	1	
-16	62542-00		GUSSET - Lower cockpit, left	1	
	62542-01		GUSSET - Lower cockpit, right	1	
<p>A - Used on PA-28-180 with serial numbers 28-7305001 to 28-7505261 inclusive, PA-28-235 with serial numbers 28-7310001 and up, and PA-28R-200 with serial numbers 28R-7235001 and up,</p> <p>B - Used on PA-28-140 airplanes only.</p> <p>C - Used on PA-28-140 with serial numbers 28-20002 and up, PA-28-150, PA-28-160 and PA-28-180 with serial numbers 28-1761 to 28-7205328 inclusive. PA-28-235 with serial numbers 28-10003 to 28-7210033 inclusive, PA-28R-180, and PA-28R-200 with serial numbers 28R-30482, 28R-35001 to 28R-7235330 inclusive.</p> <p>D - Used on PA-28-150, PA-28-160 and PA-28-180 with serial numbers 28-1 to 28-7205328 inclusive.</p> <p>E - Used on PA-28-235 with serial numbers 28-10003 to 28-7210033 inclusive.</p> <p>F - Used on PA-28R-180 with serial numbers 28R-30005 to 28R-7130019 inclusive, and PA-28R-200 with serial numbers 28R-30482, 28R-35001 to 28R-7135238 inclusive.</p> <p>G - Used on PA-28-140 with serial numbers 28-20002 and up, PA-28-150, PA-28-160 and PA-28-180 with serial numbers 28-1 to 28-7205328 inclusive, PA-28-235 with serial numbers 28-10003 to 28-7210033 inclusive, PA-28R-180, and PA-28R-200 with serial number 28R-30482, 28R-35001 to 28R-7235330 inclusive.</p>					

When ordering, always specify Part Number, Description, and Serial Number of Aircraft

PIPER PARTS CATALOG

Figure and Index Number	Part Number	Code	NOMENCLATURE	No. Req.	SERIAL NUMBERS AFFECTED
13-17	65636-00	C	BRACKET ASSEMBLY - Pulley mounting	1	28-10720 and up
	65636-00	H,J	BRACKET ASSEMBLY - Pulley mounting	1	
-18	62551-00		CHANNEL - Lower cockpit, left	1	
	62551-01		CHANNEL - Lower cockpit, right	1	
-19	62581-00	B,C,K	BRACKET - Lower cockpit, right	1	
	62581-02	J	BRACKET - Lower cockpit, right	1	
	62581-01		BRACKET - Lower cockpit, left	1	
-20	62875-00	B,C,K	PLATE ASSEMBLY - Tunnel	1	
	67562-00	J	Plate ASSEMBLY - Tunnel	1	
-21	63909-00	B	VENT ASSEMBLY - Battery	1	
-22	62686-00	D	HAT ASSEMBLY - Seat belt attachment, left	1	
	62686-02	C	HAT ASSEMBLY - Seat belt attachment, left	1	28-10003 to 28-7110042 incl.
	62686-03	A,F	HAT ASSEMBLY - Seat belt attachment, left	1	
	62686-03	B	HAT ASSEMBLY - Seat belt attachment, left	1	28-20281 to 28-7125651 incl.
	96890-00	G	HAT ASSEMBLY - Seat belt attachment, left	1	
	62686-01	E	HAT ASSEMBLY - Seat belt attachment, right	1	
	62688-04	A	HAT ASSEMBLY - Seat belt attachment, right	1	
	96890-01	G	HAT ASSEMBLY - Seat belt attachment, right	1	
-23	62576-00	E	BRACKET - Seat belt attachment	2	
	96887-02	G	BRACKET - Seat belt attachment, left	1	
	96887-00	G	BRACKET - Seat belt attachment, right	1	
-23a	62576-00	E	BRACKET - Seat belt attachment	1	
	79319-00	G	BRACKET - Seat belt attachment	1	
			A - Used on PA-28R-180 with serial numbers 28R-30005 to 28R-7130019 inclusive, and PA-28R-200 with serial numbers 28R-30482, 28R-35001 to 28R-7135238 inclusive.		
			B - Used on PA-28-148 airplanes only.		
			C - Used on PA-28-235 airplanes only.		
			D - Used on PA-28-150, PA-28-160 and PA-28-180 with serial numbers 28-1 to 28-1760 inclusive, and PA-28-140 with serial numbers 28-20002 to 28-20280 inclusive.		
			E - Used on PA-28-140 with serial numbers 28-20002 to 28-7125651 inclusive, PA-28-150, PA-28-160 and PA-28-180 with serial numbers 28-1 to 28-7105244 inclusive, PA-28-235 with serial numbers 28-10003 to 28-7110042 inclusive, PA-28R-180 with serial numbers 28R-30005 to 28R-7130019 inclusive, and PA-28R-200 with serial numbers 28R-30482, 28R-35001 to 28R-7135238 inclusive.		
			F - Used on PA-28-150, PA-28-160 and PA-28-180 with serial numbers 28-1761 to 28-7105244 inclusive.		
			G - Used on PA-28-140 with serial numbers 28-7225001 and up, PA-28-180 with serial numbers 28-7205001 to 28-7505261 inclusive, PA-28-235 with serial numbers 28-7210001 and up, and PA-28R-200 with serial numbers 28R-7235001 and up.		
			H - Used on PA-28-140 with serial numbers 28-7325001 and up, and PA-28-180 with serial numbers 28-4378 to 28-7505261 inclusive.		
			J - Used on PA-28R-180 and PA-28R-200 airplanes only.		
			K - Used on PA-28-150, PA-28-160 and PA-28-180 airplanes only.		

When ordering, always specify Part Number, Description, and Serial Number of Aircraft

PIPER PARTS CATALOG

Figure and Index Number	Part Number	Code	NOMENCLATURE	No. Req.	SERIAL NUMBERS AFFECTED
13-24	62687-00	D	BOX ASSEMBLY - Spar, lower cockpit	1	
	62687-03	J	BOX ASSEMBLY - Spar, lower cockpit	1	
	66689-00	B	BOX ASSEMBLY - Spar, lower cockpit	1	28-25000 to 28-7125651 inclusive
	66689-03	B	BOX ASSEMBLY - Spar, lower cockpit	1	28-7225001 and up
	62687-05	C	BOX ASSEMBLY - Spar, lower cockpit	1	28-10661 to 28-10719 inclusive
	65536-00	C	BOX ASSEMBLY - Spar, lower cockpit	1	28-10720 to 28-11393 inclusive
	67280-00	H	BOX ASSEMBLY - Spar, lower cockpit	1	
	99126-00	C	BOX ASSEMBLY - Spar, lower cockpit	1	28-7110001 to 28-7110042 incl.
	99126-02	C	BOX ASSEMBLY - Spar, lower cockpit	1	28-7210001 and up
	99127-00	K	BOX ASSEMBLY - Spar, lower cockpit	1	28-7105001 to 28-7105244 incl.
	99127-02	K	BOX ASSEMBLY - Spar, lower cockpit	1	28-7205001 to 28-7505261 incl.
	99129-00	E	BOX ASSEMBLY - Spar, lower cockpit	1	
	99129-02	F	BOX ASSEMBLY - Spar, lower cockpit	1	28R-7235001 and up
-25	62539-00		CHANNEL - Spar box, top	1	
-26	62540-00		CHANNEL - Spar box, bottom	1	
-27	62553-00	A	WEB - Spar box, front	1	
	62553-00	B	WEB - Spar box, front	1	28-20002 to 28-24999 inclusive
	66688-00	B	WEB - Spar box, front	1	28-25000 and up
	62553-00	C	WEB - Spar box, front	1	28-10003 to 28-10660 inclusive
	62553-02	C	WEB - Spar box, front	1	28-10661 to 28-10719 inclusive
	65538-00	C	WEB - Spar box, front	1	28-10720 to 28-7110042 inclusive
	62553-00	C	WEB - Spar box, front	1	28-7210001 and up
	67281-00	G	WEB - Spar box, front	1	
	67281-02	F	WEB - Spar box, front	1	28R-7235001 and up
			A - Used on PA-28-150, PA-28-160 and PA-28-180 airplanes only.		
			B - Used on PA-28-140 airplanes only.		
			C - Used on PA-28-235 airplanes only.		
			D - Used on PA-28-150, PA-28-160 and PA-28-180 with serial numbers 28-1 to 28-1760 inclusive, and PA-28-140 with serial numbers 28-20002 to 28-20280 inclusive.		
			E - Used on PA-28R-180 with serial numbers 28R-7130001 to 28R-7130019 inclusive, and PA-28R-200 with serial numbers 28R-7135001 to 28R-7135238 inclusive.		
			F - Used on PA-28R-200 airplanes only.		
			G- Used on PA-28R-180 with serial numbers 28R-30005. to 28R-7130019 inclusive, and PA-28R-200 with serial numbers 28R-30482, 28R-35001 to 28R-7135238 inclusive.		
			H- Used on PA-28R-180 with serial numbers 28R-30005 to 28R-30481 inclusive, 28R-30483 to 28R-31279 inclusive, and PA-28R-200 with serial numbers 28R-30482, 28R-35001 to 28R-35830 inclusive.		
			J- Used on PA-28-150, PA-28-160 and PA-28-180 with serial numbers 28-1761 to 28-5869 inclusive, PA-28-140 with serial numbers 28-20281 to 28-24999 inclusive, and PA-28-235 with serial numbers 28-10003 to 28-10660 inclusive.		
			K - Used on PA-28-180 airplanes only.		

When ordering, always specify Part Number, Description, and Serial Number of Aircraft

PIPER PARTS CATALOG

Figure and Index Number	Part Number	Code	NOMENCLATURE	No. Req.	SERIAL NUMBERS AFFECTED
13-28	62559-00	F	WEB - Spar box, rear	1	
	99123-00	G	WEB - Spar box, rear	1	28-7105001 and up
	65537-00	C	WEB - Spar box, rear	1	28-10720 to 28-11393 inclusive
	99122-00	C	WEB - Spar box, rear	1	28-7110001 and up
	67282-00	H	WEB - Spar box, rear	1	
	67282-02	E	WEB - Spar box, rear	1	
-29	62668-00	B	BRACKET- Flap return spring	1	
	99045-00	A	BRACKET- Flap return spring	1	
-30	62545 00	K	CHANNEL - Spar box, right	1	
-31	62546-00	J	CHANNEL - Spar box, lower cockpit	1	
	68562-00	C	CHANNEL - Spar box, lower cockpit	1	28-10720 and up
	62546-00	D	CHANNEL - Spar box, left	1	
-31a	62428-00		CHANNEL - Spar box, left	1	
	62428-01		CHANNEL - Spar box, right	1	
			A - Used on PA-28-180 with serial numbers 28-7105001 to 28-7505261 inclusive, PA-28R-180 with serial numbers 28R-7130001 to 28R-7130019 inclusive, PA-28R-200 with serial numbers 28R-7135001 and up, and PA-28-235 with serial numbers 28-7110001 and up.		
			B - Used on PA-28-140 with serial numbers 28-20002 and up, PA-28-150, PA-28-160 and PA-28-180 with serial numbers 28-1 to 28-5869 inclusive, PA-28-235 with serial numbers 28-10003 to 28-11393 inclusive, PA-28R-180 with serial numbers 28R-30005 to 28R-30481 inclusive. 28R-30483 to 28R-31279 inclusive, and PA-28R-200 with serial numbers 28R-30482, 28R-35001 to 28R-35830 inclusive.		
			C - Used on PA-28-235 airplanes only.		
			D - Used on PA-28R-180 and PA-28R-200 airplanes only.		
			E - Used on PA-28R-180 with serial numbers 28R-7130001 to 28R-7130019 inclusive, and PA-28R-200 with serial numbers 28R-7135001 and up.		
			F - Used on PA-28-140 with serial numbers 28-20002 and up, PA-28-150, PA-28-160 and PA-28-180 with serial numbers 28-1 to 28-5869 inclusive. and PA-28-235 with serial numbers 28-10003 to 28-10719 inclusive.		
			G - Used on PA-28-180 airplanes only.		
			H - Used on PA-28R-180 with serial numbers 28R-30005 to 28R-30481 inclusive, 28R-30483 to 28R-31279 inclusive, and PA-28R-200 with serial numbers 28R-30482, 28R-35001 to 28R-35830 inclusive.		
			J - Used on PA-28-140 with serial numbers 28-20002 and up, PA-28-150, PA-28-160 and PA-28-180 with serial numbers 28-1 to 28-7505261 inclusive, and PA-28-235 with serial numbers 28-10003 to 28-10719 inclusive.		
			K - Used on PA-28-140, PA-28-150, PA-28-160, PA-28 180, PA-28-235, PA- 28R- 180 and PA-28R-200.		

When ordering, always specify Part Number, Description, and Serial Number of Aircraft

PIPER PARTS CATALOG

Figure and Index Number	Part Number	Code	NOMENCLATURE	No. Req.	SERIAL NUMBERS AFFECTED
13-32	62536-04		SUPPORT - Rear seat bottom, left	1	
	62536-05		SUPPORT - Rear seat bottom, right	1	
-33	62550-00		SUPPORT - Rear seat bottom, left	1	
	62550-01		SUPPORT - Rear seat bottom, right	1	
-34	62583-00		PLATE - Flap torque tube support, left	1	
	62583-01		PLATE - Flap torque tube support, right	1	
-35	62584-00	A	BLOCK - Rear seat support, left and right	2	28-1 to 28-1410 inclusive
	65050-00	B	BLOCK - Rear seat support, left and right	2	
-36	62585-00	A	CLIP - Rear seat support, left and right	2	28-1 to 28-1410 inclusive
-37	65003-03	B	BUSHING - Rear seat support	4	
-38	400 443	A,W	BOLT - (AN3-12A)	2	28-1 to 28-1410 inclusive
	400 451	B,W	BOLT - (AN3-20A)	2	
	407 694	A	WASHER - (AN960-D10)	2	28-1 to 28-1410 inclusive
	407 564	B,W	WASHER - (AN960-10)	2	
	404 887	W	NUT - (M520365-1032C)	2	
-39	62763-00		SUPPORT - Torque shaft center	2	
-40	62421-00		FITTING - Flap torque tube assembly, left	1	
	62421-01		FITTING - Flap torque tube assembly, right	1	
-41	62596-00	F	CHANNEL - Tunnel, side, left	1	
	62596-02	C	CHANNEL - Tunnel, side, left	1	
	67274-00	D	CHANNEL - Tunnel, side, left	1	
	76218-00	E	CHANNEL - Tunnel, side, left	1	
	62596-01	F	CHANNEL - Tunnel, side, right	1	
	62596-03	C	CHANNEL - Tunnel, side, right	1	
	67274-01	D	CHANNEL - Tunnel, side, right	1	
	76218-01	E	CHANNEL - Tunnel, side, right	1	
			A - Used on PA-28-150, PA-28-160 and PA-28-180 airplanes only.		
			B - Used on PA-28-150, PA-28-160 and PA-28-180 with serial numbers 28-1411 to 28-5869 inclusive, PA-28-235 with serial numbers 28-10003 to 28-11393 inclusive, PA-28R-180 with serial numbers 28R-30005 to 28R-30481 inclusive, 28R-30483 to 28R-31279 inclusive, and PA-28R-200 with serial numbers 28R-30482, 28R-35001 to 28R-35830 inclusive.		
			C - Used on PA-28-140 with serial numbers 28-7225001 and up, PA-28-180 with serial numbers 28-7205001 to 28-7205328 inclusive, and PA-28-235 with serial numbers 28-7210001 to 28-7210033 inclusive.		
			D - Used on PA-28R-180 with serial numbers 28R-30005 to 28R-7130019 inclusive, and PA-28R-200 with serial numbers 28R-30482, 28R-35001 to 28R-7135238 inclusive.		
			E - Used on PA-28-180 with serial numbers 28-7305001 to 28-7505261 inclusive, PA-28-235 with serial numbers 28-7310001 and up, and PA-28R-200 with serial numbers 28R-7235001 and up.		
			F - Used on PA-28-140 with serial numbers 28-20002 to 28-7125651 inclusive, PA-28-150, PA-28-160 and PA-28-180 with serial numbers 28-1 to 28-7105244 inclusive, and PA-28-235 with serial numbers 28-10003 to 28-7110042 inclusive.		
			W - These parts must be ordered from Service Spares Department, Piper Aircraft, Lock Haven, Penna.		

When ordering, always specify Part Number, Description, and Serial Number of Aircraft

PIPER PARTS CATALOG

Figure and Index Number	Part Number	Code	NOMENCLATURE	No. Req.	SERIAL NUMBERS AFFECTED
13-41a	76119-00	J	CHANNEL - Tunnel, side extension, left	1	
	76119-01	J	CHANNEL - Tunnel, side extension, right	1	
-42	62601-00	A	PLATE - Tunnel, top front	1	28-1 to 28-1021 inclusive
	62601-03	B,C,E	PLATE - Tunnel, top front	1	28-1022 and up
	67275-00	D	PLATE - Tunnel, top front	1	
-43	62603-00	B,C,E	ANGLE - Tunnel, heat duct, left	1	
	62603-01	B,C,E	ANGLE - Tunnel, heat duct, right	1	
-44	62604-00	F	ANGLE - Tunnel, heat duct, left	1	
	99418-00	H,K	ANGLE - Tunnel, heat duct, left	1	
	99417-00	J	ANGLE - Tunnel, heat duct, left	1	
	62604-01	F	ANGLE - Tunnel, heat duct, right	1	
	99418-01	H,K	ANGLE - Tunnel, heat duct, right	1	
	99417-00	J	ANGLE - Tunnel, heat duct, right	1	
-45	62605-00	F	ANGLE - Tunnel, heat duct	2	
	99417-00	G,K	ANGLE - Tunnel, heat duct	2	
			A - Used on PA-28-150, PA-28-160 and PA-28-180 airplanes only.		
			B - Used on PA-28-140 airplanes only.		
			C - Used on PA-28-235 airplanes only.		
			D - Used on PA-28R-180 and PA-28R-200 airplanes only.		
			E - Used on PA-28-150, PA-28-160 and PA-28-180 with serial numbers 28-1022 to 28-7505261 inclusive.		
			F - Used on PA-28-140 with serial numbers 28-20002 to 28-26956 inclusive, PA-28-150, PA-28-160 and PA-28-180 with serial numbers 28-1 to 28-5869 inclusive, PA-28-235 with serial numbers 28-10003 to 28-11393 inclusive, PA-28R-180 with serial numbers 28R-30005 to 28R-30481 inclusive, 28R-30483 to 28R-31279 inclusive, and PA-28R-200 with serial numbers 28R-30482, 28R-35001 to 28R-35830 inclusive.		
			G - Used on PA-28-180 with serial numbers 28-710500 1 to 28-7505261 inclusive, PA-28R-180 with serial numbers 28R-7130001 to 28R-7130019 inclusive, and PA-28R-200 with serial numbers 28R-7135001 and up, and PA-28-235 with serial numbers 28-7110001 and up.		
			H - Used on PA-28-180 with serial numbers 28-7105001 to 28-7205328 inclusive, PA-28R-180 with serial numbers 28R-7130001 to 28R-7130019 inclusive, PA-28R-200 with serial numbers 28R-7135001 to 28R-7135238 inclusive, and PA-28-235 with serial numbers 28-7110001 to 28-7210033 inclusive.		
			J - Used on PA-28-180 with serial numbers 28-7305001 to 28-7505261 inclusive, PA-28-235 with serial numbers 28-7310001 and up, and PA-28R-200 with serial numbers 28R-7235001 and up.		
			K - Used on PA-28-140 with serial numbers 28-7125001 and up.		

When ordering, always specify Part Number, Description, and Serial Number of Aircraft

PIPER PARTS CATALOG

Figure and Index Number	Part Number	Code	NOMENCLATURE	No. Req.	SERIAL NUMBERS AFFECTED
13-46	62620-00	A,B,C	BRACKET- Pulley	2	
	67269-00	D	BRACKET ASSEMBLY - Pulley, bottom	1	28R-30005 to 8R-30878 inclusive
	67269-02	D	BRACKET ASSEMBLY - Pulley, bottom	1	28R-30879 end up
	67276-00	D	BRACKET - Pulley, top	1	28R-30005 to 28R-30878 inclusive
	67276-03	D	BRACKET - Pulley, top	1	28R-30879 and up
-47	12761-02	W	COVER ASSEMBLY - Inspection	2	
-48	65126-00	C	STIFFENER - lower cockpit, right	1	
	65126-00	E	STIFFENER - lower cockpit, right	1	
-49	65127-00	C	STIFFENER - lower cockpit, left	1	
	65126-01	E	STIFFENER - lower cockpit, left	1	
-50	65071-00	C	BASE ASSEMBLY - Fuel selector	1	
-51	65072-00	C	COVER ASSEMBLY - Fuel selector access	1	
-52	65077-00	C	COVER ASSEMBLY - Fuel pump access	1	28-10003 to 28-10719 inclusive
	65533-00	C	COVER ASSEMBLY - Fuel pump access	1	28-10720 and up
-53	65211-00	C	BOX ASSEMBLY - Fuel pump	1	28-10003 to 28-10062 inclusive
	65415-00	C	BOX ASSEMBLY - Fuel pump	1	28-10063 to 28-10719 inclusive
	65428-00	C	BOX ASSEMBLY - Fuel pump	1	28-10720 and up
-54	65212-00	C	COVER ASSEMBLY - Fuel pump	1	28-10003 to 28-10062 inclusive
	65414-00	C	COVER ASSEMBLY - Fuel pump box	1	28-10063 to 28-10719 inclusive
	65459-00	C	COVER - Fuel pump box	1	28-10720 and up
-55	62268-00	B	HAT ASSEMBLY - Battery box support, front	1	
	62268-02	B	HAT ASSEMBLY - Battery box support, rear	1	
-56	401 269	W	BOLT - Top forward (AN-10A)	2	
	401 266	W	BOLT - Bottom forward and rear (AN-5A)	6	
	407 694		WASHER - (AN960-D10)	10	
	404 887	W	NUT - (MS20365-1032C)	8	
-57	415 322		BOLT - (MS27039-1-12)	4	
	407 694		WASHER - (AN960-D10)	4	
	404 887	W	NUT - (MS20365-1032C)	4	
-58	415 323		BOLT - (MS27039-1-13)	8	
	407 694		WASHER - (AN960-D10)	8	
	404 887	W	NUT - (MS20365-1032C)	8	
-59	67572-00	D	SUPPORT - Landing gear override	1	
-60	67574-00	D	SUPPORT - Diaphragm	1	

A - Used on PA-28-150, PA-28-160 and PA-28-180 airplanes only.
 B - Used on PA-28-140 airplanes only.
 C - Used on PA-28-235 airplanes only.
 D - Used on PA-28R-180 and PA-28R-200 airplanes only.
 E - Used on PA-28-180 with serial numbers 28-7305001 to 28-7505261 inclusive, and PA-28R-200 with serial numbers 28R-7235001 and up.
 W - These parts must be ordered from Service Spares Department, Piper Aircraft, Lock Haven, Penna.

When ordering, always specify Part Number, Description, and Serial Number of Aircraft

PIPER PARTS CATALOG

Figure and Index Number	Part Number	Code	NOMENCLATURE	No. Req.	SERIAL NUMBERS AFFECTED
13-61	62660-00	E,G	* LOWER COCKPIT ASSEMBLY - Aft	1	
	62660-15	E,H	* LOWER COCKPIT ASSEMBLY - Aft	1	28-7205001 to 28-7205328 incl.
	62660-12	C,E	* LOWER COCKPIT ASSEMBLY - Aft	1	28-10003 to 28-7110042 incl.
	62660-16	E,F	* LOWER COCKPIT ASSEMBLY - Aft	1	
	76470-907	E,J	* LOWER COCKPIT ASSEMBLY - Aft	1	
	62277-00	B,E	* LOWER COCKPIT ASSEMBLY - Aft	1	28-20002 to 28-24999 inclusive
	62277-02	B,E	* LOWER COCKPIT ASSEMBLY - Aft	1	28-25000 to 28-7125651 incl.
	62277-03	B,E	* LOWER COCKPIT ASSEMBLY - Aft	1	28-7225001 to 28-7625030 incl.
	79549-907	B,E	* LOWER COCKPIT ASSEMBLY - Aft	1	28-7625031 and up
-61a	62109-00	K	** COVER - Inspection access	2	
-62	76120-00	A	* CHANNEL - Sta. 67.68, Left	1	
	76120-01	A	* CHANNEL - Sta. 67.68, right	1	
-62a	62664-00		* ZEE ASSEMBLY - Tunnel	2	
-63	79258-00	D	BRACKET ASSEMBLY - Rudder pedal stop, left	1	
	79258-01	D	BRACKET ASSEMBLY - Rudder pedal stop, right	1	
-64	62599-00		PLATE - Tunnel, top, center rear	1	28-1 to 28-670 inclusive
	63287-00		PLATE - Tunnel, top, center rear	1	28-671 and up
<p>A - Used on PA-28-180 with serial numbers 28-7305001 to 28-7505261 inclusive, PA-28R-200 with serial numbers 28R-7235001 and up, and PA-28-235 with serial numbers 28-7310001 and up.</p> <p>B - Used on PA-28-140 airplanes only.</p> <p>C - Used on PA-28-235 airplanes only.</p> <p>D - Used on PA-28-140 with serial numbers 28-7425001 and up, PA-28-180 with serial numbers 28-7405001 to 28-7505261 inclusive, PA-28-235 with serial numbers 28-7410001 and up, and PA-28R-200 with serial numbers 28R-7435001 and up.</p> <p>E - See Figure 14 for component parts.</p> <p>F - Used on PA-28-180 with serial numbers 28-7305001 to 28-7505261 inclusive, PA-28-235 with serial numbers 28-7210001 to 28-7610020 inclusive, and PA-28R-200 with serial numbers 28R-7235001 to 28R-7635017 inclusive.</p> <p>G - Used on PA-28-150, PA-28-160 and PA-28-180 with serial numbers 28-1 to 28-7105244 inclusive, PA-28R-180 with serial numbers 28R-30005 to 28R-7130019 inclusive, and PA-28R-200 with serial numbers 28R-30482, 28R-35001 to 28R-7135238 inclusive.</p> <p>H - Used on PA-28-180 airplanes only.</p> <p>J - Used on PA-28-235 with serial numbers 28-7610021 and up, and PA-28R-200 with serial numbers 28R-7635018 and up.</p> <p>K - See latest revision of Piper Service Bulletin 977.</p>					

When ordering, always specify Part Number, Description, and Serial Number of Aircraft

PIPER PARTS CATALOG

Figure and Index Number	Part Number	Code	NOMENCLATURE	No. Req.	SERIAL NUMBERS AFFECTED
13-65 -66	62600-00		PLATE - Tunnel, top, center front	1	28-1 to 28-670 inclusive
	63288-00	A,B,D	PLATE - Tunnel, top, center front	1	28-671 and up
	65409-00	C H	PLATE - Tunnel, top, center front	1	28-10003 to 28-10785 inclusive
	69095-00		PLATE - Tunnel, top, center front	1	28-10786 and up
	62597-00		PLATE - Tunnel, top rear	1	28-1 to 28-670 inclusive
	63286-00	G	PLATE - Tunnel, top rear	1	
	65634-00	F	PLATE - Tunnel, top rear	1	
	76121-00	E	PLATE - Tunnel, top rear	1	
			<p>A - Used on PA-28-150, PA-28-160 and PA-28-180 airplanes only.</p> <p>B - Used on PA-28-140 airplanes only.</p> <p>C - Used on PA-28-235 airplanes only.</p> <p>D - Used on PA-28R-180 and PA-28R-200 airplanes only.</p> <p>E - Used on PA-28-180 with serial numbers 28-7305001 to 28-7505261 inclusive, PA-28R-200 with serial numbers 28R-7235001 and up, and PA-28-235 with serial numbers 28-7310001 and up.</p> <p>F - Used on PA-28-140 with serial numbers 28-7325001 and up, PA-28-180 with serial numbers 28-4378 to 28-7205328 inclusive, PA-28R-180 with serial numbers 28R-30005 to 28R-7130019 inclusive, PA-28R-200 with serial numbers 28R-30482, 28R-35001 to 28R-7135238 inclusive, and PA-28-235 with serial numbers 28-10720 to 28-7210033 inclusive.</p> <p>G - Used on PA-28-150, PA-28-160 and PA-28-180 with serial numbers 28-671 to 28-4377 inclusive. PA-28-140 with serial numbers 28-20002 to 28-7225612 inclusive, and PA-28-235 with serial numbers 28-10003 to 28-10719 inclusive.</p> <p>H - No longer available. Order plate 69095-00 if Fuel Selector Control Modification Kit 760 681 has been installed per Service Bulletin 376. Order Fuel Selector Modification Kit 760 681 if Service Bulletin 376 has not been complied with.</p>		

When ordering, always specify Part Number, Description, and Serial Number of Aircraft

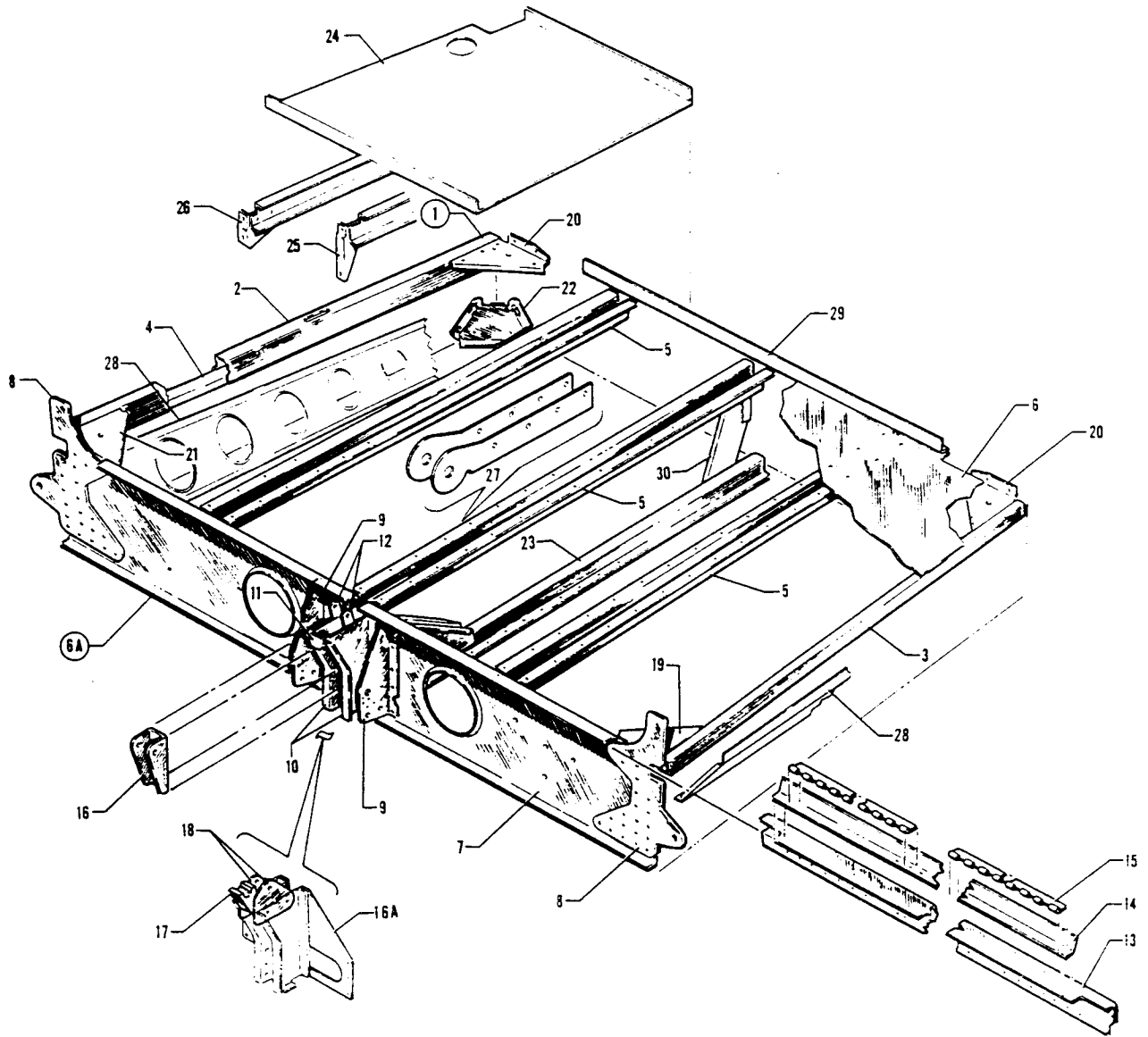


Figure 14. Lower Aft Cockpit Assembly

PIPER PARTS CATALOG

Figure and Index Number	Part Number	Code	NOMENCLATURE	No. Req.	SERIAL NUMBERS AFFECTED
14-1	62660-00	J	LOWER COCKPIT ASSEMBLY - Aft	1	
	62660-15	K	LOWER COCKPIT ASSEMBLY - Aft	1	28-7205001 to 28-7205328 incl.
	62660-12	B	LOWER COCKPIT ASSEMBLY - Aft	1	28-10003 to 28-7110042 incl.
	62660-16	L	LOWER COCKPIT ASSEMBLY - Aft	1	
	62277-00	C	LOWER COCKPIT ASSEMBLY - Aft	1	28-20002 to 28-24999 inclusive
	62277-02	C	LOWER COCKPIT ASSEMBLY - Aft,	1	28-25000 to 28-7125651 incl.
	62277-03	C	LOWER COCKPIT ASSEMBLY - Aft	1	28-7225001 to 28-7625030 incl.
	79549-907	C	LOWER COCKPIT ASSEMBLY - Aft	1	28-7625031 and up
	76470-907	H	LOWER COCKPIT ASSEMBLY - Aft	1	
-2	62535-00	A,B,E	CHANNEL - Baggage compartment, right	1	
	66796-00	A,B,F	CHANNEL - Baggage compartment, right	1	
	62660-08	C	CHANNEL ASSEMBLY - Right	1	
-3	62660-07	G	STRINGER ASSEMBLY - Left	1	
	62537-00	D	STRINGER ASSEMBLY - Left	1	
-4	62660-08	A,B	CHANNEL ASSEMBLY - Right	1	
	62534-00	D	CHANNEL- Right	1	
5	62531-00	A,B	HAT - Baggage floor	3	
-6	62530-00	A,B,E	FLOOR - Baggage compartment	1	
	66795-00	A,B,F,M	FLOOR ASSEMBLY - Baggage compartment	1	
	66795-02	A,B,F,M	FLOOR - Baggage compartment	1	
			A - Used on PA-28-150, PA-28-160, PA-28-180, PA-28R-180 and PA-28R-200 airplanes only.		
			B - Used on PA-28-235 airplanes only,		
			C - Used on PA-28-140 airplanes only.		
			D - Used on PA-28-140 with serial numbers 28-7625031 and up, PA-28-235 with serial numbers 28-7610021 and up, and PA-28R-200 with serial numbers 28R-7635018 and up,		
			E - Used if baggage door does not have push button latch.		
			F- Used if baggage door has push button latch.		
			G - Used on PA-28-140, PA-28-150, PA-28-160, PA-28-180, PA-28-235, PA-28R-180 and PA-28R-200 airplanes only.		
			H - Used on PA-28-235 with serial numbers 28-7610021 and up, and PA-28R-200 with serial numbers 28R-7635018 and up.		
			J - Used on PA-28-150, PA-28-160 and PA-28-180 with serial numbers 28-1 to 28-7105244 inclusive, PA-28R-180 with serial numbers 28R-30005 to 28R-7130019 inclusive, and PA-28R-200 with serial numbers 28R-30482, 28R-35001 to 28R-7135238 inclusive.		
			K - Used on PA-28-180 airplanes only.		
			L - Used on PA-28-180 with serial numbers 28-7305001 to 28-7505261 inclusive, PA-28-235 with serial numbers 28-7210001 to 28-7610020 inclusive, and PA-28R-200 with serial numbers 28R-7235001 to 28R-7635017 inclusive.		
			M - See latest revision of Piper Service Bulletin 977.		

When ordering, always specify Part Number, Description, and Serial Number of Aircraft

PIPER PARTS CATALOG

Figure and Index Number	Part Number	Code	NOMENCLATURE	No. Req.	SERIAL NUMBERS AFFECTED
14-6a	63695-03	B	* FRAME ASSEMBLY - Lower, Sta. 128-737	1	
	62695-04	A	* FRAME ASSEMBLY - lower, Sta. 128.737	1	
	62263-00	C	* FRAME ASSEMBLY - lower, Sta. 128.737	1	28-20002 to 28-24999 inclusive
	62263-02	C	* FRAME ASSEMBLY - lower, Sta. 128.737	1	28-25000 to 28-7125651 incl..
	62263-03	C	* FRAME ASSEMBLY - lower, Sta. 128.737	1	28-7225001 and up
-7	62411-00	B,G	** CHANNEL - lower cockpit	1	
	62411-02	A,F	** CHANNEL - lower cockpit	1	
-8	62448-02		** FITTING - lower cockpit, left	1	
	62448-03		** FITTING - lower cockpit, right	1	
-9	62563-00	C	** BRACKET - lower cockpit, left	1	
	62563-02	H	** BRACKET - lower cockpit, left	1	
	62563-01		** BRACKET - lower cockpit, right	1	
-10	62567-00	B,G	** BRACKET - Rear seat belt support, left	1	
	99700-00	A	** BRACKET - Rear seat belt support, left	1	
	99700-02	F	** BRACKET - Rear seat belt support, left	1	
	62567-01	B,G	** BRACKET - Rear seat belt support, right	1	
	99700-01	A	** BRACKET - Rear seat belt support, right	1	
	99700-03	F	** BRACKET - Rear seat belt support, right	1	
-11	62570-00	B	** BAR - Support	1	
-12	65054-00	E	** LINK - Seat support, center	2	
-13	62258-00	C	** STIFFENER - lower cockpit frame	1	28-20002 to 28-7125651 incl..
	62258-02	C	** STIFFENER - lower cockpit frame	1	28-7225001 and up
-14	62261-00	C	** ANGLE - lower cockpit frame	1	
-15	62262-00	C	** HINGE HALF - Baggage floor	2	
-16	65511-00	C,D	** CHANNEL ASSEMBLY - Seat belt tie down	1	28-20910 and up
-16a	99701-00	A	** DOUBLER - Seat belt attachment	1	
-17	62568-00		* BLOCK - Seat support, center	1	28-1 to 28-1410 inclusive
-18	62569-00		* PLATE - Seat support block, center	2	28-1 to 28-1410 inclusive
			A - Used on PA-28-180 with serial numbers 28-7205001 to 28-7505261 inclusive, PA-28-235 with serial numbers 28-7210001 and up, and PA-28R-200 with serial numbers 28R-7235001 and up,		
			B - Used on PA-28-150, PA-28-160 and PA-28-180 with serial numbers 28-1 to 28-7105244 inclusive, PA-28-235 with serial numbers 28-10003 to 28-7110042 inclusive, PA-28R-180 with serial numbers 28R-30005 to 28R-7130019 inclusive, and PA-28R-200 with serial numbers 28R-30482, 28R-35001 to 28R-7135238 inclusive.		
			C - Used on PA-28-140 airplanes only.		
			D - Used on PA-28-140 with serial numbers 28-20002 to 28-20909 inclusive if Kit 756 962 has been installed.		
			E - Used on PA-28-150, PA-28-160 and PA-28-180 with serial numbers 28-1411 to 28-7105244 inclusive. PA-28-235 with serial numbers 28-10003 to 28-7110042 inclusive, PA-28R-180 with serial numbers 28R-30005 to 28R-7130019 inclusive, and PA-28R-200 with serial numbers 28R-30482, 28R-35001 to 28R-7135238 inclusive,		
			F - Used on PA-28-140 with serial numbers 28-7225001 and up.		
			G - Used on PA-28-140 with serial numbers 28-20002 to 28-7125651 inclusive.		
			H - Used on PA-28-150, PA-28-160, PA-28-180, PA-28-235, PA-28R-180 and PA-28R-200 airplanes only.		

When ordering, always specify Part Number, Description, and Serial Number of Aircraft

PIPER PARTS CATALOG

Figure and Index Number	Part Number	Code	NOMENCLATURE	No. Req.	SERIAL NUMBERS AFFECTED
14-19	62529-00	H,J	BRACKET - Baggage compartment	1	
-20	62618-00	H,J	BRACKET - Baggage compartment, left	1	
	62618-01	H,J	BRACKET - Baggage compartment, right	1	
-21	62619-00	H,J	BRACKET - Baggage compartment, right	1	
-22	65382-00	A,C	DOUBLER ASSEMBLY - Step	1	
	65383-00	B	DOUBLER ASSEMBLY - Step	1	
-23	65506-00	C,D	SUPPORT ASSEMBLY - Seat belt tie down	1	28-20910 to 28-7125651 incl.
	65506-02	C	SUPPORT ASSEMBLY - Seat belt tie down	1	28-7225001 and up
-24	66730-00	C	SHELF ASSEMBLY - Electronics	1	28-25000 and up
-25	66728-00	C	ANGLE - Electronics shelf	1	28-25000 and up
-26	66729-00	C	ANGLE - Electronics shelf	1	28-25000 and up
-27	99699-00	E	CHANNEL - Seat belt attachment	1	
-28	65128-00	B	DOUBLER - Baggage compartment, left	1	
	65128-01	B	DOUBLER - Baggage compartment, right	1	
-29	62859-00	G	ANGLE - Lower cockpit	1	
-30	79119-00	C,F	BRACKET ASSEMBLY - Sta. 156	1	28-7325001 and up
<p>A - Used on PA-28R-180 with serial numbers 28R-30005 to 28R-7130019 inclusive, PA-28R-200 with serial numbers 28R-30482, 28R-35001 to 28R-7135238 inclusive, PA-28-150, PA-28-160 and PA-28-180 with serial numbers 28-1 to 28-7205328 inclusive.</p> <p>B - Used on PA-28-235 with serial numbers 28-10003 and up, PA-28-180 with serial numbers 28-7305001 to 28-7505261 inclusive, and PA-28R-200 with serial numbers 28R-7235001 and up.</p> <p>C - Used on PA-28-140 airplanes only.</p> <p>D - Used on PA-28-140 with serial numbers 28-20002 to 28-20909 inclusive if Kit 756 962 has been installed.</p> <p>E - Used on PA-28-180 with serial numbers 28-7205001 to 28-7505261 inclusive, PA-28-235 with serial numbers 28-7210001 and up, and PA-28R-200 with serial numbers 28R-7235001 and up.</p> <p>F - Used if electric trim is installed.</p> <p>G - Used on PA-28-150, PA-28-160 and PA-28-180 with serial numbers 28-1 to 28-5600 inclusive, PA-28-235 with serial numbers 28-10003 to 28-10719 inclusive, PA-28R-180 and PA-28R-200.</p> <p>H - Used on PA-28-150, PA-28-160, PA-28-180, PA-28R-180 and PA-28R-200 airplanes only.</p> <p>J - Used on PA-28 -235 airplanes only.</p>					

When ordering, always specify Part Number, Description, and Serial Number of Aircraft

PIPER PARTS CATALOG

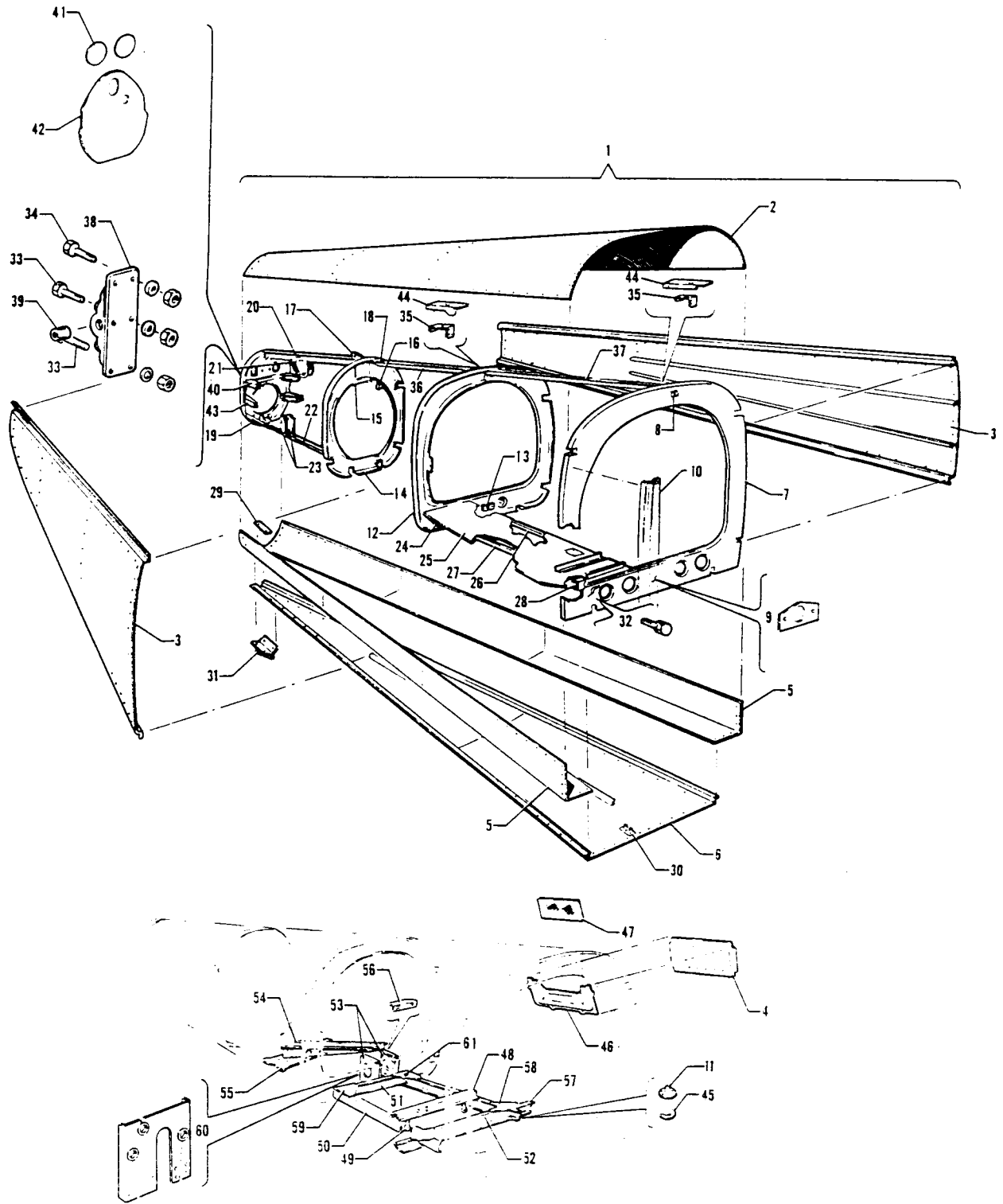


Figure 15. Fuselage Aft Section

PIPER PARTS CATALOG

Figure and Index Number	Part Number	Code	NOMENCLATURE	No. Req.	SERIAL NUMBERS AFFECTED
15-	99466		DRAWING - Fuselage assembly, Aft Section		
-1	99466-00	A	FUSELAGE ASSEMBLY - Aft section	1	28-1 to 28-4377 inclusive
	99466-02	B	FUSELAGE ASSEMBLY - Aft section	1	28-10003 to 28-10719 inclusive
	99466-03	B	FUSELAGE ASSEMBLY - Aft section	1	28-10720 to 28-11039 inclusive
	99466-04	C	FUSELAGE ASSEMBLY - Aft section	1	28-20002 to 28-7325684 incl..
	99466-12	C,F	FUSELAGE ASSEMBLY - Aft section	1	28-25001, 28-7125472 to 28-7325684 inclusive
	99466-09	C	FUSELAGE ASSEMBLY - Aft section	1	28-7425001 and up
	99466-13	C,F	FUSELAGE ASSEMBLY - Aft section	1	28-7425001 and up
	99466-05	E	FUSELAGE ASSEMBLY - Aft section	1	
	99466-14	F,L	FUSELAGE ASSEMBLY - Aft section	1	28-5653, 28-7205092 to 28-7305611 inclusive
	99466-16	D,F	FUSELAGE ASSEMBLY - Aft section	1	28R-7235001 to 28R-7335455 incl.
	99466-10	K	FUSELAGE ASSEMBLY - Aft section	1	
	99466-15	F,L	FUSELAGE ASSEMBLY - Aft section	1	28-7405001 and up
	99466-17	D,F	FUSELAGE ASSEMBLY - Aft section	1	28R-7435001 and up
-2	99468-00	G	SKIN - Upper	1	1
	99468-03	H,K	SKIN - Upper	1	1
-3	99470-00		SKIN ASSEMBLY - Side, left	1	
	99470-01		SKIN ASSEMBLY - Side, right	1	
	99549-08	F,J	SKIN ASSEMBLY - Side, left	1	
	99549-07	F,J	SKIN ASSEMBLY - Side, right	1	
			A - Used on PA-28-150, PA-28-160 and PA-28-180 airplanes only.		
			B - Used on PA-28-235 airplanes only.		
			C - Used on PA-28-140 airplanes only.		
			D - Used on PA-28R-200 airplanes only.		
			E - Used on PA-28-180 with serial numbers 28-4378 to 28-7305611 inclusive, PA-28-235 with serial numbers 28-11040 to 28-7310187 inclusive, PA-28R-180 with serial numbers 28R-30005 to 28R-7130019 inclusive, and PA-28R-200 with serial numbers 28R-30482, 28R-35001 to 28R-7335455 inclusive.		
			F - Used if air conditioning is installed.		
			G - Used on PA-28-140 with serial numbers 28-20002 to 28-7325684 inclusive, PA-28-150, PA-28-160 and PA-28-180 with serial numbers 28-1 to 28-7305611 inclusive, PA-28-235 with serial numbers 28-10003 to 28-7310187 inclusive, PA-28R-180 with serial numbers 28R-30005 to 28R-7130019 inclusive, and PA-28R-200 with serial numbers 28R-30482, 28R-35001 to 28R-7335455 inclusive.		
			H - Used on PA-28-140 with serial numbers 28-7425001 and up.		
			J - Used on PA-28-140 with serial numbers 28-25001, 28-7125472 and up, PA-28-180 with serial numbers 28-5653, 28-7225092 to 28-7505261 inclusive, and PA-28R-200 with serial numbers 28R-7235001 and up.		
			K - Used on PA-28-180 with serial numbers 28-740500 1 to 28-7505261 inclusive, PA-28-235 with serial numbers 28-7410001 and up, and PA-28R-200 with serial numbers 28R-7435001 and up.		
			L - Used on PA-28-180 airplanes only.		

When ordering, always specify Part Number, Description, and Serial Number of Aircraft

PIPER PARTS CATALOG

Figure and Index Number	Part Number	Code	NOMENCLATURE	No. Req.	SERIAL NUMBERS AFFECTED
15-4	99559-00	A,J	LOUVER - Air conditioning exhaust, left	1	
	99559-01	A,J	LOUVER - Air conditioning exhaust, right	1	
-5	99471-00	E	SKIN - lower side, left	1	
	99471-02	G,H,L	SKIN - lower side, left	1	
	99471-01	E	SKIN - lower side, right	1	
	99471-03	G,H,L	SKIN - lower side, right	1	
-6	99469-04		SKIN ASSEMBLY - lower center	1	
	99549-09	A,B	SKIN ASSEMBLY - lower center	1	
-7	62442-00	C	BULKHEAD ASSEMBLY - Fuselage, Sta. 156.00	1	
	65640-00	D	BULKHEAD ASSEMBLY - Fuselage, Sta. 156.00	1	
	62442-04	E	BULKHEAD ASSEMBLY - Fuselage, Sta. 156.00	1	
-8	62658 -00	K	FAIRLEAD	1	
9	62665-02		FAIRLEAD	4	
-10	62630-00		CHANNEL - Baggage door, right	1	
-11	99609-00	F	VENT ASSEMBLY - Evaporator	1	
-12	62443-00		BULKHEAD ASSEMBLY - Fuselage, Sta. 191.00	1	
-13	62662-00		FAIRLEAD	1	
<p>A - Used if air conditioning is installed. B - Used on PA-28-140 with serial numbers 28-7125472 and up, PA-28-180 with serial numbers 28-7205092 to 28-7505261 inclusive, and PA-28R-200 with serial numbers 28R-7235001 and up. C - Used on PA-28-150, PA-28-160 and PA-28-180 with serial numbers 28-1 to 28-4377 inclusive, and PA-28-235 with serial numbers 28-10003 to 28-10719 inclusive. D - Used on PA-28-235 with serial numbers 28-10720 and up, PA-28-180 with serial numbers 28-4378 to 28-7505261 inclusive, PA-28R-180 and PA-28R-200 airplanes. E - Used on PA-28-140 airplanes only. F - Used on PA-28-140 with serial numbers 28-25001, 28-7125472 and up, PA-28-180 with serial numbers 28-5653, 28-7205092 to 28-7505261 inclusive, and PA-28R-200 with serial numbers 28R-7235001 and up if air conditioning is installed. G - Used on PA-28R-180 and PA-28R-200 airplanes only. H - Used on PA-28-235 airplanes only. J - Used on PA-28-140 with serial numbers 28-25001, 28-7125472 and up, PA-28-180 with serial numbers 28-5653, 28-7225092 to 28-7505261 inclusive, and PA-28R-200 with serial numbers 28R-7235001 and up. K - Used on PA-28-150, PA-28-160 and PA-28-180 with serial numbers 28-1 to 28-4377 inclusive, PA-28-140 with serial numbers 28-20002 to 28-7225612 inclusive, and PA-28-235 with serial numbers 28-10003 to 28-10719 inclusive. L - Used on PA-28-150, PA-28-160 and PA-28-180 airplanes only</p>					

When ordering, always specify Part Number, Description, and Serial Number of Aircraft

PIPER PARTS CATALOG

Figure and Index Number	Part Number	Code	NOMENCLATURE	No. Req.	SERIAL NUMBERS AFFECTED
15-14	62444-03	E,G	BULKHEAD ASSEMBLY - Fuselage, Sta. 228.30	1	
	62444-05	F,H	BULKHEAD ASSEMBLY - Fuselage, Sta. 228.30	1	
-15	62753-00		BRACKET - Stabilator trim	1	
-16	62817-00	E,G	BRACKET - Stabilator trim indicator pulley	1	
-17	62453-00		FITTING - Frame, Sta. 228.30	1	
-18	66955-00	E,G	DOUBLER - Frame, top, Sta. 228.30	1	
	79272-00	F,H	DOUBLER - Frame, top, Sta. 228.30	1	
-19	62445-00		BULKHEAD ASSEMBLY - fuselage, Sta, 255,125	1	
-20	62451-00		STRINGER ASSEMBLY - Hat section	1	
-21	62452-00		BRACKET - Stabilator pulley, left	1	
	62452-01		BRACKET - Stabilator pulley, right	1	
-22	62455-00		STRINGER ASSEMBLY - Hat section	1	
-23	62457-00		BRACKET - Stabilator pulley, left	1	
	62457-01		BRACKET - Stabilator pulley, right	1	
-24	62696-03	C	SHELF ASSEMBLY - Battery	1	
	65558-00	B	SHELF ASSEMBLY - Battery	1	28-10720 to 28-11039 inclusive
	67367-00	D	SHELF ASSEMBLY - Battery	1	
-25	62702-00	C	WEB - Battery shelf	1	
	65557-00	B	WEB - Battery shelf	1	28-10720 to 28-11039 inclusive
	79453-00	D	WEB - Battery shelf	1	
-26	62463-00	A	CHANNEL - Battery shelf, inboard	1	
-27	62464-00	A	CHANNEL - Battery shelf, outboard	1	
-28	62465-00	A	CHANNEL - Battery shelf, front	2	
-29	62471-00		SPACER - tail skid	2	
-30	63947-00	A	VENT ASSEMBLY - Battery	1	
-31	66769-00		SKID ASSEMBLY - tail	1	
<p>A - Used on PA-28-150, PA-28-160, PA-28-180, PA-28-235, PA-28R-180 and PA-28R-200 airplanes only.</p> <p>B - Used on PA-28-235 airplanes only.</p> <p>C - Used on PA-28-150, PA-28-160 and PA-28-180 with serial numbers 28-1 to 28-4377 inclusive, and PA-28-235 with serial numbers 28-10003 to 28-10719 inclusive.</p> <p>D - Used on PA-28-180 with serial numbers 28-4378 to 28-7505261 inclusive, PA-28-235 with serial numbers 28-11040 and up, PA-28R-180 and PA-28R-200 airplanes.</p> <p>E - Used on PA-28-150, PA-28-160 and PA-28-180 with serial numbers 28-1 to 28-7305611 inclusive, PA-28-235 with serial numbers 28-10003 to 28-7310187 inclusive, PA-28R-180 with serial numbers 28R-30005 to 28R-7130019 inclusive, and PA-28R-200 with serial numbers 28R-30482, 28R-35001 to 28R-7335455 inclusive.</p> <p>F - Used on PA-28-180 with serial numbers 28-7405001 to 28-7505261 inclusive, PA-28-235 with serial numbers 28-7410001 and up, and PA-28R-200 with serial numbers 28R-7435001 and up.</p> <p>G - Used on PA-28-140 with serial numbers 28-20002 to 28-7325684 inclusive.</p> <p>H - Used on PA-28-140 with serial numbers 28-7425001 and up.</p>					

When ordering, always specify Part Number, Description, and Serial Number of Aircraft

PIPER PARTS CATALOG

Figure and Index Number	Part Number	Code	NOMENCLATURE	No. Req.	SERIAL NUMBERS AFFECTED
15-32	400 438	B,W	BOLT - (AN3-4A)	4	
	407 694	B	WASHER - (AN960-D10)	4	
-33	402 897		BOLT - (NAS464P3A4)	8	
	407 564	W	WASHER - (AN960-10)	12	
	407 584	W	WASHER - (AN960-10L)	8	
	404 556	W	NUT - (MS21045-L3)	8	
-34	402 890		BOLT - (NAS464P3A5)	4	
	407 564	W	WASHER - (AN960-10)	4	
	407 584	W	WASHER - (AN960-10L)	4	
	484 556	W	NUT - (MS21045-L3)	4	
-35	65343-00		CUP - Antenna mount	2	
-36	66974-00	E	STRINGER - Top, Sta, 191 to Sta, 228,30	1	
	79267-00	D	STRINGER - Top, Sta, 191 to Sta.- 228-30	1	
-37	65114-00	C	STRINGER - Top, Sta, 156 to Sta, 191	1	
-38	62645-00	G	FITTING ASSEMBLY - Stabilator attachment	2	
	62645-04	F	FITTING ASSEMBLY - Stabilator attachment	2	
-39	452 394		BEARING - (DW4K2)	2	
-40	62413-00		FITTING ASSEMBLY - Upper, left	1	
	62413-01		FITTING ASSEMBLY - Upper, right	1	
-41	63078-08	A	DISC - Closeout	2	
42	65494-00	A	PLATE ASSEMBLY - Aft fuselage closeout	1	
-43	62414-00		FITTING ASSEMBLY - lower, left	1	
	62414-01		FITTING ASSEMBLY - lower, right	1	
-44	99813-02		DOUBLER - Antenna mount, Forward	1	
	99805-03		DOUBLER - Antenna mount, aft	1	
<p>A - Used on PA-28-235 with serial numbers 28-10720 and up, PA-28-140, PA-28-150, PA-28-160, PA-28-180, PA-28R-180 and PA-28R-200 airplanes only.</p> <p>B - Used on PA-28-150, PA-28-160, PA-28-180, PA-28-235, PA-28R-180 and PA-28F-200 airplanes only.</p> <p>C - Used on PA-28-140 with serial numbers 28-7425001 and up, PA-28-150, PA-28-160, PA-28-180, PA-28-235, PA-28R-180 and PA-28R-200 airplanes only.</p> <p>D - Used on PA-28-140 with serial numbers 28-7425001 and up, PA-28-180 with serial numbers 28-7405001 to 28-7505261 inclusive, PA-28-235 with serial numbers 28-7410001 and up, and PA-28R-200 with serial numbers 28R-7435001 and up.</p> <p>E - Used on PA-28-150, PA-28-160 and PA-28-180 with serial numbers 28-1 to 28-7305611 inclusive, PA-28-235 with serial numbers 28-10003 to 28-7310187 inclusive, PA-28R-180 with serial numbers 28R-30005 to 28R-7130019 inclusive, and PA-28R-200 with serial numbers 28R-30482, 28R-35001 to 28R-7335455 inclusive.</p> <p>F - Used on PA-28-180 with serial numbers 28-4378 to 28-7505261 inclusive, PA-28-140, PA-28-235, PA-28R-180 and PA-28R-200 airplanes.</p> <p>G - Used on PA-28-150, PA-28-160 and PA-28-180 with serial numbers 28-1 to 28-4377 inclusive.</p> <p>W - These parts must be ordered from Service Spares Department, Piper Aircraft, Lock Haven, Penna.</p>					

When ordering, always specify Part Number, Description, and Serial Number of Aircraft

PIPER PARTS CATALOG

Figure and Index Number	Part Number	Code	NOMENCLATURE	No. Req.	SERIAL NUMBERS AFFECTED
15-45	22482-00	A,W	SCOOP - Evaporator vent	1	
-46	99615-00	A	COVER - Air conditioning exhaust louver, left	1	
	99615-01	A	COVER - Air conditioning exhaust louver, right	1	
-47	99631-00	A	FILTER - Air conditioning exhaust	2	
-48	99496-00	D	BRACKET ASSEMBLY - Condenser door actuation	1	
	99496-02	C	BRACKET ASSEMBLY - Condenser door actuation	1	
-49	99561-00	A	BEARING ASSEMBLY - Condenser door actuation	2	
-50	99272-00	A	CHANNEL - Condenser door frame	2	
-51	99273-00	A	STIFFENER - Condenser door frame	1	
-52	99278-03	A	ZEE ASSEMBLY - Condenser door frame	1	
-53	99552-02	A	BRACKET ASSEMBLY - Condenser door bellcrank, left	1	
	99552-00	A	BRACKET ASSEMBLY - Condenser door bellcrank, right	1	
-54	99558-00	A	BRACKET - Motor mount, condenser actuator	1	
-55	99545-00	A	BRACKET ASSEMBLY - Motor support	1	
-56	99555-00	A	BRACKET- Brace	1	
-57	99487-00	A	BRACE - Condenser frame, left	1	
	99487-01	A	BRACE - Condenser frame, right	1	
-58	99488-00	A	GUSSET - Condenser frame, forward	2	
-59	99280-00	A	GUSSET - Condenser frame, aft, left	1	
	99280-01	A	GUSSET - Condenser frame, aft, right	1	
-60	76497-02	A	PANEL ASSEMBLY - Fairlead	1	
-61	99498-00	B	MOUNT - Closed limit switch	1	
			<p>A - Used on PA-28-140 with serial numbers 28-25001, 28-7125472 and up, PA-28-180 with serial numbers 28-5653, 28-7205092 to 28-7505261 inclusive, and PA-28R-200 with serial numbers 28R-7235001 and up if air conditioning is installed.</p> <p>B - Used on PA-28-140 with serial numbers 28-25001, 28-7125472 to 28-7225185 inclusive, PA-28-180 with serial numbers 28-5653, 28-7205092 to 28-7205179 inclusive if air conditioning is installed.</p> <p>C - Used on PA-28R-200 with serial numbers 28R-7235001 and up if air conditioning is installed.</p> <p>D - Used on PA-28-140 with serial numbers 28-25001, 28-7125472 and up, and PA-28-180 with serial numbers 28-5653, 28-7205092 to 28-7505261 inclusive if air conditioning is installed.</p> <p>W- These parts must be ordered from Service Spares Department, Piper Aircraft, Lock Haven, Penna.</p>		

When ordering, always specify Part Number, Description, and Serial Number of Aircraft

1E24
INTENTIONALLY LEFT BLANK

PIPER PARTS CATALOG

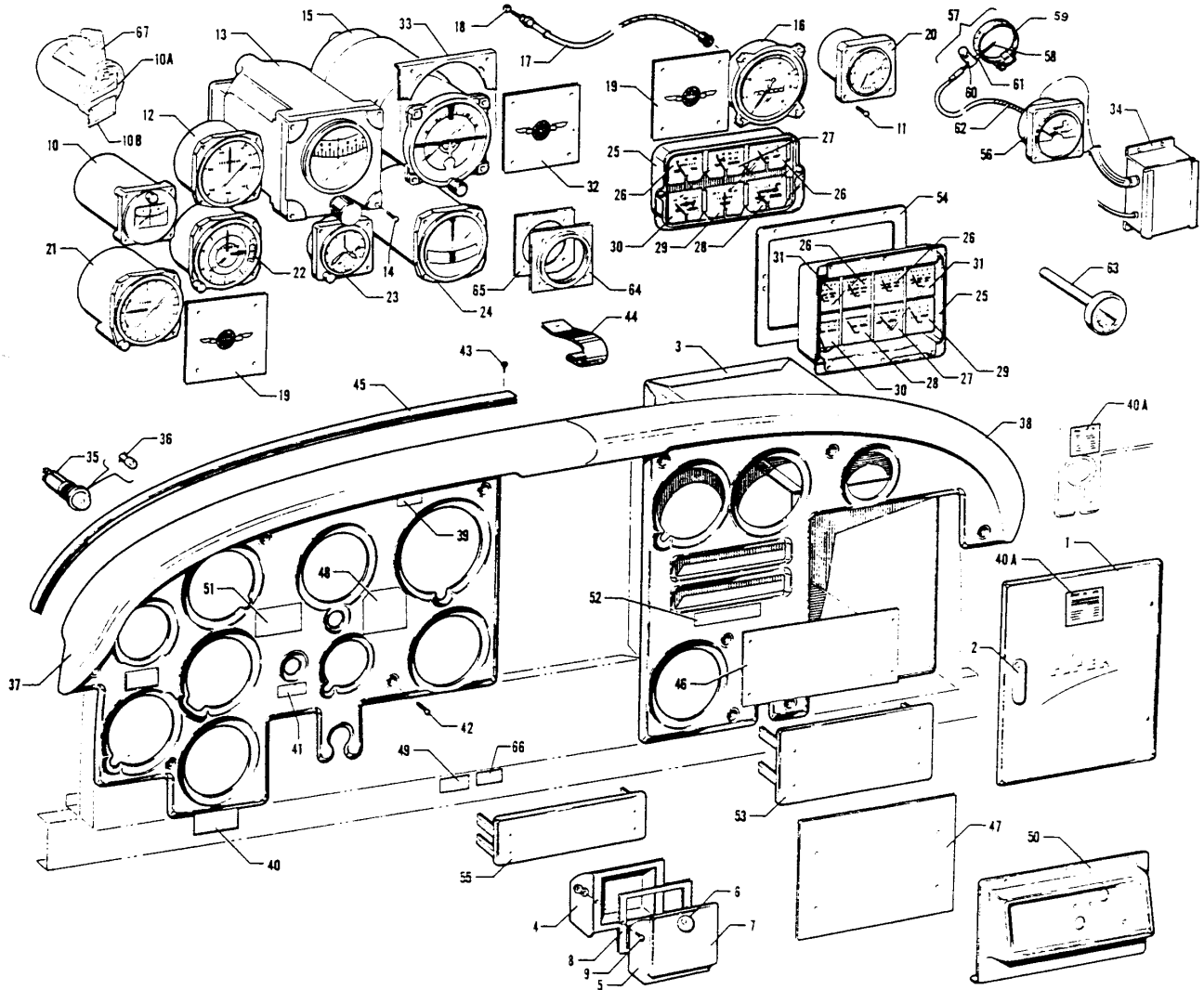


Figure 16. Instrument Panel Installation
 (PA-28-150~160-180 - Serial Nos. 28-1 to 28-4377 inclusive)
 (PA-28-235 - Serial Nos. 28-10003 to 28-11039 inclusive)
 (PA-28-140 - Serial Nos. 28-20002 to 28-24999 inclusive)

PIPER PARTS CATALOG

Figure and Index Number	Part Number	Code	NOMENCLATURE	No. Req.	SERIAL NUMBERS AFFECTED
16-	63204	G	DRAWING - Instruments Installation		28-1 to 28-1230 inclusive
	62156	G	DRAWING - Instruments Installation		28-1231 to 28-1760 inclusive
	62935	G	DRAWING - Instruments Installation		28-1761 to 28-4377 inclusive
	62898	B	DRAWING - Instruments Installation		28-20002 to 28-24999 inclusive
	65176	C	DRAWING - Instruments Installation		28-10002 to 28-10165 inclusive
	65437	C	DRAWING - Instruments Installation		28-10166 to 28-10486 inclusive
	65446	C	DRAWING - Instruments Installation		28-10487 to 28-11039 inclusive
-1	20596-00	D,W	DOOR ASSEMBLY - Glove compartment	1	
	62378-00	E	DOOR ASSEMBLY - Glove compartment	1	
-2	571 069	E	KNOB - Glove compartment door	1	
-3	20589-00	D,W	COMPARTMENT ASSEMBLY - Glove	1	
	62358-00	E	COMPARTMENT ASSEMBLY - Glove	1	
-4	484 385	F,W	RETAINER - Ash box	1	
-5	453 141	F,W	BOX - Ash	1	
-6	18875-06	F,W	KNOB - Ash box	1	
-7	13950-00	F,W	PLATE - Ash box	1	
-8	18467-00	F,W	PLATE - Ash box retainer	1	
-9	415 145	E,W	SCREW - (AN526R-6-5)	14	
	407 562	E,W	WASHER - (AN960-6)	14	
	404 909	E,W	NUT - (MS20365-632)	14	
-10	450 765		INSTRUMENT - Compass	1	
-10a	67462-06	H	INSTRUMENT - Compass assembly	1	
-10b	79650-02		HOLDER - Compass card	1	
-11	415 151	W	SCREW - (AN526-632R12)	29	
			A - Used on PA-28-140 with serial numbers 28-20002 to 28-2499~9 inclusive, PA-28-150, PA-28-160 and PA-28-180 with serial numbers 28-1 to 28-4377 inclusive, and PA-28-235 with serial numbers 28-10003 to 28-11039 inclusive.		
			B - Used on PA-28-140 airplanes only.		
			C - Used on PA-28-235 airplanes only.		
			D - Used on PA-28-140 with serial numbers 28-20002 to 28-24999 inclusive, PA-28-150, PA-28-160 and PA-28-180 with serial numbers 28-1 to 28-1760 inclusive, and PA-28-235 with serial numbers 28-10003 to 28-10486 inclusive.		
			E - Used on PA-28-150, PA-28-160 and PA-28-180 with serial numbers 28-1761 to 28-4377 inclusive, and PA-28-235 with serial numbers 28-10487 to 28-11039.		
			F - Used on PA-28-150, PA-28-160 and PA-28-180 with serial numbers 28-1 to 28-1760 inclusive, and PA-28-140 with serial numbers 28-200.02 to 28-24999.		
			G - Used on PA-28-150, PA-28-160 and PA-28-180 only.		
			H - Used on PA-28-140 with serial numbers 28-20002 to 28-24999 inclusive, PA-28-150, PA-28-160 and PA-28-180 with serial numbers 28-1 to 28-4377 inclusive, and PA-28-235 with serial numbers 28-10003 to 28-11039 inclusive if Magnetic Compass Relocation Kit 760 795v has been installed per- Service Letter 761.		
			W - These parts must be ordered from Service Spares Department Piper Aircraft, Lock Haven, Penna.		

When ordering, always specify Part Number, Description, and Serial Number of Aircraft

PIPER PARTS CATALOG

Figure and Index Number	Part Number	Code	NOMENCLATURE	No. Req.	SERIAL NUMBERS AFFECTED
16-12	450 762	L	INSTRUMENT- Airspeed (63205-00) M.P.H.	1	
	550 506	L	INSTRUMENT - Airspeed (99632-02) knots	1	
	450 793	H	INSTRUMENT - Airspeed (63205-02) M.P.H.	1	
	550 507	H	INSTRUMENT - Airspeed (9963243) knots	1	
	550 618	C	INSTRUMENT - Airspeed (63205-03) M.P.H.	1	
	450 799	D,L	INSTRUMENT - True airspeed, adjustable (62143-00) M.P.H.	1	
	550 518	DL	INSTRUMENT - True airspeed, adjustable (62143-12) knots	1	
	550 600	H,J	INSTRUMENT -True airspeed, adjustable (62143-02) M.P.H.	1	
	550 617	C,D	INSTRUMENT - True airspeed, adjustable (62143-03) M.P.H.	1	
	-13	550 647	G,M,W	INSTRUMENT - Directional gyro (31699-00)	1
755 427		E,M,W	INSTRUMENT - Directional gyro (3 inch)	1	
-14	415 458	W	SCREW - (AN526R-8-24)	7	
	550 646	G,M ,W	INSTRUMENT - Gyro horizon (31698-00)	1	
-15	755 428	E,M,W	INSTRUMENT - Gyro horizon (3 inch)	1	
	450 646	F,W	INSTRUMENT - Tachometer (13621-04)	1	28-1 to 28-1230 inclusive
-16	62177-03	J	INSTRUMENT - Tachometer (550 630)	1	28-1231 to 28-4377 inclusive
	62177-03	K	INSTRUMENT - Tachometer (550 630)	1	28-20002 to 28-24999 inclusive
	450 728	C,W	INSTRUMENT -Tachometer (13621-06)	1	28-100-03 to 28-11039 inclusive
-17	486 570	B,F	SHAFT -Tachometer (1536463) (32 1/2" L)	1	
	486 564	C	SHAFT -Tachometer (6409944) (26" L)	1	28-10003 to 28-10486 inclusive
	486 588	C	SHAFT -Tachometer (6451955) (28" L)	1	28-10487 to 28-10719 inclusive
	486 576	C,W	SHAFT -Tachometer (1568859) (30" L)	1	28-10720 to 28-11039 inclusive
-18	85012-14	W	WASHER - Tachometer shaft	1	
-19	11199-00	W	PLATE ASSEMBLY - Cover	2	
-20	450 648	F,W	GAUGE -Suction	1	28-1 to 28-1444 inclusive
	450 648	C,W	GAUGE -Suction	1	28-10003 to 28-10152 inclusive
	550 629	B,F	GAUGE - Suction	1	28-1445 and up
	550 629	C	GAUGE -Suction	1	28-10153 to 28-11039 inclusive
-21	67468-00		INSTRUMENT - Rate of climb	1	
-22	450 611	W	INSTRUMENT - Altimeter, standard (PAC 11343)	1	
	67467-00		INSTRUMENT - Altimeter, sensitive (scale in inches of mercury)	1	
-23	67467-02		INSTRUMENT - Altimeter, sensitive (scale in millibars)	1	
	550 597		INSTRUMENT - Clock (AN5743-L2)	1	
			A - Used on PA-28-140 with serial numbers 28-20002 to 28-24999 inclusive, PA-28-150, PA-28-160 and PA-28-180 with serial numbers 28-1 to 28-4377 inclusive, and PA-28-235 with serial numbers 28-10003 to 28-11039 inclusive.		
			B - Used on PA-28-140 airplanes only.		
			C - Used on PA-28-235 airplanes only.		
			D - Optional equipment.		
			E - Used on PA-28-150, PA-28-160 and PA-28-180 with serial numbers 28-4085 to 28-4377 inclusive, PA-28-235 with serial numbers 28-10927 to 28-11039 inclusive, and PA-28-140 with serial numbers 28-23348 to 28-24999 inclusive.		
			F - Used on PA-28-150, PA-28-160 and PA-28-180 only.		
			G - No longer available.		
			H - Used on PA-28-180 airplanes only.		
			J - Used on PA-28-150, PA-28-160, with 0-360-A4A engine only.		
			K - Used on PA-28-180 with 0-360-A3A engine only.		
			L - Used on PA-28-140, PA-28-150 and PA-28-160 only.		
			M - See Figure 87 if Auto Control I is installed, Figure 88 if AutoControl II is installed, or Figure 89 if AutoControl III is installed.		
			W - These parts must be ordered from Service Spares Department, Piper Aircraft, Lock Haven, Penna.		

When ordering, always specify Part Number, Description, and Serial Number of Aircraft

PA-28-140
PA-28-150
PA-28-160
PA-28-180
PA-28-235

PIPER PARTS CATALOG

Figure and Index Number	Part Number	Code	NOMENCLATURE	No. Req.	SERIAL NUMBERS AFFECTED
16-24	450 658	W	INSTRUMENT - Turn and bank (A-5) vacuum	1	
	550 483		INSTRUMENT - Turn and bank (1234T100-5) electric	1	
	548 190	J	INSTRUMENT - Turn coordinator (1394T100) electric	1	
-25	63922-00	E	CLUSTER ASSEMBLY- Instrument	1	28-1 to 28-507 inclusive
	63922-02	E	CLUSTER ASSEMBLY- Instrument	1	28-508 to 28-1760 inclusive
	63426-00	G	CLUSTER ASSEMBLY - Instrument	1	
	63426-02	E	CLUSTER ASSEMBLY - Instrument	1	28-3378 to 28-4377 inclusive
	63922-02	B	CLUSTER ASSEMBLY - Instrument	1	28-20002 to 28-20550 inclusive
	65201-00	C	CLUSTER ASSEMBLY- Instrument	1	28-10003 to 28-10719 inclusive
	68809-00	C	CLUSTER ASSEMBLY - Instrument	1	28-10720 to 28-11039 inclusive
-26	752 070	F	INSTRUMENT - Fuel gauge	2	
	752 081	D,F	INSTRUMENT - Fuel gauge	2	
	752 112	G	INSTRUMENT - Fuel gauge, left tank	1	
	752 113	G	INSTRUMENT - Fuel gauge, right tank	1	
	752 100	C	INSTRUMENT - Fuel gauge, left main	1	
	752 101	C	INSTRUMENT - Fuel gauge, right main	1	
-27	752 055	F,W	INSTRUMENT - Fuel pressure	1	
	752 076	D,F,W	INSTRUMENT - Fuel pressure	1	
	752 097	H	INSTRUMENT- Fuel pressure	1	
-28	752 057	F,W	INSTRUMENT - Oil temperature	1	
	752 078	D,F,W	INSTRUMENT - Oil temperature	1	
	752 096	H	INSTRUMENT - Oil temperature	1	
-29	752 058	F,W	INSTRUMENT - Ammeter (40 - 0 + 40)	1	
	752 079	D,F,W	INSTRUMENT - Ammeter (40 - 0 + 40)	1	
	752 084	D,F	INSTRUMENT - Ammeter (0 20 40)	1	
	752 099	G	INSTRUMENT - Ammeter (0 20 40)	1	
	79362-00	E	INSTRUMENT - Ammeter (0 30 60)	1	28-3378 to 28-4377 incl.
	752 099	C	INSTRUMENT - Ammeter (0 20 40)	1	28-10003 to 28-10719 inc.
	752 121	C	INSTRUMENT - Ammeter (0 30 60)	1	28-10720 to 28-11039 inclusive
<p>A - Used on PA-28-140 with serial numbers 28-20002 to 28-24999 inclusive, PA-28-150, PA-28-160 and PA-28-180 with serial numbers 28-1 to 28 4377 inclusive, and PA-28-235 with serial numbers 28-10003 to 28-11039 inclusive.</p> <p>B - Used on PA-28-140 airplanes only.</p> <p>C - Used on PA-28-235 airplanes only.</p> <p>D - White lettering.</p> <p>E - Used on PA-28-150, PA-28-160 and PA-28-180 only.</p> <p>F - Used on PA-28-150, PA-28-160 and PA-28-180 with serial numbers 28-1 to 28-1760 inclusive. and PA-28-140 with serial numbers 28-20002 to 28-20550.</p> <p>G - Used on PA-28-150, PA-28-160 and PA-28-180 with serial numbers 28-1761 to 28-4377 inclusive, and PA-28-140 with serial numbers 28-20551 to 28-24999.</p> <p>H - Used on PA-28-150, PA-28-160 and PA-28-180 with serial numbers 28-1761 to 28 1377 inclusive. PA-28-235 with serial numbers 28-10003 to 28-11039 inclusive, and PA-28-140 with serial numbers 28-20551 to 28-24999 inclusive.</p> <p>J - Order this instrument as a replacement for Mitchell Turn and Bank 52D69 or P/N 41711-02 (Brittain P/N 1681A) which are no longer available. Cable assembly P/N 63759-02 must also be ordered when the Mitchell Turn and Bank 52D69 is being replaced</p> <p>W - These parts must be ordered from Service Parts Department, Piper Aircraft, Lock Haven, Penna.</p>					

When ordering, always specify Part Number, Description, and Serial Number of Aircraft

PIPER PARTS CATALOG

Figure and Index Number	Part Number	Code	NOMENCLATURE	No. Req.	SERIAL NUMBERS AFFECTED
16-30	752 071	F	INSTRUMENT - Oil pressure	1	
	752 082	F,H	INSTRUMENT - Oil pressure	1	
	752 114	J	INSTRUMENT - Oil pressure	1	
	752 098	C	INSTRUMENT - Oil pressure	1	
-31	79366-00	C	INSTRUMENT - Fuel gauge, left tip	1	
	752 102	C	INSTRUMENT - Fuel gauge, right tip	1	
-32	11199-00	D,W	PLATE ASSEMBLY - Cover	1	28-1 to 28-97 inclusive
	63157-00	D	PLATE ASSEMBLY - Cover	1	28-98 to 28-2011 inclusive
	63753-00	G	PLATE ASSEMBLY - Cover	1	28-2012 and up
	63755-00	E	PLATE ASSEMBLY - Cover	1	28-2012 and up
	63757-00	E	PLATE ASSEMBLY - Cover	1	28-2012 to 28-4377 inclusive
	63157-00	B	PLATE ASSEMBLY - Cover	1	28-20002 to 28-20S511 inclusive
	63751-00	B	PLATE ASSEMBLY - Cover	1	28-20512 to 28-24999 inclusive
	11199-08	C,W	PLATE ASSEMBLY - Cover	1	28-10003 to 28-10062 inclusive
	65421-00	C	PLATE ASSEMBLY - Cover	1	28-10063 to 28-10486 inclusive
	65448-00	C	PLATE ASSEMBLY - Cover	1	28-10487 to 28-11039 inclusive
-33	65890-00	B	PLATE - Adapter, 3 gyro horizon	1	28-23348 to 28-24999 inclusive
-34	751 291	W	AMPLIFIER ASSEMBLY - Mixture control gauge	1	
-35	472 712		LIGHT - Stall warning	1	
-36	751 453		BULB	1	
-37	63115-02	D	PANEL - Cover, left	1	28-1 to 28-1410 inclusive
	63115-09	D	PANEL - Cover, left	1	28-1411 to 28-1760 inclusive
	63115-09	B	PANEL - Cover, left	1	28-20002 to 28-23347 inclusive
	65891-02	B	PANEL - Cover, left (used with 3" gyros)	1	28-23348 to 28-24999 inclusive
	63115-09	C	PANEL - Cover, left	1	28-10003 to 28-10486 inclusive
	62356-02	D	PANEL - Cover, left	1	28-1761 to 28-3377 inclusive
	62356-02	C	PANEL - Cover, left	1	28-10487 to 28-1071g inclusive
	65550-02	D	PANEL - Cover, left	1	28-3378 to 28-1084 inclusive
	65550-02	C	PANEL - Cover, left	1	28-10720 to 28-10926 inclusive
	69059-02	D	PANEL - Cover, left (used with 3" gyros)	1	28-3266 to 28-4377 inclusive
	69059-02	C	PANEL - Cover, left (used with 3" gyros)	1	28-10720 to 28-11039 inclusive
			A - Used on PA-28-140 with serial number 28-20002 to 28- 24999 inclusive, PA-28-150, PA-28-160 and PA-28-180 with serial numbers 28-1 to 28-4377 inclusive, and PA-28-235 with serial numbers 28-10003 to 28-11039 inclusive.		
			B - Used on PA-28-140 airplanes only.		
			C - Used on PA-28-235 airplanes only.		
			D - Used on PA-28-150, PA-28-160 and PA-28-180 only.		
			E - Used on PA-28-160 airplanes only.		
			F - Used on PA-28-150, PA-28-160 and PA-28-180 with serial numbers 28-1 to 28-1760 inclusive, and PA-28-140 with serial numbers 28-20002 to 28-20550.		
			G - Used on PA-28-150 airplanes only.		
			H - White lettering.		
			J - Used on PA-28-150, PA-28-160 and PA-28-180 with serial numbers 28-1761 to 28-4377 inclusive, and PA-28-140 with serial numbers 28-20551 to 28-24999.		
			W - These parts must be ordered from Service Spares Department, Piper Aircraft, Lock Haven, Penna.		

When ordering, always specify Part Number, Description, and Serial Number of Aircraft

PA-28-140
PA-28-150
PA-28-160
PA-28-180
PA-28-235

PIPER PARTS CATALOG

Figure and Index Number	Part Number	Code	NOMENCLATURE	No. Req.	SERIAL NUMBERS AFFECTED
16-38	63115-03	F	PANEL - Cover, right		
	62356-03	E	PANEL - Cover, right	1	28-1761 to 28-3377 inclusive
	65204-02	C	PANEL - Cover, right	1	28-10003 to 28-10486 inclusive
	62356-04	C	PANEL - Cover, right	1	28-10487 to 28-10719 inclusive
	65550-03	C	PANEL - Cover, right	1	28-10720 to 28-11039 inclusive
	65550-04	E	PANEL - Cover, right	1	28-3378 to 28-4377 inclusive
-39	66532-00	J	PLACARD - Operating limitations	1	
-40	63921-00	H	PLACARD - Operating limitations	1	
	62391-00	B,J	PLACARD - Operating limitations	1	
-40a	65779-00	J	PLACARD - Operating limitations	1	
	65779-00	B	PLACARD - Operating limitations	1	28-22575 to 28-24999 inclusive
-41	63918-00	F	PLACARD - Stall warning	1	
	63918-00	C	PLACARD - Stall warning	1	28-10003 to 28-10486 inclusive
	62897-00	D	PLACARD - Stall warning	1	
-42	415 150	W	SCREW -Cover panel attachment (AN526-632R10)	AR	
	407 583	W	WASHER - Cover panel attachment (AN960-8L)	AR	
	406 846		RIVNUT - Cover panel attachment (A6K-3F-75)	AR	
-43	419 920	W	SCREW-(8x1/2,Type B)Sheetmetal, Tinnerman	2	
	406 382		NUT - (A1789-8-3) Tinnemman	2	
-44	63155-00	F	RETAINER - Instrument ,panel cover	1	
	63155-00	C	RETAINER - Instrument panel cover	1	28-10003 to 28-10486 inclusive
	62359-00	D	RETAINER - Instrument panel cover	1	
-45	63154-02	G	STIFFENER - Instrument panel cover, L.H.	1	
	63154-02	B	STIFFENER - Instrument panel cover, L.H.	1	
	62357-02	D	STIFFENER - Instrument panel cover, L.H.	1	
	63154-03	G	STIFFENER - Instrument panel cover, R.H.	1	
	63154-03	B	STIFFENER - Instrument panel cover, R.H.	1	
	62357-03	D	STIFFENER - Instrument panel cover, R.H .	1	
-46	63950-03	E	COVER - Radio opening, top	1	28-1 to 28-1760 inclusive
	63950-03	B	COVER - Radio opening, top	1	28-20281 to 28-24999 inclusive
	65205-02	C	COVER - Radio opening, top	1	28-10003 to 28-10486 inclusive
	62942-00	D	COVER - Radio opening, top	1	
-47	63950-04	G	COVER - Radio opening, bottom	1	
	63950-04	B	COVER - Radio opening, bottom	1	28-20281 to 28-24999 inclusive
	62944-00	D	COVER - Radio opening, bottom	1	
			A - Used on PA-28-140 with serial numbers 28-20002 to 28-24999 inclusive, PA-28-150, PA-28-160 and PA-28-180 with serial number 28-1 to 28-4377 inclusive, and PA-28-235 with serial numbers 28-10003 to 28-11039 inclusive.		
			B - Used on PA-28-140 airplanes only.		
			C - Used on PA-28-235 airplanes only.		
			D - Used on PA-28-150, PA-28-160 and PA-28-180 with serial numbers 28-1761 to 28-4377 inclusive, and PA-28-235 with trial numbers 28-10487 to 28-11039 inclusive.		
			E - Used on PA-28-150, PA-28-160 and PA-28-180 only.		
			F - Used on PA-28-150, PA-28-160 and PA-28-180 with serial number 28-1 to 28-1760 inclusive, and PA-28-140 with numbers 28-20002 to 28-24999 inclusive.		
			G - Used on PA-28-150, PA-28-160 and PA-28-180 with serial number 28-1 to 28-1760 inclusive, and PA-28-235 with serial numbers 28-10003 to 28-10486.		
			H - Used on PA-28-180 with serial numbers 28-671 to 28-4377 inclusive, PA-28-150 and PA-28-160 airplanes.		
			J - Used on PA-28-180 with serial numbers 28-3793 to 28-3803, 28-3806, 28-3833 to 28-4377 inclusive.		
			W - These parts must be ordered from Service Spares Department, Piper Aircraft, Lock Haven, Penna.		

When ordering, always specify Part Number, Description, and Serial Number of Aircraft

PA-28-140
PA-28-150
PA-28-160
PA-28-180
PA-28-235

PIPER PARTS CATALOG

Figure and Index Number	Part Number	Code	NOMENCLATURE	No. Req.	SERIAL NUMBERS AFFECTED
16-48	63278-00		PLACARD • Take-off and landing check list	1	28-1 to 28-1410 inclusive
	65312-00		PLACARD -Take-off check list	1	28-1411 and up
	69031-00		PLACARD - Take-off check list (used when 3" gyros are installed)	1	
-49	63189-00		PLACARD - Rough air or maneuvering	1	28-671 to 28-1410 inclusive
	65182-02	B,E	PLACARD - Rough air or maneuvering	1	28-1411 and up
	65182-00	F	PLACARD - Rough air or maneuvering	1	
-50	62147-02		PANEL - AutoFlite trim	1	28-1231 to 28-1410 inclusive
	62198-02		PANEL - AutoFlite trim	1	28-1411 and up
-51	69165-02	B,E	PLACARD - Landing check list	1	
	65313-00	F	PLACARD - Landing check list	1	28-10003 to 28-10719 inclusive
	69165-02	F	PLACARD - Landing check list	1	28-10720 to 28-11039 inclusive
-52	63408-00	B,E	PLACARD - Oil cooler winterization	1	
-53	62943 00	G	COVER - Radio opening, center	1	
-54	62407-00	E	ADAPTER ASSEMBLY - Instrument cluster	1	28-1761 to 28-4377 inclusive
-55	63766-00	E	COVER ASSEMBLY - Instrument panel	1	28-2423 to 28-4377 inclusive
	63766-00	F	COVER ASSEMBLY - Instrument panel	1	28-10661 to 28-11039 inclusive
-56	752 120	C,W	GAUGE ASSEMBLY - Mixture control indicator (Delta)	1	
	751 915	D,W	GAUGE ASSEMBLY - Mixture control indicator (Delta)	1	
-57	756 907	W	THERMOCOUPLE ASSEMBLY - (With mounting kit) (Delta)	1	
-58	756 307	W	THERMOCOUPLE - (Less mounting kit) (Delta)	1	
-59	753 948	W	CLAMP - Thermocouple probe attachment (Delta)	1	
-60	753 949	W	CLAMP ASSEMBLY - Probe attachment (Delta)	1	
-61	756 256	W	MOUNTING SLEEVE - Probe attachment (Delta)	1	
-62	753 212	W	WIRE ASSEMBLY - Mixture control gauge (Delta)	1	
-63	99479-02	W	GAUGE - Air temperature (NHM-70)	1	
-64	69080-00		COVER - Pictorial rate of turn	1	
-65	69169-00		PLATE - Pictorial rate of turn	1	
-66	76406-00	H	PLACARD -Throttle operation	1	
-67	79600-00	J	HOUSING ASSEMBLY - Compass	1	
			A - Used on PA-28-140 with trial numbers 28-20002 to 28-24999 inclusive, PA-28-150, PA-28-160 and PA-28-180 with serial numbers 28-1 to 28-4377 inclusive, and PA-28-235 with serial numbers 28-10003 to 28-11039 inclusive.		
			B - Used on PA-28-140 airplanes only.		
			C - Used if Mixture Control Gauge Amplifier is not installed.		
			D - Used if Mixture Control Gauge Amplifier is installed.		
			E - Used on PA-28-150, PA-28-160 and PA-28-180 only.		
			F - Used on PA-28-235 airplanes only.		
			G - Used on PA-28-150, PA-28-160 and PA-28-180 with serial numbers 28-1761 to 28-4377 inclusive, and PA-28-235 with serial numbers 28-10487 to 28-11039 inclusive		
			H - Used on PA-28-140, PA-28-150 and PA-28-160 only.		
			J - Used on PA-28-140 with serial numbers 28-20002 to 28-24999 inclusive, PA-28-150, PA-28-160 and PA-28-180 with serial numbers 28-1 to 28-4377 inclusive, and PA-28-235 ,with serial numbers 28-10003 to 28-11039 inclusive, if Magnetic Compass Relocation Kit 760 795v has been installed per Service Letter 761.		
			W - These parts must be ordered from Service Department, Piper Aircraft, Lock Haven, Penna.		

When ordering, always specify Part Number, Description, and Serial Number of Aircraft

PA-28-140
PA-28-150
PA-28-160
PA-28-180
PA-28-235

PIPER PARTS CATALOG

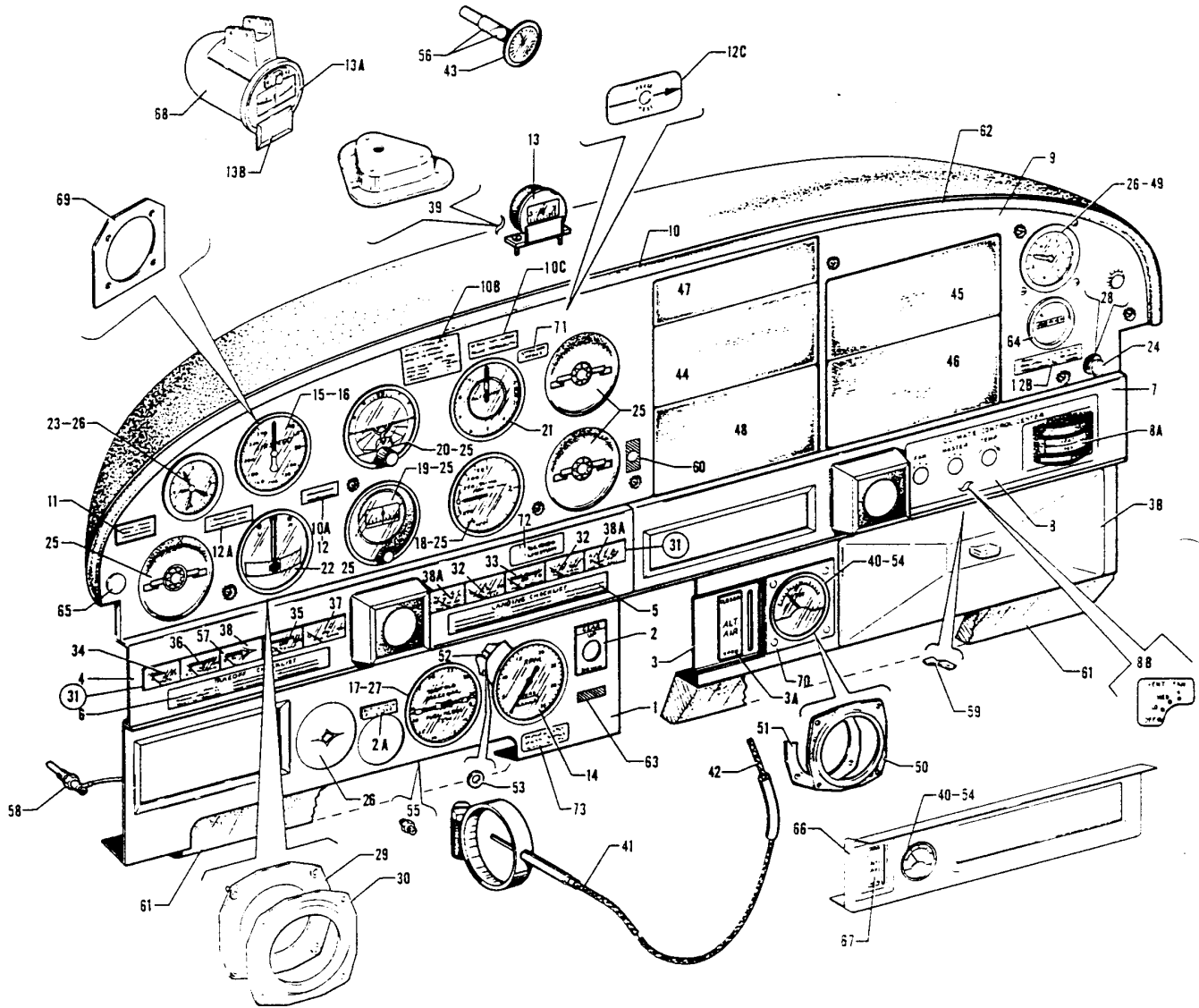


Figure 17. Instrument Panel Installation
 (PA-28-180 - Serial Nos. 28-1378 and up)
 (PA-28R-180 - Serial Nos. 28R-30005 to 28R-30481 inclusive, 28R-30483 and UDI)
 (PA-28-235 - Serial Nos. 28-11040 and up)
 (PA-28-140 - Serial Nos. 2B-25000 and up)
 (PA-28R-200 - Serial Nos. 28R-30482 to 28R-35001 and up)

PIPER PARTS CATALOG

Figure and Index Number	Part Number	Code	NOMENCLATURE	No. Req.	SERIAL NUMBERS AFFECTED
17-	6711 0 66691	C,G J	DRAWING- Instrument Panel Installation DRAWING - Instrument Panel Installation		
-1	67230-07 66983-08 66983-07 66983-09 66983-13 66983-12 66983-06 66983-15 67920-05 67920-14	B K H K D D E F L L,M	COVER ASSEMBLY - Instrument panel, lower left, brown COVER ASSEMBLY - Instrument panel, lower left, red COVER ASSEMBLY - Instrument panel, lower left, blue COVER ASSEMBLY - Instrument panel, lower left, tan COVER ASSEMBLY - Instrument panel, lower left, white COVER ASSEMBLY - Instrument panel, lower left, black COVER ASSEMBLY - Instrument panel, lower left, green COVER ASSEMBLY - Instrument panel, lower left, blue/green COVER ASSEMBLY - Instrument panel, lower left, white COVER ASSEMBLY - Instrument panel, lower left	 1 1 1 1 1 1 1 1 1	 28R-7235001 to 28R-7435331incl. 28R-7235001 and up
<p>A - Used on PA-28-140 with serial numbers 28-25000 and up, PA-28-180 with serial numbers 28-4378 and up. PA-28-235 with serial numbers 28-11040 and up. PA-28R-180 and PA-28R-200 airplanes.</p> <p>B - Used on PA-28R-180 with serial numbers 28R-30005 to 28R-30481 inclusive, 28R-30483 to 28R-31250 inclusive, and PA-28R-200 with serial numbers 28R-30482, 28R-35001 to 28R-35600 inclusive.</p> <p>C - Used on PA-28R-180 and PA-28R-200 airplanes only.</p> <p>D - Used on PA-28R-180 with serial numbers 28R-31251 to 28R-713001 9 inclusive. and PA-28R-200 with serial number 28R-30482, 28R-35001 to 28R-7135238 inclusive.</p> <p>E - Used on PA-28R-180 with serial numbers 28R-31251 to 28R-7130019 inclusive, and PA-28R-200 with serial numbers 28R-35001 to 28R-71 35238 inclusive.</p> <p>F - Used on PA-28R-180 with serial numbers 28R-7130001 to 28R-7130019 inclusive, and PA-28R-200 with serial numbers 28R-7135001 to 28R-7135238 inclusive.</p> <p>G - Used on PA-28-180 with serial numbers 28-4378 and up, and PA-28-235 with serial numbers 28-11040 and up.</p> <p>H - Used on PA-28R-180 with serial numbers 28R-30005 to 28R-30481 inclusive, 28R-30483 to 28R-31279 inclusive, and PA-28R-200 with serial numbers 28R-30482, 28R-35001 to 28R-35830 inclusive.</p> <p>J - Used on PA-28-140 airplanes only.</p> <p>K - Used on PA-28R-180 with serial numbers 28R-30005 to 28R-7130019 inclusive, and PA-28R-200 with serial numbers 28R-30482, 28R-35001 to 28R-7135238 inclusive.</p> <p>L - Used on PA-28R-200 airplanes only.</p> <p>M - When ordering, specify color red, gold, black, blue/green, green or "Bark I".</p>					

When ordering, always specify Part Number, Description, and Serial Number of Aircraft

PIPER PARTS CATALOG

Figure and Index Number	Part Number	Code	NOMENCLATURE	No. Req.	SERIAL NUMBERS AFFECTED	
17-1	65831-07	B	COVER ASSEMBLY - Instrument panel, lower left, brown	1	28-25000 to 28-7425454 incl. 28-7520001 to 28-7625284 incl.	
	66918-07	F	COVER ASSEMBLY - Instrument panel, lower left, blue	1		
	66918-13	D	COVER ASSEMBLY - Instrument panel, lower left, white	1		
	66918-16	C	COVER ASSEMBLY - Instrument panel, lower left, red	1		
	66918-16	C	COVER ASSEMBLY - Instrument panel, lower left, gold	1		
	66918-16	J	COVER ASSEMBLY - Instrument panel, lower left, black	1		
	66918-16	J	COVER ASSEMBLY - Instrument panel, lower left, green	1		
	66918-16	G	COVER ASSEMBLY - Instrument panel, lower left, blue/green	1		
	66734-03	E	COVER ASSEMBLY - Instrument panel, lower left, black	1		
	66918-16	E	COVER ASSEMBLY - Instrument pane, lower left, black	1		
	66918-16	K	COVER ASSEMBLY - Instrument panel, lower left	1		
	-2	67703-02	H	PLACARD - Gear switch, mph		1
		78119-00	H	PLACARD - Gear switch, knots		1
-2a	67490-02		PLACARD - Pitch trim	1		
			<p>A - Used on PA-28-140 with serial numbers 28-25000 and up, PA-28-180 with serial numbers 28-4378 and up, PA-28-235 with serial numbers 28-11040 and up, PA-28R-180 and PA-28R-200 airplanes.</p> <p>B - Used on PA-28-180 with serial numbers 28-4378 to 28-5600 inclusive, and PA-28-235 with serial numbers 28-11040 to 28-11300 inclusive.</p> <p>C - Used on PA-28-180 with serial numbers 28-4378 and up, and PA-28-235 with serial numbers 28-11040 to 28-7625284 inclusive.</p> <p>D - Used on PA-28-180 with serial numbers 28-5601 to 28-7405290 inclusive, and PA-28-235 with serial numbers 28-11301 to 28-7410120 inclusive.</p> <p>E - Used on PA-28-140 airplanes only.</p> <p>F - Used on PA-28-180 with serial numbers 28-4378 to 28-5869 inclusive, and PA-28-235 with serial numbers 28-11040 to 28-11393 inclusive.</p> <p>G - Used on PA-28-180 with serial numbers 28-7105001 and up, and PA-28-235 with serial numbers 28-7110001 to 28-7610206 inclusive</p> <p>H - Used on PA-28R-180 and PA-28R-200 airplanes only.</p> <p>J - Used on PA-28-180 with serial numbers 28-5601 and up, and PA-28-235 with serial numbers 28-11301 to 28-7610206 inclusive.</p> <p>K - Used on PA-28-140 with serial numbers 28-7725001 and up, and PA-28-235 with serial numbers 28-7710001 and up. Specify color "Bark 1" for PA-28-140 with serial numbers 28-7725001 to 28-7725174 inclusive. and PA-28-235 with serial numbers 28-7710001 to 28-7710010 inclusive. Specify color "Bark II" or black for PA-28-140 with serial numbers 28-7725175 and up. and PA-28-235 with serial number 28-7710001 and up.</p>			

When ordering, always specify Part Number, Description, and Serial Number of Aircraft

PA-28-140
PA-28-180
PA-28-235
PA-28R-180
PA-28R-200

PIPER PARTS CATALOG

Figure and Index Number	Part Number	Code	NOMENCLATURE	No. Req.	SERIAL NUMBERS AFFECTED	
17-3	67231-06	E	COVER ASSEMBLY - Instrument panel, lower right, brown	1		
	67231-07	G	COVER ASSEMBLY - Instrument panel, lower right, blue	1		
	67231-08	B	COVER ASSEMBLY - Instrument panel, lower right, red	1		
	67231-09	B	COVER ASSEMBLY - Instrument panel, lower right, tan	1		
	67231-24	F	COVER ASSEMBLY - Instrument panel, lower right, green	1		
	67231-22	C	COVER ASSEMBLY - Instrument panel, lower right, white	1		
	67231-21	C	COVER ASSEMBLY - Instrument panel, lower right, black	1		
	67231-29	H	COVER ASSEMBLY - Instrument panel, lower right, blue/green	1		
	67231-11	D	COVER ASSEMBLY - Instrument panel, lower right, brown	1		
	67231-12	D	COVER ASSEMBLY - Instrument panel, lower right, blue	1		
	67231-13	D	COVER ASSEMBLY - Instrument panel, lower right, red	1		
	67231-14	D	COVER ASSEMBLY - Instrument panel, lower right, tan	1		
	67231-15	J	COVER ASSEMBLY - Instrument panel, lower right, brown	1		
	67231-16	L	COVER ASSEMBLY - Instrument panel, lower right, blue	1		
	67231-17	K	COVER ASSEMBLY - Instrument pane, lower right, red	1		
	67231-18	K	COVER ASSEMBLY - Instrument panel, lower right, tan	1		
				<p>A - Used on PA-28-180 with serial numbers 28-4378 and up, PA-28-235 with serial numbers 28-11040 and up, PA-28-140 with serial numbers 28-25000 and up, PA-28R-180 and PA-28R-200 airplanes.</p> <p>B - Used on PA-28R-180 with serial numbers 28R-30005 to 28R-7130019 inclusive, and PA-28R-200 with serial numbers 28R-30482, 28R-35001 to 28R-7135238 inclusive.</p> <p>C - Used on PA-28R-180 with serial numbers 28R-31251 to 28R-7130019 inclusive, and PA-28R-200 with serial numbers 28R-30482, 28R-35001 to 28R-7135238 inclusive.</p> <p>D - Used on PA-28-180 with serial numbers 28-4378 to 28-5042 inclusive, and PA-28-235 with serial numbers 28-11040 to 28-11085 inclusive.</p> <p>E - Used on PA-28R-180 with serial numbers 28R-30005 to 28R-30481 inclusive, 28R-30483 to 28R-31250 inclusive, and PA-28R-200 with serial numbers 28R-30482, 28R-35001 to 28R-35600 inclusive.</p> <p>F - Used on PA-28R-180 with serial numbers 28R-31251 to 28R-7130019 inclusive, and PA-28R-200 with serial numbers 28R-35601 to 28R-7135238 inclusive.</p> <p>G - Used on PA-28R-180 with serial numbers 28R-30005 to 28R-30481 inclusive, 28R-30483 to 28R-31279 inclusive, and PA-28R-200 with serial numbers 28R-30482, 28R-35001 to 28R-35830 inclusive.</p> <p>H - Used on PA-28R-180 with serial numbers 28R-7130001 to 28R-7130019 inclusive, and PA-28R-200 with serial numbers 28R-7135001 to 28R-7135238 inclusive.</p> <p>J - Used on PA-28-180 with serial numbers 28-5043 to 28-5600 inclusive, and PA-28-235 with serial numbers 28-11086 to 28-11300 inclusive.</p> <p>K - Used on PA-28-180 with serial numbers 28-5043 to 28-7105244 inclusive, and PA-28-235 with serial numbers 28-11086 to 28-7110042 inclusive.</p> <p>L - Used on PA-28-180 with serial numbers 28-5043 to 28-5869 inclusive, and PA-28-235 with serial numbers 28-11086 to 28-11393 inclusive.</p>		

When ordering, always specify Part Number, Description, and Serial Number of Aircraft

PA-28-140
PA-28-150
PA-28-160
PA-28-180
PA-28-235

PIPER PARTS CATALOG

Figure and Index Number	Part Number	Code	NOMENCLATURE	No. Req.	SERIAL NUMBERS AFFECTED
17-3	67231-25	E	COVER ASSEMBLY - Instrument panel, lower right, green	1	
	67231-27	E	COVER ASSEMBLY - Instrument panel, lower right, white	1	
	67231-26	E	COVER ASSEMBLY - Instrument panel, lower right, black	1	
	67231-30	J	COVER ASSEMBLY - Instrument panel, lower right, blue/green	1	
	66735 00	D	COVER ASSEMBLY - Instrument panel, lower right, black	1	28-25000 to 28-7125651 inclusive
	99672-11	D	COVER ASSEMBLY - Instrument panel, lower right, black	1	28-7225001 to 28-7525302 incl.
	99672-08	G	COVER ASSEMBLY - Instrument panel, lower right, red	1	
	99672-10	G	COVER ASSEMBLY - Instrument panel, lower right, tan	1	
	99672-13	G	COVER ASSEMBLY - Instrument panel, lower right, green	1	
	99672-12	G	COVER ASSEMBLY - Instrument panel, lower right, white	1	
	99672-11	G	COVER ASSEMBLY - Instrument panel, lower right, black	1	
	99672-09	G	COVER ASSEMBLY - Instrument panel, lower right, blue/green	1	
	99672-14	C	COVER ASSEMBLY - Instrument panel, lower right, red	1	28R-7235001 to 28R-7535217incl.
	99672-16	C	COVER ASSEMBLY - Instrument panel, lower right, tan	1	28R-7235001 to 28R-7535217incl.
	99672-19	C	COVER ASSEMBLY - Instrument panel, lower right, green	1	28R-7235001 to 28R-7535217incl.
	99672-18	C	COVER ASSEMBLY - Instrument panel, lower right, white	1	28R-7235001 to 28R-7535217incl.
	99672-17	C	COVER ASSEMBLY - Instrument panel, lower right, black	1	28R-7235001 to 28R-7535217incl.
99672-15	C	COVER ASSEMBLY - Instrument panel, lower right, blue/green	1	28R-7235001 to 28R-7535217incl.	
-3a	69545-00	B	PLACARD - Alternate air	1	
	65835-00	H	PLACARD - Carburetor heat	1	
	69544-00	D,F	PLACARD - Carburetor heat	1	
			<p>A - Used on PA-28-180 with serial numbers 28-4378 and up, PA-28-235 with serial numbers 28-11040 and up, PA-28-140 with serial numbers 28-25000 and up, PA-28R-180 and PA-28R-200 airplanes.</p> <p>B - Used on PA-28R-180 and PA-28R-200 airplanes only.</p> <p>C - Used on PA-28R-200 airplanes only.</p> <p>D - Used on PA-28-140 airplanes only.</p> <p>E - Used on PA-28-180 with serial numbers 28-5601 to 28-7105244 inclusive, and PA-28-235 with serial numbers 28-11301 to 28-7110042 inclusive.</p> <p>F - Used on PA-28-180 with serial numbers 28-5043 to 28-7505212 inclusive, and PA-28-235 with serial numbers 28-11086 to 28-7510062 inclusive.</p> <p>G - Used on PA-28-180 with serial numbers 28-7205001 to 28-7505212 inclusive, and PA-28-235 with serial numbers 28-7210001 to 28-7510062 inclusive.</p> <p>H - Used on PA-28-180 with serial numbers 28-4378 to 28-5042 inclusive, and PA-28-235 with serial numbers 28-11040 to 28-11085 inclusive.</p> <p>J - Used on PA-28-180 with serial numbers 28-7105001 to 28-7105244 inclusive, and PA-28-235 with serial numbers 28-7110001 to 28-7110042 inclusive.</p>		

When ordering, always specify Part Number, Description, and Serial Number of Aircraft

PIPER PARTS CATALOG

Figure and Index Number	Part Number	Code	NOMENCLATURE	No. Req.	SERIAL NUMBERS AFFECTED	
17-3b	99667-02	K	COVER ASSEMBLY - Circuit breaker panel, red	1	28-26401 to 28-7225612 inclusive	
	99667-04	K	COVER ASSEMBLY - Circuit breaker panel, tan	1		
	99667-07	K	COVER ASSEMBLY - Circuit breaker panel, green	1		
	99667 06	K	COVER ASSEMBLY - Circuit breaker panel, white	1		
	99667-05	H,K	COVER ASSEMBLY - Circuit breaker panel, black	1		
	99667-03	K	COVER ASSEMBLY - Circuit breaker panel, blue-green	1		
	69571-02	G	COVER ASSEMBLY - Circuit breaker panel, red	1		
	69571-04	G	COVER ASSEMBLY - Circuit breaker panel, tan	1		
	69571-07	G	COVER ASSEMBLY - Circuit breaker panel, green	1		
	69571-06	G	COVER ASSEMBLY - Circuit breaker panel, white	1		
	69571-05	G,J	COVER ASSEMBLY - Circuit breaker panel, black	1		
	69571-03	G	COVER ASSEMBLY - Circuit breaker panel, blue/green	1		
	-4	67228-02	C,F	COVER - Instrument panel, left		1
		67228-04	E	COVER - Instrument panel, left		1
		67228-09	L	COVER - Instrument panel, left		1
		66999-02	B	COVER - Instrument panel, left		1
		66999-04	D	COVER - Instrument panel, left		1
			<p>A - Used on PA-28-180 with serial numbers 28-4378 and up, PA-28-235 with serial numbers 28-11040 and up, PA-28-140 with serial numbers 28-25000 and up, PA-28R-180 and PA-28R-200 airplanes.</p> <p>B - Used on PA-28-180 with serial numbers 28-5601 to 28-7205328 inclusive, PA-28-235 with serial numbers 28-11301 to 28-7210033 inclusive, PA-28R-180 with serial numbers 28R-31251 to 28R-7130019 inclusive, and PA-28R-200 with serial numbers 28R-35601 to 28R-7235330 inclusive.</p> <p>C - Used on PA-28-180 with serial numbers 28-4378 to 28-5600 inclusive, and PA-28-235 with serial numbers 28-11040 to 28-11300 inclusive.</p> <p>D - Used on PA-28-140 airplanes only.</p> <p>E - Used on PA-28-140 with serial numbers 28-25000 to 28-26400 inclusive, 28-7325001 and up.</p> <p>F - Used on PA-28R-180 with serial numbers 28R-30005 to 28R-30481 inclusive, 28R-30483 to 28R-31250 inclusive, and PA-28R-200 with serial numbers 28R-30482, 28R-35001 to 28R-35600 inclusive.</p> <p>G - Used on PA-28-180 with serial numbers 28-7305001 to 28-7505212 inclusive, PA-28-235 with serial numbers 28-7310001 to 28-7510062 inclusive, and PA-28R-200 with serial numbers 28R-7335001 to 28R-7535217 inclusive.</p> <p>H - Used on PA-28-140 with serial numbers 28 -7225001 to 28-7225612 inclusive.</p> <p>J - Used on PA-28-140 with serial numbers 28-7325001 to 28-7525302 inclusive.</p> <p>K - Used on PA-28-180 with serial numbers 28-7205001 to 28-7205328 inclusive, PA-28-235 with serial numbers 28-7210001 to 28-7210033 inclusive, and PA-28R-200 with serial numbers 28R-7235001 to 28R-7235330 inclusive.</p> <p>L - Used on PA-28-180 with serial numbers 28-7305001 and up, PA-28-235 with serial numbers 28-7310001 and up. and PA-28R-200 with serial numbers 28R-7335001 and up.</p>			

When ordering, always specify Part Number, Description, and Serial Number of Aircraft

PA-28-140
PA-28-180
PA-28-235
PA-28R-180
PA-28R-200

PIPER PARTS CATALOG

Figure and Index Number	Part Number	Code	NOMENCLATURE	No. Req.	SERIAL NUMBERS AFFECTED	
17-5	67425-00	F	PLACARD - Landing check list, mph	1		
	66985-00	G	PLACARD - Landing check list, mph	1		
	67878-00	B	PLACARD - Landing check list, mph	1	28R-7235001 and up	
	67878-02	B	PLACARD - Landing check list, knots	1	28R-7235001 and up	
	65833 00	C,L	PLACARD - Landing check list, mph	1		
	66724-00	E,H,L	PLACARD - Landing check list, mph	1		
	99885-00	K,L	PLACARD - Landing check list, mph	1		
	99885-02	K,L	PLACARD - Landing check list, knots	1		
	69669-123	L,M	PLACARD - Landing check list, knots	1	28-7725001 and up	
	99807-00	D	PLACARD - Landing check list, mph	1	28-7310001 to 28-7610206 incl.	
	69669-124	D	PLACARD - Landing check list, knots	1	28-7710001 and up	
	-6	67426-00	F	PLACARD - Take-off check list	1	
		991 38-00	G	PLACARD - Take-off check list	1	
		67879 00	B	PLACARD - Take-off check list	1	28R-7235001 and up
65834 00		C,L	PLACARD - Take-off check list	1		
6672540		E,H,L	PLACARD - Take-off check list	1		
9988640		J,L	PLACARD - Take-off check list	1		
9980840		D	PLACARD - Take-off check list	1	28-7310001 and up	
<p>A - Used on PA-28-180 with serial numbers 28-4378 aNd up, PA-28-235 with serial numbers 28-11040 and up, PA-28-140 with serial numbers 28-25000 and up, PA-28R-180 and PA-28R-200 airplanes.</p> <p>B - Used on PA-28R-200 airplanes only.</p> <p>C - Used on PA-28-180 with serial numbers 28-4378 to 28-5600 inclusive, and PA-28-235 with serial numbers 28-11040 to 28-11300 inclusive.</p> <p>D - Used on PA-28-235 airplanes only.</p> <p>E - Used on PA-28-180 with serial numbers 28-5601 to 28-7105244 inclusive, and PA-28-235 with serial number 28-11301 to 28-7110042 inclusive.</p> <p>F - Used on PA-28R-180 with serial numbers 28R-30005 to 28R-30481 inclusive, 28R-30483 to 28R-31 250 inclusive, and PA-28R-200 with serial numbers 28R-30482, 28R-35001 to 28R-35600 inclusive.</p> <p>G - Used on PA-28R-180 with serial numbers 28R-31 251 to 28R-71 3001 9 inclusive, and PA-28R-200 with serial numbers 28R-35601 to 28R-71 35238 inclusive.</p> <p>H - Used on PA-28-140 with serial numbers 28-25000 to 28-7125471 inclusive.</p> <p>J - Used on PA-28-140 with serial numbers 28-7125472 and up. PA-28-180 with serial numbers 28-7205001 and up, and PA-28-235 with serial numbers 28-7210001 to 28-7210033 inclusive.</p> <p>K - Used on PA-28-140 with serial numbers 28-71 25472 to 28-7625284 inclusive, PA-28-180 with serial numbers 28-7205001 and up, and PA-28-235 with serial number 28-7210001 to 28-7210033 inclusive,</p> <p>L - See Figure 67A if Constant Speed Propeller is installed.</p> <p>M - Used on PA-28-140 airplanes only.</p>						

When ordering, always specify Part Number, Description, and Serial Number of Aircraft

PA-28-140
PA-28-180
PA-28-235
PA-28R-180
PA-28R-200

PIPER PARTS CATALOG

Figure and Index Number	Part Number	Code	NOMENCLATURE	No. Req.	SERIAL NUMBERS AFFECTED	
17-7	67229-00	C,F	COVER ASSEMBLY - Instrument panel, right	1	28-25000 to 28-7125471 inclusive	
	67229-04	E,G	COVER ASSEMBLY - Instrument panel, right	1		
	67229-04	D	COVER ASSEMBLY - Instrument panel, right	1		
	67229-06	J	COVER ASSEMBLY - Instrument panel, right	1		
	99513-00	B,K	COVER ASSEMBLY - Instrument panel, right	1		
	99513-03	H	COVER ASSEMBLY - Instrument panel, right	1		
	76311-00	L,M	COVER ASSEMBLY - Instrument pane, right	1		
-8	99484-00	B,K	PLACARD - Climate control center	1		
	79112-00	H	PLACARD - Climate control center	1		
-8a	67241-00		PLACARD - Heater and defroster	1		
	35669-28		PLACARD - Heater and defroster (lift to actuate)	1		
-8b	69669-25	L,M	PLACARD - Vent fan	1		
<p>A - Used on PA-28-180 with serial numbers 28-4378 and up, PA-28-235 with serial numbers 28-11040 and up, PA-28-140 with serial numbers 28-25000 and up, PA-28R-180 and PA-28R-200 airplanes.</p> <p>B - Order part for PA-28-140 with serial numbers 28-7325058 and up, PA-28-180 with serial numbers 28-7305072 and up, and PA-28R-200 with serial numbers 28R-7335058 and up if Air Conditioning Control System Modification Kit has been installed</p> <p>C - Used on PA-28-180 with serial numbers 28-4378 to 28-5600 inclusive, and PA-28-235 with serial numbers 28-11040 to 28-11300 inclusive.</p> <p>D - Used on PA-28-140 airplanes only.</p> <p>E - Used on PA-28-180 with serial numbers 28-5601 to 28-7105244 inclusive, and PA-28-235 with serial numbers 28-11301 to 28-7110042 inclusive.</p> <p>F - Used on PA-28R-180 with serial numbers 28R-30005 to 28R-30481 inclusive, 28R-30483 to 28R-31 250 inclusive, and PA-28R-200 with serial numbers 28R-30482, 28R-35001 to 28R-35600 inclusive.</p> <p>G - Used on PA-28R-180 with serial numbers 28R-31251 to 28R-7130019 inclusive, and PA-28R-200 with serial numbers 28R-35601 to 28R-7135238 inclusive.</p> <p>H - Used on PA-28-140 with serial numbers 28-7325058 and up, PA-28-180 with serial numbers 28-7305072 and up, and PA-28R-200 with serial numbers 28R-7335058 and up if air conditioning is installed.</p> <p>J - Used on PA-28-140 with serial numbers 28-7125472 and up, PA-28-180 with serial numbers 28-7205001 and up, PA-28-235 with serial numbers 28-7210001 and up, and PA-28R-200 with serial numbers 28R-7235001 and up,</p> <p>K - Used on PA-28-140 with serial numbers 28-25001, 28-7125472 to 28-7325057 inclusive, PA-28-180 with serial numbers 28-5653, 28-7205092 to 28-7305072 inclusive, and PA-28R-200 with serial numbers 28R-7235002 to 28R-7335075 inclusive if air conditioning is installed.</p> <p>L - Used on PA-28-140 with serial numbers 28-7425001 and up, PA-28-180 with serial numbers 28-7405001 and up, PA-28-235 with serial numbers 28-7410001 and up, and PA-28R-200 with serial numbers 28R-7435001 and up.</p> <p>M - Used if fresh air blower is installed.</p>						

When ordering, always specify Part Number, Description, and Serial Number of Aircraft

PIPER PARTS CATALOG

Figure and Index Number	Part Number	Code	NOMENCLATURE	No. Req.	SERIAL NUMBERS AFFECTED
17-9	67227-05	B	COVER ASSEMBLY - Upper instrument panel, black		
	67227-07	G	COVER ASSEMBLY - Upper instrument panel, black	1	28R-30879 to 28R-31279inclusive
	67227-10	G	COVER ASSEMBLY - Upper instrument panel, black	1	28R-7130001 to 28R-7130019 incl.
	67227-08	C	COVER ASSEMBLY - Upper instrument panel, black		
	67227-10	J	COVER ASSEMBLY - Upper instrument panel, black	1	28R-7135001 to 28R-7135238incl.
	67227-16	J	COVER ASSEMBLY - Upper instrument panel, tan	1	28R-7235001 to 28R-7235330 incl.
	65839-03	F	COVER ASSEMBLY - Upper instrument panel, black	1	284378 to 28-5129 inclusive, 28-51 81 to 28-5227 inclusive
	65839-06	F	COVER ASSEMBLY - Upper instrument panel, black	1	28-5130 to 28-5180 inclusive, 28-5228 to 28-5869 inclusive
	67227-12	F	COVER ASSEMBLY - Upper instrument panel, black	1	28-7105001 to 28-7105244 incl.
	67227-17	F	COVER ASSEMBLY - Upper instrument panel, tan	1	28-7205001 to 28-7205328 incl.,
	65839-04	E	COVER ASSEMBLY - Upper instrument panel, black	1	28-11040 to 28-11393 inclusive
	67227-11	E	COVER ASSEMBLY - Upper instrument panel, black	1	28-7110001 to 28-7110042 incl.
	67227-15	E	COVER ASSEMBLY - Upper instrument panel, tan	1	28-7210001 to 28-7210033 incl.
	66736 -00	D	COVER ASSEMBLY - Upper instrument panel, black	1	28-25000 to 28-26956 inclusive
	67227-12	D	COVER ASSEMBLY - Upper instrument panel, black	1	28-71 25001 to 28-7125651 incl.
	67227-17	D	COVER ASSEMBLY - Upper instrument panel, tan	1	28-7225001 to 28-7225612 incl.
	67227-12	H	COVER ASSEMBLY - Upper instrument panel, black	1	28-7125174 to 28-7225612 incl.
	99959-00	DL	COVER ASSEMBLY - Upper instrument panel, left	1	28-7325001 to 28-7425454 incl.
	99959-02	J,L	COVER ASSEMBLY - Upper instrument panel, left	1	28R-7335001 to 28R-7435331 incl.
	99959-03	E,L	COVER ASSEMBLY - Upper instrument panel, left	1	28-7310001 to 28-7410120 incl.
	99959-07	F,L	COVER ASSEMBLY - Upper instrument panel, left	1	28-7305001 to 28-7405290 incl.
	79044-46	K,L	COVER ASSEMBLY - Upper instrument panel, left	1	
	76477-02	J,L,M	COVER ASSEMBLY - Upper instrument panel, left	1	28R-7635001 and up
				A-	Used on PA-28-180 with serial numbers 28-4378 and up, PA-28-235 with serial numbers 28-11040 and up, PA-28-140 with serial numbers 28-25000 and up. PA-28R-180 and PA-28R-200 airplanes.
				B-	Used on PA-28R-180 with serial numbers 28R-30005 to 28R-30481 inclusive, 28R-30483 to 28R-30878 inclusive.
				C-	Used on PA-28R-200 with serial numbers 28R-30482, 28R-35001 to 28R-35830 inclusive.
				D-	Used on PA-28-140 airplanes only.
			E-	Used on PA-28-235 airplanes only.	
			F-	Used on PA-28-180 airplanes only.	
			G-	Used on PA-28R-180 airplanes only	
			H-	Used on PA-28-140 Flite Liner Model.	
			J-	Used on PA-28R-200 airplanes only.	
			K-	Used on PA-28-140 with serial numbers 28-7525001 and up. PA-28-180 with serial numbers 28-7505001 and up. PA-28-235 with serial numbers 28-7510001 and up. and PA-28R-200 with serial numbers 28R-7535001 and up.	
			L-	When ordering, specify color gold, blue, green, gray, red, black or bark. Specify color "Bark 1" for PA-28-140 with serial numbers 28-7725001 to 28-7725174 inclusive, PA-28-235 with serial numbers 28-7710001 to 28-7710010 inclusive, and PA-28R-200 with serial numbers 28R-7635504 and up. Specify color "Bark II" or black for PA-28-140 with serial numbers 28-77251 75 and up. and PA-28-235 with serial numbers 28-771 0011 and up.	
			M-	Used if NSD-360 is installed.	

When ordering, always specify Part Number, Description, and Serial Number of Aircraft

PA-28-140
PA-28-180
PA-28-235
PA-28R-180
PA-28R-200

PIPER PARTS CATALOG

Figure and Index Number	Part Number	Code	NOMENCLATURE	No. Req.	SERIAL NUMBERS AFFECTED
17-9	99959 04	K,L	COVER ASSEMBLY - Upper instrument panel, right	1	
	99959-05	E,L	COVER ASSEMBLY - Upper instrument panel, right	1	28-7310001 and up
-10	63154-02	G	STIFFENER - Upper instrument panel, left	1	
	63154-03	G	STIFFENER - Upper instrument panel, right	1	
	67722-00	H	STIFFENER - Upper instrument panel	1	
-10a	65862-00	F	PLACARD - Maneuvering speed, mph	1	
	65182-02	C	PLACARD - Maneuvering speed, mph	1	28-4378 to 28-7205328 inclusive
	99735-03	C	PLACARD - Maneuvering speed, knots	1	28-4378 to 28-7205328 inclusive
-10b	65779 00	C	PLACARD - Operating limitations, mph	1	28-4378 to 28-5227 inclusive
-10c	66532-00	C	PLACARD - Operating limitations	1	28-4378 to 28-5227 inclusive
-11	67428-00	B	PLACARD - Maneuvers limitations		
-12	99875-00	J	PLACARD - Maneuvering speed, mph	1	28R-7235001 and up
	76223 00	J	PLACARD - Maneuvering speed, knots	1	28R-7235001 and up
	65182-02	D	PLACARD - Maneuvering speed, mph	1	28-25000 to 28-7625284inclusive
	99735-03	D	PLACARD - Maneuvering speed, knots	1	28-25000 to 28-7625284inclusive
	69669-134	D	PLACARD - Maneuvering speed, knots	1	28-7725001 and up
	65182 04	C	PLACARD - Maneuvering speed, mph	1	28-7305001 and up
	99735-02	C	PLACARD - Maneuvering speed, knots	1	28-7305001 and up
	65182-00	E	PLACARD - Maneuvering speed, mph	1	28-10003 to 28-7610206inclusive
	99735-00	E	PLACARD - Maneuvering speed, knots	1	28-10003 to 28-7610206inclusive
	69669-135	E	PLACARD - Maneuvering speed, knots	1	28-7710001 and up
<p>A - Used on PA-28-180 with serial numbers 28-4378 and up, PA-28-235 with serial numbers 28-11040 and up, PA-28-140 with serial numbers 28-25000 and up, PA-28R-180 and PA-28R-200 airplanes.</p> <p>B - Used on PA-28R-180 and PA-28R-200 airplanes only.</p> <p>C - Used on PA-28-180 airplanes only.</p> <p>D - Used on PA-28-140 airplanes only.</p> <p>E - Used on PA-28-235 airplanes only.</p> <p>F - Used on PA-28R-200 with serial numbers 28R-30482, 28R-35001 to 28R-7135238 inclusive, and PA-28R-180.</p> <p>G - Used on PA-28-180 with serial numbers 28-4378 to 28 4677 inclusive, and PA-28R-180 with serial numbers 28R-30005 to 28R-30478 inclusive.</p> <p>H - Used on PA-28-180 with serial numbers 28-4678 to 28-7205328 inclusive. PA-28R-180 with serial numbers 28R-30479 and up, PA-28R-200 with serial numbers 28R-30482, 28R-35001 to 28R-7235330 inclusive, PA-28-235 with serial numbers 28-11040 to 28-7210033 inclusive, and PA-28-140 with serial numbers 28-25000 to 28-7225612 inclusive.</p> <p>J - Used on PA-28R-200 airplanes only.</p> <p>K - Used on PA-28-140 with serial numbers 28-7325001 and up. PA-28-180 with serial numbers 28-7305001 and up. and PA-28R-200 with serial numbers 28R-7335001 and up.</p> <p>L - When ordering, specify/ color gold, blue, green, grey, red, black or bark. Specify color "Bark 1" for PA-28-140 with serial numbers 28-7725001 to 28-7725174 inclusive, PA-28-235 with serial numbers 28-7710001 to 28-7710010 inclusive, and PA-28R-200 with serial numbers 28R-7635504 and up. Specify color "Bark II" or black for PA-28-140 with serial numbers 28-7725 175 and up. and PA-28-235 with serial numbers 28-771 0011 and up.</p>					

When ordering, always specify Part Number, Description, and Serial Number of Aircraft

PA-28-140
PA-28-180
PA-28-235
PA-28R-180
PA-28R-200

PIPER PARTS CATALOG

Figure and Index Number	Part Number	Code	NOMENCLATURE	No. Req.	SERIAL NUMBERS AFFECTED
17-12a	65863-00		PLACARD - Crosswind component, mph	1	
	76222-00		PLACARD - Crosswind component, knots	1	
-12b	63408-00	C,D,M	PLACARD - Oil cooler winterization	1	
-12c	69669-39	N	PLACARD - Annunciator, press to test	1	
-13	450 712	K,W	COMPASS ASSEMBLY - Red light (C-2400-L4P)	1	
	550 805	K	COMPASS ASSEMBLY - Blue/white light (C-2400-L4P-B)	1	
-13a	67462 06	B,L	COMPASS ASSEMBLY - (C-2200-L4-B)	1	
-13b	79650-02		HOLDER - Compass card	1	
-14	62177 05	G	INSTRUMENT - Tachometer assembly (550 731)	1	
	62177-06	H	INSTRUMENT - Tachometer assembly (550 828)	1	28R-30482, 28R-35001 to 28R-7635516 inclusive
	62177-03	H	INSTRUMENT - Tachometer assembly	1	28R-7635517 and up
	62177-10	C	INSTRUMENT - Tachometer assembly	1	28-1761 to 28-3555, 28-3557 to 28-3572, 28-3574 to 28-3626 incl.
	62177-03	J	INSTRUMENT - Tachometer assembly (550 630)	1	
	62177-04	E	INSTRUMENT - Tachometer assembly (550 631)	1	
	550 614	D	INSTRUMENT - Tachometer assembly (62177-02)	1	
	62177-08	F	INSTRUMENT - Tachometer assembly (550 517)	1	28-7125174 and up
<p>A - Used on PA-28-180 with serial numbers 28-4378 and up, PA-28-235 with serial numbers 28-11040 and up, PA-28-140 with serial numbers 28-25000 and up. PA-28R-180 and PA-28R-200 airplanes.</p> <p>B - Used on PA-28-140 with serial numbers 28-25000 to 28-7525350 inclusive, PA-28-180 with serial numbers 28-4378 to 28-7505261 inclusive, PA-28-235 with serial numbers 28-11040 to 28-7510145 inclusive. PA-28R-180 with serial numbers 28R-30001 to 28R-7130019 inclusive. and PA-28R-200 with serial numbers 28R-35001 to 28R-7535393 inclusive if Magnetic Compass Relocation Kit 760 795v has been installed per Service Letter 761.</p> <p>C - Used on PA-28-180 airplanes only.</p> <p>D - Used on PA-28-140 airplanes only.</p> <p>E - Used on PA-28-235 airplanes only.</p> <p>F - Used on PA-28-140 Flite Liner Model.</p> <p>G - Used on PA-28R-180 airplane only.</p> <p>H - Used on PA-28R-200 airplanes only.</p> <p>J - Used on PA-28-180 with serial numbers 28-3556, 28-3573, 28-3627 and up.</p> <p>K - Used on PA-28-180 with serial numbers 28-4378 and up, PA-28-235 with serial numbers 28-11040 to 28-7510145 inclusive, PA-28-140 with serial numbers 28-25000 to 28-7525350 inclusive, PA-28R-180 and PA-28R-200 with serial numbers 28R-30482, 28R-35001 to 28R-7535352 inclusive.</p> <p>L - Used on PA-28-140 with serial numbers 28-7625001 and up. PA-28-235 with serial numbers 28-7610001 and up, and PA-28R-200 with serial numbers 28R-7535353 and up.</p> <p>M - Used on PA-28R-180 and PA-28R-200 airplanes only.</p> <p>N - Used on PA-28-140 with serial numbers 28-7525001 and up, PA-28-180 with serial numbers 28-7505001 and up, PA-28-235 with serial numbers 28-7510001 and up, and PA-28R-200 with serial numbers 28R-7535001 and up-</p> <p>W - These parts must be ordered from Service Spares Department. Piper Aircraft. Lock Haven, Penna.</p>					

When ordering, always specify Part Number, Description, and Serial Number of Aircraft

PA-28-140
PA-28-180
PA-28-235
PA-28R-180
PA-28R-200

PIPER PARTS CATALOG

Figure and Index Number	Part Number	Code	NOMENCLATURE	No. Req.	SERIAL NUMBERS AFFECTED		
17-15	550 729	B	INSTRUMENT - True airspeed indicator (67433-02), mph	1	28R-30005 to 28R-30481 inclusive, 28R-30483 to 28R-7130019 incl.		
	550 470	F	INSTRUMENT - True airspeed indicator (PS500494-2), mph	1			
	550 600	C	INSTRUMENT - True airspeed indicator (62143-02), mph	1			
	550 456	C	INSTRUMENT - True airspeed indicator (PS50049-9-2), mph	1			
	550 617	E	INSTRUMENT - True airspeed indicator (62143-03), mph	1			
	550 459	E	INSTRUMENT - True airspeed indicator (PS50049-12-2), mph	1			
	548 119	E	INSTRUMENT - True airspeed indicator (PS50049-34T-2), knots	1			
	450 799	D	INSTRUMENT - True airspeed indicator (62143-00), mph	1			
	550 506	D	INSTRUMENT - True airspeed indicator (9963242), knots	1			
	548 111	D	INSTRUMENT - True airspeed indicator (PS50049-28T-2), knots	1			
	-16	550 730	B	INSTRUMENT - Airspeed indicator (67434-02), mph		1	28R-30005 to 28R-30481 inclusive, 28R-30483 to 28R-7130019 incl., 28R-30005 to 28R-30481 inclusive, 28R-30483 to 28R-7130019 incl.
		550 509	B	INSTRUMENT - Airspeed indicator (99632-05), knots		1	
		550 469	F	INSTRUMENT - Airspeed indicator (PS50049-5-2), mph		1	
		550 463	F	INSTRUMENT - Airspeed indicator (PS50049-7-2), knots		1	
450 793		C	INSTRUMENT - Airspeed indicator (63205-02), mph	1			
550 507		C	INSTRUMENT - Airspeed indicator (99632-03), knots	1			
550 460		C	INSTRUMENT - Airspeed indicator (PS50049-14-2), knots	1			
550 457		C	INSTRUMENT - Airspeed indicator (PS50049-10-2), mph	1			
550 618		E	INSTRUMENT - Airspeed indicator (6320503), mph	1			
550 458		E	INSTRUMENT - Airspeed indicator (PS50049-11-2), mph	1			
548 118		E	INSTRUMENT - Airspeed indicator (PS50049-34S-2), knots	1			
450 762		D	INSTRUMENT - Airspeed indicator (63205-00), mph	1			
550 505		D	INSTRUMENT - Airspeed indicator (99632-00), knots	1			
548 110		D	INSTRUMENT - Airspeed indicator (PS50049-28T-2), knots	1			
-17	755 441	B	INSTRUMENT - Manifold pressure and fuel flow gauge	1	28-7725001 and up		
	99022-00	F	INSTRUMENT - Manifold pressure and fuel flow gauge	1			
	751 118	C,E,W	INSTRUMENT - Manifold pressure gauge (AN5770-1A)	1			
-18	99010-02		INSTRUMENT - Rate of climb	1			
-19	755 427	G.W	INSTRUMENT - Directional gyro (3 inch)	1			
-20	755 428	G.W	INSTRUMENT - Gyro horizon	1			
	99002-06	G	INSTRUMENT - Gyro horizon (with adjusting knob covered)	1			

A - Used on PA-28-180 with serial numbers 28-4378 and up, PA-28-235 with serial numbers 28-11040 and up, PA-28-140 with serial numbers 28-25000 and up, PA-28R-180 and PA-28R-200 airplanes.
 B - Used on PA-28R-180 airplanes only.
 C - Used on PA-28-180 airplanes only.
 D - Used on PA-28-140 airplanes only.
 E - Used on PA-28-235 airplanes only
 F - Used on PA-28R-200 airplanes only.
 G - See Figure 90 if AutoControl III or Auto Control IIIB is installed.
 W - These parts must be ordered from Service Parts Department, Piper Aircraft, Lock Haven, Penna.

When ordering, always specify Part Number, Description, and Serial Number of Aircraft

PA-28-140
 PA-28-180
 PA-28-235
 PA-28R-180
 PA-28R-200

PIPER PARTS CATALOG

Figure and Index Number	Part Number	Code	NOMENCLATURE	No. Req.	SERIAL NUMBERS AFFECTED
17-21	548 153	H,J	INSTRUMENT - Altimeter, standard (scale in inches of mercury to 20,000 feet)	1	
	550 493	W	INSTRUMENT - Altimeter, sensitive (scale in inches of mercury to 20,000 feet)	1	
	550 491	W	INSTRUMENT - Altimeter, sensitive (scale in millibars to 20,000 feet)	1	
	548 039	W	Instrument - Altimeter, encoding (scale in inches of mercury to 35,000 feet)	1	
	548 040		INSTRUMENT - Altimeter, encoding (scale in millibars to 35,000 feet)	1	
-22	550 483	G	INSTRUMENT - Turn and bank (1234T100-5) electric	1	
	548 190	F,G	INSTRUMENT - Turn coordinator (1394T100) electric	1	
-23	99478-00	W	INSTRUMENT - Clock	1	
	548 679		INSTRUMENT - Clock, electric (CA7287)	1	
-24	472 969		LIGHTER - Cigar	1	
-25	67431-00		PLATE - Instrument panel	6	
-26	67431-04		PLATE - Instrument panel	3	
-27	67431-00	B	PLATE ASSEMBLY - Instrument panel	1	
	67475-00	C	PLATE ASSEMBLY - Instrument panel	1	28-4378 to 28-7205328inclusive
	67475-02	C	PLATE ASSEMBLY - Instrument panel	1	28-7305001 and up
	69242-00	E	PLATE ASSEMBLY - Instrument panel	1	28-11040 to 28-7610206 inclusive
	66645-00	D	PLATE ASSEMBLY - Instrument panel	1	28-25000 to 28-7625284 inclusive
	67431-00	D	PLATE ASSEMBLY - Instrument panel	1	28-7725001 and up
-28	453 687		BUTTON - Plug (SS 48189)	1	
-29	69169-00	G	PLATE ASSEMBLY - Pictorial rate of turn	1	
-30	67466-00		COVER - Pictorial rate of turn	1	
<p>A - Used on PA-28-180 with serial numbers 28-4378 and up, PA-28-235 with serial numbers 28-11040 and up, PA-28-140 with serial numbers 28-25000 and up, PA-28R-180 and PA-28R-200 airplanes.</p> <p>B - Used on PA-28R-180 and PA-28R-200 airplanes only</p> <p>C - Used on PA-28-180 airplanes only</p> <p>D - Used on PA-28-140 airplanes only</p> <p>E - Used on PA-28-235 airplanes only</p> <p>F - Order this instrument as a replacement for Mitchell Turn and Bank 52D69 or P/N 41 711 -02 (Brittain P/N 1681A) which are no longer available. Cable assembly P/N 63759-02 must also be ordered when the Mitchell Turn and Bank 52D69 is being replaced.</p> <p>G - See Figure 86A if AutoFlite II is installed.</p> <p>H - Used on PA-28-140 with serial numbers 28-7725001 and up. PA-28-235 with serial numbers 28-7710001 and up. and PA-28R-200 with serial numbers 28R-7735001 and up.</p> <p>J - Instrument not approved for IFR.</p> <p>W - These parts must be ordered from Service Spares Department, Piper Aircraft, Lock Haven, Penna.</p>					

When ordering, always specify Part Number, Description, and Serial Number of Aircraft

PIPER PARTS CATALOG

Figure and Index Number	Part Number	Code	NOMENCLATURE	No. Req.	SERIAL NUMBERS AFFECTED
17-31	67441-02	H,J	CLUSTER ASSEMBLY - Instrument, left	1	
	67441-03	H	CLUSTER ASSEMBLY - Instrument, right	1	
	65852-02	J	CLUSTER ASSEMBLY - Instrument, right	1	
	95241-02	K	CLUSTER ASSEMBLY - Instrument, left	1	
	95241-11	L	CLUSTER ASSEMBLY - Instrument, left	1	
	95241-03	C	CLUSTER ASSEMBLY - Instrument, right	1	
	95241-13	G	CLUSTER ASSEMBLY - Instrument, right	1	28R-7335001 and up
	95241-04	D	CLUSTER ASSEMBLY - Instrument, right	1	28-4378 to 28-7205328inclusive
	95241-14	D	CLUSTER ASSEMBLY - Instrument, right	1	28-7305001 and up
	95241-05	E	CLUSTER ASSEMBLY - Instrument, right	1	28-11040 to 28-7210033inclusive
	95241-15	E	CLUSTER ASSEMBLY - Instrument, right	1	28-7310001 and up
	95241-07	F	CLUSTER ASSEMBLY - Instrument	1	28-25000 to 28-7125651inclusive
	95241-12	F	CLUSTER ASSEMBLY - Instrument	1	28-7225001 to 28-7225612 incl.
	95241-17	F	CLUSTER ASSEMBLY - Instrument	1	28-7325001 and up
-32	79364-00		* INSTRUMENT - Fuel gauge, left main	1	
	79363-00		* INSTRUMENT - Fuel gauge, right main	1	
-33	79371-00	B	* INSTRUMENT - Fuel pressure	1	
	79370-00	D,E,F	* INSTRUMENT - Fuel pressure	1	
-34	755 411	H,J	* INSTRUMENT - Voltmeter	1	
-35	79367-00		* INSTRUMENT - Oil temperature	1	
-36	38226-00		* INSTRUMENT - Oil pressure	1	
-37	79362-00		* INSTRUMENT - Arnmeter	1	
-38	79376-00		* COVER - Instrument cluster	AR	
-38a	79366-00	E	* INSTRUMENT - Fuel gauge, left tip	1	
	79365-00	E	* INSTRUMENT - Fuel gauge, right tip	1	
<p>A - Used on PA-28-180 with serial numbers 28-4378 and up, PA-28-235 with serial numbers 28-11040 and up. PA-28-140 with serial numbers 28-25000 and up, PA-28R-180 and PA-28R-200 airplanes.</p> <p>B - Used on PA-28R-180 and PA-28R-200 airplanes only.</p> <p>C - Used on PA-28R-180 with serial numbers 28R-30738 to 28R-7130019 inclusive, and PA-28R-200 with serial numbers 28R-30482, 28R-35001 to 28R-7235330 inclusive.</p> <p>D - Used on PA-28-180 airplanes only.</p> <p>E - Used on PA-28-235 airplanes only.</p> <p>F - Used on PA-28-140 airplanes only.</p> <p>G - Used on PA-28- 140 with serial numbers 28-7325001 to 28-7525350 inclusive. PA-28-180 with serial numbers 28-7305001 and up, PA-28R-200 with serial numbers 28R-7335001 to 28R-7535352 inclusive, and PA-28-235 with serial numbers 28-7310001 to 28-7510145 inclusive.</p> <p>H - Used on PA-28R-180 with serial numbers 28R-30005 to 28R-30481 inclusive, 28R-30483 to 28R-30737 inclusive.</p> <p>J - Used on PA-28-180 with serial numbers 28-4378 to 28-4877 inclusive.</p> <p>K - Used on PA-28-180 with serial numbers 28-4378 to 28-7205328 inclusive, PA-28-235 with serial numbers 28-11040 to 28-7210033 inclusive, PA-28R-180 with serial numbers 28R-30738 to 28R-7130019 inclusive and PA-28R-200 with serial numbers 28R-30482, 28R-35001 to 28R-7135238 inclusive.</p> <p>L - Used on PA-28-180 with serial numbers 28-7305001 and up, PA-28-235 with serial numbers 28-7310001 and up. and PA-28R-200 with serial numbers 28R-7235001 and up.</p>					

When ordering, always specify Part Number, Description, and Serial Number of Aircraft

PIPER PARTS CATALOG

Figure and Index Number	Part Number	Code	NOMENCLATURE	No. Req.	SERIAL NUMBERS AFFECTED
17-39	791 24-00	G	SUPPORT ASSEMBLY - Compass. black	1	
-40	751 912		GAUGE - Mixture control indicator (Alcor)	1	
-41	757 310		PROBE ASSEMBLY - Mixture control (Alcor)	1	
-42	756 616		WIRE ASSEMBLY - Mixture control 90" (Alcor)	1	
-43	99479-02		GAUGE ~ Air temperature (NHM-70)	1	
-44	62943-00	B	COVER ASSEMBLY - Radio opening, 6.56 x 3.25, black	1	
	99060-00	D	COVER ASSEMBLY ~ Radio opening, 6.56 x 3.25, black	1	
	99060-04	E	COVER ASSEMBLY - Radio opening, 6.56 x 3.25, tan	1	
	99060-06	C,F	COVER ASSEMBLY - Radio opening, 6.56 x 3.25	1	
<p>A - Used on PA-28-180 with serial numbers 28-4378 and up. PA-28-235 with serial numbers 28-11040 and up, PA-28-140 with serial numbers 28-25000 and up. PA-28R-180 and PA-28R-200 airplanes</p> <p>B - Used on PA-28-140 with serial numbers 28-25000 to 28-26956 inclusive, PA-28-180 with serial numbers 28-4378 to 28-5869 inclusive, PA-28R-180 with serial numbers 28R-30005 to 28R-30481 inclusive, 28R-30483 to 28R-31279 inclusive, PA-28R-200 with serial numbers 28R-30482. 28R-35001 to 28R-35830 inclusive, and PA-28-235 with serial numbers 28-11040 to 28-11393 inclusive</p> <p>C - When ordering, specify color gold. blue. green, gray or bark Specify color "Bark 1" for PA-28-140 with serial numbers 28-7725001 to 28-7725174 inclusive, PA-28-235 with serial numbers 28-7710001 to 28-7710010 inclusive, and PA-28R-200 with serial numbers 28R-7635504 and up, Specify color "Bark II" or black for PA-28-140 with serial numbers 28-7725175 and up. and PA-28-235 with serial numbers 28-7710011 and up.</p> <p>D - Used on PA-28-140 with serial numbers 28-7125001 to 28-7225612 inclusive. PA-28-180 with serial numbers 28-7105001 to 28-7105244 inclusive, PA-28R-180 with serial numbers 28R-7130001 to 28R-7130019 inclusive, PA-28R-200 with serial numbers 28R-7135001 to 28R-71 35238 inclusive, and PA-28-235 with serial numbers 28-7110001 to 28-7110042 inclusive.</p> <p>E - Used on PA-28-140 with serial numbers 28-7225001 to 28-7225612 inclusive, PA-28-180 with serial numbers 28-7205001 to 28-7205328 inclusive, PA-28R-200 with serial numbers 28R-7235001 to 28R-7235330 inclusive, and PA-28-235 with serial numbers 28-7210001 to 28-7210033 inclusive.</p> <p>F - Used on PA-28-140 with serial numbers 28-7325001 and up. PA-28-180 with serial numbers 28-7205001 and up. PA-28R-200 with serial numbers 28R-7335001 and up, and PA-28-235 with serial numbers 28-7310001 and up.</p> <p>G - Used on PA-28- 1 40 with serial numbers 28-7325001 to 28-7525350 inclusive, PA-28-180 with serial numbers 28-7305001 and up, PA-28R-200 with serial numbers 28R-7335001 to 28R-7535352 inclusive. and PA-28-235 with serial numbers 28-7310001 to 28 -7510145 inclusive</p>					

When ordering, always specify Part Number, Description, and Serial Number of Aircraft

PIPER PARTS CATALOG

Figure and Index Number	Part Number	Code	NOMENCLATURE	No. Req.	SERIAL NUMBERS AFFECTED
17-45	62942-00	B	COVER ASSEMBLY - Radio opening, 6.56 x 2.90, black	1	
	99059-00	D	COVER ASSEMBLY - Radio opening, 6.56 x 2.90, black	1	
	99059-04	E	COVER ASSEMBLY - Radio opening, 6.56 x 2.90, tan	1	
	99059-06	C,F	COVER ASSEMBLY - Radio opening, 6.56 x 2.90	1	
-46	62944-00	B	COVER ASSEMBLY - Radio opening, 6.56 x 3.56, black	1	
	99061-00	D	COVER ASSEMBLY - Radio opening, 6.56 x 3.56, black	1	
	99061-04	E	COVER ASSEMBLY - Radio opening, 6.56 x 3.56, tan	1	
	99061-06	C,F	COVER ASSEMBLY - Radio opening, 6.56 x 3.56	1	
-47	63766-00	B	COVER ASSEMBLY - Radio opening, 6.44 x 1.78, black	1	
	99062-00	D	COVER ASSEMBLY - Radio opening, 6.50 x 1.78, black	1	
	99062-04	E	COVER ASSEMBLY - Radio opening, 6.50 x 1.78, tan	1	
	99062-06	C,F	COVER ASSEMBLY - Radio opening, 6.50 x 1.78	1	
-48	62943-00	B	COVER ASSEMBLY - Radio opening, 6.56 x 3.25, black	1	
	99060-00	D	COVER ASSEMBLY - Radio opening, 6.56 x 3.25, black	1	
	99060-04	E	COVER ASSEMBLY - Radio opening, 6.56 x 3.25, tan	1	
	99061-06	C,F	COVER ASSEMBLY - Radio opening, 6.56 x 3.56	1	
			A - Used on PA-28-180 with serial numbers 28-4378 and up. PA-28-235 with serial numbers 28-11040 and up, PA-28-140 with serial numbers 28-25000 and up. PA-28R-180 and PA-28R-200 airplanes.		
			B - Used on PA-28-140 with serial numbers 28-25000 to 28-26956 inclusive, PA-28-180 with serial numbers 28-4378 to 28-5869 inclusive, PA-28R-180 with serial numbers 28R-30005 to 28R-30481 inclusive, 28R-30483 to 28R-31279 inclusive, PA-28R-200 with serial numbers 28R-30482, 28R-35001 to 28R-35830 inclusive, and PA-28-235 with serial numbers 28-11040 to 28-11393 inclusive.		
			C - When ordering, specify color gold, blue, green, gray, black, or bark. Specify color "Bark I" for PA-28-140 with serial numbers 28-7725001 to 28-7725174 inclusive, PA-28-235 with serial numbers 28-7710001 to 28-7710010 inclusive, and PA-28R-200 with serial numbers 28R-7635504 and up. Specify color "Bark II" for PA-28-140 with serial numbers 28-7725175 and up, and PA-28-235 with serial numbers 28-7710011 and up.		
			D - Used on PA-28-140 with serial numbers 28-71 25001 to 28-722561 2 inclusive, PA-28-180 with serial numbers 28-7105001 to 28-7105244 inclusive, PA-28R-180 with serial numbers 28R-7130001 to 28R-7130019 inclusive, PA-28R-200 with serial numbers 28R-7135001 to 28R-7135238 inclusive, and PA-28-235 with serial numbers 28-7110001 to 28-7110042 inclusive.		
			E - Used on PA-28- 140 with serial numbers 28-7225001 to 28-722561 2 inclusive, PA-28-180 with serial numbers 28-7205001 to 28-7205328 inclusive, PA-28R-200 with serial numbers 28R-7235001 to 28R-7235330 inclusive, and PA-28-235 with serial numbers 28-7210001 to 28-7210033 inclusive		
			F - Used on PA-28-140 with serial numbers 28-7325001 and up. PA-28-180 with serial numbers 28-7305001 and up. PA-28R-200 with serial numbers 28R-7335001 and up, and PA-28-235 with serial numbers 28-7310001 and up.		

When ordering, always specify Part Number, Description, and Serial Number of Aircraft

PIPER PARTS CATALOG

Figure and Index Number	Part Number	Code	NOMENCLATURE	No. Req.	SERIAL NUMBERS AFFECTED
17-48	69517-00	B	COVER ASSEMBLY - Radio opening, 6.50 x 3.80, black	1	
	99064-00	D	COVER ASSEMBLY - Radio opening, 6.50 x 3.80, black	1	
	99064-04	E	COVER ASSEMBLY - Radio opening, 6.50 x 3.80, tan	1	
	99064-06	C,F	COVER ASSEMBLY - Radio opening, 6.50 x 3.80	1	
	65920-00	B	COVER ASSEMBLY - Radio opening, 6.50 x 1.25, black	1	
	99066-00	D	COVER ASSEMBLY - Radio opening, 6.50 x 1.25, black	1	
	99066-04	E	COVER ASSEMBLY - Radio opening, 6.50 x 1.25, tan	1	
	99066-00	C,F	COVER ASSEMBLY - Radio opening, 6.50 x 1.25	1	
			<p>A - Used on PA-28-180 with serial numbers 28-4378 and up, PA-28-235 with serial numbers 28-11040 and up. PA-28-140 with serial numbers 28-25000 and up, PA-28R-180 and PA-28R-200 airplanes.</p> <p>B - Used on PA-28-140 with serial numbers 28-25000 to 28-26956 inclusive, PA-28-180 with serial numbers 28-4378 to 28-5869 inclusive, PA-28R-180 with serial numbers 28R-30005 to 28R-30481 inclusive. 28R-30483 to 28R-31279 inclusive, PA-28R-200 with serial numbers 28R-30482, 28R-35001 to 28R-35830 inclusive, and PA-28-235 with serial numbers 28-11040 to 28-11393 inclusive.</p> <p>C - When ordering, specify color gold, blue, green, gray, black or bark- Specify color "Bark 1" for PA-28-140 with serial numbers 28-7225001 to 28-7725174 inclusive, PA-28-235 with serial numbers 28-7710001 to 28-7710010 inclusive, and PA-28R-200 with serial numbers 28R-7635504 and up. Specify color "Bark II" for PA-28-140 with serial numbers 28-7725175 and up. and PA-28-235 with serial numbers 28-7710011 and up.</p> <p>D - Used on PA-28-140 with serial numbers 28-7125001 to 28-7225612 inclusive, PA-28-180 with serial numbers 28-7105001 to 28-7105244 inclusive, PA-28R-180 with serial numbers 28R-7130001 to 28R-7130019 inclusive, PA-28R-200 with serial numbers 28R-7135001 to 28R-7135238 inclusive, and PA-28-235 with serial numbers 28-7110001 to 28-7110042 inclusive.</p> <p>E - Used on PA-28-140 with serial numbers 28-7225001 to 28-7225612 inclusive, PA-28-180 with serial numbers 28-7205001 to 28-7205328 inclusive, PA-28R-200 with serial numbers 28R-7235001 to 28R-7235330 inclusive, and PA-28-235 with serial numbers 28-7210001 to 28-7210033 inclusive.</p> <p>F - Used on PA-28-140 with serial numbers 28-7325001 and up, PA-28-180 with serial numbers 28-7305001 and up. PA-28R-200 with serial numbers 28R-7335001 and up. and PA-28-235 with serial numbers 28-7310001 and up.</p>		

When ordering, always specify Part Number, Description, and Serial Number of Aircraft

PIPER PARTS CATALOG

Figure and Index Number	Part Number	Code	NOMENCLATURE	No. Req.	SERIAL NUMBERS AFFECTED
17-48	69518-00	H	COVER ASSEMBLY - Radio opening, 6.50 x .60, black	1	
	69518-04	F	COVER ASSEMBLY - Radio opening, 6.50 x .60, tan	1	
	69518-06	B,D	COVER ASSEMBLY - Radio opening, 6.50 x .60	1	
-49	550 629	C	GAUGE - Suction (AW1821AF03)	1	
	99480-00	E	GAUGE - Suction (1G10-1)	1	
-50	67466-00	G	COVER - Mixture control gauge	1	
-51	69169-00	G	PLATE - Mixture control gauge	1	
			<p>A- Used on PA-28-180 with serial numbers 28-4378 and up, PA-28-235 with serial numbers 28-11040 and up, PA-28-140 with serial numbers 28-25000 and up, PA-28R-180 and PA-28R-200 airplanes.</p> <p>B- Used on PA-28-140 with serial numbers 28-7325001 and up, PA-28-180 with serial numbers 28-7305001 and up, PA-28R-200 with serial numbers 28R-7335001 and up, and PA-28-235 with serial numbers 28-7310001 and up.</p> <p>C- Used on PA-28-140 with serial numbers 28-25000 to 28-56956 inclusive, PA-28-180 with serial numbers 28-4378 to 28-5869 inclusive, PA-28R-180 with serial numbers 28R-30005 to 28R-30481 inclusive, 28R-30483 to 28R-31279 inclusive, PA-28R-200 with serial numbers 28R-30482, 28R-35001 to 28R-35830 inclusive, and PA-28-235 with serial numbers 28-11040 to 28-11393 inclusive.</p> <p>D- When ordering, specify color gold, blue, green, gray or bark. Specify color "Bark I" for PA-28-140 with serial numbers 28-7725001 to 28-7725174 inclusive, PA-28-235 with serial numbers 28-7710001 to 28-7710010 inclusive, and PA-28R-200 with serial numbers 28R-7635504 and up. Specify color "Bark II" or black for PA-28-140 with serial numbers 28-7725175 and up, and PA-28-235 with serial numbers 28-7710011 and up.</p> <p>E- Used on PA-28-140 with serial numbers 28-7125001 and up, PA-28-180 with serial numbers 28-7105001 and up, PA-28R-180 with serial numbers 28R-7130001 and up, PA-28R-200 with serial numbers 28R-7135001 and up, and PA-28-235 with serial numbers 28-7110001 and up.</p> <p>F- Used on PA-28-140 with serial numbers 28-7225001 to 28-7225612 inclusive. PA-28-180 with serial numbers 28-7205001 to 28-7205328 inclusive, PA-28R-200 with serial numbers 28R-7235001 to 28R-7235330 inclusive, and PA-28-235 with serial numbers 28-7210001 to 28-7210033 inclusive.</p> <p>G- Used on PA-28-235 airplanes only.</p> <p>H- Used on PA-28-140 with serial numbers 28-25000 to 28-7125651 inclusive, PA-28-180 with serial numbers 28-4378 to 28-7105244 inclusive, PA-28-235 with serial numbers 28-11040 to 28-7110042 inclusive, PA-28R-180 with serial numbers 28R-30005 to 28R-7130019 inclusive, and PA-28R-200 with serial numbers 28R-30482. 28R-35001 to 28R-7135238 inclusive.</p>		

When ordering, always specify Part Number, Description, and Serial Number of Aircraft

PA-28-140
PA-28-180
PA-28-235
PA-28R-180
PA-28R-200

PIPER PARTS CATALOG

Figure and Index Number	Part Number	Code	NOMENCLATURE	No. Req.	SERIAL NUMBERS AFFECTED
17-52	486 570	F,H	SHAFT - Tachometer (PS50044 2)	1	
	486 575	J,W	SHAFT - Tachometer (PS50044-3)	1	
	486 594	B	SHAFT - Tachometer (PS50044-6)	1	
-53	85012-14	W	WASHER - Tachometer shaft	1	
-54	66696-00	H	INSTRUMENT - Ammeter	1	
-55	460 682	B,F,W	CONNECTOR - manifold pressure gauge (W/H 48 x 4)	1	
-56	79314-00		SPACER - Air temperature gauge, inner	1	
	79314-02		SPACER - Air temperature gauge, outer	1	
-57	550 548	C	GAUGE - Cylinder head temperature	1	
	550 543	D	GAUGE - Cylinder head temperature	1	
-58	550 549		SENDER - Cylinder head temperature	1	
-59	99670-00	E	SPRING - Circuit breaker panel	1	
-60	99921-00	G	PLACARD - Air conditioning door open	1	
			A- Used on PA-28-180 with serial numbers 28-4378 and up, PA-28-235 with serial numbers 28-11040 and up, PA-28-140 with serial numbers 28-25000 and up, PA-28R-180 and PA-28R-200 airplanes.		
			B- Used on PA-28-235 airplanes only.		
			C- Used on PA-2B-140, PA-28-180, PA-28R-180 and PA-28-235 airplanes only.		
			D- Used on PA-28R-200 airplanes only.		
			E- Used on PA-28-140 with serial numbers 28-7225001 to 28-7525302 inclusive, PA-28-180 with serial numbers 28-7205001 to 28-7505212 inclusive, PA-28-235 with serial numbers 28-7210001 to 28-7510062 inclusive, and PA-28R-200 with serial numbers 28R-7235001 to - 28R-7535217 inclusive.		
			F - Used on PA-28-180 airplanes only.		
			G- Used on PA-28-140 with serial numbers 28-7225132 and up, PA-28-180 with serial numbers 28-7205145 and up, and PA-28R-200 with serial numbers 28R-7235001 and up.		
			H- Used on PA-28-140 airplanes only.		
			J - Used on PA-28R-180 and PA-28R-200 airplanes only.		
			W- These parts must be ordered from Service Spares Department, Piper Aircraft. Lock Haven, Penna.		

When ordering, always specify Part Number, Description, and Serial Number of Aircraft

PIPER PARTS CATALOG

Figure and Index Number	Part Number	Code	NOMENCLATURE	No. Req.	SERIAL NUMBERS AFFECTED
17-61	76205-00	C,K	CHANNEL ASSEMBLY - Shin guard, left	1	28-25000 to 28-26489 inclusive
	99950-00	C,K	CHANNEL ASSEMBLY - Shin guard, right	1	
-62	99952-00	C	SHIELD ASSEMBLY - Glare, black	1	
-63	76406-00	F	PLACARD - Throttle operation	1	
-64	32658-02	B,W	INDICATOR - Engine hour recorder (550 530)	1	
-65	453 709	B,W	BUTTON - Plug (SS48152), black	1	
-66	79527-02	G,J	COVER ASSEMBLY - Instrument panel, lower, right	1	
-67	69545-00	D	PLACARD - Alternate air	1	
	69544-00	E	PLACARD - Carburetor air	1	
-68	79600-00	B,H	HOUSING ASSEMBLY - Compass	1	
-69	99214-00		PLATE - Support	AR	
-70	66695-00	F	RETAINER - Instrument	1	
		A-	Used on PA-28-180 with serial numbers 28-4378 and up, PA-28-235 with serial numbers 28-11040 and up, PA-28-140 with serial numbers 28-25000 and up, PA-28R-180 and PA-28R-200 airplanes,		
		B-	Used on PA-28-140 with serial numbers 28-7625001 and up, PA-28-235 with serial numbers 28-7610001 and up, and PA-28R-200 with serial numbers 28R-7535353 and up,		
		C-	Used on PA-28-140 with serial numbers 28-7325001 and up, PA-28-180 with serial numbers 28-7305001 and up, PA-28-235 with serial numbers 28-7310001 and up, and PA-28R-200 with serial numbers 28R-7335001 and up,		
		D-	Used on PA-28R-200 airplanes only.		
		E-	Used on PA-28-140, PA-28-180 and PA-28-235 airplanes only.		
		F-	Used on PA-28-140 airplanes only.		
		G-	When ordering, specify color red, blue/green, gold, black, green or bark Specify color "Bark I," for PA-28-140 with serial numbers 28-7725001 to 28-7725174 inclusive, PA-28-235 with serial numbers 28-7710001 to 28-7710010 inclusive, and PA-28R-200 with serial numbers 28R-7635504 and up. Specify color Bark II,' for PA-2B-140 with serial numbers 28-7725175 and up, and PA-28-235 with serial numbers 28-7710011 and up.		
		H-	Used on PA-28-140 with serial numbers 28-25000 to 28-7525350 inclusive, PA-28-180 with serial numbers 28-4378 to 28-7505261 inclusive, PA-28-235 with serial numbers 28-11040 to 28-7510145 inclusive, PA-28R-180 with serial numbers 28R-30001 to 28R-7130019 inclusive, and PA-28R-200 with serial numbers 28R-35001 to 28R-7535393 inclusive if Magnetic Compass Relocation Kit 760 795v has been installed per Service Letter 761.		
		J-	Used on PA-28-140 with serial numbers 28-7525303 and up, PA-28-180 with serial numbers 28-7505213 and up, PA-28-235 with serial numbers 28-7510063 and up, and PA-28R-200 with serial numbers 28R-7535218 and up.		
		K-	When ordering, specify color red, blue/green, gold, black, white, green, mushroom or camel.		
		W-	These parts must be ordered from Service Spares Department, Piper Aircraft, Lock Haven, Penna.		

When ordering, always specify Part Number, Description, and Serial Number of Aircraft

PA-28-140
PA-28-180
PA-28-235
PA-28R-180
PA-28R-200

PIPER PARTS CATALOG

Figure and Index Number	Part Number	Code	NOMENCLATURE	No. Req.	SERIAL NUMBERS AFFECTED
17-71 -72 -73	69669-157 35669-14 69669-185	C B	PLACARD - Altitude reporter installed PLACARD - Fuel gauge warning PLACARD - Continuous operation	1 1 1	28R-7635517 and up
<p>A- Used on PA-28-180 with serial numbers 28-4378 and up, PA-28-235 with serial numbers 28-11040 and up, PA-28-140 with serial numbers 28-25000 and up, PA-28R-180 and PA-28R-200 airplanes,</p> <p>B- Used on PA-28R-200 airplanes only.</p> <p>C- Used on PA-28-140 with serial numbers 28-7225001 to 28-7725086 inclusive, PA-28-180 with serial numbers 28-7205001 to 28-7505259 inclusive, PA-28-235 with serial numbers 28-7210001 to 28-7610181 inclusive, and PA-28R-200 with serial numbers 28R-7235001 to 28R-7635459 inclusive.</p>					

When ordering, always specify Part Number, Description, and Serial Number of Aircraft

1G5
INTENTIONALLY LEFT BLANK

PIPER PARTS CATALOG

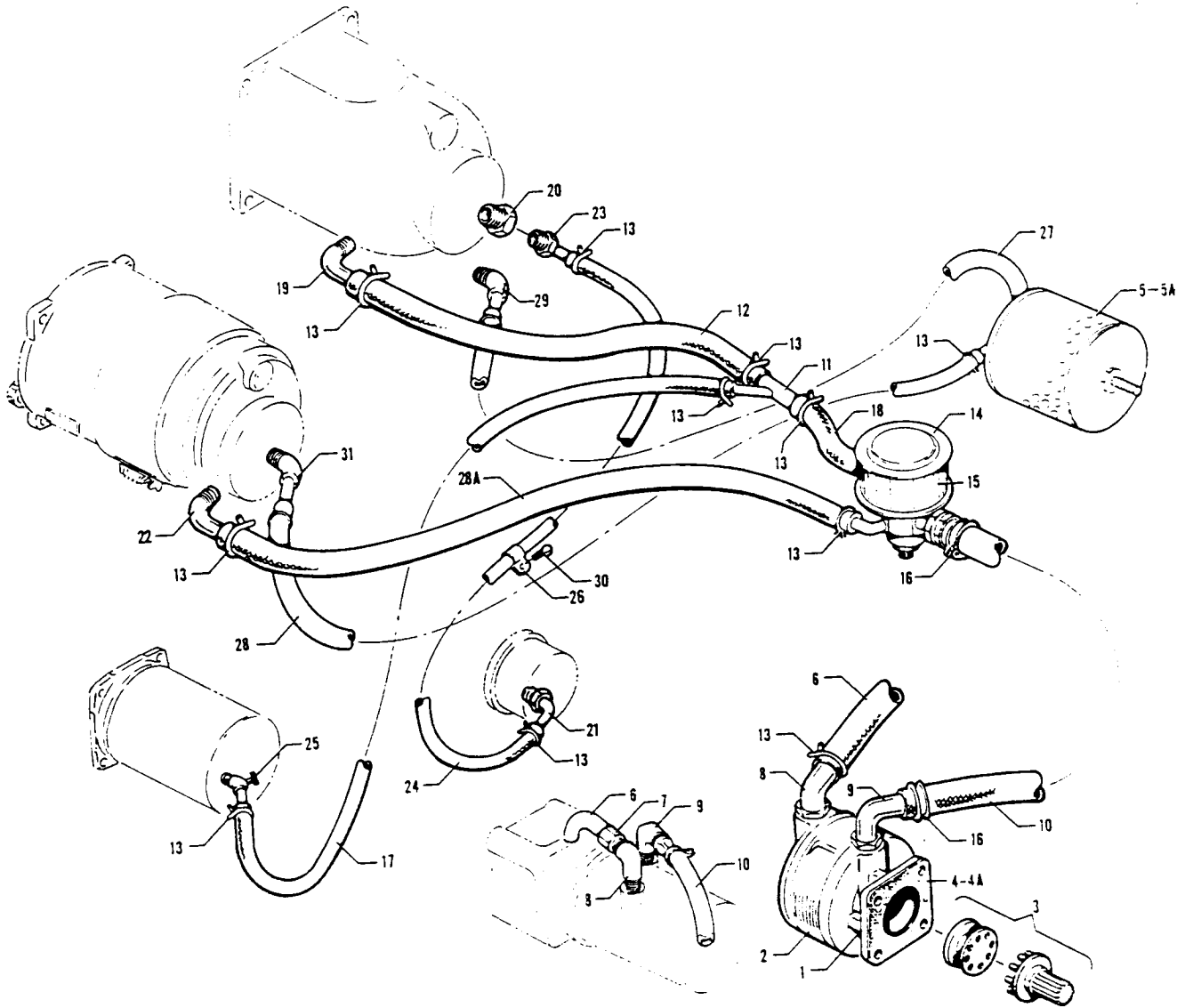


Figure 18. Vacuum System Installation
 (PA-28-140 - Serial Nos. 28-20002 to 28-24999 inclusive)
 (PA-28-150-160-180 - Serial Nos. 28-1 to 28-4377 inclusive)
 (PA-28-235 - Serial Nos. 28-10003 to 28-11039 inclusive)

PA-28-140
 PA-28-150
 PA-28-160
 PA-28-180
 PA-28-235

PIPER PARTS CATALOG

Figure and Index Number	Part Number	Code	NOMENCLATURE	No. Req.	SERIAL NUMBERS AFFECTED
18-	63213 65655 65793 65793	D B E,B E	DRAWING - Vacuum Pump Installation DRAWING - Vacuum Pump Installation DRAWING - Vacuum Pump Installation (3 inch gyros) DRAWING - Vacuum Pump Installation		28-21162 to 28-24999 inclusive 28-23384 to 28-24999 inclusive
-1	450 380 754 575	B,K,W C	KIT - Vacuum pump drive (69439) KIT - Vacuum pump drive (79005)	1 1	
-2	481 681 26749-07 36535-02	F,W W	PUMP - Dry vacuum (113A5) PUMP - Dry vacuum (Airborne 211CC) PUMP - Dry vacuum (Edo-Aire 1U128-002)	1 1 1	
-3	753 910	G,W	COUPLING ASSEMBLY KIT - Vacuum pump drive (350)	1	
-4	751 859	G,W	GASKET - Vacuum pump mounting (B3-1-2)	1	
-4a	462 023	H,W	GASKET - Vacuum pump mounting (AN4045-1)	1	
-5	460 888	W	FILTER ASSEMBLY - Air (66673-00)	1	
-5a	757 899		CARTRIDGE - Air filter (D9-18-1)	1	
-6	22514-00 82371-90	L,W J,W	TUBE ASSEMBLY - Vacuum pump exhaust HOSE - Vacuum pump exhaust	1 1	
-7	477 624 554 889	L,W J	NUT - Coupling (AN818-8D) CLAMP - (GS8)	1 1	
			A- Used on PA-28-140 with serial numbers 28-20002 to 28-24999 inclusive, PA-28-150, PA-28-160 and PA-28-180 with serial numbers 28-1 to 281377 inclusive. and PA-28-235 with serial numbers 28-10003 to 28-11039 inclusive. B- Used on PA-28-140 airplanes only. C- Used on PA-28-235 airplanes only. D- Used on PA-28-150, PA-28-160 and PA-28-180 with serial numbers 28-1 to 28-3265 inclusive, PA-28-140 with serial numbers 28-20002 to 28-21161 inclusive, and PA-28-235 with serial numbers 28-10003 to 28-10720 inclusive, E- Used on PA-28-150, PA-28-160 and PA-28-180 with serial numbers 28-3266 to 28 1377 inclusive, and PA-28-235 with serial numbers 28-10721 to 28-11039 inclusive. F- Vacuum Pump 481 681 (113A5) not available. Pump 2674947 (Airborne 211CC) or 36535-02 (Edo-Aire 1U128-002) will be supplied as a replacement. G- Used with Vacuum Pump P/N 26749-07 (Airborne 211CC) only. H- Used with Vacuum Pump P/N 36535-02 (Edo-Aire 1U128-002) only. J- Used on PA-28-150, PA-28-160 and PA-28-180 with serial numbers 28-1761 to 28-4377 inclusive, PA-28-140 with serial numbers 28-20281 to 28-24999 inclusive, and PA-28-235 with serial numbers 28-10313 to 28-11039 inclusive. K- Used on PA-28-150, PA-28-160 and PA-28-180 only. L - Used on PA-28-150. PA-28-160 and PA-28-180 with serial numbers 28-1 to 28-1760 inclusive, PA-28-140 with serial numbers 28-20002 to 28-20280 inclusive and PA-28-235 with serial numbers 28-10003 to 28-10312 inclusive. W- These parts must be ordered from Service Spares Department, Piper Aircraft, Lock Haven, Penna.		

When ordering, always specify Part Number, Description, and Serial Number of Aircraft

PIPER PARTS CATALOG

Figure and Index Number	Part Number	Code	NOMENCLATURE	No. Req.	SERIAL NUMBERS AFFECTED	
18-8	458 898	D,W	ELBOW - (AN822-8D)	1	28-1 to 28-1110 inclusive	
	558 900	E,W	ELBOW - (1K8-6-8)	1		
-9	458 958	W	ELBOW - (1K1-6-10)	1		
-10	69015-50	B K	HOSE	1		
	63913 -28	L	HOSE	1		
-11	63212-00	F	FITTING - Vacuum hose "Y" (restricted)	1		
	63212-04	CF	FITTING - Vacuum hose "Y" (unrestricted)	1		
-12	63913-44	F	HOSE - Vacuum "Y" to directional gyro	1		
	63913-47	J	HOSE - Vacuum regulator to directional gyro	1		
-13	554 889		CLAMP- (GS-8)	11		
-14	492 065	W	VALVE - Suction regulating (#133A4)	1		
-15	751 815	W	FILTER - Regulating valve (#B-3-5-1)	1		
-16	454 837		CLAMP - (#H-78000)	2		
-17	63913-08	F	HOSE - Vacuum, "Y" to turn and bank	1		
-18	63913-05	F	HOSE - Vacuum, regulator valve to "Y" fitting	1		
-19	458 945	G,W	ELBOW - Directional gyro (#1K1-4-6)	1		
	558 912	H,W	ELBOW - Directional gyro (#IK9-4-6)	1		
-20	453 616	G,W	REDUCER - (AN912-ID)	1		
			A- Used on PA-28-140 with serial numbers 28-20002 to 28-24999 inclusive, PA-28-150, PA-28-160 and PA-28-180 with serial numbers 28-1 to 28-4377 inclusive, and PA-28-235 with serial numbers 28-10003 to 28-11039 inclusive.			
			B- Used on PA-28-140 airplanes only,			
			C- Used on PA-28-150, PA-28-160 and PA-28-180 with serial numbers 28-1111 to 28-4084 inclusive, PA-28-235 with serial numbers 28-10003 to 28-10926 inclusive, and PA-28-140 airplanes,			
			D- Used on PA-28-150, PA-28-160 and PA-28-180 with serial numbers 28-1 to 28-1760 inclusive, PA-28-140 with serial numbers 28-20002 to 28-20280 inclusive, and PA-28-235 with serial numbers 28-10003 to 28-10312 inclusive,			
			E- Used on PA-28-150, PA-28-160 and PA-28-180 with serial numbers 28-1761 to 28-4377 inclusive, PA-28-235 with serial numbers 28-10313 to 28-11039 inclusive, and PA-28-110 with serial numbers 28-20281 to 28-24999 inclusive,			
			F- Used when vacuum turn and bank is installed,			
			G- Used when 3', instruments are not installed,			
			H- Used when 3', instruments are installed			
			J- Used when electric turn and bank is installed,			
			K- Used on PA-28-150, PA-28-160 and PA-28-180 only,			
			L- Used on PA-28-235 airplanes only.			
			W- These parts must be ordered from Service Spares Department, Piper Aircraft, Lock Haven, Penna.			

When ordering, always specify Part Number, Description, and Serial Number of Aircraft

PIPER PARTS CATALOG

Figure and Index Number	Part Number	Code	NOMENCLATURE	No. Req.	SERIAL NUMBERS AFFECTED
18-21	458 893	F ,W	ELBOW - Suction gauge (AN822-3D)	1	
	458 948	C ,W	ELBOW - Suction gauge (1K1-2-4)	1	
	458 948	D,W	ELBOW -Suction gauge (1K1-2-4)	1	28-21162 to 28-24999 inclusive
-22	458 945	E,W	ELBOW - Gyro horizon (1K1-4-6)	1	
	558 912	B,W	ELBOW - Gyro horizon (1K9-4-6)	1	
-23	458 893	F,W	ELBOW - Directional gyro (AN822-3D)	1	
	458 948	C,W	ELBOW - Directional gyro (1K1-24)	1	
	458 948	D,W	ELBOW - Directional gyro (1K1-24)	1	28-21162 to 28-24999 inclusive
-24	63206-00	E,J	LINE ASSEMBLY - Suction gauge	1	
	63206-00	D,E	LINE ASSEMBLY - Suction gauge	1	28-20002 to 28-21161 inclusive
	63096-00	E,G	LINE ASSEMBLY - Suction gauge	1	
	63913-57	E,H	HOSE ASSEMBLY - Suction gauge	1	
	63913-57	D,E	HOSE ASSEMBLY -Suction gauge	1	28-21162 to 28-24999 inclusive
	63913-63	B	HOSE ASSEMBLY - Suction gauge	1	
-25	14205-00	J,W	VALVE ASSEMBLY - Air regulating	1	
	14205-00	D,W	VALVE ASSEMBLY -Air regulating	1	28-20002 to 28-21161 inclusive
	63082-40	G,H	VALVE ASSEMBLY - Air regulating	1	
	63082-00	D	VALVE ASSEMBLY -Air regulating	1	28-21162 to 28-24999 inclusive
-26	554 958	K	CLAMP - Suction gauge hose (NPC-8)	1	
			A- Used on PA-28-140 with serial numbers 28-20002 to 28-24999 inclusive, PA-28-150, PA-28-160 and PA-28-180 with serial numbers 28-1 to 28-4377 inclusive, and PA-28-235 with serial numbers 28-10003 to 28-11039 inclusive,		
			B- Used when 3 instruments are installed,		
			C- Used on PA-28-150, PA-28-160 and PA-28-180 with serial numbers 28-3266 to 28-4377 inclusive, and PA-28-235 with serial numbers 28-10721 to 28-11039 inclusive,		
			D- Used on PA-28-140 airplanes only,		
			E- Used when 3 instruments are not installed		
			F- Used on PA-28-150, PA-28-160 and PA-28-180 with serial numbers 28-1 to 28-3265 inclusive, PA-28-140 with serial numbers 28-20002 to 28-21161 inclusive, and PA-28-235 with serial numbers 28-10003 to 28-10720 inclusive.		
			G- Used on PA-28-150, PA-28-160 and PA-28-180 with serial numbers 28-1761 to 28-3265 inclusive, and PA-28-235 with serial numbers 28-10487 to 28-10720 inclusive.		
			H- Used on PA-28-150, PA-28-160 and PA-28-180 with serial numbers 28-3266 to 284084 inclusive, and PA-28-235 with serial numbers 28-10721 to 28-10926 inclusive.		
			J- Used on PA-28-150, PA-28-160 and PA-28-180 with serial numbers 28-1 to 28-1760 inclusive, and PA-28-235 with serial numbers 28-10003 to 28-10486 inclusive.		
			K- Used on PA-28-150, PA-28-160 and PA-28-180 with serial numbers 28-3266 to 28-4377 inclusive, PA-28-235 with serial numbers 28-10721 to 28-11039 inclusive, and PA-28-140 with serial numbers 28-21162 to 28-24999 inclusive.		
			W- These parts must be ordered from Service Serial Department, Piper Aircraft, Lock Haven, Penna.		

When ordering, always specify Part Number, Description, and Serial Number of Aircraft

PIPER PARTS CATALOG

Figure and Index Number	Part Number	Code	NOMENCLATURE	No. Req.	SERIAL NUMBERS AFFECTED
18-27	63913-07		HOSE - Air filter to directional gyro	1	
-28	63913-50		HOSE - Air filter to gyro horizon	1	
-28a	63913-50		HOSE - Regulator valve to gyro horizon	1	
-29	458 941	DW	ELBOW - Directional gyro (AN844-6D)	1	
	451 939	BW	ADAPTER - Directional gyro (1K10-4-6)	1	
	558 912	BW	ELBOW - Directional gyro (1K9-4-6)	1	
-30	415 448	CW	SCREW - (AN526-832R6)	1	
	406 357	CW	NUT - (#A190-832-1)	1	
-31	458 941	DW	ELBOW - Gyro horizon (AN844-6D)	1	
	451 939	BW	ADAPTER - Gyro horizon (1K10-4-6)	1	
	558 912	BW	ELBOW - Gyro horizon (1K9-4-6)	1	
			A- Used on PA-28-140 with serial numbers 28-20002 to 28-24999 inclusive, PA-28-150, PA-28-160 and PA-28-180 with serial numbers 18-1 to 28-4377 inclusive, and PA-28-235 with serial numbers 28-10003 to 28-11039 inclusive.		
			B- Used when 3" instruments are installed.		
			C- Used on PA-28-2150, PA-28-160 and PA-28-180 with serial numbers 28-3266 to 28-4377 inclusive, PA-28-235 with serial numbers 28-10721 to 28-11039 inclusive, and PA-28-21162 to 28-24999 inclusive.		
			D- Used when 3" instruments are not installed.		
			W- These parts <u>must</u> be ordered from Service Spares Department, Piper Aircraft, <u>Lock Haven, Penna.</u>		

When ordering, always specify Part Number, Description, and Serial Number of Aircraft

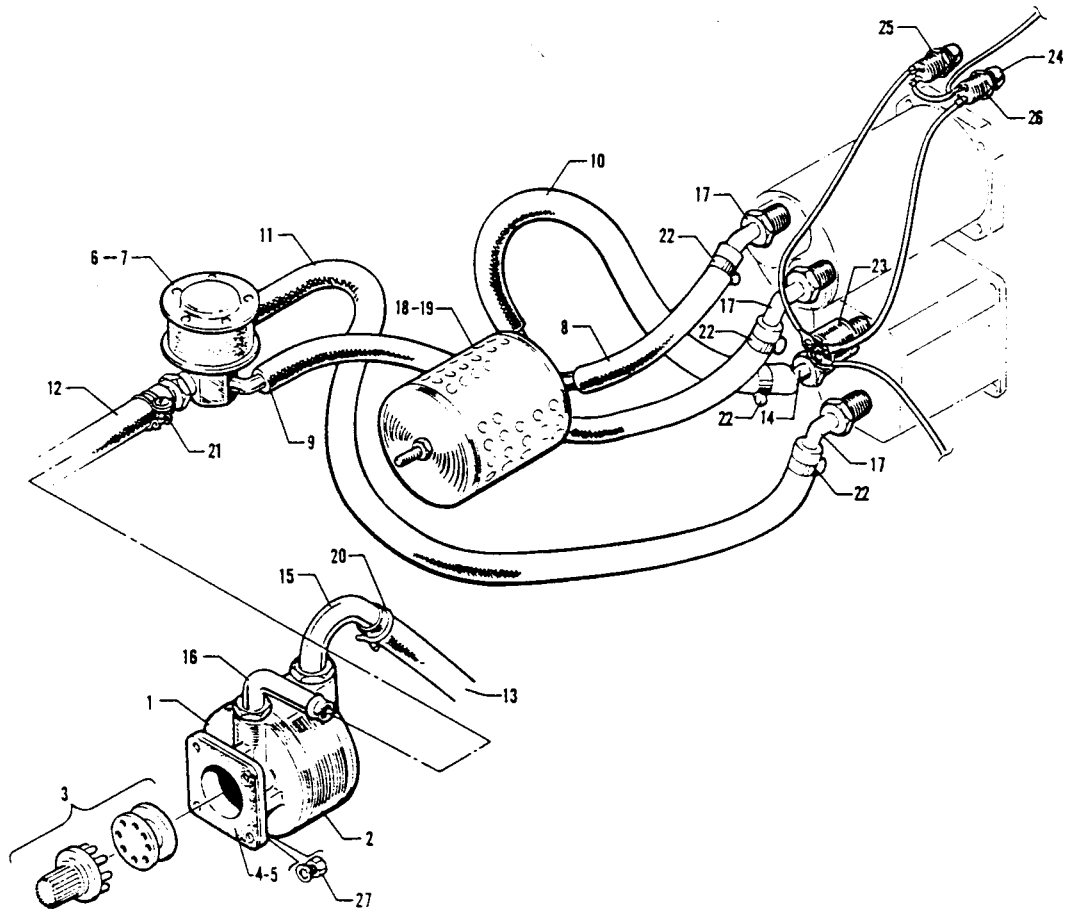


Figure 19. Vacuum System Installation

PA-28-180 - Serial Nos. 28-4378 to 28-5121, 28-5123 to 28-5129, 28-5180 to 28-5227 inclusive)
 (PA-28R-180 - Serial Nos. 28R-30005 to 28R-30481, 28R-30483 to 28R-30878 inclusive)

PIPER PARTS CATALOG

Figure and Index Number	Part Number	Code	NOMENCLATURE	No. Req.	SERIAL NUMBERS AFFECTED
19-	67420		DRAWING - Vacuum System Installation		
-1	450 380	W	KIT - Vacuum pump drive (69439)	1	
-2	26749-07	W	PUMP - Dry vacuum (Airborne 211CC)	1	
	36535-02		PUMP - Dry vacuum (Edo Aire 1U128 002)	1	
-3	753 910	B,W	COUPLING ASSEMBLY KIT - Vacuum pump drive (350)	1	
-4	751 859	B,W	GASKET - Vacuum pump mounting (B3-1-2)	1	
-5	462 023	C,W	GASKET - Vacuum pump mounting (AN4045-1)	1	
-6	492 065	W	VALVE - Suction regulating (133A4)	1	
-7	751 815	W	FILTER - Regulating valve (B3-5-1)	1	
-8	63913-44		HOSE - Gyro horizon to air filter	1	
-9	63913-47		HOSE - Gyro horizon to regulating valve	1	
-10	63913-07		HOSE - Directional gyro to air filter	1	
-11	63913-06		HOSE - Directional gyro to regulating valve	1	
-12	63913-81		HOSE - Regulating valve to vacuum pump	1	
-13	63904-29		HOSE - Vacuum pump exhaust	1	
-14	451 939	W	ADAPTER - (1K1-4-6)	1	
-15	558 900	W	ELBOW - (1K8-6-8)	1	
-16	458 958	W	ELBOW - (1K1-6-10)	1	
-17	558 912	W	ELBOW - (1K9-4-6)	3	
-18	460 888		FILTER ASSEMBLY - Air (66673-0)	1	
-19	757 899		CARTRIDGE - Air filter (D9-18-1)	1	
-20	554 985		CLAMP - (SAE11)	1	
-21	554 820	W	CLAMP - (H15160)	2	
-22	554 888	W	CLAMP - (GS-6)	8	
-23	487 926		SWITCH - Vacuum (22-1280 04)	1	
-24	472 054	W	BULB - Indicator light (330)	2	
-25	67422-02		LIGHT - Indicator (Lo Vac)	1	
-26	67422-03		LIGHT - Indicator (Hi Vac)	1	
-27	404 004	W	NUT - (PS10024420)	4	
	407 565	W	WASHER - (AN960 416)	4	
			A- Used on PA-28-180 with serial numbers 281378 to 28-5121, 28-5123 to 28-5129, 28-5180 to 28-5227 inclusive, and PA-28R-180 with serial numbers 28R-30005 to 28R-20481 inclusive, 28R-30483 to 28R - 0878 inclusive.		
			B- Used with Vacuum Pump P/N 26749 -07 (Airborne 211CC) only.		
			C- Used with Vacuum Pump P/N 36535 -02 (Edo-Aire 1U128-002) only.		
			W- These parts must be ordered from Service Spares Department, Piper Aircraft, Lock Haven, Penna.		

When ordering, always specify Part Number, Description, and Serial Number of Aircraft

PIPER PARTS CATALOG

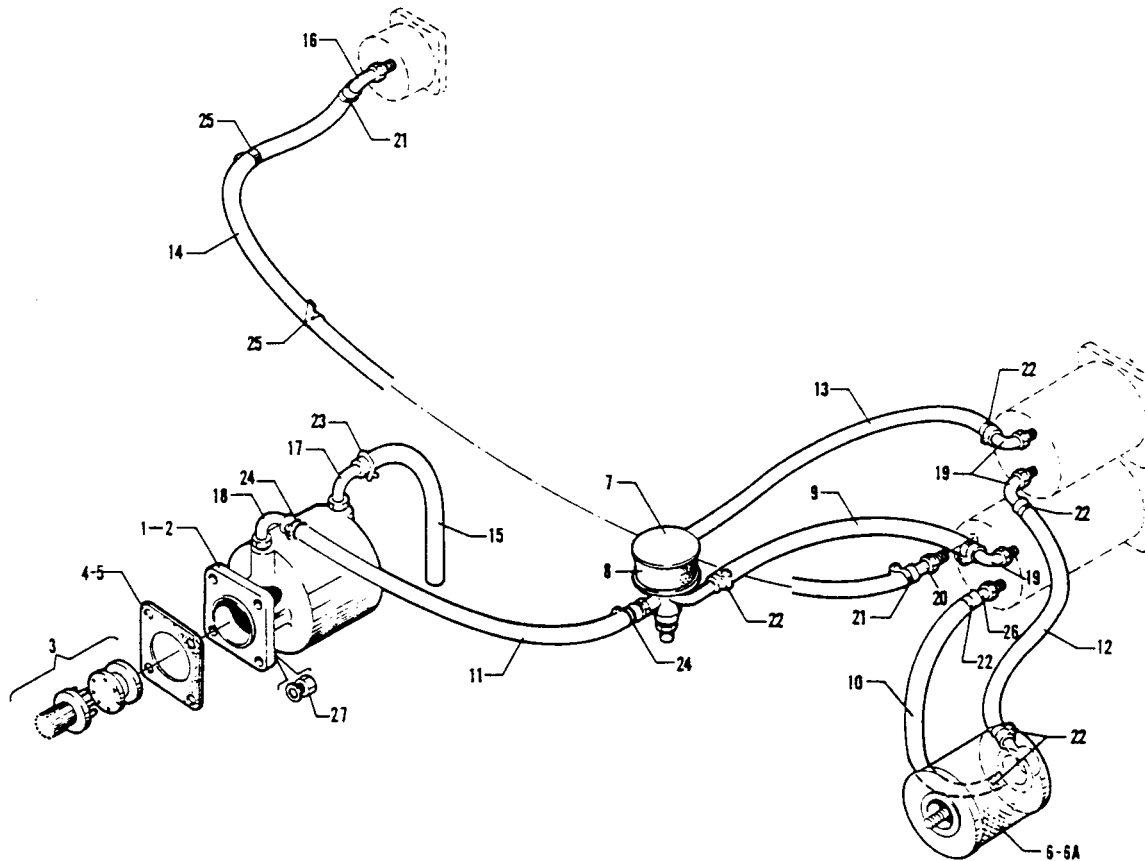


Figure 19A. Vacuum System Installation
 (PA-28-140 - Serial Nos. 28-25000 to 28-26956 inclusive)
 (PA-28-235 - Serial Nos. 28-11040 to 28-11393 inclusive)
 (PA-28-180 - Serial (Nos. 28-5122, 28-5130 to 28-5179, 28-5228 to 28-5869 inclusive)
 (PA-28R-180 - Serial Nos. 28R-30879 to 28R-31279 inclusive)
 (PA-28R-200 - Serial Nos. 28R-30482, 28R-35001 to 28R-35830 inclusive)

PIPER PARTS CATALOG

Figure and Index Number	Part Number	Code	NOMENCLATURE	No. Req.	SERIAL NUMBERS AFFECTED
19A-	69272		DRAWING - Vacuum System Installation		
-1	450 380	S, W	KIT - Vacuum pump drive (69439)	1	
	754 575	C	KIT - Vacuum pump drive (79005)	1	
-2	26749-07	W	PUMP - Dry vacuum (Airborne 211CC)	1	
	36535-02		PUMP - Dry vacuum (Edo-Aire IU128 002)	1	
-3	753 910	D ,W	COUPLING ASSEMBLY KIT - Vacuum pump drive (35)	1	
-4	751 859	D ,W	GASKET - Vacuum pump mounting (B-3-1-2)	1	
-5	462 023	E, W	GASKET - Vacuum pump mounting (AN4045-1)	1	
-6	460 888		FILTER ASSEMBLY - Air (66673-00)	1	
-6a	757 899		CARTRIDGE - Air filter (D9-18-1)	1	
-7	492 065	W	VALVE - Suction regulating (133A4)	1	
-8	751 815	W	FILTER - Regulating valve (B3-5-1)	1	
-9	63913-06		HOSE - Directional gyro to regulating valve	1	
-10	63913-07		HOSE - Direction gyro to air filter	1	
-11	63913-28	C	HOSE - Regulating valve to vacuum pump	1	
	63913-81	B	HOSE - Regulating valve to vacuum pump	1	
-12	63913-44		HOSE - Gyro horizon to air filter	1	
-13	63913-47		HOSE - Gyro horizon to regulating valve	1	
-14	63913-49		HOSE - Direction gyro to suction gauge	1	
-15	63904-29		HOSE - Vacuum pump exhaust	1	
-16	458 948	W	ELBOW - (1K1-2-4)	1	
-17	558 900	W	ELBOW - (1K8-6-8)	1	
-18	458 958	W	ELBOW- (1K1-6-10)	1	
-19	558 912	W	ELBOW - (1K9-4-6)	3	
-20	451 881	W	ADAPTER - (1K10-2-4)	1	
-21	554 861	W	CLAMP - (GS-4)	2	
-22	554 888	W	CLAMP - (GS-6)	8	
-23	554 985		CLAMP - (SAE11)	1	
-24	554 820	W	CLAMP - (H15160)	2	
-25	554 958		CLAMP - (NPC 8)	2	
-26	451 939	W	ADAPTER - (1K10-4-6)	1	
-27	404 004		NUT - (PS10024-420)	4	
	407 565	W	WASHER - (AN960-416)	4	
			A- Used on PA-28-140 with serial numbers 28-25000 to 28-26956 inclusive, PA-28-235 with serial numbers 28-11040 to 28-11393 inclusive, PA-28-180 with serial numbers 28-5122, 28-5130 to 28-5179 inclusive, 28-5228 to 28-5869 inclusive, PA-28R-180 with serial numbers 28R-30879 to 28R-31279 inclusive, and PA-28R-200 with serial numbers 28R-30482, 28R-35001 to 28R-35830 inclusive.		
			B- Used on PA-28-140, PA-28-180, PA-28R-180 and PA-28R-200 airplanes only		
			C- Used on PA-28-235 airplanes only.		
			D- Used with Vacuum Pump P/N26749-07 (Airborne 211CC) only.		
			E- Used with Vacuum Pump P/N 36535-02 (Edo-Aire IU128-002) only.		
			W- These parts must be ordered from Service Spares Department, Piper Aircraft, Lock Haven, Penna.		

When ordering, always specify Part Number, Description, and Serial Number of Aircraft

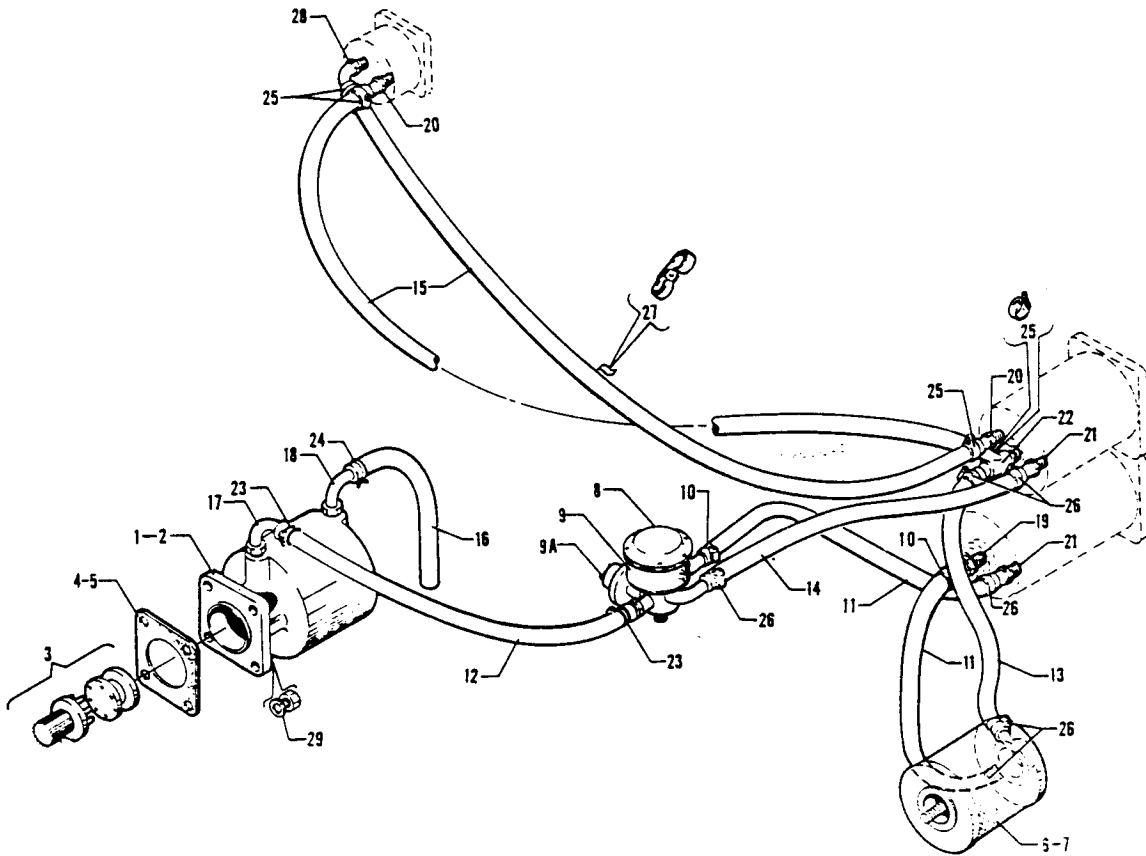


Figure 19B. Vacuum System Installation
 (PA-28-140 - Serial Nos. 28-7125001 and up)
 (PA-28-235 - Serial Nos. 28-7110001 and up)
 (PA-28-180 - Serial Nos. 28-7105001 and up)
 (PA-28R-180 - Serial Nos. 28R-7130001 and up)
 (PA-28R-200 - Serial Nos. 28R-7135001 and up)

PA-28-140
 PA-28-180
 PA-28-235
 PA-28R-180
 PA-28R-200

PIPER PARTS CATALOG

Figure and Index Number	Part Number	Code	NOMENCLATURE	No. Req.	SERIAL NUMBERS AFFECTED
19B-	69272		DRAWING - Vacuum System Installation		
-1	450 380	B,W	KIT - Vacuum pump drive (69439)	1	
	754 575	C	KIT - Vacuum pump drive (79005)	1	
-2	26749-07	W	PUMP - Dry vacuum (Airborne 211CC)	1	
	36535-02		PUMP - Dry vacuum (Edo-Aire IU128-02)	1	
-3	753 910	F,W	COUPLING ASSEMBLY KIT - Vacuum pump drive (350)	1	
-4	751 859	F,W	GASKET - Vacuum pump mounting (E33-1-2)	1	
-5	462 023	G,W	GASKET - Vacuum pump mounting (AN4045-1)	1	
-6	460 888		FILTER ASSEMBLY - Air (66673-00)	1	
-7	757 899		CARTRIDGE - Air filter (D9-18-1)	1	
-8	492 065	D,W	VALVE - Suction regulating (133A4)	1	
	492 240	E	VALVE - Suction regulating (A/M2H3-19)	1	
-9	751 815	W	FILTER - Regulating (83-5-1)	1	
-9a	757 790	E	SWITCH - (F7-16-1)	1	
-10	554 598		CLAMP - (NA-397-12)	2	
-11	63913-07		HOSE - Directional gyro to air filter	2	
-12	63913-81	B	HOSE - Regulating valve to vacuum pump	1	
	63913-28	C	HOSE - Regulating valve to vacuum pump	1	
-13	63913-44		HOSE - Gyro horizon to air filter	1	
-14	63913-47		HOSE - Gyro horizon to regulating valve (11.50" long)	1	
-15	63913-49		HOSE - Gyro horizon to suction gauge	2	
-16	63904-29		HOSE - Vacuum pump exhaust	1	
-17	458 958	W	ELBOW - (1K1-6-10)	1	
-18	558 900	W	ELBOW - (1K8-6-8)	1	
-19	558 912	W	ELBOW - (1K9-4-6)	1	
-20	451 881	W	ADAPTER - (1K10-2-4)	2	
-21	451 939	W	ADAPTER-(1K10-4-6)	2	
-22	460 836		FITTING - (1K31-4-6-4)	1	
			A- Used on PA-28-140 with serial numbers 28-7125001 and up, PA-28-235 with serial numbers 28-7110001 and up, PA-28-180 with serial numbers 28-7105001 and up, PA-28R-180 with serial numbers 28R-7130001 and up, and PA-28R-200 with serial numbers 28R-7135001 and up.		
			B- Used on PA-28-140, PA-28-180, PA-28R-180 and PA-28R-200 airplanes only.		
			C- Used on PA-28-235 airplanes only.		
			D- Used on PA-28-140 with serial numbers 28-7125001 to 28-7425454 inclusive, PA-28-235 with serial numbers 28-7110001 to 28-7410120 inclusive, PA-28-180 with serial numbers 28-7105001 to 28-7405290 inclusive, PA-28R-180 with serial numbers 28R-7130001 to 28R-7130019 inclusive, and PA-28R-200 with serial numbers 28R-7135001 to 28R-7435331 inclusive.		
			E- Used on PA-28-140 with serial numbers 28-7525001 and up, PA-29-180 with serial numbers 28-7505001 and up, PA-28-235 with serial numbers 28-7510001 and up, and PA-28R-200 with serial numbers 28R-7535001 and up.		
			F- Used with Vacuum Pump P/N 26749-07 (Airborne 21 ICC; only,		
			G- Used with Vacuum Pump P/N 36535-02 (Edo-Aire U128-002) only.		
			W- These parts must be ordered from Service Spares Department, Piper Aircraft, Lock Haven, Penna.		

When ordering, always specify Part Number, Description, and Serial Number of Aircraft

PA-28-140
PA-28-180
PA-28-235
PA-28R-180
PA-28R-200

PIPER PARTS CATALOG

Figure and Index Number	Part Number	Code	NOMENCLATURE	No. Req.	SERIAL NUMBERS AFFECTED
19B-23	554 659		CLAMP - (SAE TYF-8)	2	
-24	554 985		CLAMP - (SAE11)	1	
-25	554 861	W	CLAMP - (SAE TYF-4)	4	
-26	554 888	W	CLAMP - (SAE TYF-6)	6	
-27	554 958		CLAMP - (NPC-8)	2	
-28	458 948		ELBOW - (1K1-2-4)	1	
-29	404 004		NUT - (PS10024120)	4	
	407 565	W	WASHER - (AN960-416)	4	
			A- Used on PA-28-140 with serial numbers 28-7125001 and up, PA-28-235 with serial numbers 28-7110001 and up, PA-28-180 with serial numbers 28-7105001 and up, PA-28R-180 with serial numbers 28R-7130001 and up, and PA-28R-200 with serial numbers 28R-7135001 and up.		
			W- These parts must be ordered from Service Spares Department, Piper Aircraft, Lock Haven, Penna.,		

When ordering, always specify Part Number, Description, and Serial Number of Aircraft



Figure 20. Pitot Static System Installation
 (PA-28-140 - Serial Nos. 28-20002 to 28-24999 inclusive)
 (PA-28-150-160-180 - Serial Nos. 28-1 to 28-4377 inclusive)
 (PA-28-235 - Serial Nos. 28-10003 to 28-11039 inclusive)

PA-28-140
 PA-28-150
 PA-28-160
 PA-28-180
 PA-28-235

PIPER PARTS CATALOG

Figure and Index Number	Part Number	Code	NOMENCLATURE	No. Req.	SERIAL NUMBERS AFFECTED
20-	63906	D	DRAWING - Airspeed Pitot Tube Installation		
	62245	E	DRAWING - Pitot Static System Installation		
	68114	F	DRAWING - Pitot Static System Installation		
	65658	G	DRAWING - Pitot Static System Installation /Instruments)		
	69046	E,F	DRAWING - Heated Pitot Static System Installation		
	63905	H	DRAWING - Tubes Installation, Instrument Static Vent		28-1 to 28-1760 inclusive
	63905	B	DRAWING - Tubes Installation, Instrument Static Vent		28-20002 to 28-20280 inclusive
	65189	C	DRAWING - Tubes Installation, Instrument Static Vent		28-10003 to 28-10486 inclusive
-1	63907-00	D	PITOT TUBE ASSEMBLY	1	
-2	65797-05	E,F	HEAD ASSEMBLY - Pitot (unheated)	1	
	69041-05	E,F	HEAD ASSEMBLY- Pitot (heated)	1	
-3	556 105	E,F	CONNECTOR - (W/H1068 x 4) Heated pitot head	2	
-4	63913-34	E,F	HOSE- Pitot	1	
-5	63913-37	E,F	HOSE - Static	1	
-6	554 861	E,F,W	CLAMP - (GS4)	2	
-7	488 310	B,W	TEE - (AN826-3D)	1	
-8	63208-00		SPACER - Circuit protector	1	
-9	63211-00		TUBE ASSEMBLY - Static	1	
-10	63904-02	H	HOSE - Plastic	1	28-1 to 28-1500 inclusive
	65165-00	H	TUBE - Aluminum	1	28-1501 to 28-1760 inclusive
	65165-11	c,	TUBE - Aluminum	1	28-20002 to 28-20280 inclusive
	63904-11	C	HOSE - Plastic	1	28-10003 to 28-10208 inclusive
	65165-15	C	TUBE - Aluminum	1	28-10209 to 28-10486 inclusive
			A- Used on PA-28-140 with serial numbers 28-20002 to 28-24999 inclusive, PA-28-150, PA-28-160 and PA-28-180 with serial numbers 28-1 to 284377 inclusive, and PA-28-235 with serial numbers 28-10003 to 28-11039 inclusive,		
			B- Used on PA-28-140 airplanes only,		
			C- Used on PA-28-235 airplanes only,		
			D- Used on PA-28-140 with serial numbers 28-20002 to 28-20280 inclusive, PA-28-150, PA-28-160 and PA-28-180 with serial numbers 28-1 to 28-1760 inclusive, and PA-28-235 with serial numbers 28-10003 to 28-10486 inclusive.		
			E- Used on PA-28-140 with serial numbers 28-20281 to 28-24999 inclusive, PA-28-150, PA-28-160 and PA-28-180 with serial numbers 28-1761 to 28-2477 inclusive, and PA-28-235 with serial numbers 28-10487 to 28-10675 inclusive.		
			F- Used on PA-28-150, PA-28-160 and PA-28-180 with serial numbers 28-2478 to 284377 inclusive, and PA-28-235 with serial numbers 28-10676 to 28-11039 inclusive .		
			G- Used on PA-28-150, PA-28-160 and PA-28-180 with serial numbers 28-2515 to 284377 inclusive, and PA-28-235 with serial numbers 28-10676 to 28-11039 inclusive.		
			H- Used on PA-28-150, PA-28-160 and PA-28-180 only,		
			W- These parts must be ordered from Service Spares Department, Piper Aircraft, Lock Haven, Penna.		

When ordering, always specify Part Number, Description, and Serial Number of Aircraft

PA-28-140
PA-28-150
PA-28-160
PA-28-180
PA-28-235

PIPER PARTS CATALOG

Figure and Index Number	Part Number	Code	NOMENCLATURE	No. Req.	SERIAL NUMBERS AFFECTED
20-11	434 128	DW	GROMMET - (AN931-4-7)	9	
-12	14493-00	DW	TUBE ASSEMBLY	1	
-13	63900-25		BUSHING	1	
-14	455 928	DW	CLAMP - (A4980-S3-91)	1	
-15	416 999	W	SCREW - (AN526-1032R-16)	1	
	407 584	W	WASHER - (AN960-10L)	1	
	404 887	W	NUT - (MS20365-1032)	1	
-16	63904-03	B	HOSE - Plastic	2	
	65165-12	C	TUBE - Aluminum	2	
-17	20886-00	DW	PLATE ASSEMBLY	2	
-18	21457-00	DW	PAD	2	
-19	63904-04	B	HOSE - Plastic	1	
	65165-13	C	TUBE - Aluminum	1	
-20	454 929	W	CLAMP - (#A4980-S4-91)	2	
-21	62243-00	E	TUBE ASSEMBLY - Static	1	
	68115-00	F	TUBE ASSEMBLY - Static	1	
-22	62244-00	E	TUBE ASSEMBLY - Pitot	1	
	68116-00	F	TUBE ASSEMBLY - Pitot	1	
-23	454 833	W	CLAMP - (SAE #6)	12	
-24	63207-00		TUBE ASSEMBLY - Airspeed static	1	
-25	83161-02	DW	HOSE - Airspeed	7	
-26	485 889	W	ELBOW - (AN823-3D)	1	
			A- Used on PA-28-140 with serial numbers 28-20002 to 28-24999 inclusive, PA-28-150, PA-28-160 and PA-28-180 with serial numbers 28-1 to 28-4377 inclusive, and PA-28-235 with serial numbers 28-10003 to 28-11039 inclusive.		
			B- Used on PA-28-150, PA-28-160 and PA-28-180 with serial numbers 28-1 to 28-1500 inclusive, and PA-28-235 with serial numbers 28-10003 to 28-10208 inclusive.		
			C- Used on PA-28-150, PA-28-160 and PA-28-180 with serial numbers 28-1501 to 28-1760 inclusive, PA-28-235 with serial numbers 28-10209 inclusive, and PA-28-140 with serial numbers 28-20002 to 28-20280 inclusive.		
			D- Used on PA-28-140 with serial numbers 28-20002 to 28-20280 inclusive, PA-28-150, PA-28-160 and PA-28-180 with serial numbers 28-1 to 28-1760 inclusive, and PA-28-235 with serial numbers 28-10003 to 28-10486 inclusive.		
			E- Used on PA-28-140 with serial numbers 28-20281 to 28-24999 inclusive, PA-28-150, PA-28-160 and PA-28-180 with serial numbers 28-1761 to, 28-2477 inclusive, and PA-28-235 with serial numbers 28-10487 to 28-10675 inclusive.		
			F- Used on PA-28-150, PA-28-160 and PA-28-180 with serial numbers 28-2478 to 28-4377 inclusive, and PA-28-235 with serial numbers 28-10676 to 28-11039 inclusive.		
			W- These parts must be ordered from Service Spares Department, Piper Aircraft, Lock Haven, Penna.		

When ordering, always specify Part Number, Description, and Serial Number of Aircraft

PA-28-140
PA-28-150
PA-28-160
PA-28-180
PA-28-235

PIPER PARTS CATALOG

Figure and Index Number	Part Number	Code	NOMENCLATURE	No. Req.	SERIAL NUMBERS AFFECTED
20-27	63209-00	D,E	TUBE ASSEMBLY - Static	1	28-20002 to 28-20897 inclusive
	63209-00	G	TUBE ASSEMBLY - Static	1	
	63211-00	F	TUBE ASSEMBLY - Static	2	
-28	488 380	W	TEE - (AN825-3D)	2	
-29	63210-00	D	TUBE ASSEMBLY - Static	1	28-20002 to 28-20897 inclusive
	63210-00	E	TUBE ASSEMBLY - Static	1	
	62317 00	G	TUBE ASSEMBLY - Static	1	
	63211-00	F	TUBE ASSEMBLY - Static	2	
-30	63913-32	C	TUBE - Pitot	1	
-31	63913-35	C	HOSE - Static	1	
-32	554 861	W	CLAMP - (GS4)	8	
-33	69042-00		GASKET - Pitot head	1	
-34	487 771		SWITCH - Heated pitot (AN3021-2)	1	
-35	488 666	W	TIP - Heated pitot switch (blue) (207-10-701-53)	1	
-36	477 650		NUT- Heated pitot switch (9011)	1	
-37	454 658	W	CIRCUIT PROTECTOR - Pitot switch (109-215-102)	1	
-38	476 647	B,W	NIPPLE - (AN816-30)	1	
-39	476 643	B,W	NIPPLE - (AN911-1D)	2	
-40	488 474	B,W	TEE - (AN917-1D)	1	
-41			A- Used on PA-28-140 with serial numbers 28-20002 to 28-24999 inclusive, PA-28-150, PA-28-160 and PA-28-180 with serial numbers 28-1 to 284377 inclusive, and PA-28-235 with serial numbers 28-10003 to 28-11039 inclusive, B- Used on PA-28-150, PA-28-160 and PA-28-180 with serial numbers 28-3728 to 284377 inclusive, and PA-28-235 with serial numbers 28-10786 to 28-11039 inclusive, C- Used on PA-28-150, PA-28-160 and PA-28-180 with serial numbers 28-1761 to 28-4377 inclusive, PA-28-235 with serial numbers 28-10487 to 28-11039 inclusive, and PA-28-140 with serial numbers 28-20281 to 28-24999 inclusive, D- Used on PA-28-150, PA-28-160 and PA-28-180 with serial numbers 28-1 to 28-1760 inclusive, and PA-28-235 with serial numbers 28-10003 to 28-10486 inclusive . E- Used on PA-28-140 airplanes only. F- Used on PA-28-150, PA-28-160 and PA-28-180 with serial numbers 28-2515 to 28-4377 inclusive, PA-28-235 with serial numbers 28-10676 to 28-11039 inclusive, and PA-28-140 with serial numbers 28-20898 to 28-24999 inclusive, G- Used on PA-28-150, PA-28-160 and PA-28-180 with serial numbers 28-1761 to 28-2514 inclusive, and PA-28-235 with serial numbers 28-10487 to 28-10675 inclusive. W- These parts must be ordered from Service Spares Department, Piper Aircraft, Lock Haven, Penna.		

When ordering, always specify Part Number, Description, and Serial Number of Aircraft

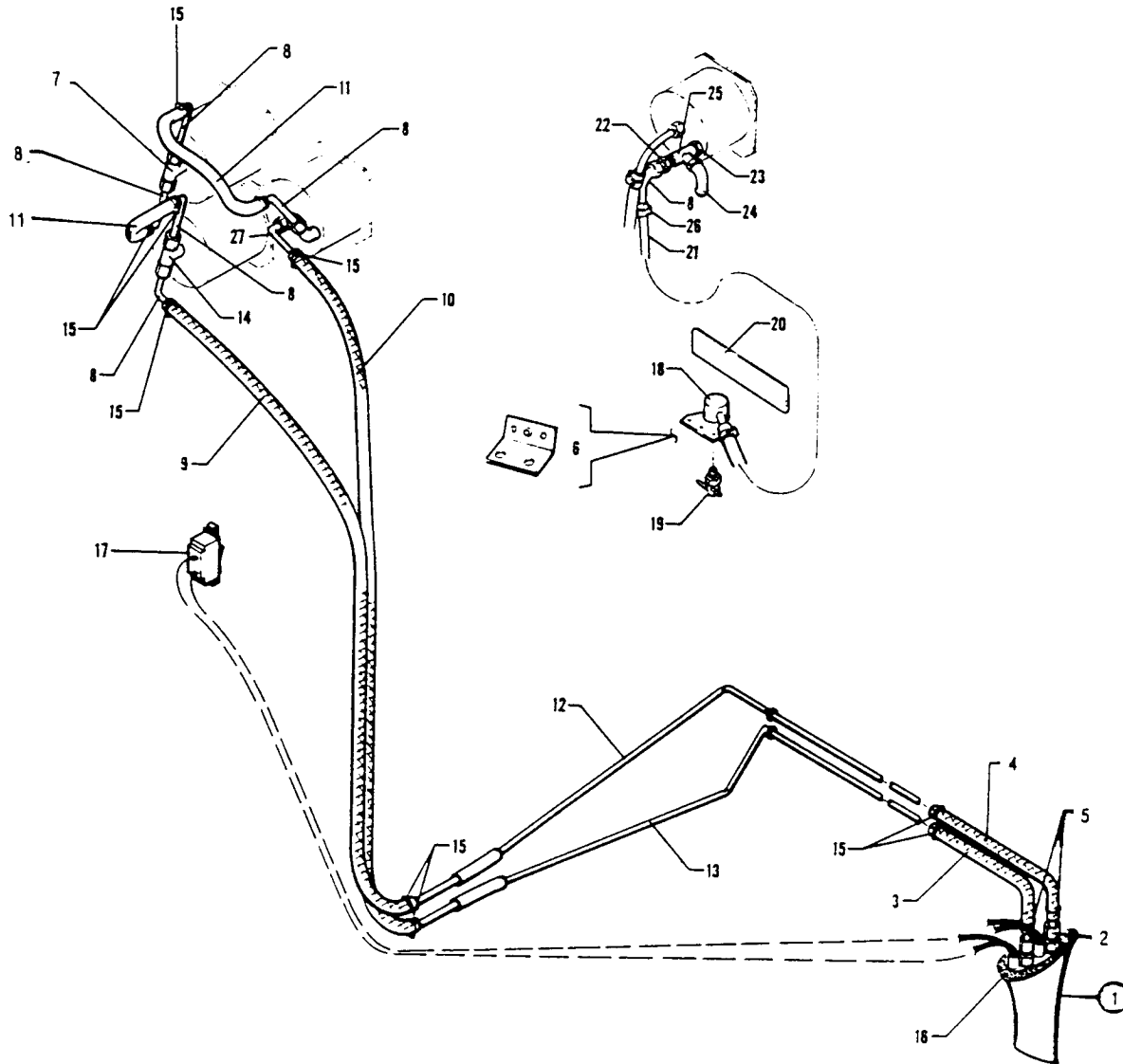


Figure 21. Pitot Static System Installation
 (PA-28-180 - Serial Nos. 28-4378 and up)
 (PA-28R-180 - Serial Nos. 28R-30005 to .28R-30481 inclusive, 28R-30483 and up)
 (PA-28-235 - Serial Nos. 28-11040 and up)
 (PA-28-140 - Serial Nos. 28-25000 and up)
 (PA-28R-200 - Serial Nos. 28R-30482, 28R-35001 and up)

PIPER PARTS CATALOG

Figure and Index Number	Part Number	Code	NOMENCLATURE	No. Req.	SERIAL NUMBERS AFFECTED
21-	67430 68114 69046 67479		DRAWING - Pitot Static System installation (Instruments) DRAWING - Pitot Static System Installation (Wing) DRAWING - Heated Pitot Static System Installation DRAWING - Alternate Static System Installation		
-1	65797-05 69041-05		HEAD ASSEMBLY - Pitot (unheated) HEAD ASSEMBLY - Pitot (heated)	1 1	
-2	556 105		CONNECTOR - (W/H1068 x 4) Heated pitot head	2	
-3	63913-34		HOSE - Pitot	1	
-4	63913-37		HOSE - Static	1	
-5	554 861	W	CLAMP - (GS4)	2	
-6	78113-00	B	CLIP - Alternate static valve	1	
-7	488 380	W	TEE - (AN825-3D)	1	
-8	63211-00		TUBE ASSEMBLY - Static	5	
-9	63913-59	B	HOSE - Static	1	
	63913-105	C	HOSE - Static	1	
-10	63913-35	B	HOSE - Pitot	1	
	63913-104	C	HOSE - Pitot	1	
-11	63913-56		HOSE - Static	2	
-12	68115 00		TUBE ASSEMBLY - Static	1	
-13	68116-00		TUBE ASSEMBLY - Pitot	1	
-14	488 380	W	TEE - Flared tube with pipe thread on side (AN825-3D)	1	
	488 310	W	TEE - Flared tube with pipe thread on run (AN826-3D)	1	
-15	554 861	W	CAMP - (GS-4)	10	
-16	69042-02		GASKET - Pitot heed	1	
-17	487 931		SWITCH - Heated pitot, beige (8911K597)	1	
	99377-44		SWITCH - Heated pitot, gray (8911K589)	1	
-18	25290-00	W	BRACKET ASSEMBLY - Air valve mounting	1	
-19	492 100	W	VALVE - Alternate static air (CCA-7450)	1	
-20	67768-00		PLACARD - Alternate static sources	1	
-21	63913-70		HOSE - Alternate static	1	
			A- Used on PA-28-180 with serial numbers 28-4378 and up, PA-28-235 with serial numbers 28-11040 and up, PA-28-140 with serial numbers 28-25000 and up, PA-28R-180 and PA-28R-200 airplanes		
			B- Used on PA-28-180 with serial numbers 284378 to 28-7205328 inclusive, PA-28R-200 with serial numbers 28R-30482, 28R-35001 to 28R-7135238 inclusive, PA-28-235 with serial numbers 28-11040 to 28-7210033 inclusive, PA-28-140 and PA-28R-180 airplanes.		
			C- Used on PA-28-180 with serial numbers 28-7305001 and up, PA-28-235 with serial numbers 28-7310001 and up, and PA-28R-200 with serial numbers 28R-7235001 and up.		
			W- These parts must be ordered from Service Spares Department, Piper Aircraft, Lock Haven, Penna.		

When ordering, always specify Part Number, Description, and Serial Number of Aircraft

PIPER PARTS CATALOG

Figure and Index Number	Part Number	Code	NOMENCLATURE	No. Req.	SERIAL NUMBERS AFFECTED
21-22	476 647		NIPPLE - Alternate static (AN816-3D)	1	
-23	476 643	W	NIPPLE - Alternate static (AN911-10)	1	
-24	458 948	W	ELBOW - Alternate static (1K1-2-4)	1	
-25	488 474	W	TEE - Alternate static (AN917-1D)	1	
-26	554 861	W	CLAMP - Alternate static (GS-4)	2	
-27	63207-00		TUBE - Airspeed pitot	1	
			A- Used on PA-28-180 with serial numbers 28-4378 and up, PA-28-235 with serial numbers 2B-11040 and up, PA-28-140 with serial numbers 28-25000 and up, PA-28R-180 and PA-28R-200 airplanes,		
			B- Used on PA-28-140 with serial numbers 28-7325001 and up, PA-28-180 with serial numbers 28-7305001 and up, PA-28-235 with serial numbers 28-7310001 and up, and PA-28R-200 with serial numbers 28R-7335001 and up,		
			W- These parts must be ordered from Service Spares Department, Piper Aircraft, Lock Haven, Penna.		

When ordering, always specify Part Number, Description, and Serial Number of Aircraft

PIPER PARTS CATALOG

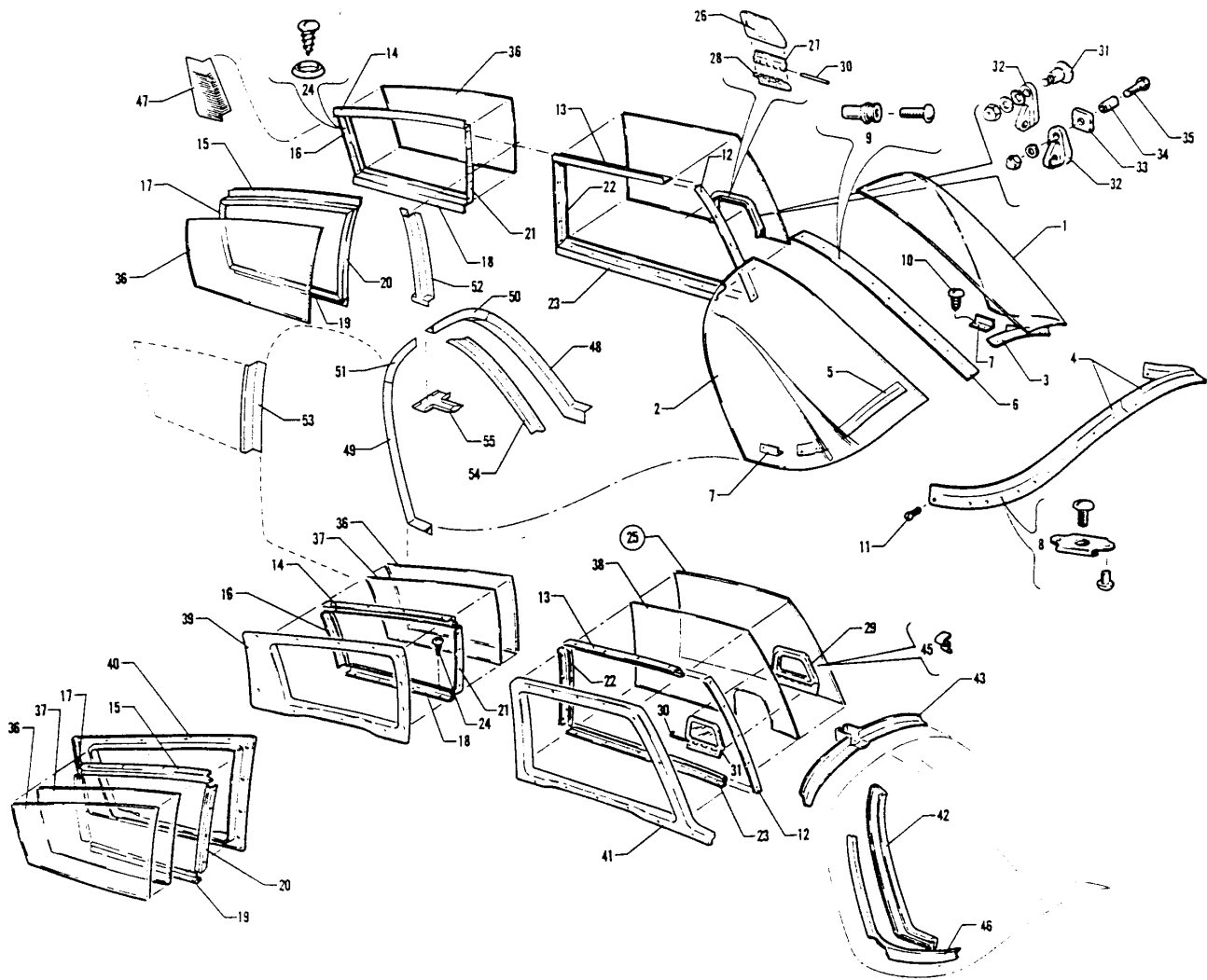


Figure 22. Fuselage Enclosure Installation
 (PA-28-140- Serial Nos. 28-20002 to 28-7225612 inclusive)
 (PA-28-150-160-180- Serial Nos. 28-1 to 28-4377 inclusive)
 (PA-28-235- Serial Nos. 28-10003 to 28-11039 inclusive)

PIPER PARTS CATALOG

Figure and Index Number	Part Number	Code	NOMENCLATURE	No. Req.	SERIAL NUMBERS AFFECTED
22-	63070	C	DRAWING - Windshield Installation		
	65648	B	DRAWING - Windshield Installation		28-10720 to 28-11039 inclusive
	63071	C	DRAWING - Window Installation		
	65642	B	DRAWING - Window Installation		28-10720 to 28-11039 inclusive
- 1	63070- 16		WINDSHIELD - Left	1	
	63070-30	EF	WINDSHIELD - Left	1	28-7125001 and up
-2	63070-15		WINDSHIELD - Right	1	
	63070-29	EF	WINDSHIELD - Right	1	28-7125001 and up
-3	63070-04		COLLAR - Inside, left	1	
-4	63070-11		COLLAR - Outside, left	1	
	63070-05		COLLAR - Outside, right	1	
-5	63070-06		COLLAR - Inside, right	1	
-6	63070-07		TRIM STRIP - Windshield, center	1	
-7	63076-00	D	ZEE - Windshield attachment, right	1	
	63077-00	D	ZEE - Windshield attachment, left	1	
	67553-00	E	RETAINER - Windshield attachment, right	1	28-25000 and up
	67552-00	E	RETAINER - Windshield attachment, left	1	28-25000 and up
-8	415 149	W	SCREW - (AN526-632R8)	24	
	406 823	W	ANCHOR NUT- (NAS686A06K)	24	
-9	415 450	W	SCREW - (AN526-832R10)	9	
	406 863	W	RIVNUT - (A8K-75)	9	
-10	419 746	CW	SCREW - Type "E" #4 1/2 x 1/2 L	4	
-11	415 150	W	SCREW - (AN526-632R10)	2	
-12	63071-02	C	RETAINER - Left, front, front window	1	
	65642-18	B	RETAINER - Left, front, front window	1	28-10720 to 28-11039 inclusive
-13	63071-03	C	RETAINER - Left, top, front window	1	
	65642-19	B	RETAINER - Left, top, front window	1	28-10720 to 28-11039 inclusive
-14	63071-04	C	RETAINER - Left, top, rear window	1	
	65642-14	B	RETAINER - Left, top, rear window	1	28-10720 to 28-11039 inclusive
-15	63071-05	C	RETAINER - Right, top rear window	1	
	65642-15	B	RETAINER - Right, top rear window	1	28-10720 to 28-11039 inclusive
			A- Used on PA-28-140 with serial numbers 28-20002 to 28-7225612 inclusive, PA-28-150, PA-28-160 and PA-28-180 with serial numbers 28-1 to 28-4377 inclusive, and PA-28-235 with serial numbers 28-10003 to 28-11039 inclusive.		
			B- Used on PA-28-235 airplanes only.		
			C- Used on PA-28-235 with serial numbers 28-10003 to 28-10719 inclusive, and all PA-28-140, PA-28-150, PA-28-160 and PA-28-180 airplanes.		
			D- Used on PA-28-140 with serial numbers 28-20002 to 28-24999 inclusive, PA-28-150, PA-28-160 and PA-28-180 with serial numbers 28-1 to 28-4377 inclusive, and PA-28-235 with serial numbers 28 -10003 to 28-10719 inclusive.		
			E- Used on PA-28-140 airplanes only		
			F- Used if gray tinted windshield is installed.		
			W- These parts <u>must</u> be ordered from Service Spares Department, Piper Aircraft, <u>Lock Haven, Penna.</u>		

When ordering, always specify Part Number, Description, and Serial Number of Aircraft

PA-28-140
PA-28-150
PA-28-160
PA-28-180
PA-28-235

PIPER PARTS CATALOG

Figure and Index Number	Part Number	Code	NOMENCLATURE	No. Req.	SERIAL NUMBERS AFFECTED
22-16	63071-06	C	RETAINER - Left, rear, rear window	1	28-10720 to 28-11039 inclusive
	65642-10	B	RETAINER - Left, rear, rear window	1	
-17	63071-07	C	RETAINER - Right, rear, rear window	1	28-10720 to 28-11039 inclusive
	65642-11	B	RETAINER - Right, rear, rear window	1	
-18	63071-08	C	RETAINER - Left, bottom, rear window	1	28-10720 to 28-11039 inclusive
	65642-09	B	RETAINER - Left, bottom rear window	1	
-19	63071-09	C	RETAINER - Right, bottom, rear window	1	28-10720 to 28-11039 inclusive
	65642-09	B	RETAINER - Right, bottom, rear window	1	
-20	63071-10	C	RETAINER - Right, front, rear window	1	28-10720 to 28-11039 inclusive
	65642-13	B	RETAINER - Right, front, rear window	1	
-21	63071-11	C	RETAINER - Left, front, rear window	1	28-10720 to 28-11039 inclusive
	65642-12	B	RETAINER - Left, front, rear window	1	
-22	63071 -12	C	RETAINER - Left, rear, front window	1	28-10720 to 28-11039 inclusive
	65642-17	B	RETAINER - Left, rear, front window	1	
-23	63071-13	D	RETAINER - Left, bottom, front window	1	28-10720 to 28-11039 inclusive
	63071-19	E	RETAINER - Left, bottom, front window	1	
-24	65642-16	B	RETAINER - Left, bottom, front window	1	28-10720 to 28-11039 inclusive
	419 683	C,W	SCREW - Type "A" PK.CSK. #4 X1/2	45	
	419 875	B	SCREW - Type "A" Recessed head #4 x 3/8	50	
-25	494 001	C,W	WASHER - #4 Finishing	45	28-7125001 and up
	63072-00	B	WINDOW ASSEMBLY - Front, left	1	
	65826-00	G	WINDOW ASSEMBLY - Front, left	1	
	65826-03	D,F	WINDOW ASSEMBLY - Front, left	1	
			A- Used on PA-28-140 with serial numbers 28-20002 to 28-7225612 inclusive, PA-28-150, PA-28-160 and PA-28-180 with serial numbers 28-1 to 28-4377 inclusive, and PA-28-235 with numbers 28-10003 to 28-11039 inclusive.		
			B- Used on PA-28-235 airplanes only		
			C- Used on PA-28-235 with serial numbers 28-10003 to 28-10719 inclusive, and all PA-28-140, PA-28-150, PA-28-160 and PA-28-180 airplanes.		
			D- Used on PA-28-140 airplanes only.		
			E- Used on PA-28-140 with serial numbers 28-21750 and up, PA-28-150, PA-28-160 and PA-28-180 with serial numbers 28-3362 and up.		
			F- Used if gray tinted windows are installed.		
			G- Used on PA-28-140, PA-28-150, PA-28-160 and PA-28-180 airplanes only.		
			W- These parts must be ordered from Service Spares Department, Piper Aircraft, Lock Haven Penna.		

When ordering, always specify Part Number, Description, and Serial Number of Aircraft

PA-28-140
PA-28-150
PA-28-160
PA-28-180
PA-28-235

PIPER PARTS CATALOG

Figure and Index Number	Part Number	Code	NOMENCLATURE	No. Req.	SERIAL NUMBERS AFFECTED	
22-26	21027-00	G W	WINDOW ASSEMBLY - Storm	1	28-7125001 and up	
	65896-00	D	WINDOW ASSEMBLY - Storm	1		
	65896-02	E,F	WINDOW ASSEMBLY - Storm	1		
-27	65895-00	D	HINGE - Half	1		
-28	65782-00	D	HINGE - Half	1		
-29	13945 40	G,W	STRIP - Rubber, storm window frame seal	1		
-30	63744-09	D	PIN - Storm window hinge	1		
-31	79572-00	B	SCREW - Storm window attachment	1		
	408 826	B,W	WASHER - Shakeproof (3502-10-71)	1		
	407 041	B	WASHER - (MS35338-41)	1		
	477 696	B	NUT - Dome (8061-NP)	1		
-32	65742-00	D,W	LATCH - Storm window	1		
-33	65741-00	C,D	SPACER - Storm window latch	1		
-34	65003-10	C,D	BUSHING - Storm window latch	1		
-35	415 151	C,D,W	SCREW - (AN526-632R12)	1		
	408 826	C,D,W	WASHER - Shakeproof (3502-10-71)	1		
	477 696	C,D	NUT - Dome (8061-NP)	1		
			A- Used on PA-28-140 with numbers 28-20002 to 28-7225612 inclusive, PA-28-150, PA-28-160 and PA-28-180 with numbers 28-1 to 28-4377 inclusive. and PA-28-235 with numbers 28-10003 to 28-11039 inclusive.			
			B- Used if latch assembly attachment screw is bonded to window assembly.			
			C- Used if latch assembly attachment screw requires a .191 hole drilled in window assembly.			
			D- Used on PA-28-140, PA-28-150, PA-28-160 and PA-28-180 airplanes only.			
			E- Used on PA-28-140 airplanes only.			
			F- Used if gray tinted windows are installed			
			G- Used on PA-28-235 airplanes only.			
			W- These parts must be ordered from Service Spares Department, Piper Aircraft, Lock Haven, Penna.			

When ordering, always specify Part Number, Description, and Serial Number of Aircraft

PA-28-140
PA-28-150
PA-28-160
PA-28-180
PA-28-235

PIPER PARTS CATALOG

Figure and Index Number	Part Number	Code	NOMENCLATURE	No. Req.	SERIAL NUMBERS AFFECTED
22-36	63073-00	J	WINDOW- Rear	2	
	63073-02	E,F	WINDOW- Rear	2	28-7125001 and up
	65642-02	H	WINDOW - Rear, outer, left	1	28-10720 to 28-11039 inclusive
	65642-03	H	WINDOW - Rear, outer, right	1	28-10720 to 28-11039 inclusive
-37	65642-04	H	WINDOW - Rear, inner	2	28-10720 to 28-11039 inclusive
-38	65642-05	H	WINDOW - Front, inner, left	1	28-10720 to 28-11039 inclusive
-39	65659-00	H	TRIM - Window, left rear	1	28-10720 to 28-11039 inclusive
-40	65660-00	H	TRIM - Window, right rear	1	28-10720 to 28-11039 inclusive
-41	65661-00	H	TRIM - Window, left front	1	28-10720 to 28-11039 inclusive
-42	65673-00	H	TRIM - Windshield, right	1	28-1 0720 to 28-11039 inclusive
-43	65675-00	H	TRIM - Windshield, upper	1	28-10720 to 28-11039 inclusive
-44	65643-00	H	RETAINER - Inner window, left front	1	28-10720 to 28-11039 inclusive
-45	65644-00	H	CLIP - Inner window retainer	4	28-10720 to 28-11039 inclusive
-46	65563-04	H	RETAINER - Windshield mounting, left	1	28-10720 to 28-11039 inclusive
	65563-05	H	RETAINER - Windshield mounting, right	1	28-10720 to 28-11039 inclusive
-47	63117-00	G	PLATE - Scuff, left	1	
	63117-01	C	PLATE - Scuff, right	1	
-48	63149-02	B	TRIM STRIP - Windshield channel, brown	1	
	63149-06	C	TRIM STRIP - Windshield channel, gray	1	
	63149-10	D	TRIM STRIP - Windshield channel, sand	1	
	63149-14	E	TRIM STRIP - Windshield channel, white	1	28-7125195 to 28-7225612 incl.
-49	63149-03	B	TRIM STRIP - Windshield channel, right, brown	1	
	63149-07	C	TRIM STRIP - Windshield channel, right, gray	1	
	63149-11	D	TRIM STRIP - Windshield channel, right, sand	1	
	63149-15	E	TRIM STRIP - Windshield channel, right, white	1	28-7125195 to 28-7225612 incl.
			A- Used on PA-28-140 with serial numbers 28-20002 to 28-7225612 inclusive, PA-28-150, PA-28-160 and PA-28-180 with serial numbers 28-1 to 28-4377 inclusive, and PA-28-235 with serial numbers 28-10003 to 28-11039 inclusive.		
			B- Used on PA-28-140 with serial numbers 28-20002 to 28-21045 inclusive, PA-28-150, PA-28-160 and PA-28-180 with serial numbers 28-1 to 28-1760 inclusive-		
			C- Used on PA-28-140 with serial numbers 28-20002 to 28-21045 inclusive, PA-28-150, PA-28-160 and PA-28-180 with serial numbers 28-671 to 28-1760 inclusive.		
			D- Used on PA-28-140 with serial numbers 28-21046 to 28-7125194 inclusive, PA-28-150, PA-28-160 and PA-28-180 with serial numbers 28-1761 to 28-4377 inclusive, and PA-28-235 with serial numbers 28-10003 to 28-11039 inclusive.		
			E- Used on PA-28-140 airplanes only.		
			F- Used if gray tinted windows are installed.		
			G- Used on PA-28-140 with serial numbers 28-20002 to 28-7225612 inclusive, PA-28-150, PA-28-150 and PA-28-180 with serial numbers 28-1 to 28-4377 inclusive, and PA-28-235 with serial numbers 28-10003 to 28-10719 inclusive.		
			H- Used on PA-28-235 airplanes only.		
			J- Used on PA-28-235 with serial numbers 28-10003 to 28-10719 inclusive, and all PA-28-140, PA-28-150, PA-28-160 and PA-28-180 airplanes.		

When ordering, always specify Part Number, Description, and Serial Number of Aircraft

PA-28-140
PA-28-150
PA-28-160
PA-28-180
PA-28-235

PIPER PARTS CATALOG

Figure and Index Number	Part Number	Code	NOMENCLATURE	No. Req.	SERIAL NUMBERS AFFECTED
22-50	63149-04	B	TRIM STRIP - Windshield channel, left, brown	1	
	63149-08	B	TRIM STRIP - Windshield channel, left, gray	1	
	63149-12	F	TRIM STRIP - Windshield channel, left, sand	1	
	63149-18	E	TRIM STRIP - Windshield channel, left, sand	1	28-26401 to 28-7125194 incl.
	63149-16	E	TRIM STRIP - Windshield channel, left, white	1	28-7125195 to 28-7225612 incl.
-51	63149-05	B	TRIM STRIP - Windshield channel, right, brown	1	
	63149-09	B	TRIM STRIP - Windshield channel, right, gray	1	
	63149-13	F	TRIM STRIP - Windshield channel, right, sand	1	
	63149-19	E	TRIM STRIP - Windshield channel, right, sand	1	28-26401 to 28-7125194 incl.
	63149-17	E	TRIM STRIP - Windshield channel, right, white	1	28-7125195 to 28-7225612 incl.
-52	63125-00	B	TRIM STRIP - Window post, left, brown	1	
	63125-02	C	TRIM STRIP - Window post, left, gray	1	
	63125-03	D	TRIM STRIP - Window post, left, sand	1	
	63125-04	E	TRIM STRIP - Window post, left, white	1	28-7125195 to 28-7225612 incl.
-53	63126-00	B	TRIM STRIP - Window post, right, brown	1	
	63126-02	C	TRIM STRIP - Window post, right, gray	1	
	63126-03	D	TRIM STRIP - Window post, right, sand	1	
	63126-04	E	TRIM STRIP - Window post, right, white	1	28-7125195 to 28-7225612 incl.
-54	63156-00	B	TRIM STRIP - Window, left, brown	1	
	63156-02	C	TRIM STRIP - Window, left, gray	1	
	63156-03	D	TRIM STRIP - Window, left, sand	1	
	63156-04	E	TRIM STRIP - Window, left, white	1	28-7125195 to 28-7225612 incl.
-55	67556-00	E	TRIM - Windshield, sand	1	28-25000 to 28-7125194 incl.
	67556-02	E	TRIM - Windshield, white	1	28-7125195 to 28-7225612 incl.
			A- Used on PA-28-140 with serial numbers 28-20002 to 28-7225612 inclusive, PA-28-150, PA-28-160 and PA-28-180 with serial numbers 28-1 to 28-4377 inclusive, and PA-28-235 with serial numbers 28-10003 to 28-11039 inclusive.		
			B- Used on PA-28-140 with serial numbers 28-20002 to 28-21045 inclusive, PA-28-150, PA-28-160 and PA-28-180 with serial numbers 28-1 to 28-1760 inclusive.		
			C- Used on PA-28-140 with serial numbers 28-20002 to 28-21045 inclusive, PA-28-150, PA-28-160 and PA-28-180 with serial numbers 28-671 to 28-1760 inclusive .		
			D- Used on PA-28-140 with serial numbers 28-21046 to 28-7125194 inclusive, PA-28-150, PA-28-160 and PA-28-180 with serial numbers 28-1761 to 28-4377 inclusive, and PA-28-235 with serial numbers 28-10003 to 28-11039 inclusive.		
			E- Used on PA-28-140 airplanes only.		
			F- Used on PA-28-140 with serial numbers 28-21046 to 28-26400 inclusive, PA-28-150, PA-28-160 and PA-28-180 with serial numbers 28-1761 to 28-4377 inclusive, and PA-28-235 with serial numbers 28-10003 to 28-11039 inclusive.		

When ordering, always specify Part Number, Description, and Serial Number of Aircraft

PA-28-140
PA-28-150
PA-28-160
PA-28-180
PA-28-235

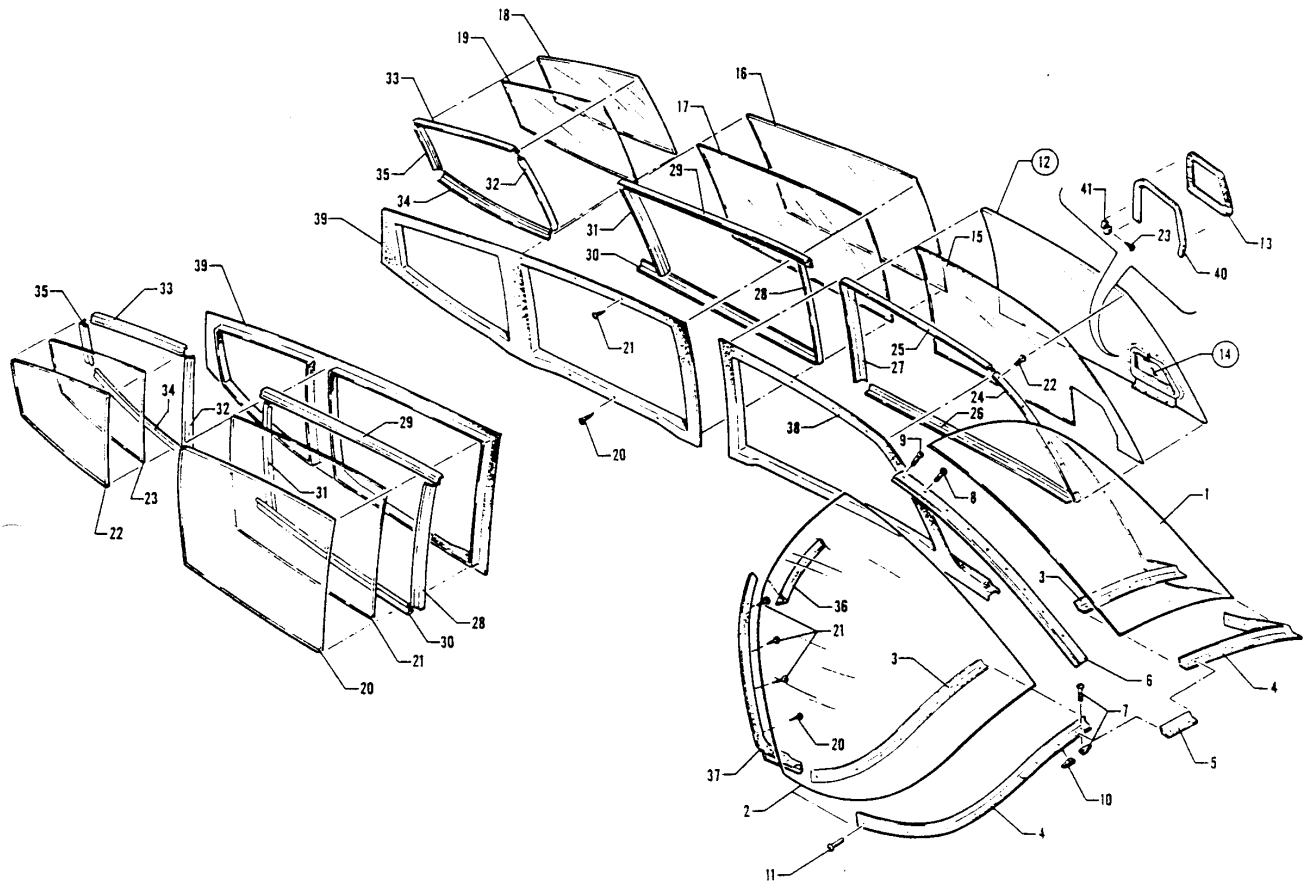


Figure 22A. Fuselage Enclosure Installation
(PA-28-235 - Serial Nos. 28-11040 to 28-7210033 inclusive)

PIPER PARTS CATALOG

Figure and Index Number	Part Number	Code	NOMENCLATURE	No. Req.	SERIAL NUMBERS AFFECTED
22A-	65648 69255		DRAWING - Windshield Installation DRAWING - Window Installation		
-1	63070-16		WINDSHIELD - Left	1	
	63070-30	B	WINDSHIELD - Left	1	28-7110001 and up
-2	63070-15		WINDSHIELD - Right	1	
	63070-29	B	WINDSHIELD - Right	1	28-7110001 and up
-3	63070-04		COLLAR - Inside, left	1	
	63070-06		COLLAR - Inside, right	1	
-4	63070-11		COLLAR - Outside, left	1	
	63070-05		COLLAR - Outside, right	1	
-5	63070-14		PLATE - Windshield collar, outside center	1	
-6	63070-07		TRIM STRIP - Windshield, center	1	
-7	415 149	W	SCREW - (AN526-632R8)	24	
	406 823	W	ANCHOR NUT - (NAS686A06K)	23	
-8	415 450	W	SCREW - (AN526-632R8)	8	
	406 863	W	RIVNUT - (A8K-75)	8	
-9	415 447	W	SCREW - (AN526-832R7)	1	
-10	406 809	W	ANCHOR NUT - (NAS687A06K)	1	
-11	415 150	W	SCREW - (AN526-632R10)	2	
-12	63072-00		WINDOW ASSEMBLY - Outer front, left	1	
	63072-04	B	WINDOW ASSEMBLY - Outer front, left	1	28-7110001 and up
-13	13945-40	W	STRIP - Rubber, storm window frame seal	1	
-14	21027-00	W	WINDOW ASSEMBLY - Storm	1	
	99406-00	B	WINDOW ASSEMBLY - Storm	1	28-7110001 and up
-15	65642-05		WINDOW ASSEMBLY - Inner front, left	1	
-16	67379-00		WINDOW ASSEMBLY - Outer center, left	1	
	67379-03	B	WINDOW ASSEMBLY - Outer center, left	1	28-7110001 and up
	67379-01		WINDOW ASSEMBLY - Outer center, right	1	
	67379-04	B	WINDOW ASSEMBLY - Outer center, right	1	28-7110001 and up
-17	67379-02		WINDOW - Inner center	2	
-18	67368-00		WINDOW - Outer rear, left	1	
	67368-03	B	WINDOW - Outer rear, left	1	28-7110001 and up
	67369-00		WINDOW - Outer rear, right	1	
	67369-03	B	WINDOW - Outer rear, right	1	28-7110001 and up
-19	67368-02		WINDOW - Inner rear, left	1	
	67369-02		WINDOW - Inner rear, right	1	

A- Used on PA-28-235 with serial numbers 28-11040 to 28-7210033 inclusive.
 B- Used if gray tinted windshield and windows are installed.
 W- These parts must be ordered from Service Spares Department, Piper Aircraft, Lock Haven, Penna.

When ordering, always specify Part Number, Description, and Serial Number of Aircraft

PIPER PARTS CATALOG

Figure and Index Number	Part Number	Code	NOMENCLATURE	No. Req.	SERIAL NUMBERS AFFECTED
22A-20	419 647		SCREW - Type "A" recessed head #6 x 5/8	19	
-21	419 646		SCREW - Type "A" recessed head #6 x 1/2	35	
-22	419 875		SCREW - Type "A" recessed head #4 x 3/8	74	
-23	419 928		SCREW - Type "A" recessed head #4 x1/4	4	
-24	65642-18		RETAINER - Front window, front, left	1	
-25	65642-19		RETAINER - Front window, top, left	1	
-26	65642-16		RETAINER - Front window, bottom, left	1	
-27	65642-17		RETAINER - Front window, rear, left	1	
-28	65642-12		RETAINER - Center window, front, left	1	
	65642-13		RETAINER - Center window, front, right	1	
-29	69255-12		RETAINER - Center window, top, left	1	
	69255-13		RETAINER - Center window, top, right	1	
-30	69255-11		RETAINER - Center window, bottom	2	
-31	69255-14		RETAINER - Center window, rear, left	1	
	69255-15		RETAINER - Center window, rear, right	1	
-32	69255-08		RETAINER - Rear window, front, left	1	
	69255-07		RETAINER - Rear window, front, right	1	
-33	69255-06		RETAINER - Rear window, top, left	1	
	69255-05		RETAINER - Rear window, top, right	1	
-34	69252-00		RETAINER - Rear window, bottom left	1	
	69253-00		RETAINER - Rear window, bottom right	1	
-35	69255-10		RETAINER - Rear window, rear, left	1	
	69255-09		RETAINER - Rear window, rear, right	1	
-36	65675-00		TRIM - Windshield, upper, sand	1	28-11040 to 28-11300 inclusive
	66947 00		TRIM - Windshield, upper, white	1	28-11301 and up
-37	65673-02		TRIM - Windshield, right, sand	1	28-11040 to 28-11300 inclusive
	65673-03		TRIM - Windshield, right, white	1	28-11301 and up
-38	65661-02		TRIM - Window, left front, sand	1	28-11040 to 28-11300 inclusive
	66898 00		TRIM - Window, left front, white	1	28-11301 and up
-39	69256-00		TRIM - Center and rear, left, sand	1	28-11040 to 28-11300 inclusive
	69256-02		TRIM - Center and rear, left, white	1	28-11301 and up
	69257-00		TRIM - Center and rear, right, sand	1	28-11040 to 28-11300 inclusive
	69257-02		TRIM - Center and rear, right, white	1	28-11301 and up
-40	65643-00		RETAINER - Storm window	1	
-41	65644-00		CLIP - Inner window retainer	4	

A- Used on PA-28-235 with serial numbers 28-11040 to 28-7210033 inclusive

When ordering, always specify Part Number, Description, and Serial Number of Aircraft

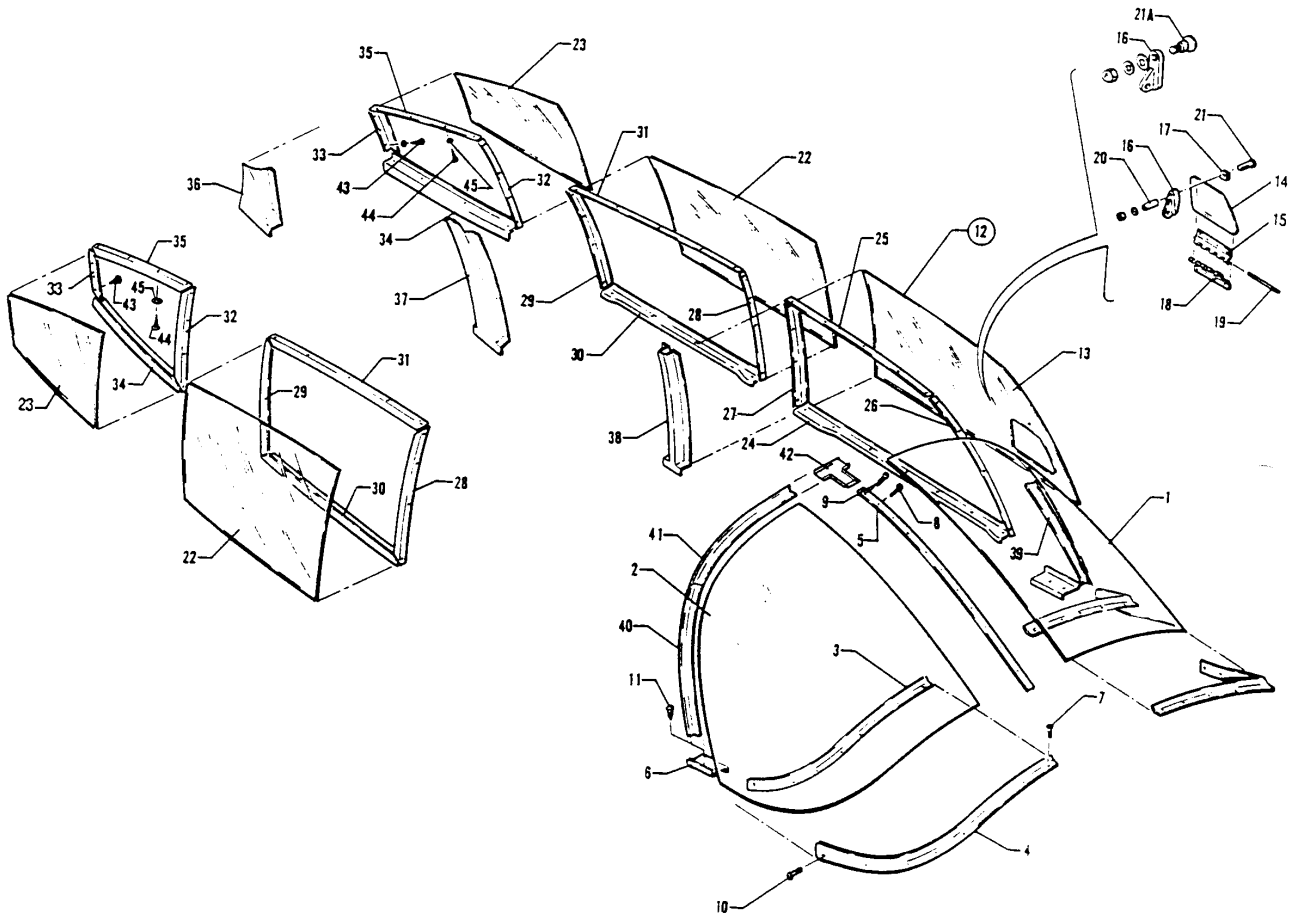


Figure 23. Fuselage Enclosure Installation
 (PA-28-180 - Serial Nos. 28-4378 to 28-7205328 inclusive)
 (PA-28R-180 - Serial Nos. 28R-30005 to 28R-30481 inclusive, 28R-30483 to 28R-7130019 inclusive)
 (PA-28R-200-Serial Nos. 28R-30482, 28R-35001 to 28R-7235330 inclusive)

PIPER PARTS CATALOG

Figure and Index Number	Part Number	Code	NOMENCLATURE	No. Req.	SERIAL NUMBERS AFFECTED
23-	63070 67381		DRAWING - Windshield Installation DRAWING - Window Installation		
-1	63070-16		WINDSHIELD - Left	1	
	63070-30	B,C	WINDSHIELD - Left	1	
-2	63070-15		WINDSHIELD - Right	1	
	63070-29	B,C	WINDSHIELD - Right	1	
-3	63070-04		COLLAR - Inside, Left	1	
	63070-06		COLLAR - Inside, right	1	
-4	63070-11		COLLAR - Outside, left	1	
	63070-05		COLLAR - Outside, right	1	
-5	63070-07		TRIM STRIP - Windshield, center	1	
-6	67552-00		RETAINER - Windshield mounting, left	1	
	67553-00		RETAINER - Windshield mounting, right	1	
-7	415 149	W	SCREW - (AN526-632R8)	24	
	406 823	W	NUT - Anchor (NAS686A06K)	23	
-8	415 450	W	SCREW - (AN526-832R10)	8	
	406 863	W	RIVNUT - (A8K-75)	8	
.9	415 447	W	SCREW - (AN526-632R7)	1	
-10	415 150	W	SCREW - (AN526-632R10)	2	
-11	419 746	W	SCREW - (4 x 1/2" L) Type "A"	4	
	494 001	W	WASHER - (4 Finishing)	4	
-12	65826-00	D	WINDOW ASSEMBLY - Front, left	1	
	65826-05	F	WINDOW ASSEMBLY - Front, left	1	28R-7235001 and up
	65826-03	B,E	WINDOW ASSEMBLY - Front, left	1	
	65826-06	B,F	WINDOW ASSEMBLY - Front, left	1	28R-7235001 and up
-13	65798-00	D	WINDOW - Front, left	1	
	65798-03	F	WINDOW - Front, left	1	28R-7235001 and up
	65798-02	B,E	WINDOW - Front, left	1	
	65798-04	B,F	WINDOW - Front, left	1	28R-7235001 and up
-14	65896-00		WINDOW ASSEMBLY - Storm	1	
	65896-02	B,C	WINDOW ASSEMBLY - Storm	1	
-15	65895-00		HINGE - Half	1	
			A- Used on PA-28-180 with serial numbers 28-4378 to 28-7205328 inclusive, PA-28R-180 with serial numbers 28R-30005 to 28R-30481 inclusive, 28R-30483 to 28R-7130019 inclusive, and PA-28R-200 with serial numbers 28R-30482, 28R-35001 to 28R-7235330 inclusive.		
			B- Used if gray tinted windshield and windows are installed.		
			C- Used on PA-28-180 with serial numbers 28-7105001 and up, PA-28R-180 with serial numbers 28R-7130001 and up, and PA-28R-200 with serial numbers 28R-7135001 and up.		
			D- Used on PA-28-180 with serial numbers 28-4378 and up, PA-28R-180 with serial numbers 28R-30005 to 28R-30481 inclusive, 28R-30483 to 28R-7130019 inclusive, and PA-28R-200 with serial numbers 28R-30482, 28R-35001 to 28R-7135238 inclusive.		
			E- Used on PA-28-180 with serial numbers 28-7105001 and up, PA-28R -180 with serial numbers 28R-7130001 to 28R-7130019 inclusive, and PA-28R-200 with serial numbers 28R-7135001 to 28R-7135238 inclusive.		
			F- Used on PA-28R-200 airplanes only.		
			W- These Parts must be ordered from Service Spares Department, Piper Aircraft, Lock Haven, Penna.		

When ordering, always specify Part Number, Description, and Serial Number of Aircraft

PIPER PARTS CATALOG

Figure and Index Number	Part Number	Code	NOMENCLATURE	No. Req.	SERIAL NUMBERS AFFECTED
23-16	65742-00	W	LATCH ASSEMBLY - Storm window	1	
-17	65741-00	F	SPACER - Storm window latch	1	
-18	65782-00		HINGE - Half	1	
-19	63744-09		PIN - Hinge	1	
-20	65003-10	F	BUSHING - Storm window latch	1	
-21	415 151	F,W	SCREW - (AN526-632R12)	1	
	408 823	F	WASHER - Shakeproof (3502-10-71)	1	
	407 102	F,W	WASHER - Lock (AN935 -6)	1	
	477 696	F	NUT - Dome (8061-NP)	1	
-21a	79572-00	G	SCREW - Storm window attachment	1	
	408 826	G,W	WASHER - Shakeproof (3502-10-71)	1	
	407 041	G	WASHER - (MS35338-41)	1	
	477 696	G	NUT - Dome (8061-NP)	1	
-22	67379-00		WINDOW - Center, left	1	
	67379-03	B,C	WINDOW - Center, left	1	
	67379-01		WINDOW- Center, right	1	
	67379-04	B,C	WINDOW- Center, right	1	
-23	67368-0		WINDOW- Rear, left	1	
	67368-03	B,C	WINDOW- Rear, Left	1	
	67369-00		WINDOW- Rear, right	1	
	67369-03	B,C	WINDOW- Rear, right	1	
-24	67370-00	D	RETAINER - Front window, bottom, left	1	
	76142-00	E	RETAINER - Front window, bottom, left	1	28R-7235001 and up
-25	63071-03	D	RETAINER - Front window, top, left	1	
	76143-00	E	RETAINER - Front window, top, left	1	28R-7235001 and up
-26	63071-02		RETAINER - Front window, front, left	1	
-27	63071-12		RETAINER - Front window, rear, Left	1	
-28	63071-17		RETAINER - Center window, front, left	1	
	63071-18		RETAINER - Center window, front, right	1	
-29	67371-00		RETAINER - Center window, rear, left	1	
	67371-01		RETAINER - Center window, rear, right	1	
-30	67374-00		RETAINER - Center window, bottom, left	1	
	67374-01		RETAINER - Center window, bottom, right	1	
-31	67385-00		RETAINER - Center window, top, left	1	
	67385-01		RETAINER - Center window, top, right	1	
			A- Used on PA-28-180 with serial numbers 28-4378 to 28-7205328 inclusive, PA-28R-180 with serial numbers 28R-30005 to 28R-30481 inclusive, 28R-30483 to 28R-7130019 inclusive, and PA-28R-200 with serial numbers 28R-30482, 28R-35001 to 28R-7235330 inclusive.		
			B- Used if gray tinted windshield and windows are installed.		
			C- Used on PA-28-180 with serial numbers 28-7105001 and up, PA-28R-180 with serial numbers 28R-7130001 and up, and PA-28R-200 with serial numbers 28R-7135001 and up.		
			D- Used on PA-28-180 with serial numbers 28-4378 and up, PA-28R-180 with serial numbers 28R-30005 to 28R-30481 inclusive, 28R-30482 to 28R-7130019 inclusive, and PA-28R-200 with serial numbers 28R-30482, 28R-35001 to 28R-7135238 inclusive.		
			E- Used on PA-28R-200 airplanes only.		
			F- Used if latch assembly attachment screw requires a 191 hole drilled in window assembly.		
			G- Used if latch assembly attachment screw is bonded to window assembly.		
			W- These parts must be ordered from Service Spares Department, Piper Aircraft, Lock Haven, Penna.		

When ordering, always specify Part Number, Description, and Serial Number of Aircraft

PIPER PARTS CATALOG

Figure and Index Number	Part Number	Code	NOMENCLATURE	No. Req.	SERIAL NUMBERS AFFECTED
23-32	67375-00		RETAINER - Rear window, front, left	1	
	67375-01		RETAINER - Rear window, front, right	1	
-33	67372-00		RETAINER - Rear window, rear, left	1	
	67372-01		RETAINER - Rear window, rear, right	1	
-34	67377-00		RETAINER - Rear window, bottom, left	1	
	67378-00		RETAINER - Rear window, bottom, right	1	
-35	67376-00		RETAINER - Rear window, top	2	
-36	67311-00	B	COVER - Sta- 156, Left, sand	1	
	67311-02	C	COVER - Sta. 156, left, white	1	
	67312-00	B	COVER - Sta. 156, right, sand	1	
	67312-02	C	COVER - Sta. 156, right, white	1	
-37	67313-00	B	COVER - Sta. 128.737, left, sand	1	
	67313-02	C	COVER - Sta. 128.737, left, white	1	
	67314-00	B	COVER - Sta. 128.737, right, sand	1	
	67314-02	C	COVER - Sta. 128.737, right, white	1	
-38	63125-03	B	COVER - Window post, left, sand	1	
	63125-04	C	COVER - Window post, left, white	1	
	63126-03	B	COVER - Window post, right, sand	1	
	63126-04	C	COVER - Window post, right, white	1	
-39	63156-03	B	COVER - Window, left, sand	1	
	63156-04	C	COVER - Window, left, white	1	
-40	63149,10	B	COVER - Windshield bow, left, lower, sand	1	
	63149-14	C	COVER - Windshield bow, left, Lower, white	1	
	63149-11	B	COVER - Windshield bow, right, Lower, sand	1	
	63149-15	C	COVER - Windshield bow, right, Lower, white	1	
-41	63149-12	B	COVER - Windshield bow, left, upper, sand	1	
	63149-16	C	COVER - Windshield bow, left, upper, white	1	
	63149-13	B	COVER - Windshield bow, right, upper, sand	1	
	63149-17	C	COVER - Windshield bow, right, upper, white	1	
-42	67556-00	B	TRIM - Windshield, sand	1	
	67556-02	C	TRIM - Windshield, white	1	
-43	419 641		SCREW - (4 x 1/2" L) Type "A" Truss	37	
-44	419 683	W	SCREW - (4 x 1/2" L) Type "A" Oval	49	
-45	494 001	W	WASHER - (PS10016-4)	49	
			A- Used on PA-28-180 with serial number 28-4378 to 28-7205328 inclusive, PA-28R-180 with serial numbers 28R-30005 to 28R-30431 inclusive, 28R-30483 to 28R-7130019 inclusive, and PA-28R-200 with serial numbers 28R-30482, 28R-35001 to 28R-7235330 inclusive.		
			B- Used on PA-28-180 with serial numbers 28-4378 to 28-5600 inclusive, PA-28R-180 with serial numbers 28R-30005 to 28R-30481 inclusive, 28R-30483 to 28R-31250 inclusive, and PA-28R-200 with serial numbers 28R-30482, 28R-35001 to 28R-35600 inclusive.		
			C- Used on PA-28-180 with serial numbers 28-5601 and up, PA-28R-180 with serial numbers 28R-31251 and up, and PA-28R-200 with serial numbers 28R-35601 and up.		
			W- These parts must be ordered from Service Spares Department, Piper Aircraft, Lock Haven, Penna.		

When ordering, always specify Part Number, Description, and Serial Number of Aircraft

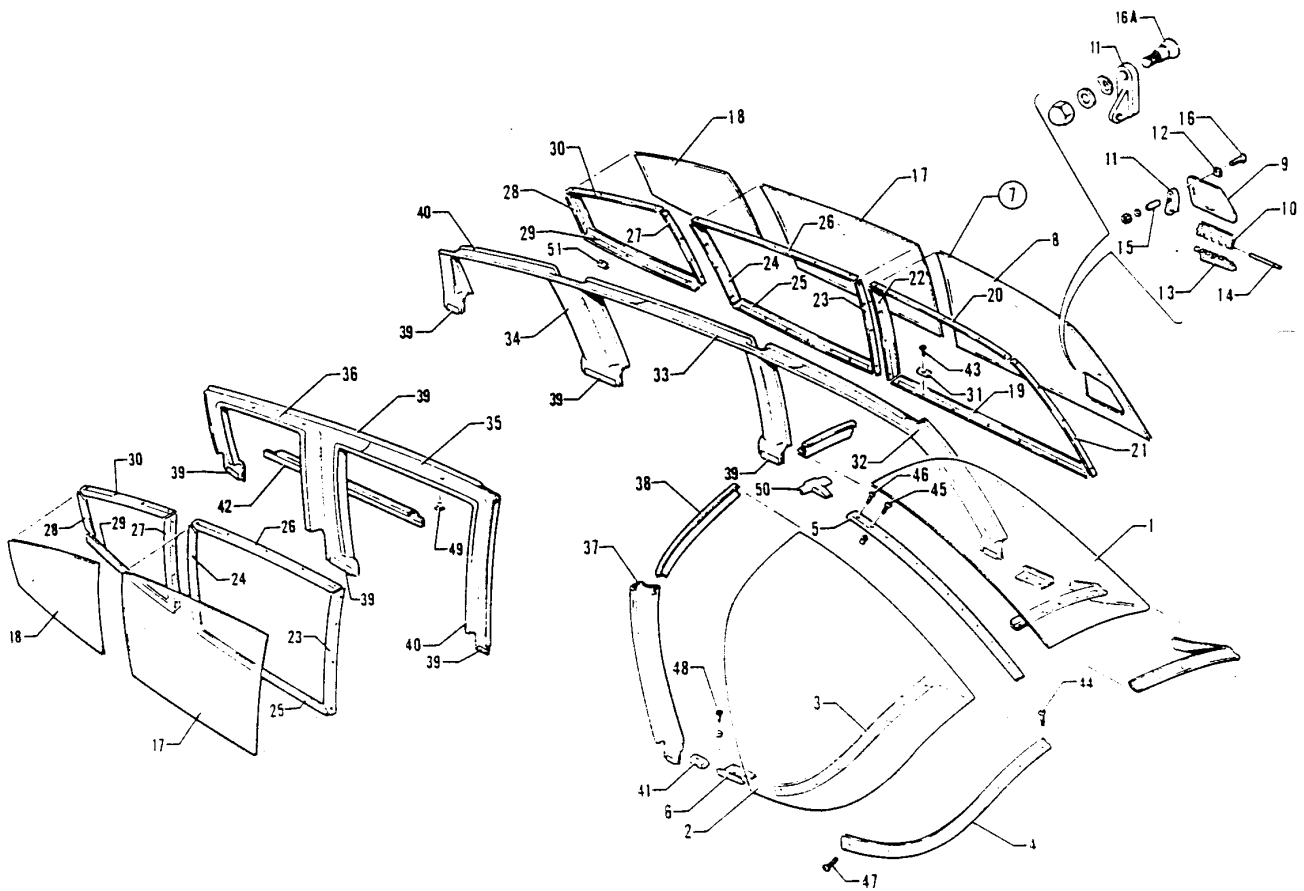


Figure 23A. Fuselage Enclosure Installation
 (PA-28-180 - Serial Nos. 28-7305001 and up)
 (PA-28-235 - Serial Nos. 28-7310001 and up)
 (PA-28R-200 - Serial Nos. 28R-7335001 and up)

PIPER PARTS CATALOG

Figure and Index Number	Part Number	Code	NOMENCLATURE	No. Req.	SERIAL NUMBERS AFFECTED
23A-	63070 76198 76361	D C	DRAWING - Windshield Installation DRAWING - Window Installation DRAWING - Window Installation		
-1	63070-16 63070-46 79296-16 63070-30 63070-42 79296-18	D C C B, D B,C B,C	WINDSHIELD - Left (.125 thick) WINDSHIELD - Left (.125 thick) WINDSHIELD - Left (.250 thick) WINDSHIELD - Left (.125 thick) WINDSHIELD - Left (.125 thick) WINDSHIELD - Left (.250 thick)	1 1 1 1 1 1	
-2	63070-15 63070-45 79296-17 63070-29 63070-41 79296-19	D C C B,D B,C B,C	WINDSHIELD - Right (.125 thick) WINDSHIELD - Right (.125 thick) WINDSHIELD - Right (.250 thick) WINDSHIELD - Right (.125 thick) WINDSHIELD - Right (.125 thick) WINDSHIELD - Right (.250 thick)	1 1 1 1 1 1	
-3	63070-04 63070-43 63070-06 63070-44	D C D C	COLLAR - Inside, left COLLAR - Inside, left COLLAR - Inside, right COLLAR - Inside, right	1 1 1 1	
-4	63070-11 63070-05		COLLAR - Outside, Left (with .125 thick windshield) COLLAR - Outside, right (with .125 thick windshield)	1 1	
-5	63070-07 79557-00	E F	TRIM STRIP - Windshield, center TRIM STRIP - Windshield, center	1 1	
-6	79154-00 79155-00		RETAINER - Windshield moulding, left RETAINER - Windshield moulding, right	1 1	
			A- Used on PA-28-180 with serial numbers 28-7305001 and up, PA-28-235 with serial numbers 28-7310001 and up, and PA-28R-200 with serial numbers 28R-7335001 and up. B- Used if gray tinted windshield and windows are installed. C- Used on PA-28-180 with serial numbers 28-7405001 and up, PA-28-235 with serial numbers 28-7410001 and up, and PA-28R-200 with serial numbers 28R-7435001 and up. D- Used on PA-28-180 with serial numbers 28-7305001 to 28-7305611 inclusive, PA-28-235 with serial numbers 28-7310001 to 28-7310187 inclusive, and PA-28R-200 with serial numbers 28R-7335001 to 28R-7335455 inclusive. E- Used on PA-28-180, PA-28-235 with serial numbers 28-7310001 to 28-7610020 inclusive, and PA-28R-200 with serial numbers 28R-7335001 to 28R-7635017 inclusive. F- Used on PA-28-235 with serial numbers 28-7610021 and up, and PA-28R-200 with serial numbers 28R-7635018 and up.		

When ordering, always specify Part Number, Description, and Serial Number of Aircraft

PIPER PARTS CATALOG

Figure and Index Number	Part Number	Code	NOMENCLATURE	No. Req.	SERIAL NUMBERS AFFECTED
23A-7	65826-05		WINDOW ASSEMBLY - Front, left	1	
	65826-06	B	WINDOW ASSEMBLY - Front, left	1	
-8	65798-03		WINDOW - Front, left	1	
	65798-04	B	WINDOW - Front, left	1	
-9	65896-00		WINDOW ASSEMBLY - Storm	1	
	65896-02	B	WINDOW ASSEMBLY - Storm	1	
-10	65895-00		HINGE - Half	1	
-11	65742-00	W	LATCH ASSEMBLY - Storm window	1	
-12	65741-00	E	SPACER - Storm window latch	1	
-13	65782-00		HINGE - Half	1	
-14	63744-09		PIN - Hinge	1	
-15	65003-10	E	BUSHING - Storm window latch	1	
-16	415 151	E,W	SCREW - (AN526-632R12)	1	
	408 826	E,W	WASHER - Shakeproof (3502-10-71)	1	
	407 102	E,W	WASHER - Lock (AN935-6)	1	
	477 696	E	NUT - Dome (8061-NP)	1	
-16a	79572-00	F	SCREW - Storm window attachment	1	
	408 826	F,W	WASHER - Shakeproof (3502-10-71)	1	
	407 041	F	WASHER - (MS35338-41)	1	
	477 696	F	NUT - Dome (8061-NP)	1	
-17	67379-00	C	WINDOW - Center, left	1	
	76275-00	D	WINDOW - Center, left (.080 thick)	1	
	76275-03	D	WINDOW - Center, left (.125 thick)	1	
	67379-03	B,C	WINDOW - Center, left	1	
	76275-02	B,D	WINDOW - Center, left (.080 thick)	1	
	76275-04	B,D	WINDOW - Center, left (.125 thick)	1	
	67379-01	C	WINDOW - Center, right	1	
	76276-00	D	WINDOW - Center, right (.080 thick)	1	
	76276-03	D	WINDOW - Center, right (.125 thick)	1	
	67379-04	B,C	WINDOW - Center, right	1	
	76276-02	B,D	WINDOW - Center, right (.080 thick)	1	
	76276-04	B,D	WINDOW - Center, right (.125 thick)	1	
			A- Used on PA-28-180 with serial numbers 28-7305001 and up, PA-28-235 with serial numbers 28-7310001 and up, and PA-28R-200 with serial numbers 28R-7335001 and up.		
			B- Used if gray tinted windshield and windows are installed.		
			C- Used on PA-28-180 with serial numbers 28-7305001 to 28-7305611 inclusive, PA-28-235 with serial numbers 28-7310001 to 28-7310187 inclusive, and PA-28R-200 with serial numbers 28R-7335001 to 28R-7335455 inclusive.		
			D- Used on PA-28-180 with serial numbers 28-7425001 and up, PA-28-235 with serial numbers 28-7410001 and up, and PA-28R-200 with serial numbers 28R-7435001 and up.		
			E- Used if latch assembly attachment screw requires a .191 hole drilled in window assembly.		
			F- Used if latch assembly attachment screw is bonded to window assembly.		
			W- These parts must be ordered from Service Spares Department, Piper Aircraft, Lock Haven, Penna.		

When ordering, always specify Part Number, Description, and Serial Number of Aircraft

PIPER PARTS CATALOG

Figure and Index Number	Part Number	Code	NOMENCLATURE	No. Req.	SERIAL NUMBERS AFFECTED
23A-18	67368-00	B	WINDOW- Rear, left	1	
	76277 00	D	WINDOW - Rear, left (.080 thick)	1	
	76277-03	D	WINDOW - Rear, left (.125 thick)	1	
	67368-03	B,C	WINDOW- Rear, left	1	
	76277-02	C,D	WINDOW - Rear, left (.080 thick)	1	
	76277-04	C,D	WINDOW - Rear, left (.125 thick)	1	
	67369-00	B	WINDOW- Rear, right	1	
	76278-00	D	WINDOW - Rear, right (.080 thick)	1	
	76278-03	D	WINDOW - Rear, right (.125 thick)	1	
	67369-03	B,C	WINDOW- Rear, right	1	
	76278-02	C,D	WINDOW - Rear, right (.080 thick)	1	
	76278-04	C,D	WINDOW - Rear, right (.125 thick)	1	
-19	76197-00		RETAINER - Front window, bottom, left	1	
-20	76143-00		RETAINER - Front window, top, left	1	
-21	63071-02		RETAINER - Front window, front, left	1	
	79562-00	F	RETAINER - Front window, front, left	1	
-22	63071-12		RETAINER - Front window, rear, left	1	
-23	63071-17	B	RETAINER - Center window, front, left	1	
	76264-00	D	RETAINER - Center window, front, left	1	
	63071-18		RETAINER - Center window, front, right	1	
-24	67371-00	B	RETAINER - Center window, rear, left	1	
	76267-00	D	RETAINER - Center window, rear, left	1	
	67371-01	B	RETAINER - Center window, rear, right	1	
	76267-01	D	RETAINER - Center window. rear, right	1	
-25	76194-00	B	RETAINER - Center window, bottom, left	1	
	76268-00	D	RETAINER - Center window, bottom, left	1	
	76194-01	B	RETAINER - Center window, bottom, right	1	
	76269-00	D	RETAINER - Center window, bottom, right	1	
			A- Used on PA-28-180 with serial numbers 28-7305001 and up, PA-28-235 with serial numbers 28-7310001 and up, and PA-28R-200 with serial numbers 28R-7335001 and up.		
			B- Used on PA-28-180 with serial numbers 28-7305001 to 28-7305611 inclusive, PA-28-235 with serial numbers 28-7310001 to 28-7310187 inclusive, and PA-28R-200 with serial numbers 28R-7335001 to 28R-7335455 inclusive.		
			C- Used if gray tinted windshield and windows are installed.		
			D- Used on PA-28-180 with serial numbers 28-7425001 and up, PA-28-235 with serial numbers 28-7410001 and up, and PA-28R-200 with serial numbers 28R-7435001 and up.		
			E- Used on PA-28-180, PA-28-235 with serial numbers 28-7310001 to 28-7610020 inclusive, and PA-28R-200 with serial numbers 28R-7335001 to 28R-7635017 inclusive.		
			F- Used on PA-28-235 with serial numbers 28-7610021 and up, and PA-28R-200 with serial numbers 28R-7635018 and up		

When ordering, always specify Part Number, Description, and Serial Number of Aircraft

PIPER PARTS CATALOG

Figure and Index Number	Part Number	Code	NOMENCLATURE	No. Req.	SERIAL NUMBERS AFFECTED
23A-26	67385-00	B	RETAINER - Center window, top, left	1	
	76265-00	C	RETAINER - Center window, top, left	1	
	67385-01	B	RETAINER - Center window, top, right	1	
	76266-00	C	RETAINER - Center window, top, right	1	
-27	67375-00	B	RETAINER - Rear window, front, left	1	
	76270-00	C	RETAINER - Rear window, front, left	1	
	67375-01	B	RETAINER - Rear window, front, right	1	
	76270-01	C	RETAINER - Rear window, front, right	1	
-28	67372-00	B	RETAINER - Rear window, rear, left -	1	
	76272-00	C	RETAINER - Rear window, rear, left	1	
	67372-01	B	RETAINER - Rear window, rear, right	1	
	76272-01	C	RETAINER - Rear window, rear, right	1	
-29	76195-00	B	RETAINER - Rear window, bottom, left	1	
	76273-00	C	RETAINER - Rear window, bottom, left	1	
	76196-00	B	RETAINER - Rear window, bottom, right	1	
	76274-00	C	RETAINER - Rear window, bottom, right	1	
-30	67376-00	B	RETAINER - Rear window, top	2	
	76271-00	C	RETAINER - Rear window, top	2	
-31	99943-00		RETAINER - Side panel	9	
-32	99903-03	B	COVER - Window frame, front, left	1	
	79171-12	E	COVER - Window frame, front, left	1	
	79171-14	D	COVER - Window frame, front, left	1	
-33	99904-05	B	COVER - Window frame, center, left	1	
	79171-11	C	COVER - Window frame, center, left	1	
-34	99904-02	B	COVER - Window frame, rear, left	1	
	79171-10	C	COVER - Window frame, rear, left	1	
-35	99904-03	B	COVER - Window frame, center, right	1	
	79171-08	C	COVER - Window frame, center, right	1	
-36	99904-04	B	COVER - Window frame, rear, right	1	
	79171-09	C	COVER - Window frame, rear, right	1	
-37	99903-05	B	COVER - Windshield bow, lower, right	1	
	79171-02	E	COVER - Windshield bow, lower, right	1	
	79171-13	D	COVER - Windshield bow, lower, right	1	
			A- Used on PA-28-180 with serial numbers 28-7305001 and up, PA-28-235 with serial numbers 28-7310001 and up, and PA-28R-200 with serial numbers 28R-7335001 and up.		
			B- Used on PA-28-180 with serial numbers 28-7305001 to 28-7305611 inclusive, PA-28-235 with serial numbers 28-7310001 to 28-7310187 inclusive, and PA-28R-200 with serial numbers 28R-7335001 to 28R-7335455 inclusive.		
			C- Used on PA-28-180 with serial numbers 28-7405001 and up, PA-28-235 with serial numbers 28-7410001 and up, and PA-28R-200 with serial numbers 28R-7435001 and up.		
			D- Used on PA-28-235 with serial numbers 28-7610021 and up, and PA-28R-200 with serial numbers 28R-7635018 and up.		
			E- Used on PA-28-180 with serial numbers 28-7405001 to 28-7505261 inclusive, PA-28-235 with serial numbers 28-7410001 to 28-7610020 inclusive, and PA-28R-200 with serial numbers 28-7435001 to 28R-7635017 inclusive.		

When ordering, always specify Part Number, Description, and Serial Number of Aircraft

PIPER PARTS CATALOG

Figure and Index Number	Part Number	Code	NOMENCLATURE	No. Req.	SERIAL NUMBERS AFFECTED
23A-38	63149-16	E	COVER - Windshield bow, upper, left	1	
	63149-20	D	COVER - Windshield bow, upper, left	1	
	63149-17	E	COVER - Windshield bow, upper, right	1	
	63149-21	D	COVER - Windshield bow, upper, right	1	
-39	78057-00		RETAINER - Window frame, extrusion	12'	
-40	99997-00		EXTRUSION - vinyl	30'	
-41	99990-00	B	CAP - Extrusion end	2	
-42	555 013	B	COVER ASSEMBLY - Window sill, red	1	
	555 014	B	COVER ASSEMBLY - Window sill, blue/green	1	
	555 015	B	COVER ASSEMBLY - Window sill, gold	1	
	555 016	B	COVER ASSEMBLY - Window sill, black	1	
	555 017	B	COVER ASSEMBLY - Window sill, white	1	
	555 018	B	COVER ASSEMBLY - Window sill, green	1	
	555 699	F	COVER ASSEMBLY - Window sill, red	1	
	555 700	F	COVER ASSEMBLY - Window sill, blue/green	1	
	555 701	F	COVER ASSEMBLY - Window sill, gold	1	
	555 702	F	COVER ASSEMBLY - Window sill, black	1	
	555 703	F	COVER ASSEMBLY - Window sill, white	1	
	555 704	F	COVER ASSEMBLY - Window sill, green	1	
	555 986	C	COVER ASSEMBLY - Window sill, white	1	
-43	419 641		SCREW - (4 x 1/2" L) Type "A" Truss	86	
-44	415 149	W	SCREW - (AN526-632R8)	24	
	406 823	W	NUT - Anchor (NAS686A06K)	24	
			A- Used on PA-28-180 with serial numbers 28-7305001 and up, PA-28-235 with serial numbers 28-7310001 and up, and PA-28R-200 with serial numbers 28R-7335001 and up.		
			B- Used on PA-28-180 with serial numbers 28-7305001 to 28-7305611 inclusive, PA-28-235 with serial numbers 28-7310001 to 28-7310187 inclusive, and PA-28R-200 with serial numbers 28R-7335001 to 28R-7335455 inclusive.		
			C- Used on PA-28-235 with serial numbers 28-7710001 and up, and PA-28R-200 with serial numbers 28R-7635504 and up.		
			D- Used on PA-28-235 with serial numbers 28-7610021 and up, and PA-28R-200 with serial numbers 28R-7635018 and up.		
			E- Used on PA-28-180 with serial numbers 28-7305001 to 28-7505261 inclusive, PA-28-235 with serial numbers 28-7310001 to 28-7610020 inclusive, and PA-28R-200 with serial numbers 28R-7335001 to 28R-7635017 inclusive.		
			F- Used on PA-28-180 with serial numbers 28-7405001 and up, PA-28-235 with serial numbers 28-7410001 to 28-7610206 inclusive, and PA-28R-200 with serial numbers 28R-7435001 to 28R-7635503 inclusive.		
			W- These parts must be ordered from Service Spares Department, Piper Aircraft, Lock Haven, Penna.		

When ordering, always specify Part Number, Description, and Serial Number of Aircraft

PIPER PARTS CATALOG

Figure and Index Number	Part Number	Code	NOMENCLATURE	No. Req.	SERIAL NUMBERS AFFECTED
23A-45	415 450	W	SCREW - (AN526-832R10)	8	
	415 452	C,D,W	SCREW - (AN526-832R12)	8	
	406 863	W	RIVET - (A8K-75)	8	
-46	415 447	W	SCREW - (AN526-832R7)	1	
	415 449	C,D,W	SCREW - (AN526-832R8)	1	
-47	415 149	W	SCREW - (AN526-632R8)	2	
-48	419 746	W	SCREW - (4 x 1/2"L) Type "A"	4	
	494 001	W	WASHER - (PS10016-4)	4	
-49	581 928		PLUG - (207-200201-00-0103)	11	
-50	67556-02	B	TRIM - Windshield, white	1	
	67556-04	E	TRIM - Windshield, white	1	
-51	78086-00		RETAINER - Side panel	2	
<p>A- Used on PA-28-180 with serial numbers 28-7305001 and up, PA-28-235 with serial numbers 28-7310001 and up, and PA-28R-200 with serial numbers 28R-7335001 and up.</p> <p>B- Used on PA-28-180 with serial numbers 28-7305001 to 28-7505261 inclusive, PA-28-235 with serial numbers 28-7310001 to 28-7610020 inclusive, and PA-28R-200 with serial numbers 28R-7335001 to 28R-7635017 inclusive.</p> <p>C- Used on PA-28-180 with serial numbers 28-7405001 and up, PA-28-235 with serial numbers 28-7410001 and up, and PA-28R-200 with serial numbers 28R-7435001 and up.</p> <p>D- Used if .250 thick sound reduction windshield s installed.</p> <p>E- Used on PA-28-235 with serial numbers 28-7610021 and up, and PA-28R-200 with serial numbers 28R-7635018 and up.</p> <p>W- These parts must be ordered from Service Spares Department, Piper Aircraft, Lock Haven Penna.</p>					

When ordering, always specify Part Number, Description, and Serial Number of Aircraft

PIPER PARTS CATALOG

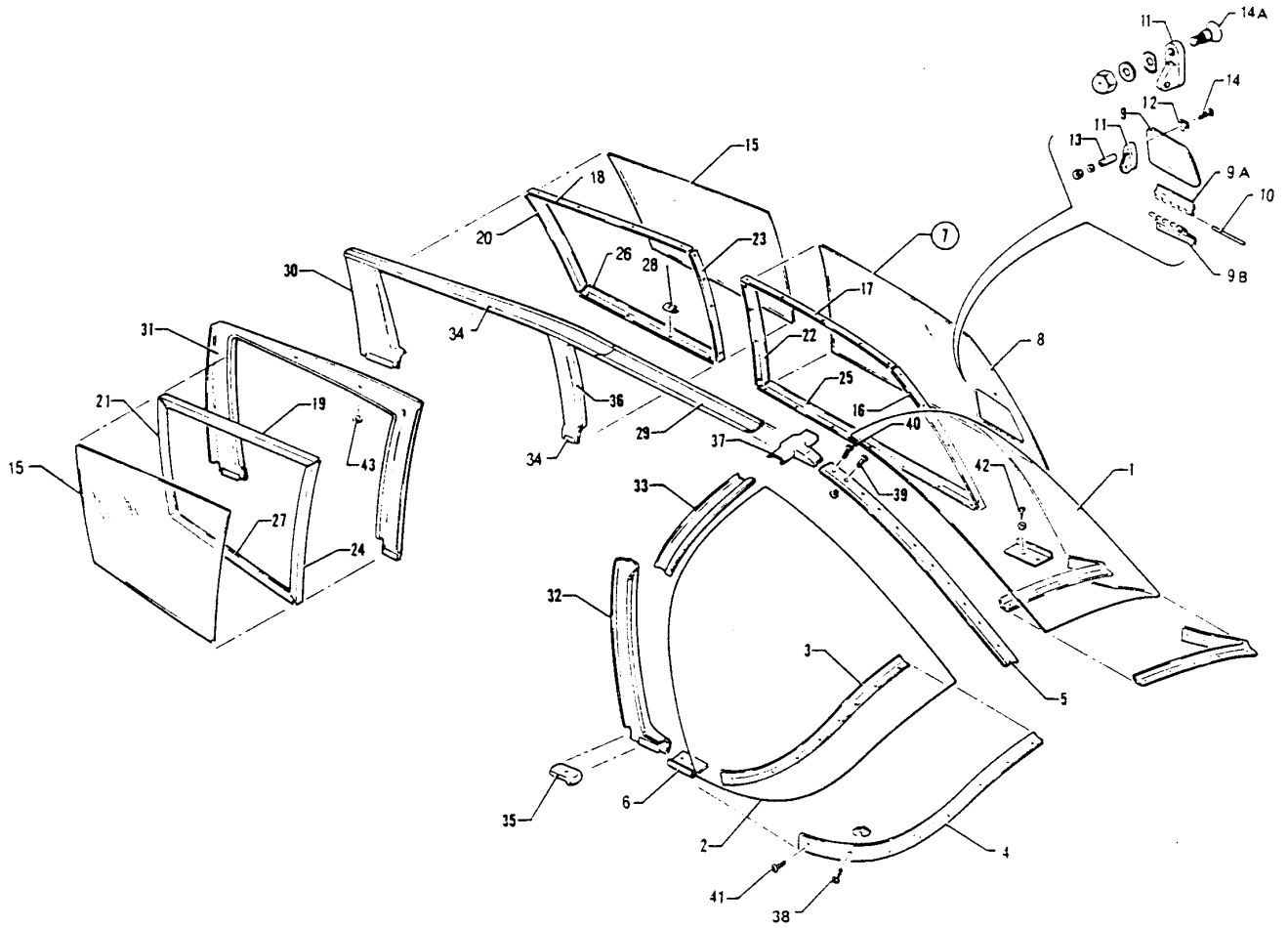


Figure 23B- Fuselage Enclosure Installation
(PA-28-140 - Serial Nos. 28-7325001 and up)

PIPER PARTS CATALOG

Figure and Index Number	Part Number	Code	NOMENCLATURE	No. Req.	SERIAL NUMBERS AFFECTED
23B-	63070 99880 76362		DRAWING - Windshield Installation DRAWING - Window Installation DRAWING - Window Installation		28-7325001 to 28-7325684 incl. 28-7425001 and up
-1	63070-16 63070-46 79296-16 63070-30 63070-42 79296-18	A A A	WINDSHIELD - Left (.125 thick) WINDSHIELD - Left (.125 thick) WINDSHIELD - Left (.250 thick) WINDSHIELD - Left (.125 thick) WINDSHIELD - Left (.125 thick) WINDSHIELD - Left (.250 thick)	1 1 1 1 1 1	28-7325001 to 28-7325684 incl. 28-7425001 and up 28-7425001 and up 28-7325001 to 28-7325684 incl. 28-7425001 and up 28-7425001 and up
-2	63070-15 63070-45 79296-17 63070-29 63070-41 79296-19	A A A	WINDSHIELD - Right (.125 thick) WINDSHIELD - Right (.125 thick) WINDSHIELD - Right (.250 thick) WINDSHIELD - Right (.125 thick) WINDSHIELD - Right (.125 thick) WINDSHIELD - Right (.250 thick)	1 1 1 1 1 1	28-7325001 to 28-7325684 incl. 28-7425001 and up 28-7425001 and up 28-7325001 to 28-7325684 incl. 28-7425001 and up 28-7425001 and up
-3	63070-04 63070-43 63070-06 63070-44		COLLAR - Inside, left COLLAR - Inside, left COLLAR - Inside, right COLLAR - Inside, right	1 1 1 1	28-7325001 to 28-7325684 incl. 28-7425001 and up 28-7325001 to 28-7325684 incl. 28-7425001 and up
-4	63070-11 79296-20 63070-05 79296-21		COLLAR - Outside, left (with .125 thick windshield) COLLAR - Outside, left (with .250 thick windshield) COLLAR - Outside, right (with .125 thick windshield) COLLAR - Outside, right (with .250 thick windshield)	1 1 1 1	28-7325001 and up 28-7425001 and up 28-7325001 and up 28-7425001 and up
-5	63070-07 79557-00		TRIM STRIP - Windshield, center TRIM STRIP - Windshield, center	1 1	28-7325001 to 28-7625030 incl. 28-7625031 and up
-6	79154-00 79155-00		RETAINER - Windshield attachment, left RETAINER - Windshield attachment, right	1 1	
-7	65826-00 65826-03	A	WINDOW ASSEMBLY - Front, left WINDOW ASSEMBLY - Front, left	1 1	
-8	65798-00 65798-02	A	WINDOW- Front, left WINDOW- Front, left	1 1	
-9	65896-00 65896-02	A	WINDOW ASSEMBLY - Storm WINDOW ASSEMBLY - Storm	1 1	
-9a	65895-00		HINGE - Half	1	
-9b	65782-00		HINGE - Half	1	
-10	63744-09		PIN - Storm window hinge	1	
-11	65742-00	W	LATCH ASSEMBLY - Storm	1	
-12	65741-00	B	SPACER - Storm window latch	1	
-13	65003-10	B	BUSHING - Storm window latch	1	
-14	415 497 408 826 407 041 477 696	B,W B,W B B	SCREW - (MS35206-232) WASHER - Shakeproof (3502-10-71) WASHER - (MS35338-41) NUT - Dome (8061-NP)	1 1 1 1	
-14a	79572-00 408 826 407 041 477 696	C C.W C C	SCREW - Storm window attachment WASHER - Shakeproof (3502-10-71) WASHER - (MS35338-41) NUT - Dome (8061-NP)	1 1 1 1	

A- Used if gray tinted windows are installed.
B- Used if latch assembly attachment screw requires a 191 hole drilled in window assembly.
C- Used if latch assembly attachment screw is bonded to window assembly.
W- These parts must be ordered from Service Spares Department, Piper Aircraft, Lock Haven, Penna.

When ordering, always specify Part Number, Description, and Serial Number of Aircraft

PIPER PARTS CATALOG

Figure and Index Number	Part Number	Code	NOMENCLATURE	No. Req.	SERIAL NUMBERS AFFECTED
23B-15	63073-00		WINDOW - Rear	2	28-7325001 to 28-7325684 incl.
	79143-00		WINDOW- Rear, left (.080 thick)	1	28-7425001 and up
	79143-03		WINDOW - Rear, left (.125 thick)	1	28-7425001 and up
	79144-00		WINDOW - Rear, right (.080 thick)	1	28-7425001 and up
	79144-03		WINDOW - Rear, right (.125 thick)	1	28-7425001 and up
	63073-02	A	WINDOW - Rear	2	28-7325001 to 28-7325684 incl.
	79143-02	A	WINDOW - Rear, left (.080 thick)	1	28-7425001 and up
	79143-04	A	WINDOW - Rear, left (.125 thick)	1	28-7425001 and up
	79144-02	A	WINDOW - Rear, right (.080 thick)	1	28-7425001 and up
	79144-04	A	WINDOW - Rear, right (.125 thick)	1	28-7425001 and up
-16	63071-02		RETAINER - Front window, front, left	1	28-7325001 to 28-7625030 incl.
	79562-00		RETAINER - Front window, front, left	1	28-7625031 and up
-17	63071-03		RETAINER - Front window, top, left	1	
-18	63071-04		RETAINER - Rear window, top, left	1	28-7325001 to 28-7325684 incl.
	79138-00		RETAINER - Rear window, top, left	1	28-7425001 and up
-19	63071-05		RETAINER - Rear window, top, right	1	28-7325001 to 28-7325684 incl.
	79139-00		RETAINER - Rear window, top, right	1	28-7425001 and up
-20	63071-06		RETAINER - Rear window, rear, left	1	28-7325001 to 28-7325684 incl.
	79140-00		RETAINER - Rear window, rear, left	1	28-7425001 and up
-21	63071-07		RETAINER - Rear window, rear, right	1	28-7325001 to 28-7325684 incl.
	79140-01		RETAINER - Rear window, rear, right	1	28-7425001 and up
-22	63071-12		R ETAINER - Front window, rear, left	1	
-23	63071-17		RETAINER - Rear window, front, left	1	28-7325001 to 28-7325684 incl.
	79137-00		RETAINER - Rear window, front, left	1	28-7425001 and up
-24	63071-18		RETAINER - Rear window, front, right	1	
-25	99879-00		RETAINER - Front window, bottom, left	1	
-26	99878-00		RETAINER - Rear window, bottom, left	1	28-7325001 to 28-7325684 incl.
	79141-00		RETAINER - Rear window, bottom, left	1	28-7425001 and up
-27	99878-01		RETAINER - Rear window, bottom, right	1	28-7325001 to 28-7325684 incl.
	79142-00		RETAINER - Rear window, bottom, right	1	28-7425001 and up
-28	99943-00		RETAINER -Side panel	6	
-29	99903-03		COVER - Window frame, front, left	1	28-7325001 to 28-7325684 incl.
	79172-07		COVER - Window frame, front, left	1	28-7425001 to 28-7625030 incl.
	79172-08		COVER - Window frame, front, left	1	28-7625031 and up
-30	99903-02		COVER - Window frame, rear, left	1	28-7325001 to 28-7325684 incl.
	79172-04		COVER - Window frame, rear, left	1	28-7425001 and up
-31	99903-04		COVER - Window frame, rear, right	1	28-7325001 to 28-7325684 incl.
	79172-05		COVER - Window frame, rear, right	1	28-7425001 and up
-32	99903-05		COVER - Windshield bow, lower, right	1	28-7325001 to 28-7325684 incl.
	79171-02		COVER - Windshield bow, lower, right	1	28-7425001 to 28-7625030 incl.
	79171-13		COVER - Windshield bow, lower, right	1	28-7625031 and up
-33	63149-16		COVER-Windshield bow, upper, left	1	28-7325001 to 28-7625030 incl
	63149-20		COVER - Windshield bow, upper, left	1	28-7625031 and up
	63149-17		COVER -Windshield bow, upper, right	1	28-7325001 to 28-7625030 incl.
	63149-21		COVER -Windshield bow, upper, right	1	28-7625031 and up
-34	78057-00		RETAINER - Window frame, extrusion	12	
-35	99990-00		CAP - Extrusion end	2	28-7325001 to 28-7325684 incl.
-36	99997-00		EXTRUSION - Vinyl	19	
-37	67556-02		TRIM - Windshield, white	1	28-7325001 to 28-7625030 incl.
	67556-04		TRIM - Windshield, white	1	28-7625031 and up

A - Used if gray tinted windows are installed.

When ordering, always specify Part Number, Description, and Serial Number of Aircraft

PIPER PARTS CATALOG

Figure and Index Number	Part Number	Code	NOMENCLATURE	No. Req.	SERIAL NUMBERS AFFECTED
23B-38	415 495	W	SCREW - (MS35206-230)	24	
	406 823	W	ANCHOR NUT - (NAS686A06K)	24	
-39	415 536	W	SCREW - (MS35206-246)	8	
	415 537	A,W	SCREW - (MS35206-247)	8	28-7425001 and up
	406 863	W	RIVNUT - (A8K-75)	8	
-40	415 544	W	SCREW - (MS35206-244)	1	
	415 535	A	SCREW - (MS35206-245)	1	28-7425001 and up
-41	415 495	W	SCREW - (MS35206-230)	2	
-42	419 746	W	SCREW - (4 x 1/2" L) Type "A"	4	
	494 001	W	WASHER - (PS10016-4)	4	
-43	581 928		PLUG- (207-200201-00-0103)	9	
			A - Used if .250 thick sound reduction windshield is installed.		
			W - These parts must be ordered from Service Spares Department, Piper Aircraft, Lock Haven, Penna.		

When ordering, always specify Part Number, Description, and Serial Number of Aircraft

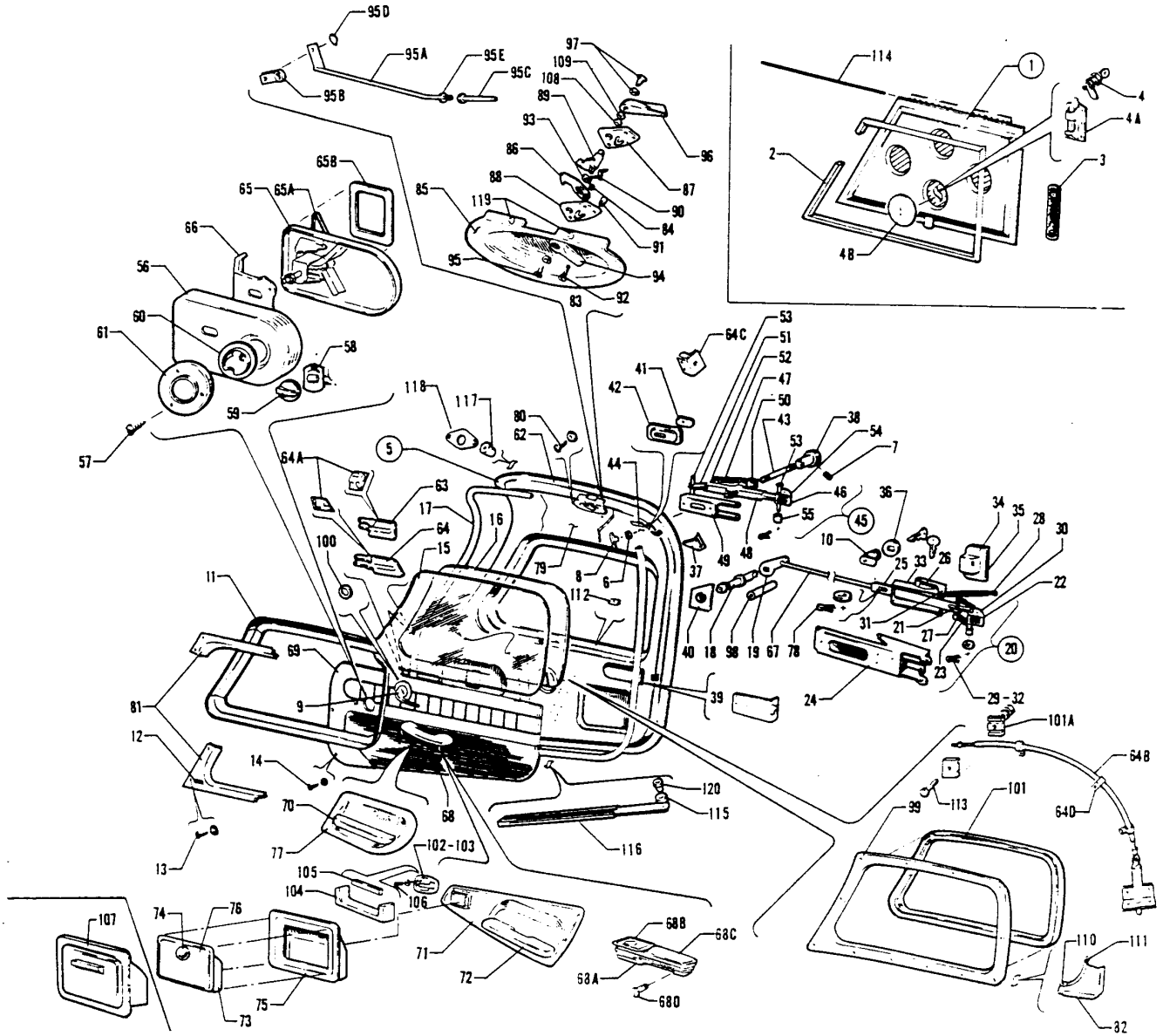


Figure 24. Cabin and Baggage Door Installation
 (See Code "A" On Next Page For Airplane Effectivity)

PIPER PARTS CATALOG

Figure and Index Number	Part Number	Code	NOMENCLATURE	No. Req.	SERIAL NUMBERS AFFECTED
24-1	62657-00	B,C	DOOR ASSEMBLY - Baggage compartment	1	
	66793-00	D	DOOR ASSEMBLY - Baggage compartment	1	
	66793-10	E	DOOR ASSEMBLY - Baggage compartment	1	
-2	19063-02	W	* MOULDING - Baggage door (quarter-round type)	9'	
	78741-02		* MOULDING - Baggage door (bulb type) 12.5' long	1	
-3	65440-801		* STRAP ASSEMBLY - Baggage door, white (11 " long)	1	
	65440-07		* STRAP ASSEMBLY - Baggage door, white (11.75" long)	1	
			A- Used on PA-28-140 with serial numbers 28-20002 to 28-7625030 inclusive, PA-28-150, PA-28-160 and PA-28-180 with serial numbers 28-1 to 28-7505261 inclusive, PA-28-235 with serial numbers 28-10003 to 28-7610020 inclusive, PA-28R-180 and PA-28R-200 with serial numbers 28R-30482, 28R-35001 to 28R-7635017 inclusive.		
			B- Used on PA-28-150, PA-28-160 and PA-28-180 with serial numbers 28-1 to 28-5313 inclusive, PA-28R-180 with serial numbers 28R-30005 to 28R-30481 inclusive, 28R-30483 to 28R-31092 inclusive, and PA-28-235 with serial numbers 28-10003 to 28-11227 inclusive.		
			C - Not available Baggage door, P/N 66793-10, will be supplied as a replacement.		
			D- Used on PA-28-180 with serial numbers 28-5314 to 28-5600 inclusive, PA-28R-180 with serial numbers 28R-31093 to 28R-31250 inclusive, PA-28R-200 with serial numbers 28R-30482, 28R-35001 to 28R-35600 inclusive, and PA-28-235 with serial numbers 28-11228 to 28-11300 inclusive.		
			E- Used on PA-28-180 with serial numbers 28-5601 and up, PA-28R-180 with serial numbers 28R-31251 and up, PA-28R-200 with serial numbers 28R-35601 and up, and PA-28-235 with serial numbers 28-11301 and up.		
			W- These parts must be ordered from Service Spares Department, Piper Aircraft, Lock Haven, Penna		

When ordering, always specify Part Number, Description, and Serial Number of Aircraft

PIPER PARTS CATALOG

Figure and Index Number	Part Number	Code	NOMENCLATURE	No. Req.	SERIAL NUMBERS AFFECTED
24-4	760 455	D,G,H	KIT - Baggage door lock replacement (with Lock) (for door without push button latch)	1	
	760 456	B,C,D,G	KIT - Baggage door lock conversion (Less lock) (tor door without push button latch)	1	
	66844-00	E,F	LOCK ASSEMBLY - Baggage door (for door with push button latch)	1	
-4a	472 010	E	LATCH - Push button (H38-.064-.460)	1	
-4b	12761-02	W	COVER ASSEMBLY - Lock access (4.75 dia.)	1	
	79452-00		COVER - Lock access (5.75 dia.)	1	
<p>A- Used on PA-28-140 with serial numbers 28-20002 to 28-7625030 inclusive, PA-28-150, PA-28-160 and PA-28-180 with serial numbers 2B-1 to 28-7505261 inclusive, PA-28-235 with serial numbers 28-10003 to 28-7610020 inclusive, PA-28R-180 and PA-28R-200 with serial numbers 28R-30482, 28R-35001 to 28R-7635017 inclusive.</p> <p>B- If Baggage Door Lock Kit with lock is desired, order Baggage Door Lock Kit 760 4550.</p> <p>C- Used on PA-28-150, PA-28-160 and PA-28-180 with serial numbers 28-1715 to 28-5313 inclusive, PA-28-235 with serial numbers 28-10487 to 28-11227 inclusive, and PA-28R-180 with serial numbers 28R-30005 to 28R-30481 inclusive, 28R-30483 to 28R-31092 inclusive.</p> <p>D- If existing lock striker plate measures 3 1/8" x 3/4" order Lock Assembly, P/N 62937-07, only.</p> <p>E- Used on PA-28-180 with serial numbers 28-5314 and up, PA-28R-180 with serial numbers 28R-31092 and up, PA-28R-200 with serial numbers 28R-30482, 28R-35001 and up, and PA-28-235 with serial numbers 28-11228 and up.</p> <p>F- If matching ignition switch, cabin door lock and baggage door lock are desired- order Kit 470 728.</p> <p>G- Order Lock Assembly, P/N 66844-00, if baggage door incorporates a push button latch.</p> <p>H- Used on PA-28-150, PA-28-160 and PA-28-180 with serial numbers 28-1 to 28-1714 inclusive, and PA-28-235 with serial numbers 28-10033 to 28-10486 inclusive.</p> <p>W- These parts must be ordered from Service Spares Department, Piper Aircraft, Lock Haven Penna.</p>					

When ordering, always specify Part Number, Description, and Serial Number of Aircraft

PIPER PARTS CATALOG

Figure and Index Number	Part Number	Code	NOMENCLATURE	No. Req.	SERIAL NUMBERS AFFECTED
24-5	63006-00	C	DOOR ASSEMBLY - Complete	1	28-1 to 28-130 inclusive
	63006-09	C	DOOR ASSEMBLY - Complete	1	28-131 to 28-670 inclusive
	63006-10	C	DOOR ASSEMBLY - Complete	1	28-671 to 28-990 inclusive
	63055-00	C,D	DOOR ASSEMBLY - Complete	1	28-991 to 28-1760 inclusive
	65307-00	C,E	DOOR ASSEMBLY - Complete	1	28-10003 to 28-10675 inclusive
	63055-03	C,G	DOOR ASSEMBLY - Complete	1	28-20002 to 28-21467 inclusive
	65307-00	C,D	DOOR ASSEMBLY - Complete	1	28-1761 to 28-2477 inclusive
	65481-00	C,D	DOOR ASSEMBLY - Complete	1	28-2478 to 28-4377 inclusive
	65481-00	C,E	DOOR ASSEMBLY - Complete	1	28-10676 to 28-10719 inclusive
	63055-04	C,G	DOOR ASSEMBLY - Complete	1	28-21468 to 28-24999 inclusive
	66657-00	C,G	DOOR ASSEMBLY - Complete	1	28-25000 to 28-26400 inclusive
	65631-00	C,E	DOOR ASSEMBLY - Complete	1	28-10720 to 28-11039 inclusive
	65631-06	C,E	DOOR ASSEMBLY - Complete	1	28-11040 to 28-11185 inclusive
	66655-00	C,E	DOOR ASSEMBLY - Complete	1	28-11186 to 28-11300 inclusive
	67306-00	B,C	DOOR ASSEMBLY - Complete		
	66656-02	C,H	DOOR ASSEMBLY - Complete		
	66656-00	C,F	DOOR ASSEMBLY - Complete	1	28-5428 to 28-5600 inclusive
	66848-00	C,F	DOOR ASSEMBLY - Complete	1	28-5601 to 28-7105244 inclusive
	66848-05	C,F	DOOR ASSEMBLY - Complete	1	28-7205001 to 28-7205238 incl.
	78082-02	C,F	DOOR ASSEMBLY - Complete	1	28-7305001 to 28-7305611 incl.
	79209-02	C,F	DOOR ASSEMBLY - Complete	1	28-7405001 and up
	66657-02	C,G	DOOR ASSEMBLY - Complete	1	28-26401 to 28-7125194inclusive
	66848-02	C,J	DOOR ASSEMBLY - Complete		
	66849-00	C E	DOOR ASSEMBLY - Complete	1	28-11301 to 28-7110042inclusive
	66849-03	C E	DOOR ASSEMBLY - Complete	1	28-7210001 to 28-7210033 incl.
	78082-02	C,E	DOOR ASSEMBLY - Complete	1	28-7310001 to 28-7310187 incl.
	79209-02	C,E	DOOR ASSEMBLY - Complete	1	28-7410001 and up
	66657-03	C,G	DOOR ASSEMBLY - Complete	1	28-7125195 to 28-7225612 in.
	78082-00	C,G	DOOR ASSEMBLY - Complete	1	28-7325001 to 28-7325684 incl.
	79209-00	C,G	DOOR ASSEMBLY - Complete	1	28-7425001 and up
	76150-00	C K	DOOR ASSEMBLY - Complete	1	28R-7235001 to 28R-7235330 incl
	78082-06	C K	DOOR ASSEMBLY - Complete	1	28R-7335001 to 28R-7335455 incl.
	79209-03	C,K	DOOR ASSEMBLY - Complete	1	28R-7435001 and up
				A-	Used on PA-28-140 with serial numbers 28-20002 to 28-7625030 inclusive, PA-28-150, PA-28-160 and PA-28-180 with serial numbers 28-1 to 28-7505261 inclusive, PA-28-235 with serial numbers 28-10003 to 28-7610020 inclusive, PA-28R-180 and PA-28R-200 . with serial numbers 28R-30482, 28R-35001 to 28R-7635017 inclusive.
			B-	Used on PA-28-180 with serial numbers 28-4378 to 28-5427 inclusive, and PA-28R-180 with serial numbers 28R-30005 to 28R-30481 inclusive, 28R-30483 to 28R-31250 inclusive.	
			C-	Complete door assembly not available Order component parts.	
			D-	Used on PA-28-150, PA-28-160 and PA-28-180 airplanes only.	
			E-	Used on PA-28-235 airplanes only	
			F-	Used on PA-28-180 airplanes only.	
			G-	Used on PA-28-140 airplanes only	
			H-	Used on PA-28R-200 with serial numbers 28R-30482. 28R-35001 to 28R-35600 inclusive.	
			J-	Used on PA-28R-180 with serial numbers 28R-31251 to 28R-7130019 inclusive, and PA-28R-200 with serial numbers 28R-35601 to 28R-7135238 inclusive.	
			K-	Used on PA-28R-200 airplanes only	

When ordering, always specify Part Number, Description, and Serial Number of Aircraft

PIPER PARTS CATALOG

Figure and Index Number	Part Number	Code	NOMENCLATURE	No. Req.	SERIAL NUMBERS AFFECTED
24-6	404 224	D,W	NUT - (AN315-3R)	1	
-7	419 973	D,W	SET SCREW - Socket (8-32 x 9/32 L)	1	
-8	471 080	D,W	KNOB - Tee (KN78A)	1	
-9	464 022	B,W	HANDLE ASSEMBLY - Door (80A-1)	1	
	464 031	C	HANDLE ASSEMBLY - Door (1H287)	1	
	464 046	E	HANDLE ASSEMBLY - Door (113-837-020)	1	
-10	752 301	F,W	LOCK ASSEMBLY - Cabin door	1	
-11	63006-07	G	ANGLE - Door trim	1	
	76158-02	H	ANGLE - Door trim, forward	1	
	76158-00	H	ANGLE - Door trim, upper center	1	
	76159-00	H	ANGLE - Door trim, lower center	1	
	76158-03	H	ANGLE - Door trim, rear	1	
			A- Used on PA-28-140 with serial numbers 28-20002 to 28-7625030 inclusive, PA-28-150, PA-28-160 and PA-28-180 with serial numbers 28-1 to 28-7505261 inclusive, PA-28-235 with serial numbers 28-10003 to 28-7610020 inclusive, PA-28R-180 and PA-28-200 with serial numbers 28R-30482, 28R-35001 to 28R-7635017 inclusive.		
			B- Used on PA-2B-150, PA-28-160 and PA-28-180 with serial numbers 28-1 to 28-4150 inclusive, PA-28-235 with serial numbers 28-10003 to 28-10719 inclusive, and PA-28-140 with serial numbers 28-20002 to 28-24999 inclusive.		
			C- Used on PA-28-150, PA-28-160 and PA-28-180 with serial numbers 284151 to 28-5427 inclusive. PA-28-235 with serial numbers 28-10720 to 28-11185 inclusive, and PA-28R-180 with serial numbers 28R-30005 to 28R-30481 inclusive, 28R-30483 to 28R-31250 inclusive.		
			D- Used on airplanes with serial numbers 28-1 to 28-990 inclusive.		
			E- Used on PA-28-140 with serial numbers 28-25000 and up, PA-28-235 with serial numbers 28-11186 and up, PA-28-180 with serial numbers 28-5428 and up. PA-28R-180 with serial numbers 28R-31251 and up. and PA-28R-200 with serial numbers 28R-30482, 28R-35001 and up.		
			F- If matching cabin door lock, baggage door lock and ignition switch are desired, order Kit 470 728.		
			G- Used on PA-28-140 with serial numbers 28-20002 and up, PA-28-150, PA-28-160 and PA-28-180 with serial numbers 28-1 to 28-7205328 inclusive, PA-28-235 with serial numbers 28-10003 to 28-10719 inclusive, PA-28R-180 with serial numbers 28R-30005 to 28R-7130019 inclusive, and PA-28R-200 with serial numbers 28R-30482, 28R-35001 to 28R-7135238 inclusive.		
			H- Used on PA-28-180 with serial numbers 28-7305001 and up, PA-28-235 with serial numbers 28-7310001 and up, and PA-28R-200 with serial numbers 28R-7235001 and up.		
			W- These parts must be ordered from Service Spares Department, Piper Aircraft, Lock Haven, Penna.		

When ordering, always specify Part Number, Description, and Serial Number of Aircraft

PIPER PARTS CATALOG

Figure and Index Number	Part Number	Code	NOMENCLATURE	No. Req.	SERIAL NUMBERS AFFECTED	
24-12	63026-00	B	PLACARD - Door latch	1	28-333 to 28-1760 inclusive	
	63026-00	D	PLACARD - Door latch	1		
	65356-00	G	PLACARD - Door latch	1		
-13	419 692	E,W	SCREW - (6 x 1/2 L) Cover, door trim	8	28-7425001 and up	
	494 003	E,W	WASHER - (6 Finishing) Cover, door trim	8		
-14	419 683	E,W	SCREW - (4 x 1/2 L) Lower door trim	8		
	494 001	E,W	WASHER - 14 Finishing) Lower door trim	8		
-15	63006-06	C	WINDOW - Cabin door (.080 thick)	1		
	79040-00	B	WINDOW - Cabin door (.125 thick)	1		
	76150-04	H	WINDOW - Cabin door (.080 thick)	1		
	76435-00	F	WINDOW - Cabin door (.125 thick)	1		
			A- Used on PA-28-140 with serial numbers 28-20002 to 28-7625030 inclusive, PA-28-150, PA-28-160 and PA-28-180 with serial numbers 28-1 to 28-7505261 inclusive, PA-28-235 with serial numbers 28-10003 to 28-7610020 inclusive, PA-28R-180 and PA-28R-200 with serial numbers 28R-30482, 28R-35001 to 28R-7635017 inclusive.			
			B- Used on PA-28-140 airplanes only.			
			C- Used on PA-28-140 with serial numbers 28-20002 and up, PA-28-150, PA-28-160 and PA-28-180 with serial numbers 28-1 to 28-7205328 inclusive, PA-28-235 with serial numbers 28-10003 to 28-10719 inclusive, PA-28R-180 with serial numbers 28R-30005 to 28R-7130019 inclusive, and PA-28R-200 with serial numbers 28R-30482, 28R-35001 to 28R-7135238 inclusive.			
			D- Used on PA-28-150, PA-28-160 and PA-28-180 airplanes only.			
			E- Used on PA-28-140 with serial numbers 28-20002 to 28-7225612 inclusive, PA-28-150, PA-28-160 and PA-28-180 with serial numbers 28-1 to 28-7205328 inclusive, PA-28-235 with serial numbers 28-10003 to 28-7210033 inclusive, PA-28R-180 with serial numbers 28R-30005 to 28R-7130019 inclusive, and PA-28R-200 with serial numbers 28R-30482. 28R-35001 to 28R-7235330 inclusive.			
			F- Used on PA-28-180 with serial numbers 28-7405001 and up, PA-28-235 with serial numbers 28-7410001 and up, and PA-28R-200 with serial numbers 28R-7435001 and up.			
			G- Used on PA-28-150, PA-28-160 and PA-28-180 with serial numbers 28-1716 to 28-4377 inclusive, and PA-28-235 with serial numbers 28-10003 to 28-10675 inclusive.			
			H- Used on PA-28-180 with serial numbers 28-7305001 and up, PA-28-235 with serial numbers 28-7310001 and up, and PA-28R-200 with serial numbers 28R-7235001 and up.			
			W- These parts must be ordered from Service Spares Department, Lock Haven, Penna			

When ordering, always specify Part Number, Description, and Serial Number of Aircraft

PIPER PARTS CATALOG

Figure and Index Number	Part Number	Code	NOMENCLATURE	No. Req.	SERIAL NUMBERS AFFECTED
24-15	66848-04	D,H	WINDOW - Cabin door (.080 thick)	1	
	79040-02	C,D	WINDOW - Cabin door (.125 thick)	1	28-7425001 and up
	76150-02	D,G	WINDOW - Cabin door (.080 thick)	1	
	76435-02	D,F	WINDOW - Cabin door (.125 thick)	1	
	65631-04	E	WINDOW - Cabin door (.060 thick)	1	28-10720 to 28-7210033inclusive
-16	65631-05	E	WINDOW - Cabin door, outer	1	28-10720 to 28-7210033inclusive
	66849-02	D,E	WINDOW - Cabin door, outer	1	28-7110001 to 28-7210033 incl.
-17	19063-02	W	MOULDING - Cabin door (quarter-round type)	12.5	
	78741-02		MOULDING - Cabin door (bulb type) 12-5' long	1	
-18	20743-00	B,W	SHAFT - Door handle	1	
-19	20747-00	B,W	LINK - Door latch	1	
-20	68188-00		LATCH ASSEMBLY - Door	1	
-21	14627-03	W	PIN - Door latch	1	
-22	69224-00		TONGUE ASSEMBLY - Door latch	1	
-23	14635-02	W	SPRING	2	
-24	79434-00		HOUSING ASSEMBLY - Door latch	1	
-25	66654-00		PLATE ASSEMBLY	1	
-26	21172-02	W	PLATE	1	
-27	81262-68	W	LINK	1	
-28	83302-43	W	SPRING	1	
			A- Used on PA-28-140 with serial numbers 28-20002 to 28-7625030 inclusive, PA-28-150, PA-28-160 and PA-28-180 with serial numbers 28-1 to 28-7505261 inclusive, PA-28-235 with serial numbers 28-10003 to 28-7610020 inclusive, PA-28R-180 and PA-28R-200 with serial numbers 28R-30482, 28R-35001 to 28R-7635017 inclusive.		
			B- Used on PA-28-140 with serial numbers 28-20002 to 28-24999 inclusive, PA-28-235 with serial numbers 28-10003 to 28-11185 inclusive, PA-28-150, PA-28-160 and PA-28-180 with serial numbers 28-1 to 28-5427 inclusive, and PA-28R-180 with serial numbers 28R-30005 to 28R-31250 inclusive.		
			C- Used on PA-28-140 airplanes only.		
			D- Used if gray tinted window is installed.		
			E- Used on PA-28-235 airplanes only.		
			F- Used on PA-28-180 with serial numbers 28-7405001 and up, PA-28-235 with serial numbers 28-7410001 and up, and PA-28R-200 with serial numbers 28R-7435001 and up.		
			G- Used on PA-28-180 with serial numbers 28-7305001 and up, PA-28-235 with serial numbers 28-7310001 and up, and PA-28R-200 with serial numbers 28R-7235001 and up.		
			H- Used on PA-28-140 with serial numbers 28-7125001 and up, PA-28-180 with serial numbers 28-7105001 to 28-7205328 inclusive, PA-28R-180 with serial numbers 28R-7130001 to 28R-7130019 inclusive, and PA-28R-200 with serial numbers 28R-7135001 to 28R-7135238 inclusive.		
			W- These parts must be ordered from Service Spares Department Aircraft, Lock Haven, Penna.		

When ordering, always specify Part Number, Description, and Serial Number of Aircraft

PIPER PARTS CATALOG

Figure and Index Number	Part Number	Code	NOMENCLATURE	No. Req.	SERIAL NUMBERS AFFECTED
24-29	424 051	W	COTTER PIN - (AN380-2-2)	1	
	424 163	W	PIN - (AN392-53)	1	
	407 562	W	WASHER - (AN960-6)	1	
-30	480 694	W	ROLL PIN - (59-028-125-05625)	1	
-31	424 162	W	PIN - (AN39249)	1	
-32	424 051	W	COTTER PIN - (AN380-2-2)	1	
	407 562	W	WASHER - (AN960-6)	1	
	14843-90	W	BUSHING	1	
-33	66641-00		PLATE - Door latch stop	1	
-34	21843 00	W	PLATE - Seal support	1	
-35	21844-00	W	SEAL	1	
-36	21176-00	W	SPACER - Door lock	2	
-37	21208-00	C,W	PLATE - Door latch trim	1	
-38	21209-00	C,W	KNOB - Door latch release	1	
-39	63012-00		PLATE - Door latch trim	1	
-40	65567-00	B	PLATE ASSEMBLY	1	
-41	21474-00	C,W	SEAL ASSEMBLY	2	
-42	21475 00	C,W	PLATE - Door lock	2	
-43	21476-02	C,W	STUD - Door latch	1	
-44	21785-02	D,W	PLACARD - Door lock, gray	1	28-20002 to 28-21467 inclusive
	21785-02	E,W	PLACARD - Door lock, gray	1	28-1 to 28-1760 inclusive
	21785-03	D,W	PLACARD - Door lock, dark brown	1	28-20002 to 28-21467 inclusive
	21785-03	E,W	PLACARD - Door lock, dark brown	1	28-1 to 28-1760 inclusive
			A- Used on PA-28-140 with serial numbers 28-20002 to 28-7625030 inclusive, PA-28-150, PA-28-160 and PA-28-180 With serial numbers 28-1 to 28-7505261 inclusive, PA-28-235 with serial numbers 28-10003 to 28-7610020 inclusive, PA-28R-180 and PA-28R-200 with serial numbers 28R-30482, 28R-35001 to 28R-7635017 inclusive.		
			B- Used on PA-28-140 with serial numbers 28-20002 to 28-24999 inclusive, PA-28-235 with serial numbers 28-10003 to 28-11185 inclusive, PA-28-150, PA-28-160 and PA-28-180 with serial numbers 28-1 to 28-5427 inclusive, and PA-28R-180 with serial numbers 28R-30005 to 28R-31250 inclusive.		
			C- Used on airplanes with serial numbers 28-1 to 28-990 inclusive.		
			D- Used on PA-28-140 airplanes one.		
			E- Used on PA-28-150, PA-28-160 and PA-28-180 airplanes only.		
			W- These parts must be ordered from Service Spares Department, Piper Aircraft, Lock Haven, Penna.		

When ordering, always specify Part Number, Description, and Serial Number of Aircraft

PIPER PARTS CATALOG

Figure and Index Number	Part Number	Code	NOMENCLATURE	No. Req.	SERIAL NUMBERS AFFECTED
24-44	65347-02	B	PLACARD - Door lock, light brown	1	
	68555-02	F	PLACARD - Door lock. light brown	1	
	68555-05	D	PLACARD - Door lock, white	1	
-45	21881-00	C,W	LATCH ASSEMBLY - auxiliary	1	
-46	14634-00	C,W	TONGUE ASSEMBLY - Auxiliary latch	1	
-47	14635-03	C,W	SPRING	2	
-48	21212-02	C,W	LINK - Actuating	1	
-49	21213-00	C,W	BRACKET ASSEMBLY	1	
-50	21214-00	C,W	SPRING CUP	1	
-51	81262-74	C,W	LINK	1	
-52	424 051	C,W	COTTER PIN - (AN380-2-2)	1	
	424 141	C,W	PIN - (AN380-2-2)	1	
-53	424 155	C,W	PIN - (AN392-35)	2	
	424 051	C,W	COTTER PIN - (AN380-2-2)	2	
-54	480 694	C,W	ROLL PIN - (59-028-125-05625)	1	
-55	82732-75	C,W	BUSHING - Door lock latch	1	
-56	21162-00	E,W	B0X - Ventilator, black	1	
-57	419 746	E,W	SCREW - (4 x 1/2")	3	
			A- Used on PA-28-140 with serial numbers 28-20002 to 28-7625030 inclusive, PA-28-150, PA-28-160 and PA-28-180 with serial numbers 28-1 to 28-7505261 inclusive, PA-28-235 with serial numbers 28-10003 to 28-7610020 inclusive, PA-28R-180 and PA-28R-200 with serial numbers 28R-30482, 28R-35001 to 28R-7635017 inclusive.		
			B- Used on PA-28-150, PA-28-160 and PA-28-180 with serial numbers 28-1761 to 28-2477 inclusive, and PA-28-235 with serial numbers 28-10153 to 28-10675 inclusive.		
			C- Used on airplanes with serial numbers 28-1 to 28-990 inclusive.		
			D- Used on PA-28-140 with serial numbers 28-7125195 and up, PA-28-180 with serial numbers 28-5601 and up, PA-28-235 with serial numbers 28-11301 and up, PA-28R-180 with serial numbers 28R-31251 and up, and PA-28R-200 with serial numbers 28R-35601 and up.		
			E- Used on PA-28-150, PA-28-160 and PA-28-180 with serial numbers 28-1 to 28-2477 inclusive, PA-28-235 with serial numbers 28-10003 to 28-10675 inclusive, and PA-28-140 with serial numbers 28-20002 to 28-24999 inclusive.		
			F- Used on PA-28-150, PA-28-160 and PA-28-180 with serial numbers 28-2478 to 28-5600 inclusive, PA-28-140 with serial numbers 28-21468 to 28-7125194 inclusive, PA-28-235 with serial numbers 28-10676 to 28-11300 inclusive, PA-28R-180 with serial numbers 28R-30005 to 28R-31250 inclusive, and PA-28R-200 with serial numbers 28R-30482, 28R-35001 to 28R-35600 inclusive.		
			W- These parts must be ordered from Service Spares Department, Piper Aircraft, Lock Haven, Penna.		

When ordering, always specify Part Number, Description, and Serial Number of Aircraft

PIPER PARTS CATALOG

Figure and Index Number	Part Number	Code	NOMENCLATURE	No. Req.	SERIAL NUMBERS AFFECTED
24-58	21257-04	J,W	PLACARD - Ventilator control knob, gray	1	
	21257-03	J,W	PLACARD - Ventilator control knob, brown	1	
-59	471 088	J	KNOB- Ventilator box, brown	1	
	471 096	J,W	KNOB- Ventilator box, gray	1	
	65287-02	G	KNOB- Ventilator box, red	1	28-10003 to 28-10152 inclusive
	65287-03	G	KNOB- Ventilator box, brown	1	28-10003 to 28-10152 inclusive
	65287-04	G	KNOB- Ventilator box, blue	1	28-10003 to 28-10152 inclusive
	65439-02	B,D	KNOB- Ventilator box, red	1	
	65439-03	B,D	KNOB- Ventilator box, brown	1	
	65439-04	B,D	KNOB- Ventilator box, blue	1	
	65439-05	D	KNOB- Ventilator box, gold	1	
-60	21154-03	H,W	DEFLECTOR- Ventilator air, brown	1	28-1 to 28-1410 inclusive
	21154-04	H,W	DEFLECTOR- Ventilator air, gray	1	28-671 to 28-140 inclusive
	63994-00	F	DEFLECTOR- Ventilator air, brown	1	
	63994-02	E	DEFLECTOR- Ventilator air, gray	1	
	63994-03	G	DEFLECTOR- Ventilator air, red	1	28-10003 to 28-10486 inclusive
	63994-04	G	DEFLECTOR- Ventilator air, blue	1	28-10003 to 28-10486 inclusive
	63994-05	C,D	DEFLECTOR- Ventilator air, red	1	
	63994-06	C,D	DEFLECTOR- Ventilator air, blue	1	
	63994-07	C,D	DEFLECTOR- Ventilator air, brown	1	
	63994-08	D	DEFLECTOR- Ventilator air, tan	1	
			A- Used on PA-28-140 with serial numbers 28-20002 to 28-7625030 inclusive, PA-28-150, PA-28-160 and PA-28-180 with serial numbers 28-1 to 28-7505261 inclusive, PA-28-235 with serial numbers 28-10003 to 28-7610020 inclusive, PA-28R-180 and PA-28R-200 with serial numbers 28R-30482, 28R-35001 to 28R-7635017 inclusive.		
			B- Used on PA-28-150, PA-28-160 and PA-28-180 with serial numbers 28-1761 to 28-2477 inclusive, and PA-28-235 with serial numbers 28-10153 to 28-10675 inclusive.		
			C- Used on PA-28-150, PA-28-160 and PA-28-180 with serial numbers 28-1761 to 28-2477 inclusive, and PA-28-235 with serial numbers 28-10487 to 28-1067 inclusive.		
			D- Used on PA-28-140 with serial numbers 28-21468 to 28-24999 inclusive		
			E- Used on PA-28-150, PA-28-160 and PA-28-180 with serial numbers 28-1411 to 28-1760 inclusive, and PA-28-140 with serial numbers 28-20002 to 28-21487 inclusive.		
			F- Used on PA-28-150, PA-28-160 and PA-28-180 with serial numbers 28-1411 to 28-1760 inclusive, PA-28-235 with serial numbers 28-10003 to 28-10486 inclusive, and PA-28-140 with serial numbers 28-20002 to 28-21467 inclusive.		
			G- Used on PA-28-235 airplanes only.		
			H- Used on PA-28-150, PA-28-160 and PA-28-180 airplanes only.		
			J- Used on PA-28-150, PA-28-160 and PA-28-180 with serial numbers 28-1 to 28-1760 inclusive- and PA-28-140 with serial numbers 28-20002 to 28-21467 inclusive.		
			W- These parts must be ordered from Service Spares Department, Piper Aircraft, Lock Haven, Penna.		

When ordering, always specify Part Number, Description, and Serial Number of Aircraft

PIPER PARTS CATALOG

Figure and Index Number	Part Number	Code	NOMENCLATURE	No. Req.	SERIAL NUMBERS AFFECTED
24-61	63152-00		PLATE - Ventilator air deflector	1	28-1 to 28-670 inclusive
	21156-00	K,W	PLATE - Ventilator air deflector	1	
-62	63000-28	E	DOOR ASSEMBLY	1	28-1 to 28-990 inclusive
	63047-07	E	DOOR ASSEMBLY	1	28-991 to 28-1760 inclusive
	63047-07	G	DOOR ASSEMBLY	1	28-20002 to 28-24999 inclusive
	63047-00	E	DOOR ASSEMBLY	1	28-1761 to 28-2477 inclusive
	63047-00	B	DOOR ASSEMBLY	1	28-10003 to 28-10675 inclusive
	63047-13	B	DOOR ASSEMBLY	1	28-10676 to 28-10719 inclusive
	63047-13	E	DOOR ASSEMBLY	1	28-2478 to 28-4377 inclusive
	63047-12	H	DOOR ASSEMBLY	1	
	66652-00	J	DOOR ASSEMBLY	1	
	66652-09	G	DOOR ASSEMBLY	1	28-7325520 and up
	63047-14	D	DOOR ASSEMBLY	1	
	76145-00	F	DOOR ASSEMBLY	1	
	76145-10	C	DOOR ASSEMBLY	1	
			A- Used on PA-28-140 with serial numbers 28-20002 to 28-7625030 inclusive, PA-28-150, PA-28-160 and PA-28-180 with serial numbers 28-1 to 28-7505261 inclusive, PA-28-235 with serial numbers 28-10003 to 28-7610020 inclusive, PA-28R-180 and PA-28R-200 with serial numbers 28R-30482, 28R-35001 to 28R-7635017 inclusive.		
			B- Used on PA-28-235 airplanes only.		
			C- Used on PA-28-180 with serial numbers 28-7305362 and up, PA-28-235 with serial numbers 28-7310128 and up, and PA-28R-200 with serial numbers 28R-7335219 and up.		
			D- Used on PA-28-180 with serial numbers 28-5428 to 28-5600 inclusive, PA-28R-200 with serial numbers 28R-30482, 28R-35001 to 28R-35600 inclusive, and PA-28-235 with serial numbers 28-11186 to 28-11300 inclusive.		
			E- Used on PA-28-150, PA-28-160 and PA-28-180 airplanes one.		
			F- Used on PA-28-180 with serial numbers 28-7305001 to 28-7305361 inclusive, PA-28-235 with serial numbers 28-7310001 to 28-7310127 inclusive, and PA-28R-200 with serial numbers 28R-7235001 to 28R-7335218 inclusive.		
			G- Used on PA-28-140 airplanes only.		
			H - Used on PA-28-180 with serial numbers 28-4378 to 28-5427 inclusive, PA-28-235 with serial numbers 28-10720 to 28-11185 inclusive, and PA-28R-180 with serial numbers 28R-30005 to 28R-31250 inclusive.		
			J- Used on PA-28-140 with serial numbers 28-25000 to 28-7325519 inclusive, PA-28-180 with serial numbers 28-5601 to 28-7205328 inclusive, PA-28R-180 with serial numbers 28R-31251 to 28R-7130019 inclusive, PA-28R-200 with serial numbers 28R-35601 to 28R-7135238 inclusive, and PA-28-235 with serial numbers 28-11301 to 28-7210033 inclusive.		
			K- Used on PA-28-150, PA-28-160 and PA-28-180 with serial numbers 28-671 to 28-2177 inclusive, PA-28-235 with serial numbers 28-10003 to 28-10675 inclusive- and PA-28-140 with serial numbers 28-20002 to 28-24999 inclusive.		
			W- These parts must be ordered from Service Spares Department, Piper Aircraft, Lock Haven. Penna		

When ordering, always specify Part Number, Description, and Serial Number of Aircraft

PIPER PARTS CATALOG

Figure and Index Number	Part Number	Code	NOMENCLATURE	No. Req.	SERIAL NUMBERS AFFECTED
24-63	63001-04		HINGE - Cabin door, top	1	28-1 to 28-544 inclusive
	63050-00	C	HINGE - Cabin door, top	1	
	66913-00	B	HINGE - Cabin door, top	1	
	66913-02	E	HINGE - Cabin door, top	1	
	66913-04	D	HINGE - Cabin door, top	1	
-64	63001-05		HINGE - Cabin door, bottom	1	28-1 to 28-544 inclusive
	63051-00	C	HINGE - Cabin door, bottom	1	
	66914-00	B	HINGE - Cabin door, bottom	1	
	66914-02	E	HINGE - Cabin door, bottom	1	
	66914-03	D	HINGE - Cabin door, bottom	1	
-64a	66915-00	B	DOUBLER ASSEMBLY - Floating, top	1	
	66916-00	B	DOUBLER ASSEMBLY - Floating, bottom	1	
			A- Used on PA-28-140 with serial numbers 28-20002 to 28-7625030 inclusive, PA-28-150, PA-28-160 and PA-28-180 with serial numbers 28-1 to 28-7505261 inclusive, PA-28-235 with serial numbers 28-10003 to 28-7610020 inclusive, PA-28R-180 and PA-28R-200 with serial numbers 28R-30482, 28R-35001 to 28R-7635017 inclusive		
			B- Used on PA-28-140 with serial numbers 28-26216 to 28-7325519 inclusive, PA-28-180 with serial numbers 28-5604 to 28-7205328 inclusive, PA-28-180 with serial numbers 28R-31251 to 28R-7130019 inclusive. PA-28R-200 with serial numbers 28R-35386 to 28R-7135238 inclusive, and PA-28-235 with serial numbers 28-11301 to 28-7210033 inclusive.		
			C- Used on PA-28-140 with serial numbers 28-20002 to 28-26215 inclusive, PA-28-150, PA-28-160 and PA-28-180 with serial numbers 28-545 to 28-5603 inclusive, PA-28R-180 with serial numbers 28R-30005 to 28R-31250 inclusive, PA-28R-200 with serial numbers 28R-30482, 28R-35001 to 28R-35385 inclusive, and PA-28-235 with serial numbers 28-10003 to 28-11300 inclusive.		
			D- Used on PA-28-140 with serial numbers 28-7325520 and up, PA-28-180 with serial numbers 28-7305362 and up, PA-28-235 with serial numbers 28-7310128 and up, and PA-28R-200 with serial numbers 28R-7335219 and up.		
			E- Used on PA-28-180 with serial numbers 28-7305001 to 28-7305361 inclusive, PA-28-235 with serial numbers 28-7310001 to 28-7310127 inclusive, and PA-28R-200 with serial numbers 28R-7235001 to 28R-7335218 inclusive.		

When ordering, always specify Part Number, Description, and Serial Number of Aircraft

PIPER PARTS CATALOG

Figure and Index Number	Part Number	Code	NOMENCLATURE	No. Req.	SERIAL NUMBERS AFFECTED
24-64b	96863-00	F,G	ACTUATOR ASSEMBLY - Lower door latch	1	
-64c	96872-00	E	BRACKET ASSEMBLY - Upper door Latch	1	
-64d	454 887	F,G,W	CLAMP - (PS10017-1-3)	3	
-65	63025-00	B	DOOR AND ACTUATOR ASSEMBLY - Ventilator	1	
-65a	65799-00	B	DOOR ASSEMBLY - Ventilator	1	
-65b	21407-00	B,W	SEAL - Ventilator door	1	
-66	21409-00	B	BRACKET - Ventilator control mounting	1	
-67	63007-00	C	ROD - Door latch	1	
	99783-00	D	ROD - Door latch	1	
			A- Used on PA-28-140 with serial numbers 28-20002 to 28-7625030 inclusive, PA-28-150, PA-28-160 and PA-28-180 with serial numbers 28-1 to 28-7505261 inclusive, PA-28-235 with serial numbers 28-10003 to 28-7610020 inclusive, PA-28R-180 and PA-28R-200 with serial numbers 28R-30482, 28R-35001 to 28R-7635017 inclusive.		
			B- Used on PA-28-150, PA-28-160 and PA-28-180 with serial numbers 28-1 to 28-2477 inclusive, PA-28-235 with serial numbers 28-10003 to 28-10675 inclusive, and PA-28-140 with serial numbers 28-20002 to 28-24999 inclusive.		
			C- Used on PA-28-140 with serial numbers 28-20002 to 28-24999 inclusive, PA-28-235 with serial numbers 28-10003 to 28-11185 inclusive, PA-28-150, PA-28-160 and PA-28-180 with serial numbers 28-1 to 28-5427 inclusive, and PA-28R-180 with serial numbers 28R-30005 to 28R-31250 inclusive.		
			D- Used on PA-28-140 with serial numbers 28-25000 and up, PA-28-235 with serial numbers 28-11186 and up, PA-28R-180 with serial numbers 28R-31251 and up, and PA-28R-200 with serial numbers 28R-30482, 28R-35001 and up.		
			E- Used on PA-28-180 with serial numbers 28-7305001 and up, PA-28-235 with serial numbers 28-7310001 and up, and PA-28R-200 with serial numbers 28R-7235001 and up.		
			F- Used on PA-28-140 with serial numbers 28-7325033 and up, PA-28-180 with serial numbers 28-7305001 and up, PA-28-235 with serial numbers 28-7310001 and up, and PA-28R-200 with serial numbers 28R-7235001 and up.		
			G- Used on PA-28-140 with serial numbers 28-25000 to 28-7325032 inclusive, PA-28-180 with serial numbers 28-5428 to 28-7205328 inclusive, PA-28-235 with serial numbers 28-11186 to 28-7210033 inclusive, PA-28R-180 with serial numbers 28R-31251 to 28R-7130019 inclusive, and PA-28R-200 with serial numbers 28R-30482. 28R-35001 to 28R-7135238 inclusive if lower door latch is installed.		
			W- These parts must be ordered from Service Spares Department, Piper Aircraft, Lock Haven, Penna.		

When ordering, always specify Part Number, Description, and Serial Number of Aircraft

PIPER PARTS CATALOG

Figure and Index Number	Part Number	Code	NOMENCLATURE	No. Req.	SERIAL NUMBERS AFFECTED
24-68	63008-02	D	*ARMREST - Brown	1	
	63008-05	D	* ARMREST - Gray	1	
	63008-12	E	* ARMREST - Red	1	28-21468 to 28-24999 inclusive
	63008-13	E	* ARMREST - Brown	1	28-21468 to 28-24999 inclusive
	63008-14	E	* ARMREST - Blue	1	28-21468 to 28-24999 inclusive
	63008-22	E	* ARMREST - Beige	1	28-20002 to 28-24999 inclusive
-68a	66710-17		* HOUSING ASSEMBLY - Armrest	1	
-68b	763 003	F	* * BOX ASSEMBLY - Ash tray (S-25-AR-C)	1	
-68c	66710-44	F,G	* PAD - Armrest	1	
	66710-21	E	* PAD - Armrest, brown	1	
	66710-26	H	* PAD - Armrest, white	1	
-68d	419 594	F	* SCREW- (AN530-10R36)	2	
-69	63009-05		* PANEL ASSEMBLY - Door trim, brown	1	28-1 to 28-130 inclusive
	63009-18		* PANEL ASSEMBLY - Door trim, brown	1	28-131 to 28-670 inclusive
	63029-00	C,J	* PANEL ASSEMBLY - Door trim	1	28-671 to 28-1760 inclusive
	65308-02	B	* PANEL ASSEMBLY - Door trim, red	1	28-10003 to 28-10094 inclusive
	65308-03	B	* PANEL ASSEMBLY - Door trim, brown	1	28-10003 to 28-10094 inclusive
	65308-04	B	* PANEL ASSEMBLY - Door trim, blue	1	28-10003 to 28-10094 inclusive
	65308-05	B	* PANEL ASSEMBLY - Door trim, red	1	28-10095 to 28-10486 inclusive
	65308-06	B	* PANEL ASSEMBLY - Door trim, brown	1	28-10095 to 28-10486 inclusive
	65308-07	B	* PANEL ASSEMBLY - Door trim, blue	1	28-10095 to 28-10486 inclusive
	62292-02	E	* PANEL ASSEMBLY - Door trim, brown	1	28-20002 to 28-21467 inclusive
	62292-03	E	* PANEL ASSEMBLY - Door trim, gray	1	28-20002 to 28-21467 inclusive
			A- Used on PA-28-140 with serial numbers 28-20002 to 28-7625030 inclusive, PA-28-150, PA-28-160 and PA-28-180 with serial numbers 28-1 to 28-7505261 inclusive, PA-28-235 with serial numbers 28-10003 to 28-7610020 inclusive, PA-28R-180 and PA-28R-200 with serial numbers 28R-30482, 28R-35001 to 28R-7635017 inclusive.		
			B- Used on PA-28-235 airplanes only.		
			C- When ordering, specify color brown or gray.		
			D- Used on PA-28-150, PA-28-160 and PA-28-180 with serial numbers 28-1 to 28-2477 inclusive, PA-28-235 with serial numbers 28-10003 to 28-10675 inclusive, and PA-28-140 with serial numbers 28-20002 to 28-24999 inclusive.		
			E- Used on PA-28-140 airplanes only.		
			F- Used on PA-28-140 with serial numbers 28-25000 and up, PA-28-180 with serial numbers 28-5601 and up, PA-28R-180 with serial numbers 28R-31251 and up, PA-28R-200 with serial numbers 28R-35601 and up, and PA-28-235 with serial numbers 28-11301 and up.		
			G- When ordering, specify color red, blue/green, gold, black or green.		
			H- Used on PA-28-180 with serial numbers 28-5601 and up, PA-28R-180 with serial numbers 28R-31251 and up, PA-28R-200 with serial numbers 28R-35601 and up, and PA-28-235 with serial numbers 28-11301 and up.		
			J- Used on PA-28-150, PA-28-160 and PA-28-180 airplanes only		

When ordering, always specify Part Number, Description, and Serial Number of Aircraft

PIPER PARTS CATALOG

Figure and Index Number	Part Number	Code	NOMENCLATURE	No. Req.	SERIAL NUMBERS AFFECTED
24-69	65308-08	D	PANEL ASSEMBLY - Door trim, red	1	
	65308-09	D	PANEL ASSEMBLY - Door trim, brown	1	
	65308-10	D	PANEL ASSEMBLY - Door trim, blue	1	
	65619-02	E	PANEL ASSEMBLY - Door trim, red	1	
	65619-03	E	PANEL ASSEMBLY - Door trim, brown	1	
	65619-04	E	PANEL ASSEMBLY - Door trim, blue	1	
	62292-04	C	PANEL ASSEMBLY - Door trim, red	1	28-21468 to 28-24999 inclusive
	66684-02	C	PANEL ASSEMBLY - Door trim, red	1	28-25000 to 28-26400 inclusive
	66684-06	C	PANEL ASSEMBLY - Door trim, red	1	28-26401 to 28-26956 inclusive
	99149-02	C	PANEL ASSEMBLY - Door trim, red	1	28-7125001 to 28-7125651 incl.
	99149-06	C	PANEL ASSEMBLY - Door trim, red	1	28-7225001 to 28-7225612 incl.
	580 336	C	PANEL ASSEMBLY - Door trim, red	1	28-7325001 to 28-7325684 incl.
	579 819	C	PANEL ASSEMBLY - Door trim, red	1	28-7425001 and up
	62292-05	C	PANEL ASSEMBLY - Door trim, brown	1	28-21468 to 28-24999 inclusive
	66684-03	C	PANEL ASSEMBLY - Door trim, brown	1	28-25000 to 28-26400 inclusive
	66684-07	C	PANEL ASSEMBLY - Door trim, brown	1	28-26401 to 28-26956 inclusive
	99149-05	C	PANEL ASSEMBLY - Door trim, green	1	28-7125001 to 28-7125651 incl.
	99149-09	C	PANEL ASSEMBLY - Door trim, green	1	28-7225001 to 28-7225612 incl.
	580 339	C	PANEL ASSEMBLY - Door trim, green	1	28-7325001 to 28-7325684 incl.
	579 816	C	PANEL ASSEMBLY - Door trim, green	1	28-7425001 and up
	62292-06	C	PANEL ASSEMBLY - Door trim, blue	1	28-21468 to 28-24999 inclusive
	66684-04	C	PANEL ASSEMBLY - Door trim, blue	1	28-25000 to 28-26400 inclusive
	66684-08	C	PANEL ASSEMBLY - Door trim, blue	1	28-26401 to 28-26956 inclusive
	99149-03	C	PANEL ASSEMBLY - Door trim, by	1	28-7125001 to 28-7125051 incl.
	99149-07	C	PANEL ASSEMBLY - Door trim, blue	1	28-7225001 to 28-7225612 incl.
	580 337	C	PANEL ASSEMBLY - Door trim, blue	1	28-7325001 to 28-7325684 incl.
	579 818	C	PANEL ASSEMBLY - Door trim, blue	1	28-7425001 and up
	62292-07	C	PANEL ASSEMBLY - Door trim, beige	1	28-20002 to 28-24999 inclusive
	66684-05	C	PANEL ASSEMBLY - Door trim, beige	1	28-25000 to 28-26400 inclusive
	66684-09	C	PANEL ASSEMBLY - Door trim, beige	1	28-26401 to 28-26956 inclusive
	99149-04	C	PANEL ASSEMBLY - Door trim, beige	1	28-7125001 to 28-7125651 incl.
	99149-08	B,C	PANEL ASSEMBLY - Door trim, beige	1	28-7225001 to 28-7225612 incl.
	580 338	C	PANEL ASSEMBLY - Door trim, gold	1	28-7325001 to 28-7325684 incl.
	579 817	C	PANEL ASSEMBLY - Door trim, gold	1	28-7425001 and up
			A- Used on PA-28-140 with serial numbers 28-20002 to 28-7625030 inclusive, PA-28-150, PA-28-160 and PA-28-180 with serial numbers 28-1 to 28-7505261 inclusive, PA-28-235 with serial numbers 28-10003 to 28-7610020 inclusive, PA-28R-180 and PA-28R-200 with serial numbers 28R-30482, 28R-35001 to 28R-7635017 inclusive.		
			B- If ordering for Flite Liner it will be necessary to specify color beige or gold.		
			C- Used on PA-28-140 airplanes only		
			D- Used on PA-28-150, PA-28-160 and PA-28-180 with serial numbers 28-1761 to 28-2477 inclusive, and PA-28-235 with serial numbers 28-10487 to 28-10675 inclusive.		
			E- Used on PA-28-150, PA-28-160 and PA-28-180 with serial numbers 28-2478 to 28-4377 inclusive, and PA-28-235 with serial numbers 28-10676 to 28-10719 inclusive.		

When ordering, always specify Part Number, Description, and Serial Number of Aircraft

PIPER PARTS CATALOG

Figure and Index Number	Part Number	Code	NOMENCLATURE	No. Req.	SERIAL NUMBERS AFFECTED
24-69	67305-02	B	PANEL ASSEMBLY - Door trim, red	1	
	67305-06	D	PANEL ASSEMBLY - Door trim, red	1	
	66936-02	E	PANEL ASSEMBLY - Door trim, red	1	
	66936-08	F	PANEL ASSEMBLY - Door trim, red	1	
	99135-02	H	PANEL ASSEMBLY - Door trim, red	1	
	99659-02	K	PANEL ASSEMBLY - Door trim, red	1	
	580 384	C	PANEL ASSEMBLY - Door trim, red	1	
	579 889	L	PANEL ASSEMBLY - Door trim, red	1	
	99135-03	G	PANEL ASSEMBLY - Door trim, red	1	
	76163-02	J	PANEL ASSEMBLY - Door trim, red	1	28R-7235001 to 28R-7235330 incl.
	580 390	J	PANEL ASSEMBLY - Door trim, red	1	28R-7335001 to 28R-7335455 incl.
	579 883	J	PANEL ASSEMBLY - Door trim, red	1	28R-7435001 and up
	67305-03	B	PANEL ASSEMBLY - Door trim, brown		
	67305-07	D	PANEL ASSEMBLY - Door trim, brown		
			A-	Used on PA-28-140 with serial numbers 28-20002 to 28-7625030 inclusive, PA-28-150, PA-28-160 and PA-28-180 with serial numbers 28-1 to 28-7505261 inclusive, PA-28-235 with serial numbers 28-10003 to 28-7610020 inclusive, PA-28R-180 and PA-28R-200 with serial numbers 28R-30482, 28R-35001 to 28R-7635017 inclusive.	
		B-	Used on PA-28-180 with serial numbers 28-4378 to 28-5427 inclusive, PA-28-235 with serial numbers 28-11040 to 28-11185 inclusive, and PA-28R-180 with serial numbers 28R-30005 to 28R-31250 inclusive.		
		C-	Used on PA-28-180 with serial numbers 28-7305001 to 28-7305611 inclusive, and PA-28-235 with serial numbers 28-7310001 to 28-7310187 inclusive.		
		D-	Used on PA-28-180 with serial numbers 28-5428 to 28-5600 inclusive, PA-28R-200 with serial numbers 28R-30482, 28R-35001 to 28R-35600 inclusive, and PA-28-235 with serial numbers 28-11186 to 28-11300 inclusive.		
		E-	Used on PA-28-180 with serial numbers 28-5601 to 28-5869 inclusive, and PA-28-235 with serial numbers 28-11301 to 28-11393 inclusive.		
		F-	Used on PA-28R-180 with serial numbers 28R-31251 to 28R-31279 inclusive, and PA-28R-200 with serial numbers 28R-35601 to 28R-35830 inclusive.		
		G-	Used on PA-28R-180 with serial numbers 28R-7130001 to 28R-7130019 inclusive, and PA-28R-200 with serial numbers 28R-7135001 to 28R-7135238 inclusive.		
		H-	Used on PA-28-180 with serial numbers 28-7105001 to 28-7105244 inclusive, and PA-28-235 with serial numbers 28-7110001 to 28-7110042 inclusive.		
		J-	Used on PA-28R-200 airplanes only.		
		K-	Used on PA-28-180 with serial numbers 28-7205001 to 28-7205328 inclusive, and PA-28-235 with serial numbers 28-7210001 to 28-7210033 inclusive.		
		L-	Used on PA-28-180 with serial numbers 28-7405001 and up, and PA-28-235 with serial numbers 28-7410001 and up.		

When ordering, always specify Part Number, Description, and Serial Number of Aircraft

PIPER PARTS CATALOG

Figure and Index Number	Part Number	Code	NOMENCLATURE	No. Req.	SERIAL NUMBERS AFFECTED
24-69	66936-05	E	PANEL ASSEMBLY - Door trim, green		
	66936-11	F	PANEL ASSEMBLY - Door trim, green		
	99135-08	H	PANEL ASSEMBLY - Door trim, green		
	99659-07	K	PANEL ASSEMBLY - Door trim, green		
	580 389	C	PANEL ASSEMBLY - Door trim, green		
	579 884	L	PANEL ASSEMBLY - Door trim, green		
	99135-09	G	PANEL ASSEMBLY - Door trim, green		
	76163-07	J	PANEL ASSEMBLY - Door trim, green	1	28R-7235001 to 28R-7235330 incl.
	580 395	J	PANEL ASSEMBLY - Door trim, green	1	28R-7335001 to 28R-7335455 incl
	579 878	J	PANEL ASSEMBLY - Door trim, green	1	28R-7435001 and up
	67305-04	B	PANEL ASSEMBLY - Door trim, blue		
	67305-08	D	PANEL ASSEMBLY - Door trim, blue		
	66936-03	E	PANEL ASSEMBLY - Door trim, blue		
	66936-09	F	PANEL ASSEMBLY - Door trim, blue		
	99135-04	H	PANEL ASSEMBLY - Door trim, blue		
	99135-05	G	PANEL ASSEMBLY- Door trim, blue		
			A- Used on PA-28-140 with serial numbers 28-20002 to 28-7625030 inclusive, PA-28-150, PA-28-160 and PA-28-180 with serial numbers 28-1 to 28-7505261 inclusive, PA-28-235 with serial numbers 28-10003 to 28-7610020 inclusive, PA-28R-180 and PA-28R-200 with serial numbers 28R-30482, 28R-35001 to 28R-7635017 inclusive.		
			B- Used on PA-28-180 with serial numbers 28-4378 to 28-5427 inclusive, PA-28-235 with serial numbers 28-11040 to 28-11185 inclusive, and PA-28R-180 with serial numbers 28R-30005 to 28R-30481 inclusive, 28R-30483 to 28R-31250 inclusive.		
			C- Used on PA-28-180 with serial numbers 28-7805001 to 28-7305611 inclusive, and PA-28-235 with serial numbers 28-7310001 to 28-7310187 inclusive.		
			D- Used on PA-28-180 with serial numbers 28-5428 to 28-5600 inclusive, PA-28R-200 with serial numbers 28R-30482, 28R-35001 to 28R-35600 inclusive, and PA-28-235 with serial numbers 28-11186 to 28-11300 inclusive.		
			E- Used on PA-28-180 with serial numbers 28-5601 to 28-5869 inclusive, and PA-28-235 with serial numbers 28-11301 to 28-11393 inclusive.		
			F- Used on PA-28R-180 with serial numbers 28R-31251 to 28R-31279 inclusive, and PA-28R-200 with serial numbers 28R-35601 to 28R-35830 inclusive.		
			G- Used on PA-28R-180 with serial numbers 28R-7130001 to 28R-7130019 inclusive, and PA-28R-200 with serial numbers 28R-7135001 to 28R-7135238 inclusive.		
			H- Used on PA-28-180 with serial numbers 28-7105001 to 28-7105244 inclusive, and PA-28-235 with serial numbers 28-7110001 to 28-7110042 inclusive.		
			J- Used on PA-28R-200 airplanes only.		
			K- Used on PA-28-180 with serial numbers 28-7205001 to 28-7205328 inclusive, and PA-28-235 with serial numbers 28-7210001 to 28-7210033 inclusive.		
			L- Used on PA-28-180 with serial numbers 28-7405001 and up. and PA-28-235 with serial numbers 28-7410001 and up.		

When ordering, always specify Part Number, Description, and Serial Number of Aircraft

PIPER PARTS CATALOG

Figure and Index Number	Part Number	Code	NOMENCLATURE	No. Req.	SERIAL NUMBERS AFFECTED	
24-69	76163-03	J	PANEL ASSEMBLY - Door trim, blue/green	1	28R-7235001 to 28R-7235330incl.	
	580 391	J	PANEL ASSEMBLY - Door trim, blue/green	1	28R-7335001 to 2BR-7335455incl.	
	579 882	J	PANEL ASSEMBLY - Door trim, blue/green	1	28R-7435001 and up	
	99659-03	K	PANEL ASSEMBLY - Door trim, blue/green	1		
	580 385	B	PANEL ASSEMBLY - Door trim, blue/green	1		
	579 888	L	PANEL ASSEMBLY - Door trim, blue/green	1		
	67305-05	C	PANEL ASSEMBLY - Door trim, beige	1		
	67305-09	D	PANEL ASSEMBLY - Door trim, beige	1		
	66936-04	E	PANEL ASSEMBLY - Door trim, beige	1		
	66936-10	F	PANEL ASSEMBLY - Door trim, beige	1		
	99135-06	H	PANEL ASSEMBLY - Door trim, beige	1		
	99135-07	G	PANEL ASSEMBLY - Door trim, beige	1		
	76163-04	J	PANEL ASSEMBLY - Door trim, gold	1	28R-7235001 to 28R-7235330incl.	
	580 392	J	PANEL ASSEMBLY - Door trim, gold	1	28R-7335001 to 28R-7335455 incl.	
	579 881	J	PANEL ASSEMBLY - Door trim, gold	1	28R-7435001 and up	
	99659-04	K	PANEL ASSEMBLY - Door trim, gold	1		
	580 386	B	PANEL ASSEMBLY - Door trim, gold	1		
	579 887	L	PANEL ASSEMBLY - Door trim, gold	1		
			A-	Used on PA-28-140 with serial numbers 28-20002 to 28-7625030 inclusive, PA-28-150, PA-28-160 and PA-28-180 with serial numbers 28-1 to 28-7505261 inclusive, PA-28-235 with serial numbers 28-10003 to 28-7610020 inclusive, PA-28R-180 and PA-28R-200 with serial numbers 28R-30482, 28R-35001 to 28R-7635017 inclusive.		
			B-	Used on PA-28-180 with serial numbers 28-7305001 to 28-7305611 inclusive, and PA-28-235 with serial numbers 28-7310001 to 28-7310187 inclusive.		
		C-	Used on PA-28-180 with serial numbers 28-4378 to 28-5427 inclusive, PA-28-235 with serial numbers 28-11040 to 28-11185 inclusive, and PA-28R-180 with serial numbers 28R-30005 to 28R-30481 inclusive, 28R-30483 to 28R-31250 inclusive.			
		D-	Used on PA-28-180 with serial numbers 28-5428 to 28-5600 inclusive, PA-28R-200 with serial numbers 28R-30482, 28R-35001 to 28R-35600 inclusive, and PA-28-235 with serial numbers 28-11186 to 28-11300 inclusive.			
		E-	Used on PA-28-180 with serial numbers 28-5601 to 28-5869 inclusive, and PA-28-235 with serial numbers 28-11301 to 28-11393 inclusive.			
		F-	Used on PA-28R-180 with serial numbers 2BR-31251 to 28R-31279 inclusive, and PA-28R-200 with serial numbers 28R-35601 to 28R-35830 inclusive.			
		G-	Used on PA-28R-180 with serial numbers 28R-7130001 to 28R-7130019 inclusive, and PA-28R-200 with serial numbers 28R-7135001 to 28R-7135238 inclusive.			
		H-	Used on PA-28-180 with serial numbers 28-7105001 to 28-7105244 inclusive, and PA-28-235 with serial numbers 28-7110001 to 28-7110042 inclusive.			
		J-	Used on PA-28R-200 airplanes only.			
		K-	Used on PA-28-180 with serial numbers 28-7205001 to 2B-7205328 inclusive, and PA-28-235 with serial numbers 28-7210001 to 28-7210033 inclusive.			
		L-	Used on PA-28-180 with serial numbers 28-7405001 and up, and PA-28-235 with serial numbers 28-7410001 and up.			

When ordering, always specify Part Number, Description, and Serial Number of Aircraft

PIPER PARTS CATALOG

Figure and Index Number	Part Number	Code	NOMENCLATURE	No. Req.	SERIAL NUMBERS AFFECTED	
24-69	67305-10	C	PANEL ASSEMBLY - Door trim, black	1		
	66936-06	E	PANEL ASSEMBLY - Door trim, black	1		
	66936-12	F	PANEL ASSEMBLY - Door trim, black	1		
	99135-10	H	PANEL ASSEMBLY - Door trim, black	1		
	99135-11	J	PANEL ASSEMBLY - Door trim, black	1		
	76163-05	D	PANEL ASSEMBLY - Door trim, black	1	28R-7235001 to 28R-7235330incl.	
	580 393	D	PANEL ASSEMBLY - Door trim, black	1	28R-7335001 to 28R-7335455incl.	
	579 880	D	PANEL ASSEMBLY - Door trim, black	1	28R-7435001 and up	
	99659-05	G	PANEL ASSEMBLY - Door trim, black	1		
	580 387	B	PANEL ASSEMBLY - Door trim, black	1		
	579 886	K	PANEL ASSEMBLY - Door trim, black	1		
	67305-11	C	PANEL ASSEMBLY - Door trim, white	1		
	66936-07	E	PANEL ASSEMBLY - Door trim, white	1		
	66936-13	F	PANEL ASSEMBLY - Door trim, white	1		
	99135-12	H	PANEL ASSEMBLY - Door trim, white	1		
	99135-13	J	PANEL ASSEMBLY - Door trim, white	1		
	76163-06	D	PANEL ASSEMBLY - Door trim, white	1	28R-7235001 to 28R-7235330 incl.	
	580 394	D	PANEL ASSEMBLY - Door trim, white	1	28R-7335001 to 28R-7335455incl.	
	579 870	D	PANEL ASSEMBLY - Door trim, white	1	28R-7435001 and up	
	99659-06	G	PANEL ASSEMBLY - Door trim, white	1		
	580 388	B	PANEL ASSEMBLY - Door trim, white	1		
	579 885	K	PANEL ASSEMBLY - Door trim, white	1		
				A- Used on PA-28-140 with serial numbers 28-20002 to 28-7625030 inclusive, PA-28-150, PA-28-160 and PA-28-180 with serial numbers 28-1 to 28-7505261 inclusive, PA-28-235 with serial numbers 28-10003 to 28-7610020 inclusive, PA-28R-180 and PA-28R-200 with serial numbers 28R-30482, 28R-35001 to 28R-7635017 inclusive.		
				B- Used on PA-28-180 with serial numbers 28-7305001 to 28-7305611 inclusive, and PA-28-235 with serial numbers 28-7310001 to 28-7310187 inclusive.		
				C- Used on PA-28R-200 with serial numbers 28R-30482, 28R-35001 to 28R-35600 inclusive.		
				D - Used on PA-28R-200 airplanes only.		
			E- Used on PA-28-180 with serial numbers 28-5601 to 28-5869 inclusive, and PA-28-235 with serial numbers 28-11301 to 28-11393 inclusive.			
			F- Used on PA-28R-180 with serial numbers 28R-31251 to 28R-31279 inclusive. and PA-28R-200 with serial numbers 28R-35601 to 28R-35830 inclusive.			
			G- Used on PA-28-180 with serial numbers 28-7205001 to 28-7205328 inclusive, and PA-28-235 with serial numbers 28-7210001 to 28-7210033 inclusive.			
			H- Used on PA-28-180 with serial numbers 28-7105001 to 28-7105244 inclusive, and PA-28-235 with serial numbers 28-7110001 to 28-7110042 inclusive.			
			J- Used on PA-28R-180 with serial numbers 28R-7130001 to 28R-7130019 inclusive, and PA-28R-200 with serial numbers 28R-7135001 to 28R-7135238 inclusive.			
			K- Used on PA-28-180 with serial numbers 28-7405001 and up. and PA-28-235 with serial numbers 28-7410001 and up.			

When ordering, always specify Part Number, Description, and Serial Number of Aircraft

PIPER PARTS CATALOG

Figure and Index Number	Part Number	Code	NOMENCLATURE	No. Req.	SERIAL NUMBERS AFFECTED
24-70	65338-02	B	ARMREST- Red	1	
	65338-03	B	ARMREST- Brown	1	
	65338-04	B	ARMREST- Blue	1	
-71	68484-01	D	PAN - Armrest	1	
-72	6B492-05	D	PAD ASSEMBLY - Armrest, red	1	
	68492-09	D	PAD ASSEMBLY - Armrest, brown	1	
	68492-13	D	PAD ASSEMBLY - Armrest, blue	1	
	68492-15	G	PAD ASSEMBLY - Armrest, beige	1	
	68492-19	F	PAD ASSEMBLY - Armrest, black	1	
	68492-21	F	PAD ASSEMBLY - Armrest, white	1	
-73	453 141	C,W	BOX - Ash (j947478)	1	
-74	65286-05	C	KNOB - Ash box, red	1	
	65286-06	C	KNOB - Ash box, blue	1	
	65286-07	C	KNOB - Ash box, brown	1	
	65286-08	E	KNOB - Ash box, tan	1	
-75	484 385	C,W	RETAINER - Ash box (947483)	1	
-76	65304-00	C	PANEL- Ash box	1	
			A- Used on PA-28-140 with serial numbers 28-20002 to 28-7625030 inclusive, PA-28-150, PA-28-160 and PA-28-180 with serial numbers 28-1 to 28-7505261 inclusive, PA-28-235 with serial numbers 28-10003 to 28-7610020 inclusive, PA-28R-180 and PA-28R-200 with serial numbers 28R-30482, 28R-35001 to 28R-7635017 inclusive.		
			B- Used on PA-28-235 with serial numbers 28-10003 to 28-10719 inclusive, and PA-28-150, PA-28-160 and PA-28-180 with serial numbers 28-1761 to 28-4377 inclusive.		
			C- Used on PA-28-180 with serial numbers 28-4378 to 28-5600 inclusive, PA-28-235 with serial numbers 28-10720 to 28-11300 inclusive, and PA-28R-180 with serial numbers 28R-30005 to 28R-31250 inclusive.		
			D- Used on PA-28-180 with serial numbers 28-4378 to 28-5600 inclusive, PA-28-235 with serial numbers 28-10720 to 28-11300 inclusive, PA-28R-180 with serial numbers 28R-30005 to 28R-31250 inclusive, and PA-28R-200 with serial numbers 28R-30482, 28R-35001 to 28R-35600 inclusive.		
			E- Used on PA-28-180 with serial numbers 28-4378 to 28-5600 inclusive, PA-28-235 with serial numbers 28-11040 to 28-11300 inclusive, and PA-28R-180 with serial numbers 28R-30005 to 28R-31250 inclusive.		
			F- Used on PA-28R-200 with serial numbers 28R-30482, 28R-35001 to 28R-35600 inclusive.		
			G- Used on PA-28-180 with serial numbers 28-4378 to 28-5600 inclusive, PA-28-235 with serial numbers 28-11040 to 28-11300 inclusive, PA-28R-180 with serial numbers 28R-30005 to 28R-31250 inclusive, and PA-28R-200 with serial numbers 28R-30482, 28R-35001 to 28R-35600 inclusive.		
			W- These parts must be ordered from Service Spares Department, Piper Aircraft, Lock Haven, Penna.		

When ordering, always specify Part Number, Description, and Serial Number of Aircraft

PIPER PARTS CATALOG

Figure and Index Number	Part Number	Code	NOMENCLATURE	No. Req.	SERIAL NUMBERS AFFECTED	
24-77	65238-07	D	PANEL - Armrest, red	1	28-10003 to 28-10486 inclusive	
	65238-03	D	PANEL - Armrest, brown	1	28-10003 to 28-10486 inclusive	
	65238-05	D	PANEL - Armrest, blue	1	28-10003 to 28-10486 inclusive	
	65238-13	E	PANEL - Armrest, red	1		
	65238-09	E	PANEL - Armrest, brown	1		
	65238-11	E	PANEL - Armrest, blue	1		
-78	80122-05	C,W	WASHER	2		
	424 051	C,W	COTTER PIN - (AN380-2-2)	2		
	587 221	B	SPRING - (113-837-199)	1		
-79	63150-00		PANEL - Door, top, brown	1	28-6 to 28-670 inclusive. 28-932 to 28-990 inclusive	
	63150-04	G	PANEL - Door, top	1	28-671 to 28-931 inclusive	
	63187-06	H	PANEL - Door, top, brown	1	28-991 to 28-1760 inclusive	
	63187-06	F	PANEL - Door, top, brown	1	28-20002 to 28-21045 inclusive	
	63187-07	H	PANEL - Door, top, gray	1	28-991 to 28-1760 inclusive	
	63187-07	F	PANEL - Door, top, gray	1	28-20002 to 28-21045 inclusive	
	A-			Used on PA-28-140 with serial numbers 28-20002 to 28-7625030 inclusive, PA-28-150, PA-28-160 and PA-28-180 with serial numbers 28-1 to 28-7505261 inclusive, PA-28-235 with serial numbers 28-10003 to 28-7610020 inclusive, PA-28R-180 and PA-28R-200 with serial numbers 28R-30482, 28R-35001 to 28R-7635017 inclusive.		
	B-			Used on PA-28-140 with serial numbers 28-25000 and up, PA-28-235 with serial numbers 28-11186 and up, PA-28-180 with serial numbers 28-5428 and up, PA-28R-200 with serial numbers 28R-30482, 28R-35001 and up, and PA-28R-180 with serial numbers 28R-31251 and up.		
	C-			Used on PA-28-150, PA-28-160 and PA-28-180 with serial numbers 28-1 to 28-5427 inclusive, PA-28R-180 with serial numbers 28R-30005 to 28R-31250 inclusive, PA-28-140 with serial numbers 28-20002 to 28-24999 inclusive, and PA-28-235 with serial numbers 28-10003 to 28-11185 inclusive.		
	D-			Used on PA-28-235 airplanes only.		
E-			Used on PA-28-150, PA-28-160 and PA-28-180 with serial numbers 28-1761 to 28-4377 inclusive, and PA-28-235 with serial numbers 28-10487 to 28-10719 inclusive.			
F-			Used on PA-28-140 airplanes only.			
G-			When ordering, specify color brown or gray.			
H-			Used on PA-28-150, PA-28-160 and PA-28-180 airplanes only.			
W-			These parts must be ordered from Service Spares Department, Piper Aircraft, Lock Haven, Penna.			

When ordering, always specify Part Number, Description, and Serial Number of Aircraft

PIPER PARTS CATALOG

Figure and Index Number	Part Number	Code	NOMENCLATURE	No. Req.	SERIAL NUMBERS AFFECTED
24-79	63187-11	B	PANEL - Door, top, sand	1	
	63187-12	D	PANEL - Door, top, white	1	
	76162-00	C	PANEL - Door, top, white	1	28R-7235001 to 28R-7235330 incl.
-80	419 683	W	SCREW - (4 x 1/2) Door panel, top	5	28-6 and up
	494 001	W	WASHER - (4 Finishing) Door panel, top	5	28-6 and up
-81	63151-02	E	COVER - Door trim, window, bottom	1	
	76193-00	C	COVER - Door trim, window, bottom	1	28R-7235001 to 28R-7235330 incl.
	63151-03	E	COVER - Door trim, window, top	1	
	76193-02	C	COVER - Door trim, window, top	1	28R-7235001 to 28R-7235330 incl.
	78082-04	F	COVER - Door trim, window, complete	1	28-7325001 to 28-7325684 incl.
	79209-09	F	COVER - Door trim, window, complete	1	28-7425001 and up
	78082-05	H	COVER - Door trim, window, complete	1	
	79209-10	G	COVER - Door trim, Window, complete	1	
			A- Used on PA-28-140 with serial numbers 28-20002 to 28-7625030 inclusive, PA-28-150, PA-28-160 and PA-28-180 with serial numbers 28-1 to 28-7505261 inclusive, PA-28-235 with serial numbers 28-10003 to 28-7610020 inclusive, PA-28R-180 and PA-28R-200 with serial numbers 28R-30482, 28R-35001 to 28R-7635017 inclusive.		
			B- Used on PA-28-150, PA-28-160 and PA-28-180 with serial numbers 28-1761 to 28-5600 inclusive, PA-28-235 with serial numbers 28-10003 to 28-11300 inclusive, PA-28R-180 with serial numbers 28R-30005 to 28R-31250 inclusive, PA-28R-200 with serial numbers 28R-30482, 28R-35001 to 28R-35600 inclusive, and - PA-28-140 with serial numbers 28-21046 to 28-7125194 inclusive.		
			C- Used on PA-28R-200 airplanes only.		
			D- Used on PA-28-140 with serial numbers 28-7125195 to 28-7225612 inclusive, PA-28-180 with serial numbers 28-5601 to 28-7205328 inclusive, PA-28-235 with serial numbers 28-11301 to 28-7210033 inclusive, PA-28R-180 with serial numbers 28R-31251 to 28R-7130019 inclusive, and PA-28R-200 with serial numbers 28R-35601 to 28R-7135238 inclusive.		
			E- Used on PA-28-140 with serial numbers 28-20002 to 28-7225612 inclusive, PA-28-150, PA-28-160 and - PA-28-180 with serial numbers 28-1 to 28-7205328 inclusive, PA-28-235 with serial numbers 28-10003 to 28-10719 inclusive, PA-28R-180 with serial numbers 28R-30005 to 28R-7130019 inclusive, and PA-28R-200 with serial numbers 28R-30482, 28R-35001 to 28R-7135238 inclusive.		
			F- Used on PA-28-140 airplanes only.		
			G- Used on PA-28-180 with serial numbers 28-7405001 and up, PA-28-235 with serial numbers 28-7410001 and up, and PA-28R-200 with serial numbers 28R-7435001 and up.		
			H- Used on PA-28-180 with serial numbers 28-7305001 to 28-7305611 inclusive, PA-28-235 with serial numbers 28-7310001 to 28-7310187 inclusive, and PA-28R-200 with serial numbers 28R-7335001 to 28R-7335455 inclusive.		
			W-These parts must be ordered from Service Spares Department, Piper Aircraft, Lock Haven, Penna.		

When ordering, always specify Part Number, Description, and Serial Number of Aircraft

PIPER PARTS CATALOG

Figure and Index Number	Part Number	Code	NOMENCLATURE	No. Req.	SERIAL NUMBERS AFFECTED
24-82	78057-00	E.H	RETAINER - Door panel	1	
-83	63034-00	G	LATCH ASSEMBLY - Door, auxiliary, sand handle	1	
	63034-02	G	LATCH ASSEMBLY - Door, auxiliary, white handle	1	
	96919-00	F	LATCH ASSEMBLY - Door, auxiliary, white handle	1	
-84	62833-06	D	WASHER	1	
-85	63035-00	C	PAN - Door latch	1	
	68180-00	B	PAN - Door latch	1	
-86	63036-00	D	HOOK ASSEMBLY - Door latch	1	
-87	63041-00	C	PLATE - Door latch	1	
	68179-00	B	PLATE - Door latch	1	
-88	63041-02	C	PLATE - Door latch	1	
	68179-02	B	PLATE - Door latch	1	
-89	63042-00	G	CAM - Door latch	1	
	63042-02	F	CAM - Door latch	1	
-90	63045-00	D	SPRING - Door latch	1	
-91	63900-50	D	BUSHING	3	
			A- Used on PA-28-140 with serial numbers 28-20002 to 28-7625030 inclusive, PA-28-150, PA-28-160 and PA-28-180 with serial numbers 28-1 to 28-7505261 inclusive, PA-28-235 with serial numbers 28-10003 to 28-76100-20 inclusive. PA-28R-180 and PA-28R-200 with serial numbers 28R-30482, 28R-35001 to 28R-7635017 inclusive.		
			B- Used on PA-28-150, PA-28-160 and PA-28-180 with serial numbers 28-2578 and up, PA-28-140 with serial numbers 28-21096 and up, PA-28-235 with serial numbers 28-10736 and up, PA-28R-180 and PA-28R-200 airplanes.		
			C- Used on PA-28-150, PA-28-160 and PA-28-180 with serial numbers 28-991 to 28-2577 inclusive. PA-28-235 with serial numbers 28-10003 to 28-10735 inclusive, and PA-28-140 with serial numbers 28-20002 to 28-21095 inclusive.		
			D- Used on airplanes with serial numbers 28-991 and up.		
			E- Used on PA-28-140 with serial numbers 28-7325001 to 28-7325684 inclusive.		
			F- Used on PA-28-180 with serial numbers 28-7305001 and up, PA-28-235 with serial numbers 28-7310001 and up, and PA-28R-200 with serial numbers 281-7235001 and up.		
			G- Used on PA-28-140 with serial numbers 28-20002 and up, PA-28-150, PA-28-160 and PA-28-180 with serial numbers 28-991 to 28-7205328 inclusive, PA-28R-180 with serial numbers 28R-30005 to 28R-7130019 inclusive, PA-28R-200 with serial numbers 28R-30482, 28R-35001 to 28R-7135238 inclusive, and PA-28-235 with serial numbers 28-10003 to 28-7210033 inclusive.		
			H- Used on PA-28-180 with serial numbers 28-7305001 to 28-7305611 inclusive, PA-28-235 with serial numbers 28-7310001 to 28-7310187 inclusive, and PA-28R-200 with serial numbers 28R-7335001 to 28R-7335455 inclusive.		

When ordering, always specify Part Number, Description, and Serial Number of Aircraft

PIPER PARTS CATALOG

Figure and Index Number	Part Number	Code	NOMENCLATURE	No. Req.	SERIAL NUMBERS AFFECTED
24-92	414 769	F,W	SCREW - (AN507-832R14)	3	
	404 833	F,W	NUT - (MS20364-832C)	3	
-93	407 569	F,W	WASHER - (AN960-816)	1	
-94	63039-02	F	HANDLE - Door, auxiliary, sand	1	
	63039-00	F	HANDLE - Door, auxiliary, white	1	
-95	415 179		SCREW - (AN526C-832R8)	1	
	407 586	F,W	WASHER - Door handle (AN960-516L)	1	
-95a	96869-00	D	ROD ASSEMBLY - Upper latch	1	
-95b	96870-00	D	BRACKET ASSEMBLY - Rod attachment	1	
-95c	96868-00	D	PIN - Upper latch	1	
-95d	484 830	D	RING - Retainer (5115-25MD)	1	
-95e	404 224	D.W	NUT - (AN315-3R)	1	
-96	63039-00	F	HANDLE - Door, auxiliary, white	1	
-97	415 378		SCREW - (MS51957-45)	1	
	407 677	W	WASHER - (AN960C-516L)	1	
-98	14843-70	W	BUSHING - Door latch	1	28-1 to 28-670 inclusive
-99	65668-00	C	PANEL - Door window, sand	1	28-10720 to 28-11300 inclusive
	65668-02	C	PANEL - Door window, white	1	28-11301 to 28-7210033 inclusive
	62833-20	E	WASHER - Door handle	1	
-101	65177-00	C	RETAINER - Inner window	1	28-10720 to 28-7210033 inclusive
-101a	96864-00	B.G	CLAMP - Lower door latch	2	
			A- Used on PA-28-140 with serial numbers 28-20002 to 28-7625030 inclusive, PA-28-150, PA-28-160 and PA-28-180 with serial numbers 28-1 to 28-7505261 inclusive, PA-28-235 with serial numbers 28-10003 to 28-7610020 inclusive, PA-28R-180 and PA-28R-200 with serial numbers 28R-30482, 28R-35001 to 28R-7635017 inclusive.		
			B- Used on PA-28-140 with serial numbers 28-7325033 and up, PA-28-180 with serial numbers 28-7305001 and up, PA-28-235 with serial numbers 28-7310001 and up, and PA-28R-200 with serial numbers 28R-7235001 and up		
			C- Used on PA-28-235 airplanes only.		
			D- Used on PA-28-180 with serial numbers 28-7305001 and up, PA-28-235 with serial numbers 28-7310001 and up, and PA-28R-200 with serial numbers 28R-7235001 and up.		
			E- Used on PA-28-180 with serial numbers 28-4378 to 28-5427 inclusive, PA-28-235 with serial numbers 28-10720 to 28-11185 inclusive, and PA-28R-180 with serial numbers 28R-30005 to 28R-30481 inclusive. 28R-30482 to 28R-31250 inclusive.		
			F- Used on airplanes with serial numbers 28-991 and up.		
			G- Used on PA-28-140 with serial numbers 28-25000 to 28-7325032 inclusive, PA-28-180 with serial numbers 28-5428 to 28-7205328 inclusive, PA-28-235 with serial numbers 28-11186 to 28-7210033 inclusive, PA-28R-180 with serial numbers 28R-31251 to 28R-7130019 inclusive, and PA-28R-200 with serial numbers 28R-30482, 28R-35001 to 28R-7135238 inclusive if lower door latch is installed.		
			W- These parts must be ordered from Service Spares Department, Piper Aircraft, Lock Haven, Penna.		

When ordering, always specify Part Number, Description, and Serial Number of Aircraft

PIPER PARTS CATALOG

Figure and Index Number	Part Number	Code	NOMENCLATURE	No. Req.	SERIAL NUMBERS AFFECTED
24-102	459 441	C	ESCUTCHEON - (113-837-239B)	1	
-103	581 489	C	TRIM PLATE - Black (311-837-247)	1	
-104	66647-00	F	SPACER - Door handle	1	
-105	66648-00	G	SPACER - Door handle	1	
-106	486 160	C	SCREW - (N00-014-2161)	1	
	494 141	C	WASHER -(N00-012-1131)	1	
-107	489 388	B	ASH RECEIVER - (Complete) Chrome (2A20580)	1	
-108	62833-21		WASHER - Neophrane	1	
-109	407 680	W	WASHER - (AN960C-816)	1	
-110	99990-00	E	CAP - Extrusion end	2	
-111	99997-00	D	EXTRUSION - vinyl	6'	
-112	99943-00	D	RETAINER - Side panel	2	
			A- Used on PA-28-140 with serial numbers 28-20002 to 28-7625030 inclusive, PA-28-150, PA-28-160 and PA-28-180 with serial numbers 28-1 to 28-7505261 inclusive, PA-28-235 with serial numbers 28-10003 to 28-7610020 inclusive, PA-28R-180 and PA-28R-200 with serial numbers 28R-30482, 28R-35001 to 28R-7635017 inclusive.		
			B- Used on PA-28R-200 with serial numbers 28R-30482, 28R-35001 to 28R-35600 inclusive.		
			C- Used on PA-28-140 with serial numbers 28-25000 and up, PA-28-235 with serial numbers 28-11186 and up, PA-28-180 with serial numbers 28-5428 and up, PA-28R-180 with serial numbers 28R-31251 and up, and PA-28R-200 with serial numbers 28R-30482, 28R-35001 and up.		
			D - Used on PA-28-140 with serial numbers 28-7325001 and up, PA-28-180 with serial numbers 28-7305001 and up, PA-28-235 with serial numbers 28-7310001 and up, and PA-28R-200 with serial numbers 28R-7335001 and up.		
			E- Used on PA-28- 140 with serial numbers 28-7325001 to 28-7325684 inclusive, PA-28-180 with serial numbers 28-7305001 to 28-7305611 inclusive, PA-28-235 with serial numbers 28-7310001 to 28-7310187 inclusive, and PA-28R-200 with serial numbers 28R-7335001 to 28R-7335455 inclusive.		
			F- Used on PA-28-140 with serial numbers 28-25000 and up, PA-28-235 with serial numbers 28-11186 to 28-7210033 inclusive, PA-28-180 with serial numbers 28-5428 to 28-7205328 inclusive, PA-28R-180 with serial numbers 28R-31251 and up, and PA-28R-200 with serial numbers 28R-30482, 28R-35001 to 28R-7135238 inclusive.		
			G- Used on PA-28-140 with serial numbers 28-25000 and up, PA-28-235 with serial numbers 28-11186 to 28-7210033 inclusive, PA-28-180 with serial numbers 28-5428 to 28-7205328 inclusive, PA-28R-180 with serial numbers 28R-31251 to 28R-7130019 inclusive, and PA-28R-200 with serial numbers 28R-30482, 28R-35001 to 28R-7135238 inclusive.		
			W- These parts must be ordered from Service Spares Department, Piper Aircraft, Lock Haven, Penna.		

When ordering, always specify Part Number, Description, and Serial Number of Aircraft

PIPER PARTS CATALOG

Figure and Index Number	Part Number	Code	NOMENCLATURE	No. Req.	SERIAL NUMBERS AFFECTED
24-113	401 266	D,E,W	BOLT - (AN3-5A)	1	
	407 564	D,E,W	WASHER - (AN960-10)	1	
	404 887	D,E,W	NUT - (MS20365-1032C)	1	
-114	62400-02		PIN - Baggage door hinge	1	
-115	62833-39		WASHER - Door holder	2	
-116	65727-00		DOOR HOLDER ASSEMBLY	1	
-117	18063-00	W	PIN - Door support	1	28-195 to 28-990 inclusive
-118	63014-02		PLATE ASSEMBLY - Door support pin	1	28-195 to 28-990 inclusive
-119	453 857	B	BUMPER - (Y-3020) Beige	2	
	453 856	C	BUMPER - (Y-3020) White	2	
-120	63020-00	W	BUSHING - Door holder	2	28-1 to 28-1350 inclusive
	63020-02		BUSHING - Door holder	2	28-1351 and up
			A- Used on PA-28-140 with serial numbers 28-20002 to 28-7625030 inclusive, PA-28-150, PA-28-160 and PA-28-180 with serial numbers 28-1 to 28-7505261 inclusive, PA-28-235 with serial numbers 28-10003 to 28-7610020 inclusive, PA-28R-180 and PA-28R-200 with serial numbers 28R-30482, 28R-35001 to 28R-7635017 inclusive.		
			B- Used on PA-28-150, PA-28-160 and PA-28-180 with serial numbers 28-991 to 28-5600 inclusive, PA-28-140 with serial numbers 28-20002 to 28-26400 inclusive, PA-28R-180 with serial numbers 28R-30005 to 28R-30481 inclusive, 28R-30483 to 28R-31250 inclusive, PA-28R-200 with serial numbers 28R-30482, 28R-35001 to 28R-35600 inclusive, and PA-28-235 with serial numbers 28-10003 to 28-11300 inclusive.		
			C- Used on PA-28-180 with serial numbers 28-5601 and up, PA-28R-180 with serial numbers 28R-31251 and up, PA-28R-200 with serial numbers 28R-35601 and up, PA-28-235 with serial numbers 28-11301 and up, and PA-28-140 with serial numbers 28-26401 and up.		
			D- Used on PA-28-140 with serial numbers 28-25000 to 28-7325032 inclusive, PA-28-180 with serial numbers 28-5428 to 28-7205328 inclusive, PA-28-235 with serial numbers 28-11186 to 28-7210033 inclusive, PA-28R-180 with serial numbers 28R-31251 to 28R-7130019 inclusive, and PA-28R-200 with serial numbers 28R-30482, 28R-35001 to 28R-7135238 inclusive if lower door latch is installed		
			E- Used on PA-28-140 with serial numbers 28-7325033 and up, PA-28-180 with serial numbers 28-7305001 and up, PA-28-235 with serial numbers 28-7310001 and up, and PA-28R-200 with serial numbers 28R-7235001 and up.		
			W- These parts must be ordered from Service Spares Department, Piper Aircraft, Lock Haven, Penna.		

When ordering, always specify Part Number, Description, and Serial Number of Aircraft

1J3
INTENTIONALLY LEFT BLANK

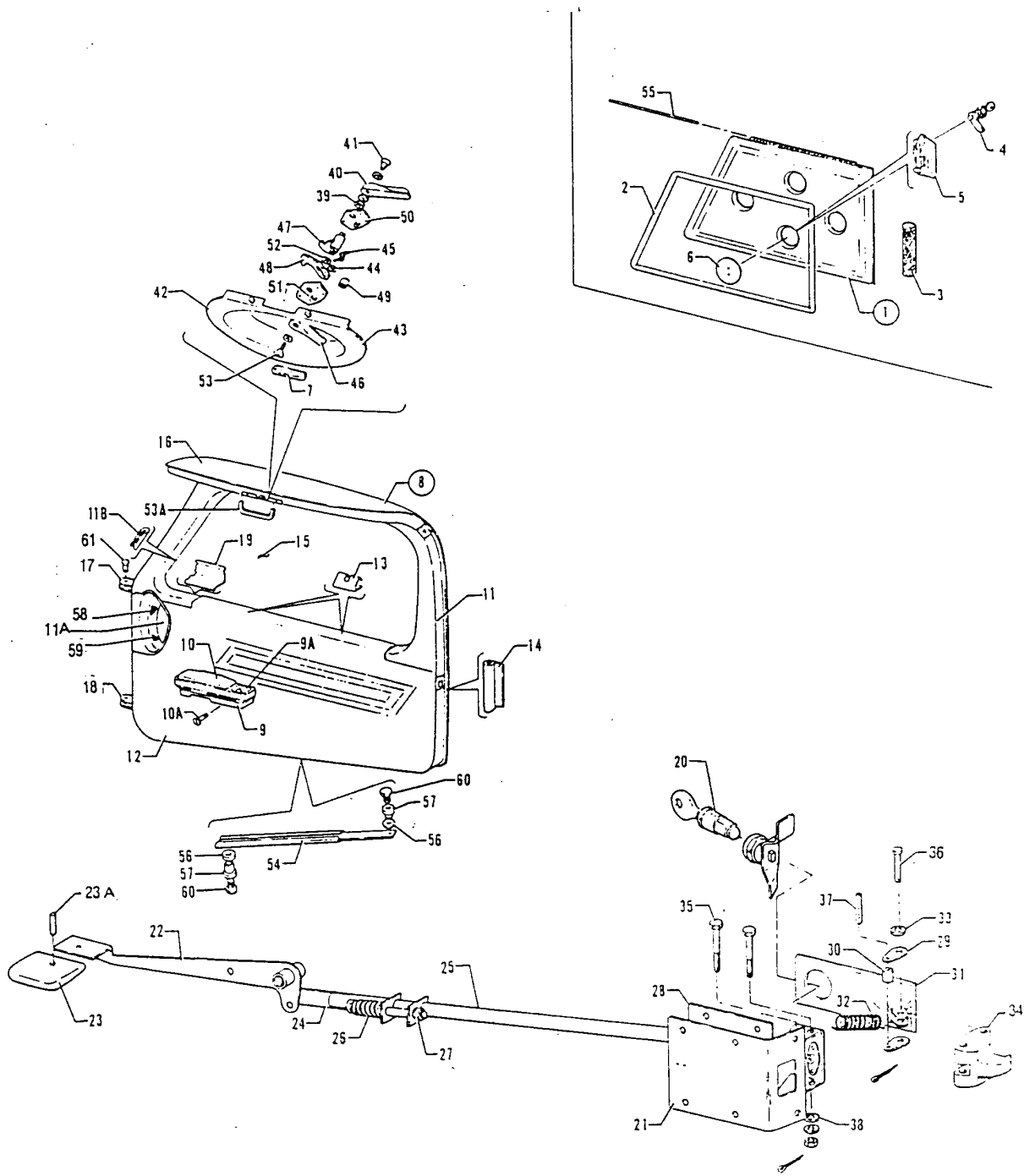


Figure 24A. Cabin and Baggage Door Installation
 (PA-28-140 - Serial Nos. 28-7625031 and up)
 (PA-28-235 - Serial Nos. 28-7610021 and up)
 (PA-28R-200 - Serial Nos. 28R-7635018 and up)

PIPER PARTS CATALOG

Figure and Index Number	Part Number	Code	NOMENCLATURE	No. Req.	SERIAL NUMBERS AFFECTED
24A-	79546		DRAWING - Doors Installation		
-1	66793-18	G	DOOR ASSEMBLY - Baggage compartment (Bonded)	1	
-2	19063-02	W	* MOLDING - Baggage door (quarter-round type)	9'	
	189 139		* MOLDING - Baggage door (bulb type)	9'	
-3	65440-801		* STRAP ASSEMBLY - Baggage door (11" L)	1	
	65440-07		* STRAP ASSEMBLY - Baggage door (11.75" L)	1	
-4	87329-08	E,G	* LOCK ASSEMBLY - Baggage door	1	
-5	472 010		* LATCH - Push button (H38-.064-.460)	1	
-6	12761-02	W	* COVER - ASSEMBLY - Lock access (4.75 dia.)	1	
	79452-00		* COVER - Lock access (5.75 dia.)	1	
-7	68555-05		PLACARD - Door lock	1	
-8	79545-00	B,D	DOOR ASSEMBLY - Complete	1	
	79545-02	B,F	DOOR ASSEMBLY - Complete	1	28-7610021 to 28-7610206 incl.
	79545-03	8,H	DOOR ASSEMBLY - Complete	1	
-9	66710-17		* HOLDER ASSEMBLY - Armrest	1	
-9a	763 003		** BOX ASSEMBLY - Ash tray (S-25-AR-C)	1	
-10	66710-44	C,J	* PAD - Armrest	1	
	580 730	K	* PAD - Armrest, mushroom	1	
	580 731	K	* PAD - Armrest, camel	1	
-10a	419 594		* SCREW - (AN530-10R36)	2	
			A- Used on PA-28-140 with serial numbers 28-7625031 and up, PA-28-235 with serial numbers 28-7610021 and up, and PA-28R-200 with serial numbers 28R-7635018 and up.		
			B- Complete door assembly not available. Order component parts.		
			C- When ordering, specify color red, blue/green, gold, black or green.		
			D- Used on PA-28-140 airplanes only		
			E- Order Kit 87329-03 if matching cabin door lock, baggage door lock and ignition switch are desired.		
			F- Used on PA-28-235 airplanes only.		
			G- Used on PA-28-235 with serial numbers 28-7610021 and up, and PA-28R-200 with serial numbers 28R-7635018 and up.		
			H- Used on PA-28-235 with serial numbers 28-7710001 and up. and PA-28R-200.		
			J- Used on PA-28-140 with serial numbers 28-7625031 to 28-7625234 inclusive, PA-28-235 with serial numbers 28-7610021 to 28-7610206 inclusive, and PA-28R-200 with serial numbers 28R-7635018 to 28R-7635503 inclusive.		
			K- Used on PA-28-140 with serial numbers 28-7725001 and up, PA-28-235 with serial numbers 28-7710001 and up, and PA-28R-200 with serial numbers 28R-7635504 and up.		
			W- These parts must be ordered from Service Spares Department, Piper Aircraft. Lock Haven, Penna.		

When ordering, always specify Part Number, Description, and Serial Number of Aircraft

PIPER PARTS CATALOG

Figure and Index Number	Part Number	Code	NOMENCLATURE	No. Req.	SERIAL NUMBERS AFFECTED
24A-11	79542-03	D	* COVER - Cabin door, upper, white	1	
	79542-04	E,F	* COVER - Cabin door, upper, white	1	
-11a	79542-05	D,G	* PAN - Door latch	1	
	79542-06	E,F,G	* PAN - Door latch	1	
-11b	99997-00		* EXTRUSION - Vinyl	7	
-12	579 607	D	* PANEL ASSEMBLY - Cabin door trim, red	1	28-7625031 to 28-7625284 incl.
	579 616	C	* PANEL ASSEMBLY - Cabin door trim, red	1	
	579 621	F	* PANEL ASSEMBLY - Cabin door trim, red	1	28R-7635018 to 28R-7635503 incl.
	579 610	D	* PANEL ASSEMBLY - Cabin door trim, blue/green	1	28-7625031 to 28-7625284 incl.
	579 617	C	* PANEL ASSEMBLY - Cabin door trim, blue/green	1	
	579 622	F	* PANEL ASSEMBLY - Cabin door trim, blue/green	1	28R-7635018 to 28R-7635503 incl.
	579 608	D	* PANEL ASSEMBLY - Cabin door trim, gold	1	28-7625031 to 28-7625284 incl.
	579 618	C	* PANEL ASSEMBLY - Cabin door trim, gold	1	
	579 623	F	* PANEL ASSEMBLY - Cabin door trim, gold	1	28R-7635018 to 28R-7635503 incl.
	579 619	C	* PANEL ASSEMBLY - Cabin door trim, black	1	
	579 624	F	* PANEL ASSEMBLY - Cabin door trim, black	1	28R-7635018 to 28R-7635503 incl.
	579 609	D	* PANEL ASSEMBLY - Cabin door trim, green	1	28-7625031 to 28-7625284 incl.
	579 620	C	* PANEL ASSEMBLY - Cabin door trim, green	1	
	579 625	F	* PANEL ASSEMBLY - Cabin door trim, green	1	28R-7635018 to 28R-7635503 incl.
	580 717	D	* PANEL ASSEMBLY - Cabin door trim, mushroom/black	1	28-7725001 and up
	580 785	D	* PANEL ASSEMBLY - Cabin door trim, camel/black	1	28-7725001 and up
	580 710	B	* PANEL ASSEMBLY - Cabin door trim, white/camel black		
-13	99943-00		* RETAINER - Side panel	2	
-14	78741-02		* MOLDING - Cabin door (bulb type) 12- 5' long	13	
-15	79475-05	D	* WINDOW - Cabin door (.080 thick), clear	1	
	79475-20	E,F	* WINDOW - Cabin door (.080 thick), clear	1	
	79475-56	D	* WINDOW - Cabin door (.125 thick), clear	1	
	79475-59	E,F	* WINDOW - Cabin door (.125 thick), clear	1	
	79475-55	D	* WINDOW - Cabin door (.080 thick), tinted	1	
	79475-58	E,F	* WINDOW - Cabin door (.080 thick), tinted	1	
	79475-57	D	* WINDOW - Cabin door (.125 thick), tinted	1	
	79475-60	E,F	* WINDOW - Cabin door (.125 thick), tinted	1	
-16	79475-00	D	* DOOR ASSEMBLY - Cabin (less window)	1	
	79475-16	E,F	* DOOR ASSEMBLY - Cabin (less window)	1	
-17	79475-07		** HINGE - Cabin door, upper	1	
			A- Used on PA-28-140 with serial numbers 28-7625031 and up. PA-28-235 with serial numbers 28-7610021 and up, and PA-28R-200 with serial numbers 28R-7635018 and up.		
			B- Used on PA-28-235 with serial numbers 28-7710001 and up, and PA-28R-200 with serial numbers 28R-7635504 and up.		
			C - Used on PA-28-235 with serial numbers 28-7610021 to 28-7610206 inclusive.		
			D- Used on PA-28-140 airplanes only.		
			E- Used on PA-28-235 airplanes only.		
			F- Used on PA-28R-200 airplanes only.		
			G- When ordering, specify color red, blue-green, gold, black, green or bark. Specify color "bark I" for PA-28-140 with serial numbers 28-7725001 to 28-7725174 inclusive, PA-28-235 with serial numbers 28-7710001 to 28-7710010 inclusive. and PA-28R-200 with serial numbers 28R-7635504 and up. Specify color "bark II" for PA-28-140 with serial numbers 28-7725175 and up. and PA-28-235 with serial numbers 28-7710011 and up.		

When ordering, always specify Part Number, Description, and Serial Number of Aircraft

PIPER PARTS CATALOG

Figure and Index Number	Part Number	Code	NOMENCLATURE	No. Req.	SERIAL NUMBERS AFFECTED
24A-18	79475-08		** HINGE - Cabin door, lower	1	
-19	79475-09	B	** RETAINER - Window	1	
	79475-22	C,D	** RETAINER - Window	1	
-20	752 301	E	** LOCK ASSEMBLY - Cabin door	1	
	87329-07	F	** LOCK ASSEMBLY - Cabin door	1	
-21	79515-35		** COVER - Cabin door latch	1	
-22	79515-13		** HANDLE - Cabin door	1	
-23	79647-02		** KNOB - Door handle	1	
-23a	419 967		** SCREW - Set (1/4-28 x 1/4" L)	1	
	486 145		** SCREW - Set (P70FS420-4C) (1/4-20 x 1/4" L)	1	
-24	79515-03	B	** LATCH ASSEMBLY - Door	1	
	79515-04	C,D	** LATCH ASSEMBLY - Door	1	
-25	79515-05	B	*** TUBE ASSEMBLY - Door latch	1	
	79515-06	C,D	*** TUBE ASSEMBLY - Door latch	1	
-26	587 398		**** SPRING - Door latch tube (PS10087-2-1)	1	
-27	400 112	W	**** BOLT - (AN4-17)	1	
	407 565	W	**** WASHER - (AN960-416)	3	
	404 101	W	**** NUT - (AN310-4)	1	
	424 051	W	**** COTTER PIN (MS24665-132)	1	
-28	79515-07		*** BOX ASSEMBLY - Door latch	1	
-29	79515-08		*** LINK - Door latch mechanism	2	
-30	79515-15		*** BUSHING - Door latch mechanism	1	
-31	79530-02		*** HANDLE - Door Latch mechanism	1	
-32	587 381		*** SPRING - (EO240-037-17505)	1	
-33	62833-105		*** WASHER - Door latch mechanism	1	
-34	79532-02		*** LATCH - Cabin door	1	
-35	400 665		*** BOLT- (AN21-31)	2	
	407 562	W	*** WASHER - (AN960-6)	2	
	404 391		*** NUT - (AN320-1)	2	
	424 041		*** COTTER PIN - (MS24665-5)	2	
-36	424 178	W	*** PIN - (MS20392-2C19)	1	
	424 041		*** COTTER PIN - (MS24665-5)	1	
-37	480 800		*** PIN - Spring (MS9048-111)	1	
-38	407 582		*** WASHER - (AN960-6L)	2	
-39	62833-21		** WASHER - Neoprene	1	
-40	63039-00		** HANDLE - Door, auxiliary latch	1	
			A- Used on PA-28-140 with serial numbers 28-7625031 and up, PA-28-235 with serial numbers 28-7610021 and up, and PA-28R-200 with serial numbers 28R - 7635018 and up.		
			B- Used on PA-28-140 airplanes only.		
			C- Used on PA-28-235 airplanes only.		
			D- Used on PA-28R-200 airplanes only.		
			E- Cabin door lock unlocks in a counterclockwise direction. If matching cabin door lock, baggage door lock and ignition switch are desired, order Kit 470 728.		
			F- Cabin door lock unlocks in a clockwise direction. If matching cabin door lock, baggage door lock and ignition switch are desired, order Kit 87329-03 for PA-28-235 and PA-28R-200. Order Kit 87329-02 for PA-28-140 only.		
			W- These parts must be ordered from Service Spares Department, Piper Aircraft, Lock Haven. Penna.		

When ordering, always specify Part Number, Description, and Serial Number of Aircraft

PIPER PARTS CATALOG

Figure and Index Number	Part Number	Code	NOMENCLATURE	No. Req.	SERIAL NUMBERS AFFECTED
24A-41	415 378		** SCREW - (MS51957-45)	1	
	62833-21		** WASHER - Neoprene	1	
	62833-107		** WASHER - Teflon	1	
	407 600	W	** WASHER - (AN960C-816)	1	
-42	79475-33		** LATCH ASSEMBLY - Door, auxiliary	1	
-43	79475-34		*** PAN - Door latch, white	1	
-44	62833-06		*** WASHER	1	
-45	63045-00		*** SPRING - Door latch	1	
-46	63039-00		*** HANDLE - Door, auxiliary	1	
-47	63042-00		*** CAM - Door latch	1	
-48	63036-03		*** HOOK ASSEMBLY - Door latch	1	
-49	63900-50		*** BUSHING	3	
-50	68179-00		*** PLATE - Door latch	1	
-51	68179-02		*** PLATE - Door latch	1	
-52	407 569	W	*** WASHER - (AN960-816)	1	
-53	415 378		*** SCREW - (MS51957-45)	1	
	407 586	W	*** WASHER - (AN960-516L)	1	
	62833-107		*** WASHER - Teflon	1	
-53A	464 412	B	* HANDLE - Door Assist (PS10091-1)	1	
-54	65727-00		DOOR HOLDER ASSEMBLY	1	
-55	62400-02		PIN - Baggage door hinge	1	
-56	62833-39		WASHER - Door holder	2	
-57	63020-02		BUSHING - Door holder	2	
-58	69669-117		PLACARD - Open	1	
-59	69669-118		PLACARD - Latch	1	
-60	400 862		BOLT - (AN23-10A)	2	
-61	424 204		PIN - (MS20392-3C13)	2	
	407 585	W	WASHER - (AN960-416L)	4	
	424 051	W	COTTER PIN - (MS24665-132)	2	
			A- Used on PA-28-140 with serial numbers 28-7625031 and up, PA-28-235 with serial numbers 28-7610021 and up, and PA-28R-200 with serial numbers 28R-7635018 and up.		
			B- Used on PA-28-235 and PA-28R-200 only.		
			W- These parts must be ordered from Service Spares Department, Piper Aircraft, Lock Haven, Penna.		

When ordering, always specify Part Number, Description, and Serial Number of Aircraft

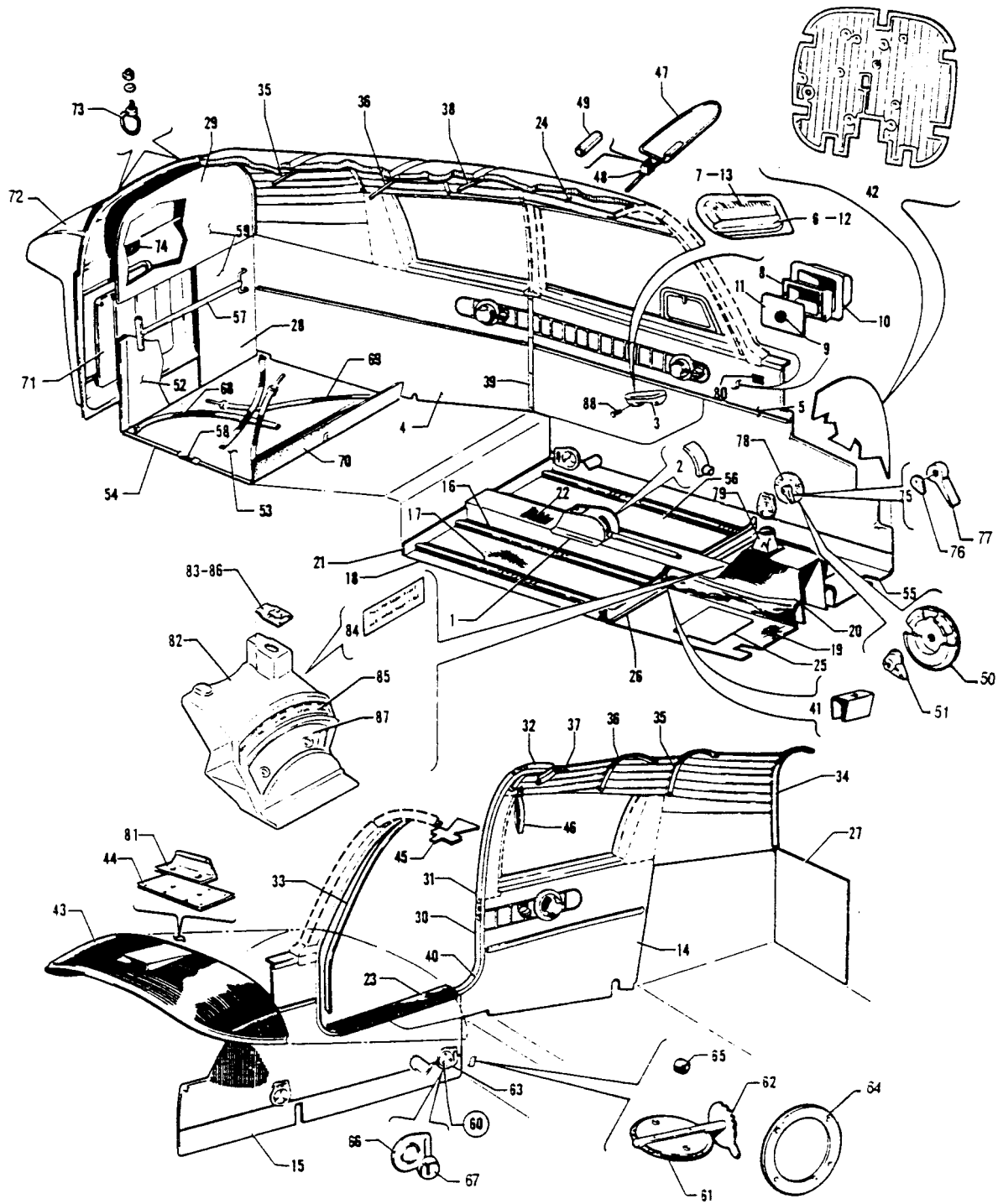


Figure 25. Cockpit Finishing Installation
 (PA-28 150 160 180 - Serial Nos. 28-1 to 28-4377 inclusive)
 (PA-28-235 - Serial Nos. 28-10003 to 28-11039 inclusive)

PIPER PARTS CATALOG

Figure and Index Number	Part Number	Code	NOMENCLATURE	No. Req.	SERIAL NUMBERS AFFECTED
25-	63106	B	DRAWING - Cockpit Finishing Installation		28-1 to 28-1760 inclusive
	62204	B	DRAWING - Cockpit Finishing Installation		28-1761 to 28-2477 inclusive
	65091	C	DRAWING - Cockpit Finishing Installation		28-10003 to 28-10486 inclusive
	62883	C	DRAWING - Cockpit Finishing Installation		28-10487 to 28-10675 inclusive
	65615	B	DRAWING - Cockpit Finishing Installation		28-2478 to 28-4377 inclusive
	65477	C	DRAWING - Cockpit Finishing Installation		28-10676 to 28-10719 inclusive
	65564	C	DRAWING - Cockpit Finishing Installation		28-10720 to 28-11039 inclusive
-1	62826-00	B	COVER - Flap handle, brown	1	28-1 to 28-1760 inclusive
	62826-02	B	COVER - Flap handle, black	1	28-671 to 28-1760 inclusive
	65224-02	D	COVER - Flap handle, brown	1	
	65670-03	C	COVER - Flap handle, brown	1	28-10720 to 28-11039 inclusive
	65224-03	C	COVER - Flap handle, red	1	28-10003 to 28-10486 inclusive
	65224-06	E	COVER - Flap handle, red	1	
	65670-02	C	COVER - Flap handle, red	1	28-10720 to 28-11039 inclusive
	65224-04	D	COVER - Flap handle, blue	1	
65670-04	C	COVER - Flap handle, blue	1	28-10720 to 28-11039 inclusive	
-2	62827-07	F	SHIELD - Flap handle	1	
	65672-05	G	SHIELD - Flap handle	1	
-3	63008-02	B	ARMREST - Brawn	1	28-1 to 28-1760 inclusive
	63008-05	B	ARMREST - Gray	1	28-671 to 28-1760 inclusive
-4	63111-05		PANEL ASSEMBLY - Left, rear, side trim, brown	1	28-1 to 28-130 inclusive
	63111-18		PANEL ASSEMBLY - Left, rear, side trim, brown	1	28-131 to 28-670 inclusive
	63169-00	B	PANEL ASSEMBLY - Left, rear, side trim, gray	1	28-671 to 28-1760 inclusive
	65288-02	C	PANEL ASSEMBLY - Left, rear, side trim, red	1	28-10003 to 28-10094 inclusive
	65288-03	C	PANEL ASSEMBLY - Left, rear, side trim, brown	1	28-10003 to 28-10094 inclusive
	65288-04	C	PANEL ASSEMBLY - Left, rear, side trim, blue	1	28-10003 to 28-10094 inclusive
	65288-05	C	PANEL ASSEMBLY - Left, rear, side trim, red	1	28-10095 to 28-10675 inclusive
	65288-06	C	PANEL ASSEMBLY - Left, rear, side trim, brown	1	28-10095 to 28-10675 inclusive
65288-07	C	PANEL ASSEMBLY - Left, rear, side trim, blue	1	28-1009S to 28-10675 inclusive	
			A-	Used on PA-28-150, PA-28-160 and PA-28-180 with serial numbers 28-1 to 28-4377 inclusive, and PA-28-235 with serial numbers 28-10003 to 28-11039 inclusive.	
			B-	Used on PA-28-150, PA-28-160 and PA-28-180 only.	
			C-	Used on PA-28-235 airplanes only.	
			D-	Used on PA-28-150, PA-28-160 and PA-28-180 with serial numbers 28-1761 to 28-4377 inclusive, and PA-28-235 with serial numbers 28-10003 to 28-10719 inclusive.	
			E-	Used on PA-28-150, PA-28-160 and PA-28-180 with serial numbers 28-1761 to 28-4377 inclusive, and PA-28-235 with serial numbers 28-10-10487 to 28-10719 inclusive.	
			F-	Used on PA-28-150, PA-28-160 and PA-28-180 with serial numbers 28-1 to 28-4377 inclusive, and PA-28-235 with serial numbers 28-10003 to 28-10719 inclusive.	
			G-	Used on PA-28-235 with serial numbers 28-10720 to 28-11039 inclusive.	

When ordering, always specify Part Number, Description, and Serial Number of Aircraft

PIPER PARTS CATALOG

Figure and Index Number	Part Number	Code	NOMENCLATURE	No. Req.	SERIAL NUMBERS AFFECTED	
25-4	65288-05		PANEL ASSEMBLY - Left, rear, side trim, red	1	28-1761 to 25-2477 inclusive	
	65288-06	B	PANEL ASSEMBLY - Left, rear, side trim, brown	1	28-1761 to 28-2477 inclusive	
	65288-07	B	PANEL ASSEMBLY - Left, rear, side trim, blue	1	28-1761 to 28-2477 inclusive	
	65613-02	E	PANEL ASSEMBLY - Left, rear, side trim, red	1		
	65613-03	E	PANEL ASSEMBLY - Left, rear, side trim, brown	1		
	65613-04	E	PANEL ASSEMBLY - Left, rear, side trim, blue	1		
	65677-02	F	PANEL ASSEMBLY - Left, rear, side trim, red	1	28-10720 to 28-11039 inclusive	
	65677-03	F	PANEL ASSEMBLY - Left, rear, side trim, brown	1	28-10720 to 28-11039 inclusive	
	65677-04	F	PANEL ASSEMBLY - Left, rear, side trim, blue	1	28-10720 to 28-11039 inclusive	
	65613-05	B	PANEL ASSEMBLY - Left, rear, side trim, red	1	28-3443 to 28-11039 inclusive	
	65613-06	B	PANEL ASSEMBLY - Left, rear, side trim, brown	1	28-3443 to 28-4377 inclusive	
	65613-07	B	PANEL ASSEMBLY - Left, rear, side trim, blue	1	28-3443 to 28-4377 inclusive	
	-5	63112-05		PANEL ASSEMBLY - Left, front, side trim, brown	1	28-1 to 28-130 inclusive
		63112-18		PANEL ASSEMBLY - Left, front, side trim, brown	1	28-131 to 28-670 inclusive
		63171-00	BC	PANEL ASSEMBLY - Left, front, side trim	1	28-671 to 28-1760 inclusive
65294-02		F	PANEL ASSEMBLY - Left, front, side trim, red	1	28-10003 to 28-10094 inclusive	
65294-03		F	PANEL ASSEMBLY - Left, front, side trim, brown	1	28-10003 to 28-10094 inclusive	
65294-04		F	PANEL ASSEMBLY - Left, front, side trim, blue	1	28-10003 to 28-10094 inclusive	
65294-05		F	PANEL ASSEMBLY - Left, front, side trim, red	1	28-10095 to 28-10486 inclusive	
65294-06		F	PANEL ASSEMBLY - Left, front, side trim, brown	1	28-10095 to 28-10486 inclusive	
65294-07		F	PANEL ASSEMBLY - Left, front, side trim, blue	1	28-10095 to 28-10486 inclusive	
65294-08		F	PANEL ASSEMBLY - Left, front, side trim, red	1	28-10487 to 28-10675 inclusive	
65294-09		F	PANEL ASSEMBLY - Left, front, side trim, brown	1	28-10487 to 28-10675 inclusive	
65294-10		F	PANEL ASSEMBLY - Left, front, side trim, blue	1	28-10487 to 28-10675 inclusive	
62205-02		B	PANEL ASSEMBLY - Left, front, side trim, red	1	28-1761 to 28-2477 inclusive	
62205-03		B	PANEL ASSEMBLY - Left, front, side trim, brown	1	28-1761 to 28-2477 inclusive	
62205-04		B	PANEL ASSEMBLY - Left, front, side trim, blue	1	28-1761 to 28-2477 inclusive	
65605-02		B	PANEL ASSEMBLY - Left, front, side trim, red	1	28-2478 to 28-4377 inclusive	
65605-03		B	PANEL ASSEMBLY - Left, front, side trim, brown	1	28-2478 to 28-4377 inclusive	
65605-04		B	PANEL ASSEMBLY - Left, front, side trim, blue	1	28-2478 to 28-4377 inclusive	
65475-02		F	PANEL ASSEMBLY - Left, front, side trim, red	1	28-10676 to 28-10719 inclusive	
65475-03		F	PANEL ASSEMBLY - Left, front, side trim, brown	1	28-10676 to 28-10719 inclusive	
65475-04		F	PANEL ASSEMBLY - Left, front, side trim, blue	1	28-10676 to 28-10719 inclusive	
68456-02		F	PANEL ASSEMBLY - Left, front, side trim, red	1	28-10720 to 28-11039 inclusive	
68456-03		F	PANEL ASSEMBLY - Left, front, side trim, brown	1	28-10720 to 28-11039 inclusive	
68456-04		F	PANEL ASSEMBLY - Left, front, side trim, blue	1	28-10720 to 28-11039 inclusive	
-6		65339-02	D	ARMREST - Red	1	
	65339-03	D	ARMREST - Brown	1		
	65339-04	D	ARMREST - Blue	1		
			<p>A- Used on PA-28-150, PA-28-160 and PA-28-180 with serial numbers 28-1 to 28-4377 inclusive, and PA-28-235 with serial numbers 28-10003 to 28-11039 inclusive.</p> <p>B- Used on PA-28-150, PA-28-160 and PA-28-180 airplanes only.</p> <p>C- When ordering, specify color brown or gray.</p> <p>D- Used on PA-28-150, PA-28-160 and PA-28-180 with serial numbers 28-1761 to 28-4377 inclusive, and PA-28-235 with serial numbers 28-10003 to 28-10719 inclusive.</p> <p>E- Used on PA-28-150, PA-28-160 and PA-28-180 with serial numbers 28-2478 to 28-3442 inclusive and PA-28-235 with serial numbers 28-10676 to 28-10719 inclusive.</p> <p>F- Used on PA-28-235 airplanes only.</p>			

When ordering, always specify Part Number, Description, and Serial Number of Aircraft

PIPER PARTS CATALOG

Figure and Index Number	Part Number	Code	NOMENCLATURE	No. Req.	SERIAL NUMBERS AFFECTED
25-7	65238-06	C	PANEL - Armrest, red	1	28-10003 to 28-10486 inclusive
	65238-02	C	PANEL - Armrest, brown	1	28-10003 to 28-10486 inclusive
	65238-04	C	PANEL - Armrest, blue	1	28-10003 to 28-10486 inclusive
	65238-12	C	PANEL - Armrest, red	1	28-10487 to 28-10719 inclusive
	65238-08	C	PANEL - Armrest, brown	1	28-10487 to 28-10719 inclusive
	65238-10	C	PANEL - Armrest, blue	1	28-10487 to 28-10719 inclusive
	65238-12	B	PANEL - Armrest, red	1	28-1761 to 28-4377 Inclusive
	65238-08	B	PANEL - Armrest, brown	1	28-1761 to 28-4377 inclusive
	65238-10	B	PANEL - Armrest, blue	1	28-1761 to 28-4377 inclusive
	-8	453 141	EW	BOX - Ash	4
-9	65286-05	E	KNOB - Ash box, red	4	
	65286-06	E	KNOB - Ash box, blue	4	
	65286-07	E	KNOB - Ash box, brown	4	
-10	484 385	EW	RETAINER - Ash box	4	
	65304-00	E	PANEL - Ash box	4	
-11	68492-02	C	PAD ASSEMBLY - Armrest, red	1	28-10720 to 28-11039 inclusive
	68492-06	C	PAD ASSEMBLY - Armrest, brown	1	28-10720 to 28-11039 inclusive
	68492-10	C	PAD ASSEMBLY - Armrest, blue	1	28-10720 to 28-11039 inclusive
-13	68484-00	C	PAN - Armrest	1	28-10720 to 28-11039 inclusive
	63113-05	B	PANEL ASSEMBLY - Right, rear, side trim, brown	1	28-1 to 28-130 inclusive
-14	63113-18	B	PANEL ASSEMBLY - Right, rear, side trim, brown	1	28-131 to 28-670 inclusive
	63170-00	B	PANEL ASSEMBLY - Right, rear, side trim, gray	1	28-671 to 28-1760 inclusive
	65309-02	C	PANEL ASSEMBLY - Right, rear, side trim, red	1	28-10003 to 28-10094 inclusive
	65309-03	C	PANEL ASSEMBLY - Right, rear, side trim, brown	1	28-10003 to 28-10094 inclusive
	65309-04	C	PANEL ASSEMBLY - Right, rear, side trim, blue	1	28-10003 to 28-10094 inclusive
	65309-05	F	PANEL ASSEMBLY - Right, rear, side trim, red	1	
	65309-06	F	PANEL ASSEMBLY - Right, rear, side trim, brown	1	
	65309-07	F	PANEL ASSEMBLY - Right, rear, side trim, blue	1	
	65612-02	D	PANEL ASSEMBLY - Right, rear, side trim, red	1	
	65612-03	D	PANEL ASSEMBLY - Right, rear, side trim, brown	1	
	65612-04	D	PANEL ASSEMBLY - Right, rear, side trim, blue	1	
	65676-02	C	PANEL ASSEMBLY - Right, rear, side trim, red	1	28-10720 to 28-11039 inclusive
	65676-03	C	PANEL ASSEMBLY - Right, rear, side trim, brown	1	28-10720 to 28-11039 inclusive
	65676-04	C	PANEL ASSEMBLY - Right, rear, side trim, blue	1	28-10720 to 28-11039 inclusive
	65612-05	B	PANEL ASSEMBLY - Right, rear, side trim, red	1	28-3443 to 28-4337 inclusive
	65612-06	B	PANEL ASSEMBLY - Right, rear, side trim, brown	1	28-3443 to 28-4337 inclusive
	65612-07	B	PANEL ASSEMBLY - Right, rear, side trim, blue	1	28-3443 to 28-4337 inclusive
			A-	Used on PA-28-150, PA-28-160 and PA-28-180 with serial numbers 28-1 to 28-4377 inclusive, and PA-28-235 with serial numbers 28-10003 to 28-11039.	
			B-	Used on PA-28-150, PA-28-160 and PA-28-180 only.	
			C-	Used on PA-28-235 airplanes only.	
			D-	Used on PA-28-150, PA-28-160 and PA-28-180 with serial numbers 28-2478 to 28-3442 inclusive, and PA-28-235 with serial numbers 28-10676 to 28-10719.	
			E-	Used on PA-28-150, PA-28-160 and PA-28-180 with serial numbers 28-1761 to 28-4377 inclusive, and PA-28-235 with serial numbers 28-10003 to 28-11039.	
			F-	Used on PA-28-150, PA-28-160 and PA-28-180 with serial numbers 28-1761 to 28-2477 inclusive, and PA-28-235 with serial numbers 28-10095 to 28-10675.	
			W-	These parts <u>must</u> be ordered from Service Spares Department, Piper Aircraft. <u>Lock Haven, Penna.</u>	

When ordering, always specify Part Number, Description, and Serial Number of Aircraft

PIPER PARTS CATALOG

Figure and Index Number	Part Number	Code	NOMENCLATURE	No. Req.	SERIAL NUMBERS AFFECTED
25-15	63114-05		PANEL ASSEMBLY - Right, front, side trim, brown	1	28-1 to 28-130 inclusive
	63114-17		PANEL ASSEMBLY - Right, front, side trim, brown	1	28-131 to 28-670 inclusive
	63172-00	BH	PANEL ASSEMBLY - Right, front, side trim	1	28-671 to 28-1760 inclusive
	65290-02	G	PANEL ASSEMBLY - Right, front, side trim, red	1	28-10003 to 28-10094 inclusive
	65290-03	G	PANEL ASSEMBLY - Right, front, side trim, brown	1	28-10003 to 28-10094 inclusive
	65290-04	G	PANEL ASSEMBLY - Right, front, side trim, blue	1	28-10003 to 28-10094 inclusive
	65290-05	F	PANEL ASSEMBLY - Right, front, side trim, red	1	
	65290-06	F	PANEL ASSEMBLY - Right, front, side trim, brown	1	
	65290-07	F	PANEL ASSEMBLY - Right, front, side trim, blue	1	
	65610-02	E	PANEL ASSEMBLY - Right, front, side trim, red	1	
	65610-03	E	PANEL ASSEMBLY - Right, front, side trim, brown	1	
	65610-04	E	PANEL ASSEMBLY - Right, front, side trim, blue	1	
	68460-02	G	PANEL ASSEMBLY - Right, front, side trim, red	1	28-10720 to 28-11039 inclusive
	68460-03	G	PANEL ASSEMBLY - Right, front, side trim, brown	1	28-10720 to 28-11039 inclusive
68460-04	G	PANEL ASSEMBLY - Right, front, side trim, blue	1	28-10720 to 28-11039 inclusive	
-16	63116-02		CARPET - Floor, rear inboard, left, brown	1	28-1 to 28-130 inclusive
	63116-03		CARPET - Floor, rear inboard, right, brown	1	28-1 to 28-130 inclusive
	63116-19		CARPET - Floor, rear inboard, brown	2	28-131 and up
	63116-31	B	CARPET - Floor, rear inboard, gray	2	28-671 to 28-1760 inclusive
	63116-41	G	CARPET - Floor, rear inboard, red	2	28-10003 to 28-10486 inclusive
	63116-95	C	CARPET - Floor, rear inboard, red	2	
	63116-50	D	CARPET - Floor, rear inboard, blue	2	
-17	63116-04	A	CARPET - Floor, rear center, brown	2	
	63116-23	B	CARPET - Floor, rear center, gray	2	28-671 to 28-1760 inclusive
	63116-40	G	CARPET - Floor, rear center, red	2	28-10003 to 28-10486 inclusive
	63116-94	C	CARPET - Floor, rear center, red	2	
-18	63116-49	D	CARPET - Floor, rear center, blue	2	
	63116-06	A	CARPET - Floor, rear outboard, brown	2	
	63116-24	B	CARPET - Floor, rear outboard, gray	2	28-671 to 28-1760 inclusive
	63116-39	G	CARPET - Floor, rear outboard, red	2	28-10003 to 28-10486 inclusive
	63116-93	C	CARPET - Floor, rear outboard, red	2	
63116-48	D	CARPET - Floor, rear outboard, blue	2		
			A- Used on PA-28-150, PA-28-160 and PA-28-180 with serial numbers 28-1 to 28-4377 inclusive, and PA-28-235 with serial numbers 28-10003 to 28-11039 inclusive.		
			B- Used on PA-28-150, PA-28-160 and PA-28-180 only.		
			C- Used on PA-28-150, PA-28-160 and PA-28-180 with serial numbers 28-1761 to 28-4377 inclusive, and PA-28-235 with serial numbers 28-10487 to 28-11039 inclusive.		
			D- Used on PA-28-150, PA-28-160 and PA-28-180 with serial numbers 28-1761 to 28-4377 inclusive, and PA-28-235 with serial numbers 28-10003 to 28-11039 inclusive.		
			E- Used on PA-28-150, PA-28-160 and PA-28-180 with serial numbers 28-2478 to 28-4377 inclusive, and PA-28-235 with serial numbers 28-10676 to 28-10719 inclusive.		
			F- Used on PA-28-150, PA-28-160 and PA-28-180 with serial numbers 28-1761 to 28-2477 inclusive, and PA-28-235 with serial numbers 28-10095 to 28-10675 inclusive.		
			G- Used on PA-28-235 airplanes only.		
			H- When ordering, specify color brown or only.		

When ordering, always specify Part Number, Description, and Serial Number of Aircraft

PIPER PARTS CATALOG

Figure and Index Number	Part Number	Code	NOMENCLATURE	No. Req.	SERIAL NUMBERS AFFECTED	
25-19	63116-37	A	CARPET - Floor, front, left, brown	1		
	63116-38	A	CARPET - Floor, front, right, brown	1		
	63116-26	B	CARPET - Floor, front, left, gray	1	28-671 to 28-1760 inclusive	
	63116-27	B	CARPET - Floor, front, right, gray	1	28-671 to 28-1760 inclusive	
	63116-43	E	CARPET - Floor, front, left, red	1	28-10003 to 28-10486 inclusive	
	63116-97	C	CARPET - Floor, front, left, red	1		
	63116-44	E	CARPET - Floor, front, right, red	1	28-10003 to 28-10486 inclusive	
	63116-98	C	CARPET - Floor, front, right, red	1		
	63116-52	D	CARPET - Floor, front, left, blue	1		
	63116-53	D	CARPET - Floor, front, right, blue	1		
	-20	63116-12	A	CARPET ASSEMBLY - Tunnel, side, left, brown	1	
		63116-13		CARPET ASSEMBLY - Tunnel, side, right, brown	1	28-1 to 28-130 inclusive
		63116-21	B	CARPET ASSEMBLY - Tunnel, side, right, brown	1	28-131 to 28-4377 inclusive
		63116-61	E	CARPET ASSEMBLY - Tunnel, side, right, brown	1	
63116-33		B	CARPET ASSEMBLY - Tunnel, side, left, gray	1	28-671 to 28-1760 inclusive	
63116-35		B	CARPET ASSEMBLY - Tunnel, side, right, gray	1	28-671 to 28-1760 inclusive	
63116-62		E	CARPET ASSEMBLY - Tunnel, side, left, red	1	28-10003 to 28-10486 inclusive	
63116-103		C	CARPET ASSEMBLY - Tunnel, side, left, red	1		
63116-64		E	CARPET ASSEMBLY - Tunnel, side, right, red	1	28-10003 to 28-10486 inclusive	
63116-105		E	CARPET ASSEMBLY - Tunnel, side, right, red	1	28-10487 to 28-11039 inclusive	
63116-83		B	CARPET ASSEMBLY - Tunnel, side, right, red	1	28-1761 to 28-4377 inclusive	
63116-63		D	CARPET ASSEMBLY - Tunnel, side, left, blue	1		
63116-65		E	CARPET ASSEMBLY - Tunnel, side, right, blue	1		
-21		63116-14	B	CARPET - Spar box, left, brown	1	28-1 to 28-1110 inclusive
	63116-15	B	CARPET - Spar box, right, brown	1	28-1 to 28-1410 inclusive	
	63116-28	B	CARPET - Spar box, left, gray	1	28-671 to 28-1410 inclusive	
	63116-29	B	CARPET - Spar box, right, gray	1	28-671 to 28-1410 inclusive	
	63116-58		CARPET - Spar box, left, brown	1	28-1411 and up	
	63116-76	B	CARPET - Spar box, right, brown	1	28-1411 to 28-4377 inclusive	
	63116-78	E	CARPET - Spar box, right, brown	1		
	63116-71	B	CARPET - Spar box, left, gray	1	28-1411 to 28-1760 inclusive	
	63116-77	B	CARPET - Spar box, right, gray	1	28-1411 to 28-1760 inclusive	
	63116-42	E	CARPET - Spar box, left, red	1	28-10003 to 28-10486 inclusive	
	63116-97	C	CARPET - Spar box, left, red	1		
	63116-74	E	CARPET - Spar box, right, red	1	28-10003 to 28-10486 inclusive	
	63116-102	E	CARPET - Spar box, right, red	1	28-10487 to 28-11039 inclusive	
	63116-91	B	CARPET - Spar box, right, red	1	28-1761 to 28-4377 inclusive	
	63116-51	D	CARPET - Spar box, left, blue	1		
	63116-75	E	CARPET - Spar box, right, blue	1		
	63116-92	B	CARPET - Spar box, right, blue	1	28-161 to 28-4377 inclusive	
				A-	Used on PA-28-150, PA-28-160 and PA-28-180 with serial numbers 28-1 to 28-4377 inclusive, and PA-28-235 with serial numbers 28-10003 to 28-11039 inclusive.	
			B-	Used on PA-28-150, PA-28-160 and PA-28-180 only.		
			C-	Used on PA-28-150 PA-28-160 and PA-28-180 with serial numbers 28-1761 to 28-4377 inclusive, and PA-28-235 with serial numbers 28-10487 to 28-11039 inclusive.		
			D-	Used on PA-28-150, PA-28-160 and PA-28-180 with serial numbers 28-1261 to 28-4377 inclusive, and PA-23-235 with serial numbers 28-10003 to 28-11039 inclusive.		
			E-	Used on PA-28-235 airplanes only.		

When ordering, always specify Part Number, Description, and Serial Number of Aircraft

PA-28-150
PA-28-160
PA-28-180
PA-28-235

PIPER PARTS CATALOG

Figure and Index Number	Part Number	Code	NOMENCLATURE	No. Req.	SERIAL NUMBERS AFFECTED	
25-22	63116-17	B	CARPET ASSEMBLY - Tunnel, top, brown	1	28-131 to 28-4337, inclusive	
	63116-34	B	CARPET ASSEMBLY - Tunnel, top, gray	1	28-671 to 28-1760 inclusive	
	63116-70	C	CARPET ASSEMBLY - Tunnel, top, brown	1		
	63116-59	C	CARPET ASSEMBLY - Tunnel, top, red	1	28-10003 to 28-10486 inclusive	
	63116-104	C	CARPET ASSEMBLY - Tunnel, top, red	1	28-1048 to 28-11039 inclusive	
	63116-87	B	CARPET ASSEMBLY - Tunnel, top, red	1	28-1761 to 28-4377 inclusive	
	63116-60	C	CARPET ASSEMBLY - Tunnel, top, blue	1		
	63116-88	B	CARPET ASSEMBLY - Tunnel, top, blue	1	28-1761 to 28-4377 inclusive	
-23	63118-00	B	SILL - Door	1	28-1 to 28-3977 inclusive	
	65546-00	B	SILL - Door	1	28-3978 to 28-4377 inclusive	
	63118-00	C	SILL - Door	1	28-10003 to 28-10719 inclusive	
	65546-00	C	SILL - Door	1	28-10720 to 28-11039 inclusive	
-24	63119-00	B	HEADLINING ASSEMBLY - Brown	1	28-1 to 28-670 inclusive. 28 -932 to 28-1760 inclusive	
	63179-00	B	HEADLINING ASSEMBLY - Gray	1	28-671 to 28-931 inclusive	
	63179-08	B	HEADLINING ASSEMBLY - Brown	1	28-671 to 28-931 inclusive	
	65328-00	D	HEADLINING ASSEMBLY - White	1		
	65328-02	C	HEADLINING ASSEMBLY - White	1	28-10933 to 28-11039 inclusive	
	-25	63130-00	C	PLATE - Heel	2	28-10003 to 28-1071 inclusive
		63130-00	B	PLATE - Heel	2	28-1 to 28-1902 inclusive
		63130-02	C	PLATE - Heel	2	28-10720 to 28-11039 inclusive
		63130-02	B	PLATE - Heel	2	28-1903 to 28-4377 inclusive
	-26	63131-00	F	COVER ASSEMBLY - Trim, brown	2	
65674-05		G	COVER ASSEMBLY - Trim, brown	2		
63131-03		B	COVER ASSEMBLY - Trim, gray	2	28-671 to 28-1760 inclusive	
63131-07		C	COVER ASSEMBLY - Trim, red	2	28-10003 to 28-10486 inclusive	
63131-10		E	COVER ASSEMBLY - Trim, red	2		
65674-07		G	COVER ASSEMBLY - Trim, red	2		
63131-08		F	COVER ASSEMBLY - Trim, blue	2		
65674-06		G	COVER ASSEMBLY - Trim, blue	2		
			<p>A- Used on PA-28-150, PA-28-160 and PA-28-180 with serial numbers 28-1 to 28-4377 inclusive, and PA-28-235 with serial numbers 28-10003 to 28-11039 inclusive.</p> <p>B- Used on PA-28-150, PA-28-160 and PA-28-180 only.</p> <p>C- Used on PA-28-235 only.</p> <p>D- Used on PA-28-150, PA-28-160 and PA-28-180 with serial numbers 28-1761 to 28-4377 inclusive, and PA-28-235 with serial numbers 28-10003 to 28-10932 inclusive.</p> <p>E- Used on PA-28-150, PA-28-160 and PA-28-180 with serial numbers 28-1761 to 28-3977 inclusive, and PA-28-235 with serial numbers 28-10487 to 28-10719 inclusive.</p> <p>F- Used on PA-28-150, PA-28-160 and PA-28-180 with serial numbers 28-1761 to 28-3977 inclusive, and PA-28-235 with serial numbers 28-10003 to 28-10719 inclusive.</p> <p>G- Used on PA-28-150, PA-28-160 and PA-28-180 with serial numbers 28-3978 to 28-4337, inclusive, and PA-28-235 with serial numbers 28-10720 to 28-11039 inclusive.</p>			

When ordering, always specify Part Number, Description, and Serial Number of Aircraft

PA-28-150
PA-28-160
PA-28-180
PA-28-235

PIPER PARTS CATALOG

Figure and Index Number	Part Number	Code	NOMENCLATURE	No. Req.	SERIAL NUMBERS AFFECTED
25-27	63140-02		PANEL - Battery access cover	1	28-1 to 28-385 inclusive, 28-389 to 28-391 inclusive.
-28	63140-03		PANEL - Baggage compartment, bottom	1	28-393 to 28-404 inclusive. 28-1 to 28-385 inclusive.
-29	63140-04		PANEL - Baggage compartment, top	1	28-389 to 28-391 inclusive. 28-393 to 28-404 inclusive. 28-1 to 28-385 inclusive.
-30	63142-02		TRIM STRIP - Door frame, bottom rear		
-31	63142-03		TRIM STRIP - Door frame, top rear	1	28-1 to 28-990 inclusive
	63142-13		TRIM STRIP - Door frame, top rear	1	28-991 and up
-32	63142-04		TRIM STRIP - Door frame, upper	1	28-1 to 28-990 inclusive
-33	63142-05		TRIM STRIP - Door frame, front	1	28-1 to 28-990 inclusive
	63142-14		TRIM STRIP - Door frame, front	1	28-991 and up
- 34	63142 -06		TRIM STRIP - Headlining	1	
-35	63142-07	E	TRIM STRIP - Headlining	1	
	63142-27	C	TRIM STRIP - Headlining	1	28-10720 to 28-11039 inclusive
- 36	63142 -08		TRIM STRIP - Headlining	1	
-37	63142-09	E	TRIM STRIP - Headlining	1	
	63142-25	C	TRIM STRIP - Headlining	1	28-10720 to 28-11039 inclusive
-38	63142-10	E	TRIM STRIP - Headlining	1	
	63142-26	C	TRIM STRIP - Headlining	1	28-10720 to 28-11039 inclusive
-39	63142-11		TRIM STRIP - Side panel	1	
-40	63106-02	B	WINDLACING - Door seal, brown	1	28-1 to 28-1760 inclusive
	63106-07	B	WINDLACING - Door seal, gray	1	28-671 to 28-1760 inclusive
	65564-02	D	WINDLACING - Door seal, white	1	
-41	63144-00		COVER - Inboard	2	
-42	63260-00	C	BLANKET - Firewall	1	28-10003 to 28-10486 inclusive
	63260-06	C	BLANKET - Firewall	1	28-10487 to 28-10719 inclusive
	65497-00	C	BLANKET - Firewall	1	28-10720 to 28-11039 inclusive
	63260-00	B	BLANKET - Firewall	1	28-1 to 28-1760 inclusive
	62271-00	B	BLANKET - Firewall	1	28-1761 to 28-4377 inclusive
-43	63930-00	B	COVER - Cowl	1	28-1 to 28-4199 inclusive
	63930-00	C	COVER - Cowl	1	28-10003 to 28-10964 inclusive
	67325-00	B	COVER - Cowl	1	28-4200 to 28-4377 inclusive
	67325-00	C	COVER - Cowl	1	28-10965 to 28-11039 inclusive

- A- Used on PA-28 -150, PA-28-160 and PA- 28 -180 with serial numbers 28-1 to 28-4377 inclusive, and PA-28-235 with serial numbers 28-10003 to 28-11039 inclusive.
- B- Used on PA-28-150, PA-28-160 and PA-28-180 only.
- C- Used on PA-28-235 airplanes only.
- D- Used on PA-28-150, PA-28-160 and PA-28-180 with serial numbers 28-1761 to 28-4377, inclusive, and PA-28-235 with serial numbers 28-10003 to 28-11039 inclusive.
- E- Used on PA-28-235 with serial numbers 28-10003 to 28-10719 inclusive, and PA-28-150, PA-28-160 and PA-28-180 with serial numbers 28-1 to 28-4377 inclusive.

When ordering, always specify Part Number, Description, and Serial Number of Aircraft

PIPER PARTS CATALOG

Figure and Index Number	Part Number	Code	NOMENCLATURE	No. Req.	SERIAL NUMBERS AFFECTED
25-44	62694-00		PLATE ASSEMBLY - Assist handle	1	
-45	63104-03		FAIRING - Cabin light panel	1	28-1 to 28-274 inclusive
-46	19927-03	C,W	LOOP ASSEMBLY - Assist	1	28-1 to 28-670 inclusive
	63033-02	B,C	LOOP ASSEMBLY - Assist brown	1	28-671 to 28-1760 inclusive
	63033-03	B,C	LOOP ASSEMBLY - Assist gray	1	28-671 to 28-1760 inclusive
	63033-04	C,E	LOOP ASSEMBLY - Assist, white	1	28-10003 to 28-10486 inclusive
	63353-04	C,E	LOOP ASSEMBLY - Assist, white	1	28-10487 to 28-11039 inclusive
	62353-04	B,C	LOOP ASSEMBLY - Assist, white	1	28-1761 to 28-4377 inclusive
-47	63227-00		VISOR ASSEMBLY - Sun left	1	28-1 to 28-1200 inclusive
	63227-01		VISOR ASSEMBLY - Sun, right	1	28-1 to 28-1200 inclusive
	764 114		VISOR ASSEMBLY - Sun	2	28-1201 and up
-48	63229-00		SUPPORT ASSEMBLY - Sun visor	1	28-1 to 28-1200 inclusive
	63229-02		SUPPORT ASSEMBLY - Sun visor	1	28-1201 and up
-49	63900-44		BUSHING - Sun visor	1	
-50	99295-02	F	COVER ASSEMBLY - Fuel selector	1	
-51	99181-03	F	HANDLE - Fuel selector	1	
-52	63167-03	B	DOOR ASSEMBLY - Battery access cover	1	28-386 to 28-388, 28-392, 28-405 to 28-1760 inclusive
	65311-03	D	DOOR ASSEMBLY - Battery access cover	1	
-53	63168-00	B	CARPET - Baggage compartment, brown	1	28-1 to 28-733 inclusive. 28-990 to 28-1760 Inclusive
	63168-02	B	CARPET - Baggage compartment. gray	1	28-734 to 28-1760 inclusive
	65324-02	E	CARPET - Baggage compartment, red	1	28-10003 to 28-10486 inclusive
	65324-03	D	CARPET - Baggage compartment, brown	1	
	65324-04	D	CARPET - Baggage compartment, blue	1	
	65324-05	D	CARPET - Baggage compartment, red	1	
-54	63173-02		TRIM STRIP - Baggage compartment	2	28-1 to 28-556 inclusive
	63185-02		TRIM STRIP - Baggage compartment, rear	1	28-557 and up
	63185-03		TRIM STRIP - Baggage compartment, front	1	28-557 and up
<p>A- Used on PA-28-150, PA-28-160 and PA-28-180 with serial numbers 28-1 to 28-4377 inclusive, and PA-28-235 with serial numbers 28-10003 to 28-11039 inclusive.</p> <p>B- Used on PA-28-150 PA-28-160 and PA-28-180 only.</p> <p>C- Optional equipment.</p> <p>D- Used on PA-28-150 PA-28-160 and PA-28-180 with serial numbers 28-1761 to 28-4377 inclusive and PA-28-235 with serial numbers 28-10003 to 28-10719 inclusive.</p> <p>E- Used on PA-28-235 airplanes only.</p> <p>F- Used on PA-28-150 PA-28-160 and PA-28-180 if Fuel Selector Valve Cover Kit 760 546 has been installed.</p> <p>W- These parts must be ordered from Service Spares Department, Piper Aircraft, Lock Haven, Penna.</p>					

When ordering, always specify Part Number, Description, and Serial Number of Aircraft

PIPER PARTS CATALOG

Figure and Index Number	Part Number	Code	NOMENCLATURE	No. Req.	SERIAL NUMBERS AFFECTED
25-55	63164-00	B	FLOORBOARD - Front, left	1	28-361 and up
	63164-01	B	FLOORBOARD - Front, right	1	28-361 and up
-56	63163-00	B	FLOORBOARD - Rear, left and right	2	28-361 and up
-57	99458-00		BAR ASSEMBLY - Tow	1	
-58	63259-00	D	PLATE - Striker, baggage door, length 2.64"	1	
	99450-00	D	PLATE - Striker, baggage door, length 3.12"	1	
	63293-02	E	PLATE - Striker, baggage door, length 2.00"	1	
-59	63167-02	F	PANEL ASSEMBLY - baggage compartment	1	28-386 to 28-388, 28-392. 28-405 to 28-1760 inclusive
	65311-02	G	PANEL ASSEMBLY - baggage compartment	1	
-60	68416-00	C	VENT ASSEMBLY - Air, forward, left (complete)	1	
	68416-01	C	VENT ASSEMBLY - Air, forward, right (complete)	1	
	68556-00	C	VENT ASSEMBLY - Air, aft, left (complete)	1	
	68556-01	C	VENT ASSEMBLY - Air, aft, right (complete)	1	
-61	68671-00	C	VALVE ASSEMBLY - Air vent	1	
-62	68499-04	C	SHAFT ASSEMBLY - Air vent valve, left	1	
	68499-05	C	SHAFT ASSEMBLY - Air vent valve, right	1	
-63	68574-02	C	COVER ASSEMBLY - Forward air vent, left, red	1	
	68574-03	C	COVER ASSEMBLY - Forward air vent, left, brown	1	
	68574-04	C	COVER ASSEMBLY - Forward air vent, left, blue	1	
	68574-05	C	COVER ASSEMBLY - Forward air vent, right, red	1	
	68574-06	C	COVER ASSEMBLY - Forward air vent, right, brown	1	
	68574-07	C	COVER ASSEMBLY - Forward air vent, right, blue	1	
	68574-08	C	COVER ASSEMBLY - Aft air vent, left, red	1	
	68574-09	C	COVER ASSEMBLY - Aft air vent, left, brown	1	
	68574-10	C	COVER ASSEMBLY - Aft air vent, left, blue	1	
	68574-11	C	COVER ASSEMBLY - Aft air vent, right, red	1	
	68574-12	C	COVER ASSEMBLY - Aft air vent, right, brown	1	
	68574-13	C	COVER ASSEMBLY - Aft air vent, right blue	1	
-64	68584-00	C	GASKET- Air vent assembly	4	
-65	68672-00	C	SPACER- Air vent assembly	8	
			A- Used on PA-28-150, PA-28-160 and PA-28-180 with serial numbers 28-1 to 28-4377 inclusive, and PA-28-235 with serial numbers 28-10003 to 28-11039 inclusive.		
			B- Used on airplanes with serial numbers 28-1 to 28-360 inclusive if Kit 754 472 has been installed.		
			C- Used on PA-28--150, PA-28-160 and PA-28-180 with serial numbers 28-2478 to 28-2630 inclusive.		
			D- Used if baggage door does not have push button latch.		
			E- Used if baggage door has push button latch.		
			F- Used on PA-28-150, PA-28-160 and PA-28-180 only.		
			G- Used on PA-28-150, PA-28-160 and PA-28-180 with serial numbers 28-1761 to 28-4377 inclusive, and PA-28-235 with serial numbers 28-10003 to 28-10719 inclusive.		

When ordering, always specify Part Number, Description, and Serial Number of Aircraft

PIPER PARTS CATALOG

Figure and Index Number	Part Number	Code	NOMENCLATURE	No. Req.	SERIAL NUMBERS AFFECTED
25-66	68733-02		FLANGE - Air vent, red	4	
	68733-03	E	FLANGE - Air vent, brown	4	
	68733 04	E	FLANGE - Air vent, blue	4	
	65735-05	G	FLANGE - Air vent, red	4	
	65735-06	G	FLANGE - Air vent, brown	4	
	65735-07	G	FLANGE - Air vent, blue	4	
-67	68736-02	E	CUP - Air vent, red	4	
	68736-03	E	CUP - Air vent, brown	4	
	68736-04	E	CUP - Air vent, blue	4	
	65735-02	G	CUP - Air vent, red	4	
	65735-03	G	CUP - Air vent, brown	4	
	65735-04	G	CUP - Air vent, blue	4	
-68	66804-00		STRAP ASSEMBLY - Baggage tie down (tip end) black	2	
-69	66805-00		STRAP ASSEMBLY - Baggage tie down (buckle end) black	2	
-70	65667-00	D	GRILL ASSEMBLY - Air exhaust	1	
-71	65664-00	C	DOOR ASSEMBLY - Rear bulkhead	1	28-10720 to 28-11039 inclusive
-72	65626-00	C	BULKHEAD ASSEMBLY - Rear cabin	1	28-10720 to 28-11039 inclusive
-73	487 629	C,W	STUD ASSEMBLY - (#KM894-1A)	2	28-10720 to 28-11039 inclusive
-74	68399-02	C	PLACARD - (581 178)	1	28-10720 to 28-11039 inclusive
-75	63949-00	B	HANDLE ASSEMBLY - Fuel selector valve	1	
-76	63949-02	B	INDICATOR	1	
-77	63949-03	B	HANDLE	1	
-78	63832-00	B.F	PLATE - Fuel selector	1	
<p>A- Used on PA-28-150, PA-28-160 and PA-28-180 with serial numbers 28-1 to 28-4377 inclusive, and PA-28-235 with serial numbers 28-10003 to 28-11039 inclusive.</p> <p>B- Used on PA-28-150, PA-28-160 and PA-28-180 with serial numbers 28-1 to 28 4377 inclusive- Order Item 50 or 51 if Fuel Selector Valve Cover Kit 760 546 has been installed.</p> <p>C- Used on PA-28-235 airplanes only.</p> <p>D- Used on PA-28-150, PA-28-160 and PA-28-180 with serial numbers 28-3443 to 28-4377 inclusive, and PA-28-235 with serial numbers 28-10720 to 28-11039 inclusive.</p> <p>E- Used on PA-28-150, PA-28-160 and PA-28-180 with serial numbers 28-2631 to 28-3177 inclusive, and PA-28-235 with serial numbers 28-10676 to 28-10719 inclusive.</p> <p>F- When ordering, specify color red, blue or light brown.</p> <p>G- Used on PA-28-150, PA-28-160 and PA-28-180 with serial numbers 28-3178 to 28-4377 inclusive, and PA-28-235 with serial numbers 28-10720 to 28-11039 inclusive.</p> <p>W- These parts must be ordered from Service Spares Department, Piper Aircraft, Lock Haven, Penna.</p>					

When ordering, always specify Part Number, Description, and Serial Number of Aircraft

PA-28-150
PA-28-160
PA-28-180
PA-28-235

PIPER PARTS CATALOG

Figure and Index Number	Part Number	Code	NOMENCLATURE	No. Req.	SERIAL NUMBERS AFFECTED
25-79	63940-00	B	COVER - Tee bar. brown	1	28-1 to 28-1760 inclusive
	63940-02	B	COVER - Tee bar. gray	1	28-671 to 28-1760 inclusive
	63940-03	E	COVER - Tee bar, red	1	
	63940-04	E	COVER - Tee bar, brown	1	
	63940-05	E	COVER - Tee bar, blue	1	
-80	65777-00	C	PLACARD - Operating limitations	1	28-10852 to 28-11039 inclusive
-81	63153-00		HANDLE - Assist	1	
-82	65406-07	C,F	COVER ASSEMBLY - Fuel selector control, upper, brown	1	28-10003 to 28-10785 inclusive
	65406-08	C,F	COVER ASSEMBLY - Fuel selector control, upper, blue	1	28-10003 to 28-10785 inclusive
	65406-09	C,F	COVER ASSEMBLY - Fuel selector control, upper, red	1	28-10003 to 28-10785 inclusive
	69091-02	C,F	COVER ASSEMBLY - Fuel selector control, upper, brown	1	28-10786 to 28-11039 inclusive
	69091-03	C,F	COVER ASSEMBLY - Fuel selector control, upper, blue	1	28-10786 to 28-11039 inclusive
	69091-04	C,F	COVER ASSEMBLY - Fuel selector control upper, red	1	28-10786 to 28-11039 inclusive
	69673-05	C,G	COVER ASSEMBLY - Fuel selector control upper, brown	1	28-10003 to 28-11039 inclusive
	69673-03	C,G	COVER ASSEMBLY - Fuel selector control, upper, blue	1	28-10003 to 28-11039 inclusive
	69673-02	C,G	COVER ASSEMBLY - Fuel selector control, upper, red	1	28-10003 to 28-11039 inclusive
-83	65219-00	C,H	* PLACARD - Rudder trim	1	28-10003 to 28-10785 inclusive
-84	65370-00	C,H	* PLACARD - Fuel information	1	28-10003 to 28-10785 inclusive
-85	65397-00	C,H	* PLACARD - Fuel selector	1	28-10003 to 28-10785 inclusive
	69086-00	C,H	* PLACARD - Fuel selector	1	28-10786 to 28-11039 inclusive
	69653-00	C,G	* PLACARD - Fuel selector	1	28-10003 to 28-11039 inclusive
-86	65219-00	C,G	PLACARD - Rudder trim	1	28-10003 to 28-11039 inclusive
-87	65410-02	C,D	COVER ASSEMBLY - Fuel selector control, lower, brown	1	28-10003 to 28-10785 inclusive
	65410-03	C,D	COVER ASSEMBLY - Fuel selector control, lower, blue	1	28-10003 to 28-10785 inclusive
	65410-04	C,D	COVER ASSEMBLY - Fuel selector control, lower, red	1	28-10003 to 28-10660 inclusive
	65410-06	C,D	COVER ASSEMBLY - Fuel selector control, lower, red	1	28-10661 to 28-10785 inclusive
	69090-02	C,D	COVER ASSEMBLY - Fuel selector control, lower, brown	1	28-10786 to 28-11039 inclusive
	69090-03	C,D	COVER ASSEMBLY - Fuel selector control, lower, blue	1	28-10786 to 28-11039 inclusive
	69090-04	C,D	COVER ASSEMBLY - Fuel selector control, lower, red	1	28-10786 to 28-11039 inclusive
	69652-11	C,G	COVER ASSEMBLY - Fuel selector control, lower, brown	1	28-100 03 to 28-11039 inclusive
	69652-10	C,G	COVER ASSEMBLY - Fuel selector control, lower, blue	1	28-10003 to 28-11039 inclusive
	69652-06	C,G	COVER ASSEMBLY - Fuel selector control, lower, red	1	28-10003 to 28-11039 inclusive
-88	419 905	B	SCREW - (14 x 2 1/2")	2	28-1 to 28-1760 inclusive

- A- Used on PA-28-150, PA-28-160 and PA-28-180 with serial numbers 28-1 to 28-4377 inclusive, and PA-28-235 with serial numbers 28-10003 to 28-11039 inclusive.
- B- Used on PA-28-150, PA-28-160 and PA-180 only.
- C- Used on PA-28-235 airplanes only.
- D- No longer available. Order Cover Assembly P/N 69652-11 brown, 69652-10 blue or 69652-06 red if Fuel Selector Control Modification Kit has been installed per Service Bulletin 376. If Fuel Selector Control Modification Kit has not been installed per Service Bulletin 376, order Kit 760 781 for serial nos. 28-10003 to 28-10785 incl., or Kit 760 782 for serial nos. 28-10786 to 28-11039 incl.
- E- Used on PA-28-150, PA-28-160 and PA-28-180 with serial numbers 28-1761 to 28-4377 inclusive, and PA-28-235 with serial numbers 28-10003 to 28-11039.
- F- No longer available. Order Cover Assembly P/N 69673-05 brown. 69673-03 blue or 69673-02 red if Fuel Selector Control Modification Kit has been installed per Service Bulletin 376. If Fuel Selector Control Modification Kit has not been installed per Service Bulletin 376, order Kit 760 681 for serial nos. 28-10003 to 28-10785 incl. or Kit 760 782 for serial nos. 28-10786 to 28-11039 incl.
- G- Used if Fuel Selector Control Modification Kit has been installed per Service Bulletin 376.
- H- Used if Fuel Selector Control Modification Kit has not been installed per Service Bulletin 376.

When ordering, always specify Part Number, Description, and Serial Number of Aircraft

**1J21 THRU 1J24
INTENTIONALLY LEFT BLANK**

PIPER PARTS CATALOG

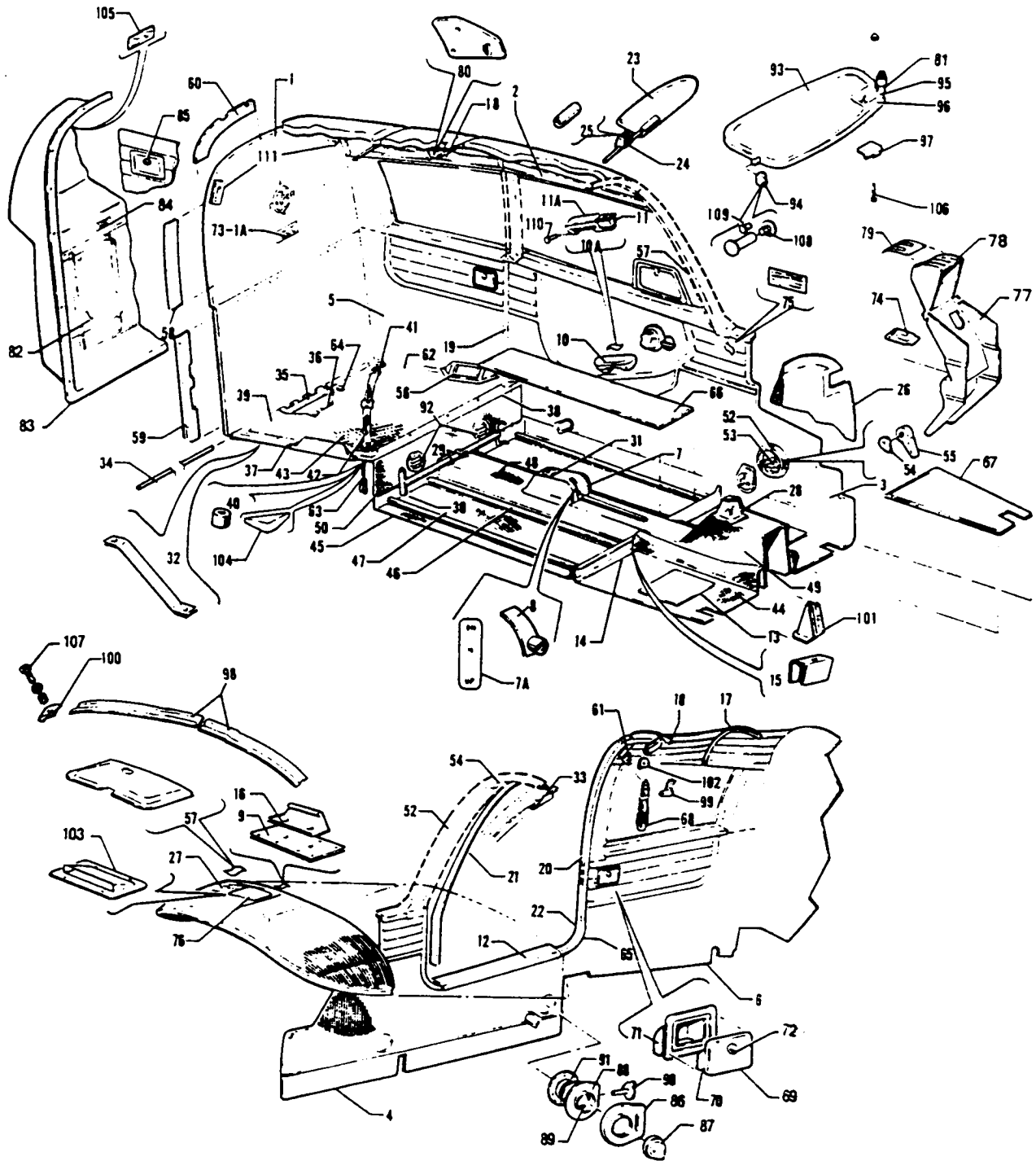


Figure 26. Cockpit Finishing Installation

PIPER PARTS CATALOG

Figure and Index Number	Part Number	Code	NOMENCLATURE	No. Req.	SERIAL NUMBERS AFFECTED		
26-3	580-322		PANEL ASSEMBLY - Left front cockpit, gold	1	28-7325001 to 28-7325684 incl.		
	579 833		PANEL ASSEMBLY - Left front cockpit, gold	1	28-7425001 to 28-7425454 incl.		
	579 706		PANEL ASSEMBLY - Left front cockpit, gold	1	28-7525001 to 28-7625284 incl.		
	99145-05		PANEL ASSEMBLY - Left front cockpit, green	1	28-7125001 to 28-7125651 incl.		
	99145-09		PANEL ASSEMBLY - Left front cockpit, green	1	28-7225001 to 28-7225612 incl.		
	580 323		PANEL ASSEMBLY - Left front cockpit, green	1	28-7325001 to 28-7325684 incl.		
	579 832		PANEL ASSEMBLY - Left front cockpit, green	1	28-7425001 to 28-7425454 incl.		
	579 707		PANEL ASSEMBLY - Left front cockpit, green	1	28-7525001 to 28-7625284 incl.,		
	580 740		PANEL ASSEMBLY - Left front cockpit (mushroom panel with black carpet)	1	28-7725001 and up		
	580 720		PANEL ASSEMBLY - Left front cockpit (mushroom panel with heather brown carpet)	1	28-7725001 and up		
	580 787		PANEL ASSEMBLY - Left front cockpit, (camel panel with black carpet)	1	28-7725001 and up		
	580 786		PANEL ASSEMBLY - Left front cockpit (camel panel with heather brown carpet)	1	28-7725001 and up		
	-4		63114-17	A	PANEL ASSEMBLY - Right front cockpit, brown	1	28-20002 to 28-20087 inclusive
			62294-02		PANEL ASSEMBLY - Right front cockpit, brown	1	28-20088 to 28-21467 inclusive
62294-03		PANEL ASSEMBLY - Right front cockpit, gray	1		28-20002 to 28-21467 inclusive		
62294-04		PANEL ASSEMBLY - Right front cockpit, red	1		28-21468 to 28-24999 inclusive		
66682-02		PANEL ASSEMBLY - Right front cockpit, red	1		28-25000 to 28-26956 inclusive		
99147-02		PANEL ASSEMBLY - Right front cockpit, red	1		28-7125001 to 28-7125651 incl.		
99147-06		PANEL ASSEMBLY - Right front cockpit, red	1		28-7225001 to 28-7225612 incl.		
580 332		PANEL ASSEMBLY - Right front cockpit, red	1		28-7325001 to 28-7325684 incl.		
579 712		PANEL ASSEMBLY - Right front cockpit, red	1		28-7425001 to 28-7625030 incl.		
579 636		PANEL ASSEMBLY - Right front cockpit, red	1		28-7625031 to 28-7625284 incl.		
62294-05		PANEL ASSEMBLY - Right front cockpit, brown	1		28-21468 to 28-24999 incl.		
66682-03		PANEL ASSEMBLY - Right front cockpit, brown	1		28-25000 to 28-26956 incl.		
62294-06		PANEL ASSEMBLY - Right front cockpit, blue	1		28-21468 to 28-24999 incl.		
66682-04		PANEL ASSEMBLY - Right front cockpit, blue	1		28-25000 to 28-26956 inclusive		
99147-03		PANEL ASSEMBLY - Right front cockpit, blue	1		28-7125001 to 28-7125651 incl.		
99147-07		PANEL ASSEMBLY - Right front cockpit, blue	1		28-7225001 to 28-7225612 incl.		
580 333		PANEL ASSEMBLY - Right front cockpit, blue/green	1		28-7325001 to 28-7325684 incl.		
579 713		PANEL ASSEMBLY - Right front cockpit, blue	1		28-7425001 to 28-7625030 incl.		
579 637		PANEL ASSEMBLY - Right front cockpit, blue/green	1		28-7625031 to 28-7625284 incl.		
62294-07		PANEL ASSEMBLY - Right front cockpit, beige	1		28-21468 to 28-24999 inclusive		
66682-05		PANEL ASSEMBLY - Right front cockpit, beige	1		28-25000 to 28-26956 inclusive		
99147-04		PANEL ASSEMBLY - Right front cockpit, beige	1		28-7125001 to 28-7125651 incl.		
99147-08		PANEL ASSEMBLY - Right front cockpit, beige	1		28-7225001 to 28-7225612 incl.		
580 334		PANEL ASSEMBLY - Right front cockpit, gold	1		28-7325001 to 28-7325684 incl.		
579 714		PANEL ASSEMBLY - Right front cockpit, gold	1		28-7425001 to 28-7625030 incl.		
579 638		PANEL ASSEMBLY - Right front cockpit, gold	1		28-7625031 to 28-7625284 incl.		
99147-05		PANEL ASSEMBLY - Right front cockpit, green	1		28-7125001 to 28-7125651 incl.		
99147-09		PANEL ASSEMBLY - Right front cockpit, green	1		28-7225001 to 28-7225612 incl.		
580 335		PANEL ASSEMBLY - Right front cockpit, green	1		28-7325001 to 28-7325684 incl.		
579 715		PANEL ASSEMBLY - Right front cockpit, green	1		28-7425001 to 28-7625030 incl.		
579 639		PANEL ASSEMBLY - Right front cockpit, green	1		28-7625001 to 28-7625284 incl.		
580 741		PANEL ASSEMBLY - Right front cockpit (mushroom panel with black carpet)	1		28-7725001 and up		
580 722		PANEL ASSEMBLY - Right front cockpit (mushroom panel with heather brown carpet)	1		28-7725001 and up		
580 790		PANEL ASSEMBLY - Right front cockpit camel panel with black carpet)	1		28-7725001 and up		
580 789	PANEL ASSEMBLY - Right front cockpit (camel panel with heather brown carpet)	1	28-7725001 and up				

A- If ordering for Flite Liner, it will be necessary to specify color beige or gold.

When ordering, always specify Part Number, Description, and Serial Number of Aircraft

PIPER PARTS CATALOG

Figure and Index Number	Part Number	Code	NOMENCLATURE	No. Req.	SERIAL NUMBERS AFFECTED
26-5	62295-02		PANEL ASSEMBLY - Left rear cockpit, brown	1	28-20002 to 28-21467 inclusive
	62295-03		PANEL ASSEMBLY - Left rear cockpit, gray	1	28-20002 to 28-21467 inclusive
	62295-04		PANEL ASSEMBLY - Left rear cockpit, red	1	28-21468 to 28-24999 inclusive
	66686-02		PANEL ASSEMBLY - Left rear cockpit, red	1	28-25000 to 28-26400 inclusive
	66686-10		PANEL ASSEMBLY - Left rear cockpit, red	1	28-26401 to 28-26956 inclusive
	99146-02		PANEL ASSEMBLY - Left rear cockpit, red	1	28-7125001 to 28-7125651 Incl.
	99146-10		PANEL ASSEMBLY - Left rear cockpit, red	1	28-7225001 to 28-7225612 Incl..
	580 324		PANEL ASSEMBLY - Left rear cockpit, red	1	28-7325001 to 28-7325684 incl.
	579 831		PANEL ASSEMBLY - Left rear cockpit, red	1	28-7425001 to 28-7625284 incl.
	62295-07	A	PANEL ASSEMBLY - Left rear cockpit, red	1	28-21468 to 28-24999 inclusive
	66686-03	A	PANEL ASSEMBLY - Left rear cockpit, red	1	28-25000 to 28-26400 inclusive
	66686-11	A	PANEL ASSEMBLY - Left rear cockpit, red	1	28-26401 to 28-26956 inclusive
	99146-06	A	PANEL ASSEMBLY - Left rear cockpit, red	1	28-7125001 to 28-7125651 incl.
	99146-14	A	PANEL ASSEMBLY - Left rear cockpit, red	1	28-7225001 to 28-7225612 incl.,
	580 328	A	PANEL ASSEMBLY - Left rear cockpit, red	1	28-7325001 to 28-7325684 incl.
	579 827	A	PANEL ASSEMBLY - Left rear cockpit, red	1	28-7425001 to 28-7625284 incl.
	62295-05		PANEL ASSEMBLY - Left rear cockpit, brown	1	28-21468 to 28-24999 inclusive
	66686-04		PANEL ASSEMBLY - Left rear cockpit, brown	1	28-25000 to 28-26400 inclusive
	66686-12		PANEL ASSEMBLY - Left rear cockpit, brown	1	28-2601 to 28-26956 inclusive
	62295-08	A	PANEL ASSEMBLY - Left rear cockpit, brown	1	28-21468 to 28-24999 inclusive
	66686-05	A	PANEL ASSEMBLY - Left rear cockpit, brown	1	28-25000 to 28-26400 inclusive
	66686-13	A	PANEL ASSEMBLY - Left rear cockpit, brown	1	28-26401 to 28-26956 inclusive
	62295-06		PANEL ASSEMBLY - Left rear cockpit, blue	1	28-21468 to 28-24999 inclusive
	66686-06		PANEL ASSEMBLY - Left rear cockpit, blue	1	28-25000 to 28-26400 inclusive
	66686-14		PANEL ASSEMBLY - Left rear cockpit, blue	1	28-26401 to 28-26956 inclusive
	99146-03		PANEL ASSEMBLY - Left rear cockpit, blue	1	28-7125001 to 28-7125651 incl.
	99146-11		PANEL ASSEMBLY - Left rear cockpit, blue	1	28-7225001 to 28-7225612 incl.
	580 325		PANEL ASSEMBLY - Left rear cockpit, blue	1	28-7325001 to 28-7325684 incl.
	579 830		PANEL ASSEMBLY - Left rear cockpit, blue	1	28-7425001 to 28-7425454 incl.
	579 709		PANEL ASSEMBLY - Left rear cockpit, blue	1	28-7525001 to 28-7625284 incl.
	62295-09	A	PANEL ASSEMBLY - Left rear cockpit, blue	1	28-21468 to 28-24999 inclusive
	66686-07	A	PANEL ASSEMBLY - Left rear cockpit, blue	1	28-25000 to 28-26400 inclusive
	66686-15	A	PANEL ASSEMBLY - Left rear cockpit, blue	1	28-26401 to 28-26956 inclusive
	99146-07	A	PANEL ASSEMBLY - Left rear cockpit, blue	1	28-7125001 to 28-7125651 incl.,
	99146-15	A	PANEL ASSEMBLY - Left rear cockpit, blue	1	28-7225001 to 28-7225612 incl.
	580 329	A	PANEL ASSEMBLY - Left rear cockpit, blue	1	28-7325001 to 28-7325684 incl.
	579 826	A	PANEL ASSEMBLY - Left rear cockpit, blue	1	28-7425001 to 28-7425454 incl.
	579 711	A	PANEL ASSEMBLY - Left rear cockpit, blue	1	28-7525001 to 28-7625284 incl.
	62294-10		PANEL ASSEMBLY - Left rear cockpit, beige	1	28-21468 to 28-24999 inclusive
	66686-08		PANEL ASSEMBLY - Left rear cockpit, beige	1	28-25000 to 28-26400 inclusive
	66686-16		PANEL ASSEMBLY - Left rear cockpit, beige	1	28-26401 to 28-26956 inclusive
	99146-04		PANEL ASSEMBLY - Left rear cockpit, beige	1	28-7125001 to 28-7125651 incl.
	99146-12	B	PANEL ASSEMBLY - Left rear cockpit, beige	1	28-7225001 to 28-7225612 incl.
	580 326		PANEL ASSEMBLY - Left rear cockpit, gold	1	28-7325001 to 28-7325684 incl.
	579 829		PANEL ASSEMBLY - Left rear cockpit, gold	1	28-7425001 to 28-7625284 incl.
	62295-11	A	PANEL ASSEMBLY - Left rear cockpit, beige	1	28-21468 to 28-24999 inclusive
	66686-09	A	PANEL ASSEMBLY - Left rear cockpit, beige	1	28-25000 to 28-26400 inclusive
	66686-17	A	PANEL ASSEMBLY - Left rear cockpit, beige	1	28-26401 to 28-26956 inclusive
	99146-08	A	PANEL ASSEMBLY - Left rear cockpit, beige	1	28-7125001 to 28-7125651 incl.
	99146-16	A,B	PANEL ASSEMBLY - Left rear cockpit, beige	1	28-7225001 to 28-7225612 incl.
580 330	A	PANEL ASSEMBLY - Left rear cockpit, gold	1	28-7325001 to 28-7325684 incl.	
579 825	A	PANEL ASSEMBLY - Left rear cockpit, gold	1	28-7425001 to 28-7625284 incl.	
99146-05		PANEL ASSEMBLY - Left rear cockpit, green	1	28-7125001 to 28-7125651 incl.	

A- Used when rear seats are installed and includes cutout for ash tray.
 B- If ordering for Flite Liner, it will be necessary to specify color beige or gold.

When ordering, always specify Part Number, Description, and Serial Number of Aircraft

PIPER PARTS CATALOG

Figure and Index Number	Part Number	Code	NOMENCLATURE	No. Req.	SERIAL NUMBERS AFFECTED	
26-5	99146-13		PANEL ASSEMBLY - Left rear cockpit, green	1	28-7225001 to 28-7225612 incl.	
	580 327		PANEL ASSEMBLY - Left rear cockpit, green	1	28-7325001 to 28-7325684 incl.	
	579 828		PANEL ASSEMBLY - Left rear cockpit, green	1	28-7425001 to 28-7625284 incl.	
	99146-09	A	PANEL ASSEMBLY - Left rear cockpit, green	1	28-7125001 to 28-7125651 incl.	
	99146-17	A	PANEL ASSEMBLY - Left rear cockpit, green	1	28-7225001 to 28-7225612 incl.	
	580 331	A	PANEL ASSEMBLY - Left rear cockpit, green	1	28-7325001 to 28-7325684 incl.	
	579 824	A	PANEL ASSEMBLY - Left rear cockpit, green	1	28-7425001 to 28-7625284 incl.	
	580 721		PANEL ASSEMBLY - Left rear cockpit, mushroom	1	28-7725001 and up	
	580 788		PANEL ASSEMBLY - Left rear cockpit, camel	1	28-7725001 and up	
	-6	62296-02		PANEL ASSEMBLY - Right rear cockpit, brown	1	28-20002 to 28-21467 inclusive
		62296-03		PANEL ASSEMBLY - Right rear cockpit, gray	1	28-20002 to 28-21467 inclusive
		62296-04		PANEL ASSEMBLY - Right rear cockpit, red	1	28-21468 to 28-24999 inclusive
		66685-02		PANEL ASSEMBLY - Right rear cockpit, red	1	28-25000 to 28-26400 inclusive
		66982-02		PANEL ASSEMBLY - Right rear cockpit, red	1	28-26401 to 28-26956 inclusive
99148-02			PANEL ASSEMBLY - Right rear cockpit, red	1	28-7125001 to 28-7125651 incl.	
99148-10			PANEL ASSEMBLY - Right rear cockpit, red	1	28-7225001 to 28-7225612 incl.	
580 340			PANEL ASSEMBLY - Right rear cockpit, red	1	28-7325001 to 28-7325684 incl.	
579 815			PANEL ASSEMBLY - Right rear cockpit, red	1	28-7425001 to 28-7625284 incl.	
62296-07		A	PANEL ASSEMBLY - Right rear cockpit, red	1	28-21468 to 28-24999 inclusive	
66685-03		A	PANEL ASSEMBLY - Right rear cockpit, red	1	28-25000 to 28-26400 inclusive	
66982-03		A	PANEL ASSEMBLY - Right rear cockpit, red	1	28-26401 to 28-26956 inclusive	
99148-06		A	PANEL ASSEMBLY - Right rear cockpit, red	1	28-7125001 to 28-7125651 incl.	
99148-14		A	PANEL ASSEMBLY - Right rear cockpit, red	1	28-7225001 to 28-7225612 incl.	
580 344		A	PANEL ASSEMBLY - Right rear cockpit, red	1	28-7325001 to 28-7325684 incl.	
579 811		A	PANEL ASSEMBLY - Right rear cockpit, red	1	28-7425001 to 28-7625284 incl.	
62296-05			PANEL ASSEMBLY - Right rear cockpit, brown	1	28-21468 to 28-24999 inclusive	
66685-04			PANEL ASSEMBLY - Right rear cockpit, brown	1	28-25000 to 28-26400 incl.	
66982-04			PANEL ASSEMBLY - Right rear cockpit, brown	1	28-26401 to 28-26956 incl.	
62296-08		A	PANEL ASSEMBLY - Right rear cockpit, brown	1	28-21468 to 28-24999 inclusive	
66685-05		A	PANEL ASSEMBLY - Right rear cockpit, brown	1	28-25000 to 28-26400 inclusive	
66982-05		A	PANEL ASSEMBLY - Right rear cockpit, brown	1	28-26401 to 28-26956 inclusive	
62296-06			PANEL ASSEMBLY - Right rear cockpit, blue	1	28-21468 to 28-24999 inclusive	
66685-06			PANEL ASSEMBLY - Right rear cockpit, blue	1	28-25000 to 28-26400 inclusive	
66982-06			PANEL ASSEMBLY - Right rear cockpit, blue	1	28-26401 to 28-26956 inclusive	
99148-03			PANEL ASSEMBLY - Right rear cockpit, blue	1	28-7125001 to 28-7125651 incl.	
99148-11			PANEL ASSEMBLY - Right rear cockpit, blue	1	28-7225001 to 28-7225612 incl.	
580 341			PANEL ASSEMBLY - Right rear cockpit, blue	1	28-7325001 to 28-7325683 incl.	
579 814			PANEL ASSEMBLY - Right rear cockpit, blue	1	28-7425001 to 28-7425454 incl.	
579 719			PANEL ASSEMBLY - Right rear cockpit, blue	1	28-7525001 to 28-7625284 incl.	
62296-09		A	PANEL ASSEMBLY - Right rear cockpit, blue	1	28-21468 to 28-24999 inclusive	
66685-07		A	PANEL ASSEMBLY - Right rear cockpit, blue	1	28-25000 to 28-26400 inclusive	
66982-07		A	PANEL ASSEMBLY - Right rear cockpit, blue	1	28-26401 to 28-26956 inclusive	
99148-07		A	PANEL ASSEMBLY - Right rear cockpit, blue	1	28-7125001 to 28-7125651 incl.	
99148-15		A	PANEL ASSEMBLY - Right rear cockpit, blue	1	28-7225001 to 28-7225612 incl.	
580 315		A	PANEL ASSEMBLY - Right rear cockpit, blue	1	28-7325001 to 28-7325684 incl.	
579 810		A	PANEL ASSEMBLY - Right rear cockpit, blue	1	28-7425001 to 28-7425454 incl.	
579 720		A	PANEL ASSEMBLY - Right rear cockpit, blue	1	28-7525001 to 28-7625284 incl.	
62296-10			PANEL ASSEMBLY - Right rear cockpit, beige	1	28-21468 to 28-24999 inclusive	
66685-08			PANEL ASSEMBLY - Right rear cockpit, beige	1	28-25000 to 28-26400 inclusive	
66982-08			PANEL ASSEMBLY - Right rear cockpit, beige	1	28-26401 to 28-26956 inclusive	
99148-04			PANEL ASSEMBLY - Right rear cockpit, beige	1	28-7125001 to 28-7125651 incl.	
99148-12		B	PANEL ASSEMBLY - Right rear cockpit, beige	1	28-7225001 to 28-7225612 incl.	
580 342			PANEL ASSEMBLY - Right rear cockpit, gold	1	28-7325001 to 28-7325684 incl.	
579 813			PANEL ASSEMBLY - Right rear cockpit, gold	1	28-7425001 to 28-7625284 incl.	

A- Used when rear seats are installed and includes cutout for ash tray.
 B- If ordering for Flite Liner, it will be necessary to specify color beige or gold.

When ordering, always specify Part Number, Description, and Serial Number of Aircraft

PIPER PARTS CATALOG

Figure and Index Number	Part Number	Code	NOMENCLATURE	No. Req.	SERIAL NUMBERS AFFECTED	
26-6	62296-11	A	PANEL ASSEMBLY - Right rear cockpit, beige	1	28-21468 to 28-24999 inclusive	
	66685-09	A	PANEL ASSEMBLY - Right rear cockpit, beige	1	28-25000 to 28-26400 inclusive	
	66982-09	A	PANEL ASSEMBLY - Right rear cockpit, beige	1	28-26401 to 28-26956 inclusive	
	99148-08	A	PANEL ASSEMBLY - Right rear cockpit, beige	1	28-7125001 to 28-7125651 incl.	
	99148-16	A,B	PANEL ASSEMBLY - Right rear cockpit, beige	1	28-7225001 to 28-7225612 incl.	
	580 346	A	PANEL ASSEMBLY - Right rear cockpit, gold	1	28-7325001 to 28-7325684 incl.	
	579 809	A	PANEL ASSEMBLY - Right rear cockpit, gold	1	28-7425001 to 28-7625284 incl.	
	99148-05		PANEL ASSEMBLY - Right rear cockpit, green	1	28-7125001 to 28-7125651 incl.	
	99148-13		PANEL ASSEMBLY - Right rear cockpit, green	1	28-7225001 to 28-7225612 incl.	
	580 343		PANEL ASSEMBLY - Right rear cockpit, green	1	28-7325001 to 28-7325684 incl.	
	579 812		PANEL ASSEMBLY - Right rear cockpit, green	1	28-7425001 to 28-7625284 incl.	
	99148-09	A	PANEL ASSEMBLY - Right rear cockpit, green	1	28-7125001 to 28-7125651 incl.	
	99148-17	A	PANEL ASSEMBLY ~ Right rear cockpit, green	1	28-7225001 to 28-7225612 incl.	
	580 347	A	PANEL ASSEMBLY - Right rear cockpit, green	1	28-7325001 to 28-7325684 incl.	
	579 808	A	PANEL ASSEMBLY - Right rear cockpit, green	1	28-7425001 to 28-7625284 incl.	
	580 723		PANEL ASSEMBLY - Right rear cockpit, mushroom	1	28-7725001 and up	
	580 791		PANEL ASSEMBLY . Right rear cockpit, camel	1	28-7725001 and up	
	580 727	A	PANEL ASSEMBLY - Right rear cockpit, mushroom	1	28-7725001 and up	
	580 792	A	PANEL ASSEMBLY - Right rear cockpit, camel	1	28-7725001 and up	
	-7	62826-00		COVER - Flap handle, brown	1	28-20002 to 28-20160 inclusive
62826-02			COVER - Flap handle, black	1	23-20002 to 28-20160 inclusive	
65224-02			COVER - Flap handle, brown	1	28-20161 to 28-26956 inclusive	
65224-05			COVER - Flap handle, gray	1	23-20161 to 28-26956 inclusive	
65224-04			COVER - Flap handle, blue	1	28-21468 to 28-26956 inclusive	
65224-06			COVER - Flap handle, red	1	28-21468 to 28-26956 inclusive	
65224-07			COVER - Flap handle, black	1	28-20002 to 28-26956 inclusive	
99243-04			COVER - Flap handle, red	1	28-7125001 to 28-7225612 incl.	
99243-03			COVER - Flap handle, blue	1	28-7125001 to 28-7225612 incl.	
99243-05			COVER - Flap handle, black	1	28-7125001 to 28-7225612 incl.	
67785-17		C	COVER ASSEMBLY - Flap handle	1	28-7325001 to 28-7625284 incl.	
67785-17		D	COVER ASSEMBLY - Flap handle, bark	1	28-7725001 and up	
-7a		67786-00		PLACARD - Stabilator trim	1	28-7325001 and up
-8		62827-07		SHIELD - Flap handle cover	1	28-20002 to 28-7225612 Incl.
	65672-05		SHIELD - Flap handle cover	1	28-7325001 and up	
-9	62694-00		PLATE ASSEMBLY - Assist handle	1	28-20002 to 28-24999 inclusive	
-10	63008-02		ARMREST ASSEMBLY - Brown	1	28-20002 to 28-21467 inclusive	
	63008-05		ARMREST ASSEMBLY - Gray	1	28-20002 to 28-21467 inclusive	
	63008-12		ARMREST ASSEMBLY - Red	1	28-21468 to 28-24999 inclusive	
	63008-13		ARMREST ASSEMBLY - brown	1	28-21468 to 28-24999 inclusive	
	63008-14		ARMREST ASSEMBLY - Blue	1	28-21468 to 28-24999 inclusive	
	63008-22		ARMREST ASSEMBLY - Beige	1	28-21468 to 28-24999 inclusive	
-10a	66710-16		HOUSING ASSEMBLY-Armrest	1		
-11	763 003		BOX ASSEMBLY - Ash tray (S-25-AR-C)	1		
-11a	66710-44	C	PAD - Armrest	1	28-25000 to 28-7625284 incl.	
	66710-21		PAD - Armrest, brown	1	28-25000 to 28-26956 inclusive	
	580 730		PAD - Armrest, mushroom	1	28-7725001 and up	
	580 731		PAD - Armrest, camel	1	28-7725001 and up	

- A- Used when rear seats are installed and includes cutout for ash tray.
- B- If ordering for Flite Liner, it will be necessary to specify color beige or gold.
- C- When ordering, specify color red, blue/green, gold, black or green.
- D- When ordering for serial numbers 28-7725001 to 28-7725174 inclusive specify color, "Bark I". When ordering for serial numbers 28-7725175 and up, specify color "Bark II".

When ordering, always specify Part Number, Description, and Serial Number of Aircraft

PIPER PARTS CATALOG

Figure and Index Number	Part Number	Code	NOMENCLATURE	No. Req.	SERIAL NUMBERS AFFECTED
26-12	63118-00		SILL- Door	1	28-20002 to 28-22945 inclusive
	65546-00		SI LL - Door	1	28-22946 to 28-7625030 incl
	65546-04		SILL- Door	1	28-7625031 and up
-13	63130-00		PLATE - Heel	2	28-20002 to 28-20520 inclusive
	63130-02		PLATE - Heel	2	28-20521 and up
-14	63131-00		COVER ASSEMBLY - Trim, brown	2	28-20002 to 28-22945 inclusive
	65674-05		COVER ASSEMBLY -Trim, brown	2	28-22946 to 28-26956 inclusive
	63131-03		COVER ASSEMBLY - Trim, gray	2	28-20002 to 28-20520 inclusive
	63131-08		COVER ASSEMBLY - Trim, blue	2	28-21468 to 28-22945 inclusive
	65674-06		COVER ASSEMBLY - Trim, blue	2	28-22946 to 28-7625284 incl.
	63131-10		COVER ASSEMBLY -Trim, red	2	28-21468 to 28-22945 inclusive
	65674-07		COVER ASSEMBLY -Trim, red	2	28-22946 to 28-7625284 incl.
	65674-09		COVER ASSEMBLY - Trim, black	2	28-20002 to 28-7625284 incl.
	65674-15		COVER ASSEMBLY -Trim, black	2	28-7725001 and up
-15	63144-00		COVER - Inboard	2	
-16	63153-00		HANDLE - Assist	1	28-20002 to 28-24999 inclusive
	67235-00		GRIP - Handhold assist	2	28-25000 to 28-7225612 incl,
-17	63142-35		TRIM STRIP - Headlining	1	28-20002 to 28-7125651 incl.
	63142-36		TRIM STRIP - Headlining	1	28-7225001 to 28-7325684 incl.
-18	63142-10		TRIM STRIP - Headlining, left	1	28-20002 to 28-7325684 incl.
	63142-09		TRIM STRIP - Headlining, right	1	28-20002 to 28-7325684 incl.
-19	63142-11		TRIM STRIP - Cockpit, left	1	28-20002 to 28-7225612 incl
-20	63142-13		TRIM STRIP - Door frame, top rear	1	28-20002 to 28-7325294 incl.
	63142-45		TRIM STRIP - Door frame, top rear	1	28-7325295 to 28-7625030 incl.
	63142-55		TRIM STRIP - Door frame, top rear	1	28-7625031 and up
-21	63142-14		TRIM STRIP - Door frame, front	1	28-20002 to 28-7325394 incl
	63142-06		TRIM STRIP - Door frame, front	1	28-7325295 to 28-7625030 incl.
	63142-50		TRIM STRIP - Door frame, front	1	28-7625031 and up
-22	63142-02		TRIM STRIP - Door frame, bottom rear	1	28-20002 to 28-7625030 incl.
	63142-56		TRIM STRIP - Door frame, bottom rear	1	28-7625031 and up
-23	764 114		VISOR ASSEMBLY-Sun	2	28-20002 to 28-26400 inclusive
-24	63229-02		SUPPORT ASSEMBLY-Sun visor	1	28-20002 to 28-26400 inclusive
-25	63900-44		BUSHING - Sun visor support	1	28-20002 to 28-26400 inclusive
-26	63260-00		BLANKET - Firewall	1	28-20002 to 28-22531 inclusive
	65497-00		BLANKET - Firewall	1	28-22532 to 28-24999 inclusive
	99818-00		BLANKET - Firewall	1	28-25 000 and up
-27	63930-00		COVER - Cowl	1	28-20002 to 28-22959 inclusive
	67325-00		COVER - Cowl	1	28-22960 and up
-28	63940-00		COVER - Tee bar, brown	1	28-20002 to 28-21467 inclusive
	63940-02		COVER - Tee bar, gray	1	28-20002 to 28-21467 inclusive
	63940-03		COVER - Tee bar, red	1	28-21468 to 28-24999 inclusive
	63940-04		COVER - Tee bar, brown	1	28-21468 to 28-24999 inclusive
	63940-05		COVER - Tee bar, blue	1	28-21468 to 28-24999 inclusive
	63940-06		COVER - Tee bar, beige	1	28-21468 to 28-24999 inclusive
-29	454 838		CLIP- Tow bar (225L)	2	
-30	99458-00		BAR ASSEMBLY - Tow	1	
-31	489 371	W	TRAY - Ash (with retainer!	1	28-20002 to 28-20160 inclusive

W- These parts must be ordered from Service Spares Department, Piper Aircraft, Lock Haven, Penna.

When ordering, always specify Part Number, Description, and Serial Number of Aircraft

PIPER PARTS CATALOG

Figure and Index Number	Part Number	Code	NOMENCLATURE	No. Req.	SERIAL NUMBERS AFFECTED
26-32	62259-00		BRACE - Baggage	1	
-33	453 691		BUTTON - Plug (SS48151)	2	
-34	63744-06		PIN - Baggage floor hinge	2	
-35	62264-00		HINGE HALF - Baggage floor	2	
-36	62265-00	A	FLOOR - Baggage	1	28-20002 to 28-20909 inclusive
	65513-00		FLOOR - Baggage	1	28-20910 to 28-26956 inclusive
	99356-00		FLOOR - Baggage	1	28-7125001 to 28-71256651 incl.
	99356-02		FLOOR - Baggage	1	28-7225001 and up
-37	62269-02	A	TRIM STRIP - Baggage floor, right	1	28-20002 to 28-20909 inclusive
	62269-05		TRIM STRIP - Baggage floor, right	1	28-20910 to 28-26956 inclusive
	62269-11		TRIM STRIP - Baggage floor, right front	1	28-7125001 and up
	62269-09		TRIM STRIP - Baggage floor, right rear	1	28-7125001 to 28-7125651 incl.
	99715-00		TRIM STRIP - Baggage floor, right rear	1	28-7225001 and up
-38	62269-06		TRIM STRIP - Baggage floor, front	1	
-39	62272-00		TRIM STRIP - Baggage floor, rear	1	28-20002 to 28-7125651 incl. .
	99714-00		TRIM STRIP - Baggage floor, rear	1	28-7225001 and up
40	453 706		BUMPER - Baggage floor (91021)	3	
41	17870-06	W	STRAP ASSEMBLY - Baggage tie down (buckle end)	1	28-20002 to 28-20087 inclusive
	66805-00		STRAP ASSEMBLY - Baggage tie down (buckle end) black	2	28-20088 and up
42	17871-08	W	STRAP ASSEMBLY - Baggage tie down (tip end)	1	28-20002 to 28-20087 inclusive
	66804-00		STRAP ASSEMBLY - Baggage tie down (tip end) black	2	28-20088 and up
43	62267-02	A	CARPET ASSEMBLY - Baggage floor and spar, brown	1	28-20002 to 28-20909 inclusive
	62267-03	A	CARPET ASSEMBLY - Baggage floor and spar, gray	1	28-20002 to 28-20909 inclusive
	65514 00		CARPET ASSEMBLY - Baggage floor and spar, brown	1	28-20910 to 28-24999 inclusive
	65514-04		CARPET ASSEMBLY - Baggage floor and spar, gray	1	28-20910 to 28-24999 inclusive
	65514-02		CARPET ASSEMBLY - Baggage floor and spar, red	1	28-21468 to 28-24999 inclusive
	65514-03		CARPET ASSEMBLY - Baggage floor and spar, blue	1	28-21468 to 28-24999 inclusive
	65514-05		CARPET ASSEMBLY - Baggage floor and spar, black	1	28-20002 to 28-24999 inclusive
	66709-02		CARPET ASSEMBLY - Baggage floor, brown	1	28-25000 to 28-26956 inclusive
	66709-03		CARPET ASSEMBLY - Baggage floor, red	1	28-25000 to 28-26956 inclusive
	66709-04		CARPET ASSEMBLY - Baggage floor, blue	1	28-25000 to 28-26956 inclusive
	66709-05		CARPET ASSEMBLY - Baggage floor, black	1	28-25000 to 28-26956 inclusive
	66709-10		CARPET ASSEMBLY - Baggage floor, red	1	28-7125001 to 28-7125651 incl.
	66709-11		CARPET ASSEMBLY - Baggage floor, blue	1	28-7125001 to 28-7125651 incl.
	66709-12		CARPET ASSEMBLY - Baggage floor, black	1	28-7125001 to 28-7125651 incl.
	66709-08		CARPET ASSEMBLY - Baggage floor, red	1	28-7225001 to 28-7425454 incl.
	66709-06		CARPET ASSEMBLY - Baggage floor, blue	1	28-7225001 to 28-7425454 incl.
	66709-09		CARPET ASSEMBLY - Baggage floor, black	1	28-7225001 to 28-7425454 incl.
	591 003		CARPET ASSEMBLY - Baggage floor, red	1	28-7525001 to 28-7625284 incl.
	591 005		CARPET ASSEMBLY - Baggage floor, blue	1	28-7525001 to 28-7625284 incl.
	591 004		CARPET ASSEMBLY - Baggage floor, black	1	28-7525001 and up
	591 489		CARPET ASSEMBLY - Baggage floor, heather brown	1	28-7725001 and up

A- If Kit 756 962 has been installed, order part for serial numbers 28-20910 to 28-20939 inclusive.
W- These parts must be ordered from Service Spares Department, Piper Aircraft, Lock Haven, Penna.

When ordering, always specify Part Number, Description, and Serial Number of Aircraft

PIPER PARTS CATALOG

Figure and Index Number	Part Number	Code	NOMENCLATURE	No. Req.	SERIAL NUMBERS AFFECTED	
26-44	63116-26		CARPET - Floor, front, left, gray	1	28-20002 to 28-21467 inclusive	
	63116-37		CARPET - Floor, front, left, brown	1	28-20002 to 28-26956 inclusive	
	63116-97		CARPET - Floor, front, left, red	1	28-21468 to 28-7125651 incl.,	
	67907-02		CARPET - Floor, front, left, red	1	28-7225001 to 28-7425454 incl.	
	591 036		CARPET - Floor, front, left, red	1	28-7525001 to 28-7625284 incl.	
	63116-52		CARPET - Floor, front, left, blue	1	28-21468 to 28-7125651 incl.	
	67907-06		CARPET - Floor, front, left, blue	1	28-7225001 to 28-7425454 incl.	
	591 038		CARPET - Floor, front, left, blue	1	28-7525001 to 28-7625284 incl.	
	63116-136		CARPET - Floor, front, left, black	1	28-20002 to 28-7125651 incl.	
	67907-04		CARPET - Floor, front, left, black	1	28-7225001 to 28-7425454 incl.	
	591 037		CARPET - Floor, front, left, black	1	28-7525001 and up	
	591 505		CARPET - Floor, front, left, heather brown	1	28-7725001 and up	
	79236-06	A,B	CARPET - Floor, front, left	1	28-7425001 to 28-7425454 incl.	
	591 190	A	CARPET - Floor, front, left, red	1	28-7525001 to 28-7625284 incl.	
	591 192	A	CARPET - Floor, front, left, blue	1	28-7525001 to 28-7625284 incl.	
	591 191	A	CARPET - Floor, front, left, black	1	28-7525001 and up	
	63116-27		CARPET - Floor, front, right, gray	1	28-20002 to 28-21467 inclusive	
	63116-38		CARPET - Floor, front, right, brown	1	28-20002 to 28-26956 inclusive	
	63116-98		CARPET - Floor, front, right, red	1	28-21468 to 28-7125651 incl.	
	67907-03		CARPET - Floor, front, right, red	1	28-7225001 to 28-7425454 incl.	
	591 039		CARPET - Floor, front, right, red	1	28-7525001 to 28-76252~4 incl.	
	63116-53		CARPET - Floor, front, right, blue	1	28-21468 to 28-7125651 incl.	
	67907-07		CARPET - Floor, front, right, blue	1	28-7225001 to 28-7425454 incl.	
	591 041		CARPET - Floor, front, right, blue	1	28-7525001 to 28-7625284 incl.	
	63116-137		CARPET - Floor, front, right, black	1	28-20002 to 28-7125651 incl.	
	67907-05		CARPET - Floor, front, right, black	1	28-7225001 to 28-7425454 incl.	
	591 040		CARPET - Floor, front, right, black	1	28-7525001 and up	
	591 507		CARPET - Floor, front, right, heather brown	1	28-7725001 and up	
	79236-07	A,B	CARPET - Floor, front, right	1	28-7425001 to 28-7425454 incl.	
	591 196	A	CARPET - Floor, front, right, red	1	28-7525001 to 28-7625284 incl.	
	591 198	A	CARPET - Floor, front, right, blue	1	28-7525001 to 28-7625284 incl.	
	591 197	A	CARPET - Floor, front, right, black	1	28-7525001 and up	
	-45	63116-06		CARPET - Floor rear outboard, brown	2	28-20002 to 28-26956 inclusive
		63116-24		CARPET - Floor rear outboard, gray	2	28-20002 to 28-2146,7 inclusive
		63116-93		CARPET - Floor, rear outboard, red	2	28-21468 to 28-7125651 incl.
		63116-48		CARPET - Floor, rear outboard, blue	2	28-21468 to 28-7125651 incl.
		63116-132		CARPET - Floor, rear outboard, black	2	28-20002 to 28-7125651 incl. .
		67905-02		CARPET - Floor rear outboard, red	2	28-7225001 to 28-7425454 incl.
		67905-04		CARPET - Floor rear outboard, blue	2	28-7225001 to 28-7425454 incl.
		67905-03		CARPET - Floor, rear outboard, black	2	28-7225001 to 28-7425454 incl.
		591 026		CARPET - Floor, rear outboard, red	2	28-7525001 to 28-7625284 incl.
		591 028		CARPET - Floor, rear outboard, blue	2	28-7525001 to 28-7625284 incl.
		591 027		CARPET - Floor, rear outboard, black	2	28-7525001 and up
		591 501		CARPET - Floor, rear outboard, heather brown	2	28-7725001 and up
		79236-16	A,B	CARPET - Floor rear outboard	2	28-7425001 to 28-7425454 incl.
591 275		A	CARPET - Floor rear outboard, red	2	28-7525001 to 28-7625284 incl.	
591 277		A	CARPET - Floor, rear outboard, blue	2	28-7525001 to 28-7625284 incl.	
591 276		A	CARPET - Floor, rear outboard, black	2	28-7525001 and up.	

A- Used if sound reduction carpeting is installed.
 B- When ordering, specify color red, blue or black.
 W- These parts must be ordered from Service Spares Department, Piper Aircraft, Lock Haven, Penna.

When ordering, always specify Part Number, Description, and Serial Number of Aircraft

PIPER PARTS CATALOG

Figure and Index Number	Part Number	Code	NOMENCLATURE	No. Req.	SERIAL NUMBERS AFFECTED	
26-46	63116-19		CARPET - Floor, rear inboard, brown	2	28-20002 to 28-26956 inclusive	
	63116-31		CARPET - Floor, rear inboard, gray	2	28-20002 to 28-21467 inclusive	
	63116-95		CARPET - Floor, rear inboard, red	2	28-21468 to 28-26956 inclusive	
	63116-50		CARPET - Floor, rear inboard, blue	2	28-21468 to 28-26956 inclusive	
	63116-134		CARPET - Floor, rear inboard, black	2	28-20002 to 28-26956 inclusive	
	99113-12		CARPET - Floor, left rear inboard, red	1	28-7125001 to 28-7125651 incl.	
	99113-14		CARPET - Floor, left rear inboard, blue	1	28-7125001 to 28-7125651 incl.	
	99113-16		CARPET - Floor, left rear inboard, black	1	28-7125001 to 28-7125651 incl.	
	99113-13		CARPET - Floor, right rear inboard, red	1	28-7125001 to 28-7125651 incl.	
	99113-15		CARPET - Floor, right rear inboard, blue	1	28-7125001 to 28-7125651 incl.	
	99113-17		CARPET - Floor, right rear inboard, black	1	28-7125001 to 28-7125651 incl.	
	99113-02		CARPET - Floor, left rear inboard, red	1	28-7225001 to 28-7425454 incl.	
	99113-06		CARPET - Floor left rear inboard, blue	1	28-7225001 to 28-7425454 incl.	
	99113-04		CARPET - Floor left rear inboard, black	1	28-7225001 to 28-7425454 incl.	
	591 390		CARPET - Floor, left rear inboard, red	1	28-7525001 to 28-7625284 incl.	
	591 392		CARPET - Floor, left rear inboard, blue	1	28-7525001 to 28-7625284 incl.	
	591 391		CARPET - Floor, left rear inboard, black	1	28-7525001 and up	
	591 573		CARPET - Floor, left rear inboard, heather brown	1	28-7725001 and up	
	99113-03		CARPET - Floor, right rear inboard, red	1	28-7225001 to 28-7425454 incl.	
	99113-07		CARPET - Floor, right rear inboard, blue	1	28-7225001 to 28-7425454 incl.	
	99113-05		CARPET - Floor, right rear inboard, black	1	28-7225001 to 28-7425454 incl.	
	591 393		CARPET - Floor right rear inboard, red	1	28-7525001 to 28-7625284 incl.	
	591 395		CARPET - Floor right rear inboard, blue	1	28-7525001 to 28-7625284 incl.	
	591 394		CARPET - Floor, right rear inboard, black	1	28-7525001 and up	
	591 575		CARPET - Floor, right rear inboard, heather brown	1	28-7725001 and up	
	47	63116-04		CARPET - Floor, rear center, brown	2	28-20002 to 28-26956 inclusive
		63116-23		CARPET - Floor rear center, gray	2	28-20002 to 28-21467 inclusive
		63116-94		CARPET - Floor rear center, red	2	28-21468 to 28-7125651 incl.
		63116-49		CARPET - Floor, rear center, blue	2	28-21468 to 28-7125651 Incl.
		63116-133		CARPET - Floor, rear center, black	2	28-20002 to 28-7125651 incl.
		67906-02		CARPET - Floor, rear center, red	2	28-7225001 to 28-7425454 incl.
		67906-04		CARPET - Floor rear center, black	2	28-7225001 to 28-7425454 incl.
		67906-03		CARPET - Floor rear center, black	2	28-7225001 to 28-7425454 incl.
		591 031		CARPET - Floor, rear center, red	2	28-7525001 to 28-7625284 incl.
591 033			CARPET - Floor, rear center, blue	2	28-7525001 to 28-7625284 incl.	
591 032			CARPET - Floor, rear center, black	2	28-7525001 and up	
591 503			CARPET - Floor rear center, heather brown	2	28-7725001 and up	
79236-05		A,B	CARPET - Floor rear center	1	28-7425001 to 28-7425454 incl.	
591 182		A	CARPET - Floor, rear center, red	2	28-7525001 to 28-7625284 incl.	
591 184		A	CARPET - Floor, rear center, blue	2	28-7525001 to 28-7625284 incl.	
591 183		A	CARPET - Floor, rear center, black	2	28-7525001 and up	

A- Used if sound reduction carpeting is installed.
B- When ordering, specify color red, blue or black.

When ordering, always specify Part Number, Description, and Serial Number of Aircraft

PIPER PARTS CATALOG

Figure and Index Number	Part Number	Code	NOMENCLATURE	No. Req.	SERIAL NUMBERS AFFECTED	
26-48	63116-17		CARPET ASSEMBLY - Tunnel, top, brown	1	28-20002 to 28-26956 inclusive	
	63116-34		CARPET ASSEMBLY - Tunnel, top, gray	1	28-20002 to 28-21467 inclusive	
	63116-87		CARPET ASSEMBLY - Tunnel, top, red	1	28-21468 to 28-26956 inclusive	
	63116-88		CARPET ASSEMBLY - Tunnel, top, blue	1	28-21468 to 28-26956 inclusive	
	63116-155		CARPET ASSEMBLY - Tunnel, top, black	1	28-20002 to 28-26956 inclusive	
	99114-11		CARPET ASSEMBLY - Tunnel, top, red	1	28-7125001 to 28-7425454 incl.	
	99114-12		CARPET ASSEMBLY - Tunnel, top, blue	1	28-7125001 to 28-7425454 incl.	
	99114-13		CARPET ASSEMBLY - Tunnel, top, black	1	28-7125001 to 28-7425454 incl.	
	591 396		CARPET ASSEMBLY - Tunnel, top, red	1	28-7525001 to 28-7625284 incl.	
	591 398		CARPET ASSEMBLY - Tunnel, top, blue	1	28-7525001 to 28-7625284 incl.	
	591 397		CARPET ASSEMBLY - Tunnel, top, black	1	28-7525001 and up	
	591 577		CARPET ASSEMBLY - Tunnel, top, heather brown	1	28-7725001 and up	
	-49	63116-12		CARPET ASSEMBLY - Tunnel, side, left, brown	1	28-20002 to 28-24999 inclusive
		63116-33		CARPET ASSEMBLY - Tunnel, side, left, gray	1	28-20002 to 28-21467 inclusive
63116-103			CARPET ASSEMBLY - Tunnel, side, left, red	1	28-21468 to 28-24999 inclusive	
63116-63			CARPET ASSEMBLY - Tunnel, side, left, blue	1	28-21468 to 28-24999 inclusive	
63116-150			CARPET ASSEMBLY - Tunnel, side, left, black	1	28-20002 to 28-24999 inclusive	
631 16-123			CARPET ASSEMBLY - Tunnel, side, left, brown	1	28-25000 to 28-26956 inclusive	
63116-125			CARPET ASSEMBLY - Tunnel, side, left, red	1	28-25000 to 28-7125651 incl.	
63116-124			CARPET ASSEMBLY - Tunnel, side, left, blue	1	28-25000 to 28-7125651 incl.	
63116-139			CARPET ASSEMBLY - Tunnel, side, left, black	1	28-25000 to 28-7125651 incl.	
67904-02			CARPET ASSEMBLY - Tunnel, side, left, red	1	28-7225001 to 28-7425454 incl.	
67904-06			CARPET ASSEMBLY - Tunnel, side, left, blue	1	28-7225001 to 28-7425454 incl.	
67904-04			CARPET ASSEMBLY - Tunnel, side, left, black	1	28-7225001 to 28-7425454 incl.	
591 016			CARPET ASSEMBLY - Tunnel, side, left, red	1	28-7525001 to 28-7625284 incl.	
591 018			CARPET ASSEMBLY - Tunnel, side, left, blue	1	28-7525001 to 28-7625284 incl.	
591 017			CARPET ASSEMBLY - Tunnel, side, left, black	1	28-7525001 and up	
591 497			CARPET ASSEMBLY - Tunnel, side, left, heather brown	1	28-7725001 and up	
63116-21			CARPET ASSEMBLY - Tunnel, side, right, brown	1	28-20002 to 28-24999 inclusive	
63116-35			CARPET ASSEMBLY - Tunnel, side, right, gray	1	28-20002 to 28-21467 inclusive	
63116-83			CARPET ASSEMBLY - Tunnel, side, right, red	1	28-21468 to 28-24999 inclusive	
63116-84			CARPET ASSEMBLY - Tunnel, side, right, blue	1	28-21468 to 28-24999 inclusive	
63116-158			CARPET ASSEMBLY - Tunnel, side, right, black	1	28-20002 to 28-24999 inclusive	
63116-127			CARPET ASSEMBLY - Tunnel, side, right, brown	1	28-25000 to 28-26956 inclusive	
63116-129			CARPET ASSEMBLY - Tunnel, side, right, red	1	28-25000 to 28-7125651 incl.	
63116-128			CARPET ASSEMBLY - Tunnel, side, right, blue	1	28-25000 to 28-7125651 incl.	
63116-126			CARPET ASSEMBLY - Tunnel, side, right, black	1	28-25000 to 28-7125651 incl.	
67904-03			CARPET ASSEMBLY - Tunnel, side, right, red	1	28-7225001 to 28-7425454 incl.	
67904-07			CARPET ASSEMBLY - Tunnel, side, right, blue	1	28-7225001 to 28-7425454 incl.	
67904-05			CARPET ASSEMBLY - Tunnel, side, right, black	1	28-7225001 to 28-7425454 incl.	
591 021			CARPET ASSEMBLY - Tunnel, side, right, red	1	28-7525001 to 28-7625284 incl.	
591 023			CARPET ASSEMBLY - Tunnel, side, right, blue	1	28-7525001 to 28-7625284 incl.	
591 022			CARPET ASSEMBLY - Tunnel, side, right, black	1	28-7525001 and up	
591 499			CARPET ASSEMBLY - Tunnel, side, right, heather brown	1	28-7725001 and up	
-50		66687-02		CARPET ASSEMBLY - Spar box, brown	1	28-25000 to 28-26956 inclusive
		66687-03		CARPET ASSEMBLY - Spar box, red	1	28-25000 to 28-26956 inclusive
	66687-04		CARPET ASSEMBLY - Spar box, blue	1	28-25000 to 28-26956 inclusive	
	66687-05		CARPET ASSEMBLY - Spar box, black	1	28-25000 to 28-26956 inclusive	
	66687-10		CARPET ASSEMBLY - Spar box, red	1	28-7125001 to 28-7325684 incl.	
	66687-11		CARPET ASSEMBLY - Spar box, blue	1	28-7125001 to 28-7325684 incl.	
	66687-12		CARPET ASSEMBLY - Spar box, black	1	28-7125001 to 28-7325684 incl.	
	66687-08		CARPET ASSEMBLY - Spar box, red	1	28-7425001 to 28-7425454 incl.	
	66687-06		CARPET ASSEMBLY - Spar box, blue	1	28-7425001 to 28-7425454 incl.	
	66687-09		CARPET ASSEMBLY - Spar box, black	1	28-7425001 to 28-7425454 incl.	
	591 000		CARPET ASSEMBLY - Spar box, red	1	28-7525001 to 28-7625284 incl.	
	591 002		CARPET ASSEMBLY - Spar box, blue	1	28-7525001 to 28-7625284 incl.	
	591 001		CARPET ASSEMBLY - Spar box, black	1	28-7525001 and up	
	591 487		CARPET ASSEMBLY - Spar box, heather brown	1	28-7725001 and up	

When ordering, always specify Part Number, Description, and Serial Number of Aircraft

PIPER PARTS CATALOG

Figure and Index Number	Part Number	Code	NOMENCLATURE	No. Req.	SERIAL NUMBERS AFFECTED
26-51	63149-02		TRIM STRIP - Windshield channel, left, brown	1	28-20002 to 28-21045 inclusive
	63149-06		TRIM STRIP - Windshield channel, left, gray	1	28-20002 to 28-21045 inclusive
	63149-10		TRIM STRIP - Windshield channel, left, sand	1	28-21046 to 28-7125194 incl.
	63149-14		TRIM STRIP - Windshield channel, left, white	1	28-7125195 and up
-52	63822-00	A,B	PLATE - Fuel selector	1	28-20002 to 28-26956 inclusive
	99635-09	E	COVER ASSEMBLY - Fuel selector	1	28-7125001 and up
-53	63949-00	F	HANDLE ASSEMBLY - Fuel selector valve	1	28-20002 to 28-26956 inclusive
	99181-03		HANDLE ASSEMBLY - Fuel selector valve	1	28-7125001 and up
-54	63949-02	F	* INDICATOR	1	28-20002 to 28-26956 inclusive
-55	63949-03	F	* HANDLE	1	28-20002 to 28-26956 inclusive
-56	99252-02		COVER ASSEMBLY - Exhaust vent, red	2	28-7125001 to 28-7425414 incl.
	99252-03		COVER ASSEMBLY - Exhaust vent, blue	2	28-7125001 to 28-7425414 incl.
	99252-05		COVER ASSEMBLY - Exhaust vent, black	2	28-7125001 to 28-7125651 incl.
	99252-04		COVER ASSEMBLY - Exhaust vent, tan	2	28-7225001 to 28-7425414 incl.
	99252-07		COVER ASSEMBLY - Exhaust vent, green	2	28-7225001 to 28-7425414 incl.
	99252-10	E	COVER ASSEMBLY - Exhaust vent	2	28-7425415 and up
-57	78112-02		COVER - Cowl deck	1	28-7225001 to 28-7225612 incl.
	78112-03		COVER - Cowl deck	1	28-7325001 to 28-7425298 incl. 28-7425300 to 28-7425454 incl. 28-7425299 to 28-7525001 and up
	78112-05		COVER - Cowl deck	1	
-58	62278-02		RETAINER - Closeout panel, side, upper	2	
-59	62278-03		RETAINER - Closeout panel, side, lower	2	
-60	62278-04		RETAINER - Closeout panel, top	2	
-61	565 181		HOOK - Coat (1001 R.F.)	1	28-20696 to 28-7425454 incl.
-62	62269-02	C	TRIM STRIP - Baggage floor, left	1	28-20002 to 28-20909 inclusive
	62269-04		TRIM STRIP - Baggage floor, left	1	28-20910 to 28-26956 inclusive
	62269-12		TRIM STRIP - Baggage floor, left front	1	28-71 25001 and up
	62269-10		TRIM STRIP - Baggage floor, left rear	1	28-7125001 to 28-7125651 incl.
	99715-00		TRIM STRIP - Baggage floor, left rear	1	28-7225001 and up
-63	65520-00	D	CABLE ASSEMBLY - Belt attachment	2	28-20910 to 28-7125651 incl.
	96908-00		CABLE ASSEMBLY - Belt attachment	2	28-7225001 and up
-64	68551-00	D	SLEEVE - Trim	3	28-20910 to 28-7125651 incl.
	99240-00		RING - Boot attachment	1	28-7225001 and up
-65	63106-07		WINDLACING - Door seal, gray	1	28-20002 to 28-21467 inclusive
	65564-02		WINDLACING - Door seal, white	1	28-20002 to 28-7125194 incl.
	69403-03		WINDLACING - Door seal, white	1	29-7125195 and up
-66	96684-00		FLOORBOARD - Rear, left and right	2	
-67	63164-00		FLOORBOARD - Front, left	1	28-20002 to 28-7325684 incl.
	76123-12		FLOORBOARD - Front, left	1	28-7425001 and up
	63164-01		FLOORBOARD - Front, right	1	28-20002 to 28-7325684 incl.
	76123-13		FLOORBOARD - Front, right	1	28-7425001 and up
-68	62353-04		LOOP ASSEMBLY - Assist, white	1	28-20002 to 28-7125194 incl.
	62353-05		LOOP ASSEMBLY - Assist, white	1	28-71251 95 to 28-7425454 incl.
	79455-00		LOOP ASSEMBLY - Assist, white	1	28-7525001 and up

- A- When ordering, specify color red, blue or light brown.
- B- Order part for serial numbers 28-7125001 and up if Fuel Selector Valve Cover Kit 760 546 has been installed.
- C- If Kit 756 962 has been installed, order part for serial numbers 28-20910 to 28-20939 inclusive.
- D - Used on serial numbers 28-20002 to 28-20909 inclusive if Kit 756 962 has been installed.
- E- When ordering, specify color red, blue/green, tan, black or green.
- F- Order part for serial numbers 28-7125001 to 28-7525003 inclusive if Fuel Selector Valve Cover Kit 760 546 has been installed.

When ordering, always specify Part Number, Description, and Serial Number of Aircraft

PIPER PARTS CATALOG

Figure and Index Number	Part Number	Code	NOMENCLATURE	No. Req.	SERIAL NUMBERS AFFECTED
26-69	65304-00		PANEL - Ash box	2	28-20002 to 28-24999 inclusive
-70	453 141	W	BOX - Ash	2	28-20002 to 28-24999 inclusive
-71	484 385	W	RETAINER - Ash box	2	28-20002 to 28-24999 inclusive
-72	65286-05		KNOB - Ash box, red	2	28-20002 to 28-24999 inclusive
	65286-06		KNOB - Ash box blue	2	28-20002 to 28-24999 inclusive
	65286-07		KNOB - Ash box brown	2	28-20002 to 28-24999 inclusive
	65286-08		KNOB - Ash box, tan	2	28-20002 to 28-24999 inclusive
-73	65530-00		PLACARD - Baggage compartment	1	28-25000 to 28-7625234 incl.
	69669-171		PLACARD - Baggage compartment	1	28-7725001 and up
-74	65219-00		PLACARD - Rudder trim	1	28-25000 and up
-75	69288-00		PLACARD ASSEMBLY - Operating limitations, mph	1	28-25000 to 28-7225612 incl.
	69288-03		PLACARD - Operating limitations, mph	1	28-7325001 to 28-7625284 incl.
	79157-00		PLACARD ASSEMBLY-Operating limitations, knots	1	28-25000 to 28-7225612 incl.
	69669-05		PLACARD - Operating limitations, knots	1	28-7325001 to 28-7625284 incl.
	69669-142		PLACARD - Operating limitations, knots	1	28-7725001 and up
	99811-02	A	PLACARD - Operating limitations, mph	1	28-25001 to 28-7125472 to 28-7625284 inclusive
	69669-06	A	PLACARD - Operating limitations, knots	1	28-25001 to 28-7125472 to 28-7625284 inclusive
	69669-154	A	PLACARD - Operating limitations, knots	1	28-7725001 and up
-76	67315 00		COVER ASSEMBLY - Access	2	28-25000 to 28-26956 inclusive
-77	67330-10	C	COVER - Console	1	28-25000 and up
-78	67232-15		COVER ASSEMBLY - Engine controls	1	28-25000 to 28-7625284 incl.
	67232-26	B	COVER ASSEMBLY - Engine controls	1	28-7125174 to 28-7625284 incl.
	67232-40	D	COVER ASSEMBLY - Engine controls, bark	1	28-7725001 and up
-79	65846-00		PLACARD - Engine controls	1	
-80	99737-02		COVER ASSEMBLY - Shoulder harness, forward, left	1	28-7225001 to 28-7225612 incl.
	78054-02		COVER ASSEMBLY - Shoulder harness, forward, left	1	28-7325001 and up
	99801-00		COVER ASSEMBLY - Shoulder harness, forward, right	1	28-7225001 to 28-7225612 incl.
	99801-02		COVER ASSEMBLY - Shoulder harness, forward, right	1	28-7325001 and up
-81	65869-00		BEARING - Sun visor	2	28-26401 and up
-82	79445-00		DOOR ASSEMBLY - Rear bulkhead	1	28-25000 and up
-83	66670-00		BULKHEAD ASSEMBLY- Cabin, rear	1	28-25000 and up
-84	65530-00		PLACARD - Bulkhead assembly	1	28-25000 and up
-85	489 388		TRAY - Ash, chrome	2	28-25000 and up
-86	65735-06		FLANGE - Air vent, brown	4	28-25000 to 28-26956 inclusive
	65735-19	C	FLANGE - Air vent	4	28-25000 and up
-87	65735-03		CUP- Air vent, brown	4	28-25000 to 28-26956 inclusive
	65735-18	C	CUP- Air vent	4	28-25000 and up
-88	68416-00		VENT ASSEMBLY - Air, forward, left (complete)	1	28-25000 and up
	68416 01		VENT ASSEMBLY - Air, forward, right (complete)	1	28-25000 and up
	68556-00		VENT ASSEMBLY - Air, aft, left (complete)	1	28-25000 and up
	68556-01		VENT ASSEMBLY - Air, aft, right (complete)	1	28-25000 and up

- A- Used if air conditioning or fresh air blower is installed.
- B- Used on Flite Liner Model only.
- C- When ordering, specify/ color red, blue/green, gold, black, green or bark. Specify color "Bark 1" for serial number 28-7725001 to 28-7725174 inclusive. Specify color "Bark II" for serial number 28-7725175 and up.
- D- When ordering for serial number 28-7725001 to 28-7725174 inclusive, specify' color "Bark 1". When ordering for serial number 28-7725175 and up, specify color "Bark II".
- W- These parts must be ordered from Service Spares Department, Piper Aircraft, Lock Haven, Penna.

When ordering, always specify Part Number, Description, and Serial Number of Aircraft

PIPER PARTS CATALOG

Figure and Index Number	Part Number	Code	NOMENCLATURE	No. Req.	SERIAL NUMBERS AFFECTED
26-89	68671-00		VALVE ASSEMBLY Air vent	1	28-25000 and up
-90	68499-04		SHAFT ASSEMBLY - Air vent valve, left	1	28-25000 and up
	68499-05		SHAFT ASSEMBLY - Air vent valve, right	1	28-25000 and up
-91	68584-00		GASKET - Air vent assernbly	4	28-25000 and up
-92	473 185		LOUVER - Cabin air	2	28-25000 to 28-25800 inclusive
	66788-00		COVER - Cabin air, red, left	1	28-25801 to 28-26956 inclusive
	66788-01		COVER - Cabin air, red, right	1	28-25801 to 28-26956 inclusive
	66788-02		COVER - Cabin air, brown, left	1	28-25801 to 28-26956 inclusive
	66788 03		COVER - Cabin air, brown, right	1	28-25801 to 28-26956 inclusive
	66788-04		COVER - Cabin air, blue, left	1	28-25801 to 28-26956 inclusive
	66788-05		COVER - Cabin air, blue, right	1	28-25801 to 28-26956 inclusive
	66788-06		COVER - Cabin air, black, left	1	28-25801 to 28-26956 inclusive
	66788-07		COVER - Cabin air, black, right	1	28-25801 to 28-26956 inclusive
-93	65866-00		BLADE - Sun visor	2	28-26401 to 28-7625284 incl.
	79783-02		BLADE - Sun visor, pilot	1	28-7725001 and up
	65866-00		BLADE - Sun visor, co-pilot	1	28-7725001 and up
-94	65865-00		RETAINER - Sun visor	2	28-26401 and up
-95	65867-00		ROD - Sun visor	2	28-26401 and up
-96	65870-00		CLIP - Sun visor, upper left and lower right	2	28-26401 and up
-97	65871-00		CLIP - Sun visor, lower left and upper right	2	28-26401 and up
-98	99967-00		RETAINER - Glare shield, left	1	28-7325001 and up
	99968-00		RETAINER - Glare shield, right	1	28-7325001 and up
-99	76221-00		CLIP - Shoulder harness retaining	1	28-7325161 and up
-100	79125-00		CAP - Trim, left	1	28-7325001 and up
	79125-01		CAP - Trim, right	1	28-7325001 and up
-101	99991-00		COVER - Transponder antenna	1	28-7225093 to 28-7225503 incl.
-102	79456-00		CAP - Assist strap	1	
-103	79404-00		COVER - Trim, radio cooling	1	28-7425299, 28-7525001 and up
-104	79559-00		CORNER - Baggage floor	2	28-7225001 and up
-105	66787-00		PLACARD -Cabin bulkhead	1	
-106	415 376		SCREW - (MS51957-27)	4	
	477 696		NUT- Dorne (8061-NP)	4	
-107	515 710	W	SCREW - (PS10084-44-2)	2	28-7325001 and up
	407 562	W	WASHER - (AN960-6)	2	28-7325001 and up
	404 909	W	NUT - (MS20365-632C)	2	28-7325001 and up
-108	36588-04		SCREW AND POST ASSEMBLY - Retainer	2	28-26401 and up
-109	484 691		RIVET - Plastic (201-120751-00-0103)	2	28-26401 and up
-110	419 905	W	SCREW - (14 x 2 1/2" long)	2	28-20002 to 28-24999 incl.
	419 594		SCREW - (AN530-10R36)	2	28-25000 and up
-111	99736-03		ESCUTCHEON - Shoulder harness beit	2	28-7225001 and up
		W-	These parts must be ordered from Service Spares Department, Piper Aircraft, Lock Haven, Penna.		

When ordering, always specify Part Number, Description, and Serial Number of Aircraft

**1K15 THRU 1L24
INTENTIONALLY LEFT BLANK**



PA-28 AND PA-28R

CHEROKEE

PARTS CATALOG

CARD 2 OF 4

PA-28-140

PA-28-180

PA-28-150

PA-28-235

PA-28-160

PA-28R-180

PA-28R-200

PIPER AIRCRAFT CORPORATION

(PART NUMBER 753 582)

Courtesy of Bomar Flying Service
www.bomar.biz

PIPER PARTS CATALOG

AEROFICHE EXPLANATION

The Parts Catalog Information incorporated in this set of Aerofiche cards has been arranged in accordance with the general specifications of Aerofiche adopted by the General Aircraft Manufacturer's Association.

Conversion of Aerofiche alpha/numeric code numbers:

First number is the Aerofiche card identifier

Letter is the horizontal line reference per card.

Second number is the vertical line reference per card.

example: 2J16 = Aerofiche card number two of given set, Grid location J16.

To aid in locating the various sections and related information desired, the following is provided:

A complete Catalog Table of Contents is given at Grid 1A8 of Aerofiche card number 1 of this set. Each additional card in this set will have a Table of Contents for all sections on that particular card. This table will start at Grid A3.

REVISIONS

The information compiled in this Aerofiche Parts catalog will be kept current by revisions distributed periodically. These revisions will supersede all previous revisions and will be complete Aerofiche card replacements and shall supersede Aerofiche cards of the same number in the set.

Current revisions to this PA-28 and PA-28R Parts catalog issued August 16, 1973 are as follows:

753 582 (PR750815).....	Dated August 1975
753 582 (PR760430)	Dated April 1976
753 582 (PR760831).....	Dated August 1976
753 582 (PR77030).....	Dated March 1977
753 582 (PR770715)	Dated July 1977
753 582 (PR780908)	Dated September 1978
753 582 (PR790405).....	Dated April 1979
753 582 (PR800520)	Dated May 1980
753 582 (PR860226).....	Dated February 1986 (Interim change)
753-582 (PR030310)	Dated March 10, 2003
753-582 (PR 030610)	Dated June 10, 2003

TABLE OF CONTENTS

FIGURE NUMBER	FIGURE TITLE	GRID NUMBER
SECTION II FUSELAGE GROUP		
27	Cockpit Finishing Installation PA-28-180 - S/N 28-4378 and up, PA-28R-180 - S/N 28R-30005 to 28R-30481 incl., 28R-30483 and up, PA-28R-200 - S/N 28R-30482, 28R-35001 and up	2A6
27A	Cockpit Finishing installation (PA-28-235 - S/N 28-11040 and up)	2B17
27B	Window Curtains Installation (PA-28-235 - S/N 28-7710001 and up, PA-28R-200 - S/N 28R-7635504 and up	2C9
28	Seats Installation (PA-28-140 - S/N 28-20002 to 28-26956 incl., PA-28-150/160/180 - S/N 28-1 to 28-5869 incl., PA-28-235 - S/N 28-10003 to 28-11393 incl., PA-28R-180 - S/N 28R-30005 to 28R-30481 incl., 28R-30483 to 28R-31279 incl., PA-28R-200 - S/N 28R-30482, 28R-35001 to 28R-31279 incl.).....	2C11
28A	Seats Installation (PA-28-140 - S/N 28-7125001 and up, PA-28-180 - S/N 28-7105001 and up, PA-28-235 - S/N 28-7110001 and up, PA-28R-180 - S/N 28R-7130001 and up, PA-28R-200 - S/N 28R-7135001 and up)	2D3
28B	Vertically Adjustable Front Seat Assembly (PA-28-140 - S/N 28-26401 to 28-7325684 incl., PA-28-180 - S/N 28-5601 to 28-7205328 incl., PA-28-235 - S/N 28-11301 to 28-7210033 incl., PA-28R-180 - S/N 28R-31251 to 28R-7130019 incl., PA-28R-200 - S/N 28R-35601 to 28R-7135238 incl.).....	2E1
28C	Vertically Adjustable Front Seat Assembly (PA-28-140 - S/N 28-7425061 and up, PA-28-180 - S/N 28-7405035 and up, PA-28-235 - S/N 28-7410027 and up, PA-28R-200 - S/N 28R-7435035 and up)	2E5
29	Rear Seat Installation (PA-28-140).....	2E11
30	Cabin Heat, Defroster and Fresh Air System (PA-28-140 - S/N 28-20002 to 28-24999 incl., PA-28-150/160/180 - S/N 28-1 to 28-1760 incl.).....	2E14
31	Cabin Heat, Defroster and Fresh Air System (PA-28-235 - S/N 28-10003 to 28-11039 incl., PA-28-150/160/180 - S/N 28-1761 to 28-4377 incl.).....	2E19
31A	Cabin Heat and Defroster Installation (PA-28-180 - S/N 28-4378 and up, PA-28-235 - S/N 28-11040 and up)	2F1
31B	Cabin Heat and Defroster Installation (PA-28-140 - S/N 28-25000 and up)	2F7
32	Cabin Heat and Defroster Installation (PA-28R-180/200)	2F10
32A	Air Conditioning Compressor, Refrigerant Lines and Alternator Installation (PA-28-140 - S/N 28-25001, 28-7125472 and up, PA-28-180 - S/N 28-5653, 28-7205092 and up, PA-28R-200 - S/N 28R-7235001 and up)	2F15
32B	Air Conditioning Duct and Evaporator Installation (PA-28-140 - S/N 28-25001, 28-7125472 and up, PA-28-180 - S/N 28-5653, 28-7205092 and up, PA-28R-200 - S/N 28R-7235001 and up).....	2F20
32C	Air Conditioning Condenser Installation (PA-28-140 - S/N 28-25001, 28-7125472 and up, PA-28-180 - S/N 28-5653, 28-7205092 and up, PA-28R-200 - S/N 28R-7235001 and up)	2G1
32D	Cabin Overhead Air Vent Installation (PA-28-140 - S/N 28-26401 to 28-7325684 incl., PA-28-180 - S/N 28-5601 to 28-7305611 incl., PA-28-235 - S/N 28-11301 to 28-7310187 incl., PA-28R-180 - S/N 28R-31251 to 28R-7130019 incl., PA-28R-200 - S/N 28R-35601 to 28R-7335455 incl.)	2G5
32E	Fresh Air Ventilation Installation (PA-28-140 - S/N 28-7425001 and up, PA-28-180 - S/N 28-7405001 and up, PA-28-235 - S/N 28-7410001 and up, PA-28R-200 - S/N 28R-7435001 and up)	2G7

TABLE OF CONTENTS

FIGURE NUMBER	FIGURE TITLE	GRID NUMBER
---------------	--------------	-------------

SECTION III
CHASSIS GROUP

33	Nose Gear Installation PA-28-140/150/160/180/235).....	2G12
33A	Nose Gear Strut Assembly (PA-28-140/150/160/180/235)	2G18
34	Nose Gear Installation (PA-28R-180/200).....	2H1
35	Nose Gear Assembly (PA- 28 R - 180/ 200)	2H6
36	Nose Wheel Assembly (Cleveland).....	2H10
36A	Nose Wheel Assembly (McCauley) (PA-28-140/150/160/180/235)	2H14
36B	Nose Wheel Assembly (McCauley) (PA-28R-180/200)	2H14
37	Main Gear Installation (PA-28-140/150/160/180/235)	2H16
38	Main Gear Installation (PA-28R-180/200)	2H21
39	Main Gear Assembly (PA-28R-180/200)	2I1
40	Main Wheel Assembly	2I4
41	Brake Assembly	2I7
42	Landing Gear Door Installation (PA-28R-180/200).....	2I10
43	Main and Nose wheel Fairing Installation (PA-28-140/150/160/180/235)	2I13
44	Main Landing Gear Strut Fairing Installation (PA-28-140/150/160/180/235).....	2J1
45	Hand brake Installation (PA-28-150/160 - S/N 28-1 to 28-250 incl.)	2J3
46	Hand Brake Installation (PA-28-150/160 - S/N 28-251 and up, PA-28-140/180/235)	2J6
47	Hand Brake Installation (PA-28R-180/200)	2J11
48	Toe Brake Installations	2J14
48A	Toe Brake Master Cylinder Installation	2J18
49	EDO Float Installation (PA-28R-180 - S/N 28R-671 to 28R-7205328 incl.)	2J21

SECTION IV
TAIL SURFACES GROUP

50	Tail Surfaces Installations.....	2K1
50A	Fin Assembly	2K8
50B	Rudder Assembly	2K12
50C	Stabilator Assembly (PA-28-150/160/180 - S/N 28-1 to 28-7205328 incl. PA-28-140 - S/N 28-20002 and up, PA-28-235 - S/N 28-10003 to 28-7205328 incl. PA-28R-180 - S/N 28R-30005 to 28R-30481. 28R-30483 to 28R-7130019 incl. PA-28R-200 - S/N 28R-30482. 28R-35001 to 28R-7135238 incl.).....	2K1
50D	Stabilator Assembly (PA-28-180 - S/N 28-7305001 and up, PA-28-235 - S/N 28-7310001 and up. PA-28R-200 - S/N 28R-7235001 and up).	2K17

SECTION V
FUEL SYSTEM GROUP

51	Fuel System Installation (PA-28-140)	2K19
52	Fuel System Installation (PA-28-150/160/180 - S/N 28-1 to 28-1760 incl.).....	2L1
53	Fuel System Installation PA-28-150/160/180 - S/N 28-1761 and up).....	2L7
54	Fuel System Installation (PA-28R-180/200)	2L12
55	Fuel System Installation (PA-28-235)	2L16

2A5
INTENTIONALLY LEFT BLANK

PIPER PARTS CATALOG

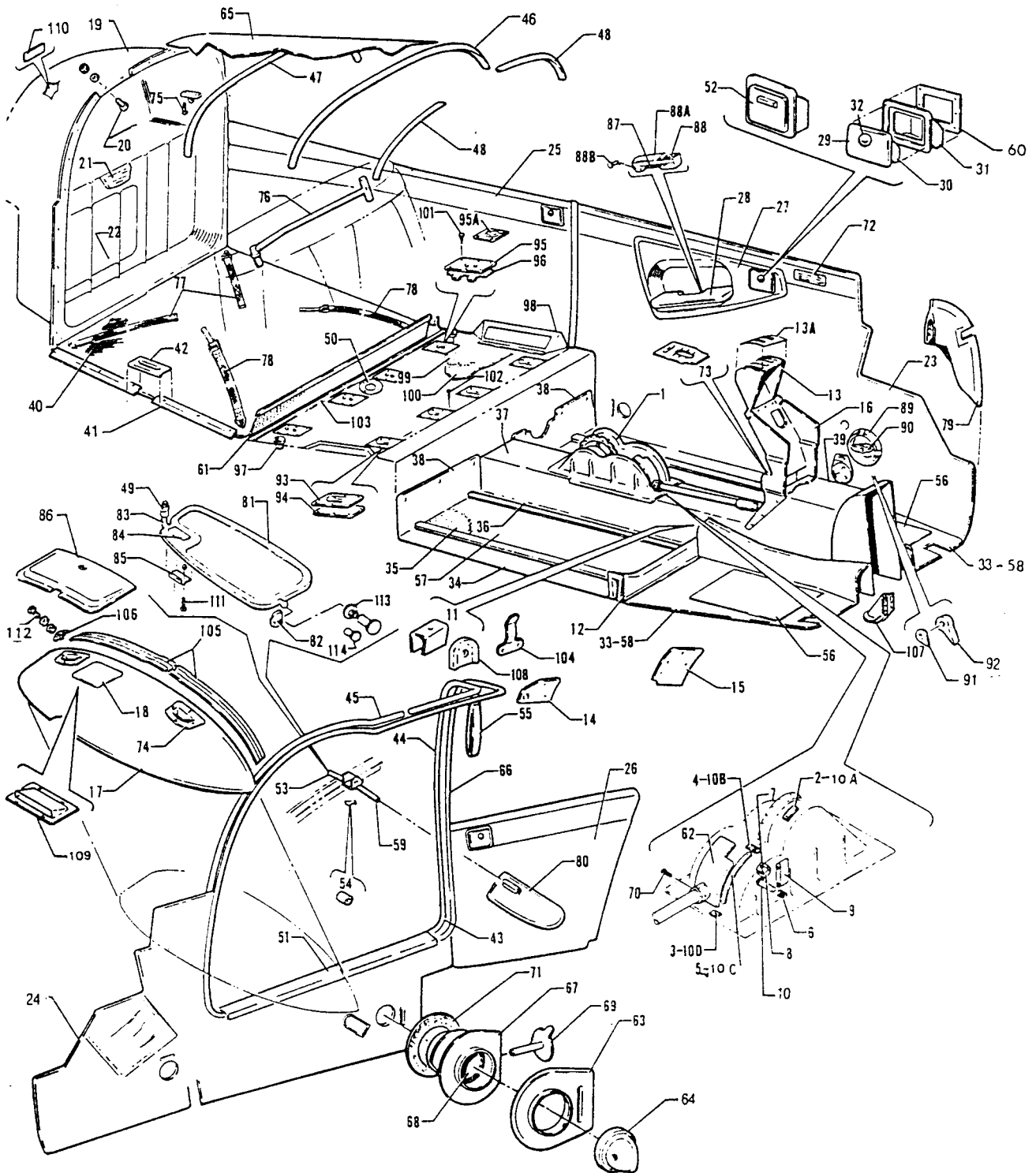


Figure 27. Cockpit Finishing Installation
(PA-28-180 - Serial Nos. 28-4378 and up)
(PA-28R-180 - Serial Nos 28R-30005 to 28R-30482 inclusive. 28R-30483 and up)
(PA-28R-200 - Serial Nos 28R-30482, 28R-35001 and up)

PIPER PARTS CATALOG

Figure and Index Number	Part Number	Code	NOMENCLATURE	No. Req.	SERIAL NUMBERS AFFECTED
27-	67300 66988 991 37 99663 76109 79768	C D E B H J	DRAWING - Cockpit Finishing Installation DRAWING - Cockpit Finishing Installation DRAWING - Cockpit Finishing Installation DRAWING - Cockpit Finishing Installation DRAWING - Cockpit Finishing Installation DRAWING - Cockpit Finishing Installation		28-7205001 to 28-7205328 incl.
-1	67593-02 67593-03 67593-04 67593-09 67852-02 67852-03 67852-15 67852-06 67852-05	F F F F G G G G G	COVER ASSEMBLY - Flap handle, red COVER ASSEMBLY - Flap handle, brown COVER ASSEMBLY - Flap handle, blue COVER ASSEMBLY - Flap handle, black COVER ASSEMBLY - Flap handle, red COVER ASSEMBLY - Flap handle, brown COVER ASSEMBLY - Flap handle, blue/green COVER ASSEMBLY - Flap handle, green COVER ASSEMBLY - Flap handle, black	1 1 1 1 1 1 1 1 1	
			A - Used on PA-28-180 with serial numbers 28-4378 and up PA-28R-180 and PA-28R-200 airplanes. B - Used on PA-28-180 airplanes only. C - Used on PA-28-180 with serial numbers 28-4378 to 285600 inclusive, PA-28R-180 with serial numbers 28R- 30005 to 28R-30481 inclusive, 28R-30483 to 28R-31250 inclusive, and PA-28R-200 with serial numbers 28R- 30482, 28R-35001 to 28R-35600 inclusive, D - Used on PA-28-180 with serial numbers 28-5601 to 285869 inclusive, PA-28R-180 with serial numbers 28R- 31251 to 28R-31279 inclusive, and PA-28R-200 with seri- al numbers 28R-35601 to 28R-35830 inclusive, E - Used on PA-28-180 with serial numbers 28-7105001 to 28-7105244 inclusive, PA-28R-180 with serial numbers 28R-7130001 to 28R-7130019 inclusive, and PA-28R-200 with serial numbers 28R-7135001 to 28R-7135238 inclu- sive. F - Used on PA-28R-180 with serial numbers 28R-30005 to 28R-30481 inclusive, 28R-30483 to 28R-31279 inclusive and PA-28R-200 with serial numbers 28R-30482, 28R- 35001 to 28R-35830 inclusive. G - Used on PA-28R-180 with serial numbers 28R-7130001 to 28R-7130019 inclusive, and PA-28R-200 with serial numbers 28R-7135001 to 28R-7135238 inclusive. H - Used on PA-28-180 with serial numbers 28-7305001 and up, and PA-28R-200 with serial numbers 28R-7235001 to 28R-7635503 inclusive. J - Used on PA-28R-200 with serial numbers 28R-7635504 and up.		

When ordering, always specify Part Number, Description, and Serial Number of Aircraft

PIPER PARTS CATALOG

Figure and Index Number	Part Number	Code	NOMENCLATURE	No. Req.	SERIAL NUMBERS AFFECTED
27-1	67917-06	C,G,L	COVER ASSEMBLY - Flap handle	1	
	65670-02	H	COVER ASSEMBLY - Flap handle, red	1	28-4378 to 28-5869 inclusive
	65670-03	H	COVER ASSEMBLY - Flap handle, brown	1	28-4378 to 28-5869 inclusive
	65670-04	H	COVER ASSEMBLY - Flap handle, blue	1	28-4378 to 28-5869 inclusive
	65670-09	H	COVER ASSEMBLY - Flap handle, black	1	28-4378 to 28-5869 inclusive
	67785-17	J,K	COVER ASSEMBLY - Flap handle	1	
-2	65699-00	E	PLACARD - Stabilator trim	1	
	67786-00	B	PLACARD - Stabilator trim	1	
-3	67592-02	D	PLACARD - "Emergency Down"	1	
-4	67592-03	D	PLACARD - "Override Up"	1	
	67921-00	C	PLACARD - "Gear Override"	1	
-5	67702-00	D	PLACARD - "Emergency Gear Lever"	1	
-6	67911 -00	C,F	SPRING - Override lever lock	1	28R-7235001 and up
-7	487 922	C,F	SWITCH - Gear override (1SE1)	1	28R-7235001 and up
-8	451 824	C,F	ACTUATOR - Gear override (JE73)	1	28R-7235001 and up

- A - Used on PA-28-180 with serial numbers 28-4378 and up, PA-28R-180 and PA-28R-200 airplanes.
- B - Used on PA-28R-180 airplanes only.
- C - Used on PA-28R-180 with serial numbers 28R-30005 to 28R-7130019 inclusive, and PA-28R-200 with serial numbers 28R-35001 to 28R-7135238 inclusive if Kit 760 542, Landing Gear Back-Up Actuator Override Mechanism, has been installed,
- D - Used on PA-28R-180 with serial numbers 28R-30005 to 28R-30481 inclusive, 28R-30483 to 28R-7130019 inclusive, and PA-28R-200 with serial numbers 28R-30482, 28R-35001 to 28R-7135238 inclusive,
- E - Used on PA-28-180 with serial numbers 28-4378 to 28-5869 inclusive, PA-28R-180 with serial numbers 28R-30005 to 28R-30481 inclusive, 28R-30483 to 28R-31279 inclusive, and PA-28R-200 with serial numbers 28R-30482, 28R-35001 to 28R-35830 inclusive.
- F - Used on PA-28R-200 airplanes only.
- G - Used on PA-28R-200 with serial numbers 28R-7235001 and up.
- H - Used on PA-28-180 airplanes only.
- J - Used on PA-28-180 with serial numbers 28-7105001 and up.
- K - When ordering, specify color red, blue/green, gold, black or green.
- L - When ordering, specify color red, blue/green. gold, black, green or bark. Specify color "Bark I" for PA-28R-200 with serial numbers 28R-7635504 and up.

When ordering, always specify Part Number, Description, and Serial Number of Aircraft

PIPER PARTS CATALOG

Figure and Index Number	Part Number	Code	NOMENCLATURE	No. Req.	SERIAL NUMBERS AFFECTED
27-9	460 901	D	FLASHER - Gear override (617)	1	
-10	67910-00	B,F	PIN - Override Lever Lock	1	28R-7235001 and up
-10a	67786-00	G	PLACARD - Stabilator trim	1	
-10b	67921-00	F	PLACARD - "Gear Override"	1	28R-7235001 and up
-10c	67702-00	F	PLACARD - "Emergency Gear Lever"	1	28R-7235001 and up
-10d	67592-02	F	PLACARD - "Emergency Down"	1	28R-7235001 and up
-11	63144-00		COVER - Fuselage frame, inboard, Sta. 73.04	1	
-12	65674-07	C	COVER ASSEMBLY - Fuselage frame, Sta. 73.04, red	2	
	65674-05	C	COVER ASSEMBLY - Fuselage frame, Sta. 73.04, brown	2	
	65674-06	E	COVER ASSEMBLY - Fuselage frame, Sta. 73.04, blue	2	
	65674-09	C	COVER ASSEMBLY - Fuselage frame, Sta. 73.04, black	2	
	65674-11	H	COVER ASSEMBLY - Fuselage frame, Sta. 73.04, green	2	
	65674-13	H	COVER ASSEMBLY - Fuselage frame, Sta. 73.04, blue/green	2	
	65674-15	F,J	COVER ASSEMBLY - Fuselage frame, Sta. 73.04	2	28R-7635504 and up
<p>A - Used on PA-28-180 with serial numbers 28-4378 and up, PA-28R-180 and PA-28R-200 airplanes.</p> <p>B - Used on PA-28R-180 with serial numbers 28R-30005 to 28R-7130019 inclusive, and PA-28R-200 with serial numbers 28R-35001 to 28R-7135238 inclusive if Kit 760 542, Landing Gear Back-Up Actuator Override Mechanism, has been installed.</p> <p>C - Used on PA-28-180 with serial numbers 28-4378 to 28-7505261 inclusive, PA-28R-180 with serial numbers 28R-30005 to 28R-30481 inclusive, 28R-30483 to 28R-7130019 inclusive, and PA-28R-200 with serial numbers 28R-30482, 28R-35001 to 28R-7635503 inclusive.</p> <p>D - No longer available, Order Gear Extension Flasher Replacement Kit 763 816 for PA-28R-200 with serial numbers 28R-7235001 and up. Also order above kit when replacing flasher for PA-28R-180, and PA-28R-200 with serial numbers 28R-30482, 28R-35001 to 28R-7135238 inclusive if Landing Gear Back-Up Actuator Override Mechanism Kit 760 542 has been installed, If Gear Extension Flasher Replacement Kit 763 816 has previously been installed on above serial number aircraft, refer to Figure 70 for replacement flasher.</p> <p>E - Used on PA-28-180 with serial numbers 28-4378 to 28-5869 inclusive, PA-28R-180 with serial numbers 28R-30005 to 28R-30481 inclusive, 28R-30483 to 28R-31279 inclusive, and PA-28R-200 with serial numbers 28R-30482, 28R-35001 to 28R-35830 inclusive.</p> <p>F - Used on PA-28R-200 airplanes only.</p> <p>G - Used on PA-28-180 with serial numbers 28-7105001 and up, and PA-28R-200 with serial numbers 28R-7235001 and up.</p> <p>H - Used on PA-28-180 with serial numbers 28-7505001 to 28-7505261 inclusive, PA-28R-180 with serial numbers 28R-7130001 to 28R-7130019 inclusive, and PA-28R-200 with serial numbers 28R-7135001 to 28R-7635503 inclusive.</p> <p>J - When ordering specify color "Bark II" or black.</p>					

When ordering, always specify Part Number, Description, and Serial Number of Aircraft

PIPER PARTS CATALOG

Figure and Index Number	Part Number	Code	NOMENCLATURE	No. Req.	SERIAL NUMBERS AFFECTED
27-13	67232-08	K	COVER ASSEMBLY - Engine controls, red	1	
	67232-06	L	COVER ASSEMBLY - Engine controls, brown	1	
	67232-07	J	COVER ASSEMBLY - Engine controls, blue	1	
	67232-09	K	COVER ASSEMBLY - Engine controls, tan	1	
	67232-18	M	COVER ASSEMBLY - Engine controls, black	1	
	67232-17	M	COVER ASSEMBLY - Engine controls, white	1	
	67232-20	H	COVER ASSEMBLY - Engine controls, green	1	
	67232-24	E	COVER ASSEMBLY - Engine controls, blue/green	1	
	67232-12	C	COVER ASSEMBLY - Engine controls, red	1	28-4378 and up
	67232-10	C	COVER ASSEMBLY - Engine controls, brown	1	28-4378 to 28-5600 inclusive
	67232-11	C	COVER ASSEMBLY - Engine controls, blue	1	28-4378 to 28-5869 inclusive
	67232-13	C	COVER ASSEMBLY - Engine controls, tan	1	28-4378 and up
	67232-15	B	COVER ASSEMBLY - Engine controls, black	1	
	67232-22	B	COVER ASSEMBLY - Engine controls, white	1	
	67232-21	B	COVER ASSEMBLY - Engine controls, green	1	
	67232-25	C	COVER ASSEMBLY - Engine controls, blue/green	1	28-7105001 and up
	67232-27	F	COVER ASSEMBLY - Engine controls, red	1	
	67232-28	F	COVER ASSEMBLY - Engine controls, tan	1	
	67232-29	F	COVER ASSEMBLY - Engine controls, white	1	
	67232-30	F	COVER ASSEMBLY - Engine controls, black	1	
67232-31	F	COVER ASSEMBLY - Engine controls, green	1		
67232-32	F	COVER ASSEMBLY - Engine controls, blue/green	1		
-13a	67232-41	D,G	COVER ASSEMBLY - Engine controls	1	28R-7635504 and up
	67239-00	K	* PLACARD - Engine controls	1	
	65846-00	C	* PLACARD - Engine controls	1	28-4378 and up
	69669-45	D	* PLACARD - Engine controls	1	28R-7535001 and up
			<p>A - Used on PA-28-180 with serial numbers 28-4378 and up, PA-28R-1 80 and PA-28R-200 airplanes.</p> <p>B - Used on PA-28-180 with serial numbers 28-5601 and up.</p> <p>C - Used on PA-28-180 airplanes only.</p> <p>D - Used on PA-28R-200 airplanes only.</p> <p>E - Used on PA-28R-180 with serial numbers 28R-7130001 to 28R-7130019 inclusive, and PA-28R-200 with serial numbers 28R-7135001 to 28R-7435331 inclusive.</p> <p>F - Used on PA-28R-200 with serial numbers 28R-7535001 to 28R-7635503 inclusive.</p> <p>G - When ordering for PA-28R-200 with serial numbers 28R-7635504 and up, specify color "Bark I".</p> <p>H - Used on PA-28R-180 with serial numbers 28R-31251 to 28R-7130019 inclusive, and PA-28R-200 with serial numbers 28R-35601 to 28R-7435331 inclusive.</p> <p>J - Used on PA-28R-180 with serial numbers 28R-30005 to 28R-30481 inclusive, 28R-30483 to 28R-31279 inclusive, and PA-28R-200 with serial numbers 28R-30482, 28R-35001 to 28R-35830 inclusive.</p> <p>K - Used on PA-28R-180 with serial numbers 28R-30005 to 28R-30481, 28R-30483 to 28R-7130019 inclusive, and PA-28R-200 with serial numbers 28R-30482, 28R-35001 to 28R-7435331 inclusive.</p> <p>L - Used on PA-28R-180 with serial numbers 28R-30005 to 28R-30481 inclusive, 28R-30483 to 28R-31250 inclusive, and PA-28R-200 with serial numbers 28R-30482, 28R-35001 to 28R-35600 inclusive.</p> <p>M - Used on PA-28R-180 with serial numbers 28R-31251 to 28R-7130019 inclusive, and PA-28R-200 with serial numbers 28R-30482, 28R-35001 to 28R-7435331 inclusive.</p>		

When ordering, always specify Part Number, Description, and Serial Number of Aircraft

PIPER PARTS CATALOG

Figure and Index Number	Part Number	Code	NOMENCLATURE	No. Req.	SERIAL NUMBERS AFFECTED
27-14	99737-02	F	COVER ASSEMBLY - Shoulder harness, forward, left	1	
	78054-02	G	COVER ASSEMBLY - Shoulder harness, forward, Left	1	
	99801-00	F	COVER ASSEMBLY - Shoulder harness, forward, right	1	
	99801-02	G	COVER ASSEMBLY - Shoulder harness, forward, right	1	
	99738-02	F	COVER - Shoulder harness, rear, left	1	
	99920-02	G	COVER - Shoulder harness, rear, left	1	
-15	99738-03	F	COVER - Shoulder harness, rear, right	1	
	99920-03	G	COVER - Shoulder harness, rear, right	1	
-16	67330-02	E	COVER - Console, brown	1	
	67330-03	C	COVER - Console, blue	1	
	67330-10	D	COVER - Console, red	1	
	67330-10	D	COVER - Console, tan	1	
	67330-10	B	COVER - Console, black	1	
	67330-07	H	COVER - Console, white	1	
			A - Used on PA-28-180 with serial numbers 28-4378 and up, PA-28R-180 and PA-28R-200 airplanes.		
			B - Used on PA-28-180 with serial numbers 28-5601 to 28-7505261 inclusive, PA-28R-180 with serial numbers 28R-31251 to 28R-7130019 inclusive, and PA-28R-200 with serial numbers 28R-35001 to 28R-7635503 inclusive.		
			C - Used on PA-28-180 with serial numbers 28-4378 to 28-5869 inclusive, PA-28R-180 with serial numbers 28R-30005 to 28R-30481 inclusive, 28R-30483 to 28R-31279 inclusive, and PA-28R-200 with serial numbers 28R-3482, 28R-35001 to 28R-35830 inclusive.		
			D - Used on PA-28-180 with serial numbers 28-4378 to 28-7505261 inclusive, PA-28R-180 with serial numbers 28R-30005 to 28R-30481 inclusive, 28R-30483 to 28R-7130019 inclusive, and PA-28R-200 with serial numbers 28R-30482, 28R-35001 to 28R-7635503 inclusive.		
			E - Used on PA-28-180 with serial numbers 28-4378 to 28-5600 inclusive, PA-28R-180 with serial numbers 28R-30005 to 28R-30481 inclusive, 28R-30483 to 28R-31250 inclusive, and PA-28R-200 with serial numbers 28R-30482, 28R-35001 to 28R-35600 inclusive.		
			F - Used on PA-28-180 with serial numbers 28-7205001 to 28-7205328 inclusive, and PA-28R-200 with serial numbers 28R-7235001 to 28R-7235330 inclusive.		
			G - Used on PA-28-180 with serial numbers 28-7305001 and up, and PA-28R-200 with serial numbers 28R-7335001 and up.		
			H - Used on PA-28-180 with serial numbers 28-5601 to 28-7405290 inclusive, PA-28R-180 with serial numbers 28R-31251 to 28R-7130019 inclusive, and PA-28R-200 with serial numbers 28R-35001 to 28R-7435331 inclusive.		

When ordering, always specify Part Number, Description, and Serial Number of Aircraft

PIPER PARTS CATALOG

Figure and Index Number	Part Number	Code	NOMENCLATURE	No. Req.	SERIAL NUMBERS AFFECTED
27-16	67330-10	H	COVER - Console, green	1	
	67330-10	J	COVER - Console, blue/green	1	
	67330-10	G,K	COVER - Console	1	28R-7635504 and up
-17	67325-00		COVER - Cowl	1	
-18	67315-00	C	COVER ASSEMBLY - Access	1	
-19	65311-02	B	PANEL ASSEMBLY - Baggage compartment	1	
	79836-02	E,L	BULKHEAD ASSEMBLY - Rear cabin	1	
	36589-02	E, M	BULKHEAD ASSEMBLY - Rear cabin	1	
	79838-02	D,L	BULKHEAD ASSEMBLY - Rear cabin	1	
	36589-03	D,M	BULKHEAD ASSEMBLY - Rear cabin	1	
-20	487 629	E,W	* STUD ASSEMBLY - (KM894-1A)	1	28-5601 and up
-21	66996-00	E	PLACARD - Baggage limitation (581 597)	1	28-5601 and up
	68399-02	D	PLACARD - Baggage limitation (581 178)	1	
-22	65311 -03	B	DOOR ASSEMBLY - Access cover	1	
	79445-00	F	DOOR ASSEMBLY - Access cover	1	
<p>A - Used on PA-28-180 with serial numbers 28-4378 and up, PA-28R-180 and PA-28R-200 airplanes.</p> <p>B - Used on PA-28-180 with serial numbers 28-4378 to 28-5600 inclusive, PA-28R-180 with serial numbers 28R-30005 to 28R-30481 inclusive, 28R-30483 to 28R-31250 inclusive, and PA-28R-200 with serial numbers 28R-30482, 28R-35001 to 28R-35600 inclusive.</p> <p>C - Used on PA-28-180 with serial numbers 28-4378 to 28-5869 inclusive, PA-28R-180 with serial numbers 28R-30005 to 28R-30481 inclusive, 28R-30483 to 28R-31279 inclusive, and PA-28R-200 with serial numbers 28R-30482, 28R-35001 to 28R-35830 inclusive.</p> <p>D - Used on PA-28R-180 with serial numbers 28R-31251 and up. and PA-28R-200 with serial numbers 28R-35601 and up.</p> <p>E - Used on PA-28-180 airplanes only.</p> <p>F - Used on PA-28-180 with serial numbers 28-5601 and up, PA-28R-180 with serial numbers 28R-31251 and up, and PA-28R-200 with serial numbers 28R-35601 and up.</p> <p>G - Used on PA-28R-200 airplanes only.</p> <p>H - Used on PA-28-180 with serial numbers 28-5601 to 28-7505261 inclusive, PA-28R-180 with serial numbers 28R-31251 to 28R-7130019 inclusive, and PA-28R-200 with serial numbers 28R-35601 to 28R-7635503 inclusive.</p> <p>J - Used on PA-28-180 with serial numbers 28-7105001 to 28-7505261 inclusive, PA-28R-180 with serial numbers 28R-7130001 to 28R-7130019 inclusive, and PA-28R-200 with serial numbers 28R-7135001 to 28R-7635503 inclusive.</p> <p>K - When ordering for PA-28R-200 with serial numbers 28R-7635504 and up. specify color "Bark I".</p> <p>L - Used if air conditioning is not installed.</p> <p>M - Used if air conditioning is installed.</p> <p>W - These parts must be ordered from Service Spares Department ,Piper Aircraft, Lock Haven, Penna.</p>					

When ordering, always specify Part Number, Description, and Serial Number of Aircraft

PIPER PARTS CATALOG

Figure and Index Number	Part Number	Code	NOMENCLATURE	No. Req.	SERIAL NUMBERS AFFECTED
27-23	67301-02	F	PANEL ASSEMBLY - Left front cockpit, red	1	
	66922-02	D	PANEL ASSEMBLY - Left front cockpit, red	1	28-5601 to 28-5869 inclusive
	66922-08	B	PANEL ASSEMBLY - Left front cockpit, red	1	
	99131-02	D	PANEL ASSEMBLY - Left front cockpit, red	1	28-7105001 to 28 -7105244 incl.
	99662-02	D	PANEL ASSEMBLY - Left front cockpit red	1	28-7205001 to 28-7205328 incl.
	580 348	D	PANEL ASSEMBLY - Left front cockpit, red	1	28-7305001 to 28-7205611 incl.
	579 722	D	PANEL ASSEMBLY - Left front cockpit, red	1	28-7405001 and up
	99131-03	G	PANEL ASSEMBLY - Left front cockpit, red	1	
	76186-02	C	PANEL ASSEMBLY - Left front cockpit, red	1	28R-7235001 to 28R-235330 incl.
	580 354	C	PANEL ASSEMBLY - Left front cockpit, red	1	28R-7335001 to 28R-7335455 incl.
	579 728	C	PANEL ASSEMBLY - Left front cockpit, red	1	28R-7435001 to 28R-7635503 incl.
	67301-03	F	PANEL ASSEMBLY - Left front cockpit, brown	1	
	67301-04	F	PANEL ASSEMBLY - Left front cockpit, blue	1	
	66922-03	D	PANEL ASSEMBLY - Left front cockpit, blue	1	28-5601 to 28-5869 inclusive
	66922-09	B	PANEL ASSEMBLY - Left front cockpit, blue	1	
	99131-04	D	PANEL ASSEMBLY - Left front cockpit, blue	1	28-7105001 to 28-7105244 incl.
	99131-05	E	PANEL ASSEMBLY - Left front cockpit, blue	1	
	99662-03	D	PANEL ASSEMBLY - Left front cockpit, blue/green	1	28-7205001 to 28-7205328 incl.
	580 349	D	PANEL ASSEMBLY - Left front cockpit, blue/green	1	28-7305001 to 28-7305611 incl.
	579 723	D	PANEL ASSEMBLY - Left front cockpit. blue/green	1	28-7405001 and up
	76186-03	C	PANEL ASSEMBLY - Left front cockpit, blue/green	1	28R-7235001 to 28R-7235330 incl.
	580 355	C	PANEL ASSEMBLY - Left front cockpit, blue/green	1	28R-7335001 to 28R-7335455 incl.
	579 729	C	PANEL ASSEMBLY - Left front cockpit, blue/green	1	28R-7435001 to 28R-7635503 incl.
	67301-05	F	PANEL ASSEMBLY - Left front cockpit, beige	1	
	66922-04	D	PANEL ASSEMBLY - Left front cockpit, beige	1	28-5601 to 28-5869 inclusive
	66922-10	B	PANEL ASSEMBLY - Left front cockpit, beige	1	
	99131-06	D	PANEL ASSEMBLY - Left front cockpit, beige	1	28-7105001 to 28-7105244 incl.
	99131-07	E	PANEL ASSEMBLY- Left front cockpit, beige	1	
	99662-04	D	PANEL ASSEMBLY - Left front cockpit, gold	1	28-7205001 to 28-7205328
	580 350	D	PANEL ASSEMBLY - Left front cockpit, gold	1	28-7305001 to 28-7305611 incl.
	579 724	D	PANEL ASSEMBLY - Left front cockpit, gold	1	28-7405001 and up
	76186-04	C	PANEL ASSEMBLY - Left front cockpit, gold	1	28R-7235001 to 28R-7235330 incl.
	580 356	C	PANEL ASSEMBLY - Left front cockpit, gold	1	28R-7335001 to 28R-7335455 incl.
	579 730	C	PANEL ASSEMBLY - Left front cockpit. gold	1	28R-7435001 to 28R-7635503 incl.

- A - Used on PA-28-180 with serial numbers 28-4378 and up, PA-28R-180 and PA-28R-200 airplanes.
- B - Used on PA-28R-180 with serial numbers 28R-31251 to 28R-31279 inclusive, and PA-28R-200 with serial numbers 28R-35601 to 28R-35830 inclusive.
- C - Used on PA-28R-200 airplanes only.
- D - Used on PA-28-180 airplanes only.
- E - Used on PA-28R-180 with serial numbers 28R-7130001 to 28R-7130019 inclusive, and PA-28R-200 with serial numbers 28R-7135001 to 28R-7135238 inclusive.
- F - Used on PA-28-180 with serial numbers 28-4378 to 28-5600 inclusive, PA-28R-180 with serial numbers 28R-30005 to 28R-30481 inclusive, 28R-30483 to 28R-31250 inclusive, and PA-28R-200 with serial numbers 28R-3500 to 28R-35500 inclusive.

When ordering, always specify Part Number, Description, and Serial Number of Aircraft

PIPER PARTS CATALOG

Figure and Index Number	Part Number	Code	NOMENCLATURE	No. Req.	SERIAL NUMBERS AFFECTED
27-23	67301-10	B	PANEL ASSEMBLY - Left front cockpit, black	1	
	66922-06	E	PANEL ASSEMBLY - Left front cockpit black	1	28-5601 to 28-5869 inclusive
	66922-12	C	PANEL ASSEMBLY - Left front cockpit, black	1	
	99131-10	E	PANEL ASSEMBLY - Left front cockpit, black	1	28-7105001 to 28-7105244 incl.
	99662-05	E	PANEL ASSEMBLY - Left front cockpit, black	1	28-7205001 to 28-7205328 incl.
	580 351	E	PANEL ASSEMBLY - Left front cockpit, black	1	28-7305001 to 28-7305611 incl.
	579 725	E	PANEL ASSEMBLY - Left front cockpit, black	1	28-7485001 and up
	99131-11	F	PANEL ASSEMBLY - Left front cockpit, black	1	
	76186-05	D	PANEL ASSEMBLY - Left front cockpit, black	1	28R-7235001 to 28R-7235330
	580 357	D	PANEL ASSEMBLY - Left front cockpit, black	1	28R-7335001 to 28R-7335455
	579 731	D	PANEL ASSEMBLY - Left front cockpit, black	1	28R-7435001 to 28R-7635503.
	67301 -11	B	PANEL ASSEMBLY - Left front cockpit, white	1	
	66922-07	E	PANEL ASSEMBLY - Left front cockpit, white	1	28-5601 to 28-5869 inclusive
	66922-13	C	PANEL ASSEMBLY - Left front cockpit, white	1	
	99131-12	E	PANEL ASSEMBLY - Left front cockpit, white	1	28-7105001 to 28-7105244 incl.
	99662-06	E	PANEL ASSEMBLY - Left front cockpit, white	1	28-7205001 to 28-7205328 incl.
	580 352	E	PANEL ASSEMBLY - Left front cockpit, white	1	28-7305001 to 28-7305611 incl.
	579 849	E	PANEL ASSEMBLY - Left front cockpit, white	1	28-7405001 to 28-7405290 incl.
	99131-13	F	PANEL ASSEMBLY - Left front cockpit, white	1	
	76186-06	D	PANEL ASSEMBLY - Left front cockpit, white	1	28R-7235001 to 28R-7235330 incl.
	580 358	D	PANEL ASSEMBLY - Left front cockpit, white	1	28R-7335001 to 28R-7335455 incl.
	579 843	D	PANEL ASSEMBLY - Left front cockpit, white	1	28R-7435001 to 28R-7435331 incl.
	66922-06	E	PANEL ASSEMBLY - Left front cockpit, green	1	28-5601 to 28-5869 inclusive
	66922-11	C	PANEL ASSEMBLY - Left front cockpit, green	1	
	99131-08	E	PANEL ASSEMBLY - Left front cockpit, green	1	28-7105001 to 28-7105244 incl.
	99662-07	E	PANEL ASSEMBLY - Left front cockpit, green	1	28-7205001 to 28-7205328 incl.
	580 353	E	PANEL ASSEMBLY - Left front cockpit, green	1	28-7305001 to 28-7305611 incl.
	579 727	E	PANEL ASSEMBLY - Left front cockpit, green	1	28-7405001 and up
	99131-09	F	PANEL ASSEMBLY - Left front cockpit, green	1	
	76186-07	D	PANEL ASSEMBLY - Left front cockpit, green	1	28R-7235001 to 28R-7235330incl.
	580 359	D	PANEL ASSEMBLY - Left front cockpit, green	1	28R-7335001 to 28R-7335455incl.
	579 733	D	PANEL ASSEMBLY - Left front cockpit, green	1	28R-7435001 to 28R-7635503incl.
	580 753	D	PANEL ASSEMBLY - Left front cockpit with heather brown carpet)	1	28R-7635504 and up
	580 754	D	PANEL ASSEMBLY - Left front cockpit (with monaco brown carpet)	1	28R-7635504 and up

- A - Used on PA-28-180 with serial numbers 28-4378 and up, PA-28R-180 and PA-28R-200 airplanes.
- B - Used on PA-28R-200 with serial numbers 28R-30482, 28R-35001 to 28R-35600 inclusive.
- C - Used on PA-28R-180 with serial numbers 28R-31251 to 28R-31279 inclusive, and PA-28R-200 with serial numbers 28R-35601 to 28R-35830 inclusive.
- D - Used on PA-28R-200 airplanes only.
- E - Used on PA-28-180 airplanes only.
- F - Used on PA-28R-180 with serial numbers 28R-7130001 to 28R-7130019 inclusive, and PA-28R-200 with serial numbers 28R-7135001 to 28R-7135238 inclusive.

When ordering, always specify Part Number, Description, and Serial Number of Aircraft

PIPER PARTS CATALOG

Figure and Index Number	Part Number	Code	NOMENCLATURE	No. Req.	SERIAL NUMBERS AFFECTED	
27-24	67304-02	C	PANEL ASSEMBLY - Right front cockpit, red	1		
	66924-02	D	PANEL ASSEMBLY - Right front cockpit, red	1	28-5601 to 28-5869 inclusive	
	66924-08	B	PANEL ASSEMBLY - Right front cockpit, red	1		
	99133-02	D	PANEL ASSEMBLY - Right front cockpit, red	1	28-7105001 to 28-7105244 incl.	
	99658-02	D	PANEL ASSEMBLY - Right front cockpit, red	1	28-7205001 to 28-7205328 incl.	
	99133-03	E	PANEL ASSEMBLY - Right front cockpit, red	1		
	76182-02	F	PANEL-ASSEMBLY - Right front cockpit, red	1	28R-7235001 to 28R-7235330 incl.	
	580 372	G	PANEL ASSEMBLY - Right front cockpit, red	1		
	579 685	H	PANEL ASSEMBLY - Right front cockpit, red	1		
	67304-03	C	PANEL ASSEMBLY - Right front cockpit, brown	1		
	67304-04	C	PANEL ASSEMBLY - Right front cockpit, blue	1		
	6924-03	D	PANEL ASSEMBLY - Right front cockpit, blue	1	28-5601 to 28-5869 inclusive	
	66924-09	B	PANEL ASSEMBLY - Right front cockpit, blue	1		
	99133-04	D	PANEL ASSEMBLY - Right front cockpit, blue	1	28-7105001 to 28-7105244 incl.	
	99133-05	E	PANEL ASSEMBLY - Right front cockpit, blue	1		
	76182-03	F	PANEL ASSEMBLY - Right front cockpit, blue/green	1	28R-7235001 to 28R-7235330 incl.	
	99658-03	D	PANEL ASSEMBLY - Right front cockpit, blue/green	1	28-7205001 to 28-7205328 incl.	
	580 373	G	PANEL ASSEMBLY - Right front cockpit, blue/green	1		
	579 686	H	PANEL ASSEMBLY - Right front cockpit, blue/green	1		
	67304-05	C	PANEL ASSEMBLY - Right front cockpit, beige	1		
	66924-04	D	PANEL ASSEMBLY - Right front cockpit, beige	1	28-5601 to 28-5869 inclusive	
	66924-10	B	PANEL ASSEMBLY - Right front cockpit, beige	1		
	99133-06	D	PANEL ASSEMBLY - Right front cockpit, beige	1	28-7105001 to 28-7105244 incl.	
	99133-07	E	PANEL ASSEMBLY - Right front cockpit, beige	1		
	76182-04	F	PANEL ASSEMBLY - Right front cockpit, gold	1	28R-7235001 to 28R-7235330 incl.	
	99658-04	D	PANEL ASSEMBLY - Right front cockpit, gold	1	28-7205001 to 28-7205328 incl.	
	580 374	G	PANEL ASSEMBLY - Right front cockpit, gold	1		
	579 687	H	PANEL ASSEMBLY - Right front cockpit, gold	1		
				<p>A - Used on PA-28-180 with serial numbers 28-4378 and up, PA-28R-180 and PA-28R-200 airplanes.</p> <p>B - Used on PA-28R-180 with serial numbers 28R-31251 to 28R-31279 inclusive, and PA-28R-200 with serial numbers 28R-35601 to 28R-35830 inclusive.</p> <p>C - Used on PA-28-180 with serial numbers 28-4378 to 28-5600 inclusive, PA-28R-180 with serial numbers 28R-30005 to 28R-30481 inclusive, 28R-30483 to 28R-31250 inclusive, and PA-28R-200 with serial numbers 28R-35001 to 28R-35600 inclusive.</p> <p>D - Used on PA-28-180 airplanes only.</p> <p>E - Used on PA-28R-180 with serial numbers 28R-7130001 to 28R-7130019 inclusive, and PA-28R-200 with serial numbers 28R-7135001 to 28R-7135238 inclusive.</p> <p>F - Used on PA-28R-200 airplanes only.</p> <p>G - Used on PA-28-180 with serial numbers 28-7305001 to 28-7305611 inclusive, and PA-28R-200 with serial numbers 28R-7335001 to 28R-7335455 inclusive.</p> <p>H - Used on PA-28-180 with serial numbers 28-7405001 and up, and PA-28R-200 with serial numbers 28R-7435001 to 28R-7635503 inclusive.</p>		

When ordering, always specify Part Number, Description, and Serial Number of Aircraft

PIPER PARTS CATALOG

Figure and Index Number	Part Number	Code	NOMENCLATURE	No. Req.	SERIAL NUMBERS AFFECTED
27-24	67304-06	D	PANEL ASSEMBLY - Right front cockpit, black	1	
	66924-06	E	PANEL ASSEMBLY - Right front cockpit, black	1	28-5601 to 28-5869 inclusive
	66924-12	C	PANEL ASSEMBLY - Right front cockpit, black	1	
	99133-10	E	PANEL ASSEMBLY - Right front cockpit, black	1	28-7105001 to 28-7105244 incl.
	99133-11	F	PANEL ASSEMBLY - Right front cockpit, black	1	
	76182-05	G	PANEL ASSEMBLY - Right front cockpit, black	1	28R-7235001 to 28R-7235330 incl.
	99658-05	E	PANEL ASSEMBLY - Right front cockpit, black	1	28-7205001 to 28-7205328 incl.
	580 375	B	PANEL ASSEMBLY - Right front cockpit, black	1	
	579 688	H	PANEL ASSEMBLY - Right front cockpit, black	1	
	67304-07	D	PANEL ASSEMBLY - Right front cockpit, white	1	
	66924-07	E	PANEL ASSEMBLY - Right front cockpit, white	1	28-5601 to 28-5869 inclusive
	66924-13	C	PANEL ASSEMBLY - Right front cockpit, white	1	
	99133-12	E	PANEL ASSEMBLY - Right front cockpit, white	1	28-7105001 to 28-7105244 incl.
	99658-06	E	PANEL ASSEMBLY - Right front cockpit, white	1	28-7205001 to 28-7205328 incl.
	99133-13	F	PANEL ASSEMBLY - Right front cockpit, white	1	
	76182-06	G	PANEL ASSEMBLY - Right front cockpit, white	1	28R-7235001 to 28R-7235330 incl.
	580 376	H	PANEL ASSEMBLY - Right front cockpit, white	1	
	579 897	J	PANEL ASSEMBLY - Right front cockpit, white	1	
	66924-05	E	PANEL ASSEMBLY - Right front cockpit, green	1	28-5601 to 28-5869 inclusive
	66924-11	E	PANEL ASSEMBLY - Right front cockpit, green	1	
	99133-08	E	PANEL ASSEMBLY - Right front cockpit, green	1	28-7105001 to 28-7105244 incl.
	99658-07	E	PANEL ASSEMBLY - Right front cockpit, green	1	28-7205001 to 28-7205328 incl.
	99133-09	F	PANEL ASSEMBLY - Right front cockpit, green	1	
	76182-07	G	PANEL ASSEMBLY - Right front cockpit, green	1	28R-7235001 to 28R-7235330 incl.
	580 377	B	PANEL ASSEMBLY - Right front cockpit, green	1	
	579 690	H	PANEL ASSEMBLY - Right front cockpit, green	1	
	580 713	G	PANEL ASSEMBLY - Right front cockpit (with heather brown carpet)	1	28R-7635504 and up
	580 735	G	PANEL ASSEMBLY - Right front cockpit (with monaco brown carpet)	1	28R-7635504 and up

- A - Used on PA-28-180 with serial numbers 28-4378 end up, PA-28R-180 and PA-28R-200 airplanes.
- B - Used on PA-28-180 with serial numbers 28-7305001 to 28-7305611 inclusive, and PA-28R-200 with serial numbers 28R-7335001 to 28R-7335455 inclusive.
- C - Used on PA-28R-180 with serial numbers 28R-31251 to 28R-31279 inclusive, and PA-28R-200 with serial numbers 28R-35601 to 28R-35830 inclusive.
- D - Used on PA-28R-200 with serial numbers 28R-30482, 28R-35001 to 28R-35600 inclusive.
- E - Used on PA-28-180 airplanes only.
- F - Used on PA-28R-180 with serial numbers 28R-7130001 to 28R-7130019 inclusive, and PA-28R-200 with serial numbers 28R-7135001 to 28R-7135238 inclusive.
- G - Used on PA-28R-200 airplanes only.
- H - Used on PA-28-180 with serial numbers 28-7405001 and up, and PA-28R-200 with serial numbers 28R-7435001 to 28R-7635503 inclusive.
- J - Used on PA-28-180 with serial numbers 28-7405001 to 28-7405290 inclusive, and PA-28R-200 with serial numbers 28R-7435001 to 28R-7435331 inclusive.

When ordering, always specify Part Number, Description, and Serial Number of Aircraft

PIPER PARTS CATALOG

Figure and Index Number	Part Number	Code	NOMENCLATURE	No. Req.	SERIAL NUMBERS AFFECTED
27-25	67302-02	C	PANEL ASSEMBLY - Left rear cockpit, red	1	
	66925-02	D	PANEL ASSEMBLY - Left rear cockpit, red	1	28-5601 to 28-5869 inclusive
	66925-08	B	PANEL ASSEMBLY - Left rear cockpit, red	1	
	99132-02	D	PANEL ASSEMBLY - Left rear cockpit, red	1	28-7105001 to 28-7105244 incl.
	99657-02	D	PANEL ASSEMBLY - Left rear cockpit, red	1	28-7205001 to 28-7205328 incl.
	580 360	D	PANEL ASSEMBLY - Left rear cockpit, red	1	28-7205001 to 28-7305611 incl.
	579 913	D	PANEL ASSEMBLY - Left rear cockpit, red	1	28-7405001 and up
	99132-03	E	PANEL ASSEMBLY - Left rear cockpit, red		
	99657-08	F	PANEL ASSEMBLY - Left rear cockpit, red	1	28R-7235001 to 28R-7235330 incl.
	580 366	F	PANEL ASSEMBLY - Left rear cockpit, red	1	28R-7335001 to 28R-7335455 incl.
	579 907	F	PANEL ASSEMBLY - Left rear cockpit, red	1	28R-7435001 to 28R-7635503 incl.
	67302-03	C	PANEL ASSEMBLY - Left rear cockpit, brown	1	
	67302-04	C	PANEL ASSEMBLY - Left rear cockpit, blue		
	66925-03	D	PANEL ASSEMBLY - Left rear cockpit, blue	1	28-5601 to 28-5869 inclusive
	66925-09	B	PANEL ASSEMBLY - Left rear cockpit, blue		
	99132-04	D	PANEL ASSEMBLY - Left rear cockpit, blue	1	28-7105001 to 28-7105244 incl.
	99132-05	E	PANEL ASSEMBLY - Left rear cockpit, blue	1	
	99657-03	D	PANEL ASSEMBLY - Left rear cockpit, blue/green	1	28-7205001 to 28-7205328 incl.
	580 361	D	PANEL ASSEMBLY - Left rear cockpit, blue/green	1	28-7305001 to 28-7305611 incl.
	579 912	D	PANEL ASSEMBLY - Left rear cockpit, blue/green	1	28-7405001 and up
	99657-09	F	PANEL ASSEMBLY - Left rear cockpit, blue/green	1	28R-7235001 to 28R-7235330 incl.
	580 367	F	PANEL ASSEMBLY - Left rear cockpit, blue/green	1	28R-7335001 to 28R-7335455 incl.
	579 906	F	PANEL ASSEMBLY - Left rear cockpit, blue/green	1	28R-7435001 to 28R-7635503 incl.
	67302-05	C	PANEL ASSEMBLY - Left rear cockpit, beige	1	
	66925-04	D	PANEL ASSEMBLY - Left rear cockpit, beige	1	28-5601 to 28-5869 inclusive
	66925-10	B	PANEL ASSEMBLY - Left rear cockpit, beige	1	
	99132-06	D	PANEL ASSEMBLY - Left rear cockpit, beige	1	28-7105001 to 28-71 05244 incl.
	99132-07	E	PANEL ASSEMBLY - Left rear cockpit, beige	1	
	99657-04	D	PANEL ASSEMBLY - Left rear cockpit, gold	1	28-7205001 to 28-7205328 incl.
	580 362	D	PANEL ASSEMBLY - Left rear cockpit, gold	1	28-7305001 to 28-7305611 incl.
	579 911	D	PANEL ASSEMBLY - Left rear cockpit, gold	1	28-7405001 and up
	99657-10	F	PANEL ASSEMBLY - Left rear cockpit, gold	1	28R-7235001 to 28R-7235330 incl.
	580 368	F	PANEL ASSEMBLY - Left rear cockpit, gold	1	28R-7335001 to 28R-7335455 incl.
	579 905	F	PANEL ASSEMBLY - Left rear cockpit, gold	1	28R-7435001 to 28R-7635503 incl.
			A - Used on PA-28-180 with serial numbers 28-4378 and up, PA-28R-180 and PA-28R-200 airplanes.		
			B - Used on PA-28R-180 with serial numbers 28R-31251 to 28R-31279 inclusive, and PA-28R-200 with serial numbers 28R-35601 to 28R-35830 inclusive.		
			C - Used on PA-28-180 with serial numbers 28-4378 to 28-5600 inclusive, PA-28R-180 with serial numbers 28R-30005 to 28R-30481 inclusive, 28R-30483 to 28R-31250 inclusive, and PA-28R-200 with serial numbers 28R-30482, 28R-35001 to 28R-35600 inclusive.		
			D - Used on PA-28-180 airplanes only.		
			E - Used on PA-28R-180 with serial numbers 28R-7130001 to 28R-7130019 inclusive, and PA-28R-200 with serial numbers 28R-7135001 to 28R-7135238 inclusive.		
			F - Used on PA-28R-200 airplanes only.		

When ordering, always specify Part Number, Description, and Serial Number of Aircraft

PIPER PARTS CATALOG

Figure and Index Number	Part Number	Code	NOMENCLATURE	No. Req.	SERIAL NUMBERS AFFECTED
27-25	67302-06	D	PANEL ASSEMBLY - Left rear cockpit, black	1	
	66925-06	E	PANEL ASSEMBLY - Left rear cockpit, black	1	28-5601 to 28-5869 inclusive
	66925-12	C	PANEL ASSEMBLY - Left rear cockpit, black	1	
	99132-10	E	PANEL ASSEMBLY - Left rear cockpit, black	1	28-7105001 to 28-7105244 incl.
	99657-05	E	PANEL ASSEMBLY - Left rear cockpit, black	1	28-7205001 to 28-7205328 incl.
	580 363	E	PANEL ASSEMBLY - Left rear cockpit, black	1	28-7305001 to 28-7305611 incl.
	579 910	E	PANEL-ASSEMBLY - Left rear cockpit, black	1	28-7405001 and up
	99132-11	F	PANEL ASSEMBLY - Left rear cockpit, black	1	
	99657-11	B	PANEL ASSEMBLY - Left rear cockpit, black	1	28R-7235001 to 28R-7235330 incl.
	580 369	B	PANEL ASSEMBLY - Left rear cockpit, black	1	28R-7335001 to 28R-7335455 incl.
	579 904	B	PANEL ASSEMBLY - Left rear cockpit, black	1	28R-7435001 to 28R-7635503 incl.
	67302-07	D	PANEL ASSEMBLY - Left rear cockpit, white	1	
	66925-07	E	PANEL ASSEMBLY - Left rear cockpit, white	1	28-5601 to 28-5869 inclusive
	66925-13	C	PANEL ASSEMBLY - Left rear cockpit, white	1	
	99132-12	E	PANEL ASSEMBLY - Left rear cockpit, white	1	28-7105001 to 28-7105244 incl.
	99657-06	E	PANEL ASSEMBLY - Left rear cockpit, white	1	28-7205001 to 28-7205328 incl.
	580 364	E	PANEL ASSEMBLY - Left rear cockpit, white	1	28-7305001 to 28-7305611 incl.
	579 909	E	PANEL ASSEMBLY - Left rear cockpit, white	1	28-7405001 to 28-7405290 incl.
	99132-13	F	PANEL ASSEMBLY - Left rear cockpit, white	1	
	99657-12	B	PANEL ASSEMBLY - Left rear cockpit, white	1	28R-7235001 to 28R-7235330 incl.
	580 370	B	PANEL ASSEMBLY - Left rear cockpit, white	1	28R-7335001 to 28R-7335455 incl.
	579 903	B	PANEL ASSEMBLY - Left rear cockpit white	1	28R-7435001 to 28R-7435331 incl.
	66925-05	E	PANEL ASSEMBLY - Left rear cockpit, green	1	28-5601 to 28-5869 inclusive
	66925-11	C	PANEL ASSEMBLY - Left rear cockpit, green	1	
	99132-08	E	PANEL ASSEMBLY - Left rear cockpit, green	1	28-7105001 to 28-7105244 incl.
	99657-07	E	PANEL ASSEMBLY - Left rear cockpit, green	1	28-7205001 to 28-7205328 incl.
	580 365	E	PANEL ASSEMBLY - Left rear cockpit, green	1	28-7205001 to 28-7205611 incl.
	579 908	E	PANEL ASSEMBLY - Left rear cockpit, green	1	28-7405001 and up
	99132-09	F	PANEL ASSEMBLY - Left rear cockpit green	1	
	99657-13	B	PANEL ASSEMBLY - Left rear cockpit, green	1	28R-7235001 to 28R-7235330 incl.
	580 371	B	PANEL ASSEMBLY - Left rear cockpit, green	1	28R-7335001 to 28R-7335455 incl.
	579 902	B	PANEL ASSEMBLY - Left rear cockpit, green	1	28R-7435001 to 28R-7635503 incl.
	580 712	B	PANEL ASSEMBLY - Left rear cockpit	1	28R-7635504 and up

- A - Used on PA-28-180 with serial numbers 28-4378 and up, PA-28R-180 and PA-28R-200 airplanes.
- B - Used on PA-28R-200 airplanes only.
- C - Used on PA-28R-180 with serial numbers 28R-31251 to 28R-31279 inclusive, and PA-28R-200 with serial numbers 28R-35601 to 28R-35830 inclusive.
- D - Used on PA-28R-200 with serial numbers 28R-30482, 28R-35001 to 28R-35600 inclusive.
- E - Used on PA-28-180 airplanes only.
- F - Used on PA-28R-180 with serial numbers 28R-7130001 to 28R-7130019 inclusive, and PA-28R-200 with serial numbers 28R-7135001 to 28R-7135238 inclusive.

When ordering, always specify Part Number, Description, and Serial Number of Aircraft

PIPER PARTS CATALOG

Figure and Index Number	Part Number	Code	NOMENCLATURE	No. Req.	SERIAL NUMBERS AFFECTED
27-26	67303-02		PANEL ASSEMBLY - Right rear cockpit, red	1	
	66923-02	D	PANEL ASSEMBLY - Right rear cockpit, red	1	28-5601 to 28-5869 inclusive
	66923-08	B	PANEL ASSEMBLY - Right rear cockpit, red	1	
	99134-02	D	PANEL ASSEMBLY - Right rear cockpit, red	1	28-7105001 to 28-7105244 incl.
	99660-02	D	PANEL ASSEMBLY - Right rear cockpit, red	1	28-7205001 to 28-7205328 incl.
	580 396	D	PANEL ASSEMBLY - Right rear cockpit, red	1	28-7305001 to 28-7305611 incl.
	579 877	D	PANEL ASSEMBLY - Right rear cockpit, red	1	28-7405001 and up
	99134-03	E	PANEL ASSEMBLY - Right rear cockpit, red	1	
	99660-08	F	PANEL ASSEMBLY - Right rear cockpit, red	1	28R-7235001 to 28R-7235330 incl.
	580 402	F	PANEL ASSEMBLY - Right rear cockpit, red	1	28R- 7335001 to 28R-7335455 incl.
	579 871	F	PANEL ASSEMBLY - Right rear cockpit, red	1	28R-7435401 to 28R-7635503 incl.
	67303-03	C	PANEL ASSEMBLY - Right rear cockpit, brown	1	
	67303-04	C	PANEL ASSEMBLY - Right rear cockpit, blue	1	
	66923-03	D	PANEL ASSEMBLY - Right rear cockpit, blue	1	28-5601 to 28-5869 inclusive
	66923-09	B	PANEL ASSEMBLY - Right rear cockpit, blue	1	
	99134-04	D	PANEL ASSEMBLY - Right rear cockpit, blue	1	28-7105001 to 28-7105244 incl.
	99134-05	E	PANEL ASSEMBLY - Right rear cockpit, blue	1	
	99660-09	F	PANEL ASSEMBLY - Right rear cockpit, blue/green	1	28R-7235001 to 28R-7235330 incl.
	580 403	F	PANEL ASSEMBLY - Right rear cockpit, blue/green	1	28R-7335001 to 28R-7335455 incl.
	579 870	F	PANEL ASSEMBLY - Right rear cockpit, blue/green	1	28R-7435001 to 28R-7635503 incl.
	99660-03	D	PANEL ASSEMBLY - Right rear cockpit, blue/green	1	28-7205001 to 28-7205328 incl.
	580 397	D	PANEL ASSEMBLY - Right rear cockpit, blue/green	1	28-7305001 to 28-7305611 incl.
	579 876	D	PANEL ASSEMBLY - Right rear cockpit, blue/green	1	28-7405001 and up
	67303-05	C	PANEL ASSEMBLY - Right rear cockpit, beige	1	
	66923-04	D	PANEL ASSEMBLY - Right rear cockpit, beige	1	28-5601 to 28-5869 inclusive
	66923-10	B	PANEL ASSEMBLY - Right rear cockpit, beige	1	
	99134-06	D	PANEL ASSEMBLY - Right rear cockpit, beige	1	28-7105001 to 28-7105244 incl.
	99134-07	E	PANEL ASSEMBLY - Right rear cockpit, beige	1	
	99660-10	F	PANEL ASSEMBLY - Right rear cockpit, gold	1	28R-7235001 to 28R-7235330 incl.
	580 404	F	PANEL ASSEMBLY - Right rear cockpit, gold	1	28R-7335001 to 28R-7335455 incl.
	579 869	F	PANEL ASSEMBLY - Right rear cockpit, gold	1	28R-7435001 to 28R-7635503 incl.
	99660-04	D	PANEL ASSEMBLY - Right rear cockpit, gold	1	28-7205001 to 28-7205328 incl.
	580 398	D	PANEL ASSEMBLY - Right rear cockpit, gold	1	28-7305001 to 28-7305611 incl.
	579 875	D	PANEL ASSEMBLY - Right rear cockpit, gold	1	28-7405001 and up

- A - Used on PA-28-1 80 with serial numbers 28-4378 and up, PA-28R-180 and PA-28R-200 airplanes.
- B - Used on PA-28R-180 with serial numbers 28R-31251 to 28R-31279 inclusive, and PA-28R-200 with serial numbers 28R-35601 to 28R-35830 inclusive.
- C - Used on PA-28-180 with serial numbers 28-4378 to 28-5600 inclusive, PA-28R-180 with serial numbers 28R-30005 to 28R-30481 inclusive, 28R-30483 to 28R-31250 inclusive, and PA-28R-200 with serial numbers 28R-30482, 28R-35001 to 28R-35600 inclusive.
- D - Used on PA-28-180 airplanes only.
- E - Used on PA-28R-180 with serial numbers 28R-71 30001 to 28R-7130019 inclusive, and PA-28R-200 with serial numbers 28R-7135001 to 28R-7135238 inclusive.
- F - Used on PA-28R-200 airplanes only.

When ordering, always specify Part Number, Description, and Serial Number of Aircraft

PIPER PARTS CATALOG

Figure and Index Number	Part Number	Code	NOMENCLATURE	No. Req.	SERIAL NUMBERS AFFECTED
27-26	67303-06	B	PANEL ASSEMBLY - Right rear cockpit, black	1	
	66923-06	D	PANEL ASSEMBLY - Right rear cockpit, black	1	28-5601 to 28-5869 inclusive
	66923-12	C	PANEL ASSEMBLY - Right rear cockpit, black	1	
	99134-10	D	PANEL ASSEMBLY - Right rear cockpit, black	1	28-71 05001 to 28-71 05244 incl.
	99660-05	D	PANEL ASSEMBLY - Right rear cockpit, black	1	28-7205001 to 28-7205328 incl.
	580 399	D	PANEL ASSEMBLY - Right rear cockpit, black	1	28-7305001 to 28-7305611 incl.
	579 874	D	PANEL ASSEMBLY - Right rear cockpit, black	1	28-7405001 and up
	99134-11	E	PANEL ASSEMBLY - Right rear cockpit, black	1	
	99660-11	F	PANEL ASSEMBLY - Right rear cockpit, black	1	28R-7235001 to 28R-7235330 incl.
	580 405	F	PANEL ASSEMBLY - Right rear cockpit, black	1	28R-7335001 to 28R-7335455 incl.
	579 868	F	PANEL ASSEMBLY - Right rear cockpit, black	1	28R-7435001 to 28R-7635503 incl.
	67303-07	B	PANEL ASSEMBLY - Right rear cockpit, white	1	
	66923-07	D	PANEL ASSEMBLY - Right rear cockpit, white	1	28-5601 to 28-5869 inclusive
	66923-13	C	PANEL ASSEMBLY - Right rear cockpit, white	1	
	99134-12	D	PANEL ASSEMBLY - Right rear cockpit, white	1	28-7105001 to 28-7105244 incl.
	99660-06	D	PANEL ASSEMBLY - Right rear cockpit, white	1	28-7205001 to 28-7205328 incl.
	580 400	D	PANEL ASSEMBLY - Right rear cockpit, white	1	28-7305001 to 28-7305611 incl.
	579 873	D	PANEL ASSEMBLY - Right rear cockpit, white	1	28-7405001 to 28-7405290 incl.
	99134-13	E	PANEL ASSEMBLY - Right rear cockpit, white	1	
	99660-12	F	PANEL ASSEMBLY - Right rear cockpit, white	1	28R-7235001 to 28R-7235330 incl.
	580 406	F	PANEL ASSEMBLY - Right rear cockpit, white	1	28R-7335001 to 28R-7335455 incl.
	579 867	F	PANEL ASSEMBLY - Right rear cockpit, white	1	28R-7435001 to 28R-7435331 incl.
	66923-05	D	PANEL ASSEMBLY - Right rear cockpit, green	1	28-5601 to 28-5869 inclusive
	66923-11	C	PANEL ASSEMBLY - Right rear cockpit, green	1	
	99134-08	D	PANEL ASSEMBLY - Right rear cockpit, green	1	28-71 05001 to 28-7105244 incl.
	99660-07	D	PANEL ASSEMBLY - Right rear cockpit green	1	28-7205001 to 28-7205328 incl.
	580 401	D	PANEL ASSEMBLY - Right rear cockpit, green	1	28-7305001 to 28-7305611 incl.
	579 872	D	PANEL ASSEMBLY - Right rear cockpit, green	1	28-7405001 and up
	99134-09	E	PANEL ASSEMBLY - Right rear cockpit, green	1	
	99660-13	F	PANEL ASSEMBLY - Right rear cockpit, green	1	28R-7235001 to 28R-7235330 incl.
	580 407	F	PANEL ASSEMBLY - Right rear cockpit, green	1	28R-7335001 to 28R-7335455 incl.
	579 866	F	PANEL ASSEMBLY - Right rear cockpit, green	1	28R-7435001 to 28R-7635503 incl.
	580 716	F	PANEL ASSEMBLY - Right rear cockpit, white/camel/ black	1	28R-7635504 and up

- A - Used on PA-28-180 with serial numbers 28-4378 and up, PA-28R-180 and PA-28R-200 airplanes.
- B - Used on PA-28R-200 with serial numbers 28R-30482. 28R-35001 to 28R-35600 inclusive.
- C - Used on PA-28R-180 with serial numbers 28R-31251 to 28R-31279 inclusive, and PA-28R-200 with serial numbers 28R-35601 to 28R-35830 inclusive.
- D - Used on PA-28-180 airplanes only.
- E - Used on PA-28R-180 with serial numbers 28R-7130001 to 28R-7130019 inclusive, and PA-28R-200 with serial numbers 28R-7135001 to 28R-7135238 inclusive.
- F - Used on PA-28R-200 airplanes only.

When ordering, always specify Part Number, Description, and Serial Number of Aircraft

PIPER PARTS CATALOG

Figure and Index Number	Part Number	Code	NOMENCLATURE	No. Req.	SERIAL NUMBERS AFFECTED
27-27	68484-00	F	PAN - Armrest	1	
-28	68492-02	F	PAD ASSEMBLY- Armrest. red	1	
	68492-06	F	PAD ASSEMBLY - Armrest, brown	1	
	68492-10	F	PAD ASSEMBLY - Armrest, blue	1	
	68492-14	F	PAD ASSEMBLY - Armrest, beige	1	
	68492-18	G	PAD ASSEMBLY - Armrest, black	1	
	68492-20	G	PAD ASSEMBLY - Armrest, white	1	
-29	65304-00	H	PANEL - Ash box	3	
-30	453 141	H,W	BOX - Ash	3	
-31	484 385	H,W	RETAINER - Ash box (947483)	3	
-32	65286-05	H	KNOB - Ash box, red (571 070)	3	
	65286-07	H	KNOB - Ash box, brown (571 072)	3	
	65286-06	H	KNOB - Ash box, blue (571 071)	3	
	65286-08	H	KNOB - Ash box, tan (571 097)	3	
-33	63116-97	C	CARPET - Floor, front left, red	1	
	67907-02	B	CARPET - Floor, front left, red	1	
	76161-02	D	CARPET - Floor, front left, red	1	
	591 147	E	CARPET - Floor, front left, red	1	
	63116-98	C	CARPET - Floor, front right, red	1	
	67907-03	B	CARPET - Floor, front right, red	1	
	76161-03	D	CARPET - Floor, front right, red	1	
	591 152	E	CARPET - Floor, front right, red	1	
			<p>A - Used on PA-28-180 with serial numbers 28-4378 and up, PA-28R-180 and PA-28R-200 airplanes.</p> <p>B - Used on PA-28-180 with serial numbers 28-7105001 to 28-7205328 inclusive, PA-28R-180 with serial numbers 28R-7130001 to 28R-7130019 inclusive, and PA-28R-200 with serial numbers 28R-7135001 to 28R-7135238 inclusive,</p> <p>C - Used on PA-28-180 with serial numbers 284378 to 28-5869 inclusive, PA-28R-180 with serial numbers 28R-30005 to 28R-30481 inclusive, 28R-30483 to 28R-31279 inclusive, and PA-28R-200 with serial numbers 28R-30482, 28R-35001 to 28R-35830 inclusive.</p> <p>D - Used on PA-28-180 with serial numbers 28-7305001 to 28-7405290 inclusive, and PA-28R-200 with serial numbers 28R-7235001 to 28R-7435331 inclusive.</p> <p>E - Used on PA-28-180 with serial numbers 28-7505001 to 28-7505261 inclusive, and PA-28R-200 with serial numbers 28R-7535001 to 28R-7635503 inclusive.</p> <p>F- Used on PA-28-180 with serial numbers 28-4378 to 28-5600 inclusive, PA-28R-180 with serial numbers 28R-30005 to 28R-30481 inclusive, 28R-30483 to 28R-31250 inclusive, and PA-28R-200 with serial numbers 28R-30482, 28R-35001 to 28R-35600 inclusive.</p> <p>G- Used on PA-28R-180 with serial numbers 28R-30482, 28R-35001 to 28R-35600 inclusive.</p> <p>H- Used on PA-28-180 with serial numbers 28-4378 to 28-5600 inclusive, and PA-28R-180 with serial numbers 28R-30005 to 28R-30481 inclusive. 28R-30483 to 28R-31250 inclusive.</p> <p>W - These parts must be ordered from Service Spares Department, Piper Aircraft. Lock Haven, Penna.</p>		

When ordering, always specify Part Number, Description, and Serial Number of Aircraft

PIPER PARTS CATALOG

Figure and Index Number	Part Number	Code	NOMENCLATURE	No. Req.	SERIAL NUMBERS AFFECTED
27-33	63116-37	C	CARPET - Floor, front left, brown	1	
	63116-38	C	CARPET - Floor, front right, brown	1	
	63116-52	C	CARPET - Floor, front left, blue	1	
	67907-06	B	CARPET - Floor, front left, blue	1	
	76161-06	D	CARPET - Floor, front left, blue	1	
	591 149	E	CARPET - Floor, front left, blue	1	
	63116-53	C	CARPET - Floor, front right, blue	1	
	67907-07	B	CARPET - Floor, front right, blue	1	
	76161-07	D	CARPET - Floor, front right, blue	1	
	591 154	E	CARPET - Floor, front right, blue	1	
	63116-136	C	CARPET - Floor, front left, black	1	
	67907-04	B	CARPET - Floor, front left, black	1	
	76161-04	D	CARPET - Floor, front left, black	1	
	591 148	E	CARPET - Floor, front left, black	1	
	63116-137	C	CARPET - Floor, front right, black	1	
	67907-05	B	CARPET - Floor, front right, black	1	
	76161-05	D	CARPET - Floor, front right, black	1	
	591 153	E	CARPET - Floor, front right, black	1	
	67907-08	B	CARPET - Floor, front left, fawn	1	
	76161-08	D	CARPET - Floor, front left, fawn	1	
	67907-09	B	CARPET - Floor, front right, fawn	1	
	76161-09	D	CARPET - Floor, front right, fawn	1	
	67907-10	B	CARPET - Floor, front left, green	1	
	76161-10	D	CARPET - Floor, front left, green	1	
	591 151	E	CARPET - Floor, front left, green	1	
	67907-11	B	CARPET - Floor, front right, green	1	
	76161-11	D	CARPET - Floor, front right, green	1	
	591 156	E	CARPET - Floor, front right, green	1	
	591 545	F	CARPET - Floor, front left, heather brown	1	28R-7635504 and up
	591 546	F	CARPET - Floor, front left, monaco brown	1	28R-7635504 and up
	591 547	F	CARPET - Floor, front right, heather brown	1	28R-7635504 and up
	591 548	F	CARPET - Floor, front right, monaco brown	1	28R-7635504 and up
			A - Used on PA-28-180 with serial numbers 284378 and up, PA-28R-180 and PA-28R-200 airplanes,		
			B - Used on PA-28-180 with serial numbers 28-7105001 to 28-7205328 inclusive, PA-28R-180 with serial numbers 28R-7130001 to 28R-7130019 inclusive, and PA-28R-200 with serial numbers 28R-7135001 to 28R-7135238 inclusive.		
			C - Used on PA-28-180 with serial numbers 28-4378 to 28-5869 inclusive, PA-28R-180 with serial numbers 28R-30005 to 28R-30481 inclusive, 28R-30483 to 28R-31279 inclusive, and PA-28R-200 with serial numbers 28R-30482, 28R-35001 to 28R-35830 inclusive.		
			D - Used on PA-28-180 with serial numbers 28-7305001 to 28-7405290 inclusive, and PA-28R-200 with serial number 28R-7235001 to 28R-7435331 inclusive.		
			E - Used on PA-28-180 with serial numbers 28-7505001 to 28-7505261 inclusive, and PA-28R-200 with serial numbers 28R-7535001 to 28R-7635503 inclusive.		
			F - Used on PA-28R-200 airplanes only.		

When ordering, always specify Part Number, Description, and Serial Number of Aircraft

PIPER PARTS CATALOG

Figure and Index Number	Part Number	Code	NOMENCLATURE	No. Req.	SERIAL NUMBERS AFFECTED	
27-33	79236-10	D,E,F	CARPET - Floor, front left	1		
	591 216	E,G	CARPET - Floor, front left, red	1		
	591 218	E,G	CARPET - Floor, front left, blue	1		
	591 217	E,G	CARPET - Floor, front left, black	1		
	591 220	E,G	CARPET - Floor, front left, green	1		
	79236-11	D,E,F	CARPET - Floor, front right	1		
	591 226	E,G	CARPET - Floor, front right, red	1		
	591 228	E,G	CARPET - Floor, front right, blue	1		
	591 227	E,G	CARPET - Floor, front right, black	1		
	591 225	E,G	CARPET - Floor, front right, green	1		
	-34	63116-93	B	CARPET - Floor, Sta. 74 to Sta. 105, outboard, red	2	
		63116-06	B	CARPET - Floor, Sta. 74 to Sta. 105, outboard, brown	2	
		63116-48	B	CARPET - Floor, Sta. 74 to Sta. 105, outboard, blue	2	
		63116-132	B	CARPET - Floor, Sta. 74 to Sta. 105, outboard, black	2	
67905-02		C	CARPET - Floor, Sta. 74 to Sta. 105, outboard, red	2		
67905-04		C	CARPET - Floor, Sta. 74 to Sta. 105, outboard, blue	2		
67905-05		C	CARPET - Floor, Sta. 74 to Sta. 105, outboard, fawn	2		
67905-06		C	CARPET - Floor, Sta. 74 to Sta. 105, outboard, green	2		
67905-03		C	CARPET - Floor, Sta. 74 to Sta. 105, outboard, black	2		
591 026		G	CARPET - Floor, Sta. 74 to Sta. 105, outboard, red	2		
591 028		G	CARPET - Floor, Sta. 74 to Sta. 105, outboard, blue	2		
591 027		G	CARPET - Floor, Sta. 74 to Sta. 105, outboard, black	2		
591 030		G	CARPET - Floor, Sta. 74 to Sta. 105, outboard, green	2		
79236-16		D,E,F	CARPET - Floor, Sta. 74 to Sta. 105, outboard	2		
591 275		E,G	CARPET - Floor, Sta. 74 to Sta. 105, outboard, red	2		
591 277		E,G	CARPET - Floor, Sta. 74 to Sta. 105, outboard, blue	2		
591 276		E,G	CARPET - Floor, Sta. 74 to Sta. 105, outboard, black	2		
591 279		E,G	CARPET - Floor, Sta. 74 to Sta. 105, outboard, green	2		
591 501		H	CARPET - Floor, Sta. 74 to Sta. 105, outboard, heather brown	2	28R-7635504 and up	
591 502		H	CARPET - Floor, Sta. 74 to Sta. 105, outboard, monaco brown	2	28R-7635504 and up	
			<p>A - Used on PA-28-180 with serial numbers 28-4378 and up, PA-28R-180 and PA-28R-200 airplanes.</p> <p>B - Used on PA-28-180 with serial numbers 28-4378 to 28-5869 inclusive, PA-28R-180 with serial numbers 28R-30005 to 28R-30481 inclusive, 28R-30483 to 28R-31279 inclusive, and PA-28R-200 with serial numbers 28R-30482, 28R-35001 to 28R-35830 inclusive.</p> <p>C - Used on PA-28-180 with serial numbers 28-71 05001 to 28-7405290 inclusive, PA-28R-180 with serial numbers 28R-7130001 to 28R-7130019 inclusive, and PA-28R-200 with serial numbers 28R-71 35001 to 28R-7435331 inclusive.</p> <p>D - Used on PA-28-180 with serial numbers 28-7405001 to 28-7405290 inclusive, and PA-28R-200 with serial numbers 28R-7435001 to 28R-7435331 inclusive.</p> <p>E - Used if sound reduction carpeting is installed.</p> <p>F - When ordering, specify color red, blue, fawn, black or green.</p> <p>G - Used on PA-28-180 with serial numbers 28-7505001 to 28-7505261 inclusive, and PA-28R-200 with serial numbers 28R-7535001 to 28R-7635503 inclusive.</p> <p>H - Used on PA-28R-200 airplanes only.</p>			

When ordering, always specify Part Number, Description, and Serial Number of Aircraft

PIPER PARTS CATALOG

Figure and Index Number	Part Number	Code	NOMENCLATURE	No. Req.	SERIAL NUMBERS AFFECTED
27-35	63116-94	B	CARPET - Floor, Sta. 74 to Sta. 105, center, red	2	
	63116-04	B	CARPET - Floor, Sta. 74 to Sta. 105, center, brown	2	
	63116-49	B	CARPET - Floor, Sta. 74 to Sta. 105, center, blue	2	
	63116-133	B	CARPET - Floor, Sta. 74 to Sta. 105, center, black	2	
	67906-02	C	CARPET - Floor, Sta. 74 to Sta. 105, center, red	2	
	67906-04	C	CARPET - Floor, Sta. 74 to Sta. 105, center, blue	2	
	67906-05	C	CARPET - Floor, Sta. 74 to Sta. 105, center, fawn	2	
	67906-06	C	CARPET - Floor, Sta. 74 to Sta. 105, center, green	2	
	67906-03	C	CARPET - Floor, Sta. 74 to Sta. 105, center, black	2	
	591 031	G	CARPET - Floor, Sta. 74 to Sta. 105, center, red	2	
	591 033	G	CARPET - Floor, Sta. 74 to Sta. 105, center, blue	2	
	591 032	G	CARPET - Floor, Sta. 74 to Sta. 105, center, black	2	
	591 035	G	CARPET - Floor, Sta. 74 to Sta. 105, center, green	2	
	79236-05	D,E,F	CARPET - Floor, Sta. 74 to Sta. 105, center	2	
	591 182	E,G	CARPET - Floor, Sta. 74 to Sta. 105, center, red	2	
	591 184	E,G	CARPET - Floor, Sta. 74 to Sta. 105, center, blue	2	
	591 183	E,G	CARPET - Floor, Sta. 74 to Sta. 105, center, black	2	
	591 186	E,G	CARPET - Floor, Sta. 74 to Sta. 105, center, green	2	
	591 503	H	CARPET - Floor, Sta. 74 to Sta. 105, center, heather brown	2	28R-7635504 and up
	591 504	H	CARPET - Floor, Sta. 74 to Sta. 105, center, monaco brown	2	28R-7635504 and up

- A - Used on PA-28-180 with serial numbers 28-4378 and up, PA-28R-180 and PA-28R-200 airplanes.
- B - Used on PA-28-180 with serial numbers 28-4378 to 28-5869 inclusive, PA-28R-180 with serial numbers 28R-30005 to 28R-30481 inclusive, 28R-30483 to 28R-31279 inclusive, and PA-28R-200 with serial numbers 28R-30482, 28R-35001 to 28R-35830 inclusive.
- C - Used on PA-28-180 with serial numbers 28-7105001 to 28-7405290 inclusive, PA-28R-180 with serial number 28R-7130001 to 28R-7130019 inclusive, and PA-28R-200 with serial numbers 28R-7135001 to 28R-7435331 inclusive.
- D - Used on PA-28-180 with serial numbers 28-7405001 to 28-7405290 inclusive, and PA-28R-200 with serial numbers 28R-7435001 to 28R-7435331 inclusive.
- E - Used if sound reduction carpeting is installed.
- F - When ordering, specify color red, blue, fawn, black or green.
- G - Used on PA-28-180 with serial numbers 28-7505001 to 28-7505261 inclusive, and PA-28R-200 with serial numbers 28R-7535001 to 28R-7635503 inclusive. Use on PA-28R-200 airplanes only

When ordering, always specify Part Number, Description, and Serial Number of Aircraft

PIPER PARTS CATALOG

Figure and Index Number	Part Number	Code	NOMENCLATURE	No. Req.	SERIAL NUMBERS AFFECTED
27-36	63116-95	B	CARPET - Floor, Sta. 74 to Sta. 105, inboard, red	2	
	63116-19	B	CARPET - Floor, Sta. 74 to Sta. 105, inboard, brown	2	
	63116-50	B	CARPET - Floor, Sta. 74 to Sta. 105, inboard, blue	2	
	63116-134	B	CARPET - Floor, Sta. 74 to Sta. 105, inboard, black	2	
	76199-02	C	CARPET - Floor, Sta. 74 to Sta. 105, inboard, left, red	1	
	76199-06	C	CARPET - Floor, Sta. 74 to Sta. 105, inboard, left, blue	1	
	76199-08	C	CARPET - Floor, Sta. 74 to Sta. 105, inboard, left, fawn	1	
	76199-10	C	CARPET - Floor, Sta. 74 to Sta. 105, inboard, left, green	1	
	76199-04	C	CARPET - Floor, Sta. 74 to Sta. 105, inboard, left, black	1	
	591 157	D	CARPET - Floor, Sta. 74 to Sta. 105, inboard, left, red	1	
	591 159	D	CARPET - Floor, Sta. 74 to Sta. 105, inboard, left, blue	1	
	591 158	D	CARPET - Floor, Sta. 74 to Sta. 105, inboard, left, black	1	
	591 161	D	CARPET - Floor, Sta. 74 to Sta. 105, inboard, left, green	1	
	76199-03	C	CARPET - Floor, Sta. 74 to Sta. 105, inboard, right, red	1	
	76199-07	C	CARPET - Floor, Sta. 74 to Sta. 105, inboard, right, blue	1	
	76199-09	C	CARPET - Floor, Sta. 74 to Sta. 105, inboard, right, fawn	1	
	76199-11	C	CARPET - Floor, Sta. 74 to Sta. 105, inboard, right, green	1	
	76199-05	C	CARPET - Floor, Sta. 74 to Sta. 105, inboard, right, black	1	
	591 162	D	CARPET - Floor, Sta. 74 to Sta. 105, inboard, right, red	1	
	591 164	D	CARPET - Floor, Sta. 74 to Sta. 105, inboard, right, blue	1	
	591 163	D	CARPET - Floor, Sta. 74 to Sta. 105, inboard, right, black	1	
	591 166	D	CARPET - Floor, Sta. 74 to Sta. 105, inboard, right, green	1	
	591 549	E	CARPET - Floor, Sta. 74 to Sta. 105, inboard, left, heather brown	1	28R-7635504 and up
	591 550	E	CARPET - Floor, Sta. 74 to Sta. 105, inboard, left, monaco brown	1	28R-7635504 and up
	591 551	E	CARPET - Floor, Sta. 74 to Sta. 105, inboard, right, heather brown	1	28R-7635504 and up
	591 552	E	CARPET - Floor, Sta. 74 to Sta. 105, inboard, right, monaco brown	1	28R-7635504 and up
			A-	Used on PA-28-180 with serial numbers 28-4378 and up, PA-28R-180 and PA-28R-200 airplanes.	
		B-	Used on PA-28-180 with serial numbers 28-4378 to 28-5869 inclusive, PA-28R-180 with serial numbers 28R-30005 to 28R-30481 inclusive, 28R-30483 to 28R-31279 inclusive, and PA-28R-200 with serial numbers 28R-30482, 28R-35001 to 28R-35830 inclusive.		
		C-	Used on PA-28-180 with serial numbers 28-7105001 to 28-7405290 inclusive, PA-28R-180 with serial numbers 28R-7130001 to 28R-7130019 inclusive, and PA-28R-200 with serial numbers 28R-7135001 to 28R-7435331 inclusive.		
		D-	Used on PA-28-180 with serial numbers 28-7505001 to 28-7505261 inclusive, and PA-28R-200 with serial numbers 28R-7535001 to 28R-7635503 inclusive.		
		E-	Used on "A" PA-28R-200 airplanes only.		

When ordering, always specify Part Number, Description, and Serial Number of Aircraft

PIPER PARTS CATALOG

Figure and Index Number	Part Number	Code	NOMENCLATURE	No. Req.	SERIAL NUMBERS AFFECTED	
27-37	63116-109	B	CARPET - Tunnel, top, red	1	28R-30005 to 28R-30103 incl.	
	63116-140	C	CARPET - Tunnel, top, red	1		
	99114-02	F	CARPET - Tunnel, top, red	1		
	76160-02	G	CARPET - Tunnel, top, red	1		
	591 142	D	CARPET - Tunnel, top, red	1		
	63116-107	B	CARPET - Tunnel, top, brown	1		28R-30005 to 28R-30103 incl.
	63116-142	C	CARPET - Tunnel, top, brown	1		
	63116-108	B	CARPET - Tunnel, top, blue	1		28R-30005 to 28R-30103 incl.
	63116-144	C	CARPET - Tunnel, top, blue	1		
	99114-04	F	CARPET - Tunnel, top, blue	1		
	76160-04	G	CARPET - Tunnel, top, blue	1		
	591 144	D	CARPET - Tunnel, top, blue	1		
	63116-130	E	CARPET - Tunnel, top, black	1		
	99114-03	F	CARPET - Tunnel, top, black	1		
	76160-03	G	CARPET - Tunnel, top, black	1		
	591 143	D	CARPET - Tunnel, top, black	1		
	99114-05	F	CARPET - Tunnel, top, fawn	1		
	76160-05	G	CARPET - Tunnel, top, fawn	1		
	99114-06	F	CARPET - Tunnel, top, green	1		
	76160-06	G	CARPET - Tunnel, top, green	1		
591 146	D	CARPET - Tunnel, top, green	1			
591 543	H	CARPET - Tunnel, top, heather brown	1	28R-7635504 and up		
591 544	H	CARPET - Tunnel, top, monaco brown	1			
			<p>A - Used on PA-28-180 with serial numbers 28-4378 and up, PA-28R-180 and PA-28R-200 airplanes.</p> <p>B - Used on PA-28R-180 airplanes only.</p> <p>C - Used on PA-28-180 with serial numbers 28-4378 to 28-5869 inclusive, PA-28R-180 with serial numbers 28R-30104 to 28R-30481 inclusive, 28R-30483 to 28R-31279 inclusive, and PA-28R-200 with serial numbers 28R-30482, 28R-35001 to 28R-35830 inclusive.</p> <p>D - Used on PA-28-180 with serial numbers 28-7505001 to 28-7505261 inclusive, and PA-28R-200 with serial numbers 28R-7535001 to 28R-7635503 inclusive.</p> <p>E - Used on PA-28-180 with serial numbers 28-4378 to 28-5869 inclusive, PA-28R-180 with serial numbers 28R-30005 to 28R-30481 inclusive, 28R-30483 to 28R-31279 inclusive, and PA-28R-200 with serial numbers 28R-30482, 28R-35001 to 28R-35830 inclusive.</p> <p>F - Used on PA-28-180 with serial numbers 28-7105001 to 28-7205328 inclusive, PA-28R-180 with serial numbers 28R-7130001 to 28R-7130019 inclusive, and PA-28R-200 with serial numbers 28R-7135001 to 28R-7135238 inclusive.</p> <p>G - Used on PA-28-180 with serial numbers 28-7305001 to 28-7405290 inclusive, and PA-28R-200 with serial numbers 28R-7235001 to 28R-7435331 inclusive.</p> <p>H - Used on PA-28R-200 airplanes only.</p>			

When ordering, always specify Part Number, Description, and Serial Number of Aircraft

PIPER PARTS CATALOG

Figure and Index Number	Part Number	Code	NOMENCLATURE	No. Req.	SERIAL NUMBERS AFFECTED	
27-38	63116-96	E	CARPET - Spar box, left, red	1	28R-30005 to 28R-30103 incl. 28R-30005 to 28R-30103 incl. 28R-30005 to 28R-30103 incl. 28R-7635504 and up	
	63116-102	B	CARPET - Spar box, right, red	1		
	63116-91	C	CARPET - Spar box, right, red	1		
	63116-58	E	CARPET - Spar box, left, brown	1		
	63116-78	B	CARPET - Spar box, right, brown	1		
	63116-76	C	CARPET - Spar box, right, brown	1		
	63116-51	E	CARPET - Spar box, left, blue	1		
	63116-75	B	CARPET - Spar box, right, blue	1		
	63116-92	C	CARPET - Spar box, right, blue	1		
	63116-138	E	CARPET - Spar box, left, black	1		
	63116-135	E	CARPET - Spar box, right, black	1		
	67903-02	D	CARPET - Spar box, complete, red	1		
	67903-06	D	CARPET - Spar box, complete, blue	1		
	67903-08	D	CARPET - Spar box, complete, fawn	1		
	67903-10	D	CARPET - Spar box, complete, green	1		
	67903-04	D	CARPET - Spar box, complete, black	1		
	591 006	F	CARPET - Spar box, complete, red	1		
	591 008	F	CARPET - Spar box, complete, blue	1		
	591 007	F	CARPET - Spar box, complete, black	1		
	591 010	F	CARPET - Spar box, complete, green	1		
	591 493	G	CARPET - Spar box, complete, heather brown	1		
	591 494	G	CARPET - Spar box, complete, monaco brown	1		
				A- Used on PA-28-180 with serial numbers 28-4378 and up, PA-28R-180 and PA-28R-200 airplanes.		
				B- Used on PA-28R-180 airplanes only,		
				C- Used on PA-28-180 with serial numbers 28-4378 to 28-5869 inclusive, PA-28R-180 with serial numbers 28R-30104 to 28R-30481 inclusive, 28R-30483 to 28R-31279 inclusive, and PA-28R-200 with serial numbers 28R-30482, 28R-35001 to 28R-35830 inclusive,		
				D- Used on PA-28-180 with serial numbers 28-7105001 to 28-7405290 inclusive, PA-28R-180 with serial numbers 28R-7130001 to 28R-7130019 inclusive, and PA-28R-200 with serial numbers 28R-7135001 to 28R-7435331 inclusive.		
				E- Used on PA-28-180 with serial numbers 28-4378 to 28-5869 inclusive, PA-28R-180 with serial numbers 28R-30005 to 28R-30481 inclusive, 28R-30483 to 28R-31279 inclusive, and PA-28R-200 with serial numbers 28R-30482, 28R-35001 to 28R-35830 inclusive.		
			F- Used on PA-28-180 with serial numbers 28-7505001 to 28-7505261 inclusive, and PA-28R-200 with serial numbers 28R-7535001 to 28R-7635503 inclusive.			
			G- Used on PA-28R-200 airplanes only.			

When ordering, always specify Part Number, Description, and Serial Number of Aircraft

PIPER PARTS CATALOG

Figure and Index Number	Part Number	Code	NOMENCLATURE	No. Req.	SERIAL NUMBERS AFFECTED	
27-39	63116-125	C	CARPET - Tunnel, side, left, red	1		
	67904-02	B	CARPET - Tunnel, side, left, red	1		
	591 016	D	CARPET - Tunnel, side, left, red	1		
	63116-129	C	CARPET - Tunnel, side, right, red	1		
	67904-03	B	CARPET - Tunnel, side, right, red	1		
	591 021	D	CARPET - Tunnel, side, right, red	1		
	63116-123	C	CARPET - Tunnel, side, left, brown	1		
	63116-127	C	CARPET - Tunnel, side, right, brown	1		
	63116-124	C	CARPET - Tunnel, side, left, blue	1		
	67904-06	B	CARPET - Tunnel, side, left, blue	1		
	591 018	D	CARPET - Tunnel, side, left, blue	1		
	63116-128	C	CARPET - Tunnel, side, right, blue	1		
	67904-07	B	CARPET - Tunnel, side, right, blue	1		
	591 023	D	CARPET - Tunnel, side, right, blue	1		
	63116-139	C	CARPET - Tunnel, side, left, black	1		
	67904-04	B	CARPET - Tunnel, side, left, black	1		
	591 017	D	CARPET - Tunnel, side, left, black	1		
	63116-126	C	CARPET - Tunnel, side, right, black	1		
	67904-05	B	CARPET - Tunnel, side, right, black	1		
	591 022	D	CARPET - Tunnel, side, right, black	1		
	67904-08	B	CARPET - Tunnel, side, left, fawn	1		
	67904-09	B	CARPET - Tunnel, side, right, fawn	1		
	67904-10	B	CARPET - Tunnel, side, left, green	1		
	591 020	D	CARPET - Tunnel, side, left, green	1		
	67904-11	B	CARPET - Tunnel, side, right, green	1		
	591 025	D	CARPET - Tunnel, side, right, green	1		
	591 497	E	CARPET - Tunnel, side, left, heather brown	1	28R-7635504 and up	
	591 498	E	CARPET - Tunnel, side, left, monaco brown	1	28R-7635504 and up	
	591 499	E	CARPET - Tunnel, side, right, heather brown	1	28R-7635504 and up	
	591 500	E	CARPET - Tunnel, side, right, monaco brown	1	28R-7635504 and up	
			A-	Used on PA-2B-180 with serial numbers 28-4378 and up, PA-28R-180 and PA-28R-200 airplanes.		
			B-	Used on PA-28-180 with serial numbers 28-7105001 to 28-7405290 inclusive, PA-28R-180 with serial numbers 28R-7130001 to 28R-7130019 inclusive, and PA-28R-200 with serial numbers 28R-7135001 to 28R-7435331 inclusive.		
			C -	Used on PA-28-180 with serial numbers 28-4378 to 28-5869 inclusive, PA-28R-180 with serial numbers 28R-30005 to 28R-30481 inclusive, 28R-30483 to 28R-31279 inclusive, and PA-28R-200 with serial numbers 28R-30482, 28R-35001 to 28R-35830 inclusive.		
		D-	Used on PA-28-180 with serial numbers 28-7505001 to 28-7505261 inclusive, and PA-28R-200 with serial numbers 28R-7535001 to 28R-7635503 inclusive.			
		E-	Used on PA-28R-200 airplanes only.			

When ordering, always specify Part Number, Description, and Serial Number of Aircraft

PIPER PARTS CATALOG

Figure and Index Number	Part Number	Code	NOMENCLATURE	No. Req.	SERIAL NUMBERS AFFECTED
27-40	65324-05	C	CARPET - Baggage compartment, red	1	28R-7635504 and up 28R-7635504 and up
	66802-02	E	CARPET - Baggage compartment, red	1	
	66802-06	B	CARPET - Baggage compartment, red	1	
	591 471	C	CARPET - Baggage compartment, red	1	
	65324-03	D	CARPET - Baggage compartment, brown	1	
	66802-03	E	CARPET - Baggage compartment, brown	1	
	65324-04	D	CARPET - Baggage compartment, blue	1	
	66802-04	E	CARPET - Baggage compartment, blue	1	
	66802-08	B	CARPET - Baggage compartment, blue	1	
	591 473	C	CARPET - Baggage compartment, blue	1	
	65324-06	D	CARPET - Baggage compartment, black	1	
	66802-05	E	CARPET - Baggage compartment, black	1	
	66802-07	B	CARPET - Baggage compartment, black	1	
	591 472	C	CARPET - Baggage compartment, black	1	
	66802-09	B	CARPET - Baggage compartment, fawn	1	
	66802-10	B	CARPET - Baggage compartment, green	1	
	591 474	C	CARPET - Baggage compartment, green	1	
	591 491	F	CARPET - Baggage compartment, heather brown	1	
	591 492	F	CARPET - Baggage compartment, monaco brown	1	
	-41	63185-02	D	TRIM STRIP - Baggage compartment, rear	
63185-03		D	TRIM STRIP - Baggage compartment, front	1	
63185-05		G	TRIM STRIP - Baggage compartment	1	
			<p>A- Used on PA-28-180 with serial numbers 28-4378 and up, PA-28R-180 and PA-28R-200 airplanes.</p> <p>B- Used on PA-28-180 with serial numbers 28-7105001 to 28-7405290 inclusive, PA-28R-180 with serial numbers 28R-7130001 to 28R-7130019 inclusive, and PA-28R-200 with serial numbers 28R-7135001 to 28R-7435331 inclusive.</p> <p>C- Used on PA-28-180 with serial numbers 28-7505001 to 28-7505261 inclusive, and PA-28R-200 with serial numbers 28R-7535001 to 28R-7635503 inclusive.</p> <p>D- Used on PA-28-180 with serial numbers 28-4378 to 28-5313 inclusive, and PA-28R-180 with serial numbers 28R-30005 to 28R-30481 inclusive, 28R-30483 to 28R-31092 inclusive.</p> <p>E- Used on PA-28-180 with serial numbers 28-5314 to 28-5869 inclusive, PA-28R-180 with serial numbers 28R-31093 to 28R-31279 inclusive, and PA-28R-200 with serial numbers 28R-30482, 28R-35001 to 28R-35830 inclusive.</p> <p>F- Used on PA-28R-200 airplanes only.</p> <p>G- Used on PA-28-180 with serial numbers 28-5314 and up, PA-28R-180 with serial numbers 28R-31093 and up, and PA-28R-200 with serial numbers 28R-30482, 28R-35001 and up.</p>		

When ordering, always specify Part Number, Description, and Serial Number of Aircraft

PIPER PARTS CATALOG

Figure and Index Number	Part Number	Code	NOMENCLATURE	No. Req.	SERIAL NUMBERS AFFECTED
27-42	63259-00	C,D	PLATE - Striker, baggage door, length 2.64"	1	
	99450-00	C,D	PLATE - Striker, baggage door, Length 3.12"	1	
	63293-02	B,E	PLATE - Striker, baggage door, Length 2.00"	1	
-43	63142-02	K	TRIM STRIP - Door frame, bottom rear	1	
	63142-56	L	TRIM STRIP - Door frame, bottom rear	1	28R-7635018 and up
-44	63142-13	F	TRIM STRIP - Door frame, top and side rear	1	
	63142-39	G	TRIM STRIP - Door frame, side rear	1	
	63142-55	L	TRIM STRIP - Door frame, top rear	1	28R-7635018 and up
	63142-38	H	TRIM STRIP - Door frame, top rear	1	
	63142-47	J	TRIM STRIP - Door frame, top rear	1	
-45	63142-14	F	TRIM STRIP - Door frame, front	1	
	63142-40	H	TRIM STRIP - Door frame, front	1	
	63142-48	J	TRIM STRIP - Door frame, front	1	
	63142-51	L	TRIM STRIP - Door frame, front	1	28R-7635018 and up
-46	63142-08	M	TRIM STRIP - Headlining	1	
	63142-36	N	TRIM STRIP - Headlining	1	
			A- Used on PA-28-180 with serial numbers 28-4378 and up, PA-28R-180 and PA-28R-200 airplanes.		
			B- Used on PA-28-180 with serial numbers 28-5314 and up, PA-28R-180 with serial numbers 28R-31093 and up, and PA-28R-200 with serial numbers 28R-30482, 28R-35001 and up.		
			C- Used on PA-28-180 with serial numbers 28-4378 to 28-5313 inclusive, and PA-28R-180 with serial numbers 28R-30005 to 28R-30481 inclusive, 28R-30483 to 28R-31092 inclusive.		
			D- Used if baggage door does not have push button latch.		
			E- Used if baggage door has push button latch.		
			F- Used on PA-28-180 with serial numbers 28-4378 to 28-7205328 inclusive, PA-28R-180 with serial numbers 28R-30005 to 28R-7130019 inclusive, and PA-28R-200 with serial numbers 28R-30482, 28R-35001 to 28R-7135238 inclusive.		
			G- Used on PA-28-180 with serial numbers 28-7305001 and up, and PA-28R-200 with serial numbers 28R-7235001 to 28R-7635017 inclusive.		
			H- Used on PA-28-180 with serial numbers 28-7305001 to 28-7305361 inclusive, and PA-28R-200 with serial numbers 28R-7235001 to 28R-7335218 inclusive.		
			J- Used on PA-28-180 with serial numbers 28-7305362 and up, and PA-28R-200 with serial numbers 28R-7335219 to 28R-7635017 inclusive.		
			K- Used on PA-28-180 with serial numbers 28-4378 and up, PA-28R-180, and PA-28R-200 with serial numbers 28R-30482, 28R-35001 to 28R-7635017 inclusive.		
			L- Used on PA-28R-200 airplanes only.		
			M- Used on PA-28-180 with serial numbers 28-4378 to 28-7105244 inclusive, PA-28R-180 with serial numbers 28R-30005 to 28R-7130019 inclusive, and PA-28R-200 with serial numbers 28R-30482, 28R-35001 to 28R-7135238 inclusive.		
			N- Used on PA-28-180 with serial numbers 28-7205001 to 28-7305611 inclusive, and PA-28R-200 with serial numbers 28R-7235001 to 28R-7335455 inclusive.		

When ordering, always specify Part Number, Description, and Serial Number of Aircraft

PIPER PARTS CATALOG

Figure and Index Number	Part Number	Code	NOMENCLATURE	No. Req.	SERIAL NUMBERS AFFECTED
27-47	63142-32	L	TRIM STRIP - Headlining	1	
	63142-43	H	TRIM STRIP - Headlining	1	
-48	63142-26	B	TRIM STRIP - Headlining, left	1	
	63142-25	B	TRIM STRIP - Headlining, right	1	
	63142-32	G	TRIM STRIP - Headlining	1	28R-7235001 to 28R-7235330incl.
	63142-43	H	TRIM STRIP - Headlining	1	
	63142-44	J,K	TRIM STRIP - Headlining	2	
-49	65869-00	D	BEARING - Sun visor	2	
-50	99240-00	E	RING - Boot attachment	1	
-51	65546-00	B	SILL- Door	1	
	76191-00	F	SILL- Door	1	
	76191-02	G	SILL - Door	1	28R-7635018 and up
-52	489 388	D	ASH RECEIVER - (Complete) Chrome (2A20580)	2	
-53	63229-02	C	SUPPORT ASSEMBLY - Sun visor	1	
-54	63900-44	C	BUSHING - Sun visor	1	
			A- Used on PA-28-180 with serial numbers 28-4378 and up, PA-28R-180 and PA-28R-200 airplanes.		
			B- Used on PA-28-180 with serial numbers 28-4378 to 28-7205328 inclusive, PA-28R-180 with serial numbers 28R-30005 to 28R-7130019 inclusive, and PA-28R-200 with serial numbers 28R-30482, 28R-35001 to 28R-7135238 inclusive.		
			C- Used on PA-28-180 with serial numbers 28-4378 to 28-5600 inclusive, PA-28R-180 with serial numbers 28R-30005 to 28R-30481 inclusive, 28R-30483 to 28R-31250 inclusive, and PA-28R-200 with serial numbers 28R-30482, 28R-35001 to 28R-35600 inclusive.		
			D- Used on PA-28-180 with serial numbers 28-5601 and up, PA-28R-180 with serial numbers 28R-31251 and up, and PA-28R-200 with serial numbers 28R-35601 and up.		
			E- Used on PA-28-180 with serial numbers 28-7105001 and up, PA-28R-180 with serial numbers 28R-7130001 and up, and PA-28R-200 with serial numbers 28R-7135001 and up.		
			F- Used on PA-28-180 with serial numbers 28-7305001 and up, and PA-28R-200 with serial numbers 28R-7235001 to 28R-7635017 inclusive.		
			G- Used on PA-28R-200 airplanes only.		
			H- Used on PA-28-180 with serial numbers 28-7305001 to 28-7305611 inclusive, and PA-28R-200 with serial numbers 28R-7335001 to 28R-7335455 inclusive.		
			J- Used on PA-28-180 with serial numbers 28-7305001 to 28-7305611 inclusive, and PA-28R-200 with serial numbers 28R-7235266 to 28R-7335455 inclusive.		
			K- Used if air conditioning is installed.		
			L- Used on PA-28-180 with serial numbers 28-4378 to 28-7205328 inclusive, PA-28R-180 with serial numbers 28R-30005 to 28R-7130019 inclusive, and PA-28R-200 with serial numbers 28R-35001 to 28R-7235330 inclusive.		

When ordering, always specify Part Number, Description, and Serial Number of Aircraft

PIPER PARTS CATALOG

Figure and Index Number	Part Number	Code	NOMENCLATURE	No. Req.	SERIAL NUMBERS AFFECTED
27-55	62353 04	D	LOOP ASSEMBLY - Assist, white	1	
	62353-05	H	LOOP ASSEMBLY - Assist, white	1	
	79455-00	J	LOOP ASSEMBLY - Assist, white	1	
-56	63130-02		PLATE - Heel	2	
-57	63163-00	B	FLOORBOARD - Sta. 74 to Sta. 105, left and right	2	
	96684-00	F	FLOORBOARD - Sta. 74 to Sta. 105, left and right	2	
-58	63164-00	B	FLOORBOARD - Front, left	1	
	76123-00	E	FLOORBOARD - Front, left	1	
	76123-04	G	FLOORBOARD - Front, left	1	
	63164-01	B	FLOORBOARD - Front, right	1	
	76123-01	E	FLOORBOARD - Front, right	1	
	76123-05	G	FLOORBOARD - Front, right	1	
-59	453 691	D	BUTTON - Plug (SS48151), visor	2	
-60	65269-02		DOUBLER - Ash tray	2	
-61	65667-00	C	GRILL ASSEMBLY - Air exhaust	1	
-62	65672-05		SHIELD - Flap handle cover	1	
		A-	Used on PA-28-180 with serial numbers 28-4378 and up, PA-28R-180 and PA-28R-200 airplanes.		
		B-	Used on PA-28-180 with serial numbers 284378 to 28-7205328 inclusive, PA-28R-180 with serial numbers 28R-30005 to 28R-7130019 inclusive, and PA-28R-200 with serial numbers 28R-30482, 28R-35001 to 28R-7135238 inclusive.		
		C-	Used on PA-28-180 with serial numbers 28-4378 to 28-5869 inclusive, PA-28R-180 with serial numbers 28R-30005 to 28R-30481 inclusive, 28R-30483 to 28R-31279 inclusive, and PA-28R-200 with serial numbers 28R-30482, 28R-35001 to 28R-35830 inclusive.		
		D-	Used on PA-28-180 with serial numbers 28-4378 to 28-5600 inclusive, PA-28R-180 with serial numbers 28R-30005 to 28R-30481 inclusive, 28R-30483 to 28R-31250 inclusive, and PA-28R-200 with serial number 28R-30482, 28R-35001 to 28R-35600 inclusive.		
		E-	Used on PA-28-180 with serial numbers 28-7305001 to 28-7305611 inclusive, and PA-28R-200 with serial numbers 28R-7235001 to 28R-7335455 inclusive.		
		F-	Used on PA-28-180 with serial numbers 28-7305001 and up, and PA-28R-200 with serial numbers 28R-7235001 and up.		
		G-	Used on PA-28-180 with serial numbers 28-7405001 and up, and PA-28R-200 with serial numbers 28R-7435001 and up.		
		H-	Used on PA-28-180 with serial numbers 28-5601 to 28-7405290 inclusive, PA-28R-180 with serial numbers 28R-31251 to 28R-7130019 inclusive, and PA-28R-200 with serial numbers 28R-35601 to 28R-7435331 inclusive.		
		J-	Used on PA-28-180 with serial numbers 28-7505001 and up, and PA-28R-200 with serial numbers 28R-7535001 and up.		

When ordering, always specify Part Number, Description, and Serial Number of Aircraft

PIPER PARTS CATALOG

Figure and Index Number	Part Number	Code	NOMENCLATURE	No. Req.	SERIAL NUMBERS AFFECTED
27-63	65735-19	C	FLANGE - Air vent	4	
	65735-06	D	FLANGE - Air vent, brown	4	
	65735-13	B	FLANGE - Air vent, white	4	
-64	65735-18	C	CUP - Air vent	4	
	65735-03	D	CUP - Air vent, brown	4	
	65735-12	B	CUP - Air vent, white	4	
-65	67307-00	D	HEADLINING - Cockpit (464 350)	1	
	67307-02	F	HEADLINING - Cockpit (464 370)	1	
	67307-03	G	HEADLINING - Cockpit (464 375)	1	
	76462-00	H	HEADLINING - Cockpit (464 385)	1	
-66	65564-02	D	WINDLACING - Door seal, white	1	
	69403-03	E	WINDLACING - Door seal, white	1	
			<p>A- Used on PA-28-180 with serial numbers 28-4378 and up, PA-28R-180 and PA-28R-200 airplanes.</p> <p>B- Used on PA-28-180 with serial numbers 28-5601 to 28-7405290 inclusive. PA-28R-180 with serial numbers 28R-31251 and up, and PA-28R-100 with serial numbers 28R-30482, 28R-35001 to 28R-7435331 inclusive.</p> <p>C- When ordering, specify color red, blue/green, gold, black, green or "Bark II".</p> <p>D- Used on PA-28-180 with serial numbers 28-4378 to 28-5600 inclusive, PA-28R-180 with serial numbers 28R-30005 to 28R-30481 inclusive, 28R-30483 to 28R-31250 inclusive, and PA-28R-200 with serial numbers 28R-30482, 28R-35001 to 28R-35600 inclusive.</p> <p>E- Used on PA-28-180 with serial numbers 28-5601 and up, PA-28R-180 with serial numbers 28R-31251 and up, and PA-28R-200 with serial numbers 28R-35601 and up.</p> <p>F- Used on PA-28-180 with serial numbers 28-5600 to 28-7205328 inclusive, PA-28R-180 with serial numbers 28R-31251 to 28R-7130019 inclusive, and PA-28R-200 with serial numbers 28R-35601 to 28R-7135238 inclusive.</p> <p>G- Used on PA-28-180 with serial numbers 28-7305001 to 28-7305611 inclusive, and PA-28R-200 with serial numbers 28R-7235001 to 28R-7335445 inclusive.</p> <p>H- Used on PA-28-180 with serial numbers 28-7405001 and up, and PA-28R-200 with serial numbers 28R-7435001 and up.</p>		

When ordering, always specify Part Number, Description, and Serial Number of Aircraft

PIPER PARTS CATALOG

Figure and Index Number	Part Number	Code	NOMENCLATURE	No. Req.	SERIAL NUMBERS AFFECTED
27-67	68416-00	D	VENT ASSEMBLY - Air, forward, left (complete)	1	
	68416-02	C	VENT ASSEMBLY - Air, forward, left (complete)	1	
	68416-01	D	VENT ASSEMBLY - Air, forward, right (complete)	1	
	68416-03	C	VENT ASSEMBLY - Air, forward, right (complete)	1	
-68	68671-00		VALVE ASSEMBLY - Air vent	1	
-69	68499-04		SHAFT ASSEMBLY - Air vent valve, left	1	
	68499-05		SHAFT ASSEMBLY - Air, vent valve, right	1	
-70	15086-00	W	SCREW - Self tapping (4 x 1/4) (486 187)	2	
-71	68584-00		GASKET - Air vent assembly	4	
-72	67427-00	E	PLACARD - Aircraft limitations	1	
	66987-00	G	PLACARD - Aircraft limitations	1	
	69288-00	B	PLACARD - Aircraft limitations, mph	1	28-4378 to 28-7205328 incl.
	79157-00	B	PLACARD - Aircraft limitations, knots	1	28-4378 to 28-7205328 incl.
	76206-00	B	PLACARD - Aircraft limitations, mph	1	28-7305001 to 28-7305611
incl.	76298-00	B	PLACARD - Aircraft limitations, knots	1	28-7305001 to 28-7305611
incl.	76206-02	B	PLACARD - Aircraft limitations, mph	1	28-7405001 and up
	69669-04	B	PLACARD - Aircraft limitations, knots	1	28-7405001 and up
	99811-00	B,F	PLACARD - Aircraft limitations, mph	1	28-5653, 28-7205092 to 28-7205328 inclusive
	79156-00	B,F	PLACARD - Aircraft limitations, knots	1	28-5653, 28-7205092 to 28-7205328 inclusive
-73	65219-00		PLACARD - Rudder trim	1	
-74	67235-00	H	GRIP - Handhold	2	
-75	487 629	J,W	STUD ASSEMBLY - Coat hanger (KM894-1A)	2	
-76	67336-00	K	TOW BAR ASSEMBLY	1	
	99458-00	B	TOW BAR ASSEMBLY	1	
			A- Used on PA-28-180 with serial numbers 28-4378 and up, PA-28R-180 and PA-28R-200 airplanes.		
			B- Used on PA-28-180 airplanes only.		
			C- Used on PA-28-180 with serial numbers 28-7305001 and up, and PA-28R-200 with serial numbers 28R-7235001 and up.		
			D- Used on PA-28-180 with serial numbers 28-4378 to 28-7205328 inclusive, PA-28R-180 with serial numbers 28R-30005 to 28R-7130019 inclusive, and PA-28R-200 with serial numbers 28R-30482, 28R-35001 to 28R-7135238 inclusive.		
			E- Used on PA-28R-180 with serial numbers 28R-30005 to 28R-30481 inclusive, 28R-30483 to 28R-31250 inclusive, and PA-28R-200 with serial numbers 28R-30482, 28R-35001 to 28R-35600 inclusive.		
			F- Used if air conditioning is installed.		
			G- Used on PA-28R-180 with serial numbers 28R-31251 and up, and PA-28R-200 with serial numbers 28R-35601 and up.		
			H- Used on PA-28-180 with serial numbers 28-5601 and up, PA-28R-180 with serial numbers 28R-31251 and up, and PA-28R-200 with serial numbers 28R-35601 to 28R-7635404 inclusive.		
			J- Optional equipment.		
			K- Used on PA-28R-180 and PA-28R-200 airplanes only.		
			W- These parts must be ordered from Service Spares Department, Piper Aircraft, Lock Haven, Penna.		

When ordering, always specify Part Number, Description, and Serial Number of Aircraft

PIPER PARTS CATALOG

Figure and Index Number	Part Number	Code	NOMENCLATURE	No. Req.	SERIAL NUMBERS AFFECTED
27-77	66804-00		STRAP ASSEMBLY - Baggage tie down (tip end), black	2	
-78	66805-00		STRAP ASSEMBLY - Baggage tie down (buckle end), black	2	
-79	99818-00	D	BLANKET ASSEMBLY - Firewall	1	
	99819-00	C	BLANKET ASSEMBLY - Firewall	1	
-80	764 114	G	VISOR ASSEMBLY - Sun	2	
-81	65866-00	H	BLADE - Sun visor	2	
	79787-02	E	BLADE - Sun visor, pilot	1	28R-7635405 and up
	65866-00	E	BLADE - Sun visor, copilot	1	28R-7635405 and up
-82	65865-00	F	RETAINER - Sun visor	2	
-83	65867-00	F	ROD - Sun visor	2	
-84	65871-00	F	CLIP - Sun visor, lower left and upper right	2	
-85	65870-00	F	CLIP - Sun visor, upper left and lower right	2	
-86	78112-02	J	COVER - Cowl deck	1	
	78112-03	K	COVER - Cowl deck	1	
	78112-05	B	COVER - Cowl deck	1	
-87	66710-16		HOLDER ASSEMBLY - Armrest	1	
-88	763 003		* BOX ASSEMBLY - Ash tray (S-25-AR-C)	1	
		A-	Used on PA-28-180 with serial numbers 28-4378 and up, PA-28R-180 and PA-28R-200 airplanes.		
		B-	Used on PA-28-180 with serial numbers 28-7505001 and up, and PA-28R-200 with serial numbers 28R-7535001 and up.		
		C-	Used on PA-28R-180 and PA-28R-200 airplanes only.		
		D-	Used on PA-28-180 airplanes only.		
		E-	Used on PA-28R-200 airplanes only.		
		F-	Used on PA-28-180 with serial numbers 28-5601 and up, PA-28R-180 with serial numbers 28R-31251 and up, and PA-28R-200 with serial numbers 28R-35601 and up.		
		G-	Used on PA-28-180 with serial numbers 28-4378 to 28-5600 inclusive, PA-28R-180 with serial numbers 28R-30005 to 28R-30481 inclusive, 28R-30483 to 28R-31250 inclusive, and PA-28R-200 with serial numbers 28R-30482, 28R-35001 to 28R-35600 inclusive.		
		H-	Used on PA-28-180 with serial numbers 28-5601 and up, PA-28R-180 with serial numbers 28R-31251 and up, and PA-28R-200 with serial numbers 28R-35601 to 28R-7635404 inclusive.		
		J-	Used on PA-28-180 with serial numbers 28-7105001 to 28-7205328 inclusive, PA-28R-180 with serial numbers 28R-7130001 to 28R-7130019 inclusive, and PA-28R-200 with serial numbers 28R-7135001 to 28R-7235330 inclusive.		
		K-	Used on PA-28-180 with serial numbers 28-7305001 to 28-7405290 inclusive, and PA-28R-200 with serial numbers 28R-7335001 to 28R-7435331 inclusive.		

When ordering, always specify Part Number, Description, and Serial Number of Aircraft

PIPER PARTS CATALOG

Figure and Index Number	Part Number	Code	NOMENCLATURE	No. Req.	SERIAL NUMBERS AFFECTED
27-88a	66710-44	B,F	PAD - Armrest	1	28R-7635504 and up
	66710-26	D	PAD - Armrest, white	1	
	580 731	E	PAD - Armrest, camel	1	
-88b	419 594		SCREW - (AN530-10R36)	2	28R-7535002 and up
-89	63832-00	G,H,J	PLATE - Fuel selector	1	
	99295-16	K,L	COVER ASSEMBLY - Fuel selector	1	
	99635-09	L,M	COVER ASSEMBLY - Fuel selector	1	
	99295-06	K	COVER ASSEMBLY - Fuel selector, white	1	
	99295-13	C	COVER ASSEMBLY - Fuel selector, white	1	
-90	63949-00	G,N	HANDLE ASSEMBLY - Fuel selector valve	1	
	99181-03	O	HANDLE ASSEMBLY - Fuel selector valve	1	
-91	63949-02	G,J	*INDICATOR	1	
-92	63949-03	G.J	* HANDLE	1	
			A- Used on PA-28-180 with serial numbers 28-4378 and up, PA-28R-180 and PA-28R-200 airplanes.		
			B- Used on PA-28-180 with serial numbers 28-4378 and up, PA-28R-180, and PA-28R-200 with serial numbers 28R-30482, 28R-35001 to 28R-7635404 inclusive.		
			C- Used on PA-28-180 with serial numbers 28-7305001 and up, and PA-28R-200 with serial numbers 28R-7235001 to 28R-7435331 inclusive.		
			D- Used on PA-28-180 with serial numbers 28-5601 to 28-7405290 inclusive, PA-28R-180 with serial numbers 28R-31251 to 28R-7130019 inclusive, and PA-28R-200 with serial numbers 28R-35601 to 28R-7435331 inclusive.		
			E- Used on PA-28R-200 airplanes only.		
			F- When ordering, specify color red, blue/green, gold, black or green.		
			G- Used on PA-28-180 with serial numbers 28-4378 to 28-5869 inclusive, PA-28R-180 with serial numbers 28R-30005 to 28R-30481 inclusive, 28R-30483 to 28R-31379 inclusive, and PA-28R-200 with serial numbers 28R-30482, 28R-35001 to 28R-35830 inclusive.		
			H- When ordering, specify color red, blue, light brown, black, white or green.		
			J- Order part with code "K" serial numbers if Fuel Selector Valve Cover Kit 760 546 has been installed.		
			K- Used on PA-28-180 with serial numbers 28-7105001 to 28-7205328 inclusive, PA-28R-180 with serial numbers 28R-7130001 to 28R-7130019 inclusive, and PA-28R-200 with serial numbers 28R-7135001 to 28R-7135238 inclusive.		
			L- When ordering, specify color red blue/green, gold, black, green or "Bark II".		
			M- Used on PA-28-180 with serial numbers 28-7305001 and up, and PA-28R-200 with serial numbers 28R-7235001 and up.		
			N- Order part with code "O" serial numbers if Fuel Selector Valve Cover Kit 760 546 has been installed.		
			O- Used on PA-28-180 with serial numbers 28-7105001 and up PA-28R-180 with serial numbers 28R-7130001 and up, and PA-28R-200 with serial numbers 28R -7135001 and up.		

When ordering, always specify Part Number, Description, and Serial Number of Aircraft

PIPER PARTS CATALOG

Figure and Index Number	Part Number	Code	NOMENCLATURE	No. Req.	SERIAL NUMBERS AFFECTED	
27-93	99141-03	G	PLATE - Seat attachment, forward	4	28R-7635509 and up 28R-7635509 and up	
-94	99140-00	G	PLATE - Seat attachment, forward	4		
-95	99139-00	J	PLATE - Seat attachment, aft	4		
	79440-00	F	RETAINER ASSEMBLY - Seat attachment, aft	4		
	79781-02	C	PLATE ASSEMBLY - Seat attachment, aft	4		
-95a	68094-03	C	PLATE - Trim, aft	4		
-96	99142-00	J	CLIP - Seat attachment, aft	8		
-97	68551-00	H	SLEEVE - Trim	2		
-98	99252-02	B	COVER ASSEMBLY - Exhaust vent, red	2		
	99252-03	B	COVER ASSEMBLY - Exhaust vent, blue	2		
	99252-04	B	COVER ASSEMBLY - Exhaust vent, tan	2		
	99252-05	B	COVER ASSEMBLY - Exhaust vent, black	2		
	99252-07	B	COVER ASSEMBLY - Exhaust vent, green	2		
	99252-09	B	COVER ASSEMBLY - Exhaust vent, blue/green	2		
	99252-10	D,E	COVER ASSEMBLY - Exhaust vent	2		
			A- Used on PA-28-180 with serial numbers 28-4378 and up, PA-28R-180 and PA-28R-200 airplanes.			
			B- Used on PA-28-180 with serial numbers 28-7105001 to 28-7405290 inclusive, PA-28R-180 with serial numbers 28R-7130001 and up, and PA-28R-200 with serial numbers 28R-7135001 to 28R-7435331 inclusive.			
			C- Used on PA-28R-200 airplanes only			
			D- Used on PA-28-180 with serial numbers 28-7505001 and up, and PA-28R-200 with serial numbers 28R-7535001 to 28R-7635503 inclusive.			
			E- When ordering, specify color red, blue/green, gold, black, green or "Bark II".			
			F- Used on PA-28-180 with serial numbers 28-7505047 to 28-7505261 inclusive, and PA-28R-200 with serial numbers 28R-7535042 to 28R-7635508 inclusive.			
			G- Used on PA-28-180 with serial numbers 28-7105001 and up, PA-28R-180 with serial numbers 28R-7130001 and up, and PA-28R-200 with serial numbers 28R-7135001 and up.			
			H- Used on PA-28-180 with serial numbers 28-7105001 to 28-7105244 inclusive, PA-28R-180 with serial numbers 28R-7130001 to 28R-7130019 inclusive, and PA-28R-200 with serial numbers 28R-7135001 to 28R-7135238 inclusive.			
			J- Used on PA-28-180 with serial numbers 28-7105001 to 28-7505046 inclusive, PA-28R-180 with serial numbers 28R-7130001 to 28R-7130019 inclusive, and PA-28R-200 with serial numbers 28R-7135001 to 28-7535041 inclusive.			

When ordering, always specify Part Number, Description, and Serial Number of Aircraft

PIPER PARTS CATALOG

Figure and Index Number	Part Number	Code	NOMENCLATURE	No. Req.	SERIAL NUMBERS AFFECTED
27-99	99245-02	F	CARPET - Floor, rear, red	1	
	99245-05	F	CARPET - Floor, rear, blue	1	
	99245-06	F	CARPET - Floor, rear, fawn	1	
	99245-04	F	CARPET - Floor, rear, black	1	
	99245-07	F	CARPET - Floor, rear, green	1	
	591 399	G	CARPET - Floor, rear, red	1	
	591 401	G	CARPET - Floor, rear, blue	1	
	591 400	G	CARPET - Floor, rear, black	1	
	591 403	G	CARPET - Floor, rear, green	1	
	591 579	H	CARPET - Floor, rear, heather brown	1	28R-7635504 and up
	591 580	H	CARPET - Floor, rear, monaco brown	1	28R-7635504 and up
-100	99116-00	B	PANEL - Floor	1	
	99116-02	D	PANEL - Floor	1	
	99116-03	E	PANEL - Floor	1	
	79828-03	H	PANEL - Floor	1	28R-7635509 and up
-101	414 769	C,W	SCREW - (MS24693-S53)	45	
	477 683	C	TEE NUT - (SS-581621)	45	
-102	414 761	C,W	SCREW - (MS24693-S48)	3	
	477 683	C	TEE NUT - (SS-58162)	3	
-103	99143-00	C	STRIP - Trim	1	
			A- Used on PA-28-180 with serial numbers 28-4378 and up, PA-28R-180 and PA-28R-200 airplanes.		
			B- Used on PA-28-180 with serial numbers 28-7105001 to 28-7105244 inclusive, PA-28R-180 with serial numbers 28R-7130001 to 28R-7130019 inclusive, and PA-28R-200 with serial numbers 28R-7135001 to 28R-7135238 inclusive.		
			C- Used on PA-28-180 with serial numbers 28-7105001 and up, PA-28R-180 with serial numbers 28R-7130001 and up, and PA-28R-200 with serial numbers 28R-7135001 and up.		
			D- Used on PA-28-180 with serial numbers 28-7205001 to 28-7505046 inclusive, and PA-28R-200 with serial numbers 28R-7235001 to 28R-7535041 inclusive.		
			E- Used on PA-28-180 with serial numbers 28-7505047 to 28-7505261 inclusive, and PA-28R-200 with serial numbers 28R-7535042 to 28R-7635508 inclusive.		
			F- Used on PA-28-180 with serial numbers 28-7105001 to 28-7405290 inclusive, PA-28R-180 with serial numbers 28R-7130001 to 28R-7130019 inclusive, and PA-28R-200 with serial numbers 28R-7135001 to 28R-7435331 inclusive.		
			G- Used on PA-28-180 with serial numbers 28-7505001 and up, and PA-28R-200 with serial numbers 28R-7535001 to 28R-7635503 inclusive.		
			H- Used on PA-28R-200 airplanes only.		
			W- These parts must be ordered from Service Spares Department, Piper Aircraft, Lock Haven, Penna.		

When ordering, always specify Part Number, Description, and Serial Number of Aircraft

PIPER PARTS CATALOG

Figure and Index Number	Part Number	Code	NOMENCLATURE	No. Req.	SERIAL NUMBERS AFFECTED
27-104	76221-00	E	CLIP - Shoulder harness retaining	1	
-105	99967-00	C	RETAINER - Glare shield, left	1	
	99968-00	C	RETAINER - Glare shield, right	1	
-106	79125-00	C	CAP - Trim, left	1	
	79125-01	C	CAP - Trim, right	1	
-107	99991-00	D	COVER - Transponder antenna	1	
-108	79456-00	B	CAP - Assist strap	1	
-109	79404-00	B	COVER - Trim, radio cooling	1	
-110	66787-00		PLACARD - Cabin bulkhead	1	
- 111	415 376		SCREW - (MS51957-27)	4	
	477 696		NUT - Dome (8061-NP)	4	
-112	515 710	C,W	SCREW - (PS10084-44-2)	2	
	407 562	C,W	WASHER - (AN960-6)	2	
	404 909	C,W	NUT - (MS20368-632C)	2	
-113	36588-04	F	SCREW AND POST ASSEMBLY - Retainer	2	
-114	484 691	F	RIVET - Plastic (201-120751-00-0103)	2	
			A- Used on PA-28-180 with serial numbers 28-4378 and up, PA-28R-180 and PA-28R-200 airplanes.		
			B- Used on PA-28-180 with serial numbers 28-7505001 and up, and PA-28R-200 with serial numbers 28R-7535001 and up.		
			C- Used on PA-28-180 with serial numbers 28-7305001 and up, and PA-28R-200 with serial numbers 28R-7335001 and up.		
			D- Used on PA-28-180 with serial numbers 28-7205094 to, 28-7205294 inclusive, and PA-28R-200 with serial numbers 28R-7235001 to 28R-7235282 inclusive.		
			E- Used on PA-28-180 with serial numbers 28-7305144 and up, and PA-28R-200 with serial numbers 28R-7235001 and up.		
			F- Used on PA-28-180 with serial numbers 28-5601 and up, PA-28R-180 with serial numbers 28R-31251 and up, and PA-28R-200 with serial numbers 28R-35601 and up.		
			W- These parts must be ordered from Service Spares Department, Piper Aircraft, Lock Haven. Penna.		

When ordering, always specify Part Number, Description, and Serial Number of Aircraft

2B16
INTENTIONALLY LEFT BLANK

PIPER PARTS CATALOG

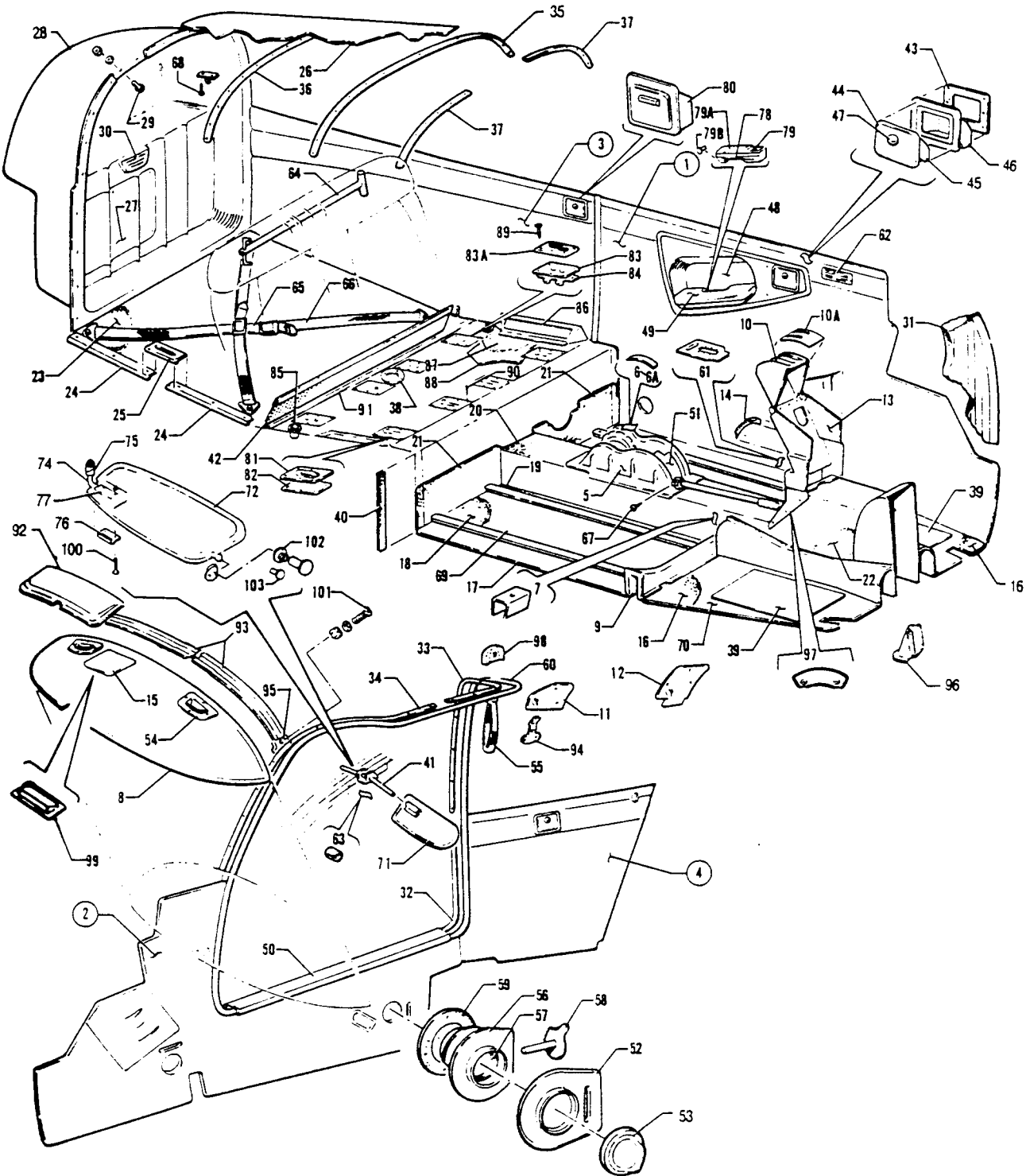


Figure 27A. Cockpit Finishing Installation
(PA-28-235 - Serial Nos.. 28-11040 and up)

PIPER PARTS CATALOG

Figure and Index Number	Part Number	Code	NOMENCLATURE	No. Req.	SERIAL NUMBERS AFFECTED	
27A-2	67304-03		PANEL ASSEMBLY - Right front cockpit, brown	1	28-11040 to 28-11300 inclusive	
	67304-04		PANEL ASSEMBLY - Right front cockpit, blue	1	28-11040 to 28-11300 inclusive	
	66924-03		PANEL ASSEMBLY - Right front cockpit, blue	1	28-11301 to 28-11393 inclusive	
	99133-04		PANEL ASSEMBLY - Right front cockpit, blue	1	28-7110001 to 28-7110042 incl.	
	99658-03		PANEL ASSEMBLY - Right front cockpit, blue/green	1	28-7210001 to 28-7210033 incl.	
	580 733		PANEL ASSEMBLY - Right front cockpit, blue/green	1	28-7310001 to 28-7310187 incl.	
	579 686		PANEL ASSEMBLY - Right front cockpit, blue/green	1	28-7410001 to 28-7610020 incl.	
	579 627		PANEL ASSEMBLY - Right front cockpit, blue/green	1	28-7610021 to 28-7610206 incl.	
	67304-05		PANEL ASSEMBLY - Right front cockpit, beige	1	28-11040 to 28-11300 inclusive	
	66924-04		PANEL ASSEMBLY - Right front cockpit, beige	1	28-11301 to 28-11393 inclusive	
	99133-06		PANEL ASSEMBLY - Right front cockpit, beige	1	28-7110001 to 28-7110042 incl.	
	99658-04		PANEL ASSEMBLY - Right front cockpit, gold	1	28-7210001 to 28-7210033 incl.	
	580 734		PANEL ASSEMBLY - Right front cockpit, gold	1	28-7310001 to 28-7310187 incl.	
	579 687		PANEL ASSEMBLY - Right front cockpit, gold	1	28-7410001 to 28-7610020 incl.	
	579 628		PANEL ASSEMBLY - Right front cockpit, gold	1	28-7610021 to 28-7610206 incl.	
	66924-05		PANEL ASSEMBLY - Right front cockpit, green	1	28-11301 to 28-11393 incl.	
	99133-08		PANEL ASSEMBLY - Right front cockpit, green	1	28-7110001 to 28-7110042 incl.	
	99658-07		PANEL ASSEMBLY - Right front cockpit, green	1	28-7210001 to 28-7210033 incl.	
	580 737		PANEL ASSEMBLY - Right front cockpit, green	1	28-7310001 to 28-7310187 incl.	
	579 690		PANEL ASSEMBLY - Right front cockpit, green	1	28-7410001 to 28-7610020 incl.	
	579 630		PANEL ASSEMBLY - Right front cockpit, green	1	28-7610021 to 28-7610206 incl.	
	66924-06		PANEL ASSEMBLY - Right front cockpit, black	1	28-11301 to 28-11393 inclusive	
	99133-10		PANEL ASSEMBLY - Right front cockpit, black	1	28-7110001 to 28-7110042 incl.	
	99658-05		PANEL ASSEMBLY - Right front cockpit, black	1	28-7210001 to 28-7210033 incl.	
	580 735		PANEL ASSEMBLY - Right front cockpit, black	1	28-7310001 to 28-7310187 incl.	
	579 688		PANEL ASSEMBLY - Right front cockpit, black	1	28-7410001 to 28-7610020 incl.	
	579 629		PANEL ASSEMBLY - Right front cockpit, black	1	28-7610021 to 28-7610206 incl.	
	66924-07		PANEL ASSEMBLY - Right front cockpit, white	1	28-11301 to 28-11393 incl.	
	99133-12		PANEL ASSEMBLY - Right front cockpit, white	1	28-7110001 to 28-7110042 incl.	
	99658-06		PANEL ASSEMBLY - Right front cockpit, white	1	28-7210001 to 28-7210033 incl.	
	580 736		PANEL ASSEMBLY - Right front cockpit, white	1	28-7310001 to 28-7310187 incl.	
	579 897		PANEL ASSEMBLY - Right front cockpit, white	1	28-7410001 to 28-7410120 incl.	
	580 713		PANEL ASSEMBLY - Right front cockpit (with heather brown carpet)	1	28-7710001 and up	
		580 735		PANEL ASSEMBLY - Right front cockpit (with monaco brown carpet)	1	28-7710001 and up
	-3	67302-02		PANEL ASSEMBLY - Left rear cockpit, red	1	28-11040 to 28-11300 inclusive
		66925-02		PANEL ASSEMBLY - Left rear cockpit, red	1	28-11301 to 28-11393 inclusive
		99132-02		PANEL ASSEMBLY - Left rear cockpit, red	1	28-7110001 to 28-7110042 incl.
		99657-02		PANEL ASSEMBLY - Left rear cockpit, red	1	28-7210001 to 28-7210033 incl.
		580 360		PANEL ASSEMBLY - Left rear cockpit, red	1	28-7310001 to 28-7310187 incl.
		579 913		PANEL ASSEMBLY - Left rear cockpit, red	1	28-7410001 to 28-7610206 incl.
67302-03			PANEL ASSEMBLY - Left rear cockpit, brown	1	28-11040 to 28-11300 inclusive	
67302-04			PANEL ASSEMBLY - Left rear cockpit, blue	1	28-11040 to 28-11300 inclusive	
66925-03			PANEL ASSEMBLY - Left rear cockpit, blue	1	28-11301 to 28-11393 inclusive	
99132-04			PANEL ASSEMBLY - Left rear cockpit, blue	1	28-7110001 to 28-7110042 incl.	
99657-03			PANEL ASSEMBLY - Left rear cockpit, blue/green	1	28-7210001 to 28-7210033 incl.	
580 361			PANEL ASSEMBLY - Left rear cockpit, blue/green	1	28-7310001 to 28-7310187 incl.	
579 912			PANEL ASSEMBLY - Left rear cockpit, blue/green	1	28-7410001 to 28-7610206 incl.	
67302-05			PANEL ASSEMBLY - Left rear cockpit, beige	1	28-11040 to 28-11300 inclusive	
66925-04			PANEL ASSEMBLY - Left rear cockpit, beige	1	28-11301 to 28-11393 inclusive	
99132-06			PANEL ASSEMBLY - Left rear cockpit, beige	1	28-7110001 to 28-7110042 incl.	
99657-04			PANEL ASSEMBLY - Left rear cockpit, gold	1	28-7210001 to 28-7210033 incl.	
580 362			PANEL ASSEMBLY - Left rear cockpit, gold	1	28-7310001 to 28-7310187 incl.	
579 911			PANEL ASSEMBLY - Left rear cockpit, gold	1	28-7410001 to 28-761 0206 Incl.	
			A-	Used on PA-28-235 with serial numbers 28-11040 and up.		

When ordering, always specify Part Number, Description, and Serial Number of Aircraft

PIPER PARTS CATALOG

Figure and Index Number	Part Number	Code	NOMENCLATURE	No. Req.	SERIAL NUMBERS AFFECTED	
27A-3	66925-05		PANEL ASSEMBLY - Left rear cockpit, green	1	28-11301 to 28-11393 inclusive	
	99132-08		PANEL ASSEMBLY - Left rear cockpit, green	1	28-7110001 to 28-7110042 incl.	
	99657-07		PANEL ASSEMBLY - Left rear cockpit, green	1	28-7210001 to 28-7210033 incl.	
	580 365		PANEL ASSEMBLY - Left rear cockpit, green	1	28-7310001 to 28-7310187 incl.	
	579 908		PANEL ASSEMBLY - Left rear cockpit, green	1	28-7410001 to 28-7610206 incl.	
	66925-06		PANEL ASSEMBLY - Left rear cockpit, black	1	28-11301 to 28-11393 inclusive	
	99132-10		PANEL ASSEMBLY - Left rear cockpit, black	1	28-7110001 to 28-7110042 incl..	
	99657-05		PANEL ASSEMBLY - Left rear cockpit, black	1	28-7210001 to 28-7210033 incl.	
	580 363		PANEL ASSEMBLY - Left rear cockpit, black	1	28-7310001 to 28-7310187 incl.	
	579 910		PANEL ASSEMBLY - Left rear cockpit, black	1	28-7410001 to 28 7610206 incl.	
	66925-07		PANEL ASSEMBLY - Left rear cockpit, white	1	28-11301 to 28-11393 inclusive	
	99132-12		PANEL ASSEMBLY - Left rear cockpit, white	1	28-7110001 to 28-7110042 incl.	
	99667-06		PANEL ASSEMBLY - Left rear cockpit, white	1	28-7210001 to 28-7210033 incl.	
	580 364		PANEL ASSEMBLY - Left rear cockpit, white	1	28-7310001 to 28-7310187 incl.	
	579 909		PANEL ASSEMBLY - Left rear cockpit, white	1	28-7410001 to 28-7410120 incl.	
	580 712		PANEL ASSEMBLY - Left rear cockpit	1	28-7710001 and up	
	-4	67303-02		PANEL ASSEMBLY - Right rear cockpit, red	1	28-11040 to 28-11300 inclusive
		66923-02		PANEL ASSEMBLY - Right rear cockpit, red	1	28-11301 to 28-11393 inclusive
		99134-02		PANEL ASSEMBLY - Right rear cockpit, red	1	28-7110001 to 28-7110042 incl.
		99660-02		PANEL ASSEMBLY - Right rear cockpit, red	1	28-7210001 to 28-7210033 incl.
580 396			PANEL ASSEMBLY - Right rear cockpit, red	1	28-7310001 to 28-7310187 incl	
579 877			PANEL ASSEMBLY - Right rear cockpit, red	1	28-7410001 to 28-7610206 incl.	
67303-03			PANEL ASSEMBLY - Right rear cockpit, brown	1	28-11040 to 28-11300 inclusive	
67303-04			PANEL ASSEMBLY - Right rear cockpit, blue	1	28-11040 to 28-11300 inclusive	
66923-03			PANEL ASSEMBLY - Right rear cockpit, blue	1	28-11301 to 28 11393 inclusive	
99134-04			PANEL ASSEMBLY - Right rear cockpit, blue	1	28-7110001 to 28-7110042 incl.	
99660-03			PANEL ASSEMBLY - Right rear cockpit, blue/green	1	28-7210001 to 28-7210033 incl.	
580 397			PANEL ASSEMBLY - Right rear cockpit, blue/green	1	28-7310001 to 28-7310187 incl.	
579 876			PANEL ASSEMBLY - Right rear cockpit, blue/green	1	28-7410001 to 28-7610206 incl.	
67303-05			PANEL ASSEMBLY - Right rear cockpit, beige	1	28-11040 to 28-11300 inclusive	
66923-04			PANEL ASSEMBLY - Right cockpit, beige	1	28-11301 to 28-11393 inclusive	
99134-06			PANEL ASSEMBLY - Right rear cockpit, beige	1	28-7110001 to 28-7110042 incl	
99660-04			PANEL ASSEMBLY - Right rear cockpit, gold	1	28-7210001 to 28-7210033 incl..	
580 398			PANEL ASSEMBLY - Right rear cockpit, gold	1	28-7310001 to 28-7310187 incl..	
579 875			PANEL ASSEMBLY - Right rear cockpit, gold	1	28-7410001 to 28-7610206 incl.	
66923-05			PANEL ASSEMBLY - Right rear cockpit, green	1	28-11301 to 28-11393 inclusive	
99134-08			PANEL ASSEMBLY - Right rear cockpit, green	1	28-7110001 to 28-7110042 incl.	
99660-07			PANEL ASSEMBLY - Right rear cockpit, green	1	28-7210001 to 28-7210033 incl.	
580 401			PANEL ASSEMBLY - Right rear cockpit, green	1	28-7310001 to 28-7310187 incl.	
579 872			PANEL ASSEMBLY - Right rear cockpit, green	1	28-7410001 to 28-7610206 incl.	
66923-06			PANEL ASSEMBLY - Right rear cockpit, black	1	28-11301 to 28-11393 inclusive	
99134-10			PANEL ASSEMBLY - Right rear cockpit, black	1	28-7110001 to 28-7110042 incl.	
99660-05			PANEL ASSEMBLY - Right rear cockpit, black	1	28-7210001 to 28-7210033 incl.	
580 399			PANEL ASSEMBLY - Right rear cockpit, black	1	28-7310001 to 28-7310187 incl.	
579 874			PANEL ASSEMBLY - Right rear cockpit, black	1	28-7410001 to 28R-7610206 incl.	
66923-07			PANEL ASSEMBLY - Right rear cockpit, white	1	28-11301 to 28-11393 inclusive	
99134-12		PANEL ASSEMBLY - Right rear cockpit, white	1	28-7110001 to 28-7110042 incl.		
99660-06		PANEL ASSEMBLY - Right rear cockpit, white	1	28-7210001 to 28-7210033 incl.		
580 400		PANEL ASSEMBLY - Right rear cockpit, white	1	28-7310001 to 28-7310187 incl.		
579 873		PANEL ASSEMBLY - Right rear cockpit, white	1	28-7410001 to 28-7410120 incl.		
580 716		PANEL ASSEMBLY - Right rear cockpit	1	28-7710001 and up		

A- Used on PA-28-235 with serial numbers 28-11040 and up.

When ordering, always specify Part Number, Description, and Serial Number of Aircraft

PIPER PARTS CATALOG

Figure and Index Number	Part Number	Code	NOMENCLATURE	No. Req.	SERIAL NUMBERS AFFECTED
27A-5	65670-02	C	COVER ASSEMBLY - Flap handle, red	1	28-11040 to 28-11393 inclusive
	65670-03		COVER ASSEMBLY - Flap handle, brown	1	28-11040 to 28-11393 inclusive
	65670-04		COVER ASSEMBLY - Flap handle, blue	1	28-11040 to 28-11393 inclusive
	65670-09		COVER ASSEMBLY - Flap handle, black	1	28-11040 to 28-11393 inclusive
	67785-17		COVER ASSEMBLY - Flap handle	1	28-7110001 and up
-6	65699-00		*PLACARD - Stabilator trim	1	28-11040 to 28-11393 inclusive
-6a	67786-00		PLACARD - Stabilator trim	1	28-7110001 and up
-7	63144-00		COVER - Fuselage frame, inboard, Sta. 73.04	2	
-8	67325-00		COVER - Cowl	1	
-9	65674-07		COVER ASSEMBLY - Fuselage frame, Sta. 73.04, red	2	28-11040 to 28-7610206 incl.
	65674-05		COVER ASSEMBLY - Fuselage frame, Sta. 73.04, brown	2	28-11040 to 28-7610206 incl.
	65674-06		COVER ASSEMBLY - Fuselage frame, Sta. 73.04, blue	2	28-11040 to 28-11393 inclusive
	65674-09		COVER ASSEMBLY - Fuselage frame, Sta. 73.04, black	2	28-11040 to 28-7610206 incl.
	65674-11		COVER ASSEMBLY - Fuselage frame, Sta. 73.04, green	2	28-7110001 to 28-7610206 incl.
	65674-13		COVER ASSEMBLY - Fuselage frame, Sta. 73.04, blue/green	2	28-7110001 to 28-7610206 incl.
	65674-15	COVER ASSEMBLY - Fuselage frame, Sta. 73.04, black	2	28-7710001 and up	
-10	67232-12	B	COVER ASSEMBLY - Engine controls, red	1	28-11040 to 28-7210033 incl.
	67232-10	B	COVER ASSEMBLY - Engine controls, brown	1	28-11040 to 28-11300 inclusive
	67232-11	B	COVER ASSEMBLY - Engine controls, blue	1	28-11040 to 28-11393 inclusive
	67232-13	B	COVER ASSEMBLY - Engine controls, tan	1	28-11040 to 28-7210033 incl.
	67232-15	B	COVER ASSEMBLY - Engine controls, black	1	28-11301 to 28-7210033 incl.
	67232-22	B	COVER ASSEMBLY - Engine controls, white	1	28-11301 to 28-7210033 incl.
	67232-21	B	COVER ASSEMBLY - Engine controls, green	1	28-11301 to 28-7210033 incl.
	67232-25	B	COVER ASSEMBLY - Engine controls, blue/green	1	28-7110001 to 28-7210033 incl.
	67232-08		COVER ASSEMBLY - Engine controls, red	1	28-7310001 to 28-7410120 incl.
	67232-09		COVER ASSEMBLY - Engine controls, tan	1	28-7310001 to 28-7410120 incl.
	67232-17		COVER ASSEMBLY - Engine controls, white	1	28-7310001 to 28-7410120 incl.
	67232-18		COVER ASSEMBLY - Engine controls, black	1	28-7310001 to 28-7410120 Incl.
	67232-20		COVER ASSEMBLY - Engine controls, green	1	28-7310001 to 28-7410120 inc.
	67232-24		COVER ASSEMBLY - Engine controls, blue/green	1	28-7310001 to 28-7410120 incl.
	67232-27		COVER ASSEMBLY - Engine controls, red	1	28-7510001 to 28-7610206 incl.
	67232-28		COVER ASSEMBLY - Engine controls, tan	1	28-7510001 to 28-7610206 incl.
	67232-29		COVER ASSEMBLY - Engine controls, white	1	28-7510001 to 28-7610206 incl.
	67232-30		COVER ASSEMBLY - Engine controls, black	1	28-7510001 to 28-7610206 incl.
	67232-31		COVER ASSEMBLY - Engine controls, green	1	28-7510001 to 28-7610206 incl.
	67232-32		COVER ASSEMBLY - Engine controls, blue/green	1	28-751001 to 28-7610206 incl.
	67232-41	D	COVER ASSEMBLY - Engine controls	1	28-7710001 and up
-10a	65846-00	B	* PLACARD - Engine controls	1	28-11040 to 28-7210033 incl.
	67239-00		* PLACARD - Engine controls	1	28-7310001 to 28-7410120 incl.
	69669-45		* PLACARD - Engine controls	1	28-7510001 to 28-7610206 incl.
-11	99737-02		COVER ASSEMBLY - Shoulder harness, forward, left	1	28-7210001 to 28-7210033 incl.
	78054-02		COVER ASSEMBLY - Shoulder harness, forward, left	1	28-7310001 and up
	99801-00		COVER ASSEMBLY - Shoulder harness, forward, right	1	28-7210001 to 28-7210033 incl.
	99801-02		COVER ASSEMBLY - Shoulder harness, forward, right	1	28-7310001 and up
-12	99850-00		COVER - Shoulder harness, rear, left	1	28-7210001 to 28-7210033 incl.
	99920-02		COVER - Shoulder harness, rear, left	1	28-7310001 and up
	99850-01		COVER - Shoulder harness, rear, right	1	28-7210001 to 28-7210033 incl.
	99920-03		COVER - Shoulder harness, rear, right	1	28-7310001 and up

- A- Used on PA-28-235 with serial numbers 28-11040 and up.
- B- See Figure 67A if Constant Speed Propeller is installed.
- C- When ordering, specify color red, blue/green, gold, black green or bark. Specify "bark I" for serial numbers 28-7710001 to 28-7710010 inclusive. Specify color "bark II" for serial numbers 28-7710011 and up.
- D- When ordering for serial numbers 28-7710001 to 28-7710010 inclusive, specify color "bark I". When ordering for several numbers 28-7710011 and up specify color "bark II" or black.

PIPER PARTS CATALOG

Figure and Index Number	Part Number	Code	NOMENCLATURE	No. Req.	SERIAL NUMBERS AFFECTED
27A-13	69443-19	D	COVER ASSEMBLY - Console, brown (with fuel selector cover)	1	28-11040 to 28-11300 inclusive
	69443-16	B	COVER ASSEMBLY - Console, red (with fuel selector cover)	1	28-11040 to 28-11300 inclusive
	69443-17	D	COVER ASSEMBLY - Console, blue (with fuel selector cover)	1	28-11040 to 28-11300 inclusive
	69443-18	B	COVER ASSEMBLY - Console, tan (with fuel selector cover)	1	28-11040 to 28-11300 inclusive
	69443-02	B	COVER ASSEMBLY - Console, red (less fuel selector cover)	1	28-11301 to 28-7210033 inclusive
	69443-03	D	COVER ASSEMBLY - Console, blue (less fuel selector cover)	1	28-11301 to 28-11393 inclusive
	69443-04	B	COVER ASSEMBLY - Console, tan (less fuel selector cover)	1	28-11301 to 28-7210033 inclusive
	69443-07	B	COVER ASSEMBLY - Console, green (less fuel selector cover)	1	28-11301 to 28-7210033 inclusive
	69443-05	B	COVER ASSEMBLY - Console, black, (less fuel selector cover)	1	28-11301 to 28-7210033 inclusive
	69443-06	B	COVER ASSEMBLY - Console, white (less fuel selector cover)	1	28-11301 to 28-7210033 inclusive
	69443-21	B	COVER ASSEMBLY - Console, blue/green (less fuel selector cover)	1	28-11301 to 28-7210033 inclusive
	69443-22	B	COVER ASSEMBLY - Console, red (less fuel selector cover)	1	28-7110001 to 28-7210033 incl.
	69443-23	B	COVER ASSEMBLY - Console, tan (less fuel selector cover)	1	28-7310001 to 28-7310125 incl.
	69443-24	B	COVER ASSEMBLY - Console, black (less fuel selector cover)	1	28-7310001 to 28-7310125 incl.
	69443-25	B	COVER ASSEMBLY - Console, white (less fuel selector cover)	1	28-7310001 to 28-7310125 incl.
	69443-26	B	COVER ASSEMBLY - Console, green (less fuel selector cover)	1	28-7310001 to 28-7310125 incl.
	69443-27	B	COVER ASSEMBLY - Console, blue/green (less fuel selector cover)	1	28-7310001 to 28-7310125 incl.
	99927-07	C	COVER ASSEMBLY - Console, blue (less fuel selector cover)	1	28-11040 to 28-11393 inclusive
	99927-10	C	COVER ASSEMBLY - Console, brown (less fuel selector cover)	1	28-11040 to 28-11300 inclusive
	99927-20	E	COVER ASSEMBLY - Console, (less fuel selector cover)	1	28-7310126 to 28-7610206 incl.
99927-21	G	COVER ASSEMBLY - Console, bark (less fuel selector cover)	1	28-7710001 and up	
99927-04		COVER ASSEMBLY - Console, white (less fuel selector cover)	1	28-7310126 to 28-7410120 incl.	
•14	69086-00	F	PLACARD - Fuel selector cover	1	28-11040 to 28-7210033 inclusive
	69672-00		PLACARD - Fuel selector cover	1	28-7310001 and up
•15	67315-00		COVER ASSEMBLY - Access	1	28-11040 to 28-11393 inclusive

- A- Used on PA-28-235 with serial numbers 28- 11040 and up.
- B- No longer available. Order Part No. for serial numbers 28-7310126 to 28-7610206 incl., if Fuel Selector Control Modification Kit has been installed per Service Bulletin 376. If Fuel Selector Control Modification Kit has not been installed per Service Bulletin 376, order Kit 760 683 for serial numbers 28-11040 to 28-11300 incl., or Kit 760 684 for serial numbers 28-1 1301 to 28-7310083 inclusive.
- C- Used if Fuel Selector Control Modification Kit has been installed per Service Bulletin 376.
- D- No longer available. Order Cover Assembly 99927-10 brown or 99927-07 blue if Fuel Selector Control Modification Kit has been installed per Service Bulletin 376. If Fuel Selector Control Modification Kit has not been installed per Service Bulletin 376, order Kit 760 683 for serial numbers 28-11040 to 28-11300 incl. or Kit 760 684 for serial numbers 28-11301 to 28-7310083 inclusive.
- E- When ordering, specify color red, blue/green, tan, black or green.
- F- Order Part No. for serial numbers 28-7310001 and up, if Fuel Selector Control Modification Kit has been installed per Service Bulletin 376.
- G- When ordering for serial numbers 28-7710001 to 28-7710010 inclusive, specify color "bark I". When ordering for serial numbers 28-7710011 and up, specify color "bark II" or black.

When ordering, always specify Part Number, Description, and Serial Number of Aircraft

PIPER PARTS CATALOG

Figure and Index Number	Part Number	Code	NOMENCLATURE	No. Req.	SERIAL NUMBERS AFFECTED
27A-16	63116-97		CARPET - Floor, front left, red	1	28-11040 to 28-11393 inclusive
	67907-02		CARPET - Floor, front left, red	1	28-7110001 to 28-7210033 incl.
	76161-02		CARPET - Floor, front left, red	1	28-7310001 to 28-7410120 incl.
	591 147		CARPET - Floor, front left, red	1	28-7510001 to 28-7610206 incl.
	63116-98		CARPET - Floor, front right, red	1	28-11040 to 28-11393 inclusive
	67907-03		CARPET - Floor, front right, red	1	28-7110001 to 28-7210033 incl.
	76161-03		CARPET - Floor, front right, red	1	28-7310001 to 28-7410120 incl.
	591 152		CARPET - Floor, front right, red	1	28-7510001 to 28-7610206 incl.
	63116-37		CARPET - Floor, front left, brown	1	28-11040 to 28-11393 inclusive
	63116-38		CARPET - Floor, front right, brown	1	28-11040 to 28-11393 inclusive
	63116-52		CARPET - Floor, front left, blue	1	28-11040 to 28-11393 inclusive
	67907-06		CARPET - Floor, front left, blue	1	28-7110001 to 28-7210033 incl.
	76161-06		CARPET - Floor, front left, blue	1	28-7310001 to 28-7410120 incl.
	591 149		CARPET - Floor, front left, blue	1	28-7510001 to 28-7610206 incl.
	63116-53		CARPET - Floor, front right, blue	1	28-11040 to 28-11393 inclusive
	67907-07		CARPET - Floor, front right, blue	1	28-7110001 to 28-7210033 incl.
	76161-07		CARPET - Floor, front right, blue	1	28-7310001 to 28-7410120 incl.
	591 154		CARPET - Floor, front right, blue	1	28-7510001 to 28-7610206 incl.
	63116-136		CARPET - Floor, front left, black	1	28-11040 to 28-11393 inclusive
	67907-04		CARPET - Floor, front left, black	1	28-7110001 to 28-7210033 incl.
	76161-04		CARPET - Floor, front left, black	1	28-7310001 to 28-7410120 incl.
	591 148		CARPET - Floor, front left black	1	28-7510001 to 28-7610206 incl.
	63116-137		CARPET - Floor, front right, black	1	28-11040 to 28-11393 inclusive
	67907-05		CARPET - Floor, front right, black	1	28-7110001 to 28-7210033 incl.
	76161-05		CARPET - Floor, front right, black	1	28-7310001 to 28-7410120 incl.
	591 153		CARPET - Floor, front right, black	1	28-7510001 to 28-7610206 incl.
	67907-08		CARPET - Floor, front left, fawn	1	28-7110001 to 28-7210033 incl.
	76161-08		CARPET - Floor, front left, fawn	1	28-7310001 to 28-7410120 incl.
	67907-09		CARPET - Floor, front right, fawn	1	28-7110001 to 28-7210033 incl.
	76161-09		CARPET - Floor, front right, fawn	1	28-7310001 to 28-7410120 incl.
	67907-10		CARPET - Floor, front left, green	1	28-7110001 to 28-7210033 incl.
	76161-10		CARPET - Floor, front left, green	1	28-7310001 to 28-7410120 incl.
	591 151		CARPET - Floor, front left, green	1	28-7510001 to 28-7610206 incl.
	67907-11		CARPET - Floor, front right, green	1	28-7110001 to 28-7210033 incl.
	76161-11		CARPET - Floor, front right, green	1	28-7310001 to 28-7410120 incl.
	591 156		CARPET - Floor, front right, green	1	28-7510001 to 28-7610206 incl.
	591 545		CARPET - Floor, front left, heather brown	1	28-7710001 and up
	591 546		CARPET - Floor, front left, monaco brown	1	28-7710001 and up
	591 547		CARPET - Floor, front right, heather brown	1	28-7710001 and up
	591 548		CARPET - Floor, front right, monaco brown	1	28-7710001 and up
	79236-10	B,C	CARPET - Floor front left	1	28-7410001 to 28-7410120 Incl.
	591 216	B	CARPET - Floor front left, red	1	28-7510001 to 28-7610206 incl.
	591 218	B	CARPET - Floor, front left, blue	1	28-7510001 to 28-7610206 incl.
	591 217	B	CARPET - Floor, front left, black	1	28-7510001 to 28-7610206 incl.
	591 220	B	CARPET - Floor front left, green	1	28-7510001 to 28-7610206 incl.
	79236-11	B,C	CARPET - Floor front right	1	28-7410001 to 28-7410120 incl.
	591 226	B	CARPET - Floor, front right, red	1	28-7510001 to 28-7610206 incl.
591 228	B	CARPET - Floor, front right, blue	1	28-7510001 to 28-7610206 incl.	
591 227	B	CARPET - Floor, front right, black	1	28-7510001 to 28-7610206 incl.	
591 225	B	CARPET - Floor, front right, green	1	28-7510001 to 28-7610206 incl.	

A - Used on PA-28-235 with serial numbers 28-11040 and up.
 B - Used if sound reduction carpeting is installed,
 C - When ordering, specify color red, blue, fawn, black or green.

When ordering, always specify Part Number, Description, and Serial Number of Aircraft

PIPER PARTS CATALOG

Figure and Index Number	Part Number	Code	NOMENCLATURE	No. Req.	SERIAL NUMBERS AFFECTED
27A-17	63116-93		CARPET - Floor, Sta. 74 to Sta. 105, outboard, blue	2	28-11040 to 28-1393 incl.
	63116-06		CARPET - Floor, Sta. 74 to Sta. 105, outboard, blue	2	28-11040 to 28-11393 incl.
	63116-48		CARPET - Floor, Sta. 74 to Sta. 105, outboard, blue	2	28-11040 to 28-11393 incl.
	63116-132		CARPET - Floor, Sta. 74 to Sta. 105, outboard, black	2	28-11040 to 28-11393 inclusive
	67905-02		CARPET - Floor, Sta. 74 to Sta. 105, outboard, red	2	28-7110001 to 28-7410120 incl.
	67905-04		CARPET - Floor, Sta. 74 to Sta. 105, outboard, blue	2	28-7110001 to 28-7410120 incl.
	67905-03		CARPET - Floor, Sta. 74 to Sta. 105, outboard; black	2	28-7110001 to 28-7410120 incl.
	67905-05		CARPET - Floor, Sta. 74 to Sta. 105, outboard, fawn	2	28-7110001 to 28-7410120 incl.
	67905-06		CARPET - Floor, Sta. 74 to Sta. 105, outboard, green	2	28-7110001 to 28-7410120 incl.
	591 026		CARPET - Floor, Sta. 74 to Sta. 105, outboard, red	1	28-7510001 to 28-7610206 incl.
	591 028		CARPET - Floor, Sta. 74 to Sta. 105, outboard, blue	1	28-7510001 to 28-7610206 incl.
	591 027		CARPET - Floor, Sta. 74 to Sta. 105, outboard, black	1	28-7510001 to 28-7610206 incl.
	591 030		CARPET - Floor, Sta. 74 to Sta. 105, outboard, green	1	28-7510001 to 28-7610206 incl.
	591 501		CARPET - Floor, Sta. 74 to Sta. 105, outboard, heather brown	2	28-7710001 and up
	591 502		CARPET - Floor, Sta. 74 to Sta. 105, outboard, monaco brown	2	28-7710001 and up
	79236-16	B,C	CARPET - Floor, Sta. 74 to Sta. 105, outboard	2	28-7410001 to 28-7410120 incl.
	591 275	B	CARPET - Floor, Sta. 74 to Sta. 105, outboard, red	1	28-7510001 to 28-7610206 incl.
	591 277	B	CARPET - Floor, Sta. 74 to Sta. 105, outboard, blue	1	28-7510001 to 28-7610206 incl.
	591 276	B	CARPET - Floor, Sta. 74 to Sta. 105, outboard, black	1	28-7510001 to 28-7610206 incl.
	591 279	B	CARPET - Floor, Sta. 74 to Sta. 105, outboard, green	1	28-7510001 to 28-7610206 incl.
-18	63116-94		CARPET - Floor, Sta. 74 to Sta. 105, center, red	2	28-11040 to 28-11393 inclusive
	63116-04		CARPET - Floor, Sta. 74 to Sta. 105, center, brown	2	28-11040 to 28-11393 inclusive
	63116-49		CARPET - Floor, Sta. 74 to Sta. 105, center, blue	2	28-11040 to 28-11393 inclusive
	63116-133		CARPET - Floor, Sta. 74 to Sta. 105, center, black	2	28-11040 to 28-11393 incl.
	67906-02		CARPET - Floor, Sta. 74 to Sta. 105, center, red	2	28-7110001 to 28-7410120 incl.
	67906-04		CARPET - Floor, Sta. 74 to Sta. 105, center, blue	2	28-7110001 to 28-7410120 incl.
	67906-03		CARPET - Floor, Sta. 74 to Sta. 105, center, black	2	28-7110001 to 28-7410120 incl.
	67906-05		CARPET - Floor, Sta. 74 to Sta. 105, center, fawn	2	28-7110001 to 28-7410120 incl.
	67906-06		CARPET - Floor, Sta. 74 to Sta. 105, center, green	2	28-7110001 to 28-7410120 incl.
	591 031		CARPET - Floor, Sta. 74 to Sta. 105, center, red	2	28-7510001 to 28-7610206 incl.
	591 033		CARPET - Floor, Sta. 74 to Sta. 105, center, blue	2	28-7510001 to 28-7610206 incl.
	591 032		CARPET - Floor, Sta. 74 to Sta. 105, center, black	2	28-7510001 to 28-7610206 incl.
	591 035		CARPET - Floor, Sta. 74 to Sta. 105, center, green	2	28-7510001 to 28-7610206 incl.
	591 503		CARPET - Floor, Sta. 74 to Sta. 105, center, heather brown	2	28-7710001 and up
	591 504		CARPET - Floor, Sta. 74 to Sta. 105, center, monaco brown	2	28-7710001 and up
	79236-05	B,C	CARPET - Floor, Sta. 74 to Sta. 105, center	2	28-7410001 to 28-7410120 incl.
	591 182	B	CARPET - Floor, Sta. 74 to Sta. 105, center, red	2	28-7510001 to 28-7610206 incl.
	591 184	B	CARPET - Floor, Sta. 74 to Sta. 105, center, blue	2	28-7510001 to 28-7610206 incl.
	591 183	B	CARPET - Floor, Sta. 74 to Sta. 105, center, black	2	28-7510001 to 28-7610206 incl.
	591 186	B	CARPET - Floor, Sta. 74 to Sta. 105, center, green	2	28-7510001 to 28-7610206 incl.
			<p>A- Used on PA-28-235 with serial numbers 28-11040 and up. B- Used if sound reduction carpeting is installed. C- When ordering, specify color red, blue, fawn, black or green.</p>		

When ordering, always specify Part Number, Description, and Serial Number of Aircraft

PIPER PARTS CATALOG

Figure and Index Number	Part Number	Code	NOMENCLATURE	No. Req.	SERIAL NUMBERS AFFECTED	
27A-19	63116-95		CARPET - Floor, Sta. 74 to Sta. 105, inboard, red	2	28-11040 to 28-11393 inclusive	
	63116-19		CARPET - Floor, Sta. 74 to Sta. 105, inboard, brown	2	28-11040 to 28-11393 incl.	
	63116-50		CARPET - Floor, Sta. 74 to Sta. 105, inboard, blue	2	28-11040 to 28-11393 inclusive	
	63116-134		CARPET - Floor, Sta. 74 to Sta. 105, inboard, black	2	28-11040 to 28-11393 inclusive	
	76199-02		CARPET - Floor, Sta. 74 to Sta. 105, inboard, left, red	1	28-7110001 to 28-7410120 incl.	
	76199-06		CARPET - Floor, Sta. 74 to Sta. 105, inboard, left, blue	1	28-7110001 to 28-7410120 incl.	
	76199-04		CARPET - Floor, Sta. 74 to Sta. 105, inboard, left, black	1	28-7110001 to 2B-7410120 incl.	
	76199-08		CARPET - Floor, Sta. 74 to Sta. 105, inboard, left, fawn	1	28-7110001 to 28-7410120 incl.	
	76199-10		CARPET - Floor, Sta. 74 to Sta. 105, inboard, left, green	1	28-7110001 to 28-7410120 incl.	
	591 157		CARPET - Floor, Sta. 74 to Sta. 105, inboard, left, red	1	28-7510001 to 28-7610206 incl.	
	591 159		CARPET - Floor, Sta. 74 to Sta. 105, inboard, left, blue	1	28-7510001 to 28-7610206 incl.	
	591 158		CARPET - Floor, Sta. 74 to Sta. 105, inboard, left, black	1	28-7510001 to 28-7610206 incl.	
	591 161		CARPET - Floor, Sta. 74 to Sta. 105, inboard, left, green	1	28-7510001 to 28-7610206 incl.	
	591 549		CARPET - Floor, Sta. 74 to Sta. 105, inboard, left, heather brown	1	28-7710001 and up	
	591 550		CARPET - Floor, Sta. 74 to Sta.105, inboard, left, monaco brown	1	28-7710001 and up	
	76199-03		CARPET - Floor, Sta. 74 to Sta. 105, inboard, right, red	1	28-7110001 to 28-7410120 incl.	
	76199-07		CARPET - Floor, Sta. 74 to Sta. 105, inboard, right, blue	1	28-7110001 to 28-7410120 incl.	
	76199-05		CARPET - Floor, Sta. 74 to Sta. 105, inboard, right, black	1	28-7110001 to 28-7410120 incl.	
	76199-09		CARPET - Floor, Sta. 74 to Sta. 105, inboard, right, fawn	1	28-7110001 to 28-7410120 incl.	
	76199-11		CARPET - Floor, Sta. 74 to Sta. 105, inboard, right, green	1	28-7110001 to 28-7410120 incl.	
	591 162		CARPET - Floor, Sta. 74 to Sta. 105, inboard, right, red	1	28-7510001 to 28-7610206 incl.	
	591 164		CARPET - Floor, Sta. 74 to Sta. 105, inboard, right, blue	1	28-7510001 to 28-7610206 incl.	
	591 163		CARPET - Floor, Sta. 74 to Sta. 105, inboard, right, black	1	28-7510001 to 28-7610206 incl.	
	591 166		CARPET - Floor, Sta. 74 to Sta. 105, inboard, right, green	1	28-7510001 to 28-7610206 incl.	
	591 551		CARPET - Floor, Sta. 74 to Sta. 105, inboard, right, heather brown	1	28-7710001 and up	
	591 552		CARPET - Floor, Sta. 74 to Sta. 105, inboard, right, monaco brown	1	28-7710001 and up	
	-20	63116-109		CARPET ASSEMBLY - Tunnel, top, red	1	28-11040 to 28-11393 inclusive
		63116-107		CARPET ASSEMBLY - Tunnel, top, brown	1	28-11040 to 28-11393 inclusive
		63116-108		CARPET ASSEMBLY - Tunnel, top, blue	1	28-11040 to 28-11393 inclusive
		63116-148		CARPET ASSEMBLY - Tunnel, top, black	1	28-11040 to 28-11393 inclusive
		99114-02		CARPET ASSEMBLY - Tunnel, top, red	1	28-7110001 to 28-7210033 incl.
		99114-04		CARPET ASSEMBLY - Tunnel, top, blue	1	28-7110001 to 28-7210033 incl.
		99114-03		CARPET ASSEMBLY - Tunnel, top, black	1	28-7110001 to 28-7210033 incl.
99114-05			CARPET ASSEMBLY - Tunnel, top, fawn	1	28-7110001 to 28-7210033 incl.	
99114-06			CARPET ASSEMBLY - Tunnel, top, green	1	28-7110001 to 28-7210033 incl.	
76160-02			CARPET ASSEMBLY - Tunnel, top, red	1	28-7310001 to 28-7410120 incl.	
76160-04			CARPET ASSEMBLY - Tunnel, top, blue	1	28-7310001 to 28-7410120 incl.	
76160-03			CARPET ASSEMBLY - Tunnel, top, black	1	28-7310001 to 28-7410120 incl.	
76160-05			CARPET ASSEMBLY - Tunnel, top, fawn	1	28-7310001 to 28-7410120 incl.	
76160-06			CARPET ASSEMBLY -Tunnel, top, green	1	28-7310001 to 28-7410120 incl.	
591 142			CARPET ASSEMBLY - Tunnel, top, red	1	28-7510001 to 28 7610206 incl.	
591 144			CARPET ASSEMBLY -Tunnel, top, blue	1	28-7510001 to 28-7610206 incl.	
591 143			CARPET ASSEMBLY - Tunnel, top, black	1	28-7510001 to 28-7610206 incl.	
591 146			CARPET ASSEMBLY - Tunnel, top, green	1	28-7510001 to 28-7610206 incl.	
591 543			CARPET ASSEMBLY - Tunnel, top, heather brown	1	28-7710001 and up	
591 544			CARPET ASSEMBLY - Tunnel, top, monaco brown	1	28-7710001 and up	
			A- Used on PA-28-235 with serial numbers 28-11040			

When ordering, always specify Part Number, Description, and Serial Number of Aircraft

PIPER PARTS CATALOG

Figure and Index Number	Part Number	Code	NOMENCLATURE	No. Req.	SERIAL NUMBERS AFFECTED	
27A-21	63116-96		CARPET - Spar box, left, red	1	28-11040 to 28-11393 inclusive	
	63116-102		CARPET - Spar box, right, red	1	28-11040 to 28-11393 inclusive	
	63116-58		CARPET - Spar box, left, brown	1	28-11040 to 28-11393 inclusive	
	63116-78		CARPET - Spar box, right, brown	1	28-11040 to 28-11393 inclusive	
	63116-51		CARPET - Spar box, left, blue	1	28-11040 to 28-11393 incl.	
	63116-75		CARPET - Spar box, right, blue	1	28-11040 to 28-11393 incl.	
	63116-138		CARPET - Spar box, left, black	1	28-11040 to 28-11393 incl.	
	63116-147		CARPET - Spar box, right, black	1	28-11040 to 28-11393 inclusive	
	67903-03		CARPET - Spar box, complete, red	1	28-7110001 to 28-7410120 incl.	
	67903-07		CARPET - Spar box, complete, blue	1	28-7110001 to 28-7410120 incl.	
	67903-05		CARPET - Spar box, complete, black	1	28-7110001 to 28-7410120 incl.	
	67903-09		CARPET - Spar box, complete, fawn	1	28-7110001 to 28-7410120 incl.	
	67903-11		CARPET - Spar box, complete, green	1	28-7110001 to 28-7410120 incl.	
	591 011		CARPET - Spar box, complete, red	1	28-7510001 to 28-7610206 incl.	
	591 013		CARPET - Spar box, complete, blue	1	28-7510001 to 28-7610206 Incl.	
	591 012		CARPET - Spar box, complete, black	1	28-7510001 to 28-7610206 Incl.	
	591 015		CARPET - Spar box, complete, green	1	28-7510001 to 28-7610206 incl.	
	591 495		CARPET - Spar box, complete, heather brown	1	28-7710001 and up	
	591 496		CARPET - Spar box, complete, monaco brown	1	28-7710001 and up	
	-22	63116-103		CARPET ASSEMBLY - Tunnel, side, left, red	1	28-11040 to 28-11393 inclusive
		63116-12		CARPET ASSEMBLY - Tunnel, side, left, brown	1	28-11040 to 28-11393 inclusive
63116-63			CARPET ASSEMBLY - Tunnel, side, left, blue	1	28-11040 to 28-11393 inclusive	
63116-150			CARPET ASSEMBLY - Tunnel, side, left, black	1	28-11040 to 28-11393 inclusive	
67904-02			CARPET ASSEMBLY - Tunnel, side, left, red	1	28-7110001 to 28-7410120 incl.	
67904-06			CARPET ASSEMBLY - Tunnel, side, left, blue	1	28-7110001 to 28-7410120 incl.	
67904-04			CARPET ASSEMBLY - Tunnel, side, left, black	1	28-7110001 to 28-7410120 incl.	
67904-08			CARPET ASSEMBLY - Tunnel, side, left, fawn	1	28-7110001 to 28-7410120 incl.	
67904-10			CARPET ASSEMBLY - Tunnel, side, left, green	1	28-7110001 to 28-7410120 incl.	
591 016			CARPET ASSEMBLY - Tunnel, side, left, red	1	28-7510001 to 28-7610206 incl.	
591 018			CARPET ASSEMBLY - Tunnel, side, left, blue	1	28-7510001 to 28-7610206 incl.	
591 017			CARPET ASSEMBLY - Tunnel, side, left, black	1	28-7510001 to 28-7610206 incl.	
591 020			CARPET ASSEMBLY - Tunnel, side, left, green	1	28-7510001 to 28-7610206 incl.	
591 497			CARPET ASSEMBLY - Tunnel, side, left, heather brown	1	28-7710001 and up	
591 498			CARPET ASSEMBLY - Tunnel, side, left, monaco brown	1	28-7710001 and up	
63116-105			CARPET ASSEMBLY - Tunnel, side, right, red	1	28-11040 to 28-1139 inclusive	
63116-61			CARPET ASSEMBLY - Tunnel, side, right, brown	1	28-11040 to 28-1193 inclusive	
63116-65			CARPET ASSEMBLY - Tunnel, side, right, blue	1	28-11040 to 28-1133 inclusive	
63116-149			CARPET ASSEMBLY - Tunnel, side, right, black	1	28-11040 to 28-1133 inclusive	
67904-03			CARPET ASSEMBLY - Tunnel, side, right, red	1	28-7110001 to 28-7410120 incl.	
67904-07			CARPET ASSEMBLY - Tunnel, side, right, blue	1	28-7110001 to 28-7410120 incl.	
67904-05			CARPET ASSEMBLY - Tunnel, side, right, black	1	28-7110001 to 28-7410120 incl.	
67904-09			CARPET ASSEMBLY - Tunnel, side, right, fawn	1	28-7110001 to 28-7410120 incl.	
67904-11			CARPET ASSEMBLY - Tunnel, side, right, green	1	28-7110001 to 28-7410120 incl.	
591 021			CARPET ASSEMBLY - Tunnel, side, right, red	1	28-7510001 to 28-7610206 incl.	
591 023			CARPET ASSEMBLY - Tunnel, side, right, blue	1	28-7510001 to 28-7610206 incl.	
591 022			CARPET ASSEMBLY - Tunnel, side, right, black	1	28-7510001 to 28-7610206 incl.	
591 025			CARPET ASSEMBLY - Tunnel, side, right, green	1	28-7510001 to 28-7610206 incl.	
591 499			CARPET ASSEMBLY - Tunnel, side, right, heather brown	1	28-7710001 and up	
591 500			CARPET ASSEMBLY - Tunnel, side, right, monaco brown	1	28-7710001 and up	
				A- Used on PA-28-235 with serial numbers 28-11040 and up.		

When ordering, always specify Part Number, Description, and Serial Number of Aircraft

PIPER PARTS CATALOG

Figure and Index Number	Part Number	Code	NOMENCLATURE	No. Req.	SERIAL NUMBERS AFFECTED
27A-23	65324-05		CARPET - Baggage compartment, red	1	28-10003 to 28-11227 inclusive
	66802-02		CARPET - Baggage compartment, red	1	28-11228 to 28-11393 inclusive
	66802-06		CARPET - Baggage compartment, red	1	28-7110001 to 28-7410120 incl.
	591 471		CARPET - Baggage compartment, red	1	28-7510001 to 28-7610206 incl.
	65324-03		CARPET - Baggage compartment, brown	1	28-10003 to 28-11227 inclusive
	66802-03		CARPET - Baggage compartment, brown	1	28-11228 to 28-11393 inclusive
	65324-04		CARPET - Baggage compartment, blue	1	28-10003 to 28-11227 inclusive
	66802-04		CARPET - Baggage compartment, blue	1	28-11228 to 28-11393 inclusive
	66802-08		CARPET - Baggage compartment, blue	1	28-7110001 to 28-7410120 incl.
	591 473		CARPET - Baggage compartment, blue	1	28-7510001 to 28-7610206 incl.
	65324-06		CARPET - Baggage compartment, black	1	28-10003 to 28-11227 inclusive
	66802-05		CARPET - Baggage compartment, black	1	28-11228 to 28-11393 inclusive
	66802-07		CARPET - Baggage compartment, black	1	28-7110001 to 28-7410120 incl.
	591 472		CARPET - Baggage compartment, black	1	28-7510001 to 28-7610206 incl.
	66802-09		CARPET - Baggage compartment, fawn	1	28-7110001 to 28-7410120 incl.
	66802-10		CARPET - Baggage compartment, green	1	28-7110001 to 28-7410120 incl.
	591 474		CARPET - Baggage compartment, green	1	28-7510001 to 28-7610206 incl.
	591 491		CARPET - Baggage compartment, heather brown	1	28-7710001 and up
	591 492		CARPET - Baggage compartment, monaco brown	1	28-7710001 and up
	-24	63185-02		TRIM STRIP - Baggage compartment, rear	1
63185-03			TRIM STRIP - Baggage compartment, front	1	28-10003 to 28-11227 inclusive
63185-05			TRIM STRIP - Baggage compartment	1	28-11228 and up
		A-	Used on PA-28-235 with serial numbers 28-11040 and up.		

When ordering, always specify Part Number, Description, and Serial Number of Aircraft

PIPER PARTS CATALOG

Figure and Index Number	Part Number	Code	NOMENCLATURE	No. Req.	SERIAL NUMBERS AFFECTED
27A 25	63259-00	B	PLATE - Striker, baggage door, length 2.64"	1	
	99450-00	B	PLATE - Striker, baggage door, length 3.12"	1	
	63293-02	C	PLATE - Striker, baggage door, length 2.00"	1	
-26	67307-00		HEADLINING - Cockpit (464 350)	1	28-11040 to 28-11300 inclusive
	67307-02		HEADLINING - Cockpit (464 370)	1	28-11301 to 28-7210033 incl.
	67307-03		HEADLINING - Cockpit (464 375)	1	28-7310001 to 28-7310187 incl.
	76462-00		HEADLINING - Cockpit (464 385)	1	28-7410001 and up
-27	65664-00		DOOR ASSEMBLY - Rear bulkhead	1	28-11040 to 28-11300 inclusive
	79445-00		DOOR ASSEMBLY - Rear bulkhead	1	28-11301 and up
-28	65626-00		BULKHEAD ASSEMBLY - Rear cabin	1	28-11040 to 28-11300 incl.
	79836-02	D	BULKHEAD ASSEMBLY - Rear cabin	1	28-11301 and up
	36589-02	E	BULKHEAD ASSEMBLY - Rear cabin	1	28-11301 and up
-29	487 629	W	* STUD ASSEMBLY - (KM894-1A)	2	
-30	68399-02		PLACARD - (581 178)	1	
-31	99818-00		BLANKET ASSEMBLY - Firewall	1	
-32	63142-02		TRIM STRIP - Door frame, bottom rear	1	28-11040 to 28-7610020 incl.
	63142-56		TRIM STRIP - Door frame, bottom rear	1	28-7610021 and up
-33	63142-13		TRIM STRIP - Door frame, top and side rear	1	28-11040 to 28-7210033 incl.
	63142-39		TRIM STRIP - Door frame, side rear	1	28-7310001 to 28-7610020 incl.
	63142-38		TRIM STRIP - Door frame, top rear	1	28-7310001 to 28-7310127 incl.
	63142-47		TRIM STRIP - Door frame, top rear	1	28-7310128 to 28-7610020 incl.
	63142-55		TRIM STRIP - Door frame, top and side rear	1	28-7610021 and up
-34	63142-14		TRIM STRIP - Door frame. front	1	28-11040 to 28-7210033 incl.
	63142-40		TRIM STRIP - Door frame. front	1	28-7310001 to 28-7310127 incl.
	63142-48		TRIM STRIP - Door frame, front	1	28-7310128 to 28-7610020 incl.
	63142-51		TRIM STRIP - Door frame, front	1	28-7610021 and up
-35	63142-08		TRIM STRIP - Headlining	1	28-11040 to 28-7110042 incl.
	63142-36		TRIM STRIP - Headlining	1	28-7310001 to 28-7310187 incl.
-36	63142-27		TRIM STRIP - Headlining	1	28-11040 to 28-7210033 incl.
	63142-42		TRIM STRIP - Headlining	1	28-7310001 to 28-7310187 incl.
-37	63142-26		TRIM STRIP - Headlining, left	1	28-11040 to 28-7210033 incl.
	63142-25		TRIM STRIP - Headlining, right	1	28-11040 to 28-7210033 incl.
	63142-43		TRIM STRIP - Headlining	1	28-7310001 to 28-7310187 incl.
-38	99240-00		RING - Boot attachment	1	28-7110001 and up
-39	63130-02		PLATE - Heel	2	
-40	63116-159		CARPET - Spar box, black	2	28-11040 to 28-11393 incl.
	63116-160		CARPET - Spar box, brown	2	28-11040 to 28-11393 inclusive
	63116-161		CARPET - Spar box, blue	2	28-11040 to 28-11393 inclusive
	63116-162		CARPET - Spar box, red	2	28-11040 to 28-11393 inclusive
-41	63229-02		SUPPORT ASSEMBLY - Sun visor	1	28-11040 to 28-11300 inclusive
-42	65667-00		GRILL ASSEMBLY - Air exhaust	1	28-11040 to 28-11393 inclusive
-43	65269-02		DOUBLER - Ash tray	2	
-44	65304-00		PANEL - Ash box	3	28-11040 to 28-11300 inclusive
-45	453 141	W	BOX - Ash	3	28-11040 to 28-11300 inclusive
-46	484 385	W	RETAINER - Ash box	3	28-11040 to 28-11300 inclusive
-47	65286-05		KNOB - Ash box, red (571 070)	3	28-11040 to 28-11300 inclusive
	65286-07		KNOB - Ash box, brown (571 072)	3	28-11040 to 28-11300 inclusive
	65286-06		KNOB - Ash box. blue (571 071)	3	28-11040 to 28-11300 inclusive
	65286-08		KNOB - Ash box, tan (571 097)	3	28-11040 to 28-11300 inclusive

- A- Used on PA-28-235 with serial numbers 28-11040 and up.
- B- Used if baggage door does not have push button latch.
- C- Used if baggage door has push button latch.
- D- Used if air conditioning is not installed.
- E- Used if air conditioning is installed.
- W- These parts must be ordered from Service Spares Department, Piper Aircraft, Lock Haven Penna.

When ordering, always specify Part Number, Description, and Serial Number of Aircraft

PIPER PARTS CATALOG

Figure and Index Number	Part Number	Code	NOMENCLATURE	No. Req.	SERIAL NUMBERS AFFECTED
27A-48	68484-00		PAN - Armrest	1	28-11040 to 28-11300 inclusive
-49	68492-02		PAD ASSEMBLY - Armrest, red	1	28-11040 to 28-11300 incl.
	68492-06		PAD ASSEMBLY - Armrest, brown	1	28-11040 to 28-11300 incl.
	68492-10		PAD ASSEMBLY - Armrest, blue	1	28-11040 to 28-11300 inclusive
	68492-14		PAD ASSEMBLY - Armrest, beige	1	28-11040 to 28-11300 inclusive
-50	65546 00		SILL - Door	1	28-11040 to 28-7210033 incl.
	76191-00		SILL - Door	1	28-7310001 to 28-7610020 incl.
	76191-02		SILL - Door	1	28-7610021 and up
-51	65672-05		SHIELD - Flap handle cover	1	
-52	65735-19	B	FLANGE - Air vent	4	
	65735-06		FLANGE - Air vent, brown	4	28-11040 to 28-11300 inclusive
	65735-13		FLANGE - Air vent, white	4	28-11301 to 28-7410120 incl.
-53	65735-18	B	CUP - Air vent	4	
	65735-03		CUP - Air vent, brown	4	2B-11040 to 28-11300 inclusive
-54	67235-00		GRIP - Handhold	2	28-11040 to 28-7210033 incl.
-55	62353-04		LOOP ASSEMBLY - Assist, white	1	28-11040 to 28-11300 inclusive
	62353-05		LOOP ASSEMBLY - Assist, white	1	28-11301 to 28-7410120 incl.
	79455-00		LOOP ASSEMBLY - Assist, white	1	28-7510001 and up
-56	68416-00		VENT ASSEMBLY - Air, forward, left (complete)	1	28-11040 to 28-7210033 incl.
	68416-02		VENT ASSEMBLY - Air, forward, left (complete)	1	28-7310001 and up
	68416-01		VENT ASSEMBLY - Air, forward, right (complete)	1	28-11040 to 28-7210033 incl.
	68416-03		VENT ASSEMBLY - Air, forward, right (complete)	1	28-7310001 and up
-57	68671-00		VALVE ASSEMBLY - Air vent	1	
-58	68499-04		SHAFT ASSEMBLY - Air vent valve, left	1	
	68499-05		SHAFT ASSEMBLY - Air vent valve, right	1	
-59	68584-00		GASKET - Air vent assembly	4	
-60	65564-02		WINDLACING - Door seal, white	1	
	69403-03		WINDLACING - Door seal, white	1	
-61	65219-00		PLACARD - Rudder trim	1	
-62	69243-00		PLACARD - Aircraft limitations	1	28-11040 to 28-11300 inclusive
	66989-00		PLACARD - Aircraft limitations	1	28-11301 and up
-63	63900-44		BUSHING - Sun visor	1	28-11040 to 28-11300 inclusive
-64	99458-00		BAR ASSEMBLY - Tow	1	
-65	66804-00		STRAP ASSEMBLY - Baggage tie down (tip end) black	2	
-66	66805-00		STRAP ASSEMBLY - Baggage tie down (buckle end) black	2	
-67	15086-00	W	SCREW - Self tapping (4x1 1/4) (486 187)	2	
-68	487 629	W	STUD ASSEMBLY - Coat hanger (KM894-1A)	2	

A- Used on PA-28-235 with serial numbers 28-11040 and up.
 B- When ordering, specify color red, blue/green, gold, black or green,
 W- These parts must be ordered from Service Spares Department, Piper- Aircraft, Lock Haven, Penna.

When ordering, always specify Part Number, Description, and Serial Number of Aircraft

PIPER PARTS CATALOG

Figure and Index Number	Part Number	Code	NOMENCLATURE	No. Req.	SERIAL NUMBERS AFFECTED
27A-69	63163-00		FLOORBOARD - Sta. 74 to Sta. 105, left and right	2	28-11040 to 28-7210033 incl.
	96684-00		FLOORBOARD - Sta. 74 to Sta. 105, left and right	2	28-7310001 and up
-70	63164-00		FLOORBOARD - Front, left	1	28-11040 to 28-7210033 incl.
	76123-00		FLOORBOARD - Front, left	1	28-7310001 to 28-7310187 incl.
	76123-04		FLOORBOARD - Front, left	1	28-7410001 and up
	63164-01		FLOORBOARD - Front, right	1	28-11040 to 28-7210033 incl.
	76123-01		FLOORBOARD - Front, right	1	28-7310001 to 28-7310187 incl.
	76123-05		FLOORBOARD - Front, right	1	28-7410001 and up
-71	764 114		VISOR ASSEMBLY - Sun	2	28-11040 to 28-11300 inclusive
-72	65866-00		BLADE - Sun visor	2	28-11301 to 28-7610163 incl
	37915-02		BLADE - Sun visor, pilot	1	28-7610164 and up
	65866-00		BLADE - Sun visor, copilot	1	28-7610164 and up
-73	65865-00		RETAINER - Sun visor	2	28-11301 and up
-74	65867-00		ROD - Sun visor	2	28-11301 and up
-75	65869-00		BEARING - Sun visor	2	28-11301 and up
-76	65870-00		CLIP - Sun visor, upper left and lower right	2	28-11301 and up
-77	65871-00		CLIP - Sun visor, lower left and upper right	2	28-11301 and up
-78	66710-16		HOLDER ASSEMBLY - Armrest	1	
-79	763 003		* BOX ASSEMBLY - Ash tray (S-25-AR-C)	1	
-79a	66710-44	B	PAD - Armrest	1	28-11040 to 28-7610206 incl.
	66710-26		PAD - Armrest, white	1	28-11301 to 28-7410120 incl.
	580 731		PAD - Armrest, camel	1	28-7710001 and up
-79b	419 594		SCREW - (AN530-10R36)		
-80	489 388		ASH RECEIVER - (Complete) Chrome (2A20580)	2	28-11301 and up
-81	99141-03		PLATE - Seat attachment, forward	4	28-7110001 and up
-82	99140-00		PLATE - Seat attachment, forward	4	28-7110001 and up
-83	99139-00		PLATE - Seat attachment, aft	4	28-7110001 to 28-7510016 incl.
	79440-00		RETAINER ASSEMBLY - Seat attachment, aft	4	28-7510017 to 28-7710006 incl.
	79781-02		PLATE ASSEMBLY - Seat attachment, aft	4	28-7710007 and up
-83a	68094-03		PLATE -Trim, aft	4	28-7710007 and up
-84	99142-00		CLIP-Seat attachment, aft	6	28-7110001 to 28-7510016 incl.
-85	68551-00		SLEEVE - Trim	2	28-7110001 to 28-7110042 incl.
-86	99252-02		COVER ASSEMBLY - Exhaust vent, red	2	28-7110001 to 28-7410120 incl.
	99252-03		COVER ASSEMBLY - Exhaust vent, blue	2	28-7110001 to 28-7410120 incl.
	99252-04		COVER ASSEMBLY - Exhaust vent, tan	2	28-7110001 to 28-7410120 incl.
	99252-05		COVER ASSEMBLY - Exhaust vent, black	2	28-7110001 to 28-7410120 incl.
	99252-07		COVER ASSEMBLY - Exhaust vent, green	2	28-7110001 to 28-7410120 incl.
	99252-09		COVER ASSEMBLY - Exhaust vent, blue/green	2	28-7110001 to 28-7410120 incl.
	99252-10	B	COVER ASSEMBLY - Exhaust vent	2	28-7510001 and up
-87	99245-02		CARPET - Floor, rear, red	1	28-7110001 to 28-7410120 incl.
	99245-05		CARPET - Floor, rear, blue	1	28-7110001 to 28-7410120 incl.
	99245-06		CARPET - Floor, rear, fawn	1	28-7110001 to 28-7410120 incl.
	99245-04		CARPET - Floor rear, black	1	28-7110001 to 28-7410120 incl.
	99245-07		CARPET - Floor rear, green	1	28-7110001 to 28-7410120 incl.
	591 399		CARPET - Floor, rear, red	1	28-7510001 to 28-7610206 incl.
	591 401		CARPET - Floor, rear, blue	1	28-7510001 to 28-7610206 incl.
	591 400		CARPET - Floor, rear, black	1	28-7510001 to 28-7610206 incl.
	591 403		CARPET - Floor, rear, green	1	28-7510001 to 28-7610206 incl.
	591 579		CARPET - Floor, rear, heather brown	1	28-7710001 and up
	591 580		CARPET - Floor, rear, monaco brown	1	28-7710001 and up
-88	99116-00		PANEL - Floor	1	28-7110001 to 28-7110042 incl.
	99116-02		PANEL - Floor	1	28-7210001 to 28-7510016 incl.
	99116-03		PANEL - Floor	1	28-7610017 to 28-7710006 incl.
	79828-03		PANEL - Floor	1	28-7710007 and up

A- Used on PA-28-235 with serial numbers 28-11040 and up
 B- When ordering, specify color red, blue/green, gold, black or green.

When ordering, always specify Part Number, Description, and Serial Number of Aircraft

PIPER PARTS CATALOG

Figure and Index Number	Part Number	Code	NOMENCLATURE	No. Req.	SERIAL NUMBERS AFFECTED
27A-89	414 769	W	SCREW - (MS24693-553)	45	28-7110001and up
	477 683		TEE NUT- (SS58162)	45	28-7110001and up
-90	414 761	W	SCREW - (MS24693-S48)	3	28-7110001and up
	477 683		TEE NUT- (SS-58162)	3	28-7110001and up
-91	99143-00		STRIP -Trim	1	28-7110001and up
-92	78112-02		COVER - Cowl deck	1	28-7110001to 28-7210033 incl.
	78112-03		COVER - Cowl deck	1	28-7310001to 28-7410120 incl.
	78112-05		COVER -Cowl deck	1	28-7510001and up
-93	99967-00		RETAINER - Glare shield, left	1	28-7310001and up
	99968-00		RETAINER - Glare shield, right	1	28-7310001and up
-94	76221-00		CLIP - Shoulder harness retaining	1	28-7310072 and up
-95	79125-00		CAP - Trim, left	1	28-7310001and up
	79125-01		CAP - Trim, right	1	28-7310001and up
-96	99991-00		COVER - Transponder antenna	1	28-7210004 to 28-7310001 incl.
-97	69652-11	D	COVER ASSEMBLY - Fuel selector control, lower, brown	1	28-11040 to 28-11300 inclusive
	69652-06	D	COVER ASSEMBLY - Fuel selector control, lower, red	1	28-11040 to 28-11300 inclusive
	69652-07	D	COVER ASSEMBLY - Fuel selector control, lower, blue	1	28-11040 to 28-11300 inclusive
	69652-05	D	COVER ASSEMBLY - Fuel selector control, lower, tan	1	28-11040 to 28-11300 inclusive
	69652-08	D	COVER ASSEMBLY - Fuel selector control, lower, black	1	28-11301 to 28-7310125 incl,
	69442-02	B	COVER ASSEMBLY - Fuel selector control, lower, red	1	28-11301 to 28-7310125 incl
	69442-04	B	COVER ASSEMBLY - Fuel selector control, lower, tan	1	28-11301 to 28-7310125 incl.
	69442-06	B	COVER ASSEMBLY - Fuel selector control, lower, green	1	28-11301 to 28-7310125 incl
	69442-03	C	COVER ASSEMBLY - Fuel selector control, lower, blue	1	28-11301 to 28-11393 inclusive
	69442-05	C	COVER ASSEMBLY - Fuel selector control lower, black	1	28-11301 to 28-7310125 incl.
	69442-07	B	COVER ASSEMBLY - Fuel selector control, lower, white	1	28-11301 to 28-7310125 incl.
	69442-09	B	COVER ASSEMBLY - Fuel selector control, lower, blue/green	1	28-7110001 to 28-7310125 incl.
	69652-12	E	COVER ASSEMBLY - Fuel selector control, lower	1	28-7310126 and up
	69652-04		COVER ASSEMBLY - Fuel selector control, lower, white	1	28-7310126 to 28-7410120 incl.
-98	79456-00		CAP - Assist strap	1	28-7510001 and up
-99	79404-00		COVER - Trim, radio cooling	1	28-7510001 and up
-100	415 376		SCREW - (MS51957-27)	4	
	477 696		NUT - Dome (8061-NP)	4	
-101	515 710	W	SCREW - (PS10084-44-2)	2	28-7310001 and up
	407 562	W	WASHER - (AN960-6)	2	28-7310001 and up
	404 909	W	NUT - (MS20365-632C)	2	28-7310001 and up
-102	36588-04		SCREW AND POST ASSEMBLY - Retainer	1	28-11301 and up
-103	484 691		RIVET- Plastic (201-120751-00-0103)	2	28-11301 and up
			A- Used on PA-28-235 with serial numbers 28-11040 and up.		
			B- No longer available. Order Cover Assembly for serial numbers 28-7310126 and up if Fuel Selector Control Modification Kit has been installed per Service Bulletin 376. If Fuel Selector Control Modification Kit has not been installed per Service Bulletin 376 order Kit 760 683 for serial numbers 28-11040 to 28-11300 incl. or Kit 760 684 for serial numbers 28-11301 to 28-7310083 incl.		
			C- No longer available. Order Cover Assembly Part No. 69652-07 blue or 69652-08 black if Fuel Selector Control Modificaion Kit has been installed per Service Bulletin 376. If Fuel Selector Control Modification Kit has not been installed per Service Bulletin 376 order Kit 760 683 for serial numbers 28-11040 to 28-11300 incl. or Kit 760 684 for serial numbers 28-11301 to 28-7310083 incl.		
			D- Used if Fuel Selector Control Modification Kit has been installed per Service Bulletin 376.		
			E- When ordering, specify color red, blue/green, gold, black, green or bark. Specify color "bark" for serial numbers 28-7710001 to 28-7710010 inclusive. Specify color "bark" for serial numbers 28-7710011and up.		
			W- These parts must be ordered from Service Spares Department, Piper Aircraft, Lock Haven, Penna.		

When ordering, always specify Part Number, Description, and Serial Number of Aircraft

2C8
INTENTIONALLY LEFT BLANK

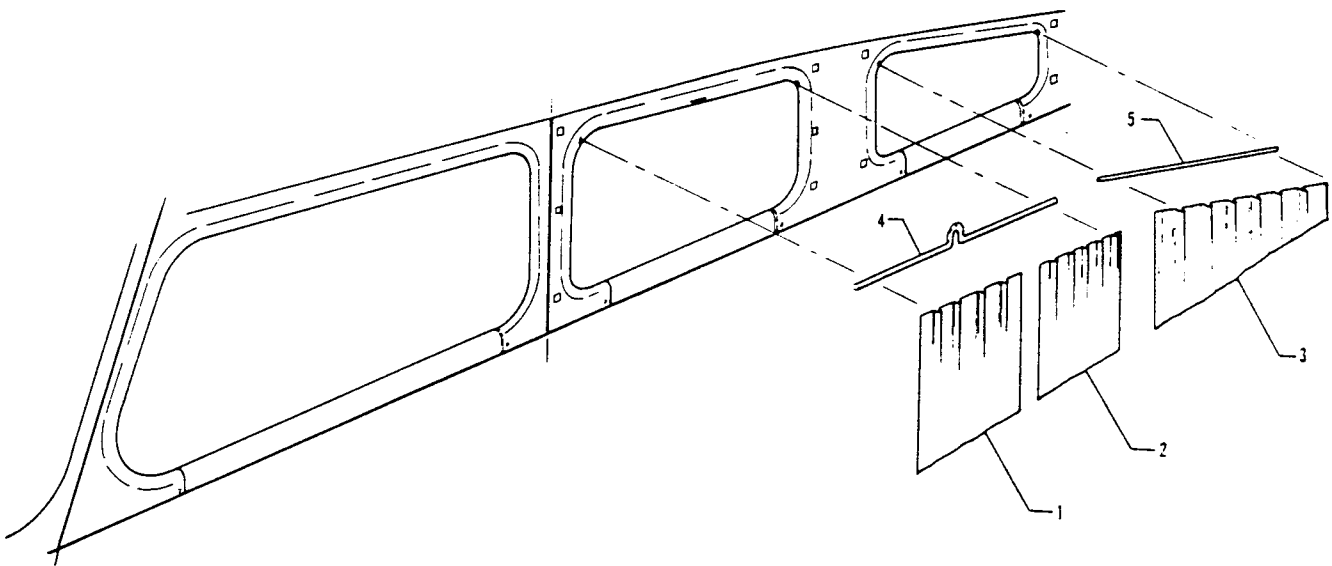


Figure 27B. Window Curtains Installation
(PA-28-235 - Serial Nos. 28-7710001 and up)
(PA-28R-200 - Serial Nos. 28R-7635504 and up)

PIPER PARTS CATALOG

Figure and Index Number	Part Number	Code	NOMENCLATURE	No. Req.	SERIAL NUMBERS AFFECTED
27B-	79721		DRAWING - Curtains and Rod Installation		
-1	79721-21		CURTAIN ASSEMBLY - Window, center front, left	1	
	79721-20		CURTAIN ASSEMBLY - Window, center front, right	1	
-2	79721-23		CURTAIN ASSEMBLY - Window, center rear, left	1	
	79721-22		CURTAIN ASSEMBLY - Window, center rear, right	1	
-3	79721-25		CURTAIN ASSEMBLY - Window, rear, left	1	
	79721-24		CURTAIN ASSEMBLY - Window, rear, right	1	
-4	79702-04		ROD - Window curtain, center, right	1	
	79702-09		ROD - Window, curtain, center, left	1	
-5	79702-07		ROD - Window curtain, rear	2	
			A- Used on PA-28-235 with serial number 28-7710001 and up, and PA-28R-200 with serial numbers 28R-7635504 and up.		

When ordering, always specify Part Number, Description, and Serial Number of Aircraft

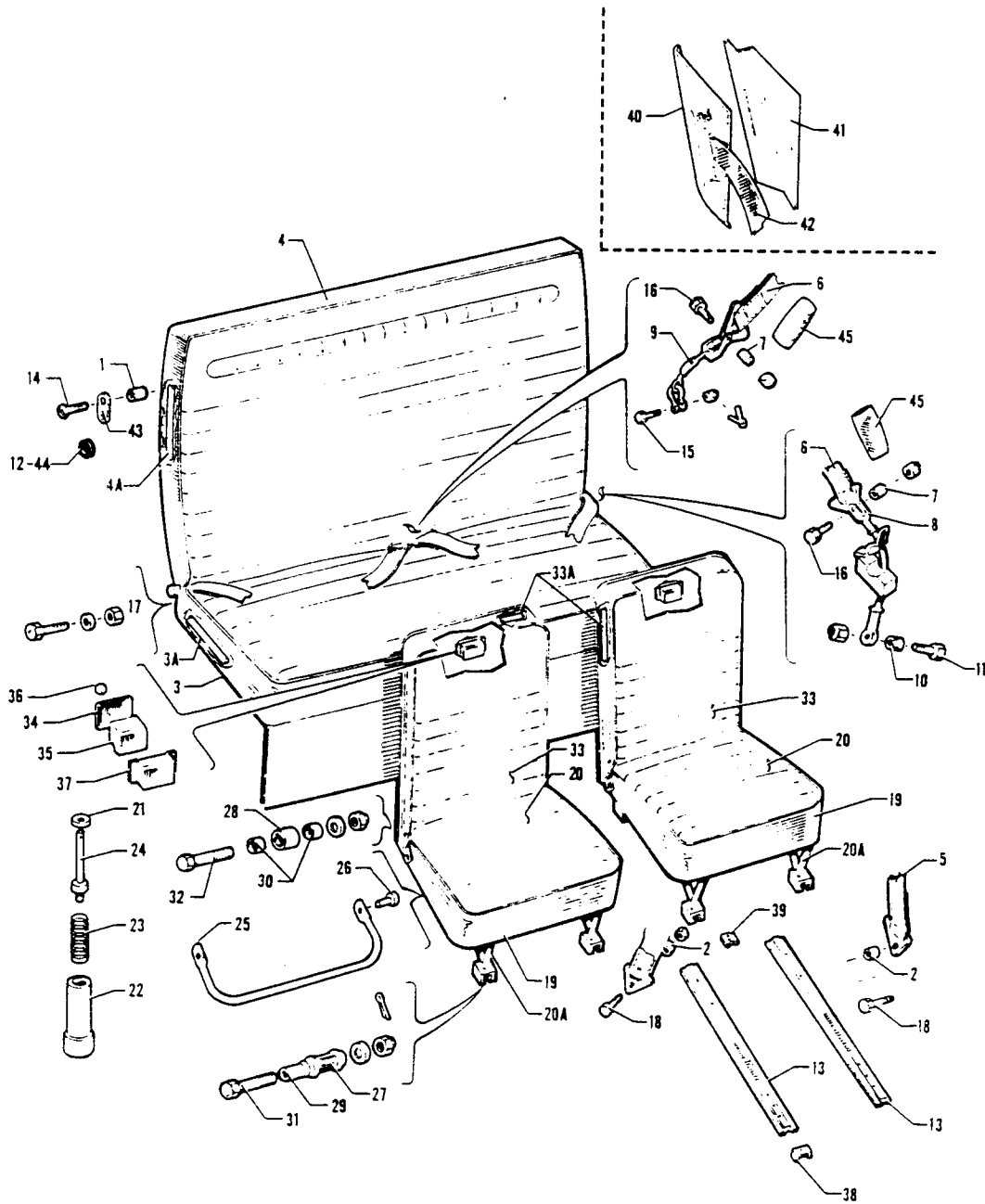


Figure 28. Seats Installation
 (PA-28-140 - Serial Nos. 28-20002 to 28-26956 inclusive)
 (PA-28-150-160-180 - Serial Nos. 28-1 to 28-5869 inclusive)
 (PA-28R-180 - Serial Nos. 28R-30005 to 28R-30481 inclusive, 28R-30483 to 28R-31279 inclusive)
 (PA-28R-200 - Serial Nos. 28R-30482, 28R-35001 to 28R-35830 inclusive)
 (PA-28-235 - Serial Nos. 28-10003 to 28-11393 inclusive)

PIPER PARTS CATALOG

Figure and Index Number	Part Number	Code	NOMENCLATURE	No. Req.	SERIAL NUMBERS AFFECTED
28-	62908 65078 65705	D E C	DRAWING - Seats Installation DRAWING - Seats Installation DRAWING - Seats Installation		28-10720 to 28-11039 inclusive
-1	63900-07		BUSHING - Rear seat, back	2	
-2	63900-53		BUSHING - Front seat safety belt attachment	4	
-3	62906-00	K	CUSHION ASSEMBLY - Rear seat bottom, brown	1	28-1 to 28-130 inclusive
	62906-03	K	CUSHION ASSEMBLY - Rear seat bottom, brown	1	28-131 to 28-670 inclusive
	63181-00	D,F	CUSHION ASSEMBLY - Rear seat bottom	1	
	65074-00	F,H	CUSHION ASSEMBLY - Rear seat bottom	1	28-1411 to 28-1760 inclusive
	65074-03	G,K	CUSHION ASSEMBLY - Rear seat bottom	1	28-1761 to 28-3109 inclusive
	65074-04	G,K	CUSHION ASSEMBLY - Rear seat bottom	1	28-3110 to 28-3442 inclusive
	65671-02	G,K	CUSHION ASSEMBLY - Rear seat bottom	1	28-3443 to 28-4379 inclusive
	65074-02	C,G	CUSHION ASSEMBLY - Rear seat bottom	1	28-10003 to 28-10719 inclusive
	65671-00	C,G	CUSHION ASSEMBLY - Rear seat bottom	1	28-10720 to 28-11039 inclusive
	65671-04	B,C	CUSHION ASSEMBLY - Rear seat bottom	1	28-11040 to 28-11300 inclusive
	67837-03	C,J	CUSHION ASSEMBLY - Rear seat bottom	1	28-11301 to 28-11393 inclusive
			A- Used on PA-28-150, PA-28-160 and PA-28-180 with serial numbers 28-1 to 28-5869 inclusive, PA-28-140 with serial numbers 28-20002 to 28-26956 inclusive, PA-28R-180 with serial numbers 28R-30005 to 28R-30481 inclusive, 28R-30483 to 28R-31279 inclusive, PA-28R-200 with serial numbers 28R-30482, 28R-35001 to 28R-35830 inclusive, and PA-28-235 with serial numbers 28-10003 to 28-11393 inclusive.		
			B- When ordering, specify color red, blue, brown or beige.		
			C- Used on PA-28-235 airplanes only.		
			D- Used on PA-28-150 and PA-28-160 with serial numbers 28-1 to 28-1760 inclusive, and PA-28-180 with serial numbers 28-671 to 28-1410 inclusive.		
			E- Used on PA-28-150, PA-28-160 and PA-28-180 with serial numbers 28-1761 to 28-5869 inclusive, PA-28-140 with serial numbers 28-20002 to 28-26956 inclusive, PA-28-235 with serial numbers 28-10003 to 28-10719 inclusive, 28-11040 to 28-11393 inclusive, PA-28R-180 with serial number 28R-30005 to 28R-31279 inclusive, and PA-28R-200 with serial numbers 28R-30482, 28R-35001 to 28R-35830 inclusive.		
			F- When ordering, specify color brown or gray.		
			G- When ordering, specify color red, blue or brown.		
			H- Used on PA-28-180 airplanes only.		
			J- When ordering, specify color red, green, blue, beige, black or white.		
			K- Used on PA-28-150, PA-28-160 and PA-28-180 only.		

When ordering, always specify Part Number, Description, and Serial Number of Aircraft

PIPER PARTS CATALOG

Figure and Index Number	Part Number	Code	NOMENCLATURE	No. Req.	SERIAL NUMBERS AFFECTED
28-3	65671-03	B,H	CUSHION ASSEMBLY - Rear seat bottom	1	28-1 to 28-670 inclusive
	67837-00	K,L	CUSHION ASSEMBLY - Rear seat bottom	1	
	67837-02	M,N	CUSHION ASSEMBLY - Rear seat bottom	1	
-3a	62900-07	D	FRAME ASSEMBLY - Rear seat bottom	1	
	62916-00	O	FRAME ASSEMBLY - Rear seat bottom	1	
	65066-00	E	FRAME ASSEMBLY - Rear seat bottom	1	
-4	62907-00	D	CUSHION ASSEMBLY - Rear seat back, brown	1	
	62907-03	D	CUSHION ASSEMBLY - Rear seat back, brown	1	
	63182-00	D,F	CUSHION ASSEMBLY - Rear seat back	1	
	63182-02	D,G	CUSHION ASSEMBLY - Rear seat back	1	
	63182-03	D,G	CUSHION ASSEMBLY - Rear seat back	1	
	65704-00	D,G	CUSHION ASSEMBLY - Rear seat back	1	
	63182-02	C,G	CUSHION ASSEMBLY - Rear seat back	1	
	65704-00	C,G	CUSHION ASSEMBLY - Rear seat back	1	
	65704-02	B,J	CUSHION ASSEMBLY - Rear seat back	1	
			A- Used on PA-28-150, PA-28-160 and PA-28-180 with serial numbers 28-1 to 28-5869 inclusive, PA-28-140 with serial numbers 28-20002 to 28-26956 inclusive, PA-28R-180 with serial numbers 28R-30005 to 28R-30481 inclusive, 28R-30483 to 28R-31279 inclusive, PA-28R-200 with serial numbers 28R-30482, 28R-35001 to 28R-35830 inclusive, and PA-28-235 with serial numbers 28-1003 to 28-11393 inclusive		
			B- When ordering, specify color red, blue, brown or beige.		
			C- Used on PA-28-235 airplanes only.		
			D- Used on PA-28-150, PA-28-160 and PA-28-180 only.		
			E- Used on PA-28-150, PA-28-160 and PA-28-180 with serial numbers 28-1411 to 28-5869 inclusive, PA-28-235 with serial number 28-10003 to 28-11393 inclusive, PA-28R-180 with serial numbers 28R-30005 to 28R-30481 inclusive, 28R-30483 to 28R-31279 inclusive, and PA-28R-200 with serial numbers 28R-30482, 28R-35001 to 28R-35830 inclusive.		
			F- When ordering, specify color brown or gray.		
			G- When ordering, specify color red, blue or brown.		
			H- Used on PA-28-180 with serial numbers 28-4380 to 28-5600 inclusive, and PA-28R-180 with serial numbers 28R-30005 to 28R-30481 inclusive, 28R-30483 to 28R-31250 inclusive.		
			J- Used on PA-28-180 with serial numbers 28-4380 to 28-5600 inclusive, PA-28R-180 with serial numbers 28R-30005 to 28R-30481 inclusive, 28R-30483 to 28R-31250 inclusive, and PA-28-235 with serial numbers 28-11040 to 28-11300 inclusive.		
			K- Used on PA-28R-200 with serial numbers 28R-30482, 28R-35001 to 28R-35600 inclusive.		
			L- When ordering, specify color red, brown, blue, beige, black or white.		
			M- Used on PA-28-180 with serial numbers 28-5601 to 28-5869 inclusive, PA-28R-180 with serial numbers 28R-31251 to 28R-31279 inclusive, and PA-28R-200 with serial numbers 28R-35601 to 28R-35830 inclusive.		
			N- When ordering, specify color red, green, blue, beige, black or white.		
			O- Used on PA-28-150 and PA-28-160 with serial numbers 28-1 to 28-1760 inclusive, and PA-28-180 with serial numbers 28-671 to 28-1410 inclusive.		

When ordering, always specify Part Number, Description, and Serial Number of Aircraft

PIPER PARTS CATALOG

Figure and Index Number	Part Number	Code	NOMENCLATURE	No. Req.	SERIAL NUMBERS AFFECTED
28-4	67838-00	B,F	CUSHION ASSEMBLY - Rear seat back	1	28-11301 to 28-11393 inclusive
	67838-02	C,E	CUSHION ASSEMBLY - Rear seat back	1	
	67838-02	E,H	CUSHION ASSEMBLY - Rear seat back	1	
-4a	62905-12	D	FRAME ASSEMBLY - Rear seat back	1	28-1 to 28-670 inclusive
	62914-00	L	FRAME ASSEMBLY - Rear seat back	1	
	65700-00	G	FRAME ASSEMBLY - Rear seat back	1	
	65700-06	B,J	FRAME ASSEMBLY - Rear seat back	1	
	65700-07	K	FRAME ASSEMBLY - Rear seat back	1	
			A- Used on PA-28-150, PA-28-160 and PA-28-180 with serial numbers 28-1 to 28-5869 inclusive, PA-28-140 with serial numbers 28-20002 to 28-26956 inclusive, PA-28R-180 with serial numbers 28R-30005 to 28R-30481 inclusive, 28R-30483 to 28R-31279 inclusive, PA-28R-200 with serial number 28R-30482, 28R-35001 to 28R-35830 inclusive, and PA-28-235 with serial numbers 28-10003 to 28-11393 inclusive.		
			B- Used on PA-28R-200 with serial numbers 28R-30482, 28R-35001 to 28R-35600 inclusive.		
			C- Used on PA-28-235 airplanes only.		
			D- Used on PA-28-150, PA-28-160 and PA-28-180 only.		
			E- When ordering, specify color red, green, blue, beige, black or white.		
			F- When ordering, specify color red, brown, blue, beige, black or white.		
			G- Used on PA-28-150, PA-28-160 and PA-28-180 with serial numbers 28-3443 to 28-4379 inclusive, and PA-28-235 with serial number 28-10720 to 28-11039 inclusive.		
			H- Used on PA-28-180 with serial numbers 28-5601 to 28-5869 inclusive, PA-28R-180 with serial number 28R-31251 to 28R-31279 inclusive, and PA-28R-200 with serial numbers 28R-35601 to 28R-35830 inclusive.		
			J- Used on PA-28-180 with serial numbers 28-4380 to 28-5600 inclusive, PA-28R-180 with serial numbers 28R 30005 to 28R-30481 inclusive, 28R-30483 to 28R-31250 inclusive, and PA-28-235 with serial numbers 28-11040 to 28-11300 inclusive.		
			K- Used on PA-28-180 with serial numbers 28-5601 to 28-5869 inclusive, PA-28-235 with serial numbers 28-11301 to 28-11393 inclusive, PA-28R-180 with serial numbers 28R-31251 to 28R-31279 inclusive, and PA-28R-200 with serial numbers 28R-35601 to 28R-35830 inclusive.		
			L- Used on PA-28-150, PA-28-160 and PA-28-180 with serial numbers 28-671 to 28-3442 inclusive, and PA-28-235 with serial numbers 28-10003 to 28-10719 inclusive.		

When ordering, always specify Part Number, Description, and Serial Number of Aircraft

PIPER PARTS CATALOG

Figure and Index Number	Part Number	Code	NOMENCLATURE	No. Req.	SERIAL NUMBERS AFFECTED
28-5	551 368	B,C	BELT ASSEMBLY - Safety, front (0108168-11), black	2	
	551 390		BELT ASSEMBLY - Safety, front (P850039-4-2A)	2	
-6	551 374		BELT ASSEMBLY - Safety, rear (PS50039-4-3), black	2	
-7	14843-51	W	BUSHING - Rear seat safety belt anachment	4	
-8	20868-00	W	CABLE ASSEMBLY - Safety belt attachment, rear side	2	
-9	65774-00		CABLE ASSEMBLY - Safety belt attachment, rear center	1	
-10	63900-24		BUSHING - Safety belt, rear side	2	
-11	401 269	W	BOLT - (AN3-10A)	2	
	404 887	W	NUT - (MS20365-1032C)	2	
-12	434 128	D,W	GROMMET - Rear seat back support (AN931-4-7)	2	
-13	62557-04		TRACK - Seat	4	
			A- Used on PA-28-150, PA-28-160 and PA-28-180 with serial numbers 28-1 to 28-5869 inclusive, PA-28-140 with serial numbers 28-20002 to 28-26956 inclusive, PA-28R-180 with serial numbers 28R-30005 to 28R-30481 inclusive, 28R-30483 to 28R-31279 indusrve, PA-28R-200 with serial numbers 28R-30482, 28R-35001 to 28R-35830 inclusive, and PA-28-235 with serial numbers 28-10003 to 28-11393 inclusive.		
			B- Used if shoulder harness has been installed.		
			C- Ascertain vendor's part number on lap belt. If 0108168-11 does not appear, also order matching Shoulder Belt Assembly, Part No 484 224.		
			D- Used on PA-28-150, PA-28-160 and PA-28-180 with serial numbers 28-1 to 28-5600 inclusive, PA-28R-180 with serial numbers 28R-30005 to 28R-30481 inclusive, 28R-30483 to 28R-31250 inclusive, PA-28R-200 with serial numbers 28R-30482, 28R-35001 to 28R-35600 inclusive, and PA-28-235 with serial numbers 28-10003 to 28-11300 inclusive.		
			W- These parts must be ordered from Service Spares Department, Piper Aircraft, Lock Haven, Penna.		

When ordering, always specify Part Number, Description, and Serial Number of Aircraft

2C16
INTENTIONALLY LEFT BLANK

PIPER PARTS CATALOG

Figure and Index Number	Part Number	Code	NOMENCLATURE	No. Req.	SERIAL NUMBERS AFFECTED
28.14	400 903		BOLT- (AN24-13A)	2	
-15	400 009	W	BOLT- (AN4-14A)	1	
	407 565	W	WASHER - (AN960-416)	1	
	404 888	W	NUT - (MS20365-428C)	1	
-16	400 440	W	BOLT- (AN3-6A)	4	
	404 887	W	NUT - (MS20365-1032C)	4	
-17	401 266	W	BOLT- (AN3-6A)	4	
	407 564	W	WASHER - (AN960-10)	4	
	404 835	W	NUT - (MS20364-1032C)	4	
-18	401 265	W	BOLT- (AN3-7A)	4	
-19	63139-05	C	CUSHION ASSEMBLY Right front seat, brown	1	28-1 to 28-130 inclusive
	63139-10	C	CUSHION ASSEMBLY - Right front seat, brown	1	28-131 to 28-470 inclusive
	63139-04	C	CUSHION ASSEMBLY - Left front seat, brown	1	28-1 to 28-130 inclusive
	63139-09	C	CUSHION ASSEMBLY - Left front seat, brown	1	28-131 to 28-670 inclusive
	63180-00	E,F	CUSHION ASSEMBLY - Front seat	2	28-671 to 28-1760 inclusive
	63068-00	B,F	CUSHION ASSEMBLY - Front seat	2	28-671 to 28-1760 inclusive
	63068-04	C,G	CUSHION ASSEMBLY - Front seat	2	28-176 to 28-3109 inclusive
	65717-00	C,G	CUSHION ASSEMBLY - Front seat	2	28-3110 to 28-3442 inclusive
	68061-00	C,G	CUSHION ASSEMBLY - Front seat	2	28-3443 to 28-4089 inclusive
	66551-00	C,G	CUSHION ASSEMBLY - Front seat	2	28-4090 to 28-4379 inclusive
	67836-00	O,H	CUSHION ASSEMBLY - Front seat	2	
	63139-09	B	CUSHION ASSEMBLY - Left front seat, brown	1	28-20002 to 28-20087 inclusive
	63139-10	B	CUSHION ASSEMBLY - Right front seat, brown	1	28-20002 to 28-20087 inclusive
	63180-00	B,F	CUSHION ASSEMBLY - Front seat	2	28-20088 to 28-20204 inclusive
	63068-08	B,F	CUSHION ASSEMBLY - Front seat	2	28-20205 to 28-20909 inclusive
	63068-11	B	CUSHION ASSEMBLY - Front seat, brown	2	28-20910 to 28-21467 inclusive
	65717-00	B,G	CUSHION ASSEMBLY - Front seat	2	28-21468 to 28-21866 inclusive
	68061-00	B,G	CUSHION ASSEMBLY - Front seat	2	28-21867 to 28-23332 inclusive
	66551-04	B,J	CUSHION ASSEMBLY - Front seat	2	28-23333 to 28-24999 inclusive
<p>Note: Refer to Figure 28B if vertically adjustable front seats are installed.</p> <p>A- Used on PA-28-150, PA-28-160 and PA-28-180 with serial numbers 28-1 to 28-5869 inclusive, PA-28-140 with serial numbers 28-20002 to 28-26956 inclusive, PA-28R-180 with serial numbers 28R-30005 to 28R-30481 inclusive, 28R-30483 to 28R-31279 inclusive, PA-28R-200 with serial numbers 28R-30482, 28R-3500 to 28R-35830 inclusive, and PA-28-235 with serial numbers 28-10003 to 28-11393 inclusive.</p> <p>B- Used on PA-28-140 airplanes only.</p> <p>C- Used on PA-28-150, PA-28-160 and PA-28-180 only.</p> <p>D- Used on PA-28R-200 with serial numbers 28R-30482, 28R-35001 to 28R-35600 inclusive.</p> <p>E- Used on PA-28-150 and PA-28-160 airplanes only.</p> <p>F- When ordering, specify color brown or gray.</p> <p>G- When ordering, specify color red, blue or brown.</p> <p>H- When ordering, specify color red, brown, blue, beige, black or white.</p> <p>J- When ordering, specify color red, blue, brown or beige.</p> <p>W- These parts must be ordered from Service Spares Department, Piper Aircraft, Lock Haven, Penna.</p>					

When ordering, always specify Part Number, Description, and Serial Number of Aircraft

PIPER PARTS CATALOG

Figure and Index Number	Part Number	Code	NOMENCLATURE	No. Req.	SERIAL NUMBERS AFFECTED	
28-19	63068-04	C,G	CUSHION ASSEMBLY - Front seat	2	28-10003 to 28-10719 inclusive 28-10720 to 28-10957 inclusive 28-10958 to 28-11039 inclusive 28R-30005 to 28R-30249 incl.	
	68061-00	C,G	CUSHION ASSEMBLY - Front seat	2		
	66551-00	C,G	CUSHION ASSEMBLY - Front seat	2		
	66551-04	H,J	CUSHION ASSEMBLY - Front seat	2		
	65881-00	J,K	CUSHION ASSEMBLY - Front seat	2		
	67836-04	L,M	CUSHION ASSEMBLY - Front seat	2		
-20	63139-08	N	CUSHION ASSEMBLY - Front seat, bottom, brown	1	28-1 to 28-130 inclusive 28-131 to 28-670 incl. 28-671 to 28-1760 incl 28-671 to 28-1760 inclusive 28-1761 to 28-3109 inclusive 28-3110 to 28-3442 inclusive 28-3443 to 28-4089 inclusive 28-4090 to 28-4379 inclusive 28-20002 to 28-20087 inclusive 28-20088 to 28-20204 inclusive 28-20205 to 28-20909 inclusive 28-20910 to 28-21467 inclusive	
	63139-13	N	CUSHION ASSEMBLY - Front seat, bottom	1		
	63180-02	E,F	CUSHION ASSEMBLY - Front seat, bottom	1		
	63068-02	D,F	CUSHION ASSEMBLY - Front seat, bottom	1		
	63068-05	G,N	CUSHION ASSEMBLY - Front seat, bottom	1		
	65717-02	G,N	CUSHION ASSEMBLY - Front seat, bottom	1		
	68061-02	G,N	CUSHION ASSEMBLY - Front seat, bottom	1		
	66551-02	G,N	CUSHION ASSEMBLY - Front seat, bottom	1		
	63139-13	B	CUSHION ASSEMBLY - Front seat, bottom, brown	1		
	63180-02	B,F	CUSHION ASSEMBLY - Front seat, bottom	1		
	63068-02	B,F	CUSHION ASSEMBLY - Front seat, bottom	1		
	63068-09	B	CUSHION ASSEMBLY - Front seat, bottom, brown	1		
	<p>Note: Refer to Figure 28B if vertically adjustable front seats are installed.</p> <p>A- Used on PA-28-150, PA-28-160 and PA-28-180 with serial numbers 28-1 to 28-5869 inclusive, PA-28-140 with serial numbers 28-20002 to 28-26956 inclusive, PA-28R-180 with serial numbers 28R-30005 to 28R-30481 inclusive, 28R-30483 to 28R-31279 inclusive, PA-28R-200 with serial numbers 28R-30482, 28R-35001 to 28R-35830 inclusive, and PA-28-235 with serial numbers 28-10003 to 28-11393 inclusive.</p> <p>B- Used on PA-28-140 airplanes only.</p> <p>C- Used on PA-28-235 airplanes only.</p> <p>D- Used on PA-28-180 airplanes only.</p> <p>E- Used on PA-28-150 and PA-28-160 airplanes only.</p> <p>F- When ordering, specify color brown or gray.</p> <p>G- When ordering, specify color red, blue or brown.</p> <p>H- Used on PA-28R-180 airplanes only.</p> <p>J- When ordering, specify color red, blue, brown or beige.</p> <p>K- Used on PA-28-180 with serial numbers 28-4380 to 28-5600 inclusive, PA-28R-180 with serial numbers 28R-30250 to 28R-31250 inclusive, PA-28-235 with serial numbers 28-11040 to 28-11300 inclusive, PA-28R-200 with serial numbers 28R-30482, 28R-35001 to 28R-35600 inclusive, and PA-28-140 with serial numbers 28-25000 to 28-26956 inclusive.</p> <p>L- When ordering, specify color red, green, blue, black or white.</p> <p>M- Used on PA-28-180 with serial numbers 28-5601 to 28-5869 inclusive, PA-18R-180 with serial numbers 28R-31251 to 28R-31279 inclusive, PA-28-235 with serial number 28-11301 to 28-11393 inclusive, and PA-28R-200 with serial numbers 28R-35601 to 28R-35830 inclusive.</p> <p>N- Used on PA-28-150, PA-28-160 and PA-28-180 airplanes only.</p>					

When ordering, always specify Part Number, Description, and Serial Number of Aircraft

PIPER PARTS CATALOG

Figure and Index Number	Part Number	Code	NOMENCLATURE	No. Req.	SERIAL NUMBERS AFFECTED
28-20	65717-02	B,G	CUSHION ASSEMBLY - Front seat, bottom	1	28-21468 to 28-21866 inclusive 28-21867 to 28-23332 inclusive 28-23333 to 28-24999 inclusive 28-10003 to 28-10719 inclusive 28-10720 to 28-10957 inclusive 28-10958 to 28-11039 inclusive 28R-30005 to 28R-30249 incl.
	68061-02	B,G	CUSHION ASSEMBLY - Front seat, bottom	1	
	66551-05	B,J	CUSHION ASSEMBLY - Front seat, bottom	1	
	63068-05	C,G	CUSHION ASSEMBLY - Front seat, bottom	1	
	68061-02	C,G	CUSHION ASSEMBLY - Front seat, bottom	1	
	66551-02	C,G	CUSHION ASSEMBLY - Front seat, bottom	1	
	66551-05	H,J	CUSHION ASSEMBLY - Front seat, bottom	1	
	65881-02	J,K	CUSHION ASSEMBLY - Front seat, bottom	1	
	67836-02	D,L	CUSHION ASSEMBLY - Front seat, bottom	1	
	67836-05	E,F	CUSHION ASSEMBLY - Front seat, bottom	1	
	<p>Note: Refer to Figure 28B if vertically adjustable front seats are installed.</p> <p>A- Used on PA-28-150, PA-28-160 and PA-28-180 with serial numbers 28-1 to 28-5869 inclusive, PA-28-140 with serial numbers 28-20002 to 28-26956 inclusive, PA-28R-180 with serial number 28R-30005 to 28R-30481 inclusive, 28R-30483 to 28R-31279 inclusive, PA-28R-200 with serial number 28R-30482, 28R-35001 to 28R-35830 inclusive, and PA-28-235 with serial number 28-10003 to 28-11393 inclusive.</p> <p>B- Used on PA-28-140 airplanes only.</p> <p>C- Used on PA-28-235 airplanes only.</p> <p>D- When ordering, specify color red, brown, blue, beige, black or white.</p> <p>E- Used on PA-28-180 with serial numbers 28-5601 to 28-5869 inclusive, PA-28R-180 with serial numbers 28R-31251 to 28R-31279 inclusive, PA-28R-200 with serial numbers 28R-35601 to 28R-35830 inclusive, and PA-28-235 with serial numbers 28-11301 to 28-11393 inclusive.</p> <p>F- When ordering, specify color red, green, blue, beige, black or white.</p> <p>G- When ordering, specify color red, blue or brown.</p> <p>H- Used on PA-28R-180 airplanes only.</p> <p>J- When ordering, specify color red, blue, brown or beige.</p> <p>K- Used on PA-28-180 with serial numbers 28-4380 to 28-5600 inclusive, PA-28R-180 with serial numbers 28R-30250 to 28R-30481 inclusive, 28R-30483 to 28R-31250 inclusive, PA-28-235 with serial numbers 28-11040 to 28-11300 inclusive, and PA-28-140 with serial numbers 28-25000 to 28-26956 inclusive.</p> <p>L- Used on PA-28R-200 with serial numbers 28R-30482, 28R-35001 to 28R-35600 inclusive.</p>				

When ordering, always specify Part Number, Description, and Serial Number of Aircraft

PIPER PARTS CATALOG

Figure and Index Number	Part Number	Code	NOMENCLATURE	No. Req.	SERIAL NUMBERS AFFECTED
28-20a	18835-12	B	FRAME ASSEMBLY - Front seat, bottom	1	
	63443-00	C	FRAME ASSEMBLY - Front seat, bottom	1	
	68059-00	D	FRAME ASSEMBLY - Front seat, bottom	1	
	68059-06	E	FRAME ASSEMBLY - Front seat, bottom	1	
-21	85012-30	W	WASHER - Seat plunger	2	
-22	86102-56	W	WASHER - Seat plunger	2	
-23	50111-00	W	SPRING - Seat plunger	2	
-24	76175-02		PLUNGER - Seat	2	
-25	69501-00		HANDLE - Front seat adjustment	2	
-26	424 187	W	PIN - Flat head (AN393-37)	2	
<p>Note: Refer to Figure 28B if vertically adjustable front seats are installed.</p> <p>A- Used on PA-28-150, PA-28-160 and PA-28-180 with serial numbers 28-1 to 28-5869 inclusive, PA-28-140 with serial numbers 28-20002 to 28-26956 inclusive, PA-28R-180 with serial numbers 28R-30005 to 28R-30481 inclusive, 28R-30483 to 28R-31279 inclusive, PA-28R-200 with serial numbers 28R-30482, 28R-35001 to 28R-35830 inclusive, and PA-28-235 with serial numbers 28-10003 to 28-11393 inclusive.</p> <p>B- Used on PA-28-150, PA-28-160 and PA-28-180 with serial numbers 28-1 to 28-670 inclusive, and PA-28-140 with serial numbers 28-20002 to 28-20087 inclusive.</p> <p>C- Used on PA-28-150, PA-28-160 and PA-23-180 with serial numbers 28-671 to 28-3442 inclusive, PA-28-140 with serial numbers 28-20088 to 28-21866 inclusive, and PA-28-235 with serial numbers 28-10003 to 28-10719 inclusive.</p> <p>D- Used on PA-28-150, PA-28-160 and PA-28-180 with serial numbers 28-3443 to 28-4379 inclusive, PA-28-140 with serial numbers 28-21867 to 28-24999 inclusive, PA-28-235 with serial numbers 28-10720 to 28-11039 inclusive, and PA-28R-180 with serial number 28R-30005 to 28R-30249 inclusive.</p> <p>E- Used on PA-28-140 with serial numbers 28-25000 to 28-26956 inclusive, PA-28-180 with serial numbers 28-4380 to 28-5869 inclusive, PA-28-235 with serial numbers 28-11040 to 28-11393 inclusive, PA-28R-180 with serial numbers 28R-30250 to 28R-30481 inclusive, 28R-30483 to 28R-31279 inclusive, and PA-28R-200 with serial numbers 28R-30482, 28R-35001 to 28R-35830 inclusive.</p> <p>W- These parts must be ordered from Service Spares Department, Piper Aircraft, Lock Haven, Penna.</p>					

When ordering, always specify Part Number, Description, and Serial Number of Aircraft

PIPER PARTS CATALOG

Figure and Index Number	Part Number	Code	NOMENCLATURE	No. Req.	SERIAL NUMBERS AFFECTED
28-27	87332-02	D	ROLLER - Seat, front	2	
-28	87332-02	C,D	ROLLER - Seat, rear	2	
	452 386	B	BEARING - Seat, rear (NAS506-4)	2	
-29	65003-47		BUSHING - Seat roller, front	2	
-30	65003-47	C	BUSHING - Seat roller, rear	2	
	63900-54	B,W	BUSHING - Seat roller, rear	4	
-31	400 110	C,W	BOLT - Seat roller (AN4-15) front	2	
	401 315	B,W	BOLT - Seat roller (AN4-15A) front	2	
	404 101	C,W	NUT - (AN310-4) Front	2	
	404 888	B,W	NUT - (MS20365-428C) Front	2	
	407 565	B,W	WASHER - (AN960-416)	2	
	424 051	C,W	PIN - Cotter (AN380-2-2)	2	
-32	400 111	C,W	BOLT - Seat roller (AN4-16) rear	2	
	401 315	B,W	BOLT - Seat roller (AN4-15A) rear	2	
	404 101	C,W	NUT - (AN310-4) Rear	2	
	404 888	B,W	NUT - (MS20365-428C) Rear	2	
	407 565	B,W	WASHER - (AN960-416)	2	
	424 051	C,W	PIN - Cotter (AN380-2-2)	2	
			Note: Refer to Figure 28B if vertically adjustable front seats are installed.		
			A- Used on PA-28-150, PA-28-160 and PA-28-180 with serial number 28-1 to 28-5869 inclusive, PA-28-140 with serial numbers 28-20002 to 28-26956 inclusive, PA-28R-180 with serial number 28R-30005 to 28R-30481 inclusive, 28R-30483 to 28R-31279 inclusive, PA-28R-200 with serial number 28R-30482, 28R-35001 to 28R-35830 inclusive, and PA-28-235 with serial numbers 28-10003 to 28-11393 inclusive.		
			B- Used on PA-28-150, PA-28-160 and PA-28-180 with serial number 28-1761 to 28-5869 inclusive, PA-28-140 with serial number 28-20301 to 28-26956 inclusive, PA-28-235 with serial numbers 28-10487 to 28-11393 inclusive, PA-28R-180 with serial numbers 28R-30005 to 28R-30481 inclusive, 28R-30483 to 28R-31279 inclusive, and PA-28R-200 with serial numbers 28R-30482, 28R-35001 to 28R-35830 inclusive.		
			C- Used on PA-28-150, PA-28-160 and PA-28-180 with serial numbers 23-1 to 28-1760 inclusive, PA-28-140 with serial numbers 28-20002 to 28-20300 inclusive, and PA-28-235 with serial numbers 28-10003 to 28-10486 inclusive.		
			D- Before ordering, ascertain O.D. at center of seat roller. If O.D. of roller measures .42, (2) rollers P/N 87332-02 must be ordered. If O.D. of roller measures .62, order rollers(s) as required.		
			W- These parts must be ordered from Service Spares Department, Piper Aircraft, Lock Haven, Penna.		

When ordering, always specify Part Number, Description, and Serial Number of Aircraft

PIPER PARTS CATALOG

Figure and Index Number	Part Number	Code	NOMENCLATURE	No. Req.	SERIAL NUMBERS AFFECTED	
28-33	63139-06	J	CUSHION ASSEMBLY - Front seat, back, left, brown		28-1 to 28-130 inclusive	
	63139-07	J	CUSHION ASSEMBLY - Front seat, back, right, brown	1	28-1 to 28-130 inclusive	
	63139-11	J	CUSHION ASSEMBLY - Front seat, back, left, brown	1	28-131 to 28-670 inclusive	
	63139-12	J	CUSHION ASSEMBLY - Front seat, back, right, brown	1	28-131 to 28-670 inclusive	
	63180-03	F,K	CUSHION ASSEMBLY - Front seat, bsck	1	28-671 to 28-1760 inclusive	
	63068-03	B,F	CUSHION ASSEMBLY - Front seat, back	1	28-671 to 28-1760 inclusive	
	63068-06	G,J	CUSHION ASSEMBLY - Front seat, back	1	28-1761 to 28-3109 inclusive	
	65717-03	G,J	CUSHION ASSEMBLY - Front seat, back	1	28-3110 to 28-3442 inclusive	
	68061-03	G,J	CUSHION ASSEMBLY - Front seat, back	1	28-3443 to 28-4089 inclusive	
	66551-03	G,J	CUSHION ASSEMBLY - Front seat, back	1	28-4090 to 28-4379 inclusive	
	63139-11	D	CUSHION ASSEMBLY - Front seat, back, left, brown	1	28-20002 to 28-20087 inclusive	
	63139-12	O	CUSHION ASSEMBLY - Front seat, back, right, brown	1	28-20002 to 28-20087 inclusive	
	63180-03	D,F	CUSHION ASSEMBLY - Front seat, back	1	28-20088 to 28-20204 inclusive	
	63068-07	D,F	CUSHION ASSEMBLY - Front seat, back	1	28-20205 to 28-20909 inclusive	
	63068-10	D	CUSHION ASSEMBLY - Front seat, back, brown	1	28-20910 to 28-21467 inclusive	
	65717-03	D,G	CUSHION ASSEMBLY - Front seat, back	1	28-21468 to 28-21866 inclusive	
	68061-03	D,G	CUSHION ASSEMBLY - Front seat, back	1	28-21867 to 28-23332 inclusive	
	66551-06	D,H	CUSHION ASSEMBLY - Front seat, back	1	28-23333 to 28-24999 inclusive	
	63068-06	C,G	CUSHION ASSEMBLY - Front seat, bsck	1	28-10003 to 28-10719 inclusive	
	68061-03	C,G	CUSHION ASSEMBLY - Front seat, back	1	28-10720 to 28-10957 inclusive	
	66551-03	C,G	CUSHION ASSEMBLY - Front seat, back	1	28-10958 to 28-11039 inclusive	
	66551-06	E,H	CUSHION ASSEMBLY - Front seat, back	1	28R-30005 to 28R-30249 incl.	
	<p>Note: Refer to Figure 28B if vertically adjustable front seats are installed.</p> <p>A- Used on PA-28-150, PA-28-160 and PA-28-180 with serial number 28-1 to 28-5869 inclusive, PA-28-140 with serial numbers 28-20002 to 28-26956 inclusive, PA-28R-180 with serial numbers 28R-30005 to 28R-30481 inclusive, 28R-30483 to 28R-31279 inclusive, PA-28R-200 with serial numbers 28R-30482, 28R-35001 to 28R-35830 inclusive, and PA-28-235 with serial numbers 28-10003 to 28-11393 inclusive.</p> <p>B- Used on PA-28-180 airplanes only.</p> <p>C- Used on PA-28-235 airplanes only.</p> <p>D- Used on PA-28-140 only.</p> <p>E- Used on PA-28R-180 airplanes only.</p> <p>F- When ordering, specify color brown or gray.</p> <p>G- When ordering, specify color red, blue or brown.</p> <p>H- When ordering, specify color red, blue, brown or beige.</p> <p>J- Used on PA-28-150, PA-28-160 and PA-28-180 only.</p> <p>K- Used on PA-28-150 and PA-28-160 airplanes only.</p>					

When ordering, always specify Part Number, Description, and Serial Number of Aircraft

PIPER PARTS CATALOG

Figure and Index Number	Part Number	Code	NOMENCLATURE	No. Req.	SERIAL NUMBERS AFFECTED
28-33	65881-03	E,H	CUSHION ASSEMBLY - Front seat, back		
	67836-03	J,K	CUSHION ASSEMBLY - Front seat, back	1	
	67836-06	G,L	CUSHION ASSEMBLY - Front seat, back	1	
-33a	18838-04	B	FRAME ASSEMBLY - Front seat, back	1	
	65273-00	C	FRAME ASSEMBLY - Front seat, back	1	
	68067-00	D	FRAME ASSEMBLY - Front seat, back	1	
	65879-00	F	FRAME ASSEMBLY - Front seat, back	1	
<p>Note: Refer to Figure 28B if vertically adjustable front seats are installed.</p> <p>A- Used on PA-28-150, PA-28-160 and PA-28-180 with serial numbers 28-1 to 28-5869 inclusive, PA-28-140 with serial numbers 28-20002 to 28-26956 inclusive, PA-28R-180 with serial numbers 28R-30005 to 28R-30481 inclusive, 28R-30483 to 28R-31279 inclusive, PA-28R-200 with serial numbers 28R-30482, 28R-35001 to 28R-35830 inclusive, and PA-28-235 with serial numbers 28-10003 to 28-11393 inclusive.</p> <p>B- Used on PA-28-150, PA-28-160 and PA-28-180 with serial numbers 28-1 to 28-1760 inclusive, and PA-28-140 with serial numbers 28-20002 to 28-21467 inclusive.</p> <p>C- Used on PA-28-150, PA-28-160 and PA-28-180 with serial numbers 28-1761 to 28-3442 inclusive, PA-28-140 with serial numbers 28-21468 to 28-21866 inclusive, and PA-28-235 with serial number 28-10003 to 28-10719 inclusive.</p> <p>D- Used on PA-28-150, PA-28-160 and PA-28-180 with serial numbers 28-3443 to 28-4379 inclusive, PA-28-140 with serial numbers 28-21867 to 28-24999 inclusive, PA-28-235 with serial numbers 28-10720 to 28-11039 inclusive, and PA-28R-180 with serial numbers 28R-30005 to 28R-30249 inclusive.</p> <p>E- Used on PA-28-180 with serial numbers 28-4380 to 28-5600 inclusive, PA-28R-180 with serial numbers 28R-30250 to 28R-30481 inclusive, 28R-30483 to 28R-31250 inclusive, PA-28-235 with serial numbers 28-11040 to 28-11300 inclusive, and PA-28-140 with serial numbers 28-25000 to 28-26956 inclusive.</p> <p>F- Used on PA-28-140 with serial numbers 28-25000 to 28-26956 inclusive, PA-28-180 with serial numbers 28-4380 to 28-5369 inclusive, PA-28-235 with serial numbers 28-11040 to 28-11393 inclusive, PA-28R-180 with serial numbers 28R-30250 to 28R-30481, 28R-30483 to 28R-31279 inclusive, and PA-28R-200 with serial numbers 28R-30482, 28R-35001 to 28R-35830 inclusive.</p> <p>G- When ordering, specify color red, green, blue, beige, black or white.</p> <p>H- When ordering, specify color red, blue, brown or beige.</p> <p>J- Used on PA-28R-200 with serial numbers 28R-30482, 28R-35001 to 28R-35600 inclusive.</p> <p>K- When ordering, specify color red, brown, blue, beige, black or white.</p> <p>L- Used on PA-28-180 with serial numbers 28-5601 to 28-5869 inclusive, PA-28R-180 with serial numbers 28R-31251 to 28R-31279 inclusive, PA-28R-200 with serial numbers 28R-35601 to 28R-35830 inclusive, and PA-28-235 with serial numbers 28-11301 to 28-11393 inclusive.</p>					

When ordering, always specify Part Number, Description, and Serial Number of Aircraft

PIPER PARTS CATALOG

Figure and Index Number	Part Number	Code	NOMENCLATURE	No. Req.	SERIAL NUMBERS AFFECTED
28-34	65304-00	B	PANEL - Ash box	1	
-35	453 141	B,W	BOX -Ash	1	
-36	65286-02	B	KNOB - Ash box, red	1	
	65286-03	B	KNOB - Ash box, blue	1	
	65286-04	B	KNOB - Ash box, brown	1	
-37	484 385	B,W	RETAINER - Ash box	1	
-38	62654-00		STOP - Seat, inboard, front	2	
-39	62655-00		STOP - Seat, inboard, rear	2	
-40	65761-02	C,E,F	COVER - Inertia reel, 8" x 7" left, red	1	
	67762-02	D,E	COVER - Inertia reel, 11 1/4" x 6", left, red	1	28-26401 to 28-26956 inclusive
	65761-03	C,E,F	COVER - Inertia reel, 8" x 7", right, red	1	
	67762-03	D,E	COVER - Inertia reel, 11 1/4" x 6", right, red	1	28-26401 to 28-26956 inclusive
	65761-04	C,E,F	COVER - Inertia reel, 8" x 7", left, blue	1	
	67762-04	D,E	COVER - Inertia reel, 11 1/4" x 6", left, blue	1	28-26401 to 28-26956 inclusive
	65761-05	C,E,F	COVER - Inertia reel, 8" x 7", right, blue	1	
	67762-05	D,E	COVER - Inertia reel, 11 1/4" x 6", right, blue	1	28-26401 to 28-26956 inclusive
	65761-06	C,E,F	COVER - Inertia reel, 8" x 7", left, brown	1	
	67762-08	D,E	COVER - Inertia reel, 11 1/4" x 6", left, brown	1	28-26401 to 28-26956 inclusive
	65761-07	C,E,F	COVER - Inertia reel, 8" x 7", right, brown	1	
	67762-09	D,E	COVER - Inertia reel, 11 1/4" x 6", right, brown	1	28-26401 to 28-26956 inclusive
	65761-08	C,E,F	COVER - Inertia reel, 8" x 7", left, gray	1	
	65761-09	C,E,F	COVER - Inertia reel, 8" x 7", right, gray	1	
	65761-10	C,E,F	COVER - Inertia reel, 8" x 7", left, tan	1	
	67762-06	D,E	COVER - Inertia reel, 11 1/4" x 6", left, tan	1	28-26401 to 28-26956 inclusive
	65761-11	C,E,F	COVER - Inertia reel, 8" x 7", right, tan	1	
	67762-07	D,E	COVER - Inertia reel, 11 1/4" x 6", right, tan	1	28-26401 to 28-26956 inclusive

Note: Refer to Figure 28B if vertically adjustable front seats are installed.

A - Used on PA-28-150, PA-28-160 and PA-28-180 with serial numbers 28-1 to 28-5869 inclusive, PA-28-140 with serial numbers 28-20002 to 28-26956 inclusive, PA-28R-180 with serial numbers 28R-30005 to 28R-30481 inclusive, 28R-30483 to 28R-31279 inclusive, PA-28R-200 with serial numbers 28R-30482, 28R-35001 to 28R-35830 inclusive, and PA-28-235 with serial numbers 28-10003 to 28-11393 inclusive.

B - Used on PA-28-150, PA-28-160 and PA-28-180 with serial numbers 28-1761 to 28-3443 inclusive, PA-28-140 with serial numbers 28-21468 to 28-21866 inclusive, and PA-28-235 with serial numbers 28-10003 to 28-10719 inclusive.

C - Used on PA-28-140 with serial numbers 28-20002 to 28-26400 inclusive, PA-28-150, PA-28-160 and PA-28-180 with serial numbers 28-1761 to 28-4377 inclusive.

D - Used on PA-28-140 airplanes only.

E - Used if shoulder harness has been installed.

F - If installing Shoulder Harness Kit 760 365, order reel covers for PA-28-140 with serial numbers 28-26401 to 28-26956 inclusive, PA-28-150, PA-28-160 and PA-28-180 require reel covers used on PA-28-180 with serial numbers 28-5601 to 28-26956 inclusive.

W - These parts must be ordered from Service Spares Department, Piper Aircraft, Lock Haven, Penna

When ordering, always specify Part Number, Description, and Serial Number of Aircraft

PIPER PARTS CATALOG

Figure and Index Number	Part Number	Code	NOMENCLATURE	No. Req.	SERIAL NUMBERS AFFECTED
28-40	65764-02	B,C,D	COVER - Inertia reel, 7 1/8" x 7", left, red	1	
	69439-02	C,E	COVER - Inertia reel, 12 1/2" x 6 1/8", left, red	1	
	65764-03	B,C,D	COVER - Inertia reel, 7 1/8" x 7", right, red	1	
	69439-03	C,E	COVER - Inertia reel, 12 1/2" x 6 1/8", right, red	1	
	65764-04	B,C,D	COVER - Inertia reel, 7 1/8" x 7", left, blue	1	
	69439-04	C,E	COVER - Inertia reel, 12 1/2" x 6 1/8", left, blue	1	
	65764-05	B,C,D	COVER - Inertia reel, 7 1/8" x 7", right, blue	1	
	69439-05	C,E	COVER - Inertia reel, 12 1/2" x 6 1/8", right, blue	1	
	65764-06	B,C,D	COVER - Inertia reel, 7 1/8" x 7", left, brown	1	
	65764-07	B,C,D	COVER - Inertia reel, 7 1/8" x 7", right, brown	1	
	65764-08	B,C,D	COVER - Inertia reel, 7 1/8" x 7", left, tan	1	
	69439-06	C,E	COVER - Inertia reel, 12 1/2" x 6 1/8", left, tan	1	
	65764-09	B,C,D	COVER - Inertia reel, 7 1/8" x 7", right, tan	1	
	69439-07	C,E	COVER - Inertia reel, 12 1/2" x 6 1/8", right, tan	1	
	69439-08	C,E	COVER - Inertia reel, 12 1/2" x 6 1/8", left, green	1	
	69439-09	C,E	COVER - Inertia reel, 12 1/2" x 6 1/8", right, green	1	
	69439-10	C,E	COVER - Inertia reel, 12 1/2" x 6 1/8", left, black	1	
69439-11	C,E	COVER - Inertia reel, 12 1/2" x 6 1/8", right, black	1		
69439-12	C,E	COVER - Inertia reel, 12 1/2" x 6 1/8", left, white	1		
69439-13	C,E	COVER - Inertia reel, 12 1/2" x 6 1/8", right, white	1		
			<p>A- Used on PA-28-150, PA-28-160 and PA-28-180 with serial numbers 28-1 to 28-5869 inclusive, PA-28-140 with serial numbers 28-20002 to 28-26956 inclusive, PA-28R-180 with serial numbers 28R-30005 to 28R-30481 inclusive, 28R-30483 to 28R-31279 inclusive, PA-28R-200 with serial numbers 28R-30482, 28R-35001 to 28R-35830 inclusive, and PA-28-235 with serial numbers 28-10003 to 28-11393 inclusive.</p> <p>B- Used on PA-28-180 with serial numbers 28-4378 to 28-5600 inclusive, and PA-28-235 with serial numbers 28-11040 to 28-11300 inclusive.</p> <p>C- Used if shoulder harness has been installed.</p> <p>D- If installing Shoulder Harness Kit 760 365, order reel coven for PA-28-180 with serial number 28-5601 to 28-5869 inclusive, and PA-28-235 with serial numbers 28-11301 to 28-11393 inclusive.</p> <p>E- Used on PA-28-180 with serial numbers 28-5601 to 28-5869 inclusive, PA-28R-180 with serial numbers 28R-31251 to 28R-31279 inclusive, PA-28R-200 with serial numbers 28R-35601 to 28R-35830 inclusive, and PA-28-235 with serial numbers 28-11301 to 28-11393 inclusive.</p>		

When ordering, always specify Part Number, Description, and Serial Number of Aircraft

PIPER PARTS CATALOG

Figure and Index Number	Part Number	Code	NOMENCLATURE	No. Req.	SERIAL NUMBERS AFFECTED
28-41	65763-00	B,D	BRACKET - Shoulder belt support, left	1	
	66940-00	C,D	DOUBLER - Shoulder belt support, left	1	
	65763-01	B,D	BRACKET - Shoulder belt support, right	1	
	66940-01	C,D	DOUBLER - Shoulder belt support, right	1	
-42	484 224	E	BELT ASSEMBLY - Shoulder (0107116-9)	2	
-43	62915-00	F	SUPPORT - Resr seat back	2	
	67757-00	G	SUPPORT - Rear seat back	2	
-44	434 128	G,W	GROMMET - Rear seat back support (AN931-4-7)	2	
-45	68022-14		BOOT - Seat beit attachment, black	4	
			A- Used on PA-28-150, PA-28-160 and PA-28-180 with serial numbers 28-1 to 28-5869 inclusive, PA-28-140with serial numbers 28-20002 to 28-26956 inclusive, PA-28R-180 with serial numbers 28R-30005 to 28R-30481 inclusive, 28R-30482 to 28R-31279 inclusive, PA-28R-200 with serial numbers 28R-30482, 28R-35001to 28R-35830 indusive, and PA-28-235 with serial numbers 28-10003 to 28-11393 inclusive.		
			B- Used on PA-28-140 with serial numbers 28-20002 to 28-26400 inclusive, PA-28-150, PA-28-160 and PA28-180 wrth serial numbers 28-1716 to 28-5600 inclusive, and PA-28-235 with seriel numbers 28-11040 to 28-11300 inclusive.		
			C- Used on PA-28-140 with serial numbers 28-26401to 28-26956 inclusive, PA-28-180 with serial numbers 28-5601to 28-5869 inclusive, PA-28R-180 with serial numbers 28R-31251to 28R-31279 inclusive, PA-28R-200 with serial numbers 28R-35601to 28R-35830 indusive, and PA-28-235 with serial numben 28-11301to 28-11393 inclusive.		
			D- Used if shoulder harness has been installed.		
			E- Ascertain vendor's part number on shoulder belt. If 0107116-9 does not appear, also order matching Lap belt Assembly, Part No. 551 368.		
			F- Used on PA-28-150, PA-28-160 and PA-28-180 with serial numbers 28-1 to 28-5600 inclusive, PA-28R-180 with serial numbers 28R-30005 to 28R-30481 inclusive, 28R-30483 to 28R-31250 indusive, PA-28R-200 with serial numbers 28R-30482, 28R-35001 to 28R-35600 inclusive, and PA-28-235 with serial numbers 28-10003 to 28-11300 indusive,		
			G- Used on PA-28-180 with serial numbsrs 28-5601to 28-5869 inclusive, PA-28R-180 with serial numbers 28R-31251 to 28R-31279 inclusive, PA-28R-200 with serial number 28R-35601to 28R-35830 inclusive, and PA-28-235 th serial numbers 28-11301 to 28-11393 inclusive.		
			W- These parts must be ordered from Service Spares Department, Piper Aircraft, Lock Haven, Penna.		

When ordering, always specify Part Number, Description, and Serial Number of Aircraft

PIPER PARTS CATALOG

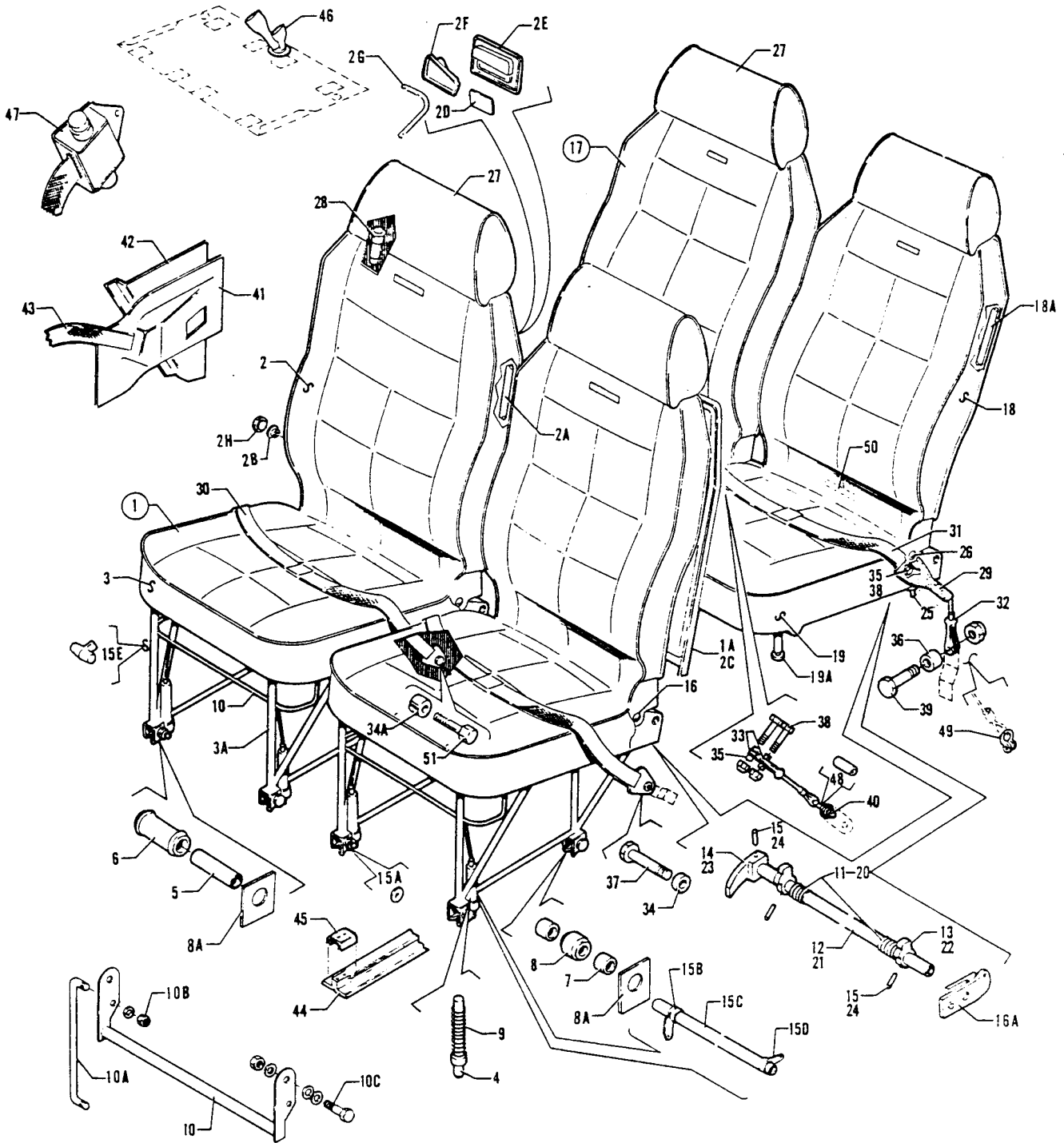


Figure 28A. Seats Installation
 (PA-28-140 - Serial Nos. 28-7125001 and up)
 (PA-28-180 - Serial Nos. 28-7105001 and up)
 (PA-28R-180 - Serial Nos. 28R-7130001 and up)
 (PA-28R-200 - Serial Nos. 28R-7135001 and up)
 (PA-28R-235 - Serial Nos. 28R-7110001 and up)

PIPER PARTS CATALOG

Figure and Index Number	Part Number	Code	NOMENCLATURE	No. Req.	SERIAL NUMBERS AFFECTED
28A-	99354 76170	H K,M	DRAWING - Seats Installation DRAWING - Seats Installation		
-1	99384-00 99727-16 79337-00 99384-01 99727-01 79337-01 99727-17 79337-01 99384-02 99727-21 76171-00 79337-02	B,D B,D B,F B,D B,D B,F D,J J C, D F,G E,F F,L,M	SEAT ASSEMBLY - Front, left SEAT ASSEMBLY - Front, left SEAT ASSEMBLY - Front, left SEAT ASSEMBLY - Front, right SEAT ASSEMBLY - Front, right SEAT ASSEMBLY - Front, right SEAT ASSEMBLY - Front, right SEAT ASSEMBLY - Front, right SEAT ASSEMBLY - Front, right, gold SEAT ASSEMBLY - Front, left SEAT ASSEMBLY - Front, left SEAT ASSEMBLY - Front, left SEAT ASSEMBLY - front, left	1 1 1 1 1 1 1 1 1 1 1 1 1	28-7125001 to 28-7125651 incl. 28-7225001 to 28-7225612 incl. 28-7325001 and up 28-7125001 to 28-7125651 incl. 28-7225001 to 28-7225612 incl. 28-7325001 and up 28-7225001 to 28-7225612 incl. 28-7325001 and up 28R-7235001 to 28R-7235330 incl
<p>Note: Refer to Figure 28B or 28C if vertically adjustable front seats are installed.</p> <p>A- Used on PA-28-140 with serial numbers 28-7125001 and up, PA-28-180 with serial numbers 28-7105001 and up, PA-28-235 with serial numbers 28-7110001 and up, PA-28R-180 with serial numbers 28R-7130001 and up, and PA-28R-200 with serial numbers 28R-7135001 and up.</p> <p>B- Used on PA-29-140 airplanes only.</p> <p>C- Used on PA-28-180 with serial numbers 28-7105001 to 28-7105244 inclusive, PA-28-235 with serial numbers 28-7110001 to 28-7110042 inclusive, PA-28R-180 with serial numbers 28R-7130001 to 28R-7130019 inclusive, and PA-28R-200 with serial numbers 28R-7135001 to 28R-7135238 inclusive.</p> <p>D- When ordering, specify color red, blue, beige, black, white, green or gold.</p> <p>E- Used on PA-28R-200 airplanes only.</p> <p>F- When ordering, specify color red, blue/green, gold, green, black, white, blue, navajo sepia, navajo cactus or yellow/dark red. Specify trim color black or camel on 1977 and up model aircraft.</p> <p>G- Used on PA-28-180 with serial numbers 28-7205001 to 28-7205328 inclusive, and PA-28-235 with serial numbers 28-7210001 to 28-7210033 inclusive.</p> <p>H- Used on PA-28-140 with serial numbers 28-7125001 and up, PA-28-180 with serial numbers 28-7105001 and up, PA-28-235 with serial numbers 28-7110001 and up, PA-28R-180 with serial numbers 28R-7130001 to 28R-7130019 inclusive, and PA-28R-200 with serial numbers 28R-7135001 to 28R-7135238 inclusive.</p> <p>J- Used on PA-28-140 Flite Liner only.</p> <p>K- Used on PA-28R-200 with serial numbers 28R-7235001 and up.</p> <p>L- Used on PA-28R-200 with serial numbers 28R-7335001 and up.</p> <p>M- Used on PA-28-180 with serial numbers 28-7305001 and up and PA-28-235 with serial numbers 28-7310001 and up.</p>					

When ordering, always specify Part Number, Description, and Serial Number of Aircraft

PIPER PARTS CATALOG

Figure and Index Number	Part Number	Code	NOMENCLATURE	No. Req.	SERIAL NUMBERS AFFECTED	
28A- 1 -1a -2	99384-03	C, D	SEAT ASSEMBLY - Front, right	1	28R-7235001 to 28R-7235330 incl.	
	99727-03	F,G	SEAT ASSEMBLY - Front, right	1		
	76171-01	F,L	SEAT ASSEMBLY - Front, right	1		
	79337-03	E,F,M	SEAT ASSEMBLY - Front, right	1		
	78041-00	B,H	COVER - Seat back, left	1		
	78041-00	E,H,M	COVER - Seat back, left	1		
	78041-00	H,J	COVER - Seat back, right	1		
	99384-06	B,D	CUSHION ASSEMBLY - Back, left and right	1		
	99384-07	C,D	CUSHION ASSEMBLY - Back, left and right	1		
	99727-20	B,K	CUSHION ASSEMBLY - Back, left	1		
	99727-23	F,G	CUSHION ASSEMBLY - Back, left	1		
	99727-24	F,L	CUSHION ASSEMBLY - Back, left	1		
	Note: Refer to Figure 288 or 28C if vertically adjustable front seats are installed.					
	A- Used on PA-28-140 with serial numbers 28-7125001 and up, PA-28-180 with serial numbers 28-7105001 and up, PA-28-235 with serial numbers 28-7110001 and up, PA-28R-180 with serial numbers 28R-7130001 and up, and PA-28R-200 with serial numbers 28R-7135001 and up.					
B- Used on PA-28-140 airplanes only.						
C- Used on PA-28-180 with serial numbers 28-7105001 to 28-7105244 inclusive, PA-28-235 with serial numbers 28-7110001 to 28-7110042 inclusive, PA-28R-180 with serial numbers 28R-7130001 to 28R-7130019 inclusive, and PA-28R-200 with serial numbers 28R-7135001 to 28R-7135238 inclusive.						
D- When ordering, specify color red, blue, beige, black, white or green.						
E- Used on PA-28R-200 with serial numbers 28R-7335001 and up.						
F- When ordering, specify color red, blue/green, gold, green, black, white, blue, navajo sepia. navajo cactus or yellow/dark red. Specify trim color black or camel on 1977 and up model aircraft.						
G- Used on PA-28-180 with serial numbers 28-7205001 to 28-7205328 inclusive, and PA-28-235 with serial numbers 28-7210001 to 28-7210033 inclusive.						
H- When ordering, specify color red, blue/green. gold, black, white, green or bark. Specify color "Bark I" for PA-28-140 with serial numbers 28-7725001 to 28-7725174 inclusive, PA-28-235 with serial numbers 28-7710001 to 28-7710010 inclusive, and PA-28R-200 with serial numbers 28R-7635504 and up. Specify color "Bark II" for PA-28-140 with serial numbers 28-7725175 and up, and PA-28-235 with serial numbers 28-7710011 and up,						
J- Used on PA-28-140 Flite Liner only.						
K- When ordering, specify color red, blue, beige, gold or green.						
L- Used on PA-28R-200 airplanes only.						
M- Used on PA-28-180 with serial numbers 28-7305001 and up, and PA-28-235 with serial numbers 28-7310001 and up.						

When ordering, always specify Part Number, Description, and Serial Number of Aircraft

PA-28-140
PA-28-180
PA-28-235
PA-28R-180
PA-28R-200

PIPER PARTS CATALOG

Figure and Index Number	Part Number	Code	NOMENCLATURE	No. Req.	SERIAL NUMBERS AFFECTED
28A-2	96806-12	B,L	CUSHION ASSEMBLY - Back, left	1	28-7325001 to 28-7525322 incl.
	96806-12	F,H,K	CUSHION ASSEMBLY - Back, left	1	
	79337-16	C,F	CUSHION ASSEMBLY - Back, left	1	
	99727-07	B,D	CUSHION ASSEMBLY - Back, right	1	28-7225001 to 28-7225612 incl.
	99727-20	D,J	CUSHION ASSEMBLY - Back, right	1	
	99727-15	F,G	CUSHION ASSEMBLY - Back, right	1	28-7225001 to 28-7225612 incl.
	99727-25	E,F	CUSHION ASSEMBLY - Back, right	1	
	96806-24	B,D	CUSHION ASSEMBLY - Back, right	1	28R-7235001 to 28R-7235330 incl.
	96806-22	B,D	CUSHION ASSEMBLY - Back, right	1	
	96806-23	F,H,K	CUSHION ASSEMBLY - Back, right	1	28-7425280 to 28-7525322 incl.
	96806-12	D,J	CUSHION ASSEMBLY - Back, right	1	
	79337-17	C,F	CUSHION ASSEMBLY - Back, right	1	28-7325001 to 28-7525322 incl.
	<p>Note: Refer to Figure 28B or 28C if vertically adjustable front seats are installed,</p> <p>A- Used on PA-28-140 with serial numbers 28-7125001 and up, PA-28-180 with serial numbers 28-7105001 and up, PA-28-235 with serial numbers 28-7110001 and up, PA-28R-180 with serial numbers 28R-7130001 and up, and PA-28R-200 with serial numbers 28R-7135001 and up.</p> <p>B- Used on PA-28-140 airplanes only.</p> <p>C- Used on PA-28-140 with serial numbers 28-7525323 and up, PA-28-180 with serial numbers 28-7505235 and up, PA-28-235 with serial numbers 28-7610096 and up, and PA-28R-200 with serial numbers 28R-7535299 and up.</p> <p>D- When ordering, specify color red, blue, beige gold or green.</p> <p>E- Used on PA-28R-200 airplanes only.</p> <p>F- When ordering, specify color red, blue/green, gold, green, black, white, blue, navajo sepia, navajo cactus or yellow/dark red. Specify trim color black or camel on 1977 and up model aircraft.</p> <p>G- Used on PA-28-180 with serial numbers 28-7205001 to 28-7205328 inclusive, and PA-28-235 with serial numbers 28-7210001 to 28-7210033 inclusive.</p> <p>H- Used on PA-28R-200 with serial numbers 28R-7335001 to 28R-7535298 inclusive.</p> <p>J- Used on PA-28-140 Flite Liner only.</p> <p>K- Used on PA-28-180 with serial numbers 28-7305001 to 28-7505234 inclusive, and PA-28-235 with serial numbers 28-7310001 to 28-7610095 inclusive.</p> <p>L- When ordering, specify color red, blue, gold, green.</p>				

When ordering, always specify Part Number, Description, and Serial Number of Aircraft

PIPER PARTS CATALOG

Figure and Index Number	Part Number	Code	NOMENCLATURE	No. Req.	SERIAL NUMBERS AFFECTED
28A-2a	99093-00	B	** FRAME ASSEMBLY - Back, left and right	1	28R-7235001 to 28R-7235330 incl.
	99093-00	C	** FRAME ASSEMBLY - Back, left and right		
	99093-07	D	** FRAME ASSEMBLY - Back, left		
	96810-02	E	** FRAME ASSEMBLY - Back, left		
	79555-00	F	** FRAME ASSEMBLY - Back, left		
	99093-07	G	** FRAME ASSEMBLY - Back, right		
	99093-00	H	** FRAME ASSEMBLY - Back, right		
	96810-02	H	** FRAME ASSEMBLY - Back, right		
	96810-03	E	** FRAME ASSEMBLY - Back, right		
	79555-01	F	** FRAME ASSEMBLY - Back, right		
-2b	453 732	F	*** BUSHING - Seat back, right (PS10064-375-4)	1	
			Note: Refer to Figure 288 or 28C if vertically adjustable front seats are installed.		
			A- Used on PA-28-140 with serial numbers 28-7125001 and up, PA-28-180 with serial numbers 28-7105001 and up, PA-28-235 with serial numbers 28-7110001 and up, PA-28R-180 with serial numbers 28R-7130001 and up, and PA-28R-200 with serial numbers 28R-7135001 and up.		
			B- Used on PA-28-140 with serial numbers 28-7125001 to 28-7125651 inclusive, PA-28-180 with serial numbers 28-7105001 to 28-7105244 inclusive, PA-28-235 with serial numbers 28-7110001 to 28-7110042 inclusive, PA-28R-180 with serial numbers 28R-7130001 to 28R-7130019 inclusive, and PA-28R-200 with serial numbers 28R-7135001 to 28R-7135238 inclusive.		
			C- Used on PA-28-140 with serial numbers 28-7225001 to 28-7225612 inclusive, PA-28-180 with serial numbers 28-7205001 to 28-7205328 inclusive, and PA-28-235 with serial numbers 28-7210001 to 28-7210033 inclusive.		
			D- Used on PA-28R-200 airplanes only.		
			E- Used on PA-28-140 with serial numbers 28-7325001 to 28-7525322 inclusive, PA-28-180 with serial numbers 28-7305001 to 28-7505234 inclusive, PA-28-235 with serial numbers 28-7310001 to 28-7610095 inclusive, and PA-28R-200 with serial numbers 28R-7335001 to 28R-7535298 inclusive.		
			F- Used on PA-28-140 with serial numbers 28-7525323 and up, PA-28-180 with serial numbers 28-7505235 and up, PA-28-235 with serial numbers 28-7610096 and up, and PA-28R-200 with serial numbers 28R-7535299 and up.		
			G- Used on PA-28-140 with serial numbers 28-7225001 to 28-7225612 inclusive, PA-28-180 with serial numbers 28-7205001 to 28-7205328 inclusive, PA-28-235 with serial numbers 28-7210001 to 28-7210033 inclusive, and PA-28R-200 with serial numbers 28R-7235001 to 28R-7235330 inclusive.		
			H- Used on PA-28-140 Flite Liner only.		

When ordering, always specify Part Number, Description, and Serial Number of Aircraft

PIPER PARTS CATALOG

Figure and Index Number	Part Number	Code	NOMENCLATURE	No. Req.	SERIAL NUMBERS AFFECTED	
28A-2c	78041-03	F,G,J	** COVER - Seat back, right	1	28-7325001 to 28-7425279 incl	
	78041-03	E,F,G	** COVER - Seat back, right	1		
	78041-08	F,J	** COVER - Seat back, right	1	28-7425280 to 28-7525322 incl.	
	78041-08	F,H	** COVER - Seat back, right	1		
-2d	69669-13		*** PLACARD - Seat back release, left	1		
	69669-14		*** PLACARD - Seat track release, right	1		
-2e	99678-00	B,C,D	**COVER - Seat release, inboard, red	1		
	99678-02	B,D	**COVER - Seat release, inboard, blue/green	1		
	99678-04	B,C,D	**COVER - Seat release, inboard, tan	1		
	99678-06	B,D	**COVER - Seat release, inboard, black	1		
	99678-08	B,D	**COVER - Seat release, inboard, white	1		
	99678-10	B,C,D	**COVER - Seat release, inboard, green	1		
	99678-12	C	**COVER - Seat release, inboard, blue	1		
	99678-01	B,C,D	**COVER - Seat release, outboard, red	1		
	99678-03	B,D	**COVER - Seat release, outboard, blue/green	1		
	99678-05	B,C,D	**COVER - Seat release, outboard, tan	1		
	99678-07	B,D	**COVER - Seat release, outboard, black	1		
	99678-09	B,D	**COVER - Seat release, outboard, white	1		
	99678- 11	B,C,D	**COVER - Seat release, outboard, green	1		
	99678-13	C	**COVER - Seat release, outboard, blue	1		
	<p>Note: Refer to Figure 28B or 28C if vertically adjustable front seats are installed.</p> <p>A- Used on PA-28-140 with serial numbers 28-7125001 and up, PA-28-180 with serial numbers 28-7105001 and up, PA-28-235 with serial numbers 28-7110001 and up, PA-28R-180 with serial numbers 28R-713000 and up, and PA-28R-200 with serial numbers 28R-7135001 and up.</p> <p>B- Used on PA-28-180 with serial numbers 28-7205001 to 28-7205328 inclusive, and PA-28-235 with serial numbers 28-7210001 to 28-7210033 inclusive.</p> <p>C- Used on PA-28-140 with serial numbers 28-7225001 to 28-7225612 inclusive.</p> <p>D- Used on PA-28R-200 with serial numbers 28R-7235001 to 28R-7235330 inclusive.</p> <p>E- Used on PA-28-180 with serial numbers 28-7305001 to 28-7405139 inclusive, PA-28-235 with serial numbers 28-7310001 to 28-7410066 inclusive, and PA-28R-200 with serial numbers 28R-7335001 to 28R-7435214 inclusive.</p> <p>F- When ordering, specify color red, blue/green, gold, green, black or white.</p> <p>G- If vertically installed seat back and track handles with left and right release movement are installed, order part for PA-28-140 with serial numbers 28-7425280 to 28-7525322 inclusive, PA-28-180 with serial numbers 28-7405140 to 28-7505234 inclusive, PA-28-235 with serial numbers 28-7410067 to 28-7610095 inclusive, and PA-28R-200 with serial numbers 28R-7435215 to 28R-7535298 inclusive</p> <p>H- Used on PA-28-180 with serial numbers 28-7405140 to 28-7505234 inclusive, PA-28-235 with serial numbers 28-7410067 to 28-7610095 inclusive, and PA-28R-200 with serial numbers 28R-7435215 to 28R-7535298 inclusive.</p> <p>J- Used on PA-28-140 airplanes only.</p>					

When ordering, always specify Part Number, Description, and Serial Number of Aircraft

PIPER PARTS CATALOG

Figure and Index Number	Part Number	Code	NOMENCLATURE	No. Req.	SERIAL NUMBERS AFFECTED
28A-2f	99681-00	B,C,D	** HANDLE - Seat release, inboard, red	1	
	99681-02	B,D	** HANDLE - Seat release, inboard, blue/green	1	
	99681-04	B,C,D	** HANDLE - Seat release, inboard, tan	1	
	99681-06	B,D	** HANDLE - Seat release, inboard, black	1	
	99681-08	B,D	** HANDLE - Seat release, inboard, white	1	
	99681-10	B,C D	** HANDLE - Seat release, inboard, green	1	
	99681-12	C	** HANDLE - Seat release, inboard, blue	1	
	99681-01	B,C,D	** HANDLE - Seat release, outboard, red	1	
	99681-03	B,D	** HANDLE - Seat release, outboard, blue/green	1	
	99681-05	B,C,D	** HANDLE - Seat release, outboard, tan	1	
	99681-07	B,D	** HANDLE - Seat release, outboard, black	1	
	99681-09	B,D	** HANDLE - Seat release, outboard, white	1	
	99681-11	B,C,D	** HANDLE - Seat release, outboard, green	1	
-2g	99681-13	C	** HANDLE - Seat release, outboard, blue	1	
	99721-02	B,C,D	** HANDLE - Seat release, inboard	1	
	99721-03	B,C,D	** HANDLE - Seat release, outboard	1	
-2h	96815 -00	E	** HANDLE - Seat release	1	
	79228-00	F	** HANDLE - Seat release	1	
	79554-02	G	** KNOB - Seat back release, right	1	
<p>Note: Refer to Figure 28B or 28C if vertically adjustable front seats are installed.</p> <p>A- Used on PA-28-140 with serial numbers 28-7125001 and up, PA-28-180 with serial numbers 28-7105001 and up, PA-28-235 with serial numbers 28-7110001 and up, PA-28R-180 with serial numbers 28R-7130001 and up, and PA-28R-200 with serial numbers 28R -7 135001 and up.</p> <p>B- Used on PA-28-180 with serial numbers 28-7205001 to 28-7205328 inclusive, and PA-28-235 with serial numbers 28-7210001 to 28-7210033 inclusive.</p> <p>C- Used on PA-28-140 with serial numbers 28-7225001 to 28-7225612 inclusive.</p> <p>D- Used on PA-28R-200 with serial numbers 28R-7235001 to 28R-7235330 inclusive.</p> <p>E- Used on PA-28-140 with serial numbers 28-7325001 to 28-7425279 inclusive, PA-28-180 with serial numbers 28-7305001 to 28-7405139 inclusive, PA-28-235 with serial numbers 28-7130001 to 28-7410066 inclusive, and PA-28R-200 with serial numbers 28R-7335001 to 28R-7435214 inclusive.</p> <p>F- Used on PA-28-140 with serial numbers 28-7425280 to 28-7525322 inclusive, PA-28-180 with serial numbers 28-7405140 to 28-7505234 inclusive, PA-28-235 with serial numbers 28-7410067 to 28-7610095 inclusive, and PA-28R-200 with serial numbers 28R-7435215 to 28R-7535298 inclusive.</p> <p>G- Used on PA-28-140 with serial numbers 28-7525323 and up, PA-28-180 with serial numbers 28-7505235 and up, PA-28-235 with serial numbers 28-7610096 and up, and PA-28R-200 with serial numbers 28R-7535299 and up.</p>					

When ordering, always specify Part Number, Description, and Serial Number of Aircraft

PIPER PARTS CATALOG

Figure and Index Number	Part Number	Code	NOMENCLATURE	No. Req.	SERIAL NUMBERS AFFECTED	
28A -3	99384-08	B,D	CUSHION ASSEMBLY - Bottom, left	1	28-7125001 to 28-7125651incl	
	99727-08	B,H	CUSHION ASSEMBLY - Bottom, left	1	28-7225001 to 28-7225612 incl.	
	96806-06	B,K	CUSHION ASSEMBLY - Bottom, left	1	28-7325001 to 28-7525322 incl.	
	99384-10	C,E	CUSHION ASSEMBLY - Bottom, left	1		
	99727-10	F,G	CUSHION ASSEMBLY - Bottom, left	1		
	76171-02	F,L	CUSHION ASSEMBLY - Bottom, left	1	28R-7235001 to 28R-7235330	
	96806-08	F,J	CUSHION-ASSEMBLY - Bottom, left	1		
	79337-06	B,F	CUSHION ASSEMBLY - Bottom, left	1	28-7525323 and up	
	79337-08	F,M	CUSHION ASSEMBLY - Bottom, left	1		
	99384-09	B,D	CUSHION ASSEMBLY - Bottom, right	1	28-7125001 to 28-7125651incl.	
	99727-09	B,H	CUSHION ASSEMBLY - Bottom, right	1	28-7225001 to 28-7225612 incl.	
	96806-07	B,K	CUSHION ASSEMBLY - Bottom, right	1	28-7325001 to 28-7525322 incl.	
	99384-11	C,E	CUSHION ASSEMBLY - Bottom, right	1		
	99727-11	F,G	CUSHION ASSEMBLY - Bottom, right	1		
	76171-03	F,L	CUSHION ASSEMBLY - Bottom, right	1	28R-7235001 to 28R-7235330 inc.	
	96806-09	F,J	CUSHION ASSEMBLY - Bottom, right	1		
	79337-07	B,F	CUSHION ASSEMBLY - Bottom, right	1	28-7525323 and up	
	79337-09	F,M	CUSHION ASSEMBLY - Bottom, right	1		
				<p>Note: Refer to Figure 28B or 28C if vertically adjustable front seats are installed.</p> <p>A- Used on PA-28-140 with Serial numbers 28-7125001 and up, PA-28-180 with serial numbers 28-7105001 and up, PA-28-235 with serial numbers 28-7110001 and up, PA-28R-180 with serial numbers 28R-7130001 and up, and PA-28R-200 with serial numbers 28R-7135001 and up.</p> <p>B- Used on PA-28-140 airplanes only.</p> <p>C- Used on PA-28-180 with serial numbers 28-7 105001 to 28-7105244 inclusive, PA-28-235 with serial numbers 28-7110001 to 28-7110042 inclusive, PA-28R-180 with serial numbers 28R-7130001 to 28R-7130019 inclusive, and PA-28R-200 with serial numbers 28R-7135001 to 28R-7135238 inclusive.</p> <p>D- When ordering, specify color red, blue, beige or green.</p> <p>E- When ordering, specify color red, blue, beige, black, white or green.</p> <p>F- When ordering, specify color red, blue/green, gold, green, black, white, blue, navajo sepia, navajo cactus or yellow/dark red, specify trim color black or camel on 1977 and up model aircraft.</p> <p>G- Used on PA-28-180 with serial numbers 28-7205001 to 28-7205328 inclusive, and PA-28-235 with serial numbers 28-7210001 to 28-7210033 inclusive.</p> <p>H- When ordering, specify color red, blue, beige, gold or green.</p> <p>J- Used on PA-28-180 with serial numbers 28-7305001to 28-7505234 inclusive, PA-28-235 with serial numbers 28-7310001to 28-7610095 inclusive, and PA-28R-200 with serial numbers 28R-7335001to 28R-7535298 inclusive.</p> <p>K- When ordering, specify color red. blue, gold or green.</p> <p>L- Used on PA-28R-200 airplanes only.</p> <p>M- Used on PA-28-180 with serial numbers 28-7505235 and up, PA-28-235 with serial numbers 28-7610096 and up, and PA-28R-200 with serial numbers 28R-7535299 and up.</p>		

When ordering, always specify Part Number, Description, and Serial Number of Aircraft

PA-28-140
PA-28-180
PA-28-235
PA-28R-180
PA-28R-200

PIPER PARTS CATALOG

Figure and Index Number	Part Number	Code	NOMENCLATURE	No. Req.	SERIAL NUMBERS AFFECTED
28A-3	99077-06	C	FRAME ASSEMBLY - Bottom, left		
	99077-10	D	FRAME ASSEMBLY - Bottom, left	1	
	96814-00	B	FRAME ASSEMBLY - Bottom, left	1	28-7325001 to 28-7525322 incl
	76173-00	E	FRAME ASSEMBLY - Bottom, left	1	
	79536-00	B	FRAME ASSEMBLY - Bottom, left	1	28-7525323 and up
	79535-00	F	FRAME ASSEMBLY - Bottom, left	1	
	99077-07	C	FRAME ASSEMBLY - Bottom, right	1	
	99077-11	D	FRAME ASSEMBLY - Bottom, right	1	
	96814-01	B	FRAME ASSEMBLY - Bottom, right	1	28-7325001 to 28-7525322 incl.
	76173-01	E	FRAME ASSEMBLY - Bottom, right	1	
	79536-01	B	FRAME ASSEMBLY - Bottom, right	1	28-7525323 and up
	79535-01	F	FRAME ASSEMBLY - Bottom, right	1	
	<p>Note: Refer to Figure 28B or 28C if vertically adjustable front seats are installed.</p> <p>A- Used on PA-28-140 with serial numbers 28-7125001 and up, PA-28-180 with serial numbers 28-7105001 and up, PA-28-235 with serial numbers 28-7110001 and up, PA-28R-180 with serial numbers 28R-7130001 and up, and PA-28R-200 with serial numbers 28R-7135001 and up.</p> <p>B- Used on PA-28-140 airplanes only.</p> <p>C- Used on PA-28-140 with serial numbers 28-7125001 to 28-7125651 inclusive, PA-28-180 with serial numbers 28-7105001 to 28-7105244 inclusive, PA-28-235 with serial numbers 28-7110001 to 28-7110042 inclusive, PA-28R-180 with serial numbers 28R-7130001 to 28R-7130019 inclusive, and PA-28R-200 with serial numbers 28R-7135001 to 28R-7135238 inclusive.</p> <p>D- Used on PA-28-140 with serial numbers 28-7225001 to 28-7225612 inclusive, PA-28-180 with serial numbers 28-7205001 to 28-7205328 inclusive, and PA-28-235 with serial numbers 28-7210001 to 28-7210033 inclusive.</p> <p>E- Used on PA-28-180 with serial numbers 28-7305001 to 28-7505234 inclusive, PA-28-235 with serial numbers 28-7310001 to 28-7610095 inclusive, and PA-28R-200 with serial numbers 28R-7235001 to 28R-7535298 inclusive.</p> <p>F- Used on PA-28-180 with serial numbers 28-7505235 and up, PA-28-235 with serial numbers 28-7610096 and up, and PA-28R-200 with serial numbers 28R-7535299 and up.</p>				

When ordering, always specify Part Number, Description, and Serial Number of Aircraft

PA-28-140
PA-28-180
PA-28-235
PA-28R-180
PA-28R-200

PIPER PARTS CATALOG

Figure and Index Number	Part Number	Code	NOMENCLATURE	No. Req.	SERIAL NUMBERS AFFECTED	
28A-4	76175-02	D,J	*** PLUNGER	2	28-7325001 and up	
	76175-00	H	*** PLUNGER	2		
	76175-03	B,G	*** PLUNGER	2		
-5	65003-47		*** BUSHING - Seat roller	AR		
	95061-106	E	*** BUSHING - Seat roller	AR		
-6	87332-02		*** ROLLER - Seat legs	AR		
-7	63900-54	W	*** BUSHING - Seat roller, aft legs (.240 L)	AR		
	79252-00	E	*** BUSHING - Seat roller, aft legs (.254 L)	AR		
	95061-161	C	*** BUSHING - Seat roller, aft legs (.248 L)	AR		
-8	452 386		*** ROLLER - Aft legs (NAS506-4)	AR		
-8a	79251-00	F	*** WASHER - Teflon	AR		
<p>Note: Refer to Figure 28B or 28C if vertically adjustable front seats are installed.</p> <p>A- Used on PA-28-140 with serial numbers 28-7125001 and up, PA-28-180 with serial numbers 28-7105001 and up, PA-28-235 with serial numbers 28-7110001 and up, PA-28R-180 with serial numbers 28R-7130001 and up, and PA-28R-200 with serial numbers 28R-7135001 and up.</p> <p>B- Used on PA-28-140 airplanes only.</p> <p>C- Used if two pieces of tape are installed on seat frame.</p> <p>D- Used on PA-28-140 with serial numbers 28-7125001 to 28-7225612 inclusive.</p> <p>E - Used if rectangular teflon washer is installed.</p> <p>F- Used on PA-28- 140 with serial numbers 28-7125001 to 28-7625235 inclusive, PA-28-180 with serial numbers 28-7105001 and up, PA-28-235 with serial numbers 28-7110001 to 28-7610138 inclusive, PA-28R-180 with serial numbers 28R-7130001 and up, and PA-28R-200 with serial numbers 28R-7135001 to 28R-7635328 inclusive.</p> <p>G- Used on PA-28-180 with serial numbers 28-7505235 and up, PA-28-235 with serial numbers 28-7610096 and up, and PA-28R-200 with serial numbers 28R-7535299 and up.</p> <p>H- Used on PA-28-180 with serial numbers 28-7305001 to 28-7505234 inclusive, PA-28-235 with serial numbers 28-7310001 to 28-7610095 inclusive, and PA-28R-200 with serial numbers 28R-7235001 to 28R-7535298 inclusive.</p> <p>J- Used on PA-28-180 with serial numbers 28-7105001 to 28-7205328 inclusive, PA-28-235 with serial numbers 28 -7110001 to 28-7210033 inclusive, PA-28R- 180 with serial numbers 28R-7130001 to 28R-7130019 inclusive, and PA-28R-200 with serial numbers 28R-7135001 to 28R-7135238 inclusive.</p> <p>K- Before ordering, ascertain O.D. at center of seat roller. If O.D. of roller measures .42, (2) rollers P/N 87332-02 must be ordered. If O.D. of roller measures .62, order roller(s) as required.</p> <p>W- These parts must be ordered from Service Spares Department, Piper Aircraft, Lock Haven, Penna.</p>						

When ordering, always specify Part Number, Description, and Serial Number of Aircraft

PA-28-140
PA-28-180
PA-28-235
PA-28R-180
PA-28R-200

PIPER PARTS CATALOG

Figure and Index Number	Part Number	Code	NOMENCLATURE	No. Req.	SERIAL NUMBERS AFFECTED
28A-9	50111-00	B,C,W	SPRING - Seat plunger	2	28-7325001 and up
	99724-00	D,E	SPRING - Seat plunger	2	
	587 299	G	SPRING - Seat plunger (LC-038F-6SS)	2	
	587 299	F	SPRING - Seat plunger (LC-038F-6SS)	2	
-10	69501-00	B,C	HANDLE - Front seat adjustment	1	
	69501-02	D,E	HANDLE - Front seat adjustment, left	1	
	69501-03	D,E	HANDLE - Front seat adjustment, right	1	
	79207-00	H	HANDLE ASSEMBLY - Seat release	1	
-10a	79322-03	H	ROD	2	
-10b	407 561	H,W	WASHER - (AN960-4)	4	
	406 369	H	NUT - (A1037-012-3)	4	
-10c	400 002	H,W	BOLT - (AN4-5A)	2	
	494 040	H	WASHER - (PS10011-12)	6	
	404 836	H,W	NUT - (MS20365-428C)	2	
-11	19336-00	W	SPRING - Seat back adjustment, inboard	1	
	19336-01	W	SPRING - Seat back adjustment, outboard	1	
<p>Note: Refer to Figure 28B or 28C if vertically adjustable front seats are installed.</p> <p>A- Used on PA-28-140 with serial numbers 28-7125001 and up, PA-28-180 with serial numbers 28-7125001 and up, PA-28-235 with serial numbers 28-7110001 and up, PA-28R-200 with serial numbers 28R-7130001 and up, and PA-28R-200 with serial numbers 28R-7135001 and up.</p> <p>B- Used on PA-28-140 with serial number 28-7125001 to 28-7125651 inclusive.</p> <p>C- Used on PA-28-180 with serial numbers 28-7105001 to 28-7105244 inclusive, PA-28-235 with serial numbers 28-7110001 to 28-7110042 inclusive. PA-28R-180 with serial numbers 28R-7130001 to 28R-7130019 inclusive, and PA-28R-200 with serial numbers 28R-7135001 to 28R-7135238 inclusive.</p> <p>D- Used on PA-28-180 with serial numbers 28-7205001 to 28-7205328 inclusive, and PA-28-235 with serial numbers 28-7210001 to 28-7210033 inclusive.</p> <p>E- Used on PA-28-140 with serial numbers 28-7225001 to 28-7225612 inclusive.</p> <p>F- Used on PA-28-140 airplanes only.</p> <p>G- Used on PA-28-180 with serial numbers 28-7305001 and up, PA-28-235 with serial numbers 28-7310001 and up, and PA-28R-200 with serial numbers 28R-7235001 and up.</p> <p>H- Used on PA-28-140 with serial numbers 28-7525323 and up, PA-28-180 with serial numbers 28-7505235 and up, PA-28-235 with serial numbers 28-7610096 and up, and PA-28R-200 with serial numbers 28R-7535299 and up.</p> <p>W- These parts must be ordered from Service Soares Department, Piper Aircraft, Lock Haven, Penna.</p>					

When ordering, always specify Part Number, Description, and Serial Number of Aircraft

PIPER PARTS CATALOG

Figure and Index Number	Part Number	Code	NOMENCLATURE	No. Req.	SERIAL NUMBERS AFFECTED
28A-12	19392-15	B,W	TUBE - Reclining mechanism		
	19392-15	C,W	TUBE - Reclining mechanism, left	1	
	79230-00	C	TUBE - Reclining mechanism, right	1	
	79230-00	E	TUBE - Reclining mechanism	1	
-13	19365-02	W	CAM - Reclining seat	2	
-14	32380-00	W	HANDLE - Seat back adjustment, cadmium plated	1	
	79442-00		HANDLE - Seat back adjustment, black	1	
-15	480 701	W	PIN - Roll (59-028-125-0625)	4	
- 15a	62833-78	D	WASHER	8	
			Note: Refer to Figure 28B or 28C if vertically adjustable front seats are installed.		
			A- Used on PA-28-140 with serial numbers 28-7125001 and up, PA-28-180 with serial numbers 28-7105001 and up, PA-28-235 with serial numbers 28-7110001 and up, PA-28R-180 with serial numbers 28R-7130001 and up, and PA-28R-200 with serial numbers 28R-7135001 and up.		
			B- Used on PA-28-140 with serial numbers 28-7125001 to 28-7525322 inclusive, PA-28-180 with serial numbers, 28-7105001 to 28-7405 139 inclusive, PA-28-235 with serial numbers 28-7110001 to 28-7410068 inclusive, PA-28R-180 with serial numbers 28R-7130001 to 28R-71300019 inclusive, and PA-28R-200 with serial numbers 28R-7135001 to 28R-7435214 inclusive.		
			C- Used on PA-28-180 with serial numbers 28-7405140 to 28-7505234 inclusive, PA-28-235 with serial numbers 28-7410067 to 28-7610095 inclusive, and PA-28R-200 with serial numbers 28R-7435215 to 28R-7535298 inclusive.		
			D- Used on PA-28-140 with serial numbers 28-7225001 and up, PA-28-180 with serial numbers 28-7205001 and up, PA-28-235 with serial numbers 28-7210001 and up, and PA-28R-200 with serial numbers 28R-7235001 and up.		
			E- Used on PA-28-140 with serial numbers 28-7525323 and up, PA-28-180 with serial numbers 28-7505235 and up, PA-28-235 with serial numbers 28-7610096 and up, and PA-28R-200 with serial numbers 28R-7535299 and up.		
			W- These parts must be ordered from Service Spares Department, Piper Aircraft, Lock Haven, Penna.		

When ordering, always specify Part Number, Description, and Serial Number of Aircraft

PA-28-140
PA-28-180
PA-28-235
PA-28R-180
PA-28R-200

PIPER PARTS CATALOG

Figure and Index Number	Part Number	Code	NOMENCLATURE	No. Req.	SERIAL NUMBERS AFFECTED
28A-15b	76178-00		ARM ASSEMBLY	1	
-15c	76172-00	E	BELLCRANK ASSEMBLY - Seat latch	1	
	96611-00	D	BELLCRANK ASSEMBLY - Seat latch	1	28-7325001to 28-7525322 incl.
-15d	76187-00		ARM ASSEMBLY - Seat release	1	
-15e	571 149	F	KNOB - (PS10067-1-1)	1	
-16	400 916	W	BOLT - (AN24-26A)	2	
	407 565	W	WASHER - (AN960-416)	2	
	477 709	W	NUT - (26C-048)	2	
-16a	99718-01	B	STOP ASSEMBLY - Seat latch	1	
	99718-05	D	STOP ASSEMBLY - Seat latch	1	28-7425280 to 28-7525322 incl.
<p>Note: Refer to Figure 28B or 28C if vertically adjustable front seats are installed.</p> <p>A- Used on PA-28-140 with serial numbers 28-7125001and up, PA-28-180 with serial numbers 28-7105001and up, PA-28-235 with serial numbers 28-7110001and up, PA-28R-180 with serial numbers 28R-7130001 and up, and PA-28R-200 with serial numbers 28R-7135001 and up.</p> <p>B- Used on PA-28-140 with serial numbers 28-7225001to 28-7425279 inclusive, PA-28-180 with serial numbers 28-7205001to 28-7505234 inclusive. PA-28-235 with serial numbers 28-7210001to 28-7610095 inclusive, and PA-28R-200 with serial numbers 28R-7235001 to 28R-7535298 inclusive.</p> <p>C- Used on PA-28-140 with serial numbers 28-7325001 and up, PA-28-180 with serial numbers 28-7305001 and up, PA-28-235 with serial numbers 28-7310001 and up, and PA-28R-200 with serial numbers 28R-7235001 and up.</p> <p>D- Used on PA-28-140 airplanes only.</p> <p>E- Used on PA-28-140 with serial numbers 28-7525323 and up, PA-28-180 with serial numbers 28-7305001 and up, PA-28-235 with serial numbers 28-7310001 and up, and PA-28R-200 with serial numbers 28R-7235001 and up.</p> <p>F- Used on PA-28-140 with serial numbers 28-7325001 to 28-7525322 inclusive, PA-28-180 with serial numbers 28-7305001 to 28-7505234 inclusive, PA-28-235 with serial numbers 28-7310001 to 28-7610095 inclusive, and PA-28R-200 with serial numbers 28R-7235001 to 28R-7535298 inclusive.</p> <p>W - These parts must be ordered from Service Spares Department, Piper Aircraft, Lock Haven, Penna.</p>					

When ordering, always specify Part Number, Description, and Serial Number of Aircraft

PIPER PARTS CATALOG

Figure and Index Number	Part Number	Code	NOMENCLATURE	No. Req.	SERIAL NUMBERS AFFECTED
28A-17	99385-00	E,F	SEAT ASSEMBLY - Rear, left	1	
	99730-00	C,G,H	SEAT ASSEMBLY - Rear, left	1	
	96827-00	H,J	SEAT ASSEMBLY - Rear, left	1	
	96827-11	B,H	SEAT ASSEMBLY - Rear, left	1	
	96827-22	D,H	SEAT ASSEMBLY - Rear, left	1	
	99385-01	E,F	SEAT ASSEMBLY - Rear, right	1	
	99730-01	C,G,H	SEAT ASSEMBLY - Rear, right	1	
	96827-01	H,J	SEAT ASSEMBLY - Rear, right	1	
	96827-12	B,H	SEAT ASSEMBLY - Rear, right	1	
	96827-23	D,H	SEAT ASSEMBLY - Rear, right	1	
			<p>A- Used on PA-28-140 with serial numbers 28-7125001 and up, PA-28-180 with serial numbers 28-7105001 and up, PA-28-235 with serial numbers 28-7110001 and up, PA-28R-180 with serial numbers 28R-7130001 and up, and PA-28R-200 with serial numbers 28R-7135001 and up.</p> <p>B- Used on PA-28-180 with serial numbers 28-7505047 to 28-7505261 inclusive, PA-28-235 with serial numbers 28-7510017 to 28-7710006 inclusive, and PA-28R-200 with serial numbers 28R-7535042 to 28R-7635508 inclusive.</p> <p>C- Used on PA-28-180 with serial numbers 28-7205001 to 28-7205328 inclusive, and PA-28-235 with serial numbers 28-7210001 to 28-7210033 inclusive.</p> <p>D- Used on PA-28-235 with serial numbers 28-7710007 and up, and PA-28R-200 with serial numbers 28R-7635509 and up.</p> <p>E- When ordering, specify color red, blue, beige, black, white or green.</p> <p>F- Used on PA-28-180 with serial numbers 28-7105001 to 28-7105244 inclusive, PA-28-235 with serial numbers 28-7110001 to 28-7110042 inclusive, PA-28R-180 with serial numbers 28R-7130001 to 28R-7130019 inclusive, and PA-28R-200 with serial numbers 28R-7135001 to 28R-7135238 inclusive.</p> <p>G- Used on PA-28R-200 with serial numbers 28R-7235001 to 28R-7235330 inclusive.</p> <p>H- When ordering specify color red, blue/green, gold, black, white, green, blue, navajo sepia, navajo cactus or yellow/dark red. Specify trim color black or camel on 1977 and up model aircraft.</p> <p>J- Used on PA-28-180 with serial numbers 28-7305001 to 28-7505046 inclusive, PA-28-235 with serial numbers 28-7310001 to 28-7510016 inclusive, and PA-28R-200 with serial numbers 28R-7335001 to 28R-7535041 inclusive.</p>		

When ordering, always specify Part Number, Description, and Serial Number of Aircraft

PIPER PARTS CATALOG

Figure and Index Number	Part Number	Code	NOMENCLATURE	No. Req.	SERIAL NUMBERS AFFECTED
28A-18	99385-04	E,F	CUSHION ASSEMBLY - Back	1	
	99730-04	C,G,H	CUSHION ASSEMBLY - Back	1	
	79337-16	D,H	CUSHION ASSEMBLY - Back	1	
-18a	99093-00	L	FRAME ASSEMBLY - Seat back	1	
	79555-00	D	FRAME ASSEMBLY - Seat back	1	
-19	99385-07	E,F	CUSHION ASSEMBLY - Bottom, left	1	
	99730-07	C,G,H	CUSHION ASSEMBLY - Bottom, left	1	
	96827-06	H,J	CUSHION ASSEMBLY - Bottom, left	1	
	96827-17	B,H	CUSHION ASSEMBLY - Bottom, left	1	
	96827-26	H,K	CUSHION ASSEMBLY - Bottom, left	1	
			A- Used on PA-28-140 with serial numbers 28-7125001 and up, PA-28-180 with serial numbers 28-7105001 and up, PA-28-235 with serial numbers 28-7110001 and up, PA-28R- 180 with serial numbers 28R-7713001 and up, and PA-28R-200 with serial numbers 28R-7135001 and up.		
			B- Used on PA-28-180 with serial numbers 28-7505047 to 28-7505261 inclusive, PA-28-235 with serial numbers 28-7510017 to 28-7710006 inclusive, and PA-28R-200 with serial numbers 28R-7535042 to 28R-7635508 inclusive.		
			C- Used on PA-28-180 with serial numbers 28-7205001 to 28-7205328 inclusive, and PA-28-235 with serial numbers 28-7210001 to 28-7210033 inclusive.		
			D- Used on PA-28-180 with serial numbers 28-7305001 and up, PA-28-235 with serial numbers 28-7310001 and up, and PA-28R-200 with serial numbers 28R-7335001 and up.		
			E- When ordering, specify color red, blue, beige, black, white or green.		
			F- Used on PA-28-180 with serial numbers 28-7105001 to 28-7105244 inclusive, PA-28-235 with serial numbers 28-7110001 to 28-7110042 inclusive, PA-28R-180 with serial numbers 28R-7130001 to 28R-7130019 inclusive, and PA-28R-200 with serial numbers 28R-7135001 to 28R-7135238 inclusive.		
			G - Used on PA-28R-200 with serial numbers 28R-7235001 to 28R-7235330 inclusive.		
			H - When ordering, specify color red, blue/green, gold, black, white, green, blue, navajo sepia, navajo cactus or yellow /dark red. Specify trim color black or camel on 1977 and up model aircraft.		
			J- Used on PA-28-180 with serial numbers 28-7305001 to 28-7505046 inclusive, PA-28-235 with serial numbers 28-7310001 to 28-7510016 inclusive, and PA-28R-200 with serial numbers 28R-7335001 to 28R-7535041 inclusive.		
			K- Used on PA-28-235 with serial numbers 28-7710007 and up, and PA-28R-200 with serial numbers 28R-7635509 and up.		
			L- Used on PA-28-180 with serial numbers 28-7105001 to 28-7205328 inclusive, PA-28-235 with serial numbers 28-7110001 to 28-7210033 inclusive. PA-28R-180 with serial numbers 28R-7130001 to 28R-7130019 inclusive, and PA-28R-200 with serial numbers 28R-7135001 to 28R-7235330 inclusive.		

When ordering, always specify Part Number, Description, and Serial Number of Aircraft

PIPER PARTS CATALOG

Figure and Index Number	Part Number	Code	NOMENCLATURE	No. Req.	SERIAL NUMBERS AFFECTED	
28A-19	99385-08	E,F	CUSHION ASSEMBLY - Bottom, right	1		
	99730-08	C,G,H	CUSHION ASSEMBLY - Bottom, right	1		
	96827-07	H,J	CUSHION ASSEMBLY - Bottom, right	1		
	96827-18	B,H	CUSHION ASSEMBLY - Bottom, right	1		
	96827-27	H,K	CUSHION ASSEMBLY - Bottom, right	1		
	-19a	99077-00	D	FRAME ASSEMBLY - Seat bottom, left	1	
		99077-16	K	FRAME ASSEMBLY - Seat bottom, left	1	
		99077-01	D	FRAME ASSEMBLY - Seat bottom, right	1	
99077-17		K	FRAME ASSEMBLY - Seat bottom, right	1		
		A	Used on PA-28-140 with serial numbers 28-7125001 and up, PA-28-180 with serial numbers 28-7105001 and up, PA-28-235 with serial numbers 28-7110001 and up, PA-28R-180 with serial numbers 28R-7130001 and up, and PA-28R-200 with serial numbers 28R-7135001 and up.			
		B-	Used on PA-28-180 with serial numbers 28-7505047 to 28-7505261 inclusive, PA-28-235 with serial numbers 28-7510017 to 28-7710006 inclusive, and PA-28R-200 with serial numbers 28R-7535042 to 28R-7635508 inclusive.			
		C-	Used on PA-28-180 with serial numbers 28-7205001 to 28-7205328 inclusive and PA-28-235 with serial numbers 28-7210001 to 28-7210033 inclusive.			
		D-	Used on PA-28-180 with serial numbers 28-7105001 to 28-7505261 inclusive, PA-28-235 with serial numbers 28-7110001 to 28-7710006 inclusive, PA-28R-180 with serial numbers 28R-7130001 to 28R-7130019 inclusive, and PA-28R-200 with serial numbers 28R-7135001 to 28R-7635508 inclusive.			
		E-	When ordering, specify color red, blue, beige, black, white or green.			
		F-	Used on PA-28-180 with serial numbers 28-7105001 to 28-7105244 inclusive, PA-28-235 with serial numbers 28-7110001 to 28-7110042 inclusive. PA-28R-180 with serial numbers 28R-7130001 to 28R-7130019 inclusive, and PA-28R-200 with serial numbers 28R-7135001 to 28R-7135238 inclusive.			
		G-	Used on PA-28R-200 with serial numbers 28R-7235001 to 28R-7235330 inclusive.			
		H-	When ordering, specify color red, blue/green, gold, black, white, green, blue, navajo sepia, navajo cactus or yellow/dark red, Specify trim color black or camel on 1977 and up model aircraft.			
		J-	Used on PA-28-180 with serial numbers 28-7305001 to 28-7505046 inclusive, PA-28-235 with serial numbers 28-7310001 to 28-7510016 inclusive, and PA-28R-200 with serial numbers 28R-7335001 to 28R-7535041 inclusive.			
		K-	Used on PA-28-235 with serial numbers 28-7710007 and up, and PA-28R-200 with serial numbers 28R-7635509 and up.			

When ordering, always specify Part Number, Description, and Serial Number of Aircraft

PA-28-140
PA-28-180
PA-28-235
PA-28R-180
PA-28R-200

PIPER PARTS CATALOG

Figure and Index Number	Part Number	Code	NOMENCLATURE	No. Req.	SERIAL NUMBERS AFFECTED
28A-20	19336-00	B,W	SPRING - Seat back adjustment, inboard	1	
	19336-01	B,W	SPRING - Seat back adjustment, outboard	1	
-21	19392-15	W	TUBE - Reclining mechanism	1	
-22	19365-02	B,W	CAM - Reclining seat	2	
-23	32380-00	B,W	HANDLE - Seat back adjustment, cadmium plated	1	
	79442-00	C	HANDLE - Seat back adjustment, black	1	
-24	480 701	B,W	PIN - Roll (59-028-125-0625)	3	
-25	68068-00	D	FOOT - Seat attachment, rear legs	2	
	79436-00	E	FOOT - Seat attachment, rear legs	2	
-26	400 916	B,W	BOLT - (AN24-26A)	2	
	407 565	B,W	WASHER - (AN960-416)	2	
	477 709	B,W	NUT - (26C-048)	2	
-27	99255-00	F,G	HEADREST ASSEMBLY	4	
	99255-03	H,J,K	HEADREST ASSEMBLY	4	
			A- Used on PA-28-140 with serial numbers 28-7125001 and up, PA-28-180 with serial numbers 28-7105001 and up, PA-28-235 with serial numbers 28-7110001 and up, PA-28R-180 with serial numbers 28R-7130001 and up, and PA-28R-200 with serial numbers 28R-7135001 and up.		
			B- Used on PA-28-180, PA-28-235, PA-28R-180 and PA-28R-200 airplanes only.		
			C- Used on PA-28-180, PA-28-235 and PA-28R-200 airplanes only.		
			D- Used on PA-28-180 with serial numbers 28-7105001 to 28-7505046 inclusive, PA-28-235 with serial numbers 28-7110001 to 28-7510016 inclusive, PA-28R-180 with serial numbers 28R-7130001 to 28R-7130019 inclusive, and PA-28R-200 with serial numbers 28R-7135001 to 28R-7535041 inclusive.		
			E- Used on PA-28-180 with serial numbers 28-7505047 to 28-7505261 inclusive, PA-28-235 with serial numbers 28-7510017 to 28-7710006 inclusive. and PA-28R-200 with serial numbers 28R-7535042 to 28R-7635508 inclusive.		
			F- Used on PA-28-180 with serial numbers 28-7105001 to 28-7105244 inclusive, PA-28-235 with serial numbers 28-7110001 to 28-7110042 inclusive, PA-28R-180 with serial numbers 28R-7130001 to 28R-7130019 inclusive, and PA-28R-200 with serial numbers 28R-7135001 to 28R-7135238 inclusive.		
			G- When ordering, specify color red, blue, beige, black, white or green.		
			H- When ordering, specify color red, blue/green, gold, black, white, green, blue, navajo sepia, navajo cactus or yellow/dark red. Specify trim color black or camel on 1977 and up model aircraft.		
			J- Used on PA-28R-200 with serial numbers 28R-7235001 to 28R-7235330 inclusive.		
			K- Used on PA-28-180 with serial numbers 28-7205001 to 28-7205328 inclusive, and PA-28-235 with serial numbers 28-7210001 to 28-7210033 inclusive.		
			W - These parts must be ordered from Service Spares Department, Piper Aircraft, Lock Haven, Penna.		

When ordering, always specify Part Number, Description, and Serial Number of Aircraft

PIPER PARTS CATALOG

Figure and Index Number	Part Number	Code	NOMENCLATURE	No. Req.	SERIAL NUMBERS AFFECTED	
28A-27	99255-02	C,G	HEADREST ASSEMBLY	2	28-7125001 to 28-7225612 incl.	
	96806-17	E,F,J	HEADREST ASSEMBLY	33		
	96806-26	E,F,J	HEADREST ASSEMBLY - Copilot seat	1		
	79337-18	D,F,J	HEADREST ASSEMBLY - Seat (8" high)	4		
	79764-02	B,F	HEADREST ASSEMBLY - Seat (10" high)	4		
	96806-17	E,G,H	HEADREST ASSEMBLY	1		28-7325001and up
	96806-26	E,G,H	HEADREST ASSEMBLY - Copilot seat	1		28-7325001and up
	79337-18	D,F,G	HEADREST ASSEMBLY - Seat (8" high)	2		28-7325001and up
-28	99361-00	W	RECEPTACLE - Headrest (1.00 dia.)	8		
	78044-00		RECEPTACLE - Headrest (1.88 L x .62 W)	8		
-29	68022-14		BOOT - Seat belt attachment, black	2		
<p>A- Used on PA-28-140 with serial numbers 28-7125001and up, PA-28-180 with serial numbers 28-7105001and up, PA-28-235 with serial numbers 28-7110001and up, PA-28R- 180 with serial numbers 28R-7 130001and up, and PA-28R-200 with serial numbers 28R-7 135001and up.</p> <p>B- Used on PA-28-235 with serial numbers 28-7710001and up, and PA-28R-200 with serial numbers 28R-7635504 and up.</p> <p>C- When ordering, specify color red, blue, beige, gold or green.</p> <p>D- Headrest assembly incorporates two round tubes (7," L) in headrest for attachment to seat back.</p> <p>E- Headrest assembly incorporates a flat steel plate (8" L) in center of headrest for anachment to seat back.</p> <p>F- When ordering, Specify color red, blue/green, gold, black, white. green, blue. navajo sepia, navajo cactus or yellow/dark red, Specify trim color black or camel on 1977 and up model aircraft.</p> <p>G- Used on PA-28-140 airplanes only.</p> <p>H- When ordering, specify color red, blue, gold or green.</p> <p>J- Used on PA-28-180 with serial numbers 28-7305001and up, PA-28-235 with serial numbers 28-7310001and up, and PA-28R-200 with serial numbers 28R-7335001and up.</p> <p>W- These parts must be ordered from Service Spares Department, Piper Aircraft, Lock Haven, Penna.</p>						

When ordering, always specify Part Number, Description, and Serial Number of Aircraft

PA-28-140
PA-28-180
PA-28-235
PA-28R-180
PA-28R-200

PIPER PARTS CATALOG

Figure and Index Number	Part Number	Code	NOMENCLATURE	No. Req.	SERIAL NUMBERS AFFECTED
28A-30	551 368	B,E,F,G	BELT ASSEMBLY - Safety, front (PS50039-1), black	2	
	551 390	C,D	BELT ASSEMBLY - Safety, front (PS50039-4-2A), black	2	
-31	551 374		BELT ASSEMBLY - Safety, rear (PS50039-4-3), black	2	
-32	20868-00	E,W	CABLE ASSEMBLY - Safety belt attachment, rear side	2	
	96908-00	D	CABLE ASSEMBLY - Safety belt attachment, rear side	2	
-33	65774-00	E	CABLE ASSEMBLY - Safety belt attachment, rear center	1	
	96908-00	D	CABLE ASSEMBLY - Safety belt attachment, rear center	2	
-34	63900-53	B,E	BUSHING - Front seat safety belt attachment	4	
	63900-145	C,D	BUSHING - Front seat safety belt attachment (1.76"L)	2	
-34a	95061-180	C,D	BUSHING - Front seat safety belt attachment (.34" L), right	1	
	95061-186	C,D	BUSHING - Front seat safety belt attachment (.25" L), left	1	
-35	14843-51	E,W	BUSHING - Rear seat safety belt attachment	4	
	63900-149	D	BUSHING - Rear seat safety belt attachment	4	
-36	63900-24	E	BUSHING - Safety belt, rear side	2	
-37	401 265	B,E,W	BOLT - (AN3-7A)	2	
	401 269	C,D,W	BOLT - (AN3-10A) Outboard	2	
-38	400 440	E,W	BOLT - (AN3-6A)	4	
	401 187	D,W	BOLT - (AN5-7A)	4	
	407 566	D,W	WASHER - (AN960-516)	4	
	404 887	E,W	NUT - (MS20365-1032C)	4	
	404 837	D,W	NUT - (MS20364-524C)	4	
			A- Used on PA-28-140 with serial numbers 28-7125001 and up, PA-28-180 with serial numbers 28-7105001 and up, PA-28-235 with serial numbers 28-7110001 and up, PA-28R-180 with serial numbers 28R-7130001 and up, and PA-28R-200 with serial numbers 28R-7135001 and up.		
			B- Used on PA-28-140 with serial numbers 28-7125001 to 28-7125651 inclusive.		
			C- Used on PA-28-140 with serial numbers 28-7225001 and up.		
			D- Used on PA-28-180 with serial numbers 28-7205001 and up, PA-28-235 with serial numbers 28-7210001 and up, and PA-28R-200 with serial numbers 28R-7235001 and up.		
			E- Used on PA-28-180 with serial numbers 28-7105001 to 28-7105244 inclusive, PA-28-235 with serial numbers 28-7110001 to 28-7110042 inclusive, PA-28R-180 with serial numbers 28R-7130001 to 28R-7130019 inclusive, and PA-28R-200 with serial numbers 28R-7135001 to 28R-7135238 inclusive.		
			F- Used if shoulder harness has been installed.		
			G- As certain vendors part number on lap belt. If 0108168-11 does not appear, also order matching Shoulder Belt Assembly, P/N 484 224.		
			W- These parts must be ordered from Service Spares Department, Piper Aircraft, Lock Haven, Penna.		

When ordering, always specify Part Number, Description, and Serial Number of Aircraft

PIPER PARTS CATALOG

Figure and Index Number	Part Number	Code	NOMENCLATURE	No. Req.	SERIAL NUMBERS AFFECTED
28A-39	401 269	E,W	BOLT - (AN3-10A)	2	
	400 004	D,W	BOLT - (AN4-7A)	2	
	407 565	D,W	WASHER - (AN960416)	2	
	404 887	E,W	NUT - (MS20365-1032C)	2	
	404 888	D,W	NUT - (MS20365-28C)	2	
-40	400 009	E,W	BOLT - (AN4-14A)	1	
	401 355	D,W	BOLT - (AN5-14A)	1	
	407 565	E,W	WASHER - (AN960-416)	1	
	407 566	D,W	WASHER - (AN960-516)	1	
	404 888	E,W	NUT - (MS20365-428C)	1	
-41	404 837	D,W	NUT - (MS20364-524C)	1	
	67762-02	B,C	COVER - Inertia reel, left, red	1	28-7125001 to 28-7125651 incl.
	67762-04	B,C	COVER - Inertia reel, left, blue	1	28-7125001 to 28-7125651 incl.
	67762-06	B,C	COVER - Inertia reel, left, tan	1	28-7125001 to 28-7125651 incl.
	67762-10	B,C	COVER - Inertia reel, left, green	1	28-7125001 to 28-7125651 incl.
	67762-03	B,C	COVER - Inertia reel, right, red	1	28-7125001 to 28-7125651 incl.
	67762-05	B,C	COVER - Inertia reel, right, blue	1	28-7125001 to 28-7125651 incl.
	67762-07	B,C	COVER - Inertia reel, right, tan	1	28-7125001 to 28-7125651 incl.
	67762-11	B,C	COVER - Inertia reel, right green	1	28-7125001 to 28-7125651 incl.
	69439-02	B,E	COVER - Inertia reel, left, red	1	
	69439-14	B,E	COVER - Inertia reel, left, blue/green	1	
	69439-06	B,E	COVER - Inertia reel, left, tan	1	
	69439-08	B,E	COVER - Inertia reel, left, green	1	
	69439-10	B,E	COVER - Inertia reel, left, black	1	
	69439-12	B,E	COVER - Inertia reel, left, white	1	
	69439-03	B,E	COVER - Inertia reel, right, red	1	
	69439-15	B,E	COVER - Inertia reel, right, blue/green	1	
	69439-07	B,E	COVER - Inertia reel, right, tan	1	
	69439-09	B,E	COVER - Inertia reel, right, green	1	
	69439-11	B,E	COVER - Inertia reel, right, black	1	
69439-13	B,E	COVER - Inertia reel, right, white	1		
			A- Used on PA-28-140 with serial numbers 28-7125001 and up, PA-28-180 with serial numbers 28-7105001 and up, PA-28-235 with serial numbers 28-7110001 and up, PA-28R-180 with serial numbers 28R-7130001 and up, and PA-28R-200 with serial numbers 28R-7135001 and up.		
			B- Used if shoulder harness has been installed.		
			C- Used on PA-28-140 airplanes only.		
			D- Used on PA-28-180 with serial numbers 28-7205001 and up, PA-28-235 with serial numbers 28-7210001 and up, and PA-28R-200 with serial numbers 28R-7235001 and up.		
			E- Used on PA-28-180 with serial numbers 28-7105001 to 28-7105244 inclusive, PA-28-235 with serial numbers 28-7110001 to 28-7110042 inclusive, PA-28R-180 with serial numbers 28R-7130001 to 28R-7130019 inclusive, and PA-28R-200 with serial numbers 28R-7135001 to 28R-7135238 inclusive.		
			W- These parts must be ordered from Service Spares Department, Piper Aircraft, Lock Haven, Penna.		

When ordering, always specify Part Number, Description, and Serial Number of Aircraft

PIPER PARTS CATALOG

Figure and Index Number	Part Number	Code	NOMENCLATURE	No. Req.	SERIAL NUMBERS AFFECTED
28A-42	66940-00	D,E	DOUBLER - Shoulder belt support, left	1	
	66940-01	D,E	DOUBLER - Shoulder belt support, right	1	
-43	484 224	D,F	BELT ASSEMBLY - Shoulder (PS50039-2)	2	
-44	62557-04		TRACK - Seat	4	
-45	62654-00		STOP - Seat	8	
	62654-02	H	STOP - Seat forward (2.45" L)	2	
-46	99242-02	B	BOOT ASSEMBLY - Seat belt attachment, red	1	
	99242-03	B	BOOT ASSEMBLY - Seat belt attachment, blue	1	
	99242-04	B	BOOT ASSEMBLY - Seat belt attachment, beige	1	
	99242-13	G	BOOT ASSEMBLY - Seat belt attachment, black	1	
	99242-07	B	BOOT ASSEMBLY - Seat belt attachment, green	1	
	99242-06	C	BOOT ASSEMBLY - Seat belt attachment, white	1	
<p>A- Used on PA-28-140 with serial numbers 28-7125001 and up, PA-28-180 with serial numbers 28-7105001 and up, PA-28-235 with serial numbers 28-7110001 and up, PA-28R-180 with serial numbers 28R-7130001 and up, and PA-28R-200 with serial numbers 28R-7135001 and up.</p> <p>B- Used on PA-28-180 with serial numbers 28-7105001 to 28-7105244 inclusive, PA-28-235 with serial numbers 28-7110001 to 28-7110042 inclusive, PA-28R-180 with serial numbers 28R-7130001 to 28R-7130019 inclusive, and PA-28R-200 with serial numbers 28R-7135001 to 28R-7135238 inclusive.</p> <p>C- Used on PA-28-180 with serial numbers 28-7105001 to 28-7405290 inclusive. PA-28-235 with serial numbers 28-7110001 to 28-7410120 inclusive. PA-28R-180 with serial numbers 28R-7130001 and up and PA-28R-200 with serial numbers 28R-7135001 to 28R-7435331 inclusive.</p> <p>D- Used on PA-28-148 with serial numbers 28-7125001 to 28-7125651 inclusive, PA-28-180 with serial numbers 28-7105001 to 28-7105244 inclusive, PA-28-235 with serial numbers 28-7110001 to 28-7110042 inclusive, PA-28R-180 with serial numbers 28R-7130001 to 28R-7130019 inclusive, and PA-28R-200 with serial numbers 28R-7135001 to 28R-7135238 inclusive.</p> <p>E- Used if shoulder harness has been installed.</p> <p>F- Ascertain vendor's part number on shoulder belt. If 0107116-9 does not appear, also order matching Lap Belt Assembly, P/N 551 368.</p> <p>G- Used on PA-28-180 with serial numbers 28-7105001 and up, PA-28-235 with serial numbers 28-7110001 and up, PA-28R-180 with serial numbers 28R-7130001 and up. and PA-28R-200 with serial numbers 28R-7135001 and up.</p> <p>H- Used on PA-28-140 with serial numbers 28-7405061 and up if vertically adjustable pilot seat is installed.</p>					

When ordering, always specify Part Number, Description, and Serial Number of Aircraft

PIPER PARTS CATALOG

Figure and Index Number	Part Number	Code	NOMENCLATURE	No. Req.	SERIAL NUMBERS AFFECTED
28A-47	452 692	G	BELT ASSEMBLY - Shoulder, front (PS50039-4-21)	2	
	452 680	E	BELT ASSEMBLY - Shoulder, front (PS500394-20)	2	
	452 679	D	BELT ASSEMBLY - Shoulder, rear (PS50039-4-19)	2	
-48	95061-91	E	BUSHING - Rear belt cable attachment	1	
-49	486 560	E	SHACKLE - (MS20115F5)	2	
-50	69669-110	F	PLACARD - Seat leg release	2	
-51	401 265	B,W	BOLT - (AN3-7A)	2	
	400 863	C	BOLT - (AN23-11A) Left	1	
	401 269	C,W	BOLT - (AN3-10A) Right	1	
			A- Used on PA-28-140 with serial numbers 28-7125001 and up, PA-28-180 with serial numbers 28-7105001 and up, PA-28-235 with serial numbers 28-7110001 and up, PA-28R-180 with serial numbers 28R-7130001 and up, and PA-28R-200 with serial numbers 28R-7135001 and up.		
			B- Used on PA-28-140 with serial numbers 28-7125001 to 28-7125651 inclusive, PA-28-180 with serial numbers 28-7105001 to 28-7105244 inclusive, PA-28-235 with serial numbers 28-7110001 to 28-7110042 inclusive, PA-28R-180 with serial number 28R-7130001 to 28R-7130019 inclusive, and PA-28R-200 with serial numbers 28R-7135001 to 28R-7135238 inclusive.		
			C- Used on PA-28-140 with serial numbers 28-7225001 and up, PA-28-180 with serial numbers 28-7205001 and up, PA-28-235 with serial numbers 28-7210001 and up, and PA-28R-200 with serial numbers 28R-7235001 and up.		
			D- Used on PA-28-140 with serial numbers 28-7225001 and up, PA-28-180 with serial numbers 28-7205001 to 28-7505259 inclusive, PA-28-235 with serial numbers 28-7210001 and up, and PA-28R-200 with serial numbers 28R-7235001 and up.		
			E- Used on PA-28-180 with serial numbers 28-7205001 and up, PA-28-235 with serial numbers 28-7210001 and up, and PA-28R-200 with serial numbers 28R-7235001 and up.		
			F- Used on PA-28-180 with serial numbers 28-7105001 to 28-7505261 inclusive, PA-28-235 with serial numbers 28-7110001 to 28-7710006 inclusive, PA-28R-180 with serial numbers 28R-7130001 to 28R-7130019 inclusive, and PA-28R-200 with serial numbers 28R-7135001 to 28R-7635509 inclusive.		
			G- Used on PA-28-140 airplanes only.		
			W- These parts must be ordered from Service Spares Department, Piper Aircraft, Lock Haven, Penna.		

When ordering, always specify Part Number, Description, and Serial Number of Aircraft

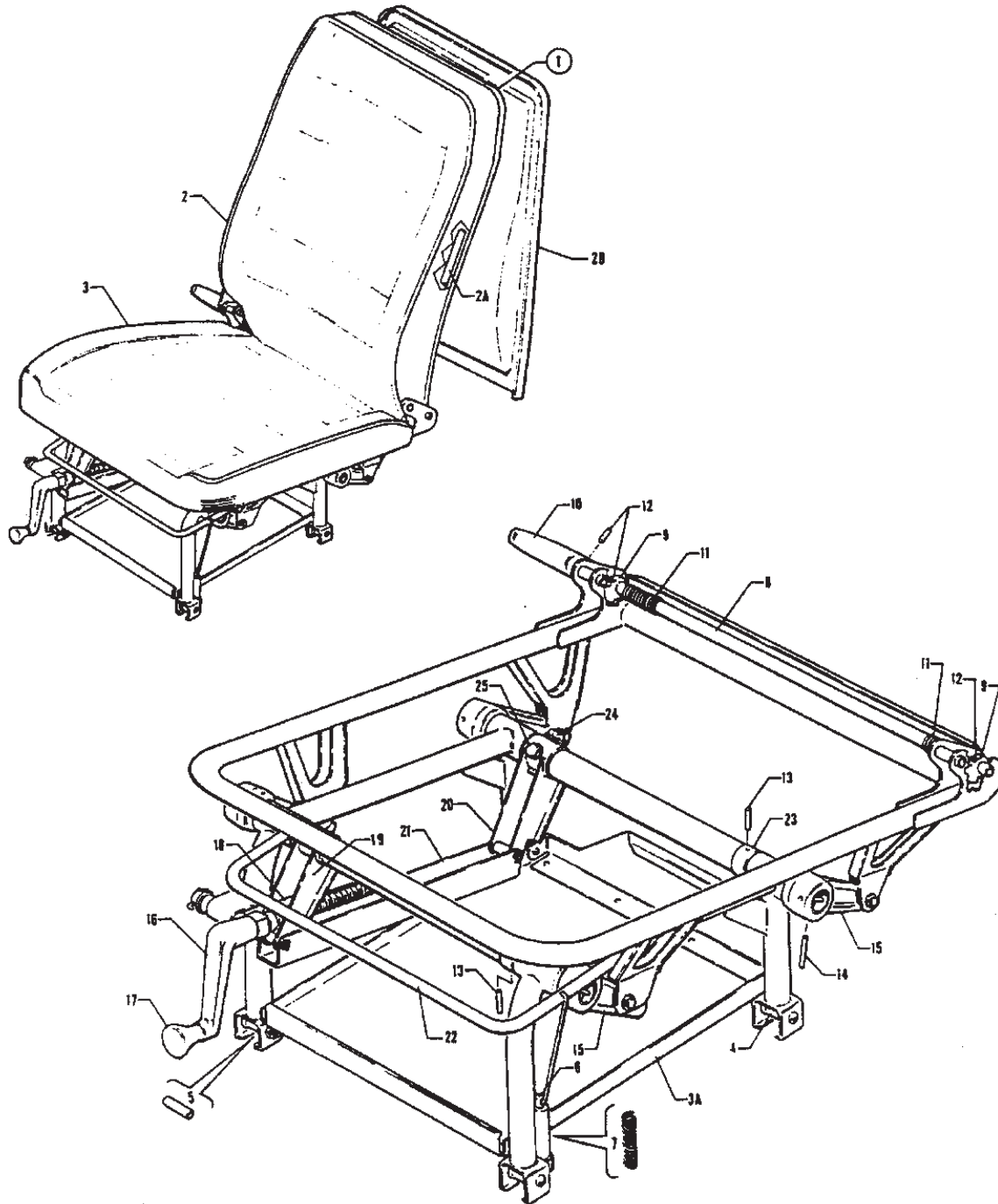


Figure 28B. Vertically Adjustable Front Seat Assembly
 (PA-28-140 - Serial Nos. 28-26401 to 28-7325684 inclusive)
 (PA-28-180 - Serial Nos. 28-5601 to 28-7205328 inclusive)
 (PA-28R-180 - Serial Nos. 28R-31251 to 28R-7130019 inclusive)
 (PA-28R-200 - Serial Nos. 28R-35601 to 28R-7135238 inclusive)
 (PA-28-235 - Serial Nos. 28-11301 to 28-7210033 inclusive)

PIPER PARTS CATALOG

Figure and Index Number	Part Number	Code	NOMENCLATURE	No. Req.	SERIAL NUMBERS AFFECTED	
28B-1	66984-00	C,E	SEAT ASSEMBLY - Adjustable front, left			
	99353-02	E,F	SEAT ASSEMBLY - Adjustable front, left			
	99353-14	H,J	SEAT ASSEMBLY - Adjustable front, left			
	66984-01	C,E	SEAT ASSEMBLY - Adjustable front, right	1		
	99353-03	E,F	SEAT ASSEMBLY - Adjustable front, right	1		
	99353-15	H,J	SEAT ASSEMBLY - Adjustable front, right	1		
	66984-02	B,D	SEAT ASSEMBLY - Adjustable front, left	1	28-26401 to 28-26956 inclusive	
	99353-00	B,G	SEAT ASSEMBLY - Adjustable front, left	1	28-7125001 to 28-7225612 incl.	
	69568-00	B,K	SEAT ASSEMBLY - Adjustable front, left	1	28-7325001 to 28-7325684 incl.	
	66984-03	B,D	SEAT ASSEMBLY - Adjustable front, right	1	28-26401 to 28-26956 inclusive	
	99353-01	B,G	SEAT ASSEMBLY - Adjustable front, right	1	28-7125001 to 28-7225612 incl.	
	69568-01	B,K	SEAT ASSEMBLY - Adjustable front, right	1	28-7325001 to 28-7325684 incl.	
	-2	6698404	C,E	CUSHION ASSEMBLY- Back	1	
		99353-07	E,F	CUSHION ASSEMBLY- Back	1	
		99353-18	H,J	CUSHION ASSEMBLY- Back	1	
		66984-05	B,D	CUSHION ASSEMBLY - Back	1	28-26401 to 28-26956 inclusive
		99353-06	B,G	CUSHION ASSEMBLY - Back	1	28-7125001 to 28-7225612 incl.
		96806-12	B,K	CUSHION ASSEMBLY- Back	1	28-7325001 to 28-7325684 incl.
A- Used on PA-28-140 with serial numbers 28-26401 to 28-7325684 inclusive, PA-28R-180 with serial numbers 28-5601 to 28-720 5328 inclusive, PA-28R-180 with serial numbers 28R-31251 to 28R-7130019 inclusive, PA-28R-200 with serial numbers 28R-35601 to 28R-7135238 inclusive, and PA-28-235 with serial numbers 28-11301 to 28-7210033 inclusive.						
B- Used on PA-28-140 airplanes only.						
C- Used on PA-28-180 with serial numbers 28-601to 28-5569 inclusive, PA-28-235 with serial numbers 28-11301to 28-11393 inclusive, PA-28R-180 with serial numbers 28R-31251 to 28R-31279 inclusive, and PA-28R-200 with serial numbers 28R-35601to 28R-35830 inclusive.						
D- When ordering, specify color red, brown, blue or beige.						
E- When ordering, specify color red, blue, beige, black, green or white.						
F- Used on PA-28-180 with serial numbers 23-7105001to 28-7105244 inclusive, PA-28-235 with serial numbers 28-7110001 to 28-7110042 inclusive, PA-28R-180 with serial numbers 28R-7130001 to 28R-7130019 inclusive, and PA-28R-200 with serial numbers 28R-7135001 to 28R-7135238 inclusive.						
G- When ordering, specify color red, blue, beige or green.						
H- When ordering, specify color red, blue/green, gold, green, black or white.						
J- Used on PA-28-180 with serial numbers 28-7205001to 28-7205328 inclusive, and PA-28-235 with serial numbers 28-7210001 to 28-7210033 inclusive.						
K- When ordering, specify color red, blue, gold or green.						

When ordering, always specify Part Number, Description, and Serial Number of Aircraft

PIPER PARTS CATALOG

Figure and Index Number	Part Number	Code	NOMENCLATURE	No. Req.	SERIAL NUMBERS AFFECTED
28B-2a	66992-00	L	FRAME ASSEMBLY - Seat, back		
	99093-00	M	FRAME ASSEMBLY - Seat, back		
	96810-02	B	FRAME ASSEMBLY - Seat, back	1	28-7325001 to 28-7325684 incl.
-2b	78041-00	B,K	COVER - Seat back	1	28-7325001 to 28-7325684 incl.
-3	66984-06	C,E	CUSHION ASSEMBLY - Bottom, left	1	
	99353-10	E,F	CUSHION ASSEMBLY - Bottom, left	1	
	99353-19	H,J	CUSHION ASSEMBLY - Bottom, left	1	
	66984-07	C,E	CUSHION ASSEMBLY - Bottom, right	1	
	99353-11	E,F	CUSHION ASSEMBLY - Bottom, right	1	
	99353-20	H,J	CUSHION ASSEMBLY - Bottom, right	1	
	66984-08	B,D	CUSHION ASSEMBLY - Bottom, left	1	28-26401 to 28-26956 inclusive
	99353-08	B,G	CUSHION ASSEMBLY - Bottom, left	1	28-7125001 to 28-7225612 incl.
	69568-04	B,K	CUSHION ASSEMBLY - Bottom, left	1	28-7325001 to 28-7325684 incl.
	66984-09	B,D	CUSHION ASSEMBLY - Bottom, right	1	28-26401 to 28-26956 inclusive
	99353-09	B,G	CUSHION ASSEMBLY - Bottom, right	1	28-7125001 to 28-7225612 incl.
	69568-05	B,K	CUSHION ASSEMBLY - Bottom, right	1	28-7325001 to 28-7325684 incl.
			A- Used on PA-28-140 with serial numbers 28-26401 to 28-7325684 inclusive, PA-28-180 with serial numbers 28-5601 to 28-7205328 inclusive, PA-28R-180 with serial numbers 28R-31251 to 28R-7130019 inclusive PA-28R-200 with serial numbers 28R-35601 to 28R-7135238 inclusive and PA-28-235 with serial numbers 28-11301 to 28-7210033 inclusive.		
			B- Used on PA-28-140 airplanes only.		
			C- Used on PA-28-180 with serial numbers 28-5601 to 28-5869 inclusive, PA-28-235 with serial numbers 28-11301 to 28-11393 inclusive, PA-28R-180 with serial numbers 28R-31251 to 28R-31279 inclusive, and PA-28R-200 with serial numbers 28R-35601 to 28R-35830 inclusive.		
			D- When ordering, specify color red, brown, blue or beige.		
			E- When ordering, specify color red, blue, beige, black, green or white.		
			F- Used on PA-28-180 with serial numbers 28-7105001 to 28-7105244 inclusive, PA-28-235 with serial number 28-7110001 to 28-7110042 inclusive, PA-28R-180 with serial numbers 28R-7130001 to 28R-7130019 inclusive, and PA-28R-200 with serial numbers 28R-7135001 to 28R-7135238 inclusive		
			G- When ordering, specify color red, blue, beige or green.		
			H- When ordering, specify color red, blue/green, gold, green, black or white.		
			J- Used on PA-28-180 with serial numbers 28-7205001 to 28-7205328 inclusive, and PA-28-235 with serial numbers 28-7210001 to 28-7210033 inclusive.		
			K- When ordering, specify color red, blue, gold or green.		
			L- Used on PA-28-140 with serial numbers 28-26401 to 28-26956 inclusive, PA-28-180 with serial numbers 28-5601 to 28-5869 inclusive, PA-28-235 with serial numbers 28-11301 to 28-11393 inclusive, PA-28R-180 with serial numbers 28R-31251 to 28R-31279 inclusive, and PA-28R-200 with serial numbers 28R-35601 to 28R-35830 inclusive.		
			M- Used on PA-28-140 with serial numbers 28-7125001 to 28-7225612 inclusive, PA-28-180 with serial numbers 28-7105001 to 28-7205328 inclusive, PA-28-235 with serial numbers 28-7110001 to 28-7210033 inclusive, PA-28R-180 with serial numbers 28R-7130001 to 28R-7130019 inclusive, and PA-28R-200 with serial numbers 28R-7135001 to 28R-7135238 inclusive.		

When ordering, always specify Part Number, Description, and Serial Number of Aircraft

PIPER PARTS CATALOG

Figure and Index Number	Part Number	Code	NOMENCLATURE	No. Req.	SERIAL NUMBERS AFFECTED
28B-3a	26824 00		FRAME ASSEMBLY - Seat bottom, left	1	
	26824-01	B	FRAME ASSEMBLY - Seat bottom, right	1	
	99305-08	C	FRAME ASSEMBLY - Seat bottom, left	1	
	99305-09	C	FRAME ASSEMBLY - Seat bottom, right	1	
-4	87332-02		ROLLER - Seat	4	
-5	65003-47		BUSHING - Seat roller	4	
-6	76175-02		PLUNGER - Seat	2	
-7	50111-00	W	SPRING - Seat plunger	2	
	19392-15	W	TUBE - Reclining mechanism	1	
-9	19365-02	W	CAM - Reclining seat	2	
-10	32380-00	W	HANDLE - Seat back adjustment	1	
-11	19336-00	W	SPRING - Seat back adjustment, inboard	1	
	19336-01	W	SPRING -Seat back adjustment, outboard	1	
-12	480 701	W	PIN - Roll (59-028-125-0625)	3	
-13	480 727		PIN - Roll (52-028-125-1000)	2	
-14	480 030		PIN - Roil (52-040-187-1250)	10	
-15	27018-00		ARM - Seat adjusting	4	
-16	26653-00		HANDLE ASSEMBLY - Seat vertical adjustment	1	
-17	571 131		KNOB - (KN678-1)	1	
-18	26952-00		BLOCK - Seat adjustment	1	
-19	26965-00		ANGLE ASSEMBLY - Seat adjustment, front	1	
-20	26965-02		ANGLE ASSEMBLY - Seat adjustment, rear	1	
-21	26961-00		CHANNEL - Seat adjustment	1	
-22	26966-00		TUBE - Seat catch release	1	
-23	26953-00		BUSHING - Seat	2	
-24	27244-00		BOLT - Special	1	
	407 565	W	WASHER - (AN960416)	2	
	404 888	W	NUT - (MS20365-428C)	1	
-25	401 315	W	BOLT - (AN4-15A)	1	
	27245-00		WASHER - Special	4	
	404 888	W	NUT - (MS20365-428C)	1	
			A- Used on PA-28-140 with serial numbers 28-26401 to 28-7325684 inclusive, PA-28-180 with serial numbers 28-5601 to 28-7205328 inclusive, PA-28R-180 with serial numbers 28R-31251 to 28R-7130019 inclusive, PA-28R-200 with serial numbers 28R-35601 to 28R-7135238 inclusive, and PA-28-235 with serial numbers 28-11301 to 28-7210033 inclusive.		
			B- Used on PA-28-140 with serial numbers 28-26401 to 28-25956 inclusive, PA-28-180 with serial numbers 28-5601 to 28-5869 inclusive, PA-28-235 with serial numbers 28-11301 to 28-11393 inclusive, PA-28R-180 with serial numbers 28R-31251 to 28R-31279 inclusive, and PA-28R-200 with serial numbers 28R-35601 to 28R-35530 inclusive .		
			C- Used on PA-28-140 with serial numbers 28-7125001 to 28-7325684 inclusive, PA-28-180 with serial numbers 28-7105001 to 28-7205328 inclusive, PA-28-235 with serial numbers 28-7110001 to 28-7210033 inclusive, PA-28R-180 with serial numbers 28R-7130001 to 28R-7130019 inclusive, and PA-28R-200 with serial numbers 28R-7135001 to 28R -7135238 inclusive.		
			D- Before ordering, ascertain O.D. at center of seat roller If O.D. of roller measures .42, (2) rollers P/N 87332-02 must be ordered If O.D. of roller measures 62 order roller(s) as required		
			W- These parts must be ordered from Service Spares Department. Piper Aircraft, Lock Haven, Penna.		

When ordering, always specify Part Number, Description, and Serial Number of Aircraft

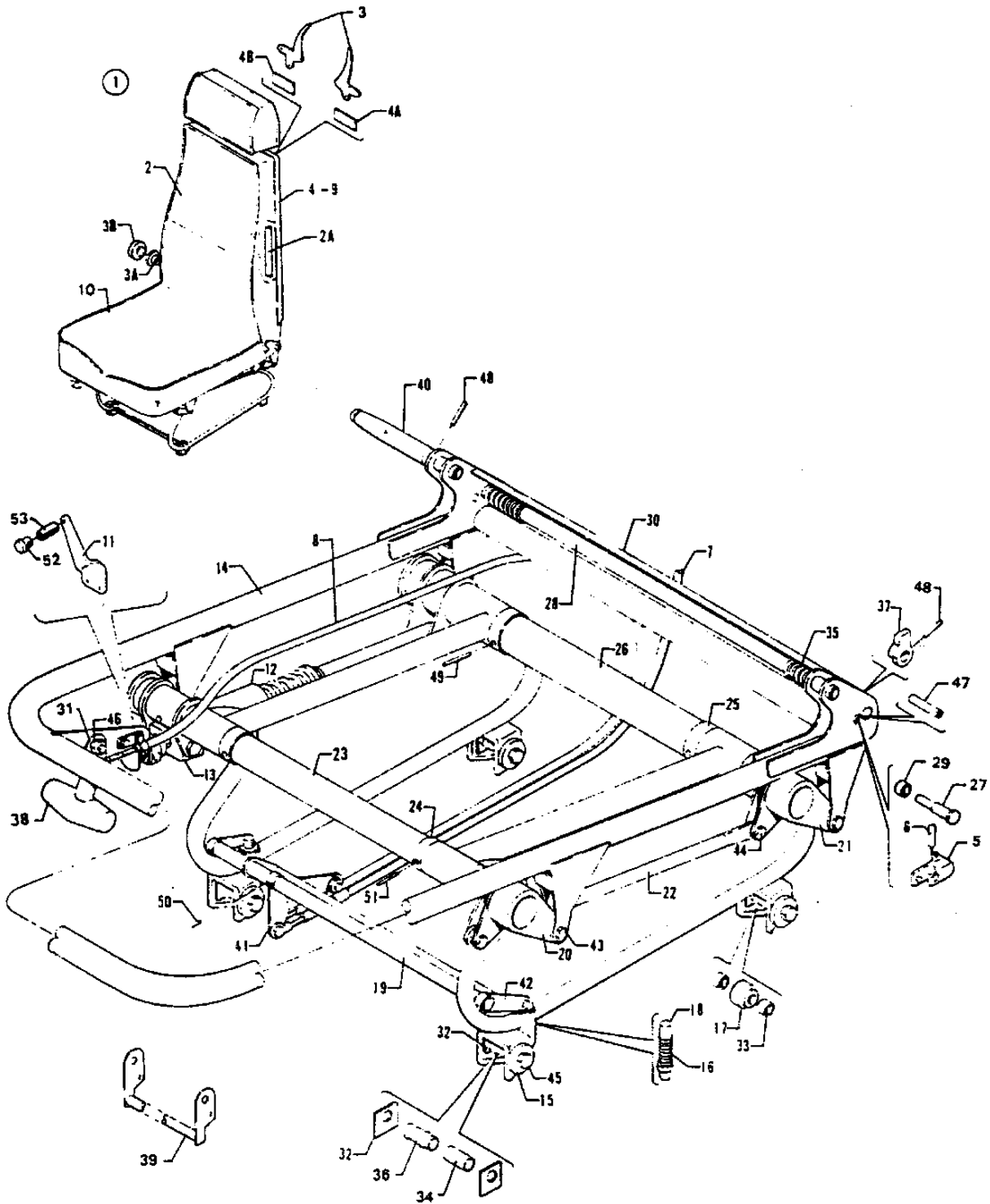


Figure 28C Vertically Adjustable Front Seat Assembly
 (PA-23-140 - Serial Nos. 28-7425061 and up)
 (PA-28-180 - Serial Nos. 28-7405035 and up)
 (PA-28-235 - Serial Nos. 28-74110027 and up)
 (PA-23R 200 - Serial Nos. 28R-7435035 and up)

PIPER PARTS CATALOG

Figure and Index Number	Part Number	Code	NOMENCLATURE	No. Req.	SERIAL NUMBERS AFFECTED
28C-1	79591-02	B,D	SEAT ASSEMBLY - Adjustable front, left		
	79590-02	C,D	SEAT ASSEMBLY - Adjustable front, left	1	
	79591-03	B,D	SEAT ASSEMBLY - Adjustable front, right	1	
	79590-03	C,D	SEAT ASSEMBLY - Adjustable front, right	1	
-2	96806-12	D,E,G	CUSHION ASSEMBLY - Back, left	1	
	79337-16	D,F	CUSHION ASSEMBLY - Back, left	1	
	96806-23	D,H,G	CUSHION ASSEMBLY - Back, right	1	
	96806-22	C,D,G	CUSHION ASSEMBLY - Back, right	1	28-7425061 to 28-7525322 incl.
	79337-17	D,F	CUSHION ASSEMBLY - Back, right	1	
-2a	96810-02	E,G	FRAME ASSEMBLY - Seat back, left	1	
	96810-03	E,G	FRAME ASSEMBLY - Seat back, right	1	
	79555-00	F	FRAME ASSEMBLY - Seat back, right	1	
	79555-01	F	FRAME ASSEMBLY - Seat back, right	1	
-3	79228-00		HANDLE - Seat release, right	2	
-3a	453 732	W	BUSHING - Seat back, right (PS10064-375-4)	1	
-3b	79554-02		KNOB - Seat back release, right	1	
			A- Used on PA-28-140 with serial numbers 28-7425061 and up, PA-28-180 with serial numbers 28-7405035 and up, PA-28-235 with serial numbers 28-7410027 and up, and PA-28R-200 with serial numbers 28R-7435035 and up.		
			B- Used on PA-28-180, PA-28-235 and PA-28R-200 airplanes only.		
			C- Used on PA-28-140 airplanes only.		
			D- When ordering, specify color red, blue/green, gold, black, white, green, blue, navajo sepia, navajo cactus or yellow/dark red. Specify trim color black or camel on 1977 and up model aircraft.		
			E- Used on PA-28-140 with serial numbers 28-7425061 to 28-7525322 inclusive, PA-28-180 with serial numbers 28-7405035 to 28-7505234 inclusive, PA-28-235 with serial numbers 28-7410027 to 28-7610095 inclusive, and PA-28R-200 with serial numbers 28R-7435035 to 28R-7535298 inclusive.		
			F- Used on PA-28-140 with serial numbers 28-7525323 and up, PA-28-180 with serial numbers 28-7505235 and up, PA-28-235 with serial numbers 28-7610096 and up, and PA-28R-200 with serial numbers 28R-7535299 and up.		
			G- If seat assembly incorporates a "U" shaped handle for the seat track releasing mechanism, order part for later serial numbers.		
			H- Used on PA-28- 180 with serial numbers 28-7405035 to 28-7505234 inclusive, PA-28-235 with serial numbers 28-7410027 to 28-7610095 inclusive, and PA-28R-200 with serial numbers 28R-7435035 to 28R-7535295 inclusive.		

When ordering, always specify Part Number, Description, and Serial Number of Aircraft

PIPER PARTS CATALOG

Figure and Index Number	Part Number	Code	NOMENCLATURE	No. Req.	SERIAL NUMBERS AFFECTED
28C-4	78041-08	D,E,F	COVER ASSEMBLY - Seat back, right		
	78041-00	F,H	COVER ASSEMBLY - Seat back, right	1	
-4a	69669-13	J	PLACARD - Seat back release	1	
-4b	69669-14	J	PLACARD - Seat track release	1	
-5	99718-01	B,E	STOP ASSEMBLY - Seat latch, right	1	
	99718-06	G	STOP ASSEMBLY - Seat latch, right	1	
	99718-05	C	STOP ASSEMBLY - Seat latch, right	1	
-6	99719-03	D	CABLE ASSEMBLY - Seat back release (passenger operated, length 27")	1	
-7	99719-16	C	CABLE ASSEMBLY - Seat track release (passenger operated, length 40")	1	
	99719-19	B	CABLE ASSEMBLY - Seat track release (passenger operated, length 37")	1	28-7425061 to 28-7825322 incl.
-8	554 422		CABLE ASSEMBLY -Seat track release (crew operated, length) 27") (PS50146-8-1)	1	
-9	78041-00	F	COVER ASSEMBLY - Seat back, left	1	
			A- Used on PA-28-140 with serial numbers 28-7425061 and up, PA-28-180 with serial numbers 28-7405035 and up, PA-28-235 with serial numbers 28-7410027 and up, and PA-28R-200 with serial numbers 28R-7435035 and up.		
			B- Used on PA-28-180 with serial numbers 28-7405035 to 28-7505234 inclusive, PA-28-235 with serial numbers 28-7410027 to 28-7610095 inclusive, and PA-28R-200 with serial numbers 28R-7435035 to 28R-7535295 inclusive.		
			C- Used on PA-28-140 airplanes only.		
			D- Used on PA-28-140 with serial numbers 28-7425061 to 28-7525322 inclusive, PA-28-180 with serial numbers 28-7405035 to 28-7505234 inclusive, PA-28-235 with serial numbers 28-7410027 to 28-7610095 inclusive, and PA-28R-200 with serial numbers 28R-7435035 to 28R-7535298 inclusive.		
			E- If seat assembly incorporates a "U" shaped handle for the seat track releasing mechanism, order part for later serial numbers.		
			F- When ordering, specify color red, blue/green, gold, black, white, green or bark. Specify color "Bark 1" for PA-28-140 with serial numbers 28-7725001 to 28-7725 174 inclusive, PA-28-235 with serial numbers 28-7710001to 28-7710010 inclusive, and PA-28R-200 with serial numbers 28R-7635504 and up. Specify color "Bark 11" for PA-28-140 with serial numbers 28-7715175 and up, and PA-28-235 with serial numbers 28-7710011 and up.		
			G- Used on PA-28-180 with serial numbers 28-7505235 and up, PA-28-235 with serial numbers 28-7610096 and up, and PA-28R-200 with serial numbers 28R-7535299 and up.		
			H- Used on PA-28-140 with serial numbers 28-7525323 and up, PA-28-180 with serial numbers 28-7505235 and up, PA-28-235 with serial numbers 28-7610096 and up. and PA-28R-200 with serial numbers 28R-7535299 and up.		
			J- Used if seat back assembly incorporates handles for seat back and seat back release.		

When ordering, always specify Part Number, Description, and Serial Number of Aircraft

PIPER PARTS CATALOG

Figure and Index Number	Part Number	Code	NOMENCLATURE	No. Req.	SERIAL NUMBERS AFFECTED
28C-10	555 563	C	COVER ASSEMBLY - Seat bottom, red	1	
	555 564	C	COVER ASSEMBLY - Seat bottom, blue/green	1	
	555 565	C	COVER ASSEMBLY - Seat bottom, gold	1	
	555 568	C	COVER ASSEMBLY - Seat bottom, green	1	
	555 566	C	COVER ASSEMBLY - Seat bottom, black	1	
	555 567	B	COVER ASSEMBLY - Seat bottom, white	1	
	555 953	D	COVER ASSEMBLY - Seat bottom, red (with black trim)	1	
	558 954	D	COVER ASSEMBLY Seat bottom, blue (with black trim)	1	
	555 955	D	COVER ASSEMBLY - Seat bottom, gold (with black trim)	1	
	555 956	D	COVER ASSEMBLY - Seat bottom, green (with black trim)	1	
	555 957	D	COVER ASSEMBLY - Seat bottom, black (with black trim)	1	
	555 884	D	COVER ASSEMBLY - Seat bottom, navajo sepia (with camel trim)	1	
	555 885	D	COVER ASSEMBLY - Seat bottom, navajo cactus (with camel trim)	1	
	555 886	D	COVER ASSEMBLY - Seat bottom, orange (with camel trim)	1	
	555 887	D	COVER ASSEMBLY - Seat bottom, blue/green (with camel trim)	1	
	555 888	D	COVER ASSEMBLY - Seat bottom, navajo sepia (with black trim)	1	
	555 889	D	COVER ASSEMBLY - Seat bottom, navajo cactus (with black trim)	1	
	555 890	D	COVER ASSEMBLY - Seat bottom, orange (with black trim)	1	
	555 891	D	COVER ASSEMBLY - Seat bottom, blue/green (with black trim)	1	
	-11	37902-08		CONTROL ASSEMBLY - Actuator	1
-12	76445-00		CONTROL ASSEMBLY - Seat adjustment (P. L. Porter Co. P/N SL10100, Rev. B)	1	
	587 404		CONTROL ASSEMBLY - Seat adjustment (Gas Spring Corp. P/N 06-10-080-310-025)	1	
			A- Used on PA-28-140 with serial numbers 28-7425061 and up, PA-28-180 with serial numbers 28-7405035 and up, PA-28-235 with serial numbers 28-7410027 and up, and PA-28R-200 with serial numbers 28R-7435035 and up.		
			B- Used on PA-28-140 with serial numbers 28-7425061 to 28-7425454 inclusive, PA-28-180 with serial numbers 28-7405035 to 28-7405290 inclusive, PA-28-235 with serial numbers 28-7410027 to 28-7410120 inclusive, and PA-28R-200 with serial numbers 28R-7435035 to 28R-7435331 inclusive.		
			C- Used on PA-28-140 with serial numbers 28-7425061 to 28-7625234 inclusive, PA-28-180 with serial numbers 28-7405035 and up, PA-28-235 with serial numbers 28-7410027 to 28-7610206 inclusive, and PA-28R-200 with serial numbers 28R-7435035 to 28R-7635503 inclusive.		
			D- Used on PA-28-140 with serial numbers 28-7725001 and up, PA-28R-200 with serial numbers 28R-7635504 and up, and PA-28-235 with serial numbers 28-7710001 and up.		

When ordering, always specify Part Number, Description, and Serial Number of Aircraft

PIPER PARTS CATALOG

Figure and Index Number	Part Number	Code	NOMENCLATURE	No. Req.	SERIAL NUMBERS AFFECTED
28C-13	37902-02	E	ADAPTER - Seat control	1	
	37902-06	F	ADAPTER - Seat control	1	
-14	79538-00	B,E	FRAME ASSEMBLY - Seat bottom, left	1	
	79538-01	B,E	FRAME ASSEMBLY - Seat bottom, right	1	
	79538-02	B,F	FRAME ASSEMBLY - Seat bottom, left	1	
	79538-03	B,F	FRAME ASSEMBLY - Seat bottom, right	1	
	79539-00	C,E	FRAME ASSEMBLY - Seat bottom, left	1	
	79539-01	C,E	FRAME ASSEMBLY - Seat bottom, right	1	
	79539-02	C,F	FRAME ASSEMBLY - Seat bottom, left	1	
	79539-03	C F	FRAME ASSEMBLY - Seat bottom, right	1	
-15	62833-78		WASHER	8	
-16	587 299		SPRING - Seat plunger (LC-038F-6SS)	2	
-17	452 386		ROLLER - (NAS506-4)	2	
-18	76175-00		PLUNGER	2	
-19	76172-03		TUBE - Bellcrank	1	
-20	36856-02		BELLCRANK ASSEMBLY - Forward (forged)	1	
-21	36857-02		BELLCRANK ASSEMBLY - Aft (forged)	1	
-22	76342-00		LINK ASSEMBLY - Seat	1	
-23	76343-00		TUBE ASSEMBLY - Forward	1	
-24	76351-02		BUSHING - Seat	2	
-25	76351-03		BUSHING - Seat	1	
-26	76345-00	E	TUBE ASSEMBLY - Aft	1	
	37848-02	F	TUBE ASSEMBLY - Aft	1	
-27	79229-00		BEARING SHAFT- Seat release, right	1	
-28	79230-00		TUBE - Seat reclining	1	
-29	79235-00		BUSHING - Seat back release, right	1	
-30	76176-00		COVER - Reclining seat	1	
-31	76169-02	G	LEVER - Seat	1	
-32	79251-00	D	WASHER - Teflon	8	
			A- Used on PA-28-140 with serial numbers 28-7425061 and up, PA-28-180 with serial numbers 28-7405035 and up, PA-28-235 with serial numbers 28-7410027 and up, and PA-28R-200 with serial numbers 28R-7435035 and up.		
			B- Used on PA-28-180 airplanes only.		
			C- Used on PA-28-180, PA-28-235 and PA-28R-200 airplanes only.		
			D- Used on PA-28-140 with serial numbers 28-7425061 to 28-7625235 inclusive, PA-28-180 with serial numbers 28-7405035 and up, PA-28-235 with serial numbers 28-7410027 to 28-7610138 inclusive, and PA-28R-200 with serial numbers 28R-7435035 to 28-7635328 inclusive.		
			E- Used if Seat Adjustment Control Assembly 76445-00 (P. L. Porter Co. P/N SL10100, Rev. B) is installed.		
			F- Used if Seat Adjustment Control Assembly 587 404 (Gas Spring Corp. P/N06-10-080-310-025) is installed.		
			G- Used on PA-28-140 with serial numbers 28-7425061 to 28-7525322 inclusive, PA-28-180 with serial numbers 28-7405035 to 28-7505234 inclusive, PA-28-235 with serial numbers 28-7410027 to 28-7610095 inclusive, and PA-28R-200 with serial numbers 28R-7435035 to 28R-7535298 inclusive.		

When ordering, always specify Part Number, Description, and Serial Number of Aircraft

PIPER PARTS CATALOG

Figure and Index Number	Part Number	Code	NOMENCLATURE	No. Req.	SERIAL NUMBERS AFFECTED
28C-33	79252-00	E	** SPACER - Seal (.254 L)	4	
	95061-161	D	** SPACER - Seat (.248 L)	4	
-34	95061-106		** SPACER	2	
-35	19336-00	W	** SPRING - Seat back adjustment, left	1	
	19336-01	W	** SPRING - Seat back adjustment, right	1	
-36	87332-02	H	** ROLLER - Seat	2	
-37	19365-02	W	** CAM - Reclining seat	1	
-38	571 149		** KNOB - (PS10067-1-1)	1	
-39	79207-00		** HANDLE ASSEMBLY - Seat release	1	
-40	32380-00	W	** HANDLE - Seat back adjustment, cadmium plated	1	
	79442-00		** HANDLE - Seat back adjustment, black	1	
-41	76187-00		** ARM ASSEMBLY - Seat release	1	
-42	36858-02		** ARM ASSEMBLY - Seat latch (forged)	2	
-43	424 142	B.W	** PIN - (MS20392-1C11)	4	
	424 172	C	** PIN - (MS20392-2C11)	4	
	407 561	B.W	** WASHER - (AN960-4)	4	
	407 564	C.W	** WASHER - (AN960-10)	4	
	424 051	W	** COTTER PIN - (MS24665-132)	4	
-44	424 205	F	** PIN - (MS20392-3C17)	2	
	424 204	G	** PIN - (MS20392-3C15)	2	
	407 565	F,W	** WASHER - Nylon 960-416)	2	
	407 585	G ,W	** WASHER - (AN960-416L)	2	
	424 051	W	** COTTER PIN - (MS 24665-132)	2	
-45	401 318	W	** BOLT - (AN4-20A)	4	
	477 708		** NUT - (28C-048)	4	
-46	400 002	W	** BOLT - (AN4-5A)	1	
	494 133		** WASHER - Nylon (1/4 I.D)	1	
	407 585	W	** WASHER - (AN960-416L)	1	
	404 888	W	** NUT - (MS20365-428C)	1	
-47	480 732	W	** PIN - Roll (59-040-187-0937)	2	
-48	480 701	W	** PIN - Roll (59-028-125-0625)	3	
-49	480 790	B	** PIN - (MS9048-172) (1.25 L)	4	
	480 801	C	** PIN - (MS9048-173) (1.37 L)	4	
-50	480 777		** PIN - (MS9048-100) .50 long	3	
	480 592		** PIN - (MS9048-101) .56 long	3	
-51	480 789		** PIN - (MS9048-170)	4	
-52	471 084		* KNOB - Actuator (233)	1	
-53	37902-05		* BUSHING - Actuator	1	
			A- Used on PA-28-140 w/ serial numbers 28-7425061 and up. PA-28-180 with serial numbers 28-7405035 and up. PA-28-235 with serial numbers 28-7410027 and up. and PA-28R-200 with serial numbers 28R-7435035 and up.		
			B- Used if seat assembly incorporates a "T" knob for the seat rack releasing mechanism.		
			C- Used if seat assembly incorporates a "U" shaped handle for the seat rack releasing mechanism.		
			D- Used if two pieces of tape are installed on seat frame		
			E- Used if Teflon washers are installed.		
			F- Used if a welded bell crank assembly is installed.		
			G- Used if a forged bellcrank assembly is installed.		
			H- Before ordering, ascertain O.D. at center of seat roller If O.D. of roller measures 42, (2) rollers P/N 87332-02 must be ordered. If O.D. of roller measures 62, order roller(s) as required.		
			W- These parts must be ordered from Service Spares Department. Piper Aircraft, Lock Haven, Penna.		

When ordering, always specify Part Number, Description, and Serial Number of Aircraft

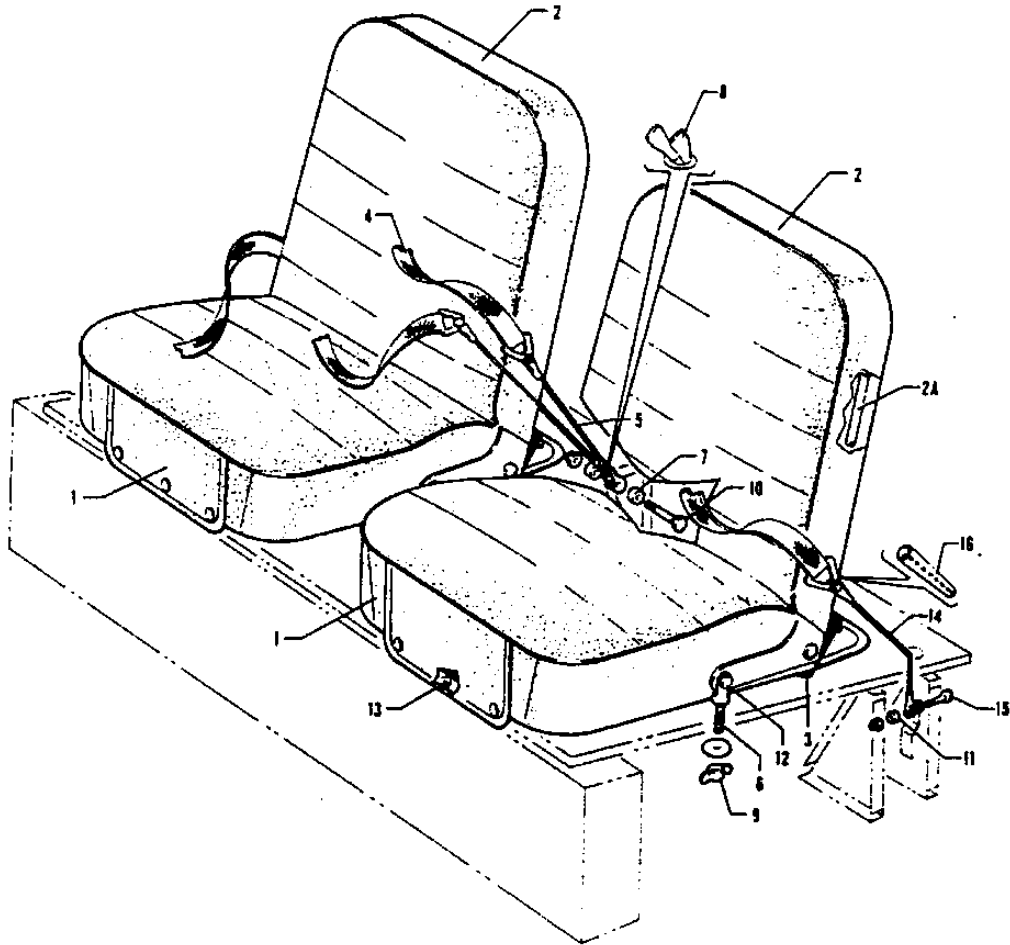


Figure 29. Rear Seat Installation

PIPER PARTS CATALOG

Figure and Index Number	Part Number	Code	NOMENCLATURE	No. Req.	SERIAL NUMBERS AFFECTED
29-	65599 65500 66664 99360		DRAWING - Rear Seat Installation DRAWING - Rear Seat Installation DRAWING - Rear Seat Installation DRAWING - Rear Seat Installation		28-20002 to 28-20909 inclusive 28-20910 to 28-24999 inclusive 28-25000 to 28-26956 inclusive 28-7125001 and up
-1	65501-03 65501-00 65501-04 65501-02 65501-05 99359-00 99949-00	A B C D	BOTTOM ASSEMBLY - Rear seat. tan (vinyl insert) BOTTOM ASSEMBLY - Rear seat. tan (cloth, insert) BOTTOM ASSEMBLY - Rear seat. gray BOTTOM ASSEMBLY - Rear seat BOTTOM ASSEMBLY - Rear seat BOTTOM ASSEMBLY - Rear seat BOTTOM ASSEMBLY - Rear seat	2 2 2 2 2 2 2	28-20002 to 28-20909 inclusive 28-20910 to 28-21467 inclusive 28-20002 to 28-20909 inclusive 28-21468 to 28-21866 inclusive 28-21867 to 28-26956 inclusive 28-7125001 to 28-722612 incl. 28-7325001 and up
-2	65515-03 65515-00 65515-04 65515-02 65515-05 99358-00 99948-00	A B C D	BACK ASSEMBLY - Rear seat, tan (vinyl insert) BACK ASSEMBLY - Rear seat, tan (cloth insert) BACK ASSEMBLY - Rear seat, gray BACK ASSEMBLY - Rear seat BACK ASSEMBLY - Rear seat BACK ASSEMBLY - Rear seat BACK ASSEMBLY - Rear seat	2 2 2 2 2 2 2	28-20002 to 28-20909 inclusive 28-20910 to 28-21457 inclusive 28-20002 to 28-20909 inclusive 28-21468 to 28-21866 inclusive 28-21867 to 28-26956 inclusive 28-7125001 to 28-7226012 incl. 28-7325001 and up
-2a	65518-00		* FRAME ASSEMBLY - Rear seat, back	1	
-3	453 706		* BUMPER - Rubber (9102J)	2	
-4	551 374		BELT ASSEMBLY - Safely, black (PS50039-4-3)	2	
-5	65519-00 96908-00		CABLE ASSEMBLY - Seat belt attachment CABLE ASSEMBLY - Seat belt attachment	1 2	28-20002 to 28-7125651 incl. 28-7225001 and up
-6	65505-00		EYE BOLT - Seat attachment	4	
-7	80012 -17 95061-92	W	BUSHING - Cable attachment BUSHING - Cable attachment	2 1	28- 20002 to 28-7125051 incl. 28-7225001 and up
-8	99242-13		BOOT ASSEMBLY - Seat belt attachment, black	1	28-7225001 and up
-9	477 657 407 801	W W	WING NUT - (WC-040) WASHER - (AN970-4)	4 4	
-10	401 315 400 159 407 565 407 566 404 888 404 837	W W W W W W	BOLT - (AN4-15A) BOLT - (AN5-14) WASHER - (AN960-416) WASHER - (AN960-516) NUT - (MS20365-428C) NUT - (MS20364-524C)	1 1 2 2 1 1	28-20002 to 28-7125651 incl. 28-7225001 and up 28-20002 to 28-7125651 incl. 28-7225001 and up 28-20002 to 28-7125651 incl. 28-7225001 and up
			A- When ordering, specify color red, brown or blue. B- When ordering, specify color red, brown, blue or beige. C- When ordering, specify color red, blue, beige or green. D- When ordering, specify color red, blue, gold, green or black. W- These parts must be ordered from Service Spares Department, Piper Aircraft, Lock Haven, Penna.		

When ordering, always specify Part Number, Description, and Serial Number of Aircraft

PIPER PARTS CATALOG

Figure and Index Number	Part Number	Code	NOMENCLATURE	No. Req.	SERIAL NUMBERS AFFECTED
29-11	63900-24		BUSHING	2	
-12	400 004	W	BOLT - (AN4-7A)	4	
	407 565	W	WASHER - (AN960-416)	4	
	404 888	W	NUT - (MS20365-428C)	4	
-13	487 695		STUD - (XX10367 x 5/8")	10	
-14	65520-00		CABLE ASSEMBLY . Seat belt attachment	2	28-20002 to 28-26956 incl. 28-7125001 and up
	20868-00	W	CABLE ASSEMBLY - Seat belt attachment	2	
-15	401 269	W	BOLT - (AN3-10A)	2	
	407 584	W	WASHER - (AN960-10L)	2	
	404 887	W	NUT - (MS20365-1032C)	2	
-16	68022-14		BOOT- Seat belt attachment		
			W- These parts must be ordered from Service Spares Department, Piper Aircraft, Lock Haven, Penna.		

When ordering, always specify Part Number, Description, and Serial Number of Aircraft

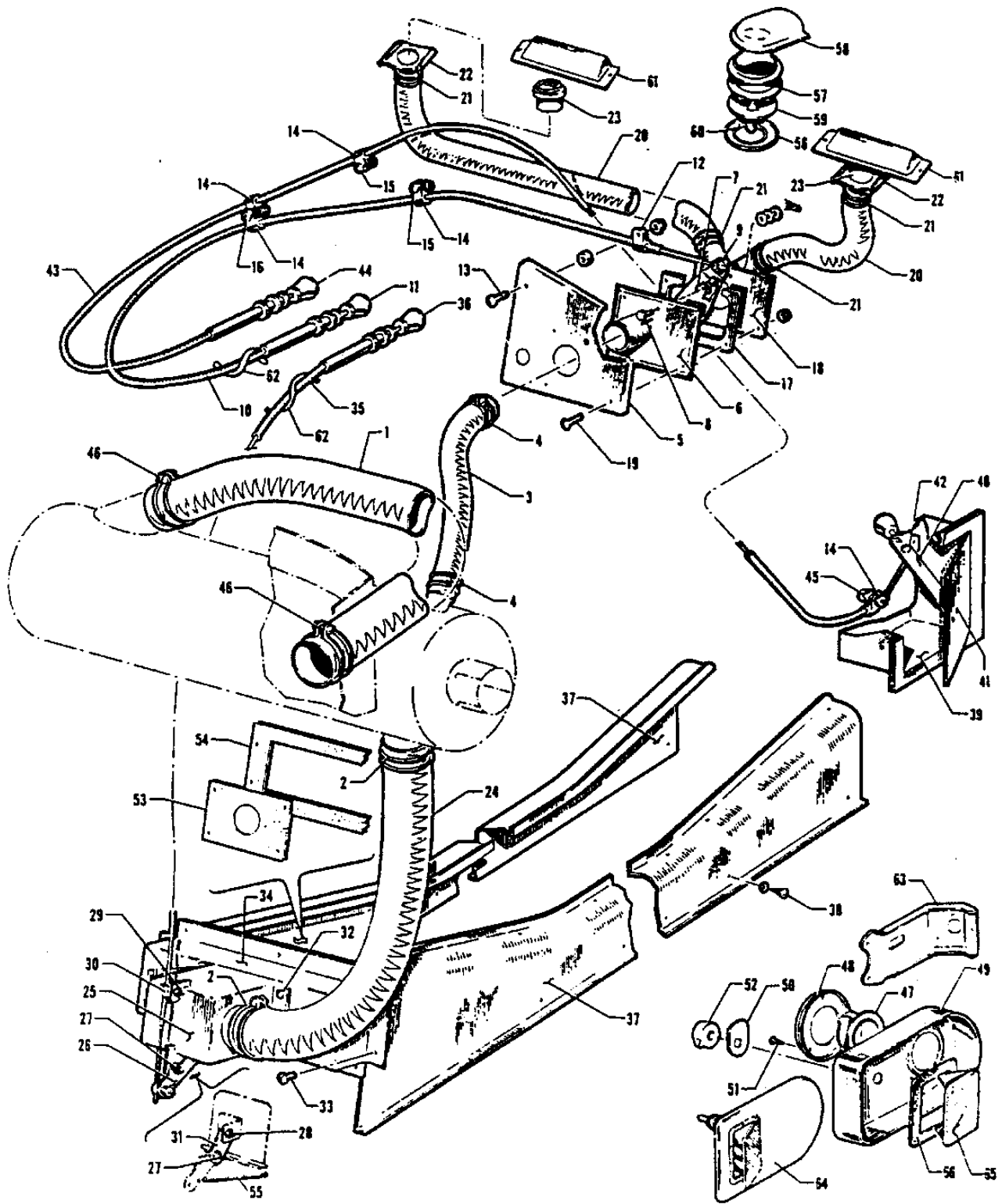


Figure 30. Cabin Heat, Defroster and Fresh Air System
 (PA-28-140 - Serial Nos. 28-20002 to 28-24999 inclusive)
 (PA-28-150-160-180 - Serial Nos. 28-1 to 258-1760 inclusive)

PIPER PARTS CATALOG

Figure and Index Number	Part Number	Code	NOMENCLATURE	No. Req.	SERIAL NUMBERS AFFECTED
30-	62958	A	DRAWING - Cabin Heat Installation		
	62957	A	DRAWING - Cabin Fresh Air Installation		
	62950	A	DRAWING - Defroster System Installation		28-1 to 28-1410 inclusive
	65321	C	DRAWING - Defroster System Installation		28-1411 to 28-1760 inclusive
	65321	D	DRAWING - Defroster System Installation		28-20002 to 28-21095 inclusive
	65553	D	DRAWING - Defroster System Installation		28-21096 to 28-24999 inclusive
-1	63633-10	B	HOSE - Air inlet	1	28-1 to 28-1520 inclusive
	63633-07		HOSE - Air Inlet	1	28-1521 and up
-2	451 994		CLAMP - Hose (#H2-1160)	2	
-3	63633-09		HOSE - Defroster air inlet	1	
-4	454 997	W	CLAMP - Hose (#H-1-1160)	2	
-5	62959-00		PLATE - Defroster	1	
-6	21572-00	W	PLATE ASSEMBLY - Defroster air inlet	1	
-7	21573-00	W	VALVE - Defroster	1	
-8	424 140	W	PIN - Flat head (AN392-7)	1	
	408 813	W	WASHER - (#3535-10-02)	1	
	407 610	W	WASHER - (AN960-C8)	3	
	424 051	W	PIN - Cotter (AN380-2-2)	1	
- 9	70371-00	W	FITTING ASSEMBLY - Swivel	2	
-10	63902-06	E	CONTROL ASSEMBLY - Defroster	1	
	63902-18	D	CONTROL ASSEMBLY - Defroster	1	28-21096 to 28-24999 inclusive
-11	63914-05	E	KNOB - Defroster cable	1	
	65617-00	D	KNOB - Defroster cable	1	28-21096 to 28-24999 inclusive
-12	80032-34	W	CLAMP	1	
-13	416 942		SCREW - (AN515-10R12)	1	
	63900-28		BUSHING	1	
	404 887	W	NUT - (MS20365-1032C)	1	
-14	454 887	W	CLAMP - (A4886S-3-1)	5	
-15	416 990		SCREW - (AN526-1032R7)	2	
	404 887	W	NUT - (MS20365-1032C)	2	
-16	417 775	W	SCREW - (AN520-10R8)	2	
	404 887	W	NUT - (MS20365-1032C)	2	
-17	21574-00	W	SPACER - Defroster air valve	1	
-18	62952-00	E	OUTLET ASSEMBLY - Defroster air	1	
	65525-00	D	OUTLET ASSEMBLY - Defroster air	1	28-21096 to 28-74999 inclusive
-19	415 150	W	SCREW - (AN526-632R10)	4	
	404 987		NUT - (MS20365-632C)	4	
			A- Used on PA-28-150, PA-28-160 and PA-28-180 with serial numbers 28-1 to 28-1760 inclusive, and PA-28-140 with serial numbers 28-20002 to 28-24999 inclusive .		
			B- If Fuel Cooling Kit 756 807, 756 808 or 756 809 and has been installed, order part for serial numbers 28-1521and up.		
			C- Used on PA -28-150, PA-28-160 and PA-29-180 airplanes only.		
			D- Used on PA-28-140 airplanes only.		
			E- Used on PA-28-150, PA-28-160 and PA-28-180 with serial numbers 28-1 to 28-1760 inclusive, and PA-28-140 with serial numbers 28-20002 to 28-21095.		
			W- These parts <u>must</u> be ordered from Service Spares Department, Piper, Aircraft, <u>Lock Haven, Penna.</u>		

When ordering, always specify Part Number, Description, and Serial Number of Aircraft

PA-28-140
PA-28-150
PA-28-160
PA-28-180

PIPER PARTS CATALOG

Figure and Index Number	Part Number	Code	NOMENCLATURE	No. Req.	SERIAL NUMBERS AFFECTED
30 - 20	63633-02		HOSE - Defroster air outlet, left	1	
	63633-03	A	HOSE - Defroster air outlet, right	1	28-1 to 728-1760 inclusive
	63633-03	B	HOSE - Defroster air outlet, right	1	28-20002 to 28-21114 inclusive
	63633-39	B	HOSE - Defroster air outlet, right	1	28-21115 to 28-24999 inclusive
-21	454 835		CLAMP - (C3122-20-1)	4	
-22	755 619		NUT - (C13555-017)	2	
-23	62965-00		OUTLET ASSEMBLY - Defroster air	2	28-1 to 28 -1410 inclusive
	62965-04		OUTLET ASSEMBLY - Defroster air	2	28-1411 and up
-24	63633-08		HOSE - Cabin heat inlet	1	
-25	62183-00		BOX ASSEMBLY - Cabin heat	1	
-26	62964-00		LINK - Cabin air box	1	
-27	415 739	W	SCREW - (AN515-6R6)	2	
	404 987		NUT - (MS20365-632C)	2	
-28	415 736	W	SCREW - (AN515-6R5)	1	
	404 987		NUT - (MS20365-632C)	1	
-29	417 775	W	SCREW - (AN520-10R8)	1	
	404 887	W	NUT - (MS20365-1032C)	1	
-30	454 887	W	CLAMP - (A4886S-3-1)	1	
-31	63935-02		LINK - Cabin heat box	1	28-1 to 28-1410 inclusive
	62173-00		LINK - Flanged, cabin heat box	1	28-1411 and up
-32	415 739	W	SCREW - (AN515-6R6)	4	
-33	415 736	W	SCREW - (AN55-6R5)	10	
-34	62962-00		BOX ASSEMBLY - Distributor, cabin heat	1	
-35	63902-05	C	CONTROL ASSEMBLY - Cabin heat	1	
	63902-18	B	CONTROL ASSEMBLY - Cabin heat	1	28-21096 to 28-24999 inclusive
-36	63914-04	C	KNOB - Cabin heat cable	1	
	65617-00	B	KNOB - Cabin heat cable	1	28-21096 to 28-24999 inclusive
-37	62960-00		DUCT ASSEMBLY - Cabin heat, left	1	
	62960-01		DUCT ASSEMBLY - Cabin heat, right	1	
-38	419 682	W	SCREW - #4 O.H. Sheet metal	24	
	494 001	W	WASHER - #4 Finishing	24	
-39	13476-00	W	BOX ASSEMBLY - Cabin air	1	28-1 to 28-1520 inclusive
	62276-00		BOX ASSEMBLY - Cabin air	1	28-1521 and up
-40	13483-00	W	ARM ASSEMBLY - Air box valve control	1	
-41	13478-00	W	VALVE ASSEMBLY - Cabin air	1	
-42	415 148	W	SCREW - (AN526-632R6)	1	
	404 829	W	NUT - (AN364-632)	2	
-43	63902-07	C	CONTROL ASSEMBLY - Cabin fresh air	1	
	63902-19	B	CONTROL ASSEMBLY - Cabin fresh air	1	28-21096 to 28-24999 inclusive
-44	63914-06	C	KNOB - Cabin fresh air cable	1	
	65617-00	B	KNOB - Cabin fresh air cable	1	28-21096 to 28-24999 inclusive

- A- Used on PA-28-150, PA-28-160 and PA-28-180 with serial numbers 28-1 to 28-1760 inclusive, and PA-28-140 with serial numbers 28-20002 to 28-24999 inclusive.
- B- Used on PA-28-140 airplanes only.
- C- Used on PA-28-150, PA-28-160 and PA-28-180 with serial numbers 28-1 to 28-1760 inclusive, and PA-28-140 with serial numbers 28-20002 to 28-21095 inclusive.
- W- These parts must be ordered from Service Spares Department, Piper Aircraft, Lock Haven, Penna.

When ordering, always specify Part Number, Description, and Serial Number of Aircraft

PIPER PARTS CATALOG

Figure and Index Number	Part Number	Code	NOMENCLATURE	No. Req.	SERIAL NUMBERS AFFECTED
30-45	415 737		SCREW - (AN515-6-6)	1	
	407 562	W	WASHER - (AN960-6)	1	
	404 829	W	NUT - (AN364-632)	1	
-46	454 994	F	CLAMP - Hose (H2-1160)	2	28-1to 28-1520 inclusive
	454 993		CLAMP - Hose (H3-1160)	2	28-1521 and up
-47	21154-03	W	DEFLECTOR - Ventilator box, brown	3	28-1to 28-1198 inclusive
	21154-04	W	DEFLECTOR - Ventilator box, gray	3	28-671 to 28-1198 inclusive
	63994-00	E	DEFLECTOR - Ventilator box, brown	3	
	63994-02	E	DEFLECTOR - Ventilator box, gray	3	
	63994-05	D	DEFLECTOR - Ventilator box, red	1	28-21468 to 28-24999 inclusive
	63994-06	D	DEFLECTOR - Ventilator box, blue	1	28-21468 to 28-24999 inclusive
	63994-07	D	DEFLECTOR - Ventilator box, brown	1	28-21468 to 28-24999 inclusive
	63994-08	D	DEFLECTOR - Ventilator box, tan	1	
-48	63152-00		PLATE - Ventilator air deflector	3	28-1 to 28-670 inclusive
	21156-00	W	PLATE - Ventilator air deflector	3	28 671 and up
-49	21162-00	W	BOX - Ventilator, black	3	
-50	21257-04	W	PLACARD - Ventilator control knob, brown	3	
	21257-03	W	PLACARD - Ventilator control knob, gray	3	28 671 and up
-51	419 746	W	SCREW - (4 x1/2)	9	
-52	471 088	E	KNOB - Ventilator box, brown	3	28-1 to 28-1198 inclusive
	471 096	E,W	KNOB - Ventilator box, gray	3	28-671 to 28-1198 inclusive
	65439-02	D	KNOB - Ventilator box, red	1	28-21468 to 28-24999 inclusive
	65439-03	D	KNOB - Ventilator box, brown	1	28-21468 to 28-24999 inclusive
	65439-04	D	KNOB - Ventilator box, blue	1	28-21468 to 28-24999 inclusive
	65439-05	D	KNOB - Ventilator box, gold	1	
-53	62968-00		GASKET - Cabin heat box	1	28-118 to 28-1410 inclusive
-54	62969-00		GASKET - Distributor box	1	28-118 and up
-55	42891-00	W	SPRING - Box control return	1	28-118 to 28-1410 inclusive
-56	62976-00		RETAINER - Cabin exhaust vent, brown	1	28-1 to 28-1410 inclusive
	62976-02		RETAINER - Cabin exhaust vent, gray	1	28-671 to 28-1410 inclusive
	62976-03	B	RETAINER - Cabin exhaust vent, brown	1	
	62976-04	B	RETAINER - Cabin exhaust vent, gray	1	
	62976-05	C	RETAINER - Cabin exhaust vent, sand	1	
-57	62975-00		WELD ASSEMBLY - Cabin exhaust vent	1	
-58	62974-00		SCOOP - Cabin exhaust vent	1	
			A- Used on PA-28-150, PA-28-160 and PA-28-180 with serial numbers 28-1 to 28-1760 inclusive, and PA-28-140 with serial numbers 28-20002 to 28-24999 inclusive.		
			B- Used on PA-28-150, PA-28-160 and PA-28-180 with serial numbers 28-1411 to 28-1760 inclusive, and PA-28-140 with serial numbers 28-20002 to 28-21045 inclusive.		
			C- Used on PA-28-140 with serial numbers 28-21046 to 28-24999 incl.		
			D- Used on PA-28-140 airplanes only.		
			E- Used on PA-28-150, PA-28-160 and PA-28-180 with serial numbers 28-1199 to 28-1760 inclusive, and PA-28-140 with serial numbers 28-20002 to 28-21467 inclusive .		
			F- If Fuel Cooling Kit 756 707, 756 708 or 756 709 has been installed, order part for serial numbers 28-1521 and up.		
			W- These parts must be ordered from Service Spares Department, Piper Aircraft, Lock Haven, Penna.		

When ordering, always specify Part Number, Description, and Serial Number of Aircraft

PA-28-140
PA-28-150
PA-28-160
PA-28-180

PIPER PARTS CATALOG

Figure and Index Number	Part Number	Code	NOMENCLATURE	No. Req.	SERIAL NUMBERS AFFECTED
30-59	62973-00		DISC ASSEMBLY - Cabin exhaust vent, brown	1	28-1 to 78-1410 inclusive
	62973-02		DISC ASSEMBLY - Cabin exhaust vent, gray	1	28-671 to 28-1410 Inclusive
	62973-03	B	DISC ASSEMBLY - Cabin exhaust vent, brown	1	
	62973-04	B	DISC ASSEMBLY - Cabin exhaust vent, gray	1	
	62973-05	C	DISC ASSEMBLY - Cabin exhaust vent, sand	1	
-60	471 059	W	KNOB - (#3001) Black	1	
-61	65318-00		OUTLET - Defroster air	2	
-62	62171-00		CLIP - Cable tension	2	
-63	21409-00		BRACKET - Ventilator control I mounting	3	
-64	63025-00		DOOR AND ACTUATOR ASSEMBLY - Ventilator	3	
-65	65799-00		DOOR ASSEMBLY - Ventilator	1	
-66	21407-00	W	SEAL - Ventilator door	1	
<p>A- Used on PA-28-150, PA-28-160 and PA-28-180 with serial numbers 28-1 to 28-1760 inclusive, and PA-28-140 with serial numbers 28-20002 to 28-24999 inclusive .</p> <p>B- Used on PA-28-150, PA-28-160 and PA-28-180 with serial numbers 28-1411 to 28-1760 inclusive, and PA-28-140 with serial numbers 28-20002 to 28-21045 inclusive.</p> <p>C- Used on PA-28-140 with serial numbers 28-21046 to 28-24999 inclusive.</p> <p>W- These parts must be ordered from Service Spares Department, Piper Aircraft, Lock Haven, Penna.</p>					

When ordering, always specify Part Number, Description, and Serial Number of Aircraft

PIPER PARTS CATALOG

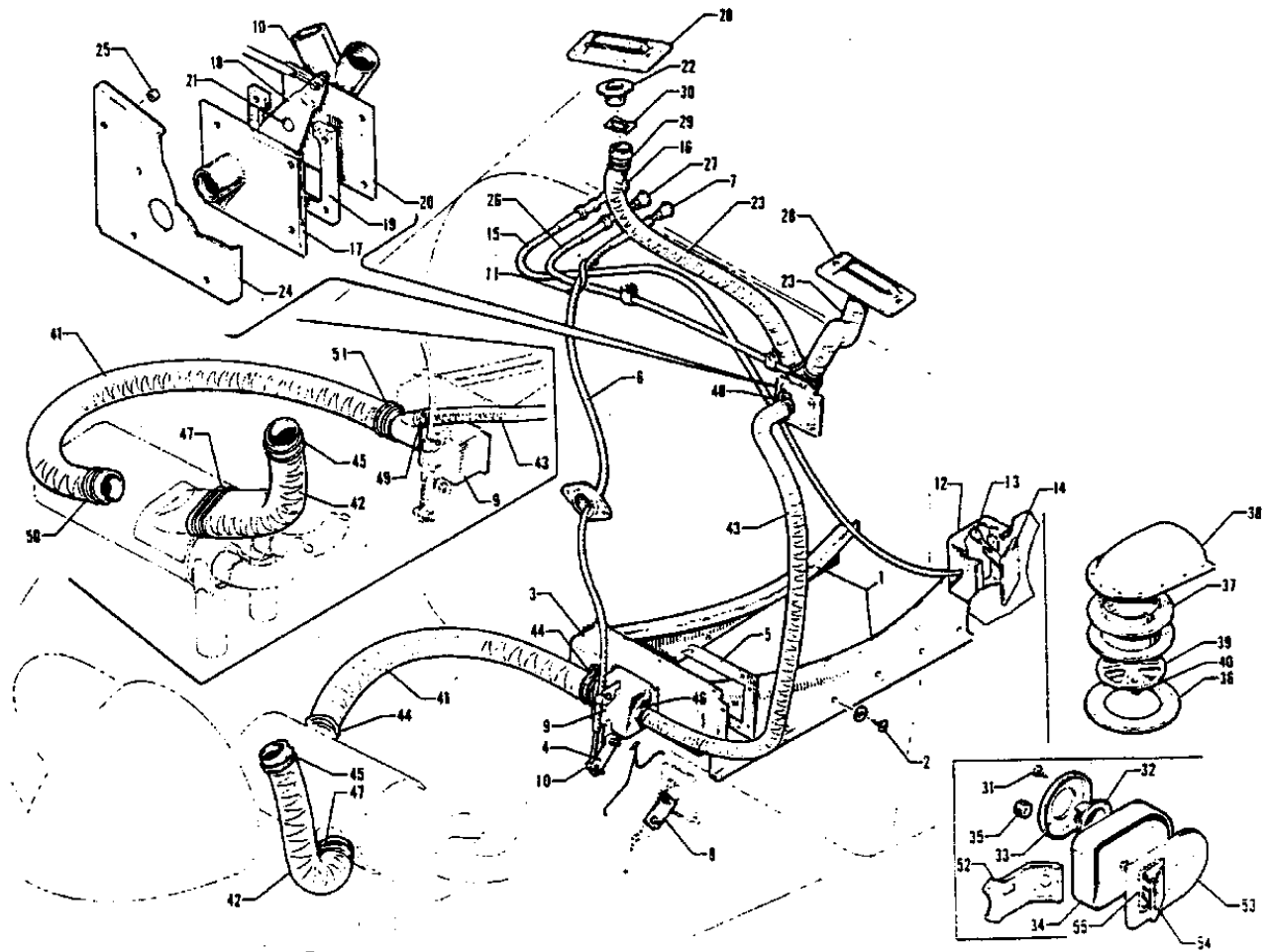


Figure 31. Cabin Heat, Defroster and Fresh Air System
 (PA- 28-235 - Serial Nos. 28-10003 to 28-11039 inclusive)
 (PA- 28-150-160-180 - Serial Nos. 28-1761 to 28-4377 inclusive)

PIPER PARTS CATALOG

Figure and Index Number	Part Number	Code	NOMENCLATURE	No. Req.	SERIAL NUMBERS AFFECTED
-31	65051	A	DRAWING - Cabin Heat Installation		
	62957	C	DRAWING - Cabin Fresh Air Installation		
	63095	B	DRAWING - Cabin Fresh Air Installation		
	65321	C	DRAWING - Defroster System Installation		
	63098	F	DRAWING - Defroster System Installation		
	62960-00		DUCT ASSEMBLY - Cabin heat, left	1	
	62960-01		DUCT ASSEMBLY - Cabin heat, right	1	
	419 653	W	SCREW - (4 x1/2)	24	
	494 001	W	WASHER - (4)	24	
-3	62962-00		BOX ASSEMBLY - Distributor, cabin heat	1	
-4	63964-00		LINK - Cabin hot air box	1	
-5	62969-00		GASKET - Distributor box	1	
-6	63902-05	D	CONTROL ASSEMBLY - Cabin heat	1	28-10003 to 28-10675 inclusive
	63902-05	E	CONTROL ASSEMBLY - Cabin heat	1	28-1761 to 28-2627 inclusive
	63902-18	D	CONTROL ASSEMBLY - Cabin heat	1	28-10676 to 28-11039 inclusive
	63902-18	E	CONTROL ASSEMBLY - Cabin heat	1	28-2628 to 28-4377 inclusive
-7	63914-04	D	KNOB - Cabin heat box	1	28-10003 to 28-10675 inclusive
	63914-04	E	KNOB - Cabin heat box	1	28-1761 to 28-2627 inclusive
	65617-00	D	KNOB - Cabin heat box	1	28-10676 to 28-11039 inclusive
	65617-00	E	KNOB - Cabin heat box	1	28-2628 to 28-4377 inclusive
	62178-00		LINK - Cabin heat box	1	
-9	65422-00	D	BOX ASSEMBLY -Cabin heat	1	28-10003 to 28-11039 inclusive
	65422-00	E	BOX ASSEMBLY -Cabin heat	1	28-1761 to 28-3077 inclusive
	65545-00	E	BOX ASSEMBLY - Cabin heat	1	28-3078 to 281377 inclusive
-10	70371-00	W	FITTING ASSEMBLY - Swivel	2	
-11	62171-00		CLIP - Cable tension	2	
<p>A- Used on PA-28-150, PA-28-160 and PA-28-180 with serial numbers 28-1761 to 28-4377 inclusive, and PA-28-235 with serial numbers 28-10003 to 28-11039 inclusive.</p> <p>B- Used on PA-28-150, PA-28-160 and PA-28-180 with serial numbers 28-1761to 28-2477 inclusive, and PA-28-235 with serial numbers 28-10487 to 28-10675 inclusive.</p> <p>C- Used on PA-28-235 with serial numbers 28- 10003 to 28-10486 inclusive.</p> <p>D- Used on PA-28-235 airplanes only.</p> <p>E- Used on PA-28-150, PA-28-160 and PA-28-180 airplanes only .</p> <p>F- Used on PA-28-150, PA-28-160 and PA-28-180 with serial numbers 28-1761 to 28-4377 inclusive, and PA-28-235 with serial numbers 28-10487 to 28-11039 inclusive.</p> <p>W- These parts must be ordered from Service Spares Department, Piper Aircraft, Lock Haven, Penna.</p>					

When ordering, always specify Part Number, Description, and Serial Number of Aircraft

PIPER PARTS CATALOG

Figure and Index Number	Part Number	Code	NOMENCLATURE	No. Req.	SERIAL NUMBERS AFFECTED
31-12	13476-00		BOX ASSEMBLY -Cabin air	1	28-10003 to 28-10232 inclusive
	62276-00	E	BOX ASSEMBLY - Cabin air	1	28-10233 to 28-10675 inclusive
	62276-00	F	BOX ASSEMBLY -Cabin air	1	28-1761 to 28-2477 inclusive
-13	13483-00	W	ARM ASSEMBLY -Air box valve control	1	
-14	13478-00	W	VALVE ASSEMBLY - Cabin air	1	
-15	63902-07	C	CONTROL ASSEMBLY - Cabin fresh air	1	
	63902-11	D	CONTROL ASSEMBLY - Cabin fresh air	1	
-16	63914-06		KNOB - Cabin fresh air	1	
-17	21572-00	W	PLATE ASSEMBLY - Defroster air inlet	1	
-18	67343-00		VALVE - Defroster	1	
-19	21574-00	W	SPACER - Defroster air valve	1	
-20	62952-00	E	OUTLET ASSEMBLY - Defroster air (with dual outlets)	1	28-10003 to 28-10675 inclusive
	65525-00	E	OUTLET ASSEMBLY - Defroster air (with dual outlets)	1	28-10676 to 2811039 inclusive
	62952-00	F	OUTLET ASSEMBLY - Defroster air (with dual outlets)	1	28-1761 to 28-2777 inclusive
	65525-00	F	OUTLET ASSEMBLY - Defroster air (with dual outlets)	1	28-2778 to 284377 inclusive
-21	424 140	W	PIN - Flat head (MS20392-1C7)	1	
	408 813	W	WASHER - (3502-10-79-0511)	1	
	407 610	W	WASHER- (AN960-C8)	3	
	424 051	W	PIN - Cotter (AN380-2-2)	1	
-22	62965-04		OUTLET ASSEMBLY - Defroster air	2	
-23	63633-02		HOSE - Defroster air outlet, left	1	
	63633-03	C	HOSE - Defroster air outlet, right	1	
	63633-29	B	HOSE - Defroster air outlet, right	1	
-24	62959-00		PLATE - Defroster	1	
-25	63900-28		BUSHING	1	
			A- Used on PA-28-150, PA-28-160 and PA-28-180 with serial numbers 28-1761 to 28-4377 inclusive, and PA-28-235 with serial numbers 28-10003 to 28-11039 inclusive.		
			B- Used on PA-28-150, PA-28-160 and PA-28-180 with serial numbers 28-1761 to 284377 inclusive and PA-28-235 with serial numbers 28-10487 to 28-11039 inclusive .		
			C- Used on PA-28-235 with serial numbers 28-10003 to 28-10486 inclusive.		
			D- Used on PA-28-150, PA-28-160 and PA-28-180 with serial numbers 28-1761 to 28-2477 inclusive, and PA-28-235 with serial numbers 28-10487 to 28-10675 inclusive.		
			E- Used on PA-28-235 airplanes only.		
			F- Used on PA-28-150, PA-28-160 and PA-28-180 airplanes only .		
			W- These parts must be ordered from Service Spares Department,Piper Aircraft, Lock Haven, Penna.		

When ordering, always specify Part Number, Description, and Serial Number of Aircraft

PIPER PARTS CATALOG

Figure and Index Number	Part Number	Code	NOMENCLATURE	No. Req.	SERIAL NUMBERS AFFECTED
31-26	63902-06	C	CONTROL ASSEMBLY - Defroster	1	
	63902-10	E	CONTROL ASSEMBLY - Defroster	1	28-10487 to 28-10675 inclusive
	63902-10	F	CONTROL ASSEMBLY - Defroster	1	28-1761 to 28-2627 inclusive
	63902-20	E	CONTROL ASSEMBLY - Defroster	1	28-10676 to 28-11039 inclusive
	62902-20	F	CONTROL ASSEMBLY - Defroster	1	28-2628 to 28-4377 inclusive
-27	63914-05	E	KNOB - Defroster	1	28-10003 to 28-10675 inclusive
	63914-05	F	KNOB - Defroster	1	28-1761 to 28-2627 inclusive
	65617-00	E	KNOB - Defroster	1	28-10676 to 23-11039 inclusive
	65617-00	F	KNOB - Defroster	1	28-2628 to 28-4377 inclusive
-28	65318-00		OUTLET - Defroster air	2	
-29	454 950	W	CLAMP - (A3122-18-1)	4	
-30	406 389	C	NUT - (C1465-017-01)	2	
-31	419 746	CDW	SCREW -(#4x1/2)	9	
-32	63994-00	C	DEFLECTOR - Ventilator box, brown	3	
	63994-03	C	DEFLECTOR - Ventilator box, red	3	
	63994-04	C	DEFLECTOR - Ventilator box, blue	3	
	63994-05	D	DEFLECTOR - Ventilator box, red	3	
	63994-06	D	DEFLECTOR - Ventilator box, blue	3	
	63994-07	D	DEFLECTOR - Ventilator box, brown	3	
-33	21156-00	BW	PLATE - Ventilator box deflector	3	
-34	21162-00	BW	BOX - Ventilator, black	3	
-35	65287-02		KNOB - Ventilator box, red	3	28-10003 to 28-10152 inclusive
	65287-03		KNOB - Ventilator box, brown	3	28-10003 to 28-10152 inclusive
	65287-04		KNOB - Ventilator box, blue	3	28-10003 to 28-10152 inclusive
	65439-02	G	KNOB - Ventilator box red	3	
	65439-03	G	KNOB - Ventilator box, brown	3	
	65439-04	G	KNOB - Ventilator box, blue	3	
			A- Used on PA-28-150, PA-28-160 and PA-28-180 with serial numbers 28-1761 to 28-4377 inclusive, and PA-2S-235 with serial numbers 28-10003 to 28-11039 inclusive.		
			B- Used on PA-28-150, PA-28-160 and PA-28-180 with serial numbers 28-1761 to 23-2477 inclusive, and PA-28-235 with serial numbers 28-10003 to 28-1067 a inclusive.		
			C- Used on PA-28-235 with serial numbers 28-10003 to 283-10486 inclusive.		
			D- Used on PA-28-150, PA-28-160 and PA-28-180 with serial numbers 28-1761 to 28-2477, inclusive, and PA-28-235 with serial numbers 28-10487 to 28-10675 inclusive.		
			E- Used on PA-28-235 airplane only.		
			F- Used on PA-28-150, PA-28-160 and PA-28-180 airplanes only.		
			G- Used on PA-28-150, PA-28-160 and PA-28-180 with serial numbers 28-1761 to 28-2477 inclusive, and PA-23-235 with serial numbers 28-10153 to 28-10675 inclusive		
			W- These parts <u>must</u> be ordered from Service Spares Department, Piper Aircraft, <u>Lock Haven, Penna</u>		

When ordering, always specify Part Number, Description, and Serial Number of Aircraft

PIPER PARTS CATALOG

Figure and Index Number	Part Number	Code	NOMENCLATURE	No. Req.	SERIAL NUMBERS AFFECTED
31-36	62976-05		RETAINER - Cabin exhaust vent, sand	1	
-37	62975-00		WELD ASSEMBLY - Cabin exhaust vent	1	
-38	62974-00		SCOOP - Cabin exhaust vent	1	
-39	62973-05		DISC ASSEMBLY - Cabin exhaust vent, sand	1	
-40	471 059	W	KNOB - (3001) Black	1	
-41	63633-19	B	HOSE - Cabin heat inlet	1	
	63033-27	C	HOSE - Cabin heat inlet	1	28-1761 to 28-3077 inclusive
	63633-38	C	HOSE - Cabin heat inlet	1	28-3078 to 28-4377 inclusive
-42	63633-18	B	HOSE - Air inlet	1	28-10003 to 28-10062 inclusive
	63633-24	B	HOSE - Air inlet	1	28-10063 to 28-10486 inclusive
	63633-07	B	HOSE - Air inlet	1	28-10487 to 28-11039 inclusive
	63633-26	C	HOSE - Air inlet	1	28-1761 to 28-3077 inclusive
	63633 07	C	HOSE - Air inlet	1	28-3078 to 284377 inclusive
-43	63633-21	B	HOSE - Defroster air inlet	1	
	63633-21	C	HOSE - Defroster air inlet	1	28-1761 to 28-3077 inclusive
	63633-37	C	HOSE - Defroster air inlet	1	28-3078 to 284377 inclusive
-44	454 994	B	CLAMP - Hose (H2-1160)	2	
-45	454 993		CLAMP - Hose (H-3-1160)	1	
-46	454 997	B,W	CLAMP - Hose (H-1-1160)	2	
-47	454 993	B	CLAMP - Hose (H-3-1160)	1	
	554 826	C	CLAMP - Hose (GS50)	1	28-1761 to 28-3077 inclusive
	554 772	C	CLAMP - Hose (H30000)	1	28-3078 to 28-4377 inclusive
-48	454 997	C,W	CLAMP - Hose (H-1-1160)	1	
-49	454 997	C,W	CLAMP - Hose (H-1-1160)	1	28-1761 to 28-3077 inclusive
	554 865	C	CLAMP - Hose (H-1-9160)	1	28-3078 to 28-4377 inclusive
-50	454 994	C	CLAMP - Hose (H-2-1160)	1	28-1761 to 28-3077 inclusive
	554 772	C	CLAMP - Hose (H3-0000)	1	28-3078 to 28-4377 inclusive
-51	454 994	C	CLAMP - Hose (H-2-1160)	1	28-1761 to 28-3077 inclusive
	454 993	C	CLAMP - Hose (H-3-1160)	1	28-3078 to 28-4377 inclusive

- A- Used on PA-28-150, PA-28-160 and PA-28-180 with serial numbers 28-1761 to 28-4377 inclusive, and PA-28-235 with serial numbers 28-10003 to 28-11039 inclusive
- B- Used on PA-28-235 airplanes only.
- C- Used on PA-28-150, PA-28-160 and PA-28-180 airplanes only .
- W- These parts must be ordered from Service Spares Department, Piper Aircraft, Lock Haven, Penna.

When ordering, always specify Part Number, Description, and Serial Number of Aircraft

PIPER PARTS CATALOG

Figure and Index Number	Part Number	Code	NOMENCLATURE	No. Req.	SERIAL NUMBERS AFFECTED
31-52	21409-00	B	BRACKET - Ventilator control mounting	3	
-53	63025-00	B	DOOR AND ACTUATOR ASSEMBLY - Ventilator	3	
-54	65799-00	B	DOOR ASSEMBLY - Ventilator	1	
-55	21407-00	B,W	SEAL- Ventilator door	1	
<p>A- Used on PA-28-150, PA-28-160 and PA-28-180 with serial numbers 28-1761 to 28-4377 inclusive, and PA-28-235 with serial numbers 28-10003 to 28-11039 inclusive</p> <p>B- Used on PA-28-150, PA-28-160 and PA-28-180 with serial numbers 28-1761 to 28-2477 inclusive, and PA-28-235 with serial numbers 28-10003 to 28-10675 inclusive.</p> <p>W- These parts must be ordered from Service Spares Department, Piper Aircraft, Lock Haven, Penna.</p>					

When ordering, always specify Part Number, Description, and Serial Number of Aircraft

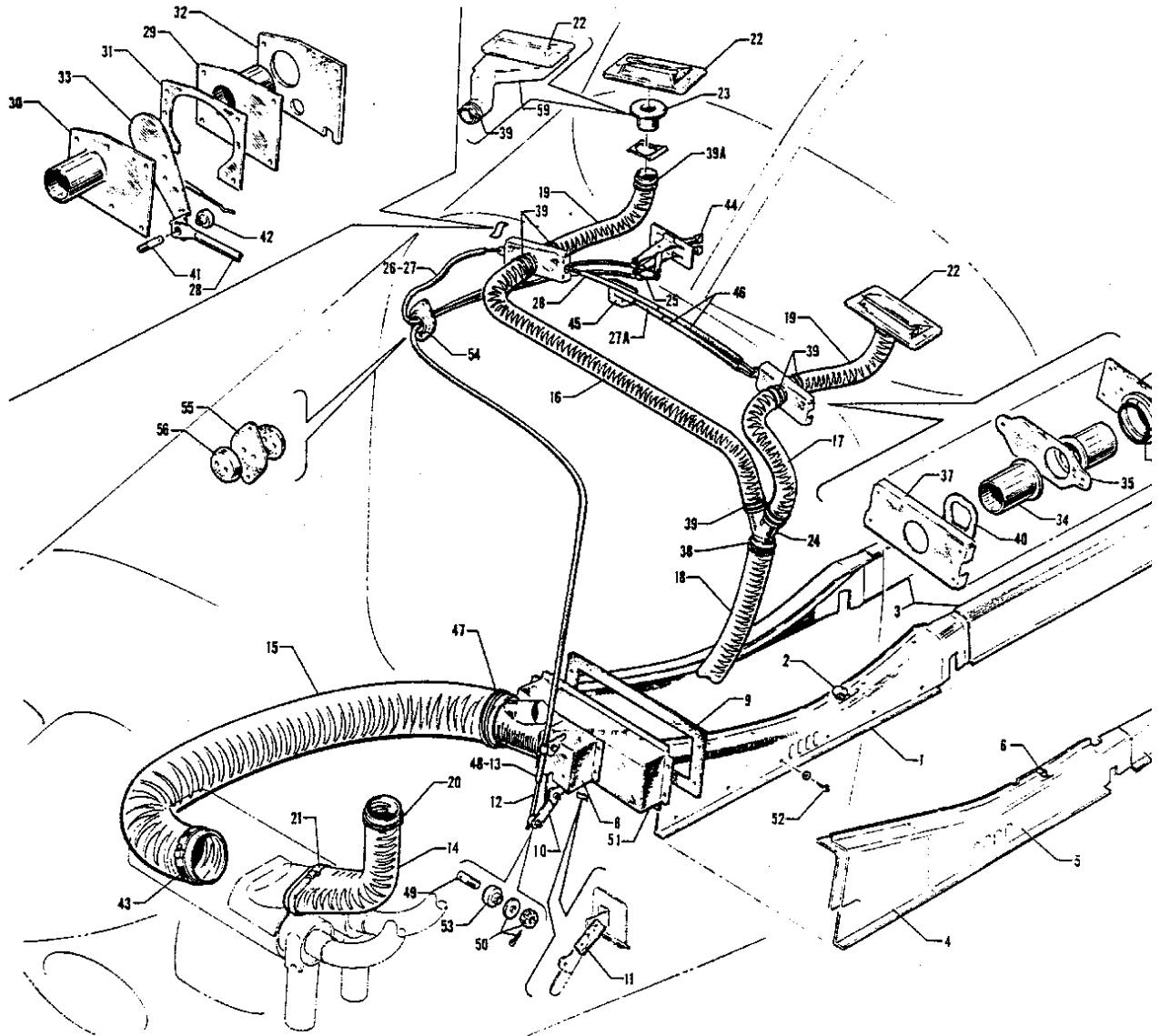


Figure 31A. Cabin Heat and Defroster Installation
(PA-28-180 - Serial Nos. 28-4378 and up)
(PA-28-235 - Serial Nos. 28-11040 and up)

PIPER PARTS CATALOG

Figure and Index Number	Part Number	Code	NOMENCLATURE	No. Req.	SERIAL NUMBERS AFFECTED
31A-	65838	E	DRAWING - Cabin Heat Installation		
	99023	F	DRAWING - Cabin Heat Installation		
	99933	D	DRAWING - Cabin Heat Installation		
	65843	C	DRAWING - Defroster System Installation		28-7310001 and up
	69215	C	DRAWING - Defroster System Installation		28-4378 to 28-4379 inclusive
	69277	G	DRAWING - Defroster System Installation		28-4380 to 28-4877 inclusive
	99024	F	DRAWING - Defroster System Installation		
	78100	D	DRAWING - Defroster System Installation		28-7310001 and up
-1	62960-00	E	DUCT ASSEMBLY - Cabin heat, left	1	
	99416-00	H	DUCT ASSEMBLY - Cabin heat, left	1	
	62960-01	E	DUCT ASSEMBLY - Cabin heat, right	1	
	99416-01		DUCT ASSEMBLY - Cabin heat, right	1	
-2	66980-00	H	KNOB - Heat Duct	1	
-3	99105-02	H	DUCT - Cabin heat, aft, left	1	
	99105-03	H	DUCT - Cabin heat, aft, right	1	
-4	76219-00	B	DUCT ASSEMBLY - Cabin heat, front, left	1	
	76219-01	B	DUCT ASSEMBLY - Cabin heat, front, right	1	
-5	36511 -02	B,J	DUCT ASSEMBLY - Cabin heat, center, left	1	
	36511-03	B,J	DUCT ASSEMBLY - Cabin heat, center, right	1	
-6	66980-00	B	KNOB - Heat duct	1	
-7	76129-02	B	DUCT - Cabin heat, rear, left	1	
	76129-01	B	DUCT - Cabin heat, rear, right	1	
-8	65545-00	C	BOX ASSEMBLY - Cabin heat	1	
	65422-00	D	BOX ASSEMBLY - Cabin heat	1	28-11040 to 28-7210033 Incl..
	99934-00	D	BOX ASSEMBLY - Cabin heat	1	28-7310001 and up
-9	62969-00		GASKET - Distributor box		
			A- Used on PA-28-180 with serial numbers 28-4378 and up, and PA-28-235 with serial numbers 28-11040 and up.		
			B- Used on PA-28-180 with serial numbers 28-7305001 and up, and PA-28-235 with serial numbers 28-7310001 and up.		
			C- Used on PA-28-180 airplanes only.		
			D- Used on PA-28-235 airplanes only		
			E- Used on PA-28-180 with serial numbers 28-4378 to 28-5869 inclusive. and PA-28-235 with serial numbers 28-11040 to 28-11393 inclusive		
			F- Used on PA-28-180 with serial numbers 28-7105001 and up. and PA-28-235 with serial numbers 28-7110001 to 28-7210033 inclusive.		
			G- Used on PA-28-180 with serial numbers 28-4878 to 28-5869 inclusive, and PA-28-235 with serial numbers 28-11040 to 28-11393 inclusive.		
			H- Used on PA-28-180 with serial numbers 28-7105001 to 28-7205328 inclusive, and PA-28-235 with serial numbers 28-7110001 to 28-7210033 inclusive.		
			J- When ordering, specify color "bark11" or black.		

When ordering, always specify Part Number, Description, and Serial Number of Aircraft

PIPER PARTS CATALOG

Figure and Index Number	Part Number	Code	NOMENCLATURE	No. Req.	SERIAL NUMBERS AFFECTED
31 A-10	36558-07	H	LINK ASSEMBLY - Cabin heat box	1	
	36558-06	D	LINK ASSEMBLY - Cabin heat box	1	28-7310001 and up
-11	62178-00	C	LINK - Cabin heat box	1	
	62178-00	D	LINK - Cabin heat box	1	28-11040 to 28-7210033 incl.
	78049-00	D	LINK - Cabin heat box	1	28-7310001 and up
-12	67657-05	C	WIRE - Cabin heat control	1	28-4378 to 28-5869 inclusive
	67657-06	D	WIRE - Cabin heat control	1	28-11040 to 28-11393 inclusive
-13	67658-05	C	HOUSING - Cabin heat control wire	1	28-4378 to 28-5869 inclusive
	67658-07	D	HOUSING - Cabin heat control wire	1	28-11040 to 28-11393 inclusive
-14	63633-07	E	HOSE - Air inlet	1	
	63633-89	C	HOSE - Air inlet	1	28-7205092 and up
-15	63633-38	C	HOSE - Cabin heat	1	
	63633-19	D	HOSE - Cabin heat	1	28-11040 to 28-7210033 Incl..
	63633-33	D	HOSE - Cabin heat	1	28-7310001 and up
	63633-14	C	HOSE - Defroster	1	28-4378 to 28-4877 inclusive
	63633-60	B	HOSE - Defroster	1	
-17	63633-15		HOSE - Defroster	1	
-18	63633-59	C	HOSE - Defroster	1	28-4378 to 28-4527 inclusive
	63633-55	C	HOSE - Defroster	1	28-4528 and up
	63633-59	D	HOSE - Defroster	1	28-11040 to 28-7210033 incl.
	63633-40	D	HOSE - Defroster	1	28-7310001 and up
-19	63633-56	F	HOSE - Defroster	2	
-20	454 993	E	CLAMP - Hose (SAE TY A-31/16)	1	
	554 882	C	CLAMP - Hose (SAE TY A-2 9/1 6)	1	28-7205092 and up
-21	452 772	C	CLAMP - Hose (SAE1' (A-3)	1	28-4378 to 28-7205091Incl.
	554 882	C	CLAMP - Hose (SAE TY A-2 9/16)	1	28-7205092 and up
	454 993	D	CLAMP - Hose (SAE TY A-31/16)	1	
-22	65318-00		OUTLET - Defroster air	2	
-23	62965-04	C	OUTLET ASSEMBLY - Defroster air	2	28-4378 to 28-4379 inclusive
	67712-00	C	OUTLET ASSEMBLY - Defroster air	2	28-4380 to 28-4877 inclusive
	69278-00	G	OUTLET ASSEMBLY - Defroster air	2	
-24	65832-00	C	TAKE-OFF ASSEMBLY - Defroster air	1	28-4378 to 28-4527 inclusive
	69229-00	C	TAKE-OFF ASSEMBLY - Defroster air	1	28-4528 and up
	65832-00	D	TAKE-OFF ASSEMBLY - Defroster air	1	28-11040 to 28-7210033 incl.
	99753-00	D	TAKE-OFF ASSEMBLY - Defroster air	1	28-7310001 and up

- A- Used on PA-28-180 with serial numbers 28-4378 and up, and PA-28-235 with serial numbers 28-11040 and up.
- B- Used on PA-28-180 with serial numbers 28-4878 and up and PA-28-235 with serial numbers 28-11040 and up.
- C- Used on PA-28-180 airplanes only.
- D- Used on PA-28-235 airplanes only.
- E- Used on PA-28-180 with serial numbers 28-4378 to 28-7205091 inclusive and PA-28-235 with serial numbers 28-11040 and up.
- F- Used on PA-28-180 with serial numbers 28-4378 and up and PA-28-235 with serial numbers 28-11040 to 28-7610063 inclusive.
- G- Used on PA-28-180 with serial numbers 28-4878 and up. and PA-28-235 with serial numbers 28-11040 to 28-7610063 inclusive.
- H- Used on PA-28-180 with serial numbers 28-4378 and up and PA-28-235 with serial numbers 28-11040 to 28-7210033 Inclusive.

When ordering, always specify Part Number, Description, and Serial Number of Aircraft

PIPER PARTS CATALOG

Figure and Index Number	Part Number	Code	NOMENCLATURE	No. Req.	SERIAL NUMBERS AFFECTED
31A-25	67657-03		WIRE - Defroster control (37 1/2")	1	28-4378 to 28-4379 inclusive
-26	67658-03		HOUSING - Defroster control wire	1	28-4378 to 28-4379 inclusive
-27	67708-00	C	CABLE ASSEMBLY - Defroster control (46 1/4")	1	28-4380 to 28-4877 inclusive
-27a	554 143	B	CABLE ASSEMBLY - Defroster control (40") (PS50146-6-2)	1	
-28	67345-00		ROD - Defroster valve	1	28-4378 to 28-4379 Inclusive
	554 144		CABLE ASSEMBLY - Defroster valve (PS50146-6-1)	1	28-4380 and up
-29	67608-00		PLATE ASSEMBLY - Defroster air outlet	2	28-4378 to 28-4379 inclusive
-30	67608-01		PLATE ASSEMBLY - Defroster air inlet	2	28-4378 to 28-4379 inclusive
-31	67610-00		SPACER - Defroster air plate assembly	2	28-4378 to 28-4379 inclusive
-32	67395-00		GASKET - Defroster valve	2	28-4378 to 28-4379 inclusive
-33	67343-00		VALVE - Defroster air output	2	28-4378 to 28-4379 inclusive
-34	67704-00	C	TUBE - Defroster valve	4	28-4380 to 28-4877 inclusive
	64279-00	B	TUBE - Defroster valve	4	
-35	67705-00		GATE - Defroster valve	2	28-4380 and up
-36	67706-00	C	PLATE - Defroster valve	2	28-4380 to 28-4877 inclusive
	69274-00	B	PLATE - Defroster valve	2	
-37	67707-00	C	HOUSING - Defroster valve	2	28-4380 to 28-4877 inclusive
	69273-00	3	HOUSING - Defroster valve	2	
-38	454 985	C,W	CLAMP - Hose (SAE TY A-1)	1	28-4378 to 28-4527 inclusive
	554 896	C	CLAMP - Hose (SAE TY A-11/2)	1	28-4528 and up
	454 985	D W	CLAMP - Hose (SAE TY A-1)	1	28-11040 to 28-7210033 incl.
	554 837	D,W	CLAMP - Hose (SAE TY A-2)	1	28-7310001 and up
-39	454 985	W	CLAMP - Hose (SAE TY A-1)	6	
-39a	454 985	G,W	CLAMP - Hose (SAE TY A-1)	2	
-40	494 123		WASHER - Spring (35)	4	28-4380 and up
-41	70371-03	W	STUD - Swivel fitting	1	28-4378 to 28-4379 inclusive
-42	91193-00	W	FITTING - Swivel	1	28-4378 to 28-4379 inclusive
-43	554 772	C	CLAMP - Hose (H3-0000)		
	454 994	D	CLAMP - Hose (H2-1160)	1	28-11040 to 28-7210033 incl.
	554 866	D	CLAMP - Hose (GS-TY F-48SS)	1	28-7310001 and up
-44	22287-00	E,W	KNOB - Cabin heat and defroster	1	
	66980-00	F	KNOB - Cabin heat and defroster	1	
			A- Used on PA-28-180 with serial numbers 28-4378 and up, and PA-28-235 with serial numbers 28-11040 and up.		
			B- Used on PA-28-180 with serial numbers 28-4878 and up, and PA-28-235 with serial numbers 28-11040 and up.		
			C- Used on PA-28-180 airplanes only.		
			D- Used on PA-28-235 airplanes only.		
			E- Used on PA-28-180 with serial numbers 28-4378 to 28-5600 inclusive, and PA-28-235 with serial numbers 28-11040 to 28-11300 inclusive.		
			F- Used on PA-28-180 with serial numbers 28-5601 and up and PA-28-235 with serial numbers 28-11301 and up.		
			G- Used on PA-28-180 with serial numbers 28-4378 and up and PA-28-235 with serial numbers 28-11040 to 28-7610063 inclusive.		
			W- These pans must be ordered from Service Spares Department, Piper Aircraft Lock Haven Penna.		

When ordering, always specify Part Number, Description, and Serial Number of Aircraft

PIPER PARTS CATALOG

Figure and Index Number	Part Number	Code	NOMENCLATURE	No. Req.	SERIAL NUMBERS AFFECTED
31A-45	69275-00	B	CLAMP - Defroster cable	1	
-46	63882-31	B	SLEEVE - Defroster cable	2	
-47	454 993	C	CLAMP - Hose (H-3-1160)	1	
	454 994	D	CLAMP - Hose (H-2-1160)	1	28-11040 to 28-7210033 inclusive
	554 866	D	CLAMP - Hose (GS-TY F-48SS)	1	28-7310001 and up
-48	554 142	E	CABLE ASSEMBLY - Cabin heat control complete (PS501464-3)	1	
-49	70371-03	W	STUD - Swivel fitting	1	
-50	404 100	W	NUT - (AN310-3)	1	
	407 564	W	WASHER - (AN960-10)	1	
	424 051	W	COTTER PIN - (MS24665-132)	1	
-51	62962-00	C	BOX ASSEMBLY - Distributor, cabin heat	1	
	62962-00	D	BOX ASSEMBLY - Distributor, cabin heat	1	28-11000 to 28-7210033 incl.
	62962-03	D	BOX ASSEMBLY - Distributor, cabin heat	1	28-7310001 and up
-52	419 683	W	SCREW - Heat duct (4 x1 /2 L , Oval Hd.)	38	
	494 001	W	WASHER - Heat duct (4)	38	
-53	70371-02	W	FITTING - Swivel	2	
-54	66789-00		PLATE - Firewall seal	2	
-55	68771-02	C	GASKET - Firewall seal	1	28-4378 to 28-4877 inclusive
	22105-03	B W	GASKET - Firewall seal	1	
-56	68770-09	C	GROMMET - Firewall seal	2	28-4378 to 28-4877 inclusive
	68770-14	B	GROMMET - Firewall seal	2	
-57	62833-104	B	WASHER	2	
-58	484 841	B.W	"O" RING - (NAS1593-213)	2	
-59	79615-02	D	DUCT ASSEMBLY - Defroster, left	1	28-7610064 and up
	79615-03	D	DUCT ASSEMBLY - Defroster right	1	28-7610064 and up

- A- Used on PA-28-180 with serial numbers 28-4378 and up, and PA-28-235 with serial numbers 28-11040 and up.
- B- Used on PA-28-180 with serial numbers 28-4878 and up, and PA-28-235 with serial numbers 28-11040 and up.
- C- Used on PA-28-180 airplanes only.
- D- Used on PA-28-235 airplanes only.
- E- Used on PA-28-180 with serial numbers 28-7105001 and up. and PA-28-235 with serial numbers 28-7110001 and up.
- W- These parts must be ordered from Service Spares Department, Piper Aircraft, Lock Haven, Penna.

When ordering, always specify Part Number, Description, and Serial Number of Aircraft

2F6
INTENTIONALLY LEFT BLANK

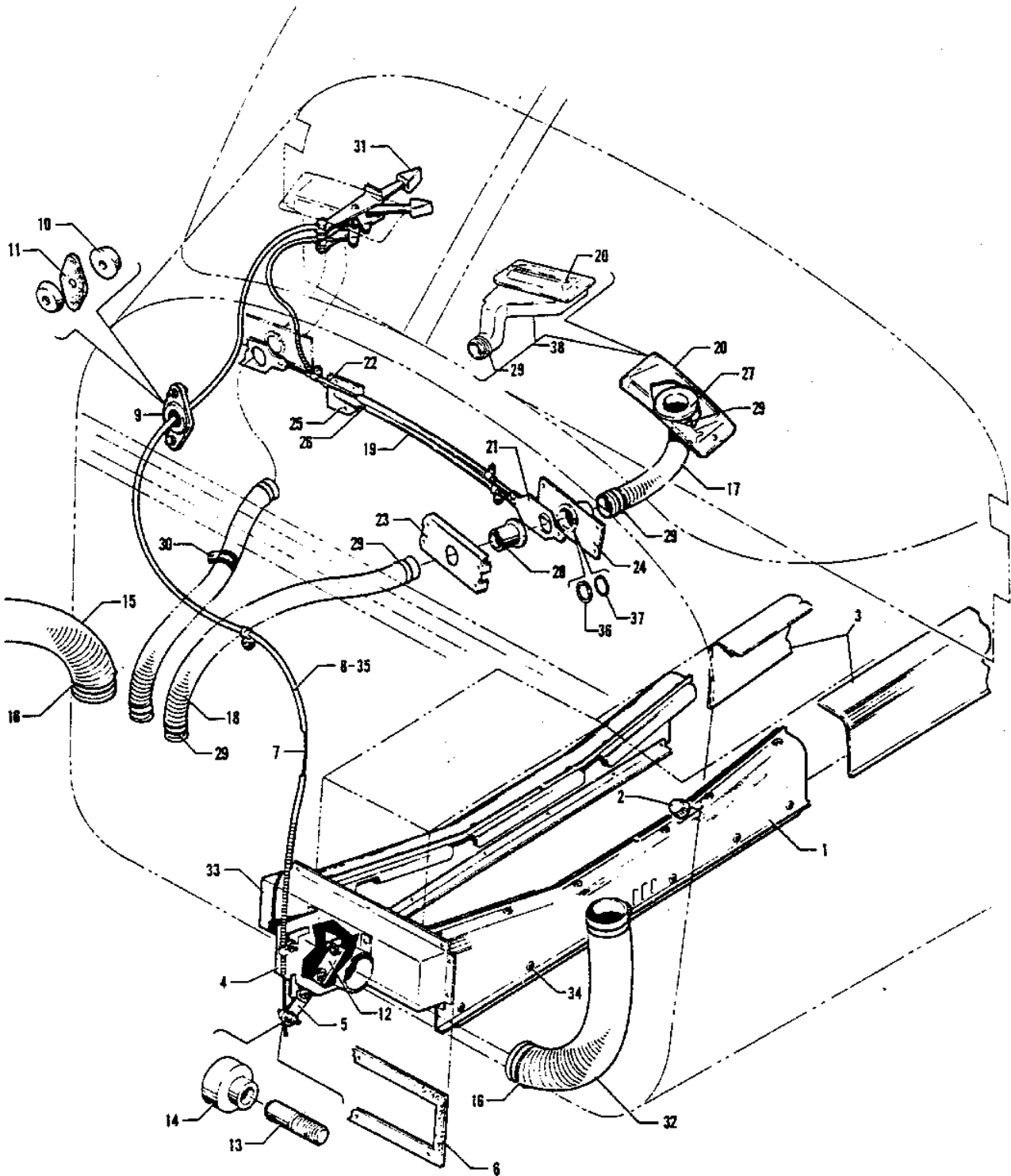


Figure 31B Cabin Heat and Defroster Installation
 (PA-28-140 - Serial Nos. 28-25000 and up)

PIPER PARTS CATALOG

Figure and Index Number	Part Number	Code	NOMENCLATURE	No. Req.	SERIAL NUMBERS AFFECTED
31 B-	66692 99020 66663 99025		DRAWING - Cabin Heat Installation DRAWING -Cabin Heat Installation DRAWING - Defroster System Installation DRAWING - Defroster System Installation		28-25000 to 28-26956 inclusive 28-7125001 and up 28-25000 to 28-26956 inclusive 28-7125001 and up
-1	62960-00 99416-00 62960-01 99416-01		DUCT ASSEMBLY - Cabin heat, left DUCT ASSEMBLY - Cabin heat, left DUCT ASSEMBLY - Cabin heat, right DUCT ASSEMBLY - Cabin heat, right	1 1 1 1	28-25000 to 28-26956 inclusive 28-7125001 and up 28-25000 to 28-26956 inclusive 28-7125001 and up
-2	66980-00		KNOB - Heat duct	1	23-7125001 and up
-3	99105-04 99105-03		DUCT - Cabin heat, aft, left DUCT - Cabin heat, aft, right	1 1	28-7125001 and up 28-7125001 and up
-4	62183-00		BOX ASSEMBLY - Cabin heat	1	
-5	36808-07		LINK ASSEMBLY - Cabin air box	1	
-6	62969-01		GASKET - Distributor box	1	
-7	67657-05 67658-05		WIRE - Cabin heat control HOUSING - Cabin heat control wire	1 1	28-25000 to 28-26956 inclusive 28-25000 to 28-26956 inclusive
-9	66789-00		PLATE - Firewall seal	2	
-10	68770-14		GROMMET - Firewall seal	2	
-11	22105-03	W	GASKET - Firewall seal	1	
-12	62178-00		LINK - Cabin heat box	1	
-13	70371-03	W	STUD-Swivel fitting	1	
-14	70371-02	W	FITTING - Swivel	1	
-15	63633-07		HOSE - Air inlet	1	
-16	454 994		CLAMP - Hose (H2-1160)	4	
-17	63633-56		HOSE - Defroster	2	28-25000 to 28-7625837 Incl.
-18	63633-61		HOSE- Defroster	2	
-19	63882-31		SLEEVE - Defroster cable	2	
-20	65318-00		OUTLET - Defroster air	2	
-21	67705-00		GATE - Defroster valve	2	
-22	67709-00 554 144		CABLE ASSEMBLY - Defroster CABLE ASSEMBLY - Defroster (PS50146-6-1)	1 1	28-25000 to 28-26956 inclusive 28-7125001 and up
-23	69273-00		HOUSING - Defroster valve	2	
-24	69274-00		PLATE - Defroster valve	2	
-25	69275-00		CLAMP - Cable	1	
-26	69276-00 554 143		CABLE ASSEMBLY - Defroster control CABLE ASSEMBLY - Defroster control (PS50146-6-2)	1 1	28-25000 to 28-26956 inclusive 28-7125001 and up
-27	69278-00		OUTLET ASSEMBLY - Defroster air	2	28-25000 to 283-7625087
-28	69279-00		TUBE - Defroster valve	4	
-29	454 985	W	CLAMP - (SAE TY A-1)	6	
-29a	454 985	W	CLAMP - (SAE TY A-1)	2	28-25000 to 28-7625087 incl.
-30	454 852	W	CLAMP - (A3046S-18-91)	1	
-31	22287-00 66980-00	W	KNOB - Cabin heat and defroster KNOB - Cabin heat and defroster	2 2	28-25000 to 28-26400 inclusive 28-26401 and up
-32	63633 08		HOSE - Cabin heat inlet	1	
-33	62962-00		BOX ASSEMBLY - Distributor, cabin heat	1	
-34	419 682 494 001	W W	SCREW - 4 O H. Sheet metal WASHER - 4 Finishing	36 36	
-35	66856-19		CABLE ASSEMBLY - Cabin heat control	1	28-71 25001 and up
-36	62833-104		WASHER	2	
-37	484 841	W	"O" RING - (NAS1593213)	2	
-38	79615-02 79615-03		DUCT ASSEMBLY - Defroster air, left DUCT ASSEMBLY - Defroster air, right	1 1	28-7625088 and up 28-7625088 and up

W- These parts must be ordered from Service Spares Department, Piper Aircraft, Lock Haven, Penna.

When ordering, always specify Part Number, Description, and Serial Number of Aircraft

2 F9
INTENTIONALLY LEFT BLANK

PIPER PARTS CATALOG

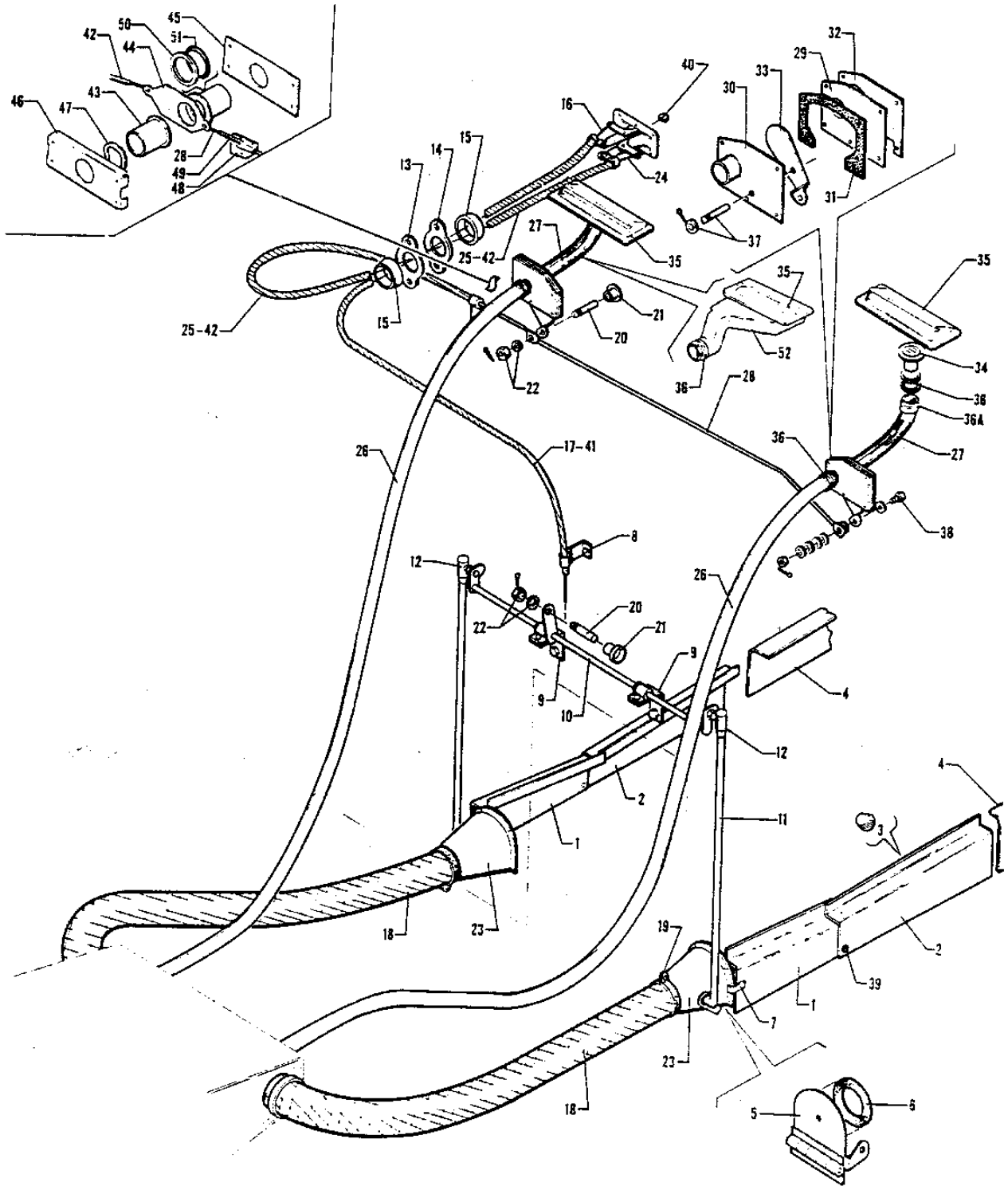


Figure 32. Cabin Heat and Defroster Installation

PIPER PARTS CATALOG

Figure and Index Number	Part Number	Code	NOMENCLATURE	No. Req.	SERIAL NUMBERS AFFECTED
32-	67393 99028 67346 67710 67740 99029	A B D C B	DRAWING - Cabin Heat System Installation DRAWING - Cabin Heat System Installation DRAWING - Defroster System Installation DRAWING - Defroster System Installation DRAWING - Defroster System Installation DRAWING - Defroster System Installation		28R-30005 to 28R-30253 incl.
-1	67205-00 67205-02 67205-01 67205-03 67205-05	A B A B F G	DUCT - Cabin heat, left front DUCT - Cabin heat, left front DUCT - Cabin heat, right front DUCT - Cabin heat, right front DUCT - Cabin heat, right front	1 1 1 1 1	28R-7235001 and up
-2	67295-00 99416-02 36511-02 67295-01 99416-03 36511-03	A E F H A E F H	DUCT ASSEMBLY - Cabin heat, left rear DUCT ASSEMBLY - Cabin heat, left center DUCT ASSEMBLY - Cabin heat, left center DUCT ASSEMBLY - Cabin heat, right rear DUCT ASSEMBLY - Cabin heat, right center DUCT ASSEMBLY - Cabin heat, right center	1 1 1 1 1 1	28R-7235001 and up 28R-7235001 and up
-3	66980-00	B	KNOB - Heat duct	1	
-4	99105-00 76129-00 99105-01 76129-01	E F E F	DUCT - Cabin heat, left rear DUCT - Cabin heat, left rear DUCT - Cabin heat, left rear DUCT - Cabin heat, left rear	1 1 1 1	28R-7235001 and up 28R-7235001-and up
-5	67386-00		DOOR ASSEMBLY - Cabin heat valve	2	
-6	62833-35		SEAL - Cabin heat valve door	1	
-7	67387-00		CLIP - Cabin heat valve	2	
-8	6734400		BRACKET - Heater cable	1	
-9	67347-00		BRACKET - Cabin heat valve torque tube	2	
-10	67389-00		TUBE ASSEMBLY - Cabin heat valve torque	1	
-11	67391-00		ROD ASSEMBLY - Cabin heat valve	2	
-12	31747-00	W	JOINT ASSEMBLY - Ball	1	
			A- Used on PA-28R-180 with serial numbers 23R-30005 to 28R-30481 inclusive, 28R-30483 to 28R-31279 inclusive, and PA-28R-200 with serial numbers 28R-30482, 28R-35001 to 23R-35830 inclusive. B- Used on PA-28R-180 with serial numbers 28R-7130001 and up, and PA-28R-200 with serial numbers 28R-7135001 and up. C- Used on PA-28R-180 with serial numbers 28R-30679 to 28R-31279 inclusive, and PA-28R-200 with serial numbers 28R-30482, 28R-35001 to 28R-35830 inclusive. D- Used on PA-28R-180 with serial numbers 28R-30254 to 28R-30481 inclusive 28R-30483 to 28R-30678 inclusive. E- Used on PA-28R-180 with serial numbers 28R-7130001 to 28R-7130019 inclusive, and PA-28R-200 with serial numbers 28R-7135001 to 28R-7135238 inclusive. F- Used on PA-28R-200 airplanes only. G- Used if air conditioning is installed. H- When ordering specify color "bark II" or black. W- These parts must be ordered from Service Spares Department Piper Aircraft Lock Haven Penna.		

When ordering, always specify Part Number, Description, and Serial Number of Aircraft

PIPER PARTS CATALOG

Figure and Index Number	Part Number	Code	NOMENCLATURE	No. Req.	SERIAL NUMBERS AFFECTED
32-1 3	66789-00		PLATE - Firewall seal	2	
-14	68771-02	D	GASKET- Firewall seal	1	
	22105-03	C,W	GASKET - Firewall seal	1	
-15	68770-09	D	GROMMET - Firewall seal	2	
	68770-14	C	GROMMET - Firewall seal	2	
-16	67657-04	A	WIRE - Cabin heat control	1	
-17	67658-04	A	HOUSING - Cabin heat control wire	1	
-18	63633-45		HOSE - Cabin heat	2	
-19	454 800		CLAMP-Cabin heat hose (32SSType "F")	4	
-20	70371-03	W	STU D - Swivel fitting	2	
-21	91193-00	W	FITTING - Swivel	2	
-22	407 565	W	WASHER - (AN960-416)	4	
	404 392	W	NUT - (AN320-3)	2	
	424 051	W	COTTER PIN - (AN380-2-2)	2	
-23	67401-00		SHROUD - Cabin heat valve, left	1	
	67401-03		SHROUD - Cabin heat valve, right	1	
-24	67657-03		WIRE - Defroster control (27 1/2")	1	28R-30005 to 28R-30253 incl.
-25	67658-03		HOUSING - Defroster control wire	1	28R-30005 to 28R-30253 incl.
-26	63633-51		HOSE - Defroster	2	
-27	63633-56	E	HOSE- Defroster	2	
-28	67345-00		ROD - Defroster	1	28R-30005 to 28R-30253 incl.
	554144		CABLE ASSEMBLY - Defroster (PS501 46-6-1)	1	28R-30254 and up
-29	67608-00		PLATE ASSEMBLY - Defroster air outlet	2	28R-30005 to 28R-30253 incl.
-30	67608-01		PLATE ASSEMBLY - Defroster air inlet	2	28R-30005 to 28R-30253 incl.
-31	67610-00		SPACER - Defroster air plate assembly	2	28R-30005 to 28R-30253 incl.
-32	67395 00		GASKET - Defroster valve	2	28R-30005 to 28R-30253 incl.
-33	67343 00		VALVE - Defroster air output	2	28R-30005 to 28R-30253
-34	62965 04		OUTLET ASSEMBLY - Defroster air	2	28R-30005 to 28R-30253
	67712-00	B	OUTLET ASSEMBLY - Defroster air	2	
	69278-00	F	OUTLET ASSEMBLY - Defroster air	2	
-35	65318-00		OUTLET - Defroster air	2	
-36	454 950	D,W	CLAMP - Defroster hose (A3122-18-1)	6	
	454 935	C,W	C LAMP - Defroster hose (SAE TY A-1)	6	
-36a	454 950	D,W	CLAMP - (A3122-18-1)	2	
	454 985	F,W	CLAMP - (SAE TY A-1)	2	
			A- Used on PA-28R-180 with serial numbers 28R-30005 to 28R-30481 inclusive, 28R-30483 to 28R-31279 inclusive, and PA-28R-200 with serial numbers 28R-30482, 28R-35001 to 28R-35830 inclusive.		
			B- Used on PA-28R-180 with serial numbers 28R-30254 to 28R-30481 inclusive, 28R-30483 to 28R-30678 inclusive.		
			C- Used on PA-28R-180 with serial numbers 28R30679 and up, and PA-28R-200 with serial numbers 28R-30482, 28R-35001 and up.		
			D- Used on PA-28R-180 with serial numbers 28R-30005 to 28R-30481 inclusive, 28R-30483 to 28R-30678 inclusive.		
			E- Used on PA-28R-180 with serial numbers 28R-30005 to 28R-7130019 inclusive, and PA-28R-200 with serial numbers 28R-30482, 28R-35001 to 28R-7635122 inclusive.		
			F- Used on PA-28R-180 with serial numbers 28R-30679 to 28R-71 30019 inclusive, and PA-28R-200 with serial numbers 28R-30482, 28R-35001 to 28R-7635122 inclusive.		
			W- These parts must be ordered from Service Spares Department, Piper Aircraft, Lock Haven, Penna.		

When ordering, always specify Part Number, Description, and Serial Number of Aircraft

PIPER PARTS CATALOG

Figure and Index Number	Part Number	Code	NOMENCLATURE	No. Req.	SERIAL NUMBERS AFFECTED
32-37	424 140		PIN - Flat head (AN392-7)	2	28R-30005 to 28R-30253 incl.
	407 610	W	WASHER - (AN950-8)	2	28R-30005 to 28R-30253 incl.
	424 095	W	COTTER PIN - (AN380-C-2-2)	2	28R-30005 to 29R-30253 incl.
-38	400 102	W	BOLT - (AN4-5)	1	28R-30005 to 28R-30253 incl.
	407 585	W	WASHER - (AN960-416L)	5	28R 30005 to 28R-30253 incl.
	404 393	W	NUT - (AN3204)	1	28R-30005 to 28R-30253 incl.
	424 051	W	COTTER PIN - (AN380-2-2)	1	28R-30005 to 28R-30853 incl.
-39	419 683	W	SCREW - Heat duct (4 x1/2 L. Oval hd.)	34	
	494 001	W	WASHER - Heat duct (4)	34	
-40	22287-00	A,W	KNOB - Cabin heat and defroster,	2	
	66980-00	B	KNOB - Cabin heat and defroster	2	
-41	554 150	C	CABLE ASSEMBLY - Cabin heat control (PS50146-4-1)	1	
-42	67708-00	D	CABLE ASSEMBLY - Defroster control (46 1/4,)	1	
	554 143	E	CABLE ASSEMBLY - Defroster control (40") (PS50146-6-2)	1	
-43	67704-00	D	TUBE - Defroster valve	4	
	69279-00	E	TUBE - Defroster valve	4	
-44	67705-00		GATE - Defroster valve	2	28R-30254 and up
-45	6T706 00	D	PLATE - Defroster valve	2	
	69274-00	E	PLATE - Defroster valve	2	
-46	67707-00	D	HOUSING - Defroster valve	2	
	69273-00	E	HOUSING - Defroster valve	2	
-47	494 123		WASHER - Spring (35)	4	28R-30254 and up
-48	69275-00	E	CLAMP - Defroster cable	1	
-49	63882-31	E	SLEEVE - Defroster cable	2	
-50	62933-104	E	WASHER	2	
-51	484 841	E,W	"O" RING - (NAS1593-213)	2	
-52	79615-02	F	DUCT ASSEMBLY - Defroster air, left	1	28R-7635123 and up
	79615-03	F	DUCT ASSEMBLY - Defroster air, right	1	28R-7635123 and up
<p>A- Used on PA-28R-180 with serial numbers 28R30005 to 28R-30481 inclusive, 28R-30483 to 28R-31250 inclusive, and PA-28R-200 with serial numbers 28R-30482, 28R-35001 to 28R-35600 inclusive.</p> <p>B- Used on PA-28R-180 with serial numbers 28R-31251 and up, and PA-28R-200 with serial numbers 28R-35601 and up.</p> <p>C- Used on PA-28R-180 with serial numbers 28R-7130001 and up and PA-28R-200 with serial numbers 28R-7135001 and up</p> <p>D- Used on PA-28R-180 with serial numbers 28R-30254 to 28R-30481 inclusive, 28R-30483 to 28R-30678 inclusive.</p> <p>E- Used on PA-28R-180 with serial numbers 28R-30679 and up, and PA-28R-200 with serial numbers 28R-30482, 28R-35001 and up.</p> <p>F- Used on PA-28R-200 airplanes only.</p> <p>W- These parts must be ordered from Service Spares Department, Piper Aircraft, Lock Haven, Penna.</p>					

When ordering, always specify Part Number, Description, and Serial Number of Aircraft

2 F14
INTENTIONALLY LEFT BLANK

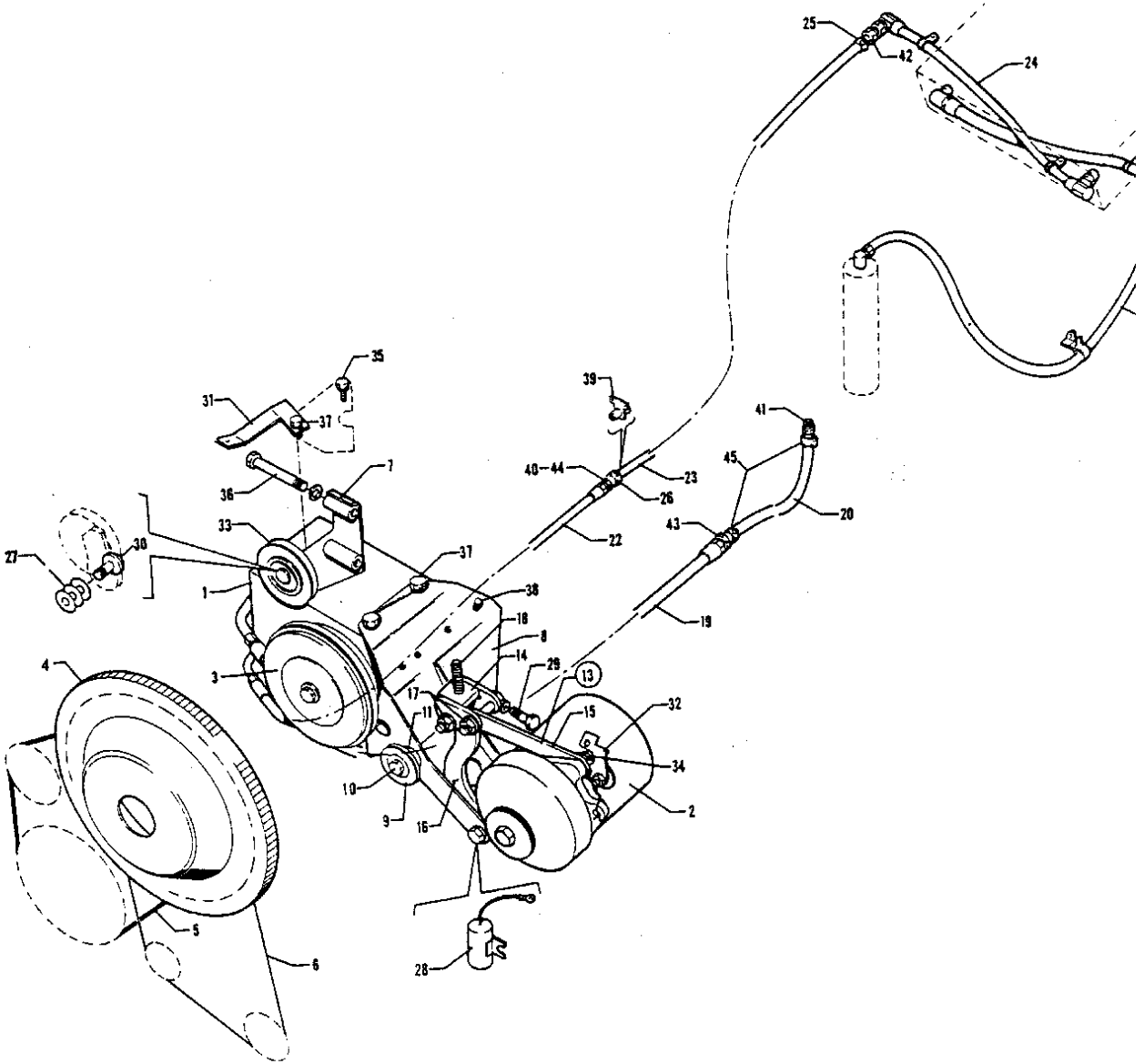


Figure 32A. Air Conditioning Compressor Refrigerant Lines and Alternator Installation
 (PA-28-140 - Serial Nos. 28-250001 28-7125472 and up)
 (PA-28-180 - Serial Nos. 28-5653 28-7205092 and up)
 (PA-28R-200 - Serial Nos. 28R-7235001 and up)

PIPER PARTS CATALOG

Figure and Index Number	Part Number	Code	NOMENCLATURE	No. Req.	SERIAL NUMBERS AFFECTED
32A-	99109		DRAWING - Air Conditioning Compressor and Alternator Installation		
	99290	D	DRAWING - Air Conditioning Refrigerant Lines Installation		
	99576	E	DRAWING - Air Conditioning Refrigerant Lines Installation		
	99602	F	DRAWING - Air Conditioning Refrigerant Lines Installation		
-1	555 412		COMPRESSOR ASSEMBLY - (F209-16754)	1	
-2	551 983	H	ALTERNATOR ASSEMBLY - Prestolite (ALY-6422)	1	
-3	554 761		CLUTCH ASSEMBLY - (10616)	1	
-4	462 110	B D	RING GEAR ASSEMBLY - (LW11380)	1	
	462 111	C.D	RING GEAR ASSEMBLY - (LW11572)	1	
	462 112	E F	RING GEAR ASSEMBLY - (LW11573)	1	
-5	452 573		BELT - (PS10069-1 -2)	1	
-6	452 572		BELT - (PS10069-1-1)	1	
-7	99624-00		BRACKET ASSEMBLY - Compressor, upper	1	
-8	79584-08		BRACKET ASSEMBLY - Compressor, lower	1	
-9	99072-00		PULLEY ASSEMBLY - Alternator drive	1	
-10	553 230		BOLT - (NAS2906-20)	1	
	62833-82		WASHER - Alternator pulley	2	
	79558-02		NUT - Alternator pulley	1	
-11	95061-151		BUSHING - Alternator idler pulley	1	
-12	401 394	W	BOLT - (AN6-13A)	2	
	407 567	W	WASHER - (AN960-616)	2	
	404 890	W	NUT - (MS20365-624C)	2	
-13	79886-11	J	BRACKET ASSEMBLY COMPLETE - Alternator support	1	
-14	79886-03		CHANNEL ASSEMBLY - Alternator support	1	
-15	79886-04		ARM ASSEMBLY - Alternator support	1	
-16	79886-07		ARM ASSEMBLY - Alternator support	1	
-17	400 009	W	BOLT - (AN4-14A)	2	
	407 585	W	WASHER - (AN960-416L)	2	
	404 888	W	NUT - (MS20365 428C)	2	
-18	486 126		BOLT - (MS16997-81)	1	
-19	99592-02	D	HOSE ASSEMBLY- Suction	1	
	99592-05	E	HOSE ASSEMBLY - Suction	1	
	99592-07	F	HOSE ASSEMBLY - Suction	1	
-20	63904-56	D	HOSE - Suction	1	
	63904-60	E	HOSE - Suction	1	28-5653, 28-7205092 to 28-720328 inclusive
	63904-72	G	HOSE - Suction	1	
			A- Used on PA-28-140 with serial numbers 28-25001, 28-7125472 and up, PA-28-180 with serial numbers 28-5653, 28-7205092 and up, and PA-28R-200 with serial numbers 28R-7235001 and up.		
			B- Used with direct drive starter		
			C- Used with geared starter.		
			D- Used on PA-28-140 airplanes only.		
			E- Used on PA-28-180 airplanes only		
			F- Used on PA-28R-200 airplanes only.		
			G- Used on PA-28-180 with serial numbers 28-7305001 and up, and PA-28R-200 with serial numbers 28R-7235001 and up.		
			H- See Figure 71A for component pans.		
			J- If original one piece twisted brace has been replaced with a three piece bracket assembly, order individual parts as desired..		
			W- These parts must be ordered from Service Spares Department. Piper Aircraft, Lock Haven, Penna.		

When ordering, always specify Part Number, Description, and Serial Number of Aircraft

PIPER PARTS CATALOG

Figure and Index Number	Part Number	Code	NOMENCLATURE	No. Req.	SERIAL NUMBERS AFFECTED
32A-21	565 415	G	HOSE ASSEMBLY- Receiver dehydrator to condenser	1	28-25001, 28-7125472 to 28-7625109 inclusive
	565 879	G	HOSE ASSEMBLY- Receiver dehydrator to condenser	1	28-7625110 and up
	565 441	K	HOSE ASSEMBLY - Receiver dehydrator to condenser	1	
	565 878	F	HOSE ASSEMBLY - Receiver dehydrator to condenser	1	28R-7635113 and up
-22	99592-03	G	HOSE ASSEMBLY - Discharge	1	
	99592-04	E	HOSE ASSEMBLY - Discharge	1	
	99592-06	F	HOSE ASSEMBLY- Discharge	1	
-23	63904-71	H	HOSE- Discharge	1	
	63904-80	G	HOSE - Discharge	1	28-7625110 and up
	565 582	F	HOSE- Discharge (length125 ')	1	28R-7235001to 28R-7635112 incl
	565 864	F	HOSE - Discharge (length117")	1	28R-7635113 and up
-24	755 272	J	HOSE ASSEMBLY-Discharge (length19")	1	
	565 576	C	HOSE ASSEMBLY- Discharge (length 25 ')	1	
-25	554 678	L	CLAMP - (H-6)	1	
-26	554 678	B.L	CLAMP - (H-6)	1	
			A- Used on PA-28-140 with serial numbers 28-25001, 28-7125472 and up, PA-28-180 with serial numbers 28-5653, 28-7205092 and up, and PA-28R-200 with serial numbers 28R-7235001 and up.		
			B- Used on PA-28-140 with serial numbers 28-250010, 28-7125472 and up, and PA-28-180 with serial numbers 28-5653, 28-7205092 and up.		
			C- Used on PA-28-140 with serial numbers 28-762511 O and up, and PA-28R-200 with serial numbers 28R-7635113 and up.		
			D- Used on PA-28R-200 with serial numbers 28R-7235001 and up.		
			E- Used on PA-28-180 airplanes only.		
			F- Used on PA-28R-200 airplanes only.		
			G- Used on PA-28-140 airplanes only.		
			H- Used on PA-28-140 with serial numbers 28-25001, 28-7125472 to 28-7625109 inclusive and PA-28-180 with serial numbers 28-5653, 28-7205092 to 28-7505261 inclusive.		
			J- Used on PA-28-140 with serial numbers 28-25001 28-7125472 to 28-7625109 inclusive, PA-28-180 with serial numbers 28-5653, 28-7205092 to 28-7505261 inclusive, and PA-28R-200 with serial numbers 28R-7235001 to 28R-7635112 inclusive.		
			K- Used on PA-28-180 with serial numbers 28-5653 28-7205092 to 28-7505261 inclusive, and PA-28R-200 with serial numbers 28R-7235001 to 28R-7635112 Inclusive.		
			L- Used if Refrigerant Line Fitting Replacement Kit 764 244 or 764 248 has not been installed.		

When ordering, always specify Part Number, Description, and Serial Number of Aircraft

PIPER PARTS CATALOG

Figure and Index Number	Part Number	Code	NOMENCLATURE	No. Req.	SERIAL NUMBERS AFFECTED
32A-27	62833-83		WASHER	3	
-28	63897-06		CAPACITOR ASSEMBLY	3	
-29	401 988		BOLT - (MS20074-06-11)	2	
	407 587	W	WASHER - (AN960-616L)	2	
-30	400 616		BOLT - (AN8H7A)	1	
	407 569	W	WASHER - (AN960-816)	1	
-31	99526-00	B	BAFFLE SUPPORT - Right front	1	
-32	99580-00	C D	CLIP ASSEMBLY - Left front baffle	1	
-33	99080-00		IDLER PULLEY ASSEMBLY - Compressor drive	1	
-34	401 971		BOLT - (MS20C74-05-06)	1	
	407 566	W	WASHER - (AN960-516)	2	
-35	401 987		BOLT - (MS20074-06- 06)	1	
	407 587	W	WASHER - (AN960-613L)	1	
-36	401 461		BOLT - (AN6H-22A)	2	
	407 567	W	WASHER - (AN960-616)	4	
	407 587	W	WASHER - (AN960-616L)	2	
	407 726		WASHER - (AN960-D616L)	2	
-37	401 986		BOLT - (MS20074-06-05)	3	
	407 587	W	WASHER - (AN960-616L)	3	
-38	401 970		BOLT - (MS20074-05-05)	4	
	407 586	W	WASHER - (AN960-516L)	4	
-39	79437-00	B	BRACKET ASSEMBLY - Support fitting	1	
-40	477 691	C	NUT - (AN924-8)	2	
-41	451 906	E	ADAPTER - (PS10022-6-4)	1	
	561 012	F	FITTING - (FC9158-08085)	1	
	584 258	F	REDUCER - (661 FHD-8-10)	1	
-42	451 907	E	ADAPTER - (PS10022-6-13)	1	
	561 013	F	FITTING - (FC9158-06065)	1	
	584 256	F	REDUCER - (42F-8-6)	1	
-43	451 908	E	ADAPTER - (PS10022-6-14)	1	
	561 012	F	FITTING - (FC9158-0808S)	1	
	584 257	F	REDUCER - (42F-10-8)	1	
-44	451 907	B,D,E	ADAPTER - (PS10022-6-13)	1	
	67982-02	C	ELBOW- Special	1	
	561 013	F	FITTING - (FC9158-0606S)	1	
	584 256	F	REDUCER - (42F-8-6)	1	
-45	554 679	B,E	CLAMP - (H-10)	2	
	554 678	C,D,E	CLAMP - (H-6)	2	

- A- Used on PA-28-140 with serial numbers 28-25001, 28-7125472 and up PA-28-180 with serial numbers 28-5653, 28-7205092 and up and PA-28R-200 with serial numbers 28R-7235001 and up.
- B- Used on PA-28-140 airplanes only.
- C- Used on PA-28R-200 airplanes only.
- D- Used on PA-28-180 airplanes only.
- E- Used if Refrigerant Line Fitting Replacement Kit 764 244 or 764 248 has not been installed.
- F- Used if Refrigerant Line Fitting Replacement Kit 764 244 or 764 248 has been installed per Service Spares Letter 387.
- W- These parts must be ordered from Service Spares Department Piper Aircraft, Lock Haven Penna

When ordering, always specify Part Number, Description, and Serial Number of Aircraft

2F19
I NTENTIONALLY LEFT BLANK

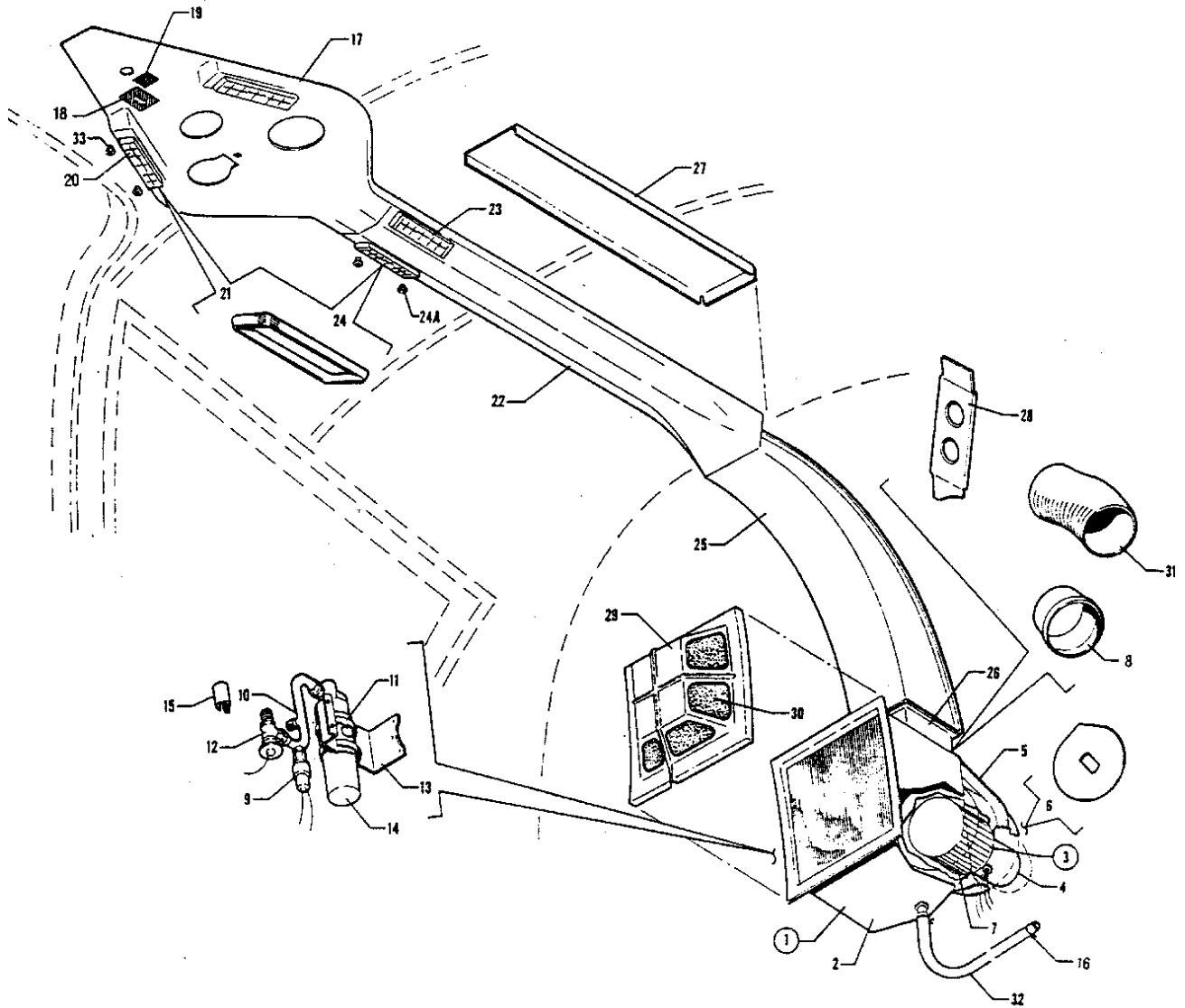


Figure 32B Air Conditioning Duct and Evaporator Installation
 (PA-28-140 - Serial Nos. 28-25001, 28-7125147 and up)
 (PA-28-180 - Serial Nos. 28-5653, 28-7205092 and up)
 (PA-28R-200 - Serial Nos. 28R-7235001 and up)

PIPER PARTS CATALOG

Figure and Index Number	Part Number	Code	NOMENCLATURE	No. Req.	SERIAL NUMBERS AFFECTED
32B-	99502	E	DRAWING - Air Conditioning Duct Installation		28-25001 28-7125472 to 28-7325684 inclusive 28-7425001 and up
	78185	E	DRAWING - Air Conditioning Duct Installation		
	99501	F	DRAWING - Air Conditioning Duct Installation		
	76306	G	DRAWING - Air Conditioning Duct Installation		
	99292		DRAWING - Evaporator Bulkhead Assembly		
-1	99640-00	B	EVAPORATOR ASSEMBLY - Air conditioning	1	
	99640-02	C	EVAPORATOR ASSEMBLY - Air conditioning	1	
-2	99640-03	B	EVAPORATOR AND HOUSING ASSEMBLY Air conditioning	1	
	99640-04	C	EVAPORATOR AND HOUSING ASSEMBLY Air conditioning	1	
-3	761 150		BLOWER ASSEMBLY KIT - Evaporator	1	
-4	475 210	D	MOTOR ASSEMBLY - Evaporator blower (UN-YY1S062)	1	
-5	37997-02		COVER - Evaporator blower	1	
-6	99641-00		PLATE ASSEMBLY - Motor mounting	1	
-7	452 935		BLOWER - (AE424-316-1)	1	
-8	99633-00		DUCT - Hose connect	1	
-9	99646-02		SWITCH ASSEMBLY - Pressure	1	
-10	589 688		LINE ASSEMBLY - Evaporator inlet (37245-6-6S)	1	
-11	554 926	W	CLAMP - (SAE TY F-44)	2	
-12	99648-00		VALVE ASSEMBLY - Evaporator expansion	1	
-13	99650-00		BRACKET - Receiver dehydrator	1	
-14	456 615		RECEIVER DEHYDRATOR - (1106)	1	
-15	99661-00		CLAMP - Bulb, expansion valve	1	
-16	454 983	W	CLAMP - (SAE TY F-8)	2	
			A- Used on PA-28-140 with serial numbers 28-25001, 28-7125472 and up, PA-28-180 with serial numbers 28-5653, 28-7205092 and up, and PA-28R-200 with serial numbers 28R-7235001 and up.		
			B- Used on PA-28-140 with serial numbers 28-25001, 28-7125472 and up and PA-28-180 with serial numbers 28-5653, 28-7205092 and up.		
			C- Used on PA-28R-200 with serial numbers 28R-7235001 and up.		
			D- Used on PA-28-140 with serial numbers 28-25001, 28-7125472 and up, PA-28-180 with serial numbers 28.5653 28-7205092 and up, and PA-28R-200 with serial numbers 28R-7235001 and up if Blower Assembly Kit 761 150 has previously been installed.		
			E- Used on PA-28-140 airplanes only.		
			F- Used on PA-28-180 with serial numbers 28-5653, 28-7205092 to 28-7205611 inclusive and PA-28R-200 with serial numbers 28R-7235001 to 28R-7335455 inclusive.		
			G- Used on PA-28-180 with serial numbers 28-7405001 and up, and PA-28R-200 with serial numbers 28R-7435001 and up.		
			W- These parts must be ordered from Service Spares Department, Piper Aircraft, Lock Haven, Penna.		

When ordering, always specify Part Number, Description, and Serial Number of Aircraft

PIPER PARTS CATALOG

Figure and Index Number	Part Number	Code	NOMENCLATURE	No. Req.	SERIAL NUMBERS AFFECTED
32B-17	63428-13	G	PANEL ASSEMBLY - Cabin light and air conditioning duct (with speaker cutout)	1	
	63428-17	G	PANEL ASSEMBLY - Cabin light and air conditioning duct (less speaker cutout)	1	
	99500-00	J	PANEL ASSEMBLY - Cabin light and air conditioning duct	1	
	99500-04	K	PANEL ASSEMBLY - Cabin light and air conditioning duct	1	
	99500-06	H	PANEL ASSEMBLY - Cabin light and air conditioning duct	1	
-18	62919-00		* PLACARD - Trim indicator	1	
-19	62920-00		* PLACARD - Trim	2	
-20	473187		LOUVER ASSEMBLY - Forward (136-1M)	2	
-21	461 386		FRAME - Forward louver (173-M)	1	
-22	99522-02	B	DUCT ASSEMBLY - Air conditioning	1	
	99541-00	E	DUCT ASSEMBLY - Air conditioning	1	
	99541-02	F	DUCT ASSEMBLY - Air conditioning	2	
-23	473187		* LOUVER ASSEMBLY - Rear (136-1M)	2	
-24	461 386		* FRAME - Rear louver (173-M)	8	
-24a	406 424		* NUT - (C2733-040-1)	1	
-25	99503-02	B,L	DUCT ASSEMBLY - Aft cabin bulkhead	1	
	99506-00	C L	DUCT ASSEMBLY - Aft cabin bulkhead	1	
	99507-00	D,L	DUCT ASSEMBLY - Aft cabin bulkhead	1	
	79839-03	M	DUCT ASSEMBLY - Aft cabin bulkhead	1	
	99634-00	L	DUCT ASSEMBLY - Interconnect	1	
-26	79840-04	M	DUCT ASSEMBLY - Interconnect	1	
			A- Used on PA-28-140 with serial numbers 28-25001, 28-7125472 and up, PA-28-180 with serial numbers 28-5653 28-7205092 and up, and PA-28R-200 with serial numbers 28R-7235001 and up.		
			B- Used on PA-28-140 with serial numbers 28-25001 28-7125472 and up.		
			C- Used on PA-28R-200 with serial numbers 28R-7235001 and up.		
			D- Used on PA-28-180 with serial numbers 28-5653, 28-7205092 and up.		
			E- Used on PA-28-180 with serial numbers 28-565 28-7205092 to 28-7205328 inclusive		
			F- Used on PA-28-180 with serial numbers 28-7305001 and up. and PA-28R-200 with serial numbers 28R-7235001 and up.		
			G- Used on PA-28-140 with serial numbers 28-25001. 28-7125472 to 28-7225612 inclusive.		
			H- Used on PA-28-140 with serial numbers 28-7425001 and up. PA-28-180 with serial numbers 28-7405001 and up. and PA-28R-200 with serial numbers 28R-7435001 and up.		
			J- Used on PA-28-140 with serial numbers 28-7325001 to 28-7325684 inclusive PA-28-180 with serial numbers 28-5653 28-7205092 to 28-7205328 inclusive 28-7305066 to 28-7305611 inclusive, and PA-28R-200 with serial numbers 28R-7335102 to 28R-7335455 inclusive		
			K- Used on PA-28-180 with serial numbers 28-7305001 to 28-7305065 inclusive. and PA-28R-200 with serial numbers 28R-7235001 to 28R-7335101 inclusive		
			L- Used if duct assembly is riveted to aft cabin bulkhead.		
			M - Used if duct assembly is bonded to aft cabin bulkhead.		

When ordering, always specify Part Number, Description, and Serial Number of Aircraft

PIPER PARTS CATALOG

Figure and Index Number	Part Number	Code	NOMENCLATURE	No. Req.	SERIAL NUMBERS AFFECTED
32B- 27	99505-00	B	CHANNEL - Air conditioning	1	28-25001 , 28-7125472 to 28-7325684 inclusive 28-7425001 and up
	99505-02	B	CHANNEL - Air conditioning	1	
	99510-00	E	CHANNEL - Air conditioning	1	
	99510-02	G	CHANNEL - Air conditioning	1	
	76309-00	F	CHANNEL - Air conditioning	1	
-28	99539-02	H	SUPPORT ASSEMBLY - Evaporator box	1	
	99539-00	C D	SUPPORT ASSEMBLY - Evaporator box	1	
-29	99550-03	H	COVER - Evaporator filter	1	
	99550-02	C D	COVER - Evaporator filter	1	
-30	99644-00		FILTEP. - Evaporator	1	
-31	63633-100		HOSE - Air conditioning	1	
-32	63904-63	H	HOSE - Evaporator drain	1	
	63904-64	C D	HOSE - Evaporator drain	1	
-33	406 424		NUT - (C2733-040-1)	8	
			A- Used on PA-28-140 with serial numbers 28-25001, 28-7125472 and up, PA-28-180 with serial numbers 28-5653, 28-7205092 and up, and PA-28R-200 with serial numbers 28R-7235001 and up.		
			B- Used on PA-28-140 airplanes only.		
			C- Used on PA-28R-200 with serial numbers 28R-7235001 and up.		
			D- Used on PA-28-180 with serial numbers 28-5653, 28-7205092 and up.		
			E- Used on PA-28-180 with serial numbers 28-5653, 28-7205092 to 28-7205328 inclusive.		
			F- Used on PA-28-180 with serial numbers 28-7405001 and up, and PA-28R-200 with serial numbers 28R-7435001 and up.		
			G- Used on PA-28-1 80 with serial numbers 28-7305001 to 28-7305611 inclusive, and PA-28R-200 with serial numbers 28R-7235001 to 28R-7335455 inclusive.		
			H- Used on PA-28-140 with serial numbers 28-25001, 28-7125472 and up.		

When ordering, always specify Part Number, Description, and Serial Number of Aircraft

2F24
INTENTIONALLY LEFT BLANK

PIPER PARTS CATALOG

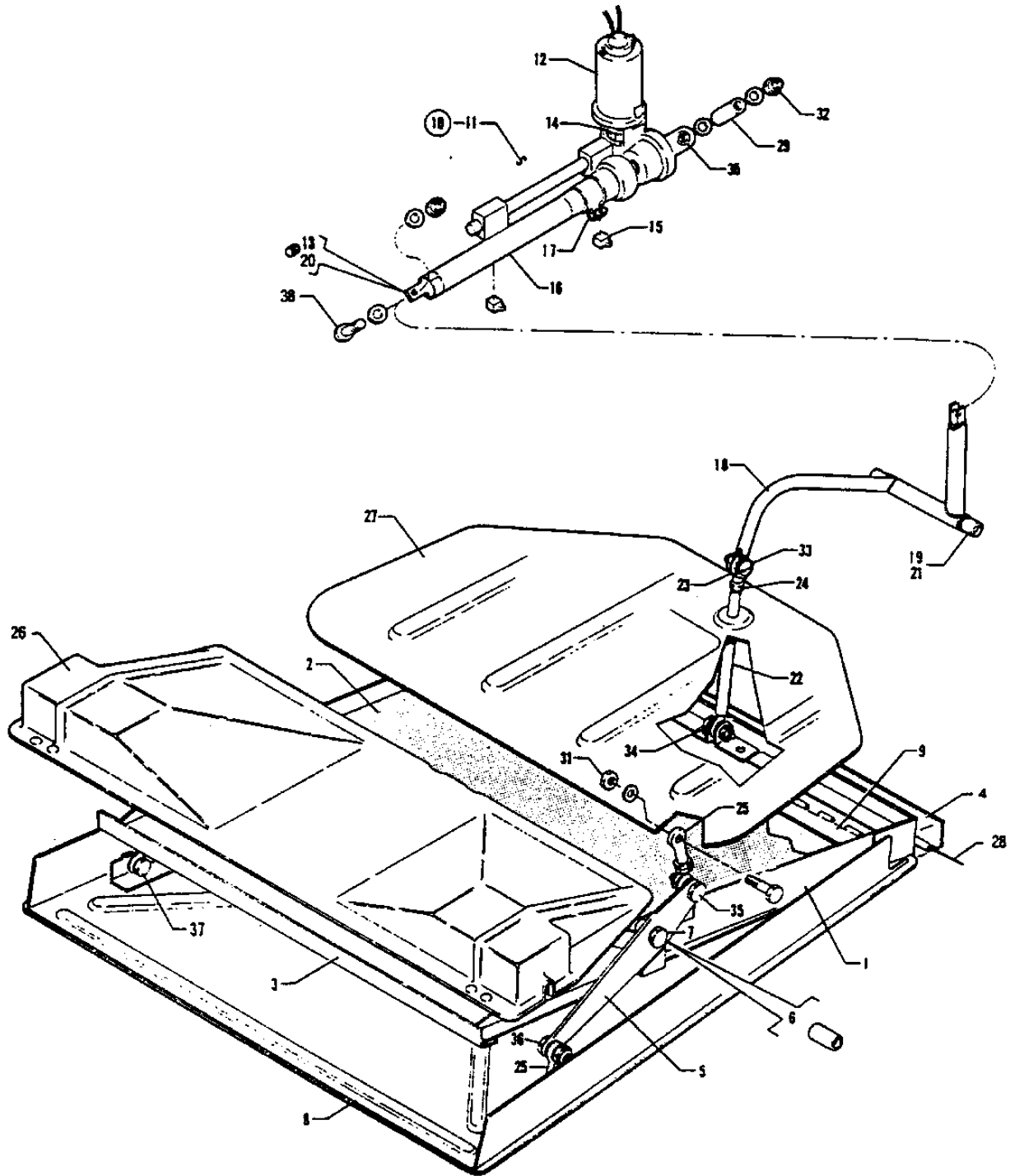


Figure 32C. Air Conditioning Condenser Installation
 (PA-28-140 - Serial Nos. 28-25001, 28-7125472 and up)
 (PA-28-180 - Serial Nos. 28-5653, 28-7205092 and up)
 (PA-28R-200 - Serial Nos. 28R-7235001 and up)

PIPER PARTS CATALOG

Figure and Index Number	Part Number	Code	NOMENCLATURE	No. Req.	SERIAL NUMBERS AFFECTED
32C-	99288	B	DRAWING - Air Conditioning Condenser Installation		
	99855	C	DRAWING - Air Conditioning Condenser Installation		
-1	99387-00		CONDENSER ASSEMBLY - Air conditioning (complete)	1	
-2	555 457		CONDENSER - (1E-1415C)	1	
-3	99263-00		HINGE ASSEMBLY - Condenser door	1	
-4	99275-02		HINGE - Half	1	
-5	99495-00		BELLCRANK ASSEMBLY - Condenser door mechanism	2	
-6	65003-56		BUSHING	2	
-7	401 273	W	BOLT - (AN3-14A)	2	
	407 564	W	WASHER - (AN960-10)	4	
	404 887	W	NUT - (MS20365-1032C)	2	
-8	99271-00		DOOR ASSEMBLY - Louver	1	
-9	99275-02		HINGE - Half	1	
-10	760 706	B	KIT - Transmission replacement	1	
-11	99854-00	C	TRANSMISSION ASSEMBLY - Condenser door actuating (complete)	1	
-12	761 519	C	MOTOR ASSEMBLY - Transmission (C145-200)	1	
-13	452 571	C	BEARING - (AA225-1)	1	
-14	753 085	C	UNIVERSAL ASSEMBLY - (B100-06)	1	
-15	757 718	C	SWITCH - Limit (V3L-3-D9)	2	
-16	99853-00	C	TUBE ASSEMBLY - Actuator	1	
-17	554 714	C	CLAMP - (AN741-8P)	1	
-18	99867-00		BELLCRANK ASSEMBLY - Condenser	1	
-19	452 570		BUSHING - Bronze (FF565-2)	2	
-20	452 558	B	BEARING - Rod end (PS10020-5-1R)	1	
-21	453 884	D	BUSHING - Nylon (PS10065-28)	2	
-22	99557-00		ROD ASSEMBLY - Condenser push	1	
-23	452 558		BEARING - Rod end (PS10020-5-1R)	2	
-24	400 224	W	NUT - (AN315-3R)	1	
			A- Used on PA-28-140 with serial numbers 28-25001, 28-7125472 and up, PA-28-180 with serial numbers 28-5653, 28-7205092 and up, and PA-28R-200 with serial numbers 28R-7235001 and up.		
			B- Used on PA-28-140 with serial numbers 28-25001, 28-7125472 to 28-7225185 inclusive, and PA-28-180 with serial numbers 28-5653, 28-7205092 to 28-7205179 inclusive if existing transmission does not include a switch mounting rod with two limit switches.		
			C- Used on PA-28-140 with serial numbers 28-7225186 and up, PA-28-180 with serial numbers 28-7205180 and up, and PA-28R-200 with serial numbers 28R-7235001 and up. Also used on PA-28-140 with serial numbers 28-25001, 28-7125472 to 28-7225185 inclusive, and PA-28-180 with serial numbers 28-5653, 28-7205092 to 28-7205179 inclusive if existing transmission includes a switch mounting rod with two limit switches.		
			D- Used on PA-28-140 with serial numbers 28-25001, 28-7125472 to 28-7225185 inclusive, and PA-28-180 with serial numbers 28-5653, 28-7205092 to 28-7205179 inclusive.		
			W- These parts must be ordered from Service Spares Department, Piper Aircraft, Lock Haven, Penna.		

When ordering, always specify Part Number, Description, and Serial Number of Aircraft

PIPER PARTS CATALOG

Figure and Index Number	Part Number	Code	NOMENCLATURE	No. Req.	SERIAL NUMBERS AFFECTED
32C-25	99561-00		BEARING ASSEMBLY - Condenser door actuating	4	
-26	99572-00	B	COVER ASSEMBLY - Forward	1	
	99572-04	C	COVER ASSEMBLY - Forward	1	
-27	99569-00		COVER ASSEMBLY - Aft	1	
-28	99275-04		PIN - Hinge	1	
-29	65165-87		TUBE	2	
-30	452 561		BEARING - (AA304-20)	1	
-31	400 441	W	BOLT - (AN3-7A)	2	
	407 564	W	WASHER - (AN960-10)	6	
	404 887	W	NUT - (MS20365-1032C)	2	
-32	401 334	W	BOLT - (AN4-36A)	1	
	407 565	W	WASHER - (AN960-416)	3	
	404 888	W	NUT - (MS20365-428C)	1	
-33	400 861		BOLT - (AN23-13A)	1	
	407 564	W	WASHER - (AN960-10)	1	
	404 887	W	NUT - (MS20365-1032C)	1	
-34	401 269	W	BOLT - (AN3-10A)	1	
	407 564	W	WASHER - (AN960-10)	3	
	404 887	W	NUT - (MS20365-1032C)	1	
-35	400 440	W	BOLT - (AN3-6A)	2	
	407 564	W	WASHER - (AN960-10)	4	
	404 835	W	NUT - (MS20364-1032C)	2	
-36	400 861		BOLT - (AN23-13A)	2	
	407 564	W	WASHER - (AN960-10)	2	
	62833-101		WASHER - (.56 O.D.)	2	
	404 887	W	NUT - (MS20365-1032C)	2	
-37	400 861		BOLT - (AN23-13A)	2	
	407 564	W	WASHER - (AN960-10)	4	
	62833-101		WASHER - (.56 O.D.)	2	
	404 887	W	NUT - (MS20365-1032C)	2	
-38	400 861		BOLT - (AN23-13A)	1	
	407 564	W	WASHER - (AN960-10)	1	
	404 887	W	NUT - (MS20365-1032C)	1	
			A- Used on PA-28-140 with serial numbers 28-25001, 28-7125472 and up. PA-28-180 with serial numbers 28-5653, 28-7205092 and up, and PA-28R-200 with serial numbers 28R-7235001 and up.		
			B- Used on PA-28-140 with serial numbers 28-25001, 28-7125472 to 28-7625109 inclusive, PA-28-180 with serial numbers 28-5653, 28-7205092 to 28-7205261 inclusive, and PA-28R-200 with serial numbers 28R-7235001 to 28R-7635112 inclusive.		
			C- Used on PA-28-140 with serial numbers 28-7625110 and up, and PA-28R-200 with serial numbers 28R-7635113 and up.		
			W- These parts must be ordered from Service Spares Department, Piper Aircraft, Lock Haven, Penna.		

When ordering, always specify Part Number, Description, and Serial Number of Aircraft

2G4
INTENTIONALLY LEFT BLANK

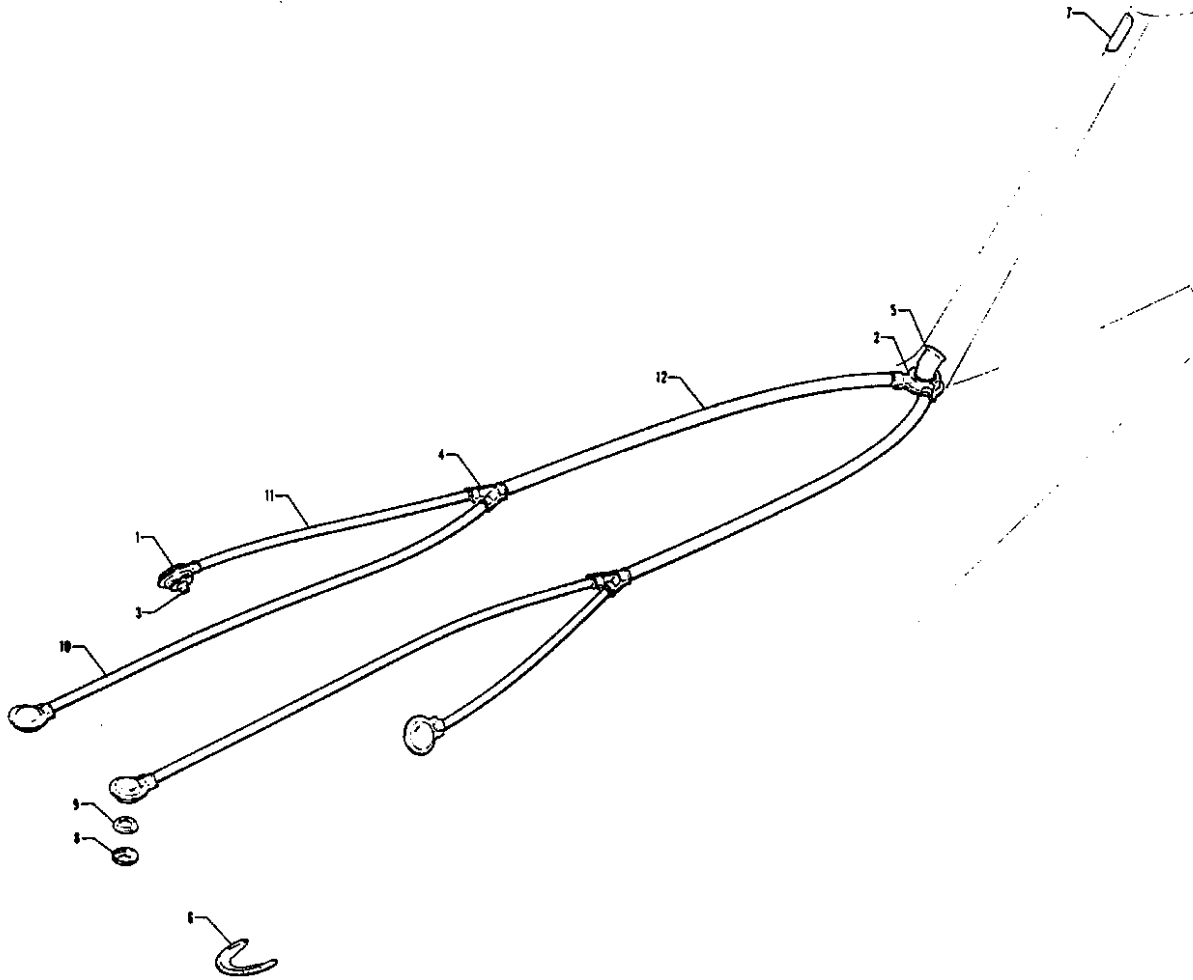


Figure 32D. Cabin Overhead Air Vent Installation
 (PA-28-140 - Serial Nos. 28-26401 to 28-7325684 inclusive)
 (PA-28-180 - Serial Nos. 28-5601 to 28-7305611 inclusive)
 (PA -28 R-180 - Serial Nos. 28R -31251 to 28R -7130019 inclusive)
 (PA-28R-200 -Serial Nos. 28R-35601 to 28R-7335455 inclusive)
 (PA-28-235 - Serial Nos. 28-11301 to 28-7310187 inclusive)

PIPER PARTS CATALOG

Figure and Index Number	Part Number	Code	NOMENCLATURE	No. Req.	SERIAL NUMBERS AFFECTED
32D-	66963		DRAWING - Cabin Overhead Air Vent Installation		
-1	66950 00		BOX ASSEMBLY - Air vent, front, left	1	
	66950-01		BOX ASSEMBLY - Air vent, front, right	1	
	66950-02	B	BOX ASSEMBLY - Air vent, rear, left	1	
	99748-00	C	BOX ASSEMBLY - Air vent, rear, left	1	
	66950-03	B	BOX ASSEMBLY - Air vent, rear, right	1	
	99748-01	C	BOX ASSEMBLY - Air vent, rear, right	1	
-2	66962-00		BOX ASSEMBLY - Air	1	
-3	492 162		VALVE ASSEMBLY - Air (2215)	4	
-4	66959-00		TUBE ASSEMBLY - Air separator	2	
-5	66978-00		TUBE ASSEMBLY - Air vent	1	
-6	66965-00		SCOOP - Cabin air outlet	1	
-7	66964-02		COVER - Cabin air inlet	1	
-8	66957-00		COVER - Air vent	4	
-9	66956-00		RING - Air vent attachment	4	
-10	63904-25	D	HOSE - Plastic	2	
	63904-70	E	HOSE - Plastic	2	
-11	63904-26	B	HOSE - Plastic	2	
	63904-66	C	HOSE - Plastic	2	
-12	63904-27		HOSE - Plastic	2	
			A- Used on PA-28-140 with serial numbers 28-26401 to 28-7325684 inclusive, PA-28-180 with serial numbers 28-5601 to 28-7305611 inclusive, PA-28R-180 with serial numbers 28R-31251 to 28R-7130019 inclusive, PA-28R-200 with serial numbers 28R-35601 to 28R-7335455 inclusive, and PA-28-235 with serial numbers 28-11301 to 28-7310187 inclusive.		
			B- Used on PA-28-140 with serial numbers 28-26401 to 28-7125651 inclusive, PA-28-180 with serial numbers 28-5601 to 28-7105244 inclusive, PA-28-235 with serial numbers 28-11301 to 28-7110042 inclusive, PA-28R-180 with serial numbers 28R-31251 to 28R-7130019 inclusive, and PA-28R-200 with serial numbers 28R-35601 to 28R-7135238 inclusive.		
			C- Used on PA-28-140 with serial numbers 23-7225001 to 28-7325684 inclusive, PA-28-180 with serial numbers 28-7205001 to 28-7305611 inclusive, PA-28-235 with serial numbers 28-7210001 to 28-7310187 inclusive, and PA-28R-200 with serial numbers 28R-7235001 to 28R-7335455 inclusive.		
			D- Used on PA-28-140 with serial numbers 28-26401 to 28-7325684 inclusive, PA-28-180 with serial numbers 28-5601 to 28-7205328 inclusive, PA-28R-180 with serial numbers 28R-31251 to 28R-7130019 inclusive, PA-28R-200 with serial numbers 28R-35601 to 28R-7135238 inclusive, and PA-28-235 with serial numbers 28-11301 to 28-7210033 inclusive.		
			E- Used on PA-28-180 with serial numbers 28-7305001 to 28-7305611 inclusive, PA-28-235 with serial numbers 28-7310001 to 28-7310187 inclusive, and PA-28R-200 with serial numbers 28R-7235001 to 28R-7335455 inclusive		

When ordering, always specify Part Number, Description, and Serial Number of Aircraft

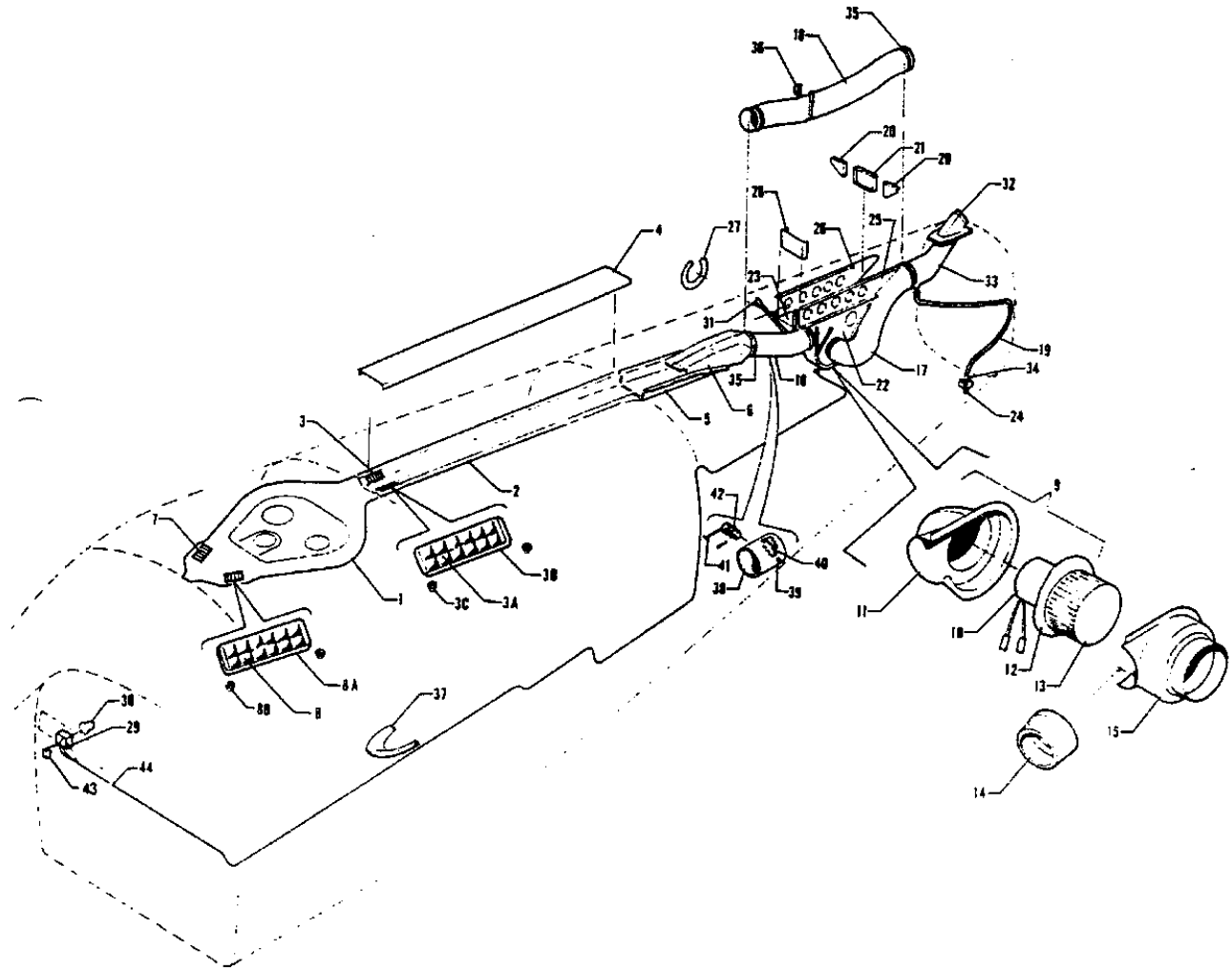


Figure 32E. Fresh Air Ventilation Installation
 PA-28-140 - Serial Nos. 28-7425001 and up)
 PA-28-180 - Serial Nos. 28-7405001 and up)
 (PA-23R-180 and - Serial Nos. 28R-7435001 and up)
 (PA-28-235 Serial Nos.28-741001 and up)

PIPER PARTS CATALOG

Figure and Index Number	Part Number	Code	NOMENCLATURE	No. Req.	SERIAL NUMBERS AFFECTED
32E-	79278 79273		DRAWING - Ram Air Ventilation Installation DRAWING - Blower Ventilation Installation		
-1	79187-00 99500 08 99500-06	F C C	PANEL ASSEMBLY - Ventilation PANEL ASSEMBLY - Ventilation (less speaker hole) PANEL ASSEMBLY - Ventilation (with speaker hole)	1 1 1	
-2	79186-00 79186-04 79186-08 76307-00 76307-04 76307-00 76307-04 76307-07	B,G B B H,G J D,G D E	DUCT ASSEMBLY - Center, ventilation DUCT ASSEMBLY - Center, ventilation DUCT ASSEMBLY - Center, ventilation DUCT ASSEMBLY - Center, ventilation DUCT ASSEMBLY - Center, ventilation DUCT ASSEMBLY - Center, ventilation DUCT ASSEMBLY - Center, ventilation DUCT ASSEMBLY - Center, ventilation	1 1 1 1 1 1 1 1	28-7425001 to 28-7525118 incl. 28-7525119 to 28-7625284 incl. 28-7725001 and up
-3	462 080 492 338	K L	VENT ASSEMBLY - (10-0549-1C-C) VENT ASSEMBLY - (PS10023-16)	2 2	28R- 7435001 to 28R-7535094 incl. 28R-7535095 to 28R-7635503 incl.
			A- Used on PA-28-140 with serial numbers 28-7425001 and up, PA-28-180 with serial numbers 28-7405001 and up, PA-28-235 with serial numbers 28-7410001 and up, and PA-28R-200 with serial numbers 28R-7435001 and up. B- Used on PA-28-140 airplanes only. C- Used on PA-28-140 with serial numbers 28-7725001 and up, PA-28-235 with serial numbers 28-7710001 and up, and PA-28R-200 with serial numbers 28R-7635504 and up. D- Used on PA-28R-200 airplanes only. E- Used on PA-28-235 with serial numbers 28-7710001 and up, and PA-28R-200 with serial numbers 28R-7635503 and up. F- Used on PA-28-140 with serial numbers 28-7425001 to 28-7625284 inclusive, PA-28-180 with serial numbers 28-7405001 and up, PA-28-235 with serial numbers 28-7410001 to 28-7610206 inclusive, and PA-28R-200 with serial numbers 28R-7435001 to 28R-7635503 inclusive. G- Order part for next higher serial numbers if Fresh Air Flapper Valve Kit 760 900 or 760 901 has been installed per Service Letter 738A. H- Used on PA-28-180 with serial numbers 28-7405001 to 28-7505097 inclusive, and PA-28-235 with serial numbers 28-7410001 to 28-7510031 inclusive. J- Used on PA-28-180 with serial numbers 28-7505098 and up, and PA-28-235 with serial numbers 28-7510032 to 28-7610206 inclusive. K- Used on PA-28-140 with serial numbers 28-7425001 to 28-7525015 inclusive, PA-28-180 with serial numbers 28-7405001 to 28-7505020 inclusive, PA-28-235 with serial numbers 28-7410001 to 28-7510008 inclusive, and PA-28R-200 with serial numbers 28R-7435001 to 28R-7535017 inclusive. L- Used on PA-28-140 with serial numbers 28-7525016 to 28-7625284 inclusive, PA-28-180 with serial numbers 28-7505021 and up, PA-28-235 with serial numbers 28-7535018 to 28-7610206 inclusive, and PA-28R-200 with serial numbers 28R-7525018 to 28R-7635503 inclusive.		

When ordering, always specify Part Number, Description, and Serial Number of Aircraft

PIPER PARTS CATALOG

Figure and Index Number	Part Number	Code	NOMENCLATURE	No. Req.	SERIAL NUMBERS AFFECTED
32E-3a	473 187	G	* LOUVER - (136-1M)	2	
-3b	461 386	G	* FRAME - (173-M)	2	
-3c	406 424	G	* NUT - (C2733-040-1)	8	
-4	99505 02	B	CHANNEL - Ventilation	1	
	76309-00	C,D	CHANNEL - Ventilation	1	
-5	79189-00	B	DUCT - Ventilation bulkhead	1	
	76308-00	C	DUCT - Ventilation bulkhead	1	
	76305-00	D	DUCT - Ventilation bulkhead	1	
-6	79192-00		INTERCONNECT - Ventilation bulkhead	1	
-7	462 080	E	VENT ASSEMBLY - (10-0549-1C-C)	2	
	492 339	F	VENT ASSEMBLY - (PS10023-17)	2	
-8	473 187	G	LOUVER - (136-1M)	2	
-8a	461 386	G	FRAME - (173-M)	2	
-8b	406 424	G	NUT - (C2733-040-1)	8	
-9	751 150	H	BLOWER ASSEMBLY KIT - Fresh air	1	
	99642-03	J	BLOWER ASSEMBLY - Fresh air	1	
-10	475 210	K	* MOTOR ASSEMBLY - Fresh air blower (UN-YY1S062)	1	
			A- Used on PA-28-140 with serial numbers 28-7425001 and up. PA-28-180 with serial numbers 28-7405001 and up. PA-28-235 with serial numbers 28-7410001 and up, and PA-28R-200 with serial numbers 28R-7435001 and up.		
			B- Used on PA-28-140 airplanes only.		
			C- Used on PA-28-180 and PA-28-235 airplanes only.		
			D- Used on PA-28R-200 airplanes only.		
			E- Used on PA-28-140 with serial numbers 28-7425001 to 28-7525015 inclusive, PA-28-180 with serial numbers 28-7405001 to 28-7505020 inclusive, PA-28-235 with serial numbers 28-7410001 to 28-7510008 inclusive, and PA-28R-200 with serial numbers 28R-7435001 to 28R-7535017 inclusive.		
			F- Used on PA-28-140 with serial numbers 28-7525016 to 28-7625284 inclusive, PA-28-180 with serial numbers 28-7505021 and up, PA-28-235 with serial numbers 28-7535018 to 28-7610206 inclusive, and PA-28R-200 with serial numbers 28R-7525018 to 28R-7635503 inclusive.		
			G- Used on PA-28-140 with serial numbers 28-7725001 and up, PA-28-235 with serial numbers 28-7710001 and up, and PA-28R-200 with serial numbers 28R-7635504 and up.		
			H- Used on PA-28-140 with serial numbers 28-7425001 and up, PA-28-180 with serial numbers 28-7405001 and up. PA-28-235 with serial numbers 28-7410001 to 28-7710064 inclusive, and PA-28R-200 with serial numbers 28R-7435001 and up.		
			J- Used on PA-28-235 with serial numbers 28-7710065 and up.		
			K- Used on PA-28-235 with serial numbers 28-7710065 and up. Also used on PA-28-140 with serial numbers 28-7405001 and up. PA-28-235 with serial numbers 28-7410001 to 28-7710064 inclusive. and PA-28R-200 with serial numbers 28R-7135001 and up if Blower Assembly Kit 761 150 has previously been installed.		

When ordering, always specify Part Number, Description, and Serial Number of Aircraft

PIPER PARTS CATALOG

Figure and Index Number	Part Number	Code	NOMENCLATURE	No. Req.	SERIAL NUMBERS AFFECTED
32E-11	37997-02		COVER - Fresh air blower	1	
-12	99641-00		PLATE ASSEMBLY - Motor mounting	1	
-13	452 935		BLOWER - (AE424-316-1)	1	
-14	99633-00		DUCT - Hose connect	1	
-15	79264-00		COVER ASSEMBLY - Fresh air blower	1	
-16	63633-123	B,F	HOSE	1	28-7425001 to 28-7525118 incl.
	63633-150	B	HOSE	1	28-7525119 and up
	63633-124	D,F	HOSE	1	
	63633-148	E	HOSE	1	
	63633-125	C,F	HOSE	1	28R-7435001 to 28R-7535094 incl.
	63633-148	C	HOSE	1	28R-7535095 and up
-17	63633-126		HOSE	1	
-18	63633-128	B,F	HOSE	1	28-7425001 to 28-7525118 incl.
	63633-151	B	HOSE	1	28-7525119 and up
	63693-129	D,F	HOSE	1	
	63633-154	E	HOSE	1	
	63633-130	C,F	HOSE	1	28R-7435001 to 28R-7535094 incl.
	63633-154	C	HOSE	1	28R-7535095 and up
-19	63904-89		TUBE - Drain	1	
-20	79035-00		GUSSET ASSEMBLY - Intercostal	2	
-21	79286-00		BRACKET - Intercostal, aft	1	
-22	79281-00		HANGER ASSEMBLY - Blower, left	1	
-23	79282-00		HANGER ASSEMBLY- Blower, right	1	
-24	79290-00		TUBE ASSEMBLY - Drain	1	
-25	79280-00		INTERCOSTAL - Blower bracket support, left	1	
-26	79287-00		INTERCOSTAL - Blower bracket support, right	1	
-27	79284-00		RETAINER - Housing	1	
-28	79285-00		BRACKET- Intercostal, forward	1	
-29	763 814		SWITCH REPLACEMENT KIT - Fan (4 position)	1	
-30	571 162	G	KNOB - (RB-67-1-SB-M)	1	
-31	79303-00		BRACE - Hanger	2	
-32	79270-00		FITTING ASSEMBLY - Air duct, upper	1	
-33	79271-00		FITTING ASSEMBLY - Air duct, lower	1	
			A- Used on PA-28-140 with serial numbers 28-7425001 and up, PA-28-180 with serial numbers 28-7405001 and up, PA-28-235 with serial numbers 28-7410001 and up, and PA-28R-200 with serial numbers 28R-7435001 and up.		
			B- Used on PA-28-140 airplanes only.		
			C- Used on PA-28R-200 airplanes only.		
			D- Used on PA-28-180 with serial numbers 28-7405001 to 28-7505097 inclusive, and PA-28-235 with serial numbers 28-7410001 to 28-7510031 inclusive.		
			E- Used on PA-28-180 with serial numbers 28-7505098 and up, and PA-28-235 with serial numbers 28-7510032 and up.		
			F- Order part for next higher serial numbers if Fresh Air Flapper Valve Kit 760 900 or 760 901 has been installed per Service Letter 738A.		
			G- Used with the four position fan switch only		

When ordering, always specify Part Number, Description, and Serial Number of Aircraft

PIPER PARTS CATALOG

Figure and Index Number	Part Number	Code	NOMENCLATURE	No. Req.	SERIAL NUMBERS AFFECTED
32E-34	554 861	W	CLAMP - (SAE TY F-4)	2	
-35	554 640		CLAMP - (SAE TY A-4 5/8)	4	
-36	79292-00		STRAP - Fresh air hose support	1	
-37	66965-00		SCOOP - Cabin air outlet	1	
-38	69885-00	B,F	FLAPPER VALVE ASSEMBLY - Fresh air intake	1	
-39	69885-02	B,F	* SHAFT ASSEMBLY	1	
-40	69885-03	B,F	* FLAPPER ASSEMBLY	1	
-41	63902-25	C,F	CABLE ASSEMBLY - Fresh air flapper	1	
	63902-26	D,F	CABLE ASSEMBLY - Fresh air flapper	1	28-7525119 and up
	554 365	E,F	CABLE ASSEMBLY - Fresh air flapper (PS50146-2-3)	1	28R-7535095 and up
-42	70371-02	B,F,W	FITTING - Swivel	1	
	70371-03	B,F,W	STUD - Swivel fitting	1	
	407 564	B,F,W	WASHER - (AN960-10)	1	
	404 392	B,F,W	NUT - (AN320-2)	1	
	424 051	B,F,W	PIN - Cotter (MS24665-132)	1	
-43	454 709		CIRCUIT BREAKER - (1600-041-02008) (20 amp)	1	
-44	79293-04		CABLE - Blower	1	
			A- Used on PA-28-140 with serial numbers 28-7425001 and up, PA-28-180 with serial numbers 28-7405001 and up. PA-28-235 with serial numbers 28-7410001 and up, and PA-28R-200 with serial numbers 28R-7435001 and up.		
			B- Used on PA-28-140 with serial numbers 28-7525119 and up, PA-28-180 with serial numbers 28-7505098 and up, PA-28-235 with serial numbers 28-7510032 and up. and PA-28R-200 with serial numbers 28R-7535095 and up.		
			C- Used on PA-28-180 with serial numbers 28-7505098 and up, and PA-28-235 with serial numbers 28-7510032 and up.		
			D- Used on PA-28-140 airplanes only.		
			E- Used on PA-28R-200 airplanes only.		
			F- Also used on earlier serial numbers if Fresh Air Flapper Valve Kit 760 900 or 760 901 has been installed per Service Letter 738A.		
			W- These parts must be ordered from Service Spares Department, Piper Aircraft, Lock Haven. Penna.		

When ordering, always specify Part Number, Description, and Serial Number of Aircraft

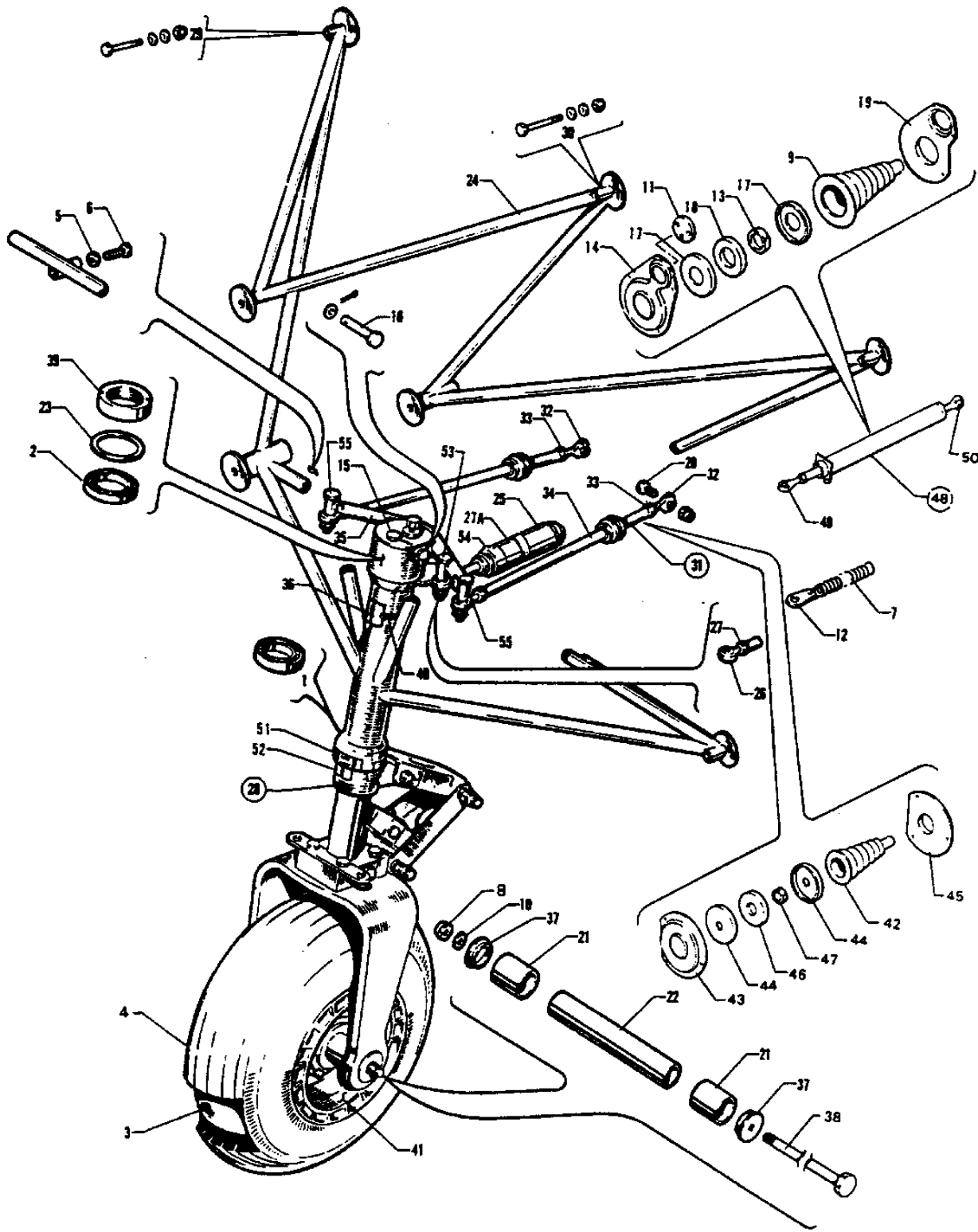


Figure 33. Nose Gear Installation

PIPER PARTS CATALOG

Figure and Index Number	Part Number	Code	NOMENCLATURE	No. Req.	SERIAL NUMBERS AFFECTED
33-	63319 63368 62172 79108 65011 76412	K E A A	DRAWING - Nose Landing Gear Installation DRAWING - Nose Landing Gear Installation DRAWING - Nose Landing Gear Installation DRAWING - Nose Landing Gear Installation DRAWING - Nose Landing Gear Installation DRAWING - Nose Landing Gear Installation		28-1 to 28-220 incl. 28-221 to 28-507 inclusive 28-10003 to 28-7310187 incl. 28-7410001 and up
-1	452 332	W	BEARING - Main (KP33B)	1	
-2	452 333	D,W	BEARING - Main (B545)	1	
	452 333	A,W	BEARING - Main (B545)	1	28-10003 to 28-10719 incl.
	452 419	A,W	BEARING - Main (15266-00)	1	28-10720 and up
-3	451 735	W	TUBE - Tire (6.00 x 6)	1	
-4	761 970	W	TIRE - (6.00 x 6. 4 ply) B. F Goodrich	1	
	761 994	W	TIRE - (6.00 x 6. 4 ply) McCreary Airhawk	1	
-5	405 580	F,W	NUT - (1/4-20)	2	
	404 322	A,E,W	NUT - (AN316-4R)	2	
-6	85061-00	F,W	CAP SCREW	2	
	402 775	A,E	BOLT - (NAS428-4-12)	2	
-7	67203-00	A	SPRING - Rudder centering	2	28-7310001 to 28-7310187incl.
-8	404 989	B	NUT - (MS20365-524C)	2	
	404 838	C,W	NUT - (MS20364-624C)	1	
-9	35270-00	G	BOOT - Nose wheel bungee	2	
-10	407 566	B,W	WASHER - (AN960-516)	2	
	407 567	C,W	WASHER - (AN960-616)	2	
-11	63915-17	J	DISC - Firewall seal	2	28-7405001and up.
-12	76324-00	A	LINK - Rudder centering	2	28-7310001 to 28-7310187incl.
-13	63656-02	G	PACKING - Seal	2	
-14	35284-02	G	HOUSING - Bungee seal, left	1	
	35284-02	H	HOUSING - Bungee seal, right	1	
	35433-00	J	HOUSING - Bungee seal, right	1	28-7405001 and up
-15	401 918	W	BOLT - (AN74A-3)	1	
			A- Used on PA-28-235 airplanes only.		
			B- Used with 5/16" x 9 3/8" axle.		
			C- Used with 3/8 axle bolt.		
			D- Used on PA-28-150, PA-28-160, PA-28-180 and PA-28-140 airplanes only.		
			E- Used on PA-28-140 with serial numbers 28-7425001 and up, and PA-28-180 with serial numbers 28-7405001 and up.		
			F- Used on PA-28-140 with serial numbers 28-20002 to 28-7325684 inclusive, PA-28-150, PA-28-160 and PA-28-180 with serial numbers 28-1 to 28-7305611 inclusive.		
			G- Used on PA-28-140 with serial numbers 28-7425001 and up. PA-28-180 with serial numbers 28-7405001 and up, and PA-28-235 with serial numbers 28-7410001 and up.		
			H- Used on PA-28-140 with serial numbers 28-7425001 and up, and PA-28-235 with serial numbers 28-7410001 and up.		
			J- Used on PA-28-180 airplanes only.		
			K- Used on PA-28-150, PA-28-160 and PA-28-180 with serial numbers 28-508 to 28-7305611 inclusive, and PA-28-140 with serial numbers 28-20002 to 28-7325684 inclusive.		
			W- These parts must be ordered from Service Spares Department, Piper Aircraft, Lock Haven, Penna.		

When ordering, always specify Part Number, Description, and Serial Number of Aircraft

PIPER PARTS CATALOG

Figure and Index Number	Part Number	Code	NOMENCLATURE	No. Req.	SERIAL NUMBERS AFFECTED	
33-16	424 230	A	PIN - Flat head (MS20392-3C73)	1	28-7405001 and up	
	402 324	H	BOLT - (AN174-25A)	1		
	407 588	A,W	WASHER - (AN960-PD-416L)	1		
	407 585	H ,W	WASHER - (AN960 -416 L)	1		
	424 095	A,W	COTTER PIN - (MS24665-151)	1		
	404 836	H,W	NUT - (MS20364-428C)	1		
-17	35283-00	D	HOUSING - Bungee seal	4		
-18	35282-00	D	RING - Bungee seal	2		
-19	35281-00	D	PLATE - Bungee seal, left	1		
	35281-00	L	PLATE - Bungee seal, right	1		
	35432-00	J	PLATE - Bungee seal, right	1		
-20	400 441	E,W	BOLT - (AN3-7A)	2		
	400 440	B,C,D	BOLT - (AN3-6A)	2		
	404 887	W	NUT - (MS20365-1032C)	2		
-21	66618-00	G	TUBE - Spacer, nose wheel (on axle tube)	2		
	66618-02	F	TUBE - Spacer, nose wheel (on axle tube)	2		
	66618-03	K	TUBE - Spacer, nose wheel (on axle tube)	2		
-22	86062-56	W	TUBE - Axle, nose wheel	1		
-23	85012-72	W	WASHER	1		
			A - Used on PA-28-140 with serial numbers 28-20002 to 28-7525244 inclusive, PA-28-150, PA-28-160 and PA-28-180 with serial numbers 28-1 to 28-7505177 inclusive, and PA-28-235 airplanes.			
			B - Used on PA-28-140 with serial numbers 28-7425001 and up, and PA-28-180 with serial numbers 28-7405001 and up.			
			C - Used on PA-28-235 with serial numbers 28-7410001 and up.			
			D - Used on PA-28-140 with serial numbers 28-7425001 and up, PA-28-180 with serial numbers 28-7405001 and up, and PA-28-235 with serial numbers 28-7410001 and up.			
			E - Used on PA-28-140 with serial numbers 28-20002 to 28-7325684 inclusive, PA-28-150, PA-28-160 and PA-28-180 with serial numbers 28-1 to 28-7305611 inclusive, and PA-28-235 with serial numbers 28-10003 to 28-7310187 inclusive.			
			F - Used with McCauley Model D-30625 Wheel Assembly only.			
			G - Used with Cleveland Model 38501 Wheel Assembly only.			
			H - Used on PA-28-140 with serial numbers 28-7525245 and up, and PA-28-180 with serial numbers 28-7505178 and up.			
			J - Used on PA-28-180 airplanes only.			
			K - Used with Cleveland Models 40-76B or 40-76F and McCauley Model D-30625 Wheel Assemblies only.			
			L - Used on PA-28-140 with serial numbers 28-7425001 and up, and PA-28-235 with serial numbers 28-7410001 and up.			
			W - These parts must be ordered from Service Spares Department, Piper Aircraft, Lock Haven, Penna.			

When ordering, always specify Part Number, Description, and Serial Number of Aircraft

PIPER PARTS CATALOG

Figure and Index Number	Part Number	Code	NOMENCLATURE	No. Req.	SERIAL NUMBERS AFFECTED
33-24	63600-24	L	MOUNT ASSEMBLY - Engine and nose gear strut	1	28-1 to 28-220 inclusive
	63600-28		MOUNT ASSEMBLY - Engine and nose gear strut	1	28-221 to 28-507 inclusive
	63694-00	B	MOUNT ASSEMBLY - Engine and nose gear strut	1	
	65000-23	J	MOUNT ASSEMBLY - Engine and nose gear strut	1	28-10001 and up
	62297-00	C	MOUNT ASSEMBLY - Engine and nose gear strut	1	28-1761 to 28-5149 inclusive
	66662-14	H	MOUNT ASSEMBLY - Engine and nose gear strut	1	
-25	87358-02		DAMPENER ASSEMBLY - Shimmy	1	
-26	452 334		* BEARING - Rod end (PS10020-1-6RX)	1	
-27	404 225	W	* NUT - (AN315-4R)	1	
	407 136	W	* WASHER - (AN936-A416)	1	
-27a	66750-00	M	CLAMP ASSEMBLY - Shimmy dampener	1	
-28	63329-04	A,D	STRUT ASSEMBLY - Nose wheel	1	
	79110-04	A,E	STRUT ASSEMBLY - Nose wheel	1	28-7425001 and up
	63329-08	A,K	STRUT ASSEMBLY - Nose wheel	1	28-7305001 to 28-7305611 incl.
	79110-05	A,K	STRUT ASSEMBLY - Nose wheel	1	28-7405001 and up
	65010-03	A,J	STRUT ASSEMBLY - Nose wheel	1	28-10003 to 28-7210033 inclusive
	65010-06	A,J	STRUT ASSEMBLY - Nose wheel	1	28-7310001 to 28-7310187 incl.
	65010-08	A,J	STRUT ASSEMBLY - Nose wheel	1	28-7410001 and up
-29	401 405	W	BOLT - (AN6-25A) Mount attachment, side	4	
	407 567	W	WASHER - (AN960-616) Mount attachment, side	AR	
	404 890	W	NUT - (MS20365-624C) Mount attachment, side	4	
-30	401 415	G	BOLT - (AN6-35A) Mount attachment, top center	1	
	401 410	J	BOLT - (AN6-31A) Mount attachment, top center	1	
	407 567	W	WASHER - (AN960-616) Mount attachment, top center	AR	
	404 890	W	NUT - (MS20365-624C) Mount attachment, top center	1	
-31	63327-00	F	ROD ASSEMBLY - Nose wheel control	2	
	63327-04	J	ROD ASSEMBLY - Nose wheel control	2	28-10003 to 28-11046 inclusive
	63327-10	J	ROD ASSEMBLY - Nose wheel control	2	28-11047 to 28-7310187 inclusive
-32	452 334		* BEARING - Rod end (PS10020-1-6RX)	2	
-33	404 225	W	* NUT - (AN315-4R)	2	
-34	63327-02	F	* TUBE - Rod assembly	1	
	63327-03	J	* TUBE - Rod assembly	1	28-10003 to 28-11046 inclusive
	63327-11	J	* TUBE - Rod assembly	1	28-11047 to 28-7310187 inclusive
			A- See Figure 33A for component parts.		
			B- Used on PA-28-150, PA-28-160 and PA-28-180 with serial numbers 28-508 to 28-1760 inclusive, and PA-28-140 with serial numbers 28-20002 to 28-24999 inclusive.		
			C- Used on PA-28-150. PA-28-160 and PA-28-180 airplanes only.		
			D- Used on PA-28-150, PA-28-160 and PA-28-180 with serial numbers 28-1 to 28-7205328 inclusive, and PA-28-140 with serial numbers 28-20002 to 28-7325684 inclusive.		
			E- Used on PA-28-140 airplanes only.		
			F- Used on PA-28-150, PA-28-160 and PA-28-180 with serial numbers 28-1 to 28-7305611 inclusive. and PA-28-140 with serial numbers 28-20002 to 28-7325684 inclusive.		
			G- Used on PA-28-150, PA-28-160, PA-28-180 and PA-28-140 airplanes only.		
			H- Used on PA-28-140 with serial numbers 28-25000 and up and PA-28-180 with serial numbers 28-5150 and up.		
			J- Used on PA-28-235 airplanes only.		
			K- Used on PA-28-180 airplanes only.		
			L- If Kit 754 428 has been installed, order part for serial numbers 28-221 to 28-507 inclusive.		
			M- Used if shock absorber is stamped with Monroe P/N18756.		
			W- These parts must be ordered from Service Spares Department, Piper Aircraft, Lock Haven, Penna.		

When ordering, always specify Part Number, Description, and Serial Number of Aircraft

PIPER PARTS CATALOG

Figure and Index Number	Part Number	Code	NOMENCLATURE	No. Req.	SERIAL NUMBERS AFFECTED
33-35	63300-08	L	HORN ASSEMBLY - Nose wheel steering	1	
	65047-00	J	HORN ASSEMBLY - Nose wheel steering	1	28-10003 to 28-11039 inclusive
	69247-00	J	HORN ASSEMBLY - Nose wheel steering	1	28-11040 to 28-7310187 incl.
	76411-05	J	HORN ASSEMBLY - Nose wheel steering	1	28-7410001 and up
-36	13291-00	H,L	PLACARD - Oleo service instruction	1	
	580 881	L	PLACARD - Oleo service instruction (decal)	1	
	65368-00	J	PLACARD - Oleo service instruction (decal)	1	
-37	13090-00	B,W	CAP ASSEMBLY - Axle	2	
	35158-02	K,W	PLUG - Axle	2	
-38	13089-00	W	ROD - Axle (5/16" x 9 3/8")	1	
	401 456		BOLT - Axle (AN 6-76A)	1	
-39	13071-00	W	NUT	1	
-40	11473-40	W	PLATE	1	
-41	451 755	C,D,W	WHEEL ASSEMBLY - Nose (318501) Cleveland	1	
	551 766	C,E	WHEEL ASSEMBLY - Nose (40-76F) Cleveland	1	
	551 773	F,G	WHEEL ASSEMBLY - Nose (D-30625) McCauley	1	
-42	453 158	A,W	BOOT - (F-2131)	2	
			A- Used on PA-28-140 with serial numbers 28-20002 to 28-7325684 inclusive, PA-28-150, PA-28-160 and PA-28-180 with serial numbers 28-1 to 28-7305611 inclusive, and PA-28-235 with serial numbers 28-10003 to 28-7310187 inclusive.		
			B- Used with 5/16" x 9 3/8" axle.		
			C- Refer to Figure 36 for component parts.		
			D- Used on PA-28-150 and PA-28-160 with serial numbers 28-1 and up, PA-28-140 with serial numbers 28-20002 to 28-7225334 inclusive, PA-28-180 with serial numbers 28-671 to 28-7205243 inclusive, and PA-28-235 with serial numbers 28-10003 to 28-7210019 inclusive. Part is no longer available. Order Wheel Assembly, P/N 551 766, and two Spacer Bushings, P/N 66618-02, when replacing Model No. 38501 Wheel. Order P/N 551 766 Wheel only if Model No. 40-76B or 40-76F has been previously installed.		
			E- Used on PA-28-140 with serial numbers 28-7225335 and up, PA-28-180 with serial numbers 28-7205244 and up, and PA-28-235 with serial numbers 28-7210020 and up.		
			F- See Figure 36A for component parts.		
			G- Used on PA-28-150, PA-28-160 and PA-28-180 with serial numbers 28-1 and up), PA-28-140 with serial numbers 28-20002 and up and PA-28-235 with serial numbers 28-10003 and up.		
			H- Used when placard is attached with strap.		
			J- Used on PA-28-235 airplanes only.		
			K- Used with 3/8" x 8.20 axle.		
			L- Used on PA-28-150, PA-28-160, PA-28-180 and PA-28-140 airplanes only.		
			W- These parts must be ordered from Service Spares Department, Piper Aircraft, Lock Haven, Penna.		

When ordering, always specify Part Number, Description, and Serial Number of Aircraft

PIPER PARTS CATALOG

Figure and Index Number	Part Number	Code	NOMENCLATURE	No. Req.	SERIAL NUMBERS AFFECTED
33-43	63910-00	C	HOUSING - Seal ring retainer	2	
-44	63911-00	C	HOUSING - Seal ring	4	
-45	63912-00	C	PLATE - Trim	2	
-46	63925-00	C	RING - Spacer	2	
-47	63656-00	C	PACKING - Seal	2	
-48	35262-02	D	BUNGEE ASSEMBLY - Nose wheel	2	
-49	452 335	W	* BEARING - (PS10020-2-1RX) (1/4" female threads)	1	
	452 605		* BEARING - (NAS659-3-5) (5/16" male threads)	1	
-50	452 341		* BEARING - (PS10020-9-3)	1	
-51	35669-04	A	PLACARD - Turn limit	1	
	35669-10	B	PLACARD - Turn limit	1	
-52	35669-05		PLACARD - Turn limit pointer	1	
-53	400 450	E,W	BOLT - (AN3-17A)	1	
	401 269	F,W	BOLT - (AN3-10A)	1	28-10003 to 28-7310187 incl.
	400 452	F,W	BOLT - (AN3-11A)	1	28-7410001 and up
	407 564	W	WASHER - (AN960-10)	AR	
	407 584	F,W	WASHER - (AN960-10L)	1	
	62833-101	F	WASHER - (.562 O.D.)	1	28-7410001 and up
	404 887	W	NUT - (MS20365-1032C)	1	
-54	400 058	W	BOLT - (AN3 -13)	1	
	407 584	W	WASHER (AN960-10L)	2	
	63900-41		BUSHING	1	
	404 100	W	NUT - (AN310-3)	1	
	424 051	W	COTTER PIN - (MS24665-132)	1	
-55	400 453	G	BOLT - (AN3-21A)	2	
	400 448	H,W	BOLT - (AN3-22A)	2	
	400 450	F,W	BOLT - (AN3-17A)	2	
	407 584	W	WASHER - (AN960-10L)	2	
	407 564	F,W	WASHER - (AN960-10)	4	
	62833-101	F	WASHER - (.562 O.D.)	2	
	404 887	W	NUT - (MS20365-1032C)	2	
			A- Used on PA-28-150, PA-28-160 and PA-28-180 with serial numbers 28-1 to 28-3377 inclusive, PA-28-140 with serial numbers 28-20002 to 28-21845 inclusive, 28-21847, 28-21929, 28-21931, 28-21939 and 28-7425001 and up, and PA-28-235 with serial numbers 28-7410001 and up.		
			B- Used on PA-28-150, PA-28-160 and PA-28-180 with serial numbers 28-3378 to 28-7305611 inclusive, PA-28-140 with serial numbers 28-21846, 28-21930, 28-21935, 28-7325684 and up, and PA-28-235 with serial numbers 28-10001 to 28-7310187 inclusive.		
			C- Used on PA-28-140 with serial numbers 28-20002 to 28-7325684 inclusive, PA-28-150, PA-28-160 and PA-28-180 with serial numbers 28-1 to 28-7305611 inclusive, and PA-28-235 with serial numbers 28-10003 to 28-7310187 inclusive.		
			D- Used on PA-28-140 with serial numbers 28-7425001 and up, PA-28-180 with serial numbers 28-7405001 and up, and PA-28-235 with serial numbers 28-7410001 and up.		
			E- Used on PA-28-140, PA-28-150, PA-28-160 and PA-28-180 only.		
			F- Used on PA-28-235 only.		
			G- Used on PA-28-140 with serial numbers 28-20002 to 28 - 7325684 incl., and PA-28-150, PA- 28-160 and PA-28-180 with serial numbers 28-1 to 28-7305611 incl.		
			H- Used on PA-28-140 with serial numbers 28-7425001 and up, and PA-28-180 with serial numbers 28-7405001 and up).		
			W- These parts must be ordered from Service Spares Department, Piper Aircraft, Lock Haven. Penna.		

When ordering, always specify Part Number, Description, and Serial Number of Aircraft

PA-28-140
PA-28-150
PA-28-160
PA-28-180
PA-28-235

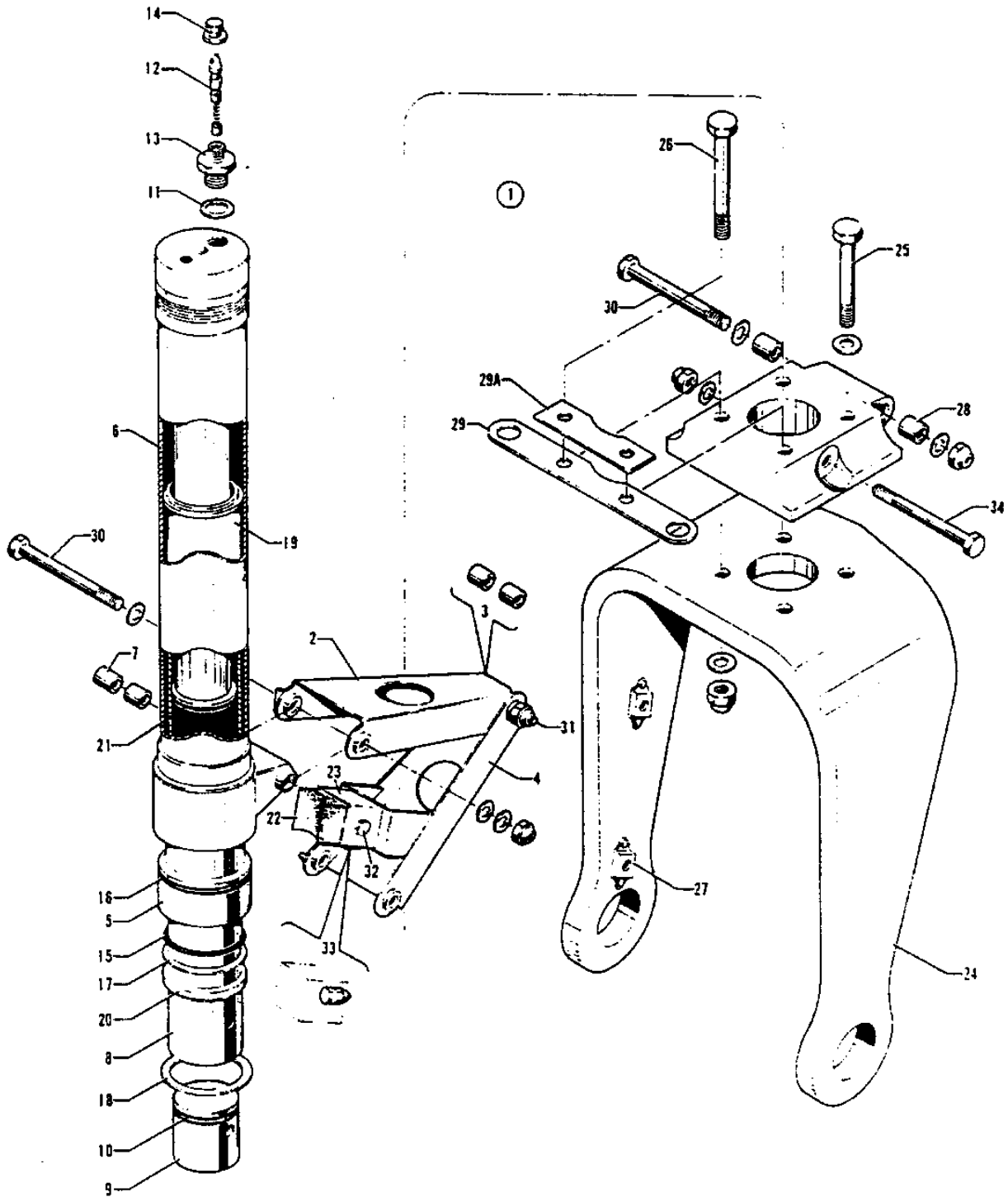


Figure 33A. Nose Gear Strut Assembly

PIPER PARTS CATALOG

Figure and Index Number	Part Number	Code	NOMENCLATURE	No. Req.	SERIAL NUMBERS AFFECTED
33A-1	63329-04	A	STRUT ASSEMBLY - Nose wheel (63330-00)	1	
	79110-04	B	STRUT ASSEMBLY - Nose wheel	1	28-7425001 and up
	63329-08	C	STRUT ASSEMBLY - Nose wheel	1	28-7305001 to 28-7305611 incl.
	79110-05	C	STRUT ASSEMBLY - Nose wheel	1	28-7405001 and up
	65010-03	D	STRUT ASSEMBLY - Nose wheel	1	28-10003 to 28-72110033 inclusive
	65010-06	D	STRUT ASSEMBLY - Nose wheel	1	28-7310001 to 28-7310187 incl.
	65010-08	D	STRUT ASSEMBLY - Nose wheel	1	28-7410001 and up
-2	13074-02	W	LINK ASSEMBLY - Nose wheel, upper	1	
-3	80022-47	W	BUSHING - Insert	2	
-4	13074-03	E,W	LINK ASSEMBLY - Nose wheel, lower	1	
	63383-00	J	LINK ASSEMBLY - Nose wheel, lower	1	28-1681 to 28-2904 inclusive. 28-3032 and up
	63383-00	B	LINK ASSEMBLY - Nose wheel, lower	1	28-20081 to 28-21265 inclusive. 28-21393 and up
	65413-00	F	LINK ASSEMBLY - Nose wheel, lower	1	28-2905 to 28-3031 inclusive
	65413-00	B	LINK ASSEMBLY - Nose wheel, lower	1	28-21266 to 28-21392 inclusive
	65413-00	D	LINK ASSEMBLY - Nose wheel, lower	1	28-10353 and up
-5	66843-00	W	BEARING - Sleeve	1	
-6	65888-00	G	TUBE ASSEMBLY - Outer, upper	1	
	65007-00	D	TUBE ASSEMBLY - Outer, upper	1	28-10003 to 28-72110033 inclusive
	65007-02	D	TUBE ASSEMBLY - Outer, upper	1	28-7310001 and up
	65007-02	C	TUBE ASSEMBLY - Outer, upper	1	28-7305001 and up
-7	80022-47	W	BUSHING - Insert	2	
-8	65280-00	H	TUBE - Inner, lower	1	
-9	15206-02	W	PLUG - Nose wheel oleo piston tube	1	
-10	484 733	W	RING - "O" piston tube (15207-00)	1	
-11	462 024	W	GASKET - Air valve (AN901 -5A)	1	
-12	455124	W	CORE - Air valve (AN809-1)	1	
-13	453124	W	VALVE - Air valve (AN812-1)	1	
-14	454 053	W	CAP - Air valve (AN813-1B)	1	
			A- Used on PA-28-150, PA-28-160 and PA-28-180 with serial numbers 28-1 to 28-7205328 inclusive, and PA-28-140 with serial numbers 28-20002 to 28-7325684 inclusive.		
			B- Used on PA-28-140 airplanes only.		
			C- Used on PA-28-180 airplanes only.		
			D- Used on PA-28-235 airplanes only.		
			E- Used on PA-28-150, PA-28-160 and PA-28-180 with serial numbers 28-1 to 28-1680 inclusive, and PA-28-235 with serial numbers 28-10003 to 28-10352 inclusive.		
			F- Used on PA-28-150, PA-28-160 and PA-28-180 airplanes only.		
			G- Used on PA-28-150, PA-28-160 and PA-28-180 with serial numbers 28-1 to 28-7205328 inclusive, and PA-28-140 with serial numbers 28-20002 and up.		
			H- If existing tube incorporates a welded plug, it will be necessary to order one each of Plug 15206-00 and "O" Ring 484 733 in addition to Tube 65280-00.		
			J- Used on PA-28-150, PA-28-160 and PA-28-180 with serial numbers 28-1681 to 28-2904 inclusive, and 28-3032 and up.		
			W- These parts must be ordered from Service Spares Department, Piper Aircraft, Lock Haven, Penna.		

When ordering, always specify Part Number, Description, and Serial Number of Aircraft

PA-28-140
PA-28-150
PA-28-160
PA-28-180
PA-28-235

PIPER PARTS CATALOG

Figure and Index Number	Part Number	Code	NOMENCLATURE	No. Req.	SERIAL NUMBERS AFFECTED
33A-15	484 698	A,W	PACKING - "O" Ring (AN6227-27)	1	
	484 770	B	PACKING - Quad ring (4222)	1	
-16	462 050	W	PACKING - "O" Ring (AN6230-2)	1	
-17	494 025	W	WAS HER - Back-up (AN6246-27)	1	
-18	484 705	W	RING - Retaining (5000-200)	1	
-19	484 720	W	SNAP RING - (3478)	1	
-20	187 625	W	STRIP - Wiper (10V70) 51/4" L	1	
-21	484 683	C	RING - Piston (R1 9046)	1	
-22	79072-00		BLOCK - Nose wheel bumper	1	
-23	79071-00		BRACKET ASSEMBLY - Nose wheel bumper block	1	
-24	63329-06	D	FORK ASSEMBLY - Nose wheel (with block assembly)	1	
	65010-04	E	FORK ASSEMBLY - Nose wheel (with block assembly)	1	
	79110-03	F	FORK ASSEMBLY - Nose wheel (with block assembly)	1	
	76410-00	G	FORK ASSEMBLY - Nose wheel (with block assembly)	1	28-7410001 to 28-7510014 incl
	69770-03	G	FORK ASSEMBLY - Nose wheel (with block assembly)	1	28-7510015 to 28-7510077 incl.
	76410-00	G	FORK ASSEMBLY - Nose wheel (with block assembly)	1	28-7510078 and up
		A-	Used on PA-28-140 with serial numbers 28-20002 to 28-21639 inclusive, PA-28-150, PA-28-160 and PA-28-180 with serial numbers 28-1 to 28-3281 inclusive, and PA-28-235 with serial numbers 28-10003 to 28-10719 inclusive.		
		B-	Used on PA-28-140 with serial numbers 28-21640 and up, PA-28-150, PA-28-160 and PA-28-180 with serial numbers 28-3282 and up, and PA-28-235 with serial numbers 28-10720 and up.		
		C-	Used on PA-28-180 with serial numbers 28-7305001 and up, and PA-28-235 with serial numbers 28-7310001 and up.		
		D-	Used on PA-28-140 with serial numbers 28-20002 to 28-21265 inclusive, 28-21393 to 28-7325684 inclusive, PA-28-150, PA-28-160 and PA-28-180 with serial numbers 28-1 to 28-2904 inclusive, 28-3032 to 28-7305611 inclusive.		
		E-	Used on PA-28-140 with serial numbers 28-21266 to 28-21392 inclusive, PA-28-150, PA-28-160 and PA-28-180 with serial numbers 28-2905 to 28-3031 inclusive, and PA-28-235 with serial numbers 28-10003 to 28-7310187 inclusive.		
		F-	Used on PA-28-140 with serial numbers 28-7425001 and up, and PA-28-180 with serial numbers 28-7405001 and up.		
		G-	Used on PA-28-235 airplanes only.		
		W-	These parts must be ordered from Service Spares Department, Piper Aircraft, Lock Haven, Penna.		

When ordering, always specify Part Number, Description, and Serial Number of Aircraft

PIPER PARTS CATALOG

Figure and Index Number	Part Number	Code	NOMENCLATURE	No. Req.	SERIAL NUMBERS AFFECTED	
33A-25	401 195	A,W	BOLT - (AN5-17A)	2		
	401 400	B,W	BOLT - (AN6-20A)	2		
	407 586	A,W	WASHER - (AN960-516L)	4		
	407 587	B,W	WASHER - (AN960-616L)	4		
	404 889	A,W	NUT - (MS20365-524C)	2		
-26	404 890	B,W	NUT - (MS20365-624C)	2		
	401 359	F,W	BOLT - (AN5-20A)	2		
	401 361	C	BOLT - (AN5-22A)	2		
	401 403	B,W	BOLT - (AN6-23A)	2		
	407 586	A,W	WASHER - (AN960-516L)	2		
	407 587	B,W	WASHER - (AN960-616L)	2		
	404 889	A,W	NUT - (MS20365-524C)	2		
	404 890	B,W	NUT - (MS20365-624C)	2		
	-27	406 830	W	NUT - (Anchor (NAS686A4)	4	
	-28	80022-47	W	BUSHING - Insert	2	
-29	65276-00	D	LINK - Tow bar	1		
	65276-02	E	LINK - Tow bar	1		
-29a	65432-00	C	SPACER - Tow bar link	1		
-30	401 370	W	BOLT - (AN5-31A)	2		
	407 566	W	WASHER - (AN960-516)	2		
	404 889	W	NUT - (MS20365-524C)	2		
-31	401 359	W	BOLT - (AN5-20A)	1		
	407 566	W	WASHER - (AN960-516)	1		
	404 889	W	NUT - (MS20365-524C)	1		
-32	401 273	W	BOLT - (AN3-14A)	1		
	407 564	W	WASHER - (AN960-10)	2		
	404 887	W	NUT - (MS20365-1032C)	1		
-33	400 438	W	BOLT - (AN3-4A)	1		
	407 564	W	WASHER - (AN960-10)	1		
	404 887	W	NUT - (MS20365-1032C)	1		
			A- Used on PA-28-140 with serial numbers 28-20002 to 28-21 265 inclusive, 28-21393 and up, PA-28-150, PA-28-1 60 and PA-28-180 with serial numbers 28-1 to 28-2904 inclusive, 28-3032 and up.			
			B- Used on PA-28-140 with serial numbers 28-21266 to 28-21392 inclusive, PA-28-150, PA-28-160 and PA-28-180 with serial numbers 28-2905 to 28-3031 inclusive, and PA-28-235 airplanes.			
			C- Used on PA-28-140 with serial numbers 28-7425001 and up, and PA-28-180 with serial numbers 28-7405001 and up.			
			D- Used on PA-28-235 airplanes only.			
			E- Used on PA-28-140, PA-28-150, PA-28-160 and PA-28-180 airplanes only.			
			F- Used on PA-28-140 with serial numbers 28-20002 to 28-21265 inclusive, 28-21393 to 28-7325684 inclusive, PA-28-150, PA-28-160 and PA-28-180 with serial numbers 28-1 to 28-2904 inclusive. 28-3032 to 28-7305611 inclusive.			
			W- These parts must be ordered from Service Spares Department, Piper Aircraft, Lock Haven, Penna.			

When ordering, always specify Part Number, Description, and Serial Number of Aircraft

PA-28-140
PA-28-150
PA-28-160
PA-28-180
PA-28-235

PIPER PARTS CATALOG

Figure and Index Number	Part Number	Code	NOMENCLATURE	No. Req.	SERIAL NUMBERS AFFECTED
33A-34	401 330	A,W	BOLT- (AN4-32A)	1	
	401 371	B	BOLT - (AN5-32A)	1	28-7510015 to 28-7510077 Incl.
	407 565	A,W	WASHER - (AN960-416)	1	
	407 566	B,W	WASHER - (AN960-516)	1	28-7510015 to 28-7510077 incl.
	404 888	A,W	NUT - (MS20365-428C)	1	
	404 889	B,W	NUT - (MS20365-524C)	1	28-7510015 to 28-7510077 incl.
			<p>A- Used on PA-28-140 with serial numbers 28-20002 and up, PA-28-150, PA-28-160 and PA-28-180 with serial numbers 28-1 and up, and PA-28-235 with serial numbers 28-10003 to 28-7510014 inclusive, 28-7510078 and up.</p>		
			<p>B- Used on PA-28-235 airplanes only.</p>		
			<p>W- These parts must be ordered from Service Spares Department, Piper Aircraft, Lock Haven, Penna.</p>		

When ordering, always specify Part Number, Description, and Serial Number of Aircraft

PA-28-140
PA-28-150
PA-28-160
PA-28-180
PA-28-235

**2G23 THRU 2G24
INTENTIONALLY LEFT BLANK**

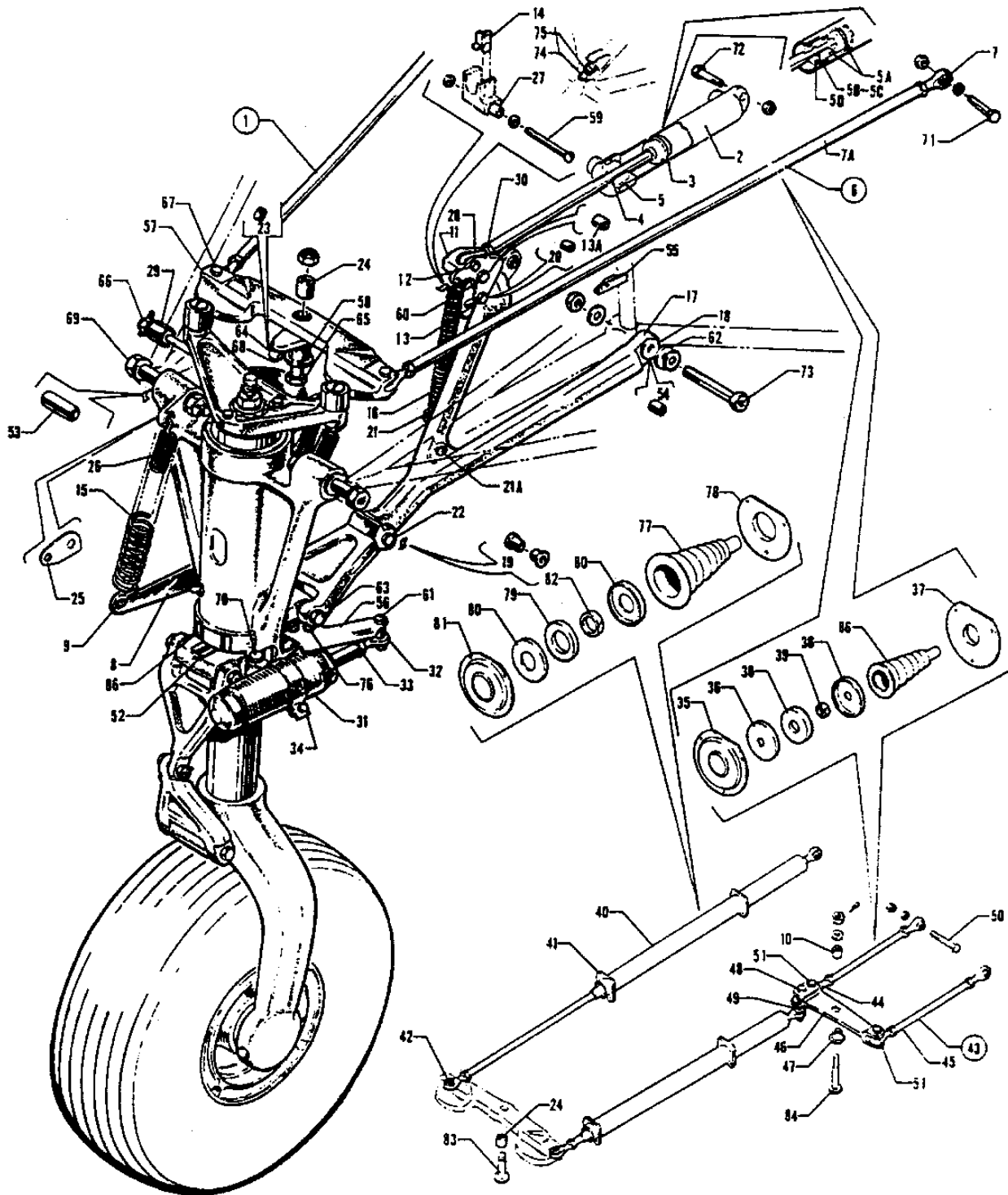


Figure 34. Nose Gear Installation

PIPER PARTS CATALOG

Figure and Index Number	Part Number	Code	NOMENCLATURE	No. Req.	SERIAL NUMBERS AFFECTED
34-	67147 76426	D E	DRAWING - Nose Landing Gear Installation DRAWING - Nose Landing Gear Installation		28R-7435001 and up
-1	67100-10	A	GEAR ASSEMBLY - Nose (less tire, tube and wheel assembly)	1	
-2	35797-02		CYLINDER - Hydraulic, nose gear (Gar-Kenyon P/N 94951)	1	
-3	752 595	G	"O" RING - (MS2B775-120)	1	
-4	752 585	G	"O" RING - (MS28775-110)	1	
-5	752 596	G	"O" RING - (MS28775-122)	1	
-5a	755 996	F	"O" RING - (AN6227-18)	2	
-5b	484 748	F	"O" RING - (AN6227-8)	1	
-5c	756 053	F	RING - Back-up (MS28782-8)	1	
-5d	755 998	F	RETAINER - Nose gear cylinder (MS16625-1118)	1	
-6	63327-08	D	ROD ASSEMBLY - Nose wheel control	2	
-7	452 334		BEARING - (PS10020-1-6RX)	2	
-7a	63327-09		TUBE - Rod assembly	1	
-8	67109-00		ARM ASSEMBLY - Nose gear spring	1	
-9	82732-99	W	BUSHING - Nose gear arm assembly	1	
-10	65003-15	E	BUSHING	1	28R-7435001 and up
-11	67150-03		DOWNLOCK ASSEMBLY - Nose gear	1	
-12	400 871		BOLT - (AN23-19A)	1	
	65003-30		SLEEVE	1	
	407 564	W	WASHER - (AN960-10)	1	
	404 887	W	NUT - (MS20365-1032C)	1	
-13	400 871		BOLT- (AN23-19A)	1	
	404 835	W	NUT - (MS20365-1032C)	1	
-13a	65003-37		SLEEVE	1	
-14	67752-02		CLIP - Switch actuator	1	
-15	67169-00		SPRING - Nose gear arm assembly, outer	1	
-16	67189 00		SPRING - Nose gear downlock	1	
-17	76426-03		LINK AND BRACE ASSEMBLY - Gear downlock	1	
-18	452 449	B	BEARING - (FF607-2)	2	
	87319-03	C	BEARING - (F632-1)	2	
-19	87319-02		BEARING - (FF310-5)	2	
-20	63900-120		BUSHING - Upper drag brace assembly	1	
-21	61402-93		BUSHING - Upper drag brace assembly	1	
-21a	67598-00		BUSHING - Special	1	
			A- See Figure 35 for component parts. B- Used on PA-28R-180 with serial numbers 28R-30005 to 28R-30481 inclusive, 28R-30483 to 28R-30878 inclusive. C- Used on PA-28R-180 with serial numbers 28R-30879 and up, and PA-28R-200 with serial numbers 28R-30482, 28R-35001 and up. D- Used on PA-28R-180 with serial numbers 28R-30005 to 28R-7130019 inclusive, and PA-28R-200 with serial numbers 28R-30482, 28R-35001 to 28R-7335455 inclusive. E- Used on PA-28R-200 airplanes only. F- Used with Syncro Devices Inc. Hydraulic Cylinder P/N SFA231-2 and SFA231-3 only. G- Used with Gar-Kenyon Hydraulic Cylinder P/N 94951 only. W- These parts must be ordered from Service Spares Department, Piper Aircraft, Lock Haven, Penna.		

When ordering, always specify Part Number, Description, and Serial Number of Aircraft

PIPER PARTS CATALOG

Figure and Index Number	Part Number	Code	NOMENCLATURE	No. Req.	SERIAL NUMBERS AFFECTED
34-22	400 122		* BOLT- (NAS464P4-31)	1	
	407 565	W	* WASHER - (AN960-416)	5	
	404 393	W	* NUT - (AN320-4)	1	
	424 052	W	* COTTER PIN - (MS24665-134)	1	
-23	14976-16	W	BUSHING - Steering cam assembly, inner	1	
-24	65003-15		BUSHING - Steering cam assembly	1	
-25	38261-02	D	PLATE - Nose gear trunnion, downlock	1	
-26	67168-00		SPRING - Nose gear arm assembly, inner	1	
-27	67510-00		BEARING	1	
-28	452 729		BEARING - (PS10020-1-7RX)	1	
-29	452 386		BEARING - (NAS506-4)	1	
-30	67192-00		NUT - Cylinder rod end (Special)	1	
-31	87357-02		DAMPENER ASSEMBLY - Nose wheel shimmy	1	
-32	11601-03	W	* BOLT - Eye, shimmy dampener	1	
-33	404 322	W	* NUT - Shimmy dampener (AN316-4R)	1	
-34	67244-00	E	CLAMP ASSEMBLY - Shimmy dampener	1	
-35	63910-02		HOUSING - Seal ring retainer	2	
-36	63911-00		HOUSING - Seal ring	4	
-37	63912-00		PLATE - Trim	2	
-38	63925-00		RING - Spacer	2	
-39	63656-00		PACKING - Seal	2	
-40	76425-00	A	BUNGEE ASSEMBLY - Nose wheel, left	1	28R-7435001 and up
	76425-02	A	BUNGEE ASSEMBLY - Nose wheel, right	1	28R-7435001 and up
-41	62832-02	A	* CLIP - Bungee	1	28R-7435001 and up
-42	452 334		BEARING - (PS10020-1-6RX)	2	
-43	63327-23	A	ROD ASSEMBLY - Nose wheel control	2	28R-7435001 and up
-44	452 334		* BEARING - (PS10020-1-6RX)	2	
-45	63327-22	A	* TUBE - Rod assembly,	1	28R-7435001 and up
-46	76407-03	A	BELLCRANK ASSEMBLY - Nose wheel steering	1	28R-7435001 and up
-47	452 445	A	* BEARING - (FF600-5)	1	28R-7435001 and up
-48	401 274	A,W	* BOLT - (AN3-15A)	1	28R-7435001 and up
	407 584	A,W	* WASHER - (AN960-10L)	AR	28R-7435001 and up
	404 887	A,W	* NUT - (MS20365-1032C)	1	28R-7435001 and up
-49	63900-41		* BUSHING - Bellcrank	1	28R-7435001 and up
-50	401 274	A,W	BOLT - (AN3-15A)	3	28R-7435001 and up
	407 584	A,W	WASHER - (AN960-10L)	3	28R-7435001 and up
	404 887	A,W	NUT - (MS20365-1032C)	3	28R-7435001 and up
-51	401 269	A,W	BOLT - (AN3-10A)	2	28R-7435001 and up
	407 584	A,W	WASHER - (AN960-10L)	2	28R-7435001 and up
	404 887	A,W	NUT - (MS20365-1032C)	2	28R-7435001 and up
-52	35669-05		PLACARD - Turn limit pointer	1	
-53	65003-46	C	BUSHING	2	
-54	65003-45		BUSHING	2	
-55	67751-00	B	BRACKET- Switch mounting	1	
-56	67114-00		BRACKET ASSEMBLY - Shimmy dampener	1	

- A- Used on PA-28R-200 airplanes only.
- B- Used on PA-28R-180 with serial numbers 28R-30005 to 28R-31124 inclusive, and PA-28R-200 with serial numbers 28R-35001 to 28R-35356 inclusive.
- C- Used on PA-28R-180 with serial numbers 28R-30005 to 28R-7130019 inclusive, and PA-28R-200 with serial numbers 28R-30482, 28R-35001 to 28R-7635489 inclusive.
- D- Used if Nose Gear Trunnion Modification Kit 761 074 has been installed per Service Bulletin 510.
- E- Used if shock absorber is stamped with Monroe P/N18737.
- W- These parts must be ordered from Service Spares Department. Piper Aircraft. Lock Haven, Penna.

When ordering, always specify Part Number, Description, and Serial Number of Aircraft

PIPER PARTS CATALOG

Figure and Index Number	Part Number	Code	NOMENCLATURE	No. Req.	SERIAL NUMBERS AFFECTED
34-57	67155-00	A	CAM ASSEMBLY - Steering	1	
	76409-00	D	CAM ASSEMBLY - Steering	1	28R-7435001 and up
-58	452 445		BEARING - (FF600-5)	1	
-59	400 886		BOLT- (AN23-34A)	1	28R-30005 to 28R-30342 incl.
	400 885		BOLT- (AN23-36A)	1	28R-30343 and up
	407 564	W	WASHER - (AN960-10)	1	
	404 887	W	NUT - (MS20365-1032C)	1	
-60	402 312		BOLT- (AN174-14)	1	
	407 565	W	WASHER - (AN960-416)	AR	
	404 101	W	NUT - (AN310-4)	1	
	424 052	W	COTTER PIN - (AN380-2-3)	1	
-61	400 108	W	BOLT- (AN4-13)	1	
	407 585	W	WASHER - (AN960-416L)	1	
	404 101	W	NUT - (AN310-4)	1	
	424 051	W	COTTERPIN - (AN380-2-2)	1	
-62	62833-87		WASHER - (Teflon)	2	
-63	400 191		BOLT- (AN5-51)	1	
	407 586	W	WASHER - (AN960-516L)	2	
	407 566	W	WASHER - (AN960-516)	1	
	404 102	W	NUT - (AN310-5)	1	
	424 052	W	COTTER PIN - (AN380-2-3)	1	
-64	14976-15	W	BUSHING - Steering cam assembly, outer	1	
-65	400 761	A,W	BOLT- (AN26-251)	1	
	404 395	A,W	NUT - (AN320-6)	1	
	424 060	A,W	COTTERPIN - (AN380-3-4)	1	
-66	400 723		BOLT- (AN24-42)	1	
	80122-20	W	WASHER - (.75 O.D.)	2	
	404 101	W	NUT- (AN310-4)	1	
	424 052	W	COTTER PIN - (AN380-2-3)	1	
-67	401 269	W	BOLT- (AN3-10A)	2	
	404 887	W	NUT - (MS20365-1032C)	2	
-68	411 348		SCREW - (AN526-428R14)	1	
-69	402 523	C	BOLT - (AN178-31)	2	
	400 272	B	BOLT - (AN7-32)	2	
	407 589	C,W	WASHER - (AN960-816L)	2	
	407 56B	B,W	WASHER - (AN960-716)	2	
	404 105	C,W	NUT - (AN310-8)	2	
	404 124	B,W	NUT- (AN310-C7)	2	
	424 060	C	COTTER PIN - (MS24665-285)	2	
	424 061	B,W	COTTER PIN - (MS24665-287)	2	
-70	400 112	W	BOLT - (AN4-17)	1	
	407 585	W	WASHER - (AN960-416L)	3	
	404 393	W	NUT - (AN320-4)	1	
	424 051	W	COTTER PIN - (AN380-2-2)	1	

- A- Used on PA-28R-180 with serial numbers 28R-30005 to 28R-7130019 inclusive, and PA-28R-200 with serial numbers 28R-30482, 28R-35001 to 28R-7335455 inclusive.
- B- Used on PA-28R-180 with serial numbers 28R-30879 and up, and PA-28R-200 with serial numbers 28R-30482, 28R-35001 and up.
- C- Used on PA-28R-180 with serial numbers 28R-30005 to 28R-30481 inclusive, 28R-30483 to 28R-30878 inclusive.
- D- Used on PA-28R-200 airplanes only.
- W- These parts must be ordered from Service Spares Department, Piper Aircraft, Lock Haven, Penna.

When ordering, always specify Part Number, Description, and Serial Number of Aircraft

PIPER PARTS CATALOG

Figure and Index Number	Part Number	Code	NOMENCLATURE	No. Req.	SERIAL NUMBERS AFFECTED
34-71	401 274	A,W	BOLT - (AN3-15A)	2	
	407 584	A,W	WASHER - (AN960-10L)	2	
	404 887	A,W	NUT - (MS20365-1032C)	2	
-72	400 443	W	BOLT - (AN3-12A)	1	
	407 564	W	WASHER - (AN960-10)	2	
	404 887	W	NUT - (MS20365-1032C)	1	
-73	400 218	W	BOLT - (AN6-25)	2	
	494 076	C	WASHER - (1434)	2	
	62833-43	B	WASHER	2	
	62833-87	B	WASHER - (Teflon)	2	
	407 587	W	WASHER - (AN960-616L)	2	
	404 103	C,W	NUT - (AN310-6)	2	
	404 123	B	NUT - (AN310-C6)	2	
	424 060	W	COTTER PIN - (M524665-285)	2	
-74	554 005	F	CAP - Bolt (519) nose gear stop	1	28R-30215 and up
-75	453 199		BOLT - (1/4 - 20 x1) Nose gear stop	1	
	37970-02		STOP ASSEMBLY - (5/16 -18 x1.95)	1	
	407 044	F,W	WASHER - Lock (MS35338-44)	1	
	407106	G,W	WASHER - Lock (AN935-516)	1	
	407 566	G,W	WASHER - (AN960-516)	1	
	404 599	F,W	NUT - (AN340-416)	1	
	404 451	G	NUT - (MS35649-2312)	1	
-76	400 440	W	BOLT - (AN3-6A)	2	
	407 564	W	WASHER - (AN960-10)	2	
	404 887	W	NUT- (MS20365-1032C)	2	
-77	35270-00	D	BOOT- Nose wheel bungee	1	28R-7435001 and up
-78	35281-00	D	PLATE - Bungee seal	1	28R-7435001 and up
-79	35282-00	D	RING - Bungee seal	1	28R-7435001 and up
-80	35283-00	D	HOUSING - Bungee seal	2	28R-7435001 and up
-81	35284-02	D	HOUSING - Bungee seal	1	28R-7435001 and up
-82	63656-02	D	PACKING - Seal	1	28R-7435001 and up
-83	400 762	D	BOLT - (AN26-24A)	1	28R-7435001 and up
	404 890	D,W	NUT - (MS20365-624C)	1	28R-7435001 and up
-84	400 774	D	BOLT - (AN26-40)	1	28R-7435001 and up
	407 587	D,W	WASHER - (AN960-616L)	1	28R-7435001 and up
	404 395	D W	NUT - (AN320-6)	1	28R-7435001 and up
	424 060	D W	COTTER PIN - (AN380-3-4)	1	28R-7435001 and up
-85	35669-08		PLACARD - Turn limit	1	
-86	453 158	W	BOOT - (F2131)	2	
			A- Used on PA-28-180 with serial numbers 2BR-30005 to 28R-7130019 inclusive, and PA-28R-200 with serial numbers 28R-30482 28R-35001 to 28R-7335455 inclusive.		
			B- Used on PA-28R-180 with serial numbers 28R-30879 and up, and PA-28R-200 with serial numbers 28R-30482, 28R-35001 and up.		
			C- Used on PA-28R-180 with serial numbers 28R-30005 to 28R-30481 inclusive, 28R-30483 to 28R-30878 inclusive.		
			D- Used on PA-28R-200 airplanes only.		
			E- Used if Nose Gear Trunnion Modification Kit 761 074 has been installed per Service Bulletin 510.		
			F- Used with 1/4 - 20 x1 nose gear stop bolt only.		
			G- Used with 5/16 -18 x1.95 nose gear stop assembly only.		
			W- These parts must be ordered from Service Spares Department, Piper Aircraft, Lock Haven, Penna.		

When ordering, always specify Part Number, Description, and Serial Number of Aircraft

PIPER PARTS CATALOG

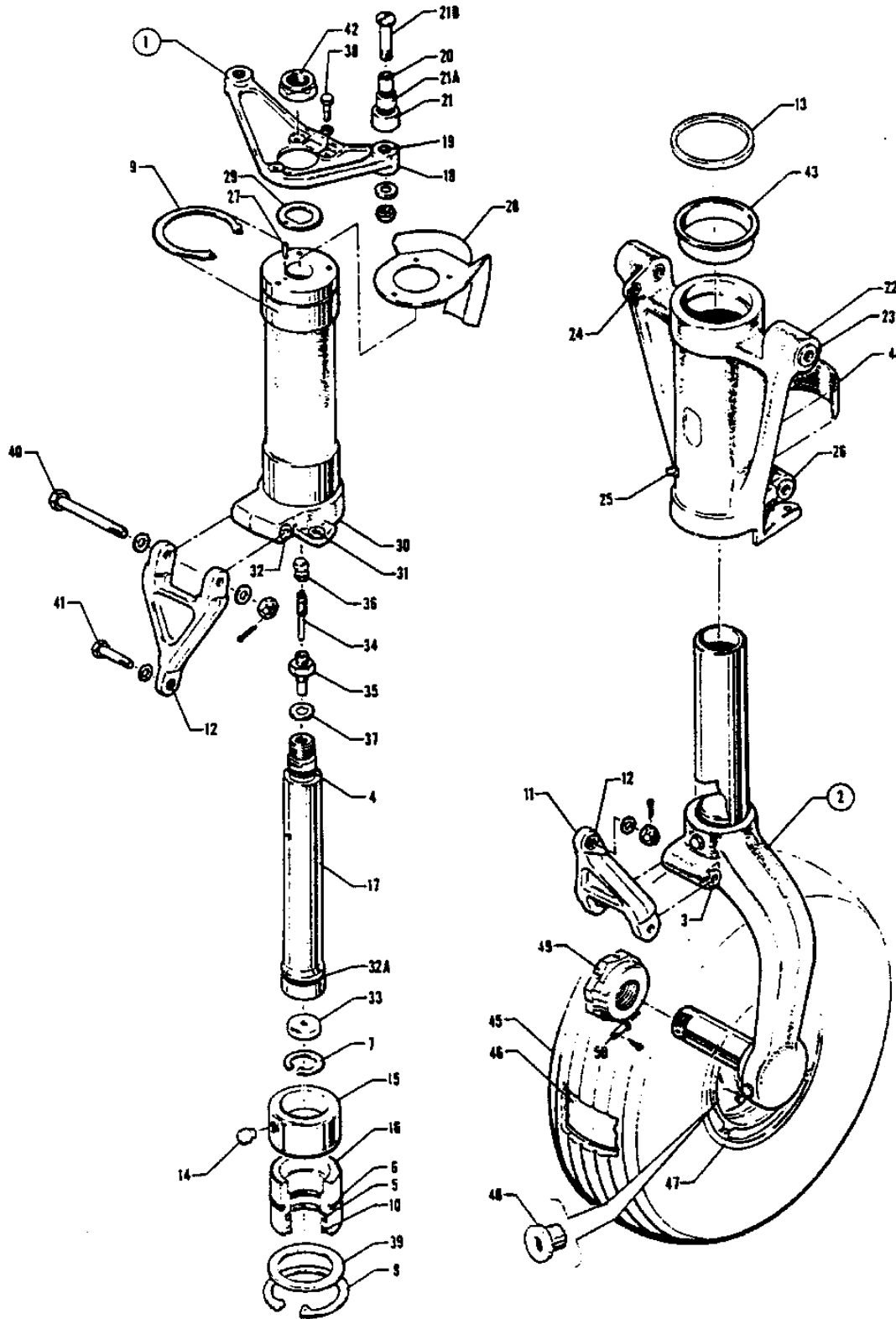


Figure 35. Nose Gear Assembly

PIPER PARTS CATALOG

Figure and Index Number	Part Number	Code	NOMENCLATURE	No. Req.	SERIAL NUMBERS AFFECTED
35-	67147		DRAWING - Nose Landing Gear Installation		
-1	67100-10		GEAR ASSEMBLY - Nose (less tire, tube and wheel assembly)	1	
-2	67050-02		STRUT ASSEMBLY - Nose gear, lower	1	
-3	452 448	C	BEARING - (FF-411-4)	2	
	67026-07	D	BEARING	2	
-4	484 790		"O" RING - (MS28775-210)	1	
-5	484 799		"O" RING - (MS28775-327)	1	
-6	462 034	W	"O" RING - (AN6230-5)	1	
-7	484 684		RING - Snap (N5000-118MD)	1	
-8	484 685		RING - Snap (N5000-250MD)	1	
-9	484 723	W	RING - Snap (5100-268)	1	
-10	187 627		STRIP - Wiper (S-35-29 Code10490-1/17)	1	
-11	20735-05		LINK ASSEMBLY - Nose gear torque	2	
-12	452 366		BEARING - (F-310-5)	1	
-13	62833-45		SPACER - Trunnion	AR	
-14	20784-00	W	PIN - Bearing retaining	2	
-15	67909-00		BEARING - Strut tube, upper	1	
-16	67755-00		BEARING - Strut tube, lower	1	
-17	21712-02	W	TUBE - Nose gear orifice	1	
-18	44386-03		ARM ASSEMBLY - Nose wheel steering	1	
-19	14976-11	W	BUSHING - Arm assembly	2	
-20	63900-109		BUSHING - Nose gear, inner (.789 long)	2	
-21	63900-122		BUSHING - Nose gear, outer (.750 long)	2	
-21a	452 477		BEARING - Sleeve, center (.750 long)	2	
-21b	400 744		BOLT - (AN25-30A)	2	
	407 586	W	WASHER - (AN960-516L)	2	
	404 837	W	NUT - (MS20364-524C)	2	
-22	67054-03		TRUNNION ASSEMBLY - Nose gear	1	
-23	452 447	B	BEARING - (FF602-5)	2	
	67026-11	A	BEARING	2	28R-7635489 and up
-24	95061-144	W	BUSHING - Trunnion assembly	1	
-25	460 691	W	FITTING - Grease (AN944101)	1	
-26	452 448	C	BEARING - (FF411-4)	2	
	67026-07	D	BEARING	2	
-27	480 700	W	PIN - Roll (59-022-094-0375)	1	
-28	67107-00		BRACKETT - Nose gear aligner guide	1	
-29	21710-00	W	WASHER - Nose gear lock	1	

- A- Used on PA-28R-200 airplanes only.
- B- Used on PA-28R-200 with serial numbers 28R-30482, 28R-35001 to 28R-7635488 inclusive, and PA-28R-180 airplanes.
- C- Used on PA-28R-180 with serial numbers 28R-30005 to 28R-30481 inclusive, 28R-30483 to 28R-31279 inclusive, and PA-28R-200 with serial numbers 28R-30482, 28R-35001 to 28R-7135062 inclusive.
- D- Used on PA-28R-180 with serial numbers 28R-7130001 and up, and PA-28R-200 with serial numbers 28R-7135063 and up.
- W- These parts must be ordered from Service Spares Department, Piper Aircraft, Lock Haven, Penna.

When ordering, always specify Part Number, Description, and Serial Number of Aircraft

PIPER PARTS CATALOG

Figure and Index Number	Part Number	Code	NOMENCLATURE	No. Req.	SERIAL NUMBERS AFFECTED
35-30	67148-00		TUBE ASSEMBLY - Nose gear strut, upper	1	
-31	21831-04	W	** BEARING - Tube assembly, nose gear strut	1	
-32	452 448	E	** BEARING - (FF-411-4)	2	
	67026-07	D	** BEARING	2	
-32a	484 828	W	* RING - Compression (R1 9047)	1	
-33	67245-00		* PLATE - Orifice	1	
-34	455 124	W	* CORE - Air valve (AN809-1)	1	
-35	453 124	W	* BODY - Air valve (AN812-1)	1	
-36	454 053	W	* CAP - Air valve (AN813-1B)	1	
-37	462 024	W	* GASKET - Air valve (AN901-5A)	1	
-38	401 265	W	* BOLT- (AN3-H7A)	3	
	407 564	W	* WASHER - (AN960-10)	3	
-39	80122-88	W	* WASHER - Nose gear	1	
-40	402 344	W	* BOLT - (AN175-32)	1	
	407 586	W	* WASHER - (AN960-516L)	2	
	404 102	W	* NUT - (AN310-5)	2	
	424 052	W	* PIN - Cotter (AN380-2-3)	2	
-41	402 313	W	* BOLT - (AN174-13)	1	
	407 585	W	* WASHER - (AN960-416L)	1	
	407 565	W	* WASHER - (AN960-416)	2	
	404 101	W	* NUT- (AN310-4)	1	
	424 052	W	* PIN - Cotter (AN380-2-3)	1	
-42	404 840	W	* NUT - (MS20364-1414C)	1	
-43	67758-00	F	BUSHING - Trunnion assembly	2	
-44	20781-00	W	PLACARD - Oleo service instructions	1	
-45	451 728		TIRE - (5.00 x 5, 4 ply) McCreary	1	
	761 974	W	TIRE - (5.00 x 5, 4 ply) B. F. Goodrich	1	
-46	451 739		TUBE - (5,00 x 5)	1	
-47	551 792	A	WHEEL ASSEMBLY - (40-788) Cleveland	1	
	551 772	C	WHEEL ASSEMBLY - (D-30500) McCauley	1	
-48	758 397	B	BUSHING - Valve stem (A-30653)	1	
-49	67106-00		NUT - Nose gear axle	1	
-50	424 146		PIN - (MS20392-1C19)	1	
	407 561		WASHER - (AN960-4)	1	
	424 052	W	COTTER PIN - (MS24665-134)	1	

- A- See Figure 36 for component parts.
- B- Used with McCauley Nose Wheel only.
- C- See Figure 36B for component parts.
- D- Used on PA-28R-180 with serial numbers 28R-7130001 and up, and PA-28R-200 with serial numbers 28R-7135063 and up.
- E- Used on PA-28R-180 with serial numbers 28R-30005 to 28R-30481 inclusive, 28R-30483 to 28R-31279 inclusive, and PA-28R-200 with serial numbers 28R-30482, 28R-35001 to 28R-7135062 inclusive.
- F- Ascertain I.D.. of trunnion assembly hole before ordering bushings. If a 2.81 I.D. x .62 deep hole is reamed in both ends of trunnion assembly, bushings are required. If a 2.69 I.D. hole is reamed thru entire length of trunnion assembly, bushings are not required.
- W- These parts must be ordered from Service Spares Department, Piper Aircraft, Lock Haven, Penna.

When ordering, always specify Part Number, Description, and Serial Number of Aircraft

2H9
INTENTIONALLY LEFT BLANK

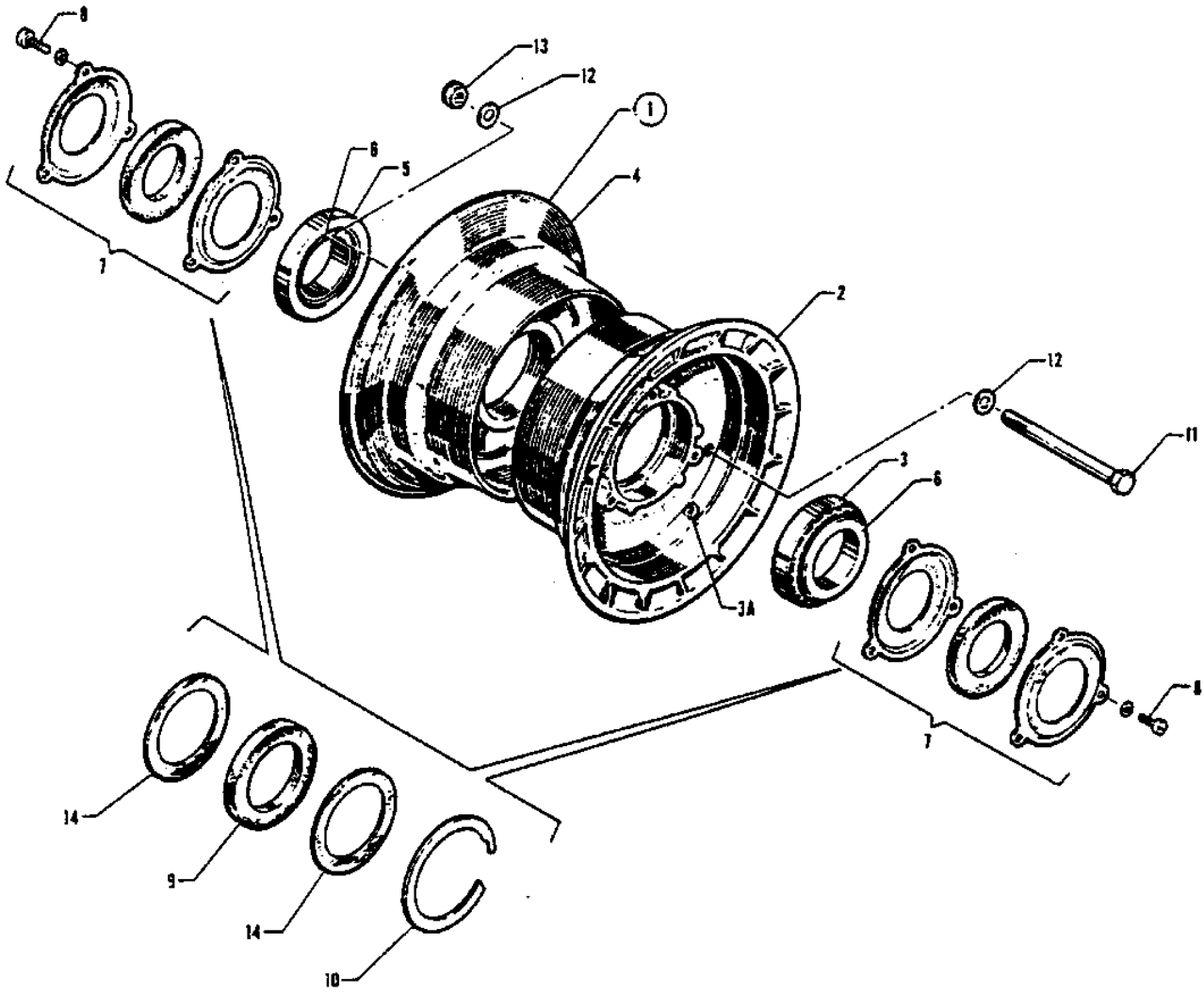


Figure 36. Nose Wheel Assembly (Cleveland)

PIPER PARTS CATALOG

Figure and Index Number	Part Number	Code	NOMENCLATURE	No. Req.	SERIAL NUMBERS AFFECTED
36-1	451 755	A,W	WHEEL ASSEMBLY - Nose (Cleveland 38501)	1	
	551 766	E	WHEEL ASSEMBLY - Nose (Cleveland 40-76F)	1	
	551 792	B	WHEEL ASSEMBLY - Nose (Cleveland 40-77B)	1	
-2	753 128	C,W	WHEEL HALF ASSEMBLY - Outer (3041A) (with valve hole)	1	
	756 665	F	WHEEL HALF ASSEMBLY - Outer (162-45) (with valve hole)	1	
	756 667	D	WHEEL HALF ASSEMBLY - Outer (162-53) (with valve hole)	1	
-3	751 494	C,F,W	CUP - Bearing (13836)	1	
	757 831	D	CUP - Bearing (08231)	1	
-3a	755 048	D	GROMMET - (217-00100)	1	
-4	753 129	C,W	WHEEL HALF ASSEMBLY - inner (3045A)	1	
	756 666	F	WHEEL HALF ASSEMBLY - inner (161-47)	1	
	756 668	D	WHEEL HALF ASSEMBLY - inner (161-55)	1	
-5	751 494	C,F,W	CUP - Bearing (13836)	1	
	757 831	D	CUP - Bearing (08231)	1	
-6	751 489	C,F,W	BEARING - Cone (13889)	2	
	750 063	D,W	BEARING - Cone (08125)	2	
-7	752 882	C,W	GREASE SEAL ASSEMBLY - (B39001)	2	
-8	756 129	C,W	SCREW - (8-32 x1 /2)	3	
	407 134	C,W	WASHER - (AN936A8)	3	
-9	754 804	D	FELT - Grease seal (154-6)	2	
	751 819	F,W	FELT - Grease seal (154-14)	2	
-10	756 008	D	RING - Snap (155-2)	2	
	752 830	F,W	RING - Snap (3023)	2	
-11	751 384	C,W	BOLT - Wheel (AN4-36A)	3	
	751 405	F,W	BOLT - Wheel (AN5-35A)	3	
	400 015	D,W	BOLT - Wheel (AN4-22A)	3	
-12	407 565	C,D,W	WASHER - Wheel bolt (AN960-416)	6	
	407 566	F,W	WASHER - Wheel bolt (AN960-516)	6	
-13	404 888	C,D,W	NUT - Wheel bolt (AN365-428)	3	
	404 889	F,W	NUT - Wheel bolt (AN365-524)	3	
-14	756 007	D	RING - Grease seal (153-8)	4	
	755 964	F,W	RING - Grease seal (153-9)	4	

A- Used on PA-28-150 and PA-28-160 with serial numbers 28-1 and up, PA-28-140 with serial numbers 28-20002 to 28-7225334 inclusive, PA-28-180 with serial numbers 28-671 to 28-7205243 inclusive, and PA-28-235 with serial numbers 28-10003 to 28-7210019 inclusive. Part is no longer available. Order Wheel Assembly, P/N 551 766, and two Spacer Bushings, P/N 66618-02, when replacing Model No. 38501 Wheel. Order P/N 551 766 Wheel only if Model No. 40-76B or 40-76F has previously been installed.

B- Used on PA-28R-180 and PA-28R-200 airplanes only.

C- Used on model 38501 Wheel Assembly only.

D- Used on Model 40-77A or 40-77B Wheel Assembly only.

E- Used on PA-28-140 with serial numbers 28-7225335 and up, PA-28-180 with serial numbers 28-7205244 and up, and PA-28-235 with serial numbers 28-7210020 and up.

F- Used on Model 40-76B or 40-76F Wheel Assembly only.

W - These parts must be ordered from Service Spares Department, Piper Aircraft, Lock Haven, Penna.

When ordering, always specify Part Number, Description, and Serial Number of Aircraft

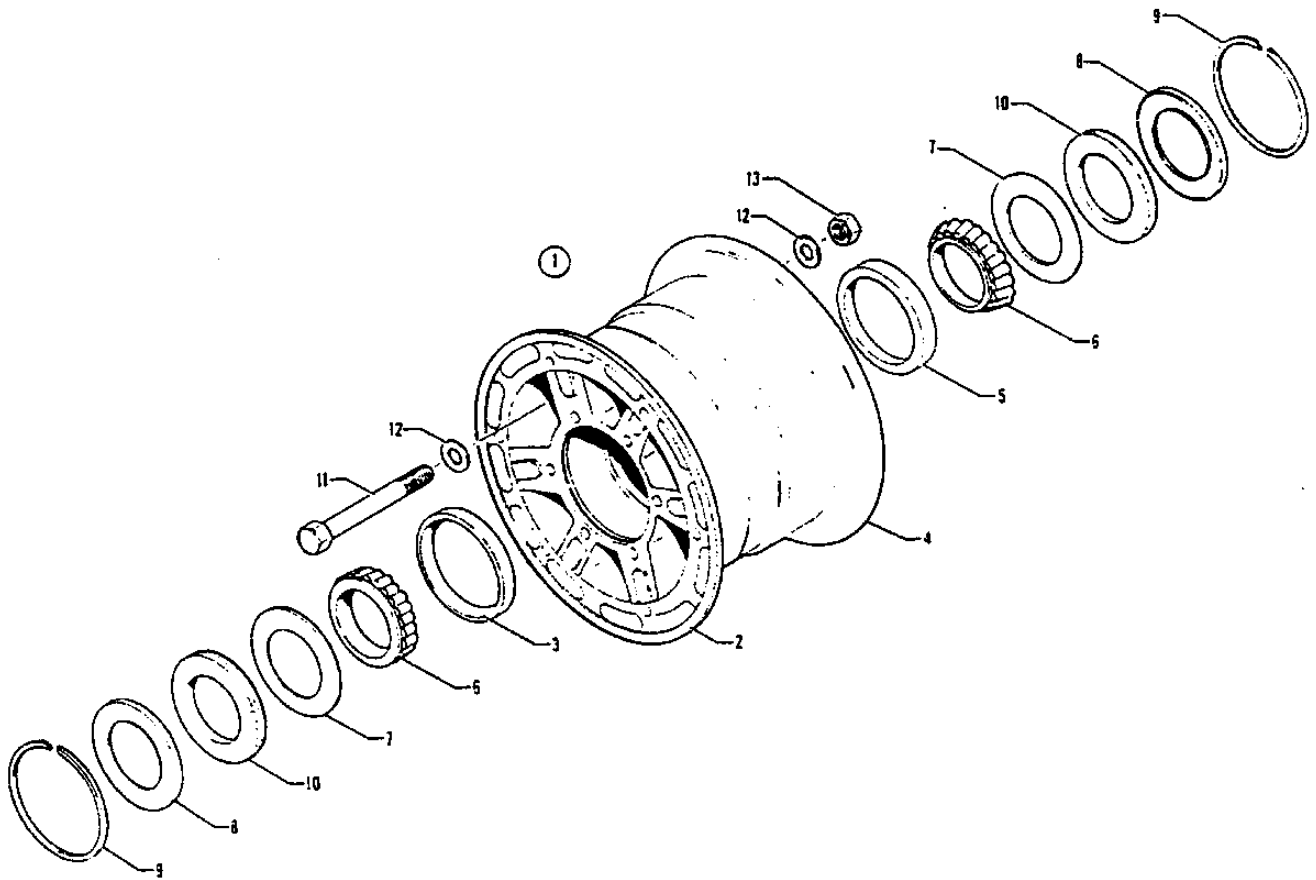


Figure 36A. Nose Wheel Assembly (McCauley)

PIPER PARTS CATALOG

Figure and Index Number	Part Number	Code	NOMENCLATURE	No. Req.	SERIAL NUMBERS AFFECTED
36A-1	551 773		WHEEL ASSEMBLY - Nose (D-30625)	1	
-2	756 688		WHEEL - Half, inner (C-30608)	1	
-3	763 216		CUP - Bearing (A-30079-1)	1	
-4	756 687		WHEEL - Half, outer (C-30605)	1	
-5	763 216		CUP - Bearing (A-30079-1)	1	
-6	758 392		BEARING - Cone (A-30079-2)	2	
-7	762 559		RETAINER - (A-30015)2		
-8	762 558	W	RETAINER - (A-30014)	2	
-9	762 562		RING - Retainer (A-1636-24)	2	
-10	754 855		FELT - Retainer (A-30010)	2	
-11	758 394		BOLT - (A-2513-75)	3	
-12	756 685		WASHER - (A-1638-1)	6	
-13	752 571		NUT - (A-1639-1)	3	
			W- These parts must be ordered from Service Spares Department, Piper Aircraft, Lock Haven, Penna.		

When ordering, always specify Part Number, Description, and Serial Number of Aircraft

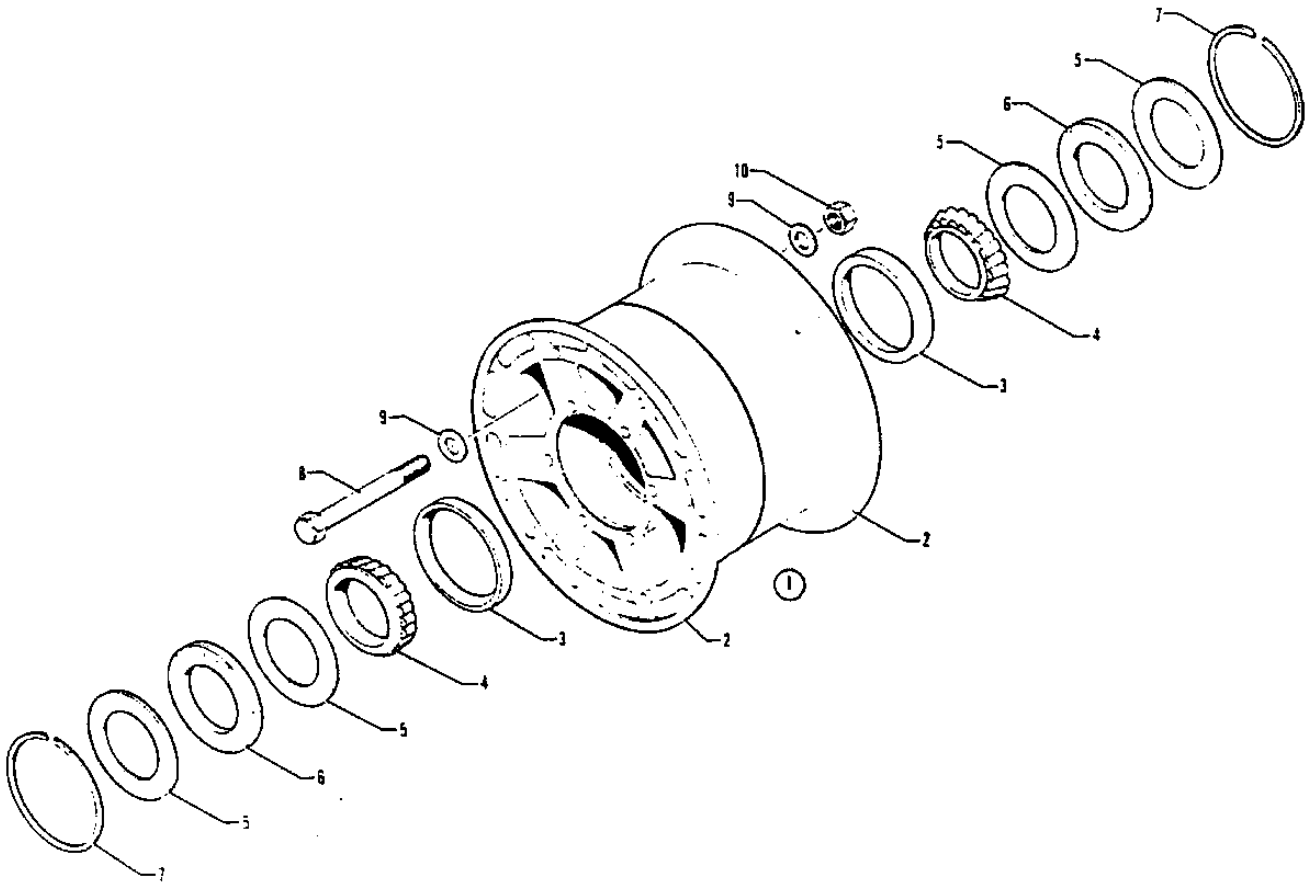


Figure 36B. Nose Wheel Assembly (McCauley)

PIPER PARTS CATALOG

Figure and Index Number	Part Number	Code	NOMENCLATURE	No. Req.	SERIAL NUMBERS AFFECTED
36B-1	551 772		WHEEL ASSEMBLY - Nose (D-30500)	1	
-2	756 686		WHEEL - Half (C-330598)	2	
-3	763 215		CUP - Bearing (A-30078-1)	1	
-4	758 391		BEARING - Cone (A-30078-2)	2	
-5	762 560		RETAINER - (A-30048)	4	
-6	754 856		FELT- (A-30047)	2	
-7	762 561		RING - Retaining (A-1636-23)	2	
-8	758 393		BOLT - (A-2513-73)	3	
-9	756 685		WASHER - (A-1638-1)	6	
-10	752 571		NUT - (A-1639-1)	3	

When ordering, always specify Part Number, Description, and Serial Number of Aircraft

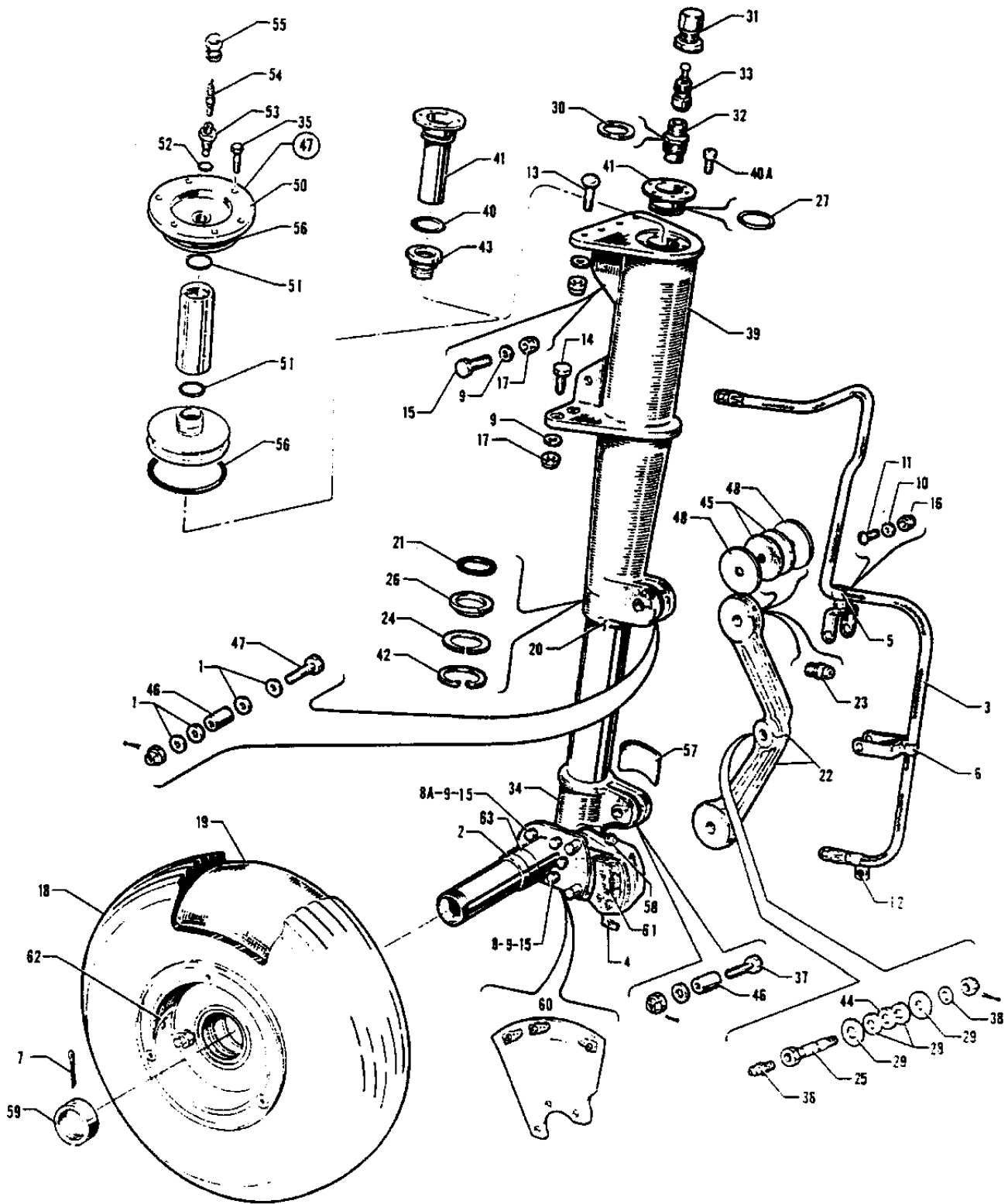


Figure 37. Main Gear Installation

PIPER PARTS CATALOG

Figure and Index Number	Part Number	Code	NOMENCLATURE	No. Req.	SERIAL NUMBERS AFFECTED
37-	63318 62211	C D	DRAWING - Main Gear Installation DRAWING - Main Gear Installation		
-1	407 566	W	WASHER - (AN960-516)	4	
-2	63484-00		SPACER - Main gear axle (.153 wide)	2	
-3	63901-17		HOSE - Brake line	2	
-4	458 894	E,W	ELBOW - (MS20822-4D)	2	
-5	63332-03		CLIP- Hose	2	
-6	63332-05		CLIP- Hose	2	
-7	424 071		PIN - Cotter (MS24665-360)	2	
-8	406 637		NUT - (H10-4)	6	
-8a	404 836	A,W	NUT - (MS20364-428C)	6	
	404 888	B,W	NUT - (MS20365-428C)	6	
-9	407 565	W	WASHER - (AN960-416)	38	
-10	407 562	W	WASHER - (AN960-6)	8	
-11	415 518		SCREW - (MS35206-228)	6	
-12	63332-03		CLAMP - Brake hose	2	
-13	416 346		SCREW - (AN525-416-20)	8	
-14	401 311	W	BOLT - (AN4-11A)	8	
-15	400 003	W	BOLT - (AN4-6A)	16	
-16	404 909	W	NUT - (MS20365-632)	4	
-17	404 888	W	NUT - (MS20365-428)	32	
-18	761 970	A,W	TIRE - (6.00 x 6, 4 ply) B. F. Goodrich	2	
	761 994	A,W	TIRE - (6.00 x 6, 4 ply) McCreary Airhawk	2	
	761 972	B,W	TIRE - (6.00 x 6, 6 ply) B. F. Goodrich	2	
	761 995	B,W	TIRE - (6.00 x 6, 6 ply) McCreary Airhawk	2	
-19	451 735	W	TUBE - (6.00 x 6)	2	
-20	35644-902	A,F	GEAR ASSEMBLY - Main, left (less tire, tube, wheel and brake assembly)	1	
	35644-903	A,F	GEAR ASSEMBLY - Main, right (Less tire, tube, wheel and brake assembly)	1	
	65493-910	B,G	GEAR ASSEMBLY - Main, Left (Less tire, tube, wheel and brake assembly)	1	
	65493-911	B,G	GEAR ASSEMBLY - Main, right (Less tire, tube, wheel and brake assembly)	1	
			A- Used on PA-28-140, PA-28-150, PA-28-160 and PA-28-180 only.		
			B- Used on PA-28-235 only.		
			C- Used on PA-28-150, PA-28-160 and PA-28-180 with serial numbers 28-1 to 28-1529 inclusive, and PA-28-235 airplanes.		
			D- Used on PA-28-140, PA-28-150, PA-28-160 and PA-28-180 with serial numbers 28-1530 and up.		
			E- Used on PA-28-150, PA-28-160 and PA-28-180 with serial numbers 28-1761 and up. PA-28-235 with serial numbers 28-10487 and up. and PA-28-140 with serial numbers 28-20521 and up.		
			F- When ordering this part for PA-28-140 with serial numbers 28-20002 to 28-20520 inclusive PA-28-150, PA-28-160 and PA-28-180 with serial numbers 28-1 to 28-1760 inclusive, ascertain part number of wheel assembly installed on aircraft. If wheel assembly (40-28) is installed, a new wheel assembly (40-86B) P/N 551 764 must also be ordered.		
			G- When ordering this part for serial numbers 28-10003 to 28-10486 inclusive, ascertain part number of wheel assembly installed on aircraft. If wheel assembly (40-58) is installed, a new wheel assembly (40-86B) P/N 551 764 must also be ordered.		
			W - These parts must be ordered from Service Spares Department, Piper Aircraft, Lock Haven, Penna.		

When ordering, always specify Part Number, Description, and Serial Number of Aircraft

PIPER PARTS CATALOG

Figure and Index Number	Part Number	Code	NOMENCLATURE	No. Req.	SERIAL NUMBERS AFFECTED
37-21	484 769		* PACKING - Quad ring (4326)	1	
-22	78033-00	A	* LINK ASSEMBLY - Torque	2	
-23	460 691	W	** FITTING - Lubricator (AN944-101)	2	
-24	63307-00		* RING - Piston spacer	1	
-25	79543-02	B	* BOLT - Main gear torque link	1	
	404 105	W	* NUT - (AN310-8)	1	
	424 059	W	* COTTERPIN - (MS24665-283)	1	
- 26	486 188		* RING - Scraper (AN6231-18)	1	
-27	484 792	D,F,W	* PACKING - "O" Ring (MS28775-218)	1	
-28	63312-00		* WASHER - Torque link spacer (1/8" thickness)	2	
	63312-02		* WASHER - Torque link spacer (1/16" thickness)	2	
-29	62833-27		* WASHER - Torque Link bolt	2	
-30	462 024	F,W	* GASKET - Air valve (AN901-5A)	1	
-31	454 053	F,W	* CAP - (AN813-1B) Air valve	1	
-32	453 124	F,W	* VALVE - (AN812-1) Air	1	
-33	455 124	F,W	* CORE - (AN809-1) Air valve	1	
-34	78738-02	C,G	* STUB AXLE AND OLEO PISTON ASSEMBLY - Left	1	
	78738-03	C,G	* STUB AXLE AND OLEO PISTON ASSEMBLY - Right	1	
	78738-04	E,H	* STUB AXLE AND OLEO PISTON ASSEMBLY - Left	1	
	78738-05	E,H	* STUB AXLE AND OLEO PISTON ASSEMBLY - Right	1	
-35	401 918	W	* BOLT - (AN74-A3)	6	
			A- When ordering for PA-28-140 with serial numbers 28-20002 to 28-7225496 inclusive, PA-28-150, PA-28-160 and PA-28-180 with serial numbers 28-1 to 28-7205293 inclusive, and PA-28-235 with serial numbers 28-10003 to 28-7310001 inclusive ascertain if existing links are marked with forging number 78031-0, If number does not appear on link forging links must be ordered in pairs along with two 6331202 washers.		
			B- Order Greaser Bolt Replacement Kit 760 910 if shoulder bolt is installed.		
			C- When ordering this part for PA-28-140 with serial numbers 28-20002to 28-20520 inclusive PA-28-150, PA-28-160 and PA-28-180 with serial numbers 28-1 to 28-1760 inclusive, ascertain part number of wheel assembly installed on aircraft. If wheel assembly (40-28) is installed, a new wheel assembly (40-86B) P/N 551 764 must also be ordered		
			D- Used on PA-28-140 with serial numbers 28-20002 to 28-7725223 inclusive, PA-28-150, PA-28-160, PA-28-180, and PA-28-235 with serial numbers 28-10003 to 28-7710030 inclusive.		
			E- When ordering this part for serial numbers 28-10003 to 28-10486 inclusive, ascertain part number of wheel assembly installed on aircraft. If wheel assembly (40-58) is installed, a new wheel assembly (40-86B) P/N 551 764 must also be ordered.		
			F- Used when gear cylinder forging is stamped with Piper P/N 65319-02 or 65319-03 or 65319-04.		
			G- Used on PA-28-140, PA-28-150, PA-28-160 and PA-28-180 only.		
			H- Used on PA-28-235 only.		
			W- These parts must be ordered from Service Spares Department, Piper Aircraft, Lock Haven, Penna.		

When ordering, always specify Part Number, Description, and Serial Number of Aircraft

PIPER PARTS CATALOG

Figure and Index Number	Part Number	Code	NOMENCLATURE	No. Req.	SERIAL NUMBERS AFFECTED
37-36	460 691	W	* FITTING - Lubricator (AN944-101)	1	
-37	400 165	W	* BOLT - (AN5 - 22)	1	
	407 566	W	* WASHER - (AN960-516)	3	
	407 586	W	* WASHER - (AN960-516L)	3	
	404 122		* NUT - (AN310-C5)	1	
	424 095	W	* COTTER PIN - (MS24665-151)	1	
-38	407 586	W	* WASHER - (AN960-516L)	1	
-39	65319-04	C	* CYLINDER	1	
	65490-00	D	* CYLINDER	1	
-40	484 746	P.C	* "O" RING - (AN6227-19)	1	
-41	63315-00	A	* CYLINDER HEAD	1	
	65005-00	B,C	* TUBE ASSEMBLY - Metering (with cylinder head)	1	
-42	63314-00		* RETAINER RING - Piston	1	
-43	65006-00	B,C	* ORIFICE ASSEMBLY	1	
	65430-03	A	* ORIFICE ASSEMBLY	1	
-44	63312-00		* WASHER - Torque link spacer	1	
-45	63311-00		* WASHER - Bearing (.063 thick)	4	
-46	63310-00		* SPACER - Torque link	2	
-47	400 166		* BOLT - (AN5-23)	1	
	407 566	W	* WASHER - (AN960-516)	AR	
	407 586	W	* WASHER - (AN960-516L)	AR	
	404 122		* NUT - (AN310-C5)	1	
	424 095	W	* COTTER PIN - (MS24665-151)	1	
-48	63311-03		* WASHER - Bearing (.005 thick)	AR	
-49	65488-00	D	* HEAD ASSEMBLY - Main gear cylinder	1	
-50	65485-00	D	** HEAD - Main gear cylinder	1	
-51	484 789	D	** "O" RING - (MS28775- 116)	2	
-52	462 024	D,W	** GASKET - Air valve (AN901-5A)	1	
-53	453 124	D,W	** VALVE - Air (AN812-1)	1	
-54	455 124	D,W	** CORE - Air valve (AN809-1)	1	
-55	454 053	D,W	** CAP - Air valve (AN813-1B)	1	
-56	462 036	D	* "O" RING - (AN6230-9)	2	
-57	65369-00	B	PLACARD - Oleo service instruction (decal)	2	
	63933-00	A	PLACARD - Oleo service instruction (decal)	2	
-58	451 854	B,W	ADAPTER - (W/H 3200 x 2)	2	
-59	13020-00	W	NUT - Wheel retainer (.56 long)	2	
	63483-00		NUT - Wheel retainer (.71 long)	2	
	66820-00		NUT - Wheel retainer (1.09 long)	2	

- A- Used on PA-28-140, PA-28-150, PA-28-160 and PA-28-180 airplanes only.
- B- Used on PA-28-235 airplanes only.
- C- Used when gear cylinder forging is stamped with Piper Part No. 65319-02, 65319-03. or 65319-04
- D- Used when gear cylinder forging is stamped with Piper Part No. 65441-00 or 65441-02.
- W- These parts must be ordered from Service Spares, Department, Piper Aircraft, Lock Haven, Penna

When ordering, always specify Part Number, Description, and Serial Number of Aircraft

PIPER PARTS CATALOG

Figure and Index Number	Part Number	Code	NOMENCLATURE	No. Req.	SERIAL NUMBERS AFFECTED
37-60	63370-04		BRACKET ASSEMBLY - Wheel fairing, Left	1	28-1to 28-1529 inclusive
	63370-05		BRACKET ASSEMBLY - Wheel fairing, right	1	28-1to 28-1529 inclusive
	63370-05	E	BRACKET ASSEMBLY - Wheel fairing, Left	1	
	63370-04	E	BRACKET ASSEMBLY - Wheel fairing, right	1	
-61	451 718	B,F,W	BRAKE ASSEMBLY -(30-18)	2	
	551 703	D,F	BRAKE ASSEMBLY - (30-34)	2	28-10003 to 28-10486 incl.
	551 705	C,F	BRAKE ASSEMBLY -(30-55)	2	
-62	451 769	B,G,J,W	WHEEL ASSEMBLY - (6.00 x 6) (40-28)	2	
	451 778	A,G,J,W	WHEEL ASSEMBLY - (6.00 x 6) (40-58)	2	
	551 764	G,H,J	WHEEL ASSEMBLY - (6.00 x 6) (40-86B)	2	
-63	63308-00		SPACER - Wheel (.50 wide)	2	
<p>A - Used on PA-28-235 with serial numbers 28-10003 to 28-10486 inclusive.</p> <p>B - Used on PA-28-150, PA-28-160 and PA-28-180 with serial numbers 28-1 to 28-1760 inclusive, and PA-28-140 with serial numbers 28-20002 to 28-20520 inclusive.</p> <p>C - Used on PA-28-150, PA-28-160 and PA-28-180 with serial numbers 28-1761 and up, PA-28-235 with serial numbers 28-10487 and up, and PA-28-140 with serial numbers 28-20521 and up.</p> <p>D - Used on PA-28-235 airplanes only.</p> <p>E - Used on PA-28-150 and PA-28-160 with serial numbers 28-1530 and up, PA-28-140, PA-28-180 and PA-28-235 airplanes.</p> <p>F - Refer to Figure 41 for component parts.</p> <p>G - Refer to Figure 40 for component parts.</p> <p>H - Used on PA-28-140 with serial numbers 28-20521 and up, PA-28-150, PA-28-160 and PA-28-180 with serial numbers 28-1761 and up, and PA-28-235 with serial numbers 28-10487 and up.</p> <p>J - Before ordering, ascertain vendor part number (stamped on outer wheel half) and reorder wheel assembly of same part number.</p> <p>W - These parts must be ordered from Service Spares Department, Piper Aircraft, Lock Haven. Penna</p>					

When ordering, always specify Part Number, Description, and Serial Number of Aircraft

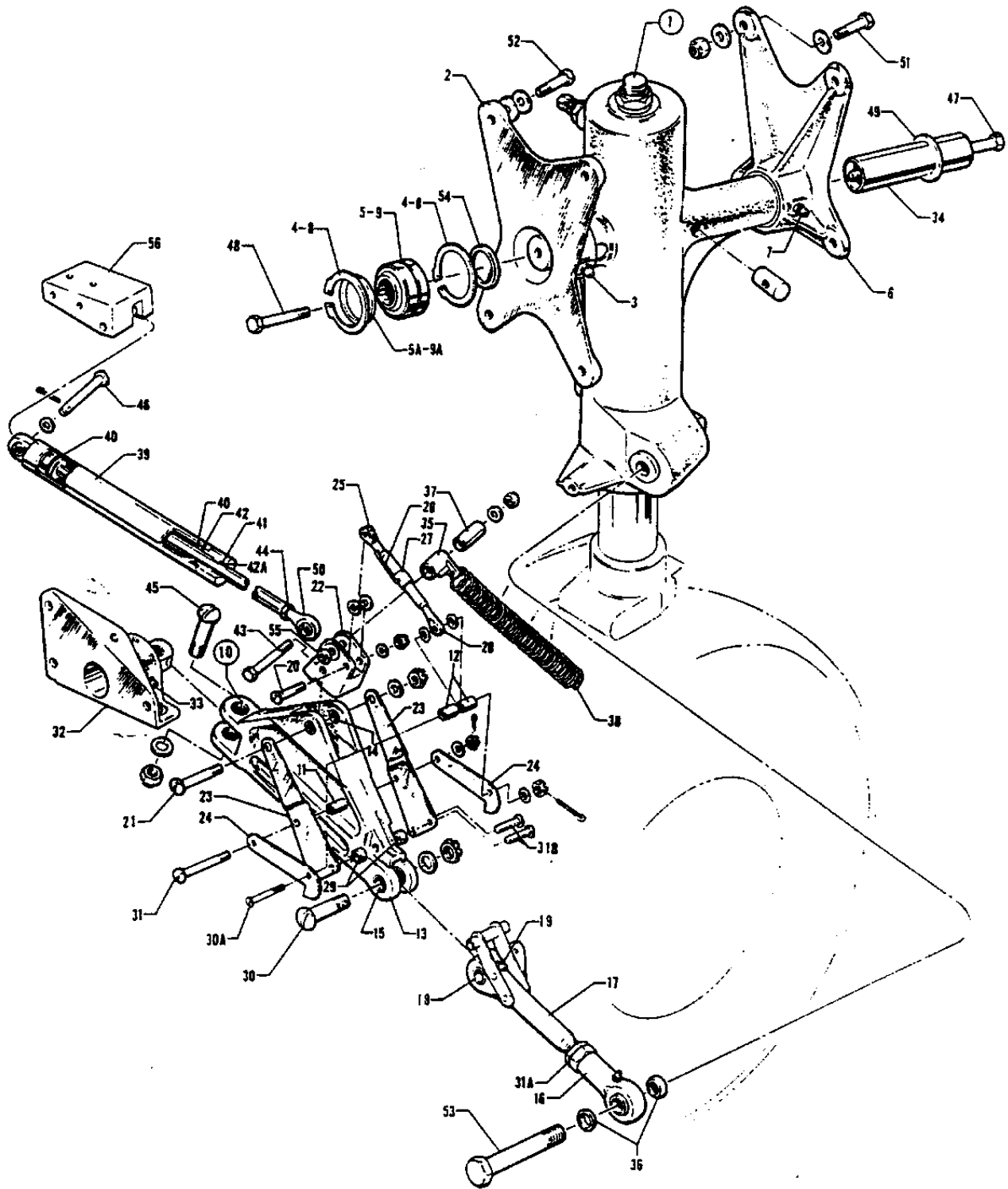


Figure 38. Main Gear Installation

PIPER PARTS CATALOG

Figure and Index Number	Part Number	Code	NOMENCLATURE	No. Req.	SERIAL NUMBERS AFFECTED
38-	67030		DRAWING - Main Landing Gear Installation		
-1	67927-02	A	GEAR ASSEMBLY - Main, left (less tire, tube, wheel and brakes assembly)	1	
	67927-03	A	GEAR ASSEMBLY - Main, right (less tire, tube, wheel and brakes assembly)	1	
-2	67040-12		FITTING ASSEMBLY - Forward trunnion, left	1	
	67040-13		FITTING ASSEMBLY - Forward trunnion, right	1	
-3	460 691	W	FITTING - Lubricator (AN944-101)	1	
-4	484 719		RING - Retainer (5008-175)	2	
-5	452 575		BEARING -Spherical (PS10020-10-2)	1	
-5a	62833-44		SPACER	AR	
-6	67042-12		FITTING ASSEMBLY - Aft trunnion	2	
-7	460 691	W	FITTING - Lubricator (AN944101)	1	
-8	484 719		RING - Retainer (C5008-175)	2	
-9	452 575		BEARING -Spherical (PS10020-10-2)	1	
-9a	62833-44		SPACER	AR	
-10	67025-05		TRUSS ASSEMBLY - Main gear, left	1	
	67025-06		TRUSS ASSEMBLY - Main gear, right	1	
-11	63900-88		BUSHING - Main gear truss assembly	1	
-12	63900-130		BUSHING - Main gear truss assembly	2	
-13	67025-02		LINK ASSEMBLY-Main gear truss assembly	1	
-14	63900-89		BUSHING -Main gear truss assembly	2	
-15	14843-16	W	BUSHING - Main gear truss assembly	4	
-16	452 368		BEARING -Main gear truss assembly(HFX-8G)	1	
-17	67797-04		LINK ASSEMBLY - Main gear truss assembly, left	1	
	67797-05		LINK ASSEMBLY - Main gear truss assembly, right	1	
-18	66003-44		BUSHING - Main gear truss assembly	2	
-19	460 860	W	FITTING - Lubricator (MS15001-2)	1	
-20	400 679	B,W	BOLT- (AN23-17)	1	
	424 181	C,W	PIN - Flat head (AN393~25)	1	
	407 584	W	WASHER - (AN960-10L)	3	
	404 100	B,W	NUT - (AN310-3)	1	
	424 051	W	PIN - Cotter (AN380-2-2)	1	
-21	400 711	W	BOLT - (AN24-26)	1	
	407 565	W	WASHER - (AN960-416)	1	
	404 393	W	NUT - (AN320-4)	1	
	424 051	W	PIN - Cotter (AN380-2-2)	1	
-22	67031-02		FITTING - Gear retraction, left	1	
	67031-03		FITTING - Gear retraction, right	1	
-23	67024-00		PLATE - Left gear, front and right gear, rear	1	
	67024-01		PLATE - Left gear, rear and right gear, front	1	
-24	67028-00		HOOK - Main gear truss assembly	2	
-25	461 131		FORK - (NAS645-16RS)	1	

A - See Figure 39 for component parts,
 B - Used on PA-28R-180 with serial-I numbers 28R-30005 to 28R-30481 inclusive, 28R-30483 to 28R-30678 inclusive.
 C - Used on PA-28R-180 with serial numbers 28R-30679 and up, and PA-28R-200 with serial numbers 28R-30482, 28R-35001 and up.
 W - These parts must be ordered from Service Spares Department, Piper Aircraft, Lock Haven, Penna.

When ordering, always specify Part Number, Description, and Serial Number of Aircraft

PIPER PARTS CATALOG

Figure and Index Number	Part Number	Code	NOMENCLATURE	No. Req.	SERIAL NUMBERS AFFECTED
38-26	554 979		* CLIP - Turnbuckle (MS21256- 1)	1	
-27	452 009	W	* BARREL - Turnbuckle (NAS649B-16S)	1	
-28	459 957		* EYE - Turnbuckle (NAS648-16LS)	1	
-29	14175-103	W	* BUSHING - Main gear truss assembly	2	
-30	400 757	W	* BOLT - (AN26-21)	1	
	407 587	W	* WASHER - (AN960-616L)	1	
	404 395	W	* NUT - (AN320-6)	1	
	424 059	W	* COTTER PIN - (AN380-3-3)	1	
-30a	400 880		* BOLT - (AN23-28)	1	
	407 564	W	* WASHER - (AN960-10)	2	
	407 584	W	* WASHER - (AN960-10L)	1	
	404 100	W	* NUT - (AN310-3)	1	
	424 051	W	* COTTER PIN - (AN380-2-2)	1	
-31	400 880		* BOLT - (AN23-28)	1	
	407 584	W	* WASHER - (AN960-10L)	1	
	404 100	W	* NUT - (AN310-3)	1	
	424 051	W	* COTTER PIN - (AN380-2-2)	1	
-31a	404 326		* NUT - Check (AN316-8R)	1	
-31b	420 242		* RIVET - (MS20470AD5-22)	2	
-32	95643-06		BRACKET ASSEMBLY - Main gear truss, left	1	
	95643-07		BRACKET ASSEMBLY - Main gear truss, right	1	
-33	460 691	W	* FITTING - Lubricator, straight (AN944-101)	1	
	460 801	W	* FITTING - Lubricator, 90° (MS51001-4)	1	
-34	67502-00		RETAINER ASSEMBLY - Main gear	2	
-35	67202-00		SWIVEL ASSEMBLY - Slide brace spring attachment	2	
-36	21822-00	W	BUSHING - Tapered, truss assembly	4	
-37	63900-85		BUSHING - Spring attachment	2	
-38	67203-00		SPRING - Main gear downlock	2	
-39	67505-00		CYLINDER - Hydraulic, main gear	2	
-40	484 706	W	* "O" RING - (AN6227-11)	2	
-41	484 748		* "O" RING - (AN6227-8)	1	
-42	755 997		* RETAINER - Main gear cylinder (SFD1400-1)	1	
-42a	756 053		* RING - Back-up (MS28782-8)	1	
-43	400 450	W	BOLT - (AN3-17A)	2	
	407 564	W	WASHER - (AN960-10)	2	
	404 887	W	NUT - (MS20365-1032C)	2	
-44	404 225	W	NUT - (MS315-4R)	2	
-45	400 761	W	BOLT - (AN26-25)	2	
	407 567	W	WASHER - (AN960-616)	2	
	404 395	W	NUT - (AN320-6)	2	
	424 059	W	COTTER PIN - (AN380-3-3)	2	
-46	424 187	W	PIN - (MS20392- 2C37)	2	
	407 564	W	WASHER - (AN960-10)	2	
	424 052	W	COTTER PIN - (MS23665-134)	2	
-47	401 335	W	BOLT - (AN4-40A)	2	
	406 660	W	NUT - Barrel (1452-048)	2	
-48	401 318	W	BOLT - (AN4-20A)	2	
	80122-91	W	WASHER	2	
	406 660	W	NUT - Barrel (1452-48)	2	
-49	19513-10	W	WASHER	AR	
-50	452 334		BEARING - (PS 10020- 1 -6RX)	2	
-51	400 004	W	BOLT - (AN4-7A)	8	
	407 565	W	WASHER - (AN960-416)	16	
	104 888	W	NUT - (MS20365-428C)	8	
-52	400 004	W	BOLT - (AN4-7A)	8	
	407 565	W	WASH ER - (AN960-416)	8	
	407 585	W	WASHER - (AN960-416L)	8	

W- These parts must be ordered from Service Spares Department, Piper Aircraft, Lock Haven, Penna.

When ordering, always specify Part Number, Description, and Serial Number of Aircraft

PIPER PARTS CATALOG

Figure and Index Number	Part Number	Code	NOMENCLATURE	No. Req.	SERIAL NUMBERS AFFECTED
38-53	402 960		BOLT- (NAS464P8A-44)	2	
	407 569	W	WASHER - (AN960-816)	2	
	404 832	W	NUT - (MS2036-820C)	2	
-54	67198-00		WASHER - Main gear	2	
-55	95061-64		BUSHING	2	
-56	6707140		BRACKET - Main gear cylinder, left	1	
	67071-01		BRACKET - Main gear cylinder, right	1	
<p>W - These parts must be ordered from Service Spares Department, Piper Aircraft, Lock Haven, Penna.</p>					

When ordering, always specify Part Number, Description, and Serial Number of Aircraft

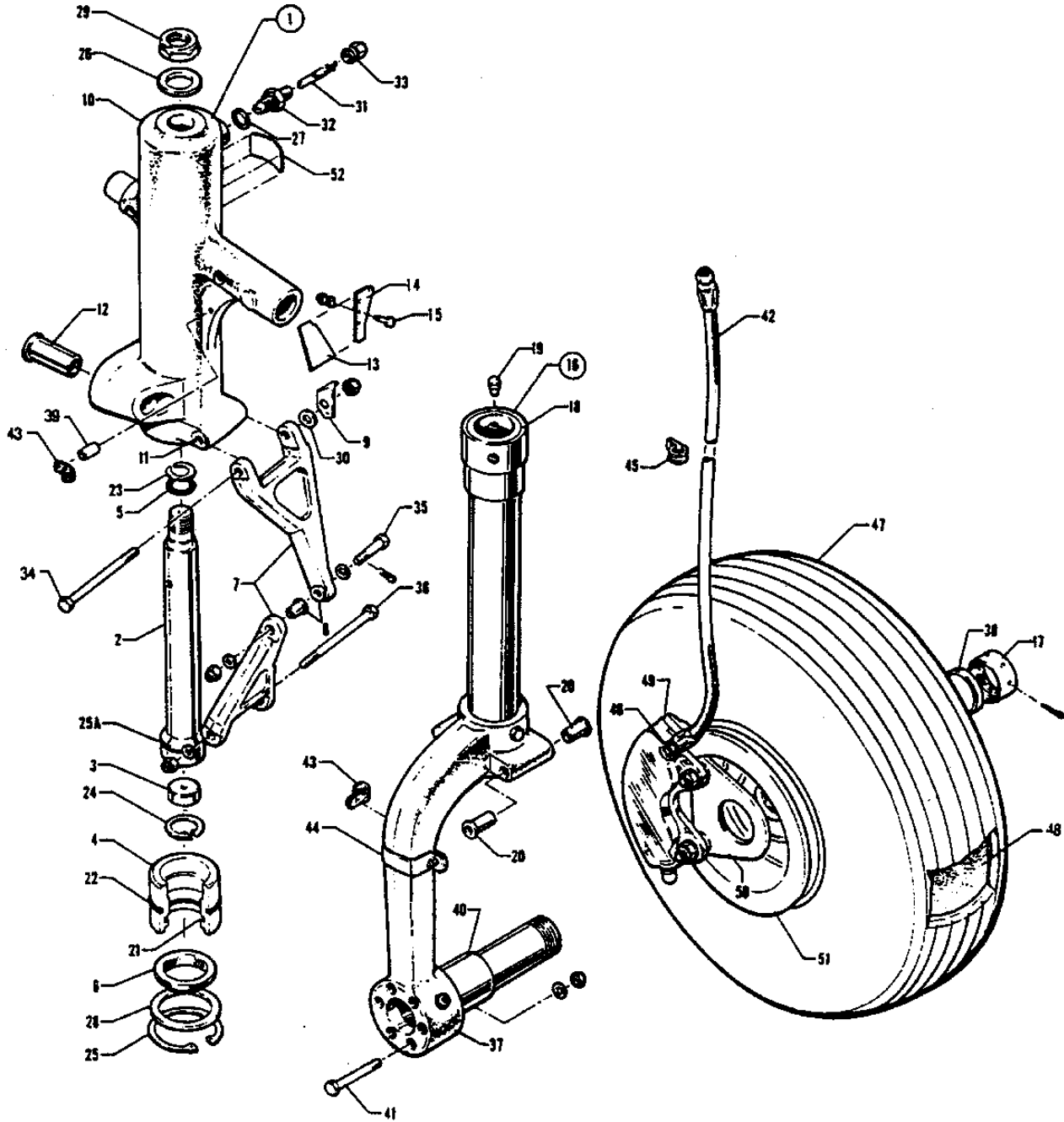


Figure 39. Main Gear Installation

PIPER PARTS CATALOG

Figure and Index Number	Part Number	Code	NOMENCLATURE	No. Req.	SERIAL NUMBERS AFFECTED
39-	67030		DRAWING - Main Landing Gear Installation		
-1	67927-02		GEAR ASSEMBLY - Main, left (less tire, tube, wheel and brake assembly)	1	
	67927-03		GEAR ASSEMBLY - Main, right (less tire, tube, wheel and brake assembly)	1	
-2	20754-02	W	ORIFICE - Main landing gear	1	
-3	79800-02		PLATE - Orifice	1	
-4	67755-00		BEARING - Landing gear	1	
-5	484 790		"O" RING - (MS28775-210)	1	
-6	187 627		STRIP -Wiper (S-35-29, Code 10V90-117)	1	
-7	67012-00		LINK ASSEMBLY - Landing gear torque	2	
-8	751 396	W	BUSHING - Landing gear strut	1	
-9	67023-00		BRACKET - Squat switch actuator, left	1	
-10	67926-00		TRUNNION ASSEMBLY - Main gear, left	1	
	67926-05		TRUNNION ASSEMBLY - Main gear, right	1	
-11	462 448	C	BEARING - (FF411-4)	2	
	67026-07	D	BEARING	2	
-12	67026-05		BUSHING - Main trunnion assembly	1	
-13	37732-00		BRACKET - Gear switch, left	1	
-14	67753-00		PLATE	1	
-15	401 266	W	BOLT - (AN3-5A)	2	
	407 584	W	WASHER - (AN960 10L)	2	
	404 887	W	NUT - (MS20365-1032C)	2	
-16	67037-06		STRUT ASSEMBLY - Main gear	2	
-17	63483-00	A	NUT - Main gear axle assembly	1	
	66820-00	B	NUT - Main gear axle assembly	1	
-18	67036-00		BEARING-Main strut, upper	1	
-19	20784 00	W	PIN - Main strut	2	
-20	462 448	C	BEARING - (FF411-4)	2	
	67026-07	D	BEARING	2	
-21	484 799		"O" RING - (MS28775-327)	1	
-22	462 034	W	"O" RING - (AN6230-5)	1	
-23	484 714	W	RING - Retainer (MS28782-15)	1	
-24	484 684		RING - Snap(N5000-118MD)	1	
-25	484 685		RING - Snap (N5000-250MD)	1	
-25a	484 828		RING - Compression (R19047)	1	
		A-	Used on PA-28R-180 with serial number 28R-30005 to 28R-31116 inclusive, and PA-28R-200 with serial number 28R-30482, 28R-35001 to 28R-35360 inclusive.		
		B-	Used on PA-28R-180 with serial numbers 28R-31117 and up, and PA-28R-200 with serial number 28R-35361 and up.		
		C-	Used on PA-28R-180 with serial number 28R-30005 to 28R-31279 inclusive, and PA-28R-200 with serial number 28R-30482, 28R-35001 to 28R-7135062 inclusive.		
		D-	Used on PA-28R-180 with serial numbers 28R-7130001 and up, and PA-28R-200 with serial numbers 28R-7135063 and up.		
		W-	These parts maybe ordered from Service Spares Department, Piper Aircraft, Lock Haven, Penna.		

When ordering, always specify Part Number, Description, and Serial Number of Aircraft

PIPER PARTS CATALOG

Figure and Index Number	Part Number	Code	NOMENCLATURE	No. Req.	SERIAL NUMBERS AFFECTED
39-26	80122-89	W	* WASHER - Main gear	1	
-27	462 024	W	* GASKET - Air valve (AN901-5A)	1	
-28	80122-88	W	* WASHER - Main gear	1	
-29	404 843	W	* NUT - (MS20364-1216C)	1	
-30	494 114		* WASHER - (96312) Left	1	
-31	455 124	W	* CORE - Air valve (AN809-1)	1	
-32	453 124	W	* BODY - Air valve (AN812-1)	1	
-33	454 053	W	* CAP - Air valve (AN813-1B)	1	
-34	402 345	W	* BOLT - (AN175-33) Left	1	
	402 344	W	* BOLT - (AN175-32) Right	1	
	407 566	W	* WASHER - (AN960-416) Right	1	
	404 102	W	* NUT - (AN310-5)	1	
	424 051	W	* COTTER PIN - (MS24665-132)	1	
-35	402 312		* BOLT - (AN174-14)	1	
	407 565	W	* WASHER - (AN960-416)	2	
	404 101	W	* NUT - (AN310-4)	1	
	424 050	W	* COTTER PIN - (AN380-2-1)	1	
-36	402 344	W	* BOLT - (AN175-32)	1	
	407 586	W	* WASHER - (AN960-516L)	1	
	404 102	W	* NUT - (AN310-5)	1	
	424 051	W	* COTTER PIN - (MS24665-132)	1	
-37	401 329	W	* BOLT - (AN4-31A)	1	
	407 585	W	* WASHER - (AN960-416L)	1	
	404 836	W	* NUT - (MS20364-428C)	1	
-38	63900-115	C	BUSHING - Main gear axle	1	
	63484-00	D	BUSHING - Main gear axle	1	
-39	63900-11		BUSHING - Main gear	2	
-40	63900-103	C	BUSHING - Main gear	2	
	63900-159	D	BUSHING - Main gear	2	
-41	401 320		BOLT - (AN4-C20A)	12	
	407 675	W	WASHER - (AN960-C41 6)	12	
	404 888	W	NUT - (MS20365-428C)	12	
-42	63901-17		HOSE ASSEMBLY - Brake line	2	
-43	454 934	W	CLAMP - (A4980S-9-91)	4	
-44	67277-00	W	CLAMP	2	
-45	554 734		CLAMP - (PS10017-14-9)	2	
-46	476 648	W	NIPPLE - (AN816-4D)	2	
-47	761 970	W	TIRE - (6.00 x 6, 4 ply) B. F. Goodrich	2	
	761 994	W	TIRE - (6.00 x 6, 4 ply) McCreary Airhawk	2	
-48	451 735	W	TUBE - (6.00 x 6)	2	
-49	551 701	B,C,W	BRAKE ASSEMBLY - Main (30-41)	2	
	551 705	B,D	BRAKE ASSEMBLY - Main (30- 55)	2	
-50	451 786	C	PLATE ASSEMBLY - Torque (75-39)	2	
-51	551 750	A,C,W	WHEEL ASSEMBLY - Main (40-84)	2	
	551 764	A,D	WHEEL ASSEMBLY - Main (40-86B)	2	
-52	67242-00		PLACARD - Oleo service instructions	1	

A - See Figure 40 for component parts.
 B - See Figure 41 for component parts.
 C - Used on PA-28R-180 with serial numbers 28R-30005 to 28R-7130005 inclusive, and PA-28R-200 with serial numbers 28R-35001 to 28R-7135109 inclusive.
 D - Used on PA-28R-180 with serial numbers 28R-7130006 and up, and PA-28R-200 with serial numbers 28R-7135110 and up.
 W - These parts must be ordered from Service Spares Department, Piper Aircraft, Lock Haven, Penna.

When ordering, always specify Part Number, Description, and Serial Number of Aircraft

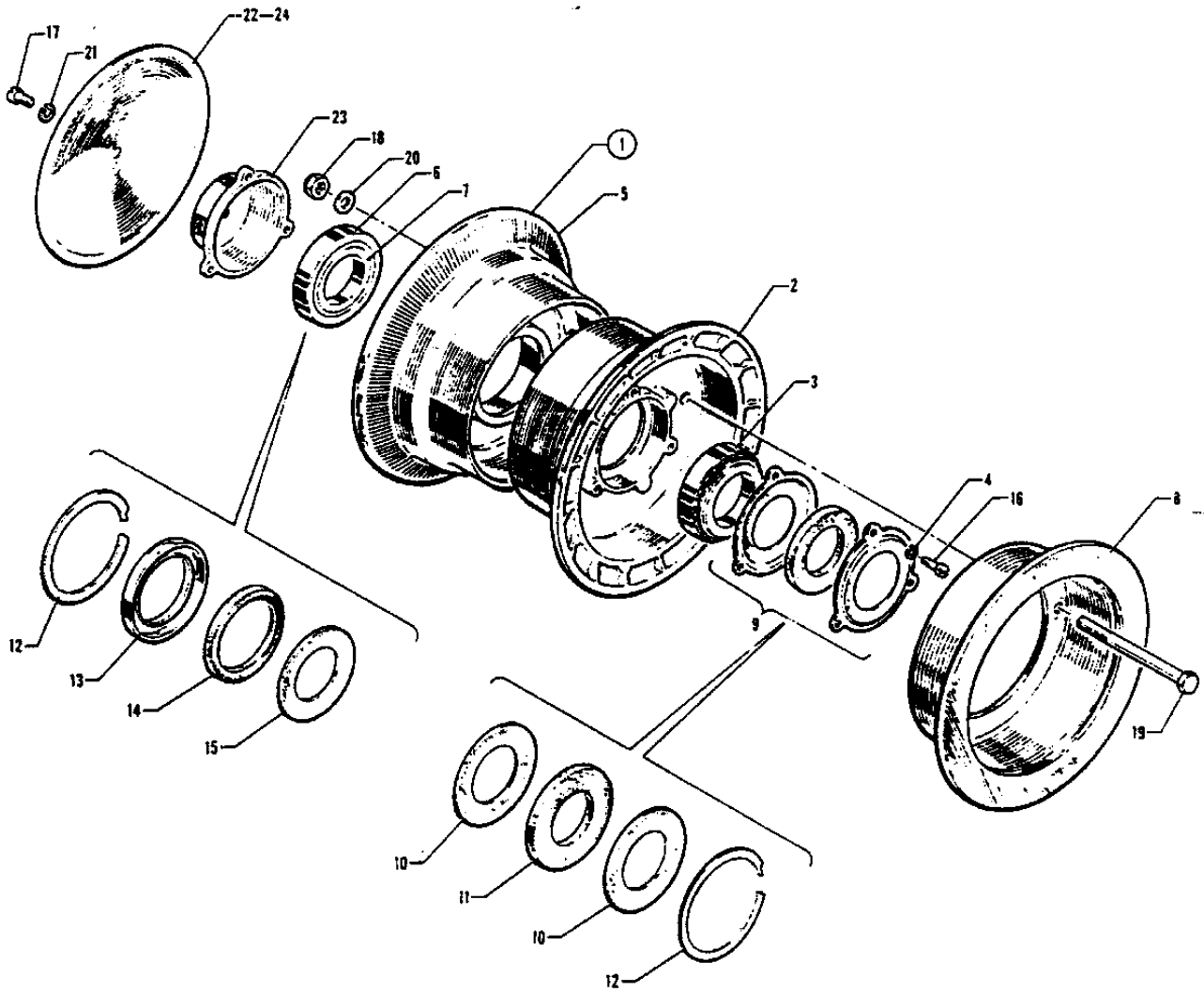


Figure 40. Main Wheel Assembly

PIPER PARTS CATALOG

Figure and Index Number	Part Number	Code	NOMENCLATURE	No. Req.	SERIAL NUMBERS AFFECTED
40-1	451 769	A,J,W	WHEEL ASSEMBLY - Main (Cleveland 40-28)	2	
	451 778	B,J,W	WHEEL ASSEMBLY - Main (Cleveland 40-58)	2	
	551 764	C,J	WHEEL ASSEMBLY - Main (Cleveland 40-86B)	2	
	551 750	D,J,W	WHEEL ASSEMBLY - Main (Cleveland 40-84)	2	
	753 176	E,F,W	* WHEEL HALF ASSEMBLY - Inner (161-16)	1	
-2	756 666	G,H	* WHEEL HALF ASSEMBLY - Inner (161-47)	1	
-3	751 494	W	** CUP - Bearing (13836)	1	
-4	753 171	E,F,W	* WASHER - Lock (1308)	6	
-5	753 128	E,F,W	* WHEEL HALF ASSEMBLY - Outer (3041-A)	1	
	756 665	G,H	* WHEEL HALF ASSEMBLY - Outer (162-45)	1	
-6	751 494	W	* CUP - Bearing (13836)	1	
-7	751 489	W	* BEARING - Cone, timken (13889)	2	
-8	754 518	E,W	* DISC ASSEMBLY - Brake (164-5)	1	
	754 530	F,W	* DISC ASSEMBLY - Brake (164-9)	1	
	754 535	G	* DISC ASSEMBLY - Brake (164-20)	1	
	754 545	H,W	* DISC ASSEMBLY - Brake (164-19)	1	
-9	752 882	E,W	* GREASE SEAL ASSEMBLY - (B39001)	1	
	752 882	F,W	* GREASE SEAL ASSEMBLY - (B39001)	2	
-10	755 999	G,H,W	* RING - Grease seal (153-4)	2	
-11	751 772	G,H,W	* FELT - Grease seal (3021)	1	
-12	752 830	G,H,W	* RING - Snap (3023)	2	
-13	755 999	G,W	* RING - Grease seal (153-4)	1	
-14	751 772	G,W	* FELT - Grease seal (3021)	1	
	751 810	H,W	* FELT - Grease seal (154-13)	1	
-15	755 999	G,W	* RING - Grease seal (153-4)	1	
-16	756 129	E,F,W	* SCREW - Grease seal (8-32 x 1/2)	6	
-17	756 128	E,F,W	*SCREW - Dust shield (10-24 x 1/2)	1	
-18	404 888	E,F,W	* NUT - Wheel bolt (AN365-428)	3	
	404 889	G,H,W	* NUT - Wheel bolt (AN365-524)	3	
-19	751 384	E,F,W	* BOLT - Wheel (AN4-36A)	3	
	751 405	G,H,W	* BOLT - Wheel (AN5-35A)	3	

- A - Used on PA-28-140 with serial numbers 28-20002 to 28-20520 inclusive, PA-28-150, PA-28-160 and PA-28-180 with serial numbers 28-1 to 28-1760 inclusive.
- B - Used on PA-28-235 with serial numbers 28-10003 to 28-10486 inclusive.
- C - Used on PA-28-140 with serial numbers 28-20521 and up, PA-28-150, PA-28-160 and PA-28-180 with serial numbers 28-1761 and up, PA-28-235 with serial numbers 28-10487 and up, PA-28R-180 with serial numbers 28R-7130006 and up, and PA-28R-200 with serial numbers 28R-7135110 and up.
- D - Used on PA-28R-180 with serial numbers 28R-30005 to 28R-7130005 inclusive. and PA-28R-200 with serial numbers 28R-35001 to 28R-7135109 inclusive.
- E - Used on 40-28 Wheel Assembly only.
- F - Used on 40-58 Wheel Assembly only.
- G - Used on 40-86 or 40-86B Wheel Assembly only.
- H - Used on 40-84 Wheel Assembly only.
- J - Before ordering, ascertain vendor part number (stamped on outer wheel half) and reorder wheel assembly of same part number.
- W - These parts must be ordered from Service Spares Department, Piper Aircraft, Lock Haven, Penna.

When ordering, always specify Part Number, Description, and Serial Number of Aircraft

PIPER PARTS CATALOG

Figure and Index Number	Part Number	Code	NOMENCLATURE	No. Req.	SERIAL NUMBERS AFFECTED
40-20	407 565	ABW	WASHER - Wheel bolt (AN960-416)	3	
	407 566	CDW	WASHER - Wheel bolt (AN960-516)	3	
-21	753 178	ABW	WASHER - Lock (#1210)	1	
-22	752 947	ABW	SHIELD - Dust (A38550)	1	
-23	751 510	ABW	CAP - Hub (38520A)	1	
-24	451 783	CD	SHIELD - Dust (#P-157-9)	2	
<p>A - Used on #40-28 Wheel Assembly only. B - Used on #40-58 Wheel Assembly only. C - Used on #40-86 or #40-86B Wheel Assembly only. D - Used on #40-84 Wheel Assembly only. W - These parts <u>must</u> be ordered from Service Spares Department, Piper Aircraft, <u>Lock Haven, Penna.</u></p>					

When ordering, always specify Part Number, Description, and Serial Number of Aircraft

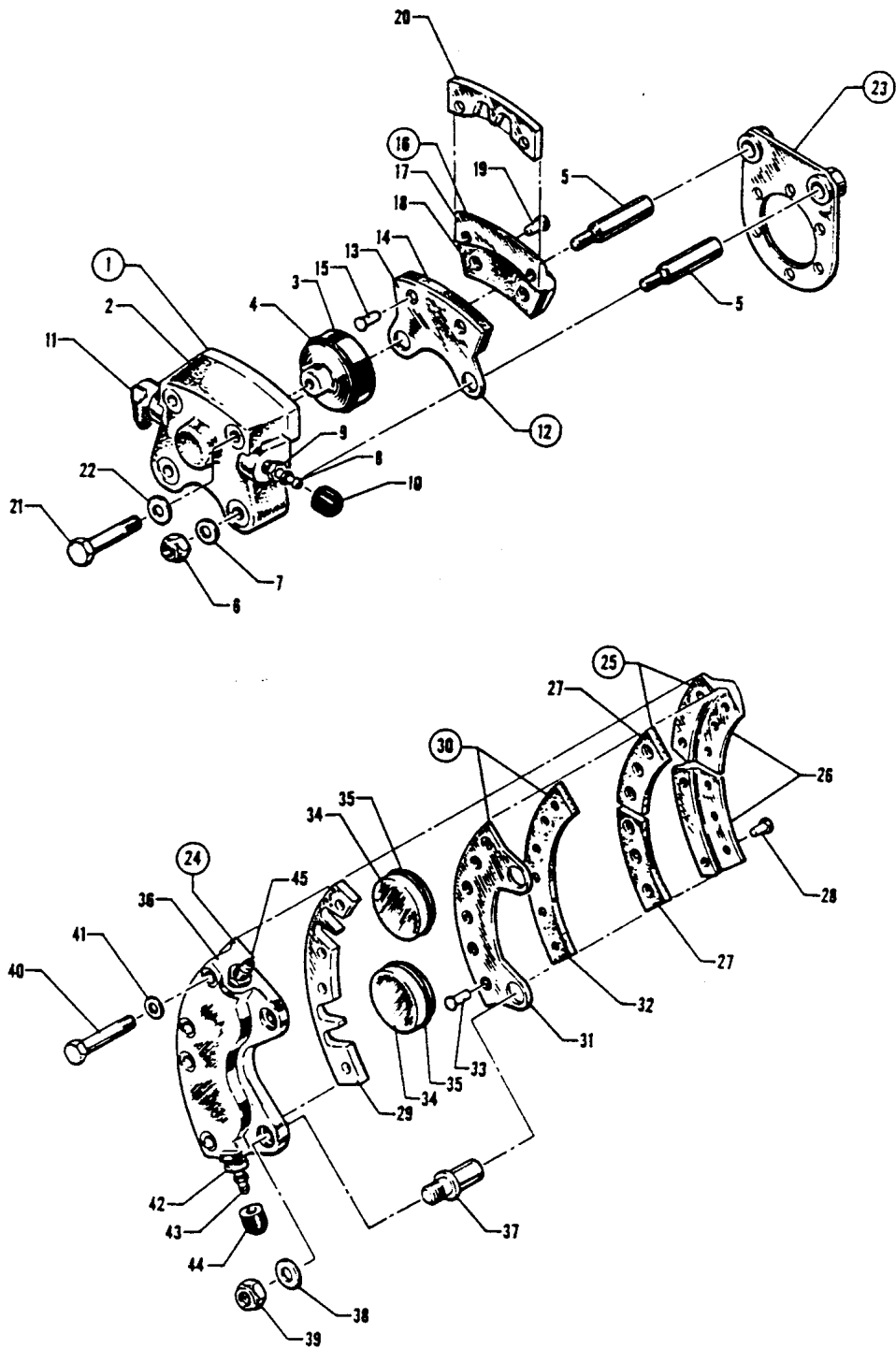


Figure 41. Brake Assembly

PIPER PARTS CATALOG

Figure and Index Number	Part Number	Code	NOMENCLATURE	No. Req.	SERIAL NUMBERS AFFECTED
41-1	451 718	A,W	BRAKE ASSEMBLY - (Cleveland 30-18)	2	
	551 703	B	BRAKE ASSEMBLY - (Cleveland 30-34)	2	
	551 705	C	BRAKE ASSEMBLY - (Cleveland 30-55)	2	
-2	753 849	E,W	CYLINDER - Brake (61-6)	1	
	753 885	F	CYLINDER - Brake (61-2)	1	
	753 920	D	CYLINDER - Brake (61-21)	1	
-3	752 751	E,W	PISTON - (3002)	1	
	755 850	F	PISTON - (35-202)	1	
	755 887	D	PISTON - (62-15)	1	
-4	484 711	E,W	"O" RING - (AN6227-23) (752 752)	1	
	755 851	F	"O" RING - (AN6227-29)	1	
	484 698	D,W	"O" RING - (AN6227-27)	1	
-5	751 402	E,F,W	BOLT-Anchor (3013)	2	
	753 407	D,W	BOLT - Anchor (69-4)	2	
-6	404 838	E,F,W	NUT - Anchor bolt (AN364-624)	2	
	404 836	D,W	NUT - Anchor bolt (MS20364-428C)	2	
-7	407 587	E,F,W	WASHER - Anchor bolt (AN960-616L)	2	
	407 585	D,W	WASHER - Anchor bolt (AN960-416)	2	
-8	752 965	W	SCREW - Bleeder (FC6446)	1	
-9	752 966	W	SEAT - Bleeder (37-206)	1	
-10	753 850	W	CAP - Bleeder (183-1)	1	
-11	476 648	E,W	NIPPLE - (AN816-4D)	1	
	458 894	F,W	ELBOW - (AN822-4D)	1	
-12	755 815	E,W	PLATE ASSEMBLY - Pressure (73-3)	1	
	755 852	F	PLATE ASSEMBLY - Pressure (73-1)	1	
	755 883	D	PLATE ASSEMBLY - Pressure (73-11)	1	
-13	755 816	E,W	PLATE - Pressure (63-5)	1	
	755 853	F	PLATE - Pressure (35-203)	1	
	755 884	D	PLATE - Pressure (63-12)	1	
-14	752 308	E,W	LINING - (3006)	1	
	752 338	F	LINING - (35-204)	1	
	752 342	D	LINING - (66-30)	1	
-15	752 826	E,F,W	RIVET - (561)	3	
	752 826	D,W	RIVET - (561)	2	
-16	752 768	E,W	PLATE ASSEMBLY - Back (74-2)	1	
	755 854	F	PLATE ASSEMBLY - Back (74-1)	1	
	755 885	D	PLATE ASSEMBLY - Back (74-10)	1	
-17	752 749	E,W	PLATE - Back (3012)	1	
	755 855	F	PLATE - Back (64-3)	1	
	755 886	D	PLATE - Back (64-15)	1	

A - Used on PA-28-140 with serial numbers 28-20002 to 28-20520 inclusive, PA-28-150, PA-28-160 and PA-28-180 with serial number 28-1 to 28-1760 inclusive.
 B - Used on PA-28-235 with serial numbers 28-10003 to 28-10486 inclusive.
 C - Used on PA-28-140 with serial numbers 28-20521 and up, PA-28-150, PA-28-160 and PA-28-180 with serial number 28-1761 and up, PA-28-235 with serial numbers 28-10487 and up, PA-28R-180 with serial numbers 28R-7130006 and up, and PA-28R-200 with serial numbers 28R-7135110 and up,
 D - Used with 30-55 Brake Assembly only.
 E - Used with 30-18 Brake Assembly only.
 F - Used with 30-34 Brake Assembly only.
 W - These parts must be ordered from Service Spares Department, Piper Aircraft, Lock Haven, Penna.

When ordering, always specify Part Number, Description, and Serial Number of Aircraft

PIPER PARTS CATALOG

Figure and Index Number	Part Number	Code	NOMENCLATURE	No. Req.	SERIAL NUMBERS AFFECTED
41-18	752 308	E,W	LINING - (3006)	1	
	752 338	A	LINING - (35-204)	1	
	752 342	B	LINING - (66-30)	1	
-19	752 826	A,E,W	RIVET- (561)	3	
	752 826	B,W	RIVET- (561)	2	
-20	756 127	E,W	SHIM - (68-4)	1	
-21	751 450	E,W	BOLT - Through (AN41-1-15A)	2	
	753 379	A	BOLT - Through (AN41-1-14A)	2	
	753 408	B	BOLT - Through (LP4-17AM)	2	
-22	407 585	B,E,W	WASHER-Through bolt (AN960-416L)	2	
	407 586	A,W	WASHER-Through bolt (AN960-516L)	2	
-23	756 818	B,E,W	TORQUE PLATE ASSEMBLY - (75-16)	1	
	755 856	A	TORQUE PLATE ASSEMBLY - (75-20)	1	
-24	551 701	D,W	BRAKE ASSEMBLY -Cleveland (30-41)	2	
-25	752 768	C,W	PLATE ASSEMBLY - Back (74-2)	2	
-26	752 749	C,W	PLATE - Back (3012)	1	
-27	752 308	C,W	LINING - Back plate (3006)	1	
-28	752 826	C,W	RIVET - Brake lining (561)	3	
-29	752 953	C,W	SPACER - Back plate (3003D)	1	
-30	755 829	C,W	PLATE ASSEMBLY - Pressure (73-4)	1	
-31	755 830	C,W	PLATE - Pressure (63-6)	1	
-32	752 309	C,W	LINING - Pressure (3007)	1	
-33	752 826	C,W	RIVET - Brake lining (561)	6	
-34	752 751	C,W	PISTON CYLINDER - (3002)	2	
-35	484 711	C,W	"O" RING - (AN6227-23) (752 752)	2	
-36	753 867	C,W	CYLINDER - Brake- (61-7)	1	
-37	751 402	C,W	BOLT - Anchor (3013)	2	
-38	407 587	C,W	WASHER - Anchor bolt (AN960-616L)	2	
-39	404 838	C,W	NUT - Anchor bolt (AN364-624)	2	
-40	751 450	C,W	BOLT - Through (AN4H-15A)	4	
-41	407 585	C,W	WASHER - (AN960-416L)	4	
-42	752 966	C,W	SEAT - Bleeder (37-206)	1	
-43	752 965	C,W	SCREW - Bleeder (FC6446)	1	
-44	753 850	C,W	CAP-Bleeder (183-1)	1	
-45	476 648	C,W	NIPPLE - (AN816-4D)	1	

A - Used with 30 34 Brake Assembly only.
 B - Used with 30 55 Brake Assembly only.
 C - Used with 30-41 Brake Assembly only.
 D - Used on PA-28R-180 with serial numbers 28R-30005 to 28R-7130005 inclusive and PA-28R-200 with serial numbers 28R-35001 to 28R-7135109 inclusive.
 E - Used with 30-18 Brake Assembly only.
 W - These parts must be ordered from Service Spares Department, Piper Aircraft, Lock Haven, Penna.

When ordering, always specify Part Number, Description, and Serial Number of Aircraft

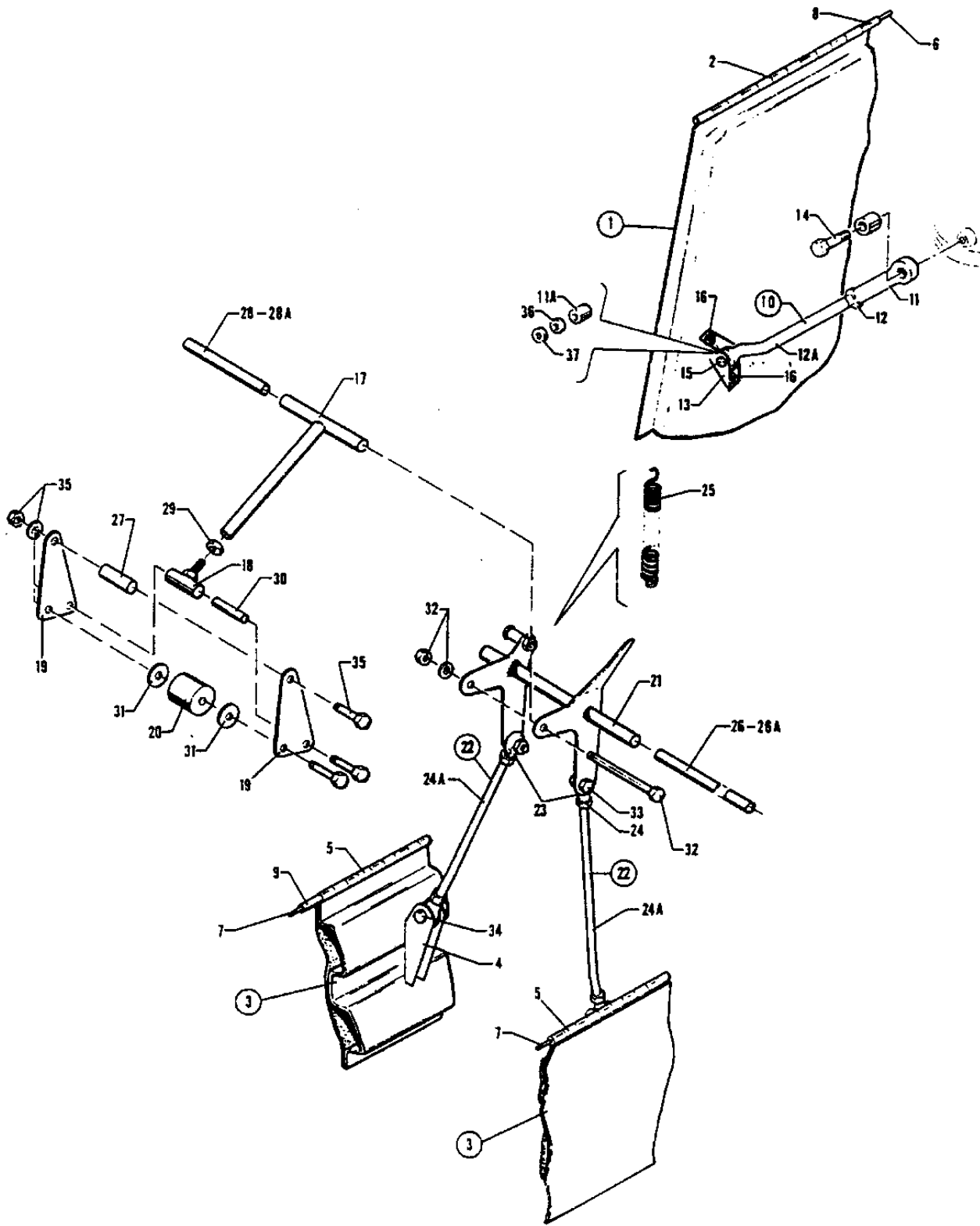


Figure 42. Landing Gear Door Installation

PIPER PARTS CATALOG

Figure and Index Number	Part Number	Code	NOMENCLATURE	No. Req.	SERIAL NUMBERS AFFECTED
42-	67356 67015 67349		DRAWING - Nose Gear Door Retraction Installation DRAWING - Wing Assembly (Complete) DRAWING - Cowl Assembly (Complete)		
-1	67090-00 67090-10 67090-01 67090-11	A B A B	DOOR ASSEMBLY - Main gear, left DOOR ASSEMBLY - Main gear, left DOOR ASSEMBLY - Main gear, right DOOR ASSEMBLY - Main gear, right	1 1 1 1	
-2	67093-04 67093-05		HINGE HALF - Main gear door, left HINGE HALF - Main gear door, right	1 1	
-3	67352-00 67352-01		DOOR ASSEMBLY - Nose gear, left DOOR ASSEMBLY - Nose gear, right	1 1	
-4	67364-00		BRACKET - Nose gear door	1	
-5	67355-00 67355-01		HINGE HALF - Nose gear, door, left HINGE HALF - Nose gear, door, right	1 1	
-6	63744-11		PIN - Hinge, main gear door	2	
-7	63744-12		PIN - Hinge, main gear door	2	
-8	63882-26		SLEEVE - Main gear door hinge	2	
-9	63882-27		SLEEVE - Nose gear door hinge	2	
-10	37722-02		ROD ASSEMBLY - Main gear door	2	
-11	452 335	W	BEARING - Rod end (PS10020 2-1RX)	1	
-11a	452 584	W	BEARING - (PS10020-7-3)	1	
-12	404 321	W	NUT- (AN316C4R)	1	
-12a	37722-03		ROD ASSEMBLY	1	
-13	67091-00		BRACKET - Main gear door	2	
-14	401 260		BOLT- (AN3CH-7A)	2	
-15	403 05 407 584 407 564 404 887	W W W W	WBOLT- (AN3C10A) WASHER - (AN960-10L) WASHER - (AN960-10) NUT- (MS2036C-1032C)	2 4 2 2	
-16	416 993 407 564 404 887	W W W	SCREW (AN526-1032R14) WASHER - (AN960-10) NUT- (MS20365-1032C)	4 4 4	
-17	67357-00		LINK ASSEMBLY - Nose gear door	1	
-18	67358-40		LINK ASSEMBLY - Nose gear door	1	
-19	67359-00		PLATE - Nose gear door link	2	
-20	67360-00		ROLLER - Nose gear door link	1	
-21	67361-00		BELLCRANK ASSEMBLY - Nose gear door	1	
-22	67362-00		ROD ASSEMBLY - Nose gear door	2	
-23	452 335	W	BEARING - Rod end (F34-14)	2	
-24	404 321	W	NUT - (AN316C4R)	2	
-24a	67362-42		ROD - Rod assembly	1	
-25	67363-00		SPRING - Nose gear door	1	
-26	67356-200		SLEEVE AND BUSHING ASSEMBLY- Nose gear door actuating	1	
-27	63882-29		SLEEVE - Teflon nose gear door actuating	2	
-28	67356-201		SLEEVE AND BUSHING ASSEMBLY- Nose gear door actuating	1	
-29	404 321	W	NUT- (AN316C-4R)	1	
-30	65003-27		BUSHING - Nose door actuating	3	
-31	407 675	W	WASHER - (AN960C 416)	2	

A - Used on PA-28R-180 airplanes only,
B - Used on PA-28R-200 airplanes only,
W - These Parts must be ordered from Service Spares Department, Piper Aircraft, Lock Haven, Penna.

When ordering, always specify Part Number, Description, and Serial Number of Aircraft

PIPER PARTS CATALOG

Figure and Index Number	Part Number	Code	NOMENCLATURE	No. Req.	SERIAL NUMBERS AFFECTED
42-32	401 286		BOLT- (AN3C-30A)	1	
	407 682	W	WASHER - (AN960-C-10L)	1	
	404 887	W	NUT- (MS20365-1032C)	1	
-33	403 054	W	BOLT- (AN3C-7A)	2	
	407 674	W	WASHER - (AN960 C-10)	4	
	404 887	W	NUT- (MS20365-1032C)	2	
-34	403 055	W	BOLT- (AN3C-10A)	2	
	407 674	W	WASHER (AN960C-10)	6	
	404 887	W	NUT - (MS20365-1032C)	2	
-35	401 275		BOLT- (AN3C-14A)	3	
	407 682	W	WASHER - (AN960C-10L)	3	
	404 887	W	NUT- (MS20365-10320)	3	
-36	63900-31		BUSHING - (.19 long)	2	
-37	62833-103		WASHER	2	

W - These parts must be ordered from Service Spares

When ordering, always specify Part Number, Description, and Serial Number of Aircraft

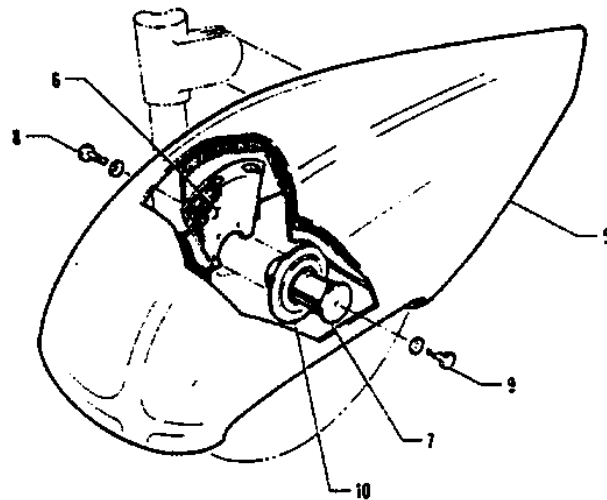
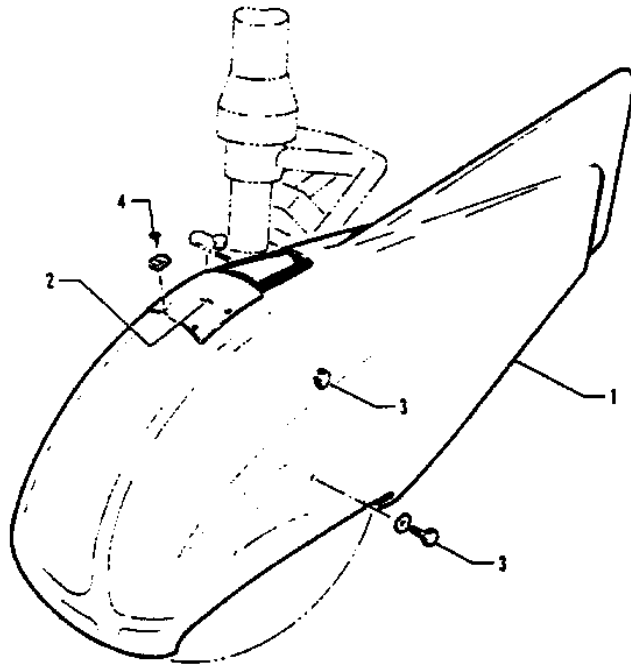


Figure 43. Main and Nose Wheel Fairing Installation
(PA-28-140 - Serial Nos. 28-20002 and up)
(PA-28-150-160-180 - Serial Nos. 28-1 and up)
(PA-28-235 - Serial Nos. 28-10003 and up)

PIPER PARTS CATALOG

Figure and Index Number	Part Number	Code	NOMENCLATURE	No. Req.	SERIAL NUMBERS AFFECTED
43-	63379 65348 76417 63376 65237	B G	DRAWING - Nose Wheel Fairing Installation DRAWING - Nose Wheel Fairing Installation DRAWING - Nose Wheel Fairing Installation DRAWING - Main Wheel Fairing Installation DRAWING - Main Wheel Fairing Installation		28-1to 28-1529 inclusive 28-7410001 and up 28-1 to 28-1529 inclusive 28-1530 and up
-1	63377-00 65331-00 65331-06 76415-00	E F G	FAIRING ASSEMBLY - Nose wheel FAIRING ASSEMBLY - Nose wheel FAIRING ASSEMBLY - Nose wheel FAIRING ASSEMBLY - Nose wheel	1 1 1 1	28-1 to 28-1529 inclusive
-2	63380-00 65332-00 79245-00 65332-02	E F G	COVER - Nose wheel fairing COVER - Nose wheel fairing COVER - Nose wheel fairing COVER - Nose wheel fairing	1 1 1 1	28-1 to 28-1529 inclusive
-3	401 310 407 565	W W	BOLT - (AN4-10A) WASHER - (AN960-416)	4 4	
-4	419 920 415 449 406 387 477 674	W W	SCREW - Type "B" truss head 8 x 1/2 L SCREW - (AN526-832R8) NUT - Tinnerman (A9031-8A-1) NUT - (MU-832-.45-.05 x .075-L-10)	4 4 4 4	28-1 to 28-1529 inclusive 28-1530 and up 28-1 to 28-1529 inclusive 28-1530 and up
-5	63374-00 63374-01 65203-00 65203-01 65203-02 65203-03	C C D D	FAIRING ASSEMBLY - Main wheel, left FAIRING ASSEMBLY - Main wheel, right FAIRING ASSEMBLY - Main wheel, left FAIRING ASSEMBLY - Main wheel, right FAIRING ASSEMBLY - Main wheel, left FAIRING ASSEMBLY - Main wheel, right	1 1 1 1 1 1	28-1 to 28-1529 inclusive 28-1 to 28-1529 inclusive
<p>A - Used on PA-28-140 with serial numbers 28-20002 and up, PA-28-150, PA-28-160 and PA-28-180 with serial numbers 28-1 and up, and PA-28-235 with serial numbers 28-10003 and up.</p> <p>B - Used on PA-28-150, PA-28-160 and PA-28-180 with serial numbers 28-1530 and up, PA-28-140 with serial numbers 28-20002 and up, and PA-28-235 with serial numbers 28-10003 to 28-7310187 inclusive.</p> <p>C - Used on PA-28-140 with serial numbers 28-20002 to 28-7125063 inclusive, PA-28-150, PA-28-160 and PA-28-180 with serial numbers 28-1530 to 28-7105068 inclusive, and PA-28-235 with serial numbers 28-10003 to 28-7110002 inclusive.</p> <p>D - Used on PA-28-140 with serial numbers 28-7125064 and up, PA-28-180 with serial numbers 28-7105069 and up, and PA-28-235 with serial numbers 28-710003 and up.</p> <p>E - Used on PA-28-150, PA-28-160 and PA-28-180 with serial numbers 28-1530 to 28-7305611 inclusive, PA-28-140 with serial numbers 28-20002 to 28-7325684 inclusive, and PA-28-235 with serial numbers 28-10003 to 28-7310187 inclusive.</p> <p>F - Used on PA-28-140 with serial numbers 28-7425001 and up, and PA-28-180 with serial numbers 28-7405001 and up.</p> <p>G - Used on PA-28-235 airplanes only.</p> <p>W - These parts must be ordered from Service Spares Department, Piper Aircraft, Lock Haven, Penna.</p>					

When ordering, always specify Part Number, Description, and Serial Number of Aircraft

PIPER PARTS CATALOG

Figure and Index Number	Part Number	Code	NOMENCLATURE	No. Req.	SERIAL NUMBERS AFFECTED
43-6	63370-04		BRACKET ASSEMBLY - Wheel fairing, left	1	28-1 to 28-1529 inclusive
	63370-05		BRACKET ASSEMBLY - Wheel fairing, right	1	28-1 to 28-1529 inclusive
	63370-05		BRACKET ASSEMBLY - Wheel fairing, left	1	28-1530 and up
	63370-04		BRACKET ASSEMBLY - Wheel fairing, right	1	28-1530 and up
-7	63373-00		SUPPORT ASSEMBLY - Wheel fairing, main (3.50" long) plug-in type)	2	
	66821-04		SUPPORT ASSEMBLY - Wheel fairing, main (1.50" long) screw-on type)	2	
-8	400 003	W	BOLT - (AN4-6A)	6	
	407 565	W	WASHER - (AN960-416)	6	
-9	400 003	W	BOLT - (AN4-6A)	2	
	407 801	W	WASHER - (AN970-4)	2	
-10	752 882	W	GREASE SEAL ASSEMBLY - (B39001)	2	
<p>A - Used on PA-28-140 with serial numbers 28-20002 and up, PA-28- 150, PA-28-160 and PA-28-180 with serial numbers 28-1 and up, and PA-28-235 with serial numbers 28-10003 and up.</p> <p>W - These parts must be ordered from Service Spares Department, Piper Aircraft, Lock Haven, Penna.</p>					

When ordering, always specify Part Number, Description, and Serial Number of Aircraft

**2116 THRU 2124
INTENTIONALLY LEFT BLANK**

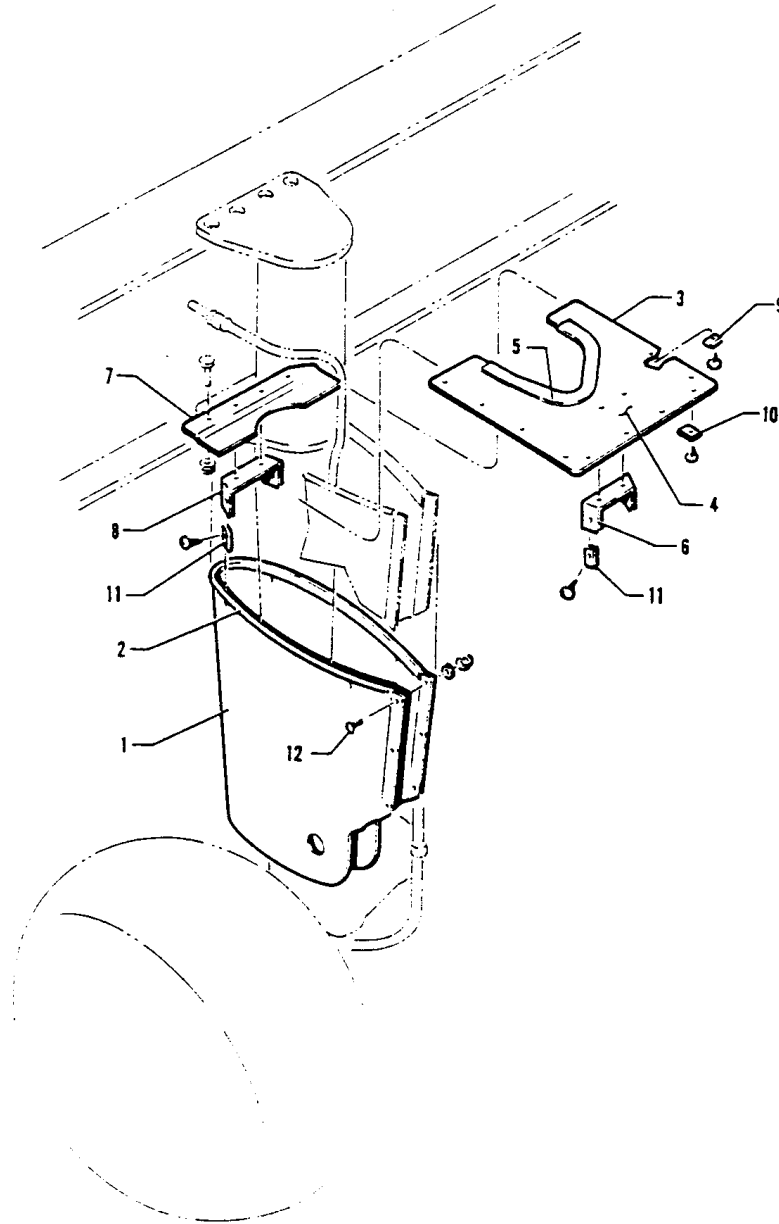


Figure 44. Main Landing Gear Strut Fairing Installation

PIPER PARTS CATALOG

Figure and Index Number	Part Number	Code	NOMENCLATURE	No. Req.	SERIAL NUMBERS AFFECTED
44-	63343 65693	A B	DRAWING - Strut Fairing Installation, Main Landing Gear DRAWING - Strut Fairing Installation, Main Landing Gear		
-1	63338-00		FAIRING ASSEMBLY - Main gear	2	
-2	63186-04		* MOLDING - Extruded	1	
-3	63339-00	A	PLATE ASSEMBLY - Fairing, left	1	
	63339-01	A	PLATE ASSEMBLY - Fairing, right	1	
	65688-00	B	PLATE ASSEMBLY - Fairing, left	1	
	65688-01	B	PLATE ASSEMBLY - Fairing, right	1	
-4	63339-02	A	* PLATE - Fairing	2	
	65688-02	B	* PLATE - Fairing, left	1	
	65688-03	B	* PLATE - Fairing, right	1	
-5	63186-33		* MOLDING - Extruded	1	
-6	63341-00		* CLIP - Fairing	2	
-7	63340-00	A	PLATE - Fairing, left	1	
	63340-01	A	PLATE - Fairing, right	1	
-8	63342-00		CLIP- Fairing	2	
-9	419 920	W	SCREW - (8 x 1/2)	2	
	415 449	B,W	SCREW - (AN526-832R8)	2	
	406 387	A	NUT - (A9031-8A-1)	2	
-10	419 920	A,W	SCREW - (8 x 1/2)	8	
	415 449	B,W	SCREW - (AN526-832R8)	8	
	406 373	A,W	NUT - (NAS395-17-1)	8	
-11	419 920	W	SCREW - (8 x 1/2)	4	
	406 373	W	N UT - (NAS395- 17- 1)	4	
-12	415 171		SCREW - (AN526C-632-5)	3	
	407 562	W	WASHER - (AN960-6)	3	
	404 909	W	NUT - (MS20365-632C)	3	

A - Used on PA-28-140 with serial numbers 28-20002 to 28-21594 inclusive, PA-28-150, PA-28-160 and PA-28-180 with serial numbers 28-1 to 28-3177 inclusive. and PA-28-235 with serial numbers 28-10003 to 28-10719 inclusive.

B - Used on PA-28-140 with serial numbers 28-21595 and up. PA-28-150, PA-28- 160 and PA-28-180 with serial numbers 28-3178 and up, and PA-28-235 with serial numbers 28-10720 and up.

W - These parts must be ordered from Service Spares Department Piper Aircraft Lock Haven Penna.

When ordering, always specify Part Number, Description, and Serial Number of Aircraft

PIPER PARTS CATALOG

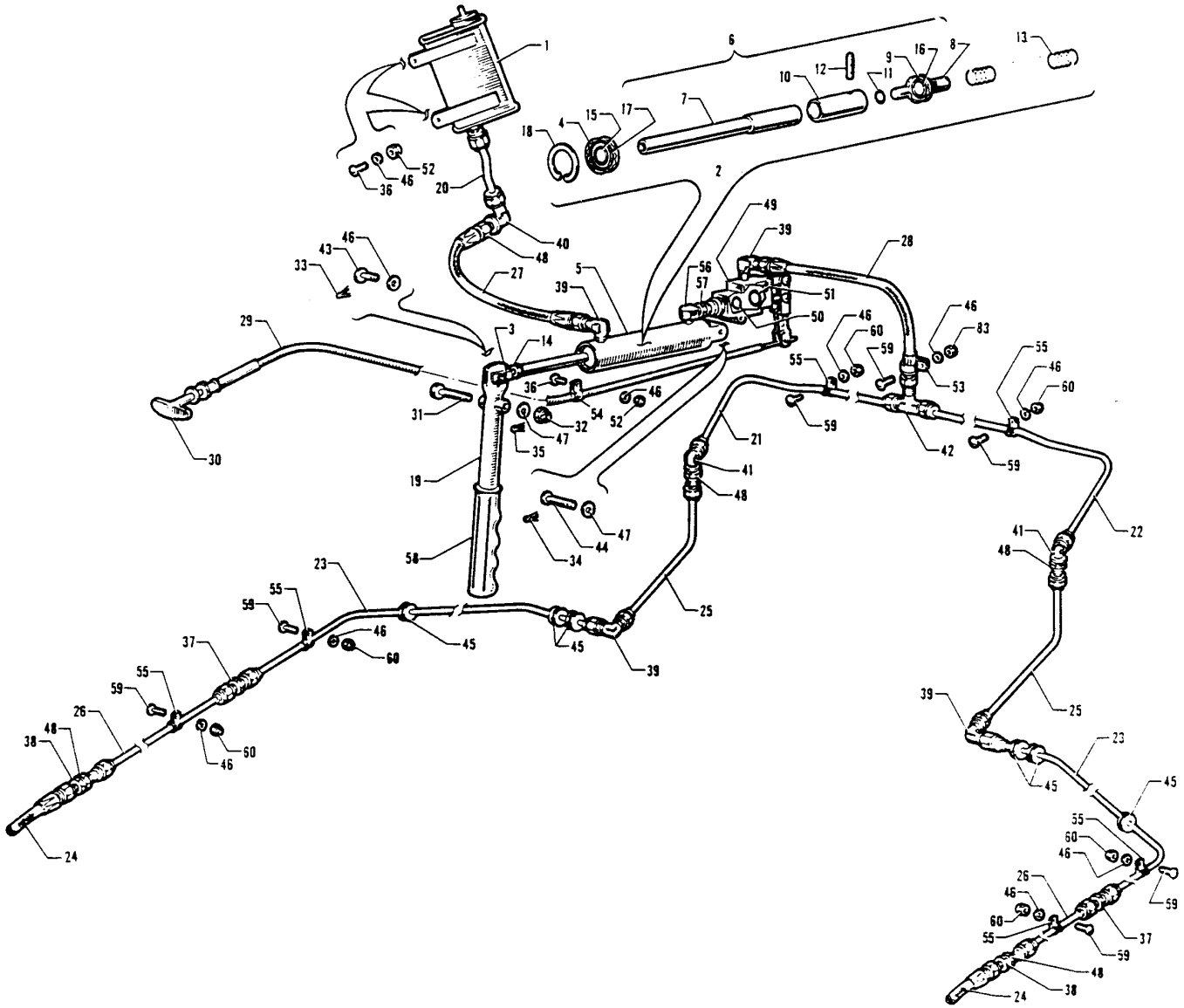


Figure 45. Hand Brake Installation
(Serial Nos.28-1 to 28-250 inclusive)

PIPER PARTS CATALOG

Figure and Index Number	Part Number	Code	NOMENCLATURE	No. Req.	SERIAL NUMBERS AFFECTED
45-	63326		DRAWING - Brake Installation		
-1	18290-00	W	RESERVOIR ASSEMBLY - Brake cylinder	1	
-2	21030-00	W	CYLINDER ASSEMBLY - Brake master	1	
-3	12605-00	W	CLEVIS	1	
-4	19011-00	W	CAP - Brake cylinder	1	
-5	21008-00	W	CYLINDER - Brake	1	
-6	21029-00	W	PLUNGER ASSEMBLY - Brake cylinder	1	
-7	12599-03	W	ROD - Brake cylinder plunger	1	
-8	15152-00	W	PIN	1	
-9	14153-00	W	PISTON HEAD	1	
-10	21028-00	W	BUSHING	1	
-11	484 700	W	PACKING "O" Ring (A N6227-5)	1	
-12	480 698	W	ROLL PIN - (#59-012-062-0625)	1	
-13	21051-00	W	SPRING - Brake cylinder	1	
-14	404 322	W	NUT - (AN316-4R)	1	
-15	484 701	W	PACKING - "O" Ring (AN6227-7)	1	
-16	484 706	W	PACKING - "O" Ring (A N6227 - 11)	1	
-17	484 702	W	PACKING- "O" Ring (AN6227- 16)	1	
-18	484 721	W	RING Retainer (#5000-106)	1	
-19	63320-00		HANDLE - Brake	1	
-20	63321-00		LINE ASSEMBLY - Brake, reservoir outlet	1	
-21	63322-00		LINE ASSEMBLY - Brake, left side, upper	1	
-22	63322-01		LINE ASSEMBLY - Brake, right side, upper	1	
-23	63323-00		LINE ASSEMBLY - Brake	2	
-24	63901-02		HOSE - Lower brake	2	
-25	63324-00		LINE ASSEMBLY - Brake, left and right	2	
-26	63325-00		LINE ASSEMBLY - Brake, left and right	2	
-27	63901-03		HOSE ASSEMBLY - Flexible, reservoir to master cylinder	1	
-28	63901-04		HOSE ASSEMBLY - Flexible, brake valve to tee	1	
-29	63902-02		CONTROL - Parking brake	1	
-30	471 080	W	HANDLE - Tee (#KN578A)	1	
-31	400 113	W	BOLT- (AN4-20)	1	
-32	404 101	W	NUT- (AN310-4)	1	
-33	424 040		COTTER PIN - (AN380-1-1)	1	
-34	424 041		COTTER PIN - (AN380-1-2)	1	
-35	424 051	W	COTTER PIN - (A N380 - 2 - 2)	1	
-36	416 995	W	SCREW - (AN526-1032R-8)	2	
-37	491 050	W	UNION - (AN815-4D)	2	
-38	491 060	W	UNION - (AN832-4D)	2	
-39	458 880	W	ELBOW - (AN821-4D)	4	
-40	458 934	W	ELBOW - (AN833-4)	1	
-41	458 910	W	ELBOW - (AN837-4D)	2	
-42	488 320	W	TEE - (AN824-4D)	1	
-43	424 176	W	PIN- (MIS20392-2-15)	1	
-44	424 195	W	PIN- (MS20392-3-53)	1	
-45	434 151		GROMMET - (AN931-55-12)	4	

W - These parts must be ordered from Service Spares Department, Piper Aircraft, Lock Haven, Penna.

When ordering, always specify Part Number, Description, and Serial Number of Aircraft

PIPER PARTS CATALOG

Figure and Index Number	Part Number	Code	NOMENCLATURE	No. Req.	SERIAL NUMBERS AFFECTED
45-46	407 584	W	WASHER-(AN960-10L)	13	
-47	407 585	W	WASHER-(AN960-416L)	4	
-48	477 618	W	NUT - (AN924-4D)	5	
-49	492 061	W	VALVE - Hydraulic (#A77B)	1	
-50	757 268	W	PACKING - "O" Ring (AN6227-1)	2	
-51	484 700	W	PACKING - "O" Ring (AN6227-5)	1	
-52	406 796	W	NUT - Flexloc #22 ft 1032	3	
-53	454 854	W	CLAMP - (#A4886S-11-1)	1	
-54	454 887	W	CLAMP - (#A 4886S- 3- 1)	1	
-55	454 929	W	CLAMP - (#A4980S-4-91)	6	
-56	458 904	W	ELBOW - (A N914- ID)	1	
-57	476 643	W	NIPPLE - (AN911-ID)	1	
-58	463 380	W	GRIP - Black, parking brake	1	
-59	417 775	W	SCREW - (AN520-I0R8)	6	
-60	404 887	W	NUT - (MS20365-1032)	1	
<p>W- These parts <u>must</u> be ordered from Service Spares Department, Piper Aircraft, <u>Lock Haven, Penna.</u></p>					

When ordering, always specify Part Number, Description, and Serial Number of Aircraft

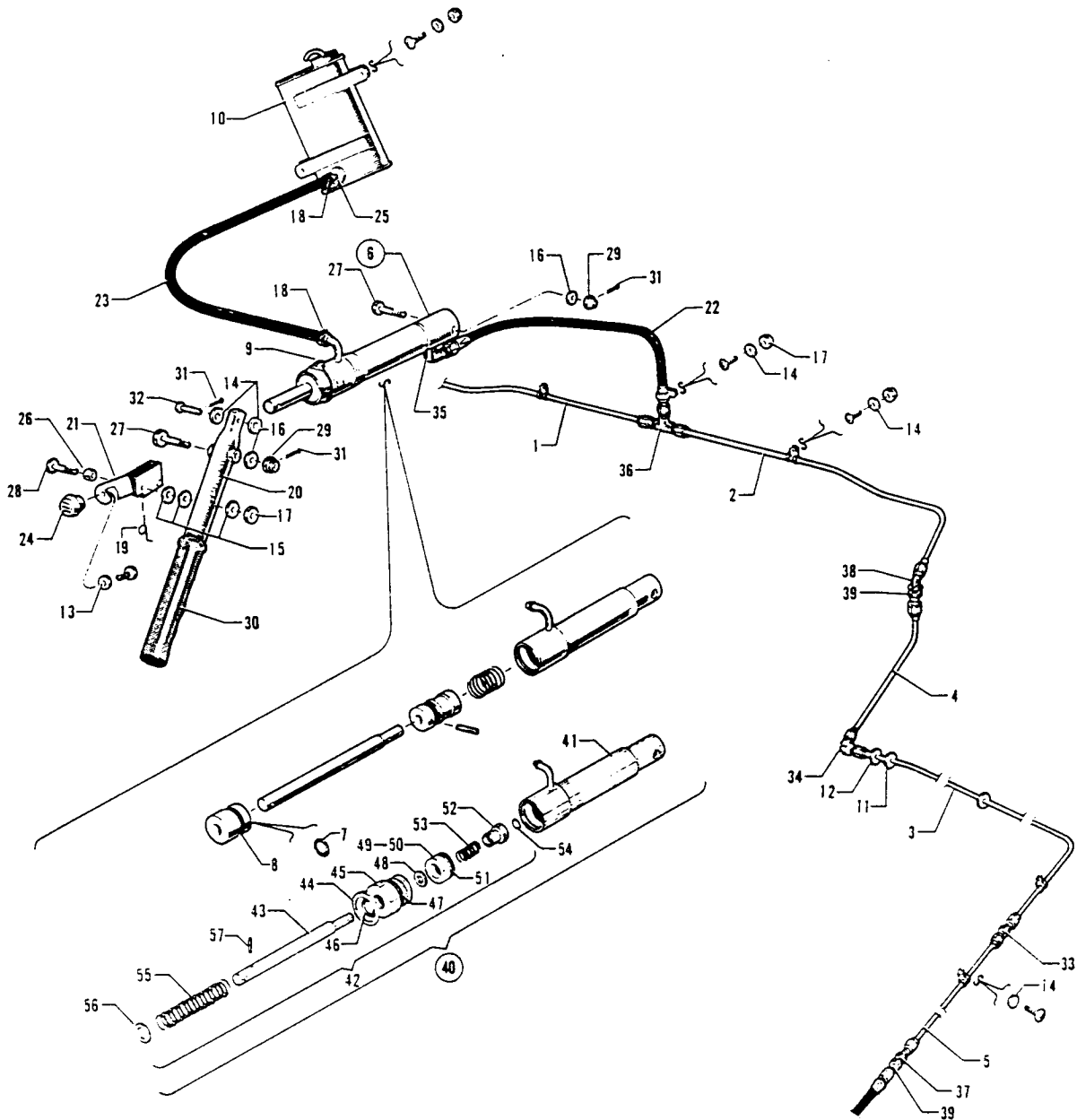


Figure 46. Hand Brake Installation
 (PA-28-140 - Serial Nos. 28-20002 and up)
 (PA-28-150-160-180 - Serial Nos. 28-251 and up)
 (PA-28-235 - Serial Nos. 28-10003 and up)

PIPER PARTS CATALOG

Figure and Index Number	Part Number	Code	NOMENCLATURE	No. Req.	SERIAL NUMBERS AFFECTED
46-	63359 65268 65842	H B J	DRAWING - Brake Installation DRAWING - Brake Installation DRAWING - Brake Installation		
-1	63322-00 63489-00	C D.E	LINE ASSEMBLY - Left LINE ASSEMBLY . Left	1 1	
-2	63322-01 63466-00	C D	LINE ASSEMBLY - Right LINE ASSEMBLY - Right	1 1	
-3	63323-00 68467-00	F G	LINE ASSEMBLY LINE ASSEMBLY	2 2	
<p>A - Used on PA-28-140 with serial numbers 28-20002 and up, PA-28-150, PA-28-160 and PA-28-180 with serial numbers 28-251 and up, and PA-28-235 with serial numbers 28-10003 and up.</p> <p>B - Used on PA-28-150, PA-28-160 and PA-28-180 with serial numbers 28-1761 to 28-4377 inclusive, and PA-28-235 with serial numbers 28-10003 to 28-11039 inclusive.</p> <p>C - Used on PA-28-150, PA- 28-160 and PA-28-180 with serial numbers 28-251 to 28-1760 inclusive, PA-28-235 with serial numbers 28-10003 to 28-10486 inclusive, and PA-28-140 with serial numbers 28-20002 to 28-20520 inclusive.</p> <p>D - Used on PA-28-150, PA-28-160 and PA-28-180 with serial numbers 28-1761 and up, PA-28-235 with serial numbers 28-10487 to 28-11039 inclusive, and PA-28-140 with serial numbers 28-20521 and up.</p> <p>E - See Figure 48 if toe brakes are installed.</p> <p>F - Used on PA-28-150, PA-28-160 and PA-28-180 with serial numbers 28-251 to 28-2477 inclusive, PA-28-235 with serial numbers 28-10003 to 28-10675 inclusive, and PA-28-140 with serial numbers 28-20002 to 28-24999 inclusive.</p> <p>G - Used on PA-28-150, PA-28-160 and PA-28-180 with serial numbers 28-2478 and up, PA-28-235 with serial numbers 28-10676 and up, and PA-28-140 with serial numbers 28-25000 and up.</p> <p>H - Used on PA-28-150, PA-28-160 and PA-28-180 with serial numbers 28-251 to 28-1760 inclusive, and PA-28-140 with serial numbers 28-20002 to 28-24999 inclusive.</p> <p>J - Used on PA-28-180 with serial numbers 28-4378 and up, PA-28-235 with serial numbers 28-11040 and up. and PA-28-140 with serial numbers 28-25000 and up).</p>					

When ordering, always specify Part Number, Description, and Serial Number of Aircraft

PA-28-140
PA-28-150
PA-28-160
PA-28-180
PA-28-235

PIPER PARTS CATALOG

Figure and Index Number	Part Number	Code	NOMENCLATURE	No. Req.	SERIAL NUMBERS AFFECTED
46-4	63324-00	D	LINE ASSEMBLY	2	
	63324-04	H	LINE ASSEMBLY	2	
	67700-58	E	LINE ASSEMBLY	2	
-5	63325-00		LINE ASSEMBLY	2	
-6	63353-00	C,F	ACTUATOR ASSEMBLY - Brake cylinder	1	
-7	484 701	C,W	* PACKING - Hydraulic (AN6227-7)	1	
-8	484 706	C,W	* PACKING - Hydraulic(AN6227-11)	1	
-9	416 087	C	* SCREW - (AN500A-6-3)	1	
-10	63355-06	G	RESERVOIR ASSEMBLY - Brake cylinder	1	
	63355-09	B	RESERVOIR ASSEMBLY - Brake cylinder	1	
-11	434 132	W	GROMMET - (AN931-11-16)	2	
-12	434 151		GROMMET - (AN931-5S-12)	4	
-13	407 124		LOCK WASHER - (AN935-IOL)	1	
-14	407 584	W	WASHER - (AN960-10L)	11	
-15	407 564	W	WASHER - (AN960-10)	3	
-16	407 565	W	WASHER - (AN960-416)	2	
-17	404 887	W	NUT - (MS20365-1032)	4	
-18	554 998		CLAMP - Hose (SAE TY F-4)	2	
			A - Used on PA-28-140 with serial numbers 28-20002 and up, PA-28-150, PA-28-160 and PA-28-180 with serial numbers 28-251 and up, and PA-28-235 with serial numbers 28-10003 and up.		
			B - Used on PA-28-150, PA-28-160 and PA-28-180 with serial numbers 28-1761 and up, PA-28-235 with serial numbers 28-1 0003 and up, and PA-28-140 with serial numbers 28-25000 and up.		
			C- Used on PA-28-140 with serial numbers 28-20002 to 28-21036 inclusive, PA-28-150, PA-28-160 and PA-28-180 with serial numbers 28-251 to 28-2700 inclusive, and PA-28-235 with serial numbers 28-10003 to 28-10697 inclusive.		
			D- Used on PA-28-150, PA-28-160 and PA-28-180 with serial numbers 28-251 to 28-2477 inclusive, PA-28-235 with serial numbers 28-10003 to 28-1 0675 inclusive, and PA-28-1 40 with serial numbers 28-20002 to 28-24999 inclusive.		
			E- Used on PA-28-180 with serial numbers 28-7305001 and up, and PA-28-235 with serial numbers 28-7310001 and up.		
			F - Order P/N 455 938 if complete Actuator Assembly is required.		
			G - Used on PA-28-150, PA-28-160 and PA-28-180 with serial numbers 28-251 to 28-1760 inclusive. and PA-28-140 with serial numbers 28-20002 to 28-24999 inclusive.		
			H - Used on PA-28-150, PA-28-160 and PA-28-180 with serial numbers 28-2478 to 28-7205328 inclusive, PA-28-235 with serial numbers 28-10676 to 28-7210033 inclusive, and PA-28-140 with serial numbers 28-25000 and up.		
			W - These parts must be ordered from Service Spares Department- Piper Aircraft, Lock Haven, Penna.		

When ordering, always specify Part Number, Description, and Serial Number of Aircraft

PA-28-140
PA-28-150
PA-28-160
PA-28-180
PA-28-235

PIPER PARTS CATALOG

Figure and Index Number	Part Number	Code	NOMENCLATURE	No. Req.	SERIAL NUMBERS AFFECTED
46-19	63356-00		SPRING - Brake handle	1	
-20	63357-00		HANDLE ASSEMBLY - Brake	1	
-21	63358-00	B	LATCH ASSEMBLY - Brake handle	1	
	67135-03	E	LATCH ASSEMBLY - Brake handle	1	
-22	63901-09		HOSE ASSEMBLY - Flexible	1	
-23	63913-10		HOSE - Flexible	1	
-24	63914-07		KNOB ASSEMBLY - Parking brake	1	
-25	63915-06		DISC - Firewall seal	1	
-26	63900-131		BUSHING	1	
-27	400 113	W	BOLT - (AN4-20)	2	
-28	400 686		BOLT - (AN23-23A)	1	
-29	404 101	W	NUT - (AN310-4)	2	
-30	463 380	W	GRIP - Brake handle	1	
-31	424 051	W	PIN - (AN380-2-2)	2	
-32	424 178	W	PIN - (AN393-19)	1	
-33	491 050	W	UNION - (AN815-4D)	2	
-34	458 881	W	ELBOW - (AN821-4D)	2	
-35	458 894	W	ELBOW - (AN822-4D)	2	
-36	488 320	W	TEE - (AN824-4D)	1	
-37	491 060	C,W	UNION - (AN832-4D)	2	
	458 910	D,W	ELBOW - (AN837-4D)	2	
-38	458 910	W	ELBOW - (AN837-4D) Left	1	
	491 060	W	UNION - (AN832-4D) Right	1	
-39	477 618	W	NUT - (AN924-4D)	4	
-40	455 938	F	CYLINDER ASSEMBLY - Master (10-22)	1	
-41	753 956	F	* HYDRAULIC CYLINDER ASSEMBLY - (189-9)	1	
-42	755 948	F	* PISTON ROD ASSEMBLY - (182-7)	1	
-43	755 949	F	** ROD - Piston (142-9)	1	
-44	755 950	F	** RING - Snap (155-10)	1	
-45	751 889	F	** GLAND - Packing (141-10)	1	
-46	484 701	F,W	** PACKING - "O" Ring (AN6227-7)	1	
-47	484 727	F	** PACKING - "O" Ring (AN6227-12)	1	
			A - Used on PA-28-140 with serial numbers 28-20002 and up, PA-28-150, PA-28-160 and PA-28-180 with serial numbers 28-251 and up. and PA-28-235 with serial numbers 28-10003 and up.		
			B - Used on PA-28-150, PA-28-160 and PA-28-180 with serial numbers 28-1 to 28-4377 inclusive, PA-28-235 with serial numbers 28-10003 to 28-11039 inclusive, and PA-28-140 with serial numbers 28-20002 to 28-24999 inclusive.		
			C - Used on PA-28-150, PA-28-160 and PA-28-180 with serial numbers 28-251 to 28-1284 inclusive.		
			D - Used on PA-28-150, PA-28-160 and PA-28-180 with serial numbers 28-1285 and up, PA-28-140 and PA-28-235 airplanes.		
			E - Used on PA-28-180 with serial numbers 28-4378 and up, PA-28-235 with serial numbers 28-11040 and up, and PA-28-140 with serial numbers 28-25000 and up.		
			F - Used on PA-28-140 with serial numbers 28-21037 and up. PA-28-150, PA-28-160 and PA-28-180 with serial numbers 28-2701 and up, and PA-28-235 with serial numbers 28-10698 and up.		
			W - These parts must be ordered from Service Spares Department. Piper Aircraft. Lock Haven. Penna.		

When ordering, always specify Part Number, Description, and Serial Number of Aircraft

PA-28-140
PA-28-150
PA-28-160
PA-28-180
PA-28-235

PIPER PARTS CATALOG

Figure and Index Number	Part Number	Code	NOMENCLATURE	No. Req.	SERIAL NUMBERS AFFECTED
46-48	753 172	B,W	** WASHER - Dyna-seal (110-3/16)	1	
-49	757 216	B	** PISTON ASSEMBLY - (92-19)	1	
-50	757 217	B	*** PISTON - (48-10)	1	
-51	484 706	B,W	*** PACKING - "O" Ring (AN6227-11)	1	
-52	753 381	B,W	** BUSHING - (145-15)	1	
-53	756 117	B,W	** SPRING - (82-8)	1	
-54	752 855	B,W	** RING - Snap (155-5)	1	
-55	756 118	B,W	** SPRING - (82-9)	1	
-56	407 567	B,W	** WASHER - (AN960-616)	1	
-57	755 882	B	** ROLL PIN - (223-1)	1	
			A - Used on PA-28-140 with serial numbers 28-20002 and up, PA-28-150, PA-28-160 and PA-28-180 with serial numbers 28-251 and up, and PA-28-235 with serial numbers 28-10003 and up.		
			B - Used on PA-28-140 with serial numbers 28-21037 and up, PA-28-150, PA-28-160 and PA-28-180 with serial numbers 28-2701 and up, and PA-28-235 with serial numbers 28-10698 and up.		
			W - These parts must be ordered from Service Spares Department, Piper Aircraft, Lock Haven, Penna.		

When ordering, always specify Part Number, Description, and Serial Number of Aircraft

PA-28-140
PA-28-150
PA-28-160
PA-28-180
PA-28-235

PIPER PARTS CATALOG

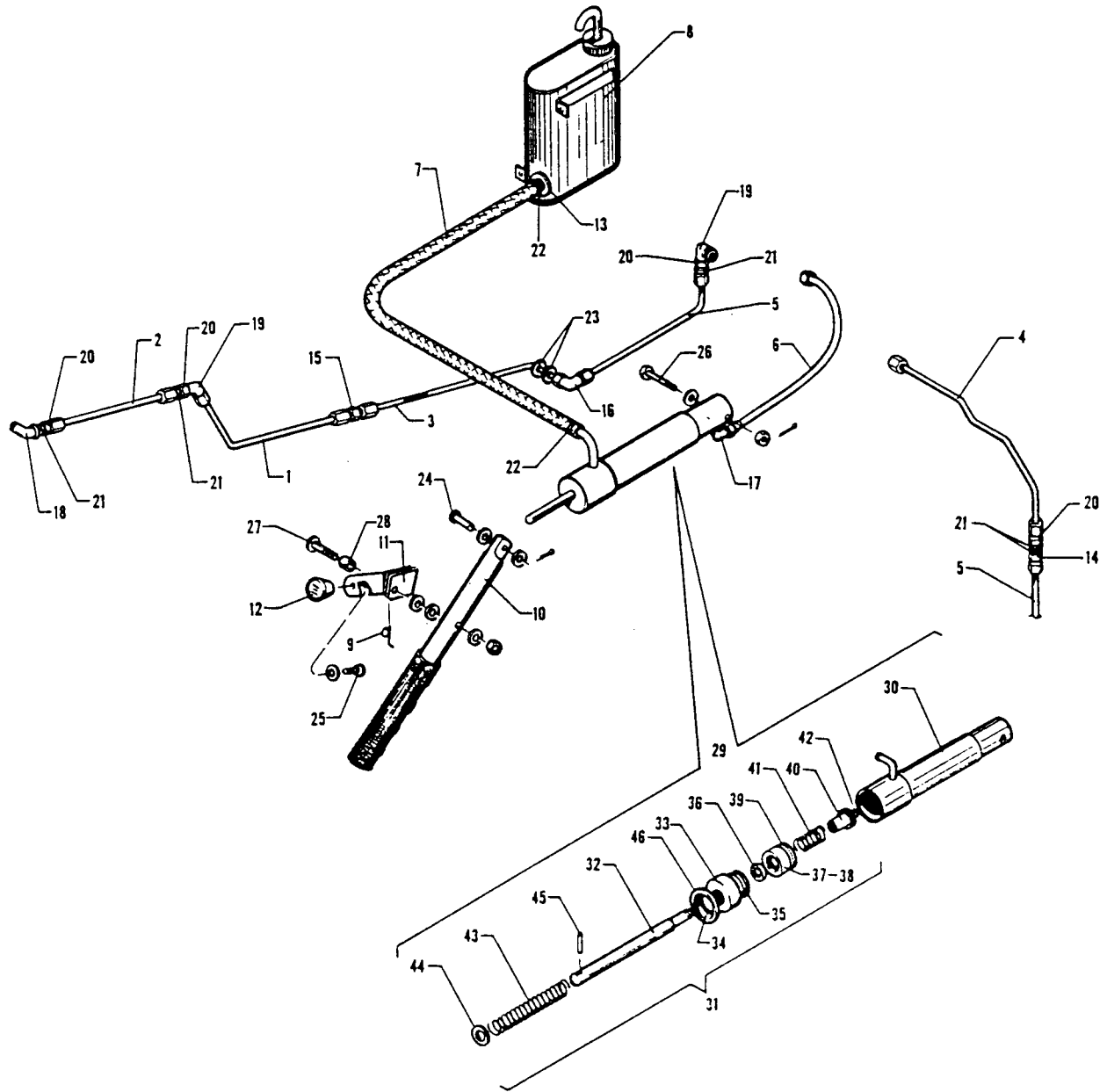


Figure 47. Hand Brake Installation

PIPER PARTS CATALOG

Figure and Index Number	Part Number	Code	NOMENCLATURE	No. Req.	SERIAL NUMBERS AFFECTED
47-	67014		DRAWING - Hand Brake Installation		
-1	67338-00		LINE ASSEMBLY - Brake	2	
-2	67342-00	A	LINE ASSEMBLY - Brake	2	
	67549-00	B	LINE ASSEMBLY - Brake	2	
-3	68467-00		LINE ASSEMBLY - Brake	2	
-4	63466-00		LINE ASSEMBLY - Brake, left	1	
-5	63324-04	C	LINE ASSEMBLY - Brake	2	
	67700-58	D	LINE ASSEMBLY - Brake	2	
-6	63901-09		HOSE ASSEMBLY - Flexible	1	
-7	63913-10		HOSE- Flexible	1	
-8	63355-09		RESERVOIR ASSEMBLY - Brake cylinder	1	
-9	63356-00		SPRING - Brake handle	1	
-10	63357-00		HANDLE ASSEMBLY - Brake	1	
-11	67135-03		LATCH ASSEMBLY - Hand brake	1	
-12	63914-07		KNOB ASSEMBLY - Hand brake	1	
-13	63915-06		DISC- firewall seal	1	
-14	491 060	W	UNION - (AN832-4D)	1	
-15	491 050	W	UNION-(AN815-4D)	2	
-16	458 881	W	ELBOW - (AN821-4D)	2	
-17	458 894	W	ELBOW - (AN822-4D)	1	
-18	458 900	W	ELBOW - (AN833-4D)	2	
-19	458 910	W	ELBOW - (AN837-4D)	3	
-20	477 618	W	NUT - (AN924-4D)	8	
-21	407 568	W	WASHER - (AN960-716)	8	
-22	454 983	W	CLAMP - (SAE 8)	2	
-23	434 151		GROMMET - (AN931-5S-12)	6	
-24	424 178	W	PIN - (AN393-19)	1	
	407 584	W	WASHER - (AN960-10L)	2	
	424 051	W	PIN - Cotter (AN380-2-2)	1	
-25	416 994	W	SCREW - (AN526-1032R6)	1	
	407 124		WASHER - (AN935-10L)	1	
-26	400 113	W	BOLT- (AN4-20)	2	
	407 565	W	WASHER - (AN960-416)	6	
	404 101	W	NUT - (AN310-4)	2	
	424 051	W	PIN - Cotter (AN380-2-2)	2	
-27	400 876		BOLT- (AN23-24A)	1	
	407 564	W	WASHER - (AN960-10)	3	
	404 887	W	NUT - (MS20365-1032C)	1	
<p>A - Used on PA-28R-180 with serial numbers 28R-30005 to 28R-30481 inclusive, 28R-30483 to 28R-31282 inclusive, and PA-28R-200 with serial numbers 28R-30482, 28R-35001 to 28R-35669 inclusive.</p> <p>B - Used on PA-28R-180 with serial number 28R-31283 and up, and PA-28R-200 with serial numbers 28R-35670 and up.</p> <p>C - Used on PA-28R-180 with serial numbers 28R-30005 to 28R-7130019 inclusive, and PA-28R-200 with serial numbers 28R-30482, 28R-35001 to 28R-7135238 inclusive.</p> <p>D - Used on PA-28R-200 with serial numbers 28R-7235001 and up.</p> <p>W - These parts must be ordered from Service Spares Department, Piper Aircraft Lock Haven Penna.</p>					

When ordering, always specify Part Number, Description, and Serial Number of Aircraft

PIPER PARTS CATALOG

Figure and Index Number	Part Number	Code	NOMENCLATURE	No. Req.	SERIAL NUMBERS AFFECTED
47-28	63900 -131		BUSHING	1	
-29	455 938		CYLINDER ASSEMBLY - Master (#10-22)	1	
-30	753 956		HYDRAULIC CYLINDER ASSEMBLY- (189-9)	1	
-31	755 948		PISTON ROD ASSEMBLY - (182 -7)	1	
-32	755 949		ROD - Piston (142 -9)	1	
-33	751 889		GLAND - Packing(141-10)	1	
-34	484 701	W	PACKING - "O" Ring (AN6227-7)	1	
-35	484 727		PACKING - "O" Ring (AN6227-12)	1	
-36	753172	W	WASHER - Dyna—seal (#110-3/16)	1	
-37	757 216		PISTON ASSEMBLY - (92-19)	1	
-38	757 217		PISTON - (48-10)	1	
-39	484 706	W	PACKING - "O" Ring (AN6227 -11)	1	
-40	753 381	W	BUSHING - (145-15)	1	
-41	756 117	W	SPRING - (82-8)	1	
-42	752 855	W	RING - Snap (155-5)	1	
-43	756 118	W	SPRING - (82-9)	1	
-44	407 567	W	WASHER - (AN960-616)	1	
-45	755 882	W	ROLL PIN - (223-1)	1	
-46	755 950		RING - Snap (155-10)	1	
			W - These parts <u>must</u> be ordered from Service Spares Department, Piper Aircraft, <u>Lock Haven, Penna.</u>		

When ordering, always specify Part Number, Description, and Serial Number of Aircraft

PIPER PARTS CATALOG

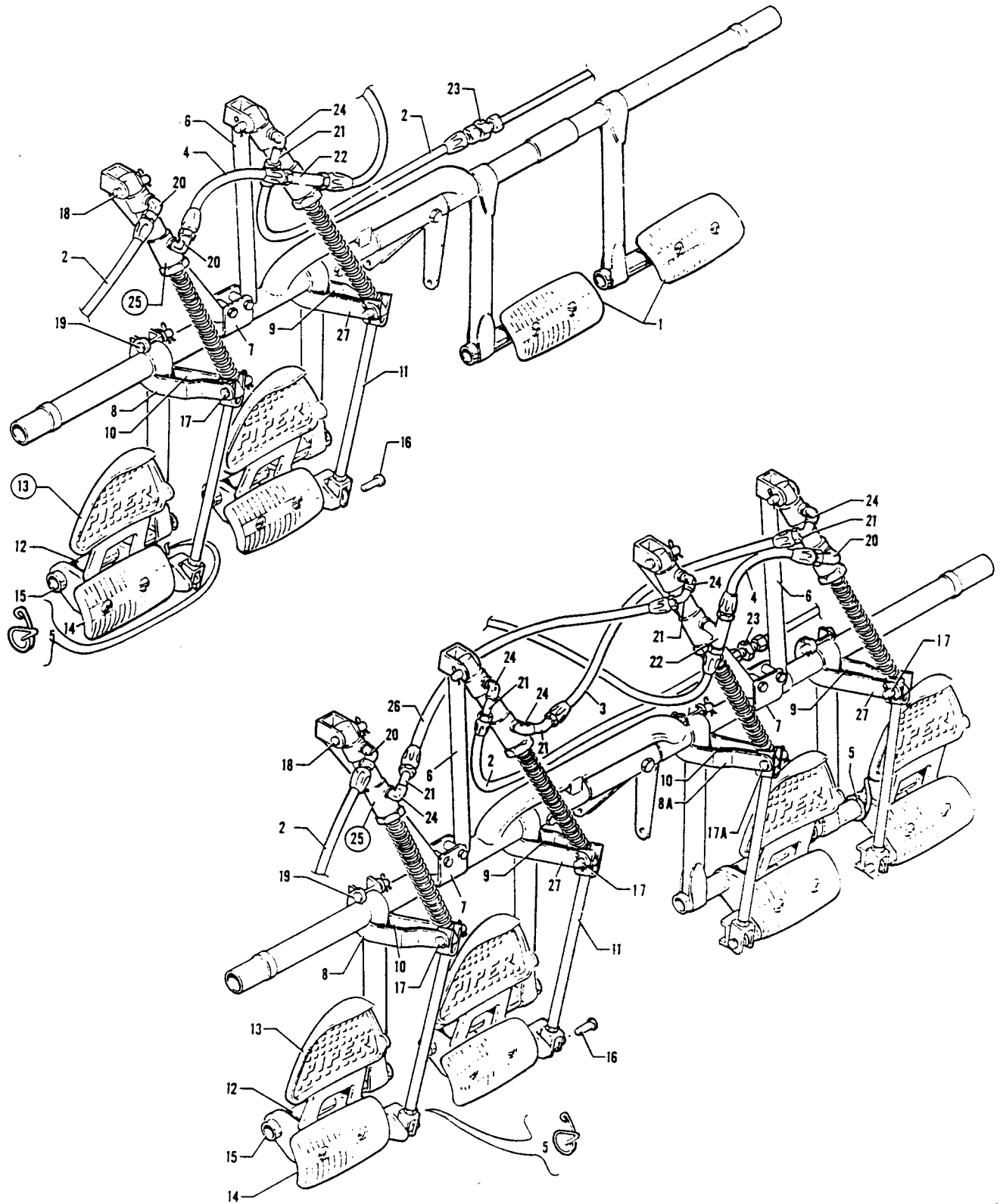


Figure 48. Toe Brake Installation

PIPER PARTS CATALOG

Figure and Index Number	Part Number	Code	NOMENCLATURE	No. Req.	SERIAL NUMBERS AFFECTED
48-	63475 63476 62700 65580 67018 66697	J C D E F	DRAWING - Single Toe Brake Line Installation DRAWING - Dual Toe Brake Line Installation DRAWING - Control System Installation DRAWING - Control System Installation DRAWING - Control System Installation DRAWING - Control System Installation		28-25000 and up
-1	62866-00	A,J	PAD ASSEMBLY - Rudder	2	
-2	63901-09		HOSE ASSEMBLY - Flexible	2	
-3	63901-21	B	HOSE ASSEMBLY - Flexible	1	
-4	63901-22		HOSE ASSEMBLY - Flexible	1	
-5	63594-00		CLIP - Spring, left outboard pedal	1	
	63594-01	B	CLIP - Spring, right outboard pedal	1	
-6	63464-00	A,J	BRACE ASSEMBLY - Toe brake	1	
	63464-00	B	BRACE ASSEMBLY - Toe brake	2	
-7	63468-00	A,J	BRACKET - Toe brake	1	
	63468-00	B	BRACKET - Toe brake	2	
-8	63469-00		ARM - Toe brake	1	
-8a	63469-00	B,G	ARM - Toe brake	1	
	63469-01	B,H	ARM - Toe brake	1	
-9	63469-01	A,J	ARM - Toe brake	1	
	63469-01	B	ARM - Toe brake	2	
-10	63470-00	A,J	ARM - Toe brake	1	
	63470-00	B	ARM - Toe brake	2	
			A - Used with single toe brake only. B - Used with dual toe brake only. C - Used on PA-28-140 with serial numbers 28-20002 to 28-24999 inclusive, PA-28-150, PA-28-160 and PA-28-1 80 with serial numbers 28-1 to 28-4377 inclusive, and PA-28-235 with serial numbers 28-10003 to 28-10719 inclusive D Used on PA-28-235 with serial numbers 28-10720 and up, and PA-28-180 with serial numbers 28-4378 and up. E - Used on PA-28R-180 and PA-28R-200 airplanes only. F - Used on PA-28-140 airplanes only. G - Used on PA-28-140 with serial numbers 28-20002 to 28-20370 inclusive, PA-28-150, PA-28-160 and PA-28-180 with serial numbers 28-1 to 28-1760 inclusive, and PA-28-235 with serial numbers 28-10003 to 28-10486 inclusive. H - Used on PA-28-140 with serial numbers 28-20371 and up, PA-28-180 with serial numbers 28-1761 and up, PA-28-235 with serial numbers 28-10487 and up, PA-28R-180 and PA-28R-200 airplanes. J - Used on PA-28-140 with serial numbers 28-20002 to 28-7325684 inclusive, PA-28-150, PA-28-160 and PA-28-180 with serial numbers 28-1 to 28-7305611 inclusive, PA-28-235 with serial numbers 28-10003 to 28-7310187 inclusive, PA-28R-180 with serial numbers 28R-30005 to 28R-7130019 inclusive, and PA-28R-200 with serial numbers 28R-30482. 28R-35001 to 28R-7335455 inclusive.		

When ordering, always specify Part Number, Description, and Serial Number of Aircraft

PIPER PARTS CATALOG

Figure and Index Number	Part Number	Code	NOMENCLATURE	No. Req.	SERIAL NUMBERS AFFECTED
48-11	63474-00	C	CLEVIS ASSEMBLY - Toe brake (adjustable)	4	28R-7435001 and up
	66780-00	D	CLEVIS ASSEMBLY - Toe brake (non-adjustable)	4	
	79430-00	H	CLEVIS ASSEMBLY - Toe brake (non-adjustable)	4	
-12	63478-00	A,G	SPACER - Toe pedal	2	
	63478-00	B	SPACER - Toe pedal	4	
-13	63485-00		PEDAL ASSEMBLY - Toe brake, left inboard	1	
	63485-02		PEDAL ASSEMBLY - Toe brake, left, outboard	1	
	63485-01	B	PEDAL ASSEMBLY - Toe brake, right inboard	1	
	63485-03	B	PEDAL ASSEMBLY - Toe brake, right outboard	1	
-14	62867-02		PAD ASSEMBLY - Brake pedal	1	
-15	453 714		BEARING - Brake pedal (PS10065-37)	4	
-16	424 177	G,W	PIN - Flat head (MS20392-2C17)	4	
	424 175	H,W	PIN - Flat head (MS20392-2C13)	4	
-17	424 181	W	PIN - Flat head (AN393-25)	3	
-17a	424 181	E,W	PIN - Flat head (AN393-25)	1	
	424 184	F	PIN - Flat head (AN393-31)	1	
			<p>A - Used with single toe brake only. B - Used with dual toe brake only. C - Used on PA-28-140 with serial numbers 28-20002 to 28-20370 inclusive, PA-28-150, PA-28-160 and PA-28-180 with serial numbers 28-1 to 28-1760 inclusive, and PA-28-235 with serial numbers 28-10003 to 28-10486 inclusive. D - Used on PA-28-140 with serial numbers 28-20371 to 28-7325684 inclusive, PA-28-180 with serial numbers 28-1761 to 28-7305611 inclusive, PA-28-235 with serial numbers 28-10487 to 28-7310187 inclusive, PA-28R-180 with serial numbers 28R-30005 to 28R-7130019 inclusive, and PA-28R-200 with serial numbers 28R-30482, 28R-35001 to 28R-7335455 inclusive. E - Used on PA-28R-200 with serial numbers 28R-30482, 28R-35001 to 28R-7335455 inclusive, PA-28-140, PA-28-150, PA-28-160, PA-28-180, PA-28-235 and PA-28R-180 airplanes. F - Used on PA-28R-200 airplanes only. G - Used on PA-28-140 with serial numbers 28-20002 to 28-7325684 inclusive, PA-28-150, PA-28-160 and PA-28-180 with serial numbers 28-1 to 28-7305611 inclusive, PA-28-235 with serial numbers 28-10003 to 28-7310187 inclusive, PA-28R-180 with serial numbers 28R-30005 to 28R-71 3001 9 inclusive, and PA-28R-200 with serial numbers 28R-30482, 28R-35001 to 28R-7335455 inclusive. H - Used on PA-28-140 with serial numbers 28-7425001 and up, PA-28-180 with serial numbers 28-7405001 and up, PA-28-235 with serial numbers 28-7410001 and up, and PA-28R-200 with serial numbers 28R-7435001 and up. W - These parts must be ordered from Service Spares Department, Piper Aircraft, Lock Haven, Penna.</p>		

When ordering, always specify Part Number, Description, and Serial Number of Aircraft

PIPER PARTS CATALOG

Figure and Index Number	Part Number	Code	NOMENCLATURE	No. Req.	SERIAL NUMBERS AFFECTED
48-18	424 184		PIN - Flat head (AN393-31)	4	28-25000 and up
-19	424 357		PIN - Flat head (MS20392-2C39)	4	
-20	458 894	W	ELBOW - (MS20822-4D)	2	
-21	458 891	A,G,W	ELBOW - (MS20823-4D)	1	
	458 891	B,W	ELBOW - (MS20823-4D)	5	
-22	488 499		TEE - (MS20825-4D)		
-23	491 050	W	UNION - (AN815-4D)	1	
-24	458 904	A,G,W	ELBOW - (AN914-1D)	1	
	458 904	B,W	ELBOW - (AN914-1D)	5	
-25	455 932	A,C,D,G	CYLINDER ASSEMBLY - Master (10-20) Cleveland	2	
	458 932	B,C,D	CYLINDER ASSEMBLY - Master (10-20) Cleveland	4	
	455 948	A,C,D,G	CYLINDER ASSEMBLY - Master (1027) Cleveland	2	
	455 948	B,C,D	CYLINDER ASSEMBLY - Master (10-27) Cleveland	4	
	455 968	A,C,G	CYLINDER ASSEMBLY - Master (10-30) Cleveland	2	
	455 968	B,C	CYLINDER ASSEMBLY - Master (10-30) Cleveland	4	
	455 944	A,C,G	CYLINDER ASSEMBLY - Master (17000) Gar-Kenyon	2	
	455 944	B,C	CYLINDER ASSEMBLY - Master (17000) Gar-Kenyon	4	
-26	63901-21	B,E	HOSE ASSEMBLY - Flexible	1	
	63901-29	B,F	HOSE ASSEMBLY - Flexible	1	
-27	63470-01	A,G	ARM - Toe brake	1	
	63470-01	B	ARM - Toe brake	2	
			A - Used with single toe brake only.		
			B - Used with dual toe brake only.		
			C - See Figure 48A for component parts.		
			D - No longer available. Order Master Cylinder Assembly Part Number 455 968 (Cleveland10-30) or 455 944 (Gar-Kenyon17000) as a replacement.		
			E - Used on PA-28-140 with serial numbers 28-20002 to 28-24999 inclusive, PA-28-150, PA-28-160, PA-28-180, PA-28R-180, PA-28R-200 and PA-28-235 airplanes.		
			F - Used on PA-28-140 airplanes only.		
			G - Used on PA-28-140 with serial numbers 28-20002 to 28-7325654 inclusive, PA-28-150, PA-28-160 and PA-28-180 with serial numbers 28-1 to 28-7305611 inclusive, PA-28-235 with serial numbers 28-10003 to 28-7310187 inclusive, PA-28R-180 with serial numbers 28R-30005 to 28R-7130019 inclusive, and PA-28R-200 with serial numbers 28R-30482, 28R-35001 to 28R-7335455 inclusive.		
			W - These parts must be ordered from Service Spares Department, Piper Aircraft, Lock Haven, Penna.		

When ordering, always specify Part Number, Description, and Serial Number of Aircraft

PIPER PARTS CATALOG

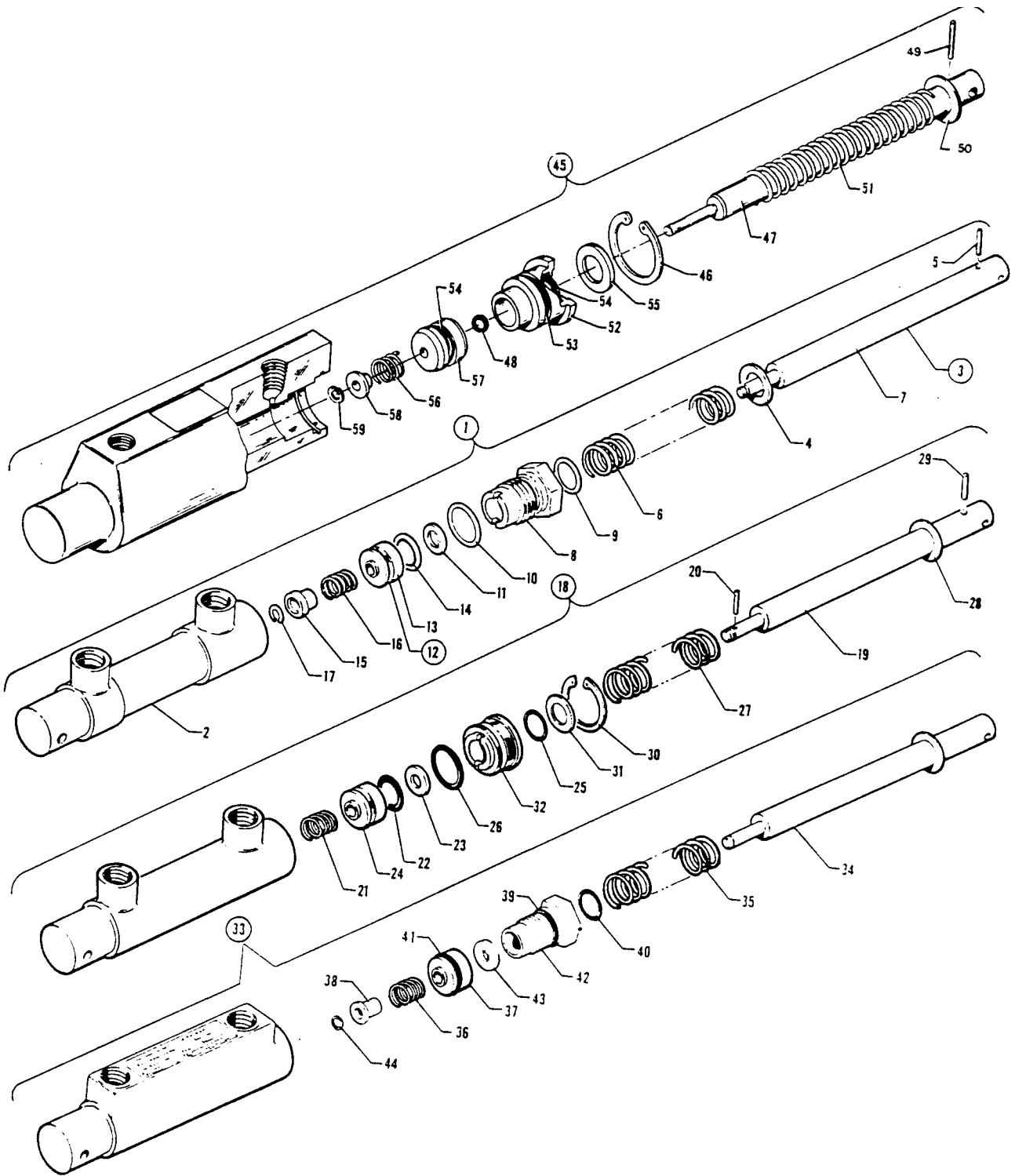


Figure 48A. Toe Brake Master Cylinder Assembly

PIPER PARTS CATALOG

Figure and Index Number	Part Number	Code	NOMENCLATURE	No. Req.	SERIAL NUMBERS AFFECTED
48A-1	455 932	A	CYLINDER ASSEMBLY - Master (10-20)	4	
-2	753 917		HYDRAULIC CYLINDER ASSEMBLY - (189-8)	1	
-3	755 916		PISTON ROD ASSEMBLY - (182-6)	1	
-4	407 567	W	WASHER - (AN960-616)	1	
-5	755 282		ROLL PIN - (223-1)	1	
-6	756118	W	SPRING - (82-9)	1	
-7	755 917		ROD - Piston (142-8)	1	
-8	755 810	W	GLAND - Packing (141-5)	1	
-9	484 701	W	PACKING - "O" Ring (AN6227-7)	1	
-10	484 706	W	PACKING - "O" Ring (AN6227-11)	1	
-11	753172	W	WASHER - Dyna-seal (110-3716)	1	
-12	755 857	W	PISTON ASSEMBLY - (92-15)	1	
-13	755 858	W	PISTON - (149-9)	1	
-14	484 748		"O" RING - (AN6227-8)	1	
-15	753 381	W	BUSHING- (145-15)	1	
-16	756117	W	SPRING - (82-8)	1	
-17	752 855	W	RING - Snap (155-5)	1	
-18	455 948	A	CYLINDER ASSEMBLY - Master (10-27) Cleveland	4	
-19	757 316		PISTON ROD ASSEMBLY - (182-01100)	1	
-20	757 317		ROLL PIN - (223-00600)	1	
-21	757 580		SPRING - (082-02100)	1	
-22	484 748		"O" RING - (AN6227-2)	1	
-23	756 620		WASHER - Seal (095-25200)	1	
-24	757 437		PISTON - (148-01200)	1	
-25	484 701	W	"O" RING- (AN6227-7)	1	
-26	484 706	W	"O" RING - (AN6227-11)	1	
-27	756118	W	SPRING - (82-9)	1	
-28	756 722		WASHER - (095-10100)	1	
-29	757 318		ROLL PIN - (223-00500)	1	
-30	756 019		RETAINING RING - (155-01200)	1	
-31	756 621		WASHER - Wiper (095-01300)	1	
-32	755 028		GLAND - Packing (141-01200)	1	
-33	455 944		CYLINDER ASSEMBLY - Master (17000) Gar-Kenyon	4	
-34	757 480		PISTON ROD AND RING ASSEMBLY - (95404) includes	1	
.35	762 Z76		SPRING - (17005) Spring retaining ring	1	
-35	762 276		SPRING - (17005)	1	
-36	762 277		SPRING - (17006)	1	
-37	757 479		PISTON - (17003)	1	
-38	762 275		SLEEVE - (17007)	1	
-39	752 584		"O" RING - (MS28775-113)	1	
-40	484 788		"O" RING- (MS28775-012)	1	
-41	752 585		"O" RING - (MS28775-110)	1	
-42	754 848		FITTING - (17002)	1	
-43	494177		SEAL - (110-3/16)	1	
-44	762 531	W	RING - Retaining (XRC-313)	1	
-45	455 968		CYLINDER ASSEMBLY - Master (10-30) Cleveland	1	
-46	762 587		RING - Snap (155-47)	1	
-47	763 451		PISTON ROD ASSEMBLY - (182-22)	1	
-48	762 585		"O" RING - (101-1)	1	
-49	757 318		ROLL PIN - (223-00500)	1	
-50	756 622		WASHER - (095-10100)	1	
-51	756 118	W	SPRING - (82-9)	1	

A - No longer available Order Master Cylinder Assembly part number 455 968 (Cleveland10-30) or 455 944 (Gar-Kenyon 17000) as a replacement.
W - These parts must be ordered from Service Spares Department, Piper Aircraft, Lock Haven, Penna.

When ordering, always specify Part Number, Description, and Serial Number of Aircraft

PIPER PARTS CATALOG

Figure and Index Number	Part Number	Code	NOMENCLATURE	No. Req.	SERIAL NUMBERS AFFECTED
48A--52	755 082		GLAND - Packing (141-25)	1	
-53	756 018		"O" RING- (101-01100)	1	
-54	756 016		"O" RING - (101-00800)	2	
-55	756 621		WASHER - Wiper (095-01300)	1	
-56	757 580		SPRING - (082-02100)	1	
-57	763 450		PISTON - (148-25)	1	
-58	758 457		BUSHING - (145-58)	1	
-59	762 586		RING - Snap (T5304-15)	1	

When ordering, always specify Part Number, Description, and Serial Number of Aircraft

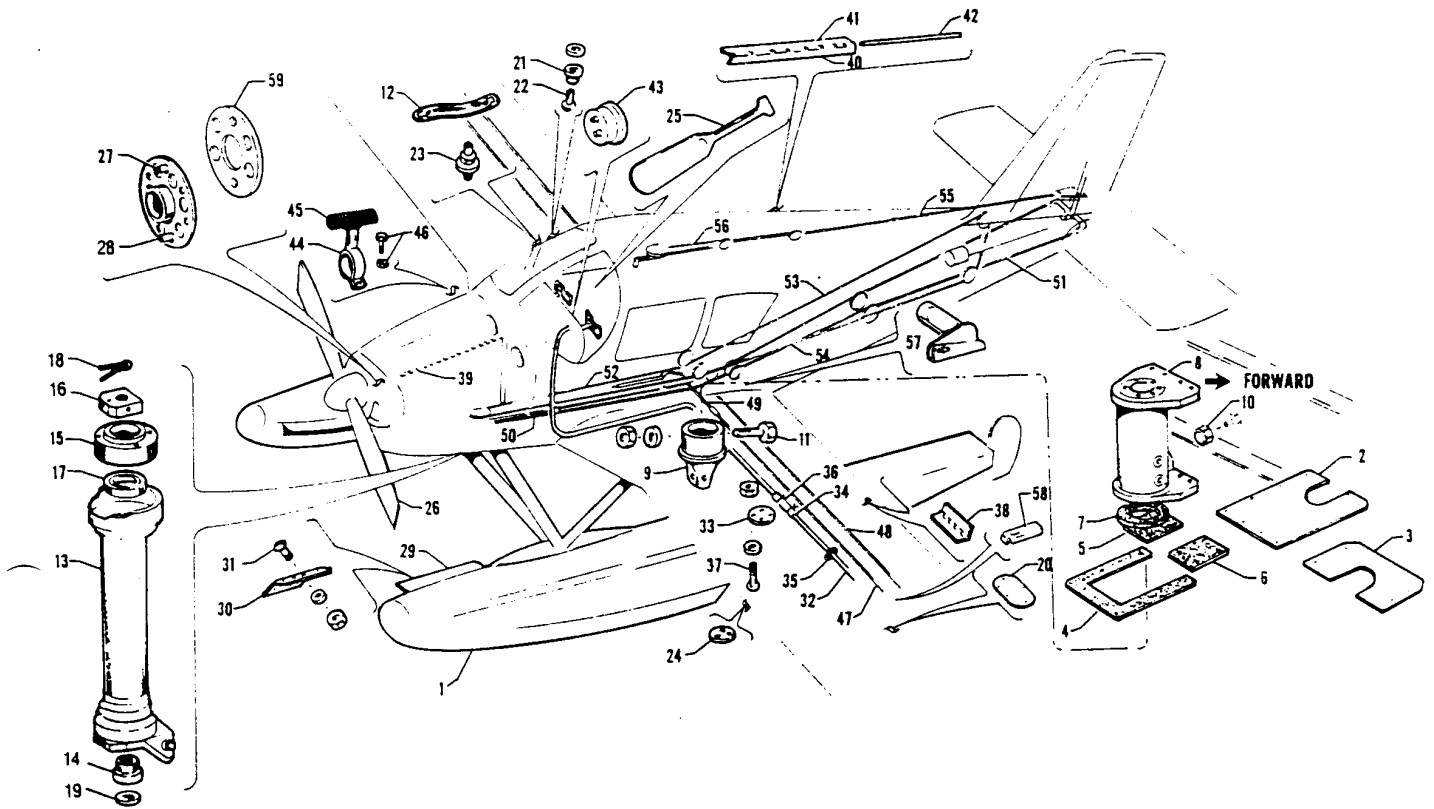


Figure 49. EDO Float Installation
 (PA-28S-180 - Serial Nos. 28S-671 to 28S-7205328 inclusive)

PIPER PARTS CATALOG

Figure and Index Number	Part Number	Code	NOMENCLATURE	No. Req.	SERIAL NUMBERS AFFECTED
49-	62008 65680		DRAWING - Seaplane Conversion DRAWING - Seaplane Conversion		28S-671 to 28S-1760 inclusive 28S-1 761 to 28S-7205328 incl
	62016 65726		DRAWING - Float Attachment Installation DRAWING - Float Attachment Installation		28S-671 to 28S-3177 inclusive 28S-3178 to 28S-7205328 incl.
-1		B	FLOAT INSTALLATION: EDO Drawing 38640		
-2	62016-22		PLATE ASSEMBLY - Wing, left	1	28S-671 to 28S-3177 inclusive
	62016-03		PLATE ASSEMBLY - Wing, right	1	28S-671 to 28S-3177 inclusive
	65726-02		PLATE - Wing, left	1	28S-3178 to 28S-7206328 incl.
	65726-03		PLATE - Wing, right	1	28S-3178 to 28S-7205328 incl.
-3	62016-06		PLATE - Wing, left	1	28S-671 to 28S-3177 inclusive
	62016-05		PLATE - Wing, right	1	28S-671 to 28S-3177 inclusive
	65726-06		PLATE ASSEMBLY - Wing, left	1	28S-3178 to 28S-7205328 incl.
	65726-05		PLATE ASSEMBLY - Wing, right	1	28S-3178 to 28S-7205328 incl.
-4	62016-07		SEAL - Wing	2	28S-671 to 28S-3177 inclusive
	65726-04		SEAL - Wing	2	28S-3178 to 28S-7205328 incl.
-5	62016-08		SEAL - Wing, inboard	2	28S-671 to 28S-3177 inclusive
-6	62016-09		SEAL - Wing, outboard	2	28S-671 to 28S-3177 inclusive
-7	62016-10		SEAL - Wing	2	
-8	62017-00		HOUSING - Wing float attachment	2	
-9	62018-00		FITTING - Wing float attachment	2	
-10	454 173	W	CAP - Brake line (AN929-4)	2	
-11	401 333		BOLT - (AN4-35A)	4	
	407 585	W	WASHER - (AN960-416L)	8	
	404 888	W	NUT - (MS20366-428C)	4	
-12	65440-800		STRAP ASSEMBLY - Door holder, white	1	
	65440-03		STRAP ASSEMBLY - Door holder, white	1	
-13	63361-02		BRACKET ASSEMBLY - Forward	1	
-14	63361-03		BUSHING - (Teflon)	1	
-15	63365-00		CAP - Bearing	1	
-16	63367-00		BLOCK - Strut adapter	1	
-17	452 395		BEARING - (KP12A)	1	
-18	424 095	W	PIN - Cotter (AN380-C2-2)	1	
-19	407 684		WASHER - (AN960-C1216L)	1	
-20	63366-00		GASKET- Wing	2	
-21	63900-31		BUSHING - Door holder	1	
-22	416 996	W	SCREW - Door holder (AN526-1032-R10)	1	
	407 564	W	WASHER - Door holder (AN960-10)	1	
-23	487 632		STUD - Door holder (63316) (used with eyelet type strap)	2	
	487 674		STUD - Door holder (XX-1632 x 3/8) (used with socket type strap)	2	
-24	463 372	W	GROMMET - Drain (AN231-A4)	9	
-25	480 059		PADDLE - (30" to 42")	1	
-26	450 968		PROPELLER - (McCauley1A2001FA8248)	1	28S-671 to 28S-1760 inclusive
	450 963		PROPELLER - (McCauley1 A200/DFA8248)	1	28S-1761 to 28S-7205328 incl.
-27	753 377		BUSHING - Propeller, index (72060-S)	1	
-28	753 378		BUSHING - Propeller (72061-S)	1	

A - Used on PA-28S-180 with serial numbers 28S-671 to 28S-7205328 inclusive.
 B - Secure from EDO Commercial Corporation, Westchester County Airport, White Plains, New York
 W - These parts must be ordered from Service Spares Department, Piper Aircraft, Lock Haven, Penna.

When ordering, always specify Part Number, Description, and Serial Number of Aircraft

PIPER PARTS CATALOG

Figure and Index Number	Part Number	Code	NOMENCLATURE	No. Req.	SERIAL NUMBERS AFFECTED
49-29	62149-00		DEFLECTOR - Float	2	
-30	62150-00		CLIP - Deflector attachment	12	
-31	415 449	W	SCREW - (AN526-832-R8)	24	
	407 563	W	WASHER - (AN960-8)	24	
	404 910	W	NUT - (MS20365-832C)	24	
-32	63904-10		HOSE - Airspeed, plastic	1	28S-671 to 28S-1760 inclusive
	65165-14		TUBE - Airspeed, aluminum	1	28S-671 to 28S-1760 inclusive
	65165-25		TUBE - Airspeed, aluminum	2	23S-1761 to 28S-7205328 incl.
-33	63906-02		COVER	1	28S471 to 28S-1760 inclusive
	62245-07		COVER	1	28S-1761 to 28S-7205328 incl.
-34	83161-02	W	HOSE - Connector	1	28S-671 to 28S-1760 inclusive
	83161-02	W	HOSE- Connector	2	28S-1761 to 28S-7205328 incl.
-35	434 128	W	GROMMET - (AN931-4-7)	2	28S-671 to 28S-1760 inclusive
	434 128	W	GROMMET - IAN931-4-7)	4	28S-1761 to 28S-7205328 incl.
-36	454 833	W	CLAMP - (SAE 6)	2	28S-671 to 28S-1760 inclusive
	454 833	W	CLAMP - (SAE 6)	4	28S-1761 to 28S-7205328 incl.
-37	415 148	W	SCREW - (AN526-632-R6)	4	
	407 562	W	WASHER - (AN960-6)	4	
	404 887	W	NUT - (MS20365-1032C)	4	
-38	62371-08		HINGE ASSEMBLY - Aileron	4	
-39	63744-02		PIN - Hinge, cowl	2	28S-671 to 28S-1760 inclusive
-40	63740-02		HINGE HALF - Baggage door, fuselage	1	
-41	63740-03		HINGE HALF - Baggage door, door	1	
-42	63740-04		PIN - Baggage door hinge	1	
-43	550 620		INSTRUMENT - True airspeed, adjustable (62143 04)	1	
	550 619		INSTRUMENT - Airspeed (63205-04)	1	
-44	65293-00		STEP ASSEMBLY	1	
-45	480 063		PAD - Step assembly (3037)	1	
-46	400 054	W	BOLT- (AN3-7)	2	
	404 887	W	NUT - (MS2036~1032C)	2	
-47	62701-18		CABLE ASSEMBLY - Wing, aileron	2	
-48	62701-19		CABLE ASSEMBLY - Wing, aileron balance, left	1	
	62701-20		CABLE ASSEMBLY - Wing, aileron balance, right	1	
-49	62701-17		CABLE ASSEMBLY - Aileron, forward	2	
-50	62701-21		CABLE ASSEMBLY - Rudder, forward	2	
-51	62701-23		CABLE ASSEMBLY - Rudder, aft	2	
-52	62701-25		CABLE ASSEMBLY - Stabilator, forward, left	1	
	62701-26		CABLE ASSEMBLY - Stabilator, forward , right	1	
-53	62701-27		CABLE ASSEMBLY - Stabilator, aft, left	1	
	62701-28		CABLE ASSEMBLY - Stabilator, aft, right	1	
-54	62701-29		CABLE ASSEMBLY- Flap	1	
-55	62701-31		CABLE ASSEMBLY - Stabilator trim, aft	1	
-56	62701-34		CABLE ASSEMBLY - Stabilator trim, forward	1	28S-671 to 28S-2171 inclusive
	62701-46		CABLE ASSEMBLY -Stabilator trim, forward	1	28S-2172 to 28S-7206328 incl.
	62701-49	B	CABLE ASSEMBLY -Stabilator trim, forward	1	28S-2172 to 28S-7205328 incl.
-57	65388-17		TUBE ASSEMBLY - Flap torque, left	1	
	65388-18		TUBE ASSEMBLY - Flap torque, right	1	
-58	63465-00		DOUBLER - Pitot static head	1	28S-1761 to 28S-7205328 incl.
-59	79528-00		SPACER - Propeller	1	28S-671 to 28S-7105234 Incl.

A - Used on PA-28S-180 with serial numbers 28S-671 to 28S-7205328 inclusive.
 B - Used when electric trim is installed.
 W - These parts must be ordered from Service Spares Department, Piper Aircraft, Lock Haven, Penna

When ordering, always specify Part Number, Description, and Serial Number of Aircraft

2J24
INTENTIONALLY LEFT BLANK

PIPER PARTS CATALOG

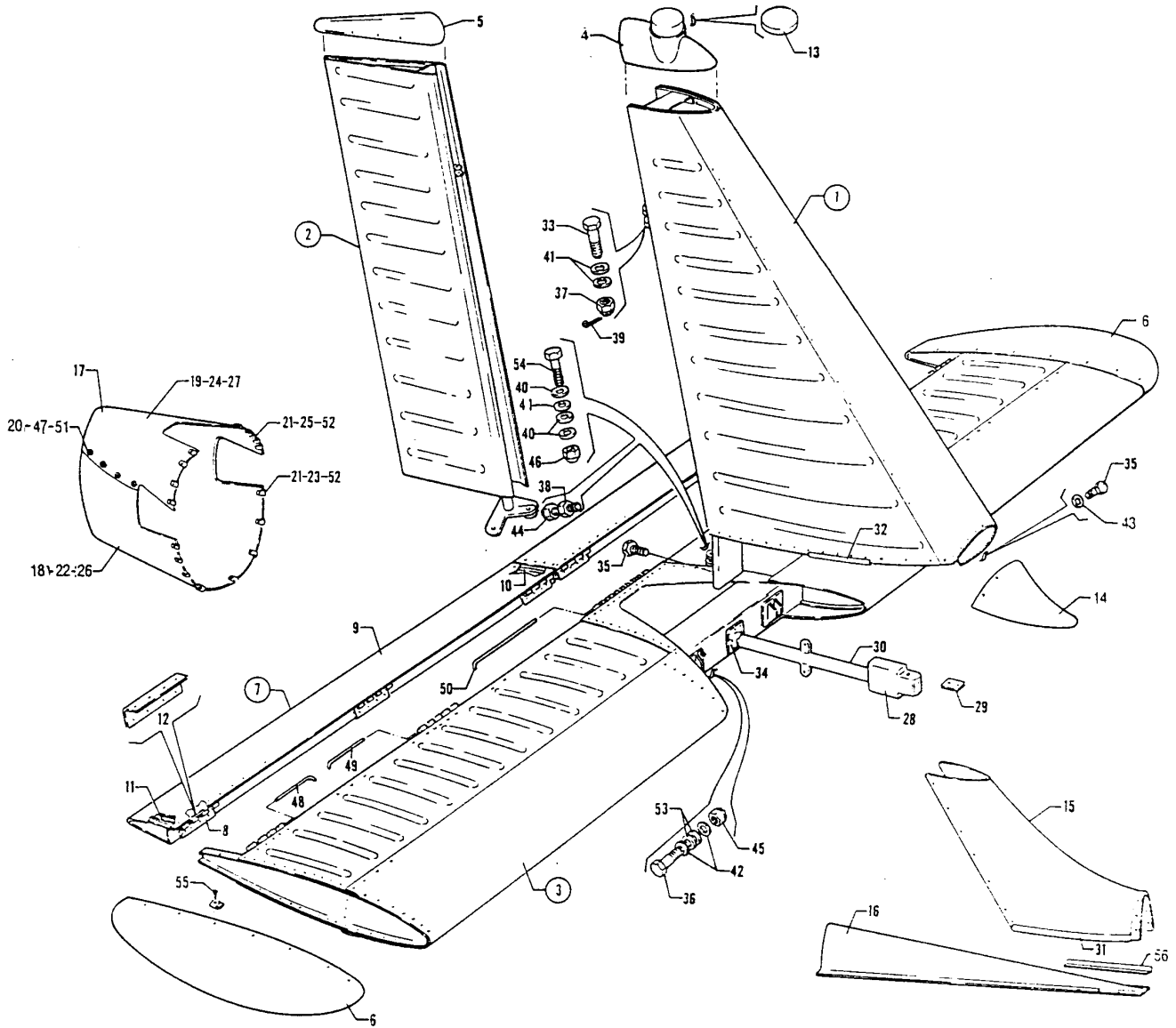


Figure 50. Tail Surfaces Installation

PIPER PARTS CATALOG

Figure and Index Number	Part Number	Code	NOMENCLATURE	No. Req.	SERIAL NUMBERS AFFECTED
50-	62002 68425	A B	DRAWING - Tail Surfaces Installation DRAWING - Tail Surfaces Installation		
-1	63500-00 63500-08 66975-00 66975-03	C,D C,E C,F C.G	FIN ASSEMBLY FIN ASSEMBLY FIN ASSEMBLY FIN ASSEMBLY	1 1 1 1	
			<p>A - Used on PA-28-235 with serial numbers 28-10003 to 28-7210033 inclusive. PA-28R-200 with serial numbers 28R-30482, 28R-35001 to 28R-7135238 inclusive PA-28-140, PA-28-150 and PA-28-180 airplanes.</p> <p>B - Used on PA-28-235 with serial number 28-7310001 and up, and PA-28R-200 with serial numbers 28R-7235001 and up.</p> <p>C - See Figure 50A for component parts.</p> <p>D - Used on PA-28-150, PA-28-160 and PA-28-180 with serial number 28-1 to 28-1980 inclusive, PA-28-140 with serial number 28-20002 to 28-20481 inclusive, and PA-28-235 with serial numbers 28-10003 to 28-10562 inclusive.</p> <p>E - Used on PA-28-150, PA-28-160 and PA-28-180 with serial number 28-1981 to 28-5600 inclusive, PA-28-140 with serial numbers 28-20482 to 28-26400 inclusive, PA-28-235 with serial numbers 28-10563 to 28-11300 inclusive, PA-28R-180 with serial number 28R-30005 to 28R-30481 inclusive, 28R-30483 to 28R-31250 inclusive, and PA-28R-200 with serial numbers 28R-30482, 28R-35001 to 28R-35600 inclusive.</p> <p>F - Used on PA-28-140 with serial number 28-26401 to 28-7325684 inclusive, PA-28-180 with serial numbers 28-5601 to 28-7305611 inclusive, PA-28R-180 with serial numbers 28R-31251 to 28R-7130019 inclusive. PA-28R-200 with serial numbers 28R-35601 to 28R-7335455 inclusive, and PA-28-235 with serial numbers 28-11301 to 28-7310187 inclusive</p> <p>G- Used on PA-28-140 with serial numbers 28-7425001 and up, PA-28-180 with serial numbers 28-7405001 and up, PA-28-235 with serial numbers 28-7410001 and up, and PA-28R-200 with serial numbers 28R-7435001 and up</p>		

When ordering, always specify Part Number, Description, and Serial Number of Aircraft

PIPER PARTS CATALOG

Figure and Index Number	Part Number	Code	NOMENCLATURE	No. Req.	SERIAL NUMBERS AFFECTED
50-2	63540-00	A,K	RUDDER ASSEMBLY		
	65342-00	B,K	RUDDER ASSEMBLY	1	28-10003 to 28-10562 inclusive
	63540-02	C,K	RUDDER ASSEMBLY	1	
	66342-02	D,K	RUDDER ASSEMBLY	1	
-3	63560-00	A,H	STABILATOR ASSEMBLY	1	
	63560-06	B,H	STABILATOR ASSEMBLY	1	28-10003 to 28-10562 inclusive
	63460-00	E,H	STABILATOR ASSEMBLY	1	
	63460-02	F,H	STABILATOR ASSEMBLY	1	
	68426-00	G,J	STABILATOR ASSEMBLY	1	
			<p>A - Used on PA-28-150, PA-28-160 and PA-28-180 with serial number 28-1 to 28-1980 inclusive and PA-28-140 with serial number 28-20002 to 28-20481 inclusive.</p> <p>B - Used on PA-28-235 airplanes only.</p> <p>C - Used on PA-28-150, PA-28-160 and PA-28-180 with serial number 28-1981 to 28-7305611 inclusive and PA-28-140 with serial numbers 28-20482 to 28-7325684 inclusive.</p> <p>D - Used on PA-28-140 with serial number 28-7425001 and up, PA-28-180 with serial numbers 28-7405001 and up, PA-28-235 with serial numbers 28-10563 and up, PA-28R-180 And PA-28R-200 airplane.</p> <p>E - Used on PA-28-150, PA-28-160 and PA-28-180 with serial number 28-1981 to 28-7205328 inclusive and PA-28-140 with serial number 28-20482 and up.</p> <p>F - Used on PA-28-235 with serial numbers 28-10563 to 28-7205328 inclusive, PA-28R-180 with serial number 28R-30005 to 28R-7130019 inclusive, and PA-28R-200 with serial number 28R-30482, 28R-35001 to 28R-7135238 inclusive</p> <p>G - Used on PA-28-180 with serial number 28-7305001 and up, PA-28-235 with serial number 28-7310001 and up, and PA-28R-200 with serial numbers 28R-7235001 and up,</p> <p>H - See Figure 50C for Component parts.</p> <p>J - See Figure 50D for Component parts.</p> <p>K- See Figure 50B for component parts.</p>		

When ordering, always specify Part Number, Description, and Serial Number of Aircraft

PIPER PARTS CATALOG

Figure and Index Number	Part Number	Code	NOMENCLATURE	No. Req.	SERIAL NUMBERS AFFECTED
50-4	63514-06	A	TIP - Fin (for rotating beacon)	1	28-1 to 28-534, 28-1231 and up 28-535 to 28-1230 inclusive
	96709-00	B,C	TIP - Fin (for rotating beacon)	1	
	96713-02	D	TIP - Fin (for Strobe light)	1	
	65345-03	E	TIP - Fin (for rotating beacon)	1	
	99035-03	F	TIP - Fin (for strobe light)	1	
-5	63541-00	A	TIP - Rudder (less tail light)	1	
	99607-00	B,C	TIP - Rudder (less tail light)	1	
	99868-00	F	TIP - Rudder (less tail light)	1	
-6	63584-10	G	TIP - Stabilator	2	
	63584-10	H	TIP - Stabilator	2	
	63589-00	G	TIP - Stabilator	2	
	65300-00	J	TIP - Stabilator	2	
			<p>A - Used on PA-28-140 with serial numbers 28-20002 to 28-7125651 inclusive, and 28-7225001 to 28-7325684 inclusive on Flite Liner Model, PA-28-150, PA-28-160 and PA-28-180 with serial numbers 28-1 to 28-7106244 inclusive.</p> <p>B - Not used on PA-28-140 Flite Liner Model.</p> <p>C - Used on PA-28-140 with serial number 28-7225001 to 28-7325684 inclusive, and PA-28-180 with serial number 28-7205001 to 28-7305611 incl.</p> <p>D - Used on PA-28-140 with serial number 28-26401 to 28-7325684 incl., and PA-28-180 with serial number 28-5601 to 28-7305611 inclusive.</p> <p>E - Used on PA-28-140 and PA-28-140 Flite Liner Model with serial number 28-7425001 and up, PA-28-180 with serial numbers 28-7405001 and up, PA-28-235 with serial numbers 28-10003 and up, PA-28R-180 and PA-28R-200 airplane.</p> <p>F - Used on PA-28-140 with serial number 28-7425001 and up, PA-28-180 with serial numbers 28-7406001 and up, PA-28-235 with serial number 28-11301 and up, PA-28R-180 with serial number 28R-31251 and up, and PA-28R-200 with serial numbers 28R-35601 and up.</p> <p>G - Used on PA-28-140, PA-28-150, PA-28-160 and PA-28-180 airplanes only.</p> <p>H - Used on PA-28-235 with serial numbers 28-7310001 and up, and PA-28R-200 with serial numbers 28R-7235001 and up.</p> <p>J - Used on PA-28-235 with serial numbers 28-10003 to 28-7210033 inclusive, PA-28R-180 with serial numbers 28R-30005 to 28R-7130019 inclusive, and PA-28R-200 with serial numbers 28R-30482, 28R-35001 to 28R-7135238 inclusive.</p>		

When ordering, always specify Part Number, Description, and Serial Number of Aircraft

PIPER PARTS CATALOG

Figure and Index Number	Part Number	Code	NOMENCLATURE	No. Req.	SERIAL NUMBERS AFFECTED
50-7	63585-00		TAB - Stabilator- trim, left	1	
	63585-01		TAB - Stabilator trim, right	1	
-8	63560-02		HINGE - Half, stabilator tab	3	
-9	63586-00		SKIN - Stabilator trim tab, LH	1	
	63586-01		SKIN - Stabilator trim tab, RH	1	
-10	63587-00		RIB - Inboard	1	
-11	63587-01		RIB - Outboard	1	
-12	63588-00		DOUBLER	3	
-13	63264-00	E	COVER - fin tip	1	
-14	63517-00	D	FAIRING - Fin	1	
-15	99519-02	C,F	FAIRING - Fin, aft	1	
-16	99621-00	C,F	FAIRING - Fin, forward	1	
-17	62629-00	A	FAIRING ASSEMBLY - Tail cone	1	
-18	62629-02	A	FAIRING ASSEMBLY - Lower	1	
-19	62629-03	A	FAIRING ASSEMBLY - Upper	1	
-20	414 763	A,W	SCREW - (AN507-832R8)	10	
	494 081	A,W	WASHER - (A3135-.017-1)	10	
	477 672	A	NUT - (PS10062-5-1)	10	
-21	477 672	A	NUT - (PS10062-5-1)	16	
-22	65715-04	B	FAIRING ASSEMBLY - Lower	1	
-23	477 672	B	NUT- (PS10062-5-1)	18	
-24	65715-03	B	FAIRING ASSEMBLY - Upper	1	
-25	477 672	B	NUT - (PS10062-5-1)	8	
			<p>A - Used on PA-28-140 with serial numbers 28-20002 to 28-21595 inclusive, PA-28-150, PA-28-160 and PA-28-180 with serial numbers 28-1 to 28-3377 inclusive, and PA-28-235 with serial numbers 28-10003 to 28-10735 inclusive.</p> <p>B - Used on PA-28-140 with serial numbers 28-215963 to 28-26054 inclusive, PA-28-150, PA-28-160 and PA-28-180 with serial numbers 28-3378 to 28-5445 inclusive, PA-28-235 with serial numbers 28-10736 to 28-11253 inclusive, PA-28R-180 with serial numbers 28R-30005 to 28R-31111 inclusive, and PA-28R-200 with serial numbers 28R-30482, 28R-35001 to 28R-35315 inclusive.</p> <p>C - Used on PA-28-140 with serial numbers 28-7225001 and up, PA-28-180 with serial numbers 28-7205001 and up. PA-28-235 with serial numbers 28-720001 and up, and PA-28R-200 with serial numbers 28R-7235001 and up.</p> <p>D - Used on PA-28-140 with serial numbers 28-20002 to 28-7125651 inclusive, and 28-7225001 and up on Flite Liner Model. PA-28-150, PA-28-160 and PA-28-180 with serial numbers 28-1 to 28-7105244 inclusive, PA-28R-180 with serial numbers 28R-30005 to 28R-7130019 inclusive, and PA-28R-200 with serial numbers 28R-35001 to 28R-7135238 inclusive.</p> <p>E - Used when rotating beacon is not installed.</p> <p>F - Not used on PA-28-140 Flite Liner Model.</p> <p>W - These parts must be ordered from Service Spares Department, Piper Aircraft, Lock Haven, Penna.</p>		

When ordering, always specify Part Number, Description, and Serial Number of Aircraft

PIPER PARTS CATALOG

Figure and Index Number	Part Number	Code	NOMENCLATURE	No. Req.	SERIAL NUMBERS AFFECTED
50-26	66822-07	C	FAIRING - Lower	1	
-27	66822-08	C	FAIRING - Upper	1	
-28	99799-02	D	BALANCE WEIGHT ASSEMBLY - Stabilator	1	
	99802-02	E	BALANCE WEIGHT ASSEMBLY - Stabilator	1	
	99803-03	F	BALANCE WEIGHT ASSEMBLY - Stabilator	1	
-29	96564-00		* PLATE - Stabilator balance	AR	
-30	69623-04	D	TUBE ASSEMBLY - Stabilator	1	
	69623-02	E	TUBE ASSEMBLY - Stabilator	1	
	69624-02	F	TUBE ASSEMBLY - Stabilator	1	
-31	63186-21	A,B	MOULDING - Extruded	2	
-32	63186-02		MOULDING - Extruded	2	
-33	400 056	W	BOLT - (AN3-11)	1	
-34	400 450	W	BOLT - (AN3- 17A)	2	
-35	400 003	W	BOLT - (AN4-6A)	4	
	407 565	W	WASHER - (AN960-416)	8	
	404 888	W	NUT - (MS20365-428C)	8	
-36	402 680		BOLT - (NAS1104-17)	2	
-37	404 100	W	NUT - Castle (AN310-3)	1	
-38	404 224	W	NUT - (AN315-3R)	2	
-39	424 051	W	COTTER PIN - (MS24665-132)	1	
-40	407 564	W	WASHER - (AN960-10)	2	
-41	407 584	W	WASHER - (AN960-10L)	6	
-42	407 565	W	WASHER - (AN960-416)	4	
-43	400 003	W	BOLT - (AN4-6A)	1	
	407 565	W	WASHER - (AN960-416)	2	
-44	553 261		BOLT - (PL428-3-7)	2	
-45	406 637		NUT - (H10-4)	2	
-46	404 887	W	NUT - (MS20365-1032)	3	
<p>A - Not used on PA-28-140 Flite Liner Model-</p> <p>B - Used on PA-28-140 with serial numbers 28-7225001 and up. PA-28-180 with serial numbers 28-7205001 and up, PA-28-235 with serial numbers 28-7210001 and up. and PA-28R-200 with serial numbers 28R-7235001 and up.</p> <p>C - Used on PA-28-140 with serial numbers 28-26055 and up, PA-28-180 with serial numbers 28-5446 and up, PA-28-235 with serial numbers 28-11254 and up, PA-28R-180 with serial numbers 28R-31112 to 28R-7130019 inclusive, and PA-28R-200 with serial numbers 28R-35316 and up.</p> <p>D - Used on PA-28-140 with serial numbers 28-20002 and up, PA-28-150, PA-28-160 and PA-28-180 with serial numbers 28-1 to 28-7205328 inclusive.</p> <p>E - Used on PA-28-235 with serial numbers 28-10003 to 28-7210033 inclusive. PA-28R-180 with serial numbers 28R-30005 to 28R-7130019 inclusive, and PA-28R-200 with serial numbers 28R-30482, 28R-35001 to 28R-7135238 inclusive</p> <p>F - Used on PA-28-180 with serial numbers 28-7305001 and up. PA-28-235 with serial numbers 28-7310001 and up, and PA-28R-200 with serial numbers 28R-7235001 and up</p> <p>W - These parts must be ordered from Service Spares Department, Piper Aircraft, Lock Haven, Penna.</p>					

When ordering, always specify Part Number, Description, and Serial Number of Aircraft

PIPER PARTS CATALOG

Figure and Index Number	Part Number	Code	NOMENCLATURE	No. Req.	SERIAL NUMBERS AFFECTED
50-47	414 763	A,W	SCREW - (AN507-832R8)	10	
	494 101	A,W	WASHER - (A3135- 017-24A)	10	
-48	62002-02		PIN - Hinge	2	
-49	62002-03		PIN - Hinge	2	
-50	62002-04		PIN - Hinge	1	
-51	414 783	B	SCREW - (MS24693-C51)	10	
	494 101	B,W	WASHER - (A3135- 017-24A)	10	
	477 816	B	NUT - (PS1 0062-5-9)	10	
-52	415 179	B	SCREW - (AN526C-832R8)	16	
	477 816	B	NUT - (PS10062-5-9)	16	
-53	407 585	W	WASHER - (AN960-416L)	AR	
-54	401 269	W	BOLT - (AN3-10A)	1	
-55	419 920	W	SCREW - (Type "B", truss head 8 x 1/2 L)	28	28-1 to 28-1230 inclusive
	510 058		SCREW - (NAS514P832-8)	28	28-1231 and up
	406 372	W	NUT - (A1784-6Z3)	28	28-1 to 28-1230 inclusive
	477 672		NUT - (PS10062-5-1)	28	28-1231 and up
	494 071	W	WASHER - (A3236-012-1)	28	28-1 to 28-1230 inclusive
	494 101	W	WASHER - (A3135-.017-24A)	28	28-1231 and up
-56	99591-00	C	ANGLE - Dorsal fin fitting, left	1	
	99591-01	C	ANGLE - Dorsal fin fitting, right	1	
<p>A - Used on PA-28-140 with serial numbers 28-21596 to 28-26054 inclusive, PA-28-150, PA-28-160 and PA-28-180 with serial numbers 28-3378 to 28-5445 inclusive, PA-28-235 with serial numbers 28-10736 to 28-11253 inclusive, PA-28R-180 with serial numbers 28R-30005 to 28R-31111 inclusive, and PA-28R-200 with serial numbers 28R-30482, 28R-35001 to 28R-35315 inclusive.</p> <p>B - Used on PA-28-140 with serial numbers 28-26055 and up, PA-28-180 with serial numbers 28-5466 and up, PA-28-235 with serial numbers 28-11254 and up, PA-28R-180 with serial numbers 28R-31112 to 28R-7130019 inclusive, and PA-28R-200 with serial numbers 28R-35316 and up.</p> <p>C - Used on PA-28-140 with serial numbers 28-7225001 and up. PA-28-180 with serial numbers 28-7205001 and up. PA-28-235 with serial numbers 28-7210001 and up. and PA-28R-200 with serial numbers 28R-7235001 and up.</p> <p>W - These parts must be ordered from Service Spares Department, Piper Aircraft, Lock Haven, Penna.</p>					

When ordering, always specify Part Number, Description, and Serial Number of Aircraft

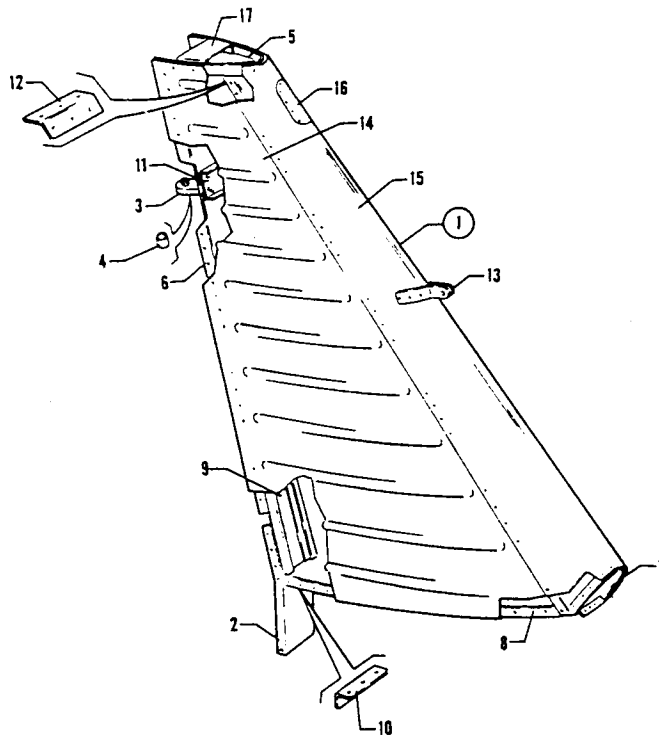


Figure 50A. Fin Assembly

PIPER PARTS CATALOG

Figure and Index Number	Part Number	Code	NOMENCLATURE	No. Req.	SERIAL NUMBERS AFFECTED
50A-1	63500-00	A	FIN ASSEMBLY	1	
	63500-08	B	FIN ASSEMBLY	1	
	66975-00	C	FIN ASSEMBLY	1	
	66975-03	D	FIN ASSEMBLY	1	
-2	63501-00	E	FITTING - Fin root	1	
	63501-03	F	FITTING - Fin root	1	
-3	63502-00		HINGE ASSEMBLY - Fin	1	
-4	452 387		BEARING - (KP3A)	1	
<p>A - Used on PA-28-150, PA-28-160 and PA-28-180 with serial numbers 28-1 to 28-1980 inclusive, PA-28-140 with serial numbers 28-20002 to 28-20481 inclusive, and PA-28-235 with serial numbers 28-10003 to 28-10562 inclusive.</p> <p>B - Used on PA-28-150, PA-28-160 and PA-28-180 with serial number 28-1981 to 28-5600 inclusive, PA-28-140 with serial numbers 28-20482 to 28-26400 inclusive, PA-28-235 with serial numbers 28-10563 to 28-11300 inclusive, PA-28R-180 with serial numbers 28R-30005 to 28R-30481 inclusive, 28R-30483 to 28R-31250 inclusive, and PA-28R-200 with serial numbers 28R-30482, 28R-35001 to 28R-35600 inclusive.</p> <p>C - Used on PA-28-140 with serial numbers 28-26401 to 28-73256384 inclusive, PA-28-180 with serial numbers 28-5601 to 28-7305611 incl., PA-28R-180 with serial numbers 28R-31251 to 28R-7130019 inclusive, PA-28R-200 with serial numbers 28R-35601 to 28R-7335455 inclusive, and PA-28-235 with serial number 28-11301 to 28-7310187 inclusive.</p> <p>D - Used on PA-28-140 with serial number 28-7425001 and up, PA-28-180 with serial number 28-7405001 and up, PA-28-235 with serial numbers 28-7410001 and up, and PA-28R-200 with serial number 28R-7435001 and up.</p> <p>E - Used on PA-28-140 with serial numbers 28-20002 to 28-25301 inclusive, PA-28-180 with serial numbers 28-671 to 28-5227 inclusive, PA-28-235 with serial number 28-10003 to 28-11223 inclusive. PA-28R-180 with serial numbers 28R-30005 to 28R-30481 inclusive, 28R-30483 to 28R-31074 inclusive, PA-28-150 and PA-28-160 airplanes.</p> <p>F - Used on PA-28-140 with serial numbers 28-25302 and up, PA-28-180 with serial numbers 28-5228 and up, PA-28-235 with serial numbers 28-11224 and up, PA-28R-180 with serial numbers 28R-31075 and up, and PA-28R-200 with serial numbers 28R-30482, 28R-35001 and up.</p>					

When ordering, always specify Part Number, Description, and Serial Number of Aircraft

PIPER PARTS CATALOG

Figure and Index Number	Part Number	Code	NOMENCLATURE	No. Req.	SERIAL NUMBERS AFFECTED
50A-5	63503-00	C	RIB - Fin tip	1	
	68972-00	D	RIB ASSEMBLY - Fin tip	1	
-6	63504-00		SPAR - Fin rear	1	
-7	63505-00	C	RIB - Fin nose	1	
	66947-00	A	RIB ASSEMBLY - Fin nose	1	
	79268-00	B	RIB - Fin nose	1	
-8	63506-00		RIB - Fin root	1	
-9	63507-00		STIFFENER - Fin spar, right	1	28-1 to 28-1374 inclusive
	63507-01		STIFFENER - Fin spar, left	1	28-1 to 28-1374 inclusive
	65034-00		STIFFENER - Fin spar, left	1	28-1375 and up
	65034-01		STIFFENER - Fin spar, right	1	28-1375 and up
-10	63508-00		ANGLE - Fin rib attachment	1	
-11	63509-00		DOUBLER ASSEMBLY - Fin	1	
-12	63510-00		CLIP - Fin	1	
-13	63511-00	C	FITTING - Fin antenna attachment, left	1	
	63511-01	C	FITTING - Fin antenna attachment, right	1	
			A - Used on PA-28-140 with serial numbers 28-26401 to 28-7325684 inclusive, PA-28-180 with serial numbers 28-5601 to 28-7305611 inclusive, PA-28R-180 with serial number 28R-31251 to 28R-7130019 inclusive, PA-28R-200 with serial numbers 28R-35601 to 28R-7335455 inclusive, and PA-28-235 with serial numbers 28-11301 to 28-7310187 inclusive.		
			B - Used on PA-28-140 with serial numbers 28-7425001 and up, PA-28-180 with serial numbers 28-7405001 and up, PA-28-235 with serial numbers 28-7410001 and up, and PA-28R-200 with serial numbers 28R-7435001 and up.		
			C - Used on PA-28-140 with serial number 28-20002 to 28-26400 inclusive, PA-28-150, PA-28-160 and PA-28-180 with serial numbers 28-1 to 28-5600 inclusive, PA-28R-180 with serial number 28R-30005 to 28R-30481 inclusive, 28R-30483 to 28R-31250 inclusive, PA-28R-200 with serial numbers 28R-30482, 28R-35001 to 28R-35600 inclusive, and PA-28-235 with serial numbers 28-10003 to 28-11300 inclusive.		
			D - Used on PA-28-140 with serial numbers 28-26401 and up, PA-28-180 with serial numbers 28-5601 and up, PA-28R-180 with serial numbers 28R-31251 and up. PA-28R-200 with serial numbers 28R-35601 and up, and PA-28-235 with serial number 28-11301 and up.		

When ordering, always specify Part Number, Description, and Serial Number of Aircraft

PIPER PARTS CATALOG

Figure and Index Number	Part Number	Code	NOMENCLATURE	No. Req.	SERIAL NUMBERS AFFECTED
50A-14	63512-00	D,F	SKIN - Fin, left	1	
	63512-01	D,F	SKIN - Fin, right	1	
	63398-00	C,E	SKIN - Fin, left	1	
	63398-01	C,E	SKIN - Fin, right	1	
-15	63513 00	B	SKIN - Leading edge, fin	1	
	66964-00	A	SKIN ASSEMBLY - Fin nose (complete)	1	
-16	66964-02	A	COVER - Air inlet	1	
-17	63515-00		BRACKET- Fin antenna	1	
			<p>A - Used on PA-28-140 with serial numbers 28-26401 and up, PA-28-180 with serial numbers 28-5601 and up, PA-28R-180 with serial numbers 28R-31251 and up, PA-28R-200 with serial number 28R-35601 and up and PA-28-235 with serial numbers 28-11301 and up.</p> <p>B- Used on PA-28-150, PA-28-160 and PA-28-180 with serial numbers 28-1981 to 28-5600 inclusive, PA-28-140 with serial number 28-20482 to 28-26440 inclusive, PA-28-235 with serial numbers 28-10563 to 28-11300 inclusive, PA-28R-180 with serial numbers 28R-30005 to 28R-30481 inclusive, 28R-30483 to 28R-31250 inclusive, and PA-28R-200 with serial numbers 28R-30482, 28R-35001 to 28R-35600 inclusive.</p> <p>C - Used on PA-28-150, PA-28-160 and PA-28-180 with serial number 28-1981 and up, and PA-28-140 with serial numbers 28-20482 and up</p> <p>D- Used on PA-28-235 with serial numbers 28-10003 to 28-10562 inclusive.</p> <p>E - Used on PA-28-235 with serial numbers 28-10563 and up, PA-28R-180 and PA-28R-200 Airplanes.</p> <p>F - Used on PA-28-150, PA-28-160 and PA-28-180 with serial numbers 28-1 to 28-1980 inclusive, and PA-28-140 with serial numbers 28-20002 to 28-20481 inclusive</p>		

When ordering, always specify Part Number, Description, and Serial Number of Aircraft

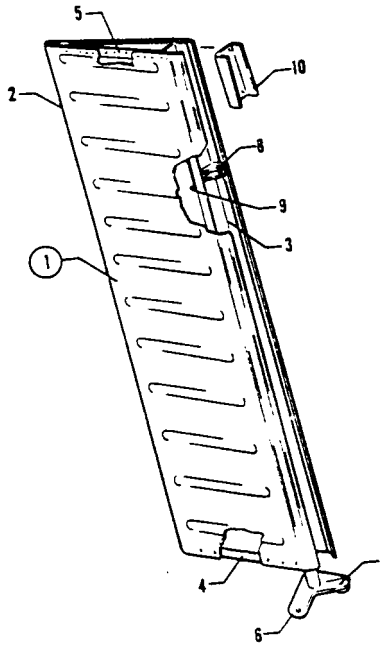


Figure 50B. Rudder Assembly

PIPER PARTS CATALOG

Figure and Index Number	Part Number	Code	NOMENCLATURE	No. Req.	SERIAL NUMBERS AFFECTED
50B-1	63540-00	A	RUDDER ASSEMBLY	1	28-10003 to 28-10562 inclusive
	65342-00	B	RUDDER ASSEMBLY	1	
	63540-02	C	RUDDER ASSEMBLY	1	
	65342-02	D	RUDDER ASSEMBLY	1	
-2	63542-00	A	SKIN - Rudder	1	28-10003 to 28-10562 inclusive
	63542-02	B	SKIN - Rudder	1	
	63396-00	E	SKIN - Rudder	1	
-3	63543-00		SPAR - Rudder	1	
-4	63544-00		RIB - Rudder root, bottom	1	
-5	63545 00		RIB - Rudder tip, top	1	
-6	63546-00		HORN ASSEMBLY - Rudder.	1	
-7	452 387		BEARING - (KP3A)	1	
-8	63550-00		FITTING - Rudder hinge	1	
-9	63551-00	F	DOUBLER ASSEMBLY - Rudder hinge	1	28-10003 to 28-10562 inclusive
	65340-00	B	DOUBLER ASSEMBLY - Rudder hinge	1	
	63395-00	D	DOUBLER ASSEMBLY - Rudder hinge	1	
-10	65341-00	G	DOUBLER - Rudder, top	1	
			<p>A - Used on PA-28-150, PA-28-160 and PA-28-180 with serial numbers 28-1 to 28-1980 inclusive, and PA-28-140 with serial numbers 28-20002 to 28-20481 inclusive</p> <p>B - Used on PA-28-235 airplanes only.</p> <p>C - Used on PA-28-150, PA-28-160 and PA-28-180 with serial numbers 28-1981 to 28-7205611 inclusive, and PA-28-140 with serial numbers 28-20482 to 28-7325684 inclusive.</p> <p>D - Used on PA-28-140 with serial numbers 28-7425001 and up, PA-28-180 with serial numbers 28-7405001 and up, PA-28-235 with serial numbers 28-10563 and up, PA-28R-180 and PA-28R-200 airplanes.</p> <p>E - Used on PA-28-150, PA-28-160 and PA-28-180 with serial numbers 28-1981 and up, PA-28-140 with serial numbers 28-20482 and up, PA-28-235 with serial numbers 28-10563 and up, PA-28R-180 and PA-28R-200 airplanes.</p> <p>F - Used on PA-28-140 with serial numbers 28-20002 to 28-7325684 inclusive, PA-28-150, PA-28-160 and PA-28-180 with serial numbers 28-1 to 28-7305611 inclusive.</p> <p>G - Used on PA-28-140 with serial numbers 28-7425001 and up, PA-28-180 with serial numbers 28-7405001 and up, PA-28-235 with serial numbers 28-10003 and up, PA-28R-180 and PA-28R-200 airplanes.</p>		

When ordering, always specify Part Number, Description, and Serial Number of Aircraft

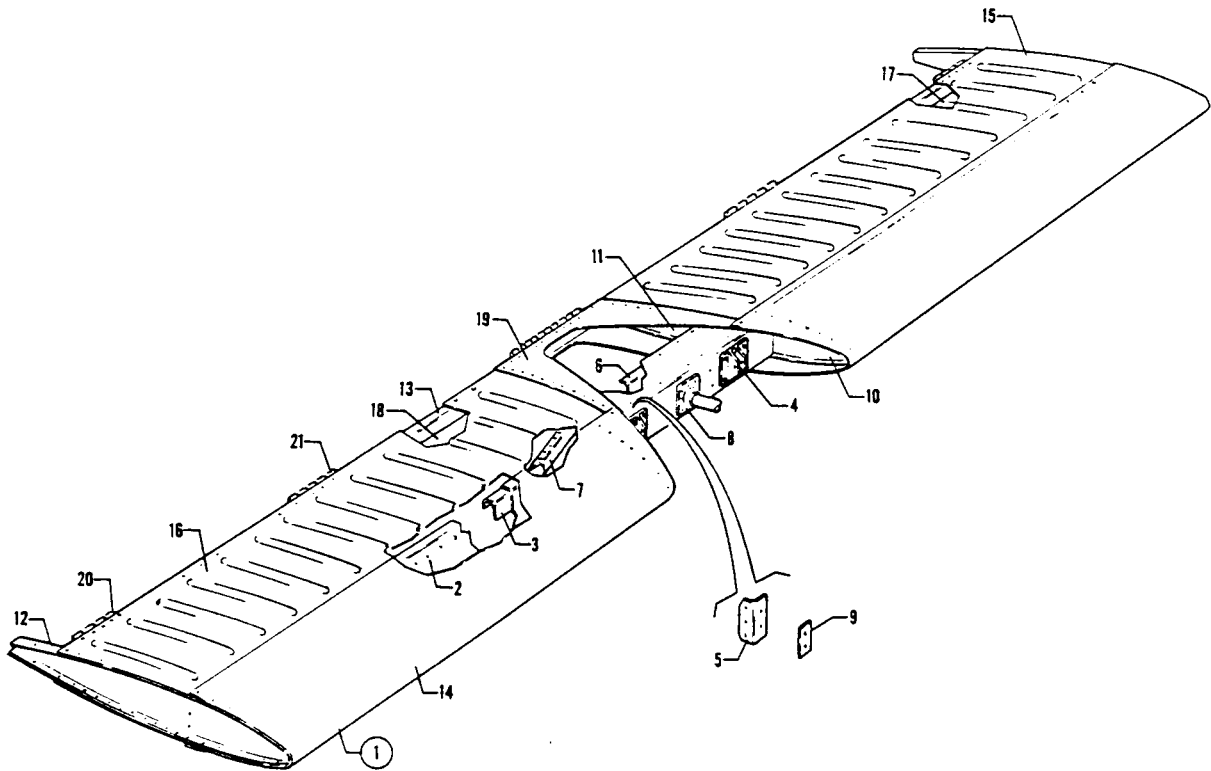


Figure 50C. Stabilator Assembly
(See Code "A" on Next Page
for Airplane Effectivity)

PIPER PARTS CATALOG

Figure and Index Number	Part Number	Code	NOMENCLATURE	No. Req.	SERIAL NUMBERS AFFECTED
50C-1	63560-00	B	STABILATOR ASSEMBLY	1	28-10003 to 28-10562 inclusive
	63560-06	C	STABILATOR ASSEMBLY	1	
	63460-00	D	STABILATOR ASSEMBLY	1	
	63460-02	E	STABILATOR ASSEMBLY	1	
-2	63561-00	B	SPAR - Stabilator, main	1	
	63561-02	C	SPAR - Stabilator, main	1	
	63561-03	D	SPAR - Stabilator, main	1	
	63561-04	E	SPAR - Stabilator, main	1	
-3	63562-00	F	CAP - Stabilator spar	2	
-4	63563-00	F	FITTING - Stabilator hinge	2	
-5	63564-00	F	ANGLE	2	
-6	63565-02		CLOSURE	1	
<p>A - Used on PA-28-150, PA-28-160 and PA-28-180 with serial numbers 28-1 to 28-7205328 inclusive, PA-28-140 with serial numbers 28-20002 and up, PA-28-235 with serial numbers 28-10003 to 28-7205328 inclusive, PA-28R-180 with serial numbers 28R-30005 to 28R-30481 inclusive, 28R-30483 to 28R-7130019 inclusive, and PA-28R-200 with serial numbers 28R-30482, 28R-35001 to 28R-7135238 inclusive.</p> <p>B - Used on PA-28-150, PA-28-160 and PA-28-180 with serial numbers 28-1 to 28-1980 inclusive, and PA-28-140 with serial numbers 28-20002 to 28-20481 inclusive.</p> <p>C - Used on PA-28-235 airplanes only.</p> <p>D - Used on PA-28-150, PA-28-160 and PA-28-180 with serial numbers 28-1981 to 28-7205328 inclusive, and PA-28-140 with serial numbers 28-20482 and up</p> <p>E - Used on PA-28-235 with serial numbers 28-10563 to 28-7210023 inclusive, PA-28R-180 with serial numbers 28R-30005 to 28R-7130019 inclusive. and PA-28R-200 with serial numbers 28R-30482, 28R-35001 to 28R-7135238 inclusive.</p> <p>F - Used on PA-28-140 with serial number 28-20002 and up, PA-28-150, PA-28-160 and PA-28-180 with serial numbers 28-1 to 28-7205328 inclusive, PA-28R-180 with serial numbers 28R-30005 to 28R-7130019 inclusive, PA-28R-200 with serial numbers 28R-30482, 28R-35001 to 28R-7135238 inclusive, and PA-28-235 with serial numbers 28-10003 to 28-7210033 inclusive.</p>					

When ordering, always specify Part Number, Description, and Serial Number of Aircraft

PIPER PARTS CATALOG

Figure and Index Number	Part Number	Code	NOMENCLATURE	No. Req.	SERIAL NUMBERS AFFECTED
50C-7	63566-00	D	STIFFENER - RH top, LH bottom	2	
	63566-02	B	STIFFENER - RH top, LH bottom	2	
	63566-01	D	STIFFENER - RH bottom, LH top	2	
	63566-03	B	STIFFENER - RH bottom, LH top	2	
-8	63567-03	C	FITTING - Balance weight attachment	2	
-9	63568-00	C	SHIM - Spar	2	
-10	63569-00	C	RIB - Stabilator nose	2	
-11	63570-00	C	RIB - Stabilator aft	2	
-12	63571-00	C	RIB-Tip	2	
-13	63572-00	C	SPAR- Stabilator, rear	1	
-14	63573-00	C	SKIN - Leading edge, left	1	
	63573-01	C	SKIN - Leading edge, right	1	
-15	63574-00	D	SKIN - Stabilator, aft top, left	1	
	63392-00	B	SKIN - Stabilator, aft top, left	1	
-16	63574-01	D	SKIN - Stabilator, aft top, right	1	
	63392-01	B	SKIN - Stabilator, aft top, right	1	
-17	63574-02	D	SKIN - Stabilator, aft bottom, left	1	
	63393-00	B	SKIN -Stabilator, aft bottom, left	1	
-18	63574-03	D	SKIN -Stabilator, aft bottom, right	1	
	63393-01	B	SKIN - Stabilator, aft bottom, right	1	
-19	63575-00	C	SKIN - Center	2	
-20	63560-02	C	HINGE - Extruded, outboard	2	
-21	63560-03	C	HINGE - Extruded, inboard and center	4	
			<p>A- Used on PA-28-150, PA-28-160 and PA-28-180 with serial numbers 28-1 to 28-7205328 inclusive, PA-28-140 with serial numbers 28-20002 and up, PA-28-235 with serial numbers 28-10003 to 28-7205328 inclusive, PA-28R-180 with serial numbers 28R-30005 to 28R-30481, 28R-30483 to 28R-7130019 inclusive, and PA-28R-200 with serial numbers 28R-30482,28R-35001 to 28R-7135238 inclusive.</p> <p>B - Used on PA-28-140 with serial numbers 28-20482 and up, PA-28-150, PA-28-160 and PA-28-180 with serial numbers 28-1981 to 28-7205328 inclusive, PA-28-235 with serial number 28-10563 to 28-7210033 inclusive, PA-28R-180 with serial numbers 28R-30005 to 28R-7130019 inclusive, and PA-28R-200 with serial numbers 28R-30482, 28R-35001 to 28R-7135238 inclusive.</p> <p>C - Used on PA-28-140 with serial numbers 28-20002 and up, PA-28-150, PA-28-160 and PA-28-180 with serial numbers 28-1 to 28-7205328 inclusive, PA-28R-180 with serial number 528R-30005 to 28R-7130019 inclusive, PA-28R-200 with serial numbers 28R-30482,28R-35001 to 28R-7135238 inclusive, and PA-28-235 with serial numbers 28-10003 to 28-7210023 inclusive.</p> <p>D - Used on PA-28-150, PA-28-160 and PA-28-180 with serial numbers 28-1 to 28-1980 inclusive, PA-28-140 with serial number 28-20002 to 28-20481 inclusive, and PA-28-235 with serial numbers 29-10003 to 28-10562 inclusive.</p>		

When ordering, always specify Part Number, Description, and Serial Number of Aircraft

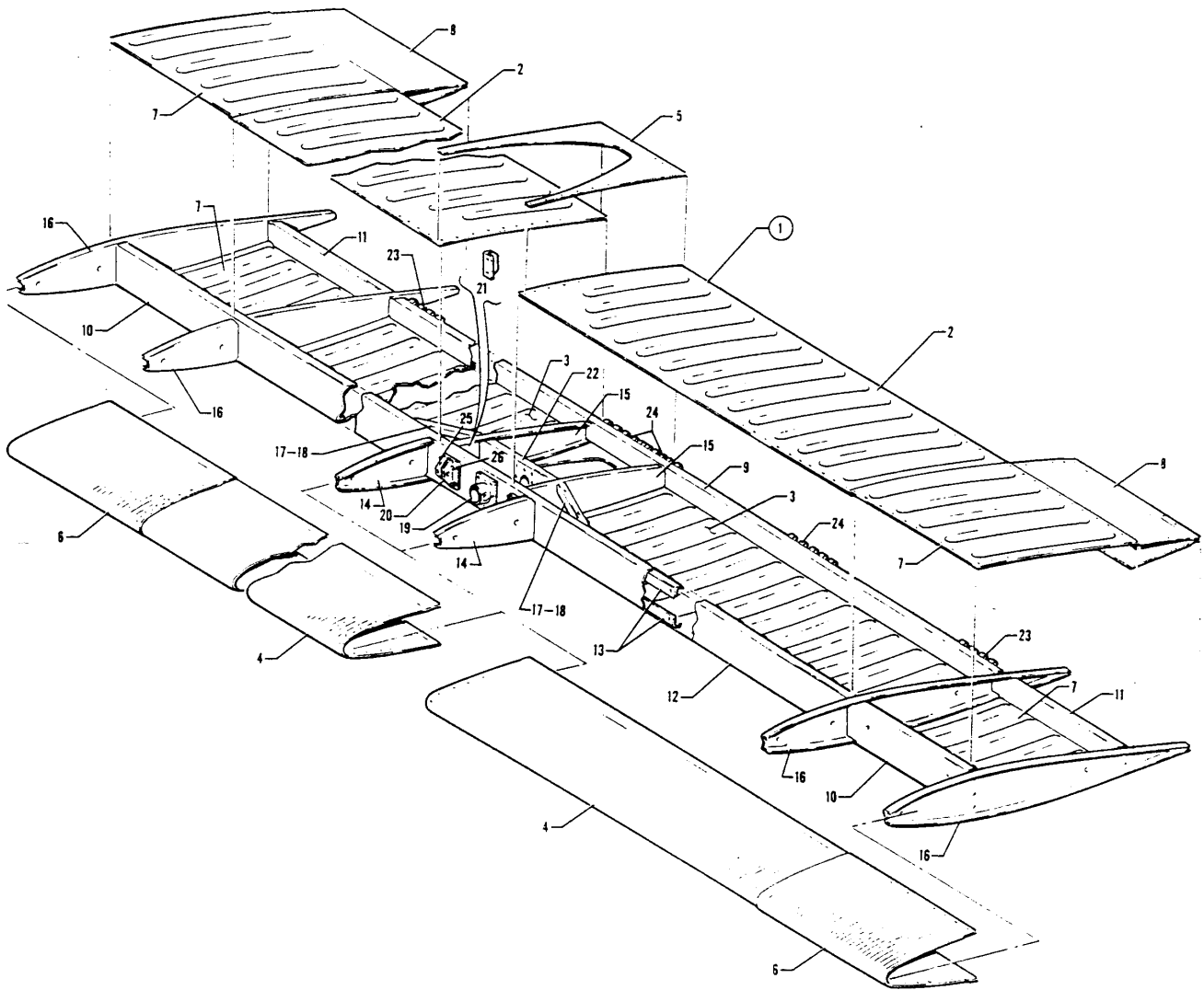


Figure 50D. Stabilator Assembly
 (PA-28-180 - Serial Nos. 28-7305001 and up)
 (PA-28-235 - Serial Nos. 28-7310001 and up)
 (PA-28R-200 - Serial Nos. 28R-7235001 and up)

PA-28-180
 PA-28-235
 PA-28R-200

PIPER PARTS CATALOG

Figure and Index Number	Part Number	Code	NOMENCLATURE	No. Req.	SERIAL NUMBERS AFFECTED
50D-1	68426-00		STABILATOR ASSEMBLY	1	
-2	63392-00		* SKIN - Stabilator, aft top, left	1	
	63392-01		* SKIN - Stabilator, aft top, right	1	
-3	63393-00		* SKIN - Stabilator, aft bottom, left	1	
	63393-01		* SKIN - Stabilator, aft bottom, right	1	
-4	63573-00		* SKIN - Stabilator, leading edge, left	1	
	63573-01		* SKIN - Stabilator, leading edge, right	1	
-5	63575-00		* SKIN - Stabilator, center, top	1	
	63575-02		* SKIN - Stabilator, center, bottom	1	
-6	68429-00		* SKIN - Stabilator, leading edge, left	1	
	68429-01		* SKIN - Stabilator, leading edge, right	1	
-7	68430-00		* SKIN - Stabilator, top, left	1	
	68430-01		* SKIN - Stabilator, top, right	1	
-8	68431-00		* SKIN - Stabilator, top, left, bottom, right	2	
	68431-01		* SKIN - Stabilator, top, right, bottom, left	2	
-9	63572-00		* SPAR - Stabilator, rear	1	
-10	68427-00		* SPAR - Stabilator, outboard, forward	2	
-11	68428-00		* SPAR - Stabilator, outboard, aft	2	
-12	63561-05		* SPAR - Stabilator, main	1	
-13	63562-00		* CAP - Stabilator, spar	2	
-14	63569-00		* RIB - Stabilator, nose	2	
-15	63570-00		* RIB - Stabilator, aft	2	
-16	63571-00		* RIB - Stabilator, top	4	
-17	63566-03		* STIFFENER - Stabilator, top, left	1	
	63566-02		* STIFFENER - Stabilator, top, right	1	
-18	63566-02		* STIFFENER - Stabilator, bottom, left	1	
	63566-03		* STIFFENER - Stabilator, bottom, right	1	
-19	63567-03		* FITTING - Balance weight attachment	2	
-20	63563-00		* FITTING - Stabilator hinge	2	
-21	63564-00		* ANGLE - Stabilator	2	
-22	63565-02		* CLOSURE	1	
-23	63560-02		* HINGE - Extruded, outboard	2	
-24	63560-03		* HINGE - Extruded, inboard and center	4	
-25	400 003	W	* BOLT - (AN4-6A)	4	
	407 565	W	* WASHER - (AN960-416)	4	
	404 888	W	* NUT - (MS20365-428C)	4	
-26	400 004	W	* BOLT - (AN4-7A)	4	
	407 565	W	* WASHER - (AN960-416)	4	
	404 888	W	* NUT - (MS20365-428)	4	
			A - Used on PA-28-180 with serial numbers 28-7305001 and up. PA-28-235 with serial numbers 28-7310001 and up, and PA-28R-200 with serial numbers 28R-7235001 and up.		
			W - These parts must be ordered from Service Spares Department, Piper Aircraft, Lock Haven, Penna.		

When ordering, always specify Part Number, Description, and Serial Number of Aircraft

PIPER PARTS CATALOG

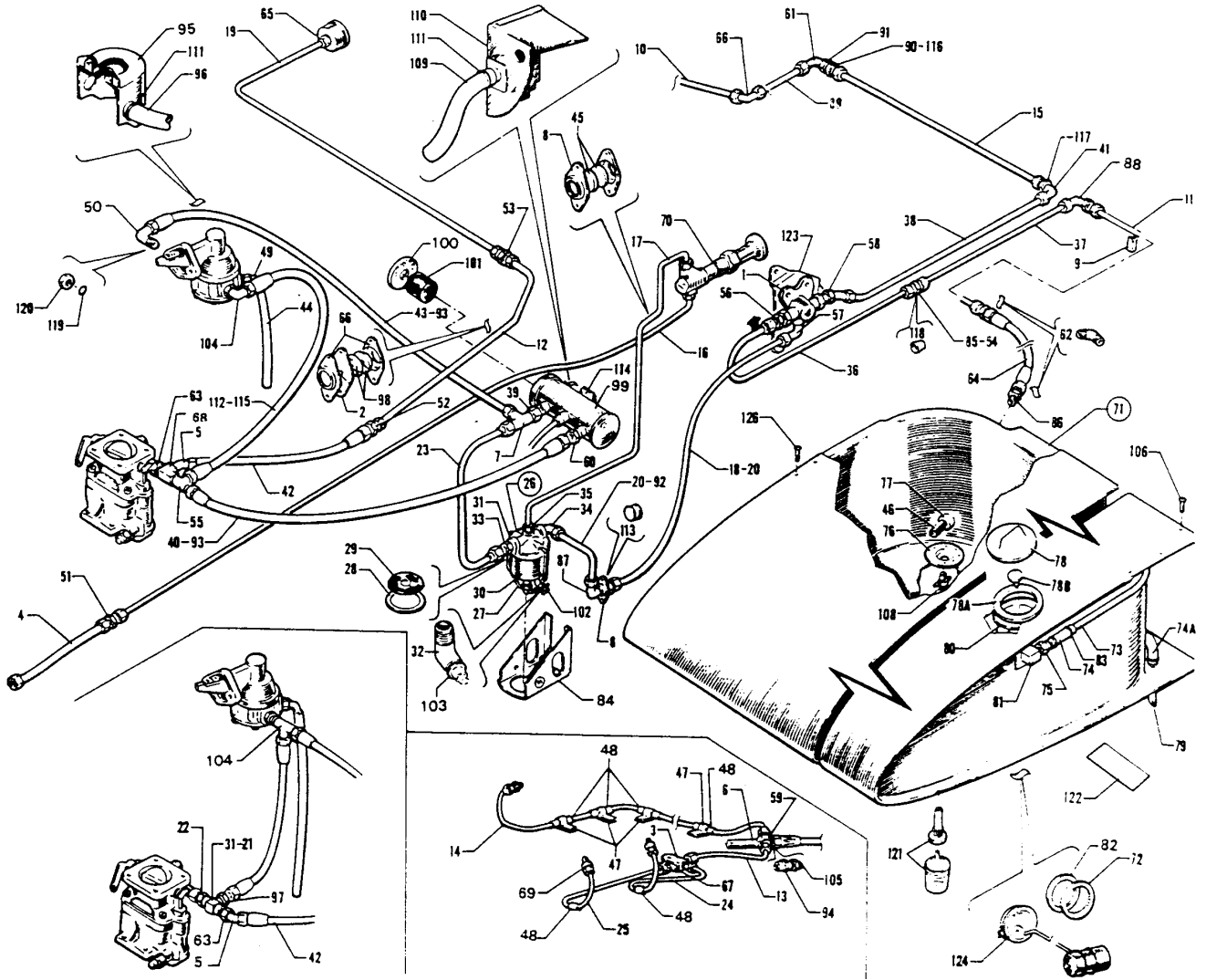


Figure 51. Fuel System Installation

PIPER PARTS CATALOG

Figure and Index Number	Part Number	Code	NOMENCLATURE	No. Req.	SERIAL NUMBERS AFFECTED
51-	62218 62222 62313 66690		DRAWING - Fuel Cooling Installation DRAWING - Fuel System Installation DRAWING - Fuel System Installation DRAWING - Fuel System Installation		28-20002 to 28-24999 inclusive 28-20002 to 28-20280 inclusive 28-20281 to 28-24999 inclusive 28-25000 and up
-1	491 947		VALVE - Fuel selector (6S122)	1	
-2	68771-06		GASKET- Firewall seal	1	28-25000 and up
-3	14470-00	W	CLAMP	1	
-4	17766-06 63901-77	W	HOSE ASSEMBLY - Flexible (primer line) 1/8" I.D. HOSE ASSEMBLY - Flexible (primer line) 3/16" I.D.	1 1	
-5	66768-00		ELBOW-45 degrees (restricted)	1	
-6	18078-00 65429-02	A,W B	CLAMP - Primer tee CLAMP - Primer tee	1 1	
-7	488 490		TEE - (AN826-6) Electric pump inlet	1	
-8	18321-00	W	RETAINER - Firewall disc	3	
-9	62119-00 62119-01		CLIP - Rib, left CLIP - Rib, right	1 1	
-10	63801-00 65152-09		LINE ASSEMBLY - Fuel, right wing LINE ASSEMBLY - Fuel, right wing	1 1	28-20002 to 28-20280 inclusive 28-20281 and up
-11	63802-00 65152-09		LINE ASSEMBLY - Fuel, Left wing LINE ASSEMBLY - Fuel, left wing	1 1	28-20002 to 28-20280 inclusive 28-20281 and up
-12	63803-04		LINE ASSEMBLY - Fuel pressure (20.12 L)	1	28-20002 to 28-24999 inclusive
-13	63806-00		LINE ASSEMBLY - Primer, left	1	
-14	63807-00		LINE ASSEMBLY - Primer, right	1	
-15	63795-00 62309-00 67700-39		LINE ASSEMBLY - Fuel, right LINE ASSEMBLY - Fuel, right LINE ASSEMBLY - Fuel, right	1 1 1	28-20002 to 28-20280 inc 28-20281 to 28-24999 inc 28-25000 and up
-16	63824-00 63824-10		LINE ASSEMBLY - Primer to engine LINE ASSEMBLY - Primer to engine	1 1	28-20002 to 28-24999 inclusive 28-25000 and up
-17	63825-00 63825-08		LINE ASSEMBLY - Primer, inlet LINE ASSEMBLY - Primer, inlet	1 1	28-20002 to 28-24999 inclusive 28-25000 and up
-18	63798-00		LINE ASSEMBLY - Fuel, valve to firewall	1	
-19	63827-00 63498-00 67700-43		LINE ASSEMBLY - Fuel pressure to gauge LINE ASSEMBLY - Fuel pressure to gauge (43.50 L) LINE ASSEMBLY - Fuel pressure to gauge (52.71 L)	1 1 1	28-20002 to 28-20280 inclusive 28-20281 to 28-24999 inclusive 28-25000 and up
-20	63798-00		LINE ASSEMBLY - Fuel pressure to gascolator	1	
-21	588 391		TEE - (C3709X4)	1	28-22613 and up
-22	476 705		NIPPLE - (C3069X4)	1	28-22613 and up
-23	62214-00 66681-00		TUBE ASSEMBLY - Fuel gascolator to electric pump TUBE ASSEMBLY - Fuel gascolator to electric pump	1 1	28-20002 to 28-24999 inclusive 28-25000 and up
-24	63837-00		LINE ASSEMBLY - Engine primer, left	1	
-25	63838-00		LINE ASSEMBLY - Engine primer, left	1	
-26	63839-03		GASCOLATOR ASSEMBLY - fuel	1	
-27	494 644	W	WIRE ASSEMBLY - Bail, 1 PAS	1	
-28	462 049	W	GASKET - 44 PA	1	
-29	35789-02		SCREEN - Wire fuel strainer	1	
-30	63840-02		BOWL ASSEMBLY - (E. Z. Drain)	1	
-31	14428-00	W	COVER - Fuel strainer	1	

A - Used with 118" I.D. hose.
B - Used with 3/16" I .D. hose.
W - These parts must be ordered from Service Spares Department, Piper Aircraft, Lock Haven, Penna.

When ordering, always specify Part Number, Description, and Serial Number of Aircraft

PIPER PARTS CATALOG

Figure and Index Number	Part Number	Code	NOMENCLATURE	No. Req.	SERIAL NUMBERS AFFECTED
51-32	458 946		ELBOW - (AN915-1D) Drain		
-33	476 678	W	NIPPLE - (AN816-6)	1	
-34	458 868		ELBOW - (MS20B22-6)	1	
-35	460 651	W	CONNECTOR - (W/H 200 x 2)	1	
-36	63846-00		LINE ASSEMBLY - Fuel valve to left wing	1	28-20002 to 28-20280 inclusive
	62306-00		LINE ASSEMBLY - Fuel valve to left wing	1	28-20281 and up
-37	63936-00		LINE ASSEMBLY - Fuel, left	1	28-20002 to 28-20280 inclusive
	62308-00		LINE ASSEMBLY - Fuel, left	1	28-20281 and up
-38	63797-00		LINE ASSEMBLY - Fuel valve to right wing (35")	1	28-20002 to 28-20280 inclusive
	62307-00		LINE ASSEMBLY - Fuel valve to right wing (33")	1	28-20281 and up
-39	451 872	W	ADAPTER - (W/H 3200 x 4 x 2) Electric pump inlet	1	
-40	63901-12		HOSE ASSEMBLY - Flexible	1	
-41	458 901	W	ELBOW - (AN833-6D)	1	28-20002 to 28-20280 inclusive
-42	63901-07		HOSE ASSEMBLY - Flexible, to pressure gauge	1	
-43	63901-18		HOSE ASSEMBLY - Flexible, electric pump to engine pump	1	28-20002 to 28-24999 inclusive
	63901-12		HOSE ASSEMBLY - Flexible, electric pump to engine pump	1	28-25000 and up
-44	63913-11		HOSE ASSEMBLY - Flexible, engine fuel pump vent	1	
-45	63915-02		DISC - Firewall seal	2	28-20002 to 28-24999 inclusive
	63915-18		DISC - Firewall seal	2	28-25000 and up
-46	72091-00	W	STRAINER - Fuel tank finger	2	
-47	80032-69	W	CLAMP	4	
-48	90797-02	W	SLEEVE	7	
-49	451 862		ELBOW - (AN840-4)	1	28-20002 to 28-20218 inclusive
	458 948	W	ELBOW - (1K1-2-4)	1	2B-20219 and up
-50	458 868		ELBOW - (MS20822-6) Engine fuel pump	1	28-20002 to 28-21086 inclusive
	458 936	W	ELBOW - (AN833-6) Engine fuel pump	1	2B-21087 to 28-7525306 incl,
	558 830		ELBOW - (RAC2000-6) Engine fuel pump	1	28-7525307 and up
-51	491 048	W	UNION - (AN815-2D)	1	
	484 348	B,W	REDUCER - (AN919-0D)	1	
-52	491 054		UNION - (AN815-3)	1	28-20002 to 28-24999 inclusive
	484 307		REDUCER - (AN919-2)	1	28-25000 and up
-53	491 049	W	UNION - (AN815-3D)	1	28-20002 to 28-20280 inclusive
	484 351	W	UNION - (AN919-2D)	1	28-20281 to 28-24999 inclusive
-54	491 051	W	UNION - (AN815-5D)	1	28-20002 to 28-20280 inclusive
	491 082		UNION- (6H12D)	1	28-20281 and up
-55	488 490		TEE - (AN826-6)	1	28-20002 to 28-22612 inclusive
-56	476 671	W	NIPPLE - (AN816-5-4D)	1	28-20002 to 28-20280 inclusive
	476 662	W	NIPPLE - (AN816-6D)	1	28-20281 and up
-57	458 895	W	ELBOW - 90 degrees (AN822-6D)	1	
-58	458 892	W	ELBOW - 45 degrees (AN823-6D)	1	
-59	488 318	A,W	TEE - (AN824-2D)	1	
	558 436	B	TEE - (MS20825-2D)	1	
-60	476 685		NIPPLE - (AN816-6-2) Electric pump outlet	1	
-61	458 897	W	ELBOW - (MS20822-5-4D)	1	28-20002 to 28-20280 inclusive

A - Used with 1/8" I.D. Hose.
 B - Used with 3/16" I.D. Hose.
 W - These parts must be ordered from Spares Department
 Piper Aircraft, Lock Haven Penna.

When ordering, always specify Part Number, Description, and Serial Number of Aircraft

PIPER PARTS CATALOG

Figure and Index Number	Part Number	Code	NOMENCLATURE	No. Req.	SERIAL NUMBERS AFFECTED
51-62	458 911	W	ELBOW - (AN837-5D)	2	28-20002 to 28-20280 inclusive
	491 052	W	UNION - (AN815-6D)	2	28-20281 and up
-63	453 680	W	BUSHING - Reducer (AN912-1C)	1	
-64	63901-11		HOSE ASSEMBLY - Flexible, fuel line to fuel tank	2	28-20002 to 28-20280 inclusive
	63901-15		HOSE ASSEMBLY - Flexible, fuel line to fuel tank	2	28-20281 and up
-65	484 348	W	BUSHING - Reducer (AN919-0D)	1	28-20002 to 28-20280 inclusive
-66	66789-00		PI ATE - Firewall seal	2	28-25000 and up
-67	460 652	W	TEE - (W/H 702 x 2)	1	
-68	488 496		TEE - (PF3011-4)	1	28-20002 to 28-22612 inclusive
-69	31197-00	W	PRIMER JET	3	
-70	451 103		PRIMER ASSEMBLY - (K-2406-SAE-2)	1	
-71	63998-16		TANK ASSEMBLY - Left wing fuel	1	
	63998-17		TANK ASSEMBLY - Right wing fuel	1	
-72	462 019	W	* GASKET - Fuel gauge (1515832)	1	
-73	62060-00		* VENT TUBE - Left (with bead)	1	
	62060-01		* VENT TUBE - Right (with bead)	1	
	62060-04		* VENT TUBE - Left (without bead)	1	
	62060-05		* VENT TUBE - Right (without bead)	1	
-74	63913-193		* HOSE - Connector	1	
-74a	63913-194		* HOSE - Connector	1	
-75	451 857	W	* ADAPTER - (AN840-4D) with bead	1	
	560 951		* ADAPTER - (1068 x 6 x 2) without bead	1	
-76	62033-00		* PLATE - Drain	1	
-77	63954-00		* OUTLET ASSEMBLY - Fuel tank	1	
-78	66817-00		* CAP ASSEMBLY - Fuel tank	1	
-78a	66815-00	D	** GASKET - Fuel cap	1	
-78b	492 153	D	** VALVE - Fuel cap vent (VA3123)	1	
-79	36625-02		* VENT ASSEMBLY - Fuel tank, left	1	
	36625-03		* VENT ASSEMBLY - Fuel tank, right	1	
-80	69785-01		* FILLER NECK ASSEMBLY	1	
-81	62059-00		* FITTING - Fuel line	1	
-82	62044-00		* PLATE - Fuel tank	1	
-83	454 833	B	* CLAMP - (SAE TY E-6)	4	
	454 806	C,W	* CLAMP - (SAE TY E-7)	4	
-84	63834-00		BRACKET - Gascolator mounting	1	
-85	491 051	W	UNION - (AN815-5D)	1	28-20002 to 28-20280 inclusive
	491 082		UNION - (6H12D)	1	28-20281 and up
-86	476 671	W	NIPPLE - (AN816-5-4D)	2	28-20002 to 28-20280 inclusive
	476 662	W	NIPPLE - (AN816-6D)	2	28-20281 and up
-87	458 936	W	ELBOW - (AN833-6)	1	28-20002 to 28-20280 inclusive
-88	458 959		ELBOW - (W/H 502 x 5)	2	28-20002 to 28-20280 inclusive
	558 906		ELBOW - (6E12D)	1	28-20281 and up
-89	63849-00		LINE ASSEMBLY - Fuel, right	1	28-20002 to 28-20280 inclusive
-90	455 259		COUPLING - (AN910-2D)	2	28-20002 to 28-20280 inclusive
-91	476 662	W	NIPPLE - (ANB16-6D)	2	28-20002 to 28-20280 inclusive
-92	63913-14		HOSE - Fire shield	1	
-93	63913-40		HOSE - Fire shield	2	
-94	455 173	A,W	COUPLING - (AN910-1D)	1	
-95	62878-00	A	BAFFLE ASSEMBLY - Fuel pump	1	28-20002 to 28-20256 inclusive
	63422-00		BAFFLE ASSEMBLY - fuel pump	1	28-20257 and up
-96	63633-23		HOSE - Fuel pump air blast	1	
-97	476 678	W	NIPPLE - (AN816-6)	1	28-22613 and up
-98	68770-18		GROMMET - Firewall seal	2	28-25000 and up

A- If Fuel Pump AC 6440174 has been installed, order P/N 63422-00.
 B- Used with 3/8" O.D. Hose.
 C- Used with 1/2" O.D. Hose.
 D- Used with Fuel Cap Part No. 66817-00 only.
 W - These parts must be ordered from Service Spares Department Piper Aircraft, Lock Haven, Penna.

When ordering, always specify Part Number, Description, and Serial Number of Aircraft

PIPER PARTS CATALOG

Figure and Index Number	Part Number	Code	NOMENCLATURE	No. Req.	SERIAL NUMBERS AFFECTED
51-99	481 666	W	PUMP - Electric fuel (478 360)		
-100	751 872	W	• GASKET - Cover (479 136)		
-101	751 799	W	• SCREEN - Filter (479 135)		
-102	492 022	W	VALVE - (CCA-1550) drain		
-103	477 677	W	NUT - Tru seal fitting (1/8 pipe)		
-104	458 868		ELBOW - (MS20822-6) Engine fuel pump	1	28-20002 to 28-21086 incl.
	458 936	W	ELBOW -(AN833-6) Engine fuel pump	1	28-21087 to 28-22612 incl.
	488 489	W	TEE - (AN804-6) Engine fuel pump	1	28-22613 to 28-7525306 incl.
	588 462		TEE - (RAC3300-6) Engine fuel pump	1	28-7525307 and up
-105	476 647	A,W	NIPPLE - (AN816-3D)	1	
-106	416 305		SCREW - (AN525-832R12)	30	
-107	416 302		SCREW - (AN525-832R9)	40	
-108	492 022	W	DRAIN - Fuel tank (CCA- 1550) (Pet-Cock Type)	2	
	491 806		DRAIN - Fuel tank (F391 -187B) (Flush Type)	2	
-109	63633-23		HOSE - Electric fuel pump cooling	1	28-20002 to 28-7125471 inclusive
	63633-104		HOSE - Electric fuel pump cooling	1	28-7125472 and up
-110	62215-00		COVER ASSEMBLY - Electric fuel pump cooling	1	28-20002 to 28-24999 inclusive
	66676-03		COVER ASSEMBLY - Electric fuel pump cooling	1	28-25000 and up
	66676-03		COVER ASSEMBLY - Electric fuel pump cooling	1	28-25000 and up
-111	454 994		CLAMP - (H-2-1160)	2	
-112	63901-14		HOSE ASSEMBLY- Flexible	1	
-113	63915-08		DISC- Firewall seal	2	
-114	62219-00		SPACER - Fuel pump mounting	AR	
-115	63913-25		HOSE - Fire shield	1	
-116	491 082		UNION - (6H12D)	1	28-20281and up
-117	477 670		NUT - (6B12D)	4	2B-20281and up
-118	460 464		FERRULE - (6T12D)	4	28-20281 and up
-119	462 060	W	"O" RING - (MS29512-6)	2	28-21087 to 28-7525278 incl.
-120	477 631	W	NUT - (AN924-6)	2	28-21087 to 28-7525278 incl.
-121	62924-00		SAMPLER - Fuel (used with Pet-Cock Type Drain)	1	
	67728-00		SAMPLER - Fuel (used with Flush Type Drain)	1	
-122	99364-00		PLACARD - Fuel	2	
-123	99754-00		SUPPORT ASSEMBLY - Fuel selector cover	1	
-124	62037-00		SENDER - Fuel tank (450 759)	2	28-20002 to 2B-20550 inclusive
	68101-02		SENDER - Fuel tank	2	28-20551 and up

A - Used with 3/16" I.D. Hose.
W - These parts must be ordered from Service Department Piper Aircraft, Lock Haven, Penna.

When ordering, always specify Part Number, Description, and Serial Number of Aircraft

2K24
INTENTIONALLY LEFT BLANK

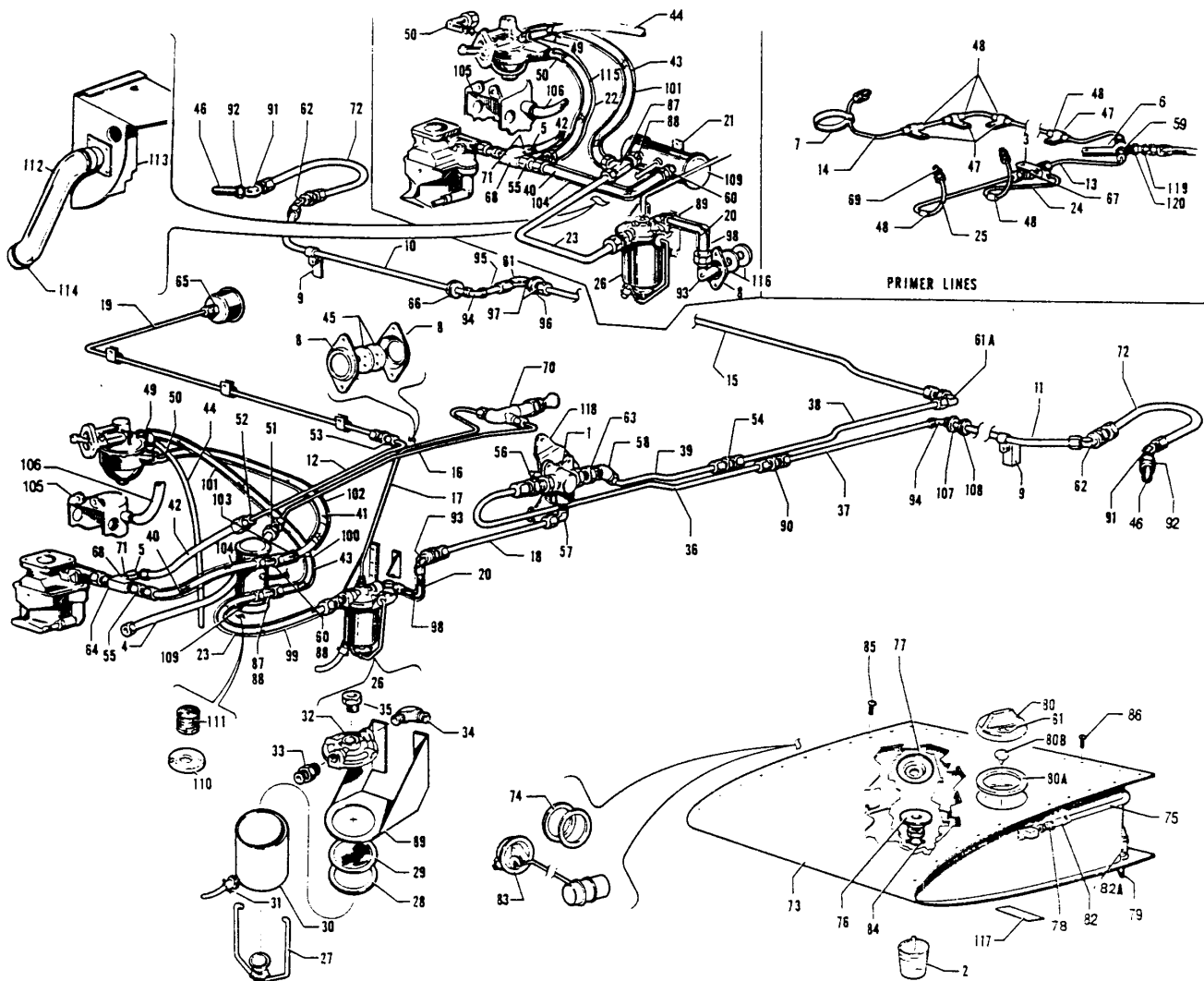


Figure 52. Fuel System Installation
 (PA-28-150-160-180 - Serial Nos. 28-1 to 28-1760 inclusive)

PIPER PARTS CATALOG

Figure and Index Number	Part Number	Code	NOMENCLATURE	No. Req.	SERIAL NUMBERS AFFECTED
52-	63800 63796 62222		DRAWING - Fuel System Installation DRAWING - Fuel System Installation DRAWING - Fuel System Installation		28-1 to 28-670 inclusive 28-671 to 28-1520 inclusive 28-1521 to 28-1760 inclusive
-1	491 947		VALVE - Fuel selector (6S122)	1	
-2	62924-00 67728-00		SAMPLER - Fuel (used with Pet-Cock Type Drain) SAMPLER - Fuel (used with Flush Type Drain)	1 1	
-3	14470-00	W	CLAMP	1	
-4	17766-06 63901-77	W	HOSE ASSEMBLY - Flexible (primer line) HOSE ASSEMBLY - Flexible (primer line)	1 1	
-5	17803-00	W	ELBOW - 45 Degrees (restricted)	1	
-6	18078-00 65429-02	C,W D	CLAMP - Primer tee CLAMP - Primer tee	1 1	
-7	18307-00	W	CLAMP - Primer tee	1	28-1 to 28-510 inclusive
-8	18321-00	W	RETAINER - Firewall disc	3	
-9	62119-00 62119-01		CLIP - Rib, left CLIP - Rib, right	1 1	
-10	63801-00		LINE ASSEMBLY - Fuel, right wing	1	
-11	63802-00		LINE ASSEMBLY - Fuel, left wing	1	
-12	63803-00 63803-04		LINE ASSEMBLY - Fuel pressure LINE ASSEMBLY - Fuel pressure	1 1	28-1 to 28-510 inclusive 28-511 and up
-13	63806-00		LINE ASSEMBLY - Primer, left	1	
-14	63807-00		LINE ASSEMBLY - Primer, right	1	
-15	63823-00 63795-00		LINE ASSEMBLY - Fuel, right LINE ASSEMBLY - Fuel, right	1 1	28-1 to 28-670 inclusive 28-671 to 28-1760 inclusive
-16	63824-00		LINE ASSEMBLY - Primer, no engine	1	
-17	63825-00		LINE ASSEMBLY - Primer, inlet	1	
-18	63826-00 63798-00		LINE ASSEMBLY - Fuel, valve to firewall LINE ASSEMBLY - Fuel, valve to firewall	1 1	28-1 to 28-670 inclusive 28-671 to 28-1760 inclusive
-19	63827-00		LINE ASSEMBLY - Fuel pressure to gauge	1	
-20	63845-00 63798-00		LINE ASSEMBLY - Fuel, to gascolator LINE ASSEMBLY - Fuel, to gascolator	1 1	28-1 to 28-670 inclusive 28-671 to 28-1760 inclusive
-21	62219-00	B	SPACER - Fuel pump mounting	1	28-1521 to 28-1760 inclusive
-22	63913-25	B	HOSE - Fire shield	1	28-1521 to 28-1760 inclusive
-23	63835-00 63901-10 63901-12	A A A	LINE ASSEMBLY - Fuel, gascolator to electric pump HOSE ASSEMBLY - Fuel, gascolator to electric pump HOSE ASSEMBLY - Fuel, gascolator to electric pump	1 1 1	28-1 to 28-510 inclusive 28-511 to 28-670 inclusive 28-671 to 28-1520 inclusive
-24	62214-00		TUBE ASSEMBLY - Fuel, gascolator to electric pump	1	28-1521 to 28-1760 inclusive
-25	63837-00 63838-00		LINE ASSEMBLY - Engine primer, left LINE ASSEMBLY - Engine primer, left	1	

A - If Fuel Cooling Kit 756 807, 756 808 or 756 809 has been installed, order part for serial numbers 28-1521 to 28-1760 inclusive.

B - Used on PA-28-150, PA-28-160 and PA-28-180 with serial numbers 28-1 to 28-1520 inclusive, if Fuel Cooling Kit 756 807, 756 808 or 756 809 has been installed.

C - Used with 1/8" I. D. Hose.

D - Used with 3/16" I. D. Hose.

W - These parts must be ordered from Service Spares Department, Piper Aircraft, Lock Haven, Penna.

When ordering, always specify Part Number, Description, and Serial Number of Aircraft

PIPER PARTS CATALOG

Figure and Index Number	Part Number	Code	NOMENCLATURE	No. Req.	SERIAL NUMBERS AFFECTED
52-26	63839-00		GASCOLATOR ASSEMBLY - Fuel	1	28-1 to 28-670 inclusive
	63839-02		GASCOLATOR ASSEMBLY - Fuel	1	28-671 to 28-1760 inclusive
-27	494 644	W	WIRE ASSEMBLY - Bail 1 PAS	1	
-28	462 049	W	GASKET- 44 PA	1	
-29	35789-02		SCREEN - Wire fuel strainer	1	
-30	63840-00		BOWL ASSEMBLY - (E. Z. Drain)	1	
-31	458 946		ELBOW - (AN915-1D) Drain	1	
	492 022	W	VALVE - (CCA-1550) Drain	1	
-32	14428-00	W	COVER - Fuel strainer	1	
-33	476 671	A W	NIPPLE - (AN816-5-4)	1	28-1 to 28-670 inclusive
	476 678	W	NIPPLE - (AN816-6)	1	28-6171 to 28-1760 inclusive
-34	458 873	W	ELBOW - (MS20822-54)	1	28-1 to 28-670 inclusive
	458 868		ELBOW - (MS20822-6)	1	28-671 to 28-1760 inclusive
-35	460 651	W	CONNECTOR - (W/H 200 x 2)	1	
-36	63846-00		LINE ASSEMBLY - Fuel valve to left wing	1	
-37	63936-00		LINE ASSEMBLY - Fuel left	1	
-38	63937-00		LINE ASSEMBLY - Fuel valve to right wing rear (18")	1	28-1 to 28-670 inclusive
	63797-00		LINE ASSEMBLY - Fuel valve to right wing (35")	1	28-671 to 28-1760 inclusive
-39	63848-00		LINE ASSEMBLY - Fuel right front (15 1/2")	1	28-1 to 28-670 inclusive
-40	63901-05	A	HOSE ASSEMBLY - Flexible electric pump to carburetor	1	28-1 to 28-670 inclusive
	63901-11	A	HOSE ASSEMBLY - Flexible electric pump to carburetor	1	28-671 to 28-1056 inclusive
	63901-14	A	HOSE ASSEMBLY- Flexible electric pump to carburetor	1	28-1057 to 28-1520 inclusive
	63901-12		HOSE ASSEMBLY- Flexible electric pump to carburetor	1	28-1521 to 28-1760 inclusive
-41	63901-06		HOSE ASSEMBLY - Flexible engine pump to electric pump	1	28-1 to 28-1056 inclusive
	63901-12		HOSE ASSEMBLY - Flexible engine pump to electric pump	1	28-1057 to 28-1520 inclusive
-42	63901-07		HOSE ASSEMBLY - Flexible to pressure gauge	1	
-43	63901-08	A	HOSE ASSEMBLY- Flexible electric pump to engine pump	1	28-1 to 28-670 inclusive
	63901-13	A	HOSE ASSEMBLY- Flexible electric pump to engine pump	1	28-671 to 28-1520 inclusive
	63901-18		HOSE ASSEMBLY- Flexible electric pump to engine pump	1	28-1521 to 28-1760 inclusive
-44	63913-03		HOSE ASSEMBLY- Flexible (engine fuel pump vent)	1	28-1 to 28-342 inclusive
	63913-11		HOSE ASSEMBLY - Flexible (engine fuel pump vent)	1	28-343 to 28-1760 inclusive
-45	63915-02		DISC - Firewall seal	2	
-46	72091-00	W	STRAINER - Fuel tank finger	2	
-47	80032-69	W	CLAMP 4		
-48	90797-02	W	SLEEVE 7		
-49	21227-00	W	ELBOW 1		28-1 to 28-342 inclusive
	458 903	W	ELBOW - (AN842-4)	1	28-343 to 28-670 inclusive
	451 862		ELBOW - (AN840-4)	1	28-671 to 28-1760 inclusive
-50	458 896	A W	ELBOW - (AN822-5D)	2	28-1 to 28 342 inclusive
	458 873	A W	ELBOW - (AN822)	2	28-343 to 28-670 inclusive
	458 873	A W	ELBOW - (AN822-5-4) From fuel strainer	1	28-671 to 28-1056 inclusive
	458 868		ELBOW - (MS2C822-6) From fuel strainer	1	28-1057 to 28-1760 inclusive
	458 873	A W	ELBOW - (M62C822-5-4) To electric fuel pump	1	28-671 to 28-1056 inclusive
	458 868		ELBOW - (MS20822-6) To electric fuel pump	1	28-1057 to 28-1760 inclusive
-51	491 048	B,W	UNION - (AN815-2D)	1	
	484 348	C W	REDUCER - (AN919-0D)	1	

A - If Fuel Cooling Kit 756 807, 756 808 or 756 809 has been installed order, part for serial numbers 28-1521 to 28-1760 inclusive
 B - Used with 1/8" I.D. hose.
 C - Used with 3/16" I.D. hose.
 W - These parts must be ordered from Service Spares Department, Piper Aircraft, Lock Haven, Penna.

When ordering, always specify Part Number, Description, and Serial Number of Aircraft

PIPER PARTS CATALOG

Figure and Index Number	Part Number	Code	NOMENCLATURE	No. Req.	SERIAL NUMBERS AFFECTED
52-52	491 054		UNION - (AN815-3)	1	
-53	491 049	W	UNION - (AN815-3D)	1	
-54	491 051	W	UNION - (AN815-5D)	1	
-55	476 667	A,W	NIPPLE - (AN815)	1	28-1 to 28-1056 inclusive
	476 678	A,W	NIPPLE - (AN816 6)	1	28-1057 to 28-1520 inclusive
	488 490		TEE - (AN826-6)	1	28-1521 to 28-1760 inclusive
-56	476 671	W	NIPPLE - (AN816)	1	
-57	458 897	W	ELBOW - 90 (AN822-5-4D)	1	28-1 to 28-670 inclusive
	458 895	W	ELBOW - 90 (AN822-6D)	1	28-671 to 28-1760 inclusive
-58	458 890	W	ELBOW - 45 (AN823-5D)	1	28-1 to 28-670 inclusive
	458 892	W	ELBOW - 45 (AN823-6D)	1	28-671 to 28-1760 inclusive
-59	488 318	B,W	TEE - (AN824-2D)	1	
	588 436	C	TEE - (MS20825-2D)	1	
-60	488 336	A	TEE - (AN825-5) Electric pump outlet	1	28-1 to 28-1056 inclusive
	488 330	A,W	TEE - (AN825 -6) Electric pump outlet	1	28-1057 to 28-1520 inclusive
	476 685		NIPPLE - (AN81-6-2) Electric pump outlet	1	28-1521 to 28-1760 inclusive
-61	458 878	W	ELBOW - (AN833-5D)	1	28-1 to 28-670 inclusive
	458 896	W	ELBOW - (MS20822-5D) "150" and "160"	1	28-671 to 28-990 inclusive
	458 897	W	ELBOW- (MS20822-5-4D)	1	28-991 to 28-1760 inclusive
-61a	458 878	W	ELBOW - (AN833-5D)	1	28-1 to 28-670 inclusive
	458 901	W	ELBOW - (AN833-6D)	1	28-671 to 28-1760 inclusive
-62	458 911	W	ELBOW - (AN837-5D)	2	
-63	453 616	W	BUSHING - Reducer (AN912-1D)	1	28-1 to 28-670 inclusive
-64	453 680	W	BUSHING -Reducer (AN912-1C)	1	28-1 to 28-1056 inclusive
-65	484 348	W	BUSHING - Reducer (AN919-0D)	1	
-66	434 151		GROMMET- (AN931-S-12)	1	
-67	460 652	W	TEE - (W/H 702 x 2)	1	
-68	488 381	A,W	TEE - (W/H 3750 x 2)	1	28-1 to 28-1056 inclusive
	488 496		TEE - (PF3011-4)	1	28-1057 to 28-1760 inclusive
-69	31197-00	W	PRIMER JET	3	
-70	451 103		PRIMER ASSEMBLY - (K-2406-SAE-2)	1	
-71	453 680	W	BUSHING - Reducer (AN912-1C)	1	
-72	63901-11		HOSE ASSEMBLY - Flexible fuel line to fuel tank	2	
-73	63998-16		TANK ASSEMBLY - Left wing fuel	1	
	63998-17		TANK ASSEMBLY - Right wing fuel	1	
-74	462 019	W	* GASKET - Fuel gauge (1515832)	1	
-75	62060-00		* VENT TUBE - Left (with bead)	1	
	62060-01		* VENT TUBE - Right (with bead)	1	
	62060-04		* VENT TUBE - Left (without bead)	1	
	62060-05		* VENT TUBE - Right (without bead)	1	
-76	62033-00	W	* PLATE - Drain	1	
-77	63954-00		* OUTLET ASSEMBLY - Fuel tank	1	
-78	451 857		* ADAPTER - (AN840-4D) with bead	1	
	560 951		* ADAPTER - (1068 x 6 x 2) without bead	1	
-79	36625-02		* VENT ASSEMBLY - Fuel tank left	1	
	36625-03		* VENT ASSEMBLY - Fuel tank right	1	
-80	62045-05		* CAP ASSEMBLY - Fuel tank (used with 1/2", Dia. filler neck)	1	
	66817-00		* CAP ASSEMBLY - Fuel tank (used with 2 1/4", Dia. filler neck)	1	
-80a	66815-00	D	** GASKET - Fuel cap	1	
-80b	492 153	D	** VALVE - Fuel cap vent (VA3123)	1	

A - If Fuel Cooling Kit 756 807, 756 808 or 756 809 has been installed. order part for serial numbers 28-1521 to 28-1760 inclusive
 B - Used with 1/8" I.D. Hose.
 C - Used with 3/16" I.D. Hose.
 D - Used with Fuel Cap P/N 66817-00 only
 W - These parts must be ordered from Service Spares Department, Piper Aircraft, Lock Haven, Penna.

When ordering, always specify Part Number, Description, and Serial Number of Aircraft

PIPER PARTS CATALOG

Figure and Index Number	Part Number	Code	NOMENCLATURE	No. Req.	SERIAL NUMBERS AFFECTED
52-81	62142-00		** PLACARD - Fuel tank cap (outboard)	1	
-82	63913-193		* HOSE - Connector	1	
-82a	63913-194		* HOSE - Connector	1	
-83	62037-00		GAUGE - Fuel tank (450 759)	2	
-84	492 022	W	DRAIN - Fuel (CCA-1550) (Pet-Cock Type)	2	
	491 806		DRAIN - Fuel (F391-187B) (Flush Type)	2	
-85	416 302		SCREW - (AN525-832R9)	40	
-86	416 305		SCREW - (AN525-832R12)	30	
-87	488 336	B	TEE - (AN825-5) Electric pump inlet	1	28-1 to 28-670 inclusive
	488 330	B,W	TEE - (AN825-6) Electric pump inlet	1	28-671 to 28-1520 inclusive
	488 490		TEE - (AN826-6) Electric pump inlet	1	28-1521 to 28-1760 inclusive
-88	451 872	W	ADAPTER - (W/H 3200 x 4 x 2) Electric pump inlet	1	28-671 to 28-1760 inclusive
	451 872	W	ADAPTER - (W/H 3200 x 4 x 2) Electric pump inlet	1	28-1057 to 28-1520 inclusive
-89	63834-00		BRACKET - Gascolator mounting	1	
-90	491 051	W	UNION - (AN815-5D)	1	28-1 to 28-670 inclusive
-91	458 890	W	ELBOW - 45 degrees (AN823-5D)	2	28-1 to 28-59 inclusive
	476 671	W	NIPPLE - (AN816-5-4D)	2	28-60 to 28-1760 inclusive
-92	453 616	W	BUSHING - Reducer (AN912-1D)	2	28-1 to 28-59 inclusive
-93	458 935	W	ELBOW - (AN833-5)	1	28-1 to 28-670 inclusive
	458 936	W	ELBOW - (AN833-6)	1	28-671 to 28-1760 inclusive
-94	458 959		ELBOW - (W/H 502 x 5)	2	
-95	63849-00		LINE ASSEMBLY - Fuel, right	1	
-96	455 259		COUPLING - (AN910-2D)	1	
-97	476 662	W	NIPPLE - (AN816-6D)	2	
-98	63913- 14		HOSE - Fire shield	1	
-99	63913-15		HOSE - Fire shield	1	28-1 to 28-670 inclusive
	63913-21		HOSE - Fire shield	1	28-671 to 28-1520 inclusive
	63913-16		HOSE - Fire shield	1	28-1 to 28-670 inclusive
-101	63913-17	B	HOSE - Fire shield	1	28-1 to 28-670 inclusive
	63913-24	B	HOSE - Fire shield	1	28-671 to 28-1520 inclusive
	63913-40		HOSE - Fire shield	1	28-1521 to 28-1760 inclusive
-102	63913-18		HOSE - Fire shield	1	28-1 to 28-670 inclusive
	63913-23		HOSE - Fire shield	1	28-671 to 28-1056 inclusive
	63913-21		HOSE - Fire shield	1	28-1057 to 28-1520 inclusive
-103	63913-19		HOSE - Fire shield	1	28-1 to 28-670 inclusive
-104	63913-20	B	HOSE - Fire shield	1	28-1 to 28-1056 inclusive
	63913-25	B	HOSE - Fire shield	1	28-1057 to 28-1520 inclusive
	63913-40		HOSE - Fire shield	1	28-1521 to 28-1760 inclusive
-105	SKVB-244	A,C	BAFFLE ASSEMBLY - Fuel pump	1	28-1 to 28-367 inclusive
	23107-00	A,B,W	BAFFLE ASSEMBLY - Fuel pump	1	28-368 to 28-1520 inclusive
	62878-00	A	BAFFLE ASSEMBLY - Fuel pump	1	28-1521 to 28-1760 inclusive
-106	63633-13		HOSE - Fuel pump air blast	1	28-1 to 28-1520 inclusive
	63633-23		HOSE - Fuel pump air blast	1	28-1521 to 28-1760 inclusive

A - If Fuel Pump AC6440174 has been installed, order Part Number 63422-00.
 B - If Fuel Cooling Kit 756 807, 756 808 or 756 809 has been installed, order part for serial numbers 28-1521 to 28-1760 inclusive.
 C - If Fuel Cooling Kit 756 807 has been installed, order Part Number 62402-00.
 W - These parts must be ordered from Service Spares Department, Piper Aircraft, Lock Haven, Penna.

When ordering, always specify Part Number, Description, and Serial Number of Aircraft

PIPER PARTS CATALOG

Figure and Index Number	Part Number	Code	NOMENCLATURE	No. Req.	SERIAL NUMBERS AFFECTED
52-107	434 151		GROMMET - (AN931-5S-12)	1	28-1 to 28-915 inclusive
	434 132	W	GROMMET - (AN931-11-16)	1	28-916 to 28-1760 inclusive
-108	434 151		GROMMET - (AN931-5S-12)	1	28-1 to 28-729 inclusive
	434 132	W	GROMMET - (AN931 - 11 - 16)	1	28-730 to 28-1760 inclusive
-109	481 666	W	PUMP - Electric fuel (478 360)	1	
-110	751 858	E,W	* GASKET - Cover (475 594)	1	
	751 872	F,W	* GASKET - Cover (479 136)	1	
-111	756 107	E,W	* SCREEN - Filter (475 634)	1	
	751 799	F,W	* SCREEN - Filter (479 135)	1	
-112	63633-23	A	HOSE - Electric fuel pump cooling	1	28-1521 to 28-1760 inclusive
-113	62215-00	A	COVER ASSEMBLY - Electric fuel pump cooling	1	28-1521 to 28-1760 inclusive
-114	454 994	A	CLAMP - (#H-2-1160)	2	28-1521 to 28-1760 inclusive
-115	63901-14	A	HOSE ASSEMBLY-Flexible, engine pump outlet	1	28-1521 to 28-1760 inclusive
-116	63915-08	A	DISC - Firewall seal	2	28-1521 to 28-1760 inclusive
-117	99364-00	B	PLACARD - Fuel	2	
	99365-00	C	PLACARD - Fuel	2	
-118	99754-00		SUPPORT ASSEMBLY - Fuel selector cover	1	
-119	476 647	D,W	NIPPLE - (AN816-3D)	1	
-120	455 173	D,W	COUPLING - (AN910- 1D)	1	
			<p>A - Used on PA-28-1 50, PA-28-160 and PA-28-180 with serial numbers 28-1 to 28-1520 inclusive if Fuel Cooling Kit 756 807, 756 808 or 756 809 has been installed.</p> <p>B - Used on PA-28-150 airplanes only.</p> <p>C - Used on PA-28-160 and PA-28-180 airplanes only.</p> <p>D - Used with 3/16" I.D. Hose.</p> <p>E - Used with fuel pumps stamped R-1 thru R-7 only.</p> <p>F - Used with fuel pumps stamped R-8 and up only.</p> <p>W - These parts must be ordered from Service Spares Department Piper Aircraft, Lock Haven, Penna</p>		

When ordering, always specify Part Number, Description, and Serial Number of Aircraft

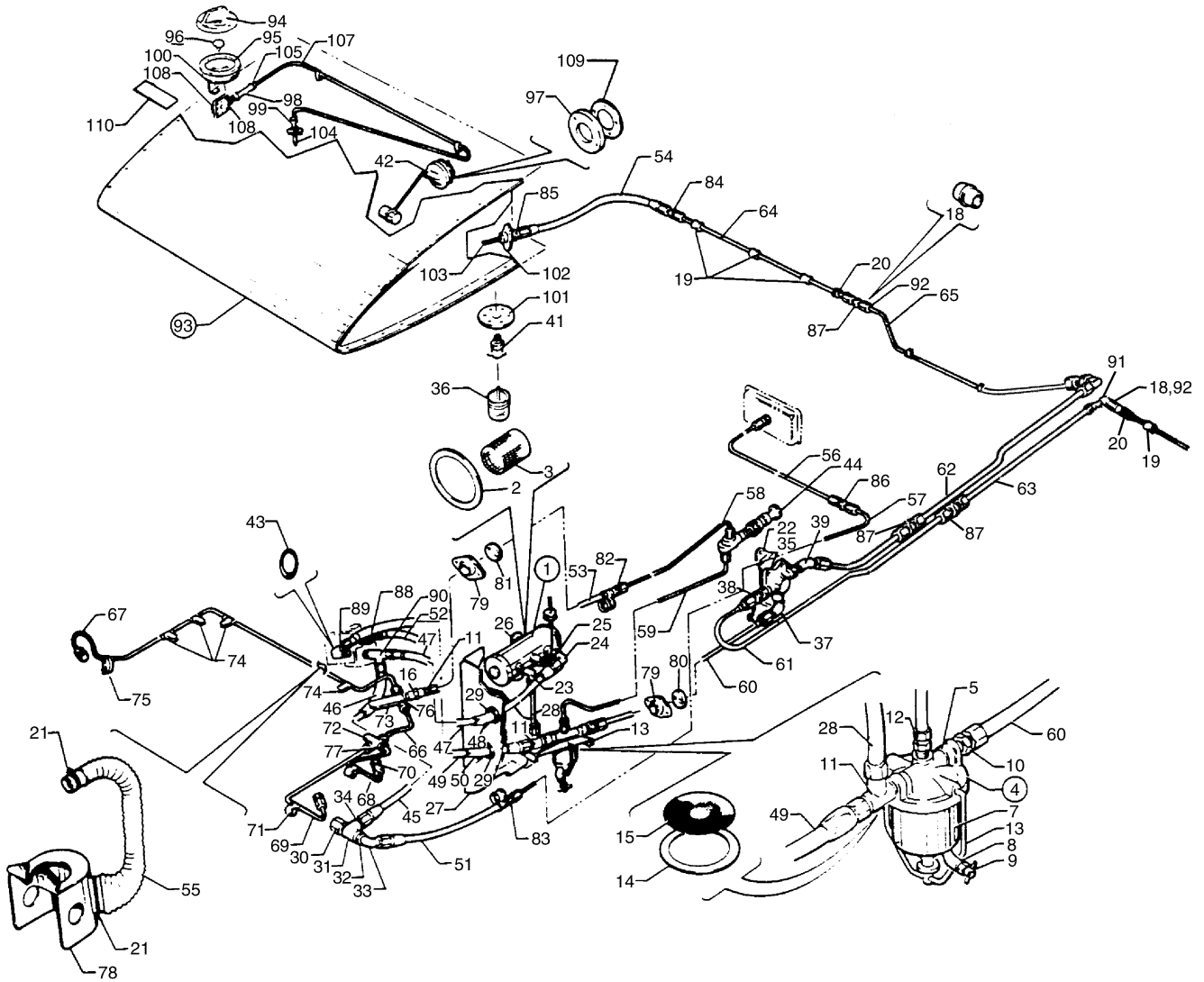


Figure 53. Fuel System Installation
 (PA-28-150-160-180 - Serial Nos. 28-1761 and up)

PIPER PARTS CATALOG

Figure and Index Number	Part Number	Code	NOMENCLATURE	No. Req.	SERIAL NUMBERS AFFECTED
53-	62300 65849	B	DRAWING - Fuel System Installation DRAWING - Fuel System Installation		28-1761 to 28-4377 inclusive 28-4378 and up
-1	481 666		PUMP - Electric fuel (478360)	1	
-2	751 872		* GASKET - Cover (479 136)	1	
-3	751 799		* SCREEN - Filter (479 135)	1	
-4	62301-03		GASCOLATOR ASSEMBLY - Fuel	1	
-5	14428-00		* COVER - Fuel strainer	1	
-6	62303-00		* BRACKET- Support	1	
-7	63479 00		* BOWL ASSEMBLY - E.Z. Drain	1	
-8	458 946		** ELBOW - (AN915-ID)	1	
-9	492 022		** VALVE - (CCA-1550)	1	
-10	476 678		* NIPPLE - (AN816-6)	1	
-11	488 490		* TEE - (AN826-6)	1	
-12	460 651		* CONNECTOR - (W/H 200 x 2)	1	
-13	494 644		* WIRE ASSEMBLY - Bail (1 PAS)	1	
-14	462 049		* GASKET - (44PA)	1	
-15	35789-02		* SCREEN - Wire fuel strainer	1	
-16	455 173	C	COUPLING - (AN910-1D)	1	
-17	476 647	C	NIPPLE - (AN816-3D)	1	
-18	460 464		FERRULE - (6T12D)	4	
-19	463 395		GROMMET- (57NB-7)	6	
-20	434 159		GROMMET - (AN931-7S - 11)	2	
-21	454 994		CLAMP - (H-2-1160)	2	
-22	99754-00		SUPPORT ASSEMBLY - Fuel selector cover	1	
-23	558 910		ELBOW - (AN822-6-2)	1	
-24	458 868		ELBOW - (AN822-6)	1	
-25	451 872		ADAPTER - (W/H 3200 x 4 x 2)	1	
-26	62219-00		SPACER - Fuel pump mounting	1	
-27	62302-03		COVER ASSEMBLY - Fuel pump and gascolator	1	
-28	65152-11		TUBE ASSEMBLY - Fuel	1	
-29	434 142		GROMMET- (AN931-14-20)	1	
-30	476 705	A	NIPPLE - (C3069X4)	1	
-31	588 391	A	TEE - (C3709X4)	1	
	488 496	B	TEE - (PF3011-4)	1	
-32	453 680		REDUCER - (AN912-1C)	1	
-33	66768-00		ELBOW - Restricted (45°)	1	
-34	476 678		NIPPLE - (AN816-6)	1	
-35	491 947		VALVE - Fuel selector (6S122)	1	
-36	62924-00		SAMPLER - Fuel (used with Pet-Cock Type Drain)	1	
	67728-00		SAMPLER - Fuel (used with Flush Type Drain)	1	
-37	458 895		ELBOW - (AN822-6D)	1	
-38	476 662		NIPPLE - (AN816-6D)	1	
-39	458 892		ELBOW - (AN823-6D)	1	
-40	491 082		UNION - (6H12D)	1	
-41	492 022		DRAIN - Fuel tank (CCA-1550) (Pet-Cock Type)	1	
	491 806		DRAIN - Fuel tank (F391-187B) (Flush Type)	2	
-42	68101-02		SENDER - Fuel tank	2	

A- Used on PA-28- 150 and PA-28-160 airplanes only.
 B - Used on PA-28-180 airplanes only.
 C- Used with 3/16" I-D. Hose.

When ordering, always specify Part Number, Description, and Serial Number of Aircraft

PIPER PARTS CATALOG

Figure and Index Number	Part Number	Code	NOMENCLATURE	No. Req.	SERIAL NUMBERS AFFECTED
53-43	462 060	A	"O" RING - (MS29512-6)		
-44	451 103		PRIMER ASSEMBLY - (K-2406-SAE-2)	1	
-45	63901-14		HOSE ASSEMBLY - Engine pump outlet	1	
-46	63913-25		HOSE - Fire shield	1	
-47	63901-12		HOSE ASSEMBLY - Engine pump outlet	1	
48	63913-40		HOSE - Fire shield	1	
-49	63901-19		HOSE ASSEMBLY - Engine pump inlet	1	
-50	63913-41		HOSE - Fire shield	1	
-51	63901-07		HOSE ASSEMBLY - To fuel pressure gauge	1	
-52	63913-11		HOSE - Flexible engine pump drain	1	
-53	17766-06	D	HOSE ASSEMBLY - To primer lines (1/8" I.D.)	1	
	63901-77	E	HOSE ASSEMBLY - To primer lines (3/16" I.D.)	1	
-54	63901-15		HOSE ASSEMBLY - Fuel line to fuel tank	2	
-55	63633-23		HOSE - Engine pump air	1	
-56	62928-00		LINE ASSEMBLY - Fuel pressure (1/4" x 46")	1	28-1761 to 28-4377 inclusive
	67700-36	B	LINE ASSEMBLY - Fuel pressure (1/4" x 52")	1	28-4378 to 28-5831 inclusive
	67700-55	B	LINE ASSEMBLY - Fuel pressure (1/4" x 57")	1	28-5832 and up
-57	63803-04		LINE ASSEMBLY - Fuel pressure (3/16" x 20")	1	28-1761 to 28-4377 inclusive
-58	63824-00		LINE ASSEMBLY - Primer to engine	1	28-1761 to 28-4377 inclusive
	63824-06	B	LINE ASSEMBLY - Primer to engine	1	28-4378 and up
-59	63825-00		LINE ASSEMBLY - Primer to gascolator	1	28-1761 to 28-4377 inclusive
	63825-06	B	LINE ASSEMBLY - Primer to gascolator	1	28-4378 and up
-60	62305-00		LINE ASSEMBLY - Selector valve to gascolator	1	
-61	62306-00	C	LINE ASSEMBLY - Selector valve to left wing	1	
	67700-57	B	LINE ASSEMBLY - Selector valve to left wing	1	28-7305001 and up
-62	62307-00	C	LINE ASSEMBLY - Selector valve to right wing	1	
	62307-03	B	LINE ASSEMBLY - Selector valve to right wing	1	28-7305001 and up
-63	62308-00		LINE ASSEMBLY - To left wing	1	
-64	65152-09		LINE ASSEMBLY - Fuel, wing	2	
-65	62309-00		LINE ASSEMBLY - Fuel, right wing	1	28-1761 to 28-4377 inclusive
	67700-39	B	LINE ASSEMBLY - Fuel, right wing	1	28-4378 and up
-66	63806-00		LINE ASSEMBLY - Primer, left	1	
-67	63807-00		LINE ASSEMBLY - Primer, right	1	
-68	63837-00		LINE ASSEMBLY - Primer, left	1	
-69	63838-00		LINE ASSEMBLY - Primer, left	1	
-70	31197-00		PRIMER JET	3	
-71	90797-02		SLEEVE - Primer line clamp	7	
-72	14470-00		BRACKET - Primer line tee	1	
-73	18078-00	D	CLAMP - Primer line tee	1	
	65429-02	E	CLAMP - Primer line tee	1	
-74	80032-69		CLAMP - Primer line	4	
-75	21230-00		CLAMP - Primer line	1	
-76	488 318	D	TEE - (AN824-2D)	1	
	588 436	E	TEE - (MS20825-2D)	1	
-77	460 652		TEE - (W/H 702 x 2)	1	

- A - Used when Engine Fuel Pump Lycoming 75246 is installed.
- B- Used on PA-28-180 airplanes only.
- C- Used on PA-28-180 with serial numbers 28-1761 to 28-7205328 inclusive, PA-28-150 and PA-28-160 airplanes only.
- D- Used with 1/8" I.D. Hose.
- E- Used with 3/16" I.D. Hose.

When ordering, always specify Part Number, Description, and Serial Number of Aircraft

PIPER PARTS CATALOG

Figure and Index Number	Part Number	Code	NOMENCLATURE	No. Req.	SERIAL NUMBERS AFFECTED
53-78	62878-00	D,E	BAFFLE ASSEMBLY - Engine fuel pump	1	
	99311-00	F	BAFFLE ASSEMBLY - Engine fuel pump	1	
-79	18321-00		PLATE - Firewall seal	4	
-80	63915-13		GROMMET- Firewall seal	2	28-1761 to 28-4377 inclusive
	63915-14	C	GROMMET - Firewall seal	2	28-4378 and up
-81	63915-11		GROMMET- Firewall seal	2	
-82	491 048	G	UNION - (AN815-2D)	1	
	484 348	H	REDUCER - (AN919-0D)	1	
-83	491 054		UNION - (AN815-3)	1	28-1761 to 28-4377 inclusive
	484 307	C	UNION - (AN919-2)	1	28-4378 and up
-84	491 052		UNION - (AN815-6D)	2	
-85	476 662		UNION - (AN816-6D)	2	
-86	484 351		UNION - (AN919-2D)	1	28-1761 to 28-4377 inclusive
-87	491 082		UNION - (6H12D)	2	
-88	458 948		ELBOW- 90° (K1-2-4)	1	
-89	458 868	A	ELBOW - (MS20822-6)	1	
	558 830	B	ELBOW- (RAC2000-6)	1	
-90	488 490	A	TEE - (AN826-6)	1	
	588 462	B	TEE - (RAC3300-6)	1	
-91	558 906		ELBOW- (6E12D)	1	
-92	477 670		NUT - (6B12D)	4	
-93	63998-16		TANK ASSEMBLY- Fuel, left wing	1	
	63998-17		TANK ASSEMBLY - Fuel, right wing	1	
-94	66817-00		CAP ASSEMBLY - Fuel tank	1	
-95	66815-00	E	** GASKET - Fuel cap	1	
-96	492 153	E	** VALVE - Fuel cap vent (VA3123)	1	
-97	462 019		* GASKET- Fuel gauge (1515832)	1	
-98	63913-193		* HOSE - Connector	1	
-99	63913-194		* HOSE - Connector	1	
	69785-01		* FILLER NECK ASSEMBLY	1	
-101	62033-00		* PLATE - Drain	1	
-102	63954-00		* OUTLET ASSEMBLY - Fuel tank	1	
-103	72091-00		* STRAINER - Fuel tank finger	1	
		A-	Used when Engine Fuel Pump Lycoming 75148 is installed.		
		B-	Used when Engine Fuel Pump Lycoming 75246 is installed.		
		C-	Used on PA-28-180 airplanes only.		
		D-	Used on PA-28-160 with serial numbers 28-1761 to 28-1867 inclusive, and PA-28-180 with serial numbers 28-1761 to 28-1793, 28-1795, 1796, 1800, 1803, 1805 and 1806.		
		E-	If Fuel Pump AC6440174 has been installed, order P/N 63422-00.		
		F-	Used on PA-28-150 with serial numbers 28-1761 and up, PA-28-160 with serial numbers 28-1868 and up, and PA-28-180 with serial numbers 28-1794, 1797, 1798, 1799,1801, 1802, 1804,1807 and up.		
		G-	Used with 1/8" I.D. Hose.		
		H-	Used with 3/16" I.D. Hose.		

When ordering, always specify Part Number, Description, and Serial Number of Aircraft

PIPER PARTS CATALOG

Figure and Index Number	Part Number	Code	NOMENCLATURE	No. Req.	SERIAL NUMBERS AFFECTED
53-104	36625-02		* VENT ASSEMBLY - Fuel tank left	1	
	36625-03		* VENT ASSEMBLY - Fuel tank right	1	
-105	554 861		* CLAMP - (SAE TY F-4)	4	
-106	451 857		* ADAPTER - (AN840-4D) with bead	1	
	560 951		ADAPTER - (1068 X 6 X 2) without bead	1	
-107	62060-00		* VENT TUBE - Left (with bead)	1	
	62060-01		* VENT TUBE - Right (with bead)	1	
	62060-04		* VENT TUBE - Left (without bead)	1	
	62060-05		* VENT TUBE - Right (without bead)	1	
-108	62059-00		FITTING - Fuel line	1	
-109	62044 00		* PLATE - Fuel tank	1	
-110	99364-00	A	PLACARD - Fuel	2	
	99365-00	B	PLACARD - Fuel	2	
	69669-63	C	PLACARD - Fuel	2	
<p>A- Used on PA-28-150 airplanes only. B- Used on PA-28-160 and PA-28-180 with serial numbers 28-1761 to 28-7205328 inclusive. C- Used on PA-28-180 with serial numbers 28-7305001 and up. D- Used with 3/16" I.D. hose. E- Used with Fuel Cap P/N 66817-00, only.</p>					

When ordering, always specify Part Number, Description, and Serial Number of Aircraft

PIPER PARTS CATALOG

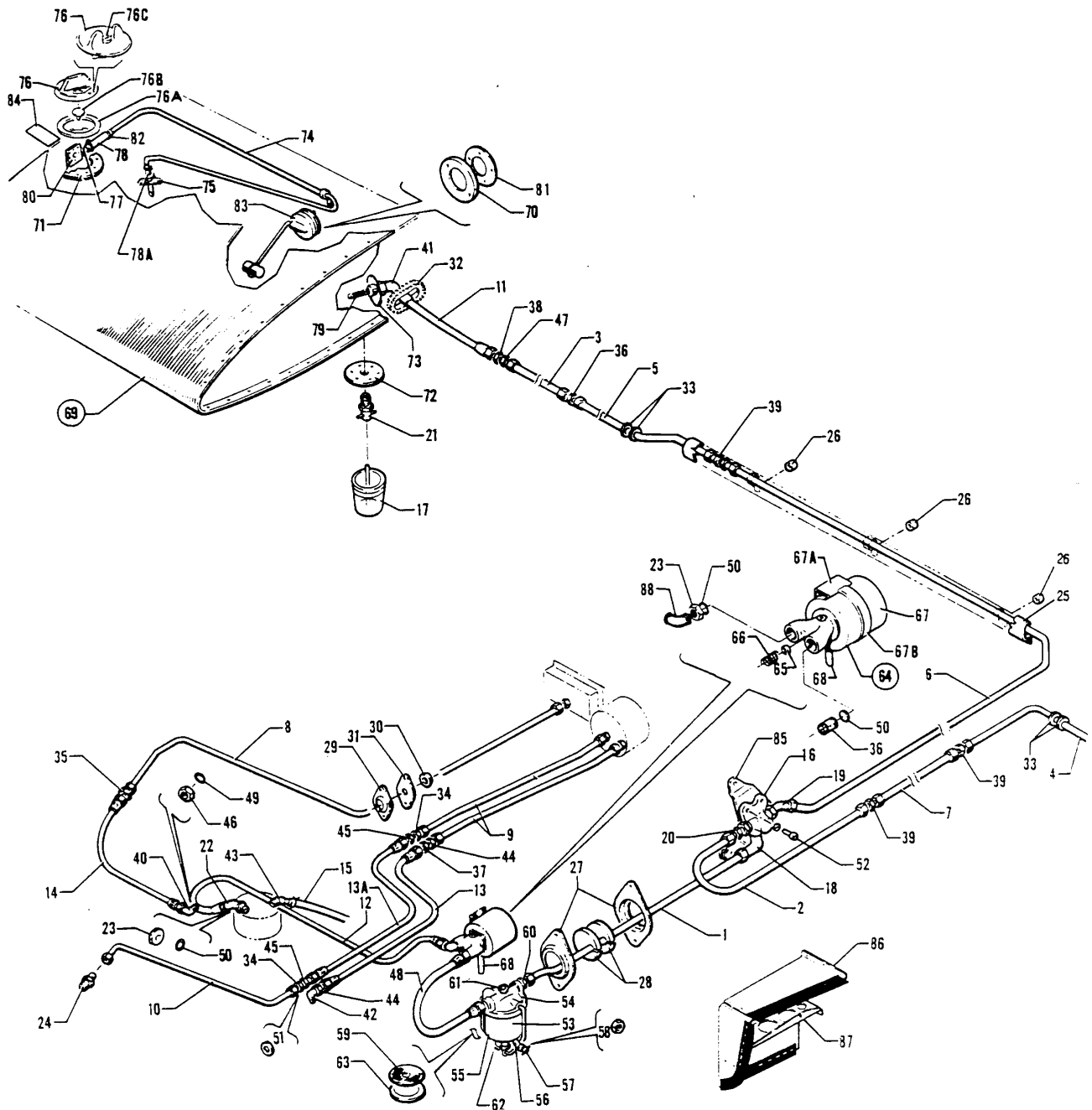


Figure 54. Fuel System Installation

PIPER PARTS CATALOG

Figure and Index Number	Part Number	Code	NOMENCLATURE	No. Req.	SERIAL NUMBERS AFFECTED
54-	67621 67802	A B	DRAWING - Fuel System Installation DRAWING - Fuel System Installation		
-1	62305-00		TUBE ASSEMBLY - Fuel line	1	
-2	62306-00	C	TUBE ASSEMBLY - Fuel line	1	
	67700-57	B	TUBE ASSEMBLY - Fuel line	1	28R-7235001 and up
-3	67700-02		TUBE ASSEMBLY - Fuel line	2	
-4	67700-03		TUBE ASSEMBLY - Fuel line	1	
-5	67700-05		TUBE ASSEMBLY - Fuel line	1	
-6	67700-04	C	TUBE ASSEMBLY - Fuel line	1	
	67700-56	B	TUBE ASSEMBLY - Fuel line	1	28R-7235001 and up
-7	67700-25		TUBE ASSEMBLY - Fuel line	1	
-8	67700-26		TUBE ASSEMBLY - Fuel line	1	
-9	67700-28		TUBE ASSEMBLY - Fuel line	2	
-10	67700-37		TUBE ASSEMBLY - Fuel line	1	28R-30005 to 28R-30399 incl..
-11	63901-46		HOSE ASSEMBLY - Fuel line	2	
-12	63901-38		HOSE ASSEMBLY - Fuel line	1	
-13	63901-39		HOSE ASSEMBLY - Fuel line	1	
-13a	63901-40		HOSE ASSEMBLY - Fuel line (241/2" long)	1	28R-30005 to 28R-30399 incl.
	63901-45		HOSE ASSEMBLY - Fuel Line (38" long)	1	28R-30400 and up
-14	63901-41		HOSE ASSEMBLY - Fuel Line		
-15	63913-03		HOSE- Fuel Line	1	
-16	491 947		VALVE -Fuel selector (6S122)	1	
-17	62924-02		SAMPLER - Fuel (used with Pet Cock Type Drain)	1	
	67728-00		SAMPLER - Fuel (used with Flush Type Drain)	1	
-18	458 895		ELBOW - (AN822-6D)	1	
-19	458 892		ELBOW - (AN823-6D)	1	
-20	476 662		NIPPLE - (AN816-6D)	1	
-21	492 022		DRAIN - Fuel tank (CCA-1550) (Pet-Cock Type)	2	
	491 806		DRAIN - Fuel tank (F391-187B) (Flush Type)	2	
-22	458 864		ELBOW - (AN837-6)	1	
-23	477 631		NUT - (AN924-6)	2	
-24	67476-00		NIPPLE - Restricted	1	28R-30400 and up
-25	67661-00		GUARD - Fuel line	1	
-26	67656-02		SPACER - Tabulated	3	
-27	18321-00		RETAINER - Firewall disc	2	
-28	63915-14		DISC- Firewall seal	2	
-29	66789-00		PLATE - Firewall seal grommet	2	
-30	68770-18		GROMMET - Firewall seal grommet	2	
-31	22105-10		GASKET - Firewall seal	1	
-32	63976-24		GROMMET - Caterpillar	2	
-33	434 133		GROMMET- (AN931-6-16)	4	

A- Used on PA-28R-180 airplanes only.
 B- Used on PA-28R-200 airplanes only.
 C- Used on PA-28R-180 with serial numbers 28R-30005 to 28R-7130019 inclusive and PA-28R-200 with serial numbers 28R-30482, 28R-35001 to 28R-7135238 inclusive.

When ordering, always specify Part Number, Description, and Serial Number of Aircraft

PIPER PARTS CATALOG

Figure and Index Number	Part Number	Code	NOMENCLATURE	No. Req.	SERIAL NUMBERS AFFECTED
54-34	2339-00		UNION - Flared tube (Special)	2	
-35	491 055		UNION - (AN815-4)	1	
-36	491 056		UNION - (AN815-6)	3	
-37	491 064		UNION - (AN832-2)	1	
-38	491 062		UNION - (AN832-6D)	2	
-39	491 082		UNION - (6H12D)	3	
-40	69033-00		ELBOW - 90 degrees (restricted)	1	
-41	458 895		ELBOW - 90 degrees (AN822-6D)	2	
-42	458 876		ELBOW - 90 degrees (AN833-2D)	1	
-43	458 940		ELBOW - 45 degrees (N844-4D)	1	
-44	477 627		NUT - (AN924-2)	2	
-45	477 628		NUT- (AN924-3)	2	
-46	477 629		NUT- (AN924-4)	1	
-47	477 620		NUT - (AN924-6D)	2	
-48	63901-14		HOSE ASSEMBLY - Fuel line	1	
-49	462 058		O - RING - (MS2512-4)	1	
-50	484 843		O - RING - (MS9512-6)	3	
-51	407 567		WASHER - Lock (AN935-10L)	2	
-52	416 210		SCREW - (AN502-10-12)	2	
	407 124		WASHER - Lock (AN935-10L)	2	
-53	67604-02		GASCOLATOR ASSEMBLY - Fuel	1	
-54	87477-02		COVER - Fuel strainer	1	
-55	63479 00		BOWL ASSEMBLY - Gascolator	1	
-56	458 946		ELBOW - (AN915-1D)	1	
-57	492 022		VALVE - (CCA-1550) Drain	1	
-58	477 677		NUT-Tru seal fitting (1/8" pipe)	1	
-59	35789-02		SCREEN - Wire fuel strainer	1	
-60	476 678		NIPPLE - (AN816-6)	2	
-61	580 887		PLUG - (AN932-2)	1	
-62	494 644		WIRE ASSEMBLY - Bail (1 PAS)	1	
-63	462 049		GASKET- (44 PA)	1	
-64	67881-05		PUMP ASSEMBLY - Electric, fuel	1	
-65	756 155		SEAL - Shaft (8500)	1	
-66	757 561		SPRING - Valve (8707)	1	
-67	67881-04		MOTOR ASSEMBLY - Fuel pump	1	
-67a	67802-02		BRACKET ASSEMBLY - Fuel pump mounting	2	
-67b	554 984		CLAMP - (SAE TY F-36)	1	
-68	69015-05		HOSE - Fuel pump drain	1	
-69	63998-16		TANK ASSEMBLY - Left wing fuel	1	
	63998-17		TANK ASSEMBLY - Right wing fuel	1	
-70	462 019		GASKET - Fuel gauge (1515832)	1	
-71	69785-01		FILLER NECK ASSEMBLY	1	
-72	62033-00		PLATE - Drain	1	
-73	63954-00		OUTLET ASSEMBLY - Fuel tank	1	
-74	62060-00		VENT TUBE - Left (with bead)	1	
	62060-01		VENT TUBE - Right (with bead)	1	
	62060-04		VENT TUBE - Left (without bead)	1	
	62060-05		VENT TUBE - Right (without bead)	1	
-75	36625-02		VENT ASSEMBLY - Fuel tank left	1	
	36625-03		VENT ASSEMBLY - Fuel tank right	1	

When ordering, always specify Part Number, Description, and Serial Number of Aircraft

PIPER PARTS CATALOG

Figure and Index Number	Part Number	Code	NOMENCLATURE	No. Req.	SERIAL NUMBERS AFFECTED
54-76	66817-00		CAP ASSEMBLY - Fuel tank (non-locking)	1	
	39830-800	B,E	CAP ASSEMBLY KIT - Fuel tank (with locks)	1	28-7435001 and up
-76a	66815-00	C	GASKET - Fuel cap	1	
	39829-02	D	GASKET - Fuel cap	1	
-76b	492 153	C	* * VALVE - Fuel cap vent (VA3123)	1	
-76c	39856-02	D	LOCK ASSEMBLY - Fuel cap	2	
-77	451 857		* ADAPTER - (AN840-4D) with bead	1	
	560 951		* ADAPTER - (1068 x 6 x 2) without bead	1	
-78	63913-193		* HOSE - Connector	1	
-78a	63913-194		* HOSE - Connector	1	
-79	72091-00		* STRAINER - Fuel tank finger	1	
-80	62059 00		* FITTING - Fuel Line	1	
-81	62044 00		* PLATE - Fuel tank	1	
-82	554 861		* CLAMP - (SAE TY F-4)	4	
-83	68101-02		SENDER - Fuel tank	2	
-84	99367-00	A	PLACARD - Fuel	2	
	69669-63	B	PLACARD - Fuel	2	28R-7235001 and up
-85	99754-02		SUPPORT ASSEMBLY - Fuel selector cover	1	
-86	67881-06		COVER ASSEMBLY - Fuel pump	1	
-87	67603-00		BRACKET - Gascolator assembly	1	
-88	458 936		ELBOW- (AN833-6)	1	

D- Used with fuel Cap Assembly Kit P/N 39830-800 only
E- Kit includes 1(2) cap assemblies with matching locks.

When ordering, always specify Part Number, Description, and Serial Number of Aircraft

PIPER PARTS CATALOG

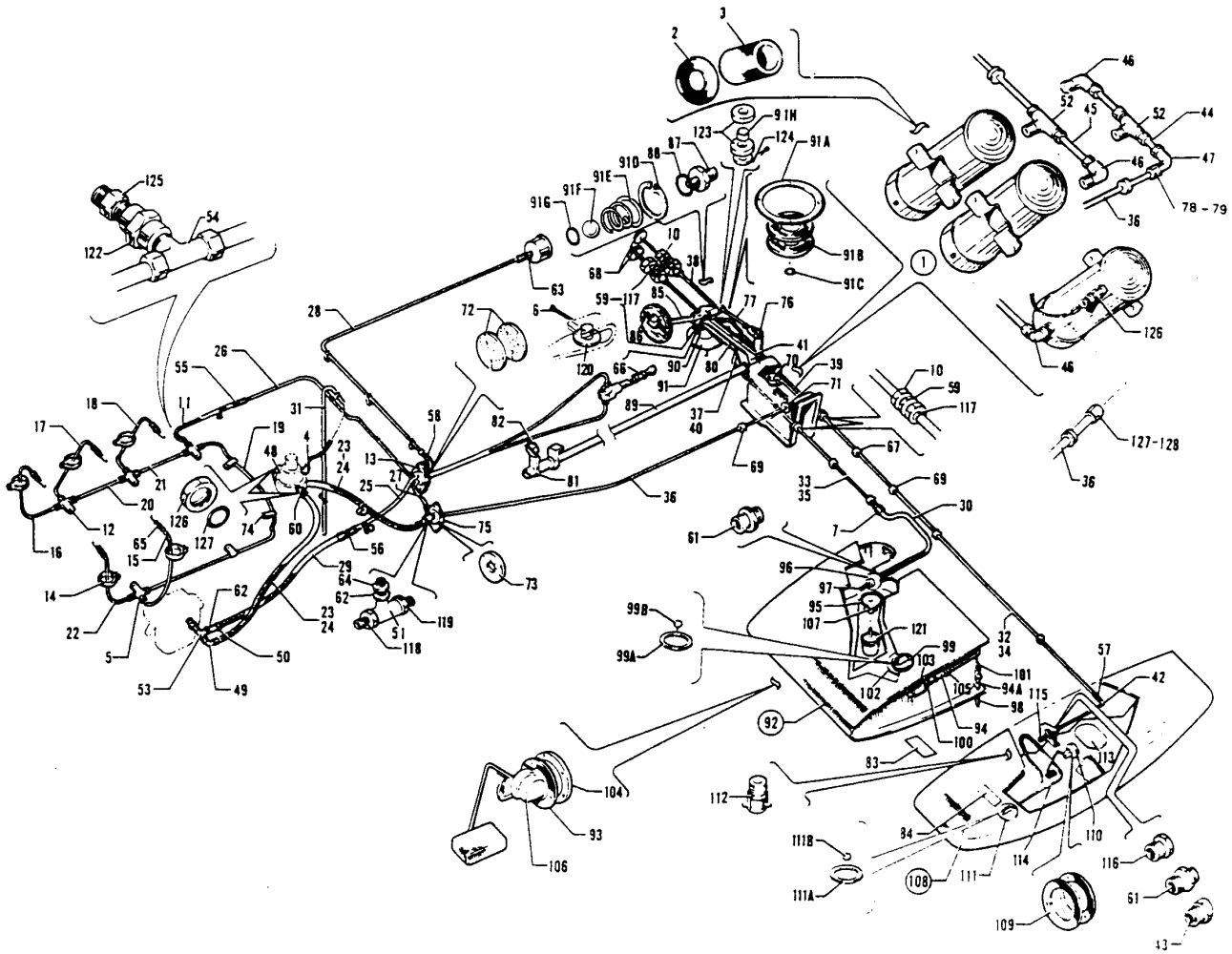


Figure 55 Fuel System Installation

PIPER PARTS CATALOG

Figure and Index Number	Part Number	Code	NOMENCLATURE	No. Req.	SERIAL NUMBERS AFFECTED
55-	65160 65562 69172 69254 65405 65560 69100 68084		DRAWING - Fuel System Installation DRAWING - Fuel System Installation DRAWING - Fuel System Installation DRAWING - Fuel System Installation DRAWING - Fuel Selector Valve Installation DRAWING - Fuel Selector Valve Installation DRAWING - Fuel Selector Valve Installation DRAWING - Fuel Selector Valve Installation		28-10003 to 28-10719 inclusive 28-10720 to 28-10851 inclusive 28-10852 to 28-11039 inclusive 28-11040 and up 28-10003 to 28-10719 inclusive 28-10720 to 28-10785 inclusive 28-10786 to 28-11300 inclusive 28-11301 and up
-1	481 701 481 701		PUMP - Electric fuel (480 543) PUMP - Electric fuel (480 543)	2 1	28-10003 to 28-10719 inclusive 28-10720 and up
-2	751 872	W	* GASKET - Cover (479 136)	1	
-3	751 799 458 948	W W	SCREEN - Filter (479 135) ELBOW - (1K1-2-4)	1 1	
-5	488 318	W	TEE - (AN824-2D)	3	
-6	424 058		COTTER PIN - (MS24665-281)	1	
-7	491 052 484 359	W W	UNION - (AN815-6D) REDUCER - (AN919-12D)	2 2	28-10003 to 28-10719 incl. 28-10720 and up
-8	477 631	W	NUT - (AN924-6)	2	28-10720 to 28-7510059 incl.
-9	462 060	W	GASKET - (MS29512-6)	2	28-10720 to 28-7510059 incl.
-10	477 670		NUT - (B12-D)	8	28-10003 to 28-10719 incl.
-11	17766-06 63901-77	W	HOSE ASSEMBLY - Primer line connection (1/8" I.D.) HOSE ASSEMBLY - Primer line connection (3/16" I.D.)	1 1	
-12	18078-00 65429-00	W	CLAMP CLAMP	4 4	28-10003 to 28-10152 inclusive 28-10153 and up
-13	18321-00	W	PLATE - Firewall disc	2	
-14	21230-00	W	CLAMP	5	
-15	65364-04		LINE ASSEMBLY - Engine primer, left, center	1	
-16	65364 -03		LINE ASSEMBLY - Engine primer, right, front	1	
-17	65364-04		LINE ASSEMBLY - Engine primer, right, center	1	
-18	65364-05		LINE ASSEMBLY - Engine primer, right, rear	1	
-19	65365-02		LINE ASSEMBLY - Engine primer, left	1	
-20	65365-03		LINE ASSEMBLY - Engine primer, right, center	1	
-21	65365-04		LINE ASSEMBLY - Engine primer, right, rear	1	
-22	65366-00		LINE ASSEMBLY - Engine primer, left, front	1	
-23	63901-13 63901-23 63901-24		HOSE ASSEMBLY - Engine fuel pump HOSE ASSEMBLY - Engine pump up electric pump line HOSE ASSEMBLY - Engine pump to carburetor	2 1 1	28-10003 to 28-10719 inclusive 28-10720 and up 28-10720 and up
-24	63913-24		HOSE - Fire shield	2	28-10003 to 28-10719 inclusive
-25	63803-04		LINE ASSEMBLY - Fuel pressure (3/16" x 20")	1	28-10003 to 28-11039 inclusive
-26	63824-03 6382--08		LINE ASSEMBLY - Primer LINE ASSEMBLY - Primer	1 1	28-10003 to 28-11039 inclusive 28-11040 and up
-27	63825-03 63825-06		LINE ASSEMBLY - Primer LINE ASSEMBLY - Primer	1 1	28-10003 to 28-11039 inclusive 28-11040 and up
-28	65281-00 62928-00 67700-36		LINE ASSEMBLY - Fuel pressure (1/4" x 43 3/4") LINE ASSEMBLY - Fuel pressure (1/4" x 46") LINE ASSEMBLY - Fuel pressure (1/4" x 52")	1 1 1	28-10003 to 28-10486 inclusive 28-10487 to 28-11039 inclusive 28-11040 and up

W- These parts must be ordered from Service Spares Department, Piper Aircraft, Lock Haven, Penna.

When ordering, always specify Part Number, Description, and Serial Number of Aircraft

PIPER PARTS CATALOG

Figure and Index Number	Part Number	Code	NOMENCLATURE	No. Req.	SERIAL NUMBERS AFFECTED
55-29	63901-07		HOSE ASSEMBLY - Carburetor to pressure gauge		28-10003 to 28-11039 inclusive
55-29	63901-44		HOSE ASSEMBLY - Carburetor to pressure gauge	1	28-11040 and up
-30	63901-15		HOSE ASSEMBLY - Fuel tank to fuel line	2	
-31	63913-26		HOSE - Engine fuel pump vent	1	
-32	65152-02		LINE ASSEMBLY - Valve to tip tank, left	1	28-10003 to 28-10560 inclusive
	65152-12		LINE ASSEMBLY - Valve to tip tank, left	1	28-10561 to 28-10719 inclusive
	65152-14		LINE ASSEMBLY - Valve to tip tank, left	1	28-10720 to 28-10851 inclusive
	69166-00		LINE ASSEMBLY - Valve to tip tank, left	1	28-10852 and up
-33	65152-03		LINE ASSEMBLY - Valve to main tank, left	1	28-10003 to 28-10560 inclusive
	65152-13		LINE ASSEMBLY - Valve to main tank, left	1	28-10561 to 28-10719 inclusive
	65152-17		LINE ASSEMBLY - Valve to main tank, left	1	28-10720 and up
-34	65152-04		LINE ASSEMBLY - Valve to tip tank, right	1	28-10003 to 28-10719 inclusive
	65152-20		LINE ASSEMBLY - Valve to tip tank, right	1	28-10720 to 28-10851 inclusive
	69166-01		LINE ASSEMBLY - Valve to tip tank, right	1	28-10852 and up
-35	65152-05		LINE ASSEMBLY - Valve to main tank, right	1	28-10003 to 28-10232 inclusive
	65152-09		LINE ASSEMBLY - Valve to main tank, right	1	28-10233 to 28-10719 inclusive
	65152-21		LINE ASSEMBLY - Valve to main tank, right	1	28-10720 and up
-36	65152-06		LINE ASSEMBLY - Engine pump to electric pump	1	28-10003 to 28-10719 inclusive
	65578-00		LINE ASSEMBLY - Engine pump to electric pump	1	28-10720 to 28-7210033 inclusive
	65578-03		LINE ASSEMBLY - Engine pump to electric pump	1	28-7310001 and up
-37	65153-00		LINE ASSEMBLY - Valve to main tank, right	1	28-10003 to 28-10232 inclusive
	65153-03		LINE ASSEMBLY - Valve to main tank, right	1	28-10233 to 28-10719 inclusive
	68764-00		LINE ASSEMBLY - Valve to main tank, right	1	28-10720 and up
-38	65154-00		LINE ASSEMBLY - Valve to tip tank, right	1	28-10003 to 28-10719 inclusive
	68765-00		LINE ASSEMBLY - Valve to tip tank, right	1	28-10720 to 28-10851 inclusive
	68765-02		LINE ASSEMBLY - Valve to tip tank, right	1	28-10852 and up
-39	65155-00		LINE ASSEMBLY - Valve to tip tank, left	1	28-10003 to 28-10560 inclusive
	65453-00		LINE ASSEMBLY - Valve to tip tank, left	1	28-10561 to 28-10719 inclusive
	65575-00		LINE ASSEMBLY - Valve to tip tank, left	1	28-10720 and up
-40	65412-00		LINE ASSEMBLY - Valve to main tank, left	1	28-10003 to 28-10560 inclusive
	65454-00		LINE ASSEMBLY - Valve to main tank left	1	28-10561 to 28-10719 inclusive
	65576-00		LINE ASSEMBLY - Valve to main tank, left	1	28-1072091 and up
-41	65157-00	A	LINE ASSEMBLY - Valve to electric pump (19" length)	1	28-10003 to 28-10719 inclusive
	65757-00	8	LINE ASSEMBLY - Valve to electric pump (10 1/2" length)	1	28-10003 to 28-10719 inclusive
	65756-00	B	LINE ASSEMBLY - Valve to electric pump (5" length)	1	28-10003 to 28-10719 inclusive
	65577-00		LINE ASSEMBLY - Valve to electric pump	1	28-10720 and up
-42	69183-00	C	LINE ASSEMBLY - Tip tank	2	28-10003 to 28-10719 inclusive
	69184-00	C	LINE ASSEMBLY - Tip tank	2	28-10720 to 28-10851 inclusive
-43	65816-00	C	FITTING - Tip tank line assembly	2	28-10003 to 28-10851 inclusive
-44	65152-09		LINE - Fuel electric pump	1	28-10003 to 28-10719 inclusive
-45	65152-07		LINE - Fuel electric pump	2	28-10003 to 28-10719 inclusive
-46	558 905		ELBOW - (6D12-D)	2	28-10003 to 28-10719 inclusive
	558 918		ELBOW - (8-4D12 -D)	1	28-10720 to 28-10785 inclusive
	68762-00		ELBOW	1	28-10786 and up

- A- Used if Fuel Selector Valve #1H10 is installed.
- B- Used if Fuel Selector Valve #1H26-2 is installed.
- C- When ordering, ascertain that Wing Tip Tank Modification Kit 757 151 or 757 152 has been installed per Service Bulletin No. 253.
- W- These parts must be ordered from Service Spares Department, Piper Aircraft, Lock Haven, Penna.

When ordering, always specify Part Number, Description, and Serial Number of Aircraft

PIPER PARTS CATALOG

Figure and Index Number	Part Number	Code	NOMENCLATURE	No. Req.	SERIAL NUMBERS AFFECTED
55-47	558 906		ELBOW - (6E12-D)	1	28-10003 to 28-10719 inclusive
-48	458 868		ELBOW - (AN822-6)	1	28-10003 to 28-10719 inclusive
	458 936	W	ELBOW - (AN833-6)	1	28-10720 to 28-7510091 incl.
	558 830		ELBOW - (RAC2000-6)	1	28-7510092 and up
-49	458 871	W	ELBOW - (AN823-6)	1	
-50	66768-00		ELBOW - Restricted (45 degrees)	1	28-10003 to 28-10719 inclusive
	69504-00		ELBOW - Restricted (90 degrees)	1	28-10720 and up
-51	488 483		TEE - (60TX-S)	1	28-10003 to 28-10719 inclusive
	588 391		TEE - (C3709X4)	1	28-10720 and up
-52	488 487		TEE - (6-012-D)	2	28-10003 to 28-10719 inclusive
-53	488 496		TEE - (W/H 3750 x 4)	1	28-10003 to 28-10719 inclusive
-54	488 318	A,W	TEE - (AN824-2D)	1	
	588 436	B	TEE - (MS20825-2D)	1	
-55	491 048	A,W	UNION - (AN815-2D)	1	28-10003 to 28-10719 inclusive
	491 071	A	UNION - (AN815-2)	1	28-10720 and up
	484 348	B,W	REDUCER - (AN919-0D)	1	28-10003 and up
-56	491 049	W	UNION - (AN815-3D)	1	28-10003 to 28-10719 inclusive
	491 054		UNION - (AN815-3)	1	28-10720 to 28-11039 inclusive
	484 307		REDUCER - (AN919-2)	1	28-11040 and up
-57	491 052	W	UNION - (AN815-6D)	2	28-10003 to 28-10719 inclusive
	491 053	W	UNION-(AN815-8D)	2	28-10720 to 28-10851 inclusive
-58	484 351	W	REDUCER - (AN919-2D)	1	28-10003 to 28-11039 inclusive
-59	491 082		UNION - (6H12-D)	2	28-10003 to 28-10719 inclusive
	491 084		UNION - (8H12-D)	4	28-10720 and up
-60	476 678	W	NIPPLE - (AN816-6)	1	28-10003 to 28-10719 inclusive
	458 864		ELBOW - (AN837-6)	1	28-10720 to 28-7510091 incl.
	558 831		ELBOW - (RAC4500-6)	1	28-7510092 and up
-61	476 662	W	NIPPLE - (AN816-6D)	4	
-62	453 680	W	ADAPTER - (AN912-1C)	2	
-63	484 348	W	REDUCER - (AN919-0D)	1	28-10003 to 28-10486 inclusive
-64	460 651	W	CONNECTOR - (W/H 200 x 2)	1	
-65	31197-00	W	PRIMER JET	5	
-66	451 103		PRIMER ASSEMBLY - (K-2406-SAE-2)		
-67	463 395		GROMMET - (G57NB-7)	22	28-10003 to 28-10719 inclusive
	463 403		GROMMET - (SB687-9)	23	28-10720 and up
-68	463 394		GROMMET- (G57NB-10)	4	28-10003 to 28-10719 inclusive
	463 401		GROMMET - (2426)	4	28-10720 and up
-69	434 136	W	GROMMET - (AN931-9-13)	2	28-10003 to 28-10719 inclusive
	434 135		GROMMET - (AN931-8-13)	2	28-10720 and up
-70	434 134	W	GROMMET - (AN931-6-10)	1	28-10003 to 28-10719 inclusive
	463 401		GROMMET - (2426)	1	28-10720 and up
-71	434 133	W	GROMMET - (AN931-6-16)	1	28-10003 to 28-10719 inclusive
	434 135	W	GROMMET - (AN931-8-13)	1	28-10720 and up
-72	63915-02		DISC - Firewall	2	28-10003 to 28-11039 inclusive
	63915-18		DISC - Firewall	2	28-11040 and up
-73	63915-07		DISC - Firewall	1	28-10003 to 28-10719 inclusive
	63915-12		DISC - Firewall	1	28-10720 and up
-74	80032-69	W	CLAMP	3	
-75	65344-00		PLATE - Firewall	1	

A - Used with 1/8" I.D. Hose.
 B- Used with 3/16" I.D. Hose.
 W- These parts must be ordered from Service Spares Department, Piper Aircraft, Lock Haven, Penna.

When ordering, always specify Part Number, Description, and Serial Number of Aircraft

PIPER PARTS CATALOG

Figure and Index Number	Part Number	Code	NOMENCLATURE	No. Req.	SERIAL NUMBERS AFFECTED
55-76	65392-00	A	ARM ASSEMBLY - Fuel selector control	1	28-10003 to 28-10785 inclusive
	69092-00	A	ARM ASSEMBLY - Fuel selector control	1	28-10786 to 28-11300 inclusive
	69092-02		ARM ASSEMBLY - Fuel selector control	1	28-11301 and up
-77	65407-00	B	ROD ASSEMBLY - Fuel selector control	1	28-10003 to 28-10785 inclusive
	65407-05		ROD ASSEMBLY - Fuel selector control	1	28-10786 and up
-78	477 670		NUT - (6B12-D)	1	28-10003 to 28-10719 inclusive
-79	460 464		FERRULE - ~6T12-D~	1	28-10003 to 28-10719inclusive
-80	65389-00	B	BRACE ASSEMBLY - Fuel selector control	1	28-10003 to 28-10785 inclusive
	69094-02		BRACE ASSEMBLY - Fuel selector control	1	28-10786 and up
-81	65401-00	A	INDICATOR ASSEMBLY - Fuel selector control	1	28-10002 to 28-10785 inclusive
	69088-00	A	INDICATOR ASSEMBLY - Fuel selector control	1	28-10786 to 28-11300 inclusive
	69088-05		INDICATOR ASSEMBLY - Fuel selector control	1	28-11301 and up
-82	69181-00		* KNOB - Fuel selector (214)	1	
-83	99364-00		PLACARD - Main fuel tank, maximum capacity 25 gallons	2	28-10003 to 28-7210033 inclusive
	69669-64		PLACARD - Main fuel tank, useable capacity 24 gallons	2	28-7310001 and up
-84	99366-00		PLACARD - Tip fuel tank	2	
-85	65289-00		HANDLE - Quick drain	1	
-86	763 883		COVER ASSEMBLY KIT - Quick drain	1	28-10003 to 28-10660 inclusive
	65461-19		COVER ASSEMBLY - Quick drain, red	1	28-10661 to 28-7610206 inclusive
	65461-06		COVER ASSEMBLY - Quick drain, blue	1	28-10661 to 28-11383 inclusive
	65461-07		COVER ASSEMBLY - Quick drain, brown	1	28-10661 to 28-11300 inclusive
	65461-19		COVER ASSEMBLY - Quick drain, green	1	28-11301 to 28-7610206 inclusive
	65461-19		COVER ASSEMBLY - Quick drain, gold	1	28-11048 to 28-7610206 inclusive
	65461-19		COVER ASSEMBLY - Quick drain, black	1	28-11301 and up
	65461-15		COVER ASSEMBLY - Quick drain, white	1	28-11301 to 28-7610206 inclusive
	65461-19		COVER ASSEMBLY - Quick drain, blue/green	1	28-711001 to 28-7610206 inclusive
-87	484 352	C,W	REDUCER - (AN919-7D)	5	28-10003 to 28-10719 inclusive
	484 359	D,W	REDUCER - (AN919-12D)	4	28-10003 to 28-10719 inclusive
	491 053	W	UNION - (AN815-8D)	4	28-10720 and up
-88	484 697	C,W	"O" RING - (AN6227-9)	5	28-10003 to 28-10719 inclusive
	462 061	D,W	"O" RING - (MS29512-8)	4	28-10003 to 28-10719 inclusive
	462 061	W	"O" RING - (MS29512-8)	4	28-10720 and up
		A-	No longer available. Order part for serial number 28-11301 and up if Fuel Selector Control Modification Kit has been installed per Service Bulletin 376. If Fuel Selector Control Modification Kit has not been installed per Service Bulletin 376, order Kit 760 781 for serial numbers 28-10003 to 28-10785 inclusive, Kit 760 782 for serial numbers 28-10786 to 28-11039 inclusive, or Kit 760 783 for serial numbers 28-11040 to 28-11300 inclusive.		
		B-	No longer available. Order part for serial numbers 28-10786 and up if Fuel Selector Control Modification Kit has been installed per Service Bulletin 376. If Fuel Selector Control Modification Kit has not been installed per Service Bulletin 376, order Kit 760 781.		
		C-	Used if Fuel Selector Valve 2H10 is installed.		
		D-	Used if Fuel Selector Valve 1 H26-2 is installed.		
		W-	These parts must be ordered from Service Spares Department, Piper Aircraft, Lock Haven, Penna.		

When ordering, always specify Part Number, Description, and Serial Number of Aircraft

PIPER PARTS CATALOG

Figure and Index Number	Part Number	Code	NOMENCLATURE	No. Req.	SERIAL NUMBERS AFFECTED
55-89	65396-00	E	TORQUE TUBE - Fuel selector control	1	28-10003 to 28-10785 inclusive
	69093-00	E	TORQUE TUBE - Fuel selector control	1	28-10786 to 28-11300 inclusive
	69093-02		TORQUE TUBE - Fuel selector control	1	28- 11301 to 28-7210033 incl..
	76321-00		TORQUE TUBE - Fuel selector control	1	28-7310001 and up
-90	757 148	C	FUEL VALVE KIT	1	28-10003 to 28-10719 inclusive
	760 895	C	FUEL VALVE KIT	1	28-10720 to 28-7410093 incl.
	492 290		FUEL VALVE - (1H65-4)	1	28-7410094 and up
-91	758 534	G	* BOWL - Fuel filter (A1-90-1)	1	
-91a	751 871	A,B,W	* GASKET Filter	1	
	762 503	D	* "O" RING - (Viton 2-043)	1	
91b	751 796	A,W	* FILTER ASSEMBLY	1	
	754 816	B,D	* FILTER ASSEMBLY	1	
-91c	755 919	W	* "O" RING - (Viton)	1	
-91d	756 036	B	* RING - Snap, inlet port (N5000-68)	4	
-91e	757 632	B	* SPRING - Inlet port	4	
-91f	758 176	B	* BALL - Inlet port	4	
-91g	756 035	B	"O" RING - Inlet port	4	
-91h	63900-133		* BUSHING - Rod assembly	1	
-92	63998-16		TANK ASSEMBLY - Left wing fuel	1	
	63998-17		TANK ASSEMBLY - Right wing fuel	1	
-93	462 019	W	GASKET - Fuel gauge (1515832)	1	
-94	63913-193		* HOSE - Connector	1	
-94a	63913-194		* HOSE - Connector	1	
-95	62033-00		* PLATE - Drain	1	
-96	63954-00		* OUTLET ASSEMBLY - Fuel tank	1	
-97	72091-00	W	* STRAINER - Fuel tank finger	1	
-98	36625-02		* VENT ASSEMBLY - Fuel tank, left	1	
	36625-03		* VENT ASSEMBLY - Fuel tank, right	1	
-99	66817-00		* CAP ASSEMBLY - Fuel tank	1	
-99a	66815-00	F	* GASKET - Fuel cap	1	
-99b	492 153	F	* VALVE - Fuel cap vent (VA3123)	1	
-100	451 857	W	* ADAPTER - (AN840-40)	1	
	560 951		* ADAPTER - (1068 x 6 x 2)	1	
-101	62060-00		* VENT TUBE - Left (with bead)	1	
	62060-01		* VENT TUBE - Right with bead	1	
	62060-04		* VENT TUBE - Left (without bead)	1	
	62060-05		* VENT TUBE - Right (without bead)	1	
-102	69785-00		* FILLER NECK ASSEMBLY	1	
-103	62059-00		* FITTING - Fuel line	1	
-104	62044-00		* PLATE - Fuel tank	1	
-105	554 861	W	* CLAMP - (SAE TY F-4)	4	
-106	68101-02		GAUGE - Fuel tank	2	
-107	492 022	W	DRAIN - Fuel tank (CCA- 1550) (Pet-Cock Type)	2	
	491 806		DRAIN - Fuel tank (F391-187B) (Flush Type)	2	
			A- Used if Fuel Selector Valve 1H10,1H26-2 or 1H26-3 is installed.		
			B- Used it Fuel Selector Valve 1H26-4 or 1H26-5 is installed.		
			C- Ascertain Service Bulletin 376 has been compiled with. Appropriate kit must be installed prior to installation of Fuel Valve Kit 760 895V on aircraft serial numbers 28-10001 to 28-7310125 inclusive.		
			D- Used if Fuel Selector Valve 1H65-2 is installed.		
			E- No longer available. Order part for serial numbers 28-11301 to 28-7210033 inclusive. If Fuel Selector Control Modification Kit has not been installed per Service Bulletin 376. If Fuel Selector Control Modification Kit has not been installed per Service Bulletin 376. order Kit 760 781 for serial numbers 28-10003 to 28-10785 inclusive, Kit 760 782 for serial numbers 28-10786 to 28-11039 inclusive, or Kit 760 783 for serial numbers 28-11040 to 28-11300 inclusive.		
			F- Used with Fuel Cap P/N 66817-00 only.		
			G- Used with Fuel Selector Valve 1H65-2 or 1 H65-4 only.		
			W- These parts must be ordered from Service Spare Department Piper Aircraft, Lock Haven, Penna.		

When ordering, always specify Part Number, Description, and Serial Number of Aircraft

PIPER PARTS CATALOG

Figure and Index Number	Part Number	Code	NOMENCLATURE	No. Req.	SERIAL NUMBERS AFFECTED
55-108	65815-04		TANK ASSEMBLY - Fuel, wing tip, left	1	
	65815-05		TANK ASSEMBLY - Fuel wing tip, right	1	
-109	462 019	W	* GASKET - Fuel gauge (1515832)	1	
-110	68101-02		* GAUGE - Fuel tank	1	
-111	66817-00		* CAP ASSEMBLY - Fuel tank	1	
-111a	66815-00	B	* * GASKET - Fuel cap	1	
-111b	492 153	B	* * VALVE - Fuel cap vent (VA3123)	1	
-112	492 022	W	* DRAIN - (CCA-1 550) (Pet-Cock Type)	1	
-113	65107-00		* COVER - Access	1	
-114	65108-04		* TUBE ASSEMBLY - Vent, left	1	
	65108-05		* TUBE ASSEMBLY - Vent, right	1	
-115	72091-00	W	* STRAINER - Fuel tank	1	1 28-10003 to 28-10719 inclusive
	68763-00		* STRAINER - Fuel tank	1	1 28-10720 and up
-116	453 656	W	* BUSHING - (AN912-4D)	1	
-117	460 464		FERRULE - (6T12- D)	8	28-10003 to 28 -10719 inclusive
	460 463		FERRULE - (8T12-D)	8	28-10720 and up
-118	476 678	W	NIPPLE - (AN816-6)	1	28-10720 and up
-119	476 689		NIPPLE - (AN816-7)	1	28-10720 and up
-120	62833-36		WASHER - Fuel selector valve stem	1	
-121	62924-00		SAMPLER - Fuel (used with Pet-Cock Type Drain)	1	
	67728-00		SAMPLER - Fuel (used with Flush Type Drain)	1	
-122	455 173	A,W	COUPLING - (AN910-ID)	1	
-123	62833- 11		WASHER - Rod assembly)	2	
-124	407 584	W	WASHER - (AN960-10L)	1	
	424 051	W	COTTER PIN - (AN380-2-2)	1	
-125	476 647	A,W	NIPPLE - (AN816-3D)	1	
-126	476 690		NIPPLE - (8-4G12-D)	1	28-10720 and up
-127	477 680		NUT - (8B12D)	1	28-10720 and up
-128	460 463		FERRULE - (8T12D)	1	28-10720 and up

A- Used with 3/16" I.D. Hose.
 B- Used with Fuel Cap Part No. 66817-00 only.
 W- These parts must be ordered from Service Spares Department, Piper Aircraft, Lock Haven, Penna.

When ordering, always specify Part Number, Description, and Serial Number of Aircraft

**2L23 THRU 2L24
INTENTIONALLY LEFT BLANK**



PA-28 AND PA-28R
CHEROKEE
PARTS CATALOG

CARD 3 OF 4

PA-28-140

PA-28-180

PA-28-150

PA-28-235

PA-28-160

PA-28R-180

PA-28R-200

PIPER AIRCRAFT CORPORATION

Courtesy of Bomar Flying Service
www.bomar.biz

(PART NUMBER 753 582)

PIPER PARTS CATALOG

AEROFICHE EXPLANATION

The Parts Catalog information incorporated in this set of Aerofiche cards has been arranged in accordance with the general specifications of Aerofiche adopted by the General Aviation Manufacturer's Association.

Conversion of Aerofiche alpha/numeric code numbers:

First number is the Aerofiche card identifier.

Letter is the horizontal line reference per card.

Second number is the vertical line reference per card.

Example: 2J16 = Aerofiche card number two of given set, Grid location J16.

To aid in locating the various sections and related information desired, the following is provided:

A complete Catalog Table of Contents is given at Grid 1A8 of Aerofiche card number 1 of this set. Each additional card in this set will have a Table of Contents for all sections on that particular card. This table will start at Grid A3.

REVISIONS

The information compiled in this Aerofiche Parts Catalog will be kept current by revisions distributed periodically. These revisions will supersede all previous revisions and will be complete Aerofiche card replacements and shall supersede Aerofiche cards of the same number in the set,

Current revisions to this PA-28 and PA-28R Parts Catalog issued August 16, 1973 are as follows:

753 582 (PR750815).....	Dated August 1975
753 582 (PR760430).....	Dated April 1976
753 582 (PR760831).....	Dated August 1976
753 582 (PR770304).....	Dated March 1977
753 582 (PR770715).....	Dated July 1977
753 582 (PR780908).....	Dated September 1978
753 582 (PR790405).....	Dated April 1979
753 582 (PR800520).....	Dated May 1980
753 582 (IR860226).....	Dated February 1986 (Interim change)
753 582 (IR950215).....	Dated February 1995 (Interim change)

INTERIM CHANGE

Figures 13 and 14 of card 1, and Figures 56, 64, 65, and 76 of card 3 have been revised. There are no other changes included in this interim change revision. Please discard your current cards 1 and 3 and replace them with the revised ones. DO NOT DISCARD CARDS 2 AND 4.

TABLE OF CONTENTS

FIGURE NUMBER	FIGURE TITLE	GRID NUMBER
SECTION VI POWER PLANT GROUP		
56	Power Plant Installation (PA-28-140 - S/N 28-20002 and up, PA 28-150/160/180 S/N 28-1 to 28-1760 incl.	3A6
57	Power Plant Installation (PA-28-150/160/180 - S/N 28-1761 to 28-4377 incl.)	3A15
57A	Power Plant Installation (PA-28-180 - S/N 28-4378 and up)	3A19
57B	Engine Controls Installation (PA-28-140 - S/N 28-25000 and up, PA-28-180 - S/N 28-4378 and up, PA-28-235 - S/N 28-11040 to 28-7210033 incl.)	3B1
57C	Engine Controls Installation (PA-28-235 - S/N 28-7310001 and up)	3B6
58	Power Plant Installation (PA-28R-180/200)	3B10
59	Engine Controls Installation (PA-28R-180/200)	3B16
60	Engine Exhaust System Installation (PA-28- 140/150/160/180)	3B21
61	Engine Exhaust System Installation (PA-28R-180/200).....	3C2
62	Engine Baffle Installation (PA-28-140/150/160/180)	3C5
63	Engine Baffle Installation (PA-28R-180/200)	3C9
64	Engine Cowl Installation (PA-28-140/150/160/180)	3C12
65	Engine Cowl Installation (PA-28R-180/200)	3C16
66	Power Plant Installation (PA-28-235)	3C18
67	Constant Speed Propeller Installation (PA-28-235 - S/N 28-10166 to 28-11039 incl.)	3D1
67A	Constant Speed Propeller Installation (PA-28-235 - S/N 28-11040 to 28-7210033 incl.).....	3D3
67B	Propeller Assembly (Hartzell) (PA-28-235, PA-28R-180/200)	3D6
67C	Propeller Assembly (McCauley) (PA-28R-200).....	3D9
SECTION VII ELECTRICAL SYSTEM GROUP		
68	Electrical System Installation	3D11
68A	Air Conditioning Electrical Installation (PA-28-140 - S/N 28-25001 28-71 25472 and up PA-28-180 - S/N 28-5653, 28-7205092 and up, PA-28R-200 - S/N 28R-7235001 and up)	3D20
69	Instrument Panel Electrical Installation (PA-28-140 - S/N 28-20002 to 28-24999 incl. PA-28-150/160/180 - S/N 28-1 to 28-4377 incl. PA-28-235 - S/N 28-10003 to 28-11039 incl.)	3E1
69A	Instrument Panel Electrical Installation (PA-28-140 - S/N 28-25000 to 28-7425454 incl.)	3E4
70	Instrument Panel Electrical Installation (PA-28-140 - S/N 28-7525001 and up. PA-28-180 - S/N 28-4378 and up PA-28-235 - S/N 28-11040 and up. PA-28R-180 S/N 28R-30005 to 28R-30481 incl. 28R-30483 and up PA-28R-200 - S/N 28R-30482 28R-35001 and up)	3E6
71	Alternator Installation (Chrysler)	3E13
71A	Alternator Assembly (Prestolite) (PA-28-140 - S/N 28-25001. 28-7125472 and up. PA-28-180 - S/N 28-5653 28-7205092 and up PA-28R-200 - S/N 28R-7235001 and up).....	3E18
72	External Power Supply Installation (PA-28-150/160/180/235 PA-28R-180/200)	3E20
73	External Power Supply Installation (PA-28-140).....	3E22
73A	Strobe Light Installation (PA-28-140/180/235. PA-28R-180/200)	3F1
73B	Battery Installation	3F3

TABLE OF CONTENTS

FIGURE NUMBER	FIGURE TITLE	GRID NUMBER
SECTION VIII CONTROL SYSTEM GROUP		
74	Control System Installation (PA-28-140/150/160/180/235)	3F6
75	Control System Installation (PA-28R-180/200)	3F11
76	Flap Control Installation	3F15
77	Stabilator Trim Installation (PA-28-140 - S/N 28-20002 to 28-7225612 incl. PA-28-150/160/180 - S/N 28-1 to 28-4377 incl. PA-28-235 - S/N 28-10003 to 28-10719 incl.)	3G1
78	Stabilator Trim Installation (PA-28-140 - S/N 28-7325001 and up, PA-28-180 - S/N 28-4378 and up, PA-28-235 - S/N 28-10720 and up, PA-28R-180 - S/N 28R-30005 to 28R-30481 incl., 28R-30483 and up, PA-28R-200 - S/N 28R-30482, 28R-35001 and up)	3G8
79	Rudder Trim Mechanism Installation	3G12
80	Control Wheel Installation (PA-28-150/160/180 - S/N 28-1 to 28-4377 incl., PA-28-140 - S/N 28-20002 and up, PA-28-235 - S/N 28-10003 to 28-11039 incl.)	3G16
81	Control Wheel Installation (PA-28-180 - S/N 28-4378 and up, PA-28-235 - S/N 28-11040 and up, PA-28R-180 - S/N 28R-30005 to 28R-30481 incl., 28R-30483 and up, PA-28R-200 - S/N 28R-30482, 28R-35001 and up)	3H1
82	Rudder Pedal Installation (PA-28-140/150/160/180/235)	3H4
83	Rudder Pedal Installation (PA-28R-180/200)	3H10
SECTION IX HYDRAULIC SYSTEM GROUP		
84	Hydraulic System Installation (PA-28R-180/2001)	3H12
SECTION X ELECTRONICS GROUP		
85	Electric Trim Installation	3H16
86	AutoFlite Installation (PA-28-140 - S/N 28-20002 to 28-26956 incl., PA-28-150/160/180 - S/N 28-1231 to 28-5869 incl., PA-28-235 - S/N 28-10003 to 28-11393 incl., PA-28R-180 - S/N 28R-30005 to 28R-30481 incl., 28R-30483 to 28R-31279 incl., PA-28R-200 - S/N 28R-30482, 28R-35001 to 28R-35830 incl.)	3H20
86A	AutoFlite II Installation (PA-28-140 - S/N 28-7125001 and up, PA-28-180 - S/N 28-7105001 and up, PA-28-235 - S/N 28-7110001 and up, PA-28R-180 - S/N 28R-7130001 and up, PA-28R-200 - S/N 28R-7135001 and up)	3H23
87	AutoControl I Installation (PA-28-140/150/160/180/235)	3I1
88	AutoControl II Installation (PA-28-140/150/160/180/235)	3I3
89	AutoControl III Installation (PA-28-150/160/180 - S/N 28-3590 to 28-4377 incl., PA-28-235-S/N 28-10741 to 28-11039 incl.	3I6
90	AutoControl III and III B Installation (PA-28-140 - S/N 28-25000 and up, PA-28-180 S/N 28-4378 and up, PA-28-235 - S/N 28-11040 and up, PA-28R-180 - S/N 28R-30005 to 28R-30481 incl., 28R-30483 and up, PA-28R-200 - S/N 28R-30482, 28R-35001 and up	3I8
91	Piper PRC-4 AutoNav Radio Installation (PA-28-140/150/160/180/235)	3I11
92	Piper PTR-1 Radio Installation (PA-28-140/150/160/180/235)	3I15
93	Radio, Antenna System and Static Wick Installation (PA-28-140 - S/ N 28-25000 and up, PA-28-180 - S/N 28-4378 and up PA-28-235 - S/N 28-11040 and up, PA-28R-180 • S/N 28R-30005 to 28R-30481 incl 28R-30483 and up. PA-28R-200 S/N 28R-30482, 28R-35001 and up)	3I18

TABLE OF CONTENTS

FIGURE NUMBER	FIGURE TITLE	GRID NUMBER
SECTION X (cont.) ELECTRONICS GROUP		
93A	Piper Automatic Locator (ELT) Installation (Garrett Mfg. Ltd.)	3I22
93B	Piper Automatic Locator (ELT) Installation (Communications Components Corp)	3J1
93C	Piper Automatic Locator (ELT) Installation (Narco Avionics)	3J3
94	Piper PM-1 Marker Beacon Installation (PA-28-140 - S/N 28-25000 to 28-7425454 incl., PA-28-150/160/180 - S/N 28-1761 to 28-7405290 incl., PA-28-235 - S/N 28-10487 to 28-7410120 incl., PA-28R-180 - S/N 28R-30005 to 28R-30481 incl., 28R-30483 to 28R-7130019 incl., PA-28R-200 - S/N 28R-30482, 28R-35001 to 28R-7435331 incl.)	3J5
95	Radio Junction Boxes (PA-28-140 - S/N 28-25000 and up, PA-28-180 - S/N 28-4378 and up, PA-28-235 - S/N 28-11040 and up, PA-28R-180 - S/N 28R-30005 to 28R-30481 incl., 28R-30483 and up, PA-28R-200 - S/N 28R-30482, 28R-35001 and up)	3J8
96	Radar Altimeter Installation (PA-28R-200)	3J10
97	Encoder Installation (Narco - AR 500) (PA-28-140 - S/N 28-7725001 and up, PA-28-235 - S/N 28-7710001 and up)	3J12
	Radio Installation Drawings	3J14
SECTION XI MISCELLANEOUS GROUP		
	Optional Equipment Kits and Repair Kits	3J18
	Decals	3K1

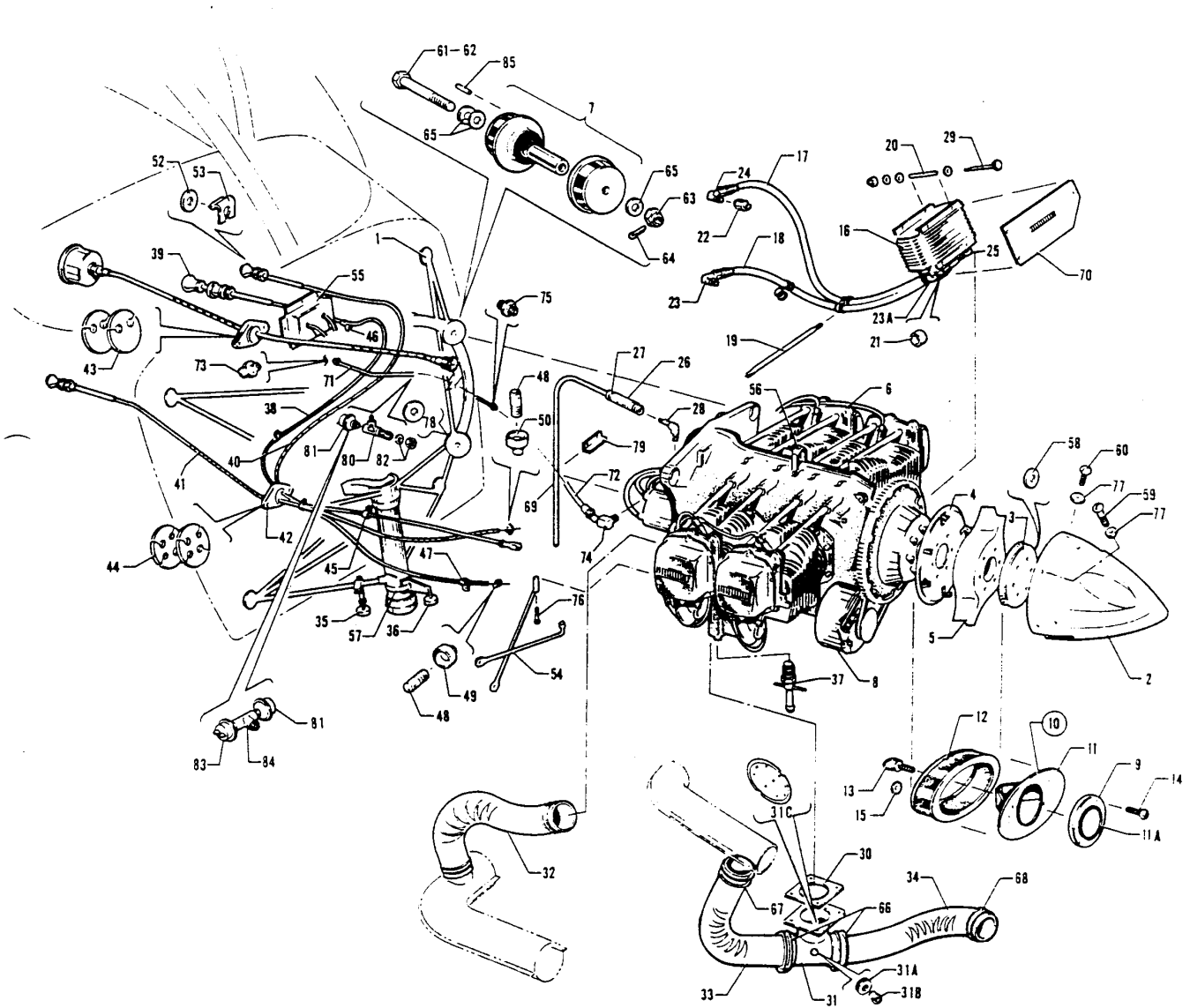


Figure 56 Power Plant Installation
 (PA 28-140 - Serial Nos. 28-20002 and up)
 (PA-28-150-160-180 - Serial Nos. 28-1 to 28-1760 inclusive)

PIPER PARTS CATALOG

Figure and Index Number	Part Number	Code	NOMENCLATURE	No. Req.	SERIAL NUMBERS AFFECTED
56-	63622	Y	DRAWING - Power Plant Installation		28-1 to 28-507 inclusive
	63689	E	DRAWING - Power Plant Installation		
	65616	X	DRAWING - Power Plant Installation		28-21096 to 28-24999 inclusive
	66680	X	DRAWING - Power Plant Installation		28-25000 to 28-7125471 inclusive
	99516	X	DRAWING - Power Plant Installation		28-7125472 and up
	62815	BF	DRAWING - Engine Controls		
	63630	A	DRAWING - Landing Light and Air Filter Installation		
	63634	YZ	DRAWING - Oil Radiator Installation		28-1 to 28-1410 inclusive
	62157	C	DRAWING - Oil Radiator Installation		
	67795	X	DRAWING - Oil Radiator Installation		28-7125472 and up
-1	63600-24	D	MOUNT ASSEMBLY - Engine and nose gear strut	1	28-1 to 28-220 inclusive
	63600-28		MOUNT ASSEMBLY - Engine and nose gear strut	1	28-221 to 28-507 inclusive
	63694-00	YZ	MOUNT ASSEMBLY - Engine and nose gear strut	1	28-508 to 28-1760 inclusive
-2	63694-00	X	MOUNT ASSEMBLY - Engine and nose gear strut	1	28-20002 to 28-24999 inclusive
	66662-00	X	MOUNT ASSEMBLY - Engine and nose gear strut	1	28-25000 and up
-3	14422-00	W	SPINNER - Propeller		
	66630-00	X	PLATE ASSEMBLY - Propeller mount, front	1	28-20002 and up
-4	66630-00	Y	PLATE ASSEMBLY - Propeller mount, front	1	28-1 to 28-1760 inclusive
	63718-00	Z	PLATE ASSEMBLY - Propeller mount, front	1	28-671 to 28-1760 inclusive
	62352-00	X	PLATE ASSEMBLY - Propeller mount, rear	1	28-20002 and up
	62352-00	Y	PLATE ASSEMBLY - Propeller mount, rear	1	28-1 to 28-1760 inclusive
	63717-00	Z	PLATE ASSEMBLY - Propeller mount, rear	1	28-671 to 28-1760 inclusive

- A- Used on PA-28-140 with serial numbers 28-20002 and up, PA-28-150, PA-28-160 and PA-28-180 with serial numbers 28-1 to 28-1760 inclusive.
- B- Used on PA-28-140 with serial numbers 28-20002 to 28-24999 inclusive, and PA-28-150, PA-28-160 and PA-28-180 with serial numbers 28-1 to 28-1760.
- C- Used on PA-28-140 with serial numbers 28-20002 to 28-7125471 inclusive, and PA-28-150, PA-28-160 and PA-28-180 with serial numbers 28-1411 to 28-1760 inclusive.
- D- If Kit 754 428 has been installed, order part for serial numbers 28-221 to 28-507 inclusive.
- E- Used on PA-28-140 with serial numbers 28-20002 to 28-21095 inclusive, and PA-28-150, PA-28-160 and PA-28-180 with serial numbers 28-508 to 28-1760 Inclusive,
- F- See Figure 57B for Engine Controls Installation for PA-28-140 with serial numbers 28-25000 and up.
- W- These parts must be ordered from Service Spares Department, Piper Aircraft, Lock Haven, Penna.
- X- Used on PA-28-140 airplanes only.
- Y- Used on PA-28-150 and PA-28-160 airplanes only.
- Z- Used on PA-28-180 airplanes only.

When ordering, always specify Part Number, Description, and Serial Number of Aircraft

PIPER PARTS CATALOG

Figure and Index Number	Part Number	Code	NOMENCLATURE	No. Req.	SERIAL NUMBERS AFFECTED
56-5	450 997	H	PROPELLER - Sensenich #M74DM-60" Pitch "140"	1	28-20002 to 28-20939 inclusive 28-20940 and up
	450 944		PROPELLER - Sensenich #74DM6-0-58"- "140"	1	
	450 993		PROPELLER - Sensenich #M74DM-58" Pitch "150"	1	
	450 997		PROPELLER - Sensenich #M74DM-60" Pitch "160"	1	
	450 955		PROPELLER - Sensenich #M76EMM-60" Pltch "180"	1	
-6		DE	ENGINE - Lycoming (0-320-A2B) 150 H.P.	1	
		DE	ENGINE - Lycoming (0-320-B2B) 160 H.P.	1	
		EG	ENGINE - Lycoming (0-320-E2A) 150 H.P.	1	
		EG	ENGINE - Lycoming (0-320-D2A) 160 H.P.	1	
		E	ENGINE - Lycoming (0-320-A3A) 180 H.P.	1	
		E	ENGINE - Lycoming (0-320-E3D) 140 H.P.	1	
		EF	MOUNT - Rubber bushing and washer	4	28-1 to 28-220 inclusive
-7	475 134		MOUNT - Engine (#J-6230-1)	4	28-221 to 28-507 inclusive
	475 121	C	MOUNT - Engine (#J-7402-5)	4	28-508 to 28-1478 inclusive
	475 L23	BC	MOUNT - Engine (#J-7402-16)	4	
	475 124	X	MOUNT - Engine (#J9613-40) top left and bottom right	2	28-25000 and up
	475 125	X	MOUNT - Engine (#J9613-53) top right and bottom left	2	28-25000 and up
-8		J	ALTERNATOR INSTALLATION		
-9	63631-00	K	RETAINER RING - Landing light	1	
	63186-40	K	SEAL - Extruded moulding (NOT SHOWN)	1	
-10	65780-00	X	RETAINER ASSEMBLY - Air Filter and landing light	1	28-23214 and up
	65778-00	X	RETAINER ASSEMBLY - Air Filter .	1	28-23214 and up
-11	63632-07		RETAINER ASSEMBLY - Air Filter and landing light	1	
	63632-06		RETAINER ASSEMBLY - Air Filter	1	

- A- Used on PA-28- 140 with serial numbers 28-20002 and up, PA-28-150, PA-28-160 and PA-28-180 with serial number 28-1 to 28-1760 inclusive.
- B - Used on PA-28-140 with serial numbers 28-20002 to 28-24999 inclusive, and PA-28-150, PA-28-160 and PA-28-180 with serial numbers 28-1479 to 28-1760 inclusive.
- C - If less than four mounts are being replaced, ascertain number which is stamped on rubber part of mount and order either 475 121(EJ-7402-5), 475 123(#J-7402-16) or 475 110 (#J-7402-24). If four mounts are being replaced, it is suggested that four of part number 475 110 (#J-7402-24) be ordered for PA-28-150, PA-28-160 and PA-28-180.
- D - Used when generator is installed.
- E - Secure from Lycoming, Division-Avco Corporation, Williamsport, Penna.
- F - If Kit 754 428 has been installed, order part for serial numbers 28-221 to 28-507 inclusive.
- G - Used when alternator is installed
- H - If Family Seat Kit 756 962 or 756 941 has been installed order part for serial numbers 28-20940 and up.
- J - See Figure 71 for component parts if a Chrysler alternator is installed See Figure 32A if a Prestolite alternator with air conditionin., is installed.
- K - See latest revision of Piper Service Bulletin 975.
- X - Used on PA-28-140 airplanes only.

When ordering, always specify Part Number, Description, and Serial Number of Aircraft

PIPER PARTS CATALOG

Figure and Index Number	Part Number	Code	NOMENCLATURE	No. Req.	SERIAL NUMBERS AFFECTED
56-11a	63186-06	F	SEAL - Extruded moulding	1	
-11b	85174-02	F	SUPPORT ASSEMBLY - Landing light (NOT SHOWN)	1	
-12	460 632		AIR FILTER - (CA16LPL)	1	
-13	63674-00		SCREW - Thumb	1	
-14	415 741		SCREW - (AN515-6R14)	4	
-15	407 565		WASHER - (AN960-416)	1	
-16	18622-00		OIL RADIATOR	1	
-17	63635-00	BD	LINE ASSEMBLY - Engine to oil radiator, left	1	28-1 to 28-507 inclusive
	63701-00	BD	LINE ASSEMBLY - Engine to oil radiator, left	1	28-508 to 28-1410 inclusive
	63901-72		HOSE ASSEMBLY - Engine to oil radiator, left	1	28-1411 to 28-1760 inclusive
	63901-72	X	HOSE ASSEMBLY - Engine to oil radiator, left	1	28-20002 to 28-7125471 inclusive
	63901-69	X	HOSE ASSEMBLY - Engine to oil radiator, left	1	28-7125472 and up
-18	63636-00	BD	LINE ASSEMBLY - Engine to oil radiator, right	1	28-1 to 28-1410 inclusive
	63901-72		HOSE ASSEMBLY - Engine to oil radiator, right	1	28-1411 to 28-1760 inclusive
	63901-72	X	HOSE ASSEMBLY - Engine to oil radiator, right	1	28-20002 to 28-7125471 inclusive
	63901-69	X	HOSE ASSEMBLY - Engine to oil radiator, right	1	28-7125472 and up
-19	63637-00	Y	TUBE - Oil line support	1	28-1 to 28-1410 inclusive
	63637-02	Z	TUBE - Oil line support	1	28-671 to 28-1410 inclusive
-20	86062-94	E	SPACER - Oil radiator	4	
-21	484 654		SEAL - Oil radiator lines (#110-8-Y)	4	28-1 to 28-1410 inclusive
-22	451 855		ADAPTER - (W/H 3200 x 6)	1	
-23	458 957	B	ELBOW - (905-8)	1	28-1 to 28-1410 inclusive
	458 886	C	ELBOW - (AN823-8D)	1	
	458 886	X	ELBOW - (AN823- 8D)	1	28-25000 and up
-23a	458 957	B	ELBOW - (905-8)	1	28-1 to 28-1410 inclusive
	458 886	C	ELBOW - (AN823-8D)	1	
	458 886	X	ELBOW - (AN823-8D)	1	28-25000 to 28-7125471 inclusive
	458 896	X	ELBOW - (AN822-8D)	1	28-7125472 and up

- A - Used on PA-28-140 with serial numbers 28-20002 and up, PA-28-150, PA-28-160 and PA-28-180 with serial numbers 28-1 to 28-1760 inclusive.
- B - If Kit 756 769 has been installed, order part for serial numbers 28-1411 to 28-1760 inclusive.
- C- Used on PA-23-140 with serial numbers 28-20002 to 28-24999 inclusive, PA-28-150, PA-28-160 and PA-28-180 with serial numbers 28-1411 to 28-1760 inclusive.
- D- Not available, Flexible Hose Kit 756 769 will be supplied as a replacement.
- E- Used on PA-28-140 with serial numbers 28-20002 to 28-7125471 inclusive, PA-28-150, PA-28-160 and PA-28-180 with serial numbers 28-1 to 28-1760 inclusive.
- F - See latest revision of Piper Service Bulletin 975.
- X- Used on PA-28- 140 airplanes only.
- Y- Used on PA-28-150 and PA-28-160 airplanes only.
- Z- Used on PA-28-180 airplanes only.

When ordering, always specify Part Number, Description, and Serial Number of Aircraft

PIPER PARTS CATALOG

Figure and Index Number	Part Number	Code	NOMENCLATURE	No. Req.	SERIAL NUMBERS AFFECTED
56-24	458 957	C,W	ELBOW - (905-8)	1	28-1 to 28-1410 inclusive
	458 898	D,W,X	ELBOW - (AN822 8D)	1	
	458 886	W,X	ELBOW (AN823-8D)	1	28-25000 and up
-25	458 957	C,W	ELBOW - (905-8)	1	28-1 to 28-1410 inclusive
	458 898	D,W	ELBOW - (AN822-8D)	1	
	458 898	W,X	ELBOW - (AN822 8D)	1	28-25000 to 28-7125471 incl.
	458 886	W,X	ELBOW - (AN823 8D)	1	28-7125472 and up
-26	82371-56	W	HOSE - Engine breather tube	1	28-1 to 28-507 inclusive
	63913-13	F	HOSE - Engine breather tube	1	
	63913-74	X	HOSE - Engine breather tube	1	28-25000 and up
-27	454 837		CLAMP - Engine breather hose (H-78000)	2	
-28	458 870	B	ELBOW - Engine to breather tube hose (AN844-100)	1	
-29	400 464	E	BOLT- (AN3-41A)	4	
	400 438	W,X	BOLT- (AN3-4A)	4	28-7125472 and up
	407 564	E,W	WASHER- (AN960-10)	4	
	407 584	W,X	WASHER - (AN960-10L)4	4	28-7125472 and up
	404 887	W	NUT - (MS20365-1032C)	4	
-30	73451-07	W,Y	GASKET - Carburetor air box	1	
	73451-07	W,X	GASKET - Carburetor air box	1	
	63684-04	Z	GASKET - Carburetor air box	1	
-31	63601-13	Y	BOX ASSEMBLY -Carburetor air	1	2S1 to 28-1760 inclusive
	63680-00	Z	BOX ASSEMBLY - Carburetor air	1	28-671 to 28-1760 inclusive
	63601-13	X	BOX ASSEMBLY - Carburetor air	1	28-20002 and up
-31a	434 134	G ,W	GROMMET - (MS35489-11)	2	
	434 129	Z,W	GROMMET - (AN931-5-9)	2	
-31b	453 991	G	BUSHING - (PS10065-23)	2	
-31c	63601-10	X,Y	VALVE ASSEMBLY - Carburetor air	1	
-32	63633-05	Y	HOSE - Carburetor heat shroud intake	1	28-1 to 28-707 inclusive
-33	78035-02	Z	HOSE - Carburetor heat shroud outlet	1	28-671 to 28-1760 inclusive
	99849-02	X,Y	HOSE - Carburetor heat shroud outlet	1	
			A- Used on PA-28-140 with serial numbers 28-20002 and up, PA-28-150, PA-28-160 and PA-28-180 with serial numbers 281 to 28-1760 inclusive.		
			B- Used on PA-28-140 with serial number 28-20002 and up, PA-28-150, PA-28-160 and PA-28-180 with serial numbers 28-508 to 28-1760 inclusive.		
			C- If Kit 756 769 has been installed, order part for serial numbers 28-1411 to 28-1760 inclusive.		
			D- Used on PA-28-140 with serial numbers 2820002 to 28-24999 inclusive, PA-28-150, PA-28-160 and PA-28-180 with serial numbers 28-1411 to 28-1760 inclusive.		
			E- Used on PA-28-140 with serial numbers 28-20002 to 28-7125471 inclusive, PA-28-150, PA-28-160 and PA-28-180 with serial numbers 28-1 to 28-1760 inclusive.		
			F- Used on PA-28-140 with serial numbers 28-20002 to 28-24999 inclusive, PA-28-150, PA-160 and PA-28180 with serial numbers 28-508 to 28-1760 Inclusive.		
			G- Used on PA-28-140, PA-28-150 and PA-28-160 airplanes with a 625 hole in the Carburetor Air Box for the air box valve shaft grommets.		
			W- These parts must be ordered from Service Spares Department, Piper Aircraft, Lock Haven, Penna.		
			X- Used on PA-28-140 airplanes only.		
			Y- Used on PA-28-150 and PA-28-160 airplanes only.		
			Z- Used on PA-28-180 airplanes only.		

When ordering, always specify Part Number, Description, and Serial Number of Aircraft

PIPER PARTS CATALOG

Figure and Index Number	Part Number	Code	NOMENCLATURE	No. Req.	SERIAL NUMBERS AFFECTED
56-34	99849-04	Y	HOSE - Carburetor air intake	1	28-1 to 28-1760 inclusive
	99849-04	X	HOSE - Carburetor air intake	1	28-20002 to 28-7125471 inclusive
	99849-03	X	HOSE - Carburetor air intake	1	28-71 25472 and up
	78035-03	Z	HOSE - Carburetor air intake	1	28-671 to 28-1760 inclusive
-35	63655-00	Y	SUPPORT - Bottom cowl	2	28-1 to 28-724 inclusive
-36	63732-00	Y	DAMPENER ASSEMBLY - Bottom cowl	1	28-1 to 28-724 inclusive
-37	61879-02	W	VALVE ASSEMBLY - Oil drain		
-38	12693-04	C,D,W	CABLE ASSEMBLY - Throttle control	1	
-39	471 049	C,D,W	KNOB - Throttle cable (#95 black)		
-40	63902-03	Y,Z	CABLE ASSEMBLY - Carburetor heat control	1	
	63902-03	X	CABLE ASSEMBLY - Carburetor heat control	1	28-20002 to 28-21095 inclusive
	63902-16	C,X	CABLE ASSEMBLY - Carburetor heat control	1	28-21096 to 28-24999 inclusive
-41	63902-04	Y,Z	CABLE ASSEMBLY - Mixture control	1	
	63902-08	X	CABLE ASSEMBLY - Mixture control	1	28-20002 to 28-21095 inclusive
	63902-17	C,X	CABLE ASSEMBLY - Mixture control	1	28-21096 to 28-24999 inclusive
-42	18321-00	C,D,W	PLATE - Firewall seal	4	
-43	63915-03	C,D	DISC - Firewall, tachometer shaft	2	
-44	63915-04	C,D	DISC - Firewall, mixture control cable	2	
-45	63916-02	C,D	CLAMP - Throttle control cable		
-46	554 860	C,D	CLAMP - Throttle control cable (#RA-4400-1)	2	
-47	554 890	C,D	CLAMP - Carburetor heat control cable (MS122901)		
-48	70371-03	C,D,W	STUD - Swivel fitting	2	
-49	70371-02	C,D,W	FITTING - Swivel, carburetor heat control	1	
-50	91193-00	C,D,W	FITTING - Swivel, carburetor heat control		
-51	68778-00	X	ELBOW - Oil pressure	1	28-21096 and up
-52	62833-07	C,D	WASHER - Carburetor heat control cable	1	
-53	62978-00	C,D	CLIP - Carburetor heat control cable		
-54	63964-00	B	SUPPORT ASSEMBLY - Engine controls		
	69317-00	X	SUPPORT ASSEMBLY - Engine controls	1	28-25000 and up
-55	14311-39	W,Y,Z	BOX ASSEMBLY - Magneto filter		
	14311-39	W X	BOX ASSEMBLY - Magneto filter	1	28-20002 to 28-23495 inclusive
	65827-00	X	BOX ASSEMBLY - Magneto filter	1	28-23496 to 28-24999 inclusive
			A- Used on PA-28-140 with serial numbers 28-20002 and up, PA-28-150, PA-28-160 and PA-28-180 with serial numbers 28-1 to 28-1760 inclusive.		
			B- Used on PA-28-140 with serial numbers 28-20002 to 28-24999 inclusive, PA-28-150, PA-28-160 and PA-28-180 with serial numbers 28-508 to 28-1760 inclusive.		
			C- See Figure 57B for Engine Controls Installation for PA-28-140 with serial numbers 28-25000 and up.		
			D- Used on PA-28-140 with serial numbers 28-20002 to 28-24999 inclusive, PA-28-150, PA-28-160 and PA-28-180 with serial numbers 28-1 to 29-1760 inclusive.		
			W- These parts must be ordered from Service Spares Department, Piper Aircraft, Lock Haven, Penna.		
			X- Used on PA-28-140 airplanes only.		
			Y- Used on PA-28-150 and PA-28-160 airplanes only.		
			Z- Used on PA-29-190 airplanes only		

When ordering, always specify Part Number, Description, and Serial Number of Aircraft

PIPER PARTS CATALOG

Figure and Index Number	Part Number	Code	NOMENCLATURE	No. Req.	SERIAL NUMBERS AFFECTED
56-56	63669-00		LUG - Engine- lifting	1	
-57	454 800	Y	CLAMP - (32SS)	1	28-1 to 28-274 inclusive
-58	80122-55	W	WASHER - Propeller	6	28-1 to 28-507 inclusive
-59	417 694	W	SCREW - Spinner (AN526C-1032R8)	8	
-60	417 695	W	SCREW-Spinner (AN526C-1032R10)	2	
-61	400 309	W	BOLT - Bottom engine to mount (AN8-30)	2	28-1 to 28-220 inclusive
	400 3 0	W	BOLT - Bottom engine to mount (AN8-31)	2	28-221 to 28-507 inclusive
	400 274	W	BOLT - Bottom engine to mount (AN7-35)	2	28-508 to 28-1508 inclusive
	401 535	B	BOLT - Bottom engine to mount (AN7-35A)	2	
	401 544	X	BOLT - Bottom engine to mount (AN7-44A)	2	28-25000 and up
-62	400 328		BOLT - Top engine to mount (AN8-53)	2	28-1 to 28-220 inclusive
	400 329	W	BOLT - Top engine to mount (AN8-54)	2	28-221 to 28-507 inclusive
	400 274	W	BOLT - Top engine to mount (AN7-35)	2	28-508 to 23-1508 inclusive
	401 535	B	BOLT - Top engine to mount (AN7-35A)	2	
	401 543	X	BOLT - Top engine to mount (AN7-43A)	2	28-25000 and up
-63	404 105	W	NUT - Engine mount bolt (AN3108)	4	28-1 to 28-507 inclusive
	404 104	W	NUT - Engine mount bolt (AN3107)	4	28-508 to 28-1508 inclusive
	404 891	W	NUT - Engine mount bolt (MS20365-720C)	4	28-1509 and up
-64	424 059	W	COTTER PIN - Engine mount bolt (AN380-3-3)	4	28-1 to 28-1508 inclusive
-65	407 568	W	WASHER - Engine mount bolt (AN960-716)	AR	
-66	554 800	X,Y	CLAMP - Carburetor air box hose (SAE TY A 3-3/16)	2	
	454 804	Z	CLAMP - Carburetor tor air box hose (4-1205)	2	
-67	554 800		CLAMP - Carburetor air box hose (SAE TY A 3-3/16)	1	
-68	554 800	X,Y,Z	CLAMP - Carburetor air box hose (SAE TY A 3-3/16)	1	
-69	63203-00		TUBE - Engine breather	1	28-1 to 28-507 inclusive
	63215-00	C	TUBE - Engine breather	1	
-70	63407-00	Y,Z	CLOSURE ASSEMBLY - Winterization plate	1	
	63407-00	X	CLOSURE ASSEMBLY - Winterization plate	1	28-20002 to 28-21095 inclusive
	65478-00	X	CLOSURE ASSEMBLY - Winterization plate	1	28-21096 to 28-7125471 inclusive
	99523-00	X	CLOSURE ASSEMBLY - Winterization plate	1	28-7125472 and up
-71	63201-00	Y,Z	TUBE ASSEMBLY - Oil pressure	1	28-1 to 28-1760 inclusive
	63201-00	X	TUBE ASSEMBLY - Oil pressure	1	28-20002 to 28-21095 inclusive
	65603-00	X	TUBE ASSEMBLY - Oil pressure	1	28-21096 to 28-24999 inclusive
	67700-42	X	TUBE ASSEMBLY - Oil pressure	1	28-25000 to 28-7425454 inclusive
	67700-86	X	TUBE ASSEMBLY - Oil pressure forward	1	28-7525001 and up
	67700-85	X	TUBE ASSEMBLY - Oil pressure aft	1	28-7525001 and up
-72	71061-00	W,Y,Z	HOSE ASSEMBLY - Oil pressure	1	28-1 to 28-1760 inclusive
	71061-00	W,X	HOSE ASSEMBLY - Oil pressure	1	28-20002 to 28-21095 inclusive
	63901-27	X	HOSE ASSEMBLY - Oil pressure	1	28-21096 and up

- A- Used on PA-28-140 with serial numbers 28-20002 and up PA-28-150 PA-28-160 and PA-28-180 with serial numbers 28-1 to 28-1760 inclusive.
- B- Used on PA-28-140 with serial numbers 28-20002 to 28-24999 inclusive PA-28-150, PA-28-160 and PA-28-180 with serial numbers 28-508 to 28-1760 inclusive.
- C- Used on PA-28-140 with serial numbers 28-20002 and up PA-28-150 PA-28-160 and PA-28-180 with serial numbers 28 -08 to 28-1760 inclusive.
- W- These parts must be ordered from Service Spares Department Piper Aircraft Lock Haven Penna.
- X- Used on PA-28-140 airplanes only.
- Y- Used on PA-28-150 and PA-28-160 airplanes only.
- Z- Used on PA-28-180 airplanes only.

When ordering, always specify Part Number, Description, and Serial Number of Aircraft

PIPER PARTS CATALOG

Figure and Index Number	Part Number	Code	NOMENCLATURE	No. Req.	SERIAL NUMBERS AFFECTED
56-73	484 349	C	REDUCER - (AN919-1D) Oil pressure	1	
-74	63901-00		ELBOW - Oil pressure	1	28-221 and up
-75	491 055	C,W	UNION - (AN815-4) Oil pressure	1	28-21096 and up
-76	418 430		BOLT - (MS35291-15)	1	28-508 and up
-77	85012-47	W	WASHER - Spinner	10	
-78	85012-101	C	WASHER - Engine to mount, bottom	2	28-25000 and up
-79	63672-00		SUPPORT - Engine breather tube	1	28-1 to 28-507 inclusive
-80	79038-00	C	TEE - Bulkhead fittin	1	28-7525001 and up
-81	587 961	C	SWITCH - (M-4011-35)	1	28-7525001 and up
-82	477 629	C,W	NUT- (AN924-4)	1	28-7525001 and up
	407 59 1	C,W	WASHER - (AN960-716L)	1	28-7525001 and up
-83	587 990	B, C	SWITCH - (M-4006-4)	1	28-7625001 and up
-84	588 469	B, C	TEE - (1/8 MMS-S)	1	28-7625001 and up
-85	86092-61	W	PIN - Engine mount bushing	4	28-221 to 28-507 inclusive
<p>A- Used on PA-28-140 with serial numbers 28-20002 and up, PA-28-150, PA-28-160 and PA-28-180 with serial numbers 28-1 to 28-1760 inclusive.</p> <p>B- Used if engine hour meter is installed.</p> <p>C- Used on PA-28-140 airplanes only.</p> <p>W- These parts must be ordered from Service Spares Department, Piper Aircraft, Lock Haven, Penna.</p>					

When ordering, always specify Part Number, Description, and Serial Number of Aircraft

3A14

INTENTIONALLY LEFT BLANK

PIPER PARTS CATALOG

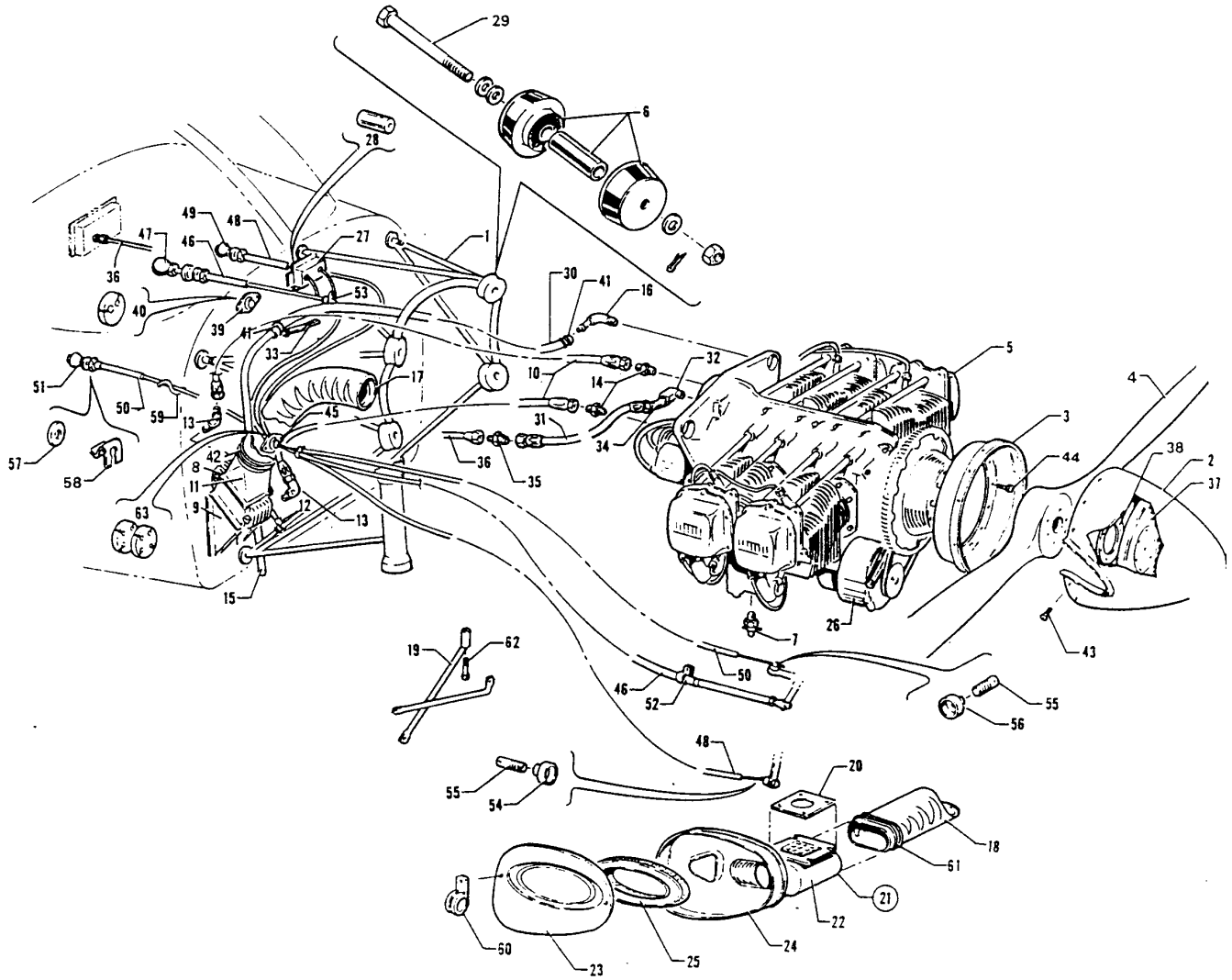


Figure 57. Power Plant Installation
PA-28-150-160-180 - Serial Nos. 28-1761 to 28-4377 inclusive)

PIPER PARTS CATALOG

Figure and Index Number	Part Number	Code	NOMENCLATURE	No. Req.	SERIAL NUMBERS AFFECTED
57-	62893 62991		DRAWING - Power Plant Installation DRAWING - Engine Controls Installation		28-1761 to 28-4377 inclusive 28-1761 to 28-4377 inclusive
-1	62297-00		MOUNT ASSEMBLY - Engine and nose gear strut	1	
-2	63760-04		SPINNER - Propeller	1	28-1761 to 28-3585 inclusive
	65805-00		SPINNER - Propeller	1	28-3586 to 28-4377 inclusive
-3	65208-03		BULKHEAD ASSEMBLY - Spinner, rear	1	28-1761 to 28-3585 inclusive
	65803-00	B	BULKHEAD ASSEMBLY - Spinner, rear	1	28-3586 to 28-4377 inclusive
	65803-02	C	BULKHEAD ASSEMBLY - Spinner, rear	1	28-3586 and up
-4	450 948		PROPELLER - Sensenich 74DM6S5-0-58 Pitch "150"	1	
	450 949		PROPELLER - Sensenich 74DM6S5-0-60 Pitch "160"	1	
	450 957		PROPELLER - Sensenich 76EM8S5-0-60 Pitch "180"	1	
-5		A	ENGINE - Lycoming (0-320-E2A) "150"	1	
		A	ENGINE - Lycoming (0-320-E2A) "150" (with oil filter)	1	28-2837 and up
		A	ENGINE - Lycoming (0-320-D2A) "160"	1	
		A	ENGINE - Lycoming (0-320-D2A) "160" (with oil filter)	1	28-2837 and up
		A	ENGINE - Lycoming (0-360-A3A) "180"	1	28-1761 to 28-3555 inclusive. 28-3557 to 28-3572 inclusive. 28-3574 to 28-3626 inclusive
		A	ENGINE - Lycoming (0-360-A4A) "180"	1	28-3556, 28-3573, 28-3627 to 28-4377 inclusive
		A	ENGINE - Lycoming (0-360-A3A) , "180" (with oil filter)	1	28-2837 to 28-3555 inclusive. 28-3557 to 28-3572 inclusive. 28-3574 to 28-3626 inclusive
		A	ENGINE - Lycoming (0-360-A4A), "180" (with oil filters)	1	28-3556, 28-3573, 28-3627 to 28-4377 inclusive
-6	475 123	C,D	MOUNT - Engine (J-7402-16)	4	
	475 123	B,D	MOUNT - Engine (J-7402-16)	4	28-1761 to 28-3299 inclusive
	475 110	B	MOUNT - Engine (J-7402-24)	4	28-330 to 28-4377 inclusive
-7	61879-02	W	VALVE ASSEMBLY - Oil drain	1	
-8	18622-00	W	OIL RADIATOR	1	
-9	62938-00		BRACKET- Oil radiator	2	
-10	63901-20		HOSE ASSEMBLY	2	
-11	62985-00		ADAPTER ASSEMBLY - Oil radiator air	1	
-12	62987-00		TUBE - Oil radiator bracket attachment	1	
-13	458 886	W	ELBOW - Oil radiator (AN823-8D)	2	
-14	476 664	W	NIPPLE - Oil radiator (AN816-8D)	2	
-15	62980-00		TUBE - Engine breather	1	
-16	458 870		ELBOW - Engine breather (AN844-10D)	1	
-17	63633-88		HOSE - Oil radiator air	1	
-18	99944-02		HOSE - Carburetor heat	1	
-19	63964-00		BRACKET - Engine controls	1	
-20	73451-07	C,W	GASKET - Carburetor air box	1	
	63684-04	B	GASKET - Carburetor air box	1	

- A- Secure from Lycoming, Division-Avco Corporation, Williamsport, Penna.
- B- Used on PA-28-180 airplanes only.
- C- Used on PA-28-150 and PA-28-160 airplanes only.
- D- If less than four mounts are being replaced, ascertain number which is stamped on rubber part of mount and order either 475 123 (J-7402-16) or 475 110 (J-7402-24). If four mounts are being replaced, it is suggested that four of P/N 475 110 (J-7402-24) be ordered.
- W- These parts must be ordered from Service Spares Department, Piper Aircraft, Lock Haven, Penna. and Serial Number of Aircraft

When ordering, always specify Part Number, Description, and Serial Number of Aircraft

PIPER PARTS CATALOG

Figure and Index Number	Part Number	Code	NOMENCLATURE	No. Req.	SERIAL NUMBERS AFFECTED
57-21	62989-02	B	BOX ASSEMBLY - Carburetor air (complete)	1	
	62989-00	A	BOX ASSEMBLY - Carburetor air (complete)	1	
-22	63446-00	B	BOX ASSEMBLY - Carburetor air	1	
	62921-00	A	BOX ASSEMBLY - Carburetor air	1	
-23	65403-00		COVER ASSEMBLY - Air filter		
-24	63246-00		HOUSING ASSEMBLY - Air filter	1	28-1761 to 28-3077 inclusive
	63246-04		HOUSING ASSEMBLY - Air filter	1	28-3078 to 28-4377 inclusive
-25	460 632	W	AIR FILTER - (CA-161PL)		
-26		C	ALTERNATOR INSTALLATION - Chrysler		
-27	14311-39	W	BOX ASSEMBLY - Magneto filter	1	28-1761 to 28-4327 inclusive
	65827-00		BOX ASSEMBLY - Magneto filter	1	28-4328 to 28-4377 inclusive
-28	460 634	W	FILTER - Radio interference (NFIF247)	2	
-29	401 535		BOLT - Engine mount (AN7-35A)	4	
	407 568	W	WASHER - Engine mount (AN960-716)	12	
	404 891	W	NUT - Engine mount (MS20365-720C)	4	
-30	63913-42		HOSE - Engine breather		
-31	71061-00	W	HOSE ASSEMBLY - Oil pressure gauge	1	28-1761 to 28-2477 inclusive
	63901-27		HOSE ASSEMBLY - Oil pressure gauge	1	28-2478 to 28-4377 inclusive
-32	458 920	W	ELBOW - Oil pressure hose (W/H 3400 x 2)		
-33	63486-00		SUPPORT - Oil line	1	28-1902 to 28-4377 inclusive
-34	68778-00		ELBOW - Oil pressure hose	1	28-2478 to 28-4377 inclusive
-35	491 055	W	UNION - Oil pressure hose (AN815-4)	1	28-2478 to 28-4377 inclusive
-36	63087-00		TUBE ASSEMBLY - Oil pressure	1	28-1761 to 28-2477 inclusive
	65522-00		TUBE ASSEMBLY - Oil pressure	1	28-2478 to 28-4377 inclusive
-37	65804-00	A	BULKHEAD ASSEMBLY - Spinner, front	1	
	65804-04	B	BULKHEAD ASSEMBLY - Spinner, front		
-38	65806-00	B	SPACER - Spinner bulkhead		
-39	18321-00	W	PLATE - Firewall seal	2	
-40	63915-03		DISC - Firewall Seal	2	
-41	454 837		CLAMP - Engine breather hose (#H-78000)	2	
-42	454 816	W	CLAMP - Air hose (#4-0000)	2	
-43	400 438	W	BOLT - Spinner (AN3-4A)	12	28-1761 to 28-3585 inclusive
	416 329		SCREW - Spinner AN525-1032R9)	16	28-3586 to 28-4377 inclusive
	407 564	W	WASHER - Spinner (AN960-10)	16	28-3586 to 28-4377 inclusive
	404 887	W	NUT,- Spinner (MS20365-1032C)	16	28-3586 to 28-4377 inclusive
-44	401 310	W	BOLT - Spinner bulkhead AN4-10A)	12	
	407 585	W	WASHER - Spinner bulkhead (AN960-416L)	12	
	404 888	W	NUT - Spinner bulkhead (MS20365-428C)	12	
-45	18321-00	W	PLATE - Firewall disc	2	
-46	12693-04	W	CABLE ASSEMBLY - Throttle control	1	
-47	471 049	W	KNOB Throttle cable (#95 black)	1	
-48	63902-03		CABLE ASSEMBLY - Carburetor heat control	1	28-1761 to 28-2627 inclusive
	63902-16		CABLE ASSEMBLY - Carburetor heat control	1	28-2628 to 28-4377 inclusive
-49	471 084		KNOB - Heat control (#233 black)	1	28-1761 to 28-2627 inclusive
	65617-00		KNOB - Heat control	1	28-2628 to 28-4377 inclusive
-50	63902-08		CABLE ASSEMBLY - Mixture control	1	28-1761 to 28-2627 inclusive
	63902-17		CABLE ASSEMBLY - Mixture control	1	28-2628 to 28-4377 inclusive

A- Used on PA-28-180 airplanes only.
 B- Used on PA-28-150 and PA-28-160 airplanes only
 C- See Figure 71 for components parts.
 W- These parts must be ordered from Service Spares Department, Piper Aircraft, Lock Haven. Penna.

When ordering, always specify Part Number, Description, and Serial Number of Aircraft

PIPER PARTS CATALOG

Figure and Index Number	Part Number	Code	NOMENCLATURE	No. Req.	SERIAL NUMBERS AFFECTED
57-51	471 084		KNOB - Mixture control (#233 black)	1	28-1761 to 28-2627 inclusive
	65618-00		KNOB - Mixture control	1	28-2628 to 28-4377 inclusive
-52	63916-02		CLAMP - Throttle control cable	1	
-53	554 860		CLAMP - Throttle control cable (#RA-4400-1)	2	
-54	70371-02	W	FITTING - Swivel	1	
-55	70371-03	W	STUD - Swivel fitting	2	
-56	91193-00	W	FITTING - Swivel fitting	1	
-57	62833-07		WASHER - Carburetor heat control cable	1	
-58	62978-00		CLIP - Carburetor heat control cable	1	
-59	62171-00		CLAMP - Cable tension	1	
-60	554 859		CLAMP - (MS21919-H-48)	2	
-61	99289-00		CLAMP - Air duct	2	
-62	418 430		BOLT - (MS35291-15)	1	
-63	63915-04		DISC - Firewall seal	2	
			W- These parts <u>must</u> be ordered from Service Spares Department, Piper Aircraft, <u>Lock Haven, Penna.</u>		

When ordering, always specify Part Number, Description, and Serial Number of Aircraft

PIPER PARTS CATALOG

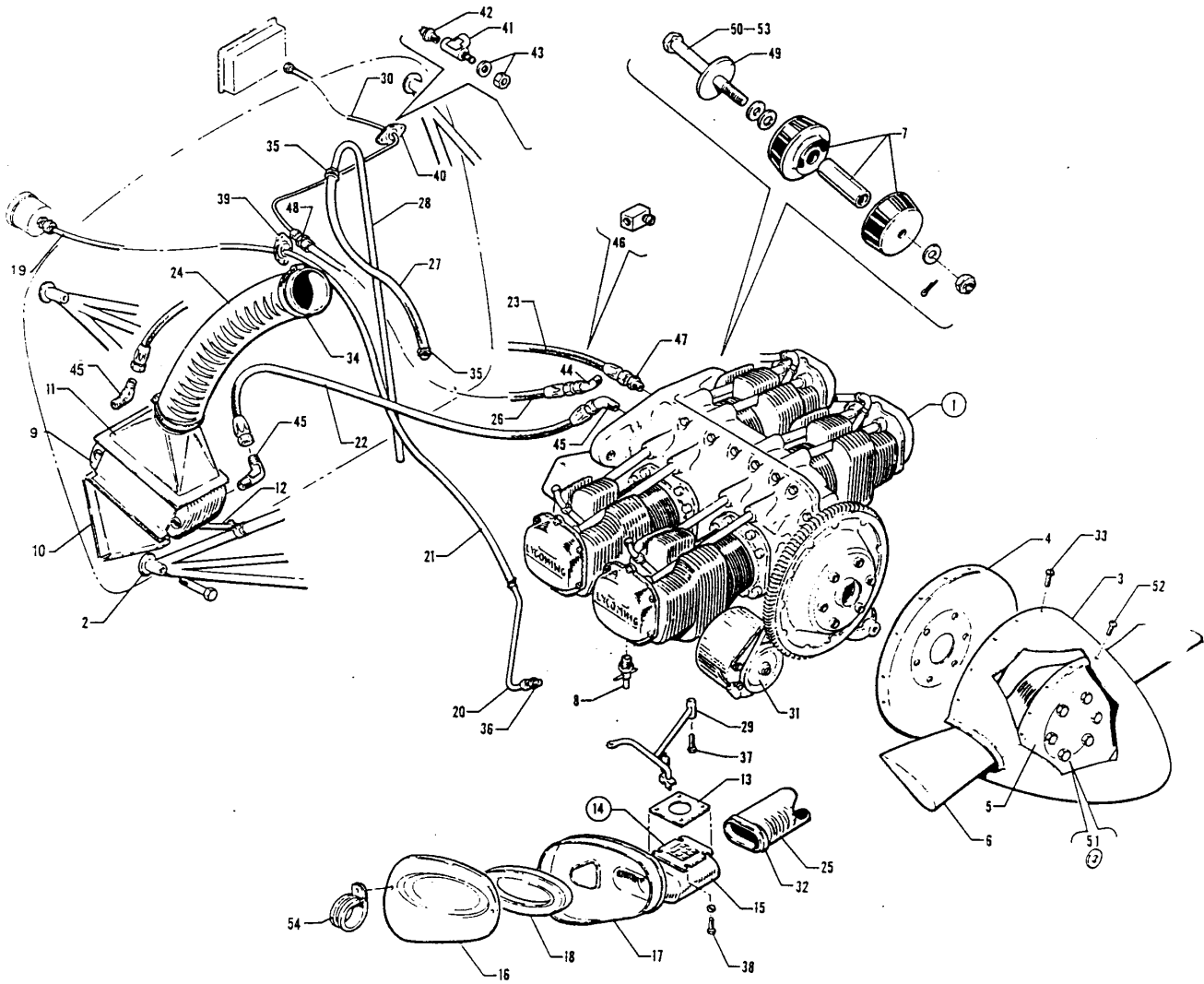


Figure 57A. Power Plant Installation
(PA-28-180 - Serial Nos. 28-4378 and up)

PIPER PARTS CATALOG

Figure and Index Number	Part Number	Code	NOMENCLATURE	No. Req.	SERIAL NUMBERS AFFECTED
57A-	65851		DRAWING - Power Plant Installation		
-1		A	ENGINE - Lycoming (0-360-A4A)	1	
-2	62297-00		MOUNT ASSEMBLY - Engine and nose gear strut	1	28-4378 to 28-5149 inclusive
	66662-00		MOUNT ASSEMBLY - Engine and nose gear strut	1	28-5150 to 28-7305611 inclusive
	66662-14		MOUNT ASSEMBLY - Engine and nose gear strut	1	
-3	65805-00		SPINNER - Propeller	1	
-4	65803-00		BULKHEAD ASSEMBLY - Spinner, rear	1	
-5	65804-00		BULKHEAD ASSEMBLY - Spinner, front		
-6	450 957		PROPELLER - Sensenich (76EM8S5-0-60)	1	
-7	475 110		MOUNT - Engine (J7402-24)	4	28-4378 to 28-5149 inclusive
	475 124		MOUNT - Engine (J9613-40)	4	28-5150 and up
-8	61879-02	W	VALVE ASSEMBLY - Oil drain	1	
	18622-00	W	OIL RADIATOR	1	
-10	62938-00		BRACKET - Oil radiator	2	
-11	62985-00		ADAPTER ASSEMBLY - Oil radiator	1	
-12	62987-00		TUBE - Oil radiator bracket attachment	1	
-13	63684-04		GASKET - Carburetor air box	1	
-14	62989-00		BOX ASSEMBLY - Carburetor air ((complete)	1	
-15	62921-00		BOX ASSEMBLY - Carburetor air	1	
-16	65403-00		COVER ASSEMBLY - Air filter	1	
-17	63246-04		HOUSING ASSEMBLY - Air filter	1	
-18	460 632	W	AIR FILTER - (CA-161PL)	1	
-19	67700-29		TUBE ASSEMBLY - Manifold pressure gauge	1	
-20	62992-00		TUBE ASSEMBLY - Manifold pressure	1	
-21	63913-26		HOSE - Flexible, Manifold pressure	1	
-22	63901-26		HOSE ASSEMBLY - Oil radiator	1	
-23	63901-43		HOSE ASSEMBLY - Oil radiator	1	
-24	63633-88		HOSE - Oil radiator	1	
-25	99944-02		HOSE - Carburetor heat	1	
-26	63901-27		HOSE ASSEMBLY - Oil pressure	1	
-27	63913-42		HOSE - Engine breather	1	
-28	62980-00		TUBE - Engine breather	1	
-29	65861-00		SUPPORT ASSEMBLY - Engine controls	1	28-4378 to 28-5149 inclusive
	69317-00		SUPPORT ASSEMBLY - Engine controls	1	28-5150 and up
-30	67700-38		TUBE ASSEMBLY - Oil pressure	1	28-4378 to 28-5828 inclusive
	67700-53		TUBE ASSEMBLY - Oil pressure	1	28-5829 to 28-7405290 inclusive
	67700-88		TUBE ASSEMBLY - Oil pressure, forward	1	28-7505001 and up
	67700-87		TUBE ASSEMBLY - Oil pressure, aft	1	28-7505001 and up
-31		B	ALTERNATOR INSTALLATION		
-32	99289-00		CLAMP - Air duct	2	
-33	415 379		SCREW - (MS51958-63)	16	
	407 674	W	WASHER - (AN960-C10)	16	
	404 887	W	NUT - (MS20365-1032C)	16	
-34	454 816	W	CLAMP - (H4-0000)	2	
-35	454 837		CLAMP - (H78000)	2	
-36	460 685	W	CONNECTOR - (200 x 4)	1	
-37	486 274		SCREW - Cap (MS90725-15)	1	
-38	401 919	W	BOLT - (MS20074A-04-04)	4	
	407 136	W	WASHER - (AN936-A416)	4	

A- Secure from Lycoming Division-Avco Corporation. Williamsport, Penna.
 B- See Figure 71 for component parts if a Chrysler alternator is installed. See Figure 32A if a Prestolite alternator, with air conditioning, is installed.
 W- These parts must be ordered from Service Spares Department, Piper Aircraft, Lock Haven, Penna.

When ordering, always specify Part Number, Description, and Serial Number of Aircraft

PIPER PARTS CATALOG

Figure and Index Number	Part Number	Code	NOMENCLATURE	No. Req.	SERIAL NUMBERS AFFECTED
57A-39	66789-00		PLATE - Firewall seal	2	
	22104-04	W	GASKET - Firewall seal	2	
	68771-08		GASKET- Firewall seal	1	
-40	66789-00		PLATE - Firewall seal	2	28-4378 to 28-7405290 inclusive
	68770-18		GROMMET - Firewall seal	2	28-4378 to 28-7405290 inclusive
	68771-06		GASKET- Firewall seal	1	28-4378 to 28-7405290 inclusive
-41	79038-00		TEE - Bulkhead fitting	1	28-7505001 and up
-42	587 961		SWITCH - (M-4011-35)	1	28-7505001 and up
-43	407 591	W	WASHER - (AN960-716L)	1	28-7505001 and up
	477 629	W	NUT - (AN924-4)	1	28-7505001 and up
-44	68778-00		ELBOW - Oil pressure hose	1	
-45	458 855		ELBOW - (AN823-8)	3	
-46	69301-00		FITTING - Elbow, oil pressure line	1	
-47	476 688		NIPPLE - (AN816-8)	1	
-48	491 055	W	UNION - (AN815-4)	1	
-49	85012-101		WASHER - Bottom engine to mount	2	28-5150 and up
-50	401 543		BOLT - Top engine to mount (AN7-43A)	2	28-5150 and up
	401 544		BOLT - Bottom engine to mount (AN7-44)	2	28-5150 and up
	407 568	W	WASHER - (AN960-716)	4	28-5150 and up
	404 891	W	NUT- (MS20365-720C)	4	28-5150 and up
-51	62833-29		WASHER - Propeller	6	
-52	415 379		SCREW - (MS51958-63)	8	
	407 682	W	WASHER - (AN960-C10L)	8	
-53	401 535		BOLT - (AN7-35A)	4	28-4378 to 28-5149 inclusive
	407 568	W	WASHER - (AN960-716)	12	28-4378 to 28-5149 inclusive
	404 891	W	NUT - (MS20365-720C)	4	28-4378 to 28-5149 inclusive
-54	554 859		CLAMP - (MS21919-H-48)	2	
			W- These parts must be ordered from Service Spares Department, Piper Aircraft, Lock Haven, Penna.		

When ordering, always specify Part Number, Description, and Serial Number of Aircraft

3A22

INTENTIONALLY LEFT BLANK

3A23

INTENTIONALLY LEFT BLANK

3A24

INTENTIONALLY LEFT BLANK

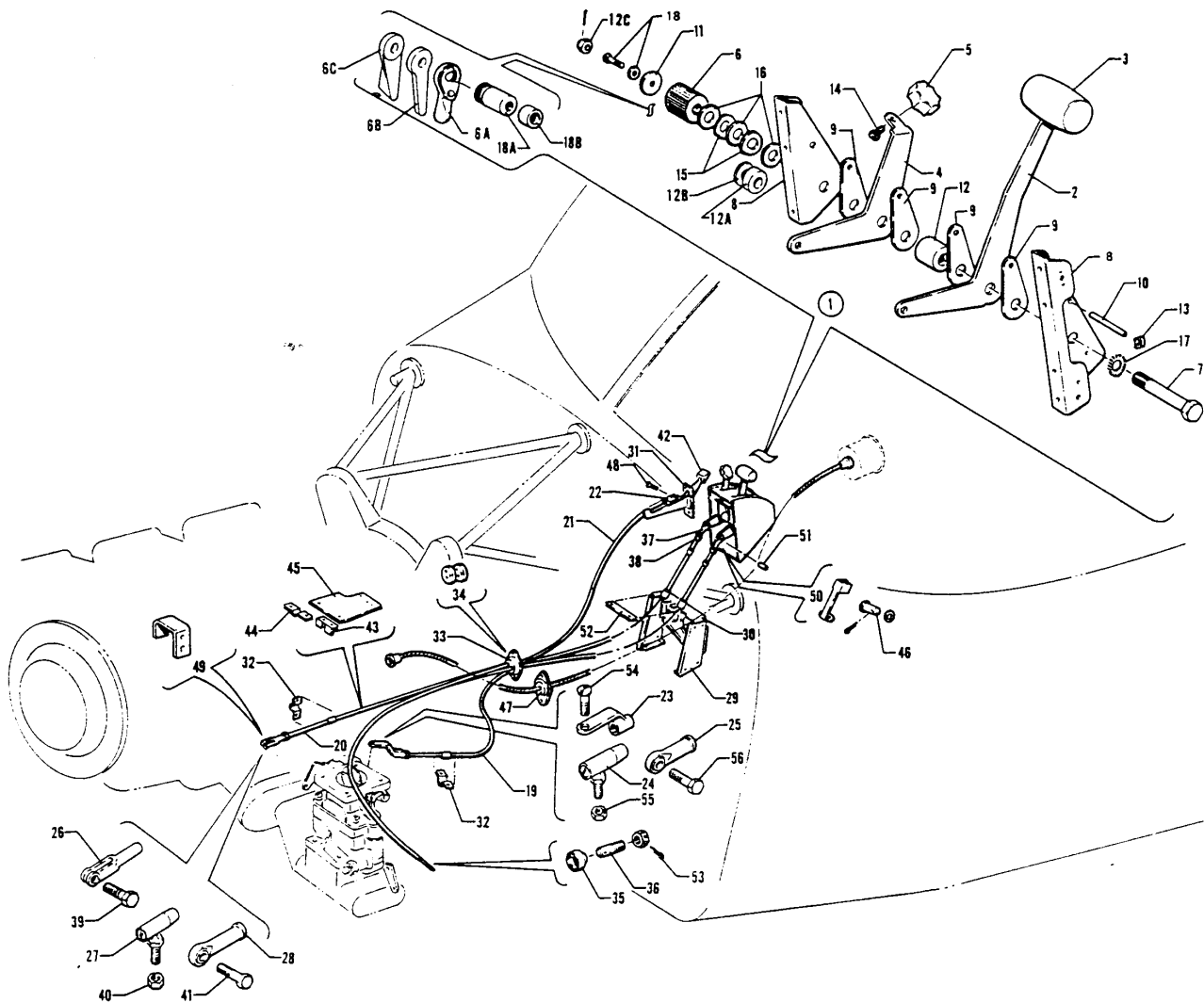


Figure 57B. Engine Controls Installation
 (PA-28-140 - Serial Nos. 28-25000 and up)
 (PA-28-180 - Serial Nos. 28-4378 and up)
 (PA-28-235 - Serial Nos. 28-11040 to 28-7210033 inclusive)

PIPER PARTS CATALOG

Figure and Index Number	Part Number	Code	NOMENCLATURE	No. Req.	SERIAL NUMBERS AFFECTED
57B-	65848	B	DRAWING - Engine Controls Installation		
	69263	C	DRAWING - Engine Controls Installation		
	66733	G	DRAWING - Engine Controls Installation		
-1	65850-00	D	QUADRANT ASSEMBLY - Control	1	
-2	67223-00		• LEVER ASSEMBLY - Throttle	1	
-3	66979-00		•• KNOB - Throttle Lever	1	
-4	67214-00		• LEVER - Mixture control	1	
-5	24048-00	W	• KNOB - Mixture control (571 044)	1	
-6	67220-00		• KNOB - Quadrant adjusting	1	
-6a	24358-00	W	• HANDLE ASSEMBLY - Quadrant adjusting (2.75" L)	1	
-6b	66773-00		• HANDLE - Quadrant adjusting (2.72" L)	1	
-6c	63039-04		• HANDLE - Quadrant adjusting (2.94" L)	1	
-7	67217-00	E	• SHAFT - Quadrant (2.46" L)	1	
	418 457	F	• SCREW - Cap (MS35291-42) (2.50" L)	1	
	400 749	H	• BOLT - (AN25-52) (3.30" L)	1	
	400 171	J,W	• BOLT - (AN5-30) (3.09" L)	1	
-8	67215-00	E,F	• BRACKET ASSEMBLY - Quadrant, left	1	
	67215-03	H,J	• BRACKET ASSEMBLY - Quadrant, left	1	
	67216-00		• BRACKET ASSEMBLY - Quadrant, right	1	
-9	67218-00		• PLATE - Quadrant, friction (.031 thick)	2	
	67218-02		• PLATE - Quadrant, friction (.062 thick)	2	
-10	67221-00		• PIN - Quadrant, friction plate	1	
-11	68699-03	E	• SPACER - Quadrant (.040" L)	1	
-12	68699-05		• SPACER - Quadrant (1 052" L)	1	
	68699-11		• SPACER - Quadrant (.992" L)	1	
-12a	66774-00	H,J	• CAM - Quadrant adjusting	1	
-12b	62833-46	H,J	• WASHER - (.032" thick)	1	
-12c	404 394	H,J,W	• NUT - (AN320-5)	1	
	424 051	H,J,W	• COTTER PIN - (MS24665-132)	1	
-13	406 345	W	• NUT - (A109-014-1)	2	
-14	415 448	W	• SCREW - (AN526-832R6)	1	
-15	408 815	H,J,W	• WASHER - (3502-18-04)	2	
-16	407 586	W	• WASHER - (AN960-516L)	AR	
-17	407 137	E,W	• WASHER - (AN936A51 6)	1	
-18	415 148	E,W	• SCREW - (AN526-632R6)	1	
	407 102	E,W	• WASHER - (AN935-6)	1	
-18a	24357-00	F,W	• NUT - Quadrant adjusting	1	
-18b	62714-04	F	• BEARING - Quadrant control	1	
			A- Used on PA-28-140 with serial numbers 28-25000 and up, PA-28-180 with serial numbers 28-4378 and up, and PA-28-235 with serial numbers 28-11040 to 28-7210033 inclusive.		
			B- Used on PA-28-180 airplanes only.		
			C- Used on PA-28-235 airplanes only		
			D- See Figure 67A if Constant Speed Propeller is installed.		
			E- Used if a quadrant adjusting knob (P/N 67220-00) is installed,		
			F- Used if a 2.75" L quadrant adjusting handle assembly (P/N 24358-00) is installed.		
			G- Used on PA-28-140 airplanes only.		
			H- Used if a 2.72" L quadrant adjusting handle (P/N 66773-00) is installed.		
			J- Used if a 2.94" L quadrant adjusting handle (P/N 63039-04) is installed.		
			W- These parts must be ordered from Service Spares Department Piper Aircraft. Lock Haven, Penna.		

When ordering, always specify Part Number, Description, and Serial Number of Aircraft

PIPER PARTS CATALOG

Figure and Index Number	Part Number	Code	NOMENCLATURE	No. Req.	SERIAL NUMBERS AFFECTED
57B-19	455 332	C,J	CONTROL ASSEMBLY - Mixture (PS50146- 13-2)	1	
	455 352	D,K	CONTROL ASSEMBLY - Mixture (PS50146-13-4)	1	
-20	455 333	C,J	CONTROL ASSEMBLY - Throttle (PS50146-13-5)	1	
	455 350	K	CONTROL ASSEMBLY - Throttle (PS50146-13-6)	1	
	67639-08	D	CONTROL ASSEMBLY - Throttle	1	
-21	66856-07	F	CABLE ASSEMBLY - Carburetor heat	1	
	66856-19	D	CABLE ASSEMBLY - Carburetor heat	1	28-25000 to 28-25821 inclusive
	554 093	D	CABLE ASSEMBLY - Carburetor heat (PS50146-1-4)	1	28-25822 to 28-7425418 incl.
	554 094	D	CABLE ASSEMBLY - Carburetor heat (PS50146-1-3)	1	28-7425419 and up
	554 094	C	CABLE ASSEMBLY - Carburetor heat (PS50146-1-3)	1	28-11253 and up
	554 095	B	CABLE ASSEMBLY - Carburetor heat (PS50146-1-2)	1	28-5399 and up
-22	554 757	G,W	CLEVIS - Carburetor heat (MS35812-1)	1	
-23	69222-00		ARM ASSEMBLY - Mixture control	1	
-24	31747-00	W	BALLJOINT ASSEMBLY - Mixture control	1	
-25	452 606		BEARING - Rod end, throttle control (PS10020-16-2)	1	
-26	554 757	W	CLEVIS - Throttle control (MS35812-1)	1	
-27	31747-00	W	BALLJOINT ASSEMBLY - Throttle control	1	
-28	452 606	W	BEARING - Rod end, throttle control (PS10020-16-2)	1	
-29	67206-00	L	SUPPORT ASSEMBLY - Engine controls	1	
	67206-02	E	SUPPORT ASSEMBLY - Engine controls	1	
-30	67224-00	L	* BRACKET ASSEMBLY - Engine controls	1	
	67224-03	E	* BRACKET ASSEMBLY - Engine controls	1	
-31	66855-00	H	CONTROL MOUNT- Carburetor heat	1	
	66835-00	G	CONTROL MOUNT - Carburetor heat	1	
-32	18219-02	B,D,W	CLAMP - Control cable	2	
<p>A- Used on PA-28-140 with serial numbers 28-25000 and up, PA-28-180 with serial numbers 28-4378 and up, and PA-28-235 with serial numbers 28-11040 to 28-7210033 inclusive.</p> <p>B- Used on PA-28-180 airplanes only,</p> <p>C- Used on PA-28-235 airplanes only,</p> <p>D- Used on PA-28-140 airplanes only,</p> <p>E- Used on PA-28-180 with serial numbers 28-5153 and up, and PA-28-235 with serial numbers 28-11301 to 28-7210033 inclusive.</p> <p>F- Used on PA-28-180 with serial numbers 28-4378 to 28-5398 inclusive, and PA-28-235 with serial numbers 28-11040 to 28-11252 inclusive.</p> <p>G- Used on PA-28-140 with serial numbers 28-25822 and up, PA-28-180 with serial numbers 28-5399 and up, and PA-28-235 with serial numbers 28-11253 to 28-7210033 inclusive.</p> <p>H- Used on PA-28-180 with serial numbers 28-4378 to 28-5398 inclusive, PA-28-235 with serial numbers 28 -11040 to 28-11252 inclusive, and PA-28-140 with serial numbers 28-25000 to 28-25821 inclusive.</p> <p>J- Used on PA-28-180 with serial numbers 28-4378 to 285152 inclusive.</p> <p>K- Used on PA-28-180 with serial numbers 28-5153 and up.</p> <p>L- Used on PA-28-180 with serial numbers 28-4378 to 28-5152 inclusive, PA-28-235 with serial numbers 28-11040 to 28-11300 inclusive, and PA-28-140 with serial numbers 28-25000 and up.</p> <p>W- These parts must be ordered from Service Spares Department, Piper Aircraft, Lock Haven, Penna.</p>					

When ordering, always specify Part Number, Description, and Serial Number of Aircraft

PIPER PARTS CATALOG

Figure and Index Number	Part Number	Code	NOMENCLATURE	No. Req.	SERIAL NUMBERS AFFECTED
57B-33	18321-00	B,W	PLATE - Firewall seal	2	
-34	63915-21	B	DISC - Firewall seal	2	
-35	70371-02	W	FITTING - Swivel	1	
-36	70371-03	W	STUD - Swivel fitting	1	
-37	488 327	W	TERMINAL - (AN665-21R)	2	
-38	404 224	W	NUT - (AN315-3R)	4	
	407 104	W	WASHER - (AN935-10)	4	
-39	400 674	W	SCREW - (AN23-12)	1	
	404 100	W	NUT - (AN310-3)	1	
	424 051	W	PIN - Cotter (MS24665-132)	1	
-40	407 564	W	WASHER - (AN960-10)	1	
	404 887	W	NUT - (MS20365-1032C)	1	
-41	400 057	C,D,W	BOLT - (AN3-11)	1	
	400 054	E,W	BOLT - (AN3-7)	1	
	95061-121	C,D	BUSHING - (O.D. .25 x I.D. .028 x L .157)	1	
	63900-78		BUSHING - (O.D. .312 x I.D. .205 x L .125)	1	
	62833-101		WASHER	1	
	407 564	C,D,W	WASHER - (AN960-10)	1	
	407 104	E,W	WASHER - (AN935-10)	1	
	404 100	W	NUT- (AN310-3)	1	
	424 051	W	P/N - Cotter (MS24665-132)	1	
-42	22287-00	G,W	KNOB - Carburetor heat	1	
	66980-00	F	KNOB - Carburetor heat	1	
-43	69011-00	C	LUG - Control cable support bracket	2	
-44	69012-00	C	CLAMP - Control cable support attachment	2	
-45	69316-00	C	BRACKET - Engine controls	1	
-46	524 145	H	P/N - (MS20392-2C11)	2	
	407 584	H,W	WASHER - (AN960-10L)	2	
	424 050	H,W	COTTERPIN - (AN380-2-1)	2	
			A- Used on PA-28-140 with serial numbers 28-2500 and up, PA-28-180 with serial numbers 28-4378 and up, and PA-28-235 with serial numbers 28-11040 to 28-7210033 inclusive.		
			B- Used on PA-28-140 with serial numbers 28-25000 and up. PA-28-180 with serial numbers 28-4378 to 28-7305611 inclusive, and PA-28-235 with serial numbers 28-11040 to 28-7210033 inclusive.		
			C- Used on PA-28-235 airplanes only.		
			D- Used on PA-28-180 airplanes only.		
			E- Used on PA-28-140 airplanes only.		
			F- Used on PA-28-140 with serial numbers 28-26401 and up, PA-28-180 with serial numbers 28-5601 and up, and PA-28-235 with serial numbers 28-11301 to 28-7210033 inclusive.		
			G- Used on PA-28-140 with serial numbers 28-25000 to 28-26400 inclusive, PA-28-180 with serial numbers 28-4378 to 28-5600 inclusive, and PA-28-235 with serial numbers 28-11040 to 28-11300 inclusive.		
			H- Used on PA-28-140 with serial numbers 28-25000 and up, PA-28-180 with serial numbers 28-4937 and up, and PA-28-235 with serial numbers 28-11051 to 28-7210033 inclusive.		
			W- These parts must be ordered from Service Spares Department, Piper Aircraft, Lock Haven, Penna.		

When ordering, always specify Part Number, Description, and Serial Number of Aircraft

PIPER PARTS CATALOG

Figure and Index Number	Part Number	Code	NOMENCLATURE	No. Req.	SERIAL NUMBERS AFFECTED
57B-47	68771-06		GASKET - Firewall, tachometer shaft	1	
	22103-03		PLATE - Firewall, tachometer shaft	2	
	68770-18		GROMMET - Firewall, tachometer shaft	2	
-48	400 674	B,W	SCREW - (AN23-12)	1	
	407 564	B,W	WASHER - (AN960-10)	1	
	404 100	B,W	NUT - (AN310-3)	1	
	424 051	B,W	COTTERPIN - (AN380-2-2)	1	
-49	99929-00	C	BRACKET - Throttle arm	1	
-50	24123-00	H,W	CLIP - Pin retainer	2	
-51	86092-82	H,W	PIN - Clevis terminal	2	
-52	67225-00		REATINER - Engine controls	1	
-53	404 392	E,G,W	NUT - (AN320-3)	1	
	404 100	F,W	NUT - (AN310-3)	1	
	424 051	W	COTTERPIN - (AN380-2-2)	1	
	407 564	D,W	WASHER - (AN960-10)	1	
-54	400 673	W	SCREW - (AN23-11)	1	
	63900-119		BUSHING	1	
	407 564	W	WASHER - (AN960-10)	1	
	404 100	W	NUT - (AN310-3)	1	
	424 051	W	PIN - Cotter (MS24665-132)	1	
-55	63900-119		BUSHING	1	
	407 564	W	WASHER - (AN960-10)	1	
	404 887	W	NUT - (MS20365-1032C)	1	
-56	400 055	W	BOLT - (AN3-10)	1	
	63900-119		BUSHING	1	
	63900-78		BUSHING	1	
	407 104	W	WASHER - (AN935-10)	1	
	62833-101		WASHER	1	
	404 100	W	NUT - (AN310-3)	1	
	424 051	W	PIN - Cotter (MS24665-132)	1	
			A- Used on PA-28-140 with serial numbers 28-25-00 and up, PA-28-180 with serial numbers 28-4378 and up, and PA-28-235 with serial numbers 28-11040 to 28-7210033 inclusive,		
			B- Used on PA-28-140 with serial numbers 28-25822 and up, PA-28-180 with serial numbers 28-5399 and up. . and PA-28-235 with serial numbers 28-11253 to 28-7210033 inclusive,		
			C- Used on PA-28-140 airplanes only.		
			D- Used on PA-28-180 with serial numbers 28-4378 to 28-5398 inclusive, PA-28-235 with serial numbers 28-11040 to 28-11252 inclusive, and PA-28-140 with serial numbers 28-25000 to 28-25821inclusive.		
			E- Used on PA-28-180 airplanes only.		
			F- Used on PA-28-180 with serial numbers 28-5153 and up.		
			G- Used on PA-28-235 airplanes only.		
			H- Used on PA-28-180 with serial numbers 28-4378 to 28-4936 inclusive, and PA-28-235 with serial numbers 28-11040 to 28-11050 inclusive.		
			W- These parts must be ordered from Service Spares Department, Piper Aircraft, Lock Haven, Penna.		

When ordering, always specify Part Number, Description, and Serial Number of Aircraft

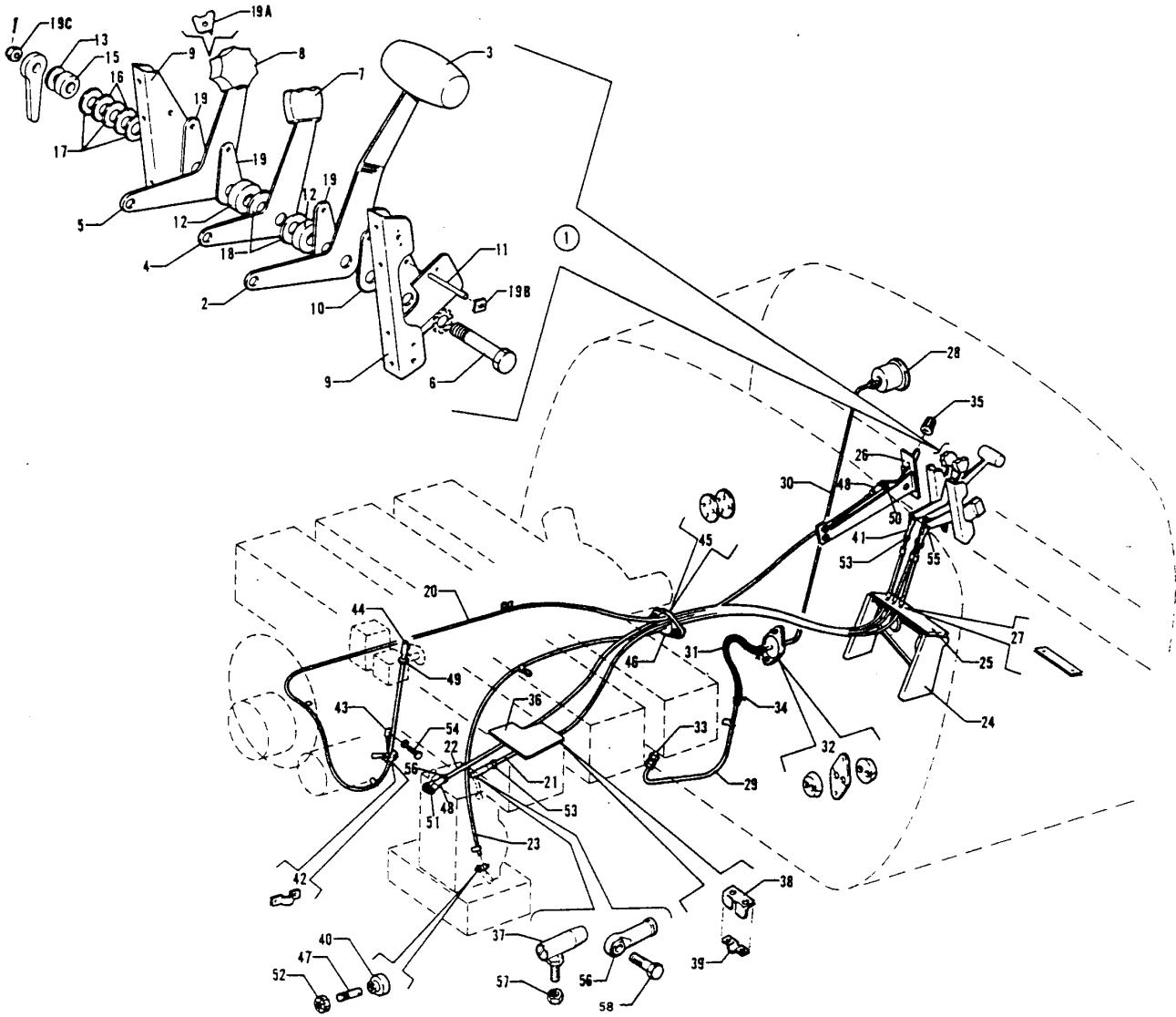


Figure 57C. Engine Controls Installation
(PA-28-235 - Serial Nos. 28-7310001 and up)

PIPER PARTS CATALOG

Figure and Index Number	Part Number	Code	NOMENCLATURE	No. Req.	SERIAL NUMBERS AFFECTED
57C-	69263		DRAWING - Engine Controls Installation		
-1	67210-02		QUADRANT ASSEMBLY - Control	1	28-7310001 to 28-7410120 incl. 28-7510001 and up
	67210-04		QUADRANT ASSEMBLY- Control	1	
-2	67223-00		*LEVER ASSEMBLY - Throttle	1	
-3	66979-00		**KNOB - Throttle lever (571 129)	1	
-4	67213-00		*LEVER - Propeller control	1	
-5	67214-00		*LEVER - Mixture control	1	
-6	400 749	A	*BOLT - (AN25-52)	1	
	400 171	B,W	*BOLT - (AN5-30)	1	
-7	24047-00	W	*KNOB - Propeller control (571 043)	1	
-8	24048-00	W	*KNOB - Mixture control (571 044)	1	
-9	6721 5-03		*BRACKET ASSEMBLY - Quadrant, left	1	
	6721 6-00		*BRACKET ASSEMBLY - Quadrant, right	1	
-10	672 18-00		*PLATE - Quadrant control, friction	2	
-11	67221-00		*PIN - Quadrant friction plate	1	
-12	68699-10		*SPACER - Quadrant control	2	
-13	62833-46		*WASHER - Quadrant adjusting (.032" L.)	1	
-14	66773-00		*HANDLE - Quadrant adjusting (2.72" L)	1	
	63039-04		*HANDLE - Quadrant adjusting (2.94" L)	1	
-15	66774-00		*CAM - Quadrant adjusting	1	
-16	408 815	W	*WASHER - (3502-18-04)	2	
-17	407 586	W	*WASHER - (AN96-516L)	AR	
-18	62833-50		*WASHER - Quadrant control, friction	2	
-19	67218-02		*PLATE - Quadrant control, friction	2	
-19a	79473-00		*PLATE - Mixture control	1	28-7510001 and up
-19b	406 345	W	*NUT - (A109-014-1)	2	
-19c	404 394	W	*NUT - (AN320-5)	1	
	424 051	W	*COTTER PIN - (MS24665-132)	1	
-20	455 344		CONTROL ASSEMBLY - Governor (PS50146-13-11)	1	
-21	455 332		CONTROL ASSEMBLY - Mixture (PS50146-13-2)	1	
-22	455 333		CONTROL ASSEMBLY - Carburetor heat (PS50146-13-5)	1	
-23	66836-04		CABLE ASSEMBLY - Carburetor heat	1	
-24	67206-02		SUPPORT ASSEMBLY - Engine controls	1	
-25	67224-03		*BRACKET ASSEMBLY - Engine controls	1	
-26	66835-00		CONTROL MOUNT- Carburetor heat	1	
-27	67225-00		RETAINER - Engine controls	1	
-28	751 118	W	GAUGE - Manifold pressure	1	
-29	65438-00		TUBE ASSEMBLY - Manifold pressure gauge	1	
-30	67700-41		TUBE ASSEMBLY - Manifold pressure gauge	1	
-31	63913-69		HOSE - Manifold pressure gauge	1	
-32	68771-08		GASKET - Firewall seal	1	
	68770-06		GROMMET - Firewall seal	2	
-33	460 685	W	CONNECTOR - (W/H 200 x 4)	1	
-34	454 983	W	CLAMP - (SAE 8)	2	
-35	66980-00		KNOB - Carburetor heat	1	
-36	69316-00		BRACKET - Engine controls	1	
-37	31747-00	W	JOINT ASSEMBLY- Ball	1	
-38	69011 -00		LUG - Control cable support bracket	2	
-39	69012-00		CLAMP - Control cable support attachment	2	
-40	70371-02	W	FITTING - Swivel	1	
-41	488 327	W	TERMINAL - (AN665-21R)	3	
-42	18219-02	W	CLAMP - Control cable bracket	1	
-43	69546-00		BRACKET ASSEMBLY - Control cable	1	
-44	31747-00	W	JOINT ASSEMBLY- Ball	1	

A- Used if a 2.72" L quadrant adjusting handle is installed.
 B- Used if a 2.94" L quadrant adjusting handle is installed.
 W- These parts must be ordered from Service Spares Department. Piper Aircraft, Lock Haven, Penna.

When ordering, always specify Part Number, Description, and Serial Number of Aircraft

PIPER PARTS CATALOG

Figure and Index Number	Part Number	Code	NOMENCLATURE	No. Req.	SERIAL NUMBERS AFFECTED
57C-45	63915-20		DISC - Firewall seal	2	
--46	18321-00	W	PLATE - Firewall seal	2	
-47	70371-03	W	STUD - Swivel fitting	1	
-48	554 757	W	CLEVIS - (RA-13-187-2C)	2	
-49	404 224	W	NUT - (AN315-3R)	1	
-50	400 674	W	SCREW - (AN23-12)	1	
	407 564	W	WASHER - (AN960-10)	2	
	404 100	W	NUT - (AN310-3)	1	
	424 051	W	COTTER PIN - (AN380-2-2)	1	
-51	400 674	W	SCREW - (AN23-12)	1	
	404 100	W	NUT - (AN310-3)	1	
	424 051	W	COTTER PIN - (AN380-2-2)	1	
-52	404 392	W	NUT - (AN320-3)	1	
	424 051	W	COTTER PIN - (AN380-2-2)	1	
-53	407 104	W	WASHER - (AN935-10)	5	
	404 224	W	NUT - (AN315-3R)	5	
-54	418 420	W	SCREW - Cap (1/4-20NC-3 x 1 /2)	1	
	407 105	W	WASHER - (AN935-416)	1	
-55	524 145		PIN - (MS20392-2C11)	3	
	407 584	W	WASHER - (AN960-10L)	3	
	424 050	W	COTTER PIN - (AN380-2-1)	3	
-56	452 606	W	BEARING - Rod end (PS10020-16-2)	1	
-57	63900-119		BUSHING	1	
	407 564	W	WASHER - (AN960-10)	1	
	404 887	W	NUT - (MS20365-1032C)	1	
-58	400 055	W	BOLT - (AN3-10)	1	
	63900-119		BUSHING - (O.D. .250 x I.D. .028 x L .150)	1	
	63900-78		BUSHING - (O.D. .312 x I.D. .206 x L ,125)	1	
	62833-103		WASHER - (O.D. .312 x I.D. .196)	1	
	62833-101		WASHER - (O,D. .562 x I.D. .191)	1	
	404 100	W	NUT - (AN310-3)	1	
	424 051	W	COTTER PIN - (MS24665-132)	1	
			W- These parts must be ordered from Service Spares Department, Piper Aircraft, Local Haven, Penna.		

When ordering, always specify Part Number, Description, and Serial Number of Aircraft

3B9

INTENTIONALLY LEFT BLANK

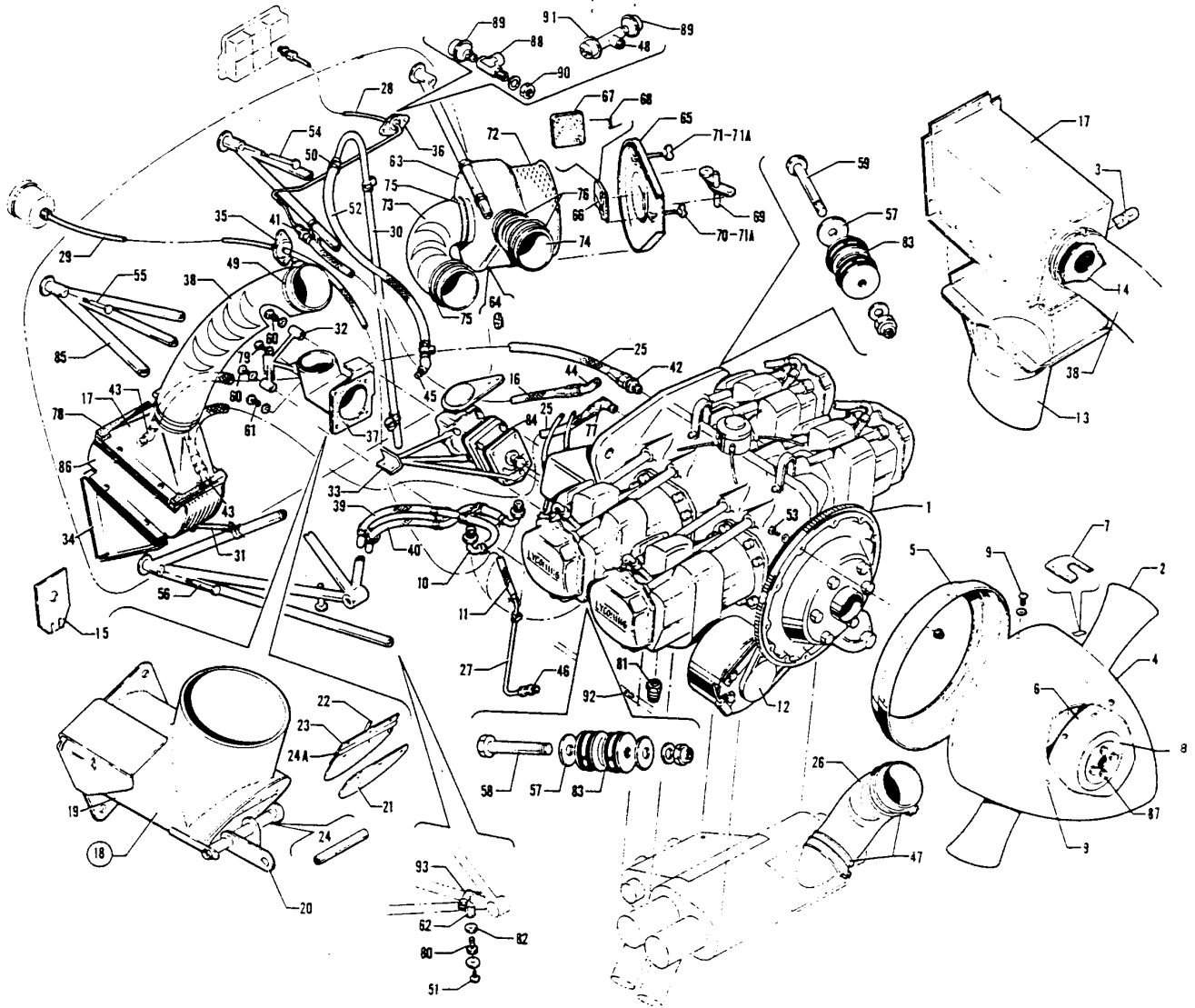


Figure 58. Power Plant Installation

PIPER PARTS CATALOG

Figure and Index Number	Part Number	Code	NOMENCLATURE	No. Req.	SERIAL NUMBERS AFFECTED
58-	67009	A	DRAWING - Power Plant Installation		
	67800	B	DRAWING - Power Plant Installation		
-1		A,C	ENGINE - Lycoming (10-360 B1E)	1	
		B,C	ENGINE - Lycoming (10-360-C1C)	1	28R-30482, 28R-35001 to 23R-7635516 inclusive
		B,C	ENGINE - Lycoming (10-360-C1C6)	1	28R-7635517 and up
-2	550 934	A,E	PROPELLERASSEMBLY - Hartzell (HC-2YK-1 BF/F7666A-0)	1	
	550 935	B,E	PROPELLER ASSEMBLY - Hartzell (HC-2YK-1 BF/F7666A-2)	1	28R-30482, 28R-35001 to 28R-7635516 inclusive
	550 974	B,H	PROPELLERASSEMBLY - McCauley (B2D34C213/90DHA-16)	1	28R-7635517 and up
-3	67847-00	B	CLIP	1	
-4	67790-00	D	SPINNER SHELL - Propeller	1	
-5	67791 -00	D	BULKHEAD ASSEMBLY - Spinner aft	1	
-6	67793-00	D,J	BULKHEAD ASSEMBLY-Spinner forward	1	
	35827-02	B	BULKHEAD ASSEMBLY - Spinner forward	1	28R-7635517 and up
-7	67794-00	D	CUFF - Spinner.	2	
-8	99499-00	D,J	PLATE - Spinner		
-9	415 379	D	SCREW - (MS51958-63)	28	
	494 227	D	WASHER - Fiber (PS10063-2)	28	
-10	24995-00	W	VALVE ASSEMBLY - Drain	2	
-11	63913-26		HOSE - Flexible	1	
-12		K	ALTERNATOR INSTALLATION		
-13	67844-00	B	DUCT ASSEMBLY	1	
-14	67849-00	B	WINTERIZATION KIT ASSEMBLY - Oil cooler	1	
-15	67769-04	A	WINTERIZATION KIT ASSEMBLY - Oil cooler	1	
-16	63901-36		HOSE ASSEMBLY - Flexible	1	
-17	62985-00	A	ADAPTER ASSEMBLY - Oil radiator air	1	
	67845-00	B	PLENUM ASSEMBLY	1	
-18	67660-00	F	ADAPTER ASSEMBLY - Alternate air inlet and throttle bracket (without air gate)	1	
	99047-00	G	ADAPTER ASSEMBLY - Alternate air inlet and throttle bracket (with air gate)	1	
-19	67779-00	G	TUBE ASSEMBLY - Alternate air inlet	1	
-20	67777-00	G	LEVER ASSEMBLY - Alternate air inlet	1	
-21	67776-00	G	SEAL- Alternate air inlet	1	
		A-	Used on PA-28R- 180 airplanes only.		
		B-	Used on PA-28R-200 airplanes only.		
		C-	Secure from Lycoming Division-Avco Corporation, Williamsport, Penna.		
		D-	If existing spinner is constructed fiberglass, order Spinner Replacement Kit 760 410.		
		E-	See Figure 67B for component parts.		
		F-	Used on PA-28R-180 with serial numbers 28R-30005 to 28R-30481 inclusive, 28R-30483 to 28R-31279 inclusive, and PA-28R-200 with serial numbers 28R-30482, 28R-35001 to 28R-35830 inclusive.		
		G-	Used on PA-28R-180 with serial numbers 28R-7130001 and up, and PA-28R-200 with serial numbers 28R-7135001 and up.		
		H-	See Figure 67C for component parts,		
		J-	Used on PA-28R-180, and PA-28R-200 with serial numbers 28R-30482, 28R-35001 to 28R-7635516 inclusive.		
		K-	See Figure 71 for component parts if a Chrysler alternator is installed. See Figure 32A if a Prestolite alternator, with air conditioning, is installed.		
		W-	These parts must be ordered from Service Spares Department, Piper Aircraft, Lock Haven, Penna.		

When ordering, always specify Part Number, Description, and Serial Number of Aircraft

PIPER PARTS CATALOG

Figure and Index Number	Part Number	Code	NOMENCLATURE	No. Req.	SERIAL NUMBERS AFFECTED
58-22	24582-00	E,W	• SPRING - Alternate air inlet	1	
-23	23809-05	E,W	• HINGE - Half, alternate air inlet	1	
-24	63900-96	E	• BUSHING - Alternate air inlet	1	
-24a	23809-06	E,W	• PIN - Hinge	1	
-25	63901-43		HOSE ASSEMBLY - Oil cooler	2	
-26	63633-46	A,C	HOSE - Air duct	1	
	67876-00	B	HOSE - Air duct	1	28R-7235001 and up
-27	62992-00	A	TUBE ASSEMBLY - Manifold pressure	1	
	36692-02	B	TUBE ASSEMBLY - Manifold pressure	1	
-28	67700-27	F	TUBE ASSEMBLY - Oil pressure	1	
	67700-89	B	TUBE ASSEMBLY - Oil pressure, forward	1	28R-7535001 and up
	67700-87	B	TUBE ASSEMBLY - Oil pressure, aft	1	28R-7535001 and up
-29	67700-29		TUBE ASSEMBLY - Manifold pressure gauge	1	
-30	62980-00	D	TUBE - Engine breather	1	
	76434-00	B	TUBE - Engine Breather	1	28R-7435001 and up
-31	67134-00	A	BRACKET SUPPORT - Oil cooler	1	
-32	67605-00		BRACKET ASSEMBLY - Throttle control	1	28R-30005 to 28R-30478 incl.
-33	68026-00		BRACKET ASSEMBLY - Governor support	1	
-34	62938-00	A	BRACKET- Oil radiator, left	1	
	62938-01	A	BRACKET- Oil radiator, right	1	
-35	68771-09		GASKET - Firewall	1	
	66789-00		PLATE - Firewall	2	
	68770-11		GROMMET - Firewall	2	
-36	22105-10	F,W	GASKET - Firewall	1	
	66789-00	F	PLATE - Firewall	2	
	68770-18	F	GROMMET - Firewall	2	
-37	63684-04		GASKET - Vellumoid	1	
-38	63633-57	A	HOSE - Air duct	1	
	63633-63	B	HOSE - Air duct	1	
-39	69015-07	A	HOSE - Flexible	1	
-40	69015-06		HOSE- Flexible	1	
-41	491 055	W	UNION - (AN81 5-4)	1	
-42	476 688		NIPPLE - (AN81 6-8)	1	
-43	458 886	A,W	ELBOW - (AN823-8D) 45°	2	
	458 855	B	ELBOW - (AN823-8)	1	
-44	68778-00		ELBOW - Restricted 45°	1	
-45	458 870		ELBOW - (AN844-10D) 45°	1	
-46	460 685	W	CONNECTOR - (200 x 4)	1	
-47	554 804	A,C,W	CLAMP - (H3-5800)	2	
	554 866	B	CLAMP - (SAE TY F-48SS)	1	28R-7235001 and up

- A- Used on PA-28R-180 airplanes only.
- B- Used on PA-28R-200 airplanes only.
- C- Used on PA-28R-200 with serial numbers 28R-30482, 28R-35001 to 28R-7135238 inclusive.
- D- Used on PA-28R-180 with serial numbers 28R-30005 to 28R-7130019 inclusive, and PA-28R-200 with serial numbers 28R-30482, 28R-35001 and up.
- E- Used on PA-28R-180 with serial numbers 28R-7130001 and up, and PA-28R-200 with serial numbers 28R-7135001 and up.
- F- Used on PA-28R-180 with serial numbers 28R-30005 to 28R-7130019 inclusive, and PA-28R-200 with serial numbers 28R-30482, 28R-35001 to 28R-7435331 inclusive
- W- These parts must be ordered from Service Spares Department, Piper Aircraft, Lock Haven, Penna.

When ordering, always specify Part Number, Description, and Serial Number of Aircraft

PIPER PARTS CATALOG

Figure and Index Number	Part Number	Code	NOMENCLATURE	No. Req.	SERIAL NUMBERS AFFECTED
58-48	588 469	B,E	TEE - (1/8 MMS-S)	1	28R-7535001 and up
-49	554 897		CLAMP - (SAE TY F-80)	2	
-50	454 837		CLAMP - (H-78000)	2	
-51	486 335		SCREW - (M35AS1032R-12C)	2	
	407 564	W	WASHER - (AN960-10)	2	
-52	63913-64		HOSE - Flexible	1	
-53	401 310	W	BOLT - (AN4-10A)	12	
	407 585	W	WASHER - (AN960-416L)	12	
	404 888	W	NUT - (MS20365-428C)	12	
-54	401 417		BOLT - (AN6-37A)	1	
	407 567	W	WASHER - (AN960-616)	1	
	404 890	W	NUT - (MS20365-624C)	1	
-55	401 405	W	BOLT - (AN6-25A)	2	
	407 567	W	WASHER - (AN960-616)	2	
	404 890	W	NUT - (MS20365-624C)	2	
-56	401 411		BOLT - (AN6-33A)	2	
	407 567	W	WASHER - (AN960-616)	2	
	404 890	W	NUT - (MS20365-624C)	2	
-57	85012-101		WASHER - Engine mount	6	
-58	401 544		BOLT - (AN7-44A)	2	
	407 568	W	WASHER - (AN960-716)	2	
	404 891	W	NUT - (MS20365-720C)	2	
-59	401 543		BOLT - (AN7-43A)	2	
	407 568	W	WASHER - (AN960-716)	4	
	404 891	W	NUT - (MS20365-720C)	2	
-60	401 926	A	BOLT - Drilled head (MS20074-04-13)	2	28R-30005 to 28R-30478 incl.
	401 919	A,B,W	BOLT - (MS20074-04-04)	2	28R-30479 and up
	407 136	A,W	WASHER - Lock (AN936-A416)	2	28R-30005 to 28R-30478 incl.
	407 565	A,B,W	WASHER - (AN960-416)	2	28R-30479 and up
-61	401 920	A	BOLT - Drilled head (MS20074-04-05)	1	28R-30005 to 28R-30478 incl.
	401 919	A,B,W	BOLT - (MS20074-04-04)	1	28R-30479 and up
	407 136	A,W	WASHER - Lock (AN936-A416)	1	28R-30005 to 28R-30478 incl.
	407 565	A,B,W	WASHER - (AN960-416)	1	28R-30479 and up
-62	67724-00		MOUNT ASSEMBLY - Cowl support	2	
-63	67616-00		BOX ASSEMBLY - Air filter	1	
-64	484 342	W	*RECEPTACLE - (212-12D)	3	
-65	67615-00	C	COVER ASSEMBLY - Air filter box and alternate air inlet	1	
	67745-00	D	COVER ASSEMBLY - Air filter box	1	
-66	23809-07	C	* DOOR ASSEMBLY - Alternate air inlet	1	
-67	23809-04	C,W	** GASKET - Rubber sponge	1	
-68	24582-00	C,W	** SPRING - Alternate air inlet door	1	
-69	69074-00	C	* LEVER ASSEMBLY - Alternate air inlet	1	
-70	487 724	W	* STUD - (2600-123W)	1	
-71	487 723	W	* STUD - (2600-114W)	2	
-71 a	494 060	W	*WASHER - (2600-LW)	3	

- A- Used on PA-28R-180 airplanes only.
- B- Used on PA-28R-200 airplanes only.
- C- Used on PA-28R-180 with serial numbers 28R-30005 to 28R-30481 inclusive, 28R-30483 to 28R-31 279 inclusive, and PA-28R-200 with serial numbers 28R-30482, 28R-35001 to 28R-35830 inclusive.
- D- Used on PA-28R-180 with serial numbers 28R-7130001 and up, and PA-28R-200 with serial numbers 28R-7135001 and up
- E- Used if engine hour meter is installed.
- W- These parts must be ordered from Service Spares Department Piper Aircraft, Lock Haven, Penna.

When ordering, always specify Part Number, Description, and Serial Number of Aircraft

PIPER PARTS CATALOG

Figure and Index Number	Part Number	Code	NOMENCLATURE	No. Req.	SERIAL NUMBERS AFFECTED
58-72	460 630	W	FILTER - Air (CA-144PL)	1	
-73	99849-06		HOSE - Air filter box	1	
-74	99849-07		HOSE - Air filter box	1	
-75	554 803		CLAMP - (H3-3800)	2	
-76	554 804	W	CLAMP - (H3-5800)	2	
-77	458 855		ELBOW - (AN823-8)	1	
-78	67667-00	A	SEAL ASSEMBLY - Oil radiator	1	
	67829-00	B	SEAL ASSEMBLY - Oil radiator	2	
-79	401 928	A	BOLT - Drilled head (MS20774-04-15)	1	28R-30005 to 28R-30478 incl.
	401 919	A,B,W	BOLT- (MS20074-04-04)	1	28R-30479 and up
	407 136	A,W	WASHER - (AN936-A416)	1	28R-30005 to 28R-30478 incl.
	407 565	A,B,W	WASHER - (AN960-416)	1	28R-30479 and up
-80	67725-02		BOLT - Cowl support adjusting	2	
-81	756 517	C	VALVE ASSEMBLY - Oil drain (BJ1000-AH4S)	1	
	61879-02	D,W	VALVE ASSEMBLY - Oil drain	1	
	492 172	B	VALVE ASSEMBLY - Oil drain (1H50-1)	1	
-82	406 669		NUT - (9RF51624)	2	
-83	475 124		MOUNT- Engine(J-9613-40)	4	
-84	66634-04		GOVERNOR- Propeller	1	
-85	67119-49	E	MOUNT ASSEMBLY - Engine and nose gear strut	1	
	67119-57	B	MOUNT ASSEMBLY - Engine and nose gear strut	1	28R-7435001 and up
-86	18622-00	A,W	OIL RADIATOR	1	
	67848-00	B	OIL RADIATOR	1	
-87	401 301	D	BOLT - (AN4H3A)	4	
	407 565	D,W	WASHER - (AN960-416)	8	
-88	79038-00	B	TEE - Bulkhead fitting	1	28R-7535001 and up
-89	587 961	B	SWITCH - (M4011-35)	1	28R-7535001 and up
-90	407 591	B,W	WASHER - (AN960-716L)	1	28R-7535001 and up
	477 629	B,W	NUT - (AN924-4)	1	28R-7535001 and up
-91	587 990	B,F	SWITCH - (M-4006-4)	1	28R-7535001 and up
-92	87369-26	B	PLACARD - Caution, oil drain valve	2	
-93	554 918		CLAMP - Cowl support mount (MS27405-T6)	2	

- A- Used on PA-28R-180 airplanes only.
- B- Used on PA-28R-200 airplanes only.
- C- Used on PA-28R-180 with serial numbers 28R-30006 to 28R-30458 inclusive, 30460 to 30462 inclusive, 30465, 30466, 30469, 30471 to 30476 inclusive, 30478 to 30480 inclusive, 30483, 30484, 30490, 30491, 30493, 30495, 30496, 30498 to 30500 inclusive, 30502 to 30509 inclusive, and 30511 to 30516 inclusive, 30607 and 30613.
- D- Used on PA-28R-180 with serial numbers 28R-30459, 28R-30463, 30464, 30467, 30468, 30470, 30477, 30481, 30485 to 30489 inclusive, 30608 to 30612 inclusive, and 30614 and up.
- E- Used on PA-28R-180 with serial numbers 28R-30005 to 28R-7130019 inclusive, and PA-28R-200 with serial numbers 28R-30482, 28R-35001 to 28R-7335455 inclusive.
- F- Used if engine hour meter is installed.
- W- These parts must be ordered from Service Spares Department, Piper Aircraft, Lock Haven, Penna.

When ordering, always specify Part Number, Description, and Serial Number of Aircraft

3B15
INTENTIONALLY LEFT BLANK

PIPER PARTS CATALOG

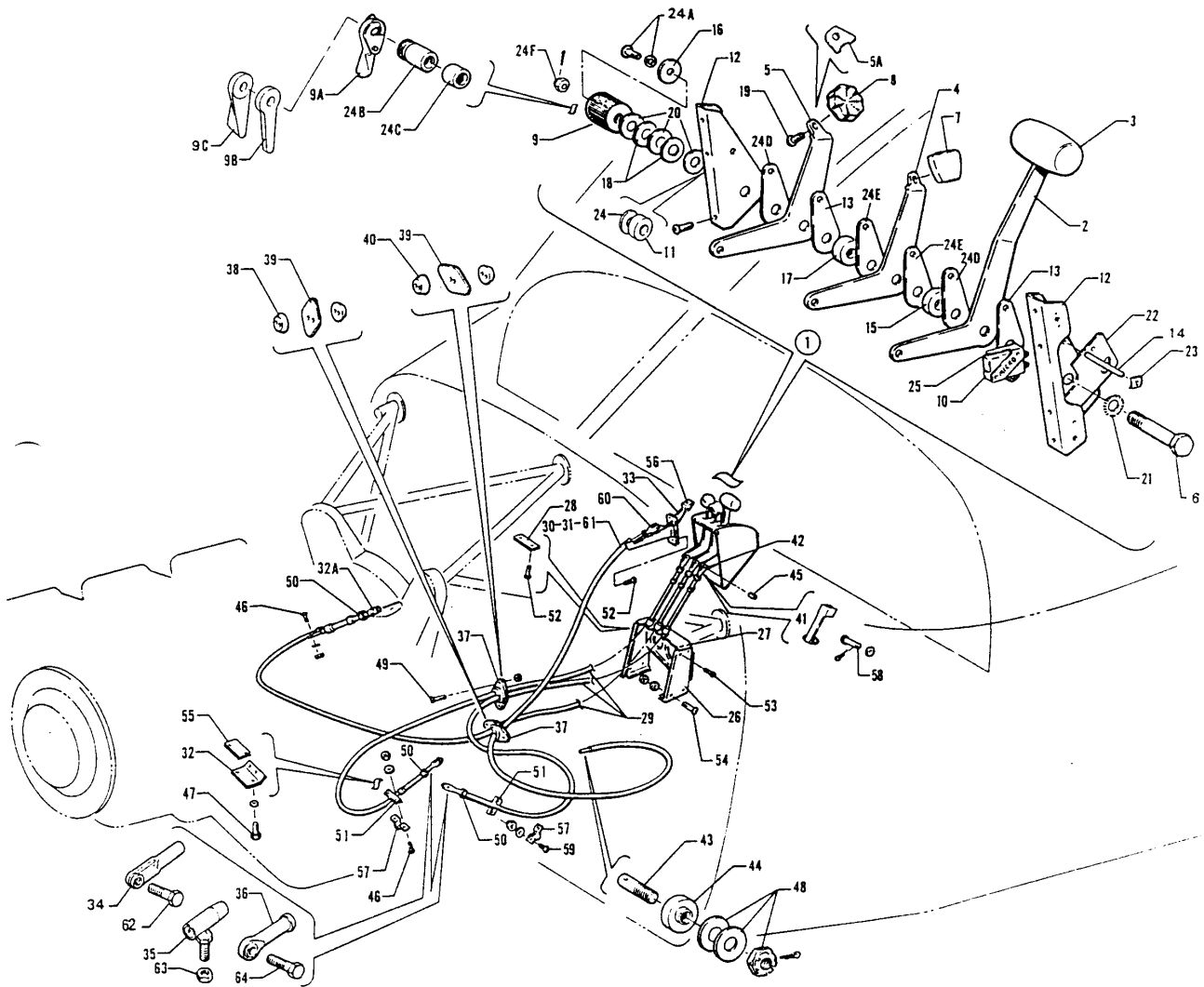


Figure 59. Engine Controls Installation

PIPER PARTS CATALOG

Figure and Index Number	Part Number	Code	NOMENCLATURE	No. Req.	SERIAL NUMBERS AFFECTED
59-	67017	A	DRAWING - Engine Controls Installation		
	67834	B	DRAWING - Engine Controls Installation		
- 1	67210-00	H	QUADRANT ASSEMBLY - Control	1	28R-7535001 and up
	67210-03	B	QUADRANT ASSEMBLY - Control	1	
-2	67223-03		* LEVER ASSEMBLY - Throttle	1	
-3	66979-00		* * KNOB - Throttle lever (571 129)	1	
-4	67213-00		* LEVER - Propeller control	1	
-5	67214-00		* LEVER - Mixture control	1	
-5a	79473-00	B	* PLATE - Mixture control	1	28R-7535001 and up
-6	67217-00	D	* SHAFT - Quadrant	1	
	418 457	E	* SCREW - Cap (MS35291-42)	1	
	400 749	F	* BOLT - (AN25-52)	1	
	400 171	G,W	* BOLT - (AN5-30)	1	
-7	24047-00	W	* KNOB - Propeller control (571 043)	1	
-8	24048-00	W	* KNOB - Mixture control (571 044)	1	
-9	67220-00		* KNOB - Quadrant adjusting	1	
-9a	24358-00	W	* HANDLE ASSEMBLY - Quadrant adjusting (2.75" L)	1	
-9b	66773-00		* HANDLE - Quadrant adjusting (2.72" L)	1	
-9c	63039-04		* HANDLE - Quadrant adjusting (2.94" L)	1	
-10	487 925	W	* SWITCH - Quadrant control (V3-1)	1	
-11	66774-00	F,G	* CAM - Quadrant adjusting	1	
-12	67215-00	D,E	* BRACKET ASSEMBLY - Quadrant, left	1	
	67215-03	F, G	* BRACKET ASSEMBLY - Quadrant, left	1	
	67216-00		* BRACKET ASSEMBLY - Quadrant, right	1	
-13	67218-00		* PLATE - Quadrant control, friction	2	
-14	67221-00		* PIN - Quadrant friction plate	1	
-15	68699-02		* SPACER - Quadrant control (.28" thick)	1	
	68699-06		* SPACER - Quadrant control (.432" thick)	1	
	68699-10		* SPACER - Quadrant control (.400" thick)	1	
-16	68699-03	D	* SPACER - Quadrant control (.040" thick)	1	
-17	68699-04	D	* SPACER - Quadrant control (.39" thick)	1	
	68699-06	C	* SPACER - Quadrant control (.432" thick)	1	
	68699-10	C	* SPACER - Quadrant control (.400" thick)	1	
-18	408 815	W	* WASHER - (3502-18-04)	2	
-19	415 448	W	* SCREW - (AN526-832R6)	2	
-20	407 586	W	* WASHER - (AN960-516L)	AR	
-21	407 137	D,W	* WASHER - (AN936A516)	1	
-22	67729-00		* MOUNT - Gear warning switch	1	
-23	406 345	W	* NUT - (A109-014-1)	2	
-24	62833-46	F,G	* WASHER - (.032" thick)	1	

- A- Used on PA-28R-180 airplanes only.
- B- Used on PA-28R-200 airplanes only.
- C- Used if a quadrant adjusting handle (not knob) is installed.
- D- Used if a quadrant adjusting knob (P/N 67220-00) is installed.
- E- Used if a 2.75" L quadrant adjusting handle assembly (P/N 24358-00) is installed.
- F- Used if a 2.72" L quadrant adjusting handle (P/N 66773-00) is installed.
- G- Used if a 2.94" L quadrant adjusting handle (P/N 63039-04) is installed.
- H- Used on PA-28R-180 with serial numbers 28R-30005 to 28R-7130019 inclusive, and PA-28R-200 with serial numbers 28R- 30482, 28R-35001 to 28R-7435331 incl.
- W- These parts must be ordered from Service Spares Department, Piper Aircraft, Lock Haven, Penna.

When ordering, always specify Part Number, Description, and Serial Number of Aircraft

PIPER PARTS CATALOG

Figure and Index Number	Part Number	Code	NOMENCLATURE	No. Req.	SERIAL NUMBERS AFFECTED	
59-24a	415 148	D,W	* SCREW- (AN526-632R6)	1	28R-30005 to 28R-30199 incl.	
	407 102	D,W	* WASHER - (AN935-6)	1		
-24b	24357-00	E,W	* NUT - Quadrant adjusting	1		
-24c	62714-04		* BEARING - Quadrants control (3/8" O.D.)	1		
	63900-121		* BEARING - Quadrant control (7/16" O.D.)	1		
-24d	67218-00		* PLATE - Quadrant control, friction (.031" thick)	2		
	67218-02		* PLATE - Quadrant control, friction (.062" thick)	2		
-24e	67218-00		* PLATE - Quadrant control, friction	2		
	62833-50		* WASHER - Quadrant control, friction	2		
-24f	404 394	H,J,W	* NUT - (AN320-5)	1		
	424 051	H,J,W	* COTTER PIN - (MS24665-132)	1		
-25	461 164	A	FOLLOWER - Quadrant control (JV-1)	1		
-26	67206-00	F	SUPPORT ASSEMBLY - Engine control	1		
	67206-02	G	SUPPORT ASSEMBLY - Engine control	1		
-27	67224-00	F	* BRACKET ASSEMBLY - Engine controls	1		
	67224-03	G	* BRACKET ASSEMBLY - Engine controls	1		
-28	67225-00		RETAINER - Engine controls	1		
-29	455 322		CONTROL ASSEMBLY - Push-pull (PS50146-13-10)	3		
-30	67657-02	C	WIRE - Alternate air control	1		
-31	67658-02	C	HOUSING - Alternate air control	1		
-32	67659-00	A	BRACKET- Engine controls	1		
	67804-00	B	BRACKET	1		
-32a	31747-00	W	JOINT ASSEMBLY - Ball, spring type (469 141)	1		
			A- Used on PA-28R-180 airplanes only.			
			B- Used on PA-28R-200 airplanes only.			
			C- Used on PA-28R-180 with serial numbers 28R-30005 to 28R-30481 inclusive, 28R-30483 to 28R-31092 inclusive, and PA-28R-200 with serial numbers 28R-30482, 28R-35001 to 28R-35225 inclusive.			
			D- Used if a quadrant adjusting knob (P/N 67220-00) is installed.			
			E- Used if a 2.75" L quadrant adjusting handle assembly (P/N 24358-00) is installed.			
			F- Used on PA-28R-180 with serial numbers 28R-30005 to 28R-30481 inclusive, 28R-30483 to 28R-31250 inclusive, and PA-28R-200 with serial numbers 28R-30482, 28R-35001 to 28R-35600 inclusive.			
			G- Used on PA-28R-180 with serial numbers 28R-31251 and up, and PA-28R-200 with serial numbers 28R-35601 and up.			
			H- Used if a 2.72" Quadrant adjusting handle (P/N 66773-00) is installed.			
			J- Used if a 2.94" L quadrant adjusting handle (P/N 63039-04) is installed.			
			W- These parts must be ordered from Service Spares Department Piper Aircraft Local Haven, Penna			

When ordering, always specify Part Number, Description, and Serial Number of Aircraft

PIPER PARTS CATALOG

Figure and Index Number	Part Number	Code	NOMENCLATURE	No. Req.	SERIAL NUMBERS AFFECTED
59-33	69282-00	C	CONTROL MOUNT - Alternate air	1	
	66635-00	E	CONTROL MOUNT - Alternate air	1	
	66835-00	D	CONTROL MOUNT - Alternate air	1	
-34	554 757	W	CLEVIS - (MS35812-1)	2	
-35	31747-00	W	JOINT ASSEMBLY - Ball, spring type (469 141)	2	
-36	462 606	W	BEARING - Rod end (PS10020-16-2)	2	
-37	66789-00		PLATE - Firewall seal	4	
-38	68770-07		GROMMET - Firewall (463 413)	2	
-39	68771-12		GASKET - Firewall seal	2	
-40	68770-08		GROMMET - Firewall seal (463 418)	2	
-41	24123-00	F,W	TERMINAL - Clevis tie rod	3	
-42	488 327	W	TERMINAL - (AN665-21R)	3	
-43	70371-03	W	STUD - Alternate air	1	
-44	70371-02	W	FITTING - Swivel, alternate air	1	
-45	86092-82	F,W	PIN - Clevis tie rod	3	
-46	415 444		SCREW - (AN526-832R9)	6	
	407 563	W	WASHER - (AN960-8)	6	
	404 910	W	NUT - (MS20366-832C)	6	
-47	418 351	A	SCREW - Cap (1/4-20 NC3 x 1"L)	2	
	407 105	A,W	WASHER - (AN935-416)	2	
-48	407 564	W	WASHER - (AN960-10)	1	
	407 584	W	WASHER - (AN960-10L)	2	
	404 392	W	NUT - (AN320-3)	1	
	424 051	W	PIN - Cotter (AN380-2-2)	1	
-49	415 448	W	SCREW - (AN526-832R6)	4	
	404 910	W	NUT - (MS2036-832C)	4	
-50	404 224	W	NUT - (AN315-3R)	7	
	407 104	W	WASHER - (AN935-10)	7	
-51	18132-02	A,W	LUG -Control cable	2	
	18132-00	B,W	LUG - Control cable	2	

- A- Used on PA-28R-180 airplanes only
- B- Used on PA-28R-200 airplanes only.
- C- Used on PA-28R-180 with serial I numbers 28R-30005 to 28R-30481 inclusive, 28R-30483 to 28R-30878 inclusive
- D- Used on PA-28R-180 with serial number 28R-31093 and up, end PA-28R-200 with serial number 28R-35226 and up,
- E- Used on PA-28R-180 with serial number 28R-30879 to 28R-31092 inclusive, and PA-28R-200 with serial number 28R-30482, 28R-35001 to 28R-35225 inclusive.
- F- Used on PA-28R-180 with serial numbers 28R-30005 to 28R-30481 inclusive, 28R-30483 to 28R-30736 inclusive.
- W. These parts must be ordered from Service Spares Department, Piper Aircraft, Lock Haven, Penna.

When ordering, always specify Part Number, Description, and Serial Number of Aircraft

PIPER PARTS CATALOG

Figure and Index Number	Part Number	Code	NOMENCLATURE	No. Req.	SERIAL NUMBERS AFFECTED
59-52	415 754	W	SCREW- (AN515-8R8)	11	
-53	415 753	W	SCREW - (AN515-8R7)	4	
-54	415 753	W	SCREW - (AN51 5-8R7)	2	
	407 563	W	WASHER - (AN960-8)	2	
	404 910	W	NUT - (MS20365-832C)	2	
-55	67664-00	B	SPACER - Engine control bracket	1	
-56	22287-00	C,W	KNOB - Alternate air control	1	
	66980-00	D	KNOB - Alternate air control	1	
-57	18219-02	B,W	CLAMP - Control cable	2	
	18219-00	H,W	CLAMP - Control cable	2	
-58	524 145	G	PIN - (MS20392-2C11)	3	
	407 584	G,W	WASHER - (AN960-10L)	3	
	424 050	G,W	COTTER PIN - (AN380-2-1)	3	
-59	415 537	W	SCREW - (MS35206-247)	2	
	407 563	W	WASHER - (AN960-8)	2	
	409 910	W	NUT - (MS20365-832C)	2	
-60	554 757	A,W	CLEVIS - (RA-13-187-2C)	1	
-61	66836-02	E	CABLE ASSEMBLY - Alternate air	1	
	554 130	F	CABLE ASSEMBLY - Alternate air (PS50146-1-1)	1	
-62	400 674	W	SCREW - (AN23-12)	2	
	404 100	W	NUT - (AN310-3)	2	
	424 051	W	COTTER PIN - (MS24665-132)	2	
-63	407 564	W	WASHER - (AN960-10)	2	
	404 887	W	NUT - (MS20365-1032C)	2	
-64	400 056	W	BOLT - Mixture control (AN3-11)	1	
	63900-78		BUSHING	2	
	62833-101		WASHER	2	
	407 104	W	WASHER - (AN935-10)	2	
	407 564	W	WASHER - (AN960-10)	2	
	404 100	W	NUT- (AN310-3)	2	
	424 051	W	COTTER PIN - (MS24665-132)	2	
			A- Used on PA-28R-180 with serial numbers 28R-31093 and up, and PA-28R-200 with serial numbers 28R-35226 and up.		
			B- Used on PA-28R-180 airplanes only.		
			C- Used on PA-28R-180 with serial numbers 28R-30005 to 28R-30481 inclusive, 28R-30483 to 28R-31250 inclusive, and PA-28R-200 with serial numbers 28R-30482, 28R-35001 to 28R-35600 inclusive.		
			D- Used on PA-28R-180 with serial numbers 28R-31251 and up, and PA-28R-200 with serial numbers 28R-35601 and up.		
			E- Used on PA-28R-180 with serial numbers 28R-31093 to 28R-31279 inclusive, and PA-28R-200 with serial numbers 28R-35226 to 28R-35830 inclusive.		
			F- Used on PA-28R-180 with serial numbers 28R-7130001 and up, and PA-28R-200 with serial numbers 28R-7135001 and up.		
			G- Used on PA-28R-180 with serial numbers 28R-30737 and up, and PA-28R-200 with serial numbers 28R-30482, 28R-25001 and up.		
			H- Used on PA-28R-200 airplanes only.		
			W- These parts must be ordered from Service Spares Department Piper Aircraft, Lock Haven, Penna.		

When ordering, always specify Part Number, Description, and Serial Number of Aircraft

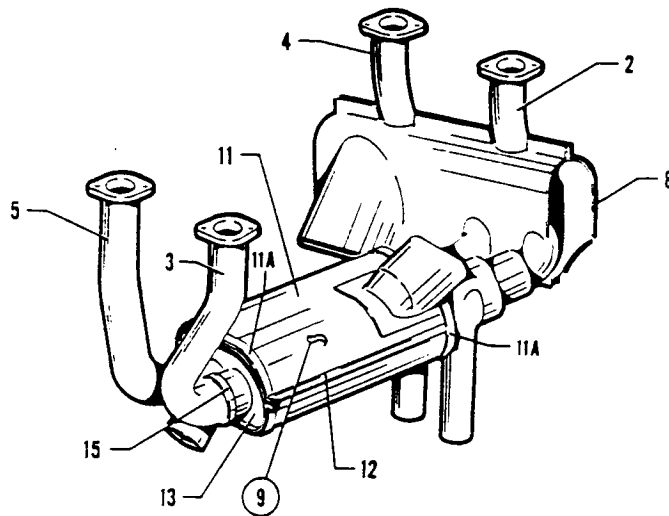
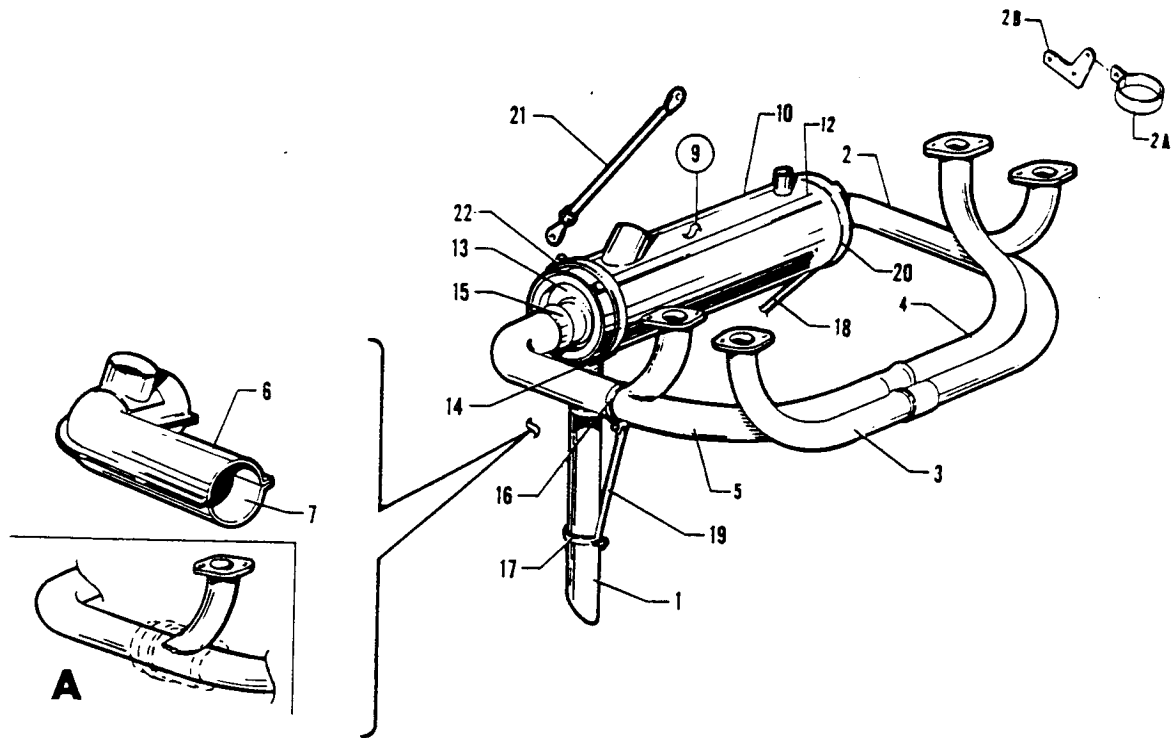


Figure 60. Engine Exhaust System Installation

PIPER PARTS CATALOG

Figure and Index Number	Part Number	Code	NOMENCLATURE	No. Req.	SERIAL NUMBERS AFFECTED
60-	63622		DRAWING - Power Plant Installation		28-1 to 28-507 inclusive
	63689	B	DRAWING - Power Plant Installation		28-508 to 28-1760 inclusive
	63689	A	DRAWING - Power Plant Installation		28-20002 to 28-21095 incl.
	65616	A	DRAWING - Power Plant Installation		28-21096 to 28-24999 incl.
	66680	A	DRAWING - Power Plant Installation		28-25000 to 28-7125471 incl.
	99516	A	DRAWING - Power Plant Installation		28-7125472 and up
	62892	B	DRAWING - Exhaust System Installation		28-1761 and up
-1	63666-02	A	TAIL PIPE - Exhaust	1	28-20002 and up
	63666-02	B	TAIL PIPE - Exhaust	1	28-1 to 28-1760 inclusive
-2	63726-02	B,C	STACK ASSEMBLY - Front cylinder, left	1	28-1 to 28-1760 inclusive
	63726-02	A	STACK ASSEMBLY - Front cylinder, left	1	28-20002 to 28-7125471 inclusive
	99044-05	A	STACK ASSEMBLY - Front cylinder, left	1	28-7125472 and up
	62892-03	B	STACK ASSEMBLY - Front cylinder, left	1	28-1761 and up
-2a	35655-02	B	CLAMP - Stack assembly support	1	
-2b	35656-02	B	LINK - Stack assembly support	1	
-3	63726-04	B,C	STACK ASSEMBLY - Front cylinder, right	1	28-1 to 28-1760 inclusive
	63726-04	A	STACK ASSEMBLY - Front cylinder, right	1	28-20002 to 28-7125471 incl.
	99044-02	A	STACK ASSEMBLY - Front cylinder, right	1	28-7125472 and up
	62230-00	B	STACK ASSEMBLY - Front cylinder, right	1	28-1761 and up
-4	99044-03	B,C	STACK ASSEMBLY - Rear cylinder, left	1	28-1 to 28-1760 inclusive
	99044-03	A	STACK ASSEMBLY - Rear cylinder, left	1	28-20002 and up
	62231-00	B	STACK ASSEMBLY - Rear cylinder, left	1	28-1761 and up
-5	99044-04	B,C	STACK ASSEMBLY - Rear cylinder, right	1	28-1 to 28-1760 inclusive
	99044-04	A	STACK ASSEMBLY - Rear cylinder, right	1	28-20002 and up
	62232-00	B	STACK ASSEMBLY - Rear cylinder, right	1	28-1761 and up
-6	63705-02	D,F	SHROUD ASSEMBLY - Top	1	
	63723-03	E	SHROUD ASSEMBLY - Top	1	
	63723-03	A	SHROUD ASSEMBLY - Top	1	28-20002 and up
-7	63705-03	D,F	SHROUD ASSEMBLY - Bottom	1	
	63723-02	E	SHROUD ASSEMBLY - Bottom	1	
	63723-02	A	SHROUD ASSEMBLY - Bottom	1	28-20002 and up
-8	62981-06	B	SHROUD ASSEMBLY - Left	1	28-1761 and up
	62981-07	B	SHROUD ASSEMBLY - Right	1	28-1761 and up

- A- Used on PA-28-140 airplanes only.
- B- Used on PA-28-1 50, PA-28-1 60 and PA-28-1 80 airplanes only.
- C- If airplane presently has a one piece stack, order both left and right stacks.
- D- Used on PA-28 airplanes with serial numbers 28-1 to 28-670, 28-678, 679, 681, 685, 690, 691, 693, 697, 706 and 707.
- E- Used on PA-28 airplanes with serial numbers 28-671 to 28-677, 28-680, 682 to 684, 686 to 689, 692, 694 to 696, 698 to 705, 708 to 1760 inclusive.
- F- If present stack does not incorporate a welded shroud as shown in Sketch "A" on illustration, order P/N 63723-02 bottom of 63723-03 top.

When ordering, always specify Part Number, Description, and Serial Number of Aircraft

PIPER PARTS CATALOG

Figure and Index Number	Part Number	Code	NOMENCLATURE	No. Req.	SERIAL NUMBERS AFFECTED
60-9	63652-04	A	MUFFLER ASSEMBLY - Complete	1	28-1 to 28-1520 inclusive
	63652-05	B	MUFFLER ASSEMBLY - Complete	1	28-671 to 28-1520 inclusive
	62208-04	A	MUFFLER ASSEMBLY - Complete	1	28-1521 to 28-1760 inclusive
	62208-05	B	MUFFLER ASSEMBLY - Complete	1	28-1521 to 28-1760 inclusive
	62208-04	C	MUFFLER ASSEMBLY - Complete	1	28-20002 to 28-24999 inclusive
	66704-00	C	MUFFLER ASSEMBLY - Complete	1	28-25000 to 28-26400 inclusive
	66906-00	C	MUFFLER ASSEMBLY - Complete	1	28-26401 to 28-26956 inclusive
	66906-02	C	MUFFLER ASSEMBLY - Complete	1	28-7125001 and up
	63237-00	A,B	MUFFLER ASSEMBLY - Complete	1	28-1761 to 28-3077 inclusive
	65540-00	A,B	MUFFLER ASSEMBLY - Complete	1	28-3078 to 28-7205091 inclusive
-10	65540-02	B	MUFFLER ASSEMBLY - Complete	1	28-7205092 and up
	63652-02	A,B	SHROUD ASSEMBLY - Muffler, complete	1	28-1 to 28-1520 inclusive
	62208-02	A,B	SHROUD ASSEMBLY - Muffler, complete	1	28-1521 to 28-1760 inclusive
	62208-02	C	SHROUD ASSEMBLY - Muffler, complete	1	28-20002 to 28-24999 inclusive
-11	66704-02	C	SHROUD ASSEMBLY - Muffler, complete	1	28-25000 and up
	63237-04	A,B	SHROUD ASSEMBLY - Muffler, top	1	28-1761 to 28-3077 inclusive
	65542-00	A,B	SHROUD ASSEMBLY - Muffler, top	1	28-3078 to 28-7205091 inclusive
	99568-00	B	SHROUD ASSEMBLY - Muffler, top	1	28-7205092 and up
	63237-05	A,B	SHROUD ASSEMBLY - Muffler; bottom	1	28-1761 to 28-3077 inclusive
-11a	65543-00	A,B	SHROUD ASSEMBLY - Muffler, bottom	1	28-3078 and up
	554 848	A,B,W	CLAMP - Shroud (SAE TY F-96SS)	2	28-3078 and up
-12	10430-00	A,B,W	CLIP - Muffler shroud	1	
	63712-00	A,B	CLIP - Muffler shroud (18-1/2")	1	
	63712-00	C	CLIP - Muffler shroud (18")	1	28-20002 and up
	63089-00	A,B	CLIP - Muffler shroud	2	28-1761 to 28-3077 inclusive
-13	99482-00	D	MUFFLER ASSEMBLY	1	
	99482-02	B	MUFFLER ASSEMBLY	1	28-671 to 28-1760 inclusive
	66894-00	A,B	MUFFLER ASSEMBLY - Front	1	28-1761 to 28-3077 inclusive
	66894-02	A,B	MUFFLER ASSEMBLY - Rear	1	28-1761 to 28-3077 inclusive
-14	66894-03	B	MUFFLER ASSEMBLY	2	28-3078 and up
	14235-00	A,B,W	CLAMP - Tail pipe attachment	1	28-1 to 28-1760 inclusive
	14235-00	C,W	CLAMP - Tail pipe attachment	1	28-20002 and up
-15	65442-03	A,B	CLAMP ASSEMBLY - Exhaust stack	2	28-1 to 28-1760 inclusive
	65442-03	C	CLAMP ASSEMBLY - Exhaust stack	2	28-20002 and up
	63243-02	A,B	CLAMP ASSEMBLY - Exhaust stack	2	28-1761 and up
-16	63642-02	A	CLAMP - Tail pipe support	1	28-1 to 28-670 inclusive
	63735-00	A,B	CLAMP - Tail pipe support	1	28-671 to 28-1760 inclusive
	63735-00	C	CLAMP - Tail pipe support	1	28-20002 and up
-17	63642-03	A,B	CLAMP - Tail pipe support	2	28-1 to 28-1760 inclusive
	63642-03	C	CLAMP - Tail pipe support	2	28-20002 and up

- A- Used on PA-28-150 and PA-28-160 airplanes only
- B- Used on PA-28-180 airplanes only
- C- Used PA-28-140 airplanes only
- D- Used on PA-28-150 and PA-28-160 with serial numbers 28-1 to 28-1760 inclusive, and PA-28-140 airplanes
- W- These parts must be ordered from Service Spares Department Piper Aircraft, Local Haven, Penna.

When ordering, always specify Part Number, Description, and Serial Number of Aircraft

PIPER PARTS CATALOG

Figure and Index Number	Part Number	Code	NOMENCLATURE	No. Req.	SERIAL NUMBERS AFFECTED
60-18	63645-00	A,B	SUPPORT - Tail pipe	1	28-1 to 28-1760 inclusive
	63645-00	C	SUPPORT - Tail pipe	1	28-20002 and up
-19	63646-00	A	SUPPORT - Tail pipe	1	28-1 to 28-670 inclusive
	63591-00	A,B	SUPPORT - Tail pipe	1	28-671 to 28-1760 inclusive
	63591-00	C	SUPPORT - Tail pipe	1	28-20002 and up
-20	66847-00	A,B	CLAMP - Muffler shroud	1	28-1 to 28-1760 inclusive
	66847-00	C	CLAMP - Muffler shroud	1	28-20002 and up
-21	63704-00	A	SUPPORT ASSEMBLY - Muffler	2	28-508 to 28-670 inclusive
-22	554 848	C,W	CLAMP - Muffler shroud (SAE TY F-96SS)	1	28-23135 and up

A- Used on PA-28-150 and PA-28-160 airplanes only.
 B- Used on PA-28-180 airplanes only.
 C- Used on PA-28-140 airplanes only.
 W- These parts must be ordered from Service Spares Department, Piper Aircraft, Lock Haven, Penna..

When ordering, always specify Part Number, Description, and Serial Number of Aircraft

3C1
INTENTIONALLY LEFT BLANK

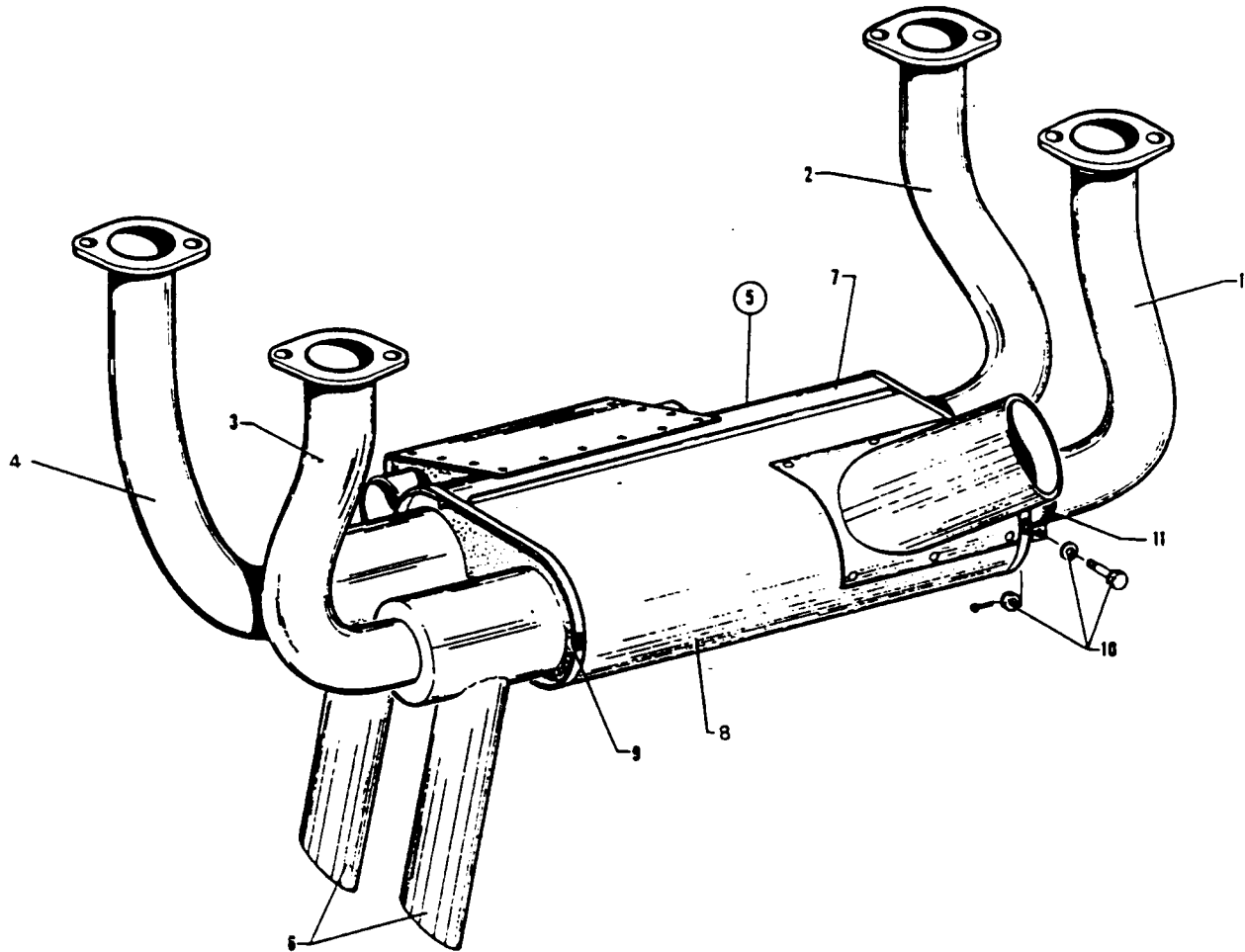


Figure 61, Engine Exhaust System Installation

PIPER PARTS CATALOG

Figure and Index Number	Part Number	Code	NOMENCLATURE	No. Req.	SERIAL NUMBERS AFFECTED
61-	67642 67814 99603	A C B	DRAWING - Exhaust System Installation DRAWING - Exhaust System Installation DRAWING - Exhaust System Installation		28R-7235001 and up
-1	67617-00 67810-00	A B	STACK ASSEMBLY Left front STACK ASSEMBLY - Left front	1 1	
-2	67618-00 67811-00	A B	STACK ASSEMBLY - Left rear STACK ASSEMBLY - Left rear	1 1	
-3	67619 00 67809-00	A B	STACK ASSEMBLY - Right front STACK ASSEMBLY - Right front	1 1	
-4	67620-00 67812-00	A B	STACK ASSEMBLY - Right rear STACK ASSEMBLY - Right rear	1 1	
-5	67643-00 99601-00	A,C B	MUFFLER ASSEMBLY - Complete MUFFLER ASSEMBLY - Complete	1 1	28R-7235001 and up
-6	67517-00		MUFFLER ASSEMBLY	2	
-7	67808-00		SHROUD ASSEMBLY - Muffler, bottom	1	
-8	67651-00 99600-00	A,C B	SHROUD ASSEMBLY - Muffler, top SHROUD ASSEMBLY - Muffler, top	1 1	28R-7235001 and up
-9	67652 00		TAB - Muffler	4	
-10	400 103 407 565 404 101 424 051	W W W W	BOLT- (AN4-6) WASHER - (AN960-416) NUT - (AN310-4) PIN - Cotter (AN380-2-2)	2 4 2 2	
-11	63243-02		CLAMP ASSEMBLY - Exhaust stack	2	

A- Used on PA-28R-180 airplanes only,
 B- Used on PA-28R-200 airplanes only,
 C- Used on PA-28R-200 with serial numbers 28R-30482, 28R-35001 to 28R-7135238 inclusive
 W- These parts must be ordered from Service Spares Department, Piper Aircraft, Lock Haven, Penna

When ordering, always specify Part Number, Description, and Serial Number of Aircraft

3C4

INTENTIONALLY LEFT BLANK

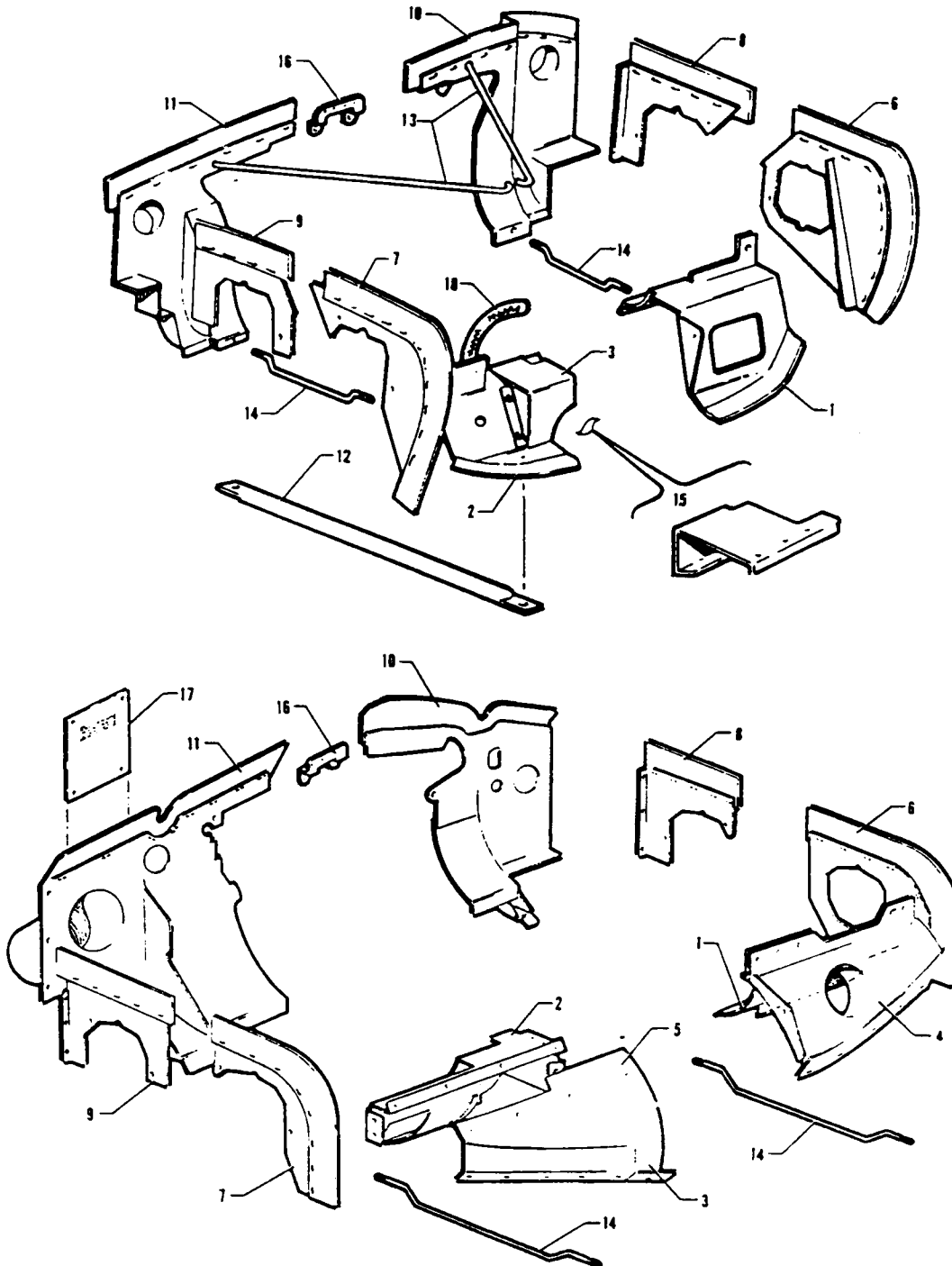


Figure 62. Engine Baffle Installation

PIPER PARTS CATALOG

Figure and Index Number	Part Number	Code	NOMENCLATURE	No. Req.	SERIAL NUMBERS AFFECTED
62-	63622	B	DRAWING - Power Plant Installation		28-1 to 28-507 inclusive
	63689	B,C	DRAWING - Power Plant Installation		28-508 to 28-1760 inclusive
	63689	A	DRAWING - Power Plant Installation		28-20002 to 28-21095 incl.
	65616	A	DRAWING - Power Plant Installation		28-21096 to 28-24999 incl.
	66680	A	DRAWING - Power Plant Installation		28-25000 to 28-7125471 incl.
	99516	A	DRAWING - Power Plant Installation		28-7125472 and up
	62986	B,C	DRAWING - Engine Baffle Installation		28-1761 and up
-1	63610-00	B	BAFFLE ASSEMBLY - Left front, complete	1	28-1 to 28-1760 inclusive
	63707-00	C	BAFFLE ASSEMBLY - Left front, complete	1	28-671 to 28-1760 inclusive
	63610-00	A	BAFFLE ASSEMBLY - Left front, complete	1	28-20002 to 28-21095 incl.
	63441-00	B	BAFFLE ASSEMBLY - Left front, complete	1	28-1761 and up
	63244-00	C	BAFFLE ASSEMBLY - Left front, complete	1	28-1761 to 28-7205091 incl.
	63244-02	C	BAFFLE ASSEMBLY - Left front, less fairing	1	28-7205092 and up
	65480-00	A	BAFFLE ASSEMBLY - Left front, complete	1	28-21096 to 28-7125471 incl.
-2	99225-00	A	BAFFLE ASSEMBLY - Left front, complete	1	28-7125472 and up
	63611-00	B,D	BAFFLE ASSEMBLY - Right front	1	28-1 to 28-507 inclusive
	63693-00	B,C	BAFFLE ASSEMBLY - Right front	1	28-508 to 28-1760 inclusive
	63693-03	C	BAFFLE ASSEMBLY - Right front	1	28-671 to 28-1760 inclusive
	63693-00	A	BAFFLE ASSEMBLY - Right front	1	28-20002 to 28-7125471 incl.
	99221-00	A	BAFFLE ASSEMBLY - Right front	1	28-7125472 and up
	63433-00	B	BAFFLE ASSEMBLY - Right front	1	28-1761 and up
	62396-00	C	BAFFLE ASSEMBLY - Right front	1	28-1761 to 28-7205091 incl.
	99577-00	C	BAFFLE ASSEMBLY - Right front	1	28-7205092 and up
	-3	63609-00	B,D	COVER ASSEMBLY - Right front baffle	1
99771-00		C	COVER ASSEMBLY - Right front baffle	1	28-7205092 and up
-4	99578-00	C	FAIRING ASSEMBLY - Left front baffle	1	28-7205092 and up
-5	63431-00	B	FAIRING ASSEMBLY - Right front baffle	1	28-1761 and up
	62393-00	C	FAIRING ASSEMBLY - Right front baffle	1	28-1761 to 28-7205091 incl.
	99573-00	C	FAIRING ASSEMBLY - Right front baffle	1	28-7205092 and up
-6	63613-00	B,C	BAFFLE ASSEMBLY - Left side, front	1	28-1 to 28-1760 inclusive
	63613-00	A	BAFFLE ASSEMBLY - Left side, front	1	28-20002 and up
	63093-00	B,C	BAFFLE ASSEMBLY - Left side, front	1	28-1761 and up
-7	63612-00	B	BAFFLE ASSEMBLY - Right side, front	1	28-1 to 28-507 inclusive
	63612-06	B,C	BAFFLE ASSEMBLY - Right side, front	1	28-508 to 28-1410 inclusive
	63612-09	B,C	BAFFLE ASSEMBLY - Right side, front	1	28-1411 to 28-1760 incl.
	63612-11	A	BAFFLE ASSEMBLY - Right side, front	1	28-20002 and up
	63092-00	B,C	BAFFLE ASSEMBLY - Right side, front	1	28-1761 and up
-8	63614-00	B,C	BAFFLE ASSEMBLY - Left side, rear	1	28-1 to 28-1410 inclusive
	63614-05	B,C	BAFFLE ASSEMBLY - Left side, rear	1	28-1411 to 28-1760 incl.
	63614-05	A	BAFFLE ASSEMBLY - Left side, rear	1	28-20002 and up
	62233-00	B,C	BAFFLE ASSEMBLY - Left side, rear	1	28-1761 and up
	-9	63615-00	B,C	BAFFLE ASSEMBLY - Right side, rear	1
63615-04		B,C	BAFFLE ASSEMBLY - Right side, rear	1	28-1411 to 28-1760 incl.
63615-04		A	BAFFLE ASSEMBLY - Right side, rear	1	28-20002 and up
62234-00		B,C	BAFFLE ASSEMBLY - Right side, rear	1	28-1761 and up
			A- Used on PA-28-140 airplanes only B- Used on PA-28-150 and PA-28-160 airplanes only. C- Used on PA-28-180 airplanes only. D- Used when generator is installed.		

When ordering, always specify Part Number, Description, and Serial Number of Aircraft

PIPER PARTS CATALOG

Figure and Index Number	Part Number	Code	NOMENCLATURE	No. Req.	SERIAL NUMBERS AFFECTED	
62-10	63617-00	B,E	BAFFLE ASSEMBLY - Left rear	1	28-1 to 28-220 inclusive	
	63617-08	B	BAFFLE ASSEMBLY - Left rear	1	28-221 to 28-670 inclusive	
	63617-11	B,D	BAFFLE ASSEMBLY - Left rear	1	28-725 to 28-1410 inclusive	
	63617-14	B, D	BAFFLE ASSEMBLY - Left rear	1	28-1411 to 28-1520 inclusive	
	63617-15	B	BAFFLE ASSEMBLY - Left rear	1	28-1521 to 28-1760 inclusive	
	63617-15	A	BAFFLE ASSEMBLY - Left rear	1	28-20002 to 28-24999 inclusive	
	66722-00	A	BAFFLE ASSEMBLY - Left rear	1	28-25000 and up	
	63706-00	C	BAFFLE ASSEMBLY - Left rear	1	28-671 to 28-1410 inclusive	
	63706-08	C	BAFFLE ASSEMBLY - Left rear	1	28-1411 to 28-1520 inclusive	
	63706-09	C	BAFFLE ASSEMBLY - Left rear	1	28-1521 to 28-1760 inclusive	
	63427-00	B	BAFFLE ASSEMBLY - Left rear	1	28-1761 and up	
	62387-00	C	BAFFLE ASSEMBLY - Left rear	1	28-1761 to 28-5149 inclusive	
	62387-07	C	BAFFLE ASSEMBLY - Left rear	1	28-5150 and up	
	-11	63616-00	B,E,D	BAFFLE ASSEMBLY - Right rear	1	28-1 to 28-220 inclusive
		63616-09	B,D	BAFFLE ASSEMBLY - Right rear	1	28-221 to 28-670 inclusive
		63745-00	B,D	BAFFLE ASSEMBLY - Right rear	1	28-725 to 28-1410 inclusive
		63745-04	B,D	BAFFLE ASSEMBLY - Right rear	1	28-1411 to 28-1520 inclusive
		63616-09	B	BAFFLE ASSEMBLY - Right rear	1	28-1521 to 28-1760 inclusive
		63616-09	A	BAFFLE ASSEMBLY - Right rear	1	28-20002 to 28-24999 inclusive
		66677-00	A	BAFFLE ASSEMBLY - Right rear	1	28-25000 and up
63709-05		C,D	BAFFLE ASSEMBLY - Right rear	1	28-671 to 28-1410 inclusive	
63709-08		C,D	BAFFLE ASSEMBLY - Right rear	1	28-1411 to 28-1520 inclusive	
63709-00		C	BAFFLE ASSEMBLY - Right rear	1	28-1521 to 28-1760 inclusive	
63430-00		B	BAFFLE ASSEMBLY - Right rear	1	28-1761 and up	
62383-00		C	BAFFLE ASSEMBLY - Right rear	1	28-1761 to 28-5149 inclusive	
62383-03		C	BAFFLE ASSEMBLY - Right rear	1	28-5150 and up	
-12	63621-00	B	BRACE - Engine to front baffle (12.75")	1	28-1 to 28-507 inclusive	
	63621-02	B,C	BRACE - Engine to front baffle (13.75")	1	28-508 to 28-1760 inclusive	
	63621-02	A	BRACE - Engine to front baffle (13.75")	1	28-20002 to 28-7125471 inclusive	
	67796-00	A,F	BRACE - Engine to front baffle (12.78")	1	28-7125472 and up	
-13	63716-00	B,C	STAY - Rear baffle	2	28-508 to 28-1760 inclusive	
	63716-00	A	STAY - Rear baffle	2	28-20002 and up	
-14	87392-02	W	TIE ROD - Engine baffle	2		
-15	63699-00	B	BRACKET ASSEMBLY - Baffle	1	28-508 to 28-1760 inclusive	
	63699-03	C	BRACKET ASSEMBLY - Baffle	1	28-671 to 28-1760 inclusive	
	63699-00	A	BRACKET ASSEMBLY - Baffle	1	28-20002 to 28-7125471 inclusive	
-16	63605-00		BRACKET - Rear baffle reinforcement	1		
-17	63492-00	B	CLOSURE ASSEMBLY - Winterization plate	1	28-1761 and up	
	63492-00	C	CLOSURE ASSEMBLY - Winterization plate	1	28-1761 to 28-5149 inclusive	
	67769-00	C	CLOSURE ASSEMBLY - Winterization plate	1	28-5150 and up	
-18	63633-04	B	HOSE - Generator air	1	28-1 to 28-507 inclusive	

- A- Used on PA-28-140 airplanes only.
- B- Used on PA-28-150 and PA-28-160 airplanes only.
- C- Used on PA-28-180 airplanes only.
- D- If Fuel Cooling Kit 756 807, 756 808 or 756 809 has been installed, order part for serial numbers 28-1521 to 28-1760 inclusive.
- E- If Kit 754 428 has been installed, order part for serial numbers 28-221 to 28-670 inclusive.
- F- Refer to Figure 32A if air conditioning is installed.
- W- These parts must be ordered from Service Spares Department, Piper Aircraft, Local Haven, Penna.

When ordering, always specify Part Number, Description, and Serial Number of Aircraft

308

INTENTIONALLY LEFT BLANK

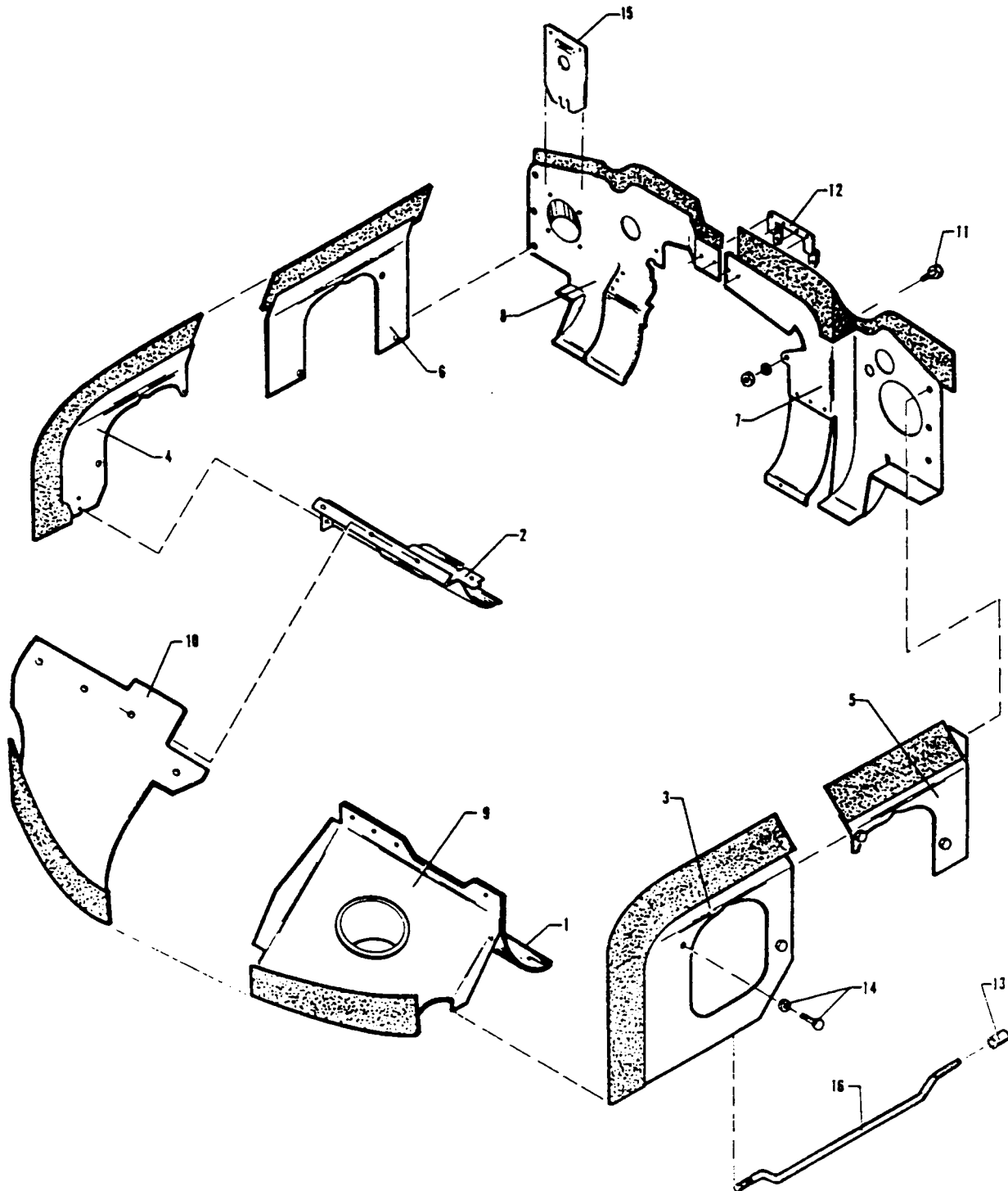


Figure 63. Engine Baffle Installation

PIPER PARTS CATALOG

Figure and Index Number	Part Number	Code	NOMENCLATURE	No. Req.	SERIAL NUMBERS AFFECTED
63	67238 67803	A B	DRAWING - Engine Baffle Installation DRAWING - Engine Baffle Installation		
-1	67634-00 67816-00 99792-00	A C B	BAFFLE ASSEMBLY - Left front (complete) BAFFLE ASSEMBLY - Left front (complete) BAFFLE ASSEMBLY - Left front	1 1 1	28R-7235001 and up
-2	67622-00 67828-00 99595-00	A C B	BAFFLE ASSEMBLY - Right front BAFFLE ASSEMBLY - Right front BAFFLE ASSEMBLY - Right front	1 1 1	28R-7235001 and up
-3	67632-00 67830-00	A B	BAFFLE ASSEMBLY - Left side front BAFFLE ASSEMBLY - Left side front	1 1	
-4	67631-00 67822-00	A B	BAFFLE ASSEMBLY - Right side front BAFFLE ASSEMBLY - Right side front	1 1	
-5	67630-00 67831-00	A B	BAFFLE ASSEMBLY - Left side rear BAFFLE ASSEMBLY - Left side rear	1 1	
-6	67629-00 67823-00	A B	BAFFLE ASSEMBLY - Right side rear BAFFLE ASSEMBLY - Right side rear	1 1	
-7	67638-00 67638-05 67825-00	A A B	BAFFLE ASSEMBLY - Left rear BAFFLE ASSEMBLY - Left rear BAFFLE ASSEMBLY - Left rear	1 1 1	28R-30005 to 28R-30399 incl.. 28R-30400 and up
-8	62383-03 67824-00	A B	BAFFLE ASSEMBLY - Right rear BAFFLE ASSEMBLY - Right rear	1 1	
-9	99589-00	B	FAIRING ASSEMBLY - Left front baffle	1	28R-7235001 and up
-10	67628-00 67817-00 99594-00	A C B	FAIRING ASSEMBLY - Right front baffle FAIRING ASSEMBLY - Right front baffle FAIRING ASSEMBLY - Right front baffle	1 1 1	28R-7235001 and up
-11	400 002 407 585 404 836	W W W	BOLT - (AN4-5A) WASHER- (AN960-416L) NUT - (MS20364-428C)	1 1 1	
-12	63605-00		BRACKET - Rear baffle reinforcement	1	
-13	63900-14	A	BUSHING - Baffle tie rod	2	
-14	418 420 418 420 418 351 407 565 407 136	A,W B,W B W W	SCREW - Cap (1/4-20 NC3 x 1/2) SCREW -Cap (1/4-20 NC3 x 1/2) SCREW -Cap (1/4-20 NC3 x 1) WASHER- (AN960-416) WASHER - Lock (AN936-A416)	11 7 4 11 11	
-15	67769-04	A	CLOSURE ASSEMBLY - Winterization plate	1	
-16	87392-02	W	TIE ROD - Engine baffle	2	

A- Used on PA-28R-180 airplane only.
 B- Used on PA-28R-200 airplanes only,
 C- Used on PA-28R-200 with serial numbers 28R-30482, 28R-35001 to 28R-7135238 inclusive,
 W- These parts must be ordered from Service Spares Department, Piper Aircraft, Lock Haven Penna.

When ordering, always specify Part Number, Description, and Serial Number of Aircraft

3C11

INTENTIONALLY LEFT BLANK

PIPER PARTS CATALOG

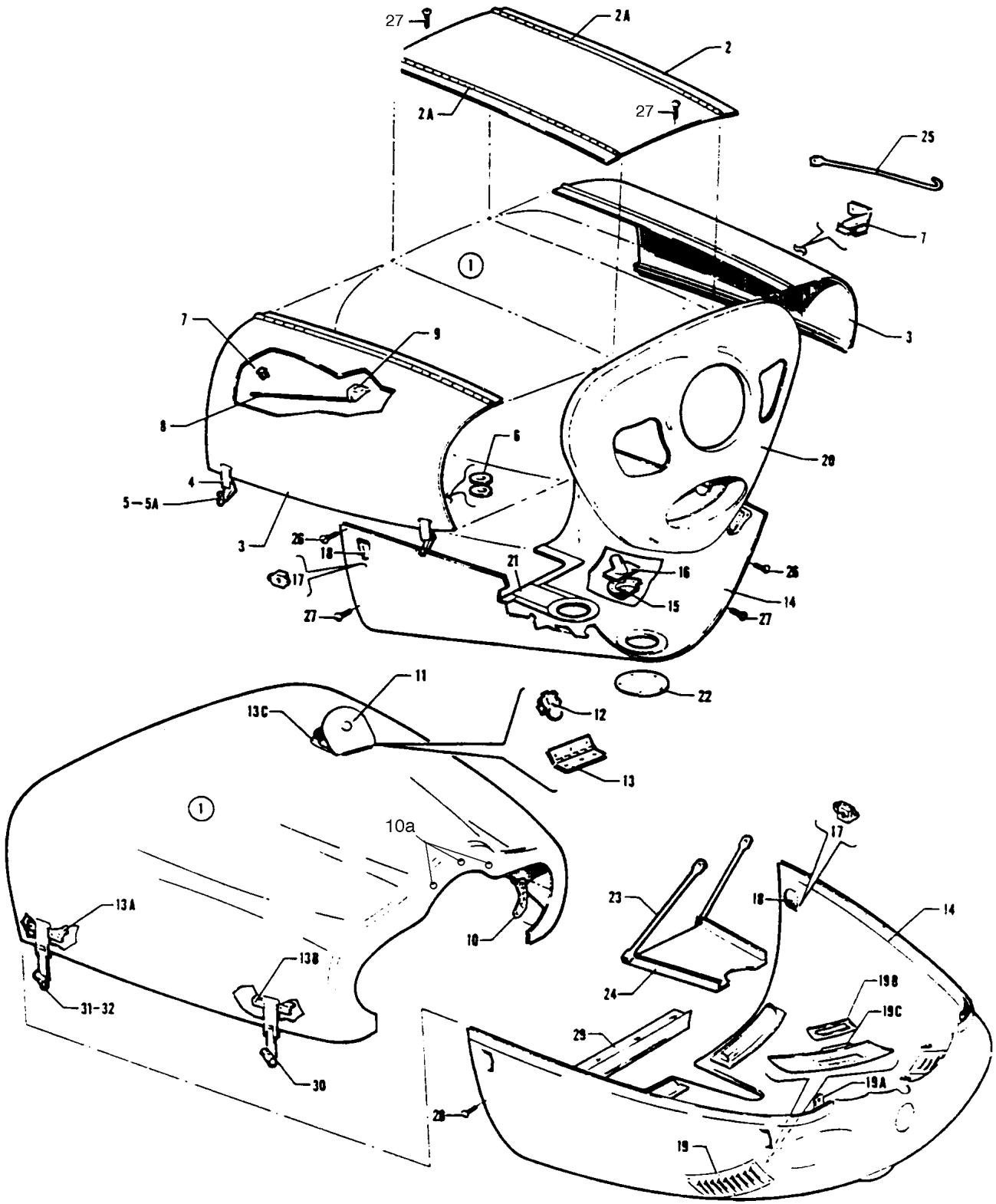


Figure 64. Engine Cowl Installation

PIPER PARTS CATALOG

Figure and Index Number	Part Number	Code	NOMENCLATURE	No. Req.	SERIAL NUMBERS AFFECTED
64-	63622	B	DRAWING - Power Plant Installation		28-1 to 28-507 inclusive
	63689	B,C	DRAWING - Power Plant Installation		28-508 to 28-1760 inclusive
	62893	B,C	DRAWING - Power Plant Installation		28-1761 to 28-4377 inclusive
	65851	C	DRAWING - Power Plant Installation		28-4378 and up
	63689	A	DRAWING - Power Plant Installation		28-20002 to 28-21095 inclusive
	65616	A	DRAWING - Power Plant Installation		28-21096 to 28-24999 inclusive
	66680	A	DRAWING - Power Plant Installation		28-25000 to 28-7125471 incl.
	99516	A	DRAWING - Power Plant Installation		28-7125472 and up
-1	63603-00	B	COWL ASSEMBLY - Engine top, complete	1	28-1 to 28-1015 inclusive
	63603-19	B	COWL ASSEMBLY - Engine top, complete	1	28-1016 to 28-1410 inclusive
	63603-19	C	COWL ASSEMBLY - Engine top, complete	1	28-671 to 28-1410 inclusive
	63750-00	B,C	COWL ASSEMBLY - Engine top, complete	1	28-1411 to 28-1760 inclusive
	63750-00	A	COWL ASSEMBLY - Engine top, complete	1	28-20002 to 28-22159 inclusive
	62922-03	A,C	COWL ASSEMBLY - Engine top, less fasteners	1	28-1761 and up
	63750-06	A	COWL ASSEMBLY - Engine top, complete	1	28-22160 and up
-2	63603-08	B,C	COWL ASSEMBLY - Engine top, center	1	28-1 to 28-1760 inclusive
	63603-08	A	COWL ASSEMBLY - Engine top, center	1	28-20002 and up
-2a	63603-26		HINGE ASSEMBLY - Engine cowl	2	
-3	63603-14	B	COWL ASSEMBLY - Engine side, left	1	28-1 to 28-1015 inclusive
	63603-18	B	COWL ASSEMBLY - Engine side, left	1	28-1016 to 28-1410 inclusive
	63603-18	C	COWL ASSEMBLY - Engine side, left	1	28-671 to 28-1410 inclusive
	63750-02	B,C	COWL ASSEMBLY - Engine side, left	1	28-1411 to 28-1760 inclusive
	63750-02	A	COWL ASSEMBLY - Engine side, left	1	28-20002 to 28-22159 incl.
	63750-07	A	COWL ASSEMBLY - Engine side, left	1	28-22160 and up
	63603-13	B	COWL ASSEMBLY - Engine side, right	1	28-1 to 28-1015 inclusive
	63603-13	B	COWL ASSEMBLY - Engine side, right	1	28-1016 to 28-1410 incl.
	63603-17	C	COWL ASSEMBLY - Engine side, right	1	28-671 to 28-1410 inclusive
	63750-03	B,C	COWL ASSEMBLY - Engine side, right	1	28-1411 to 28-1760 incl.
	63750-03	A	COWL ASSEMBLY - Engine side, right	1	28-20002 to 28-22159 incl.
	63750-08	A	COWL ASSEMBLY - Engine side, right	1	28-22160 and up
-4	12723-00	B,C,W	FASTENER - Engine cowl	2	28-1 to 28-1760 inclusive
	12723-00	A,W	FASTENER - Engine cowl	2	28-20002 to 28-22159 incl.
	66547-00	A	FASTENER ASSEMBLY - Engine cowl	2	28-22160 and up
-5	480 685	B,C,W	PIN - (99836)	1	28-1 to 28-1760 inclusive
	480 685	A,W	P/N - (99836)	1	28-20002 to 28-22159 incl.
	484 428	A	RETAINER - (85-34-101-20)	1	28-22160 and up
-5a	487 562	B,C	STUD - (W98292-2-180)	1	28-1 to 28-1760 inclusive
	487 562	A	STUD - (W98292-2-180)	1	28-20002 to 28-22159 incl.
	487 718	A	STUD - (5-W-180)	1	28-22160 and up
-6	407 124	B,C,W	WASHER - (AN960-10L)	4	28-1 to 28-1760 inclusive
	407 124	A,W	WASHER - (AN960-10L)	4	28-20002 and up
-7	12813-00	B,C,W	CATCH ASSEMBLY - Cowl rod	1	28-1 to 28-1410 inclusive
	554 753	B,C	CLIP - Cowl rod catch (127002)	1	28-1411 to 28-1760 incl.
	554 753	A	CLIP - Cowl rod catch (127002)	1	28-20002 and up
-8	62179-00	B,C	ROD ASSEMBLY - Cowl support	1	28-1411 to 28-1760 incl.
	62179-00	A	ROD ASSEMBLY - Cowl support	1	28-20002 and up
-9	62180-00	B,C	CLIP - Cowl rod support	1	28-1411 to 28-1760 incl.
	62180-00	A	CLIP - Cowl rod support	1	28-20002 and up

A- Used on PA-28-140 airplanes only.
 B- Used on PA-28-150 and PA-28-160 airplanes only.
 C- Used on PA-28-180 airplanes only.
 W- These parts must be ordered from Service Spares Department, Piper Aircraft, Lock Haven, Penna.

When ordering, always specify Part Number, Description, and Serial Number of Aircraft

PA-28-140
 PA-28-150
 PA-28-160
 PA-28-180

PIPER PARTS CATALOG

Figure and Index Number	Part Number	Code	NOMENCLATURE	No. Req.	SERIAL NUMBERS AFFECTED
64-10	65148-00	B,C	PLATE ASSEMBLY - Cowl pin, left	1	28-1761 and up
	65148-01	B,C	PLATE ASSEMBLY - Cowl pin, right	1	28-1761 and up
-10a	581 025	B,C	PLUG - Cowl	3	28-1761 and up
-11	65291 04	B,C,E	DOOR ASSEMBLY - Oil filler	1	28-1761 and up
	99096-00	B,C,F	DOOR ASSEMBLY - Oil filler	1	28-1761 and up
-12	472 017	B,C	LATCH - Oil filter door (KM610-32)	1	28-1761 and up
-13	65291-03	B,C	HINGE ASSEMBLY - Oil filler door	1	28-1761 and up
-13a	65240-00	B,C	ANGLE - Cowl fastener, rear, left	1	28-1761 and up
	65240-01	B,C	ANGLE - Cowl fastener, rear, right	1	28-1761 and up
-13b	65241-00	B,C	ANGLE - Cowl fastener, front	2	28-1761 and up
-13c	68787-00	B,C,E	PLATE - Reinforcement, oil filler door	1	28-1761 and up
	99094-02	B,C,F	PLATE ASSEMBLY - Reinforcement oil filler door	1	28-1761 and up
-14	63619-08	B	COWL ASSEMBLY - Engine bottom, complete	1	28-1 to 28-784 inclusive
	63700-00	B	COWL ASSEMBLY - Engine bottom, complete	1	28-785 to 28-1520 inclusive
	63700-00	C	COWL ASSEMBLY - Engine bottom, complete	1	28-671 to 28-1520 inclusive
	62217-00	B,C	COWL ASSEMBLY - Engine bottom, complete	1	28-1521 to 28-1760 inclusive
	62217-00	A	COWL ASSEMBLY - Engine bottom, complete	1	28-20002 to 28-22159 incl.
	62988-00	B,C	COWL ASSEMBLY - Engine bottom, complete	1	28-1761 to 28-3643 inclusive
	62988-02	B	COWL ASSEMBLY - Engine bottom, complete	1	28-3644 and up
	62988-02	C	COWL ASSEMBLY - Engine bottom, complete	1	28-3644 to 28-5149 inclusive
	62988-03	C	COWL ASSEMBLY - Engine bottom, complete	1	28-5150 to 28-7205091 incl.
	62988-04	C	COWL ASSEMBLY - Engine bottom, complete	1	28-7205092 and up
	62217-03	A	COWL ASSEMBLY - Engine bottom, complete	1	28-22160 and up
-15	66609-00	B,C,D	SCOOP - Bottom cowl	1	28-1521 to 28-1760 inclusive
	66609-00	A	SCOOP - Bottom Cowl	1	28-20002 and up
-16	62216-00	B,C,D	TUBE ASSEMBLY - Bottom cowl	1	28-1521 to 28-1760 inclusive
	62216-00	A	TUBE ASSEMBLY - Bottom cowl	1	28-20002 and up
-17	484 341	A	RECEPTACLE - (99947-P130)	4	28-20002 to 28-23932 incl.
	484 341	B,C	RECEPTACLE - (99947-P130)	4	28-1 to 28-5877 inclusive
	484 291	A	RECEPTACLE - (5-295)	4	28-23933 and up
	484 291	B,C	RECEPTACLE - (5-295)	4	28-5878 and up
-18	65889-00		CUP - Cowl fastener	4	
-19	65151-00	B,C	LOUVER - Bottom cowl	2	28-1761 and up
-19a	69791-00	B,C	PLATE ASSEMBLY - Bottom cowl	2	28-1761 and up
	484 840	B,C	RING - Retaining	1	28-1761 and up
	69790-00	B,C	BUSHING	1	28-1761 and up
-19b	63085-00	B,C	RETAINER - Air filter seal	1	28-1761 and up
-19c	63086-00	B,C	SEAL - Air filter	1	28-1761 and up
-20	63639-00	B	COWL ASSEMBLY - Nose	1	28-1 to 28-1015 inclusive
	63679-00	B	COWL ASSEMBLY - Nose	1	28-1016 to 28-1760 inclusive
	63679-00	C	COWL ASSEMBLY - Nose	1	28-671 to 28-1760 inclusive
	63679-00	A	COWL ASSEMBLY - Nose	1	28-20002 to 28-71 25471inclusive
	99515-00	A	COWL ASSEMBLY - Nose	1	28-7125472 and up
-20a	99515-02	A	COWL ASSEMBLY - Nose, bottom	1	28-7125472 and up
-20b	99515-03	A	COWL ASSEMBLY - Nose, top	1	28-7125472 and up

- A- Used on PA-28-140 airplanes only.
- B- Used on PA-28-150 and PA-28-160 airplanes only.
- C- Used on PA-28-180 airplanes only.
- D- Used on PA-28-150, PA-28-160 and PA-28-180 with serial numbers 28-1 to 28-1520 inclusive if Fuel Cooling Kit 756 808 or 756 809 has been installed.
- E- Used if existing oil filler door dimensions are 5 inches wide by 4 3/4 inches long.
- F- Used if existing oil filler door dimensions are 5 3/4 inches wide by 5 inches long.

When ordering, always specify Part Number, Description, and Serial Number of Aircraft

PIPER PARTS CATALOG

Figure and Index Number	Part Number	Code	NOMENCLATURE	No. Req.	SERIAL NUMBERS AFFECTED
64-21	63618-00	B	PLATE - Bottom cowl	1	28-1 to 28-507 inclusive
-22	63263-00	B,C	COVER - Bottom cowl	1	28-1 to 28-724 inclusive
-23	62945-00	B	ROD - Cowl closure	2	28-1761 and up
	62945-00	A	ROD - Cowl closure	2	28-1761 to 28-5149 inclusive
-24	62946-00	B	PLATE ASSEMBLY - Cowl closure	1	28-1761 and up
	62946-00	A	PLATE ASSEMBLY - Cowl closure	1	28-1761 to 28-5149 inclusive
-25	12809-00	B,W	ROD - Cowl support	2	28-1 to 28-147 inclusive
	63690-00	A,B	ROD - Cowl support	2	28-148 to 28-1410 inclusive
-26	416 633	W	SCREW - (MS24693-S273)	4	
-27	411 533	W	SCREW - (MS35207-264)	31	
-28	411 533	W	SCREW - (MS35207-264)	10	
	407 584	W	WASHER - (AN960-10L)	10	
-29	65455-00	A	CHANNEL- Cowl	1	28-5150 and up
-30	65202-00	A,B	FASTENER ASSEMBLY - Top cowl	4	28-1761 to 28-3643 inclusive
	65202-05	A,B	FASTENER ASSEMBLY - Top cowl	4	28-3644 and up
-31	480 685	A,B	PIN - (99836)	1	28-1761 to 28-3643 inclusive
	484 428	A,B	RETAINER - (85-34-101-20)	1	28-3644 and up
-32	487 673	A,B	STUD - (W98292-2-250)	1	28-1761 to 28-3643 inclusive
	487 719	A,B	STUD - (5-W-260)	1	28-3644 and up

A- Used on PA-28-180 airplanes only.
 B- Used on PA-28-150 and PA-28-160 airplanes only.
 C- Used when rotating beacon is not installed.
 W- These parts must be ordered from Service Spares Department Piper Aircraft, Local Haven, Penna.

When ordering, always specify Part Number, Description, and Serial Number of Aircraft

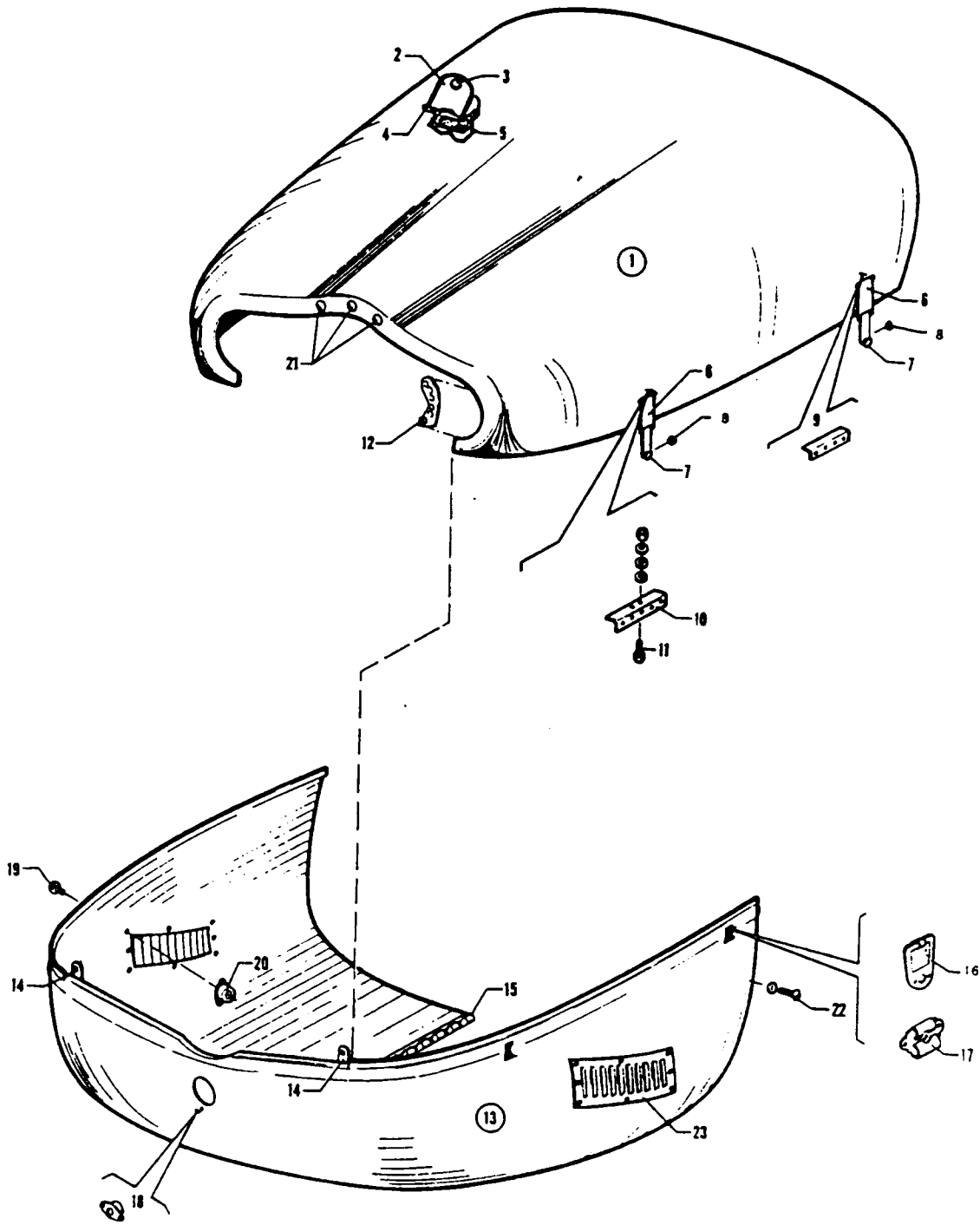


Figure 65. Engine Cowl Installation

PIPER PARTS CATALOG

Figure and Index Number	Part Number	Code	NOMENCLATURE	No. Req.	SERIAL NUMBERS AFFECTED
65-	67349		DRAWING - Cowl Assembly (Complete)		
-1	67350-00		COWL ASSEMBLY - Top	1	
-2	65291-04	C	DOOR ASSEMBLY - Oil filler	1	
	99096-00	D	DOOR ASSEMBLY - Oil filler	1	
-3	472 017		LATCH - Oil filler door (KM61 0-32)	1	
-4	65291-03		HINGE ASSEMBLY - Oil filler door	1	
-5	68787-00	C	PLATE - Reinforcement, oil filler door	1	
	99094-02	D	PLATE ASSEMBLY - Reinforcement, oil filler door	1	
-6	65202-05		FASTENER ASSEMBLY - Cowl	4	
-7	487 719		STUD - (5-W-260)	1	
-8	484 428		RETAINER - (85-34-101-20)	1	
-9	65240-00		ANGLE - Cowl fastener, rear, left	1	
	65240-01		ANGLE -Cowl fastener, rear, right	1	
-10	65241-00		ANGLE - Cowl fastener, front	2	
-11	400 438		BOLT- (AN3-4A)	8	
	407 564		WASHER - (AN960-10)	24	
	404 887		NUT - (MS20365-1032C)	8	
-12	65148-00		PLATE ASSEMBLY - Cowl pin, left	1	
	65148-01		PLATE ASSEMBLY - Cowl pin, right	1	
-13	67351-14	A	COWL ASSEMBLY- Bottom	1	
	67846-00	E	COWL ASSEMBLY - Bottom	1	
	67846-10	B	COWL ASSEMBLY - Bottom	1	28R-7235001 and up
-14	69791-00		PLATE ASSEMBLY - Bottom cowl	2	
	484 840		RING - Retaining	1	
	69790-00		BUSHING	1	
-15	67355-00		HINGE HALF - Bottom cowl, left	1	
	67355-01		HINGE HALF - Bottom cowl, right	1	
-16	65889-00		CUP ASSEMBLY - Cowl fastener	4	
-17	484 291		RECEPTACLE (5-295)	4	
-18	406 646		NUT - Anchor (NAS1068A06L)	1	
-19	414 763	A	SCREW - (AN507-832R8)	16	
	414 763	B	SCREW - (AN507-832R8)	8	
-20	406 834	A	NUT - Anchor (NAS686A08)	16	
	406 834	B	NUT - Anchor (NAS686A08)	8	
-21	581 025		PLUG- (15-903)	3	
-22	416 996		SCREW - (AN526-1032R10)	10	
	407 584		WASHER - (AN960-10L)	10	
-23	65151-00	A	LOUVER - Bottom cowl	2	
	65151-00	B	LOUVER - Bottom cowl	1	

- A- Used on PA-28R-180 airplanes only.
- B- Used on PA-28R-200 airplanes only,
- C- Used if existing oil filler door dimensions are 5 inches wide by 4 3/4 inches long.
- D- Used if existing oil filler door dimensions are 5 3/4 inches wide by 5 inches long.
- E- Used on PA-28R-200 with serial number 28R-30482, 28R-35001 to 28R-7135238 inclusive.

When ordering, always specify Part Number, Description, and Serial Number of Aircraft

PIPER PARTS CATALOG

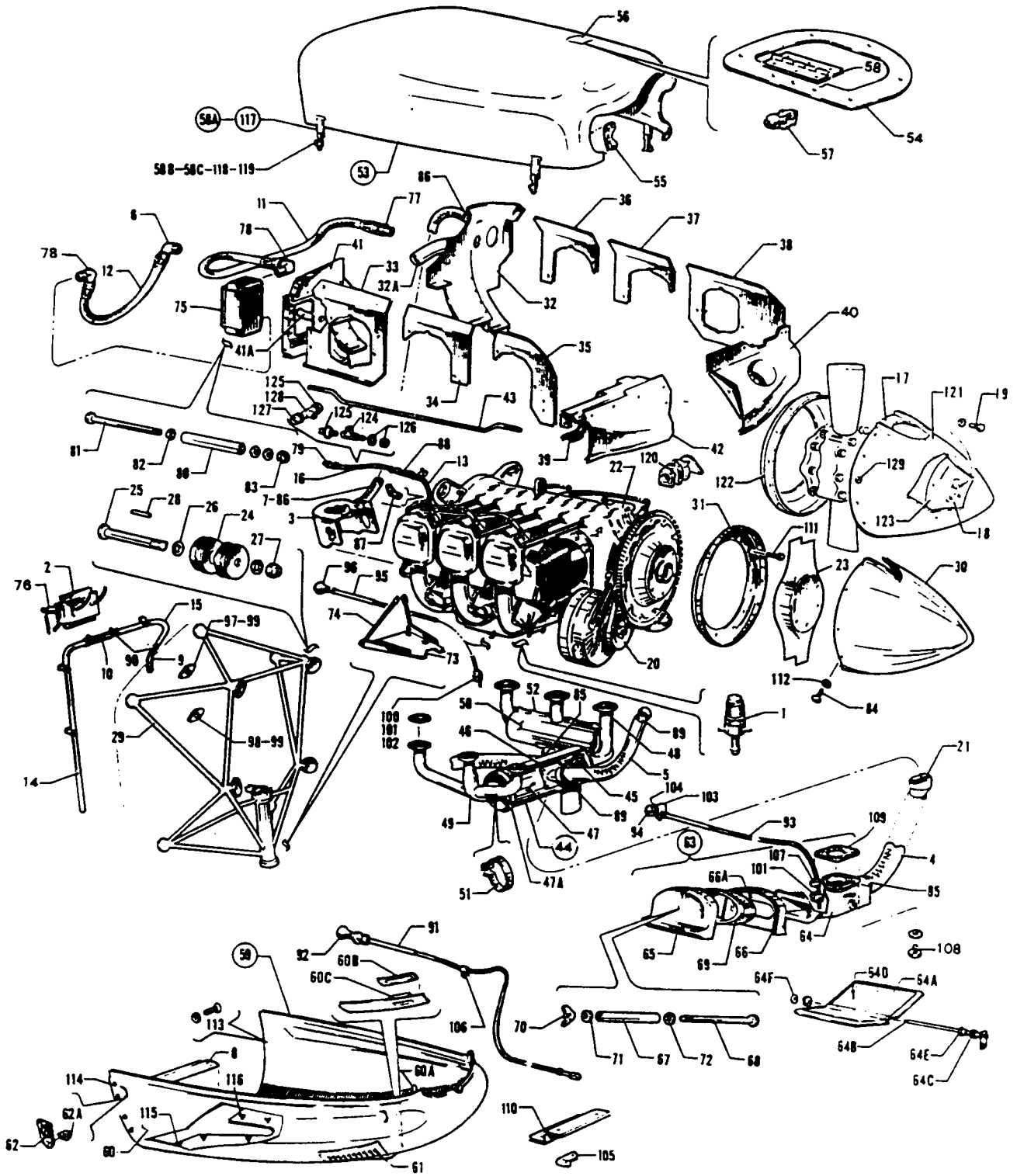


Figure 66. Power Plant Installation

PIPER PARTS CATALOG

Figure and Index Number	Part Number	Code	NOMENCLATURE	No. Req.	SERIAL NUMBERS AFFECTED
66-	65065 65085 65495 69261 6521 5 65048	A	DRAWING - Power Plant Installation DRAWING - Power Plant Installation DRAWING - Power Plant Installation DRAWING - Power Plant Installation DRAWING - Engine Controls Installation DRAWING - Baffle Installation		28-10003 to 28-10486 inclusive 28-10487 to 28-10719 inclusive 28-10720 to 28-11033 inclusive 28-11040 and up 28-10003 to 28-11039 incl.
-1	61879-02	W	VALVE ASSEMBLY - Oil drain	1	
-2	65261-00		BOX ASSEMBLY - Magneto filter	1	28-10003 to 28-10719 inclusive
-3	23107-00	B,W	BAFFLE ASSEMBLY - Fuel pump	1	
	63425-00	C	BAFFLE ASSEMBLY - Fuel pump	1	
	25006-06	D,W	BAFFLE ASSEMBLY - Fuel pump	1	
-4	99944-04		HOSE - Air filter to muffler shroud, length 14-1 /4"	1	
-5	63633-18		HOSE - Muffler to Left front baffle	1	28-10003 to 28-10062 inclusive
	63633-24		HOSE - Muffler to Left front baffle	1	28-10063 and up
-6	458 898	W	ELBOW - (AN822-8D)	1	28-10003 to 28-10230 inclusive
	458 886	W	ELBOW - (AN823-8D)	1	28-10720 and up
-7	63633-20		HOSE - Fuel pump blast	1	
-8	65455-00		CHANNEL - Cowl	1	28-10487 to 28-7210033 incl.
-9	63913-29		HOSE - Engine breather	1	28-10003 to 28-10279 inclusive
	63913-46		HOSE - Engine breather	1	28-10280 and up
-10	6391 3-30		HOSE - Engine breather	1	
-11	63901-26		HOSE ASSEMBLY - Oil radiator inlet to engine		
-12	61413-03	W	HOSE ASSEMBLY - Oil radiator outlet to engine	1	28-10003 to 28-10230 inclusive
	63901-16		HOSE ASSEMBLY - Oil radiator outlet to engine	1	28-10231 and up
-13	71061-00	W	HOSE ASSEMBLY - Oil pressure gauge	1	28-10003 to 28-10666 inclusive
	63901-27		HOSE ASSEMBLY - Oil pressure gauge	1	28-10667 and up
-14	65221-00		TUBE - Engine breather	1	
-15	65376-00		TUBE - Engine breather	1	
-16	65225-00		TUBE ASSEMBLY - Oil pressure	1	28-10003 to 28-10486 inclusive
	65465-00		TUBE ASSEMBLY - Oil pressure	1	28-10487 to 28-10666 inclusive
	65472-00		TUBE ASSEMBLY - Oil pressure	1	28-10667 to 28-11039 inclusive
	67700-40		TUBE ASSEMBLY - Oil pressure	1	28-11040 to 28-11380 inclusive
	67700-54		TUBE ASSEMBLY - Oil pressure	1	28-11381 to 28-7410120 incl.
	67700-90		TUBE ASSEMBLY - Oil pressure, forward	1	28-7510001 and up
	67700-87		TUBE ASSEMBLY - Oil pressure, aft	1	28-7510001 and up

A- See Figure 57B or 57C Engine Controls Installation for serial numbers 28-11040 and up.
 B- Used with fuel pump AC562-467 only.
 C- Used with fuel pump AC6440174 and AC6440295 only.
 D- Used with fuel pump AC6441271 only.
 W- These parts must be ordered from Service Spares Department Piper Aircraft, Lock Haven, Penna.

When ordering, always specify Part Number, Description, and Serial Number of Aircraft

PIPER PARTS CATALOG

Figure and Index Number	Part Number	Code	NOMENCLATURE	No. Req.	SERIAL NUMBERS AFFECTED
66-17	67794-00		CUFF - Spinner	2	28-7310001 and up
-18	99499-00		PLATE - Spinner	1	28-7310001 and up
-19	401 301		BOLT - (AN4H3A)	4	28-7310001 and up
	407 565	W	WASHER - (AN960-416)	8	28-7310001 and up
-20		H	ALTERNATOR INSTALLATION - Chrysler		
-21	69677-00		TUBE ASSEMBLY - Carburetor heat	1	28-10003 to 28-7310054 incl.
-22		F	ENGINE - Lycoming (O-540-B2B5)	1	28-10003 to 28-10152 inclusive
		F	ENGINE - Lycoming (O-540-B1B5)	1	28-10153 to 28-10165 inclusive
		F	ENGINE - Lycoming (O-540-B4B5)	1	28-10166 and up
-23	450 964	A	PROPELLER - McCauley (1P235PFA80-69)	1	28-10003 to 28-7210033 incl.
	450 960	A	PROPELLER - Sensenich (80BM8-0-71)	1	28-10166 to 28-7210033 incl.
	550 938	E	PROPELLER - Hartzell (HC-C2YK-1BF/F8468A-4)	1	28-7310001 and up
-24	475 114	B	MOUNTING KIT - Engine (J-7402-20)	4	28-10003 to 28-10719 inclusive
	475 111		MOUNTING KIT - Engine (J-3804-27)	4	28-10720 and up
-25	401 520		BOLT - Engine to mount (AN7-26A)	4	
-26	407 568	W	WASHER - Engine to mount (AN960-716)	8	
-27	404 891	W	NUT - Engine to mount (MS20365-720C)	4	
-28	480 727		ROLL PIN - Engine to mount (52-028-125-1000)	4	
-29	65000-00		MOUNT ASSEMBLY - Engine and nose gear strut	1	28-10003 to 28-7310187 incl.
	65000-23		MOUNT ASSEMBLY - Engine and nose gear strut	1	28-7410001 and up
-30	65209-00	A,G	SPINNER - Propeller, aluminum	1	28-10003 to 28-10660 inclusive
	63760-03	A	SPINNER - Propeller, fiberglass	1	28-10661 to 28-7210033 incl.
-31	65208-00	A,C	BULKHEAD ASSEMBLY - Spinner	1	28-10003 to 28-10660 inclusive
	65208-03	A,D	BULKHEAD ASSEMBLY - Spinner	1	28-10661 to 28-7210033 incl.
-32	65030-00		BAFFLE ASSEMBLY - Left rear	1	
-32a	65031-00		TUBE - Blast	1	
-33	65097-00		BAFFLE - Right side rear	1	
-34	65098-00		BAFFLE - Right side center	1	
-35	65099-00		BAFFLE - Right side front	1	
-36	65100-00		BAFFLE - Left side rear	1	
-37	65101-00		BAFFLE - Left side center	1	
-38	65102-00		BAFFLE - Left side front	1	
-39	65137-00		BAFFLE ASSEMBLY - Right front	1	
-40	68759-00		BAFFLE ASSEMBLY - Left front	1	

- A- If constant speed propeller is installed, see Figure 67 or 67A.
- B- If less than four mounts are being replaced, ascertain number which is stamped on rubber part of mount and order either 475 114 (J-7402-20) or 475 111 (J-380 427). If four mounts are being replaced, order 475 111 (J-3804-27).
- C- Used if aluminum spinner is installed.
- D- Used if fiberglass spinner is installed.
- E- See Figure 67B for component parts.
- F- Secure from Lycoming, Division-Avco Corporation, Williamsport, Penna.
- G- No longer available. Order (1) each spinner P/N 63760-03 and bulkhead assembly P/N 65208-03 as a replacement. If fiberglass spinner is already installed new spinner P/N 63760-03 only need be ordered.
- H- See Figure 71 for component parts.
- W- These parts must be ordered from Service Spares Department, Piper Aircraft, Lock Haven, Penna.

When ordering, always specify Part Number, Description, and Serial Number of Aircraft

PIPER PARTS CATALOG

Figure and Index Number	Part Number	Code	NOMENCLATURE	No. Req.	SERIAL NUMBERS AFFECTED
66-41	65169-00		BAFFLE ASSEMBLY - Right rear	1	28-10003 to 28-7210033 inclusive
	99985-00		BAFFLE ASSEMBLY - Right rear	1	28-7310001 and up
-41a	65044-00		TUBE - Blast	1	
-42	65139-00		FAIRING - Right front baffle	1	
-43	65103-02		ROD - Baffle tie	2	
-44	65046-00		MUFFLER ASSEMBLY - Complete	1	28-10003 to 28-10062 inclusive
	65420-00		MUFFLER ASSEMBLY - Complete	1	28-10063 to 28-10985 inclusive
	65811-00		MUFFLER ASSEMBLY - Complete	1	28-10986 to 28-7210033 inclusive
	69175-02		MUFFLER ASSEMBLY - Complete	1	28-7310001 and up
-45	65012-00		MUFFLER ASSEMBLY	1	28-10003 to 28-10062 inclusive
	65419-00		MUFFLER ASSEMBLY	1	28-10063 to 28-10985 inclusive
	65813-00		MUFFLER ASSEMBLY	1	28-10986 to 28-7210033 inclusive
	68718-03		MUFFLER ASSEMBLY	1	28-7310001 and up
-46	65052-00		CLIP ASSEMBLY - Muffler shroud	1	28-10003 to 28-10062 inclusive
	65052-02		CLIP ASSEMBLY - Muffler shroud	1	28-10063 to 28-10985 inclusive
-47	65057-00		SHROUD ASSEMBLY - Muffler	1	28-10003 to 28-10062 inclusive
	65418-00		SHROUD ASSEMBLY - Muffler	1	28-10063 to 28-10985 inclusive
	65810-00		SHROUD ASSEMBLY - Muffler	1	28-10986 to 28-7210033 inclusive
	69174-00		SHROUD ASSEMBLY - Muffler	1	28-7310001 and up
-47a	554 848	W	CLAMP - Muffler shroud (#GS96SS)	2	28-10986 and up
-48	65038-00		STACK ASSEMBLY - Left exhaust	1	
-49	65039-00		STACK ASSEMBLY - Right exhaust	1	
-50	65041-00		SHROUD ASSEMBLY - Right exhaust	1	28-10003 to 28-7310054 inclusive
	69675-00		SHROUD ASSEMBLY - Right exhaust	1	28-7310055 and up
-51	14235-08	W	CLAMP - Muffler attachment	1	28-10003 to 28-10486 inclusive
	65442-00		CLAMP - Muffler attachment	1	28-10487 and up
-52	63670-00	W	CLIP - Shroud	6	
-53	65069-03		COWL ASSEMBLY - Top, less fasteners	1	28-10003 to 28-7210033 inclusive
	65069-04		COWL ASSEMBLY - Top, with fasteners	1	28-7310001 and up
-54	68787-00	B	PLATE - Reinforcement, oil filler door	1	
	99094-02	A	PLATE ASSEMBLY - Reinforcement, oil filler door	1	
-55	65148-00		PLATE ASSEMBLY - Cowl pin, left	1	
	65148-01		PLATE ASSEMBLY - Cowl pin, right	1	
-56	65291-00	B	DOOR ASSEMBLY - Oil filler	1	
	99096-00	A	DOOR ASSEMBLY - Oil filler	1	
-57	472 017	W	LATCH - Oil filler door (#KM610-32)	1	
-58	65291-03		HINGE ASSEMBLY - Oil filler door	1	
-58a	65202-05		FASTENER ASSEMBLY - Top cowl	1	28-7310001 and up
-58b	484 428		RETAINER - (#85-34-101-20)	1	28-7310001 and up
-58c	487 719		STUD - (#5-W-260)	1	28-7310001 and up

A -Used if existing oilfiller door dimensions are 5-3/4 inches wide by 5 inches long.
 B- Used if existing oil filler door dimensions are 5 inches wide by 4 3/4 inches long.
 W- These parts must be ordered from Service Spares Department, Piper Aircraft, Lock Haven, Penna.

When ordering, always specify Part Number, Description, and Serial Number of Aircraft

PIPER PARTS CATALOG

Figure and Index Number	Part Number	Code	NOMENCLATURE	No. Req.	SERIAL NUMBERS AFFECTED
66-59	65070-00	A	COWL ASSEMBLY - Bottom (complete)	1	
	65070-02	B	COWL ASSEMBLY - Bottom (complete)	1	
	65070-03		COWL ASSEMBLY - Bottom (complete)	1	28-10487 to 28-10560 inclusive
	65070-04		COWL ASSEMBLY - Bottom (complete)	1	28-10561 to 28-10755 inclusive
	65070-06		COWL ASSEMBLY - Bottom (complete)	1	28-10756 to 28-7210033 and
	65070-07		COWL ASSEMBLY - Bottom (complete)	1	28-7310001 and up
-60	65068 00	A	COWL ASSEMBLY - Bottom	1	
	65068-25	B	COWL ASSEMBLY - Bottom	1	
	65086-00		COWL ASSEMBLY - Bottom	1	28-10487 to 28-10560 inclusive
	65086-02		COWL ASSEMBLY - Bottom	1	28-10561 to 28-7210033 incl .
	65086-03		COWL ASSEMBLY - Bottom	1	28-7310001 and up
-60a	69791-00		PLATE ASSEMBLY - Bottom cowl	2	
-60b	63085-00		RETAINER - Air filter seal	1	28-10561 and up
-60c	63086-00		SEAL - Air filter	1	28-10561 and up
-61	6515140		LOUVER - Bottom cowl	2	
-62	65889-00		CUP ASSEMBLY - Cowl fastener	4	
-62a	484 341	W	RECEPTACLE - (99947-P130)	4	28-10003 to 28-10755 inclusive
	484 291		RECEPTACLE - (5-295)	4	28-10756 and up
-63	65230-00		FILTER ASSEMBLY - Carburetor air	1	28-10003 to 28-10560 inclusive
	65402-00		FILTER ASSEMBLY - Carburetor air (less filter, cover and wing nuts)	1	28-10561 and up
-64	65142-00		AIR BOX ASSEMBLY - Carburetor (less filter housing)	1	28-10003 to 28-10560 inclusive
	65398-00		AIR BOX ASSEMBLY - Carburetor (less filter housing)	1	28-10561 and up
-64a	65142-07		VALVE ASSEMBLY - Air box	1	
-64b	65142-08		SHAFT ASSEMBLY- Air box	1	
-64c	434 129	W	GROMMET - (AN931-5-9)	2	28-10003 to 28-10560 inclusive
	434 134	C,W	GROMMET - (MS35489-11)	2	28-10561 and up
-64d	415 146	W	SCREW- (AN526-632R7)	3	
-64e	453 991	C	BUSHING - (PS10065-23)	2	28-10561 and up
-64f	407 566	W	WASHER - (AN960-516)	1	
	424 051	W	COTTER PIN - (MS24665-132)	1	
-65	65262-00		COVER ASSEMBLY - Filter	1	28-10003 to 28-10560 inclusive
	65403-00		COVER ASSEMBLY - Filter	1	28-10561 and up
-66	65263-00		HOUSING ASSEMBLY - Filter	1	28-10003 to 28-10560 inclusive
	65396-00		BOX ASSEMBLY - Filter	1	28-10561 and up
-66a	65399-00		DOUBLER - Air box	1	28-10561 and up
-67	65003-05		BUSHING	1	28-10003 to 28-10560 inclusive
-68	65235-00		BOLT	1	28-10003 to 28 10560 inclusive
	416 999	W	SCREW - (AN526-1032R16)	2	28-10561 and up
-69	460 632	W	AIR FILTER - (CA-161PL)	1	
-70	477 668		NUT - Wing (WC-02)	2	
-71	404 224	W	NUT - (AN315-3R)	2	
-72	407 564	W	WASHER - (AN960-10)	1	28-10003 to 28-10560 inclusive
	407 135		WASHER - (AN936-A10)	2	28-10561 and up
-73	65259-00		PLATE ASSEMBLY - Cowl closure	1	28-10003 to 28-10486 inclusive
-74	65260-00		ROD - Cowl closure	2	28-10003 to 28-10486 inclusive
-75	18622-00	W	OIL RADIATOR	1	28-10003 to 28-7210033 incl.
	16599-00		OIL RADIATOR	1	28-7310001 and up
-76	460 634	W	FILTER - Radio interference (NFIF247)	2	28-10003 to 28-10719 inclusive
-77	476 664	W	NIPPLE - (AN8168D)	1	

- A- Used on airplanes with serial number 28-10003, 28-10004, 28-10018, 28-10020 and 28-10021.
- B- Used on airplanes with serial numbers 28-10005 to 28-10017, 28-10019 and 28-10022 to 28-10486 inclusive.
- C- Used on aircraft which have a .625 hole in the Carburetor Air Box for the air box valve shaft grommets.
- W- These parts must be ordered from Service Spares Department, Piper Aircraft, Lock Haven, Penna.

When ordering, always specify Part Number, Description, and Serial Number of Aircraft

PIPER PARTS CATALOG

Figure and Index Number	Part Number	Code	NOMENCLATURE	No. Req.	SERIAL NUMBERS AFFECTED
66-78	458 898	CW	ELBOW - (AN822-8D)	2	
	558 908	B	ELBOW - (RA2000C-8)	2	
-79	484 349		REDUCER - (AN919-D)	1	
-80	86062-94	W	BUSHING - Oil radiator	4	
-81	400 463	W	BOLT - (AN3-40A)	4	28-10003 to 28-10152 inclusive
	400 464		BOLT - (AN3-41A)	4	28-10153 and up
-82	407 564	W	WASHER - (AN960-10) Bottom bolt	8	
	407 584	W	WASHER - (AN960-10L) Top bolt	8	
-83	404 887	W	NUT - (MS20365-1032C)	4	
-84	416 996	W	SCREW - Spinner (AN526-1032R10)	10	28-10003 to 28-10660 inclusive
	400 438	W	BOLT - Spinner (AN3-4A)	12	28-10661 to 28-7210033 incl.
-85	99289-00		CLAMP - Air duct	3	
-86	454 837		CLAMP - (#H-78000)	2	
-87	68778-00		ELBOW - Oil pressure hose	1	28-10667 and up
-88	491 055	W	UNION - (AN815-4)	1	28-10667 and up
-89	454 993		CLAMP - (#H-3-1160)	2	
-90	454 981	W	CLAMP - (#S-1-5160)	4	
-91	12693-04	AW	CABLE ASSEMBLY - Throttle	1	28-10003 to 28-11039 inclusive
-92	471 049	AW	KNOB - Throttle cable (#95 black)	1	28-10003 to 28-11039 inclusive
-93	63902-03		CABLE ASSEMBLY - Carburetor heat control	1	28-10003 to 28-10675 inclusive
	63902-16	A	CABLE ASSEMBLY - Carburetor heat control	1	28-10676 to 28-11039 inclusive
-94	471 084		KNOB - Heat control (#233 black)	1	28-10003 to 28-10675 inclusive
	65617-00	A	KNOB - Heat control	1	28-10676 to 28-11039 inclusive
-95	63902-08		CABLE ASSEMBLY - Mixture control	1	28-10003 to 28-10675 inclusive
	63902-17	A	CABLE ASSEMBLY - Mixture control	1	28-10676 to 28-11039 inclusive
-96	471 084		KNOB - Mixture control (#233 black)	1	28-10003 to 28-10675 inclusive
	65618-00	A	KNOB - Mixture control	1	28-10676 to 28-11039 inclusive
-97	63915-03	A	DISC - Firewall seal	2	28-10003 to 28-11039 inclusive
-98	63915-04	A	DISC - Firewall seal	2	28-10003 to 28-11039 inclusive
-99	18321-00	AW	PLATE - Firewall	4	28-10003 to 28-11039 inclusive
-100	70371-02	AW	FITTING - Swivel	1	28-10003 to 28-11039 inclusive
-101	70371-03	AW	STUD	2	28-10003 to 28-11039 inclusive
-102	91193-00	AW	FITTING	1	28-10003 to 28-11039 inclusive
-103	62978-00	A	CLAMP - Carburetor heat control cable	1	28-10003 to 28-11039 inclusive
-104	62833-07	A	WASHER - Carburetor heat control cable	1	28-10003 to 28-11039 inclusive
-105	63916-02	A	CLAMP	1	28-10003 to 28-11039 inclusive
-106	554 860	A	CLAMP - Throttle control cable (#RA-4400-1)	2	28-10003 to 28-11039 inclusive
-107	554 890	A	CLAMP - Carburetor heat control cable (MS122901)	1	28-10003 to 28-11039 inclusive
-108	401 918	W	BOLT - Air box attaching (AN74A-3)	4	
	407 136	W	WASHER - Air box attaching (AN936-A416)	4	
-109	63684-04		GASKET - Carburetor air box	1	
-110	65210-00	A	BRACKET - Engine controls	1	28-10003 to 28-11039 inclusive

- A- See Figure 57B or 57C Engine Controls Installation for serial numbers 28-11040 and up.
- B- Used when Stewart-Warner Oil Radiator #8406-F is installed.
- C- Used when Stewart-Warner Oil Radiator #8406-A is installed.
- W- These parts must be ordered from Service Spares Department, Piper Aircraft, Lock Haven, Penna.

When ordering, always specify Part Number, Description, and Serial Number of Aircraft

PIPER PARTS CATALOG

Figure and Index Number	Part Number	Code	NOMENCLATURE	No. Req.	SERIAL NUMBERS AFFECTED
66-111	401 310	W	BOLT - Spinner bulkhead (A N4- 10A)	12	
	407 585	W	WASHER - Spinner bulkhead (AN960-416L)	12	
	404 888	W	NUT - Spinner bulkhead (MS2035-428C)	12	
-112	85012-47	W	WASHER - Spinner	10	28-10003 to 28-10660 inclusive
-113	416 996	B,W	SCREW - (AN526-1032R10)	10	
	407 584	B,W	WASHER - (AN960-10L)	10	
-114	487 587	A,W	STUD - (2600-5)	8	
	494 057	A,W	WASHER - (2600-SW2)	8	
-115	487 598	A,W	STUD - (2600-7)	2	
	494 057	A,W	WASHER - (2600-SW2)	2	
-116	487 585	W	STUD - (2600-3)	4	28-10003 to 28-10486 incl.
	494 057	C,W	WASHER - (2600-SW2)	4	
-117	65202-00		FASTENER ASSEMBLY - Top cowl	4	28-10003 to 28-10755 inclusive
	65202-05		FASTENER ASSEMBLY - Top cowl	4	28-10756 to 28-7210033 incl.
-118	480 685		PIN - (99836)	1	28-10003 to 28-10755 inclusive
	484 428		RETAINER - (85-34 101-20)	1	28-10756 to 28-7210033 incl.
-119	487 673		STUD - (W98292-2-250)	1	28-10003 to 28-10755 inclusive
	487 719		STUD - (5-W-260)	1	28-10756 to 28-7210033 incl.
-120	66634-02	D	GOVERNOR - Hartzell (F-4-3A)	1	28-7310001 to 28-7510082, 28-7510085 inclusive
	66634-10		GOVERNOR - Hartzell (F-4-13)	1	28-7510083, 28-7510084, 28-7510086 and up
-121	67790-00		SPINNER SHELL - Propeller	1	28-7310001 and up
-122	67791-00		BULKHEAD ASSEMBLY - Spinner, aft	1	28-7310001 and up
-123	67793-00		BULKHEAD ASSEMBLY - Spinner, front	1	28-7310001 and up
-124	79038-00		TEE - Bulkhead fitting	1	28-7510001 and up
-125	587 961		SWITCH (M-4011-35)	1	28-7510001 and up
-126	407 591	W	WASHER- (AN960-716L)	1	28-7510001 and up
	477 629	W	NUT - (AN924-4)	1	28-7510001 and up
-127	587 990	E	SWITCH - (M-4006-4)	1	28-7610001 and up
-128	588 469	E	TEE - (1/8 MMS-S)	1	28-7610001 and up
-129	415 379		SCREW - (MS51958-63)	28	28-7310001 and up
	494 227		WASHER - Fiber (PS10063-2)	28	28-7310001 and up

- A - Used on airplanes with serial numbers 28-10003, 28-10004, 28-10018, 28-10020 and 28-10021.
- B - Used on airplanes with serial numbers 28-10487 and up.
- C - Used on airplanes with serial numbers 28-10005 to 28 10017 inclusive, 28-10019 and 28-10020 to 28-10486 inclusive.
- D - Order part for serial number 28-7510083, 28-7510084, 28 7510086 and up if Lycoming serial number on engine includes Suffix "A".
- E - Used if engine hour meter is installed.
- W - These parts; must be ordered from Service Spares Department, Piper Aircraft, Lock Haven, Penna.

When ordering, always specify Part Number, Description, and Serial Number of Aircraft

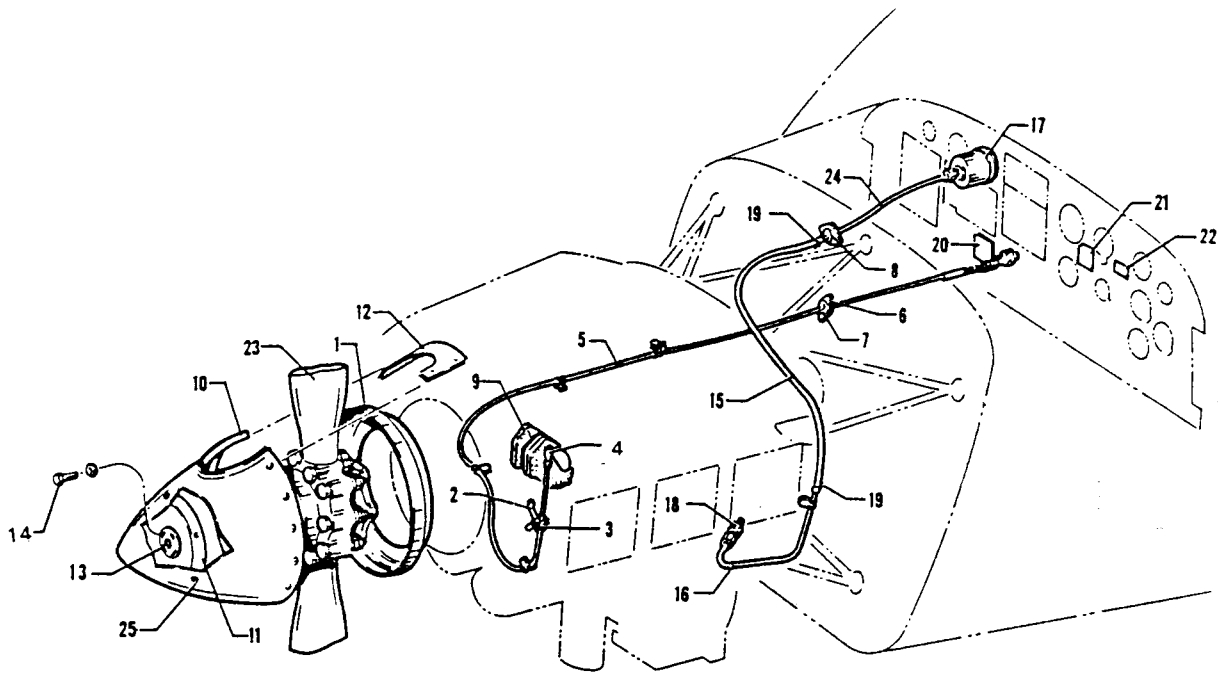


Figure 67. Constant Speed Propeller Installation
(PA-28-235 - Serial Nos. 28-10166 to 28-11039 inclusive)

PIPER PARTS CATALOG

Figure and Index Number	Part Number	Code	NOMENCLATURE	No. Req.	SERIAL NUMBERS AFFECTED
67-	65436 65215 65437 65446		DRAWING - Constant Speed Propeller Installation DRAWING - Engine Controls Installation DRAWING - Instruments Installation DRAWING - Instruments Installation		28-10166 to 28-10486 incl. 28-10487 to 28-11039 incl.
-1	16444-00 67791-00	W A	BULKHEAD ASSEMBLY - Spinner BULKHEAD ASSEMBLY - Spinner	1 1	28-10166 to 28-10660 incl. 28-10661 to 28-11039 incl.
-2	69546-00		BRACKET ASSEMBLY - Control cable	1	
-3	18219-02	W	CLAMP	1	
-4	31747-00	W	JOINT- Ball	1	
-5	22633-02 65451-02	W W	CABLE ASSEMBLY - Governor control CABLE ASSEMBLY - Governor control	1 1	28-101 66 to 28-10486 incl. 28-10487 to 28-11039 incl.
-6	18321-00	W	PLATE - Firewall disc	2	
-7	63915-09		DISC - Firewall seal	2	
-8	63915-10		DISC - Firewall seal	2	
-9	66634-02 66634-10	C D	GOVERNOR- Hartzell (F-4-3A) GOVERNOR - Hartzell (F-4-3A)	1 1	
-10	65435-00 67790-00	 A	SPINNER - Propeller (complete) SPINNER SHELL - Propeller	1 1	28-10166 to 28-10660 incl. 28-10166 to 28-11039 incl.
-11	67793-00	A	BULKHEAD ASSEMBLY - Spinner, forward	1	28-10166 to 28-11039 incl.
-12	67794-00	A	CUFF - Spinner	2	28-10166 to 28-11039 inclusive
-13	99499-00	A	PLATE - Spinner	1	28-10166 to 28-11039 inclusive
-14	401 301 407 565	A A,W	BOLT- (AN4H3A) WASHER - (AN960-416)	4 8	28-10166 to 28-11039 inclusive 28-10166 to 28-11039 incl.
-15	63913-48		HOSE - Flexible, manifold pressure gauge	1	
-16	65438-00		TUBE ASSEMBLY - Manifold pressure gauge	1	
-17	761 118	W	GAUGE-Malifold pressure	1	
-18	460 685	W	CONNECTOR - (W/H 200 x 4)	1	
-19	454 983	W	CLAMP - (SAE 8)	2	
-20	11199-08	W	PLATE - Cover	1	
-21	62346-00 69061-00		PLACARD - Take-off check list (2 x 2 3/16") PLACARD - Take-off check list (1-1/4" x 4")	1 1	
-22	62347-00 69164-02		PLACARD - LandIng check list PLACARD - LandIng check list	1 1	28-10166 to 28-10719 inclusive 28-10720 to 28-11039 inclusive
-23	550 938	B	PROPELLER - (Hartzell HC-C2YK-1BF/F8468A-4)	1	
-24	65152-10 65466-00		TUBE ASSEMBLY - Manifold pressure gauge TUBE ASSEMBLY - Manifold pressure gauge	1 1	28-10166 to 28-10486 inclusive 28-10487 to 28-11039 inclusive
-25	417 694 494 227	W	SCREW - (AN526C1032R8) WASHER - Fiber (PS10063-2)	28 28	28-10661 to 28-11039 inclusive 28-10661 to 28 11039 inclusive

- A- If existing spinner is constructed of fiberglass, order Spinner Replacement Kit 760 452.
- B- See Figure 67B for component parts.
- C- Used if Lycoming serial number on engine does not include Suffix "A".
- D- Used if Lycoming serial number on engine includes Suffix "A"
- W- These parts must be ordered from Service Spares Department, Piper Aircraft, Lock Haven, Penna.

When ordering, always specify Part Number, Description, and Serial Number of Aircraft

PIPER PARTS CATALOG

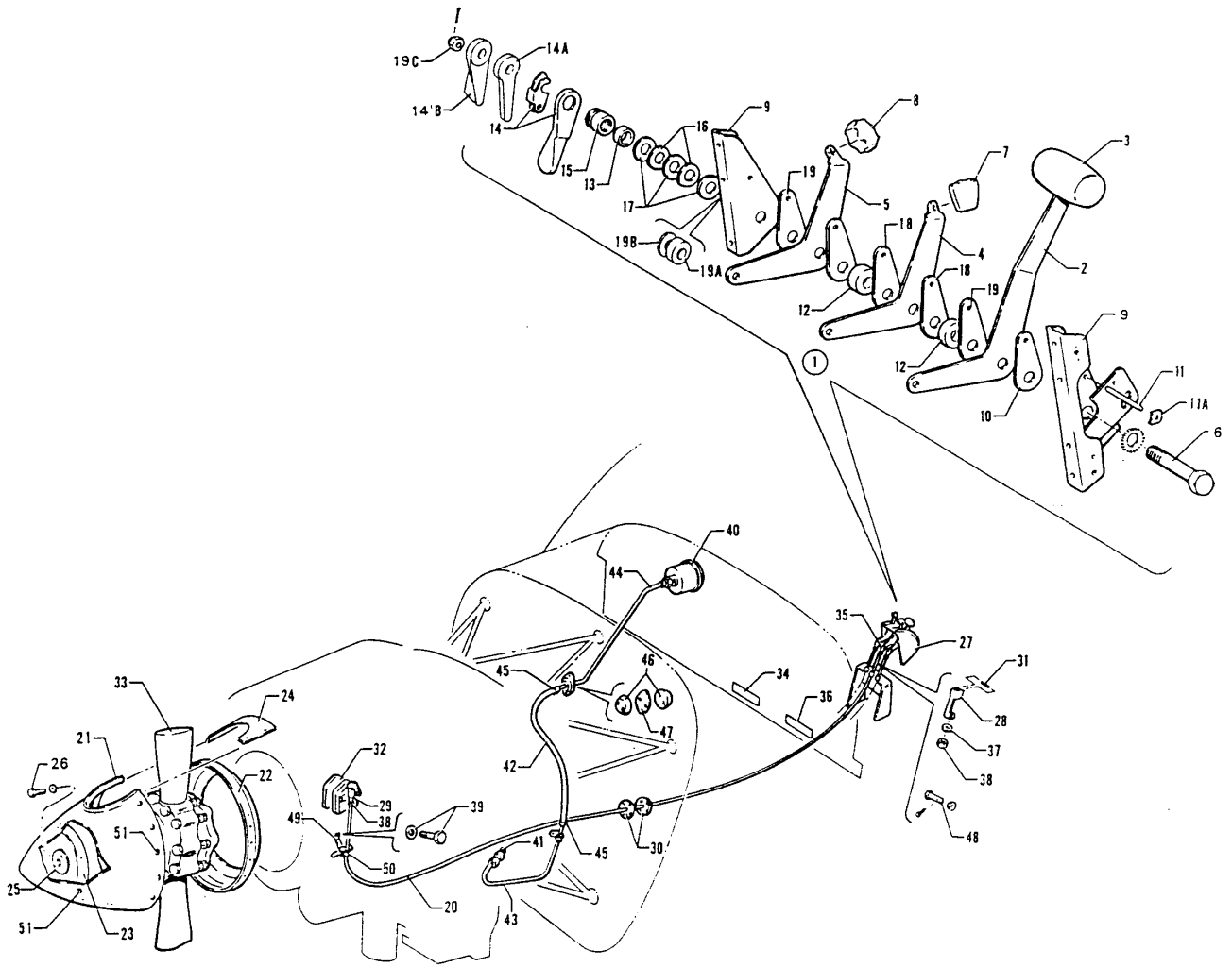


Figure 67A. Constant Speed Propeller Installation
(PA-28-235 - Serial Nos. 28-11040 to 28-7210033 inclusive)

PIPER PARTS CATALOG

Figure and Index Number	Part Number	Code	NOMENCLATURE	No. Req.	SERIAL NUMBERS AFFECTED
67A-	69258 69264		DRAWING - Constant Speed Propeller Installation DRAWING - Manifold Pressure Gauge Installation		
-1	67210-02		QUADRANT ASSEMBLY - Control	1	
-2	67223-00		LEVER ASSEMBLY - Throttle	1	
-3	66979-00		* * KNOB - Throttle lever (571 129)	1	
-4	67213-00		* LEVER - Propeller control	1	
-5	67214-00		* LEVER - Mixture control	1	
-6	418 457	B	* SCREW - Cap (MS35291-42)	1	
	400 749	C	* BOLT - (AN25-52)	1	
	400 171	D,W	* BOLT - (AN5-30)	1	
-7	24047-00	W	* KNOB - Propeller control (571 043)	1	
-8	24048-00	W	* KNOB - Mixture control (571 044)	1	
-9	67215-00	B	* BRACKET ASSEMBLY - Quadrant, left	1	
	67215-03	C,D	* BRACKET ASSEMBLY - Quadrant, left	1	
	67216-00		* BRACKET ASSEMBLY - Quadrant, right	1	
-10	67218-00		* PLATE - Quadrant control, friction	2	
-11	67221-00		* PIN - Quadrant friction plate	1	
-11a	406 345	W	* NUT - (A109-014-1)	2	
-12	68699-06		* SPACER - Quadrant control (.432" thick)	2	
	68699-10		* SPACER - Quadrant control (.400" thick)	2	
-13	62714-04		* BEARING - Quadrant control (3/8" O.D.)	1	
	63900-121		* BEARING - Quadrant control (7/16" O.D.)	1	
-14	24358-00	W	* HANDLE ASSEMBLY - Quadrant adjusting (2.75" L)	1	
-14a	66773-00		* HANDLE - Quadrant adjusting (2.72" L)	1	
-14b	63039-04		* HANDLE - Quadrant adjusting (2.94" L)	1	
-15	24357-00	B,W	* NUT - Quadrant adjusting	1	
-16	408 815	W	* WASHER - (#3502-18-04)	2	
-17	407 586	W	* WASHER - (AN960-516L)	AR	
-18	67218-00		* PLATE - Quadrant control, friction	2	
	62833-50		* WASHER - Quadrant control, friction	2	
-19	67218-00		* PLATE - Quadrant control, friction (.031" thick)	2	
	67218-02		* PLATE - Quadrant control, friction (.062" thick)	2	
-19a	66774-00	C,D	* CAM - Quadrant adjusting	1	
-19b	62833-46	C,D	* WASHER - (.032" thick)	1	
-19c	404 394	C,D,W	* NUT - (AN320-5)	1	
	424 051	C,D,W	* COTTER PIN - (MS24665-132)	1	
-20	455 344		CONTROL ASSEMBLY - Governor (PS50146-13-11)	1	
-21	67790-00	A	SPINNER SHELL - Propeller	1	
-22	67791-00	A	BULKHEAD ASSEMBLY - Spinner, aft	1	
-23	67793-00	A	BULKHEAD ASSEMBLY - Spinner, forward	1	
-24	67794-00	A	CUFF - Spinner	2	
-25	99499-00	A	PLATE - Spinner	1	
-26	401 301	A	BOLT - (AN4H3A)	4	
	407 565	A,W	WASHER - (AN960-416)	8	
-27	67232-06		COVER ASSEMBLY - Engine controls, brown	1	28-11040 to 28-11300 inclusive
	67232-07		COVER ASSEMBLY - Engine controls, blue	1	28-11040 to 28-11393 inclusive
	67232-08		COVER ASSEMBLY - Engine controls, red	1	
	67232-09		COVER ASSEMBLY - Engine controls, tan	1	
	67232-17		COVER ASSEMBLY - Engine controls, white	1	28-11301 to 28-7210033 incl.
	67232-18		COVER ASSEMBLY - Engine controls, black	1	28-11301 to 28-7210033 incl.
	67232-20		COVER ASSEMBLY - Engine controls, green	1	28-11301 to 28-7210033 inclusive
	67232-24		COVER ASSEMBLY - Engine controls, blue/green	1	28-7110001 to 28-7210033 incl.
			A - If existing spinner is constructed of fiberglass, order Spinner Replacement Kit 760 452.		
			B - Used if a 2.75" L quadrant adjusting handle assembly (P/N 24358-00) is installed.		
			C - Used if a 2.72" L quadrant adjusting handle (P/N 66773-00) is installed.		
			D - Used If a 2.94"L quadrant adjusting handle (P/N 63039 04) is installed.		
			W - These parts must be ordered from Service Spares Department, Piper Aircraft, Lock Haven, Penna.		

When ordering, always specify Part Number, Description, and Serial Number of Aircraft

PIPER PARTS CATALOG

Figure and Index Number	Part Number	Code	NOMENCLATURE	No. Req.	SERIAL NUMBERS AFFECTED
67A-28	24123 00	W	TERMINAL - Clevis tie rod	1	28-11040 to 2-11050 inclusive
-29	31747-00	W	JOINT ASSEMBLY - Ball	1	
-30	63915-20		DISC - Firewall seal	2	28-11040 to 2-11050 inclusive
-31	86092-82	W	PIN - Clevis tie rod	1	
-32	66634-02	B	GOVERNOR - Hartzell (F-4-3A)	1	
	66634-10	C	GOVERNOR- Hartzell (F4-13)	1	
-33	550 938	A	PROPELLER - (Hartzell HC-C2YK-1BF/F8468A-4)	1	
-34	69246-00		PLACARD - Landing check list (woodgrain)	1	
	66993-00		PLACARD - Landing check list (dull black)	1	
	99807-00		PLACARD - Landing check list (dull black)	1	
-35	488 327	W	TERMINAL- (AN665-21R)	1	
-36	69245-00		PLACARD - Take-off check list (woodgrain)	1	
	66994-00		PLACARD - Take-off check list (dull black)	1	
	99808-00		PLACARD -Take-off check list (dull black)	1	
-37	407 104	W	WASHER- (AN935-10)	1	28-1 1040 to 28-11300 inclusive 28-11301 to 28-7110042 incl. 28-7210001 to 28-7210033 incl.
-38	404 224	W	NUT - (AN315-3R)	2	
-39	418 420	W	SCREW - Cap (1/4-20NC-3 x 1/2)	1	
	407 105	W	WASHER- (AN935-416)	1	
-40	751 118	W	GAUGE - Manifold pressure	1	
-41	460 685	W	CONNECTOR - (W/H 200 x 4)	1	
-42	63913-69		HOSE - Manifold pressure gauge	1	
-43	65438-00		TUBE ASSEMBLY - Manifold pressure gauge	1	
-44	67700-41		TUBE ASSEMBLY - Manifold pressure gauge	1	
-45	454 983	W	CLAMP - (SAE 8)	2	
-46	68770-06		GROMMET- Firewall seal	2	
-47	68771-08		GASKET- Firewall seal	1	
-48	524 145		PIN - (MS20392-2C11)	1	
	407 584	W	WASHER- (AN960-10L)	1	
	424 050	W	COTTER PIN - (AN380-2-1)	1	
-49	69546-00		BRACKET ASSEMBLY - Control cable	1	
-50	18219-02	W	CLAMP - Control cable bracket	1	
-51	417 694	W	SCREW - (AN526C1032R8)	28	
	494 227		WASHER - Fiber (PS10063-2)	28	

- A- See Figure 67B for component parts,
- B- Used if Lycoming serial number on engine does not include Suffix "A".
- C- Used if Lycoming serial number on engine includes Suffix "A".
- W- These parts must be ordered from Service Spares Department, Piper Aircraft, Lock Haven, Penna.

When ordering, always specify Part Number, Description, and Serial Number of Aircraft

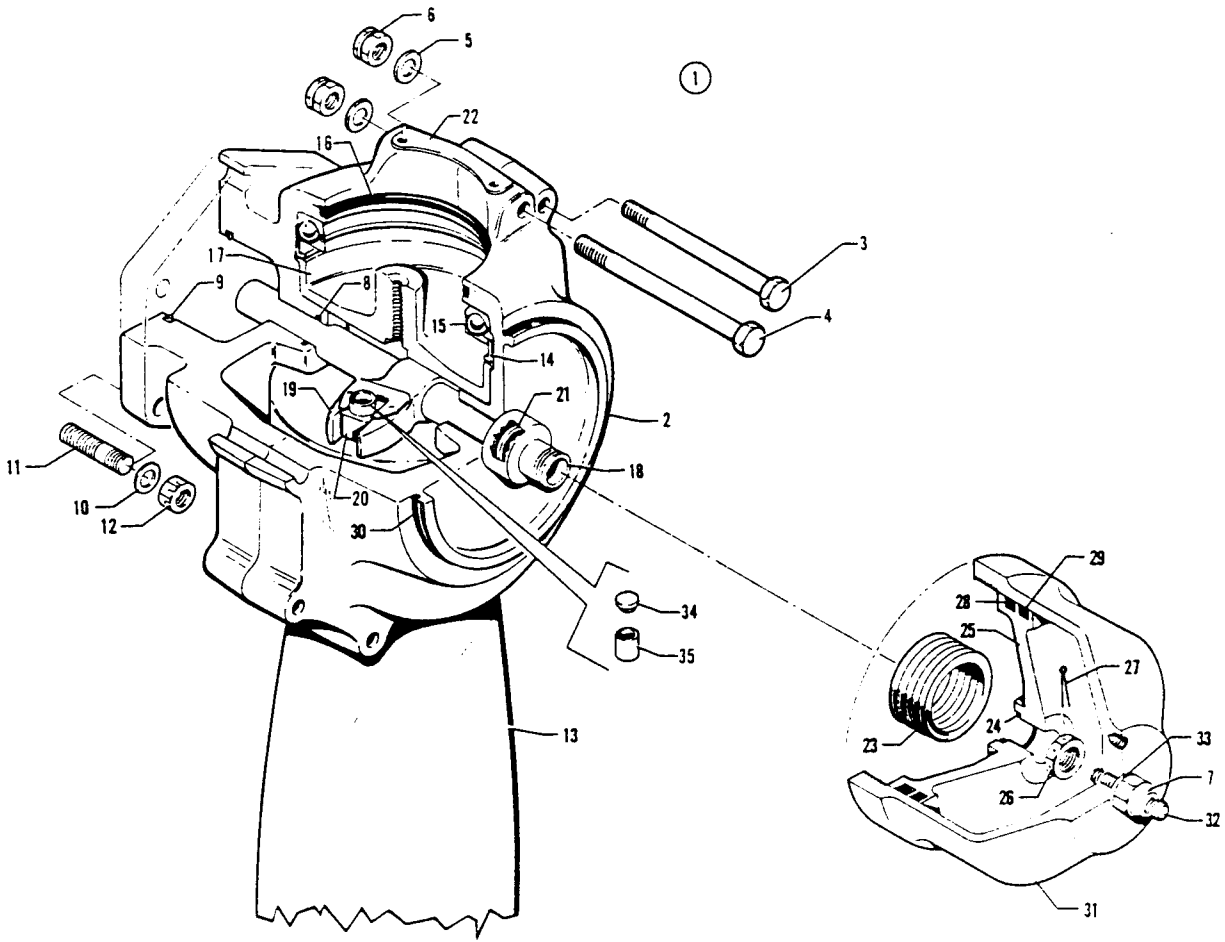


Figure 67B. Propeller Assembly (Hartzell)

PIPER PARTS CATALOG

Figure and Index Number	Part Number	Code	NOMENCLATURE	No. Req.	SERIAL NUMBERS AFFECTED
67B-1	450 977	A,E	PROPELLER ASSEMBLY - Hartzell (HC-C2YK- 1 /8468A-4)	1	
	550 938	A	PROPELLER ASSEMBLY - Hartzell (HC-C2YK-1BF/F8468A-4)	1	
	450 904	B,F	PROPELLER ASSEMBLY - Hartzell (HC-C2YK-1B/7666A-0)	1	
	550 934	B	PROPELLER ASSEMBLY - Hartzell (HC-C2YK-1BF/F7666A-0)	1	
	550 906	C,G	PROPELLER ASSEMBLY - Hartzell (HC-C2YK-1B/7666A-2)	1	
	550 935	C	PROPELLER ASSEMBLY - Hartzell (HC-C2YK-1BF/F7666A-2)	1	
-2	752 020	H,J,K,W	HUB ASSEMBLY - Propeller (D-2201-3)	1	
	755 222	L,M,N,W	HUB ASSEMBLY - Propeller (D-2201-17)	1	
-3	753 461	W	BOLT - Hex head (A-2431)	6	
-4	758 111	W	BOLT - Hex head (A-2432)	4	
-5	407 567	W	WASHER - (AN960-616)	10	
-6	752 511	W	NUT - Elastic (A-2043)	10	
-7	752 534	W	NUT - (52NTE-064)	1	
-8	755 932	W	"O" RING - Rod (PRP-902-13)	1	
-9	755 800	W	"O" RING - Rod (PRP-909-6)	1	
-10	756 626	W	WASHER - (A-1381)	6	
-11	757 583	W	STUD - Flange (A-2067)	6	
-12	752 533	W	NUT - Castle (A-2069)	6	
-13	758 147	H	BLADE - Propeller (8468A-4)	2	
	758 221	L	BLADE - Propeller (F8468A-4)	2	
	758 156	J	BLADE - Propeller (7666A-0)	2	
	758 222	M	BLADE - Propeller (F7666A-0)	2	
	758 157	K	BLADE - Propeller (7666A-2)	2	
	758 223	N	BLADE - Propeller (F7666A-2)	2	
-14	755 968	W	RING - Bearing guide (A-2204)	2	
-15	753 463	W	BEARING - Blade, split (A-2202)	2	
-16	755 934	W	"O" RING - Blade (PRP-902-42)	2	
-17	757 249	W	PRELOAD PLATE UNIT - (B-2256)	2	
-18	757 336	A	ROD - Piston (A-2418)	1	
	755 993	D,W	ROD - Piston (A-2418-2)	1	
			A- Used on PA-28-235 airplanes only.		
			B- Used on PA-28R-180 airplanes only.		
			C- Used on PA-28R-200 airplanes only.		
			D- Used on PA-28R-180 and PA-28R-200 airplanes only.		
			E- Propeller Assembly not available. Order P/N 550 938.		
			F- Propeller Assembly not available. Order P/N 550 934.		
			G- Propeller Assembly not available. Order P/N 550 935.		
			H- Used with Hartzell Propeller Assembly (HC-C2YK-1/8468A-4).		
			J- Used with Hartzell Propeller Assembly (HC-C2YK-1B/7666A-0).		
			K- Used with Hartzell Propeller Assembly (HC-C2YK-1B/7666A-2).		
			L- Used with Hartzell Propeller Assembly (HC-C2YK-1BF/F8468A-4).		
			M- Used with Hartzell Propeller Assembly (HC-C2YK-1BF/F7666A-0).		
			N- Used with Hartzell Propeller Assembly (HC-C2YK-1 BF/F7666A-2).		
			W- These parts must be ordered from Service Spares Department, Piper Aircraft, Lock Haven, Penna.		

When ordering, always specify Part Number, Description, and Serial Number of Aircraft

PIPER PARTS CATALOG

Figure and Index Number	Part Number	Code	NOMENCLATURE	No. Req.	SERIAL NUMBERS AFFECTED
67B-19	754 814	H	FORK UNIT - Pitch change (B-2410)	1	
	751 820	B,C,W	FORK UNIT - Pitch change (B-2457-2)	1	
	754 826	E,F,G,W	FORK UNIT - Pitch change (B-2457-3)	1	
-20	753 464	B,C,H,W	BLOCK - Pitch change (A-2217-1)	2	
	753 465	B,C,H,W	BLOCK - Pitch change (A-2217-2)	2	
	758 204	E,F,G,W	BLOCK - Pitch change (A-2217-3)	2	
-21	755 972	W	SPLIT - Retainer (A-2430)	1	
-22	756 607	W	WEIGHTS - Balance (A-2424)	AR	
-23	757 555	A,W	SPRING - (A-2213)	1	
	757 556	D,W	SPRING - (A-2213-1)	1	
-24	755 995	W	"O" RING - Piston seal (PRP-914-6)	1	
-25	757 302	W	PISTON - (B-2419)	1	
-26	752 513	W	NUT - Rod (A-2211)	1	
-27	424 061	W	COTTERPIN - (AN380-3-5)	1	
-28	755 994	W	"O" RING - Piston (PRP-902-51)	1	
-29	757 557	W	SEAL - Felt (B-1843)	1	
-30	755 935	W	"O" RING - Cylinder (PRP-909-25)	1	
-31	757 827	A,W	CYLINDER - (B-2428)	1	
	757 828	D,W	CYLINDER - (B-2428-1)	1	
-32	757 558	W	SCREW - Low stop (A-2421)	1	
-33	757 559	W	SEAL - Parker (7000-3/8)	1	
-34	758 282	E,F,G	BUTTON - Propeller(A-3212-1)	1	
-35	758 280	E,F,G	BUSHING - Propeller (A-2413-2)	1	

- A - Used on PA-28-235 airplanes only-
- B - Used with Hartzell Propeller Assembly (HC-C2YK-1B/7666A-0)-
- C - Used with Hartzell Propeller Assembly (HC-C2YK-1B/7668A-2),
- D - Used on PA-28R-180 and PA-28R-200 airplanes only.
- E - Used with Hartzell Propeller Assembly (HC-C2YK-1BF/F8468A-4),
- F - Used with Hartzell Propeller Assembly (HC-C2YK-1BF/F7666A-0),
- G - Used with Hartzell Propeller Assembly (HC-C2YK-1BF/F7666A-2).
- H - Used with Hartzell Propeller Assembly (HC-C2YK-1/8468A-4).
- W- These parts must be ordered from Service Spares Department, Piper Aircraft, Lock Haven, Penna.

When ordering, always specify Part Number, Description, and Serial Number of Aircraft

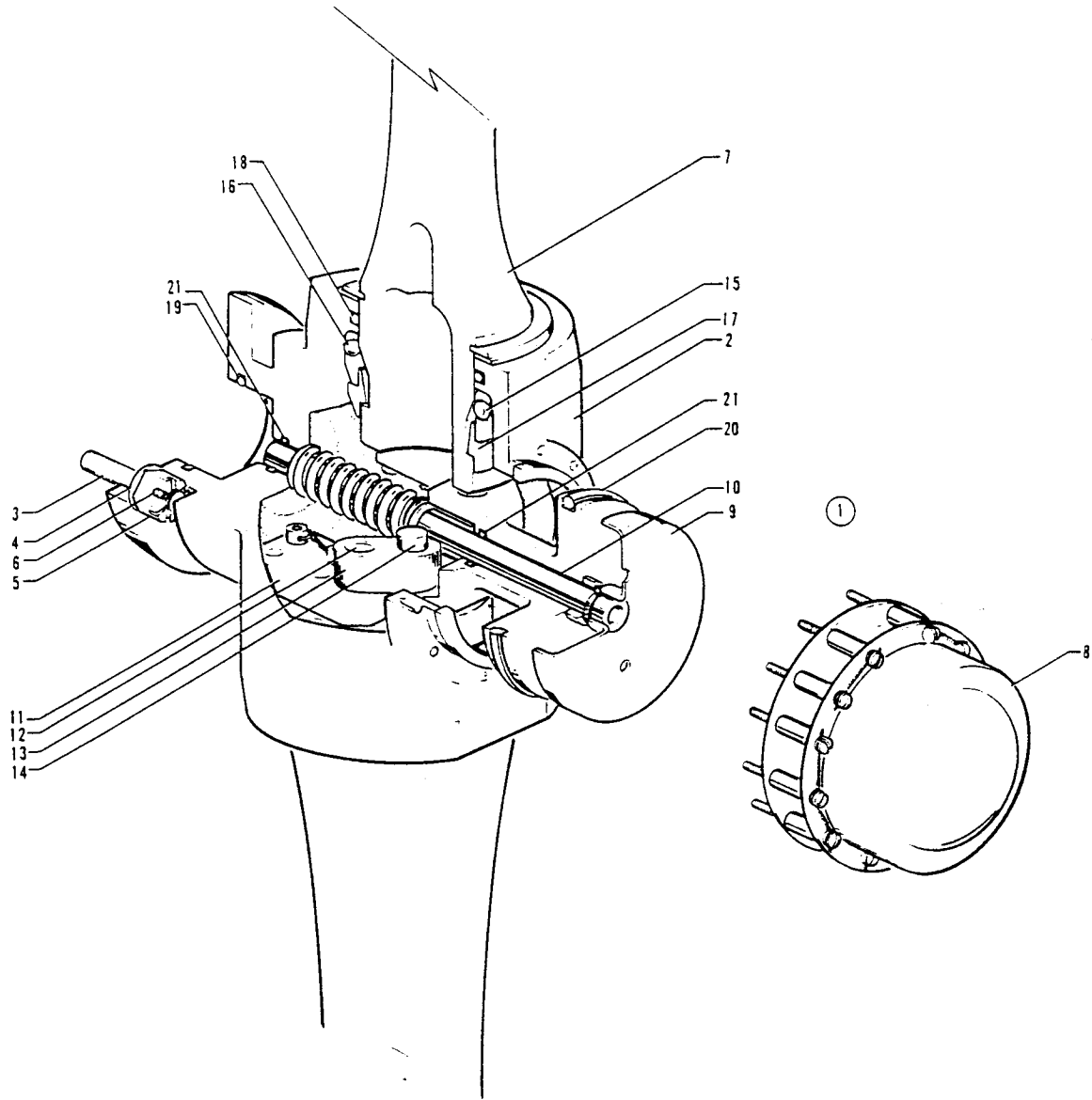


Figure 67C. Propeller Assembly (McCauley)

PIPER PARTS CATALOG

Figure and Index Number	Part Number	Code	NOMENCLATURE	No. Req.	SERIAL NUMBERS AFFECTED
67C-1	550 974		PROPELLER ASSEMBLY - McCauley (B2D34C213/90DHA-16)	1	
-2	755 278		HUB ASSEMBLY - Propeller (C-4326/C213)	1	
-3	762 319		STUD - Propeller mounting (B-3121)	6	
-4	756 689		WASHER - (A-1638-10)	6	
-5	752 572		NUT - (A-1639-9)	6	
-6	762 564		ROLL PIN - (A-3150-1)	6	
-7	758 396		BLADE - Propeller (90DHA-16)	2	
-8	763 217		CYLINDER - (C-4545)	1	
-9	763 413		PISTON - Blade actuating (C-3418)	1	
-10	761 984		TUBE - Piston rod (B-2345)	1	
-11	763 005		ACTUATING PIN AND BASE ASSEMBLY - (B-3905)	2	
-12	763 414		PIN - Dowel (A-2973-8)	1	
-13	761 206		LINK - Blade actuating (A-3902)	2	
-14	763 412		PIN - Piston rod (B-3414)	2	
-15	762 318		SEPARATOR - Ball (B-4014)	80	
-16	758 395		BALL- Bearing (A-1634-6)	80	
-17	762 563		RETAINER - Split (C3903) (matched pairs)	2	
-18	752 591		"O" RING - (A-1633-37)	2	
-19	752 592		"O" RING - (A-1633-11)	1	
-20	752 593		"O" RING - (A-1633-12)	1	
-21	752 594		"O" RING - (A-1633-9)	2	

When ordering, always specify Part Number, Description, and Serial Number of Aircraft

PIPER PARTS CATALOG

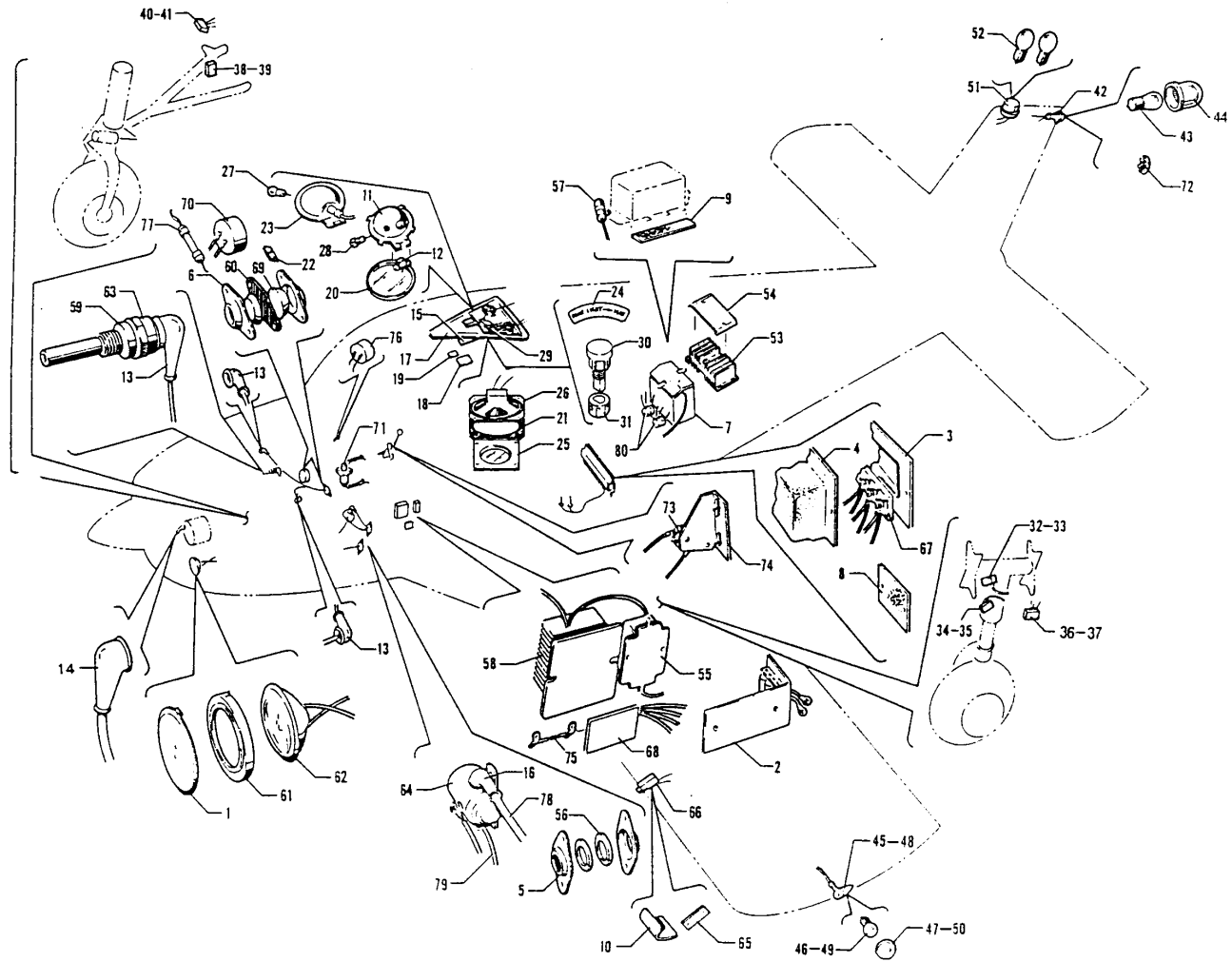


Figure 68. Electrical System Installation

PIPER PARTS CATALOG

Figure and Index Number	Part Number	Code	NOMENCLATURE	No. Req.	SERIAL NUMBERS AFFECTED
68-	63851	A	DRAWING - Electrical System Installation		28-1 to 28-1410 inclusive
	62166	A	DRAWING - Electrical System Installation		28-1411 to 28-1760 inclusive
	65131	B	DRAWING - Electrical System Installation		28-10003 to 28-10486 inclusive
	62270	C	DRAWING - Electrical System Installation		28-20002 to 28-24999 inclusive
	66700	C	DRAWING - Electrical System Installation		28-25000 to 28-7425454 incl.
	79325	C	DRAWING - Electrical System Installation		28-7525001 and up
	63083	A	DRAWING - Electrical System Installation		28-1761 to 28-4377 inclusive
	65450	B	DRAWING - Electrical System Installation		28-10487 to 28-10719 inclusive
	65582	B	DRAWING - Electrical System Installation		28-10720 to 28-11039 inclusive
	67450	G	DRAWING - Electrical System Installation		
	76457	F	DRAWING - Electrical System Installation		28R-7535001 and up
	65854	E	DRAWING - Electrical System Installation		28-4378 to 28-7405290 incl.
	76454	E	DRAWING - Electrical System Installation		28-7505001 and up
	69265	B	DRAWING - Electrical System Installation		28-11040 to 28-7410120 incl.
	76460	B	DRAWING - Electrical System Installation		28-7510001 and up
-1	12761-02	W	COVER ASSEMBLY - Landing light opening	1	
-2	65359 00	J	FILTER ASSEMBLY - Voltage regulator	1	
-3	67404-02	D,E	COVER - Terminal strip	1	28-4378 and up
	67404-02	B	COVER - Terminal strip	1	28-11040 and up
	67404-02	C	COVER - Terminal strip	1	28-25000 and up
-4	67404-03	D,E	COVER - Terminal strip	1	28-4378 and up
	67404-03	B	COVER - Terminal strip	1	28-11040 and up
	67404-03	C	COVER - Terminal strip	1	28-25000 and up
-5	18321-00	W	PLATE - Firewall seal	4	
-6	66789-00	D,E	PLATE - Firewall seal	2	28-4378 and up
	66789-00	B	PLATE - Firewall seal	2	28-11040 and up
	66789-00	C	PLATE - Firewall seal	2	28-25000 and up
-7		H	BATTERY INSTALLATION	1	
-8	63858-00	A	PLATE - Insulating	1	28-1 to 28-4377 inclusive
	63858-00	C	PLATE - Insulating	1	28-20002 to 28-24999 inclusive
	63858-00	B	PLATE - Insulating	1	28-10003 to 28-11039 inclusive
-9	63859-00	A	PLATE - Insulating, voltage regulator	1	28-1 to 28-507 inclusive
-10	19807-00	W	PLATE - Lift detector mounting	1	
-11	66632-00		REFLECTOR ASSEMBLY - Dome light	1	
-12	487 777	W	SWITCH - (5518)	1	
-13	23969-02	W	NIPPLE - Electrical	4	
-14	23969-03	W	NIPPLE - Electrical	5	
		A-	Used on PA-28-150, PA-28-160 and PA-28-180 - airplanes only.		
		B-	Used on PA-28-235 airplanes only.		
		C-	Used on PA-28-140 airplanes only.		
		D-	Used on PA-28R-180 and PA-28R-200 airplanes only.		
		E-	Used on PA-28-180 airplanes only.		
		F-	Used on PA-28R-200 airplanes only.		
		G-	Used on PA-28R-180 with serial numbers 28R-30005 to 28R-7130019 inclusive, and PA-28R-200 with serial numbers 28R-30482, 28R-35001 to 28R-7435331 inclusive.		
		H-	See Figure 73B for component parts.		
		J-	Used on PA-28-140 with serial numbers 28-20002 to 28-24999 inclusive, PA-28-150, PA-28-160 and PA-28-180 with serial numbers 28-1441 to 28-3377 inclusive, and PA-28-235 with serial numbers 28-10153 to 28-10719 inclusive		
		W-	These parts must be ordered from Service Spares Department, Piper Aircraft, Lock Haven, Penna.		

When ordering, always specify Part Number, Description, and Serial Number of Aircraft

PIPER PARTS CATALOG

Figure and Index Number	Part Number	Code	NOMENCLATURE	No. Req.	SERIAL NUMBERS AFFECTED
68-15	99121-00	K	PLACARD ASSEMBLY - Alternate static correlation	1	
-16	66580-02		NIPPLE - Terminal (476 695)	1	
-17	63428-02	C,E	PANEL ASSEMBLY - Cabin light, brown	1	28-20002 to 28-21045 inclusive
	63428-02	A,E	PANEL ASSEMBLY - Cabin light, brown	1	28-1 to 28-1760 inclusive
	63428-03	C,F	PANELASSEMBLY - Cabin light, brown	1	28-20002 to 28-21045 inclusive
	63428-03	A,F	PANEL ASSEMBLY - Cabin light, brown	1	28-1 to 28-1760 inclusive
	63428-04	C,F	PANEL ASSEMBLY - Cabin light, gray	1	28-20002 to 28-21045 inclusive
	63428-04	A,F	PANEL ASSEMBLY - Cabin light, gray	1	28-671 to 28-1760 inclusive
	63428-05	C,E	PANEL ASSEMBLY - Cabin light, gray	1	28-20002 to 28-21045 inclusive
	63428-05	A,E	PANEL ASSEMBLY - Cabin light, gray	1	28-671 to 28-1760 inclusive
	63428-06	F,G	PANEL ASSEMBLY - Cabin light, sand	1	
	63428-07	E,G	PANEL ASSEMBLY - Cabin light, sand	1	
	63428-08	C,E	PANEL ASSEMBLY - Cabin light, sand	1	28-25000 to 28-7125194 incl.
	63428-11	C,J	PANEL ASSEMBLY - Cabin light, sand	1	28-7125001 to 28-7125194 incl.
	63428-09	C,F	PANEL ASSEMBLY - Cabin light, sand	1	28-25000 to 28-26400 inclusive
	63428-10	C,F	PANELASSEMBLY - Cabin light, sand	1	28-26401 to 28-7125194 inclu.
	65549-03	B,F	PANEL ASSEMBLY - Cabin light, sand	1	
	66926-04	D,E	PANEL ASSEMBLY - Cabin light, white	1	
	99222-02	E,H	PANEL ASSEMBLY - Cabin light, white	1	
	66926-03	D,F	PANEL ASSEMBLY - Cabin light, white	1	
			A - Used on PA-28-150, PA-28-160 and PA-28-180 airplanes only.		
			B - Used on PA-28-180 with serial numbers 28-4378 to 28-5600 inclusive, PA-28R-180 with serial numbers 28R-30005 to 28R-31250 inclusive, PA-28R-200 with serial numbers 28R-30482, 28R-35001 to 28R-35600 inclusive, and PA-28-235 with serial numbers 28-10720 to 28-11300 inclusive.		
			C - Used on PA-28-140 airplanes only.		
			D - Used on PA-28-180 with serial numbers 28-5601 to 28-5869 inclusive, PA-28R-180 with serial numbers 28R-31251 to 28R-31279 inclusive, PA-28R-200 with serial numbers 28R-35601 to 28R-35830 inclusive, and PA-28-235 with serial numbers 28-11301 to 28-11393 inclusive.		
			E - Without cutouts.		
			F - With cutouts.		
			G - Used on PA-28-150, PA-28-160 and PA-28-180 with serial numbers 28-1761 to 28-4377 inclusive, PA-28-235 with serial numbers 28-10003 to 28-10719 inclusive, and PA-28-140 with serial numbers 28-21046 to 28-24999 inclusive.		
			H - Used on PA-28-140 with serial numbers 28-7325001 and up, PA-28-180 with serial numbers 28-7105001 and up, PA-28R-180 with serial numbers 28R-7130001 and up, PA-28R-200 with serial numbers 28R-71 35001 and up, and PA-28-235 with serial numbers 28-7110001 and up.		
			J - With cutouts but less radio speaker cutout.		
			K - Used on PA-28-140 with serial numbers 28-25000 and up, PA-28-180 with serial numbers 28-4378 and up, PA-28-235 with serial numbers 28-11040 and up, PA-28R-180 and PA-28R-200 airplanes.		

When ordering, always specify Part Number, Description, and Serial Number of Aircraft

PIPER PARTS CATALOG

Figure and Index Number	Part Number	Code	NOMENCLATURE	No. Req.	SERIAL NUMBERS AFFECTED	
68-17	99222-03	D,H	PANEL ASSEMBLY - Cabin light, white	1	28-7125195 to 28-7225612 incl. 28-7125195 to 28-7225612 incl. 28-7125195 to 28-7225612 incl.	
	99222-04	D,F	PANEL ASSEMBLY - Cabin light, white	1		
	99222-09	A,H	PANEL ASSEMBLY - Cabin light, white	1		
	99222-10	A,F	PANELASSEMBLY - Cabin light, white	1		
	63428-14	C,E,G	PANEL ASSEMBLY - Cabin light, white	1		
	63428-15	C,G,H	PANEL ASSEMBLY - Cabin light, white	1		
	63428-16	C,F,G	PANEL ASSEMBLY - Cabin light, white	1		
	-18	62919-00	B	PLACARD - Trim indicator		1
	-19	62920-00	B	PLACARD - Trim		1
	-20	472 330	W	LENS - Dome light (12715-00)		1
-21	21878-00	J,W	GASKET - Oval radio speaker	1		
	99745-00	K	GASKET - Circular radio speaker	1		
			A - Used on PA-28-140 with serial numbers 28-7425001 and up, PA-28-180 with serial numbers 28-7405001 and up, PA-28R-200 with serial numbers 28R-7435001 and up, and PA-28-235 with serial numbers 28-7410001 and up.			
			B - Used on PA-28-150, PA-28-160 and PA-28-180 with serial numbers 28-1 to 28-4377 inclusive, PA-28-235 with serial numbers 28-10003 to 28-10719 inclusive, and PA-28-140 with serial numbers 28-20002 and up.			
			C - Used on PA-28-140 airplanes only.			
			D - Used on PA-28-140 with serial numbers 28-7325001 to 28-7325684 inclusive, PA-28-180 with serial numbers 28-7105001 to 28-7305611 inclusive, PA-28R-180 with serial numbers 28R-7130001 to 28R-7130019 inclusive, PA-28R-200 with serial numbers 28R-7135001 to 28R-7335455 inclusive, and PA-28-235 with serial numbers 28-7110001 to 28-7310187 inclusive.			
			E - Without cutouts.			
			F - With cutouts.			
			G - Refer to Figure 32B if air conditioning is installed.			
			H - With cutouts but less radio speaker cutout.			
			J - Used on PA-28-140 with serial numbers 28-20002 to 28-26400 inclusive, PA-28-150, PA-28-160 and PA-28-180 with serial numbers 28-1 to 28-5600 inclusive, PA-28R-180 with serial numbers 28R-30005 to 28R-30481 inclusive, 28R-30483 to 28R-31250 inclusive, PA-28R-200 with serial numbers 28R-30482, 28R-35001 to 28R-35600 inclusive, and PA-28-235 with serial numbers 28-10003 to 28-11300 inclusive.			
			K - Used on PA-28-140 with serial numbers 28-26401 and up, PA-28-180 with serial numbers 28-5601 and up, PA-28R-180 with serial numbers 28R-31251 and up, PA-28R-200 with serial numbers 28R-35601 and up, and PA-28-235 with serial numbers 28-11301 and up.			
			W- These parts must be ordered from Service Spares Department, Piper Aircraft, Lock Haven, Penna.			

When ordering, always specify Part Number, Description, and Serial Number of Aircraft

PIPER PARTS CATALOG

Figure and Index Number	Part Number	Code	NOMENCLATURE	No. Req.	SERIAL NUMBERS AFFECTED
68-22	63101-00	A	LENS - Cabin light	1	
-23	572 582	C	LIGHT ASSEMBLY - Panel (A300-W-14)	1	
-24	69669-20	E	PLACARD - Dome light maximum	1	
-25	63133-00	F	GRILL - Oval radio speaker	1	
	66927-00	G	GRILL - Circular radio speaker	1	
	99198-00	B	GRILL - Circular radio speaker	1	
	99744-00	D,H	GRILL - Circular radio speaker	1	
			<p>A- Used on PA-28-140 with serial numbers 28-20002 to 28-24999 inclusive, PA-28-150, PA-28-160 and PA-28-180 with serial numbers 28-1 to 28-5600 inclusive, PA-28R-180 with serial numbers 28R-30005 to 28R-30481 inclusive, 28R-30483 to 28R-31250 inclusive, PA-28R-200 with serial numbers 28R-30482, 28R-35001 to 28R-35600 inclusive, and PA-28-235 with serial numbers 28-10003 to 28-11300 inclusive.</p> <p>B- Used on PA-28-140 with serial numbers 28-7125001 and up, PA-28-180 with serial numbers 28-7105001 and up, PA-28R-180 with serial numbers 28R-7130001 and up, PA-28R-200 with serial numbers 28R-7135001 and up, and PA-28-235 with serial numbers 28-7110001 and up.</p> <p>C- Used on PA-28-140 with serial numbers 28-25000 and up, PA-28-180 with serial numbers 28-5601 and up, PA-28R-180 with serial numbers 28R-31251 and up, PA-28R-200 with serial numbers 28R-35601 and up, and PA-28-235 with serial numbers 28-11301 and up.</p> <p>D- Used if air conditioning is installed.</p> <p>E- Used on PA-28-140 with serial numbers 28-7425001 and up, PA-28-180 with serial numbers 28-7405001 and up, and PA-28-235 with serial numbers 28-7410001 and up.</p> <p>F- Used on PA-28-140 with serial numbers 28-20002 to 28-26400 inclusive, PA-28-150, PA-28-160 and PA-28-180 with serial numbers 28-1 to 28-5600 inclusive, PA-28R-180 with serial numbers 28R-30005 to 28R-30481 inclusive, 28R-30483 to 28R-31250 inclusive, PA-28R-200 with serial numbers 28R-30482, 28R-35001 to 28R-35600 inclusive, and PA-28-235 with serial numbers 28-10003 to 28-11300 inclusive.</p> <p>G- Used on PA-28-140 with serial numbers 28-26401 to 28-26956 inclusive, PA-28-180 with serial numbers 28-5601 to 28-5869 inclusive, PA-28R-180 with serial numbers 28R-31251 to 28R-31279 inclusive, PA-28R-200 with serial numbers 28R-35601 to 28R-35830 inclusive, and PA-28-235 with serial numbers 28-11301 to 28-11393 inclusive.</p> <p>H- Used on PA-28-140 with serial numbers 28-25001, 28-7125472 and up, PA-28-180 with serial numbers 28-5653, 28-7205092 and up, and PA-28R-200 with serial numbers 28R-7235001 and up.</p>		

When ordering, always specify Part Number, Description, and Serial Number of Aircraft

PIPER PARTS CATALOG

Figure and Index Number	Part Number	Code	NOMENCLATURE	No. Req.	SERIAL NUMBERS AFFECTED
68-26	63875-05	A	SPEAKER - Radio, oval	1	
	585 015	F	SPEAKER - Radio, circular (6FU3211)	1	
-27	472 038	D,W	BULB - (93)	1	
-28	472 036	W	BULB - (89)	1	
-29	484 375	B	RELAY - Microphone (11F-2300G-SIL)	1	
-30	95228-00	C	DIMMER ASSEMBLY - Potentiometer	1	
-31	571 136	C	KNOB - (PS10067-4-1)	1	
-32	67411-02	E	SWITCH - Down limit, left	1	
	67411-04	E	SWITCH - Down limit, right	1	
-33	451 823	E	ACTUATOR - (JE-73)	1	
-34	67411-08	E	SWITCH - Squat, left	1	
-35	451 823	E	ACTUATOR - (JE-73)	1	
-36	67411-05	E	SWITCH - Up limit, left	1	
	67411-07	E	SWITCH - Up limit, right	1	
-37	451 823	E	ACTUATOR - (JE-73)	1	
		A-	Used on PA-28-140 with serial numbers 28-20002 to 28-26400 inclusive, PA-28-150, PA-28-160 and PA-28-180 with serial numbers 28-1 to 28-5600 inclusive, PA-28R-180 with serial numbers 28R-30005 to 28R-30481 inclusive, 28R-30483 to 28R-31250 inclusive, PA-28R-200 with serial numbers 28R-30482, 28R-35001 to 28R-35600 inclusive, and PA-28-235 with serial numbers 28-10003 to 28-11300 inclusive.		
		B-	Used on PA-28-140 with serial numbers 28-7125001 and up, PA-28-180 with serial numbers 28-7105001 and up, PA-28R-180 with serial numbers 28R-7130001 and up, PA-28R-200 with serial numbers 28R-7135001 and up, and PA-28-235 with serial numbers 28-7110001 and up.		
		C-	Used on PA-28-140 with serial numbers 28-7425001 and up, PA-28-180 with serial numbers 28-7405001 and up, PA-28-235 with serial numbers 28-7410001 and up, and PA-28R-200 with serial numbers 28R-7435001 and up.		
		D-	Used on PA-28-140 with serial numbers 28-20002 to 28-24999 inclusive, PA-28-150, PA-28-160 and PA-28-180 with serial numbers 28-1 to 28-5600 inclusive, PA-28R-180 with serial numbers 28R-30005 to 28R-30481 inclusive, 28R-30483 to 28R-31250 inclusive, PA-28R-200 with serial numbers 28R-30482, 28R-35001 to 28R-35600 inclusive, and PA-28-235 with serial numbers 28-10003 to 28-11300 inclusive.		
		E-	Used on PA-28R-180 and PA-28R-200 airplanes only.		
		F-	Used on PA-28-140 with serial numbers 28-26401 and up, PA-28-180 with serial numbers 28-5601 and up, PA-28R-180 with serial numbers 28R-31251 and up, PA-28R-200 with serial numbers 28R-35601 and up, and PA-28-235 with serial numbers 28-11301 and up.		
		W-	These parts must be ordered from Service Spares Department, Piper Aircraft, Lock Haven, Penna..		

When ordering, always specify Part Number, Description, and Serial Number of Aircraft

PIPER PARTS CATALOG

Figure and Index Number	Part Number	Code	NOMENCLATURE	No. Req.	SERIAL NUMBERS AFFECTED
68-38	67411-03	A	SWITCH - Down limit	1	
-39	451 823	A	ACTUATOR - (JE-73)	1	
-40	67411-06	A	SWITCH - Up limit	1	
-41	451 823	A	ACTUATOR - (JE-73)	1	
-42	472 736	W	LIGHT - White (A2064-1073)	1	
-43	753 431	W	BULB - (1073)	1	
-44	751 203	W	LENS - White	1	
-45	472 665	B,W	LIGHT - Red (A1285)	1	
-46	751 381	B,W	BULB - (1512)	1	
-47	751 202	B,W	LENS - Red	1	
-48	472 666	B,W	LIGHT- Green (A1285)	1	
-49	751 381	B,W	BULB-(1512)	1	
-50	751 201	B,W	LENS - Green	1	
-51	452 465	B	BEACON - Rotating	1	
-52	752 307	D,W	BULB - Rotating beacon (Grimes A7079-12)	1	
	758 402	C,E	BULB - Rotating beacon (WRM-1940)	1	
-53	79412-00	H	DIODE AND COOLER ASSEMBLY	1	
	79412-02	J	DIODE AND COOLER ASSEMBLY	1	
-54	79414-00	H,J	COVER - Diode cover	1	
-55	450 397	K	RELAY - Overvoltage (PS50034-1)	1	28-3644 and up
	450 397	A, L	RELAY - Overvoltage (PS50034-1)	1	28-10763 and up
	450 397	M	RELAY - Overvoltage (PS50034-1)	1	28-25000 and up
-56	63915-05		DISC - Firewall seal	2	
-57	454 083	W	CAPACITOR - (AR-1)	1	
-58	756 055	F	REGULATOR - Voltage (87-87102-21)	1	
	68804-03	G	REGULATOR ASSEMBLY - Voltage (B-00331-2)	1	
<p>A - Used on PA-28R-180 and PA-28R-200 airplanes only.</p> <p>B - See Figure 73A if strobe light is installed.</p> <p>C - Used on Whelan Rotating Beacons WRM-12 and WRML-12.</p> <p>D - Used on Grimes Rotating Beacon D708A-3-12.</p> <p>E - Used on Grimes Rotating Beacon 40-0101-7-12.</p> <p>F - Used on PA-28-150, PA-28-160 and PA-28-180 with serial numbers 28-508 to 28-3377 inclusive, PA-28-235 with serial numbers 28-10003 to 28-10719 inclusive, and PA-28-140 with serial numbers 28-20002 to 28-24999 inclusive.</p> <p>G - Used on PA-28-150, PA-28-160 and PA-28-180 with serial numbers 28-3378 and up, PA-28-235 with serial numbers 28-10720 and up, PA-28-140 with serial numbers 28-25000 and up, PA-28R-180 and PA-28R-200 airplanes.</p> <p>H - Used on PA-28-140 with serial numbers 28-7520001 and up.</p> <p>J - Used on PA-28-180 with serial numbers 28-7505001 and up, PA-28-235 with serial numbers 28-7510001 and up, and PA-28R-200 with serial numbers 28R-7535001 and up.</p> <p>K - Used on PA-28-150, PA-28-160 and PA-28-180 airplanes only.</p> <p>L - Used on PA-28-235 airplanes only.</p> <p>M - Used on PA-28-140 airplanes only.</p> <p>W - These parts must be ordered from Service Spares Department, Piper Aircraft, Lock Haven, Penna.</p>					

When ordering, always specify Part Number, Description, and Serial Number of Aircraft

PIPER PARTS CATALOG

Figure and Index Number	Part Number	Code	NOMENCLATURE	No. Req.	SERIAL NUMBERS AFFECTED
68-59	462 012	W	GASKET - (AH-1522)	1	
-60	68771-03	D,E	GASKET - Firewall seal	1	28-4378 and up
	68771-03	B	GASKET - Firewall seal	1	28-11040 and up
	68771-03	C	GASKET - Firewall seal	1	28-25000 and up
-61	65372-00		RETAINER ASSEMBLY - Landing light	1	28-1761 and up
-62	472 661	W	LIGHT - Landing (PS10008-4509) 100 W., 12 V.	1	
-63	462 042	W	GAUGE - Engine unit, oil temperature (1512926)	1	28-1 to 28-1383 inclusive
	462 046	A,W	GAUGE - Engine unit, oil temperature (1514976)	1	28-1384 to 28-1760 inclusive
	462 046	C,W	GAUGE - Engine unit, oil temperature (1514976)	1	28-20002 to 28-20550 inclusive
	550 487	B,D	GAUGE - Engine unit, oil temperature (362-EW)	1	
	550 487	A	GAUGE - Engine unit, oil temperature (362-EW)	1	28-1761 and up
	550 487	C	GAUGE - Engine unit, oil temperature (362-EW)	1	28-20551 and up
-64	99130-02		SOLENOID - Staner (487 169)	1	
-65	450 741	W	DECAL - Lift detector (C52207-3)	1	
-66	450 742	W	DETECTOR - Lift (C52207-4)	1	
-67	488 462	A	BLOCK - Taper (53)	1	28-1 to 28-4377 inclusive
	488 462	C	BLOCK - Taper (53)	1	28-20002 to 28-24999 inclusive
	488 462	B	BLOCK - Taper (53)	1	28-10003 to 28-11039 inclusive
	488 545	D,E	STRIP - Terminal (MS25123-1-12)	1	28-4378 and up
	488 545	B	STRIP - Terminal (MS25123-1-12)	1	28-11040 and up
	488 545	C	STRIP - Terminal (MS25123-1-12)	1	28-25000 and up
-68	38255-02	D	BLOCK ASSEMBLY - Terminal	1	
-69	68770-03	D,E	GROMMET - Firewall seal	2	28-4378 and up
	68770-03	B	GROMMET - Firewall seal	2	28-11040 and up
	68770-03	C	GROMMET - Firewall seal	2	28-25000 and up
-70	67744-00	F	HORN ASSEMBLY - Landing gear warning	1	
	565 288	H,W	HORN ASSEMBLY - Landing gear warning (02054-3)	1	28R-7235193 and up
-71	460 594		FILTER - Fuel pump noise (NFIC-270-4-2MFD)	1	
-72	453 639	W	BUTTON - Plug- (HS50726)	1	
-73	487 925	D,W	SWITCH - Cutout (V3-1)	1	
-74	67196-00	D	BRACKET ASSEMBLY - Cutout switch	1	
-75	67487-02	D	DIODE ASSEMBLY	1	
-76	35214-00	G	HORN ASSEMBLY - Stall warning	1	
-77	38149-03	H	FLASHER ASSEMBLY - Gear warning	1	28R-7635001 and up

A - Used on PA-28-150, PA-28-160 and PA-28-180 airplanes only.
 B - Used on PA-28-235 airplanes only.
 C - Used on PA-28-140 airplanes only.
 D - Used on PA-28R-180 and PA-28R-200 airplanes only.
 E - Used on PA-28-180 airplanes only,
 F - Used on PA-28R-180 with serial numbers 28R-30005 to 28R-30481 inclusive, 28R-30483 to 28R-7130019 inclusive, and PA-28R-200 with serial numbers 28R-30482, 28R-35001 to 28R-7235192 inclusive.
 G - Used on PA-28-140 with serial numbers 28-7625001 and up, PA-28-235 with serial numbers 28-7610001 and up, and PA-28R-200 with serial numbers 28R-7535001 and up.
 H - Used on PA-28R-200 airplanes only.
 W - These parts must be ordered from Service Spares Department, Piper Aircraft, Lock Haven, Penna.

When ordering, always specify Part Number, Description, and Serial Number of Aircraft

PIPER PARTS CATALOG

Figure and Index Number	Part Number	Code	NOMENCLATURE	No. Req.	SERIAL NUMBERS AFFECTED
68-78	63862-17	D	WIRE ASSEMBLY - Battery to solenoid (161.00")	1	
	63862-136	E	WIRE ASSEMBLY - Battery to solenoid (163.50")	1	
	63862-151	C	WIRE ASSEMBLY - Battery to solenoid (109.00")	1	
-79	63862-16	A	WIRE ASSEMBLY - Solenoid to starter (37.00")	1	
	63862-137	B	WIRE ASSEMBLY - Solenoid to starter (33.50")	1	
-80	484 373	F,W	RELAY - Landing gear power (24059)	2	
<p>A - Used on PA-28-140, PA-28-150, PA-28-160, PA-28-180, PA-28R-180 and PA-28R-200 airplanes only.</p> <p>B - Used on PA-28-235 airplanes only.</p> <p>C - Used on PA-28-140 airplanes only.</p> <p>D - Used on PA- 28-150, PA- 28-160 and PA- 28-180 with serial numbers 28-1 to 28-4377 inclusive.</p> <p>E - Used on PA-28-180 with serial numbers 28-4378 and up, PA-28R-180 with serial numbers 28R-30005 to 28R-30481 inclusive, 28R-30483 and up, PA-28-235 with serial numbers 28-10003 and up, and PA-28R-200 with serial numbers 28R-30482, 28R-35001 and up.</p> <p>F - Used on PA-28R-180 and PA-28R-200 only.</p> <p>W - The parts must be ordered from Service Spares Department, Piper Aircraft, Lock Haven, Penna.</p>					

When ordering, always specify Part Number, Description, and Serial Number of Aircraft

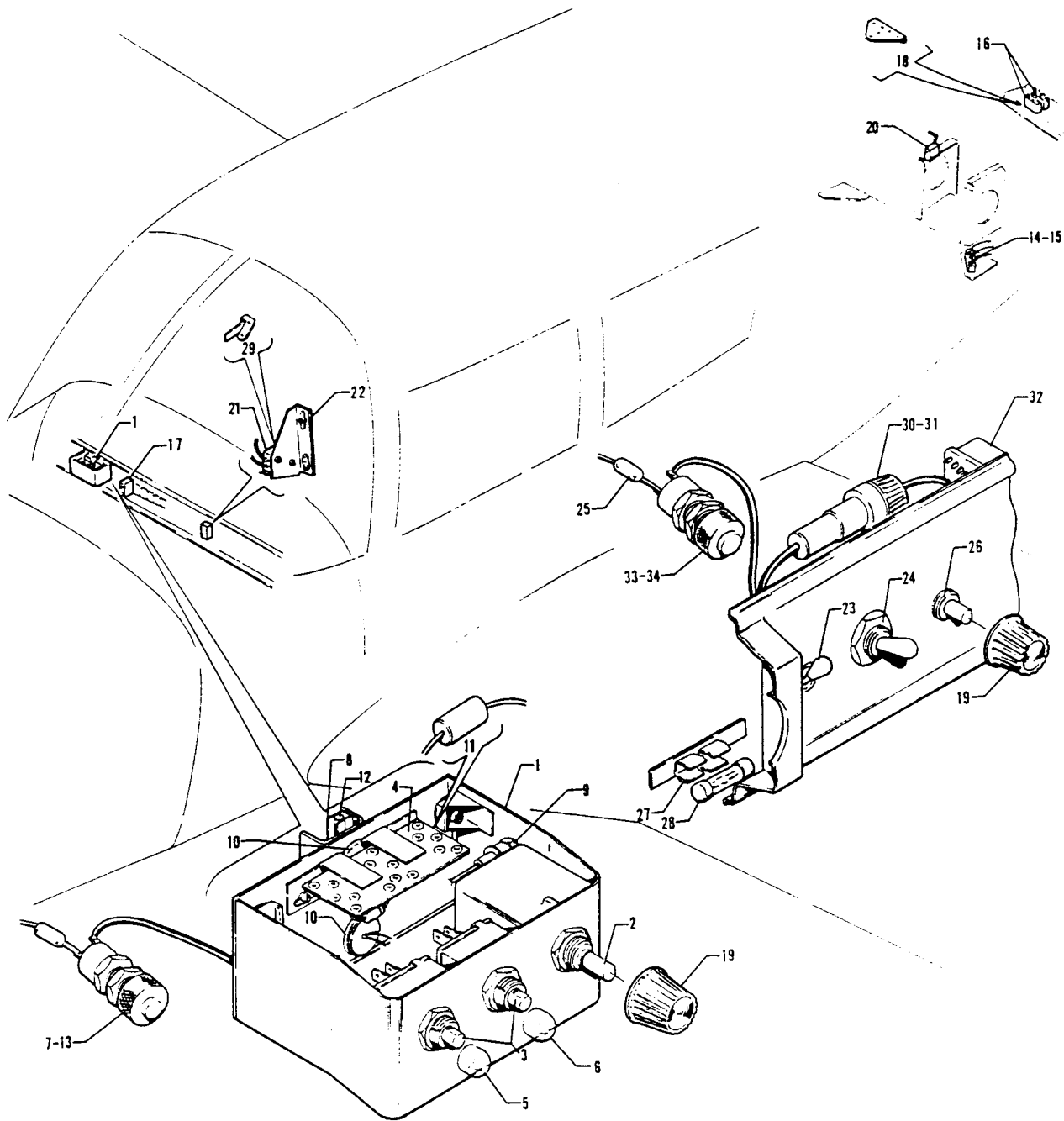


Figure 68A. Air Conditioning Electrical Installation
 (PA-28-140 - Serial Nos. 28-25001, 28-7125472 and up)
 (PA-28-180 - Serial Nos. 28-5653, 28-7205092 and up)
 (PA-28R-200 - Serial Nos. 28R-7235001 and up)

PIPER PARTS CATALOG

Figure and Index Number	Part Number	Code	NOMENCLATURE	No. Req.	SERIAL NUMBERS AFFECTED
68A-	99530	G	DRAWING - Air Conditioning Electrical Installation		28-25001, 28-7125472 to 28-7225185 inclusive
	99863	G	DRAWING - Air Conditioning Electrical Installation		28-7225186 to 28-7325057 incl.
	79111	G	DRAWING - Air Conditioning Electrical Installation		28-7325058 and up
	99574	H	DRAWING - Air Conditioning Electrical Installation		
	99864	B	DRAWING - Air Conditioning Electrical Installation		
	99979	C	DRAWING - Air Conditioning Electrical Installation		
-1	99537-00	D,E	CONTROL HEAD ASSEMBLY - Air conditioning	1	
	99537-02	D,F	CONTROL HEAD ASSEMBLY - Air conditioning	1	
-2	99717-00		THERMOSTAT - Air conditioning	1	
-3	99674-00		SWITCH ASSEMBLY - Air conditioning	2	
-4	99521-00		BOARD ASSEMBLY - Diode	1	
-5	472 834		LIGHT - (CM22-01-02-28) Red	1	
-6	472 843	E	LIGHT - (CM22-01-03-28) Amber	1	
-7	472 844	F	LIGHT - (MS25041-4)	1	
-8	565 416		HOLDER - Fuse (342004)	2	
-9	99851-00		DIODE - Control head	1	
-10	456 738		DIODE - (IN3659)	2	
-11	484 222		RESISTOR - (200-3100 ohm)	2	
-12	461 629		FUSE - (311005)	3	
-13	472 054	F,W	BULB - (PS10008-330)	1	
			A- Used on PA-28-140 with serial numbers 28-25001, 28-7125472 and up, PA-28-180 with serial numbers 28-5653, 28-7205092 and up, and PA-28R-200 with serial numbers 28R-7235001 and up.		
			B- Used on PA-28-180 with serial numbers 28-7205180 to 28-7305071 inclusive, and PA-28R-200 with serial numbers 28R-7235001 to 28R-7335057 inclusive.		
			C- Used on PA-28-180 with serial numbers 28-7305072 and up, and PA-28R-200 with serial numbers 28R-7335058 and up.		
			D- No longer available. Order Air Condition Control System Modification Kit 760 757 as a replacement. If Air Condition Control System Modification Kit 760 757 has previously been installed, order individual items as desired (ref. items 23 thru 34 incl.)		
			E- Used on PA-28-140 with serial numbers 28-25001, 28-7125472 to 28-7225131 inclusive, and PA-28-180 with serial numbers 28-5653, 28-7205092 to 28-7205144 inclusive.		
			F- Used on PA-28-140 with serial numbers 28-7225132 to 28-7325057 inclusive, PA-28-180 with serial numbers 28-7205145 to 28-7305071 inclusive, and PA-28R-200 with serial numbers 28R-7235001 to 28R-7335057 inclusive.		
			G- Used on PA-28-140 airplanes only.		
			H- Used on PA-28-180 with serial numbers 28-5653, 28-7205092 to 28-7205179 inclusive.		
			W- These parts must be ordered from Service Spares Department, Piper Aircraft, Lock Haven, Penna.		

When ordering, always specify Part Number, Description, and Serial Number of Aircraft

PIPER PARTS CATALOG

Figure and Index Number	Part Number	Code	NOMENCLATURE	No. Req.	SERIAL NUMBERS AFFECTED
68A-14	587 844	G	SWITCH - Close limit (BZ-R31)	1	
-15	451 831	G	ACTUATOR - Close limit switch (MC7711)	1	
-16	484 223	G	RELAY - (60-111025-0)	2	
	484 209	F	RELAY - (PS50053-2-2)	2	
-17	454 710	G	CIRCUIT BREAKER - (PS50120-1-11) 25 amp	1	
	454 709	F	CIRCUIT BREAKER - (PS50120-1-9) 20 amp	1	
-18	99862-00	F	MOUNT ASSEMBLY- Relay	1	
-19	571 162		KNOB - Control head (RB-67-1-SB-M)	3	
-20	99528-00	G	SWITCH ASSEMBLY - Condenser door mechanism	1	
-21	487 925	W	SWITCH - Throttle limit (V3-1)	1	
-22	67196-00	B,C	BRACKET ASSEMBLY - Throttle limit switch support	1	
	99170-00	D	BRACKET - Throttle limit switch support	1	
-23	587 903	E	SWITCH - (MS35058-22)	1	
-24	763 815	E	SWITCH REPLACEMENT KIT - Fan (4 position)	1	
-25	484 467	E	RESISTOR - (4392)	1	
-26	99717-00	E	THERMOSTAT - Air conditioning	1	
-27	99999-00	E	HOLDER ASSEMBLY - Fuse	1	
-28	461 629	E	* FUSE - (311005)	2	
-29	451 834	D	ACTUATOR - Throttle limit switch (JV-7)	1	
-30	465 258	E	HOLDER - Fuse (155020)	3	
-31	461 629	E	FUSE - (311005)	3	
-32	484 209	E	RELAY - (PS50053-2-2)	1	
-33	472 844	E	LIGHT - (MS25041-4)	1	
-34	472 054	E,W	BULB - (PS10008-330)	1	
<p>A- Used on PA-28-140 with serial numbers 28-25001, 28-7125472 and up, PA-28-180 with serial numbers 28-5653, 28-7205092 and up, and PA-28R-200 with serial numbers 28R-7235001 and up.</p> <p>B- Used on PA-28-140 with serial numbers 28-25001, 28-7125472 and up.</p> <p>C- Used on PA-28-180 with serial numbers 28-5653, 28-7205092 and up.</p> <p>D- Used on PA-28R-200 with serial numbers 28R-7235001 and up.</p> <p>E- Used on PA-28-140 with serial numbers 28-7325058 and up, PA-28-180 with serial numbers 28-7305072 and up, and PA-28R-200 with serial numbers 28R-7335058 and up. Also used on PA-28-140 with serial numbers 28-25001, 28-7125472 to 28-7325057 inclusive PA-28-180 with serial numbers 28-5653, 28-7205092 to 28-7305071 inclusive, and PA-28R-200 with serial numbers 28R-7235001 to 28R-7335.057 inclusive if Air Condition Control System Modification Kit 760 757 has been installed.</p> <p>F- Used if existing air conditioning condenser transmission includes a switch mounting rod with two limit switches.</p> <p>G- Used if existing air conditioning condenser transmission does not include a switch mounting rod with two limit switches.</p> <p>W- These parts must be ordered from Service Spares Department, Piper Aircraft, Lock Haven, Penna.</p>					

When ordering, always specify Part Number, Description, and Serial Number of Aircraft

PIPER PARTS CATALOG

3D23 THRU 3D24

INTENTIONALLY LEFT BLANK

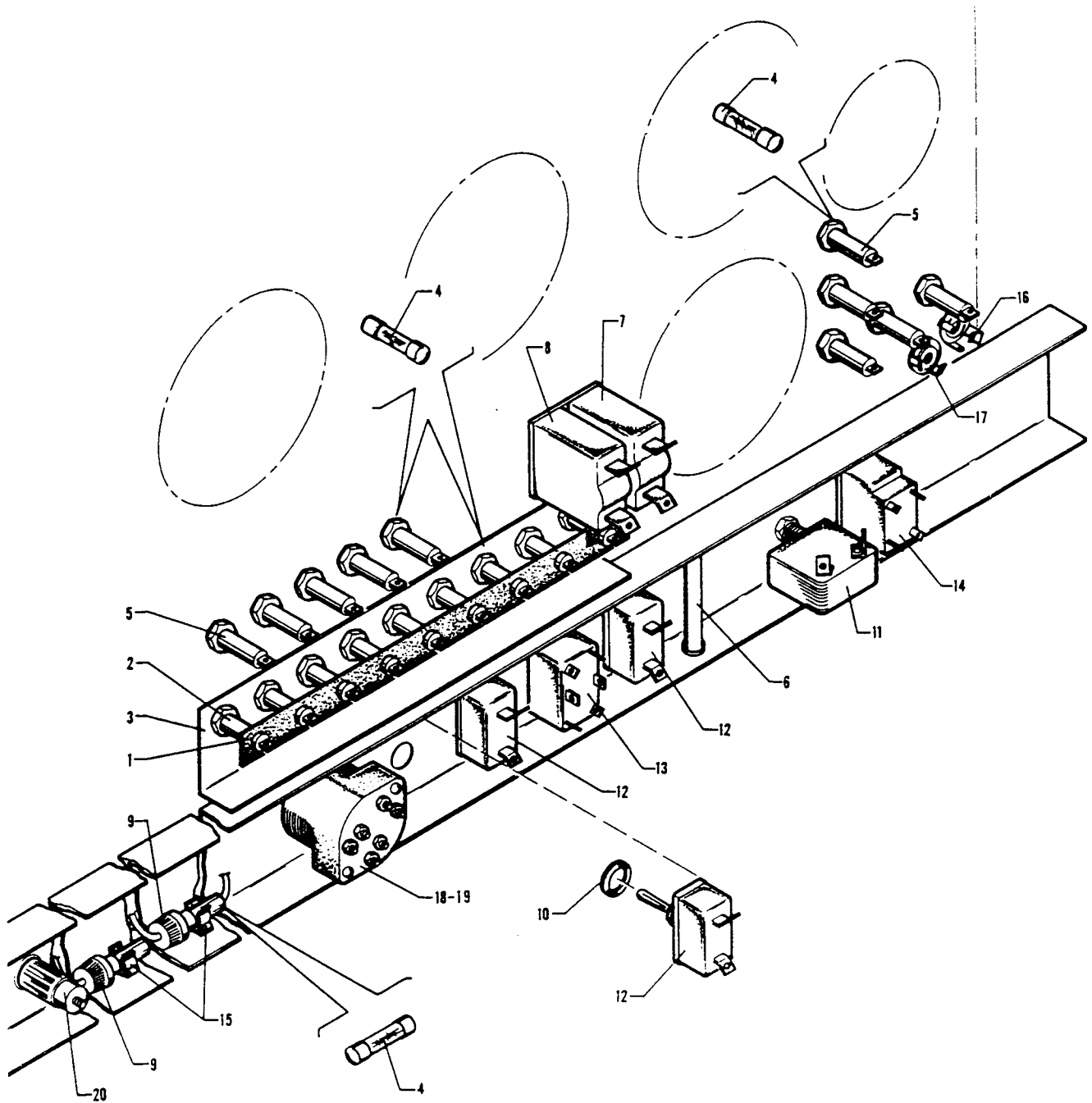


Figure 69. Instrument Panel Electrical Installation
 (PA-28-140 - Serial Nos. 28-20002 to 28-24999 inclusive)
 (PA-28-150-160-180 - Serial Nos. 28-1 to 28-4377 inclusive)
 (PA-28-235 - Serial Nos. 28-10003 to 28-11039 inclusive)

PIPER PARTS CATALOG

Figure and Index Number	Part Number	Code	NOMENCLATURE	No. Req.	SERIAL NUMBERS AFFECTED
69-	63855		DRAWING - Fuselage Harness nstallation		28-1to 28-507 inclusive
	63894		DRAWING - Fuselage Harness Installation		28-508 to 28-1410 inclusive
	62165	H	DRAWING - Fuselage Harness Installation		28-1411to 28-1760 inclusive
	62165	B	DRAWING - Fuselage Harness Instalbtion		28-20002 to 28-24999 inclusive
	65132	C	DRAWING - Fuselage Harness Installation		28-10003 to 28-10486 inclusive
	62202	H	DRAWING - Fuselage Harness Installation		28-1761 to 28-4377 inclusive
	65449	C	DRAWING - Fuselage Harness Installation		28-10487 to 28-10719 inclusive
	65581	C	DRAWING - Fuselage Harness Installation		28-10720 to 28-11039 incl.
-1	63861-00	H	BAR - Terminal	1	28-1 to 28-1760 inclusive
	63861-00	C	BAR - Terminal	1	28-10003 to 28-10486 inclusive
	63080-00	D	BAR - Terminal	1	
-2	465 256	W	HOLDER - Fuse (HKP-GG)	9	
-3	63868-00	H	CHANNEL ASSEMBLY - Fuse holder	1	28-1 to 28-1760 inclusive
	63868-00	C	CHANNEL ASSEMBLY - Fuse holder	1	28-10003 to 28-10486 inclusive
	62403-00	D	CHANNEL ASSEMBLY - Fuse holder	1	
-4	461 623	W	FUSE - 5 amp (AGC)	11	
	461 622	W	FUSE - 10 amp (AGC)	5	
	461 621	W	FUSE - 15 amp (AGC)	2	
-5	465 257	G	HOLDER - Fuse (342001)	5	
-6	484 407	G	RESISTOR - (75 ohm, 10 watts)	1	
-7	454 663	W	CIRCUIT BREAKER - (PS50120-3-19)	1	28-1 to 28-599 inclusive
	454 665	B,E	CIRCUIT BREAKER - (PS50120-3-20)	1	
	454 701	F	CIRCUIT BREAKER - (PS50120-1-12)	1	
-8	454 662	W	CIRCUIT BREAKER - (PS50120-3-25)	1	28-1 to 28-599 inclusive
	454 656	B,E,W	CIRCUIT BREAKER - (PS50120-3-7)	1	
	454 700	F	CIRCUIT BREAKER - (PS50120-1-1)	1	
			A- Used on PA-28-140 with serial numbers 28-20002 to 28-24999 inclusive, PA-28-150, PA-28-160 and PA-28-180 with serial number 28-1 to 28-4377 inclusive, and PA-28-235 with serial numbers 28-10003 to 28-11039 inclusive.		
			B- Used on PA-28-140 airplanes only.		
			C- Used on PA-28-235 airplanes only.		
			D- Used on PA-28-150, PA-28-160 and PA-28-180 with serial numbers 28-1761 to 28-4377 inclusive, PA-28-235 with serial numbers 28-10487 to 28-11039 inclusive, and PA-28-140 with serial numbers 28-20002 to 28-24999 inclusive.		
			E- Used on PA-28-150, PA-28-160 and PA-28-180 with serial numbers 28-600 to 28-3377 inclusive, and PA-28-235 with serial numbers 28-10003 to 28-10719 inclusive.		
			F- Used on PA-28-150, PA-28-160 and PA-28-180 with serial numbers 28-3378 to 28-4377 inclusive, and PA-28-235 with serial numbers 28-10720 to 28-11039 inclusive.		
			G- Optional equipment.		
			H- Used on PA-28-150, PA-28-160 and PA-28-180 airplanes only.		
			W- These parts must be ordered from Service Spares Department, Piper Aircraft, Lock Haven, Penna.		

When ordering, always specify Part Number, Description, and Serial Number of Aircraft

PIPER PARTS CATALOG

Figure and Index Number	Part Number	Code	NOMENCLATURE	No. Req.	SERIAL NUMBERS AFFECTED
69-9	465 258		HOLDER - Fuse (#155020)	2	
-10	477 650		NUT - Knurled (#9011)	5	
-11	487 827	W	SWITCH - Starter (#9023)	1	28-1 to 28-599 inclusive 28-600 and up
	487 844		SWITCH - Starter (#91100)	1	
-12	487 771		SWITCH - Rotating beacon, landing light, and fuel pump (AN3021-2)	3	
-13	487 770		SWITCH - Navigation light (AN3027-1)	1	
-14	487 769	W	SWITCH - Master (AN3027-2)	1	
-15	454 873	W	CLIP - Fuse holder (#125002)	2	
-16	468 002	W	JACK - Mike (#S128)	1	
-17	468 006	W	JACK - Phone (#11)	1	
-18	14314-02	B,W	SWITCH - Ignition, with keys	1	
	752 892	C,D,W	SWITCH ASSEMBLY - Ignition (#10-357290-1)	1	
-19	752 328	C,W	LOCK - Ignition switch (#10-377007)	1	
-20	472 969		LIGHT - Cigar (204575)		
<p>A- Used on PA-28-140 with serial numbers 28-20002 to 28-24999 inclusive, PA-28-150, PA-28-160 and PA-28-180 with serial numbers 28-1 to 28-4377 inclusive, and PA-28-235 with serial numbers 28-10003 to 28-11039 inclusive.</p> <p>B- Used on PA-28-150, PA-28-160 and PA-28-180 with serial numbers 28-1 to 28-1714 inclusive, and PA-28-235 with serial numbers 28-10003 to 28-10486 inclusive.</p> <p>C- Used on PA-28-140 with serial numbers 28-20002 to 28-24999 inclusive, PA-28-150, PA-28-160 and PA-28-180 with serial numbers 28-1715 to 28-4377 inclusive, and PA-28-235 with serial numbers. 28-10487 to 28-11039 inclusive.</p> <p>D- If matching switch and door locks are desired, order Kit 470 652.</p> <p>W- These parts must be ordered from Service Spares Department, Lock Haven, Penna.</p>					

When ordering, always specify Part Number, Description, and Serial Number of Aircraft

PA-28-140
PA-28-150
PA-28-160
PA-28-180
PA-28-235

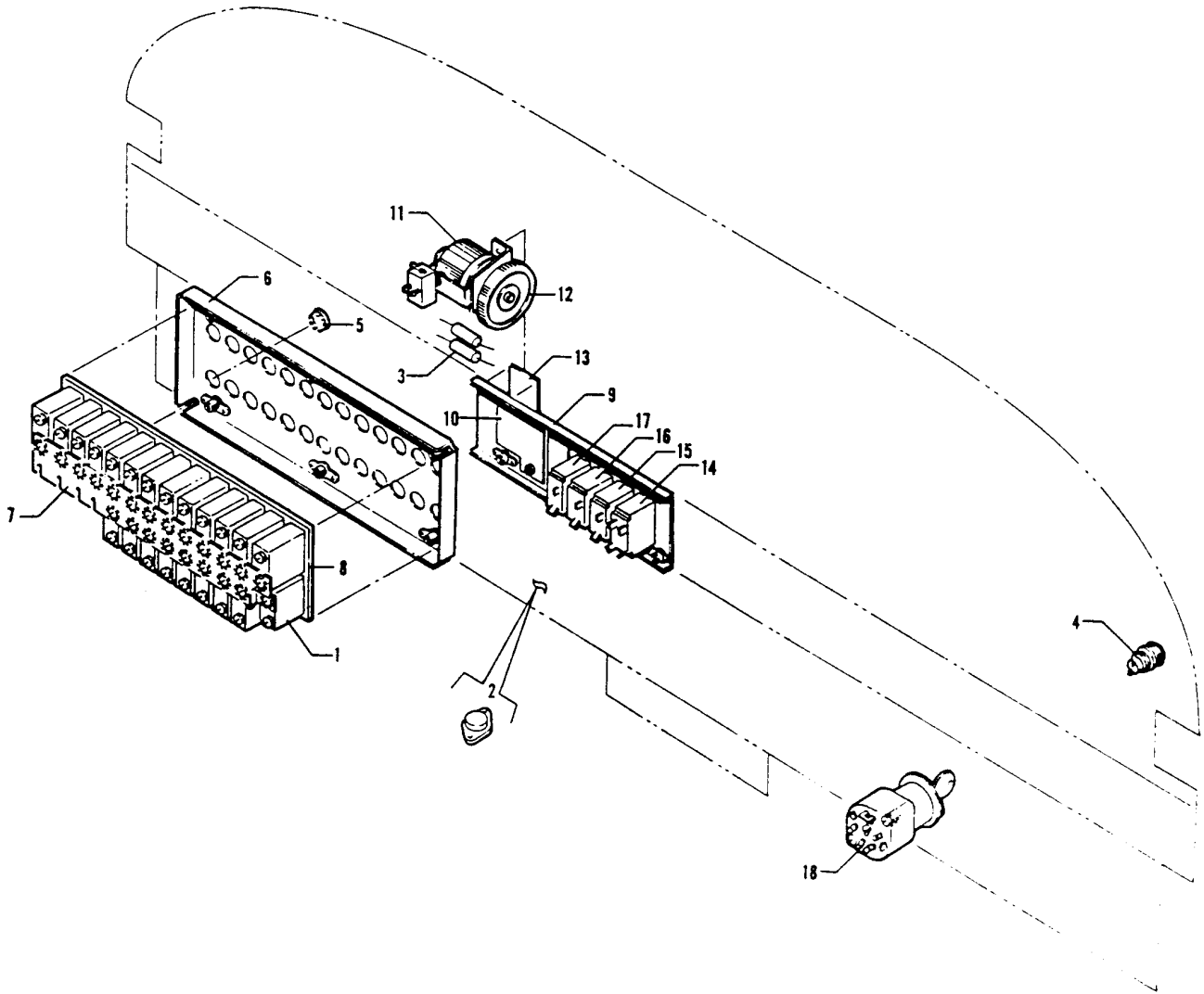


Figure 69A. - Instrument Panel Electrical Installation
(PA-28-140 - Serial Nos. 28-25000 to 28-7425454 inclusive)

PIPER PARTS CATALOG

Figure and Index Number	Part Number	Code	NOMENCLATURE	No. Req.	SERIAL NUMBERS AFFECTED
69A-	66718 79206		DRAWING - Instrument Panel Harness Installation DRAWING - Instrument Panel Harness Installation		28-25000 to 28-7325684 incl. 28-7425001 to 28-7425454 inc.
-1	464 711 464 706 454 668 454 707 454 669 454 708 454 670		CIRCUIT BREAKER- (PS50120-1-13) 60 amp CIRCUIT BREAKER - (PS50120-1-2) 5 amp CIRCUIT BREAKER - (PS50120-3-8) 5 amp CIRCUIT BREAKER - (PS50120-1-5) 10 amp CIRCUIT BREAKER - (PS50120-3-13) 10 amp CIRCUIT BREAKER - IPS50120-1-7) 15 amp CIRCUIT BREAKER - (PS50120-3-15) 15 amp	1 10 11 5 5 2 2	28-25000 to 28-7425454incl. 28-25000 to 28-25800 incl. 28-25801 to 28-7425454 incl. 28-25000 to 28-25800 incl. 28-25801 to 28-7425454 incl{ 28-25000 to 28-25800 incl. 28-25801 to 28 7425454 incl.
-2	489 400		TRANSISTOR - (2N3055)	1	28-7425001 to 28-7425454 in.
-3	484 457		RESISTOR - (243E2R05)	2	28-7425001 to 28-7425454 in.
-4	67422-04		LIGHT- Indicator (stall warning)	1	
-5	453 602		BUTTON - Plug (SS48152)	20	
-6	67424-08 99696-00 35261-00		PANEL ASSEMBLY - Circuit breaker PANEL ASSEMBLY - Circuit breaker PANEL ASSEMBLY - Circuit breaker	1 1 1	28-25000 to 28-7125651 incl. 28-7225001 to 28-7325684 incl 28-7425001 to 28-7425454 incl
-7	66744-00 66744-02 67412-04 35208-00		STRIP - Circuit breaker STRIP - Clrcuit breaker STRIP - Circuit breaker STRIP - Circuit breaker	1 1 1 1	28-25000 to 28-25800 inclusive 28-25801 to 28-26956 incl. 28-7125001 to 28-7325684 in. 28-7425001 to 28-7425454 in.
-8	67409-00 67409-03		SPACER - Circuit breaker SPACER - Circuit breaker	1 1	28-25000 to 28-7325684 incl. 28-7425001 to 28-7425454 in.
-9	66643-00 66643-00 79201-00	B B	PANEL ASSEMBLY - Switch PANEL ASSEMBLY - Switch PANEL ASSEMBLY - Switch	1 1 1	28-25000 to 28-7325684 incl. 28-7425001 to 28-7425454 in.
-10	66713-00		PLATE - Switch cover	3	
-11	68812-02 67436-04		POTENTIOMETER ASSEMBLY POTENTIOMETER ASSEMBLY	1 1	28-25000 to 28-7325684 incl. 28-7425001 to 28-7425454 in.
-12	66748-00 67437-00		KNOB - Potentiometer KNOB - Potentiometer	1 1	28-25000 to 28-7325684 incl. 28-7425001 to 28-7425454 inc.
-13	66746-00 69669-18		PLACARD - New Instrument lights PLACARD - Nav/Radio lights	1 1	28-25000 to 28-7325684 incl. 28-7425001 to 28-7425454 in.
-14	99377-05		SWITCH - MASTER (8911K619)		
-15	99377-17 99377-02		SWITCH - Fuel purnp, beige (8911K594) SWITCH - Fuel pump, gray (8911K578)	1 1	28-25000 to 28-25475 incl. 28-25476 to 28-7425454 incl.
-16	99377-18 99377-03		SWITCH - Landing light, beige (8911K596) SWITCH - Landing light, gray (8911K580)	1 1	28-25000 to 28-25475 incl. 28-25476 to 28-7425454 incl.
-17	99377-16 99377-06		SWITCH - Strobe lights, beige (8911K651) SWITCH - Strobd lights, gray (8911K659)	1 1	28-25000 to 28-25475 incl. 28-25476 to 28-7425454 incl.
-18	757 597	A	SWITCH - Ignition (10-357210-1)	1	
-19	66747-00		PLATE - Switch cover	1	
			A- If matching switch and door locks are desired, order Kit 470 713 B- Used is potentiometer is installed.		

When ordering, always specify Part Number, Description, and Serial Number of Aircraft

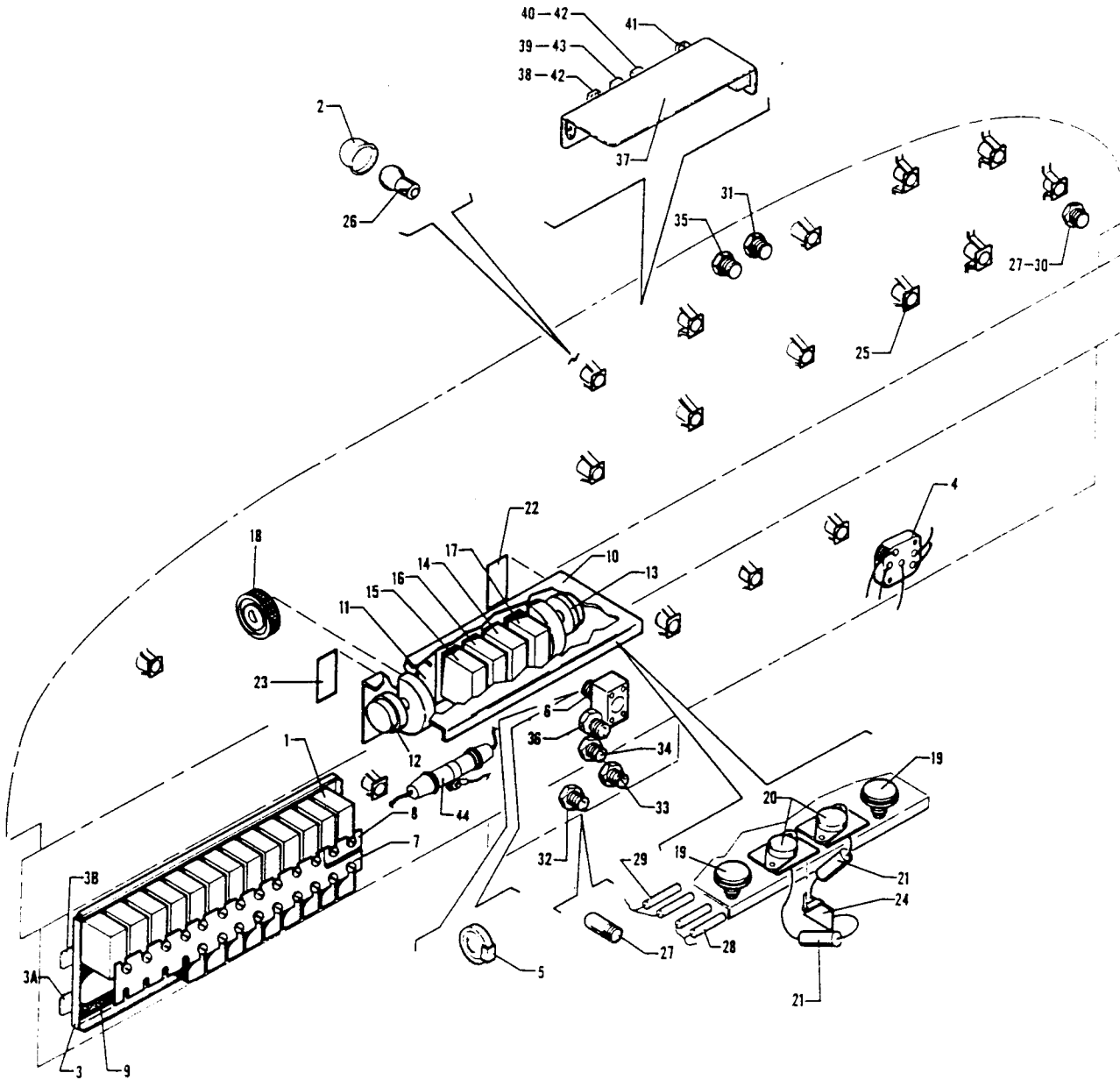


Figure 70. Instrument Panel Electrical Installation
 (PA-28-140 - Serial Nos. 28-7525001 and up)
 (PA-28-180 - Serial Nos. 28-4378 and up)
 (PA-28R-180 - Serial Nos. 28R-30005 to 28R-30481 inclusive, 28R-30483 and up)
 (PA-28-235 - Serial Nos 28-11040 and up)
 (PA-28R-200 - Serial Nos 28R-30482, 28R-35001 and up)

- PA-28-140
- PA-28-180
- PA-28-235
- PA-28R-180
- PA-28R-200

PIPER PARTS CATALOG

Figure and Index Number	Part Number	Code	NOMENCLATURE	No. Req.	SERIAL NUMBERS AFFECTED
70-	67460	D	DRAWING - Instrument Panel Harness Installation		28R-30005 to 28R-7335455 incl
	76400	B	DRAWING - Instrument Panel Harness Installation		28R-7435001 to 28R-7435331 incl
	76457	B	DRAWING - Electrical System Installation		28R-7535001 and up
	65841	C	DRAWING - Instrument Panel Harness Installation		28-4378 to 28-7305611 incl.
	76375	C	DRAWING - Instrument Panel Harness Installation		28-7405001 to 28-7405290 incl.
	76454	C	DRAWING - Electrical System Installation		28-7505001 and up
	69266	E	DRAWING - Instrument Panel Harness Installation		28-11040 to 28-7310187 incl.
	76397	E	DRAWING - Instrument Panel Harness Installation		28-7410001 to 28-7410120 incl.
	76460	E	DRAWING - Electrical System Installation		28-7510001 and up
	79325	H	DRAWING - Electrical System Installation		28-7525001 and up
-1	454 701	J	CIRCUIT BREAKER - Black button (PS50120-1-12) 60 amp	AR	
	454 711	J	CIRCUIT BREAKER - White button (PS50120-1-13) 60 amp	AR	
	454 700	G	CIRCUIT BREAKER - Black button (PS50120-1-1) 5 amp	AR	
	454 706	G	CIRCUIT BREAKER - White button (PS50120-1-2) 5 amp	AR	
	454 668	H	CIRCUIT BREAKER - (PS50120-3-8) 5 amp	AR	
	454 702	G	CIRCUIT BREAKER - Black button (PS50120-1-4) 10 amp	AR	
	454 707	G	CIRCUIT BREAKER - White button (PS50120-1-5) 10 amp	AR	
	454 669	H	CIRCUIT BREAKER - (PS50120-3-13) 10 amp	AR	
	454 703	G	CIRCUIT BREAKER - Black button (PS50120-1-6) 15 amp	AR	
	454 708	G	CIRCUIT BREAKER - White button (PS50120-1-7) 15 amp	AR	
	454 670	H	CIRCUIT BREAKER - (PS50120-3-15) 15 amp	AR	
	454 704	G	CIRCUIT BREAKER - Black button (PS60120-1-10) 25 amp	AR	
	454 710	G	CIRCUIT BREAKER - White button (PS50120-1-11) 25 amp	AR	
	454 705	G	CIRCUIT BREAKER - Black button (PS50120-1-8) 20 amp	AR	
	454 709	G	CIRCUIT BREAKER - White button (PS50120-1-9) 20 amp	AR	
	454 719	G	CIRCUIT BREAKER - White button (PS60120-1-3) 7 5 amp	AR	
	454 678	H	CIRCUIT BREAKER - (PS50120-3-11) 7 amp	AR	
-2	460 602	F	FILTER - Lunar white (1813-26)	16	
			A- Used on PA-28-140 with serial numbers 28-7525001 and up, PA-28-180 with serial numbers 28-4378 and up, PA-28-235 with serial number 28-11040 and up, PA-28R-180 and PA-28R-200 airplane.		
			B- Used on PA-28R-200 airplanes only.		
			C- Used on PA-28-180 airplanes only.		
			D- Used on PA-28R-180 and PA-28R-200 airplanes only.		
			E - Used on PA-28-235 airplanes only.		
			F- Used on PA-28-140 with serial numbers 28-7525001 and up, PA-28-180 with serial numbers 28-5601 and up, PA-28R-180 with serial numbers 28R-31251 and up, PA-28R-200 with serial numbers 28R-35601 and up and PA-28-235 with serial numbers 28-11301 and up.		
			G- Used on PA-28-180, PA-28-235, PA-28R-180 and PA-28R-200 airplanes only.		
			H- Used on PA-28-140 airplanes only.		
			J- Used on PA-28-180 with serial numbers 28-4378 to 28-7405290 inclusive, PA-28-235 with serial numbers 28-11040 to 28-7410120 inclusive, PA-28R-180 with serial numbers 28R-30005 to 28R-7130019 inclusive, and PA-28R-200 with serial numbers 28R-30482, 28R-35001 to 28R-7435331 inclusive.		

When ordering, always specify Part Number, Description, and Serial Number of Aircraft

PA-28-140
PA-28-180
PA-28-235
PA-28R-180
PA-28R-200

PIPER PARTS CATALOG

Figure and Index Number	Part Number	Code	NOMENCLATURE	No. Req.	SERIAL NUMBERS AFFECTED
70-3	67424-07	D	PANEL ASSEMBLY - Circuit breaker	1	28-7625031 and up
	67424-08	F	PANEL ASSEMBLY - Circuit breaker	1	
	99696-00	E	PANEL ASSEMBLY - Circuit breaker	1	
	35209-00		PANEL - Circuit breaker	1	
-3a	69669-16		PLACARD - Circuit breaker panel	1	
-3b	69669-24	C	PLACARD - Circuit breaker panel	1	
	69669-90	J	PLACARD - Circuit breaker panel	1	
-4	757 597	H,K	SWITCH - Ignition (10-357210-1)	1	
	762 438	B,L	SWITCH - Ignition (10-357200-1)	1	
	762 438	G,M	SWITCH - Ignition (10-357200-1)	1	
			A- Used on PA-28-140 with serial numbers 28-7525001 and up, PA-28-180 with serial numbers 28-4378 and up, PA-28-235 with serial numbers 28-11040 and up, PA-28R-180 and PA-28R-200 airplanes.		
			B- If matching cabin door lock and ignition switch are desired, order Kit 87329-02.		
			C- Used on PA-28-140 with serial numbers 28-7525001 to 28-7525350 inclusive, PA-28-180 with serial numbers 28-7405001 and up, PA-28-235 with serial numbers 28-7410001 to 28-7510145 inclusive, and PA-28R-200 with serial numbers 28R-7435001 to 28R-7535393 inclusive.		
			D- Used on PA-28R-180 with serial numbers 28R-30005 to 28R-7130019 inclusive, and PA-28R-200 with serial numbers 28R-30482, 28R-35001 to 28R-7135238 inclusive.		
			E- Used on PA-28-180 with serial numbers 28-7205001 to 28-7305611 inclusive, PA-28-235 with serial numbers 28-7210001 to 28-7310187 inclusive, and PA-28R-200 with serial numbers 28R-7235001 to 28R-7335455 inclusive.		
			F- Used on PA-28-180 with serial numbers 28-4378 to 28-7105244 inclusive, PA-28-235 with serial numbers 28-11040 to 28-7110042 inclusive.		
			G- If matching cabin door lock, baggage door lock and ignition switch are desired, order Kit 87329-03.		
			H- If matching cabin door lock and ignition switch are desired on PA-28-140, order Kit 760 713 If matching cabin door lock, baggage door lock and ignition switch are desired on PA-28-180, PA-28-235, PA-28R-180 and PA-28R-200, order Kit 470 728		
			J- Used on PA-28-140 with serial numbers 28-7625001 and up, PA-28-235 with serial numbers 28-7610001 and up, and PA-28R-200 with serial numbers 28R-7635001 and up.		
			K- Used on PA-28-140 with serial numbers 28-7525001 to 28-7625030 inclusive, PA-28-180 with serial numbers 28-4378 and up, PA-28-235 with serial numbers 28-11040 to 28-7610020 inclusive, PA-28R-180, and PA-28R-200 with serial numbers 28R-30482, 28R-35001 to 28R-7635017 inclusive		
			L- Used on PA-28-140 airplanes only.		
			M- Used on PA-28-235 with serial numbers 28-7610021 and up, and PA-28R-200 with serial numbers 28R-7635018 and up.		

When ordering, always specify Part Number, Description, and Serial Number of Aircraft

PA-28-140
PA-28-180
PA-28-235
PA-28R-180
PA-28R-200

PIPER PARTS CATALOG

Figure and Index Number	Part Number	Code	NOMENCLATURE	No. Req.	SERIAL NUMBERS AFFECTED
70-5	67439-00	G	KNOB - Landing gear switch	1	
-6	487 936	G	SWITCH - Landing gear (8906-K-1385)	1	
-7	67412-02	D	STRIP - Circuit breaker	1	
	67412-04	C	STRIP - Circuit breaker	1	
	35208-00	B	STRIP - Circuit breaker	1	
-8	67412-03	D	STRIP - Circuit breaker	1	
-9	67409-00	E	SPACER - Circuit breaker	1	
	67409-03	B	SPACER - Circuit breaker	1	
-10	67407-00	E	PANEL ASSEMBLY- Switch	1	
	35212-00	B	PANEL ASSEMBLY - Switch	1	
-11	66713-00		PLATE - Switch cover	3	
-12	67435-02	E	POTENTIOMETER ASSEMBLY - Panel lights	1	
	67436-05	B	POTENTIOMETER ASSEMBLY - Panel lights	1	
-13	67435-03	E	POTENTIOMETER ASSEMBLY - Dome lights	1	
	67436-04	B	POTENTIOMETER ASSEMBLY - Instrument lights	1	
-14	99377-17	D	SWITCH - Fuel pump, beige (8911K594)	1	
	99377-02	F	SWITCH - Fuel pump, gray (8911K578)	1	
			A- Used on PA-28-140 with serial numbers 28-7525001 and up, PA-28-180 with serial numbers 28-4378 and up, PA-28-235 with serial numbers 28-11040 and up, PA-28R 180 and PA-28R-200 airplanes.		
			B- Used on PA-28-140 with serial numbers 28-7525001 and up, PA-28-180 with serial numbers 28-7405001 and up, PA-28-235 with serial numbers 28-7410001 and up, and PA-28R-200 with serial numbers 28R-7435001 and up.		
			C- Used on PA-28-180 with Serial numbers 28-7105001 to 28-7305611 inclusive, PA-28R-180 with serial numbers 28R-7130001 to 28R-7130019 inclusive, PA-28R-200 with serial numbers 28R-7135001 to 28R-7335455 inclusive, and PA-28-235 with serial numbers 28-7110001 to 28-7310187 inclusive.		
			D- Used on PA-28-180 with serial numbers 28-4378 to 28-5869 inclusive, PA-28R-180 with serial numbers 28R-30005 to 28R-30481 inclusive, 28R-30483 to 28R-31279 inclusive, PA-28R-200 with serial numbers 28R-30482, 28R-35001 to 28R-35830 inclusive, and PA-28-235 with serial numbers 28-11040 to 28-11393 inclusive.		
			E- Used on PA-28-180 with serial numbers 28-4378 to 28-7305611 inclusive, PA-28-235 with serial numbers 28-11040 to 28-7310187 inclusive, PA-28R-180 with serial numbers 28R-30005 to 28R-7130019 inclusive, and PA-28R-200 with serial numbers 28R-30482, 28R-35001 to 28R-7335455 inclusive.		
			F- Used on PA-28-140 with serial numbers 28-7525001 and up, PA-28-180 with serial numbers 28-7105001 and up, PA-28R-180 with serial numbers 28R-7130001 and up, PA-28R-200 with serial numbers 28R-7135001 and up, and PA-28-235 with serial numbers 28-7110001 and up.		
			G- Used on PA-28R-180 and PA-28R-200 airplanes only.		

When ordering, always specify Part Number, Description, and Serial Number of Aircraft

PA-28-140
PA-28-180
PA-28-235
PA-28R-180
PA-28R-200

PIPER PARTS CATALOG

Figure and Index Number	Part Number	Code	NOMENCLATURE	No. Req.	SERIAL NUMBERS AFFECTED
70-15	99377-16	D,E	SWITCH - Strobe light, beige (8911K651)	1	
	99377-06	C,E	SWITCH - Strobe light, gray (8911K659)	1	
-16	99377-18	D	SWITCH - Landing light, beige (8911K596)	1	
	99377-03	C	SWITCH - Landing light, gray (8911K580)	1	
-17	487 868	G	SWITCH - Master (8911K577)	1	
	99377-05	H	SWITCH - Master (8911K619)	1	
-18	67437-00		KNOB - Instrument lights	2	
-19	489 384	F	TRANSISTOR - (2N443)	2	
-20	489 385	F	TRANSISTOR - (2N669)	2	
	489 400	B	TRANSISTOR - (2N3055)	2	
-21	484 426	F	RESISTOR - (100 ohm, 2 watts)	2	
		A-	Used on PA-28-140 with serial numbers 28-7525001 and up, PA-28-180 with serial numbers 28-4378 and up, PA-28-235 with serial numbers 28-11040 and up, PA-28R-180 and PA-28R-200 airplanes.		
		B-	Used on PA-28-140 with serial numbers 28-7525001 and up, PA-28-180 with serial numbers 28-7405001 and up, PA-28-235 with serial numbers 28-7410001 and up, and PA-28R-200 with serial numbers 28R-7435001 and up.		
		C-	Used on PA-28-140 with serial numbers 28-7525001 and up, PA-28-180 with serial numbers 28-7105001 and up, PA-28R-180 with serial numbers 28R-7130001 and up. PA-28R-200 with serial numbers 28R-7135001 and up. and PA-28-235 with serial numbers 28-7110001 and up.		
		D-	Used on PA-28-180 with serial numbers 28-4378 to 28-5869 inclusive, PA-28R-180 with serial numbers 28R-30005 to 28R-30481 inclusive, 28R-30483 to 28R-31279 inclusive, PA-28R-200 with serial numbers 28R-30482, 28R-35001 to 28R-35830 inclusive and PA-28-235 with serial numbers 28-11040 to 28-11393 inclusive.		
		E-	See Figure 73A if wing tip strobe lights are installed.		
		F-	Used on PA-28-180 with serial numbers 28-4378 to 28-7305611 inclusive, PA-28-235 with serial numbers 28-11040 to 28-7310187 inclusive, PA-28R-180 with serial numbers 28R-30005 to 28R-7130019 inclusive, and up, PA-28R-200 with serial numbers 28R-30482, 28R-35001 to 28R-7335455 inclusive.		
		G-	Used on PA-28-180 with serial numbers 28-4378 to 28-5679 inclusive, PA-28R-180 with serial numbers 28R-30005 to 28R-30481 inclusive, 28R-30483 to 28R-31078 inclusive, and PA-28-235 with serial numbers 28-11040 to 28-11285 inclusive		
		H-	Used on PA-28-140 with serial numbers 28-7525001 and up, PA-28-180 with serial numbers 28-5680 and up, PA-28R-180 with serial numbers 28R-31079 and up, PA-28R-200 with serial numbers 28R-30482, 28R-35001 and up, and PA-28-235 with serial numbers 28-11286 and up.		

When ordering, always specify Part Number, Description, and Serial Number of Aircraft

PA-28-140
PA-28-180
PA-28-235
PA-28R-180
PA-28R-200

PIPER PARTS CATALOG

Figure and Index Number	Part Number	Code	NOMENCLATURE	No. Req.	SERIAL NUMBERS AFFECTED
70-22	67429-02	D	PLACARD - Instrument lights, dome, woodgrain background		
	66970-02	B	PLACARD - Instrument lights, dome, black background	1	
	69669-17	F	PLACARD - Instrument lights, black background	1	
-23	67429-03	D	PLACARD - Instrument lights, panel, woodgrain background	1	
	66970-03	C	PLACARD - Instrument lights, panel, black background	8	
-24	487 700		STRIP - Terminal (1064)	1	
-25	67418-00	E	HOLDER ASSEMBLY - Instrument lamp	16	
	565 516	F	HOLDER ASSEMBLY - Instrument lamp (PS10082-1-1)	16	
-26	472 051	D	BULB - (PS10008-53R) Red	20	
	472 056	C	BULB - (PS10008-53) Clear	20	
-27	472 054	W	BULB - (PS10008-330)	7	
-28	484 457	F	RESISTOR - (243E2R05)	2	
-29	484 484	F	RESISTOR - (244E2R05)	2	
		A-	Used on PA-28-140 with serial numbers 28-7525001 and up, PA-28-180 with serial numbers 28-4378 and up, PA-28-235 with serial numbers 28-11040 and up, PA-28R-180 and PA-28R-200 airplanes.		
		B-	Used on PA-28-180 with serial numbers 28-5601 to 28-7305611 inclusive, PA-28R-180 with serial numbers 28R-31251 to 28R-7130019 inclusive, PA-28R-200 with serial numbers 28R-35601 to 28R-7335455 inclusive, and PA-28-235 with serial numbers 28-11301 to 28-7310187 inclusive.		
		C-	Used on PA-28-140 with serial numbers 28-7525001 and up, PA-28-180 with serial numbers 28-5601 and up, PA-28R-180 with serial numbers 28R-31251 and up, PA-28R-200 with serial numbers 28R-35601 and up, and PA-28-235 with serial numbers 28-11301 and up.		
		D-	Used on PA-28-180 with serial numbers 28-4378 to 28-5600 inclusive, PA-28R-180 with serial numbers 28R-30005 to 28R-30481 inclusive, 28R-30483 to 28R-31250 inclusive, PA-28R-200 with serial numbers 28R-30482, 28R-35001 to 28R-35600 inclusive, and PA-28-235 with serial numbers 28-11040 to 28-11300 inclusive.		
		E-	Used on PA-28-180 with serial numbers 28-4378 to 28-7305611 inclusive, PA-28-235 with serial numbers 28-11040 to 28-7310187 inclusive, PA-28R-180 with serial numbers 28R-30005 to 28R-7130019 inclusive, and PA-28R-200 with serial numbers 28R-30482, 28R-35001 to 28R-7335455 inclusive.		
		F-	Used on PA-28-140 with serial numbers 28-7525001 and up, PA-28-180 with serial numbers 28-7405001 and up, PA-28-235 with serial numbers 28-7410001 and up, and PA-28R-200 with serial numbers 28R-7435001 and up		
		W-	These parts must be ordered from Service Spares Department, Piper Aircraft, Lock Haven, Penna.		

When ordering, always specify Part Number, Description, and Serial Number of Aircraft

PA-28-140
PA-28-180
PA-28-235
PA-28R-180
PA-28R-200

PIPER PARTS CATALOG

Figure and Index Number	Part Number	Code	NOMENCLATURE	No. Req.	SERIAL NUMBERS AFFECTED
70-30	67422-04		LIGHT - Indicator (stall warning)	1	
-31	67422-09	G	LIGHT - Indicator (warning gear up)	1	
	67422-11	D	LIGHT - Indicator (warning gear unsafe)	1	
-32	67422-05	F	LIGHT - Indicator (left gear)	1	
-33	67422-06	F	LIGHT - Indicator (right gear)	1	
-34	67422-07	F	LIGHT - Indicator (nose gear)	1	
-35	67422-08	F	LIGHT - Indicator (gear in transit)	1	
-36	67422-10	B,D	LIGHT - Indicator (auto extender off)	1	28R-7235001 and up
-37	79333-00	C	PANEL ASSEMBLY - Annunciator	1	
-38	67422-12	C	LIGHT - Indicator (oil)	1	
-39	67422-14	C	LIGHT - Indicator (alt)	1	
-40	67422-13	C	LIGHT - Indicator (vac)	1	
-41	487 904	C,W	SWITCH - (39-1)	1	
-42	472 054	C,W	BULB - (PS10008-330)	2	
-43	453 695	C,W	BULB - (PS10008-328)	1	
-44	38149-05	E	FLASHER ASSEMBLY - Gear warning	1	
<p>A- Used on PA-28-140 with serial numbers 28-7525001 and up, PA-28-180 with serial numbers 28-4378 and up, PA-28-235 with serial numbers 28-11040 and up, PA-28R-180 and PA-28R-200 airplanes.</p> <p>B- Used on PA-28R-180 with serial numbers 28R-30005 to 28R-7130019 inclusive, and PA-28R-200 with serial numbers 28R-35001 to 28R-7135238 inclusive if Kit 760 542. Landing Gear Back-Up Actuator Override Mechanism, has been installed.</p> <p>C- Used on PA-28-140 with serial numbers 28-7525001 and up, PA-28-180 with serial numbers 28-7505001 and up, PA-28-235 with serial numbers 28-7510001 and up, and PA-28R-200 with serial numbers 28R-7535001 and up.</p> <p>D- Used on PA-28R-200 airplanes only.</p> <p>E- Used on PA-28R-180 and PA-28R-200 if Gear Extension Flasher Replacement Kit 763 816 has been installed.</p> <p>F- Used on PA-28R-180 and PA-28R-200 airplanes only.</p> <p>G- Used on PA-28R-180 airplanes only.</p> <p>W- These parts must be ordered from Service Spares Department, Piper Aircraft, Lock Haven, Penna.</p>					

When ordering, always specify Part Number, Description, and Serial Number of Aircraft

PA-28-140
PA-28-180
PA-28-235
PA-28R-180
PA-28R-200

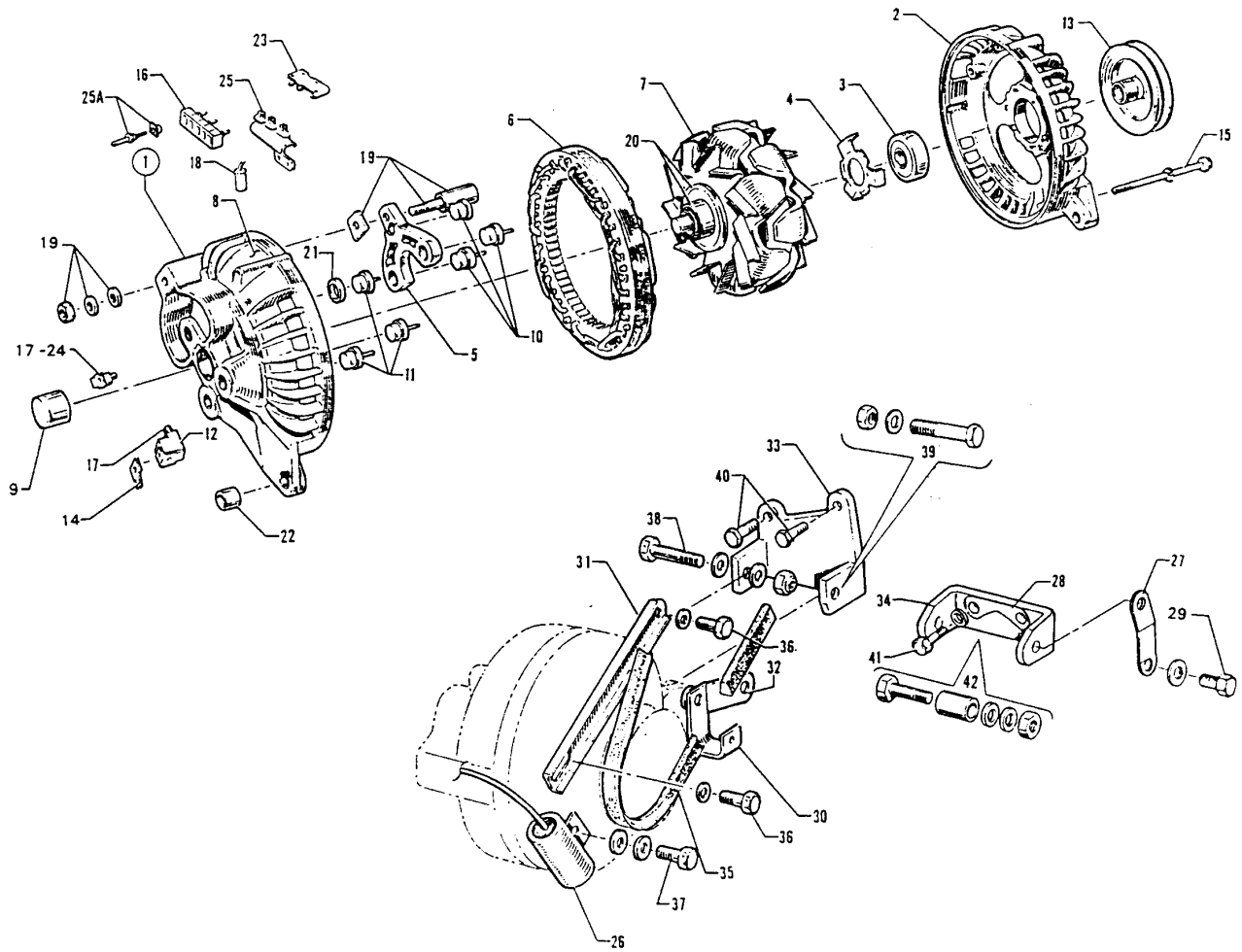


Figure 71. Alternator Installation (Chrysler)

PIPER PARTS CATALOG

Figure and Index Number	Part Number	Code	NOMENCLATURE	No. Req.	SERIAL NUMBERS AFFECTED
71-	99936	A	DRAWING - Alternator Installation		
	99935	B	DRAWING - Alternator Installation		
	99937	C	DRAWING - Alternator Installation		
-1	69670-02	D	ALTERNATOR ASSEMBLY - 40 amp	1	
	69670-00	E	ALTERNATOR ASSEMBLY - 60 amp	1	
	69670-03	L	ALTERNATOR ASSEMBLY - 60 amp	1	
-2	756 159		SHIELD ASSEMBLY - Drive end (2098634)	1	
-3	753 375		BEARING - Drive end shield (2098478)	1	
-4	755 846		PLATE - Bearing retainer (2095012)	1	
-5	751 955	F,G,H	HEAT SINK - Rectifier (2095925)	1	
-6	756 160	F,G	STATOR ASSEMBLY - (2095427)	1	
	756 250	H	STATOR ASSEMBLY - (3656400)	1	
	757 744	J	STATOR ASSEMBLY - (3438754)	1	
	757 745	K	STATOR ASSEMBLY - (3438768)	1	
<p>Note: Refer to Figure 32A and 71A if air conditioning is installed.</p> <p>A- Used on PA-28-140 with serial numbers 28-20002 to 28-20217 inclusive, PA-28-150, PA-28-160 and PA-28-180 with serial numbers 28-508 to 28-1760 inclusive.</p> <p>B- Used on PA-28-150, PA-28-160 and PA-28-180 with serial numbers 28-1761 and up, PA-28-235, PA-28R-180 and PA-28R-200 airplanes.</p> <p>C- Used on PA-28-140 with serial numbers 28-20218 and up.</p> <p>D- Used on PA-28-150, PA-28-160 and PA-28-180 with serial numbers 28-508 to 28-3377 inclusive, PA-28-235 with serial numbers 28-10003 to 28-10719 inclusive, and PA-28-140 with serial numbers 28-20002 to 28-24999 inclusive.</p> <p>E- Used on PA-28-235 with serial numbers 28-10720 to 28-7410120 inclusive, PA-28-150, PA-28-160 and PA-28-180 with serial numbers 28-3378 to 28-7405290 inclusive, PA-28-140 with serial numbers 28-25000 to 28-7425454 inclusive, PA-28R-180, and PA-28R-200 with serial numbers 28R-30482. 288R-35001 to 28R-7435331 inclusive.</p> <p>F- Used on alternator which is stamped with number 2098640 or 2098615.</p> <p>G- Used on alternator which is stamped with number 2642995 or 2642996.</p> <p>H- Used on alternator which is stamped with number 2642197, 2642210 or 2642997.</p> <p>J- Used on alternator which is stamped with number 3656623.</p> <p>K- Used on alternator which is stamped with number 3656624.</p> <p>L- Used on PA-28-140 with serial numbers 28-7525001 and up, PA-28-180 with serial numbers 28-7505001 and up, PA-28-235 with serial numbers 28-7510001 and up, and PA-28R-200 with serial numbers 28R-7535001 and up.</p>					

When ordering, always specify Part Number, Description, and Serial Number of Aircraft

PIPER PARTS CATALOG

Figure and Index Number	Part Number	Code	NOMENCLATURE	No. Req.	SERIAL NUMBERS AFFECTED
71-7	752 865	D	ROTOR ASSEMBLY - (2098632)	1	
	756 014	E	ROTOR ASSEMBLY - (2642994)	1	
	755 943	A	ROTOR ASSEMBLY - (2642195)	1	
	756 064	B	ROTOR ASSEMBLY - (3656631)	1	
	756 065	C	ROTOR ASSEMBLY - (3656632)	1	
-8	760 928	A,D,E	KIT - Shield assembly, Rectifier end	1	
	757 746	B,C	SHIELD ASSEMBLY - Rectifier end	1	
-9	753 376		BEARING - Rectifier and shield (2098512)	1	
-10	752 866	D,E	RECTIFIER - Positive (2098288)	3	
	755 944	A	RECTIFIER - Positive (3000046)	3	
-11	752 867	D,E	RECTIFIER - Negative (2098287)	3	
	755 945	A	RECTIFIER - Negative (3000047)	3	
-12	751 956	A,D,E	HOLDER - Brush (2095038)	1	
	758 369	C	HOLDER - Brush (3438159)	1	
-13	755 847	D	PULLEY ASSEMBLY - (2095664)	1	
	757 311	A,B,C,E	PULLEY ASSEMBLY - (2642706)	1	
-14	753 039	A,D,E	TERMINAL - Field (2098642)	1	
-15	756 757		KIT - 3 Frame screws (3656470)	1	
-16	761 913	B,C	TERMINAL BLOCK - (3438729)	1	
-17	757 142		KIT - Brush and insulator assembly (2084673)	1	
-18	757 981	B,C	CAPACITOR - (3438725)	1	
-19	756 759	A,D,E	KIT - Internal capacitor and insulator (2421137)	1	
-20	757 143	A,D,E	KIT - Rotor grease retainer, washer and slip ring (2586512)	1	
-21	756 761	A,D,E	KIT - Rectifier heat sink spacer (2421138)	1	
-22	753 380	A,D,E	BUSHING - Alternator end shield (2095052)	1	
	758 249	B,C	BUSHING - Alternator end shield (2098052)	1	
-23	756 067	B,C	RECTIFIER ASSEMBLY - Negative (3438721)	1	
-24	758 251	B	BRUSH ASSEMBLY PACKAGE - Horizontal (3420893)	1	
	758 368	C	BRUSH ASSEMBLY PACKAGE - Horizontal (3837172)	t	
-25	756 066	B,C	RECTIFIER ASSEMBLY - Positive (3438727)	1	
-25a	758 366		BATTERY TERMINAL PACKAGE - (3620794)	1	
-26	63897-06		CAPACITOR ASSEMBLY - Alternator	1	

Note: Refer to Figure 32A and 71A if air conditioning is installed.

- A- Used on alternator which is stamped with number 2642197, 2642210 or 2642997.
- B- Used on alternator which is stamped with number 3656623.
- C- Used on alternator which is stamped with number 3656624.
- D- Used on alternator which is stamped with number 2098640 or 2098615.
- E- Used on alternator which is stamped with number 2642995 or 2642996.

When ordering, always specify Part Number, Description, and Serial Number of Aircraft

PIPER PARTS CATALOG

Figure and Index Number	Part Number	Code	NOMENCLATURE	No. Req.	SERIAL NUMBERS AFFECTED
71-27	79238-00	D,F	STRUT - Alternator	1	
	78483-00	E,G	STRUT - Alternator	1	
-28	582 172	D,E,F,G	PLATE - Lock (73383)	1	
-29	401 971	D,E,F,G	BOLT - (MS20074-05-06)	1	
	62833-74	D,E,F,G	WASHER	1	
-30	63695-00	A,H	CLIP - Alternator support	1	
-31	63696-00	A	CHANNEL - Alternator support	1	
	63531-00	B,C	CHANNEL - Alternator support	1	
-32	63697-00	A	LINK - Alternator support	1	
-33	63698-00	A	BRACKET ASSEMBLY - Alternator support	1	
-34	65199-00	B	BRACKET - Alternator support	1	
	63520-00	C	BRACKET ASSEMBLY - Alternator support	1	
-35	452 541		BELT - V (8114-1814)	1	
-36	401 971		BOLT - IMS20074-05-06)	2	
	407 566	W	WASHER - (AN960-516)	4	
-37	401 971		BOLT - (MS20074-05-06)	1	
	407 566	W	WASHER - (AN960-516)	6	
-38	401 395	W	BOLT- (AN6-14A)	1	
	407 567	W	WASHER - (AN960-616)	2	
	404 890	W	NUT - (MS20365-624C)	1	
<p>Note: Refer to Figure 32A and 71A if air conditioning is installed.</p> <p>A- Used on PA-28-140 with serial numbers 28-20002 to 28-20217 inclusive, PA-28-150, PA-28-160 and PA-28-180 with serial numbers 28-508 to 28-1760, inclusive.</p> <p>B- Used on PA-28-150, PA-28-160 and PA-28-180 with serial numbers 28-1761 and up, PA-28-235, PA-28R-180 and PA-28R-200 airplanes.</p> <p>C- Used on PA-28-140 with serial numbers 28-20218 and up.</p> <p>D- Used on PA-28-140 with serial numbers 28-7325621 and up.</p> <p>E- Used on PA-28-180 with serial numbers 28-7305576 and up, PA-28-235 with serial numbers 28-7310184 and up, and PA-28R-200 with serial numbers 28R-7335376 and up.</p> <p>F- Used on PA-28-140 with serial numbers 28-20218 to 28-7325620 inclusive if Alternator Installation Modification Kit 760 741 has been installed.</p> <p>G- Used on PA-28-150, PA-28-160 and PA-28-180 with serial numbers 28-1761 to 28-7305575 inclusive, PA-28R-180 with serial numbers 28R-30005 to 28R-7130019 inclusive, PA-28-235 with serial numbers 28-10003 to 28-7310183 inclusive, and PA-28R-200 with serial numbers 28R-35001 to 28R-7335376 inclusive if Alternator Installation Modification Kit 760 742 has been installed.</p> <p>H- Used on PA-28-140 with serial numbers 28-20218 to 28-7125471 inclusive.</p> <p>W- These parts must be ordered from Service Spares Department. Piper Aircraft, Lock Haven, Penna.</p>					

When ordering, always specify Part Number, Description, and Serial Number of Aircraft

PIPER PARTS CATALOG

Figure and Index Number	Part Number	Code	NOMENCLATURE	No. Req.	SERIAL NUMBERS AFFECTED
71-39	401 396	W	BOLT - (AN6-15A)	1	
	407 567	W	WASHER - (AN960-616)	2	
	404 890	W	NUT - (MS20365-624C)	1	
-40	401 925		BOLT - (MS20074-04-12)	2	
-41	401 971		BOLT - (MS20074-05-06)	2	
	407 137	W	WASHER - (AN936-A516)	2	
-42	764 092		ALTERNATOR MOUNTING HARDWARE KIT	1	
			Note: Refer to Figure 32A and 71A if air conditioning is installed.		
			W- These parts must be ordered from Service Spares Department, Piper Aircraft, Lock Haven, Penna.		

When ordering, always specify Part Number, Description, and Serial Number of Aircraft

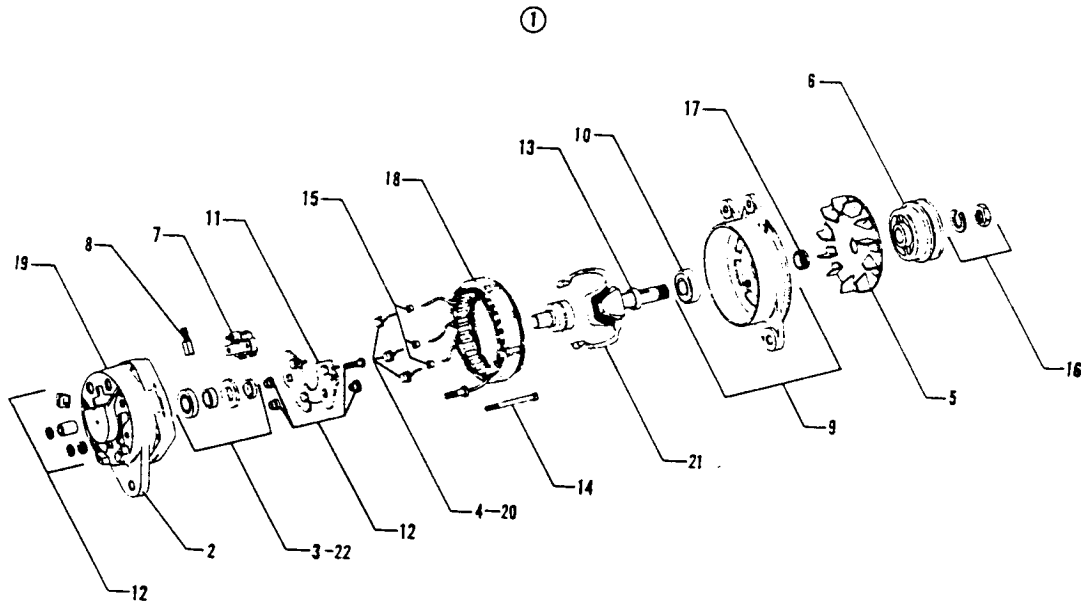


Figure 71A. Alternator Assembly (Prestolite)
(PA-28-140 - Serial Nos. 28-25001, 28-7125472 and up)
(PA-28-180 - Serial Nos. 28-5653, 28-7205092 and up)
(PA-28R-200 - Serial Nos. 28R-7235001 and up)

PIPER PARTS CATALOG

Figure and Index Number	Part Number	Code	NOMENCLATURE	No. Req.	SERIAL NUMBERS AFFECTED
71 A-1	551 983		ALTERNATOR ASSEMBLY - Prestolite (ALY-6422)	1	
-2	762 244	B	* SLIP RING END HEAD AND ROTOR ASSEMBLY PACKAGE (90-2402)	1	
-3	757 386	B	** PACKAGE - Bearing and seal S.R.E. (90-2014)	1	
-4	757 387	B	** PACKAGE - Rectifier, negative (XA-944JS)	1	
-5	754 827		* FAN ASSEMBLY - Ventilating (90-2241)	1	
-6	757 392		* PULLEY - Drive (PU-692A)	1	
-7	758 224		* BRUSH HOLDER AND SPRING ASSEMBLY (ALE-1045BS)	1	
-8	758 471		** BRUSH SET - Alternator (ALE-1013AS)	1	
-9	755 232		* HEAD ASSEMBLY - Drive end (ALA-1003K)	1	
-10	758 225		** BEARING - Ball, seal (X-3416)	1	
-11	756 060		* RECTIFIER AND PLATE ASSEMBLY - Positive (ALE-1054A)	1	
-12	761 903		* TERMINAL STUD AND PARTS PACKAGE - (90-2043)	1	
-13	756 061		* RETAINER - Drive end (GR-32)	1	
-14	757 388		* PACKAGE - Thru bolt (ALA-20JS)	1	
-15	757 389		* PACKAGE - Eyelet (90-818)	1	
-16	757 390		* PACKAGE - Nut and washer (90-33)	1	
-17	757 721		* SPACER - Rotor shaft (ALD-21A)	1	
-18	757 719		* STATOR ASSEMBLY - (ALE-2008AES)	1	
-19	755 271	C	* HEAD ASSEMBLY - Slip ring end (ALK-11328S-1)	1	
-20	757 387	C	* PACKAGE - Rectifier, negative (XA-944JS)	1	
-21	762 508	C	* ROTOR - (ALE-21775-1)	1	
-22	757 386	C	* PACKAGE - Bearing and seal S.R.E. (90-2014)	1	
			A- Used on PA-28-140 with serial numbers 28-25001, 28-7125472 and up, PA-28-180 with serial numbers 28-5653, 28-7205092 and up, and PA-28R-200 with serial numbers 28R-7235001 and up.		
			B- Used with Alternator Assembly (ALY-6409) only.		
			C- Used with Alternator Assembly (ALY-6422) only		

When ordering, always specify Part Number, Description, and Serial Number of Aircraft

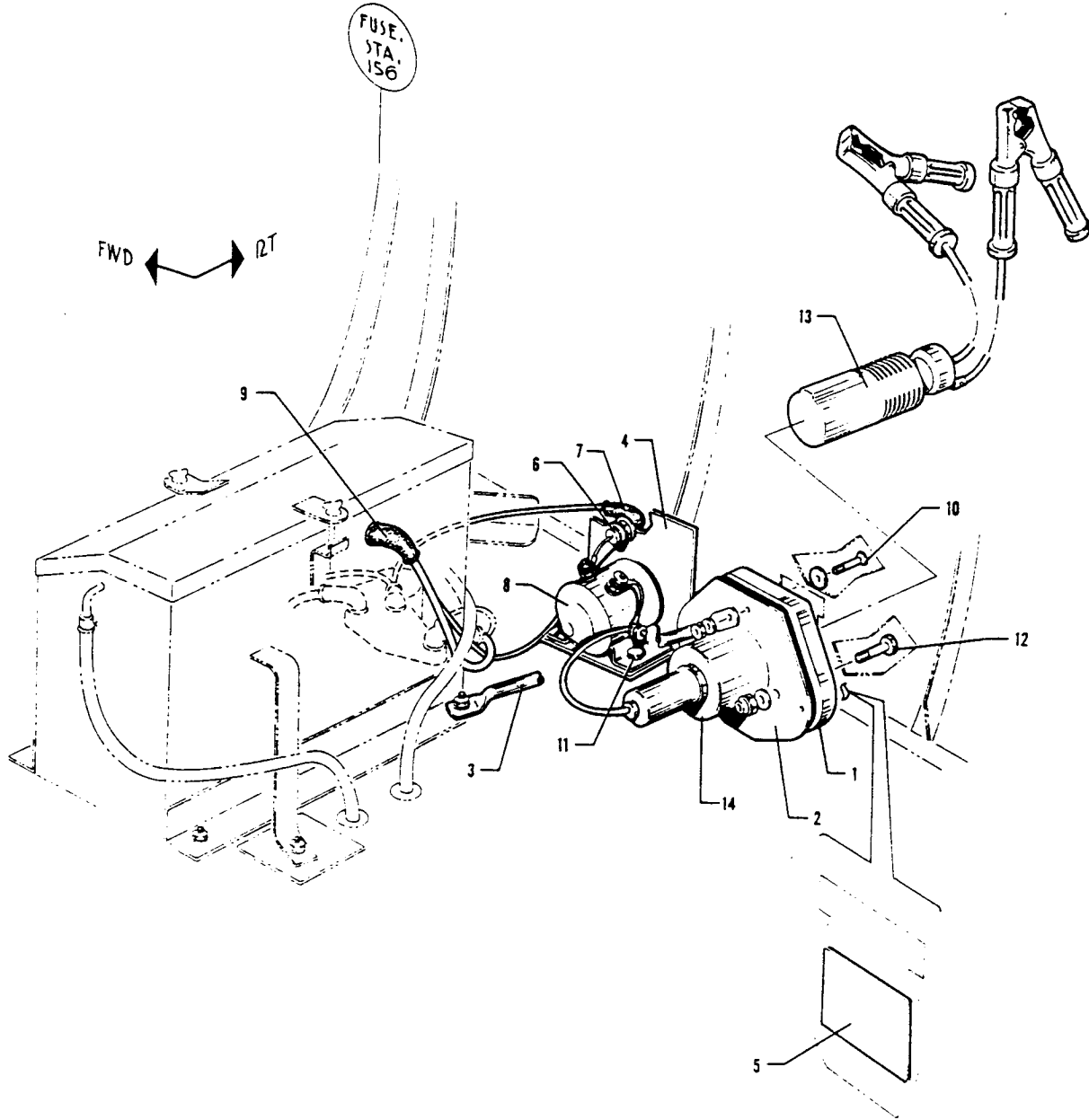


Figure 72. External Power Supply Installation

PIPER PARTS CATALOG

Figure and Index Number	Part Number	Code	NOMENCLATURE	No. Req.	SERIAL NUMBERS AFFECTED
72-	62225 65647 79454	A E D	DRAWING - External Power Supply Installation DRAWING - External Power Supply Installation DRAWING - External Power Supply Installation		
-1	62226-00	W	SPACER - Auxiliary power receptacle	1	
-2	62227-00	W	PLATE - Auxiliary power receptacle	1	
-3	62228-00	A,W	TUBE - Auxiliary power receptacle support	1	
	65649-00	B	TUBE - Auxiliary power receptacle support	1	
-4	62342-00	A,W	BRACKET- Power relay	1	
	68198-00	B	SUPPORT- Diode mounting	1	
-5	69669-173	W	PLACARD - External power	1	
-6	456 728	W	DIODE - (IN3208)	1	
-7	476 673	W	NIPPLE - (MS25171-1S)	1	
-8	484 373	W	SOLENOID - (24059)	1	
-9	66580-02	C	BOOT - (476 695)	1	
-10	416 794	W	SCREW - (AN507-1032R14)	4	
	494 087	W	WASHER - (A3235-020-1)	4	
	407 564	W	WASHER - (AN960-10)	4	
	404 835	W	NUT - (MS20364-1032C)	4	
-11	400 002	W	BOLT - (AN4-5A)	2	
	407 565	W	WASHER - (AN960-416)	2	
	404 888	W	NUT - (MS20365-428C)	2	
-12	400 728	W	BOLT - (AN25-11A)	2	
	407 566	W	WASHER - (AN960-516)	2	
	404 837	W	NUT - (MS20364-524C)	2	
-13	62355-02	W	PLUG ASSEMBLY - Power connector	1	
-14	62355-03	W	SOCKET ASSEMBLY - Power connector	1	
			A- Used on PA-28-235 with serial numbers 28-10003 to 28-10719 inclusive, PA-28-150, PA-28-160 and PA-28-180 with serial numbers 28-1 to 284377 inclusive.		
			B- Used on PA-28-235 with serial numbers 28-10720 and up, PA-28-180 with serial numbers 28-4378 and up, PA-28R-180 and PA-28R-200 airplanes.		
			C- Used on PA-28-235 with serial numbers 28-10720 to 28-7410120 inclusive, PA-28-180 with serial numbers 28-4378 to 28-7405290 inclusive, PA-28R-180 with serial numbers 28R-30005 to 28R-7130019 inclusive, and PA-28R-200 with serial numbers 28R-30482, 28R-35001 to 28R-7435331 inclusive.		
			D- Used on PA-28-235 with serial numbers 28-7510001 and up, PA-28-180 with serial numbers 28-7505001 and up, and PA-28R-200 with serial numbers 28R-7535001 and up. Also used on aircraft with code "C" serial numbers if Auxiliary Power Receptacle Installation Kit 761089 has been installed.		
			E- Used on PA-28-235 with serial numbers 28-10720 to 28-7410120 inclusive, PA-28-180 with serial numbers 28-4378 to 28-7405290 inclusive, PA-28R-180 with serial numbers 28R-30005 to 28R-7130019 inclusive, and PA-28R-200 with serial numbers 28R-30482, 28R-35001 to 28R-7435331 inclusive. Order drawing with code "D" serial numbers if Auxiliary Power Receptacle Installation Kit 761089 has been installed.		
			W- These parts must be ordered from Service Spares Department, Piper Aircraft, Lock Haven, Penna.		

When ordering, always specify Part Number, Description, and Serial Number of Aircraft

PA-28-150
PA-28-160
PA-28-180
PA-28-235
PA-28R-180
PA-28R-200

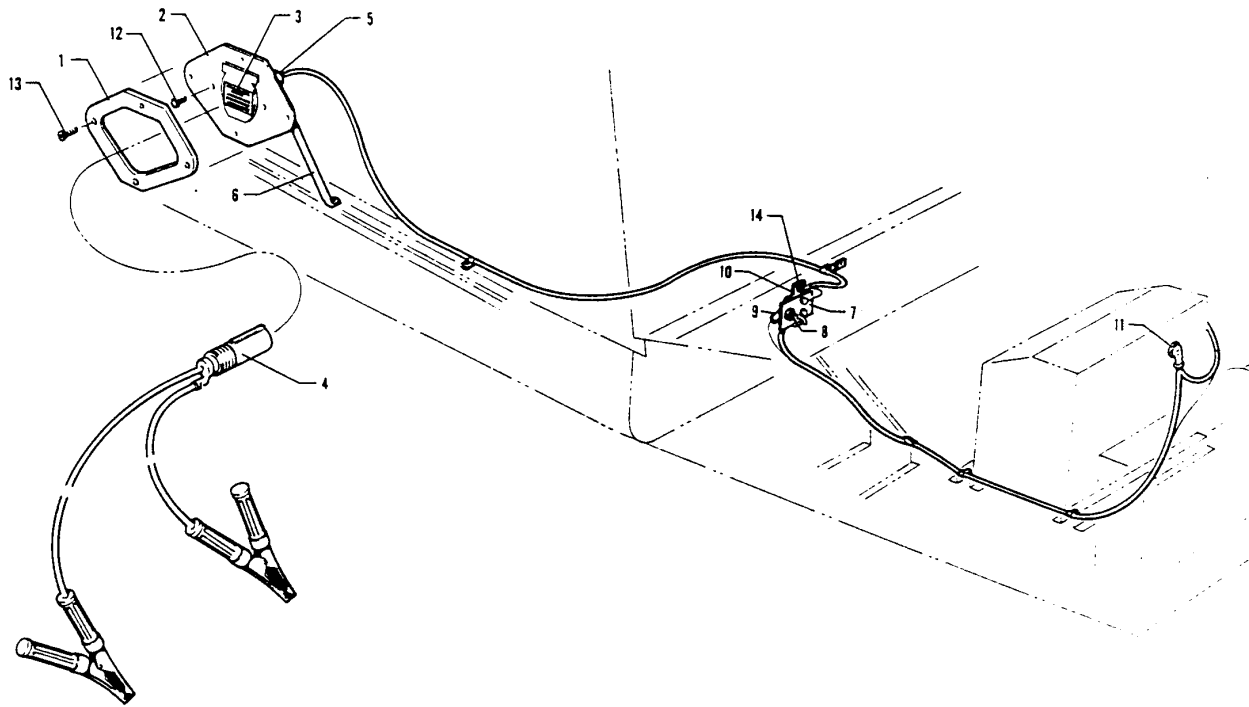


Figure 73. External Power Supply Installation

PIPER PARTS CATALOG

Figure and Index Number	Part Number	Code	NOMENCLATURE	No. Req.	SERIAL NUMBERS AFFECTED
73-	65529	A	DRAWING - External Power Supply		
	66745	B	DRAWING - External Power Supply		
-1	62226-00	W	SPACER Auxiliary power receptacle	1	
-2	62227-00	W	PLATE - Auxiliary power receptacle	1	
-3	69669-173	W	PLACARD - External power	1	
4	62355-02	W	PLUG ASSEMBLY - Power connector	1	
-5	62355-06		SOCKET ASSEMBLY - Power connector	1	
-6	65528-00		TUBE - Auxiliary power receptacle support	1	28-20002 to 28-25460 inclu
	99306-00		TUBE - Auxiliary power receptacle support	1	28-25461 and up
-7	68198-00		SUPPORT - Diode	1	
-8	456 728	W	DIODE - (IN3208)	1	
-9	476 673	W	NIPPLE - Diode (MS25171-1S)	1	
-10	484 373	W	SOLENOID - (24059)	1	
-11	66580-02		BOLT - (476 695)	1	
-12	401 185	W	BOLT- (AN5-5A)	2	
	407 566	W	WASHER - (AN960-516)	2	
	404 837	W	NUT - (MS20364-524C)	2	
-13	416 794	W	SCREW - (MS24693-S275)	4	
	494 837	W	WASHER - (A3235020-1)	4	
	407 564	W	WASHER - (AN960-10)	4	
	404 835	W	NUT - (MS20364-1032C)	4	
-14	401 307	W	BOLT- (AN4-4A)	2	
	407 565	W	WASHER - (AN960-416)	2	
	404 888	W	NUT - (MS20365-428C)	2	
			A- Used on PA-28-140 with serial numbers 28-20002 to 28-24999 inclusive		
			B- Used on PA-28-140 with serial numbers 28-25000 and up		
			W- These parts must be ordered from Service Spares Department, Piper Aircraft, Lock Haven, Penna.		

When ordering, always specify Part Number, Description, and Serial Number of Aircraft

3E24
INTENTIONALLY LEFT BLANK

PIPER PARTS CATALOG

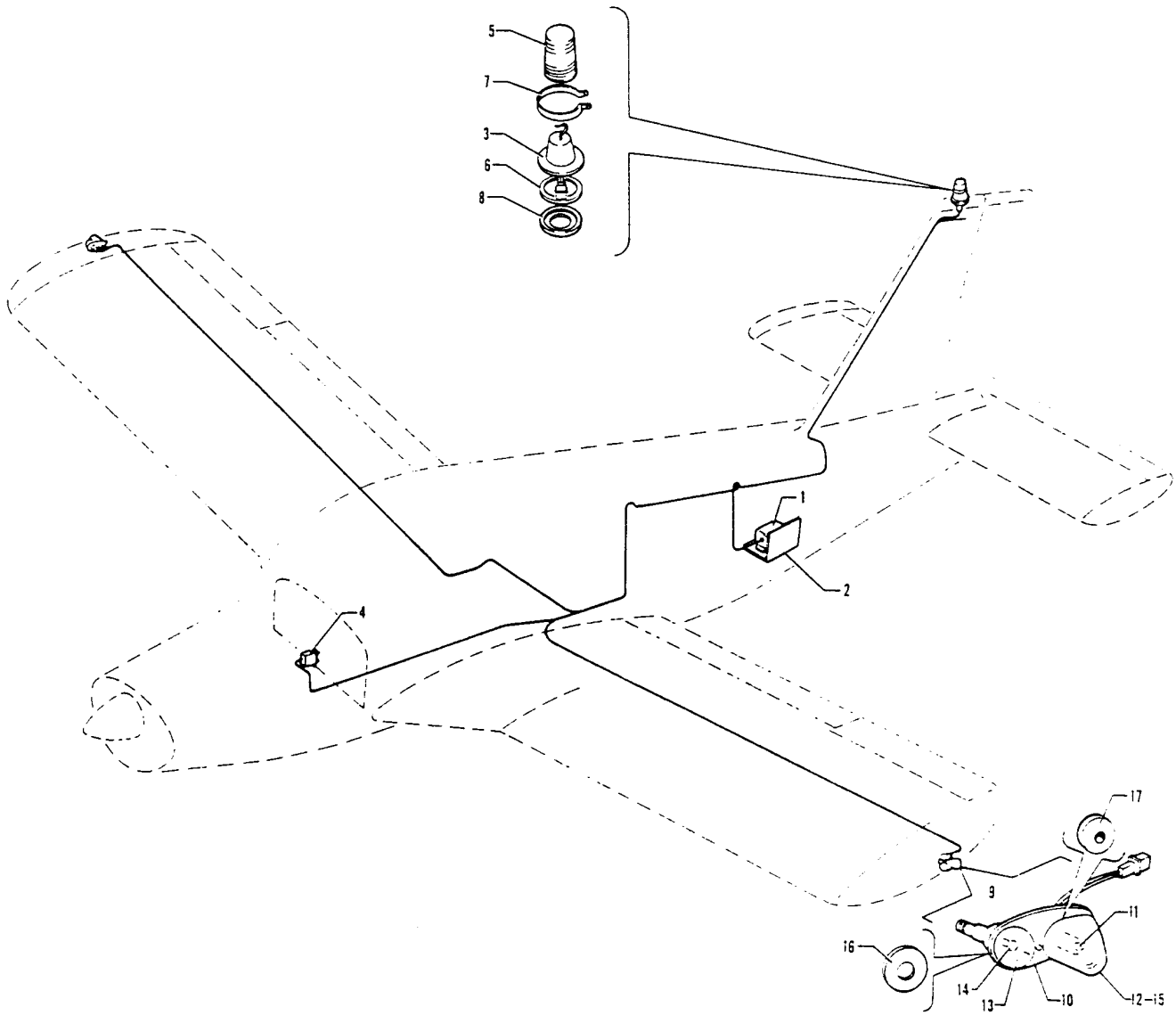


Figure 73A. Strobe Lights Installation

PIPER PARTS CATALOG

Figure and Index Number	Part Number	Code	NOMENCLATURE	No. Req.	SERIAL NUMBERS AFFECTED
73A-	99030	A	DRAWING - Strobe Lights Installation		
-1	481 214	A,B,W	POWER SUPPLY - Strobe lights	1	
	763 469	C,W	POWER SUPPLY - Strobe lights	1	
-2	99031-00		BRACKET ASSEMBLY - Power supply mounting	1	
-3	757 762	A,W	LIGHTASSEMBLY - Strobe, fin (unshielded)	1	
	761 189	A,E,W	LIGHT ASSEMBLY - Strobe, fin (shielded)	1	
-4	99377-16	A,B	SWITCH - Strobe light, beige (8911K651)	1	
	99377-06	A,B	SWITCH - Strobe light, gray (8911K659)	1	
	99377-07	A,C	SWITCH - Strobe light, gray (8911K660)	1	
-5	761 161	A	LENS - Strobe light, red (unshielded)	1	
	761 190	A,E	LENS - Strobe light, red (shielded)	1	
-6	755 042	A,W	GASKET- Strobe light	1	
-7	755 200	A,W	CLAMP ASSEMBLY - Ring	1	
-8	751 312	A	ADAPTER - Mounting plate	1	
-9	761 158	W	LIGHT ASSEMBLY - Navigation and strobe, wing tip, red (unshielded)	1	
	472 896	E	LIGHT ASSEMBLY - Navigation and strobe, wing tip, red (shielded)	1	
	761 159	W	LIGHT ASSEMBLY - Navigation and strobe, wing tip, green (unshielded)	1	
	472 895	E	LIGHT ASSEMBLY - Navigation and strobe, wing tip, green (shielded)	1	
-10	756 037	D,W	* RETAINER - Light lens	1	
-11	761 156	W	* TUBE ASSEMBLY - Flash, tip		
-12	761 157	W	* LENS - Wing tip strobe (unshielded)	1	
-13	751 202	W	* LENS - Navigation, red	1	
	751 201	W	* LENS - Navigation, green	1	
-14	751 381	W	* BULB - (1512)	1	
-15	761 162	E,W	* LENS AND RETAINER ASSEMBLY - Wing tip strobe (shielded)	1	
-16	755 075	W	* GASKET - Navigation light (W1283)	1	
-17	755 076	W	* GASKET - Wing strobe (A-427-4)	1	
			A- Used on PA-28-140 with serial numbers 28-26401 and up, PA-28-180 with serial numbers 28-5601 and up, PA-28-235 with serial numbers 28-11301 and up, PA-28R-180 with serial numbers 28R-31251 and up, and PA-28R-200 with serial numbers 28R-35601 and up.		
			B- Used if white strobe wing tip lights are not installed.		
			C- Used if white strobe wing tip lights are installed.		
			D- Used if unshielded wing tip strobe lens is installed.		
			E- Must be used when an A D.F. Radio Installation is installed.		
			W- These parts must be ordered from Service Spares Department, Piper Aircraft, Lock Haven, Penna.		

When ordering, always specify Part Number, Description, and Serial Number of Aircraft

PA-28-140
PA-28-180
PA-28-235
PA-28R-180
PA-28R-200

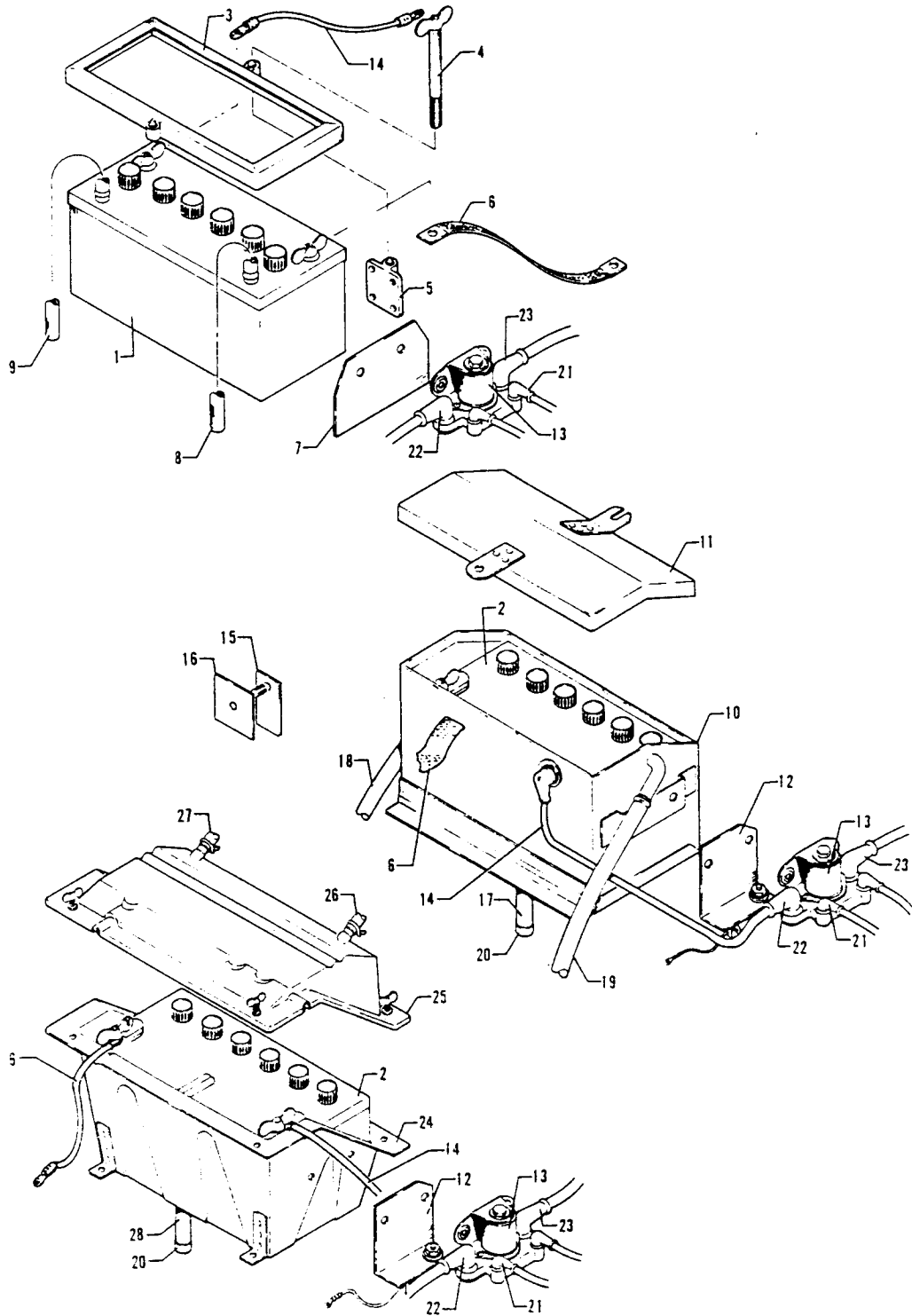


Figure 73B. Battery Installation

PIPER PARTS CATALOG

Figure and Index Number	Part Number	Code	NOMENCLATURE	No. Req.	SERIAL NUMBERS AFFECTED
73B-1	450 018		BATTERY - (AC-66)	1	28-1to 28-46 inclusive
-2	450 030		BATTERY - (S25) 25 amp-hour	1	28-47 and up
	450 035		BATTERY - (R35) 35 amp-hour	1	28-47 and up
-3	63262-00		FRAME ASSEMBLY - Battery tie down	1	28-1 to 28-46 inclusive
-4	63258-00		ROD ASSEMBLY - Battery	2	28-1 to 28-46 inclusive
-5	63253-00		PLATE ASSEMBLY - Battery tie down bolt	2	28-1 to 28-46 inclusive
-6	11122-00		CABLE ASSEMBLY - Ground (10.00")	1	28-1 to 28-46 inclusive
	63890-02	A	WIRE ASSEMBLY - Ground (12.38")	1	
	78140-33	C	WIRE ASSEMBLY - Ground (12.00")	1	
-7	63879-00		PLATE - Insulating	1	28-1 to 28-507 inclusive
-8	63904-06		HOSE - Battery vent, left	1	28-1 to 28-46 inclusive
-9	63904-07		HOSE - Battery vent, right	1	28-1 to 28-46 inclusive
-10	63888-00	A	BOX ASSEMBLY - Battery	1	
-11	63977-00	A	LID ASSEMBLY - Battery box	1	
-12	62279-00	B	DIODE ASSEMBLY - Master relay	1	
-13	455 151	W	CONTACTOR - Power relay (6041H105A)	1	
-14	63862-18		WIRE ASSEMBLY - Positive (7.50")	1	28-1 to 28-46 inclusive
	63862-148	A	WIRE - Positive (7.50")1	1	
	78140-39	B	WIRE ASSEMBLY - Positive (11.00")	1	
-15	66616-00	A	TERMINAL - Battery box	1	
-16	17555-00	A,W	PLATE - Battery box	1	
-17	63904-21	A	HOSE - Battery vent, bottom	1	
-18	63904-20	A	HOSE - Battery vent, left	1	
-19	63904-19	A	HOSE - Battery vent, right	1	
-20	454 161	D,W	CAP - Vent (1704-9-Y)	1	
-21	23969-02	W	NIPPLE- Electrical	2	
-22	23969-05	W	NIPPLE - Electrical	1	
-23	66580-02		NIPPLE - Terminal (476 695)	1	
-24	35202-00	C	BOX ASSEMBLY - Battery	1	
-25	35201-00	C	COVER ASSEMBLY - Battery box	1	
		A-	Used on PA-28-140 with serial numbers 28-20002 to 28-7425454 inclusive, PA-28-150, PA-28-160 and PA-28-180 with serial numbers 28-47 to 28-7405290 inclusive, PA-28-235 with serial numbers 28-10003 to 28-7410120 inclusive, PA-28R-180 with serial numbers 28R-30005 to 28R-7130019 inclusive, and PA-28R-200 with serial numbers 28R-30482, 28R-35001 to 28R-7435331 inclusive.		
		B-	Used on PA-28-140 with serial numbers 28-20081 and up, PA-28-150, PA-28-160 and PA-28-180 with serial numbers 28-1681 and up, PA-28-235 with serial numbers 28-10353 and up, PA-28R-180 and PA-28R-200 airplanes.		
		C-	Used on PA-28-140 with serial numbers 28-7525001 and up, PA-28-180 with serial numbers 28-7505001 and up, PA-28-235 with serial numbers 28-7510001 and up, and PA-28R-200 with serial numbers 28R-7535001 and up.		
		D-	Used on PA-28-140 with serial numbers 28-20002 and up, PA-28-180 with serial numbers 28-4378 and up, PA-28-235 with serial numbers 28-11040 and up, PA-28R-180 and PA-28R-200 airplanes.		
		W-	These parts must be ordered from Service Soares Department, Piper Aircraft, Lock Haven, Penna.		

When ordering, always specify Part Number, Description, and Serial Number of Aircraft

PIPER PARTS CATALOG

Figure and Index Number	Part Number	Code	NOMENCLATURE	No. Req.	SERIAL NUMBERS AFFECTED
73B-26 -27 -28	63904-06 63904- 64 63904-21	B B C	HOSE - Battery vent, left (19" L) HOSE - Battery vent, right (14" L) HOSE - Battery vent, bottom (16" L)	1 1 1	
<p>A- Used on PA-28-140 with serial numbers 28-20002 to 28-7425454 inclusive, PA-28-150, PA-23-160 and PA-28-180 with serial numbers 28-47 to 28-7405290 inclusive, PA-28-235 with serial numbers 28-10003 to 28-7410120 inclusive, PA-28R-180 with serial numbers 28R-30005 to 28R-7130019 inclusive, and PA-28R-200 with serial numbers 28R-30482, 28R-35001 to 28R-7435331 inclusive.</p> <p>B- Used on PA-28-140 with serial numbers 28-7525001 and up, PA-28-180 with serial numbers 28-7505001 and up, PA-28-235 with serial numbers 28-7510001 and up, and PA-28R-200 with serial numbers 28R-7535001 and up.</p> <p>C- Used on PA-28-180 with serial numbers 28-7505001 and up, PA-28-235 with serial numbers 28-7510001 and up, and PA-28R-200 with serial numbers 28R-7535001 and up.</p>					

When ordering, always specify Part Number, Description, and Serial Number of Aircraft

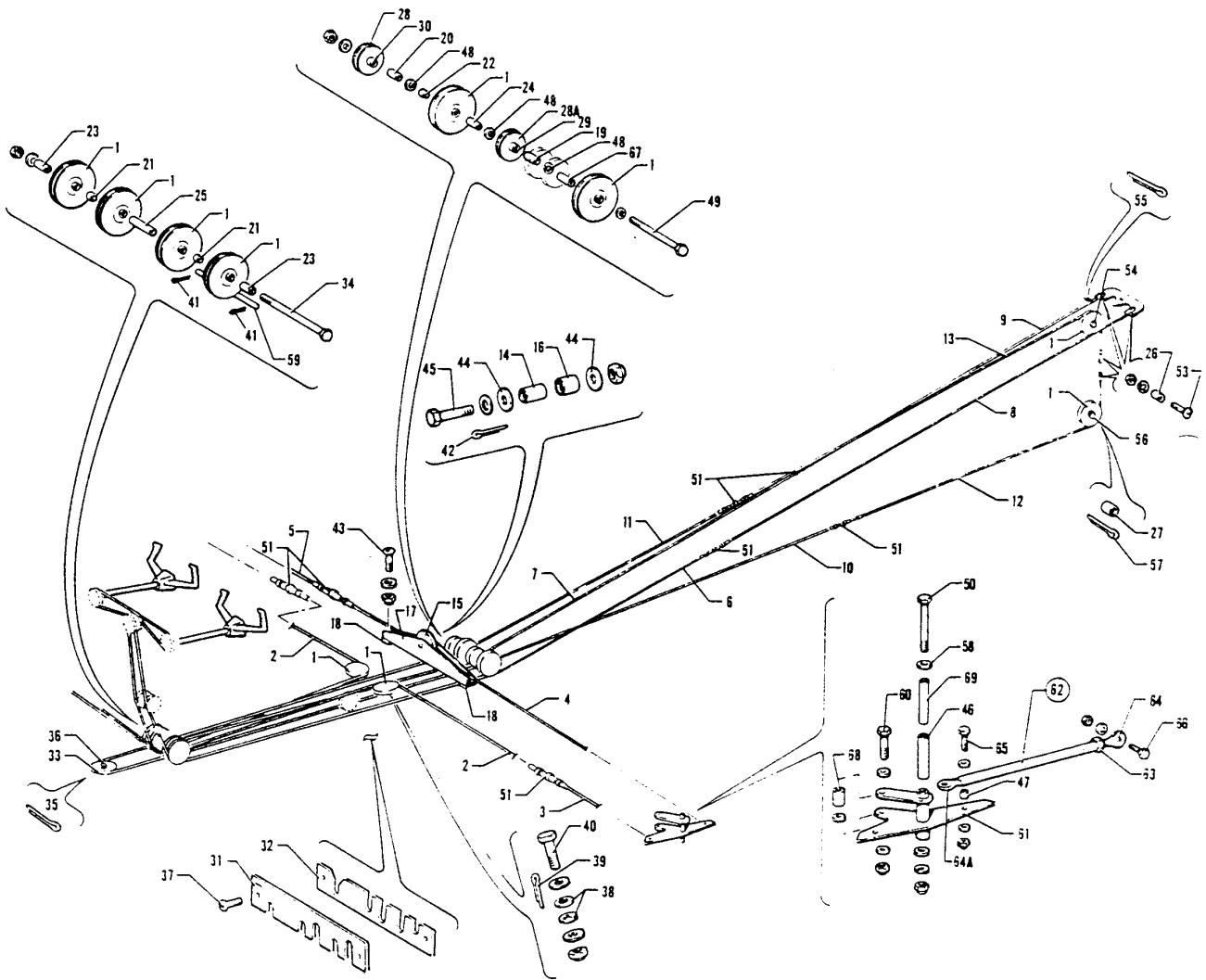


Figure 74. Control System Installation

PIPER PARTS CATALOG

Figure and Index Number	Part Number	Code	NOMENCLATURE	No. Req.	SERIAL NUMBERS AFFECTED
74-	62700	E	DRAWING - Control System Installation		28-10003 to 28-10675 incl. 28-10676 to 28-10719 incl. 28-10720 and up
	65580	F	DRAWING - Control System Installation		
	66697	G	DRAWING - Control System Installation		
	62010	A	DRAWING - Wing (Complete)		
	62015	B	DRAWING - Wing (Complete)		
	65601	D	DRAWING - Wing (Complete)		
	65042	C	DRAWING - Wing (Complete)		
	65468	C	DRAWING - Wing (Complete)		
	65561	C	DRAWING - Wing (Complete)		
-1	41001-10		PULLEY - 2 3/4" Diameter	10	
-2	62701-02	H	CABLE - Forward aileron	2	
	62701-99	J	CABLE - Forward aileron	2	
-3	62701-03	K	CABLE - Aileron, wing	2	
4	62701-04	K	CABLE - Aileron balance, left	1	
-5	62701-05	K	CABLE - Aileron balance, right	1	
-6	62701-06	H	CABLE - Forward rudder, left	1	
	62701-100	J	CABLE - Forward rudder, left	1	
-7	62701-07	K	CABLE - Forward rudder, right	1	
-8	62701-08		CABLE - Aft rudder, left	1	
-9	62701-09	K	CABLE - Aft rudder, right	1	
			A - Used on airplanes with serial numbers 28-1 to 28-45, 28-47 to 28-54, 28-56, 28-57, 28-61 to 28-77, 28-79 to 28-84, 28-86 to 28-98, 28-92 to 28-94 inclusive.		
			B - Used on PA-28-150, PA-28-160 and PA-28-180 with serial numbers 28-46, 28-55, 28-58, 28-59, 28-60, 28-78, 28-85, 28-90, 28-91, 28-95 to 28-2477 inclusive, and PA-28-140 with serial numbers 28-20002 to 28-24999 inclusive.		
			C - Used on PA-28-235 airplanes only,		
			D - Used on PA-28-140 with serial numbers 28-25000 and up, PA-28-150, PA-28-160 and PA-28-180 with serial numbers 28-2478 and up.		
			E - Used on PA-28-140 with serial numbers 28-20002 to 28-24999 inclusive, PA-28-150, PA-28-160 and PA-28-180 with serial numbers 28-1 to 28-4377 inclusive, and PA-28-235 with serial numbers 28-10003 to 28-10719 inclusive.		
			F - Used on PA-28-180 with serial numbers 28-4378 and up, PA-28-235 with serial numbers 28-10720 and up, and PA-28-140 with serial numbers 28-7325001 and up.		
			G- Used on PA-28-140 with serial numbers 28-25000 to 28-7225612 inclusive.		
			H- Used on PA-28-140 with serial numbers 28-20002 and up, PA-28-150, PA-28-160 and PA-28-180 with serial numbers 28-1 to 28-7205328 inclusive, and PA-28-235 with serial numbers 28-10003 to 28-7210033 inclusive.		
			J - Used on PA-28-180 with serial numbers 28-7305001 and up, and PA-28-235 with serial numbers 28-7310001 and up.		
			K- Used on PA-28-140, PA-28-150, PA-28-160, PA-28-180 and PA-28-235 airplanes only.		

When ordering, always specify Part Number, Description, and Serial Number of Aircraft

PA-28-140
PA-28-150
PA-28-160
PA-28-180
PA-28-235

PIPER PARTS CATALOG

Figure and Index Number	Part Number	Code	NOMENCLATURE	No. Req.	SERIAL NUMBERS AFFECTED
74-10	62701-10	E	CABLE - Forward stabilator, left	1	
	62701-113	F	CABLE - Forward stabilator, left	1	
-11	62701-11	E	CABLE - Forward stabilator, right	1	
	62701-114	F	CABLE - Forward stabilator, right	1	
-12	62701-12		CABLE - Aft stabilator, bottom	1	
-13	62701-13		CABLE - Aft stabilator, top	1	
-14	62712-03		BEARING - Inner	1	
-15	62711-02		PULLEY	1	
-16	62713-03		BEARING - Outer	1	
-17	62746-00		BRACKET- Pulley	1	
-18	62762-00		FILLER BLOCK	2	
-19	62714-02	C	BEARING - Inner	1	
-20	62714-03		BEARING - Inner	1	
-21	62743-02		SPACER - Bushing	2	
-22	62743-03		SPACER - Bushing	1	
-23	62743-04		SPACER - Bushing	2	
-24	62743-05		SPACER - Bushing	1	
-25	62743-06		SPACER- Bushing	1	
-26	63900-31		BUSHING	4	
-27	63900-37		BUSHING - Stabilator pulley	2	
-28	62711-03		PULLEY	1	
-28a	62711-03	C	PULLEY	1	
	481 651	D,W	PULLEY - (MS20220-1)	1	
-29	62715-03	B	BEARING - Outer	1	
	62715-02	A	BEARING - Outer	1	
-30	62715-02		BEARING - Outer	1	
-31	62768-00		FAIRLEAD	1	
-32	62769-00		FAIRLEAD	1	
		A-	Used on PA-28-140 with serial numbers 28-7325001 and up, PA-28-180 with serial numbers 28-4378 and up. and PA-28-235 with serial numbers 28-10720 and up.		
		B-	Used on PA-28-140 with serial numbers 28-20002 to 28-7125651 inclusive. 28-7225063 to 28-7225612 inclusive, PA-28-150, PA-28-160 and PA-28-180 with serial numbers 28-1 to 28-4377 inclusive, and PA-28-235 with serial numbers 28-10003 to 28-10719 inclusive.		
		C-	Used on PA-28-140 with serial numbers 28-20002 to 28-7125651 inclusive, 28-7225063 and up, PA-28-150, PA-28-160, PA-28-180 and PA-28-235 airplanes.		
		D-	Used on PA-28-140 with serial numbers 28-7225001 and up.		
		E-	Used on PA-28-140 with serial numbers 28-20002 and up, PA-28-150, PA-28-160 and PA-28-180 with serial numbers 28-1 to 28-7205328 inclusive, and PA-28-235 with serial numbers 28-10003 to 28-7210033 inclusive.		
		F-	Used on PA-28-180 with serial numbers 28-7305001 and up, and PA-28-235 with serial numbers 28-7310001 and up.		
		W-	These parts must be ordered from Service Spares Department, Piper Aircraft, Lock Haven, Penna.		

When ordering, always specify Part Number, Description, and Serial Number of Aircraft

PA-28-140
PA-28-150
PA-28-160
PA-28-180
PA-28-235

PIPER PARTS CATALOG

Figure and Index Number	Part Number	Code	NOMENCLATURE	No. Req.	SERIAL NUMBERS AFFECTED
74-33	481 625		PULLEY - (MS20220-2)	1	
-34	401 385		BOLT - (AN5-64A)	1	
	407 566	W	WASHER - (AN960-516)	3	
	404 889	W	NUT - (MS20365-524C)	1	
-35	424 054	W	COTTERPIN - (AN380-2-6)	2	
-36	401 353	W	BOLT - (AN5-12A)	1	
	407 566	W	WASHER - (AN960-516)	1	
	404 889	W	NUT - (MS20365-524C)	1	
-37	415 150	W	SCREW - (AN526-632R10)	2	
-38	407 586	W	WASHER - (AN960-516L)	4	
-39	424 052	W	COTTERPIN - (AN380-2-3)	4	
-40	401 188	W	BOLT - (AN5-10A)	2	
	407 566	W	WASHER - (AN960-516)	2	
	404 889	W	NUT - (MS20365-524C)	2	
-41	424 051	W	COTTERPIN - (AN380-2-2)	2	
-42	424 055	W	COTTERPIN - (AN380-2-5)	1	
-43	401 266	W	BOLT - (AN3-5A)	2	
	407 564	W	WASHER - (AN960-10)	2	
	404 887	W	NUT - (MS20365-1032C)	2	
-44	407 566	W	WASHER - (AN960-516)	2	
-45	400 008	W	BOLT - (AN4-13A)	1	
	407 565	W	WASHER - (AN960-416)	1	
	407 585	W	WASHER - (AN960-416L)	1	
	404 888	W	NUT - (MS20365-428C)	1	
-46	63882-08		BUSHING - Aileron bellcrank	2	28-1231 and up
-47	63900-31		BUSHING - Aileron bellcrank	2	
-48	407 567	W	WASHER - (AN960-616)	4	
-49	401 378		BOLT - (AN5-53A)	1	
	407 566	W	WASHER - (AN960-516)	3	
	404 889	W	NUT - (MS20365-524C)	1	
-50	400 458		BOLT - (AN3-33A)	1	28-1 to 28-1230 inclusive
	400 457		BOLT - (AN3-32A)	1	28-1231 and up
	407 564	W	WASHER - (AN960-10)	1	
	404 887	W	NUT - (MS20365-1032C)	1	
-51	489 910		BARREL - Turnbuckle (MS21251-B5S)	7	
-52	554 979		CUP - (MS21256-1)	14	
-53	400 674	W	BOLT - Clevis (AN23-12)	4	
	407 564	W	WASHER - (AN960-10)	4	
	404 392	W	NUT - (AN320-3)	4	
	424 051	W	COTTERPIN - (AN380-2-2)	4	
-54	401 188	W	BOLT - (AN5-10A)	1	
	407 566	W	WASHER - (AN960-516)	1	
	404 889	W	NUT - (MS20365-524C)	1	
-55	424 053	W	COTTERPIN - (AN380-2-4)	1	
-56	401 354	W	BOLT - (AN5-13A)	1	
	407 566	W	WASHER - (AN960-516)	1	
	404 889	W	NUT - (MS20365-524C)	1	
-57	424 054	W	COTTERPIN - (AN380-2-6)	1	
-58	494 103		WASHER - Bellcrank (97322)	2	
-59	62710-02		PIN - Cable guard	1	

W- These parts must be ordered from Service Spares Department, Piper Aircraft, Lock Haven, Penna.

When ordering, always specify Part Number, Description, and Serial Number of Aircraft

PA-28-140
PA-28-150
PA-28-160
PA-28-180
PA-28-235

PIPER PARTS CATALOG

Figure and Index Number	Part Number	Code	NOMENCLATURE	No. Req.	SERIAL NUMBERS AFFECTED
74-60	401 318	W	BOLT- (AN4-20A)	2	
	407 565	W	WASHER - (AN960-416)	6	
	407 584	W	WASHER - (AN960-10L)	4	
	404 888	W	NUT - (MS20365-428C)	2	
	404 392	W	NUT - (AN320-3)	2	
	424 051	W	COTTERPIN - (MS24665-132)	2	
-61	62771-00		BELLCRANK ASSEMBLY - Aileron, left	1	
	62771-02		BELLCRANK ASSEMBLY - Aileron, right	1	
-62	62766-00		ROD ASSEMBLY - Aileron	2	
-63	404 322	W	* NUT - Lock (AN316-4R)	1	
-64	452 334		* BEARING - Rod end (PS10020-1-6RX)	1	
-64a	452 383	W	* BEARING - Rod end	1	
-65	400 674	W	BOLT - (AN23-12)	4	
	407 564	W	WASHER - (AN960-10)	4	
	407 584	W	WASHER - (AN960-10L)	4	
	404 392	W	NUT - (AN320-3)	4	
	424 051	W	COTTERPIN - (MS24665-132)	4	
-66	400 443	W	BOLT - (AN3-12A)	2	
	401 270	W	BOLT - (AN3-11A)	2	
	407 564	W	WASHER - (AN960-10)	6	
	404 887	W	NUT - (MS20365-1032C)	1	
-67	62743-04	A	SPACER - Bushing	1	
-68	63900-26		SPACER - Aileron push rod	1	
-69	62770-00	B	BUSHING - Aileron bellcrank	2	
	65003-04	C	BUSHING - Aileron bellcrank	2	
			A- Used on PA-28-140 with serial numbers 28-20002 to 28-7225612 inclusive, PA-28-150, PA-28-160 and PA-28-180 with serial numbers 28-1 to 28-4377 inclusive, and PA-28-235 with serial numbers 28-10003 to 28-10719 inclusive.		
			B- Used on PA-28-150, PA-28-160 and PA-28-180 airplanes only.		
			C- Used on PA-28-150, PA-28-160 and PA-28-180 with serial numbers 28-1231 and up, PA-28-140 and PA-28-235 airplanes.		
			W- These parts must be ordered from Service Spares Department, Piper Aircraft, Lock Haven, Penna.		

When ordering, always specify Part Number, Description, and Serial Number of Aircraft

PA-28-140
PA-28-150
PA-28-160
PA-28-180
PA-28-235

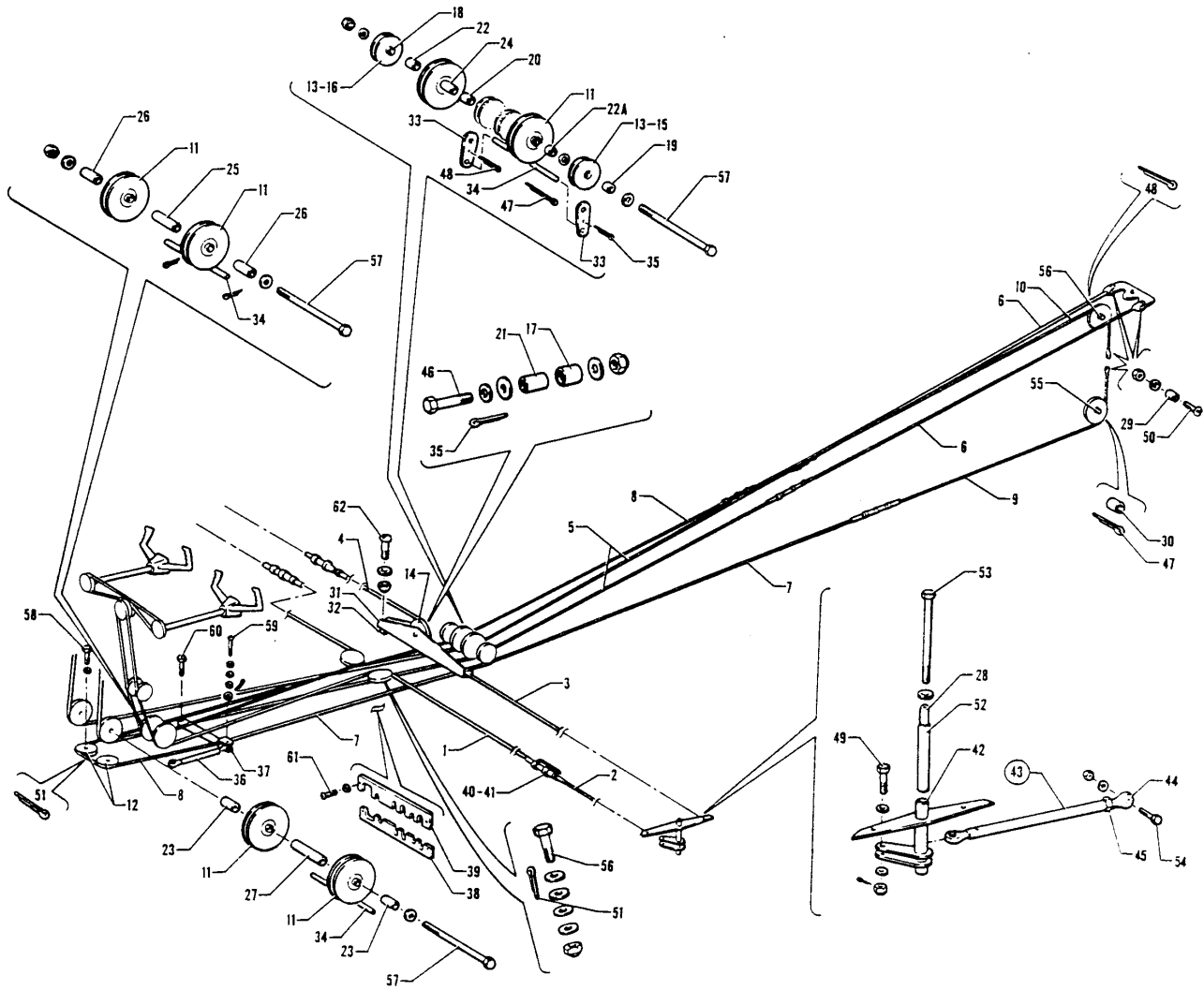


Figure 75. Control System Installation

PIPER PARTS CATALOG

Figure and Index Number	Part Number	Code	NOMENCLATURE	No. Req.	SERIAL NUMBERS AFFECTED
75-	67018 67016		DRAWING - Control System Installation DRAWING - Wing Assembly		
-1	62701-02	C	CABLE - Aileron, forward	2	
	62701-99	D	CABLE - Aileron, forward	2	
-2	62701-03		CABLE - Aileron, wing	2	
-3	62701-04		CABLE - Aileron balance, left	1	
-4	62701-05		CABLE - Aileron balance, right	1	
-5	62701-06	C	CABLE - Forward rudder	2	
	62701-100	D	CABLE - Forward rudder	2	
-6	62701-64		CABLE - Aft rudder	2	
-7	62701-62	C	CABLE - Forward stabilator, left	1	
	62701-103	D	CABLE - Forward stabilator, left	1	
-8	62701-61	C	CABLE - Forward stabilator, right	1	
	62701-102	D	CABLE - Forward stabilator, right	1	
-9	62701-12		CABLE - Aft stabilator, bottom	1	
-10	62701-13		CABLE - Aft stabilator, top	1	
-11	41001-10		PULLEY - 2 3/4" Diameter	10	
-12	41001-11		PULLEY - 2 1/2" Diameter	2	
-13	62711-03		PULLEY - 1 3/4" Diameter	2	
-14	62711-02		PULLEY - 1 3/4" Diameter	1	
-15	62715-04	A	BEARING - Inner	1	
	62715-05	B	BEARING - Inner	1	
-16	62715-02		BEARING - Inner	1	
-17	62713-03		BEARING - Inner	1	
-18	62714-03		BEARING - Outer	1	
-19	62714-05	A	BEARING - Outer	1	
	62714-06	B	BEARING - Outer	1	
-20	62715-02		BEARING - Outer	1	
-21	62712-03		BEARING - Outer	1	
-22	62743-03		SPACER - Pulley	1	
-22a	62743-03	A	SPACER - Pulley	1	
	407 566	B,W	WASHER - (AN960-516)	2	
-23	62743-04		SPACER - Pulley	2	
-24	62743-05		SPACER - Pulley	1	
-25	62743-06		SPACER - Pulley	1	
-26	62743-12		SPACER - Pulley	2	
-27	62743-13		SPACER - Pulley	1	

A - Used on PA-28R-180 with serial numbers 28R-30005 to 28R-30481 inclusive, 28R-30483 to 28R-31279 inclusive, and PA-28R-200 with serial numbers 28R-30482, 28R-35001 to 28R-35830 inclusive,
 B - Used on PA-28R-180 with serial numbers 28R-7130001 and up, and PA-28R-200 with serial numbers 28R-71 35001 and up,
 C - Used on PA-28R-180 with serial numbers 28R-30005 to 28R-7130019 inclusive, and PA-28R-200 with serial numbers 28R-30482, 28R-35001 to 28R-7135238 inclusive.
 D - Used on PA-28R-200 with serial numbers 28R-7235001 and up.
 W - These parts must be ordered from Service Spares Department, Piper Aircraft, Lock Haven, Penna.

When ordering, always specify Part Number, Description, and Serial Number of Aircraft

PIPER PARTS CATALOG

Figure and Index Number	Part Number	Code	NOMENCLATURE	No. Req.	SERIAL NUMBERS AFFECTED
75-28	65003-13		BUSHING - Aileron bellcrank	2	
-29	63900-31		BUSHING	6	
-30	63900-37		BUSHING	2	
-31	62746-00		BRACKET- Pulley	1	
-32	62762-00		FILLER BLOCK	2	
-33	62709-00		GUARD - Pin holder	3	
-34	62710-02		PIN - Cable guard	3	
-35	424 055	W	COTTERPIN - (AN380-2-5)	2	
-36	67108-00		LINK ASSEMBLY - Stabilator control	1	
-37	67066-00		ARM ASSEMBLY - Stabilator idler	1	
-38	67158-00		FAIRLEAD - Spar box	1	
-39	67159-00		FAIRLEAD - Spar box	1	
-40	489 910		BARREL - Turnbuckle (MS21251-B5S)	7	
-41	554 979		CLIP - Turnbuckle (MS21256-1)	14	
-42	67046-00		BELLCRANK ASSEMBLY - Aileron, left	1	
	67046-01		BELLCRANK ASSEMBLY - Aileron, right	1	
-43	62766-00		ROD ASSEMBLY - Aileron	2	
-44	452 334		BEARING - Rod end (PS10020-1-6RX)	1	
-45	404 322	W	NUT - Lock (AN316-4R)	1	
-46	400 008	W	BOLT - (AN4-13A)	1	
	407 565	W	WASHER - (AN960-416)	1	
	407 585	W	WASHER - (AN960-416L)	1	
	407 566	W	WASHER - (AN960-516)	2	
	404 888	W	NUT - (MS20365-428C)	1	
-47	424 054	W	COTTERPIN - (AN380-2-6)	2	
-48	424 053	W	COTTERPIN - (AN380-2-4)	2	
-49	400 704	A,W	BOLT - Clevis (AN24-17)	2	
	402 679	B,W	BOLT- Clevis (NAS1104-13)	2	
	407 565	W	WASHER - (AN960-416)	2	
	407 585	W	WASHER - (AN960-416L)	2	
	404 393	A,W	NUT - (AN320-4)	2	
	406 974	B,W	NUT - (NAS1022-C4)	2	
	424 052	A,W	COTTERPIN - (AN380-2-3)	2	
-50	400 674	W	BOLT- Clevis (AN23-12)	6	
	407 564	W	WASHER - (AN960-10)	8	
	404 392	W	NUT - (AN320-3)	6	
	424 051	W	COTTERPIN - (AN380-2-2)	6	
-51	424 052	W	COTTERPIN - (AN380-2-3)	6	
-52	63882-25		SLEEVE - Aileron bellcrank	2	
-53	400 481		BOLT - (AN3-57A)	2	
	407 564	W	WASHER - (AN960-10)	2	
	407 584	W	WASHER - (AN960-10L)	6	
	404 887	W	NUT - (MS20365-1032C)	2	
-54	400 443	W	BOLT - (AN3-12A)	2	
	407 564	W	WASHER - (AN960-10)	12	
	404 887	W	NUT - (MS20365-1032C)	2	

A - Used on PA-28R-180 with serial numbers 28R-30005 to 28R-30481 inclusive, 28R-30483 to 28R-30759 inclusive.

B - Used on PA-28R-180 with serial numbers 28R-30760 and up, and PA-28R-200 with serial numbers 28R-30482, 28R-35001 and up.

W - These parts must be ordered from Service Spares Department, Piper Aircraft, Lock Haven, Penna.

When ordering, always specify Part Number, Description, and Serial Number of Aircraft

PIPER PARTS CATALOG

Figure and Index Number	Part Number	Code	NOMENCLATURE	No. Req.	SERIAL NUMBERS AFFECTED
75-55	401 354		BOLT- (AN5-13A)	1	
	407 566	W	WASHER - (AN960-516)	1	
	404 889	W	NUT- (MS20365-524C)	1	
-56	401 188	W	BOLT - (AN5-10A)	3	
	407 566	W	WASHER - (AN960-516)	3	
	404 889	W	NUT - (MS20365-524C)	3	
-57	401 385		BOLT - (AN5-64A)	3	
	407 566	W	WASHER - (AN960-516)	6	
	404 889	W	NUT- (MS20365-524C)	3	
-58	401 189	W	BOLT- (AN5-11A)	2	
	407 566	W	WASHER - (AN960-516)	4	
-59	400 686		BOLT - Clevis (AN23-24)	1	
	407 564	W	WASHER - (AN960-10)	2	
	407 584	W	WASHER - (AN960-10L)	3	
	404 392	W	NUT - (AN320-3)	1	
	424 051		COTTER PIN - (AN380-2-2)	1	
-60	400 444	W	BOLT - (AN3-13A)	1	
-61	415 150	W	SCREW - (ANS26-632R10)	2	
	407 562	W	WASHER - (AN960-6)	2	
-62	401 266	W	BOLT - (AN3-5A)	2	
	407 564	W	WASHER - (AN960-10)	2	
	404 887	W	NUT- (MS20365-1032C)	2	
			W - These parts <u>must</u> ,be ordered from Service Spares Department, Piper Aircraft, <u>Lock Haven, Penna.</u>		

When ordering, always specify Part Number, Description, and Serial Number of Aircraft

PIPER PARTS CATALOG

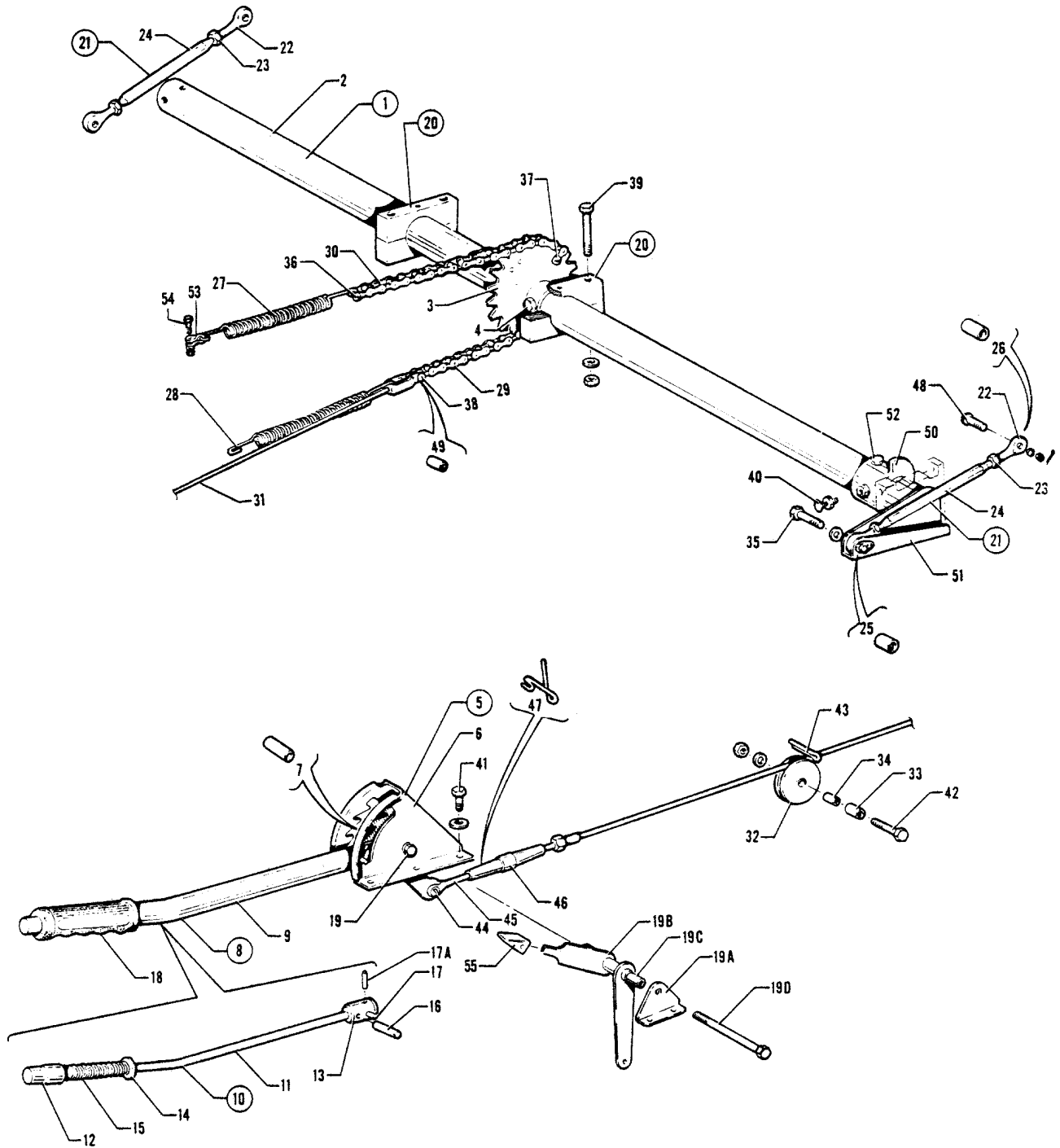


Figure 76. Flap Control Installation

PIPER PARTS CATALOG

Figure and Index Number	Part Number	Code	NOMENCLATURE	No. Req.	SERIAL NUMBERS AFFECTED
76-	62700	C	DRAWING - Control System Installation		
	65580	D	DRAWING - Control System Installation		
	67018	E	DRAWING - Control System Installation		
	66697	G	DRAWING - Control System Installation		28-25000 to 28-7225612 incl.
-1	62705-00		FLAP TORQUE TUBE ASSEMBLY - Complete	1	
-2	62725-00		TORQUE TUBE - Flap	1	
-3	62789-02		SPROCKET ASSEMBLY - Flap torque tube	1	
-4	400 012	W	BOLT - (AN4-17A)	2	
	407 565	W	WASHER - (AN960-416)	2	
	404 836	W	NUT - (MS20365-428)	2	
-5	62706-00	H	LEVER ASSEMBLY - Flap control	1	
	62706-03	G	LEVER ASSEMBLY - Flap control	1	28-7125088 to 28-7225612 incl.
	62706-02	A	LEVER ASSEMBLY - Flap control	1	
	62706-04	B	LEVER ASSEMBLY - Flap control	1	28-7105001 to 28-7105043 incl.
	62706-06	K	LEVER ASSEMBLY - Flap control	1	
	67582-00	J	LEVER ASSEMBLY - Flap control and emergency gear extender	1	
	67582-02	F	LEVER ASSEMBLY - Flap control and emergency gear extender	1	28R-7135001 to 28R-7135016 incl.
	67582-03	L	LEVER ASSEMBLY - Flap control and emergency gear extender	1	
			A - Used on PA-28-180 with serial numbers 28-4378 to 28-5869 inclusive, and PA-28-235 with serial numbers 28-10720 to 28-11393 inclusive.		
			B - Used on PA-28-180 airplanes only.		
			C - Used on PA-28-140 with serial numbers 28-20002 to 28-24999 inclusive, PA-28-150, PA-28-160 and PA-28-180 with serial numbers 28-1 to 28-4377 inclusive, and PA-28-235 with serial numbers 28-10003 to 28-10719 inclusive.		
			D - Used on PA-28-140 with serial numbers 28-7325001 and up, PA-28-180 with serial numbers 28-4378 and up, and PA-28-235 with serial numbers 28-10720 and up.		
			E - Used on PA-28R-180 and PA-28R-200 airplanes only.		
			F - Used on PA-28R-200 airplanes only.		
			G - Used on PA-28-140 airplanes only.		
			H - Used on PA-28-140 with serial numbers 28-20002 to 28-7125087 inclusive, PA-28-150, PA-28-160 and PA-28-180 with serial numbers 28-1 to 28-4377 inclusive, and PA-28-235 with serial numbers 28-10003 to 28-10719 inclusive.		
			J - Used on PA-28R-180 with serial numbers 28R-30005 to 28R-31279 inclusive, and PA-28R-200 with serial numbers 28R-30482, 28R-35001 to 28R-35830 inclusive.		
			K - Used on PA-28-140 with serial numbers 28-7325001 and up, PA-28-180 with serial numbers 28-7105044 and up, and PA-28-235 with serial numbers 28-7110001 and up.		
			L - Used on PA-28R-180 with serial numbers 28R-7130001 and up, and PA-28R-200 with serial numbers 28R-7135017 and up.		
			W - These parts must be ordered from Service Spares Department, Piper Aircraft, Lock Haven, Penna.		

When ordering, always specify Part Number, Description, and Serial Number of Aircraft

PIPER PARTS CATALOG

Figure and Index Number	Part Number	Code	NOMENCLATURE	No. Req.	SERIAL NUMBERS AFFECTED	
76-6	62738-00	J	BRACKET- Flap lever	1		
	62738-02	G	BRACKET- Flap lever	1	28-7125001 to 28-7125087 incl	
	95504-00	G	BRACKET - Flap lever	1	28-7125088 to 28-7225612 incl.	
	65654-00	D	BRACKET ASSEMBLY - Flap lever	1		
	65654-03	H	BRACKET ASSEMBLY - Flap lever	1	28-7105001 to 28-7105043 incl.	
	65654-02	C	BRACKET ASSEMBLY - Flap lever	1		
	65654-06	K	BRACKET ASSEMBLY - Flap lever	1		
	65654-04	E	BRACKET ASSEMBLY - Flap lever	1	28R-7135001 to 28-7135016 incl.	
	65654-05	B	BRACKET ASSEMBLY - Flap lever	1		
	-7	62740-00	F	BUSHING - Flap lever	1	
	-8	62737-00	A	HANDLE ASSEMBLY - Flap lever	1	
		63782-00	M	HANDLE ASSEMBLY - Flap lever	1	
		63782-04	L	HANDLE ASSEMBLY - Flap lever	1	
			A - Used on PA-28-140 with serial numbers 28-20002 to 28-21095 inclusive, PA-28-150, PA-28-160 and PA-28-180 with serial numbers 28-1 to 28-2427 inclusive. and PA-28-235 with serial numbers 28-10003 to 28-10719 inclusive.			
			B - Used on PA-28R-180 with serial numbers 28R-7130001 and up, and PA-28R-200 with serial numbers 28R-7135017 and up.			
			C - Used on PA-28R-180 with serial numbers 28R-30254 to 28R-31279 inclusive, and PA-28R-200 with serial numbers 28R-30482, 28R-35001 to 28R-35830 inclusive.			
			D - Used on PA-28-180 with serial numbers 284378 to 28-5869 inclusive, PA-28-235 with serial numbers 28-10720 to 28-11393 inclusive, and PA-28R-180 with serial numbers 28R-30005 to 28R-30253 inclusive.			
			E - Used on PA-28R-200 airplanes only.			
			F - Used on PA-28-140, PA-28-150, PA-28-160, PA-28-180 and PA-28-235 airplanes only.			
			G - Used on PA-28-140 airplanes only.			
			H - Used on PA-28-180 airplanes only.			
			J - Used on PA-28-140 with serial numbers 28-20002 to 28-26956 inclusive, PA-28-150, PA-28-160 and PA-28-180 with serial numbers 28-1 to 28-4377 inclusive, and PA-28-235 with serial numbers 28-10003 to 28-10719 inclusive.			
			K - Used on PA-28-140 with serial number 28-7325001 and up, PA-28-180 with serial numbers 28-7105044 and up, and PA-28-235 with serial numbers 28-7110001 and up.			
			L - Used on PA-28-140 with serial numbers 28-7125088 and up, PA-28-180 with serial numbers 28-7105044 and up, PA-28-235 with serial numbers 28-7110001 and up, PA-28R-180 with serial numbers 28R-7130001 and up, and PA-28R-200 with serial numbers 28R-7135017 and up.			
			M - Used on PA-28-140 with serial numbers 28-21096 so 28-7125087 inclusive, PA-28-150, PA-28-160 and PA-28-180 with serial numbers 28-2428 to 28-7105043 inclusive, PA-28-235 with serial numbers 28-10720 to 28-11393 inclusive, PA- 28R-180 with serial numbers 28R-30005 to 28R-31279 inclusive, and PA-28R-200 with serial numbers 28R-30482 28R-35001 to 28R-7135016 inclusive.			

When ordering, always specify Part Number, Description, and Serial Number of Aircraft

PIPER PARTS CATALOG

Figure and Index Number	Part Number	Code	NOMENCLATURE	No. Req.	SERIAL NUMBERS AFFECTED
76-9	62731-00	A	TUBE ASSEMBLY - Flap lever	1	
	63781-00	B	TUBE ASSEMBLY - Flap lever	1	
-10	62732-00	A	PLUNGER ASSEMBLY - Flap lever	1	
	63391-00	C	PLUNGER ASSEMBLY - Flap lever	1	
	63391-03	D	PLUNGER ASSEMBLY - Flap lever	1	
-11	62732-02	A	TUBE - Plunger	1	
	63391-02	B	TUBE - Plunger	1	
-12	62733-00		PLUG - Plunger, upper	1	
-13	62734-00		PLUG - Plunger, lower (.190 pin hole)	1	
	62734-02		PLUG - Plunger, lower (.252 pin hole)	1	
-14	62736-00		WASHER	1	
-15	50111-00	W	SPRING	1	
-16	480 696	W	PIN - Roll (59-022-094-0625)	2	
-17	480 715		PIN - Roll (59-040-187-1500)	1	
	63782-03		PIN - Solid (.250 diameter)	1	
-17a	480 733		PIN - Roll (79-012-062-0375) 3/8" long	1	
	480 698		PIN - Roll (59-012-062-0625) 5/8" long	1	
-18	63779-00	B	GRIP - Flap lever	1	
-19	401 274	F,W	BOLT - (AN3-15A)	1	
	407 564	F,W	WASHER - (AN960-10)	2	
	404 887	F,W	NUT - (MS20365-1032C)	1	
-19a	67564-00	E	BRACKET - Emergency gear lever	1	
-19b	67566-00	E	LEVER ASSEMBLY - Emergency gear extender	1	
-19c	63900-99	E	BUSHING - Flap and emergency gear lever	1	
-19d	400 462	E	BOLT - (AN3-37A)	1	
	407 564	E,W	WASHER - (AN960-10)	2	
	404 887	E,W	NUT - (MS20365-1032C)	1	
			A - Used on PA-28-140 with serial numbers 28-20002 to 28-21095 inclusive, PA-28-150, PA-28-160 and PA-28-180 with serial numbers 28-1 to 28-2427 inclusive, and PA-28-235 with serial numbers 28-10003 to 28-10719 inclusive.		
			B - Used on PA-28-140 with serial numbers 28-21096 and up, PA-28-150, PA-28-160 and PA-28-180 with serial numbers 28-2428 and up, PA-28-235 with serial number 28-10720 and up, PA-28R-180 and PA-28R-200 airplanes.		
			C - Used on PA-28-140 with serial numbers 28-21096 to 28-7125087 inclusive. PA-28-150, PA-28-160 and PA-28-180 with serial numbers 28-2428 to 28-7105043 inclusive, PA-28-235 with serial numbers 28-10720 to 28-11393 inclusive, PA-28R-180 with serial numbers 28R-30005 to 28R-31279 inclusive, and PA-28R-200 with serial numbers 28R-30482, 28R-35001 to 28R-7135016 inclusive.		
			D - Used on PA-28-140 with serial numbers 28-7125088 and up, PA-28-180 with serial numbers 28-7105044 and up, PA-28-235 with serial numbers 28-7110001 and up, PA-28R-180 with serial numbers 28R-7130001 and up, and PA-28R-200 with serial numbers 28R-7135017 and up.		
			E - Used on PA-28R-180 and PA-28R-200 airplanes only.		
			F - Used on PA-28-140, PA-28-150, PA-28-160, PA-28-180 and PA-28-235 airplanes only.		
			W - These parts must be ordered from Service Spares Department, Piper Aircraft, Lock Haven, Penna.		

When ordering, always specify Part Number, Description, and Serial Number of Aircraft

PIPER PARTS CATALOG

Figure and Index Number	Part Number	Code	NOMENCLATURE	No. Req.	SERIAL NUMBERS AFFECTED
76-20	62745-00	C	PILLOW BLOCK ASSEMBLY - Torque shaft support	2	
	35402-00	D	CLAMP ASSEMBLY - Torque shaft support	2	
-21	62764-00		ROD ASSEMBLY - Flap tube	2	
-22	452 335		BEARING - (F34-14 RH Thread)	1	
	452 336		BEARING - (FL34-14 LH Thread)	1	
-23	404 322	W	NUT - (AN316-4R RH Thread)	1	
	404 320		NUT - (AN316-4L LH Thread)	1	
-24	62764-02		TUBE - Flap	1	
-25	63900-38		BUSHING - Flap bellcrank	2	
-26	63900-39		BUSHING - Flap rod end	2	
-27	62820-00		SPRING - Flap return	1	
-28	62821-00		SPRING - Flap cable tension	1	
-29	62858-03		CHAIN - (65 diamond 1/8 roller, length 8.5")	1	
-30	62858-04		CHAIN - (65 diamond 1/8 roller, length 6.0")	1	
-31	62701-14	A	CABLE ASSEMBLY - Flap	1	
	62701-101	B	CABLE ASSEMBLY - Flap	1	
-32	62711-02		PULLEY - Flap	1	
-33	62713-02		BEARING - Outer	1	
-34	62712-02		BEARING - Inner	1	
-35	400 443	W	BOLT - (AN3-12A)	2	
	407 564	W	WASHER - (AN960-10)	2	
-36	400 652		BOLT - (AN21-8)	1	
	407 562	W	WASHER - (AN960-6)	1	
	404 391		NUT - (AN320-1)	1	
	424 041		COTTERPIN - (AN380-1-2)	1	
-37	400 653		BOLT - Clevis (AN21-9)	2	
	407 562	W	WASHER - (AN960-6)	4	
	404 391		NUT - (AN320-1)	2	
	424 041		COTTERPIN - (AN380-1-2)	2	
			A - Used on PA-28-140 with serial numbers 28-20002 and up, PA-28-150, PA-28-160 and PA-28-180 with serial numbers 28-1 to 28-7205328 inclusive, PA-28R-180 with serial numbers 28R-30005 to 28R-7130019 inclusive, PA-28-235 with serial numbers 28-10003 to 28-7210033 inclusive, and PA-28R-200 with serial numbers 28R-30482, 28R-35001 to 28R-7135238 inclusive.		
			B - Used on PA-28-180 with serial numbers 28-7305001 and up, PA-28-235 with serial numbers 28-7310001 and up, and PA-28R-200 with serial numbers 28R-7235001 and up.		
			C - Used on PA-28-140 with serial numbers 28-20002 and up, PA-28-150, PA-28-160 and PA-28-180 with serial numbers 28-1 to 28-7305611 inclusive, PA-28-235 with serial numbers 28-10003 to 28-7310187 inclusive, PA-28R-180 with serial numbers 28R-30005 to 28R-7130019 inclusive, and PA-28R-200 with serial numbers 28R-30482, 28R-35001 to 28R-7335455 inclusive.		
			D - Used on PA-28-180 with serial numbers 28-7405001 and up, PA-28-235 with serial numbers 28-7410001 and up, and PA-28R-200 with serial numbers 28R-7435001 and up.		
			W - These parts must be ordered from Service Spares Department, Piper Aircraft, Lock Haven, Penna.		

When ordering, always specify Part Number, Description, and Serial Number of Aircraft

PIPER PARTS CATALOG

Figure and Index Number	Part Number	Code	NOMENCLATURE	No. Req.	SERIAL NUMBERS AFFECTED
76-38	400 653		BOLT - Clevis (AN21-9)	1	
	404 391		NUT - (AN320-1)	1	
	424 041		COTTERPIN - (AN380-1-2)	1	
-39	400 448	A	BOLT - (AN3-22A)	4	
	400 440	B	BOLT - (AN3-6A)	4	
	407 564		WASHER - (AN960-10)	4	
	404 887		NUT- (MS20365-1032C)	4	
-40	417 781		SCREW - (AN520-10R24)	2	
	404 224		NUT - (AN315-3R)	2	
-41	400 438		BOLT - (AN3-4A)	6	
	407 564		WASHER - (AN960-10)	6	
	404 887		NUT- (MS20365-1032C)	6	
-42	400 004		BOLT - (AN4-7A)	1	
	407 585		WASHER - (AN960-416L)	1	
	404 888		NUT - (MS20365 428C)	1	
-43	424 052		COTTERPIN - (AN380-2-3)	1	
-44	400 673	C	BOLT - Clevis (AN23-11)	1	
	407 564	C	WASHER - (AN960-10)	1	
	63900-174	C	BUSHING	1	
	404 392	C	NUT- (AN320-3)	1	
	424 051	C	COTTERPIN - (AN380-2-2)	1	
-45	461 136		FORK - (NAS645-22RS)	1	
-46	489 910		BARREL - (MS21251-B5S)	1	
-47	554 979		CUP - (MS21256-1)	2	
-48	400 680		CLEVIS BOLT- (AN23-18)	2	
	407 564		WASHER - (AN960-10)	2	
	404 100		NUT - Castle (AN310-3)	2	
	424 051		PIN - Cotter (MS24665-132)	2	
-49	82732-76		BUSHING	1	
-50	62730-00		FITTING ASSEMBLY - Left	1	28-1 to 28-690 inclusive
	62730-01		FITTING ASSEMBLY - Right	1	28-1 to 28-690 inclusive
	62856-00		FITTING ASSEMBLY - Left	1	28-691 and up
	62856-01		FITTING ASSEMBLY - Right	1	28-691 and up
-51	62727-00		TUBE ASSEMBLY - Flap torque tube. left	1	
	62727-01		TUBE ASSEMBLY - Flap torque tube, right	1	
-52	401 318		BOLT- (AN4-20A)	4	
	407 565		WASHER - (AN960-416)	4	
	404 888		NUT - (MS20365-428C)	4	
-53	486 563		SHACKLE - (AN115-16)	1	

A - Used on PA-28-140 with serial numbers 28-20002 and up, PA-28-150, PA-28-160 and PA-28-180 with serial numbers 28-1 to 28-7205328 inclusive, PA-28R-180 with serial numbers 28R-30005 to 28R-7130019 inclusive, PA-28-235 with serial numbers 28-10003 to 28-7210033 inclusive, and PA-28R-200 with serial numbers 28R-30482, 28R-35001 to 28R-7135238 inclusive.

B - Used on PA-28-180 with serial numbers 28-7305001 and up, PA-28-235 with serial numbers 28-7310001 and up, and PA-28R-200 with serial numbers 28R-7235001 and up.

C - See latest revision of Piper Service Bulletin 965.

When ordering, always specify Part Number, Description, and Serial Number of Aircraft

PIPER PARTS CATALOG

Figure and Index Number	Part Number	Code	NOMENCLATURE	No. Req.	SERIAL NUMBERS AFFECTED
76-54	401 266	W	BOLT - (AN3-5A)	1	
	407 564	W	WASHER - (AN960-10)	1	
	404 887	W	NUT - (MS20365-1032C)	1	
-55	22287-03	A,W	KNOB ASSEMBLY - Emergency gear lever	1	
	66980-02	B	KNOB - Emergency gear lever	1	
<p>A - Used on PA-28R-180 with serial numbers 28R-30005 to 28R-30481 inclusive, 28R-30483 to 28R-31250 inclusive, and PA-28R-200 with serial numbers 28R-30482, 28R-35001 to 28R-35600 inclusive.</p> <p>B - Used on PA-28R-180 with serial numbers 28R-31251 and up, and PA-28R-200 with serial numbers 28R-35601 and up.</p> <p>W - These parts must be ordered from Service Spares Department, Piper Aircraft, Lock Haven, Penna.</p>					

When ordering, always specify Part Number, Description, and Serial Number of Aircraft

PIPER PARTS CATALOG

3F22 THRU 3F24
INTENTIONALLY LEFT BLANK

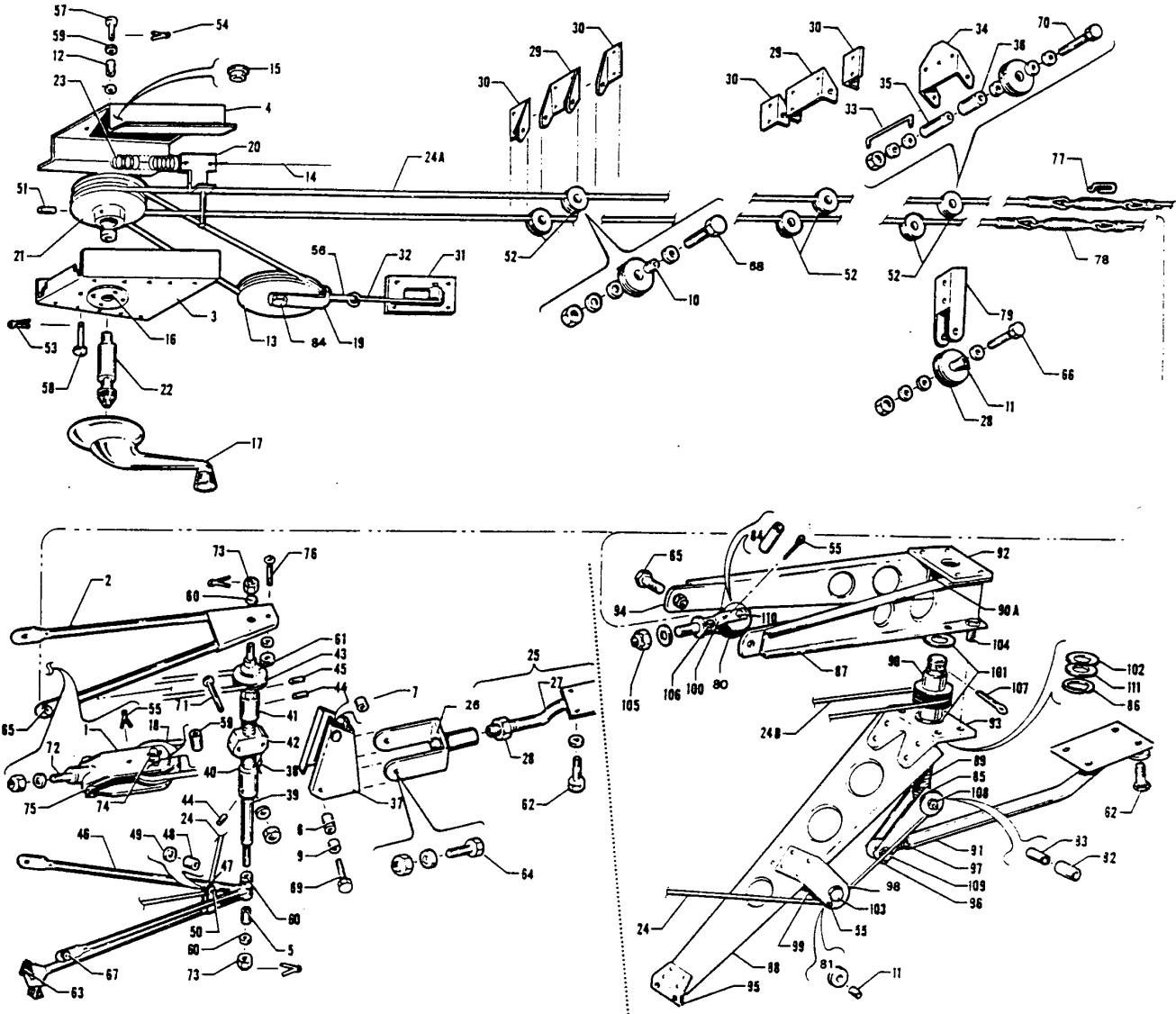


Figure 77. Stabilator Trim Installation
 (PA-28-140 - Serial Nos. 28-20002 to 28-7225612 inclusive)
 (PA-28- 150-160-180 - Serial Nos. 28-1 to 28-4377 inclusive)
 (PA-28-235-Serial Nos. 28-10003 to 28-10719 inclusive)

PIPER PARTS CATALOG

Figure and Index Number	Part Number	Code	NOMENCLATURE	No. Req.	SERIAL NUMBERS AFFECTED
77-	62707	D	DRAWING - Forward Stabilator Trim Installation		
	63776	E	DRAWING - Forward Stabilator Trim Installation		
	62708	F	DRAWING - Stabilator Trim Installation		
	65258	B	DRAWING - Stabilator Trim Installation		
-1	63219-00	CF	BRACKET ASSEMBLY- Pulley	2	
-2	62814-00	F	FORK ASSEMBLY - Trim, upper	1	
-3	62757-00		SUPPORT- Trim crank, lower	1	
-4	62759-00		SUPPORT- Trim crank, upper	1	
-5	63900-10		BUSHING	1	28-1 to 28-370 inclusive
-6	63900-12	F	BUSHING	1	
-7	63900-13	F	BUSHING	1	
-8	63900-21	F	BUSHING	1	
-9	63900-16	F	BUSHING	1	
-10	63900-21		BUSHING	5	
-11	63900-27		BUSHING	1	
-12	63900-29		BUSHING	1	
-13	80421-00	W	PULLEY	1	
-14	151 310	W	WIRE - Trim indicator	1	
-15	452 374	W	BEARING - (#F-427)	1	
-16	452 372	W	BEARING - (#F-504-2)	1	
-17	464 023	W	HANDLE - (80A-3)	1	
-18	11200-00	FW	PULLEY	1	
-19	11692-05	W	BRACKET	1	
-20	17442-00	W	TEE ASSEMBLY - Trim indicator	1	
-21	62844-00		PULLEY - Double trim	1	
-22	20908-00	W	SHAFT - Stabilator trim	1	
-23	42891-00	W	SPRING	1	
			A - Used on PA-28-140 with serial numbers 28-20002 to 28-7225612 inclusive, PA-28-150 PA-28-160 and PA-28-180 with serial numbers 28-1 to 28-4377 inclusive, and PA-28-235 with serial numbers 28-10003 to 28-10719 inclusive.		
			B - Used on PA-28-150, PA-28-160 and PA-28-180 airplanes with serial numbers 28-1411 to 28-4377 inclusive, PA-28-235 with serial numbers 28-10003 to 28-10719 inclusive, and all PA-28-140 airplanes.		
			C - When replacing one piece bracket, order two of part number 63219-00.		
			D - Used on PA-28-140 with serial numbers 28-20002 to 28-20656 inclusive, PA-28-150, PA-28-160 and PA-28-180 with serial numbers 28-1 to 28-2171 inclusive, and PA-28-235 with serial numbers 28-10003 to 28-10605 inclusive.		
			E - Used on PA-28-140 with serial numbers 28-20657 and up, PA-28-150, PA-28-160 and PA-28-180 with serial numbers 28-2172 to 28-4377 inclusive, and PA-28-235 with serial numbers 28-10606 to 28-10719 inclusive.		
			F - Used on PA-28-150, PA-28-160 and PA-28-180 airplanes with serial numbers 28-1 to 28-1410 inclusive.		
			W - These parts <u>must</u> be ordered from Service Spares Department, Piper Aircraft. <u>Lock Haven, Penna.</u>		

When ordering, always specify Part Number, Description, and Serial Number of Aircraft

PA-28-140
PA-28-150
PA-28-160
PA-28-180
PA-28-235

PIPER PARTS CATALOG

Figure and Index Number	Part Number	Code	NOMENCLATURE	No. Req.	SERIAL NUMBERS AFFECTED
77-24	62701-16		CABLE- Stabilator trim indicator, aft (54")	1	
-24a	62701-15	CD	CABLE- Stabilator trim (394.50")	1	
	62701-32	BC	CABLE- Stabilator trim (418")	1	
	62701-45	E	CABLE- Stabilator trim, forward (224.80")	1	
-24b	62701-47	E	CABLE- Stabilator trim, aft (224.75")	1	
-25	62708-02	D	BRACKET ASSEMBLY - Stabilator trim	1	
-26	62800-00	D	FORK ASSEMBLY - Trim	1	
-27	62801-00	D	ROD ASSEMBLY-Trim	1	
-28	404 229	DW	CHECK NUT - (AN315-8R)	1	
-29	62747-00		CHANNEL - Stabilator trim	2	
-30	62748-00		ANGLE- Stabilator trim	4	
-31	62749-00		PLATE	1	
-32	62750-00		PIN	1	
-33	62752-00		GUARD- Cable	1	
-34	62753-00		BRACKET- Stabilator trim pulley	1	
-35	62754-00		BUSHING- Stabilator trim	1	
-36	62755-00		SPACER- Stabilator trim	1	
-37	62802-00	D	BRACKET- Trim	1	
-38	62803-00	D	SHAFT ASSEMBLY - Trim	1	
-39	62804-00	D	SHAFT- Trim	1	
-40	62805-00	D	STOP - Trim shaft, lower	1	
-41	62806-00	D	STOP - Trim shaft, upper	1	
-42	62807-00	D	TRUNNON - Trim	1	
-43	62808-00	D	PULLEY - Trim shaft	1	
-44	480 714	D	ROLL PIN - (#59-022-094-0560)	2	
-45	480 696	DW	ROLL PIN - (#59-022-094-0625)	1	
-46	62809-00	D	FORK ASSEMBLY - Trim, lower	1	
-47	62711-04	D	PULLEY	1	
-48	63900-27	D	BUSHING	1	
-49	407 565	DW	WASHER - (AN960-416)	2	
-50	400 441	DW	BOLT - (AN3-7A)	1	
	407 584	DW	WASHER - (AN960-10L)	1	
	407 835	DW	NUT- (MS20364-1032)	1	
			A - Used on PA-28-140 with Serial Numbers 28-20002 to 28-7225612 inclusive, PA-28-150, PA-28-160 and PA-28-180 with serial numbers 28-1 to 28-4377 inclusive, and PA-28-235 with serial numbers 28-10003 to 28-10719 inclusive.		
			B - Used on PA-28-140 with serial numbers 28-20002 to 28-20656 inclusive, PA-28-235 with serial numbers 28-10003 to 28-10605 inclusive, and PA-28-150, PA-28-160 and PA-28-180 with serial numbers 28-1411 to 28-2171 inclusive.		
			C - Order part number 62701-45 (Forward Trim Cable) and part number 67701-47 (Aft Trim Cable) if Kit 756 896 or 756 930 has been installed.		
			D - Used on PA-28-150, PA-28-160 and PA-28-180 airplanes with serial numbers 28-1 to 28-1410 inclusive.		
			E - Used on PA-28-150 with serial numbers 28-20657 and up, PA-28-150, PA-28-160 and PA-28-180 with serial numbers 28-2172 to 28-4377 inclusive, and PA-28-235 with serial numbers 28-10606 to 28-10719 inclusive.		
			W - These parts <u>must</u> be ordered from Service Spares Department, Piper Aircraft, <u>Lock Haven, Penna.</u>		

When ordering, always specify Part Number, Description, and Serial Number of Aircraft

PA-28-140
PA-28-150
PA-28-160
PA-28-180
PA-28-235

PIPER PARTS CATALOG

Figure and Index Number	Part Number	Code	NOMENCLATURE	No. Req.	SERIAL NUMBERS AFFECTED
77-51	480 713		ROLL PIN - (#59-022-094-0680)	1	
-52	62711-04		PULLEY - Stabilator trim	7	
-53	424 050	W	COTTER PIN - (AN380-2-1)	1	
-54	424 051	W	COTTER PIN - (AN380-2-2)	1	
-55	424 052	CW	COTTER PIN - (AN380-2-3)	2	
	424 096	B	COTTER PIN- (AN380-C-2-3)	2	
-56	424 148	W	PIN - Flat head - (AN392-23)	1	
-57	424 153		PIN - Flat head - (AN392-31)	1	
-58	424 155	W	PIN - Flat head - (AN392-35)	1	
-59	407 561	W	WASHER (AN960-4)	1	
-60	407 585	CW	WASHER - (AN960-416L)	3	
-61	407 586	CW	WASHER - (AN960-516L)	1	
-62	400 437	W	BOLT - (AN3-3A)	4	
	407 584	W	WASHER - (AN960-10L)	4	
-63	400 438	CW	BOLT - (AN3-4A)	2	
	407 564	CW	WASHER - (AN960-10)	2	
	404 887	CW	NUT- (AN365-1032C)	2	
-64	401 266	CW	BOLTS - (AN3-5A)	2	
	407 584	CW	WASHER - (AN960-10L)	6	
	404 887	CW	NUT - (MS20365-1032C)	2	
-65	401 266	W	BOLT- (AN3-5A)	2	
	494 066	W	WASHER - (#K-19001-3)	2	
	406 551		NUT - (#H19000- 3)	2	
-66	400 441	W	BOLT - (AN3-7A)	2	
	407 564	W	WASHER - (AN960-10)	4	
	404 887	W	NUT - (MS20365-1032C)	2	
-67	400 441	CW	BOLT- (AN3-7A)	2	
	407 584	CW	WASHER - (AN960-10L)	2	
	404 887	CW	NUT - (MS20365-1032C)	2	
-68	400 441	W	BOLT - (AN3-7A)	4	
	407 585	W	WASHER (AN960-416L)	8	
	407 564	W	WASHER - (AN960-10)	4	
	404 887	W	NUT- (MS20365-1032C)	4	
-69	400 446	CW	BOLT - (AN3-16A)	1	
	407 584	CW	WASHER - (AN960-10L)	1	
	404 887	CW	NUT- (20365-1032C)	1	
-70	400 449	W	BOLT - (AN3-24A)	1	
	407 584	W	WASHER - (AN960-10L)	5	
	404 887	W	NUT- (MS20365-1032C)	1	

- A - Used on PA-28-140 with serial numbers 28-20002 to 28-7225612 inclusive, PA-28-150, PA-28-160 and PA-28-180 with serial numbers 28-1 to 28-4377 inclusive, and PA-28-235 with serial numbers 28-10003 to 28-10719 inclusive.
- B - Used on PA-28-140 with serial numbers 28-20002 to 28- 20656 inclusive, PA-28-150, PA -28-160 and PA-28-180 with serial numbers 28-1411 to 28-211 inclusive, and PA-28-235 with serial numbers 28-10003 to 28-10605 inclusive.
- C - Used on PA-28-150, PA-28-160 and PA-28-180 airplanes with serial numbers 28-1 to 28-1410 inclusive
- W - These parts must be ordered from Service Spares Department. Piper .aircraft, Lock Haven, Penna.

When ordering, always specify Part Number, Description, and Serial Number of Aircraft

PA-28-140
PA-28-150
PA-28-160
PA-28-180
PA-28-235

PIPER PARTS CATALOG

Figure and Index Number	Part Number	Code	NOMENCLATURE	No. Req.	SERIAL NUMBERS AFFECTED
77-71	400 664	D	BOLT- (AN21-19)	1	
	407 562	D W	WASHER - (AN960-6)	1	
	404 885	D W	NUT - (AN365-640)	1	
-72	402 032	D W	BOLT - (AN42B- 5)	1	
	407 564	D W	WASHER - (AN960-10)	1	
	404 887	D W	NUT - (MS20635-1032C)	1	
-73	404 101	D W	NUT-(AN310-4)	2	
	424 052	D W	COTTER PIN - (AN380-2-3)	2	
-74	424 177	D W	PIN - (AN393-17)	1	
	407 585	D W	WASHER - (AN960-416L)	2	
	424 051	D W	COTTER PIN - (AN380-2-2)	1	
-75	401 266	W	BOLT - (AN3-5A)	1	
	407 584	W	WASHER - (AN960-10L)	2	
	404 887	W	NUT- (MS520365-1032C)	1	
-76	415 450	D W	SCREW - (AN526-832R10)	1	
	407 562	D W	WASHER - (AN960-6)	1	
	404 909	D W	NUT - (MS20365-632)	1	
-77	554 979		CLIP - Turnbuckle safety (MS21256-1)	4	
-78	452 015	W	BARREL - Turnbuckle (NAS649B8S)	2	
-79	62817-00		BRACKET- Pulley	1	
-80	11200-00	C W	PULLEY	2	
-81	62711-04	B E	PULLEY	1	
-82	63882-09	B E	SLEEVE	2	
-83	65003- 06	B E	BUSHING	1	
-84	65003-07	C	BUSHING	2	
-85	63900-19	B E	BUSHING	1	
-86	484 747	B E	RING - Snap (#5108-75)	1	
-87	65244-00	B E	RIB - Stabilator trim	2	
-88	65245-00	B E	RIB - Stabilator trim	1	
-89	65246-00	B	SHAFT - Stabilator trim	1	
<p>A - Used on PA-28-140 with serial numbers 28-20002 28-7225612 inclusive, PA-28-150, PA-28-160 and PA-28-180 with serial numbers 28-1 to 28-4377 inclusive, and PA-28-235 with serial numbers 28-10003 to 28-10719 inclusive.</p> <p>B - Used on PA-28-150, PA-28-160 and PA-28-180 airplanes with serial numbers 28-1411 to 28-4377 inclusive, PA-28-235 airplanes with serial numbers 28-10003 to 28-10719 inclusive, and all PA-28-140 airplanes .</p> <p>C - Used on PA-28-140 with serial numbers 28-20002 to 28-20656 inclusive, PA-28-150, PA-28-160 and PA-28-180 with serial numbers 28-1411 to 28-2171 inclusive, and PA-28-235 with serial numbers 28-10003 up 28-10605 inclusive.</p> <p>D - Used on PA-28-150, PA-28-160 and PA-28-180 airplanes with serial numbers 28-1 to 28-1410 inclusive.</p> <p>E - Used on PA-28-150, PA-28-160 and PA-28-180 with serial numbers 28-1 to 28-1410 if Kit 756 930 has been installed.</p> <p>W - These parts must be ordered from Service Spares Department, Piper Aircraft, Lock Haven, Penna.</p>					

When ordering, always specify Part Number, Description, and Serial Number of Aircraft

PA-28-140
PA-28-150
PA-28-160
PA-28-180
PA-28-235

PIPER PARTS CATALOG

Figure and Index Number	Part Number	Code	NOMENCLATURE	No. Req.	SERIAL NUMBERS AFFECTED
77-90	65247-00	C D	BARREL - Stabilator trim	1	
	63530-00	F	BARREL - Stabilator trim	1	
-90a	68491-00		GUARD- Cable	2	
-91	65248-00	B	ARM ASSEMBLY - Stabilator trim	1	
-92	65249-00	B E	PLATE - Stabilator trim	1	
-93	65250-00	B E	CLIP - Stabilator trim	1	
-94	65251-00	B E	TAB - Stabilator trim	2	
-95	65252-00	B E	CLIP - Stabilator trim	1	
-96	65253-00	B E	LINK - Stabilator trim	2	
-97	65254-00	B	EYE BOLT - Stabilator trim	1	
-98	65255-00	B E	BRACKET - Stabilator trim	1	
-99	65256-00	B E	BRACKET - Stabilator trim	1	
-100	65257-00	C	LINK - Stabilator trim	2	
-101	452 413	B E	BEARING - (#F-838)	2	
-102	452 418	B E	BEARING - Thrust (#T-1010)	1	
-103	400 441	B E W	BOLT - (AN3-7A)	1	
	407 584	B E W	WASHER - (AN960-10L)	1	
	407 565	B E W	WASHER - (AN960-416)	2	
	404 835	B E W	NUT- (MS20364-1032C)	1	
-104	400 438	B E W	BOLT - (AN3-4A)	4	
	407 564	B E W	WASHER - (AN960-10)	4	
	404 887	B E W	BOLT- (MS20365-1032C)	4	
-105	402 032	C W	BOLT - (AN428-5)	4	
	407 564	C W	WASHER - (AN960-10)	1	
	404 887	C W	NUT- (MS20365-1032C)	1	
-106	401 266	C W	BOLT- (AN3-5A)	1	
	407 564	C W	WASHER - (AN960-10)	1	
	404 887	C W	BOLT (MS20365-1032C)	1	

- A - Used on PA-28-140 with serial numbers 28-20002 to 28-7225612 inclusive, PA-28-150, PA-28-160 and PA-28-180 with serial numbers 28-1 to 28-4377 inclusive and PA-28-235 with serial numbers 28-10003 to 28-10719 Inclusive.
- B - Used on PA-28-150, PA-28-160 and PA-28-180 airplanes with serial numbers 28-1411 to 28-4377 inclusive, PA-28-235 with serial numbers 28-10003 to 28-10719 inclusive, and all PA-28-140 airplanes.
- C - Used on PA-28-140 with serial numbers 28-20002 to 28-20656 inclusive, PA-28-150, PA-28-160 and PA-28-180 with serial numbers 28-1411 to 28-2171 inclusive, and PA-28-235 with serial numbers 28-10003 to 28-10605 inclusive.
- D - Order part number 63530-00 if kit 756 896 has been installed .
- E - Used on PA-28-150, PA-28-160 and PA-28-180 with serial numbers 28-1 to 28-1410 if kit 756 930 has been installed.
- F - Used on PA-28-140 with serial numbers 28-20657 and up. PA-28-150, PA-28-160 and PA-28-180 with serial numbers 28-2172 to 28-4377 inclusive and PA-28-235 with serial numbers 28-10606 to 28-10719 inclusive.
- W - These parts must be ordered from Service Spares Department, Piper Aircraft, Lock Haven. Penna.

When ordering, always specify Part Number, Description, and Serial Number of Aircraft

PA-28-140
PA-28-150
PA-28-160
PA-28-180
PA-28-235

PIPER PARTS CATALOG

Figure and Index Number	Part Number	Code	NOMENCLATURE	No. Req.	SERIAL NUMBERS AFFECTED
77-107	424 123	C D	COTTER PIN (AN380-C-4-3)	2	
-108	400 443	C D W	BOLT - (AN3-12A)	1	
	404 564	C D W	WASHER - (AN960-10)	2	
	407 800	C D W	WASHER - (AN970-3)	1	
	404 887	C D W	NUT- (MS20365-1032C)	1	
-109	401 269	C D W	BOLT- (AN3-IOA)	1	
	407 564	C D W	WASHER - (AN960-10)	2	
	404 887	C D W	NUT- (MS20365-1032C)	1	
-110	424 182	B W	PIN- (AN393-27)	1	
	407 585	B W	WASHER - (AN960-416L)	3	
	407 564	B W	WASHER - (AN960-10)	1	
	424 095	B W	COTTER PIN - (AN380-C-2-2)	1	
-111	407 684		WASHER - (AN960-C1216L)	1	
			<p>A - Used on PA-28-140 with Serial numbers 28-20002 to 28-7225612 inclusive, PA-28-150, PA-28-160 and PA-28-180 with serial numbers 28-1 to 28-4377 inclusive, and PA-28-235 with serial numbers 28-10003 to 28-10719 inclusive.</p> <p>B - Used on PA-28-140 with serial numbers 28-20002 to 28-20656 inclusive, PA-28-150, PA-28-160 and PA-28-180 with serial numbers 28-1411 to 28-2171 inclusive, and PA-28-235 with serial numbers 28-10003 to 28-10605 inclusive.</p> <p>C - Used on PA-28-150, PA-28-160 and PA-28-180 airplanes with serial numbers 28-1411 to 28-4377 inclusive, PA-28-235 with serial numbers 28-10003 to 28-10719 inclusive, and all PA-28-140 airplanes.</p> <p>D - Used on PA-28-150, PA-28-160 and PA-28-180 with serial numbers 28-1 to 28-1410 if Kit 756 930 has been installed.</p> <p>W - These parts must be ordered from Service Spares Department, Piper Aircraft, Lock Haven, Penna.</p>		

When ordering, always specify Part Number, Description, and Serial Number of Aircraft

PA-28-140
PA-28-150
PA-28-160
PA-28-180
PA-28-235

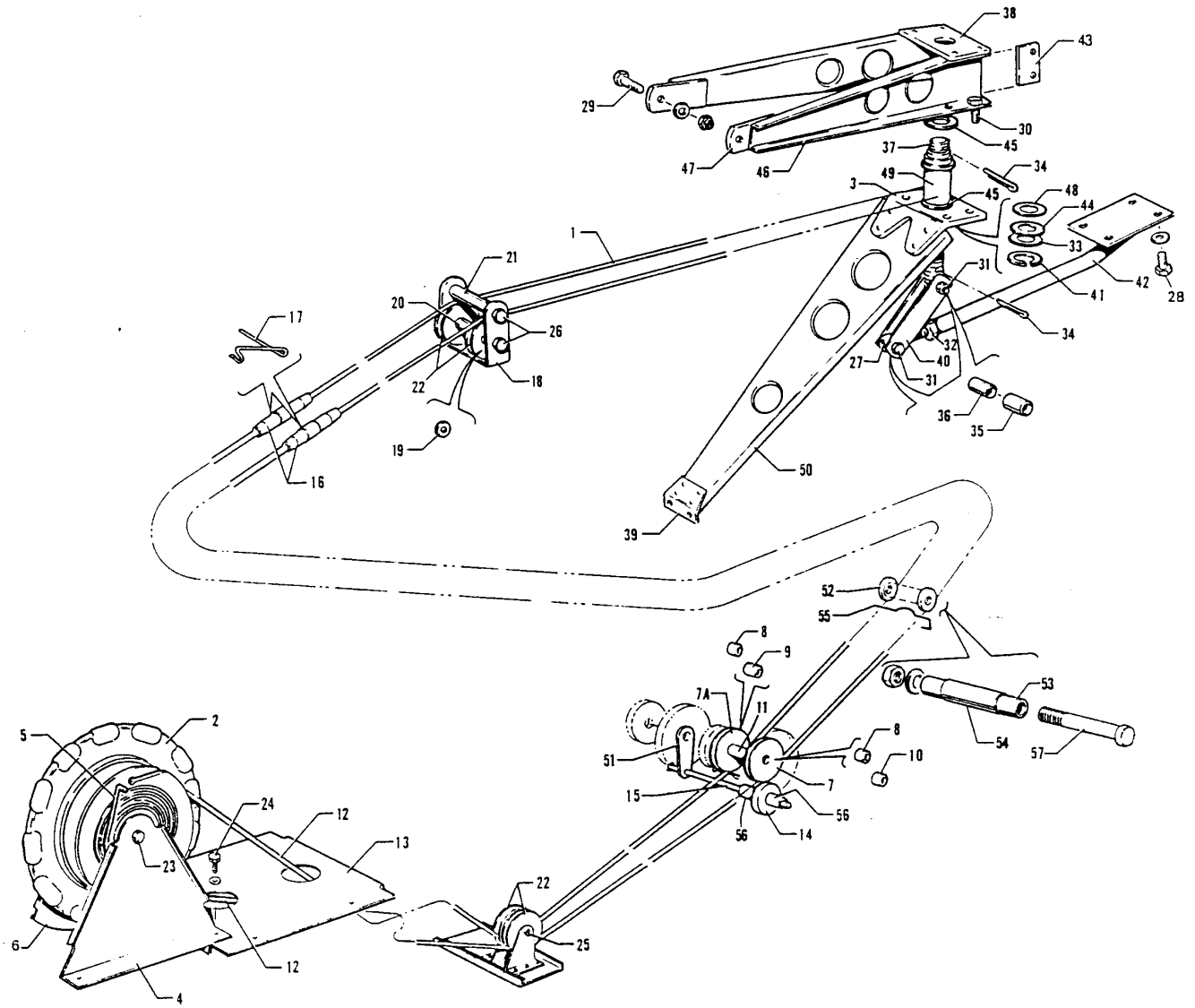


Figure 78. Stabilator Trim Installation
 (PA-28-140 - Serial Nos. 28-7325001 and up)
 (PA-28-235 - Serial Nos. 28-10720 and up)
 (PA-28-180 - Serial Nos. 28-4378 and up)
 (PA-28R-180 - Serial Nos. 28R-30005 to 28R-30481 inclusive, 28R-30483 and up)
 (PA-28R-200 - Serial Nos. 28R-30482, 28R-35001 and up)

PIPER PARTS CATALOG

Figure and Index Number	Part Number	Code	NOMENCLATURE	No. Req.	SERIAL NUMBERS AFFECTED
78-	65580	B	DRAWING - Control System Installation		
	67018	C	DRAWING - Control System Installation		
	65258		DRAWING - Stabilator Trim Installation		
1	62701-47		CABLE - Stabilator trim, aft	1	
-2	68414-03		WHEEL ASSEMBLY - Trim tab	1	
-3	65250-00		CLIP - Stabilator trim	1	
-4	65633-00		BRACKET ASSEMBLY - Trim tab	1	
-5	68488-00	D,H	INDICATOR - Stabilator trim	1	
	68488-02	E	INDICATOR - Stabilator trim	1	
-6	65635-00		BRACKET - Trim tab	1	
-7	62711-03	F	PULLEY - Trim tab	1	
	62711-06	G	PULLEY - Trim tab	1	
-7a	62711-03	F	PULLEY - Trim tab	1	
	62711-07	G	PULLEY - Trim tab	1	
-8	62715-02		BUSHING - Trim tab	2	
-9	62714-02		BUSHING - Trim tab	1	
-10	62714-04		BUSHING - Trim tab	1	
-11	62743-08		SPACER - Stabilator trim pulley	1	
			A - Used on PA-28-140 with serial numbers 28-7325001 and up, PA-28-235 with serial numbers 28-10720 and up, PA-28-180 with serial numbers 28-4378 and up. PA-28R-180 and PA-28R-200 airplanes.		
			B - Used on PA-28-140 with serial numbers 28-7325001 and up, PA-28-180 with serial numbers 28-4378 and up and PA-28-235 with serial numbers 28-10720 and up		
			C - Used on PA-28R-180 and PA-28R-200 airplanes only.		
			D - Used on PA-28-180 with serial numbers 28-4378 to 28-5869 inclusive, PA-28-235 with serial numbers 28-10720 to 28-11393 inclusive PA-28R-180 with serial numbers 28R-30005 to 28R-30481, 28R-30483 to 28R-31135. 28R-31251 to 28R-31270, 28R-7130001 to 28R-7130019 inclusive, and PA-28R-200 with serial numbers 28R-30482, 28R-35001 to 28R-35392, 28R-35601 to 28R 35820, 28R-7135001 to 28R-7135232 inclusive.		
			E - Used on PA-28-140 with serial numbers 28-7325001 and up. PA-28-180 with serial numbers 28-7105001 and up. PA-28-235 with serial numbers 28-7110001 and up, PA-28R-180 with serial numbers 28R-31136 to 28R-31250 inclusive, 28R-31271 to 28R-31279 inclusive, and up. PA-28R-200 with serial numbers 28R-35393 to 28R-35600 inclusive, 28R-35821 to 28R-35830 inclusive. 28R-7235001 and up.		
			F - Used on PA-28-235 with serial numbers 28-10720 and up, PA-28-180 with serial numbers 28-4378 and up, PA-28R-180 and PA-28R-200 airplanes.		
			G - Used on PA-28-140 airplanes only.		
			H - Order 68488-02 if Kit 760 542. Landing Gear Back-Up Actuator Override Mechanism, have been installed.		

When ordering, always specify Part Number, Description, and Serial Number of Aircraft

PA-28-140
PA-28-180
PA-28-235
PA-28R-180
PA-28R-200

PIPER PARTS CATALOG

Figure and Index Number	Part Number	Code	NOMENCLATURE	No. Req.	SERIAL NUMBERS AFFECTED
78-12	62701-56	F	CABLE - Stabilator trim. forward	2	
	62701-104	G	CABLE - Stabilator trim forward	2	
-13	65632-00	D	PLATE ASSEMBLY - Trim wheel	1	
	65632-03	E	PLATE ASSEMBLY - Trim wheel	1	
-14	65639-00		GUARD - Trim pulley	1	
-15	62710-03	B	PIN - Cable guard	1	
	62710-02	C	PIN - Cable guard	1	
-16	452 015	W	BARREL - Turnbuckle (NAS649B8S)	2	
	489 873	W	BARREL - Turnbuckle (MS21251-B2S)	2	
-17	554 979		CLIP - Turnbuckle safety (MS21256-1)	4	
-18	68472-00		BRACKET - Stabilator trim pulley	1	
-19	407 564	W	WASHER - (AN960-10)	2	
-20	63900-56		BUSHING - Stabilator trim pulley	1	
-21	63900-55		BUSHING - Stabilator trim pulley	1	
-22	481 640		PULLEY - (MS24566-1B)	4	
-23	400 450	W	BOLT - (AN3-17A)	1	
	63900-61		BUSHING	1	
	407 584	W	WASHER - (AN960-10L)	1	
	404 887	W	NUT - (MS20365-1032C)	1	
-24	400 437	W	BOLT - (AN3-3A)	4	
-25	424 180		PIN - (AN393-23)	3	
	424 051	W	COTTERPIN - (AN380-2-2)	1	
			A - Used on PA-28-140 with serial numbers 28-7325001 and up. PA-28-235 with serial numbers 28-10720 and up PA-28-180 with serial numbers 28-4378 and up. PA-28R-180 and PA-28R-200 airplanes.		
			B - Used on PA-28-140 with serial numbers 28-7325001 and up PA-28-180 with serial numbers 28-4378 and up and PA-28-235 with serial numbers 28-10720 and up.		
			C - Used on PA-28R-180 and PA-28R-200 airplanes only.		
			D - Used on PA-28-180 with serial numbers 28-4378 to 28-5869 inclusive PA-28-235 with Serial numbers 28-10720 to 28-11393 inclusive PA-28R-180 with serial numbers 28R-30005 to 28R-30481 inclusive 28R-30483 to 28R-31279 inclusive and PA-28R-200 with serial numbers 28R-30482, 28R-35001 to 28R-35830 inclusive.		
			E - Used on PA-28-140 with serial numbers 28-7325001 and up, PA-28-180 with serial numbers 28-7105001 and up, PA-28-235 with serial numbers 28-7110001 and up, PA-28R-180 with serial numbers 28R-7130001 and up, and PA-28R-200 with serial numbers 28R-7135001 and up.		
			F - Used on PA-28-140 with serial numbers 28-7325001 and up. PA-28-180 with serial numbers 28-4378 to 28-7205328 inclusive. PA-28R-180 with serial numbers 28R-30005 to 28R-7130019 inclusive PA-28-235 with serial numbers 28-10720 to 28-7210033 inclusive. and PA-28R-200 with serial numbers 28R-30482 28R-35001 to 28R-7135238 inclusive.		
			G - Used on PA-28-180 with serial numbers 28-7305001 and up. PA-28-235 with serial numbers 28-7310001 and up. and PA-28R-200 with serial numbers 28R-7235001 and up.		
			W - These parts must be ordered from Service Spares Department, Piper Aircraft, Lock Haven, Penna.		

When ordering, always specify Part Number, Description, and Serial Number of Aircraft

PA-28-140
PA-28-180
PA-28-235
PA-28R-180
PA-28R-200

PIPER PARTS CATALOG

Figure and Index Number	Part Number	Code	NOMENCLATURE	No. Req.	SERIAL NUMBERS AFFECTED
78-26	401 279	W	BOLT - (AN3-25A)	2	
	407 584	W	WASHER - (AN960-10L)	2	
	404 887	W	NUT - (MS20365-1032C)	2	
-27	65254-00		BOLT - Eye, stabilator trim	1	
-28	400 437	W	BOLT - (AN3-3A)	4	
	407 584	W	WASHER - (AN960-10L)	4	
-29	401 266	W	BOLT - (AN3-5A)	2	
	494 066	W	WASHER - (K19001-3)	2	
	406 551		NUT - (H19000-3)	2	
-30	400 438	W	BOLT - (AN3-4A)	4	
	407 564	W	WASHER - (AN960-10)	4	
	404 887	W	NUT - (MS20365-1032C)	4	
-31	401 269	W	BOLT - (AN3-10A)	2	
	407 564	W	WASHER - (AN960-10)	4	
	404 887	W	NUT - (MS20365-1032C)	2	
-32	404 325		NUT - (AN316-7R)	1	
-33	407 684		WASHER - (AN960-C1216L)	1	
-34	424 123		COTTERPIN - (AN380-C-4-3)	2	
-35	63882-09		SLEEVE - Stabilator trim link	2	
-36	65003-06		BUSHING - Stabilator trim link	2	
-37	65246-00		SHAFT - Stabilator trim	1	
-38	65249-00		PLATE - Stabilator trim	1	
-39	65252-00		CUP - Stabilator trim	1	
-40	65253-00		LINK - Stabilator trim	2	
-41	484 747		SNAP RING - (5108-75)	1	
-42	65248-00		ARM ASSEMBLY - Stabilator trim	1	
-43	68491-00		GUARD - Cable	2	
-44	452 418		BEARING - Thrust (T-1010)	1	
-45	452 413		BEARING - (F-838)	2	
-46	65244-00		RIB - Stabilator trim	2	
-47	65251-00		TAB - Stabilator- trim	2	
-48	62833-18		SHIM - Stabilator trim	1	
-49	63530-00		BARREL - Stabilator trim	1	
-50	65245-00		RIB - Stabilator trim	1	
-51	62709-00		GUARD - Pin holder	1	
-52	62711-04		PULLEY - Stabilator trim	2	
-53	63900-59	B	BUSHING - Stabilator trim, inner	1	
	63900-160	C	BUSHING - Stabilator trim, inner	1	
-54	63900-60	B	BUSHING - Stabilator trim, outer	1	
	63900-161	C	BUSHING - Stabilator trim, outer	1	
-55	99856-00		GUARD - Cable	1	
-56	65003-37		BUSHING	2	
-57	400 446	B,W	BOLT - (AN3-16A)	1	
	401 281	C,W	BOLT- (AN3H-26A)	1	
	407 584	W	WASHER - (AN960-10L)	1	
	404 887	W	NUT - (MS20365-1032C)	1	
			A - Used on PA-28-140 with serial numbers 28-7325001 and up, PA-28-235 with serial numbers 28-10720 and up, PA-28-180 with serial numbers 28-4378 and up, PA-28R-180 and PA-28R-200 airplanes.		
			B - Used on PA-28-180, PA-28-235, PA-28R-180 and PA-28R-200 airplanes only.		
			C - Used on PA-28-140 airplanes only.		
			W - These parts must be ordered from Service Spares Department, Piper Aircraft, Lock Haven, Penna.		

When ordering, always specify Part Number, Description, and Serial Number of Aircraft

PA-28-140
PA-28-180
PA-28-235
PA-28R-180
PA-28R-200

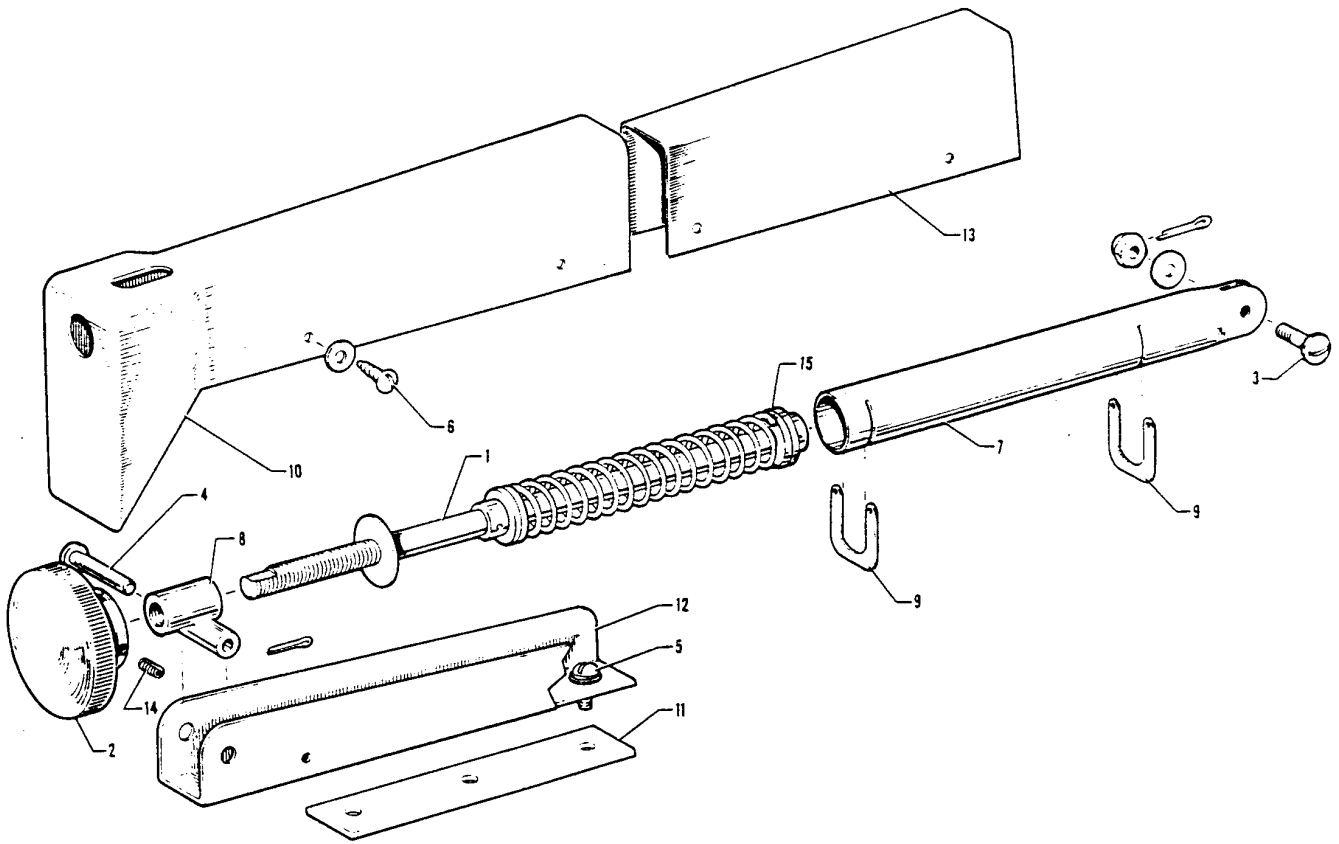


Figure 79. Rudder Trim Mechanism Installation

PIPER PARTS CATALOG

Figure and Index Number	Part Number	Code	NOMENCLATURE	No. Req.	SERIAL NUMBERS AFFECTED
79-	62828 67384 65837	B F E	DRAWING - Rudder Trim Mechanism Installation DRAWING - Rudder Trim Mechanism Installation DRAWING - Rudder Trim Mechanism Installation		
-1	62829-00 62829-00 66659-00 62829-03 62829-05	A G D H C	SHAFT ASSEMBLY - Rudder trim SHAFT ASSEMBLY - Rudder trim SHAFT ASSEMBLY - Rudder trim SHAFT ASSEMBLY - Rudder trim SHAFT ASSEMBLY - Rudder trim	1 1 1 1 1	28-1 to 28-1410 inclusive 28-11040 and up
-2	62838-00		KNOB	1	
-3	400 672 407 584 404 392 424 051	W W W W	BOLT - (AN23-10) WASHER - (AN960-10L) NUT - (AN320-3) COTTERPIN - (AN380-2-2)	1 1 1 1	
<p>A - Used on PA-28-150, PA-28-160 and PA-28-180 airplanes only.</p> <p>B - Used on PA-28-150, PA-28-160 and PA-28-180 with serial numbers 28-1 to 28-4377 inclusive, PA-28-235 with serial numbers 28-10003 to 28-11039 inclusive, and PA-28-140 with serial numbers 28-20002 to 28-24999 inclusive.</p> <p>C - Used on PA-28-235 airplanes only.</p> <p>D - Used on PA-28R-180 with serial numbers 28R-31079 and up, and PA-28R-200 with serial numbers 28R-30482, 28R-35001 and up.</p> <p>E - Used on PA-28-180 with serial numbers 28-4378 and up PA-28-235 with serial numbers 28-11040 and up. and PA-28-140 with serial numbers 28-25000 and up.</p> <p>F - Used on PA-28R-180 and PA-28R-200 airplanes only.</p> <p>G - Used on PA-28-140 with serial numbers 28-20002 to 28-21944 inclusive, PA-28-150, PA-28-160 and PA-28-180 with serial numbers 28-1411 to 28-3489 inclusive, PA-28-235 with serial numbers 28-10003 to 28-10720 inclusive, and PA-28R-180 with serial numbers 28R-30005 to 28R-30481 inclusive, 28R-30483 to 28R-31078 inclusive.</p> <p>H - Used on PA-28-140 with serial numbers 28-21945 and up PA-28-150, PA-28-160 and PA-28-180 with serial numbers 28-3490 and up, and PA-28-235 with serial numbers 28-10720 to 28-11040 inclusive.</p> <p>W - These parts must be ordered from Service Spares Department, Piper Aircraft, Lock Haven, Penna.</p>					

When ordering, always specify Part Number, Description, and Serial Number of Aircraft

PIPER PARTS CATALOG

Figure and Index Number	Part Number	Code	NOMENCLATURE	No. Req.	SERIAL NUMBERS AFFECTED
79-4	424 185	C.G.W	PIN - Flat head (MS20392-2-33)	1	
	424 186	B W	PIN - Flat head (MS20392-2-35)	1	
	424 186	H F W	PIN - Flat head (MS20392-2-35)	1	
	424 051	W	COTTERPIN - (AN380-2-2)	1	
-5	415 754	C.G.W	SCREW - (AN515-832R8)	3	
	415 753	B H W	SCREW - (AN515-8R7)	2	
	404 910	C G W	NUT - (MS20365-832C)	1	
	407 583		WASHER - (AN960-8L)	7	
-6	419 683	C G.W	SCREW - (4 x1/2")	4	
-7	66530-00	A	HOUSING - Rudder trim	1	
	66658-00	D	HOUSING - Rudder trim	1	
	65836-00	E	HOUSING - Rudder trim	1	
-8	62831-00		BUSHING ASSEMBLY - Rudder trim	1	
-9	6Z832-00		CLIP - Rudder trim	2	
<p>A - Used on PA-28-140 with serial numbers 28-20002 to 28-24999 inclusive, PA-28-150, PA-28-160 and PA-28-180 with serial numbers 28-1 to 28-4377 inclusive PA-28-235 with serial numbers 28-10002 to 28-11039 inclusive, and PA-28R-180 with serial numbers 28R-30005 to 28R-30481 inclusive, 28R-30483 to 28R-31078 inclusive.</p> <p>B - Used on PA-28R-180 and PA-28R-200 airplanes only.</p> <p>C - Used on PA-28-235 with serial numbers 28-10003 to 28-11039 inclusive.</p> <p>D - Used on PA-28R-180 with serial numbers 28R-31079 and up. and PA-28R-200 with serial numbers 28R-30482. 28R-35001 and up.</p> <p>E - Used on PA-28-140 with serial numbers 28-25000 and up PA-28-150, PA-28-160 and PA-28-180 with serial numbers 28-4378 and up. and PA-28-235 with serial numbers 28-11040 and up.</p> <p>F - Used on PA-28-180 with serial numbers 28-4378 and up.</p> <p>G - Used on PA-28-140 with serial numbers 28-20002 to 28-24999 inclusive, PA-28-150, PA-28-160 and PA-28-180 airplanes.</p> <p>H - Used on PA-28-235 with serial numbers 28-11040 and up and PA-28-140 with serial numbers 28-25000 and up.</p> <p>W - These parts must be ordered from Service Spares Department, Piper Aircraft, Lock Haven, Penna.</p>					

When ordering, always specify Part Number, Description, and Serial Number of Aircraft

PIPER PARTS CATALOG

Figure and Index Number	Part Number	Code	NOMENCLATURE	No. Req.	SERIAL NUMBERS AFFECTED
79-10	62835-00		COVER - Rudder trim black	1	28-1 to 28-670 inclusive
	62835-07	J	COVER - Rudder trim black	1	
	63295-02	D	COVER - Rudder trim brown	1	
	63295-03	H	COVER - Rudder trim. gray	1	
	63295-04	G	COVER - Rudder trim. blue	1	
	63295-05	G	COVER - Rudder trim. red	1	
-11	62836-00	C D	PLATE - Rudder trim	1	
-12	62837-00	C D	CHANNEL - Rudder trim	1	
	67382-00	B	CHANNEL - Rudder trim	1	
	69318-00	F	CHANNEL - Rudder trim	1	
	67382-00	E	CHANNEL - Rudder trim	1	
	69318-00	A	CHANNEL - Rudder trim	1	
-13	65216-00	C	CHANNEL - Rudder trim cover	1	
-14	419 967		SCREW - Set (MS51964-132	1	
-15	62833-127		WASHER	1	
			A - Used on PA-28-235 with serial numbers 28-11040 and up and PA-28-140 with serial numbers 28-25000 and up.		
			B - Used on PA-28R-180 with serial numbers 28R-30005 to 28R-30481 inclusive, 28R-30483 to 28R-30678 inclusive.		
			C - Used on PA-28-235 with serial numbers 28-10003 to 28-11039 inclusive.		
			D - Used on PA-28-150, PA-28-160 and PA-28-180 with serial numbers 28-1 to 28-4377 inclusive, and PA-28-140 with serial numbers 28-20002 to 28-24999 inclusive.		
			E - Used on PA-28-180 with serial numbers 28-4378 to 28-4877 inclusive.		
			F - Used on PA-28R-180 with serial numbers 28R-30679 and up and PA-28R-200 with serial numbers 28R-30482, 28R-35001 and up.		
			G - Used on PA-28-140 with serial numbers 28-21468 to 28-24999 inclusive, PA-28-150, PA-28-160 and PA-28-180 with serial numbers 28-1761 to 28-4377 inclusive.		
			H - Used on PA-28-140 with serial numbers 28-20002 to 28-21467 inclusive PA-28-150, PA-28-160 and PA-28-180 with serial numbers 28-671 to 28-1760 inclusive.		
			J - Used on PA-28-140 with serial numbers 28-20002 to 28-24999 inclusive.		

When ordering, always specify Part Number, Description, and Serial Number of Aircraft

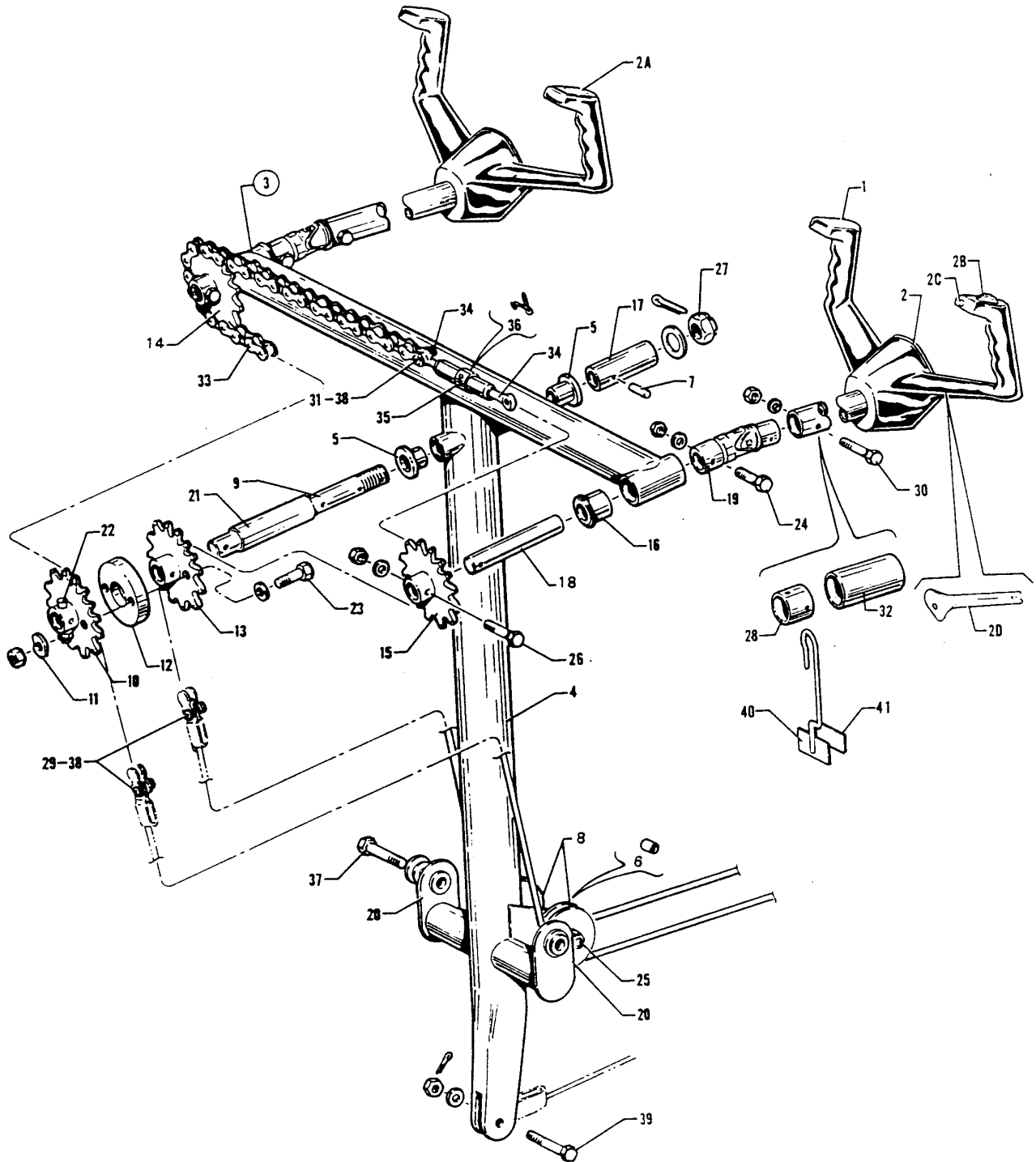


Figure 80. Control Wheel Installation
 (PA-28-140 - Serial Nos. 28-20002 and up)
 (PA-28-150-160-180 - Serial Nos 28-1 to 28-4377 inclusive)
 (PA-28-235 - Serial Nos. 28-10003 to 28-11039 inclusive)

PIPER PARTS CATALOG

Figure and Index Number	Part Number	Code	NOMENCLATURE	No. Req.	SERIAL NUMBERS AFFECTED
80-	62700 65580 66697	B C D	DRAWING - Control System Installation DRAWING - Control System Installation DRAWING - Control System Installation		28-10720 to 28-11039 incl. 28-25000 and up
-1	78729-02 79276-00	E E	WHEEL ASSEMBLY - Control (3/4" O.D. shaft) left grip cored WHEEL ASSEMBLY - Control (1-1/8" O.D. shaft) left grip cored	2 2	
-2	79309-00 79275-00	F G	* MEDALLION * MEDALLION	1 1	
-2a	67491-00	G	* PLATE - Control wheel cover (standard)	1	
-2b	63778-00 67443-04 761 039	F, H F, D G	SWITCH AND HOUSING ASSEMBLY - Electric trim SWITCH AND HOUSING ASSEMBLY - Electric trim KIT - Electric trim switch assembly	1 1 1	28-7525096 and up
-2c	67463-00		SWITCH ASSEMBLY - AutoFlite	1	
-2d	68829-00	B	COVER - Switch wire	1	
<p>A - Used on PA-28-140 with serial numbers 28-20002 and up, PA-28-150, PA-28-160 and PA-28-180 with serial numbers 28-1 to 28-4377 inclusive, and PA-28-235 with serial numbers 28-10003 to 28-11039 inclusive.</p> <p>B - Used on PA-28-150, PA-28-160 and PA-28-180 with serial numbers 28-1 to 28-4377 inclusive, PA-28-235 with serial numbers 28-10003 to 28-10719 inclusive, and PA-28-140 with serial numbers 28-20002 to 28-24999 inclusive.</p> <p>C - Used on PA-28-235 airplanes only.</p> <p>D - Used on PA-28-140 airplanes only.</p> <p>E - Ascertain O.D. of control wheel shaft before ordering. Control wheel assembly does not include switches. Order desired switches separately.</p> <p>F - Used with a bowtie style control wheel.</p> <p>G - Used with a ramshorn style control wheel.</p> <p>H - Used on PA-28-140 with serial numbers 28-20002 to 28-7525095 inclusive, PA-28-150, PA-28-160, and PA-28-180 with serial numbers 28-1 to 28-4377 inclusive, and PA-28-235 with serial numbers 28-10003 to 28-11039 inclusive. If Electric Trim Servo Replacement Kit 763 850v has been installed, order Switch part No. 67443-04. If the bowtie style control wheel has been replaced with a ramshorn style control wheel order Switch part No. 761 039.</p>					

When ordering, always specify Part Number, Description, and Serial Number of Aircraft

PA-28-140
PA-28-150
PA-28-160
PA-28-180
PA-28-235

PIPER PARTS CATALOG

Figure and Index Number	Part Number	Code	NOMENCLATURE	No. Req.	SERIAL NUMBERS AFFECTED
80-3	62703-32		CONTROL COLUMN ASSEMBLY	1	28-1 to 28-1230 inclusive
	62703-25	D	CONTROL COLUMN ASSEMBLY	1	
	62703-27	E	CONTROL COLUMN ASSEMBLY	1	
	62019-00	C	CONTROL COLUMN ASSEMBLY	1	
	62019-03	F	CONTROL COLUMN ASSEMBLY	1	
-4	62703-31		TEE BAR ASSEMBLY - Control column	1	28-1 to 28-1230 inclusive
	62703-24	D	TEE BAR ASSEMBLY - Control column	1	
	62703-26	C	TEE BAR ASSEMBLY - Control column	1	
	62703-33	B	TEE BAR ASSEMBLY - Control column	1	
-5	452 372	W	BEARING - (F504-2)	2	28-25000 and up 28-972 and up

- A - Used on PA-28-140 with serial numbers 28-20002 and up, PA-28-150, PA-28-160 and PA-28-180 with serial numbers 28-1 to 28-4377 inclusive, and PA-28-235 with serial numbers 28-10003 to 28-11039 inclusive.
- B - Used on PA-28-140 with serial numbers 28-21446 to 28-21845 inclusive, 28-21931 to 28-21934 inclusive, 28-23242 and up, PA-28-150, PA-28-160 and PA-28-180 with serial numbers 28-2978 to 28-3377 inclusive, 28-4118 to 28-4377 inclusive, and PA-28-235 with serial number 28-10944 to 28-11039 inclusive.
- C - Used on PA-28-150, PA-28-160 and PA-28-180 with serial numbers 28-3378 to 28-4117 inclusive, PA-28-140 with serial numbers 28-21846 to 28-21930 inclusive, 28-21935 to 28-23241 inclusive, and PA-28-235 with serial numbers 28-10720 to 28-10943 inclusive.
- D - Used on PA-28-150, PA-28-160 and PA-28-180 with serial numbers 28-1231 to 28-2977 inclusive, PA-28-140 with serial numbers 28-20002 to 28-21445 inclusive, and PA-28-235 with serial numbers 28-10003 to 28-10719 inclusive.
- E - Used on PA-28-150, PA-28-160 and PA-28-180 with serial numbers 28-2978 to 28-3377 inclusive, and PA-28-140 with serial numbers 28-21446 to 28-21845 inclusive, 28-21931 to 28-21934 inclusive.
- F - Used on PA-28-140 with serial numbers 28-23242 and up, PA-28-150, PA-28-160 and PA-28-180 with serial number 28-4118 to 28-4377 inclusive, and PA-28-235 with serial numbers 28-10944 to 28-11039 inclusive.
- W - These parts must be ordered from Service Spares Department, Piper Aircraft, Lock Haven, Penna.

When ordering, always specify Part Number, Description, and Serial Number of Aircraft

PA-28-140
PA-28-150
PA-28-160
PA-28-180
PA-28-235

PIPER PARTS CATALOG

Figure and Index Number	Part Number	Code	NOMENCLATURE	No. Req.	SERIAL NUMBERS AFFECTED
80-6	62712-02		BUSHING - Inner, control (. 375 length)	1	28-1 to 28-1230 inclusive
	62712-02	D	BUSHING - Inner, control (. 375 length)	1	
	62712-04	C H	BUSHING - Inner, control (. 620 length)	1	
-7	480 683	W	PIN - Roll (#59-028-125 .0687)	1	
-8	62825-00		PULLEY - Control column (with bushing)	2	28-1 to 28-1230 inclusive
	62825-00	D	PULLEY - Control column (with bushing)	2	
	481 651	C H W	PULLEY - Control column (MS20220-1) (with bushing)	2	
-9	62848-00	C	SHAFT - Control column	1	
	62848-02	B	SHAFT - Control column	1	
	69077-00	E	SHAFT - Control column	1	
-10	62779-00	G	SPROCKET - Control column	1	
	63404-00	F	SPROCKET - Control column	1	
-11	62784-00		WASHER - Control column	1	
-12	62782-00		SPACER - Control column	1	
-13	62778-00		SPROCKET - Control column	1	
			A.- Used on PA-28-140 with serial numbers 28-20002 and up, PA-28-150, PA-28-160 and PA-28-180 with serial numbers 28-1 to 28-4377 inclusive, and PA-28-235 with serial numbers 28-10003 to 28-11039 inclusive.		
			B.- Used on PA-28-140 with serial numbers 28-20301 to 28-23241 inclusive, PA-28-150, PA-28-160 and PA-28-180 with serial numbers 28-1807 to 28-4117 inclusive, and PA-28-235 with serial numbers 28-10487 to 28-10943 inclusive.		
			C - Used on PA-28-150, PA-28-160 and PA-28-180 with serial numbers 28-3378 to 28-4377 inclusive, PA-28-140 with serial numbers 28-21846 to 28-21930 inclusive, 28-21935 and up, and PA-28-235 with serial numbers 28-10720 to 28-11039 inclusive.		
			D - Used on PA-28-150, PA-28-160 and PA-28-180 with serial numbers 28-1231 to 28-2977 inclusive, PA-28-140 with serial numbers 28-20002 to 28-21445 inclusive and PA-28-235 with serial numbers 28-10003 to 28-10719 inclusive.		
			E - Used on PA-28-140 with serial numbers 28-23242 and up, PA-28-150, PA-28-160 and PA-28-180 with serial numbers 28-4118 to 28-4377 inclusive, and PA-28-235 with serial numbers 28-10944 to 28-11039 inclusive.		
			F - Used on PA-28-140 with serial numbers 28-20301 and up, PA-28-150, PA-28-160 and PA-28-180 with serial numbers 28-1807 to 28-4377 inclusive, and PA-28-235 with serial numbers 28-10487 to 28-11039 inclusive.		
			G - Used on PA-28-140 with serial numbers 28-20002 to 28-20300 inclusive, PA-28-150, PA-28-160 and PA-28-180 with serial numbers 28-1 to 28-1806 inclusive, and PA-28-235 with serial numbers 28-10003 to 28-10486 inclusive.		
			H - Used on PA-28-150, PA-28-160 and PA-28-180 with serial numbers 28-2978 to 28-3377 inclusive, and PA-28-140 with serial numbers 28-21446 to 28-21845 inclusive, 28-21931 to 28-21934 inclusive.		
			W - These parts <u>must</u> be ordered from Service Spares Department, Piper Aircraft, <u>Lock Haven, Penna.</u>		

When ordering, always specify Part Number, Description, and Serial Number of Aircraft

PA-28-140
PA-28-150
PA-28-160
PA-28-180
PA-28-235

PIPER PARTS CATALOG

Figure and Index Number	Part Number	Code	NOMENCLATURE	No. Req.	SERIAL NUMBERS AFFECTED
80-14	62845-00		SPROCKET - Control column	1	28-1 to 28-1230 inclusive
	62845-00	EF	SPROCKET - Control column	1	
	62845-02	D	SPROCKET - Control column	1	
-15	62839-00		SPROCKET ASSEMBLY - Control column	1	
-16	452 389		BUSHING - (#F825-2) Control column	4	
-17	62849-00		SPACER - Tee bar	1	28-511 and up
-18	62716-02	C	SHAFT - Left control column (2.068 L)	1	
	62716-04	B	SHAFT - Left control column (3.076 L)	1	
	62716-06	G	SHAFT - Left control column (3.076 L)	1	
	62716-03	C	SHAFT - Right control column (3.156 L)	1	
	62716-05	B	SHAFT - Right control column (3.266 L)	1	
	62716-07	G	SHAFT - Right control column (3.266 L)	1	
	62716-07	H	SHAFT - Control column (3.266 L)	2	28-25401 and up
			A - Used on PA-28-140 with serial numbers 28-20002 and up, PA-28-150 PA-28-160 and PA-28 -180 with serial numbers 28-1 to 28-4377 inclusive, and PA-28-235 with serial numbers 28-10003 to 28-11039 Inclusive.		
			B - Used on PA-28-140 with serial numbers 28-20161 to 28-21845 inclusive, 28-21931 to 28-21934 inclusive, PA-28-150, PA-28-160 and PA-28-180 with serial numbers 28-1761 to 28-3377 inclusive, and PA-28-235 with serial numbers 28-10487 to 28-10719 inclusive.		
			C - Used on PA-28-140 with serial numbers 28-20002 to 28-20160 inclusive, PA-28-150, PA-28-160 and PA-28-180 with serial numbers 28-1 to 28-1760 inclusive, and PA-28-235 with serial numbers 28-10003 to 28-10486 inclusive.		
			D - Used on PA-28-150, PA-28-160 and PA-28-180 with serial numbers 28-3378 to 28-4377 inclusive, PA-28-140 with serial numbers PA-28-21846 to 28-21930 inclusive, 28-21935 and up, and PA-28-235 with serial numbers 28-10720 to 28-11039 inclusive.		
			E - Used on PA-28-150, PA-28-160 and PA-28-180 with serial numbers 28-2978 to 28-3377 inclusive, and PA-28-140 with serial numbers 28-21446 to 28-21845 inclusive, and 28-21931 to 28-21934 inclusive.		
			F - Used on PA-28-150, PA-28-160 and PA-28-180 with serial numbers 28-1231 to 28-2977 inclusive, PA-28-140 with serial numbers 28-20002 to 28-21445 inclusive, and PA-28-235 with serial numbers 28-10003 to 28-10719 inclusive.		
			G - Used on PA-28-150, PA-28-160 and PA-28-180 with serial numbers 28-3378 to 28-4377 inclusive, PA-28-140 with serial numbers 28-21846 to 28-21930 inclusive, 28-21935 to 28-25400 inclusive, and PA-28-235 with serial numbers 28-10720 to 28-11039.		
			H - Used on PA-28-140 airplanes only.		

When ordering, always specify Part Number, Description, and Serial Number of Aircraft

PA-28-140
PA-28-150
PA-28-160
PA-28-180
PA-28-235

PIPER PARTS CATALOG

Figure and Index Number	Part Number	Code	NOMENCLATURE	No. Req.	SERIAL NUMBERS AFFECTED	
80-19	62834-00	C	UNIVERSAL JOINT	2	28-1 to 28-510 inclusive	
	62834-02	B	UNIVERSAL JOINT	2		
-20	452 388		BEARING - (#F4DD) Control column	2		
-21	62783-00		BUSHING - Control column	1		
-22	480 730	D	PIN - (AN386-1-6A)	1		
	494 093	D	WASHER - (AN975-3)	1		
	404 835	DW	NUT - (MS20364-1032C)	1		
-23	401 269	W	BOLT - (AN3-10A)	2		
	407 584	W	WASHER - (AN960-10L)	2		
	404 887	W	NUT - (MS20365-1032C)	2		
-24	401 270	CW	BOLT - (AN3-11A)	2		
	480 730	B	PIN - Taper (AN386-1-6A)	2		
	407 564	CW	WASHER - (AN960-10)	2		
	494 093	B	WASHER - (AN975-3)	2		
	404 887	CW	NUT - (MS20365-1032C)	2		
	404 835	BW	NUT - (MS20364-1032C)	2		
-25	400 025	EW	BOLT - (AN4-33A)	1		
	401 333	F	BOLT - (AN4-35A)	1		
	407 585	W	WASHER - (AN960-416L)	3		
	407 565	W	WASHER - (AN960-416)	2		
	404 888	W	NUT - (MS20365-428C)	1		
-26	401 270	CW	BOLT - (AN3-11A)	2		
	480 730	B	PIN - Taper (AN386-1-6A)	2		
	407 564	CW	WASHER - (AN960-10)	2		
	494 093	B	WASHER - (AN975-3)	2		
	404 887	CW	NUT - (MS20365-1032C)	2		
	404 835	BW	NUT - (MS20364-1032C)	2		
			A - Used on PA-28-140 with serial numbers 28-20002 and up, PA-28-150 PA-28-160 and PA-28-180 with serial numbers 28-1 to 28-4377 inclusive, and PA-28-235 with serial numbers 28-10003 to 28-11039 inclusive.			
			B - Used on PA-28-150 PA-28-160 and PA-28-180 with serial numbers 28-3378 to 28-4377 inclusive, PA-28-140 with serial numbers 28-21846 to 28-21930 inclusive , 28-21935 and up, and PA-28-235 with serial numbers 28-10720 to 28-11039 inclusive.			
			C - Used on PA-28-150, PA-28-160 and PA-28-180 with serial numbers 28-1 to 28-3377 inclusive, PA-28-140 with serial numbers 28-20002 to 28-21845 inclusive, 28-21931 to 28-21934 inclusive, and PA-28-235 with serial numbers 28-10003 to 28-10719 inclusive.			
			D - Used on PA-28-140 with serial numbers 28-20301 and up, PA-28-150, PA-28-160 and PA-28-180 with serial numbers 28-1807 to 28-4377 inclusive, and PA-28-235 with serial numbers 28-10487 to 28-11039 inclusive.			
			E - Used on PA-28-150 PA-28-160 and PA-28-180 with serial numbers 28-1 to 28-2977 inclusive, PA-28-140 with serial numbers 28-20002 to 28-21445 inclusive- and PA-28-235 with serial numbers 28-10003 to 28-10719 inclusive.			
			F - Used on PA-28-150, PA-28-160 and PA-28-180 with serial numbers 28-2978 to 28-4377 inclusive, PA-28-140 with serial numbers 28-21446 and up, and PA-28-235 with serial numbers 28-10720 to 28-11039 inclusive.			
			W - These parts <u>must</u> be ordered from Service Spares Department, Piper Aircraft, <u>Lock Haven, Penna.</u>			

When ordering, always specify Part Number, Description, and Serial Number of Aircraft

PA-28-140
PA-28-150
PA-28-160
PA-28-180
PA-28-235

PIPER PARTS CATALOG

Figure and Index Number	Part Number	Code	NOMENCLATURE	No. Req.	SERIAL NUMBERS AFFECTED
80-27	404 104		NUT - (AN310-7)	1	
	407 568	W	WASHER - (AN960-716)	1	
	424 060	W	COTTER PIN - (AN380-34)	1	
-28	68557-40	D	BUSHING - Control column	2	
-29	400 653		BOLT - Clevis (AN21-9)	2	
	404 391		NUT - (AN320-1)	2	
	424 041		COTTER PIN - (AN380-1-2)	2	
-30	401 270	C W	BOLT - (AN3-11A)	4	
	66546-00	B D	BOLT	4	
	407 584	W	WASHER - (AN960-10L)	4	
	404 887	C W	NUT - (MS20365-1032C)	4	
	404 835	B D W	NUT - (MS203641032C)	4	
-31	400 653		BOLT - (AN21-9)	2	
	404 391		NUT - (AN320-1)	2	
	424 041	.	COTTER PIN - (AN380-1-2)	2	
-32	62852-00	C	STOP - Tee bar, left	1	
	68559-00	B	STOP - Tee bar, left	1	
	67193-00	D	STOP - Tee bar, left	1	
-33	62858-02		CHAIN - Control system (26.5" L)	2	
-34	62840-02		EYE BOLT - Turnbuckle, left	1	
	62840-03		EYE BOLT - Turnbuckle, right	1	
-35	489 910		BARREL - Turnbuckle (MS21251-B5S)	1	
-36	554 979		CLIP - Turnbuckle (MS21256-1)	2	
-37	401 310	W	BOLT - (AN4-10A)	2	
	62833-85		WASHER - (O.D.1.50")	2	
	62833-86		WASHER - (O.D. .75")	2	
	404 888		NUT - (MS20365-428C)	2	
-38	82732-76	W	BUSHING	3	
-39	400 056	W	BOLT - (AN3-11)	1	
	407 564	W	WASHER - (AN960-10)	1	
	404 392	W	NUT - (AN320-3)	1	
	424 051	W	COTTER PIN - (AN380-2-2)	1	
-40	66932-00	E	PIN ASSEMBLY - Control lock	1	
-41	66934 00	E	PLACARD - Control lock	1	
<p>A - Used on PA-28-140 with serial numbers 28-20002 and up PA-28-150, PA-28-160 and PA-28-180 with serial numbers 28-1 to 28-4377 inclusive and PA-28-235 with serial numbers 28-10003 to 28-11039 inclusive.</p> <p>B - Used on PA-28-150, PA-28-160 and PA-28-180 with serial numbers 28-3378 to 28-4377 inclusive and PA-28-235 with serial numbers 28-10720 to 28-11039 inclusive.</p> <p>C - Used on PA-28-150, PA-28-160 and PA-28-180 with serial numbers 28-1 to 28-3377 inclusive PA-28-235 with serial numbers 28-10003 to 28-10719 inclusive and PA-28-140 with serial numbers 28-20002 to 28-24999 inclusive.</p> <p>D - Used on PA-28-140 with serial numbers 28-25000 and up.</p> <p>E - Used on PA-28-140 with serial numbers 28-26401 to 28-7225612 inclusive.</p> <p>W - These parts must be ordered from Service Spares Department, Piper Aircraft, Lock Haven, Penna.</p>					

When ordering, always specify Part Number, Description, and Serial Number of Aircraft

PA-28-140
PA-28-150
PA-28-160
PA-28-180
PA-28-235

3G23

INTENTIONALLY LEFT BLANK

3G24

INTENTIONALLY LEFT BLANK

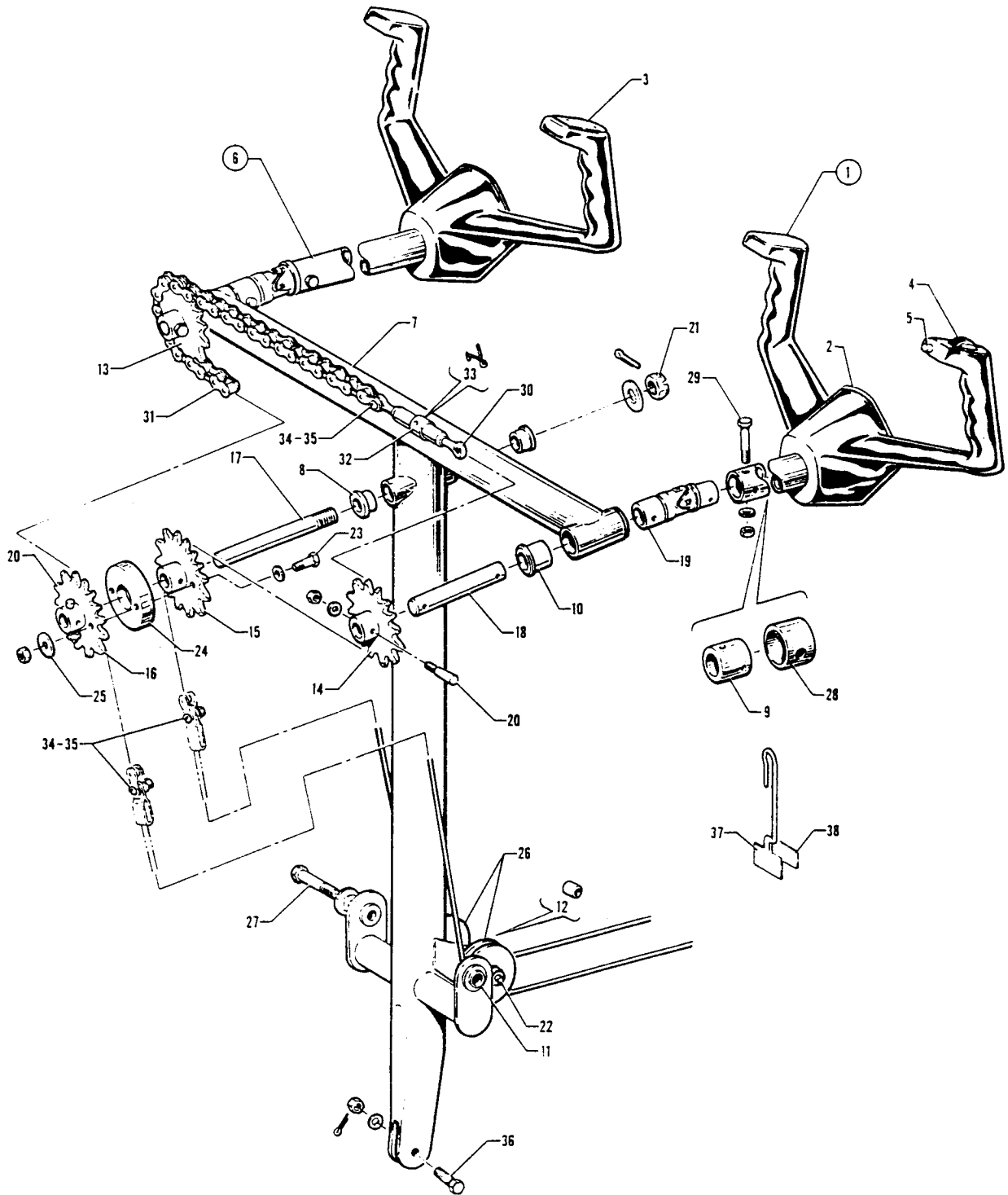


Figure 81. Control Wheel Installation
 (PA-28-180 - Serial Nos. 28-4378 and up)
 (PA-28R-180 - Serial Nos. 28R-30005 to 28R-30481 inclusive, 28R-30483 and up)
 (PA-28-235 - Serial Nos. 28-11040 and up)
 (PA-28R-200 - Serial Nos. 28R-30482, 28R-35001 and up)

PIPER PARTS CATALOG

Figure and Index Number	Part Number	Code	NOMENCLATURE	No. Req.	SERIAL NUMBERS AFFECTED
81-	67018 65580 35135	B C D	DRAWING - Control System Installation DRAWING - Control System Installation DRAWING - Control System Installation		
-1	79276-00	E	WHEEL ASSEMBLY - Control (left grip cored)	2	
-2	79275-00		* MEDALLION - Control wheel	1	
-3	67491-00		* PLATE - Control wheel cover (standard)	1	
.4	761 039		KIT - Electric trim switch assembly	1	
-5	67463-00		SWITCH ASSEMBLY - AutoFlite	1	
-6	67219-00	B	CONTROL COLUMN ASSEMBLY	1	
	62019-03	C	CONTROL COLUMN ASSEMBLY	1	
-7	67219-02	B	* TEE BAR ASSEMBLY - Control column	1	
	62703-33	C	* TEE BAR ASSEMBLY - Control column	1	
-8	452 372		** BEARING - (F-504-2)	2	
-9	68557-00		* BUSHING - Control column	2	
-10	452 389		* BEARING - (F-825-2)	4	
-11	452 388		* BEARING - (F4DD)	2	
-12	62712-04		* BUSHING - Control column pulley	2	
-13	62845-02		* SPROCKET - Control column, right	1	
-14	62839-00		* SPROCKET ASSEMBLY - Control column, left	1	
-15	62778-00		* SPROCKET - Control column, center rear	1	
-16	63404-00		* SPROCKET - Control column, center rear	1	
-17	69077-00		* SHAFT - Control column, center	1	
-18	62716-07		* SHAFT - Control column	2	
-19	62834-02		* UNIVERSAL JOINT - Control column	2	
-20	480 730		* PIN - (AN386-1-6A)	5	
	494 093		* WASHER - (AN975-3)	5	
	404 835	W	* NUT - (MS20364-1032C)	5	
-21	407 568	W	* WASHER - (AN960-716)	1	
	404 104	W	* NUT - (AN310-7)	1	
	424 060		* COTTER PIN - (AN380-3-4)	1	
-22	401 333		* BOLT - (AN4-35A)	1	
	407 565	W	* WASHER - (AN960-416)	4	
	404 888	W	* NUT - (MS20365-428C)	1	
-23	401 269	W	* BOLT - (AN3-10A)	2	
	407 564	W	* WASHER - (AN960-10)	2	
	407 584	W	* WASHER - (AN960-10L)	2	
	404 887	W	* NUT - (MS20365-1032C)	2	
			A - Used on PA-28-180 with serial numbers 28-4378 and up, PA-28-235 with serial numbers 28-11040 and up, PA-28R-180 and PA-28R-200,		
			B - Used on PA-28R-180 and PA-28R-200 airplanes only.		
			C - Used on PA-28-180 with serial numbers 28-4378 and up, and PA-28-235 with serial numbers 28-11040 and up.		
			D - Used on PA-28- 180 with serial numbers 28-7405001 to 28-7505079 inclusive, PA-28-235 with serial numbers 28-7410001 to 28-7510027 inclusive, and PA-28R-200 with serial numbers 28R-7435001 to 28R-7535076 inclusive.		
			E - Control wheel assembly does not include switches. Order desired switches separately.		
			W - These parts must be ordered from Service Spares Department, Piper Aircraft, Lock Haven, Penna.		

When ordering, always specify Part Number, Description, and Serial Number of Aircraft

PIPER PARTS CATALOG

Figure and Index Number	Part Number	Code	NOMENCLATURE	No. Req.	SERIAL NUMBERS AFFECTED
81-24	62782-00		SPACER - Control column	1	
-25	62784-00		WASHER - Control column	2	
-26	481 651	W	PULLEY - Control column (MS20220-1)	2	
-27	401 310	W	BOLT - (AN4-10A)	2	
	62833-85		WASHER - (O.D. 1.50")	2	
	62833-86		WASHER - (O.D. .75")	2	
	404 888	W	NUT - (MS20365-428C)	2	
-28	67193-00	F	STOP - Tee bar, left	1	
	67193-03	G	STOP - Tee bar, left	1	
	67193-04	E	STOP - Tee bar, left	1	
-29	66546-00		BOLT - Special	4	
	407 584	W	WASHER - (AN960-10L)	4	
	404 835	W	NUT - (MS20364-1032C)	4	
-30	62840-02		EYE BOLT - Turnbuckle, left	1	
	62840-03		EYE BOLT - Turnbuckle, right	1	
-31	62858-02		CHAIN - Control	2	
-32	489 910		BARREL - Turnbuckle (MS21251-B5S)	1	
-33	554 979		CLIP - Turnbuckle (MS21256-1)	2	
-34	82732-76	W	BUSHING - Control chain	4	
-35	400 653		BOLT - (AN21-9)	4	
	407 562	W	WASHER - (AN960-6)	4	
	404 391		NUT - (AN320-1)	4	
	424 041		COTTER PIN - (AN380-1-2)	4	
-36	400 055	B,W	BOLT - (AN3-10)	1	
	400 056	C,W	BOLT - (AN3-11)	1	
	407 584	W	WASHER - (AN960-10L)	1	
	407 564	C,W	WASHER - (AN960-10)	1	
	404 392	W	NUT - (AN320-3)	1	
	424 051	W	COTTER PIN - (MS23665-132)	1	
-37	66932-00	D	PIN ASSEMBLY - Control lock	1	
-38	66934-00	D	PLACARD - Control lock	1	
<p>A - Used on PA-28-180 with serial numbers 28-4378 and up, PA-28-235 with serial numbers 28-11040 and up, PA-28R-180 and PA-28R-200.</p> <p>B - Used on PA-28R-180 and PA-28R-200 airplanes only.</p> <p>C - Used on PA-28-180 with serial numbers 28-4378 and up, and PA-28-235 with serial numbers 28-11040 and up.</p> <p>D - Used on PA-28-180 with serial numbers 28-5601 to 28-7205328 inclusive, PA-28R-180 with serial numbers 28R-31251 to 28R-7130019 inclusive, PA-28R-200 with serial numbers 28R-35601 to 28R-7235330 inclusive, and PA-28-235 with serial numbers 28-11301 to 28-7210033 inclusive.</p> <p>E - Used on PA-28-180 with serial numbers 28-7305001 and up.</p> <p>F - Used on PA-28-180 with serial numbers 28-4378 to 28-7205328 inclusive, PA-28-235 with serial numbers 28-11040 to 28-7210033 inclusive, PA-28R-180 with serial numbers 28R-30005 to 28R-7130019 inclusive, and PA-28R-200 with serial numbers 28R-30482, 28R-35001 to 28R-7235330 inclusive.</p> <p>G - Used on PA-28-235 with serial numbers 28-7310001 and up, and PA-28R-200 with serial numbers 28R-7335001 and up.</p> <p>W - These parts must be ordered from Service Spares Department, Piper Aircraft, Lock Haven, Penna.</p>					

When ordering, always specify Part Number, Description, and Serial Number of Aircraft

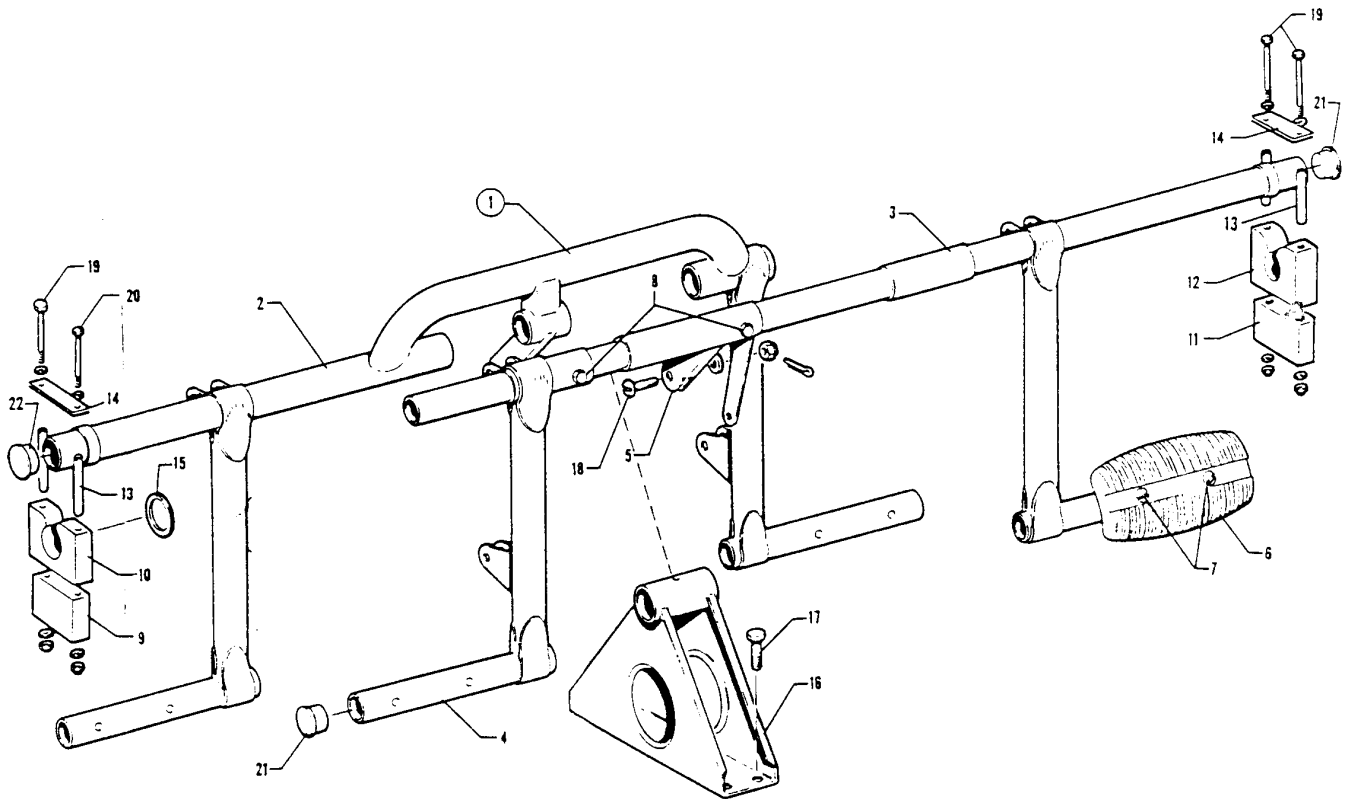


Figure 82. Rudder Pedal Installation

PIPER PARTS CATALOG

Figure and Index Number	Part Number	Code	NOMENCLATURE	No. Req.	SERIAL NUMBERS AFFECTED
82-	62700 65580 66697	G H K	DRAWING - Control System Installation DRAWING - Control System Installation DRAWING - Control System Installation		
-1	62704-00 62704-02 63459-02 63459-03 63459-04 63459-12	A B C D,E F J	RUDDER PEDAL ASSEMBLY - Complete RUDDER PEDAL ASSEMBLY - Complete RUDDER PEDAL ASSEMBLY - Complete RUDDER PEDAL ASSEMBLY - Complete RUDDER PEDAL ASSEMBLY - Complete RUDDER PEDAL ASSEMBLY - Complete	1 1 1 1 1 1	
			<p>A - Used on airplanes with serial numbers 28-1 to 28-670 inclusive.</p> <p>B - Used on PA-28-140 with serial numbers 28-20002 to 28-20520 inclusive, PA-28-150, PA-28-160 and PA-28-180 with serial numbers 28-671 to 28-1760 inclusive, and PA-28-235 with serial numbers 28-10003 to 28-10486 inclusive.</p> <p>C - Used on PA-28-150, PA-28-160 and PA-28-180 with serial numbers 28-1761 to 28-3377 inclusive, and PA-28-140 with serial numbers 28-20521 to 28-21845 inclusive, 28-21931 to 28-21934 inclusive if toe brakes are installed,</p> <p>D - Used on PA-28-235 with serial numbers 28-10487 to 28-10719 inclusive if left toe brake only is installed.</p> <p>E - Used on PA-28-140 with serial numbers 28-20521 to 28-21845 inclusive, 28-21931 to 28-21934 inclusive, and PA-28-150, PA-28-160 and PA-28-180 with serial numbers 28-1761 to 28-3377 inclusive if left toe brake only is installed.</p> <p>F - Used on PA-28-140 with serial numbers 28-20521 to 28-21845 inclusive, 28-21931 to 28-21934 inclusive, PA-28-150, PA-28-160 and PA-28-180 with serial numbers 28-1761 to 28-3377 inclusive, and PA-28-235 with serial numbers 28-10487 to 28-10719 inclusive if dual toe brakes are installed.</p> <p>G - Used on PA-28-140 with serial numbers 28-20002 to 28-24999 inclusive, PA-28-150, PA-28-160 and PA-28-180 with serial numbers 28-1 to 28-4377 inclusive, and PA-28-235 with serial numbers 28-10003 to 28-10719 inclusive.</p> <p>H - Used on PA-28-180 with serial numbers 28-4378 and up and PA-28-235 with serial numbers 28-10720 and up.</p> <p>J - Used on PA-28-150, PA-28-160 and PA-28-180 with serial numbers 28-3378 to 28-5070 inclusive, and PA-28-140 with serial numbers 28-21846 to 28-21930 inclusive, 28-21935 to 28-24999 inclusive if toe brakes are not installed.</p> <p>K - Used on PA-28-140 with serial numbers 28-25000 and up.</p>		

When ordering, always specify Part Number, Description, and Serial Number of Aircraft

PA-28-140
PA-28-150
PA-28-160
PA-28-180
PA-28-235

PIPER PARTS CATALOG

Figure and Index Number	Part Number	Code	NOMENCLATURE	No. Req.	SERIAL NUMBERS AFFECTED
82-1	63459-13	D	RUDDER PEDAL ASSEMBLY - Complete	1	
	63459-08	F	RUDDER PEDAL ASSEMBLY - Complete	1	
	63459-14	C	RUDDER PEDAL ASSEMBLY - Complete	1	
	63459-09	E	RUDDER PEDAL ASSEMBLY - Complete	1	
	63459-15	G	RUDDER PEDAL ASSEMBLY - Complete	1	
	63459-16	H	RUDDER PEDAL ASSEMBLY- Complete	1	
	63459-17	J	RUDDER PEDAL ASSEMBLY- Complete	1	
	63459-19	K	RUDDER PEDAL ASSEMBLY - Complete	1	
	-2	62717-00	A	PEDAL AND BAR ASSEMBLY	1
62717-02		B	PEDAL AND BAR ASSEMBLY	1	
			<p>A - Used on airplanes with serial numbers 28-1 to 28-670 inclusive.</p> <p>B - Used on PA-28-140 with serial numbers 28-20002 to 28-20520 inclusive, PA-28-150, PA-28-160 and PA-28-180 with serial numbers 28-671 to 28-1760 inclusive, and PA-28-235 with serial numbers 28-10003 to 28-10486 inclusive.</p> <p>C - Used on PA-28-140 with serial numbers 28-21846 to 28-21930 inclusive, 28-21935 to 28-24999 inclusive, PA-28-150, PA-28-160 and PA-28-180 with serial numbers 28-3378 to 28-5070 inclusive, and PA-28-235 with serial numbers 28-11040 to 28-11080 inclusive if dual toe brakes are installed.</p> <p>D - Used on PA-28-140 with serial numbers 28-21846 to 28-21930 inclusive, 28-21935 to 28-24999 inclusive, PA-28-150, PA-28-160 and PA-28-180 with serial numbers 28-3378 to 28-5070 inclusive, and PA-28-235 with serial numbers 28-11040 to 28-11080 inclusive if left toe brake only is installed.</p> <p>E - Used on PA-28-235 with serial numbers 28-10720 to 28-11039 inclusive if dual toe brakes are installed.</p> <p>F - Used on PA-28-235 with serial numbers 28-10720 to 28-11039 inclusive if left toe brake only is installed.</p> <p>G - Used on PA-28-140 with serial numbers 28-25000 to 28-7325684 inclusive, PA-28-180 with serial numbers 28-5071 to 28-7305611 inclusive if toe brakes are not installed.</p> <p>H - Used on PA-28-140 with serial numbers 28-25000 to 28-7325684 inclusive, PA-28-180 with serial numbers 28-5071 to 28-7305611 inclusive, and PA-28-235 with serial numbers 28-11081 to 28-7310187 inclusive if left toe brake only is installed.</p> <p>J - Used on PA-28-140 with serial numbers 28-25000 to 28-7325684 inclusive, PA-28-180 with serial numbers 28-5071 to 28-7305611 inclusive, and PA-28-235 with serial numbers 28-11081 to 28-7310187 inclusive if dual toe brakes are installed.</p> <p>K - Used on PA-28-140 with serial numbers 28-7425001 and up, PA-28-180 with serial numbers 28-7405001 and up, and PA-28-235 with serial numbers 28-7410001 and up.</p>		

When ordering, always specify Part Number, Description, and Serial Number of Aircraft

PA-28-140
PA-28-150
PA-28-160
PA-28-180
PA-28-235

PIPER PARTS CATALOG

Figure and Index Number	Part Number	Code	NOMENCLATURE	No. Req.	SERIAL NUMBERS AFFECTED
82-2	63420-00	C,D	PEDAL AND BAR ASSEMBLY	1	
	63420-03	J	PEDAL AND BAR ASSEMBLY	1	
	63420-05	E	PEDAL AND BAR ASSEMBLY	1	
	63420-08	H	PEDAL AND BAR ASSEMBLY	1	
-3	62723-00	A	PEDAL AND BAR ASSEMBLY	1	
	62723-02	B	PEDAL AND BAR ASSEMBLY	1	
-4	63419-00	F	PEDAL AND BAR ASSEMBLY	1	
	62721-00	A	PEDAL AND BAR ASSEMBLY	1	
	62721-02	B	PEDAL AND BAR ASSEMBLY	1	
-5	63458-00	C,G	PEDAL AND BAR ASSEMBLY	1	
	63458-02	E	PEDAL AND BAR ASSEMBLY	1	
	63458-05	H	PEDAL AND BAR ASSEMBLY	1	
	62722-00	B,K	ARM ASSEMBLY - Connector	1	
	63457-03	L,M	ARM ASSEMBLY - Connector	1	
	66661-00	N	ARM ASSEMBLY - Connector	1	
				<p>A - Used on airplanes with serial numbers 28-1 to 28-670 inclusive.</p> <p>B - Used on PA-28-140 with serial numbers 28-20002 to 28-20520 inclusive, PA-28-150, PA-28-160 and PA-28-180 with serial numbers 28-671 to 28-1760 inclusive, and PA-28-235 with serial numbers 28-10003 to 28-10486 inclusive.</p> <p>C - Used on PA-28-150, PA-28-160 and PA-28-180 with serial numbers 28-1761 to 28-3377 inclusive, and PA-28-140 with serial numbers 28-20521 to 28-21845 inclusive, 28-21931 to 28-21934 inclusive.</p> <p>D - Used on PA-28-235 with serial numbers 28-10487 to 28-10719 inclusive.</p> <p>E - Used on PA-28-150, PA-28-160 and PA-28-180 with serial numbers 28-3378 to 28-7305611 inclusive, PA-28-140 with serial numbers 28-21846 to 28-21930 inclusive, 28-21935 to 28-7325684 inclusive, and PA-28-235 with serial numbers 28-11040 to 28-7310187 inclusive.</p> <p>F - Used on PA-28-150, PA-28-160 and PA-28-180 with serial numbers 28-1761 and up, PA-28-140 with serial numbers 28-20521 and up, and PA-28-235 with serial numbers 28-10487 and up.</p> <p>G - Used on PA-28-235 with serial numbers 28-10487 to 28-11039 inclusive.</p> <p>H - Used on PA-28-140 with serial numbers 28-7425001 and up, PA-28-180 with serial numbers 28-7405001 and up. and PA-28-235 with serial numbers 7410001 and up.</p> <p>J - Used on PA-28-235 with serial numbers 28-10720 to 28-11039 inclusive.</p> <p>K - Used on PA-28-150 and PA-28-160 with serial numbers 28-1 to 28-670 inclusive.</p> <p>L - Used on PA-28-235 with serial numbers 28-10487 to 28-11080 inclusive.</p> <p>M - Used on PA-28-150, PA-28-160 and PA-28-180 with serial numbers 28-1761 to 28-5070 inclusive, and PA-28-140 with serial numbers 28-20521 to 28-24999 inclusive.</p> <p>N - Used on PA-28-140 with serial numbers 28-25000 and up, PA-28-180 with serial numbers 28-5071 and up. and PA-28-235 with serial numbers 28-11081 and up.</p>	

When ordering, always specify Part Number, Description, and Serial Number of Aircraft

PA-28-140
PA-28-150
PA-28-160
PA-28-180
PA-28-235

PIPER PARTS CATALOG

Figure and Index Number	Part Number	Code	NOMENCLATURE	No. Req.	SERIAL NUMBERS AFFECTED
82-6	62866-00	B,F	PAD ASSEMBLY - Rudder control	4	
	62866-00	G	PAD ASSEMBLY - Rudder control	2	
-7	400 869	W	BOLT - (AN23-17A)	8	
	407 564	W	WASHER - (AN960-10)	8	
	404 835	W	NUT - (MS20364-1032C)	8	
-8	400 008	D,W	BOLT - (AN4-13A)	2	
	402 314	E	BOLT - (AN174-13A)	2	
	407 585	D,W	WASHER - (AN960-416)	2	
	407 585	E,W	WASHER - (AN960-416)	4	
	404 888	D,W	NUT - (MS20365-428C)	2	
	404 836	E,W	NUT - (MS20364-428C)	2	
-9	62579-00		BLOCK - Rudder bar support, left bottom	1	28-1 to 28-990 inclusive
	63456-00	C	BLOCK - Rudder bar support, left bottom	1	
-10	62577-00		BLOCK - Rudder bar support, left top	1	28-1 to 28-990 inclusive
	63276-00	A	BLOCK - Rudder bar support, left complete	1	
	65050-00	C	BLOCK - Rudder bar support, left top	1	
-11	62580-00		BLOCK - Rudder bar support, right bottom	1	28-1 to 28-990 inclusive
	63456-00	C	BLOCK - Rudder bar support, right bottom	1	
-12	62578-00		BLOCK - Rudder bar support, right top	1	28-1 to 28-990 inclusive
	63277-00	A	BLOCK - Rudder bar support, right complete	1	
	65050-00	C	BLOCK - Rudder bar support, right top	1	
-13	65003-03	C	BUSHING - Rudder bar support	4	
-14	63455-00	C	PLATE - Rudder bar support	6	
-15	62833-17	C	WASHER - Rudder bar support	2	
<p>A - Used on PA-28-140 with serial numbers 28-20002 to 28-20520 inclusive, PA-28-150, PA-28-160 and PA-28-180 with serial numbers 28-991 to 28-1760 inclusive, and PA-28-235 with serial numbers 28-10003 to 28-10486 inclusive.</p> <p>B - Used on PA-28-140 with serial numbers 28-20002 to 28-20520 inclusive, PA-28-150, PA-28-160 and PA-28-180 with serial numbers 28-671 to 28-1760 inclusive, and PA-28-235 with serial numbers 28-10003 to 28-10486 inclusive.</p> <p>C - Used on PA-28-150, PA-28-160 and PA-28-180 with serial numbers 28-1761 and up, PA-28-235 with serial numbers 28-10487 and up, and PA-28-140 with serial numbers 28-20521 and up.</p> <p>D - Used on PA-28-140 with serial numbers 28-20002 to 28-24381 inclusive, PA-28-150, PA-28-160 and PA-28-180 with serial numbers 28-1 to 28-4856 inclusive, and PA-28-235 with serial numbers 28-10003 to 28-11043 inclusive.</p> <p>E - Used on PA-28-140 with serial numbers 28-24382 and up, PA-28-180 with serial numbers 28-4857 and up, and PA-28-235 with serial numbers 28-11040 and up.</p> <p>F - Used on PA-28-150, PA-28-160 and PA-28-180 with serial numbers 28-1761 and up, and PA-28-140 with serial numbers 28-20521 and up.</p> <p>G - Used on PA-28-235 with serial numbers 28-10487 to 28-11080 inclusive.</p> <p>W - These parts must be ordered from Service Spares Department, Piper Aircraft, Lock Haven, Penna.</p>					

When ordering, always specify Part Number, Description, and Serial Number of Aircraft

PA-28-140
PA-28-150
PA-28-160
PA-28-180
PA-28-235

PIPER PARTS CATALOG

Figure and Index Number	Part Number	Code	NOMENCLATURE	No. Req.	SERIAL NUMBERS AFFECTED
82-16	62744-00	B	SUPPORT ASSEMBLY - Rudder bar	1	
	63451-00	A	SUPPORT ASSEMBLY - Rudder bar	1	
-17	400 438	W	BOLT - (AN3-4A)	4	
-18	400 672	W	BOLT - (AN23-10)	2	
	407 564	W	WASHER - (AN960-10)	2	
	404 392	W	NUT - (AN320-3)	2	
	424 051	W	COTTERPIN - (AN380-2-2)	2	
-19	400 451	B,W	BOLT - (AN3-20A)	3	
	400 456	A,W	BOLT - (AN3-31A)	3	
	407 564	B,W	WASHER - (AN960-10)	3	
	404 887	W	NUT - (MS20365-1032C)	3	
-20	400 448	B,W	BOLT - (AN3-22A)	1	
	400 457	A	BOLT - (AN3-32A)	1	
	407 564	B,W	WASHER - (AN960-10)	1	
	404 887	W	NUT - (MS20365-1032)	1	
-21	581 332		PLUG - Rudder pedal assembly	9	
-22	581 330		PLUG - Rudder pedal assembly	1	
<p>A - Used on PA-28-150, PA-28-160 and PA-28-180 with serial numbers 28-1761 and up, PA-28-235 with serial numbers 28-10487 and up, and PA-28-140 with serial numbers 28-20521 and up</p> <p>B - Used on PA-28-140 with serial numbers 28-20002 to 28-20520 inclusive, PA-28-150, PA-28-160 and PA-28-180 with serial numbers 28-1 to 28-1760 inclusive, and PA-28-235 with serial numbers 28-10003 to 28-10486 inclusive.</p> <p>W - These parts must be ordered from Service Spares Department, Piper Aircraft, Lock Haven, Penna.</p>					

When ordering, always specify Part Number, Description, and Serial Number of Aircraft

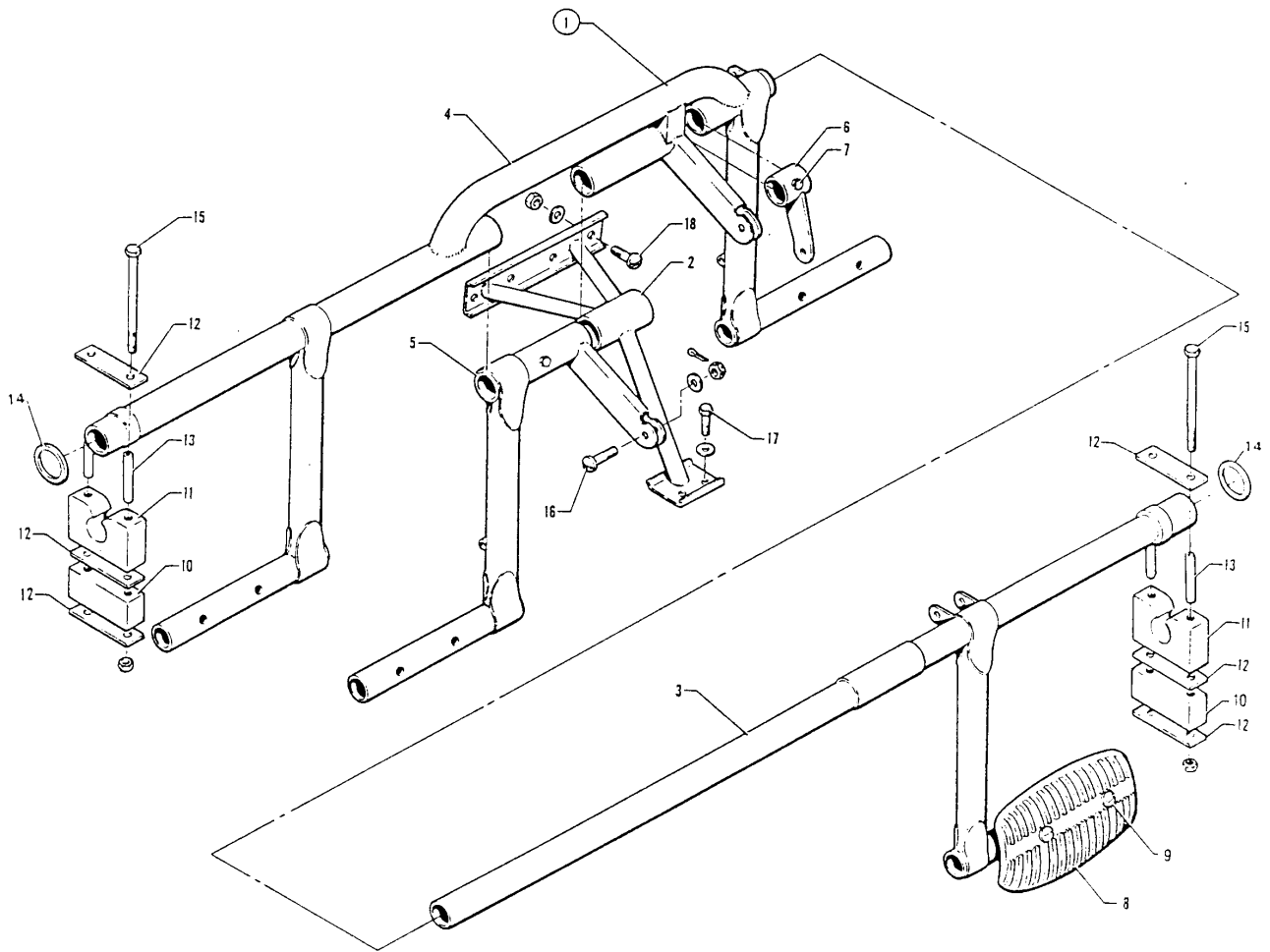


Figure 83. Rudder Pedal Installation

PIPER PARTS CATALOG

Figure and Index Number	Part Number	Code	NOMENCLATURE	No. Req.	SERIAL NUMBERS AFFECTED
83-	67018		DRAWING -Control System Installation		
-1	67180-03	D	RUDDER PEDAL ASSEMBLY - Complete	1	
	67180-04	E	RUDDER PEDAL ASSEMBLY - Complete	1	28R-7435001 and up
-2	67176-00		SUPPORT ASSEMBLY - Rudder bar	1	
-3	63419-00		PEDAL AND BAR ASSEMBLY	1	
4	67174-00	D	PEDAL AND BAR ASSEMBLY	1	
	67174-02	E	PEDAL AND BAR ASSEMBLY	1	28R-7435001 and up
.5	67173-00	D	PEDAL AND BAR ASSEMBLY	1	
	67173-03	E	PEDAL AND BAR ASSEMBLY	1	28R-7435001 and up
-6	67171-00		ARM ASSEMBLY -Rudder control	1	
-7	400 008	B,W	BOLT - (AN4-13A)	2	
	402 314	C	BOLT - (AN174-13A)	2	
	407 585	W	WASHER - (AN960-416)	2	
	404 888	B,W	NUT - (MS20365-428C)	2	
	404 836	C,W	NUT - (MS20364-428C)	2	
-8	62866-00	A,D	PAD ASSEMBLY - Rudder control	2	
-9	400 869	A,D,W	BOLT - (AN23-17A)	4	
	407 564	A,D,W	WASHER - (AN960-10)	4	
	404 835	A,D,W	NUT - (MS20364-1032C)	4	
-10	63456-00		BLOCK - Rudder bar support, bottom	2	
-11	65050-00		BLOCK - Rudder bar support, top	2	
-12	63455-00		PLATE - Rudder bar support	6	
-13	65003-03		BUSHING - Rudder bar support	4	
-14	62833-17		WASHER - Rudder bar support	2	
-15	400 456	W	BOLT - (AN3-31A)	4	
	404 887	W	NUT - (MS20365-1032C)	4	
-16	400 673	W	BOLT - (AN23-11)	2	
	407 564	W	WASHER - (AN960-10)	2	
	404 392	W	NUT - (AN320-3)	2	
	424 051	W	COTTER PIN - (AN380-2-2)	2	
-17	400 438	W	BOLT - (AN3-4A)	2	
	407 564	W	WASHER - (AN960-10)	2	
-18	401 266	W	BOLT - (AN3-5A)	4	
	407 564	W	WASHER - (AN960-10)	8	
	404 887	W	NUT - (MS20365-1032C)	4	

- A - Used if left toe brake only is installed.
- B - Used on PA-28R-180 with serial numbers 28R-30005 to 28R-30481 inclusive, 28R-30483 to 28R-30613 inclusive.
- C - Used on PA-28R-180 with serial numbers 28R-30614 and up, and PA-28R 200 with serial numbers 28R-30482, 28R-35001 and up.
- D - Used on PA-28R-180 with serial numbers 28R-30005 to 28R-7130019 inclusive, and PA-28R-200 with serial numbers 28R-30482, 28R-35001 to 28R-7335455 inclusive.
- E - Used on PA-28R-200 airplanes only.
- W - These parts must be ordered from Service Spares Department, Piper Aircraft, Lock Haven, Penna.

When ordering, always specify Part Number, Description, and Serial Number of Aircraft

PIPER PARTS CATALOG

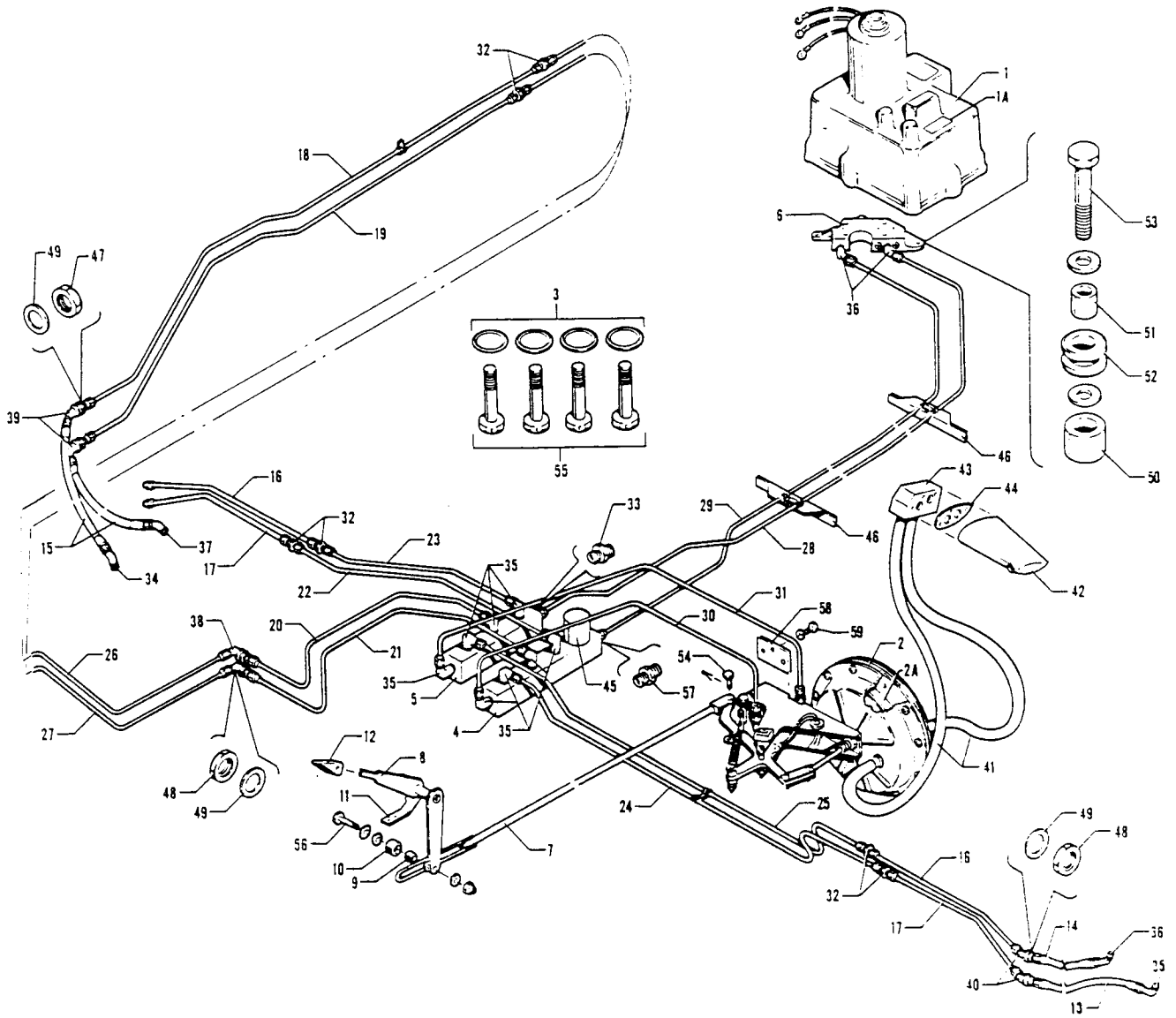


Figure 84 Hydraulic System Installation

PIPER PARTS CATALOG

Figure and Index Number	Part Number	Code	NOMENCLATURE	No. Req.	SERIAL NUMBERS AFFECTED
84-	67500		DRAWING - Hydraulic Landing Gear Installation		
-1	96671-02		PUMP ASSEMBLY - Hydraulic	1	
-1a	87369-22		PLACARD - Hydraulic fluid spec.	1	
-2	67560-00	C	ACTUATOR ASSEMBLY - Back-up gear extender	1	
	67748-00	D	ACTUATOR ASSEMBLY - Back-up gear extender	1	
-2a	761 138		DIAPHRAGM REPLACEMENT KIT	1	
-3	484 788		"O" RING - Hydraulic pump mount (MS28775-012)	4	
4	67520-00		MANIFOLD - Hydraulic, left	1	
-5	67521-00		MANIFOLD - Hydraulic, right	1	
6	67532-00	E	MOUNT ASSEMBLY - Hydraulic pump	1	
	96902-00	F	MOUNT ASSEMBLY - Hydraulic pump	1	
-7	67578-00	C	ROD ASSEMBLY - Emergency gear extender	1	
	67747-00	G	ROD ASSEMBLY - Emergency gear extender	1	
	67747-05	H	ROD ASSEMBLY - Emergency gear extender	1	28R-7235001 and up
-8	67566-00		LEVER ASSEMBLY - Emergency gear extender	1	
-9	65003-36	C	BUSHING - Emergency gear extender rod	1	
	65003-18	D	BUSHING - Emergency gear extender rod	1	
-10	63882-35	C	SLEEVE - Emergency gear extender rod	1	
-11	67583-00		SPRING - Emergency gear extender lever	1	28R-30005 to 28R-30253 incl.
	67713-00		SPRING - Emergency gear extender lever	1	28R-30254 and up
-12	22287-03	A,W	KNOB ASSEMBLY - Emergency gear lever	1	
	66980-00	B	KNOB - Emergency gear lever	1	
-13	63901-21		HOSE ASSEMBLY - Main gear cylinder	2	
-14	63901-30		HOSE ASSEMBLY - Main gear cylinder	2	
-15	63901-41		HOSE ASSEMBLY - Nose gear cylinder	2	
-16	67700-16		TUBE ASSEMBLY - Main gear cylinder	2	
-17	67700-07		TUBE ASSEMBLY - Main gear cylinder	2	
			<p>A - Used on PA-28R-180 with serial number 28R-30005 to 28R-30481 inclusive, 28R-30483 to 28R-31250 inclusive, and PA-28R-200 with serial numbers 28R-30482, 28R-35001 to 28R-35600 inclusive.</p> <p>B - Used on PA-28R-180 With serial numbers 28R-31251 and up, and PA-28R-200 with serial number 28R-35601 and up.</p> <p>C - Used on PA-28R-180 with serial numbers 28R-30005 to 28R-30481 inclusive, 28R-30483 to 28R-31078 inclusive.</p> <p>D - Used on PA-28R-180 with serial numbers 28R-31079 and up, and PA-28R-200 with serial numbers 28R-30482, 28R-35001 and up.</p> <p>E - Used on PA-28R-180 with serial numbers 28R-30005 to 28R-31279 inclusive, and PA-28R-200 with serial numbers 28R-30482, 28R-35001 to 28R-7135039 inclusive.</p> <p>F - Used on PA-28R-180 with serial numbers 28R-7130001 and up, and PA-28R-200 with serial numbers 28R-7135040 and up.</p> <p>G - Used on PA-28R-180 with serial numbers 28R-30005 to 28R-7130019 inclusive, and PA-28R-200 with serial number 28R-30482, 28R-35001 to 28R-7135238 inclusive.</p> <p>H - Used on PA-28R-200 airplanes only.</p> <p>W - These parts must be ordered from Service Spares Department, Piper Aircraft, Lock Haven, Penna.</p>		

When ordering, always specify Part Number, Description, and Serial Number of Aircraft

PIPER PARTS CATALOG

Figure and Index Number	Part Number	Code	NOMENCLATURE	No. Req.	SERIAL NUMBERS AFFECTED
84-18	67700-09	E	TUBE ASSEMBLY - Nose gear cylinoer, top	1	
	67700-60	F	TUBE ASSEMBLY - Nose gear cylinder, too	1	28R-7235001 and up
-19	67700-08	E	TUBE ASSEMBLY - Nose gear cylinder, bottom	1	
	67700-59	F	TUBE ASSEMBLY - Nose gear cylinder, bottom	1	28R-7235001 and up
-20	67700-15		TUBE ASSEMBLY - Nose gear to left manifold	1	
-21	67700-14		TUBE ASSEMBLY - Nose gear to right manifold	1	
-22	67700-16		TUBE ASSEMBLY - Main gear to left manifold	1	
-23	67700-17		TUBE ASSEMBLY - Main gear to right manifold	1	
-24	67700-31		TUBE ASSEMBLY - Main gear to left manifold	1	
-25	67700-19		TUBE ASSEMBLY - Main gear to right manifold	1	
-26	67700-21	E	TUBE ASSEMBLY - Nose gear, top	1	
	67700-61	F	TUBE ASSEMBLY - Nose gear, top	1	28R-7235001 and up
-27	67700-22	E	TUBE ASSEMBLY - Nose gear, bottom	1	
	67700-62	F	TUBE ASSEMBLY - Nose gear, bottom	1	28R-7235001 and up
-28	67700-24		TUBE ASSEMBLY - Hydraulic pump to left manifold	1	
-29	67700-23		TUBE ASSEMBLY - Hydraulic pump to right manifold	1	
-30	67700-34		TUBE ASSEMBLY - Hydraulic valve to left manifold	1	
-31	67700-35		TUBE ASSEMBLY - Hydraulic valve to right manifold	1	
-32	491 050	W	UNION - (AN8 15-4D)	6	
-33	476 648	W	NIPPLE - (AN816-4D)	1	
-34	67524-00		ELBOW - Restricted	1	
-35	458 894	W	ELBOW - (AN822-4D)	10	
-36	458 891	W	ELBOW - (AN823-4D)	4	
-37	458 865		ELBOW - (AN823-4)	1	
-38	458 900	W	ELBOW - (AN833-4D)	2	
-39	458 938	A,W	ELBOW - (AN837-4)	2	
	458 934	B,W	ELBOW - (AN833-4)	2	
-40	458 910	W	ELBOW - (AN837-4D)	4	
-41	63913-66		HOSE- Flexible, vacuum	2	
-42	67559-00	C	HEAD - Pressure vacuum (unheated)	1	
	67731-00	D	HEAD - Pressure vacuum (unheated)	1	
	67738-00		HEAD ASSEMBLY - Pressure vacuum (heated)	1	
-43	67589-00	C	BLOCK ASSEMBLY - Vacuum head	1	
	67743-00	D	BLOCK ASSEMBLY - Vacuum head	1	
	67743-02		BLOCK ASSEMBLY - Vacuum head (for heated head)	1	
-44	67588-00	C	GASKET - Vacuum head block	2	
	67732-00	D	GASKET - Vacuum head block	2	
	67732-00		GASKET - Vacuum head block (for heated head)	2	
			A - Used on PA-28R-180 with serial numbers 28R-30005 to 28R-30481 inclusive, 28R-30483 to 28R-31090 inclusive.		
			B - Used on PA-28R-200 with serial numbers 28R-30482, 28R-35001 and up.		
			C - Used on PA-28R-180 with serial numbers 28R-30005 to 28R-30481 inclusive, 28R-30483 to 28R-30878 inclusive.		
			D - Used on PA-28R-180 with serial numbers 28R-30879 and up, and PA-28R-200 with serial numbers 28R-30482, 28R-35001 and up.		
			E - Used on PA-28R-180 with serial numbei~ 28R-30005 to 28R-7130019 inclusive, and PA-28R-200 with serial numbers 28R-30482, 28R-35001 to 28R-7135238 inclusive.		
			F - Used on PA-28R-200 airplanes only.		
			W - These parts must be ordered from Service Spares Department, Piper Aircraft, Lock Haven, Penna.		

When ordering, always specify Part Number, Description, and Serial Number of Aircraft

PIPER PARTS CATALOG

Figure and Index Number	Part Number	Code	NOMENCLATURE	No. Req.	SERIAL NUMBERS AFFECTED
84-45	587 847		SWITCH - Pressure (211C243-12)	1	
-46	67534-00		ANGLE ASSEMBLY - Hydraulic line	2	
-47	477 629	W	NUT - (AN924-4)	2	
-48	477 618	W	NUT - (AN924-4D)	6	
-49	407 568	W	WASHER - (AN960-716)	8	
-50	65003-21		BUSHING - Hydraulic pump mount	3	
-51	65003-30		BUSHING - Hydraulic pump mount	3	
-52	434 120		GROMMET - (AN931-B4-7)	3	
-53	400 443	W	BOLT - (AN3-12A)	3	
	494 192		WASHER - (5712-45)	6	
-54	424 139	A	PIN - Flathead (MS20392-1C13)	1	
	407 581	A,W	WASHER - (AN9604L)	1	
	424 077	A	PIN - Cotter (AN381-2-5)	1	
-55	401 300		BOLT - (AN44-13A)	4	
-56	400 440	A,W	BOLT - (AN3-6A)	1	
	400 438	B	BOLT - (AN3-4A)	1	
	407 584	W	WASHER - (AN960-10L)	2	
	494 133		WASHER - (1/4l. D. Nylon)	2	
	404 887	W	NUT - (MS20365-1032C)	1	
-57	476 648	W	NIPPLE - (AN816-4D)	1	
	67600-00		NIPPLE - Restricted	1	
-58	67749-00	B	GUIDE ASSEMBLY - Diaphragm rod	1	
-59	400 437	W	BOLT- (AN3-3A)	2	
	407 584	W	WASHER- (AN960-10L)	2	
	404 887	W	NUT - (MS20365-1032C)	2	

A - Used on PA-28R-180 with serial numbers 28R-30005 to 28R-30481 inclusive, 28R-30483 to 28R-31078 inclusive.
 B - Used on PA-28R-180 with serial numbers 28R-31079 and up, and PA-28R-200 with serial numbers 28R-30482, 28R-35001 and up.
 W - These parts must be ordered from Service Spares Department, Piper Aircraft, Lock Haven, Penna.

When ordering, always specify Part Number, Description, and Serial Number of Aircraft

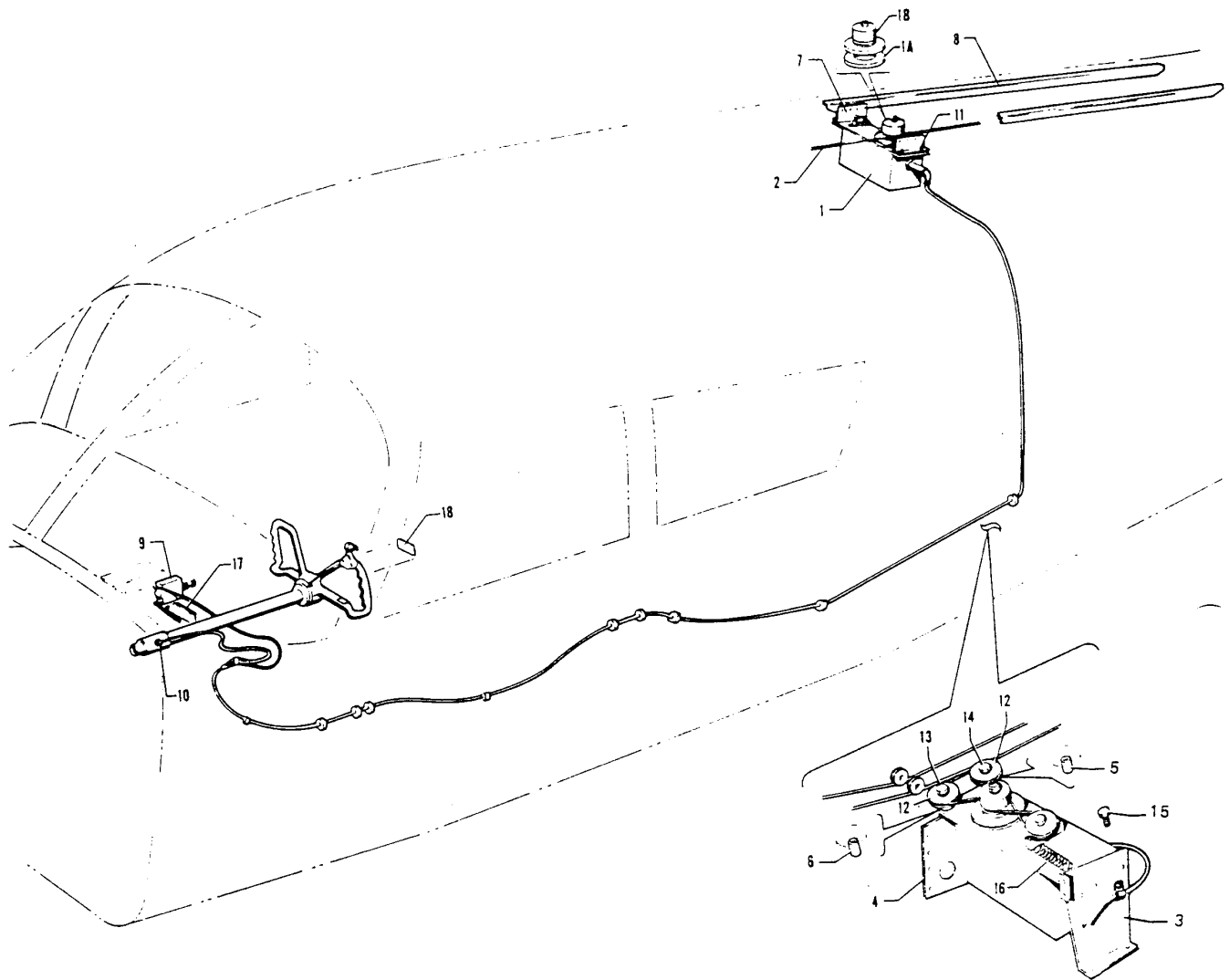


Figure 85. Electric Trim Installation

PIPER PARTS CATALOG

Figure and Index Number	Part Number	Code	NOMENCLATURE	No. Req.	SERIAL NUMBERS AFFECTED
85-	63529 65650 67496 66719	A B D E	DRAWING - Electric Trim Installation DRAWING - Electric Trim Installation DRAWING - Electric Trim Installation DRAWING - Electric Trim Installation		28-10720 to 11039 inclusive
-1	65821-00 65821-02 65821-03	C,F C,G H	SERVO ASSEMBLY - Trim SERVO ASSEMBLY - Trim SERVO ASSEMBLY - Trim	1 1 1	
-1a	494 159		* WASHER - Servo friction (24696-00)	1	
-1b	581 126		* PLATE - Servo clutch, outer (24695-00)	1	
			A - Used on PA-28-150, PA-28-160 and PA-28-180 with serial numbers 28-2172 to 28-4377 inclusive, PA-28-235 with serial numbers 28-10606 to 28-10719 inclusive, and PA-28-140 with serial numbers 28-20002 to 28-24999 inclusive. B - Used on PA-28-235 airplanes only. C - Trim servo assembly is no longer available. Order Electric Trim Servo Replacement Kit 763 850v. Also order electric trim switch P/N 67443-04 if a bowtie style control wheel is installed or electric trim switch P/N 761 039v if a ramshorn style control wheel is installed. D - Used on PA-28-140 with serial numbers 28-7325001 and up, PA-28-180 with serial numbers 28-4378 and up, PA-28-235 with serial numbers 28-11040 and up, PA-28R-180 and PA-28R-200 airplanes. E - Used on PA-140 with serial numbers 28-25000 to 28-7225612 inclusive. F - Used on PA-28-150, PA-28-160 and PA-28-180 with serial numbers 28-2172 to 28-4377 inclusive, PA-28-235 with serial numbers 28-10606 to 28-10719 inclusive, and PA-28-140 with serial numbers 28-20002 to 28-7225612 inclusive. G - Used on PA-28-140 with serial numbers 28-7325001 to 28-7525095 inclusive, PA-28-180 with serial numbers 28-4378 to 28-7505079 inclusive, PA-28-235 with serial numbers 28-10720 to 28-7510027 inclusive, PA-28R-200 with serial numbers 28R-30482, 28R-35001 to 28R-7535076 inclusive, and PA-28R-180 airplanes. H - Used on PA-28-140 with serial numbers 28-7525096 and up, PA-28-180 with serial numbers 28-7505080 and up, PA-28-235 with serial numbers 28-7510028 and up and PA-28R-200 with serial numbers 28R-7535077 and up. Also used on PA-28-140 with serial numbers 28-20002 to 28-7525095 and PA-28-150, PA-28-160 and PA-28-180 with serial numbers 28-2172 to 28-7505079 inclusive, PA-28-235 with serial numbers 28-10606 to 28-7510027 inclusive, PA-28R-200 with serial numbers 28R-30482, 28R-35001 to 28R-7535076 inclusive and PA-28R-180 if Electric Trim Servo Replacement Kit 763 850 has been installed.		

When ordering, always specify Part Number, Description, and Serial Number of Aircraft

PIPER PARTS CATALOG

Figure and Index Number	Part Number	Code	NOMENCLATURE	No. Req.	SERIAL NUMBERS AFFECTED
85-2	62701-44	F	CABLE ASSEMBLY - Front stabilator trim	1	
	62701-57	A	CABLE ASSEMBLY - Front stabilator trim	1	
	62701-111	B	CABLE ASSEMBLY - Front stabilator trim	1	
-3	68674-00	C	BRACKET ASSEMBLY - Electric trim	1	
-4	68676-00	C	BRACKET - Electric trim	1	
-5	63900-66	C	BUSHING - Electric trim	1	
-6	63900-67	C	BUSHING - Electric trim	1	
-7	66757-00	F	BRACKET- Servo mounting	2	
-8	65 114-00	F	STRINGER - Servo mounting	2	
-9	454 656	G,W	CIRCUIT BREAKER - (PS50120-3-7)	1	
	454 656	D,W	CIRCUIT BREAKER - (PS50120-3-7)	1	28-10720 to 28-11039 inclusive
	67445-00	E	SWITCH ASSEMBLY - Pitch trim	1	
-10	434 126	W	GROMMET- (AN931-3-5)	1	
-11	415 754	F,W	SCREW - (AN515-832R8)	4	
	407 563	F,W	WASHER - (AN960-8)	4	
	404 910	F,W	NUT - (MS20365-832C)	4	
-12	481 640	C	PULLEY - (MS24566- 1B)	2	
-13	400 443	C	BOLT - (AN3- 12A)	1	
	407 564	C,W	WASHER - (AN960-10)	1	
	404 887	C,W	NUT - (MS20365-1032C)	1	
-14	400 444	C	BOLT - (AN3- 13A)	1	
	407 564	C,W	WASHER - (AN960-10)	1	
	404 887	C,W	NUT - (MS20365-1032C)	1	
			<p>A - Used on PA-28-180 with serial numbers 28-4378 to 28-7205328 inclusive, PA-28-235 with serial numbers 28-10720 to 28-7210033 inclusive, PA-28R-180 with serial numbers 28R-30005 to 28R-7130019 inclusive, PA-28R-200 with serial numbrs 28R-30482, 28R-35001 to 28R-7135238 inclusive, and PA-28-140 with serial numbers 28-7325001 and up.</p> <p>B - Used on PA-180 with serial numbers 28-7305001 and up, PA-28-235 with serial numbers 28-7310001 and up and PA-28R-200 with serial numbers 28R-7235001 and up.</p> <p>C - Used on PA-28-140 with serial numbers 28-7325001 and up, PA-28-180 with serial numbers 28-4378 and up, PA-28-235 with serial numbers 28-10720 and up,PA-28R-180 and PA-28R-200</p> <p>D - Used on PA-28-235 airplanes only.</p> <p>E - Used on PA-28-140 with serial numbers 28-25000 and up. PA-28-180 with serial numbers 28-4378 and up. PA-28-235 with serial numbers 28-11040 and up, PA-28R-180 and PA-28R-200.</p> <p>F - Used on PA-28-150, PA-28-160 and PA-28-180 with serial numbers 28-2172 to 28-4377 inclusive, PA-28-235 with serial numbers 28-10606 to 28-10719 inclusive, and PA-28-140 with serial numbers 28-20002 to 28-7225612 inclusive.</p> <p>G - Used on PA-28-150, PA-28-160 and PA-28-180 with serial numbers 28-2172 to 28-4377 inclusive, PA-28-235 with serial numbers 28-10606 to 28-10719 inclusive, and PA-28-140 with serial numbers 28-20002 lo 28-24999 inclusive.</p> <p>W - These parts must be ordered from Service Spares Department, Piper Aircraft, Lock Haven,., Penna.</p>		

When ordering, always specify Part Number, Description, and Serial Number of Aircraft

PIPER PARTS CATALOG

Figure and Index Number	Part Number	Code	NOMENCLATURE	No. Req.	SERIAL NUMBERS AFFECTED
85-15	401 266	C,W	BOLT - (AN3-5A)	2	
	407 564	C,W	WASHER - (AN960-10)	2	
	404 887	C,W	NUT- (MS20365-1032C)	2	
-16	65784-00		SPRING - Electric trim	1	
-17	67490-02	A, B	PI ACAR D - Pitch tri m	1	
-18	66751-00		PLACARD - Electric trim (control wheel)	1	
<p>A - Used on PA-28-180 with serial numbers 28-4378 and up, PA-28-235 with serial numbers 28-11040 and up, PA-28R-180 and PA-28R-200.</p> <p>B - Used on PA-28-140 with serial numbers 28-25000 and up</p> <p>C - Used on PA-28-140 with serial numbers 28-7325001 and up, PA-28-180 with serial numbers 28-4378 and up, PA-28-235 with serial numbers 28-10720 and up, PA-28R-180 and PA-28R-200.</p> <p>W - These parts must be ordered from Service Spares Department, Piper Aircraft, Lock Haven, Penna.</p>					

When ordering, always specify Part Number, Description, and Serial Number of Aircraft

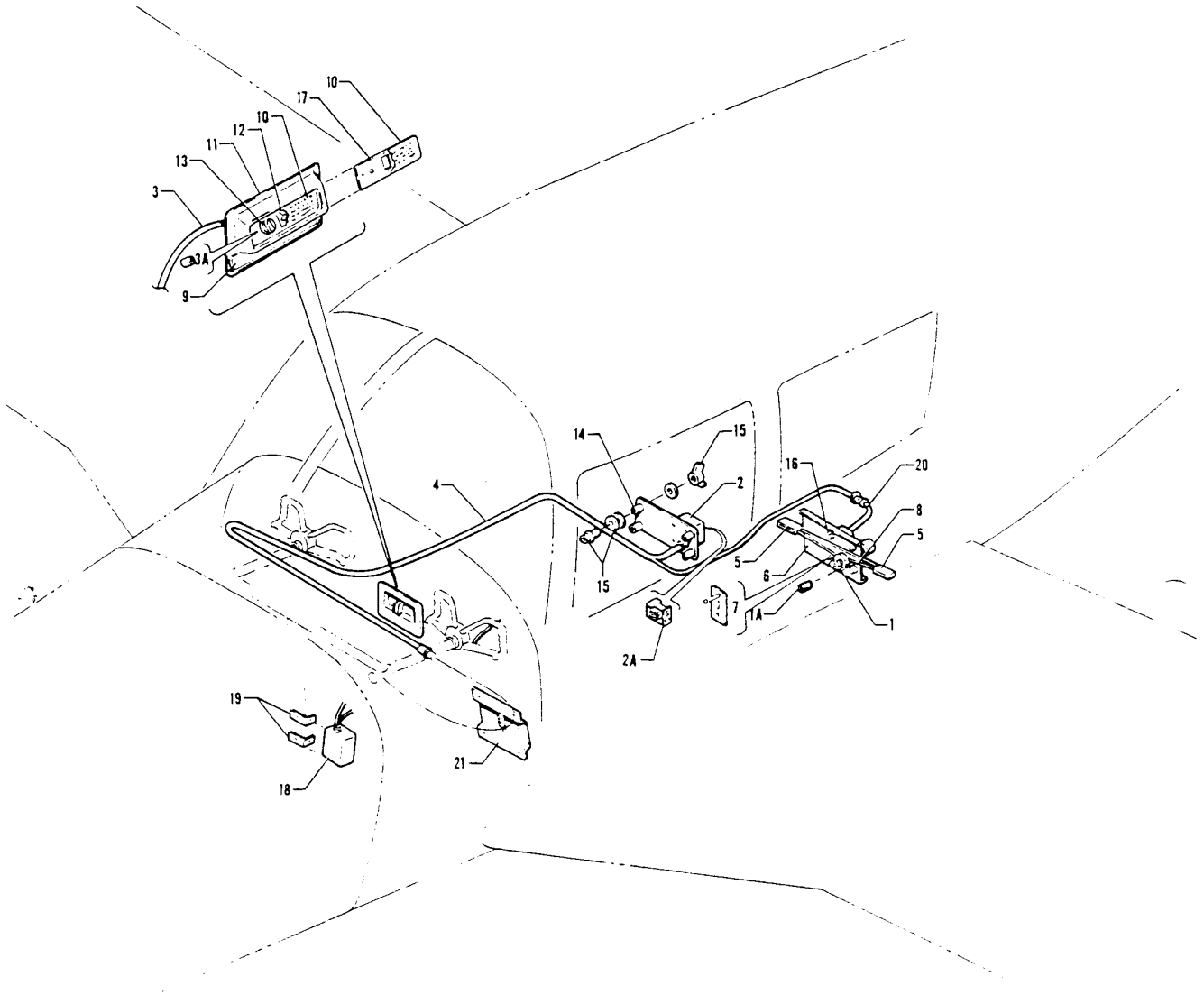


Figure 86. AutoFlite Installation
 (PA 28-150-160-180 -Serial Nos. 28-1231 to 28-5869 inclusive)
 (PA-28-140 - Serial Nos. 28-20002 to 28-26956 inclusive)
 (PA-28-235 - Serial Nos. 28-10003 to 28-11393 inclusive)
 (PA-28R-180 - Serial Nos. 28R-30005 to 28R-30481 inclusive 28R-30483 to 28R-31279 inclusive)
 (PA-28R-200 - Serial Nos 28R-30482, 28R-35001 to 28R-35830 inclusive)

PIPER PARTS CATALOG

Figure and Index Number	Part Number	Code	NOMENCLATURE	No. Req.	SERIAL NUMBERS AFFECTED
86-	65755 67497	G G	DRAWING - AutoFlite Installation DRAWING - AutoFlite Installation		
-1	753 721 757 595	E,W E	SERVO-Roll (1D363-183R) SERVO-Roll (1C363-1-183R)	1 1	
-1a	757 579	W	SET SCREW-Capstan (3S326)	1	
-2	751 278	W	AMPLIFIER ASSEMBLY - Gyro (1C359-1)	1	
-2a	756 052	W	RELAY - Gyro amplifier (80511)	1	
-3	757 855		CABLE ASSEMBLY - (30C280)	1	
-3a	757 592	F	SPACER - AutoFlite trim shaft (43A370)	1	
4	753 978		CABLE ASSEMBLY - (30B184-3)	1	
-5	757 863	W	CLAMP ASSEMBLY - Bridle cable (42A173-1)	2	
-6	453 425 453 426	C D	BRACKET - Servo mounting (7C511-3) BRACKET - Servo mounting (7C511-2)	1 1	
-7	751 897		GUARD - Cable (7A508-1)	1	
-8	753 980		CABLE - Bridle (30B200)	1	
-9	68821-00	G	PLACARD - AutoFlite console	1	
-10	68825-00 67492-00 66800-00	G B	PLACARD - AutoFlite instruction (without tracker) PLACARD - AutoFlite instruction (without tracker) PLACARD - AutoFlite instruction (with tracker)	1 1 1	
-11	68824-00	G	PANEL - AutoFlite trim	1	
<p>A - Used on PA-28-150, PA-28-160 and PA-28-180 with serial numbers 28-1231 to 28-5869 inclusive, PA-28-140 with serial numbers 28-20002 to 28-26956 inclusive, PA-28-235 with serial numbers 28-10003 to 28-11393 inclusive, PA-28R-180 with serial numbers 28R-30005 to 28R-30481 inclusive, 28R-30483 to 28R-31279 inclusive, and PA-28R-200 with serial numbers 28R-30482, 28R-35001 to 28R-35830 inclusive.</p> <p>B - Used on PA-28-180 with serial numbers 28-4378 to 28-5869 inclusive, PA-28R-180 with serial numbers 28R-30005 to 28R-30481 inclusive, 28R-30483 to 28R-31279 inclusive, PA-28-235 with serial numbers 28-11040 to 28-11393 inclusive, PA-28-140 with serial numbers 28-25000 to 28-26956 inclusive, and PA-28R-200 with serial numbers 28R-30482, 28R-35001 to 28R-35830 inclusive.</p> <p>C - Used on PA-28-140, PA-28-150, PA-28-160, PA-28-180 and PA-28-235 airplanes only.</p> <p>D - Used on PA-28R-180 and PA-28R-200 airplanes only.</p> <p>E - Ascertain servo model number when ordering.</p> <p>F - Used when tracker is not installed.</p> <p>G - Used on PA-28-150, PA-28-160 and PA-28-180 with serial numbers 28-1231 to 28-4377 inclusive, PA-28-140 with serial number 28-20002 to 28-24999 inclusive, and PA-28-235 with serial numbers 28-10003 to 28-11039 inclusive.</p> <p>W - These parts must be ordered from Service Spares Department, Piper Aircraft, Lock Haven, Penna.</p>					

When ordering, always specify Part Number, Description, and Serial Number of Aircraft

PIPER PARTS CATALOG

Figure and Index Number	Part Number	Code	NOMENCLATURE	No. Req.	SERIAL NUMBERS AFFECTED
86-12	487 901		SWITCH - (8134-K21A1V-50)	1	
-13	571 087		KNOB - Trim (R8-31)	1	
-14	467 066		ISOLATOR - Vibration (JA-69848)	4	
-15	404 751		NUT - Wing (AN350-832)	4	
	407 134		WASHER - (AN936-A8)	8	
	407 583	W	WASHER- (AN960-8L)	4	
	406 863	W	RIVNUT- (A8K-75)	4	
-16	400 438	W	BOLT - (AN3-4A)	4	
	407 564	W	WASHER - (AN960-10)	4	
	404 887	W	NUT - (MS20365-1032C)	4	
-17	67495-00	C	PLATE - AutoFlite placard	1	
-18	596 032		TRACKER - Omni (1D482)	1	
-19	67485-00		BRACKET - Omni tracker	2	
-20	757 878	D	CAB LE ASSEMBLY - Roll servo (30A211-8R)	1	
-21	66798-00	B	BRACKET - AutoFlite	1	
<p>A - Used on PA-28-150, PA-28-160 and PA-28-180 with serial numbers 28-1231 to 28-5869 inclusive, PA28-140 with serial numbers 28-20002 to 28-26956 inclusive, PA-28-235 with serial numbers 28-10003 to 28-11393 inclusive, PA-28R-180 with serial numbers 28R-30005 to 28R-30481 inclusive, 28R-30483 to 28R-31279 inclusive, and PA-28R-200 with serial numbers 28R-30482, 28R-35001 to 28R-35830 inclusive.</p> <p>B - Used on PA-28-140 with serial numbers 28-25401 to 28-26956 inclusive, PA-28-235 with serial numbers 28-11236 to 28-11393 inclusive, PA-28-180 with serial numbers 28-5428 to 28-5869 inclusive, PA-28R-180 with serial numbers 28R-31093 to 28R-31279 inclusive, and PA-28R-200 with serial numbers 28R-35187 to 28R-35830 inclusive</p> <p>C - Used on PA-28-180 with serial numbers 28-4378 to 28 5428 inclusive, PA-28-235 with serial numbers 28-11040 to 28-11235 inclusive, PA-28-140 with serial numbers 28-25000 to 28-25400 inclusive, PA-28R-180 with serial numbers 28R-30005 to 28R-30481 inclusive, 28R-30483 to 28R-31093 inclusive, and PA-28R-200 with serial numbers 28R-30482, 28R-35001 to 28R-35187 inclusive.</p> <p>D - Used with servo model 1C363-1-183R only.</p> <p>W - These parts must be ordered from Service Spares Department, Piper Aircraft, Lock Haven, Penna.</p>					

When ordering, always specify Part Number, Description, and Serial Number of Aircraft

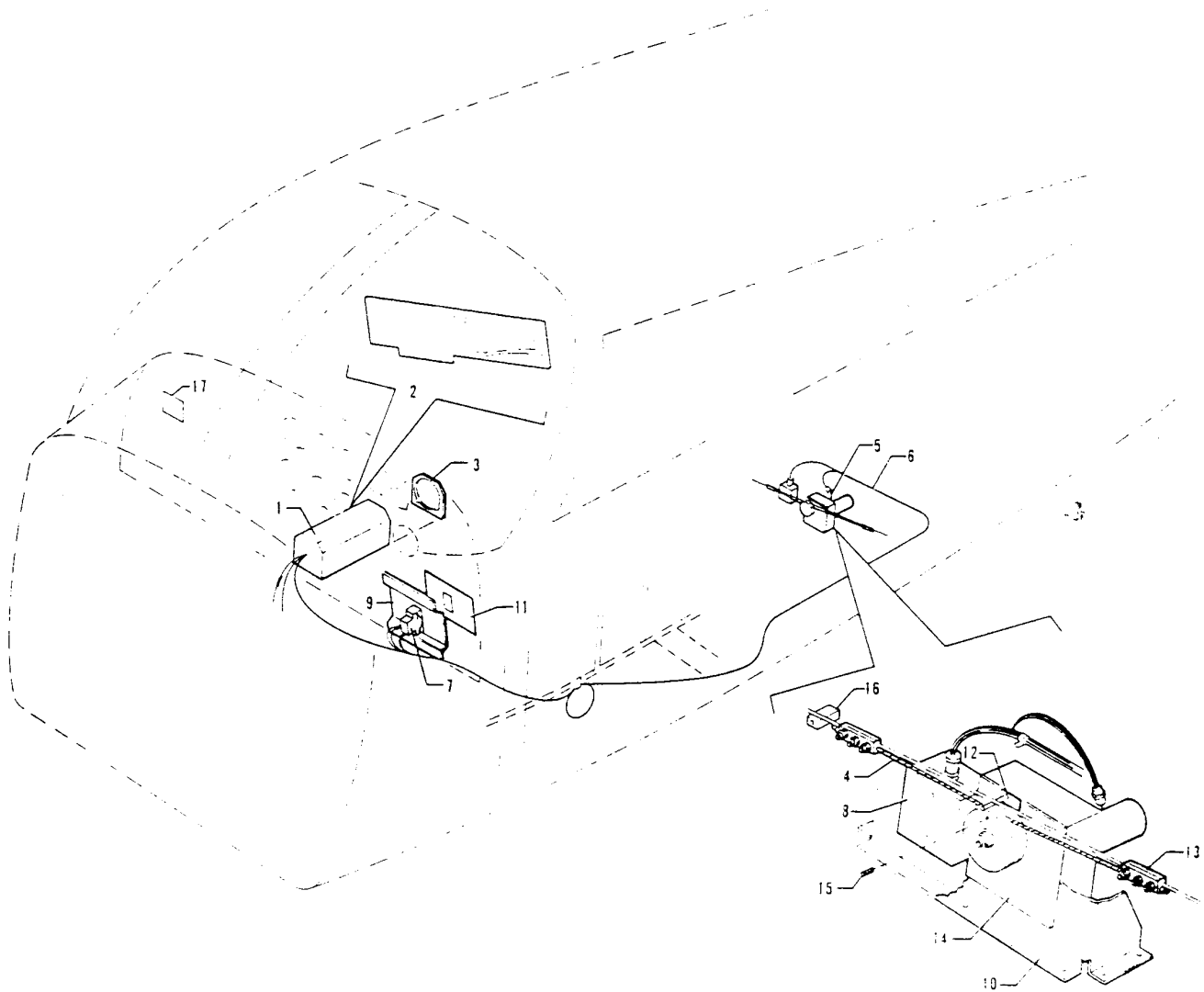


Figure 86A. AutoFlite II Installation
(PA-28 140 - Serial Nos. 28-7125001 and up)
(PA-28-180 - Serial Nos. 28-7105001 and up)
(PA-28-235 - Serial Nos. 28-7110001 and up)
(PA-28R-180 - Serial Nos. 28R-7130001 and up)
(PA-28R-200 - Serial Nos. 28R-7135001 and up)

PIPER PARTS CATALOG

Figure and Index Number	Part Number	Code	NOMENCLATURE	No. Req.	SERIAL NUMBERS AFFECTED
86A-	99447		DRAWING - AutoFlite II Installation		
-1	52586-02	B,W	INSTRUMENT - Turn and bank (52D75-3)	1	
	755 432	C	INSTRUMENT - Turn and bank (52D75-4)	1	
-2	758 188	C	* TRACKER BOARD - Printed circuit (1D628)	1	
-3	99209-00		PLATE - Turn and bank mounting	1	
-4	753 980		CABLE - Bridle (30B200)	1	
-5	757 878		CABLE ASSEMBLY - Roll servo (30A211-8R)	1	
-6	757 913		CABLE ASSEMBLY - (30C379-1)	1	
-7	487 901		SWITCH - (8134-K21A1V-50)	1	
-8	758 181		BOX- Relay(1A526)	1	
-9	66798-00		BRACKET- AutoFlite II	1	
-10	453 425	D	BRACKET - Servo mounting (7C511-3)	1	
	453 426	E	BRACKET - Servo mounting (7C511-2)	1	
-11	99448-00		PLACARD - AutoFlite II	1	
-12	751 897		GUARD - Cable (7A508-1)	1	
-13	757 863	W	CLAMP ASSEMBLY - Bridle cable (42A173-1)	2	
-14	757 595		SERVO - Roll (1C363- 1- 183R)	1	
-15	757 579	W	SET SCREW - Capstan (3S326)	1	
-16	7 58 296		BLOCK - Rub (7A1373)	1	
-17	454 656	W	CIRCUIT PROTECT0R - (PS50120-3-7) 5 amp	1	
<p>A - Used on PA-28-140 with serial numbers 28-7125001 and up, PA-28-180 with serial numbers 28-7105001 and up, PA-28-235 with serial numbers 28-7110001 and up, PA-28R-180 with serial numbers 28R-7130001 and up, and PA-28R-200 with serial numbers 28R -7135001 and up.</p> <p>B - Used if AutoFlite II without tracker is installed.</p> <p>C - Used if AutoFlite II with tracker is installed.</p> <p>D - Used on PA-28-140, PA-28-180 and PA-28-235 airplanes only.</p> <p>E - Used on PA-28R-180 and PA-28R-200 airplanes only.</p> <p>W - These parts must be ordered from Service Spares Department, Piper Aircraft, Lock Haven, Penna.</p>					

When ordering, always specify Part Number, Description, and Serial Number of Aircraft

PA-28-140
PA-28-180
PA-28-235
PA-28R-180
PA-28R-200

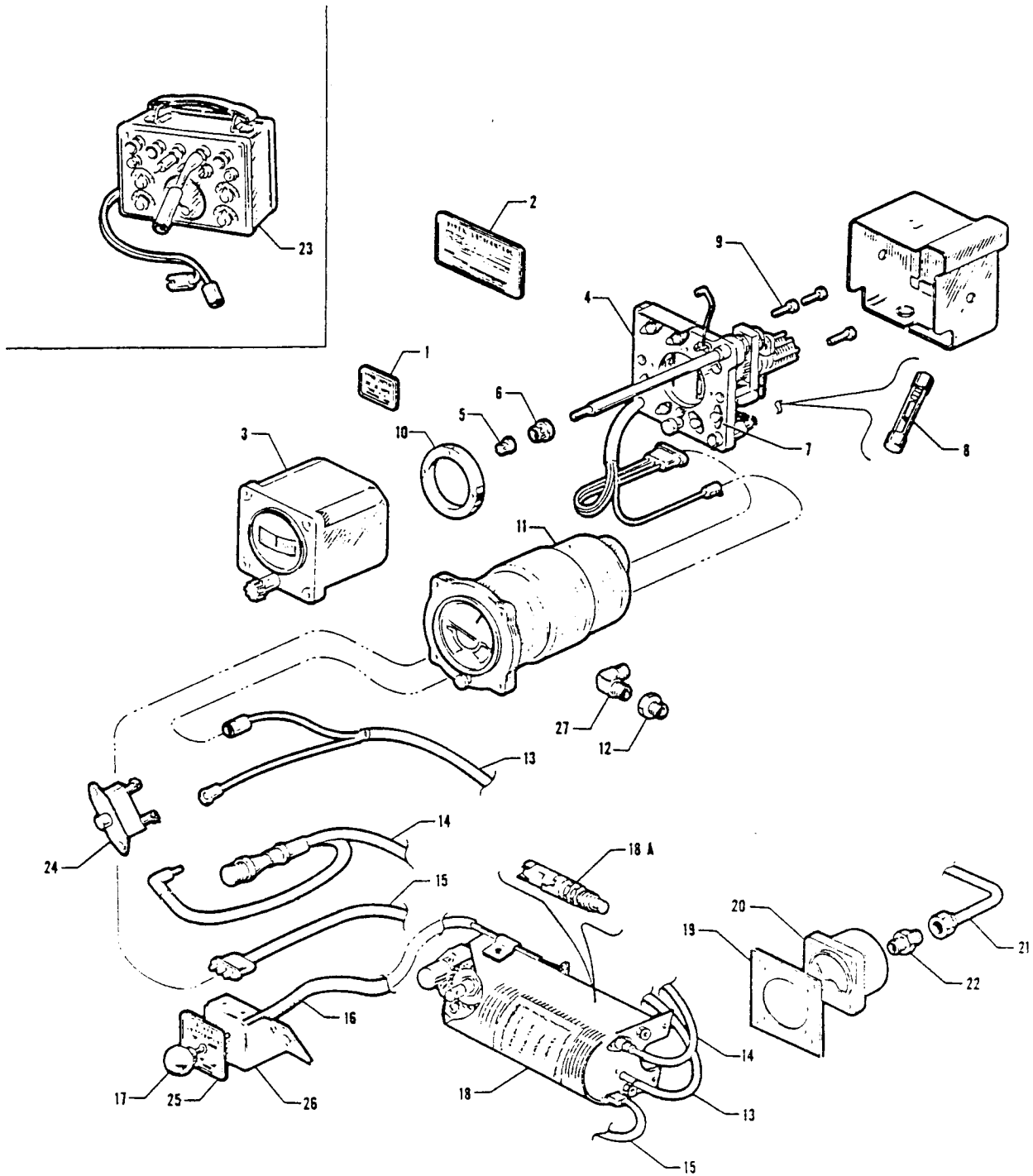


Figure 87. Auto Control I Installation

PIPER PARTS CATALOG

Figure and Index Number	Part Number	Code	NOMENCLATURE	No. Req.	SERIAL NUMBERS AFFECTED
87-	62794		DRAWING -AutoControl I Installation		
- 1	19563-00	W	PLACARD - Auto Control (D.G. operations)	1	
-2	19561-00	W	PLACARD - AutoControl (operations)	1	
-3	550 640	A,W	INSTRUMENT- Directional gyro (30987-02)	1	
-4	751 232	W	AMPLIFIER - (Complete)	1	
-5	754 210	W	KNOB - Trim	1	
-6	754 209	W	KNOB - Turn	1	
-7	753 004	W	TRANSISTOR - (2N250)	1	
-8	751 783	W	FUSE- 10amp (AGC-10)	1	
-9	752 956	W	SCREW - Attaching	3	
-10	752 955	W	RING - Spacer	1	
-11	550 642	A,W	INSTRUMENT - Gyro horizon (31053-02)	1	
-12	453 653	W	BUSHING - (3224-2)	1	
-13	753 861		CABLE ASSEMBLY - Power supply	1	
-14	751 521	W	CABLE ASSEMBLY - (Gyros to servo)	3	
-15	751 525	W	CABLE ASSEMBLY - (Directional gyro to servo)	1	
-16	753 860		CABLE ASSEMBLY - Engage control	1	
-17	754 211	W	KNOB - Engage control cable	1	
-18	753 622		MOTOR ASSEMBLY - Roll servo	1	
-18a	752 967	W	SWITCH - Roll servo (40518)	1	
-19	11199-03	W	PLATE - Mounting	1	
-20	450 648	W	INSTRUMENT - Suction gauge (150/160/180)	1	28-1 to 28-1444 inclusive
	450 648	W	INSTRUMENT - Suction gauge (235)	1	28-10003 to 28-10152 incl.
	550 629		INSTRUMENT - Suction gauge (140/150/160/180)	1	28-1445 and up
	550 629		INSTRUMENT - Suction gauge (235)	1	28-10153 and up
-21	14994-00	W	LINE ASSEMBLY - Suction gauge	1	
-22	476 647	W	NIPPLE - (AN816-3D)	1	
-23	751 412	W	TEST EQUIPMENT	1	
-24	454 664	W	CIRCUIT BREAKER - (PS5012-3-4)	1	
-25	19562-00	W	PLACARD - Control engage	1	
-26	14990-00	W	BRACKET - Control mounting	1	
-27	458 893	W	ELBOW - (AN822-3D)	2	
			A - No longer available.		
			W - These parts must be ordered from Service Spares Department, Piper Aircraft, Lock Haven, Penna.		

When ordering, always specify Part Number, Description, and Serial Number of Aircraft

PA-28-140
PA-28-150
PA-28-160
PA-28-180
PA-28-235

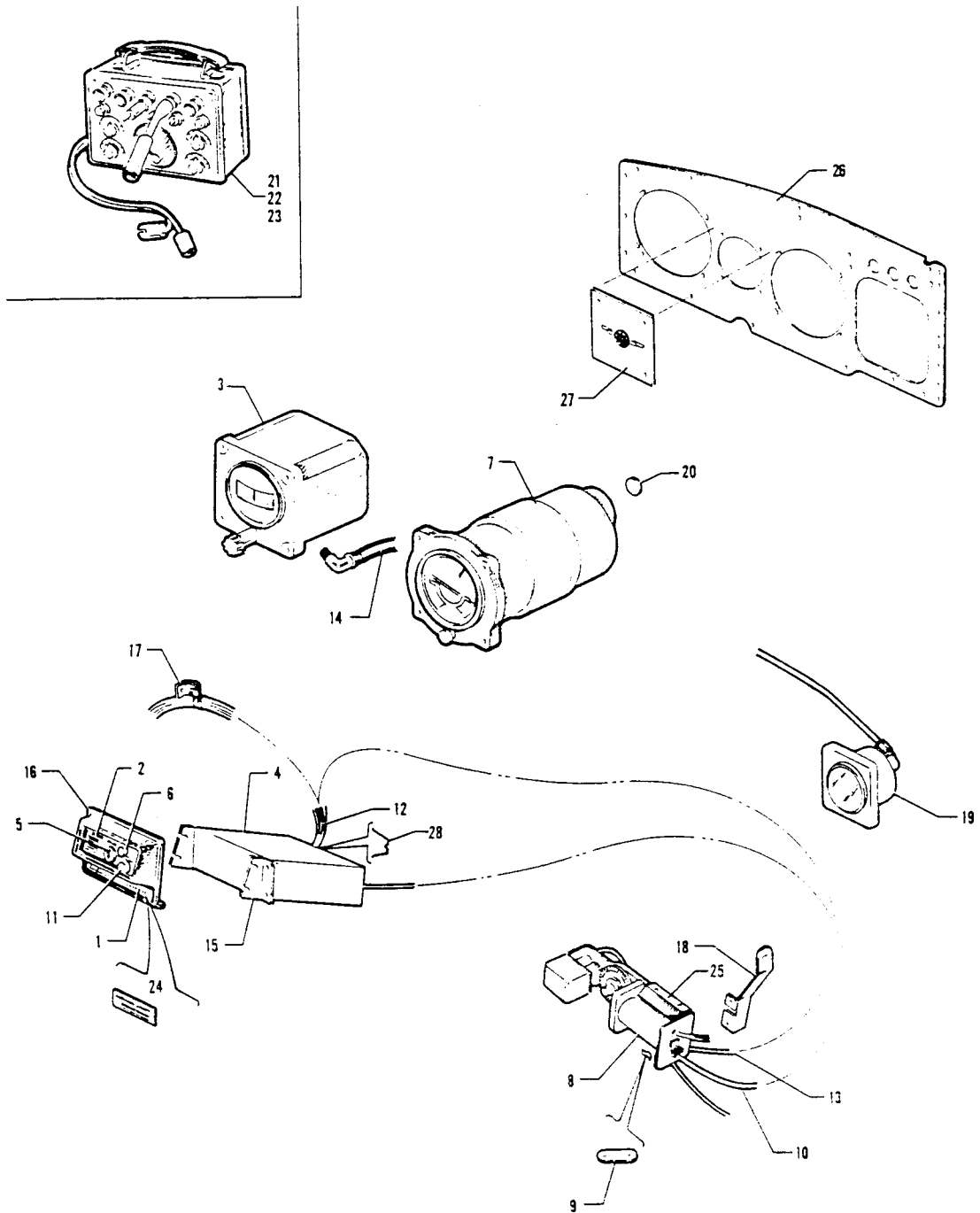


Figure 88. AutoControl II Installation
 (PA-28-140 - Serial Nos. 28-20002 to 28-24999 incl.)
 (PA-28-150-160-180 - Serial Nos. 28-1231 to 28-4377 incl.)
 (PA-28-235 - Serial Nos. 28-10003 to 28-11039 incl.)

PIPER PARTS CATALOG

Figure and Index Number	Part Number	Code	NOMENCLATURE	No. Req.	SERIAL NUMBERS AFFECTED
88-	62863	D	DRAWING - AutoControl II Installation	1	
	62990	E	DRAWING - AutoControl II Installation	1	
-1	62170-00		PLACARD - AutoControl II console	1	
-2	62163-00	D F	PLACARD - Operation	1	
	62983-00	E F	PLACARD - Operation	1	
	63559-00	E G	PLACARD - Operation	1	
	65524-00	C G	PLACARD - Operation	1	
-3	550 640	F J W	INSTRUMENT - Directional gyro (30987-02)	1	
	550 643	G J W	INSTRUMENT - Directional gyro (31058-02)	1	
	550 779	G W	INSTRUMENT - Directional gyro (32169-00) (3 inch)	1	
-4	753 877	W	AMPLIFIER - (complete) (1X214E) (unventilated cover)	1	
	751 262	W	AMPLIFIER - (complete) (1X214E-3) (ventilated cover)	1	
-5	754 366	W	KNOB - Turn and trim (36A77)	1	
-6	756 720	W	BUTTON - Heading lock (36S93)	1	
-7	550 642	J W	INSTRUMENT - Gyro horizon (31053-02)	1	
	550 777	W	INSTRUMENT - Gyro horizon (32167-00) (3 inch)	1	
-8	753 642		MOTOR ASSEMBLY - Roll servo (1X221E-CH)	1	
-9	752 333	W	LEVER - Engage (30A83)	1	
-10	753 876		CABLE ASSEMBLY - Engage control (30A139-40)	1	
-11	756 716	W	KNOB - Engage control cable (36S92)	1	
-12	751 954	W	HARNESS ASSEMBLY - (30B116-1)	1	
-13	751 525	W	CABLE ASSEMBLY - Servo motor (30A53-22)	1	
-14	753 036	W	HOSE - Air, amplifier to directional gyro (47A147-24)	1	
-15	62146-00		CLIP - Amplifier mounting, left	1	
	62146-01		CLIP - Amplifier mounting, right	1	
-16	62147-03		PANEL - AutoFlite trim	1	28-1 to 28-1410 inclusive
	62198-03	H	PANEL - AutoFlite trim	1	28-1410 to 28-1760 inclusive
	62198-03	C	PANEL - AutoFlite trim	1	28-20002 to 28-24999 inclusive
	62198-03	B	PANEL - AutoFlite trim	1	28-10003 to 28-10486 inclusive
	62984-00	E	PANEL - AutoFlite trim	1	
			A - Used on PA-28-140 with serial numbers 28-20002 to 28-24999 inclusive, PA-28-150, PA-28-160 and PA-28-180 with serial numbers 28-1231 to 28-4377 inclusive, and PA-28-235 with serial number 28-10003 to 28-11039 inclusive.		
			B - Used on PA-28-235 airplanes only.		
			C - Used on PA-28-140 airplanes only.		
			D - Used on PA-28-150, PA-28-160 and PA-28-180 with serial numbers 28-1231 to 28-1760 inclusive, PA-28-235 with serial numbers 28-10003 to 28-10486 inclusive, and PA-28-140 with serial numbers 28-20002 to 28-24999 inclusive.		
			E - Used on PA-28-150, PA-28-160 and PA-28-180 with serial numbers 28-1761 to 28-4377 inclusive, and PA-28-235 with serial numbers 28-10487 to 28-11039 inclusive.		
			F - Used on AutoControl with "O" heading only.		
			G - Used on AutoControl with course selector only.		
			H - Used on PA-28-150, PA-28-160 and PA-28-180 airplanes only.		
			J - No longer available.		
			W - These parts must be ordered from service Spares Department, Piper Aircraft, Lock Haven, Penna.		

When ordering, always specify Part Number, Description, and Serial Number of Aircraft

PA-28-140
PA-28-150
PA-28-160
PA-28-180
PA-28-235

PIPER PARTS CATALOG

Figure and Index Number	Part Number	Code	NOMENCLATURE	No. Req.	SERIAL NUMBERS AFFECTED
88-17	62161-00	F	ANGLE - Clamp support	1	
	63297-00	G	ANGLE - Clamp support	1	
-18	65064-00	D	BRACKET - Roll servo support	1	
	62280-00	C E	BRACKET - Roll servo support	1	28-10166 to 28-11039 incl.
-19	450 648	W	INSTRUMENT - Suction gauge "150" "160" "180",	1	28-1231 to 28-1444 inclusive
	450 648	W	INSTRUMENT - Suction gauge "235"	1	28- 10002 to 28-10152 incl.
	550 629		INSTRUMENT - Suction gauge "140" - "150"- "160"- "180"	1	28-1445 and up
	550 629		INSTRUMENT - Suction gauge "235"	1	28-10153 to 28-11039 inclusive
-20	755 825	W	PAD - Gyro instrument filter (not used on 3 inch gyros)	AR	
-21	751 412	W	TEST EQUIPMENT	1	
-22	756 737	W	ADAPTER - Test kit (66A44)	1	
-23	753 880	W	CABLE - Test (30B116-1-T)	1	
-24	62879-00	B C	PLACARD - AutoControl II limitations	1	
-25	65531-00		GUARD - Roll servo	1	
-26	68822-00		SUBPANEL - 3 inch gyros	1	
-27	11199-08	W	PLATE - Subpanel hole cover	1	
-28	756 257	W	SPRING - Retainer	1	
<p>A - Used on PA-28-140 with serial numbers 28-20002 to 28-24999 inclusive, PA-28-150, PA-28-160 and PA-28-180 with serial numbers 28-1231 to 28-4377 inclusive, and PA-28-235 with serial numbers 28-10003 to 28-11039 inclusive.</p> <p>B - Used on AutoControl with course selector only.</p> <p>C - Used on PA-28-235 airplanes only.</p> <p>D - Used when constant speed propeller is not installed.</p> <p>E - Used when constant speed propeller is installed.</p> <p>F - Used on PA-28-150, PA-28-160 and PA-28-180 with serial numbers 28-1231 to 28-1760 inclusive, PA-28-235 with serial numbers 28-10003 to 28-10486 inclusive, and PA-28-140 with serial numbers 28-20002 to 28-24999 inclusive.</p> <p>G- Used on PA-28-150, PA-28-160 and PA-28-180 with serial numbers 28-1761 to 28-4377 inclusive, and PA-28-235 with serial numbers 28-10487 to 28-11039 inclusive .</p> <p>W - These parts must be ordered from Service Spares Department, Piper Aircraft, Lock Haven, Penna</p>					

When ordering, always specify Part Number, Description, and Serial Number of Aircraft

PA-28-140
PA-28-150
PA-28-160
PA-28-180
PA-28-235

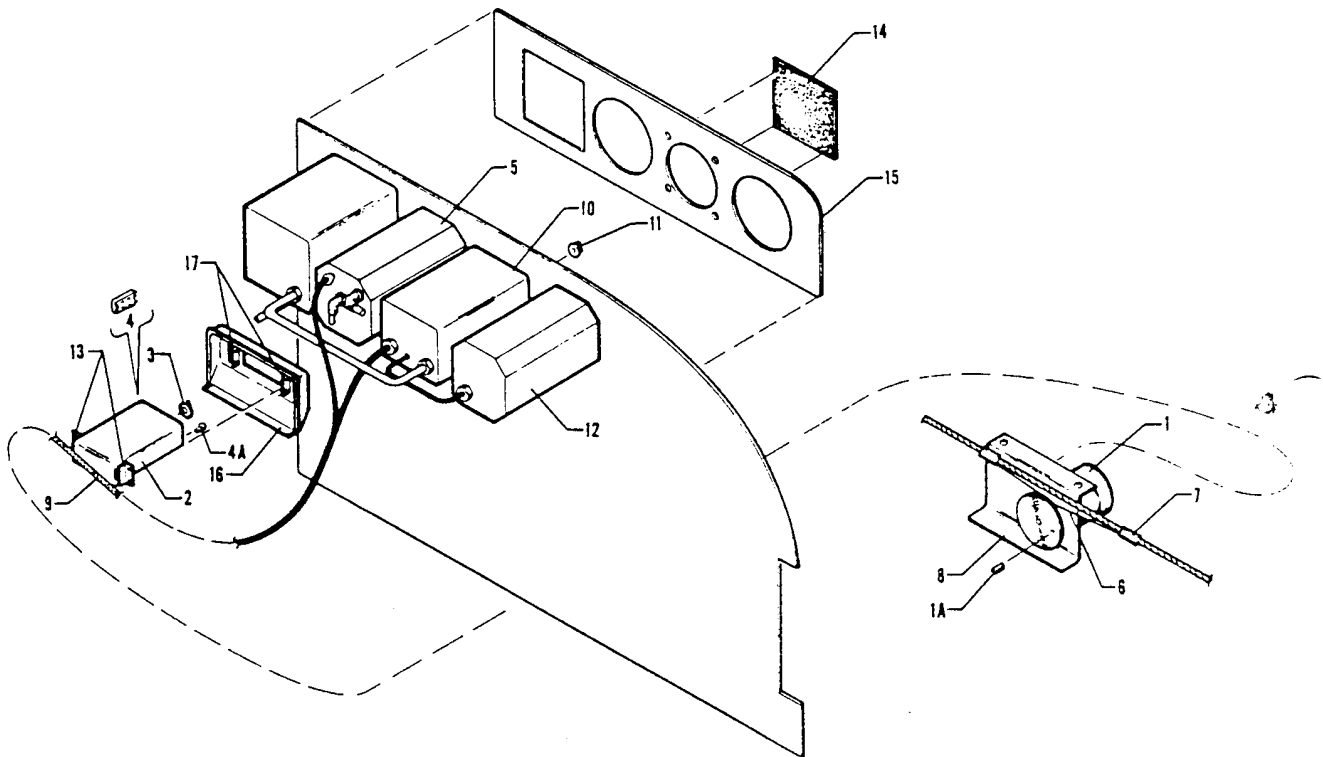


Figure 89. AutoControl III Installation
(PA-28-150-160-180 - Serial Nos. 28-3590 to 28-4377 inclusive)
(PA-28-235 - Serial Nos. 28-10741 to 28-11039 inclusive)

PIPER PARTS CATALOG

Figure and Index Number	Part Number	Code	NOMENCLATURE	No. Req.	SERIAL NUMBERS AFFECTED
89-	69122		DRAWING - AutoControl III Installation		
-1	753 721	W	SERVO ASSEMBLY - Roll (1D363-183R)	1	
-1a	757 579	W	SET SCREW - Capstan (3S326)	1	
-2	751 283	W	CONSOLE AMPLIFIER ASSEMBLY - AutoControl III (1C338 S/N 1 to 10000 incl.)	1	
-3	757 052	W	KNOB - (36A98)	1	
-4	757 581	W	SWITCH - Engage (40A22-4)	2	
-4a	753 496	W	BULB - Consolo (65S28)	2	
-5	550 780	W	INSTRUMENT - Gyro horizon (321 72-00) (3 inch)	1	
-6	753 980		CABLE ASSEMBLY - Bridle (30B200)	1	
-7	757 863	W	CLAMP ASSEMBLY - Bridle cable (42A173-1)	2	
	753 460		BRACKET - Mounting (7C511)	1	
-9	751 987	W	HARNESS ASSEMBLY - Amplifier (30C198)	1	
-10	551 114	W	COUPLER ASSEMBLY-Omni (25690-00)	1	
-11	757 052	W	KNOB - (36A98)	1	
-12	550 778	W	INSTRUMENT - Directional gyro (32168-00) (3 inch)	1	
-13	69142-00		CLIP - Console mounting	2	
-14	11199-08	W	PLATE - Hole cover	1	
-15	68822-00		SUB-PANEL- 3 inch gyros	1	
-16	69121-00		COVER - AutoControl III console	1	
-17	62145-00		ANGLE - Console mounting	2	
<p>A - Used on PA-28-150, PA-28-160 and PA-28-180 with serial numbers 28-3590 to 28-4377 inclusive, and PA-28-235 with serial numbers 28-10741 to 28-11039 inclusive.</p> <p>W - These Parts must be ordered from Service Spares Department, Piper Aircraft, Lock Haven, Penna.</p>					

When ordering, always specify Part Number, Description, and Serial Number of Aircraft

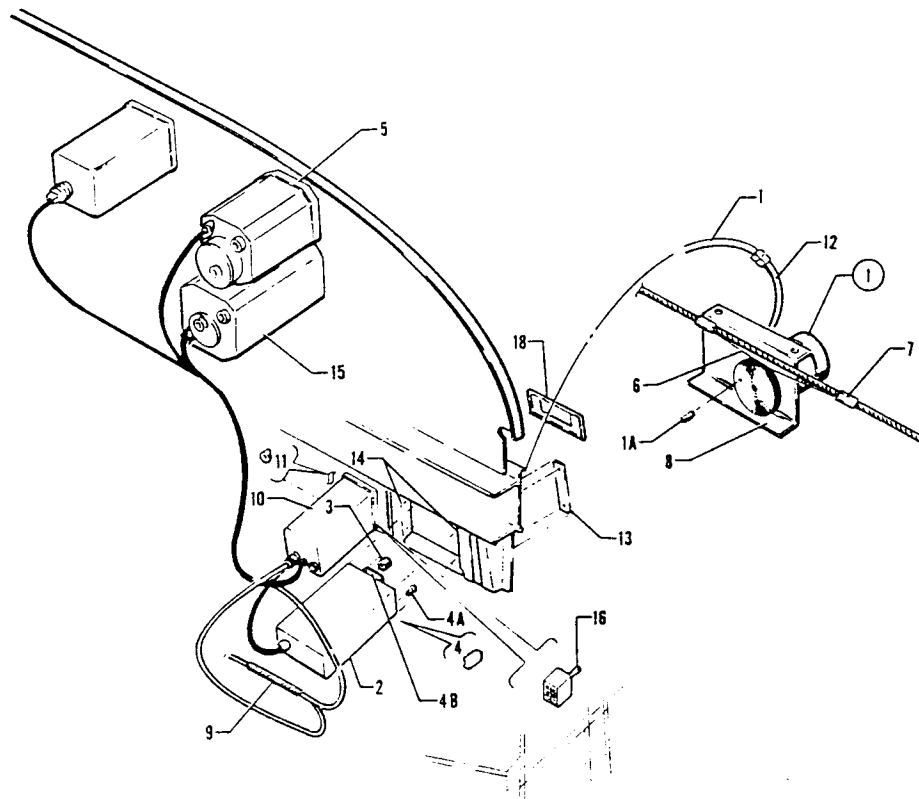


Figure 90. AutoControl III and III B Installation
 (PA-28-140 - Serial Nos. 28-25000 and up)
 (PA-28-180 - Serial Nos. 28-4378 and up)
 (PA-28R-180 - Serial Nos. 28R-30005 to 28R-30481 inclusive, 28R-30483 and up)
 (PA-28-235 - Serial Nos. 28-11040 and up)
 (PA-28R-200 - Serial Nos. 28R-30482, 28R-35001 and up)

PA-28-140
 PA-28-180
 PA-28-235
 PA-28R-180
 PA-28R-200

PIPER PARTS CATALOG

Figure and Index Number	Part Number	Code	NOMENCLATURE	No. Req.	SERIAL NUMBERS AFFECTED
90-	67498	E	DRAWING - AutoControl III Installation		
	79221	F	DRAWING - AutoControl III and III B Installation		
-1	753 721	C,W	SERVO ASSEMBLY - Roll (1D363-183R)	1	
	757 595	C	SERVO ASSEMBLY - Roll (1C363-1-183R)	1	
-1a	757 579	W	SET SCREW - Capstan (3S326)	1	
-2	751 283	D,W	CONSOLE AMPLIFIER ASSEMBLY - AutoControl III (1C338 S/N 1 to 10000 inclusive)	1	
	758 023	B	CONSOLE AMPLIFIER ASSEMBLY - AutoControl III B (1C338 S/N 10001 and up)	1	
-3	757 052	W	KNOB - (36A98)	1	
-4	757 581	D,W	SWITCH - Engage (40A22-4)	2	
-4a	753 496	D,W	BULB - Console (65S28)	2	
-4b	758 024	B,W	CIRCUIT BOARD - Face plate light (includes 4 bulbs) 1B686	1	
-5	550 780	W	INSTRUMENT - Gyro horizon (32172-00) (3 inch)	1	
-6	753 980		CABLE ASSEMBLY - Bridle (30B200)	1	
-7	757 863	W	CLAMP ASSEMBLY - Bridle cable (42A173-1)	2	
<p>A - Used on PA-28-180 with serial numbers 28-4378 and up, PA-28-235 with serial numbers 28-11040 and up, PA-28-140 with serial numbers 28-25000 and up, PA-28R-180 and PA-28R-200 airplanes.</p> <p>B - Used on PA-28-140 with serial numbers 28-7525001 and up, PA-28-180 with serial numbers 28-7505001 and up, PA-28-235 with serial numbers 28-7510001 and up, and PA-28R-200 with serial numbers 28R-7535001 and up.</p> <p>C - Ascertain servo model number when ordering.</p> <p>D - Used on PA-28-140 with serial numbers 28-25000 to 28-7425454 inclusive, PA-28-180 with serial numbers 28-4378 to 28-7405290 inclusive, PA-28-235 with serial numbers 28-11040 to 28-7410120 inclusive, PA-28R-180 with serial numbers 28R-30005 to 28R-7130019 inclusive, and PA-28R-200 with serial numbers 28R-30482, 28R-35001 to 28R-7435331 inclusive.</p> <p>E - Used on PA-28-140 with serial numbers 28-25000 to 28-7325684 inclusive, PA-28-180 with serial numbers 28-4378 to 28-7305611 inclusive, PA-28-235 with serial numbers 28-11040 to 28-7310187 inclusive, PA-28R-180 with serial numbers 28R-30005 to 28R-7130019 inclusive, and PA-28R-200 with serial numbers 28R-30482, 28R-35001 to 28R-7335455 inclusive.</p> <p>F - Used on PA-28-140 with serial numbers 28-7425001 and up, PA-28-180 with serial numbers 28-7405001 and up, PA-28-235 with serial numbers 28-7410001 and up, and PA-28R-200 with serial numbers 28R-7435001 and up.</p> <p>W - These parts must be ordered from Service Spares Department, Piper Aircraft, Lock Haven, Penna.</p>					

When ordering, always specify Part Number, Description, and Serial Number of Aircraft

PA-28-140
PA-28-180
PA-28-235
PA-28R-180
PA-28R-200

PIPER PARTS CATALOG

Figure and Index Number	Part Number	Code	NOMENCLATURE	No. Req.	SERIAL NUMBERS AFFECTED
90-8	453 425	G	BRACKET - Servo mounting (7C511-3)	1	
	453 426	H	BRACKET - Servo mounting (7C511-2)	1	
9	751 987	W	HARNESS ASSEMBLY - Amplifier (30C198)	1	
-10	551 114	W	COUPLER ASSEMBLY - Omni (25690-00)	1	
	596 512	E,W	COUPLER ASSEMBLY - Omni (25690-02)	1	
-11	757 052	W	* KNOB - (36A98)	1	
-12	757 878	B	CABLE ASSEMBLY - Roll servo (30A211-8R)	1	
-13	67493-00		SPACER - AutoControl console	2	
-14	67494-00		ANGLE - AutoControl console support, left	1	
	67494-01		ANGLE - AutoControl console support, right	1	
-15	550 778	W	INSTRUMENT - Directional gyro (32168-00) (3 inch)	1	
-16	688 164	C	SWITCH - Omni coupler (MTG-206P)	1	
-17	757 952		CABLE ASSEMBLY - Roll servo extension (30A211-156)	1	
	758 002	W	CABLE ASSEMBLY - Roll servo extension (30C211-156R)	1	
-18	79560-00	D,F	COVER - Console amplifier assembly	1	

A - Used on PA-28-180 with serial numbers 28-4378 and up, PA-28-235 with serial numbers 28-11040 and up, PA-28-140 with serial numbers 28-25000 and up, PA-28R-180 and PA-28R-200 airplanes.

B - Used with Servo Model 1C363-1-183R.

C - Used on PA-28-140 with serial numbers 28-26401 and up, PA-28-180 with serial numbers 28-5601 and up, PA-28R-180 with serial numbers 28R-31251 and up, PA-28R-200 with serial numbers 28R-35601 and up, and PA-28-235 with serial numbers 28-11301 and up.

D - Used on PA-28-140 with serial numbers 28-7425001 and up, PA-28-180 with serial numbers 28-7405001 and up, PA-28-235 with serial numbers 28-7410001 and up, and PA-28R-200 with serial numbers 28R-7435001 and up.

E - Used if NSD-360 Radio Installation is installed.

F - When ordering, specify color 'Bark II', or black.

G - Used on PA-28-140, PA-28-180 and PA-28-235 airplanes only.

H - Used on PA-28R-180 and PA-28R-200 airplanes only.

W - These parts must be ordered from Service Spares Department, Piper Aircraft, Lock Haven, Penna.

When ordering, always specify Part Number, Description, and Serial Number of Aircraft

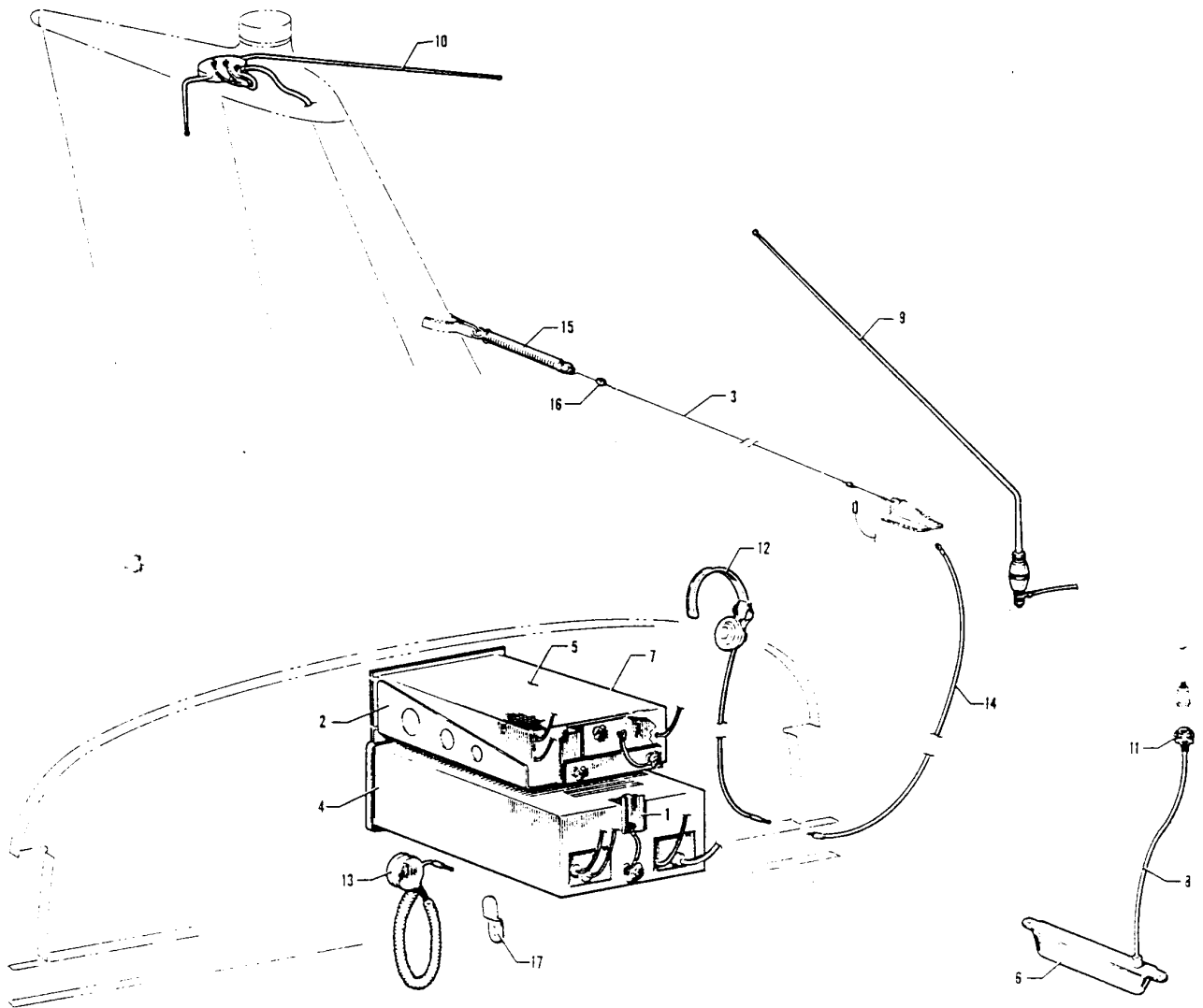


Figure 91. Piper PRC-4 AutoNav Radio Installation

PIPER PARTS CATALOG

Figure and Index Number	Part Number	Code	NOMENCLATURE	No. Req.	SERIAL NUMBERS AFFECTED
91-	63857 63975 62235 63406 65712 63969 62201 62281 65236	C G E D H F B	DRAWING - Standard Radio Installation DRAWING - Radio Installation, Piper PRC-3 AutoNav DRAWING - Radio Installation, Piper PRC-4 AutoNav DRAWING - Radio Installation, Piper PRC-4 AutoNav DRAWING - Radio Installation, Piper PRC-4 AutoNav DRAWING - Radio Antenna Installation DRAWING - Radio Antenna Installation DRAWING - Radio Antenna Installation DRAWING - Radio Antenna Installation		28-1 to 28-815 inclusive 28-816 to 28-1520 inclusive
-1	62624-00		CHANNEL - Radio support	1	28-1 to 28-815 inclusive
-2	62663-00		SUPPORT - Radio	1	28-1 to 28-815 inclusive
			A - Used on PA-28-140 with serial numbers 28-20002 to 28-24999 inclusive, PA-28-150, PA-28-160 and PA-28-180 with serial numbers 28-1 to 28-4377 inclusive, and PA-28-235 with serial numbers 28-10003 to 28-11039 inclusive. B - Used on PA-28-150, PA-28-160 and PA-28-180 with serial numbers 28-1761 to 28-4377 inclusive, and PA-28-235 with serial numbers 28-10003 to 28-11039 inclusive . C - Used on PA-28-150, PA-28-160 and PA-28-180 with serial numbers 28-816 to 28-1520 inclusive, and PA-28-235 with serial numbers 28-10003 to 28-10232 Inclusive . D - Used on PA-28-150, PA-28-160 and PA-28-180 with serial numbers 28-3378 to 28-4377 inclusive, and PA-28-235 with serial numbers 28-10720 to 28-11039 inclusive . E - Used on PA-28-150, PA-28-160 and PA-28-180 with serial numbers 28-1761 to 28-3377 inclusive, and 28-10487 to 28-10719 inclusive. F - Used on PA-28-150, PA-28-160 and PA-28-180 with serial numbers 28-1681 to 28-1760 inclusive, and PA-28-140 with serial numbers 23-20081 to 28-24999 inclusive G - Used on PA-28-150, PA-28-160 and PA-28-180 with serial numbers 28-1521 to 28-1760 inclusive, PA-23-235 with serial numbers 28-10233 to 28-10486 inclusive, and PA-28-140 with serial numbers 28-20002 to 28-24999 inclusive. H - Used on PA-28-150, PA-28-160 and PA-23-180 with serial numbers 23-1521 to 28-1680 inclusive, and PA-28-140 With serial numbers 28-20002 to 28-20080 inclusive .		

When ordering, always specify Part Number, Description, and Serial Number of Aircraft

PA-28-140
PA-28-150
PA-28-160
PA-28-180
PA-28-235

PIPER PARTS CATALOG

Figure and Index Number	Part Number	Code	NOMENCLATURE	No. Req.	SERIAL NUMBERS AFFECTED
91-3	63885-00		ANTENNA ASSEMBLY - Receiving	1	28-1 to 28-1410 inclusive
	63885-05	D	ANTENNA ASSEMBLY - Receiving	1	
	62238-00	E	ANTENNA ASSEMBLY - Receiving	1	
-4	451 270	W	RECEIVER - Omni (#VHT-3)	1	28-1 to 28-815 inclusive
-5	754 360	B W	RADIO KIT - Piper AutoNav (PRC-3)	1	
	756 791	C	RADIO-KIT - Piper AutoNav (PRC-4)	1	
-6	451 127	B W	ANTENNA - Loop (#A-3-2. 5) (PRC-3)	1	
	551 209	C	ANTENNA - Loop (#1-980004) (PRC-4)	1	
-7	451 129	B W	DIRECTION FINDER - Radio (PRC-3)	1	
	551 207	C	DIRECTION FINDER - Radio (PRC-4)	1	
-8	451 128	W	CABLE ASSEMBLY - Loop lead-in (22450)	1	
9	451 272	W	ANTENNA ASSEMBLY - transmitting (VTP-17)	1	
-10	451 273	W	ANTENNA ASSEMBLY - Omni receiving (#VRP-37)	1	
-11	580 894	W	PLUG - (#C480149)	1	
-12	464 362	W	HEADPHONE	1	
-13	474 647	W	MICROPHONE - (Telephonics #RS-38A) Black	1	
	474 649	W	MICROPHONE - (Telex #66C) Black	1	
	474 652		MICROPHONE - (Telex #60837-17) Beige	1	
<p>A - Used on PA-28-140 with serial numbers 28-20002 to 28-24999 inclusive, PA-28-150, PA-28-160 and PA-28-180 with serial numbers 28-1 to 28-4377 inclusive, and PA-28-235 with serial numbers 28-10003 to 28-11039 inclusive.</p> <p>B - Used on PA-28-150, PA-28-160 and PA-28-180 with serial numbers 28-816 to 28-1520 inclusive, and PA-28-235 with serial numbers 28-10003 to 28-10232.</p> <p>C - Used on PA-28-150, PA-28-160 and PA-28-180 with serial numbers 28-1521 to 28-4377 inclusive, and PA-28-235 with serial numbers 28-10233 to 28-11039 inclusive, and PA-28-140 with serial numbers 28-20002 to 28-24999 inclusive.</p> <p>D - Used on PA-28-140, PA-28-160 and PA-28-180 with serial numbers 28-1411 to 28-1680 inclusive, PA-28-140 with serial numbers 28-20002 to 28-20280 inclusive, and PA-28-235 with serial numbers 28-10003 to 28-10352 inclusive.</p> <p>E - Used on PA-28-150, PA-28-160 and PA-28-180 with serial numbers 28-1681 and up, PA-28-140 with serial numbers 28-20081 to 28-24999 inclusive, and PA-28-235 with serial numbers 28-10353 to 28-11039.</p> <p>W - These parts <u>must</u> be ordered from Service Spares Department, Piper Aircraft, <u>Lock Haven, Penna.</u></p>					

When ordering, always specify Part Number, Description, and Serial Number of Aircraft

PA-28-140
PA-28-150
PA-28-160
PA-28-180
PA-28-235

PIPER PARTS CATALOG

Figure and Index Number	Part Number	Code	NOMENCLATURE	No. Req.	SERIAL NUMBERS AFFECTED
91-14	63871-00		CABLE ASSEMBLY - Transmitting,"150" "160" "180"	1	28-815 to 28-1680 inclusive
	63871-00		CABLE ASSEMBLY - Transmitting "140"	1	28-20002 to 28-20080 inclusive
	63871-00		CABLE ASSEMBLY - Transmitting "235"	1	28-10003 to 28 10352 inclusive
	62239-00	B	CABLE ASSEMBLY - Transmitting		
-15	487 388		SPRING - Antenna tension (#NAF1086-4)		
-16	467 065		INSULATOR - Porcelain (#136-32)		
-17	454 889	W	CLIP - Microphone (Used with Telephonics Mike #RS-38A)		
	453 415	W	CLIP - Microphone (Used with Telex Mike #66C)		
	453 417		CLIP - Microphone (Used with Telex e #60837-17)		
<p>A - Used on PA-28-140 with serial numbers 28-20002 to 28 -24999 inclusive, PA-28- 150, PA-28- 160 and PA-28-180 with serial numbers 28-1 to 28-4377 inclusive, and PA-28-235 with serial numbers 28-10003 to 28-11039 inclusive.</p> <p>B - Used on PA-28-150, PA-28-160 and PA-28-180 with serial numbers 28-1681 to 28-4377 inclusive, PA-28-140 with serial numbers 28-20081 to 28-24999 inclusive, and PA-28-235 with serial numbers 28-10353 to 28-11039 inclusive.</p> <p>W - These parts <u>must</u> be ordered from Service Spares Department, Piper Aircraft, <u>Lock Haven, Penna.</u></p>					

When ordering, always specify Part Number, Description, and Serial Number of Aircraft

PA-28-140
PA-28-150
PA-28-160
PA-28-180
PA-28-235

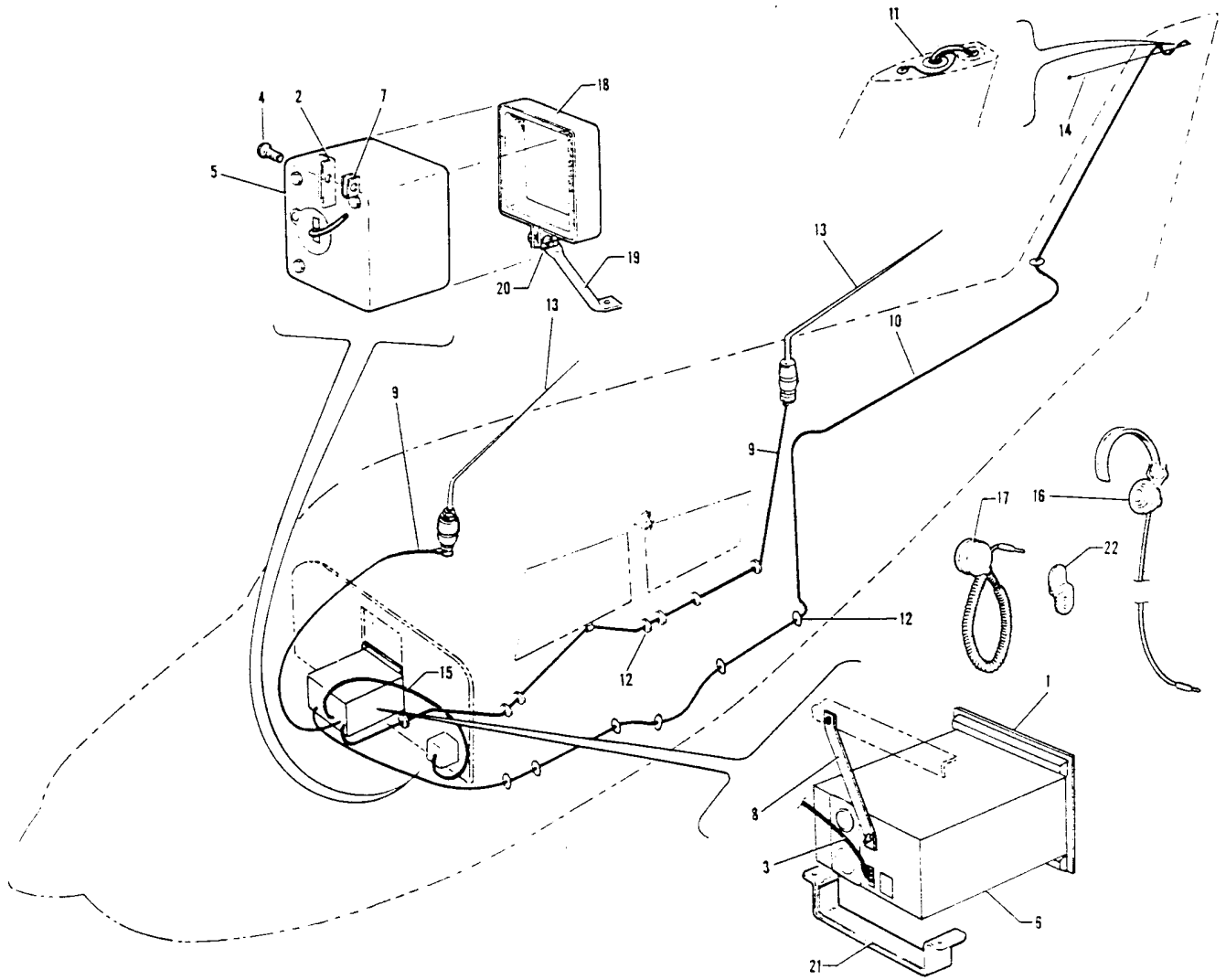


Figure 92. Piper PTR-1 Radio Installation

PIPER PARTS CATALOG

Figure and Index Number	Part Number	Code	NOMENCLATURE	No. Req.	SERIAL NUMBERS AFFECTED
92-	63979	D H	DRAWING - Radio Installation, Piper PTR-I		
	62248	B C	DRAWING - Radio Installation, Piper PTR-I		28-10166 to 28-10486 inclusive
	63399	K	DRAWING - Radio Installation, Piper PTR-I		
	63969	M	DRAWING - Systems Installation, Radio Antenna		28-816 to 28-1414 inclusive
	62201	F	DRAWING - Systems Installation, Radio Antenna		
	62281	G	DRAWING - Systems Installation, Radio Antenna		
	65236	B M	DRAWING - Systems Installation, Radio Antenna		28-1761 and up
-1	63980-00	H	PANEL - Radio trim	1	
-2	63983-00	D H	CLIP - Omni head support	1	
-3	63984-02	E L M	CABLE ASSEMBLY - 17" L	1	
	63984-04	E J M	CABLE ASSEMBLY - 18" L	1	
	63984-03	B C L	CABLE ASSEMBLY - 36" L	1	28-10166 to 28-10486 inclusive
	63984-05	B C J	CABLE ASSEMBLY - 36" L	1	28-10166 to 28-10486 inclusive
-4	415 449	D W	SCREW - (AN526-832-R8)	1	
-5	551 176		CONVERTER - 0-1 Omni	1	
	551 219		CONVERTER - 0L-1 Omni	1	
-6	551 174		RADIO - PTR-1, low band	1	
	551 175		RADIO - PTR-1 high band	1	
-7	477 673	D	NUT - (MU-832-28)	1	
-8	63985-00	H	HANGER - Radio support	1	
<p>A - Used on PA-28-140 with serial numbers 28 -20002 to 28-24999 inclusive, PA-28-150, PA-28-160 and PA-28-180 with serial numbers 28-816 to 28-4377 inclusive, and PA-28-235 with serial numbers 28-10003 to 28-11039 inclusive.</p> <p>B - Used on PA-28-235 airplanes only.</p> <p>C - Used when constant speed propeller is installed.</p> <p>D - Used when constant speed propeller is not installed.</p> <p>E - Used on PA-28-140 airplanes only.</p> <p>F - Used on PA-28-150, PA-28-160 and PA-28-180 with serial numbers 28-816 to 28-1680 inclusive, and PA-28-140 with serial numbers 28-20002 to 28-20080 inclusive .</p> <p>.G - Used on PA-28-150, PA-28-160 and PA-28-180 with serial numbers 28-1681 to 28-4377 inclusive, and PA-28-140 with serial numbers 28-20081 and up.</p> <p>H - Used on PA-28-150, PA-28-160 and PA-28-180 with serial numbers 28-816 to 28-1760 inclusive, PA-28-235 with serial numbers 28-10003 to 28-10486 inclusive, and PA-28-140 with serial numbers 28-20002 to 28-24999 inclusive.</p> <p>J - Used when 0L-1 Omni Converter is installed.</p> <p>K - Used on PA-28-150, PA-28-160 and PA-28-180 with serial numbers 28-1761 to 28-4377 inclusive, and PA-28-235 with serial numbers 28-10487 to 28-11039 Inclusive .</p> <p>L - Used when 0-1 Omni Converter is installed.</p> <p>M - Used on PA-28-150, PA-28-160 and PA-28-180 airplanes only.</p> <p>W - These parts must be ordered from Service Spares Department, Piper Aircraft, Lock Haven, Penna.</p>					

When ordering, always specify Part Number, Description, and Serial Number of Aircraft

PA-28-140
PA-28-150
PA-28-160
PA-28-180
PA-28-235

PIPER PARTS CATALOG

Figure and Index Number	Part Number	Code	NOMENCLATURE	No. Req.	SERIAL NUMBERS AFFECTED
92-9	63872-00		CABLE ASSEMBLY - Transmitting	1	28-816 to 28-1414 inclusive
	65333-00		CABLE ASSEMBLY - Transmitting	1	28-1415 and up
-10	63873-00		CABLE ASSEMBLY - Receiving	1	28-816 to 28-1414 inclusive
	65192-00		CABLE ASSEMBLY - Receiving	1	28-1415 and up
-11	434 144	W	GROMMET - (AN931-16-22)	1	
-12	463 390		GROMMET - (#1659) Receiving cable	8	
	434 135	W	GROMMET - (AN931-8-13) Transmitting cable	8	
-13	451 272	W	ANTENNA - Transmitting (#VTP-17)	1	
-14	451 273	W	ANTENNA - Receiving (#VRP-37)	1	
-15	551 177		CABLE ASSEMBLY - Adapter	1	
-16	464 362	W	HEADPHONE	1	
-17	474 647	W	MICROPHONE - (Telephonics #RS-38A) Black	1	
	474 649	W	MICROPHONE - (Telex #66C) Black	1	
	474 652		MICROPHONE - (Telex #60837-17) Beige	1	
-18	62241-00	B C	BRACKET ASSEMBLY - Omni support	1	28-10166 to 28-10486 inclusive
-19	62242-00	B C	TUBE - Omni bracket support	1	28-10166 to 28 10486 inclusive
-20	486 190	B C	SCREW - Wing (#9080)	1	28-10166 to 28-10486 inclusive
	406 357	B C W	NUT - (#A190-832-1)	1	28-10166 to 28-10486 inclusive
-21	63097-00	B D	BRACKET ASSEMBLY - Radio support	1	
-22	454 889	W	CLIP - Microphone (Used with Telephonics Mike #RS-38A)	1	
	453 415	W	CLIP - Microphone (Used with Telex Mike #66C)	1	
	453 417		CLIP - Microphone (Used with Telex Mike #60837-17)	1	

A - Used on PA-28-140 with serial numbers 28-20002 to 28-24999 inclusive, PA-28-150, PA-28-160 and PA-28-180 with serial numbers 28-816 to 28-4377 inclusive, and PA-28-235 with serial numbers 28-10003 to 28-11039 inclusive.

B - Used on PA-28-235 airplanes only.

C - Used when constant speed propeller is installed

D - Used on PA -28 -150, PA- 28-160 and PA-28-180 airplanes only.

W - These parts must be ordered from Service Spares Department, Piper Aircraft, Lock Haven, Penna.

When ordering, always specify Part Number, Description, and Serial Number of Aircraft

PA-28-140
PA-28-150
PA-28-160
PA-28-180
PA-28-235

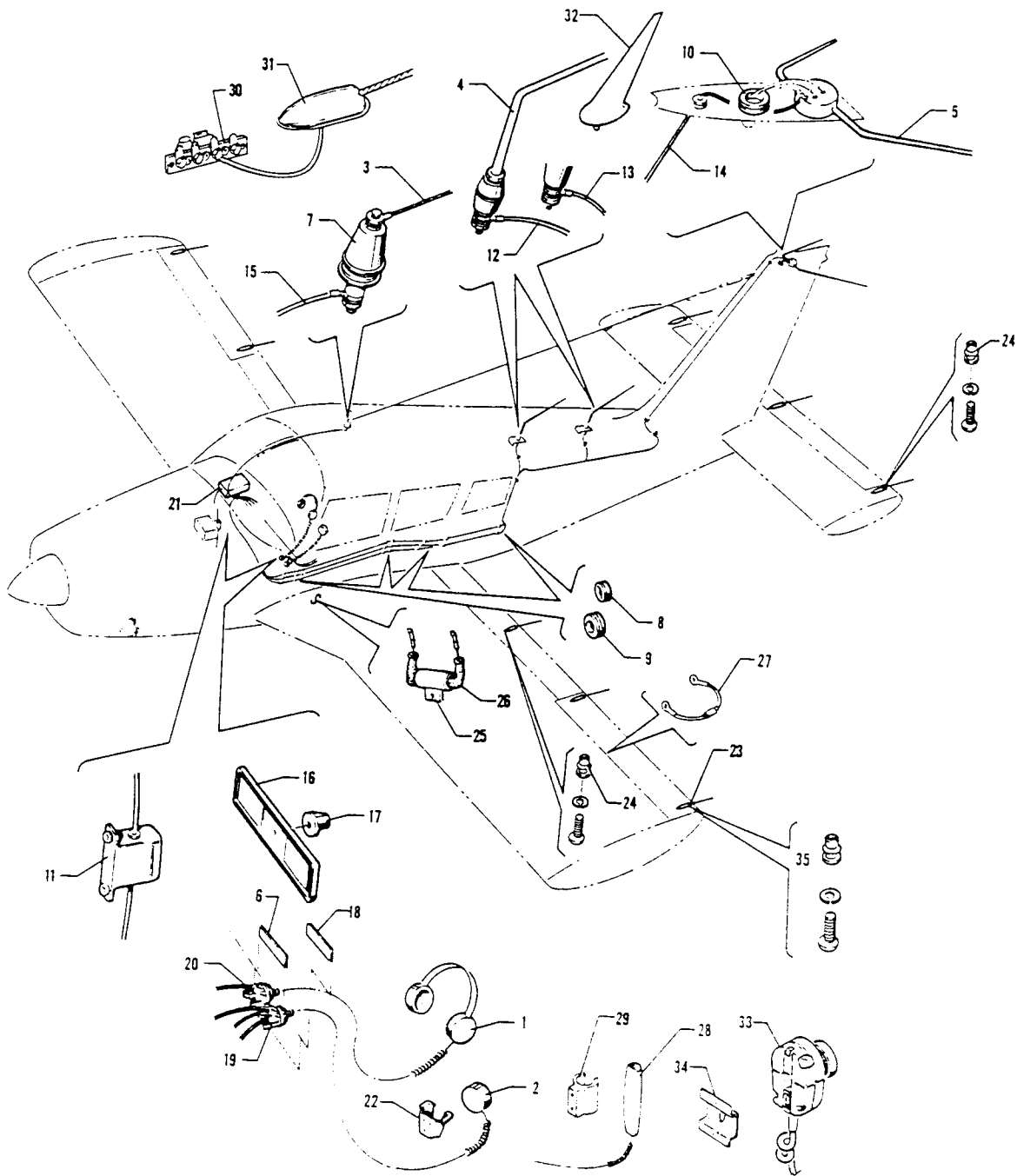


Figure 93. Radio, Antenna System and Static Wicks Installation
 (PA-28-140 - Serial Nos. 28-25000 and up)
 (PA-28-180 - Serial Nos. 28-4378 and up)
 (PA-28R-180 - Serial Nos. 28R-30005 to 28R-30481 inclusive, 28R-30483 and up)
 (PA-28-235 - Serial Nos. 28-11040 and up)
 (PA-28R-200 - Serial Nos. 28R-30482, 28R-35001 and up)

PIPER PARTS CATALOG

Figure and Index Number	Part Number	Code	NOMENCLATURE	No. Req.	SERIAL NUMBERS AFFECTED
93-	67440	D	DRAWING - Radio Systems Installation		28-25001 and up
	66738	E	DRAWING - Radio Systems Installation		
	67455	B	DRAWING - Radio Antenna Systems Installation		
	99461	C	DRAWING - Radio Antenna Systems installation		
	79153	J	DRAWING - All Weather Radio Antenna System Installation		
	69667		DRAWING - Static Wick Installation		
-1	464 362	W	HEADPHONE	1	
-2	474 652		MICROPHONE - Telex (60837-17)	1	
-3	62238-00	F	ANTENNA ASSEMBLY - Receiving	1	
	99841-00	E	ANTENNA ASSEMBLY - Receiving	1	28-7225185 and up
	62238-11	G	ANTENNA ASSEMBLY - Receiving	1	28R-7235001 to 28R-7235081 incl.
	99841-04	H	ANTENNA ASSEMBLY - Receiving	1	
-4	451 272	W	ANTENNA ASSEMBLY - Transmitting (VTP-17)	2	
-5	451 273	W	ANTENNA ASSEMBLY - Omni-receiving (VRP-37)	1	
			A - Used on PA-28-180 with serial numbers 28-4378 and up, PA-28-235 with serial numbers 28-11040 and up, PA-28-140 with serial numbers 28-25000 and up, PA-28R-180 and PA-28R-200.		
			B - Used on PA-28-180 with serial numbers 28-4378 to 28-5869 inclusive, PA-28R-180 with serial numbers 28R-30005 to 28R-30481. 28R-30483 to 28R-31279 inclusive, PA-28-235 with serial numbers 28-11040 to 28-11393 inclusive, PA-28-140 with serial numbers 28-25000 to 28-26956 inclusive, and PA-28R-200 with serial numbers 28R-30482, 28R-35001 to 28R-35830 incl.-		
			C - Used on PA-28-180 with serial numbers 28-7105001 and up, PA-28R-180 with serial numbers 28R -7130001 and up, PA-28-235 with serial numbers 28-7110001 and up, PA-28-140 with serial numbers 28-7125001 and up and PA-28R-200 with serial numbers 28R-7135001 and up-		
			D - Used on PA-28-180, PA-28R-180, PA-28-235 and PA-28R-200 airplanes only.		
			E - Used on PA-28-140 airplanes only.		
			F - Used on PA-28-180 with serial numbers 28-4378 to 28-7205179 inclusive, PA-28-235 with serial numbers 28-11040 to 28-7210011 inclusive, PA-28-140 with serial numbers 28-25000 to 28-7225184 inclusive, PA-28R-180 with serial numbers 28R-30005 to 28R-7130019 inclusive, and PA-28R-200 with serial numbers 28R-30482, 28R-35001 to 28R-713238 inclusive.		
			G - Used on PA-28R-200 airplanes only.		
			H - Used on PA-28-180 with serial numbers 28-7205180 and up, PA-28-235 with serial numbers 28-7210012 and up and PA-28R-200 with serial numbers 28R-7235082 and up.		
			J - Used on PA-28-140 with serial numbers 28-7325397 and up, PA-28-180 with serial numbers 28-7305382 and up, PA-28-235 with serial numbers 28-7310139 and up and PA-28R-200 with serial numbers 28R-7335232 and up.		
			W - These parts must be ordered from Service Spares Department, Piper Aircraft, Lock Haven, Penna.		

When ordering, always specify Part Number, Description, and Serial Number of Aircraft

PA-28-140
 PA-28-180
 PA-28-235
 PA-28R-180
 PA-28R-200

PIPER PARTS CATALOG

Figure and Index Number	Part Number	Code	NOMENCLATURE	No. Req.	SERIAL NUMBERS AFFECTED
93-6	66837-00		PLACARD - Mike jack (with console mike jack)	1	
-7	467 064	W	INSULATOR - Antenna (135-40)	1	
-8	453 838		BUSHING - Snap (PS10064-500-6)	8	
-9	453 836	W	BUSHING - Snap (PS10064-437-5)	8	
-10	434 144	W	GROMMET - (MS35489-23)	1	
-11	596 059	G	COUPLET - (Two set (VRP-40))	1	
	555 501	D	COUPLER - (AVB-10)	1	
-12	65333-00	G	CABLE ASSEMBLY - Transmitting	1	
	99610-00	D	CABLE ASSEMBLY - Transmitting	1	
-13	65333-04	G	CABLE ASSEMBLY - Transmitting	1	
	99610-02	D	CABLE ASSEMBLY - Transmitting	1	
-14	65192-00	G	CABLE ASSEMBLY - Receiving	1	
	65192-09	D	CABLE ASSEMBLY - Receiving	1	
-15	62239-00		CABLE ASSEMBLY - Receiving (with 10" shield)	1	
	596 118		CABLE ASSEMBLY - Receiving (90677-67) (completely shielded)	1	
-16	67333-02	G	COVER ASSEMBLY—Radio junction box	1	
	67333-03	G	COVER ASSEMBLY - Transmitter selector	1	
-17	571 103	G	KN0B - Selector switch (S-657-3L-BB)	1	
-18	67471-00		PLACARD - Mike and phone	1	
	66838-00		PLACARD - Headphone	1	
-19	468 002	W	JACK - Mike (S12B)	2	
-20	468 006	W	JACK - Phone (11)	1	
-21	68941-00	B,F,G	BOX ASSEMBLY - Radio junction	1	
	68876-00	C,F,G	SELECTOR ASSEMBLY - Transmitter	1	
	99395-00	D,F,H	AUDIO SELECTOR ASSEMBLY	1	
	99395-02	D,F,J	AUDIO SELECTOR ASSEMBLY	1	
	99395-03	D,E,F	AUDIO SELECTOR ASSEMBLY	1	
<p>A - Used on PA-28-180 with serial numbers 28-4378 and up, PA-28-235 with serial numbers 28-11040 and up, PA-28-140 with serial numbers 28-25000 and up, PA-28R-180 and PA-28R-200.</p> <p>B - Used if single radio is installed.</p> <p>C - Used if dual radios are installed.</p> <p>D - Used on PA-28-180 with serial numbers 28-7105001 and up, PA-28R-180 with serial numbers 28R-7130001 and up, PA-28-235 with serial numbers 28-7110001 and up, PA-28-140 with serial numbers 28-7125001 and up and PA-28R-200 with serial numbers 28R-7135001 and up.</p> <p>E - With microphone switch, dual VHF switches, ADF switch and marker beacon switches.</p> <p>F - See Figure 95 for component parts.</p> <p>G - Used on PA-28-180 with serial numbers 28-4378 to 28-5869 inclusive, PA-28R-180 with serial numbers 28R-30005 to 28R-30481, 28R-30483 to 28R-31279 inclusive, PA-28-235 with serial numbers 28-11040 to 28-11393 inclusive, PA-28-140 with serial numbers 28-25000 to 28-26956 inclusive, and PA-28R-200 with serial numbers 28R-30482, 28R-35001 to 28R-35830 inclusive.</p> <p>H - With single VHF switch, ADF switch and marker beacon switches.</p> <p>J - With microphone switch, dual VHF switches and ADF switch .</p> <p>W - These parts must be ordered from Service Spares Department, Piper Aircraft, Lock Haven. Penna.</p>					

When ordering, always specify Part Number, Description, and Serial Number of Aircraft

PA-28-140
PA-28-180
PA-28-235
PA-28R-180
PA-28R-200

PIPER PARTS CATALOG

Figure and Index Number	Part Number	Code	NOMENCLATURE	No. Req.	SERIAL NUMBERS AFFECTED
93-22	453 417	B	CLIP - Microphone	1	
	99680-08	C,F	SUPPORT - Microphone, black	1	
-23	494 678	W	WICK - Static (SW10-96)	9	
-24	415 520	W	SCREW - (MS35206-230)	10	
	407 122		WASHER - (AN935-6L)	10	
	406 848	W	RIVNUT - (A6K75)	10	
-25	554 224		CAPACITOR - Filter (fuel pump noise (PS10027-2-4)	1	
-26	23969-02	W	NIPPLE - Capacitor	2	
-27	469 600		JUMPER ASSEMBLY - Lightning protection (MS25083-3AA6)	7	
-28	474 642		MICROPHONE - Telex (62800-04)	1	
-29	565 523		HOLDER - Microphone (telex 62802-00)	1	
-30	79152-00	D	STRIP ASSEMBLY - All weather antenna terminal	1	
	79152-02	D,E	STRIP ASSEMBLY - All weather antenna terminal	1	
-31	79160-00	D	ANTENNA ASSEMBLY - All weather receiving	1	
-32	596 332	D	ANTENNA - Broadband, VHF COMM, (PS50040-18-1) (Communication Components)	2	
	596 664	D	ANTENNA - Broadband, VHF Comm, (PS50040-18-2) (Dorne & Margloin)	2	
-33	474 655	W	MICROPHONE - Narco (M700A)	1	
-34	554 686		CLIP - Microphone holder (90Z1136)	1	
-35	415 521	W	SCREW - (MS35206-231)	8	
	407 122		WASHER - (AN935-6L)	8	
	406 848	W	RIVNUT - (A6K75)	8	
<p>A - Used on PA-28-180 with serial numbers 28-4378 and up, PA-28-235 with serial numbers 28-11040 and up, PA-28-140 with serial numbers 28-25000 and up, PA-28R-180 and PA-28R-200.</p> <p>B - Used on PA-28-180 with serial numbers 28-4378 to 28-7105244 inclusive, PA-28-235 with serial numbers 28-11040 to 28-7110042 inclusive, PA-28-140 with serial numbers 28-25000 to 28-7125651 inclusive, PA-28R-180 and PA-28R-200 airplanes.</p> <p>C - Used on PA-28-180 with serial numbers 28-7205001 and up, PA-28-235 with serial numbers 28-7120001 and up, and PA-28-140 with serial numbers 28-7225001 and up.</p> <p>D - Used on PA-28-140 with serial numbers 28-7325397 and up, PA-28-180 with serial numbers 28-7305382 and up, PA-28-235 with serial numbers 28-7310139 and up, and PA-28R-200 with serial numbers 28R-7335232 and up.</p> <p>E - Used if Bendix ADF-T-12C or ADF-T-12D receiver is installed.</p> <p>F - When ordering, specify color black or "bark II".</p> <p>W - These parts must be ordered from Service Spares Department, Piper Aircraft, Lock Haven, Penna.</p>					

When ordering, always specify Part Number, Description, and Serial Number of Aircraft

PA-28-140
 PA-28-180
 PA-28-235
 PA-28R-180
 PA-28R-200

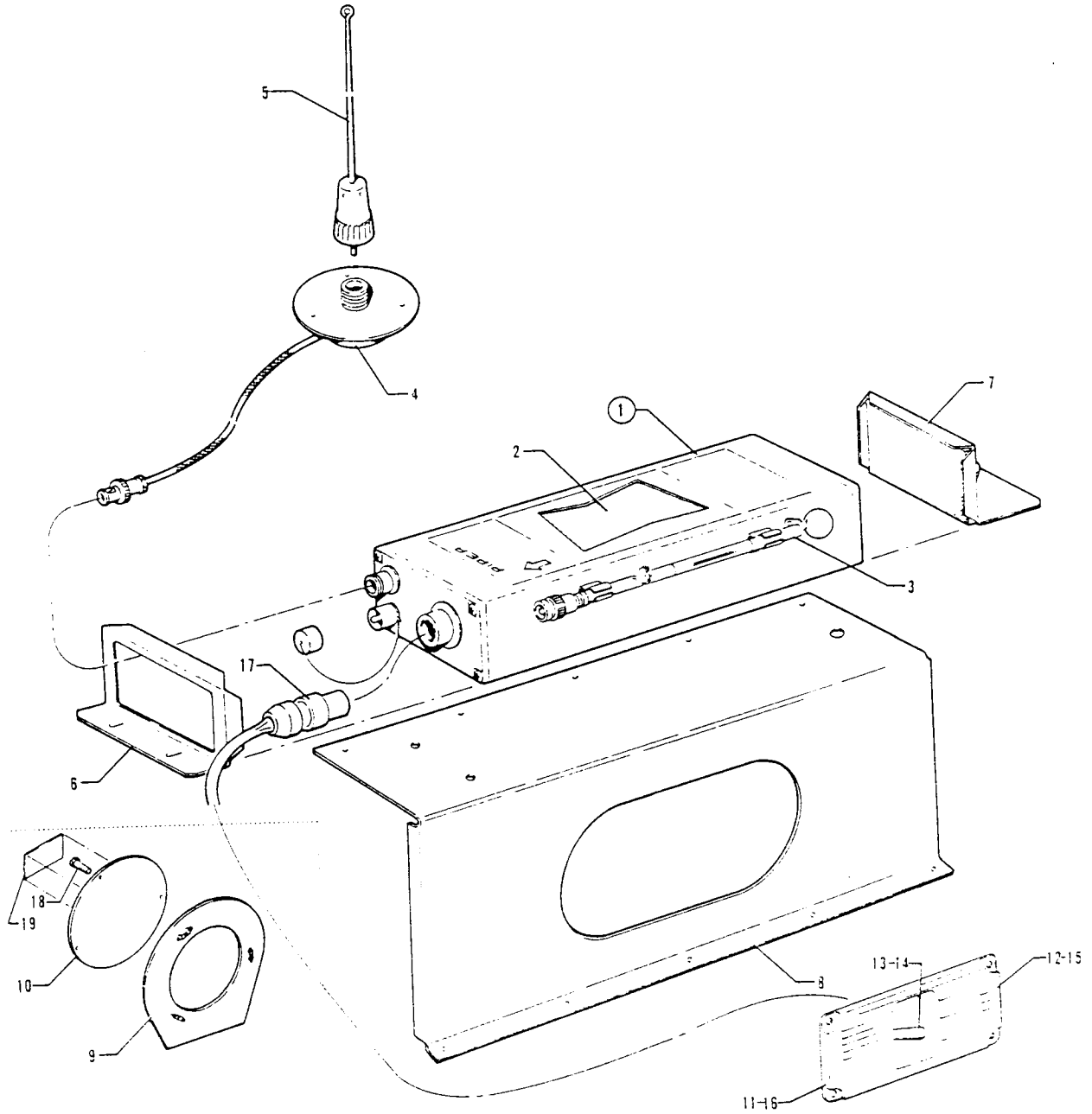


Figure 93A. Piper Automatic Locator (ELT) Installation (Garrett MFG. LTD.)

PIPER PARTS CATALOG

Figure and Index Number	Part Number	Code	NOMENCLATURE	No. Req.	SERIAL NUMBERS AFFECTED
93A-	99890		DRAWING - Piper Automatic Locator (ELT) installation		
-1	756 398	E,W	TRANSMITTER ASSEMBLY - Automatic locator (627484-1) (includes magnesium battery pack)	1	
	761 939	E,W	TRANSMITTER ASSEMBLY - Automatic locator (627674-1) (includes magnesium battery pack)	1	
	761 967	E,W	TRANSMITTER ASSEMBLY - Automatic locator (627810-1) (includes lithium battery pack)	1	
-2	758 281	B,C W	* BATTERY PACK - Transmitter assembly (magnesium)	1	
	758 364	A,E,W	* BATTERY PACK - Transmitter assembly (lithium)	1	
-3	751 316	W	* ANTENNA ASSEMBLY - Telescopic	1	
-4	751 318	W	CABLE AND BASE ASSEMBLY - Whip antenna	1	
-5	751 319	W	ANTENNA ASSEMBLY - Whip (less cable and base)	1	
-6	758 266	W	BRACKET - Forward transmitter mounting	1	
-7	758 267	W	BRACKET ASSEMBLY - Aft transmitter mounting (includes lock knob)	1	
-8	99887-02	W	BRACKET ASSEMBLY - Emergency locator transmitter	1	
-9	99888-00	W	RING ASSEMBLY - Emergency locator transmitter	1	
-10	99889-00	W	COVER ASSEMBLY - Emergency locator transmitter	1	
-11	79033-00	C,D	SWITCH AND COVER ASSEMBLY - ELT	1	
-12	69669 -15	C	* PLACARD - Warning (exposed switch)	1	
	69669-66	C	* PLACARD - Warning (recessed switch)	1	
-13	587 952	C	* SWITCH - (SF1LBX183-7)	1	
-14	588 011	A	SWITCH - (8E1011)	1	
-15	69669-107	A	PLACARD - Warning	1	
-16	79463-00	A,D	COVER - ELT Switch	1	
-17	555 731	C,W	CONNECTOR - (612129-3)	1	
-18	486 281		SCREW - (PS10015-B8-12NA)	3	
-19	35669-105		PLACARD - E.L.T location	1	

- A - Used with Transmitter Assembly P/N 761 967 (Model 627810-1).
- B - Used with Transmitter Assembly P/N 756 398 (Model 627484-1).
- C - Used with Transmitter Assembly P/N 761 939 (Model 627674-1).
- D - When ordering, specify color red, blue/green, tan, black or avocado.
- E - No longer available. Order ELT Replacement Kit 763 842V (Garrett ELT to Narco ELT10) as a replacement. Refer to Service Letter 820.
- W - These parts must be ordered from Service Spares Department, Piper Aircraft, Lock Haven Penna

When ordering, always specify Part Number, Description, and Serial Number of Aircraft

PIPER PARTS CATALOG

**3124
INTENTIONALLY LEFT BLANK**

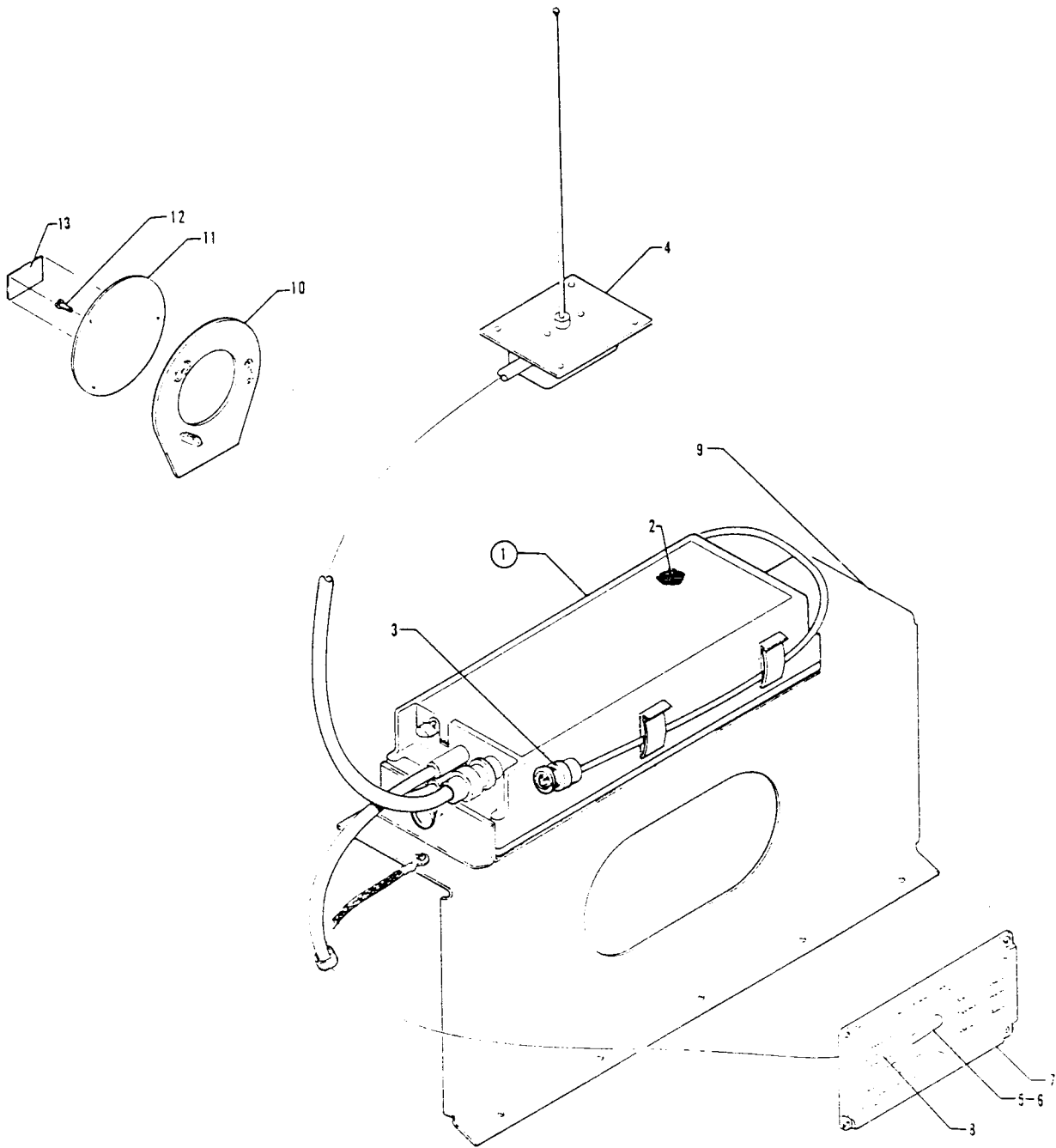


Figure 93B. Piper Automatic Locator (ELT) Installation
(Communications Components Corp.)

PIPER PARTS CATALOG

Figure and Index Number	Part Number	Code	NOMENCLATURE	No. Req.	SERIAL NUMBERS AFFECTED
93B-	79761		DRAWING - Piper Automatic Locator (ELT) Installation		
-1	762 030		TRANSMITTER ASSEMBLY - Automatic locator (CIR-11-2) (includes alkaline battery pack)	1	
-2	758 528		* BATTERY PACK - Transmitter assembly (alkaline)	1	
-3	758 092		* ANTENNA ASSEMBLY - Portable (10-249)	1	
-4	763 004		ANTENNA ASSEMBLY - Whip (10-234)	1	
-5	79762-02		SWITCH AND HARNESS ASSEMBLY - ELT	1	
-6	588 030		* SWITCH - (8A2051)	1	
-7	79463-02	A	COVER - ELT Switch	1	
-8	69669-66		PLACARD - Warning	1	
-9	99887-04		BRACKET ASSEMBLY - Emergency locator transmitter	1	
-10	99888-00		RING ASSEMBLY - Emergency locator transmitter	1	
-11	99889-00		COVER ASSEMBLY - Emergency locator transmitter	1	
-12	486 281		SCREW - (PS10015-B8-12NA)	3	
-13	35669-105		PLACARD - E.L.T. location	1	
<p>A - When ordering, specify color red, blue/green, gold, black, green or bark. Specify color "bark 11" for PA-28-140 with serial numbers 28-7725001 to 28-7725174 inclusive, PA-28-235 with serial numbers 28-7710001 to 28-77100010 inclusive, and PA-28R-200 with serial numbers 28R-7635504 and up. Specify color "bark 11" or black for PA-28-140 with serial numbers 28-7725175 and up, PA-28-235 with serial numbers 28-7710011 and up.</p>					

When ordering, always specify Part Number, Description, and Serial Number of Aircraft

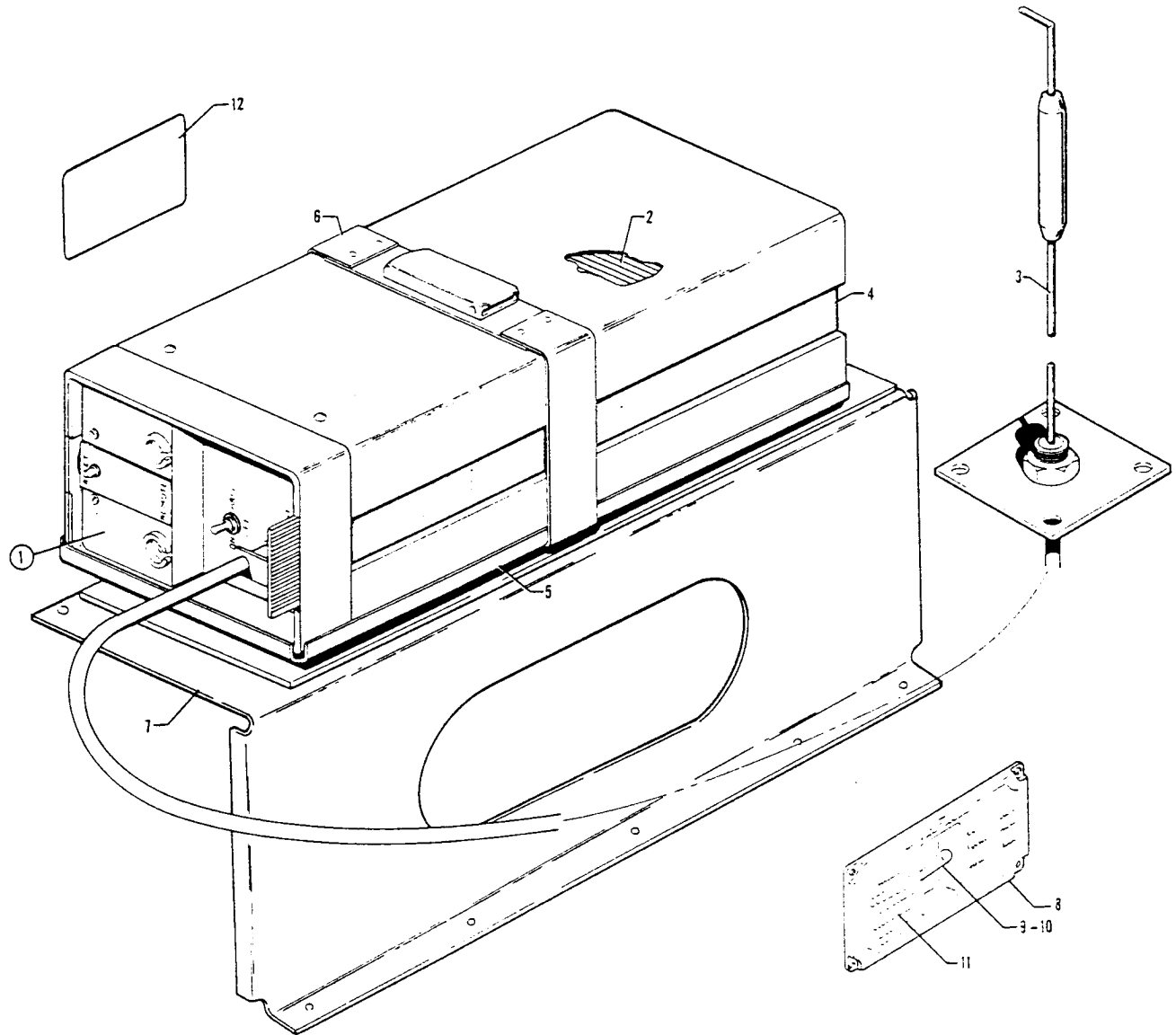


Figure 93C. Piper Automatic Locator (ELT) Installation
(Narco Avionics)

PIPER PARTS CATALOG

Figure and Index Number	Part Number	Code	NOMENCLATURE	No. Req.	SERIAL NUMBERS AFFECTED
93C-	36632		DRAWING - Piper Automatic Locator (ELT) Installation		
-1	597 461		TRANSMITTER ASSEMBLY - Automatic locator (ELT 10) (includes alkaline battery pack)	1	
-2	758 452	W	* BATTERY PACK - Transmitter assembly (57674-0001)	1	
-3	597 257	W	* ANTENNA ASSEMBLY - ELT (01652-0101)	1	
-4	763 019	W	* ANTENNA - Blade, portable (57667-0001)	1	
-5	758 453	W	* BASE - Transmitter assembly (57666-0001)	1	
-6	762 357	W	* STRAP - Transmitter assembly (57682-0101)	1	
-7	99887-06		BRACKET ASSEMBLY - Emergency locator transmitter	1	
-8	79463-00		COVER - ELT switch, black	1	
-9	79599-00		SWITCH AND HARNESS ASSEMBLY - ELT	1	
-10	588 011		* SWITCH - (8E1011)	1	
-11	35669-132		PLACARD - Warning	1	
-12	35669-105		PLACARD - ELT location	1	
			W - These parts must be ordered from Service Spares Department, Piper Aircraft, Lock Haven, Penna.		

When ordering, always specify Part Number, Description, and Serial Number of Aircraft

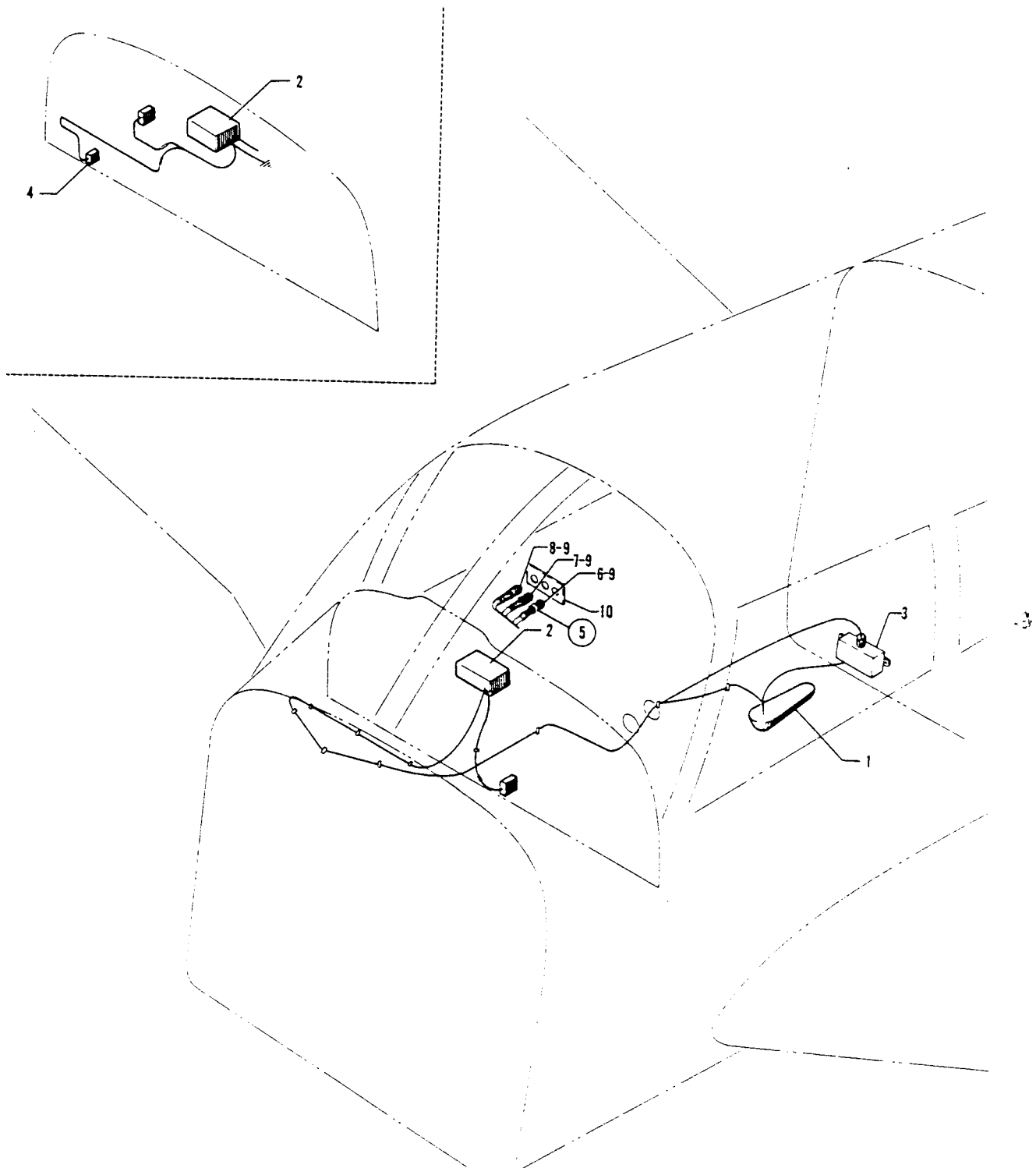


Figure 94. Piper PM-1 Marker Beacon Installation
 (PA-28-140 - Serial Nos. 28-25000 to 28-7425454 inclusive)
 (PA-28-150-160-180 - Serial Nos. 28-1761 to 28-7405290 inclusive)
 (PA-28-235 - Serial Nos. 28-10487 to 28-7410120 inclusive)
 (PA-28R-180 - Serial Nos. 28R-30005 to 28R-30481 inclusive, 28R-30483 to 28R-7130019 inclusive)
 (PA-28R-200 - Serial Nos. 28R-30482, 28R-35001 to 28R-7435331 inclusive)

PIPER PARTS CATALOG

Figure and Index Number	Part Number	Code	NOMENCLATURE	No. Req.	SERIAL NUMBERS AFFECTED
94 -	63491 65709 67454	F B C	DRAWING - Piper PM-1 Marker Beacon Installation DRAWING - Piper PM-1 Marker Beacon Installation DRAWING - Piper PM-1 Marker Beacon Installation		
-1	551 216	W	RECEIVER - Marker beacon (1-950005)	1	
-2	551 232	D,E	CONTROL HEAD - Marker beacon (1-950013)	1	
			<p>A - Used on PA-28-150, PA-28-160 and PA-28-180 with serial numbers 28-1761 to 28-7405290 inclusive, PA-28-140 with serial numbers 28-25000 to 28-7425454 inclusive, PA-28-235 with serial numbers 28-10487 to 28-7410120 inclusive, PA-28R-180 with serial numbers 28R-30005 to 28R-30481 inclusive, 28R-30483 to 28R-7130019 inclusive, and PA-28R-200 with serial numbers 28R-30482, 28R-35001 to 28R-7435331 inclusive.</p> <p>B - Used on PA-28-150, PA-28-160 and PA-28-180 with serial numbers 28-3378 to 28-4377 inclusive, and PA-28-235 with serial numbers 28-10720 to 28-11039 inclusive .</p> <p>C - Used on PA-28-140 with serial numbers 28-25000 to 28-7425454 inclusive, PA-28-180 with serial numbers 28-4378 to 28-7405290 inclusive, PA-28-235 with serial numbers 28-11040 to 28-7410120 inclusive, PA-28R-180 with serial numbers 28R-30005 to 28R-30481 inclusive, 28R-30483 to 28R-7130019 inclusive, and PA-28R-200 with serial numbers 28R-30482, 28R-35001 to 28R-7435331 inclusive.</p> <p>D - Used if trim panel indicator lights are installed.</p> <p>E - Used on PA-28-140 with serial numbers 28-25000 to 28-26956 inclusive, PA-28-150, PA-28-160 and PA-28-180 with serial numbers 28-1761 to 28-5869 inclusive, PA-28-235 with serial numbers 28-10487 to 28-11393 inclusive, PA-28R-180 with serial numbers 28R-30005 to 28R-30481 inclusive, 28R-30483 to 28R-31279 inclusive, and PA-28R-200 with serial numbers 28R-30482, 28R-35001 to 28R-35830 inclusive.</p> <p>F - Used on PA- 150, PA-28-160 and PA- 180 with serial numbers 28-1761 to 28-3377 inclusive, and PA-28-235 with serial numbers 28-10487 to 28-10719 incl.</p> <p>W - These parts must be ordered from Service Spare Department, Piper Aircraft, Lock Haven, Penna.</p>		

When ordering, always specify Part Number, Description, and Serial Number of Aircraft

PIPER PARTS CATALOG

Figure and Index Number	Part Number	Code	NOMENCLATURE	No. Req.	SERIAL NUMBERS AFFECTED
94-3	596 138	C,D	CONTROL PANEL - Marker beacon (1-950018)	1	
	596 181	E	CONTROL PANEL - Marker beacon (1-950019)	1	
4	464 700	G	CIRCUIT BREAKER - Black button (PS50120-1-1) 5 amp	1	
	454 706	F	CIRCUIT BREAKER - White button (PS50120-1-2) 5 amp	1	
-5	99398-00	B	LIGHT ASSEMBLY - Marker beacon (complete)	1	
-6	472 823	B	LIGHT ASSEMBLY - Blue (134-3830-0334-201)	1	
-7	472 822	B	LIGHT ASSEMBLY - Amber (1343830-0333-201)	1	
-8	472 824	B	LIGHT ASSEMBLY - Clear (134-3830-0337-201)	1	
-9	453 695	B,W	BULB - 328	3	
-10	99401-00	B	PANEL ASSEMBLY - Marker beacon lights	1	
<p>A - Used on PA-28-150, PA-28-160 and PA-28-180 with serial numbers 28-1761 to 28-7405290 inclusive, PA-28-140 with serial numbers 28-25000 to 28-7425454 inclusive, PA-28-235 with serial numbers 28-10487 to 28-7410120 inclusive, PA-28R-180 with serial numbers 28R-30005 to 28R-30481 inclusive, 28R-30483 to 28R-7130019 inclusive, and PA-28R-200 with serial numbers 28R-30482, 28R-35001 to 28R-7435331 inclusive.</p> <p>B - Used on PA-28-140 with serial numbers 28-7125001 to 28-7425454 inclusive, PA-28-180 with serial numbers 28-7105001 to 28-7405290 inclusive, PA-28-235 with serial numbers 28-7110001 to 28-7410120 inclusive, PA-28R-180 with serial numbers 28R-7130001 to 28R-7130019 inclusive, and PA-28R-200 with serial numbers 28R-7135001 to 28R-7435331 inclusive.</p> <p>C - Used if VOA-40M or VOA-50M Omni Converter, which incorporates indicator lights, is installed</p> <p>D - Used on PA-28-140 with serial numbers 28-26401 to 28-26956 inclusive, PA-28-180 with serial numbers 28-5601 to 28-5869 inclusive, PA-28-235 with serial numbers 28-11301 to 28-11393 inclusive, PA-28R-180 with serial numbers 28R-31251 to 28R-31279 inclusive, and PA-28R-200 with serial numbers 28R-35601 to 28R-35830 inclusive.</p> <p>E - Used on PA-28-140 with serial numbers 28-7125001 to 28-7425454 inclusive, PA-28-180 with serial numbers 28-7105001 to 28-7405290 inclusive, PA-28-235 with serial numbers 28-7110001 to 28-7410120 inclusive, PA-28R-180 with serial numbers 28R-7130001 to 28R-7130019 inclusive, and PA-28R-200 with serial numbers 28R-7135001 to 28R-7435331 inclusive.</p> <p>F - Used on PA-28-140 with serial numbers 28-25000 to 28-7425454 inclusive, PA-28-180 with serial numbers 28-5228 to 28-7405290 inclusive, PA-28-235 with serial numbers 28-11301 to 28-7410120 inclusive, PA-28R-180 with serial numbers 28R-31121 to 28R-7130019 inclusive, and PA-28R-200 with serial numbers 28R-30482, 28R-35001 to 28R-7435331 inclusive.</p> <p>G - Used on PA-28-180 with Serial numbers 28-4378 to 28-5227 inclusive, PA-28- 235 with serial numbers 28-11040 to 28-11300 inclusive, and PA-28R-180 with serial numbers 28R-30005 to 28R-30481 inclusive, 28R 30483 to 28R-31120 inclusive.</p> <p>W - These parts must be ordered from Service Spares Department, Piper Aircraft, Lock Haven, Penna,</p>					

When ordering, always specify Part Number, Description, and Serial Number of Aircraft

PIPER PARTS CATALOG

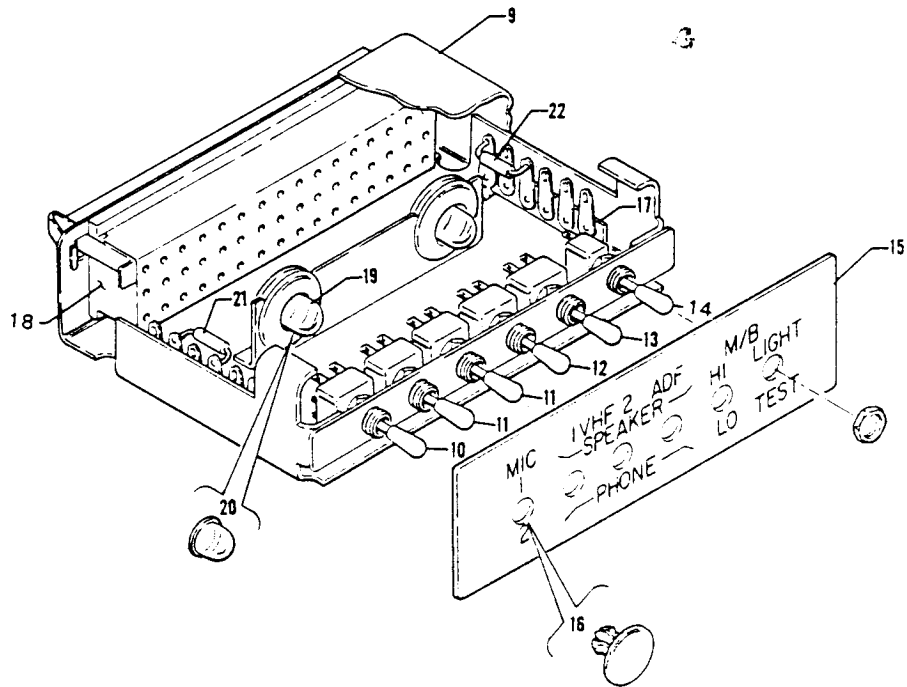
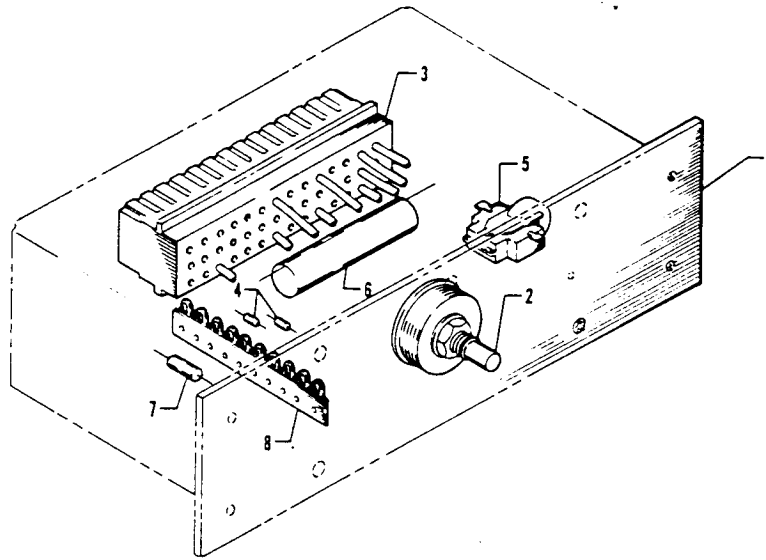


Figure 95. Radio Junction Boxes
 (PA-28-140 Serial Nos. 28-25000 and up)
 (PA-28-180 - Serial Nos. 28-4378 and up)
 (PA-28R-180 - Serial Nos. 28R-30005 to 28R-30481 inclusive, 28R-30483 and up)
 (PA-28-235 - Serial Nos. 28-11040 and up)
 (PA-28R-200 - Serial Nos. 28R-30482, 28R-35001 and up)

PA-28-140
 PA-28-180
 PA-28-235
 PA-28R-180
 PA-28R-200

PIPER PARTS CATALOG

Figure and Index Number	Part Number	Code	NOMENCLATURE	No. Req.	SERIAL NUMBERS AFFECTED
95-1	68941-00	B,D	BOX ASSEMBLY - Radio junction (complete)	1	
	68876-00	C,D	SELECTOR ASSEMBLY -Transmitter	1	
-2	68926-00	C,D	SWITCH - Transmitter selector	1	
-3	484 303	D	RECEPTACLE - (R-42)	1	
4	456 703	B,D	DIODE - (1N2071)	1	
	456 703	C,D	DIODE - (1N2071)	2	
-5	484 375	D	RELAY - (11F-2300G-SIL)	1	
-6	484 416	D	RESISTOR - (FZ4-7)	1	
-7	484 436	D	RESISTOR - (470 ohm, 1/4 watt)	1	
-8	488 485	D	STRIP-Terminal (1070)	1	
-9	99395-00	E,H	AUDIO SELECTOR ASSEMBLY	1	
	99395-02	F,H	AUDIO SELECTOR ASSEMBLY	1	
	99395-03	G,H	AUDIO SELECTOR ASSEMBLY	1	
-10	587 807	H	SWITCH - Microphone (JMT-223)	1	
-11	587 808	H	SWITCH - VHF (JMT-221)	2	
-12	587 808	H	SWITCH - ADF (JMT-221)	1	
-13	587 808	H	SWITCH -Marker beacon, Hi/Lo (JMT 221)	1	
-14	587 809	H	SWITCH - Marker beacon, Light Test (JMT-126)	1	
-15	99344-00	H	PLATE - Selector face	1	
-16	453 855	H,W	BUTTON - Plug (207-170201-00)	2	
-17	588 356	H	STRIP- Terminal (1076)	2	
-18	484 234	H	RECEPTACLE - (1055R48)	1	
-19	472 056	H	BULB - (GE 53)	2	
-20	460 602	H	FILTER - Lunar white (1813-26)	2	
-21	456 703	H	DIODE - (1N2071)	3	
-22	484 461	H	RESISTOR - (242E3R05)	1	
<p>A - Used on PA-28-180 with serial numbers 28-4378 and up, PA-28-235 with serial numbers 28-11040 and up, PA-28-140 with serial numbers 28-25000 and up, PA-28R-180 and PA-28R-200.</p> <p>B - Used if single radio is installed.</p> <p>C - Used if dual radios are installed.</p> <p>D - Used on PA-28-180 with serial numbers 28-4378 to 28-5869 inclusive, PA-28R-180 with serial numbers 28R-30005 to 28R-30481 inclusive, 28R-30483 to 28R-31279 inclusive, PA-28-235 with serial numbers 28-11040 to 28-11393 inclusive, PA-28-140 with serial numbers 28-25000 to 28-26956 inclusive, and PA-28R-200 with serial numbers 28R-30482,28R-35001 to 28R-35830 inclusive .</p> <p>E With single VHF switch, ADF switch and marker beacon switches.</p> <p>F - With microphone switch, dual VHF switches and ADF switches.</p> <p>G - With microphone switch, dual VHF switches, ADF switch and marker beacon switches.</p> <p>H - Used on PA-28-180 with serial numbers 28-7105001 and up, PA-28R-180 with serial numbers 28R-7130001 and up, PA-28-235 with serial numbers 28-7110001 and up, PA-28-140 with serial numbers 28-7125001 and up and PA-28R-200 with serial numbers 28R-7135001 and up.</p> <p>W These parts must be ordered from Service Spares Department, Piper Aircraft, Lock Haven, Penna.</p>					

When ordering, always specify Part Number, Description, and Serial Number of Aircraft

PA-28-140
PA-28-180
PA-28-235
PA-28R-180
PA-28R-200

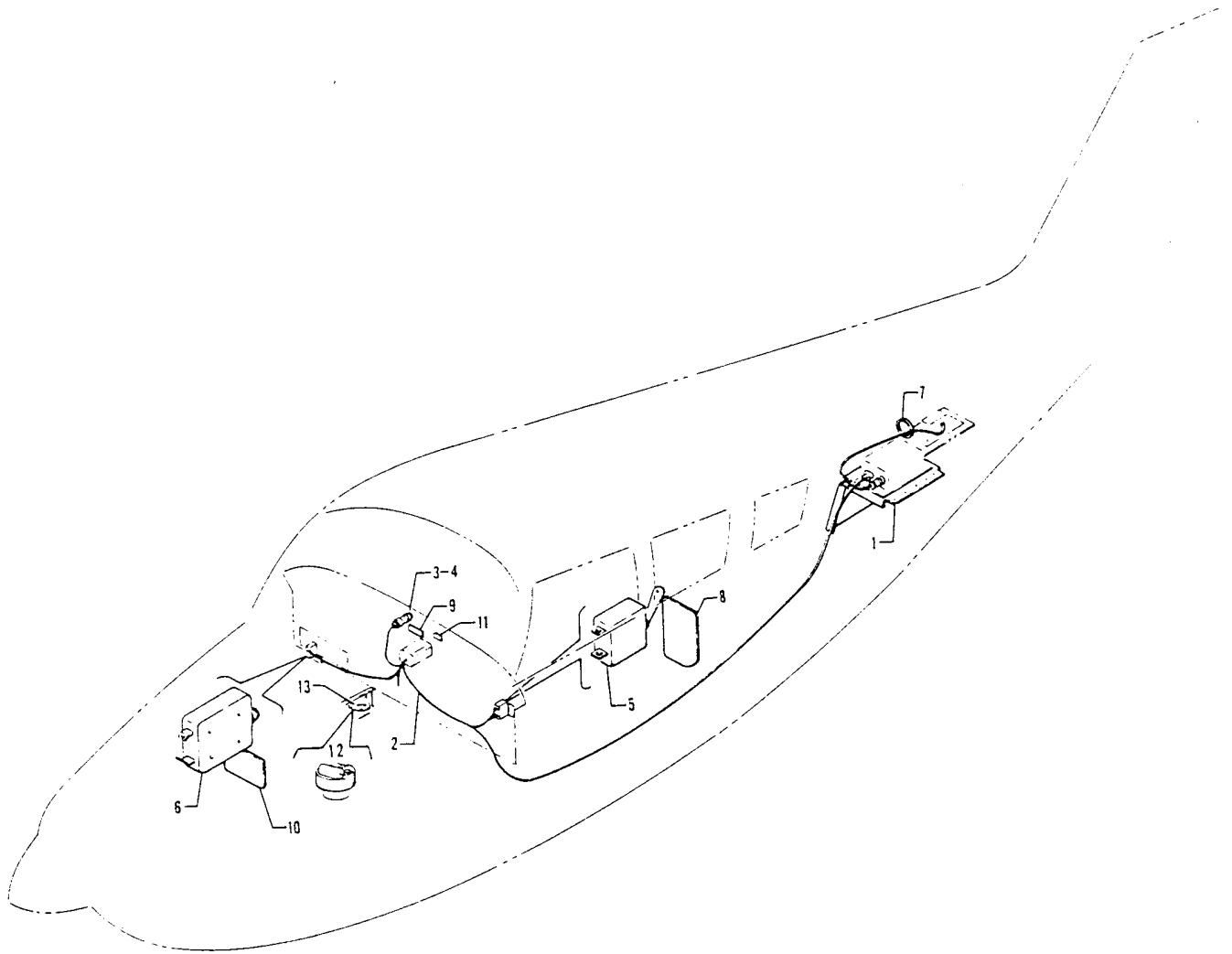


Figure 96. Radar Altimeter Installation

PIPER PARTS CATALOG

Figure and Index Number	Part Number	Code	NOMENCLATURE	No. Req.	SERIAL NUMBERS AFFECTED
96	37693		DRAWING - Radar Altimeter installation		
-1	37693-04		SUPPORT - Radar altimeter transmitter	1	
-2	37694-02		HARNESSE ASSEMBLY - Radar altimeter	1	
-3	761 198		LAMP ASSEMBLY - (136-0020-00)	1	
-4	472 054	W	LAMP - (PS10008-330)	1	
-5	587 923		SWITCH - (PS10095-1)	1	
-6	454 706		CIRCUIT BREAKER - (PS50120-1-2)	1	
-7	63186-12		MOULDING	1	
-8	69669-97		PLACARD - Radar altimeter on-off	1	
-9	69669-96		PLACARD - Radar altimeter off for take-off	1	
-10	69669-96		PLACARD - Radar altimeter	1	
-11	69669-114	A	PLACARD - Warning	1	28R-7635001 and up
-12	565 566		HORN - Warning	1	
-13	35672-02		BRACKET- Horn mounting	1	
			A - Used if air conditioning is installed.		
			W - These parts must be ordered from Service Spares Department, Piper Aircraft, Lock Haven, Penna,		

When ordering, always specify Part Number, Description, and Serial Number of Aircraft

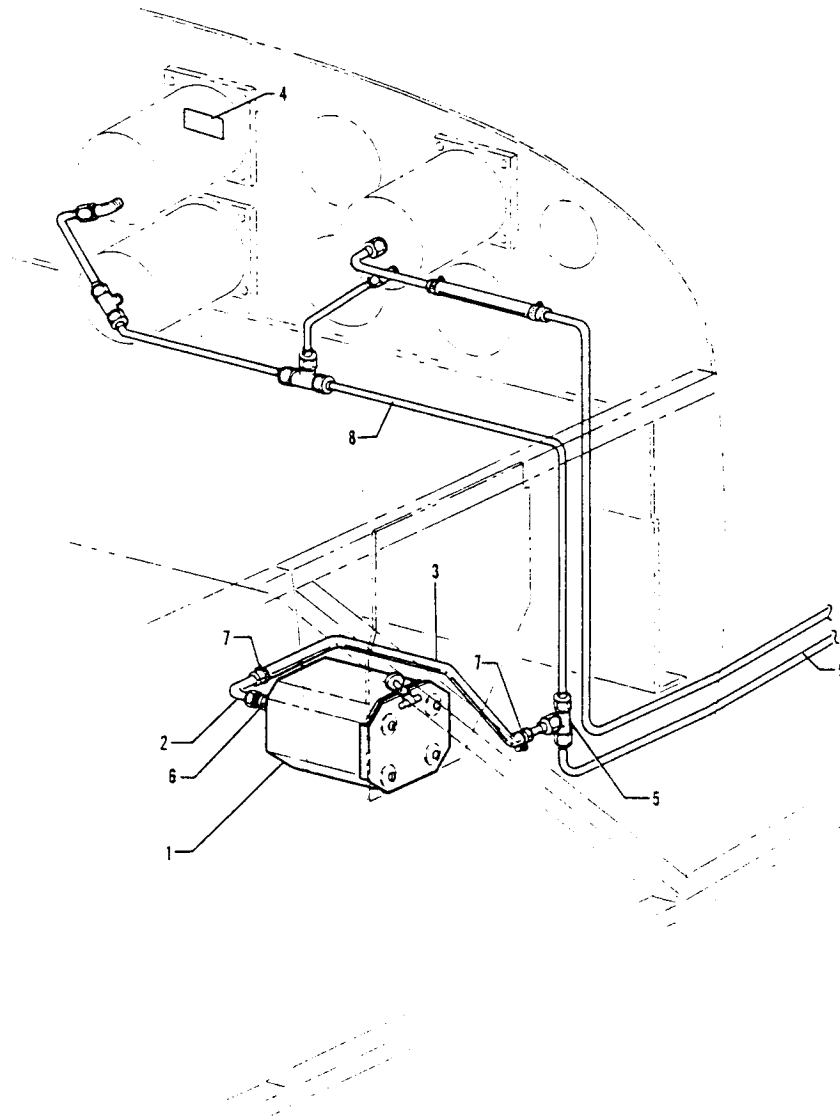


Figure 97. Encoder Installation (Narco - AR 500)
(PA-28-140 - Serial Nos. 28-7725001 and up)
(PA-28-235 - Serial Nos. 28-7710001 and up)

PIPER PARTS CATALOG

Figure and Index Number	Part Number	Code	NOMENCLATURE	No. Req.	SERIAL NUMBERS AFFECTED
97-	79658		DRAWING - Encoder Installation (Narco-AR 500)		
-1	596 605		ALTITUDE REPORTER - Narco (PS50040-30-2)	1	
-2	63211-00		TUBE ASSEMBLY - Encoder	1	
-3	63913-122		HOSE - Static	1	
-4	35669-154		PLACARD - Altitude reporter installed	1	
-5	68193-07		TEE ASSEMBLY - Static	1	
-6	476 647	W	UNION - (AN816-3D)	1	
-7	554 861	W	CLAMP - (SAE TY F4)	4	
-8	63913-68		HOSE - Static	1	
-9	63913-122	C	HOSE - Static	1	
	63913-37	B	HOSE - Static	1	
			A - Used on PA-28-140 with serial numbers 28-7725001 and up, and PA-28-235 with serial numbers 28-7710001 and up.		
			B - Used on PA-28-140 airplanes only.		
			C - Used on PA-28-235 airplanes only.		
			W - These parts must be ordered from Service Spares Department, Piper Aircraft, Lock Haven, Penna.		

When ordering, always specify Part Number, Description, and Serial Number of Aircraft

PIPER PARTS CATALOG

Figure and Index Number	Part Number	Code	NOMENCLATURE	No. Req.	SERIAL NUMBERS AFFECTED
	63973		DRAWING - Radio Installation, Narco VHT-3 Superhomer		28-1 to 28-1410 inclusive
	63974	A	DRAWING - Radio Installation, Narco VTR-2A Omnigator		
	63992	A	DRAWING - Radio Installation, King KX150		
	62894	B	DRAWING - Radio Installation, King KX150A		28-20002 to 28-24999 inclusive
	63487	C	DRAWING - Radio Installation, King KX150A		
	65641	D	DRAWING - Radio Installation, King KX150		
	62175	B	DRAWING - Radio Installation, Narco Mark 12		28-20002 to 28-24999 incl.
	62175	EF	DRAWING - Radio Installation, Narco Mark 12		
	62249	G	DRAWING - Radio Installation, Narco Mark 12		
	63389	C	DRAWING - Radio installation, Narco Mark 12		
	65713	D	DRAWING - Radio Installation, Narco Mark 12		
	65621	D	DRAWING - Radio Installation, Dual Narco Mark 12		
	62187	E	DRAWING - Radio Installation, Narco ADF-30		
	62926	B	DRAWING - Radio Installation, Narco ADF-30		28-20002 to 28-24999 incl.
	63387	C	DRAWING - Radio Installation, Narco ADF-30		
	63532	C	DRAWING - Radio Installation, Bendix ADF-T-12B		
	65710	D	DRAWING - Radio Installation, Bendix ADF-T-12		
	65794	B	DRAWING - Radio Installation, Bendix ADF-T-12		28-20002 to 28-24999 inclusive
	63784	AC	DRAWING - Radio Installation, Narco ADF-31		
	65711	D	DRAWING - Radio Installation, Narco ADF-31		
	65602	B	DRAWING - Radio Installation, Narco ADF-31		
	65684	B	DRAWING - Radio Installation, Narco Mark III		28-20002 to 28-24999 inclusive
	65752	D	DRAWING - Radio Installation, Narco Mark III		
	63535	CD	DRAWING - DME Installation, Narco UDI-3		
	65622	D	DRAWING - Glide Slope, Narco UGR-IA		
	63242	C	DRAWING - Radio System Installation		
	65714	D	DRAWING - Radio System Installation		
			A - Used on PA-28-150, PA-28-160 and PA-28-180 with serial numbers 28-1 to 28-1760 inclusive, and PA-28-235 with serial numbers 28-10003 to 28-10486 inclusive.		
			B - Used on PA-28-140 airplanes only.		
			C - Used on PA-28-150, PA-28-160 and PA-28-180 with serial numbers 28-1761 to 28-3377 inclusive, and PA-28-235 with serial numbers 28-10487 to 28-10719 inclusive.		
			D - Used on PA-28-150, PA-28-160 and PA-28-180 with serial numbers 28-3378 to 28-4377 inclusive, and PA-28-235 with serial numbers 28-10720 to 28-11039 inclusive.		
			E - Used on PA-28-150, PA-28-160 and PA-28-180 with serial numbers 28-1411 to 28-1760 inclusive, and PA-28-235 with serial numbers 28-10003 to 28-10486 inclusive.		
			F - Used when constant speed propeller is not installed.		
			G - Used on PA-28-235 with serial numbers 28-10166 to 28-10486 inclusive if constant speed propeller is installed.		

When ordering, always specify Part Number, Description, and Serial Number of Aircraft

PIPER PARTS CATALOG

Figure and Index Number	Part Number	Code	NOMENCLATURE	No. Req.	SERIAL NUMBERS AFFECTED
	67451	C,E	DRAWING - Radio Installation, Narco Mark III and VIII		
	67452	D	DRAWING - Radio Installation, Narco UDI-4 DME		
	99666	G	DRAWING - Radio Installation, King KN60C DME		
	79628	H	DRAWING - Radio Installation, King KN61 DME		
	67453	A	DRAWING - Receiver Installation, Narco UGR-2 Glide Slope		
	67456	D	DRAWING - Radio Installation, Narco ADF-31		
	67457	D	DRAWING - Radio Installation, Bendix ADF-T-12		
	67458	C	DRAWING - Radio Installation, Narco Mark12 and 16		
	66737	E	DRAWING - Radio Installation, Narco Mark 12 and 16		
	99459	F	DRAWING - Radio installation, Narco Mark 12 and 16		
	66739	B	DRAWING - Reciever installation, Narco UGR-2 Glide Slope		
	99404	F	DRAWING -Transponder Installation, Narco AT6-A or AT5-A		
			<p>A - Used on PA-28-180 with serial numbers 28-4378 to 28-7505261 inclusive, PA-28-235 with serial numbers 28-11040 to 28-7510145 inclusive, PA-28R-180, and PA-28R-200 with serial numbers 28R-30482, 28R-35001 to 28R-7535393 inclusive.</p> <p>B - Used on PA-28-140 with serial numbers 28-25000 to 28-7525350 inclusive.</p> <p>C - Used on PA-28-180 with serial numbers 28-4378 to 28-5869 inclusive, PA-28-235 with serial numbers 28-11040 to 28-11393 inclusive, PA-28R-180 with serial numbers 28R-30005 to 28R-30481, 28R-30483 to 28R-31279 inclusive, and PA-28R-200 with serial numbers 28R-30482, 28R-35001 to 28R-35830 inclusive.</p> <p>D - Used on PA-28-140 with serial numbers 28-25000 to 28-7425454 inclusive, PA-28-180 with serial numbers 28-4378 to 28-7405290 inclusive, PA-28-235 with serial numbers 28-11040 to 28-7410120 inclusive, PA-28R-180 with serial numbers 28R-30005 to 28R-7130019 inclusive, and PA-28R-200 with serial numbers 28R-30482, 28R-35001 to 28R-7435331 inclusive.</p> <p>E - Used on PA-28-140 with serial numbers 28-25000 to 28-26956 inclusive.</p> <p>F - Used on PA-28-140 with serial numbers 28-7125001 to 28-7425464 inclusive, PA-28-180 with serial numbers 28-7105001 to 28-7405290 inclusive, PA-28-235 with serial numbers 28-7110001 to 28-7410120 inclusive, PA-28R-180 with serial numbers 28R-7130001 to 28R-7130019 inclusive, and PA-28R-200 with serial numbers 28R-7135001 to 28R-7435331 inclusive.</p> <p>G - Used on PA-28-140 with serial numbers 28-7225001 to 28-7525350 inclusive, PA-28-180 with serial numbers 28-7205001 to 28-7505261 inclusive, PA-28-235 with serial numbers 28-7210001 to 28-7510145 inclusive, and PA-28R-200 with serial numbers 28R-7235001 to 23R-7535393 inclusive.</p> <p>H - Used on PA-28-140 with serial numbers 28-7625001 and up PA-28-235 with serial numbers 28-7610001 and up, and PA-28R-200 with serial numbers 28R-7635001 and up.</p>		

When ordering, always specify Part Number, Description, and Serial Number of Aircraft

PIPER PARTS CATALOG

Figure and Index Number	Part Number	Code	NOMENCLATURE	No. Req.	SERIAL NUMBERS AFFECTED
	99665	D	DRAWING -Transponder Installation, I.F.D., Starlight		
	99840	A	DRAWING -Transponder Installation, Narco AT50		
	99989	B	DRAWING - Transponder Installation, AT50/AT50A/AT150		
	99846	C	DRAWING - Transponder Installation, I.D.F. Skyline 300		
	69657	G	DRAWING - Transponder Installation, King KT76 or KT78		
	99608	H,J	DRAWING - Radio installation, King KX-170		
	99844	E	DRAWING - Radio Installation King KR 85		
	99837	F	DRAWING - Radio Installation, King KX-170A		
			<p>A - Used on PA-28-140 with serial numbers 28-7225001 to 28-7225503 inclusive, PA-28-180 with serial numbers 28-7205001 to 28-7205294 inclusive, PA-28-235 with serial numbers 28-7210001 to 28-7310001 inclusive, and PA-28R-200 with serial numbers 28R-7235001 to 28R-7235282 inclusive.</p> <p>B - Used on PA-28-140 with serial numbers 28-7225504 and up, PA-28-180 with serial numbers 28-7205295 and up, PA-28-235 with serial numbers 28-7310002 and up and PA-28R-200 with serial numbers 28R-7235283 and up.</p> <p>C - Used on PA-28-140 with serial numbers 28-7225231 to 28-7425454 inclusive, PA-28-180 with serial numbers 28-7205201 to 28-7405290 inclusive, PA-28-235 with serial numbers 28-7210015 to 28-7410120 inclusive, and PA-28R-200 with serial numbers 28R-7235124 to 28R-7435331 inclusive.</p> <p>D - Used on PA-28-140 with serial numbers 28-7225001 to 28-7425454 inclusive, PA-28-180 with serial numbers 28-7205001 to 28-7405290 inclusive, PA-28-235 with serial numbers 28-7210001 to 28-7410120 inclusive, and PA-28R-200 with serial numbers 28R-7235001 to 28R-7435331 inclusive.</p> <p>E - Used on PA-28-140 with serial numbers 28-7225187 and up, PA-28-180 with serial numbers 28-7205184 and up, PA-28-235 with serial numbers 28-7210013 and up and PA-28R-200 with serial numbers 28R-7235088 and up.</p> <p>F - Used on PA-28-140 with serial numbers 28-7225001 to 28-7225612 inclusive, PA-28-180 with serial numbers 28-7205001 to 28-7205328 inclusive, PA-28-235 with serial numbers 28-7210001 to 28-7210033 inclusive, and PA-28R-200 with serial numbers 28R-7235001 to 28R-7235330 inclusive.</p> <p>G - Used on PA-28-140 with serial numbers 28-7325001 and up, PA-28-180 with serial numbers 28-7305001 and up, PA-28-235 with serial numbers 28-7310001 and up and PA-28R-200 with serial numbers 28R-7335001 and up.</p> <p>H - Used on PA-28-180 with serial numbers 28-7105001 to 28-7405290 inclusive, PA-28-235 with serial numbers 28-7110001 to 28-7410120 inclusive, PA-28R-180 with serial numbers 28R-7130001 and up, and PA-28R-200 with serial numbers 28R-7135001 to 28R-7435331 inclusive.</p> <p>J - Used on PA-28-140 with serial numbers 28-7125001 to 28-7425454 inclusive.</p>		

When ordering, always specify Part Number, Description, and Serial Number of Aircraft

PIPER PARTS CATALOG

Figure and Index Number	Part Number	Code	NOMENCLATURE	No. Req.	SERIAL NUMBERS AFFECTED
	79000	C	DRAWING - Radio Installation, King KX-170B or KX-175B		
	99824	B	DRAWING - Radio Installation, Narco COM-NAV 10/11 or 12		
	79307	A	DRAWING - Radio Installation, Narco COM 10/10, 11/111. NAV 10/110, 10/110. 11,111 or 12,112		
	79299	A	DRAWING - Narco CP 258/125 and MET-12-R Audio and Marker, Beacon Installation		
	79028	D	DRAWING - Radio Installation, King KX-175B with KN-73. KN-77 and KNI-520		
	79074	E	DRAWING - Dual ADF Installation, King KR-85, KR-86		
	79051	E	DRAWING - Single ADF Installation, King KR-86		
	79053	E	DRAWING - DME Installation, King KN-65/65A		
	79490	E	DRAWING - Single ADF Installation, Narco ADF-140		
	79493	E	DRAWING - Dual ADF Installation, Narco ADF-140/141		
	79491	E	DRAWING - DME Installation, Narco DME-190/190 TSO		
	79001	E	DRAWING - King KMA-20 Audio and Marker Beacon System Installation		
	76478	F	DRAWING - King KX-170B/B(E) COMM, Glideslope and NSD-360 Radio installation		28R-7635001 and up
	76488	F	DRAWING - Narco NAV 14/114 OC110 NSD-360 Radio Installation		28R-7635001 and up 28R-7635001 and up
	79068	E	DRAWING - King KN-74 Area NAV System Installation.		
	79663	G	DRAWING - Collins COM/NAV/GS Radio Installation		
	79662	G	DRAWING - Collins RCR-650 ADF Radio Installation		
	79669	G	DRAWING - Narco DME-195 Radio Installation		
	79660	G	DRAWING - Collins TDR-950 Transponder Installation		
	69982		DRAWING - King Single ADF/HF Compatibility Installation		
			A - Used on PA-28-140 with serial numbers 28-7425001 and up, PA-28-180 with serial numbers 28-7405001 and up, PA-28-235 with serial numbers 28-7410001 and up and PA-28R-200 with serial numbers 28R-7435001 and up.		
			B - Used on PA-28-140 with serial numbers 28-7225001 to 28-7325684 inclusive, PA-28-180 with serial numbers 28-7205001 to 28-7305611 inclusive, PA-28-235 with serial numbers 28-7210001 to 28-7310187 inclusive, and PA-28R-200 with serial numbers 28R-7235001 to 28R-7335455 inclusive.		
			C - Used on PA-28-140 with serial numbers 28-7325001 and up, PA-28-180 with serial numbers 28-7305001 and up, PA-28-235 with serial numbers 28-7310001 and up and PA-28R-200 with serial numbers 28R-7335001 and up.		
			D - Used on PA-28-140 with serial numbers 28-7324397 and up, PA-28-180 with serial numbers 28-7305382 and up, PA-28-235 with serial numbers 28-7310139 and up and PA-28R-200 with serial numbers 28R-7335232 and up.		
			E - Used on PA-28-140 with serial numbers 28-7525001 and up, PA-28-180 with serial numbers 28-7505001 and up, PA-28-235 with serial numbers 28-7510001 and up and PA-28R-200 with serial numbers 28R-7535001 and up.		
			F - Used on PA-28R-200 airplanes only.		
			G - Used on PA-28-140 with serial numbers 28-7725001 and up, and PA-28-235 with serial numbers 28-7710001 and up.		

When ordering, always specify Part Number, Description, and Serial Number of Aircraft

PIPER PARTS CATALOG

Figure and Index Number	Part Number	Code	NOMENCLATURE	No. Req.	SERIAL NUMBERS AFFECTED
OPTIONAL EQUIPMENT KITS					
	754 431		CABIN EXHAUST VENT		28-1 to 28-400 inclusive
	754 497	A	WHEEL FAIRING INSTALLATION - "150" & "160"		28-1 to 28-670 inclusive
	754 498	A	WHEEL FAIRING INSTALLATION - "150" & "160"		28-671 to 28-1529 inclusive
	756 790	E,H	WHEEL FAIRING INSTALLATION - "140" "150" "160"		
	754 464	G	SUN VISOR INSTALLATION - Gray		
	757 090	C,D	VACUUM PUMP INSTALLATION - (Less Pump 481 753 and Drive Kit)		
	757 138	F	VACUUM PUMP INSTALLATION - (Less Pump 481 753 and Drive Kit 450 380)		
	760 287	B,D	VACUUM PUMP INSTALLATION - (Less Pump 481 753 and Drive Kit)		
<p>A - Less Fairings 63377-00, 63374-00 and 63374-01.</p> <p>B - Used on PA-28-140 with serial numbers 28-25000 to 28-7425454 inclusive, PA-28-180 with serial numbers 28-5122, 28-5130 to 28-5179 inclusive, 28-5228 to 28-7405290 inclusive, PA-28R-180 with serial numbers 28R-30879 to 28R-7130019 inclusive, PA-28R-200 with serial numbers 28R-30482, 28R-35001 to 28R-7435331 inclusive, and PA-28-235 with serial numbers 28-11040 to 28-7410120 inclusive.</p> <p>C - Used on PA-28-150, PA-28-160 and PA-28-180 with serial numbers 28-1 to 28-4377 inclusive, PA-28-140 with serial numbers 28-20002 to 28-24999 inclusive, and PA-28-235 with serial numbers 28-10003 to 28-11039 inclusive.</p> <p>D - Vacuum Pump Drive Kit 450 380 is required for PA-28-140, PA-28-150, PA-28-160, PA-28-180, PA-28R-180 and PA-28R-200. Vacuum Pump Drive Kit 754575 is required for PA-28-235.</p> <p>E - Less Fairings 65331-00, 65203-02 and 65203-03</p> <p>F - Used on PA-28-180 with serial numbers 28-4378 to 28-5121 inclusive, 28-5123 to 28-5129 inclusive, 28-5180 to 28-5227 inclusive, and PA-28R-180 with serial numbers 28R-30005 to 28R-30481 inclusive, 28R-30483 to 28R-30878 inclusive.</p> <p>G - Used on PA-28-140 with serial numbers 28-20002 to 28-21467 inclusive, PA-28-150, PA-28-160 and PA-28-180 with serial numbers 28-1 to 28-2477 inclusive, and PA-28-235 with serial numbers 28-10003 to 28-10719 inclusive.</p> <p>H - Used on PA-28-140 with serial numbers 28-20002 to 28-26799 inclusive, and PA-28-150 and PA-28-160 with serial numbers 28-1 to 28-4377 inclusive.</p>					

When ordering, always specify Part Number, Description, and Serial Number of Aircraft

PIPER PARTS CATALOG

Figure and Index Number	Part Number	Code	NOMENCLATURE	No. Req.	SERIAL NUMBERS AFFECTED
			OPTIONAL EQUIPMENT KITS (cont.)		
	754 401	E	NIGHT FLYING LIGHTS - (Less rotating beacon 452 465)		
	757 141	G	NIGHT FLYING LIGHTS - (Less rotating beacon 452 465)		
	756 746	D	FLOAT INSTALLATION - "180" (EDO Model 89-2000 Floats)		
	761 090	F,L	AUXILIARY POWER RECEPTACLE INSTALLATION		
	761 089	F,H	AUXILIARY POWER RECEPTACLE INSTALLATION		
	761 088	F	AUXILIARY POWER RECEPTACLE INSTALLATION - "140"		
	756 783	J,K	CONSTANT SPEED PROPELLER INSTALLATION - "235"		28-10166 to 28-11039 incl.
	760 209	J	CONSTANT SPEED PROPELLER INSTALLATION - "235"		28-11040 to 28-7210033 incl.
	756 785	A,B	STEP INSTALLATION		
	756 893	A,C	STEP INSTALLATION		
			A - Less Step Assembly 65384-00.		
			B - Used on PA-28-150, PA-28-160 and PA-28-180 with serial numbers 28-1 to 28-1520 inclusive, and PA-28-235 with serial numbers 28-10002 to 28-10232 inclusive.		
			C - Used on PA-28-150, PA-28-160 and PA-28-180 with serial numbers 28-1521 to 28-1760 inclusive, PA-28-140 with serial numbers 28-20002 to 28-20300 inclusive, and PA-28-235 with serial numbers 28-10233 to 28-10486 inclusive.		
			D - Less Propeller, Piper Part No.450 968 (McCauley Part No. (A200/FA8248) for PA-28S-180 with serial numbers 28S-671 to 28S-1760 inclusive, and Piper Part Number 450 963 (McCauley Part No. IA200/DFA8248) For PA-28S-180 with serial numbers 28S-1761 to 28S-7205328 inclusive, and Floats.		
			E - Used on PA-28-140 with serial numbers 28-20002 to 28-24999 inclusive, PA-28-150, PA-28-160 and PA-28-180 with serial numbers 28-1 to 28-4377 inclusive, and PA-28-235 with serial numbers 28-10003 to 28-11039 inclusive.		
			F - Less External Power Connector Plug Assembly, Part No 62355-02.		
			G - Used on PA-28-140 with serial numbers 28-25000 to 28-7425454 inclusive. PA-28-180 with serial numbers 28-4378 to 28-7405290 inclusive, PA-28-235 with serial numbers 28-11040 to 28-7410120 inclusive, PA-28R-180 with serial numbers 28R-30005 to 28R-7130019 inclusive, and PA-28R-200 with serial numbers 28R-35001 to 28R-7435331 inclusive.		
			H - Used on PA-28-180 with serial numbers 28-4378 to 28-7507259 inclusive, PA-28-235 with serial numbers 28-10720 and up, PA-28R-200 with serial numbers 28R-35001 and up and PA-28R-180.		
			J - Less Propeller Piper Part No. 550 938 and Governor Piper Part Nos. 6663402 and 66634-10)		
			K - Four sets of Engine Shock Mounts 475 114 are required and must be ordered separately when ordering kit for serial numbers 28-10166 to 28-10261 inclusive, 28-10263, 28-10264 and 28-10265.		
			L - Used on PA-28-150. PA-28-160 and PA-28-180 with serial numbers 28-1 to 28-4377 inclusive. and PA-28-235 with serial numbers 28-10003 to 28-10719 inclusive.		

When ordering, always specify Part Number, Description, and Serial Number of Aircraft

PIPER PARTS CATALOG

Figure and Index Number	Part Number	Code	NOMENCLATURE	No. Req.	SERIAL NUMBERS AFFECTED
OPTIONAL EQUIPMENT KITS (cont.)					
	756 810		NAV-TIMER INSTALLATION - "180" & "235"		
	756 825		NAV-TIMER INSTALLATION - "140" "150" - "160"		
	756 897	D	SINGLE TOE BRAKE INSTALLATION		
	756 898	E	SINGLE TO DUAL TOE BRAKE INSTALLATION		
	756 899	G	DUAL TOE BRAKE INSTALLATION		
	756 962	C,F	FAMILY SEAT INSTALLATION - "140"		28-20002 to 28-20939 inclusive
	756 941	F	FAMILY SEAT INSTALLATION - "140"		28-20940 and up
	760 365	A,B	INERTIA SAFETY SHOULDER BELT INSTALLATION - Black		
	763 966	K	SHOULDER HARNESS INSTALLATION - Passenger seats		
	763 967	J	SHOULDER HARNESS INSTALLATION - Passenger seats		28-7225001 and up
	760 284	H	HAT SHELF BULKHEAD INSTALLATION - "140"		
			<p>A - Used on PA-28-140 with serial numbers 28-20001 to 28-7125651 inclusive, PA-28-150, PA-28-160 and PA-28-180 with serial numbers 28-2478 to 28-7105244 inclusive, PA-28235 with serial numbers 28-10676 to 28-7110042 inclusive, PA-28R-180 with serial numbers 28R-30005 to 28R-7130019 inclusive, and PA-28R-200 with serial numbers 28R-30482, 28R-35001 to 28R-7135238 inclusive.</p> <p>B - Less reel covers; see Seat Installation, Figure 28 or 28A, to order reel covers required.</p> <p>C - Propeller, Part No, 460 944 (58" Pitch), is required for serial numbers 28-20002 to 28-20939 inclusive, and Floor and Carpet Assembly 65512-00 (Brown) or 65512-04 (Gray) is required for serial numbers 28-20002 to 28-20909 inclusive, and must be ordered separately.</p> <p>D - Used on PA-28-140 with serial numbers 28-20521 and up, PA-28-150, PA-28-160 and PA-28-180 with serial numbers 28-1761 and up.</p> <p>E - Used on PA-28-140 with serial numbers 28 -20521 and up, PA-28-150, PA-28-160 and PA-28-180 with serial numbers 28-1761 and up, PA-28-235 with serial numbers 28-10487 and up, and PA-28R-180 and PA-28R-200 airplanes.</p> <p>F - Less seats and seat belts; see Rear Seat installation, Figures 29 for these items.</p> <p>G - Used on PA-28-140 with serial numbers 28-20521 and up, PA-28-150, PA-28-160 and PA-28-180 with serial numbers 28-1761 and up, and PA-28-235 with serial numbers 28-10487 and up.</p> <p>H - Family Seat Installation Kit 756 962 and Propeller, Part No. 450 944, are required on aircraft with serial numbers 28-20001 to 28-20939 inclusive if not previously installed.</p> <p>J - Used on PA-28-140 airplanes only.</p> <p>K - Used on PA-28-180 with serial numbers 28-7205001 and up, PA-28-235 with serial numbers 28-7210001 and up, and PA-28R-200 with serial numbers 28R-7235001 and up.</p>		

When ordering, always specify Part Number, Description, and Serial Number of Aircraft

PIPER PARTS CATALOG

Figure and Index Number	Part Number	Code	NOMENCLATURE	No. Req.	SERIAL NUMBERS AFFECTED
OPTIONAL EQUIPMENT KITS (cont.)					
	760 296	G	PITOT COVER		28-7325001 and up
	760 297	H	PITOT COVER		
	757 088	A,B	AUTOCONTROL III - (3 inch gyros)		
	757 131	F	AUTOCONTROL III - (3 inch gyros)		
	761 002	D	AUTOCONTROL III B (with radio coupler)		
	761 003	D	AUTOCONTROL III B (without radio coupler)		
	757 042	B	RADIO COUPLER INSTALLATION		
	757 137	F	RADIO COUPLER INSTALLATION		
	760 992	E	ELECTRIC PITCH TRIM (less trim switch)		
	760 993	C	ELECTRIC PITCH TRIM		
			<p>A - Instrument cover panel, P/N69060-03 required for PA-28-150, PA-28-160 and PA-28-180 with serial numbers 28-3590 to 28-4084 inclusive, and PA-28-235 with serial numbers 28-10741 to 28-10926 inclusive.</p> <p>B - Used on PA-28-150, PA-28-160 and PA-28-180 with serial numbers 28-3590 to 28-4377 inclusive, and PA-28-235 with serial numbers 28-10741 to 28-11039 inclusive.</p> <p>C - Used on PA-28-180 with serial numbers 28-4378 and up, PA-28-235 with serial numbers 28-11040 and up, PA-28R-200 with serial numbers 28R-35001 and up, and PA-28R-180.</p> <p>D - Used on PA-28-140 with serial numbers 28-7525001 and up, PA-28-180 with serial numbers 28-7505001 and up, PA-28-235 with serial numbers 28-7510001 and up, and PA-28R-200 with serial numbers 28R-7535001 and up.</p> <p>E - Used on PA-28-140 airplanes only. Order electric trim switch 67443-04 for a bowtie style control wheel, or electric trim switch 79652-03 for a ramshorn style control wheel.</p> <p>F - Used on PA-28-140 with serial numbers 28-25000 to 28-7425454 inclusive, PA-28-180 with serial numbers 28-4378 to 28-7405290 inclusive, PA-28-235 with serial numbers 28-11040 to 28-7410120 inclusive, PA-28R-180 with serial numbers 28R-30001 to 28R-7130013 inclusive, and PA-28R-200 with serial numbers 28R-35001 to 28R-7435323 inclusive.</p> <p>G - Used on PA-28R-180 and PA-28R-200 airplanes only.</p> <p>H - Used on PA-28R-140 with serial numbers 28-20281 and up, PA-28-150, PA-28-160 and PA-28-180 with serial numbers 28-1761 and up, and PA-28-235 with serial numbers 28-10487 and up.</p>		

When ordering, always specify Part Number, Description, and Serial Number of Aircraft

PIPER PARTS CATALOG

Figure and Index Number	Part Number	Code	NOMENCLATURE	No. Req.	SERIAL NUMBERS AFFECTED
OPTIONAL EQUIPMENT KITS (cont.)					
	757 027	A	AUTOFLITE (Less AutoNav Tracker)		
	757 135	H	AUTOFLITE (Less AutoNav Tracker)		
	757 188	E	AUTONAV TRACKER INSTALLATION		
	757 197	J	AUTONAV TRACKER INSTALLATION		
	757 198	H	AUTONAV TRACKER NSTALLATION		
	760 480	G	AUTOFLITE II (With Tracker)		
	760 481	G	AUTOFLITE II (Without Tracker)		
	757 004	B	HEATED PITOT STATIC SYSTEM INSTALLATION		
	757 140	D	HEATED PITOT STATIC SYSTEM INSTALLATION		
	760 198	C	HEATED PRESSURE HEAD INSTALLATION		
	760 199	F	HEATED PITOT STATIC AND HEATED PRESSURE HEAD INSTALLATION		
			<p>A - Used on PA-28-140 with serial numbers 28-20002 to 28-24999 inclusive, PA-28-150, PA-28-160 and PA-28-180 with serial numbers 28-1231 to 28-4377 inclusive, and PA-28-235 with serial numbers 28-10003 to 28-11039 inclusive.</p> <p>B - Used on PA-28-140 with serial numbers 28-20281 to 28-24999 inclusive, PA-28-150, PA-28-160 and PA-28-180 with serial numbers 28-1761 to 28-4377 inclusive, and PA-28-235 with serial numbers 28-10487 to 28-11039 inclusive.</p> <p>C - Used on PA-28R-180 with serial numbers 28R-30005 to 28R-30481 inclusive, 28R-30483 to 28R-30878 inclusive.</p> <p>D - Used on PA-28-140 with serial numbers 28-25000 and up, PA-28-180 with serial numbers 28-4378 and up, and PA-28-235 with serial numbers 28-11040 and up.</p> <p>E - Used on PA-28-140 with serial numbers 28-20002 to 28-23746 inclusive, PA-28-150, PA-28-160 and PA-28-180 with serial numbers 28-1231 to 28-4377 inclusive, and PA-28-235 with serial numbers 28-10003 to 28-11002 inclusive.</p> <p>F - Used on PA-28R-180 and PA-28R-200 airplanes only.</p> <p>G - Used on PA-28-140 with serial numbers 28-7125001 and up, PA-28-180 with serial numbers 28-7105001 and up, PA-28-235 with serial numbers 28-7110001 and up, PA-28R-180 with serial numbers 28R-7130001 and up, and PA-28R-200 with serial numbers 28R-7135001 and up.</p> <p>H - Used on PA-28-140 with serial numbers 28-25000 to 28-26956 inclusive, PA-28-180 with serial numbers 28-4378 to 28-5869 inclusive, PA-28-235 with serial numbers 28-11040 to 28-11393 inclusive, PA-28R-180 with serial numbers 28R-30005 to 28R-30481 inclusive, 28R-30483 to 28R-31279 inclusive, and PA-28R-200 with serial numbers 28R-30482, 28R-35001 to 28R-35830 inclusive.</p> <p>J - Used on PA-28-140 with serial numbers 28-23747 to 28-24999 inclusive, and PA-28-235 with serial numbers 28-11003 to 28-11039 inclusive.</p>		

When ordering, always specify Part Number, Description, and Serial Number of Aircraft

PIPER PARTS CATALOG

Figure and Index Number	Part Number	Code	NOMENCLATURE	No. Req.	SERIAL NUMBERS AFFECTED
			OPTIONAL EQUIPMENT KITS (cont.)		
	760 210	A,C	ALTERNATE STATIC SYSTEM INSTALLATION		28-25000 and up
	757 163	M	PIPER MIXTURE CONTROL INDICATOR KIT		
	760 189	N,W	MAP CLIP INSTALLATION (Mounted on control wheel		
	760 195	K	FUEL TANK DRAIN AND SAMPLER		
	760 196	L	FUEL TANK DRAIN AND SAMPLER		
	757 112	W	NITROGEN CYLINDER ASSEMBLY (with fittings)		
	760 383	G	WINTERIZATION KIT		
	760 384	H	WINTERIZATION KIT		
	760 458	J	CYLINDER HEAD TEMPERATURE GAUGE INSTALLATION		
	760 459	F	CYLINDER HEAD TEMPERATURE GAUGE INSTALLATION		
	760 460	E	CYLINDER HEAD TEMPERATURE GAUGE INSTALLATION		
	760 455	D	BAGGAGE DOOR LOCK REPLACEMENT KIT (with lock)		
	760 456	B	BAGGAGE DOOR LOCK CONVERSION KIT (less lock)		
			<p>A - Used on PA-28-140 with serial numbers 28-25000 and up, PA-28-180 with serial numbers 28-4378 and up, PA-28-235 with serial numbers 28-11040 and up, PA-28R-180, and PA-28R -200 .</p> <p>B - Used on PA-28-150, PA-28-160 and PA-28-180 with serial numbers 28-1715 to 28-5313 inclusive, PA-235 with serial numbers 28-10487 to 28-11227 inclusive, and PA-28R-180 with serial numbers 28R-30005 to 28R-30481, 28R-30483 to 28R-31092 inclusive.</p> <p>C - On the PA-28R-180 Models, it will be necessary to order and replace present unheated pitot static head with unheated head, Part No- 63477- 00, for serial numbers 28R-30005 to 28R-30253 inclusive. If heated pitot static head is installed, order heated head, Part No.69041-02, for serial numbers 28R-30005 to 28R-30253 inclusive. If heated pitot static Kit 757 140 or 760 199 has been installed it will not be necessary to secure a new heated head assembly.</p> <p>D - Used on PA-28-150, PA-28-160 and PA-28-180 with serial numbers 28-1 to 28-5313 inclusive, PA-28-235 with serial numbers 28-10003 to 28-11227 inclusive, and PA-28R-180 with serial numbers 28R-30005 to 28R-30481, 28R-30483 to 28R-31092 inclusive.</p> <p>E - Used on PA-28R-200 airplanes only.</p> <p>F - Used on PA-28-180 with serial numbers 28-4378 to 28-7505261 inclusive, PA-28-235 with serial numbers 28-11040 and up and PS-28R-180.</p> <p>G - Used on PA-28R-180 with serial numbers 28R-30005 to 28R-30481 inclusive, 28R-30483 to 28R-31266 inclusive.</p> <p>H - Used on PA-28R-200 with serial numbers 28R-30482, 28R-35001 to 28R-35344 inclusive.</p> <p>J - Used on PA-28-140 airplanes only.</p> <p>K - Used on PA-28R-180 with serial numbers 28R-30005 to 28R-30274 inclusive. PA-28-140. PA-28-150, PA-28-160 and PA-28-180 airplanes.</p> <p>L - Used on PA-28-235 airplanes only.</p> <p>M - Used on PA-28-150, PA-28-160. PA-28-180. PA-28-235. PA-28R-180 and PA-28R-200.</p> <p>N - Used on PA-28-180 with serial numbers 28-4378 and up PA-28-235 with serial numbers 28-11040 and up. PA-28R-180 and PA-28R-200 airplanes.</p> <p>W - These parts must be ordered from Service Spares Department, Piper Aircraft. Lock Haven, Penna.</p>		

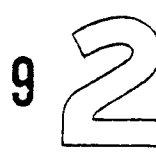
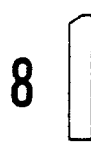
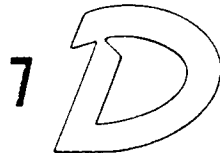
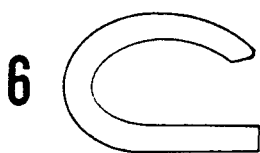
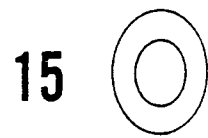
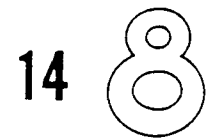
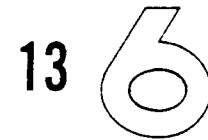
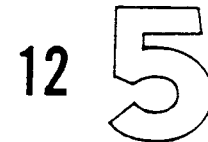
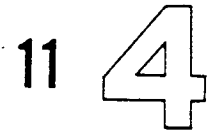
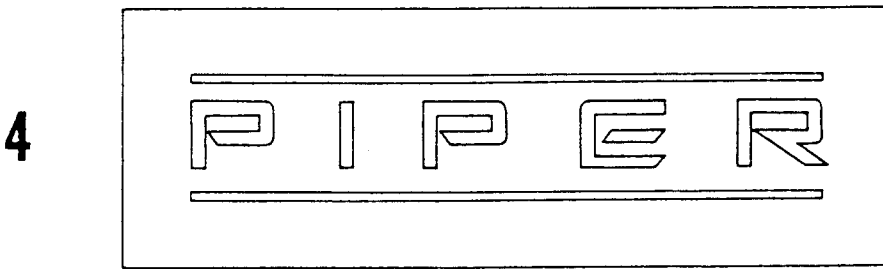
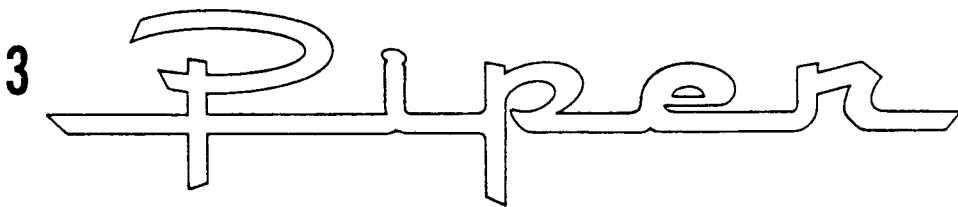
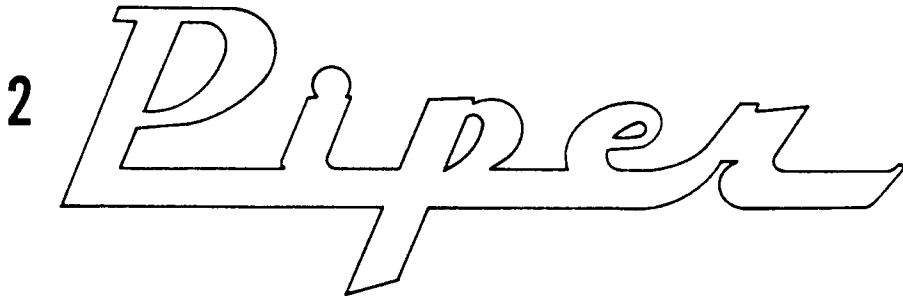
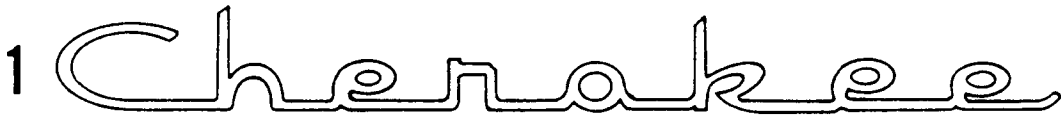
When ordering, always specify Part Number, Description, and Serial Number of Aircraft

PIPER PARTS CATALOG

Figure and Index Number	Part Number	Code	NOMENCLATURE	No. Req.	SERIAL NUMBERS AFFECTED
			OPTIONAL EQUIPMENT KITS (cont.)		
	760 537 760 542	S E,C	FLITE LINER TO 140 CRUISER CONVERSION LANDING GEAR BACK-UP ACTUATOR OVERRIDE MECHANISM		
	761 008 763 828 763 874 763 842	F J G,H	RADIO COOLING INSTALLATION KIT ENGINE BREATHER TUBE WINTERIZATION KIT VACUUM TO ELECTRIC TURN & SLIP CONVERSION ELT REPLACEMENT (Garrett or Communications Components Corp. ELT to Narco ELT 10)		
	763 920 763 962	K	IMPROVED CABIN HEAT/CENTER DUCT DOOR JAMB SNUBBER INSTALIATION		
			REPAIR KITS		
	757 182 757 184 757 165 757 181	A B A B	BRAKE SYSTEM "O" RINGS AND SEALS BRAKE SYSTEM "O" RINGS AND SEALS LANDING GEAR "O" RINGS AND SEALS LANDING GEAR "O" RINGS AND SEALS		
			A - Used on PA-28-140, PA-28-150, PA-28-180, and PA-28-235 airplanes. B - Used on PA-28R-180 and PA-28R-200 airplanes only. C - Less Flap Handle Cover Assembly P/N 67917-00 Red, 67917-02 Brown, 67917-03 Black, 67917-04 Green or 67917-05 Blue/Green. D - Used on PA-28-140 airplanes only. E - Used on PA-28R-180 with serial numbers 28R-30004 to 28R-31135 inclusive, 28R-31251 to 28R-31270 inclusive, 28R-7130001 to 28R-7130057 inclusive and PA-28R-200 with serial numbers 28R-35001 to 28R-35392 inclusive, 28R-35601 to 28R-35820 inclusive, 28R-7135001 to 28R-7135232 inclusive. F - Used on PA-28-140 with serial numbers 28-25000 to 28-7425454 inclusive, PA-28-150, PA-28-160 and PA-28-180 with serial numbers 28-1761 to 28-7405290 inclusive, PA-28-235 with serial numbers 28-11040 to 28-7410120 inclusive, PA-28R-180. and PA-28R-200 with serial numbers 28R-35001 to 28R-7435331 inclusive. G - Less Turn Coordinator Instrument P/N 548 190. H - Used on PA-28-140 with serial numbers 28-20000 to 28-24999 inclusive. PA-28-150, PA-28-160 and PA-28-180 with serial numbers 28-1 to 28-4377 inclusive, and PA-28-235 with serial numbers 28-10003 to 28-11039 inclusive. J - Used on PA-28-140, PA-28-150, PA-28-160, PA-28-180, PA-28R-180 and PA-28R-200 only. K - Used on PA-28-180 with serial numbers 28-7305001 to 28-7505259 incl., PA-28-235 with serial numbers 28-7710089 incl., and PA-28R-200 with serial numbers 28 R -7135001 to 28R -7635545 incl usive. W - These parts must be ordered from Service Spares Department, Piper Aircraft, Lock Haven, Penna.		

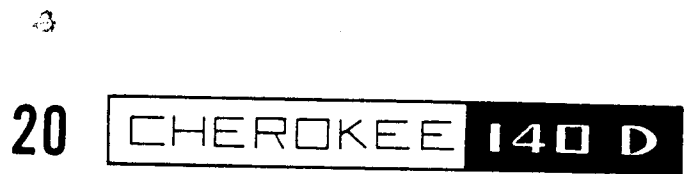
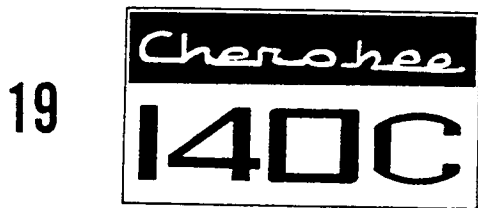
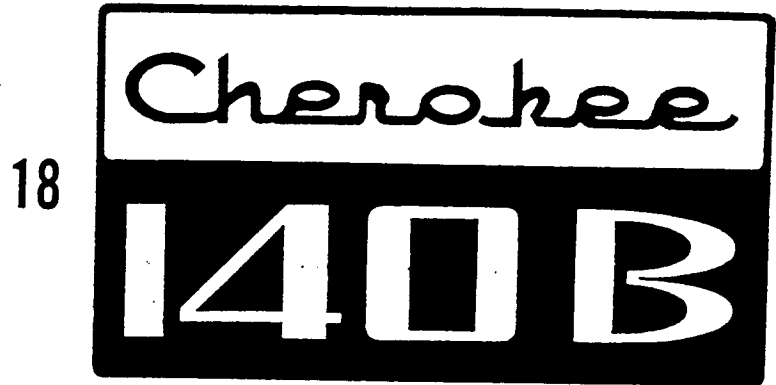
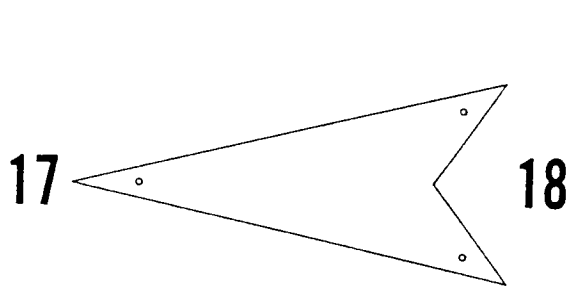
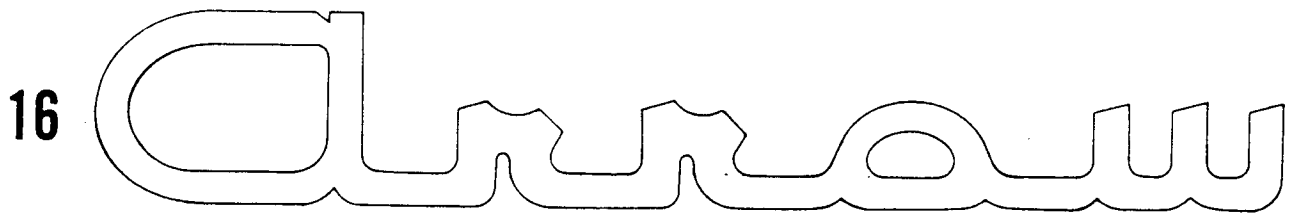
When ordering, always specify Part Number, Description, and Serial Number of Aircraft

PIPER PARTS CATALOG



- 1. 63934-00 MEDALLION - "Cherokee"
- 2. 21940-02 PLACARD - "Piper"
- 3. 22859-00 STENCIL - "Piper"
- 4. 66929-00 STENCIL - "Piper"
- 5. 63986-00 LETTER - "B"
- 6. 63968-03 LETTER - "C"
- 7. 63968-11 LETTER - "D"
- 8. 63968-04 NUMERAL - "1"

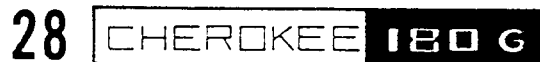
- 9. 22418-02 NUMERAL - "2"
- 10. 22773-01 NUMERAL - "3"
- 11. 63968-12 NUMERAL - "4"
- 12. 63968-06 NUMERAL - "5"
- 13. 63968-01 NUMERAL - "6"
- 14. 63968-07 NUMERAL - "8"
- 15. 63968-08 NUMERAL - "0"



- 16. 67194-00 MEDALLION - Arrow
- 17. 67195-00 MEDALLION - Arrowhead
- 18. 66743-00 NAMEPLATE - Cherokee 140B
- 19. 66938-00 NAMEPLATE - Cherokee 140C

- 20. 99442-00 NAMEPLATE - Cherokee 140D
- 21. 99706-00 NAMEPLATE - Cherokee 140E
- 22. 99969-00 NAMEPLATE - Cherokee 140

PIPER PARTS CATALOG



- 23. 66943-00 NAMEPLATE - Cherokee 235D
- 24. 99444-00 NAMEPLATE - Cherokee 235E
- 25. 99708-00 NAMEPLATE - Cherokee 235F
- 26. 66939-00 NAMEPLATE - Cherokee 180E

- 27. 99443-00 NAMEPLATE - Cherokee 180F
- 28. 99707-00 NAMEPLATE - Cherokee 180G
- 29. 66941-00 NAMEPLATE - Cherokee Arrow 180
- 30. 99376-02 LETTER "B" - Cherokee Arrow 180 Nameplate

31 CHEROKEE ARROW 200

32 CHEROKEE ARROW 200 B

33 CHEROKEE ARROW II

34 CHEROKEE Arrow II

35 cherokee ARROW

36 CHEROKEE

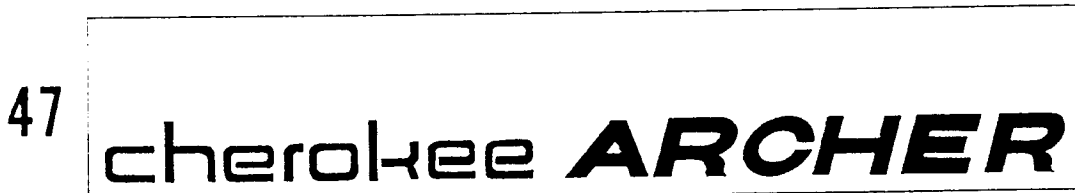
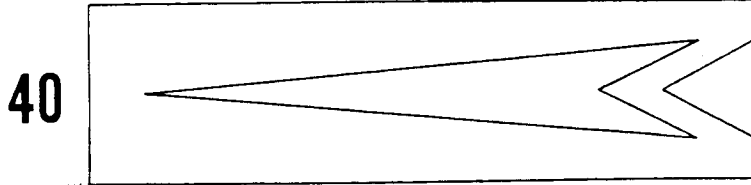
37 CHEROKEE

38 2 0 0

39 2 0 0

- 31. 67818-00 NAMEPLATE - Cherokee Arrow 200
- 32. 99376-00 NAMEPLATE - Cherokee Arrow 200B
- 33. 76108-00 NAMEPLATE - Cherokee Arrow II
- 34. 76251-00 NAMEPLATE - Arrow II
- 35. 76486-00 NAMEPLATE - Cherokee Arrow (White)
- 76451-02 NAMEPLATE - Cherokee Arrow (Black)

- 36. 99612-00 NAMEPLATE - Cherokee, left
- 37. 99612-02 NAMEPLATE - Cherokee, right
- 38. 67820-00 STENCIL - "200" (Left)
- 39. 67820-01 STENCIL - "200" (Right)



- 40. 67821-00 STENCIL - Arrowhead
- 41. 99832-00 NAMEPLATE - Cruiser
- 42. 79005-00 NAMEPLATE - Cruiser
- 43. 79597-00 NAMEPLATE - Cruiser (White)
79294-02 NAMEPLATE - Cruiser (Black)
- 44. 76250-00 NAMEPLATE - Challenger

- 45. 76252-00 NAMEPLATE - Charger
- 46. 76487-00 NAMEPLATE - Pathfinder (White)
76450-02 NAMEPLATE - Pathfinder (Black)
- 47. 76449-00 NAMEPLATE - Archer (White)
76449-02 NAMEPLATE - Archer (Black)

48



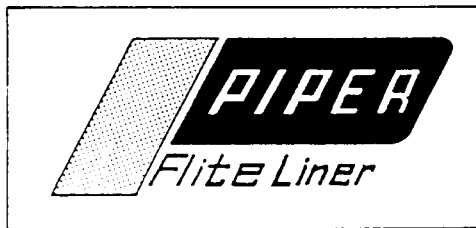
49



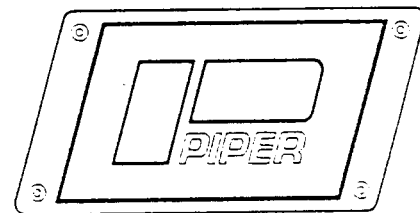
50



51



52



53



- 48. 99711-00 STENCIL - Piper Air
- 49. 99728-00 NAMEPLATE - Piper Air
- 50. 79315-00 PLACARD - Piper Air

- 51. 99613-00 NAMEPLATE - Flite Liner
- 52. 48629-00 MEDALLION - Piper Logo
- 53. 79688-00 DECAL - Piper

PIPER PARTS CATALOG

**3K7 THRU 3L24
INTENTIONALLY LEFT BLANK**



PA-28 AND PA-28R
CHEROKEE
PARTS CATALOG
CARD 4 OF 4

PA-28-140

PA-28-180

PA-28-150

PA-28-235

PA-28-160

PA-28R-180

PA-28R-200

PIPER AIRCRAFT CORPORATION

Courtesy of Bomar Flying Service
www.bomar.biz

PIPER PARTS CATALOG

AEROFICHE EXPLANATION

The Parts Catalog information incorporated in this set of Aerofiche cards has been arranged in accordance with the general specifications of Aerofiche adopted by the General Aircraft Manufacturer's Association.

Conversion of Aerofiche alpha/numeric code numbers:

First number is the Aerofiche card identifier.

Letter is the horizontal line reference per card.

Second number is the vertical line reference per card.

Example: 2J16 = Aerofiche card number two of given set. Grid location J16.

To aid in locating the various sections and related information desired, the following is provided:

A complete Catalog Table of Contents is given at Grid 1A8 of Aerofiche card number 1 of this set. Each additional card in this set will have a Table of Contents for all sections on that particular card. This table will start at Grid A3.

REVISIONS

The information compiled in this Aerofiche Parts Catalog will be kept current by revisions distributed periodically. These revisions will supersede all previous revisions and will be complete Aerofiche card replacements and shall supersede Aerofiche cards of the same number in the set.

Current revisions to this PA-28 and PA-28R Parts Catalog issued August 16, 1973 are as follows:

753 582 (PR750815)	Dated August 1975
753 582 (PR760430)	Dated April 1976
753 582 (PR760831)	Dated August 1976
753 582 (PR770304)	Dated March 1977
753 582 (PR770715)	Dated July 1977
753 582 (PR780908)	Dated September 1978
753 582 (PR790405)	Dated April 1979
753 582 (PR800520)	Dated May 1980

SPECIAL NOTE

The PA-28-181 Model has been removed from this Parts Catalog. Refer to new Parts Catalog, Part No. 761 678, for PA-28-181 parts information.

NOTE: Refer to the last card of the Piper - Parts Price List - Aerofiche for a check list of current revision dates and card effectivities for this parts catalog.

TABLE OF CONTENTS

FIGURE NUMBER

FIGURE TITLE
NUMERICAL INDEX

GRID NUMBER
4A4

PIPER PARTS CATALOG

Part Number	Figure and Index No.	Part Number	Figure and Index No.	Part Number	Figure and Index No.	Part Number	Figure and Index No.
SKVB-244V	52-105	14428-00	54-54	18321-00	56-42	20784-00	39-19
10430-00	60-12	14470-00	51-3	18321-00	57-39	20868-00	28-8
11122-00V	73B-6	14470-00	52-3	18321-00	57-45	20868-00	28A-32
11199-00	16-19	14470-00	53-72	18321-00	57B-33	20868-00	29-14
11199-00	16-32	14493-00	20-12	18321-00	57C-46	20886-00	20-17
11199-03	87-19	14513-00	62-14	18321-00	66-99	20908-00	77-22
11199-08	16-32	14513-00	63-16	18321-00	67-6	21008-00	45-5
11199-08	67-20	14627-03	24-21	18321-00	68-5	21027-00	22-26
11199-08	88-27	14634-00	24-46	18457-00	2-5	21027-00	22A-14
11199-08	89-14	14635-02	24-23	18467-00	16-8	21028-00	45-10
11200-00	77-18	14635-03	24-47	18622-00	56-16	21029-00	45-6
11200-00	77-80	14843-16	38-15	18622-00	57-8	21030-00	45-2
11473-40	33-40	14843-51	28-7	18622-00	57A-9	21051-00	45-13
11601-03	34-32	14843-51	28A-35	18622-00	58-86	21154-03	24-60
11692-05	77-19	14843-70	24-98	18622-00	66-75	21154-03	30-47
12599-03	45-7	14843-90	24-32	18835-12V	28-20a	21154-04	24-50
12605-00	45-3	14976-11	35-19	18838-04V	28-33a	21154-04	30-47
12693-04	56-38	14976-15	34-64	18875-06	16-6	21156-00	24-61
12693-04	57-46	14976-16	34-23	18968-00	28-27	21156-00	30-48
12693-04	66-91	14990-00	87-26	18968-00	28-28	21156-00	31-33
12723-00	64-4	14994-00	87-21	18968-00	28A-6	21162-00	24-56
12761-02	13-47	15086-00	27-70	18968-00	28B-4	21162-00	30-49
12761-02	24-4b	15086-00	27A-67	18968-00	28C-36	21162-00	31-34
12761-02	24A-6	15152-00	45-8	19011-00	45-4	21172-02	24-26
12761-02	68-1	15206-02	33A-9	19063-02	24-2	21176-00	24-36
12809-00	64-25	16444-00	67-1	19063-02	24-17	21208-00	24-37
12813-00	64-7	16599-00V	66-75	19063-02	24A-2	21209-00	24-38
13020-00	37-59	17442-00	77-20	19336-00	28A-11	21212-02	24-48
13071-00	33-39	17555-00	73B-16	19336-00	28A-20	21213-00	24-49
13074-02	33A-2	17766-06	51-4	19336-00	28B-11	21214-00	24-50
13074-03	33A-4	17766-06	52-4	19336-00	28C-35	21227-00	52-49
13089-00	33-38	17766-06	53-53	19336-01	28A-11	21230-00	53-75
13090-00	33-37	17766-06	55-11	19336-01	28A-20	21230-00	55-14
13291-00V	33-36	17803-00	52-5	19336-01	28B-11	21257-03	24-58
13476-00V	30-39	17870-06	25-41	19336-01	28C-35	21257-03	30-50
13476-00V	31-12	17871-08	25-42	19365-02	28A-13	21257-04	24-58
13478-00	30-41	18063-00	24-117	19365-02	28A-22	21257-04	30-50
13478-00	31-14	18078-00	51-6	19365-02	28B-9	21407-00	24-65b
13483-00	30-40	18078-00	52-6	19365-02	28C-37	21407-00	30-66
13483-00	31-13	18078-00	53-73	19392-15	28A-12	21407-00	31-55
13586-80V	10-36	18078-00	55-12	19392-15	28A-21	21409-00V	24-66
13945-40	22-29	18132-00	59-51	19392-15	28B-8	21409-00V	30-63
13945-40	22A-13	18132-02	59-51	19513-10	38-49	21409-00V	31-52
13950-00	16-7	18219-00	59-57	19561-00	87-2	21457-00	20-18
14153-00	45-9	18219-02	57B-32	19562-00	87-25	21474-00	24-41
14175-103	38-29	18219-02	57C-42	19563-00	87-1	21475-00	24-42
14205-00	18-25	18219-02	59-57	19807-00	68-10	21476-02	24-43
14235-00	60-14	18219-02	67-3	19927-03	25-46	21572-00	30-6
14235-08	66-51	18219-02	67A-50	20589-00	16-3	21572-00	31-17
14311-39	56-55	18290-00	45-1	20596-00	16-1	21573-00	30-7
14311-39	57-27	18307-00	52-7	20735-05V	35-11	21574-00	30-17
14314-02	69-18	18321-00	51-8	20743-00	24-18	21574-00	31-19
14422-00	56-2	18321-00	52-8	20747-00	24-19	21710-00	35-29
14428-00	51-31	18321-00	53-79	20754-02	39-2	21712-02	35-17
14428-00	52-32	18321-00	54-27	20781-00	35-44	21741-00V	12-31
14428-00	53-5	18321-00	55-13	20784-00	35-14	21785-02	24-44

PIPER PARTS CATALOG

Part Number	Figure and Index No.	Part Number	Figure and Index No.	Part Number	Figure and Index No.	Part Number	Figure and Index No.
21785-03	24-44	25006-06	66-3	35432-00V	33-19	36625-03V	51-79
21822-00	38-36	24290-00	21-18	35433-00V	33-14	36625-03V	52-79
21831-04	35-31	26653-00V	28B-16	35644-902V	37-20	36625-03V	53-104
21843-00	24-34	26749-07	18-2	35644-903V	37-20	36625-03V	54-75
21844-00	24-35	26749-07	19-2	35655-02V	60-2a	36625-03V	55-98
21878-00	68-21	26749-07	19A-2	35656-02V	60-2b	36692-02V	58-27
21881-00	24-45	26749-07	19B-2	35664-02V	2-45	36789-02V	53-15
22103-03V	57B-47	26824-00V	28B-3a	35669-04V	33-51	36856-02V	28C-20
22104-04	57A-39	26824-01V	28B-3a	35669-05V	33-52	36857-02V	28C-21
22105-03	31A-55	26952-00V	28B-18	35669-05V	34-52	36858-02V	28C-42
22105-03	31B-11	26953-00V	28B-23	35669-08V	34-85	37693-04V	96-1
22105-03	32-14	26965-00V	28B-19	35669-10V	33-51	37694-02V	96-2
22105-10	54-31	26965-02V	28B-20	35669-14V	17-72	37722-02V	42-10
22105-10	58-36	26966-00V	28B-22	35669-28V	17-8a	37722-03V	42-12a
22287-00	31A-44	27018-00V	28B-15	35669-105V	93A-19	37732-00V	39-13
22287-00	31B-31	27244-00V	28B-24	35669-105V	93B-13	37848-02V	28C-26
22287-00	32-40	27245-00V	28B-25	35669-105V	93C-12	37902-02V	28C-13
22287-00	57B-42	31197-00	51-69	35669-132V	93C-11	37902-05V	28C-53
22287-00	59-56	31197-00	52-69	35669-154V	97-4	37902-06V	28C-13
22287-03	76-55	31197-00	53-70	35672-02V	96-13	37902-08V	28C-11
22287-03	84-12	31197-00	55-65	35692-04V	33-51	37915-02V	27A-72
22482-00	10-33	31747-00	32-12	35725-02V	2-6	37970-02V	34-75
22482-00	15-45	31747-00	57B-24	35789-02V	51-29	37997-02V	32B-5
22514-00	18-6	31747-00	57B-27	35789-02V	52-29	37997-02V	32E-11
22633-02	67-5	31747-00	57C-37	35789-02V	53-22	38149-03V	68-77
23107-00	52-105	31747-00	57C-44	35789-02V	54-59	38149-05V	70-44
23107-00	66-3	31747-00	59-32a	35797-02V	34-2	38226-00V	17-36
23319-00V	54-34	31747-00	59-35	35827-02V	58-6	38255-02V	68-68
23809-04	58-67	31747-00	67-4	36511-02V	31A-5	38261-02V	34-25
23809-05	58-23	31747-00	67A-29	36511-02V	32-2	41001-10V	74-11
23809-06	58-24a	32380-00	28A-14	36511-03V	31A-5	41001-10V	75-11
23809-07V	58-66	32380-00	28A-23	36511-03V	32-2	41001-11V	75-12
23969-02	68-13	32380-00	28B-10	36535-02V	18-2	42891-00	30-55
23969-02	73B-21	32380-00	28C-40	36535-02V	19-2	42891-00	77-23
23969-02	93-26	32658-02	17-64	36535-02V	19A-2	44386-03V	35-18
23969-03	68-14	35158-02	33-37	36535-02V	19B-2	50111-00	28-23
23969-05	73B-22	35201-00V	73B-25	36558-06V	31A-10	50111-00	28A-9
24047-00	57C-7	35202-00V	73B-24	36558-07V	31A-10	50111-00	28B-7
24047-00	59-7	35208-00V	69A-7	36558-07V	31B-5	50111-00	76-15
24047-00	67A-7	35208-00V	70-7	36588-02V	26-108	52586-02	86A-1
24048-00	57B-5	35209-00V	70-3	36588-02V	27-113	61402-93V	34-21
24048-00	57C-8	35212-00V	70-10	36588-02V	27A-102	61413-03	66-12
24048-00	59-8	35214-00V	68-76	36588-03V	26-108	61879-02	56-37
24048-00	67A-8	35261-00V	69A-6	36588-03V	27-113	61879-02	57-7
24123-00	57B-50	35262-02V	33-48	36588-03V	27A-102	61879-02	57A-8
24123-00	59-41	35270-00V	33-9	36588-04V	26-108	61879-02	58-81
24123-00	67A-28	35270-00V	34-77	36588-04V	27-113	61879-02	66-1
24357-00	57B-18a	35281-00V	33-19	36588-04V	27A-102	62002-02V	50-48
24357-00	59-24b	35281-00V	34-78	36589-02V	27-19	62002-03V	50-49
24357-00	67A-15	35282-00V	33-18	36589-02V	27A-28	62002-04	50-50
24358-00	57B-6a	35282-00V	34-79	36589-03V	27-19	62016-02V	49-2
24358-00	59-9a	35283-00V	33-17	36625-02V	51-79	62016-03V	49-2
24358-00	67A-14	35283-00V	34-80	36625-02V	52-79	62016-05V	49-3
24582-00	58-22	35284-02V	33-14	36625-02V	53-104	62016-06V	49-3
24582-00	58-68	35284-02V	34-81	36625-02V	54-75	62016-07V	49-4
24995-00V	58-10	35402-00V	76-20	36625-02V	55-98	62016-08V	49-5

PIPER PARTS CATALOG

Part Number	Figure and Index No.	Part Number	Figure and Index No.	Part Number	Figure and Index No.	Part Number	Figure and Index No.
62016-09V	49-6	62059-00V	55-108	62090-01V	2-16	62183-00V	30-25
62016-10V	49-7	62060-00V	51-73	62090-20V	2-17	62183-00V	31B-4
62017-00V	49-8	62060-00V	52-75	62090-21V	2-17	62198-02V	16-50
62018-00V	49-9	62060-00V	53-107	62090-22V	2-18	62198-03V	88-16
62019-00V	80-3	62060-00V	54-74	62090-23V	2-18	62205-02V	25-5
62019-03V	80-3	62060-00V	55-101	62091-00V	3-15	62205-03V	25-5
62019-03V	81-6	62060-01V	51-73	62091-00V	3-27	62205-04V	25-5
62021-00V	3-3	62060-01V	52-75	62102-00V	4-32	62208-02V	60-10
62021-01V	3-3	62060-01V	53-107	62102-01V	4-32	62208-04V	60-9
62022-02V	3-4	62060-01V	54-74	62105-00V	4-21	62208-05V	60-9
62022-03V	3-4	62060-01V	55-101	62105-00V	5-24	62214-00V	51-23
62023-00V	3-22	62060-04V	51-73	62109-00V	2-28	62214-00V	52-23
62023-01V	3-22	62060-04V	52-75	62115-02V	3-33	62215-00V	51-110
62024-00V	3-23	62060-04V	53-107	62115-03V	3-33	62215-00V	52-113
62024-00V	3-24	62060-04V	54-74	62119-00V	51-9	62216-00V	64-16
62024-00V	3-32	62060-04V	55-101	62119-00V	52-9	62217-00V	64-14
62024-01V	3-23	62060-05V	51-73	62119-01V	51-9	62217-03V	64-14
62024-01V	3-24	62060-05V	52-75	62119-01V	52-9	62219-00V	51-114
62024-01V	3-32	62060-05V	53-107	62121-00V	2-31	62219-00V	52-21
62024-02V	3-25	62060-05V	54-74	62129-03V	4-2	62219-00V	53-26
62024-03V	3-25	62060-05V	55-101	62129-03V	5-31	62221-00V	13-3
62033-00V	51-76	62061-02V	3-17	62129-04V	4-2	62226-00V	72-1
62033-00V	52-76	62061-04V	4-35	62129-04V	5-3	62226-00	73-1
62033-00V	53101	62066-00V	3-18	62129-07V	4-3	62227-00	72-2
62033-00V	54-72	62070-00V	4-22	62129-07V	5-32	62227-00	73-2
62033-00V	55-95	62070-01V	4-22	62129-08V	4-3	62228-00	72-3
62037-00V	51-124	62070-06V	4-23	62129-08V	5-32	62230-00V	60-3
62037-00V	52-83	62070-07V	4-23	62142-00V	52-81	62231-00V	60-4
62044-00V	51-82	62070-08V	4-22	62145-00V	89-17	62232-00V	60-5
62044-00V	53-109	62070-09V	4-22	62146-00V	88-15	62233-00V	62-8
62044-00V	54-81	62071-00V	4-25	62146-01V	88-15	62234-00V	62-9
62044-00V	55-104	62071-00V	5-26	62147-02V	16-50	62237-00V	12-19
62045-05V	52-80	62071-01V	4-25	62147-03V	88-16	62238-00V	91-3
62047-06V	4-8	62071-01V	5-26	62149-00V	19-29	62238-00V	93-3
62047-07V	4-8	62071-04V	4-25	62150-00V	49-30	62238-11V	93-3
62049-00V	3-26	62071-05V	4-25	62153-00V	10-32	62239-00V	91-14
62049-01V	3-26	62072-00V	4-24	62154-00V	10-7	62239-00V	93-15
62053-00V	4-15	62072-00V	5-27	62161-00V	88-17	62241-00V	92-18
62053-00V	5-18	62072-01V	4-24	62163-00V	88-2	62242-00V	92-19
62053-01V	4-15	62072-01V	5-27	62170-00V	88-1	62243-00V	20-21
62053-01V	5-18	62074-00V	4-27	62171-00V	30-62	62244-00V	20-22
62054-00V	4-16	62074-00V	5-29	62171-00V	31-11	62245-07V	49-33
62054-00V	5-19	62074-01V	4-27	62171-00V	57-59	62258-00V	14-13
62054-01V	4-16	62074-01V	5-29	62177-03V	16-16	62258-02V	14-13
62054-01V	5-19	62079-00V	4-26	62177-03V	17-14	62259-00V	26-32
62055-00V	4-17	62082-00V	3-20	62177-04V	17-14	62261-00V	14-14
62055-00V	5-20	62082-01V	3-20	62177-05V	17-14	62262-00V	14-15
62057-00V	4-19	62083-00V	3-21	62177-06V	17-14	62263-00V	14-6a
62057-00V	5-22	62083-01V	3-21	62177-08V	17-14	62263-02V	14-6a
62058-00V	4-20	62083-06V	3-21	62177-10V	17-14	62263-03V	14-6a
62058-00V	5-23	62083-08V	3-21	62178-00V	30-31	62264-00V	26-35
62058-01V	4-20	62084-00V	3-5	62178-00V	31-8	62265-00V	26-36
62058-01V	5-23	62086-00V	3-8	62178-00V	31A-11	62267-02V	26-43
62059-00V	51-81	62086-01V	3-8	62178-00V	31B-12	62267-03V	26-43
62059-00V	53-108	62087-00V	3-9	62179-00V	64-8	62268-00V	13-55
62059-00V	54-80	62090-00V	2-16	62180-00V	64-9	62268-02V	13-55

PIPER PARTS CATALOG

Part Number	Figure and Index No.	Part Number	Figure and Index No.	Part Number	Figure and Index No.	Part Number	Figure and Index No.
62269-02V	26-37	62295-04V	26-5	62320-02V	2-12	62361-00V	6-2
62269-02V	26-62	62295-05V	26-5	62320-02V	7-1	62361-00V	6-2
62269-04V	26-62	62295-06V	26-5	62320-03V	7-17	62361-01V	6-2
62269-05V	26-37	62295-07V	26-5	62320-04V	7-18	62365-00V	6-8
62269-06V	26-38	62295-08V	26-5	62321-00V	7-2	62365-01V	6-8
62269-09V	26-37	62295-09V	26-5	62321-01V	7-2	62366-00V	6-9
62269-10V	26-62	62295-10V	26-5	62322-00V	7-3	62366-01V	6-9
62269-11V	26-37	62295-11V	26-5	62322-02V	7-3	62367-00V	6-6
62269-12V	26-62	62296-02V	26-6	62323-00V	7-5	62371-08V	4-33
62271-00V	25-42	62296-03V	26-6	62324-00V	7-4	62371-08V	5-37
62272-00V	26-39	62296-04V	26-6	62324-01V	7-4	62371-08V	49-38
62276-00V	30-39	62296-05V	26-6	62327-00V	7-6	62372-00V	6-4
62276-00V	31-12	62296-06V	26-6	62328-00V	7-7	62372-01V	6-3
62277-40V	8-39	62296-07V	26-6	62328-00V	7-8	62373-00V	6-5
62277-00V	13-61	62296-08V	26-6	62328-01V	7-7	62373-01V	6-5
62277-00V	14-1	62296-09V	26-6	62328-01V	7-8	62375-03V	8-23a
62277-02V	8-39	62296-10V	26-6	62329-00V	7-9	62375-04V	8-23a
62277-02V	13-61	62296-11V	26-6	62330-00V	7-10	62375-05V	8-12
62277-02V	14-1	62297-00V	33-24	62330-01V	7-10	62375-06V	8-21
62277-03V	8-39	62297-00V	57-1	62331-00V	7-11	62375-06V	10-1
62277-03V	13-61	62297-00V	57A-2	62331-01V	7-11	62375-07V	8-23a
62277-03V	14-1	62301-03V	53-4	62332-00V	7-9	62375-10V	8-12
62278-02V	26-58	62302-03V	53-27	62332-00V	7-12	62375-11V	8-21
62278-03V	26-59	62303-00V	53-6	62332-02V	7-9	62375-11V	10-1
62278-04V	26-60	62305-00V	53-60	62333-00V	7-13	62378-00V	16-1
62279-00V	73B-12	62305-00V	54-1	62333-01V	7-13	62383-00V	62-11
62280-00V	88-18	62306-00V	51-36	62334-00V	7-14	62383-03V	62-11
62282-02V	26-1	62306-00V	53-61	62335-00V	7-15	62383-03V	63-8
62282-03V	26-1	62306-00V	54-2	62336-00V	7-16	62387-00V	62-10
62282-06V	26-1	62307-00V	51-38	62336-01V	7-16	62387-07V	62-10
62285-00V	8-1	62307-00V	53-62	62342-00	72-4	62391-00V	16-40
62285-05V	8-6	62307-03V	53-62	62346-00V	67-21	62393-00V	62-5
62289-02V	26-2	62308-00V	51-37	62347-00V	6722	62396-00V	62-2
62289-03V	26-2	62308-00V	53-63	62352-00V	56-4	62400-02V	24-114
62289-04V	26-2	62309-00V	51-15	62353-04V	25-16	62400-02V	24A-55
62289-05V	26-2	62309-00V	53-65	62353-04V	26-68	62403-00V	69-3
62292-02V	24-69	62314-00V	8-26	62353-04V	27-55	62406-00V	8-23
62292-03V	24-69	62314-00V	13-1	62353-04V	27A-55	62407-00V	16-54
62292-04V	24-69	62314-02V	8-29	62353-05V	26-68	62410-00V	12-33
62292-05V	24-69	62314-03V	8-26	62353-05V	27-55	62410-01V	12-33
62292-06V	24-69	62314-03V	13-1	62353-05V	27A-55	62411-00V	14-7
62292-07V	24-69	62314-06V	8-26	62355-02V	72-13	62411-02V	14-7
62293-02V	26-3	62314-06V	13-1	62355-02	73-4	62412-00V	12-32
62293-03V	26-3	62314-07V	8-26	62355-03	72-14	62412-02V	12-32
62293-04V	26-3	62314-07V	13-1	62355-06V	73-15	62413-00V	15-40
62293-05V	26-3	62314-08V	8-26	62356-02V	16-37	62413-01V	15-40
62293-06V	26-3	62314-08V	13-1	62356-03V	16-38	62414-00V	15-43
62293-07V	26-3	62315-00V	8-26	62356-04V	16-38	62414-01V	15-43
62294-02V	26-4	62315-00V	13-1	62357-02V	16-45	62416-00V	12-29
62294-03V	26-4	62315-02V	8-29	62357-03V	16-45	62419-00V	8-1
62294-04V	26-4	62315-03V	8-27	62358-00V	16-3	62419-02V	8-7
62294-05V	26-4	62317-00V	20-29	62359-00V	16-44	62419-03V	8-3
62294-06V	26-4	62319-00V	10-2	62360-00V	2-13	62419-04V	8-4
62294-07V	26-4	62319-03V	10-2	62360-00V	6-1	62419-07V	8-10
62295-02V	26-5	62320-00V	2-12	62360-01V	2-13	62419-08V	8-11
62295-03V	26-5	62320-00V	7-1	62360-01V	6-1	62419-09V	8-6

PIPER PARTS CATALOG

Part Number	Figure and Index No.	Part Number	Figure and Index No.	Part Number	Figure and Index No.	Part Number	Figure and Index No.
62419-10V	8-4	62428-00V	13-31a	62490-00V	9-22	62531-00V	14-5
62419-11V	12-72	62428-01V	13-31a	62491-00V	8-17	62534-00V	14-4
62419-16V	8-10	62429-00V	12-8	62491-00V	9-22	62535-00V	14-2
62419-17V	8-1	62430-00V	12-34	62492-00V	12-51	62536-04V	13-32
62419-18V	8-6	62435-00V	10-4	62493-00V	8-20	62536-05V	13-32
62419-20V	8-6	62435-01V	10-4	62493-00V	9-13	62537-00V	14-3
62419-21V	8-1	62438-00V	10-3	62493-00V	12-52	62538-00V	8-32
62420-00V	8-12	62439-00V	10-5	62494-00V	12-13	62539-00V	13-25
62420-03V	8-25	62441-00V	13-12	62494-02V	12-10	62540-00V	13-26
62420-04V	8-23a	62441-01V	13-12	62495-00V	12-14	62541-00V	8-30
62420-05V	8-23a	62442-00V	15-7	62495-02V	12-11	62541-00V	9-32
62420-08V	12-27	62442-04V	15-7	62496-00V	12-3	62541-01V	8-30
62420-09V	8-13	62443-00V	15-12	62497-00V	12-4	62541-01V	9-32
62420-10V	12-27	62444-03V	15-14	62498-00V	10-17	62542-00V	13-16
62420-11V	8-14	62444-05V	15-14	62498-00V	11-20	62542-01V	13-16
62420-11V	9-21	62445-00V	15-19	62499-00V	10-18	62543-00V	13-4
62420-12V	12-4	62448-02V	14-8	62499-00V	11-20	62543-02V	13-4
62420-13V	12-3	62448-03V	14-8	62501-00V	12-56	62544-00V	13-11
62420-14V	8-21	62451-00V	15-20	62504-00V	12-47	62544-01V	13-11
62420-14V	10-1	62452-00V	15-21	62505-00V	12-39	62545-00V	13-30
62420-15V	8-24	62452-01V	15-21	62506-00V	11-25	62546-00V	13-31
62420-15V	12-1	62453-00V	15-17	62507-00V	8-23	62549-00V	8-33
62420-16V	12-2	62455-00V	15-22	62507-00V	9-16	62549-00V	9-29
62420-21V	8-21	62457-00V	15-23	62509-02V	12-38	62550-00V	13-33
62420-21V	10-1	62457-01V	15-23	62509-03V	12-38	62550-01V	13-33
62420-22V	8-15	62463-00V	15-26	62509-04V	12-38	62551-00V	13-18
62420-22V	9-11	62464-00V	15-27	62510-00V	12-50	62551-01V	13-18
62420-23V	12-27	62465-00V	15-28	62511-00V	12-12	62553-00V	13-27
62420-24V	12-27	62471-00V	15-29	62511-02V	12-9	62553-02V	13-27
62420-25V	12-27	62472-00V	10-14	62512-00V	12-2	62554-00V	13-5
62420-26V	12-27	62473-00V	10-15	62517-00V	11-26	62554-00V	13-10
62421-00V	13-40	62473-00V	11-18	62518-00V	12-20	62557-04V	28-13
62421-01V	13-40	62473-02V	10-15	62518-02V	12-21	62557-04V	28A-44
62422-00V	8-26	62473-02V	11-18	62518-03V	12-21	62558-00V	13-9
62422-00V	13-1	62474-00V	12-35	62518-14V	12-21	62558-01V	13-9
62422-02V	8-27	62475-00V	12-44	62518-15V	12-21	62559-00V	13-28
62422-04V	8-29	62475-01V	12-44	62518-16V	12-20	62563-00V	14-9
62422-09V	13-2	62476-00V	12-37	62518-17V	12-20	62563-01V	14-9
62422-10V	13-6	62476-01V	12-37	62519-00V	13-13	62563-02V	14-9
62422-11V	13-6	62477-00V	12-36	62521-09V	10-11	62567-00V	14-10
62422-12V	8-28	62477-01V	12-36	62521-14V	10-7	62567-01V	14-10
62422-13V	8-29	62479-00V	12-5	62521-15V	10-12	62568-00V	14-17
62422-14V	8-26	62479-02V	12-5	62522-00V	10-21	62569-00V	14-18
62422-14V	13-1	62480-00V	12-16	62522-00V	11-23	62570-00V	14-11
62423-00V	12-40	62480-01V	12-16	62524-00V	13-8	62571-00V	12-73
62425-00V	11-13	62480-02V	12-16	62524-01V	13-8	62576-00V	13-23
62425-00V	10-13	62480-03V	12-16	62525-00V	13-14	62576-00V	13-23a
62425-01V	10-32	62480-04V	12-16	62525-01V	13-14	62577-00V	82-10
62425-01V	11-32	62480-05V	12-16	62526-00V	13-15	62578-00V	82-12
62426-00V	12-6	62481-00V	12-18	62526-01V	13-15	62579-00V	82-9
62426-03V	12-6	62483-02V	12-66	62526-02V	13-15	62580-00V	82-11
62426-05V	12-6	62485-00V	10-16	62527-00V	13-3	62581-00V	13-19
62426-06V	12-6	62485-00V	11-19	62523-00V	13-7	62581-01V	13-19
62427-00V	12-7	62485-01V	10-16	62528-01V	13-7	62581-02V	13-19
62427-01V	12-7	62485-01V	11-19	62529-00V	14-19	62583-00V	13-34
62427-02V	12-7	62490-00V	8-16	62530-00V	14-6	62583-01V	13-34

PIPER PARTS CATALOG

Part Number	Figure and Index No.	Part Number	Figure and Index No.	Part Number	Figure and Index No.	Part Number	Figure and Index No.
62584-00V	13-35	62660-06V	8-40	62701-06V	75-5	62703-33V	80-4
62585-00V	13-36	62660-06V	9-36	62701-07V	74-7	62703-33V	81-7
62596-00V	13-41	62660-07V	14-3	62701-08V	74-8	62704-00V	82-1
62596-01V	13-41	62660-08V	14-2	62701-09V	74-9	62704-02V	82-1
62596-02V	13-41	62660-08V	14-4	62701-10V	74-10	62705-00V	76-1
62596-03V	13-41	62660-12V	8-39	62701-11V	74-11	62706-00V	76-5
62597-00V	13-66	62660-12V	9-33	62701-12V	74-12	62706-02V	76-5
62599-00V	13-64	62660-12V	13-61	62701-12V	75-9	62706-03V	76-5
62600-00V	13-65	62660-12V	14-1	62701-13V	74-13	62706-04V	76-5
62601-00V	13-42	62660-13V	8-40	62701-13V	75-10	62706-06V	76-5
62601-03V	13-42	62660-15V	9-33	62701-14V	76-31	62708-02V	77-25
62603-00V	13-43	62660-15V	13-61	62701-15V	77-24a	62709-00V	75-33
62603-01V	13-43	62660-15V	14-1	62701-16V	77-24	62709-00V	78-51
62604-00V	13-44	62660-16V	9-34	62701-17V	49-49	62710-02V	74-59
62604-01V	13-44	62660-16V	13-61	62701-18V	49-47	62710-02V	75-34
62605-00V	13-45	62660-16V	14-1	62701-19V	49-48	62710-02V	78-15
62618-00V	14-20	62662-00V	15-13	62701-20V	49-48	62710-03V	78-15
62618-01V	14-20	62663-00V	91-2	62701-21V	49-50	62711-02V	74-15
62619-00V	14-21	62664-00V	13-62a	62701-23V	49-51	62711-02V	75-14
62620-00V	13-4	62665-02V	15-9	62701-25V	49-52	62711-02V	76-32
62624-00V	91-1	62668-00V	13-29	62701-26V	49-52	62711-03V	74-28
62629-00V	50-17	62674-00V	10-20	62701-27V	49-53	62711-03V	74-28a
62629-02V	50-18	62674-01V	10-20	62701-28V	49-53	62711-03V	75-13
62629-03V	50-19	62674-01V	11-21	62701-29V	49-54	62711-03V	78-7
62630-00V	15-10	62674-03V	10-20	62701-31V	49-55	62711-03V	78-7a
62631-00V	12-63	62674-03V	11-21	62701-32V	77-24a	62711-04V	77-47
62632-00V	12-64	62676-00V	12-18	62701-34V	49-56	62711-04V	77-52
62633-00V	12-65	62677-00V	12-48	62701-44V	85-2	62711-04V	77-81
62634-00V	12-61	62686-00V	13-22	62701-45V	77-24a	62711-04V	78-52
62635-00V	12-60	62686-01V	13-22	62701-46V	49-56	62711-06V	78-7
62636-00V	12-62	62686-02V	13-22	62701-47V	77-24b	62711-07V	78-7a
62637-00V	12-59	62686-03V	13-22	62701-47V	78-1	62712-02V	76-34
62638-00V	12-46	62686-04V	13-22	62701-49V	49-56	62712-02V	80-6
62638-01V	12-46	62687-00V	13-24	62701-56V	78-12	62712-03V	74-14
62639-00V	12-45	62687-03V	13-24	62701-57V	85-2	62712-03V	75-21
62639-01V	12-45	62687-05V	13-24	62701-61V	75-8	62712-04V	80-6
62640-00V	12-49	62691-00V	8-19	62701-62V	75-7	62712-04V	81-12
62641-00V	12-49	62691-03V	8-19	62701-64V	75-6	62713-02V	76-33
62644-00V	12-58	62693-00V	8-18	62701-99V	74-2	62713-03V	74-16
62645-00V	15-38	62693-01V	8-18	62701-99V	75-1	62713-03V	75-17
62645-04V	15-38	62694-00V	25-44	62701-100V	74-6	62714-02V	74-19
62648-00V	10-42	62694-00V	26-9	62701-100V	75-5	62714-02V	78-9
62649-00V	10-43	62695-03V	14-6a	62701-101V	76-3	62714-03V	74-20
62653-04V	10-19	62695-04V	14-6a	62701-102V	75-8	62714-04V	57B-18b
62653-04V	11-22	62696-03V	15-24	62701-103V	75-7	62714-03V	75-18
62654-00V	28-38	62698-00V	10-38	62701-104V	78-12	62714-04V	59-24c
62654-00V	28A-45	62699-04V	10-39	62701-111V	85-2	62714-04V	67A-13
62654-02V	28A-45	62701-02V	74-2	62701-113V	74-10	62714-04V	78-10
62655-00V	28-39	62701-02V	75-1	62701-114V	74-11	62714-05V	75-19
62656-00V	12-55	62701-03V	74-3	62702-00V	15-25	62714-06V	75-19
62657-00V	24-1	62701-03V	75-2	62703-24V	80-4	62715-02V	74-29
62658-00V	15-8	62701-04V	74-4	62703-25V	80-3	62715-02V	74-30
62660-00V	8-39	62701-04V	75-3	62703-26V	80-4	62715-02V	75-16
62660-00V	9-33	62701-05V	74-5	62703-27V	80-3	62715-02V	75-20
62660-00V	13-61	62701-05V	75-4	62703-31V	80-4	62715-02V	78-8
62660-00V	14-1	62701-06V	74-6	62703-32V	80-3	62715-03V	74-29

PIPER PARTS CATALOG

Part Number	Figure and Index No.	Part Number	Figure and Index No.	Part Number	Figure and Index No.	Part Number	Figure and Index No.
62715-04V	75-15	62753-00V	77-34	62833-06V	24A-44	62833-127V	79-15
62715-05V	75-15	62754-00V	77-35	62833-07V	56-52	62834-00V	80-19
62716-02V	80-18	62755-00V	77-36	62833-07V	57-57	62834-02V	80-19
62716-03V	80-18	62757-00V	77-3	62833-07V	66-104	62834-02V	81-19
62716-04V	80-18	62759-00V	77-4	62833-11V	55-123	62835-00V	79-10
62716-05V	80-18	62762-00V	74-18	62833-17V	82-15	62835-07V	79-10
62716-06V	30-18	62762-00V	75-32	62833-17V	83-14	62836-00V	79-11
62716-07V	80-18	62763-00V	13-39	62833-18V	78-48	62837-00V	79-12
62716-07V	81-18	62764-00V	76-21	62833-20V	24-100	62838-00V	79-2
62717-00V	82-2	62764-02V	76-24	62833-21V	21-108	62839-00V	80-15
62717-02V	82-2	62766-00V	74-62	62833-21V	24A-39	62839-00V	81-14
62721-00V	82-4	62766-00V	75-43	62833-21V	24A-41	62840-02V	80-34
62721-02V	82-4	62768-00V	74-31	62833-27V	37-29	62840-02V	81-30
62722-00V	82-5	62769-00V	74-32	62833-29V	57A-51	62840-03V	80-34
62723-00V	82-3	62770-00V	74-69	62833-35V	32-6	62840-03V	81-30
62723-02V	82-3	62771-00V	74-61	62833-36V	55-120	62844-00V	77-21
62725-00V	76-2	62771-01V	74-61	62833-39V	24-115	62845-00V	80-14
62727-00V	76-51	62778-00V	80-13	62833-39V	24A-56	62845-02V	80-14
62727-01V	76-51	62778-00V	81-15	62833-43V	34-73	62845-02V	81-13
62730-00V	76-50	62779-00V	80-10	62833-44V	38-5a	62848-00V	80-9
62730-01V	76-50	62782-00V	80-12	62833-44V	38-9a	62848-02V	80-9
62731-00V	76-9	62782-00V	81-24	62833-45V	35-13	62849-00V	80-17
62732-00V	76-10	62783-00V	80-21	62833-46V	57B-126	62852-00V	80-32
62732-02V	76-11	62784-00V	80-11	62833-46V	57C-13	62856-00V	76-50
62733-00V	76-12	62784-00V	81-25	62833-46V	59-24	62856-01V	76-50
62734-00V	76-13	62788-00V	10-8	62833-46V	67A-19b	62858-02V	80-33
62734-02V	76-13	62789-02V	76-3	62833-50V	57C-18	62858-02V	81-31
62736-00V	76-14	62800-00V	77-26	62833-50V	59-24e	62858-03V	76-29
62737-00V	76-8	62801-00V	77-27	62833-50V	67A-18	62858-04V	76-30
62738-00V	76-6	62802-00V	77-37	62833-74V	71-29	62859-00V	14-29
62738-02V	76-6	62803-00V	77-38	62833-78V	28A-15a	62866-00V	48-1
62740-00V	76-7	62804-00V	77-39	62833-78V	28C-15	62866-00V	82-6
62743-02V	74-21	62805-00V	77-40	62833-82V	32A-10	62866-00V	83-8
62743-03V	74-22	62706-00V	77-41	62833-83V	32A-27	62867-02V	48-14
62743-03V	75-22	62807-00V	77-42	62833-85V	80-37	62869-00V	10-9
62743-03V	75-22a	62808-00V	77-43	62833-85V	81-27	62870-00V	10-8
62743-04V	74-23	62809-00V	77-46	62833-86V	80-37	62871-00V	10-10
62743-04V	74-67	62814-00V	77-2	62833-86V	81-27	62873-00V	8-12
62743-04V	75-23	62817-00V	15-16	62833-87V	34-62	62873-02V	8-24
62743-05V	74-24	62817-00V	77-79	62833-87V	34-73	62873-02V	9-19
62743-05V	75-24	62820-00V	76-27	62833-101V	32C-36	62873-02V	12-1
62743-06V	74-25	62821-00V	76-28	62833-101V	32C-37	62873-03V	12-2
62743-06V	75-25	62825-00V	80-8	62833-101V	33-53	62873-05V	12-4
62743-08V	78-11	62826-00V	25-1	62833-101V	33-55	62873-06V	12-3
62743-12V	75-26	62826-00V	26-7	62833-101V	57B-41	62873-07V	8-12
62743-13V	75-27	62826-02V	25-1	62833-101V	57B-56	62873-08V	9-19
62744-00V	82-16	62826-02V	26-7	62833-101V	57C-58	62873-08V	12-1
62745-00V	76-20	62827-07V	25-2	62833-101V	59-64	62873-09V	8-24
62746-00V	74-17	62827-07V	26-8	62833-103V	42-37	62873-09V	12-1
62746-00V	75-31	62829-00V	79-1	62833-103V	57C-58	62873-10V	12-2
62747-00V	77-29	62829-03V	79-1	62833-104V	31A-57	62873-11V	12-4
62748-00V	77-30	62829-05V	79-1	62833-104V	31B-36	62873-12V	12-3
62749-00V	77-31	62831-00V	79-8	62833-104V	32-50	62873-13V	3-24
62750-00V	77-32	62832-00V	79-9	62833-105V	24A-33	62873-13V	12-1
62752-00V	77-33	62832-02V	34-41	62833-107V	24A-41	62875-00V	13-20
62753-00V	15-15	62833-06V	24-84	62833-107V	24A-53	62878-00V	81-95

PIPER PARTS CATALOG

Part Number	Figure and Index No.	Part Number	Figure and Index No.	Part Number	Figure and Index No.	Part Number	Figure and Index No.
62878-00V	82-105	62960-00V	31A-1	62988-03V	64-14	63039-00V	24-94
62878-00V	83-78	62960-00V	31B-1	62988-04V	64-14	63039-00V	24-96
62879-00V	88-24	62960-01V	30-37	62989-00V	57-21	63039-00V	24A-40
62881-00V	10-7	62960-01V	31-1	62989-00V	57A-14	63039-00V	24A-46
62882-00V	8-1	62960-01V	31A-1	62989-02V	57-21	63039-02V	24-94
62882-02V	8-6	62960-01V	31B-1	62992-00V	57A-20	63039-04V	57B-6c
62882-03V	8-1	62962-00V	30-34	62992-00V	58-27	63039-04V	57C-14
62882-04V	8-6	62962-00V	31-3	63000-28V	24-62	63039-04V	59-9c
62884-00V	8-1	62962-00V	31A-51	63001-04V	24-63	63039-04V	67A-14b
62884-02V	8-6	62962-00V	31B-33	63001-05V	24-64	63040-00V	12-42
62891-00V	25-4a	62962-03V	31A-51	63003-801V	24-3	63041-00V	24-87
62892-03V	60-2	62964-00V	30-26	63003-801V	24-3	63041-02V	24-88
62897-00V	16-41	62964-00V	31-4	63003-800V	49-12	63042-00V	24-89
62900-07V	28-3a	62965-00V	30-23	63006-00V	24-5	63042-00V	24A-47
62905-12V	28-4a	62965-04V	30-23	63006-06V	24-15	63042-02V	24-89
62906-00V	28-3	62965-04V	31-22	63006-07V	24-11	63045-00V	24-90
62906-03V	28-3	62965-04V	31A-23	63006-09V	24-5	63045-00V	24A-45
62907-00V	28-4	62965-04V	32-34	63006-10V	24-5	63047-00V	24-62
62907-03V	28-4	62968-00V	30-53	63007-00V	24-67	73047-07V	24-62
62914-00V	28-4a	62969-00V	30-54	63008-02V	24-68	73047-12V	24-62
62915-00V	28-43	62969-00V	31-5	63008-02V	25-3	73047-13V	24-62
62916-00V	28-3a	62969-00V	31A-9	63008-02V	26-10	73047-14V	24-62
62919-00V	32B-18	62969-00V	31B-6	63008-05V	24-68	63049-00V	12-17
62919-00V	68-18	62973-00V	30-59	63008-05V	25-3	63050-00V	24-63
62920-00V	32B-19	62973-02V	30-59	63008-05V	26-10	63051-00V	24-64
62920-00V	68-19	62973-03V	30-59	63008-12V	24-68	63055-00V	24-5
62921-00V	57-22	62973-04V	30-59	63008-12V	26-10	63055-03V	24-5
62921-00V	57A-15	62973-05V	30-59	63008-13V	24-68	63055-04V	24-5
62922-03V	64-1	62973-05V	31-39	63008-13V	26-10	63068-00V	28-19
62924-00V	51-121	62974-00V	30-58	63008-14V	24-68	63068-02V	28-20
62924-00V	52-2	62974-00V	31-38	63008-14V	26-10	63068-03V	28-33
62924-00V	53-36	62975-00V	30-57	63008-22V	24-68	63068-04V	28-19
62924-00V	54-17	62975-00V	31-37	63008-22V	26-10	63068-05V	28-20
62924-00V	55-121	62976-00V	30-56	63009-05V	24-69	63068-06V	28-33
62928-00V	53-56	62976-02V	30-56	63009-18V	24-69	63068-07V	28-33
62928-00V	55-28	62976-03V	30-56	63012-00V	24-39	63068-08V	28-19
62938-00V	57-9	62976-04V	30-56	63014-02V	24-118	63068-09V	28-20
62938-00V	57A-10	62976-05V	30-56	63020-00	24-120	63068-10V	28-33
62938-00V	58-34	62976-05V	31-36	63020-02V	24-120	63068-11V	28-19
62938-41V	58-34	62978-00V	56-53	63020-02V	24A-57	63070-04V	22-3
62940-00V	10-37	62978-00V	57-58	63025-00V	24-65	63070-04V	22A-3
62942-00V	16-46	62978-00V	66-103	63025-00V	30-64	63070-04V	23-3
62942-00V	17-45	62980-00V	57-15	63025-00V	31-53	63070-04V	23A-3
62943-00V	16-53	62980-00V	57A-28	63026-00V	24-12	63070-04V	23B-3
62943-00V	17-44	62980-00V	58-30	63029-00V	24-69	63070-05V	22-4
62943-00V	17-48	62981-06V	60-8	63033-02V	25-46	63070-05V	22A-4
62944-00V	16-47	62981-07V	60-8	63033-03V	25-46	63070-05V	23-4
62944-00V	17-46	62983-00V	88-2	63033-04V	25-46	63070-05V	23A-4
62945-00V	64-23	62984-00V	88-16	63034-00V	24-83	63070-05V	23B-4
62946-00V	64-24	62985-00V	57-11	63034-02V	24-83	63070-06V	22-5
62952-00V	30-18	62985-00V	57A-11	63035-00V	24-85	63070-06V	22A-3
62952-00V	31-20	62985-00V	58-17	63036-00V	24-86	63070-06V	23-3
62959-00V	30-5	62987-00V	57-12	63036-03V	24A-48	63070-06V	23A-3
62959-00V	31-24	62987-00V	57A-12	63037-00V	12-41	63070-06V	23B-3
62960-00V	30-37	62988-00V	64-14	63038-00V	12-15	63070-07V	22-6
62960-00V	31-1	62988-02V	64-14	63038-02V	12-15a	63070-07V	22A-6

PIPER PARTS CATALOG

Part Number	Figure and Index No.	Part Number	Figure and Index No.	Part Number	Figure and Index No.	Part Number	Figure and Index No.
63070-07V	23-5	63071-08V	22-18	63115-09V	16-37	63116-44V	25-19
63070-07V	23A-5	63071-09V	22-19	63116-02V	25-16	63116-48V	25-18
63070-07V	23B-5	63071-10V	22-20	63116-03V	25-16	63116-48V	26-45
63070-11V	22-4	63071-11V	22-21	63116-04V	25-17	63116-48V	27-34
63070-11V	22A-4	63071-12V	22-22	63116-04V	26-47	63116-48V	27A-17
63070-11V	23-4	63071-12V	23-27	63116-04V	27-35	63116-49V	25-17
63070-11V	23A-4	63071-12V	23A-22	63116-04V	27A-18	63116-49V	26-47
63070-11V	23B-4	63071-12V	23B-22	63116-06V	25-18	63116-49V	27-35
63070-14V	22A-5	63071-13V	22-23	63116-06V	26-45	63116-49V	27A-18
63070-15V	22-2	63071-17V	23-28	63116-06V	27-34	63116-50V	25-16
63070-15V	22A-2	63071-17V	23A-23	63116-06V	27A-17	63116-50V	26-46
63070-15V	23-2	63071-17V	23B-23	63116-12V	25-20	63116-50V	27-36
63070-15V	23A-2	63071-18V	23-28	63116-12V	26-49	63116-50V	27A-19
63070-15V	23B-2	63071-18V	23A-23	63116-12V	27A-22	63116-51V	25-21
63070-16V	22-1	63071-18V	23B-24	63116-13V	25-20	63116-51V	27-38
63070-16V	22A-1	63071-19V	22-23	63116-14V	25-21	63116-51V	27A-21
63070-16V	23-1	63072-00V	22-25	63116-15V	25-21	63116-52V	25-19
63070-16V	23A-1	63072-00V	22A-12	63116-17V	25-22	63116-52V	26-44
63070-16V	23B-1	63072-04V	22A-12	63116-17V	26-48	63116-52V	27A-16
63070-29V	22-2	63073-00V	22-36	63116-19V	25-16	63116-53V	25-19
63070-29V	22A-2	53073-00V	23B-15	63116-19V	26-46	63116-53V	26-44
63070-29V	23-2	63073-02V	22-36	63116-19V	27-36	63116-53V	27-33
63070-29V	23A-2	63073-02V	23B-15	63116-19V	27A-19	63116-53V	27A-16
63070-29V	23B-2	63076-00V	22-7	63116-21V	25-20	63116-58V	25-21
63070-30V	22-1	63077-00V	22-7	63116-21V	26-49	63116-58V	27-38
63070-30V	22A-1	63078-08V	15-41	63116-23V	25-17	63116-58V	27A-21
63070-30V	23-1	63080-00V	69-1	63116-23V	26-47	63116-59V	25-22
63070-30V	23A-1	63081-00V	8-19	63116-24V	25-18	63116-60V	25-22
63070-30V	23B-1	63082-00V	18-25	63116-24V	26-45	63116-61V	25-20
63070-41V	23A-2	63085-00V	64-19b	63116-26V	25-19	63116-61V	27A-22
63070-41V	23B-2	63085-00V	66-60b	63116-26V	26-44	63116-62V	25-20
63070-42V	23A-1	63086-00V	64-19c	63116-27V	25-19	63116-63V	25-20
63070-42V	23B-1	63086-00V	66-60c	63116-27V	26-44	63116-63V	26-49
63070-43V	23A-3	63087-00V	57-36	63116-28V	25-21	63116-63V	27A-22
63070-43V	23B-3	63089-00V	60-12	63116-29V	25-21	63116-64V	25-20
63070-44V	23A-3	63092-00V	62-7	63116-31V	25-16	63116-65V	25-20
63070-44V	23B-3	63093-00V	62-6	63116-31V	26-46	63116-65V	27A-22
63070-45V	23A-2	63096-00V	18-24	63116-33V	25-20	63116-70V	25-22
63070-45V	23B-2	63097-00V	92-21	63116-33V	26-49	63116-71V	25-21
63070-46V	23A-1	63101-00V	68-22	63116-34V	25-22	63116-74V	25-21
63070-46V	23B-1	63104-03V	25-45	63116-34V	26-48	63116-75V	25-21
63071-02V	22-12	63106-02V	25-40	63116-35V	25-20	63116-75V	27-38
63071-02V	23-26	63106-07V	25-40	63116-35V	26-49	63116-75V	27A-21
63071-02V	23A-21	63106-07V	26-65	63116-37V	25-19	63116-76V	25-21
63071-02V	23B-16	63111-05V	25-4	63116-37V	26-44	63116-76V	27-38
63071-03V	22-13	63111-18V	25-4	63116-37V	27-33	63116-77V	25-21
63071-03V	23-25	63112-05V	25-5	63116-37V	27A-16	63116-78V	25-21
63071-03V	23B-17	63112-18V	25-5	63116-38V	25-19	63116-78V	27-38
63071-04V	22-14	63112-18V	26-3	63116-38V	26-44	63116-78V	27A-21
63071-04V	23B-18	63113-05V	25-14	63116-38V	27-33	63116-83V	25-20
63071-05V	22-15	63113-18V	25-14	63116-38V	27A-16	63116-83V	26-49
63071-05V	23B-19	63114-05V	25-15	63116-39V	25-18	63116-84V	26-49
63071-06V	22-16	63114-17V	25-15	63116-40V	25-17	63116-87V	25-22
63071-06V	23B-20	63114-17V	26-4	63116-41V	25-16	63116-87V	26-48
63071-07V	22-17	63115-02V	16-37	63116-42V	25-21	63116-88V	25-22
63071-07V	23B-21	63115-03V	16-38	63116-43V	25-19	63116-88V	26-48

PIPER PARTS CATALOG

Part Number	Figure and Index No.	Part Number	Figure and Index No.	Part Number	Figure and Index No.	Part Number	Figure and Index No.
63116-91V	25-21	63116-130V	27-37	63130-02V	27-56	63142-26V	27A-37
63116-91V	27-38	63116-132V	26-45	63130-02V	27A-39	63142-27V	25-35
63116-92V	25-21	63116-132V	27-34	63131-00V	25-26	63142-27V	27A-36
63116-92V	27-38	63116-132V	27A-17	63131-00V	26-14	63142-32V	27-47
63116-93V	25-18	63116-133V	26-47	63131-03V	25-26	63142-32V	27-48
63116-93V	26-45	63116-133V	27-35	63131-03V	26-14	63142-35V	26-17
63116-93V	27-34	63116-133V	27A-18	63131-07V	25-26	63142-36V	26-17
63116-93V	27A-17	63116-134V	26-46	63131-08V	25-26	63142-36V	27-46
63116-94V	25-17	63116-134V	27-36	63131-08V	26-14	63142-36V	27A-35
63116-94V	26-47	63116-134V	27A-19	63131-10V	25-26	63142-38V	27-44
63116-94V	27-35	63116-135V	27-38	63131-10V	26-14	63142-38V	27A-33
63116-94V	27A-18	63116-136V	26-44	63133-00V	68-25	63142-39V	27-44
63116-95V	25-16	63116-136V	27-33	63139-04V	28-19	63142-39V	27A-33
63116-95V	26-46	63116-136V	27A-16	63139-05V	28-19	63142-40V	27-45
63116-95V	27-36	63116-137V	26-44	63139-06V	28-33	63142-40V	27A-34
63116-95V	27A-19	63116-137V	27-33	63139-07V	28-33	63142-42V	27A-36
63116-96V	27-38	63116-137V	27A-16	63139-08V	28-20	63142-43V	27-47
63116-96V	27A-21	63116-138V	27-38	63139-09V	28-19	63142-43V	27-48
63116-97V	25-19	63116-138V	27A-21	63139-10V	28-19	63142-43V	27A-37
63116-97V	25-21	63116-139V	26-49	63139-11V	28-33	63142-44V	27-48
63316-97V	26-44	63116-139V	27-39	63139-12V	28-33	63142-45V	26-20
63116-97V	27-33	63116-140	27-37	63139-13V	28-20	63142-46V	26-21
63116-97V	27A-16	63116-142	27-37	63140-02V	25-27	63142-47V	27-44
63116-98V	25-19	63116-144	27-37	63140-03V	25-28	63142-47V	27A-33
63116-98V	26-44	63116-147V	27A-21	63140-04V	25-29	63142-48V	27-45
63116-98V	27-33	63116-148V	27A-20	63142-02V	25-30	63142-48V	27A-34
63116-98V	27A-16	63116-149V	27A-22	63142-02V	26-22	63142-50V	26-21
63116-102V	25-21	63116-150V	26-49	63142-02V	27-43	63142-51V	27-45
63116-102V	27-38	63116-150V	27A-22	63142-02V	27A-32	63142-51V	27A-34
63116-102V	27A-21	63116-155V	26-48	63142-03V	25-31	63142-55V	26-20
63116-103V	25-20	63116-158V	26-49	63142-04V	25-32	63142-55V	27-44
63116-103V	26-49	63116-159V	27A-40	63142-05V	25-33	63142-55V	27A-55
63116-103V	27A-22	63116-160V	27A-40	63142-06V	25-34	63142-56V	26-22
63116-104V	25-22	63116-161V	27A-40	63142-07V	25-35	63142-56V	27-43
63116-105V	25-20	63116-162V	27A-40	63142-08V	25-36	63142-56V	27A-32
63116-105V	27A-22	63117-00V	22-47	63142-08V	27-46	63144-00V	25-11
63116-107V	27-37	63117-01V	22-47	63142-08V	27A-35	63144-00V	26-15
63116-107V	27A-20	63118-00V	25-23	63142-09V	25-37	63144-00V	27-11
63116-108V	27-37	63118-00V	26-12	63142-09V	26-18	63144-00V	27A-7
63116-108V	27A-20	63119-00V	25-24	63142-10V	25-38	63149-02V	22-48
63116-109V	27-37	63125-00V	22-52	63142-10V	26-18	63149-02V	26-51
63116-109V	27A-20	63125-02V	22-52	63142-11V	25-39	63149-03V	22-49
63116-123V	26-49	63125-03V	22-52	63142-11V	26-19	63149-04V	22-50
63116-123V	27-39	63125-03V	23-38	63142-13V	25-31	63149-05V	22-51
63116-124V	26-49	63125-04V	22-52	63142-13V	26-20	63149-06V	22-48
63116-124V	27-39	63125-04V	23-38	63142-13V	27-44	63149-06V	26-51
63116-125V	26-49	63126-00V	22-53	63142-13V	27A-33	63149-07V	22-49
63116-125V	27-39	63126-02V	22-53	63142-14V	25-33	63149-08V	22-50
63116-126V	26-49	63126-03V	22-53	63142-14V	26-21	63149-09V	22-51
63116-126V	27-39	63126-03V	23-38	63142-14V	27-45	63149-10V	22-48
63116-127V	26-49	63126-04V	22-53	63142-14V	27A-34	63149-10V	23-40
63116-127V	27-39	63126-04V	23-38	63142-25V	25-37	63149-10V	26-51
63116-128V	26-49	63130-00V	25-25	63142-25V	27-48	63149-11V	22-49
63116-128V	27-39	63130-00V	26-13	63142-25V	27A-37	63149-11V	23-40
63116-129V	26-49	63130-02V	25-25	63142-26V	25-38	63149-12V	22-50
63116-129V	27-39	63130-02V	26-13	63142-26V	27-48	63149-12V	23-41

PIPER PARTS CATALOG

Part Number	Figure and Index No.	Part Number	Figure and Index No.	Part Number	Figure and Index No.	Part Number	Figure and Index No.
63149-13V	22-51	63169-00V	25-4	63229-02V	26-24	63320-00V	45-19
63149-13V	23-41	63170-00V	25-14	63229-02V	27-53	63321-00V	45-20
63149-14V	22-48	63171-00V	25-5	63229-02V	27A-41	63322-00V	45-21
63149-14V	23-40	63172-00V	25-15	63237-00V	60-9	63322-00V	46-1
63149-14V	26-51	63173-02V	25-54	63237-04V	60-11	63322-01V	45-22
63149-15V	22-49	63179-00V	25-24	63237-05V	60-11	63322-01V	46-2
63149-15V	23-40	63179-08V	25-24	63243-02V	60-15	63323-00V	45-23
63149-16V	22-50	61380-00V	28-19	63243-02V	61-11	63323-00V	46-3
63149-16V	23-41	63180-02V	28-20	63244-00V	62-1	63324-00V	45-25
63149-16V	23A-38	63180-03V	28-33	63244-02V	62-1	63324-00V	46-4
63149-16V	23B-33	63181-00V	28-3	63246-00V	57-24	63324-04V	46-4
63149-17V	22-51	63182-00V	28-4	63246-04V	57-24	63324-04V	47-5
63149-17V	23-41	63182-02V	28-4	63246-04V	57A-17	63325-00V	45-26
63149-17V	23A-38	63182-03V	28-4	63253-00V	73B-5	63325-00V	46-5
63149-17V	23B-33	63185-02V	25-54	63258-00V	73B-4	63327-00V	33-31
63149-18V	22-50	63185-02V	27-41	63259-00V	25-58	63327-02V	33-34
63149-19V	22-51	63185-02V	27A-24	63259-00V	27-42	63327-03V	33-34
63149-20V	23A-38	63185-03V	25-54	63259-00V	27A-25	63327-04V	33-31
63149-20V	23B-33	63185-03V	27-41	63260-00V	25-42	63327-08V	34-6
63149-21V	23A-38	63185-03V	27A-24	63260-00V	26-26	63327-09V	34-7a
63149-21V	23B-33	63185-05V	27-41	63260-06V	25-42	63327-10V	33-31
63150-00V	24-79	63185-05V	27A-24	63262-00V	73B-3	63327-11V	33-34
63150-04V	24-79	63186-02V	50-32	63263-00V	64-22	63327-22V	34-45
63151-02V	24-81	63186-04V	44-2	63264-00V	50-13	63327-23V	34-43
63151-03V	24-81	63186-06V	56-11a	63275-00V	10-22	63329-04V	33-28
63152-00V	24-61	63186-12V	96-7	63276-00V	82-10	63329-04V	33A-1
63152-00V	30-48	63186-21V	50-31	63277-00V	82-12	63329-06V	33A-24
63153-00V	25-81	63186-33V	44-5	63278-00V	16-48	63329-08V	33-28
63153-00V	26-16	63187-06V	24-79	63284-00V	10-2	63329-08V	33A-1
63154-02V	16-45	63187-07V	24-79	63284-02V	10-2	63332-03V	37-5
63154-02V	17-10	63187-11V	24-79	63285-00V	10-6a	63332-03V	37-12
63154-03V	16-45	63187-12V	24-79	63286-00V	13-66	63332-05V	37-6
63154-03V	17-10	63189-00V	16-49	63287-00V	13-64	63338-00V	44-1
63155-00V	16-44	63201-00V	56-71	63288-00V	13-65	63339-00V	44-3
63156-00V	22-54	63203-00V	56-69	63293-02V	12-43	63339-01V	44-3
63156-02V	22-54	63206-00V	18-24	63293-02V	25-58	63339-02V	44-4
63156-03V	22-54	63207-00V	20-24	63293-02V	27-42	63340-00V	44-7
63156-03V	23-39	63207-00V	21-27	63293-02V	27A-25	63340-01V	44-7
63156-04V	22-54	63208-00V	20-8	63295-02V	79-10	63341-00V	44-6
63156-04V	23-39	63209-00V	20-27	63295-03V	79-10	63342-00V	44-8
63157-00V	16-32	63210-00V	20-29	63295-04V	79-10	63353-00V	46-6
63163-00V	25-56	63211-00V	20-9	63295-05V	79-10	63354-00V	40-40
63163-00V	27-57	63211-00V	20-27	63297-00V	88-17	63354-00V	44-35
63163-00V	27A-69	63211-00V	20-29	63300-08V	33-35	63355-06V	46-10
63164-00V	25-55	63211-00V	21-8	63303-02V	37-34	63355-09V	46-10
63164-00V	26-67	63211-00V	97-2	63303-03V	37-34	63355-09V	47-8
63164-00V	27-58	63212-00V	18-11	63307-00V	37-24	63356-00V	46-19
63164-00V	27A-70	63212-04	18-11	63308-00V	37-63	63356-00V	47-9
63164-01V	25-55	63215-00V	56-69	63310-00V	37-46	63357-00V	46-20
63164-01V	26-67	63218-00V	10-34	63311-00V	37-45	63357-00V	47-10
63164-01V	27-58	63219-00V	77-1	63311-03V	37-48	63358-00V	46-21
63164-01V	27A-70	63220-00V	10-37	63312-00V	37-28	63361-02V	49-13
63167-02V	25-59	63227-00V	25-47	63312-00V	37-44	63361-03V	49-14
63167-03V	25-52	63227-01V	25-47	63312-02V	37-28	63365-00V	49-15
63168-00V	25-53	63229-00V	25-48	63314-00V	37-42	63366-00V	49-20
63168-02V	25-53	63229-02V	25-48	63315-00V	37-41	63367-00V	49-16

PIPER PARTS CATALOG

Part Number	Figure and Index No.	Part Number	Figure and Index No.	Part Number	Figure and Index No.	Part Number	Figure and Index No.
63370-04V	37-60	63428-15V	68-17	63479-00V	53-7	63560-00V	50-3
63370-04V	43-6	63428-16V	68-17	63479-00V	54-55	63560-00V	50C-1
63370-05V	37-60	63428-17V	32B-17	63483-00V	37-59	63560-02V	50-8
63370-05V	43-6	63430-00V	62-11	63483-00V	39-17	63560-02V	50C-20
63373-00V	43-7	63431-00V	62-5	63484-00V	37-2	63560-02V	50D-23
63374-00V	43-5	63433-00V	62-2	63484-00V	39-38	63560-03V	50C-21
63374-01V	43-5	63436-00V	10-4	63485-00V	48-13	63560-03V	50D-24
63377-00V	43-1	63436-00V	11-4	63485-01V	48-13	63560-06V	50-3
63380-00V	43-2	63436-01V	10-4	63485-02V	48-13	63560-06V	50C-1
63383-00V	33A-4	63436-01V	11-4	63485-03V	48-13	63561-00V	50C-2
63391-00V	76-10	63441-00V	62-1	63486-00V	57-33	63561-02	50C-2
63391-02V	76-11	63443-00V	28-20a	63489-00V	46-1	63561-03V	50C-2
63391-03V	76-10	63446-00V	57-22	63492-00V	62-17	63561-04V	50C-2
63392-00V	50C-15	63451-00V	82-16	63498-00V	51-19	63561-05V	50D-12
63392-00V	50D-2	63455-00V	82-14	63500-00V	50-1	63562-00V	50C-3
63392-01V	50C-16	63455-00V	83-12	63500-00V	50A-1	63562-00V	50D-13
63392-01V	50D-2	63456-00V	82-9	63500-08V	50-1	63563-00V	50C-4
63393-00V	50C-17	63456-00V	82-11	63500-08V	50A-1	63563-00V	50D-20
63393-00V	50D-3	63456-00V	83-10	63501-00V	50A-2	63564-00V	50C-5
63393-01V	50C-18	63457-03V	82-5	63501-03V	50A-2	63564-00V	50D-21
63393-01V	50D-3	63458-00V	82-4	63502-00V	50A-3	63565-02V	50C-6
63395-00V	50B-9	63458-02V	82-4	63503-00V	50A-5	63565-02V	50D-22
63396-00V	50B-2	63458-05V	82-4	63504-00V	50A-6	63566-00V	50C-7
63398-00V	50A-14	63459-02V	82-1	63505-00V	50A-7	63566-01V	50C-7
63398-01V	50A-14	63459-03V	82-1	63506-00V	50A-8	63566-02V	50C-7
63404-00V	80-10	63459-04V	82-1	63507-00V	50A-9	63566-02V	50D-17
63404-00V	81-16	63459-08V	82-1	63507-01V	50A-9	63566-02V	50D-18
63407-00V	56-70	63459-09V	82-1	63508-00V	50A-10	63566-03V	50C-7
63408-00V	16-52	63459-12V	82-1	63509-00V	50A-11	63566-03V	50D-17
63408-00V	17-12b	63459-13V	82-1	63510-00V	50A-12	63566-03V	50D-18
63419-00V	82-3	63459-14V	82-1	63511-00V	50A-13	63567-03V	50C-8
63419-00V	83-3	63459-15V	82-1	63511-01V	50A-13	63567-03V	50D-19
63420-00V	82-2	63459-16V	82-1	63512-00V	50A-14	63568-00V	50C-9
63420-03V	82-2	63459-17V	82-1	63512-01V	50A-14	63569-00V	50C-10
63420-05V	82-2	63459-19V	82-1	63513-00V	50A-15	63569-00V	50D-14
63420-08V	82-2	63460-00V	50-3	63514-06V	50-4	63570-00V	50C-11
63422-00V	51-95	63460-00V	50C-1	63515-00V	50A-17	63570-00V	50D-15
63423-00V	10-6	63460-02V	50-3	63517-00V	50-14	63571-00V	50C-12
63423-04V	10-6	63460-02V	50C-1	63520-00V	71-34	63571-00V	50D-16
63423-04V	11-6	63462-00V	10-2	63530-00V	77-90	63572-00V	50C-13
63425-00V	66-3	63462-02V	10-2	63530-00V	78-49	63572-00V	50D-9
63426-00V	16-25	63462-03V	10-2	63531-00V	71-31	63573-00V	50C-14
63426-00V	16-25	63464-00V	48-6	63540-00V	50-2	63573-00V	50D-4
63427-00V	62-10	63465-00V	4-36	63540-00V	50B-1	63573-01V	50C-14
63428-02V	68-17	63465-00V	49-58	63540-02V	50-2	63573-01V	50D-4
63428-03V	68-17	63466-00V	46-2	63540-02V	50B-1	63574-00V	50C-15
63428-04V	68-17	63466-00V	47-4	63541-00V	50-5	63574-01V	50C-16
63428-05V	68-17	63468-00V	48-7	63542-00V	50B-2	63574-02V	50C-17
63428-06V	68-17	63469-00V	48-8	63542-02V	50B-2	63574-03V	50C-18
63428-07V	68-17	63469-00V	48-8a	63543-00V	50B-3	63575-00V	50C-19
63428-08V	68-17	63469-01V	48-8a	63544-00V	50B-4	63575-00V	50D-5
63428-09V	68-17	63469-01V	48-9	63545-00V	50B-5	63575-02V	50D-5
63428-10V	68-17	63470-00V	48-10	63546-00V	50B-6	63584-00V	50-6
63428-11V	68-17	63470-01V	48-27	63550-00V	50B-8	63584-10V	50-6
63428-13V	32B-17	63474-00V	48-11	63551-00V	50B-9	63585-00V	50-7
63428-14V	68-17	63478-00V	48-12	63559-00V	88-2	63585-01V	50-7

PIPER PARTS CATALOG

Part Number	Figure and Index No.	Part Number	Figure and Index No.	Part Number	Figure and Index No.	Part Number	Figure and Index No.
63586-00V	50-9	63633-03V	31-23	63633-100V	32B-31	63701-00V	56-17
63586-01V	50-9	63633-04V	62-18	63633-104V	51-109	63704-00V	60-21
63587-00V	50-10	63633-05V	56-32	63633-123V	32E-16	63705-02V	60-6
63587-01V	50-11	63633-07V	30-1	63633-124V	32E-16	63705-03V	60-7
63588-00V	50-12	63633-07V	31-42	63633-125V	32E-16	63706-00V	62-10
63589-00V	50-6	63633-07V	31A-14	63633-126V	32E-17	63706-08V	62-10
63591-00V	60-19	63633-07V	31B-15	63633-128V	32E-18	63706-09V	62-10
63594-00V	48-5	63633-08V	30-24	63633-129V	32E-18	63707-00V	62-1
63594-01V	48-5	63633-08V	31B-32	63633-130V	32E-18	63709-00V	62-11
63595-00V	2-9	63633-09V	30-3	63633-136V	10-46	63709-05V	62-11
63596-00V	8-22	63633-10V	30-1	63633-136V	11-44	63709-08V	62-11
63600-24V	33-24	63633-13V	52-106	63633-148V	32E-16	63712-00V	60-12
63600-24V	56-1	63633-14V	10-35	63633-150V	32E-16	63716-00V	62-13
63600-28V	33-24	63633-14V	31A-16	63633-151V	32E-18	63717-00V	56-4
63600-28V	56-1	63633-15V	10-35	63633-154V	32E-18	63718-00V	56-3
63601-10V	56-31c	63633-15V	31A-17	63635-00V	56-17	63723-02V	60-7
63601-13V	56-31	63633-18V	31-42	63636-00V	56-18	63723-03V	60-6
63603-00V	64-1	63633-18V	66-5	63637-00V	56-19	63726-02V	60-2
63603-08V	64-2	63633-19V	31-41	63637-02V	56-19	63726-04V	60-3
63603-13V	64-3	63633-19V	31A-15	63639-00V	64-20	63732-00V	56-36
63603-14V	64-3	63633-20V	66-7	63642-02V	60-16	63735-00V	60-16
63603-17V	64-3	63633-21V	31-43	63642-03V	60-17	63740-02V	49-40
63603-18V	64-3	63633-23V	51-96	63645-00V	60-18	63740-03V	49-41
63603-19V	64-1	63633-23V	51-109	63646-00V	60-19	63740-04V	49-42
63603-26V	64-2a	63633-23V	52-106	63652-02V	60-10	63744-02V	49-39
63605-00V	62-16	63633-23V	52-112	63652-04V	60-9	63744-06V	26-34
63605-00V	63-12	63633-23V	53-55	63652-05V	60-9	63744-09V	22-30
63609-00V	62-3	63633-24V	31-42	63655-00V	56-35	63744-09V	23-19
63610-00V	62-1	63633-24V	66-5	63656-00V	33-47	63744-09V	23A-14
63611-00V	62-2	63633-25V	10-35	63656-00V	34-39	63744-09V	23B-10
63612-00V	62-7	63633-26V	31-42	63656-02V	33-13	63744-11V	42-6
63612-06V	62-7	63633-27V	31-41	63656-02V	34-82	63744-12V	42-7
63612-09V	62-7	63633-29V	31-23	63659-00V	56-56	63745-00V	62-11
63612-11V	62-7	63633-33V	31A-15	63666-02V	60-1	63745-04V	62-11
63613-00V	62-6	63633-37V	31-43	63670-00	66-52	63750-00V	64-1
63614-00V	62-8	63633-38V	31-41	63672-00V	56-79	63750-02V	64-3
63614-05V	62-8	63633-38V	31A-15	63674-00V	56-13	63750-03V	64-3
63615-00V	62-9	63633-39V	30-20	63679-00V	64-20	63750-06V	64-1
63615-04V	62-9	63633-40V	31A-18	63680-00V	56-31	63750-07V	64-3
63616-00V	62-11	63633-45V	32-18	63684-04V	56-30	63750-08V	64-3
63616-09V	62-11	63633-46V	58-26	63684-04V	57-20	63751-00V	16-32
63617-00V	62-10	63633-47V	10-36	63684-04V	57A-13	63753-00V	16-32
63617-03V	62-10	63633-47V	11-40	63684-04V	58-37	63755-00V	16-32
63617-11V	62-10	63633-51V	32-26	63684-04V	66-109	63757-00V	16-32
63617-14V	62-10	63633-55V	31A-18	63690-00V	64-25	63760-03V	66-30
63617-15V	62-10	63633-56V	31A-19	63693-00V	62-2	63760-04V	57-2
63618-00V	64-21	63633-56V	31B-17	63693-03V	62-2	63765-00V	10-7
63619-08V	64-14	63633-56V	32-27	63694-00V	33-24	63765-02V	10-7
63621-00V	62-12	63633-57V	58-38	63694-00V	56-1	63765-03V	10-7
63621-02V	62-12	63633-59V	31A-18	63695-00V	71-30	63766-00V	16-55
63631-00V	56-9	63633-60V	31A-16	63696-00V	71-31	63766-00V	17-47
63632-06V	56-11	63633-61V	31B-18	63697-00V	71-32	63778-00V	80-2b
63632-07V	56-11	63633-63V	58-38	63698-00V	71-33	63779-00V	76-18
63633-02V	30-20	63633-88V	57-17	63699-00V	62-15	63781-00V	76-9
63633-02V	31-23	63633-88V	57A-24	63699-03V	62-15	62782-00V	76-8
63633-03V	30-20	63633-89V	31A-14	63700-00V	64-31	63782-03V	76-17

PIPER PARTS CATALOG

Part Number	Figure and Index No.	Part Number	Figure and Index No.	Part Number	Figure and Index No.	Part Number	Figure and Index No.
63782-04V	76-8	63839-03V	51-26	63900-24V	29-11	63900-119V	57B-55
63795-00V	51-15	63840-00V	52-30	63900-25V	20-13	63900-119V	57B-56
63795-00V	52-15	63840-02V	51-30	63900-26V	74-68	63900-119V	57C-57
63797-00V	51-38	63845-00V	52-20	63900-27V	77-11	63900-119V	57C-55
63797-00V	52-38	63846-00V	51-36	63900-27V	77-48	63900-120V	34-20
63798-00V	51-18	63846-00V	52-36	63900-28V	30-13	63900-121V	59-24C
63798-00V	51-20	63848-00V	52-39	63900-28V	31-25	63900-121V	67A-13
63798-00V	52-18	63849-00V	51-89	63900-29V	77-12	63900-122V	35-21
63798-00V	52-20	63849-00V	52-95	63900-30V	3-11	63900-130V	38-12
63801-00V	51-10	63858-00V	68-8	63900-31V	42-36	63900-131V	46-26
63801-00V	52-10	63859-00V	68-9	63900-31V	49-21	63900-131V	47-28
63802-00V	51-11	63861-00V	69-1	63900-31V	74-26	63900-133V	55-91h
63802-00V	52-11	63862-16V	68-79	63900-31V	74-47	63900-145V	28A-34
63803-00V	52-12	63862-17V	68-78	63900-31V	75-29	63900-149V	28A-35
63803-04V	51-12	63862-18V	73B-14	63900-37V	74-27	63900-159V	39-40
63803-04V	52-12	63862-136V	68-78	63900-37V	75-30	63900-160V	78-53
63803-04V	53-57	63862-137V	68-79	63900-35V	76-25	63900-161V	78-54
63803-04V	55-25	63862-148V	73B-14	63900-35V	76-26	63901-02V	45-24
63806-00V	51-13	63862-151V	68-78	63900-41V	33-54	63901-03V	45-27
63806-00V	52-13	63868-00V	69-3	63900-41V	34-49	63901-04V	45-28
63806-00V	53-66	63871-00V	91-14	63900-44V	25-49	63901-05V	52-40
63807-00V	51-14	63872-00V	92-9	63900-44V	26-25	63901-06V	52-41
63807-00V	52-14	63873-00V	92-10	63900-44V	27-54	63901-07V	51-42
63807-00V	53-67	63875-05V	68-26	63900-44V	27A-63	63901-07V	52-42
63822-00V	26-52	63879-00V	73-97	63900-46V	12-29	63901-07V	53-51
63823-00V	52-15	63882-08V	74-46	63900-47V	12-28	63901-07V	55-29
63924-00V	51-16	63882-09V	77-82	63900-48V	12-30	63901-08V	52-43
63824-00V	52-16	63882-09V	78-35	63900-50V	24-91	63901-09V	46-22
63824-00V	53-58	63882-25V	75-52	63900-50V	24A-49	63901-09V	47-6
63824-03V	55-26	63882-26V	42-8	63900-53V	28-2	63901-09V	48-2
63824-06V	53-58	63882-27V	42-9	63900-53V	28A-34	63901-10V	52-23
63824-08V	55-26	63882-29V	42-27	63900-54	28-30	63901-11V	51-64
63824-10V	51-16	63882-31V	31A-46	63900-54	25A-7	63901-11V	52-40
63825-00V	51-17	63882-31V	31B-19	63900-55V	78-21	63901-11V	52-72
63825-00V	52-17	63882-31V	32-49	63900-55V	78-21	63901-12V	51-40
63825-00V	53-59	63882-35V	84-10	63900-56V	78-20	63901-12V	51-43
63825-03V	55-27	63885-00V	91-3	63900-55V	78-53	63901-12V	52-23
63825-06V	53-59	63885-05V	91-3	63900-60V	78-54	63901-12V	52-40
63825-06V	55-27	63888-00V	73B-10	63900-61V	78-23	63901-12V	52-41
63825-08V	51-17	63890-02V	73B-6	63900-64V	10-48	63901-12V	53-47
63826-00V	52-18	63897-06V	32A-28	63900-64V	11-47	63901-13V	52-43
63827-00V	51-19	63897-06V	71-26	63900-66V	85-5	63901-13V	55-23
63827-00V	52-19	63900-07V	28-1	63900-67V	85-6	63901-14V	51-112
63832-00V	25-78	63900-10V	77-5	63900-75V	57B-41	63901-14V	52-40
63832-00V	27-89	63900-11V	39-39	63900-75V	57B-56	63901-14V	52-115
63831-00V	51-84	63900-12V	77-6	63900-75V	57C-55	63901-14V	53-45
63834-00V	52-89	63900-13V	77-7	63900-75V	59-64	63901-14V	54-48
63835-00V	52-23	63900-14V	63-13	63900-85V	38-37	63901-15V	51-64
63837-00V	51-24	63900-16V	77-9	63900-85V	38-11	63901-15V	53-54
63837-00V	52-24	63900-19V	2-47	63900-85V	38-14	63901-15V	55-30
63837-00V	53-68	63900-19V	77-85	63900-96V	58-24	63901-16V	66-12
63838-00V	51-25	63900-20V	2-48	63900-99V	76-19c	63901-17V	37-3
63838-00V	52-25	63900-21V	77-8	63500-103V	39-40	63901-17V	39-42
63838-00V	53-69	63900-21V	77-10	63900-109V	35-20	63901-18V	51-43
63839-00V	52-26	63900-24V	28-10	63900-115V	39-38	63901-18V	52-43
63839-02V	52-26	63900-24V	28A-36	63900-119V	57B-54	63901-19V	53-49

PIPER PARTS CATALOG

Part Number	Figure and Index No.	Part Number	Figure and Index No.	Part Number	Figure and Index No.	Part Number	Figure and Index No.
63901-20V	57-10	63902-18V	30-10	63913-10V	47-7	63913-56V	21-11
63901-21V	48-3	63902-18V	30-35	63913-11V	51-44	63913-57V	18-24
63901-21V	48-26	63902-18V	31-6	63913-11V	52-44	63913-59V	21-9
63901-21V	84-13	63902-19V	30-43	63413-11V	53-52	63913-63V	18-24
63901-22V	48-4	63902-20V	31-26	63913-13V	56-26	63913-64V	58-52
63901-23V	55-23	63902-25V	32E-41	63913-14V	51-92	63913-66V	84-41
63901-24V	55-23	63902-26V	32E-41	63913-14V	52-98	63913-68V	97-8
63901-26V	57A-22	63902-28V	32E-41	63913-15V	52-99	63913-69V	57C-31
63901-26V	66-11	63904-02V	20-10	63913-16V	52-100	63913-69V	67A-42
63901-27V	56-72	63904-03V	20-16	63913-17V	52-101	63913-70V	21-21
63901-27V	57-31	63904-04V	20-19	63913-18V	52-102	63913-74V	56-26
63901-27V	57A-26	63904-06V	73B-8	63913-19V	52-103	63913-81V	19-12
63901-27V	66-13	63904-06V	73B-26	63913-20V	52-104	63913-81V	19A-11
63901-29V	48-26	63904-07V	73B-9	63913-21V	52-99	63913-81V	19B-12
63901-30V	84-14	63904-10V	49-32	63913-21V	52-102	63913-104V	21-10
63901-36V	58-16	63904-11V	20-10	63913-23V	52-102	63913-105V	21-9
63901-38V	54-12	63904-19V	73B-19	63913-24V	52-101	63913-122V	97-3
63901-39V	54-13	63904-20V	73B-18	63913-24V	55-24	63913-122V	97-9
63901-40V	54-13a	63904-21V	73B-17	63913-25V	51-115	63913-193V	52-82
63901-41V	54-14	63904-21V	73B-28	63913-25V	52-22	63913-193V	53-98
63901-41V	84-15	63904-24V	5-46	63913-25V	52-104	63913-193V	54-78
63901-43V	57A-23	63904-25V	32D-10	63913-25V	53-46	63913-193V	55-94
63901-43V	58-25	63904-26V	32D-11	63913-26V	55-31	63913-194V	51-74a
63901-44V	55-29	63904-26V	32D-11	63913-26V	57A-21	63913-194V	52-82a
63901-45V	54-13a	63904-27V	32D-12	63913-26V	58-11	63913-194V	53-99
63901-46V	54-11	63904-29V	19-13	63913-28V	18-10	63913-194V	54-78a
63901-69V	56-17	63904-29V	19A-15	63913-28V	19A-11	63913-194V	55-94a
63901-69V	56-18	63904-29V	19B-16	63913-28V	19B-12	63914-04V	30-36
63901-72V	56-17	63904-56V	32A-20	63913-29V	66-9	63914-04V	31-7
63901-72V	56-18	63904-60V	32A-20	63913-30V	66-10	63914-05V	30-11
63901-72V	56-18	63904-63V	32B-32	63913-32V	20-30	63914-05V	31-27
63901-77V	51-4	63904-64V	32B-32	63913-34V	20-4	63914-06V	30-44
63901-77V	52-4	63904-64V	73B-27	63913-34V	21-3	63914-06V	31-16
63901-77V	53-53	63904-66V	32D-11	63913-35V	20-31	63914-07V	46-24
63901-77V	55-11	63904-70V	32D-10	63913-35V	21-10	63914-07V	47-12
63902-02V	45-29	63904-71V	32A-23	63913-37V	20-5	63915-02V	51-45
63902-03V	56-40	63904-72V	32A-20	63913-37V	21-4	63915-02V	52-45
63902-03V	57-48	63904-80V	32A-23	63913-37V	97-9	63915-02V	55-72
63902-03V	66-93	63904-89V	32E-19	63913-40V	51-93	63915-03V	56-43
63902-04V	56-41	63906-02V	49-33	63913-40V	52-101	63915-03V	57-40
63902-05V	30-35	63907-00V	20-1	63913-40V	52-104	63915-03V	66-97
63902-05V	31-6	63909-00V	13-21	63913-40V	53-48	63915-04V	56-44
63902-06V	30-10	63910-00V	33-43	63913-41V	53-50	63915-04V	57-26
63902-06V	31-26	63910-02V	34-35	63913-42V	57-30	63915-04V	66-98
63902-07V	30-43	63911-00V	33-44	63913-42V	57A-27	63915-05V	68-56
63902-07V	31-15	63911-00V	34-36	63913-44V	18-12	63915-06V	46-25
63902-08V	56-41	63912-00V	33-45	63913-44V	19-8	63915-06V	47-13
63902-08V	57-50	63912-00V	34-37	63913-44V	19A-12	63915-07V	55-73
63902-08V	66-95	63913-03V	52-44	63913-44V	19B-13	63915-08V	51-113
63902-10V	31-26	63913-03V	54-15	63913-46V	66-9	63915-08V	52-116
63902-11V	31-15	63913-05V	18-18	63913-47V	18-12	63915-09V	67-7
63902-16V	56-40	63913-06V	19-11	63913-47V	19-9	63915-10V	67-8
63902-16V	57-48	63913-06V	19A-9	63913-47V	19A-13	63915-11V	53-81
63902-16V	66-93	63913-07V	18-27	63913-47V	19B-14	63915-12V	55-73
63902-17V	56-41	63913-07V	19-10	63913-48V	67-15	63915-13V	53-80
63902-17V	57-50	63913-07V	19A-10	63913-49V	19A-14	63915-14V	53-80
63902-17V	66-95	63913-07V	19B-11	63913-49V	19B-15	63915-14V	54-28
		63913-08V	18-17	63913-50V	18-28	63915-17V	33-11
		63913-10V	46-23	63913-50V	18-28a	63915-18V	51-45

PIPER PARTS CATALOG

Part Number	Figure and Index No.	Part Number	Figure and Index No.	Part Number	Figure and Index No.	Part Number	Figure and Index No.
63915-18V	55-72	63984-03V	92-3	65244-00V	78-46	65287-02V	24-59
63915-20V	57C-45	63984-04V	92-3	65245-00V	77-88	65287-02V	31-35
63915-20V	67A-30	63984-05V	92-3	65245-00V	78-50	65287-03V	24-59
63915-21V	57B-34	63985-00V	92-8	65246-00V	77-89	65287-03V	31-35
63916-02V	56-45	63994-00V	24-60	65246-00V	78-37	65287-04V	24-59
63916-02V	57-52	63994-00V	30-47	65247-00V	77-90	65287-04V	31-35
63916-02V	66-105	63994-00V	31-32	65248-00V	77-91	65288-02V	25-4
63918-00V	16-41	63994-02V	24-60	65248-00V	78-42	65288-03V	25-4
63921-00V	16-40	63994-02V	30-17	65249-00V	77-92	65288-04V	25-4
63922-00V	16-25	63994-03V	24-60	65249-00V	78-38	65288-05V	25-4
63922-02V	16-25	63994-03V	31-32	65250-00V	77-93	65288-06V	25-4
63925-00V	33-46	63994-04V	24-60	65250-00V	78-3	65288-07V	25-4
63925-00V	34-38	63994-04V	31-32	65251-00V	77-94	65289-00V	55-85
63927-00V	10-47	65205-02V	16-46	65251-00V	78-47	65290-02V	25-15
63927-00V	11-46	65208-00V	66-31	65252-00V	77-95	65290-03V	25-15
63930-00V	25-43	65208-03V	57-3	65252-00V	78-39	65290-04V	25-15
63930-00V	26-27	65208-03V	66-31	65253-00V	77-96	65290-05V	25-15
63933-00V	37-57	65209-00V	66-30	65253-00V	78-40	65290-06V	25-15
63935-02V	30-31	65210-00V	66-110	65254-00V	77-97	65290-07V	25-15
63936-00V	51-37	65211-00V	13-53	65254-00V	78-27	65291-00V	66-56
63936-00V	52-37	65212-00V	13-54	65255-00V	77-98	65291-03V	64-13
63937-00V	52-38	65216-00V	79-13	65256-00V	77-99	65291-03V	65-4
63940-00V	25-79	65219-00V	25-83	65257-00V	77-100	65291-03V	66-58
63940-00V	26-28	65219-00V	25-86	65259-00V	66-73	65291-04V	64-11
63940-02V	25-79	65219-00V	26-74	65260-00V	66-74	65291-04V	65-2
63940-02V	26-28	65219-00V	27-73	65261-00V	66-2	65293-00V	49-44
63940-03V	25-79	65219-00V	27A-61	65262-00V	66-65	65294-02V	25-5
63940-03V	26-28	65221-00V	66-14	65263-00V	66-66	65294-03V	25-5
63940-04V	25-79	65224-02V	25-1	65265-00V	6-9	65294-04V	25-5
63940-04V	26-28	65224-02V	26-7	65265-01V	6-9	65294-05V	25-5
63940-05V	25-79	65224-03V	25-1	65269-02V	27-60	65294-06V	25-5
63940-05V	26-28	65224-04V	25-1	65269-02V	27A-43	65294-07V	25-5
63940-06V	26-28	65224-04V	26-7	65273-00V	28-33a	65294-08V	25-5
63942-00V	2-46	65224-05V	26-7	65276-00V	33A-29	65294-09V	25-5
63942-01V	2-46	65224-06V	25-1	65276-02V	33A-29	65294-10V	25-5
63947-00V	15-30	65224-06V	26-7	65280-00V	33A-8	65299-00V	6-8
63949-00V	25-75	65224-07V	26-7	65281-00V	55-28	65299-01V	6-8
63949-00V	26-53	65225-00V	66-16	65286-02V	28-36	65300-00V	50-6
63949-00V	27-90	65230-00V	66-63	65286-03V	28-36	65304-00V	24-76
63949-02V	25-76	65235-00V	66-68	65286-04V	28-36	65304-00V	25-11
63949-02V	26-54	65238-02V	25-7	65286-05V	24-74	65304-00V	26-69
63949-02V	27-91	65238-03V	24-77	65286-05V	25-9	65304-00V	27-29
63949-03V	25-77	65238-04V	25-7	65286-05V	26-72	65304-00V	27A-44
63949-03V	26-55	65238-05V	24-77	65286-05V	27-32	65304-00V	28-34
63949-03V	27-92	65238-06V	25-7	65286-05V	27A-47	65307-00V	24-5
63950-03V	16-46	65238-07V	24-77	65286-06V	24-74	65308-02V	24-69
63950-04V	16-47	65238-08V	25-7	65286-06V	25-9	65308-03V	24-69
63954-00V	51-77	65238-09V	24-77	65286-06V	26-72	65308-04V	24-69
63954-00V	52-77	65238-10V	25-7	65286-06V	27-32	65308-05V	24-69
63954-00V	53-102	65238-11V	24-77	65286-06V	27A-47	65308-06V	24-69
63954-00V	54-73	65238-12V	25-7	65286-07V	24-74	65308-07V	24-69
63954-00V	55-96	65238-13V	24-77	65286-07V	25-9	65308-08V	24-69
63964-00V	56-54	65240-00V	64-13a	65286-07V	26-72	65308-09V	24-69
63964-00V	57-19	65240-00V	65-9	65286-07V	27-32	65308-10V	24-69
63976-24V	54-32	65240-01V	64-13a	65286-07V	27A-47	65309-02V	25-14
63977-00V	73B-11	65240-01V	65-9	65286-08V	24-74	65309-03V	25-14
63980-00V	92-1	65241-00V	64-13b	65286-08V	26-72	65309-04V	25-14
63983-00V	92-2	65241-00V	65-10	65286-08V	27-32	65309-05V	25-14
63984-02V	92-3	65244-00V	77-87	65286-08V	27A-47	65309-06V	25-14

PIPER PARTS CATALOG

Part Number	Figure and Index No.	Part Number	Figure and Index No.	Part Number	Figure and Index No.	Part Number	Figure and Index No.
65309-07V	25-14	65364-05V	55-18	65431-00V	9-41	65481-00V	24-5
65311-02V	25-59	65365-02V	55-19	65432-00V	33A-29a	65485-00V	37-50
65311-02V	27-19	65365-03V	55-20	65435-00V	67-10	65488-00V	37-49
65311-03V	25-52	65365-04V	55-21	65438-00V	57C-29	65490-00V	37-39
65311-03V	27-22	65366-00V	55-22	65438-00V	67-16	65493-910V	37-20
65312-00V	16-48	65368-00V	33-36	65438-00V	67A-43	65493-911V	37-20
65313-00V	16-51	65369-00V	37-57	65439-02V	24-59	65494-00V	15-42
65318-00V	30-61	65370-00V	25-84	65439-02V	30-52	65497-00V	25-42
65318-00V	31-28	65372-00V	68-61	65439-02V	31-35	65497-00V	26-26
65318-00V	31A-22	65376-00V	66-15	65439-03V	24-59	65501-00V	29-1
65318-00V	31B-20	65382-00V	14-22	65439-03V	30-52	65501-02V	29-1
65318-00V	32-35	65383-00V	14-22	65439-03V	31-35	65501-03V	29-1
65319-04V	37-39	65384-00V	8-42	65439-04V	24-59	65501-04V	29-1
65324-02V	25-53	65384-00V	9-40	65439-04V	30-52	65501-05V	29-1
65324-03V	25-53	65388-17V	49-57	65439-04V	31-35	65505-00V	29-6
65324-03V	27-40	65388-18V	49-57	65439-05V	24-59	65506-00V	14-23
65324-03V	27A-23	65388-34V	6-7	65439-05V	30-52	65506-02V	14-23
65324-04V	25-53	65388-35V	6-7	65440-801V	24-3	65511-00V	14-16
65324-04V	27-40	65389-00V	55-80	65440-801V	24A-3	65513-00V	26-36
65324-04V	27A-23	65392-00V	55-76	65440-03V	49-12	65514-00V	26-43
65324-05V	25-53	65395-00V	66-66	65440-07V	24-3	65514-02V	26-43
65324-06V	27-40	65396-00V	55-89	65440-07V	24A-3	65514-03V	26-43
65324-05V	27A-23	65397-00V	25-85	65442-00V	66-51	65514-04V	26-43
65324-06V	27-40	65398-00V	66-64	65442-03V	60-15	65514-05V	26-43
65324-06V	27A-23	65399-00V	66-66a	65443-03V	8-12	65515-00V	29-2
65328-00V	25-24	65401-00V	55-81	65443-04V	8-21	65515-02V	29-2
65328-02V	25-24	65402-00V	66-63	65443-04V	10-1	65515-03V	29-2
65331-00V	43-1	65403-00V	57-23	65444-00V	8-1	65515-04V	29-2
65331-06V	43-1	65403-00V	57A-16	65444-02V	8-6	65515-05V	29-2
65332-00V	43-2	65403-00V	66-65	65448-00V	16-32	65518-00V	29-2a
65332-02V	43-2	65406-07V	25-82	65451-02V	67-5	65519-00V	29-5
65333-00V	92-9	65406-08V	25-82	65453-00V	55-39	65520-00V	26-63
65333-00V	93-12	65406-09V	25-82	65454-00V	55-40	65520-00V	29-14
65333-04V	93-13	65407-00V	55-77	65455-00V	64-29	65522-00V	57-36
65338-02V	24-70	65407-05V	55-77	65455-00V	66-8	65524-00V	88-2
65338-03V	24-70	65409-00V	13-65	65458-02V	10-23	65525-00V	30-18
65338-04V	24-70	65410-02V	25-87	65458-03V	10-24	65525-00V	31-20
65339-02V	25-6	65410-03V	25-87	65458-04V	10-25	65528-00V	73-6
65339-03V	25-6	65410-04V	25-87	65458-05V	10-41	65530-00V	26-1a
65339-04V	25-6	65410-06V	25-87	65458-06V	10-41	65530-00V	26-73
65340-00V	50B-9	65412-00V	55-40	65459-00V	13-54	65530-00V	26-84
65341-00V	50B-10	65413-00V	33A-4	65461-06V	55-86	65531-00V	88-25
65342-00V	50-2	65414-00V	13-54	65461-07V	55-86	65533-00V	13-52
65342-00V	50B-1	65415-00V	13-53	65461-15V	55-86	65534-00V	8-26
65342-02V	50-2	65418-00V	66-47	65461-19V	55-86	65534-00V	9-23
65342-02V	50B-1	65419-00V	66-45	65465-00V	66-16	65534-00V	13-1
65343-00V	15-35	65420-00V	66-44	65466-00V	67-24	65534-03V	8-27
65344-00V	55-75	65421-00V	16-32	65467-00V	8-26	65534-03V	9-25
65345-03V	50-4	65422-00V	31-9	65467-00V	13-1	65534-04V	8-28
65347-02V	24-44	65422-00V	31A-8	65467-02V	8-28	65534-04V	9-24
65355-00V	2-13	65426-00V	12-37	65467-02V	9-24	65534-05V	9-23
65355-00V	6-1	65426-01V	12-37	65472-00V	66-16	65534-05V	13-1
65355-01V	2-13	65428-00V	13-53	65475-02V	25-5	65534-06V	9-23
65355-01V	6-1	65429-00V	55-12	65475-03V	25-5	65534-06V	13-1
65356-00V	24-12	65429-02V	51-6	65475-04V	25-5	65536-00V	13-24
65359-00V	68-2	65429-02V	52-6	65476-00V	8-1	65537-00	13-28
65364-03V	55-16	65429-02V	53-73	65476-02V	8-6	65538-00V	13-27
65364-04V	55-15	65430-00V	37-43	65478-00V	56-70	65540-00V	60-9
65364-04V	55-17	65431-00V	8-43	65480-00V	62-1	65540-02V	60-9

PIPER PARTS CATALOG

Part Number	Figure and Index No.	Part Number	Figure and Index No.	Part Number	Figure and Index No.	Part Number	Figure and Index No.
65542-00V	60-11	65592-00V	7-2	65631-04V	24-15	65670-03V	25-1
65543-00V	60-11	65592-01V	7-2	65631-05V	24-16	65670-03V	27-1
65545-00V	31-9	65593-01V	7-15	65631-06V	24-5	65670-03V	27A-5
65545-00V	31A-8	65594-01V	7-14	65632-00V	78-13	65670-04V	25-12
65546-00V	25-23	65595-01V	7-18	65632-03V	78-13	65670-04V	27-1
65546-00V	26-12	65600-00V	8-26	65633-00V	78-4	65670-04V	27A-5
65546-00V	27-51	65600-00V	13-1	65634-00V	13-66	65670-09V	27-1
65546-00V	27A-50	65600-02V	13-1	65635-00V	78-6	65670-09V	27A-5
65546-04V	26-12	65600-02V	9-23	65636-00V	13-17	65671-00V	28-3
65547-00V	10-2	65600-03V	9-23	65639-00V	78-14	65671-02V	28-2
65549-03V	68-17	65600-03V	13-1	65640-00V	15-7	65671-03V	28-3
65550-02V	16-37	65600-04V	9-23	65642-02V	22-36	65671-04V	28-3
65550-03V	16-38	65600-04V	13-1	65642-03V	22-36	65672-05V	25-21
65550-04V	16-38	65603-00V	56-71	65642-04V	22-37	65672-05V	26-8
65555-00V	10-5	65605-02V	25-5	65642-05V	22-38	65672-05V	27-62
65556-00V	8-36	65605-03V	25-5	65642-05V	22A-15	65672-05V	27A-51
65556-00V	9-30	65605-04V	25-5	65642-09V	22-18	65673-00V	22-42
65556-02V	8-36	65610-02V	25-15	65642-09V	22-19	65673-02V	22A-37
65556-02V	9-30	65610-03V	25-15	65642-10V	22-16	65673-03V	22A-37
65557-00V	15-25	65610-04V	25-15	65642-11V	22-17	65674-05V	25-26
65558-00V	15-24	65611-00V	8-1	65642-12V	22-21	65674-05V	26-14
65563-00V	8-12	65611-02V	8-6	65642-12V	22A-28	65674-05V	27-12
65563-02V	8-21	65611-06V	8-10	65642-13V	22-20	65674-05V	27A-9
65563-02V	10-1	65611-06V	9-18	65642-13V	22A-28	65674-06V	25-26
65563-03V	8-13	65611-07V	8-7	65642-14V	22-14	65674-06V	26-14
65563-04V	12-27	65611-07V	9-18	65642-15V	22-15	65674-06V	27-12
65563-04V	22-46	65611-10V	8-6	65642-16V	22-23	65674-06V	27A-9
65563-05V	12-27	65611-11V	8-1	65642-16V	22A-26	65674-07V	25-26
65563-05V	22-46	65612-02V	25-14	65642-17V	22-22	65674-07V	26-14
65563-07V	8-24	65612-03V	25-14	65642-17V	22A-27	65674-07V	27-12
65563-07V	9-19	65612-04V	25-14	65642-18V	22-12	65674-07V	27A-9
65563-07V	12-1	65612-05V	25-14	65642-18V	22A-24	65674-09V	26-14
65563-08V	9-19	65612-06V	25-14	65642-19V	22-13	65674-09V	27-12
65563-08V	12-1	65612-07V	25-14	65642-19V	22A-25	65674-09V	27A-9
65564-02V	25-40	65613-02V	25-4	65643-00V	22-44	65674-11V	27-12
65564-02V	26-65	65613-03V	25-4	65643-00V	22A-40	65674-11V	27A-9
65564-02V	27-66	65613-04V	25-4	65644-00V	22-45	65674-13V	27-12
65564-02V	27A-60	65613-05V	25-4	65644-00V	22A-41	65674-13V	27A-9
65567-00V	24-40	65613-06V	25-4	65649-00V	72-3	65674-15V	26-14
65570-00V	12-44	65613-07V	25-4	65654-00V	76-6	65674-15V	27-12
65570-01V	12-44	65617-00V	30-11	65654-02V	76-6	65674-15V	27A-9
65571-00V	10-14	65617-00V	30-36	65654-03V	76-6	65675-00V	22-43
65571-00V	11-1 7	65617-00V	30-44	65654-04V	76-6	65675-00V	22A-38
65572-00V	12-35	65617-00V	31-7	65654-05V	76-6	65676-02V	25-14
65572-01V	12-35	65617-00V	31-27	65654-06V	76-6	65676-03V	25-14
65575-00V	55-39	65617-00V	57-49	65659-00V	22-39	65676-04V	25-14
65576-00V	55-40	65617-00V	66-94	65660-00V	22-40	65677-02V	25-4
65577-00V	55-41	65618-00V	57-51	65661-00V	22-41	65677-03V	25-4
65578-00V	55-36	65618-00V	66-96	65661-02V	22A-38	65677-04V	25-4
65578-03V	55-36	65619-02V	24-69	65664-00V	25-71	65688-00V	44-3
65586-04V	7-13	65619-03V	24-69	65664-00V	27A-27	65688-01V	44-3
65586-05V	7-13	65619-04V	24-69	65667-00V	25-70	65688-02V	44-4
65587-00V	7-14	65624-00V	8-1	65667-00V	27-61	65688-03V	44-4
65588-00V	7-2	65624-02V	8-6	65667-00V	27A-42	65690-00V	4-7a
65589-00V	7-3	65626-00V	25-72	65668-00V	24-99	65690-01V	4-7a
65590-01V	2-12	65626-00V	27A-28	65668-02V	24-99	65699-00V	27-2
65590-01V	7-1	65626-10V	27A-28	65670-02V	25-1	65699-00V	27A-6
65591-00V	2-12	65626-11V	27-19	65670-02V	27-1	65700-00V	28-4a
65591-00V	7-1	65631-00V	24-5	65670-02V	27A-5	65700-06V	28-4a

PIPER PARTS CATALOG

Part Number	Figure and Index No.	Part Number	Figure and Index No.	Part Number	Figure and Index No.	Part Number	Figure and Index No.
65700-07V	28-4a	65764-03v	28-40	65826-05V	23-12	65870-00V	27-85
65704-00V	28-4	65764-04V	28-40	65826-05V	23A-7	65870-00V	27A-76
65704-02V	28-4	65764-05V	28-40	65826-06V	23-12	65871-00V	26-97
65715-03V	50-24	65764-06V	28-40	65826-06V	23A-7	65871-00V	27-84
65715-04V	50-22	65764-07V	28-40	65827-00V	56-55	65871-00V	27A-77
65717-00V	28-19	65764-08V	28-40	65827-00V	57-27	65879-00V	28-33a
65717-02V	28-20	65764-09V	28-40	65830-00V	9-1	65881-00V	28-19
65717-03V	28-33	65773-00V	2-50	65830-02V	9-5	65881-02V	28-20
65726-02V	49-2	65774-00V	28-9	65830-03V	9-6	65881-03V	28-33
65726-03V	49-2	65774-00V	28A-33	65830-04V	9-1	65888-00V	33A-6
65726-04V	49-4	65777-00V	25-80	65830-05V	9-5	65889-00V	64-18
65726-05V	49-3	65778-00V	56-10	65830-06V	9-1	65889-00V	65-16
65726-06V	49-3	65779-00V	16-40a	65830-07V	9-5	65889-00V	66-62
65727-00V	24-116	65779-00V	17-10b	65830-08V	9-1	65890-00V	16-33
65727-00V	24A-54	65780-00V	56-10	65830-09V	9-5	65891-02V	16-37
65735-02V	25-67	65782-00V	22-28	65830-10V	9-1	65895-00V	22-27
65735-03V	25-67	65782-00V	23-18	65830-11V	9-5	65895-00V	23-15
65735-03V	26-87	65782-00V	23A-13	65830-12V	9-1	65895-00zv	23A-10
65735-03V	27-64	65782-00V	23B-9b	65830-13V	9-5	65895-00V	238-9a
65735-03V	27A-53	65784-00V	85-16	65830-14V	9-1	65896-00V	22-26
65735-04V	25-67	65797-05V	20-2	65830-15V	9-5	65896-00V	23-14
65735-05V	25-66	65797-05V	21-1	65830-16V	9-1	65896-00V	23A-9
65735-06V	25-66	65798-00V	23-13	65830-17V	9-5	65896-00V	238-9
65735-06V	26-86	65798-00V	23B-8	65830-18V	9-1	65896-02V	22-26
65735-06V	27-63	65798-02V	23-13	65830-19V	9-5	65896-02V	23-14
65735-06V	27A-52	65798-02V	23B-8	65831-07V	17-1	65896-02V	23A-9
65735-07V	25-66	65798-03V	23-13	65832-00V	31A-24	65896-02V	23B-9
65735-12V	27-64	65798-03V	23A-8	65833-00V	17-5	65898-00V	4-30
65735-13V	27-63	65798-04V	23-13	65834-00V	17-6	65898-00V	5-35
65735-13V	27A-52	65798-04V	23A-8	65835-00V	17-3a	65898-01V	4-30
65735-18V	26-87	65799-00V	24-65a	65836-00V	79-7	65898-01V	5-35
65735-18V	27-64	65799-00V	30-65	65839-03V	17-9	65898-04V	4-28
65735-18V	27A-53	65799-00V	31-54	65839-04V	17-9	65898-04V	5-33
65735-19V	26-86	65803-00V	57-3	65839-06V	17-9	65899-00V	7-5
65735-19V	27-63	65803-00V	57A-4	65845-00V	10-2	66529-00V	5-28
65735-19V	27A-52	65803-02V	57-3	65845-02V	10-2	66530-00V	79-7
65741-00V	22-33	65804-00V	57-37	65845-03V	10-2	66532-00V	16-39
65741-00V	23-17	65804-00V	57A-5	65845-04V	10-2	66532-00V	17-10c
65741-00V	23A-12	65804-04V	57-37	65846-00V	26-79	66541-00V	10-22
65741-00V	23B-12	65805-00V	57-2	65846-00V	27-13a	66541-00V	11-24
65742-00V	22-32	65805-00V	57A-3	65846-00V	27A-10a	66546-00V	80-30
65742-00	23-16	65806-00V	57-38	65850-00V	57B-1	66546-00V	81-29
65742-00	23A-11	65810-00V	66-47	65852-02V	17-31	66547-00V	64-4
65742-00	23B-11	65811-00V	66-44	65861-00V	57A-29	66551-00V	28-19
65756-00V	55-41	65813-00V	66-45	65862-00V	17-10a	66551-02V	28-20
65757-00V	55-41	65815-04V	2-14	65863-00V	17-12a	66551-03V	28-33
65761-02V	28-40	65815-04V	55-108	65865-00V	26-94	66551-04V	28-19
65761-03V	28-40	65815-05V	2-14	65865-00V	27-82	66551-05V	28-20
65761-04V	28-40	65815-05V	55-108	65865-00V	27A-73	66551-06V	28-33
65761-05V	28-40	65816-00V	55-43	65866-00V	26-93	66580-02V	68-16
65761-06V	28-40	65821-00V	85-1	65866-00V	27-81	66580-02V	72-9
65761-07V	28-40	65821-02V	85-1	65866-00V	27A-72	66580-02V	73-11
65761-08V	28-40	65821-03V	85-1	65867-00V	26-95	66580-02V	73B-23
65761-09V	28-40	65826-00V	22-25	65867-00V	27-83	66582-00V	4-27
65761-10V	28-40	65826-00V	23-12	65867-00V	27A-74	66582-01V	4-27
65761-11V	28-40	65826-00V	23B-7	65869-00V	26-81	66595-00V	2-2
65763-00V	28-41	65826-03V	22-25	65869-00V	27-49	66595-00V	3-1
65763-01V	28-41	65826-03V	23-12	65869-00V	27A-75	66595-01V	2-2
65764-02V	28-40	65826-03V	23B-7	65870-00V	26-96	66595-01V	3-1

PIPER PARTS CATALOG

Part Number	Figure and Index No.	Part Number	Figure and Index No.	Part Number	Figure and Index No.	Part Number	Figure and Index No.
66597-00V	4-9	66657-00V	24-5	66687-06V	26-50	66710-44V	27-88a
66597-01V	4-9	66657-02V	24-5	66687-08V	26-50	66710-44V	27A-79a
66598-00V	4-10	66657-03V	24-5	66687-09V	26-50	66711-02V	26-1
66598-00V	4-11	66658-00V	79-7	66687-10V	26-50	66711-04V	26-1
66598-00V	5-9	66659-00V	79-1	66687-11V	26-50	66711-05V	26-1
66598-00V	5-10	66661-00V	82-5	66687-12V	26-50	66713-00V	69A-10
66598-01V	4-10	66662-00V	56-1	66688-00V	13-27	66713-00V	70-11
66598-01V	4-11	66662-00V	57A-2	66689-00V	13-24	66722-00V	62-10
66598-01V	5-9	66662-14V	33-24	66689-03V	13-24	66724-00V	17-5
66598-01V	5-10	66662-14V	57A-2	66694-00V	8-1	66725-00V	17-6
66599-00V	4-12	66670-00V	26-83	66694-02V	8-6	66728-00V	14-25
66599-01V	4-12	66676-03V	51-110	66694-03V	8-10	66729-00V	14-26
66601-02V	2-1	66677-00V	62-11	66694-04V	8-7	66730-00V	14-24
66601-03V	2-1	66679-00V	8-37	66694-05V	8-1	66734-03V	17-1
66601-04V	2-1	66681-00V	51-23	66694-06V	8-6	66735-00V	17-3
66601-05V	2-1	66682-02V	26-4	66694-07V	8-1	66736-00V	17-9
66601-06V	2-1	66682-03V	26-4	66694-08V	8-6	66744-00V	69A-7
66601-07V	2-1	66682-04V	26-4	66694-09V	8-1	66744-02V	69A-7
66602-00V	2-4	66682-05V	26-4	66694-10V	8-6	66746-00V	69A-13
66602-00V	4-1	66683-02V	26-3	66694-11V	8-1	66747-00V	69A-19
66602-01V	2-4	66683-03V	26-3	66694-12V	8-6	66748-00V	69A-12
66602-01V	4-1	66683-04V	26-3	66695-00V	10-12h	66750-00V	33-27a
66602-02V	2-4	66683-05V	26-3	66695-00V	17-70	66751-00V	85-18
66602-02V	4-1	66684-02V	24-69	66696-00V	17-54	66757-00V	85-7
66602-03V	2-4	66684-03V	24-69	66699-00V	8-12	66761-02V	3-10
66602-03V	4-1	66684-04V	24-69	66699-02V	8-21	66761-03V	3-10
66609-00V	8-34	66684-05V	24-69	66699-02V	10-1	66762-00V	4-18
66609-00V	9-31	66684-06V	24-69	66699-05V	8-23a	66762-00V	5-21
66609-00V	64-15	66684-07V	24-69	66699-06V	8-12	66766-00V	6-7
66614-00V	5-14	66684-08V	24-69	66699-07V	8-21	66766-01V	6-7
66616-00V	73B-15	66684-09V	24-69	66699-07V	10-1	66767-00V	2-13
66618-00V	33-21	66685-02V	26-6	66704-00V	60-9	66767-00V	6-1
66618-02V	33-21	66685-03V	26-6	66704-02V	60-10	66767-01V	2-13
66618-03V	33-21	66685-04V	26-6	66706-00V	10-2	66767-01V	6-1
66620-00V	3-16	66685-05V	26-6	66706-02V	10-2	66767-02V	2-13
66621-00V	3-14	66685-06V	26-6	66706-03V	10-2	66767-02V	6-1
66623-00V	3-12	66685-07V	26-6	66709-02V	26-43	66767-03V	2-13
66623-01V	3-12	66685-08V	26-6	66709-03V	26-43	66767-03V	6-1
66630-00V	56-3	66685-09V	26-6	66709-04V	26-43	66768-00V	51-5
66632-00V	68-11	66686-02V	26-5	66709-05V	26-43	66768-00V	53-33
66634-02V	66-120	66686-03V	26-5	66709-06V	26-43	66768-00V	55-50
66634-02V	67-9	66686-04V	26-5	66709-08V	26-43	66769-00V	15-31
66634-02V	67A-32	66686-05V	26-5	66709-09V	26-43	66770-00V	2-3
66634-04V	58-84	66686-06V	26-5	66709-10V	26-43	66770-00V	3-19
66634-10V	66-120	66686-07V	26-5	66709-11V	26-43	66770-01V	2-3
66634-10V	67-9	66686-08V	26-5	66709-12V	26-43	66770-01V	3-19
66634-10V	67A-32	66686-09V	26-5	66710-16V	26-10a	66770-02V	2-3
66635-00V	59-33	66686-10V	26-5	66710-16V	27-87	66770-02V	3-19
66641-00V	24-33	66686-11V	26-5	66710-16V	27A-78	66770-04V	2-3
66643-00V	69A-9	66686-12V	26-5	66710-17V	24-68a	66770-04V	3-19
66645-00V	17-27	66686-13V	26-5	66710-17V	24A-9	66771-00V	3-20
66647-00V	24-104	66686-14V	26-5	66710-21V	4-68c	66771-01V	3-20
66648-00V	24-105	66686-15V	26-5	66710-21V	26-11a	66772-00V	3-21
66652-00V	24-62	66686-16V	26-5	66710-26V	24-68c	66772-01V	3-21
66652-09V	24-62	66686-17V	26-5	66710-26V	27-88a	66772-02V	3-21
66654-00V	24-25	66687-02V	26-50	66710-26V	27A-79a	66772-04V	3-21
66655-00V	24-5	66687-03V	26-50	66710-44V	24-68c	66773-00V	57B-6b
66656-00V	24-5	66687-04V	26-50	66710-44V	24A-10	66773-00V	57C-14
66656-02V	24-5	66687-05V	26-50	66710-44V	26-11a	66773-00V	59-9b

PIPER PARTS CATALOG

Part Number	Figure and Index No.	Part Number	Figure and Index No.	Part Number	Figure and Index No.	Part Number	Figure and Index No.
66773-00V	67A-14a						
66774-00V	57B-12a						
66774-00V	57C-15						
66774-00V	59-11						
66774-00V	67A-19a						
66778-00V	48-11						
66787-00V	26-105						
66787-00V	27-110						
66788-00V	26-92						
66788-01V	26-92						
66788-02V	26-92						
66788-03V	26-92						
66788-04V	26-92						
66788-05V	26-92						
66788-06V	26-92						
66788-07V	26-92						
66789-00V	31A-54						
66789-00V	31B-9						
66789-00V	32-13						
66789-00V	51-66						
66789-00V	54-29						
66789-00V	57A-39						
66789-00V	57A-40						
66789-00V	58-35						
66789-00V	58-36						
66789-00V	59-37						
66789-00V	68-6						
66793-00V	24-1						
66793-10V	24-1						
66793-18V	24A-1						
66795-00V	14-6						
66796-00V	14-2						
66798-00V	86-21						
66798-00V	86A-9						
66800-00V	86-10						
66802-02V	27-40						
66802-02V	27A-23						
66802-03V	27-40						
66802-03V	27A-23						
66802-04V	27-40						
66802-04V	27A-23						
66802-05V	27-40						
66802-05V	27A-23						
66802-06V	27-40						
66802-06V	27A-23						
66802-07V	27-40						
66802-07V	27A-23						
66802-08V	27-40						
66802-08V	27A-23						
66802-09V	27-40						

PIPER PARTS CATALOG

Part Number	Figure and Index No.	Part Number	Figure and Index No.	Part Number	Figure and Index No.	Part Number	Figure and Index No.
66802-09V	27A-23	66894-03V	60-13	66924-05V	27A-2	66950-00V	32D-1
66802-10V	27-40	66898-00V	22A-38	66924-06V	27-24	66950-01V	32D-1
66802-10V	27A-23	66906-00V	60-9	66924-16V	27A-2	66950-02V	32D-1
66804-00V	25-68	66906-02V	60-9	66924-07V	27-24	66950-03V	32D-1
66804-00V	26-42	66913-00V	24-63	66924-07V	27A-2	66955-00V	15-18
66804-00V	27-77	66913-02V	24-63	66924-08V	27-24	66956-00V	32D-9
66804-00V	27A-65	66913-04V	24-63	66924-09V	27-24	66957-00V	32D-8
66805-00V	25-69	66914-00V	24-64	66924-10V	27-24	66959-00V	32D-4
66805-00V	26-41	66914-02V	24-64	66924-11V	27-24	66962-00V	32D-2
66805-00V	27-78	66914-03V	24-64	66924-12V	27-24	66964-00V	50A-15
66805-00V	27A-66	66915-00V	24-64a	66924-13V	27-24	66964-02V	32D-7
66815-00V	51-78a	66916-00V	24-64a	66925-02V	27-25	66964-02V	50A-16
66815-00V	52-80a	66918-07V	17-1	66925-02V	27A-3	66965-00V	32D-6
66815-00V	53-95	66918-13V	17-1	66925-03V	27-25	66965-00V	32E-37
66815-00V	54-76a	66918-16V	17-1	66925-03V	27A-3	66968-00V	12-18
66815-00V	55-99a	66922-02V	27-23	66925-04V	27-25	66968-01V	12-18
66815-00V	55-111a	66922-03V	27-23	66925-04V	27A-3	66969-02V	12-18
66817-00V	51-78	66922-04V	27-23	66925-05V	27-25	66969-03V	12-18
66817-00V	52-80	66922-05V	27-23	66925-05V	27A-3	66970-02V	70-22
66817-00V	53-94	66922-06V	27-23	66925-06V	27-25	66970-03V	70-23
66817-00V	54-76	66922-07V	27-23	66925-06V	27A-3	66972-00V	50A-5
66817-00V	55-99	66922-08V	27-23	66925-07V	27-25	66973-00V	50A-7
66817-00V	55-111	66922-09V	27-23	66925-07V	27A-3	66974-00V	15-36
66820-00V	37-59	66922-10V	27-23	66925-08V	27-25	66975-00V	50-1
66820-00V	39-17	66922-11V	27-23	66925-09V	27-25	66975-00V	50A-1
66821-04V	43-7	66922-12V	27-23	66925-10V	27-25	66975-03V	50-1
66822-07V	50-26	66922-13V	27-23	66925-11V	27-25	66975-03V	50A-1
66822-08V	50-27	66922-13V	27-23	66925-12V	27-25	66978-00V	32D-5
66835-00V	57B-31	66922-14V	27A-11	66925-13V	27-25	66979-00V	57B-3
66835-00V	57C-26	66922-15V	27A-1	66926-03V	68-17	66979-00V	57C-3
66835-00V	59-33	66922-16V	27A-1	66926-04V	68-17	66979-00V	59-3
66836-02V	59-61	66922-17V	27A-1	66927-00V	68-25	66979-00V	67A-3
66836-04V	57C-23	66922-18V	27A-1	66930-02V	26-3	66980-00V	31A-2
66837-00V	93-6	66922-19V	27A-1	66930-03V	26-3	66980-00V	31 A-6
66838-00V	93-18	66923-02V	27-26	66930-04V	26-3	66980-00V	31A-44
66843-00	33A-5	66923-02V	27A-4	66930-05V	26-3	66980-00V	31B-2
66844-00V	24-4	66923-03V	27-26	66931-00V	10-12j	66980-00V	31B-31
66847-00V	60-20	66923-03V	27A-4	66931-00V	11-16	66980-00V	32-3
66848-00V	24-5	66923-04V	27-26	66932-00V	80-40	66980-00V	32-40
66848-02V	24-5	66923-04V	27A-4	66932-00V	81-37	66980-00V	57B-42
66848-04V	24-15	66923-05V	27-26	66934-00V	80-41	66980-00V	57C-35
66848-05V	24-5	66923-05V	27A-4	66934-00V	81-38	66980-00V	59-56
66849-00V	24-5	66923-06V	27-26	66936-02V	24-69	66980-00V	84-12
66849-02V	24-16	66923-06V	27A-4	66936-03V	24-69	66980-02V	76-55
66849-03V	24-5	66923-07V	27-26	66936-04V	24-69	66982-02V	26-6
66855-00V	57B-31	66923-07V	27A-4	66936-05V	24-69	66982-03V	26-6
66856-06V	31A-48	66923-08V	27-26	66936-06V	24-69	66982-04V	26-6
66856-07V	57B-21	66923-09V	27-26	66936-07V	24-69	66982-05V	26-6
66856-08V	32-41	66923-10V	27-26	66936-08V	24-69	66982-06V	26-6
66856-09V	31A-27a	66923-11V	27-26	66936-09V	24-69	66982-07V	26-6
66856-09V	31B-26	66923-12V	27-26	66936-10V	24-69	66982-08V	26-6
66856-09V	32-42	66923-13V	27-26	66936-11V	24-69	66982-09V	26-6
66856-10V	31A-28	66924-02V	27-24	66936-12V	24-69	66983-06V	17-1
66856-10V	31B-22	66924-02V	27A-2	66936-13V	24-69	66983-07V	17-1
66856-10V	32-28	66924-03V	27-24	66940-00V	28-41	66983-08V	17-1
66856-19V	31B-35	66924-03V	27A-2	66940-00V	28A-42	66983-09V	17-1
66856-19V	57B-21	66924-04V	27-24	66940-01V	28-41	66983-12V	17-1
66894-00V	60-13	66924-04V	27A-2	66940-01V	28A-42	66983-13V	17-1
66894-02V	60-13	66924-05V	27-24	66947-00V	22A-36	66983-15V	17-1

PIPER PARTS CATALOG

Part Number	Figure and Index No.	Part Number	Figure and Index No.	Part Number	Figure and Index No.	Part Number	Figure and Index No.
66984-00V	28B-1	67060-01V	4-4	67134-00V	58-31	67214-00V	57B-4
66984-01V	28B-1	67060-01V	5-3	67135-03V	46-21	67214-00V	57C-5
66984-02V	28B-1	67061-00V	4-6	67135-03V	47-11	67214-00V	59-5
66984-03V	28B-1	67061-00V	5-4	67137-00V	10-39	67214-00V	67A-5
66984-04V	28B-2	67061-01V	4-6	67137-00V	11-34	67215-00V	57B-8
66984-05V	28B-2	67061-01V	5-4	67138-00V	10-38	67215-00V	59-12
66984-06V	28B-3	67062-00V	5-5	67138-00V	11-36	67215-00V	67A-9
66984-07V	28B-3	67062-01V	6-5	67139-00V	10-42	67215-03V	57B-8
66984-08V	28B-3	67065-00V	5-50	67139-00V	11-37	67215-03V	57C-9
66984 09V	28B-3	67066-00V	75-37	67140-00V	11-38	67215-03V	59-12
66985-00V	17-5	67070-02V	5-25	67140-02V	10-43	67215-03V	67A-9
66987-00V	27-72	67070-03V	5-25	67148-00V	35-30	67216-00V	57B-8
66989-00V	27A-62	67071-00V	2-7	67150-03V	34-11	67216-00V	57C-9
66992-00V	28B-2a	67071-00V	38-56	67155-00V	34-57	67216-00V	59-12
66993-00V	67A-34	67071-01V	2-7	67158-00V	75-38	67216-00V	67A-9
66994-00V	67A-36	67071-01V	38-56	67159-00V	75-39	67217-00V	57B-7
66996-00V	27-21	67079-00V	5-40	67164-00V	2-24	67217-00V	59-6
66999-02V	17-4	67079-01V	5-40	67164-01V	2-24	67218-00V	57B-9
66999-04V	17-4	67090-00V	42-1	67166-00V	5-51	67218-00V	57C-10
67012-00V	39-7	67090-01V	42-1	67168-00V	34-26	67218-00V	59-13
67016-02V	2-1	67090-01V	42-1	67169-00V	34-15	67218-00V	59-24d
67016-03V	2-1	67090-10V	42-1	67171-00V	83-6	67218-00V	59-24e
67016-06V	2-1	67090-11V	42-1	67173-00V	83-5	67218-00V	67A-10
67016-07V	2-1	67091-00V	42-13	67173-03V	83-5	67218-00V	67A-18
67023-00V	39-9	67093-04V	42-2	67174-00V	83-4	67218-00V	67A-19
67024-00V	38-23	67093-05V	42-2	67174-02V	83-4	67218-02V	57B-9
67024-01V	38-23	67095-00V	5-7	67176-00V	83-2	67218-02V	57C-19
67025-02V	38-13	67095-01V	5-7	67180-03V	83-1	67218-02V	59-24d
67025-05V	38-10	67096-00V	5-8	67180-04V	83-1	67218-02V	67A-19
67025-06V	38-10	67096-01V	5-8	67189-00V	34-16	67219-00V	81-6
67026-05V	39-12	67097-00V	5-30	67192-00V	34-30	67219-02V	81-7
67026-07V	35-3	67097-01V	5-30	67193-00V	80-32	67220-00V	57B-6
67026-07V	35-26	67100-10V	34-1	67193-00V	81-28	67220-00V	59-9
67026-07V	35-32	67100-10V	35-1	67193-03V	81-28	67221-00V	57B-10
67026-07V	39-11	67101-00V	2-27	67193-04V	81-28	67221-00V	57C-11
67026-07V	39-20	67106-00V	35-49	67196-00V	68-74	67221-00V	59-14
67026-11V	35-23	67107-00V	35-28	67196-00V	68A-22	67221-00V	67A-11
67028-00V	38-24	67108-00V	75-36	67198-00V	38-54	67223-00V	57B-2
67031-02V	38-22	67109-00V	34-8	67202-00V	38-35	67223-00V	57C-2
67031-03V	38-22	67114-00V	34-56	67203-00V	33-7	67223-00V	67A-2
67036-00V	39-18	67119-49V	58-85	67203-00V	38-38	67223-03V	59-2
67037-06V	39-16	67119-57V	58-85	67205-00V	32-1	67224-00V	57B-30
67040-12V	38-2	67120-00V	11-8	67205-01V	32-1	67224-00V	59-27
67040-13V	38-2	67120-02V	10-7	67205-02V	32-1	67224-03V	57B-30
67042-12V	38-6	67120-04V	10-7	67205-03V	32-1	67224-03V	57C-25
67045-00V	2-4	67120-05V	11-8	67205-05V	32-1	67224-03V	59-27
67045-00V	5-1	67120-06V	10-7	67206-00V	57B-29	67225-00V	57B-52
67045-01V	2-4	67120-07V	10-7	67206-00V	59-26	67225-00V	57C-27
67045-01V	5-1	67120-09V	11-8	67206-02V	57B-29	67225-00V	59-28
67046-00V	75-42	67120-10V	10-7	67206-02V	57C-24	67227-05V	17-9
67046-01V	75-42	67120-11V	10-7	67206-02V	59-26	67227-07V	17-9
67050-02V	35-2	67120-12V	11-8	67210-00V	59-1	67227-08V	17-9
67054-03V	35-22	67120-13V	10-7	67210-02V	57C-1	67227-10V	17-9
67055-00V	5-13	67120-14V	10-7	67210-02V	67A-1	67227-11V	17-9
67055-01V	5-13	67120-15V	11-8	67210-03V	59-1	67227-12V	17-9
67058-00V	5-14a	67120-16V	10-7	67210-04V	57C-1	67227-15V	17-9
67058-01V	5-14a	67120-17V	10-7	67213-00V	57C-4	67227-16V	17-9
67060-00V	4-4	67125-00V	10-12f	67213-00V	59-4	67227-17V	17-9
67060-00V	5-3	67125-00V	11-14	67213-00V	67A-4	67228-02V	17-4

PIPER PARTS CATALOG

Part Number	Figure and Index No.	Part Number	Figure and Index No.	Part Number	Figure and Index No.	Part Number	Figure and Index No.
67228-04V	17-4	67232-22V	27A-10	67252-00V	13-1	67302-03V	27-25
67228-09V	17-4	67232-24V	27-13	67252-02V	9-24	67302-03V	27A-3
67229-00V	17-7	67232-24V	27A-10	67252-05V	9-23	67302-04V	27-75
67229-04V	17-7	67232-24V	67A-27	67252-05V	13-1	67302-04V	27A-3
67229-06V	17-7	67232-25V	27-13	67253-00V	11-2	67302-05V	27-25
67230-07V	17-1	67232-25V	27A-10	67253-02V	11-2	67302-05V	27A-3
67231-06V	17-3	67232-26V	26-78	67255-00V	11-7	67302-06V	27-25
67231-07V	17-3	67232-27V	27-13	67257-00V	11-3	67302-07V	27-25
67231-08V	17-3	67232-27V	27A-10	67257-01V	11-3	67303-02V	27-26
67231-09V	17-3	67232-28V	27-13	67258-00V	10-27	67303-02V	27A-4
67231-11V	17-3	67232-28V	27A-10	67258-00V	11-27	67303-03V	27-26
67231-12V	17-3	67232-29V	27-13	67259-02V	10-26	67303-03V	27A-4
67231-13V	17-3	67232-29V	27A-10	67259-02V	11-28	67303-04V	27-26
67231-14V	17-3	67232-30V	27-13	67260-00V	10-28	67303-04V	27A-4
67231-15V	17-3	67232-30V	27A-10	67260-00V	11-29	67303-05V	27-26
67231-16V	17-3	67232-31V	27-13	67262-02V	12-37	67303-05V	27A-4
67231-17V	17-3	67232-31V	27A-10	67262-03V	12-37	67303-06V	27-26
67231-18V	17-3	67232-32V	27-13	67263-00V	9-12	67303-07V	27-26
67231-21V	17-3	67232-32V	27A-10	67263-01V	9-12	67304-02V	27-24
67231-22V	17-3	67232-40V	26-78	67266-00V	10-5	67304-02V	27A-2
67231-24V	17-3	67232-41V	27-13	67266-00V	11-5	67304-03V	27-24
67231-25V	17-3	67232-41V	27A-10	67266-02V	10-5	67304-03V	27A-2
67231-26V	17-3	67235-00V	26-16	67266-02V	11-5	67304-04V	27-24
67231-27V	17-3	67235-00V	27-74	67267-00V	12-69	67304-04V	27A-2
67231-29V	17-3	67235-00V	27A-54	67267-01V	12-69	67304-05V	27-24
67231-30V	17-3	67239-00V	27-13a	67268-00V	12-70	67304-05V	27A-2
67232-06V	27-13	67239-00V	27A-10a	67268-01V	12-70	67304-06V	27-24
67232-06V	67A-27	67241-00V	17-8a	7269-00V	13-46	67304-07V	27-24
67232-07V	27-13	67242-00V	39-52	67269-02V	13-46	67305-02V	24-69
67232-07V	67A-27	67244-00V	34-34	67270-00V	13-2	67305-03V	24-69
67232-08V	27-13	67245-00V	35-33	67271-00V	13-4	67305-04V	24-69
67232-08V	27A-10	67250-00V	9-1	67274-00V	13-41	67305-05V	24-69
67232-08V	67A-27	67250-02V	9-5	67274-01V	13-41	67305-06V	24-69
67232-09V	27-13	67250-07V	9-1	67275-00V	13-42	67305-07V	24-69
67232-09V	27A-10	67250-08V	9-5	67276-00V	13-46	67305-08V	24-69
67232-09V	67A-27	67250-09V	9-1	67276-03V	13-46	67305-09V	24-69
67232-10V	27-13	67250-10V	9-5	67277-00V	39-44	67305-10V	24-69
67232-10V	27A-10	67250-11V	9-1	67280-00V	13-24	67305-11V	24-69
67232-11V	27-13	67250-12V	9-5	67281-00V	13-27	67306-00V	24-5
67232-11V	27A-10	67251-00V	9-9	67281-02V	13-27	67307-00V	27-65
67232-12V	27-13	67251-02V	9-14	67282-00V	13-28	67307-00V	27A-26
67232-12V	27A-10	67251-02V	11-1	67282-02V	13-28	67307-02V	27-65
67232-13V	27-13	67251-04V	9-15	67291-00V	12-46	67307-02V	27A-26
67232-13V	27A-10	67251-08V	9-14	67291-01V	12-6	67307-03V	27-65
67232-15V	26-78	67251-08V	10-1	67292-00V	12-71	67307-03V	27A-26
67232-15V	27-13	67251-09V	9-9	67295-00V	32-2	67311-00V	23-36
67232-15V	27A-10	67251-10V	9-14	67295-01V	32-2	67311-02V	23-36
67232-17V	27-13	67251-10V	11-1	67301-02V	27-23	67312-00V	23-36
67232-17V	27A-10	67251-11V	9-14	67301-03V	27-23	67312-02V	23-36
67232-17V	67A-27	67251-11V	10-1	67301-04V	27-23	67313-00V	23-37
67232-18V	27-13	67251-12V	9-9	67301-05V	27-23	67313-02V	23-37
67232-18V	27A-10	67251-13V	9-9	67301-06V	27A-1	67314-00V	23-37
67232-18V	67A-27	67251-14V	9-9	67301-07V	27A-1	67314-02V	23-37
67232-20V	27-13	67251-15V	9-9	67301-08V	27A-1	67315 00V	26-76
67232-20V	27A-10	67251-16V	9-14	67301-09V	27A-1	67315-00V	27-18
67232-20V	67A-27	67251-16V	11-1	67301-10V	27-23	67315 00V	27A-15
67232-21V	27-13	67251-17V	9-14	67301-11V	27-23	67318-00V	12-68
67232-21V	27A-10	67251-17V	10-1	67302-02V	27-25	67325-00V	25-43
67232-22V	27-13	67252-00V	9-23	67302-02V	27A-3	67325-00V	26-27

PIPER PARTS CATALOG

Part Number	Figure and Index No.	Part Number	Figure and Index No.	Part Number	Figure and Index No.	Part Number	Figure and Index No.
67325-00V	27-17	67372-00V	23-33	67412-04V	70-7	67490-02V	85-17
67325-00V	27A-8	67372-00V	23A-28	67418-00V	70-25	67491-00V	80-2a
67330-02V	27-16	67372-01V	23-33	67422-02V	19-25	67491-00V	81-3
67330-03V	27-16	67372-01V	23A-28	67422-03V	19-26	67492-00V	86-10
67330-07V	27-16	67374-00V	23-30	67422-04V	69A-4	67493-00V	90-13
67330-10V	26-77	67374-01V	23-30	67422-04V	70-30	67494-00V	90-14
67330-10V	27-16	67375-00V	23-32	67422-05V	70-32	67494-01V	90-14
67333-02V	93-16	67375-00V	23A-27	67422-06V	70-33	67495-00V	86-17
67333-03V	93-16	67375-01V	23-32	67422-07V	70-34	67502-00V	38-34
67336-00V	27-76	67375-01V	23A-27	67422-08V	70-35	67505-00V	38-39
67338-00V	47-1	67376-00V	23-35	67422-09V	70-31	67510-00V	34-27
67342-00V	47-2	67376-00V	23A-30	67422-10V	70-36	67517-00V	61-6
67343 00V	31-18	67377-00V	23-34	67422-11V	70-31	67520-00V	84-4
67343-00V	31A-33	67378-00V	23-34	67422-12V	70-38	67521-00V	84-5
67343-00V	32-33	67379-00V	22A-16	67422-13V	70-40	67524-00V	84-34
67344-00V	32-8	67379-00V	23-22	67422-14V	70-39	67532-00V	84-6
67345-00V	31A-28	67379-00V	23A-17	67424-07V	70-3	67534-00V	84-46
67345 00V	32-28	67379-01V	22A-16	67424-08V	69A-6	67549-00V	47-2
67347-00V	32-9	67379-01V	23-22	67424-08V	70-3	67550-00V	5-14b
67350-00V	65-1	67379-01V	23A-17	67425-00V	17-5	67550-01V	5-14b
67351-14V	65-13	67379-02V	22A-17	67426-00V	17-6	67552-00V	22-7
67352-00V	42-3	67379-03V	22A-16	67427-00V	27-72	67552-00V	23-6
67352-01V	42-3	67379-03V	23-22	67428-00V	17-11	67553-00V	22-7
67355 00V	42-5	67379-03V	23A-17	67429-02V	70-22	67553-00V	23-6
67355-00V	65-15	67379-04V	22A-16	67429-03V	70-23	67555-00V	12-19
67355-01V	42-5	67379-04V	23-22	67431-00V	17-25	67556-00V	22-55
67355-01V	65-15	67379-04V	23A-17	67431-00V	17-27	67556-00V	23-42
67356-200V	42-26	67382-00V	79-12	67431-04V	17-26	67556-02V	22-55
67356-201V	42-28	67385-00V	23-31	67435-02V	70-12	67556-02V	23-42
67357-00V	42-17	67385-00V	23A-26	67435-03V	70-13	67556-02V	23A-50
67358-00V	42-18	67385-01V	23-31	67436-04V	69A-11	67556-02V	23B-37
67359-00V	42-19	67385-01V	23A-26	67436-04V	70-13	67556-04V	23A-50
67360-00V	42-20	67386-00V	32-5	67436-05V	70-12	67556-04V	23B-37
67361-00V	42-21	67387-00V	32-7	67437-00V	69A-12	67559-00V	84-42
67362-00V	42 22	67389-00V	32-10	67437-00V	70-18	67560-00V	84-2
67362-02V	42-24a	67390-00V	11-15	67439-00V	70-5	67562-00V	13-20
67363-00V	42-25	67390-03V	10-12g	67441-02V	17-31	67564-00V	76-19a
67364-00V	42-4	67391-00V	32-11	67441-03V	17-31	67566-00V	76-19b
67365-00V	11-33	67395-00V	31A-32	67443-04V	80-2b	67566-00V	84-8
67367-00V	15-24	67395-00V	32-32	67445-00V	85-9	67572-00V	13-59
67368-00V	22A-18	67401-00V	32-23	67448-00V	11-39	67574-00V	13-60
67368-00V	23-23	67401-03V	32-23	67462-06V	16-10a	67578-00V	84-7
67368-00V	23A-18	67404-02V	68-3	67462-06V	17-13a	67582-00V	76-5
67368-02V	22A-19	67404-03V	68-4	67463-00V	80-2c	67582-02V	76-5
67368-03V	22A-18	67407-00V	70-10	67463-00V	81-5	67582-03V	76-5
67368-03V	23-23	67409-00V	69A-8	67466-00V	17-30	67583-00V	84-11
67368-03V	23A-18	67409-00V	70-9	67466-00V	17-50	67588-00V	84-44
67369-00V	22A-18	67409-03V	69A-8	67467-00V	16-22	67589-00V	84-43
67369-00V	23-23	67409-03V	70-9	67467-02V	16-22	67592-02V	27-3
67369-00V	23A-18	67411-02V	68-32	67468-00V	16-21	67592-02V	27-10d
67369-02V	22A-19	67411-03V	68-38	67469-00V	10-37	67592-03V	27-4
67369-03V	22A-18	67411-04V	68-32	67469-00V	11-39	67593-02V	27-1
67369-03V	23-23	67411-05V	68-36	67471-00V	93-18	67593-03V	27-1
67369-03V	23A-18	67411-06V	68-40	67475-00V	17-27	67593-04V	27-1
67370-00V	23-24	67411-07V	68-36	67475-02V	17-27	67593-09V	27-1
67371-00V	23-29	67411-08V	68-34	67476-00V	54-24	67598-00V	34-21a
67371-00V	23A-24	67412-02V	70-7	67485-00V	86-19	67600-00V	84-57
67371-01V	23-29	67412-03V	70-8	67487-02V	68-75	67603-00V	54-87
67371-01V	23A-24	67412-04V	69A-7	67490-02V	17-2a	67604-02V	54-53

PIPER PARTS CATALOG

Part Number	Figure and Index No.	Part Number	Figure and Index No.	Part Number	Figure and Index No.	Part Number	Figure and Index No.
67605-00V	58-32	67690-04V	5-6	67700-88V	57A-30	67762-05V	28A-41
67608-00V	31A-29	67690-05V	5-6	67700-89V	58-28	67762-06V	28-40
67608-00V	32-29	67691-00V	5-41	67700-90V	66-16	67762-06V	28A-41
67608-01V	31A-30	67691-01V	5-41	67702-00V	27-5	67762-07V	28-40
67608-01V	32-30	67694-00V	5-43	67702-00V	27-10c	67762-07V	28A-41
67610-00V	31A-31	67700-02V	54-3	67703-02V	17-2	67762-08V	28-40
67610-00V	32-31	67700-03V	54-4	67704-00V	31A-34	67762-09V	28-40
67615-00V	58-65	67700-04V	54-6	67704-00V	32-43	67762-10V	28A-41
67616-00V	58-63	67700-05V	54-5	67705-00V	31A-35	67762-11V	28A-4
67617-00V	61-1	67700-06V	84-16	67705-00V	318-21	67768-00V	21-20
67618-00V	61-2	67700-07V	84-17	67705-00V	32-44	67769-00V	62-17
67619-00V	61-3	67700-08V	84-19	67706-00V	31A-36	67769-04V	58-15
67620-00V	61-4	67700-09V	84-18	67706-00V	32-45	67769-04V	63-15
67622-00V	63-2	67700-14V	84-21	67707-00V	31A-37	67776-00V	58-21
67628-00V	63-10	67700-15V	84-20	67707-00V	32-46	67777-00V	58-20
67629-00V	63-6	67700-16V	84-22	67708-00V	31A-27	67779-00V	58-19
67630-00V	63-5	67700-17V	84-23	67708-00V	32-42	67785-17V	26-7
67631-00V	63-4	67700-19V	84-25	67709-00V	31B-22	67785-17V	27-1
67632-00V	63-3	67700-21V	84-26	67712-00V	31A-23	67785-17V	27A-5
67634-00V	63-1	67700-22V	84-27	67712-00V	32-34	67786-00V	26-7a
67638-00V	63-7	67700-23V	84-29	67713-00V	84-11	67786-00V	27-2
67638-05V	63-7	67700-24V	84-28	67722-00V	17-10	67786-00V	27-10a
67639-08V	57B-20	67700-25V	54-7	67723-00V	2-49	67786-00V	27A-6a
67643-00V	61-5	67700-26V	54-8	67723-01V	2-49	67790-00V	58-4
67651-00V	61-8	67700-27V	58-28	67724-00V	58-62	67790-00V	66-121
67652-00V	61-9	67700-28V	54-9	67725-02V	58-80	67790-00V	67-10
67656-02V	54-26	67700-29V	57A-19	67728-00V	51-121	67790-00V	67A-21
67657-02V	59-30	67700-29V	58-29	67728-00V	52-2	67791-00V	58-5
67657-03V	31A-25	67700-31V	84-24	67728-00V	53-36	67791-00V	66-122
67657-03V	32-24	67700-34V	84-30	67728-00V	54-17	67791-00V	67-1
67657-04V	32-16	67700-35V	84-31	67728-00V	55-121	67791-00V	67A-22
67657-05V	31A-12	67700-36V	53-56	67729-00V	59-22	67793-00V	58-6
67657-05V	31B-7	67700-36V	55-28	67731-00V	84-42	67793-00V	66-123
67657-06V	31A-12	67700-37V	54-10	67732-00V	84-44	67793-00V	67-11
67658-02V	59-31	67700-38V	57A-30	67738-00V	84-42	67793-00V	67A-23
67658-03V	31A-26	67700-39V	51-15	67743-00V	84-43	67794-00V	58-7
67658-03V	32-25	67700-39V	53-65	67743-02V	84-43	67794-00V	66-17
67658-04V	32-17	67700-40V	66-16	67744-00V	68-70	67794-00V	67-12
67658-05V	31A-13	67700-41V	57C-30	67745-00V	58-65	67794-00V	67A-24
67658-05V	31B-8	67700-41V	67A-44	67747-00V	84-7	67796-00V	62-12
67658-07V	31A-13	67700-42V	56-71	67747-05V	84-7	67797-04V	38-17
67659-00V	59-32	67700-43V	51-19	67748-00V	84-2	67797-05V	38-17
67660-00V	58-18	67700-53V	57A-30	67749-00V	84-58	67804-00V	59-32
67661-00V	54-25	67700-54V	66-16	67751-00V	34-55	67808-00V	61-7
67664-00V	59-55	67700-55V	53-56	67752-02V	34-14	67809-00V	61-3
67667-00V	58-78	67700-56V	54-6	67753-00V	39-14	67810-00V	61-1
67670-00V	5-38	67700-57V	53-61	67755-00V	35-16	67811-00V	61-2
67670-01V	5-38	67700-57V	54-2	67755-00V	39-4	67812-00V	61-4
67672-00V	5-2	67700-58V	46-4	67757-00V	28-43	67816-00V	63-1
67672-01V	5-2	67700-58V	47 5	67758-00V	35-43	67817-00V	63-10
67673-00V	5-42	67700-59V	84-19	67760-00V	27-19	67822-00V	63-4
67677-00V	5-44	67700-60V	84-18	67762-02V	28-40	67823-00V	63-6
67677-01V	5-44	67700-61V	84-26	67762-02V	28A-41	67824-00V	63-8
67678-00V	5-45	67700-62V	84-27	67762-02V	28A-41	67825-00V	63-7
67678-01V	5-45	67700-85V	56-71	67762-03V	28-40	67828-00V	63-2
67687-00V	5-17	67700-86V	56-71	67762-03V	28A-41	67829-00V	58-78
67687-01V	5-17	67700-87V	57A-30	67762-04V	28-40	67830-00V	63-3
67689-00V	5-39	67700-87V	58-28	67762-04V	28A-41	67831-00V	63-5
67689-01V	5-39	67700-87V	66-16	67762-05V	28-40	67836-00V	28-19

PIPER PARTS CATALOG

Part Number	Figure and Index No.	Part Number	Figure and Index No.	Part Number	Figure and Index No.	Part Number	Figure and Index No.
67836-02V	28-20	67904-08V	27A-22	67909-00V	35-15	68129-02V	6-1
67836-03V	28-33	67904-09V	27-39	67910-00V	27-10	68129-03V	2-13
67836-04V	28-19	67904-09V	27A-22	67911-00V	27-6	68129-03V	6-1
67836-06V	28-20	67904-10V	27-39	67917-06V	27-1	68179-00V	24-87
67836-06V	28-33	67904-10V	27A-22	67920-05V	17-1	68179-00V	24A-50
67837-00V	28-3	67904-11V	27-39	67920-14V	17-1	68179-02V	24-88
67837-02V	28-3	67904-11V	27A-22	67921-00V	27-4	68179-02V	24A-51
67837-03V	28-3	67905-02V	26-45	67921-00V	27-10b	68180-00V	24-85
67838-00V	28-4	67905-02V	27-34	67926-04V	39-10	68188-00V	24-20
67838-02V	28-4	67905-02V	27A-17	67926-05V	39-10	68193-07V	97-5
67844-00V	58-13	67905-03V	26-45	67927-02V	38-1	68198-00V	72-4
67845-00V	58-17	67905-03V	27-34	67927-02V	39-1	68198-00V	73-7
67846-00V	65-13	67905-03V	27A-17	67930-00V	9-1	68229-04V	12-67
67846-10V	65-13	67905-04V	26-45	67930-903V	9-5	68272-02V	10-12a
67847-00V	58-3	67905-04V	27-34	67930-905V	9-23	68272-02V	11-9
67848-00V	58-86	67905-04V	27A-17	67930-905V	13-1	68272-03V	10-12b
67849-00V	58-14	67905-05V	27-34	67930-908V	9-9	68272-03V	11-10
67852-02V	27-1	67905-05V	27A-17	67930-909V	9-14	68272-04V	10-12c
67852-03V	27-1	67905-06V	27-34	67930-909V	11-1	68272-04V	11-11
67852-05V	27-1	67905-06V	27A-17	67930-910V	9-19	68273-02V	10-12d
67852-06V	27-1	67906-02V	26-47	67930-910V	12-1	68273-02V	11-12
67852-15V	27-1	67906-02V	27-35	67972-02V	11-50	68274-00V	12-68
67876-00V	58-26	67906-02V	27A-18	67982-02V	32A-44	68353-00V	12-42
67878-00V	17-5	67906-03V	26-47	68022-14V	28-45	68364-00V	12-22
67878-02V	17-5	67906-03V	27-35	68022-14V	28A-29	68399-02V	25-74
67879-00V	17-6	67906-03V	27A-18	68022-14V	29-16	68399-02V	27-21
67881-04V	54-67	67906-04V	26-47	68026-00V	58-33	68399-02V	27A-30
67881-06V	54-64	67906-04V	27-35	68059-00V	28-20a	68414-03V	78-2
67881-06V	54-86	67906-04V	27A-18	68059-06V	28-20a	68416-00V	25-60
67882-02V	54-67a	67906-05V	27-35	68061-00V	28-19	68416-00V	26-88
67903-02V	27-38	67906-05V	27A-18	68061-02V	28-20	68416-00V	27-67
67903-03V	27A-21	67906-06V	27-35	68061-03V	28-33	68416-00V	27A-56
67903-04V	27-38	67906-06V	27A-18	68067-00V	28-33a	68416-01V	25-60
67903-05V	27A-21	67907-02V	26-4	68068-00V	28A-25	68416-01V	26-88
67903-06V	27-38	67907-02V	27-33	68094-03V	27-95a	68416-01V	27-67
67903-07V	27A-21	67907-02V	27A-16	68094-03V	27A-83a	68416-01V	27A-56
67903-08V	27-38	67907-03V	26-44	68098-05V	10-37	68416-02V	27-67
67903-09V	27A-21	67907-03V	27-33	68101-02V	51-124	68416-02V	27A-56
67903-10V	27-38	67907-03V	27A-16	68101-02V	53-42	68416-03V	27-67
67903-11V	27A-21	67907-04V	26-44	68101-02V	54-83	68416-03V	27A-56
67904-02V	26-49	67907-04V	27-33	68101-02V	55-106	68426-00V	50-3
67904-02V	27-39	67907-04V	27A-16	68101-02V	55-110	68426-00V	50D-1
67904-02V	27A-22	67907-05V	26-44	68106-00V	6-8	68427-00V	50D-10
67904-03V	26-49	67907-05V	27-33	68106-01V	6-8	68428-00V	50D-11
67904-03V	27-39	67907-05V	27A-16	68106-02V	6-8	68429-00V	50D-6
67904-03V	27A-22	67907-06V	26-44	68106-03V	6-8	68429-01V	50D-6
67904-04V	26-49	67907-06V	27-33	68111-00V	3-7	68430-00V	50D-7
67904-04V	27-39	67907-06V	27A-16	68113-200V	3-6	68430-01V	50 D-7
67904-04V	27A-22	67907-07V	26-44	68113-201V	3-6	68431-00V	50D-8
67904-05V	26-49	67907-07V	27-33	68115-00V	20-21	68431-01V	50D-8
67904-05V	27-39	67907-07V	27A-16	68115-00V	21-12	68456-02V	25-5
67904-05V	27A-22	67907-08V	27-33	68116-00V	20-22	68456-03V	25-5
67904-06V	26-49	67907-08V	27A-16	68116-00V	21-13	68456-04V	25-5
67904-06V	27-39	67907-09V	27-33	68119-00V	3-13	68460-02V	25-15
67904-06V	27A-22	67907-09V	27A-16	68129-00V	2-13	68460-03V	25-15
67904-07V	26-49	67907-10V	27-33	68129-00V	6-1	68460-04V	25-15
67904-07V	27-39	67907-10V	27A-16	68129-01V	2-13	68467-00V	46-3
67904-07V	27A-22	67907-11V	27-33	68129-01V	6-1	68467-00V	47-3
67904-08V	27-39	67907-11V	27A-16	68129-02V	2-13	68472-00V	78-18

PIPER PARTS CATALOG

Part Number	Figure and Index No.	Part Number	Figure and Index No.	Part Number	Figure and Index No.	Part Number	Figure and Index No.
68484-00V	25-13	68574-04V	25-63	68770-18V	51-98	69080-00V	16-64
68484-00V	27-27	68574-05V	25-63	68770-18V	54-30	69086-00V	25-85
68484-00V	27A-48	68574-06V	25-63	68770-18V	57A-40	69086-00V	27A-14
68484-01V	24-71	68574-07V	25-63	68770-18V	57B-47	69088-00V	55-81
68488-00V	78-5	68574-08V	25-63	68770-18V	58-36	69088-05V	55-81
68488-02V	78-5	68574-09V	25-63	68771-02V	31A-55	69090-02V	25-87
68491-00V	77-90a	68574-10V	25-63	68771-02V	32-14	69090-03V	25-87
68491-00V	78-43	68574-11V	25-63	68771-03V	68-60	69090-04V	25-87
68492-02V	25-12	68574-12V	25-63	68771-06V	51-2	69091-02V	25-82
68492-02V	27-28	68574-13V	25-63	68771-06V	57A-40	69091-03V	25-82
68492-02V	27A-49	68584-00V	8-38	68771-06V	57B-47	69091-04V	25-82
68492-05V	24-72	68584-00V	25-64	68771-08V	57A-39	69092-00v	55-76
68492-06V	25-12	68584-00V	26-91	68771-08V	57C-32	69092-02V	55-76
68492-06V	27-28	68584-00V	27-71	68771-08V	67A-47	69093-00V	55-89
68492-06V	27A-49	68584-00V	27A-59	68771-09V	58-35	69093-02V	55-89
68492-09V	24-72	68671-00V	25-61	68771-12V	59-39	69094-02V	55-80
68492-10V	25-12	68671-00V	26-89	68778-00V	56-51	69095-00V	13-65
68492-10V	27-28	68671-00V	27-68	68778-00V	57-34	69121-00V	89-16
68492-10V	27A-49	68671-00V	27A-57	68778-00V	57A-44	69142-00V	89-13
68492-13V	27-72	68672-00V	25-65	68778-00V	58-44	69164-02V	67-22
68492-14V	27-28	68674-00V	85-3	68778-00V	66-87	69165-02V	16-51
68492-14V	27A-49	68676-00V	85-4	68787-00V	64-13c	69166-00V	55-32
68492-15V	24-72	68699-02V	59-15	68787-00V	65-5	69166-01V	55-34
68492-18V	27-28	68699-03V	578-11	68787-00V	66-54	69169-00V	16-65
68492-19V	24-72	68699-03V	59-16	68804-03V	68-58	69169-00V	17-29
68492-20V	27-28	68699-04V	59-17	68809-00V	16-25	69169-00V	17-51
68491-21V	24-72	68699-05V	57B-12	68812-02V	69A-11	69174-00V	66-47
68499-04V	25-62	68699-06V	59-15	68817-50V	8-23b	69181-00V	55-82
68499-04V	26-90	68699-06V	59-17	68817-50V	9-17	69183-00V	55-42
68499-04V	27-69	68699-06V	67A-12	68821-00V	86-9	69184-00V	55-42
68499-04V	27A-58	68699-10V	57C-12	68822-00V	88-26	69222-00V	57B-23
68499-05V	25-62	68699-10V	59-15	68822-00V	89-15	69224-00V	24-22
68499-05V	26-90	68699-10V	59-17	68824-00V	86-11	69229-00V	31A-24
68499-05V	27-69	68699-10V	67A-12	68825-00V	86-10	69242-00V	17-27
68499-05V	27A-58	68699-11V	57B-12	68829-00V	80-2d	69243-00V	27A-62
68539-00V	8-31	68718-03V	66-45	68876-00V	93-21	69245-00V	67A-36
68539-00V	9-27	68733-02V	25-66	68876-00V	95-1	69246-00V	67A-34
68540-00V	8-32	68733-03V	25-66	68926-00V	95-2	69247-00V	33-35
68540-00V	9-28	68733-04V	25-66	68941-00V	93-21	69250-00V	10-2
68540-01V	8-32	68736-02V	25-67	68941-00V	95-1	69250-02V	10-2
68540-01V	9-28	68736-03V	25-67	69011-00V	57B-43	69250-03V	10-2
68551-00V	26-64	68736-04V	25-67	69011-00V	57C-38	69251-00V	9-9
68551-00V	27-97	68759-00V	66-40	69012-00V	57B-44	69251-02V	9-14
68551-00V	27A-85	68762-00V	55-46	69012-00V	57C-39	69251-02V	10-1
68555-02V	24-44	68763-00V	55-115	69015-05V	54-68	69251-03V	9-9
68555-05V	24-44	68764-00V	55-37	69015-06V	58-40	69251-04V	9-14
68555-05V	24A-7	68765-00V	55-38	69015-07V	58-39	69251-04V	10-1
68556-00V	25-60	68765-02V	55-38	69015-50V	18-10	69252-00V	22A-34
68556-00V	26-88	68770-03V	68-69	69031-00V	16-48	69253-00V	22A-34
68556-01V	25-60	68770-06V	57C-32	69033-00V	54-40	69255-05V	22A-33
68556-01V	26-88	68770-06V	67A-46	69041-05V	20-2	69255-06V	22A-33
68557-00V	80-28	68770-07V	59-38	69041-05V	21-1	69255-07V	22A-32
68557-00V	81-9	68770-08V	59-40	69042-00V	20-33	69255-08V	22A-32
68559-00V	80-32	68770-09V	31A-56	69042-02V	21-16	69255-09V	22A-35
68562-00V	13-31	68770-09V	32-15	69059-02V	16-37	69255-10V	22A-35
68569-00V	8-35	68770-11V	58-35	69061-00V	67-21	69255-11V	22A-30
68569-00V	9-35	68770-14V	31A-56	69074-00V	58-69	69255-12V	22A-29
68574-02V	25-63	68770-14V	31B-10	69077-00V	80-9	69255-13V	22A-29
68574-03V	25-63	68770-14V	32-15	69077-00V	81-17	69255-14V	22A-31

PIPER PARTS CATALOG

Part Number	Figure and Index No.	Part Number	Figure and Index No.	Part Number	Figure and Index No.	Part Number	Figure and Index No.
69255-15V	22A-31	69439-13V	28A-41	69652-06V	25-87	69677-00V	66-21
69256-00V	22A-39	69439-14V	28A-41	69652-06V	27A-97	69736-02V	2-22
69256-02V	22A-39	69439-15V	28A-41	69652-07V	27A-97	69783-00V	12-24
69257-00V	22A-39	69442-02V	27A-97	69652-08V	27A-97	69739-00V	12-26
69257-02V	22A-39	69442-03V	27A-97	69652-10V	25-87	69740-00V	12-25
69269-00V	12-63	69442-04V	27A-97	69652-11V	25-87	69740-02V	12-25
69273-00V	31A-37	69442-05V	27A-97	69652-11V	27A-97	69770-03V	33A-24
69273-00V	31B-23	69442-06V	27A-97	69652-12V	27A-97	69785-00V	55-102
69273-00V	32-46	69442-07V	27A-97	69653-00V	25-85	69785-01V	51-80
69274-00V	31A-36	69442-09V	27A-97	69669-04V	27-72	69785-01V	53-100
69274-00V	31B-24	69443-02V	27A-13	69669-05V	26-75	69785-01V	54-71
69274-00V	32-45	69443-03V	27A-13	69669-06V	26-75	69791-00V	64-19a
69275-00V	31A-45	69443-04V	27A-13	69669-13V	28A-2d	69791-00V	65-14
69275-00V	31B-25	69443-05V	27A-13	69669-13V	28C-4a	69791-00V	66-60a
69275-00V	32-48	69443-06V	27A-13	69669-14V	28A-2d	69885-00V	32E-38
69276-00V	31B-26	69443-07V	27A-13	69669-14V	28C 4b	69885-02V	32E-39
69278-00V	31A-23	69443-16V	27A-13	69669-15V	93A-12	69885-03V	32E-40
69278-00V	31B-27	69443-17V	27A-13	69669-16V	70-3a	69891-02V	12-27
69278-00V	32-34	69443-18V	27A-13	69669-17V	70-22	69891-03V	12-27
69279-00V	31A-34	69443-19V	27A-13	69669-18V	69A-13	69891-04V	12-27
69279-00V	31B-28	69443-21V	27A-13	69669-20V	68-24	69891-05V	12-27
69279-00V	32-43	69443-22V	27A-13	69669-24V	70-3b	69891-10V	12-27
69282-00V	59-33	69443-23V	27A-13	69669-25V	17-8b	69891-11V	12-27
69283-00V	11-15	69443-24V	27A-13	69669-39V	17-12c	69891-12V	12-27
69283-03V	10-12g	69443-25V	27A-13	69669-45V	27-13a	69891-13V	12-27
69288-00V	26-75	69443-26V	27A-13	69669-45V	27A-10a	70371-00V	30-9
69288-00V	27-72	69443-27V	27A-13	69669-63V	53-110	70371-00V	31-10
69288-03V	26-75	69501-00V	28-25	69669-63V	54-84	70371-02	31A-53
69301-00V	56-74	69501-00V	28A-10	69669-64V	55-83	70371-02	31B-14
69301-00V	57A-46	69501-02V	28A-10	69669-66V	93A-12	70371-02	32E-42
69316-00V	57B-45	69501-03V	28A-10	69669-66V	93B-8	70371-02	56-49
69316-00V	57C-36	69504-00V	55-50	69669-90V	70-3b	70371-02	57-54
69317-00V	56-54	69517-00V	17-48	69669-95V	96-9	70371-02	57B-35
69317-00V	57A-29	69518-00V	17-48	69669-96V	96-1d	70371-02	57C-40
69318-00V	79-12	69518-04V	17-48	69669-97V	96-8	70371-02	59-44
69403-03V	26-65	69518-06V	17-48	69669-107V	93A-15	70371-02	66-100
69403-03V	27-66	69520-00V	17-48	69669-110V	28A-50	70371-03	31A-41
69403-03V	27A-60	69544-00V	17-3a	69669-114V	96-11	70371-03	31A-49
69439-02V	28-40	69544-00V	17-67	69669-117V	24A-58	70371-03	31B-13
69439-02V	28A-41	69545-00V	17-3a	69669-118V	24A-59	70371-03	32-20
69439-03V	28-40	69545-00V	17-67	69669-123V	17-5	70371-03	32E-42
69439-03V	28A-41	69546-00V	57C-43	69669-124V	17-5	70371-03	56-48
69439-04V	28-40	69546-00V	67-2	69669-134V	17-12	70371-03	57-55
69439-05V	28-40	69546-00V	67A-49	69669-135V	17-12	70371-03	57B-36
69439-06V	28-40	69568-00V	28B-1	69669-142V	26-75	70371-03	57C-47
69439-06V	28A-41	69568-01V	28B-1	69669-154V	26-75	70371-03	59-43
69439-07V	28-40	69568-04V	28B-3	69669-157V	17-71	70371-03	66-101
69439-07V	28A-41	69568-05V	28B-3	69669-171V	26-73	71061-00	56-72
69439-08V	28-40	69571-02V	17-3b	69669-173	72-5	71061-00	57-31
69439-08V	28A-41	69571-03V	17-3b	69669-173	73-3	71061-00	66-13
69439-09V	28-40	69571-04V	17-3b	69669-185V	17-73	72091-00	52-46
69439-09V	28A-41	69571-05V	17-3b	69670-00V	71-1	72091-00	53-103
69439-10V	28-40	69571-06V	17-3b	69670-02V	71-1	72091-00	51-46
69439-10V	28A-41	68571-07V	17-3b	69670-03V	71-1	72091-00	54-79
69439-11V	28-40	69623-02V	50-30	69672-00V	27A-14	72091-00	55-97
69439-11V	28A-41	69623-04V	50-30	69673-02V	25-82	72091-00	55-115
69439-12V	28-40	69624-02V	50-30	69673-03V	25-82	72091-07	56-30
69439-12V	28A-41	69652-04V	27A-97	69673-05V	25-82	73451-07	57-20
69439-13V	28-40	69652-05V	27A-97	69675-00V	66-50	76111-00	9-1

PIPER PARTS CATALOG

Part Number	Figure and Index No.	Part Number	Figure and Index No.	Part Number	Figure and Index No.	Part Number	Figure and Index No.
76111-02V	9-5	76137-02V	11-32a	76171-02V	28A-3	76199-11V	27A-19
76111-04V	9-1	76138-00V	12-57	76171-03V	28A-3	76205-00V	17-61
76111-05V	9-5	76139-00V	12-50	76172-00V	28A-15c	76206-00V	27-72
76112-00V	9-23	76139-02V	12-53	76172-03V	28C-19	76206-02V	27-72
76112-00V	13-1	76139-03V	12-54	76173-00V	28A-3a	76211-00V	9-1
76112-04V	13-2	76140-03V	12-16	76173-01V	28A-3a	76211-02V	9-5
76112-05V	13-6	76140-04V	12-16	76175-00V	28A-4	76211-03V	9-1
76112-06V	13-6	76142-00V	23-24	76175-00V	28C-18	76211-04V	9-5
76112-07V	9-23	76143-00V	23-25	76175-02V	28-24	76212-00V	9-23
76112-07V	13-1	76143-00V	23A-20	76175-02V	28A-4	76212-00V	13-1
76114-0V	13-3	76145-00V	24-62	76175-02V	28B-6	76212-03V	9-23
76115-00V	13-8	76145-10V	24-62	76175-03V	28A-4	76212-03V	13-1
76115-01V	13-8	76150-00V	24-5	76176-00V	28C-30	76213-00V	9-9
76116-00V	13-2	76150-02V	24-15	76178-00V	28A-15b	76213-02V	9-14
76119-00V	13-41a	76150-04V	24-15	76182-00V	27-24	76213-02V	10-1
76119-01V	13-41a	76158-00V	24-11	76182-03V	27-24	76213-03V	9-9
76120-00V	13-62	76158-02V	24-11	76182-04V	27-24	76213-04V	9-14
76120-01V	13-62	76158-03V	24-11	76182-05V	27-24	76213-04V	10-1
76121-00V	13-66	76159-00V	24-11	76182-06V	27-24	76218-00V	13-41
76123-C0V	27-58	76160-02V	27-37	76182-06V	27-24	76218-01V	13-41
76123-00V	27A-70	76160-02V	27A-20	76182-07V	27-24	76219-00V	31A-4
76123-01V	27-58	76160-03V	27-37	76186-02V	27-23	76219-01V	31A-4
76123-01V	27A-70	76160-03V	27A-20	76186-03V	27-23	76221-00V	26-99
76123-04V	27-58	76160-04V	27-37	76186-04V	27-23	76221-00V	27-104
76123-04V	27A-70	76160-04V	27A-20	76186-05V	27-23	76221-00V	27A-94
76123-05V	27-58	76160-05V	27-37	76186-06V	27-23	76222-00V	17-12a
76123-05V	27A-70	76160-05V	27A-20	76186-07V	27-23	76223-00V	17-12
76123-12V	26-67	76160-06V	27-37	76187-00V	28A-15d	76239-00V	12-22
76123-13V	26-67	76160-06V	27A-20	76187-00V	28C-41	76254-00V	9-1
76126-00V	13-13	76161-02V	27-33	76191-00V	27-51	76254-02V	9-5
76129-00V	32-4	76161-02V	27A-16	76191-00V	27A-50	76254-03V	9-1
76129-01V	31A-7	76161-03V	27-33	76191-02V	27-51	76254-04V	9-5
76129-01V	32-4	76161-03V	27-16	76191-02V	27A-50	76254-07V	9-5
76129-02V	31A-7	76161-04V	27-33	76193-00V	24-81	76254-08V	9-1
76130-00V	9-9	76161-04V	27A-16	76193-02V	24-81	76254-09V	9-5
76130-02V	9-14	76161-05V	27-33	76194-00V	23A-25	76254-10V	9-1
76130-02V	11-1	76161-05V	27A-16	76194-01V	23A-25	76255-00V	8-15
76130-04V	9-19	76161-06V	27-33	76195-00V	23A-29	76255-00V	9-11
76130-04V	12-1	76161-07V	27-33	76196-00V	23A-29	76256-00V	9-22
76130-05V	12-2	76161-07V	27A-16	76197-00V	23A-19	76257-00V	9-22
76130-06V	12-4	76161-06V	27A-16	76199-02V	27-36	76261-00V	12-70
76130-07V	12-3	76161-08V	27-33	76199-02V	27A-19	76261-01V	12-70
76130-10V	9-9	76161-08V	27A-16	76199-03V	27-36	76262-00V	12-71
76130-11V	9-14	76161-09V	27-33	76199-03V	27A-19	76264-00V	23A-23
76130-11V	11-1	76161-09V	27A-16	76199-04V	27-36	76265-00V	23A-26
76130-12V	12-2	76161-10V	27-33	76199-00V	27A-19	76266-00V	23A-26
76130-13V	12-4	76161-10V	27-16	76199-05V	27-36	76267-00V	23A-24
76130-14V	12-3	76161-11V	27-33	76199-05V	27A-19	76267-01V	23A-24
76130-15V	9-19	76161-11V	27A-16	76199-06V	27-36	76268-00V	23A-25
76130-15V	12-1	76162-00V	24-79	76199-06V	27A-19	76269-00V	23A-25
76131-00V	12-16	76163-02V	24-69	76199-07V	27-36	76270-00V	23A-27
76131-01V	12-16	76163-03V	24-69	76199-07V	27A-19	76271-00V	23A-30
76131-02V	12-16	76163-04V	24-69	76199-03V	27-36	76270-01V	23A-27
76132-00V	12-5	76163-05V	24-69	76199-08V	27A-19	76272-00V	23A-28
76132-03V	12-5	76163-06V	24-69	76199-09V	27-36	76272-01V	23A-28
76134-00V	12-15	76163-07V	24-69	76199-09V	27A-19	76273-00V	23A-29
76136-00V	10-17	76169-02V	28C-31	76199-10V	27-36	76274-00V	23A-29
76136-00V	11-20	76171-00V	28A-1	76199-10V	27A-19	76275-00V	23A-17
76137-02V	10-29	76171-01V	28A-12	76199-11V	27-36	76275-02V	23A-17

PIPER PARTS CATALOG

Part Number	Figure and Index No.	Part Number	Figure and Index No.	Part Number	Figure and Index No.	Part Number	Figure and Index No.
76275-03V	23A-17	76359-02V	9-5	76474-02V	8-3	78112-05V	27A-92
76275-04V	23A-17	76359-04V	9-5	76474-02V	9-7	78113-00V	21-6
76276-00V	23A-17	76359-05V	9-1	76474-900V	9-7	78119-00V	17-2
76276-02V	23A-17	76360-00V	9-9	76474-902V	8-3	78123-00V	12-80
76276-03V	23A-17	76360-02V	9-14	76475-00V	9-37	78140-33V	73B-6
76276-04V	23A-17	76360-02V	11-1	76475-900V	9-37	78140-39V	73B-14
76277-00V	23A-18	76360-03V	9-14	76476-00V	8-4	78475-04V	5-12
76277-02V	23A-18	76360-03V	11-1	76476-00V	9-6	78475-05V	5-12
76277-03V	23A-18	76360-04V	9-9	76476-01V	8-4	78483-00V	71-27
76277-04V	23A-18	76364-00V	8-12	76476-01V	9-8	78500-08V	5-15
76278-00V	23A-18	76364-02V	8-12	76476-900V	8-4	78500-09V	5-15
76278-02V	23A-18	76365-00V	12-23	76476-900V	9-6	78729-02V	80-1
76278-03V	23A-18	76406-00V	16-66	76476-901V	8-4	78738-02V	37-34
76278-04V	23A-18	76406-00V	17-63	76476-901V	9-8	78738-03V	37-34
76279-00V	12-63	76407-03V	34-46	76477-02V	17-9	78738-04V	37-34
76295-00V	2-4a	76409-00V	34-57	76489-02V	10-14	78738-05V	37-34
76295-00V	3-28	76410-00V	33A-24	76489-02V	11-17	78741-02V	24-2
76295-01V	2-4a	7641-05V	33-35	76490-02V	13-15	78741-02V	24-17
76295-01V	3-28	76415-00V	43-1	76490-03V	13-15	78741-02V	24A-14
76295-02V	3-30	76425-00V	34-40	76497-02V	15-60	79033-00V	93A-11
76295-03V	3-30	76425-02V	34-40	78022-00V	2-16	79035-00V	32E-20
76295-04V	3-31	76426-03V	34-17	78022-01V	2-16	79038-00V	56-80
76295-05V	3-31	76434-00V	58-30	78022-14V	2-17	79038-00V	57A-41
76297-00V	9-12	76435-00V	24-15	78022-15V	2-17	79038-00V	58-88
76297-01V	9-12	76436-00V	11-7	78022-20V	2-18	79038-00V	66-124
76298-00V	27-72	76437-00V	11-2	78022-23V	2-18	79040-00V	24-15
76299-00V	9-9	76437-02V	11-2	78033-00V	37-22	79040-02V	24-15
76299-02V	9-14	76445-00V	28C-12	78035-02V	56-33	79044-06V	17-9
76299-02V	10-1	76462-00V	27-65	78035-03V	56-34	79071-00V	33A-23
76299-03V	9-9	76462-00V	27A-26	78041-00V	28A-1a	79072-00V	33A-22
76299-04V	9-14	76467-00V	12-50	78041-00V	28B-2b	79110-03V	33A-24
76299-04V	10-1	76467-02V	9-13	78041-00V	28C-4	79110-04V	33-28
76299-07V	9-14	76467-02V	12-52	78041-00V	28C-9	79110-04V	33A-1
76299-07V	10-1	76467-03V	12-51	78041-03V	28A-2c	79110-05V	33-28
76299-08V	9-9	76467-04V	12-56	78041-00V	28A-2c	79110-05V	33A-1
76299-09V	9-14	76468-00V	12-20	78041-00V	28C-4	79112-00V	17-8
76299-09V	10-1	76468-02V	12-21	78043-06V	3 35	79119-00V	14-30
76299-10V	9-9	76468-03V	12-21	78044-00V	28A-28	79124-00V	17-39
76305-00V	32E-5	76469-946V	13-2	78049-00V	31A-11	79125-00V	26-100
76307-00V	32E-2	76469-947V	13-6	78054-02V	26-80	79125-00V	27-106
76307-04V	32E-2	76469-948V	13-6	78054-02V	27-14	79125-00V	27A-9 5
76307-07V	32E-2	76470-905V	9-23	78054-02V	27A-11	79125-01V	26-100
76308-00V	32E-5	76470-907V	9-33	78057-00V	23-39	79125-01V	27-106
76309-00V	32B-27	76470-907V	13-61	78057-00V	23B-34	79125-01V	27A-95
76309-00V	32E-4	76470-907V	14-1	78057-00V	24-82	79131-00V	8-1
76311-00V	17-7	76470-908V	9-9	78082-00V	24-5	79131-02V	8-6
76312-00V	9-23	76470-909V	9-14	78082-02V	24-5	79131-03V	8-6
76312-00V	13-1	76470-910V	9-19	78082-04V	24-81	79131-04V	8-1
76312-02V	9-23	76470-963	9-36	78082-05V	24-81	79132-00V	8-16
76312-02V	13-1	76471-00V	9-1	78082-06V	24-5	79133-00V	8-17
76321-00V	55-89	76471-903V	9-5	78086-00V	23A-51	79137-00V	23B-23
76324-00V	33-12	76471-905V	9-23	78112-02V	26-57	79138-00V	23B-18
76325-00V	10-31	76471-905V	13-1	78112-02V	27-86	79139-00V	23B-19
76342-00V	28C-22	76471-908V	9-9	78112-02V	27A-92	79140-00V	23B-20
76343-00V	28C-23	76471-909V	9-14	78112-03V	26-57	79140-01V	23B-21
76345-00V	28C-26	76471-909V	10-1	78112-03V	27-86	79141-00V	23B-26
76351-02V	28C-24	76471-910V	9-19	78112-03V	27A-92	79142-00V	23B-27
76351-03V	28C-25	76471-910V	12-1	78112-05V	26-57	79143-00V	23B-15
76359-00V	9-1	76474-00V	9-7	78112-05V	27-86	79143-02V	23B-15

PIPER PARTS CATALOG

Part Number	Figure and Index No.	Part Number	Figure and Index No.	Part Number	Figure and Index No.	Part Number	Figure and Index No.
79143-03V	23B-15	79236-05V	27-35	79329-03V	11-8	79463-00V	93C-8
79143-04V	23B-15	79236-05V	27A-18	79333-00V	70-37	79463-00V	93A-16
79144-00V	23B-15	79236-06V	26-44	79337-00V	28A-1	79463-02V	93B-7
79144-02V	23B-15	79236-07V	26-44	79337-01V	28A-1	79468-00V	10-22
79144-03V	23B-15	79236-10V	27-33	79337-02V	28A-1	79468-00V	11-24
79144-04V	23B-15	79236-10V	27A-16	79337-03V	28A-1	79473-00V	57C-19a
79152-00V	93-30	79236-11V	27-33	79337-06V	28A-3	79473-00V	59-5a
79152-02V	93-30	79236-11V	27A-16	79337-07V	28A-3	79475-00V	24A-16
79154-00V	23A-6	79236-16V	26-45	79337-08V	28A-3	79475-05V	24A-15
79154-00V	23B-6	79236-16V	27-34	79337-09V	28A-3	79475-07V	24A-17
79155-00V	23A-6	79236-16V	27A-17	79337-16V	28A-2	79475-08V	24A-18
79155-00V	23B-6	79238-00V	71-27	79337-16V	28A-18	79475-09V	24A-19
79156-00V	27-72	79245-00V	43-2	79337-16V	28C-2	79475-16V	24A-16
79157-00V	26-75	79251-00V	28A-8a	79337-17V	28A-2	79475-20V	24A-15
79157-00V	27-72	79251-00V	28C-32	79337-17V	28C-2	79475-22V	24A-19
79160-00V	93-31	79252-00V	28A-7	79337-18V	28A-27	79475-33V	24A-42
79161-00V	12-19	79252-00V	28C-33	79362-00V	16-29	79475-34V	24A-43
79171-02V	23A-37	79258-00V	13-63	79362-00V	17-37	79475-55V	24A-15
79171-02V	23B-32	79258-01V	13-63	79363-00V	17-32	79475-56V	24A-15
79171-08V	23A-35	79264-00V	32E-15	79364-00V	17-32	79475-57V	24A-15
79171-09V	23A-36	79267-00V	15-36	79365-00V	17-38a	79475-58V	24A-15
79171-10V	23A-34	79268-00V	50A-7	79366-00V	16-31	79475-59V	24A-15
79171-11V	23A-33	79270-00V	32E-32	79366-00V	17-38a	79475-60V	24A-15
798171-12V	23A-32	79271-00V	32E-33	79367-00V	17-35	79515-03V	24A-24
79171-13V	23A-37	79272-00V	15-18	79370-00V	17-33	79515-04V	24A-24
79171-13V	23B-32	79275-00V	80-2	79371-00V	17-33	79515-05V	24A-25
79171-14V	23A-32	79275-00V	81-2	79376-00V	17-38	79515-06V	24A-25
79172-04V	23B-30	79276-00V	80-1	79380-00V	26-2	79515-07V	24A-28
79172-05V	23B-31	79276-00V	81-1	79404-00V	26-103	79515-08V	24A-28
79172-07V	23B-29	79280-00V	32E-25	79404-00V	27-109	79515-13V	24A-22
79172-08V	23B-29	79281-00V	32E-22	70404-00V	27A-99	79515-15V	24A-30
79173-00V	12-23	79282-00V	32E-23	79405-00V	10-45	79515-35V	24A-21
79174-00V	2-21	79284-00V	32E-27	79405-00V	11-43	79527-02V	17-66
79174-04V	2-20	79285-00V	32E-28	79412-00V	68-53	79528-00V	49-59
79176-00V	8-18	79286-00V	32E-21	79412-02V	68-53	79530-02V	24A-31
79176-01V	8-18	79287-00V	32E-26	79414-00V	68-54	79532-02V	24A-34
79186-00V	32E-2	79290-00V	32E-24	79427-02V	8-44	79535-00V	28A-3a
79186-04V	32E-2	79292-00V	32E-36	79427-02V	9-39	79535-01V	28A-3a
79186-08V	32E-2	79293-04V	32E-44	79430-00V	48-11	79536-00V	28A-3a
79187-00V	32E-1	79296-12V	12-27	79434-00V	24-24	79536-01V	28A-3a
79189-00V	32E-5	79296-13V	12-27	79436-00V	28A-25	79538-00V	28C-14
79192-00V	32E-6	79296-16V	23A-1	79437-00V	32A-39	79538-01V	28C-14
79201-00V	69A-9	79296-16V	23B-1	79440-00V	27-95	79538-02V	28C-14
79207-00V	28A-10	79296-17V	23A-2	79440-00V	27A-83	79538-03V	28C-14
79207-00V	28C-39	79296-17V	23B-2	79442-00V	28A-14	79539-00V	28C-14
79209-00V	24-5	79296-18V	23A-1	79442-00V	28A-23	79539-01V	28C-14
79209-02V	24-5	79296-18V	23B-1	79442-00V	28C-40	79539-02	28C-14
79209-03V	24-5	79296-19V	23A-2	79445-00V	26-82	79539-03V	28C-14
79209-09V	24-81	79296-19V	23B-2	79445-00V	27-22	79542-03V	24A-11
79209-10V	24-81	79296-20V	23B-4	79445-00V	27A-27	79542-04V	24A-11
79209-10V	24-81	79296-21V	23B-4	79452-00V	24-4b	79542-05V	24A-11a
79228-00V	28A-2h	79303-00V	32E-31	79452-00V	24A-6	79542-06V	24A-11a
79228-00V	28C-3	79309-00V	80-2	79453-00V	15-25	79543-02V	37-25
79229-00V	28C-27	79314-00V	17-56	79455-00V	26-68	79545-00V	24A-8
79230-00V	28A-12	79314-02V	17-56	79455-00V	27-55	79545-02V	24A-8
79230-00V	28C-28	79319-00V	13-23a	79455-00V	27A-55	79545-03V	24A-8
79234-00V	12-42	79322-03V	28A-10a	79456-00V	26-102	79547-00V	12-50
79235-00V	28C-29	79329-00V	10-7	79456-00V	27-108	79547-02V	8-20
79236-05V	26-47	79329-02V	10-7	79456-00V	27A-98	79547-02V	12-52

PIPER PARTS CATALOG

Part Number	Figure and Index No.	Part Number	Figure and Index No.	Part Number	Figure and Index No.	Part Number	Figure and Index No.
79547-03V	12-51	79572-00V	22-31	79615-03V	32-52	80122-89	39 26
79549-00V	8-1	79572-00V	23-21a	79639-02V	12-57a	80122-91	38-48
79549-903V	8-6	79572-00V	23A-16a	79647-02V	24A-23	80421-00	77-13
79549-905V	8-26	79572-00V	23B-14a	79650-02V	16-10b	81262-68	24-27
79549-905V	13-1	79573-00V	8-13	79650-02V	17-13b	81262-74	24-51
79549-907V	8-39	79573-02V	9-10	79655-00V	10-22	82371-56	56-26
79549-907V	13-61	79573-900V	8-13	79702-04V	27B-4	82371-90	18-6
79549-907V	14-1	79573-901V	9-10	79702-07V	27B 5	82732-75	24-55
79549-908V	8-12	79576-00V	8-25	79702-09V	27B-	82732-76	76-49
79549-909V	8-21	79576-00V	9-20	79721-20V	27B-1	82732-76	80-38
79549-909V	10-1	79576-02V	9-20	79721-21V	27B-1	82732-76	81-34
79545-910V	8-24	79576-900V	8-25	79721-22V	27B-2	82732-99	34-9
79549-910V	12-1	79576-901V	9-20	79721-23V	27B-2	83161-02	20-25
79549-946V	13-2	79577-00V	9-3	79721-24V	27B-3	83161-02	49-34
79549-947V	13-6	79577-02V	8-9	79721-25V	27B-3	83302-43	24-28
79549-948V	13-6	79577-900V	9-3	79739-02V	10-13	85012-14	16-18
79549-963	8-40	79577-901V	8-9	79739-02V	11-32	85012-14	17-53
79553-00V	10-21	79578-00V	8-29	79739-03V	10-13	85012-30	28-21
79553-00V	11-23	79578-00V	9-26	79739-03V	11-32	85012-47	56-7 7
79553-01V	10-21	79578-02V	8-29	79762-02V	93B-5	85012-47	66-112
79553-01V	11-23	79578-02V	9-26	79764-02V	28A-27	85012-72	33-2 3
79554-02V	28A-2h	79578-03V	9-26	79781-02V	27-95	85012-101V	56-78
79554-02V	28C-3b	79578-900V	8-29	79781-02V	27A-83	85012-101V	57A-49
79555-00V	28A-2a	79578-902V	9-26	79783-02V	26-93	85012-101V	58-57
79555-00V	28A-18a	79578-903V	9-26	79787-02V	27-81	85061-00	33-6
79555-00V	28C-2a	79580-00V	8-41	79795-02	10-25	86062-56	33-22
79555-01V	28A-2a	79580-00V	9-34	79795-02	11-31	86062-94	56-20
79555-01V	28C-2a	79580-01V	8-41	79795-03	11-30	86062-94	66-80
79557-00V	23A-5	79580-01V	9 34	79795-04	11-30	86092-61	56-8
79557-00V	23B-5	79580-900V	8-41	79795-08	10-23	86092-82	57B-51
79558-02V	32A-10	79580-900V	9-34	79795-09	10-24	86092-82	59-45
79559-00V	26-104	79580-901V	8-41	79800-02V	39-3	86092-82	67A-31
79560-00V	90-18	79580-901V	9-34	79828-03V	27-100	86102-56	28-22
79561-03V	8-14	79581-900V	8-40a	79828-03V	27A-88	87319-02V	34-19
79561-03V	9-21	79581-900V	9-36a	79836-02	27-19	87319-03V	34-18
79561-04V	12-11a	79582-00V	8-28	79836-02V	27A-28	87329-07V	24A-20
79561-05V	12-3	79582-02V	9-24	79838-02V	27-19	87329-08V	24A-4
79561-06V	12-4	79582-03V	9-24	79839-03V	32B-25	87332-02V	28-27
79561-07V	12-11	79582-900V	8-28	79840-04V	32B-26	87332-02V	28-28
79561-08V	12-10	79582-901V	9-24	79863-02V	11-15	87332-02V	28A-6
79561-900V	12-2	79582-902V	9-24	79863-03V	10-12G	87332-02V	28B-4
79561-901V	12-2	79584-08V	32A-8	79886-03V	32A-14	87332-02V	28C-36
79561-903V	12-9	79585-00V	8-27	79886-04V	32A-15	87357-02V	34-31
79562-00V	23A-21	79585-00V	9-25	79886-07V	32A-16	87358-02	33-25
79562-00V	23B-16	79585-02V	9-25	79886-11V	32A-13	87369-22V	84-1a
79563-900V	8-7	79585-900V	8-27	80012-17	29-7	87369-26V	58-92
79563-901V	9-18	79585-901V	9-25	80022-47	33A-3	90797-02	51-48
79563-904V	8-10	79590-02V	28C-1	80022-47	33A-7	90797-02	52-48
79563-905V	9-18	79590-03V	28C-1	80022-47	33A-28	90797-02	53-71
79566-00V	11-49	79591-02V	28C-1	80032-34	30-12	91193-00	31A-42
79567-00V	11-51	79591-03V	28C-1	80032-69	51-47	91193-00	32-21
79569-00V	8-23a	79599-00V	93C-9	80032-69	52-47	91193-00	56-50
79569-00V	9-15	79600-00V	16-67	80032-69	53-74	91193-00	57-56
79569-900V	8-23a	79600-00V	17-68	80032-69	55-74	91193-00	66-102
79569-901V	9-15	79615-02V	31A-59	80122-05	24-78	95061-64V	38-55
79570-00V	8-8	79615-02V	31B-38	80122-20	34-66	95061-91V	28A-48
79570-00V	8-11	79615-02V	32-52	80122-55	56-58	95061-92V	29-7
79570-900V	8-8	79615-03V	31A-59	80122-88	35-39	95061-106V	28A-5
79570-901V	8-11	79615-03V	31B-38	80122-88	39-28	95061-106V	28C-34

PIPER PARTS CATALOG

Part Number	Figure and Index No.	Part Number	Figure and Index No.	Part Number	Figure and Index No.	Part Number	Figure and Index No.
95061-121V	57B-41	96810-02V	28B-2a	99060-00V	17-48	99114-04V	27-37
95061-144V	35-24	96810-02V	28C-2a	99060-04V	17-44	99114-04V	27A-20
95061-151V	32A-11	96810-03V	28A-2a	99060-04V	17-48	99114-05V	27-37
95061-161V	28A-7	96810-03V	28C-2a	99060-06V	17-44	99114-05V	27A-20
95061-161V	28C-33	96814-00V	28A-3a	99061-00V	17-46	99114-06V	27-37
95061-180V	28A-34a	96814-01V	28A-3a	99061-04V	17-16	99114-06V	27A-20
95061-186V	28A-34a	96815-00V	28A-2f	99061-06V	17-46	99114-11V	26-48
95228-00V	68-30	96815-00V	28A-29	99061-06V	17-48	99114-12V	26-48
95241-02V	17-31	96827-00V	28A-17	99062-00V	17-47	99114-13V	26-48
95241-03V	17-31	96827-01V	28A-17	99062-04V	17-47	99116-00V	27-100
95241-04V	17-31	96827-06V	28A-19	99062-00V	17-47	99116-00V	27A-88
95241-05V	17-31	96827-07V	28A-19	99064-00V	17-48	99116-02V	27A-88
95241-07V	17-31	96827-11V	28A-17	99064-04V	17-48	99116-02V	27A-88
95241-11V	17-31	96827-12V	28A-17	99064-06V	17-48	99116-03V	27-100
95241-12V	17-31	96827-17V	28A-19	99066-00V	17-48	99116-03V	27A-88
95241-13V	17-31	96827-18V	28A-19	99066-04V	17-48	99121-00V	68-15
95241-14V	17-31	96827-22V	28A-17	99066-06V	17-48	99122-00V	13-28
95241-15V	17-31	96827-23V	28A-17	99072-00V	32A-9	99123-00V	13-28
95241-17V	17-31	96827-26V	28A-19	99077-00V	28A-19a	99126-00V	13-24
95504-00V	76-6	96827-27V	28A-19	99077-01V	28A-19a	99126-02V	13-24
95636-00V	4-14	96863-00V	24-64b	99077-06V	28A-3a	99127-00V	13-24
95636-00V	5-16	96864-00V	24-101a	99077-07V	28A-3a	99127-02V	13-24
95636-01V	4-14	96866-00V	12-79	99077-10V	28A-3a	99129-00V	13-24
95636-01V	5-16	96868-00V	24-95c	99077-11V	28A-3a	99129-02V	13-24
95639-02V	3-2	96869-00V	24-95a	99077-16V	28A-19a	99130-02V	68-64
95639-03V	3-2	96870-00V	24-95b	99077-17V	28A-19a	99131-02V	27-23
95643-06V	2-10	96872-00V	24-64c	99080-00V	32A-33	99131-03V	27-23
95643-06V	38-32	96873-00V	12-80	99093-00V	28A-2a	88131-04V	27-23
95643-07V	2-10	96887-00V	13-23	99093-00V	28A-18a	99131-05V	27-23
95643-07V	38-32	96887-02V	13-23	99093-00V	28B-2a	99131-06V	27-23
96352-03V	2-30	96890-00V	13-22	99093-07V	28A-2a	99131-07V	27-23
96352-03V	2-33	96890-01V	13-22	99094-02V	64-13c	99131-08V	27-23
96352-03V	2-34	96902-00V	84-6	99094-02V	65-5	99131-09V	27-23
96437-00V	3-34	96908-00V	26-63	99094-02V	66-54	99131-10V	27-23
96564-00V	50-29	96908-00V	28A-32	99096-00V	64-11	99131-11V	27-23
86610-06V	3-29	96908-00V	28A-33	99096-00V	65-2	99131-12V	27-23
96610-07V	3-29	96908-00V	29-5	99096-00V	66-56	99131-13V	27-23
96611-00V	28A-15c	96919-00V	24-83	99105-00V	32-4	99132-02V	27-25
96671-02V	84-1	99002-06V	17-20	99105-01V	32-3	99132-02V	27A-3
96684-00V	26-66	99010-02V	17-18	99105-02V	31A-3	99132-03V	27-25
96684-00V	27-57	99022-00V	17-17	99105-03V	31A-3	99132-04V	27-25
96684-00VB	27A-69	99031-00V	73A-2	99105-03V	31B-3	99132-04V	27A-3
96709-00V	50-4	99035-03V	50-4	99105-04V	31B-3	99132-05V	27-25
96713-02V	50-4	99038-00V	4-5	99113-02V	26-46	99132-06V	27-25
96806-06V	28A-3	99039-00V	4-5	99113-03V	26-46	99132-06V	27A-3
96806-07V	28A-3	99040-00V	4-7	99113-04V	26-46	99132-07V	27-25
96806-08V	28A-3	99040-01V	4-7	99113-05V	26-46	99132-08V	27-25
96806-09V	28A-3	99040-02V	4-7	99113-06V	26-46	99132-08V	27A-3
96806-12V	28A-2	99040-03V	4-7	99113-07V	26-46	99132-09V	27-25
96806-12	28B-2	99044-02V	60-3	99113-12V	26-46	99132-10V	27-25
96806-12V	28C-2	99044-03V	60-4	99113-13V	26-46	99132-10V	27A-3
96806-17V	28A-27	99044-04V	60-5	99113-14V	26-46	99132-11V	27-25
96806-22V	28A-2	99044-05V	60-2	99113-15V	26-46	99132-12V	27-25
96806-22V	28C-2	99045-00V	13-29	99113-16V	26-46	99132-12V	27A-3
96806-23V	28A-2	99047-00V	58-18	99113-17V	26-46	99132-13V	27-25
96806-23V	28C-2	99059-00V	17-45	99114-02V	27-37	99133-02V	27-24
96806-24V	28A-2	99059-04V	17-45	99114-02V	27A-20	99133-02V	27A-2
96806-26V	28A-27	99059-06V	17-45	99114-03V	27-37	99133-03V	27-24
96810-02V	28A-2a	99060-00V	17-44	99114-03V	27A-20	99133-04V	27-24

PIPER PARTS CATALOG

Part Number	Figure and Index No.	Part Number	Figure and Index No.	Part Number	Figure and Index No.	Part Number	Figure and Index No.
99133-04V	27A-2	99143-00V	27-103	99181-03V	25-51	99263-00V	32C 3
99133-05V	27-24	99143-00V	27A-91	99181-03V	26-53	99271-00V	32C-8
99133 06V	27-24	99145-02V	26-3	99181-03V	27-90	99272-00V	15-50
99133-06V	27A-2	99145-03V	26-3	99198-00V	68-25	99273-00V	15-51
99133-07V	27-24	99145-04V	26-3	99209-00V	86A-3	99275-02V	32C-4
99133-08V	27-24	99145-05V	26-3	99214-00V	17-69	99275-02V	32C-9
99133-08V	27A-2	99145-06V	26-3	99221-00V	62-2	99275-04V	32C-28
99133-09V	27-24	99145-07V	26-3	99222-02V	68-17	99278-03V	15-52
99133-10V	27-24	99145-08V	26-3	99222-03V	68-17	99280-00V	15-59
99133-10V	27A-2	99145-09V	26-3	99222-04V	68-17	99280-01V	15-59
99133-11V	27-24	99146-02V	26-5	99222-09V	68-17	99289-00V	57-61
99133-12V	27-24	99146-03V	26-5	99222-10V	68-17	99289-00V	57A-32
99133-12V	27A-2	99146-04V	26-5	99225-00V	62-1	99289-00V	66-85
99133-13V	27-24	99146-05V	26-5	99240-00V	26-64	99295-02V	25-50
99134-02V	27-26	99146-06V	26-5	99240-00V	27-50	99295-09V	27-89
99134-02V	27A-4	99146-07V	26-5	99240-00V	27A-38	99295-13V	27-89
99134-03V	27-26	99146-08V	26-5	99242-02V	28A-46	99295-16V	27-89
99134-04V	27-26	99146-09V	26-5	99242-03V	28A-46	99305-08V	28B-3a
99134-04V	27A-4	99146-10V	26-5	99242-04V	28A-46	99305-09V	28B-3a
99134-05V	27-26	99146-11V	26-5	99242-06V	28A-46	99306-00V	73-6
99134-06V	27-26	99146-12V	26-5	99242-07V	28A-46	99311-00V	53-78
99134-06V	27A-4	99146-13V	26-5	99242-13V	28A-46	99344-00V	95-15
99134-07V	27-26	99146-14V	26-5	99242-13V	29-8	99353-00V	28B-1
99134-08V	27-26	99146-15V	26-5	99243-03V	26-7	99353-01V	28B-1
99134-08V	27A-4	99146-16V	26-5	99243-04V	26-7	99353-02V	28B-1
99134-09V	27-26	99146-17V	26-5	99243-05V	26-7	99353-03V	28B-1
99134-10V	27-26	99147-02V	26-4	99245-02V	27-99	99353-06V	28B-2
99134-10V	27A-4	99147-03V	26-4	99245-02V	27A-87	99353-07V	28B-2
99134-11V	27-26	99147-04V	26-4	99245-04V	27-99	99353-08V	28B-3
99134-12V	27-26	99147-05V	26-4	99245-04V	27A-87	99353-09V	28B-3
99134-12V	27A-4	99147-06V	26-4	99245-05V	27-99	99353-10V	28B-3
99134-13V	27-26	99147-07V	26-4	99245-05V	27A-87	99353-11V	28B-3
99135-02V	24-69	99147-08V	26-4	99245-06V	27-99	99353-14V	28B-1
99135-03V	24-69	99147-09V	26-4	99245-06V	27A-87	99353-15V	28B-1
99135-04V	24-69	99148-02V	26-6	99245-07V	27-99	99353-18V	28B-2
99135-05V	24-69	99148-03V	26-6	99245-07V	27A-87	99353-19V	28B-3
99135-06V	24-69	99148-04V	26-6	99252-02V	26-56	99353-20V	28B-3
99135-07V	24-69	99148-05V	26-6	99252-02V	27-98	99356-00V	26-36
99135-08V	24-69	99148-06V	26-6	99252-02V	27A-86	99356-02V	26-36
99135-09V	24-69	99148-07V	26-6	99252-03V	26-56	99358-00V	29-2
99135-10V	24-69	99148-08V	26-6	99252-03V	27-98	99359-00V	29-1
99135-11V	24-69	99148-09V	26-6	99252-03V	27A-86	99361-00V	28A-28
99135-12V	24-69	99148-10V	26-6	99252-04V	26-56	99364-00V	51-122
99135-13V	24-69	99148-11V	26-6	99252-04V	27-98	99364-00V	52-117
99136-02V	27A-1	99148-12V	26-6	99252-04V	27A-86	99364-00V	53-110
99136-03V	27A-1	99148-13V	26-6	99252-05V	26-56	99364-00V	55-83
99136-04V	27A-1	99148-14V	26-6	99252-05V	27-98	99365-00V	52-117
99136-05V	27A-1	99148-15V	26-6	99252-05V	27A-86	99365-00V	53-110
99136-06V	27A-1	99148-16V	26-6	99252-07V	26-56	99366-00V	55-84
99136-07V	27A-1	99148-17V	26-6	99252-07V	27-98	99367-00V	54-84
99138-00V	17-6	99149-02V	24-69	99252-07V	27A-86	99377-02V	69A-15
99139-00V	27-95	99149-03V	24-69	99252-09V	27-98	99377-02V	70-14
99139-00V	27A-83	99149-04V	24-69	99252-09V	27A-86	99377-03V	69A-16
99140-00V	27-94	99149-05V	24-69	99252-10V	26-56	99377-03V	70-16
99140-00V	27A-82	99149-06V	24-69	99252-10V	27-98	99377-04V	21-17
99141-03V	27-93	99149-07V	24-69	99252-10V	27A-86	99377-05V	69A-14
99141-03V	27A-81	99149-08V	24-69	99255-00V	28A-27	99377-05V	70-17
99142-00V	27-96	99149-09V	24-69	99255-02V	28A-27	99377-06V	69A-17
99142-00V	27A-84	99170-00V	68A-22	99255-03V	28A-27	99377-06V	70-15

PIPER PARTS CATALOG

Part Number	Figure and Index No.	Part Number	Figure and Index No.	Part Number	Figure and Index No.	Part Number	Figure and Index No.
99377-06V	73A-4	99406-00 V	22A-14	99478-00V	17-23	99559-01V	15-4
99377-07V	73A-4	99416-00V	31A-1	99479-02V	16-63	99561-00V	15-49
99377-16V	69A-17	99416-00V	31B-1	99479-02V	17-43	99561-00V	32C-25
99377-16V	70-15	88416-01V	31A-1	99480-00V	17-49	99568-00V	60-11
99377-16V	73A-14	99416-01V	31B-1	99482-00V	60-13	99569-00V	32C-27
99377-17V	69A-15	99416-02V	32-2	99482-02V	60-13	99572-00V	32C-26
99377-17V	70-14	99416-03V	32-2	99484-00V	17-8	99572-04V	32C-26
99377-18V	69A-16	99416-06V	31A-5	99487-00V	15-57	99573-00V	62-5
99377-18V	70-16	99416-06V	32-2	99487-01V	15-57	99577-00V	62-2
99384-00V	28A-1	99416-07V	31A-5	99488-00V	15-58	99578-00V	62-4
99384-01V	28A-1	99416-07V	32-2	99495-00V	32C-5	99580-00V	32A-32
99384-02V	28A-1	99417-00V	13-44	99496-00V	15-48	99589-00V	63-9
99384-03V	28A-1	99417-00V	13-45	99496-02V	15-48	99591-00V	50-56
99384-06V	28A-2	99418-00V	13-44	99498-00V	15-61	99591-00V	50-56
99384-07V	28A-2	99418-01V	13-44	99499-00V	58-8	99592-02V	32A-19
99384-08V	28A-3	99421-00V	12-49	99499-00V	66-18	99592-03V	32A-22
99384-09V	28A-3	99448-00V	86A-11	99499-00V	67-13	99592-04V	32A-22
99384-10V	28A-3	99450-00V	25-58	99499-00V	67A-25	99592-05V	32A-19
99384-11V	28A-3	99450-00V	27-42	99500-00V	32B-17	99592-06V	32A-22
99385-00V	28A-17	99450-00V	27A-25	99500-04V	32B-17	99592-07V	32A-19
99385-01V	28A-17	99458-00V	25-57	99500-06V	32B-17	99594-00V	63-10
99385-04V	28A-18	99458-00V	26-30	99500-06V	32E-1	99595-00V	63-2
99385-07V	28A-19	99458-00V	27-76	99500-08V	32E-1	99600-00V	61-8
99385-08V	28A-19	99458-00V	27A-64	99503-02V	32B-25	99601-00V	61-5
99387-00V	32C-1	99466-00V	8-2	99505-00V	32B-27	99607-00V	50-5
99388-00V	8-12	99466-00V	15-1	99505-02V	32B-27	99609-00V	15-11
99388-02V	8-21	99466-02V	8-2	99505-02V	32E-4	99610-00V	93-12
99388-02V	10-1	99466-02V	15-1	99506-00V	32B-25	99610-02V	93-13
99388-05V	8-23a	99466-03V	8-2	99507-00V	32B-25	99615-00V	15-46
99388-06V	8-12	99466-03V	15-1	99510-00V	32B-27	99615-01V	15-46
99388-07V	8-21	99466-04V	8-2	99510-02V	32B-27	99619-02V	50-15
99388-07V	10-1	99466-04V	15-1	99513-00V	17-7	99621-00V	50-16
99388-08V	8-12	99466-05V	9-2	99513-03V	17 7	99624-00V	32A-7
99388-09V	8-23a	99466-05V	15-1	99515-00V	64-20	99631-00V	15-47
99388-10V	8-21	99466-09V	8-2	99515-02V	64-20a	99633-00V	32B-8
99388-10V	10-1	99466-09V	15-1	99515-03V	64-20b	99633-00V	32E-14
99388-14V	8-21	99466-10V	9-2	99521-00V	68A-4	99634-00V	32B-26
99388-14V	10-1	99466-10V	15-1	99522-02V	32B-22	99635-09V	26-52
99389-00V	9-9	99466-12V	8-2	99523-00V	56-70	99635-09V	27-89
99389-02V	9-14	99466-12V	15-1	99526-00V	32A-31	99640-00V	32B-1
99389-02V	10-1	99466-13V	8-2	99528-00V	68A-20	99640-02V	32B-1
99389-03V	9-9	99466-13V	15-1	99537-00V	68A-1	99640-03V	32B-2
99390-00V	9-9	99466-14V	9-2	99537-02V	68A-1	99640-04V	32B-2
99390-02V	9-9	99466-14V	15-1	99539-00V	32B-28	99641-00V	32B-6
99390-03V	9-14	99466-15V	9-2	99539-02V	32B-28	99641-00V	32E-12
99390-03V	10-1	99466-15V	15-1	99541-00V	32B-22	99642-03V	32E-9
99390-04V	9-14	99466-16V	9-2	99541-02V	32B-22	99644-00V	32B-30
99390-04V	11-1	99466-16V	15-1	99545-00V	15-55	99646-02V	32B-9
99390-05V	9-15	99466-17V	9-2	99549-07V	15-3	99648-00V	32B-12
99390-06V	9-9	99466-17V	15-1	99549-08V	15-3	99650-00V	32B-13
99390-07V	9-15	99468-00V	15-2	99549-09V	15-67	88656-02V	27A-1
99395-00V	93-21	99468-03V	15-2	99550-02V	32B-29	99656-03V	27A-1
99395-00V	95-9	99469-04V	15-6	99550-03V	32B-29	99656-04V	27A-1
99395-02V	93-21	99470-00V	15-3	99552-00V	15-53	99656-05V	27A-1
99395-02V	95 9	99470-01V	15-3	99552-02V	15-53	99656-06V	27A-1
99395 03V	93-21	99471-00V	15-5	99555-00V	15-56	99656-07V	27A-1
99395-03V	95-9	99471-01V	15-5	99557-00V	32C-22	99657-02V	27-25
99398-00 V	94-5	99471-02V	15-5	99558-00V	15-54	99657-02V	27A-3
99401-00V	94-10	99471-03V	15-5	99559-00V	15-4	99657-03V	27-25

PIPER PARTS CATALOG

Part Number	Figure and Index No.	Part Number	Figure and Index No.	Part Number	Figure and Index No.	Part Number	Figure and Index No.
99657-03V	27A-3	99667-03V	17-3b	99692-01V	12-75	99744-00V	68-25
99657-04V	27-25	99667-04V	17-3b	99693-00V	12-78	99745-00V	68-21
99657-04V	27A-3	99667-05V	17-3b	99696-00V	69A-6	99748-00V	32D-1
99657-05V	27-25	99667-06V	17-3b	99696-00V	70-3	99748-01V	32D-1
99657-05V	27A-3	99667-07V	17-3b	99699-00V	14-27	99753-00V	31A-24
99657-06V	27-25	99670-00V	17-59	99700-00V	14-10	99754-00V	51-123
99657-06V	27A-3	99672-08V	17-3	99700-01V	14-10	99754-00V	52-118
99657-07V	27-25	99672-09V	17-3	99700-02V	14-10	99754-00V	53-22
99657-07V	27A-3	99672-10V	17-3	99700-03V	14-10	99754-00V	54-85
99657-08V	27-25	99672-11V	17-3	99701-00V	14-16a	99771-00V	62-3
99657-09V	27-25	99672-12V	17-3	99714-00V	26-39	99783-00V	24-67
99657-10V	27-25	99672-13V	17-3	99715-00V	26-37	99792-00V	63-1
99657-11V	27-25	99672-14V	17-3	99715-00V	26-62	99799-02V	50-28
99657-12V	27-25	99672-15V	17-3	99717-00V	68A-2	99801-00V	26-79
99657-13V	27-25	99672-16V	17-3	99717-00V	68A-26	99801-00V	27-14
99658-02V	27-24	99672-17V	17-3	99718-01V	28A-16a	99801-00V	27A-11
99658-02V	27A-2	99672-18V	17-3	99718-01V	28C-5	99801-02V	26-79
99658-03V	27-24	99672-19V	17-3	99718-05V	28A-16a	99801-02V	27-14
99658-03V	27A-2	99674-00V	68A-3	99718-05V	28C-5	99801-02V	27A-11
99658-04V	27-24	99678-00V	28A-2e	99718-06V	28C-5	99802-02V	50-28
99658-04V	27A-2	99678-01V	28A-2e	99719-03V	28C-6	99803-03V	50-28
99658-05V	27-24	99678-02V	28A-2e	99719-16V	28C-7	99805-03	15-44
99658-05V	27A-2	99678-03V	28A-2e	99719-19V	28C-7	99807-00V	17-5
99658-06V	27-24	99678-04V	28A-2e	99719-28V	28C-8	99807-00V	67A-34
99658-06V	27A-2	99678-05V	28A-2e	99721-02V	28A-2g	99808-00V	17-6
99658-07V	27-24	99678-007	28A-2e	99721-03V	28A-2g	99808-00V	67A-36
99658-07V	27A-2	99678-08V	28A-2e	99724-00V	28A-9	99811-00V	27-72
99659-02V	24-69	99678-09V	28A-2e	99727-01V	28A-1	99811-02V	26-75
99659-03V	24-69	99678-10V	28A-2e	99727-03V	28A-1	99813-02	15-44
99659-04V	24-69	99678-11V	28A-2e	99727-07V	28A-2	99818-00V	26-26
99659-05V	24-69	99678-12V	28A-2e	99727-08V	28A-3	99818-00V	27-79
99659-06V	24-69	99678-13V	28A-2e	99727-09V	28A-3	99818-00V	27A-31
99659-07V	24-69	99680-08V	93-22	99727-10V	28A-3	99819-00V	27-79
99660-02V	27-26	99681-00V	28A-2f	99727-11V	28A-3	99841-00V	93-3
99660-02V	27A-4	99681-01V	28A-2f	99727-15V	28A-2	99841-04V	93-3
99660-03V	27-26	99681-02V	28A-2f	99727-16V	28A-1	99849-02V	56-33
99660-03V	27A-4	99681-03V	28A-2f	99727-17V	28A-1	99849-03V	56-34
99660-04V	27-26	99681-04V	28A-2f	99727-20V	28A-2	99849-04V	56-34
99660-04V	27A-4	99681-05V	28A-2f	99727-21V	28A-12	99849-06V	58-73
99660-05V	27-26	99681-06V	28A-2f	99727-23V	28A-2	99849-07V	58-74
99660-05V	27A-4	99681-07V	28A-2f	99727-24V	28A-2	99850-00V	27A-12
99660-06V	27-26	99681-08V	28A-2f	99727-25V	28A-2	99850-01V	27A-12
99660-06V	27A-4	99681-09V	28A-2f	99730-00V	28A-17	99851-00V	68A-9
99660-07V	27-26	99681-10V	28A-2f	99730-01V	28A-17	99853-00V	32C-16
99660-07V	27A-4	99681-11V	28A-2f	99730-04V	28A-18	99854-00V	32C-11
99660-08V	27-26	99681-12V	28A-2f	99730-07V	28A-19	99856-00V	78-55
99660-09V	27-26	99681-13V	28A-2f	99730-08V	28A-19	99862-00V	68A-18
99660-10V	27-26	99686-00V	12-74	99735-00V	17-12	99867-00 V	32C-18
99660-11V	27-26	99686-01V	12-74	99735-02V	17-12	99868-00V	50-5
99660-12V	27-26	99687-00V	12-77	99735-03V	17-10a	99875-00V	17-12
99660-13V	27-26	99687-01V	12-77	99735-03V	17-12	99878-00V	23B-26
99661-00V	32B-15	99688-00V	12-75	99736-03V	26-110	99878-01V	23B-27
99662-02V	27-23	99688-01V	12-75	99737-02V	26-79	99879-00V	23B-25
99662-03V	27-23	99689-00V	12-78	99737-02V	27-14	99885-00 V	17-5
99662-04V	27-23	99690-00V	12-74	99737-02V	27A-11	99885-02V	17-5
99662-05V	27-23	99690-01V	12-74	99738-02V	27-15	99886-00V	17-6
99662-06V	27-23	99691-00V	12-77	99738-03V	27-15	99887-02	93A-8
99662-07V	27-23	99691-01V	12-77	99741-00V	12-76	99887-04V	93B-9
99667-02V	17-3b	99692-00V	12-75	99741-01V	12-76	99887-06V	93C-7

PIPER PARTS CATALOG

Part Number	Figure and Index No.	Part Number	Figure and Index No.	Part Number	Figure and Index No.	Part Number	Figure and Index No.
99888-00V	93A-9	99997-00V	24A-11b	400 165	37-37	400 444	75-60
99888-00V	93B-10	99999-00V	68A-27	400 166V	37 47	400 444	85-14
99889-00V	93A-10	151 310	77-14	400 171	57B-7	400 446	77-69
99889-00V	93B-11	179 872V	2-23	400 171	57C-6	400 446	78-57
99903-02V	23B-30	187 625	33A-20	400 171	59-6	400 448	33-55
99903-03V	23A-32	187 627V	35-10	400 171	67A-6	400 448	76-39
99903-03V	23B-29	187 627V	39-6	400 191V	34-63	400 448	82-20
99903-04V	23B-31	189 139V	24A-2	400 218	34-73	400 449	77-70
99903-05V	23A-37	400 002	28A-10c	400 224	32C-24	400 450	33-53
99903-05V	23B-32	400 002	28C-46	400 272V	34-69	400 450	33-55
99904-02V	23A-34	400 002	63-11	400 274	56-61	400 450	38-43
99904-03V	23A-35	400 002	72-11	400 274	56-62	400 450	50-34
99904-04V	23A-36	400 003	37-15	400 309	56-61	400 450	78-23
99904-05V	23A-33	400 003	43-8	400 310	56-61	400 451	13-38
99920-02V	27-15	400 003	43-9	400 328V	56-62	400 451	82-19
99920-02V	27A-12	400 003	50-35	400 329	56-62	400 452	33-53
99920-03V	27-15	400 003	50-43	400 437	77-62	400 453V	33-55
99920-03V	27A-12	400 003	50D-25	400 437	78-24	400 456	82-19
99921-00V	17-60	400 004	2-35	400 437	78-28	400 456	83-15
99927-04V	27A-13	400 004	28A-39	400 437	84-59	400 457V	74-50
99927-07V	27A-13	400 004	29-12	400 438	15-32	400 457V	82-20
99927-10V	27A-13	400 004	38-51	400 438	33A-33	400 458V	74-50
99927-20V	27A-13	400 004	38-52	400 438	56-29	400 482V	76-19d
99927-21V	27A-13	400 004	50D-26	400 438	57-43	400 463	66-81
99929-00V	57B-49	400 004	76-42	400 438	65-11	400 464V	56-29
99934-00V	31A-8	400 008	74-45	400 438	66-84	400 464V	66-81
99943-00V	23A-31	400 008	75-46	400 438	76-41	400 481V	75-53
99943-00V	23B-28	400 008	82-8	400 438	77-63	400 616V	32A-30
99943-00V	24-112	400 008	83-7	400 438	77-104	400 652V	76-36
99943-00V	24A-13	400 009	2-44	400 438	78-30	400 653V	76-37
99944-02V	57-18	400 009	28-15	400 438	82-17	400 653V	76-38
99944-02V	57A-25	400 009	28A-40	400 438	83-17	400 653V	80-29
99944-04V	66-4	400 009	32A-17	400 438	84-56	400 653V	80-31
99948-00V	29-2	400 012	76-4	400 438	86-16	400 653V	81-35
99949-00V	29-1	400 015	36-11	400 440	28-16	400 664V	77-71
99950-00V	17-61	400 025	80-25	400 440	28A-38	400 665V	24A-35
99952-00V	17-62	400 054	49-46	400 440	32C-35	400 672	76-44
99959-00 V	17-9	400 054	57B-41	400 440	33-20	400 672	79-3
99959-02V	17-9	400 055	57B-56	400 440	34-76	400 672	82-18
99959-03V	17-9	400 055	57C-58	400 440	76-39	400 673	57B-54
99959-04V	17-9	400 055	81-36	400 440	84-56	400 673	83-16
99959-05V	17-9	400 056	50-33	400 441	32C-31	400 674	57B-39
99959-07V	17-9	400 056	59-64	400 441	33-20	400 674	57B-48
99967-00V	26-98	400 056	80-39	400 441	77-50	400 674	57C-50
99967-00V	27-105	400 056	81-36	400 441	77-66	400 674	57C-51
99967-00V	27A-93	400 057	57B-41	400 441	77-67	400 674	59-62
99968-00V	26-98	400 058	33-54	400 441	77-68	400 674	74-53
99968-00V	27-105	400 102	32-38	400 441	77-103	400 674	74-65
99968-00V	27A-93	400 103	61-10	400 443	13-38	400 674	75-50
99985-00 V	66-41	400 108	34-61	400 443	34-72	400 679	38-20
99990-00V	23A-41	400 110	28-31	400 443	74-66	400 680V	76-48
99990-00V	23B-35	400 111	28-32	400 443	75-54	400 686V	46-28
99990-00V	24-110	400 112	24A-27	400 443	76-35	400 686V	75 59
99991-00V	26-101	400 112	34 70	400 443	77-108	400 704	75-49
99991-00V	27-107	400 113	45-312	400 443	84-53	400 711	38-21
99991-00V	27A-96	400 113	46-27	400 443	85-13	400 723V	34-66
99997-00V	23A-40	400 113	47-26	400 444	2-43	400 728V	72-12
99997-00V	23B-36	400 122V	34-22	400 444	10-49	400 744V	35-21b
99997-00V	24-111	400 159	29-10	400 444	11-48	400 749V	57B-7

PIPER PARTS CATALOG

Part Number	Figure and Index No.	Part Number	Figure and Index No.	Part Number	Figure and Index No.	Part Number	Figure and Index No.
400 749V	57C-6	401 269	29-15	401 361V	33A-26	402 324V	33-16
400 749V	59-6	401 269	32C-34	401 370	33A-30	402 344	35-40
400 749V	67A-6	401 269	33-53	401 371V	33A-3h	402 344	39-34
400 757	38-30	401 269	34-51	401 378V	74-49	402 344	39-36
400 761	34-65	401 269	34-67	401 385V	74-34	402 345	39-34
400 761	38-45	401 269	50-54	401 385V	75-57	402 349V	2-33
400 762V	34-83	401 269	77-109	401 394	32A-12	402 351	2-30
400 774V	34-84	401 269	78-31	401 395	71-38	402 352	2-34
400 861	32C-33	401 269	80-23	401 396	71-39	402 523V	34-69
400 861	32C-36	401 269	81-23	401 400	33A-25	402 679	75-49
400 861	32C-37	401 270	2-42	401 403	33A-26	402 680V	50-36
400 861	32C-38	401 270	80-24	401 405	33-29	402 775V	33-6
400 862V	24A-60	401 270	80-26	401 405	58-55	402 890V	15-34
400 863V	28A-51	401 270	80-30	401 410V	33-30	402 897V	15-33
400 869	82-7	401 273	32C-7	401 411V	58-56	402 960V	38-53
400 869	83-9	401 273	33A-32	401 415V	33-30	403 054	42-33
400 871V	34-12	401 274	34-48	401 417V	58-54	403 055	42-15
400 871V	34-13	401 274	34-50	401 456V	33-38	403 055	42-34
400 876V	47-27	401 274	34-71	401 461V	32A-36	404 004V	19-27
400 880V	38-30a	401 274	76-19	401 520V	66-25	404 004V	19A-27
400 880V	38-31	401 275V	42-35	401 535V	56-61	404 004V	19B-29
400 883V	12-30	401 279	78-26	401 535V	56-62	404 100	31A-50
400 885V	34-59	401 281	78-57	401 535V	57-29	404 100	33-54
400 886V	34-59	401 286V	42-32	401 535V	57A-53	404 100	38-20
400 903V	28-14	401 300V	84-55	401 543V	56-62	404 100	38-30a
400 916	28A-16	401 301V	58-87	401 543V	57A-50	404 100	38-31
400 916	28A-26	401 301V	66-19	401 543V	58-59	404 100	50-37
401 185	73-12	401 301V	67-14	401 544V	56-61	404 100	57B-39
401 187	2-32	401 301V	67A-26	401 544V	57A-50	404 100	57B-41
401 187	28A-38	401 307	73-14	401 544V	58-58	404 100	57B-48
401 188	74-40	401 310	43-3	401 918	33-15	404 100	57B-53
401 188	74-54	401 310	57-44	401 918	37-35	404 100	57B-54
401 188	75-56	401 310	58-53	401 918	66-108	404 100	57B-56
401 189	75-58	401 310	66-111	401 919	57A-38	404 100	57C-50
401 195	33A-25	401 310	80-37	401 919	58-60	404 100	57C-51
401 260V	42-14	401 310	81-27	401 919	58-61	404 100	57C-58
401 265	28-18	401 311	37-14	401 919	58-79	404 100	59-62
401 265	28A-37	401 315	28-31	401 920V	58 61	404 100	59-64
401 265	28A-51	401 315	28-32	401 925V	71-40	404 100	76-48
401 265	35-38	401 315	28B-25	401 926V	58-60	404 101	24A-27
401 266	13-56	401 315	29-10	401 928V	58-79	404 101	28-31
401 266	24-113	401 318	28C-45	401 970V	32A-38	404 101	28-32
401 266	28-17	401 318	38-48	401 971V	32A-34	404 101	34-60
401 266	39-15	401 318	74-60	401 971V	71-29	404 101	34-61
401 266	74-43	401 318	76-52	401 971V	71-36	401 101	34-66
401 266	75-62	401 320V	39-41	401 971V	71-37	404 101	35-41
401 266	76-54	401 329	39-37	401 971V	71-41	404 101	39-35
401 266	77-64	401 330	33A-34	401 986V	32A-37	404 101	45-32
401 266	77-65	401 333V	49-11	401 987V	32A-35	404 101	46-29
401 266	77-75	481 333V	80-25	401 988V	32A-29	404 101	47-26
401 266	77-106	401 333V	81-22	402 032	77-72	404 101	61-10
401 266	78-29	401 334	32C-32	402 032	77-105	404 101	77-73
401 266	83-18	401 335	38-47	402 057V	12-28	404 102	34-63
401 266	85-15	401 353	74-36	402 057V	12-29	404 102	35-40
401 269	13-56	401 354	74-56	402 312V	34-60	404 102	39-34
401 269	28-11	401 354	75-55	402 312V	39-35	404 102	39-36
401 269	28A-37	401 355	28A-40	402 313	35-41	404 103	34-73
401 269	28A-39	401 359	33A-26	402 314V	82-8	404 104	56-63
401 269	28A-51	401 359	33A-31	402 314V	83-7	404 104	80-27

PIPER PARTS CATALOG

Part Number	Figure and Index No.	Part Number	Figure and Index No.	Part Number	Figure and Index No.	Part Number	Figure and Index No.
404 104	81-21	404 393	34-70	404 887	2-42	404 887	57B-40
404 105	34-69	404 393	38-21	404 887	2-43	404 887	57B-55
404 105	37-25	404 393	75-49	404 887	10-49	404 887	57C-57
404 105	56-63	404 394	58B-12c	404 887	11-48	404 887	59-63
404 122V	37-37	404 394	57C-19c	404 887	12-30	404 887	65-11
404 122V	37-47	404 394	59-24f	404 887	13-38	404 887	66-83
404 123V	34-73	404 394	67A-19c	404 887	13-56	404 887	74-43
404 124	34-69	404 395	34-65	404 887	13-57	404 887	74-50
404 224	24-6	404 395	34-84	404 887	13-58	404 887	74-66
404 224	24-95e	404 395	38-30	404 887	20-15	404 887	75-53
404 224	50-38	404 395	38-45	404 887	24-113	404 887	75-54
404 224	57B-38	404 451V	34-75	404 887	28-11	404 887	75-62
404 224	57C-49	404 556	15-33	404 887	28-16	404 887	76-19
404 224	57C-53	404 556	15-34	404 887	28A-38	404 887	76-19d
404 224	59-50	404 599	34-75	404 887	28A-39	404 887	76-39
404 224	66-71	404 751V	86-15	404 887	29-15	404 887	76-41
404 224	67A-38	404 829	30-42	404 887	30-13	404 887	76-54
404 224	76-40	404 829	30 45	404 887	30-15	404 887	77-63
404 225	33-27	404 832	38-53	404 887	30-16	404 887	77-64
404 225	33-33	404 833	24-92	404 887	30-29	404 887	77-66
404 225	38-44	404 835	28-17	404 887	32C-7	404 887	77-67
404 229	77-28	404 835	32C-35	404 887	32C-31	404 887	77-68
404 320V	76-23	404 835	34-13	404 887	32C-33	404 887	77-69
404 321	42-12	404 835	72-10	404 887	32C-34	404 887	77-70
404 321	42-24	404 835	73-13	404 887	32C-36	404 887	77-72
404 321	42-29	404 835	77-50	404 887	32C-37	404 887	77-75
404 322	33-5	404 835	77-103	404 887	32C-38	404 887	77-104
404 322	34-33	404 835	80-22	404 887	33-20	404 887	77-105
404 322	45-14	404 835	80-24	404 887	33-53	404 887	77-106
404 322	74-63	404 835	80-26	404 887	33-55	404 887	77-108
404 322	75-45	404 835	80-30	404 887	33A-32	404 887	77-109
404 322	76-23	404 835	81-20	404 887	33A-33	404 887	78-23
404 325V	78-32	404 835	81-29	404 887	34-12	404 887	78-26
404 326V	38-31a	404 835	82-7	404 887	34-48	404 887	78-30
404 391V	24A-35	404 835	83-9	404 887	34-50	404 887	78-31
404 391V	76-36	404 836	28A-10c	404 887	34-51	404 887	78-57
404 391V	76-37	404 836	33-16	404 887	34-59	404 887	80-23
404 391V	75-38	404 836	37-8a	404 887	34-67	404 887	80-24
404 391V	80-29	404 836	39-37			404 887	80-26
404 391V	80-31	404 836	41-6	404 887	34-71	404 887	80-30
404 391V	81-35	404 836	63-11	404 887	34-72	404 887	81-23
404 392	32-22	404 836	76-4	404 887	34-76	404 887	82-19
404 392	32E-42	404 836	82-8	404 887	38-43	404 887	82-20
404 392	57B-53	404 836	83-7	404 887	39-15	404 887	83-15
404 392	57C-52	404 837	12-28	404 887	42-15	404 887	83-18
404 392	59-48	404 837	12-29	404 887	42-16	404 887	84-56
404 392	74-53	404 837	28A-38	404 887	42-32	404 887	84-59
404 392	74-60	404 837	28A-40	404 887	42-33	404 887	85-13
404 392	74-65	404 837	29-10	404 887	42-34	404 887	85-14
404 392	75-50	404 837	35-21b	404 887	42-35	404 887	85-15
404 392	75-59	404 837	72-12	404 887	45-60	404 887	86-16
404 392	76-44	404 837	73-12	404 887	46-17	404 888	2-36
404 392	79-3	404 838	33-8	404 887	47-27	404 888	2-44
404 392	80-39	404 838	41-6	404 887	49-37	404 888	28-15
404 392	81-36	404 838	41-39	404 887	49-46	404 888	28-31
404 392	82-18	404 840	35-42	404 887	50-46	404 888	28-32
404 392	83-16	404 843	39-29	404 887	56-29	404 888	28A-39
404 393	32-38	404 885	77-71	404 887	57-43	404 888	28A-40
404 393	34-22	404 887	2-38	404 887	57A-33	404 888	28B-24

PIPER PARTS CATALOG

Part Number	Figure and Index No.	Part Number	Figure and Index No.	Part Number	Figure and Index No.	Part Number	Figure and Index No.
404 888	28B-25	404 890	58-55	406 809	22A-10	407 137	59-21
404 888	2BC-46	404 890	58-56	406 823	22-8	407 137	71-41
404 888	29-10	404 890	71-38	406 823	22A-7	407 561	28A-10b
404 888	29-12	404 890	71-39	406 823	23-7	407 561	28C-43
404 888	32AS-17	404 891	56-63	406 823	23A-44	407 561	35-50
404 888	32C-32	404 891	57-29	406 823	238-38	407 561	77-59
404 888	33A-34	404 891	57A-50	406 830	33A-27	407 562	16-9
404 888	36-13	404 891	57A-53	406 834	65-20	407 562	24-29
404 888	37-17	404 891	58-58	406 846	16-42	407 562	24-32
404 888	38-51	404 891	58-59	406 848	93-24	407 562	24A-35
404 888	39-41	404 891	66-27	406 848	93-35	407 562	26-107
404 888	40-18	404 909	16-9	406 863	22-9	407 562	27-112
404 888	49-11	404 909	26-107	406 863	22A-8	407 562	27A-101
404 888	50-35	404 909	27-112	406 863	23-8	407 562	30-45
404 888	50D-25	404 909	27A-101	106 863	23A-45	407 562	37-10
404 888	50D-26	404 909	37-16	406 863	23B-39	407 562	44-12
404 888	57-44	404 909	44-12	406 863	86-15	407 562	49-37
404 888	58-53	404 909	77-76	406 927V	2-26	407 562	75-61
404 888	66-111	404 910	49-31	406 940V	2-25	407 562	76-36
404 888	72-11	404 910	59-46	406 941V	2-25	407 562	76-37
404 888	73-14	404 910	59-49	406 942V	2-25	407 562	77-71
404 888	74-45	404 910	59-54	406 974	75-49	407 562	77-76
404 888	74-60	404 910	79-5	407 041V	22-31	407 562	81-35
404 888	75-46	404 910	85-11	407 041V	23-21a	407 563	49-31
404 888	76-42	404 987V	30-19	407 041V	23A-16a	407 563	59-46
404 888	76-52	404 987V	30-27	407 041V	23B-14	407 563	59-54
404 888	80-25	404 987V	30-28	407 041V	23B-14a	407 563	59-59
404 888	80-37	404 989V	33-8	407 044	34-75	407 563	85-11
404 888	81-22	405 580	33-5	407 102	23-21	407 564	2-38
404 888	81-27	406 345	57B-13	407 102	23A-16	407 564	2-42
404 888	82-8	406 345	57C-19b	407 102	57B-18	407 564	2-43
404 888	83-7	406 345	59-23	407 102	59-24a	407 564	10-49
404 889	2-32	406 345	67A-11a	407 104	57B-38	407 564	11-48
404 889	33A-25	406 357	18-30	407 104	57B-41	407 564	13-38
404 889	33A-26	406 357	92-20	407 104	57B-56	407 564	15-33
404 889	33A-30	406 369V	28A-10b	407 104	57C-53	407 564	15-34
404 889	33A-31	406 372	50-55	407 104	59-50	407 564	24-113
404 889	33A-34	406 373	44-10	407 104	59-64	407 564	28-17
404 889	36-13	406 373	44-11	407 104	67A-37	407 564	28C-43
404 889	40-18	406 382V	2-39	407 105	57C-54	407 564	31A-50
404 889	74-34	406 382V	16-43	407 105	59-47	407 564	32C-7
404 889	74-36	406 387V	43-4	407 105	67A-39	407 564	32C-31
404 889	74 40	406 387V	44-9	407 106	34-75	407 564	32C-33
404 889	74 49	406 389V	30-22	407 122V	93-24	407 564	32C-34
404 889	74 54	406 389V	31-30	407 122V	93-35	407 564	32C-35
404 889	74-56	406 415V	5-49	407 124V	46-13	407 564	32C-36
404 889	75-55	406 424V	32B-24a	407 124V	47-25	407 564	32C-37
404 889	75-56	406 424V	32B-33	407 124V	54-52	407 564	32C-38
404 889	75 57	406 424V	32E-3c	407 124V	64-6	407 564	32E-42
404 890	2-30	406 424V	32E-8b	407 134	36-8	407 564	33-55
404 890	2-33	406 551V	77-65	407 134	86-15	407 564	33-53
404 890	2-34	406 551V	78-29	407 135V	66-72	407 564	33A-32
404 890	32A-12	406 637V	37-8	407 136	57A-38	407 564	33A-33
404 890	33-29	406 637V	50-45	407 136	58-60	407 564	34-12
404 890	33-30	406 646V	65-18	407 136	58-61	407 564	34-59
404 890	33A-25	406 660	38-47	407 136	58-79	407 564	34-72
404 890	33A-26	406 660	38-48	407 136	63-14	407 564	34-76
404 890	34-83	406 669V	58-82	407 136	66-108	407 564	35-38
404 890	58-54	406 796	45-52	407 137	57B-17	407 564	38-30a

PIPER PARTS CATALOG

Part Number	Figure and Index No.	Part Number	Figure and Index No.	Part Number	Figure and Index No.	Part Number	Figure and Index No.
407 564	38-43	407 564	80-26	407 565	61-10	407 567	33-29
407 564	38-46	407 564	80-39	407 565	63-14	407 567	33-30
407 564	42-15	407 564	81-23	407 565	66-19	407 567	38-45
407 564	42-16	407 564	81-36	407 565	67-14	407 567	46-56
407 564	46-15	407 564	82-7	407 565	67A-26	407 567	47-44
407 564	47-27	407 564	82-18	407 565	72-11	407 567	48A-4
407 564	49-22	407 564	82-19	407 565	73-14	407 567	54-51
407 564	50-40	407 564	82-20	407 565	74-45	407 567	58-54
407 564	56-29	407 564	83-9	407 565	74-60	407 567	58-55
407 564	57-43	407 564	83-16	407 565	75-46	407 567	58-56
407 564	57B-40	407 564	83-17	407 565	75-49	407 567	67B-5
407 564	57B-41	407 564	83-18	407 565	76-4	407 567	71-38
407 564	57B-48	407 564	85-13	407 565	76-52	407 567	71-39
407 564	57B-53	407 564	85-14	407 565	77-49	407 567	74-48
407 564	57B-54	407 564	85-15	407 565	77-103	407 567	34-69
407 564	57B-55	407 564	86-16	407 565	80-25	407 568	47-21
407 564	57C-50	407 565	2-44	407 565	81-22	407 568	56-65
407 564	57C-57	407 565	19-5	407 566	2-32	407 568	57-29
407 564	58-51	407 565	19A-5	407 566	28A-3	407 568	57A-50
407 564	59-48	407 565	19 B-5	407 566	28A-40	407 568	57A-53
407 564	59-63	407 565	24A-27	407 566	29-10	407 568	58-58
407 564	59-64	407 565	28-15	407 566	32A-34	407 568	58-59
407 564	65-11	407 565	28-31	407 566	33-10	407 568	66-26
407 564	66-72	407 565	28-32	407 566	33A-30	407 568	80-27
407 564	66-82	407 565	28A-16	407 566	33A-31	407 568	81-21
407 564	72-10	407 565	28A-26	407 566	33A-34	407 568	84-49
407 564	73-13	407 565	28A-39	407 566	36-12	407 569	24-93
407 564	74-43	407 565	28A-40	407 566	37-1	407 569	24A-52
407 564	74-50	407 565	28B-24	407 566	34-63	407 569	32A-30
407 564	74-53	407 565	28C-44	407 566	34-75	407 569	38-53
407 564	74-65	407 565	29-10	407 566	37-37	407 581	84-54
407 564	74-66	407 565	29-12	407 566	37-47	407 582V	24A-38
407 564	75-50	407 565	32-22	407 566	39-34	407 583V	16-42
407 564	75-53	407 565	32C-32	407 566	40-20	407 583V	79-5
407 564	75-54	407 565	33A-34	407 566	66-64f	407 583	86-15
407 564	75-59	407 565	34-22	407 566	71-36	407 584	12-30
407 564	75-62	407 565	34-60	407 566	71-37	407 584	15-33
407 564	76-19	407 565	35-41	407 566	72-12	407 584	15-34
407 564	76-19d	407 565	36-12	407 566	73-12	407 584	20-15
407 564	76-35	407 565	37-9	407 566	74-34	407 584	29-15
407 564	76-39	407 565	38-21	407 566	74-36	407 584	34-48
407 564	76-41	407 565	38-51	407 566	74-40	407 584	33-53
407 564	76-44	407 565	38-52	407 566	74-44	407 584	33-54
407 564	76-48	407 565	39-35	407 566	74-49	407 584	33-55
407 564	76-54	407 565	40-20	407 566	74-54	407 584	34-50
407 564	77-63	407 565	43-3	407 566	74-56	407 584	34-51
407 564	77-66	407 565	43-8	407 566	75-22a	407 584	34-71
407 564	77-68	407 565	46-16	407 566	75-46	407 584	38-20
407 564	77-72	407 565	47-26	407 566	75-55	407 584	38-30a
407 564	77-104	407 565	50-35	407 566	75-56	407 584	38-31
407 564	77-105	407 565	50-42	407 566	75-57	407 584	39-15
407 564	77-106	407 565	50-43	407 566	75-58	407 584	42-15
407 564	77-108	407 565	50D-25	407 567	2-30	407 584	45-46
407 564	77-109	407 565	50D-26	407 567	2-33	407 584	46-14
407 564	77-110	407 565	56-15	407 567	2-34	407 584	47-24
407 564	78-19	407 565	58-60	407 567	2-35	407 584	50-41
407 564	78-30	407 565	58-61	407 567	32A-12	407 584	55-124
407 564	78-31	407 565	58-79	407 567	32A-36	407 584	56-29
407 564	80-24	407 565	58-87	407 567	33-10	407 584	57B-46

PIPER PARTS CATALOG

Part Number	Figure and Index No.	Part Number	Figure and Index No.	Part Number	Figure and Index No.	Part Number	Figure and Index No.
407 584	57C-55	407 585	77-60	407 684V	49-19	415 150	75-61
407 584	59-48	407 585	77-68	407 684V	77-111	415 151	16-11
407 584	59-58	407 585	77-74	407 684V	78-33	415 151	22-35
407 584	64-28	407 585	77-110	407 694V	13-38	415 151	23-21
407 584	65-22	407 585	80-25	407 694V	13-56	415 151	23A-16
407 584	66-82	407 585	82-8	407 694V	13-57	415 171V	44-12
407 584	66-113	407 585	83-7	407 694V	13-58	415 179V	24-95
407 584	67A-48	407 586	12-28	407 694V	15-32	415 179V	50-52
407 584	74-60	407 586	12-29	407 726V	32A-36	415 309V	2-41
407 584	74-65	407 586	24-95	407 800	77-108	415 312V	2-40
407 584	75-53	407 586	24A-53	407 801	29-9	415 320V	2-38
407 584	75-59	407 586	32A-38	407 801	43-9	415 322V	13-57
407 584	77-50	407 586	33A-25	408 813	30-8	415 323V	13-58
407 584	77-62	407 586	33A-26	408 813	31-21	415 376V	26-106
407 584	77-64	407 586	34-63	408 815	57B-15	415 376V	27-111
407 584	77-67	407 586	35-21b	408 815	57C-16	415 376V	27A-100
407 584	77-69	407 586	35-40	408 815	59-18	415 378V	24-97
407 584	77-70	407 586	37-37	408 815	67A-16	415 378V	24A-41
407 584	77-75	407 586	37-38	408 823V	23-21	415 378V	24A-53
407 584	77-103	407 586	37-47	408 826	22-31	415 379V	57A-33
407 584	78-23	407 586	39-36	408 826	22-35	415 379V	57A-52
407 584	78-26	407 586	41-22	408 826	23 21a	415 379V	58-9
407 584	78-28	407 586	57B-16	408 826	23A-16	415 379V	66-20
407 584	78-57	407 586	57C-17	408 826	23A-16a	415 444V	59-46
407 584	79-3	407 586	59-20	408 826	23B-14	415 447	22A-9
407 584	80-23	407 586	67A-17	408 826	23B-14a	415 447	23-9
407 584	80-30	407 586	74-38	409 910	59-59	415 447	23A-46
407 584	81-23	407 586	77-61	410 043	2-8	415 448	18-30
407 584	81-29	407 587	32A-29	410 076	2-36	415 448	57B-14
407 584	81-36	407 587	32A-35	411 348V	34-68	415 448	59-19
407 584	84-56	407 587	32A-36	411 533	64-27	415 448	59-49
407 584	84-59	407 587	32A-37	411 533	64-28	415 449	23A-46
407 585	2-36	407 587	33A-25	414 467V	2-37	415 449	43-4
407 585	2-44	407 587	33A-26	414 761	27-102	415 449	44-9
407 585	24A-61	407 587	34-73	414 761	27A-90	415 449	44-10
407 585	28C-44	407 587	34-84	414 763	50-20	415 449	49-31
407 585	28C-46	407 587	38-30	414 763	50-47	415 449	92-4
407 585	32-38	407 587	41-7	414 763	65-19	415 450	22-9
407 585	32A-17	407 587	41-38	414 769	24-92	415 450	22A-8
407 585	33-16	407 588	33-16	414 769	27-101	415 450	23-8
407 585	34-61	407 589	34-69	414 769	27A-89	415 450	23A-45
407 585	34-70	407 591	56-82	414 783V	50-51	415 450	77-76
407 585	35-41	407 591	57A-43	415 145	16-9	415 452	23A-45
407 585	38-52	407 591	58-90	415 146	66-64d	415 452	59-59
407 585	39-37	407 591	66-126	415 148	30-42	415 458	16-14
407 585	41-7	407 600V	24A-41	415 148	49-37	415 495	23B-38
407 585	41-22	407 610	30-8	415 148	59-24a	415 495	23B-41
407 585	41-41	407 610	31-21	415 148	57B-18	415 497	23B-14
407 585	45-47	407 610	32-37	415 149	22-8	415 518V	37-11
407 585	49-11	407 674	42-33	415 149	22A-7	415 520	93-24
407 585	50-53	407 674	42-34	415 149	23-7	415 521	93-35
407 585	57-44	407 674	57A-33	415 149	23A-44	415 535V	23B-40
407 585	58-53	407 675	39-41	415 149	23A-47	415 536	23B-39
407 585	63-11	407 675	42-31	415 150	16-42	415 537	23B-39
407 585	66-111	407 677V	24-97	415 150	22-11	415 544	23B-40
407 585	74-45	407 680	24-109	415 150	22A-11	415 736	30-28
407 585	75-49	407 682	42-32	415 150	23-10	415 736	30-33
407 585	75-46	407 682	42-35	415 150	30-19	415 737	30-45
407 585	76-42	407 682	57A-52	415 150	74-37	415 739	30-27

PIPER PARTS CATALOG

Part Number	Figure and Index No.	Part Number	Figure and Index No.	Part Number	Figure and Index No.	Part Number	Figure and Index No.
415 739	30-32	419 683	22-24	424 051	31-21	424 052	35-41
415 741	56-14	419 683	23-44	424 051	31A-50	424 052	35-50
415 753	59-53	419 683	24-14	424 051	32-22	424 052	38-46
415 753	59-54	419 683	24-80	424 051	32-38	424 052	39-34
415 753	79-5	419 683	31-2	424 051	32E-42	424 052	39-35
415 754	59-52	419 683	31A-52	424 051	33-54	424 052	39-36
415 754	79-5	419 683	32-39	424 051	34-61	424 052	74-39
415 754	85-11	419 683	79-6	424 051	34-70	424 052	75-49
416 087V	46-9	419 692	24-13	424 051	38-20	424 052	75-51
416 210V	54-52	419 746	22-10	424 051	38-21	424 052	76-43
416 302V	51-107	419 746	23-11	424 051	38-30a	424 052	77-55
416 302V	52-85	419 746	23A-48	424 051	38-31	424 052	77-73
416 305V	51-106	419 746	23B-42	424 051	45-35	424 053	74-55
416 305V	52-86	419 746	24-57	424 051	46-31	424 053	75-48
416 329V	57-43	419 746	30-51	424 051	47-24	424 054	74-35
416 346V	37-13	419 746	31-31	424 051	47-26	424 054	74-57
416 633	64-26	419 875V	22-24	424 051	50-39	424 054	75-47
416 794	72-10	419 875V	22A-22	424 051	55-124	424 055	74-42
416 794	73-13	419 905	25-88	424 051	57B-12c	424 055	75-35
416 942V	30-13	419 905	26-110	424 051	57B-39	424 058V	55-6
416 990V	30-15	419 920	2-39	424 051	57B-41	424 059	37-25
416 993	42-16	419 920	16-43	424 051	57B-48	424 059	38-30
416 994	47-25	419 920	43-4	424 051	57B-53	424 059	38-45
416 995	45-36	419 920	44-9	424 051	57B-54	424 059	56-64
416 996	49-22	419 920	44-10	424 051	57B-56	424 060	34-65
416 996	65-22	419 920	44-11	424 051	57C-19c	424 060	34-69
416 996	66-84	419 920	50-55	424 051	57C-50	424 060	34-73
416 996	66-113	419 928V	22A-23	424 051	57C-51	424 060	34-84
416 999	20-15	419 967V	24A-23a	424 051	57C-52	424 060	80-27
416 999	66-68	419 967V	79-14	424 051	57C-58	424 060	81-21
417 694	56-59	419 973	24-7	424 051	59-24f	424 061	34-69
417 694	67-25	420 242V	38-31b	424 051	59-48	424 061	67B-27
417 694	67A-51	424 040V	45-33	424 051	59-62	424 071V	37-7
417 695	56-60	424 041V	24A-35	424 051	59-64	424 077V	84-54
417 775	30-16	424 041V	24A-36	424 051	61-10	424 095	32-37
417 775	30-29	424 041V	45-34	424 051	66-64f	424 095	33-16
417 775	45-59	424 041V	76-36	424 051	67A-19c	424 095	37-37
417 781	76-40	424 041V	76-37	424 051	74-41	424 095	37-47
418 351V	59-47	424 041V	76-38	424 051	74-53	424 095	49-18
418 351V	63-14	424 041V	80-29	424 051	74-60	424 095	77-110
418 420	57C-54	424 041V	80-31	424 051	74-65	424 096V	77-55
418 420	63-14	424 041V	81-35	424 051	75-50	424 123V	77-107
418 420	67A-39	424 050	57 B-46	424 051	75-59	424 123V	78-34
418 430	56-76	424 050	57C-55	424 051	76-44	424 139V	84-54
418 430	57-62	424 050	59-58	424 051	76-48	424 140	30-8
418 457V	57B-7	424 050	67A-48	424 051	77-54	424 140	31-21
418 457V	59-6	424 050	77-53	424 051	77-74	424 140	32-37
418 457V	67A-6	424 051	24-29	424 051	78-25	424 141	24-52
419 594V	24-68d	424 051	24-32	424 051	79-3	424 142	28C-43
419 594V	24A-10a	424 051	24-52	424 051	79-4	424 146V	35-50
419 594V	26-110	424 051	24-53	424 051	80-28	424 148	77-56
419 594V	27-88b	424 051	24-78	424 051	81-36	424 153V	77-57
419 594V	27A-79b	424 051	24A-27	424 051	82-18	424 155	24-53
419 641V	23-43	424 051	24A-61	424 051	83-16	424 155	77-58
419 641V	23A-43	424 051	28-31	424 052	34-22	424 162	24-31
419 646V	22A-21	424 051	28-32	424 052	34-60	424 163	24-29
419 647V	22A-20	424 051	28C-43	424 052	34-63	424 172V	28C-43
419 682	30-38	424 051	28C-44	424 052	34-66	424 175	48-16
419 682	31B-34	424 051	30-8	424 052	35-40	424 176	45-43

PIPER PARTS CATALOG

Part Number	Figure and Index No.	Part Number	Figure and Index No.	Part Number	Figure and Index No.	Part Number	Figure and Index No.
424 177	48-16	450 380	19B-1	451 778	40-1		
424 177	77-74	450 397V	68-55	451 783V	40-24		
424 178	24A-36	450 611	16-22	451 786V	39-50		
424 178	46-32	450 646	16-16	451 823V	68-33		
424 178	47-24	450 648	16-20	451 823V	68-35		
424 180V	78-25	450 648	87-20	451 823V	68-37		
424 181	38-20	450 648	88-19	451 823V	68-39		
424 181	48-17	450 658	16-24	451 823V	68-41		
424 181	48-17a	450 712	17-13	451 824V	27-8		
424 182	77-110	450 728	16-16	451 831V	68A-15		
424 184V	48-17a	450 741	68-65	451 834V	68A-29		
424 184V	48-18	450 742	68-66	451 854	37-58		
424 185	79-4	450 762V	16-12	451 855	56-22		
424 186	79-4	450 762V	17-16	451 857	51-75		
424 187	28-26	450 765V	16-10	451 857	52-78		
424 187	38-46	450 793V	16-12	451 857	53-106		
424 195	45-44	450 793V	17-16	451 857	54-77		
424 204V	24A-61	450 799V	16-12	451 857	55-100		
424 204V	28C-44	450 799V	17-15	451 862V	51-49		
424 205V	28C-44	450 904V	67B-1				
424 230V	33-16	450 944V	56-5				
424 357V	48-19	450 948V	57-4				
434 120V	84-52	450 949V	57-4				
434 126	85-10	450 955V	56-5				
434 128	20-11	450 957V	57-4				
434 128	28-12	450 957V	57A-6				
434 128	28-44	450 960V	66-23				
434 128	49-35	450 963V	49-26				
434 129	56-31a	450 964V	66-23				
434 129	66-64c	450 968V	49-26				
434 132	46-11	450 977V	67B-1				
434 132	52-107	450 993V	56-5				
434 132	52-108	450 997V	56-5				
434 133	54-33	451 103V	51-70				
434 133	55-71	451 103V	52-70				
434 134	55-70	451 103V	53-44				
434 134	56-31a	451 103V	55-66				
434 134	66-64c	451 127	91-6				
434 135	55-69	451 128	91-8				
434 135	55-71	451 129	91-7				
434 135	92-12	451 270	91-4				
434 136	55-69	451 272	91-9				
434 142V	53-29	451 272	92-13				
434 144	92-11	451 272	93-4				
434 144	93-10	451 273	91-10				
434 151V	45-45	451 273	92-14				
434 151V	46-12	451 273	93-5				
434 151V	47-23	451 718	37-61				
434 151V	52-66	451 718	41-1				
434 151V	52-107	451 728V	35-45				
434 151V	52-108	451 735	33-3				
434 159	53-20	451 735	37-19				
448 310V	20-7	451 735	39-48				
450 018V	73B-1	451 739V	35-46				
450 030V	73B-2	451 755	33-41				
450 035V	73B-2	451 755	36-1				
450 330	18-1	451 769	37-62				
450 380	19-1	451 769	40-1				
450 380	19A-1	451 778	37-62				

PIPER PARTS CATALOG

Part Number	Figure and Index No.	Part Number	Figure and Index No.	Part Number	Figure and Index No.	Part Number	Figure and Index No.
451 862V	52-49	452 418V	77-102	453 425V	86-6	454 670V	70-1
451 872	51-39	452 418V	78-44	453 425V	86A-10	454 678V	70-1
451 872	52-*8	452 419	33-2	453 425V	90-8	454 700V	69-8
451 872	53-25	452 445V	34-47	453 426V	86-6	454 700V	70-1
451 881	19A-20	452 445V	34-58	453 426V	86A-10	454 700V	94-4
451 881	19B-20	452 447V	35-23	453 426V	90-8	454 701V	69-7
451 906V	32A-41	452 448V	35-3	453 602V	69A-5	454 701V	70-1
451 907V	32A-42	452 448V	35-26	453 616	18-20	454 702V	70-1
451 907V	32A-44	452 448V	35-32	453 616	52-63	454 703V	70-1
451 908V	32A-43	452 448V	39-11	453 616	52-92	454 704V	70-1
451 939	18-29	452 448V	39-20	453 639	68-72	454 705V	70-1
451 939	18-31	452 449V	34-18	453 653	87-12	454 706V	69A-1
451 939	19-14	452 450V	34-19	453 656	55-116	454 706V	70-1
451 939	19A-26	452 465V	68-51	453 680	51-63	454 706V	94-4
451 939	19B-21	452 474V	34-18	453 680	52-64	454 706V	96-6
452 009	38-27	452 477V	35-21a	453 680	52-71	454 707V	69A-1
452 015	77-78	452 541V	71-35	453 680	53-32	454 707V	70-1
452 015	78-16	452 558V	32C-20	453 680	55-62	454 708V	69A-1
452 332	33-1	452 558V	32C-23	453 687V	17-28	454 708V	70-1
452 333	33-2	452 561V	32C-30	453 691V	26-33	454 709V	32E-43
452 334V	33-26	452 570V	32C-19	453 691V	27-59	454 709V	68A-17
452 334V	33-32	452 571V	32C-13	453 695	70-43	454 709V	70-1
452 334V	34-7	452 572V	32A-6	453 695	94-9	454 710V	68A-17
452 334V	34-42	452 573V	32A-5	453 706V	26-40	454 710V	70-1
452 334V	34-44	452 575V	38-5	453 706V	29-3	454 711V	69A-1
452 334V	38-50	452 575V	38-9	453 709	17-65	454 711V	70-1
452 334V	74-64	452 584	42-11a	453 714V	48-15	454 719V	70-1
452 334V	75-44	452 605V	33-49	453 732V	28A-2b	454 800V	32-19
452 335	33-49	452 606	57B-25	453 732	28C-3a	454 800V	56-57
452 335	42-11	452 606	57B-28	453 802V	2-29	454 804V	56-66
452 335	42-23	452 606	57C-56	453 836	93-9	454 806	51-83
452 335	76-22	452 606	59-36	453 838V	93-8	454 816	57-42
452 336V	76-22	452 679V	28A-47	453 855	95-16	454 816	57A-34
452 341V	33-50	452 680V	28A-47	453 856V	24-119	454 833	20-23
452 366	35-12	452 692V	28A-47	453 857V	24-119	454 833	49-36
452 368V	38-16	452 729V	34-28	453 884V	32C-21	454 833	51-83
452 372	77-16	452 772V	31A-21	453 991V	56-31b	454 835V	30-21
452 372	80-5	452 935V	32B-7	453 991V	66-64e	454 837V	18-16
452 372	81-8	452 935V	32E-13	45d 053	33A-14	454 837V	56-27
452 374	77-15	453 124	33A-13	454 053	35-36	454 837V	57-41
452 383	74-64a	453 124	35-35	454 053	37-31	454 837V	57A-35
452 386V	28-28	453 124	37-32	454 053	37-55	454 837V	53-50
452 386V	28A-8	453 124	37-53	454 053	39-33	454 837V	66-86
452 386V	28C-17	453 124	39-32	454 083	68-57	454 838V	26-29
452 386V	34-29	453 141	16-5	454 161	73B-20	454 852	31B-30
452 387V	4-29	453 141	24-73	454 173	49-10	454 854	45-53
452 387V	1-31	453 141	25-8	454 656	69-8	454 862	5-48
452 387V	5-34	453 141	26-70	454 656	85-9	454 873	69-15
452 387V	5-36	453 141	27-30	454 656	86A-17	454 887	24-64d
452 387V	50A-4	453 141	27A-45	454 658	20-37	454 887	3C-14
452 387V	50B-7	453 141	28-35	454 662	69-8	454 887	30-30
452 388V	80-20	453 158	33-42	454 663	69-7	454 887	45-54
452 388V	81-11	453 158	34-86	454 664	87-24	454 889	91-17
452 389V	80-16	453 199V	34-75	454 665V	69-7	454 889	92-22
452 389V	81-10	453 115	91-17	454 668V	69A-1	454 929	20-20
452 394V	15-39	453 415	92-22	454 668V	70-1	454 929	45-55
452 395V	49-17	453 417V	91-22	454 669V	69A-1	454 934	39-43
452 413V	77-101	453 417V	92-17	454 669V	70-1	454 950	31-29
452 413V	78-45	453 417V	93-22	454 670V	69A-1	454 950	32-36

PIPER PARTS CATALOG

Part Number	Figure and Index No.	Part Number	Figure and Index No.	Part Number	Figure and Index No.	Part Number	Figure and Index No.
454 950	32-36a	455 352V	57B-19	458 892	54-19	458 948	18-21
454 981	66-90	455 928	20-14	458 893	18-21	458 948	18-23
454 983	32B-16	455 932V	48-25	458 893	18-23	458 948	19 A-16
454 983	47-22	455 932V	48A-1	458 893	87-27	458 948	19B-28
454 983	57C-34	455 932V	48A-1	458 894	37-4	458 948	21-24
454 983	67-19	455 938V	46-40	458 894	41-11	458 948	51-49
454 983	67A-45	455 938V	47-29	458 894	46-35	458 948	53-88
454 985	10-44	455 944V	48-25	458 894	47-17	458 948	55-4
454 985	11-41	455 944V	48A-33	458 894	48-20	458 957	56-23
454 985	31A-38	455 948V	48-25	458 894	84-35	458 957	56-23a
454 985	31A-39	455 948V	48A-18	458 895	51-57	458 957	56-24
454 985	31A-39a	455 968V	48-25	458 895	52-57	458 957	56-25
454 985	31B-29	455 968V	48A-45	458 895	53-37	458 958	18-9
454 985	31B-29a	456 615V	32B-14	458 895	54-18	458 958	19-16
454 985	32-36	456 703V	95-4	458 895	54-41	458 958	19A-18
454 985	32-36a	456 703V	95-21	458 896	52-50	458 958	19B-17
454 993V	30-46	456 728	72-6	458 896	52-61	458 959V	51-88
454 993V	31-45	456 728	73-8	458 896	56-23a	458 959V	52-94
454 993V	31-47	456 738V	68A-10	458 897	51-61	459 441V	24-102
454 993V	31-51	458 855V	57A-45	458 897	52-57	459 957V	38-28
454 993V	31A-20	458 855V	58-43	458 897	52-61	460 463V	55-117
454 993V	31A-21	458 855V	58-77	458 898	18-8	460 464V	51-118
454 993V	31A-47	458 864V	54-22	458 898	56-24	460 464V	53-18
454 993V	66-89	458 864V	55-60	458 898	56-25	460 464V	55-79
454 994V	30-2	458 865V	84-37	458 898	66-6	460 464V	55-117
454 994V	30-46	458 868V	51-34	458 898	66-78	460 594V	68-71
454 994V	31-44	458 868V	51-50	458 900	47-18	460 602V	70-2
454 994V	31-50	458 868V	51-104	458 900	84-38	460 602V	95-20
454 994V	31-51	458 868V	52-34	458 901	51-41	460 630	58-72
454 994V	31A-43	458 868V	52-50	458 901	52-61a	460 632	56-12
454 994V	31A-47	458 868V	53-24	458 903	52-49	460 632	57-25
454 994V	318-16	458 868V	53-89	458 904	45-56	460 632	57A-18
454 994V	51-111	458 868V	55-48	458 904	48-24	460 632	66-69
454 994V	52-114	458 870V	56-28	458 910	45-41	460 634	57 28
454 994V	53-21	458 870V	57-16	458 910	46-37	460 634	66-76
454 997	30-4	458 870V	58-45	458 910	46-38	460 651	51-35
454 997	31-46	458 871	55-49	458 910	47-19	460 651	52-35
454 997	31-48	458 873	52-34	458 910	84-40	460 651	53-12
454 997	31-49	458 873	52-50	458 911	51-62	460 651	55-64
455 124	33A-12	458 876	54-42	458 911	52-62	460 652	51-67
455 124	35-34	458 878	52-61	458 920	57-32	460 652	52-67
455 124	37-33	458 878	52-61a	458 934	45-40	460 652	53-77
455 124	37-54	458 880	45-39	458 934	84-39	460 680V	55-128
455 124	39-31	458 881	46-34	458 935	52-93	460 682	17-55
455 151	73B-13	458 881	47-16	458 936	51-50	460 685	57A-36
455 173	51-94	458 886	56-23	458 936	51-87	460 685	57C-33
455 173	52-120	458 886	56-23a	458 936	51-104	460 685	58-46
455 173	53-16	458 886	56-24	458 936	52-93	460 685	67-18
455 173	55-122	458 886	55-25	458 936	55-48	460 685	67A-41
455 259V	51-90	458 886	57-13	458 936	55-48	460 691	2-11
455 259V	52-96	458 886	58-43	458 938	84-39	460 691	35-25
455 332V	57B-19	458 886	66-6	458 940	54-43	460 691	37-23
455 332V	57C-21	458 890	52-58	458 941	18-29	460 691	37-36
455 322V	59-29	458 890	52-91	458 941	18-31	460 691	38-3
455 333V	57B-20	458 891	48-21	458 945	18-19	460 691	38-7
455 333V	57C-22	458 891	84-36	458 945	18-22	460 691	38-7
455 344V	57C-20	458 892	51-58	458 946V	51-32	460 691	38-33
455 344V	67A-20	458 892	52-58	458 946V	52-31	460 801	2-11
455 350V	57B-20	458 892	53-39	458 946V	53-8	460 801	38-33
				458 946V	54-56	460 836V	19B-22

PIPER PARTS CATALOG

Part Number	Figure and Index No.	Part Number	Figure and Index No.	Part Number	Figure and Index No.	Part Number	Figure and Index No.
460 860	38-19	463 390V	92-12	472 056V	95-19	476 648	41-45
460 888V	18-5	463 394V	55-68	472 330	68-20	476 648	84-33
460 888V	19-18	463 395V	53-19	472 661	68-62	476 648	84-57
460 888V	19A-6	463 395V	55-67	472 665	68-45	476 662	51-56
460 888V	19B-6	463 401V	55-68	472 666	68-48	476 662	51-86
460 901V	27-9	463 401V	55 70	472 712V	16-35	476 662	51-91
461 131V	38-25	463 403V	55-67	472 736	68-42	476 662	52-97
461 136	76-45	463 422V	5-47	472 822V	94-7	476 662	53-38
461 164V	59-25	464 022	24-9	472 823V	94-6	476 662	53-85
461 386V	32B-21	464 023	77-17	472 824V	94-8	476 662	54-20
461 386V	32B-24	464 031V	24-9	472 834V	68A-5	476 662	55-61
461 386V	32E-3b	464 046V	24-9	472 843V	68A-6	476 664	57-14
461 386V	32E-8a	464 362	91-12	472 844V	68A-7	476 664	66-77
461 621	69-4	464 362	92-16	472 844V	68A-33	476 667	52-55
461 622	69-4	464 362	93-1	472 895V	73A-9	476 671	51-56
461 623	69-4	464 412V	24A-53a	472 896V	73A-9	476 671	51-86
461 629V	68A-12	465 256	69-2	472 969V	17-24	476 671	52-33
461 629V	68A-28	465 257V	69-5	472 969V	69-20	476 671	52-56
461 629V	68A-31	465 258V	68A-30	473 185V	26-92	476 671	52-91
462 012	68-59	465 258V	69-9	473 187V	32B-20	476 673	72-7
462 019	51-72	467 064	93-7	473 187V	32B-23	476 673	73-9
462 019	52-74	467 065V	91-16	473 187V	32E-3a	476 678	51-33
462 019	53-97	467 066V	86-14	473 187V	32E-8	476 678	51-97
462 019	54-70	468 002	69-16	474 642V	93-28	476 678	52-33
462 019	55-93	468 002	93-19	474 647	91-13	476 678	52-55
462 019	55-109	468 006	69-17	474 647	92-17	476 678	53-10
462 023	18-4a	468 006	93-20	476 647	53-17	476 678	53-34
462 023	19-5	469 600V	93-27	476 647	97-6	476 678	54-36
462 023	19A-5	471 049	56-39	474 649	91-13	476 678	54-60
462 023	19 8-5	471 049	57-47	474 649	92-17	476 678	55-60
462 024	33A-11	471 049	66-92	474 652V	91-13	476 678	55-118
462 024	35-37	471 059	30-60	474 652V	92-17	476 685V	51-60
462 024	37-30	471 059	31-40	474 652V	93-2	476 685V	52-60
462 024	37-52	471 080	24-8	474 655V	93-33	476 688V	57A-47
462 024	39-27	471 080	45-30	475 110V	57-6	476 688V	58-42
462 034	35-6	471 084V	28C-52	475 110V	57A-7	476 689V	55-119
462 034	39-22	471 084V	57-49	475 111V	66-24	476 690V	55-126
462 035V	37-56	471 084V	57-51	475 114V	66-24	476 705V	51-22
462 042	68-63	471 084V	66-94	475 121	56-7	476 705V	53-30
462 046	68-63	471 084V	66-96	475 123V	56-7	477 618	45-48
462 049	51-28	471 088V	24-59	475 123V	57-6	477 618	46-39
462 049	52-28	471 088V	30-52	475 124V	56-7	477 618	47-20
462 049	53-14	471 096	24-59	475 124V	57A-7	477 618	84-48
462 049	54-63	471 096	30-52	475 124V	58-83	477 620	54-47
462 050	33 A-16	472 010V	24-4a	475 125V	56-7	477 624	18-7
462 058	54-49	472 010V	24A-5	475 134	56-7	477 627	54-44
462 060	51-119	472 017	64-12	475 210V	328-4	477 628	54-45
462 060	53-43	472 017	65-3	475 210V	32E-10	477 629	54-56
462 060	54-50	472 017	66-57	476 643	20-39		
462 060	55-9	472 036	68-28	476 643	21-23		
462 061	55-88	472 038	68-27	476 643	45-57		
462 080V	32E-3	472 051V	70-26	476 647	20-38		
462 080V	32E-7	472 054	19-24	476 647	21-22		
462 110V	32A-4	472 054	68A-13	476 647	51-105		
462 111V	32A-4	472 054	68A-34	476 647	52-119		
462 112V	32A-4	472 054	70-27	476 647	55-125		
463 372	49-24	472 054	70-42	476 647	87-22		
463 380	45-58	472 054	96-4	476 648	39-46		
463 380	46-30	472 056V	70-26	476 648	41-11		

PIPER PARTS CATALOG

Part Number	Figure and Index No.	Part Number	Figure and Index No.	Part Number	Figure and Index No.	Part Number	Figure and Index No.
477 629	56-82	480 696	76-16	484 348	52-51	484 702	45-17
477 629	57A-43	480 696	77 45	484 348	52-65	484 705	33A-18
477 629	58-90	480 698	45-12	484 348	53-82	484 706	38-40
477 629	66-126	480 698	76-17a	484 348	55-55	484 706	45-16
477 629	84-47	480 700	35-27	484 348	55-63	484 706	46-8
477 631	51-120	480 701	28A-15	484 349V	56-73	484 706	46-51
477 631	54-23	480 701	28A-24	484 349V	66-79	484 706	47-39
477 631	55-8	480 701	28B-12	484 351	51-53	484 706	48A-10
477 650V	20-36	480 701	28C-48	484 351	53-86	484 706	48A-26
477 650V	69-10	480 713V	77-51	484 351	55-58	484 711	41-4
477 657	29-9	480 714V	77-44	484 352	55-87	484 711	41-35
477 668V	66-70	480 715V	76-17	484 359	55-7	484 714	39-23
477 670V	51-117	480 727V	28B-13	484 359	55-87	484 719V	38-4
477 670V	53-92	480 727V	66-28	484 373	68-80	484 719V	38-8
477 670V	55-10	480 730V	80-22	484 373	72-8	484 720	33A-19
477 670V	55-78	480 730V	80-24	484 373	73-10	484 721	45-18
477 672V	2-37	480 730V	80-26	484 375V	68-29	484 723	35-9
477 672V	50-20	480 730V	81-20	484 375V	95-5	484 727	46-47
477 672V	50-21	480 732	28C-47	484 385	16-4	484 727V	47-35
477 672V	50-23	480 733V	76-17a	484 385	24-75	484 733	33A-10
477 672V	50-25	480 777V	28C-50	484 385	25-10	484 746V	37-40
477 672V	50-55	480 789V	28C-51	484 385	26-71	484 747V	77-86
477 673V	92-7	480 790V	28C-49	484 385	27-31	484 747V	78-41
477 674V	43-4	480 800V	24A-37	484 385	27A-46	484 748V	34-58
477 677	51-103	480 801V	28C-49	484 385	28-37	484 748V	38-41
477 677	54-58	481 214	73A-1	484 407V	69-6	484 748V	48A-1
477 680V	55-127	481 625V	74-33	484 416V	95-6	484 748V	48A-22
477 683V	27-101	481 640V	78-22	484 426V	70-21	484 769V	37-21
477 683V	27-102	481 640V	85-12	484 428V	64-5	484 770V	33A-15
477 683V	27A-89	481 651	74-28a	484 428V	64-31	484 788V	48A-40
477 683V	27A-90	481 651	80-8	484 428V	65-8	484 788V	84-3
477 691V	32A-40	481 651	81-26	484 428V	66-58b	484 789V	37-51
477 696V	22-31	481 666	51-99	484 428V	66-118	484 790V	35-4
477 696V	22-35	481 666	52-109	484 436V	95-7	484 790V	39-5
477 696V	23-21	481 666	53-1	484 457V	69A-3	484 792V	10-12
477 696V	23-21a	481 681	18-2	484 457V	70-28	484 792V	11-13
477 696V	23A-16	481 701V	55-1	484 461V	95-22	484 799V	35-5
477 696V	23A-16a	481 772	8-25a	484 467V	68A-25	484 792	37-27
477 696V	238-14	481 772	9-38	484 484V	70-29	484 799V	39-21
477 696V	238-14a	484 083V	32B-14	484 654	56-21	484 828V	35-32a
477 696V	26-106	484 209V	68A-16	484 683V	33A-21	484 828V	39-25a
477 696V	27-111	484 209V	68A-32	484 684V	35-7	484 830V	24-95d
477 696V	27A-100	484 222V	68A-11	484 684V	39-24	484 841	31A-58
477 708V	28C-45	484 223V	68A-16	484 685V	35-8	484 841	31B-37
477 709	28 A-16	484 224V	28-42	484 685V	39-25	484 841	32-51
477 709	28A-26	484 224V	28A-43	484 691V	26-109	485 889	20-26
477 816V	50-51	484 234V	95-18	484 691V	27-114	486 126V	32A-18
477 816V	50-52	484 291V	64-17	484 691V	27A-103	486 145V	24A-23a
480 059V	49-25	484 291V	65-17	484 697	55-88	486 160V	24-106
480 063V	49-45	494 291V	66-62a	484 698	33A-15	486 188V	37-26
480 592V	28C-50	484 303V	95-3	484 698	41-4	486 190V	92-20
480 683	80-7	484 307V	51-52	484 700	45-11	486 274V	57A-37
480 685V	64-5	484 307V	53-83	484 700	45-51	486 281V	33A-18
480 685V	64-31	484 307V	55-56	484 701	45-15	486 281V	93B-12
480 685V	66-118	484 341	64-17	484 701	46-7	486 335V	58-51
480 690V	28B-14	484 341	66-62a	484 701	46-46	486 560V	28A-49
480 694	24-30	484 342	58-64	484 701	47-34	486 563	76-53
480 694	24-54	484 348	51-51	484 701	48A-9	486 564V	16-17
		484 348	51-65	484 701	48A-25	486 570V	16-17

PIPER PARTS CATALOG

Part Number	Figure and Index No.	Part Number	Figure and Index No.	Part Number	Figure and Index No.	Part Number	Figure and Index No.
486 570V	17-52	488 327	57C-41	491 051	51-85	492 153V	51-78b
486 575	17-52	488 327	59-42	491 051	52-54	492 153V	52-80b
486 576	16-17	488 327	67A-35	491 051	52-90	492 153V	53-96
486 588V	16-17	488 330	52-60	491 052	51-62	492 153V	54-76b
486 594V	17-52	488 330	52-87	491 052	53-84	492 153V	55-99b
487 388V	91-15	488 336V	52-60	491 052	55-7	492 153V	55-111b
487 562V	64-5a	488 336V	52-87	491 052	55-57	492 162V	32D-3
487 585	66-116	488 380	20-28	491 053	55-57	492 172V	58-81
487 587V	66-114	488 380	21-7	491 053	55-87	492 240V	19B-8
487 598	66-115	488 380	21-14	491 054V	51-52	492 290V	55-90
487 629	25-73	488 381	52-68	491 054V	52-52	492 338V	32E-3
487 629	27-20	488 462V	68-67	491 054V	53-83	492 339V	32E-7
487 629	27-75	488 474	20-40	491 054V	55-56	494 001	22-24
487 629	27A-29	488 474	21-25	491 055	54-35	494 001	23-11
487 629	27A-68	488 483V	55-51	491 055	56-75	494 001	23-45
487 632V	8-5	488 485V	95-8	491 055	57-35	494 001	23A-48
487 632V	49-23	488 487V	55-52	491 055	57A-48	494 001	23B-42
487 673V	64-32	488 489	51-104	491 055	58-41	494 001	24-14
487 673V	66-119	488 490V	51-7	491 055	66-88	494 001	24-80
487 674V	8-5	488 490V	51-55	491 060	45-38	494 001	30-38
487 674V	9-4	488 490V	52-55	491 060	46-37	494 001	31-2
487 674V	49-23	488 490V	52-87	491 060	46-38	494 001	31A-52
487 695V	29-13	488 490V	53-11	491 060	47-14	494 001	31B-34
487 700V	70-24	488 490V	53-90	491 062	54-38	494 001	32-39
487 718V	64-5a	488 496V	51-68	491 064	54-37	494 003	24-13
487 719V	64-32	488 496V	52-68	491 071V	55-55	494 025	33A-17
487 719V	65-7	488 496V	53-31	491 082V	51-54	494 040V	28A-10c
487 719V	66-58c	488 496V	55-53	491 082V	51-85	494 057	66-114
487 719V	66-119	488 499V	48-22	491 082V	51-116	494 057	66-115
487 723	58-71	488 545V	68-67	491 082V	53-40	494 057	66-116
487 724	58-70	488 666	20-35	491 082V	53-87	494 060	58-71a
487 769	69-14	489 371	26-31	491 082V	54-39	494 066	77-65
487 770V	69-13	489 384V	70-19	491 082V	55-59	494 066	78-29
487 771V	20-34	489 385V	70-20	491 084V	55-59	494 071	50-55
487 771V	69-12	489 388V	24-107	491 806V	51-108	494 076V	34-73
487 777	68-12	489 388V	26-85	491 806V	52-84	494 081	50-20
487 827	69-11	489 388V	27-52	491 806V	53-41	494 087	72-10
487 844V	69-11	489 388V	27A-80	491 806V	54-16	494 087	73-13
487 868V	70-17	489 400V	69A-2	491 806V	55-107	494 093V	80-22
487 901V	86-12	489 400V	70-20	491 947V	51-1	494 093V	80-24
487 901V	86A-7	489 873	78-16	491 947V	52-1	494 093V	80-26
487 904	70-41	489 910V	74-51	491 947V	53-35	494 093V	81-20
487 922V	27-7	489 910V	75-40	491 947V	54-16	494 101	2-37
487 925	59-10	489 910V	76-46	492 022	51-102	494 101	50-47
487 925	68-73	489 910V	80-35	492 022	51-108	494 101	50-51
487 925	68A-21	489 910V	81-32	492 022	52-31	494 101	50-55
487 926V	19-23	491 048	51-51	492 022	52-84	494 103V	74-58
487 931V	21-17	491 048	52-51	492 022	53-9	494 114V	39-30
487 936V	70-6	491 048	53-82	492 022	53-41	494 123V	31A-40
488 310	20-7	491 048	55-55	492 022	54-21	494 123V	32-47
488 310	21-14	491 049	51-53	492 022	54-57	494 133V	28C-46
488 318	51-59	491 049	52-53	492 022	55-107	494 133V	84-56
488 318	52-59	491 049	55-56	492 022	55-112		
488 318	53-76	491 050	45-37	492 061	45-49	494 141V	24-106
488 318	55-5	491 050	46-33	492 065	18-14	494 159V	85-1a
488 318	55-54	491 050	47-15	492 065	19-6	494 177V	48A-43
488 320	45-42	491 050	48-23	492 065	19A-7	494 192V	84-53
488 320	46-36	491 050	84-32	492 065	19B-8	494 227V	58-9
488 327	57B-37	491 051	51-54	492 100	21-19	494 227V	66-20

PIPER PARTS CATALOG

Part Number	Figure and Index No.	Part Number	Figure and Index No.	Part Number	Figure and Index No.	Part Number	Figure and Index No.
494 227V	67-25	550 629V	16-20	551 764V	39-51	555 891V	28C-10
494 227V	67A-51	550 629V	17-49	551 764V	40-1	555 953V	28C-10
494 644	51-27	550 629V	87-20	551 766V	33-41	555 954V	28C-10
494 644	52-27	550 629V	88-19	551 766V	36-1	555 955V	28C-10
494 644	53-13	550 640	87-3	551 772V	35-47	555 956V	28C-10
494 644	54-62	550 640	88-3	551 772V	36B-1	555 957V	28C-10
494 678	93-23	550 642	87-11	551 773V	33-41	555 986V	23A-42
510 058V	50-55	550 642	88-7	551 773V	36A-1	556 105V	20-3
515 710	26-107	550 643	88-3	551 792V	35-47	556 105V	21-2
515 710	27-112	550 646	16-15	551 792V	36-1	558 830V	51-50
515 710	27A-101	550 647	16-13	551 983V	32A-2	558 830V	53-89
519 851V	5-49	550 729V	17-15	551 983V	71A-1	558 830V	55-48
524 145V	57B-46	550 730V	17-16	553 230V	32A-10	558 831V	55-60
524 145V	57C-55	550 777	88-7	553 261V	50-44	558 900	18-8
524 145V	59-58	550 778	89-12	554 958V	18-26	558 900	19-15
524 145V	67A-48	550 778	90-15	554 958V	19A-25	558 900	19A-17
548 039	17-21	550 779	88-3	554 958V	19B-27	558 900	19B-18
548 040V	17-21	550 780	89-5	554 979V	38-26	558 905V	55-46
548 110V	17-16	550 780	90-5	554 979V	74-52	558 906V	51-88
548 111V	17-15	550 805V	17-13	554 979V	75-41	558 906V	53-91
548 118V	17-16	550 906V	67B-1	554 979V	76-47	558 906V	55-47
548 119V	17-15	550 934V	58-2	554 979V	77-77	558 908V	66-78
548 153V	17-21	550 934V	67B-1	554 979V	78-17	558 910V	53-23
548 190V	16-24	550 935V	58-2	554 979V	80-36	558 912	18-19
548 190V	17-22	550 935V	67B-1	554 979V	81-33	558 912	18-22
548 679V	17-23	550 938V	66-23	554 984V	54-67b	558 912	18-29
550 456V	17-15	550 938V	67-23	554 985V	19-20	558 912	18-31
550 457V	17-16	550 938V	67A-33	554 985V	19A-23	558 912	19-17
550 458V	17-16	550 938V	67B-1	554 985V	19B-24	558 912	19A-19
550 459V	17-15	550 974V	58-2	554 985V	46-18	558 912	19B-19
550 460V	17-16	550 974V	67C-1	555 013V	23A-42	558 918V	55-46
550 463V	17-16	551 114	89-10	555 014V	23A-42	560 951V	51-75
550 469V	17-16	551 114	90-10	555 015V	23A-42	560 951V	52-78
550 470V	17-15	551 174V	92-6	555 016V	23A-42	560 951V	53-106
550 483V	16-24	551 175V	92-6	555 017V	23A-42	560 951V	54-77
550 483V	17-22	551 176V	92-5	555 018V	23A-42	560 951V	55-100
550 487V	68-63	551 177V	92-15	555 412V	32A-1	561 012V	32A-41
550 491	17-21	551 207V	91-7	555 457V	32C-2	561 012V	32A-43
550 493	17-21	551 209V	91-6	555 501V	93-111	561 013V	32A-42
550 505V	17-16	551 216	94-1	555 563V	28C-10	561 013V	32A-44
550 506V	16-12	551 219V	92-5	555 564V	28C-10	565 181V	26-61
550 506V	17-15	551 232V	94-2	555 565V	28C-10	565 288	68-70
550 507V	16-12	551 368V	28-5	555 566V	28C-10	565 415V	32A-21
550 507V	17-16	551 368V	28A-30	555 567V	28C-10	565 416V	68A-8
550 509V	17-16	551 374V	28-6	555 568V	28C-10	565 416V	32A-21
550 518V	16-12	551 374V	28A-31	555 699V	23A-42	565 441V	70-25
550 543V	17-57	551 374V	29-4	555 700V	23A-42	565 516V	70-25
550 548V	17-57	551 390V	28-5	555 700V	23A-42	565 523V	93-29
550 549V	17-58	551 390V	28A-30	555 701V	23A-42	565 564V	32A-23
550 597V	16-23	551 701	39-49	555 702V	23A-42	565 566V	96-12
550 600V	16-12	551 701	41-24	555 703V	23A-42	565 576V	32A-24
550 600V	17-15	551 703V	37-61	555 704V	23A-42	565 578V	32A-21
550 614V	17-14	551 703V	41-1	555 731	93A-17	565 579V	32A-21
550 617V	16-12	551 705V	37-61	555 884V	28C-10	565 582V	32A-23
550 617V	17-15	551 705V	39-49	555 885V	28C-10	571 069V	16-2
550 618V	16-12	551 705V	41-1	555 886V	28C-10	571 087V	86-13
550 618V	17-16	551 750	39-51	555 887V	28C-10	571 103V	93-17
550 619V	49-43	551 750	40-1	555 888V	28C-10	571 131V	28B-17
550 620V	49-43	551 764V	37-62	555 889V	28C-10	571 136V	68-31
				555 890V	28C-10	571 149V	28A-15e

PIPER PARTS CATALOG

Part Number	Figure and Index No.	Part Number	Figure and Index No.	Part Number	Figure and Index No.	Part Number	Figure and Index No.
571 149V	28C-38	579 748V	27A-1	579 887V	24-69	580 356V	27-23
571 162V	32E-30	579 749V	27A-1	579 888V	24-69	580 357V	27-23
571 162V	68A-19	579 750V	27A-1	579 889V	24-69	580 358V	27-23
572 582V	68-23	579 751V	27A-1	579 897V	27-24	580 359V	27-23
579 607V	24A-12	579 752V	27A-1	579 897V	27A-2	580 360V	27-25
579 608V	24A-12	579 753V	27A-1	579 902V	27-25	580 360V	27A-3
579 609V	24A-12	579 808V	26-6	579 903V	27-25	580 361V	27-25
579 610V	24A-12	579 809V	26-6	579 904V	27-25	580 361V	27A-3
579 616V	24A-12	579 810V	26-6	579 905V	27-25	580 362V	27-25
579 617V	24A-12	579 811V	26-6	579 906V	27-25	580 362V	27A-3
579 618V	24A-12	579 812V	26-6	579 907V	27-25	580 363V	27-25
579 619V	24A-12	579 813V	26-6	579 908V	27-25	580 363V	27A-3
579 620V	24A-12	579 814V	26-6	579 908V	27A-3	580 364V	27-25
579 621V	24A-12	579 815V	26-6	579 909V	27-25	580 364V	27A-3
579 622V	24A-12	579 816V	24-69	579 909V	27A-3	580 365V	27-25
579 623V	24A-12	579 817V	24-69	579 910V	27-25	580 365V	27A-3
579 624V	24A-12	579 818V	24-69	579 910V	27A-3	580 366V	27-25
579 625V	24A-12	579 819V	24-69	579 911V	27-25	580 367V	27-25
579 626V	27A-2	579 824V	26-5	579 911V	27A-3	580 368V	27-25
579 627V	27A-2	579 825V	26-5	579 912V	27-25	580 369V	27-25
579 628V	27A-2	579 826V	26-5	579 912V	27A-3	580 370V	27-25
579 629V	27A-2	579 827V	26-5	579 913V	27-25	580 371V	27-25
579 630V	27A-2	579 828V	26-5	579 913V	27A-3	580 372V	27-24
579 636V	26-4	579 829V	26-5	580 320V	26-3	580 373V	27-24
579 637V	26-4	579 830V	26-5	580 321V	26-3	580 374V	27-24
579 638V	26-4	579 831V	26-5	580 322V	26-3	580 375V	27-24
579 639V	26-4	579 832V	26-3	580 323V	26-3	580 376V	27-24
579 685V	27-24	579 833V	26-3	580 324V	26-5	580 377V	27-24
579 685V	27A-2	579 834V	26-3	580 325V	26-5	580 384V	24-69
579 686V	27-24	579 835V	26-3	580 326V	26-5	580 385V	24-69
579 686V	27A-2	579 843V	27-23	580 327V	26-5	580 386V	24-69
579 687V	27-24	579 849V	27-23	580 328V	26-5	580 387V	24-69
579 687V	27A-2	579 866V	27-26	580 329V	26-5	580 388V	24-69
579 688V	27-24	579 867V	27-26	580 330V	26-5	580 389V	24-69
579 688V	27A-2	579 868V	27-26	580 331V	26-5	580 390V	24-69
579 690V	27-24	579 869V	27-26	580 332V	26-4	580 391V	24-69
579 690V	27A-2	579 870V	24-69	580 333V	26-4	580 392V	24-69
579 704V	26-3	579 870V	27-26	580 334V	26-4	580 393V	24-69
579 705V	26-3	579 871V	27-26	580 335V	26-4	580 394V	24-69
579 706V	26-3	579 872V	27-26	580 336V	24-69	580 395V	24-69
579 707V	26-3	579 872V	27A-4	580 337V	24-69	580 396V	27-26
579 709V	26-5	579 873V	27-26	580 338V	24-69	580 396V	27A-4
579 711V	26-5	579 873V	27A-4	580 339V	24-69	580 397V	27-26
579 712V	26-4	579 874V	27-26	580 340V	26-6	580 397V	27A-4
579 713V	26-4	579 874V	27A-4	580 341V	26-6	580 398V	27-26
579 714V	26-4	579 875V	27-26	580 342V	26-6	580 398V	27A-4
579 715V	26-4	579 875V	27A-4	580 343V	26-6	580 399V	27-26
579 719V	26-6	579 876V	27-26	580 344V	26-6	580 399V	27A-4
579 720V	26-6	579 876V	27A-4	580 345V	26-6	580 400V	27-26
579 722V	27-23	579 877V	27-26	580 346V	26-6	580 400V	27A-4
579 723V	27-23	579 877V	27A-4	580 347V	26-6	580 401V	27-26
579 724V	27-23	579 878V	24-69	580 348V	27-23	580 401V	27A-4
579 725V	27-23	579 880V	24-69	580 349V	27-23	580 402V	27-26
579 727V	27-23	579 881V	24-69	580 350V	27-23	580 403V	27-26
579 728V	27-23	579 882V	24-69	580 351V	27-23	580 404V	27-26
579 729V	27-23	579 883V	24-69	580 352V	27-23	580 405V	27-26
579 730V	27-23	579 884V	24-69	580 353V	27-23	580 406V	27-26
579 731V	27-23	579 885V	24-69	580 354V	27-23	580 407V	27-26
579 733V	27-23	579 886V	24-69	580 355V	27-23	580 408V	27A-1

PIPER PARTS CATALOG

Part Number	Figure and Index No.	Part Number	Figure and Index No.	Part Number	Figure and Index No.	Part Number	Figure and Index No.
580 409V	27A-1	584 258V	32A-41	591 017V	26-49	591 149V	27-33
580 410V	27A-1	585 015V	68-26	591 017V	27-39	591 149V	27A-16
580 411V	27A-1	587 221V	24-78	591 017V	27A-22	591 151V	27-33
580 412V	27A-1	587 299V	28A-9	591 018V	26-49	591 151V	27A-16
580 413V	27A-1	587 299V	28C-16	591 018V	27-39	591 152V	27-33
580 710V	24A-12	587 381V	24A-32	591 018V	27A-22	591 152V	27A-16
580 712V	27-25	587 398V	24A-26	591 020V	272-39	591 153V	27-33
580 712V	27A-3	587 404V	28C-12	591 020V	27A-22	591 153V	27A-16
580 713V	27-24	587 807V	95-10	591 021V	26-49	591 154V	27-33
580 713V	27A-2	587 808V	95-11	591 021V	27-39	591 154V	27A-16
580 716V	27-26	587 808V	95-12	591 021V	27A-22	591 156V	27-33
580 716V	27A-4	587 808V	95-13	591 022V	26-49	591 156V	27A-16
580 717V	24A-12	587 809V	95-14	591 022V	27-39	591 157V	27-36
580 719V	27A-1	587 844V	68A-14	591 022V	27A-22	591 157V	27A-19
580 720V	26-3	587 847V	84-45	591 023V	26-49	591 158V	27-36
580 721V	26-5	587 903V	68A-23	591 023V	27-39	591 158V	27A-19
580 722V	26-4	587 923V	96-5	591 023V	27A-22	591 159V	27-36
580 723V	26-6	587 952V	93A-13	591 025V	27-39	591 159V	27A-19
580 727V	26-6	587 961V	56-81	591 025V	27A-22	591 161V	27-36
580 730V	24A-10	587 961V	57A-42	591 026V	26-45	591 161V	27A-19
580 730V	26-11a	587 961V	58-89	591 026V	27-34	591 162V	27-36
580 731V	24A-10	587 961V	66-125	591 026V	27A-17	591 162V	27A-19
580 731V	26-11a	587 990V	56-83	591 027V	26-45	591 163V	27-36
580 731V	27-88a	587 990V	58-91	591 027V	27-34	591 163V	27A-19
580 731V	27A-79a	587 990V	66-127	591 027V	27A-17	591 164V	27 36
580 732V	27A-2	588 011V	93A-14	591 028V	26-45	591 164V	27A-19
580 733V	27A-2	588 011V	93C-10	591 028V	27-34	591 166V	27-36
580 734V	27A-2	588 030V	93B-6	591 028V	27A-17	591 166V	27A-19
580 735V	27-24	588 356V	95-17	591 030V	27-34	591 182V	26-47
580 735V	27A-2	588 391V	51-21	591 030V	27A-17	591 182V	27-35
580 736V	27A-2	588 391V	53-31	591 031V	26-47	591 182V	27A-18
580 737V	27A-2	588 391V	55-51	591 031V	27 35	591 183V	26-47
580 739V	27A-1	588 436V	51-59	591 031V	27A-18	591 183V	27-35
580 740V	26-3	588 436V	52-59	591 032V	26-47	591 183V	27A-8
580 741V	26-4	588 436V	53-76	591 032V	27-35	591 184V	26-47
580 753V	27-23	588 436V	55-54	591 032V	27A-18	591 184V	27-35
580 754V	27-23	588 462V	51-104	591 033V	26-47	591 184V	27A-18
580 785	24A-12	588 462V	53-90	591 033V	27-35	591 186V	27-35
580 786V	26-3	588 469V	56-84	591 033V	27A-18	591 186V	27A-18
580 787V	26-3	588 469V	58-48	591 035V	27-35	591 190V	26-44
580 788V	26-5	588 469V	66-128	591 035V	27A-1 8	591 191V	26-44
580 789V	26-4	589 688V	32B-10	591 036V	26-44	591 192V	26-44
580 790V	26-4	591 000V	26-50	591 037V	26-44	591 196V	26-44
580 791V	26-06	591 001V	26-50	591 038V	26-44	591 197V	26-44
580 792V	26-6	591 002V	26-50	591 039V	26-44	591 198V	26-44
580 881V	33-36	591 003V	26-43	591 040V	26-44	591 216V	27-33
580 887	54-61	591 004V	26-43	591 041V	26-44	591 216V	27A-16
580 894	91-11	591 005V	26-43	591 142V	27-37	591 217V	27-33
581 025V	65-21	591 006V	27-38	591 142V	27A-20	591 217V	27A-16
581 126V	85-16	591 007V	27-38	591 143V	27-37	591 218V	27-33
581 330V	82-22	591 008V	27-38	591 143V	27A-20	591 218V	27A-18
581 332V	82-21	591 010V	27-38	591 144V	27-37	591 220V	27-33
581 489V	24-103	591 011V	27A-21	591 144V	27A-20	591 220V	27A-16
581 928V	23A-49	591 012V	27A-21	591 146V	27-37	591 225V	27-33
581 928V	23B-43	591 013V	27A-21	591 146V	27A-20	591 225V	27A-16
582 172V	71-28	591 015V	27A-21	591 147V	27-33	591 226V	27-33
584 256V	32A-42	591 016V	26-49	591 147V	27A-16	591 226V	27A-16
584 256V	32A-44	591 016V	27-39	591 148V	27-33	591 227V	27-33
584 257V	32A-43	591 016V	27A-22	591 148V	27A-16	591 227V	27A-16

PIPER PARTS CATALOG

Part Number	Figure and Index No.	Part Number	Figure and Index No.	Part Number	Figure and Index No.	Part Number	Figure and Index No.
591 228V	27-33	591 501V	27-34	751 203	68-44	751 872	53-2
591 228V	27A-16	591 501V	27A-17	751 232	87-4	751 872	55-2
591 275V	26-45	591 502V	27-34	751 262	88-4	751 889V	46-45
591 275V	27-34	591 502V	27A-17	751 278	86-2	751 889V	47-3
591 275V	27A-17	591 503V	26-47	751 283	89-2	751 897V	86-7
591 276V	26-45	591 503V	27-35	751 283	90-2	751 897V	86A-12
591 276V	27-34	591 503V	27A-18	751 291	16-34	751 912V	17-40
591 276V	27A-17	591 504V	27-35	751 312V	73A-8	751 915	16-56
591 277V	26-45	591 504V	27A-18	751 316	93A-3	751 954	88-12
591 277V	27-34	591 505V	26-44	751 318	93A-4	751 955V	71-5
591 277V	27A-17	591 507V	26-44	751 319	93A-5	751 956V	71-12
591 279V	27-34	591 543V	27-37	751 381	68-46	751 987	89-9
591 279V	27A-17	591 543V	27A-20	751 381	68-49	751 987	90-9
591 390V	26-46	591 544V	27-37	751 381	73A-14	752 020	67B-2
591 391V	26-46	591 544V	27A-20	751 384	36-11	752 055	16-27
591 392V	26-46	591 545V	27-33	751 384	40-19	752 057	16-28
591 393V	26-46	591 545V	27A-16	751 396	39-8	752 058	16-29
591 394V	26-46	591 546V	27-33	751 402	41-5	752 070V	16-26
591 395V	26-46	591 546V	27A-16	751 402	41-37	752 071V	16-30
591 396V	26-48	591 547V	27-33	751 405	36-11	752 076	16-27
591 397V	26-48	591 547V	27A-16	751 405	40-19	752 078	16-28
591 398V	26-48	591 548V	27-33	751 412	87-23	752 079	16-29
591 399V	27-99	591 548V	27A-16	751 412	88-21	752 081V	16-26
591 399V	27A-87	591 549V	27-36	751 450	41-21	752 082V	16-30
591 400V	27-99	591 549V	27A-19	751 450	4t-40	752 084V	16-29
591 400V	27A-87	591 550V	27-36	751 453V	16-36	752 096V	16-28
591 401V	27-99	591 550V	27A-19	751 489	36-6	752 097V	16-27
591 401V	27A-87	591 551V	27-36	751 489	40-7	752 098V	16-30
591 403V	27-99	591 551V	27A-19	751 494	36-3	752 099V	16-29
591 403V	27A-87	591 552V	27-36	751 494	36-5	752 100V	16-26
591 471V	27-40	591 552V	27A-19	751 494	40-3	752 101V	16-26
591 471V	27A-33	591 573V	26-46	751 494	40-6	752 102V	16-31
591 472V	27-40	591 575V	26-46	751 510	40-23	752 112V	16-26
591 472V	27A-23	591 577V	26 48	751 521	87-14	752 113V	16-26
591 473V	27-40	591 579V	27-99	751 525	87-15	752 114V	16-30
591 473V	27A-23	591 579V	27A-87	751 525	88-13	752 120	16-56
591 474V	27-40	591 580V	27-99	751772	40-11	752 121V	16-29
591 474V	27A-23	591 580V	27A-87	751 772	40-14	752 301	24-10
591 487V	26-50	596 032V	86-18	751 783	87-8	752 301V	24A-20
591 489V	26-43	596 059V	93-11	751 796	55-91b	752 307	68-52
591 491V	27-40	596 118V	93-15	751 799	51-101	752 308	41-14
591 491V	27A-23	596 138V	94-3	751 799	52-111	752 308	41-18
591 492V	27-40	596 181V	94-3	751 799	53-3	752 308	41-27
591 492V	27A-23	596 332V	93-32	751 799	55-3	752 309	41-32
591 493V	27-38	596 512	90-10	751 810	40-14	752 328	69-19
591 494V	27-38	596 605V	97-1	751 815	18-15	752 333	88-9
591 495V	27A-21	596 664V	93-32	751 815	19-7	752 338V	41-14
591 496V	27A-21	597 257	93C-3	751 815	19A-8	752 338V	41-18
591 497V	26-49	597 461V	93C-1	751 815	19B-9	752 342V	41-14
591 497V	27-39	688 164V	90-16	751 819	36-9	752 342V	41-18
591 497V	27A-22	750 063	36-6	751 820	67B-19	752 511	67B-6
591 498V	27-39	751 118	17-17	751 858	52-110	752 513	67B-26
591 498V	27A-22	751 118	57C-28	751 859	18-4	752 533	67B-12
591 499V	26-49	751 118	67-17	751 859	19-4	752 534	67B-7
591 499V	27-39	751 118	67A-40	751 859	19A-4	752 571V	36A-13
591 499V	27A-22	751 201	68-50	751 859	19B-4	752 571V	36B-10
591 500V	27-39	751 201	73A-13	751 871	55-91a	752 572V	67C-5
591 500V	27A-22	751 202	68-47	751 872	51-100	752 584V	48A-39
591 501V	26-45	751 202	73A-13	751 872	52-110	752 585V	34-4

PIPER PARTS CATALOG

Part Number	Figure and Index No.	Part Number	Figure and Index No.	Part Number	Figure and Index No.	Part Number	Figure and Index No.
752 585V	48A-41	753 407	41-5	754 804V	36-9	755 934	67B-16
752 591V	67C-18	753 408V	41-21	754 814V	67B-19	755 935	67B-30
752 592V	67C-19	753 431	68-43	754 816V	55091b	755 943V	71-7
752 593V	67C-20	753 460V	89-8	754 826	67B-19	755 944V	71-10
752 594V	67C-21	753 461	67B-3	754 827V	71A-5	755 945V	71-11
752 595V	34-3	753 463	67B-15	754 848V	48A-42	755 948V	46-42
752 596V	34-5	753 464	67B-20	754 855V	36A-10	755 948V	47-31
752 749	41-17	753 465	67B-20	754 856V	36B-6	755 949V	46-42
752 749	41-26	753 496	89-4a	755 028V	48A-32	755 949V	47-32
752 751	41-3	753 496	90-4a	755 042	73A-6	755 950V	46-44
752 751	41-34	753 622V	87-18	755 048V	36-3a	755 950V	47-46
752 768	41-16	753 642V	88-8	755 075	73A-16	755 964	36-14
752 768	41-25	753 721	86-1	755 076	73A-17	755 968	67B-14
752 826	41-15	753 721	89-1	755 082V	48A-52	755 972	67B-21
752 826	41-19	753 721	90-1	755 200	73A-7	755 993	67B-18
752 826	41-28	753 849	41-2	755 222	67B-2	755 994	67B-28
752 826	41-33	753 850	41-10	755 232V	71A-9	755 995	67B-24
752 830	36-10	753 850	41-44	755 271V	71A-19	755 996V	34-5a
752 830	40-12	753 860V	87-16	755 272V	32A-24	755 997V	38-42
752 855	46-54	753 861V	87-13	755 278V	67C-2	755 998V	34-5d
752 855	47-42	753 867	41-36	755 411V	17-34	755 999	40-10
752 855	48A-17	753 876V	88-10	755 427	16-13	755 999	40-13
752 865V	71-7	753 877	88-4	755 427	17-19	755 999	40-15
752 866V	71-10	753 880	88-23	755 428	16-15	756 007V	36-14
752 867V	71-11	753 885V	41-2	755 428	17-20	756 008V	36-10
752 882	36-7	753 910	18-3	755 432V	86A-1	756 014V	71-7
752 882	40-9	753 910	19-3	755 441V	17-17	756 016V	48A-54
752 882	43-10	753 910	19A-3	755 619V	30-22	756 018V	48A-53
752 892	69-18	753 910	19B-3	755 800	67B-9	756 019V	48A-30
752 947	40-22	753 917V	48A-2	755 810	48A-8	756 035V	55-91g
752 953	41-29	753 920V	41-2	755 815	41-12	756 036V	55-91d
752 955	87-10	753 948	16-59	755 816	41-13	756 037	73A-10
752 965	41-43	753 949	16-60	755 818	41-23	756 052	86-2a
752 966	41-9	753 956V	46-41	755 825	88-20	756 053V	34-5c
752 966	41-42	753 956V	47-30	755 829	41-30	756 053V	38-42a
752 967	87-18a	753 978V	86-4	755 830	41-31	756 055V	68-58
753 004	87-7	753 980V	86-8	755 846V	71-4	756 060V	71A-11
753 036	88-14	753 980V	86A-4	755 847V	71-13	756 061V	71A-13
753 039V	71 14	753 980V	89-6	755 850V	41-3	756 064V	71-7
753 085V	32C-14	753 980V	90-6	755 851V	41-4	756 065V	71-7
753 128	36-2	754 209	87-6	755 852V	41-12	756 066V	71-25
753 128	40-5	754 210	87-5	758 853V	41-13	756 067V	71-23
753 129	36-4	754 211	87-17	755 854V	41-16	756 107	52-111
753 171	40-4	754 360	91-5	755 855V	41-17	756 117	46-53
753 172	46-48	754 366	88-5	755 856V	41-23	756 117	47-41
753 172	47-36	754 401V	Misc.	755 857	48A-12	756 117	48A-16
753 172	48A-11	754 431V	Misc.	755 858	48A-13	756 118	46-55
753 176	40-2	754 464V	Misc.	755 882V	46-57	756 118	47-43
753 178	40-21	754 497V	Misc.	755 882V	47-45	756 118	48A-6
753 212	16-62	754 498V	Misc.	755 882V	48A-5	756 118	48A-27
753 375V	71-3	754 518	40-8	755 883V	41-12	756 118	48A-51
753 376V	71-9	754 530	40-8	755 884V	41-13	756 127	41-20
753 377V	49-27	754 535V	40-8	755 885V	41-16	756 128	40-17
753 378V	49-28	754 545	40-8	755 886V	41-17	756 129	36-8
753 379V	41-21	754 575V	18-1	755 887V	41-3	756 129	40-16
753 380V	71-22	752 956	87-9	755 916V	48A-3	756 155	54-65
753 381	46-52	752 965	41-8	755 917V	48A-7	756 159V	71-2
753 381	47-40	754 575V	19A-1	755 919	55-91c	756 160V	71-6
753 381	48A-15	754 575V	19B-1	755 932	67B-8	756 250V	71-6

PIPER PARTS CATALOG

Part Number	Figure and Index No.	Part Number	Figure and Index No.	Part Number	Figure and Index No.	Part Number	Figure and Index No.
756 256	16-61	757 141V	Misc.	757 718V	32C-15	758 394V	36A-11
756 257	88-28	757 142V	71-17	757 719V	71A-18	758 395V	67C-16
756 307	16-58	757 143V	71-20	757 721V	71A-17	758 396V	67C-7
756 398	93A-1	757 148V	55-90	757 744V	71-6	758 397V	35-48
756 517V	58-81	757 163V	Misc.	757 745V	71-6	758 402V	68-52
756 607	67B-22	757 165	Misc.	757 746V	71-8	758 452	93C-2
756 616V	17-42	757 181	Misc.	757 762	73A-3	758 453	93C-5
756 620V	48A-23	757 182	Misc.	757 790V	19B-9a	758 457V	48A-58
756 621V	48A-31	757 184	Misc.	757 827	67B-31	758 471V	71A 8
756 621V	48A-55	757 188	Misc.	757 828	67B-31	758 528V	93B-2
756 622V	48A-28	757 197	Misc.	757 831V	36-3	758 534V	55-91
756 622V	48A-50	757 198	Misc.	757 831V	36-5	760 189	Misc.
756 626	67B-10	757 216V	46-49	757 855V	86-3	760 195V	Misc.
756 665V	36-2	757 216V	47-37	757 863	86-5	760 796V	Misc.
756 665V	40-5	757 217V	46-50	757 863	86A-13	760 198V	Misc.
756 666V	36-4	757 217V	47-38	757 863	89-7	760 199V	Misc.
756 666V	40-2	757 249	67B-17	757 863	90-7	760 209V	Misc.
756 667V	36-2	757 268	45-50	757 878V	86-20	760 210V	Misc.
756 668V	36-4	757 302	67B-25	757 878V	86A-5	760 284V	Misc.
756 685V	36A-12	757 310V	17-41	757 878V	90-12	760 287V	Misc.
756 685V	36B-9	757 311V	71-13	757 899V	18-5a	760 296V	Misc.
756 686V	36B-2	757 316V	48A-19	757 899V	19-19	760 297V	Misc.
756 687V	36A-4	757 317V	48A-20	757 899V	19A-6a	760 365V	Misc.
756 688V	36A-2	757 318V	48A-29	757 899V	19B-7	760 383V	Misc.
756 689V	67C-4	757 318V	48A-49	757 913V	86A-6	760 384V	Misc.
756 716	88-11	757 336V	67B-18	757 952V	90-17	760 455V	24-4
756 720	88-6	757 386V	71A-3	757 981V	71-18	760 455V	Misc.
756 737	88-22	757 386V	71A-22	758 002	90-17	760 450V	24-4
756 746V	Misc.	757 387V	71A-4	758 023V	90-2	760 456V	Misc.
756 757V	71-15	757 387V	71A-20	758 024	90-48	760 458V	Misc.
756 759V	71-19	757 388V	71A-14	758 092V	93B-3	760 459V	Misc.
756 761V	71-21	757 389V	71A-15	758 111	67B-4	760 460V	Misc.
756 783V	Misc.	757 390V	71A-16	758 147V	67B-13	760 480V	Misc.
756 785V	Misc.	757 392V	71A-6	758 156V	67B-13	760 481V	Misc.
756 790V	Misc.	757 437V	48A-24	758 157V	67-13	760 537V	Misc.
756 791V	91-5	757 479V	48A-37	758 176V	55-91f	760 542V	Misc.
756 810V	Misc.	757 480V	48A-34	758 181V	86A-8	760 706V	32C-10
756 825V	Misc.	757 555	67B-23	758 188V	86A-2	760 895V	55-90
756 893V	Misc.	757 556	67B-23	758 204	67B-20	760 928V	71-8
756 897V	Misc.	757 557	67B-29	758 221	67B-13	760 992V	Misc.
756 898V	Misc.	757 558	67B-32	758 222V	67B-13	760 993V	Misc.
756 899V	Misc.	757 559	67B-33	758 223V	67B-13	761 002V	Misc.
756 907	16-57	757 561	54-66	758 224V	71A-7	761 003V	Misc.
756 941V	Misc.	757 579	86-1a	758 225V	71A-9	761 008V	Misc.
757 004V	Misc.	757 579	86A-15	758 249V	71-22	761 039V	80-2b
757 027V	Misc.	757 579	89-1a	758 251V	71-24	761 039V	81-4
757 042V	Misc.	757 579	90-1a	758 266	93A-6	761 077	8-25a
757 052	89-3	757 580V	48A-21	758 267	93A-7	761 077	9-38
757 052	89-11	757 580V	48A-56	758 280V	67B-35	761 088V	Misc.
757 052	90-3	757 581	89-4	758 281	93A-2	761 089V	Misc.
757 052	90-11	757 581	90-4	758 282V	67B-34	761 090V	Misc.
757 088V	Misc.	757 583	67B-11	758 296V	86A-16	761 138V	84-2a
757 090V	Misc.	757 592V	86-3a	758 364	93A-2	761 150V	32B-3
757 112	Misc.	757 595V	86-1	758 366V	71-25a	761 150V	32E-9
757 131V	Misc.	757 595V	86A-14	758 368V	71-24	761 156	73A-11
757 135V	Misc.	757 595V	90-1	758 369V	71-12	761 157	73A-12
757 137V	Misc.	757 597V	69A-18	758 391V	36 84	781 158	73A-9
757 138V	Misc.	757 597V	70-4	758 392V	36A-6	761 159	73A-9
757 140V	Misc.	757 632V	55-91e	758 393V	36B-8	761 161V	73A-5

PIPER PARTS CATALOG

Part Number	Figure and Index No.	Part Number	Figure and Index No.	Part Number	Figure and Index No.	Part Number	Figure and Index No.
761 162	73A-15	763 469	73A-1				
761 189V	73A-3	763 814V	32E-29				
761 190V	73A-5	763 815V	68A-24				
761 198V	96-3	763 828V	Misc.				
761 206V	67C-13	763 842V	Misc.				
761 519V	32C-12	763 848V	2-19				
761 903V	71A-12	763 883V	55-86				
761 913V	71-16	763 920V	Misc.				
761 939	93A-1	763 962V	Misc.				
761 967	93A-1	763 966V	Misc.				
761 970	33-4	763 967V	Misc.				
761 970	37-18	764 092V	71-42				
761 970	39-47	764 114V	25-47				
761 972	37-18	764 114V	26-23				
761 974	35-45	764 114V	27-80				
761 984V	67C-10	764 114V	27A-71				
761 994	33-4						
761 994	37-18						
761 994	39-47						
761 995	37-18						
762 030V	93B-1						
762 244V	71A-2						
762 275V	48A-38						
762 276V	48A-35						
762 277V	48A-36						
762 318V	67C-15						
762 319V	67C-3						
762 357	93C-6						
762 438V	70-4						
762 503V	55-91a						
762 508V	71A-21						
762 531V	48A-44						
762 558V	36A-8						
762 559V	36A-7						
762 560V	36B-5						
762 561V	36B-7						
762 562V	36A-9						
762 563V	67C-77						
762 564V	67C-6						
762 585V	48A-48						
762 586	48A-59						
762 587V	48A-46						
763 003V	24-68b						
763 003V	24A-9a						
763 003V	26-11						
763 003V	27-88						
763 003V	27A-79						
763 004V	93B-4						
763 005V	67C-11						
763 019	93C-4						
763 215V	36B-3						
763 216V	36A-3						
763 216V	36A-5						
763 217V	67C-8						
763 412V	67C-14						
763 413V	67C-9						
763 414V	67C-12						
763 450V	48A-57						
763 451V	48A-47						

**4C13 THRU 4L24
INTENTIONALLY LEFT BLANK**