

**AZTEC
PARTS CATALOG**

CARD 1 OF 3

PA-23-235 APACHE

PA-23-250 AZTEC

PA-23-250 (Six place) AZTEC

Courtesy of Bomar Flying Service
www.bomar.biz

PIPER AIRCRAFT CORPORATION

PIPER PARTS CATALOG

AEROFICHE EXPLANATION AND REVISION STATUS

The Parts Catalog information incorporated in this set of Aerofiche cards has been arranged in accordance with the general specifications of Aerofiche adopted by the General Aircraft Manufacturer's Association

Conversion of Aerofiche alpha/numeric code numbers:

First number is the Aerofiche card identifier

Letter is the horizontal line reference per card

Second number is the vertical line reference per card

Example: 2J16 = Aerofiche card number two of given set, Grid location J16

To aid in locating the various sections and related information desired, the following is provided:

A complete Catalog Table of Contents is given at Grid 1A8 of Aerofiche card number 1 of this set. Each additional card in this set will have a Table of Contents for all sections on that particular card. This table will start at Grid A3

REVISIONS

The information compiled in this Aerofiche Parts Catalog will be kept current by revisions distributed periodically. These revisions will supersede all previous revisions and will be complete Aerofiche card replacements and shall supersede Aerofiche cards of the same number in the set.

Current Revisions to this PA-23-235 and PA-23-250 Parts Catalog issued August 15, 1972 are as follows:

753 522 (PR741122)	Dated November 1974
753 522 (PR750530)	Dated May 1975
753 522 (PR751205)	Dated December 1975
753 522 (PR761018)	Dated October 1976
753 522 (PR770429)	Dated April 1977
753 522 (PR770902)	Dated September 1977
753 522 (PR780906)	Dated September 1978
753 522 (PR790205)	Dated February 1979
753 522 (PR790816)	Dated August 1979
753 522 (PR800314)	Dated March 1980
753 522 (PR801017)	Dated October 1980
753 522 (PR810813)	Dated August 1981
753 522 (PR840712)	Dated July 1984

NOTE: Refer to the last card of the Piper - Parts Price List - Aerofiche for a check list of current revision dates and card effectivities for this parts catalog

INTRODUCTION

This illustrated Parts Catalog is designed to provide simple but positive identification of replacement parts for the Piper Models PA-23-250, PA-23-250 (Six Place) Aztec, and Model PA-23-235 Apache, manufactured by the Piper Aircraft Corporation of Lock Haven, Pennsylvania

NOTE UNDER NO CIRCUMSTANCES SHALL THIS CATALOG BE USED FOR RIGGING AND INSTALLATION PURPOSES

It is suggested that this catalog be thoroughly studied to determine its arrangement prior to its utilization

- 1 The catalog is divided into eleven (11) major sections described as follows
 - a Sections I to X inclusive contain all replacement parts for the complete airplane. Each section is subdivided and each division includes an illustration and a parts listing
 - b Section XI is the Miscellaneous Group. This group includes a listing of the Optional Equipment Kits, Repair Kits and Special Tools
- 2 The following is a brief explanation of the columns in the parts lists (Refer to EXAMPLE below)
 - a The "FIGURE AND INDEX NUMBER" column indicates the illustration figure number and its parts index number. EXAMPLE (2-1), the 2 is the figure number and the 1 is the index number. The figure number appears only at the top of each parts list page
 - b The "PART NUMBER" column contains the identifying number of the replacement part and this number must be shown on all Parts Orders
 - c The "CODE" column is for the purpose of indicating special uses of the part. An explanation of the letter code used is shown on the grid (page) preceding each parts listing and pertains to that listing only
 - d The "NOMENCLATURE" column indicates the part name. This name must be shown on all Parts Orders
 - e The "NO REQ" (Number Required) column represents the total quantity of parts used per aircraft per figure when the part is not indented and the quantity of parts used per assembly when the part is indented. The symbol "AR" listed in this column means "As Required"
 - f The "SERIAL NUMBERS AFFECTED" column indicates the part application by airplane serial number

EXAMPLE					
Figure and Index Number	Part Number	Code	NOMENCLATURE	No Req	SERIAL NUMBERS AFFECTED
2-1	XXXXX-XX		DOOR ASSEMBLY - Baggage compartment	X	
-2	XXXXX-XX		* TUBE ASSEMBLY - Baggage door latch	X	
-3	XXXXX-XX		* * CLEVIS - Door latch tube assembly	X	
-4	XXXXX-XX		* * CLIP - Door latch tube assembly	X	

In the Nomenclature column, the next higher assembly relationship of items covered is shown by the degree of indentation of each item and is indicated by an asterisk (*). One asterisk signifies one indentation, two signifies two indentions, etc. The example listing above is interpreted as follows:

If the DOOR ASSEMBLY (not indented) is ordered, it will include the three items indented under the Door Assembly

If the TUBE ASSEMBLY (indented one space) is ordered, it will include the two items indented under the Tube Assembly

If you want only a CLEVIS or CLIP, you order only that item

3 The "ATTACHING PARTS" such as nuts, bolts, screws, etc., that are available as commercial hardware items, are not generally supplied by the Piper Aircraft Corporation. This catalog lists for your convenience, those attaching parts required for main assemblies and installations. The identifying number for these parts appears after the part name

4 All items of Optional Equipment are contained in the parts list in their proper sequence and sections. These items were not marked optional, since they are fully identified by their descriptions

PIPER PARTS CATALOG

SPECIAL NOTE

Effective on PA-23-250 (Six Place) with serial numbers 27-7954061 and up, replacement parts for Optional Avionics and Electronics Installations (i.e. radar, radio altimeter, encoding altimeter, etc.) are not being listed or illustrated in this parts catalog

Effective on PA-23-250 (Six Place) with serial numbers 27-8054001 and up, replacement parts for Optional Autopilot Installations are not being listed or illustrated in this parts catalog

If replacement parts are required for aircraft with these serial numbers, refer to the Avionics Drawing Index List and the appropriate drawings supplied with each aircraft to determine part number of desired part

HOW TO IDENTIFY A PART IF YOU KNOW WHAT IT LOOKS LIKE AND KNOW WHERE IT IS LOCATED

- 1 Refer to Figure 1 to determine the Section number in which the part is used
 - 2 Refer to the Table of Contents and locate the section. Note the figure numbers that illustrate the various subgroups of this main section.
 - a Select the figure title you think might contain the part you wish to identify and proceed to the grid (page) specified
 - 3 Find the part on the illustration and note the index number
- NOTE: If you don't find the part on this illustration, try another figure in this group
- 4 Refer to the "Figure and Index Number" in the Parts Listing for complete description of the part

HOW TO ORDER PARTS

In ordering parts for your Piper airplane, observe the following instructions which will aid in your getting the right parts required without delay

- a Place your order with the distributor or dealer for your territory, since parts are available only through our distributor organization
- b Always specify the model and serial number of your airplane
- c Always specify Part Number, Name, Type and Quantity required
- d Specify the method of shipment - freight, express, parcel post, air express, air freight, or air parcel post. Where the nature of the shipment requires it or when no instructions are given, we reserve the right to ship the most suitable way

GENERAL INFORMATION

a Shortages

All orders are checked and rechecked before leaving our Shipping Department. A packing slip is enclosed with the shipment and claims for errors or shortages must be made within three (3) days after receipt of orders

b Returned Goods

No material should be returned to us without first securing our written permission. Material sent in without notice will be held at the owner's risk for thirty (30) days and will then be disposed of as we see fit

Transportation charges must be PREPAID on returned goods or the shipment will be refused

c Transportation Liabilities

The Piper Aircraft Corporation cannot be held liable for damages to parts in transit from the factory. If a shipment is received in a damaged condition, have the delivery man or Transportation Company make a notation of the damage and file your claim with the Carrier. In case of concealed damage, do not attempt to remove the part from the shipping container, or endeavor to repair the damage, but call the Carrier and have his Claim Agent inspect the damage before filing your claim with the Carrier

PIPER PARTS CATALOG

PA-23-235, PA-23-250 AND PA-23-250 (SIX PLACE) SERIAL NUMBER INFORMATION

The following information should be kept in mind when ordering from this Catalog:

a The serial numbers of the aircraft covered by this Parts Catalog are as follows:

- (1) Serial numbers of the 1960 "Aztec" PA-23-250 Models are 27-1 to 27-366 inclusive
- (2) Serial numbers of the 1961 "Aztec" PA-23-250 Models are 27-367 to 27-504 inclusive
- (3) Serial numbers of the "Apache" PA-23-235 Models are 27-505 to 27-622 inclusive
- (4) Serial numbers of the "Aztec" PA-23-250 (Six Place) Model "B" are 27-2000 to 27-2504 inclusive.
- (5) Serial numbers of the "Aztec" PA-23-250 (Six Place) Model "C" are 27-2505 to 27-3836 inclusive, 27-3838 to 27-3943 inclusive
- (6) Serial numbers of the "Aztec" PA-23-250 (Six Place) Model "D" are 27-3837, 27-3944 to 27-4425 inclusive, 27-4427 to 27-4573 inclusive
- (7) Serial numbers of the "Aztec" PA-23-250 (Six Place) Model "E" are 27-4426, 27-4574 to 27-7554168 inclusive
- (8) Serial numbers of the "Aztec" PA-23-250 (Six Place) Model "F" are 27-7654001 and up

PIPER PARTS CATALOG

STANDARD PAINT CHART

	MFG. NO.	PIPER PART NUMBER	
		QUART	GALLON
EXTERIOR			
ENAMEL			
Daytona White	J-9545	751 700	751 701
Santa Fe Red	H-9150	751 712	751 713
Bahama Blue	H-9170	751 714	751 715
Hershey Brown	H-9160	751 716	751 717
Montego Green	F-5830	751 718	751 719
Yukon Yellow	W-0232	751 720	751 721
Pontiac Red	W-3665	754 716	754 717
Phoenix Tan	W-3557	754 718	754 719
Orlando Green	W-3680	754 720	754 721
Lakeland Blue	W-3654	754 722	754 723
Dakota Black	H-6117	754 710	754 711
El Paso Brown	W-8433	754 737	754 738
Tampa Green	W-8427	754 739	754 740
Newport Blue	W-8430	754 741	754 742
ACRYLIC LACQUER			
Daytona White	890-910	4175 650	1175 650
Pontiac Red	8954	4175 590	1175 590
Phoenix Tan	890-908	4175 625	1175 625
Orlando Green	8981	4175 206	1175 206
Lakeland Blue	8979	4175 753	1175 753
Dakota Black	8906	4175 375	1175 375
El Paso Brown	893-62885	4175 403	1175 403
Tampa Green (base coat)	8998	4175 208	1175 208
Tampa Green (top coat)	8997	4175 207	1175 207
Newport Blue (base coat)	8988	4175 756	1175 756
Newport Blue (top coat)	8991	4175 755	1175 755
Juneau White	L8973	4175 655	1175 655
Mocha Tan	8985	4175 750	1175 750
Denver Brown (base coat)	8989	4175 297	1175 297
Denver Brown (top coat)	8977	4175 298	1175 298
Madrid Red (base coat)	8276	4175 131	1175 131
Madrid red (top coat)	8910	4175 589	1175 589
Lincoln Gray	8987	4175 205	1175 205
Bimini Turquoise	8992	4175 752	1175 752
Nassau Turquoise	8978	4175 751	1175 751
Reno Gold (base coat)	8976	4175 343	1175 343
Reno Gold (top coat)	8974	4175 342	1175 342
Beaumont Blue	8993	4175 754	1175 754
Dallas Yellow	8975	4175 702	1175 702
Ocala Orange (base coat)	8909	4175 503	1175 503
Ocala Orange (top coat)	8907	4175 502	1175 502
Polar Gray	8986	4175 204	1175 204
Monterey Maroon (base coat)	8908	4175 758	1175 758
Monterey Maroon (top coat)	8904	4175 757	1175 757
Bahama Blue	8911	4175 442	1175 442
Las Vegas Gold (base coat)	8931	4175 327	1175 327
Las Vegas Gold (top coat)	8929	4175 328	1175 328
Avocado	8955	4175 209	1175 209

PIPER PARTS CATALOG

STANDARD PAINT CHART

	MFG. NO	PIPER PART NUMBER	
		QUART	GALLON
EXTERIOR			
ACRYLIC LACQUER (cont)			
Baja Yellow (base coat)	8212	4175 704	1175 704
Baja Yellow (top coat)	8209	4175 703	1175 703
Lime Green (base coat)	8211	4175 214	1175 214
Lime Green (top coat)	8210	4175 213	1175 213
Saffron	8228	4175 385	1175 385
Claret (base coat)	8250	4175 397	1175 397
Claret (top coat)	8223	4175 381	1175 381
Firethorn (base coat)	8247	4175 396	1175 396
Firethorn (top coat)	8246	4175 384	1175 384
Dark Blue	8230	4175 387	1175 387
Sage Green	8226	4175 383	1175 383
Buckskin	8229	4175 386	1175 386
Hickory Brown	8231	4175 388	1175 388
Silver	8224	4175 382	1175 382
Sandalwood Tan	8271	4175 215	1175 215
Platinum Gray	8270	4175 216	1175 216
Thinner (fast drying) Titanine	8930	4179 138	1179 138
Thinner (slow drying) Titanine	8970	4179 134	1179 134
POLYURETHANE ENAMEL (Titanine)			
Flat Black	6325	4170 900	1170 900
Juneau White	6373	4170 901	1170 901
Claret	6339	4176 011	1176 011
Silver	6341	4176 012	1176 012
Sage Green	6345	4176 013	1176 013
Firethorn	6347	4176 014	1176 014
Saffron	6358	4176 015	1176 015
Buckskin	6385	4176 016	1176 016
Dark Blue	6386	4176 017	1176 017
Hickory Brown	6387	4176 018	1176 018
Sandalwood Tan	6818	4176 019	1176 019
Dakota Black	6306-N	4176 181	1176 181
Las Vegas Gold	6328-N	4177 000	1177 000
Lime Green	6326	4177 029	1177 029
Platinum Gray	6817	4177 030	1177 030
Bahama Blue	6348-N	4177 260	1177 260
Madrid Red	6310-N	4177 386	1177 386
Baja Yellow	6327	4177 454	1177 454
Ocala Orange	6307-N	4175 575	1177 575
Catalyst	6352	4170 807	1170 807
Reducer	6350	4179 141	1179 141
POLYURETHANE PRIMER (Titanine)			
Primer	6351	4170 735	1170 735
Reducer	6350	4179 141	1179 141
Catalyst	6352	4170 807	1170 807
Epoxy Primer	8951	4170 729	1170 729
Epoxy Reducer	8905-A	4179 139	1179 139
Epoxy Converter	8678	4179 825	1179 825

TABLE OF CONTENTS

FIGURE NUMBER	FIGURE TITLE	GRID NUMBER
1	View of Complete Airplane	1A13
SECTION I WING GROUP		
2	Wing Installation	1A14
2A	Flap Assembly and Aileron Assembly	1A19
3	Wing and Wing Tip Construction	1B1
4	Wing and Wing Tip Skin	1B8
SECTION II FUSELAGE GROUP		
5	Complete Fuselage	1B12
6	Fuselage Forward Section (PA-23-235, PA-23-250)	1B15
6A	Fuselage Forward Section (PA-23-250(6))	1C1
7	Fuselage Center Section	1C11
7A	Fuselage Bottom Fairing	1C18
8	Fuselage Aft Section	1D1
9	Fuselage Frame	1D9
10	Instrument Panel Installation (PA-23-235/250/250(6) S/N 27-1 to 27-3836 incl , 27-3838 to 27-3943 incl)	1D13
10A	Instrument Panel Installation (PA-23-250(6) S/N 27-3837, 27-3944 to 27-7305221 incl , 27-7305223 to 27-7305234 incl)	1E1
10B	Instrument Panel Installation (PA-23-250(6) S/N 27-7305222, 27-7405235 to 27-7405476 incl)	1E11
10C	Instrument Panel Installation (PA-23-250(6) S/N 27-7554001 and up)	1E16
10D	Dual Instrument Panel Installation (PA-23-250(6) S/N 27-7405235 to 27-7405476 incl)	1E21
10E	Dual Instrument Panel Installation (PA-23-250(6) S/N 27-7554001 and up)	1F1
10F	Dual Instrument Lines and Right Pitot Static System Installation	1F4
11	Control Pedestal Installation	1F6
12	Floorboard and Cockpit Finishing Installation (PA-23-235/250/250(6) S/N 27-1 to 27-3836 incl , 27-3838 to 27-3943 incl)	1G1
12A	Cockpit Finishing Installation (PA-23-250(6) S/N 27-3837, 27-3944 and up)	1H1
12B	Floorboard Installation (PA-23-250(6) S/N 27-3837, 27-3944 and up)	1H11
13	Window Curtains Installation	1H15
14	Fuselage Enclosure Installation	1I1
15	Baggage Door Assembly and Cabin Door Assembly (PA-23-235/250/250(6) S/N 27-1 to 27-7554168 incl)	1I9
15A	Baggage Door Assembly and Cabin Door Assembly (PA-23-250(6) S/N 27-7654001 and up)	1I18
16	Oxygen System Installation (PA-23-250)	1I22
16A	Oxygen System Installation (PA-23-250(6) S/N 27-2000 to 27-3049 incl , 27-3051 to 27-3153 incl)	1J1
16B	Oxygen System Installation (PA-23-250(6) S/N 27-3050, 27-3154 to 27-3836 incl , 27-3838 to 27-3943 incl)	1J4
16C	Oxygen System Installation (PA-23-250(6) S/N 27-3837, 27-3944 and up)	1J7
17	Seats Installation (PA-23-235/250/250(6) S/N 27-1 to 27-3836 incl , 27-3838 to 27-3943 incl)	1J10
17A	Seats Installation (PA-23-250(6) S/N 27-3837, 27-3944 to 27-7554168 incl)	1K1
17B	Seats Installation (PA-23-250(6) S/N 27-7654001 and up)	1K10

TABLE OF CONTENTS

FIGURE NUMBER	FIGURE TITLE	GRID NUMBER
SECTION II (cont) FUSELAGE GROUP		
18	Vacuum Pump Installation (PA-23-235/250/250(6) S/N 27-1 to 27-2504 incl.).....	1K15
18A	Vacuum Pump Installation (PA-23-250(6) S/N 27-2505 and up)	1K20
19	Airspeed, Static, Oil Pressure and Manifold Pressure Lines	1L1
20	Ventilating System Installation (PA-23-235/250/250(6) S/N 27-1 to 27-2504 incl).....	1L6
20A	Ventilating System Installation (PA-23-250(6) S/N 27-2505 to 27-3836 incl , 27-3838 to 27-3943 incl)	1L9
20B	Ventilating System Installation (PA-23-250(6) S/N 27-3837, 27-3944 and up)	1L12
21	Heater Installation (PA-23-235/250/250(6) S/N 27-1 to 27-3049 incl , 27-3051 to 27-3153 incl)	1L14
21A	Heater Installation (PA-23-250(6) S/N 3050, 27-3154 and up)	1L18
22	Heater Assembly (Stewart Warner)	1L22
22A	Janitrol Heater Assembly	2A6
22B	Janitrol Heater Components	2A10
SECTION III CHASSIS GROUP		
23	Gear Strut Assemblies	2A13
24	Nose Gear Installation	2A16
24A	Nose Wheel Assembly	2A21
25	Main Gear Installation	2B1
26	Main Wheel Assembly	2B5
27	Brake Installation	2B7
27A	Dual Brake Installation	2B10
28	Brake Assembly	2B13
SECTION IV TAIL SURFACES GROUP		
29	Tail Installation	2B16
29A	Stabilator Assembly (PA-23-235/250/250(6) S/N 27-1 to 27-7654168 incl , 27-8054001 and up).....	2B20
29B	Stabilator Assembly (PA-23-250(6) S/N 27-7654001 to 27-7954121 incl)	2B22
29C	Rudder Assembly	2C1
29D	Fin Assembly	2C4
SECTION V POWER PLANT GROUP		
30	Power Plant Installation (PA-23-235/250/250(6) S/N 27-1 to 27-2504 incl)	2C7
30A	Power Plant Installation (PA-23-250(6) S/N 27-2505 and up)	2C10
30B	Turbocharger Installation (Airesearch).....	2C15
30C	Turbocharger Installation (Lycoming)	2C17
31	Propeller (PA-23-235/250/250(6) S/N 27-1 to 27-2504 incl.)	2C22
31A	Propeller (PA-23-250(6) S/N 27-2505 and up)	2D1
31B	Propeller Synchronizer System Installation	2D5
31C	Propeller Synchrophaser System Installation.....	2D7
32	Engine Baffle Installation.....	2D9

TABLE OF CONTENTS

FIGURE NUMBER	FIGURE TITLE	GRID NUMBER
SECTION V (cont.) POWER PLANT GROUP		
33	Exhaust Collectors Installation (PA-23-235/250/250(6) S/N 27-1 to 27-2504 incl)	2D12
33A	Exhaust System Installation (PA-23-250(6) S/N 27-2505 and up)	2D14
34	Nacelle Installation (PA-23-235/250/250(6) S/N 27-1 to 27-2504 incl.)	2D16
34A	Nacelle Installation (PA-23-250(6) S/N 27-2505 and up)	2E1
34B	Nacelle Installation (Lycoming Turbocharger)	2E8
SECTION VI FUEL SYSTEM GROUP		
35	Fuel System Installation (PA-23-235/250/250(6) S/N 27-1 to 27-2504 incl)	2E13
35A	Fuel Injection System Installation (PA-23-250(6) S/N 27-2322 to 27-2504 incl)	2F1
35B	Fuel System Installation (PA-23-250(6) S/N 27-2505 and up)	2F5
36	Fuel Cell Installation (PA-23-235/250/250(6) S/N 27-1 to 27-4815 incl)	2F11
36A	Fuel Cell Installation (PA-23-250(6) S/N 27-4816 and up)	2F15
36B	Wing Tip Fuel Tank Installation (PA-23-250(6) S/N 27-7654001 and up)	2F18
37	Fuel System Control Box (PA-23-235/250/250(6) S/N 27-1 to 27-2504 incl)	2F20
37A	Fuel System Control Box (PA-23-250(6) S/N 27-2505 and up)	2G1
SECTION VII ELECTRICAL SYSTEM GROUP		
38	Fuselage Electrical System Installation (PA-23-235/250)	2G4
38A	Fuselage Electrical System Installation (PA-23-250(6))	2G7
38B	Wing Electrical System Installation (PA-23-235/250)	2G13
38C	Wing Electrical System Installation (PA-23-250(6))	2G16
38D	Battery Box Installation (PA-23-235/250)	2G20
38E	Battery Box Installation (14-Volt) (PA-23-250(6))	2G22
38F	Battery Box Installation (28-Volt) (PA-23-250(6) S/N 27-2298 to 27-7954097 incl)	2H1
38G	Battery Box Installation (28-Volt) (PA-23-250(6) S/N 27-7954098 and up)	2H4
39	Pedestal Electrical Installation	2H6
39A	Instrument Panel Electrical Installation (PA-23-235/250/250(6) S/N 27-1 to 27-2504 incl)	2H9
39B	Instrument Panel Electrical Installation (PA-23-250(6) S/N 27-2505 to 27-3836 incl , 27-3838 to 27-3943 incl)	2H13
39C	Instrument Panel Electrical Installation (PA-23-250(6) S/N 27-3837, 27-3944 and up)	2H16
40	Taxi Light Installation	2H20
40A	Strobe Lights Installation	2H22
41	External Power Supply (PA-23-235/250/250(6) S/N 27-1 to 27-7954097 incl)	2I1
41A	External Power Supply (PA-23-250(6) S/N 27-7954098 and up)	2I4
42	Propeller Deicer Installation (PA-23-250)	2I6
42A	Propeller Deicer Installation (PA-23-250(6))	2I8
42B	Pneumatic Deicer Installation (B F. Goodrich)	2I11
42C	Pneumatic Deicer Installation (B F. Goodrich)	2I17
42D	Pneumatic Deicer Installation (Airborne/Goodyear) (PA-23-250(6) S/N 27-7554112 to 27-7554168 incl)	2I21

TABLE OF CONTENTS

FIGURE NUMBER	FIGURE TITLE	GRID NUMBER
SECTION VIII		
HYDRAULIC SYSTEM GROUP		
43	Hydraulic System Installation (PA-23-235/250/250(6) S/N 27-1 to 27-2504 incl.)	2J1
43A	Fuselage Hydraulic System Installation (PA-23-250(6) S/N 27-2505 and up)	2J7
43B	Wing Hydraulic System Installation (PA-23-250(6) S/N 27-2505 and up)	2J11
43C	Hydraulic System Components (PA-23-250(6) S/N 27-2505 and up)	2J14
44	Landing Gear Anti-Retracton Valve Installation	2J18
45	Hydraulic Powerpak Components	2J20
45A	Hydraulic Powerpak Components	2K1
46	Emergency Gear Extender Installation (PA-23-235/250/250(6) S/N 27-1 to 27-7954121 incl.)	2K4
SECTION IX		
CONTROL SYSTEM GROUP		
47	Engine Controls Installation	2K7
48	Stabilator Control Installation	2K10
49	Aileron Controls Installation	2K13
50	Rudder Control Installation	2K16
51	Tail Trim Mechanism Installation	2K19
51A	Trim Tab Interconnect System Installation	2L1
SECTION X		
ELECTRONICS GROUP		
52	Collins and ARC Radio Installation	3A5
53	Radio Junction Boxes (PA-23-235/250/250(6) S/N 27-1 to 27-3836 incl., 27-3838 to 27-3943 incl.)	3A9
54	Radio Junction Boxes (PA-23-250(6) S/N 27-3837, 27-3944 to 27-4784 incl.)	3A13
54A	Radio Junction Boxes (14-Volt) (PA-23-250(6) S/N 27-4785 and up)	3A15
54B	Radio Junction Boxes (28-Volt) (PA-23-250(6) S/N 27-4902 and up)	3A17
55	All Weather Antenna Installation	3A19
55A	Piper Automatic Locator (ELT) Installation (Garrett Mfg. Ltd.)	3A21
55B	Piper Automatic Locator (ELT) Installation (Communications Components Corp.)	3A23
55C	Piper Automatic Locator (ELT) Installation (Narco Avionics)	3B1
56	Piper PM-1 Marker Beacon Installation (PA-23-250(6))	3B3
57	AutoControl I Installation	3B6
58	AutoControl II Installation	3B9
59	AutoControl III Installation (PA-23-250(6) S/N 27-3457 to 27-7554071 incl.)	3B12
59A	AutoControl III B Installation (PA-23-250(6) S/N 27-7554071 and up)	3B14
60	AltiMatic I Installation	3B16
61	AltiMatic II Installation	3B19
61A	AltiMatic III and III B Installation	3C1
62	AltiMatic III B-1 Installation	3C5
63	AltiMatic III C Installation (PA-23-250(6) S/N 27-7554001, 27-7554074 and up)	3C8
64	AltiMatic X F/D Autopilot Installation (PA-23-250(6) S/N 27-7854001 and up)	3C12
65	AltiMatic X Autopilot Installation (PA-23-250(6) S/N 27-7854001 and up)	3C15
66	AltiMatic V F/D and V F/D-1 Autopilot Installation (PA-23-250(6) S/N 27-4426, 27-4574 to 27-4574 to 27-7754093 incl.)	3C18
67	AltiMatic V and V-1 Autopilot Installation (PA-23-250(6) S/N 27-4426, 27-4574 to 27-7754093 incl.)	3D1

TABLE OF CONTENTS

FIGURE NUMBER	FIGURE TITLE	GRID NUMBER
SECTION X (cont) ELECTRONICS GROUP		
68	Autopilot/Flight Director Installation (Bendix FCS-810) (PA-23-250(6) S/N 27-7754094 to 27-7954121 incl)	3D5
69	Autopilot Installation (Bendix FCS-810) (PA-23-250(6) S/N 27-7754094 to 27-7954121 incl)	3D8
69A	King Autopilot (KAP-200) and King Autopilot F/D (KFC-200) Installation	3D11
70	Radar Altimeter Installation (PA-23-250(6) S/N 27-4794 and up)	3D13
71	Glide Slope Coupler Installation (PA-23-250(6) S/N 27-7554001, 27-7554074 and up)	3D15
72	Radio Magnetic Indicator Installation (PA-23-250(6) S/N 27-4426, 27-4574 and up)	3D17
73	King Radar Installation (KWX-40) (PA-23-250(6) S/N 27-7554001 and up)	3D19
74	Bendix Radar Installation (RDR-150) (PA-23-250(6) S/N 27-7754001 and up)	3D21
75	Encoding Altimeter Installation (PA-23-250(6) S/N 27-7554001 and up)	3E1
	Radio Installation and Wiring Diagram Drawings	3E3
SECTION XI MISCELLANEOUS GROUP		
	Optional Equipment Kits, Repair Kits and Special Tools	3E12
	Decals	3E18
	NUMERICAL INDEX	3F2

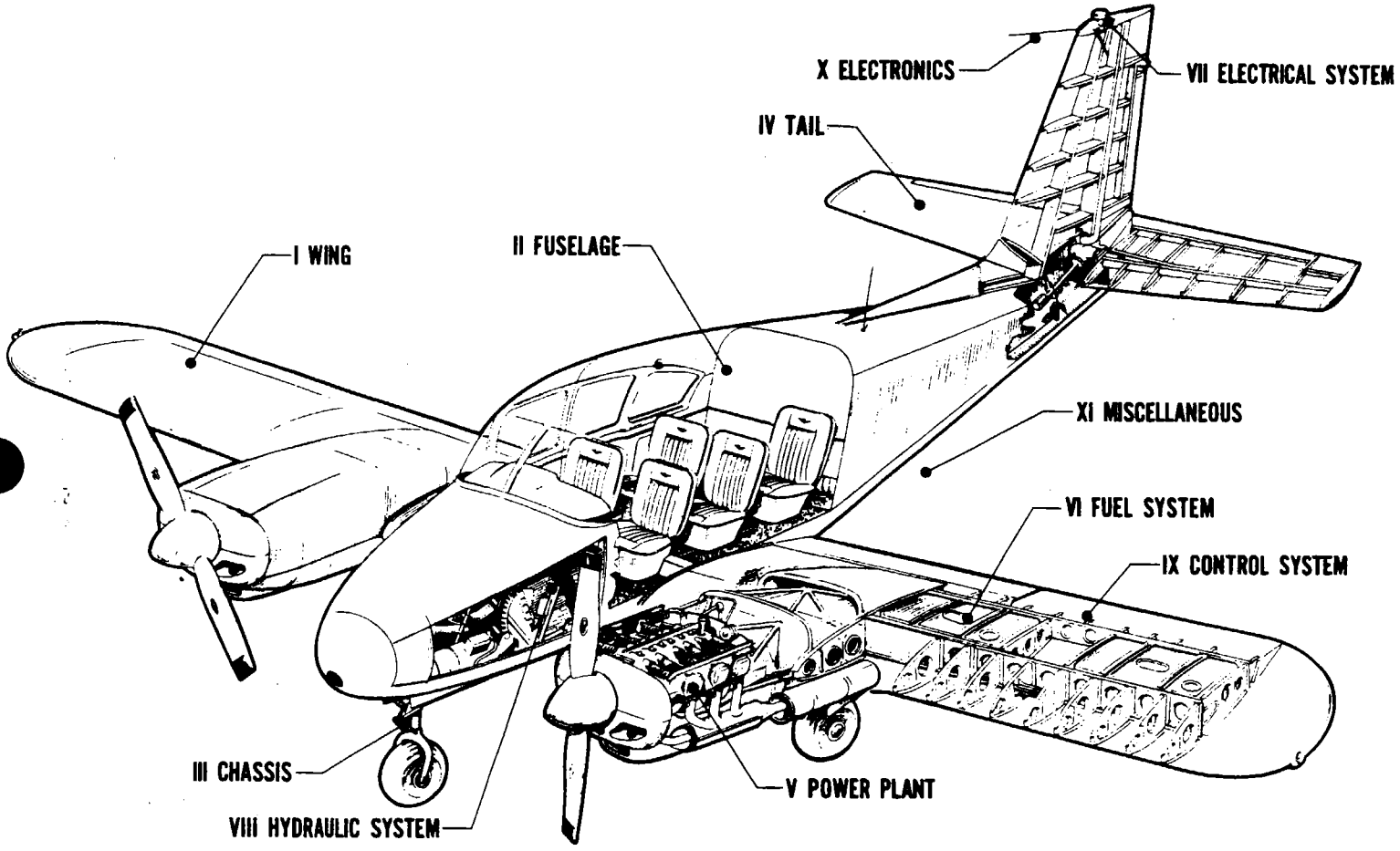


Figure 1. View of Complete Airplane

1A13

PIPER PARTS CATALOG

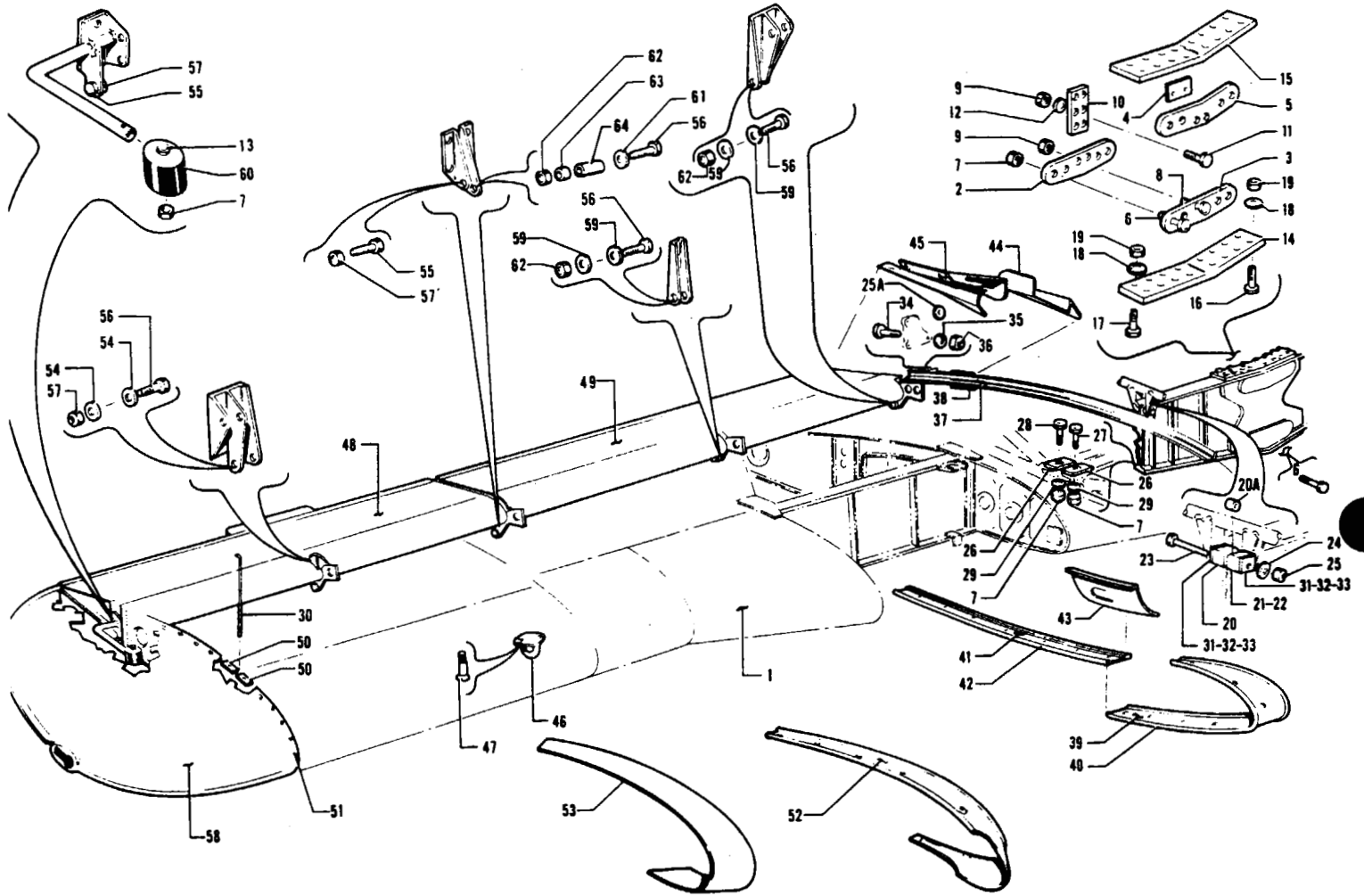


Figure 2 Wing Installation



Figure and Index Number	Part Number	Code	NOMENCLATURE	No. Req.	SERIAL NUMBERS AFFECTED
2-	16292	X,Z	DRAWING - Wing Installation		
	30698	Y	DRAWING - Wing Installation		27-2000 to 27-4815 inclusive
	33304	Y	DRAWING - Wing Installation		27-4816 to 27-7554168 incl.
	33900	Y	DRAWING - Wing Installation		27-7654001 and up
	16662		DRAWING - Wing Fairing Installation		27-1 to 27-3888 inclusive
	32717	Y	DRAWING - Wing Fairing Installation		27-3889 and up
-1	16170-00	A,C,X	PANEL ASSEMBLY - Left wing	1	
	16170-01	A,C,X	PANEL ASSEMBLY - Right wing	1	
	16170-00	A,C,Z	PANEL ASSEMBLY - Left wing	1	27-505 to 27-524 inclusive
	16170-01	A,C,Z	PANEL ASSEMBLY - Right wing	1	27-505 to 27-524 inclusive
	16170-30	A,Z	PANEL ASSEMBLY - Left wing	1	27-525 and up
	16170-29	A,Z	PANEL ASSEMBLY - Right wing	1	27-525 and up
	16170-26	A,B,Y	PANEL ASSEMBLY - Left wing	1	27-2000 to 27-2269 inclusive
	16170-25	A,B,Y	PANEL ASSEMBLY - Right wing	1	27-2000 to 27-2269 inclusive
	16170-28	A,Y	PANEL ASSEMBLY - Left wing	1	27-2270 to 27-2504 inclusive
	16170-27	A,Y	PANEL ASSEMBLY - Right wing	1	27-2270 to 27-2504 inclusive
	16170-32	A,Y	PANEL ASSEMBLY - Left wing	1	27-2505 to 27-4815 inclusive
	16170-31	A,Y	PANEL ASSEMBLY - Right wing	1	27-2505 to 27-4815 inclusive
	33300-00	A,Y	PANEL ASSEMBLY - Left wing	1	27-4816 to 27-7554168 incl.
	33300-01	A,Y	PANEL ASSEMBLY - Right wing	1	27-4816 to 27-7554168 incl.
33300-06	A,Y	PANEL ASSEMBLY - Left wing	1	27-7654001 and up	
33300-07	A,Y	PANEL ASSEMBLY - Right wing	1	27-7654001 and up	
-2	17477-00		STRAP - Spar attachment, lower rear	1	27-2000 to 27-2299 inclusive
	17477-03		STRAP - Spar attachment, lower rear	1	27-2300 and up
-3	17477-02		STRAP - Spar attachment, lower front	1	
-4	18283-00		SHIM - Spar attachment	AR	
-5	17476-02		STRAP - Spar attachment, upper front	1	
-6	401 189		BOLT - (AN5-11A)	4	
-6a	401 188		BOLT - (AN5-10A)	4	
-7	404 889		NUT - Self locking (MS20365-524C)	14	
-8	400 452		BOLT - (AN3-11A)	4	
-9	404 887		NUT - Self locking (MS20365-1032C)	10	
-10	19459-02	X,Z	SHIM - Main spar attachment, front .187	1	
	19459-03	X,Z	SHIM - Main spar attachment, rear .125	1	
	19303-00	Y	SHIM - Main spar attachment, .313	1	
-11	401 269		BOLT - (AN3-10A)	6	
-12	407 564		WASHER - (AN960-10)	6	
-13	401 365		BOLT - (AN5-26A)	2	
-14	17475-04	X,Z	PLATE - Front spar attachment, bottom	1	
	17475-06	Y	PLATE - Front spar attachment, bottom	1	
-15	17475-05		PLATE - Front spar attachment, top	1	
-16	400 444		BOLT - (AN6-13A)	16	
-17	401 395		BOLT - (AN6-14A)	16	
-18	407 567		WASHER - (AN960-616)	32	
-19	404 890		NUT - (AN365-624C)	32	

A - See Figures 3 and 4 for component parts.
 B - If Kit No. 754 493 has been installed, order wing panel 16170-28 left or 16170-27 right.
 C - If Kit No. 754 493 has been installed, order wing panel 16170-30 left or 16170-29 right.
 X - Used on PA-23-250 airplanes only.
 Y - Used on PA-23-250 (Six Place) airplanes only.
 Z - Used on PA-23-235 airplanes only.

When ordering, always specify Part Number, Description and Serial Number of Aircraft



Figure and Index Number	Part Number	Code	NOMENCLATURE	No. Req.	SERIAL NUMBERS AFFECTED
2-20	16296-00	X,Z	BLOCK - Front spar spacer, top	2	
	30697-00	Y	BLOCK - Front spar spacer, top	2	
-20a	61402-09		BUSHING - Front spar spacer, top	2	
-21	17694-06	X,Z	BLOCK - Front spar spacer, front left top	1	
	30696-00	Y	BLOCK - Front spar spacer, front left top	1	
-22	17694-05	X,Z	BLOCK - Front spar spacer, front right top	1	
	30696-01	Y	BLOCK - Front spar spacer, front right top	1	
-23	401 332	X,Z	BOLT - (AN4-34A)	2	
	401 335	Y	BOLT - (AN4-40A)	2	
	401 336	Y	BOLT - (AN4-37A)	2	
-24	407 565		WASHER - (AN960-416)	2	
-25	404 888		NUT - Self locking (AN365-428)	2	
-25a	80122-87		BUSHING - Rear spar attachment	AR	
-26	17480-00		BLOCK - Front spar side attachment spacer	4	
-27	401 363		BOLT - (AN5-24A)	2	
-28	400 168		BOLT - (AN5-25)	2	
-29	407 566		WASHER - (AN960-516)	4	
-30	17529-04		PIN - Wing tip hinge	2	27-1 to 27-7554168 inclusive
	15514-02		PIN - Wing tip hinge	2	27-7654001 and up
-31	18380-02		SHIM - (.020)	AR	
-32	18380-03		SHIM - (.032)	AR	
-33	18380-04		SHIM - (.064)	AR	
-34	402 350		BOLT - Rear spar attachment (AN176-10A)	2	
-35	407 567		WASHER - (AN960-616)	2	
-36	404 889		NUT - Self locking (MS20365-624C)	2	
-37	18166-06		FAIRING ASSEMBLY - Left wing root, upper	1	
	18166-07		FAIRING ASSEMBLY - Right wing root, upper	1	
-38	19795-00		EXTRUSION - Rubber	5	
-39	16574-00		FAIRING ASSEMBLY - Left wing root, upper (Aluminum)	1	27-1 to 27-3888 inclusive
	16574-01		FAIRING ASSEMBLY - Right wing root, upper (Aluminum)	1	27-1 to 27-3888 inclusive
	32464-00	Y	FAIRING ASSEMBLY - Left wing root, upper (Fiberglass)	1	27-3889 and up
	32464-01	Y	FAIRING ASSEMBLY - Right wing root, upper (Fiberglass)	1	27-3889 and up
-40	19795-00		EXTRUSION - Rubber	7'	
-41	16659-00		FAIRING ASSEMBLY - Left wing root, lower	1	
	16659-01		FAIRING ASSEMBLY - Right wing root, lower	1	
-42	19795-00		EXTRUSION - Rubber	6'	
-43	18176-00		PLATE - Wing front spar bolt cover	2	
-44	18128-00		PLATE - Left wing root rear fairing	1	
	18129-00		PLATE - Right wing root rear fairing	1	
-45	18130-00		FAIRING ASSEMBLY - Left wing root rear	1	
	18131-00		FAIRING ASSEMBLY - Right wing root rear	1	
-46	18457-00		RING - Tie down	2	
-47	410 044		SCREW - (AN509-10R-15)	4	
-48	17100-00	A	AILERON ASSEMBLY - Left wing	1	
	17100-01	A	AILERON ASSEMBLY - Right wing	1	

A - See Figure 2A for component parts.
 X - Used on PA-23-250 airplanes only.
 Y - Used on PA-23-250 (Six Place) airplanes only.
 Z - Used on PA-23-235 airplanes only.

When ordering, always specify Part Number, Description and Serial Number of Aircraft

PIPER PARTS CATALOG

Figure and Index Number	Part Number	Code	NOMENCLATURE	No Req	SERIAL NUMBERS AFFECTED
2-49	17104-40	A,B	FLAP ASSEMBLY - Left wing	1	27-1 to 31-2504 inclusive
	17104-01	A,B	FLAP ASSEMBLY - Right wing	1	27-1 to 27-2504 inclusive
	17104-58	A,B,Y	FLAP ASSEMBLY - Left wing	1	27-2505 to 27-3049 inclusive, 27-3051 to 27-3153 inclusive
	17104-57	A,B,Y	FLAP ASSEMBLY - Right wing	1	27-2505 to 27-3049 inclusive, 27-3051 to 27-3153 inclusive
	17104-60	A,B,Y	FLAP ASSEMBLY - Left wing	1	27-3050, 27-3154 to 27-7405300 inclusive
	17104-59	A,B,Y	FLAP ASSEMBLY - Right wing	1	27-3050, 27-3154 to 27-3784 inclusive
	17104-65	A,B,Y	FLAP ASSEMBLY - Right wing	1	27-3785 to 27-7405300 incl
	17104-68	A,Y	FLAP ASSEMBLY - Left wing	1	27-7405301 and up
	17104-69	A,Y	FLAP ASSEMBLY - Right wing	1	27-7405301 and up
-50	81172-70		LUG - Wing tip attaching	4	27-1 to 27-7554168 inclusive
-51	415 535		SCREW - Truss head machine (MS35206-245)	58	
-52	16617-00		FAIRING ASSEMBLY - Nacelle inboard, left (aluminum)	1	27-1 to 27-2504 inclusive
	16617-01		FAIRING ASSEMBLY - Nacelle inboard, right (aluminum)	1	27-1 to 27-2504 inclusive
	16617-08	Y	FAIRING ASSEMBLY - Nacelle inboard, left (aluminum)	1	27-2505 to 27-3888 inclusive
	16617-09	Y	FAIRING ASSEMBLY - Nacelle inboard, right (aluminum)	1	27-2505 to 27-3888 inclusive
	32466-00	Y	FAIRING ASSEMBLY - Nacelle inboard, left (fiberglass)	1	27-3889 and up
	32466-01	Y	FAIRING ASSEMBLY - Nacelle inboard, right (fiberglass)	1	27-3889 and up
-53	16777-00		FAIRING ASSEMBLY - Nacelle outboard, left (aluminum)	1	27-1 to 27-3888 inclusive
	16777-01		FAIRING ASSEMBLY - Nacelle outboard, right (aluminum)	1	27-1 to 27-3888 inclusive
	32471-00	Y	FAIRING ASSEMBLY - Nacelle outboard, left (fiberglass)	1	27-3889 and up
	32471-01	Y	FAIRING ASSEMBLY - Nacelle outboard, right (fiberglass)	1	27-3889 and up
-54	80012-94		BUSHING - Aileron center hinge	4	
-55	401 310		BOLT - (AN4-10A)	4	
-56	400 008		BOLT - (AN4-13A)	8	
-57	404 888		NUT - Self locking (MS20365-428C)	6	
-58	17531-00	C,D,X	TIP ASSEMBLY - Left wing	1	
	17531-01	C,D,X	TIP ASSEMBLY - Right wing	1	
	17531-00	C,D,Z	TIP ASSEMBLY - Left wing	1	27-505 to 27-524 inclusive
	17531-01	C,D,Z	TIP ASSEMBLY - Right wing	1	27-505 to 27-524 inclusive
	17531-40	C,Z	TIP ASSEMBLY - Left wing	1	27-525 and up
	17531-41	C,Z	TIP ASSEMBLY - Right wing	1	27-525 and up
	17531-00	C,D,Y	TIP ASSEMBLY - Left wing	1	27-2000 to 27-2269 inclusive
	17531-01	C,D,Y	TIP ASSEMBLY - Right wing	1	27-2000 to 27-2269 inclusive
	17531-40	C,Y	TIP ASSEMBLY - Left wing	1	27-2270 to 27-4815 inclusive
	17531-41	C,Y	TIP ASSEMBLY - Right wing	1	27-2270 to 27-4815 inclusive
	17531-46	C,Y	TIP ASSEMBLY - Left wing	1	27-4816 to 27-7554168 inclusive
	17531-47	C,Y	TIP ASSEMBLY - Right wing	1	27-4816 to 27-7554168 inclusive
	34282-00	C,Y	TIP ASSEMBLY - Left wing	1	27-7654001 to 27-7954087 incl
	34282-01	C,Y	TIP ASSEMBLY - Right wing	1	27-7654001 to 27-7954087 incl
	34282-14	C,Y	TIP ASSEMBLY - Left wing	1	27-7954088 and up
	34282-15	C,Y	TIP ASSEMBLY - Right wing	1	27-7954088 and up

A - See Figure 2A for component parts
 B - When ordering new Flap Assembly, ascertain part number stamped on identification plate attached to outboard rib. Reorder the Flap Assembly of same part number
 C - See Figure 4 for component parts
 D - If Kit No 754 493 is used, order tip 17531-40 left or 17531-41 right
 X - Used on PA-23-250 airplanes only
 Y - Used on PA-23-250 (Six Place) airplanes only
 Z - Used on PA-23-235 airplanes only

When ordering, always specify Part Number, Description and Serial Number of Aircraft

PIPER PARTS CATALOG

Figure and Index Number	Part Number	Code	NOMENCLATURE	No Req	SERIAL NUMBERS AFFECTED
2-59	80122-68		WASHER - Flap inboard and center hinge	8	
-60	17125-00		BLOCK - Aileron balance (Wt 3 lb 8 oz)	2	
	17125-02		BLOCK - Aileron balance (Wt 3 lb 13 oz)	2	
-61	407 565		WASHER - (AN960-416)	2	
-62	404 888		NUT - Self locking (MS20365-428C)	6	
-63	14175-46		BUSHING - Flap outboard hinge (1'4" L)	2	
	14175-89		BUSHING - Flap outboard hinge (3'16" L)	2	
-64	82732-121		BUSHING - Flap outboard hinge (3'4" L)	2	

When ordering, always specify Part Number, Description and Serial Number of Aircraft

PIPER PARTS CATALOG

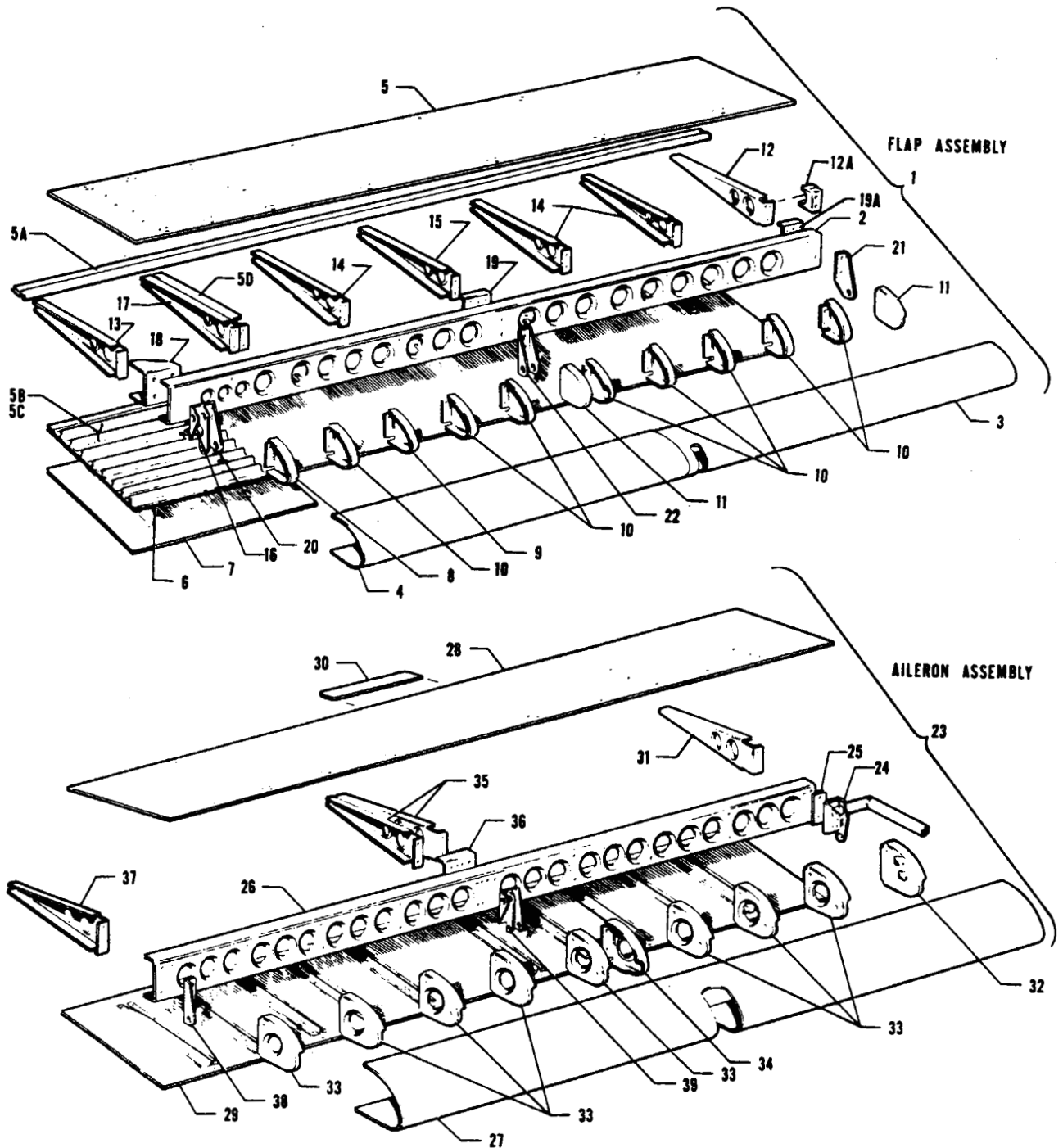


Figure 2A Flap Assembly and Aileron Assembly

PIPER PARTS CATALOG

Figure and Index Number	Part Number	Code	NOMENCLATURE	No Req	SERIAL NUMBERS AFFECTED
2A-	17104 17100		DRAWING - Flap Assembly DRAWING - Aileron Assembly		
-1	17104-40 17104-01 17104-58	C C C.Y	FLAP ASSEMBLY - Left wing FLAP ASSEMBLY - Right wing FLAP ASSEMBLY - Left wing	1 1 1	27-1 to 27-2504 inclusive 27-1 to 27-2504 inclusive 27-2505 to 27-3049 inclusive
	17104-57	C.Y	FLAP ASSEMBLY - Right wing	1	27-2505 to 27-3049 inclusive 27-3051 to 27-3153 inclusive
	17104-60	C.Y	FLAP ASSEMBLY - Left wing	1	27-3050, 27-3154 to 27-7405300 inclusive
	17104-59	C.Y	FLAP ASSEMBLY - Right wing	1	27-3050, 27-3154 to 27-3784 inclusive
	17104-65	C.Y	FLAP ASSEMBLY - Right wing	1	27-3785 to 27-7405300 inclusive
	17104-68	Y	FLAP ASSEMBLY - Left wing	1	27-7405301 and up
	17104-69	Y	FLAP ASSEMBLY - Right wing	1	27-7405301 and up
-2	17104-02		* SPAR - Left flap	1	
	17104-37	A	* SPAR ASSEMBLY - Right flap	1	27-1 to 27-3784 inclusive
	17104-62	Y	* SPAR ASSEMBLY - Right flap	1	27-3785 and up
-3	17104-22		* SKIN - Leading edge left flap, outboard	1	
	17104-23		* SKIN - Leading edge right flap, outboard	1	
-4	17104-26		* SKIN - Leading edge left flap, inboard	1	
	17104-27		* SKIN - Leading edge right flap, inboard	1	
-5	17104-47		* SKIN ASSEMBLY - Left flap, top	1	
	17104-46	A	* SKIN ASSEMBLY - Right flap, top	1	27-4 to 27-3784 inclusive
	17104-63	Y	* SKIN ASSEMBLY - Right flap, top	1	27-3785 and up
-5a	17104-77		* * STRIP - Beaded	1	
-5b	17104-25		* * PLATE - Reinforcement, right flap, top skin (Sta 0 to Sta 18)	1	
-5c	17104-61	B	* PLATE - Reinforcement, right flap, top skin (Sta 18 to Sta 32)	1	27-3785 and up
-5d	17104-10	B.Y	* RIB - Right flap	1	27-3785 and up
-6	17104-49		* SKIN ASSEMBLY - Left flap, bottom	1	
	17104-52	A	* SKIN ASSEMBLY - Right flap, bottom, outboard	1	27-1 to 27-3784 inclusive
	17104-66	Y	* SKIN ASSEMBLY - Right flap, bottom, outboard	1	27-3785 and up
-7	17104-48		* SKIN ASSEMBLY - Right flap, bottom, inboard	1	
-8	17104-05		* BULKHEAD - Flap, inboard	1	
-9	17104-07		* BULKHEAD - Left flap	1	
	17104-06		* BULKHEAD - Right flap	1	
-10	17104-05		* BULKHEAD - Left flap	8	
	17104-04		* BULKHEAD - Right flap	8	
-11	17104-04		* BULKHEAD - Left flap	2	
	17104-05		* BULKHEAD - Right flap	2	

A - Ascertain part number of flap assembly. An identification plate with the flap assembly part number is located on the outboard rib. If 17104-71 or 17104-72 or 17104-73 or 17104-74 is installed, order part for serial number 27-3785 and up.

B - Used on aircraft with serial numbers 27-1 to 27-3784 inclusive if flap assembly 17104-71 or 17104-72 or 17104-73 or 17104-74 is installed.

C - When ordering new flap assembly, ascertain part number stamped on identification plate attached to outboard rib. Reorder the flap assembly of same part number.

Y - Used on PA-23-250 (Six Place) airplanes only.

When ordering, always specify Part Number, Description and Serial Number of Aircraft

PIPER PARTS CATALOG

Figure and Index Number	Part Number	Code	NOMENCLATURE	No. Req.	SERIAL NUMBERS AFFECTED
2A-12	17104-42		* RIB - Left flap	1	
	17104-43		* RIB - Right flap	1	
-12a	31002-00		* * REINFORCEMENT - Flap outboard rib, left	1	
	31002-01		* * REINFORCEMENT - Flap outboard rib, right	1	
-13	17104-41	A	* RIB - Left flap	1	27-1 to 27-7405300 inclusive
	17104-70		* RIB - Left flap	1	27-7405301 and up
	17104-08		* RIB - Right flap	1	
-14	17104-10		* RIB - Left flap	3	
	17104-09		* RIB - Right flap	3	
-15	17104-12		* RIB - Left flap	1	
	17104-11		* RIB - Right flap	1	
-16	17120-00		* STOP	1	
-17	17104-10		* RIB - Left flap	1	
	17104-09		* RIB - Right flap	1	
-18	33518-00		* CHANNEL - Left flap	1	
-19	33541-00		* CHANNEL - Flap hinge reinforcement, left	1	
	33541-01		* CHANNEL - Flap hinge reinforcement, right	1	
-19a	33555-00		* CHANNEL - Flap hinge reinforcement, left	1	
	33555-01		* CHANNEL - Flap hinge reinforcement, right	1	
-20	17101-00		* HINGE - Flap, inboard, left	1	27-1 to 27-2504 inclusive
	31003-00		* HINGE - Flap, inboard, right	1	27-1 to 27-2504 inclusive
	17101-02	Y	* HINGE - Flap, inboard, left	1	27-2505 to 27-3049 inclusive, 27-3051 to 27-3153 inclusive
	31003-05	Y	* HINGE - Flap, inboard, right	1	27-2505 to 27-3049 inclusive, 27-3051 to 27-3153 inclusive
	17101-03	Y	* HINGE - Flap, inboard, left	1	27-3050, 27-3154 and up
	31003-07	Y	* HINGE - Flap, inboard, right	1	27-3050, 27-3154 and up
-21	17103-00	B	* HINGE - Flap, outboard, left	1	27-1 to 27-2504 inclusive
	17103-01	B	* HINGE - Flap, outboard, right	1	27-1 to 27-2504 inclusive
	17103-02	B,Y	* HINGE - Flap, outboard, left	1	27-2505 to 27-3049 inclusive, 27-3051 to 27-3153 inclusive
	17103-03	B,Y	* HINGE - Flap, outboard, right	1	27-2505 to 27-3049 inclusive, 27-3051 to 27-3153 inclusive
	17103-04	B,Y	* HINGE - Flap, outboard, left	1	27-3050, 27-3154 to 27-7405330 inclusive
	17103-05	B,Y	* HINGE - Flap, outboard, right	1	27-3050, 27-3154 to 27-7405330 inclusive
	33608-02	Y	* HINGE - Flap, outboard, left	1	27-7405331 and up
	33608-03	Y	* HINGE - Flap, outboard, right	1	27-7405331 and up

A - Ascertain part number of flap assembly on identification plate, located on the outboard rib. If 17104-71, 17104-72, 17104-73 or 17104-74 is installed, order part for serial numbers 27-7405301 and up

B - Ascertain if hinge is an angle or a channel type. If the angle type is installed, order the appropriate part number listed. If the channel type is installed, order the appropriate following part number: 33608-04 left or 33608-05 right for serial numbers 27-1 to 27-2504; 33608-06 left or 33608-07 right for serial numbers 27-2505 to 27-3049, 27-3051 to 27-3153 inclusive; 33608-02 left or 33608-03 right for serial numbers 27-3050, 27-3154 to 27-7405330 inclusive

Y - Used on PA-23-250 (Six Place) airplanes only

When ordering, always specify Part Number, Description and Serial Number of Aircraft

PIPER PARTS CATALOG

Figure and Index Number	Part Number	Code	NOMENCLATURE	No. Req.	SERIAL NUMBERS AFFECTED
2A-22	17102-00		* HINGE - Flap, center, left	1	27-1 to 27-2504 inclusive
	17102-01		* HINGE - Flap, center, right	1	27-1 to 27-2504 inclusive
	17102-02	Y	* HINGE - Flap, center, left	1	27-2505 to 27-3049 inclusive 27-3051 to 27-3153 inclusive
	17102-03	Y	* HINGE - Flap, center, right	1	27-2505 to 27-3049 inclusive 27-3051 to 27-3153 inclusive
-23	17100-00		AILERON ASSEMBLY - Left wing	1	
	17100-01		AILERON ASSEMBLY - Right wing	1	
-24	17126-08		* BALANCE ASSEMBLY - Aileron, left	1	
	17126-09		* BALANCE ASSEMBLY - Aileron, right	1	
-25	17202-00		* SHIM	1	
-26	17100-18		* SPAR ASSEMBLY - Aileron	1	
-27	17100-12		* SKIN - Leading edge, left	1	
	17100-11		* SKIN - Leading edge, right	1	
-28	17100-16		* SKIN ASSEMBLY - Left, top	1	
	17100-17		* SKIN ASSEMBLY - Right, top	1	
-29	17100-17		* SKIN ASSEMBLY - Left, bottom	1	
	17100-16		* SKIN ASSEMBLY - Right, bottom	1	
-30	18379-00		* TAB - Aileron trim	1	
-31	17100-08		* RIB - Aileron, outboard	1	
-32	17100-20		* RIB ASSEMBLY - Leading edge, outboard, left	1	
	17100-19		* RIB ASSEMBLY - Leading edge, outboard, right	1	
-33	17100-04		* RIB - Leading edge	9	
	17100-05		* RIB - Leading edge	9	
-34	17100-05		* RIB - Leading edge, left	1	
	17100-04		* RIB - Leading edge, right	1	
-35	17100-14		* RIB - Aileron center	2	
-36	17100-21		* PLATE ASSEMBLY - Aileron hinge, reinforcement, center	1	
-37	17100-13		* RIB - Aileron inboard	1	
-38	17095-00		* HINGE - Aileron inboard, left	1	
	17095-01		* HINGE - Aileron inboard, right	1	
-39	17097-00		* HINGE - Aileron center, left	1	
	17097-01		* HINGE - Aileron center, right	1	

Y - Used on PA-23-250 (Six Place) airplanes only

When ordering, always specify Part Number, Description and Serial Number of Aircraft

**1A23 THRU 1A24
INTENTIONALLY LEFT BLANK**

PIPER PARTS CATALOG

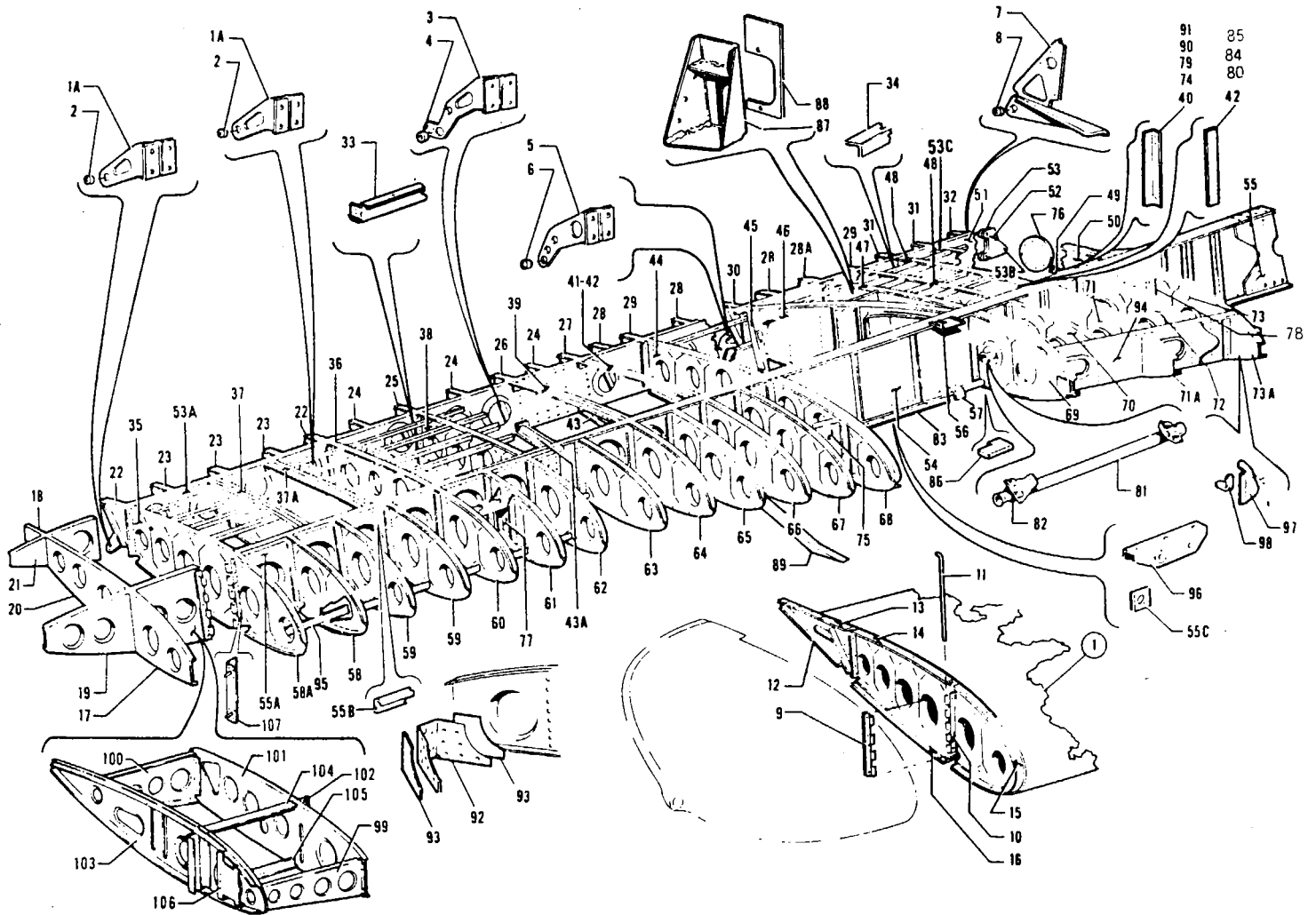


Figure 3 Wing and Wing Tip Construction



Figure and Index Number	Part Number	Code	NOMENCLATURE	No. Req.	SERIAL NUMBERS AFFECTED
3-	16170	X,Z	DRAWING - Wing Panel		
	16170	Y	DRAWING - Wing Panel		27-2000 to 27-4815 inclusive
	33300	Y	DRAWING - Wing Panel		27-4816 and up
	17531		DRAWING - Wing Tip		27-1 to 27-7554168 inclusive
	34282		DRAWING - Wing Tip		27-7654001 and up
	16057		DRAWING - Outboard Leading Edge Assembly		
	16292	X,Z	DRAWING - Wing Installation		
	30698	Y	DRAWING - Wing Installation		27-2000 to 27-4815 inclusive
	33304	Y	DRAWING - Wing Installation		27-4816 to 27-7554168 incl.
	33900		DRAWING - Wing Installation		27-7654001 and up
-1	16170-00	C,X	PANEL ASSEMBLY - Left wing	1	
	16170-01	C,X	PANEL ASSEMBLY - Right wing	1	
	16170-00	C,Z	PANEL ASSEMBLY - Left wing	1	27-505 to 27-524 inclusive
	16170-01	C,Z	PANEL ASSEMBLY - Right wing	1	27-505 to 27-524 inclusive
	16170-30	Z	PANEL ASSEMBLY - Left wing	1	27-525 and up
	16170-29	Z	PANEL ASSEMBLY - Right wing	1	27-525 and up
	16170-26	D,Y	PANEL ASSEMBLY - Left wing	1	27-2000 to 27-2269 inclusive
	16170-25	D,Y	PANEL ASSEMBLY - Right wing	1	27-2000 to 27-2269 inclusive
	16170-28	Y	PANEL ASSEMBLY - Left wing	1	27-2270 to 27-2504 inclusive
	16170-27	Y	PANEL ASSEMBLY - Right wing	1	27-2270 to 27-2504 inclusive
	16170-32	Y	PANEL ASSEMBLY - Left wing	1	27-2505 to 27-4815 inclusive
	16170-31	Y	PANEL ASSEMBLY - Right wing	1	27-2505 to 27-4815 inclusive
	33300-00	Y	PANEL ASSEMBLY - Left wing	1	27-4816 to 27-7554168 incl.
	33300-01	Y	PANEL ASSEMBLY - Right wing	1	27-4816 to 27-7554168 incl.
	33300-06	Y	PANEL ASSEMBLY - Left wing	1	27-7654001 and up
	33300-07	Y	PANEL ASSEMBLY - Right wing	1	27-7654001 and up
	-1a	17330-03		BRACKET - Aileron hinge	2
-2	452 345		BEARING	1	27-1 to 27-3483 inclusive
	25704-00		BEARING	1	27-3484 and up
-3	17330-02		BRACKET - Aileron and flap hinge	1	
-4	452 345		BEARING	1	27-1 to 27-3483 inclusive
	25704-00		BEARING	1	27-3484 and up
-5	17331-02		BRACKET - Flap hinge, center	1	
-6	452 345		BEARING	1	27-1 to 27-3483 inclusive
	25704-00		BEARING	1	27-3484 and up
-7	18398-01		BRACKET - Flap hinge, inboard, left	1	
	18398-00		BRACKET - Flap hinge, inboard, right	1	
-8	452 345		BEARING	1	27-1 to 27-3483 inclusive
	25704-00		BEARING	1	27-3484 and up
-9	17529-02	A	HINGE - Wing tip	1	27-1 to 27-7554168 inclusive
-10	17529-03		HINGE - Wing tip attachment	1	
-11	17529-04	B	PIN - Wing tip hinge	1	27-1 to 27-7554168 inclusive
	15514-02	B	PIN - Wing tip hinge	1	27-7654001 and up
-12	33917-02	B	RIB ASSEMBLY - Wing trailing edge, left	1	
	33917-03	B	RIB ASSEMBLY - Wing trailing edge, right	1	

A - Component part of wing tip assembly.
 B - Not a component of wing panel or wing tip.
 C - If Kit No. 754 493 has been installed, order wing panel 16170-29 R.H. or 16170-30 L.H.
 D - If Kit No. 754 493 has been installed, order wing panel 16170-27 R.H. or 16170-28 L.H.
 X - Used on PA-23-250 airplanes only.
 Y - Used on PA-23-250 (Six Place) airplanes only.
 Z - Used on PA-23-235 airplanes only.

When ordering, always specify Part Number, Description and Serial Number of Aircraft



Figure and Index Number	Part Number	Code	NOMENCLATURE	No. Req.	SERIAL NUMBERS AFFECTED
3-13	18253-02	B	STRIP ASSEMBLY - Wing tip attachment, top, rear	1	
	18253-20		STRIP ASSEMBLY - Wing tip attachment, top, rear	1	27-7654001 and up
-14	18253-17		STRIP ASSEMBLY - Wing tip attachment, top, center	1	
-15	18253-19		STRIP ASSEMBLY - Wing tip attachment, front	1	
-16	18253-10		STRIP ASSEMBLY - Wing tip attachment, bottom center, right	1	27-1 to 27-7554168 inclusive
	18253-11		STRIP ASSEMBLY - Wing tip attachment, bottom center, right	1	27-7654001 and up
	18253-03		STRIP ASSEMBLY - Wing tip attachment, bottom center, left	1	27-1 to 27-7554168 inclusive
	18253-12		STRIP ASSEMBLY - Wing tip attachment, bottom center, left	1	27-7654001 and up
-17	17531-12	A,B	RIB - Wing tip front, left	1	
	17531-13	A,B	RIB - Wing tip front, right	1	
-18	17531-16	A,B	RIB - Wing tip rear, left	1	
	17531-17	A,B	RIB - Wing tip rear, right	1	
-19	17531-06	A,B	SPAR - Wing tip front, left	1	
	17531-07	A,B	SPAR - Wing tip front, right	1	
-20	17531-14	A,B	RIB - Wing tip center, left	1	
	17531-15	A,B	RIB - Wing tip center, right	1	
-21	17531-08	A,B	SPAR - Wing tip rear, left	1	
	17531-09	A,B	SPAR - Wing tip rear, right	1	
-22	17329-12		BULKHEAD - Rear spar, left, Sta. 146, 191	2	
	17329-13		BULKHEAD - Rear spar, right, Sta. 146, 191	2	
-23	17329-28		BULKHEAD - Rear spar, left, Sta. 157, 168, 180	3	
	17329-29		BULKHEAD - Rear spar, right, Sta. 157, 168, 180	3	
-24	17329-29		BULKHEAD - Rear spar, left, Sta. 102, 118, 136	3	
	17329-28		BULKHEAD - Rear spar, right, Sta. 102, 118, 136	3	
-25	17329-28		BULKHEAD - Rear spar, left, Sta. 27	1	
	17329-29		BULKHEAD - Rear spar, right, Sta. 127	1	
-26	17329-23		BULKHEAD - Rear spar, left, Sta. 110	1	
	17329-08		BULKHEAD - Rear spar, right, Sta. 110	1	
-27	17329-30		BULKHEAD - Rear spar, left, Sta. 95	1	
	17329-27		BULKHEAD - Rear spar, right, Sta. 95	1	
-28	17329-30		BULKHEAD - Rear spar, left, Sta. 87, outboard of torque rib	2	
	17329-27		BULKHEAD - Rear spar, right, Sta. 87, outboard of torque rib	2	
-28a	19283-09		BULKHEAD - Rear spar, left, Sta. 56, 61 and 74, outboard of torque rib	2	
	19283-10		BULKHEAD - Rear spar, right, Sta. 56, 61 and 74, outboard of torque rib	2	
-29	17329-27		BULKHEAD - Rear spar, left, Sta. 80	1	
	17329-30		BULKHEAD - Rear spar, right, Sta. 80	1	
-29a	19283-10		BULKHEAD - Rear spar, Sta. 49	2	
-30	19283-12		BULKHEAD - Rear spar, left (torque rib)	1	
	19283-13		BULKHEAD - Rear spar, right (torque rib)	1	
-31	19283-04		BULKHEAD - Rear spar, left, Sta. 34, 42	2	
	19283-03		BULKHEAD - Rear spar, right, Sta. 34, 42	2	
-32	17329-34		BULKHEAD - Rear spar, left, Sta. 27	1	
	17329-31		BULKHEAD - Rear spar, right, Sta. 27	1	
-33	752 959		STIFFENER - (6' section)		
-34	149 063		ANGLE - Extrusion (6' section)		

A - Component part of wing tip assembly.
 B - Used on PA-23-250 and PA-23-235 with serial numbers 27-1 to 27-622 and PA-23-250 (Six Place) with serial numbers 27-2000 to 27-7554172 inclusive.

When ordering, always specify Part Number, Description and Serial Number of Aircraft



Figure and Index Number	Part Number	Code	NOMENCLATURE	No. Req.	SERIAL NUMBERS AFFECTED
3-35	16054-00	X,Z	RIB ASSEMBLY - Wing, left, Sta. 191	1	
	16054-00	Y	RIB ASSEMBLY - Wing, left, Sta. 191	1	27-2000 to 27-4815 inclusive
	33767-02	Y	RIB ASSEMBLY - Wing, left, Sta. 191	1	27-4816 and up
	16054-01	X,Z	RIB ASSEMBLY - Wing, right, Sta. 191	1	
	16054-01	Y	RIB ASSEMBLY - Wing, right, Sta. 191	1	27-2000 to 27-4815 inclusive
	33767-03	Y	RIB ASSEMBLY - Wing, right, Sta. 191	1	27-4816 and up
	16047-00		RIB ASSEMBLY - Wing, left, Sta. 146	1	
-36	16047-01		RIB ASSEMBLY - Wing, right, Sta. 146	1	
-37	16053-05	A	RIB ASSEMBLY - Wing, left top, Sta. 175	1	
	15720-02		RIB ASSEMBLY - Wing, left top, Sta. 175	1	27-7654001 and up
	16053-04	A	RIB ASSEMBLY - Wing, right top, Sta. 175	1	
	15720-02		RIB ASSEMBLY - Wing, right top, Sta. 175	1	27-7654001 and up
	16053-02	A	RIB ASSEMBLY - Wing, bottom, Sta. 175	1	
	16053-12		RIB ASSEMBLY - Wing, bottom, Sta. 175	1	27-7654001 and up
	16053-04	A	RIB ASSEMBLY - Wing, left top, Sta. 160	1	
	15720-02		RIB ASSEMBLY - Wing, left top, Sta. 160	1	27-7654001 and up
-37a	16053-05	A	RIB ASSEMBLY - Wing, right top, Sta. 160	1	
	15720-02		RIB ASSEMBLY - Wing, right top, Sta. 160	1	27-7654001 and up
	16053-02	A	RIB ASSEMBLY - Wing, bottom, Sta. 160	1	
	16053-12		RIB ASSEMBLY - Wing, bottom, Sta. 160	1	27-7654001 and up
-38	16052-00	X,Z	RIB ASSEMBLY - Wing, left, Sta. 127	1	
	16052-00	Y	RIB ASSEMBLY - Wing, left, Sta. 127	1	27-2000 to 27-4815 inclusive
	33302-00	Y	RIB ASSEMBLY - Wing, left, Sta. 127	1	27-4816 and up
	16052-01	X,Z	RIB ASSEMBLY - Wing, right, Sta. 127	1	
	16052-01	Y	RIB ASSEMBLY - Wing, right, Sta. 127	1	27-2000 to 27-4815 inclusive
	33302-01	Y	RIB ASSEMBLY - Wing, right, Sta. 127	1	27-4816 and up
	16658-02		RIB ASSEMBLY - Wing, left top, Sta. 110	1	
-39	16658-06		RIB ASSEMBLY - Wing, right top, Sta. 110	1	
-40	17367-00		ANGLE - Rib, Sta. 95, 109	2	
-41	16658-04		RIB ASSEMBLY - Wing, left, Sta. 95, top	1	
	16658-08		RIB ASSEMBLY - Wing, right, Sta. 96, top	1	
-42	17423-00		SHIM - Rib, Sta. 56, 80	2	
-43	16658-05		RIB ASSEMBLY - Wing, left, Sta. 95, bottom	1	
	16658-09		RIB ASSEMBLY - Wing, right, Sta. 96, bottom	1	
-43a	16658-03		RIB ASSEMBLY - Wing, left, Sta. 110, bottom	1	
	16658-07		RIB ASSEMBLY - Wing, right, Sta. 110, bottom	1	
-44	16027-00		RIB ASSEMBLY - Wing, left, Sta. 80	1	
	16027-01		RIB ASSEMBLY - Wing, right, Sta. 80	1	
-45	16018-05		RIB ASSEMBLY - Wing, outboard torque, left	1	
	16018-04		RIB ASSEMBLY - Wing, outboard torque, right	1	
-46	16018-02		RIB ASSEMBLY - Wing, inboard torque, left	1	
	16018-03		RIB ASSEMBLY - Wing, inboard torque, right	1	
-47	16024-00		RIB ASSEMBLY - Wing, left, Sta. 56	1	
	16024-01		RIB ASSEMBLY - Wing, right, Sta. 56	1	
-48	16008-02	X,Z	RIB ASSEMBLY - Wing, left, Sta. 42, 49	2	
	16008-03	X,Z	RIB ASSEMBLY - Wing, right, Sta. 42, 49	2	
	16008-04	Y	RIB ASSEMBLY - Wing, left, Sta. 42, 49	2	
	16008-05	Y	RIB ASSEMBLY - Wing, right, Sta. 42, 49	2	
	16008-04		RIB ASSEMBLY - Wing, left, Sta. 34	1	
-49	16008-05		RIB ASSEMBLY - Wing, right, Sta. 34	1	
-50	19287-00		RIB ASSEMBLY - Wing butt, left	1	
	19287-01		RIB ASSEMBLY - Wing butt, right	1	

A - Used on PA-23-250 and PA-23-235 with serial numbers 27-1 to 27-622 and PA-23-250 (Six Place) with serial numbers 27-2000 to 27-7554168 inclusive.

X - Used on PA-23-250 airplanes only.

Y - Used on PA-23-250 (Six Place) airplanes only.

Z - Used on PA-23-235 airplanes only.

When ordering, always specify Part Number, Description and Serial Number of Aircraft

PIPER PARTS CATALOG

Figure and Index Number	Part Number	Code	NOMENCLATURE	No. Req	SERIAL NUMBERS AFFECTED
3-51	16055-00		* SPAR ASSEMBLY - Wing rear, left	1	
	16055-01		* SPAR ASSEMBLY - Wing rear, right	1	
-52	17230-06		* * PLATE - Rear spar, left front, right rear	1	
-53	17230-07		* * PLATE - Rear spar, left rear, right front	1	
-53a	16055-02		* * SPAR - Outboard section, Sta 99 31 to Sta 192 07, left	1	
	16055-03		* * SPAR - Outboard section, Sta 99 31 to Sta 192 07, right	1	
-53b	80012-96		* * BUSHING	1	
-53c	16055-06		* * SPAR ASSEMBLY - Inboard section, Sta 23 75 to Sta 99 31, left	1	
	16055-07		* * SPAR ASSEMBLY - Inboard section, Sta 23 75 to Sta 99 31, right	1	
-54	17412-40	X,Z	* SPAR ASSEMBLY - Wing front, left	1	
	17412-41	X,Z	* SPAR ASSEMBLY - Wing front, right	1	
	30646-00	Y	* SPAR ASSEMBLY - Wing front, left	1	27-2000 to 27-7554168 inclusive
	30646-01	Y	* SPAR ASSEMBLY - Wing front, right	1	27-2000 to 27-7554168 inclusive
	30646-10	Y	* SPAR ASSEMBLY - Wing front, left	1	27-7654001 and up
	30646-11	Y	* SPAR ASSEMBLY - Wing front, right	1	27-7654001 and up
-55	17412-22		* * PLATE - Front spar end	1	
-55a	30646-06		* * CHANNEL - Front spar tip, left	1	27-1 to 27-7554168 inclusive
	30646-07		* * CHANNEL - Front spar tip, right	1	27-1 to 27-7554168 inclusive
	30646-14		* * CHANNEL - Front spar tip, left	1	27-7654001 and up
	30646-13		* * CHANNEL - Front spar tip, right	1	27-7654001 and up
-55b	30646-08		* * REINFORCEMENT - Spar tip channel	1	
-55c	31408-00	Y	* * BLOCK - Bearing, main gear door actuator	2	27-2505 and up
-56	18688-00		* BRACKET - Hydraulic line support, left	1	27-1 to 27-7954121 inclusive
	18688-01		* BRACKET - Hydraulic line support, right	1	27-1 to 27-7954121 inclusive
	18688-02		* BRACKET - Hydraulic line support, left	1	27-8054001 and up
	18688-03		* BRACKET - Hydraulic line support, right	1	27-8054001 and up
-57	16231-00	X	* BRACKET - Fuel valve shutoff, left	1	
	16231-00	Y	* BRACKET - Fuel valve shutoff, left	1	27-2000 to 27-2222 inclusive
	30859-02	Y	* BRACKET - Fuel valve shutoff, left	1	27-2223 and up
	30859-02	Z	* BRACKET - Fuel valve shutoff, left	1	
	16231-01	X	* BRACKET - Fuel valve shutoff, right	1	
	16231-01	Y	* BRACKET - Fuel valve shutoff, right	1	27-2000 to 27-2222 inclusive
	30859-03	Y	* BRACKET - Fuel valve shutoff, right	1	27-2223 and up
	30859-03	Z	* BRACKET - Fuel valve shutoff, right	1	
-58	17184-14		* RIB ASSEMBLY - Wing nose, left, Sta 180	2	27-1 to 27-504 inclusive
	17184-22		* RIB ASSEMBLY - Wing nose, left, Sta 180	2	27-505 and up
	17184-16		* RIB ASSEMBLY - Wing nose, right, Sta 180	2	27-1 to 27-504 inclusive
	17184-23		* RIB ASSEMBLY - Wing nose, right, Sta 180	2	27-505 and up
-58a	17184-14		* RIB ASSEMBLY - Wing nose, left, Sta 191	1	27-1 to 27-7554168 inclusive
	17184-16		* RIB ASSEMBLY - Wing nose, right, Sta 191	1	27-1 to 27-7554168 inclusive
	15782-02		* RIB ASSEMBLY - Wing nose, left, Sta 191	1	27-7654001 and up
	15782-03		* RIB ASSEMBLY - Wing nose, right, Sta 191	1	27-7654001 and up
-59	17184-12		* RIB ASSEMBLY - Wing nose, left, Sta 157, 168	2	27-1 to 27-504 inclusive
	17184-20		* RIB ASSEMBLY - Wing nose, left, Sta 157, 168	2	27-505 and up
	17184-17		* RIB ASSEMBLY - Wing nose, right, Sta 157, 168	2	27-1 to 27-504 inclusive
	17184-21		* RIB ASSEMBLY - Wing nose, right, Sta 157, 168	2	27-505 and up
-60	17185-18		* RIB ASSEMBLY - Wing nose, left, Sta 146	1	
	17185-17		* RIB ASSEMBLY - Wing nose, right, Sta 146	1	
-61	17185-16		* RIB ASSEMBLY - Wing nose, left, Sta 136	1	
	17185-15		* RIB ASSEMBLY - Wing nose, right, Sta 136	1	
-62	17184-11		* RIB ASSEMBLY - Wing nose, left, Sta 127	1	
	17184-15		* RIB ASSEMBLY - Wing nose, right, Sta 127	1	
-63	17186-08		* RIB ASSEMBLY - Wing nose, left, Sta 118	1	
	17186-09		* RIB ASSEMBLY - Wing nose, right, Sta 118	1	
-64	17184-18		* RIB ASSEMBLY - Wing nose, left, Sta 109	1	
	17184-19		* RIB ASSEMBLY - Wing nose, right, Sta 109	1	

X - Used on PA-23-250 airplanes only
 Y - Used on PA-23-250 (Six Place) airplanes only
 Z - Used on PA-23-235 airplanes only

When ordering, always specify Part Number, Description and Serial Number of Aircraft

PIPER PARTS CATALOG

Figure and Index Number	Part Number	Code	NOMENCLATURE	No Req	SERIAL NUMBERS AFFECTED
3-65	17187-10		* RIB ASSEMBLY - Wing nose, left, Sta 102	1	
	17187-11		* RIB ASSEMBLY - Wing nose, right, Sta 102	1	
-66	17188-10		* RIB ASSEMBLY - Wing nose, left, Sta 95	1	27-1 to 27-504 inclusive
	17188-12		* RIB ASSEMBLY - Wing nose, left, Sta 95	1	27-505 and up
	17188-11		* RIB ASSEMBLY - Wing nose, right, Sta 95	1	27-1 to 27-504 inclusive
	17188-13		* RIB ASSEMBLY - Wing nose, right, Sta 95	1	27-505 and up
-67	17189-10		* RIB ASSEMBLY - Wing nose, left, Sta 87	1	
	17189-11		* RIB ASSEMBLY - Wing nose, right, Sta 87	1	
-68	16034-00		* RIB ASSEMBLY - Wing nose, left, Sta 80	1	
	16034-01		* RIB ASSEMBLY - Wing nose, right, Sta 80	1	
-69	16042-00		* RIB ASSEMBLY - Wing nose, left, Sta 56	1	27-1 to 27-7954089 inclusive
	16042-01		* RIB ASSEMBLY - Wing nose, right, Sta 56	1	27-1 to 27-7954089 inclusive
	16042-10		* RIB ASSEMBLY - Wing nose, left, Sta 56	1	27-7954090 and up
	16042-11		* RIB ASSEMBLY - Wing nose, right, Sta 56	1	27-7954090 and up
-70	16012-02		* RIB ASSEMBLY - Wing, left, Sta 49	1	
	16012-03		* RIB ASSEMBLY - Wing, right, Sta 49	1	
-71	16017-00		* RIB ASSEMBLY - Wing, left, Sta 42	1	
	16017-01		* RIB ASSEMBLY - Wing, right, Sta 42	1	
-71a	16016-00		* BULKHEAD - Wing, leading edge, left, Sta 42	1	
	16016-01		* BULKHEAD - Wing, leading edge, right, Sta 42	1	
-72	16014-00	X,Z	* RIB ASSEMBLY - Wing nose, left, Sta 34	1	
	16014-01	X,Z	* RIB ASSEMBLY - Wing nose, right, Sta 34	1	
	16014-02	Y	* RIB ASSEMBLY - Wing nose, left, Sta 34	1	
	16014-03	Y	* RIB ASSEMBLY - Wing nose, right, Sta 34	1	
-73	16013-00		* RIB ASSEMBLY - Wing nose, left, Sta 27	1	
	16013-01		* RIB ASSEMBLY - Wing nose, right, Sta 27	1	
-73a	16015-00		* RIB ASSEMBLY - Wing nose, left, Sta 27	1	
	16015-01		* RIB ASSEMBLY - Wing nose, right, Sta 27	1	
-74	17375-00		* ANGLE - Rib, Sta 56,80	4	
-75	17382-00		* BULKHEAD - Nose rib, outboard, left	1	
	17382-01		* BULKHEAD - Nose rib, outboard, right	1	
-76	17193-00		* PLATE - Wing rib cover	2	
-77	17428-00		* BRACKET ASSEMBLY - Aileron bellcrank, left	1	27-1 to 27-504 inclusive
	17428-02		* BRACKET ASSEMBLY - Aileron bellcrank, left	1	27-505 to 27-7554168 inclusive
	17428-04		* BRACKET ASSEMBLY - Aileron bellcrank, left	1	27-7654001 and up
	17428-01		* BRACKET ASSEMBLY - Aileron bellcrank, right	1	27-1 to 27-504 inclusive
	17428-03		* BRACKET ASSEMBLY - Aileron bellcrank, right	1	27-505 to 27-7554168 inclusive
	17428-05		* BRACKET ASSEMBLY - Aileron bellcrank, right	1	27-7654001 and up
-78	17459-00		* BRACKET - Aileron cable pulley	1	
-79	18614-00		* ANGLE - Butt rib, left, Sta 27	1	
	18614-01		* ANGLE - Butt rib, right, Sta 27	1	
-80	18606-00		* SHIM - Butt, rib, Sta 27	1	
-81	17752-02		* CONDUIT - Wire harness (1-1/4")	1	
-82	18329-02		* BOLT - "U"	2	
-83	18358-00		* PLATE - Wheel well attachment, left	1	27-1 to 27-2504 inclusive
	18358-01		* PLATE - Wheel well attachment, right	1	27-1 to 27-2504 inclusive
	31404-00	Y	* PLATE - Wheel well attachment, left	1	27-2505 and up
	31404-01	Y	* PLATE - Wheel well attachment, right	1	27-2505 and up
-84	18942-02		* SHIM - Rib, Sta 42,49	2	
-85	18942-00		* SHIM - Rib, Sta 34	3	
-86	16216-00	X	* BRACKET - Fuel strainer, left	1	
	16216-00	Y	* BRACKET - Fuel strainer, left	1	27-2000 to 27-2222 inclusive
	16216-01	X	* BRACKET - Fuel strainer, right	1	
	16216-01	Y	* BRACKET - Fuel strainer, right	1	27-2000 to 27-2222 inclusive

X - Used on PA-23-250 airplanes only
 Y - Used on PA-23-250 (Six Place) airplanes only
 Z - Used on PA-23-235 airplanes only

When ordering, always specify Part Number, Description and Serial Number of Aircraft

PIPER PARTS CATALOG

Figure and Index Number	Part Number	Code	NOMENCLATURE	No. Req.	SERIAL NUMBERS AFFECTED
3-87	18572-00		FITTING - Landing gear reinforcement, left	1	
	18572-01		FITTING - Landing gear reinforcement, right	1	
-88	18571-00		PLATE - Filler, left	1	
	18571-01		PLATE - Filler, right	1	
-89	17209-04		ANGLE - Torque rib stiffener (right wing outboard or left wing inboard)	1	
	17209-05		ANGLE - Torque rib stiffener (right wing inboard or left wing outboard)	1	
-90	16046-00		ANGLE - Rib attachment, Sta. 42, 49	2	
-91	19302-00		ANGLE - Rib attachment, Sta 34	1	
-92	19294-00		PLATE - Torque rib reinforcement, left	1	
	19294-01		PLATE - Torque rib reinforcement, right	1	
-93	19295-00		SHIM - Torque rib	2	
-94	16010-00		SPAR ASSEMBLY - Front, left	1	
	16010-01		SPAR ASSEMBLY - Front, right	1	
-95	19976-00		STRINGER ASSEMBLY - Left	1	27-505 and up
	19976-01		STRINGER ASSEMBLY - Right	1	27-505 and up
-96	31409-00	Y	BRACKET ASSEMBLY - Main gear door actuator, left	1	27-2505 and up
	31409-01	Y	BRACKET ASSEMBLY - Main gear door actuator, right	1	27-2505 and up
-97	33159-00		DOUBLER - Wing, front spar, left	1	
	33159-01		DOUBLER - Wing, front spar, right	1	
-98	33158-00		BRACKET - Wing, rib attachment, left	1	
	33158-01		BRACKET - Wing, rib attachment, right	1	
-99	33792-02	A	BULKHEAD - Wing tip, left	1	27-7654001 and up
	33792-03	A	BULKHEAD - Wing tip, right	1	27-7654001 and up
-100	33791-02	A	BULKHEAD - Wing tip, left	1	27-7654001 and up
	33791-03	A	BULKHEAD - Wing tip, right	1	27-7654001 and up
-101	33770-02	A	RIB ASSEMBLY - Wing tip, left	1	27-7654001 and up
	33770-03	A	RIB ASSEMBLY - Wing tip, right	1	27-7654001 and up
-102	33780-02		HINGE - Wing tip, left	1	27-7654001 and up
	33780-03		HINGE - Wing tip, right	1	27-7654001 and up
-103	34220-00	A	RIB ASSEMBLY - Wing tip, left	1	27-7654001 to 27-7954087 incl
	34220-14	A	RIB ASSEMBLY - Wing tip, left	1	27-7954088 and up
	34220-01	A	RIB ASSEMBLY - Wing tip, right	1	27-7654001 to 27-7954087 incl
	34220-15	A	RIB ASSEMBLY - Wing tip, right	1	27-7954088 and up
-104	33773-02	A	SPAR - Wing tip, upper	1	27-7654001 and up
-105	33774-02	A	SPAR - Wing tip, lower	1	27-7654001 and up
-106	33772-02	A	BRACKET ASSEMBLY - Strobe power supply, left	1	27-7654001 and up
	33772-03	A	BRACKET ASSEMBLY - Strobe power supply, right	1	27-7654001 and up
-107	15797-02		CHANNEL ASSEMBLY - Tip guide, left	1	27-7654003 and up
	15797-03		CHANNEL ASSEMBLY - Tip guide, right	1	27-7654003 and up

A - Component part of wing tip assembly.

Y - Used on PA-23-250 (Six Place) airplanes only

When ordering, always specify Part Number, Description and Serial Number of Aircraft

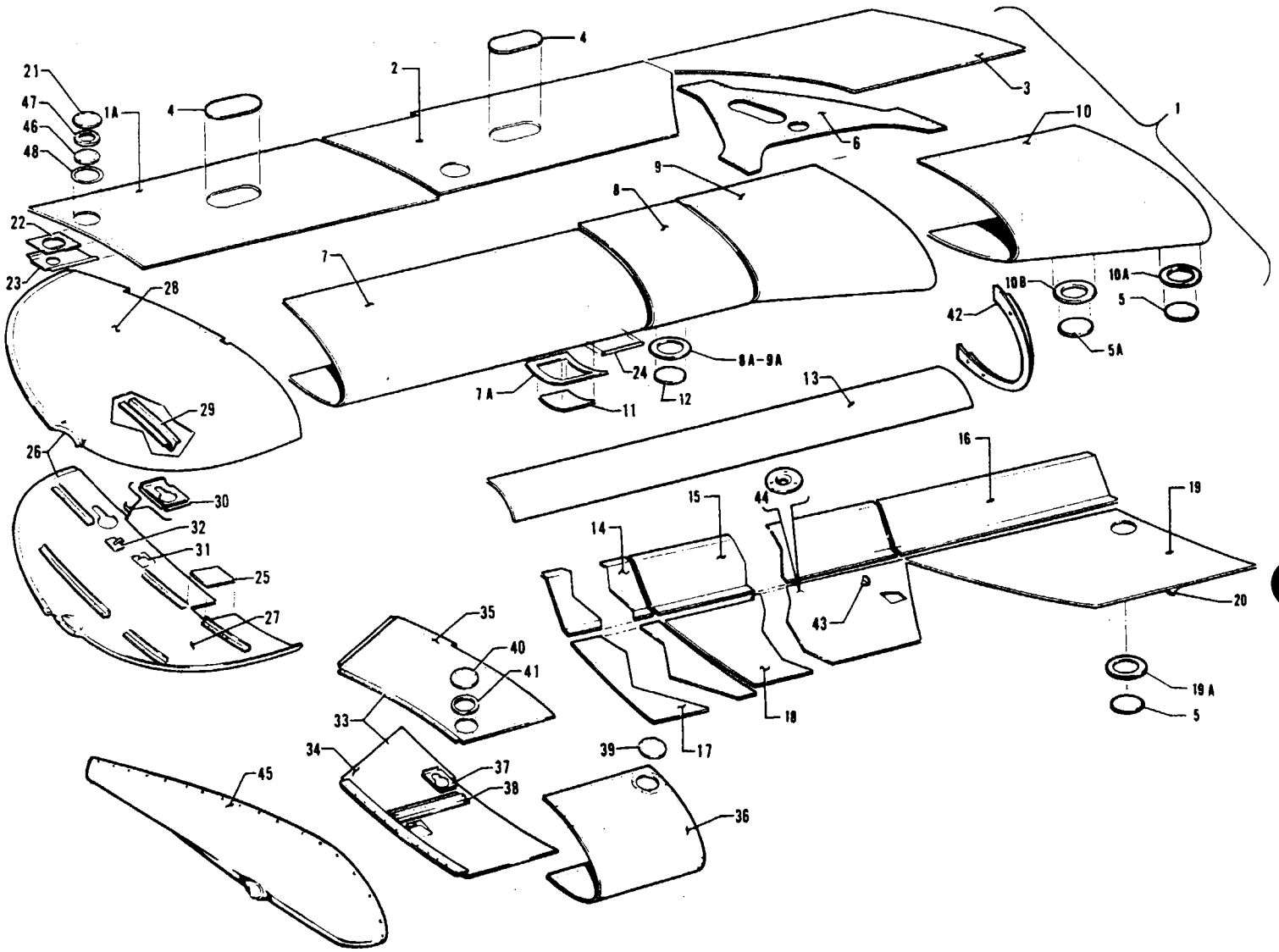


Figure 4. Wing and Wing Tip Skin

Figure and Index Number	Part Number	Code	NOMENCLATURE	No. Req.	SERIAL NUMBERS AFFECTED
4-	16170	X,Z	DRAWING - Wing Panel		
	16170	Y	DRAWING - Wing Panel		27-2000 to 27-4815 inclusive
	33300	Y	DRAWING - Wing Panel		27-4816 and up
	16292	X,Z	DRAWING - Wing Installation		
	30698	Y	DRAWING - Wing Installation		27-2000 to 27-4815 inclusive
	33304	Y	DRAWING - Wing Installation		27-4816 to 27-7554168 incl
	33900	Y	DRAWING - Wing Installation		27-7654001 and up
-1	16170-00	A,X	PANEL ASSEMBLY - Left wing	1	
	16170-01	A,X	PANEL ASSEMBLY - Right wing	1	
	16170-00	A,Z	PANEL ASSEMBLY - Left wing	1	27-505 to 27-524 inclusive
	16170-01	A,Z	PANEL ASSEMBLY - Right wing	1	27-505 to 27-524 inclusive
	16170-30	Z	PANEL ASSEMBLY - Left wing	1	27-525 and up
	16170-29	Z	PANEL ASSEMBLY - Right wing	1	27-525 and up
	16170-26	B,Y	PANEL ASSEMBLY - Left wing	1	27-2000 to 27-2269 inclusive
	16170-25	B,Y	PANEL ASSEMBLY - Right wing	1	27-2000 to 27-2269 inclusive
	16170-28	Y	PANEL ASSEMBLY - Left wing	1	27-2270 to 27-2504 inclusive
	16170-27	Y	PANEL ASSEMBLY - Right wing	1	27-2270 to 27-2504 inclusive
	16170-32	Y	PANEL ASSEMBLY - Left wing	1	27-2505 to 27-4815 inclusive
	16170-31	Y	PANEL ASSEMBLY - Right wing	1	27-2505 to 27-4815 inclusive
	33300-00	Y	PANEL ASSEMBLY - Left wing	1	27-4816 to 27-7554168 incl
	33300-01	Y	PANEL ASSEMBLY - Right wing	1	27-4816 to 27-7554168 incl
	33300-06	Y	PANEL ASSEMBLY - Left wing	1	27-7654001 and up
	33300-07	Y	PANEL ASSEMBLY - Right wing	1	27-7654001 and up
-1a	16170-16		SKIN ASSEMBLY - Outboard top, L.H.	1	27-1 to 27-7554168 inclusive
	16170-17		SKIN ASSEMBLY - Outboard top, R.H.	1	27-1 to 27-7554168 inclusive
	33300-14		SKIN ASSEMBLY - Outboard top, L.H.	1	27-7654001 and up
	33300-15		SKIN ASSEMBLY - Outboard top, R.H.	1	27-7654001 and up
-2	16170-10		SKIN ASSEMBLY - Wing center top, L.H.	1	27-1 to 27-7554168 inclusive
	16170-09		SKIN ASSEMBLY - Wing center top, R.H.	1	27-1 to 27-7554168 inclusive
	33300-12		SKIN ASSEMBLY - Wing center top	1	27-7654001 and up
-3	16170-02		SKIN - Wing top, inboard	1	
-4	16009-00		PLATE - Fuel cell access hole cover	2	
-5	17318-02		PLATE - Access hole cover	3	27-1 to 27-2504 inclusive
	17318-02	Y	PLATE - Access hole cover	2	27-2505 and up
-5a	17318-04	Y	PLATE - Access hole cover	1	27-2505 and up
-6	16170-06		SKIN ASSEMBLY - Left	1	27-1 to 27-2504 inclusive
	16170-05		SKIN ASSEMBLY - Right	1	27-1 to 27-2504 inclusive
-7	16170-36	Y	SKIN ASSEMBLY - Left	1	27-2505 and up
	16170-35	Y	SKIN ASSEMBLY - Right	1	27-2505 and up
	16057-07		SKIN ASSEMBLY - Left wing leading edge, outboard	1	
-7a	17422-35		SKIN ASSEMBLY - Right wing leading edge, outboard	1	
	17422-30		PLATE - Reinforcement	1	
-8	17422-36		SKIN ASSEMBLY - Left wing leading edge, center	1	
	17422-37		SKIN ASSEMBLY - Right wing leading edge, center	1	
-8a	17317-00		PLATE - Reinforcement	1	
-9	16057-04		SKIN ASSEMBLY - Left wing leading edge, inboard center	1	
	16057-05		SKIN ASSEMBLY - Right wing leading edge, inboard center	1	
-9a	17317-00		PLATE - Reinforcement	1	

A - If Kit No. 754 493 has been installed, order wing panel 16170-30 left or 16170-29 right.

B - If Kit No. 754 493 has been installed, order wing panel 16170-28 left or 16170-27 right.

X - Used on PA-23-250 airplanes only.

Y - Used on PA-23-250 (Six Place) airplanes only.

Z - Used on PA-23-235 airplanes only.

When ordering, always specify Part Number, Description and Serial Number of Aircraft

PIPER PARTS CATALOG

Figure and Index Number	Part Number	Code	NOMENCLATURE	No. Req.	SERIAL NUMBERS AFFECTED
4-10	16045-04		SKIN ASSEMBLY - Left leading edge, inboard	1	27-1 to 27-2504 inclusive
	16045-05		SKIN ASSEMBLY - Right leading edge, inboard	1	27-1 to 27-2504 inclusive
	16045-10	Y	SKIN ASSEMBLY - Left leading edge, inboard	1	27-2505 to 27-7954089 inclusive
	16045-11	Y	SKIN ASSEMBLY - Right leading edge, inboard	1	27-2505 to 27-7954089 incl
	16045-14	Y	SKIN ASSEMBLY - Left leading edge, inboard	1	27-7954090 and up
	16045-15	Y	SKIN ASSEMBLY - Right leading edge, inboard	1	27-7954090 and up
-10a	17317-03		PLATE - Reinforcement	2	27-1 to 27-2504 inclusive
	31596-00	Y	PLATE ASSEMBLY - Reinforcement	1	27-2505 and up
-10b	17317-03	Y	PLATE ASSEMBLY - Reinforcement	1	27-2505 and up
-11	17316-00		PLATE - Aileron bellcrank access hole cover	1	
-12	17318-03		PLATE - Access hold cover	2	
-13	17383-00		FAIRING - False spar, left	1	
	17383-01		FAIRING - False spar, right	1	
-14	17361-02		SPAR - False, left wing outboard	1	
	17361-03		SPAR - False, right wing outboard	1	
-15	17361-04		SPAR - False, left wing center	1	
	17361-05		SPAR - False, right wing center	1	
-16	17362-02		SPAR - False, left wing inboard	1	
	17362-03		SPAR - False, right wing inboard	1	
-17	16170-18		SKIN ASSEMBLY - Outboard bottom, L H	1	27-1 to 27-4815 inclusive
	33300-04		SKIN ASSEMBLY - Outboard bottom, L H	1	27-4816 and up
	16170-19		SKIN ASSEMBLY - Outboard bottom, R H	1	27-1 to 27-4815 inclusive
	33300-05		SKIN ASSEMBLY - Outboard bottom, R H	1	27-4816 and up
-18	16170-12		SKIN ASSEMBLY - Center bottom, L H	1	
	16170-11		SKIN ASSEMBLY - Center bottom, R H	1	
-19	16170-20		SKIN ASSEMBLY - Inboard bottom, L H	1	
	16170-21		SKIN ASSEMBLY - Inboard bottom, R H	1	
-19a	17317-03		PLATE - Reinforcement	1	
-20	17365-00		PAD - Jack	1	
-21	15713-02		COVER - Fuel cell access	1	27-7654001 and up
-22	15717-02		PLATE ASSEMBLY - Access hole reinforcement	1	27-7654001 and up
-23	15718-02		PLATE ASSEMBLY - Fuel cell access, left	1	27-7654001 and up
	15718-03		PLATE ASSEMBLY - Fuel cell access, right	1	27-7654001 and up
-24	44275-08	B	FLOW STRIP - Wing, right	1	27-7654001 and up
-25	18480-00		COVER ASSEMBLY - Wing tip access	1	27-1 to 27-7554168 inclusive
-26	17531-00	A,X	TIP ASSEMBLY - Wing, left	1	
	17531-01	A,X	TIP ASSEMBLY - Wing, right	1	
	17531-00	A,Z	TIP ASSEMBLY - Wing, left	1	27-505 to 27-524 inclusive
	17531-01	A,Z	TIP ASSEMBLY - Wing, right	1	27-505 to 27-524 inclusive
	17531-40	Z	TIP ASSEMBLY - Wing, left	1	27-525 and up
	17531-41	Z	TIP ASSEMBLY - Wing, right	1	27-525 and up
	17531-00	A,Y	TIP ASSEMBLY - Wing, left	1	27-2000 to 27-2269 inclusive
	17531-01	A,Y	TIP ASSEMBLY - Wing, right	1	27-2000 to 27-2269 inclusive
	17531-40	Y	TIP ASSEMBLY - Wing, left	1	27-2270 to 27-4815 inclusive
	17531-41	Y	TIP ASSEMBLY - Wing, right	1	27-2270 to 27-4815 inclusive
	17531-46	Y	TIP ASSEMBLY - Wing, left	1	27-4816 to 27-7554168 inclusive
	17531-47	Y	TIP ASSEMBLY - Wing, right	1	27-4816 to 27-7554168 inclusive

A - If Kit No 754 493 is used, order wing tip 17531-40 left or 17531-41 right

B - Refer to Figure 42C if Pneumatic Deicer Installation is installed

X - Used on PA-23-250 airplanes only

Y - Used on PA-23-250 (Six Place) airplanes only

Z - Used on PA-23-235 airplanes only

When ordering, always specify Part Number, Description and Serial Number of Aircraft

PIPER PARTS CATALOG

Figure and Index Number	Part Number	Code	NOMENCLATURE	No. Req.	SERIAL NUMBERS AFFECTED
4-27	17531-34	C	SKIN - Left wing tip, lower	1	
	17531-35	C	SKIN - Right wing tip, lower	1	
	17531-36	B	SKIN - Left wing tip, lower	1	
	17531-37	B	SKIN - Right wing tip, lower	1	
	17531-42	A	SKIN - Left wing tip, lower	1	
	17531-43	A	SKIN - Right wing tip, lower	1	
-28	17531-32		SKIN - Left wing tip, upper	1	27-1 to 27-7554168 inclusive
	17531-33		SKIN - Right wing tip, upper	1	27-1 to 27-7554168 inclusive
-29	18694-00		CHANNEL - Section (six foot section)	1	27-1 to 27-7554168 inclusive
-30	17531-18		REINFORCEMENT - Aileron balance weight, left	1	27-1 to 27-7554168 inclusive
	17531-19		REINFORCEMENT - Aileron balance weight, right	1	27-1 to 27-7554168 inclusive
-31	30988-00		VENT ASSEMBLY - Fuel cell	1	27-1 to 27-7554168 inclusive
-32	31075-00	B,D	TUBE ASSEMBLY - Fuel cell vent drain	1	27-1 to 27-7554168 inclusive
-33	34282-00	G,Y	TIP ASSEMBLY - Wing, left	1	27-7654001 to 27-7954087 incl
	34282-14	G,Y	TIP ASSEMBLY - Wing, left	1	27-7954088 and up
	34282-01	G,Y	TIP ASSEMBLY - Wing, right	1	27-7654001 to 27-7954087 incl
	34282-15	G,Y	TIP ASSEMBLY - Wing, right	1	27-7954088 and up
-34	34282-04	Y	SKIN - Left wing tip, lower	1	27-7654001 and up
	34282-05	Y	SKIN - Right wing tip, lower	1	27-7654001 and up
-35	34282-02	Y	SKIN - Left wing tip, upper	1	27-7654001 and up
	34282-03	Y	SKIN - Right wing tip, upper	1	27-7654001 and up
-36	34282-06	Y	SKIN - Wing tip leading edge, left	1	27-7654001 and up
	34282-07	Y	SKIN - Wing tip leading edge, right	1	27-7654001 and up
-37	15586-02	Y	REINFORCEMENT - Aileron balance weight, left	1	27-7654001 and up
	15586-03	Y	REINFORCEMENT - Aileron balance weight, right	1	27-7654001 and up
-38	33808-03	Y	REINFORCEMENT - Tip skin	1	27-7654001 and up
-39	40546-08	Y	COVER ASSEMBLY - Fuel cell access	1	27-7654001 and up
-40	33803-02	E,Y	COVER - Fuel cell	1	27-7654001 and up
-41	33797-02	Y	GASKET - Fuel cell	1	27-7654001 and up
-42	16541-02		ANGLE - Nacelle attaching, left wing, outboard nose	1	
	16541-03		ANGLE - Nacelle attaching, right wing, outboard nose	1	
-43	33330-00		STRIP - Vent drain	2	
-44	33329-00		CONE	14	
-45	34267-00	Y	FAIRING ASSEMBLY - Wing Tip, Left (Fiberglass)	1	27-7654001 to 27-7954087 incl.
	28366-02	Y	FAIRING ASSEMBLY - Wing Tip, Left (Thermoplastic)	1	27-7954088 and up
	34267-01	Y	FAIRING ASSEMBLY - Wing Tip, Right (Fiberglass)	1	27-7654001 to 27-7954087 incl.
	28366-03	Y	FAIRING ASSEMBLY - Wing Tip, Right (Thermoplastic)	1	27-7954088 and up
-46	15711-02	F,Y	COVER - Fuel cell	2	27-7654001 and up
-47	15736-02	F,Y	RING - Fuel cell attachment	2	27-7654001 and up
-48	462 000	F,Y	GASKET - (FCB-25722)	2	27-7654001 and up

A - Used with wing tip 17531-46 or 17531-47
 B - Used with wing tip 17531-40 or 17531-41.
 C - Used with wing tip 17531-00 or 17531-01
 D - Used with wing tip 17531-48.
 E - Used if wing tip fuel tank is not installed
 F - Used if wing tip fuel tank is installed.
 G - Refer to Figure 3 for balance of component parts
 Y - Used on PA-23-250 (Six Place) airplanes only

When ordering, always specify Part Number, Description and Serial Number of Aircraft

PIPER PARTS CATALOG

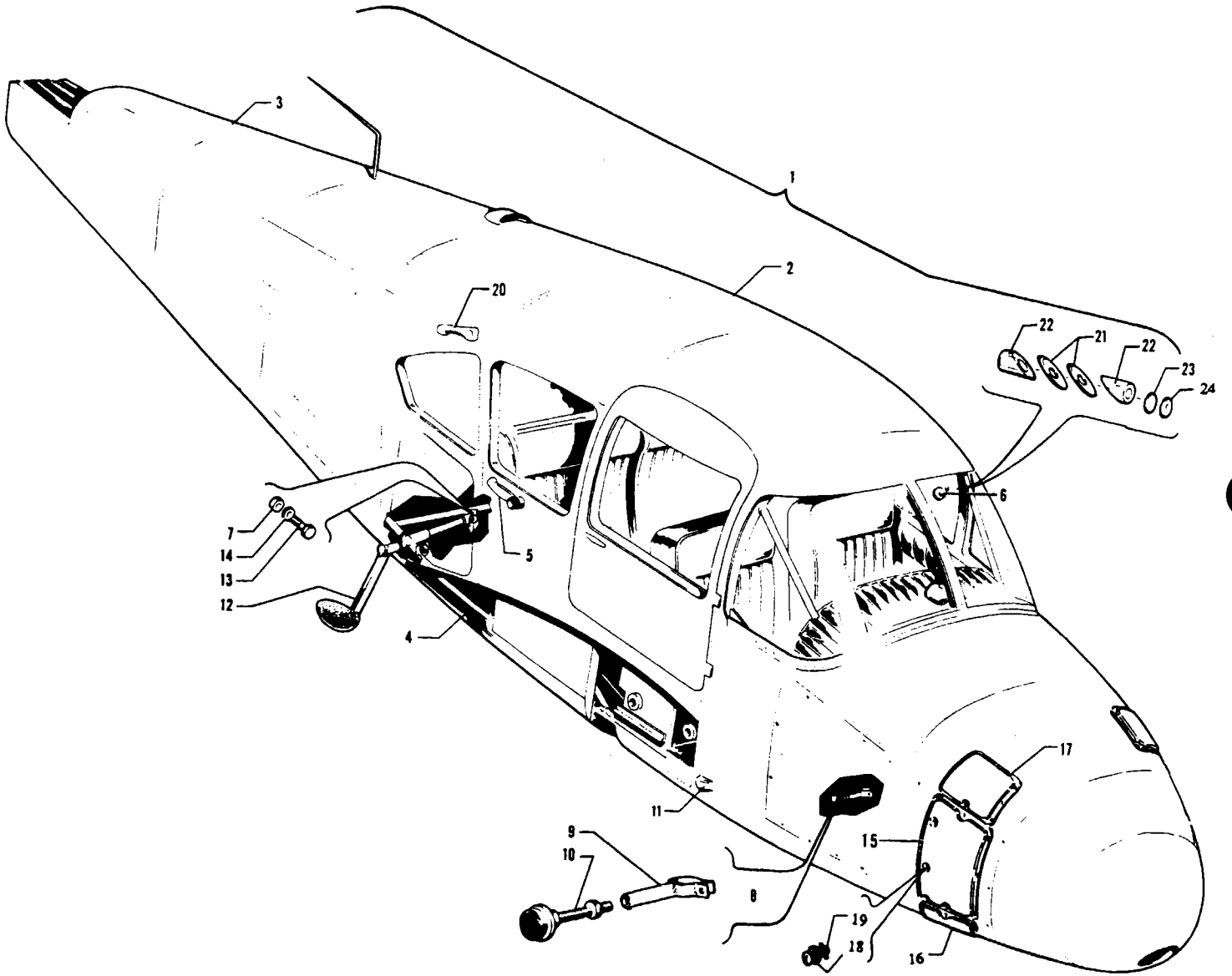


Figure 5 Complete Fuselage

PIPER PARTS CATALOG

Figure and Index Number	Part Number	Code	NOMENCLATURE	No. Req.	SERIAL NUMBERS AFFECTED
5-	16919	X	DRAWING - Plates Installation, Ice Shield		
	16475	X,Z	DRAWING - Complete Fuselage Assembly		
	30020	D,X	DRAWING - Complete Fuselage Assembly		27-259 to 27-364 inclusive
	30717	Y	DRAWING - Complete Fuselage Assembly		27-2000 to 27-2504 inclusive
	31588	Y	DRAWING - Complete Fuselage Assembly		27-2505 to 27-3836 inclusive, 27-3838 to 27-3943 inclusive
	32850	Y	DRAWING - Complete Fuselage Assembly		27-3837, 27-3944 to 27-7554168 inclusive
	33700	Y	DRAWING - Complete Fuselage Assembly		27-7654001 and up
-1	16300-00	A,X	FUSELAGE ASSEMBLY	1	27-1 to 27-402 inclusive
	30186-00	A,E,X	FUSELAGE ASSEMBLY	1	27-403 to 27-504 inclusive
	30049-00	A,D,X	FUSELAGE ASSEMBLY	1	27-259 to 27-364 inclusive
	30186-02	A,Z	FUSELAGE ASSEMBLY	1	
	30700-00	A,Y	FUSELAGE ASSEMBLY	1	27-2000 to 27-2299 inclusive
	30700-02	A,Y	FUSELAGE ASSEMBLY	1	27-2300 to 27-2504 inclusive
	30700-03	A,Y	FUSELAGE ASSEMBLY	1	27-2505 to 27-3049 inclusive, 27-3051 to 27-3153 inclusive
	32137-00	A,Y	FUSELAGE ASSEMBLY	1	27-3050, 27-3154 to 27-3836, 27-3838 to 27-3943 inclusive
	32617-00	A,Y	FUSELAGE ASSEMBLY	1	27-3837, 27-3944 to 27-4425, 27-4427 to 27-4573 inclusive
	32617-02	A,Y	FUSELAGE ASSEMBLY	1	27-4426, 27-4574 to 27-7554168 inclusive
-2	33701-02	A,Y	FUSELAGE ASSEMBLY	1	27-7654001 and up
	16230-00	B,X,Z	* FUSELAGE ASSEMBLY - (Center section)	1	
	30680-00	B,Y	* FUSELAGE ASSEMBLY - (Center section)	1	27-2000 to 27-2299 inclusive
	30680-02	B,Y	* FUSELAGE ASSEMBLY - (Center section)	1	27-2300 to 27-2504 inclusive
-3	30680-03	B,Y	* FUSELAGE ASSEMBLY - (Center section)	1	27-2505 to 27-3836 inclusive, 27-3838 to 27-3943 inclusive
	32616-00	B,Y	* FUSELAGE ASSEMBLY - (Center section)	1	27-3837, 27-3944 and up
	16210-00	C,X,Z	* FUSELAGE ASSEMBLY - (Aft section)	1	
	30410-00	C,Y	* FUSELAGE ASSEMBLY - (Aft section)	1	27-2000 to 27-2504 inclusive
	30410-12	C,Y	* FUSELAGE ASSEMBLY - (Aft section)	1	27-2505 to 27-3049 inclusive, 27-3051 to 27-3153 inclusive
	32044-00	C,Y	* FUSELAGE ASSEMBLY - (Aft section)	1	27-3050, 27-3154 to 27-3836, 27-3838 to 27-3943 inclusive
	32609-00	C,Y	* FUSELAGE ASSEMBLY - (Aft section)	1	27-3837, 27-3944 to 27-4425, 27-4427 to 27-4573 inclusive
	32609-02	C,Y	* FUSELAGE ASSEMBLY - (Aft section)	1	27-4426, 27-4574 to 27-7554168 inclusive
	32609-03	C,Y	* FUSELAGE ASSEMBLY - (Aft section)	1	27-7654001 and up

A - See Figure 6, 6A, 7, 7A, 8 and 9 for component parts.
 B - See Figure 7 for component parts.
 C - See Figure 8 for component parts.
 D - Used when 28-volt electrical system is installed.
 E - Used when 14-volt electrical system is installed.
 X - Used on PA-23-250 airplanes only
 Y - Used on PA-23-250 (Six Place) airplanes only.
 Z - Used on PA-23-235 airplanes only

When ordering, always specify Part Number, Description and Serial Number of Aircraft

PIPER PARTS CATALOG

Figure and Index Number	Part Number	Code	NOMENCLATURE	No Req.	SERIAL NUMBERS AFFECTED
5-4	16228-00	A,X,Z	* FRAME ASSEMBLY - Fuselage	1	
	30392-00	A,Y	* FRAME ASSEMBLY - Fuselage	1	27-2000 to 27-2504 inclusive
	30392-04	A,Y	* FRAME ASSEMBLY - Fuselage	1	27-2505 to 27-3049 inclusive, 27-3051 to 27-3153 inclusive
	30392-05	A,Y	* FRAME ASSEMBLY - Fuselage	1	27-3050, 27-3154 to 27-7554168 inclusive
	30392-06	A,Y	* FRAME ASSEMBLY - Fuselage	1	27-7654001 and up
-5	17413-03		HANDLE - Cabin assist	1	
-6	99479-02	V	GAUGE - Air temperature	1	27-1 to 27-2712 inclusive
	41707-00	Y	GAUGE - Air temperature (Maxwell, Manning & Moore, Inc)	1	27-2713 and up
	54507-04		GAUGE - Air temperature (Rochester)	1	27-8054001 and up
-7	404 999		NUT - (AN365-428)	1	
-8	18230-00	X,Z	SUPPORT ASSEMBLY - Fuselage skin	1	
-9	18231-00		* BRACKET ASSEMBLY - Fuselage skin support	1	
-10	17387-00		* PAD ASSEMBLY - Fuselage skin support	1	
-11	189 625		GROMMET - Engine control support	2	
-12	19734-00		STEP ASSEMBLY - Fuselage	1	27-1 to 27-4080 inclusive
	19734-07		STEP ASSEMBLY - Fuselage	1	27-4081 and up
-13	400 009		BOLT - (AN4-14A)	1	
-14	407 565		WASHER - (AN960-416)	1	
-15	19883-02	X,Z	PLATE - Ice shield center, left	1	
	19883-03	X,Z	PLATE - Ice shield center, right	1	
-16	19883-06	X,Z	PLATE - Ice shield lower, left	1	
	19883-07	X,Z	PLATE - Ice shield lower, right	1	
-17	19883-04	X,Z	PLATE - Ice shield upper, left	1	
	19883-05	X,Z	PLATE - Ice shield upper, right	1	
-18	487 587	X,Z	STUD - (#2600-5)	2	
-19	494 057	X,Z	WASHER - Split (#2600-SW2)	2	
-20	17413-03	Y	HANDLE - Cabin assist	1	27-3623 and up
-21	31711-00	Y	GASKET - Air temperature gauge attachment	2	27-2713 and up
-22	31710-02	Y	BUSHING - Air temperature gauge, interior	1	27-2713 and up
	31710-03	Y	BUSHING - Air temperature gauge, exterior	1	27-2713 and up
-23	81342-101	Y	WASHER - Air temperature gauge	2	27-2713 and up
-24	81342-08	Y	WASHER - Air temperature gauge	1	27-2713 and up

A - See Figure 9 for component parts
 V - These parts must be ordered from Service Spares Department, Piper Aircraft Corporation, Vero Beach, Florida
 X - Used on PA-23-250 airplanes only
 Y - Used on PA-23-250 (Six Place) airplanes only
 Z - Used on PA-23-235 airplanes only

When ordering, always specify Part Number, Description and Serial Number of Aircraft

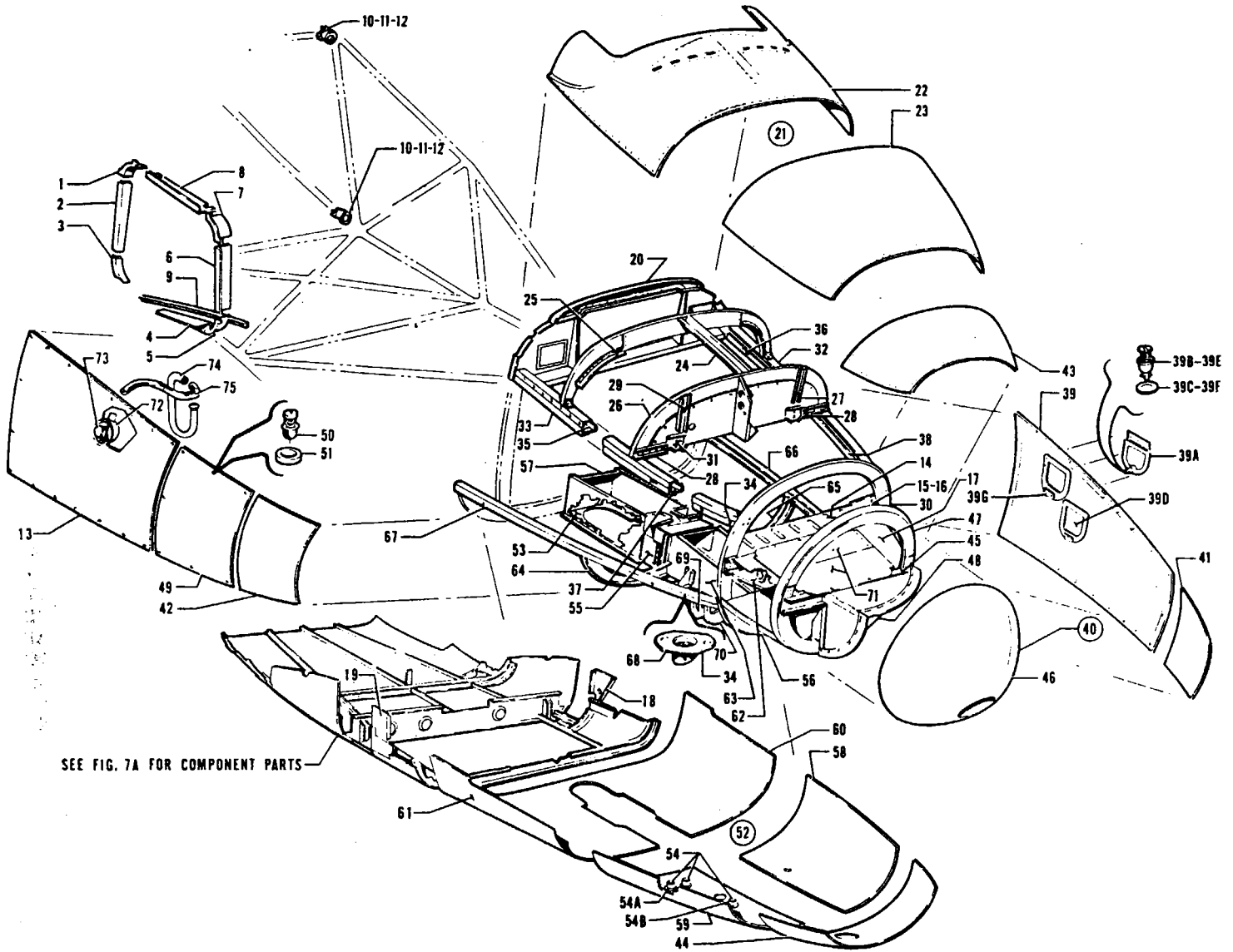


Figure 6. Fuselage Forward Section



Figure and Index Number	Part Number	Code	NOMENCLATURE	No. Req.	SERIAL NUMBERS AFFECTED
6-	16300 30049 19447 16828 30186	D B CX	DRAWING - Fuselage Assembly DRAWING - Fuselage Assembly DRAWING - Fuselage Forward Section DRAWING - Shelves Installation DRAWING - Fuselage Assembly		27-1 to 27-402 inclusive 27-259 to 27-364 inclusive 27-403 and up
-1	17262-00		ANGLE - Baggage compartment door frame, upper rear corner	1	
-2	17216-00		ANGLE - Baggage compartment door frame, rear	1	
-3	17244-00		ANGLE - Baggage compartment door frame, lower rear corner	1	
-4	17214-00		FAIRING - Baggage compartment door frame, lower	1	
-5	17247-00		ANGLE - Baggage compartment door frame, lower front corner	1	
-6	17245-00		ANGLE - Baggage compartment door frame, front	1	
-7	17248-00		ANGLE - Baggage compartment door frame, upper front corner	1	
-8	17252-00		ANGLE - Baggage compartment door frame, top	1	
-9	751 228		ANGLE - Stringer section (6 ft. section)		
-10	80122-69		WASHER - Shim (.032)	AR	
-11	80122-70		WASHER - Shim (.064)	AR	
-12	80122-71		WASHER - Shim (.125)	AR	
-13	19447-19		PANEL ASSEMBLY - Right rear, side	1	
-14	17787-00	A	SHELF - Radio power supply	1	
	16819-00	B	SHELF ASSEMBLY - Rear radio support	1	
	16827-00	E	SHELF - Lower radio support	1	
	16827-02	F	SHELF - Lower radio support	1	
-15	17785-00	A	BRACKET - Radio shelf, left	1	
	16825-00	B	BRACKET - Radio shelf support, left	1	
-16	17786-00	A	BRACKET - Radio shelf, right	1	
	16826-00	B	BRACKET - Radio shelf support, right	1	
-17	16823-00	B	SHELF ASSEMBLY - Side radio support, left	1	
	16823-01	B	SHELF ASSEMBLY - Side radio support, right	1	
-18	30663-02		PANEL - Fuselage access, left rear	1	
-19	30662-02		PANEL - Fuselage access, right front	1	
-20	16866-00		PANEL ASSEMBLY - Instrument	1	27-1 to 27-402 inclusive
	30035-00	D	PANEL ASSEMBLY - Instrument	1	27-259 to 27-364 inclusive
	16885-00	B	PANEL ASSEMBLY - Instrument	1	27-1 to 27-366 inclusive
	19860-00	B	PANEL ASSEMBLY - Instrument	1	27-367 to 27-430 inclusive
	19860-03	B	PANEL ASSEMBLY - Instrument	1	27-431 and up
	30340-00		PANEL ASSEMBLY - Instrument	1	27-403 and up
-21	19553-04		TOP ASSEMBLY - Forward section	1	
-22	19553-02		SKIN - Rear top	1	
-23	17360-10		SKIN - Center top assembly	1	
-24	19515-00		STRINGER	1	

A - Used when Collins Radio installation is not used.
 B - Used when Collins Radio installation is installed.
 C - Used when 14 Volt electrical system is installed.
 D - Used when 28 Volt electrical system is installed.
 E - This cannot be used when receptacle is installed.
 F - Used when receptacle is installed.
 X - Used on PA-23-250 airplanes only.

When ordering, always specify Part Number, Description and Serial Number of Aircraft



Figure and Index Number	Part Number	Code	NOMENCLATURE	No. Req.	SERIAL NUMBERS AFFECTED
6-25	19535-00		BULKHEAD ASSEMBLY - Top, station 55, LH	1	
	19535-01		BULKHEAD ASSEMBLY - Top, station 55, RH	1	
-26	17360-23		BULKHEAD ASSEMBLY - Fuselage forward section	1	
-27	17346-00		CHANNEL - Fuselage bulkhead, upper left	1	
-28	17345-00		CHANNEL - Fuselage bulkhead, upper left	1	
	17345-01		CHANNEL - Fuselage bulkhead, upper right	1	
-29	17346-01		CHANNEL - Fuselage bulkhead, upper right	1	
-30	17504-02	X	BULKHEAD - Upper	1	27-1 to 27-366 inclusive
	19826-00		BULKHEAD - Upper	1	27-367 and up
-31	17344-00		BRACKET - Fuselage bulkhead	2	
-32	17358-06		CHANNEL - Fuselage forward section, left	1	
-33	17358-05		CHANNEL - Fuselage forward section, right	1	
-34	484 342		RECEPTACLE - (#2600-212-12D)	1	
-35	17354-01		ANGLE - Fuselage forward section, right	1	
-36	17354-00		ANGLE - Fuselage forward section, left	1	
-37	17348-01		ANGLE - Fuselage forward section, right	1	
-38	17348-00		ANGLE - Fuselage forward section, left	1	
-39	19447-18		PANEL ASSEMBLY - Left front side	1	
-39a	19802-02		PLATE ASSEMBLY - Access, powerpak filler line	1	
-39b	487 584		STUD - Slotted head (#2600-2)	1	
-39c	494 060		LOCK WASHER - (#2600-LW)	1	
-39d	19802-03		PLATE ASSEMBLY - Access, brake fluid reservoir	1	
-39e	487 584		STUD - Slotted head (#2600-2)	1	
-39f	494 060		LOCK WASHER - (#2600-LW)	1	
-39g	484 342		RECEPTACLE - Stud (#212-12D)	2	
-40	19327-00	A	SECTION ASSEMBLY - Fuselage nose	1	
	19327-05	B	SECTION ASSEMBLY - Fuselage nose	1	
-41	17360-12		SKIN - Nose, left side	1	
-42	17360-13		SKIN - Nose, right side	1	
-43	17360-14		SKIN - Nose, front top	1	
-44	17360-15		SKIN - Nose, front bottom	1	
-45	19327-03		PLATE ASSEMBLY - Landing light compartment back	1	
-46	19326-00		FAIRING - Fuselage nose	1	
-47	17497-04		BULKHEAD ASSEMBLY - Top, station 6	1	
-48	17497-05		BULKHEAD ASSEMBLY - Bottom, station 6	1	
-49	19447-13		PANEL ASSEMBLY - Right front side	1	
-50	487 584		STUD - (#2600-2)	4	
-51	494 057		WASHER - (#2600-SW2)	4	
-52	19447-20	A	BOTTOM ASSEMBLY - Fuselage forward section	1	27-1 to 27-366 inclusive
	19830-00	A	BOTTOM ASSEMBLY - Fuselage forward section	1	27-367 and up
	30063-00	B	BOTTOM ASSEMBLY - Fuselage forward section	1	27-1 to 27-366 inclusive
	30063-03	B	BOTTOM ASSEMBLY - Fuselage forward section	1	27-367 and up
-53	18817-00		PLATE - Nose wheel well reinforcement	1	
-54	17758-03		TUBE ASSEMBLY - Vent, battery box	3	
-54a	30060-02	B	TUBE ASSEMBLY - Battery box ventilating	1	
-54b	30060-03	B	TUBE ASSEMBLY - Battery box ventilating	1	
-55	18340-00		PLATE - Wheel well stiffener	1	
-56	17504-05		BULKHEAD ASSEMBLY - Lower	1	27-1 to 27-366 inclusive
	19827-00		BULKHEAD ASSEMBLY - Lower	1	27-367 and up

A - Used with 14 Volt electrical system.
B - Used with 28 Volt electrical system.
X - Used on PA-23-250 airplanes only.

When ordering, always specify Part Number, Description and Serial Number of Aircraft



Figure and Index Number	Part Number	Code	NOMENCLATURE	No. Req.	SERIAL NUMBERS AFFECTED
6-57	17347-00		PLATE - Nose wheel well, end	1	
-58	19447-04		SKIN - Left forward	1	
-59	19447-05	A	SKIN - Right forward	1	
	30063-02	B	SKIN - Right forward	1	27-1 to 27-366 inclusive
	19447-05	B	SKIN - Right forward	1	27-367 and up
-60	19447-02		SKIN - Left rear	1	
-61	19447-03		SKIN - Right rear	1	
-62	17356-12	X	BULKHEAD ASSEMBLY - Forward section, left	1	27-1 to 27-467 inclusive
	17356-14	X	BULKHEAD ASSEMBLY - Forward section, left	1	27-468 and up
	17356-14	Z	BULKHEAD ASSEMBLY - Forward section, left	1	
-63	17356-01	X	BULKHEAD ASSEMBLY - Fuselage forward section, right	1	27-1 to 27-467 inclusive
	17356-15	X	BULKHEAD ASSEMBLY - Fuselage forward section, right	1	27-468 and up
	17356-15	Z	BULKHEAD ASSEMBLY - Fuselage forward section, right	1	
-64	17353-01		BULKHEAD - Fuselage forward section, right	1	
-65	17353-00		BULKHEAD - Fuselage forward section, left	1	
-66	16645-00		CHANNEL - Fuselage forward section, left	1	
-67	16645-01		CHANNEL - Fuselage forward section, right	1	
-68	484 342		RECEPTACLE - (2600-212-12D)	3	27-1 to 27-366 inclusive
-69	30068-00	B	BULKHEAD ASSEMBLY	1	
-70	30069-00	B	BULKHEAD ASSEMBLY	1	
-71	16822-00	C	SHELF ASSEMBLY - Front radio support	2	
-72	224 78-05	Z	RADIO COOLING - Ventilator	1	
-73	22482-00	Z	SCOOP - Air	1	
-74	31128-00	Z	TUBE - Radio cooling	1	
-75	16633-34	Z	HOSE - Flexible	1	

A - Used with 14 Volt electrical system.
 B - Used with 28 Volt electrical system.
 C - Used with Collins Radio Installation only.
 X - Used on PA-23-250 airplanes only.
 Z - Used on PA-23-235 airplanes only.

When ordering, always specify Part Number, Description and Serial Number of Aircraft

**1B19 THRU 1B24
INTENTIONALLY LEFT BLANK**

PIPER PARTS CATALOG

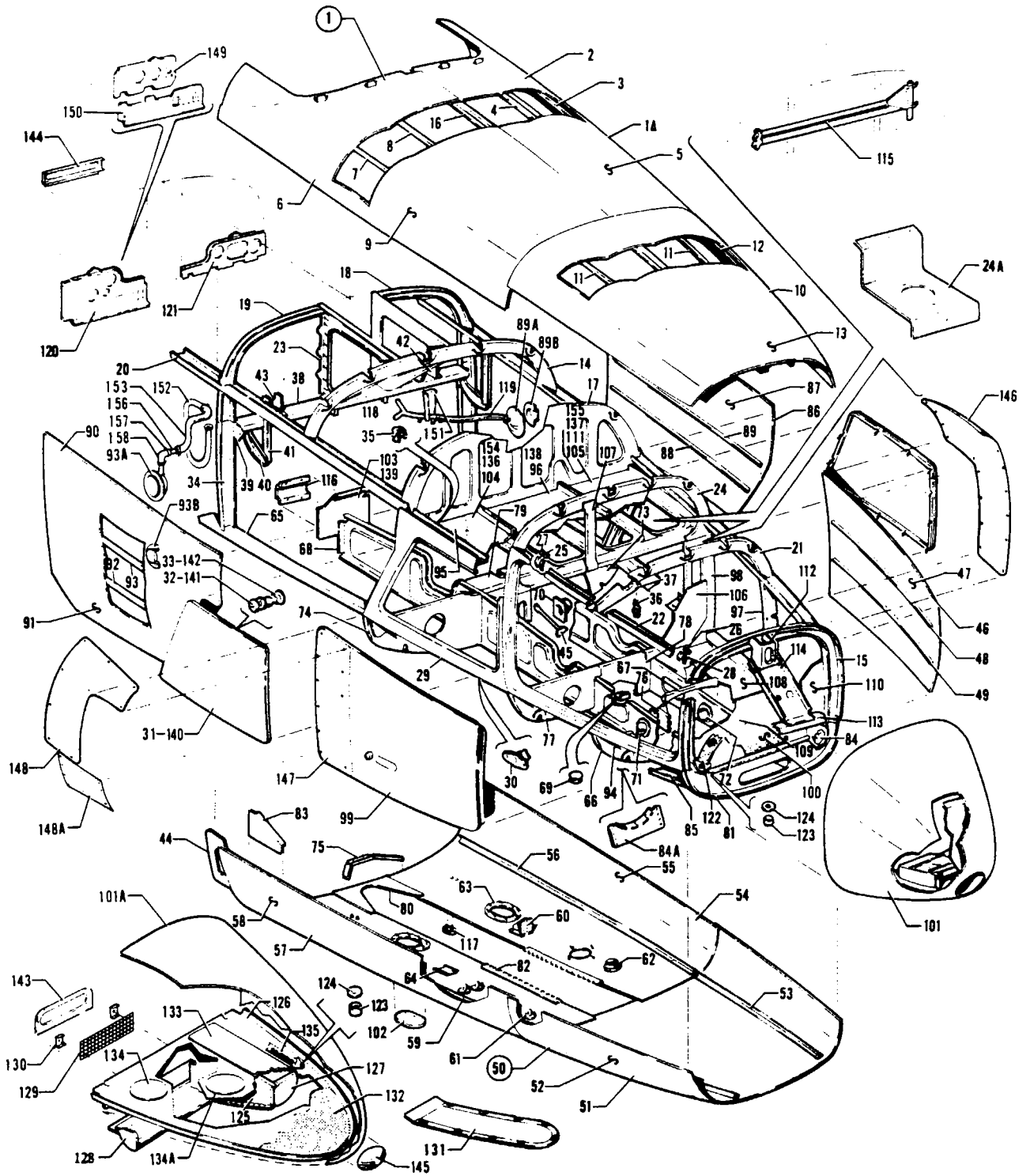


Figure 6A Fuselage Forward Section

PIPER PARTS CATALOG

Figure and Index Number	Part Number	Code	NOMENCLATURE	No. Req.	SERIAL NUMBERS AFFECTED
6A-	30700		DRAWING - Fuselage Assembly		27-2000 to 27-3049 inclusive, 27-3051 to 27-3153 inclusive
	32137		DRAWING - Fuselage Assembly		27-3050, 27-3154 to 27-3836, 27-3838 to 27-3943 inclusive
	32617		DRAWING - Fuselage Assembly		27-3837, 27-3944 to 27-7554168 inclusive
	33701		DRAWING - Fuselage Assembly		27-7654001 and up
	30542	A	DRAWING - Forward Fuselage Section Installation		
	32578		DRAWING - Forward Fuselage Section Installation		27-3837, 27-3944 to 27-4425, 27-4427 to 27-4573 inclusive
	33018		DRAWING - Forward Fuselage Section Installation		27-4426, 27-4574 and up
-1	30542-02		FORWARD SECTION ASSEMBLY - Fuselage	1	27-2000 to 27-2504 inclusive
	30542-03		FORWARD SECTION ASSEMBLY - Fuselage	1	27-2505 to 27-3049 inclusive, 27-3051 to 27-3153 inclusive
	30542-05		FORWARD SECTION ASSEMBLY - Fuselage	1	27-3050, 27-3154 to 27-3836, 27-3838 to 27-3943 inclusive
	32578-02		FORWARD SECTION ASSEMBLY - Fuselage	1	27-3837, 27-3944 to 27-4425, 27-4427 to 27-4573 inclusive
	33018-02		FORWARD SECTION ASSEMBLY - Fuselage	1	27-4426, 27-4574 to 27-7305234 inclusive
	33018-07		FORWARD SECTION ASSEMBLY - Fuselage	1	27-7405235 to 27-7405476 incl
	33018-09		FORWARD SECTION ASSEMBLY - Fuselage	1	27-7554001 to 27-8054002 incl
	33018-12		FORWARD SECTION ASSEMBLY - Fuselage	1	27-8054003 and up
-1a	30489-00	A	* SECTION ASSEMBLY - Fuselage, upper, forward	1	
	32564-00		* SECTION ASSEMBLY - Fuselage, upper, forward	1	27-3837, 27-3944 to 27-4425, 27-4427 to 27-4573 inclusive
	32564-02		* SECTION ASSEMBLY - Fuselage, upper, forward	1	27-4426, 27-4574 to 27-4784 inclusive
	32564-03		* SECTION ASSEMBLY - Fuselage, upper, forward	1	27-4785 to 27-7305234 incl
	32564-05		* SECTION ASSEMBLY - Fuselage, upper, forward	1	27-7405235 to 27-7405476 incl
	32564-06		* SECTION ASSEMBLY - Fuselage, upper, forward	1	27-7554001 and up
-2	30489-08		** SKIN ASSEMBLY - Upper, rear, left	1	
-3	30489-02		*** STRINGER - Angle, left	1	
-4	30489-04		*** STRINGER - Angle, left	1	
-5	30489-06		** SKIN - Upper, rear, left	1	
-6	30489-09		* SKIN ASSEMBLY - Upper, rear, right	1	
-7	30489-03		*** STRINGER - Angle, right	1	
-8	30489-05		*** STRINGER - Angle, right	1	
-9	30489-07		*** SKIN - Upper, rear, right	1	
-10	30489-14		** SKIN ASSEMBLY - Upper, forward	1	
-11	30489-10		*** STRINGER - Angle, left	1	
	30489-11		*** STRINGER - Angle, right	1	
-12	30489-12		*** STRINGER - Angle, left	1	
-13	30489-13		*** SKIN - Upper, forward	1	
-14	30402-00		* BULKHEAD ASSEMBLY - Fuselage, Sta 51-3/8	1	27-2000 to 27-4097 inclusive
	30402-02		* BULKHEAD - Fuselage, Sta 51-3/8	1	27-4098 and up
-15	30403-04		* BULKHEAD ASSEMBLY - Fuselage, upper section, Sta minus 12-5/8	1	
-16	30409-00		** STRINGER ASSEMBLY - Fuselage, nose	1	
-17	30413-03		** BULKHEAD ASSEMBLY - Fuselage, Sta 36-1/4	1	

A - Used on PA-23-250 (Six Place) with serial numbers 27-2000 to 27-3836 inclusive, 27-3838 to 27-3943 inclusive

When ordering, always specify Part Number, Description and Serial Number of Aircraft



Figure and Index Number	Part Number	Code	NOMENCLATURE	No. Req.	SERIAL NUMBERS AFFECTED
6A-18	30417-00	C	BULKHEAD - Instrument panel support, left	1	27-3873, 27-3944 to 27-4784 inclusive
	32416-00		BULKHEAD - Instrument panel support, left	1	
-19	32416-03	C D,F E,F	BULKHEAD - Instrument panel support, left	1	27-4785 to 27-7405476 incl. 27-7554001 to 27-7654203 incl. 27-7754001 and up
	33842-02		BULKHEAD - Instrument panel support, left	1	
	33842-05		BULKHEAD - Instrument panel support, left	1	
	30416-00		BULKHEAD - Instrument panel support, right	1	
	32415-00		BULKHEAD - Instrument panel support, right	1	
	32415-03		BULKHEAD - Instrument panel support, right	1	
	33471-00		BULKHEAD - Instrument panel support, right	1	
	33471-04		BULKHEAD - Instrument panel support, right	1	
	30422-06		CHANNEL - Fuselage, nose, upper, left	1	
	30422-07		CHANNEL - Fuselage, nose, upper, right	1	
-20	30424-00		BULKHEAD - Fuselage, nose, upper section, Sta. 3	1	
-21	30431-00		CHANNEL - Baggage door, upper	1	
-22	30437-00	A,C	BRACKET ASSEMBLY - Radio support, left	1	27-3837, 27-3944 to 27-4097 inclusive
	32450-00		BRACKET ASSEMBLY - Radio support, left	1	
-23	32836-00	A	BRACKET ASSEMBLY - Radio support, left	1	27-4098 to 27-4784 inclusive
	758 119	B	BRACKET ASSEMBLY - Radio support, left	1	
-24	33369-00	A,C	BRACKET ASSEMBLY - Radio support, left	1	27-4785 to 27-7405476 incl. 27-7554001 and up
	33634-02		BRACKET ASSEMBLY - Radio support, left	1	
-24a	30437-01	A	BRACKET ASSEMBLY - Radio support, right	1	27-3837, 27-3944 to 27-4097 inclusive
	32450-01	A	BRACKET ASSEMBLY - Radio support, right	1	
-25	32836-01	A	BRACKET ASSEMBLY - Radio support, right	1	27-4098 to 27-4784 inclusive
	758 126	B	BRACKET ASSEMBLY - Radio support, right	1	
-26	33369-01	A	BRACKET ASSEMBLY - Radio support, right	1	27-4785 to 27-7305234 incl. 27-7405235 to 27-7405476 incl.
	33369-09		BRACKET ASSEMBLY - Radio support, right	1	
-27	33634-03	A	BRACKET ASSEMBLY - Radio support, right	1	27-7554001 and up
	30444-00		BULKHEAD - Fuselage, upper section, Sta. 18-5/8	1	
-28	32092-00	A	BRACKET - Light support	1	27-3050, 27-3154 and up
	30446-02		BRACKET ASSEMBLY - Baggage door hinge	1	
-29	30446-03	A	BRACKET ASSEMBLY - Baggage door hinge	1	
	30446-04		BRACKET ASSEMBLY - Baggage door hinge	1	
-30	30446-05	A	BRACKET ASSEMBLY - Baggage door hinge	1	
	30515-00		FRAME ASSEMBLY - Fuselage, forward section, access center, left	1	
-30	30515-01	A	FRAME ASSEMBLY - Fuselage, forward section, access center, right	1	
	484 342		RECEPTACLE - (212-12D)	13	

A - Used when 14-volt electrical system is installed.
 B - Used on PA-23-250 (Six Place) with 28-volt electrical system, serial numbers 27-3584 to 27-4784 inclusive.
 C - Used on PA-23-250 (Six Place) with serial numbers 27-2000 to 27-3836 inclusive, 27-3838 to 27-3943 inclusive.
 D - Used on PA-23-250 (Six Place) with serial numbers 27-3837, 27-3944 to 27-4784 inclusive.
 E - Used on PA-23-250 (Six Place) with serial numbers 27-4785 to 27-7305234 inclusive.
 F - Order part for serial numbers 27-7405235 to 27-7405476 inclusive if upper right (row type) instrument cluster, per Figure 10B, has been installed.

When ordering, always specify Part Number, Description and Serial Number of Aircraft

PIPER PARTS CATALOG

Figure and Index Number	Part Number	Code	NOMENCLATURE	No. Req	SERIAL NUMBERS AFFECTED
6A-31	30509-00		PANEL ASSEMBLY - Fuselage, forward section, access center, left	1	27-2000 to 27-4425 inclusive, 27-4427 to 27-4573 inclusive
	30509-01		PANEL ASSEMBLY - Fuselage, forward section, access center, right	1	27-2000 to 27-4425 inclusive, 27-4427 to 27-4573 inclusive
-32	487 584		STUD - (2600-2)	13	
-33	494 057		WASHER - (2600-SW2)	13	
-34	30415-04		BULKHEAD - Fuselage, Sta 64-17/32, left	1	
	30415-01		BULKHEAD - Fuselage, Sta 64-17/32, right	1	
-35	454 819		CLIP - (A2840-025-3) Right	1	
-36	30533-00		CLAMP ASSEMBLY - Heater bracket	1	27-2000 to 27-3049 inclusive, 27-3051 to 27-3153 inclusive
	30533-02		CLAMP ASSEMBLY - Heater bracket	1	27-3050, 27-3154 and up
-37	30535-00		BRACKET - Heater	1	27-2000 to 27-3049 inclusive, 27-3051 to 27-3153 inclusive
	30535-02		BRACKET - Heater	1	27-3050, 27-3154 and up
-38	30430-00		CHANNEL ASSEMBLY - Instrument panel support	1	27-2000 to 27-3836 inclusive, 27-3838 to 27-3943 inclusive
	32407-04		CHANNEL ASSEMBLY - Instrument panel support	1	27-3837, 27-3944 to 27-7754093 inclusive
	32407-05		CHANNEL ASSEMBLY - Instrument panel support	1	27-7754094 and up
-39	30420-00		BRACKET ASSEMBLY - Instrument panel support, left	1	27-2000 to 27-3836 inclusive, 27-3838 to 27-3943 inclusive
	30419-00		BRACKET - Instrument panel support, left	1	27-3837, 27-3944 and up
-40	30419-00		BRACKET - Instrument panel support, right	1	27-2000 to 27-7754093 inclusive
	30419-02		BRACKET - Instrument panel support, right	1	27-7754094 and up
-41	30538-00		CHANNEL - Instrument panel roll support, left	1	27-2000 to 27-2504 inclusive
	30538-01		CHANNEL - Instrument panel roll support, right	1	27-2000 to 27-2504 inclusive
	30985-02		TUBE - Instrument panel roll support, left	1	27-2505 to 27-3836 inclusive, 27-3838 to 27-3943 inclusive
	30985-00		TUBE - Instrument panel roll support, right	1	27-2505 to 27-3836 inclusive, 27-3838 to 27-3943 inclusive
-42	17435-00		GUSSET - Instrument panel channel, left	1	
	17435-01		GUSSET - Instrument panel channel, right	1	27-2000 to 27-3836 inclusive, 27-3838 to 27-3943 inclusive
	32437-00		GUSSET - Instrument panel channel, right	1	27-3837, 27-3944 and up
-43	30537-01		BRACKET - Instrument panel roll support, left	1	27-2000 to 27-2504 inclusive
	31438-00		BRACKET ASSEMBLY - Circuit breaker panel mounting, left	1	27-2505 to 27-3836 inclusive, 27-3838 to 27-3943 inclusive
	30537-00		BRACKET - Instrument panel roll support, right	1	27-2000 to 27-3836 inclusive, 27-3838 to 27-3943 inclusive
-44	16236-00		PLATE - Auxiliary spar cutout reinforcement	2	
-45	30474-00		TUBE ASSEMBLY - Brake channel support	1	
-46	30486-00		SKIN ASSEMBLY - Fuselage, forward section, front, left	1	27-2000 to 27-7405275 inclusive
	30486-07		SKIN ASSEMBLY - Fuselage, forward section, front, left	1	27-7405276 and up
-47	30486-02		SKIN - Fuselage, forward section, front, left	1	
-48	30486-03		STRINGER - Angle, left, upper, left	1	27-2000 to 27-7405275 inclusive
	30486-05		STRINGER - Angle, left, upper, left	1	27-7405276 and up
-49	30486-04		STRINGER - Angle, left, lower, left	1	27-2000 to 27-7405275 inclusive
	30486-06		STRINGER - Angle, left, lower, left	1	27-7405276 and up
-50	30500-00		SECTION ASSEMBLY - Fuselage, lower, forward	1	27-2000 to 27-2504 inclusive
	30500-14		SECTION ASSEMBLY - Fuselage, lower, forward	1	27-2505 to 27-3049 inclusive, 27-3051 to 27-3153 inclusive
	30500-17		SECTION ASSEMBLY - Fuselage, lower, forward	1	27-3050, 27-3154 to 27-3836, 27-3838 to 27-3943 inclusive
	30500-20		SECTION ASSEMBLY - Fuselage, lower, forward	1	27-3837, 27-3944 to 27-4425, 27-4427 to 27-4573 inclusive
	30500-21		SECTION ASSEMBLY - Fuselage, lower, forward	1	27-4426, 27-4574 and up
-51	30500-09		SKIN ASSEMBLY - Lower forward	1	

When ordering, always specify Part Number, Description and Serial Number of Aircraft

PIPER PARTS CATALOG

Figure and Index Number	Part Number	Code	NOMENCLATURE	No. Req.	SERIAL NUMBERS AFFECTED
6A-52	30500-02		* * SKIN - Lower, forward	1	
-53	30500-05		* * STRINGER - Angle, right	1	
	30500-06		* * STRINGER - Angle, left	1	
-54	30500-10		* SKIN ASSEMBLY - Fuselage, lower, rear, left	1	27-2000 to 27-2504 inclusive
	30500-16		* SKIN ASSEMBLY - Fuselage, lower, rear, left	1	27-2505 to 27-3049 inclusive, 27-3051 to 27-3153 inclusive
	30500-19		* SKIN ASSEMBLY - Fuselage, lower, rear, left	1	27-3050, 27-3154 and up
-55	30500-04		* * SKIN - Lower, rear, left	1	27-2000 to 27-2504 inclusive
	30500-15		* * SKIN - Lower, rear, left	1	27-2505 to 27-3049 inclusive, 27-3051 to 27-3153 inclusive
	30500-18		* * SKIN - Lower, rear, left	1	27-3050, 27-3154 and up
-56	30500-08		* * STRINGER - Angle, left	1	
-57	30500-11		* SKIN ASSEMBLY - Fuselage, lower, rear, right	1	
-58	30500-03		* * SKIN - Lower, rear, right	1	
-59	30500-07		* * STRINGER - Angle, right	1	
-60	16745-00		* BRACKET - Support	2	
-61	17758-03		* TUBE ASSEMBLY - Battery box, ventilating	3	
-62	19354-00		* TUBE ASSEMBLY - Take-off	1	27-2000 to 27-3049 inclusive, 27-3051 to 27-3153 inclusive
	19354-04		* TUBE ASSEMBLY - Take-off	1	27-3050, 27-3154 and up
-63	20372-03		* PLATE ASSEMBLY - Access hole, reinforcement	2	
-64	30550-00		* BRACKET - Antenna mounting	1	27-2000 to 27-2504 inclusive
-65	30422-09		* CHANNEL - Fuselage, nose, lower, right	1	
	30422-10		* CHANNEL - Fuselage, nose, lower, left	1	
-66	30425-00		* BULKHEAD - Fuselage, lower, corner section, Sta 3, left	1	
	30425-01		* BULKHEAD - Fuselage, lower, corner section, Sta 3, right	1	
-67	30428-00		* BULKHEAD - Fuselage, lower, center section, Sta. 3	1	
-68	30435-00		* BULKHEAD ASSEMBLY - Fuselage, forward section, left	1	27-2000 to 27-2504 inclusive
	30435-04		* BULKHEAD ASSEMBLY - Fuselage, forward section, left	1	27-2505 and up
	30435-01		* BULKHEAD ASSEMBLY - Fuselage, forward section, right	1	
-69	453 641		* STEM BUMPER - (11)	2	
-70	30447-00		* TUBE ASSEMBLY - Heater air, left	1	27-2000 to 27-2504 inclusive
	31417-00		* TUBE ASSEMBLY - Heater air, left	1	27-2505 to 27-3049 inclusive, 27-3051 to 27-3153 inclusive
-71	30448-00		* TUBE ASSEMBLY - Cabin air intake, right	1	
-72	30449-00		* TUBE ASSEMBLY - Heater air intake, left	1	27-2000 to 27-3049 inclusive, 27-3051 to 27-3153 inclusive
	30449-04		* TUBE ASSEMBLY - Heater air intake, left	1	27-3050, 27-3154 to 27-4425, 27-4427 to 27-4573 inclusive
	30449-00		* TUBE ASSEMBLY - Heater air intake, left	1	27-4426, 27-4574 and up
-73	30456-00		* BULKHEAD ASSEMBLY - Fuselage bottom, Sta. 43-1/4, left	1	27-2000 to 27-2504 inclusive
	30456-04		* BULKHEAD ASSEMBLY - Fuselage bottom, Sta 43-1/4, left	1	27-2505 and up
-74	30457-00		* BULKHEAD ASSEMBLY - Fuselage bottom, Sta. 43-1/4, right	1	27-2000 to 27-2504 inclusive
	30457-04		* BULKHEAD ASSEMBLY - Fuselage bottom, Sta 43-1/4, right	1	27-2505 and up
-75	30460-00		* ANGLE - Fuselage cutout reinforcement	1	27-2000 to 27-2504 inclusive
-76	30463-00		* VALVE ASSEMBLY - Cabin air	1	27-2000 to 27-3836 inclusive, 27-3838 to 27-3943 inclusive
	30463-07		* VALVE ASSEMBLY - Cabin air	1	27-3837, 27-3944 and up

When ordering, always specify Part Number, Description and Serial Number of Aircraft

PIPER PARTS CATALOG

Figure and Index Number	Part Number	Code	NOMENCLATURE	No. Req.	SERIAL NUMBERS AFFECTED
6A-77	30475-00		* * BULKHEAD - Fuselage, lower, corner, section, left	1	27-2000 to 27-3049 inclusive, 27-3051 to 27-3153 inclusive
	32064-00		* * BULKHEAD - Fuselage, lower, corner, section, left	1	27-3050, 27-3154 and up
	30475-01		* * BULKHEAD - Fuselage, lower, corner, section, right	1	
-78	30479-00		* * BULKHEAD - Fuselage, lower, center section, Sta 18-5/8	1	
-79	30481-00		* * CHANNEL - Wheel well, stiffener	1	
-80	30488-00		* * PLATE - Fuselage forward section, trim	1	27-2000 to 27-2504 inclusive
-81	30397-00		* * BULKHEAD ASSEMBLY - Fuselage, lower section, Sta minus 12-5/8	1	27-2000 to 27-4425 inclusive, 27-4427 to 27-4573 inclusive
	33025-00		* * BULKHEAD ASSEMBLY - Fuselage, lower section, Sta minus 12-5/8	1	27-4426, 27-4574 and up
-82	30513-00		* * HINGE - Nose gear cover	2	
-83	30520-00		* * PLATE - Gusset, left	1	
	30520-01		* * PLATE - Gusset, right	1	
-84	30830-00		* * BRACKET - Fuselage bulkhead, left	1	
-84a	32071-00		* * BRACKET - Heater support	1	27-3050, 27-3154 and up
-85	30436-00		* * CHANNEL - Floorboard support, left	1	
	30436-01		* * CHANNEL - Floorboard support, right	1	
-86	30502-00		* SKIN ASSEMBLY - Fuselage, forward section, rear, left	1	27-2000 to 27-2254 inclusive
	30502-10	A	* SKIN ASSEMBLY - Fuselage, forward section, rear, left	1	27-2255 to 27-7554108 inclusive
	30502-14		* SKIN ASSEMBLY - Fuselage, forward section, rear, left (with air scoop)	1	27-7554109 and up
-87	30502-02		* * SKIN - Fuselage, forward section, rear, left	1	27-2000 to 27-2254 inclusive, 27-7554109 and up
	30502-11		* * SKIN - Fuselage, forward section, rear, left	1	27-2255 to 27-7554108 inclusive
-88	30502-04		* * STRINGER - Angle, lower, left	1	
-89	30502-06		* * STRINGER - Angle, upper, left	1	
-89a	22478-00		* * BOX ASSEMBLY - Ventilator	1	27-2000 to 27-7554108 inclusive
	33994-02		* * BOX ASSEMBLY - Ventilator	1	27-7554109 and up
-89b	22482-00		* * SCOOP - Radio cooling	1	
-90	30502-01		* SKIN ASSEMBLY - Fuselage, forward section, right, rear (with air scoop)	1	27-2000 to 27-7554108 inclusive
	30502-13		* SKIN ASSEMBLY - Fuselage, forward section, right, rear (less air scoop)	1	27-2000 to 27-7554108 inclusive
	30502-15		* SKIN ASSEMBLY - Fuselage, forward section, right (with air scoop)	1	27-7554109 to 27-7754134 incl
	30502-19		* SKIN ASSEMBLY - Fuselage, forward section, right (with air scoop)	1	27-7754135 and up
-91	30502-17		* * SKIN - Fuselage, forward section, right, rear (with air scoop)	1	
	30502-11		* * SKIN - Fuselage, forward section, right, rear (less air scoop)	1	27-2000 to 27-7554108 inclusive
-92	30502-05		* * STRINGER - Angle, lower, right	1	
-93	30502-07		* * STRINGER - Angle, upper, right	1	
-93a	22478-00		* * BOX ASSEMBLY - Ventilator	1	27-2000 to 27-7554108 inclusive
	22478-08		* * BOX ASSEMBLY - Ventilator	1	27-7554109 to 27-7754134 incl
	28336-02		* * BOX ASSEMBLY - Ventilator	1	27-7754135 and up
-93b	22482-00		* * SCOOP - Radio cooling	1	
-94	30540-04		* FRAME ASSEMBLY - Forward baggage compartment, door	1	

A - Order Part Number 30502-00 if radio cooling scoop and box are installed

When ordering, always specify Part Number, Description and Serial Number of Aircraft

PIPER PARTS CATALOG

Figure and Index Number	Part Number	Code	NOMENCLATURE	No. Req.	SERIAL NUMBERS AFFECTED
6A-95	30414-00		* SHELF ASSEMBLY - Radio power supply	1	27-2000 to 27-3049 inclusive, 27-3051 to 27-3153 inclusive
	30414-03		* SHELF ASSEMBLY - Radio power supply	1	27-3050, 27-3154 and up
-96	30625-00		* SHELF ASSEMBLY - Radio mounting	1	27-2000 to 27-4425 inclusive, 27-4427 to 27-4573 inclusive
-97	30427-00		* BULKHEAD - Fuselage, side section, Sta 3, left	1	
-98	30464-00		* BULKHEAD - Fuselage, side, Sta 18-5/8, left	1	27-2000 to 27-3049 inclusive, 27-3051 to 27-3153 inclusive
	32065-00		* BULKHEAD - Fuselage, side, Sta 18-5/8, left	1	27-3050, 27-3154 and up
	30464-01		* BULKHEAD - Fuselage, side, Sta 18-5/8, right	1	
-99	30678-00	D	* DOOR ASSEMBLY - Forward baggage compartment (complete)	1	27-2000 to 27-754168 inclusive
	33674-02	B	* DOOR ASSEMBLY - Forward baggage compartment (complete)	1	27-7654001 and up
-100	30842-02		* CARPET - Forward baggage compartment, gray	1	27-2000 to 27-3049 inclusive, 27-3051 to 27-3153 inclusive
	30842-05		* CARPET - Forward baggage compartment, gray	1	27-3050, 27-3154 to 27-3836, 27-3838 to 27-3943 inclusive
	30842-06		* CARPET - Forward baggage compartment, rear, white	1	27-3837, 27-3944 to 27-4425, 27-4427 to 27-4573 inclusive
	33658-02		* CARPET - Forward baggage compartment, rear, gray	1	27-4426, 27-4574 to 27-7954121 inclusive
	33658-04		* CARPET ASSEMBLY - Forward baggage compartment, buckskin	1	27-4426, 27-4574 and up
-101	30517-00	E	* SECTION ASSEMBLY - Fuselage, nose	1	27-2000 to 27-2504 inclusive
	30517-06		* SECTION ASSEMBLY - Fuselage, nose	1	27-2505 to 27-4425 inclusive, 27-4427 to 27-4573 inclusive
-101a	32958-00		* SECTION ASSEMBLY - Fuselage, nose	1	27-4426, 27-4574 to 27-7405309 inclusive
	34552-00		* SECTION ASSEMBLY - Fuselage, nose	1	27-7405310 and up
	33346-05	F	* RADOME ASSEMBLY - Fuselage, nose	1	27-4805 to 27-7954060 incl
-102	20370-00		* PLATE - Access hole cover	2	
-103	30438-00		* PLATE - Nose wheel well end	1	27-2000 to 27-4425 inclusive, 27-4427 to 27-4573 inclusive
-104	30624-00	A	* SHELF ASSEMBLY - Radio mounting, right	1	27-2000 to 27-3836 inclusive, 27-3838 to 27-3934 inclusive
	30624-03		* SHELF ASSEMBLY - Radio mounting, right	1	27-3837, 27-3944 to 27-4573 incl
-105	30626-00	C	* SHELF ASSEMBLY - Radio mounting, left	1	27-2000 to 27-4425 inclusive, 27-4427 to 27-4573 inclusive
-106	30487-02		PANEL - Forward baggage compartment, rear	1	27-2000 to 27-3049 inclusive, 27-3051 to 27-3153 inclusive
	32084-02		PANEL - Forward baggage compartment, rear	1	27-3050, 27-3154 and up
-107	30728-00		SUPPORT - Power supply shelf and tow bar attachment	2	
-108	30548-02		PANEL - Forward baggage compartment, floor, rear	1	27-2000 to 27-3049 inclusive, 27-3051 to 27-3153 inclusive
	32083-02		PANEL - Forward baggage compartment, floor, rear	1	27-3050, 27-3154 and up

A - Used when Mark V Radio is installed
 B - See Figure 15A for component parts
 C - Used when DME and Glide Slope Radio is installed
 D - See Figure 15 for component parts
 E - If external power with a single prong receptacle is installed, order part for serial numbers 27-2505 to 27-4425 inclusive, 27-4427 to 27-4573 inclusive
 F - Used if radar is installed On aircraft with serial numbers 27-7954061 and up, refer to the Avionics Drawing Index List and the appropriate drawings supplied with each aircraft when ordering replacement parts

When ordering, always specify Part Number, Description and Serial Number of Aircraft

PIPER PARTS CATALOG

Figure and Index Number	Part Number	Code	NOMENCLATURE	No. Req.	SERIAL NUMBERS AFFECTED
6A-109	30548-04		PANEL - Forward baggage compartment, floor, front	1	
-110	30461-02		PANEL - Forward baggage compartment, front	1	27-2000 to 27-4425 inclusive, 27-4427 and up
-111	30896-00	D	SHELF ASSEMBLY - Radio mounting	1	
-112	31675-00		BRACKET ASSEMBLY - Marker beacon receiver support	1	27-2000 to 27-4425 inclusive, 27-4427 to 27-4573 inclusive
-113	31676-00		ANGLE - Marker beacon receiver support	1	27-2000 to 27-4425 inclusive, 27-4427 to 27-4573 inclusive
-114	31677-00		BRACKET ASSEMBLY - Marker beacon receiver mounting	1	27-2000 to 27-4425 inclusive, 27-4427 to 27-4573 inclusive
-115	30762-00		BAR ASSEMBLY - Tow	1	
-116	31261-00		BRACKET ASSEMBLY - Shunt mounting	1	27-2505 and up
-117	453 712		BUMPER - Rubber (4232)	2	
-118	31695-00		TUBE ASSEMBLY - Radio cooling	1	27-2000 to 27-7554108 inclusive
	31695-04		TUBE ASSEMBLY - Radio cooling	1	27-7554109 and up
-119	16633-58		HOSE - Radio cooling tube	1	27-2000 to 27-7554108 inclusive
	61541-11		HOSE - Radio cooling tube	1	27-7554109 and up
-120	32406-03	B	PANEL ASSEMBLY - Instrument, right	1	
	32406-05	C	PANEL ASSEMBLY - Instrument, right	1	
	33469-00		PANEL ASSEMBLY - Instrument, right	1	27-7405235 to 27-7405476 incl
	33637-02		PANEL ASSEMBLY - Instrument, right	1	27-7554001 to 27-7554168 incl
	757 403		PANEL ASSEMBLY - Instrument, right	1	27-4522 to 27-4524 inclusive
	757 404		PANEL ASSEMBLY - Instrument, right	1	27-4552, 27-4554
	757 405		PANEL ASSEMBLY - Instrument, right	1	27-4799
-121	32414-03		PANEL ASSEMBLY - Instrument, left	1	27-3837, 27-3944 to 27-4784 inclusive
	32414-10		PANEL ASSEMBLY - Instrument, left	1	27-4785 to 27-7405476 inclusive
	33636-04		PANEL ASSEMBLY - Instrument, left	1	27-7554001 and up
-122	17870-08		STRAP ASSEMBLY - Baggage tie down, buckle end, forward, left	1	
	17870-08		STRAP ASSEMBLY - Baggage tie down, buckle end, rear, left	1	27-2000 to 27-3049 inclusive, 27-3051 to 27-3153 inclusive
	17870-12		STRAP ASSEMBLY - Baggage tie down, buckle end, rear, left	1	27-3050, 27-3154 and up
	17871-10		STRAP ASSEMBLY - Baggage tie down, tip end, right	2	
-123	14175-45	A	BUSHING	4	
-124	80122-07	A	WASHER	6	

- A - Used if Radome Assembly is not installed
- B - Used on PA-23-250 (Six Place) with serial numbers 27-3837, 27-3944 to 27-4097 inclusive, 27-7304986 to 27-7305221, 27-7305223 to 27-7305234 inclusive
- C - Used on PA-23-250 (Six Place) with serial numbers 27-4098 to 27-4521 inclusive, 27-4525 to 27-4551 inclusive, 27-4553, 27-4555 to 27-4771 inclusive, 27-4773 to 27-4798 inclusive, and 27-4800 to 27-7304985 inclusive
- D - Used when Collins Radio is installed on serial numbers 27-2000 to 27-7954060 inclusive. On aircraft with serial numbers 27-7954061 and up, refer to the Avionics Drawing Index List and the appropriate drawings supplied with each aircraft when ordering replacement parts

When ordering, always specify Part Number, Description and Serial Number of Aircraft

PIPER PARTS CATALOG

Figure and Index Number	Part Number	Code	NOMENCLATURE	No. Req	SERIAL NUMBERS AFFECTED
6A-125	32954-00	E	BULKHEAD ASSEMBLY - Fuselage longitudinal, Sta minus 27 50 to Sta minus 12 62, left	1	27-4426, 27-4574 to 27-7954002 inclusive
	28492-02	E	BULKHEAD ASSEMBLY - Fuselage longitudinal, Sta minus 27 50 to Sta minus 12 62, left	1	27-7954003 and up
	32954-01	E	BULKHEAD - Fuselage longitudinal, Sta minus 27 50 to Sta minus 12 62, right	1	27-4426, 27-4574 to 27-7954002 inclusive
	28492-03	E	BULKHEAD ASSEMBLY - Fuselage longitudinal, Sta minus 27 50 to Sta minus 12 62, right	1	27-7954003 and up
-126	33001-00		FLOORBOARD ASSEMBLY - Forward baggage	1	27-4426, 27-4574 to 27-7954002 inclusive
	28491-02		FLOORBOARD ASSEMBLY - Forward baggage	1	27-7954003 to 27-8054002 incl
	28491-04		FLOORBOARD ASSEMBLY - Forward baggage	1	27-8054003 and up
	33351-00	D,G	FLOORBOARD ASSEMBLY - Forward baggage	1	27-4805 to 27-7954060 incl
-127	32956-01	E	BULKHEAD ASSEMBLY - Fuselage, Sta minus 27 50, left	1	27-4426, 27-4574 and up
	32956-00	E	BULKHEAD ASSEMBLY - Fuselage, Sta minus 27 50, right	1	27-4426, 27-4574 and up
-128	33026-00	E	LIP ASSEMBLY - Air intake	1	27-4426, 27-4574 and up
-129	33030-00		SCREEN - Air intake	1	27-4426, 27-4574 and up
-130	33028-00		CLIP - Screen attachment	2	27-4426, 27-4574 to 27-4658 inclusive
-131	33035-00	E	WINDOW ASSEMBLY - Landing light	1	27-4426, 27-4574 to 27-7405309 inclusive
	33343-00	D	WINDOW - Landing light	1	27-4805 to 27-7405309 inclusive
	33343-00		WINDOW - Landing light	1	27-7405310 and up
-132	33659-02		CARPET - Forward baggage, front, gray	1	27-4426, 27-4574 to 27-7954121 inclusive
	33659-03		CARPET - Forward baggage, front, buckskin	1	27-4426, 27-4574 and up
-133	33017-00	E	PLATE ASSEMBLY - Access	1	27-4426, 27-4574 to 27-7954002 inclusive
	33017-00	A,E	PLATE ASSEMBLY - Access	1	27-4426, 27-4574 to 27-7954002 inclusive
	33017-03	B,E,G	PLATE ASSEMBLY - Access	1	27-4426, 27-4574 to 27-7954060 inclusive
	33017-05	C,E,G	PLATE ASSEMBLY - Access	1	27-4426, 27-4574 to 27-7954060 inclusive
	33914-06	E	PLATE ASSEMBLY - Access	1	27-7954003 to 27-8054002 incl
-134	41494-00		COVER - Floorboard access	1	27-4426, 27-4574 to 27-7954002 inclusive
	33348-00	D	COVER ASSEMBLY - Floorboard access, left (4 00 x 10 75)	1	27-4805 to 27-7405476 inclusive
	33914-02	D,G	COVER ASSEMBLY - Floorboard access, left (4 00 x 10 75)	1	27-7554001 to 27-7954060 incl
	33349-05	F	COVER ASSEMBLY - Floorboard access, left (4 00 x 10 75)	1	27-7554001 to 27-7954002 incl
	33349-00	D,G	COVER ASSEMBLY - Floorboard access, right (4 00 x 10 75)	1	27-4805 to 27-7954060 inclusive
	33349-05	F	COVER ASSEMBLY - Floorboard access, right (4 00 x 10 75)	1	27-7554001 to 27-7954002 incl
	33914-06		COVER ASSEMBLY - Floorboard access, right (4 00 x 10 75)	1	27-7954003 and up
	33914-06	F,G	COVER ASSEMBLY - Floorboard access, right (4 00 x 10 75)	1	27-7954003 to 27-7954060 incl
-134a	41494-00		COVER - Floorboard access	1	27-4426, 27-4574 and up

A - Used if Piper Marker Beacon is installed
 B - Used if Narco Marker Beacon is installed
 C - Used if King Marker Beacon is installed
 D - Used if Radome Assembly is installed
 E - Used if Radome Assembly is not installed
 F - Used if King Radar KWX-40 is installed
 G - On aircraft with serial numbers 27-7954061 and up, refer to the Avionics Drawing Index List and the appropriate drawings supplied with each aircraft when ordering replacement parts

When ordering, always specify Part Number, Description and Serial Number of Aircraft

PIPER PARTS CATALOG

Figure and Index Number	Part Number	Code	NOMENCLATURE	No Req	SERIAL NUMBERS AFFECTED
6A-135	17870-08	D	STRAP ASSEMBLY - Baggage tie down, buckle end, forward, left	1	27-4426, 27-4574 and up
	17871-14	D	STRAP ASSEMBLY - Baggage tie down, tip end, forward, right	1	27-4426, 27-4574 and up
-136	33053-00		SHELF ASSEMBLY - Radio mounting, right	1	27-4426, 27-4574 to 27-7654203 inclusive
-137	33921-02		SHELF ASSEMBLY - Radio mounting, left	1	27-4426, 27-4574 to 27-7654203 inclusive
-138	33104-05		SHELF ASSEMBLY - Radio mounting, center	1	27-4426, 27-4574 to 27-7654203 inclusive
-139	30438-00		PLATE - Nose wheel well end	1	27-4426, 27-4574 and up
-140	30509-00	B	PANEL ASSEMBLY - Fuselage, forward section, access, center, left	1	27-4426, 27-4574 and up
	30509-01	B	PANEL ASSEMBLY - Fuselage, forward section, access, center, right	1	27-4426, 27-4574 and up
	30509-14	C	PANEL ASSEMBLY - Fuselage, forward section, access, center, left	1	27-7405271 and up
	30509-15	C	PANEL ASSEMBLY - Fuselage, forward section, access, center, right	1	27-7405271 and up
-141.	487 584	B	* STUD - (2600-2)	13	
	487 585	C	* STUD - (2600-3)	13	
-142	494 057		* WASHER - (2600-SW2)	13	
-143	33171-00		PLATE - Air inlet screen retainer	1	27-4659 and up
-144	33486-00	A	SUPPORT ASSEMBLY - Cluster, right	1	
-145	33432-00	D	CAP - Nose cone protection, clear	1	27-7305019 and up
-146	33498-02		SHIELD ASSEMBLY - Propeller ice, left	1	27-7405271 to 27-7754094 incl
	33498-15		SHIELD ASSEMBLY - Propeller ice, left	1	27-7754095 and up
-147	33498-03		SHIELD ASSEMBLY - Propeller ice, right	1	27-7405271 and up
-148	33498-04		SHIELD ASSEMBLY - Propeller ice, right, baggage door	1	27-7405271 and up
-148a	33498-12		SHIELD ASSEMBLY - Propeller ice, right	1	27-7754089 and up
-149	15708-02		PANEL ASSEMBLY - Instrument, right	1	27-7654001 to 27-8054059 incl
	15708-04		PANEL ASSEMBLY - Instrument, right	1	27-8154001 and up
-150	15709-02		PANEL - Circuit protector, right	1	27-7654001 and up
-151	30693-00		TUBE ASSEMBLY - Radio cooling	1	
-152	30694-00		TUBE - Radio cooling	1	27-2000 to 27-2317 inclusive
	31127-00		TUBE - Radio cooling	1	27-2318 to 27-7554108 inclusive
	33997-04		TUBE - Radio cooling	1	27-7554109 and up
-153	16633-34		HOSE - Flexible, right	1	27-2000 to 27-7554108 inclusive
	16633-45		HOSE - Flexible, right	1	27-7554109 to 27-7554134 incl
	29997-06		HOSE - Flexible, right	1	27-7754135 and up
-154	15970-02		SHELF ASSEMBLY - Radio mounting, right	1	27-7754001 and up
-155	15872-02		SHELF ASSEMBLY - Radio mounting, left	1	27-7754001 and up
-156	22478-07		TUBE - Radio cooling	1	27-7654201 to 27-7654203 incl , 27-7754006 and up
-157	554 809		CLAMP - (SAE TY E-15)	2	27-7654201 to 27-7654203 incl , 27-7754006 and up
-158	455 149		HOSE - Neoprene (10135)	1	27-7654201 to 27-7654203 incl , 27-7754006 and up
			A - Used on PA-23-250 (Six Place) with serial numbers 27-4522 to 27-4524, 27-4552, 27-4554, 27-4772, 27-4799, 27-4801, 27-4807, 27-4809 to 27-4812, 27-7405235 and up		
			B - Used if propeller ice shield is not installed		
			C - Used if propeller ice shield is installed		
			D - Used if Radome Assembly is not installed		

When ordering, always specify Part Number, Description and Serial Number of Aircraft

PIPER PARTS CATALOG

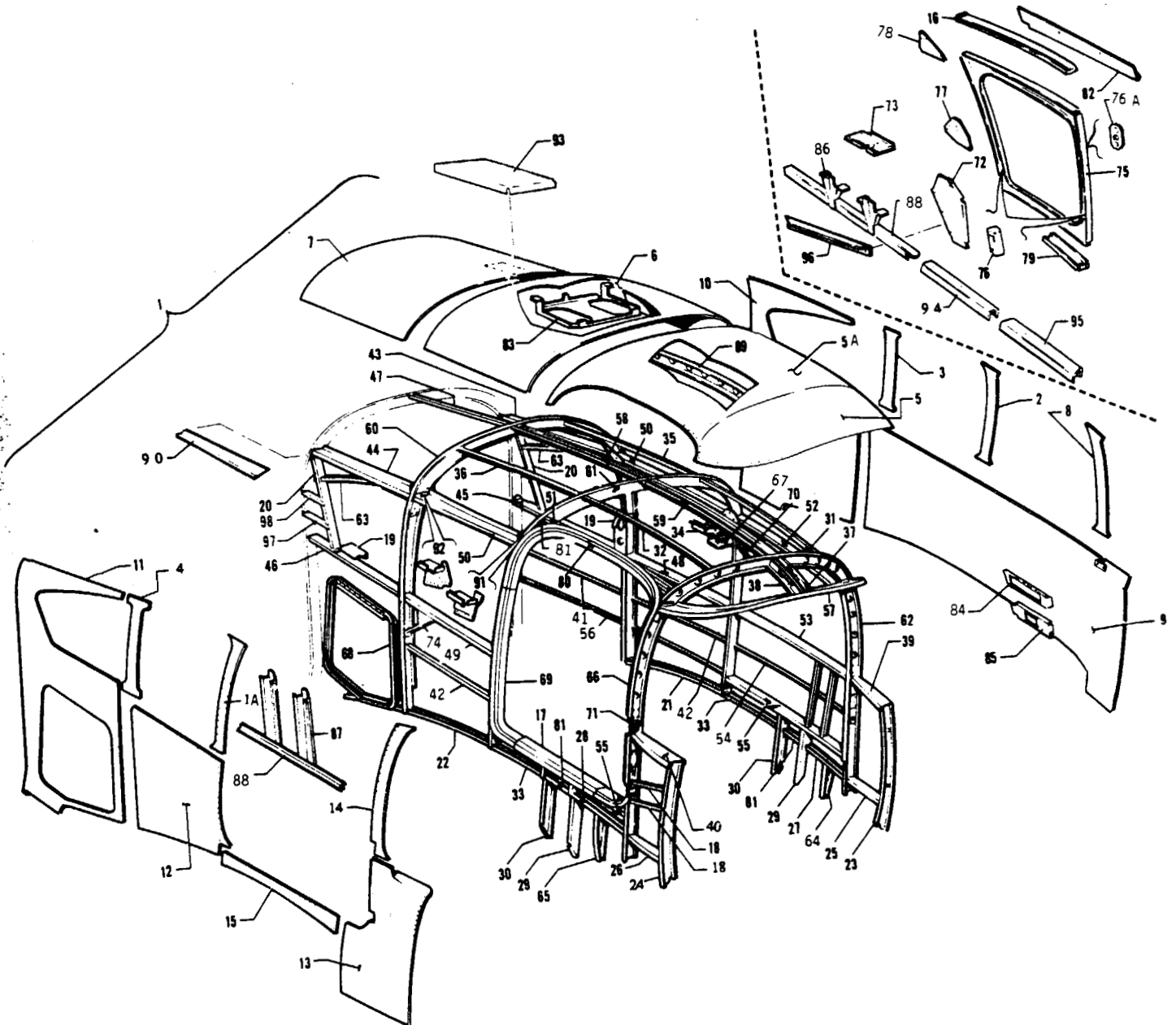


Figure 7 Fuselage Center Section

REVISED: AUGUST 1979

1C11

PA-23-250 (Six Place)
PA-23-250, PA-23-235



Figure and Index Number	Part Number	Code	NOMENCLATURE	No. Req.	SERIAL NUMBERS AFFECTED
7-	16230	XZ	DRAWING - Fuselage Center Section		27-2000 to 27-3836 inclusive, 27-3838 to 27-3943 inclusive 27-3837, 27-3944 and up
	30660	Y	DRAWING - Fuselage Center Section		
	32616	Y	DRAWING - Fuselage Center Section		
	16254	XZ	DRAWING - Door and Window Frames Installation		
	30741	Y	DRAWING - Door and Window Frames Installation		
	31040	Y	DRAWING - Door and Window Frames Installation		
	32615	Y	DRAWING - Door and Window Frames Installation		
-1	16230-00	XZ	FUSELAGE CENTER SECTION	1	27-2000 to 27-2299 inclusive 27-2300 to 27-3836 inclusive, 27-3838 to 27-3943 inclusive 27-3837, 27-3944 and up
	30660-00	Y	FUSELAGE CENTER SECTION	1	
	30660-02	Y	FUSELAGE CENTER SECTION	1	
	30660-03	Y	FUSELAGE CENTER SECTION	1	
	32616-00	Y	FUSELAGE CENTER SECTION	1	
-1a	17309-02		SKIN - Right front window, front	1	
-2	17309-03	XZ	SKIN - Left center window, front	1	
	30668-00	Y	SKIN - Left center window, front	1	
-3	16230-04	XZ	SKIN - Left center window, rear	1	
	30669-00	Y	SKIN - Left center window, rear	1	
-4	16230-03		SKIN - Right front window, rear	1	
-5	17309-37		SKIN - Center fuselage section, front top	1	
-5a	17309-38		SKIN - Center fuselage section, rear top	1	
-6	16230-02		SKIN - Center fuselage section, center top	1	
-7	17309-08		SKIN - Center fuselage section, rear top	1	
-8	17309-40		SKIN - Windshield, left post	1	
-9	17309-44	XZ	SKIN - Center fuselage section, left side, lower front	1	
	30655-00	Y	SKIN ASSEMBLY - Center fuselage section, left side, lower front	1	
-10	16230-06	XZ	SKIN ASSEMBLY - Center fuselage section, left side, rear	1	
	16230-07	Y	SKIN ASSEMBLY - Center fuselage section, left side, rear	1	
-11	16230-05	XZ	SKIN - Center fuselage section, right side, rear	1	
	30718-00	Y	SKIN - Center fuselage section, right side, rear	1	
-12	17309-14		SKIN - Center fuselage section, right side, lower center	1	
-13	17309-43	XZ	SKIN ASSEMBLY - Center fuselage section, right side, lower front	1	
	30725-00	Y	SKIN ASSEMBLY - Center fuselage section, right side, lower front	1	
-14	17309-39		SKIN - Windshield, right post	1	
-15	17309-21		SKIN - Fuselage door sill	1	
-16	30658-00		CHANNEL - Fuselage center section, left side	1	
-17	17501-06		CHANNEL ASSEMBLY - Fuselage door frame, lower	1	
-18	30563-00		ANGLE - Fuselage stiffener, upper, right	1	
	30564-00		ANGLE - Fuselage stiffener, lower, right	1	

X - Used on PA-23-250 airplanes only.
Y - Used on PA-23-250 (Six Place) airplanes only.
Z - Used on PA-23-235 airplanes only.

When ordering, always specify Part Number, Description and Serial Number of Aircraft

PIPER PARTS CATALOG

Figure and Index Number	Part Number	Code	NOMENCLATURE	No. Req.	SERIAL NUMBERS AFFECTED
7-19	16221-00	X,Z	ANGLE - Fuselage center section, rear window, bottom left	1	
	30706-00	Y	ANGLE - Fuselage center section, rear window, bottom left	1	27-2000 to 27-3836 inclusive, 27-3838 to 27-3943 inclusive
	32584-00	Y	ANGLE - Fuselage center section, rear window, bottom left	1	27-3837, 27-3944 and up
	16221-01	X,Z	ANGLE - Fuselage center section, rear window, bottom right	1	
	16221-01	Y	ANGLE - Fuselage center section, rear window, bottom right	1	27-2000 to 27-2299 inclusive
	30706-01	Y	ANGLE - Fuselage center section, rear window, bottom right	1	27-2300 to 27-3836 inclusive, 27-3838 to 27-3943 inclusive
	32584-01	Y	ANGLE - Fuselage center section, rear window, bottom right	1	27-3837, 27-3944 and up
-20	16043-00		CHANNEL ASSEMBLY - Fuselage center section, rear window, left	1	
	16043-01		CHANNEL ASSEMBLY - Fuselage center section, rear window, right	1	
-21	17212-00		CHANNEL - Fuselage center section, left	1	
-22	17212-01		CHANNEL - Fuselage center section, right	1	
-23	17215-02	X,Z	CHANNEL - Fuselage center section, left	1	
-24	17215-03	X,Z	CHANNEL - Fuselage center section, right	1	
-25	17219-00	X,Z	CHANNEL - Fuselage center section, left	1	
-26	17219-01	X,Z	CHANNEL - Fuselage center section, right	1	
-27	17220-00		CHANNEL - Fuselage center section, left	1	
-28	17220-01		CHANNEL - Fuselage center section, right	1	
-29	32280-00		BULKHEAD - Fuselage center section, left	1	
	32280-01		BULKHEAD - Fuselage center section, right	1	
-30	17221-00		BULKHEAD - Fuselage center section, left	1	
	17221-01		BULKHEAD - Fuselage center section, right	1	
-31	17224-00		STRINGER - Fuselage center section, left	1	
-32	17224-01		STRINGER - Fuselage center section, right	1	
-33	17241-00		CHANNEL - Fuselage center section	2	
-34	17679-00		BRACKET ASSEMBLY - Dome light support	1	27-1 to 27-2504, 27-3674 to 27-3836, 27-3838 to 27-3943 inclusive
-35	17256-00		STRINGER - Fuselage center section, left	1	
-36	17256-01		STRINGER - Fuselage center section, right	1	
-37	19552-00		BULKHEAD - Fuselage center section, left	1	27-1 to 27-7954002 inclusive
	19552-02		BULKHEAD - Fuselage center section, left	1	27-7954003 and up
-38	19552-01		BULKHEAD - Fuselage center section, right	1	27-1 to 27-7954002 inclusive
	19552-03		BULKHEAD - Fuselage center section, right	1	27-7954003 and up
-39	19186-00	X,Z	CHANNEL ASSEMBLY - Fuselage center section, left	1	
-40	17258-01	X,Z	CHANNEL ASSEMBLY - Fuselage center section, right	1	
-41	17259-00		STRINGER - Fuselage center section	1	27-1 to 27-7654146 inclusive
	28285-02		STRINGER - Fuselage center section	1	27-7654147 and up
-42	17260-00		STRINGER - Fuselage center section, left	1	
	17260-02		STRINGER - Fuselage center section, right	1	
-43	16084-00		CHANNEL - Fuselage center section, left	1	
-44	16084-01		CHANNEL - Fuselage center section, right	1	

X - Used on PA-23-250 airplanes only
Y - Used on PA-23-250 (Six Place) airplanes only
Z - Used on PA-23-235 airplanes only.

When ordering, always specify Part Number, Description and Serial Number of Aircraft

PIPER PARTS CATALOG

Figure and Index Number	Part Number	Code	NOMENCLATURE	No. Req.	SERIAL NUMBERS AFFECTED
7-45	16593-02		CHANNEL - Fuselage center section, left	1	
-46	16593-03		CHANNEL - Fuselage center section, right	1	
-47	19564-00		STRINGER - Fuselage center section, rear top	1	
-48	17276-00	X,Z	CHANNEL - Left rear window, bottom	1	
-49	17276-04		CHANNEL - Right rear window, bottom	1	
-50	17277-00	X,Z	CHANNEL - Fuselage center section, left	1	
	17277-05	X,Z	CHANNEL - Fuselage center section, right	1	
	17277-05	Y	CHANNEL - Fuselage center section, right	1	27-2000 to 27-2299 inclusive
	31055-00	Y	CHANNEL - Fuselage center section, right	1	27-2300 and up
-51	17278-00		CHANNEL - Fuselage upper door frame reinforcement	1	
-52	17279-02		CHANNEL - Left front window, top	1	
-53	17282-02		CHANNEL - Left front window, bottom	1	
-54	17284-00		STRINGER - Fuselage center section, left	1	
-55	17285-00		CHANNEL - Fuselage center section, left	1	
	17285-01		CHANNEL - Fuselage center section, right	1	
-56	17288-00		STRINGER - Fuselage center section, left	1	
-57	19534-00		CHANNEL - Fuselage center section, top front	1	
-58	17304-06		STRINGER ASSEMBLY - Fuselage center section, center top	1	
-59	17305-08		STRINGER ASSEMBLY - Fuselage center section, front top	1	
-60	16305-00	X,Z	BULKHEAD ASSEMBLY - Fuselage center section, Sta 141	1	
	30619-00	Y	BULKHEAD ASSEMBLY - Fuselage center section, Sta 141	1	27-2000 to 27-3836 inclusive, 27-3838 to 27-3943 inclusive
	32577-00	Y	BULKHEAD ASSEMBLY - Fuselage center section, Sta 141	1	27-3837, 27-3944 and up
-61	17307-09	X,Z	BULKHEAD ASSEMBLY - Fuselage center section, Sta 110	1	
	30632-00	Y	BULKHEAD ASSEMBLY - Fuselage center section, Sta 110	1	27-2000 to 27-3836 inclusive, 27-3838 to 27-3943 inclusive
	32566-00	Y	BULKHEAD ASSEMBLY - Fuselage center section, Sta 110	1	27-3837, 27-3944 and up
-62	17308-00	X,Z	BULKHEAD ASSEMBLY - Fuselage center section, Sta 79	1	
	30629-00	Y	BULKHEAD ASSEMBLY - Fuselage center section, Sta 79	1	
-63	16088-00	Y	CHANNEL ASSEMBLY - Fuselage center section, rear window, LH	1	27-2000 to 27-2299 inclusive
	16088-01	Y	CHANNEL ASSEMBLY - Fuselage center section, rear window, RH	1	27-2000 to 27-2299 inclusive
	31049-00	Y	CHANNEL ASSEMBLY - Fuselage center section, rear window, LH	1	27-2300 to 27-3836 inclusive, 27-3838 to 27-3943 inclusive
	32622-00	Y	CHANNEL ASSEMBLY - Fuselage center section, rear window, LH	1	27-3837, 27-3944 and up
	31049-01	Y	CHANNEL ASSEMBLY - Fuselage center section, rear window, RH	1	27-2300 to 27-3836 inclusive, 27-3838 to 27-3943 inclusive
	32622-01	Y	CHANNEL ASSEMBLY - Fuselage center section, rear window, RH	1	27-3837, 27-3944 and up

X - Used on PA-23-250 airplanes only
Y - Used on PA-23-250 (Six Place) airplanes only
Z - Used on PA-23-235 airplanes only

When ordering, always specify Part Number, Description and Serial Number of Aircraft

PIPER PARTS CATALOG

Figure and Index Number	Part Number	Code	NOMENCLATURE	No Req.	SERIAL NUMBERS AFFECTED
7-64	17222-00		* BULKHEAD - Fuselage center section, left	1	
-65	17222-01		* BULKHEAD - Fuselage center section, right	1	
-66	32910-00		* CHANNEL ASSEMBLY - Fuselage door frame, lower front	1	
-67	19525-00		* BRACKET ASSEMBLY - Cockpit light mounting	1	27-1 to 27-3836 inclusive, 27-3838 to 27-3943 inclusive
-68	17557-00	X,Z	* CHANNEL ASSEMBLY - Baggage compartment door frame	1	
-69	17537-06		* CHANNEL ASSEMBLY - Fuselage door frame, lower rear	1	
-70	16899-00		* BRACKET ASSEMBLY - Indicator plate mounting	1	27-2000 to 27-3836 inclusive, 27-3838 to 27-3943 inclusive
-71	17550-00		* BRACKET - Door hinge	2	
-72	30636-02	Y	* GUSSET - Fuselage bulkhead, left	1	
	30636-03	Y	* GUSSET - Fuselage bulkhead, right	1	
-73	30611-00	Y	* BRACKET - Rheostat mounting	1	27-2000 to 27-2299 inclusive
	31047-00	Y	* BRACKET - Rheostat mounting	1	27-2300 to 27-3836 inclusive, 27-3838 to 27-3943 inclusive
-74	30206-00		* BRACKET - Assist handle support	1	
-75	30684-03		* FRAME ASSEMBLY - Emergency exit	1	
-76	30527-00	Y	* STRIKER - Plate	2	
-76a	454 160	Y	* CATCH - (A1663-028-24)	4	
-77	30459-00	Y	* GUSSET ASSEMBLY - Fuselage, forward	1	
-78	30458-00	Y	* GUSSET - Fuselage, aft	2	27-2000 to 27-2299 inclusive
	31050-00	Y	* GUSSET - Fuselage, aft, L H	1	27-2300 to 27-3836 inclusive, 27-3838 to 27-3943 inclusive
	32583-00	Y	* GUSSET - Fuselage center section, aft, L H	1	27-3837, 27-3944 to 27-4366 incl
	31054-00	Y	* GUSSET - Fuselage, aft, R H	1	27-2300 to 27-3836 inclusive, 27-3838 to 27-3943 inclusive
	32612-00	Y	* GUSSET - Fuselage center section, aft, R H	1	27-3837, 27-3944 to 27-4366 inclusive
-79	30657-00	Y	* CHANNEL - Window, bottom	1	
-80	32909-00		* CHANNEL ASSEMBLY - Fuselage door frame, upper	1	
-81	751 228		* ANGLE - Stringer section	6	
-82	31056-00	Y	* TRIM STRIP - Headlining	1	27-2300 and up
-83	32446-00	Y	* BRACKET ASSEMBLY - Overhead speaker	1	27-3837, 27-3944 to 27-7405421 inclusive
-84	32439-00	Y	* CHANNEL ASSEMBLY - Switch panel, left	1	27-3837, 27-3944 and up
-85	32812-04	Y	* SUPPORT ASSEMBLY - Ash tray, left	1	27-3837, 27-3944 and up
	32812-05	Y	* SUPPORT ASSEMBLY - Ash tray, right	1	27-3837, 27-3944 and up
-86	32504-00	Y	* CHANNEL ASSEMBLY - Armrest support, left	2	27-3837, 27-3944 to 27-7954121 inclusive
-87	32513-00	Y	* CHANNEL ASSEMBLY - Armrest support, right	2	27-3837, 27-3944 to 27-7954121 inclusive
-88	32795-00	Y	* CHANNEL ASSEMBLY - Armrest support, left	1	27-3837, 27-3944 to 27-7954121 inclusive
	32795-01	Y	* CHANNEL ASSEMBLY - Armrest support, right	1	27-3837, 27-3944 to 27-7954121 inclusive
	28544-02	Y	* CHANNEL ASSEMBLY - Armrest support, left	1	27-8054001 and up
	28544-03	Y	* CHANNEL ASSEMBLY - Armrest support, right	1	27-8054001 and up

X - Used on PA-23-250 airplanes only
 Y - Used on PA-23-250 (Six Place) airplanes only
 Z - Used on PA-23-235 airplanes only

When ordering, always specify Part Number, Description and Serial Number of Aircraft

PIPER PARTS CATALOG

Figure and Index Number	Part Number	Code	NOMENCLATURE	No Req.	SERIAL NUMBERS AFFECTED
7-89	32543-00	Y	* CHANNEL ASSEMBLY - Speaker panel support, left	1	27-3837, 27-3944 to 27-7954121 inclusive
	32543-01	Y	* CHANNEL ASSEMBLY - Speaker panel support, right	1	27-3837, 27-3944 to 27-7954121 inclusive
	32543-04	Y	* CHANNEL ASSEMBLY - Speaker panel support, left	1	27-8054001 and up
	32543-05	Y	* CHANNEL ASSEMBLY - Speaker panel support, right	1	27-8054001 and up
-90	32780-00	Y	* ANGLE - Fuselage center section, rear window, top left	1	27-3837, 27-3944 and up
	32780-01	Y	* ANGLE - Fuselage center section, rear window, top right	1	27-3837, 27-3944 and up
-91	32889-00		* BRACKET ASSEMBLY - Shoulder harness, left front	1	27-4367 and up
	32887-00		* BRACKET ASSEMBLY - Shoulder harness, right front	1	27-4367 and up
-92	32891-00		* BRACKET ASSEMBLY - Shoulder harness, left center	1	27-4367 and up
	32892-00		* BRACKET ASSEMBLY - Shoulder harness, right center	1	27-4367 and up
-93	31537-00	X,Z	* PLATE - Antenna mounting	1	
	31537-00	Y	* PLATE - Antenna mounting	1	27-2000 to 27-3836 inclusive, 27-3838 to 27-3943 inclusive, 27-4762
	31537-02	Y	* PLATE - Antenna mounting	1	27-3837, 27-3944 to 27-4761, 27-4763 and up
	SK-2276	A,Y	* PLATE - Antenna mounting	1	27-4801 to 27-4812 inclusive
-94	28545-02		* CHANNEL ASSEMBLY - Armrest support, Sta 91 to Sta 110 25, left	1	27-8054001 and up
-95	28547-02		* CHANNEL ASSEMBLY - Armrest support, Sta 72 5 to Sta 91, left	1	27-8054001 and up
-96	80018-11		* ANGLE - Armrest attachment	2	27-8054001 and up
-97	33059-00		STRINGER - Fuselage, left, W L 16 06	1	
	33059-01		STRINGER - Fuselage, right, W L 16 06	1	
-98	33058-00		STRINGER - Fuselage, left, W L 19 75	1	
	33058-01		STRINGER - Fuselage, right, W L 19 75	1	

A - Used on PA-23-250 (Six Place) when 28-volt electrical system is installed
X - Used on PA-23-250 airplane only
Y - Used on PA-23-250 (Six Place) airplanes only
Z - Used on PA-23-235 airplanes only

When ordering, always specify Part Number, Description and Serial Number of Aircraft

1C17
INTENTIONALLY LEFT BLANK

PIPER PARTS CATALOG

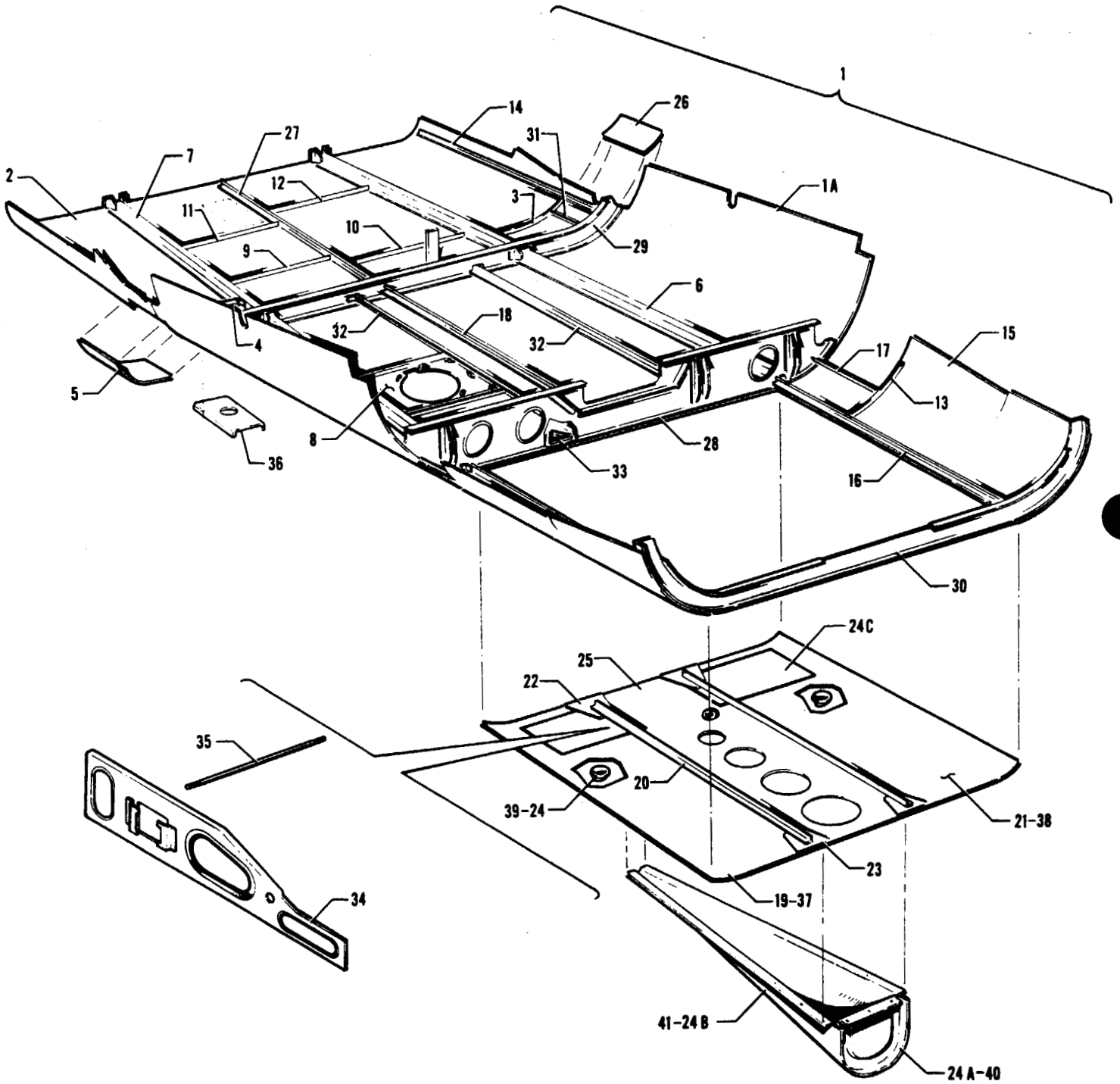


Figure 7A Fuselage Bottom Fairing

REVISED: AUGUST 1981

1C18

PA-23-250 (Six Place)
PA-23-250, PA-23-235

PIPER PARTS CATALOG

Figure and Index Number	Part Number	Code	NOMENCLATURE	No. Req.	SERIAL NUMBERS AFFECTED
7A-	16400 32272		DRAWING - Lower Fuselage Fairing Assembly DRAWING - Lower Fuselage Fairing Assembly		27-1 to 27-3456 inclusive 27-3457 and up
-1	16400-00 16400-07 32272-00	Y Y	FAIRING ASSEMBLY - Fuselage, bottom FAIRING ASSEMBLY - Fuselage, bottom FAIRING ASSEMBLY - Fuselage, bottom	1 1 1	27-1 to 27-2504 inclusive 27-2505 to 27-3456 inclusive 27-3457 and up
-1a	16400-02		SKIN - Center	1	
-2	16400-03		SKIN - Aft	1	
-3	16400-04		ANGLE - Outboard, left	1	
-4	16400-05		ANGLE - Outboard, right	1	
-5	16400-06		PANEL - Outboard, aft, right	1	
-6	16380-00 16380-01		CHANNEL ASSEMBLY - Fuselage lower fairing, left CHANNEL ASSEMBLY - Fuselage lower fairing, right	1 1	
-7	16382-00 16382-01		CHANNEL ASSEMBLY - Fuselage lower fairing, left CHANNEL ASSEMBLY - Fuselage lower fairing, right	1 1	
-8	16389-02		BRACKET ASSEMBLY - ADF loop attachment	1	27-1 to 27-7405440 inclusive
-9	16401-02		STRINGER - Angle, right	1	
-10	16401-03		STRINGER - Angle, left	1	
-11	16401-04		STRINGER - Angle, right	1	
-12	16401-05		STRINGER - Angle, left	1	
-13	17223-00 17223-01		ANGLE ASSEMBLY - Left ANGLE ASSEMBLY - Right	1 1	
-14	17254-00 17254-01		STRINGER ASSEMBLY - Outboard, left STRINGER ASSEMBLY - Outboard, right	1 1	
-15	17377-02 17377-03		SKIN - Forward, outboard, left SKIN - Forward, outboard, right	1 1	
-16	17377-24 17377-25		STRINGER ASSEMBLY - Forward, outboard, left STRINGER ASSEMBLY - Forward, outboard, right	1 1	
-17	17377-29		STRINGER ASSEMBLY - Forward, outboard	2	
-18	17377-27		STRINGER ASSEMBLY - Center	1	
-19	17377-15 31519-00	Y	PANEL ASSEMBLY - Forward PANEL ASSEMBLY - Forward	1 1	27-1 to 27-2504 inclusive 27-2505 to 27-3456 inclusive
-20	17377-09		STRINGER - Angle	2	27-1 to 27-3456 inclusive
-21	17377-10 31519-02	Y	PANEL PANEL	1 1	27-1 to 27-2504 inclusive 27-2505 to 27-3456 inclusive
-22	19417-02		GUSSET	2	27-1 to 27-3456 inclusive
-23	19417-03		GUSSET	2	27-1 to 27-3456 inclusive
-24	463 391		GROMMET - (AN231-4)	3	27-1 to 27-3456 inclusive
-24a	31519-03	Y	BULKHEAD - Fairing	1	27-2505 to 27-3456 inclusive
-24b	31519-04	Y	FAIRING - Forward panel	1	27-2505 to 27-3456 inclusive
-24c	11473-102		PLATE - Lower fairing panel	2	
-25	434 134		GROMMET - (AN931-6-10)	1	
-26	17337-16		PANEL - Outboard, aft, left	1	
-27	30283-00		STRINGER ASSEMBLY - Fuselage, aft, center	1	
-28	16812-00		BULKHEAD ASSEMBLY - Fuselage lower fairing, Sta 95-1/2	1	
-29	16731-00		BULKHEAD ASSEMBLY - Fuselage lower fairing, Sta 123-5/8	1	
-30	16730-00		BULKHEAD ASSEMBLY - Fuselage lower fairing, Sta 68-15/32	1	

Y - Used on PA-23-250 (Six Place) airplanes only

When ordering, always specify Part Number, Description and Serial Number of Aircraft

PIPER PARTS CATALOG

Figure and Index Number	Part Number	Code	NOMENCLATURE	No. Req.	SERIAL NUMBERS AFFECTED
7A-31	17762-00		* ANGLE ASSEMBLY - Fuselage inspection opening, left	1	
-32	18602-00		* CHANNEL - Right	1	
	18602-01		* CHANNEL - Left	1	
-33	30949-00		* PLATE - Whip antenna mounting	1	27-1 to 27-3456 inclusive
-34	32262-00		BULKHEAD ASSEMBLY - Longitudinal, left	1	27-3457 to 27-7405476 inclusive
	32262-01		BULKHEAD ASSEMBLY - Longitudinal, right	1	27-3457 to 27-7405476 inclusive
	32262-06		BULKHEAD ASSEMBLY - Longitudinal, left	1	27-7554001 and up
	32262-07		BULKHEAD ASSEMBLY - Longitudinal, right	1	27-7554001 and up
-35	14183-07		ROD - Threaded	1	27-3457 and up
-36	28535-02		PLATE ASSEMBLY - ADF antenna mounting	1	27-7754124 and up
-37	32265-00	Y	PANEL ASSEMBLY - Forward	1	27-3457 and up
-38	32265-02	Y	* PANEL	1	27-3457 and up
-39	463 391	Y	* GROMMET - (AN231-4)	3	27-3457 and up
-40	31519-03	Y	* BULKHEAD - Fairing	1	27-3457 and up
-41	31519-04	Y	* FAIRING - Forward panel	1	27-3457 and up

Y - Used on PA-23-250 (Six Place) airplanes only

When ordering, always specify Part Number, Description and Serial Number of Aircraft

**1C21 THRU 1C24
INTENTIONALLY LEFT BLANK**

PIPER PARTS CATALOG

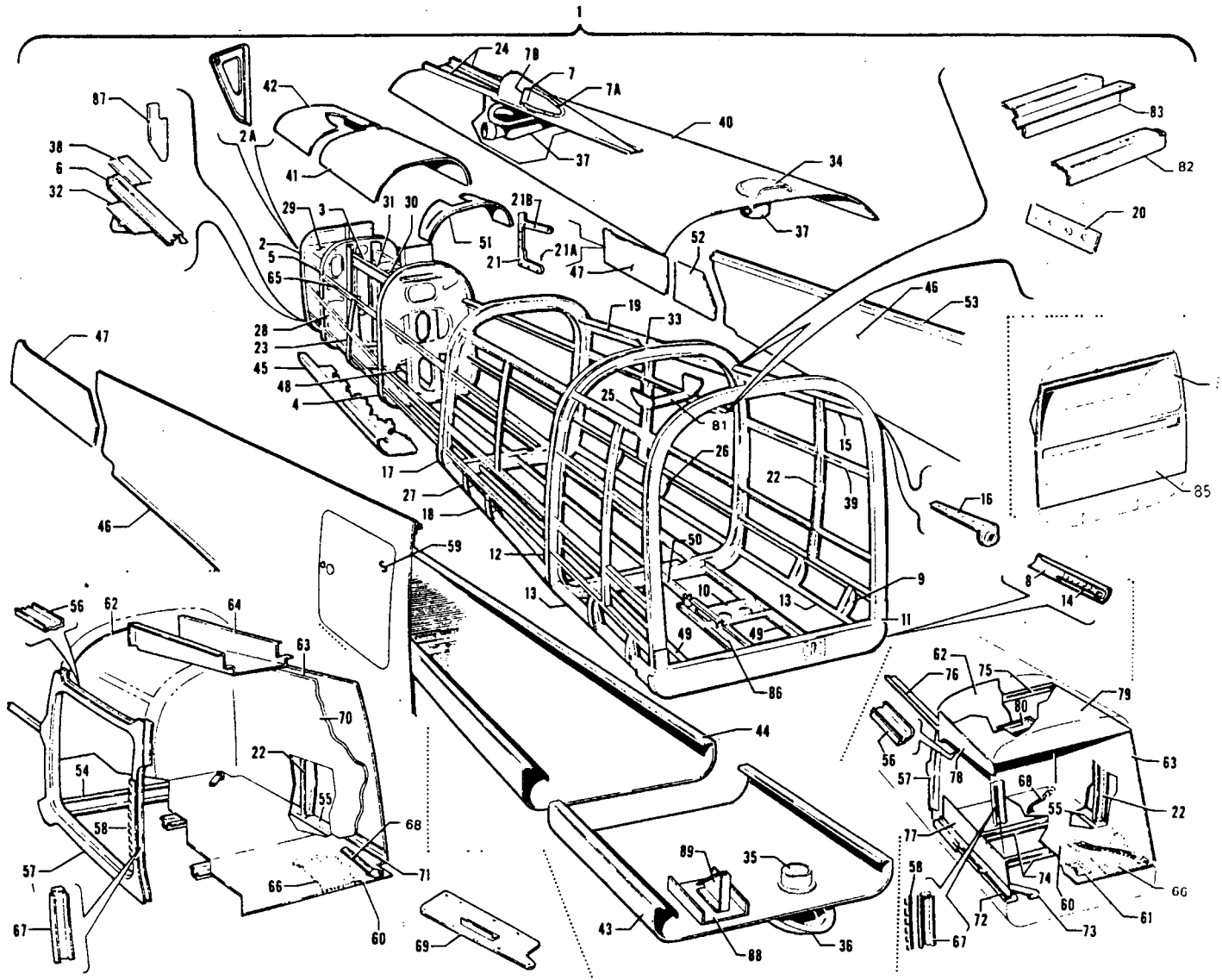


Figure 8 Fuselage Aft Section

REVISED OCTOBER 1980

1D1

PA-23-250 (Six Place)
PA-23-250, PA-23-235

PIPER PARTS CATALOG

Figure and Index Number	Part Number	Code	NOMENCLATURE	No. Req.	SERIAL NUMBERS AFFECTED
8-	16210	X,Z	DRAWING - Fuselage Assembly, Aft Section		27-2000 to 27-3049 inclusive, 27-3051 to 27-3153 inclusive 27-3050, 27-3154 to 27-3836, 27-3838 to 27-3943 inclusive 27-3837, 27-3944 and up 27-2000 to 27-3049 inclusive, 27-3051 to 27-3153 inclusive 27-3050, 27-3154 to 27-7554168 inclusive 27-7654001 to 27-7954121 incl 27-8054001 and up
	30410	Y	DRAWING - Fuselage Assembly, Aft Section		
	32044	Y	DRAWING - Fuselage Assembly, Aft Section		
	32609	Y	DRAWING - Fuselage Assembly, Aft Section		
	30676	Y	DRAWING - Aft Baggage Compartment Installation		
	32139	Y	DRAWING - Aft Baggage Compartment Installation		
-1	16210-00	X,Z	FUSELAGE ASSEMBLY - Aft section	1	27-2000 to 27-2504 inclusive 27-2505 to 27-3049 inclusive, 27-3051 to 27-3153 inclusive 27-3050, 27-3154 to 27-3836, 27-3838 to 27-3943 inclusive 27-3837, 27-3944 to 27-4425, 27-4427 to 27-4573 inclusive 27-4426, 27-4574 to 27-7554168 inclusive 27-7654001 and up 27-1 to 27-7554168 inclusive 27-7654001 and up 27-1 to 27-7554168 inclusive 27-1 to 27-7554168 inclusive 27-7654001 and up 27-7654001 and up
	30410-00	Y	FUSELAGE ASSEMBLY - Aft section	1	
	30410-12	Y	FUSELAGE ASSEMBLY - Aft section	1	
	32044-00	Y	FUSELAGE ASSEMBLY - Aft section	1	
	32609-00	Y	FUSELAGE ASSEMBLY - Aft section	1	
	32609-02	Y	FUSELAGE ASSEMBLY - Aft section	1	
-2	16082-00	Y	BULKHEAD ASSEMBLY - Fuselage, Sta. 299	1	27-1 to 27-7554168 inclusive 27-7654001 and up
	16082-05	Y	BULKHEAD ASSEMBLY - Fuselage, Sta. 299	1	
-2a	16690-00	Y	BRACKET ASSEMBLY - Tab drum support, left	1	27-1 to 27-7554168 inclusive 27-7654001 and up
	16690-01	Y	BRACKET ASSEMBLY - Tab drum support, right	1	
-3	16690-08	Y	BRACKET ASSEMBLY - Tab drum support, left	1	27-7654001 and up 27-7654001 and up
	16690-07	Y	BRACKET ASSEMBLY - Tab drum support, right	1	
-4	16083-00	Y	BULKHEAD ASSEMBLY - Fuselage, top, left	1	27-1 to 27-3049 inclusive, 27-3051 to 27-3153 inclusive
	16083-01	Y	BULKHEAD ASSEMBLY - Fuselage, top, right	1	
-5	16117-00	Y	BULKHEAD ASSEMBLY - Fuselage, center, canted, Sta 245	1	27-3050, 27-3154 and up
	16117-14	Y	BULKHEAD ASSEMBLY - Fuselage, center, canted, Sta 245	1	
-6	16142-00	Y	BULKHEAD ASSEMBLY - Fuselage, center, canted, Sta 284	1	
-7	16158-00	Y	STRINGER ASSEMBLY - Fuselage aft section	1	
-7a	16087-00	Y	FIN ASSEMBLY - Dorsal	1	27-1 to 27-2504 inclusive 27-2505 and up
	16087-06	Y	FIN ASSEMBLY - Dorsal	1	
-7b	24258-02	Y	SCOOP - Dorsal fin air	2	27-2505 and up 27-2505 and up
	24282-00	Y	LIP - Dorsal fin scoop	2	
-8	16289-00	Y	REINFORCEMENT - Fuselage aft section, left	1	27-2000 to 27-3049 inclusive, 27-3051 to 27-3153
	16289-01	Y	REINFORCEMENT - Fuselage aft section, right	1	
-9	16290-00	Y	BULKHEAD - Fuselage, Sta 166, and Sta 179, left	2	27-3050, 27-3154 to 27-3836, 27-3838 to 27-3943 inclusive
	16290-01	Y	BULKHEAD - Fuselage, Sta 166, and Sta 179, right	2	
-10	16386-00	Y	PLATE - Antenna mast mounting	1	27-3837, 27-3944 and up
	17069-37	X,Z	BULKHEAD ASSEMBLY - Fuselage, Sta 153/171	1	
-11	17069-39	Y	BULKHEAD ASSEMBLY - Fuselage, Sta 153/171	1	
	17069-42	Y	BULKHEAD ASSEMBLY - Fuselage, Sta 153/171	1	
	32581-00	Y	BULKHEAD ASSEMBLY - Fuselage, Sta 153/171	1	

X - Used on PA-23-250 airplanes only
Y - Used on PA-23-250 (Six Place) airplanes only
Z - Used on PA-23-235 airplanes only

When ordering, always specify Part Number, Description and Serial Number of Aircraft

PIPER PARTS CATALOG

Figure and Index Number	Part Number	Code	NOMENCLATURE	No Req	SERIAL NUMBERS AFFECTED
8-12	16700-00	X,Z	* BULKHEAD ASSEMBLY - Fuselage, Sta 192	1	
	30365-00	Y	* BULKHEAD ASSEMBLY - Fuselage, Sta 192	1	27-2000 to 27-2504 inclusive
	30365-09	Y	* BULKHEAD ASSEMBLY - Fuselage, Sta 192	1	27-2505 to 27-3049 inclusive, 27-3051 to 27-3153 inclusive
	32046-00	Y	* BULKHEAD ASSEMBLY - Fuselage, Sta 192	1	27-3050, 27-3154 to 27-3836, 27-3838 to 27-3943 inclusive
	32574-00	Y	* BULKHEAD ASSEMBLY - Fuselage, Sta 192	1	27-3837, 27-3944 and up
-13	17121-20	X,Z	* CHANNEL - Fuselage aft section, lower left	1	
	17121-19	X,Z	* CHANNEL - Fuselage aft section, lower right	1	
	30381-00	Y	* CHANNEL - Fuselage aft section, lower left	1	
-14	30381-01	Y	* CHANNEL - Fuselage aft section, lower right	1	
	30368-00		* FITTING ASSEMBLY - Fuselage lower attachment, left	1	
-15	30368-01		* FITTING ASSEMBLY - Fuselage lower attachment, right	1	
	17121-22	X,Z	* CHANNEL - Fuselage aft section, upper left	1	
	17121-21	X,Z	* CHANNEL - Fuselage aft section, upper right	1	
	30380-00	Y	* CHANNEL - Fuselage aft section, upper left	1	27-2000 to 27-3049 inclusive, 27-3051 to 27-3153 inclusive
	30380-01	Y	* CHANNEL - Fuselage aft section, upper right	1	27-2000 to 27-3049 inclusive, 27-3051 to 27-3153 inclusive
	32049-02	Y	* CHANNEL ASSEMBLY - Fuselage aft section, upper left	1	27-3050, 27-3154 and up
	32049-03	Y	* CHANNEL ASSEMBLY - Fuselage aft section, upper right	1	27-3050, 27-3154 and up
-16	17091-00	X,Z	* FITTING ASSEMBLY - Fuselage upper attachment, left	1	
	17091-01	X,Z	* FITTING ASSEMBLY - Fuselage upper attachment, right	1	
	30362-00	Y	* FITTING ASSEMBLY - Fuselage upper attachment, left	1	
	30362-01	Y	* FITTING ASSEMBLY - Fuselage upper attachment, right	1	
-17	16713-00		* BULKHEAD ASSEMBLY - Fuselage, Sta 229	1	
-18	16715-00	X,Z	* CHANNEL - Fuselage, lower left	1	
	16715-01	X,Z	* CHANNEL - Fuselage, lower right	1	
	16715-02	Y	* CHANNEL - Fuselage, lower left	1	
	16715-03	Y	* CHANNEL - Fuselage, lower right	1	
-19	16719-00	X,Z	* CHANNEL - Fuselage, upper left	1	
	16719-01	X,Z	* CHANNEL - Fuselage, upper right	1	
	16719-02	Y	* CHANNEL - Fuselage, upper left	1	
	16719-03	Y	* CHANNEL - Fuselage, upper right	1	
-20	16740-00		* PLATE - Fuselage channel reinforcement	2	27-1 to 27-7405438 inclusive
	34298-00		* PLATE - Fuselage channel reinforcement	2	27-7405439 and up
-21	16689-00		* FITTING - Stabilator bearing block attachment, left	1	
	16689-01		* FITTING - Stabilator bearing block attachment, right	1	
-21a	401 270		* BOLT - (AN3-11A)	8	
	407 564		* WASHER - (AN960-10)	8	
	404 887		* NUT - (MS20365-1032C)	8	
-21b	400 869		* SCREW - (AN23-17A)	12	
	407 682		* WASHER - (AN960-C10L)	12	
	404 835		* NUT - (MS20364-1032C)	12	

X - Used on PA-23-250 airplanes only
 Y - Used on PA-23-250 (Six Place) airplanes only
 Z - Used on PA-23-235 airplanes only

When ordering, always specify Part Number, Description and Serial Number of Aircraft

PIPER PARTS CATALOG

Figure and Index Number	Part Number	Code	NOMENCLATURE	No. Req.	SERIAL NUMBERS AFFECTED
8-22	16698-00	X,Z	BULKHEAD - Fuselage, Sta. 178, left	1	
	16698-01	X,Z	BULKHEAD - Fuselage, Sta. 178, right	1	
	30384-00	Y	BULKHEAD - Fuselage, Sta. 178, left	1	27-2000 to 27-3049 inclusive, 27-3051 to 27-3153 inclusive
	32048-00	Y	BULKHEAD - Fuselage, Sta. 178, left	1	27-3050, 27-3154 and up
-23	16693-04		BULKHEAD - Fuselage, Sta. 273, left	1	
	16693-03		BULKHEAD - Fuselage, Sta. 273, right	1	27-1 to 27-7554168 inclusive
	16693-06		BULKHEAD ASSEMBLY - Fuselage, Sta. 273, right	1	27-7654001 and up
-24	16085-00		ANGLE - Fin fairing attachment, left	1	
	16085-01		ANGLE - Fin fairing attachment, right	1	
-25	16698-00		BULKHEAD - Fuselage, Sta. 211, left	1	
	16698-01		BULKHEAD - Fuselage, Sta. 211, right	1	
-26	16711-00		BULKHEAD - Fuselage, Sta. 204, left	1	
	16711-01		BULKHEAD - Fuselage, Sta. 204, right	1	
-27	16712-00		BULKHEAD - Fuselage, Sta. 216, left	1	
	16712-01		BULKHEAD - Fuselage, Sta. 216, right	1	
-28	16778-00		ANGLE - Fuselage, left	1	
	16714-01		ANGLE - Fuselage, right	1	
-29	16732-00		PLATE - Fuselage aft section	1	
-30	16733-00		BULKHEAD - Fuselage, Sta. 268, top	1	
-31	16736-00		BULKHEAD - Fuselage, Sta. 272, top	1	
-32	17667-00		SKID - Tail	1	
-33	31537-00	Y	PLATE - Antenna mount	1	27-2000 to 27-4425 inclusive, 27-4427 to 27-4573 inclusive
	31537-02	Y	PLATE - Antenna mounting	1	27-4426, 27-4574 and up
-34	18405-00		SCOOP - Cabin air	1	27-1 to 27-3049 inclusive, 27-3051 to 27-3153 inclusive
-35	18409-00		BOX ASSEMBLY - Air take-off	1	
-36	18412-00		VENT - Air exhaust	1	
-37	19477-09		BOX ASSEMBLY - Air distribution	1	27-1 to 27-2504 inclusive
	31422-00	Y	BOX ASSEMBLY - Air distribution	1	27-2505 and up
-38	20988-02		SPACER - Tail skid, left	1	
	20988-03		SPACER - Tail skid, right	1	
-39	17121-14		STRINGER ASSEMBLY - Fuselage aft section, left	1	
	17121-13		STRINGER ASSEMBLY - Fuselage aft section, right	1	
-40	16210-29		SKIN ASSEMBLY - Top front	1	27-1 to 27-2504 inclusive
	31420-00	Y	SKIN ASSEMBLY - Top front	1	27-2505 and up
-41	16210-09		SKIN - Top rear	1	
-42	16210-14		PANEL - Access rear	1	
-43	16210-20	X,Z	SKIN - Bottom front	1	
	30410-06	Y	SKIN - Bottom front	1	
-44	16210-07	X,Z	SKIN - Bottom center	1	
	30410-07	Y	SKIN - Bottom center	1	
-45	16210-06		SKIN ASSEMBLY - Bottom rear	1	
-46	16210-22	X,Z	SKIN ASSEMBLY - Left side, front	1	
	16210-21	X,Z	SKIN ASSEMBLY - Right side, front	1	
	30410-08	Y	SKIN ASSEMBLY - Left side, front	1	
	30410-09	Y	SKIN ASSEMBLY - Right side, front	1	27-2000 to 27-3153 inclusive
	32044-03	Y	SKIN ASSEMBLY - Right side, front	1	27-3154 and up
-47	16210-02		SKIN - Left side, rear	1	
	16210-03		SKIN - Right side, rear	1	
-48	16210-13		STRINGER - Bottom	1	

X - Used on PA-23-250 airplanes only
Y - Used on PA-23-250 (Six Place) airplanes only
Z - Used on PA-23-235 airplanes only

When ordering, always specify Part Number, Description and Serial Number of Aircraft

PIPER PARTS CATALOG

Figure and Index Number	Part Number	Code	NOMENCLATURE	No. Req.	SERIAL NUMBERS AFFECTED
8-49	16210-10		* STRINGER - Bottom, left	1	
	16210-11		* STRINGER - Bottom, right	1	
-50	16210-12	X,Z	* STRINGER - Bottom	1	
	30410-02	Y	* STRINGER - Bottom	1	
-51	16210-15		* REINFORCEMENT - Top	1	
-52	16210-16		* PANEL - Left side access	1	
-53	751 228		* EXTRUSION - (6' length)	1	
-54	30374-00	Y	* CHANNEL - Fuselage support, Sta 192	1	27-2000 to 27-3049 inclusive, 27-3051 to 27-3153 inclusive
-55	30359-00	Y	* CHANNEL - Fuselage, left	1	
	30359-01	Y	* CHANNEL - Fuselage, right door frame bottom	1	27-2000 to 27-3049 inclusive, 27-3051 to 27-3153 inclusive
	32029-00	Y	* CHANNEL - Fuselage, right door frame bottom	1	27-3050, 27-3154 and up
-56	30360-00	Y	* CHANNEL - Fuselage, right	1	
-57	30373-00	Y	* FRAME ASSEMBLY - Aft baggage compartment door	1	27-2000 to 27-3049 inclusive, 27-3051 to 27-3153 inclusive
	32026-00	Y	* FRAME ASSEMBLY - Aft baggage compartment door	1	27-3050, 27-3154 and up
-58	30405-00	Y	* HINGE - Baggage door	1	27-2000 to 27-3049 inclusive, 27-3051 to 27-3153 inclusive
	32063-00	Y	* HINGE - Baggage door	1	27-3050, 27-3154 and up
-59	30388-00	A,F,Y	* DOOR ASSEMBLY - Aft baggage compartment, complete	1	27-2000 to 27-3049, 27-3051 to 27-3109, 27-3118 to 27-3153 incl
	754 548	A,F,Y	* DOOR ASSEMBLY - Aft baggage compartment, complete	1	27-3110 to 27-3117 inclusive
	32117-00	A,D,Y	* DOOR ASSEMBLY - Aft baggage compartment, complete	1	27-3050, 27-3154 to 27-3836, 27-3838 to 27-3943 inclusive
	32711-00	A,C,Y	* DOOR ASSEMBLY - Aft baggage compartment, complete	1	27-3837, 27-3944 to 27-4425, 27-4427 to 27-4573 inclusive
	32711-02	A,C,Y	* DOOR ASSEMBLY - Aft baggage compartment, complete	1	27-4426, 27-4574 to 27-7554168 inclusive
	33647-04	B,E,Y	* DOOR ASSEMBLY - Aft baggage compartment, complete	1	27-7654001 to 27-7954121 incl
	33647-05	B,E,Y	* DOOR ASSEMBLY - Aft baggage compartment, complete	1	27-8054001 and up
<p>A - See Figure 15 for component parts B - Serial numbers of aircraft must be supplied when ordering this part C - When ordering, specify color red, blue, gold, black or white D - When ordering, specify color red, blue, russet, dark blue, maroon, brown, gold or black and airplane serial number E - See Figure 15A for component parts F - When ordering, specify color and airplane serial number X - Used on PA-23-250 airplanes only Y - Used on PA-23-250 (Six Place) airplanes only Z - Used on PA-23-235 airplanes only</p>					

When ordering, always specify Part Number, Description and Serial Number of Aircraft

PIPER PARTS CATALOG

Figure and Index Number	Part Number	Code	NOMENCLATURE	No. Req.	SERIAL NUMBERS AFFECTED
8-60	30451-00	B,Y	* FLOORBOARD - Baggage compartment, front	1	27-2000 to 27-3049 inclusive, 27-3051 to 27-3153 inclusive
	30453-00	B,Y	* FLOORBOARD ASSEMBLY - Baggage compartment, rear	1	27-2000 to 27-3049 inclusive, 27-3051 to 27-3153 inclusive
	32080-00	B,Y	* FLOORBOARD ASSEMBLY - Baggage compartment	1	27-3050, 27-3154 and up
-61	12678-00	B,Y	* PLATE - Grill	1	27-3050, 27-3154 and up
-62	30454-00	B,Y	* PANEL ASSEMBLY - Baggage compartment, rear	1	27-2000 to 27-3049 inclusive, 27-3051 to 27-3153 inclusive
	32128-00	B,E,Y	* PANEL ASSEMBLY - Baggage compartment, rear	1	
	32685-00	B,F,Y	* PANEL ASSEMBLY - Baggage compartment, rear	1	27-3837, 27-3944 to 27-4425, 27-4427 to 27-4573 inclusive
-63	30558-00	B,Y	* PANEL - Rear baggage compartment, side	1	27-2000 to 27-3049 inclusive, 27-3051 to 27-3153 inclusive
	32135-00	B,E,G,Y	* PANEL - Rear baggage compartment, side	1	
	32696-00	B,F,Y	* PANEL ASSEMBLY - Baggage compartment, side	1	27-3837, 27-3944 to 27-7554168 inclusive
	28350-02	B,H,K,Y	* PANEL ASSEMBLY - Baggage compartment, side	1	27-7654001 to 27-7954121 incl
	28350-04	B,H,J,Y	* PANEL ASSEMBLY - Baggage compartment, side	1	27-7654001 to 27-7954121 incl
	28436-02	B,H,Y	* PANEL ASSEMBLY - Baggage compartment, side	1	27-8054001 and up
-64	30628-00	B,Y	* PLATE - Trim cable cover	1	27-2000 to 27-3049 inclusive, 27-3051 to 27-3153 inclusive
	30628-05	A,B,Y	* PLATE - Trim cable cover	1	
-65	16779-00		* STRINGER ASSEMBLY - LH	1	
	16716-01		* STRINGER ASSEMBLY - RH	1	
-66	30843-02	B,Y	* CARPET - Rear baggage compartment floor, gray	1	27-2000 to 27-3109, 27-3118 to 27-3049, 27-3051 to 27-3153 incl.
	32121-02	B,Y	* CARPET - Rear baggage compartment floor, red	1	27-3050, 27-3154 to 27-7554168 inclusive
	32121-03	B,D,Y	* CARPET - Rear baggage compartment floor, blue	1	
	32121-04	B,C,Y	* CARPET - Rear baggage compartment floor, russet	1	
	32121-08	B,C,Y	* CARPET - Rear baggage compartment floor, maroon	1	
	32121-10	B,Y	* CARPET - Rear baggage compartment floor, dark blue	1	27-3197 to 27-7554168 incl
	32121-12	B,C,Y	* CARPET - Rear baggage compartment floor, brown	1	

- A - Used when stabilator electric trim is installed
- B - Not a component part of aft section
- C - Used on PA-23-250 (Six Place) with serial numbers 27-3197 to 27-3836, 27-3838 to 27-3943 inclusive
- D - Used on PA-23-250 (Six Place) with serial numbers 27-3050, 27-3110 to 27-3117, 27-3154 to 27-3836, 27-3838 to 27-3943 inclusive
- E - Used on PA-23-250 (Six Place) with serial numbers 27-3050, 27-3154 to 27-3836 inclusive, 27-3838 to 27-3943 inclusive
- F - When ordering, specify color red, blue, gold, black or white
- G - When ordering, specify color red, blue, russet, dark blue, maroon, brown, gold or black and airplane serial number
- H - Serial number of aircraft must be supplied when ordering this part
- J - Used if rear seat shoulder harness is installed
- K - Used if rear seat shoulder harness is not installed
- Y - Used on PA-23-250 (Six Place) airplanes only

When ordering, always specify Part Number, Description and Serial Number of Aircraft

PIPER PARTS CATALOG

Figure and Index Number	Part Number	Code	NOMENCLATURE	No Req.	SERIAL NUMBERS AFFECTED
8-66	32121-14	B.Y	* CARPET - Rear baggage compartment floor, gold	1	27-3197 to 27-7554168 inclusive
	32121-16	B.Y	* CARPET - Rear baggage compartment floor, black	1	27-3197 to 27-7554168 inclusive
	33710-02	B.E.Y	* CARPET - Rear baggage compartment floor	1	27-7654001 and up
-67	33710-03	A,B,E,Y	* CARPET - Rear baggage compartment floor	1	27-7654001 and up
	30357-00	Y	* BULKHEAD - Fuselage, Sta 168, right	1	27-2000 to 27-3049 inclusive, 27-3051 to 27-3153 inclusive
-58	32030-02	Y	* BULKHEAD - Fuselage, Sta 168, right	1	27-3050, 27-3154 and up
	17871-10	B.Y	* STRAP - Baggage tie down, tip end, gray	1	
-69	17870-08	B.Y	* STRAP - Baggage tie down, buckle end, gray	1	
	30514-00	B.Y	* PLATE ASSEMBLY - Baggage compartment floorboard support	1	27-2000 to 27-3049 inclusive, 27-3051 to 27-3153 inclusive
-70	30924-00	B.Y	* PANEL - Baggage compartment panel insulator	1	27-2000 to 27-3049 inclusive, 27-3051 to 27-3153 inclusive
-71	30928-00	B.Y	* ANGLE - Baggage compartment panel attachment	1	27-2000 to 27-3049 inclusive, 27-3051 to 27-3153 inclusive
-72	32038-00	Y	* CHANNEL ASSEMBLY - Floorboard support, left	1	27-3050, 27-3154 and up
	32079-00	Y	* CHANNEL ASSEMBLY - Floorboard support, right	1	27-3050, 27-3154 and up
-73	32070-00	Y	* BRACKET ASSEMBLY - Tie down strap attachment, left	1	27-3050, 27-3154 and up
	32070-01	Y	* BRACKET ASSEMBLY - Tie down strap attachment, right	1	27-3050, 27-3154 and up
-74	32057-02	Y	* CHANNEL ASSEMBLY - Floorboard support, Sta 166	1	27-3050, 27-3154 and up
	32057-03	Y	* CHANNEL ASSEMBLY - Floorboard support, Sta 179	1	27-3050, 27-3154 and up
-75	32032-04	Y	* CHANNEL - Bulkhead, Sta 192	1	27-3050, 27-3154 and up
-76	32041-00	Y	* CHANNEL - Fuselage, Sta 192 to Sta 211	1	27-3050, 27-3154 and up
-77	32099-00	B,D,Y	* PANEL ASSEMBLY - Baggage compartment	1	27-3050, 27-3154 to 27-7554168 inclusive
	33709-02	B,E,Y	* PANEL ASSEMBLY - Baggage compartment	1	27-7654001 and up
-78	32094-00	B,C,Y	* PANEL ASSEMBLY - Baggage compartment, side	1	
	32094-04	B,Y	* PANEL ASSEMBLY - Baggage compartment, side, beige	1	27-3837, 27-3944 to 27-7554168 inclusive
	32094-06	B,Y	* PANEL ASSEMBLY - Baggage compartment, side, white	1	27-3837, 27-3944 to 27-7554168 inclusive
	33716-02	B,Y	* PANEL ASSEMBLY - Baggage compartment, side	1	27-7654001 and up

- A - Used if oxygen system is installed
- B - Not a component part of aft section
- C - Used on PA-23-250 (Six Place) with serial numbers 27-3050, 27-3154 to 27-3836 inclusive, 27-3838 to 27-3943 inclusive
- D - When ordering, specify color red, blue, russet, dark blue, maroon, brown, gold or black and airplane serial number
- E - Serial numbers of aircraft must be supplied when ordering this part
- Y - Used on PA-23-250 (Six Place) airplanes only

When ordering, always specify Part Number, Description and Serial Number of Aircraft

PIPER PARTS CATALOG

Figure and Index Number	Part Number	Code	NOMENCLATURE	No. Req.	SERIAL NUMBERS AFFECTED
8-79	32102-00	A,G,Y	* PANEL ASSEMBLY - Baggage compartment, top	1	
	32102-07	A,Y	* PANEL ASSEMBLY - Baggage compartment, top	1	27-3837, 27-3944 to 27-7554168 inclusive
	32102-08	A,Y	* PANEL ASSEMBLY - Baggage compartment, top, white	1	27-3837, 27-3944 to 27-7554168 inclusive
	33717-02	A,Y	* PANEL ASSEMBLY - Baggage compartment, top	1	27-7654001 to 27-7654007 incl
	33717-05	A,Y	* PANEL ASSEMBLY - Baggage compartment, top	1	27-7654008 and up
-80	32185-00	A,F,Y	* COVER ASSEMBLY - Trim servo, sand	1	
	32185-04	A,Y	* COVER ASSEMBLY - Trim servo, beige	1	27-3837, 27-3944 to 27-7554168 inclusive
	32185-07	A,Y	* COVER ASSEMBLY - Trim servo, white	1	27-3837, 27-3944 to 27-7554168 inclusive
	33708-02	A,Y	* COVER ASSEMBLY - Trim servo	1	27-7654001 to 27-7954117 incl
	33708-04	A,Y	* COVER ASSEMBLY - Trim servo	1	27-7954118 and up
-81	31688-00	Y	* BRACKET ASSEMBLY - Trim servo mounting	1	27-3837, 27-3944 to 27-7754149 inclusive
	31688-03	Y	* BRACKET ASSEMBLY - Trim servo mounting	1	27-7754150 and up
-82	33010-00		* ANGLE ASSEMBLY - Baggage shelf support	1	27-4426, 27-4574 and up
-83	33022-00		* CHANNEL - Baggage shelf support	1	27-4426, 27-4574 and up
-84	33002-02	A	* SHELF - Baggage, rear, beige	1	27-4426, 27-4574 to 27-7554168 inclusive
	33002-03	A	* SHELF - Baggage, rear, black	1	27-4426, 27-4574 to 27-7554168 inclusive
	33002-04	A	* SHELF - Baggage, rear, white	1	27-4426, 27-4574 to 27-7554168 inclusive
	33732-02	A	* SHELF - Baggage, rear, beige	1	27-7654001 to 27-8054044 inclusive
	33732-03	A	* SHELF - Baggage, rear, beige	1	27-8054045 and up
-85	33000-00	A,B,Y	* PANEL ASSEMBLY - Baggage, rear	1	27-4426, 27-4574 to 27-7554168 inclusive
	28347-02	A,E,Y	* PANEL ASSEMBLY - Baggage, rear	1	27-7654001 to 27-8054044 inclusive
	28347-05	A,E,Y	* PANEL ASSEMBLY - Baggage, rear	1	27-8054045 and up
-86	30652-00	D	* BULKHEAD ASSEMBLY - Floorboard support	1	
	32047-00		* BULKHEAD ASSEMBLY - Floorboard support	1	27-3050, 27-3154 and up
-87	33161-00	C	WEIGHT - Ballast	AR	
-88	28618-02	H	CHANNEL - Reinforcement	1	27-8054050 and up
-89	28619-02	H	BRACKET - Support	1	27-8054050 and up

- A - Not a component part of aft section
- B - Specify color beige, black or white
- C - Used if Lycoming Turbocharger is installed
- D - Used on PA-23-250 (Six Place) with serial numbers 27-2000 to 27-3049 inclusive and 27-3051 to 27-3153 inclusive
- E - Serial number of aircraft must be supplied when ordering this part
- F - Used on PA-23-250 (Six Place) with serial numbers 27-3197 to 27-3836 inclusive, 27-3838 to 27-3943 inclusive
- G - Used on PA-23-250 (Six Place) with serial numbers 27-3050, 27-3154 to 27-3836 inclusive, 27-3838 to 27-3943 inclusive
- H - Also used on aircraft with serial numbers 27-1 to 27-8054049 inclusive if Service Bulletin 672 has been complied with
- Y - Used on PA-23-250 (Six Place) airplanes only

When ordering, always specify Part Number, Description and Serial Number of Aircraft

PIPER PARTS CATALOG

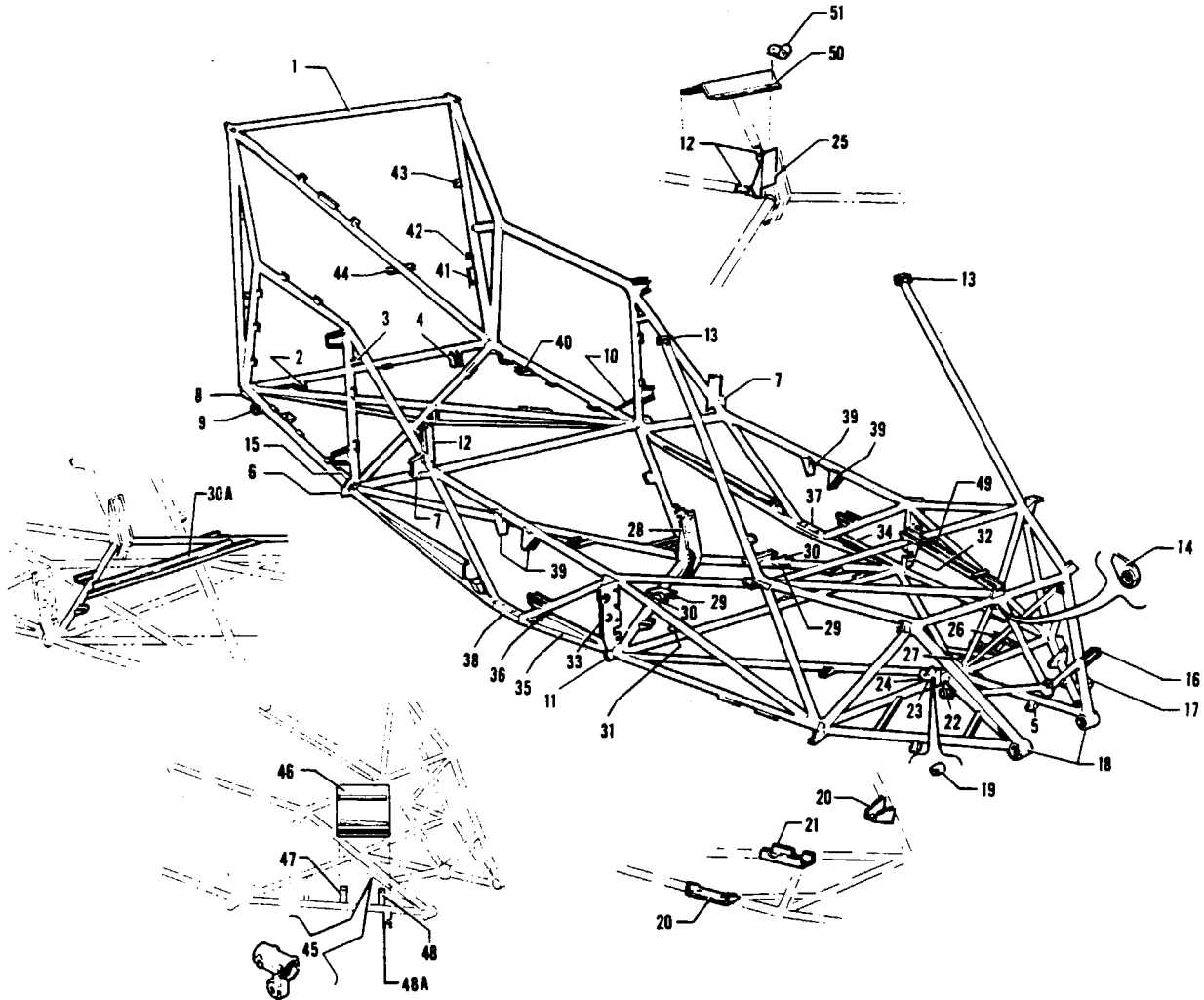


Figure 9 Fuselage Frame

PIPER PARTS CATALOG

Figure and Index Number	Part Number	Code	NOMENCLATURE	No Req	SERIAL NUMBERS AFFECTED
9-	16228	X,Z	DRAWING - Fuselage Frame Assembly		
	30392	Y	DRAWING - Fuselage Frame Assembly		
	16257	X,Z	DRAWING - Fuselage Fitting Installation		
	30393	Y	DRAWING - Fuselage Fitting Installation		
-1	16228-00	X,Z	FUSELAGE FRAME ASSEMBLY	1	
	30392-00	Y	FUSELAGE FRAME ASSEMBLY	1	27-2000 to 27-2504 inclusive
	30392-04	Y	FUSELAGE FRAME ASSEMBLY	1	27-2505 to 27-3049, 27-3051 to 27-3153 inclusive
	30392-05	X	FUSELAGE FRAME ASSEMBLY	1	27-3050, 27-3154 to 27-7554168 inclusive
	30392-06	Y	FUSELAGE FRAME ASSEMBLY	1	27-7654001 to 27-7954121 incl
	30392-07	Y	FUSELAGE FRAME ASSEMBLY	1	27-8054001 and up
-2	17401-00		* TUBE - Step attachment	1	
-3	17168-00		* BRACKET ASSEMBLY - Flap actuating cylinder mounting	1	
-4	17150-00		* BRACKET - Rudder cable pulley	3	
-5	31407-00	Y	* BRACKET ASSEMBLY - Nose gear door actuator cylinder	1	27-2505 to 27-3686 inclusive
	31407-04	Y	* BRACKET ASSEMBLY - Nose gear door actuator cylinder	1	27-8054001 and up
-6	17076-05		* FITTING ASSEMBLY - Rear spar attachment, right	1	
	17076-04		* FITTING ASSEMBLY - Rear spar attachment, left	1	
-7	17084-00		* FITTING - Fuselage bottom panel attachment	2	
-8	17083-00	X	* FITTING - Fuselage aft section attachment, lower, left	1	
	31727-00	Y,Z	* FITTING - Fuselage aft section attachment lower, left	1	
	17083-01	X	* FITTING - Fuselage aft section attachment, lower, right	1	
	31727-01	Y,Z	* FITTING - Fuselage aft section attachment, lower, right	1	
-9	18357-00		* BRACKET - Step reinforcement	1	
-10	17080-00		* BRACKET - Safety belt attachment, left	1	
	17080-01		* BRACKET - Safety belt attachment, right	1	
-11	16265-00		* BRACKET ASSEMBLY - Auxiliary spar attachment, left	1	
	16265-01		* BRACKET ASSEMBLY - Auxiliary spar attachment, right	1	
-12	84802-07		* TUBE - Liner	2	
-13	17171-00		* FITTING ASSEMBLY - Top deck attachment	2	
-14	17313-00		* BRACKET ASSEMBLY - Nose gear cylinder attachment, left	1	
	17313-01		* BRACKET ASSEMBLY - Nose gear cylinder attachment, right	1	
-15	28624-02		* BRACKET ASSEMBLY - Flap torque tube attachment, right	1	
	28624-03		* BRACKET ASSEMBLY - Flap torque tube attachment, left	1	
-16	17326-02		* BRACKET - Heater mounting, upper	1	
-17	17326-03	X,Z	* BRACKET - Heater mounting	1	
	30386-00	Y	* BRACKET - Heater mounting	1	27-2505 to 27-7554168 incl
-18	17164-00		* BUSHING - Nose gear mounting	2	
-19	86102-28		* BUSHING - Rudder pedal torque tube attachment bracket	1	

X - Used on PA-23-250 airplanes only
 Y - Used on PA-23-250 (Six Place) airplanes only
 Z - Used on PA-23-235 airplanes only

When ordering, always specify Part Number, Description and Serial Number of Aircraft

PIPER PARTS CATALOG

Figure and Index Number	Part Number	Code	NOMENCLATURE	No. Req.	SERIAL NUMBERS AFFECTED
9-20	17145-00		BRACKET - Rudder pedal torque tube attachment, outboard	2	
-21	17144-00		BRACKET ASSEMBLY - Rudder pedal torque tube attachment	1	
-22	17082-00		FITTING - Nose wheel drag link attachment, left	1	
	17082-01		FITTING - Nose wheel drag link attachment, right	1	
-23	17146-00		BRACKET - Rudder pedal torque tube attachment, center	1	
-24	17172-00		FITTING ASSEMBLY - Control column attachment, left	1	
	17173-00		FITTING ASSEMBLY - Control column attachment, right	1	
-25	19299-00		FITTING ASSEMBLY - Wing front spar rear attachment	1	
-26	16237-02		CHANNEL - Brake pedal attachment, outboard	1	
-27	16237-03		CHANNEL - Brake pedal attachment, inboard	1	
-28	19298-00		FITTING ASSEMBLY - Wing front spar attachment	1	
-29	17151-00		BRACKET - Seat track attachment, rear, inner	2	27-1 to 27-192 inclusive
	17151-00		BRACKET - Seat track attachment, left, outer	1	27-193 and up
	19770-00		BRACKET - Seat track attachment, right, inner	1	27-193 to 27-7554168 inclusive
-30	17151-01		BRACKET - Seat track attachment, rear, outer	1	27-1 to 27-192 inclusive
	17151-01		BRACKET - Seat track attachment, right, outer	1	27-193 and up
	19770-01		BRACKET - Seat track attachment, left, inner	1	27-193 to 27-7554168 inclusive
-30a	33624-03		BRACKET ASSEMBLY - Seat track attachment	1	27-7654001 to 27-7654041 incl
	15816-02		BRACKET - Seat track attachment	1	27-7654042 and up
-31	17099-00		BRACKET - Seat track attachment, front	4	27-1 to 27-192 inclusive
	18433-00		BRACKET - Seat track attachment, front	4	27-193 and up
-32	16179-00		BRACKET - Top deck attachment, left	1	
-33	16179-01		BRACKET - Top deck attachment, right	1	
-34	17152-00		ANGLE - Floorboard support, front, left	1	
-35	17152-01		ANGLE - Floorboard support, front, right	1	
-36	17158-00		BRACKET - Seat track support, left	1	
	17158-01		BRACKET - Seat track support, right	1	
-37	17078-00		BRACKET - Front spar mounting, lower, left	1	
-38	17078-01		BRACKET - Front spar mounting, lower, right	1	
-39	17077-00		BRACKET - Front spar mounting, upper	4	
-40	30394-00	Y	FITTING - Rear seat, left	1	
	30394-01	Y	FITTING - Rear seat, right	1	
-41	30395-00	Y	FITTING - Rear seat, left	1	
	30395-01	Y	FITTING - Rear seat, right	1	
-42	30389-00	Y	FITTING - Channel support, left	1	27-2000 to 27-3109, 27-3118 to 27-3153 inclusive
	30389-01	Y	FITTING - Channel support, right	1	27-2000 to 27-3153 inclusive
-43	30396-00	Y	FITTING - Rear seat	2	
-44	30390-00	Y	FITTING - Channel support	1	27-2000 to 27-3109, 27-3118 to 27-3153 inclusive
-45	32306-00	Y	BRACKET ASSEMBLY - Nose gear door actuator cylinder	1	27-3687 to 27-7954121 incl

Y - Used on PA-23-250 (Six Place) airplanes only

When ordering, always specify Part Number, Description and Serial Number of Aircraft

PIPER PARTS CATALOG

Figure and Index Number	Part Number	Code	NOMENCLATURE	No Req	SERIAL NUMBERS AFFECTED
9-46	SK-1895	A	BASE - Battery box	1	27-3584 to 27-4021 inclusive
	SK-1895-2	A	BASE - Battery box	1	27-4678 to 27-4693 inclusive
	33314-04	A	BASE - Battery box	1	27-4801 and up
-47	SK-1897	A	CHANNEL - Battery box support	1	27-3584 to 27-4021 inclusive
	30386-00	A	BRACKET - Battery box support	1	27-4678 to 27-4693 inclusive
-48	30386-00	Y	BRACKET - Battery box support	1	
-48a	30386-00	Y	BRACKET - Battery box support	1	27-2505 to 27-7554168 inclusive
-49	17162-04		TUBE ASSEMBLY - Fuselage	1	
-50	32923-00	B	BRACKET - Cowl flap control support	1	
-51	454 940	B	CLAMP - (A2980S-12-1)	6	

- A - Used on PA-23-250 (Six Place) with 28-volt electrical system
- B - Used when Lycoming Turbocharger is installed
- Y - Used on PA-23-250 (Six Place) airplanes only

When ordering, always specify Part Number, Description and Serial Number of Aircraft

PIPER PARTS CATALOG

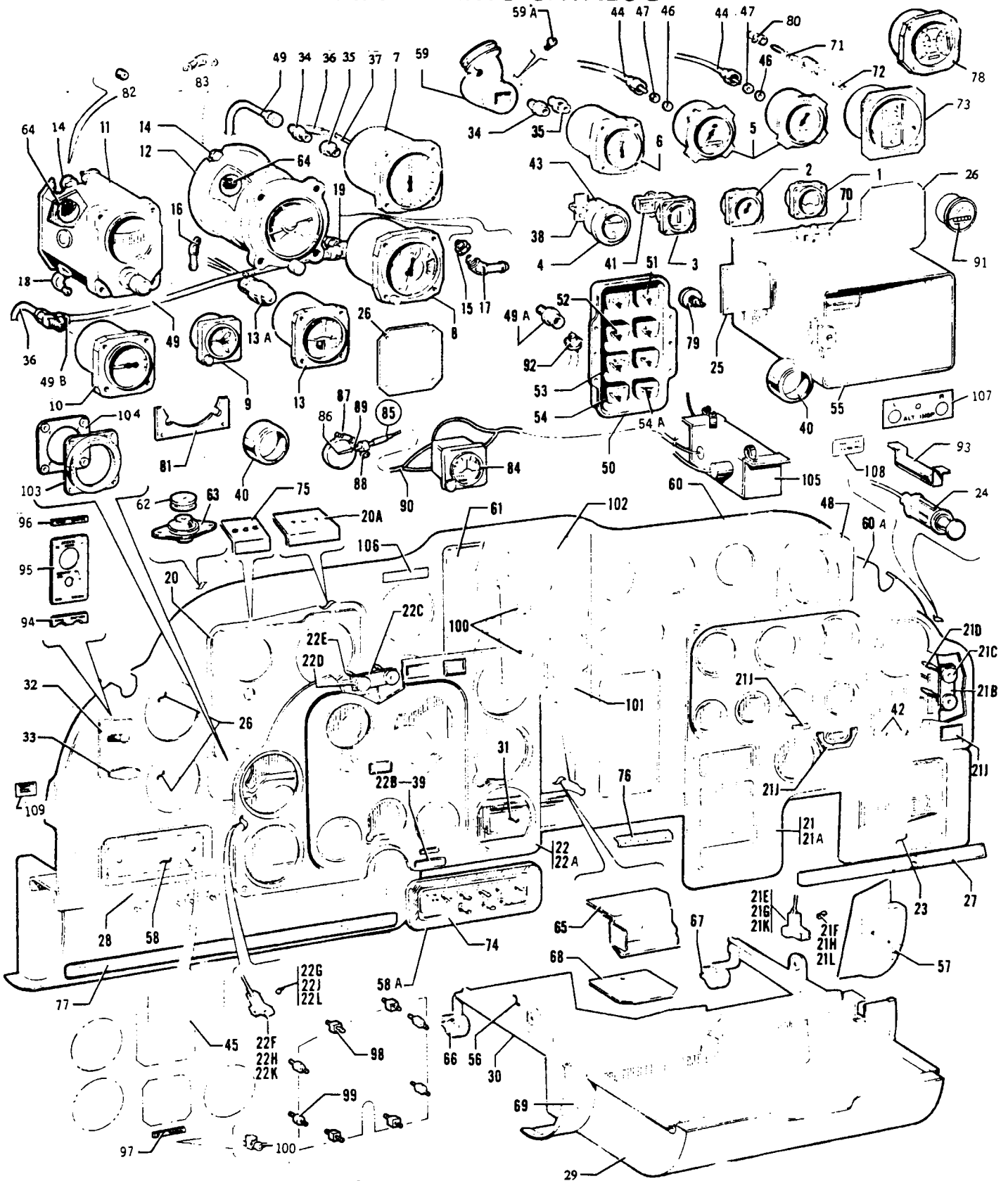


Figure 10 Instrument Panel Installation
(Serial Nos 27-1 to 27-3836, 27-3838 to 27-3943 inclusive)

PIPER PARTS CATALOG

Figure and Index Number	Part Number	Code	NOMENCLATURE	No. Req.	SERIAL NUMBERS AFFECTED
10-	16883 30247 30040 30675 31548	X X,Z B Y Y	DRAWING - Instrument Panel Installation DRAWING - Instrument Panel Installation DRAWING - Instrument Panel Installation DRAWING - Instrument Panel Installation DRAWING - Instrument Panel Installation		27-1 to 27-366 inclusive 27-367 and up 27-259 to 27-364 inclusive 27-2000 to 27-2504 inclusive 27-2505 to 27-3836 inclusive, 27-3838 to 27-3943 inclusive
-1	450 710		INSTRUMENT - Carburetor air temperature	1	27-1 to 27-2504 inclusive
-2	450 648 550 606		INSTRUMENT - Suction gauge INSTRUMENT - Suction gauge (1G2-1)	1 1	27-1 to 27-2504 inclusive 27-2505 to 27-3836 inclusive, 27-3838 to 27-3943 inclusive
-3	23857-00 450 652 23857-00	A,E C,F	INSTRUMENT - Ammeter INSTRUMENT - Ammeter INSTRUMENT - Ammeter	1 1 1	27-1 to 27-2504 inclusive 27-1 to 27-2504 inclusive 27-2505 to 27-3836 inclusive, 27-3838 to 27-3943 inclusive
-4	17669-00 17669-00 17669-03 17669-03 17669-02 755 407	A,G,X,Z A,G,Y A,Z A,Y B,H J,K	INSTRUMENT - Flap indicator INSTRUMENT - Flap indicator INSTRUMENT - Flap indicator INSTRUMENT - Flap indicator INSTRUMENT - Flap indicator INSTRUMENT - Flap indicator (AC6430528)	1 1 1 1 1 1	27-1 to 27-618 inclusive 27-2000 to 27-3049 inclusive, 27-3051 to 27-3153 inclusive 27-619 and up 27-3050, 27-3154 to 27-3836, 27-3838 to 27-3943 inclusive
-5	450 728 25700-03	D,Y	INSTRUMENT - Tachometer INSTRUMENT - Dual tachometer (550 705)	2 1	27-3385 to 27-3836 inclusive, 27-3838 to 27-3943 inclusive
-6	19697-03		INSTRUMENT - Manifold pressure gauge	1	
<p>A - Used when 14-volt electrical system is installed B - Used when 28-volt electrical system is installed C - This ammeter supersedes ammeter, P/N 450 655 and is completely interchangeable D - Optional equipment on 14-volt electrical system E - Used when 28-volt electrical system is installed with 50 amp generators F - Used when 28-volt electrical system is installed with 25 amp generators G - If Kit 757 000 has been installed, order P/N 17669-03 H - Used on PA-23-250 airplanes with serial numbers 27-259 to 27-364 inclusive, PA-23-250 Special with serial number 27-402, and PA-23-250 (Six Place) with serial numbers 27-2298 and 27-2331 J - Used on PA-23-250 (Six Place) with 28-volt electrical system with serial numbers 27-3584, 27-3585, 27-3721, 27-3722, 27-3726, 27-3732, 27-3762 and 27-3812 K - Not available. Order Flap Indicator, P/N 17669-03 and Instrument Cluster Assembly, P/N SK-2048-3 when making this replacement X - Used on PA-23-250 airplanes only Y - Used on PA-23-250 (Six Place) airplanes only Z - Used on PA-23-235 airplanes only</p>					

When ordering, always specify Part Number, Description and Serial Number of Aircraft

PIPER PARTS CATALOG

Figure and Index Number	Part Number	Code	NOMENCLATURE	No. Req.	SERIAL NUMBERS AFFECTED	
10-7	17419-09		INSTRUMENT - Airspeed indicator	1	27-1 to 27-2504 inclusive	
	30353-02	C.Y,Z	INSTRUMENT - True airspeed indicator	1	27-505 to 27-2504 inclusive	
	17419-14	G.Y	INSTRUMENT - Airspeed indicator	1	27-2505 to 27-2868 inclusive	
	30353-07	C.G.Y	INSTRUMENT - True airspeed indicator	1	27-2505 to 27-2868 inclusive	
	17419-15	Y	INSTRUMENT - Airspeed indicator	1	27-2869 to 27-3456 inclusive	
	17419-19	Y	INSTRUMENT - Airspeed indicator	1	27-3457 to 27-3836 inclusive, 27-3838 to 27-3943 inclusive	
	30353-08	C.Y	INSTRUMENT - True airspeed indicator	1	27-2869 to 27-3456 inclusive	
	30353-14	C.Y	INSTRUMENT - True airspeed indicator	1	27-3457 to 27-3836 inclusive, 27-3838 to 27-3943 inclusive	
	-8	32281-03		INSTRUMENT - Altimeter (scale in inches of mercury)	1	
		32281-04		INSTRUMENT - Altimeter (scale in millibars)	1	
548 331			INSTRUMENT - Altimeter (scale in inches of mercury and millibars)	1		
-9	450 706		INSTRUMENT - Clock	1		
-10	550 684	A	INSTRUMENT - Rate of climb (0-4000 ft /min)	1		
	755 406	E	INDICATOR - Instantaneous vertical speed (D3WB)	1		
-11	450 635	H,J	INSTRUMENT - Directional gyro	1		
	550 647	D,J	INSTRUMENT - Directional gyro (31699-00)	1		
-12	755 427		INSTRUMENT - Directional gyro (3 inch)	1		
	450 634	H,J	INSTRUMENT - Gyro horizon	1		
	550 646	D,J	INSTRUMENT - Gyro horizon (31698-00)	1		
-13	755 428		INSTRUMENT - Gyro horizon (3 inch)	1		
	450 743	B	INSTRUMENT - Turn and bank (28P61-A2A-S1)	1		
	752 115	C.F.Y	INSTRUMENT - Turn and bank	1		
	450 788	A	INSTRUMENT - Turn and bank (R C Allen A2475-2)	1		
	41711-02	A Y	INSTRUMENT - Turn coordinator (550 687) (Brittain 1681)	1		
-13a	550 782	Y	INSTRUMENT - Pictorial turn and bank (Mitchell 52D69)	1		
	21788-00		PLUG ASSEMBLY - (R C Allen turn and bank)	1	27-1 to 27-2504 inclusive	
	21788-03	Y	PLUG ASSEMBLY - (R C Allen & Brittain turn and bank)	1	27-2505 to 27-3836 inclusive 27-3838 to 27-3943 inclusive	
-14	26255-00	Y	PLUG ASSEMBLY - (Mitchell turn and bank)	1		
	24712-00		PLUG - Plated	2	27-1 to 27-2651 inclusive	
	451 939		ADAPTER - (1K10-4-6)	2	27-2652 to 27-3836 inclusive, 27-3838 to 27-3943 inclusive	
-15	453 616		BUSHING - (AN912-1D)	1		
-16	458 945		ELBOW - (134A3)	1	27-1 to 27-2651 inclusive	

- A - Used when 14-volt electrical system is installed
- B - Used when 28-volt electrical system is installed
- C - Optional equipment on 14-volt electrical system
- D - Used on PA-23-235 with serial numbers 27-612 and up, and PA-23-250 (Six Place) with serial numbers 27-2652 to 27-3547 inclusive
- E - Used on PA-23-250 (Six Place) with 28-volt electrical system with serial numbers 27-3584, 27-3585, 27-3721, 27-3722, 27-3726, 27-3732 and 27-3762
- F - Used when AltiMatic H-14 is installed
- G - Order part for serial numbers 27-2869 to 27-3456 inclusive if Kit 756 916 has been installed
- H - Used on PA-23-250 and PA-23-235 with serial numbers 27-1 to 27-611 inclusive, and PA-23-250 (Six Place) with serial numbers 27 2000 to 27-2651 inclusive
- J - No longer available
- Y - Used on PA-23-250 (Six Place) airplanes only
- Z - Used on PA 23-235 airplanes only

When ordering, always specify Part Number, Description and Serial Number of Aircraft

PIPER PARTS CATALOG

Figure and Index Number	Part Number	Code	NOMENCLATURE	No. Req.	SERIAL NUMBERS AFFECTED
10-17	458 940	G,X	ELBOW - (AN844-4D), 45	1	
	458 888	B,X	ELBOW - (MS20823-3D), 45	1	
	19897-00	X,Z	CONNECTOR ASSEMBLY - Vacuum line	2	
	19897-00	Y	CONNECTOR ASSEMBLY - Gyro horizon	1	27-2000 to 27-2651 inclusive
	24712-00	Y	CONNECTOR ASSEMBLY - Directional gyro	1	27-2000 to 27-2651 inclusive
-18	458 945		ELBOW - (1K1-4-6)	1	
	458 948		ELBOW - (1K1-2-4)	1	
-19	488 310		TEE - (AN826-3D)	1	
-20	19526-02	G	PANEL - Instrument insert	1	27-1 to 27-366 inclusive
	19854-00		PANEL - Instrument insert	1	27-367 to 27-3547 inclusive
	19526-03	B	PANEL - Instrument insert	1	
	31966-02	F,Y	PANEL ASSEMBLY - Instrument insert	1	27-2000 to 27-3049 inclusive, 27-3051 to 27-3153 inclusive
	31966-03	F,Y	PANEL ASSEMBLY - Instrument insert	1	27-3050, 27-3154 to 27-3836, 27-3838 to 27-3943 inclusive
-20a	31068-00		BRACKET ASSEMBLY - Gyro panel mounting	2	
-21	19505-00	X,Z	PANEL - Cover, right	1	
	30007-02	C,D,X	PANEL ASSEMBLY - Cover, right (complete)	1	
	30007-00	B,D,X	PANEL ASSEMBLY - Cover, right (complete)	1	
	31090-02	C,D,Z	PANEL ASSEMBLY - Cover, right (complete)	1	
	30545-03	Y	PANEL ASSEMBLY - Instrument panel cover, right	1	27-2000 to 27-2504 inclusive
	30561-00	C,D,E,Y	PANEL ASSEMBLY - Instrument panel cover, right	1	27-2000 to 27-2504 inclusive
	30964-00	A,C,D,Y	PANEL ASSEMBLY - Instrument panel cover, right	1	27-2000 to 27-2504 inclusive
	31325-00	Y	PANEL ASSEMBLY - Instrument panel cover, right	1	27-2505 to 27-3049 inclusive, 27-3051 to 27-3153 inclusive
	31325-03	Y	PANEL ASSEMBLY - Instrument panel cover, right	1	27-3050, 27-3154 to 27-3384 inclusive
	32240-00	Y	PANEL ASSEMBLY - Instrument panel cover, right	1	27-3385 to 27-3836 inclusive, 27-3838 to 27-3943 inclusive
	31297-00	C,D,Y	PANEL ASSEMBLY - Instrument panel cover, right	1	27-2505 to 27-3049 inclusive, 27-3051 to 27-3153 inclusive
	31297-02	C,D,Y	PANEL ASSEMBLY - Instrument panel cover, right	1	27-3050, 27-3154 to 27-3384 inclusive
	32241-00	C,D,Y	PANEL ASSEMBLY - Instrument panel cover, right	1	27-3385 to 27-3836 inclusive, 27-3838 to 27-3943 inclusive
-21a	30005-00	D,X	PANEL ASSEMBLY - Instrument panel, right	1	
	31089-00	C,D,E,Y	PANEL ASSEMBLY - Instrument panel, right	1	27-2000 to 27-2504 inclusive
	31089-02	A,C,D,Y	PANEL ASSEMBLY - Instrument panel, right	1	27-2000 to 27-2504 inclusive
	30005-03	C,D,Z	PANEL ASSEMBLY - Instrument panel, right	1	
	31295-00	C,D,Y	PANEL ASSEMBLY - Instrument panel, right	1	27-2505 to 27-3049 inclusive, 27-3051 to 27-3153 inclusive
	31295-03	C,D,Y	PANEL ASSEMBLY - Instrument panel, right	1	27-3050, 27-3154 to 27-3384 inclusive
	32238-00	C,D,Y	PANEL ASSEMBLY - Instrument panel, right	1	27-3385 to 27-3836 inclusive, 27-3838 to 27-3943 inclusive
			A - Used when dual altimeter or cylinder head temperature gauge is installed		
			B - Used when 28-volt electrical system installed		
			C - Optional equipment on 14-volt electrical system		
			D - Used when Glar-Ban lighting is installed		
			E - Used when dual altimeter or cylinder head temperature gauge is not installed		
			F - Used when 3 inch gyros are installed		
			G - Used when 14-volt electrical system is installed		
			X - Used on PA-23-250 airplanes only		
			Y - Used on PA-23-250 (Six Place) airplanes only		
			Z - Used on PA-23-235 airplanes only		

When ordering, always specify Part Number, Description and Serial Number of Aircraft



Figure and Index Number	Part Number	Code	NOMENCLATURE	No. Req.	SERIAL NUMBERS AFFECTED
10-21b	30014-00	B,C,F	PLATE - Instrument light plug attachment	1	
-21c	81102-28	B,C,F	WASHER	2	
-21d	481 060	B,C,F	PLUG - (Banana - 100)	2	
-21e	484 329	B,F	RECEPTACLE - (GB-59-3RH-R-28)	3	
	484 327	C	RECEPTACLE - (GB-5952-3RH-R)	10	
-21f	472 028		LAMP - Indicator (327), 28-volt	1	
	472 037		BULB - Indicator (330), 14-volt	13	
-21g	484 332	B,F	RECEPTACLE - (GB-5952-3LH-R-28)	7	
	484 326	C	RECEPTACLE - (GB-5952-3LH-R)	3	
-21h	472 028		LAMP - Indicator (327), 28-volt	1	
	472 037		BULB - Indicator (330), 14-volt	3	
-21j	19951-00		PLACARD - Vacuum check	1	
	19952-00		PLACARD - Carburetor air temperature	1	
	30559-00	Y	PLACARD - Cabin heat	1	27-2000 to 27-3049 inclusive, 27-3051 to 27-3153 inclusive
	32077-00	Y	PLACARD - Cabin heat	1	27-3050, 27-3154 to 27-3836, 27-3838 to 27-3943 inclusive
	SK-1896-1	A	PLACARD - Cabin heat	1	
-21k	752 368	A	LIGHT ASSEMBLY - Bolt, Glar-Ban (5952-R-28)	22	
-21l	472 028	A	BULB - Glar-Ban light assembly (327)	22	
-22	19731-02	X	PANEL - Cover, left	1	27-1 to 27-366 inclusive
	19731-06	X,Z	PANEL ASSEMBLY - Cover, left	1	27-367 and up
	30273-02	C,D,X,Z	PANEL ASSEMBLY - Instrument panel, left (complete)	1	
	30560-00	C,D,Y	PANEL ASSEMBLY - Instrument panel, left (complete)	1	27-2000 to 27-2504 inclusive
	30544-00	Y	PANEL ASSEMBLY - Instrument, left, cover	1	27-2000 to 27-2504 inclusive
	30008-00	B,D,X	PANEL ASSEMBLY - Cover, left (complete)	1	
	30544-04	Y	PANEL ASSEMBLY - Instrument panel cover, left	1	27-2505 to 27-3547 inclusive
	31663-00	E,G,Y	PANEL ASSEMBLY - Instrument panel, left	1	
	30560-03	C,D,Y	PANEL ASSEMBLY - Instrument panel cover, left	1	27-2505 to 27-3547 inclusive
	30560-04	C,D,E,Y	PANEL ASSEMBLY - Instrument panel cover, left	1	
-22a	30006-00	B,D,X	PANEL ASSEMBLY - Instrument panel, left	1	
	30265-02	C,D,X,Z	PANEL ASSEMBLY - Instrument panel, left	1	
	31088-00	C,D,Y	PANEL ASSEMBLY - Instrument panel, left	1	27-2000 to 27-2504 inclusive
	31088-04	C,D,Y	PANEL ASSEMBLY - Instrument panel, left	1	27-2505 to 27-3547 inclusive
	31525-00	C,D,E,Y	PANEL ASSEMBLY - Instrument panel, left	1	

A - Used on PA-23-250 (Six Place) with 28-volt electrical system, serial numbers 27-3584, 27-3585, 27-3721, 27-3722, 27-3726, 27-3732 and 27-3762.

B - Used when 28-volt electrical system is installed.

C - Optional equipment on 14-volt electrical system.

D - Used when Glar-Ban lighting is installed.

E - Used when 3 inch gyros are installed.

F - Used on PA-23-250 airplanes with serial numbers 27-259 to 27-364 inclusive, PA-23-250 Special with serial number 27-402, and PA-23-250 (Six Place) with serial numbers 27-2298 and 27-2331.

G - Optional on PA-23-250 (Six Place) with serial numbers 27-2000 to 27-3547 inclusive, and standard on PA-23-250 (Six Place) with serial numbers 27-3548 to 27-3836 inclusive, 27-3838 to 27-3943 inclusive.

X - Used on PA-23-250 airplanes only.

Y - Used on PA-23-250 (Six Place) airplanes only.

Z - Used on PA-23-235 airplanes only.

When ordering, always specify Part Number, Description and Serial Number of Aircraft



Figure and Index Number	Part Number	Code	NOMENCLATURE	No. Req.	SERIAL NUMBERS AFFECTED
10-22b	19950-00 30507-00	Y	PLACARD - Minimum single engine control speed PLACARD - Switch, position and rotating beacon lights	1 1	27-2000 to 27-2504 inclusive 27-2505 to 27-3836 inclusive, 27-3838 to 27-3943 inclusive
	31326-00	Y	PLACARD - Post lights	1	
-22c	30014-00	B,C,D	PLATE - Instrument light plug attachment	1	
-22d	81102-28	B,C,D	WASHER	2	
-22e	481 060	B,C,D	PLUG - (Banana - 100)	2	
-22f	484 329	B,D	RECEPTACLE - (GB-5952-3RH-R-28)	3	
	484 327	C	RECEPTACLE - (GB-5952-3RH-R)	3	
-22g	472 028		LAMP - Indicator (327), 28-volt	1	
	472 037		BULB - Indicator (330), 14-volt	3	
-22h	484 332	B,D	RECEPTACLE - (GB-5952-3LH-R-28)	7	
	484 326	C	RECEPTACLE - (GB-5952-3LH-R)	7	
-22j	472 028		LAMP - Indicator (327), 28-volt	1	
	472 037		BULB - Indicator (330), 14-volt	7	
-22k	752 368	A	LIGHT ASSEMBLY - Bolt, Glar-Ban (5952-R-28)	20	
-22l	472 028	A	BULB - Glar-Ban light assembly (327)	20	
-23	19543-00		DOOR ASSEMBLY - Glove compartment	1	27-1 to 27-3384 inclusive
-24	472 653		LIGHTER ASSEMBLY - Cigar (60248)	1	
-25	17790-03		PLATE ASSEMBLY - Hole cover	1	
-26	17790-02		PLATE ASSEMBLY - Hole cover	5	
	30102-00	E	PLATE ASSEMBLY - Indicator light mount	1	
-27	16096-00	X	PLACARD - "Aztec"	1	
	30588-00	Y	PLACARD - "Aztec"	1	27-2000 to 27-3049 inclusive, 27-3051 to 27-3153 inclusive
	32103-00	Y	PLATE - Instrument panel trim	1	27-3050, 27-3154 to 27-3384 inclusive
	17900-00	Z	PLACARD - "Apache"	1	
-28	17593-03	X	PLACARD - Switch	1	
	30589-00	Y	PLACARD - Panel switches	1	27-2000 to 27-2504 inclusive
	31362-00	Y	PLACARD - Panel switches	1	27-2505 to 27-3049 inclusive, 27-3051 to 27-3153 inclusive
	31362-04	Y	PLACARD - Panel switches	1	27-3050, 27-3154 to 27-3836, 27-3838 to 27-3943 inclusive
-29	17541-09		DRAWER ASSEMBLY - Map	1	
-30	17731-05		TRACK ASSEMBLY - Map tracker, left	1	
	17731-04		TRACK ASSEMBLY - Map tracker, right	1	
-31	30716-00		PLACARD - Check list	1	
-32	19521-00	F	PLACARD - Parking brake and starter	1	
	30643-00	F	PLACARD - Parking brake, starter, stall warning, phone and mike	1	

A - Used on PA-23-250 (Six Place) with 28-volt electrical system, serial numbers 27-3584, 27-3585, 27-3721, 27-3722, 27-3726, 27-3732 and 27-3762.
 B - Used when 28-volt electrical system is installed.
 C - Optional equipment on 14-volt electrical system.
 D - Used on PA-23-250 airplanes with serial numbers 27-259 to 27-364 inclusive, PA-23-250 Special with serial number 27-402, and PA-23-250 (Six Place) with serial numbers 27-2298 and 27-2331.
 E - Used when 28-volt electrical system is installed with 50 amp generator.
 F - Used when 14-volt electrical system is installed.
 X - Used on PA-23-250 airplanes only.
 Y - Used on PA-23-250 (Six Place) airplanes only.
 Z - Used on PA-23-235 airplanes only.

When ordering, always specify Part Number, Description and Serial Number of Aircraft



Figure and Index Number	Part Number	Code	NOMENCLATURE	No. Req.	SERIAL NUMBERS AFFECTED
10-33	471 080		KNOB - Parking brake (KN578A)	1	
-34	476 647		NIPPLE - (AN816-3D)	3	
-35	476 648		NIPPLE - (AN816-4D)	2	
-36	83161-02	X	HOSE - Flexible, 4"	1	27-1 to 27-366 inclusive
	83161-23	X,Z	HOSE - Flexible, 4"	2	27-367 and up
	83161-23	Y,Z	HOSE - Flexible, 4"	2	
	83161-07	Y	HOSE - Flexible, 6"	1	
-37	13541-04		TUBE - Airspeed (4" L)	2	
	20650-05		TUBE ASSEMBLY - Airspeed (10" L)	1	
-38	487 350		SEPARATOR - (1515642)	1	
-39	19940-00		PLACARD - Operation limitation	1	
-40	17393-04		PLATE - Control wheel shaft	2	
-41	16410-00	A	BLOCK ASSEMBLY - Ammeter shunt	1	
	30029-00	B	BLOCK ASSEMBLY - Ammeter shunt	1	
-42	453 602		BUTTON - Plug (48152)	2	
-43	487 570		STRAP - Mounting (1500666)	1	
-44	486 583		SHAFT - Tachometer (146" L)	2	
-45	30026-00	B	PLATE - Switch mounting	1	
-46	80122-81		WASHER - (.064)	2	
-47	80122-83		WASHER - (.032)	1	AR
-48	30030-00	B	PLATE - Ammeter attachment	1	
-49	20650-00	X	LINE ASSEMBLY - Static air	2	
	83161-22	Y	HOSE - Flexible	1	
-49a	484 348		REDUCER - (AN919-0D)	4	
-49b	17881-04		LINE ASSEMBLY	2	
-50	19551-00	A	CLUSTER ASSEMBLY - Instrument	1	27-1 to 27-2504 inclusive
	19551-02	B	CLUSTER ASSEMBLY - Instrument	1	27-1 to 27-2504 inclusive
	30114-00	A,Y	CLUSTER ASSEMBLY - Instrument	1	27-2505 to 27-3836 inclusive, 27-3838 to 27-3943 inclusive
	30114-03	C,D	CLUSTER ASSEMBLY - Instrument	1	
-51	752 064		INSTRUMENT - Fuel quantity	2	27-1 to 27-504 inclusive
	752 075		INSTRUMENT - Fuel quantity	2	27-505 to 27-3836 inclusive, 27-3838 to 27-3943 inclusive
	752 065		INSTRUMENT - Fuel quantity, 28-volt	2	27-1 to 27-2504 inclusive
-52	752 055		INSTRUMENT - Fuel pressure	2	27-1 to 27-504 inclusive
	752 076		INSTRUMENT - Fuel pressure	2	27-505 to 27-2504 inclusive
-53	752 056		INSTRUMENT - Oil pressure	2	27-1 to 27-504 inclusive
	32529-00		INSTRUMENT - Oil pressure	2	27-505 to 27-3836 inclusive, 27-3838 to 27-3943 inclusive
-54	752 057		INSTRUMENT - Oil temperature	2	27-1 to 27-504 inclusive
	752 078		INSTRUMENT - Oil temperature	2	27-505 to 27-3836 inclusive, 27-3838 to 27-3943 inclusive
	752 066		INSTRUMENT - Oil temperature, 28-volt	2	27-1 to 27-2504 inclusive
-54a	32531-00	Y	INSTRUMENT - Cylinder head temperature gauge	2	27-2505 to 27-3836 inclusive, 27-3838 to 27-3943 inclusive

A - Used when 14-volt electrical system is installed.
 B - Used when 28-volt electrical system is installed.
 C - Used on PA-23-250 (Six Place) with 28-volt electrical system, serial numbers 27-3584 to 27-3812 inclusive.
 D - Not available. Order Cluster Assembly, P/N SK-2048-3 and Flap Indicator Gauge, P/N 17669-03 when making this replacement.
 X - Used on PA-23-250 airplanes only.
 Y - Used on PA-23-250 (Six Place) airplanes only.
 Z - Used on PA-23-235 airplanes only.

When ordering, always specify Part Number, Description and Serial Number of Aircraft

INSTRUMENT PANEL INSTALLATION

(Serial Nos. 27-1 to 27-3836,
27-3838 to 27-3943 inclusive)



SECTION II
Fuselage Group

Figure and Index Number	Part Number	Code	NOMENCLATURE	No. Req.	SERIAL NUMBERS AFFECTED
10-55	19540-00		COMPARTMENT ASSEMBLY - Glove	1	27-1 to 27-3384 inclusive
-56	17767-00		PLATE - Map drawer cover	1	27-1 to 27-501 inclusive
	19930-00		PLATE ASSEMBLY - Map drawer cover	1	27-502 to 27-3836 inclusive, 27-3838 to 27-3943 inclusive
-57	17754-05	X,Z	PLATE ASSEMBLY - Wire support	1	
-58	19560-00	X	PANEL - Radio opening cover, left	1	27-1 to 27-366 inclusive
	19852-00	X,Z	PANEL - Radio opening cover, left (with attaching clips)	1	
	19852-02	Y	PANEL - Radio opening cover, left (with attaching clips)	1	
	31044-00	Y,Z	PANEL - Radio opening cover, left (with mounting holes)	1	
	30025-00	A,X	PANEL ASSEMBLY - Switch cover, left	1	
	22221-00	B	PANEL - Radio junction box cover	1	
-58a	19560-00	D	PANEL - Radio opening cover, right	1	27-1 to 27-366 inclusive
	19853-00	D	PANEL - Radio opening cover, right	1	27-367 to 27-3836 inclusive, 27-3838 to 27-3943 inclusive
	30025-00	A	PANEL - Radio opening cover, right	1	
-59	19379-00	D	COMPASS ASSEMBLY - 14-volt	1	
	19379-02	A	COMPASS ASSEMBLY - 28-volt	1	
-59a	472 037	D	BULB - (330)	1	
	472 028	A	BULB - (327)	1	
-60	16866-00	D,X	PANEL ASSEMBLY - Instrument	1	27-1 to 27-366 inclusive
	30187-02	D,X	PANEL ASSEMBLY - Instrument	1	27-367 and up
	30035-00	A,E	PANEL ASSEMBLY - Instrument	1	
	19860-03	Z	PANEL ASSEMBLY - Instrument	1	
	30595-00	Y	PANEL - Instrument, left	1	27-2000 to 27-2504 inclusive
	30595-02	Y	PANEL - Instrument, left	1	27-2505 to 27-3456 inclusive
	32209-00	D,Y	PANEL - Instrument, left	1	27-3457 to 27-3836 inclusive, 27-3838 to 27-3943 inclusive
	SK-1931	C	PANEL - Instrument, left, inboard	1	
	30596-00	Y	PANEL - Instrument, right	1	27-2000 to 27-2504 inclusive
	31278-00	Y	PANEL - Instrument, right	1	27-2505 to 27-3049 inclusive, 27-3051 to 27-3153 inclusive
	31278-02	Y	PANEL - Instrument, right	1	27-3050, 27-3154 to 27-3384 inclusive
	32231-00	D,Y	PANEL - Instrument, right	1	27-3385 to 27-3836 inclusive, 27-3838 to 27-3943 inclusive
-60a	SK-1899-3	C	PANEL - Instrument, right, inboard	1	
	SK-1898-2	C	PANEL - Instrument, left, outboard	1	
	SK-1899-2	C	PANEL - Instrument, right, outboard	1	

A - Used when 28-volt electrical system is installed.
 B - Optional equipment.
 C - Used on PA-23-250 (Six Place) with 28-volt electrical system, serial numbers 27-3584, 27-3585, 27-3721, 27-3722, 27-3726, 27-3732 and 27-3762.
 D - Used when 14-volt electrical system is installed.
 E - Used on PA-23-250 airplanes with serial numbers 27-259 to 27-364 inclusive, PA-23-250 Special with serial number 27-402, and PA-23-250 (Six Place) with serial numbers 27-2298 and 27-2331.
 X - Used on PA-23-250 airplanes only.
 Y - Used on PA-23-250 (Six Place) airplanes only.
 Z - Used on PA-23-235 airplanes only.

When ordering, always specify Part Number, Description and Serial Number of Aircraft



Figure and Index Number	Part Number	Code	NOMENCLATURE	No. Req.	SERIAL NUMBERS AFFECTED
10-61	19650-00	X	PANEL ASSEMBLY - Radio opening cover	1	27-1 to 27-366 inclusive
	19851-00	X,Z	PANEL ASSEMBLY - Radio opening cover	1	27-367 and up
	30637-00	Y	PANEL - Instrument panel opening cover	1	
-62	434 134		GROMMET - (AN931-6-10)	3	
-63	475 126		MOUNTING - Instrument, shock (100-PD-4)	3	
-64	755 825		PAD - AutoControl instrument filter (2 per instrument)	AR	
-65	30505-00	Y	BRACKET ASSEMBLY - Circuit protector mounting	1	
-66	17734-02	Y,Z	CLAMP ASSEMBLY - Map drawer track attachment	1	
-67	17734-03	Y,Z	CLAMP ASSEMBLY - Map drawer track attachment	1	
-68	30557-00	E,Y	PLACARD - Radio circuit breakers	1	
	SK-1861	D	PLACARD - Radio circuit breakers	1	
-69	453 664	Y	BUTTON - Plug (SS48192)	7	27-2000 to 27-3384 inclusive
	453 694	Y	BUTTON - Plug (D3005 "B")	7	27-3385 to 27-3836 inclusive, 27-3838 to 27-3943 inclusive
-70	487 814		SWITCH - Carburetor air temperature	1	
-71	488 577	B	THERMOCOUPLE - (P.N.-8T-752C5)	2	27-1 to 27-2504 inclusive
-72	494 642	B	LEAD WIRE - (P.N.-L104-15)	2	27-1 to 27-2504 inclusive
-73	550 610	B	INSTRUMENT - Cylinder head temperature gauge (31147)	1	27-1 to 27-2504 inclusive
-74	30621-00	E	PLACARD - Junction box	1	27-2000 to 27-2504 inclusive
	31153-00	E	PLACARD - Junction box	1	27-2505 to 27-3836 inclusive, 27-3838 to 27-3943 inclusive
	SK-1862	D	PLACARD - Radio panel switches	1	
-75	19531-03	X,Z	BRACKET ASSEMBLY - Gyro panel mounting	2	
	19531-03	Y	BRACKET ASSEMBLY - Gyro panel mounting	1	27-2000 to 27-2299 inclusive
	19531-04	Y	BRACKET ASSEMBLY - Gyro panel mounting	1	27-2300 to 27-3836 inclusive, 27-3838 to 27-3943 inclusive
-76	17966-00		ANGLE - Instrument panel	1	
-77	31367-00	Y	PLACARD - Circuit breaker	1	27-2505 to 27-3836 inclusive, 27-3838 to 27-3943 inclusive
-78	31084-00	C,Y	GAUGE ASSEMBLY - Fuel flow	1	27-2505 to 27-3836 inclusive, 27-3838 to 27-3943 inclusive
-79	31599-00	Y	SWITCH - Ammeter	1	27-2505 to 27-3836 inclusive, 27-3838 to 27-3943 inclusive
-80	460 664	B	FITTING - (AN4076-1)	2	27-1 to 27-2504 inclusive
-81	31665-00	A,Y	SHIM - Gyro instruments	2	
-82	451 939	Y	ADAPTER - (1K10-4-6) Directional gyro	1	27-2652 to 27-3836 inclusive, 27-3838 to 27-3943 inclusive
	458 945	Z	ELBOW - (1K1-4-6) Directional gyro	1	27-612 and up
	458 945	A,Y	ELBOW - (1K1-4-6) Directional gyro	1	
-83	558 913	Y	ELBOW - (1K9-4-6) Gyro horizon	1	27-2652 to 27-3836 inclusive, 27-3838 to 27-3943 inclusive
	458 945	Z	ELBOW - (1K1-4-6) Gyro horizon	1	27-612 and up
	451 939	A,Y	ADAPTER - (1K10-4-6) Gyro horizon	1	

A - Used when 3 inch gyros are installed.
 B - Optional equipment.
 C - Refer to Figure 30B if Airesearch Turbocharger is installed.
 D - Used on PA-23-250 (Six Place) with 28-volt electrical system, serial numbers 27-3584, 27-3585, 27-3721, 27-3722, 27-3726, 27-3732 and 27-3762.
 E - Used when 14-volt electrical system is installed.
 X - Used on PA-23-250 airplanes only.
 Y - Used on PA-23-250 (Six Place) airplanes only.
 Z - Used on PA-23-235 airplanes only.

When ordering, always specify Part Number, Description and Serial Number of Aircraft

PIPER PARTS CATALOG

Figure and Index Number	Part Number	Code	NOMENCLATURE	No Req.	SERIAL NUMBERS AFFECTED
10-84	752 119	B,D	GAUGE ASSEMBLY - Mixture control indicator	1	
	751 914	B,C	GAUGE ASSEMBLY - Mixture control indicator	1	
-85	756 907	B	THERMOCOUPLE ASSEMBLY - (With mounting kit)	2	
-86	756 307	B	* THERMOCOUPLE - (Less mounting kit)	1	
-87	753 948	B	* CLAMP - Thermocouple probe attachment	1	
-88	753 949	B	* CLAMP ASSEMBLY - Thermocouple probe attachment	1	
-89	756 256	B	* MOUNTING SLEEVE - Thermocouple probe attachment	1	
-90	753 213	B	WIRE ASSEMBLY - Mixture control gauge	2	
-91	25701-00	B,Y	METER ASSEMBLY - Hour (14-volt)	1	
	41502-00	B,Y	METER ASSEMBLY - Hour (28-volt)	1	27-3812
-92	487 905	B,Y	SWITCH - Pressure (M-4006-4)	1	27-3385 to 27-3836 inclusive 27-3838 to 27-3943 inclusive
-93	484 419		RESISTOR - Cigar lighter (S-3-01188) (28-volt system)	1	
-94	SK-1896-2	A	PLACARD - Mike and phone	1	
-95	SK-1896-5	A	PLACARD - Starter and parking brake	1	
-96	SK-1896-3	A	PLACARD - Stall warning	1	
-97	SK-1896-4	A	PLACARD - Fast slaving	1	
-98	475 109	A	SHOCK MOUNT - Left instrument panel, top and bottom (J-7219-22)	4	
-99	757 569	A	SHOCK MOUNT - Left instrument panel, side (J-6984-4)	4	
-100	487 915	A	SWITCH - Off-on (7101)	3	
-101	23-8182	A	PANEL - Radio mounting	1	
-102	757 307	A	PANEL ASSEMBLY - Radio control	1	
-103	26272-00		PLATE - Trim (Mitchell turn and bank)	1	
-104	26273-00		PLATE ASSEMBLY - Mounting (Mitchell turn and bank)	1	
-105	751 291	B	AMPLIFIER ASSEMBLY - Mixture control gauge (14-volt)	1	
	751 299	B	AMPLIFIER ASSEMBLY - Mixture control gauge (28-volt)	1	
-106	80382-02	Y	PLACARD - Warning, fuel	1	
-107	33438-00	E	PLACARD - Alternator inoperative	1	
-108	80247-02		PLACARD - Cigar lighter	1	
-109	81090-02	F	PLACARD - Parking brake	1	
			A - Used on PA-23-250 (Six Place) with 28-volt electrical system, serial numbers 27-3584, 27-3585, 27-3721, 27-3722, 27-3726, 27-3732 and 27-3762		
			B - Optional equipment		
			C - Used if mixture control gauge amplifier is installed		
			D - Used if mixture control gauge amplifier is not installed Part is no longer available Complete Piper Mixture Control Indicator Kit 550 758 may be ordered as a replacement		
			E - Used on PA-23-250 (Six Place) with serial numbers 27-2505 to 27-3943 inclusive, if Alternator Warning Light Installation Kit 760 744 or 760 745 has been installed		
			F - Used if Service Bulletin No 771 has been complied with		
			Y - Used on PA-23-250 (Six Place) airplanes only		

When ordering, always specify Part Number, Description and Serial Number of Aircraft

**1D23 THRU 1D24
INTENTIONALLY LEFT BLANK**

PIPER PARTS CATALOG

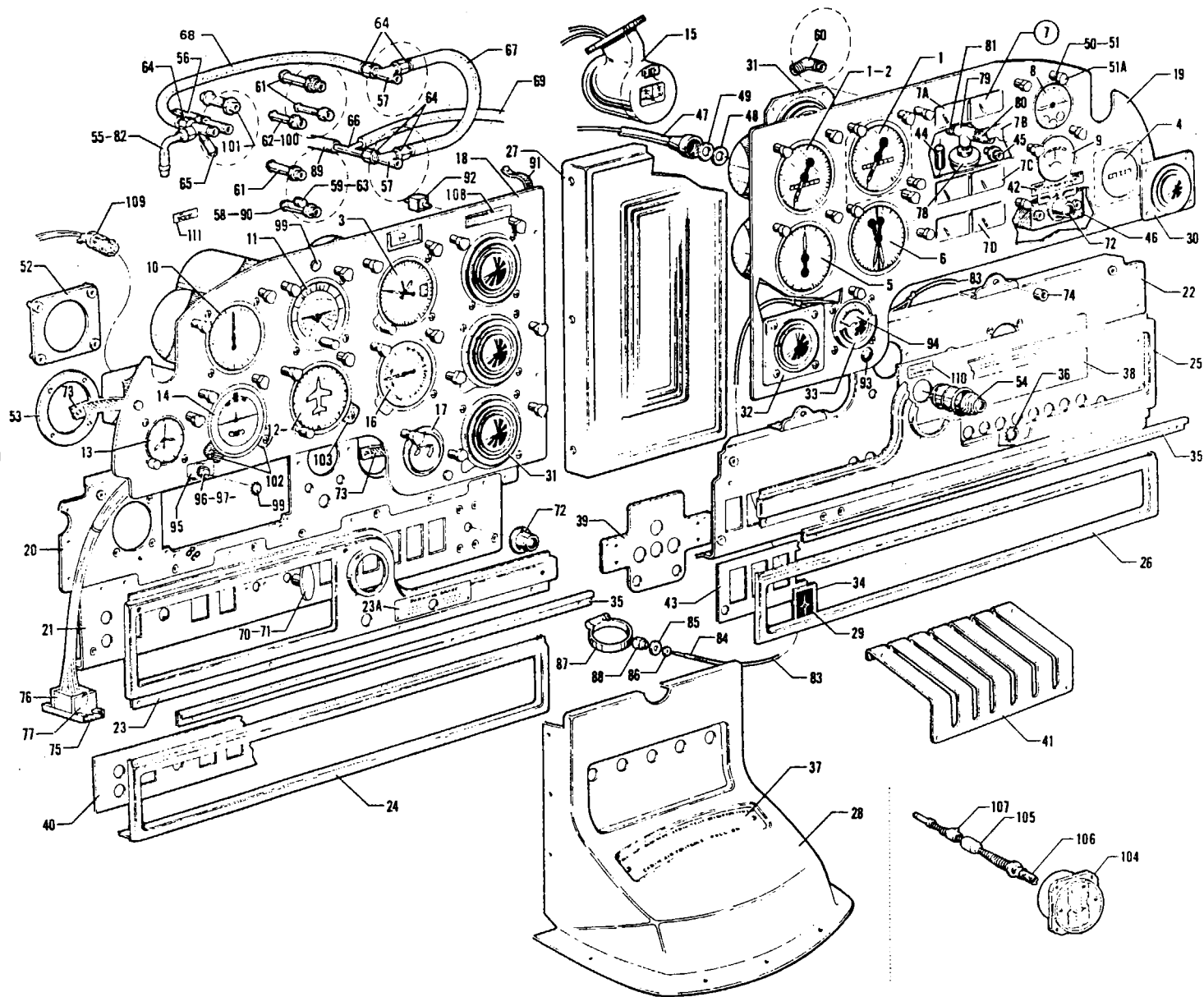


Figure 10A Instrument Panel Installation
 (Serial Nos 27-3837, 27-3944 to 27-7305221 inclusive, 27-7305223 to 27-7305234 inclusive)

PIPER PARTS CATALOG

Figure and Index Number	Part Number	Code	NOMENCLATURE	No. Req.	SERIAL NUMBERS AFFECTED
10A-	32591		DRAWING - Instrument Panel Installation		27-3837, 27-3944 to 27-4097 inclusive
	32841		DRAWING - Instrument Panel Installation		27-4098 to 27-7305221 inclusive, 27-7305223 to 27-7305234 incl.
-1	13621-06		INSTRUMENT - Tachometer	2	
-2	25700-03	C	INSTRUMENT - Dual tachometer (550 705)	1	
-3	32281-03		INSTRUMENT - Altimeter (scale in inches of mercury)	1	
	32281-04	C	INSTRUMENT - Altimeter (scale in millibars)	1	
	548 331		INSTRUMENT - Altimeter (scale in inches of mercury and millibars)	1	
-4	32658-02		INSTRUMENT - Engine hour meter (2.25" Dia. Meter Face)	1	
	51006-00		INSTRUMENT - Engine hour meter (Hobbs Miniature Meter)	1	
-5	19697-03		INSTRUMENT - Manifold pressure	1	
	19697-05	E	INSTRUMENT - Manifold pressure	1	
-6	32734-00		INSTRUMENT - Fuel flow	1	
	32858-02	E	INSTRUMENT - Fuel flow	1	
-7	30114-00	D,F	CLUSTER ASSEMBLY - Instrument (Box Type) (14 Volt)	1	
	33046-00	B,F	CLUSTER ASSEMBLY - Instrument (Box Type) (14 Volt)	1	
	33322-00	F	CLUSTER ASSEMBLY - Instrument (Box Type) (28 Volt)	1	
	757 964		CLUSTER ASSEMBLY - Instrument (Row Type)	1	27-4522 to 27-4524 inclusive
	757 965		CLUSTER ASSEMBLY - Instrument (Row Type)	1	27-4552, 27-4554, 27-4772, 27-4799
-7a	752 075		* INSTRUMENT - Fuel quantity	2	
-7b	32529-00		* INSTRUMENT - Oil pressure	2	
-7c	752 078		* INSTRUMENT - Oil temperature	2	
-7d	32531-00		* INSTRUMENT - Cylinder head temperature	2	
-8	550 606		INSTRUMENT - Suction gauge (1G2-1)	1	
-9	23857-00		INSTRUMENT - Ammeter	1	
-10	17419-19		INSTRUMENT - Airspeed indicator (scale in mph and knots)	1	
	17419-27		INSTRUMENT - Airspeed indicator (scale in knots)	1	
	30353-14	C	INSTRUMENT - True airspeed indicator	1	
			A - Used on PA-23-250 (Six Place) with serial numbers 27-3837, 27-3944 to 27-7305221 inclusive, 27-7305223 to 27-7305234 inclusive.		
			B - Used on PA-23-250 (Six Place) with serial numbers 27-4580, 27-4582 to 27-7305221 inclusive, 27-7305223 to 27-7305234 inclusive.		
			C - Optional equipment.		
			D - Used on airplanes with serial numbers 27-3837, 27-3944 to 27-4579 inclusive and 27-4581.		
			E - Used if Lycoming Turbocharger is installed.		
			F - Order part from Figure 10B, if upper right (Row Type) instrument cluster and associated parts have been installed		

When ordering, always specify Part Number, Description, and Serial Number of Aircraft

PIPER PARTS CATALOG

Figure and Index Number	Part Number	Code	NOMENCLATURE	No. Req.	SERIAL NUMBERS AFFECTED
10A-11	755 428	B	INSTRUMENT - Gyro horizon (vacuum)	1	
	46912-00	B	INSTRUMENT - Gyro horizon (28-volt electric)	1	
-12	755 427	B	INSTRUMENT - Directional gyro (vacuum)	1	
	46911-00	B	INSTRUMENT - Directional gyro (28-volt electric)	1	
-13	450 706		INSTRUMENT - Clock (4-33-7510ET)	1	
-14	32737-02		INSTRUMENT - Turn and bank, pictorial (Mitchell) (550 790) 14-volt	1	27-3837, 27-3944 to 27-4557 inclusive
	32737-04		INSTRUMENT - Turn and bank, pictorial (Mitchell) (550 588) 14-volt	1	27-4558 to 27-7305221 incl., 27-7305223 to 27-7305234 incl.
	450 788		INSTRUMENT - Turn and bank (R. C. Allen) (A2475-2) 14-volt	1	
	43220-00		INSTRUMENT - Turn and bank (R. C. Allen) (28W2-A2) 28-volt	1	
	41711-02		INSTRUMENT - Turn and bank (Brittain 1681A) (550 687) 14-volt	1	
-15	19379-03		INSTRUMENT - Compass assembly	1	
-16	550 684		INSTRUMENT - Rate of climb indicator (0-4000 ft./min.)	1	
-17	17669-03		INSTRUMENT - Flap indicator	1	
			A - Used on PA-23-250 (Six Place) with serial numbers 27-3837, 27-3944 to 27-7305221 inclusive, 27- 7305223 to 27-7305234 inclusive.		
			B - See appropriate figure in Electronics Group if autopilot is installed.		

When ordering, always specify Part Number, Description, and Serial Number of Aircraft

PIPER PARTS CATALOG

Figure and Index Number	Part Number	Code	NOMENCLATURE	No. Req.	SERIAL NUMBERS AFFECTED
10A-18	32443-07		PANEL ASSEMBLY - Instrument, left	1	27-3837, 27-3944 to 27-4097 inclusive
	32443-06	B,E	PANEL ASSEMBLY - Instrument, left	1	27-3837, 27-3944 to 27-4916 inclusive
	33246-04	C,E	PANEL ASSEMBLY - Instrument, left	1	27-3837, 27-3944 to 27-4916 inclusive
	33246-05	E,F	PANEL ASSEMBLY - Instrument, left	1	27-3837, 27-3944 to 27-4916 inclusive
	33246-06	D,E	PANEL ASSEMBLY - Instrument, left	1	27-4902 to 27-4916 inclusive
	33246-10	E,G	PANEL ASSEMBLY - Instrument, left	1	27-4902 to 27-4916 inclusive
	33246-07	E,J	PANEL ASSEMBLY - Instrument, left	1	27-4902 to 27-4916 inclusive
	33246-11	E,H	PANEL ASSEMBLY - Instrument, left	1	27-4902 to 27-4916 inclusive
	757 393		PANEL ASSEMBLY - Instrument, left	1	27-4522 to 27-4524 inclusive
	757 394		PANEL ASSEMBLY - Instrument, left	1	27-4552, 27-4554
	757 395		PANEL ASSEMBLY - Instrument, left	1	27-4762, 27-4821
	757 396		PANEL ASSEMBLY - Instrument, left	1	27-4779, 27-4783, 27-4849, 27-4850, 27-4854, 27-4855
	757 397		PANEL ASSEMBLY - Instrument, left	1	27-4786
	757 398		PANEL ASSEMBLY - Instrument, left	1	27-4801, 27-4807, 27-4809 to 27-4812 inclusive
	757 399		PANEL ASSEMBLY - Instrument, left	1	27-4813
	757 400		PANEL ASSEMBLY - Instrument, left	1	27-4772
	757 401		PANEL ASSEMBLY - Instrument, left	1	27-4837
	757 402		PANEL ASSEMBLY - Instrument, left	1	27-4847, 27-4853
			A - Used on PA-23-250 (Six Place) with serial numbers 27-3837, 27-3944 to 27-7305221 inclusive, 27-7305223 to 27-7305234 inclusive		
			B - Used if Glar Bar Lights are installed		
			C - Used if Glar Bar Lights and AltiMatic III or AltiMatic IIIB or AltiMatic V or AltiMatic V-1 with Narco Avionics are installed		
			D - Used if AltiMatic IIIB-1 or AltiMatic V or AltiMatic V-1 with King Avionics is installed (Non-Tso'd)		
			E - If special instruments and/or avionics are installed on airplanes with serial numbers 27-7304917 and up, check part number stamped on back panel and order that part number		
			F - Used if AltiMatic V F/D or V F/D-1 with Narco Avionics is installed		
			G - Used if AltiMatic IIIB-1 or AltiMatic V or AltiMatic V-1 with King Avionics is installed (Tso'd)		
			H - Used if AltiMatic V F/D or V F/D-1 with King Avionics is installed (Non-Tso'd)		
			J - Used if AltiMatic V F/D or V F/D-1 with King Avionics is installed (Tso'd)		

When ordering, always specify Part Number, Description and Serial Number of Aircraft



Figure and Index Number	Part Number	Code	NOMENCLATURE	No. Req.	SERIAL NUMBERS AFFECTED	
10A-19	32447-02		PANEL ASSEMBLY - Instrument, right (Standard)	1	27-3837, 27-3944 to 27-4097 inclusive	
	32823-00	B	PANEL ASSEMBLY - Instrument, right (Standard)	1	27-4098 to 27-4793 inclusive	
	33183-02	B,G	PANEL ASSEMBLY - Instrument, right (Standard)	1	27-4794 to 27-7304984 inclusive	
	33183-08	G,H	PANEL ASSEMBLY - Instrument, right (Standard)	1		
	32447-00	B	PANEL ASSEMBLY - Instrument, right	1	27-3837, 27-3944 to 27-4097 inclusive	
	32447-03	E	PANEL ASSEMBLY - Instrument, right	1	27-3837, 27-3944 to 27-4097 inclusive	
	32447-04	B,E	PANEL ASSEMBLY - Instrument, right	1	27-3837, 27-3944 to 27-4097 inclusive	
	32823-04	B,E	PANEL ASSEMBLY - Instrument, right	1	27-4098 to 27-4793 inclusive	
	32823-05	B,C	PANEL ASSEMBLY - Instrument, right	1	27-4226 to 27-4793 inclusive	
	32823-08	B,C,E	PANEL ASSEMBLY - Instrument, right	1	27-4226 to 27-4793 inclusive	
	33183-03	D,E	PANEL ASSEMBLY - Instrument, right	1	27-4794 to 27-4916 inclusive	
	33183-04	C	PANEL ASSEMBLY - Instrument, right	1	27-4794 to 27-4916 inclusive	
	33183-05	C,D,E	PANEL ASSEMBLY - Instrument, right	1	27-4794 to 27-4916 inclusive	
	33183-06	F	PANEL ASSEMBLY - Instrument, right	1	27-4794 to 27-4916 inclusive	
	33183-07	C,F	PANEL ASSEMBLY - Instrument, right	1	27-4794 to 27-4916 inclusive	
	<p>A - Used on PA-23-250 (Six Place) with serial numbers 27-3837, 27-3944 to 27-7305221 inclusive, 27-7305223 to 27-7305234 inclusive.</p> <p>B - Used if Glar Ben Lights are installed.</p> <p>C - Used if Lycoming Turbocharger is installed.</p> <p>D - Used if Dual Tachometers are installed.</p> <p>E - Used if Dual Altimeters are installed.</p> <p>F - Used if Radar Altimeter is installed.</p> <p>G - If special instruments and/or Avionics are installed on airplanes with serial numbers 27-7304917 and up, check part number stamped on back of panel and order that part number.</p> <p>H - Used on PA-23-250 (Six Place) with serial numbers 27-7304985 to 27-7305221, 27-7305223 to 27-7305234 inclusive.</p>					

When ordering, always specify Part Number, Description and Serial Number of Aircraft

PIPER PARTS CATALOG

Figure and Index Number	Part Number	Code	NOMENCLATURE	No. Req.	SERIAL NUMBERS AFFECTED
10A-20	32414-03 32414-10		PANEL ASSEMBLY - Instrument, left, center PANEL ASSEMBLY - Instrument, left, center	1 1	27-3837, 27-3944 to 27-4784 incl 27-4785 to 27-7305221, 27-7305223 to 27-7305234 incl
-21	32414-02 32414-06 32414-08		PANEL ASSEMBLY - Instrument, left, lower PANEL ASSEMBLY - Instrument, left, lower PANEL ASSEMBLY - Instrument, left, lower	1 1 1	27-3837, 27-3944 to 27-4444 incl 27-4445 to 27-4793 inclusive 27-4794 to 27-7305221, 27-7305223 to 27-7305234 incl
-22	32406-05 32406-03	D B.D	PANEL ASSEMBLY - Instrument, right PANEL ASSEMBLY - Instrument, right	1 1	27-4098 to 27-7304985 incl
-23	32695-02 32939-02 32695-03 32939-03 32695-04 32939-04 32695-05 32939-05 32695-06 32939-06 32480-02 32952-02 32480-03 32952-03 32480-04 32952-04 32480-05 32952-05 32480-06 32952-06	E E E E E E E E E E C C.E C C.E C C.E C C.E C C.E	COVER - Instrument panel, left, center, red COVER - Instrument panel, left, center, red COVER - Instrument panel, left, center, blue COVER - Instrument panel, left, center, blue COVER - Instrument panel, left, center, white COVER - Instrument panel, left, center, white COVER - Instrument panel, left, center, pearl beige COVER - Instrument panel, left, center, pearl beige COVER - Instrument panel, left, center, black COVER - Instrument panel, left, center, black COVER - Instrument panel, left, center, red COVER - Instrument panel, left, center, red COVER - Instrument panel, left, center, blue COVER - Instrument panel, left, center, blue COVER - Instrument panel, left, center, white COVER - Instrument panel, left, center, white COVER - Instrument panel, left, center, pearl beige COVER - Instrument panel, left, center, pearl beige COVER - Instrument panel, left, center, black COVER - Instrument panel, left, center, black	1 1	27-3837, 27-3944 to 27-4444 incl 27-3837, 27-3944 to 27-4444 incl 27-3837, 27-3944 to 27-4444 incl 27-3837, 27-3944 to 27-4444 incl 27-3837, 27-3944 to 27-4444 incl 27-3837, 27-3944 to 27-4444 incl 27-3837, 27-3944 to 27-4444 incl 27-3837, 27-3944 to 27-4444 incl 27-3837, 27-3944 to 27-4444 incl 27-3837, 27-3944 to 27-4444 incl 27-3837, 27-3944 to 27-4444 incl 27-3837, 27-3944 to 27-4444 incl 27-3837, 27-3944 to 27-4444 incl 27-3837, 27-3944 to 27-4444 incl 27-3837, 27-3944 to 27-4444 incl 27-3837, 27-3944 to 27-4444 incl 27-3837, 27-3944 to 27-4444 incl 27-3837, 27-3944 to 27-4444 incl 27-3837, 27-3944 to 27-4444 incl 27-3837, 27-3944 to 27-4444 incl
-23a	32937-00	E	PLACARD - Parking brake (581 627)	1	
			<p>A - Used on PA-23-250 (Six Place) with serial numbers 27-3837, 27-3944 to 27-7305221 inclusive, 27-7305223 to 27-7305234 inclusive</p> <p>B - Used on PA-23-250 (Six Place) with serial numbers 27-3837, 27-3944 to 27-4097 inclusive, and 27-7304986 to 27-7305221, 27-7305223 to 27-7305234 inclusive</p> <p>C - Used if AutoControl or AltiMatic is installed</p> <p>D - If special instruments and/or Avionics are installed on airplanes with serial numbers 27-7304917 and up, check part number stamped on back panel and order that part number</p> <p>E - Used on PA-23-250 (Six Place) with serial numbers 27-4445 to 27-7305221, 27-7305223 to 27-7305234 inclusive</p>		

When ordering, always specify Part Number, Description and Serial Number of Aircraft

PIPER PARTS CATALOG

Figure and Index Number	Part Number	Code	NOMENCLATURE	No. Req	SERIAL NUMBERS AFFECTED
10A-24	32478-02		COVER - Instrument panel, left, lower, beige metallic	1	
	32478-03		COVER - Instrument panel, left, lower, white	1	
	32478-04		COVER - Instrument panel, left, lower, black	1	
-25	32481-02		COVER - Instrument panel, right, center, black	1	
	32481-03		COVER - Instrument panel, right, center, red	1	
	32481-04		COVER - Instrument panel, right, center, blue	1	
	32481-05		COVER - Instrument panel, right, center, white	1	
	32481-06		COVER - Instrument panel, right, center, pearl beige	1	
-26	32477-02		COVER - Instrument panel, right, lower, beige metallic	1	
	32477-03		COVER - Instrument panel, right, lower, white	1	
	32477-04		COVER - Instrument panel, right, lower, black	1	
-27	32699-00		COVER - Instrument panel, center opening	1	27-3837, 27-3944 to 27-4784 incl
	32699-04		COVER - Instrument panel, center opening	1	27-4785 to 27-7305221, 27-7305223 to 27-7305234 incl
-28	32524-00		COVER ASSEMBLY - Nose wheel, beige metallic	1	27-3837, 27-3944 to 27-4084 incl
	32524-03		COVER ASSEMBLY - Nose wheel, black	1	27-3837, 27-3944 to 27-4084 incl
	32788-03		COVER ASSEMBLY - Nose wheel, black	1	27-4085 to 27-7305221, 27-7305223 to 27-7305234 incl
-29	32510-00		COVER PLATE - Instrument panel, right, black	6	
-30	41679-00		COVER PLATE - Instrument panel hole (2 50" x 2 50")	1	27-3837, 27-3944 to 27-7304984 inclusive
	33426-00		COVER PLATE - Instrument panel	1	27-7304985 to 27-7305221 incl, 27-7305223 to 27-7305234 incl
-31	41678-00		COVER PLATE - Instrument panel hole (3 25" x 3 25")	3	
-32	43086-02		COVER PLATE - Instrument panel hole (2 81" x 3 03")	1	27-3837, 27-3944 to 27-4793 incl
	41679-00		COVER PLATE - Instrument panel hole (2 50" x 2 50")	1	27-4794 to 27-7305221 incl, 27-7305223 to 27-7305234 incl
-33	41679-00		COVER PLATE - Instrument panel hole (2 50" x 2 50")	1	27-3837, 27-3944 to 27-4097 incl
	32835-00		COVER PLATE - Instrument panel hole (1 54" x 1 54")	1	27-4098 to 27-7305221 incl, 27-7305223 to 27-7305234 incl
-34	453 424		BRACKET - Snap in, cover plate	3	
-35	32479-00		CAP MOULDING - Instrument panel, center	2	
-36	453 661		BUTTON - Plug (#BS51051) Black	16	27-3837, 27-3944 to 27-4444 incl
	453 694		BUTTON - Plug (#D3005B) Black	16	27-4445 to 27-7305221 incl, 27-7305223 to 27-7305234 incl
-37	32502-00		PLACARD - Cabin air	1	
-38	32629-00		PLACARD - Cabin heat	1	27-3837, 27-3944 to 27-4097 incl
	32825-00		PLACARD - Cabin heat	1	27-4098 to 27-7304984 inclusive
	32825-02		PLACARD - Cabin heat (with transponder cutout)	1	27-4098 to 27-7305221 incl, 27-7305223 to 27-7305234 incl
	32500-00		PLACARD - Cabin heat	1	27-7304985 to 27-7305221 incl, 27-7305223 to 27-7305234 incl
-39	32525-00		PLACARD - Landing gear, flap and alternate air (581 443)	1	
			A - Used on PA-23-250 (Six Place) with serial numbers 27-3837, 27-3944 to 27-7305221 inclusive, 27-7305223 to 27-7305234 inclusive		

When ordering, always specify Part Number, Description and Serial Number of Aircraft

PIPER PARTS CATALOG

Figure and Index Number	Part Number	Code	NOMENCLATURE	No. Req	SERIAL NUMBERS AFFECTED
10A-40	32538-00		PLACARD - Instrument panel	1	27-3837, 27-3944 to 27-4444 incl
	32938-02		PLACARD - Instrument panel	1	27-4445 to 27-4793 inclusive
	32938-03	B	PLACARD - Instrument panel	1	27-4445 to 27-4793 inclusive
	33097-00	D	PLACARD - Instrument panel	1	27-4445 to 27-4793 inclusive
	33097-02	C	PLACARD - Instrument panel	1	27-4445 to 27-4793 inclusive
	33197-02		PLACARD - Instrument panel	1	27-4794 to 27-7305221 inclusive, 27-7305223 to 27-7305234 incl
	33197-03	B	PLACARD - Instrument panel	1	27-4794 to 27-7305134 inclusive
	33332-02	D	PLACARD - Instrument panel	1	27-4794 to 27-7305221 inclusive, 27-7305223 to 27-7305234 inclusive
	33332-03	C	PLACARD - Instrument panel	1	27-4794 to 27-7305221 incl, 27-7305223 to 27-7305234 incl
-41	32541-00		PLACARD - Pedestal control	1	
-42	32636-00		PLACARD - Alternator selector switch	1	27-3837, 27-3944 to 27-4793 incl
	33438-00	E	PLACARD - Alternator inoperative	1	27-3837, 27-3944 to 27-4793 incl
	33195-00		PLACARD - Alternator selector switch and inoperative light	1	
-43	32641-00		PLACARD - Switches, right, lower	1	27-3837, 27-3944 to 27-4225 incl
	32641-02		PLACARD - Switches, right, lower	1	27-4226 to 27-4425, 27-4427 to 27-4444 inclusive
	32641-03		PLACARD - Switches, right, lower	1	27-4445 to 27-4521, 27-4545 to 27-4573 inclusive
	32641-04		PLACARD - Switches, right, lower	1	27-4426, 27-4574 to 27-4761, 27-4763 to 27-4793 inclusive
	33198-00		PLACARD - Switches, right, lower	1	27-4794 to 27-4812, 27-4814 to 27-4820, 27-4822, 27-4824 to 27-4901 inclusive
	33198-03		PLACARD - Switches, right, lower	1	27-4902 to 27-7305134 inclusive
	33198-04		PLACARD - Switches, right, lower	1	27-7305135 to 27-7305221 incl, 27-7305223 to 27-7305234 incl
	757 411		PLACARD - Switches, right, lower	1	27-4522 to 27-4524 incl
	757 412		PLACARD - Switches, right, lower	1	27-4762, 27-4813, 27-4821, 27-4823
-44	30234-00		CAPACITOR ASSEMBLY - Cluster assembly	2	
-45	484 348		REDUCER - Oil gauge (AN919-OD)	2	
-46	31269-00		SWITCH ASSEMBLY - Ammeter	1	
-47	486 583		SHAFT - Tachometer (PS50044-0)	2	
-48	80122-81		WASHER - Tachometer shaft (064)	2	
-49	80122-83		WASHER - Tachometer shaft (032)	AR	
-50	472 776		BOLT LIGHT - (P-65-3-CW-14) 14 Volt	37	
	472 829		BOLT LIGHT - (20-0121-15-B-24) 28 volt	37	
-51	472 054		BULB - Bolt light (330) 14 Volt	1	
	472 028		BULB - Bolt light (327) 28 Volt	1	
-51a	757 877	F	CAP ASSEMBLY - Blue lens (5952-2CW)	1	

- A - Used on PA-23-250 (Six Place) with serial numbers 27-3837, 27-3944 to 27-7305221 incl, 27-7305223 to 27-7305234 inclusive
- B - Used only if Red Anti-Collision Strobe Lights are installed
- C - Used only if AltiMatic V F/D or V F/D-1 and Wing Tip Strobe Lights are installed
- D - Used only if AltiMatic V F/D or V F/D-1 is installed
- E - Used if alternator warning light installation kit 760 744 or 760 745 has been installed
- F - Used with 14-volt bolt light only

When ordering, always specify Part Number, Description and Serial Number of Aircraft



Figure and Index Number	Part Number	Code	NOMENCLATURE	No. Req.	SERIAL NUMBERS AFFECTED
10A-52	26273-00		PLATE ASSEMBLY - Mitchell turn and bank	1	
-53	32598-00		RING - Trim, Mitchell turn and bank	1	
-54	472 853		LIGHTER - (60248)	1	
-55	454 289	C	CAP ASSEMBLY - (AN829-3)	1	
-56	488 525	D	TEE - Swivel (3-S4-12)	1	
-57	488 310		TEE - (AN826-3D)	2	
-58	558 913		ELBOW - (1K9-4-6)	1	
-59	458 948		ELBOW - (1K1-2-4)	1	
-60	458 893	F	ELBOW - (AN822-3D)	1	
-61	451 939		ADAPTER - (1K10-4-6)	3	
-62	451 881	B	ADAPTER - (1K10-2-4)	1	
-63	24712-02	B	PLUG - Directional gyro	1	
-64	17881-04		LINE ASSEMBLY - Instruments	5	
-65	25705-00	E	TUBE ASSEMBLY - Instruments	1	
-66	30947-00	F	TUBE ASSEMBLY - Instruments	1	
-67	83161-22		HOSE - Instruments (8" L)	1	
-68	83161-29		HOSE - Instruments (14" L)	1	
-69	83161-30	F	HOSE - Instruments (38" L)	1	
-70	471 080		KNOB - Tee, parking brake (KN578A)	1	
-71	471 080		KNOB - (KN578A)	1	
-72	571 115		KNOB - (409D2K1)	2	
-73	42034-02		STRAP - Ground, instrument panel	2	
-74	61402-39		BUSHING - Instrument panel, right	5	
-75	41194-02		TRACK - Mount, Glar Ban lights	2	
-76	475 162		MODULE - Top feed, Glar ban lights	9	
-77	554 868		CLAMP - Module, end	4	
-78	487 905	G	SWITCH - Pressure (M-4006-4)	1	
-79	488 474	G	TEE - (AN917-1D)	1	
-80	476 649	G	NIPPLE - (AN816-2D)	1	
-81	476 647	G	NIPPLE - (AN816-3D)	1	
-82	26564-00	E	TUBE ASSEMBLY - Instruments	1	
-83	756 623	G	CABLE - Extension, exhaust gas temperature (Radair)	2	

A - Used on PA-23-250 (Six Place) with serial numbers 27-3837, 27-3944 to 27-7305221 inclusive, 27-7305223 to 27-7305234 inclusive.

B - Used with AltiMatic III, Auto Control III, AltiMatic V or AltiMatic V-1 only.

C - Used with Standard Installation, AutoControl III or AltiMatic V or AltiMatic V-1 only.

D - Used on AltiMatic III or AltiMatic V or AltiMatic V-1 only.

E - Used with AltiMatic III, AltiMatic V, AltiMatic V-1, AltiMatic V F/D or AltiMatic V F/D-1.

F - Used with Dual Altimeter only

G - Optional equipment.

When ordering, always specify Part Number, Description and Serial Number of Aircraft

PIPER PARTS CATALOG

Figure and Index Number	Part Number	Code	NOMENCLATURE	No. Req.	SERIAL NUMBER AFFECTED
10A-84	756 337	D G	THERMOCOUPLE - Exhaust gas temperature (Radair)	2	
	756 317	C G	THERMOCOUPLE - Exhaust gas temperature (Radair)	2	
-85	756 273	G	SPACER - (Large) Exhaust gas temperature (Radair)	6	
-86	756 274	G	SPACER - (Small) Exhaust gas temperature (Radair)	6	
-87	757 866	D.G	CLAMP - Exhaust gas temperature (Radair)	2	
-88	751 294	D.G	ADAPTER ASSEMBLY - Exhaust gas temperature (Radair)	2	
	753 972	C.G	CONNECTOR - Exhaust gas temperature (Radair)	2	
-89	83161-07		HOSE - Instruments, 6 flexible	2	
-90	451 939	B	ADAPTER - (1K10-4-6)	1	
-91	42034-00		STRAP - Ground, instrument panel	2	
-92	475 109		MOUNT - Instrument panel, left, center	5	
-93	453 799		PLUG - Button (SS-51043)	1	27-4098 to 27-7305221 incl. 27-7305223 to 27-7305234 incl
-94	32745-00	D.G	GAUGE ASSEMBLY - Exhaust gas temperature (Radair)	1	
	751 904	C.G	GAUGE ASSEMBLY - Exhaust gas temperature (Radair)	1	
-95	27178-00	F	PLACARD - Pitch out of trim (581 681)	1	
-96	472 816	F	LIGHT - Trim warning (800-1030-0333-504)	1	
-97	757 938	F	CAP ASSEMBLY - (800-0333-500)	1	
-98	472 028	F	LAMP - (28 V, 327)	1	
-99	453 865	F	BUTTON - Plug (SS-51338)	2	
-100	451 881	E	ADAPTER - (1K10-2-4)	1	
-101	451 939	E	ADAPTER - (1K10-4-6)	1	
-102	52826-05		COVER - Instrument mounting	2	
-103	52826-04		COVER - Instrument panel mounting	1	
-104	550 610		INSTRUMENT - Cylinder head temperature gauge (31147-00)	1	27-4522 to 27-4524 incl
-105	488 577		THERMOCOUPLE - (P N -8T-752C5)	2	27-4522 to 27-4524 incl
-106	494 642		LEAD WIRE - (P N -L104-15)	2	27-4522 to 27-4524 incl
-107	460 664		FITTING - (AN4076-1)	2	27-4522 to 27-4524 incl
-108	80382-02		PLACARD - Warning, fuel	1	
-109	21788-03		PLUG ASSEMBLY - (R C Allen & Brittain turn and bank)	1	
	26255-00		PLUG ASSEMBLY - (Mitchell turn and bank)	1	
-110	80247-02		PLACARD - Cigar lighter	1	
-111	81090-02	H	PLACARD - Parking brake	1	
			<p>A - Used on PA-23-250 (Six Place) with serial numbers 27-3837, 27-3944 to 27-7305221 incl, 27-7305223 to 27-7305234 incl</p> <p>B - Used with AltiMatic III, AutoControl III, AltiMatic V or AltiMatic V-1 only</p> <p>C - Used if Lycoming Turbocharger is installed</p> <p>D - Used if Lycoming Turbocharger is not installed</p> <p>E - Used if AltiMatic V or V-1 only is installed</p> <p>F - Used on PA-23-250 (Six Place) with serial numbers 27-4426, 27-4574 to 27-7305221 incl, 27-7305223 to 27-7305234 incl</p> <p>G - Optional equipment</p> <p>H - Used if Service Bulletin No 771 has been complied with</p>		

When ordering, always specify Part Number, Description and Serial Number of Aircraft

PIPER PARTS CATALOG

Figure and Index Number	Part Number	Code	NOMENCLATURE	No. Req.	SERIAL NUMBERS AFFECTED
10B-	33494		DRAWING - Instrument Panel Installation		
-1	25700-03		INSTRUMENT - Dual tachometer	1	
-2	32281-03		INSTRUMENT - Altimeter (scale in inches of mercury)	1	
	32281-04		INSTRUMENT - Altimeter (scale in millibars)	1	
	548 331		INSTRUMENT - Altimeter (scale in inches of mercury and millibars)	1	
-3	51006-00		INSTRUMENT - Engine hour meter	1	
-4	19697-03		INSTRUMENT - Manifold pressure	1	
	19697-05	C	INSTRUMENT - Manifold pressure	1	
-5	550 606		INSTRUMENT - Suction gauge (1G2-1)	1	
-6	550 684		INSTRUMENT - Rate of climb (0-4000 ft /min)	1	
-7	32737-04		INSTRUMENT - Turn and bank, pictorial (Mitchell) (550 588) 14-volt	1	
	32737-05		INSTRUMENT - Turn and bank, pictorial (Mitchell) (550 588) 28-volt	1	
	41711-00		INSTRUMENT - Turn coordinator (Brittain 1682A) (550 686) 28-volt	1	
	41711-02		INSTRUMENT - Turn coordinator (Brittain 1681A) (550 687) 14-volt	1	
-8	17419-19		INSTRUMENT - Airspeed indicator (scale in mph and knots)	1	
	17419-27		INSTRUMENT - Airspeed indicator (scale in knots)	1	
	30353-14		INSTRUMENT - True airspeed indicator	1	
-9	755 428	A	INSTRUMENT - Attitude gyro (vacuum)	1	
-10	755 427	A	INSTRUMENT - Directional gyro (vacuum)	1	
-11	23857-00		INSTRUMENT - Ammeter	1	
-12	17669-03		INSTRUMENT - Flap indicator	1	
-13	450 706		INSTRUMENT - Clock (W-33-751OET)	1	
-14	32745-00	B D	GAUGE ASSEMBLY - Exhaust gas temperature (Radair)	1	
	751 904	C.D	GAUGE ASSEMBLY - Exhaust gas temperature (Radair)	1	
	548 036	C.E	GAUGE ASSEMBLY - Exhaust gas temperature (PS50101-33L) (Rosemount)	1	
	755 035	B.E	GAUGE ASSEMBLY - Exhaust gas temperature (PS50101-33G) (Rosemount)	1	
-15	33475-02		CLUSTER ASSEMBLY - Instrument (14-volt)	1	
	33475-03		CLUSTER ASSEMBLY - Instrument (28-volt)	1	
-16	752 075		* INSTRUMENT - Fuel quantity	2	
-17	32529-00		* INSTRUMENT - Oil pressure	2	
-18	752 078		* INSTRUMENT - Oil temperature	2	
-19	32531-00		* INSTRUMENT - Cylinder head temperature	2	
-20	26753-00		* BOLT LIGHT ASSEMBLY - Row cluster	4	
-21	476 649		* NIPPLE - (AN816-2D)	1	

- A - See appropriate figure in Electronics Group if autopilot is installed
- B - Used if Lycoming Turbocharger is not installed
- C - Used if Lycoming Turbocharger is installed
- D - Used on PA-23-250 (Six Place) with serial numbers
27-7305222, 27-7405235 to 27-7405388, 27-7405390,
27-7405394, 27-7405395, 27-7405397 to 27-7405407,
27-7405409, 27-7405410, 27-7405412, 27-7405414,
27-7405415 and 27-7405417 inclusive
- E - Used on PA-23-250 (Six Place) with serial numbers
27-7405389, 27-7405391 to 27-7405393, 27-7405396,
27-7405408, 27-7405411, 27-7405413, 27-7405416,
27-7405418 to 27-7405476 inclusive

When ordering, always specify Part Number, Description and Serial Number of Aircraft

PIPER PARTS CATALOG

Figure and Index Number	Part Number	Code	NOMENCLATURE	No Req.	SERIAL NUMBERS AFFECTED
10B-22	484 348		REDUCER - (AN919-0D)	1	
-23	484 476		RESISTOR - (020ORN27) (28-volt)	1	
-24	19379-03		INSTRUMENT - Compass assembly	1	
-25	32734-00		INSTRUMENT - Dual fuel flow	1	
	32858-02	A	INSTRUMENT - Dual fuel flow	1	
-26	33246-04	C.D	PANEL ASSEMBLY - Instrument, left, standard	1	
	33246-14	C	PANEL ASSEMBLY - Instrument, left, standard	1	27-7405400 to 27-7405476 incl
-27	33477-02	A.C	PANEL ASSEMBLY - Instrument, right, standard	1	
	33477-03	A.C	PANEL ASSEMBLY - Instrument, right, standard	1	
-28	32414-10	C	PANEL ASSEMBLY - Instrument, left, center	1	
-29	32414-12		PANEL ASSEMBLY - Instrument, left, lower	1	
-30	33469-00	C	PANEL ASSEMBLY - Instrument and circuit protector, right	1	
-31	32478-02		COVER - Instrument panel, left, lower, beige metallic	1	
	32478-03		COVER - Instrument panel, left, lower, white	1	
	32478-04		COVER - Instrument panel, left, lower, black	1	
-32	32477-02		COVER - Instrument panel, right, lower, beige metallic	1	
	32477-03		COVER - Instrument panel, right, lower, white	1	
	32477-04		COVER - Instrument panel, right, lower, black	1	
-33	32699-04		COVER - Instrument panel, center	1	
-34	32939-02		COVER - Instrument panel, left, center, red	1	
	32939-03		COVER - Instrument panel, left, center, blue	1	
	32939-04		COVER - Instrument panel, left, center, white	1	
	32939-05		COVER - Instrument panel, left, center, pearl beige	1	
	32939-06		COVER - Instrument panel, left, center, black	1	
	32952-02	B	COVER - Instrument panel, left, center, red	1	
	32952-03	B	COVER - Instrument panel, left, center, blue	1	
	32952-04	B	COVER - Instrument panel, left, center, white	1	
	32952-05	B	COVER - Instrument panel, left, center, pearl beige	1	
	32952-06	B	COVER - Instrument panel, left, center, black	1	
-35	32937-00		PLACARD - Parking brake (581 627)	1	
-36	33470-02		COVER - Instrument panel, right, center, black	1	
	33470-03		COVER - Instrument panel, right, center, red	1	
	33470-04		COVER - Instrument panel, right, center, blue	1	
	33470-05		COVER - Instrument panel, right, center, white	1	
	33470-06		COVER - Instrument panel, right, center, pearl beige	1	
-37	52826-04		COVER - Instrument panel	2	
-38	52826-05		COVER - Instrument mounting	2	
-39	33465-00		COVER ASSEMBLY - Instrument panel trim	1	
-40	32788-03		COVER ASSEMBLY - Nose wheel, black	1	
-41	32502-00		PLACARD - Cabin air	1	

- A - Used if Lycoming Turbocharger is installed
- B - Used if autopilot is installed
- C - If special instruments and/or avionics are installed, check part number stamped on back of panel and order that part number
- D - Used on PA-23-250 (Six Place) with serial numbers 27-7305222, 27-7405235 to 27-7405399 inclusive

When ordering, always specify Part Number, Description and Serial Number of Aircraft

PIPER PARTS CATALOG

Figure and Index Number	Part Number	Code	NOMENCLATURE	No. Req.	SERIAL NUMBERS AFFECTED
10B-42	32510-00		COVER PLATE - Instrument panel	6	
-43	32835-00		COVER PLATE - Instrument panel	1	
-44	41678-00		COVER PLATE - Instrument panel	3	
-45	41678-02		COVER PLATE - Instrument panel	2	
-46	41678-03		COVER PLATE - Instrument panel	2	
-47	41679-00		COVER PLATE - Instrument panel	1	
-48	52798-02		COVER PLATE - Instrument panel	2	
-49	33467-00	C	COVER ASSEMBLY - Instrument panel trim	1	
-50	33457-00		* PLACARD - Operation limitation	1	
-51	32479-00		CAP MOULDING - Instrument panel, center	2	
-52	80382-02		PLACARD - Warning, fuel	1	
-53	33454-00		PLACARD - Cabin heat	1	
-54	33461-00	B	PLACARD - Circuit breaker and switches	1	
	80202-00		PLACARD - Circuit breaker and switches	1	27-7405285 to 27-7405476 incl
-55	33195-00		PLACARD - Alternator selector switch and inoperative lights	1	
-56	33197-04		PLACARD - Instrument panel	1	
-57	472 653		LIGHTER - (60248)	1	
-58	487 905		SWITCH - Pressure (M-4006-4)	1	
-59	472 776		BOLT LIGHT - (P-65-3-CW-14) 14 Volt	29	
	472 829		BOLT LIGHT - (20-0121-15-B-24) 28 Volt	29	
-60	472 054		* BULB - Bolt light (330) 14-volt	1	
	472 028		* BULB - Bolt light (327) 28-volt	1	
-61	757 877	D	* CAP ASSEMBLY - (Blue lens 5952-2CW)	1	
-62	33472-00		DIODE ASSEMBLY - Instrument cluster (28-volt)	1	
-63	42034-00		STRAP - Ground, instrument panel	4	
-64	42034-02		STRAP - Ground, instrument panel	4	
-65	486 583		SHAFT - Tachometer (PS50044-9)	2	
-66	571 115		KNOB - (409D2K1)	2	
-67	471 080		KNOB - Tee (KN578A)	1	
-68	475 109		MOUNT - Instrument panel (J7219-22)	5	
-69	453 424		BRACKET - Snap-in, cover plate	6	
-70	475 162		MODULE - Top feed, Giar-Ban lights	7	
-71	554 868		CLAMP - Module end	4	
-72	31269-00		SWITCH ASSEMBLY - Ammeter	1	
-73	41194-02		TRACK - Mount, Giar-Ban lights	1	
-74	61402-39		BUSHING - Instrument panel, right	5	
-75	83161-07		HOSE - Instruments, 6" flexible	1	
-76	83161-25		HOSE - Instruments, 11" flexible	1	
-77	83161-22		HOSE - Instruments, 8" flexible	1	
-78	83161-29		HOSE - Instruments, 14" flexible	1	
-79	25705-00	A	TUBE ASSEMBLY - Instrument	1	
-80	26564-00	A	TUBE ASSEMBLY - Instrument	1	
-81	17881-04		LINE ASSEMBLY - Instrument	5	
-82	453 799		BUTTON - Plug (SS-51043)	1	
-83	453 694		BUTTON - Plug (D3005B)	17	
-84	453 891		BUTTON - Plug (SS-50705)	1	
-85	453 865		BUTTON - Plug (SS-51338)	1	

A - Used with Altimatec V F/D-1 only
 B - Used on PA-23-250 (Six Place) with serial numbers
 27-7305222, 27-7405235 to 27-7405284 inclusive
 C - If cluster with six instruments is installed, order
 cover assembly P/N 757 413
 D - Used with 14-volt bolt light only

When ordering, always specify Part Number, Description and Serial Number of Aircraft

PIPER PARTS CATALOG

Figure and Index Number	Part Number	Code	NOMENCLATURE	No Req.	SERIAL NUMBERS AFFECTED
10B-86	454 289	A	CAP ASSEMBLY - (AN929-3)	1	
-87	451 939		ADAPTER - (1K10-4-6)	3	
-88	458 948		ELBOW - (1K1-2-4)	1	
-89	558 913		ELBOW - (1K9-4-6)	1	
-90	476 647		NIPPLE - (AN816-3D)	1	
-91	488 474		TEE - (AN917-1D)	1	
-92	488 310		TEE - (MS20826-3D)	2	
-93	488 525	B	TEE - Swivel (3-SW-12)	1	
-94	756 623	E	CABLE - Extension, exhaust gas temperature (Radair)	2	
-95	756 337	C.E	THERMOCOUPLE - Exhaust gas temperature (Radair)	2	
	756 317	D.E	THERMOCOUPLE - Exhaust gas temperature (Radair)	2	
-96	756 273	E	SPACER - (Large) Exhaust gas temperature (Radair)	6	
-97	756 274	E	SPACER - (Small) Exhaust gas temperature (Radair)	6	
-98	757 866	C.E	CLAMP - Exhaust gas temperature (Radair)	2	
-99	751 294	C.E	ADAPTER ASSEMBLY - Exhaust gas temperature (Radair)	2	
	753 972	D.E	CONNECTOR - Exhaust gas temperature (Radair)	2	
-100	21788-03		PLUG ASSEMBLY - (Brittain turn coordinator)	1	
	26255-00		PLUG ASSEMBLY - (Mitchell turn and bank)	1	
-101	481 363	D.F	PROBE - Exhaust gas temperature (Rosemount)	1	
	757 453	C.F	PROBE - Exhaust gas temperature (Rosemount)	1	
-102	752 134	G	JUNCTION ASSEMBLY - Exhaust gas temperature (Rosemount)	1	
-103	758 014	C.F	CLAMP - Exhaust gas temperature (Rosemount)	2	
-104	554 343		WIRE - Extension (Rosemount)	1	
-105	80247-02		PLACARD - Cigar lighter	1	
-106	81090-02	H	PLACARD - Parking brake	1	

- A - Used with standard installation, AltiMatic III B-1 or AltiMatic V-1 only
- B - Used on AltiMatic V F/D-1 only
- C - Used if Lycoming Turbocharger is not installed
- D - Used if Lycoming Turbocharger is installed
- E - Used on PA-23-250 (Six Place) with serial numbers 27-7305222, 27-7405235 to 27-7405388, 27-7405390, 27-7405394, 27-7405395, 27-7405397 to 27-7405407, 27-7405409, 27-7405410, 27-7405412, 27-7405414, 27-7405415 to 27-7405417 inclusive
- F - Used on PA-23-250 (Six Place) with serial numbers 27-7405389, 27-7405391 to 27-7405393, 27-7405396, 27-7405408, 27-7405411, 27-7405413, 27-7405416, 27-7405418 to 27-7405476 inclusive
- G - Used on PA-23-250 (Six Place) with serial numbers 27-7405389, 27-7405391 to 27-7405393, 27-7405396, 27-7405408, 27-7405411, 27-7405413, 27-7405416, 27-7405418 to 27-7405459 inclusive
- H - Used if Service Bulletin No 771 has been complied with

When ordering, always specify Part Number, Description and Serial Number of Aircraft

PIPER PARTS CATALOG

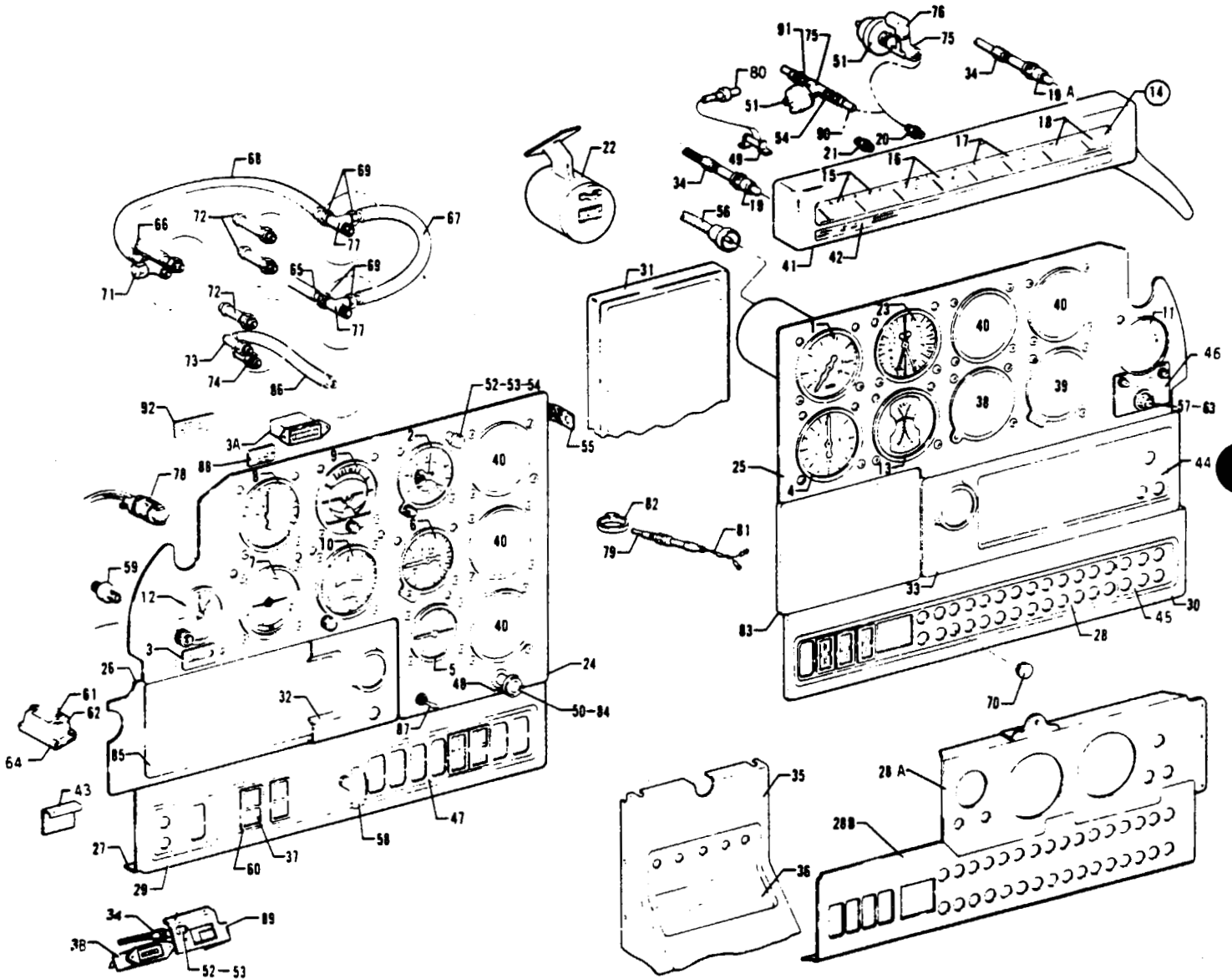


Figure 10C Instrument Panel Installation
(Serial Nos 27-7554001 and up)

PIPER PARTS CATALOG

Figure and Index Number	Part Number	Code	NOMENCLATURE	No. Req.	SERIAL NUMBERS AFFECTED
10C-	33664		DRAWING - Instrument Panel Installation		
-1	25700-03		INSTRUMENT - Dual tachometer	1	
-2	32281-03	D	INSTRUMENT - Altimeter (scale in inches of mercury)	1	
	32281-04	D	INSTRUMENT - Altimeter (scale in millibars)	1	
	548 331		INSTRUMENT - Altimeter (scale in inches of mercury and millibars)	1	
-3	51006-00		INSTRUMENT - Engine hour meter	1	27-7554001 to 27-7654095 incl
-3a	51006-00		INSTRUMENT - Engine hour meter	1	27-7654096 to 27-7854139 incl
-3b	51006-00		INSTRUMENT - Engine hour meter	1	27-7954001 and up
-4	19697-03	B	INSTRUMENT - Manifold pressure	1	
	19697-05	A	INSTRUMENT - Manifold pressure	1	
-5	550 606		INSTRUMENT - Suction gauge (1G2-1)	1	
-6	550 684		INSTRUMENT - Rate of climb (0-4000 ft./min)	1	
-7	548 452		INSTRUMENT - Turn and bank, pictorial (52D75-10) Mitchell, 28-volt	1	
	548 449		INSTRUMENT - Turn coordinator (600-009-900) Brittain (AIM)	1	
	548 312		INSTRUMENT - Turn coordinator (601-209-951) Brittain (AIM)	1	
	548 454		INSTRUMENT - Turn coordinator (601-009-950) Brittain (AIM)	1	
	41711-00		INSTRUMENT - Turn coordinator (1682A) Brittain (550 686) 28-volt	1	
-8	17419-19		INSTRUMENT - Airspeed indicator (scale in mph and knots)	1	27-7554001 to 27-7554168 incl
	17419-27		INSTRUMENT - Airspeed indicator (scale in knots)	1	27-7554001 to 27-7554168 incl
	17419-31		INSTRUMENT - Airspeed indicator (scale in knots)	1	27-7654001 and up
	30353-14		INSTRUMENT - True airspeed indicator	1	27-7554001 to 27-7554168 incl
	30353-24		INSTRUMENT - True airspeed indicator	1	27-7654001 and up
-9	755 428	C	INSTRUMENT - Attitude gyro (vacuum) (R C Allen/A I D or Aviation Instruments)	1	
	548 323	C	INSTRUMENT - Attitude gyro (vacuum) (Aeritalia/ code 8 148 015)	1	
	548 460	C	INSTRUMENT - Attitude gyro (vacuum) (Edo-Aire)	1	
-10	755 427	C	INSTRUMENT - Directional gyro (vacuum) (R C Allen/A I D, Edo-Aire, or Aviation Instruments)	1	
	548 321	C	INSTRUMENT - Directional gyro (vacuum) (Aeritalia/ code 8 143 015)	1	
	548 322	C	INSTRUMENT - Directional gyro (vacuum) (Aeritalia/ code 8 148 051)	1	
	548 437	C	INSTRUMENT - Directional gyro (vacuum) (Aerosonic)	1	
-11	23857-00		INSTRUMENT - Ammeter	1	
-12	450 706		INSTRUMENT - Clock (W-33-751OET)	1	
-13	548 036		GAUGE ASSEMBLY - Exhaust gas temperature (PS50101-33L)	1	
-14	33475-04		CLUSTER ASSEMBLY - Instrument	1	27-7554001 to 27-7554063 incl
	33660-02		CLUSTER ASSEMBLY - Instrument	1	27-7554064 to 27-8054032 incl
	33660-03		CLUSTER ASSEMBLY - Instrument	1	27-8054033 and up
-15	752 075		* INSTRUMENT - Fuel quantity	2	27-7554001 to 27-7554063 incl
	755 452		* INSTRUMENT - Fuel quantity	2	27-7554064 to 27-8054032 incl
	755 478		* INSTRUMENT - Fuel quantity	2	27-8054033 and up
-16	32529-00		* INSTRUMENT - Oil pressure	2	27-7554001 to 27-7554063 incl
	755 453		* INSTRUMENT - Oil pressure	2	27-7554064 and up

A - Used if Lycoming Turbocharger is installed
 B - Used if Lycoming Turbocharger is not installed
 C - See appropriate figure in Electronics Group if autopilot is installed
 D - See Figure 75 if encoding altimeter is installed

When ordering, always specify Part Number, Description and Serial Number of Aircraft

PIPER PARTS CATALOG

Figure and Index Number	Part Number	Code	NOMENCLATURE	No. Req	SERIAL NUMBERS AFFECTED
10C-17	752 078		* INSTRUMENT - Oil temperature	2	27-7554001 to 27-7554063 incl
	755 454		* INSTRUMENT - Oil temperature	2	27-7554064 and up
-18	32531-00		* INSTRUMENT - Cylinder head temperature	2	27-7554001 to 27-7554063 incl
	755 455		* INSTRUMENT - Cylinder head temperature	2	27-7554064 and up
-19	26753-00		BOLT LIGHT ASSEMBLY - Row cluster, fuel quantity	1	27-7554001 to 27-7554063 incl
	15540-02		BOLT LIGHT ASSEMBLY - Row cluster, fuel quantity	1	27-7554064 to 27-8054032 incl
	15540-03		BOLT LIGHT ASSEMBLY - Row cluster, fuel quantity	1	27-8054033 and up
-19a	26753-00		BOLT LIGHT ASSEMBLY - Row cluster, fuel quantity	3	27-7554001 to 27-7554063 incl
	15540-02		BOLT LIGHT ASSEMBLY - Row cluster, fuel quantity	3	27-7554064 and up
-20	476 649		NIPPLE - (AN816-2D)	1	27-7554001 to 27-8054059 incl
	484 348		REDUCER - (AN919-0D)	1	27-8154001 and up
-21	484 348		REDUCER - (AN919-0D)	1	
-22	19379-03		INSTRUMENT - Compass assembly	1	27-7554001 to 27-7554168 incl
	19379-04		INSTRUMENT - Compass assembly	1	27-7654001 and up
-23	32734-00		INSTRUMENT - Dual fuel flow	1	
	32858-02	A	INSTRUMENT - Dual fuel flow	1	
-24	33668-06	B,D	PANEL ASSEMBLY - Instrument, left, standard	1	27-7554001 to 27-7654001 incl
	15777-02	B,D	PANEL ASSEMBLY - Instrument, left, standard	1	27-7654002 to 27-7654095 incl
	15777-05	B,D	PANEL ASSEMBLY - Instrument, left, standard	1	27-7654096 and up
-25	33733-02	B,D	PANEL ASSEMBLY - Instrument, right, standard	1	
-26	33636-02	B	PANEL ASSEMBLY - Instrument, left, center	1	
-27	32414-12		PANEL ASSEMBLY - Instrument, left, lower	1	
-28	33637-02	B	PANEL ASSEMBLY - Instrument and circuit protector, right	1	27-7554001 to 27-7554168 incl
-28a	15708-02		PANEL - Instrument, right	1	27-7654001 and up
-28b	15709-02		PANEL - Circuit protector, right	1	27-7654001 and up
-29	33743-03	C	COVER - Instrument panel, left, lower	1	
-30	33741-03	C	COVER - Instrument panel, right, lower	1	
-31	33777-02		COVER - Instrument panel, center	1	
-32	33684-03		COVER - Instrument panel, left, center	1	
-33	33682-04	C	COVER - Instrument panel, right, center	1	
-34	556 743		CONNECTOR ASSEMBLY - Bolt light (5954-8ND-2)	4	
-35	32788-03		COVER ASSEMBLY - Nose wheel	1	
-36	32502-00		* PLACARD - Cabin air	1	
-37	32510-00		COVER PLATE - Instrument panel	7	
-38	41678-06		COVER PLATE - Instrument panel	1	27-7554001 to 27-7854139 incl
	28208-00		COVER PLATE - Instrument panel	1	27-7954001 and up

- A - Used if Lycoming Turbocharger is installed
- B - If special instruments and/or avionics are installed, check part number stamped on back of panel and order that part number
- C - Serial number of aircraft must be supplied when ordering this part
- D - When ordering, specify color beige or black

When ordering, always specify Part Number, Description and Serial Number of Aircraft

PIPER PARTS CATALOG

Figure and Index Number	Part Number	Code	NOMENCLATURE	No. Req.	SERIAL NUMBERS AFFECTED
10C-39	41678-04		COVER PLATE - Instrument panel	1	27-7554001 to 27-7854139 incl
	28208-00		COVER PLATE - Instrument panel	1	27-7954001 and up
-40	41678-06		COVER PLATE - Instrument panel	5	27-7554001 to 27-7854139 incl
	28208-00		COVER PLATE - Instrument panel	5	27-7954001 and up
-41	33654-03	B	COVER ASSEMBLY - Instrument panel trim	1	
-42	80260-02		PLACARD - Operation, limitations (mph)	1	27-7554001 to 27-7654001 incl
	80426-02		PLACARD - Operation, limitations (knots)	1	27-7654002 and up
-43	32479-00		CAP MOULDING - Instrument panel, center, right	1	27-7554001 to 27-7654001 incl
	15784-02		CAP MOULDING - Instrument panel, center, right	1	27-7654002 and up
	32479-02		CAP MOULDING - Instrument panel, center, left	1	
-44	80238-02	A	PLACARD - Cabin heat	1	27-7554001 to 27-8054059 incl
	80860-02	A	PLACARD - Cabin heat	1	27-8154001 and up
-45	80320-02		PLACARD - Circuit breaker and switches	1	27-7554001 to 27-7554168 incl
	80347-02		PLACARD - Circuit breaker and switches	1	27-7654001 to 27-7854139 incl
	80722-02		PLACARD - Circuit breaker and switches	1	27-7954001 to 27-8054059 incl
	80926-02		PLACARD - Circuit breaker and switches	1	27-8154001 and up
	80779-02	D	PLACARD - Circuit breaker and switches	1	27-7954004 to 27-7954121 incl
-46	80251-03		PLACARD - Alternator selector switch and inoperative lights, black	1	27-7554001 to 27-7554168 incl
	80251-02		PLACARD - Alternator selector switch and inoperative lights, beige	1	
-47	80236-02		PLACARD - Instrument panel	1	
	80236-03	C	PLACARD - Instrument panel	1	27-7754075 and up
-48	80247-02		PLACARD - Cigar lighter	1	
-49	484 476		RESISTOR - (0200RN27)	1	27-7554001 to 27-7554063 incl
-50	472 653		LIGHTER ASSEMBLY - (60248) (Complete)	1	27-7554001 to 27-7654014 incl
	754 785		LIGHTER ASSEMBLY - 24-volt (Less housing)	1	27-7654015 to 27-7754118 incl
	558 809		LIGHTER ASSEMBLY - 12-volt (Less housing)	1	27-7754119 and up
-51	487 905		SWITCH - Pressure (M-4006-4)	1	
-52	472 829		BOLT LIGHT - (20-0121-15-B-24) 28 volt	19	
-53	472 028		* BULB - Bolt light (327)	1	
-54	476 647		NIPPLE - (AN816-3D)	1	27-8154001 and up
-55	42034-00		STRAP - Ground, instrument panel	2	
-56	486 583		SHAFT - Tachometer (PS50044-9)	2	
-57	571 115		KNOB - (409D2K1)	1	
-58	471 080		KNOB - (KN578A)	1	
-59	475 109		MOUNT - Instrument panel (J7219-22)	9	
-60	453 424		BRACKET - Snap-in, cover plate	7	
-61	475 162		MODULE - Top feed, Glar-Ban lights	7	27-7554001 to 27-7754006 incl
-62	554 868		CLAMP - Module end	4	27-7554001 to 27-7754006 incl
-63	31269-00		SWITCH ASSEMBLY - Ammeter	1	
-64	41194-02		TRACK - Mount, Glar-Ban lights	2	27-7554001 to 27-7754006 incl
-65	83161-07		HOSE - Instruments, 6" flexible	1	

- A - See Figure 10E if dual instruments are installed.
- B - Serial number of aircraft must be supplied when ordering this part
- C - Also used if rotating beacon is operated independently from strobe lights
- D - Used if King Autopilot (KAP-200) or King Autopilot F/D (KFC-200) is installed. On aircraft with serial number 27-8054001 and up, refer to the Avionics Drawing Index List and the appropriate drawings supplied with each aircraft when ordering replacement parts

When ordering always specify Part Number, Description and Serial Number of Aircraft

PIPER PARTS CATALOG

Figure and Index Number	Part Number	Code	NOMENCLATURE	No. Req.	SERIAL NUMBERS AFFECTED
10C-66	83161-25		HOSE - Instruments, 11" flexible	1	
-67	83161-22		HOSE - Instruments, 8" flexible	1	
	80007-32		HOSE - Instruments, 16" flexible	1	
-68	83161-29		HOSE - Instruments, 14" flexible	1	
	80007-31		HOSE - Instruments, 22" flexible	1	
-69	17881-04		LINE ASSEMBLY - Instrument	6	
-70	453 664		BUTTON - Plug (SS-48192)	17	
-71	454 289	A	CAP ASSEMBLY - (AN929-3)	1	
-72	451 939		ADAPTER - (1K10-4-6)	3	
-73	458 948		ELBOW - (1K1-2-4)	1	
-74	558 913		ELBOW - (1K9-4-6)	1	
-75	488 474		TEE - (AN917-1D)	1	
-76	458 893		ELBOW - (AN822-3D)	1	27-7554001 to 27-7654060 incl
	476 647		NIPPLE - (AN816-3D)	1	27-7654061 and up
-77	488 310		TEE - (MS20826-3D)	2	
-78	21788-03		PLUG ASSEMBLY - (Brittain turn coordinator)	1	
	15681-02		PLUG ASSEMBLY - (Mitchell turn and bank)	1	
-79	55841-02	C	PROBE - Exhaust gas temperature	2	
	481 364	B	PROBE - Exhaust gas temperature (Rosemount)	2	
	28412-02	B	PROBE AND CLAMP ASSEMBLY - Exhaust gas temperature (Lewis)	2	
-80	33472-00		DIODE ASSEMBLY - Instrument cluster	1	27-7554001 to 27-7554063 incl
-81	494 686		WIRE - Extension E G T	2	
-82	758 014	B	CLAMP - Exhaust gas temperature (Rosemount)	2	
-83	33691-02		COVER - Trim, instrument panel	1	27-7554001 to 27-7654001 incl
	80417-02		COVER - Trim, instrument panel	1	27-7654002 and up
-84	565 608		HOUSING - Lighter (207410)	1	27-7654015 to 27-7754118 incl
	487 098		HOUSING - Lighter (207660)	1	27-7754119 and up
-85	33638-02		PLATE - Cover	1	
-86	61541-32		HOSE - Suction gauge	1	
-87	587 965		SWITCH - Avionics power (7101K)	1	
-88	80626-02	C,D	PLACARD - Operating limitations	1	
-89	28534-02		BRACKET - Hour meter mounting	1	27-7954001 and up
-90	80024-57		LINE ASSEMBLY - Oil pressure, right engine	1	27-8154001 and up
-91	476 647		NIPPLE - (AN816-3D)	1	27-7654061 to 27-8054059 incl
	458 893		ELBOW - (AN822-3D)	1	27-8154001 and up
-92	81090-02	E	PLACARD - Parking brake	1	

- A - Used with standard installation, AltiMatic III B-1, AltiMatic III C or AltiMatic V-1 only
- B - Used if Lycoming Turbocharger is not installed
- C - Used if Lycoming Turbocharger is installed
- D - Used if DME is installed on serial numbers 27-7554001 to 27-7954060 inclusive On aircraft with serial numbers 27-7954001 and up, refer to the Avionics Drawing Index List and the appropriate drawings supplied with each aircraft when ordering replacement parts
- E - Used if Service Bulletin No 771 has been complied with

When ordering, always specify Part Number, Description and Serial Number of Aircraft

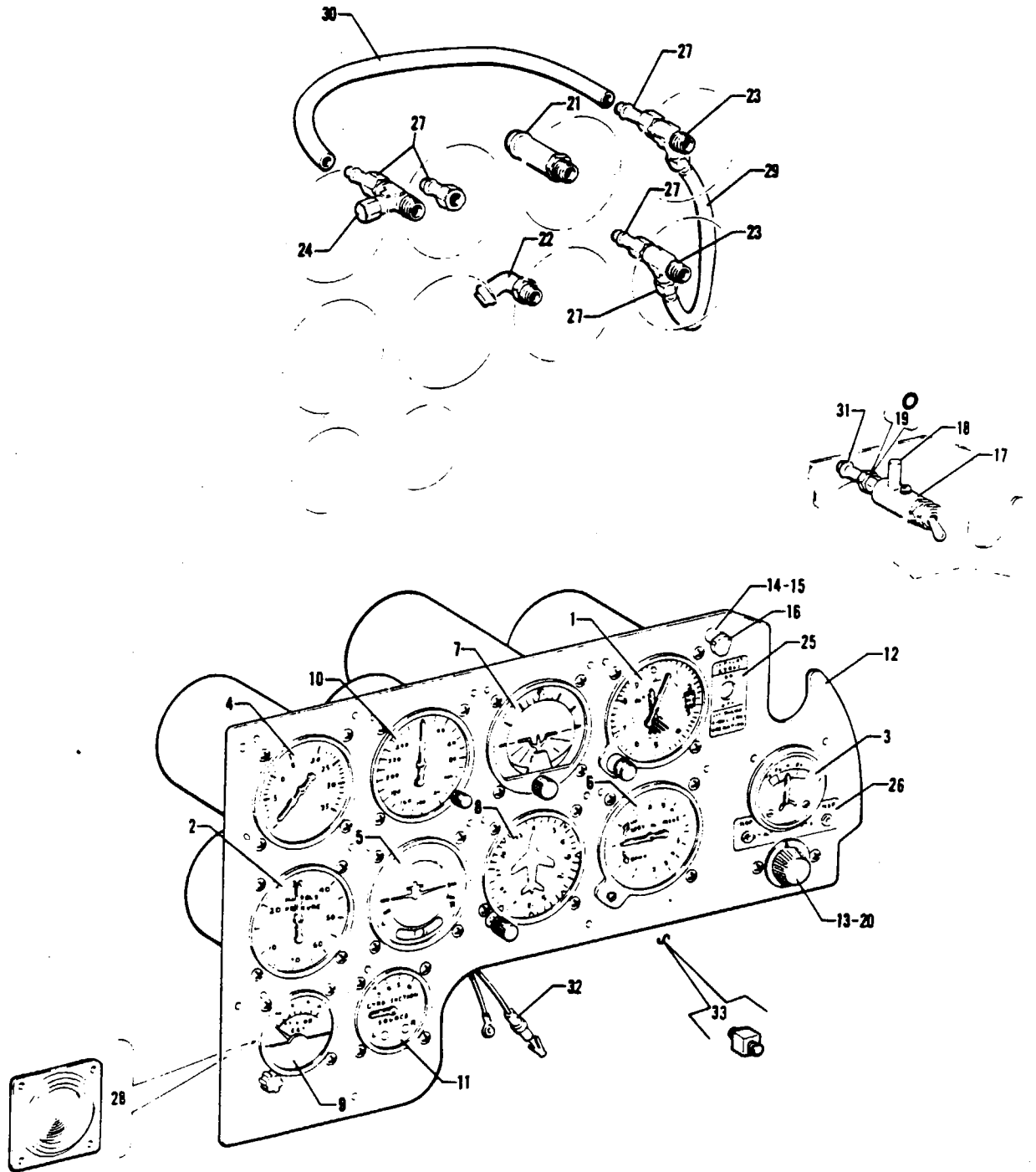


Figure 10D Dual Instrument Panel Installation
(Serial Nos. 27-7406235 to 27-7406476 inclusive)

PIPER PARTS CATALOG

Figure and Index Number	Part Number	Code	NOMENCLATURE	No. Req.	SERIAL NUMBERS AFFECTED
10D-	33490		DRAWING - Right Instrument Panel Assembly		
-1	32281-03 32281-04 548 331		INSTRUMENT - Altimeter (scale in inches of mercury) INSTRUMENT - Altimeter (scale in millibars) INSTRUMENT - Altimeter (scale in inches of mercury and millibars)	1 1 1	
-2	19697-03 19697-05	A	INSTRUMENT - Manifold pressure INSTRUMENT - Manifold pressure	1 1	
-3	23857-00		INSTRUMENT - Ammeter	1	
-4	25700-03		INSTRUMENT - Dual tachometer	1	
-5	32737-04 32737-05 41711-00 41711-02		INSTRUMENT - Turn and bank, pictorial (Mitchell) (550 588) 14-volt INSTRUMENT - Turn and bank, pictorial (Mitchell) (550 589) 28-volt INSTRUMENT - Turn coordinator (Brittain 1682A) (550 686) 28-volt INSTRUMENT - Turn coordinator (Brittain 1681A) (550 687) 14-volt	1 1 1 1	
-6	550 684		INSTRUMENT - Rate of climb (0-4000 ft /min)	1	
-7	755 428	B	INSTRUMENT - Attitude gyro (vacuum)	1	
-8	755 427	B	INSTRUMENT - Directional gyro (vacuum)	1	
-9	32745-00 751 904 755 034 755 035	C.E A.E A.F C.F	GAUGE ASSEMBLY - Exhaust gas temperature (Radair) GAUGE ASSEMBLY - Exhaust gas temperature (Radair) GAUGE ASSEMBLY - Exhaust gas temperature (PS50101-33L) (Rosemount) GAUGE ASSEMBLY - Exhaust gas temperature (PS50101-33G) (Rosemount)	1 1 1 1	
-10	17419-19 17419-27 30353-14		INSTRUMENT - Airspeed indicator (scale in mph and knots) INSTRUMENT - Airspeed indicator (scale in knots) INSTRUMENT - True airspeed indicator	1 1 1	
-11	550 606		INSTRUMENT - Suction gauge (1G2-1)	1	
-12	33477-02 33477-03	C.D A D	PANEL - Instruments, right PANEL - Instruments, right	1 1	
-13	31269-00		SWITCH ASSEMBLY - Ammeter	1	
-14	472 776 472 829		BOLT LIGHT - (P-65-3-CW-14) 14-volt BOLT LIGHT - (20-0121-15-B-24) 28-volt	19 19	
-15	472 054 472 028		* BULB - Bolt light (330) 14-volt * BULB - Bolt light (327) 28-volt	1 1	
-16	757 877	G	* CAP ASSEMBLY - (Blue lens 5952-2CW)	1	
<p>NOTE Also used on serial numbers 27-4151 and up if copilot vacuum gyros or right wing pitot system is installed</p> <p>A - Used if Lycoming Turbocharger is installed B - See appropriate figure in Electronics Group if autopilot is installed C - Used if Lycoming Turbocharger is not installed D - If special instruments and/or avionics are installed, check part number stamped on back of panel and order that part number E - Used on PA-23-250 (Six Place) with serial numbers 27-7305222, 27-7405235 to 27-7405288, 27-7405390, 27-7405394, 27-7405395, 27-7405397 to 27-7405407, 27-7405409, 27-7405410, 27-7405412, 27-7405414, 27-7405415 and 27-7405417 inclusive F - Used on PA-23-250 (Six Place) with serial numbers 27-7405389, 27-7405391 to 27-7405393, 27-7405396, 27-7405408, 27-7405411, 27-7405413, 27-7405416, 27-7405418 to 27-7405476 inclusive G - Used on 14-volt bolt light only</p>					

When ordering always specify Part Number, Description and Serial Number of Aircraft

PIPER PARTS CATALOG

Figure and Index Number	Part Number	Code	NOMENCLATURE	No. Req.	SERIAL NUMBERS AFFECTED
10D-17	492 225		VALVE - Control (MTV-3)	1	
-18	560 669		FILTER - (15070)	1	
-19	752 735		RING - "O" (AN6227B-3) (484 707)	1	
-20	571 115		KNOB - (409D2K1)	1	
-21	451 939		ADAPTER - (1K10-4-6)	3	
-22	558 913		ELBOW - (1K9-4-6)	1	
-23	488 310		TEE - (MS20826-3D)	2	
-24	454 289		CAP ASSEMBLY - (AN929-3)	1	
-25	33455-00		PLACARD - Copilot gyros	1	
-26	33195-00		PLACARD - Alternator selector switch and inoperative lights	1	
-27	17881-04		LINE ASSEMBLY - Instrument	6	
-28	41679-00		COVER PLATE - Instrument panel	1	
-29	83161-22		HOSE - Instrument	1	
-30	83161-29		HOSE - Instrument	1	
-31	33474-00		FITTING ASSEMBLY - Hose	1	
-32	21788-03		PLUG ASSEMBLY - (Brittain turn coordinator)	1	
	26255-00		PLUG ASSEMBLY - (Mitchell turn and bank)	1	
-33	475 109		MOUNT - Instrument panel (J-7219-22)	4	

NOTE: Also used on serial numbers 27-4151 and up,
 if Copilot Vacuum Gyros or right wing Pitot System
 is installed

When ordering, always specify Part Number, Description and Serial Number of Aircraft

1E24
INTENTIONALLY LEFT BLANK

PIPER PARTS CATALOG

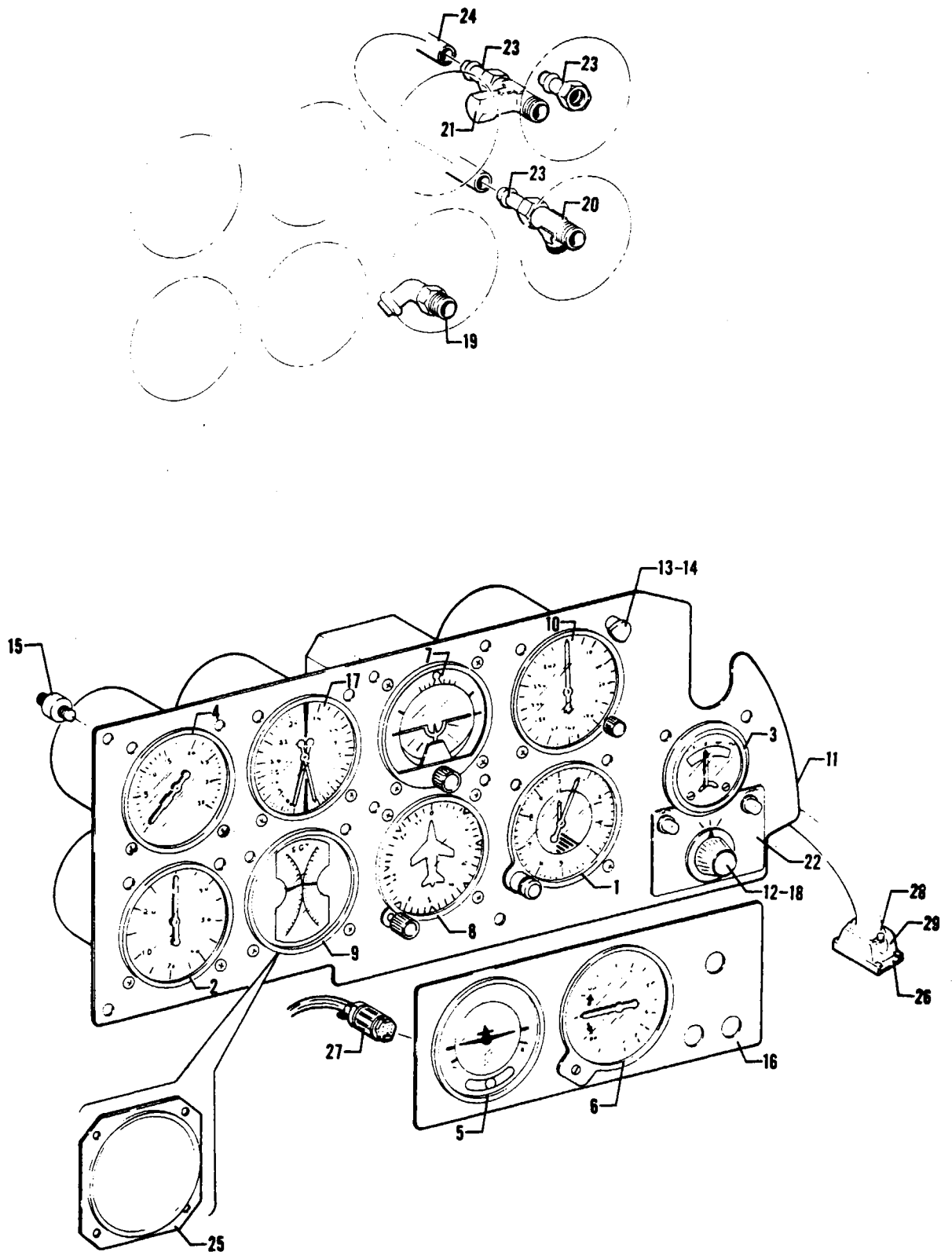


Figure 10E Dual Instrument Panel Installation
(Serial Nos 27-7554001 and up)

PIPER PARTS CATALOG

Figure and Index Number	Part Number	Code	NOMENCLATURE	No. Req.	SERIAL NUMBERS AFFECTED
10E-	33725		DRAWING - Right Instrument Panel Assembly		
-1	32281-03		INSTRUMENT - Altimeter (scale in inches of mercury)	1	
	32281-04		INSTRUMENT - Altimeter (scale in millibars)	1	
	548 331		INSTRUMENT - Altimeter (scale in inches of mercury and millibars)	1	
-2	19697-03	B	INSTRUMENT - Manifold pressure	1	
	19697-05		INSTRUMENT - Manifold pressure	1	
-3	23857-00		INSTRUMENT - Ammeter	1	
-4	25700-03		INSTRUMENT - Dual tachometer	1	
-5	548 452		INSTRUMENT - Turn and bank, pictorial (52D75-10) Mitchell	1	
	548 449		INSTRUMENT - Turn coordinator (600-009-900) Brittain (AIM)	1	
	548 312		INSTRUMENT - Turn coordinator (601-209-951) Brittain (AIM)	1	
	548 454		INSTRUMENT - Turn coordinator (601-009-950) Brittain (AIM)	1	
	41711-00		INSTRUMENT - Turn coordinator (1682A) Brittain 550 686	1	
-6	550 684		INSTRUMENT - Rate of climb (0-4000 ft /min)	1	
-7	755 428	C	INSTRUMENT - Attitude gyro (vacuum) (R C Allen/A I D or Aviation Instruments)	1	
	548 323	C	INSTRUMENT - Attitude gyro (vacuum) (Aeritalia/ code 8 148 015)	1	
	548 460	C	INSTRUMENT - Attitude gyro (vacuum) (Edo-Aire)	1	
-8	755 427	C	INSTRUMENT - Directional gyro (vacuum) (R C Allen/ A I D, Edo-Aire, or Aviation Instruments)	1	
	548 321	C	INSTRUMENT - Directional gyro (vacuum) (Aeritalia/ code 8 143 015)	1	
	548 322	C	INSTRUMENT - Directional gyro (vacuum) (Aeritalia code 8 148 051)	1	
	548 437	C	INSTRUMENT - Directional gyro (vacuum) (Aerosonic)	1	
-9	755 034		GAUGE ASSEMBLY - Exhaust gas temperature (PS50101-33L) (Rosemount)	1	
-10	17419-19		INSTRUMENT - Airspeed indicator (scale in mph and knots)	1	27-7554001 to 27-7554168 incl
	17419-27		INSTRUMENT - Airspeed indicator (scale in knots)	1	27-7554001 to 27-7554168 incl
	17419-31		INSTRUMENT - Airspeed indicator (scale in knots)	1	27-7654001 and up
	30353-14		INSTRUMENT - True airspeed indicator	1	27-7554001 to 27-7554168 incl
	30353-24		INSTRUMENT - True airspeed indicator	1	27-7654001 and up
-11	33733-02	A,D	PANEL - Instruments, right	1	
-12	31269-00		SWITCH ASSEMBLY - Ammeter	1	
-13	472 829		BOLT LIGHT - (20-0121-15-B-24) 28 Volt	19	
-14	472 028		* BULB - Bolt light (327)	1	
-15	475 109		MOUNT - (J7219-22)	4	
-16	33761-03		PLACARD - Cabin heat	1	27-7554001 to 28-8054059 incl
	33761-04		PLACARD - Cabin heat	1	27-8154001 and up

A - If special instruments and/or avionics are installed, check part number stamped on back of panel and order that part number
B - Used if Lycoming Turbocharger is installed
C - See appropriate figure in Electronics Group if autopilot is installed
D - When ordering, specify color beige or black

When ordering, always specify Part Number, Description and Serial Number of Aircraft

PIPER PARTS CATALOG

Figure and Index Number	Part Number	Code	NOMENCLATURE	No. Req.	SERIAL NUMBERS AFFECTED	
10E-17	32734-00	B	GAUGE ASSEMBLY - Dual fuel flow	1		
	32858-02		GAUGE ASSEMBLY - Dual fuel flow	1		
-18	571 115		KNOB - (409D2K1)	1		
-19	558 913		ELBOW - (1K9-4-6)	1		
-20	488 310		TEE - (MS20826-3D)	1		
-21	454 289		CAP ASSEMBLY - (AN929-3)	1		
-22	80251-03		PLACARD - Alternator selector switch and inoperative lights, black	1	27-7554001 to 27-7554168 incl	
	80251-02		PLACARD - Alternator selector switch and inoperative lights, beige	1		
-23	17881-04		LINE ASSEMBLY - Instruments	3		
-24	83161-22		HOSE - Instrument	1		
-25	28208-00		A	PLATE - Cover	1	
-26	41194-02			TRACK - Mount, Glar-Ban lights	1	27-7554001 to 27-7754006 incl
-27	33877-02			PLUG ASSEMBLY - (Brittain turn coordinator)	1	
	33879-02			PLUG ASSEMBLY - (Mitchell turn and bank)	1	
-28	475 162	MODULE - Top feed, Glar-Ban lights		5	27-7554001 to 27-7754006 incl	
-29	554 868	CLAMP - Module end		2	27-7554001 to 27-7754006 incl	

A - When ordering, specify color beige or black
B - Used if Lycoming Turbocharger is installed

When ordering, always specify Part Number, Description and Serial Number of Aircraft

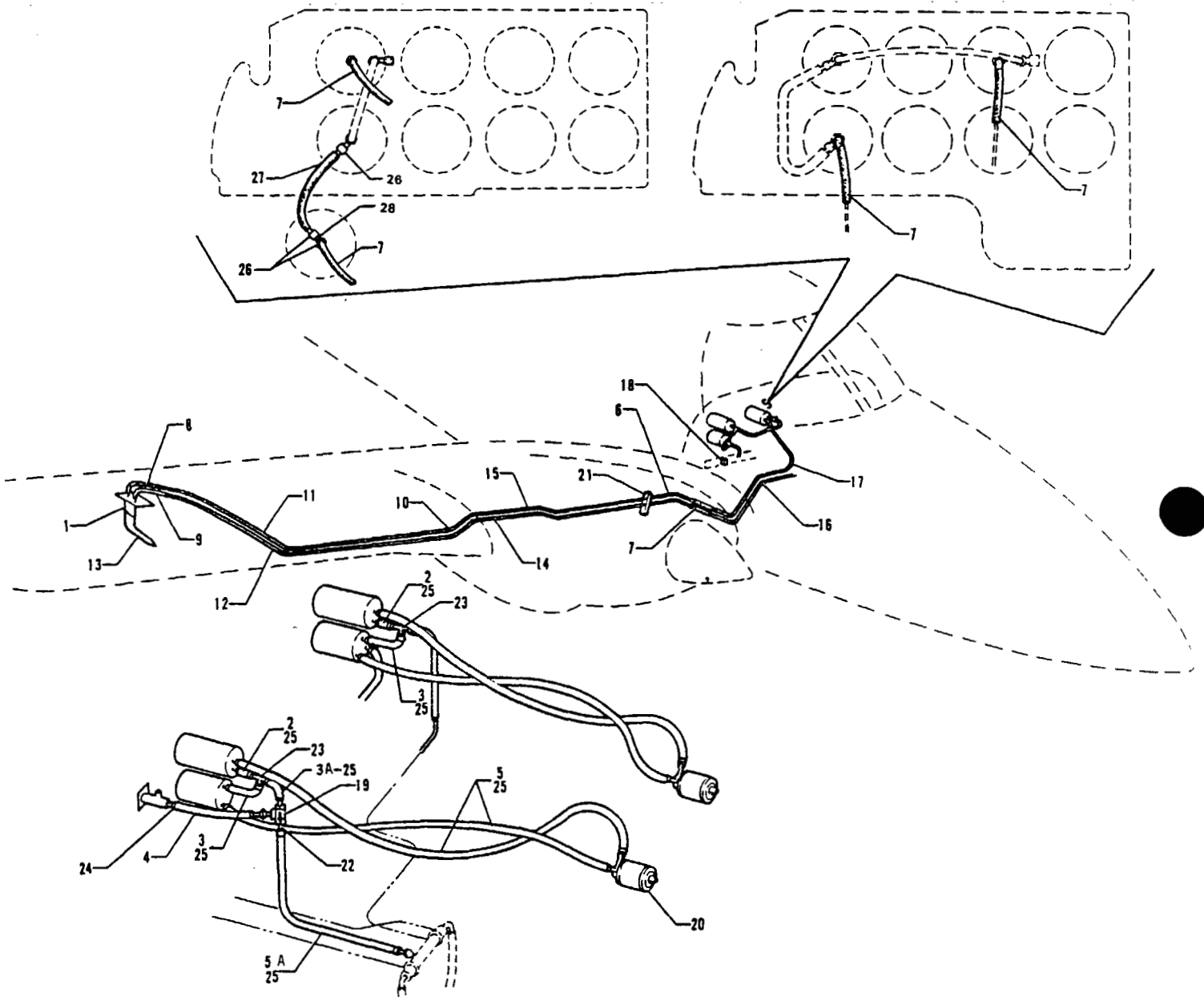


Figure 10F. Dual Instrument Lines and Right Pitot Static System Installation
(Serial Nos. 27-7405235 and up)

PIPER PARTS CATALOG

Figure and Index Number	Part Number	Code	NOMENCLATURE	No Req.	SERIAL NUMBERS AFFECTED
10F-	33500 33735 33479		DRAWING - Dual Instrument Panel Installation DRAWING - Dual Instrument Panel Installation DRAWING - Pitot Static System Installation		27-7405235 to 27-7405476 incl 27-7554001 and up
-1	24381-00		MAST ASSEMBLY - Electric pitot tube, right	1	
-2	16633-04		HOSE - Flexible	2	
-3	16633-26		HOSE - Flexible	2	
-3a	16633-26		HOSE - Flexible	1	27-7405235 to 27-7405476 incl
-4	82371-127		HOSE - Flexible	1	27-7405235 to 27-7405476 incl
-5	16633-68		HOSE - Flexible	2	
-5a	16633-68		HOSE - Flexible	1	27-7405235 to 27-7405476 incl
	80007-02		HOSE - Flexible	1	27-7554001 and up
-6	83161-06		HOSE - Airspeed	2	
-7	83161-07		HOSE - Airspeed	4	
-8	83161-20		HOSE - Airspeed	1	
-9	83161-21		HOSE - Airspeed	1	
-10	83161-24		HOSE - Airspeed	2	
-11	13541-21		TUBE - Airspeed	1	
-12	13541-22		TUBE - Airspeed	1	
-13	30216-03		TUBE ASSEMBLY - Electric pilot (14-volt)	1	27-7405235 to 27-7405476 incl
	30216-04		TUBE ASSEMBLY - Electric pilot (28-volt)		27-7405235 to 27-7554168 incl
	30216-05		TUBE ASSEMBLY - Electric pilot (28-volt)	1	27-7654001 and up
-14	19749-00		LINE ASSEMBLY - Airspeed	1	
-15	19751-00		LINE ASSEMBLY - Airspeed	1	
-16	17829-00		LINE ASSEMBLY - Airspeed	1	
-17	17829-04		LINE ASSEMBLY - Airspeed	1	
-18	32370-26		SWITCH - Pitot (14-volt)	1	27-7405235 to 27-7405476 incl
	33318-22		SWITCH - Pitot (28-volt) S P S T	1	27-7405235 to 27-7405476 incl
	33318-24		SWITCH - Pitot (28-volt) D P S T	1	27-7554001 and up
-19	492 226		VALVE - (1H63-1)	1	27-7405235 to 27-7405476 incl
-20	460 888		FILTER ASSEMBLY - Air (66673-00)	1	
-21	16669-00		BLOCK - Tube retaining	2	
-22	451 939		ADAPTER - (1K10-4-6)	2	27-7405235 to 27-7405476 incl
-23	47652-00		TEE	2	
-24	454 983		CLAMP - (SAE TY E-8)	2	27-7405235 to 27-7405476 incl
-25	454 832		CLAMP - (SAE TY E-10)	16	
-26	17881-04		LINE ASSEMBLY	3	27-7554001 and up
-27	83161-22		HOSE	1	27-7554001 and up
-28	488 310		TEE - (MS20826-3D)	1	27-7554001 and up

NOTE: Also used on serial numbers 27-4151 and up,
 if copilot vacuum gyros or right wing pitot system
 is installed

When ordering, always specify Part Number, Description and Serial Number of Aircraft

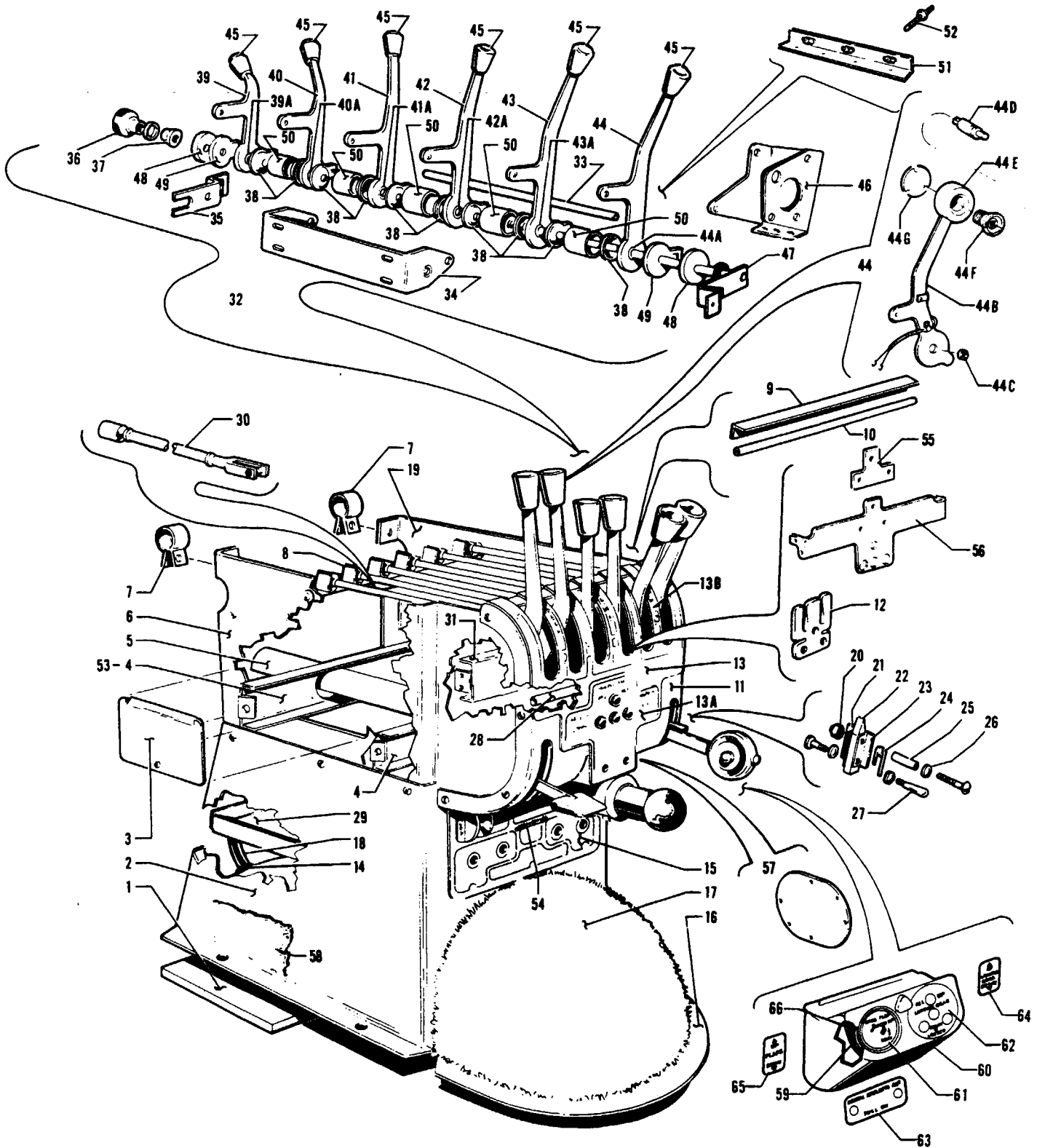


Figure 11. Control Pedestal Installation

PIPER PARTS CATALOG

Figure and Index Number	Part Number	Code	NOMENCLATURE	No Req	SERIAL NUMBERS AFFECTED
11-	16298		DRAWING - Pedestal Assembly and Installation		27-1 to 27-2504 inclusive
	31548		DRAWING - Pedestal Installation		27-2505 and up
	31510	D	DRAWING - Pedestal Assembly		
	32579	Y	DRAWING - Pedestal Assembly		27-3837, 27-3944 to 27-4084 incl
	32793	Y	DRAWING - Pedestal Assembly		27-4085 to 27-7405476 inclusive
	33749	Y	DRAWING - Pedestal Assembly		27-7554001 and up
-1	18356-00	X,Z	GASKET - Nose wheel cover	1	
-2	17603-00		BASE - Pedestal	1	27-1 to 27-367 inclusive
	19864-00	E	BASE - Pedestal	1	
	32467-00	Y	BASE - Pedestal	1	27-3837, 27-3944 and up
-3	17483-00		PLATE - Pedestal, access	2	27-1 to 27-325 inclusive
	17483-02		PLATE - Pedestal, access	2	27-326 and up
-4	17834-00		ANGLE ASSEMBLY - Pedestal support	2	
-5	17929-00		CHANNEL - Hydraulic pump lever guide	1	
-6	17065-05		PLATE ASSEMBLY - Pedestal, left side	1	27-1 to 27-325 inclusive
	17965-06	B	PLATE ASSEMBLY - Pedestal, left side	1	
	32535-00	Y	PLATE ASSEMBLY - Pedestal, left side	1	27-3837, 27-3944 to 27-4084 incl
	32787-00	Y	PLATE ASSEMBLY - Pedestal, left side	1	27-4085 and up
-7	80002-53		CLAMP - Offset	2	
-8	16975-00		BRACKET ASSEMBLY - Engine control mount	1	
-9	17966-00		ANGLE - Pedestal control placard attachment	1	
-10	17891-00	C	TUBE - Engine controls stop, forward (6 3/4")	1	
	17891-02	X	TUBE - Engine controls stop, forward (7")	1	
-11	17820-00	C	PLATE - Pedestal front cover	1	
	32509-00	Y	PLATE - Pedestal front cover, beige	1	27-3837, 27-3944 to 27-4084 incl
	32778-02	Y	PLATE - Pedestal front cover, beige	1	27-4085 to 27-7505476 inclusive
	32509-02	Y	PLATE - Pedestal front cover, black	1	27-3837, 27-3944 to 27-4084 incl
	32778-03	Y	PLATE - Pedestal front cover, black	1	27-4085 to 27-7505476 inclusive
	34152-03	F,Y	PLATE - Pedestal front cover	1	27-7554001 and up
-12	16956-00	A	PLATE - Propeller control lever friction	1	
	32514-00	Y	PLATE - Propeller control lever friction	1	27-3837, 27-3944 to 27-4084 incl
	32784-00	Y	PLATE - Propeller control lever friction	1	27-4085 to 27-7405476 inclusive
	35054-02	Y	PLATE - Propeller control level friction	1	27-7554001 and up
-13	17861-03	A	PLACARD - Pedestal control, black	1	27-1 to 27-2504 inclusive
	30112-00	D,Y	PLACARD - Pedestal control, black	1	
-13a	32525-00	Y	PLACARD - Landing gear flaps and all air	1	27-3837, 27-3944 to 27-7405476 inclusive
-13b	32541-00	Y	PLACARD - Pedestal control	1	27-3837, 27-3944 to 27-4084 incl
	32785-00	Y	PLACARD - Pedestal control	1	27-4085 to 27-7405476 inclusive
	32785-02	Y	PLACARD - Pedestal control	1	27-7554001 and up
-14	434 129		GROMMET - (AN931-5-9)	1	

- A - Placard 30112-00 used when fuel injection is installed on serial numbers 27-2322 to 27-2504 inclusive
- B - Used on airplanes with serial numbers 27-326 to 27-3836 inclusive, 27-3838 to 27-3943 inclusive
- C - Used on airplanes with serial numbers 27-1 to 27-3836 inclusive, 27-3838 to 27-3943 inclusive
- D - Used on PA-23-250 (Six Place) with serial numbers 27-2505 to 27-3836 inclusive, 27-3838 to 27-3943 inclusive
- E - Used on airplanes with serial numbers 27-368 to 27-3836 inclusive, 27-3838 to 27-3943 inclusive
- F - Serial number of aircraft must be supplied when ordering this part
- X - Used on PA-23-250 airplanes only
- Y - Used on PA-23-250 (Six Place) airplanes only
- Z - Used on PA-23-235 airplanes only

When ordering, always specify Part Number, Description and Serial Number of Aircraft

PIPER PARTS CATALOG

Figure and Index Number	Part Number	Code	NOMENCLATURE	No. Req.	SERIAL NUMBERS AFFECTED
11-15	16313-00		PLACARD - Heater panel	1	27-1 to 27-2504 inclusive
	31345-00	D.Y	PLACARD - Heater panel	1	27-2505 to 27-3049 inclusive, 27-3051 to 27-3153 inclusive
	32184-00	C.Y	PLACARD - Heater panel	1	27-2505 to 27-3049 inclusive, 27-3051 to 27-3153 inclusive
	32078-00	E.Y	PLACARD - Heater panel	1	
-16	17640-23		COVER ASSEMBLY - Nose wheel	1	
-17	16681-00	A	COVER ASSEMBLY - Nose wheel	1	
-18	90797-09		TUBE - Plastic, drain	1	
-19	17736-03		PLATE ASSEMBLY - Pedestal, right side	1	27-1 to 27-325 inclusive
	17736-05	B	PLATE ASSEMBLY - Pedestal, right side	1	
	32534-00	Y	PLATE ASSEMBLY - Pedestal, right side	1	27-3837, 27-3944 to 27-4084 incl
	32786-00	Y	PLATE ASSEMBLY - Pedestal, right side	1	27-4085 and up
-20	18323-00		* NUT - Special	1	
-21	18296-00		* ANGLE - Landing gear control latch attachment, left	1	
-22	18297-00		* LATCH - Landing gear control	1	
-23	18296-01		* ANGLE - Landing gear control latch attachment, right	1	
-24	18149-00		* SPRING - Landing gear control lock	1	
-25	14175-70		* BUSHING	1	
-26	14175-69		* BUSHING	1	
-27	18298-00		* PIN - Landing gear control latch	1	
-28	17891-00	A	TUBE - Engine controls stop, aft	1	
-29	19008-00		PAN ASSEMBLY - Powerpak drip	1	
-30	554 757		CLEVIS - Engine control cables (MS35812-1)	6	
-31	17835-00		CHANNEL ASSEMBLY - Pedestal support	1	
-32	19519-00	A	CONTROL ASSEMBLY - Pedestal	1	
	32561-00	Y	CONTROL ASSEMBLY - Pedestal	1	27-3837, 27-3944 and up
	32561-02	F,G,Y	CONTROL ASSEMBLY - Pedestal	1	27-1 to 27-7954060 incl
-33	17850-00		* TUBE - Pedestal control keeper	1	
-34	17855-00		* BRACKET - Pedestal control	1	
-35	18145-03		* LINK - Pedestal control bracket brace	1	
-36	471 044	A	* KNOB - Black	1	
	571 107	Y	* KNOB - Black	1	27-3837, 27-3944 and up
-37	17848-02		* BEARING - Pedestal control shaft	1	
-38	17852-02		* PLATE - Friction	10	
-39	19497-03	A	* LEVER - Mixture control	1	
	32588-03	Y	* LEVER - Mixture control	1	27-3837, 27-3944 and up
-39a	452 359		* * BEARING - (#A306-11)	1	
-40	19497-02	A	* LEVER - Mixture control	1	
	32588-02	Y	* LEVER - Mixture control	1	27-3837, 27-3944 and up
-40a	452 359		* * BEARING - (#A306-11)	1	

- A - Used on airplanes with serial numbers 27-1 to 27-3836 inclusive, 27-3838 to 27-3943 inclusive
- B - Used on airplanes with serial numbers 27-326 to 27-3836 inclusive, 27-3838 to 27-3943 inclusive
- C - Used if Stewart Warner Heater #940-K12 is installed
- D - Used if Stewart Warner Heater #940-DB12 is installed
- E - Used on PA-23-250 (Six Place) with serial numbers 27-3050, 27-3154 to 27-3836, 27-3838 to 27-3943
- F - Used if Go Around Switch is installed in throttle lever knob
- G - On aircraft with serial numbers 27-7954061 and up, refer to the Avionics Drawing Index List and the appropriate drawings supplied with each aircraft when ordering replacement parts
- Y - Used on PA-23-250 (Six Place) airplanes only

When ordering, always specify Part Number, Description and Serial Number of Aircraft

PIPER PARTS CATALOG

Figure and Index Number	Part Number	Code	NOMENCLATURE	No. Req.	SERIAL NUMBERS AFFECTED
11-41	19508-01	A	* LEVER - Propeller control, right	1	
	32600-01	Y	* LEVER - Propeller control, right	1	27-3837, 27-3944 and up
-41a	452 359		* * BEARING - (A306-11)	1	
-42	19508-00	A	* LEVER - Propeller control, left	1	
	32600-00	Y	* LEVER - Propeller control, left	1	27-3837, 27-3944 and up
-42a	452 359		* * BEARING - (A306-11)	1	
-43	19509-03	A	* LEVER - Throttle	1	
	32585-03	Y	* LEVER - Throttle	1	27-3837, 27-3944 and up
-43a	452 359		* * BEARING - (A306-11)	1	
-44	19509-02	A	* LEVER ASSEMBLY - Throttle (complete)	1	
	32585-02	Y	* LEVER ASSEMBLY - Throttle (complete)	1	27-3837, 27-3944 and up
	33165-00	B,C,Y	* LEVER ASSEMBLY - Throttle (complete)	1	27-1 to 27-7954060 incl
-44a	452 359		* * BEARING - (A306-11)	1	
-44b	32585-07	B,C,Y	* * LEVER ASSEMBLY - Throttle	1	27-1 to 27-7954060 incl
-44c	452 359	B,C,Y	* * * BEARING - (A306-11)	1	27-1 to 27-7954060 incl
-44d	487 775	B,C,Y	* * SWITCH ASSEMBLY - Go around (39-2)	1	27-3837, 27-3944 to 27-7954003 inclusive
	487 904	B,C,Y	* * SWITCH ASSEMBLY - Go around (39-1)	1	27-7954004 to 27-7954060 incl
-44e	52017-02	B,C,Y	* * KNOB - Throttle control and go around switch housing	1	27-1 to 27-7954060 incl
-44f	52020-00	B,C,Y	* * GUARD - Go around switch	1	27-1 to 27-7954060 incl
-44g	52018-00	B,C,Y	* * DISC - Throttle control knob	1	27-1 to 27-7954060 incl
-45	471 065	A	* KNOB - Throttle lever, black	2	
	41415-00	Y	* KNOB - Throttle lever, black	2	27-3837, 27-3944 and up
	471 066	A	* KNOB - Propeller control lever, blue	2	
	41416-00	Y	* KNOB - Propeller control lever, blue	2	27-3837, 27-3944 and up
	471 067	A	* KNOB - Mixture control lever, red	2	
	41417-00	Y	* KNOB - Mixture control lever, red	2	27-3837, 27-3944 and up
-46	17927-00		* BRACKET - Throttle micro switch	1	27-3837, 27-3944 to 27-7304984 inclusive
	33257-03		* BRACKET - Throttle micro switch	1	27-7304985 and up
-47	18902-00	A	* SHAFT ASSEMBLY - Pedestal control	1	
	18902-05	Y	* SHAFT ASSEMBLY - Pedestal control	1	27-3837, 27-3944 and up
-48	81342-68		* WASHER	2	
-49	17852-03		* PLATE - Friction	2	
-50	14175-37		* BUSHING - (719 length)	5	
	80022-130		* BUSHING - (705 length)	5	
-51	19939-00		* ANGLE ASSEMBLY - Control lever stop	1	
-52	19936-00		* STUD - Control lever stop	3	
-53	31461-00	Y	CHANNEL ASSEMBLY - Pedestal support	1	27-2505 and up
-54	31988-00	Y,Z	PLACARD - Alternate static source	1	27-505 to 27-3836 inclusive, 27-3838 to 27-3943 inclusive
	32657-00	Y	PLACARD - Alternate static source	1	27-3837, 27-3944 to 27-7405476 inclusive
	80283-02	Y	PLACARD - Alternate static source	1	27-7554001 and up

A - Used on airplanes with serial numbers 27-1 to 27-3836 inclusive, 27-3838 to 27-3943 inclusive
 B - Used if Go Around Switch is installed in throttle lever knob
 C - On aircraft with serial numbers 27-7954061 and up, refer to the Avionics Drawing Index List and the appropriate drawings supplied with each aircraft when ordering replacement parts
 Y - Used on PA-23-250 (Six Place) airplanes only
 Z - Used on PA-23-235 airplanes only

When ordering, always specify Part Number, Description and Serial Number of Aircraft

PIPER PARTS CATALOG

Figure and Index Number	Part Number	Code	NOMENCLATURE	No. Req.	SERIAL NUMBERS AFFECTED
11-55	32493-00	Y	PLATE ASSEMBLY - Propeller friction stop	1	27-3837, 27-3944 to 27-4084 inclusive
	32791-00	Y	PLATE ASSEMBLY - Propeller friction stop	1	27-4085 to 27-7405476 incl
	35055-02	Y	PLATE ASSEMBLY - Propeller friction stop	1	27-7554001 and up
-56	32476-00	Y	STOP ASSEMBLY - Engine controls, aft	1	27-3837, 27-3944 to 27-4084 incl
-57	20370-00	Y	PLATE - Access hole cover	1	27-3837, 27-3944 and up
-58	31534-02	B.Y	CARPET - Side panel, left, russet	1	
	31534-06	B.Y	CARPET - Side panel, left, blue	1	
	31534-14	A.Y	CARPET - Side panel, left, maroon	1	
	31534-18	A.Y	CARPET - Side panel, left, brown	1	
	31534-04	Y	CARPET - Side panel, left, red	1	27-2505 to 27-7554168 inclusive
	31534-16	Y	CARPET - Side panel, left, dark blue	1	27-3197 to 27-7554168 inclusive
	31534-20	Y	CARPET - Side panel, left, gold	1	27-3197 to 27-7554168 inclusive
	31534-22	Y	CARPET - Side panel, left, black	1	27-3197 to 27-7554168 inclusive
	33790-02	C.Y	CARPET - Side panel, left	1	27-7654001 and up
	31534-03	B.Y	CARPET - Side panel, right, russet	1	
	31534-07	B.Y	CARPET - Side panel, right, blue	1	
	31534-15	A.Y	CARPET - Side panel, right, maroon	1	
	31534-19	A.Y	CARPET - Side panel, right, brown	1	
	31534-05	Y	CARPET - Side panel, right, red	1	27-2505 to 27-7554168 inclusive
	31534-17	Y	CARPET - Side panel, right, dark blue	1	27-3197 to 27-7554168 inclusive
	31534-21	Y	CARPET - Side panel, right, gold	1	27-3197 to 27-7554168 inclusive
	31534-23	Y	CARPET - Side panel, right, black	1	27-3197 to 27-7554168 inclusive
	33790-03	C.Y	CARPET - Side panel, right	1	27-7654001 and up
-59	35057-02		BRACKET - Pedestal	1	27-7554001 and up
-60	35058-03	C	COVER - Pedestal access	1	27-7554001 and up
-61	17669-03		INSTRUMENT - Flap indicator	1	27-7554001 to 27-7554052 incl
	15582-02		INSTRUMENT - Flap indicator	1	27-7554053 to 27-7954063 incl
	28288-02		INSTRUMENT - Flap indicator	1	27-7954064 and up
-62	80235-02		PLACARD - Landing gear	1	27-7554053 and up
-63	80220-02		PLACARD - Alternate air	1	27-7554053 and up
-64	80223-02		PLACARD - Landing gear	1	27-7554053 and up
-65	80224-02		PLACARD - Flaps "up-down"	1	27-7554053 and up
-66	15584-02		SPACER - Flap indicator	1	27-7554053 and up
			A - Used on PA-23-250 (Six Place) with serial numbers 27-3197 to 27-3836, 27-3838 to 27-3943 inclusive		
			B - Used on PA-23-250 (Six Place) with serial numbers 27-2505 to 27-3836, 27-3838 to 27-3943 inclusive		
			C - Serial number of aircraft must be supplied when ordering this part		
			Y - Used on PA-23-250 (Six Place) airplanes only		

When ordering, always specify Part Number, Description and Serial Number of Aircraft

1F11 THRU 1F24
INTENTIONALLY LEFT BLANK

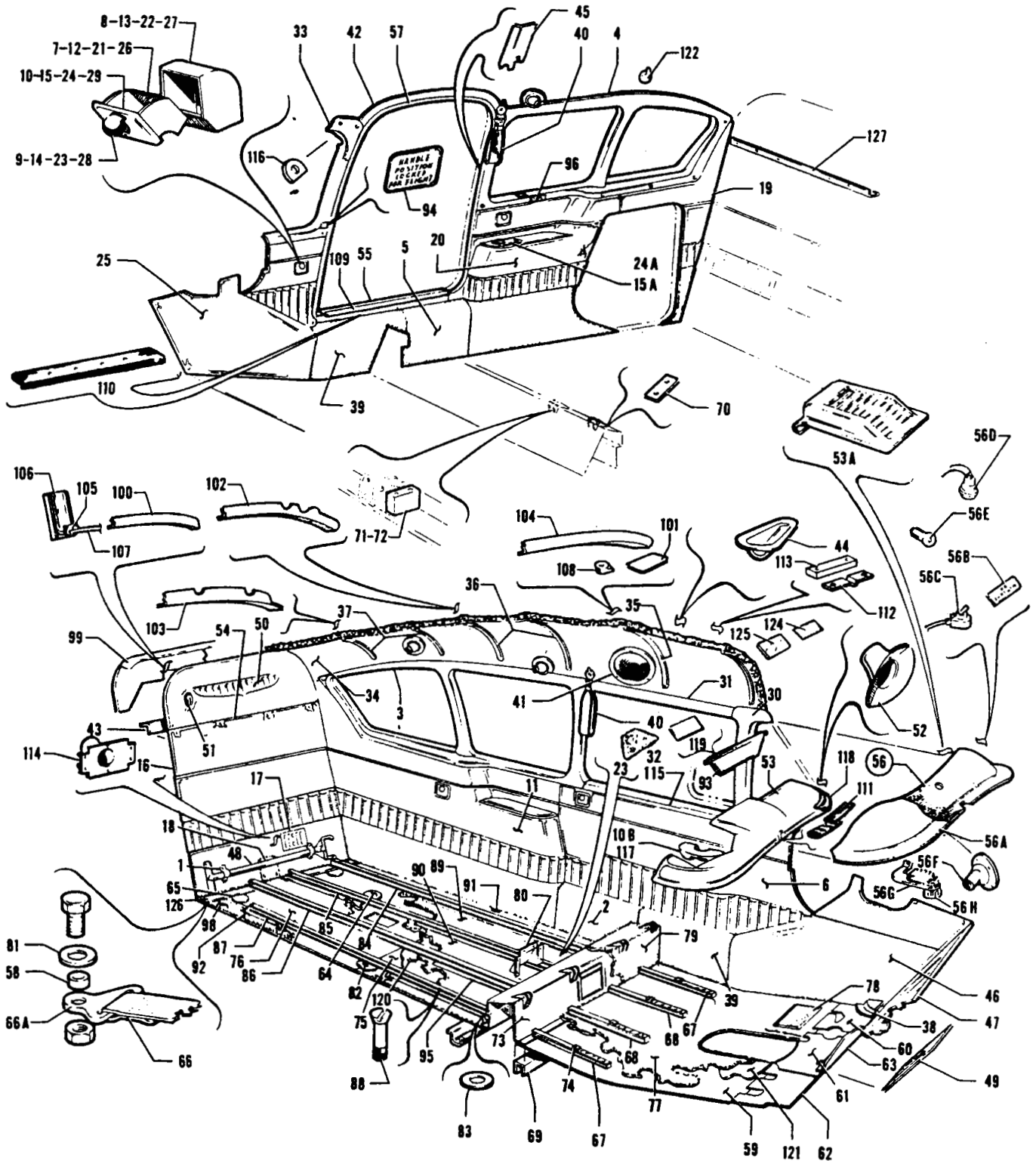


Figure 12. Floorboard and Cockpit Finishing Installation
(Serial Nos 27-1 to 27-3836, 27-3838 to 27-3943 inclusive)

SECTION II
Fuselage Group



FLOORBOARD AND COCKPIT
FINISHING INSTALLATION
(Serial Nos. 27-1 to 27-3836, 27-3838 to 27-3943)

Figure and Index Number	Part Number	Code	NOMENCLATURE	No. Req.	SERIAL NUMBERS AFFECTED
12-	16500	XZ	DRAWING - Cockpit Finishing Installation		27-2000 to 27-2504 inclusive
	30775	Y	DRAWING - Cockpit Finishing Installation		
	31590	AY	DRAWING - Cockpit Finishing Installation		
	16529	XZ	DRAWING - Headlining Installation		
	30780	Y	DRAWING - Headlining Installation		
	18925	X	DRAWING - Floorboard Installation		
	30708	Y	DRAWING - Floorboard Installation		
	19970	Z	DRAWING - Floorboard Installation		
-1	14476-05		STRAP ASSEMBLY - Tow bar tie down	2	
-2	16911-02	X	PANEL ASSEMBLY - Cockpit, left side trim, red	1	27-1 to 27-366 inclusive
	16911-03	X	PANEL ASSEMBLY - Cockpit, left side trim, blue	1	27-1 to 27-366 inclusive
	16911-04	X	PANEL ASSEMBLY - Cockpit, left side trim, brown	1	27-1 to 27-366 inclusive
	16911-05	X	PANEL ASSEMBLY - Cockpit, left side trim, green	1	27-1 to 27-366 inclusive
	16911-12	X	PANEL ASSEMBLY - Cockpit, left side trim, red	1	27-367 to 27-504 inclusive
	16911-13	X	PANEL ASSEMBLY - Cockpit, left side trim, blue	1	27-367 to 27-504 inclusive
	16911-14	X	PANEL ASSEMBLY - Cockpit, left side trim, brown	1	27-367 to 27-504 inclusive
	16911-15	X	PANEL ASSEMBLY - Cockpit, left side trim, green	1	27-367 to 27-504 inclusive
	16911-20	BZ	PANEL ASSEMBLY - Cockpit, left side trim	1	27-505 to 27-593 inclusive
	16911-20	CZ	PANEL ASSEMBLY - Cockpit, left side trim	1	27-594 and up
	16911-25	Z	PANEL ASSEMBLY - Cockpit, left side trim, brown	1	27-594 and up
	16911-20	BY	PANEL ASSEMBLY - Cockpit, left side trim	1	27-2000 to 27-2436 inclusive
	16911-22	DY	PANEL ASSEMBLY - Cockpit, left side trim	1	27-2300 to 27-2436 inclusive
	16911-25	EY	PANEL ASSEMBLY - Cockpit, left side trim	1	27-2437 to 27-2504 inclusive
	16911-25	AFY	PANEL ASSEMBLY - Cockpit, left side trim	1	
-3	16445-00	X	MOULDING - Window, left rear, dull gray	1	
	16445-02	XZ	MOULDING - Window, left rear, light charcoal	1	
	16445-03	XZ	MOULDING - Window, left rear, dark green	1	
	16445-04	XZ	MOULDING - Window, left rear, dark brown	1	
	30566-02	Y	MOULDING - Window, left rear, light charcoal	1	27-2000 to 27-2299 inclusive
	30566-03	Y	MOULDING - Window, left rear, dark green	1	27-2000 to 27-2299 inclusive
	30566-04	Y	MOULDING - Window, left rear, dark brown	1	27-2000 to 27-2299 inclusive
	31024-02	Y	MOULDING - Window, left rear, light charcoal	1	27-2300 to 27-2504 inclusive
	31024-03	Y	MOULDING - Window, left rear, dark green	1	27-2300 to 27-2504 inclusive
	31024-04	Y	MOULDING - Window, left rear, dark brown	1	27-2300 to 27-2504 inclusive
	31024-05	AY	MOULDING - Window, left rear, sand	1	

- A - Used on PA-23-250 (Six Place) with serial numbers 27-2505 to 27-3836, 27-3838 to 27-3943 inclusive.
- B - When ordering, specify color gray, brown or green and airplane serial number.
- C - When ordering, specify color gray or green and airplane serial number
- D - When ordering, specify color red or blue and airplane serial number.
- E - When ordering, specify color red, blue or brown and airplane serial number.
- F - When ordering, specify color red, blue, russet, dark blue, maroon, brown, gold or black and airplane serial number.
- X - Used on PA-23-250 airplanes only.
- Y - Used on PA-23-250 (Six Place) airplanes only.
- Z - Used on PA-23-235 airplanes only.

When ordering, always specify Part Number, Description and Serial Number of Aircraft



Figure and Index Number	Part Number	Code	NOMENCLATURE	No. Req	SERIAL NUMBERS AFFECTED	
12-4	16446-00	X	MOULDING - Window, right rear, dull gray	1		
	16446-02	XZ	MOULDING - Window, right rear, light charcoal	1		
	16446-03	XZ	MOULDING - Window, right rear, dark green	1		
	16446-04	XZ	MOULDING - Window, right rear, dark brown	1		
	30567-02	Y	MOULDING - Window, right rear, light charcoal	1	27-2000 to 27-2299 inclusive	
	30567-03	Y	MOULDING - Window, right rear, dark green	1	27-2000 to 27-2299 inclusive	
	30567-04	Y	MOULDING - Window, right rear, dark brown	1	27-2000 to 27-2299 inclusive	
	31023-02	Y	MOULDING - Window, right rear, light charcoal	1	27-2300 to 27-2504 inclusive	
	31023-03	Y	MOULDING - Window, right rear, dark green	1	27-2300 to 27-2504 inclusive	
	31023-04	Y	MOULDING - Window, right rear, dark brown	1	27-2300 to 27-2504 inclusive	
	31023-05	FY	MOULDING - Window, right rear, sand	1		
	-5	16916-02	X	PANEL ASSEMBLY - Cockpit, right side trim, red	1	27-1 to 27-366 inclusive
		16916-03	X	PANEL ASSEMBLY - Cockpit, right side trim, blue	1	27-1 to 27-366 inclusive
16916-04		X	PANEL ASSEMBLY - Cockpit, right side trim, brown	1	27-1 to 27-366 inclusive	
16916-05		X	PANEL ASSEMBLY - Cockpit, right side trim, green	1	27-1 to 27-366 inclusive	
16916-12		X	PANEL ASSEMBLY - Cockpit, right side trim, red	1	27-367 to 27-504 inclusive	
16916-13		X	PANEL ASSEMBLY - Cockpit, right side trim, blue	1	27-367 to 27-504 inclusive	
16916-14		X	PANEL ASSEMBLY - Cockpit, right side trim, brown	1	27-367 to 27-504 inclusive	
16916-15		X	PANEL ASSEMBLY - Cockpit, right side trim, green	1	27-367 to 27-504 inclusive	
30890-00		BZ	PANEL ASSEMBLY - Cockpit, right side trim	1	27-505 to 27-593 inclusive	
30890-00		CZ	PANEL ASSEMBLY - Cockpit, right side trim	1	27-594 and up	
30890-08		Z	PANEL ASSEMBLY - Cockpit, right side trim, brown	1	27-594 and up	
30890-00		BY	PANEL ASSEMBLY - Cockpit, right side trim	1	27-2000 to 27-2436 inclusive	
30890-05		DY	PANEL ASSEMBLY - Cockpit, right side trim	1	27-2300 to 27-2436 inclusive	
30890-08		EY	PANEL ASSEMBLY - Cockpit, right side trim	1	27-2437 to 27-2504 inclusive	
30890-08		AFY	PANEL ASSEMBLY - Cockpit, right side trim	1		

- A - When ordering, specify color red, blue, russet, dark blue, maroon, brown, gold or black and airplane serial number.
- B - When ordering, specify color gray, brown or green and airplane serial number.
- C - When ordering, specify color gray or green and airplane serial number.
- D - When ordering, specify color red or blue and airplane serial number.
- E - When ordering, specify color red, blue or brown and airplane serial number.
- F - Used on PA-23-250 (Six Place) with serial numbers 27-2505 to 27-3836, 27-3838 to 27-3943 inclusive.
- X - Used on PA-23-250 airplanes only.
- Y - Used on PA-23-250 (Six Place) airplanes only.
- Z - Used on PA-23-235 airplanes only.

When ordering, always specify Part Number, Description and Serial Number of Aircraft



Figure and Index Number	Part Number	Code	NOMENCLATURE	No. Req.	SERIAL NUMBERS AFFECTED
12-6	16520-02	X	PANEL ASSEMBLY - Cockpit, left front trim, red	1	27-1 to 27-366 inclusive
	16520-03	X	PANEL ASSEMBLY - Cockpit, left front trim, blue	1	27-1 to 27-366 inclusive
	16520-04	X	PANEL ASSEMBLY - Cockpit, left front trim, brown	1	27-1 to 27-366 inclusive
	16520-05	X	PANEL ASSEMBLY - Cockpit, left front trim, green	1	27-1 to 27-366 inclusive
	19960-02	B,X	PANEL ASSEMBLY - Cockpit, left front trim	1	27-367 to 27-504 inclusive
	30821-12	B,Z	PANEL ASSEMBLY - Cockpit, left front trim	1	27-505 to 27-532 inclusive
	30821-15	B,Z	PANEL ASSEMBLY - Cockpit, left front trim	1	27-533 to 27-593 inclusive
	30821-15	C,Z	PANEL ASSEMBLY - Cockpit, left front trim	1	27-594 and up
	30821-18	Z	PANEL ASSEMBLY - Cockpit, left front trim, brown	1	27-594 and up
	30774-00	B,Y	PANEL ASSEMBLY - Cockpit, left front trim	1	27-2000 to 27-2348 inclusive
	30774-07	D,Y	PANEL ASSEMBLY - Cockpit, left front trim	1	27-2300 to 27-2348 inclusive
	30774-10	B,Y	PANEL ASSEMBLY - Cockpit, left front trim	1	27-2349 to 27-2436 inclusive
	30774-11	D,Y	PANEL ASSEMBLY - Cockpit, left front trim	1	27-2349 to 27-2436 inclusive
	30774-12	D,Y	PANEL ASSEMBLY - Cockpit, left front trim	1	27-2437 to 27-2504 inclusive
	30774-15	Y	PANEL ASSEMBLY - Cockpit, left front trim, tan	1	27-2437 to 27-2504 inclusive
	31578-00	A,E,Y	PANEL ASSEMBLY - Cockpit, left front trim	1	
	-7	453 141		BOX - Ash	2
-8	484 385		RETAINER - Ash box	2	
-9	471 075		KNOB - (222) Gray	2	
	31489-00	Y	KNOB - Chrome	1	
-10	13950-00		PANEL - Ash box	2	27-1 to 27-2504 inclusive
	13950-02	E,Y	PANEL - Ash box, chrome	1	
-10a	23303-00		CLIP - Microphone (used with Telephonics mike RS-38A)	1	
	453 415		BRACKET - Microphone (used with Telex mike 66C)	1	
	453 445		BRACKET ASSEMBLY - Microphone (used with Shure)	1	
-10b	16520-50	X	ARMREST ASSEMBLY - Red	1	27-1 to 27-366 inclusive
	16520-51	X	ARMREST ASSEMBLY - Blue	1	27-1 to 27-366 inclusive
	16520-52	X	ARMREST ASSEMBLY - Brown	1	27-1 to 27-366 inclusive
	16520-53	X	ARMREST ASSEMBLY - Green	1	27-1 to 27-366 inclusive
	19960-13	B,X	ARMREST ASSEMBLY	1	27-367 to 27-504 inclusive
	30766-00	Y,Z	ARMREST ASSEMBLY - Gray	1	27-505 to 27-2436 inclusive
	30766-08	Y,Z	ARMREST ASSEMBLY - Sand	1	27-505 to 27-2436 inclusive
	30766-15	Y,Z	ARMREST ASSEMBLY - Green	1	27-505 to 27-2436 inclusive
	30766-22	Y	ARMREST ASSEMBLY - Red	1	27-2300 to 27-2436 inclusive
	30766-29	Y	ARMREST ASSEMBLY - Blue	1	27-2300 to 27-2436 inclusive
	30766-36	Y	ARMREST ASSEMBLY - Red	1	27-2437 to 27-2504 inclusive
	30766-39	Y	ARMREST ASSEMBLY - Blue	1	27-2437 to 27-2504 inclusive
	30766-42	Y	ARMREST ASSEMBLY - Sand	1	27-2437 to 27-2504 inclusive

- A - When ordering, specify color red, blue, russet, dark blue, maroon, brown, gold or black and airplane serial number.
- B - When ordering, specify color gray, brown or green and airplane serial number.
- C - When ordering, specify color gray or green and airplane serial number.
- D - When ordering, specify color red or blue and airplane serial number.
- E - Used on PA-23-250 (Six Place) with serial numbers 27-2505 to 27-3836 inclusive, 27-3838 to 27-3943 inclusive.
- X - Used on PA-23-250 airplanes only.
- Y - Used on PA-23-250 (Six Place) airplanes only.
- Z - Used on PA-23-235 airplanes only.

When ordering, always specify Part Number, Description and Serial Number of Aircraft



Figure and Index Number	Part Number	Code	NOMENCLATURE	No. Req.	SERIAL NUMBERS AFFECTED
12-11	16522-02	X	PANEL ASSEMBLY - Cockpit, left rear trim, red	1	27-1 to 27-366 inclusive
	16522-03	X	PANEL ASSEMBLY - Cockpit, left rear trim, blue	1	27-1 to 27-366 inclusive
	16522-04	X	PANEL ASSEMBLY - Cockpit, left rear trim, brown	1	27-1 to 27-366 inclusive
	16522-05	X	PANEL ASSEMBLY - Cockpit, left rear trim, green	1	27-1 to 27-366 inclusive
	16522-31	X	PANEL ASSEMBLY - Cockpit, left rear trim, red	1	27-367 to 27-504 inclusive
	16522-32	X	PANEL ASSEMBLY - Cockpit, left rear trim, blue	1	27-367 to 27-504 inclusive
	16522-33	X	PANEL ASSEMBLY - Cockpit, left rear trim, brown	1	27-367 to 27-504 inclusive
	16522-34	X	PANEL ASSEMBLY - Cockpit, left rear trim, green	1	27-367 to 27-504 inclusive
	19957-21	BZ	PANEL ASSEMBLY - Cockpit, left rear trim	1	27-505 to 27-531 inclusive
	19957-24	BZ	PANEL ASSEMBLY - Cockpit, left rear trim	1	27-532 to 27-593 inclusive
	19957-24	CZ	PANEL ASSEMBLY - Cockpit, left rear trim	1	27-594 and up
	19957-27	Z	PANEL ASSEMBLY - Cockpit, left rear trim, brown	1	27-594 and up
	30777-00	BY	PANEL ASSEMBLY - Cockpit, left rear trim	1	27-2000 to 27-2348 inclusive
	30777-09	DY	PANEL ASSEMBLY - Cockpit, left rear trim	1	27-2000 to 27-2348 inclusive
	30777-10	BY	PANEL ASSEMBLY - Cockpit, left rear trim	1	27-2349 to 27-2436 inclusive
	30777-11	DY	PANEL ASSEMBLY - Cockpit, left rear trim	1	27-2349 to 27-2436 inclusive
	30777-13	DY	PANEL ASSEMBLY - Cockpit, left rear trim	1	27-2349 to 27-2436 inclusive
	30777-14	Y	PANEL ASSEMBLY - Cockpit, left rear trim, brown	1	27-2349 to 27-2436 inclusive
	30777-15	DY	PANEL ASSEMBLY - Cockpit, left rear trim	1	27-2437 to 27-2504 inclusive
	30777-18	Y	PANEL ASSEMBLY - Cockpit, left rear trim, tan	1	27-2437 to 27-2504 inclusive
	31566-00	EY	PANEL ASSEMBLY - Cockpit, left rear trim	1	27-2505 to 27-3049 inclusive, 27-3051 to 27-3153 inclusive
	32124-00	FY	PANEL ASSEMBLY - Cockpit, left rear trim	1	27-3050, 27-3154 to 27-3836, 27-3838 to 27-3943 inclusive
-12	453 141		BOX - Ash	1	
-13	484 385		RETAINER - Ash box	1	
-14	471 075		KNOB - (#222) Gray	1	27-1 to 27-2504 inclusive
	31489-00	AY	KNOB - Chrome	1	
-15	13950-00		PANEL - Ash box	1	27-1 to 27-2504 inclusive
	13950-02	AY	PANEL - Ash box, chrome	1	
-15a	489 389	Z	ASH TRAY ASSEMBLY - Armrest	1	27-533 and up
	489 389	Y	ASH TRAY ASSEMBLY - Armrest	1	27-2349 to 27-3836 inclusive, 27-3838 to 27-3943 inclusive

- A - Used on PA-23-250 (Six Place) with serial numbers 27-2505 to 27-3836, 27-3838 to 27-3943 inclusive.
- B - When ordering, specify color gray, brown or green and airplane serial number.
- C - When ordering, specify color gray or green and airplane serial number.
- D - When ordering, specify color red or blue and airplane serial number.
- E - When ordering, specify color red, blue or russet and airplane serial number.
- F - When ordering, specify color red, blue, russet, dark blue, maroon, brown, gold or black and airplane serial number.
- X - Used on PA-23-250 airplanes only.
- Y - Used on PA-23-250 (Six Place) airplanes only.
- Z - Used on PA-23-235 airplanes only.

When ordering, always specify Part Number, Description and Serial Number of Aircraft



Figure and Index Number	Part Number	Code	NOMENCLATURE	No. Req.	SERIAL NUMBERS AFFECTED	
12-16	16523-02	X	PANEL ASSEMBLY - Baggage compartment, lower, red	1	27-1 to 27-366 inclusive	
	16523-03	X	PANEL ASSEMBLY - Baggage compartment, lower, blue	1	27-1 to 27-366 inclusive	
	16523-04	X	PANEL ASSEMBLY - Baggage compartment, lower, brown	1	27-1 to 27-366 inclusive	
	16523-05	X	PANEL ASSEMBLY - Baggage compartment, lower, green	1	27-1 to 27-366 inclusive	
	16523-27	X	PANEL ASSEMBLY - Baggage compartment, lower, red	1	27-367 to 27-504 inclusive	
	16523-28	X	PANEL ASSEMBLY - Baggage compartment, lower, blue	1	27-367 to 27-504 inclusive	
	16523-29	X	PANEL ASSEMBLY - Baggage compartment, lower, brown	1	27-367 to 27-504 inclusive	
	16523-30	X	PANEL ASSEMBLY - Baggage compartment, lower, green	1	27-367 to 27-504 inclusive	
	19956-20	BZ	PANEL ASSEMBLY - Baggage compartment, lower	1	27-505 to 27-593 inclusive	
	19956-20	CZ	PANEL ASSEMBLY - Baggage compartment, lower	1	27-594 and up	
	19956-24	Z	PANEL ASSEMBLY - Baggage compartment, lower, brown	1	27-594 and up	
	30782-00	BY	PANEL ASSEMBLY - Cockpit, back trim, complete	1	27-2000 to 27-2299 inclusive	
	31125-00	BY	PANEL ASSEMBLY - Cockpit, back trim, lower	1	27-2300 to 27-2504 inclusive	
	31125-02	DY	PANEL ASSEMBLY - Cockpit, back trim, lower	1	27-2300 to 27-2436 inclusive	
	31125-06	EY	PANEL ASSEMBLY - Cockpit, back trim, lower	1	27-2437 to 27-2504 inclusive	
	31125-06	FY	PANEL ASSEMBLY - Cockpit, back trim, lower	1	27-2505 to 27-3049 inclusive, 27-3051 to 27-3153 inclusive	
	-17	12678-00	G	PLATE - Rear cabin heat grill	1	
	-18	19057-15		PLATE ASSEMBLY - Reinforcement, red	1	27-1 to 27-366 inclusive
19057-23			PLATE ASSEMBLY - Reinforcement, red	1	27-367 to 27-504 inclusive	
19057-17			PLATE ASSEMBLY - Reinforcement, blue	1	27-1 to 27-366 inclusive	
19057-24			PLATE ASSEMBLY - Reinforcement, blue	1	27-367 to 27-504 inclusive	
19057-19			PLATE ASSEMBLY - Reinforcement, brown	1	27-1 to 27-366 inclusive	
19057-25			PLATE ASSEMBLY - Reinforcement, brown	1	27-367 to 27-504 inclusive	
19057-21			PLATE ASSEMBLY - Reinforcement, green	1	27-1 to 27-366 inclusive	
19057-26			PLATE ASSEMBLY - Reinforcement, green	1	27-367 to 27-504 inclusive	
-19	16524-02	X	PANEL ASSEMBLY - Cockpit, right rear, red	1	27-1 to 27-366 inclusive	
	16524-03	X	PANEL ASSEMBLY - Cockpit, right rear, blue	1	27-1 to 27-366 inclusive	
	16524-04	X	PANEL ASSEMBLY - Cockpit, right rear, brown	1	27-1 to 27-366 inclusive	
	16524-05	X	PANEL ASSEMBLY - Cockpit, right rear, green	1	27-1 to 27-366 inclusive	
	16524-27	X	PANEL ASSEMBLY - Cockpit, right rear, red	1	27-367 to 27-504 inclusive	
	16524-28	X	PANEL ASSEMBLY - Cockpit, right rear, blue	1	27-367 to 27-504 inclusive	
	16524-29	X	PANEL ASSEMBLY - Cockpit, right rear, brown	1	27-367 to 27-504 inclusive	
	16524-30	X	PANEL ASSEMBLY - Cockpit, right rear, green	1	27-367 to 27-504 inclusive	
	19961-21	AX	PANEL ASSEMBLY - Cockpit, right rear	1	27-505 to 27-593 inclusive	
	19961-21	CZ	PANEL ASSEMBLY - Cockpit, right rear	1	27-594 and up	
	19961-25	Z	PANEL ASSEMBLY - Cockpit, right rear, brown	1	27-594 and up	
			A - When ordering, specify color gray, tan or green and airplane serial number.			
			B - When ordering, specify color gray, brown or green and airplane serial number.			
			C - When ordering, specify color gray or green and airplane serial number.			
			D - When ordering, specify color red or blue and airplane serial number.			
			E - When ordering, specify color red, blue or brown and airplane serial number.			
			F - When ordering, specify color red, blue or russet and airplane serial number			
			G - Not included as part of assembly 30872-00.			
			X - Used on PA-23-250 airplanes only.			
			Y - Used on PA-23-250 (Six Place) airplanes only.			
			Z - Used on PA-23-235 airplanes only.			

When ordering, always specify Part Number, Description and Serial Number of Aircraft



Figure and Index Number	Part Number	Code	NOMENCLATURE	No. Req.	SERIAL NUMBERS AFFECTED
12-20	16525-02	X	PANEL ASSEMBLY - Cockpit, right rear trim, red	1	27-1 to 27-366 inclusive
	16525-03	X	PANEL ASSEMBLY - Cockpit, right rear trim, blue	1	27-1 to 27-366 inclusive
	16525-04	X	PANEL ASSEMBLY - Cockpit, right rear trim, brown	1	27-1 to 27-366 inclusive
	16525-05	X	PANEL ASSEMBLY - Cockpit, right rear trim, green	1	27-1 to 27-366 inclusive
	16525-32	X	PANEL ASSEMBLY - Cockpit, right rear trim, red	1	27-367 to 27-504 inclusive
	16525-33	X	PANEL ASSEMBLY - Cockpit, right rear trim, blue	1	27-367 to 27-504 inclusive
	16525-34	X	PANEL ASSEMBLY - Cockpit, right rear trim, brown	1	27-367 to 27-504 inclusive
	16525-35	X	PANEL ASSEMBLY - Cockpit, right rear trim, green	1	27-367 to 27-504 inclusive
	19963-18	BZ	PANEL ASSEMBLY - Cockpit, right rear trim	1	27-505 to 27-532 inclusive
	19963-21	BZ	PANEL ASSEMBLY - Cockpit, right rear trim	1	27-533 to 27-593 inclusive
	19963-21	CZ	PANEL ASSEMBLY - Cockpit, right rear trim	1	27-594 and up
	19963-24	Z	PANEL ASSEMBLY - Cockpit, right rear trim, brown	1	27-594 and up
	30778-00	BY	PANEL ASSEMBLY - Cockpit, right rear trim	1	27-2000 to 27-2299 inclusive
	31038-00	BY	PANEL ASSEMBLY - Cockpit, right rear trim	1	27-2300 to 27-2348 inclusive
	31038-05	DY	PANEL ASSEMBLY - Cockpit, right rear trim	1	27-2300 to 27-2348 inclusive
	31038-09	BY	PANEL ASSEMBLY - Cockpit, right rear trim	1	27-2349 to 27-2436 inclusive
	31038-10	DY	PANEL ASSEMBLY - Cockpit, right rear trim	1	27-2349 to 27-2436 inclusive
	31038-12	DY	PANEL ASSEMBLY - Cockpit, right rear trim	1	27-2349 to 27-2436 inclusive
	31038-13	GY	PANEL ASSEMBLY - Cockpit, right rear trim	1	27-2349 to 27-2436 inclusive
	31038-14	DY	PANEL ASSEMBLY - Cockpit, right rear trim	1	27-2437 to 27-2504 inclusive
	31038-17	Y	PANEL ASSEMBLY - Cockpit, right rear trim, tan	1	27-2437 to 27-2504 inclusive
	31577-00	AY	PANEL ASSEMBLY - Cockpit, right rear trim	1	27-2505 to 27-3049 inclusive, 27-3051 to 27-3153 inclusive
		32125-00	EY	PANEL ASSEMBLY - Cockpit, right rear trim	1
-21	453 141		BOX - Ash	1	
-22	484 385		RETAINER - Ash box	1	
-23	471 075		KNOB - (#222) Gray	1	
	31489-00	Y	KNOB - Chrome	1	
-24	13950-00		PANEL - Ash box	1	27-1 to 27-2504 inclusive
	13950-02	FY	PANEL - Ash box, chrome	1	
-24a	489 389	Z	ASH TRAY ASSEMBLY - Armrest	1	27-533 and up
	489 389	Y	ASH TRAY ASSEMBLY - Armrest	1	27-2349 to 27-3836 inclusive, 27-3838 to 27-3943 inclusive

- A - When ordering, specify color red, blue or russet and airplane serial number.
- B - When ordering, specify color gray, tan or green and airplane serial number.
- C - When ordering, specify color gray or green and airplane serial number.
- D - When ordering, specify color red or blue and airplane serial number.
- E - When ordering, specify color red, blue, russet, dark blue, maroon, brown, gold or black and airplane serial number.
- F - Used on PA-23-250 (Six Place) with serial numbers 27-2505 to 27-3836, 27-3838 to 27-3943 inclusive.
- G - When ordering, specify color gray, brown or green and airplane serial number.
- X - Used on PA-23-250 airplanes only.
- Y - Used on PA-23-250 (Six Place) airplanes only.
- Z - Used on PA-23-235 airplanes only.

When ordering, always specify Part Number, Description and Serial Number of Aircraft



Figure and Index Number	Part Number	Code	NOMENCLATURE	No. Req.	SERIAL NUMBERS AFFECTED
12-25	16526-02	X	PANEL ASSEMBLY - Cockpit, right front trim, red	1	27-1 to 27-504 inclusive
	16526-03	X	PANEL ASSEMBLY - Cockpit, right front trim, blue	1	27-1 to 27-504 inclusive
	16526-04	X	PANEL ASSEMBLY - Cockpit, right front trim, brown	1	27-1 to 27-504 inclusive
	16526-05	X	PANEL ASSEMBLY - Cockpit, right front trim, green	1	27-1 to 27-504 inclusive
	19966-18	BZ	PANEL ASSEMBLY - Cockpit, right front trim	1	27-505 to 27-593 inclusive
	19966-18	CZ	PANEL ASSEMBLY - Cockpit, right front trim	1	27-594 and up
	19966-22	Z	PANEL ASSEMBLY - Cockpit, right front trim, brown	1	27-594 and up
	30784-00	BY	PANEL ASSEMBLY - Cockpit, right front trim	1	
	30784-07	DY	PANEL ASSEMBLY - Cockpit, right front trim	1	27-2300 to 27-2436 inclusive
	30784-10	DY	PANEL ASSEMBLY - Cockpit, right front trim	1	27-2437 to 27-2504 inclusive
	30784-13	Y	PANEL ASSEMBLY - Cockpit, right front trim, tan	1	27-2437 to 27-2504 inclusive
	31576-00	AEY	PANEL ASSEMBLY - Cockpit, right front trim	1	
-26	453 141		BOX - Ash	1	
-27	484 385		RETAINER - Ash box	1	
-28	471 075		KNOB - (#222) Gray	1	
	31489-00	Y	KNOB - Chrome	1	
-29	13950-00		PANEL - Ash box	1	27-1 to 27-2504 inclusive
	13950-02	AY	PANEL - Ash box, chrome	1	
-30	16527-02	X	MOULDING - Window, left side, front, gray	1	
	16527-06	XYZ	MOULDING - Window, left side, front, charcoal	1	27-1 to 27-2299 inclusive
	16527-10	XYZ	MOULDING - Window, left side, front, green	1	27-1 to 27-2299 inclusive
	16527-14	XYZ	MOULDING - Window, left side, front, brown	1	27-1 to 27-2299 inclusive
-31	16527-03	X	MOULDING - Window, left side, front, top, gray	1	
	16527-07	XYZ	MOULDING - Window, left side, front, top, charcoal	1	27-1 to 27-2299 inclusive
	16527-11	XYZ	MOULDING - Window, left side, front, top, green	1	27-1 to 27-2299 inclusive
	16527-15	XYZ	MOULDING - Window, left side, front, top, brown	1	27-1 to 27-2299 inclusive
-32	16527-04	X	MOULDING - Window, left side, front, bottom, gray	1	
	16527-08	XYZ	MOULDING - Window, left side, front, bottom, charcoal	1	27-1 to 27-2299 inclusive
	16527-12	XYZ	MOULDING - Window, left side, front, bottom, green	1	27-1 to 27-2299 inclusive
	16527-17	XYZ	MOULDING - Window, left side, front, bottom, brown	1	27-1 to 27-2299 inclusive
-33	16527-05	X	MOULDING - Windshield, right side, front, gray	1	
	16527-09	XYZ	MOULDING - Windshield, right side, front, charcoal	1	27-1 to 27-2299 inclusive
	16527-13	XYZ	MOULDING - Windshield, right side, front, green	1	27-1 to 27-2299 inclusive
	16527-18	XYZ	MOULDING - Windshield, right side, front, brown	1	27-1 to 27-2299 inclusive
	31035-02		MOULDING - Windshield, right side, front, charcoal	1	27-2300 to 27-2504 inclusive
	31035-03		MOULDING - Windshield, right side, front, green	1	27-2300 to 27-2504 inclusive
	31035-04		MOULDING - Windshield, right side, front, brown	1	27-2300 to 27-2504 inclusive
	31035-05	A	MOULDING - Windshield, right side, front, sand	1	

A - Used on PA-23-250 (Six Place) with serial numbers 27-2505 to 27-3836, 27-3838 to 27-3943 inclusive.
 B - When ordering, specify color gray, tan or green and airplane serial number.
 C - When ordering, specify color gray or green and airplane serial number.
 D - When ordering, specify color red or blue and airplane serial number.
 E - When ordering, specify color red, blue, russet, dark blue, maroon, brown, gold or black and airplane serial number
 X - Used on PA-23-250 airplanes only.
 Y - Used on PA-23-250 (Six Place) airplanes only.
 Z - Used on PA-23-235 airplanes only.

When ordering, always specify Part Number, Description and Serial Number of Aircraft

PIPER PARTS CATALOG

Figure and Index Number	Part Number	Code	NOMENCLATURE	No. Req.	SERIAL NUMBERS AFFECTED
12-34	16558-00	X	HEADLINING ASSEMBLY	1	
	16558-05	Z	HEADLINING ASSEMBLY	1	
	30790-05	Y	HEADLINING ASSEMBLY - Gray	1	27-2000 to 27-2239 inclusive
	30790-06	Y	HEADLINING ASSEMBLY - Brown	1	27-2000 to 27-2239 inclusive
	30790-07	Y	HEADLINING ASSEMBLY - Green	1	27-2000 to 27-2239 inclusive
	30790-12	Y	HEADLINING ASSEMBLY - Gray	1	27-2240 to 27-2504 inclusive
	30790-13	Y	HEADLINING ASSEMBLY - Brown	1	27-2240 to 27-2504 inclusive
	30790-14	Y	HEADLINING ASSEMBLY - Green	1	27-2240 to 27-2504 inclusive
	30790-22	B,Y	HEADLINING ASSEMBLY - Beige	1	
	752 000	A	HEADLINING ASSEMBLY - Beige	1	
-35	20663-03	X	STRIP - Headliner trim, chrome	1	
	20663-09	X	STRIP - Headliner trim, painted	1	
-36	20663-04	X	STRIP - Headliner trim, chrome	2	
	20663-10	X	STRIP - Headliner trim, painted	2	
-37	20663-08	X	STRIP - Headliner trim, chrome	2	
	20663-11	X	STRIP - Headliner trim, painted	2	
-38	17562-00		PLATE - Aileron pulley cover, left	1	
	17562-01		PLATE - Aileron pulley cover, right	1	
-39	17587-30	X	PANEL ASSEMBLY - Cockpit, side trim, left bottom, red	1	27-1 to 27-366 inclusive
	17587-32	X	PANEL ASSEMBLY - Cockpit, side trim, left bottom, blue	1	27-1 to 27-366 inclusive
	17587-34	X	PANEL ASSEMBLY - Cockpit, side trim, left bottom, brown	1	27-1 to 27-366 inclusive
	17587-36	X	PANEL ASSEMBLY - Cockpit, side trim, left bottom, green	1	27-1 to 27-366 inclusive
	17587-46	X	PANEL ASSEMBLY - Cockpit, side trim, left bottom, red	1	27-367 to 27-504 inclusive
	17587-48	X	PANEL ASSEMBLY - Cockpit, side trim, left bottom, blue	1	27-367 to 27-504 inclusive
	17587-50	X	PANEL ASSEMBLY - Cockpit, side trim, left bottom, brown	1	27-367 to 27-504 inclusive
	17587-52	X	PANEL ASSEMBLY - Cockpit, side trim, left bottom, green	1	27-367 to 27-504 inclusive
	17587-62	F,Z	PANEL ASSEMBLY - Cockpit, side trim, left bottom	1	27-505 to 27-593 inclusive
	17587-62	G,Z	PANEL ASSEMBLY - Cockpit, side trim, left bottom	1	27-594 and up
	17587-69	Z	PANEL ASSEMBLY - Cockpit, side trim, left bottom, brown	1	27-594 and up
	17587-62	F,Y	PANEL ASSEMBLY - Cockpit, side trim, left bottom	1	27-2000 to 27-2299 inclusive
	17587-66	C,Y	PANEL ASSEMBLY - Cockpit, side trim, left bottom	1	27-2300 to 27-2436 inclusive
	17587-69	D,Y	PANEL ASSEMBLY - Cockpit, side trim, left bottom	1	27-2437 to 27-2504 inclusive
	†7587-69	B,E,Y	PANEL ASSEMBLY - Cockpit, side trim, left	1	

- A - Used on PA-23-250 (Six Place) with 28-volt electrical system, serial numbers 27-3584, 27-3585, 27-3721, 27-3722, 27-3726, 27-3732 and 27-3762
- B - Used on PA-23-250 (Six Place) with serial numbers 27-2505 to 27-3836, 27-3838 to 27-3943 inclusive
- C - When ordering, specify color red or blue and airplane serial number
- D - When ordering, specify color red, blue or brown and airplane serial number
- E - When ordering, specify color red, blue, russet, dark blue, maroon, brown, gold or black and airplane serial number
- F - When ordering, specify color gray, tan or green and airplane serial number
- G - When ordering, specify color gray or green and airplane serial number
- X - Used on PA-23-250 airplanes only
- Y - Used on PA-23-250 (Six Place) airplanes only
- Z - Used on PA-23-235 airplanes only

When ordering, always specify Part Number, Description and Serial Number of Aircraft



Figure and Index Number	Part Number	Code	NOMENCLATURE	No. Req.	SERIAL NUMBERS AFFECTED
12-39	17587-31	X	PANEL ASSEMBLY - Cockpit, side trim, right bottom, red	1	27-1 to 27-366 inclusive
	17587-33	X	PANEL ASSEMBLY - Cockpit, side trim, right bottom, blue	1	27-1 to 27-366 inclusive
	17587-35	X	PANEL ASSEMBLY - Cockpit, side trim, right bottom, brown	1	27-1 to 27-366 inclusive
	17587-37	X	PANEL ASSEMBLY - Cockpit, side trim, right bottom, green	1	27-1 to 27-366 inclusive
	17587-47	X	PANEL ASSEMBLY - Cockpit, side trim, right bottom, red	1	27-367 to 27-504 inclusive
	17587-49	X	PANEL ASSEMBLY - Cockpit, side trim, right bottom, blue	1	27-367 to 27-504 inclusive
	17587-51	X	PANEL ASSEMBLY - Cockpit, side trim, right bottom, brown	1	27-367 to 27-504 inclusive
	17587-53	X	PANEL ASSEMBLY - Cockpit, side trim, right bottom, green	1	27-367 to 27-504 inclusive
	30889-00	AZ	PANEL ASSEMBLY - Cockpit, side trim, right bottom	1	27-505 to 27-593 inclusive
	30889-00	BZ	PANEL ASSEMBLY - Cockpit, side trim, right bottom	1	27-594 and up
	30889-08	Z	PANEL ASSEMBLY - Cockpit, side trim, right bottom, brown	1	27-594 and up
	30889-00	AY	PANEL ASSEMBLY - Cockpit, side trim, right bottom	1	27-2000 to 27-2299 inclusive
	30889-05	CY	PANEL ASSEMBLY - Cockpit, side trim, right bottom	1	27-2300 to 27-2436 inclusive
	30889-08	DY	PANEL ASSEMBLY - Cockpit, side trim, right bottom	1	27-2437 to 27-2504 inclusive
	30889-08	EFY	PANEL ASSEMBLY - Cockpit, side trim, right	1	
-40	17965-05	X	LOOP ASSEMBLY - Assist, white	2	27-1 to 27-504 inclusive
	19927-02	YZ	LOOP ASSEMBLY - Light charcoal	4	27-505 to 27-2504 inclusive
	19927-03	Y	LOOP ASSEMBLY - Assist, dark brown	4	27-2000 to 27-2504 inclusive
	19927-04	Y	LOOP ASSEMBLY - Assist, dark green	4	27-2000 to 27-2504 inclusive
	19927-03	Z	LOOP ASSEMBLY - Assist, dark brown	4	
	19927-04	Z	LOOP ASSEMBLY - Assist, dark green	4	
	19927-07	FY	LOOP ASSEMBLY - Assist	1	
-41	18004-06	X	BEZEL ASSEMBLY - Speaker	1	
	18004-08	YZ	BEZEL ASSEMBLY - Speaker (white cloth)	1	
	18004-10	YZ	BEZEL ASSEMBLY - Speaker (beige cloth)	1	
	18004-12	YZ	BEZEL ASSEMBLY - Speaker (champagne cloth)	1	
-42	18152-12	X	PLATE ASSEMBLY - Headlining trim (white)	1	
	18152-16	AY	PLATE ASSEMBLY - Headlining trim	1	27-2000 to 27-2299 inclusive
	18152-20	AY	PLATE ASSEMBLY - Headlining trim	1	27-2300 to 27-2504 inclusive
	18152-14	Z	PLATE ASSEMBLY - Headlining trim (white)	1	27-505 and up
	18152-22	FY	PLATE ASSEMBLY - Headlining trim (beige)	1	
-43	18179-00	X	ANGLE ASSEMBLY - Baggage compartment, rear	1	27-1 to 27-504 inclusive
	19947-00	Z	ANGLE ASSEMBLY - Baggage compartment, rear	1	

- A - When ordering, specify color gray, tan or green and airplane serial number.
- B - When ordering, specify color gray or green and airplane serial number.
- C - When ordering, specify color red or blue and airplane serial number.
- D - When ordering, specify color red, blue or brown and airplane serial number.
- E - When ordering, specify color red, blue, russet, dark blue, maroon, brown, gold or black and airplane serial number
- F - Used on PA-23-250 (Six Place) with serial numbers 27-2505 to 27-3836, 27-3838 to 27-3943 inclusive.
- X - Used on PA-23-250 airplanes only.
- Y - Used on PA-23-250 (Six Place) airplanes only.
- Z - Used on PA-23-235 airplanes only.

When ordering, always specify Part Number, Description and Serial Number of Aircraft



Figure and Index Number	Part Number	Code	NOMENCLATURE	No. Req.	SERIAL NUMBERS AFFECTED
12-44	18348-14	X	COVER ASSEMBLY - Cockpit light	2	
	19928-04	Y	COVER ASSEMBLY - Cockpit light	2	27-2000 to 27-2299 inclusive
	19928-02	Z	COVER ASSEMBLY - Cockpit light	2	27-505 and up
	31110-00	Y	COVER ASSEMBLY - Cockpit light	2	27-2300 to 27-2504 inclusive
	31110-02	GY	COVER ASSEMBLY - Cockpit light	2	
-45	18465-00		STRIP - Weather trim	2	
-46	18482-19	X	PANEL ASSEMBLY - Cockpit, left front trim, red	1	27-1 to 27-504 inclusive
	18482-21	X	PANEL ASSEMBLY - Cockpit, left front trim, blue	1	27-1 to 27-504 inclusive
	18482-23	X	PANEL ASSEMBLY - Cockpit, left front trim, brown	1	27-1 to 27-504 inclusive
	18482-25	X	PANEL ASSEMBLY - Cockpit, left front trim, green	1	27-1 to 27-504 inclusive
	18482-29	AZ	PANEL ASSEMBLY - Cockpit, left front trim	1	27-505 to 27-531 inclusive
	31085-00	AZ	PANEL ASSEMBLY - Cockpit, left front trim	1	27-532 to 27-593 inclusive
	31085-00	BZ	PANEL ASSEMBLY - Cockpit, left front trim	1	27-594 and up
	31085-04	Z	PANEL ASSEMBLY - Cockpit, left front trim, brown	1	27-594 and up
	30789-00	AY	PANEL ASSEMBLY - Cockpit, left front trim	1	27-2000 to 27-2299 inclusive
	30789-04	AY	PANEL ASSEMBLY - Cockpit, left front trim	1	27-2300 to 27-2348 inclusive
	30789-05	CY	PANEL ASSEMBLY - Cockpit, left front trim	1	27-2300 to 27-2348 inclusive
	30789-00	AY	PANEL ASSEMBLY - Cockpit, left front trim	1	27-2349 to 27-2504 inclusive
	30789-07	CY	PANEL ASSEMBLY - Cockpit, left front trim	1	27-2349 to 27-2436 inclusive
	30789-08	DY	PANEL ASSEMBLY - Cockpit, left front trim	1	27-2437 to 27-2504 inclusive
	31582-00	EGY	PANEL ASSEMBLY - Cockpit, left front trim	1	
-47	16759-00	XZ	BLANKET - Cockpit forward trim	1	
	30690-00	Y	BLANKET - Cockpit forward trim	1	27-2000 to 27-2504 inclusive
	30690-04	GY	BLANKET - Cockpit forward trim	1	
-48	18994-00	XZ	BAR ASSEMBLY - Tow	1	
	30762-00	Y	BAR ASSEMBLY - Tow	1	
-49	19275-02	XZ	PLATE - Cockpit finishing, left	1	
	19275-03	XZ	PLATE - Cockpit finishing, right	1	
-50	19722-00	X	PANEL ASSEMBLY - Rear cabin, upper, gray	1	
	19955-00	AZ	PANEL ASSEMBLY - Rear cabin, upper	1	
	30782-00	FY	PANEL ASSEMBLY - Rear cabin, (complete)	1	27-2000 to 27-2299 inclusive
	31072-00	FY	PANEL ASSEMBLY - Cockpit back trim, upper	1	27-2300 to 27-2504 inclusive
	31072-07	FY	PANEL ASSEMBLY - Cockpit back trim, upper	1	27-2300 to 27-2436 inclusive
	31072-10	FY	PANEL ASSEMBLY - Cockpit back trim, upper	1	27-2437 to 27-2504 inclusive
	31586-00	Y	PANEL ASSEMBLY - Cockpit back trim, upper, beige	1	27-2505 to 27-3049, 27-3051 to 27-3109, 27-3118 to 27-3153
	32122-00	Y	PANEL ASSEMBLY - Cabin trim, upper rear, beige	1	27-3050, 27-3110 to 27-3117, 27-3154 to 27-3836 inclusive, 27-3838 to 27-3943 inclusive

A - When ordering, specify color gray, tan or green and airplane serial number.
 B - When ordering, specify color gray or green and airplane serial number.
 C - When ordering, specify color red or blue and airplane serial number.
 D - When ordering, specify color red, blue or brown and airplane serial number.
 E - When ordering, specify color red, blue, russet, dark blue, maroon, brown, gold or black and airplane serial number.
 F - When ordering, specify color red, blue, gray, tan or green and airplane serial number.
 G - Used on PA-23-250 (Six Place) with serial numbers 27-2505 to 27-3836, 27-3838 to 27-3943 inclusive.
 X - Used on PA-23-250 airplanes only.
 Y - Used on PA-23-250 (Six Place) airplanes only.
 Z - Used on PA-23-235 airplanes only

When ordering, always specify Part Number, Description and Serial Number of Aircraft



Figure and Index Number	Part Number	Code	NOMENCLATURE	No. Req.	SERIAL NUMBERS AFFECTED
12-51	465 176	X,Z	HOLDER - Hat (205)	1	
	465 176	Y	HOLDER - Hat (205)	1	27-2000 to 27-2299 inclusive
-52	19626-04	X	BOOT - Instrument panel trim, left	1	27-1 to 27-504 inclusive
	19626-05	X	BOOT - Instrument panel trim, right	1	27-1 to 27-504 inclusive
	19626-06	Z	BOOT - Instrument panel trim, left	1	
	19626-07	Z	BOOT - Instrument panel trim, right	1	
-53	19649-00	X,Z	PANEL ASSEMBLY - Instrument access	1	
	30645-00	Y	PANEL ASSEMBLY - Instrument access	1	27-2000 to 27-2504 inclusive
	31321-00	Y	PANEL ASSEMBLY - Instrument access	1	27-2505 to 27-2843 inclusive
	31959-07	A,Y	PANEL ASSEMBLY - Instrument access	1	27-2844 to 27-3836 inclusive, 27-3838 to 27-3943 inclusive
	757 308	B	PANEL ASSEMBLY - Instrument access	1	
-53a	30888-00	B	PANEL ASSEMBLY - Access panel radio cover	1	
-54	20663-08	X,Z	STRIP - Trim, chrome	1	
	20663-11	X,Z	STRIP - Trim, painted (38")	1	
	19798-00	X,Z	STRIP - Trim, painted (36")	1	
-55	18133-02	X	SILL - Door	1	
	30877-00	Y,Z	SILL - Door	1	
-56	18147-25	X	PLATE ASSEMBLY - Headlining front trim (complete)	1	
	30788-07	Z	PLATE ASSEMBLY - Headlining front trim (complete)	1	
	30788-00	Y	PLATE ASSEMBLY - Headlining front trim (complete)	1	27-2000 to 27-2299 inclusive
	30788-07	Y	PLATE ASSEMBLY - Headlining front trim (complete)	1	27-2300 to 27-2504 inclusive
	31540-00	Y	PLATE ASSEMBLY - Headlining front trim (complete)	1	27-2505 to 27-3673 inclusive
	32294-00	C,Y	PLATE ASSEMBLY - Headlining front trim (complete)	1	
-56a	30787-00	Y,Z	PLATE - Headlining front trim, black	1	27-2000 to 27-2504 inclusive
	31509-00	Y	PLATE - Headlining front trim, sand	1	27-2505 to 27-3673 inclusive
	31509-02	C,Y	PLATE - Headlining front trim, sand	1	
-56b	30686-00	Y,Z	PLACARD - Map light	2	27-2000 to 27-2504 inclusive
	30686-02	D,Y	PLACARD - Map light	2	
-56c	487 790	Y,Z	SWITCH - (110-S73)	2	27-2000 to 27-2504 inclusive
	487 777	D,Y	SWITCH - (5518)	2	
-56d	472 714	Y,Z	LIGHT ASSEMBLY - (2195-501P) Less lamp	2	27-2000 to 27-2504 inclusive
	24158-00	Y	SOCKET ASSEMBLY - Less lamp	2	27-2505 to 27-3673 inclusive
	472 714	C,Y	LIGHT ASSEMBLY - (2195-501P) Less lamp	2	
-56e	472 040	Y,Z	LAMP - (G.E. 1816) 14-volt	2	27-2000 to 27-2504 inclusive
	472 026	Y	LAMP - (G.E. 90) 14-volt	2	27-2505 to 27-3673 inclusive
	472 040	C,Y	LAMP - (G.E. 1816) 14-volt	2	
	472 052	B,Y	LAMP - Map light (304) 28-volt	2	
-56f	30748-00	Y,Z	NOZZLE ASSEMBLY - Ventilator	2	27-2000 to 27-2504 inclusive
	492 082	D,Y	NOZZLE ASSEMBLY - Ventilator (2380-2)	2	
-56g	31477-00	Y	KNOB - Air control (chrome)	2	
	571 076	Y	KNOB - Air control (ivory)	2	
-56h	31431-00	D,Y	CONTROL ASSEMBLY - Air	2	

- A - Used when 14-volt electrical system is installed.
- B - Used on PA-23-250 (Six Place) with 28-volt electrical system, serial numbers 27-3584, 27-3585, 27-3721, 27-3722, 27-3726, 27-3732 and 27-3762.
- C - Used on PA-23-250 (Six Place) with serial numbers 27-3674 to 27-3836 inclusive, 27-3838 to 27-3943 inclusive.
- D - Used on PA-23-250 (Six Place) with serial numbers 27-2505 to 27-3836 inclusive, 27-3838 to 27-3943 inclusive.
- X - Used on PA-23-250 airplanes only.
- Y - Used on PA-23-250 (Six Place) airplanes only.
- Z - Used on PA-23-235 airplanes only.

When ordering, always specify Part Number, Description and Serial Number of Aircraft



Figure and Index Number	Part Number	Code	NOMENCLATURE	No. Req.	SERIAL NUMBERS AFFECTED
12-57	18237-19		STRIP ASSEMBLY - Weather, door, top and sides, gray	1	
	18237-21		STRIP ASSEMBLY - Weather, door, top and sides, brown	1	
	18237-23		STRIP ASSEMBLY - Weather, door, top and sides, green	1	
	18237-25	A,Y	STRIP ASSEMBLY - Weather, door, top and sides	1	27-2300 to 27-2436 inclusive
	18237-27	Y	STRIP ASSEMBLY - Weather, door, top and sides, tan	1	27-2437 to 27-2504 inclusive
	18237-29	A,Y	STRIP ASSEMBLY - Weather, door, top and sides	1	27-2437 to 27-2504 inclusive
	18237-31	B,Y	STRIP ASSEMBLY - Weather, door, top and sides, white	1	
-58	14175-45	X,Z	BUSHING	1	27-1 to 27-504 inclusive
	14175-47	Y	BUSHING	1	
-59	16958-00		FLOORBOARD ASSEMBLY - Front	1	27-1 to 27-3625 inclusive
	16958-05	Y	FLOORBOARD ASSEMBLY - Front	1	27-3626 to 27-3836 inclusive, 27-3838 to 27-3943 inclusive
-60	15845-02		PLATE - Left front floor	1	
-61	17559-00	X	PLATE - Center front floor	1	
	17559-04	Y,Z	PLATE - Center front floor	1	
-62	17560-02		PLATE - Right front floor	1	27-1 to 27-3803 inclusive
	32515-00	Y	PLATE - Right front floor	1	27-3804 and up
-63	17561-00		PLATE - Front floor trim	1	
-64	17867-00		PLATE - Floorboard access	1	27-1 to 27-2504 inclusive
	17868-00	B,Y	PLATE - Floorboard access	1	
-65	17868-00		PLATE - Floorboard access	4	
-66	17872-05	X,Z	STRAP ASSEMBLY - Baggage tie down, complete, black	2	
	17870-08	X,Z	STRAP ASSEMBLY - Baggage tie down, buckle end, gray	4	
	17871-10	X,Z	STRAP ASSEMBLY - Baggage tie down, tip end, gray	4	
-66a	17847-00		FITTING - Baggage tie down attachment	1	
-67	17922-04		TRACK - Seat, outboard	2	
-68	17922-05		TRACK - Seat, inboard	2	
-69	17923-00		CHANNEL - Floor and seat track support, left	1	
	17923-01		CHANNEL - Floor and seat track support, right	1	
-70	17924-00		LINK - Seat bracket stiffener	4	
-71	17925-02		BLOCK - Spar cover spacer	2	
-72	17925-03		BLOCK - Spar cover spacer	2	
-73	19619-00		COVER ASSEMBLY - Front spar	1	
-74	18318-00		STOP - Seat	4	
-75	19094-02		FLOORBOARD ASSEMBLY - Center	1	27-1 to 27-2651 inclusive
	19094-03	Y	FLOORBOARD ASSEMBLY - Center	1	27-2652 to 27-3456 inclusive
	19094-02	Y	FLOORBOARD ASSEMBLY - Center	1	27-3457 to 27-3836 inclusive, 27-3838 to 27-3943 inclusive
-76	19095-00	X,Z	FLOORBOARD ASSEMBLY - Rear	1	
	19095-02	Y	FLOORBOARD ASSEMBLY - Rear	1	

A - When ordering, specify color red, blue, gray, tan or green.
 B - Used on PA-23-250 (Six Place) airplanes with serial numbers 27-2505 to 27-3836, 27-3838 to 27-3943 inclusive.
 X - Used on PA-23-250 airplanes only.
 Y - Used on PA-23-250 (Six Place) airplanes only.
 Z - Used on PA-23-235 airplanes only.

When ordering, always specify Part Number, Description and Serial Number of Aircraft

SECTION II
Fuselage Group



FLOORBOARD AND COCKPIT
FINISHING INSTALLATION
(Serial Nos. 27-1 to 27-3836, 27-3838 to 27-3943)

Figure and Index Number	Part Number	Code	NOMENCLATURE	No. Req.	SERIAL NUMBERS AFFECTED	
12-77	19602-09	X	CARPET - Floor, front, red	1	27-1 to 27-366 inclusive	
	19602-25	X	CARPET - Floor, front, red	1	27-367 to 27-504 inclusive	
	19602-10	X	CARPET - Floor, front, blue	1	27-1 to 27-366 inclusive	
	19602-26	X	CARPET - Floor, front, blue	1	27-367 to 27-504 inclusive	
	19602-11	X	CARPET - Floor, front, brown	1	27-1 to 27-366 inclusive	
	19602-27	X	CARPET - Floor, front, brown	1	27-367 to 27-504 inclusive	
	19602-12	X	CARPET - Floor, front, green	1	27-1 to 27-366 inclusive	
	19602-28	X	CARPET - Floor, front, green	1	27-367 to 27-504 inclusive	
	19979-00	Z	CARPET - Floor, front, gray	1		
	19979-02	Z	CARPET - Floor, front, tan	1	27-505 to 27-593 inclusive	
	19979-09	Z	CARPET - Floor, front, brown	1	27-594 and up	
	19979-03	Z	CARPET - Floor, front, green	1	27-505 to 27-593 inclusive	
	19979-04	Z	CARPET - Floor, front, dark green	1	27-594 and up	
	19979-00	Y	CARPET - Floor, front, gray	1		
	19979-02	Y	CARPET - Floor, front, tan	1	27-2000 to 27-2436 inclusive	
	19979-09	Y	CARPET - Floor, front, brown	1	27-2437 to 27-2504 inclusive	
	19979-03	Y	CARPET - Floor, front, green	1	27-2000 to 27-2436 inclusive	
	19979-04	Y	CARPET - Floor, front, dark green	1	27-2437 to 27-2504 inclusive	
	19979-05	Y	CARPET - Floor, front, red	1	27-2300 to 27-2436 inclusive	
	19979-07	CY	CARPET - Floor, front, red	1		
	19979-06	Y	CARPET - Floor, front, blue	1	27-2300 to 27-2436 inclusive	
	19979-08	CY	CARPET - Floor, front, blue	1		
	19979-10	BY	CARPET - Floor, front, russet	1		
	32196-02	AY	CARPET - Floor, front, maroon	1		
	32196-03	AY	CARPET - Floor, front, dark blue	1		
	32196-04	AY	CARPET - Floor, front, brown	1		
	32196-05	AY	CARPET - Floor, front, gold	1		
	32196-06	AY	CARPET - Floor, front, black	1		
	-78	18314-00	X	PLATE - Heel	2	
		19785-00	YZ	PLATE - Heel	2	
	-79	19602-13	X	CARPET - Floor, front spar cover, red	1	27-1 to 27-366 inclusive
		19602-21	X	CARPET - Floor, front spar cover, red	1	27-367 to 27-504 inclusive
		19602-14	X	CARPET - Floor, front spar cover, blue	1	27-1 to 27-366 inclusive
19602-22		X	CARPET - Floor, front spar cover, blue	1	27-367 to 27-504 inclusive	
19602-15		X	CARPET - Floor, front spar cover, brown	1	27-1 to 27-366 inclusive	
19602-23		X	CARPET - Floor, front spar cover, brown	1	27-367 to 27-504 inclusive	
19602-16		X	CARPET - Floor, front spar cover, green	1	27-1 to 27-366 inclusive	
19602-24		X	CARPET - Floor, front spar cover, green	1	27-367 to 27-504 inclusive	

A - Used on PA-23-250 (Six Place) with serial numbers 27-3197 to 27-3836 inclusive, 27-3838 to 27-3943 inclusive
 B - Used on PA-23-250 (Six Place) with serial numbers 27-2505 to 27-3836 inclusive, 27-3838 to 27-3943 inclusive
 C - Used on PA-23-250 (Six Place) with serial numbers 27-2437 to 27-3836 inclusive, 27-3838 to 27-3943 inclusive
 X - Used on PA-23-250 airplanes only
 Y - Used on PA-23-250 (Six Place) airplanes only.
 Z - Used on PA-23-235 airplanes only

When ordering, always specify Part Number, Description and Serial Number of Aircraft



Figure and Index Number	Part Number	Code	NOMENCLATURE	No. Req.	SERIAL NUMBERS AFFECTED	
12-79	19978-00	Z	CARPET - Floor, front spar cover, gray	1		
	19978-02	Z	CARPET - Floor, front spar cover, tan	1	27-505 to 27-593 inclusive	
	19978-09	Z	CARPET - Floor, front spar cover, brown	1	27-594 and up	
	19978-03	Z	CARPET - Floor, front spar cover, green	1	27-505 to 27-593 inclusive	
	19978-04	Z	CARPET - Floor, front spar cover, dark green	1	27-594 and up	
	19978-00	Y	CARPET - Floor, front spar cover, gray	1		
	19978-02	Y	CARPET - Floor, front spar cover, tan	1	27-2000 to 27-2436 inclusive	
	19978-09	Y	CARPET - Floor, front spar cover, brown	1	27-2437 to 27-2504 inclusive	
	19978-03	Y	CARPET - Floor, front spar cover, green	1	27-2000 to 27-2436 inclusive	
	19978-04	Y	CARPET - Floor, front spar cover, dark green	1	27-2437 to 27-2504 inclusive	
	19978-05	Y	CARPET - Floor, front spar cover, red	1	27-2300 to 27-2436 inclusive	
	19978-07	AY	CARPET - Floor, front spar cover, red	1		
	19978-06	Y	CARPET - Floor, front spar cover, blue	1	27-2300 to 27-2436 inclusive	
	19978-08	AY	CARPET - Floor, front spar cover, blue	1		
	19978-10	BY	CARPET - Floor, front spar cover, russet	1		
	32195-02	CY	CARPET - Floor, front spar cover, maroon	1		
	32195-03	CY	CARPET - Floor, front spar cover, dark blue	1		
	32195-04	CY	CARPET - Floor, front spar cover, brown	1		
	32195-05	CY	CARPET - Floor, front spar cover, gold	1		
	32195-06	CY	CARPET - Floor, front spar cover, black	1		
	-80	19436-06	X	PLATE ASSEMBLY - Spar cover, red	1	27-1 to 27-366 inclusive
		19436-14	X	PLATE ASSEMBLY - Spar cover, red	1	27-367 and up
		19436-08	X	PLATE ASSEMBLY - Spar cover, blue	1	27-1 to 27-366 inclusive
		19436-15	X	PLATE ASSEMBLY - Spar cover, blue	1	27-367 and up
		19436-10	X	PLATE ASSEMBLY - Spar cover, brown	1	27-1 to 27-366 inclusive
		19436-16	X	PLATE ASSEMBLY - Spar cover, brown	1	27-367 and up
		19436-12	X	PLATE ASSEMBLY - Spar cover, green	1	27-1 to 27-366 inclusive
		19436-17	X	PLATE ASSEMBLY - Spar cover, green	1	27-367 and up
		19959-04	YZ	PLATE ASSEMBLY - Spar cover, gray	1	27-505 to 27-2504 inclusive
		19959-10	YZ	PLATE ASSEMBLY - Spar cover, brown	1	27-505 to 27-3836 inclusive, 27-3838 to 27-3943 inclusive
		19959-12	YZ	PLATE ASSEMBLY - Spar cover, green	1	27-505 to 27-2504 inclusive
		19959-14	Y	PLATE ASSEMBLY - Spar cover, red	1	27-2300 to 27-2504 inclusive
19959-16		Y	PLATE ASSEMBLY - Spar cover, blue	1	27-2300 to 27-2504 inclusive	
19959-18		BY	PLATE ASSEMBLY - Spar cover, red	1		
19959-20		BY	PLATE ASSEMBLY - Spar cover, blue	1		
19959-22		CY	PLATE ASSEMBLY - Spar cover, dark blue	1		
19959-23		CY	PLATE ASSEMBLY - Spar cover, gold	1		
19959-24		CY	PLATE ASSEMBLY - Spar cover, black	1		
19959-25		CY	PLATE ASSEMBLY - Spar cover, maroon	1		
19959-26		CY	PLATE ASSEMBLY - Spar cover, brown	1		
-81		80122-07	X	WASHER	2	
		80122-07	Y	WASHER	8	
		80122-07	Z	WASHER	16	
-82		18653-00		PLATE - Cover, flap unit	1	
-83		80122-10		WASHER	10	

A - Used on PA-23-250 (Six Place) with serial numbers 27-2437 to 27-3836, 27-3838 to 27-3943 inclusive
 B - Used on PA-23-250 (Six Place) with serial numbers 27-2505 to 27-3836, 27-3838 to 27-3943 inclusive.
 C - Used on PA-23-250 (Six Place) with serial numbers 27-3197 to 27-3836, 27-3838 to 27-3943 inclusive.
 X - Used on PA-23-250 airplanes only
 Y - Used on PA-23-250 (Six Place) airplanes only.
 Z - Used on PA-23-235 airplanes only.

When ordering, always specify Part Number, Description and Serial Number of Aircraft

SECTION II
Fuselage Group



FLOORBOARD AND COCKPIT
FINISHING INSTALLATION
(Serial Nos 27-1 to 27-3836, 27-3838 to 27-3943)

Figure and Index Number	Part Number	Code	NOMENCLATURE	No. Req.	SERIAL NUMBERS AFFECTED	
12-84	18779-06	X	TRACK - Seat, left, outboard	1		
	18779-06	Z	TRACK - Seat, left, outboard	1	27-505 to 27-640 inclusive	
	30653-03	Z	TRACK - Seat, left, outboard	1	27-641 and up	
	30653-03	Y	TRACK - Seat, left, outboard	1		
	-85	18779-07	X	TRACK - Seat, left, inboard	1	
		18779-07	Z	TRACK - Seat, left, inboard	1	27-505 to 27-640 inclusive
30653-02		Z	TRACK - Seat, left, inboard	1	27-641 and up	
	30653-02	Y	TRACK - Seat, left, inboard	1		
	-86	18779-08	X	TRACK - Seat, right, inboard	1	
		18779-08	Z	TRACK - Seat, right, inboard	1	27-505 to 27-640 inclusive
30653-02		Z	TRACK - Seat, right, inboard	1	27-641 and up	
	30653-02	Y	TRACK - Seat, right, inboard	1		
	-87	18779-09	X	TRACK - Seat, right, outboard	1	
		18779-09	Z	TRACK - Seat, right, outboard	1	27-505 to 27-640 inclusive
30653-03		Z	TRACK - Seat, right, outboard	1	27-641 and up	
	30653-03	Y	TRACK - Seat, right, outboard	1		
	-88	410 044		SCREW - (AN509-10R-15)	20	
		-89	18917-26	X	CARPET - Rear inboard, red	2
18917-50			X	CARPET - Rear inboard, red	2	27-367 and up
18917-30	X		CARPET - Rear inboard, blue	2	27-1 to 27-366 inclusive	
	18917-51	X	CARPET - Rear inboard, blue	2	27-367 and up	
	18917-34	X	CARPET - Rear inboard, brown	2	27-1 to 27-366 inclusive	
	18917-52	X	CARPET - Rear inboard, brown	2	27-367 and up	
	18917-38	X	CARPET - Rear inboard, green	2	27-1 to 27-366 inclusive	
	18917-53	X	CARPET - Rear inboard, green	2	27-367 and up	
	-90	18917-27	X	CARPET - Rear center, red	1	27-1 to 27-366 inclusive
18917-46		X	CARPET - Rear center, red	1	27-367 and up	
18917-31		X	CARPET - Rear center, blue	1	27-1 to 27-366 inclusive	
	18917-47	X	CARPET - Rear center, blue	1	27-367 and up	
	18917-35	X	CARPET - Rear center, brown	1	27-1 to 27-366 inclusive	
	18917-48	X	CARPET - Rear center, brown	1	27-367 and up	
	18917-39	X	CARPET - Rear center, green	1	27-1 to 27-366 inclusive	
	18917-49	X	CARPET - Rear center, green	1	27-367 and up	
	-91	18917-28	X	CARPET - Rear left outboard, red	1	27-1 to 27-366 inclusive
18917-54		X	CARPET - Rear left outboard, red	1	27-367 and up	
18917-32		X	CARPET - Rear left outboard, blue	1	27-1 to 27-366 inclusive	
	18917-55	X	CARPET - Rear left outboard, blue	1	27-367 and up	
	18917-36	X	CARPET - Rear left outboard, brown	1	27-1 to 27-366 inclusive	
	18917-56	X	CARPET - Rear left outboard, brown	1	27-367 and up	
	18917-40	X	CARPET - Rear left outboard, green	1	27-1 to 27-366 inclusive	
	18917-57	X	CARPET - Rear left outboard, green	1	27-367 and up	
	-92	18917-29	X	CARPET - Rear right outboard, red	1	27-1 to 27-366 inclusive
18917-42		X	CARPET - Rear right outboard, red	1	27-367 and up	
18917-33		X	CARPET - Rear right outboard, blue	1	27-1 to 27-366 inclusive	
	18917-43	X	CARPET - Rear right outboard, blue	1	27-367 and up	
	18917-37	X	CARPET - Rear right outboard, brown	1	27-1 to 27-366 inclusive	
	18917-44	X	CARPET - Rear right outboard, brown	1	27-367 and up	
	18917-41	X	CARPET - Rear right outboard, green	1	27-1 to 27-366 inclusive	
	18917-45	X	CARPET - Rear right outboard, green	1	27-367 and up	

X - Used on PA-23-250 airplanes only
Y - Used on PA-23-250 (Six Place) airplanes only
Z - Used on PA-23-235 airplanes only

When ordering, always specify Part Number, Description and Serial Number of Aircraft



Figure and Index Number	Part Number	Code	NOMENCLATURE	No. Req.	SERIAL NUMBERS AFFECTED
12-93	19811-02	X	VISOR ASSEMBLY - Sun, white, left	1	
	19811-03	X	VISOR ASSEMBLY - Sun, white, right	1	
	30849-02	YZ	VISOR ASSEMBLY - Sun, light charcoal	2	27-505 to 27-2504 inclusive
	30849-03	YZ	VISOR ASSEMBLY - Sun, dark brown	2	27-505 to 27-2504 inclusive
	30849-04	YZ	VISOR ASSEMBLY - Sun, dark green	2	27-505 to 27-2504 inclusive
	31130-00	YZ	VISOR ASSEMBLY - Sun, white	2	27-505 to 27-2504 inclusive
	31390-00	AY	VISOR ASSEMBLY - Sun, beige	2	
-94	19793-00		PLACARD - Door handle position	1	27-1 to 27-2504 inclusive
	19793-02	AY	PLACARD - Door handle position	1	
-95	19787-00	X	PLATE - Carpet trim, forward	4	
	19788-00	X	PLATE - Carpet trim, rear	4	
-96	19798-00		PLACARD - Seat latch	1	27-1 to 27-2504 inclusive
	32640-00	AY	PLACARD - Seat latch	1	
-97	30716-00	YZ	PLACARD - Check list, sun visor	1	27-1 to 27-2504 inclusive
	31705-00	AY	PLACARD - Check list, sun visor	1	
-98	30641-02	Z	CARPET - Floor, rear, gray	1	27-505 and up
	30641-03	Z	CARPET - Floor, rear, tan	1	27-505 to 27-593 inclusive
	30641-19	Z	CARPET - Floor, rear, brown	1	27-594 and up
	30641-09	Z	CARPET - Floor, rear, green	1	27-505 and up
	30641-02	Y	CARPET - Floor, rear, gray	1	
	30641-03	Y	CARPET - Floor, rear, tan	1	27-2000 to 27-2436 inclusive
	30641-19	Y	CARPET - Floor, rear, brown	1	27-2437 to 27-2504 inclusive
	30641-04	Y	CARPET - Floor, rear, green	1	27-2000 to 27-2436 inclusive
	30641-09	Y	CARPET - Floor, rear, green	1	27-2437 to 27-2504 inclusive
	30641-10	Y	CARPET - Floor, rear, red	1	27-2300 to 27-2436 inclusive
	30641-17	BY	CARPET - Floor, rear, red	1	
	30641-12	Y	CARPET - Floor, rear, blue	1	27-2300 to 27-2436 inclusive
	30641-18	BY	CARPET - Floor, rear, blue	1	
	30641-21	AY	CARPET - Floor, rear, russet	1	
	32273-02	CY	CARPET - Floor, rear, dark blue	1	
	32273-03	CY	CARPET - Floor, rear, maroon	1	
	32273-04	CY	CARPET - Floor, rear, brown	1	
	32273-05	CY	CARPET - Floor, rear, gold	1	
	32273-06	CY	CARPET - Floor, rear, black	1	
-99	30846-00		PLATE - Headlining retainer	1	27-1 to 27-3049 inclusive, 27-3051 to 27-3153 inclusive
	32053-00	Y	PLATE - Headlining retainer	1	27-3050, 27-3154 to 27-3836, 27-3838 to 27-3943 inclusive
-100	19590-02		ANGLE - Headlining arch support	1	
-101	30587-00	Y	PLACARD - Spotlights	1	27-2000 to 27-2299 inclusive
	31077-00	Y	PLACARD - Spotlights	1	27-2300 to 27-2504 inclusive
	31077-03	AY	PLACARD - Spotlights	1	

A - Used on PA-23-250 (Six Place) with serial numbers 27-2505 to 27-3836, 27-3838 to 27-3943 inclusive.
 B - Used on PA-23-250 (Six Place) with serial numbers 27-2437 to 27-3836, 27-3838 to 27-3943 inclusive.
 C - Used on PA-23-250 (Six Place) with serial numbers 27-3197 to 27-3836, 27-3838 to 27-3943 inclusive.
 X - Used on PA-23-250 airplanes only.
 Y - Used on PA-23-250 (Six Place) airplanes only.
 Z - Used on PA-23-235 airplanes only.

When ordering, always specify Part Number, Description and Serial Number of Aircraft

SECTION II
Fuselage Group



FLOORBOARD AND COCKPIT
FINISHING INSTALLATION
(Serial Nos. 27-1 to 27-3836, 27-3838 to 27-3943)

Figure and Index Number	Part Number	Code	NOMENCLATURE	No. Req	SERIAL NUMBERS AFFECTED
12-102	30756-00	Y	ANGLE - Headlining support	1	
-103	30757-00	Y	ANGLE - Headlining support	1	
-104	30758-00	Y	ANGLE - Headlining support	1	
-105	30776-00	Y	BRACKET - Headlining rod attachment	28	
-106	30805-00	Y	BRACKET - Headlining support	4	
-107	86092-79	Y	ROD - Headlining support (95" L)	4	
	86092-80	Y	ROD - Headlining support (70" L)	1	
	86092-81	Y	ROD - Headlining support (20' L)	1	
-108	471 081		KNOB - Black, spotlight rheostat (#1400)	1	27-1 to 27-2504 inclusive
	31488-00	Y	KNOB - Chrome, spotlight rheostat	1	27-2505 to 27-3049 inclusive, 27-3051 to 27-3153 inclusive
	471 081		KNOB - Black, spotlight rheostat (#1400)	1	27-3050, 27-3154 to 27-3836, 27-3838 to 27-3943 inclusive
-109	30878-02		STRIP ASSEMBLY - Door bottom, weather, gray	1	
	30878-03		STRIP ASSEMBLY - Door bottom, weather, brown	1	
	30878-04		STRIP ASSEMBLY - Door bottom, weather, green	1	
	30878-09	AY	STRIP ASSEMBLY - Door bottom, weather	1	27-2300 to 27-2436 inclusive
	30878-11	BCY	STRIP ASSEMBLY - Door bottom, weather	1	
	30878-13	Y	STRIP ASSEMBLY - Door bottom, weather, tan	1	27-2437 to 27-2504 inclusive
-110	19994-03		TRIM STRIP ASSEMBLY - Gray	1	
	19994-04		TRIM STRIP ASSEMBLY - Brown	1	
	19994-05		TRIM STRIP ASSEMBLY - Green	1	
	19994-09	Z	TRIM STRIP ASSEMBLY - Red	1	
	19994-10	Z	TRIM STRIP ASSEMBLY - Blue	1	
	19994-09	Y	TRIM STRIP ASSEMBLY - Red	1	27-2300 to 27-2436 inclusive
	19994-10	Y	TRIM STRIP ASSEMBLY - Blue	1	27-2300 to 27-2436 inclusive
	19994-13	Y	TRIM STRIP ASSEMBLY - Brown	1	27-2437 to 27-2504 inclusive
	19994-14	CY	TRIM STRIP ASSEMBLY - Red	1	
	19994-15	CY	TRIM STRIP ASSEMBLY - Blue	1	
	19994-19	DY	TRIM STRIP ASSEMBLY - Russet	1	
	19994-21	EY	TRIM STRIP ASSEMBLY - Dark blue	1	
	19994-23	EY	TRIM STRIP ASSEMBLY - Gold	1	
	19994-25	EY	TRIM STRIP ASSEMBLY - Black	1	
	19994-27	EY	TRIM STRIP ASSEMBLY - Maroon	1	
	19994-29	EY	TRIM STRIP ASSEMBLY - Brown	1	
-111	180 425		TAPE - Velcro #80 Hook V330-1-75, black (25 yd roll)	1	
	180 426		TAPE - Velcro pile V330-2-75, black (25 yd roll)	1	
-112	30825-00	Y	CLIP - Headlining support	2	
-113	30948-00	Y	PLATE - Headlining clip spacer	2	
-114	18411-06	YZ	BOX ASSEMBLY	1	27-1 to 27-3049 inclusive, 27-3051 to 27-3153 inclusive

- A - When ordering, specify color red or blue and airplane serial number
- B - When ordering, specify color red, blue, russet, dark blue, maroon, brown, gold or black and airplane serial number
- C - Used on PA-23-250 (Six Place) with serial numbers 27-2437 to 27-3836, 27-3838 to 27-3943 inclusive
- D - Used on PA-23-250 (Six Place) with serial numbers 27-2505 to 27-3836, 27-3838 to 27-3943 inclusive
- E - Used on PA-23-250 (Six Place) with serial numbers 27-3197 to 27-3836, 27-3838 to 27-3943 inclusive
- Y - Used on PA-23-250 (Six Place) airplanes only
- Z - Used on PA-23-235 airplanes only

When ordering, always specify Part Number, Description and Serial Number of Aircraft

PIPER PARTS CATALOG

Figure and Index Number	Part Number	Code	NOMENCLATURE	No. Req.	SERIAL NUMBERS AFFECTED
12-115	31025-02	Y	MOULDING - Window, left side, front, charcoal	1	27-2300 to 27-2504 inclusive
	31025-03	Y	MOULDING - Window, left side, front, green	1	27-2300 to 27-2504 inclusive
	31025-04	Y	MOULDING - Window, left side, front, brown	1	27-2300 to 27-2504 inclusive
	31025-05	A,Y	MOULDING - Window, left side, front, sand	1	
-116	19969-00	Y	SEAL - Windshield trim	2	
-117	23463-17	A,Y	ARMREST ASSEMBLY - Red	1	
	23463-18	A,Y	ARMREST ASSEMBLY - Blue	1	
	23463-24	A,Y	ARMREST ASSEMBLY - Russet	1	
	23463-36	B,Y	ARMREST ASSEMBLY - Maroon	1	
	23463-37	B,Y	ARMREST ASSEMBLY - Dark blue	1	
	23463-38	B,Y	ARMREST ASSEMBLY - Brown	1	
	23463-39	B,Y	ARMREST ASSEMBLY - Gold	1	
	23463-40	B,Y	ARMREST ASSEMBLY - Black	1	
-118	31320-00	Y	PLATE ASSEMBLY - Instrument access panel, left	1	27-2505 to 27-2843 inclusive
	31320-01	Y	PLATE ASSEMBLY - Instrument access panel, right	1	27-2505 to 27-2843 inclusive
-119	31391-00	A,Y	PLACARD - Engine starting instructions	1	
	31683-00	A,Y	CHART - Power	1	
-120	32242-00	Y	COVER - Carpet, rear (vinyl)	1	
-121	32243-00	Y	COVER - Carpet, front (vinyl)	1	
-122	565 446	A,Y	HOOK - Coat (#XP-96208)	3	
-123	31691-00	Y	PLATE ASSEMBLY - Trim sensor access	1	
-124	31987-00	Y	PLACARD - Alternate static instructions	1	
	31987-02	Z	PLACARD - Alternate static instructions	1	
-125	24935-00	Y,Z	SLEEVE - Alternate static placard	1	
-126	32133-00	Y	TRIM STRIP - Floorboard assembly, Sta 153	2	27-3050, 27-3110 to 27-3117, 27-3154 to 27-3836 inclusive, 27-3838 to 27-3943 inclusive
-127	32096-00	Y	ANGLE - Panel support, rear (Sta 171 canted)	1	27-3050, 27-3154 to 27-3836, 27-3838 to 27-3943 inclusive

A - Used on PA-23-250 (Six Place) with serial numbers 27-2505 to 27-3836, 27-3838 to 27-3943 inclusive
 B - Used on PA-23-250 (Six Place) with serial numbers 27-3197 to 27-3836, 27-3838 to 27-3943 inclusive
 Y - Used on PA-23-250 (Six Place) airplanes only
 Z - Used on PA-23-235 airplanes only

When ordering, always specify Part Number, Description and Serial Number of Aircraft

**1G20 THRU 1G24
INTENTIONALLY LEFT BLANK**

PIPER PARTS CATALOG

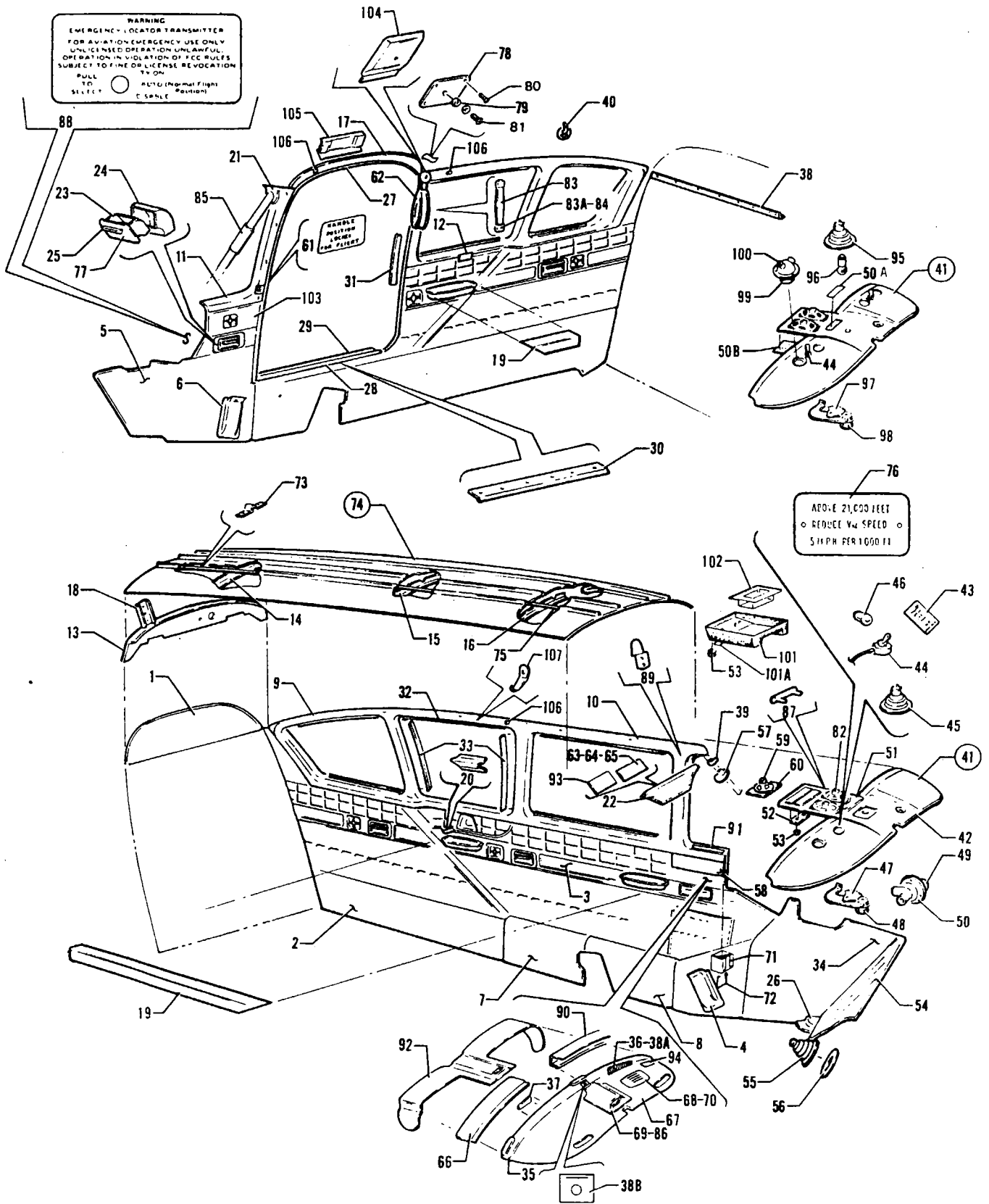


Figure 12A Cockpit Finishing Installation
 (PA-23-250 (Six Place) - Serial Nos 27-3837, 27-3944 and up)

PIPER PARTS CATALOG

Figure and Index Number	Part Number	Code	NOMENCLATURE	No. Req.	SERIAL NUMBERS AFFECTED
12A-	31590		DRAWING - Cockpit Finishing Installation		27-3837,27-3944 to 27-7554168 inclusive
	33800		DRAWING - Cockpit Finishing Installation		27-7654001 to 27-7954121 incl
	28500		DRAWING - Cockpit Finishing Installation		27-8054001 and up
	32548		DRAWING - Headlining Installation		27-3837,27-3944 to 27-7554168 inclusive
	33816		DRAWING - Headlining Installation		27-7654001 to 27-7954121 incl
	28453		DRAWING - Headlining Installation		27-8054001 and up
-1	32122-06		PANEL ASSEMBLY - Cockpit, rear, beige	1	27-3837, 27-3944 to 27-7554168 inclusive
	32122-07		PANEL ASSEMBLY - Cockpit, rear, white	1	27-3837, 27-3944 to 27-7554168 inclusive
-2	33753-02	C	PANEL ASSEMBLY - Cockpit, rear	1	27-7654001 and up
	32706-00	A	PANEL ASSEMBLY - Cockpit, left rear	1	27-3837, 27-3944 to 27-7554168 inclusive
	33817-02	C,E	PANEL ASSEMBLY - Cockpit, left rear	1	27-7654001 to 27-7954121 incl.
	33817-16	C,D	PANEL ASSEMBLY - Cockpit, left rear	1	27-7654001 to 27-7954121 incl
	28398-02	C	PANEL ASSEMBLY - Cockpit, left rear	1	27-8054001 and up
	32707-00	A	PANEL ASSEMBLY - Cockpit, right rear	1	27-3837, 27-3944 to 27-7554168 inclusive
	33771-02	C,E	PANEL ASSEMBLY - Cockpit, right rear	1	27-7654001 to 27-7954121 incl
	33771-21	C,D	PANEL ASSEMBLY - Cockpit, right rear	1	27-7654001 to 27-7954121 incl
	28397-02	C	PANEL ASSEMBLY - Cockpit, right rear	1	27-8054001 and up
-3	32677-00	A	PANEL ASSEMBLY - Cockpit, left front	1	27-3837, 27-3944 to 27-7554168 inclusive
	33801-02	C	PANEL ASSEMBLY - Cockpit, left front	1	27-7505446, 27-7654001 to 27-7954121 inclusive
-4	28399-02	C	PANEL ASSEMBLY - Cockpit, left front	1	27-8054001 and up
	32626-02		POCKET ASSEMBLY - Armrest storage, red	1	27-3837, 27-3944 to 27-7554168 inclusive
	32626-03		POCKET ASSEMBLY - Armrest storage, blue	1	27-3837, 27-3944 to 27-7554168 inclusive
	32626-04		POCKET ASSEMBLY - Armrest storage, black	1	27-3837, 27-3944 to 27-7554168 inclusive
	32626-05		POCKET ASSEMBLY - Armrest storage, gold	1	27-3837, 27-3944 to 27-7554168 inclusive
-5	32666-00	A	PANEL ASSEMBLY - Cockpit, right front	1	27-3837, 27-3944 to 27-7305095 inclusive
	32666-06	A	PANEL ASSEMBLY - Cockpit, right front	1	27-7305096 to 27-7405476 incl
	32666-07	A	PANEL ASSEMBLY - Cockpit, right front	1	27-7554001 to 27-7554168 incl
	33793-02	C	PANEL ASSEMBLY - Cockpit, right front	1	27-7654001 to 27-7954121 incl.
	28408-02	C	PANEL ASSEMBLY - Cockpit, right front	1	27-8054001 and up
-6	32626-02		POCKET ASSEMBLY - Armrest storage, red	1	27-3837, 27-3944 to 27-7554168 inclusive
	32626-03		POCKET ASSEMBLY - Armrest storage, blue	1	27-3837, 27-3944 to 27-7554168 inclusive
	32626-04		POCKET ASSEMBLY - Armrest storage, black	1	27-3837, 27-3944 to 27-7554168 inclusive
	32626-05		POCKET ASSEMBLY - Armrest storage, gold	1	27-3837, 27-3944 to 27-7554168 inclusive
-7	16911-25	B	PANEL ASSEMBLY - Trim, left	1	27-3837, 27-3944 to 27-7554168 inclusive
	33734-02	C	PANEL ASSEMBLY - Trim, left	1	27-7654001 and up
	30890-08	B	PANEL ASSEMBLY - Trim, right	1	27-3837, 27-3944 to 27-7554168 inclusive
	33740-02	C	PANEL ASSEMBLY - Trim, right	1	27-7654001 and up

- A - When ordering, specify color red, blue, gold, white or black
- B - When ordering, specify color red, dark blue, black or gold
- C - Serial number of aircraft must be supplied when ordering this part
- D - Used if rear seat shoulder harness is installed
- E - Used if rear seat shoulder harness is not installed

When ordering, always specify Part Number, Description and Serial Number of Aircraft

PIPER PARTS CATALOG

Figure and Index Number	Part Number	Code	NOMENCLATURE	No. Req.	SERIAL NUMBERS AFFECTED
12A-8	17587-69	B	PANEL ASSEMBLY - Trim, left	1	27-3837, 27-3944 to 27-7554168 inclusive
	33747-02	A	PANEL ASSEMBLY - Trim, left	1	27-7654001 and up
-9	30889-08	B	PANEL ASSEMBLY - Trim, right	1	27-3837, 27-3944 to 27-7554168 inclusive
	33756-02	A	PANEL ASSEMBLY - Trim, right	1	27-7654001 and up
	32692-05		MOULDING - Window, left rear, beige	1	27-3837, 27-3944 to 27-7554017 inclusive
	32692-09		MOULDING - Window, left rear, white	1	27-3837, 27-3944 to 27-7554017 inclusive
	33819-03	C	MOULDING - Window, left rear	1	27-7554018 to 27-7554168 incl
	33819-05		MOULDING - Window, left rear, beige	1	27-7654001 to 27-7954121 incl
	28429-06		MOULDING - Window, left rear	1	27-8054001 and up
	32718-03		MOULDING - Window, right rear, beige	1	27-3837, 27-3944 to 27-7554017 inclusive
	32718-04		MOULDING - Window, right rear, white	1	27-3837, 27-3944 to 27-7554017 inclusive
	33807-02	C	MOULDING - Window, right rear	1	27-7554018 to 27-7554168 incl
33807-03		MOULDING - Window, right rear, beige	1	27-7654001 to 27-7954121 incl	
-10	28438-02		MOULDING - Window, right rear	1	27-8054001 and up
	32692-03		MOULDING - Window, left front, beige	1	27-3837, 27-3944 to 27-7554041 inclusive
-11	32692-07		MOULDING - Window, left front, white	1	27-3837, 27-3944 to 27-7554041 inclusive
	33819-02	C	MOULDING - Window, left front	1	27-7554042 to 27-7554168 incl
	33819-04		MOULDING - Window, left front	1	27-7654001 to 27-7954121 incl
	28429-02		MOULDING - Window, left front	1	27-8054001 and up
	31035-07		MOULDING - Windshield, right front, beige	1	27-3837, 27-3944 to 27-7554168 inclusive
-12	31035-06		MOULDING - Windshield, right front, white	1	27-3837, 27-3944 to 27-7554168 inclusive
	33720-02		MOULDING - Windshield, right front	1	27-7654001 to 27-7954121 incl
	33720-03		MOULDING - Windshield, right front	1	27-8054001 and up
	32640-00		PLACARD - Seat latch	1	27-3837, 27-3944 to 27-7554168 inclusive
	80240-02		PLACARD - Seat latch	1	27-7654001 to 27-7954121 incl
-13	80886-02		DECAL - Seat latch	1	27-8054001 and up
-14	32053-02		PLATE - Headliner retaining	1	
-15	32487-00		ANGLE ASSEMBLY - Headlining support	1	
-16	32488-00		ANGLE ASSEMBLY - Headlining support	1	
-17	32489-05		ANGLE ASSEMBLY - Headlining support, left	1	
	32489-04		ANGLE ASSEMBLY - Headlining support, right	1	
-18	18152-24		PLATE ASSEMBLY - Headlining trim, beige	1	27-3837, 27-3944 to 27-7554168 inclusive
	18152-26		PLATE ASSEMBLY - Headlining trim, white	1	27-3837, 27-3944 to 27-7554168 inclusive
	33750-02	A	PLATE ASSEMBLY - Headlining trim	1	27-7654001 to 27-7954121 incl
	28452-02		PLATE - Headlining trim	1	27-8054001 and up
	30805-00		BRACKET - Headlining support	2	

A - Serial number of aircraft must be supplied when ordering this part
 B - When ordering, specify color red, dark blue, black or gold.
 C - When ordering, specify color beige or white

When ordering, always specify Part Number, Description and Serial Number of Aircraft

PIPER PARTS CATALOG

Figure and Index Number	Part Number	Code	NOMENCLATURE	No Req.	SERIAL NUMBERS AFFECTED
12A-19	32393-02		ARMREST ASSEMBLY - Red, vinyl	3	27-3837, 27-3944 to 27-7554168 inclusive
	32393-03		ARMREST ASSEMBLY - Red, leather	3	27-3837, 27-3944 to 27-7554168 inclusive
	32393-04		ARMREST ASSEMBLY - Blue, vinyl	3	27-3837, 27-3944 to 27-7554168 inclusive
	32393-05		ARMREST ASSEMBLY - Blue, leather	3	27-3837, 27-3944 to 27-7554168 inclusive
	32393-06		ARMREST ASSEMBLY - White, vinyl	3	27-3837, 27-3944 to 27-7554168 inclusive
	32393-07		ARMREST ASSEMBLY - White, leather	3	27-3837, 27-3944 to 27-7554168 inclusive
	32393-08		ARMREST ASSEMBLY - Black, vinyl	3	27-3837, 27-3944 to 27-7554168 inclusive
	32393-09		ARMREST ASSEMBLY - Black, leather	3	27-3837, 27-3944 to 27-7554168 inclusive
	32393-10		ARMREST ASSEMBLY - Gold, vinyl	3	27-3837, 27-3944 to 27-7554168 inclusive
	32393-11		ARMREST ASSEMBLY - Gold, leather	3	27-3837, 27-3944 to 27-7554168 inclusive
	33713-03	B	ARMREST ASSEMBLY	3	27-7654001 to 27-7954121 incl
	28604-02	B	ARMREST ASSEMBLY - Left side	1	27-8054001 and up
	28604-03	B	ARMREST ASSEMBLY - Right side	1	27-8054001 and up
-20	32580-00		REINFORCEMENT - Armrest	3	
-21	19969-00		SEAL - Windshield trim	2	
-22	31390-02		SUN VISOR ASSEMBLY - Beige	2	27-3837, 27-3944 to 27-7554168 inclusive
	31390-03		SUN VISOR ASSEMBLY - White	2	27-3837, 27-3944 to 27-7554168 inclusive
	15829-02	B	SUN VISOR ASSEMBLY - (492 687) Left	1	27-7654001 to 27-7854116 incl 27-8054001 and up
	15829-05	B	SUN VISOR ASSEMBLY - (492 692) Right	1	27-7654001 to 27-7854116 incl 27-8054001 and up
	15829-04		SUN VISOR ASSEMBLY - Left	1	27-7854117 to 27-7954121 incl
	15829-07		SUN VISOR ASSEMBLY - Right	1	27-7854117 to 27-7954121 incl
-23	453 186		BOX - Ash (2A17682)	5	
-24	484 425		RETAINER - Ash box (2A3310)	5	
-25	32472-00		KNOB - (571 110)	5	
-26	17562-01		PLATE - Aileron pulley cover, right	1	
	17562-00		PLATE - Aileron pulley cover, left	1	
-27	18237-42		STRIP ASSEMBLY - Door, top and sides, beige	1	27-3837, 27-3944 to 27-7554168 inclusive
	80041-08	B	STRIP ASSEMBLY - Door, top and sides	1	27-7654001 and up
-28	30878-11	A	STRIP ASSEMBLY - Door, bottom	1	27-3837, 27-3944 to 27-7554168 inclusive
	33799-02	B	STRIP ASSEMBLY - Door, bottom	1	27-7654001 to 27-7954121 incl
	33799-04	B	STRIP ASSEMBLY - Door, bottom	1	27-8054001 and up
-29	30877-00		SILL - Door	1	

A - When ordering, specify color red, dark blue, black or gold
B - Serial number of aircraft must be supplied when ordering this part

When ordering, always specify Part Number, Description and Serial Number of Aircraft

PIPER PARTS CATALOG

Figure and Index Number	Part Number	Code	NOMENCLATURE	No. Req.	SERIAL NUMBERS AFFECTED
12A-30	19994-14		TRIM STRIP ASSEMBLY - Door, red	1	27-3837, 27-3944 to 27-7554168 inclusive
	19994-15		TRIM STRIP ASSEMBLY - Door, blue	1	27-3837, 27-3944 to 27-7554168 inclusive
	19994-19		TRIM STRIP ASSEMBLY - Door, russet	1	27-3837, 27-3944 to 27-7554168 inclusive
	19994-21		TRIM STRIP ASSEMBLY - Door, dark blue	1	27-3837, 27-3944 to 27-7554168 inclusive
	19994-23		TRIM STRIP ASSEMBLY - Door, gold	1	27-3837, 27-3944 to 27-7554168 inclusive
	19994-25		TRIM STRIP ASSEMBLY - Door, black	1	27-3837, 27-3944 to 27-7554168 inclusive
	19994-27		TRIM STRIP ASSEMBLY - Door, maroon	1	27-3837, 27-3944 to 27-7554168 inclusive
	19994-29		TRIM STRIP ASSEMBLY - Door, brown	1	27-3837, 27-3944 to 27-7554168 inclusive
	33751-02	D	TRIM STRIP ASSEMBLY - Door	1	27-7654001 and up
-31	18465-00		STRIP - Weather trim, door	2	27-3837, 27-3944 to 27-7854139 inclusive
-32	31037-02		STRIP - Window moulding retainer, top, left center window	1	
-33	31185-00		STRIP - Window moulding retainer, front, left center window	1	
	31185-01		STRIP - Window moulding retainer, rear, left center window	1	
-34	31582-00	A	PANEL ASSEMBLY - Left front, trim	1	27-3837, 27-3944 to 27-7554168 inclusive
	33729-02	D	PANEL ASSEMBLY - Left front, trim	1	27-7654001 and up
-35	32299-05		PANEL ASSEMBLY - Instrument panel trim	1	27-3837, 27-3944 to 27-4097 inclusive
	32844-04	C	PANEL ASSEMBLY - Instrument panel trim, left	1	27-4098 to 27-4784 inclusive
	33270-02	C	PANEL ASSEMBLY - Instrument panel trim, left	1	27-4785 to 27-7305234 inclusive
	33270-06		PANEL ASSEMBLY - Instrument panel trim, left	1	27-7405235 to 27-7405476 incl
	32844-05	B	PANEL ASSEMBLY - Instrument panel trim, right	1	27-4098 to 27-4784 inclusive
	33270-03	B	PANEL ASSEMBLY - Instrument panel trim, right	1	27-4785 to 27-7305234 inclusive
-36	32474-00	C	PLACARD - Stall warning and operating limitations	1	27-3837, 27-3944 to 27-7305234 inclusive
	33456-00		PLACARD - Stall warning and door ajar	1	27-7405235 to 27-7405476 incl
-37	32485-00	B	PLACARD - Operating limitations and door ajar	1	

A - When ordering, specify color red, dark blue, black or gold.
 B - Order part from Figure 10B if upper right (Row Type) Instrument Cluster has been installed
 C - Order part for serial numbers 27-7405235 to 27-7405476 inclusive if upper right (Row Type) Instrument Cluster has been installed
 D - Serial number of aircraft must be supplied when ordering this part

When ordering, always specify Part Number, Description and Serial Number of Aircraft

PIPER PARTS CATALOG

Figure and Index Number	Part Number	Code	NOMENCLATURE	No. Req.	SERIAL NUMBERS AFFECTED
12A-38	32096-00		ANGLE - Rear panel support	1	
-38a	80239-02		PLACARD - Door ajar and stall warning	1	27-7554001 to 27-7554108 incl
	80329-02		PLACARD - Door ajar and stall warning	1	27-7554109 to 27-7854139 incl
	80335-02	B	PLACARD - Door ajar and stall warning (mph)	1	27-7554001 to 27-7554168 incl
	80425-02	B	PLACARD - Door ajar and stall warning (knots)	1	27-7654001 to 27-7954017 incl
	80329-02	B	PLACARD - Door ajar and stall warning	1	27-7954018 and up
-38b	80745-02		PLACARD - Door ajar	1	27-7954001 and up
-39	32694-00		CLAMP - Instrument trim panel	2	
-40	565 446		HOOK - Coat (XP-96208)	3	27-3837, 27-3944 to 27-7405476 inclusive
-41	32554-02		PLATE ASSEMBLY - Headlining, front trim (complete), beige	1	27-3837, 27-3944 to 27-7405476 inclusive
	32554-03		PLATE ASSEMBLY - Headlining, front trim (complete), white	1	27-3837, 27-3944 to 27-7405476 inclusive
	33724-02		PLATE ASSEMBLY - Headlining, front trim (complete)	1	27-7554001 to 27-7954121 incl
	28447-02		PLATE ASSEMBLY - Headlining, front trim (complete)	1	27-8054001 and up
-42	32519-02		* PLATE - Headlining, front trim, beige	1	27-3827, 27-3944 to 27-7405476 inclusive
	32519-03		* PLATE - Headlining, front trim, white	1	27-3827, 27-3944 to 27-7405476 inclusive
-43	32637-00		* PLACARD - Map light	2	27-3837, 27-3944 to 27-7954121 inclusive
	80889-02		* DECAL - Vent open	2	27-8054001 and up
-44	487 777		* SWITCH - (5518)	2	27-3837, 27-3944 to 27-7954121 inclusive
	47877-02		* SWITCH ASSEMBLY - Reading light	2	27-8054001 and up
-45	472 714		* LIGHT ASSEMBLY - (2195-501P) Less lamp	2	27-3837, 27-3944 to 27-7954121 inclusive
-46	472 040		* LAMP - (PS10008-1816) 14-volt	2	27-3837, 27-3944 to 27-7405476 inclusive
	453 792		* LAMP - (PS10008-1828) 28-volt	2	27-3837, 27-3944 to 27-7954121 inclusive
-47	31431-00		* CONTROL ASSEMBLY - Air	2	27-3837, 27-3944 to 27-7954121 inclusive
-48	571 100		* KNOB - Air control, black (5344-J)	2	27-3837, 27-3944 to 27-7954121 inclusive
-49	492 082		* VALVE ASSEMBLY - Ventilator (2380-2)	2	27-3837, 27-3944 to 27-7954121 inclusive
-50	32496-00		* BOX ASSEMBLY - Ventilator	2	27-3837, 27-3944 to 27-7954121 inclusive
-50a	28553-02		* WINDOW - Trim indicator	2	27-8054001 and up
-50b	28568-02		* GRILL - Speaker	2	27-8054001 and up
-51	32555-02	A	PANEL ASSEMBLY - Indicator cover trim, beige	1	27-4426, 27-4574 to 27-4800, 27-4802, 27-4803
	32555-06		PANEL ASSEMBLY - Indicator cover trim, beige	1	27-4801, 27-4804 to 27-7405476 inclusive
	32555-13		PANEL ASSEMBLY - Indicator cover trim, beige	1	
	32555-03	A	PANEL ASSEMBLY - Indicator cover trim, white	1	27-4426, 27-4574 to 27-4800, 27-4802, 27-4803
	32555-07		PANEL ASSEMBLY - Indicator cover trim, white	1	27-4801, 27-4804 to 27-7405476 inclusive
	32555-15		PANEL ASSEMBLY - Indicator cover trim, white	1	
	33712-02		PANEL ASSEMBLY - Indicator cover trim	1	27-7554001 to 27-7954121 incl

A - Used on PA-23-250 (Six Place) with serial numbers 27-3837, 27-3944 to 27-4425 inclusive, 27-4427 to 27-4573 inclusive
 B - Used if Lycoming Turbocharger is installed

When ordering, always specify Part Number, Description and Serial Number of Aircraft

PIPER PARTS CATALOG

Figure and Index Number	Part Number	Code	NOMENCLATURE	No. Req.	SERIAL NUMBERS AFFECTED
12A-52	32475-00		PLACARD - Instrument and dome lights	1	27-3837, 27-3944 to 27-4803 incl
	32475-02		PLACARD - Compass, trim and dome lights	1	27-4804 to 27-7305153 incl
	32475-03		PLACARD - Trim and dome lights	1	27-7304154 to 27-7405476 incl
	80281-02		PLACARD - Light control	1	27-7554001 to 27-7954121 incl
-53	571 100		KNOB - Overhead lights, black (5344-J)	2	27-3837, 27-3944 to 27-7405476 inclusive
	571 176		KNOB - Overhead lights and dimmer, black (7CF-2B2)	3	27-7554001 to 27-7954121 incl
	571 209		KNOB - Overhead lights and dimmer (S-777-3)	4	27-8054001 and up
-54	30690-04		PANEL ASSEMBLY - Cockpit, forward	1	27-3837, 27-3944 to 27-7954121 inclusive
	30690-05		PANEL ASSEMBLY - Cockpit, forward	1	27-8054001 and up
-55	17473-00		* BOOT - Steering rod	2	27-3837, 27-3944 to 27-7954121 inclusive
	17473-00		* BOOT - Steering rod and bobweight control arm	3	27-8054001 and up
-56	17902-02		* PLATE - Boot attachment	2	27-3837, 27-3944 to 27-7954121 inclusive
	17902-02		* PLATE - Boot attachment	3	27-8054001 and up
-57	32693-00		PANEL - Instrument trim, left	1	27-3837, 27-3944 to 27-7554168 inclusive
	33754-05		PANEL - Instrument trim, left	1	27-7654001 and up
	32693-01		PANEL - Instrument trim, right	1	27-3837, 27-3944 to 27-7554168 inclusive
	33754-04		PANEL - Instrument trim, right	1	27-7654001 and up
-58	32684-02		COVER - Switch panel, trim, red	1	27-3837, 27-3944 to 27-7554168 inclusive
	32684-03		COVER - Switch panel, trim, blue	1	27-3837, 27-3944 to 27-7554168 inclusive
	32684-04		COVER - Switch panel, trim, white	1	27-3837, 27-3944 to 27-7554168 inclusive
	32684-05		COVER - Switch panel, trim, beige	1	27-3837, 27-3944 to 27-7554168 inclusive
	32684-06		COVER - Switch panel, trim, black	1	27-3837, 27-3944 to 27-7554168 inclusive
	33785-03	B	COVER - Switch panel, trim	1	27-7654001 to 27-7954121 incl
	28413-02	B	COVER - Switch panel, trim	1	27-8054001 and up
-59	32413-00	A	SPEAKER ASSEMBLY	1	
-60	32512-02	A	COVER ASSEMBLY - Speaker, beige	1	
	32512-03	A	COVER ASSEMBLY - Speaker, white	1	
-61	32644-00		PLACARD - Door handle position	1	27-3837, 27-3944 to 27-7554168 inclusive
	80255-02		PLACARD - Door handle position	1	27-7654001 to 27-7954121 incl
-62	19927-09		LOOP ASSEMBLY - Assist, beige	1	
	19927-10		LOOP ASSEMBLY - Assist, white	1	

A - Used on PA-23-250 (Six Place) with serial numbers 27-3837, 27-3944 to 27-4425 inclusive, 27-4427 to 27-4573 inclusive
 B - Serial number of aircraft must be supplied when ordering this part

When ordering, always specify Part Number, Description and Serial Number of Aircraft

PIPER PARTS CATALOG

Figure and Index Number	Part Number	Code	NOMENCLATURE	No. Req.	SERIAL NUMBERS AFFECTED
12A-63	31391-00		PLACARD - Engine starting	1	
-64	31683-00		CHART - Power	1	
-65	32646-00		PLACARD - Check list, sun visor (mph)	1	27-3837, 27-3944 to 27-7654001 inclusive
	80866-02		PLACARD - Check list, sun visor (KIAS)	1	27-7654002 and up
-66	32728-02	G	COVER ASSEMBLY - Instrument panel trim, left	1	
	32728-03	G	COVER ASSEMBLY - Instrument panel trim, right	1	
	32821-00	H	COVER ASSEMBLY - Instrument panel trim	1	
	33231-02	C	COVER ASSEMBLY - Instrument panel trim, left	1	
	33465-00	C	COVER ASSEMBLY - Instrument panel trim, right	1	
	757 967		COVER ASSEMBLY - Instrument panel trim, left	1	27-4678, 27-4679, 27-4681
	757 968		COVER ASSEMBLY - Instrument panel trim, right	1	27-4678, 27-4679, 27-4681
	33231-02	D	COVER ASSEMBLY - Instrument panel trim, left	1	
	33231-03	B,F	COVER ASSEMBLY - Instrument panel trim, right	1	
	33465-00		COVER ASSEMBLY - Instrument panel trim, right	1	27-7405235 to 27-7405476 incl
-67	32651-00	E	PANEL ASSEMBLY - Instrument access	1	
	32651-04	A	PANEL ASSEMBLY - Instrument access	1	
	757 418	C	PANEL ASSEMBLY - Instrument access	1	
	33248-00	D	PANEL ASSEMBLY - Instrument access, left	1	
	28459-02		PANEL ASSEMBLY - Instrument access, left	1	27-7554001 and up
	33248-01	B,F	PANEL ASSEMBLY - Instrument access, right	1	
	33248-04		PANEL ASSEMBLY - Instrument access, right	1	27-7405235 to 27-7405476 incl
	28463-02		PANEL ASSEMBLY - Instrument access, right	1	27-7554001 and up
-68	42973-00	J	* PLATE - Lower	1	
			A - Used on PA-23-250 (Six Place) with serial numbers 27-4426, 27-4574 to 27-4771, 27-4773 to 27-4784 inclusive.		
			B - Used on PA-23-250 (Six Place) with serial numbers 27-4785 to 27-4798, 27-4800 to 27-7305234 inclusive		
			C - Used on PA-23-250 (Six Place) with serial numbers 27-4522 to 27-4524, 27-4552, 27-4554, 27-4772, 27-4799		
			D - Used on PA-23-250 (Six Place) with serial numbers 27-4785 to 27-4798, 27-4800 to 27-7405476 inclusive		
			E - Used on PA-23-250 (Six Place) with serial numbers 27-3944 to 27-4425, 27-4427 to 27-4521, 27-4525 to 27-4551, 27-4553, 27-4555 to 27-4573 inclusive		
			F - Order part for serial numbers 27-7405235 to 27-7405476 inclusive if upper right (row type) instrument cluster, per Figure 10B, has been installed.		
			G - Used on PA-23-250 (Six Place) with serial numbers 27-3837, 27-3944 to 27-4097 inclusive.		
			H - Used on PA-23-250 (Six Place) with serial numbers 27-4098 to 27-4521, 27-4525 to 27-4551, 27-4553, 27-4555 to 27-4677, 27-4680, 27-4682, 27-4771, 27-4773 to 27-4784 inclusive		
			J - Used on PA-23-250 (Six Place) with serial numbers 27-3837 27-3944 to 27-4425 inclusive, 27-4427 to 27-4573 inclusive.		

When ordering, always specify Part Number, Description and Serial Number of Aircraft

PIPER PARTS CATALOG

Figure and Index Number	Part Number	Code	NOMENCLATURE	No Req	SERIAL NUMBERS AFFECTED
12A-69	32448-00	B	* PLATE - Lower	1	
	33243-00	A	* COVER ASSEMBLY - Radio access	1	
-70	32413-00	D	* SPEAKER ASSEMBLY	1	
-71	32805-00	D	* COVER ASSEMBLY - Speaker	1	
-72	32806-00	D	* CLIP - Cover	1	
-73	30825-00		CLIP - Headlining support	2	
-74	32491-00	E	HEADLINING ASSEMBLY	1	27-3837, 27-3944 to 27-7554168 inclusive
	33715-02	F	HEADLINING ASSEMBLY	1	27-7654001 and up
-75	86092-79		ROD - Headlining support (95" long)	4	
-76	32849-00	C	PLACARD - Operating limitations (581 535)	1	27-3837, 27-3944 to 27-7405476 inclusive
-77	480 264		PANEL - Ash tray, front (2A16922)	5	
-78	32884-00		PLATE ASSEMBLY - Shoulder harness mounting	4	27-4367 to 27-7954121 incl
	32884-05		PLATE ASSEMBLY - Shoulder harness mounting	4	27-8054001 and up
-79	29999-10		BUSHING - Shoulder harness plate (19 long x 375)	4	27-4367 and up
	29999-11		BUSHING - Shoulder harness plate (25 long)	4	27-4367 to 27-7954121 incl
	49982-05		BUSHING - Shoulder harness plate (19 long x 62 O D)	4	27-8054001 and up
-80	410 040		SCREW - (MS24694-S52)	16	27-4367 and up
-81	411 231		SCREW - (NAS222-12)	4	27-4367 and up
	407 565		WASHER - (AN960-416)	8	27-4367 and up
-82	33111-00		SPEAKER ASSEMBLY	2	27-4426, 27-4574 and up
-83	44347-02		HANDLE ASSEMBLY - Assist, beige	1	27-3837, 27-3944 to 27-7554168 inclusive
	44347-10		HANDLE ASSEMBLY - Assist, white	1	27-3837, 27-3944 to 27-7554168 inclusive
	53214-02		HANDLE ASSEMBLY - Assist	1	27-7654001 and up
-83a	763 246		* CAP - Decorative (321)	2	27-3837 and up
-84	484 464		RETAINER - (383)	2	
-85	33126-00		GRIP ASSEMBLY - Hand	2	27-4640 to 27-7405476 inclusive
	33766-02		GRIP ASSEMBLY - Hand	2	27-7554001 and up
			A - Used on PA-23-250 (Six Place) with serial numbers 27-4522 to 27-4524, 27-4552, 27-4554, 27-4772, 27-4799		
			B - Used on PA-23-250 (Six Place) with serial numbers 27-3837, 27-3944 to 27-4521, 27-4525 to 27-4551, 27-4553; 27-4555 to 27-4771, 27-4773 to 27-4784 inclusive		
			C - Used if Lycoming Turbocharger is installed		
			D - Used on PA-23-250 (Six Place) with serial numbers 27-3837, 27-3944 to 27-4425 inclusive, 27-4427 to 27-4573 inclusive		
			E - When ordering, specify color beige or white		
			F - Serial number of aircraft must be supplied when ordering this part		

When ordering, always specify Part Number, Description and Serial Number of Aircraft

PIPER PARTS CATALOG

Figure and Index Number	Part Number	Code	NOMENCLATURE	No. Req.	SERIAL NUMBERS AFFECTED
12A-86	33243-00	A	COVER ASSEMBLY - Radio access	1	
-87	756 050	B	RESISTOR - Speaker, 10 ohm, 8 watt (VPR5F)	2	27-4678 to 27-4693 inclusive
-88	33484-00	C	PLACARD - Warning (ELT)	1	
-89	565 929		HOOK - Boom mike headset (10800)	1	
-90	33874-02		COVER - Instrument panel trim, left	1	27-7554001 to 27-7654095 incl
	33874-04	D	COVER - Instrument panel trim, left	1	27-7654096 to 27-7854139 incl
	28537-02	D	COVER - Instrument panel trim, left	1	27-7954001 and up
-91	80257-02		PLACARD - Anti-collision	1	27-7654001 to 27-7954121 incl
	80893-02		DECAL - Anti-collision	1	27-8054001 and up
-92	15744-02		COVER ASSEMBLY - Glare shield	1	27-7554001 and up
-93	31987-00		PLACARD - Alternate static instructions	1	27-3837, 27-3944 to 27-7554168 inclusive
	31987-03		PLACARD - Alternate static instructions	1	27-7654001 and up
-94	80554-02	E	PLACARD - Operating limitations (knots)	1	27-7954018 and up
-95	472 911		LIGHT ASSEMBLY - Reading (2680)	2	27-8054001 and up
-96	453 886		BULB - Reading light (1309)	2	27-8054001 and up
-97	28445-02		CONTROL ASSEMBLY - Vent air	2	27-8054001 and up
-98	571 100		KNOB - Air control (5344J)	2	27-8054001 and up
-99	479 443		OUTLET - Air (2660)	2	27-8054001 and up
-100	32496-04		BOX ASSEMBLY - Ventilator	2	27-8054001 and up
-101	28427-02		COVER - Dome light and switch	1	27-8054001 and up
-101a	80892-02		* DECAL - Light controls	1	27-8054001 and up
-102	28428-02		LENS - Dome light	1	27-8054001 and up
-103	28414-02		PANEL - Right front trim	1	27-8054001 and up
-104	28415-02		COVER - Shoulder harness trim, crew, left	1	27-8054001 and up
	28423-02		COVER - Shoulder harness trim, crew, right	1	27-8054001 and up
	28422-02		COVER - Shoulder harness trim, crew, passenger	2	27-8054001 and up
-105	28418-02		HOLDER - Shoulder harness storage, pilot and passenger	3	27-8054001 and up
	28424-02		HOLDER - Shoulder harness storage, copilot	1	27-8054001 and up
-106	487 560		STUD - Shoulder harness storage	4	27-8054001 and up
-107	28419-02		HOOK - Coat	2	27-8054001 and up
			<p>A - Used on PA-23-250 (Six Place) with serial numbers 27-4785 to 27-4798, 27-4800 to 27-7405476 inclusive</p> <p>B - Used on PA-23-250 (Six Place) with 28-volt electrical system</p> <p>C - Used only if ELT remote switch is installed</p> <p>D - Serial number of aircraft must be supplied when ordering this part</p> <p>E - Used if Lycoming Turbocharger is installed</p>		

When ordering, always specify Part Number, Description and Serial Number of Aircraft

PIPER PARTS CATALOG

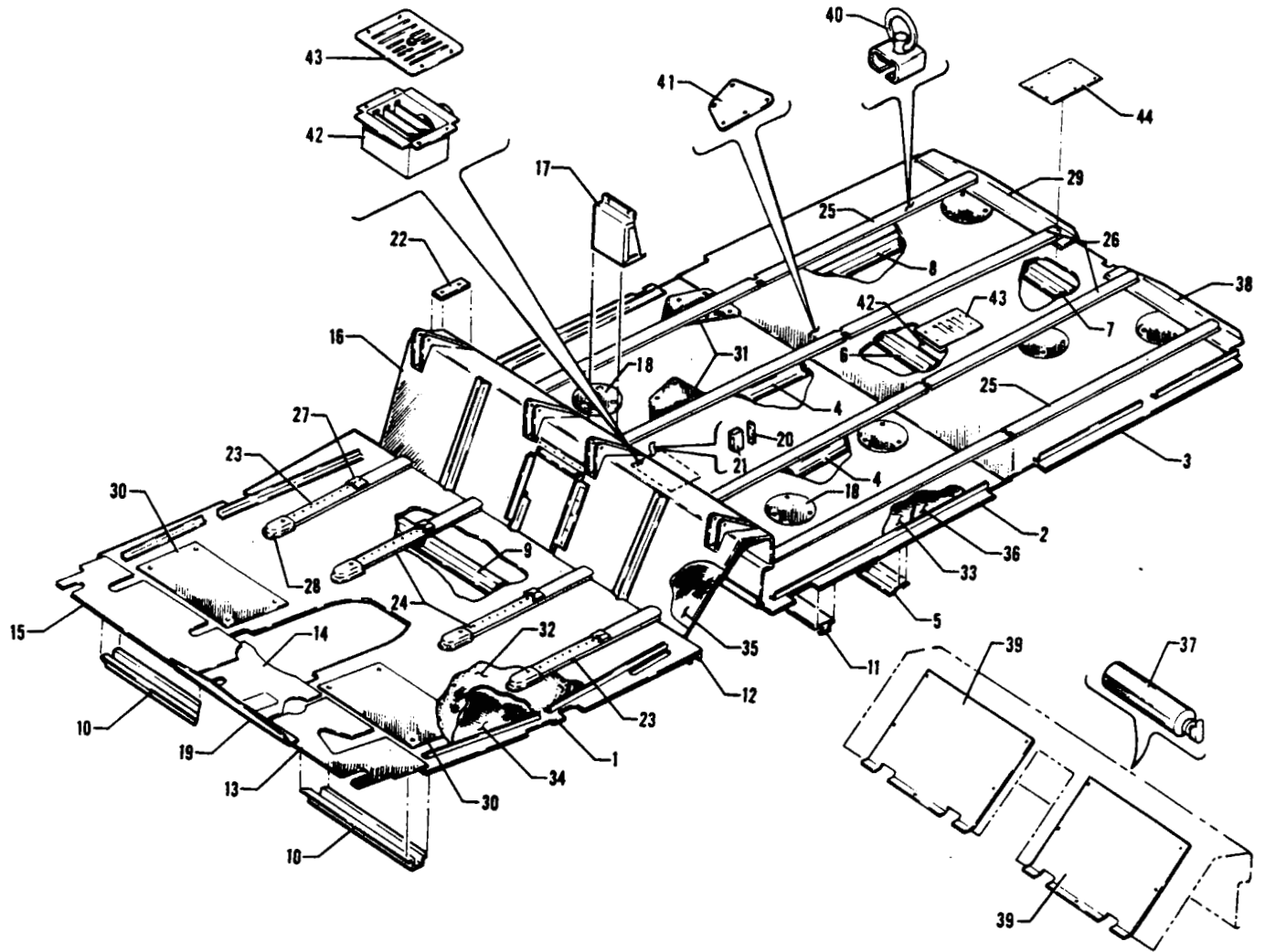


Figure 12B Floorboard Installation
(PA-23-250 (Six Place) - Serial Nos 27-3837, 27-3944 and up)

PIPER PARTS CATALOG

Figure and Index Number	Part Number	Code	NOMENCLATURE	No. Req.	SERIAL NUMBERS AFFECTED
12B-	30708		DRAWING - Floorboard Installation		27-3837, 27-3944 to 27-7554168 inclusive
	33627		DRAWING - Floorboard Installation		27-7654001 and up
	33722		DRAWING - Carpet Installation		27-7654001 to 27-7754114 incl
	28345		DRAWING - Carpet Installation		27-7754115 and up
-1	16958-05		FLOORBOARD ASSEMBLY - Front	1	27-3837, 27-3944 to 27-7954121 inclusive
	16958-07		FLOORBOARD ASSEMBLY - Front	1	27-8054001 and up
-2	19094-02		FLOORBOARD ASSEMBLY - Center	1	
-3	19095-02		FLOORBOARD ASSEMBLY - Rear	1	27-3837, 27-3944 to 27-7554168 inclusive
	19095-04		FLOORBOARD ASSEMBLY - Rear	1	27-7654001 and up
-4	18806-00		CHANNEL ASSEMBLY - Floor and seat track support, rear left	1	
	18806-01		CHANNEL ASSEMBLY - Floor and seat track support, rear right	1	
-5	18809-00		CHANNEL ASSEMBLY - Floorboard support, left	1	
	18809-01		CHANNEL ASSEMBLY - Floorboard support, right	1	
-6	18956-02		CHANNEL ASSEMBLY - Floorboard support	1	
-7	18956-03		CHANNEL ASSEMBLY - Floorboard support	1	
-8	18956-04		CHANNEL ASSEMBLY - Floorboard support	2	
-9	18956-11		CHANNEL ASSEMBLY - Floorboard support	1	
-10	18959-00		CHANNEL ASSEMBLY - Floorboard support, left	1	
	18959-01		CHANNEL ASSEMBLY - Floorboard support, right	1	
-11	17971-00		CHANNEL ASSEMBLY - Floorboard support, left	1	
	17971-01		CHANNEL ASSEMBLY - Floorboard support, right	1	
-12	17923-04		CHANNEL ASSEMBLY - Floorboard support, left	1	27-3837, 27-3944 to 27-7654041 inclusive
	15817-02		CHANNEL ASSEMBLY - Floorboard support, left	1	27-7654042 and up
	17923-05		CHANNEL ASSEMBLY - Floorboard support, right	1	27-3837, 27-3944 to 27-7654041 inclusive
	15817-03		CHANNEL ASSEMBLY - Floorboard support, right	1	27-7654042 and up
-13	15845-02		PLATE - Floor, front, left	1	
-14	17559-04		PLATE - Floor, front, center	1	27-3837, 27-3944 to 27-7654150 inclusive
	17559-06		PLATE - Floor, front, center	1	27-7654151 and up
-15	15846-02		PLATE - Floor, front, right	1	
-16	19619-00	A	COVER ASSEMBLY - Spar, front	1	27-3837, 27-3944 to 27-7554168 inclusive
	33628-02	A	COVER ASSEMBLY - Spar, front	1	27-7654001 to 27-7954089 incl
	33080-00	B	COVER ASSEMBLY - Spar, front	1	27-3837, 27-3944 to 27-7554168 inclusive
	33628-05		COVER ASSEMBLY - Spar, front	1	27-7954090 and up

A - Used if AhiMatic V, V-1, V F/D or F/D-1 is not installed
 B - Used if AhiMatic V, V-1, V F/D or V F/D-1 is installed

When ordering, always specify Part Number, Description and Serial Number of Aircraft

PIPER PARTS CATALOG

Figure and Index Number	Part Number	Code	NOMENCLATURE	No. Req	SERIAL NUMBERS AFFECTED
12B-17	19959-18		PLATE ASSEMBLY - Spar cover, trim, red	1	27-3837, 27-3944 to 27-7554168 inclusive
	19959-22		PLATE ASSEMBLY - Spar cover, trim, blue	1	27-3837, 27-3944 to 27-7554168 inclusive
	19959-23		PLATE ASSEMBLY - Spar cover, trim, gold	1	27-3837, 27-3944 to 27-7554168 inclusive
	19959-24		PLATE ASSEMBLY - Spar cover, trim, black	1	27-3837, 27-3944 to 27-7554168 inclusive
	33752-02	C	PLATE ASSEMBLY - Spar cover, trim	1	27-7654001 and up
-18	17868-00		PLATE - Floorboard access	6	
-19	17561-00		PLATE - Trim, floor, front	1	
-20	17925-02		BLOCK - Spar cover spacer	2	27-3837, 27-3944 to 27-7554168 inclusive
-21	17925-03		BLOCK - Spar cover spacer	2	27-3837, 27-3944 to 27-7554168 inclusive
-22	17924-00		LINK - Seat brace stiffener	4	27-3837, 27-3944 to 27-7554168 inclusive
-23	32667-02		TRACK - Seat, front, outboard	2	27-3837, 27-3944 to 27-7554168 inclusive
	33609-04		TRACK - Seat, front, outboard	2	27-7654001 and up
-24	32667-03		TRACK - Seat, front, inboard	2	27-3837, 27-3944 to 27-7554168 inclusive
	33609-04		TRACK - Seat, front, inboard	2	27-7654001 and up
-25	30653-03		TRACK - Seat, rear, outboard	1	27-3837, 27-3944 to 27-7554168 inclusive
	30653-05		TRACK - Seat, rear, outboard	2	27-7654001 and up
-26	30653-02		TRACK - Seat, rear, inboard	2	27-3837, 27-3944 to 27-7554168 inclusive
	30653-04		TRACK - Seat, rear, inboard	2	27-7654001 and up
-27	18318-00		STOP - Seat	4	27-3837, 27-3944 to 27-7554168 inclusive
-28	25552-03		COVER - Seat track end	8	27-3837, 27-3944 and up
-29	32133-00		TRIM STRIP - Floorboard, Sta 153	1	27-3837, 27-3944 to 27-7554168 inclusive
	33635-02		TRIM STRIP - Floorboard, Sta 153	1	27-7654001 and up
-30	19785-00		PLATE - Heel	2	
-31	18653-00		PLATE - Cover, flap sending unit	2	
-32	32243-00	A	COVER - Carpet, front (vinyl)	1	
	32243-02	B	COVER - Carpet, front (vinyl)	1	
-33	32242-00		COVER - Carpet, rear (vinyl)	1	27-3837, 27-3944 to 27-7554168 inclusive
-34	32196-03	A	CARPET - Floor, front, blue	1	
	32804-02	B	CARPET - Floor, front, blue	1	
	32196-05	A	CARPET - Floor, front, gold	1	
	32804-03	B	CARPET - Floor, front, gold	1	
	32196-06	A	CARPET - Floor, front, black	1	
	32804-04	B	CARPET - Floor, front, black	1	
	19979-07	A	CARPET - Floor, front, red	1	
	32804-05	B	CARPET - Floor, front, red	1	
	33616-02	C	CARPET - Floor, front	1	27-7654001 to 27-7754114 incl
	28345-05	C	CARPET - Floor, front	1	27-7754115 and up

A - Used on PA-23-250 (Six Place) with serial numbers 27-3837, 27-3944 to 27-4084 inclusive
 B - Used on PA-23-250 (Six Place) with serial numbers 27-4085 to 27-7554168 inclusive
 C - Serial number of aircraft must be supplied when ordering this part

When ordering, always specify Part Number, Description and Serial Number of Aircraft

PIPER PARTS CATALOG

Figure and Index Number	Part Number	Code	NOMENCLATURE	No. Req.	SERIAL NUMBERS AFFECTED
12B-35	32195-03		CARPET - Floor, spar cover, blue	1	27-3837, 27-3944 to 27-7554168 inclusive
	32195-05		CARPET - Floor, spar cover, gold	1	27-3837, 27-3944 to 27-7554168 inclusive
	32195-06		CARPET - Floor, spar cover, black	1	27-3837, 27-3944 to 27-7554168 inclusive
	19978-07		CARPET - Floor, spar cover, red	1	27-3837, 27-3944 to 27-7554168 inclusive
	33699-03	A	CARPET - Floor, spar cover	1	27-7654001 to 27-7754114 incl
	28345-06	A	CARPET - Floor, spar cover	1	27-7754115 and up
-36	32273-02		CARPET - Floor, rear, blue	1	27-3837, 27-3944 to 27-7554168 inclusive
	32273-05		CARPET - Floor, rear, gold	1	27-3837, 27-3944 to 27-7554168 inclusive
	32273-06		CARPET - Floor, rear, black	1	27-3837, 27-3944 to 27-7554168 inclusive
	30641-17		CARPET - Floor, rear, red	1	27-3837, 27-3944 to 27-7554168 inclusive
	33617-04	A	CARPET - Floor, rear, left, outboard	1	27-7654001 to 27-7754114 incl
	33617-05	A	CARPET - Floor, rear, right, outboard	1	27-7654001 to 27-7754114 incl
	33617-06	A	CARPET - Floor, rear, inboard	2	27-7654001 to 27-7754114 incl
	33617-07	A	CARPET - Floor, rear, center	1	27-7654001 to 27-7754114 incl
	28345-04	A	CARPET - Floor, rear	1	27-7754115 and up
-37	459 848		EXTINGUISHER - Fire (42211-00)	1	27-7654001 and up
	459 839		EXTINGUISHER - Fire (GH-2 1/2 Halon 1211)	1	27-7654001 and up
-38	32133-02		TRIM STRIP - Floorboard, Sta 153	1	27-3837, 27-3944 to 27-7554168 inclusive
	33635-02		TRIM STRIP - Floorboard, Sta 153	1	27-7654001 and up
-39	15445-02		PLATE - Spar cover, left	1	27-7654001 and up
	15445-03		PLATE - Spar cover, right	1	27-7654001 and up
-40	46654-00		RING - Tie down	AR	
-41	15815-02		COVER ASSEMBLY - Interconnect trim access	1	27-7654001 and up
-42	18772-00		BOX ASSEMBLY - Rear seat heat	2	27-3837, 27-3944 and up
-43	18798-00		GRILL ASSEMBLY - Air outlet	2	27-3837, 27-3944 and up
-44	28374-02		PLATE - Cover, ADF loop/sense antenna	1	
			A - Serial number of aircraft must be supplied when ordering this part		

When ordering, always specify Part Number, Description and Serial Number of Aircraft

PIPER PARTS CATALOG

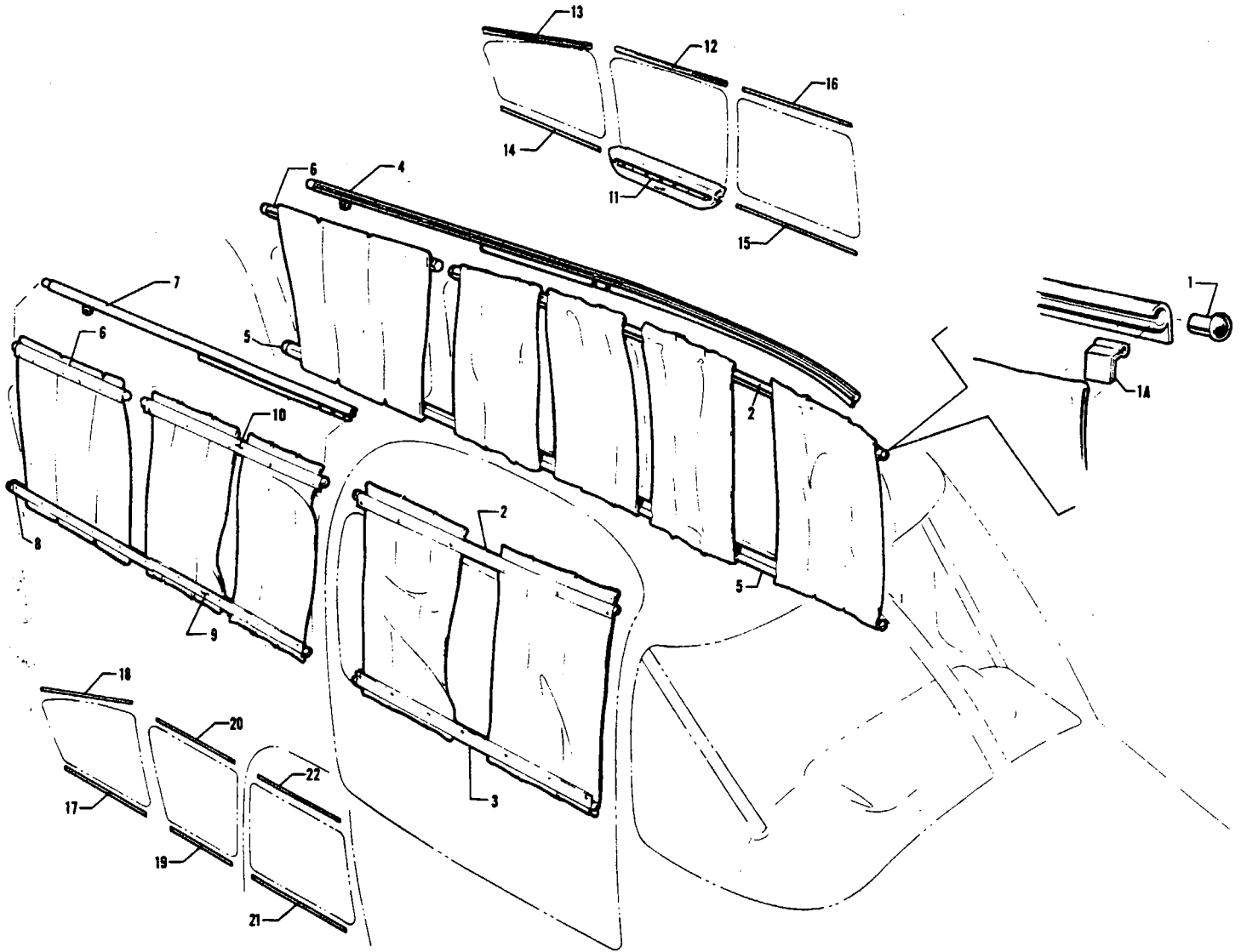


Figure 13 Window Curtains Installation

PIPER PARTS CATALOG

Figure and Index Number	Part Number	Code	NOMENCLATURE	No. Req	SERIAL NUMBERS AFFECTED
13-	16475	X,Z	DRAWING - Fuselage Assembly		27-2000 to 27-2504 inclusive 27-2505 to 27-3836 inclusive, 27-3838 to 27-3943 inclusive 27-3837, 27-3944 to 27-7554168 inclusive 27-7654001 and up
	30717	Y	DRAWING - Fuselage Assembly		
	31588	Y	DRAWING - Complete Fuselage Assembly		
	32650	Y	DRAWING - Complete Fuselage Assembly		
	33700	Y	DRAWING - Complete Fuselage Assembly		
	16679	X,Z	DRAWING - Window Curtains Installation		
	30828	A,Y	DRAWING - Window Curtains Installation		
	32710	Y	DRAWING - Window Curtains Installation		
	33831	Y	DRAWING - Window Curtains Installation		
	-1	19161-00		STOP - Curtain track	
-1a	180 432	B	TAPE - Slider (XCT-30)	AR	27-3837, 27-3944 and up
-2	19166-04		TRACK - Window curtain, right, front, top	1	27-1 to 27-3836 inclusive, 27-3838 to 27-3943 inclusive
-3	19166-05		TRACK - Window curtain, right, front, bottom	1	27-1 to 27-3836 inclusive, 27-3838 to 27-3943 inclusive
-4	32276-00		TRACK - Window curtain, left, top (86 7/8 L)	1	
-5	30292-00	X,Z	TRACK - Window curtain, left, bottom	1	
	19166-18	A,Y	TRACK - Window curtain, left, front, bottom	1	
	19166-23	A,Y	TRACK - Window curtain, left, rear, bottom	1	
-6	19166-09		TRACK - Window curtain, left and right (29 1/8 L)	2	
-7	30827-00	Y	TRACK - Window curtain, left and right (56 1/4 L with 5 degree angle)	2	
	32276-00	Y	TRACK - Window curtain, right, top (86 7/8 L)	1	
	31592-01	Y	TRACK - Window curtain, right, rear, top (56 1/8 L)	1	27-2505 to 27-3836 inclusive, 27-3838 to 27-3943 inclusive
-8	30289-00	X,Z	TRACK - Window curtain, right, rear, bottom	1	
	19166-23	A,Y	TRACK - Window curtain, right, rear, bottom	1	
-9	19166-21	A,Y	TRACK - Window curtain, right, center, bottom	1	
-10	19166-11		TRACK - Window curtain, right, center, top	1	27-1 to 27-3836 inclusive, 27-3838 to 27-3943 inclusive
-11	31200-00	A,Y	STRIP ASSEMBLY - Curtain attachment, emergency exit, bottom	1	
	32678-04	Y	TRACK - Window curtain, emergency exit, bottom	1	27-3837, 27-3944 to 27-7554168 inclusive
	33673-03	Y	TRACK - Window curtain, emergency exit, bottom	1	27-7654001 and up
-12	32553-04	Y	TRACK - Window curtain, emergency exit, top	1	27-3837, 27-3944 to 27-7554168 inclusive
	15513-04	Y	TRACK - Window curtain, emergency exit, top	1	27-7654001 and up

NOTE: - Individual curtains not available See Optional
Equipment Kits

A - Used on PA-23-250 (Six Place) airplanes with serial
numbers 27-2000 to 27-3836 inclusive, 27-3838 to
27-3943 inclusive

B - Sold by the foot length

X - Used on PA-23-250 airplanes only

Y - Used on PA-23-250 (Six Place) airplanes only

Z - Used on PA-23-235 airplanes only

When ordering, always specify Part Number, Description and Serial Number of Aircraft

PIPER PARTS CATALOG

Figure and Index Number	Part Number	Code	NOMENCLATURE	No. Req.	SERIAL NUMBERS AFFECTED
13-13	32553-05	Y	TRACK - Window curtain, left, rear, top	1	27-3837, 27-3944 to 27-7554168 inclusive
	15513-05	Y	TRACK - Window curtain, left, rear, top	1	27-7654001 and up
-14	32553-09	Y	TRACK - Window curtain, left, rear, bottom	1	27-3837, 27-3944 to 27-7554168 inclusive
	15513-09	Y	TRACK - Window curtain, left, rear, bottom	1	27-7654001 and up
-15	32553-08	Y	TRACK - Window curtain, left, front, bottom	1	27-3837, 27-3944 to 27-7554168 inclusive
	15513-08	Y	TRACK - Window curtain, left, front, bottom	1	27-7654001 and up
-16	32553-07	Y	TRACK - Window curtain, left, front, top	1	27-3837, 27-3944 to 27-7554168 inclusive
	15513-07	Y	TRACK - Window curtain, left, front, top	1	27-7654001 and up
-17	32553-23	Y	TRACK - Window curtain, right, rear, bottom	1	27-3837, 27-3944 to 27-7554168 inclusive
	15513-12	Y	TRACK - Window curtain, right, rear, bottom	1	27-7654001 and up
-18	32553-22	Y	TRACK - Window curtain, right, rear, top	1	27-3837, 27-3944 to 27-7554168 inclusive
	15513-11	Y	TRACK - Window curtain, right, rear, top	1	27-7654001 and up
-19	32553-06	Y	TRACK - Window curtain, right, center, bottom	1	27-3837, 27-3944 to 27-7554168 inclusive
	15513-06	Y	TRACK - Window curtain, right, center, bottom	1	27-7654001 and up
-20	32553-03	Y	TRACK - Window curtain, right, center, top	1	27-3837, 27-3944 to 27-7554168 inclusive
	15513-03	Y	TRACK - Window curtain, right, center, top	1	27-7654001 and up
-21	32553-21	Y	TRACK - Window curtain, right, front, bottom	1	27-3837, 27-3944 to 27-7554168 inclusive
	15513-10	Y	TRACK - Window curtain, right, front, bottom	1	27-7654001 and up
-22	32553-02	Y	TRACK - Window curtain, right, front, top	1	27-3827, 27-3944 to 27-7554168 inclusive
	15513-03	Y	TRACK - Window curtain, right, front, top	1	27-7654001 and up
			NOTE Individual curtains not available See Optional Equipment Kits		
			Y - Used on PA-23-250 (Six Place) airplanes only		

When ordering, always specify Part Number, Description and Serial Number of Aircraft

1H18 THRU 1H24
INTENTIONALLY LEFT BLANK

PIPER PARTS CATALOG

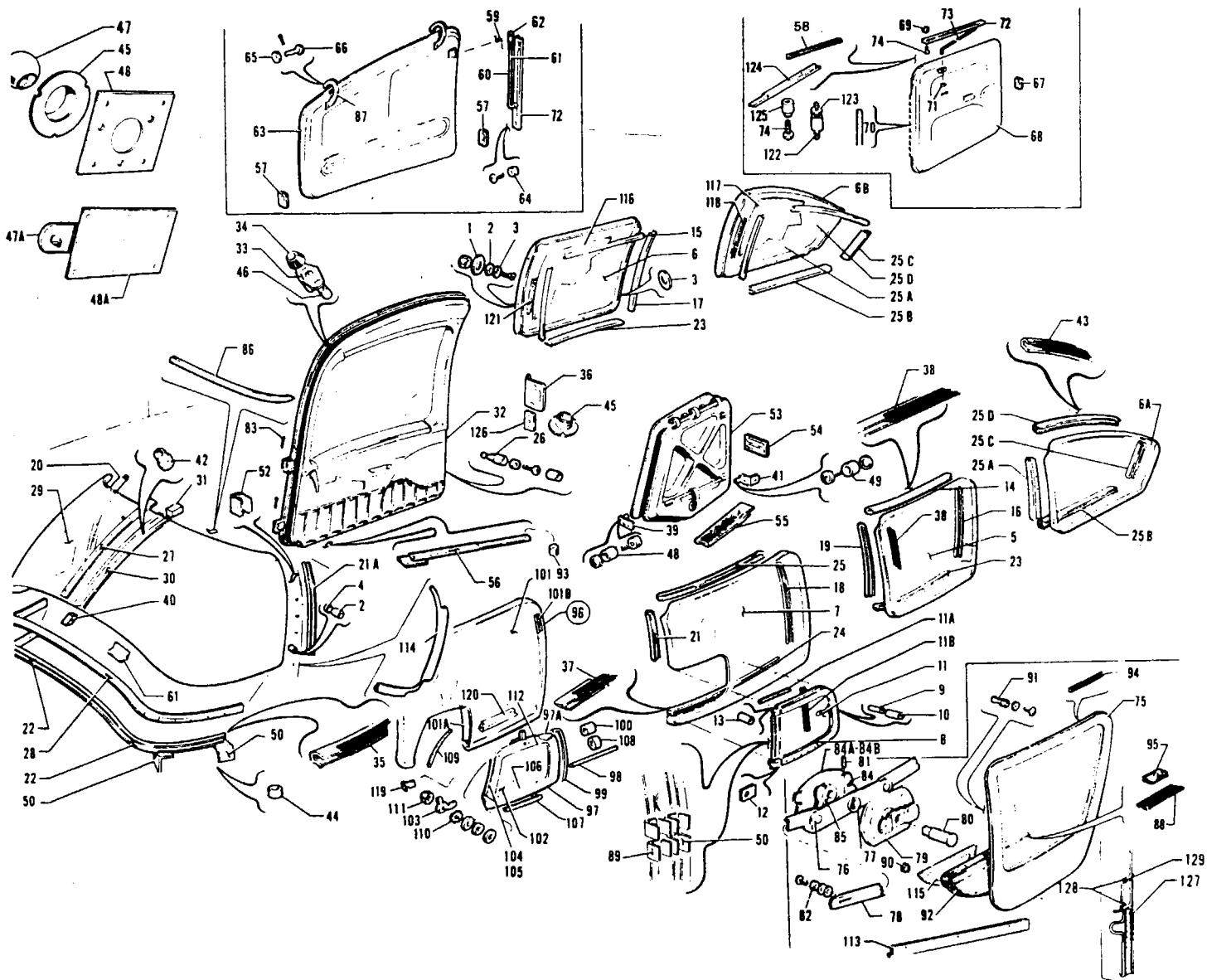


Figure 14 Fuselage Enclosure Installation

PIPER PARTS CATALOG

Figure and Index Number	Part Number	Code	NOMENCLATURE	No. Req.	SERIAL NUMBERS AFFECTED
14-	19512	X,Z	DRAWING - Windshield Installation		
	30519	Y	DRAWING - Windshield Installation		
	16390	X,Z	DRAWING - Enclosure Installation		
	30680	Y	DRAWING - Forward Baggage Compartment Door Installation		27-2000 to 27-7405476 incl
	33675	Y	DRAWING - Forward Baggage Compartment Door Installation		27-7554001 and up
	30404	Y	DRAWING - Aft Baggage Compartment Door Installation		27-2000 to 27-3049 inclusive,
					27-3051 to 27-3153 inclusive
	32119	Y	DRAWING - Aft Baggage Compartment Door Installation		27-3050, 27-3154 to
					27-7554168 inclusive
	33656	Y	DRAWING - Aft Baggage Compartment Door Installation		27-7654001 and up
	30599	Y	DRAWING - Enclosure Installation		27-2000 to 27-2348 inclusive
	31032	Y	DRAWING - Enclosure Installation		27-2349 to 27-2504 inclusive
	31520	Y	DRAWING - Enclosure Installation		27-2505 to 27-7554168 inclusive
	33764	Y	DRAWING - Enclosure Installation		27-7654001 and up
-1	85012-95	X,Z	WASHER - Felt, window installation	63	
	85012-95	Y	WASHER - Felt, window installation	63	27-2000 to 27-2348 inclusive
-2	453 628	X	BUSHING - Rubber, window and windshield installation	85	27-1 to 27-366 inclusive
	453 628	X,Z	BUSHING - Rubber, window and windshield installation	65	27-367 and up
	453 628	Y	BUSHING - Rubber, window and windshield installation	52	27-2000 to 27-2348 inclusive
-3	81342-70	X,Z	WASHER - Aluminum, window installation	65	
	81342-70	Y	WASHER - Aluminum, window installation	65	27-2000 to 27-2348 inclusive
-4	81342-71		WASHER - Aluminum, window installation	16	
-5	16337-00	X,Z	WINDOW - Center, left	1	
-6	16337-01		WINDOW - Center, right	1	27-1 to 27-2348 inclusive
	31014-00	Y	WINDOW - Center, right, clear	1	27-2349 and up
	31014-03	Y	WINDOW - Center, right, tinted	1	27-7654029 and up
-6a	16341-00	X,Z	WINDOW - Left rear	1	
	16341-00	Y	WINDOW - Left rear	1	27-2000 to 27-2348 inclusive
	31015-00	Y	WINDOW - Left rear, clear	1	27-2349 and up
	31015-04	Y	WINDOW - Left rear, tinted	1	27-7654029 and up
-6b	16341-01	X,Z	WINDOW - Right rear	1	
	16341-01	Y	WINDOW - Right rear	1	27-2000 to 27-2348 inclusive
	31015-01	Y	WINDOW - Right rear, clear	1	27-2349 and up
	31015-05	Y	WINDOW - Right rear, tinted	1	27-7654029 and up
-7	18156-04	X,Z	WINDOW ASSEMBLY - Left front	1	
	18156-04	Y	WINDOW ASSEMBLY - Left front	1	27-2000 to 27-2348 inclusive
-8	18155-00	X,Z	WINDOW ASSEMBLY - Storm	1	
	18155-00	Y	WINDOW ASSEMBLY - Storm	1	27-2000 to 27-2348 inclusive
-9	14175-61		BUSHING	1	
-10	14175-62		BUSHING	1	
-11	18160-00		LATCH - Storm window	1	
-11a	187 652		CORD - Rubber, 1/4 dia (R-1412-N)	3	
-11b	13945-31	X,Z	SEAL - Storm window	1	
	13945-31	Y	SEAL - Storm window	1	27-2000 to 27-2348 inclusive
-12	11568-09	X,Z	LUG - Attachment	2	
-13	61402-19		BUSHING	2	
-14	16049-00	X,Z	STRIP - Window moulding attachment	1	
-15	16049-01	X,Z	STRIP - Window moulding attachment	1	
	16049-01	Y	STRIP - Window moulding attachment	1	27-2000 to 27-2348 inclusive
-16	16340-02	X,Z	STRIP - Window moulding attachment	1	
-17	16340-03	X,Z	STRIP - Window moulding attachment	1	
	16340-03	Y	STRIP - Window moulding attachment	1	27-2000 to 27-2348 inclusive
-18	18430-08	X,Z	STRIP - Window moulding attachment, left	1	
	18430-08	Y	STRIP - Window moulding attachment, left	1	27-2000 to 27-2348 inclusive

X - Used on PA-23-250 airplanes only
 Y - Used on PA-23-250 (Six Place) airplanes only
 Z - Used on PA-23-235 airplanes only

When ordering, always specify Part Number, Description and Serial Number of Aircraft



Figure and Index Number	Part Number	Code	NOMENCLATURE	No. Req.	SERIAL NUMBERS AFFECTED
14-19	18430-09	X,Z	STRIP - Window moulding attachment, left	1	
	18430-19	X,Z	STRIP - Window moulding attachment, right	1	
	18430-19	Y	STRIP - Window moulding attachment, right	1	27-2000 to 27-2348 inclusive
-20	18430-10	X,Z	STRIP - Windshield moulding attachment, right	1	
	18430-10	Y	STRIP - Windshield moulding attachment, right	1	27-2000 to 27-2348 inclusive
-21	18430-11	X,Z	STRIP - Windshield moulding attachment, left	1	
	18430-11	Y	STRIP - Windshield moulding attachment, left	1	27-2000 to 27-2348 inclusive
-21a	18430-18	X,Z	STRIP - Window moulding attachment, left	1	
	18430-18	Y	STRIP - Window moulding attachment, left	1	27-2000 to 27-2348 inclusive
-22	18430-12	X,Z	STRIP - Windshield moulding attachment, left	1	
	18430-21	X,Z	STRIP - Windshield moulding attachment, right	1	
	30884-00	Y	STRIP - Windshield moulding attachment, left	1	27-2000 to 27-2348 inclusive
	30884-01	Y	STRIP - Windshield moulding attachment, right	1	27-2000 to 27-2348 inclusive
-23	18430-20	X,Z	STRIP - Window moulding attachment, left	1	
	18430-13	X,Z	STRIP - Window moulding attachment, right	1	
	18430-13	Y	STRIP - Window moulding attachment, right	1	27-2000 to 27-2348 inclusive
-24	18430-16	X,Z	STRIP - Window moulding attachment, left	1	
	18430-16	Y	STRIP - Window moulding attachment, left	1	27-2000 to 27-2348 inclusive
-25	18430-17	X,Z	STRIP - Window moulding attachment, left	1	
	18430-17	Y	STRIP - Window moulding attachment, left	1	27-2000 to 27-2348 inclusive
-25a	16340-04	X,Z	STRIP - Window moulding, left	1	
	16340-04	Y	STRIP - Window moulding, left	1	27-2000 to 27-2348 inclusive
	16340-05	X,Z	STRIP - Window moulding, right	1	
	16340-05	Y	STRIP - Window moulding, right	1	27-2000 to 27-2348 inclusive
-25b	16338-00	X,Z	STRIP - Window moulding	2	
	16338-00	Y	STRIP - Window moulding	2	27-2000 to 27-2348 inclusive
-25c	16339-00	X,Z	STRIP - Window moulding	2	
	16339-00	Y	STRIP - Window moulding	2	27-2000 to 27-2348 inclusive
-25d	16048-00	X,Z	STRIP - Window moulding, left	1	
	16048-00	Y	STRIP - Window moulding, left	1	27-2000 to 27-2348 inclusive
	16048-01	X,Z	STRIP - Window moulding, right	1	
	16048-01	Y	STRIP - Window moulding, right	1	27-2000 to 27-2348 inclusive
-26	18349-02	X	STUD - Door catch	1	
-27	18163-02	X,Z	STRIP - Windshield center	1	
	30508-00	Y	STRIP - Windshield center	1	
-28	19512-07	X,Z	COLLAR - Windshield	1	
	30519-07	Y	COLLAR - Windshield	1	
-29	19512-04	X,Z	WINDSHIELD ASSEMBLY - Left	1	
	19512-05	X,Z	WINDSHIELD ASSEMBLY - Right	1	
	30519-04	Y	WINDSHIELD ASSEMBLY - Left	1	
	30519-05	Y	WINDSHIELD ASSEMBLY - Right	1	
-30	18154-03	X	CHANNEL ASSEMBLY - Windshield center	1	
	30472-00	Y	CHANNEL ASSEMBLY - Windshield center	1	
-31	18158-00		BLOCK - Windshield channel, upper	1	

X - Used on PA-23-250 airplanes only.
 Y - Used on PA-23-250 (Six Place) airplanes only.
 Z - Used on PA-23-235 airplanes only.

When ordering, always specify Part Number, Description and Serial Number of Aircraft

PIPER PARTS CATALOG

Figure and Index Number	Part Number	Code	NOMENCLATURE	No. Req.	SERIAL NUMBERS AFFECTED
14-32	16504-02	A,B,X	DOOR ASSEMBLY - Fuselage cabin (complete)	1	27-1 to 27-366 inclusive
	16504-12	A,B,X	DOOR ASSEMBLY - Fuselage cabin (complete)	1	27-367 to 27-504 inclusive
	30820-03	A,B,Z	DOOR ASSEMBLY - Fuselage cabin (complete)	1	
	30820-02	A,B,Y	DOOR ASSEMBLY - Fuselage cabin (complete)	1	27-2000 to 27-2348 inclusive
	31026-00	A,B,Y	DOOR ASSEMBLY - Fuselage cabin (complete)	1	27-2349 to 27-2436 inclusive
	31026-02	A,B,Y	DOOR ASSEMBLY - Fuselage cabin (complete)	1	27-2437 to 27-2504 inclusive
	31503-00	A,B,Y	DOOR ASSEMBLY - Fuselage cabin (complete)	1	27-2505 to 27-3784 inclusive
	32324-00	A,B,Y	DOOR ASSEMBLY - Fuselage cabin (complete)	1	27-3785 to 27-3836 inclusive 27-3838 to 27-3943 inclusive
	32702-00	A,B,Y	DOOR ASSEMBLY - Fuselage cabin (complete)	1	27-3837, 27-3944 to 27-4639 inclusive
	33136-00	A,B,Y	DOOR ASSEMBLY - Fuselage cabin (complete)	1	27-4640 to 27-7554168 inclusive
	15814-02	B,C,Y	DOOR ASSEMBLY - Fuselage cabin (complete) (with clear window)	1	27-7654001 to 27-7954121 incl
	15814-03	B,C,Y	DOOR ASSEMBLY - Fuselage cabin (complete) (with tinted window)	1	27-7654029 to 27-7954121 incl
	28388-02	B,C,Y	DOOR ASSEMBLY - Fuselage cabin (complete) (with clear window)	1	27-8054001 and up
	28388-03	B,C,Y	DOOR ASSEMBLY - Fuselage cabin (complete) (with tinted window)	1	27-8054001 and up
-33	18036-00		PLATE - Door lock pin guide	3	
-34	18063-00		PIN - Door support	1	
-35	16664-06	X,Z	MOULDING - Front window seal, left, gray	2	
	16664-06	Y	MOULDING - Front window seal, left, gray	2	27-2000 to 27-2348 inclusive
	16664-10	X,Z	MOULDING - Front window seal, left, black	2	
	16664-10	Y	MOULDING - Front window seal, left, black	2	27-2000 to 27-2348 inclusive
-36	18040-00	X,Z	PLATE - Door latch striker	1	
	18040-00	Y	PLATE - Door latch striker	1	27-2000 to 27-2348 inclusive
	30139-00	Y	PLATE - Door latch striker	1	27-2349 and up
-37	16664-08	X,Z	MOULDING - Front window seal, left, gray	1	
	16664-08	Y	MOULDING - Front window seal, left, gray	1	27-2000 to 27-2348 inclusive
	16664-12	X,Z	MOULDING - Front window seal, left, black	1	
	16664-12	Y	MOULDING - Front window seal, left, black	1	27-2000 to 27-2348 inclusive
	31020-02	Y	STRIP - Front window retaining (47-1/2 L) left	1	27-2349 and up
	31020-03	Y	STRIP - Front window retaining (51-3/4 L) left	1	27-2349 and up
-38	16664-09	X,Z	MOULDING - Center window seal, gray	2	
	16664-09	Y	MOULDING - Center window seal, gray	1	27-2000 to 27-2348 inclusive
	16664-13	X,Z	MOULDING - Center window seal, black	2	
	16664-13	Y	MOULDING - Center window seal, black	1	27-2000 to 27-2348 inclusive
	31018-02	Y	STRIP - Center window retaining (42-1/2 L)	1	27-2349 and up
	31018-03	Y	STRIP - Center window retaining (51-3/4 L)	1	27-2349 and up
-39	18171-00	X,Z	BRACKET ASSEMBLY - Baggage door retainer block, front	1	
-40	14175-85		BUSHING - Windshield channel, lower	1	
-41	18170-00	X,Z	BRACKET ASSEMBLY - Baggage door retainer block, rear	1	
-42	18359-00		NUT - Tubular	6	
	406 701		NUT - Cap	6	

A - See Figure 15 for component parts.
 B - When ordering, specify color and airplane serial number
 C - See Figure 15A for component parts
 X - Used on PA-23-250 airplanes only
 Y - Used on PA-23-250 (Six Place) airplanes only
 Z - Used on PA-23-235 airplanes only

When ordering, always specify Part Number, Description and Serial Number of Aircraft

PIPER PARTS CATALOG

Figure and Index Number	Part Number	Code	NOMENCLATURE	No. Req.	SERIAL NUMBERS AFFECTED
14-43	16664-07	X,Z	MOULDING - Rear window seal, gray	2	
	16664-07	Y	MOULDING - Rear window seal, gray	2	27-2000 to 27-2348 inclusive
	16664-11	X,Z	MOULDING - Rear window seal, black	2	
	16664-11	Y	MOULDING - Rear window seal, black	2	27-2000 to 27-2348 inclusive
	31019-02	Y	STRIP - Rear window retaining (39-3/4 L) left	1	27-2349 and up
	31019-03	Y	STRIP - Rear window retaining (39-3/4 L) right	1	27-2349 and up
	31019-04	Y	STRIP - Rear window retaining (36-1/4 L) left	1	27-2349 and up
	31019-05	Y	STRIP - Rear window retaining (36-1/4 L) right	1	27-2349 and up
-44	14843-40	X,Z	BUSHING - Windshield moulding attachment, left	2	
	14843-40	Y	BUSHING - Windshield moulding attachment, left	2	27-2000 to 27-2348 inclusive
-45	18912-00		PLATE - Door stop retainer	1	27-1 to 27-366 inclusive
-46	14175-65		BUSHING	4	
-47	18911-00		BALL - Door stop	1	27-1 to 27-366 inclusive
-47a	453 676		BUMPER - Rubber (4247)	1	27-367 and up
-48	18909-00		PLATE - Door catch mounting	1	27-1 to 27-366 inclusive
-48a	19844-00		PLATE - Door catch mounting	1	27-367 and up
-49	19271-00	X,Z	BUSHING - Door retainer	2	
-50	18434-03	X,Z	CLIP - Windshield attaching, left angle	1	
	18434-01	X,Z	CLIP - Windshield attaching, right angle	1	
	30881-00	Y	CLIP - Windshield attaching, adjustable angle	2	27-2000 to 27-2348 inclusive
	18435-05	Y	CLIP - Windshield attaching, "U" clip	2	27-2000 to 27-2348 inclusive
-51	18435-02	X,Z	CLIP - Left side only	2	
	18435-02	Y	CLIP - Left side only	2	27-2000 to 27-2348 inclusive
-52	18435-03	X,Z	CLIP - Left side	1	
	18435-03	Y	CLIP - Left side	1	27-2000 to 27-2348 inclusive
	18435-04	X,Z	CLIP - Right side	1	
	18435-04	Y	CLIP - Right side	1	27-2000 to 27-2348 inclusive
-53	17883-14	A,X	DOOR ASSEMBLY - Baggage compartment	1	27-1 to 27-366 inclusive
	17883-22	A,X	DOOR ASSEMBLY - Baggage compartment	1	27-367 to 27-504 inclusive
	17883-26	A,Z	DOOR ASSEMBLY - Baggage compartment	1	
-54	16241-00	X,Z	PLACARD - Baggage capacity	1	
-55	18671-02	X,Z	SILL - Baggage door	1	
-56	757 194	B,X	HOLDER ASSEMBLY - Door	1	27-367 and up
	757 122	B,Y,Z	HOLDER ASSEMBLY - Door	1	27-505 to 27-3784 inclusive
	32304-00		HOLDER ASSEMBLY - Door	1	27-3785 and up
-57	22616-00	Y	PLATE - Door lock, left	1	
	22616-01	Y	PLATE - Door lock, right	1	
-58	23183-00	Y	MOULDING - (187 519)	8	
-59	30551-00	Y	SPRING - Forward baggage door holder, torsion	1	
-60	30648-00	Y	ROD ASSEMBLY - Forward baggage door holder	1	
-61	30648-02	Y	* ROD	1	
-62	19987-00	Y	* BALL - Joint (C-103)	1	
-63	30678-00	A,Y	DOOR ASSEMBLY - Forward baggage compartment	1	27-2000 to 27-7554168 incl
	33674-02	C,Y	DOOR ASSEMBLY - Forward baggage compartment	1	27-7654001 and up

A - See Figure 15 for component parts
 B - Order part number 32304-00 if present door holder outside channel is 11 1/2" long
 C - See Figure 15A for component parts
 X - Used on PA-23-250 airplanes only
 Y - Used on PA-23-250 (Six Place) airplanes only
 Z - Used on PA-23-235 airplanes only

When ordering, always specify Part Number, Description and Serial Number of Aircraft

PIPER PARTS CATALOG

Figure and Index Number	Part Number	Code	NOMENCLATURE	No. Req.	SERIAL NUMBERS AFFECTED
14-64	61402-51	Y	BUSHING	2	
-65	407 564	Y	WASHER - (AN960-10)	2	
-66	424 182		PIN - (AN393-27)	2	
-67	20744-02	Y	PLATE - Door latch striker	1	
-68	30388-00	A,Y	DOOR ASSEMBLY - Aft baggage compartment	1	27-2000 to 27-3049, 27-3051 to 27-3109, 27-3118 to 27-3153 incl
	754 548	A,Y	DOOR ASSEMBLY - Aft baggage compartment	1	27-3110 to 27-3117 inclusive
	32117-00	A,Y	DOOR ASSEMBLY - Aft baggage compartment	1	27-3050, 27-3154 to 27-3836, 27-3838, 27-3943 inclusive
	32711-00	A,B,Y	DOOR ASSEMBLY - Aft baggage compartment	1	27-3837, 27-3944 to 27-4425, 27-4427 to 27-4573 inclusive
	32711-02	A,B,Y	DOOR ASSEMBLY - Aft baggage compartment	1	27-4426, 27-4574 to 27-7554168 inclusive
	33647-04	C,D,Y	DOOR ASSEMBLY - Aft baggage compartment	1	27-7654001 to 27-7954121 incl
	33647-05	C,D,Y	DOOR ASSEMBLY - Aft baggage compartment	1	27-8054001 and up
-69	61402-49	Y	BUSHING	2	27-2000 to 27-3884 inclusive
-70	81761-46	Y	PIN - Aft baggage door hinge	1	27-2000 to 27-3049 inclusive
	81761-59	Y	PIN - Aft baggage door hinge	1	27-3051 to 27-3153 inclusive
				1	27-3050, 27-3154 to 27-3884 inclusive
-71	407 584	Y	WASHER - (AN960-10L)	1	27-2000 to 27-3884 inclusive
-72	30355-00	Y	CHANNEL - Forward baggage door holder guide	1	
	30355-00	Y	CHANNEL - Aft baggage door holder guide	1	27-2000 to 27-3884 inclusive
-73	30354-00	Y	ROD ASSEMBLY - Aft baggage door holder	1	27-2000 to 27-3049 inclusive, 27-3051 to 27-3153 inclusive
	30354-03	Y	ROD ASSEMBLY - Aft baggage door holder	1	27-3050, 27-3154 to 27-3884 inclusive
-74	415 449	Y	SCREW - (AN526-832R8)	2	27-2000 to 27-3884 inclusive
	416 993	Y	SCREW - (AN526-1032R14)	1	27-3885 and up
-75	30478-00	Y	WINDOW ASSEMBLY - Emergency exit, clear	1	
	30478-09	Y	WINDOW ASSEMBLY - Emergency exit, tinted	1	27-7654029 and up
-76	22427-00	Y	* RIVET - Special	2	
-77	30524-00	Y	* LINK ASSEMBLY - Emergency exit release handle	1	
-78	30526-00	Y	* CHANNEL - Emergency exit release	2	
-79	30477-00	Y	* BRACKET ASSEMBLY - Emergency exit release handle	1	
-80	30525-00	Y	* PIN - Emergency exit release handle	1	
-81	480 706	Y	* PIN - Roll (59-022-094-0500)	1	
-82	14976-87	Y	* BUSHING	2	
-83	424 201		PIN - Cabin door hinge, top (AN393-65)	1	
	424 200	X,Z	PIN - Cabin door hinge, bottom (AN393-63)	1	
	424 201	Y	PIN - Cabin door hinge, bottom (AN393-65)	1	
-84	30469-00	Y	COVER ASSEMBLY - Emergency exit release	1	
-84a	80328-02		* PLACARD - Locked	1	
-84b	30468-00		* PLACARD - Emergency exit release	1	
-85	30523-00	Y	HANDLE - Emergency exit release	1	
-86	30804-00	Y,Z	STRIP - Trim plate retainer, left	1	
	30804-01	Y,Z	STRIP - Trim plate retainer, right	1	
-87	30603-00	Y	HINGE ASSEMBLY - Forward baggage compartment door	2	
-88	19795-00	Y	MOULDING - Window, bottom	3"	27-2000 to 27-2348 inclusive

- A - See Figure 15 for component parts
- B - When ordering, specify color red, blue, gold, black or white
- C - Serial number of aircraft must be supplied when ordering this part
- D - See Figure 15A for component parts
- X - Used on PA-23-250 airplanes only
- Y - Used on PA-23-250 (Six Place) airplanes only
- Z - Used on PA-23-235 airplanes only

When ordering, always specify Part Number, Description and Serial Number of Aircraft

PIPER PARTS CATALOG

Figure and Index Number	Part Number	Code	NOMENCLATURE	No Req.	SERIAL NUMBERS AFFECTED
14-89	18435-00	X,Z	CLIP - Moulding attachment, left	2	
	18435-00	Y	CLIP - Moulding attachment, left	2	27-2000 to 27-2348 inclusive
	18435-01	X,Z	CLIP - Moulding attachment, right	2	
	18435-01	Y	CLIP - Moulding attachment, right	2	27-2000 to 27-2348 inclusive
-90	453 664	Y	BUTTON - Plug (SS4819-2)	2	
-91	487 648	Y	STUD - (P101-525-495)	4	
-92	30528-02	C,Y	MOULDING - Emergency exit window, gray	1	27-2000 to 27-2504 inclusive
	30528-03	C,Y	MOULDING - Emergency exit window, green	1	27-2000 to 27-2436 inclusive
	30528-04	C,Y	MOULDING - Emergency exit window, brown	1	27-2000 to 27-2504 inclusive
	30528-05	B,Y	MOULDING - Emergency exit window, gray	1	27-2000 to 27-2504 inclusive
	30528-06	B,Y	MOULDING - Emergency exit window, green	1	27-2000 to 27-2436 inclusive
	30528-07	B,Y	MOULDING - Emergency exit window, brown	1	27-2000 to 27-2504 inclusive
	30528-11	Y	MOULDING - Emergency exit window, sand	1	27-2505 to 27-3836 inclusive, 27-3838 to 27-3943 inclusive
	30528-12	Y	MOULDING - Emergency exit window, beige	1	27-3837, 27-3944 to 27-7554168 inclusive
	30528-13	Y	MOULDING - Emergency exit window, white	1	27-3837, 27-3944 to 27-7554168 inclusive
	33648-02	Y	MOULDING - Emergency exit window, beige	1	27-7654001 to 27-7954121 incl
	33648-03		MOULDING - Emergency exit window, beige	1	27-8054001 and up
-93	14843-78		BUSHING - Door holder	1	
	63020-00		BUSHING - Door holder (with shoulder)	1	
-94	85512-10	Y	SEAL - Emergency exit window (88")	1	
-95	19798-00	Y,Z	PLACARD - Seat latch	1	27-1 to 27-7554168 incl
	80886-02		DECAL - Seat latch	1	27-7654001 and up
-96	31016-00	A,Y	WINDOW ASSEMBLY - Left front, clear	1	
	31016-03	Y	WINDOW ASSEMBLY - Left front, tinted	1	27-7654029 and up
-97	23515-09		* PLATE ASSEMBLY - Storm window frame	1	
-97a	23515-10		* CHANNEL ASSEMBLY - Storm window frame	1	
-98	21025-04	A,Y	* PIN	1	
-99	25726-00	A,Y	* RUBBER STRIP	1	
-100	18161-04	A,Y	* BUSHING	14	
-101	31016-02	A,Y	* WINDOW - (150 x 18 3/8 x 34 3/4) Outer, clear	1	
	31016-04	Y	* WINDOW - (150 x 18 3/8 x 34 3/4) Outer, tinted	1	27-7654029 and up
-101a	31447-00	Y	* WINDOW - Left front, inner	1	27-2505 and up
-101b	85512-16	Y	* STRIP - Rubber, left front window	1	27-2505 and up
-102	21027-00	A,Y	* WINDOW ASSEMBLY - Storm	1	
-103	18160-00	A,Y	* * LATCH - Storm window	1	
-104	21027-03	A,Y	* * TRIM RING - Outside	1	
-105	21027-02	A,Y	* * TRIM RING - Inside	1	
-106	20125-02	A,Y	* * HINGE	1	
-107	25727-00	A,Y	* * RUBBER STRIP	1	
-108	18161-02	A,Y	* * BUSHING - (3/16" length)	13	
	18161-05	A,Y	* * BUSHING - (5/16" length)	13	
-109	187 652	A,Y	* * RUBATEX - Cord (R1412-N)	27"	
-110	408 813	A,Y	* * WASHER - Shake proof (3535-10-02)	1	
-111	406 700	A,Y	* * NUT - (22K1-62)	1	
-112	21027-04	A,Y	* * WINDOW	1	

A - Used on serial numbers 27-2349 and up
 B - Used when curtains are installed
 C - Used when curtains are not installed
 X - Used on PA-23-250 airplanes only
 Y - Used on PA-23-250 (Six Place) airplanes only
 Z - Used on PA-23-235 airplanes only

When ordering, always specify Part Number, Description and Serial Number of Aircraft

PIPER PARTS CATALOG

Figure and Index Number	Part Number	Code	NOMENCLATURE	No. Req.	SERIAL NUMBERS AFFECTED
14-113	31037-00	B.Y	STRIP - Emergency exit window moulding retainer	1	
-114	31036-00	B.Y	STRIP - Windshield retaining, left	1	
	31036-01	B.Y	STRIP - Windshield retaining, right	1	
-115	31587-00	C.Y	PLATE ASSEMBLY - Emergency exit window trim, front	1	27-2505 to 27-3836 inclusive, 27-3838 to 27-3943 inclusive
	32668-00	D.Y	PLATE ASSEMBLY - Emergency exit window trim, front	1	27-3837, 27-3944 to 27-7554168 inclusive
	33676-12	E.Y	PLATE ASSEMBLY - Emergency exit window trim, front	1	27-7654001 to 27-7954121 incl
	28416-02		PLATE ASSEMBLY - Emergency exit window trim, front	1	27-8054001 and up
	31587-01	C.Y	PLATE ASSEMBLY - Emergency exit window trim, rear	1	27-2505 to 27-3836 inclusive, 27-3838 to 27-3943 inclusive
	32668-01	D.Y	PLATE ASSEMBLY - Emergency exit window trim, rear	1	27-3837, 27-3944 to 27-7554168 inclusive
	33676-13	E.Y	PLATE ASSEMBLY - Emergency exit window trim, rear	1	27-7654001 to 27-7954121 incl
	28416-03		PLATE ASSEMBLY - Emergency exit window trim, rear	1	27-8054001 and up
-116	31014-02	Y	WINDOW - Right center, inner	1	27-2505 and up
-117	31015-02	Y	WINDOW - Rear, inner	2	27-2505 and up
-118	85512-17	Y	STRIP - Rubber, rear window	2	27-2505 and up
-119	24019-02	Y	CLIP - Left front inner window attachment	4	27-2505 and up
-120	24042-00	Y	STRIP - Left front inner window retainer	1	27-2505 and up
-121	85512-18	Y	STRIP - Rubber, right center window	1	27-2505 and up
-122	32367-00	A.Y	JOINT ASSEMBLY - Ball, aft baggage door holder	1	27-3885 and up
-123	407 584	A.Y	WASHER - (AN960-10L)	1	27-3885 and up
	404 824	A.Y	NUT - (AN363-1032)	1	27-3885 and up
-124	32395-00	A.Y	HOLDER ASSEMBLY - Aft baggage door (complete)	1	27-3885 and up
-125	32390-00	A.Y	BUSHING - Aft baggage door holder	1	27-3885 and up
-126	15824-02		TRIM PLATE - Auxiliary latch	1	27-7654001 to 27-8054036 incl
	28620-02		TRIM PLATE - Auxiliary latch	1	27-8054037 and up
-127	180 404		TAPE - Seal 163 (1/32 x 5/8 x 100 ft roll)	AR	
-128	913 323		SEAL - EC1055 (Sold by ft length)	AR	
-129	913 320		BEADING - Weather seal 576 (180 ft roll)	AR	

A - Used on PA-23-250 (Six Place) with serial numbers 27-3050, 27-3154 to 27-3884 inclusive if Door Holder Replacement Kit 760 193 has been installed
 B - Used on serial numbers 27-2349 and up
 C - When ordering, specify color red, blue, russet, dark blue, maroon, brown, gold or black and airplane serial number
 D - When ordering, specify color red, blue, white, black or gold
 E - Serial number of aircraft must be supplied when ordering this part
 Y - Used on PA-23-250 (Six Place) airplanes only

When ordering, always specify Part Number, Description and Serial Number of Aircraft

PIPER PARTS CATALOG

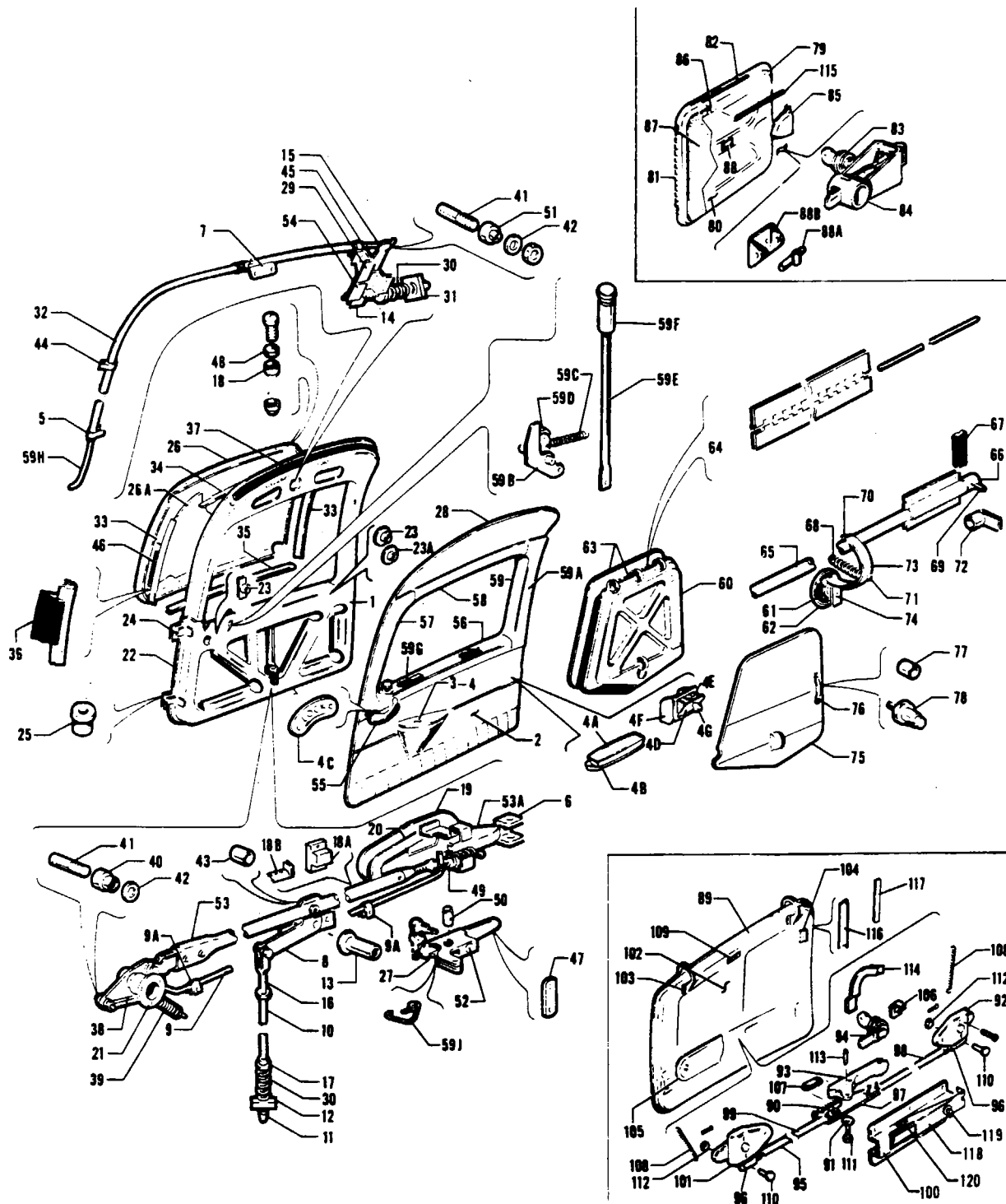


Figure 15 Baggage Door Assembly and Cabin Door Assembly
(Serial Nos 27-1 to 27-7554168 inclusive)

PIPER PARTS CATALOG

Figure and Index Number	Part Number	Code	NOMENCLATURE	No. Req.	SERIAL NUMBERS AFFECTED
15-	17883	X,Z	DRAWING - Baggage Compartment Door Assembly		27-2000 to 27-3049 inclusive, 27-3051 to 27-3153 inclusive 27-3050, 27-3154 to 27-3836, 27-3838 to 27-3943 inclusive
	30388	Y	DRAWING - Aft Baggage Compartment Door Assembly		
	32117	Y	DRAWING - Aft Baggage Compartment Door Assembly		
	32711	B,Y	DRAWING - Aft Baggage Compartment Door Assembly		
	30678	Y	DRAWING - Forward Baggage Compartment Door Assembly		27-2000 to 27-7554168 inclusive
-1	16504-02	A,X	DOOR ASSEMBLY - Cabin (complete)	1	27-1 to 27-366 inclusive
	16504-12	A,X	DOOR ASSEMBLY - Cabin (complete)	1	27-367 to 27-504 inclusive
	30820-03	A,Z	DOOR ASSEMBLY - Cabin (complete)	1	
	30820-02	A,Y	DOOR ASSEMBLY - Cabin (complete)	1	27-2000 to 27-2348 inclusive
	31026-00	A,Y	DOOR ASSEMBLY - Cabin (complete)	1	27-2349 to 27-2436 inclusive
	31026-02	A,Y	DOOR ASSEMBLY - Cabin (complete)	1	27-2437 to 27-2504 inclusive
	31503-00	A,Y	DOOR ASSEMBLY - Cabin (complete)	1	27-2505 to 27-3784 inclusive
	32324-00	A,Y	DOOR ASSEMBLY - Cabin (complete)	1	27-3785 to 27-3836 inclusive, 27-3838 to 27-3943 inclusive
	32702-00	A,Y	DOOR ASSEMBLY - Cabin (complete)	1	27-3837, 27-3944 to 27-4639 inclusive
	33136-00	A,Y	DOOR ASSEMBLY - Cabin (complete)	1	27-4640 to 27-7554168 inclusive
-2	16508-02	A,X	* PANEL ASSEMBLY - Door, lower trim	1	
	19984-13	A,Z	* PANEL ASSEMBLY - Door, lower trim	1	
	30740-00	A,Y	* PANEL ASSEMBLY - Door, lower trim	1	27-2000 to 27-2348 inclusive
	30740-05	A,Y	* PANEL ASSEMBLY - Door, lower trim	1	27-2349 to 27-2436 inclusive
	30740-07	A,Y	* PANEL ASSEMBLY - Door, lower trim	1	27-2437 to 27-2504 inclusive
	30740-09	Y	* PANEL ASSEMBLY - Door, lower trim, tan	1	27-2437 to 27-2504 inclusive
	31532-00	A,Y	* PANEL ASSEMBLY - Door, lower trim	1	27-2505 to 27-3836 inclusive, 27-3838 to 27-3943 inclusive
	32676-00	A,B,Y	* PANEL ASSEMBLY - Door, lower trim	1	
-3	16597-02	X	* * ARMREST - Cabin door, red	1	
	16597-03	X	* * ARMREST - Cabin door, blue	1	
	16597-04	X	* * ARMREST - Cabin door, brown	1	
	16597-05	X	* * ARMREST - Cabin door, green	1	
	30766-01	Y	* * ARMREST - Cabin door, pearl gray	1	27-2000 to 27-2436 inclusive
	30766-09	Y	* * ARMREST - Cabin door, tan	1	27-2000 to 27-2436 inclusive
	30766-16	Y	* * ARMREST - Cabin door, mint green	1	27-2000 to 27-2436 inclusive
	30766-25	Y	* * ARMREST - Cabin door, red	1	27-2300 to 27-2436 inclusive
	30766-32	Y	* * ARMREST - Cabin door, blue	1	27-2300 to 27-2436 inclusive
	31087-29	Y	* * ARMREST - Cabin door, blue	1	27-2437 to 27-2504 inclusive
	31087-34	Y	* * ARMREST - Cabin door, red	1	27-2437 to 27-2504 inclusive
	31087-39	Y	* * ARMREST - Cabin door, tan	1	27-2437 to 27-2504 inclusive
	30766-01	Z	* * ARMREST - Cabin door, pearl gray	1	
	30766-09	Z	* * ARMREST - Cabin door, tan	1	
	30766-16	Z	* * ARMREST - Cabin door, mint green	1	

A - When ordering, specify color and airplane serial number
 B - Used on PA-23-250 (Six Place) with serial numbers
 27-3837, 27-3944 to 27-7554168 inclusive.
 X - Used on PA-23-250 airplanes only
 Y - Used on PA-23-250 (Six Place) airplanes only
 Z - Used on PA-23-235 airplanes only

When ordering, always specify Part Number, Description and Serial Number of Aircraft

PIPER PARTS CATALOG

Figure and Index Number	Part Number	Code	NOMENCLATURE	No. Req.	SERIAL NUMBERS AFFECTED
15-4	23463-11	Y	* ARMREST - Cabin door, red	1	27-2505 to 27-3836 inclusive, 27-3838 to 27-3943 inclusive
	23463-12	Y	* ARMREST - Cabin door, blue	1	27-2505 to 27-3836 inclusive, 27-3838 to 27-3943 inclusive
	23463-22	Y	* ARMREST - Cabin door, russet	1	27-2505 to 27-3836 inclusive, 27-3838 to 27-3943 inclusive
	23463-26	Y	* ARMREST - Cabin door, maroon	1	27-2505 to 27-3836 inclusive, 27-3838 to 27-3943 inclusive
	23463-27	Y	* ARMREST - Cabin door, dark blue	1	27-3197 to 27-3836 inclusive, 27-3838 to 27-3943 inclusive
	23463-28	Y	* ARMREST - Cabin door, brown	1	27-3197 to 27-3836 inclusive, 27-3838 to 27-3943 inclusive
	23463-29	Y	* ARMREST - Cabin door, gold	1	27-3197 to 27-3836 inclusive, 27-3838 to 27-3943 inclusive
	23463-30	Y	* ARMREST - Cabin door, black	1	27-3197 to 27-3836 inclusive, 27-3838 to 27-3943 inclusive
-4a	32614-02	Y	* ARMREST ASSEMBLY - Door, red vinyl	1	27-3837, 27-3944 to 27-7554168 inclusive
	32614-03	Y	* ARMREST ASSEMBLY - Door, red leather	1	27-3837, 27-3944 to 27-7554168 inclusive
	32614-04	Y	* ARMREST ASSEMBLY - Door, blue vinyl	1	27-3837, 27-3944 to 27-7554168 inclusive
	32614-05	Y	* ARMREST ASSEMBLY - Door, blue leather	1	27-3837, 27-3944 to 27-7554168 inclusive
	32614-06	Y	* ARMREST ASSEMBLY - Door, white vinyl	1	27-3837, 27-3944 to 27-7554168 inclusive
	32614-07	Y	* ARMREST ASSEMBLY - Door, white leather	1	27-3837, 27-3944 to 27-7554168 inclusive
	32614-08	Y	* ARMREST ASSEMBLY - Door, black vinyl	1	27-3837, 27-3944 to 27-7554168 inclusive
	32614-09	Y	* ARMREST ASSEMBLY - Door, black leather	1	27-3837, 27-3944 to 27-7554168 inclusive
	32614-10	Y	* ARMREST ASSEMBLY - Door, gold vinyl	1	27-3837, 27-3944 to 27-7554168 inclusive
	32614-11	Y	* ARMREST ASSEMBLY - Door, gold leather	1	27-3837, 27-3944 to 27-7554168 inclusive
-4b	32580-00	Y	* REINFORCEMENT ASSEMBLY - Armrest	1	27-3837, 27-3944 to 27-7554168 inclusive
-4c	18017-03	X	* PLACARD - Door lock	1	
	19941-00	Y,Z	* PLACARD - Door lock	1	27-505 to 27-2504 inclusive
	31239-00	Y	* PLACARD - Door lock	1	27-2505 to 27-3836 inclusive, 27-3838 to 27-3943 inclusive
	32645-00	Y	* PLACARD - Door lock	1	27-3837, 27-3944 to 27-7554041 inclusive
	80259-02	Y	* PLACARD - Door lock	1	27-7554042 to 27-7554168 incl
-4d	480 264	Y	* PANEL - Ash tray, front (2A16922)	1	27-3837, 27-3944 to 27-7554168 inclusive
-4e	453 186	Y	* ASH BOX AND SNUFFER ASSEMBLY - (2A17682)	1	27-3837, 27-3944 to 27-7554168 inclusive
-4f	484 425	Y	* RETAINER ASSEMBLY - Ash tray (2A3310)	1	27-3837, 27-3944 to 27-7554168 inclusive
-4g	32472-00	Y	* KNOB - Front panel, ash tray	1	27-3837, 27-3944 to 27-7554168 inclusive
-5	19992-00		* CLAMP - Door upper latch housing	1	
-6	18049-00		* BLOCK - Door latch guide	1	
-7	19823-00		* CLAMP - Upper latch cable	1	

X - Used on PA-23-250 airplanes only
 Y - Used on PA-23-250 (Six Place) airplanes only
 Z - Used on PA-23-235 airplanes only

When ordering, always specify Part Number, Description and Serial Number of Aircraft



Figure and Index Number	Part Number	Code	NOMENCLATURE	No. Req.	SERIAL NUMBERS AFFECTED
15-8	18053-00		BELLCRANK - Door lock rod	1	27-1 to 27-3784 inclusive
	32318-00	Y	BELLCRANK - Door lock rod	1	27-3785 to 27-7554168 inclusive
-9	18066-00	X	ROD - Door lock release	1	27-1 to 27-366 inclusive
	19919-00	A,B,X	ROD - Door lock release	1	
	19919-08	Y,Z	ROD - Door lock release	1	
-9a	454 894	A	CLAMP - (A4896-S-5-1) Door lock release rod	2	27-367 to 27-7554168 inclusive
-10	18057-00		ROD - Door lock	1	
-11	18058-00		PIN - Door lock rod	2	
-12	18060-00		BLOCK - Door lock rod guide	1	
-13	18064-00		BUSHING ASSEMBLY - Door lock bellcrank	1	27-1 to 27-3784 inclusive
	18064-02	Y	BUSHING ASSEMBLY - Door lock bellcrank	1	27-3785 to 27-7554168 inclusive
-14	12806-00		CLEVIS - Door lock rod	1	
-15	18419-00		BELLCRANK - Door lock cable	1	
-16	454 900		CLEVIS - Door lock rod (AN486-3)	1	
-17	81342-69		WASHER	2	
-18	453 628	X,Z	BUSHING - Rubber (796)	15	
	453 628	Y	BUSHING - Rubber (796)	15	27-2000 to 27-2299 inclusive
-18a	30138-00		BLOCK - Door latch stop	1	27-1 to 27-3784 inclusive
	30138-02	Y	BLOCK - Door latch stop	1	27-3785 to 27-7554168 inclusive
-18b	30137-00		PLATE ASSEMBLY - Door latch stop	1	
-19	18068-00		BRACKET ASSEMBLY - Outside door handle	1	27-1 to 27-401 inclusive
	18068-06		BRACKET ASSEMBLY - Outside door handle	1	27-402 to 27-7554168 inclusive
-20	18050-00		GASKET - Outside door handle	1	
-21	18097-00		BUSHING - Inside door handle	1	
-22	18099-12	X	DOOR ASSEMBLY	1	27-1 to 27-366 inclusive
	18099-14	X	DOOR ASSEMBLY	1	27-367 to 27-504 inclusive
	30810-00	Y,Z	DOOR ASSEMBLY	1	27-505 to 27-2504 inclusive
	30810-11	Y	DOOR ASSEMBLY	1	27-2505 to 27-3784 inclusive
	32319-00	Y	DOOR ASSEMBLY	1	27-3785 to 27-3836 inclusive, 27-3838 to 27-3943 inclusive
	32830-00	Y	DOOR ASSEMBLY	1	27-3837, 27-3944 to 27-7554168 inclusive
-23	19971-00		BEARING - Door lock bellcrank	1	
-23a	19971-02		BEARING - Door lock bellcrank	1	27-3785 to 27-7554168 inclusive
-24	19912-00		HINGE ASSEMBLY - Door, top	1	27-1 to 27-4139 inclusive
	32845-00		HINGE ASSEMBLY - Door, top	1	27-4140 to 27-7554168 inclusive
	19912-01		HINGE ASSEMBLY - Door, bottom	1	27-1 to 27-4139 inclusive
	32845-01		HINGE ASSEMBLY - Door, bottom	1	27-4140 to 27-7554168 inclusive
-25	18098-00		BUSHING - Door hinge	2	
-26	18100-33	X	WINDOW - Cabin door	1	
	30817-00	Z	WINDOW - Cabin door	1	
	30817-00	Y	WINDOW - Cabin door	1	27-2000 to 27-2348 inclusive
	31013-00	Y	WINDOW - Cabin door	1	27-2349 to 27-7554168 inclusive
-26a	31013-02	Y	WINDOW - Cabin door, inner	1	27-2505 to 27-7554168 inclusive
-27	18007-03		HANDLE - Outside	1	27-1 to 27-401 inclusive
	19859-00		HANDLE - Outside	1	27-402 to 27-7554168 inclusive

A - Used when auxiliary door lock is installed.
 B - On airplanes with serial numbers 27-367 and up, this rod requires two (2) clamps. (See Item 9a).
 X - Used on PA-23-250 airplanes only.
 Y - Used on PA-23-250 (Six Place) airplanes only.
 Z - Used on PA-23-235 airplanes only.

When ordering, always specify Part Number, Description and Serial Number of Aircraft



Figure and Index Number	Part Number	Code	NOMENCLATURE	No. Req.	SERIAL NUMBERS AFFECTED
15-28	18134-13	A,X	PANEL ASSEMBLY - Door, upper trim	1	
	19985-09	A,Z	PANEL ASSEMBLY - Door, upper trim	1	
	19985-03	A,Y	PANEL ASSEMBLY - Door, upper trim	1	27-2000 to 27-2299 inclusive
	19985-11	A,Y	PANEL ASSEMBLY - Door, upper trim	1	27-2300 to 27-2504 inclusive
	19985-13	A,Y	PANEL ASSEMBLY - Door, upper trim	1	27-2505 to 27-3836 inclusive, 27-3838 to 27-3943 inclusive
	19985-15	A,Y	PANEL ASSEMBLY - Door, upper trim, beige	1	27-3837, 27-3944 to 27-7554168 inclusive
	19985-16	A,Y	PANEL ASSEMBLY - Door, upper trim, white	1	27-3837, 27-3944 to 27-7554168 inclusive
-29	18420-00		BRACKET - Door lock cable support	1	
-30	18421-00		SPRING - Coil	2	
-31	18422-00		BLOCK - Door lock pin guide	1	
-32	18425-00		HOUSING ASSEMBLY - Flexible control	1	
-33	18430-06	X,Z	STRIP - Window moulding attachment	2	
	18430-06	Y	STRIP - Window moulding attachment	2	27-2000 to 27-2299 inclusive
	31017-02	Y	STRIP - Door window retaining	1	27-2300 to 27-7554168 inclusive
-34	18430-14	X,Z	STRIP - Window moulding attachment	1	
	18430-14	Y	STRIP - Window moulding attachment	1	27-2000 to 27-2299 inclusive
	31017-03	Y	STRIP - Door window retaining	1	27-2300 to 27-7554168 inclusive
-35	19983-00	X,Z	STRIP - Window moulding attachment	1	
	19983-00	Y	STRIP - Window moulding attachment	1	27-2000 to 27-2299 inclusive
-36	16664-09	X,Z	MOULDING - Rubber, gray	1	
	16664-09	Y	MOULDING - Rubber, gray	1	27-2000 to 27-2299 inclusive
	16664-13	X,Z	MOULDING - Rubber, black	1	
	16664-13	Y	MOULDING - Rubber, black	1	27-2300 to 27-7554168 inclusive
-37	19063-02		MOULDING - Cabin door seal	12	
-38	19655-00		SHAFT ASSEMBLY - Door inside handle	1	
-39	42891-00		SPRING	1	
-40	70371-02		FITTING - Swivel	1	
-41	70371-03		STUD	2	
-42	81342-19		WASHER	4	
-43	80022-89		BUSHING	1	
-44	454 880		CLAMP - (4886S-4-1)	1	
-45	80032-72		CLAMP	1	
-46	85512-19	Y	STRIP - Rubber, door window	1	27-2505 to 27-7554168 inclusive
-47	81262-93		LINK	1	
-48	81342-70	X,Z	WASHER	15	
	81342-70	Y	WASHER	15	27-2000 to 27-2299 inclusive
-49	83302-24		SPRING	1	27-1 to 27-4639 inclusive
-50	14175-59		BUSHING	1	
-51	91193-00		FITTING - Swivel	1	
-52	19958-00	X	KIT - Cabin and baggage door locks with matching keys	1	
	30644-00	Y,Z	LOCK ASSEMBLY - Cabin door	1	
-53	18067-03	X	TUBE ASSEMBLY - Door latch	1	
	18067-04	Y,Z	TUBE ASSEMBLY - Door latch	1	27-505 to 27-3784 inclusive
	18067-06	Y	TUBE ASSEMBLY - Door latch	1	27-3785 to 27-7554168 inclusive
-53a	19644-00		LATCH - Door	1	
-54	18423-00		BRACKET - Door lock bellcrank	1	
-55	464 022		HANDLE ASSEMBLY - Inside (80A-1)	1	
-56	16504-07	X	MOULDING - Door window, bottom, gray	1	
	30820-07	Y,Z	MOULDING - Door window, bottom, charcoal	1	27-505 to 27-2348 inclusive
	30820-08	Y	MOULDING - Door window, bottom, green	1	27-2000 to 27-2348 inclusive
	30820-09	Y	MOULDING - Door window, bottom, brown	1	27-2000 to 27-2348 inclusive

A - When ordering, specify color and airplane serial number.
X - Used on PA-23-250 airplanes only.
Y - Used on PA-23-250 (Six Place) airplanes only.
Z - Used on PA-23-235 airplanes only.

When ordering, always specify Part Number, Description and Serial Number of Aircraft

PIPER PARTS CATALOG

Figure and Index Number	Part Number	Code	NOMENCLATURE	No. Req.	SERIAL NUMBERS AFFECTED
15-57	16504-06	X	* MOULDING - Door window, front, gray	1	
	30820-04	Y,Z	* MOULDING - Door window, front, charcoal	1	27-505 to 27-2348 inclusive
	30820-05	Y	* MOULDING - Door window, front, green	1	27-2000 to 27-2348 inclusive
	30820-06	Y	* MOULDING - Door window, front, brown	1	27-2000 to 27-2348 inclusive
-58	16504-08	X	* MOULDING - Door window, top, gray	1	
	30820-10	Y,Z	* MOULDING - Door window, top, charcoal	1	27-505 to 27-2348 inclusive
	30820-11	Y	* MOULDING - Door window, top, green	1	27-2000 to 27-2348 inclusive
	30820-12	Y	* MOULDING - Door window, top, brown	1	27-2000 to 27-2348 inclusive
-59	16504-09	X	* MOULDING - Door window, rear, gray	1	
	30820-13	Y,Z	* MOULDING - Door window, rear, charcoal	1	27-505 to 27-2348 inclusive
	30820-14	Y	* MOULDING - Door window, rear, green	1	27-2000 to 27-2348 inclusive
	30820-15	Y	* MOULDING - Door window, rear, brown	1	27-2000 to 27-2348 inclusive
-59a	31021-02	Y	* MOULDING - Door window (complete), gray	1	27-2349 to 27-2504 inclusive
	31021-03	Y	* MOULDING - Door window (complete), green	1	27-2349 to 27-2504 inclusive
	31021-04	Y	* MOULDING - Door window (complete), brown	1	27-2349 to 27-2504 inclusive
	31021-05	Y	* MOULDING - Door window (complete), sand	1	27-2505 to 27-3836 inclusive, 27-3838 to 27-3943 inclusive
	32697-04	Y	* MOULDING - Door window (complete), beige metallic	1	27-3837, 27-3944 to 27-7554041 inclusive
	32697-05	Y	* MOULDING - Door window (complete), white	1	27-3837, 27-3944 to 27-7554041 inclusive
	33678-02	B,Y	* MOULDING - Door window (complete)	1	27-7554042 to 27-7554168 incl
-59b	19837-00		* LOCK ASSEMBLY - Door, auxiliary	1	27-1 to 27-4639 inclusive
	33131-00	Y	* LOCK ASSEMBLY - Door, auxiliary	1	27-4640 to 27-7554168 inclusive
-59c	14635-02		* SPRING - Door lock, auxiliary	1	27-1 to 27-4639 inclusive
	42891-00		* SPRING - Door lock, auxiliary	1	27-4640 to 27-7554168 inclusive
-59d	33132-00		* ROLLER - Door lock	1	27-4640 to 27-7554168 inclusive
-59e	19836-00		* ROD - Door lock actuating, auxiliary	1	
-59f	471 083		* KNOB - (4791400) Auxiliary	1	
	471 090		* KNOB - (4824983) Green	1	
	471 091		* KNOB - (4824996) Tan	1	
	471 092		* KNOB - (4824973) Gray	1	
	24567-00		* KNOB - (Aluminum)	1	
-59g	19848-00		* PLACARD - Door lock, auxiliary	1	27-367 to 27-2504 inclusive
	19848-02		* PLACARD - Door lock, auxiliary	1	27-2505 to 27-3836 inclusive, 27-3838 to 27-3943 inclusive
	32686-00	Y	* PLACARD - Door lock, auxiliary	1	27-3837, 27-3944 to 27-4639 inclusive
	33128-00	Y	* PLACARD - Door lock, auxiliary	1	27-4640 to 27-7554041 inclusive
	80256-02	Y	* PLACARD - Door lock, auxiliary	1	27-7554042 to 27-7554168 incl
-59h	151 325		* WIRE - Door latch, flexible control	55"	
-59i	18045-00		* SPRING	1	
-60	17883-14	A,X	DOOR ASSEMBLY - Baggage compartment	1	27-1 to 27-366 inclusive
	17883-22	A,X	DOOR ASSEMBLY - Baggage compartment	1	27-367 to 27-504 inclusive
	17883-26	A,Z	DOOR ASSEMBLY - Baggage compartment	1	
-61	85012-93		* WASHER - Rubber	1	
-62	17873-00		* PLATE - Lock	1	
-63	17882-00	X,Z	* DOOR ASSEMBLY - Baggage compartment	1	
-64	18601-02	X,Z	* * HINGE ASSEMBLY - Baggage door	1	
-65	19868-00		* TUBE ASSEMBLY - Baggage door latch torque	1	
-66	17964-02		* * DOWEL - Tube assembly	2	

A - When ordering, specify color and airplane serial number
 B - When ordering, specify color beige or white.
 X - Used on PA-23-250 airplanes only
 Y - Used on PA-23-250 (Six Place) airplanes only
 Z - Used on PA-23-235 airplanes only

When ordering, always specify Part Number, Description and Serial Number of Aircraft

PIPER PARTS CATALOG

Figure and Index Number	Part Number	Code	NOMENCLATURE	No. Req.	SERIAL NUMBERS AFFECTED
15-67	187 508	X	* MOULDING - Baggage door seal	8	
-68	83302-23		* SPRING - Coil	1	
-69	480 686		* PIN - Roll	2	27-1 to 27-346 inclusive
	480 711		* PIN - Roll	2	27-347 to 27-622 inclusive
-70	480 684		* PIN - Roll	2	
-71	424 140		* PIN - Flat head (AN392-7)	2	
-72	17874-00		* BUSHING - Baggage door latch tube retainer, rear	1	
	17874-02		* BUSHING - Baggage door latch tube retainer, front	1	
-73	17957-02		* HANDLE ASSEMBLY - Baggage door	1	
-74	18958-00	X,Z	* KIT - Cabin and baggage door locks	1	
-75	18931-43	X	* PANEL ASSEMBLY - Trim, baggage door, red	1	27-1 to 27-366 inclusive
	18931-48	X	* PANEL ASSEMBLY - Trim, baggage door, blue	1	27-1 to 27-366 inclusive
	18931-52	X	* PANEL ASSEMBLY - Trim, baggage door, brown	1	27-1 to 27-366 inclusive
	18931-56	X	* PANEL ASSEMBLY - Trim, baggage door, green	1	27-1 to 27-366 inclusive
	18931-65	X	* PANEL ASSEMBLY - Trim, baggage door, red	1	27-367 to 27-504 inclusive
	18931-66	X	* PANEL ASSEMBLY - Trim, baggage door, blue	1	27-367 to 27-504 inclusive
	18931-67	X	* PANEL ASSEMBLY - Trim, baggage door, brown	1	27-367 to 27-504 inclusive
	18931-68	X	* PANEL ASSEMBLY - Trim, baggage door, green	1	27-367 to 27-504 inclusive
	19962-18	Z	* PANEL ASSEMBLY - Trim, baggage door, gray	1	
	19962-38	Z	* PANEL ASSEMBLY - Trim, baggage door, green	1	
	19962-46	Z	* PANEL ASSEMBLY - Trim, baggage door, tan	1	
-76	18933-05	X	* STRAP ASSEMBLY - (Eyelet attachment) Black (5 5/8" L)	1	
	18933-07	X,Z	* STRAP ASSEMBLY - (Eyelet attachment) Gray (8" L)	1	
	32076-02	X	* STRAP ASSEMBLY - (Socket attachment) Black (5 5/8" L)	1	
	32076-04	X,Z	* STRAP ASSEMBLY - (Socket attachment) Gray (8" L)	1	
-77	80022-99		* BUSHING	1	
-78	487 589	C	* STUD - Fastener (63315-2008)(used with eyelet type baggage strap)	1	
	756 246		* STUD - Fastener (XX-16362-5/8")(used with socket type baggage strap)	1	
-79	30388-00	A,Y	DOOR ASSEMBLY - Aft baggage compartment, complete	1	27-2000 to 27-3049, 27-3051 to 27-3109, 27-3118 to 27-3153 inclusive
	754 548	A,Y	DOOR ASSEMBLY - Aft baggage compartment, complete	1	27-3110 to 27-3117 inclusive
	32117-00	D,Y	DOOR ASSEMBLY - Aft baggage compartment, complete	1	27-3050, 27-3154 to 27-3836, 27-3838 to 27-3943 inclusive
	32711-00	B,Y	DOOR ASSEMBLY - Aft baggage compartment, complete	1	27-3837, 27-3944 to 27-4425, 27-4427 to 27-4573 inclusive
	32711-02	B,Y	DOOR ASSEMBLY - Aft baggage compartment, complete	1	27-4426, 27-4574 to 27-7554168 inclusive

A - When ordering, specify color and airplane serial number
 B - When ordering, specify color red, blue, gold, black or white
 C - When ordering, specify length of baggage door strap
 D - When ordering, specify color red, blue, russet, dark blue, maroon, brown, gold or black and airplane serial number
 X - Used on PA-23-250 airplanes only
 Y - Used on PA-23-250 (Six Place) airplanes only
 Z - Used on PA-23-235 airplanes only

When ordering, always specify Part Number, Description and Serial Number of Aircraft



Figure and Index Number	Part Number	Code	NOMENCLATURE	No. Req.	SERIAL NUMBERS AFFECTED
15-80	30375-00	Y	DOOR ASSEMBLY - Aft baggage compartment	1	27-2000 to 27-3049 inclusive, 27-3051 to 27-3153 inclusive
	32091-00	Y	DOOR ASSEMBLY - Aft baggage compartment	1	27-3050, 27-3154 to 27-7554168 inclusive
-81	30405-00	Y	HINGE HALF - Baggage door	1	27-2000 to 27-3049 inclusive, 27-3051 to 27-3153 inclusive
	32063-00	Y	HINGE HALF - Baggage door	1	27-3050, 27-3154 to 27-7554168 inclusive
-82	23183-00	G,Y	MOULDING - Baggage door seal	8'	
-83	30426-04	Y	KIT ASSEMBLY - Door lock	1	
-84	14636-00	Y	LATCH ASSEMBLY - Door	1	
-85	30367-00	F,Y	COVER - Baggage door lock	1	
-86	30383-00	Y	PLATE ASSEMBLY - Baggage door holder rod attachment	1	27-2000 to 27-3049 inclusive, 27-3051 to 27-3153 inclusive
-87	32116-00	E,Y	PANEL ASSEMBLY - Aft baggage door	1	27-3050, 27-3154 to 27-3836, 27-3838 to 27-3943 inclusive
	32709-00	A,Y	PANEL ASSEMBLY - Aft baggage door	1	27-3837, 27-3944 to 27-7554168 inclusive
-88	30568-00	Y	PLACARD - Baggage capacity	1	27-2000 to 27-4425 inclusive, 27-4427 to 27-4573 inclusive
	30568-02	B,Y	PLACARD - Baggage capacity	1	27-2000 to 27-4425 inclusive, 27-4427 to 27-4573 inclusive
	32957-02	Y	PLACARD - Baggage capacity	1	27-4426, 27-4574 to 27-7554002 inclusive
	80272-04	Y	PLACARD - Baggage capacity	1	27-7554003 to 27-7554168 incl.
	32957-03	B,Y	PLACARD - Baggage capacity	1	27-4426, 27-4574 to 27-7554168 inclusive
-88a	32112-00	Y	FITTING ASSEMBLY - Baggage door holder rod attachment	1	27-3050, 27-3154 to 27-3884 inclusive
-88b	32113-00	Y	BRACKET - Door holder rod attachment	1	27-3050, 27-3154 to 27-3884 inclusive
	32391-00	D,Y	BRACKET ASSEMBLY - Door holder	1	27-3885 to 27-7554168 inclusive
-89	30678-00	C,Y	DOOR ASSEMBLY - Forward baggage compartment	1	27-2000 to 27-7554168 inclusive
-90	14635-03	Y	SPRING - Coil	1	
-91	19513-53	Y	WASHER	2	
-92	22615-00	Y	ARM ASSEMBLY - Door lock	1	
-93	22841-02	Y	HANDLE - Door	1	27-2000 to 27-2701 inclusive, 27-3565 to 27-7554168 inclusive
	31704-00	Y	HANDLE ASSEMBLY - Door	1	27-2702 to 27-3564 inclusive

- A - When ordering, specify color red, blue, gold, black or white.
- B - Used if Oxygen System is installed.
- C - Hinges not included. (See Figure 14, Item 87).
- D - Used on PA-23-250 (Six Place) with serial numbers 27-3050, 27-3154 to 27-3884 if Door Holder Replacement Kit 760 193 has been installed.
- E - When ordering, specify color red, blue, russet, dark blue, maroon, brown, gold or black and airplane serial number.
- F - When ordering, specify color and airplane serial number.
- G - Must be ordered separately for serial numbers 27-3050, 27-3154 to 27-7554168 inclusive.
- Y - Used on PA-23-250 (Six Place) airplanes only.

When ordering, always specify Part Number, Description and Serial Number of Aircraft

PIPER PARTS CATALOG

Figure and Index Number	Part Number	Code	NOMENCLATURE	No Req.	SERIAL NUMBERS AFFECTED
15-94	30426-04	Y	KIT ASSEMBLY - Door lock	1	
-95	30579-00	Y	TUBE ASSEMBLY - Baggage door latch	1	
-96	30576-00	Y	CLEVIS - Door latch tube	2	
-97	30577-00	Y	LINK - Baggage door latch tube	1	
-98	30578-02	Y	TUBE - Baggage door latch	1	
-99	30578-03	Y	TUBE - Baggage door latch	1	
-100	30580-00	Y	BRACKET - Baggage door handle	1	
-101	30593-00	Y	ARM ASSEMBLY - Door lock	1	
-102	30634-00	Y	DOOR ASSEMBLY - Forward baggage compartment	1	
-103	30640-00	Y	BRACKET - Hinge attachment	2	
-104	30647-00	Y	BRACKET - Baggage door holder rod	1	
-105	30656-00	Y	COVER - Forward baggage compartment door latch	1	27-2000 to 27-7554168 inclusive
-106	30852-00	Y	PLATE - Door lock, stop	1	
-107	60054-14	Y	LINK	1	
-108	83302-47	Y	SPRING - Coil	2	
-109	30568-00	Y	PLACARD - Baggage capacity	1	27-2000 to 27-7554002 inclusive
	80272-02	Y	PLACARD - Baggage capacity	1	27-7554003 to 27-7554168 incl
-110	424 177	Y	PIN - (MS20392-2C17)	2	
-111	424 183	Y	PIN - (MS20392-2C29)	1	
-112	407 564	Y	WASHER - (AN960-10)	2	
-113	480 691	Y	PIN - Roll (52-028-125-0875)	1	
-114	30852-00	Y	PLATE ASSEMBLY - Door lock guide	1	27-3050, 27-3154 to 27-7554168 inclusive
-115	85512-11	Y	MOULDING - Rubber strip (93") aft baggage door	1	27-2000 to 27-3049 inclusive, 27-3051 to 27-3153 inclusive
-116	23183-00		MOULDING - Forward baggage door (moulded type)	9	
-117	85512-15		MOULDING - Forward baggage door (100" x 3/8" x 3/16")	1	
	85512-23		MOULDING - Forward baggage door (95" x 3/4" x 1/8")	1	
-118	28467-03	A	BRACKET - Baggage door handle	1	
-119	424 145	A	PIN - (MS20392-1C17)	1	
	83302-67	A	SPRING - Return	1	
	407 562	A	WASHER - (AN960-6)	1	
	424 051	A	PIN - Cotter (MS24665-132)	1	
-120	424 186	A	PIN - (MS20392-2C35)	1	
	424 051	A	PIN - Cotter (MS24665-132)	1	

A - Used on PA-23-250 (Six Place) with serial numbers 27-2000 to 27-7554168 inclusive if Kit 763 922 or Kit 763 923 has been installed per Service Bulletin 604A
 Y - Used on PA-23-250 (Six Place) airplanes only

When ordering, always specify Part Number, Description and Serial Number of Aircraft

PIPER PARTS CATALOG

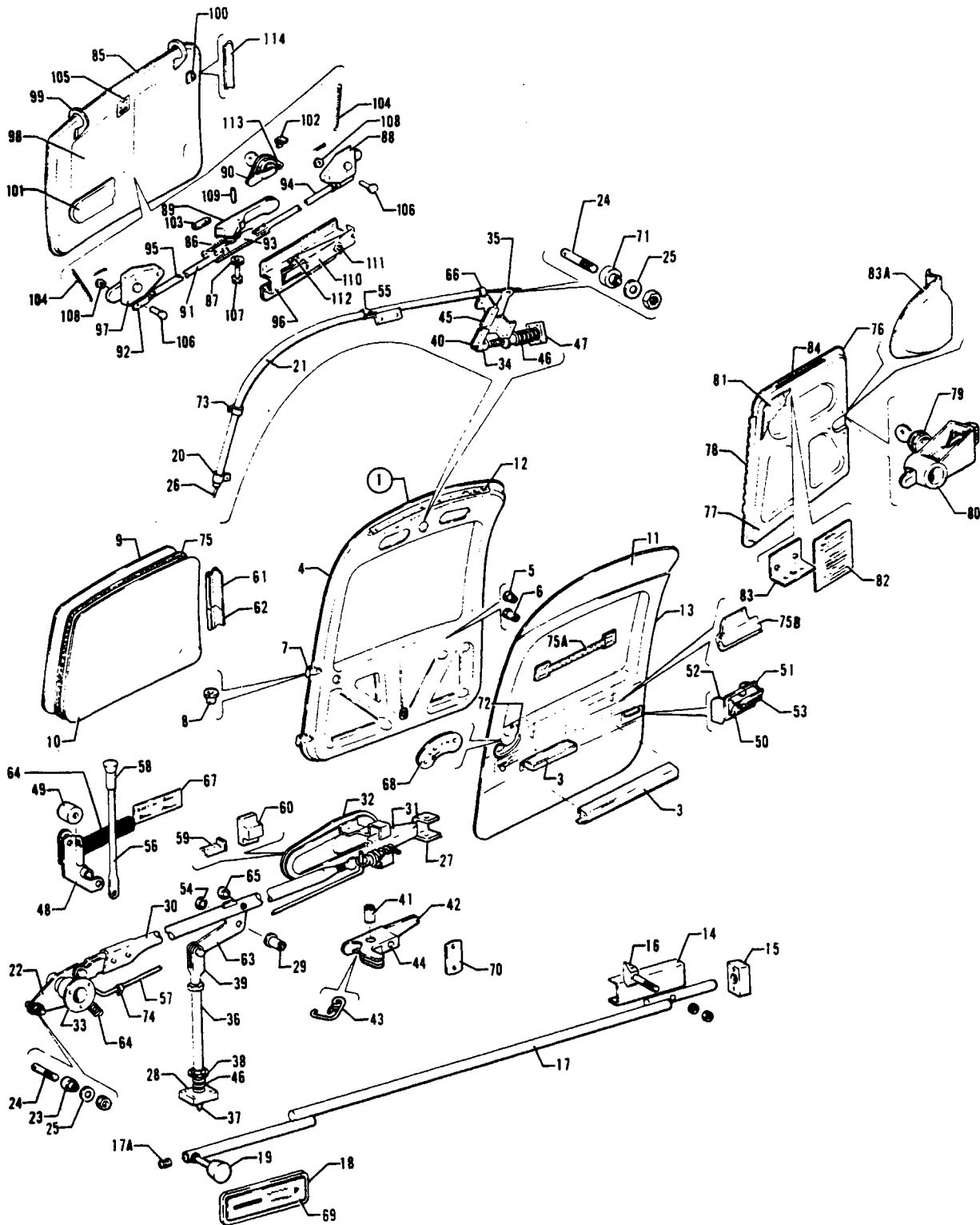


Figure 15A Baggage Door Assembly and Cabin Door Assembly
(Serial Nos 27-7654001 and up)

PIPER PARTS CATALOG

Figure and Index Number	Part Number	Code	NOMENCLATURE	No. Req.	SERIAL NUMBERS AFFECTED
15A-	33647		DRAWING - Aft Baggage Compartment Door Assembly		27-7654001 and up
	33674		DRAWING - Forward Baggage Compartment Door Assembly		27-7654001 and up
	33764		DRAWING - Enclosure Installation		27-7654001 and up
-1	15814-02	A	DOOR ASSEMBLY - Cabin (complete)(with clear window)	1	27-7654001 to 27-7954121 incl
	15814-03	A	DOOR ASSEMBLY - Cabin (complete)(with tinted window)	1	27-7654029 to 27-7954121 incl
	28388-02	A	DOOR ASSEMBLY - Cabin (complete)(with clear window)	1	27-8054001 and up
	28388-03	A	DOOR ASSEMBLY - Cabin (complete)(with tinted window)	1	27-8054001 and up
-2	33711-02	A	* PANEL ASSEMBLY - Door, lower trim	1	27-7654001 to 27-7954121 incl
	28390-02	A	* PANEL ASSEMBLY - Door, lower trim	1	27-8054001 and up
-3	33713-02	A	* ARMREST ASSEMBLY - Door	1	27-7654001 to 27-7954121 incl
	28387-02	A	* ARMREST ASSEMBLY - Door	1	27-8054001 and up
-4	32630-05		* DOOR ASSEMBLY	1	27-7654001 to 27-7954121 incl
	28440-02		* DOOR ASSEMBLY	1	27-8054001 and up
-5	19971-00		* * BEARING - Door lock bellcrank	1	
-6	19971-02		* * BEARING - Door lock bellcrank	1	
-7	32845-00		* * HINGE ASSEMBLY - Door, top	1	
	32845-01		* * HINGE ASSEMBLY - Door, bottom	1	
-8	18098-00		* * BUSHING - Door hinge	2	
-9	31013-00		* WINDOW - Cabin door, outer, clear	1	
	31013-03		* WINDOW - Cabin door, outer, tinted	1	27-7654029 and up
-10	31013-02		* WINDOW - Cabin door, inner	1	
-11	33679-02	A	* PANEL ASSEMBLY - Door, upper trim	1	27-7654001 to 27-7954121 incl
-12	19063-02		* MOULDING - Cabin door seal	12'	
-13	33678-02		* MOULDING - Door window (complete)	1	27-7654001 to 27-7954121 incl
	28386-02		* MOULDING - Door window and upper door trim (complete)	1	27-8054001 and up
-14	15808-02		* SEAL - Cabin door latch	1	
-15	15809-02		* BLOCK - Cabin door rod guide	1	
-16	15810-02		* KNOB ASSEMBLY - Cabin door latch	1	
-17	15811-02		* ROD ASSEMBLY - Cabin door latch	1	27-7654001 to 27-8154003 incl
	28616-02		* ROD ASSEMBLY - Cabin door latch	1	27-8154004 and up
-17a	419 986		* SCREW - Set (#10-32 x 3/16" L)	1	27-8154004 and up
-18	15813-02		* ESCUTCHEON - Cabin door trim	1	27-7654001 to 27-7954121 incl
-19	571 105		* KNOB - Cabin door latch (110204)	1	
-20	19992-00		* CLAMP - Door upper latch housing	1	
-21	18425-00		* HOUSING ASSEMBLY - Flexible control	1	
-22	19655-00		* SHAFT ASSEMBLY - Door inside handle	1	27-7654001 to 27-7954121 incl
	28425-02		* SHAFT ASSEMBLY - Door inside handle	1	27-8054001 and up
-23	70371-02		* FITTING - Swivel	1	
-24	70371-03		* STUD	2	
-25	81342-19		* WASHER	5	
-26	151 325		* WIRE - Door latch, flexible control	53"	
-27	18049-00		* BLOCK - Door latch guide	1	
-28	18060-00		* BLOCK - Door lock rod guide	1	
-29	18064-02		* BUSHING ASSEMBLY - Door lock bellcrank	1	
-30	18067-06		* TUBE ASSEMBLY - Door latch	1	
-31	19644-00		* * LATCH - Door	1	
-32	18068-05		* BRACKET ASSEMBLY - Outside door handle	1	
-33	18097-00		* BUSHING - Inside door handle	1	27-7654001 to 27-7954121 incl
	18097-02		* BUSHING - Inside door handle	1	27-8054001 and up
-34	12605-00		* CLEVIS - Door lock rod	1	
-35	18419-00		* BELLCRANK - Door lock cable	1	
-36	18057-00		* ROD - Door lock	1	
-37	18058-00		* PIN - Door lock rod	2	
-38	81342-69		* WASHER	2	
-39	454 900		* CLEVIS - Door lock rod (AN486-3)	1	
-40	18423-00		* BRACKET - Door lock bellcrank	1	
-41	14175-59		* BUSHING	1	
-42	19859-00		* HANDLE - Outside	1	
-43	18045-00		* SPRING	1	
-44	30644-00		* LOCK ASSEMBLY - Cabin door (with two keys)	1	

A - Serial number of aircraft must be supplied when ordering this part

When ordering, always specify Part Number, Description and Serial Number of Aircraft

PIPER PARTS CATALOG

Figure and Index Number	Part Number	Code	NOMENCLATURE	No. Req.	SERIAL NUMBERS AFFECTED
15A-45	18420-00		* BRACKET - Door lock cable support	1	
-46	18421-00		* SPRING - Coil	2	
-47	18422-00		* BLOCK - Door lock pin guide	1	
-48	33131-00		* LOCK ASSEMBLY - Door, auxiliary	1	
-49	33132-00		* ROLLER - Door lock	1	
-50	480 264		* PANEL - Ash tray, front (2A16922)	1	
-51	453 186		* ASH BOX AND SNUFFER ASSEMBLY - (2A17682)	1	
-52	484 425		* RETAINER ASSEMBLY - Ash tray (2A3310)	18	
-53	32472-00		* KNOB - Front panel, ash tray	1	
-54	19513-52		* WASHER	2	
-55	19823-00		* CLAMP - Upper latch cable	1	
-56	19836-00		* ROD - Door lock actuating auxiliary	1	
-57	19919-08		* ROD - Door lock release	1	
-58	24567-00		* KNOB - Door lock	1	
-59	30137-00		* PLATE ASSEMBLY - Door latch stop	1	
-60	30138-02		* BLOCK - Door latch stop	1	
-61	31017-02		* STRIP - Door window retaining	1	
-62	31017-03		* STRIP - Door window retaining	1	
-63	32318-00		* BELLCRANK - Door lock rod	1	
-64	42891-00		* SPRING - Door lock	2	
-65	80022-89		* BUSHING	1	
-66	80032-72		* CLAMP	1	
-67	80256-02		* PLACARD - Door lock	1	27-7654001 to 27-8054059 incl
	80916-02		* DECAL - Door lock	1	27-8154001 and up
-68	80259-02		* PLACARD - Door lock	1	27-7654001 to 27-7954121 incl
	80757-02		* PLACARD - Door lock	1	27-8054001 and up
-69	80875-02		* PLACARD - Door latch	1	
-70	81262-93		* LINK	1	
-71	91193-00		* FITTING - Swivel	1	
-72	464 022		* HANDLE ASSEMBLY - (80A-1)	1	27-7654001 to 27-7954121 incl
	464 106		* HANDLE - (AR135-17)	1	27-8054001 and up
-73	454 880		* CLAMP - (PS10017-1-4)	1	
-74	454 894		* CLAMP - (PS10017-1-5)	1	
-75	85512-19		* STRIP - Rubber, door window	1	
-75a	28465-03		* HANDLE ASSEMBLY - Door assist, dark claret	1	27-8054001 and up
	28465-04		* HANDLE ASSEMBLY - Door assist, light buckskin	1	27-8054001 and up
	28465-05		* HANDLE ASSEMBLY - Door assist, medium saffron	1	27-8054001 and up
	28465-06		* HANDLE ASSEMBLY - Dark blue	1	27-8054001 and up
	28465-07		* HANDLE ASSEMBLY - Dark firethorn	1	27-8054001 and up
-75b	28391-03		* EXTRUSION - Cabin door	1	27-8054001 and up
-76	33647-04	A	DOOR ASSEMBLY - Aft baggage compartment, complete	1	27-7654001 to 27-7954121 incl
	33647-05	A	DOOR ASSEMBLY - Aft baggage compartment, complete	1	27-8054001 and up
-77	32091-00		* DOOR ASSEMBLY - Aft baggage compartment	1	
-78	32063-00		* * HINGE HALF - Baggage door	1	
-79	30426-04		* KIT ASSEMBLY - Door lock	1	
-80	14636-00		* LATCH ASSEMBLY - Door	1	
-81	28349-02	A	* PANEL ASSEMBLY - Aft baggage door	1	27-7654001 to 27-7954121 incl
	28437-02	A	* PANEL ASSEMBLY - Aft baggage door	1	27-8054001 and up
-82	80272-04		* PLACARD - Baggage capacity	1	
	80272-05	B	* PLACARD - Baggage capacity	1	
-83	32391-00		* BRACKET ASSEMBLY - Door holder	1	
-83a	28348-02	A	* MOULDING - Aft baggage door trim	1	27-7854001 and up

A - Serial number of aircraft must be supplied when ordering this part

B - Used if oxygen system is installed

When ordering, always specify Part Number, Description and Serial Number of Aircraft

PIPER PARTS CATALOG

Figure and Index Number	Part Number	Code	NOMENCLATURE	No Req.	SERIAL NUMBERS AFFECTED
15A-84	23183-00		MOULDING - Aft baggage door seal	8'	
-85	33674-02	B	DOOR ASSEMBLY - Forward baggage compartment	1	
-86	14635-03		* SPRING - Coil	1	
-87	19513-53		* WASHER	2	
-88	22615-00		* ARM ASSEMBLY - Door lock	1	
-89	22641-02		* HANDLE - Door	1	
-90	30426-04		* KIT ASSEMBLY - Door lock	1	
-91	30579-00		* TUBE ASSEMBLY - Baggage door latch	1	
-92	30576-00		* * CLEVIS - Door latch tube	2	
-93	30577-00		* * LINK - Baggage door latch tube	1	
-94	30578-02		* * TUBE - Baggage door latch	1	
-95	30578-03		* * TUBE - Baggage door latch	1	
-96	30580-00		* BRACKET - Baggage door handle	1	
-97	30593-00		* ARM ASSEMBLY - Door lock	1	
-98	30634-00		* DOOR ASSEMBLY - Forward baggage compartment	1	
-99	30640-00		* * BRACKET - Hinge attachment	2	
-100	30647-00		* BRACKET - Baggage door holder rod	1	
-101	33667-02		* COVER - Forward baggage compartment door latch	1	
-102	30852-00		* PLATE - Door lock, stop	1	
-103	60054-14		* LINK	1	
-104	83302-47		* SPRING - Coil	2	
-105	80272-02		* PLACARD - Baggage capacity	1	
-106	424 177		* PIN - (MS20392-2C17)	2	
-107	424 183		* PIN - (MS20392-2C29)	1	27-7654001 to 27-7854117 incl
-108	407 564		* WASHER - (AN960-10)	2	
-109	480 691		* PIN - Roll (52-028-125-0875)	1	
-110	28467-03	A	* BRACKET - Baggage door handle	1	27-7854118 and up
-111	424 145	A	* PIN - (MS20392-1C17)	1	27-7854118 and up
	83302-67	A	* SPRING - Return	1	27-7854118 and up
	407 562	A	* WASHER - (AN960-6)	1	27-7854118 and up
	424 051	A	* PIN - Cotter (MS24665-132)	1	27-7854118 and up
-112	424 186	A	* PIN - (MS20392-2C35)	1	27-7854118 and up
-113	28523-02		* PLATE - Door guide lock	1	27-7954052 and up
-114	23183-00		MOULDING - Forward baggage door	9'	

A - Also used on serial numbers 27-7654001 to 27-7854117 inclusive if Kit 763 922 or Kit 763 923 has been installed per Service Bulletin 604A
B - Hinges not included See Figure 14, Item 87

When ordering, always specify Part Number, Description and Serial Number of Aircraft

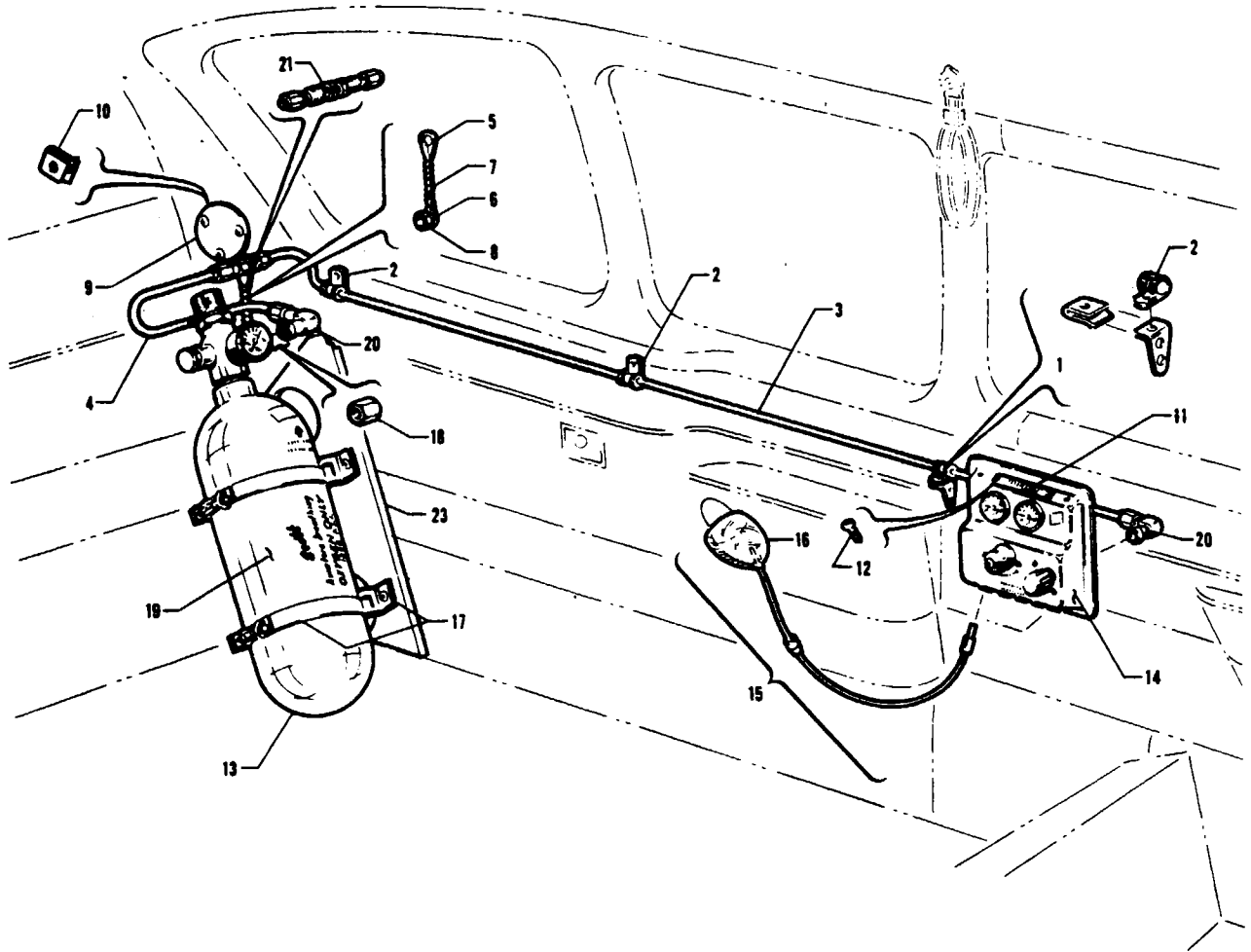


Figure 16. Oxygen System Installation
(Used when four seats are installed)

OXYGEN SYSTEM INSTALLATION
USED WHEN FOUR SEATS ARE INSTALLED



SECTION II
Fuselage Group

Figure and Index Number	Part Number	Code	NOMENCLATURE	No. Req.	SERIAL NUMBERS AFFECTED
16-	30050		DRAWING - Oxygen System Installation		
-1	406 440		ANGLE ASSEMBLY - Tinnerman (5980-832-90)	1	
-2	454 929		CLAMP - Tube (A4980S-4-91)	3	
-3	30055-00		LINE ASSEMBLY - Oxygen	1	
-4	30056-00		LINE ASSEMBLY - Oxygen	1	
-5	18708-02		LINK - Oxygen line plug chain	1	
-6	18708-03		LINK - Oxygen line plug chain	1	
-7	159 125		CHAIN - Bead #10	4"	
-8	480 951		PLUG - (400-11-316)	1	
-9	30064-00		PLATE - Access	1	
-10	406 434		NUT - Tinnerman (188-632-1)	3	
-11	18758-00		PLACARD - Oxygen console	1	
-12	419 999		SCREW - Drive P K. (#00 x 3/16)	2	
-13	18674-00		KIT ASSEMBLY - Oxygen system	1	
-14	751 557		CONSOLE - Oxygen (8800)	1	
-15	754 309		KIT - Console mask	4	
-16	753 561		MASK - KS Disposable (304-5124-800)	12	
-17	18707-00		BRACKET - Oxygen cylinder mounting	2	
-18	751 558		COUPLING - Cylinder (8580)	1	
-19	751 559		CYLINDER ASSEMBLY - Oxygen (6350A5-0)	1	
-20	754 715		ELBOW BOX - 90° (8583)	2	
-21	753 077		UNION ASSEMBLY - Bulkhead (8539)	1	
-22	751 560		COMPOUND - Anti-seize and sealer	1	
-23	30048-00		BRACKET ASSEMBLY - Oxygen tank	1	

When ordering, always specify Part Number, Description and Serial Number of Aircraft

1124

INTENTIONALLY LEFT BLANK

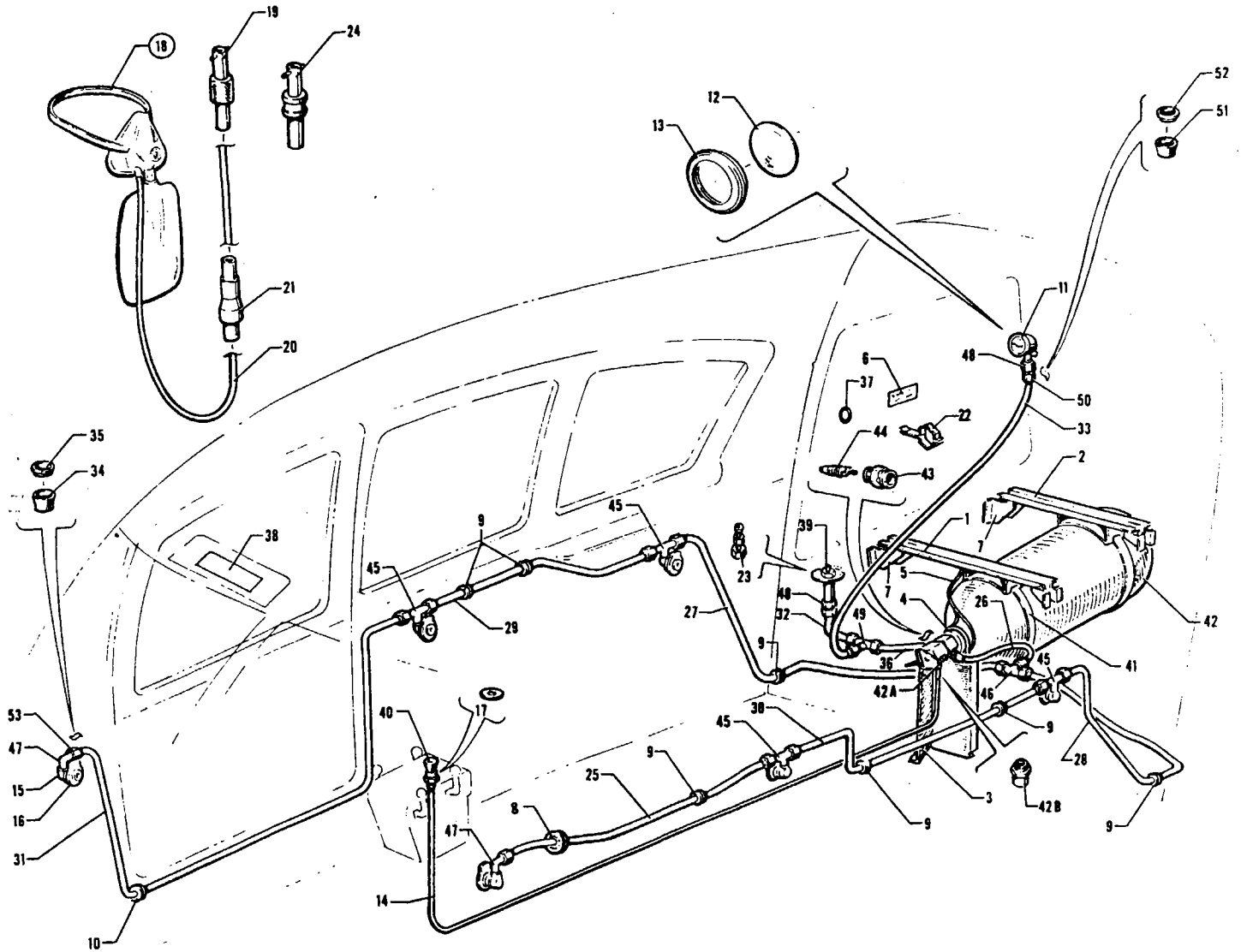


Figure 16A. Oxygen System Installation
(Serial Nos. 27-2000 to 27-3049, 27-3051 to 27-3153 inclusive)

PIPER PARTS CATALOG

Figure and Index Number	Part Number	Code	NOMENCLATURE	No Req.	SERIAL NUMBERS AFFECTED
16A-	31980		DRAWING - Oxygen System Installation		
-1	32023-02		CHANNEL ASSEMBLY - Cylinder attachment, rear	1	
-2	32023-03		CHANNEL ASSEMBLY - Cylinder attachment, front	1	
-3	32002-00		BRACKET - Cylinder support	1	
-4	32011-00		BOLT - "U", cylinder attachment	1	
-5	25397-04		CABLE ASSEMBLY - Cylinder restraining	1	
-6	30568-02		PLACARD - Baggage capacity	1	
-7	32022-00		BRACKET - Attachment channel, outboard	2	
-8	16268-13		GROMMET	1	
-9	434 128		GROMMET - (AN931-4-7)	7	
-10	434 124		GROMMET - (AN931-4-12)	1	
-11	751 913		GAUGE ASSEMBLY - Oxygen (includes mounting bracket)	1	
-12	752 355		LENS - Gauge assembly	1	
-13	753 433		BEZEL - Gauge assembly	1	
-14	753 973		CABLE ASSEMBLY - Control	1	
-15	752 583		OUTLET ASSEMBLY - Oxygen	6	
-16	757 213		PLATE - Outlet assembly, instruction	6	
-17	754 547		DECAL - Control cable	1	
-18	474 055	A	MASK ASSEMBLY - Oxygen, nasal type, 2 0 lpm (crew)	AR	
	474 085		MASK ASSEMBLY - Oxygen, sky mask, 2 0 lpm (crew)	AR	
	474 087		MASK ASSEMBLY - Oxygen, sky mask, 1 5 lpm (passenger)	AR	
	753 743	B	MASK ASSEMBLY - Oxygen, oronasal with microphone, 2 0 lpm (pilot)	1	
	474 111	B	MASK ASSEMBLY - Oxygen, duo-seal mask with microphone, 2 0 lpm (crew)	AR	
	479 445	C	MASK ASSEMBLY - Oxygen, duo-seal mask with microphone and remote switch, 2 0 lpm (crew)	AR	
-19	753 974		COUPLING - Oxygen plug-in, 2 0 lpm	AR	
	753 975		COUPLING - Oxygen plug-in, 1 5 lpm	AR	
-20	753 074		TUBING - Plastic, oxygen mask (5' length)	1	
	756 319		TUBING - Rubber, oxygen mask (4 1/2' length)	1	
-21	752 122		FLOW INDICATOR ASSEMBLY	1	
-22	753 437		BRACKET ASSEMBLY - Control cable	1	
-23	757 810		COUPLING - Oxygen filler	1	
-24	753 941		COUPLING - Oxygen plug-in, therapeutic	AR	
-25	31978-02		LINE - Oxygen, low pressure	1	
-26	31978-03		LINE - Oxygen, low pressure	1	
-27	31978-04		LINE - Oxygen, low pressure	1	
-28	31978-05		LINE - Oxygen, low pressure	1	
-29	31978-06		LINE - Oxygen, low pressure	1	
-30	31978-07		LINE - Oxygen, low pressure	1	
-31	31978-08		LINE - Oxygen, low pressure	1	
-32	31978-09		LINE - Oxygen, high pressure	1	
-33	31978-10		LINE - Oxygen, high pressure	1	
-34	751 813		FERRULE - Flareless fitting, front (1/4")	AR	
-35	751 814		FERRULE - Flareless fitting, rear (1/4")	AR	
-36	756 300		TUBE ASSEMBLY - High pressure	1	
-37	755 946		"O" RING - Tube assembly	1	

A - No longer available Order mask assembly P/N 474 111,
P/N 479 445 or P/N 753 743
B - Used if boom mike is installed
C - Used if boom mike is not installed

When ordering, always specify Part Number, Description and Serial Number of Aircraft

PIPER PARTS CATALOG

Figure and Index Number	Part Number	Code	NOMENCLATURE	No Req	SERIAL NUMBERS AFFECTED
16A-38	753 942		CHART - Instrument and duration	1	
-39	756 504		VALVE ASSEMBLY - Recharge	1	
-40	757 062		KNOB - Control cable	1	
-41	753 436		BRACKET ASSEMBLY - Cylinder mounting	2	
-42	753 946		CYLINDER AND REGULATOR ASSEMBLY	1	
-42a	756 038		* REGULATOR ASSEMBLY - Oxygen	1	
-42b	756 507		* * RELIEF VALVE - Regulator assembly	1	
-43	756 505		* * VALVE ASSEMBLY - Charging	1	
-44	753 947		* * * CORE - Valve assembly	1	
-45	756 301	A	TEE - Low pressure (33529-805)	4	
-46	756 302	A	TEE - Low pressure (33529-204)	1	
-47	754 761	A	ELBOW - (33529-106)	2	
-48	753 945	A	CONNECTOR - (33525-702)	2	
-49	756 304	A	TEE - High pressure (33525-902)	1	
-50	752 504		NUT - Flareless fitting (1/8")	AR	
-51	751 811		FERRULE - Flareless fitting, front (1/8")	AR	
-52	751 812		FERRULE - Flareless fitting, rear (1/8")	AR	
-53	752 505		NUT - Flareless fitting (1/4")	AR	
			A - Nuts and ferrules supplied with fitting		

When ordering, always specify Part Number, Description and Serial Number of Aircraft

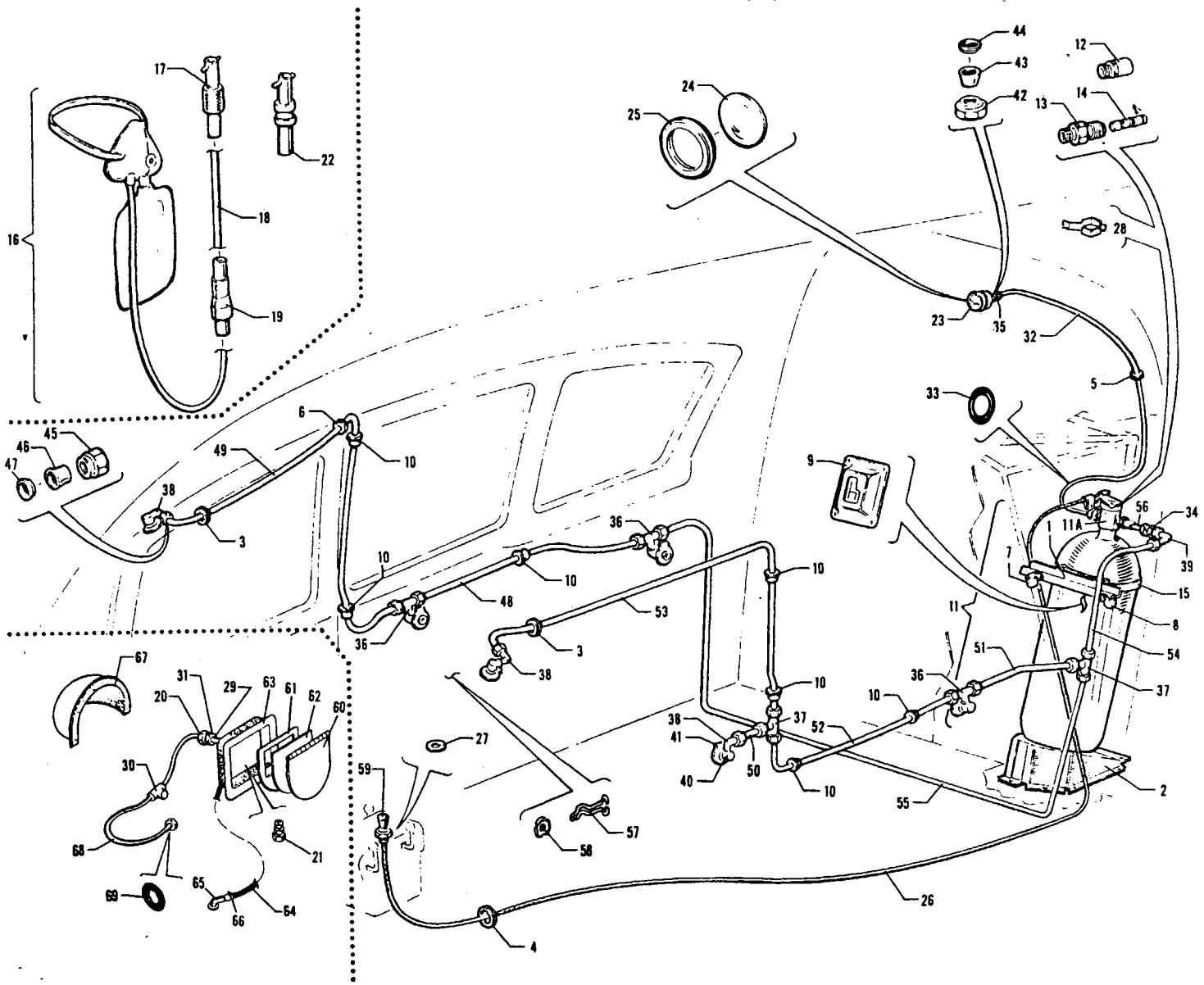


Figure 16B. Oxygen System Installation
(Serial Nos. 27-3050, 27-3154 to 27-3836, 27-3838 to 27-3943 inclusive)

PIPER PARTS CATALOG

Figure and Index Number	Part Number	Code	NOMENCLATURE	No. Req.	SERIAL NUMBERS AFFECTED
168-	32140		DRAWING - Oxygen System Installation		
-1	32051-00		BRACKET ASSEMBLY - Oxygen bottle mounting	1	
-2	32097-00		BRACKET - Oxygen bottle mounting	1	
-3	16633-63		HOSE - Flexible	2	
-4	16268-29		GROMMET	1	
-5	434 125		GROMMET - (AN931-2-9)	2	
-6	434 128		GROMMET - (AN931-4-7)	2	
-7	80032-15		CLAMP	1	
-8	80032-98		CLAMP	1	
-9	32161-00		COVER ASSEMBLY - Oxygen bottle attachment	1	
-10	453 732		BUSHING - Snap (SB-375-4)	10	
-11	753 946		CYLINDER AND REGULATOR ASSEMBLY	1	
-11a	756 038		* REGULATOR ASSEMBLY - Oxygen	1	
-12	756 507		* * RELIEF VALVE - Regulator assembly	1	
-13	756 505		* * VALVE ASSEMBLY - Charging	1	
-14	753 947		* * * CORE - Valve assembly	1	
-15	753 436		BRACKET ASSEMBLY - Cylinder mounting	1	
-16	474 055	D	MASK ASSEMBLY - Oxygen, nasal type, 2 0 lpm (crew)	AR	
	474 085		MASK ASSEMBLY - Oxygen, sky mask, 2 0 lpm (crew)	AR	
	474 087		MASK ASSEMBLY - Oxygen, sky mask, 1 5 lpm (passenger)	AR	
	753 743	E	MASK ASSEMBLY - Oxygen, oronasal with microphone, 2 0 lpm (pilot)	1	
	474 111	E	MASK ASSEMBLY - Oxygen, duo-seal mask with microphone, 2 0 lpm (crew)	AR	
	479 445	F	MASK ASSEMBLY - Oxygen, dua-seal mask with microphone and remote switch, 2 0 lpm (crew)	AR	
-17	753 974		* COUPLING - Oxygen plug-in, 2 0 lpm	AR	
	753 975		* COUPLING - Oxygen plug-in, 1 5 lpm	AR	
-18	753 074		* TUBING - Plastic, oxygen mask (5' length)	1	
	756 319		* TUBING - Rubber, oxygen mask (4 1/2' length)	1	
-19	752 122		* FLOW INDICATOR ASSEMBLY	1	
-20	31978-11	C	LINE - Oxygen, high pressure	1	
-21	757 810		COUPLING - Oxygen filler	1	
-22	753 941		COUPLING - Oxygen plug-in, therapeutic	AR	
-23	751 896		GAUGE ASSEMBLY - Oxygen (includes mounting bracket)	1	
-24	752 355		* LENS - Gauge assembly	1	
-25	753 433		* BEZEL - Gauge assembly	1	
-26	753 973		CABLE ASSEMBLY - Control	1	
-27	754 547		DECAL - Control cable	1	
-28	753 437		BRACKET ASSEMBLY - Control cable	1	
-29	756 514	C	VALVE - Charging	1	
-30	756 304	A,C	TEE - (33525-902)	1	
-31	753 945	A,C	CONNECTOR - (33525-702)	2	
-32	756 300	B	TUBE ASSEMBLY - High pressure	1	
	31978-30	C	LINE - High pressure	1	
-33	755 946	B	* "O" RING - Tube assembly	1	

A - Nuts and ferrules supplied with fitting
 B - Used when exterior recharge access door is not installed
 C - Used when exterior recharge access door is installed
 D - No longer available Order mask assembly P/N 474 111, P/N 479 445 or P/N 753 743
 E - Used if boom mike is installed
 F - Used if boom mike is not installed

When ordering, always specify Part Number, Description and Serial Number of Aircraft

PIPER PARTS CATALOG

Figure and Index Number	Part Number	Code	NOMENCLATURE	No. Req.	SERIAL NUMBERS AFFECTED
16B-34	751 816	A	FITTING - Bulkhead (33519-703)	1	
-35	753 945	A	CONNECTOR - (33525-702)	1	
-36	756 301	A	TEE - Low pressure (33529-805)	3	
-37	756 302	A	TEE - Low pressure (33529-204)	2	
-38	754 761	A	ELBOW - (33529-106)	3	
-39	754 762	A	ELBOW - (33529-704)	1	
-40	752 583		OUTLET ASSEMBLY - Oxygen	6	
-41	757 213		PLATE - Outlet assembly, instruction	1	
-42	752 504		NUT - Flareless fitting (1/8")	AR	
-43	751 811		FERRULE - Flareless fitting, front (1/8")	AR	
-44	751 812		FERRULE - Flareless fitting, rear (1/8")	AR	
-45	752 505		NUT - Flareless fitting (1/4")	AR	
-46	751 813		FERRULE - Flareless fitting, front (1/4")	AR	
-47	751 814		FERRULE - Flareless fitting, rear (1/4")	AR	
-48	31978-06		LINE - Oxygen, low pressure	1	
-49	31978-22		LINE - Oxygen, low pressure	1	
-50	31978-23		LINE - Oxygen, low pressure	1	
-51	31978-24		LINE - Oxygen, low pressure	1	
-52	31978-25		LINE - Oxygen, low pressure	1	
-53	31978-26		LINE - Oxygen, low pressure	1	
-54	31978-24		LINE - Oxygen, low pressure	1	
-55	31978-28		LINE - Oxygen, low pressure	1	
-56	31978-29		LINE - Oxygen, low pressure	1	
-57	32192-00		CLIP - Oxygen mask mounting	2	
-58	23302-00		WASHER - Oxygen mask mounting clip	2	
-59	757 062		KNOB - Control cable	1	
-60	19802-05	B	PLATE ASSEMBLY - Access	1	
-61	25394-00	B	PLATE - Doubler	1	
-62	25603-00	B	PLATE - Reinforcement	1	
-63	25697-00	B	PLATE ASSEMBLY - Mounting	1	
-64	22369-32	B	TUBE	1	
-65	24623-00	B	TUBE ASSEMBLY	1	
-66	454 833	B	CLAMP - (SAE 6)	2	
-67	32253-00	B	COVER - Oxygen bottle regulator	1	
-68	756 326	B	TUBE ASSEMBLY - High pressure	1	
-69	755 946	B	* "O" RING - Tube assembly	1	

A - Nuts and ferrules supplied with fitting
 B - Used when exterior recharge access door is installed

When ordering, always specify Part Number, Description and Serial Number of Aircraft

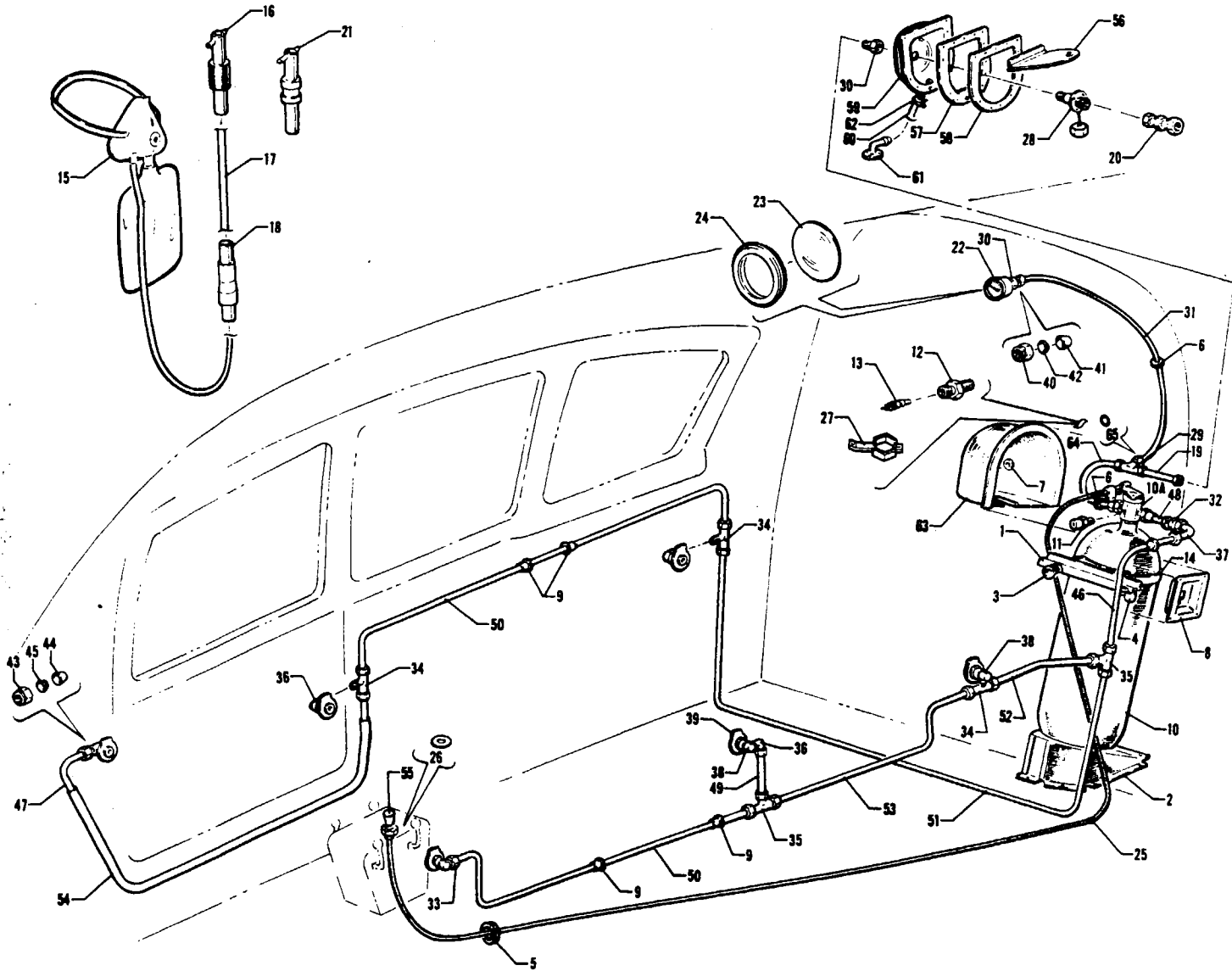


Figure 16C. Oxygen System Installation
(Serial Nos. 27-3837, 27-3944 and up)

PIPER PARTS CATALOG

Figure and Index Number	Part Number	Code	NOMENCLATURE	No Req	SERIAL NUMBERS AFFECTED
16C-	32388		DRAWING - Oxygen System Installation		27-3837, 27-3944 to 27-7554168 inclusive
	33835		DRAWING - Oxygen System Installation		27-7654001 and up
-1	32051-00		BRACKET ASSEMBLY - Oxygen bottle mounting	1	
-2	32097-00		BRACKET - Oxygen bottle mounting	1	
-3	80032-15		CLAMP	1	
-4	80032-98		CLAMP	1	
-5	16268-29		GROMMET	1	
-6	434 125		GROMMET - (MS35489-2)	2	
-7	434 128		GROMMET - (MS35489-6)	1	
-8	32161-03		COVER ASSEMBLY - Oxygen bottle attachment, beige	1	27-3837, 27-3944 to 27-7554168 inclusive
	32161-04		COVER ASSEMBLY - Oxygen bottle attachment, white	1	27-3837, 27-3944 to 27-7554168 inclusive
	33795-02	B	COVER ASSEMBLY - Oxygen bottle attachment	1	27-7654001 and up
-9	453 732		BUSHING - Snap (SB-375-4)	5	
-10	753 946		CYLINDER AND REGULATOR ASSEMBLY	1	
-10a	756 038		REGULATOR ASSEMBLY - Oxygen	1	
-11	756 507		RELIEF VALVE - Regulator assembly	1	
-12	756 505		VALVE ASSEMBLY - Charging	1	
-13	753 947		CORE - Valve assembly	1	
-14	753 436		BRACKET ASSEMBLY - Cylinder mounting	1	
-15	474 055	C	MASK ASSEMBLY - Oxygen, nasal type, 2 0 lpm (crew)	AR	
	474 085		MASK ASSEMBLY - Oxygen, sky mask, 2 0 lpm (crew)	AR	
	474 087		MASK ASSEMBLY - Oxygen, sky mask, 1 5 lpm (passenger)	AR	
	753 743	D	MASK ASSEMBLY - Oxygen, oronasal with microphone, 2 0 lpm (pilot)	1	
	474 086		MASK ASSEMBLY - Oxygen, sky mask, 7 5 lpm, therapeutic (passenger)	AR	
	474 111	D	MASK ASSEMBLY - Oxygen, duo-seal mask with microphone, 2 0 lpm (crew)	AR	
	479 445	A	MASK ASSEMBLY - Oxygen, duo-seal mask with microphone and remote switch, 2 0 lpm (crew)	AR	
-16	753 974		COUPLING - Oxygen plug-in, 2 0 lpm	AR	
	753 975		COUPLING - Oxygen plug-in, 1 5 lpm	AR	
	753 941		COUPLING - Oxygen plug-in, 7 5 lpm	AR	
-17	753 074		TUBING - Plastic, oxygen mask (5' length)	1	
	756 319		TUBING - Rubber, oxygen mask (4 1/2' length)	1	
-18	752 122		FLOW INDICATOR ASSEMBLY	1	
-19	31978-11		LINE - Oxygen, high pressure	1	
-20	757 810		COUPLING - Oxygen filler	1	
-21	753 941		COUPLING - Oxygen plug-in, therapeutic	AR	
-22	751 896		GAUGE ASSEMBLY - Oxygen (includes mounting bracket)	1	
-23	752 355		LENS - Gauge assembly	1	
-24	753 433		BEZEL - Gauge assembly	1	

- A - Used if boom mike is not installed
- B - Serial number of aircraft must be supplied when ordering this part
- C - No longer available Order mask assembly P/N 474 111, P/N 479 445 or P/N 753 743
- D - Used if boom mike is installed

When ordering, always specify Part Number, Description and Serial Number of Aircraft

PIPER PARTS CATALOG

Figure and Index Number	Part Number	Code	NOMENCLATURE	No Req.	SERIAL NUMBERS AFFECTED
16C-25	753 973		CABLE ASSEMBLY - Control	1	
-26	754 547		DECAL - Control cable	1	
-27	753 437		BRACKET ASSEMBLY - Control cable	1	
-28	756 514		VALVE - Charging	1	
-29	756 304	A	TEE - (33525-902)	1	
-30	753 945	A	CONNECTOR - (33525-702)	2	
-31	31978-30		LINE - High pressure	1	
-32	751 816	A	FITTING - Bulkhead (33519-703)	1	
-33	753 944	A	CONNECTOR - (33529-009)	2	
-34	756 301	A	TEE - Low pressure (33529-805)	3	
-35	756 302	A	TEE - Low pressure (33529-204)	2	
-36	754 761	A	ELBOW - (33529-106)	1	
-37	754 762	A	ELBOW - (33529-704)	1	
-38	752 583		OUTLET ASSEMBLY - Oxygen	6	
-39	757 213		PLATE - Outlet assembly, instruction	6	
-40	752 504		NUT - Flareless fitting (1/8")	AR	
-41	751 811		FERRULE - Flareless fitting, front (1/8")	AR	
-42	751 812		FERRULE - Flareless fitting, rear (1/8")	AR	
-43	752 505		NUT - Flareless fitting (1/4")	AR	
-44	751 813		FERRULE - Flareless fitting, front (1/4")	AR	
-45	751 814		FERRULE - Flareless fitting, rear (1/4")	AR	
-46	31978-14		LINE - Oxygen, low pressure	1	
-47	31978-26		LINE - Oxygen, low pressure	1	
-48	31978-29		LINE - Oxygen, low pressure	1	
-49	25568-22		LINE - Oxygen, low pressure	1	
-50	31978-04		LINE - Oxygen, low pressure	2	
-51	25568-23		LINE - Oxygen, low pressure	1	
-52	25568-03		LINE - Oxygen, low pressure	1	
-53	25568-11		LINE - Oxygen, low pressure	1	
-54	22369-38		TUBE - Oxygen low pressure line protector	1	
-55	757 062		KNOB - Control cable	1	
-56	19802-05		PLATE ASSEMBLY - Access	1	
-57	25394-00		PLATE - Doubler	1	
-58	25603-00		PLACARD - Reinforcement	1	
-59	25697-00		PLATE ASSEMBLY - Mounting	1	
-60	22369-32		TUBE	1	
-61	24623-00		TUBE ASSEMBLY	1	
-62	454 833		CLAMP - (SAE 6)	2	
-63	32253-02		COVER - Oxygen bottle regulator, beige	1	27-3837, 27-3944 to 27-7554168 inclusive
	33841-02		COVER - Oxygen bottle regulator	1	27-7654001 to 27-7754162 incl
	33836-02		COVER - Oxygen bottle regulator	1	27-7854001 and up
-64	756 326		TUBE ASSEMBLY - High pressure	1	
-65	755 946		* "O" RING - Tube assembly	1	
			A - Nuts and ferrules supplied with fitting		

When ordering, always specify Part Number, Description and Serial Number of Aircraft

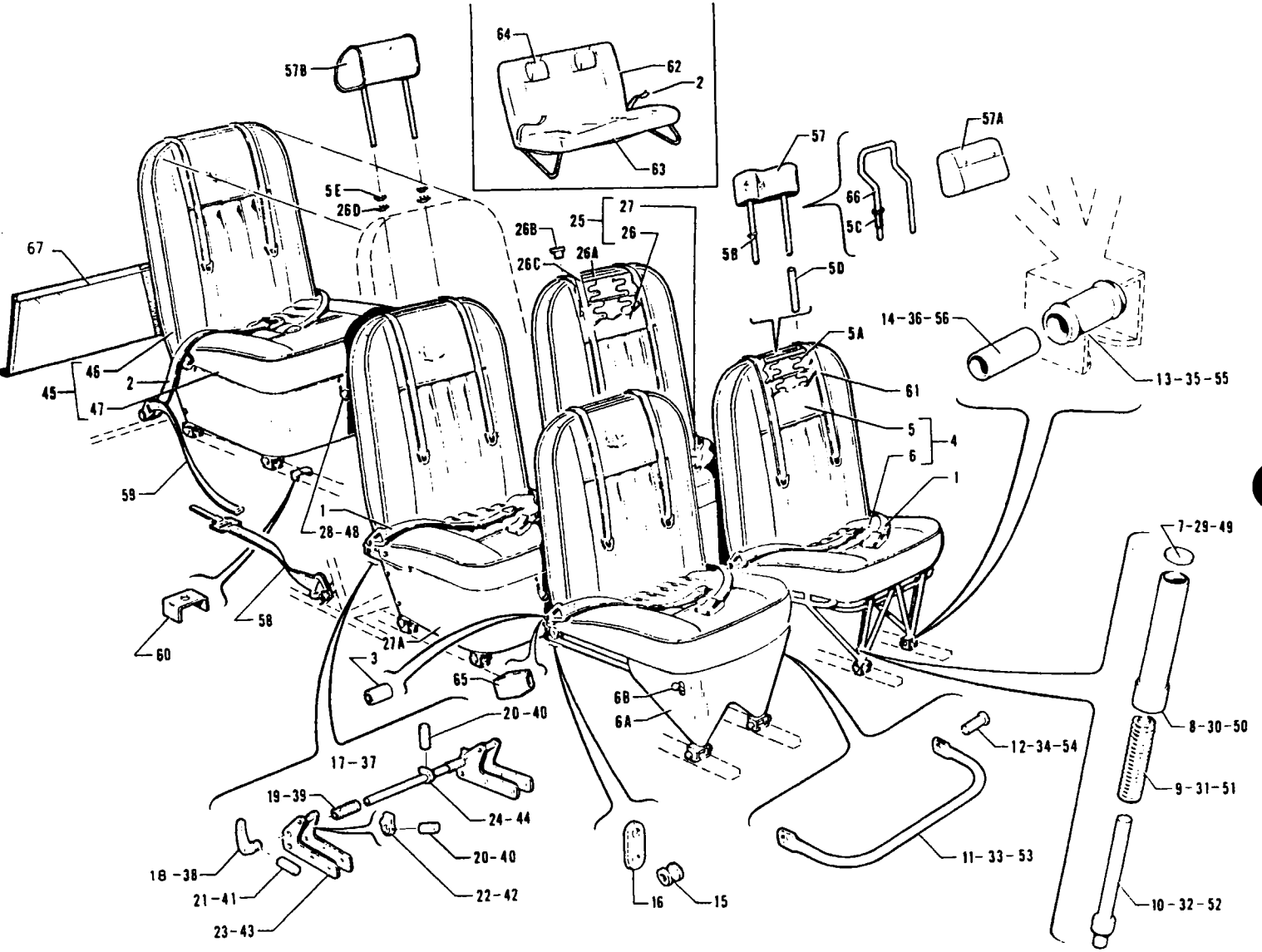


Figure 17. Seats Installation
(Serial Nos. 27-1 to 27-3836, 27-3838 to 27-3943 inclusive)



Figure and Index Number	Part Number	Code	NOMENCLATURE	No. Req.	SERIAL NUMBERS AFFECTED
17-	16470 30765	X,Z Y	DRAWING - Seats Installation DRAWING - Seats Installation		
-1	13947-30		BELT ASSEMBLY - Safety, front and center seat, gray (friction buckle)	4	27-1 to 27-2504 inclusive
	13947-49		BELT ASSEMBLY - Safety, front and center seat, green (friction buckle)	4	27-1 to 27-2504 inclusive
	13947-43		BELT ASSEMBLY - Safety, front and center seat, brown (friction buckle)	4	27-1 to 27-2504 inclusive
	13947-71	Y	BELT ASSEMBLY - Safety, front and center seat, red (friction buckle)	4	
	13947-87	Y	BELT ASSEMBLY - Safety, front and center seat, brown (friction buckle)	4	27-2505 to 27-3836 inclusive, 27-3838 to 27-3943 inclusive
	13947-88	Y	BELT ASSEMBLY - Safety, front and center seat, blue (friction buckle)	4	
	13947-89	Y	BELT ASSEMBLY - Safety, front and center seat, maroon (friction buckle)	4	
	13947-90	Y	BELT ASSEMBLY - Safety, front and center seat, black (friction buckle)	4	
	25801-05	Y	BELT ASSEMBLY - Safety, front and center seat, black (metal to metal buckle)	4	
	25801-06	Y	BELT ASSEMBLY - Safety, front and center seat, blue (metal to metal buckle)	4	
	25801-07	Y	BELT ASSEMBLY - Safety, front and center seat, fawn (metal to metal buckle)	4	
-2	13947-33		BELT ASSEMBLY - Safety, rear seat, gray (friction buckle)	2	27-1 to 27-2504 inclusive
	13947-52		BELT ASSEMBLY - Safety, rear seat, green (friction buckle)	2	27-1 to 27-2504 inclusive
	13947-46		BELT ASSEMBLY - Safety, rear seat, brown (friction buckle)	2	
	13947-62	Y	BELT ASSEMBLY - Safety, rear seat, red (friction buckle)	2	
	13947-68	Y	BELT ASSEMBLY - Safety, rear seat, blue (friction buckle)	2	
	13947-75	Y	BELT ASSEMBLY - Safety, rear seat, maroon (friction buckle)	2	
	25801-02	Y	BELT ASSEMBLY - Safety, rear seat, black (metal to metal buckle)	2	
	25801-03	Y	BELT ASSEMBLY - Safety, rear seat, blue (metal to metal buckle)	2	
	25801-04	Y	BELT ASSEMBLY - Safety, rear seat, fawn (metal to metal buckle)	2	
-3	14175-50		BUSHING	4	

X - Used on PA-23-250 airplanes only.
Y - Used on PA-23-250 (Six Place) airplanes only.
Z - Used on PA-23-235 airplanes only.

When ordering, always specify Part Number, Description and Serial Number of Aircraft

SECTION II
Fuselage Group



SEATS INSTALLATION
(Serial Nos. 27-1 to 27-3836, 27-3838 to 27-3943)

Figure and Index Number	Part Number	Code	NOMENCLATURE	No. Req.	SERIAL NUMBERS AFFECTED
17-4	16450-02	AX	SEAT ASSEMBLY - Front, left	1	
	16450-03	AX	SEAT ASSEMBLY - Front, right	1	
	19934-02	AY	SEAT ASSEMBLY - Front, left	1	27-2000 to 27-2332 inclusive
	19934-03	AY	SEAT ASSEMBLY - Front, right	1	27-2000 to 27-2332 inclusive
	19934-34	AY	SEAT ASSEMBLY - Front, left	1	27-2333 to 27-2436 inclusive
	19934-33	AY	SEAT ASSEMBLY - Front, right	1	27-2333 to 27-2436 inclusive
	19934-34	AZ	SEAT ASSEMBLY - Front, left	1	
	19934-33	AZ	SEAT ASSEMBLY - Front, right	1	
	19934-42	BY	SEAT ASSEMBLY - Front, left	1	27-2333 to 27-2436 inclusive
	19934-41	BY	SEAT ASSEMBLY - Front, right	1	27-2333 to 27-2436 inclusive
	19934-50	BCY	SEAT ASSEMBLY - Front, left	1	27-2437 to 27-2504 inclusive
	19934-49	BCY	SEAT ASSEMBLY - Front, right	1	27-2437 to 27-2504 inclusive
	19934-72	BDY	SEAT ASSEMBLY - Front, left	1	27-2437 to 27-2504 inclusive
	19934-71	BDY	SEAT ASSEMBLY - Front, right	1	27-2437 to 27-2504 inclusive
	19934-78	CY	SEAT ASSEMBLY - Front, left, tan	1	27-2437 to 27-2504 inclusive
	19934-77	CY	SEAT ASSEMBLY - Front, right, tan	1	27-2437 to 27-2504 inclusive
	19934-84	DY	SEAT ASSEMBLY - Front, left, tan	1	27-2437 to 27-2504 inclusive
	19934-83	DY	SEAT ASSEMBLY - Front, right, tan	1	27-2437 to 27-2504 inclusive
	31562-00	EFY	SEAT ASSEMBLY - Front, left	1	27-2505 to 27-2980 inclusive
	31562-01	EFY	SEAT ASSEMBLY - Front, right	1	27-2505 to 27-2980 inclusive
	31562-02	CEY	SEAT ASSEMBLY - Front, left	1	27-2505 to 27-3049 inclusive, 27-3051 to 27-3153 inclusive
	31562-03	CEY	SEAT ASSEMBLY - Front, right	1	27-2505 to 27-3049 inclusive, 27-3051 to 27-3153 inclusive
	31562-04	EFY	SEAT ASSEMBLY - Front, left	1	27-2981 to 27-3049 inclusive, 27-3051 to 27-3153 inclusive
	31562-05	EFY	SEAT ASSEMBLY - Front, right	1	27-2981 to 27-3049 inclusive, 27-3051 to 27-3153 inclusive
	32074-02	FGHY	SEAT ASSEMBLY - Front, left	1	
	32074-03	FGHY	SEAT ASSEMBLY - Front, right	1	
	32074-04	CGHY	SEAT ASSEMBLY - Front, left	1	
32074-05	CGHY	SEAT ASSEMBLY - Front, right	1		

- A - When ordering, specify color gray, green or brown
- B - When ordering, specify color red or blue.
- C - All leather
- D - Leather with cloth insert
- E - When ordering, specify color red, blue or russet
- F - Vinyl with cloth insert
- G - When ordering, specify color red, blue, russet, dark blue, maroon, brown, gold or black.
- H - Used on PA-23-250 (Six Place) with serial numbers 27-3050, 27-3154 to 27-3836 inclusive, 27-3838 to 27-3943 inclusive.
- X - Used on PA-23-250 airplanes only.
- Y - Used on PA-23-250 (Six Place) airplanes only
- Z - Used on PA-23-235 airplanes only.

When ordering, always specify Part Number, Description and Serial Number of Aircraft



Figure and Index Number	Part Number	Code	NOMENCLATURE	No. Req.	SERIAL NUMBERS AFFECTED
17-5	16450-71	AX	CUSHION AND FRAME ASSEMBLY - Front seat back, left	1	
	16450-48	AX	CUSHION AND FRAME ASSEMBLY - Front seat back, right	1	
	19934-22	AY	CUSHION AND FRAME ASSEMBLY - Front seat back, left	1	27-2000 to 27-2332 inclusive
	19934-23	AY	CUSHION AND FRAME ASSEMBLY - Front seat back, right	1	27-2000 to 27-2332 inclusive
	19934-38	AY	CUSHION AND FRAME ASSEMBLY - Front seat back, left	1	27-2333 to 27-2436 inclusive
	19934-37	AY	CUSHION AND FRAME ASSEMBLY - Front seat back, right	1	27-2333 to 27-2436 inclusive
	19934-38	AZ	CUSHION AND FRAME ASSEMBLY - Front seat back, left	1	
	19934-37	AZ	CUSHION AND FRAME ASSEMBLY - Front seat back, right	1	
	19934-46	BY	CUSHION AND FRAME ASSEMBLY - Front seat back, left	1	27-2333 to 27-2436 inclusive
	19934-45	BY	CUSHION AND FRAME ASSEMBLY - Front seat back, right	1	27-2333 to 27-2436 inclusive
	19934-58	BCY	CUSHION AND FRAME ASSEMBLY - Front seat back, left	1	27-2437 to 27-2504 inclusive
	19934-59	BCY	CUSHION AND FRAME ASSEMBLY - Front seat back, right	1	27-2437 to 27-2504 inclusive
	19934-76	BDY	CUSHION AND FRAME ASSEMBLY - Front seat back, left	1	27-2437 to 27-2504 inclusive
	19934-75	BDY	CUSHION AND FRAME ASSEMBLY - Front seat back, right	1	27-2437 to 27-2504 inclusive
	19934-82	CY	CUSHION AND FRAME ASSEMBLY - Front seat back, left, tan	1	27-2437 to 27-2504 inclusive
	19934-81	CY	CUSHION AND FRAME ASSEMBLY - Front seat back, right, tan	1	27-2437 to 27-2504 inclusive
	19934-88	DY	CUSHION AND FRAME ASSEMBLY - Front seat back, left, tan	1	27-2437 to 27-2504 inclusive
	19934-87	DY	CUSHION AND FRAME ASSEMBLY - Front seat back, right, tan	1	27-2437 to 27-2504 inclusive
	31395-00	EFY	CUSHION AND FRAME ASSEMBLY - Front seat back	2	27-2505 to 27-2980 inclusive
	31685-00	CEY	CUSHION AND FRAME ASSEMBLY - Front seat back	2	27-2505 to 27-3049 inclusive, 27-3051 to 27-3153 inclusive
31395-08	EFY	CUSHION AND FRAME ASSEMBLY - Front seat back	2	27-2981 to 27-3049 inclusive, 27-3051 to 27-3153 inclusive	

- A - When ordering, specify color gray, green or brown.
- B - When ordering, specify color red or blue.
- C - All leather
- D - Leather with cloth insert
- E - When ordering, specify color red, blue or russet.
- F - Vinyl with cloth insert.
- X - Used on PA-23-250 airplanes only.
- Y - Used on PA-23-250 (Six Place) airplanes only.
- Z - Used on PA-23-235 airplanes only

When ordering, always specify Part Number, Description and Serial Number of Aircraft

SECTION II
Fuselage Group



SEATS INSTALLATION
(Serial Nos 27-1 to 27-3836, 27-3838 to 27-3943)

Figure and Index Number	Part Number	Code	NOMENCLATURE	No. Req.	SERIAL NUMBERS AFFECTED
17-5	32090-02	DEFY	CUSHION AND FRAME ASSEMBLY - Front seat back	2	
	32090-03	CDEY	CUSHION AND FRAME ASSEMBLY - Front seat back	2	
-5a	19388-02		FRAME ASSEMBLY - Seat back	1	27-1 to 27-2504 inclusive
	31233-00	Y	FRAME ASSEMBLY - Seat back	1	27-2505 to 27-3049 inclusive, 27-3051 to 27-3153 inclusive
	25233-09	EY	FRAME ASSEMBLY - Seat back	1	
-5b	19402-00	XZ	BUSHING - Headrest trim (3/4" I.D.)	2	27-1 to 27-598 inclusive
	19402-00	Y	BUSHING - Headrest trim (3/4" I.D.)	2	27-2000 to 27-2436 inclusive
-5c	24246-00	Z	BUSHING - Headrest trim (3/8" I.D.)	2	27-599 and up
	24246-00	Y	BUSHING - Headrest trim (3/8" I.D.)	2	27-2437 to 27-3836 inclusive, 27-3838 to 27-3943 inclusive
-5d	86062-92		TUBE - Seat back	2	27-1 to 27-3049 inclusive, 27-3051 to 27-3153 inclusive
	25233-06	EY	TUBE - Seat back	2	
-5e	463 411	EY	GROMMET (#3) AND WASHER	2	
-6	16450-40	AX	CUSHION AND FRAME ASSEMBLY - Front seat, bottom, left	1	
	16450-41	AX	CUSHION AND FRAME ASSEMBLY - Front seat, bottom, right	1	
	19934-20	AY	CUSHION AND FRAME ASSEMBLY - Front seat, bottom, left	1	27-2000 to 27-2332 inclusive
	19934-21	AY	CUSHION AND FRAME ASSEMBLY - Front seat, bottom, right	1	27-2000 to 27-2332 inclusive
	19934-36	AZ	CUSHION AND FRAME ASSEMBLY - Front seat, bottom, left	1	
	19934-35	AZ	CUSHION AND FRAME ASSEMBLY - Front seat, bottom, right	1	
	19934-36	AY	CUSHION AND FRAME ASSEMBLY - Front seat, bottom, left	1	27-2333 to 27-2436 inclusive
	19934-35	AY	CUSHION AND FRAME ASSEMBLY - Front seat, bottom, right	1	27-2333 to 27-2436 inclusive
	19934-44	BY	CUSHION AND FRAME ASSEMBLY - Front seat, bottom, left	1	27-2333 to 27-2436 inclusive
	19934-43	BY	CUSHION AND FRAME ASSEMBLY - Front seat, bottom, right	1	27-2333 to 27-2436 inclusive
	19934-52	BCY	CUSHION AND FRAME ASSEMBLY - Front seat, bottom, left	1	27-2437 to 27-2504 inclusive
	19934-51	BCY	CUSHION AND FRAME ASSEMBLY - Front seat, bottom, right	1	27-2437 to 27-2504 inclusive

A - When ordering, specify color gray, green or brown.
 B - When ordering, specify color red or blue.
 C - All leather.
 D - When ordering, specify color red, blue, russet, dark blue, maroon, brown, gold or black
 E - Used on PA-23-250 (Six Place) with serial numbers 27-3050, 27-3154 to 27-3836 inclusive, 27-3838 to 27-3943 inclusive.
 F - Vinyl with cloth insert
 X - Used on PA-23-250 airplanes only.
 Y - Used on PA-23-250 (Six Place) airplanes only
 Z - Used on PA-23-235 airplanes only

When ordering, always specify Part Number, Description and Serial Number of Aircraft



Figure and Index Number	Part Number	Code	NOMENCLATURE	No. Req.	SERIAL NUMBERS AFFECTED
17-6	19934-74	GHY	CUSHION AND FRAME ASSEMBLY - Front seat, bottom, left	1	27-2437 to 27-2504 inclusive
	19934-73	GHY	CUSHION AND FRAME ASSEMBLY - Front seat, bottom, right	1	27-2437 to 27-2504 inclusive
	19934-80	CY	CUSHION AND FRAME ASSEMBLY - Front seat, bottom, left, tan	1	27-2437 to 27-2504 inclusive
	19934-79	CY	CUSHION AND FRAME ASSEMBLY - Front seat, bottom, right, tan	1	27-2437 to 27-2504 inclusive
	19934-86	HY	CUSHION AND FRAME ASSEMBLY - Front seat, bottom, left, tan	1	27-2437 to 27-2504 inclusive
	19934-85	HY	CUSHION AND FRAME ASSEMBLY - Front seat, bottom, right, tan	1	27-2437 to 27-2504 inclusive
	31556-02	BDY	CUSHION AND FRAME ASSEMBLY - Front seat, bottom, left	1	27-2505 to 27-3049 inclusive, 27-3051 to 27-3153 inclusive
	31556-03	BDY	CUSHION AND FRAME ASSEMBLY - Front seat, bottom, right	1	27-2505 to 27-3049 inclusive, 27-3051 to 27-3153 inclusive
	31556-04	BCY	CUSHION AND FRAME ASSEMBLY - Front seat, bottom, left	1	27-2505 to 27-3049 inclusive, 27-3051 to 27-3153 inclusive
	31556-05	BCY	CUSHION AND FRAME ASSEMBLY - Front seat, bottom, right	1	27-2505 to 27-3049 inclusive, 27-3051 to 27-3153 inclusive
	32100-02	ADEY	CUSHION AND FRAME ASSEMBLY - Front seat, bottom, left	1	
	32100-03	ADEY	CUSHION AND FRAME ASSEMBLY - Front seat, bottom, right	1	
	32100-04	ACEY	CUSHION AND FRAME ASSEMBLY - Front seat, bottom, left	1	
	32100-05	ACEY	CUSHION AND FRAME ASSEMBLY - Front seat, bottom, right	1	
-6a	31557-02	AFY	SKIRT ASSEMBLY - Front seat, left	1	
	31557-05	AFY	SKIRT ASSEMBLY - Front seat, right	1	
-6b	31489-00		KNOB - Chrome, seat release	1	27-2505 to 27-3049 inclusive, 27-3051 to 27-3153 inclusive
	471 093	E	KNOB - (#222) 3/4" White	2	
-7	85012-30		WASHER	2	
-8	86102-56		BUSHING	2	
-9	50111-00		SPRING - Plunger, seat bottom	2	
-10	12073-00		PLUNGER ASSEMBLY-- Front seat catch	2	

A - When ordering, specify color red, blue, russet, dark blue, maroon, brown, gold or black
 B - When ordering, specify color red, blue or russet
 C - All leather
 D - Vinyl with cloth insert
 E - Used on PA-23-250 (Six Place) with serial numbers 27-3050, 27-3154 to 27-3836, 27-3838 to 27-3943
 F - Used on PA-23-250 (Six Place) with serial numbers 27-2505 to 27-3836, 27-3838 to 27-3943 inclusive
 G - When ordering, specify color red or blue
 H - Leather with cloth insert
 Y - Used on PA-23-250 (Six Place) airplanes only.

When ordering, always specify Part Number, Description and Serial Number of Aircraft



Figure and Index Number	Part Number	Code	NOMENCLATURE	No. Req.	SERIAL NUMBERS AFFECTED
17-11	17492-00	GY	HANDLE - Front seat catch release	1	27-1 to 27-2504 inclusive
	31250-02		HANDLE - Front seat catch release	1	
-12	424 187		PIN - (AN393-37)	2	
-13	18968-00		ROLLER	2	
-14	41413-38		BUSHING	2	
-15	18081-00		ROLLER	2	
-16	19394-00		PLATE - Front seat roller retainer	2	
-17	19392-12		TUBE ASSEMBLY - Reclining mechanism, left	1	
	32136-00		TUBE ASSEMBLY - Reclining mechanism, left	1	
	19392-13		TUBE ASSEMBLY - Reclining mechanism, right	1	
	32136-01		TUBE ASSEMBLY - Reclining mechanism, right	1	
-18	19455-00		HANDLE - Seat back adjustment	1	
-19	19336-00		SPRING - Seat back adjustment, left	1	
	19336-01		SPRING - Seat back adjustment, right	1	
-20	480 701		PIN - Roll (#59-028-125-0625)	3	
-21	480 683		PIN - Roll (#59-028-125-0687)	1	
-22	19365-00		CAM - Reclining seat	2	
-23	19359-00	BRACKET ASSEMBLY - Reclining seat	2		
-24	19304-00	STOP - Seat back	1		
-25	16481-02	AX SEAT ASSEMBLY - Center, left	1		
	16481-03	AX SEAT ASSEMBLY - Center, right	1		
	19937-02	AY SEAT ASSEMBLY - Center, left	1		
	19937-03	AY SEAT ASSEMBLY - Center, right	1		
	19937-06	AY SEAT ASSEMBLY - Center, left	1		
	19937-07	AY SEAT ASSEMBLY - Center, right	1		
	19937-06	AZ SEAT ASSEMBLY - Center, left	1		
	19937-07	AZ SEAT ASSEMBLY - Center, right	1		
	19937-10	BCY SEAT ASSEMBLY - Center, left	1		
	19937-11	BCY SEAT ASSEMBLY - Center, right	1		
	19937-12	BDY SEAT ASSEMBLY - Center, left	1		
	19937-13	BDY SEAT ASSEMBLY - Center, right	1		
	19937-16	BCY SEAT ASSEMBLY - Center, left	1		
	19937-17	BCY SEAT ASSEMBLY - Center, right	1		
	19937-20	BDY SEAT ASSEMBLY - Center, left	1		
	19937-21	BDY SEAT ASSEMBLY - Center, right	1		
	19937-24	CY SEAT ASSEMBLY - Center, left, tan	1		
	19937-25	CY SEAT ASSEMBLY - Center, right, tan	1		
	19937-28	DY SEAT ASSEMBLY - Center, left, tan	1		
	19937-29	DY SEAT ASSEMBLY - Center, right, tan	1		
	31561-00	EFY SEAT ASSEMBLY - Center, left	1		
	31561-01	EFY SEAT ASSEMBLY - Center, right	1		

- A - When ordering, specify color gray, green or brown.
- B - When ordering, specify color red or blue.
- C - All leather
- D - Leather with cloth insert
- E - When ordering, specify color red, blue or russet
- F - Vinyl with cloth insert
- G - Used on PA-23-250 (Six Place) with serial numbers 27-2505 to 27-3836, 27-3838 to 27-3943 inclusive
- H - Used on PA-23-250 (Six Place) with serial numbers 27-3050, 27-3154 to 27-3836, 27-3838 to 27-3943
- X - Used on PA-23-250 airplanes only
- Y - Used on PA-23-250 (Six Place) airplanes only
- Z - Used on PA-23-235 airplanes only

When ordering, always specify Part Number, Description and Serial Number of Aircraft



Figure and Index Number	Part Number	Code	NOMENCLATURE	No Req	SERIAL NUMBERS AFFECTED
17-25	31561-02	CEY	SEAT ASSEMBLY - Center, left	1	27-2505 to 27-3049 inclusive, 27-3051 to 27-3153 inclusive
	31561-03	CEY	SEAT ASSEMBLY - Center, right	1	27-2505 to 27-3049 inclusive, 27-3051 to 27-3153 inclusive
	31561-04	EFY	SEAT ASSEMBLY - Center, left	1	27-2981 to 27-3049 inclusive, 27-3051 to 27-3153 inclusive
	31561-05	EFY	SEAT ASSEMBLY - Center, right	1	27-2981 to 27-3049 inclusive, 27-3051 to 27-3153 inclusive
	32075-02	FGHY	SEAT ASSEMBLY - Center, left	1	
	32075-03	FGHY	SEAT ASSEMBLY - Center, right	1	
	32075-04	CGHY	SEAT ASSEMBLY - Center, left	1	
	32075-05	CGHY	SEAT ASSEMBLY - Center, right	1	
-26	16450-48	AX	CUSHION AND FRAME ASSEMBLY - Center seat, back	1	
	19934-23	AY	CUSHION AND FRAME ASSEMBLY - Center seat, back	1	27-2000 to 27-2332 inclusive
	19934-37	AY	CUSHION AND FRAME ASSEMBLY - Center seat, back	1	27-2333 to 27-2436 inclusive
	19934-37	AZ	CUSHION AND FRAME ASSEMBLY - Center seat, back	1	
	19934-23	BCY	CUSHION AND FRAME ASSEMBLY - Center seat, back	1	27-2333 to 27-2436 inclusive
	19934-45	BCY	CUSHION AND FRAME ASSEMBLY - Center seat, back	1	27-2333 to 27-2436 inclusive
	19934-59	BDY	CUSHION AND FRAME ASSEMBLY - Center seat, back	1	27-2437 to 27-2504 inclusive
	19934-75	BDY	CUSHION AND FRAME ASSEMBLY - Center seat, back	1	27-2437 to 27-2504 inclusive
	19934-81	CY	CUSHION AND FRAME ASSEMBLY - Center seat, back, tan	1	27-2437 to 27-2504 inclusive
	19934-87	DY	CUSHION AND FRAME ASSEMBLY - Center seat, back, tan	1	27-2437 to 27-2504 inclusive
	31395-00	EFY	CUSHION AND FRAME ASSEMBLY - Center seat, back	1	27-2505 to 27-2980 inclusive
	31685-00	CEY	CUSHION AND FRAME ASSEMBLY - Center seat, back	1	27-2505 to 27-3049 inclusive, 27-3051 to 27-3153 inclusive
	31395-08	EFY	CUSHION AND FRAME ASSEMBLY - Center seat, back	1	27-2981 to 27-3049 inclusive, 27-3051 to 27-3153 inclusive
	32090-02	FGHY	CUSHION AND FRAME ASSEMBLY - Center seat, back	1	
	32090-03	CGHY	CUSHION AND FRAME ASSEMBLY - Center seat, back	1	
-26a	19388-02		FRAME ASSEMBLY - Seat back	1	27-1 to 27-2504 inclusive
	31233-00	Y	FRAME ASSEMBLY - Seat back	1	27-2505 to 27-3049 inclusive, 27-3051 to 27-3153 inclusive
-26b	25233-09	HY	FRAME ASSEMBLY - Seat back	1	
	19402-00	XZ	BUSHING - Headrest trim (3/4" I.D.)	2	27-1 to 27-598 inclusive
	19402-00	Y	BUSHING - Headrest trim (3/4" I.D.)	2	27-2000 to 27-2436 inclusive
	24246-00	Z	BUSHING - Headrest trim (3/8" I.D.)	2	27-599 and up
	24246-00	Y	BUSHING - Headrest trim (3/8" I.D.)	2	27-2437 to 27-3836 inclusive, 27-3838 to 27-3943 inclusive

- A - When ordering, specify color gray, green or brown
- B - When ordering, specify color red or blue
- C - All leather
- D - Leather with cloth insert
- E - When ordering, specify color red, blue or russet.
- F - Vinyl with cloth insert
- G - When ordering, specify color red, blue, russet, dark blue, maroon, brown, gold or black
- H - Used on PA-23-250 (Six Place) with serial numbers 27-3050, 27-3154 to 27-3836 inclusive, 27-3838 to 27-3943 inclusive
- X - Used on PA-23-250 airplanes only
- Y - Used on PA-23-250 (Six Place) airplanes only.
- Z - Used on PA-23-235 airplanes only

When ordering, always specify Part Number, Description and Serial Number of Aircraft

SECTION II
Fuselage Group



SEATS INSTALLATION
(Serial Nos 27-1 to 27-3836, 27-3838 to 27-3943)

Figure and Index Number	Part Number	Code	NOMENCLATURE	No. Req.	SERIAL NUMBERS AFFECTED
17-26c	86062-92		TUBE - Seat back	2	27-1 to 27-3049 inclusive, 27-3051 to 27-3153 inclusive
	25233-06	EY	TUBE - Seat back	2	
-26d	463 411	EY	GROMMET (#3) AND WASHER	2	
-27	16481-10	AX	CUSHION AND FRAME ASSEMBLY - Center seat, bottom, left	1	
	16481-11	AX	CUSHION AND FRAME ASSEMBLY - Center seat, bottom, right	1	
	19937-04	AY	CUSHION AND FRAME ASSEMBLY - Center seat, bottom, left	1	27-2000 to 27-2332 inclusive
	19937-05	AY	CUSHION AND FRAME ASSEMBLY - Center seat, bottom, right	1	27-2000 to 27-2332 inclusive
	19937-08	AY	CUSHION AND FRAME ASSEMBLY - Center seat, bottom, left	1	27-2333 to 27-2436 inclusive
	19937-09	AY	CUSHION AND FRAME ASSEMBLY - Center seat, bottom, right	1	27-2333 to 27-2436 inclusive
	19937-08	AZ	CUSHION AND FRAME ASSEMBLY - Center seat, bottom, left	1	
	19937-09	AZ	CUSHION AND FRAME ASSEMBLY - Center seat, bottom, right	1	
	19937-04	BCY	CUSHION AND FRAME ASSEMBLY - Center seat, bottom, left	1	27-2333 to 27-2436 inclusive
	19937-05	BCY	CUSHION AND FRAME ASSEMBLY - Center seat, bottom, right	1	27-2333 to 27-2436 inclusive
	19937-14	BDY	CUSHION AND FRAME ASSEMBLY - Center seat, bottom, left	1	27-2333 to 27-2436 inclusive
	19937-15	BDY	CUSHION AND FRAME ASSEMBLY - Center seat, bottom, right	1	27-2333 to 27-2436 inclusive
	19937-18	BCY	CUSHION AND FRAME ASSEMBLY - Center seat, bottom, left	1	27-2437 to 27-2504 inclusive
	19937-19	BCY	CUSHION AND FRAME ASSEMBLY - Center seat, bottom, right	1	27-2437 to 27-2504 inclusive
	19937-22	BDY	CUSHION AND FRAME ASSEMBLY - Center seat, bottom, left	1	27-2437 to 27-2504 inclusive
	19937-23	BDY	CUSHION AND FRAME ASSEMBLY - Center seat, bottom, right	1	27-2437 to 27-2504 inclusive
	19937-26	CY	CUSHION AND FRAME ASSEMBLY - Center seat, bottom, left, tan	1	27-2437 to 27-2504 inclusive
	19937-27	CY	CUSHION AND FRAME ASSEMBLY - Center seat, bottom, right, tan	1	27-2437 to 27-2504 inclusive

- A - When ordering, specify color gray, green or brown
- B - When ordering, specify color red or blue
- C - All leather
- D - Leather with cloth insert
- E - Used on PA-23-250 (Six Place) with serial numbers 27-3050, 27-3154 to 27-3836 inclusive, 27-3838 to 27-3943 inclusive
- X - Used on PA-23-250 airplanes only
- Y - Used on PA-23-250 (Six Place) airplanes only
- Z - Used on PA-23-235 airplanes only

When ordering, always specify Part Number, Description and Serial Number of Aircraft



Figure and Index Number	Part Number	Code	NOMENCLATURE	No. Req.	SERIAL NUMBERS AFFECTED
17-27	19937-30	JY	CUSHION AND FRAME ASSEMBLY - Center seat, bottom, left, tan	1	27-2437 to 27-2504 inclusive
	19937-31	JY	CUSHION AND FRAME ASSEMBLY - Center seat, bottom, right, tan	1	27-2437 to 27-2504 inclusive
	31330-02	EFY	CUSHION AND FRAME ASSEMBLY - Center seat, bottom, left	1	27-2505 to 27-3049 inclusive, 27-3051 to 27-3153 inclusive
	31330-03	EFY	CUSHION AND FRAME ASSEMBLY - Center seat, bottom, right	1	27-2505 to 27-3049 inclusive, 27-3051 to 27-3153 inclusive
	31330-12	CEY	CUSHION AND FRAME ASSEMBLY - Center seat, bottom, left	1	27-2505 to 27-3049 inclusive, 27-3051 to 27-3153 inclusive
	31330-13	CEY	CUSHION AND FRAME ASSEMBLY - Center seat, bottom, right	1	27-2505 to 27-3049 inclusive, 27-3051 to 27-3153 inclusive
	32101-02	AFGY	CUSHION AND FRAME ASSEMBLY - Center seat, bottom, left	1	
	32101-03	AFGY	CUSHION AND FRAME ASSEMBLY - Center seat, bottom, right	1	
	32101-04	ACGY	CUSHION AND FRAME ASSEMBLY - Center seat, bottom, left	1	
	32101-05	ACGY	CUSHION AND FRAME ASSEMBLY - Center seat, bottom, right	1	
-27a	18848-27	BH	SKIRT ASSEMBLY - Center seat	1	
	18848-29	H	SKIRT ASSEMBLY - Center seat, russet	1	
	18848-31	D	SKIRT ASSEMBLY - Center seat	1	27-3197 to 27-3836 inclusive, 27-3838 to 27-3943 inclusive
-28	471 075		KNOB - (#222) Gray	1	27-1 to 27-2504 inclusive
	31489-00	Y	KNOB - Chrome	1	27-2505 to 27-3049 inclusive, 27-3051 to 27-3153 inclusive
	471 093	GY	KNOB - (#222) 3/4" White	2	
-29	85012-30		WASHER	2	
-30	86102-56		BUSHING	2	
-31	50111-00		SPRING - Plunger, seat bottom	2	
-32	12073-00		PLUNGER ASSEMBLY - Seat bottom	2	
-33	18788-00		HANDLE - Seat catch release	1	
-34	424 187		PIN - (AN393-37)	2	
-35	18968-00		ROLLER - Seat	4	
-36	41413-38		BUSHING	4	

A - When ordering, specify color red, blue, russet, dark blue, maroon, brown, gold or black
 B - When ordering, specify color red or blue.
 C - All leather
 D - When ordering, specify color dark blue, gold, black, maroon or brown
 E - When ordering, specify color red, blue or russet
 F - Vinyl with cloth insert
 G - Used on PA-23-250 (Six Place) with serial numbers 27-3050, 27-3154 to 27-3836, 27-3838 to 27-3943.
 H - Used on PA-23-250 (Six Place) with serial numbers 27-2505 to 27-3836, 27-3838 to 27-3943 inclusive
 J - Leather with cloth insert.
 Y - Used on PA-23-250 (Six Place) airplanes only.

When ordering, always specify Part Number, Description and Serial Number of Aircraft

SECTION II
Fuselage Group



SEATS INSTALLATION
(Serial Nos. 27-1 to 27-3836, 27-3838 to 27-3943)

Figure and Index Number	Part Number	Code	NOMENCLATURE	No. Req.	SERIAL NUMBERS AFFECTED
17-37	19392-12		TUBE ASSEMBLY - Reclining mechanism, left	1	27-1 to 27-3049 inclusive, 27-3051 to 27-3153 inclusive
	32136-00	C	TUBE ASSEMBLY - Reclining mechanism, left	1	
	19392-13		TUBE ASSEMBLY - Reclining mechanism, right	1	27-1 to 27-3049 inclusive, 27-3051 to 27-3153 inclusive
	32136-01	C	TUBE ASSEMBLY - Reclining mechanism, right	1	
-38	19455-00		HANDLE - Seat back adjustment	1	
-39	19336-00		SPRING - Seat back adjustment, left	1	
	19336-01		SPRING - Seat back adjustment, right	1	
-40	480 701		PIN - Roll (#59-028-125-0625)	3	
-41	480 683		PIN - Roll (#59-028-125-0687)	1	
-42	19365-00		CAM - Reclining seat	2	
-43	19359-00		BRACKET ASSEMBLY - Reclining seat	2	
-44	19304-00		STOP - Seat back	1	
-45	16499-02	ABX	SEAT ASSEMBLY - Rear	1	
	19935-05	ABZ	SEAT ASSEMBLY - Rear	1	
-46	16499-11	BX	CUSHION AND FRAME ASSEMBLY - Rear seat, back	1	
	19935-07	BZ	CUSHION AND FRAME ASSEMBLY - Rear seat, back	1	
-47	16499-07	BX	CUSHION AND FRAME ASSEMBLY - Rear seat, bottom	1	
	19935-06	BZ	CUSHION AND FRAME ASSEMBLY - Rear seat, bottom	1	
-48	471 075		KNOB - (#222) Gray	1	
-49	85012-30		WASHER	2	
-50	86102-56		BUSHING	2	
-51	50111-00		SPRING - Plunger, seat bottom	2	
-52	12073-00		PLUNGER ASSEMBLY - Seat bottom	2	
-53	18788-00		HANDLE - Seat catch release	1	
-54	424 187		PIN - (AN393-37)	2	
-55	18968-00		ROLLER - Seat	4	
-56	14175-43		BUSHING	4	
-57	16510-22	X	HEADREST ASSEMBLY - Gray	4	
	19943-02	YZ	HEADREST ASSEMBLY - Gray	4	27-505 to 27-598 inclusive, 27-2000 to 27-2299 inclusive
	19943-07	YZ	HEADREST ASSEMBLY - Brown	4	27-505 to 27-598 inclusive, 27-2000 to 27-2299 inclusive
	19943-08	YZ	HEADREST ASSEMBLY - Green	4	27-505 to 27-598 inclusive, 27-2000 to 27-2299 inclusive
	19943-17	Y	HEADREST ASSEMBLY - Red	4	27-2300 to 27-2436 inclusive
	19943-22	Y	HEADREST ASSEMBLY - Blue	4	27-2300 to 27-2436 inclusive

- A - Not used when oxygen system is installed
- B - When ordering, specify color red, blue, brown, gray, tan or green and airplane serial number
- C - Used on PA-23-250 (Six Place) with serial numbers 27-3050, 27-3154 to 27-3836 inclusive, 27-3838 to 27-3943 inclusive.
- X - Used on PA-23-250 airplanes only
- Y - Used on PA-23-250 (Six Place) airplanes only
- Z - Used on PA-23-235 airplanes only.

When ordering, always specify Part Number, Description and Serial Number of Aircraft

PIPER PARTS CATALOG

Figure and Index Number	Part Number	Code	NOMENCLATURE	No. Req.	SERIAL NUMBERS AFFECTED
17-57a	24247-02	Y	HEADREST ASSEMBLY - Red (leather)	4	27-2437 to 27-3049 inclusive, 27-3051 to 27-3153 inclusive
	24247-03	Y	HEADREST ASSEMBLY - Blue (leather)	4	27-2437 to 27-3049 inclusive, 27-3051 to 27-3153 inclusive
	24247-04	Y	HEADREST ASSEMBLY - Tan (leather)	4	27-2437 to 27-3049 inclusive, 27-3051 to 27-3153 inclusive
	24247-14	Y	HEADREST ASSEMBLY - Red (vinyl)	4	27-2505 to 27-3049 inclusive, 27-3051 to 27-3153 inclusive
	24247-15	Y	HEADREST ASSEMBLY - Blue (vinyl)	4	27-2505 to 27-3049 inclusive, 27-3051 to 27-3153 inclusive
	24247-16	Y	HEADREST ASSEMBLY - Russet (vinyl)	4	27-2505 to 27-3049 inclusive, 27-3051 to 27-3153 inclusive
	24247-26	Y	HEADREST ASSEMBLY - Russet (leather)	4	27-2505 to 27-3049 inclusive, 27-3051 to 27-3153 inclusive
	24247-04	Z	HEADREST ASSEMBLY - Tan (leather)	4	27-599 and up
	24247-30	Z	HEADREST ASSEMBLY - Gray (leather)	4	27-599 and up
	24247-34	Z	HEADREST ASSEMBLY - Green (leather)	4	27-599 and up
-57b	25223-30	B,Y	HEADREST ASSEMBLY - Red (vinyl)	4	
	25223-33	B,Y	HEADREST ASSEMBLY - Blue (vinyl)	4	
	25223-36	B,Y	HEADREST ASSEMBLY - Russet (vinyl)	4	
	25223-39	B,Y	HEADREST ASSEMBLY - Red (leather)	4	
	25223-42	B,Y	HEADREST ASSEMBLY - Blue (leather)	4	
	25223-45	B,Y	HEADREST ASSEMBLY - Russet (leather)	4	
	25223-02	C,Y	HEADREST ASSEMBLY - Maroon (vinyl)	4	
	25223-03	C,Y	HEADREST ASSEMBLY - Dark blue (vinyl)	4	
	25223-04	C,Y	HEADREST ASSEMBLY - Brown (vinyl)	4	
	25223-24	C,Y	HEADREST ASSEMBLY - Black (vinyl)	4	
	25223-48	C,Y	HEADREST ASSEMBLY - Gold (vinyl)	4	
	25223-12	C,Y	HEADREST ASSEMBLY - Maroon (leather)	4	
	25223-15	C,Y	HEADREST ASSEMBLY - Dark blue (leather)	4	
	25223-18	C,Y	HEADREST ASSEMBLY - Brown (leather)	4	
	25223-25	C,Y	HEADREST ASSEMBLY - Black (leather)	4	
25223-51	C,Y	HEADREST ASSEMBLY - Gold (leather)	4		
-58	17870-06	X	STRAP ASSEMBLY - Tie down, black	2	
	17870-08	X,Z	STRAP ASSEMBLY - Tie down, gray	1	
	17870-10	Z	STRAP ASSEMBLY - Tie down, brown	1	
-59	17871-06	X	STRAP ASSEMBLY - Tie down, black	2	
	17871-10	X,Z	STRAP ASSEMBLY - Tie down, gray	1	
	17871-12	Z	STRAP ASSEMBLY - Tie down, brown	1	
-60	18842-00	X,Z	STOP - Seat	5	
	18842-00	Y	STOP - Seat	4	
-61	18928-08	A,X	HARNESS ASSEMBLY - Shoulder, gray	5	
	18928-06	A,X,Z	HARNESS ASSEMBLY - Shoulder, black	5	
	18928-06	A,Y	HARNESS ASSEMBLY - Shoulder, black	4	

A - Optional equipment
 B - Used on PA-23-250 (Six Place) with serial numbers 27-3050, 27-3154 to 27-3836, 27-3838 to 27-3943
 C - Used on PA-23-250 (Six Place) with serial numbers 27-3197 to 27-3836, 27-3838 to 27-3943 inclusive
 X - Used on PA-23-250 airplanes only
 Y - Used on PA-23-250 (Six Place) airplanes only
 Z - Used on PA-23-235 airplanes only

When ordering, always specify Part Number, Description and Serial Number of Aircraft

PIPER PARTS CATALOG

Figure and Index Number	Part Number	Code	NOMENCLATURE	No. Req.	SERIAL NUMBERS AFFECTED
17-62	30754-00	B,Y	BACK ASSEMBLY - Rear seat, leather	1	27-2000 to 27-2332 inclusive
	30754-13	B,Y	BACK ASSEMBLY - Rear seat, leather and fabric	1	27-2333 to 27-2436 inclusive
	30754-16	C,Y	BACK ASSEMBLY - Rear seat, leather	1	27-2333 to 27-2436 inclusive
	30754-19	C,Y	BACK ASSEMBLY - Rear seat, leather and fabric	1	27-2333 to 27-2436 inclusive
	30754-23	C,Y	BACK ASSEMBLY - Rear seat, leather	1	27-2437 to 27-2504 inclusive
	30754-31	C,Y	BACK ASSEMBLY - Rear seat, leather and fabric	1	27-2437 to 27-2504 inclusive
	30754-33	Y	BACK ASSEMBLY - Rear seat, leather, tan	1	27-2437 to 27-2504 inclusive
	30754-35	Y	BACK ASSEMBLY - Rear seat, leather and fabric, tan	1	27-2437 to 27-2504 inclusive
	31570-00	A,Y	BACK ASSEMBLY - Rear seat (vinyl)	1	27-2505 to 27-3049 inclusive, 27-3051 to 27-3153 inclusive
	31570-12	A,Y	BACK ASSEMBLY - Rear seat (leather)	1	27-2505 to 27-3049 inclusive, 27-3051 to 27-3153 inclusive
	32105-02	D,E,Y	BACK ASSEMBLY - Rear seat (vinyl)	1	
	32105-03	D,E,Y	BACK ASSEMBLY - Rear seat (leather)	1	
-63	30755-00	B,Y	BOTTOM ASSEMBLY - Rear seat, leather	1	27-2000 to 27-2332 inclusive
	30755-11	B,Y	BOTTOM ASSEMBLY - Rear seat, leather and fabric	1	27-2333 to 27-2436 inclusive
	30755-13	C,Y	BOTTOM ASSEMBLY - Rear seat, leather	1	27-2333 to 27-2436 inclusive
	30755-15	C,Y	BOTTOM ASSEMBLY - Rear seat, leather and fabric	1	27-2333 to 27-2436 inclusive
	30755-18	C,Y	BOTTOM ASSEMBLY - Rear seat, leather	1	27-2437 to 27-2504 inclusive
	30755-25	C,Y	BOTTOM ASSEMBLY - Rear seat, leather and fabric	1	27-2437 to 27-2504 inclusive
	30755-27	Y	BOTTOM ASSEMBLY - Rear seat, leather and fabric, tan	1	27-2437 to 27-2504 inclusive
	30755-29	Y	BOTTOM ASSEMBLY - Rear seat, leather, tan	1	27-2437 to 27-2504 inclusive
	31585-00	A,Y	BOTTOM ASSEMBLY - Rear seat (vinyl)	1	27-2505 to 27-3049 inclusive, 27-3051 to 27-3153 inclusive
	31585-08	A,Y	BOTTOM ASSEMBLY - Rear seat (leather)	1	27-2505 to 27-3049 inclusive, 27-3051 to 27-3153 inclusive
	32106-02	D,E,Y	BOTTOM ASSEMBLY - Rear seat (vinyl)	1	
	32106-03	D,E,Y	BOTTOM ASSEMBLY - Rear seat (leather)	1	
-64	23052-02	Y	HEADREST ASSEMBLY - Rear seat, gray	2	
	23052-03	Y	HEADREST ASSEMBLY - Rear seat, brown	2	
	23052-04	Y	HEADREST ASSEMBLY - Rear seat, green	2	
	23469-00	Y	HEADREST ASSEMBLY - Rear seat, red	2	27-2300 to 27-2436 inclusive
	23469-07	Y	HEADREST ASSEMBLY - Rear seat, blue	2	27-2300 to 27-2436 inclusive
	23469-12	Y	HEADREST ASSEMBLY - Rear seat, red	2	27-2437 to 27-2504 inclusive
	23469-13	Y	HEADREST ASSEMBLY - Rear seat, blue	2	27-2437 to 27-2504 inclusive
	23469-14	Y	HEADREST ASSEMBLY - Rear seat, tan	2	27-2437 to 27-2504 inclusive

- A - When ordering, specify color red, blue or russet
- B - When ordering, specify color gray, green or brown
- C - When ordering, specify color red or blue
- D - When ordering, specify color red, blue, russet, dark blue, maroon, brown, gold or black
- E - Used on PA-23-250 (Six Place) with serial numbers 27-3050, 27-3154 to 27-3836, 27-3838 to 27-3943 inclusive
- Y - Used on PA-23-250 (Six Place) airplanes only

When ordering, always specify Part Number, Description and Serial Number of Aircraft



Figure and Index Number	Part Number	Code	NOMENCLATURE	No. Req.	SERIAL NUMBERS AFFECTED
17-65	31186-00	Z	SHROUD ASSEMBLY - Safety belt fitting, gray	4	27-2437 to 27-2504 inclusive
	31186-02	Z	SHROUD ASSEMBLY - Safety belt fitting, green	4	
	31186-03	Z	SHROUD ASSEMBLY - Safety belt fitting, tan	4	
	31186-03	Y	SHROUD ASSEMBLY - Safety belt fitting, tan	4	
	31186-04	AY	SHROUD ASSEMBLY - Safety belt fitting, red	8	
	31186-05	AY	SHROUD ASSEMBLY - Safety belt fitting, blue	8	
	31186-11	Y	SHROUD ASSEMBLY - Safety belt fitting, russet	8	
	31186-17	BY	SHROUD ASSEMBLY - Safety belt fitting, maroon	8	
	31186-18	BY	SHROUD ASSEMBLY - Safety belt fitting, dark blue	8	
	31186-19	BY	SHROUD ASSEMBLY - Safety belt fitting, brown	8	
	31186-20	BY	SHROUD ASSEMBLY - Safety belt fitting, gold	8	
31186-25	BY	SHROUD ASSEMBLY - Safety belt fitting, black	8		
-66	24245-00	Y	FRAME - Headrest	4	27-2437 to 27-3049 inclusive, 27-3051 to 27-3153 inclusive 27-599 and up
	24245-00	Z	FRAME - Headrest	4	
-67	32189-02	BY	SEAL ASSEMBLY - Lower rear cabin, russet	1	
	32189-03	BY	SEAL ASSEMBLY - Lower rear cabin, blue	1	
	32189-04	BY	SEAL ASSEMBLY - Lower rear cabin, red	1	
	32189-05	BY	SEAL ASSEMBLY - Lower rear cabin, maroon	1	
	32189-06	BY	SEAL ASSEMBLY - Lower rear cabin, black	1	
	32189-07	BY	SEAL ASSEMBLY - Lower rear cabin, gold	1	
	32189-08	BY	SEAL ASSEMBLY - Lower rear cabin, brown	1	
	32189-09	BY	SEAL ASSEMBLY - Lower rear cabin, dark blue	1	

A - Used on PA-23-250 (Six Place) with serial numbers 27-2437 to 27-3836 inclusive, 27-3838 to 27-3943 inclusive
 B - Used on PA-23-250 (Six Place) with serial numbers 27-3197 to 27-3836 inclusive, 27-3838 to 27-3943 inclusive
 Y - Used on PA-23-250 (Six Place) airplanes only.
 Z - Used on PA-23-235 airplanes only.

When ordering, always specify Part Number, Description and Serial Number of Aircraft

1J24

INTENTIONALLY LEFT BLANK

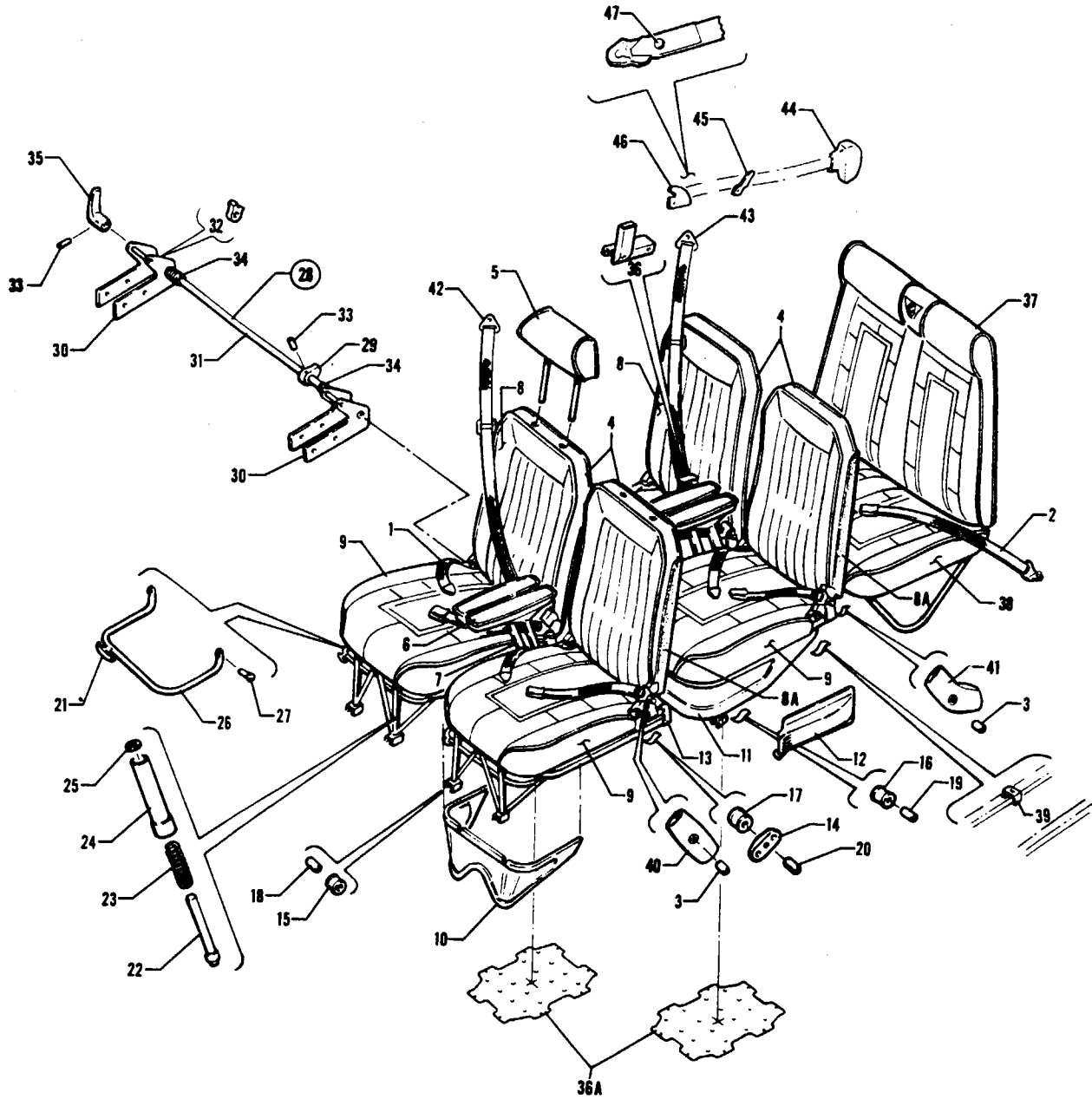


Figure 17A. Seats Installation
(Serial Nos. 27-3837, 27-3944 to 27-7554168 inclusive)



Figure and Index Number	Part Number	Code	NOMENCLATURE	No. Req.	SERIAL NUMBERS AFFECTED
17A-4	32623-25	C	SEAT ASSEMBLY - Front, right, red (leather)	1	27-4245 to 27-4870 inclusive
	32623-27	C	SEAT ASSEMBLY - Front, right, blue (leather)	1	27-4245 to 27-4870 inclusive
	32623-29	C	SEAT ASSEMBLY - Front, right, white (leather)	1	27-4245 to 27-4870 inclusive
	32623-31	C	SEAT ASSEMBLY - Front, right, black (leather)	1	27-4245 to 27-4870 inclusive
	32623-33	C	SEAT ASSEMBLY - Front, right, gold (leather)	1	27-4245 to 27-4870 inclusive
	32623-35	B	SEAT ASSEMBLY - Front, right, red (leather)	1	27-4245 to 27-4870 inclusive
	32623-37	B	SEAT ASSEMBLY - Front, right, blue (leather)	1	27-4245 to 27-4870 inclusive
	32623-39	B	SEAT ASSEMBLY - Front, right, black (leather)	1	27-4245 to 27-4870 inclusive
	32623-41	B	SEAT ASSEMBLY - Front, right, gold (leather)	1	27-4245 to 27-4870 inclusive
	33324-02	A	SEAT ASSEMBLY - Front, left, red (vinyl)	1	27-4871 to 27-7554168 inclusive
	33324-04	A	SEAT ASSEMBLY - Front, left, blue (vinyl)	1	27-4871 to 27-7554168 inclusive
	33324-06	A	SEAT ASSEMBLY - Front, left, black (vinyl)	1	27-4871 to 27-7554168 inclusive
	33324-08	A	SEAT ASSEMBLY - Front, left, gold (vinyl)	1	27-4871 to 27-7554168 inclusive
	33324-10	A	SEAT ASSEMBLY - Front, left, white (vinyl)	1	27-4871 to 27-7554168 inclusive
	33324-12	B	SEAT ASSEMBLY - Front, left, red (vinyl)	1	27-4871 to 27-7554168 inclusive
	33324-14	B	SEAT ASSEMBLY - Front, left, blue (vinyl)	1	27-4871 to 27-7554168 inclusive
	33324-16	B	SEAT ASSEMBLY - Front, left, black (vinyl)	1	27-4871 to 27-7554168 inclusive
	33324-18	B	SEAT ASSEMBLY - Front, left, gold (vinyl)	1	27-4871 to 27-7554168 inclusive
	33324-20	D	SEAT ASSEMBLY - Front, left, red (leather)	1	27-4871 to 27-7554168 inclusive
	33324-22	D	SEAT ASSEMBLY - Front, left, blue (leather)	1	27-4871 to 27-7554168 inclusive
	33324-24	D	SEAT ASSEMBLY - Front, left, white (leather)	1	27-4871 to 27-7554168 inclusive
	33324-26	D	SEAT ASSEMBLY - Front, left, black (leather)	1	27-4871 to 27-7554168 inclusive
	33324-28	D	SEAT ASSEMBLY - Front, left, gold (leather)	1	27-4871 to 27-7554168 inclusive
	33324-30	B	SEAT ASSEMBLY - Front, left, red (leather)	1	27-4871 to 27-7554168 inclusive
	33324-32	B	SEAT ASSEMBLY - Front, left, blue (leather)	1	27-4871 to 27-7554168 inclusive
	33324-34	B	SEAT ASSEMBLY - Front, left, black (leather)	1	27-4871 to 27-7554168 inclusive
	33324-36	B	SEAT ASSEMBLY - Front, left, gold (leather)	1	27-4871 to 27-7554168 inclusive
	33324-03	A	SEAT ASSEMBLY - Front, right, red (vinyl)	1	27-4871 to 27-7554168 inclusive
	33324-05	A	SEAT ASSEMBLY - Front, right, blue (vinyl)	1	27-4871 to 27-7554168 inclusive
	33324-07	A	SEAT ASSEMBLY - Front, right, black (vinyl)	1	27-4871 to 27-7554168 inclusive
	33324-09	A	SEAT ASSEMBLY - Front, right, gold (vinyl)	1	27-4871 to 27-7554168 inclusive
	33324-11	A	SEAT ASSEMBLY - Front, right, white (vinyl)	1	27-4871 to 27-7554168 inclusive
	33324-13	B	SEAT ASSEMBLY - Front, right, red (vinyl)	1	27-4871 to 27-7554168 inclusive
	33324-15	B	SEAT ASSEMBLY - Front, right, blue (vinyl)	1	27-4871 to 27-7554168 inclusive
	33324-17	B	SEAT ASSEMBLY - Front, right, black (vinyl)	1	27-4871 to 27-7554168 inclusive
	33324-19	B	SEAT ASSEMBLY - Front, right, gold (vinyl)	1	27-4871 to 27-7554168 inclusive
	33324-21	D	SEAT ASSEMBLY - Front, right, red (leather)	1	27-4871 to 27-7554168 inclusive
	33324-23	D	SEAT ASSEMBLY - Front, right, blue (leather)	1	27-4871 to 27-7554168 inclusive
	33324-25	D	SEAT ASSEMBLY - Front, right, white (leather)	1	27-4871 to 27-7554168 inclusive
	33324-27	D	SEAT ASSEMBLY - Front, right, black (leather)	1	27-4871 to 27-7554168 inclusive
	33324-29	D	SEAT ASSEMBLY - Front, right, gold (leather)	1	27-4871 to 27-7554168 inclusive
33324-31	B	SEAT ASSEMBLY - Front, right, red (leather)	1	27-4871 to 27-7554168 inclusive	
33324-33	B	SEAT ASSEMBLY - Front, right, blue (leather)	1	27-4871 to 27-7554168 inclusive	
33324-35	B	SEAT ASSEMBLY - Front, right, black (leather)	1	27-4871 to 27-7554168 inclusive	
33324-37	B	SEAT ASSEMBLY - Front, right, gold (leather)	1	27-4871 to 27-7554168 inclusive	

A - Used if seat has vinyl insert.
 B - Used if seat has cloth insert.
 C - Used if seat has leather insert.
 D - When ordering, specify cloth or leather insert.

When ordering, always specify Part Number, Description and Serial Number of Aircraft



Figure and Index Number	Part Number	Code	NOMENCLATURE	No. Req.	SERIAL NUMBERS AFFECTED
17A-4	32624-08	A	SEAT ASSEMBLY - Center, left, red (vinyl)	1	27-4245 to 27-4870 inclusive
	32624-10	A	SEAT ASSEMBLY - Center, left, blue (vinyl)	1	27-4245 to 27-4870 inclusive
	32624-12	A	SEAT ASSEMBLY - Center, left, black (vinyl)	1	27-4245 to 27-4870 inclusive
	32624-14	A	SEAT ASSEMBLY - Center, left, gold (vinyl)	1	27-4245 to 27-4870 inclusive
	32624-16	A	SEAT ASSEMBLY - Center, left, white (vinyl)	1	27-4245 to 27-4870 inclusive
	32624-18	B	SEAT ASSEMBLY - Center, left, red (vinyl)	1	27-4245 to 27-4870 inclusive
	32624-20	B	SEAT ASSEMBLY - Center, left, blue (vinyl)	1	27-4245 to 27-4870 inclusive
	32624-22	B	SEAT ASSEMBLY - Center, left, black (vinyl)	1	27-4245 to 27-4870 inclusive
	32624-24	B	SEAT ASSEMBLY - Center, left, gold (vinyl)	1	27-4245 to 27-4870 inclusive
	32624-26	C,F	SEAT ASSEMBLY - Center, left, red (leather)	1	
	32624-28	C,F	SEAT ASSEMBLY - Center, left, blue (leather)	1	
	32624-30	C,F	SEAT ASSEMBLY - Center, left, white (leather)	1	
	32624-32	C,F	SEAT ASSEMBLY - Center, left, black (leather)	1	
	32624-34	C,F	SEAT ASSEMBLY - Center, left, gold (leather)	1	
	32624-36	B,F	SEAT ASSEMBLY - Center, left, red (leather)	1	
	32624-38	B,F	SEAT ASSEMBLY - Center, left, blue (leather)	1	
	32624-40	B,F	SEAT ASSEMBLY - Center, left, black (leather)	1	
	32624-42	B,F	SEAT ASSEMBLY - Center, left, gold (leather)	1	
	32624-46	D,E	SEAT ASSEMBLY - Center, left (leather)	1	27-4426, 27-4574 to 27-4870 incl.
	32624-09	A	SEAT ASSEMBLY - Center, right, red (vinyl)	1	27-4245 to 27-4870 inclusive
	32624-11	A	SEAT ASSEMBLY - Center, right, blue (vinyl)	1	27-4245 to 27-4870 inclusive
	32624-13	A	SEAT ASSEMBLY - Center, right, black (vinyl)	1	27-4245 to 27-4870 inclusive
	32624-15	A	SEAT ASSEMBLY - Center, right, gold (vinyl)	1	27-4245 to 27-4870 inclusive
	32624-17	A	SEAT ASSEMBLY - Center, right, white (vinyl)	1	27-4245 to 27-4870 inclusive
	32624-19	B	SEAT ASSEMBLY - Center, right, red (vinyl)	1	27-4245 to 27-4870 inclusive
	32624-21	B	SEAT ASSEMBLY - Center, right, blue (vinyl)	1	27-4245 to 27-4870 inclusive
	32624-23	B	SEAT ASSEMBLY - Center, right, black (vinyl)	1	27-4245 to 27-4870 inclusive
	32624-25	B	SEAT ASSEMBLY - Center, right, gold (vinyl)	1	27-4245 to 27-4870 inclusive
	32624-27	C,F	SEAT ASSEMBLY - Center, right, red (leather)	1	
	32624-29	C,F	SEAT ASSEMBLY - Center, right, blue (leather)	1	
	32624-31	C,F	SEAT ASSEMBLY - Center, right, white (leather)	1	
	32624-33	C,F	SEAT ASSEMBLY - Center, right, black (leather)	1	
	32624-35	C,F	SEAT ASSEMBLY - Center, right, gold (leather)	1	
	32624-37	B,F	SEAT ASSEMBLY - Center, right, red (leather)	1	
	32624-39	B,F	SEAT ASSEMBLY - Center, right, blue (leather)	1	
	32624-41	B,F	SEAT ASSEMBLY - Center, right, black (leather)	1	
	32624-43	B,F	SEAT ASSEMBLY - Center, right, gold (leather)	1	
	32624-47	D,E	SEAT ASSEMBLY - Center, right (leather)	1	27-4426, 27-4574 to 27-4870 incl.
	33325-02	A	SEAT ASSEMBLY - Center, left, red (vinyl)	1	27-4871 to 27-7554168 inclusive
	33325-04	A	SEAT ASSEMBLY - Center, left, blue (vinyl)	1	27-4871 to 27-7554168 inclusive
33325-06	A	SEAT ASSEMBLY - Center, left, black (vinyl)	1	27-4871 to 27-7554168 inclusive	
33325-08	A	SEAT ASSEMBLY - Center, left, gold (vinyl)	1	27-4871 to 27-7554168 inclusive	
33325-10	A	SEAT ASSEMBLY - Center, left, white (vinyl)	1	27-4871 to 27-7554168 inclusive	

- A - Used if seat has vinyl insert.
- B - Used if seat has cloth insert.
- C - Used if seat has leather insert.
- D - When ordering, specify color red, blue, white, black or gold.
- E - When ordering, specify cloth or leather insert.
- F - Used on airplanes with serial numbers 27-4245 to 27-4425 inclusive, 27-4427 to 27-4573 inclusive.

When ordering, always specify Part Number, Description and Serial Number of Aircraft



Figure and Index Number	Part Number	Code	NOMENCLATURE	No. Req.	SERIAL NUMBERS AFFECTED
17A-4	33325-12	B	SEAT ASSEMBLY - Center, left, red (vinyl)	1	27-4871 to 27-7554168 inclusive
	33325-14	B	SEAT ASSEMBLY - Center, left, blue (vinyl)	1	27-4871 to 27-7554168 inclusive
	33325-16	B	SEAT ASSEMBLY - Center, left, black (vinyl)	1	27-4871 to 27-7554168 inclusive
	33325-18	B	SEAT ASSEMBLY - Center, left, gold (vinyl)	1	27-4871 to 27-7554168 inclusive
	33325-20	C,D	SEAT ASSEMBLY - Center, left (leather)	1	27-4871 to 27-7554168 inclusive
	33325-03	A	SEAT ASSEMBLY - Center, right, red (vinyl)	1	27-4871 to 27-7554168 inclusive
	33325-05	A	SEAT ASSEMBLY - Center, right, blue (vinyl)	1	27-4871 to 27-7554168 inclusive
	33325-07	A	SEAT ASSEMBLY - Center, right, black (vinyl)	1	27-4871 to 27-7554168 inclusive
	33325-09	A	SEAT ASSEMBLY - Center, right, gold (vinyl)	1	27-4871 to 27-7554168 inclusive
	33325-11	A	SEAT ASSEMBLY - Center, right, white (vinyl)	1	27-4871 to 27-7554168 inclusive
	33325-13	B	SEAT ASSEMBLY - Center, right, red (vinyl)	1	27-4871 to 27-7554168 inclusive
	33325-15	B	SEAT ASSEMBLY - Center, right, blue (vinyl)	1	27-4871 to 27-7554168 inclusive
	33325-17	B	SEAT ASSEMBLY - Center, right, black (vinyl)	1	27-4871 to 27-7554168 inclusive
	33325-19	B	SEAT ASSEMBLY - Center, right, gold (vinyl)	1	27-4871 to 27-7554168 inclusive
-5	33325-21	C,D	SEAT ASSEMBLY - Center, right (leather)	1	27-4871 to 27-7554168 inclusive
	32429-02		HEADREST ASSEMBLY - Red (vinyl)	1	
	32429-03		HEADREST ASSEMBLY - Blue (vinyl)	1	
	32429-04		HEADREST ASSEMBLY - White (vinyl)	1	
	32429-05		HEADREST ASSEMBLY - Black (vinyl)	1	
	32429-06		HEADREST ASSEMBLY - Gold (vinyl)	1	
	32429-07		HEADREST ASSEMBLY - Red (leather)	1	
	32429-08		HEADREST ASSEMBLY - Blue (leather)	1	
	32429-09		HEADREST ASSEMBLY - White (leather)	1	
	32429-10		HEADREST ASSEMBLY - Black (leather)	1	
	32429-11		HEADREST ASSEMBLY - Gold (leather)	1	
-6	32393-02		ARMREST ASSEMBLY - Red (vinyl)	1	
	32393-04		ARMREST ASSEMBLY - Blue (vinyl)	1	
	32393-06		ARMREST ASSEMBLY - White (vinyl)	1	
	32393-08		ARMREST ASSEMBLY - Black (vinyl)	1	
	32393-10		ARMREST ASSEMBLY - Gold (vinyl)	1	
	32393-03		ARMREST ASSEMBLY - Red (leather)	1	
	32393-05		ARMREST ASSEMBLY - Blue (leather)	1	
	32393-07		ARMREST ASSEMBLY - White (leather)	1	
	32393-09		ARMREST ASSEMBLY - Black (leather)	1	
	32393-11		ARMREST ASSEMBLY - Gold (leather)	1	
-7	32452-00		SUPPORT ASSEMBLY - Armrest, right center seat	1	
	32452-01		SUPPORT ASSEMBLY - Armrest, left center seat	1	
	32452-06		SUPPORT ASSEMBLY - Armrest, right front seat	1	
	32452-07		SUPPORT ASSEMBLY - Armrest, left front seat	1	

A - Used if seat has vinyl insert.
 B - Used if seat has cloth insert.
 C - When ordering, specify cloth or leather insert.
 D - When ordering, specify color red, blue, white, black or gold.

When ordering, always specify Part Number, Description and Serial Number of Aircraft

PIPER PARTS CATALOG

Figure and Index Number	Part Number	Code	NOMENCLATURE	No. Req.	SERIAL NUMBERS AFFECTED
17A-8	32625-02	A,C	BACK ASSEMBLY - Seat, front (vinyl)	1	27-3837, 27-3944 to 27-4244
	32625-03	A,B	BACK ASSEMBLY - Seat, front (leather)	1	27-3837, 27-3944 to 27-4244
	32625-24	A,C	BACK ASSEMBLY - Seat, center (vinyl)	1	27-3837, 27-3944 to 27-4244
	32625-31	A,B	BACK ASSEMBLY - Seat, center (leather)	1	27-3837, 27-3944 to 27-4244
	32901-02	D	BACK ASSEMBLY - Seat, front, red (vinyl)	1	27-4245 to 27-7554168 inclusive
	32901-03	D	BACK ASSEMBLY - Seat, front, blue (vinyl)	1	27-4245 to 27-7554168 inclusive
	32901-04	D	BACK ASSEMBLY - Seat, front, black (vinyl)	1	27-4245 to 27-7554168 inclusive
	32901-05	D	BACK ASSEMBLY - Seat, front, gold (vinyl)	1	27-4245 to 27-7554168 inclusive
	32901-06	D	BACK ASSEMBLY - Seat, front, white (vinyl)	1	27-4245 to 27-7554168 inclusive
	32901-07	E	BACK ASSEMBLY - Seat, front, red (vinyl)	1	27-4245 to 27-7554168 inclusive
	32901-08	E	BACK ASSEMBLY - Seat, front, blue (vinyl)	1	27-4245 to 27-7554168 inclusive
	32901-09	E	BACK ASSEMBLY - Seat, front, black (vinyl)	1	27-4245 to 27-7554168 inclusive
	32901-10	E	BACK ASSEMBLY - Seat, front, gold (vinyl)	1	27-4245 to 27-4870 inclusive
	32901-11	F	BACK ASSEMBLY - Seat, front, red, (leather)	1	27-4245 to 27-4870 inclusive
	32901-12	F	BACK ASSEMBLY - Seat, front, blue (leather)	1	27-4245 to 27-4870 inclusive
	32901-13	F	BACK ASSEMBLY - Seat, front, white (leather)	1	27-4245 to 27-4870 inclusive
	32901-14	F	BACK ASSEMBLY - Seat, front, black (leather)	1	27-4245 to 27-4870 inclusive
	32901-15	F	BACK ASSEMBLY - Seat, front, gold (leather)	1	27-4245 to 27-4870 inclusive
	32901-16	E	BACK ASSEMBLY - Seat, front, red (leather)	1	27-4245 to 27-7554168 inclusive
	32901-17	E	BACK ASSEMBLY - Seat, front, blue (leather)	1	27-4245 to 27-7554168 inclusive
	32901-18	E	BACK ASSEMBLY - Seat, front, black (leather)	1	27-4245 to 27-7554168 inclusive
	32901-19	E	BACK ASSEMBLY - Seat, front, gold (leather)	1	27-4245 to 27-4870 inclusive
	32901-140	E	BACK ASSEMBLY - Seat, front, gold (vinyl)	1	27-4871 to 27-7554168 inclusive
	32901-126	B	BACK ASSEMBLY - Seat, front, red (leather)	1	27-4871 to 27-7554168 inclusive
	32901-127	B	BACK ASSEMBLY - Seat, front, blue (leather)	1	27-4871 to 27-7554168 inclusive
	32901-128	B	BACK ASSEMBLY - Seat, front, white (leather)	1	27-4871 to 27-7554168 inclusive
	32901-129	B	BACK ASSEMBLY - Seat, front, black (leather)	1	27-4871 to 27-7554168 inclusive
	32901-130	B	BACK ASSEMBLY - Seat, front, gold (leather)	1	27-4871 to 27-7554168 inclusive
	32901-132	E	BACK ASSEMBLY - Seat, front, gold (leather)	1	27-4871 to 27-7554168 inclusive
	32901-20	D	BACK ASSEMBLY - Seat, center, red (vinyl)	1	27-4245 to 27-7554168 inclusive
	32901-21	D	BACK ASSEMBLY - Seat, center, blue (vinyl)	1	27-4245 to 27-7554168 inclusive
	32901-22	D	BACK ASSEMBLY - Seat, center, black (vinyl)	1	27-4245 to 27-7554168 inclusive
	32901-23	D	BACK ASSEMBLY - Seat, center, gold (vinyl)	1	27-4245 to 27-7554168 inclusive
	32901-24	D	BACK ASSEMBLY - Seat, center, white (vinyl)	1	27-4245 to 27-7554168 inclusive
	32901-25	E	BACK ASSEMBLY - Seat, center, red (vinyl)	1	27-4245 to 27-7554168 inclusive
	32901-26	E	BACK ASSEMBLY - Seat, center, blue (vinyl)	1	27-4245 to 27-7554168 inclusive
	32901-27	E	BACK ASSEMBLY - Seat, center, black (vinyl)	1	27-4245 to 27-7554168 inclusive
	32901-28	E	BACK ASSEMBLY - Seat, center, gold (vinyl)	1	27-4245 to 27-4870 inclusive
	32901-29	F,G	BACK ASSEMBLY - Seat, center, red (leather)	1	
	32901-30	F,G	BACK ASSEMBLY - Seat, center, blue (leather)	1	
	32901-31	F,G	BACK ASSEMBLY - Seat, center, white (leather)	1	
	32901-32	F,G	BACK ASSEMBLY - Seat, center, black (leather)	1	
	32901-33	F,G	BACK ASSEMBLY - Seat, center, gold (leather)	1	

- A - When ordering, specify color red, blue, white, black or gold
- B - When ordering, specify cloth or leather insert
- C - When ordering, specify cloth or vinyl insert
- D - Used if seat has cloth insert
- F - Used if seat has leather insert
- G - Used on airplanes with serial numbers 27-4245 to 27-4425 inclusive, 27-4427 to 27-4573 inclusive

When ordering, always specify Part Number, Description and Serial Number of Aircraft



Figure and Index Number	Part Number	Code	NOMENCLATURE	No. Req.	SERIAL NUMBERS AFFECTED
17A-8	32901-11	F	BACK ASSEMBLY - Seat, center, red (leather)	1	27-4426, 27-4574 to 27-4870 incl.
	32901-12	F	BACK ASSEMBLY - Seat, center, blue (leather)	1	27-4426, 27-4574 to 27-4870 incl.
	32901-13	F	BACK ASSEMBLY - Seat, center, white (leather)	1	27-4426, 27-4574 to 27-4870 incl.
	32901-14	F	BACK ASSEMBLY - Seat, center, black (leather)	1	27-4426, 27-4574 to 27-4870 incl.
	32901-15	F	BACK ASSEMBLY - Seat, center, gold (leather)	1	27-4426, 27-4574 to 27-4870 incl.
	32901-34	E	BACK ASSEMBLY - Seat, center, red (leather)	1	27-4245 to 27-4870 inclusive
	32901-35	E	BACK ASSEMBLY - Seat, center, blue (leather)	1	27-4245 to 27-4870 inclusive
	32901-36	E	BACK ASSEMBLY - Seat, center, black (leather)	1	27-4245 to 27-4870 inclusive
	32901-37	E	BACK ASSEMBLY - Seat, center, gold (leather)	1	27-4245 to 27-4870 inclusive
	32901-131	E	BACK ASSEMBLY - Seat, center, gold (vinyl)	1	27-4871 to 27-7554168 inclusive
	32901-126	B	BACK ASSEMBLY - Seat, center, red (leather)	1	27-4871 to 27-7554168 inclusive
	32901-127	B	BACK ASSEMBLY - Seat, center, blue (leather)	1	27-4871 to 27-7554168 inclusive
	32901-128	B	BACK ASSEMBLY - Seat, center, white (leather)	1	27-4871 to 27-7554168 inclusive
32901-129	B	BACK ASSEMBLY - Seat, center, black (leather)	1	27-4871 to 27-7554168 inclusive	
32901-130	B	BACK ASSEMBLY - Seat, center, gold (leather)	1	27-4871 to 27-7554168 inclusive	
-8a	32899-02		PANEL ASSEMBLY - Seat back trim, red (vinyl)	1	27-4245 to 27-7554168 inclusive
	32899-03		PANEL ASSEMBLY - Seat back trim, blue (vinyl)	1	27-4245 to 27-7554168 inclusive
	32899-04		PANEL ASSEMBLY - Seat back trim, white (vinyl)	1	27-4245 to 27-7554168 inclusive
	32899-05		PANEL ASSEMBLY - Seat back trim, gold (vinyl)	1	27-4245 to 27-7554168 inclusive
	32899-06		PANEL ASSEMBLY - Seat back trim, black (vinyl)	1	27-4245 to 27-7554168 inclusive
	32899-07		PANEL ASSEMBLY - Seat back trim, red (leather)	1	27-4245 to 27-7554168 inclusive
	32899-08		PANEL ASSEMBLY - Seat back trim, blue (leather)	1	27-4245 to 27-7554168 inclusive
	32899-09		PANEL ASSEMBLY - Seat back trim, black (leather)	1	27-4245 to 27-7554168 inclusive
	32899-10		PANEL ASSEMBLY - Seat back trim, gold (leather)	1	27-4245 to 27-7554168 inclusive
	32899-11		PANEL ASSEMBLY - Seat back trim, white (leather)	1	27-4245 to 27-7554168 inclusive
	-9	32806-00	A,C	BOTTOM ASSEMBLY - Seat, front, left (vinyl)	1
32806-28		A,B	BOTTOM ASSEMBLY - Seat, front, left (leather)	1	
32806-01		A,C	BOTTOM ASSEMBLY - Seat, front, right (vinyl)	1	
32806-29		A,B	BOTTOM ASSEMBLY - Seat, front, right (leather)	1	
32806-31		A,C	BOTTOM ASSEMBLY - Seat, front, left (vinyl)	1	27-4871 to 27-7554168 inclusive
32806-33		A,B	BOTTOM ASSEMBLY - Seat, front, left (leather)	1	27-4871 to 27-7554168 inclusive
32806-32		A,C	BOTTOM ASSEMBLY - Seat, front, right (vinyl)	1	27-4871 to 27-7554168 inclusive
32806-34		A,B	BOTTOM ASSEMBLY - Seat, front, right (leather)	1	27-4871 to 27-7554168 inclusive
32632-00		A,C	BOTTOM ASSEMBLY - Seat, center, left (vinyl)	1	
32632-02		A,B,D	BOTTOM ASSEMBLY - Seat, center, left (leather)	1	
32632-17		A,B	BOTTOM ASSEMBLY - Seat, center, left (leather)	1	27-4426, 27-4574 to 27-4870 incl.
32632-01		A,C	BOTTOM ASSEMBLY - Seat, center, right (vinyl)	1	
32632-03		A,B,D	BOTTOM ASSEMBLY - Seat, center, right (leather)	1	
32632-18		A,B	BOTTOM ASSEMBLY - Seat, center, right (leather)	1	27-4426, 27-4574 to 27-4870 incl.
32632-32		A,C	BOTTOM ASSEMBLY - Seat, center, left (vinyl)	1	27-4871 to 27-7554168 inclusive
32632-28		A,B	BOTTOM ASSEMBLY - Seat, center, left (leather)	1	27-4871 to 27-7554168 inclusive
32632-33		A,C	BOTTOM ASSEMBLY - Seat, center, right (vinyl)	1	27-4871 to 27-7554168 inclusive
32632-29	A,B	BOTTOM ASSEMBLY - Seat, center, right (leather)	1	27-4871 to 27-7554168 inclusive	

A - When ordering, specify color red, blue, white, black or gold.
 B - When ordering, specify cloth or leather insert.
 C - When ordering, specify cloth or vinyl insert.
 D - Used on airplanes with serial numbers 27-3837, 27-3944 to 27-4425 inclusive, 27-4427 to 27-4573 inclusive.
 E - Used if seat has cloth insert.
 F - Used if seat has leather insert.

When ordering, always specify Part Number, Description and Serial Number of Aircraft



Figure and Index Number	Part Number	Code	NOMENCLATURE	No. Req.	SERIAL NUMBERS AFFECTED
17A-10	32607-00		SKIRT ASSEMBLY - Front seat, left, black	1	
	32607-02		SKIRT ASSEMBLY - Front seat, left, red	1	
	32607-04		SKIRT ASSEMBLY - Front seat, left, blue	1	
	32607-06		SKIRT ASSEMBLY - Front seat, left, beige	1	
	32607-18		SKIRT ASSEMBLY - Front seat, left, white	1	
	32607-01		SKIRT ASSEMBLY - Front seat, right, black	1	
	32607-03		SKIRT ASSEMBLY - Front seat, right, red	1	
	32607-05		SKIRT ASSEMBLY - Front seat, right, blue	1	
	32607-07		SKIRT ASSEMBLY - Front seat, right, beige	1	
	32607-19		SKIRT ASSEMBLY - Front seat, right, white	1	
-11	32621-02		SKIRT ASSEMBLY - Center seat, black	1	
	32621-03		SKIRT ASSEMBLY - Center seat, red	1	
	32621-04		SKIRT ASSEMBLY - Center seat, blue	1	
	32621-05		SKIRT ASSEMBLY - Center seat, beige	1	
	32621-06		SKIRT ASSEMBLY - Center seat, white	1	
-12	32626-02		POCKET ASSEMBLY - Center seat, red	1	
	32626-03		POCKET ASSEMBLY - Center seat, blue	1	
	32626-04		POCKET ASSEMBLY - Center seat, black	1	
	32626-05		POCKET ASSEMBLY - Center seat, gold	1	
-13	32381-00		TRIM CAP - Front seat bottom, beige	2	
	32381-02		TRIM CAP - Front seat bottom, black	2	
	32381-03		TRIM CAP - Front seat bottom, white	2	
-14	19394-02		PLATE - Front seat roller retainer	2	
-15	18968-00		ROLLER - Front seat	2	
-16	18968-00		ROLLER - Center seat	4	
-17	18081-00		ROLLER - Front seat	2	
-18	41413-38		BUSHING - Front seat	2	
-19	41413-38		BUSHING - Center seat	4	
-20	14175-50		BUSHING - Front seat	2	
-21	571 165		KNOB - Tee, black (101U)	1	
-22	12073-00		PLUNGER ASSEMBLY - Seat catch	2	
-23	50111-00		SPRING - Seat catch	2	
-24	86102-56		BUSHING - Seat catch	2	
-25	85012-30		WASHER - Seat catch	2	
-26	32613-00		HANDLE - Front seat catch release	1	
	32613-02		HANDLE - Center seat catch release	1	
-27	424 187		PIN - (AN393-37)	2	
-28	19392-16		TUBE ASSEMBLY - Reclining mechanism, left	1	
	19392-17		TUBE ASSEMBLY - Reclining mechanism, right	1	
-29	19304-00		STOP - Seat back	1	
-30	19359-00		BRACKET ASSEMBLY - Reclining mechanism	2	
-31	19392-15		ROD - Reclining mechanism	1	
-32	19365-00		CAM - Seat reclining	1	
-33	480 701		PIN - Roll (59-028-125-0625)	4	
-34	19336-00		SPRING - Reclining mechanism, outboard	1	
	19336-01		SPRING - Reclining mechanism, inboard	1	
-35	32380-00		HANDLE - Seat recliner	1	
-36	32843-01		SOCKET ASSEMBLY - Armrest, left seat	1	
	32843-00		SOCKET ASSEMBLY - Armrest, right seat	1	
-36a	587 600		SUSPENSION - Elastaset (P-151)	1	

When ordering, always specify Part Number, Description and Serial Number of Aircraft



Figure and Index Number	Part Number	Code	NOMENCLATURE	No. Req.	SERIAL NUMBERS AFFECTED	
17A-37	32397-02	A,C	BACK ASSEMBLY - Seat, rear (vinyl)	1	27-3837, 27-3944 to 27-4870 incl.	
	32397-34	A,C	BACK ASSEMBLY - Seat, rear (vinyl)	1	27-4871 to 27-7305234 inclusive	
	32397-38	A,C	BACK ASSEMBLY - Seat, rear (vinyl)	1	27-7405235 to 27-7554168 incl.	
	32397-03	A,B,D	BACK ASSEMBLY - Seat, rear (leather)	1		
	32397-32	A,B	BACK ASSEMBLY - Seat, rear (leather)	1	27-4426, 27-4574 to 27-4870 incl.	
	32397-36	A,B	BACK ASSEMBLY - Seat, rear (leather)	1	27-4871 to 27-7305234 inclusive	
	32397-39	A,B	BACK ASSEMBLY - Seat, rear (leather)	1	27-7405235 to 27-7554168 incl.	
	-38	32428-02	A,C	BOTTOM ASSEMBLY - Seat, rear (vinyl)	1	27-3837, 27-3944 to 27-4870 incl.
		32428-20	A,C	BOTTOM ASSEMBLY - Seat, rear (vinyl)	1	27-4871 to 27-7554168 inclusive
32428-03		A,B,D	BOTTOM ASSEMBLY - Seat, rear (leather)	1		
32428-18		A,B	BOTTOM ASSEMBLY - Seat, rear (leather)	1	27-4426, 27-4574 to 27-4870 incl.	
	32428-22	A,B	BOTTOM ASSEMBLY - Seat, rear (leather)	1	27-4871 to 27-7554168 inclusive	
-39	18842-00		STOP - Seat	4		
-40	32567-02		SHROUD ASSEMBLY - Safety belt, front seat, red	4		
	32567-03		SHROUD ASSEMBLY - Safety belt, front seat, blue	4		
	32567-04		SHROUD ASSEMBLY - Safety belt, front seat, white	4		
	32567-05		SHROUD ASSEMBLY - Safety belt, front seat, black	4		
	32567-06		SHROUD ASSEMBLY - Safety belt, front seat, gold	4		
	-41	32568-02		SHROUD ASSEMBLY - Safety belt, center seat, red	4	
32568-03			SHROUD ASSEMBLY - Safety belt, center seat, blue	4		
32568-04			SHROUD ASSEMBLY - Safety belt, center seat, white	4		
32568-05			SHROUD ASSEMBLY - Safety belt, center seat, black	4		
	32568-06		SHROUD ASSEMBLY - Safety belt, center seat, gold	4		
-42	43813-04		HARNESS ASSEMBLY - Shoulder, front seat, black	2	27-4367 to 27-7554168 inclusive	
	43813-05		HARNESS ASSEMBLY - Shoulder, front seat, blue	2	27-4367 to 27-7554168 inclusive	
	43813-03		HARNESS ASSEMBLY - Shoulder, front seat, fawn	2	27-4367 to 27-7554168 inclusive	
-43	43813-04		HARNESS ASSEMBLY - Shoulder, center seat, black	2	27-4367 to 27-7554168 inclusive	
	43813-05		HARNESS ASSEMBLY - Shoulder, center seat, blue	2	27-4367 to 27-7554168 inclusive	
	43813-03		HARNESS ASSEMBLY - Shoulder, center seat, fawn	2	27-4367 to 27-7554168 inclusive	
-44	54536-02		HARNESS ASSEMBLY - Shoulder, inertia reel, front and center seat, black	4	27-4367 to 27-7554168 inclusive	
-45	44512-00		CLIP - Shoulder harness retainer, left crew, passenger	3	27-4367 to 27-7554168 inclusive	
	33160-00		CLIP - Shoulder harness retainer, right crew	1	27-4367 to 27-7554168 inclusive	
-46	44514-00		CLIP - Shoulder harness retainer, left	2	27-4367 to 27-4775 inclusive	
	44514-01		CLIP - Shoulder harness retainer, right	2	27-4367 to 27-4775 inclusive	
-47	487 560		STUD - (XX-10369-12)	4	27-4776 to 27-7554168 inclusive	

A - When ordering, specify color red, blue, white, black or gold.
 B - When ordering, specify cloth or leather insert.
 C - When ordering, specify cloth or vinyl insert.
 D - Used on airplanes with serial numbers 27-3837, 27-3944 to 27-4425 inclusive, 27-4427 to 27-4573 inclusive.

When ordering, always specify Part Number, Description and Serial Number of Aircraft

PIPER PARTS CATALOG

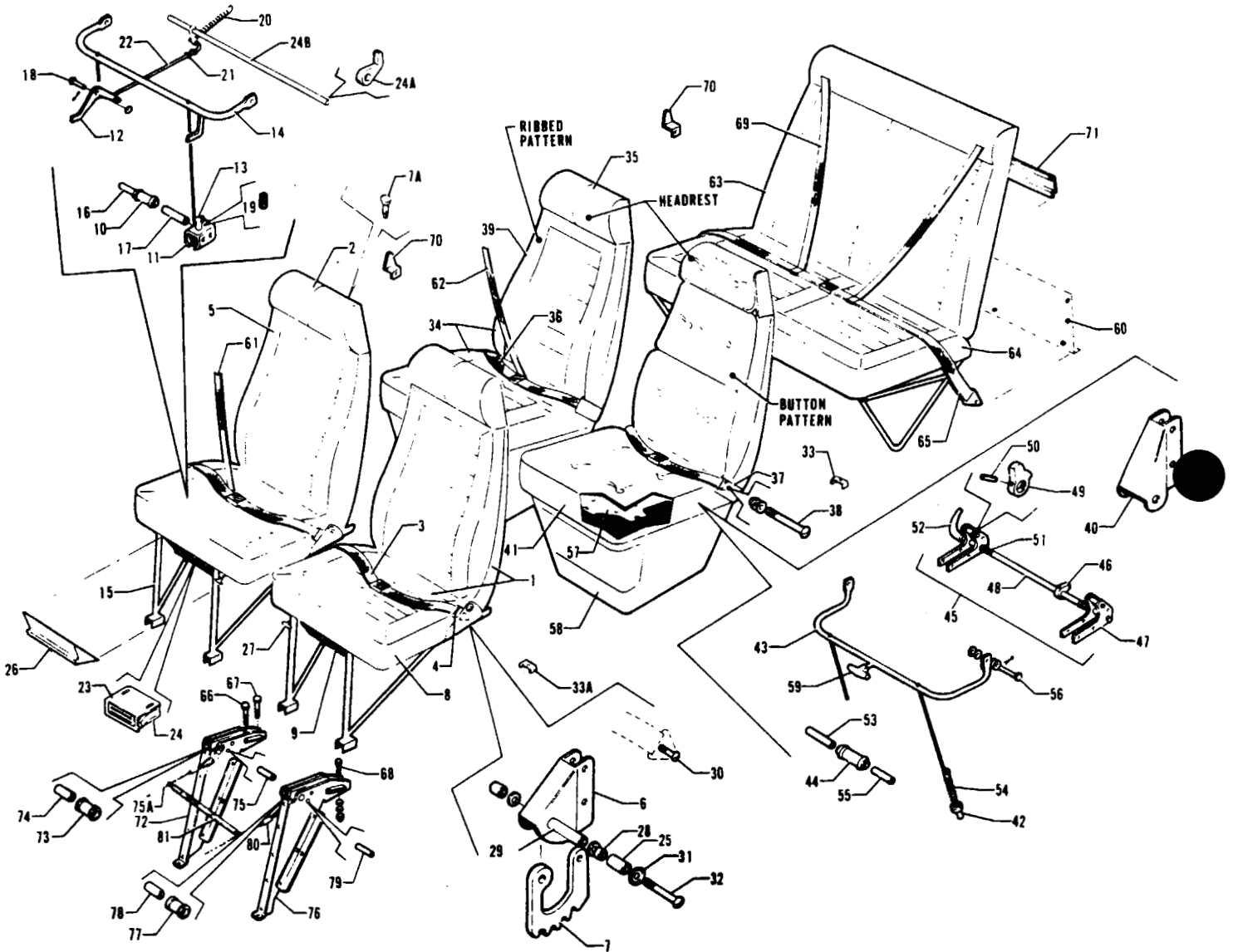


Figure 17B Seats Installation
(Serial Nos 27-7654001 and up)

PIPER PARTS CATALOG

Figure and Index Number	Part Number	Code	NOMENCLATURE	No. Req.	SERIAL NUMBERS AFFECTED
17B-	33846		DRAWING - Seats Installation		
	32896		DRAWING - Shoulder Harness Installation, Center Seats		27-7654001 to 27-7954121 incl
	33681		DRAWING - Shoulder Harness Installation, Rear Seats		
	28464		DRAWING - Shoulder Harness Installation, Center Seats		27-8054001 and up
-1	35021-02	A,B	SEAT ASSEMBLY - Front	2	27-7654001 to 27-8054059 incl
	35021-04	A,B	SEAT ASSEMBLY - Front	2	27-8154001 and up
	35021-03	A,C	SEAT ASSEMBLY - Front	2	27-8054001 to 27-8054059 incl
	35021-05	A,C	SEAT ASSEMBLY - Front	2	27-8154001 and up
-2	54493-04	A,B	* HEADREST ASSEMBLY	1	
	28548-02	A,C	* HEADREST ASSEMBLY	1	27-8054001 and up
-3	54536-02		* BELT ASSEMBLY - Safety, black	1	
-4	53134-00	A	* SHROUD ASSEMBLY - Safety belt	2	
-5	34974-00	A,B	* BACK ASSEMBLY - Seat, front	1	
	28478-02	A,C	* BACK ASSEMBLY - Seat, front	1	27-8054001 and up
-6	34551-00		* * HINGE - Seat back, left	1	
	34551-01		* * HINGE - Seat back, right	1	
-7	34447-00		* * DETENT - Seat hinge	2	27-7654001 to 27-8054045 incl
	34447-03		* * DETENT - Seat hinge	2	27-8054045 and up
-7a	99361-00	V	* * RECEPTACLE HEADREST	2	
-8	35017-02	A,B	* BOTTOM ASSEMBLY - Seat, front	1	27-7654001 to 27-8054059 incl
	35017-18	A,B	* BOTTOM ASSEMBLY - Seat, front	1	27-8154001 and up
	28479-02	A,C	* BOTTOM ASSEMBLY - Seat, front	1	27-8054001 to 27-8054059 incl
	28479-13	A,C	* BOTTOM ASSEMBLY - Seat, front	1	27-8154001 and up
-9	33840-02		* * BOX ASSEMBLY - Oxygen mask	1	
-10	18968-00		* * ROLLER - Seat	2	
-11	34893-02		* * GUIDE ASSEMBLY - Seat frame	2	
-12	34934-00		* * ARM - Seat back actuator	1	
-13	34937-00		* * PLUNGER - Seat latch	2	
-14	34942-02		* * TUBE ASSEMBLY - Seat stop release	1	
-15	34968-00		* * SUPPORT ASSEMBLY - Seat frame, left	1	
	34968-01		* * SUPPORT ASSEMBLY - Seat frame, right	1	
-16	41413-38		* * BUSHING - Front seat roller	2	
-17	52160-00		* * BUSHING - Seat roller	2	
-18	424 206		* * PIN - (MS20392-3C19)	1	
	81342-107		* * WASHER	1	
	424 051		* * PIN - Cotter (MS24665-132)	1	
-19	587 289		* * SPRING - (LC-035E-12)	2	
-20	587 409		* * SPRING - (LE-045D-3)	1	27-7654001 to 27-7854035 incl
	487 479		* * SPRING - (LE-045E-2)	1	27-7854036 and up
-21	554 670		* * CLEVIS - Rod end (HS-99355-2R)	2	
-22	34939-00		* * ACTUATOR ROD - Seat back	1	
-23	453 448		* * BRACKET - (02-16-101-11)	1	
-24	554 299		* * CATCH - (02-10-101-10)	1	
-24a	34597-00		* * DETENT - Seat back	2	
-24b	34907-00		* * PAWL ASSEMBLY - Seat back recliner	1	
-25	63900-54		* BUSHING	2	
-26	34770-00	A	* DOOR ASSEMBLY - Oxygen mask storage box	1	
-27	571 109		* KNOB - (214)	1	

A - Serial number of aircraft must be supplied when ordering this part
 B - Used if Seat Assembly has a ribbed pattern
 C - Used if Seat Assembly has a button pattern
 V - These parts must be ordered from Service Spares Department, Piper Aircraft Corporation, Vero Beach, Florida

When ordering, always specify Part Number, Description and Serial Number of Aircraft

PIPER PARTS CATALOG

Figure and Index Number	Part Number	Code	NOMENCLATURE	No. Req.	SERIAL NUMBERS AFFECTED
17B-28	80022-123		* BUSHING	2	
-29	86102-99		* BUSHING	2	
-30	400 910		* BOLT - (AN24-20A)	2	
-31	44114-00		* WASHER - Trim	4	
-32	400 917		* BOLT - (AN24-27A)	2	
	407 565		* WASHER - (AN960-416)	4	
	477 709		* NUT - (AN26C-048)	2	
-33	18842-00		STOP - Seat	2	27-7654001 to 27-7754114 incl
	52543-02		STOP - Seat	2	27-7754115 and up
-33a	52543-02		STOP - Seat	4	27-7654001 to 27-7754114 incl
	25552-03		COVER - Seat track end	4	27-7754115 and up
-34	33845-02	A	SEAT ASSEMBLY - Center, left	1	27-7654001 to 27-7954121 incl
	33845-04	A,C	SEAT ASSEMBLY - Center, left	1	27-8054001 and up
	28485-02	A,D	SEAT ASSEMBLY - Center, left	1	27-8054001 and up
	33845-03	A	SEAT ASSEMBLY - Center, right	1	27-7654001 to 27-7954121 incl
	33845-05	A,C	SEAT ASSEMBLY - Center, right	1	27-8054001 and up
	28485-03	A,D	SEAT ASSEMBLY - Center, right	1	27-8054001 and up
-35	54493-04	A,C	* HEADREST ASSEMBLY	1	
	28548-02	A,D	* HEADREST ASSEMBLY	1	27-8054001 and up
-36	25801-05		* BELT ASSEMBLY - Safety, black	1	
-37	53134-00	A	* SHROUD ASSEMBLY - Safety belt	2	
-38	400 924		* BOLT - (AN24-34A)	2	
	407 565		* WASHER - (AN960-416)	2	
	44114-00		* WASHER	2	
	477 708		* NUT - (26C-048)	2	
-39	34974-14	A,C	* BACK ASSEMBLY - Seat, center	1	
	28478-03	A,D	* BACK ASSEMBLY - Seat, center	1	27-8054001 and up
-40	27822-00		* * HINGE - Seat back, left	1	
	27822-01		* * HINGE - Seat back, right	1	
-41	35043-02	A	* BOTTOM ASSEMBLY - Seat, center, left	1	27-7654001 to 27-7954121 incl
	35043-16	A,C	* BOTTOM ASSEMBLY - Seat, center, left	1	27-8054001 and up
	28484-02	A,D	* BOTTOM ASSEMBLY - Seat, center, left	1	27-8054001 and up
	35043-03	A	* BOTTOM ASSEMBLY - Seat, center, right	1	27-7654001 to 27-7954121 incl
	35043-15	A,C	* BOTTOM ASSEMBLY - Seat, center, right	1	27-8054001 and up
	28484-03	A,D	* BOTTOM ASSEMBLY - Seat, center, right	1	27-8054001 and up
-42	12073-00		* * PLUNGER ASSEMBLY - Seat	2	
-43	32613-02		* * HANDLE ASSEMBLY - Seat catch	1	
-44	18968-00		* * ROLLER - Seat	4	
-45	19392-16		* * TUBE ASSEMBLY - Reclining mechanism, left	1	
	19392-17		* * TUBE ASSEMBLY - Reclining mechanism, right	1	
-46	19304-00		* * * STOP - Seat back	1	
-47	19359-00		* * * BRACKET ASSEMBLY - Reclining mechanism	2	
-48	19392-15		* * * ROD - Reclining mechanism	1	
-49	19365-00		* * * CAM - Seat reclining	1	
-50	480 701		* * * PIN - Roll (59-028-125-0625)	4	
-51	19336-00		* * * SPRING - Reclining mechanism, outboard	1	
	19336-01		* * * SPRING - Reclining mechanism, inboard	1	
-52	32380-00		* * * HANDLE - Seat recliner	1	
-53	41413-38		* * BUSHING - Seat roller	4	
-54	50111-00		* * SPRING - Seat catch	2	
-55	52160-02		* * BUSHING - Seat roller	4	

A - Serial number of aircraft must be supplied when ordering this part
 B - Used if shoulder harness is installed on rear seat
 C - Used if seat assembly has a ribbed pattern
 D - Used if seat assembly has a button pattern

When ordering, always specify Part Number, Description and Serial Number of Aircraft

PIPER PARTS CATALOG

Figure and Index Number	Part Number	Code	NOMENCLATURE	No. Req.	SERIAL NUMBERS AFFECTED
17B-56	424 187		* * PIN - (AN393-37)	2	
-57	587 600		* * SUSPENSION - Elastaseat (P-151)	1	27-7654001 to 27-7854139 incl
	35043-14		* * NETTING - Nylon, seat suspension	1	27-7954001 and up
-58	33837-03	A	* * SKIRT - Center seat	1	
-59	571 165		* * KNOB - Tee, black (101U)	1	
-60	487 560		STUD - (XX-10369-12)	12	
-61	54536-02		HARNES ASSEMBLY - Shoulder, inertia reel, front seat, black	2	
-62	54536-02		HARNES ASSEMBLY - Shoulder, inertia reel, center seat, black	2	
-63	33707-02	A,C	BACK ASSEMBLY - Seat, rear	1	
	28567-02	A,D	BACK ASSEMBLY - Seat, rear	1	27-8054001 and up
	33707-03	A,B,C	BACK ASSEMBLY - Seat, rear	1	
	28567-03	A,B,D	BACK ASSEMBLY - Seat, rear	1	27-8054001 and up
-64	33872-02	A,C	BOTTOM ASSEMBLY - Seat, rear	1	
	28486-02	A,D	BOTTOM ASSEMBLY - Seat, rear	1	27-8054001 and up
-65	25801-02		BELT ASSEMBLY - Safety, rear, black	2	
-66	401 404		BOLT - (AN6-24A)	2	
	407 567		WASHER - (AN960-616)	4	
	404 890		NUT - (MS20365-624C)	2	
-67	401 405		BOLT - (AN6-25A)	2	
	407 567		WASHER - (AN960-616)	4	
	404 890		NUT - (MS20365-624C)	2	
-68	401 270		BOLT - (AN3-11A)	4	
	407 564		WASHER - (AN960-10)	8	
	404 887		NUT - (MS20365-1032C)	4	
-69	54536-04		HARNES ASSEMBLY - Shoulder inertia reel, rear seat, black	2	
-70	33160-00		CLIP - Shoulder harness retainer, right, crew	1	27-7654001 to 27-7954121 incl
	44512-00		CLIP - Shoulder harness retainer, left, crew and passenger	3	27-7654001 to 27-7954121 incl
-71	33680-02		CHANNEL ASSEMBLY - Shoulder harness support	1	
-72	33631-02		SUPPORT ASSEMBLY - Front seat, inboard, left	1	27-7654001 to 27-8054059 incl
	33631-08		SUPPORT ASSEMBLY - Front seat, inboard, left	1	27-8154001 and up
	33631-03		SUPPORT ASSEMBLY - Front seat, inboard, right	1	27-7654001 to 27-8054059 incl
	33631-09		SUPPORT ASSEMBLY - Front seat, inboard, right	1	27-8154001 and up
-73	15436-02		* ROLLER - Seat support	2	
-74	14976-107		* BUSHING - Seat support roller	2	
-75	49982-02		* BUSHING - Seat support attachment	1	
-75a	28609-02		* CABLE ASSEMBLY - Seat stop	1	27-8154001 and up
-76	34374-16		SUPPORT ASSEMBLY - Front seat, outboard, left	1	27-7654001 to 27-8054059 incl
	34374-18		SUPPORT ASSEMBLY - Front seat, outboard, left	1	27-8154001 and up
	34374-17		SUPPORT ASSEMBLY - Front seat, outboard, right	1	27-7654001 to 27-8054059 incl
	34374-19		SUPPORT ASSEMBLY - Front seat, outboard, right	1	27-8154001 and up

A - Serial number of aircraft must be supplied when ordering this part
 B - Used if shoulder harness is installed on rear seat
 C - Used if seat assembly has a ribbed pattern
 D - Used if seat assembly has a button pattern

When ordering, always specify Part Number, Description and Serial Number of Aircraft

PIPER PARTS CATALOG

Figure and Index Number	Part Number	Code	NOMENCLATURE	No Req	SERIAL NUMBERS AFFECTED
17B-77	15436-02		* ROLLER - Seat support	2	
-78	14976-107		* BUSHING - Seat support roller	2	
-79	49982-02		* BUSHING - Seat support attachment	1	
-80	28609-02		* CABLE ASSEMBLY - Seat stop	1	27-8154001 and up
-81	487 291		SPRING - (180C-2 1/2)	2	27-8154001 and up

When ordering, always specify Part Number, Description and Serial Number of Aircraft

PIPER PARTS CATALOG

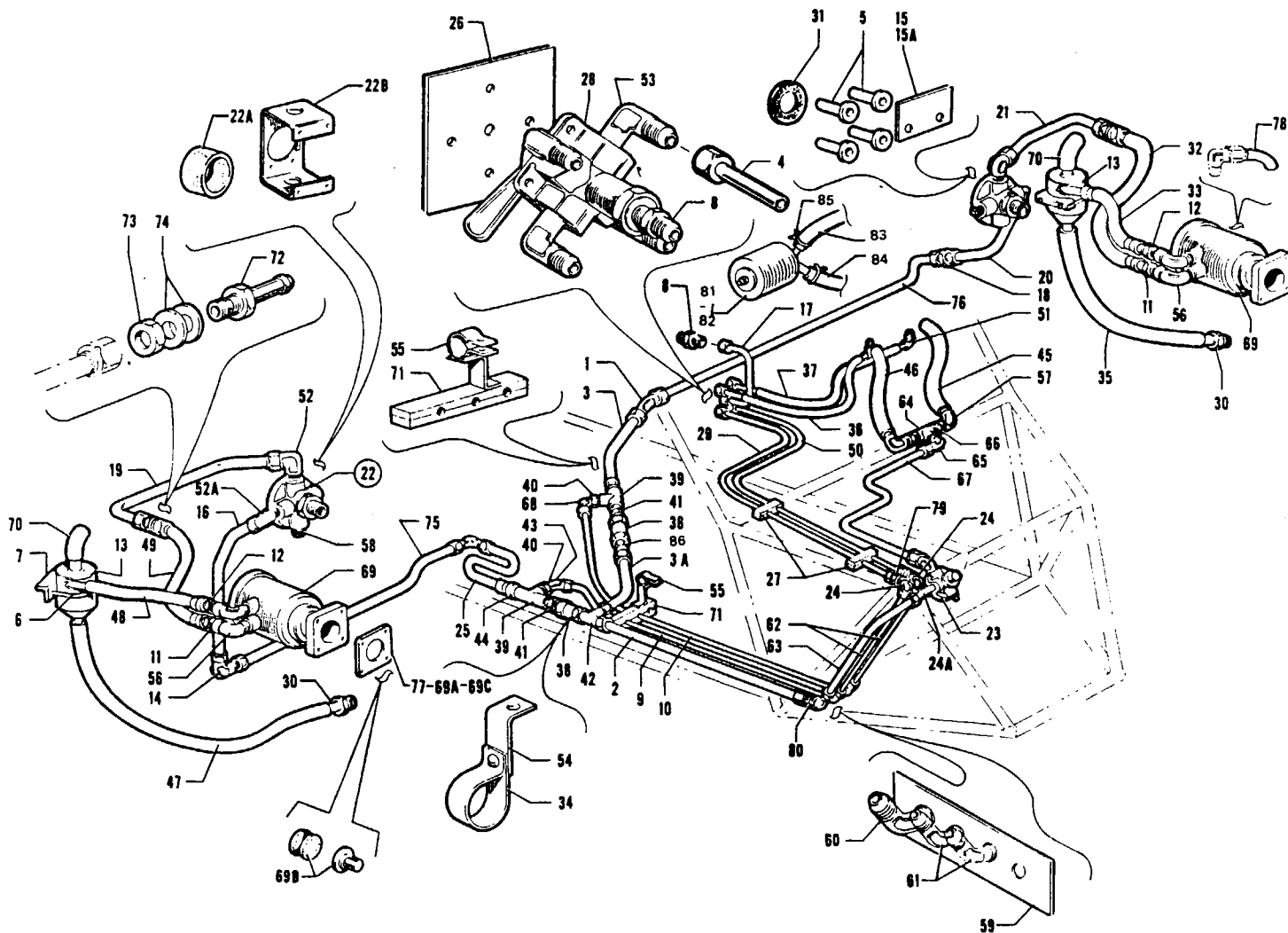


Figure 18 Vacuum Pump Installation
(Serial Nos 27-1 to 27-2504 inclusive)

SECTION II
Fuselage Group



VACUUM PUMP INSTALLATION
(Serial Nos. 27-1 to 27-2504 incl.)

Figure and Index Number	Part Number	Code	NOMENCLATURE	No. Req.	SERIAL NUMBERS AFFECTED
18-	16516	X	DRAWING - Vacuum System Installation, Wet Pump		27-505 to 27-548 inclusive 27-549 and up
	16516	Z	DRAWING - Vacuum System Installation, Wet Pump		
	30312	Z	DRAWING - Vacuum System Installation, Dry Pump		
	30722	Y	DRAWING - Vacuum System Installation, Dry Pump		
-1	458 914		FITTING - Elbow (AN837-8D)	1	
-2	19631-03		LINE ASSEMBLY	1	
-3	16566-00		LINE ASSEMBLY	1	
-3a	16567-00		LINE ASSEMBLY	1	
-4	17881-03		LINE ASSEMBLY	2	
-5	18064-02		BUSHING ASSEMBLY	8	27-1 to 27-188 inclusive
-6	18291-00	XZ	ROD - Oil separator support	2	
-7	16546-00		ANGLE	1	
-8	476 647		NIPPLE - (AN816-3D)	1	
-9	18578-11		TUBE ASSEMBLY	1	
-10	18578-17		TUBE ASSEMBLY	1	
-11	451 859	X	ADAPTER - (AN840-8D)	2	27-1 to 27-443 inclusive
	451 861	X	ADAPTER - (AN840-9D)	2	27-444 to 27-2504 inclusive
-12	451 861	X	ADAPTER - (AN840-9D)	2	
	451 861	Z	ADAPTER - (AN840-9D)	6	
-13	486 380	XZ	OIL SEPARATOR ASSEMBLY - (NAF 46089-1)	2	
-14	458 881		ELBOW - (AN821-8D)	1	27-1 to 27-443 inclusive
-15	18889-00		PLACARD - Suction regulator	2	27-1 to 27-188 inclusive
	18889-02		PLACARD - Suction regulator	2	27-189 to 27-443 inclusive
	19892-00		PLATE - Vacuum adjust	2	27-444 to 27-2504 inclusive
-15a	19893-00		GASKET - Vacuum adjust plate	2	27-444 to 27-2504 inclusive
-16	19107-03	X	LINE ASSEMBLY - Vacuum	1	27-1 to 27-188 inclusive
	19107-07	X	LINE ASSEMBLY - Vacuum	1	27-189 to 27-443 inclusive
	82371-91	X	HOSE - Flexible, vacuum	1	27-444 to 27-2504 inclusive
	82371-25	Y	HOSE - Flexible, vacuum	1	
-17	18891-05		LINE ASSEMBLY - Vacuum	1	
-18	491 053		UNION - (AN815-8D)	1	27-1 to 27-443 inclusive
-19	18893-03		LINE ASSEMBLY	1	27-1 to 27-443 inclusive
-20	18894-03	X	LINE ASSEMBLY	1	27-1 to 27-188 inclusive
	18894-05	X	LINE ASSEMBLY	1	27-189 to 27-443 inclusive
	82371-92	X	HOSE - Flexible	1	27-444 and up
	82371-92	Z	HOSE - Flexible (17" L)	1	27-505 to 27-548 inclusive
	82371-91	Z	HOSE - Flexible (15" L)	1	27-549 and up
	82371-91	Y	HOSE - Flexible	1	
-21	18895-03		LINE ASSEMBLY	1	27-1 to 27-443 inclusive
-22	492 059	AB	VALVE ASSEMBLY - Suction regulating	2	27-1 to 27-443 inclusive
	492 066		VALVE ASSEMBLY - (133A2) Suction regulating	2	27-444 to 27-2504 inclusive
-22a	751 815	C	FILTER - Regulating valve (#B-3005A 1)	1	
-22b	19782-00		BRACKET - Valve mounting	2	27-1 to 27-443 inclusive

A - Order valve mounting bracket, Part No. 19782-00, for all airplanes prior to serial number 27-189. (See Item 22b.)
 B - Not available. Suction Regulating Valve Replacement Kit 756 765 will be supplied as a replacement. If Kit 756 765 has previously been installed, order Valve Assembly 492 066.
 C - Used with 492 066 regulating valve.
 X - Used on PA-23-250 airplanes only.
 Y - Used on PA-23-250 (Six Place) airplanes only.
 Z - Used on PA-23-235 airplanes only.

When ordering, always specify Part Number, Description and Serial Number of Aircraft



Figure and Index Number	Part Number	Code	NOMENCLATURE	No. Req.	SERIAL NUMBERS AFFECTED
18-23	492 064		VALVE ASSEMBLY - Suction relief	1	27-1 to 27-443 inclusive
-24	458 899		ELBOW - (AN833-3D)	2	
-24a	458 905		ELBOW - (AN833-8D)	1	
-25	16676-00		LINE ASSEMBLY	1	
-26	18907-00		PLACARD - Vacuum check	1	
-27	19637-00		BLOCK	4	
-28	18930-00		VALVE - Vacuum check control	1	
-29	19629-00		LINE ASSEMBLY	1	
-30	18936-00		NIPPLE - Hose (Special)	2	27-1 to 27-366 inclusive
	451 861	X	ADAPTER - (AN840-9D)	2	27-367 to 27-2504 inclusive
-31	80122-82		WASHER	2	27-1 to 27-443 inclusive
-32	82371-90	X	HOSE - Flexible (12 1/2" L)	1	27-1 to 27-443 inclusive
	82371-45	X	HOSE - Flexible (15" L)	1	27-444 to 27-504 inclusive
	82371-45	Z	HOSE - Flexible (15" L)	1	27-505 to 27-548 inclusive
	61541-15	Z	HOSE - Flexible (16 1/2" L)	1	27-549 and up
	82371-45	Y	HOSE - Flexible (15" L)	1	
-33	82371-82	X	HOSE - Flexible	1	
-34	80032-82		CLAMP	1	
-35	82371-98	X	HOSE - Flexible	1	
	82371-98	Z	HOSE - Flexible	2	
-36	83161-18		HOSE - Flexible (30" L)	2	
-37	83161-17		HOSE - Flexible (25" L)	2	
-38	492 055		VALVE - Check (2-2844-75)	1	27-1 to 27-188 inclusive
-39	488 323		FITTING - Tee (AN917-3D)	2	
-40	453 618		BUSHING - (AN912-3D)	2	
-41	476 645		NIPPLE - (AN911-3D)	2	
-42	488 308		FITTING - Tee (AN826-8D)	1	
-43	458 888		ELBOW - (MS20823-3D)	1	
-44	458 898		NIPPLE - (AN822-8D)	1	
-45	82371-88	X	HOSE - Flexible	1	27-1 to 27-366 inclusive
	82371-60		HOSE - Flexible	1	27-367 to 27-2504 inclusive
-46	82371-87	X	HOSE - Flexible (17" L)	1	
	82371-88	X	HOSE - Flexible (18" L)	1	
	82371-60	X	HOSE - Flexible (22" L)	1	
	82371-32	Y	HOSE - Flexible (15" L)	1	
	82371-57	Y	HOSE - Flexible (12 1/2" L)	1	
	82371-60	Z	HOSE - Flexible (22" L)	2	
-47	82371-98	X	HOSE - Flexible	1	
-48	82371-41	X	HOSE - Flexible	1	27-1 to 27-188 inclusive
	82371-97	X	HOSE - Flexible	1	27-189 to 27-2504 inclusive
-49	82371-91	X	HOSE - Flexible (15" L)	1	27-1 to 27-443 inclusive
	61541-11	X	HOSE - Flexible (19 1/2" L)	1	27-444 and up
	61541-12	Z	HOSE - Flexible (21" L)	1	27-505 to 27-548 inclusive
	61541-14	Z	HOSE - Flexible (18" L)	1	27-549 and up
	61541-14	Y	HOSE - Flexible (18" L)	1	
-50	19628-00		LINE ASSEMBLY	1	
-51	458 888		ELBOW - (MS20823-3D)	2	
-52	458 898		ELBOW - (AN822-8D)	2	27-1 to 27-443 inclusive
-52a	458 919		ELBOW - (AN914-2D) Side	2	27-1 to 27-188 inclusive
	458 886		ELBOW - (AN823-8D) 45 Degrees	2	27-189 to 27-443 inclusive

X - Used on PA-23-250 airplanes only.
Y - Used on PA-23-250 (Six Place) airplanes only.
Z - Used on PA-23-235 airplanes only.

When ordering, always specify Part Number, Description and Serial Number of Aircraft



Figure and Index Number	Part Number	Code	NOMENCLATURE	No. Req.	SERIAL NUMBERS AFFECTED
18-53	458 893		ELBOW - (AN822-3D)	4	
-54	19015-00		ANGLE ASSEMBLY	1	
-55	19018-00		BRACKET ASSEMBLY - Vacuum line support	2	
-56	458 918	X	ELBOW - (AN914-3D)	4	
	458 958	Y	ELBOW - Sweep (1K8-6-10) to regulating valve	2	
	558 900	Y	ELBOW - 150 Degrees (1K8-6-8) to vent	2	
-57	458 928		ELBOW - (AN842-6D)	2	
-58	460 669		PLUG - (W/H 3152 x 2)	1	27-1 to 27-188 inclusive
	755 805		PLUG - (AN932-2)	1	27-189 to 27-443 inclusive
	755 806		PLUG - (AN932-3)	1	27-189 to 27-443 inclusive
-59	19627-02	X,Z	PLATE - Tube support	1	
	31982-00	D,Z	PLATE - Tube support	1	
-60	458 914	X,Z	ELBOW - (AN837-8D)	1	
	458 905	Y,Z	ELBOW - (AN833-8D)	1	
-61	458 909	X	ELBOW - (AN837-3D)	2	
	458 899	Y	ELBOW - (AN833-3D)	2	
	458 899	Z	ELBOW - (AN833-3D)	1	
-62	18578-07	X,Z	TUBE ASSEMBLY - Vacuum (15 1/2" L)	2	
	18578-19	Y	TUBE ASSEMBLY - Vacuum (15 1/8" L)	1	
	22673-04	D,Z	TUBE ASSEMBLY - Vacuum (18 5/8" L)	1	
	22673-06	D,Z	TUBE ASSEMBLY - Vacuum (19 1/2" L)	1	
-63	19630-03	X	LINE ASSEMBLY - Vacuum	1	27-1 to 27-188 inclusive
	19786-00	X	LINE ASSEMBLY - Vacuum	1	27-189 to 27-443 inclusive
	19891-00	X,Z	LINE ASSEMBLY - Vacuum	1	27-444 and up
	30704-00	Y	LINE ASSEMBLY - Vacuum	1	
	31975-00	D,Z	LINE ASSEMBLY - Vacuum	1	
-64	488 323		FITTING - Tee (AN917-3D)	1	
-65	458 898		ELBOW - (AN822-8D)	1	
-66	453 617		BUSHING - (AN912-2D)	2	
-67	17810-03		LINE ASSEMBLY	1	27-1 to 27-443 inclusive
	19890-00		LINE ASSEMBLY	1	27-444 to 27-2504 inclusive
-68	458 893		ELBOW - (AN822-3D)	1	
-69	481 667	A,C,X	PUMP - Wet vacuum (3P-194-F Type B11) (Pesco)	2	
	481 673	B,X	PUMP - Wet vacuum (G-445L) (Garwin)	2	
	481 673	C,Z	PUMP - Wet vacuum (G-445L) (Garwin)	2	27-505 to 27-548 inclusive
	481 692	C,Y,Z	PUMP - Dry vacuum (200CC)	2	27-549 and up
-69a	462 023		GASKET - Wet vacuum pump mounting (AN4045-1)	1	
-69b	753 910	E	COUPLING ASSEMBLY KIT - Vacuum pump drive (No. 350)	1	
-69c	751 859		GASKET - Dry vacuum pump mounting (B3-1-2)	1	

A - Used when 14-volt electrical system is installed.
 B - Used when 28-volt electrical system is installed.
 C - See Figure 42B or Figure 42C if Pneumatic Deicer System is installed.
 D - Used when Dual Brakes are installed.
 E - Used with vacuum pump 481 692.
 X - Used on PA-23-250 airplanes only.
 Y - Used on PA-23-250 (Six Place) airplanes only.
 Z - Used on PA-23-235 airplanes only.

When ordering, always specify Part Number, Description and Serial Number of Aircraft

PIPER PARTS CATALOG

Figure and Index Number	Part Number	Code	NOMENCLATURE	No. Req	SERIAL NUMBERS AFFECTED
18-70	455 149	X,Z	CONNECTION - Rubber hose (#10135)	2	
-71	19639-00		BLOCK	2	
-72	451 921		ADAPTER - (AN807-8D)	2	27-1 to 27-443 inclusive
-73	477 621		NUT - (AN924-8D)	2	27-1 to 27-443 inclusive
-74	407 573		WASHER - (AN960-1216)	4	27-1 to 27-443 inclusive
-75	19106-03		LINE ASSEMBLY - Vacuum, right	1	27-1 to 27-443 inclusive
	19907-00		LINE ASSEMBLY - Vacuum, right	1	27-444 to 27-2504 inclusive
-76	18892-03		LINE ASSEMBLY - Vacuum, left	1	27-1 to 27-443 inclusive
	19901-00		LINE ASSEMBLY - Vacuum, left	1	27-444 to 27-2504 inclusive
-77	487 424	Y	SPACER - (#B2004-A2)	2	
	487 424	Z	SPACER - (#B2004-A2)	2	27-549 to 27-596 inclusive
-78	22514-00	X	TUBE ASSEMBLY - Vacuum pump exhaust	2	
	82371-89	Y,Z	HOSE - Vacuum pump exhaust	2	
	558 900	Y,Z	ELBOW - Vacuum pump exhaust (#1K8-6-8)	2	
-79	477 617	X	NUT - (AN924-3D)	2	
	477 617	Z	NUT - (AN924-3D)	1	
	477 617	Y	NUT - (AN924-3D)	4	
-80	477 621	X,Z	NUT - (AN924-8D)	1	
	477 621	Y	NUT - (AN924-8D)	2	
-81	460 888		FILTER ASSEMBLY - Air (66673-00)	1	
-82	757 899		CARTRIDGE - Air filter	1	
-83	16633-24	YZ	HOSE - Flexible, vacuum	1	27-612 and up
-84	16633-25	Y,Z	HOSE - Flexible, vacuum	1	27-612 and up
-85	454 832	Y,Z	CLAMP - Filter hose (#10)	4	27-612 and up
-86	476 664		NIPPLE - (AN816-8D)	2	

X - Used on PA-23-250 airplanes only
 Y - Used on PA-23-250 (Six Place) airplanes only
 Z - Used on PA-23-235 airplanes only

When ordering, always specify Part Number, Description and Serial Number of Aircraft

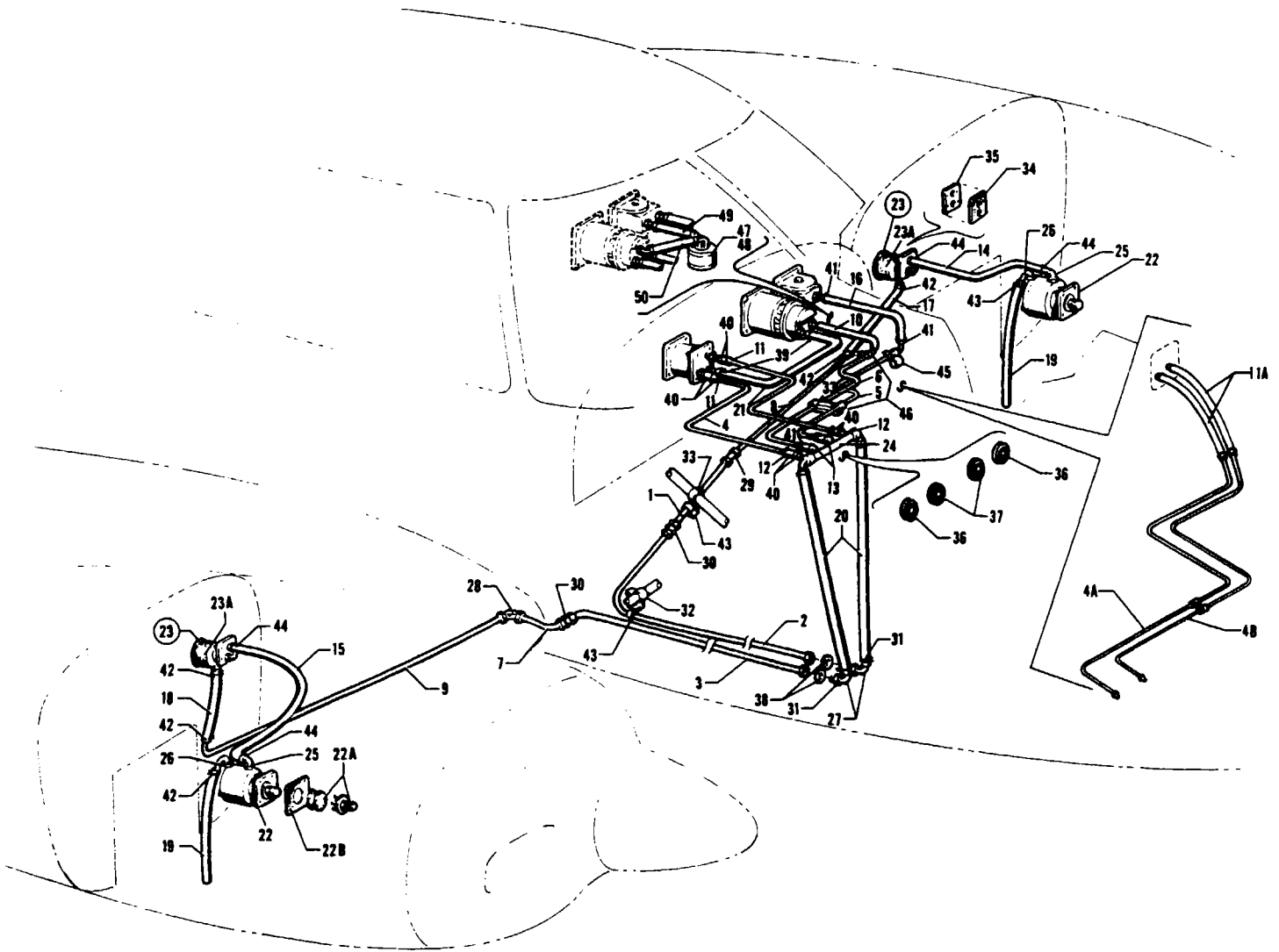


Figure 18A. Vacuum Pump Installation
(Serial Nos 27-2505 and up)

PIPER PARTS CATALOG

Figure and Index Number	Part Number	Code	NOMENCLATURE	No. Req.	SERIAL NUMBERS AFFECTED
18A-	31350		DRAWING - Vacuum System Installation, Dry Pump		27-2505 to 27-3836 inclusive, 27-3838 to 27-3943 inclusive 27-3837, 27-3944 and up
	32631		DRAWING - Vacuum System Installation, Dry Pump		
-1	16566-00		LINE ASSEMBLY - Vacuum	1	
-2	31333-00		LINE ASSEMBLY - Vacuum	1	
-3	31334-00		LINE ASSEMBLY - Vacuum	1	
-4	31335-00		LINE ASSEMBLY - Vacuum	2	27-2505 to 27-3836 inclusive, 27-3838 to 27-3943 inclusive
	32495-00		LINE ASSEMBLY - Vacuum	2	27-3837, 27-3944 to 27-7305234 inclusive
	33607-00		LINE ASSEMBLY - Vacuum	2	27-7405235 to 27-7405476 incl
-4a	15685-02		LINE - Vacuum	1	27-7554001 and up
-4b	15684-02		LINE - Vacuum	1	27-7554001 and up
-5	31337-00		LINE ASSEMBLY - Vacuum	1	
-6	31349-00	D	LINE ASSEMBLY - Vacuum	1	
-7	16676-00		LINE ASSEMBLY - Vacuum	1	
-8	19901-00		LINE ASSEMBLY - Vacuum	1	
-9	19907-00		LINE ASSEMBLY - Vacuum	1	
-10	16633-24	C,D	HOSE - Flexible, vacuum	1	
	16633-28	A,C,D	HOSE - Flexible, vacuum	1	
-11	16633-37		HOSE - Flexible, vacuum	2	27-2505 to 27-7405476 inclusive
-11a	82371-95		HOSE - Flexible, vacuum	2	27-7554001 and up
-12	16633-48		HOSE - Flexible, vacuum	2	
-13	16633-49		HOSE - Flexible, vacuum	2	
-14	61541-15		HOSE - Flexible, vacuum	1	
-15	61541-12		HOSE - Flexible, vacuum	1	
-16	61541-21	C	HOSE - Flexible, vacuum	1	
	16633-28	A,C	HOSE - Flexible, vacuum	1	
-17	82371-91		HOSE - Flexible, vacuum	1	
-18	82371-25		HOSE - Flexible, vacuum	1	
-19	82371-89	B	HOSE - Flexible, vacuum	2	
-20	82371-93		HOSE - Flexible, vacuum	2	
-21	83161-18		HOSE - Vacuum (30" L x 1/8" I D)	1	
	83161-32	A	HOSE - Vacuum (34" L x 1/8" I D)	1	
	61541-46		HOSE - Vacuum (30" L x 1/4" I D)	1	27-2505 to 27-3836, 27-3838 to 27-3943 inclusive
	32633-02		HOSE - Vacuum (37" L x 1/4" I D)	1	27-3837, 27-3944 to 27-7405476 inclusive
	82371-95		HOSE - Vacuum (9" L x 1/4" I D)	1	27-7554001 and up
-22	26749-07	B	PUMP - Dry vacuum (211CC)	2	
	481 720	B,E	PUMP - Dry vacuum (431CC-7)	2	27-7554001 and up
-22a	753 910	F	* COUPLING ASSEMBLY KIT - Vacuum pump drive (No 350)	1	
	757 865	G	* COUPLING ASSEMBLY KIT - Vacuum pump drive (No 352)	1	
NOTE See Figure 10F if copilot vacuum gyros are installed					
<p>A - Used when 3 inch gyros are installed B - See Figure 42B, Figure 42C or Figure 42D if Pneumatic De-Icer System is installed C - See Figure 66 if AltiMatic V F/D or V F/D-1 is installed See Figure 67 if AltiMatic V or V-1 is installed D - See Figure 10E if Dual Right Instrument Panel is installed E - Used if Dual Instruments are installed F - Used if Dry Vacuum Pump 200CC or 211CC is installed G - Used if Dry vacuum Pump 431CC-7 is installed</p>					

When ordering, always specify Part Number, Description and Serial Number of Aircraft

PIPER PARTS CATALOG

Figure and Index Number	Part Number	Code	NOMENCLATURE	No. Req.	SERIAL NUMBERS AFFECTED
18A-22b	751 859		* * GASKET - Vacuum pump mounting (B3-1-2)	1	
-23	492 265		VALVE - Regulating (2H3-1)	2	
-23a	751 815		* FILTER - Regulating valve (B-3005A1)	1	
-24	492 085	B	VALVE - Check (1H5-4)	1	
-25	458 958	B	ELBOW - (1K1-6-10)	2	
	558 923	B,C	ELBOW - (1K1-8-10)	2	27-7554001 and up
-26	558 900	B	ELBOW - (1K8-6-8)	2	
	558 923	B,C	ELBOW - (1K1-8-10)	2	27-7554001 and up
-27	558 907		ELBOW - (1K13-8-8)	2	
-28	458 881		ELBOW - (AN821-8D) 90 degrees	1	
-29	458 914		ELBOW - (AN837-8D) 45 degrees	1	
-30	491 053		UNION - (AN815-8D)	2	
-31	477 621		NUT - (AN924-8D)	2	
-32	19018-00		BRACKET ASSEMBLY - Vacuum line support	2	
-33	19637-02		BLOCK - Tube retaining	2	27-2505 to 27-7405476 incl
	454 929		CLAMP - (PS10017-2-4)	2	27-7554001 and up
-34	19892-00		PLATE - Vacuum regulating valve	2	
-35	19893-00		GASKET - Vacuum regulating valve	2	
-36	434 135		GROMMET - (MS35489-14)	2	
-37	434 138		GROMMET - (MS35489-17)	2	
-38	407 573		WASHER - (AN960-1216)	2	
-39	454 833		CLAMP - Hose (6)	2	
-40	454 983		CLAMP - Hose (8)	8	
-41	454 832		CLAMP - Hose (10)	12	
-42	454 987		CLAMP - (12)	10	
-43	454 933		CLAMP - (PS10017-2-8)	2	
-44	554 552		CLAMP - Hose (PS10017-23-10)	4	
-45	80002-54		CLAMP	1	
-46	454 930		CLAMP - (PS10017-2-6)	3	
-47	460 888		FILTER ASSEMBLY - Air (66673-00)	1	
-48	757 899		* CARTRIDGE - Air filter (D9-18-1)	1	
-49	16633-44	A	HOSE - Flexible, vacuum (2" L)	1	
	16633-68	A	HOSE - Flexible, vacuum (50" L)	1	
-50	61541-37	A	HOSE - Flexible, vacuum (4 3/8" L)	1	
	16633-68	A	HOSE - Flexible, vacuum (50" L)	1	
NOTE See Figure 10F if copilot vacuum gyros are installed					
A - See Figure 67 if AltiMatic V or V-1 is installed B - See Figure 42B or Figure 42C if Pneumatic De-Icer System is installed C - Used if Dual Instruments are installed					

When ordering, always specify Part Number, Description and Serial Number of Aircraft

**1K23 THRU 1K24
INTENTIONALLY LEFT BLANK**

PIPER PARTS CATALOG

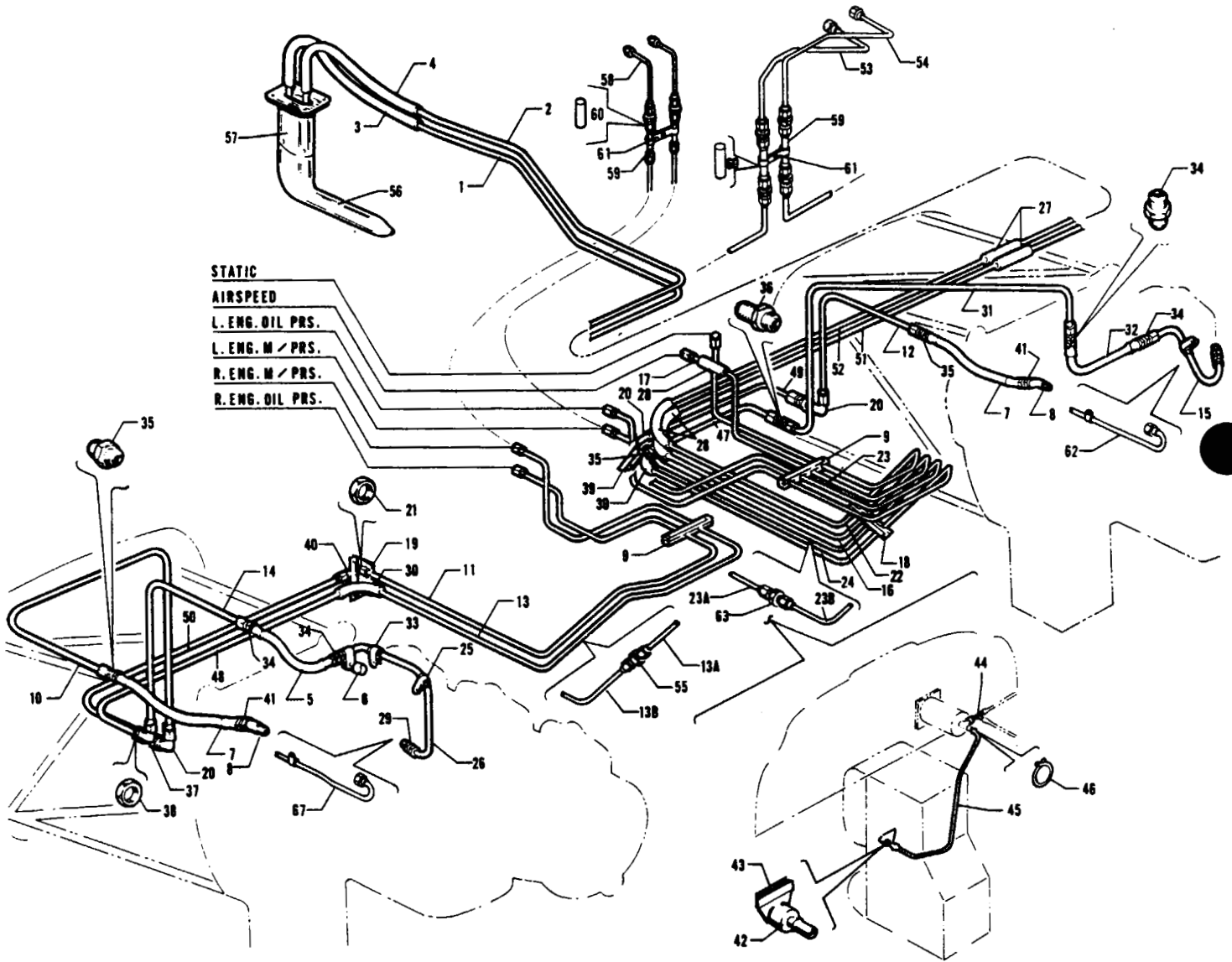


Figure 19 Airspeed, Static, Oil Pressure and Manifold Pressure Lines

PIPER PARTS CATALOG

Figure and Index Number	Part Number	Code	NOMENCLATURE	No. Req.	SERIAL NUMBERS AFFECTED
19-	16065 16580 31343	Y	DRAWING - Wing Wires and Airspeed Tube Installation DRAWING - Miscellaneous Air and Fluid Lines Installation DRAWING - Miscellaneous Air and Fluid Lines Installation		27-1 to 27-2504 inclusive 27-2505 and up
-1	13541-22	F	TUBE - Airspeed, left	1	
-2	13541-21	F	TUBE - Airspeed, left	1	
-3	83161-21	F	HOSE - Airspeed, left	1	
-4	83161-20	F	HOSE - Airspeed, left	1	
-5	13425-00		HOSE ASSEMBLY - Manifold pressure, right engine	1	27-1 to 27-366 inclusive
	17766-32		HOSE ASSEMBLY - Manifold pressure, right engine	1	27-367 to 27-2504 inclusive
	17766-77	Y	HOSE ASSEMBLY - Manifold pressure, right engine	1	27-2505 and up
-6	14843-77		BUSHING - Clamp and baffle spacer	2	
-7	17766-07		HOSE ASSEMBLY - Oil pressure	2	27-1 to 27-366 inclusive
	17766-45		HOSE ASSEMBLY - Oil pressure	2	27-367 and up
-8	17803-00		ELBOW - Oil pressure hose assembly attachment, 45 degrees restricted	2	
	19053-00		ELBOW - Oil pressure hose assembly attachment, 90 degrees restricted	2	
-9	17812-02		BLOCK - Tube retaining	4	
-10	17813-00		LINE ASSEMBLY - Oil pressure, right engine	1	27-1 to 27-366 inclusive
	17813-03		LINE ASSEMBLY - Oil pressure, right engine	1	27-367 and up
-11	17815-00	X	LINE ASSEMBLY - Oil pressure, right engine	1	
	17815-03	Y,Z	LINE ASSEMBLY - Oil pressure, right engine	1	27-505 to 27-3836 inclusive, 27-3838 to 27-3943 inclusive
	32774-00	Y	LINE ASSEMBLY - Oil pressure, right engine	1	27-3837, 27-3944 to 27-7305234 inclusive
	32774-03	Y	LINE ASSEMBLY - Oil pressure, right engine	1	27-7405235 to 27-8054059 incl
	28615-02		LINE ASSEMBLY - Oil pressure, right engine	1	27-8154001 and up
	761 170	E,Y	LINE ASSEMBLY - Oil pressure, right engine	1	27-4678 to 27-4681 inclusive
-12	17816-00		LINE ASSEMBLY - Oil pressure, left engine	1	27-1 to 27-366 inclusive
	17816-03		LINE ASSEMBLY - Oil pressure, left engine	1	27-367 and up
-13	17821-03	A	LINE ASSEMBLY - Manifold pressure, right engine	1	
	32181-00	B,C	LINE ASSEMBLY - Manifold pressure, right engine	1	
	32181-04	C,D,Y	LINE ASSEMBLY - Manifold pressure, right engine	1	27-3837, 27-3944 to 27-7304949 inclusive
	33335-00	E,Y	LINE ASSEMBLY - Manifold pressure, right engine	1	27-4678 to 27-4681, 27-7304950 to 27-7304993 inclusive
	33429-00		LINE ASSEMBLY - Manifold pressure, right engine	1	27-7304994 to 27-7405429 inclusive
	32378-00		LINE ASSEMBLY - Manifold pressure, right engine	1	27-7405430 to 27-7405476 incl

A - Used on PA-23-250 and PA-23-235 with serial numbers 27-1 to 27-619 inclusive, and PA-23-250 (Six Place) with serial numbers 27-2000 to 27-3274 inclusive
 B - Used on PA-23-235 with serial numbers 27-620 and up, and PA-23-250 (Six Place) with serial numbers 27-3275 to 27-3836 inclusive, 27-3838 to 27-3943 inclusive
 C - Refer to Figure 30B if Airesearch Turbocharger is installed
 D - Refer to Figure 30C if Lycoming Turbocharger is installed
 E - Used on PA-23-250 (Six Place) with 28 Volt Electrical System
 F - See Figure 10F if Dual Right Instrument Panel is installed
 X - Used on PA-23-250 airplanes only
 Y - Used on PA-23-250 (Six Place) airplanes only
 Z - Used on PA-23-235 airplanes only

When ordering, always specify Part Number, Description and Serial Number of Aircraft

PIPER PARTS CATALOG

Figure and Index Number	Part Number	Code	NOMENCLATURE	No. Req.	SERIAL NUMBERS AFFECTED
19-13a	15628-02		LINE ASSEMBLY - Manifold pressure, right engine	1	27-7554001 and up
-13b	80024-43		LINE ASSEMBLY - Manifold pressure, right engine	1	27-7554001 and up
-14	16644-03		LINE ASSEMBLY - Manifold pressure, right engine	1	27-1 to 27-2504 inclusive
	19942-00		LINE ASSEMBLY - Manifold pressure, right engine	1	27-2505 and up
-15	16652-00		LINE ASSEMBLY - Manifold pressure, left engine	1	27-1 to 27-366 inclusive
	30248-00	C,E	LINE ASSEMBLY - Manifold pressure, left engine	1	27-367 to 27-7405429 incl
	32340-00		LINE ASSEMBLY - Manifold pressure, left engine	1	27-7405430 and up
-16	17829-04		LINE ASSEMBLY - Airspeed (no fitting)	1	
	32271-00		LINE ASSEMBLY - Airspeed (fitting on one end)	1	
-17	17881-03		LINE ASSEMBLY - Instrument air	1	
-18	18859-02		BLOCK - Tube retaining	2	
-19	19453-02		PLATE - Tube support	1	
-20	458 899		ELBOW - Oil pressure line (AN833-3D)	3	
-21	477 617		NUT - Oil pressure line (AN924-3D)	2	
-22	17829-00		LINE ASSEMBLY - Static air	1	
-23	19635-00		LINE ASSEMBLY - Oil pressure, left engine	1	27-1 to 27-366 inclusive
	19635-03		LINE ASSEMBLY - Oil pressure, left engine	1	27-367 to 27-3836 inclusive 27-3838 to 27-3943 inclusive
	19635-06		LINE ASSEMBLY - Oil pressure, left engine	1	27-3837, 27-3944 to 27-7305234
	19635-07		LINE ASSEMBLY - Oil pressure, left engine	1	27-7405235 to 27-7405476 incl
	761 169	B	LINE ASSEMBLY - Oil pressure, left engine	1	27-4678 to 27-4681 inclusive
-23a	15626-02		LINE ASSEMBLY - Oil pressure, left engine, 51" L	1	27-7554001 and up
-23b	15625-02		LINE ASSEMBLY - Oil pressure, left engine, 55" L	1	27-7554001 and up
-24	19636-03	A	LINE ASSEMBLY - Manifold pressure, left engine	1	
	32179-00	C,D	LINE ASSEMBLY - Manifold pressure, left engine	1	
	32179-04	C,E,Y	LINE ASSEMBLY - Manifold pressure, left engine	1	27-3837, 27-3944 to 27-7405429 inclusive
	32379-00	Y	LINE ASSEMBLY - Manifold pressure, left engine	1	27-7405430 to 27-7405476 incl
	761 171	E,Y	LINE ASSEMBLY - Manifold pressure, left engine	1	27-4678 to 27-4681
	15627-02	Y	LINE ASSEMBLY - Manifold pressure, left engine	1	27-7554001 and up
-25	80032-53		CLAMP - Manifold pressure line	2	

- A - Used on PA-23-250 and PA-23-235 with serial numbers 27-1 to 27-619 inclusive, and PA-23-250 (Six Place) with serial numbers 27-2000 to 27-3274 inclusive
- B - Used on PA-23-250 (Six Place) with 28 Volt Electrical System
- C - Refer to Figure 30B if Airesearch Turbocharger is installed
- D - Used on PA-23-235 with serial numbers 27-620 and up, and PA-23-250 (Six Place) with serial numbers 27-3275 to 27-3836, 27-3838 to 27-3943 inclusive.
- E - Refer to Figure 30C if Lycoming Turbocharger is installed
- Y - Used on PA-23-250 (Six Place) airplanes only

When ordering, always specify Part Number, Description and Serial Number of Aircraft

PIPER PARTS CATALOG

Figure and Index Number	Part Number	Code	NOMENCLATURE	No. Req.	SERIAL NUMBERS AFFECTED
19-26	82332-26		LINE ASSEMBLY - Manifold pressure, right engine	1	27-1 to 27-366 inclusive
	30249-00		LINE ASSEMBLY - Manifold pressure, right engine	1	27-367 to 27-2504 inclusive
	30248-00	D,C,Y	LINE ASSEMBLY - Manifold pressure, right engine	1	27-2505 to 27-7405429 incl
	32340-00		LINE ASSEMBLY - Manifold pressure, right engine	1	27-7405430 and up
-27	83161-24		HOSE - Air line	2	
-28	83161-07		HOSE - Air line	3	
-29	460 685	E	CONNECTOR - (W/H 200 x 4)	2	
	31197-02	F	JET ASSEMBLY - Manifold pressure	2	
-30	16633-38	A	HOSE - Flexible, manifold pressure line, right	1	
	458 880	B	ELBOW - (AN821-4D) Manifold pressure line, right	1	
	16633-39	A	HOSE - Flexible, manifold pressure line, left	1	
	491 050	B	UNION - (AN815-4D) Manifold pressure line, left	1	
-31	16644-00		LINE ASSEMBLY - Manifold pressure, left engine	1	27-1 to 27-2504 inclusive
	16930-00		LINE ASSEMBLY - Manifold pressure, left engine	1	27-2505 and up
-32	17766-32		HOSE ASSEMBLY - Flexible, manifold pressure, left engine	1	
-33	80032-55		CLAMP - Manifold pressure line	1	
-34	491 050		UNION - Manifold pressure line (AN815-4D)	4	
-35	491 049		UNION - Oil pressure line (AN815-3D)	3	
-36	491 060		UNION - Manifold pressure (AN832-4D), left engine	1	
	458 900		ELBOW - Manifold pressure (AN833-4D), left engine	1	
-37	458 900		ELBOW - Manifold pressure (AN833-4D), right engine	1	
-38	477 618		NUT - Manifold pressure (AN924-4D)	2	
-39	19452-00		PLATE - Tube support	1	
-40	458 879		ELBOW - Oil pressure (AN821-3D)	1	
-41	458 888		ELBOW - Oil pressure (MS20823-3D)	2	
-42	492 100	Y,Z	VALVE - Alternate static (CCA7450)	1	
-43	25290-05	Y,Z	BRACKET ASSEMBLY - Static valve mounting	1	
-44	30947-00	Y,Z	LINE ASSEMBLY - Alternate static	1	
-45	83161-40	Y,Z	HOSE - Alternate static	1	
-46	454 833		CLAMP - Alternate static	1	
-47	19747-00	A	LINE ASSEMBLY - Manifold pressure, left engine	1	
	32180-00	B	LINE ASSEMBLY - Manifold pressure, left engine	1	
-48	17822-03	A	LINE ASSEMBLY - Manifold pressure, right engine	1	
	32182-00	B	LINE ASSEMBLY - Manifold pressure, right engine	1	
-49	19748-00		LINE ASSEMBLY - Oil pressure, left engine	1	
-50	17814-00		LINE ASSEMBLY - Oil pressure, right engine	1	

A - Used on PA-23-250 and PA-23-235 with serial numbers 27-1 to 27-619 inclusive, and PA-23-250 (Six Place) with serial numbers 27-2000 to 27-3274 inclusive
 B - Used on PA-23-235 with serial numbers 27-620 and up, and PA-23-250 (Six Place) with serial numbers 27-3275 and up
 C - Refer to Figure 30C if Lycoming Turbocharger is installed
 D - Refer to Figure 30B if Airesearch Turbocharger is installed
 E - Used on PA-23-235, PA-23-250 and PA-23-250 (Six Place) airplanes with serial numbers 27-1 to 27-8054033 inclusive, 27-8054035 to 27-8054041 inclusive, 27-8054043, 27-8054047, 27-8054048 and 27-8054050 to 27-8054053 inclusive
 F - Used on PA-23-250 (Six Place) airplanes with serial numbers 27-8054034, 27-8054042, 27-8054044 to 27-8054046 inclusive, 27-8054049, 27-8054054 and up
 Y - Used on PA-23-250 (Six Place) airplanes only
 Z - Used only on PA-23-235 airplanes only

When ordering, always specify Part Number, Description and Serial Number of Aircraft

PIPER PARTS CATALOG

Figure and Index Number	Part Number	Code	NOMENCLATURE	No. Req.	SERIAL NUMBERS AFFECTED
19-51	19749-00		LINE ASSEMBLY - Air pressure	1	
-52	19751-00		LINE ASSEMBLY - Static air	1	
-53	15623-02		LINE ASSEMBLY - Manifold pressure, left engine	1	27-7554001 and up
-54	15624-02		LINE ASSEMBLY - Manifold pressure, right engine	1	27-7554001 and up
-55	491 050		UNION - Manifold pressure line (AN815-4D)	1	27-7554001 and up
-56	30216-03	A	TUBE ASSEMBLY - Electric pitot (14 volt), left	1	27-1 to 27-7405476 inclusive
	30216-04	A	TUBE ASSEMBLY - Electric pitot (28 volt), left	1	27-1 to 27-7554168 inclusive
	30216-05	A	TUBE ASSEMBLY - Electric pitot (28 volt), left	1	27-7654001 and up
-57	24381-00		MAST ASSEMBLY - Electric pitot tube, left	1	
-58	32796-00		LINE ASSEMBLY - Manifold pressure	2	27-7405430 to 27-7405476 incl
-59	43404-00		FILTER ASSEMBLY - Manifold pressure gauge	2	27-7405430 and up
-60	754 817		* FILTER - Manifold pressure gauge line	1	27-7405430 and up
-61	32339-00		CLIP - Line support	2	27-7405430 and up
-62	32340-00		LINE ASSEMBLY - Manifold pressure	2	27-7554001 and up
-63	491 049		UNION - Oil pressure line (AN815-3D)	1	27-7554001 and up
			A - See Figure 10F if Dual Right Instrument Panel is installed		

When ordering, always specify Part Number, Description and Serial Number of Aircraft

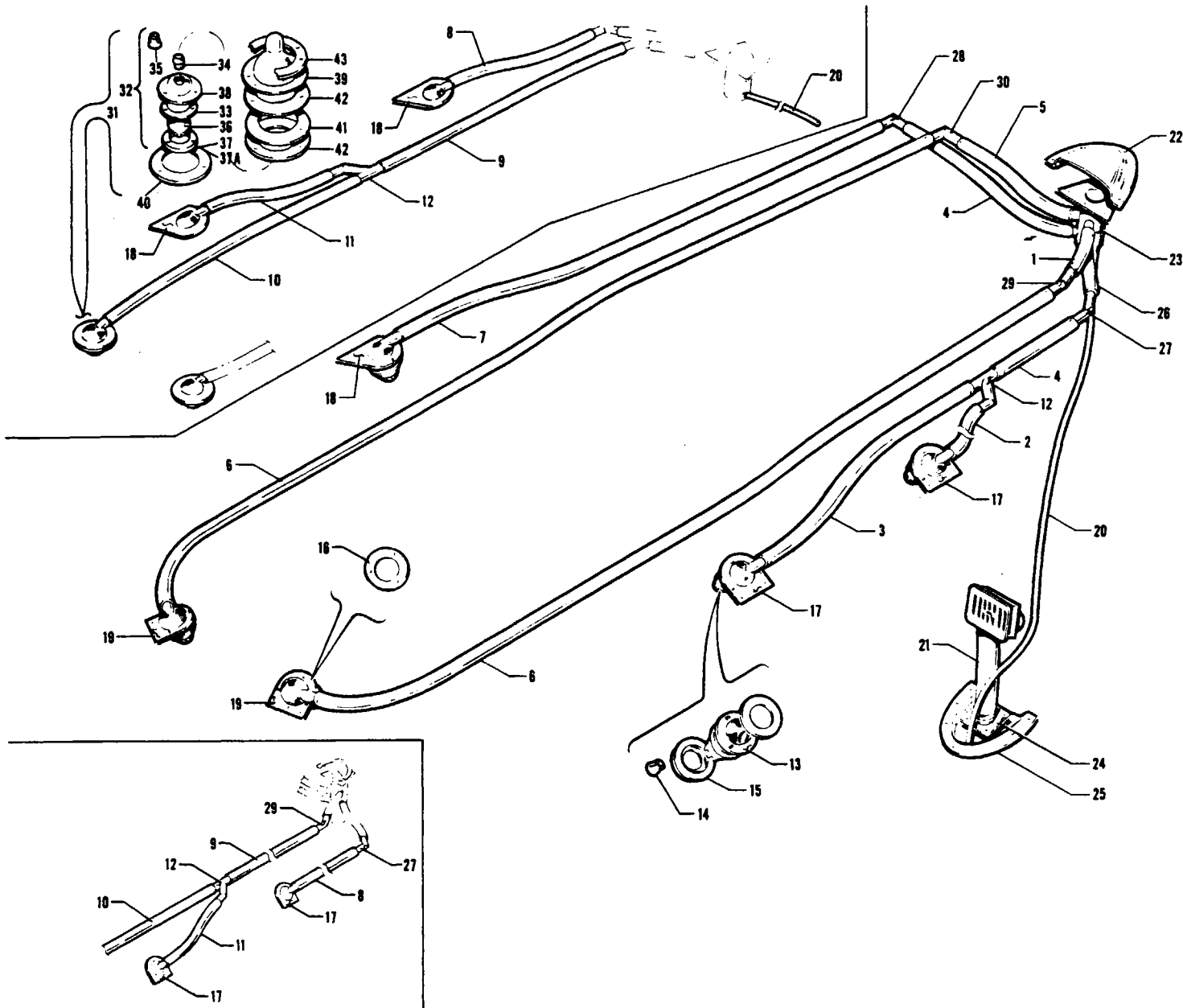


Figure 20. Ventilating System Installation
(Serial Nos. 27-1 to 27-2504 inclusive)



Figure and Index Number	Part Number	Code	NOMENCLATURE	No. Req.	SERIAL NUMBERS AFFECTED
20-	16388 30707	X,Z Y	DRAWING - Ventilating System Installation DRAWING - Ventilating System Installation		
-1	13586-77 22502-26		TUBE - Plastic (5 1/2") TUBE - Plastic (6")	1 1	
-2	13586-83		TUBE - Plastic (6 1/2")	1	
-3	13586-80		TUBE - Plastic (33 1/4")	1	
-4	13586-91		TUBE - Plastic (18 1/4")	1	
-5	13586-76		TUBE - Plastic (18 1/2")	1	
-6	13586-82		TUBE - Plastic (90 13/16")	1	
-7	13586-81	X,Z	TUBE - Plastic (52 1/8")	1	
-8	19790-03 19790-03	X,Z Y	TUBE - Plastic (25") TUBE - Plastic (25")	1 2	
-9	19790-02 19720-02	X,Z Y	TUBE - Plastic (43 1/4") TUBE - Plastic (43 1/4")	1 2	
-10	13586-82 13586-92 13586-92 22502-22 85052-11 86142-34 10525-95	X,Z X,Z Y X,Z X,Z Y Y	TUBE - Plastic (90 13/16") TUBE - Plastic (48 7/8") TUBE - Plastic (48 7/8") HOSE - Flexible (12 1/2") TUBE - Aluminum, forward (8") TUBE - Aluminum, forward (2") TUBE - Aluminum, forward (12 1/2")	1 1 2 1 2 2 2	
-11	13586-93 13586-93	X,Z Y	TUBE - Plastic (7 7/8") TUBE - Plastic (7 7/8")	1 2	
-12	16876-00 16876-00	X,Z Y	TUBE ASSEMBLY - Air distribution TUBE ASSEMBLY - Air distribution	1 2	
-13	19380-06 19380-06 30957-00	X Y Y,Z	NOZZLE ASSEMBLY - Ventilator (knob adjustment) NOZZLE ASSEMBLY - Ventilator (knob adjustment) NOZZLE ASSEMBLY - Ventilator (finger grip adjustment)	5 4 4	
-14	471 059 471 082		KNOB - Nozzle assembly, black KNOB - Nozzle assembly, gray	1 1	
-15	22045-00 19377-00 19377-00 19377-00	X X Y Z	RING ASSEMBLY - Ventilator retainer RING ASSEMBLY - Ventilator retainer RING ASSEMBLY - Ventilator retainer RING ASSEMBLY - Ventilator retainer	5 5 5 3	27-1 to 27-394 inclusive 27-395 and up
-16	19871-00 19871-00	X,Z Y	GASKET - Ventilator retainer GASKET - Ventilator retainer	5 4	27-395 and up
-17	21922-01		BOX ASSEMBLY - Ventilator mounting, left	2	
-18	21922-00 21922-00	X,Z Y	BOX ASSEMBLY - Ventilator mounting, right BOX ASSEMBLY - Ventilator mounting, right	1 2	
-19	16877-00 16877-01	X,Z X,Z	BOX ASSEMBLY - Ventilator mounting, left BOX ASSEMBLY - Ventilator mounting, right	1 1	
-20	13586-56 13586-19	X Y,Z	DRAIN - Plastic tube (52") DRAIN - Plastic tube (12 3/4")	1 1	
-21	10525-77 22502-19	X,Z Y	HOSE - Flexible HOSE - Flexible	1 1	
-22	18405-00		SCOOP - Cabin air inlet	1	

X - Used on PA-23-250 airplanes only.
Y - Used on PA-23-250 (Six Place) airplanes only.
Z - Used on PA-23-235 airplanes only.

When ordering, always specify Part Number, Description and Serial Number of Aircraft

PIPER PARTS CATALOG

Figure and Index Number	Part Number	Code	NOMENCLATURE	No. Req.	SERIAL NUMBERS AFFECTED
20-23	19477-09		BOX ASSEMBLY - Air distribution	1	
-24	18409-00		TUBE ASSEMBLY - Exhaust air take-off	1	
-25	18412-00		VENT - Air exhaust	1	
-26	13586-79		TUBE - Plastic (9 1/4")	1	
	10525-92		TUBE - Plastic (10")	1	
-27	16878-00		TUBE ASSEMBLY - Cabin air, left	1	
-28	16878-01		TUBE ASSEMBLY - Cabin air, right	1	
-29	16879-00		TUBE ASSEMBLY - Cabin air, left	1	
-30	16879-01		TUBE ASSEMBLY - Cabin air, right	1	
-31	30748-00	Y,Z	NOZZLE ASSEMBLY - Ventilator, forward	2	
-32	19380-06	Y	* NOZZLE ASSEMBLY - Ventilator (knob adjustment)	1	
	30957-00	Y,Z	* NOZZLE ASSEMBLY - Ventilator (finger grip adjustment)	1	
-33	19889-00	Y,Z	** GASKET - Ventilator	1	
-34	19847-00	Y,Z	** SEAL - Ventilator	1	
-35	471 059	Y	** KNOB - (3001-SD) Black	1	
-36	19345-03	Y,Z	** NOZZLE - Ventilator air, white	1	
-37	19346-03	Y	** RING - Ventilator (knob adjustment)	1	
-37a	30956-00	Y,Z	** RING - Ventilator (finger adjustment)	1	
-38	19347-03	Y,Z	** LOUVER - Ventilator air, white	1	
-39	30743-00	Y,Z	* BOX ASSEMBLY - Ventilator	1	
-40	30746-02	Y,Z	* PLATE - Ventilator nozzle	1	
-41	30746-03	Y,Z	* PLATE - Ventilator nozzle	1	
-42	30746-04	Y,Z	* PLATE - Ventilator nozzle	2	
-43	30747-00	Y,Z	* PLATE - Ventilator box retainer	1	

Y - Used on PA-23-250 (Six Place) airplanes only
Z - Used on PA-23-235 airplanes only

When ordering, always specify Part Number, Description and Serial Number of Aircraft

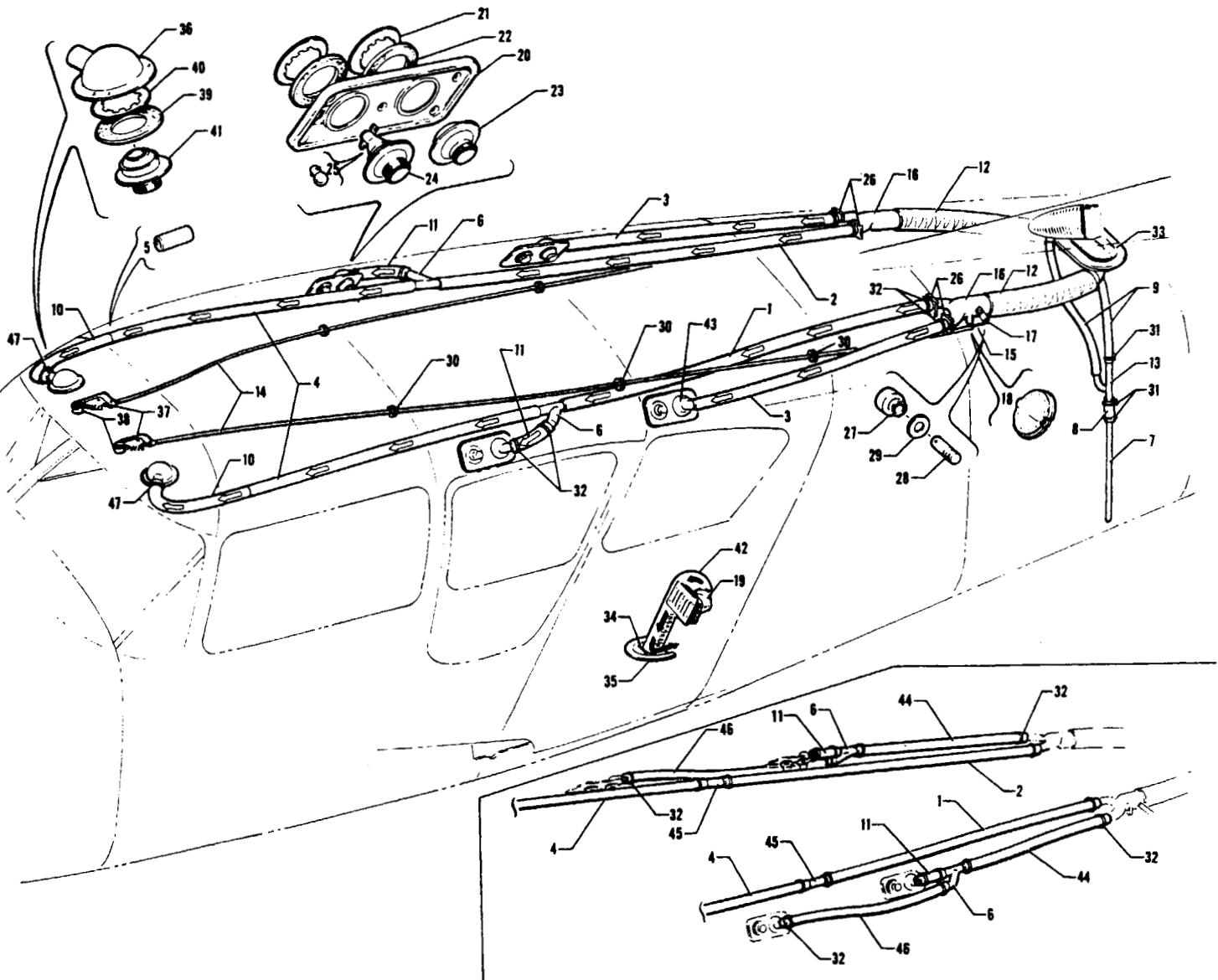


Figure 20A. Ventilating System Installation
(Serial Nos. 27-2506 to 27-3836 inclusive, 27-3838 to 27-3943 inclusive)



Figure and Index Number	Part Number	Code	NOMENCLATURE	No. Req.	SERIAL NUMBERS AFFECTED
20A-	31518		DRAWING - Ventilating System Installation		
-1	19790-09		TUBE - Plastic, aft, inboard	1	
-2	19790-10		TUBE - Plastic, aft, inboard	1	
-3	19790-11		TUBE - Plastic, aft, outboard	2	27-2505 to 27-3583 inclusive, 27-3586 to 27-3604 inclusive
-4	19790-12		TUBE - Plastic, forward	2	
-5	86142-34		TUBE - Aluminum, connector	2	
-6	16876-00		TUBE ASSEMBLY - Air distribution	2	
-7	23339-04		TUBE - Aluminum, drain	1	
-8	16633-37		HOSE - Flexible, drain	1	
-9	16633-54		HOSE - Flexible, drain	2	
-10	22502-22		HOSE - Flexible, forward	2	
-11	22502-26		HOSE - Flexible, center	2	
-12	22502-54		HOSE - Flexible, aft	2	
-13	16632-00		TUBE ASSEMBLY - Drain connector	1	
-14	22472-11		HOUSING - Control wire	2	
-15	31435-00		WIRE - Air control	2	
-16	31441-00		BOX ASSEMBLY - Fresh air	2	
-17	31439-00		ARM ASSEMBLY - Fresh air box valve	1	
-18	31440-00		VALVE ASSEMBLY - Fresh air box	1	
-19	32082-00	A	BOX ASSEMBLY - Cabin air exhaust	1	
-20	31507-00		PLATE - Light and air vent cover	4	
-21	31429-00		WASHER - Air vent lock	8	
-22	19513-75		SEAL - Ventilator box	4	
-23	492 082		VALVE ASSEMBLY - Air outlet (2380-2)	4	
-24	472 719		LIGHT ASSEMBLY - (2385)	4	
-25	472 040		LAMP - (1816)	4	
-26	31517-00		GROMMET - Air box assembly	4	
-27	70371-02		FITTING - Swivel, control wire	2	
-28	70371-03		STUD - Swivel fitting	2	
-29	81342-18		WASHER - Swivel fitting	2	
-30	434 128		GROMMET - (ANS31-4-7)	9	
-31	454 943		CLAMP - Hose (8)	6	
-32	454 805		CLAMP - Hose (16)	12	
-33	31422-00		BOX ASSEMBLY - Air distribution	1	
-34	18409-00		TUBE ASSEMBLY - Exhaust air take-off	1	
-35	18412-00		VENT - Air exhaust	1	
-36	30743-05		BOX ASSEMBLY - Ventilator	2	
-37	31431-00		CONTROL ASSEMBLY - Air box	2	
-38	31477-00		KNOB - Air control (chrome)	2	
	571 076		KNOB - Air control (ivory)	2	
-39	19513-75		SEAL - Ventilator box	2	
-40	31429-00		WASHER - Air vent lock	2	
-41	492 082		VALVE ASSEMBLY - Air outlet (2380-2)	2	
-42	22502-64	A	HOSE - Flexible, air exhaust	1	

A - Used on PA-23-250 (Six Place) with serial numbers
27-3060, 27-3154 to 27-3836 inclusive, 27-3838 to
27-3943 inclusive.

When ordering, always specify Part Number, Description and Serial Number of Aircraft

VENTILATING SYSTEM INSTALLATION
 (Serial Nos. 27-2505 to 27-3836 inclusive,
 27-3838 to 27-3943 inclusive)



SECTION II
 Fuselage Group

Figure and Index Number	Part Number	Code	NOMENCLATURE	No. Req.	SERIAL NUMBERS AFFECTED
20A-43	31425-00		PLATE ASSEMBLY - Ventilator mounting, left	2	
	31425-01		PLATE ASSEMBLY - Ventilator mounting, aft, right	1	
	31425-05		PLATE ASSEMBLY - Ventilator mounting, forward, right	1	
-44	19790-24	A	TUBE - Plastic, aft, outboard	2	
-45	86142-44	A	TUBE - Aluminum, connector	2	
-46	22502-80	A	HOSE - Flexible, center	2	
-47	554 809		CLAMP - Hose (15)	2	
<p>A - Used on PA-23-250 (Six Place) with serial numbers 27-3584, 27-3585, 27-3605 to 27-3836, 27-3838 to 27-3843 inclusive.</p>					

When ordering, always specify Part Number, Description and Serial Number of Aircraft

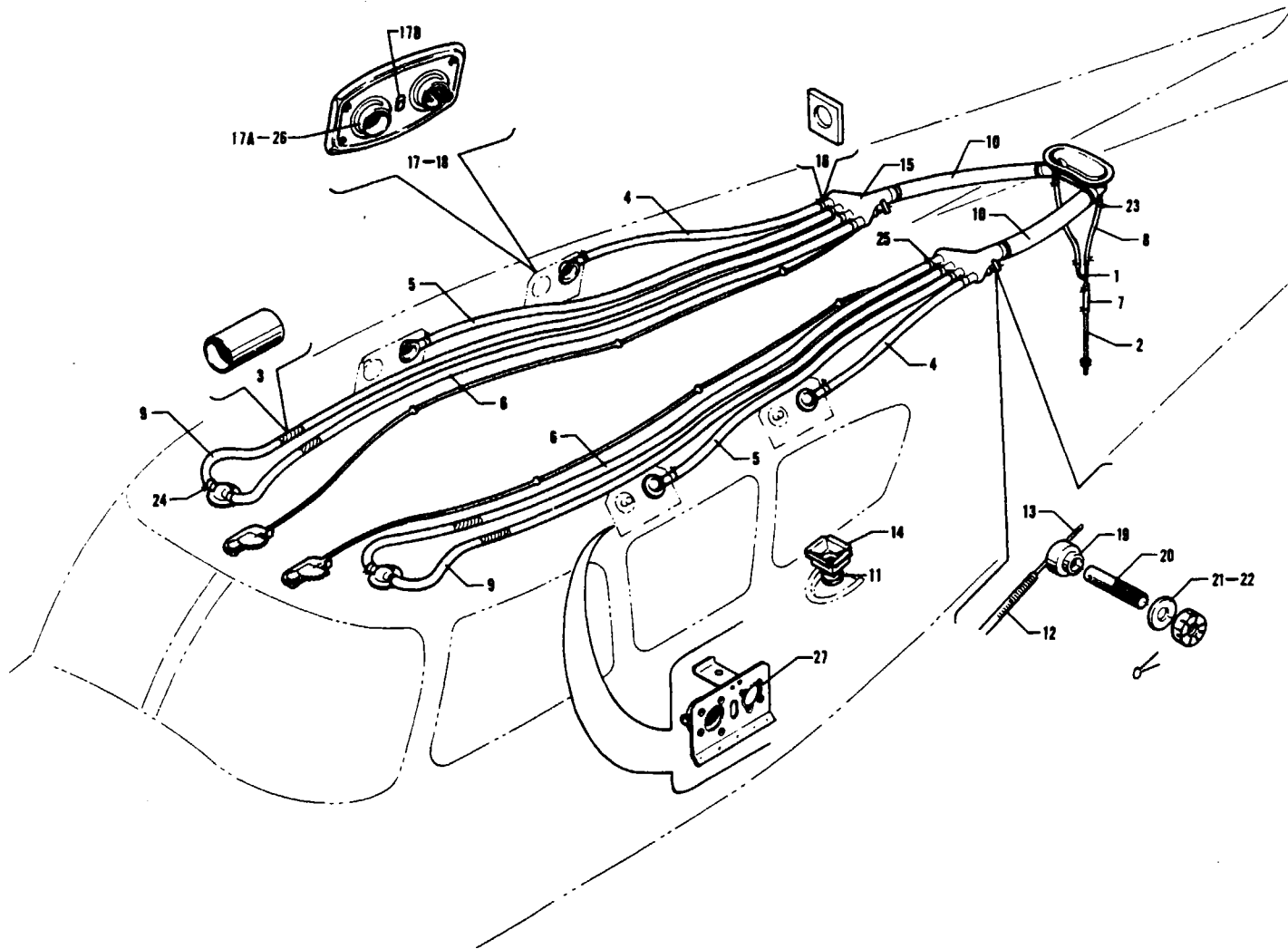


Figure 20B Ventilating System Installation
(Serial Nos 27-3837, 27-3944 and up)

PIPER PARTS CATALOG

Figure and Index Number	Part Number	Code	NOMENCLATURE	No. Req.	SERIAL NUMBERS AFFECTED
20B-	32619		DRAWING - Ventilating System Installation		
-1	16632-00		TUBE ASSEMBLY - Aluminum, drain connector	1	
-2	23339-04		TUBE - Aluminum, drain	1	
-3	86142-34		TUBE - Aluminum, connector	4	
-4	19790-11		TUBE - Plastic, air box to aft vents	2	
-5	19790-32		TUBE - Plastic, air box to center vents, left	1	
	22369-44		TUBE - Plastic, air box to center vents, right	1	
-6	19790-33		TUBE - Plastic, air box to forward vents	4	
-7	16633-37		HOSE - Flexible, drain	1	
-8	82371-95		HOSE - Flexible, drain	2	
-9	22502-22		HOSE - Flexible, forward	4	
-10	22502-54		HOSE - Flexible, aft	2	
-11	22502-64		HOSE - Flexible, air exhaust	1	
-12	22472-11		HOUSING - Control wire, air	2	
-13	31435-00		WIRE - Air control	2	
-14	32082-00		BOX ASSEMBLY - Cabin air exhaust	1	
-15	32456-00		BOX ASSEMBLY - Fresh air distribution	2	
-16	31517-00		GROMMET - Seal, air box assembly	8	
-17	32522-02		PLATE ASSEMBLY - Light and air vent, beige metallic	4	27-3837, 27-3944 to 27-7405476 inclusive
	33663-02		PLATE ASSEMBLY - Light and air vent, sahara beige	4	27-7554001 to 27-7954121 incl
	28451-02		COVER ASSEMBLY - Light and air vent	4	27-8054001 and up
-17a	492 082		OUTLET ASSEMBLY - Ventilation (2380-2)	1	27-3837, 27-3944 to 27-7954121 incl
-17b	47877-02		SWITCH ASSEMBLY - Reading Light	1	27-8054001 and up
-18	32522-03		PLATE ASSEMBLY - Light and air vent, white	4	27-3837, 27-3944 to 27-7405476 inclusive
-19	70371-02		FITTING - Swivel, control wire	2	
-20	70371-03		STUD - Swivel fitting	2	
-21	81342-18		WASHER - Swivel fitting (045)	2	
-22	81342-19		WASHER - Swivel fitting (032)	2	
-23	454 943		CLAMP - Hose	6	
-24	554 809		CLAMP - Hose	4	
-25	454 805		CLAMP - Hose	12	
-26	479 443		OUTLET ASSEMBLY - Ventilation (2660)	4	27-8054001 and up
-27	32639-00		PLATE ASSEMBLY - Ventilator mounting, left	2	27-3837, 27-3944 to 27-7954121 inclusive
	28420-02		PLATE ASSEMBLY - Ventilator mounting, left	2	27-8054001 and up
	32639-01		PLATE ASSEMBLY - Ventilator mounting, aft, right	1	27-3837, 27-3944 to 27-7954121 inclusive
	28420-03		PLATE ASSEMBLY - Ventilator mounting, aft, right	1	27-8054001 and up
	32639-05		PLATE ASSEMBLY - Ventilator mounting, forward, right	1	27-3837, 27-3944 to 27-7954121 inclusive
	28420-05		PLATE ASSEMBLY - Ventilator mounting, forward, right	1	27-8054001 and up

When ordering, always specify Part Number, Description and Serial Number of Aircraft

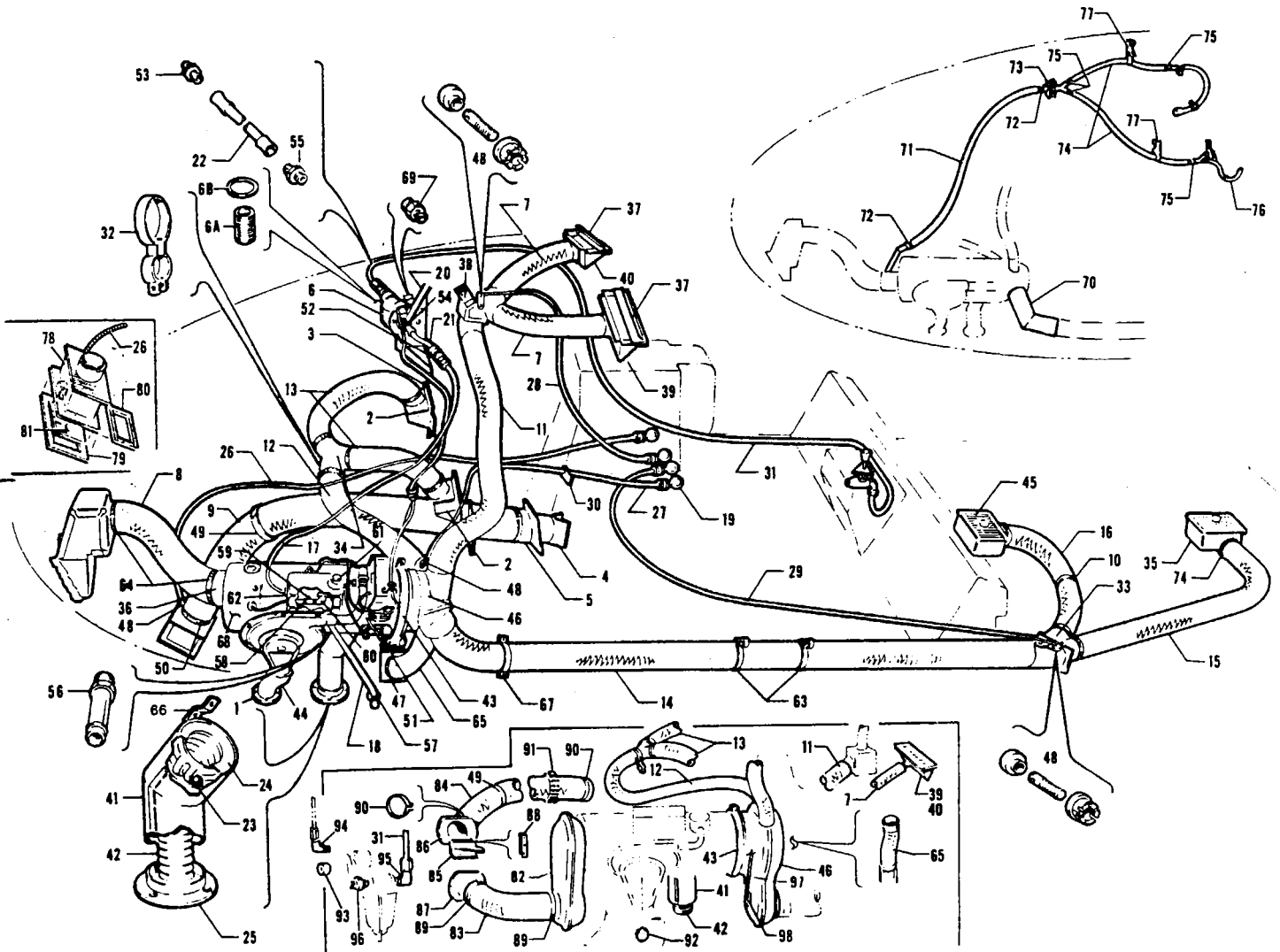


Figure 21. Heater Installation
(Serial Nos. 27-1 to 27-3049 inclusive, 27-3051 to 27-3153 inclusive)

HEATER INSTALLATION
(Serial Nos. 27-1 to 27-3049 inclusive,
27-3051 to 27-3153 inclusive)



SECTION II
Fuselage Group

Figure and Index Number	Part Number	Code	NOMENCLATURE	No. Req.	SERIAL NUMBERS AFFECTED
21-	18864	X,Z	DRAWING - Heater System Installation		27-1 to 27-3049 inclusive, 27-3051 to 27-3153 inclusive
	30590	Y	DRAWING - Heater System Installation		
	30686	Y	DRAWING - Heater Installation		
	19904	X,Z	DRAWING - Tube Installation Instrument Cooling		27-2000 to 27-2504 inclusive
	30699	Y	DRAWING - Tube Installation Instrument Cooling		
	31136	Z	DRAWING - Radio Cooling		
	31137	Y	DRAWING - Radio Cooling		
-1	19354-00		TAKE-OFF ASSEMBLY - Combustion air inlet	1	
-2	18786-01		BOX ASSEMBLY - Heater air outlet, right	1	27-1 to 27-366 inclusive
	16758-01		BOX ASSEMBLY - Heater air outlet, right	1	27-367 and up
	16758-00		BOX ASSEMBLY - Heater air outlet, left	1	
-3	18765-00		PLATE ASSEMBLY - Air deflector	2	
-4	18390-00		TUBE ASSEMBLY - Air distribution	1	
-5	17691-00		TUBE ASSEMBLY - Air inlet	1	
-6	460 755		FILTER - Gasoline (485 190)	1	
-6a	756 111		SCREEN - Fuel strainer (26422B)	1	
-6b	751 848		GASKET - Filter	1	
-7	85052-20		TUBE - Flexible, left defroster	1	
	85052-21		TUBE - Flexible, right defroster	1	
-8	10625-56	X,Z	HOSE - Flexible, heater air intake	1	
-9	10625-27	X,Z	HOSE - Flexible, fresh air intake	1	
-10	80032-87		CLAMP	3	
-11	72381-21	X,Z	HOSE - Flexible, defroster	1	
	22502-23	Y	HOSE - Flexible, defroster	1	
-12	10625-37	X,Z	HOSE - Flexible, cabin heat	1	
	10625-19	Y	HOSE - Flexible, cabin heat	1	
-13	10625-19		HOSE - Flexible, heater	2	
-14	85052-22	X	TUBE - Flexible, rear heater	1	27-1 to 27-490 inclusive
	85052-36	X	TUBE - Flexible, rear heater	1	27-491 and up
	85052-36	Z	TUBE - Flexible, rear heater	1	27-505 to 27-580 inclusive
	85052-38	Z	TUBE - Flexible, rear heater	1	27-581 and up
	85052-36	Y	TUBE - Flexible, rear heater	1	27-2000 to 27-2407 inclusive
	85052-38	Y	TUBE - Flexible, rear heater	1	27-2408 and up
-15	10625-55		HOSE - Flexible, rear heater	1	
-16	10625-57		HOSE - Flexible, rear heater	1	
-17	11987-59		TUBE ASSEMBLY - Heater fuel line	1	
-18	13586-19		TUBE - Plastic, drain (12 3/4" L)	1	
	13586-33		TUBE - Plastic, drain (15" L)	1	
-19	471 063		KNOB - (113) Black	4	
-20	17521-00	X,Z	BRACKET ASSEMBLY - Heater fuel valve	1	
-21	17766-06	X	HOSE ASSEMBLY - Flexible fuel line	1	
	17766-06	Z	HOSE ASSEMBLY - Flexible fuel line	5	
-22	17766-07	X,Z	HOSE ASSEMBLY - Flexible fuel line	1	
-23	17860-00		CLAMP ASSEMBLY - Heater exhaust	1	
-24	17862-02		RING - Heater exhaust shroud mounting	1	
-25	17866-00		COVER ASSEMBLY - Heater exhaust shroud	1	
-26	17969-02	X,Z	CABLE ASSEMBLY - Air vent	1	
	17969-08	Y	CABLE ASSEMBLY - Air vent	1	

X - Used on PA-23-250 airplanes only.
Y - Used on PA-23-250 (Six Place) airplanes only.
Z - Used on PA-23-235 airplanes only.

When ordering, always specify Part Number, Description and Serial Number of Aircraft



Figure and Index Number	Part Number	Code	NOMENCLATURE	No. Req.	SERIAL NUMBERS AFFECTED
21-27	17969-04	X,Z	CABLE ASSEMBLY - Cabin heat front	1	
	17969-07	Y	CABLE ASSEMBLY - Cabin heat front	1	
-28	17969-05		CABLE ASSEMBLY - Defroster	1	
-29	17969-06		CABLE ASSEMBLY - Cabin heat rear	1	
-30	18528-00		BLOCK - Cable retaining	1	
-31	18578-15	X,Z	TUBE ASSEMBLY - Heater fuel line, rear (58 1/2" L)	1	
	18578-21	Y	TUBE ASSEMBLY - Heater fuel line (62 3/4" L)	2	
	18578-09	X,Z	TUBE ASSEMBLY - Heater fuel line, front (17 7/8" L)	1	
	22673-08	A,Z	TUBE ASSEMBLY - Heater fuel line, front (22" L)	1	
-32	18764-00		CLAMP - Heater duct, round	1	27-2000 to 27-2157 inclusive
	18764-02		CLAMP - Heater duct, round	1	27-2158 to 27-3049 inclusive, 27-3051 to 27-3153 inclusive
-33	19066-00	X	TUBE ASSEMBLY - Air distribution	1	
	19066-00	Z	TUBE ASSEMBLY - Air distribution	1	27-505 to 27-580 inclusive
	31135-00	Z	BOX ASSEMBLY - Air distribution	1	27-581 and up
	19066-00	Y	TUBE ASSEMBLY - Air distribution	1	27-2000 to 27-2407 inclusive
	31135-00	Y	BOX ASSEMBLY - Air distribution	1	27-2408 and up
-34	18771-00		TUBE ASSEMBLY - Air distribution	1	
-35	18772-00		BOX ASSEMBLY - Rear seat heat	2	
-36	19041-00	X	TUBE ASSEMBLY - Heater air intake	1	27-1 to 27-490 inclusive
	19914-00	X,Z	TUBE ASSEMBLY - Heater air intake, 7/8" take-off	1	27-491 and up
-37	19103-00		PLATE ASSEMBLY - Air deflector	2	
-38	19108-00		BOX ASSEMBLY - Defroster air distribution	1	
-39	19110-00	X,Z	BOX ASSEMBLY - Defroster air outlet, left	1	
	30714-00	Y	BOX ASSEMBLY - Defroster air outlet, left	1	
-40	19110-00	X,Z	BOX ASSEMBLY - Defroster air outlet, right	1	
	30714-00	Y	BOX ASSEMBLY - Defroster air outlet, right	1	
-41	18793-00	X,Z	SHROUD ASSEMBLY - Heater exhaust	1	
	30672-00	Y	SHROUD ASSEMBLY - Heater exhaust	1	
-42	18794-00	X,Z	TUBE - Heater exhaust	1	
	30670-00	Y	TUBE - Heater exhaust	1	
-43	18796-00	X,Z	CLAMP ASSEMBLY - Heater	1	
	30679-00	Y	CLAMP ASSEMBLY - Heater	1	
-44	19288-00		TUBE - Heater air inlet	1	
-45	18798-00		GRILL ASSEMBLY - Air outlet	2	
-46	18814-20	X,Z	BOX ASSEMBLY - Air distribution	1	
	30667-00	B,Y	BOX ASSEMBLY - Air distribution	1	
	30667-06	C,Y	BOX ASSEMBLY - Air distribution	1	
-47	454 912		CLAMP - (A3122-34-1)	15	
-48	70371-00		FITTING ASSEMBLY - Swivel	4	
-49	80032-44	X,Z	CLAMP - Fresh air tube support	2	
	80032-44	Y	CLAMP - Fresh air tube support	1	
-50	454 914		CLAMP - (A3122-50-59)	2	
-51	81262-46	X,Z	LINK	1	
-52	491 058	X,Z	UNION - (AN832-2D)	1	
-53	491 049	X,Z	UNION - (AN815-3D)	1	
-54	476 649	X,Z	NIPPLE - (AN816-2D)	1	
-55	476 647	X,Z	NIPPLE - (AN816-3D)	1	

A - Used when Dual Brakes are installed.
 B - Used if Stewart Warner Heater 940-DB12 is installed.
 C - Used if Stewart Warner Heater 940-K12 is installed.
 X - Used on PA-23-250 airplanes only.
 Y - Used on PA-23-250 (Six Place) airplanes only.
 Z - Used on PA-23-235 airplanes only.

When ordering, always specify Part Number, Description and Serial Number of Aircraft

PIPER PARTS CATALOG

Figure and Index Number	Part Number	Code	NOMENCLATURE	No. Req.	SERIAL NUMBERS AFFECTED
21-56	451 857		ADAPTER - (AN840-4D)	1	
-57	434 129		GROMMET - (AN931-5-9)	1	
-58	460 683		SLEEVE - (W/H 60 x 2)	1	
-59	460 684		NUT - (W/H 61 x 2)	1	
-60	458 951		ELBOW - (W/H 69 x 2)	1	
-61	460 669		PLUG - (W/H 3152 x 2)	1	
-62	463 374	X	GROMMET - (G-1266)	1	
-63	80032-89		CLAMP	2	
-64	454 926		CLAMP - (3122-58-59)	2	
-65	10525-25	X,Z	HOSE - Flexible, hot air dump	1	
-66	18996-00		STRAP - Heater shroud tie	1	
-67	18995-00		STRAP - Hose attachment	1	
-68		A	HEATER ASSEMBLY - (Stewart Warner)	1	
-69	476 643		NIPPLE - (AN911-1D)	1	
-70	19913-00	X,Z	TUBE ASSEMBLY - Heater air take-off	1	27-491 and up
-71	22502-07	X,Z	HOSE - Instrument cooling, to firewall	1	27-491 and up
-72	454 949	X,Z	CLAMP - Hose (3122-16-1)	2	27-491 and up
-73	19916-00	X,Z	TUBE ASSEMBLY - Air distribution, firewall	1	27-491 and up
-74	16633-33	X,Z	HOSE - Instrument cooling, firewall to panel	2	27-491 and up
-75	454 855	X,Z	CLAMP - Hose (A3122-14-1)	4	27-491 and up
-76	19926-00	X,Z	TUBE ASSEMBLY - Instrument cooling	1	27-491 and up
-77	487 608	X,Z	STRAP - Hose (688-12-6-FR)	2	27-491 and up
-78	18392-00	X,Z	BOX ASSEMBLY - Cabin air intake	1	
-79	18395-00	X,Z	* GASKET	1	
-80	18396-00	X,Z	* GASKET	1	
-81	18393-00	X,Z	* VALVE ASSEMBLY - Ventilator box	1	
-82	30666-00	Y	INTAKE ASSEMBLY - Heater air	1	
-83	10525-56	Y,Z	HOSE - Flexible, heater air intake	1	
-84	22502-20	Y	HOSE - Flexible, fresh air intake	1	
-85	30463-00	Y	VALVE ASSEMBLY - Fresh air intake	1	
-86	30448-00	Y	TUBE ASSEMBLY - Fresh air intake	1	
-87	30449-00	Y	TUBE ASSEMBLY - Heater air intake	1	
-88	30892-00	Y	PLATE - Shim	1	
-89	454 926	Y,Z	CLAMP - (A3122-58-59)	2	
-90	454 914	Y,Z	CLAMP - (A3122-50-59)	2	
-91	16268-15	Y	GROMMET	1	
-92	453 694	X,Z	BUTTON - Plug (D3005 "B")	1	
-93	14976-88	Y	BUSHING	3	
-94	458 872	Y	ELBOW - (AN822-2D)	1	
-95	458 893	Y	ELBOW - (AN822-3D)	1	
-96	476 643	Y	NIPPLE - (AN911-1D)	1	
-97	17969-07	B,Y	CABLE ASSEMBLY - Thermostat control	1	
-98	32175-00	B,Y	GASKET - Heater thermostat	1	

A - See Figure 22 for component parts.
 B - Used if Stewart Warner Heater 940-K12 is installed
 X - Used on PA-23-250 airplanes only
 Y - Used on PA-23-250 (Six Place) airplanes only
 Z - Used on PA-23-235 airplanes only

When ordering, always specify Part Number, Description and Serial Number of Aircraft

PIPER PARTS CATALOG

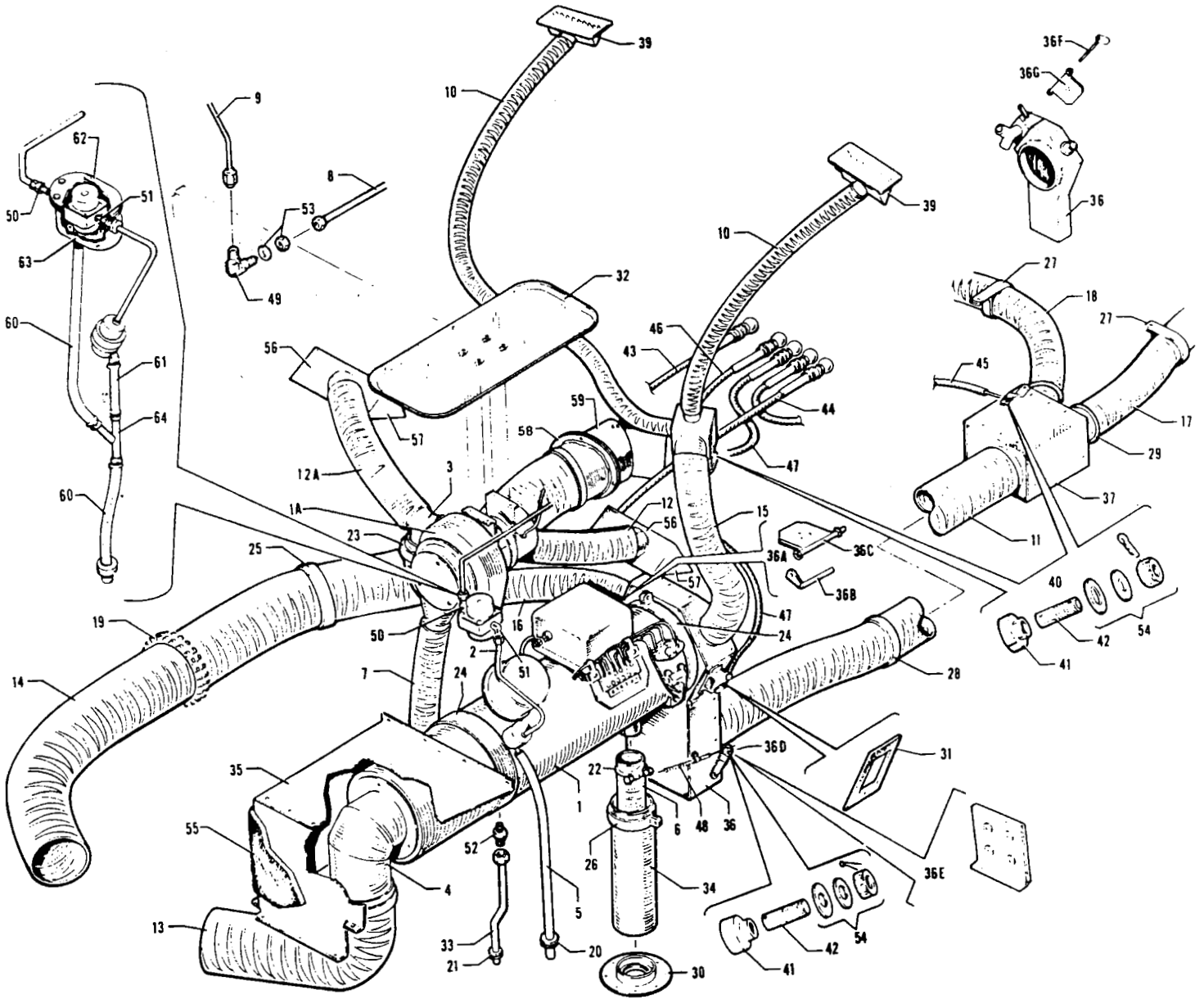


Figure 21A Heater Installation
(Serial Nos 27-3050, 27-3154 and up)

PIPER PARTS CATALOG

Figure and Index Number	Part Number	Code	NOMENCLATURE	No. Req.	SERIAL NUMBERS AFFECTED
21A-	32134 32770 30590 32769 31137	B B	DRAWING - Heater Installation DRAWING - Heater Installation DRAWING - Heater System Installation DRAWING - Heater System Installation DRAWING - Radio Cooling		27-3837, 27-3944 and up 27-3837, 27-3944 and up
-1		A	HEATER ASSEMBLY - (Janitrol)	1	
-1a		D	COMBUSTION AIR BLOWER AND MOTOR ASSEMBLY - (Janitrol)	1	
-2	11987-73	C,E	TUBE ASSEMBLY - Fuel regulator to heater	1	27-3050, 27-3154 to 27-7554038 inclusive
	11987-87	E	TUBE ASSEMBLY - Fuel regulator to heater	1	27-7405428, 27-7554039 to 27-8154015 inclusive
	11987-67	F	TUBE ASSEMBLY - Fuel regulator to heater	1	27-8154016 and up
-3	32072-00		TUBE ASSEMBLY - Air distribution	1	27-3050, 27-3154 to 27-7954121 inclusive
-4	32073-00		TUBE ASSEMBLY - Heater air intake	1	
-5	22369-19		TUBE - Plastic, drain (15" L)	1	27-3050, 27-3154 to 27-8154015 inclusive
-6	32111-00		TUBE - Heater exhaust	1	
-7	85052-40		TUBE - Flexible, heater	1	
-8	18578-21		TUBE ASSEMBLY - Heater fuel line, rear (62 3/4" L)	1	
-9	18578-23	E	TUBE ASSEMBLY - Heater fuel line, front (65 1/2" L)	1	27-3050, 27-3154 to 27-8154015 inclusive
	80004-58	F	TUBE ASSEMBLY - Heater fuel line, front (70" L)	1	27-8154016 and up
-10	85052-20		TUBE - Flexible, left defroster	1	
	85052-21		TUBE - Flexible, right defroster	1	
-11	85052-38		TUBE - Flexible, rear heater	1	
-12	22502-23		HOSE - Flexible, cabin heat	1	27-3050, 27-3154 to 27-7954121 inclusive
	22502-06		HOSE - Flexible, cabin heat	1	27-8054001 and up
-12a	22502-23		HOSE - Flexible, cabin heat	1	27-3050, 27-3154 to 27-7954121 inclusive
	22502-41		HOSE - Flexible, cabin heat	1	27-8054001 and up
-13	10525-56		HOSE - Flexible, heater air intake	1	
-14	22502-20		HOSE - Flexible, fresh air intake	1	
-15	22502-23		HOSE - Flexible, defroster	1	
-16	22502-58		HOSE - Flexible, cabin heat	1	27-3050, 27-3154 to 27-7954121 inclusive
-17	10525-55		HOSE ASSEMBLY - Flexible, rear heater	1	
-18	10525-57		HOSE ASSEMBLY - Flexible, rear heater	1	
-19	16268-15		GROMMET - Fresh air intake	1	
-20	434 134		GROMMET - (AN931-6-10)	1	
-21	434 128		GROMMET - (AN931-4-7)	1	
-22	17860-00		CLAMP ASSEMBLY - Heater exhaust	1	
-23	18764-03		CLAMP - "Y" tube support	1	27-3050, 27-3154 to 27-7954121 inclusive
	454 912		CLAMP - Hose (A3122-34-1)	6	

- A - See Figure 22A for component parts
- B - Used on serial numbers 27-3050, 27-3154 to 27-3836 inclusive, 27-3838 to 27-3943 inclusive
- C - If heater assembly 37D77 (14 volt) or 45D70 (28 volt) has been replaced with 37D77-1 (14 volt) or 45D70-1 (28 volt), order part for serial numbers 27-7405428, 27-7554039 and up
- D - See Figure 22B for component parts
- E - Order part for serial numbers 27-8154016 and up, if Heater Fuel Regulator Valve Shroud/Drain Modification Kit 764 141 has been installed per Service Bulletin No 721
- F - Also used on aircraft with serial numbers 27-3050, 27-3154 to 27-8154015 inclusive, if Heater Fuel Regulator Valve Shroud/Drain Modification Kit 764 141 has been installed per Service Bulletin No 721

When ordering, always specify Part Number, Description and Serial Number of Aircraft

PIPER PARTS CATALOG

Figure and Index Number	Part Number	Code	NOMENCLATURE	No. Req.	SERIAL NUMBERS AFFECTED
21A-24	30679-00		CLAMP - Heater, front	1	
	30679-02		CLAMP - Heater, rear	1	
-25	80032-44		CLAMP - Hose support, fresh air	1	
-26	454 848		CLAMP - Shroud (PS10017-20-44)	1	
-27	80032-87		CLAMP - Hose, rear heater	3	
-28	80032-89		CLAMP - Hose, rear heater	2	
-29	554 812		CLAMP - Hose (Type E, 35)	2	
-30	17866-00		COVER ASSEMBLY - Heater exhaust shroud	1	
-31	24671-00		GASKET - Heater distribution box	1	
-32	32054-00		PLATE ASSEMBLY - Heater air blower mounting	1	27-3050, 27-3154 to 27-7554038 inclusive
	15659-02		PLATE ASSEMBLY - Heater air blower mounting	1	27-7554039 and up
-33	32055-00		TUBE ASSEMBLY - Heater drain	1	
-34	32059-02		SHROUD ASSEMBLY - Heater exhaust	1	
-35	32069-02		BOX ASSEMBLY - Heater cover	1	
-36	32068-00	A	BOX ASSEMBLY - Air distribution	1	
	32764-00		BOX ASSEMBLY - Air distribution	1	27-3837, 27-3944 to 27-4397 inclusive
	32931-00		BOX ASSEMBLY - Air distribution	1	27-4398 to 27-7954121 incl
	28597-02		BOX ASSEMBLY - Air distribution	1	27-8054001 and up
-36a	760 446		* KIT - Air box valve and arm replacement	1	27-3837, 27-3944 to 27-4397 inclusive
-36b	32928-00	B	* * ARM ASSEMBLY - Air box, upper	1	27-4398 to 27-7954121 incl
-36c	32930-00	B	* * VALVE ASSEMBLY - Air box, upper	1	27-4398 to 27-7954121 incl
-36d	32759-00		* SHAFT ASSEMBLY - Air valve, lower	1	27-3837, 27-3944 and up
-36e	32762-00		* VALVE ASSEMBLY - Air box, lower	1	27-3837, 27-3944 and up
-36f	28603-02		* ARM ASSEMBLY - Air box, upper	1	27-8054001 and up
-36g	28596-03		* VALVE ASSEMBLY - Air box, upper	1	27-8054001 and up
-37	31135-00	A	BOX ASSEMBLY - Air distribution	1	
	31135-08		BOX ASSEMBLY - Air distribution	1	27-3837, 27-3944 and up
-38	19108-00		BOX ASSEMBLY - Defroster air distribution	1	
-39	30714-00		BOX ASSEMBLY - Defroster air outlet	2	
-40	70371-00		FITTING ASSEMBLY - Swivel	2	
-41	70371-02		FITTING - Swivel	3	
-42	70371-03		STUD - Swivel	3	
-43	19331-06		CABLE ASSEMBLY - Air vent	1	
-44	19331-05	A	CABLE ASSEMBLY - Cabin heat, front	1	
	19331-06		CABLE ASSEMBLY - Cabin heat, front	1	27-3837, 27-3944 and up
-45	19331-04	A	CABLE ASSEMBLY - Cabin heat, rear	1	
-46	19331-03		CABLE ASSEMBLY - Defroster	1	
-47	19331-06		CABLE ASSEMBLY - Adjustable duct switch assembly	1	
-48	19331-07		CABLE ASSEMBLY - Cabin heat, rear	1	27-3837, 27-3944 and up
-49	458 899		ELBOW - Bulkhead 90 degrees (AN833-3D)	1	

A - Used on serial numbers 27-3050, 27-3154 to 27-3836 inclusive, 27-3838 to 27-3943 inclusive
 B - Used on serial numbers 27-3837, 27-3944 to 27-4397 inclusive, if Air Distribution Box Assembly, which incorporates a removable arm assembly, has been installed

When ordering, always specify Part Number, Description and Serial Number of Aircraft

PIPER PARTS CATALOG

Figure and Index Number	Part Number	Code	NOMENCLATURE	No. Req.	SERIAL NUMBERS AFFECTED
21A-50	458 893	A	ELBOW - (AN822-3D)	1	27-3050, 27-3154 to 27-8154015 inclusive
	476 647	B	NIPPLE - (AN816-3D)	1	27-8154016 and up
-51	458 872	A	ELBOW - (AN822-2D)	1	27-3050, 27-3154 to 27-8154015 inclusive
	476 649	B	NIPPLE - (AN816-2D)	1	27-8154016 and up
-52	476 686		NIPPLE - (AN816-4)	1	
-53	407 567		WASHER - (AN960-616)	1	
	477 617		NUT - (AN924-3D)	1	
-54	407 564		WASHER - (AN960-10)	3	
	407 585		WASHER - (AN960-416L)	3	
	404 392		NUT - (AN320-3)	3	
	424 051		COTTER PIN - (MS24665-132)	3	
-55	32069-11		CARPET - Heater cover box, gray	1	27-3050, 27-3154 to 27-7954121 inclusive
	32069-13		CARPET - Heater cover box, buckskin	1	27-3050, 27-3154 and up
-56	18765-00		PLATE - Air deflector	2	27-3050, 27-3154 to 27-7954121 inclusive
	28552-02		PLATE - Air deflector	2	27-8054001 and up
-57	16758-00		BOX ASSEMBLY - Heater air outlet, left	1	
	16758-01		BOX ASSEMBLY - Heater air outlet, right	1	27-3050, 27-3154 to 27-7954121 inclusive
	16758-00		BOX ASSEMBLY - Heater air outlet, right	1	27-8054001 and up
-58	18390-00		TUBE ASSEMBLY - Air distribution	1	
-59	17691-00		TUBE ASSEMBLY - Air inlet	1	
-60	22369-13	B	TUBE - Plastic, drain (12" L)	2	27-8154016 and up
-61	22369-05	B	TUBE - Plastic, drain (3" L)	1	27-8154016 and up
-62	43492-00	B	COVER ASSEMBLY - Heater valve shroud	1	27-8154016 and up
-63	43493-07	B	SHROUD ASSEMBLY - Heater fuel valve	1	27-8154016 and up
-64	16632-00	B	TUBE ASSEMBLY - Drain connector	1	27-8154016 and up
			A - Order part for serial numbers 27-8154016 and up if Heater Fuel Regulator Valve Shroud/Drain Modification Kit 764 141 has been installed per Service Bulletin No 721		
			B - Also used on aircraft with serial numbers 27-3050, 27-3154 to 27-8154015 inclusive, if Heater Fuel Regulator Valve Shroud/Drain Modification Kit 764 141 has been installed per Service Bulletin No 721		

When ordering, always specify Part Number, Description and Serial Number of Aircraft

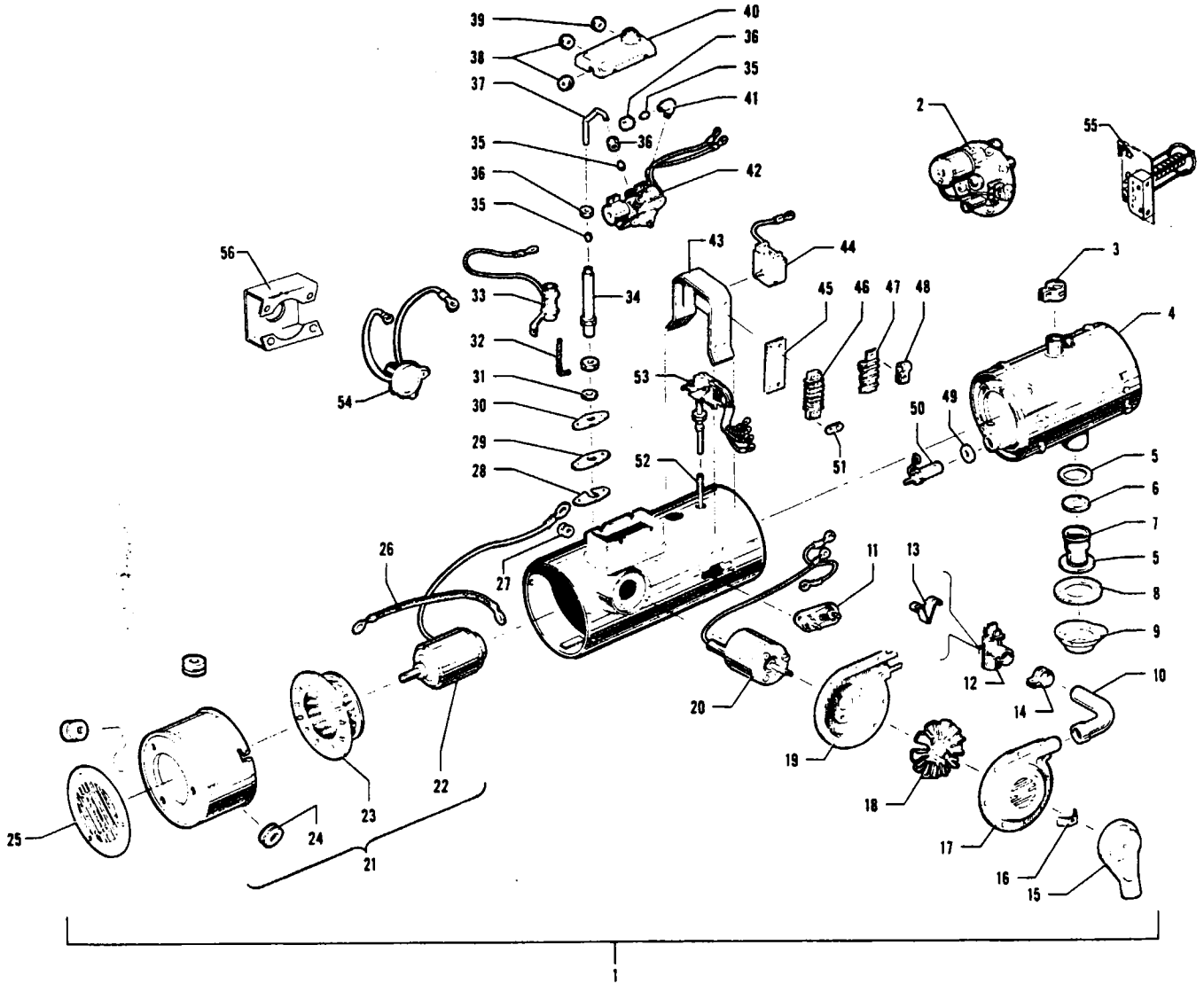


Figure 22. Heater Assembly (Stewart Warner)
(Serial Nos. 27-1 to 27-3049 inclusive, 27-3051 to 27-3153 inclusive)

PIPER PARTS CATALOG

Figure and Index Number	Part Number	Code	NOMENCLATURE	No. Req.	SERIAL NUMBERS AFFECTED
22-1	464 324	A	HEATER ASSEMBLY - (Model 940-DA12) 14 Volt	1	
	464 338	B	HEATER ASSEMBLY - (Model 940-DB12) 14 Volt	1	
	464 323	C	HEATER ASSEMBLY - (Model 940-D24) 28 Volt	1	
	464 341	C	HEATER ASSEMBLY - (Model 940-DA24) 28 Volt	1	27-2298 and 27-2331
	464 352	B,D	HEATER ASSEMBLY - (Model 940-K12) 12 Volt	1	
-2	753 102	A	* VALVE - Safety (G484 085) 14 Volt	1	
	753 116	B	* VALVE - Safety (G719 553) 14 Volt	1	
	753 107		* VALVE - Safety (G484 095) 28 Volt	1	
-3	751 548		* CLAMP - Hose, combustion air (489 408)	1	
-4	754 710		* EXCHANGER ASSEMBLY - Heat (G711 237)	1	
-5	753 168		* WASHER - Exhaust (486 803)	2	
-6	752 839		* PACKING - "O" Ring (486 802)	1	
-7	754 708		* EXTENSION - Exhaust (486 238)	1	
-8	751 852		* GASKET - Exhaust tube (711 241)	1	
-9	751 235		* ADAPTER - Exhaust tube (711 240)	1	
-10	753 005		* TUBE - Combustion air blower (700 137)	1	
-11	752 936	A	* SWITCH - Overheat (700 053)	1	
	756 151	B	* SWITCH - Cycling duct limit (700 587)	1	
-12	751 781		* FUSE ASSEMBLY - Thermal (700 580)	1	
-13	751 775		* * FUSE LINK - Thermal (700 578)	1	
-14	751 548		* CLAMP - Hose, combustion air (489 408)	1	
-15	751 231		* ADAPTER ASSEMBLY - (711 229)	1	
-16	751 431		* BRACKET - Combustion air blower (489 491)	1	
-17	751 934		* HOUSING - Combustion air blower, outer (711 234)	1	
-18	751 776		* WHEEL - Combustion air blower (G484 046)	1	
-19	751 933		* HOUSING - Combustion air blower, inner (489 811)	1	
-20	752 417		* MOTOR - Combustion air blower (G701 149) 14 Volt	1	
	753 559		* MOTOR - Combustion air blower (G701 151) 28 Volt	1	
-21	751 397		* BLOWER ASSEMBLY - Vent air (700 177) 14 Volt	1	
	751 435		* BLOWER ASSEMBLY - Vent air (G700 176) 28 Volt	1	
-22	752 416		* * MOTOR - Vent air blower (489 620) 14 Volt	1	
	753 560		* * MOTOR - Vent air blower (711 233) 28 Volt	1	
-23	753 169		* * FAN - Vent air blower (G720122)	1	
-24	756 100		* * SHOCK MOUNT - Vent air blower (700 146)	3	
-25	752 315		* COVER - Louvered, vent air inlet (711 235)	1	
-26	752 313		* LEAD - Ground (486 216)	1	
-27	751 849		* GROMMET - (475 127)	1	
-28	752 733		* PLATE - Tapping (711 223)	1	
-29	751 851		* GASKET - Fuel line (711 222)	1	
-30	751 782		* FLANGE - Fuel line (711 224)	1	
-31	752 772		* PACKING - "O" Ring (711 098)	1	
-32	751 546		* CABLE - Knit (474 948)	1	
-33	752 824		* RESISTOR - (489 851) 14 Volt	1	
	752 843		* RESISTOR - (489 852) 28 Volt	1	
-34	751 432		* BUSHING ASSEMBLY - Tube end (G711 231)	1	
-35	752 971		* SLEEVE - Fuel line (91427)	3	

A - Used on carburetor model, (14 Volt) only
 B - Used on fuel injection model, (14 Volt) only
 C - Used on carburetor model, (28 Volt) only
 D - Not available Secure Model 940-DB12 Heater Assembly and Kit No 756 995 if installed on PA-23-250 (Six Place) "C" with serial numbers 27-2505 to 27-3153 inclusive

When ordering, always specify Part Number, Description and Serial Number of Aircraft



Figure and Index Number	Part Number	Code	NOMENCLATURE	No. Req.	SERIAL NUMBERS AFFECTED
22-36	751 545		COUPLING - Fuel line (91426)	3	
-37	753 006		TUBE - Fuel line (711 221)	1	
-38	751 850		GROMMET - (711 215)	2	
-39	751 854		GROMMET - (473 455)	1	
-40	751 550		COVER ASSEMBLY - Fuel valve (711 217)	1	
-41	754 707		ELBOW - Fuel line (475 318)	1	
-42	753 104	A	VALVE - Fuel control (G700 570) 940-D12 only	1	
	753 106		VALVE - Fuel control (G701 213) 940-D24 only	1	
	753 108	A	VALVE - Fuel control (G701 259) 940-DA12 only	1	
	753 117	B	VALVE - Fuel control (G719 552) 940-DB12 only	1	
	756 515	B	VALVE - Fuel control (G720 082-9) 940-K12 only	1	
-43	751 853		GUARD ASSEMBLY - Switch (G711 244)	1	
-44	752 833		RELAY ASSEMBLY - (721 176) 14 Volt	1	
	752 842		RELAY ASSEMBLY - (G721 177) 28 Volt	1	
-45	752 973	A	STRIP - Double market (484 141)	1	
	756 153	B	STRIP - Double market (486 327)	1	
-46	752 972	A	STRIP - Thermal (484 140)	1	
	756 154	B	STRIP - Thermal (486 326)	1	
-47	752 974		STRIP - Connector (484 955)	1	
-48	751 547		CLAMP - Cable (484 986)	1	
-49	751 832		GASKET - Igniter (475 067)	1	
-50	752 044		IGNITER ASSEMBLY - (G474 942)	1	
-51	752 126		JUMPER - Terminal (486 152)	1	
-52	752 840		ROD - Quartz (486 901)	1	
-53	756 102		SWITCH - Flame detector (700 592)	1	
-54	756 197	B	SWITCH - Lockout overheat (719 831-1)	1	
-55	756 328	B,C	THERMOSTAT ASSEMBLY - (G720 780)	1	
-56	751 905	B,C	GUARD - Lockout switch (720 719)	1	

A - Used on carburetor model, (14 Volt) only.
 B - Used on fuel injection model, (14 Volt) only.
 C - Used on Heater Model 940-K12 only.

When ordering, always specify Part Number, Description and Serial Number of Aircraft



**AZTEC
PARTS CATALOG**

CARD 2 OF 3

PA-23-235 APACHE

PA-23-250 AZTEC

PA-23-250 (Six place) AZTEC

Courtesy of Bomar Flying Service
www.bomar.biz

PIPER AIRCRAFT CORPORATION

PIPER PARTS CATALOG

AEROFICHE EXPLANATION AND REVISION STATUS

The Parts Catalog information incorporated in this set of Aerofiche cards has been arranged in accordance with the general specifications of Aerofiche adopted by the General Aircraft Manufacturer's Association.

Conversion of Aerofiche alpha/numeric code numbers:

First number is the Aerofiche card identifier.

Letter is the horizontal line reference per card.

Second number is the vertical line reference per card.

Example: 2J16 = Aerofiche card number two of given set. Grid location J16.

To aid in locating the various sections and related information desired, the following is provided:

A complete Catalog Table of Contents is given at Grid 1A8 of Aerofiche card number 1 of this set. Each additional card in this set will have a Table of Contents for all sections on that particular card. This table will start at Grid A3.

REVISIONS

The information compiled in this Aerofiche Parts Catalog will be kept current by revisions distributed periodically. These revisions will supersede all previous revisions and will be complete Aerofiche card replacements and shall supersede Aerofiche cards of the same number in the set.

Current Revisions to this PA-23-235 and PA-23-250 Parts Catalog issued August 15, 1972 are as follows:

753 522 (PR741122).....	Dated November 1974
753 522 (PR750530).....	Dated May 1975
753 522 (PR751205).....	Dated December 1975
753 522 (PR761018).....	Dated October 1976
753 522 (PR770429).....	Dated April 1977
753 522 (PR770902).....	Dated September 1977
753 522 (PR780906).....	Dated September 1978
753 522 (PR790205).....	Dated February 1979
753 522 (PR790816).....	Dated August 1979
753 522 (PR800314).....	Dated March 1980
753 522 (PR801017).....	Dated October 1980
753 522 (PR810813).....	Dated August 1981
753 522 (PR840712).....	Dated July 1984

NOTE: Refer to the last card of the Piper - Parts Price List - Aerofiche for a check list of current revision dates and card effectivities for this parts catalog.

TABLE OF CONTENTS

FIGURE NUMBER	FIGURE TITLE	GRID NUMBER
SECTION II FUSELAGE GROUP		
22A	Janitrol Heater Assembly	2A6
22B	Janitrol Heater Components	2A10
SECTION III CHASSIS GROUP		
23	Gear Strut Assemblies	2A13
24	Nose Gear Installation	2A16
24A	Nose Wheel Assembly	2A21
25	Main Gear Installation	2B1
26	Main Wheel Assembly	2B5
27	Brake Installation	2B7
27A	Dual Brake Installation	2B10
28	Brake Assembly	2B13
SECTION IV TAIL SURFACES GROUP		
29	Tail Installation	2B16
29A	Stabilator Assembly (PA-23-235/250/250(6) S/N 27-1 to 27-7554168 incl., 27-8054001 and up)	2B20
29B	Stabilator Assembly (PA-23-250(6) S/N 27-7654001 to 27-7954121 incl.)	2B22
29C	Rudder Assembly	2C1
29D	Fin Assembly	2C4
SECTION V POWER PLANT GROUP		
30	Power Plant Installation (PA-23-235/250/250(6) S/N 27-1 to 27-2504 incl.)	2C7
30A	Power Plant Installation (PA-23-250(6) S/N 27-2505 and up)	2C10
30B	Turbocharger Installation (Airesearch)	2C15
30C	Turbocharger Installation (Lycoming)	2C17
31	Propeller (PA-23-235/250/250(6) S/N 27-1 to 27-2504 incl.)	2C22
31A	Propeller (PA-23-250(6) S/N 27-2505 and up)	2D1
31B	Propeller Synchronizer System Installation	2D5
31C	Propeller Synchrophaser System Installation	2D7
32	Engine Baffle Installation	2D9
33	Exhaust Collectors Installation (PA-23-235/250/250(6) S/N 27-1 to 27-2504 incl.)	2D12
33A	Exhaust System Installation (PA-23-250(6) S/N 27-2505 and up)	2D14
34	Nacelle Installation (PA-23-235/250/250(6) S/N 27-1 to 27-2504 incl.)	2D16
34A	Nacelle Installation (PA-23-250(6) S/N 27-2505 and up)	2E1
34B	Nacelle Installation (Lycoming Turbocharger)	2E8
SECTION VI FUEL SYSTEM GROUP		
35	Fuel System Installation (PA-23-235/250/250(6) S/N 27-1 to 27-2504 incl.)	2E13
35A	Fuel Injection System Installation (PA-23-250(6) S/N 27-2322 to 27-2504 incl.)	2F1
35B	Fuel System Installation (PA-23-250(6) S/N 27-2505 and up)	2F5
36	Fuel Cell Installation (PA-23-235/250/250(6) S/N 27-1 to 27-4815 incl.)	2F11

PIPER PARTS CATALOG

TABLE OF CONTENTS

FIGURE NUMBER	FIGURE TITLE	GRID NUMBER
SECTION VI FUEL SYSTEM GROUP		
36A	Fuel Cell Installation (PA-23-250 (6) S/N 27-4816 and up)	2F15
36B	Wing Tip Fuel Tank Installation (PA-23-250 (6) S/N 27-7654001 and up)	2F18
37	Fuel System Control Box (PA-23-235/250/250 (6) S/N 27-1 to 27-2504 incl.)	2F20
37A	Fuel System Control Box (PA-23-250 (6) S/N 27-2505 and up)	2G1
SECTION VII ELECTRICAL SYSTEM GROUP		
38	Fuselage Electrical System Installation (PA-23-235/250)	2G4
38A	Fuselage Electrical System Installation (PA-23-250(6)	2G7
38B	Wing Electrical System Installation (PA-23-235/250)	2G13
38C	Wing Electrical System Installation (PA-23-250(6)	2G16
38D	Battery Box Installation (PA-23-235/250)	2G20
38E	Battery Box Installation (14-Volt) (PA-23-250(6)	2G22
38F	Battery Box Installation (28-Volt) (PA-23-250(6) S/N 27-2298 to 27-7954097 incl.)	2H1
38G	Battery Box Installation (28-Volt) (PA-23-250(6) S/N 27-7954098 and up)	2H4
39	Pedestal Electrical Installation	2H6
39A	Instrument Panel Electrical Installation (PA-23-235/250/250(6) S/N 27-1 to 27-2504 incl.)	2H9
39B	Instrument Panel Electrical Installation (PA-23-250(6) S/N 27-2505 to 27-3836 incl., 27-3838 to 27-3943 incl.)	2H13
39C	Instrument Panel Electrical Installation (PA-23-250(6) S/N 27-3837, 27-3944 and up)	2H16
40	Taxi Light Installation	2H20
40A	Strobe Lights Installation	2H22
41	External Power Supply (PA-23-235/250/250(6) S/N 27-1 to 27-7954097 incl.)	2I1
41A	External Power Supply (PA-23-250(6) S/N 27-7954098 and up)	2I4
42	Propeller Deicer Installation (PA-23-250)	2I6
42A	Propeller Deicer Installation (PA-23-250(6)	2I8
42B	Pneumatic Deicer Installation (B. F. Goodrich)	2I11
42C	Pneumatic Deicer Installation (B. F. Goodrich)	2I17
42D	Pneumatic Deicer Installation (Airborne/Goodyear) (PA-23-250(6) S/N 27-7554112 to 27-7554168 incl.)	2I21
SECTION VIII HYDRAULIC SYSTEM GROUP		
43	Hydraulic System Installation (PA-23-235/250/250(6) S/N 27-1 to 27-2504 incl.)	2J1
43A	Fuselage Hydraulic System Installation (PA-23-250(6) S/N 27-2505 and up)	2J7
43B	Wing Hydraulic System Installation (PA-23-250(6) S/N 27-2505 and up)	2J11
43C	Hydraulic System Components (PA-23-250(6) S/N 27-2505 and up)	2J14
44	Landing Gear Anti-Retracton Valve Installation	2J18
45	Hydraulic Powerpak Components	2J20
45A	Hydraulic Powerpak Components	2K1
46	Emergency Gear Extender Installation (PA-23-235/250/250(6) S/N 27-1 to 27-7954121 incl.)	2K4
SECTION IX CONTROL SYSTEM GROUP		
47	Engine Controls Installation	2K7
48	Stabilator Control Installation	2K10

TABLE OF CONTENTS

FIGURE NUMBER	FIGURE TITLE	GRID NUMBER
	SECTION IX (Cont.) CONTROL SYSTEM GROUP	
49	Aileron Controls Installation	2K13
50	Rudder Control Installation	2K16
51	Tail Trim Mechanism Installation	2K19
51A	Trim Tab Interconnect System Installation	2L1

PIPER PARTS CATALOG

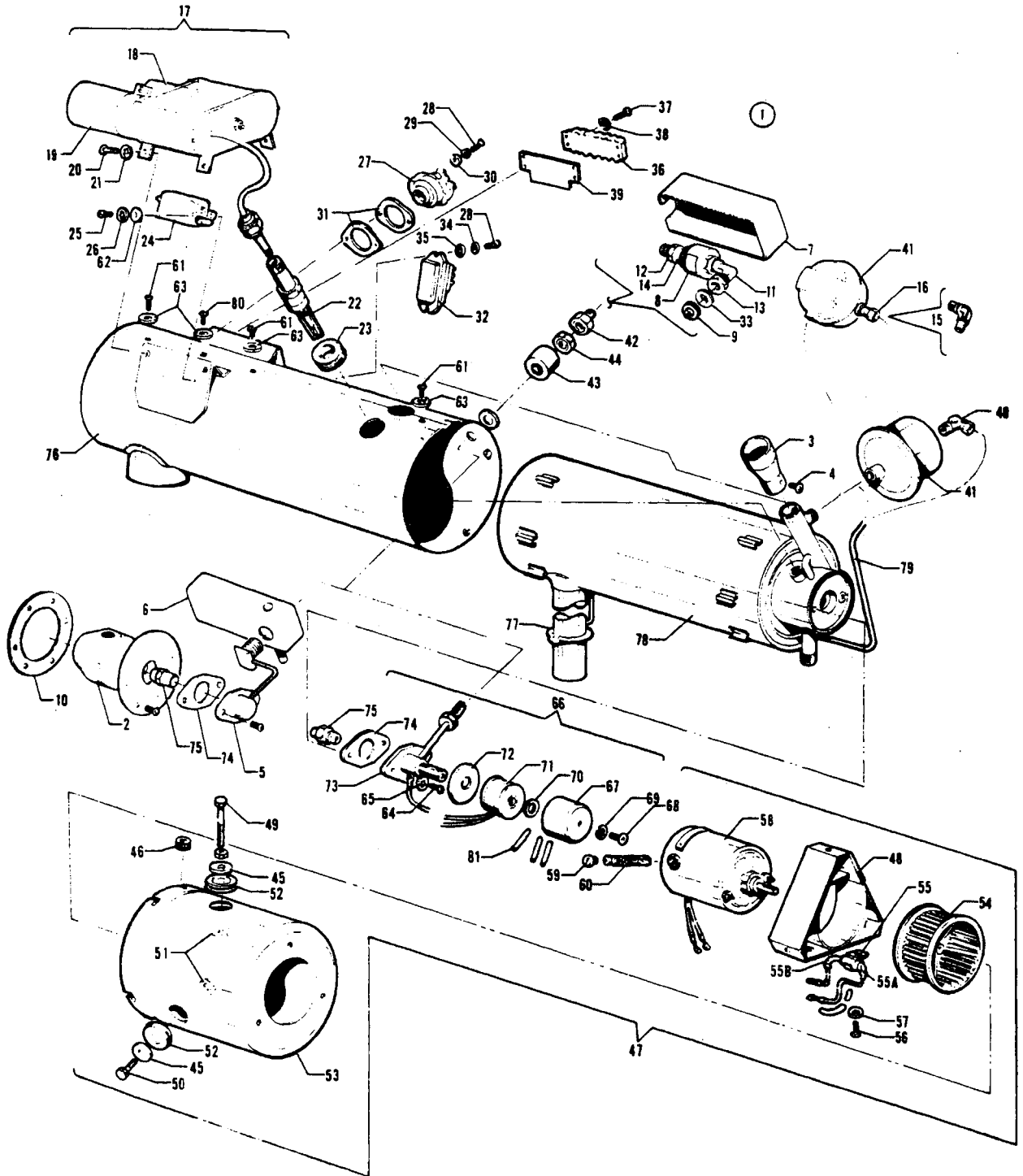


Figure 22A. Heater Assembly (Janitrol)
 (Serial Nos. 27-3050, 27-3154 and up)

PIPER PARTS CATALOG

Figure and Index Number	Part Number	Code	NOMENCLATURE	No. Req.	SERIAL NUMBERS AFFECTED
22A-1	751 978	A	HEATER ASSEMBLY - (37D77) 14-volt	1	
	755 256		HEATER ASSEMBLY - (37D77-1) 14-volt	1	27-7405428
	751 999	F	HEATER ASSEMBLY - (45D70) 28-volt	1	
	755 257		HEATER ASSEMBLY - (45D70-1) 28-volt	1	27-7554039 to 27-8054059 incl.
	755 324		HEATER ASSEMBLY - (45D70-2) 28-volt	1	27-8154001 and up
-2	755 243	B,C,G	* HEAD ASSEMBLY - Combustion	1	
-3	751 274		* ADAPTER	1	
-4	419 586		* SCREW - (AN530-6R6)	1	
-5	754 835	B,C,G	* FUEL FEED AND NOZZLE HOLDER ASSEMBLY	1	
-6	758 299	B,C,G	* BOX ASSEMBLY - Fuel shroud, lower	1	
-7	758 300	B,C,G	* BOX - Fuel shroud, upper	1	
-8	757 792	B	* SOLENOID ASSEMBLY - Fuel (14-volt)	1	
	757 784	C,G	* SOLENOID ASSEMBLY - Fuel (28-volt)	1	
-9	755 022	B,C,G	* GASKET	1	
-10	751 920	B,C,G	* GASKET	1	
-11	754 779	B,C,G	* ELBOW	1	
-12	476 696	B,C,G	* NIPPLE - (AN816-2)	1	
-13	752 563	B,C,G	* NUT - (MS35691-45)	1	
-14	758 309	B,C,G	* BUSHING	1	
-15	754 771	B,C,G	* ELBOW - 90°	1	
-16	757 987	D,E	* CONNECTOR - Pressure switch (for 1/8" O.D. line)	1	
	757 970	D,E	* CONNECTOR - Pressure switch (for 3/18" O.D. line)	1	
-17	752 123	D	* IGNITION ASSEMBLY - 14-volt	1	
	756 456	B	* IGNITION ASSEMBLY - 14-volt	1	
	755 400	E	* IGNITION ASSEMBLY - 28-volt	1	
	755 458	C,G	* IGNITION ASSEMBLY - 28-volt	1	
-18	756 577	H	* * VIBRATOR - Ignition (Solid State)	1	
-19	757 982		* COIL - Ignition (14-volt)	1	
	757 888		* COIL - Ignition (28-volt)	1	
-20	415 753	D,E	* SCREW - (AN515-8R7)	4	
	757 796	B,C,G	* SCREW	4	
-21	407 134	D,E	* WASHER - (AN936-A8)	4	
-22	756 180	D,E	* PLUG - Spark	1	
	757 334	B,C,G	* PLUG - Spark	1	
-23	434 139		* GROMMET - (AN931-10-20) (MS35489-18)	1	
-24	751 801	D,E	* FILTER - Radio noise	1	
-25	415 751	D,E	* SCREW - (AN515-8R5)	2	
-26	407 134	D,E	* WASHER - (AN939-A8)	2	

A - Used on airplanes with serial numbers 27-3050, 27-3154 to 27-7405427, 27-7405429 to 27-7405476 inclusive. If heater assembly 37D77 has been replaced with 37D77-1, order P/N 755 256.

B - Used with heater assembly 755 256 (37D77-1) only.

C - Used with heater assembly 755 257 (45D70-1) only.

D - Used with heater assembly 751 978 (37D77) only.

E - Used with heater assembly 751 999 (45D70) only.

F - Used on airplanes with serial numbers 27-3584 to 27-7554038 inclusive. If heater assembly 45D70 has been replaced with 45D70-1, order P/N 755 257.

G - Used on heater assembly 755 324 (45D70-2) only.

H - Before ordering new ignition vibrator, ascertain ignition assembly part number stamped on ignition assembly cover. If Janitrol part number B08D50 is stamped on ignition assembly cover, order new ignition assembly P/N 752 123 as a replacement. If Janitrol part number B07D97 is stamped on ignition assembly cover, order new ignition assembly part number 755 400 as a replacement. If Janitrol part number 81D12-3 or 81D12-3M, 81D24-3 or 81D24-3M, 87D12-2 or 87D12-2M, 87D24-2 or 87D24-2M, 92D12-2 or 92D12-2M, 92D24-2 or 92D24-2M, 90E12-2 or 91E12-2 or 91E24-2 or 17E24-4 is stamped on ignition assembly cover, order ignition vibrator P/N 756 577 only.

When ordering, always specify Part Number, Description and Serial Number of Aircraft

PIPER PARTS CATALOG

Figure and Index Number	Part Number	Code	NOMENCLATURE	No. Req.	SERIAL NUMBERS AFFECTED
22A-27	756 177	A,B,D,E	* SWITCH - Limit	1	
	762 431	F	* SWITCH - Limit	1	
-28	415 754	A,B	* SCREW - (AN515-8R8)	4	
	757 797	D,E,F	* SCREW	4	
-29	407 134	A,B	* WASHER - (AN936-A8)	2	
-30	417 563	A,B	* WASHER - (AN960-8)	2	
-31	751 874		* GASKET - Limit switch	2	
-32	756 178		* SWITCH - Cycling	1	
-33	407 597	D,E,F	* WASHER - (AN960-916L)	1	
-34	407 134	A,B	* WASHER - (AN936-A8)	2	
-35	407 563	A,B	* WASHER - (AN960-8)	2	
-36	753 049	D,E,F	* STRIP - Terminal	1	
	761 946	B,C	* STRIP - Terminal	1	
-37	415 755	D,E,F	* SCREW - (AN515-8R10)	2	
	757 798	B,C	* SCREW	2	
-38	407 134	A,B	* WASHER - (AN936-A8)	5	
-39	752 107		* INSULATOR - Terminal strip	1	
-40	754 758		* ELBOW - Pressure switch (for 1/8" O.D. line)	1	
	754 771		* ELBOW - Pressure switch (for 3/16" O.D. line)	1	
-41	756 179	A,B,C	* SWITCH - Pressure (with pressure parts on switch cylinder ends)	1	
	757 756	A,B	* SWITCH - Pressure (with pressure parts on switch cylinder sides)	1	
	757 602	D,E,F	* SWITCH - Pressure	1	
-42	753 390	A,B	* BUSHING - (AN894-4-2)	1	
-43	756 183	A,B	* SHROUD - Fuel fitting	1	
-44	477 629	A,B	* NUT - (AN924-2)	1	
-45	753 200	A,B	* WASHER - Flat	3	
-46	434 135		* GROMMET - (MS35489-35)	1	
-47	753 443	A	* BLOWER ASSEMBLY - Vent air (14-volt)	1	
	758 303	D	* BLOWER ASSEMBLY - Vent air (14-volt)	1	
	758 120	B	* BLOWER ASSEMBLY - Vent air (28-volt)	1	
	758 304	E,F	* BLOWER ASSEMBLY - Vent air (28-volt)	1	
-48	753 389	A,B	* BRACKET ASSEMBLY - Motor	1	
	758 305	D,E,F	* BRACKET ASSEMBLY - Motor	1	
-49	756 181		* SCREW - Machine	1	
-50	756 182	A,B	* SCREW - Machine	2	
	757 799	D,E,F	* SCREW - Machine	3	
-51	753 199	A,B	* WASHER - Flat	3	
-52	751 875	A,B	* GROMMET - (MS35489-8)	3	
-53	751 960	A,B	* HOUSING ASSEMBLY	1	
	755 255	D,E,F	* HOUSING ASSEMBLY	1	
-54	753 201		* FAN - Vent air blower	1	
-55	753 899	A,B	* CAPACITOR ASSEMBLY	1	
	758 013	D,E,F	* CAPACITOR ASSEMBLY	1	
-55a	762 451	A,B	* SLEEVE - High temperature	1	
	762 455	D,E,F	* SLEEVE - High temperature	1	
-55b	762 456	D,E,F	* SLEEVE - High temperature	1	
-56	415 752	A,B	* SCREW - (AN515-8R6)	1	
-57	407 134	A,B	* WASHER - (AN936-A8)	1	
	756 663	D,E,F	* WASHER - (MS35333-38)	1	
-58	753 663	A	* MOTOR ASSEMBLY - Vent air blower (14-volt)	1	
	753 737	D	* MOTOR ASSEMBLY - Vent air blower (14-volt)	1	
	761 609	B	* MOTOR ASSEMBLY - Vent air blower (28-volt)	1	
	761 610	E,F	* MOTOR ASSEMBLY - Vent air blower (28-volt)	1	

A - Used with heater assembly 751 978 (37D77) only.
 B - Used with heater assembly 751 999 (45D70) only.
 C - Not available. Order switch, P/N 757 756. Also, secure connector, P/N 757 987, if 1/8" O.D. Negative Pressure Line is installed or connector, P/N 757 970, if 3/16" O.D. Negative Pressure Line is installed.
 D - Used with heater assembly 755 256 (37D77-1) only.
 E - Used with heater assembly 755 257 (45D70-1) only.
 F - Used with heater assembly 755 324 (45D70-2) only.

When ordering, always specify Part Number, Description and Serial Number of Aircraft

PIPER PARTS CATALOG

Figure and Index Number	Part Number	Code	NOMENCLATURE	No. Req.	SERIAL NUMBERS AFFECTED
22A-59	753 392		* * * CAP - Brush assembly	2	
-60	753 391		* * * BRUSH ASSEMBLY - Motor	2	
-61	415 751	A,B	* SCREW - (AN515-8R5)	4	
	757 795	C,D,E	* SCREW - (AN515-8R5)	4	
-62	407 563	A,B	* WASHER - (AN960-8)	2	
-63	407 134	A,B	* WASHER - (AN936-A8)	4	
-64	415 754	A,B	* SCREW - (AN515-8R8)	2	
	757 796	C,D,E	* SCREW - (AN515-8R8)	8	
-65	407 103	A,B	* WASHER - (AN935-8)	2	
-66	751 802	A	* FUEL FEED, NOZZLE HOLDER AND VALVE ASSEMBLY - 14-volt	1	
	756 512	B	* FUEL FEED, NOZZLE HOLDER AND VALVE ASSEMBLY - 28-volt	1	
-67	753 900	A,B	* * COVER - Solenoid	1	
-68	415 752	A,B	* * SCREW - (AN515-8R6)	1	
-69	407 103	A,B	* * WASHER - (AN935-8)	1	
-70	755 865	A,B	* * PACKING - "O" ring	1	
-71	753 901	A	* * COIL ASSEMBLY - Solenoid (14-volt)	1	
	757 805	B	* * COIL ASSEMBLY - Solenoid (28-volt)	1	
-72	755 864	A,B	* * PLATE - Solenoid base	1	
-73	753 121	A,B	* * VALVE ASSEMBLY - Fuel	1	
-74	751 876	A,B	* GASKET - Valve assembly	1	
	751 922	C,D,E	* GASKET - Valve assembly	1	
-75	752 507	A,B	* NOZZLE - Fuel spray	1	
	752 529	C,D,E	* NOZZLE - Fuel spray	1	
-76	752 128	A,B	* JACKET ASSEMBLY	1	
	752 136	C,D,E	* JACKET ASSEMBLY	1	
-77	751 877		* GASKET - Asbestos	1	
-78	756 315	A,B	* TUBE - Combustion	1	
	761 947	C,D,E	* TUBE - Combustion	1	
-79	760 523	A,B	* NEGATIVE PRESSURE LINE	1	
	752 562	C,D,E	* NEGATIVE PRESSURE LINE	1	
-80	415 751	A,B	* SCREW - (AN515-8R5)	1	
	757 795	C,D,E	* SCREW - (AN515-8R5)	1	
-81	762 452	A	* SLEEVE - High temperature	3	

A - Used with heater assembly 751 978 (37D77) only.
 B - Used with heater assembly 751 999 (45D70) only.
 C - Used with heater assembly 755 256 (37D77-1) only.
 D - Used with heater assembly 755 257 (45D70-1) only.
 E - Used with heater assembly 755 324 (45D70-2) only.

When ordering, always specify Part Number, Description and Serial Number of Aircraft

PIPER PARTS CATALOG

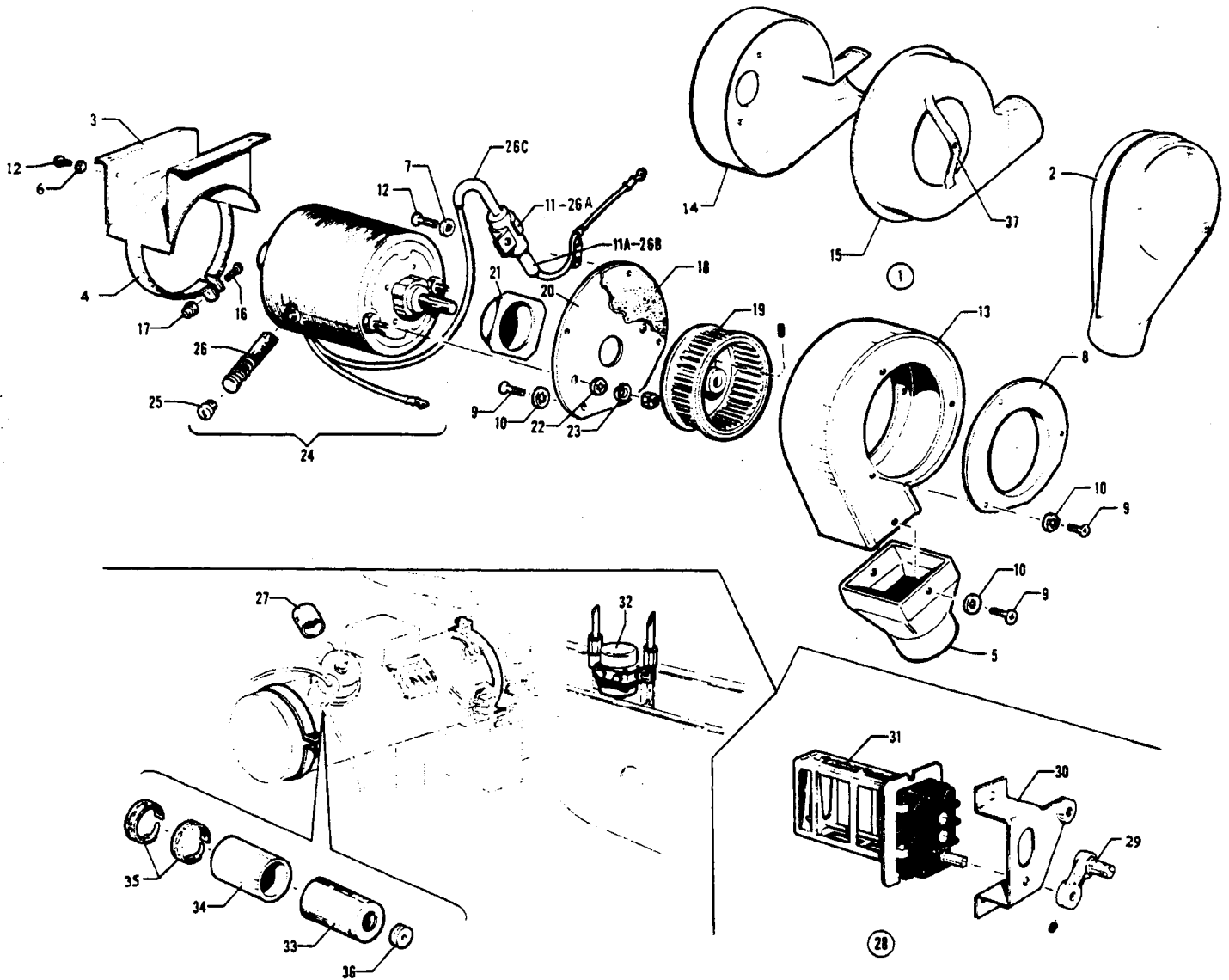


Figure 22B. Heater Components (Janitrol)
(Serial Nos. 27-3050, 27-3154 and up)

PIPER PARTS CATALOG

Figure and Index Number	Part Number	Code	NOMENCLATURE	No. Req.	SERIAL NUMBERS AFFECTED
22B-1	753 441	A	COMBUSTION AIR BLOWER AND MOTOR ASSEMBLY - (38D63) 14-volt	1	27-7405428
	758 019		COMBUSTION AIR BLOWER AND MOTOR ASSEMBLY - (89D21-1) 14-volt	1	
	757 846	F	COMBUSTION AIR BLOWER AND MOTOR ASSEMBLY - (A38D63) 28-volt	1	
	758 020		COMBUSTION AIR BLOWER AND MOTOR ASSEMBLY - (89D21-2) 28-volt	1	
-2	752 109	B,C	* ADAPTER - Blower inlet	1	
	751 332	D,E	* ADAPTER - Blower inlet	1	
-3	753 442	B,C	* BRACKET - Motor support	1	
	758 306	D,E	* BRACKET - Motor support	1	
-4	753 963	B,C	* CLAMP - Motor mounting	1	
	758 018	D,E	* CLAMP - Motor mounting	1	
-5	751 273	B,C	* ADAPTER - Outlet	1	
-6	407 134	B,C	* WASHER - (AN936-A8)	1	
-7	407 133	B,C	* WASHER - (AN936-A6)	1	
-8	757 220	B,C	* PLATE - Blower housing	1	
-9	757 794	B,C	* SCREW	8	
-10	407 133	B,C	* WASHER - (AN936-A6)	8	
-11	753 962	B,C	* CAPACITOR	1	
-11a	762 465	B,C	* SLEEVE - Capicitor	1	
-12	757 794	B,C	* SCREW	2	
	757 800	D,E	* SCREW	2	
-13	751 977	B,C	* HOUSING - Blower	1	
-14	755 252	D,E	* HOUSING - Blower, half, inner	1	
-15	755 253	D,E	* HOUSING - Blower, half, outer	1	
-16	417 776		* SCREW - (AN520-10R10)	1	
-17	404 979		* NUT - (MS20364-1032A)	1	
-18	761 878	B,C	* GASKET - Back plate	1	
-19	751 817		* FAN - Combustion air blower	1	
-20	755 866	B,C	* PLATE - Back	1	
-21	756 184		* SPACER	1	
-22	407 584		* WASHER - (AN960-10L)	2	
-23	407 128		* WASHER - (AN936-B10)	2	
-24	753 663	B	* MOTOR ASSEMBLY - Combustion air blower (14-volt)	1	
	761 607	D	* MOTOR ASSEMBLY - Combustion air blower (14-volt)	1	
	753 760	C	* MOTOR ASSEMBLY - Combustion air blower (28-volt)	1	
	761 608	E	* MOTOR ASSEMBLY - Combustion air blower (28-volt)	1	
-25	753 392		* * CAP - Brush assembly	2	
-26	753 391		* * BRUSH ASSEMBLY	2	

A - Used on airplanes with serial numbers 27-3050, 27-3154 to 27-7405427, 27-7405429 to 27-7405476 inclusive. If combustion air blower and motor assembly 38D63 has been replaced with 89D21-1, order P/N 758 019.

B - Used with combustion air blower and motor assembly 753 441 (38D63) only.

C - Used with combustion air blower and motor assembly 757 846 (A38D63) only.

D - Used with combustion air blower and motor assembly 758 019 (89D21-1) only.

E - Used with combustion air blower and motor assembly 758 020 (89D21-2) only.

F - Used on airplanes with serial numbers 27-3584 to 27-7554038 inclusive. If combustion air blower and motor assembly A38D63 has been replaced with 89D21-2, order P/N 758 020.

When ordering, always specify Part Number, Description and Serial Number of Aircraft

PIPER PARTS CATALOG

Figure and Index Number	Part Number	Code	NOMENCLATURE	No. Req.	SERIAL NUMBERS AFFECTED
22B-26a	758 013	A,B	* * CAPACITOR	1	
-26b	762 455	A,B	* * SLEEVE - Capicitor	1	
-26c	762 456	A,B	* * SLEEVE - Capicitor	1	
-27	756 314		TUBE - Housing outlet	1	
-28	756 261		SWITCH ASSEMBLY - Adjustable duct	1	
-29	752 341		* LEVER ASSEMBLY - Switch	1	
-30	753 903		* COVER - Switch	1	
-31	756 262		* SWITCH - Adjustable duct	1	
-32	753 122		FUEL REGULATOR AND SHUTOFF VALVE (14-VOLT)	1	
	756 560		FUEL REGULATOR AND SHUTOFF VALVE (28-VOLT)	1	
-33	756 187		SHROUD - Fuel fitting	1	
-34	751 962		HOSE - Fuel fitting shroud	1	
-35	753 904		CLAMP - Hose	2	
-36	434 129		GROMMET - (AN931-2-9)	1	
-37	758 302	A,B	BRACKET	1	
			<p>A - Used with Combustion Air Blower and Motor Assembly 758 019 (89D21-1) only.</p> <p>B - Used with Combustion Air Blower and Motor Assembly 758 020 (89D21-2) only.</p>		

When ordering, always specify Part Number, Description and Serial Number of Aircraft

PIPER PARTS CATALOG

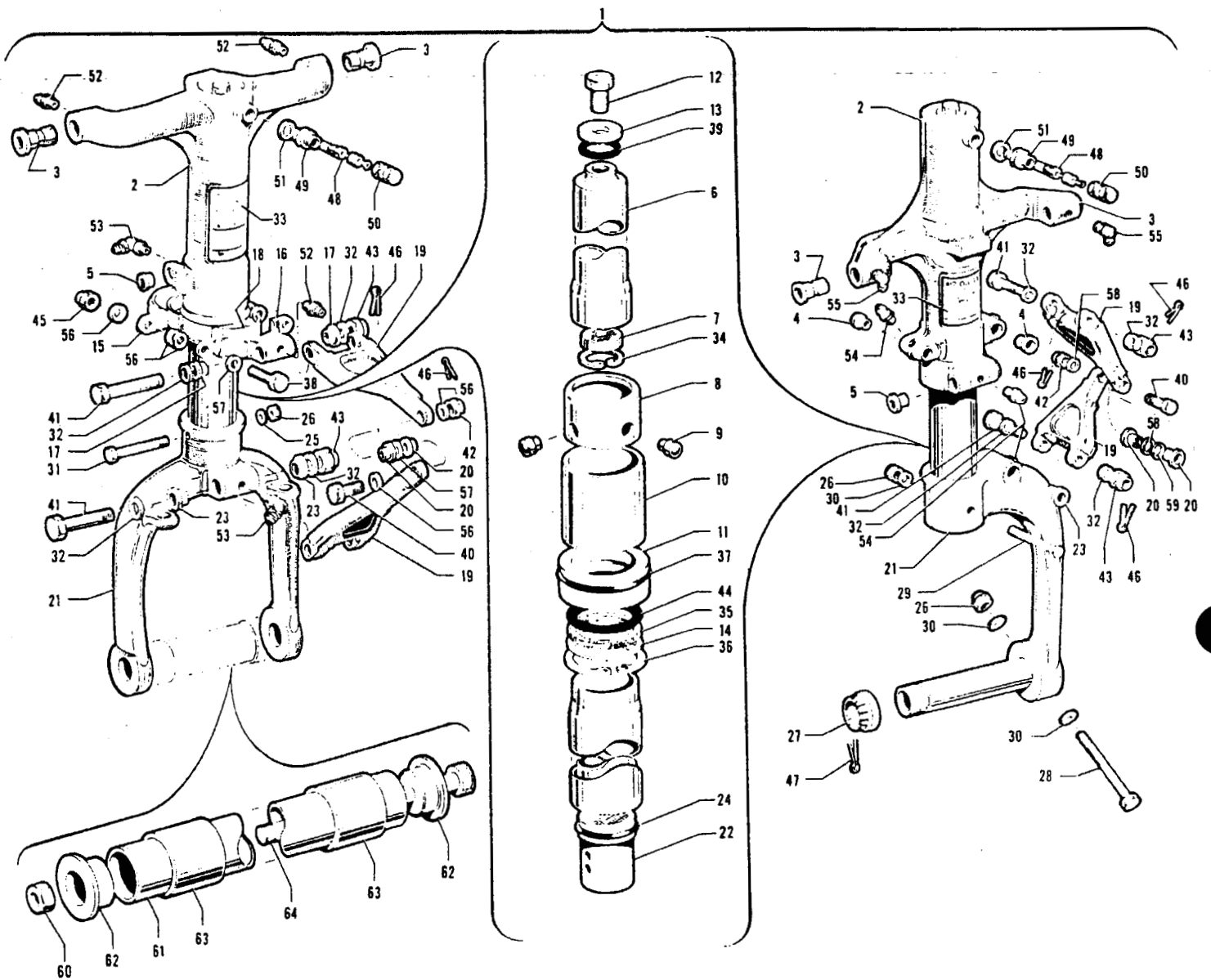


Figure 23. Landing Gear Strut Assemblies

PIPER PARTS CATALOG

Figure and Index Number	Part Number	Code	NOMENCLATURE	No. Req.	SERIAL NUMBERS AFFECTED
23-1	31903-00		STRUT ASSEMBLY - Main gear	2	27-1 to 27-4799 inclusive
	31903-02		STRUT ASSEMBLY - Main gear	2	27-4800 and up
	31767-00		STRUT ASSEMBLY - Nose gear	1	27-1 to 27-4796, 27-4799
	31767-02		STRUT ASSEMBLY - Nose gear	1	27-4797, 27-4798, 27-4800 and up
-2	751 929		* HOUSING ASSEMBLY - Main gear strut (PAC 31835-00)	1	27-1 to 27-4799 inclusive
	32527-00		* HOUSING ASSEMBLY - Main gear strut	1	27-4800 and up
	751 930		* HOUSING ASSEMBLY - Nose gear strut (PAC 31768-00)	1	27-1 to 27-4796, 27-4799
	31768-03		* HOUSING ASSEMBLY - Nose gear strut	1	27-4797, 27-4798, 27-4800 and up
-3	751 368		* * BUSHING - Housing assembly (PAC 31766-00)	2	
-4	751 367	A	* * BUSHING - (PAC-31785-00) (.4395 O.D.) Un-notched	2	
	43256-06	A	* * BUSHING - (.4496 O.D.) Notched	2	
-5	751 416	A	* * BUSHING - Drag brace (NAS77-7-68) (453 723)	2	
	751 417	B	* * BUSHING - Drag brace (NAS77-6-40) (453 722)	2	
-6	753 000		* TUBE - Orifice (PAC 31775-00)	1	
-7	31776-00		* PLATE - Orifice	1	
-8	751 363		* BEARING - Piston (PAC 31779-00)	1	
-9	01821-06		* PIN - Piston	4	
-10	31782-00	A	* SPACER - Gland	1	
	31777-00	B	* SPACER - Gland	1	
-11	31780-00		* BEARING - Gland (PAC 31780-00)	1	
-12	401 388		* BOLT - (AN6H5A)	1	
-13	31772-00		* WASHER	1	
-14	753 162		* WASHER - (PAC 31773-00)	1	
-15	751 501	B	* COLLAR - (PAC 31781-00)	1	
-16	31812-00	B	* COLLAR ASSEMBLY - Landing gear scissors	1	
-17	751 367	B	* * BUSHING - (PAC 31785-00) (.4395 O.D.) Un-notched	2	
	43256-06	B	* * BUSHING - (.4496 O.D.) Notched	2	
-18	752 304	B	* LINING - Shimmy (PAC 31788-00)	2	
-19	31805-06		* LINK ASSEMBLY - Torque	2	
-20	453 721		* * BUSHING - (PAC 31796-00)	1	
-21	751 777	B	* FORK AND ROD ASSEMBLY - (PAC 31793-00)	1	27-1 to 27-4796, 27-4799
	31793-03	B	* FORK AND ROD ASSEMBLY	1	27-4797, 27-4798, 27-4800 and up
	31824-02	A	* YOKE, ROD AND AXLE ASSEMBLY	1	
-22	752 765		* * PLUG - (PAC 31791-00)	1	
-23	751 367		* * BUSHING - (PAC 31785-00) (.4395 O.D.) Un-notched	2	
	43256-06		* * BUSHING - (.4496 O.D.) Notched	2	
-24	752 720		* * "O" RING - (AN6227-25) (484 695)	1	
-25	407 585	B	* * WASHER - (AN960-416L)	1	
-26	404 836		* * NUT - Self locking (MS20364-428C)	2	
-27	752 486	A	* * NUT - Wheel retaining (AN7502-24) (477 679)	1	
-28	402 329	A	* * BOLT - (AN174-32A)	1	
-29	402 331	A	* * BOLT - (AN174-34A)	1	
-30	407 585	A	* * WASHER - (AN960-416L)	3	
-31	751 420	B,C	* * BOLT - (AN174-25A) (402 324)	1	27-1 to 27-4796, 27-4799
	402 325	B	* * BOLT - (AN174-27A)	1	27-4797, 27-4798, 27-4800 and up
-32	407 586		* WASHER - (AN960-516L)	4	
-33	31789-02	E	* PLACARD - Oleo service instructions (581 124)	1	
-34	752 814		* RING - Retaining (NAS50-131) (484 756)	1	
-35	187 625	D	* STRIP - Wiper (10V70)	7-1/8	
-36	752 815		* RING - Retaining (NAS50-262) (484 757)	1	

A - Used on main gear.
 B - Used on nose gear.
 C - Order 402 325 Bolt if Fork Assembly is marked with number 31792-2.
 D - Sold by the foot length.
 E - Used on Piper Strut Assembly only.

When ordering, always specify Part Number, Description and Serial Number of Aircraft

PIPER PARTS CATALOG

Figure and Index Number	Part Number	Code	NOMENCLATURE	No. Req.	SERIAL NUMBERS AFFECTED
23-37	752 722		* GASKET - "O" Ring (AN6230-6) (462 035)	1	
-38	401 310	B	* BOLT - (AN4-10A)	2	
-39	752 713		* PACKING - "O" Ring (AN6227-15) (484 712)	1	
-40	751 370		* BOLT - (AN174-13) (402 313)	1	
-41	402 344		* BOLT - (AN175-32)	2	
-42	404 101		* NUT - Castle (AN310-4)	1	
-43	404 102		* NUT - Castle (AN310-5)	2	
-44	752 721		* PACKING - "O" Ring (AN6227-31) (484 734)	1	
-45	404 888	B	* NUT - Self locking (AN365-428C)	2	
-46	424 052		* PIN - Cotter (AN380-2-3)	1	
-47	424 071	A	* PIN - Cotter (AN380-4-8) (752 701)	1	
-48	455 124		* CORD - (AN809-1)	1	
-49	453 124		* BODY - (AN812-1)	1	
-50	454 053		* CAP - (AN813-18B)	1	
-51	751 834		* GASKET - (AN901-5A) (452 024)	1	
-52	460 691	B	* LUBRICATOR - (AN944-101)	3	
-53	460 690	B	* LUBRICATOR - (AN944-201A)	3	
-54	460 691	A	* LUBRICATOR - (AN944-101)	4	
-55	752 311	A	* LUBRICATOR - (MS15001-4) (460 801)	2	
-56	407 565	B	* WASHER - (AN960-416)	10	
-57	407 585	B	* WASHER - (AN960-416L)	2	
-58	407 565	A	* WASHER - (AN960-416)	2	
-59	407 585	A	* WASHER - (AN960-416L)	1	
-60	752 482	B	NUT - Self locking (AN364-624C) (404 838)	1	
-61	31797-00	B	AXLE - Nose gear	1	
-62	752 731	B	PLUG - Nose gear (PAC 31798-00)	2	
-63	31786-00	B,C	SPACER - Wheel	2	
	31786-07	B,D	SPACER - Wheel	2	
-64	751 372	B	BOLT - (AN6-71) (400 245)	1	

- A - Used on main gear.
 B - Used on nose gear.
 C - Used with Model No. 38501 Nose Wheel Assembly.
 D - Used with Model No. 40-76B Nose Wheel Assembly.

When ordering, always specify Part Number, Description and Serial Number of Aircraft

PIPER PARTS CATALOG

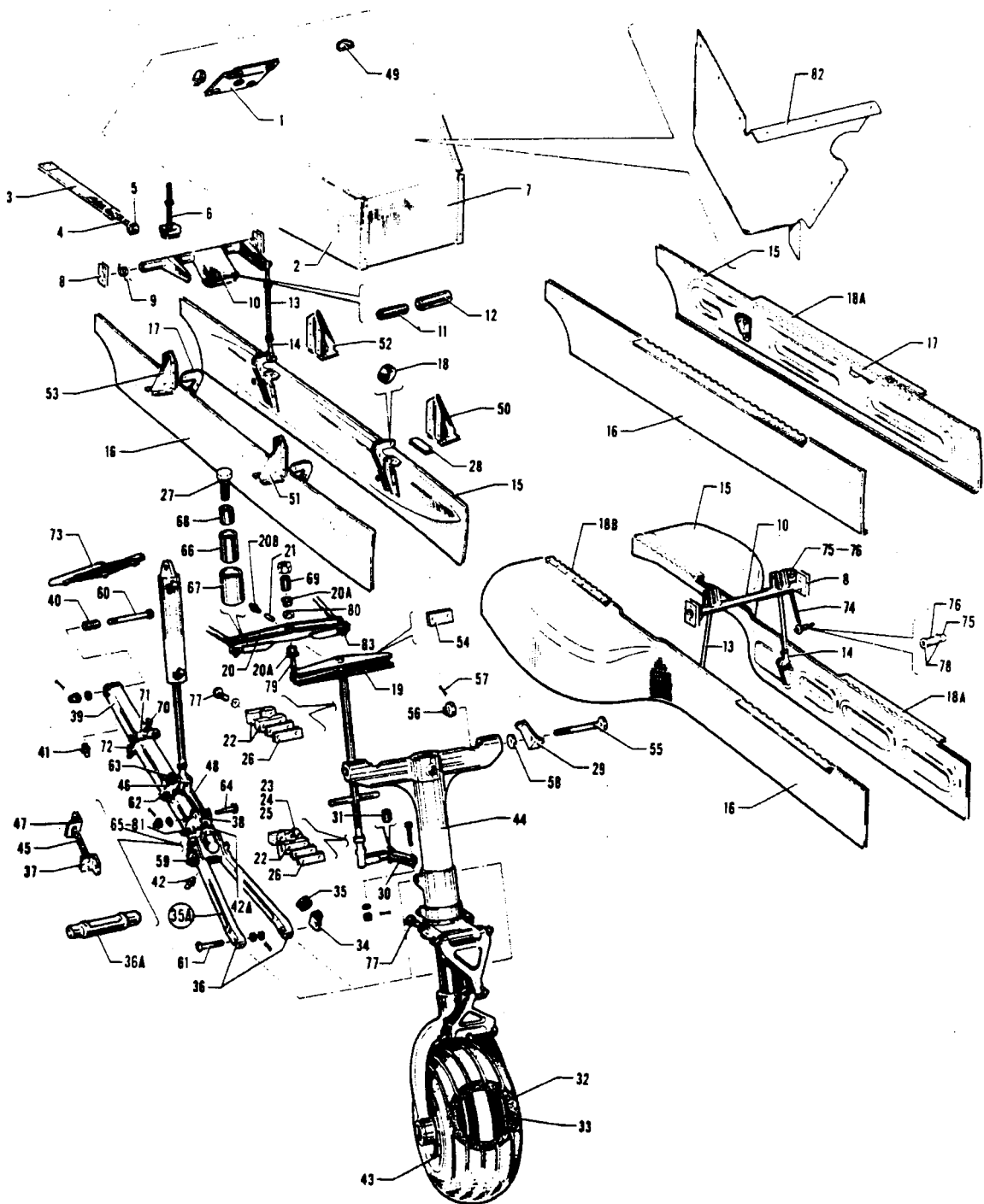


Figure 24 Nose Gear Installation



Figure and Index Number	Part Number	Code	NOMENCLATURE	No. Req.	SERIAL NUMBERS AFFECTED
24-	16501 30720 31550 17301	XZ Y Y	DRAWING - Landing Gear Installation DRAWING - Landing Gear Installation DRAWING - Landing Gear Installation DRAWING - Controls Installation, Cockpit		27-2000 to 27-2504 inclusive 27-2505 and up
-1	18353-00	XZ	BRACKET ASSEMBLY - Wheel well blanket attachment	1	
-2	18343-00	XZ	BLANKET ASSEMBLY - Nose wheel well	1	
	18343-13	Y	BLANKET ASSEMBLY - Nose wheel well	1	27-2000 to 27-2504 inclusive
	18343-14	Y	BLANKET ASSEMBLY - Nose wheel well	1	27-2505 to 27-3686 inclusive
	18343-18	Y	BLANKET ASSEMBLY - Nose wheel well	1	27-3687 and up
-3	18326-00		PLATE ASSEMBLY - Nose wheel anti-rotator	1	27-1 to 27-2663 inclusive
-4	83302-26		SPRING - Coil	1	27-1 to 27-2663 inclusive
-5	454 942		CLAMP - Tinnerman (A2980S-16-1)	1	27-1 to 27-2663 inclusive
-6	17461-05		BUMPER ASSEMBLY - Nose gear	1	
-7	18354-00	XZ	PANEL - Nose wheel well front	1	
	30806-00	Y	PANEL - Nose wheel well front	1	
-8	17544-00		BLOCK - Bearing (.375)	2	
	17544-02	XZ	BLOCK - Bearing (.187)	2	
	17544-02	Y	BLOCK - Bearing (.187)	4	
-9	17684-01		SPRING - Nose gear cover torsion, right	1	27-1 to 27-2504 inclusive
	17684-00		SPRING - Nose gear cover torsion, left	1	27-1 to 27-2504 inclusive
-10	17664-00		TUBE ASSEMBLY - Nose wheel door actuating	1	27-1 to 27-2504 inclusive
	31482-00	Y	TUBE ASSEMBLY - Nose wheel door actuating	1	27-2505 and up
-11	14175-29		BUSHING	1	27-1 to 27-2504 inclusive
-12	14175-28		BUSHING	1	27-1 to 27-2504 inclusive
-13	17696-00	XZ	ROD ASSEMBLY - Nose gear cover actuating	2	
	17696-03	Y	ROD ASSEMBLY - Nose gear cover actuating	2	27-2000 to 27-2504 inclusive
	17696-05	Y	ROD ASSEMBLY - Nose gear cover actuating	2	27-2505 and up
-14	452 335		BEARING - Rod end (F34-14)	2	
-15	17742-00	XZ	DOOR ASSEMBLY - Nose gear, left	1	
	30575-00	Y	DOOR ASSEMBLY - Nose gear, left	1	27-2000 to 27-2504 inclusive
	31515-00	Y	DOOR ASSEMBLY - Nose gear, left	1	27-2505 and up
-16	17742-01	XZ	DOOR ASSEMBLY - Nose gear, right	1	
	30575-01	Y	DOOR ASSEMBLY - Nose gear, right	1	27-2000 to 27-2504 inclusive
	31515-01	Y	DOOR ASSEMBLY - Nose gear, right	1	27-2505 and up
-17	17692-00	XZ	HINGE - Nose gear door	2	
	30511-00	Y	HINGE - Nose gear door	1	27-2000 to 27-2504 inclusive
-18	80012-97	XZ	BUSHING	2	
-18a	30513-00	Y	HINGE - Nose gear door	1	
-18b	31515-10	Y	HINGE - Nose gear door, left	1	27-2505 and up
	31515-11	Y	HINGE - Nose gear door, right	1	27-2505 and up
-19	32274-07	A	TUBE ASSEMBLY - Steering torque	1	
	32274-06	BY	TUBE ASSEMBLY - Steering torque	1	

A - Used on airplanes with serial numbers 27-1 to 27-3471, 3473, 3474, 3477 to 3481, 3484 and 3486.
 B - Used on airplanes with serial numbers 27-3472, 3475, 3476, 3482, 3483, 3485, 3487 and up.
 X - Used on PA-23-250 airplanes only.
 Y - Used on PA-23-250 (Six Place) airplanes only.
 Z - Used on PA-23-235 airplanes only.

When ordering, always specify Part Number, Description and Serial Number of Aircraft

PIPER PARTS CATALOG

Figure and Index Number	Part Number	Code	NOMENCLATURE	No. Req.	SERIAL NUMBERS AFFECTED
24-20	17310-00		ARM ASSEMBLY - Nose gear steering	1	
-20a	17311-00	C	* BUSHING	1	
	17311-02	D	* BUSHING	1	
	17311-03	D	* BUSHING	1	
-20b	460 687		* FITTING - Lubricator	1	
-21	61402-67	D	* BUSHING - (Press fit)	1	
-22	18399-300		BLOCK ASSEMBLY - Nose wheel steering tube bearing (complete)	2	
-23	41371-02		SHIM - Torque tube bearing (.10)	AR	
-24	41371-03		SHIM - Torque tube bearing (.15)	AR	
-25	41371-04		SHIM - Torque tube bearing (.32)	AR	
-26	18022-00		SHIM - Steering tube bearing	AR	
-27	400 015		BOLT - (AN4-22A)	2	
	407 565		WASHER - (AN960-416)	2	
	404 888		NUT - (MS20365-428C)	2	
-28	18344-03	X,Z	STOP - Landing gear cover	1	
-29	17682-00		STOP - Bolt	2	
-30	17569-00	A	LINK ASSEMBLY - Nose gear steering	1	
	32268-00	B,Y	LINK ASSEMBLY - Nose gear steering	1	
-31	86102-02	A	BUSHING	1	
-32	451 720		TIRE - Nose wheel (6.00 x 6 - Ribbed Tread - 4 ply) Type III McCreary	1	
	761 970		TIRE - Nose wheel (6.00 x 6, 4 ply) B. F. Goodrich	1	
	761 994		TIRE - Nose wheel (6.00 x 6, 4 ply) McCreary Airhawk	1	
	762 032		TIRE - Nose wheel (6.00 x 6, 4 ply) Goodyear Flight Custom II	1	
	761 972		TIRE - Nose wheel (6.00 x 6, 6 ply) B. F. Goodrich	1	
	761 995		TIRE - Nose wheel (6.00 x 6, 6 ply) McCreary Airhawk	1	
	762 033		TIRE - Nose wheel (6.00 x 6, 6 ply) Goodyear Flight Custom II	1	
-33	451 735		TUBE - (6.00 x 6)	1	
-34	17602-02		LUG - Wire support	1	27-1 to 27-366 inclusive
-35	434 128		GROMMET - (A931-4-7)	1	27-367 and up
-35a	16279-00		LINK ASSEMBLY - Nose gear drag (complete)	1	27-1 to 27-2504 inclusive
	16279-04		LINK ASSEMBLY - Nose gear drag (complete)	1	27-2505 to 27-7405434 inclusive
	16279-06		LINK ASSEMBLY - Nose gear drag (complete)	1	27-7405435 and up
-36	16279-07		* LINK ASSEMBLY - Nose gear lower drag	1	
-36a	16186-00		* * BAR - Down latch catch	1	
-37	16321-03		* FITTING - Lock spring, lower, nut side only	2	
-38	16235-03		* LATCH ASSEMBLY - Nose gear down lock	1	27-1 to 27-7405434 inclusive
	16235-02		* LATCH ASSEMBLY - Nose gear down lock	1	27-7405435 and up
-39	16198-00		* LINK ASSEMBLY - Nose gear upper drag	1	27-1 to 27-7405434 inclusive
	16198-03		* LINK ASSEMBLY - Nose gear upper drag	1	27-7405435 and up
-40	14843-11		* * BUSHING	4	

A - Used on airplanes with serial numbers 27-1 to 27-3471, 3473, 3474, 3477 to 3481, 3484 and 3486.
 B - Used on airplanes with serial numbers 27-3472, 3475, 3476, 3482, 3483, 3485, 3487 and up.
 C - Used when lubricator fitting is not installed.
 D - Used when lubricator fitting is installed.
 X - Used on PA-23-250 airplanes only.
 Y - Used on PA-23-250 (Six Place) airplanes only.
 Z - Used on PA-23-235 airplanes only.

When ordering, always specify Part Number, Description and Serial Number of Aircraft

PIPER PARTS CATALOG

Figure and Index Number	Part Number	Code	NOMENCLATURE	No. Req.	SERIAL NUMBERS AFFECTED
24-41	460 691		* FITTING - (AN944-101)	1	
-42	460 691		* FITTING - (AN944-101)	1	
-42a	16252-00		* BRACKET - Nose gear limit switch	1	27-1 to 27-2504 inclusive
	31285-00		* BRACKET - Nose gear limit switch	1	27-2505 and up
-43	451 755	A,C	WHEEL ASSEMBLY - Nose (38501)	1	27-1 to 27-4822 inclusive
	451 784	A	WHEEL ASSEMBLY - Nose (40-76B)	1	27-4823 and up
-44	31767-00	B	STRUT ASSEMBLY - Nose gear oleo	1	27-1 to 27-4796, 27-4799 incl.
	31767-02	B	STRUT ASSEMBLY - Nose gear oleo	1	27-4797, 27-4798, 27-4800 and up
-45	83302-21		SPRING - Landing gear lock	4	
-46	16667-00		LINK ASSEMBLY - Nose gear lock	2	27-1 to 27-7554108 inclusive
	34508-02		LINK ASSEMBLY - Nose gear lock	2	27-7554109 and up
-47	19155-03		FITTING - Landing gear lock spring, upper	2	
-48	17645-00		LINK ASSEMBLY - Nose gear down lock	1	
-49	454 886		CLAMP - Tinnerman (A4886S-10-24A)	2	
-50	17546-04	X,Z	BRACKET - Left nose gear door, front	1	
-51	17546-05	X,Z	BRACKET - Right nose gear door, front	1	
-52	17546-01	X,Z	BRACKET - Left nose gear door, rear	1	
-53	17546-00	X,Z	BRACKET - Right nose gear door, rear	1	
-54	18874-00		SHIM - Nose gear steering horn (.032)	AR	
	18874-02		SHIM - Nose gear steering horn (.062)	AR	
	18874-03		SHIM - Nose gear steering horn (.125)	AR	
-55	402 530		BOLT - (AN178-40)	2	
-56	404 105		NUT - (AN310-8)	2	
-57	424 059		PIN - (MS24665-283)	2	
-58	407 569		WASHER - (AN960-816)	2	
-59	402 357		BOLT - Nose gear drag link, upper/lower (AN176-27)	1	
	407 567		WASHER - Nose gear drag link, upper/lower (AN960-616)	1	
	404 103		NUT - Nose gear drag link, upper/lower (AN310-6)	1	
	424 059		PIN - Nose gear drag link, upper/lower (AN380-3-3)	1	
-60	400 235		BOLT - Nose gear drag link, upper (AN6-43)	1	
	404 103		NUT - Nose gear drag link, upper (AN310-6)	1	
	424 059		PIN - Nose gear drag link, upper (MS24665-283)	1	
	407 567		WASHER - Nose gear drag link, upper (AN960-616)	1	
-61	400 758		BOLT - Nose gear drag link, lower (AN26-22)	2	
	404 395		NUT - Nose gear drag link, lower (AN320-6)	2	
	424 059		PIN - Nose gear drag link, lower (MS24665-283)	2	
	407 567		WASHER - Nose gear drag link, lower (AN960-616)	2	
-62	400 111		BOLT - Nose gear lock link attachment (AN4-16)	1	
	404 101		NUT - Nose gear lock link attachment (AN310-4)	1	
	407 565		WASHER - Nose gear lock link attachment (AN960-416)	1	
	424 051		PIN - Nose gear lock link attachment (MS24665-132)	1	
-63	400 107		BOLT - Lock latch actuating rod attachment, rear (AN4-12)	1	27-1 to 27-7554108 inclusive
	400 111		BOLT - Lock latch actuating rod attachment, rear (AN4-16)	1	27-7554109 and up
	407 565		WASHER - Lock latch actuating rod attachment, rear (AN960-416)	1	
	424 051		PIN - Lock latch actuating rod attachment, rear (MS24665-132)	1	

A - See Figure 24A for component parts.
 B - See Figure 23 for component parts.
 C - Part is no longer available. Order wheel assembly, P/N 451 784, and two spacer bushings, P/N 31786-02, when replacing Model No. 38501 wheel. Order P/N 451 784 wheel only if Model No. 40-76B has previously been installed.
 X - Used on PA-23-250 airplanes only.
 Z - Used on PA-23-235 airplanes only.

When ordering, always specify Part Number, Description and Serial Number of Aircraft

PIPER PARTS CATALOG

Figure and Index Number	Part Number	Code	NOMENCLATURE	No. Req.	SERIAL NUMBERS AFFECTED
24-64	400 110		BOLT - Lock latch actuating rod attachment, front (AN4-15)	1	
	404 101		NUT - Lock latch actuating rod attachment, front (AN310-4)	1	
	407 565		WASHER - Lock latch actuating rod attachment, front (AN960-416)	1	
	424 051		PIN - Lock latch actuating rod attachment, front (MS24665-132)	1	
-65	400 162		BOLT - Lock latch attachment (AN5-17)	1	27-1 to 27-7405434 inclusive
	404 102		NUT - Lock latch attachment (AN310-5)	1	27-1 to 27-7405434 inclusive
	407 566		WASHER - Lock latch attachment (AN960-516)	2	27-1 to 27-7405434 inclusive
	407 586		WASHER - Lock latch attachment (AN960-516L)	2	27-1 to 27-7405434 inclusive
	424 051		PIN - Lock latch attachment (MS24665-132)	1	27-1 to 27-7405434 inclusive
-66	14976-76		BUSHING - Arm assembly, nose gear steering	2	
-67	80012-91		BUSHING - Arm assembly, nose gear steering	2	
-68	80012-20		BUSHING - Arm assembly, nose gear steering	2	
-69	80012-92		BUSHING - Arm assembly, nose gear steering	1	
-70	31514-00	Y	BOLT - Switch actuating	1	27-2505 and up
-71	31504-00	Y	BUSHING ASSEMBLY - Switch actuating bolt	1	27-2505 and up
-72	81262-102	Y	LINK - Switch actuating bolt	1	27-2505 and up
-73	31565-00	Y	BRACKET ASSEMBLY - Switch mounting	1	27-2505 and up
-74	83302-41	A,Y	SPRING - Nose gear door, left	1	27-3796 and up
-75	14175-48	A,Y	BUSHING - Nose gear door spring	2	27-3796 and up
-76	14175-87	A,Y	BUSHING - Nose gear door spring	2	27-3796 and up
-77	401 272		BOLT - (AN3H-14A)	4	
	407 564		WASHER - (AN960-10)	4	
-78	19513-52		WASHER - Nose gear door spring	4	
-79	400 215		BOLT - (AN6-22)	1	
	407 567		WASHER - (AN960-616)	1	
	404 986		NUT - (MS20365-624C)	1	
-80	19513-83		WASHER	AR	
-81	400 112		BOLT - Lock latch attachment (AN4-17)	1	27-7405435 and up
	404 101		NUT - Lock latch attachment (AN310-4)	1	27-7405435 and up
	407 565		WASHER - Lock latch attachment (AN960-416)	3	27-7405435 and up
	407 585		WASHER - Lock latch attachment (AN960-416L)	2	27-7405435 and up
	424 051		PIN - Lock latch attachment (MS24665-132)	1	27-7405435 and up
-82	28573-02		WELL ASSEMBLY - Bobweight	1	27-8054001 and up
-83	401 310		BOLT - (AN4-10A)	2	
	407 565		WASHER - (AN960-416)	2	
	404 888		NUT - (MS20365-428C)	2	

A - Used on airplanes with serial numbers 27-2505 to 27-3795 inclusive if Kit 757 174 has been installed.
Y - Used on PA-23-250 (Six Place) airplanes only.

When ordering, always specify Part Number, Description and Serial Number of Aircraft

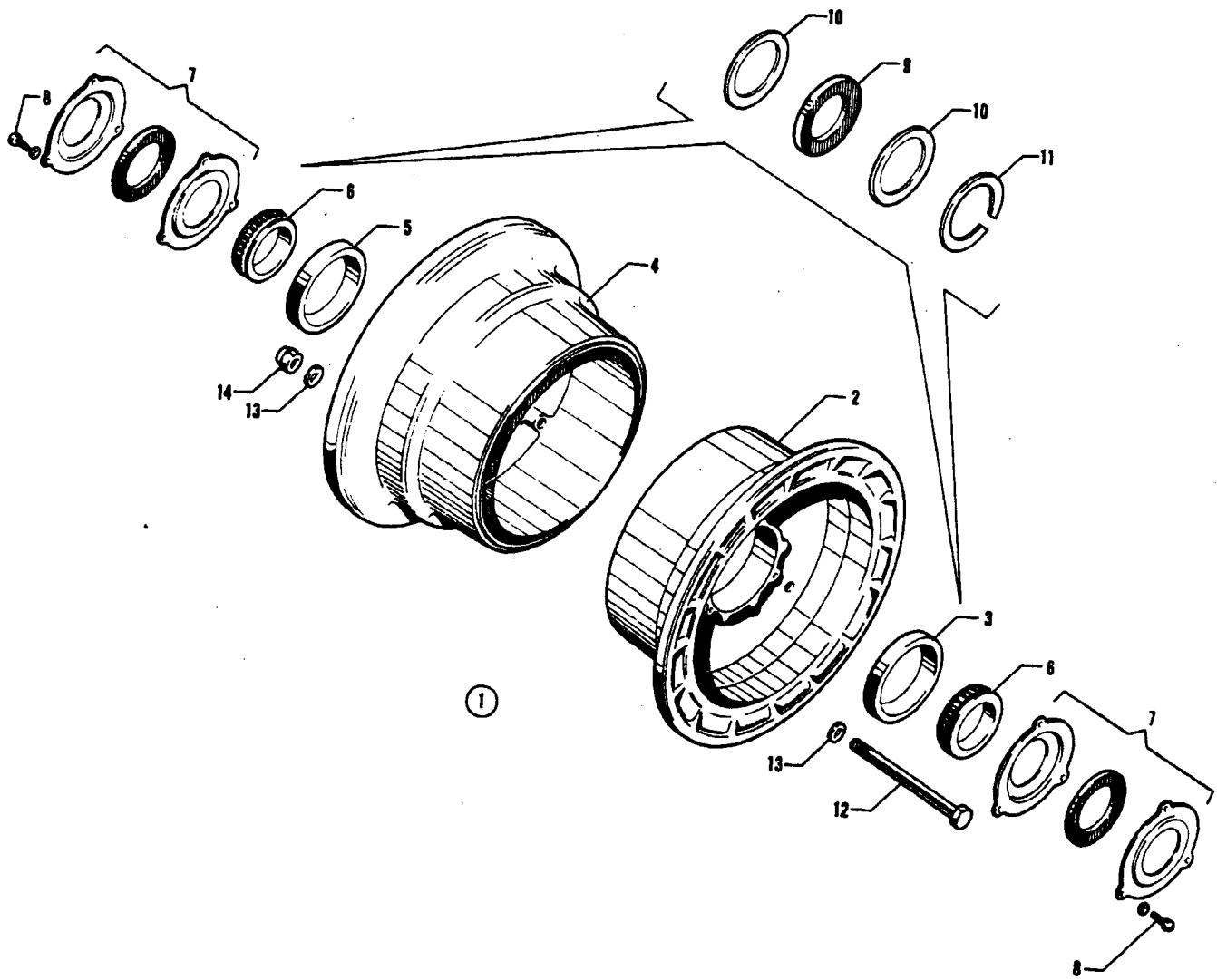


Figure 24A Nose Wheel Assembly

NOSE WHEEL ASSEMBLY



SECTION II:
Chassis Group

Figure and Index Number	Part Number	Code	NOMENCLATURE	No. Req.	SERIAL NUMBERS AFFECTED
24A-1	451 755	A	WHEEL ASSEMBLY - Nose (38501)	1	27-1 to 27-4822 inclusive 27-4823 and up
	451 784		WHEEL ASSEMBLY - Nose (40-76B)	1	
-2	753 129	B	WHEEL HALF ASSEMBLY - Inner (3045A)	1	
	753 195	C	WHEEL HALF ASSEMBLY - Inner (161-30)	1	
-3	751 494		CUP - Bearing (13836)	1	
-4	753 128	B	WHEEL HALF ASSEMBLY - Outer (3041-A) (with valve hole)	1	
	753 194	C	WHEEL HALF ASSEMBLY - Outer (162-27) (with valve hole)	1	
-5	751 494		CUP - Bearing (13836)	1	
-6	751 489		BEARING - Cone, Timken (13889)	2	
-7	752 882	B	GREASE SEAL ASSEMBLY - (B39001)	2	
-8	756 129	B	SCREW - (8-32 x 1/2)	6	
	407 134	B	WASHER - (AN936A8)	6	
-9	751 819	C	FELT - Grease seal (154-14)	2	
-10	755 964	C	RING - Grease seal (153-9)	4	
-11	752 830	C	RING - Snap (3023)	2	
-12	401 334	B	BOLT - (AN4-36A)	3	
	751 405	C	BOLT - (AN5-35A)	3	
-13	407 565	B	WASHER - (AN960-416)	6	
	407 566	C	WASHER - (AN960-516)	6	
-14	404 888	B	NUT - (AN365-428)	3	
	404 889	C	NUT - (AN365-524)	3	

A - Part is no longer available. Order Wheel Assembly Part No. 451 784 and two Spacer Bushings Part No. 31786-02 when replacing Model No. 38501 Wheel. Order Part No. 451 784 Wheel only if Model No. 40-76B has previously been installed.
 B - Used on Model 38501 Wheel Assembly only.
 C - Used on Model 40-76B Wheel Assembly only.

When ordering, always specify Part Number, Description and Serial Number of Aircraft

2A23 THRU 2A24
INTENTIONALLY LEFT BLANK

PIPER PARTS CATALOG

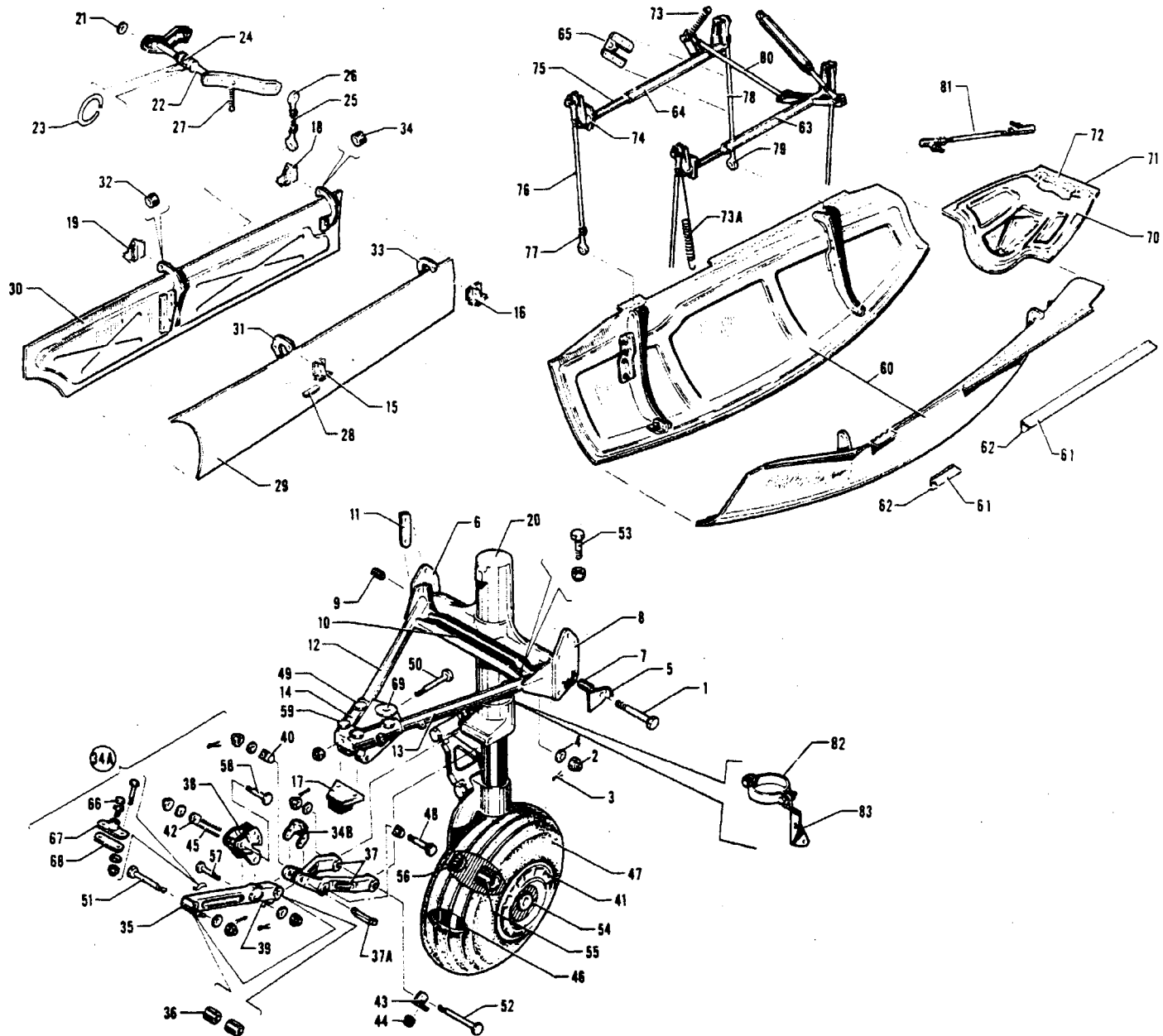


Figure 25. Main Gear Installation



Figure and Index Number	Part Number	Code	NOMENCLATURE	No. Req.	SERIAL NUMBERS AFFECTED
26-	16501 30720 31550 31505	X,Z Y Y Y	DRAWING - Landing Gear Installation DRAWING - Landing Gear Installation DRAWING - Landing Gear Installation DRAWING - Main Gear Door Installation		27-2000 to 27-2504 inclusive 27-2505 and up 27-2505 and up
-1	402 525		BOLT - (AN178-33)	4	
-2	404 105		NUT - (AN310-8)	4	
-3	424 059		PIN - (AN390-3-3)	4	
-4	407 569		WASHER - (AN960-816)	4	
-5	17547-04		STOP - Bolt	4	
-6	16149-00 16149-01		FITTING ASSEMBLY - Landing gear, inboard, left FITTING ASSEMBLY - Landing gear, inboard, right	1 1	
-7	80012-99		BUSHING	1	
-8	16150-00 16150-01		FITTING ASSEMBLY - Landing gear, outboard, left FITTING ASSEMBLY - Landing gear, outboard, right	1 1	
-9	80012-99		BUSHING	1	
-10	18574-00		CHANNEL - Reinforcement	2	
-11	18570-00		STRIP - Reinforcement	8	
-12	17420-01 17420-00		TUBE ASSEMBLY - Drag link fitting support, right gear, inboard TUBE ASSEMBLY - Drag link fitting support, left gear, inboard	1 1	
-13	17420-02 17420-03		TUBE ASSEMBLY - Drag link fitting support, right gear, outboard TUBE ASSEMBLY - Drag link fitting support, left gear, outboard	1 1	
-14	16229-00 16229-01		FITTING ASSEMBLY - Landing gear drag link, left gear FITTING ASSEMBLY - Landing gear drag link, right gear	1 1	
-15	18274-11 18274-02		BRACKET - Hinge, right gear, left front BRACKET - Hinge, left gear, right front	1 1	27-1 to 27-2504 inclusive 27-1 to 27-2504 inclusive
-16	18274-03 18274-10		BRACKET - Hinge, right gear, left rear BRACKET - Hinge, left gear, right rear	1 1	27-1 to 27-2504 inclusive 27-1 to 27-2504 inclusive
-17	17518-00		BUMPER ASSEMBLY - Landing gear	2	
-18	18274-05 18274-12		BRACKET - Hinge, right gear, right rear BRACKET - Hinge, left gear, left rear	1 1	27-1 to 27-2504 inclusive 27-1 to 27-2504 inclusive
-19	18422-01 18422-00		BRACKET - Hinge, right gear, right front BRACKET - Hinge, left gear, left front	1 1	27-1 to 27-2504 inclusive 27-1 to 27-2504 inclusive
-20	31903-00 31903-02	A A	STRUT ASSEMBLY - Main gear oleo STRUT ASSEMBLY - Main gear oleo	2 2	27-1 to 27-4799 inclusive 27-4800 and up
-21	14175-34		WASHER	4	27-1 to 27-2504 inclusive
-22	17795-00		LINK ASSEMBLY - Main gear door actuating	2	27-1 to 27-2504 inclusive
-23	40081-00		SNAP RING	2	27-1 to 27-2504 inclusive
-24	17784-00		BUSHING - Segment	4	27-1 to 27-2504 inclusive
-25	17802-00		ROD ASSEMBLY - Main gear cover actuating	4	27-1 to 27-2504 inclusive
-26	452 335		BEARING - (F34-14)	2	27-1 to 27-2504 inclusive
-27	83302-32		SPRING - Landing gear door	4	27-1 to 27-2504 inclusive
-28	18344-03		STOP - Landing gear cover	2	27-1 to 27-2504 inclusive
-29	17793-00 19098-00	B B	DOOR ASSEMBLY - Left, main gear outboard DOOR ASSEMBLY - Right, main gear outboard	1 1	27-1 to 27-2504 inclusive 27-1 to 27-2504 inclusive
-30	17792-00 19092-00	B B	DOOR ASSEMBLY - Left, main gear inboard DOOR ASSEMBLY - Right, main gear inboard	1 1	27-1 to 27-2504 inclusive 27-1 to 27-2504 inclusive

A - See Figure 23 for component parts.
 B - Component parts of rear bottom nacelle assembly 16535-00 or 18535-01.
 X - Used on PA-23-250 airplanes only.
 Y - Used on PA-23-250 (Six Place) airplanes only.
 Z - Used on PA-23-235 airplanes only.

When ordering, always specify Part Number, Description and Serial Number of Aircraft

PIPER PARTS CATALOG

Figure and Index Number	Part Number	Code	NOMENCLATURE	No. Req.	SERIAL NUMBERS AFFECTED
25-31	17765-02	B	HINGES - Front	4	27-1 to 27-2504 inclusive
-32	80012-97	B	* BUSHING - Hinge	1	27-1 to 27-2504 inclusive
-33	17765-00	B	HINGES - Rear	4	27-1 to 27-2504 inclusive
-34	80012-97	B	* BUSHING - Hinge	1	27-1 to 27-2504 inclusive
-34a	16240-00		LINK ASSEMBLY - Main gear drag (complete)	2	27-1 to 27-2504 inclusive
	16240-04	Y	LINK ASSEMBLY - Main gear drag (complete)	2	27-2505 and up
-34b	16250-00		* BRACKET - Gear switch	1	27-1 to 27-2504 inclusive
	31287-00	Y	* BRACKET - Gear switch	1	27-2505 and up
-35	16190-00		* LINK ASSEMBLY - Main gear upper drag		
-36	14976-33		** BUSHING	4	
-37	16240-05		* LINK ASSEMBLY - Main gear lower drag		
-37a	16186-00		** BAR - Down latch catch	1	
-38	16235-02		* LATCH ASSEMBLY - Main gear down lock		
-39	460 691		* FITTING - Lubricator (AN944-101)	2	
-40	16321-02		* FITTING - Lock spring, lower, nut side only		
-41		A	WHEEL ASSEMBLY - Main	2	
		A	BRAKE ASSEMBLY - Main wheel	2	
-42	19155-03		FITTING - Landing gear lock spring, upper	4	
-43	17602-04		LUG - Wire support	2	
-44	434 128		GROMMET - (AN931-4-7)	2	
-45	83302-21		SPRING - Landing gear lock	8	
-46	451 736		TUBE - (7.00 x 6)	2	
-47	761 973		TIRE - (7.00 x 6, 8 ply) B. F. Goodrich	2	
	762 000		TIRE - (7.00 x 6, 8 ply) McCreary Airhawk	2	
	762 038		TIRE - (7.00 x 6, 8 ply) Goodyear Flight Custom II	2	
-48	402 427		BOLT - Main gear drag link, center (AN177-27)	2	
	407 568		WASHER - Main gear drag link, center (AN960-716)	2	
	404 104		NUT - Main gear drag link, center (AN310-7)	2	
	424 059		PIN - Main gear drag link, center (MS24665-283)	2	
-49	400 444		BOLT - Main gear drag link support fitting assembly (AN3-13A)	4	
	407 564		WASHER - Main gear drag link support fitting assembly (AN960-10)	4	
	404 887		NUT - Main gear drag link support fitting assembly (AN365-1032)	4	
-50	402 333		BOLT - Main gear drag link support fitting (AN 75-10A)	2	
	404 889		NUT - Main gear drag link support fitting (AN365-524)	2	
-51	402 433		BOLT - Main gear drag link, upper (AN177-33)	2	
	404 104		NUT - Main gear drag link, upper (AN310-7)	2	
	424 059		PIN - Main gear drag link, upper (MS24665-283)	2	
	407 568		WASHER - Main gear drag link, upper (AN960-716)	2	
-52	402 452		BOLT - Main gear drag link fitting, lower (AN177-42)	2	
	404 104		NUT - Main gear drag link fitting, lower (AN310-7)	2	
	424 059		PIN - Main gear drag link fitting, lower (MS24665-283)	2	
	407 568		WASHER - Main gear drag link fitting, lower (AN960-716)	2	
-53	402 308		BOLT - Channel reinforcement (AN174-5A)	8	
	404 888		NUT - Channel reinforcement (AN365-428)	8	
-54	81342-97		WASHER	2	
-55	86062-84		TUBE	2	27-1 to 27-2656 inclusive
	86062-104		TUBE	2	27-2657 and up
-56	453 639		BUTTON - Plug (HS-50726)	2	

A - Refer to Figure 26 for wheel assembly and Figure 28 for brake assembly.
 B - Component parts of rear bottom nacelle assembly 16535-00 to 16535-01.
 Y - Used on PA-23-250 (Six Place) airplanes only.

When ordering, always specify Part Number, Description, and Serial Number of Aircraft

PIPER PARTS CATALOG

Figure and Index Number	Part Number	Code	NOMENCLATURE	No. Req.	SERIAL NUMBERS AFFECTED
25-57	400 111		BOLT - Lock latch attachment (AN4-16)	2	
	407 565		WASHER - Lock latch attachment (AN960-416)	2	
	404 101		NUT - Lock latch attachment (AN310-4)	2	
	424 051		PIN - Lock latch attachment (MS24665-132)	2	
-58	400 111		BOLT - Actuator attachment (AN4-16)	2	
	407 565		WASHER - Actuator attachment (AN960-416)	2	
	404 101		NUT - Actuator attachment (AN310-4)	2	
	424 051		PIN - Actuator attachment (MS24665-132)	2	
-59	402 316		BOLT - Main gear (AN174-15A)	2	
-60	31466-00	Y	DOOR ASSEMBLY - Main gear, left outboard, right inboard	2	27-2505 and up
	31466-01	Y	DOOR ASSEMBLY - Main gear, left inboard, right outboard	2	27-2505 and up
-61	31304-00	Y	* HINGE - Main gear door, nacelle, front	1	27-2505 and up
	31305-00	Y	* HINGE - Main gear door, nacelle, rear	1	27-2505 and up
-62	31459-00	Y	* HINGE - Main gear door, front	2	27-2505 and up
	31460-00	Y	* HINGE - Main gear door, rear, left	1	27-2505 and up
	31460-01	Y	* HINGE - Main gear door, rear, right	1	27-2505 and up
-63	31479-00	Y	TUBE ASSEMBLY - Gear door actuator, outboard, left	1	27-2505 to 27-2585 inclusive
	31479-01	Y	TUBE ASSEMBLY - Gear door actuator, outboard, right	1	27-2505 to 27-2585 inclusive
	31479-06	Y	TUBE ASSEMBLY - Gear door actuator, outboard, left	1	27-2586 and up
	31479-07	Y	TUBE ASSEMBLY - Gear door actuator, outboard, right	1	27-2586 and up
-64	31486-00	Y	TUBE ASSEMBLY - Gear door actuator, inboard, left	1	27-2505 to 27-2585 inclusive
	31486-01	Y	TUBE ASSEMBLY - Gear door actuator, inboard, right	1	27-2505 to 27-2585 inclusive
	31486-04	Y	TUBE ASSEMBLY - Gear door actuator, inboard, left	1	27-2586 and up
	31486-03	Y	TUBE ASSEMBLY - Gear door actuator, inboard, right	1	27-2586 and up
-65	31564-00	Y	BRACKET - Main gear switch mounting	2	27-2505 and up
-66	400 002	Y	BOLT - (AN4-5A) Switch actuating	2	27-2505 and up
-67	31504-00	Y	BUSHING ASSEMBLY - Switch actuating bolt	2	27-2505 and up
-68	81262-102	Y	LINK - Switch actuating bolt	2	27-2505 and up
-69	17690-00	Y	BRACKET - Main gear switch mounting	2	27-2000 to 27-2504 inclusive
	31498-00	Y	BRACKET ASSEMBLY - Main gear switch mounting	2	27-2505 and up
-70	31443-00	Y	DOOR ASSEMBLY - Main gear, rear	2	27-2505 and up
-71	31443-06	Y	* HINGE HALF - Nacelle	1	27-2505 and up
-72	31443-07	Y	* HINGE HALF - Door	1	27-2505 and up
-73	31421-00	Y	SPRING ASSEMBLY - Main gear door	1	27-2505 to 27-2562 inclusive
-73a	14384-05	Y	SPRING - Tension, main gear door	1	27-2563 and up
-74	31436-00	Y	BLOCK - Torque tube bearing	4	27-2505 and up
-75	31468-00	Y	TUBE ASSEMBLY - Gear door actuator	4	27-2505 to 27-2585 inclusive
	31468-04	Y	TUBE ASSEMBLY - Gear door actuator	4	27-2586 and up
-76	31469-02	Y	ROD ASSEMBLY - Gear door, front	4	27-2505 and up
-77	452 335	Y	* BEARING - Rod end (F34-14)	2	27-2505 and up
-78	31469-03	Y	ROD ASSEMBLY - Gear door, rear	4	27-2505 and up
-79	452 335	Y	* BEARING - Rod end (F34-14)	2	27-2505 and up
-80	31471-00	Y	ROD ASSEMBLY - Gear door connector	2	27-2505 and up
-81	31475-00	Y	ROD ASSEMBLY - Rear door retraction	2	27-2505 and up
-82	19139-00		CLAMP - Anti-retraction valve mounting, left	1	
	80002-81		CLAMP - Anti-retraction valve mounting, right	1	
-83	19145-00	A	BRACKET - Retraction actuating	1	
	31740-00	Y	BRACKET - Retraction actuating, left	1	27-2505 and up
	31740-01	Y	BRACKET - Retraction actuating, right	1	27-2505 and up

A - Used on PA-23-250 (Six Place) with serial numbers 27-2000 to 27-2504 inclusive, PA-23-250 and PA-23-235 airplanes.
Y - Used on PA-23-250 (Six Place) airplanes only.

When ordering, always specify Part Number, Description and Serial Number of Aircraft

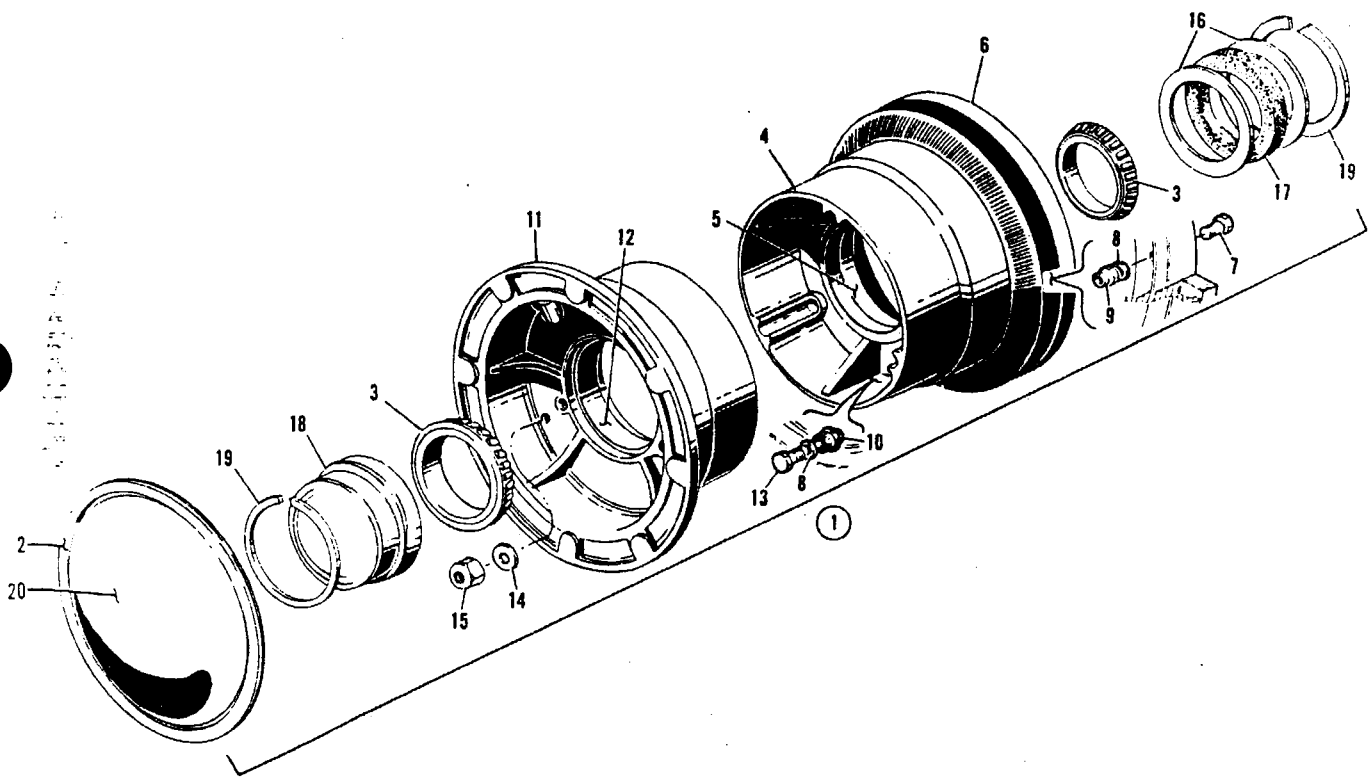


Figure 26. Main Wheel Assembly

PIPER PARTS CATALOG

Figure and Index Number	Part Number	Code	NOMENCLATURE	No. Req.	SERIAL NUMBERS AFFECTED
26-1	756 652	A	WHEEL ASSEMBLY - Main (3080B-1)	2	27-1 to 27-3737 inclusive
	551 759	B	WHEEL ASSEMBLY - Main (3080D)	2	
	551 768	C	WHEEL ASSEMBLY - Main (40-131)	2	
-2	752 831		* RING - Lock (3025)	1	
-3	751 489		* CONE - Timken bearing (13889)	2	
-4	753 166	D	* INNER WHEEL HALF ASSEMBLY - (161-3)	1	
	760 619	E	* INNER WHEEL HALF ASSEMBLY - (199-41)	1	
	756 672	F	* INNER WHEEL HALF ASSEMBLY - (161-58)	1	
-5	751 494		* * CUP - Bearing (13836)	1	
-6	754 650	D	* * DISC - Brake (164-2F)	1	
	754 651	E	* * DISC - Brake (164-32F)	1	
	754 612	F	* * DISC - Brake (164-57)	1	
-7	400 002		* * BOLT - (AN4-5A)	3	
-8	407 565		* * WASHER - (AN960-416)	12	
-9	404 888		* * NUT - (AN365-428)	3	
-10	752 488		* * NUT - (42ND8-048)	6	
-11	753 156		* OUTER WHEEL HALF ASSEMBLY - (162-7)	1	
-12	751 494		* * CUP - Bearing (13836)	1	
-13	400 003		* BOLT - Wheel (AN4-6A)	6	
	400 004		* BOLT - Wheel (AN4-7A)	6	
-14	407 565		* WASHER - (AN960-416)	6	
-15	404 888		* NUT - (AN365-428)	6	
-16	752 829		* WASHER - Grease seal (3022)	2	
-17	751 772		* FELT - Grease seal (3021)	1	
-18	751 511		* CAP - Hub (3026)	1	
-19	752 830		* RING - Lock (3023)	2	
-20	752 948		* SHIELD - Dust (3024)	1	
			<p>A - If Heavy Duty Wheel and Brake Conversion Kit 757 164 or 760 539 has been installed on serial nos. 27-2505 to 27-3737 incl., order Part Number 551 759. If Heavy Duty Wheel and Brake Conversion Kit 760 986 has been installed on serial nos. 27-1 to 27-3737 incl., order Part Number 551 768.</p> <p>B - Used on PA-23-250 (Six Place) with serial numbers 27-3738 to 27-7554137 inclusive, 27-7554139 and 27-7554141 to 27-7554149 inclusive. Order Part No. 551 768 if Heavy Duty Wheel and Brake Conversion Kit 760 986 has been installed.</p> <p>C - Used on PA-23-250 (Six Place) with serial numbers 27-7554138, 27-7554140, 27-7554150 and up.</p> <p>D - Used on Main Wheel Assembly 3080B or 3080B-1 only.</p> <p>E - Used on Main Wheel Assembly 3080D only.</p> <p>F - Used on Main Wheel Assembly 40-131 only.</p>		

When ordering, always specify Part Number, Description and Serial Number of Aircraft

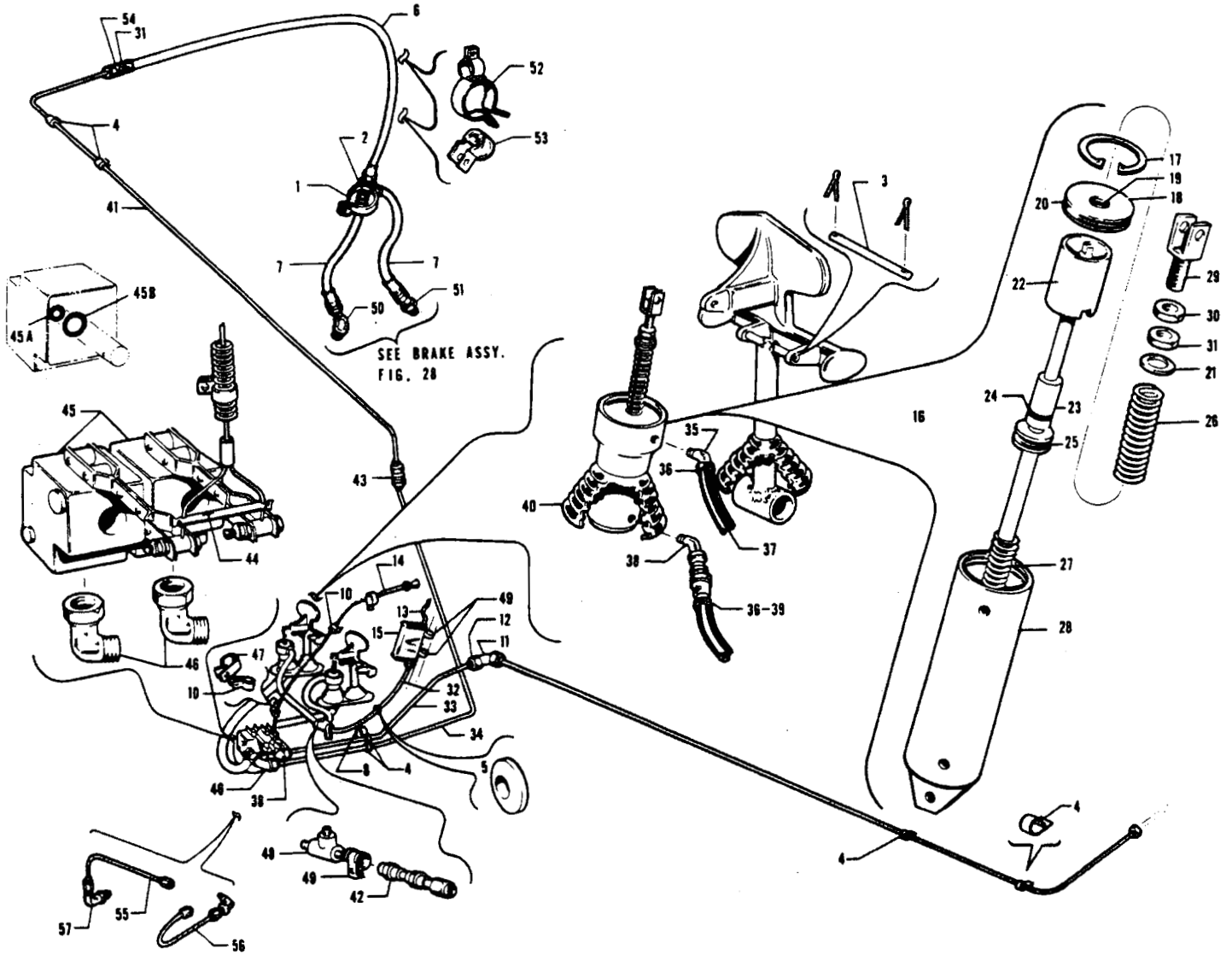


Figure 27. Brake Installation



Figure and Index Number	Part Number	Code	NOMENCLATURE	No. Req.	SERIAL NUMBERS AFFECTED
27-	16306	XZ	DRAWING - Cockpit Controls Installation		27-1 to 27-2504 inclusive 27-2505 and up
	30732	Y	DRAWING - Cockpit Controls Installation		
	16610		DRAWING - Hydraulic System Installation		
	31560	Y	DRAWING - Hydraulic System Installation		
	16501	XZ	DRAWING - Landing Gear Installation		
	30720	Y	DRAWING - Landing Gear Installation		
	31550	Y	DRAWING - Landing Gear Installation		
	30713	Y	DRAWING - Brake Lines Installation		27-2000 to 27-2504 inclusive 27-2505 and up
-1	16478-00		CLAMP - Brake hose, left	1	27-1 to 27-2504 inclusive
	16478-01		CLAMP - Brake hose, right	1	27-1 to 27-2504 inclusive
	16478-06		CLAMP - Brake hose, left	1	27-2505 and up
	16478-07		CLAMP - Brake hose, right	1	27-2505 and up
-2	488 311		FITTING - Tee (AN804-4D)	2	27-1 to 27-2504 inclusive
-3	17272-00		PIN - Brake pedal attachment	2	
-4	454 929		CLAMP - Tinnerman (A4980S-4-91)	6	
-5	434 128		GROMMET - (AN931-4-7)	1	
-6	17766-29		HOSE ASSEMBLY - Brake	2	
-7	17766-28		HOSE ASSEMBLY - Brake	4	27-1 to 27-2504 inclusive
	31385-00	Y	LINE ASSEMBLY - Brake, left gear	1	27-2505 and up
	31385-02	Y	LINE ASSEMBLY - Brake, right gear	1	27-2505 and up
-8	454 942		CLAMP - Tinnerman (A2980S-16-1)	1	
-9	17707-00	X	LINE ASSEMBLY - Left wheel brake, outer	1	
	19754-00	Z	LINE ASSEMBLY - Left wheel brake, outer	1	
	19754-03	Y	LINE ASSEMBLY - Left wheel brake, outer	1	
-10	454 887		CLAMP - Tinnerman (A4886S-3-1)	2	
-11	458 900		ELBOW - (AN833-4D)	1	
-12	477 618		NUT - (AN924-4D)	1	
-13	90797-27		SLEEVE - Reservoir vent	1	
-14	17912-00		CABLE ASSEMBLY - Parking brake control	1	
-15	18290-00	XZ	RESERVOIR ASSEMBLY - Brake cylinder	1	
	18290-08	Y	RESERVOIR ASSEMBLY - Brake cylinder	1	
-16	16748-00		CYLINDER ASSEMBLY - Master brake	2	
-17	484 725		RING - Retainer (N5000-87)	1	
-18	19171-02		CAP - Brake cylinder	1	
-19	484 701		PACKING - "O" Ring (AN6227-7)	1	
-20	484 696		PACKING - "O" Ring (AN6227-13)	1	
-21	85012-10		WASHER	1	
-22	12607-00		BUSHING - Brake cylinder release	1	
-23	14154-00	X	PLUNGER ASSEMBLY - Brake cylinder	1	27-1 to 27-504 inclusive
	14154-00	Z	PLUNGER ASSEMBLY - Brake cylinder	1	27-505 to 27-587 inclusive
	31155-02	Z	PLUNGER ASSEMBLY - Brake cylinder	1	27-588 and up
	14154-00	Y	PLUNGER ASSEMBLY - Brake cylinder	1	27-2000 to 27-2485 inclusive
	31155-02	Y	PLUNGER ASSEMBLY - Brake cylinder	1	27-2486 and up
-24	484 700	X	PACKING - "O" Ring (AN6227-5)	1	27-1 to 27-504 inclusive
	484 700	Z	PACKING - "O" Ring (AN6227-5)	1	27-505 to 27-587 inclusive
	494 083	Z	WASHER - Dyna seal (#110-1/4)	1	27-588 and up
	484 700	Y	PACKING - "O" Ring (AN6227-5)	1	27-2000 to 27-2485 inclusive
	494 083	Y	WASHER - Dyna seal (#110-1/4)	1	27-2486 and up
-25	484 706		PACKING - "O" Ring (AN6227-11)	1	

X - Used on PA-23-250 airplanes only.
Y - Used on PA-23-250 (Six Place) airplanes only.
Z - Used on PA-23-235 airplanes only.

When ordering, always specify Part Number, Description and Serial Number of Aircraft

PIPER PARTS CATALOG

Figure and Index Number	Part Number	Code	NOMENCLATURE	No. Req.	SERIAL NUMBERS AFFECTED
27-26	83302-19		SPRING - Coil	1	
-27	83302-14		SPRING - Coil	1	
-28	19168-02		HOUSING - Brake cylinder	1	
-29	12605-00		CLEVIS - Brake cylinder	1	
-30	404 225		NUT - (AN315-4R)	2	
-31	477 618		NUT - (AN924-4D)	2	
-32	18289-00	X,Z	LINE ASSEMBLY - Brake cylinder reservoir outlet	1	
	30682-00	Y	LINE ASSEMBLY - Brake cylinder reservoir outlet	1	
-33	17699-00	X	LINE ASSEMBLY - Left wheel brake, inner (40")	1	
	17699-03	X,Z	LINE ASSEMBLY - Left wheel brake, inner (34")	1	
	30705-00	Y	LINE ASSEMBLY - Left wheel brake, inner	1	
-34	17698-00	X,Z	LINE ASSEMBLY - Right wheel brake, inner	1	
	30710-00	Y	LINE ASSEMBLY - Right wheel brake, inner	1	
-35	458 940		ELBOW - (AN844-4D)	2	
-36	454 924		CLAMP - Tinnerman (A3122-10-1)	2	
-37	82371-49		HOSE - Brake cylinder upper	2	
-38	488 891		ELBOW - (AN823-4D)	2	
-39	17766-04	X,Z	HOSE - Brake cylinder, lower	2	
	17766-03	Y	HOSE - Brake cylinder, lower	2	
-40	17473-00		BOOT - Brake cylinder	8	
-41	17716-00	X,Z	LINE ASSEMBLY - Right wheel brake, outer	1	
	17716-03	Y	LINE ASSEMBLY - Right wheel brake, outer	1	
-42	455 156		CONNECTOR - (W/H 5887-4)	1	
-43	491 050		UNION - (AN815-4D)	1	
-44	18325-00		BAR - Brake control cable separator	1	
-45	492 031		VALVE - Brake, parking (P4200-A2) Scott	2	
	492 080		VALVE - Brake, parking (A-77-A) Hoof	2	
-45a	752 791		"O" RING - (10V70S7-1) Scott	1	
	752 844		"O" Ring (MS28784-8) Hoof	2	
-45b	752 798		"O" RING - (10V70S7-5) Scott	1	
	484 700		"O" RING - (AN6227-5) Hoof	1	
-46	458 894		ELBOW - (AN822-4D)	2	
-47	80032-52		CLAMP	1	27-1 to 27-2504 inclusive
	31159-00	Y	CLAMP ASSEMBLY - Parking brake control cable	1	27-2505 and up
-48	14817-00		TEE - Brake	1	27-1 to 27-3049 inclusive, 27-3051 to 27-3153 inclusive
	488 544	Y	TEE - Brake (1K27-1)	1	27-3050, 27-3154 and up
-49	454 886		CLAMP - Tinnerman (A4886S-10-24A)	3	
-50	458 891		FITTING - Elbow (AN823-4D)	2	27-1 to 27-2504 inclusive
	476 648	Y	FITTING - Nipple (AN816-4D)	2	27-2505 and up
-51	475 648		FITTING - Nipple (AN816-4D)	2	
-52	16477-00		CLAMP	2	
-53	21100-00		CLAMP ASSEMBLY - Brake line, right	1	27-1 to 27-2504 inclusive
-54	491 060		FITTING - Union (AN832-4D)	2	
-55	30701-00	Y	LINE ASSEMBLY - Valve to brake cylinder hose, left	1	
-56	30709-00	Y	LINE ASSEMBLY - Valve to brake cylinder hose, right	1	
-57	458 894	Y	ELBOW - (AN822-4D)	1	

X - Used on PA-23-250 airplanes only.
Y - Used on PA-23-250 (Six Place) airplanes only.
Z - Used on PA-23-235 airplanes only.

When ordering, always specify Part Number, Description and Serial Number of Aircraft

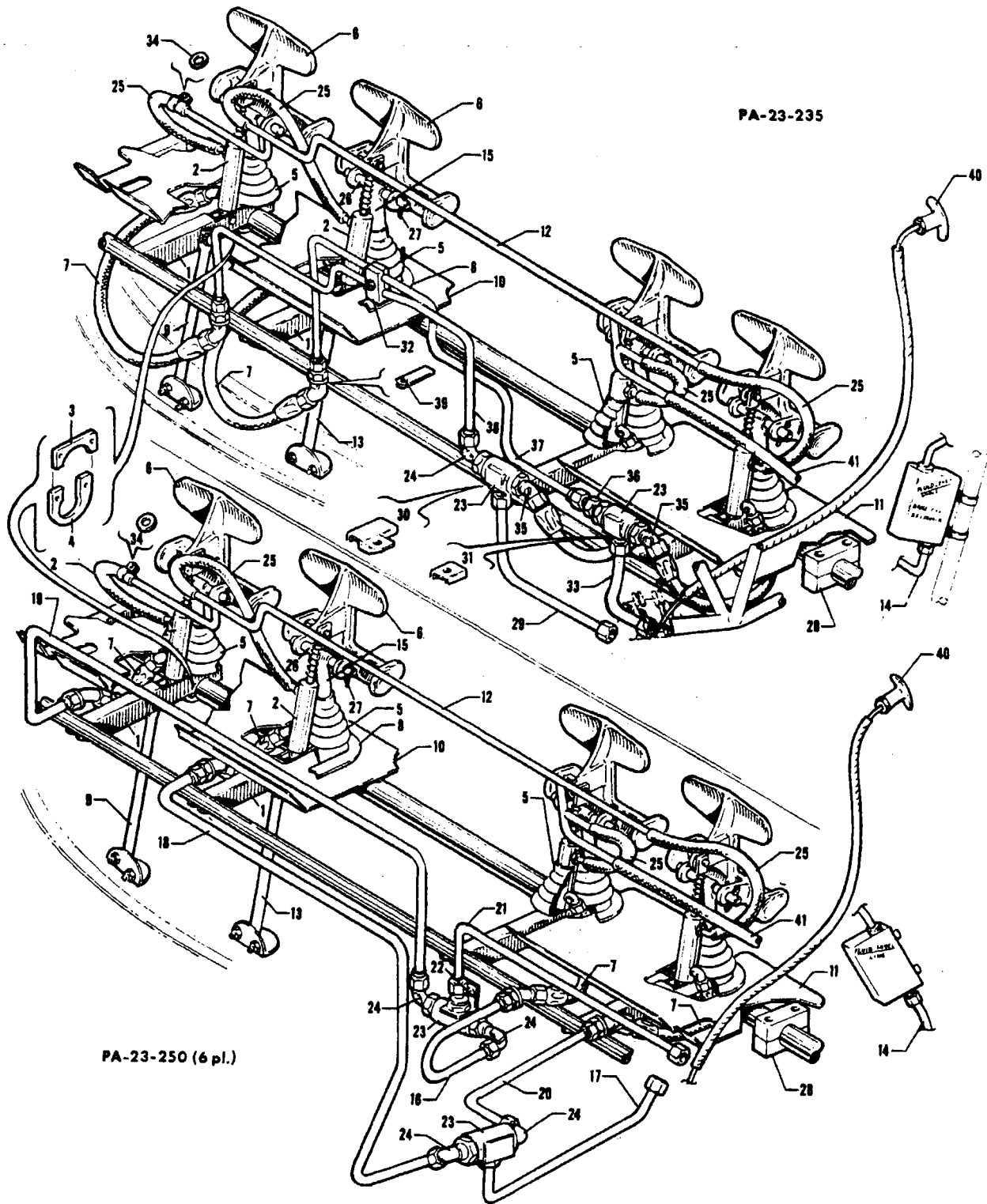


Figure 27A. Dual Brake Installation



Figure and Index Number	Part Number	Code	NOMENCLATURE	No. Req.	SERIAL NUMBERS AFFECTED
27A-	30940	Y	DRAWING - Dual Brake Installation		
	31170	Z	DRAWING - Dual Brake Installation		
-1	16237-02		CHANNEL - Brake pedal attachment	2	
-2	16748-00	A	CYLINDER ASSEMBLY - Brake master	2	
-3	17204-02		BEARING - Rudder pedal torque tube	2	
-4	17204-03		BEARING - Rudder pedal torque tube	2	
-5	17473-00		BOOT	4	
-6	17567-00		BRAKE AND RUDDER PEDAL	2	
-7	17766-03	Y	HOSE ASSEMBLY - Flexible	4	
	17766-04	Z	HOSE ASSEMBLY - Flexible	2	
-8	17903-00	Z	PLATE - Boot attachment, right outboard	1	
	17903-02	Z	PLATE - Boot attachment, right inboard	1	
	17903-00	Y	PLATE - Boot attachment, right inboard and outboard	2	
	15852-02	Y	PLATE - Boot attachment, left outboard	1	
-9	30474-01	Y	TUBE ASSEMBLY - Brake channel support	1	
	31175-00	Z	TUBE ASSEMBLY - Brake channel support	1	
-10	15846-02		PLATE - Right front floor	1	
-11	15845-02		PLATE - Left front floor	1	
-12	30915-00		TUBE ASSEMBLY - Brake line connector	1	
-13	30916-00		TUBE ASSEMBLY - Brake channel support	1	
-14	30917-00	Y	LINE ASSEMBLY - Brake cylinder reservoir outlet	1	
	31174-00	Z	LINE ASSEMBLY - Brake cylinder reservoir outlet	1	
-15	15823-02		TUBE ASSEMBLY - Brake and rudder pedal mounting	1	
-16	30926-00	Y	LINE ASSEMBLY - Brake cylinder, right	1	
-17	30927-00	Y	LINE ASSEMBLY - Brake cylinder, left	1	
-18	30935-00	Y	LINE ASSEMBLY - Brake, left	1	
-19	30936-00	Y	LINE ASSEMBLY - Brake, right	1	
-20	30937-00	Y	LINE ASSEMBLY - Brake, left	1	
-21	30938-00	Y	LINE ASSEMBLY - Brake, right	1	
-22	30939-00	Y	BRACKET - Brake line valve mounting	2	
-23	492 037		VALVE ASSEMBLY - Brake shuttle Model A-22 (751 149)	2	
-24	458 894	Y	ELBOW - (AN822-4D)	4	
	458 894	Z	ELBOW - (AN822-4D)	1	
-25	82371-73		HOSE - Flexible, 13", inboard	2	
	82371-74		HOSE - Flexible, 14", outboard	2	
-26	17272-00		PIN	4	
-27	424 051		COTTER PIN - (AN380-2-2)	8	
-28	17203-03		BEARING - Rudder pedal torque tube	2	
-29	31167-00	Z	LINE ASSEMBLY - Brake	1	
-30	31168-00	Z	BRACKET ASSEMBLY - Shuttle valve mounting	1	
-31	31169-00	Z	BRACKET - Shuttle valve mounting	1	
-32	31171-00	Z	BLOCK - Tube retainer	2	
-33	31172-00	Z	LINE ASSEMBLY - Parking brake, left	1	
-34	80122-10		WASHER	8	

A - See Figure 27, Items 16 thru 31 inclusive, for component parts.
 Y - Used on PA-23-250 (Six Place) airplanes only.
 Z - Used on PA-23-235 airplanes only.

When ordering, always specify Part Number, Description and Serial Number of Aircraft



Figure and Index Number	Part Number	Code	NOMENCLATURE	No. Req.	SERIAL NUMBERS AFFECTED
27A-35	458 891	Z	ELBOW - (AN823-4D)	2	
-36	476 648	Z	NIPPLE - (AN816-4D)	1	
-37	31737-00	Z	LINE ASSEMBLY - Brake	1	
-38	31738-00	Z	LINE ASSEMBLY - Brake	1	
-39	81172-98	Z	LUG	2	
-40	471 080		KNOB - Parking brake (KN578A)	1	
-41	82371-06		HOSE - Flexible, 6"	1	
Z - Used on PA-23-235 airplanes only.					

When ordering, always specify Part Number, Description and Serial Number of Aircraft

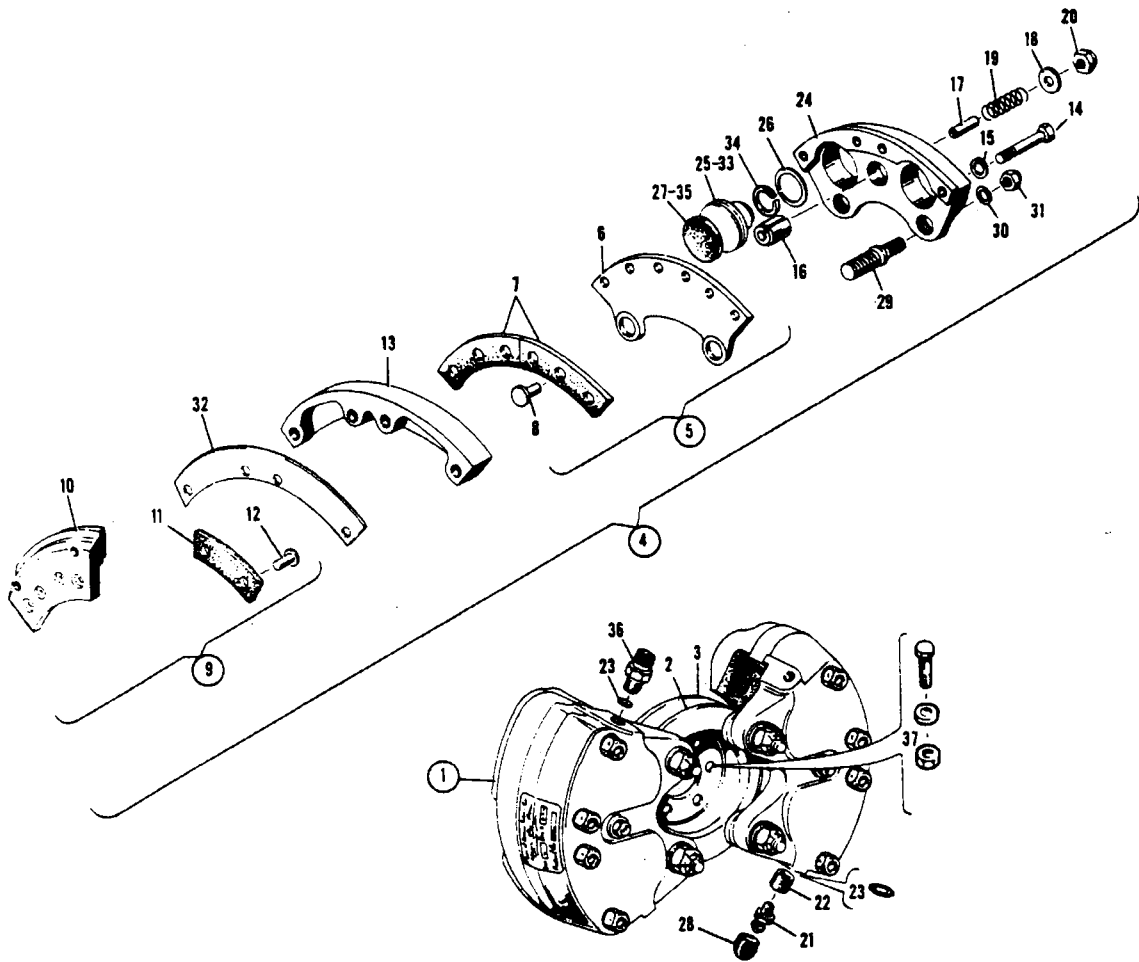


Figure 28. Brake Assembly

PIPER PARTS CATALOG

Figure and Index Number	Part Number	Code	NOMENCLATURE	No. Req.	SERIAL NUMBERS AFFECTED
28-1	451 717	A	BRAKE ASSEMBLY - (37-200-2/30-8)	2	27-1 to 27-3737 inclusive
	551 722	B	BRAKE ASSEMBLY - (37-200A/30-72)	2	
	551 721	C	BRAKE ASSEMBLY - (30-96)	2	
-2	751 535	D,E	* PLATE ASSEMBLY - Torque (37-211A)	1	
	757 466	F	* PLATE ASSEMBLY - Torque (75-102)	1	
-3	752 836	D,E	* RING - Torque plate (37-212)	1	
-4	751 541	D	* CYLINDER ASSEMBLY - Brake, complete (91-1)	2	
	758 076	E	* CYLINDER ASSEMBLY - Brake, complete (91-34A)	2	
	758 069	F	* CYLINDER ASSEMBLY - Brake, complete (91-74)	2	
-5	752 750	D	* * PLATE ASSEMBLY - Pressure (3011)	1	
	757 463	E	* * PLATE ASSEMBLY - Pressure (73-29)	1	
	757 465	F	* * PLATE ASSEMBLY - Pressure (73-27)	1	
-6	752 767	D	* * * PLATE - Pressure (184-1)	1	
-7	752 309	D	* * * LINING - Pressure plate (3007)	1	
	761 196	E	* * * LINING - Pressure plate (66-65)	2	
	761 197	F	* * * LINING - Pressure plate (66-62)	2	
-8	752 826	D	* * * RIVET - Brake lining (561)	6	
	763 494	E,F	* * * PIN - Brake lining (177-3)	4	
-9	752 768	D	* * PLATE ASSEMBLY - Back (74-2)	2	
	757 464	E,F	* * PLATE ASSEMBLY - Back (74-23)	2	
-10	752 749	D	* * * PLATE - Back (3012)	1	
-11	752 308	D	* * * LINING - Back plate (3006)	1	
	761 197	E,F	* * * LINING - Back plate (66-62)	1	
-12	752 826	D	* * * RIVET - Brake lining (561)	3	
	763 494	E,F	* * * PIN - Brake lining (177-3)	2	
-13	752 964	D,E	* * SHIM - Back plate (3003C)	1	
-14	751 470		* * BOLT - Through (AN4H21A)	4	
-15	407 585	D,E	* * WASHER - (AN960-416L)	2	
	407 565	F	* * WASHER - (AN960-416)	2	
-16	751 507	D,E	* * CYLINDER - Retract (3004)	1	
-17	752 945	D,E	* * SLEEVE - Retract (3005)	1	
-18	753 148	D,E	* * WASHER - Retract (3016)	1	
-19	752 946	D,E	* * SPRING - Retract (M100)	1	
-20	404 887	D	* * NUT - Retract spring (AN365-1032)	1	
	404 835	E	* * NUT - Retract spring (AN364-1032)	1	
-21	752 965		* * SCREW - Bleeder (FC6446)	1	
-22	752 966	D	* * SEAT - Bleeder (37-206)	1	
	756 149	E,F	* * SEAT - Bleeder (81-2)	1	
-23	484 701	E,F	* * "O" RING - (AN6227-7)	2	

- A - No longer available; Order Heavy Duty Wheel and Brake Conversion Kit 760 986 as a replacement. If Heavy Duty Wheel and Brake Conversion Kit 757 164 or 760 539 has been installed on serial nos. 27-2505 to 27-3737 incl., order part number 551 722. If Heavy Duty Wheel and Brake Conversion Kit 760 986 has been installed on serial nos. 27-1 to 27-3737 incl., order part number 551 721.
- B - Used on PA-23-250 (Six Place) with serial numbers 27-3738 to 27-7554137 incl., 27-7554139 and 27-7554141 to 27-7554149 incl. Order Part No. 551 721 if Heavy Duty Wheel and Brake Conversion Kit 760 986 has been installed.
- C - Used on PA-23-250 (Six Place) with serial numbers 27-7554138, 27-7554140, 27-7554150 and up.
- D - Used on Brake Assembly 451 717 (37-200-2/30-8) only.
- E - Used on Brake Assembly 551 722 (37-200A/30-72) only.
- F - Used on Brake Assembly 551 721 (30-96) only.

When ordering, always specify Part Number, Description and Serial Number of Aircraft

PIPER PARTS CATALOG

Figure and Index Number	Part Number	Code	NOMENCLATURE	No. Req.	SERIAL NUMBERS AFFECTED
28-24	751 534	A	** CYLINDER - Brake (37-201)	1	
	757 845	B	** CYLINDER - Brake (61-30)	1	
	758 070	C	** CYLINDER - Brake (61-53)	1	
-25	752 751	A	** PISTON - Cylinder (3002)	2	
	757 309	B	** PISTON - Cylinder (62-8)	2	
-26	484 711	A,B	** "O" RING - (AN6227-23)	2	
	484 698	C	** "O" RING - (AN6227-27)	2	
-27	755 417	B	** INSULATOR - Piston (88-2)	2	
-28	753 850		** CAP - Bleeder (183-1)	1	
-29	751 425	A,B	** BOLT - Anchor (69-3)	2	
	753 407	C	** BOLT - Anchor (69-4)	2	
-30	407 588	A,B	** WASHER - (AN960-516L)	2	
	407 565	C	** WASHER - (AN960-416)	2	
-31	404 889	A,B	** NUT - (AN365-524)	2	
	404 888	C	** NUT - (AN365-428)	2	
-32	756 147	B,C	** SHIM - Back plate (68-11)	1	
-33	757 467	C	** PISTON ASSEMBLY - Cylinder (92-30)	2	
-34	757 741	C	** * SPRING - Friction (82-20)	1	
-35	755 417	C	** * INSULATOR - Piston (88-2)	1	
-36	491 050	B,C	** UNION - Inlet (AN815-4D)	1	
-37	401 329		BOLT - (AN4-31A)	6	
	407 565		WASHER - (AN960-416)	6	
	404 888		NUT - (MS20365-428C)	6	
			A - Used on Brake Assembly 451 717 (37-200-2/30-8) only.		
			B - Used on Brake Assembly 551 722 (37-200A/30-72) only.		
			C - Used on Brake Assembly 551 721 (30-98) only.		

When ordering, always specify Part Number, Description and Serial Number of Aircraft

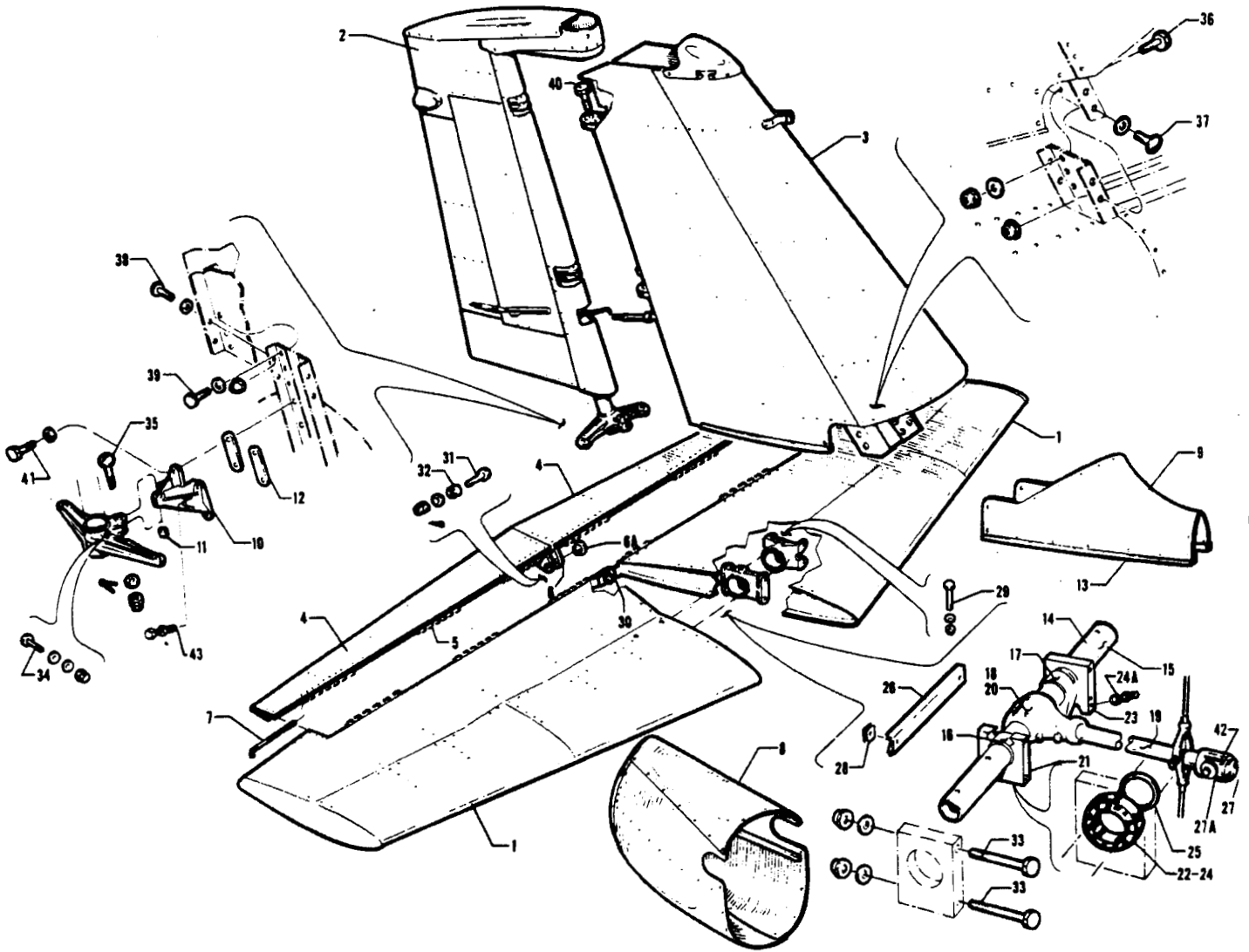


Figure 29. Tail Surfaces Installation

PIPER PARTS CATALOG

Figure and Index Number	Part Number	Code	NOMENCLATURE	No. Req.	SERIAL NUMBERS AFFECTED
29-	16123 16297 15668 16859 33452		DRAWING - Fuselage Tail Fairing Installation DRAWING - Tail Surfaces Installation DRAWING - Tail Surfaces Installation DRAWING - Balancing Instruction, Stabilator and Rudder DRAWING - Balancing Instruction, Stabilator and Rudder		27-1 to 27-7554168 inclusive 27-7654001 and up 27-1 to 27-7305134 inclusive 27-7305135 to 27-7554168 incl., 27-8054001 and up
	15690 16811		DRAWING - Balancing Instruction, Stabilator and Rudder DRAWING - Stabilator Installation		27-7654001 to 27-7954121 incl. 27-1 to 27-7554168 incl., 27-8054001 and up
-1		A	STABILATOR ASSEMBLY	2	
-2	16199-00 16199-14 16199-18 16199-19 16199-20 16199-21	B,E B,D B,E B,E B,D B,E	RUDDER ASSEMBLY RUDDER ASSEMBLY RUDDER ASSEMBLY RUDDER ASSEMBLY RUDDER ASSEMBLY RUDDER ASSEMBLY	1 1 1 1 1 1	27-1 to 27-7305134 inclusive 27-4445 to 27-7305134 inclusive 27-7305135 to 27-7405476 incl. 27-7554001 to 27-7954121 incl. 27-7554001 and up 27-8054001 and up
-3	16200-00 16200-14 16200-15	C,E C,D C,E	FIN ASSEMBLY FIN ASSEMBLY FIN ASSEMBLY	1 1 1	27-1 to 27-7305134 inclusive 27-4445 to 27-7305134 inclusive 27-7305135 and up
-4	30325-00 30325-01	F F	TAB ASSEMBLY - Stabilator, left TAB ASSEMBLY - Stabilator, right	1 1	
-5	16914-00	F	* HINGE - Stabilator tab	3	
-6	30321-00 30321-01	F F	* HORN ASSEMBLY - Stabilator tab, left * HORN ASSEMBLY - Stabilator tab, right	1 1	
-6a	20737-15	F	* * BUSHING - Horn assembly	1	
-7	21510-02	F	PIN - Stabilator tab (.093 - .095)	6	
-8	16123-11		FAIRING ASSEMBLY - Fuselage tail	1	
-9	16086-00		FAIRING ASSEMBLY - Fin	1	
-10	16079-00		HINGE ASSEMBLY - Rudder, lower	1	
-11	452 347		* BEARING - (B-47)	1	
-12	81262-94		SHIM - Rudder hinge attachment	AR	
-13	19795-00		EXTRUSION - Rudder	52"	
-14	16067-00		TUBE ASSEMBLY - Stabilator torque	1	
-15	16067-02		* TUBE - Stabilator torque	1	
-16	20204-00		* COLLAR ASSEMBLY - Stabilator torque, right	1	
-17	16696-00		* COLLAR ASSEMBLY - Stabilator torque, left	1	
-18	16774-00		* HORN ASSEMBLY - Stabilator torque	1	
-19	16773-00		* * TUBE - Stabilator horn	1	
-20	16768-00		* * HORN - Stabilator	1	
-21	16059-00		BLOCK ASSEMBLY - Stabilator torque tube bearing, right	1	

A - See Figure 29A for part number and components of stabilators for serial numbers 27-1 to 27-7554168 inclusive, 27-8054001 and up. See Figure 29B for part numbers and components of stabilators for serial numbers 27-7654001 to 27-7954121 inclusive.
 B - See Figure 29C for component parts.
 C - See Figure 29D for component parts.
 D - Used if Red Strobe Light is installed.
 E - Used if Red Strobe Light is not installed.
 F - Used on Aircraft with serial numbers 27-1 to 27-7554168 inclusive, 27-8054001 and up. Refer to Figure 29B for aircraft with serial number 27-7654001 to 27-7954121 inclusive.

When ordering, always specify Part Number, Description and Serial Number of Aircraft

PIPER PARTS CATALOG

Figure and Index Number	Part Number	Code	NOMENCLATURE	No. Req.	SERIAL NUMBERS AFFECTED
29-22	452 363		* BEARING - (KP37BS)	1	
-23	16040-00		BLOCK ASSEMBLY - Stabilator torque tube bearing, left	1	
-24	452 363		* BEARING - (KP37BS)	1	
-24a	71533-02		* SCREW - Stop	2	
	506 619		* NUT - Jam (MS21340-22)	2	
-25	80122-84		SHIM - (.032)	AR	
-26	16685-00		CHANNEL - Stabilator bearing block reinforcement	1	27-1 to 27-7554168 inclusive
	15592-02		CHANNEL - Stabilator bearing block reinforcement	1	27-7654001 and up
-27	16780-00		PLATE - Balance weight adjustment (.125)	AR	27-1 to 27-7554168 incl., 27-8054001 and up
	16780-02		PLATE - Balance weight adjustment (.250)	AR	27-1 to 27-7554168 inclusive
	16780-03		PLATE - Balance weight adjustment (.062)	AR	27-1 to 27-7554168 incl., 27-8054001 and up
-27a	49979-17		PLATE - Balance weight adjustment	AR	27-7654001 to 27-7954121 incl.
-28	16688-00		BLOCK	2	
-29	502 342		BOLT - (AN175-C32A)	4	
	407 566		WASHER - (AN960-516)	4	
	404 889		NUT - (MS20365-524C)	4	
-30	400 002		BOLT - (AN4-5A)	1	
	407 585		WASHER - (AN960-416L)	1	
	404 888		NUT - (MS20365-428C)	1	
-31	402 315		BOLT - (AN174-15) Tab actuator arm attachment	1	27-1 to 27-7554168 incl.
	402 318		BOLT - (AN174-14A) Tab actuator arm attachment	1	27-7654001 to 27-7954121 incl.
	28587-03		BOLT - Special, tab actuator arm attachment	1	27-8054001 and up
	80122-111		WASHER - (.75 O.D.)	2	27-7654001 to 27-7954121 incl.
	407 565		WASHER - (AN960-416)	2	
	404 101		NUT - (AN310-4)	1	27-1 to 27-7554168 inclusive
	404 888		NUT - (MS20365-428C)	1	27-7654001 and up
	424 051		PIN - Cotter (MS24665-132)	1	27-1 to 27-7554168 incl.
	424 052		PIN - Cotter (MS24665-134)	1	27-8054001 and up
-32	14976-61		BUSHING - Stabilator tab	1	27-1 to 27-326 inclusive
	14976-63		BUSHING - Stabilator tab	1	27-327 to 27-7554168 incl., 27-8054001 and up
-33	401 434		BOLT - (AN6-55A)	4	
	407 567		WASHER - (AN960-616)	8	
	404 890		NUT - (MS20365-624C)	4	
-34	402 322		BOLT - (AN174-23A)	2	
	407 585		WASHER - (AN960-416L)	2	
	407 565		WASHER - (AN960-416)	2	
	404 836		NUT - (AN365-428)	2	
-35	400 708		BOLT - (AN24-23)	1	
	407 565		WASHER - (AN960-416)	1	
	404 101		NUT - (AN310-4)	1	
	424 051		PIN - Cotter (MS24665-132)	1	
-36	400 003		BOLT - (AN4-6A)	6	
	407 565		WASHER - (AN960-416)	6	
	404 836		NUT - (AN365-428)	6	
-37	411 231		SCREW - (NAS222-12)	4	
	407 565		WASHER - (AN960-416)	4	
	404 836		NUT - (AN365-428)	4	
-38	411 230		SCREW - (NAS222-11)	4	
	407 565		WASHER - (AN960-416)	4	
	404 836		NUT - (AN365-428)	4	

When ordering, always specify Part Number, Description and Serial Number of Aircraft

PIPER PARTS CATALOG

Figure and Index Number	Part Number	Code	NOMENCLATURE	No. Req.	SERIAL NUMBERS AFFECTED
29-39	400 002		BOLT - (AN4-5A)	6	
	407 565		WASHER - (AN960-416)	6	
-40	400 110		BOLT - (AN4-15)	2	
	407 585		WASHER - (AN960-416L)	2	
	404 101		NUT - (AN310-4)	2	
	424 051		PIN - Cotter (MS24665-132)	2	
-41	400 441		BOLT - (AN3-7A)	4	
	407 564		WASHER - (AN960-10)	4	
-42	16834-00		WEIGHT - Stabilator balance	1	27-1 to 27-7554168 incl.
	15693-02	B	WEIGHT - Stabilator balance	1	
	15693-04		WEIGHT - Stabilator balance	1	27-7654045 to 27-7954121 incl.
	15693-03	A,B	WEIGHT - Stabilator balance	1	
	15693-05	A	WEIGHT - Stabilator balance	1	27-7654045 to 27-7954121 incl.
	28589-02		WEIGHT - Stabilator balance	1	27-8054001 and up
-43	71533-02		SCREW - Stop	2	
	506 619		NUT - Jam (MS21340-22)	2	

A - Used if B. F. Goodrich Pneumatic Deice System is installed.

B - Used on serial numbers 27-7654001 to 27-7654044 inclusive. Order part for serial numbers 27-7654045 to 27-7954121 incl. if Stabilator Assemblies P/N 15658-22 and P/N 15658-23 are installed.

When ordering, always specify Part Number, Description and Serial Number of Aircraft

PIPER PARTS CATALOG

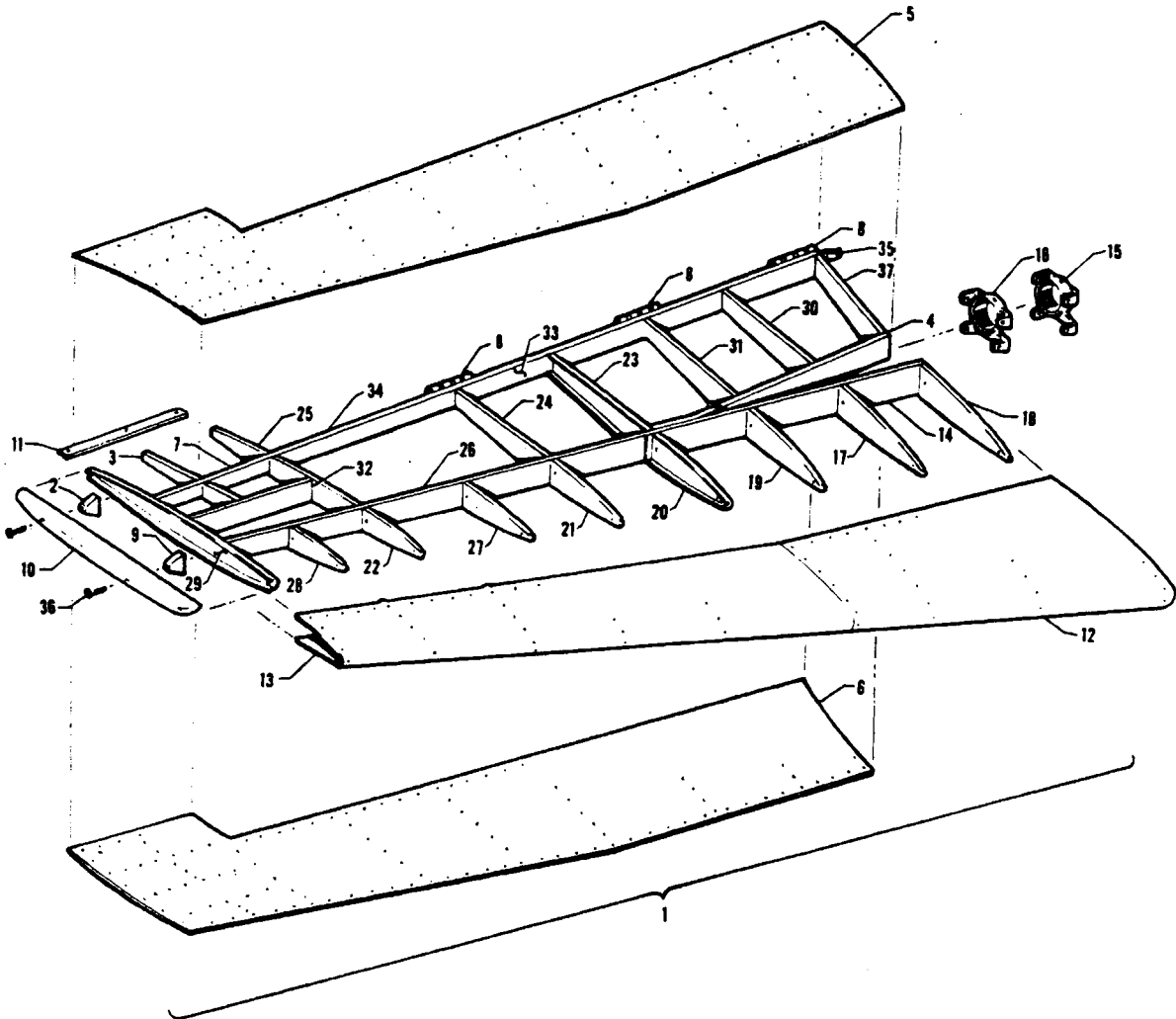


Figure 29A. Stabilator Assembly
(Serial Nos. 27-1 to 27-7554168 inclusive, 27-8054001 and up)

PIPER PARTS CATALOG

Figure and Index Number	Part Number	Code	NOMENCLATURE	No. Req.	SERIAL NUMBERS AFFECTED
29A-1	16800-00		STABILATOR ASSEMBLY - Left	1	
	16800-01		STABILATOR ASSEMBLY - Right	1	
-2	16110-02		BLOCK - Stabilator tip attachment	1	
-3	16800-38		RIB - Right	1	
	16800-36		RIB - Left	1	
-4	16803-00		SPAR ASSEMBLY - Stabilator stub	1	
-5	16800-40		SKIN - Top, left	1	
	16800-41		SKIN - Top, right	1	
-6	16800-42		SKIN - Bottom, left	1	
	16800-43		SKIN - Bottom, right	1	
-7	16999-00		CHANNEL - Stabilator skin stiffener	1	
-8	16914-00		HINGE - Tail surface tab	3	
-9	16110-03		BLOCK - Stabilator tip attachment	1	
-10	16109-00		TIP - Stabilator	1	
-11	20193-24		STRIP	1	
-12	16800-20		SKIN - Leading edge, root	1	
-13	16800-55		TIP SKIN - Leading edge	1	
-14	16800-56		FRONT SPAR ASSEMBLY	1	
-15	16809-02		FITTING - Stabilator attachment	1	
-16	16809-03		FITTING - Stabilator attachment	1	
-17	16800-08		NOSE RIB - Stabilator attachment	1	
-18	16800-07		NOSE RIB - Stabilator attachment	1	
-19	16800-09		NOSE RIB - Stabilator attachment	1	
-20	16800-10		NOSE RIB - Stabilator attachment	1	
-21	16800-11		NOSE RIB - Stabilator attachment	1	
-22	16800-12		NOSE RIB - Stabilator attachment	1	
-23	16800-17		RIB - Stabilator attachment	1	
-24	16800-18		RIB - Stabilator attachment	1	
-25	16800-19		RIB - Stabilator attachment	1	
-26	16802-00		SPAR ASSEMBLY - Stabilator, main	1	
-27	16800-53		NOSE RIB - Stabilator, main	1	
-28	16800-54		NOSE RIB - Stabilator, main	1	
-29	16800-29		RIB ASSEMBLY - Stabilator, main	1	
-30	16800-15		RIB - Stabilator, main	1	
-31	16800-16		RIB - Stabilator, main	1	
-32	16800-28		STIFFENER - Rib	1	
-33	16800-32		REAR SPAR ASSEMBLY - Left	1	
	16800-33		REAR SPAR ASSEMBLY - Right	1	
-34	16800-02		REAR SPAR - Left	1	
	16800-03		REAR SPAR - Right	1	
-35	20193-25		FITTING - Rear attachment	1	
-36	415 292		SCREW - Oval head, 10 x 32 front, 2 1/2 L	1	
	415 289		SCREW - Oval head, 10 x 32 rear, 2 L	1	
-37	16800-14		RIB - Stabilator, left	1	
	16800-37		RIB - Stabilator, right	1	

When ordering, always specify Part Number, Description and Serial Number of Aircraft

PIPER PARTS CATALOG

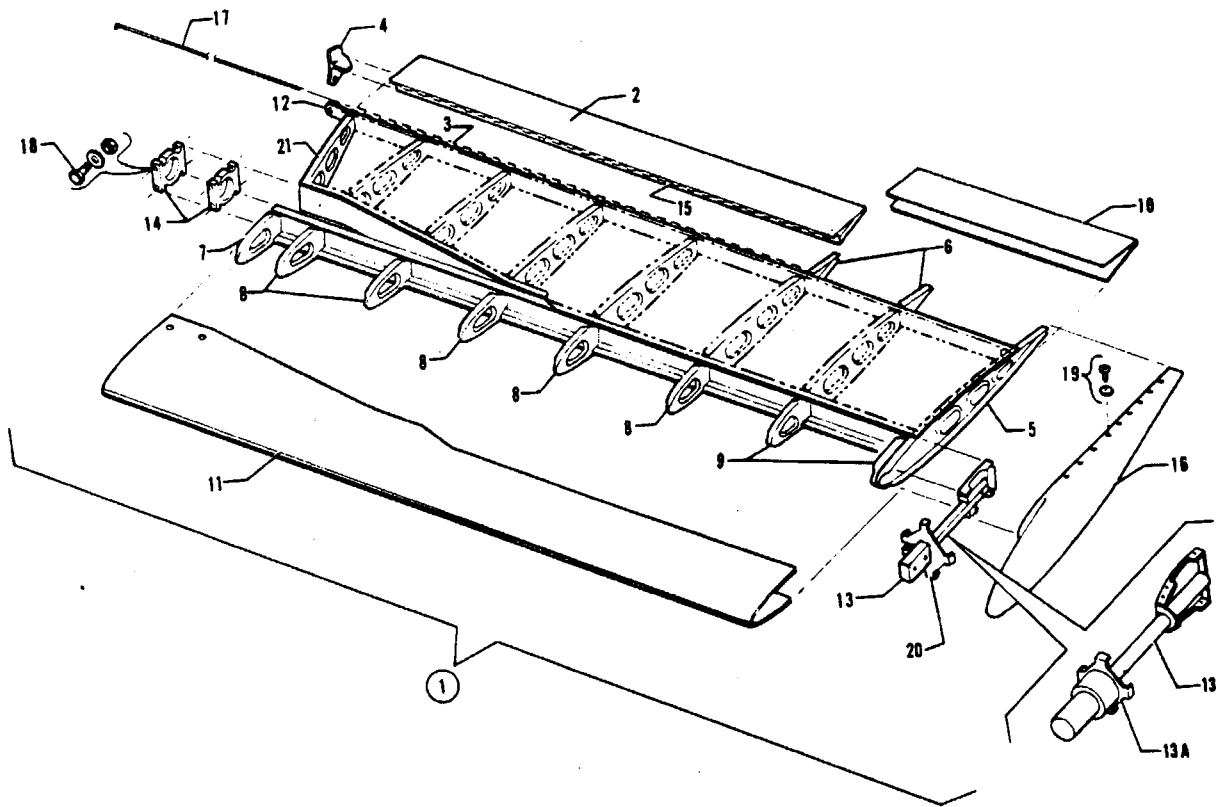


Figure 29B. Stabilator Assembly
(Serial Nos. 27-7654001 to 27-7954121 inclusive)

PIPER PARTS CATALOG

Figure and Index Number	Part Number	Code	NOMENCLATURE	No. Req.	SERIAL NUMBERS AFFECTED	
298-1	15658-02	A	STABILATOR ASSEMBLY - Left	1	27-7654001 to 27-7654044 incl.	
	15658-03	A	STABILATOR ASSEMBLY - Right	1	27-7654001 to 27-7654044 incl.	
	15658-22	B	STABILATOR ASSEMBLY - Left	1	27-7654045 to 27-7754041 incl.	
	15658-23	B	STABILATOR ASSEMBLY - Right	1	27-7654045 to 27-7754041 incl.	
	15658-30	C	STABILATOR ASSEMBLY - Left	1	27-7754042 to 27-7954035 incl.	
	15658-31	C	STABILATOR ASSEMBLY - Right	1	27-7754042 to 27-7954035 incl.	
	15658-32	D	STABILATOR ASSEMBLY - Left	1	27-7954036 to 27-7954121 incl.	
	15658-33	D	STABILATOR ASSEMBLY - Right	1	27-7954036 to 27-7954121 incl.	
	-2	15657-10		* TAB ASSEMBLY - Stabilator, left	1	
		15657-11		* TAB ASSEMBLY - Stabilator, right	1	
	-3	15670-02		* * HINGE - Stabilator tab, left	1	
15670-03			* * HINGE - Stabilator tab, right	1		
-4	28372-02		* * HORN ASSEMBLY - Stabilator tab, left	1		
	28372-03		* * HORN ASSEMBLY - Stabilator tab, right	1		
-5	15658-04		* RIB ASSEMBLY - Stabilator, outboard	1		
-6	15658-09		* RIB - Stabilator	2		
-7	15658-13		* RIB - Stabilator	1		
-8	15658-07		* RIB - Stabilator	5		
-9	15658-07		* RIB - Stabilator	2		
-10	15658-17		* SKIN - Stabilator, rear	1		
-11	15658-18		* SKIN - Stabilator, leading edge	1		
			<p>A - No longer available. Order left and right stabilator assemblies P/N 15658-30 and P/N 15658-31, one each balance weights P/N 15693-04 and P/N 15693-05, ten weights P/N 49979-17 and instructions as a replacement. If stabilator assemblies P/N 15658-02 and P/N 15658-03 have previously been replaced, order stabilator assembly P/N 15658-30 or P/N 15658-31 as required. If Stabilator Balance Weight Assembly Kit 763 987 has been installed per Service Bulletin 540A, order stabilator assembly P/N 15658-32 (left) or P/N 15658-33 (right) as required.</p> <p>B - No longer available. If individual left or right stabilator is being replaced, order P/N 15658-30 (left) or P/N 15658-31 (right) as required and one Stabilator Outboard Nose Rib Installation Kit 761 141 that must be installed on the opposite stabilator. If Kit 761 141 has been installed on both stabilators per Service Letter 807 or if both stabilators have previously been replaced, order stabilator assembly P/N 15658-30 (left) or P/N 15658-31 (right) as required. If Stabilator Balance Weight Assembly Kit 763 987 has been installed per Service Bulletin 540A, order stabilator assembly P/N 15658-32 (left) or P/N 15658-33 (right) as required.</p> <p>C - Order part for serial numbers 27-7954036 to 27-7954121 inclusive if Stabilator Balance Weight Assembly Kit 763 987 has been installed per Service Bulletin 540A.</p> <p>D - Also used on serial numbers 27-7654001 to 27-7954035 inclusive if Stabilator Balance Weight Assembly Kit 763 987 has been installed per Service Bulletin 540A.</p>			

When ordering, always specify Part Number, Description and Serial Number of Aircraft

PIPER PARTS CATALOG

Figure and Index Number	Part Number	Code	NOMENCLATURE	No. Req.	SERIAL NUMBERS AFFECTED
29B-12	20193-25		* FITTING - Rear attachment	1	
-13	15658-29	A	* TUBE AND WEIGHT ASSEMBLY - Stabilator	1	27-7654001 to 27-7954035 incl.
	28352-02	B	* TUBE AND WEIGHT ASSEMBLY - Stabilator	1	27-7954036 to 27-7954121 incl.
-13a	28352-07	B	* * BULKHEAD - Stabilator tip	1	27-7954036 to 27-7954121 incl.
-14	15637-02		* FITTING - Stabilator attachment	2	
-15	15670-02		* HINGE - Stabilator tab, left	1	
	15670-03		* HINGE - Stabilator tab, right	1	
-16	28466-02		* TIP ASSEMBLY - Stabilator (fiberglass)	1	
-17	15667-02		* PIN - Stabilator tab hinge	1	
-18	400 004		* BOLT - (AN4-7A)	8	
	407 585		* WASHER - (AN960-416L)	8	
	404 888		* NUT - (MS20365-428C)	8	
-19	414 506		* SCREW - (MS24693-S26)	18	
	494 071		* WASHER - (A3236-012-1)	18	
-20	15841-04	A	* BULKHEAD ASSEMBLY - Stabilator tip	1	27-7654001 to 27-7954035 incl.
-21	15658-12		* RIB - Stabilator	1	
			A - Order part for serial numbers 27-7954036 to 27-7954121 inclusive, if Stabilator Balance Weight Assembly Kit 763 987 has been installed per Service Bulletin 540A.		
			B - Also used on serial numbers 27-7654001 to 27-7954035 inclusive, if Stabilator Balance Weight Assembly Kit 763 987 has been installed per Service Bulletin 540A.		

When ordering, always specify Part Number, Description and Serial Number of Aircraft

PIPER PARTS CATALOG

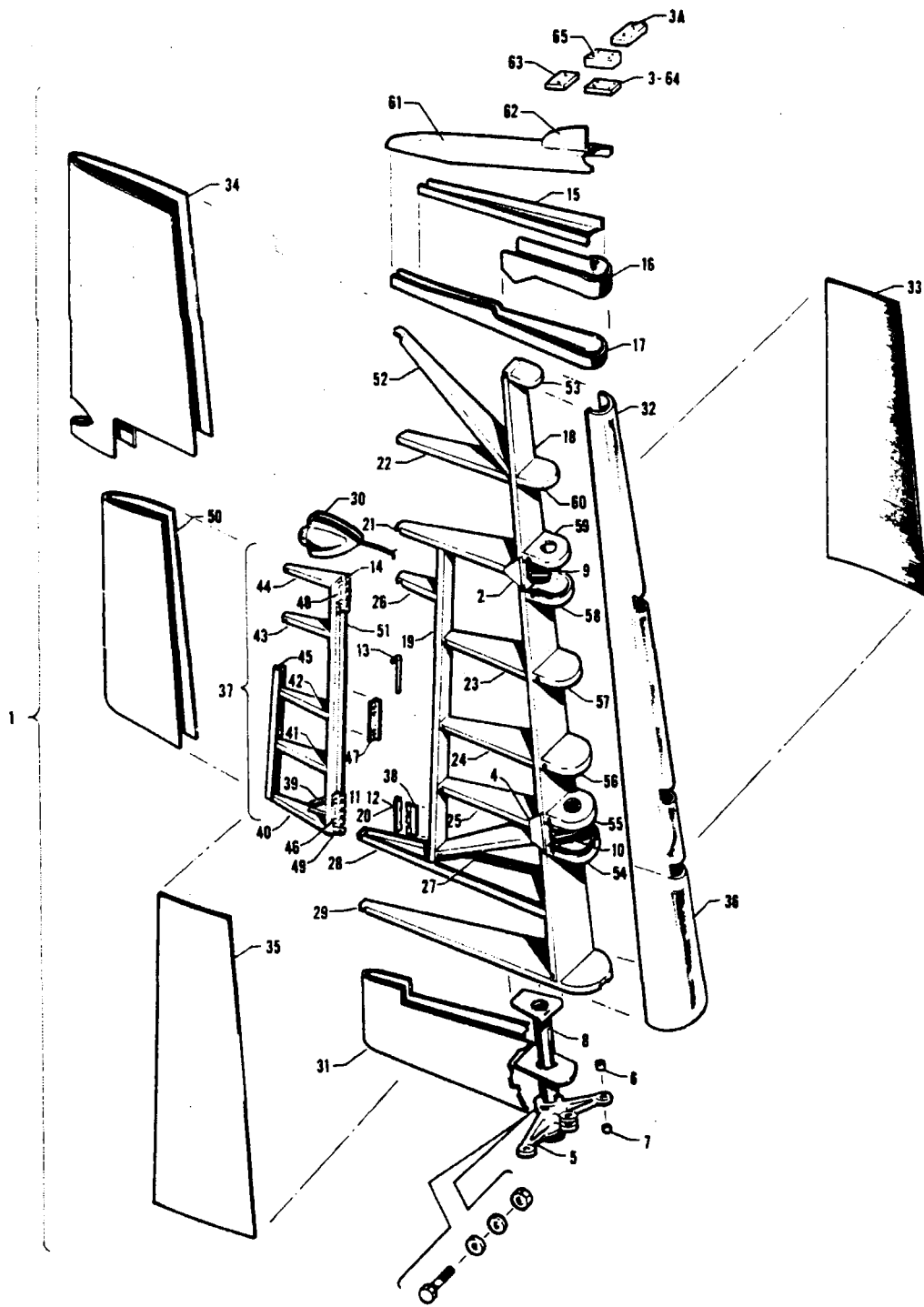


Figure 29C. Rudder Assembly

PIPER PARTS CATALOG

Figure and Index Number	Part Number	Code	NOMENCLATURE	No. Req.	SERIAL NUMBERS AFFECTED
29C-	16199		DRAWING - Rudder Assembly		
-1	16199-00	A,D	RUDDER ASSEMBLY	1	27-1 to 27-7305134 incl.
	16199-14	A,C	RUDDER ASSEMBLY	1	27-4445 to 27-7305134 incl.
	16199-18	A,D	RUDDER ASSEMBLY	1	27-7305135 to 27-7405476 incl.
	16199-19	A,D	RUDDER ASSEMBLY	1	27-7554001 to 27-7954121 incl.
	16199-20	A,C	RUDDER ASSEMBLY	1	27-7554001 and up
	16199-21	A,D	RUDDER ASSEMBLY	1	27-8054001 and up
-2	16788-00		GUSSET- Rudder	2	
-3	16844-00	B	WEIGHT - Rudder	1	27-1 to 27-7305134 inclusive
	33445-02	D	WEIGHT - Rudder	1	27-7305135 and up
-3a	28591-02	D,G	WEIGHT - Rudder (.240 thick)	1	27-8054001 and up
-4	16789-00		GUSSET- Rudder	2	
-5	16069-00		HORN ASSEMBLY - Rudder	1	
-6	82732-98		BUSHING - Rudder horn	2	
-7	82732-99		BUSHING - Rudder horn	2	
-8	16070-00		TUBE ASSEMBLY - Rudder torque	1	
-9	16112-04		HINGE ASSEMBLY - Rudder, top	1	
-10	16112-02		HINGE ASSEMBLY - Rudder, bottom	1	
-11	16901-00		PLATE - Hinge reinforcement, bottom	1	
-12	16902-00		PLATE - Hinge reinforcement, center	1	
-13	21510-00		PIN - Hinge	3	
-14	16914-00		HINGE - Rudder tab	3	
-15	16794-00	E	RIB ASSEMBLY	1	
	33444-03	F	RIB ASSEMBLY	1	
-16	16790-00	E	BALANCE - Arm skin	1	
-17	16791-00	E	RIB -Rudder	1	
	33444-02	F	RIB - Rudder	1	
-18	16128-00		SPAR ASSEMBLY - Front	1	
-19	16129-00		SPAR ASSEMBLY - Rear	1	
-20	16903-00		PLATE - Hinge reinforcement, top	1	
-21	16152-00		RIB - Rudder	1	
-22	16153-00		RIB - Rudder	1	
-23	16159-00		RIB - Rudder	1	
-24	16160-00		RIB - Rudder	1	
-25	16161-00		RIB - Rudder	1	
-26	16165-00		RIB - Rudder	1	
-27	16591-00		RIB - Rudder	1	
-28	16166-00		RIB - Rudder	1	
-29	16173-00		RIB - Rudder	1	
-30	16089-00		FAIRING ASSEMBLY	1	
-31	16199-02		SKIN - Rudder	1	
-32	16199-03		SKIN - Rudder	1	
-33	16199-04		SKIN - Rudder	2	
-34	16199-06	E	SKIN - Rudder	1	
	16199-16	F	SKIN - Rudder	1	

- A - This assembly does not include the rudder tip. Required tip must be ordered separately.
- B - Used when Grimes rotating beacon is installed.
- C - Used if red strobe light is installed.
- D - Used if red strobe light is not installed.
- E - Used with rudder assemblies 16199-00; 16199-14 and 16199-20 only.
- F - Used with rudder assemblies 16199-18,16199-19, and 16199-21 only.
- G - Used with rudder assembly 16199-21 only.

When ordering, always specify Part Number, Description, and Serial Number of Aircraft

PIPER PARTS CATALOG

Figure and Index Number	Part Number	Code	NOMENCLATURE	No. Req.	SERIAL NUMBERS AFFECTED
29C-35	16199-07		SKIN ASSEMBLY	1	
-36	16199-10		SKIN - Rudder	1	
-37	16136-00		TAB ASSEMBLY	1	
-38	16914-00		HINGE - Rudder	3	
-39	16606-00		BRACKET	1	
-40	16132-00		RIB - Rudder tab	1	
-41	16725-02		RIB - Rudder tab	1	
-42	16725-03		RIB - Rudder tab	1	
-43	16725-04		RIB - Rudder tab	1	
-44	16135-00		RIB - Rudder tab	1	
-45	16629-00		CHANNEL - Tab	1	
-46	16904-00		PLATE - Hinge reinforcement, bottom	1	
-47	16905-00		PLATE - Hinge reinforcement, center	1	
-48	16906-00		PLATE - Hinge reinforcement, top	1	
-49	16108-00		HORN ASSEMBLY - Rudder tab	1	
-50	16136-02		SKIN - Rudder tab	1	
-51	16136-03		SKIN - Rudder tab	1	
-52	16783-00		RIB ASSEMBLY	1	
-53	16781-00		RIB - Rudder leading edge	1	
	16781-02	C	RIB - Rudder leading edge	1	27-4445 to 27-7305134, 27-7554001 and up
-54	16782-02		RIB - Rudder leading edge	1	
-55	16782-03		RIB - Rudder leading edge	1	
-56	16782-04		RIB - Rudder leading edge	1	
-57	16782-05		RIB - Rudder leading edge	1	
-58	16782-06		RIB - Rudder leading edge	1	
-59	16782-07	D	RIB - Rudder leading edge	1	
	16782-09	C	RIB - Rudder leading edge	1	27-4445 to 27-7305134, 27-7554001 and up
-60	16782-08	D	RIB - Rudder leading edge	1	
	16782-10	C	RIB - Rudder leading edge	1	27-4445 to 27-7305134, 27-7554001 and up
-61	16792-00	A	TIP - Rudder	1	27-1 to 27-3070 inclusive
	32043-00	B	TIP ASSEMBLY - Rudder	1	27-3071 to 27-7305134 inclusive
	16792-00	C	TIP - Rudder	1	27-4445 to 27-7305134, 27-7554001 and up
	33448-00	D	TIP - Rudder	1	27-7305135 and up
-62	32042-00	B	VANE ASSEMBLY - Rotating beacon	1	27-3071 to 27-7305134 inclusive
-63	16845-02	E	WEIGHT - Rudder balance (.062)	AR	
	16845-03	E	WEIGHT - Rudder balance (.125)	AR	
	33451-02	D	WEIGHT - Rudder balance (.062)	AR	27-7305135 and up
	33451-03	D	WEIGHT - Rudder balance (.125)	AR	27-7305135 and up
-64	16844-00	C	WEIGHT - Rudder balance (1/2" thick)	2	27-4445 to 27-7305134 incl., 27-7554001 to 27-7954121 incl.
	16844-02	C	WEIGHT - Rudder balance (3/16" thick)	1	27-7854038 to 27-7954121 incl.
-65	28592-02	C	WEIGHT - Rudder (1.12)	1	27-8054001 and up

A - Used if Grimes rotating beacon is installed.
 B - Used when Whelan rotating beacon is installed.
 C - Used if red strobe light is installed.
 D - Used if red strobe light is not installed.
 E - Use on serial numbers 27-1 to 27-7305134 inclusive.
 Also used on serial number 27-7305135 and up if red strobe light is installed.

When ordering, always specify Part Number, Description and Serial Number of Aircraft

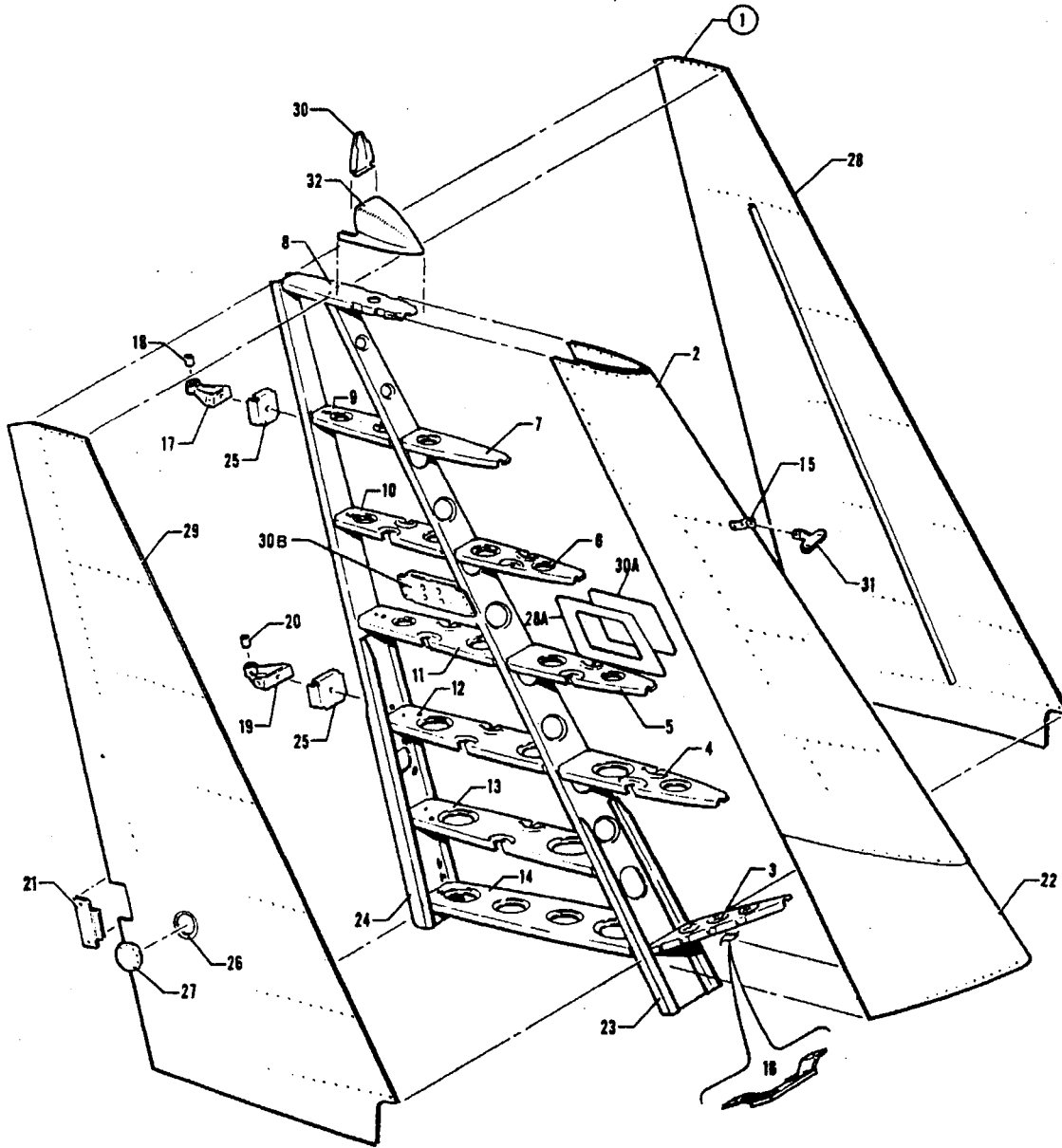


Figure 29D. Fin Assembly



Figure and Index Number	Part Number	Code	NOMENCLATURE	No. Req.	SERIAL NUMBERS AFFECTED
29D-	16200		DRAWING - Fin assembly		
-1	16200-00	B	FIN ASSEMBLY	1	27-1 to 27-7305134 inclusive
	16200-14	A	FIN ASSEMBLY	1	27-4445 to 27-7305134 incl.
	16200-15	B	FIN ASSEMBLY	1	27-7305135 to 27-7405476 incl.
	16200-17	B	FIN ASSEMBLY	1	27-7554001 and up
	16200-22	A	FIN ASSEMBLY	1	27-7554001 and up
-2	16200-12		SKIN ASSEMBLY - Leading edge, top	1	
-3	16178-00		RIB - Fin nose	1	
-4	16148-00		RIB - Fin nose	1	
-5	16116-00		RIB - Fin nose	1	
-6	16124-00		RIB - Fin nose	1	
-7	16125-00		RIB - Fin nose	1	
-8	16786-00		RIB ASSEMBLY - Fin nose	1	
-9	16139-00		RIB - Fin	1	
-10	16138-00		RIB - Fin	1	
-11	16137-00		RIB - Fin	1	
-12	16147-00		RIB - Fin	1	
-13	16146-00		RIB - Fin	1	
-14	16177-00		RIB - Fin	1	
-15	16441-00		FITTING - Antenna attachment, left	1	27-1 to 27-3070 inclusive
	32107-00	Y	FITTING - Antenna attachment, left	1	27-3071 and up
	16441-01		FITTING - Antenna attachment, right	1	27-1 to 27-3070 inclusive
	32107-01	Y	FITTING - Antenna attachment, right	1	27-3071 and up
-16	30199-02		PLATE ASSEMBLY - Indicator wire guide	1	
-17	16103-03		BRACKET ASSEMBLY - Rudder, upper hinge	1	
-18	452 347		BEARING - (B-47)	1	
-19	16103-02		BRACKET ASSEMBLY - Rudder, lower hinge	1	
-20	452 347		BEARING - (B-47)	1	
-21	16223-00		PLATE - Fin access	1	
-22	16200-02		SKIN - Leading edge, bottom	1	
-23	16167-02		SPAR ASSEMBLY - Fin front	1	
-24	16167-06		SPAR ASSEMBLY - Fin rear	1	
-25	16167-08		BRACKET - Rudder hinge, top	1	
	16167-07		BRACKET - Rudder hinge, bottom	1	
-26	17317-00		PLATE ASSEMBLY - Access hole reinforcing	1	
-27	17318-03		PLATE - Access hole cover	1	
-28	16200-10		SKIN ASSEMBLY - Fin, left	1	27-1 to 27-7405476 inclusive
	16200-18		SKIN ASSEMBLY - Fin, left	1	27-7554001 and up
-28a	35088-02		REINFORCEMENT ASSEMBLY - Flux sensor	1	27-7554001 and up
-29	16200-11		SKIN ASSEMBLY - Fin, right	1	27-1 to 27-7405476 inclusive
	16200-21		SKIN ASSEMBLY - Fin, right	1	27-7554001 and up

A - Used if Red Strobe Light is installed.
 B - Used if Red Strobe Light is not installed.
 Y - Used on PA-23-250 (Six Place) airplanes only.

When ordering, always specify Part Number, Description and Serial Number of Aircraft



Figure and Index Number	Part Number	Code	NOMENCLATURE	No. Req.	SERIAL NUMBERS AFFECTED
29D-30	16793-00	D	BULKHEAD - Fin tip	1	
	33449-00	E	BULKHEAD - Fin tip	1	
-30a	35087-02		COVER - Flux sensor access	1	27-7554001 and up
-30b	33895-02		BRACKET ASSEMBLY - Antenna mounting, left	1	27-7554001 and up
	33895-03		BRACKET ASSEMBLY - Antenna mounting, right	1	27-7554001 and up
-31	43080-00	C	LINK - Dual ADF antenna attachment	1	27-3584 to 27-4693 inclusive
-32	16784-00	A,D	TIP - Fin	1	
	16784-02	B,D	TIP - Fin	1	
	33447-02	A,E	TIP - Fin	1	
	33447-03	B,E	TIP - Fin	1	

A - Used when omni antenna is installed on fin.
 B - Used when omni antenna is not installed on fin.
 C - Used on PA-23-250 (Six Place) with 28 Volt Electrical System.
 D - Used with Fin Assembly 16200-00, 16200-14 and 16200-22 only.
 E - Used with Fin Assembly 16200-16 and 16200-17 only.

When ordering, always specify Part Number, Description and Serial Number of Aircraft

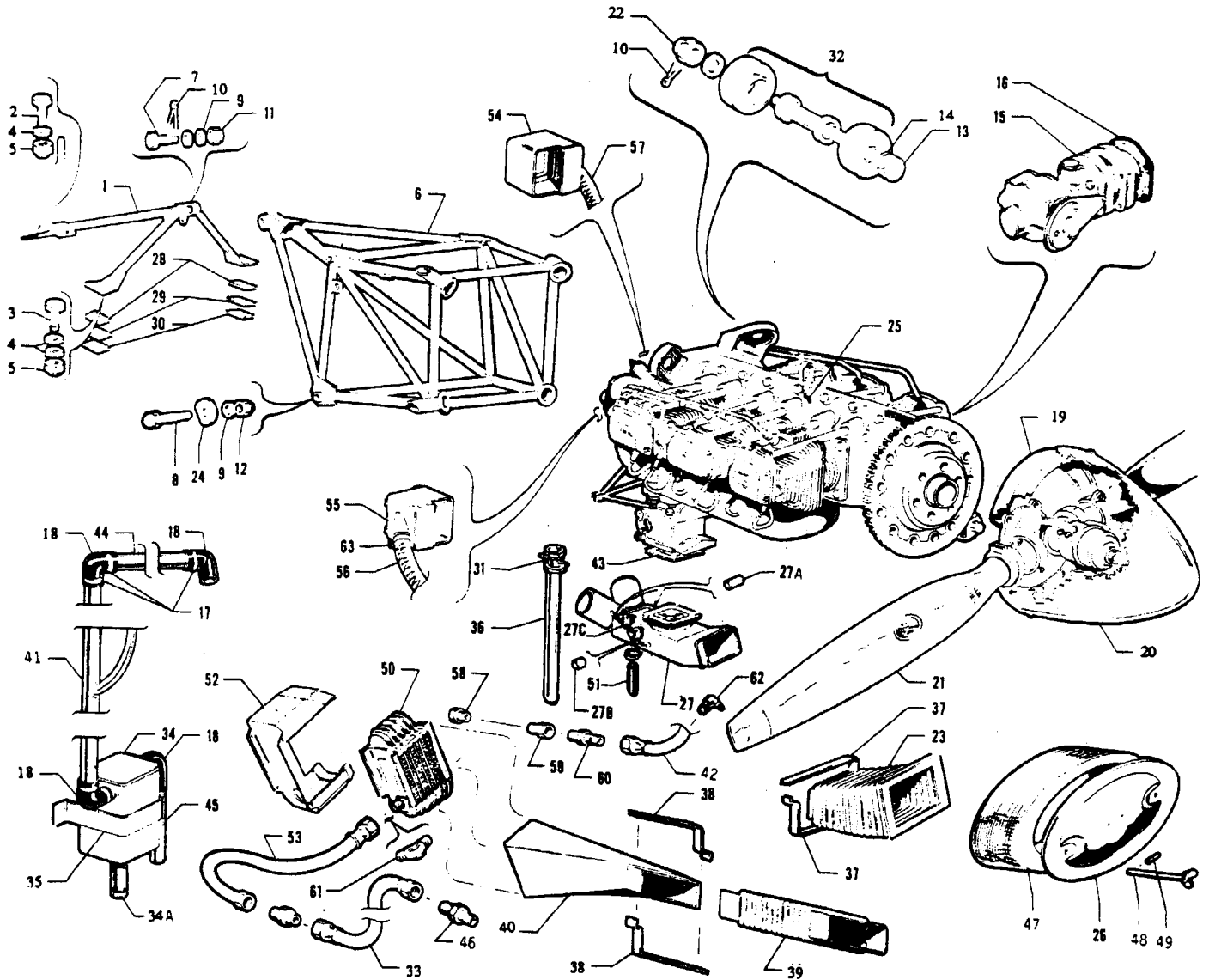


Figure 30. Power Plant Installation
(Serial Nos. 27-1 to 27-2504 inclusive)



Figure and Index Number	Part Number	Code	NOMENCLATURE	No. Req.	SERIAL NUMBERS AFFECTED
30-	16490 16291		DRAWING - Power Plant DRAWING - Engine Installation		27-1 to 27-2504 inclusive 27-1 to 27-2504 inclusive
-1	16073-00 16073-01		SUPPORT ASSEMBLY - Engine mount, left SUPPORT ASSEMBLY - Engine mount, right	1 1	
-2	400 003		BOLT - (AN4-6A)	8	
-3	401 310		BOLT - (AN4-10A)	8	
-4	407 565		WASHER - (AN960-416)	24	
-5	404 888		NUT - (AN365-428)	16	
-6	16203-00 16203-01		MOUNT ASSEMBLY - Engine, left MOUNT ASSEMBLY - Engine, right	1 1	
-7	402 354		BOLT - (AN176-24)	2	
-8	400 213 400 215		BOLT - (AN6-20) Left BOLT - (AN6-22) Right	2 2	
-9	407 567 407 587		WASHER - (AN960-616) Left WASHER - (AN960-616L) Right	4 2	
-10	424 059		PIN - (MS24685-283)	10	
-11	404 103		NUT - (AN310-6)	2	
-12	404 890		NUT - (AN365-624)	4	
-13	400 268		BOLT - (AN7-27)	8	
-14	407 568		WASHER - (AN960-716)	16	
-15	16564-00		GOVERNOR - Propeller	2	
-16	751 833		GASKET - Governor mounting	1	
-17	454 859		CLAMP - Tinnerman (A13122-22-1)	14	
-18	21459-00		HOSE - Flexible elbow oil breather	8	
-19	16444-00 16444-03	B C	ADAPTER - Spinner bulkhead ADAPTER - Spinner bulkhead	2 2	
-20	16443-00		SPINNER - Propeller	2	
-21	450 925 450 926	A A	PROPELLER ASSEMBLY - (HC-A2XK-2/8433-10) PROPELLER ASSEMBLY (HC-A2XK-2/8433B-10) (24 Volt)	2 2	
-22	404 104		NUT - (AN310-7)	8	
-23	16559-00		COUPLING ASSEMBLY - Carburetor air filter (with studs)	2	
-24	18943-00		SHIM - Engine mount attachment	AR	
-25		X,Y X,Y Z	ENGINE - Lycoming (O-540-A1B5) 250 H.P. ENGINE - Lycoming (O-540-A1D5) 250 H.P. ENGINE - Lycoming (O-540-B1A5) 235 H.P.	2 2 2	
-26	16553-02		COVER - Carburetor air filter	2	
-27	16463-09		BOX ASSEMBLY - Carburetor air	2	
-27a	14976-22		BUSHING	2	
-27b	14976-51		BUSHING	1	
-27c	16460-00		ROD ASSEMBLY - Air box valve	1	
-28	18752-02		SHIM - Engine support	AR	
-29	18752-03		SHIM - Engine support	AR	
-30	18752-04		SHIM - Engine support	AR	

A - For component parts see Figure 31.
B - Used when O-540-A1B5 engine is installed.
C - Used when O-540-A1D5 engine is installed.
X - Used on PA-23-250 airplanes only.
Y - Used on PA-23-250 (Six Place) airplanes only.
Z - Used on PA-23-235 airplanes only.

When ordering, always specify Part Number, Description and Serial Number of Aircraft

PIPER PARTS CATALOG

Figure and Index Number	Part Number	Code	NOMENCLATURE	No. Req.	SERIAL NUMBERS AFFECTED
30-31	14184-00		VALVE ASSEMBLY - Oil drain	2	
-32	475 122		MOUNT ASSEMBLY - (J-3804-20) shock (set)	8	
-33	17766-48		HOSE ASSEMBLY - Firewall to engine	5	
-34	16318-00		TANK ASSEMBLY - Oil collector	2	
-34a	492 022		* VALVE ASSEMBLY - Oil drain	2	
-35	16320-00		CLAMP - Oil collector tank	2	
-36	13586-54		HOSE - Flexible oil line	2	
-37	16457-00		STRAP - Carburetor air box boot (3-5/32")	2	
	16457-02		STRAP - Carburetor air box boot (3")	2	
-38	18618-00		CLAMP - Oil radiator duct	8	27-1 to 27-366 inclusive
	30178-00		CLAMP - Oil radiator duct	8	27-367 to 27-2504 inclusive
-39	16619-00		DUCT - Oil radiator air	2	
-40	16934-00		DUCT ASSEMBLY - Oil radiator air, left	1	
	16856-00		DUCT ASSEMBLY - Oil radiator air, right	1	
-41	16837-00	X	TUBE ASSEMBLY - Engine breather	2	
	82352-56	Y,Z	TUBE ASSEMBLY - Engine breather	2	
-42	17766-47		HOSE ASSEMBLY - Oil radiator to engine	2	
-43	21226-00		PLATE	2	
-44	86142-31		TUBE	2	
-45	86142-32		TUBE	2	
-46	455 152		CONNECTOR - (W/H 48 x 6B)	2	27-1 to 27-425 inclusive
	476 664		NIPPLE - (AN816-8D)	2	27-426 to 27-2504 inclusive
-47	460 632		FILTER - Air (CA161PL)	2	
-48	487 616		STUD - Carburetor air filter cover (W98295-25-3620)	4	
-49	480 650		CROSS PIN - Carburetor air filter cover stud (99785-2)	4	
-50	16943-00		RADIATOR - Oil	2	
-51	16633-03		HOSE - Carburetor air box drain	2	
-52	16799-00		COVER ASSEMBLY - Oil cooler, left	1	
	16799-01		COVER ASSEMBLY - Oil cooler, right	1	
-53	17766-49		HOSE ASSEMBLY - Oil radiator to firewall	2	
-54	16852-04		BAFFLE - Left magneto, left	1	
	16852-02		BAFFLE - Left magneto, right	1	
-55	16852-05		BAFFLE - Right magneto, left	1	
	16852-03		BAFFLE - Right magneto, right	1	
-56	10525-89		HOSE - Right magneto, air, left engine, inboard	10"	
	10525-90		HOSE - Left magneto, air, right engine, inboard	5-1/2"	
-57	10525-87		HOSE - Left magneto, air, left engine, outboard	38"	
	10525-88		HOSE - Right magneto, air, right engine, outboard	34"	
-58	460 670		PLUG - Hex head (W/H 3152 x 6)	2	
-59	451 855		ADAPTER - Pipe (W/H 3200 x 6)	2	
-60	476 663		NIPPLE - (AN816-6-6D)	2	27-1 to 27-425 inclusive
	476 664		NIPPLE - (AN816-8D)	2	27-426 to 27-2504 inclusive
-61	458 886		ELBOW - 45 degrees (AN823-8D) Oil radiator	1	
-62	458 898		ELBOW - (AN822-8D)	2	
-63	454 859		CLAMP - Magneto hose (A3122-22-1)	2	

X - Used on PA-23-250 airplanes only.
Y - Used on PA-23-250 (Six Place) airplanes only.
Z - Used on PA-23-235 airplanes only.

When ordering, always specify Part Number, Description and Serial Number of Aircraft

PIPER PARTS CATALOG

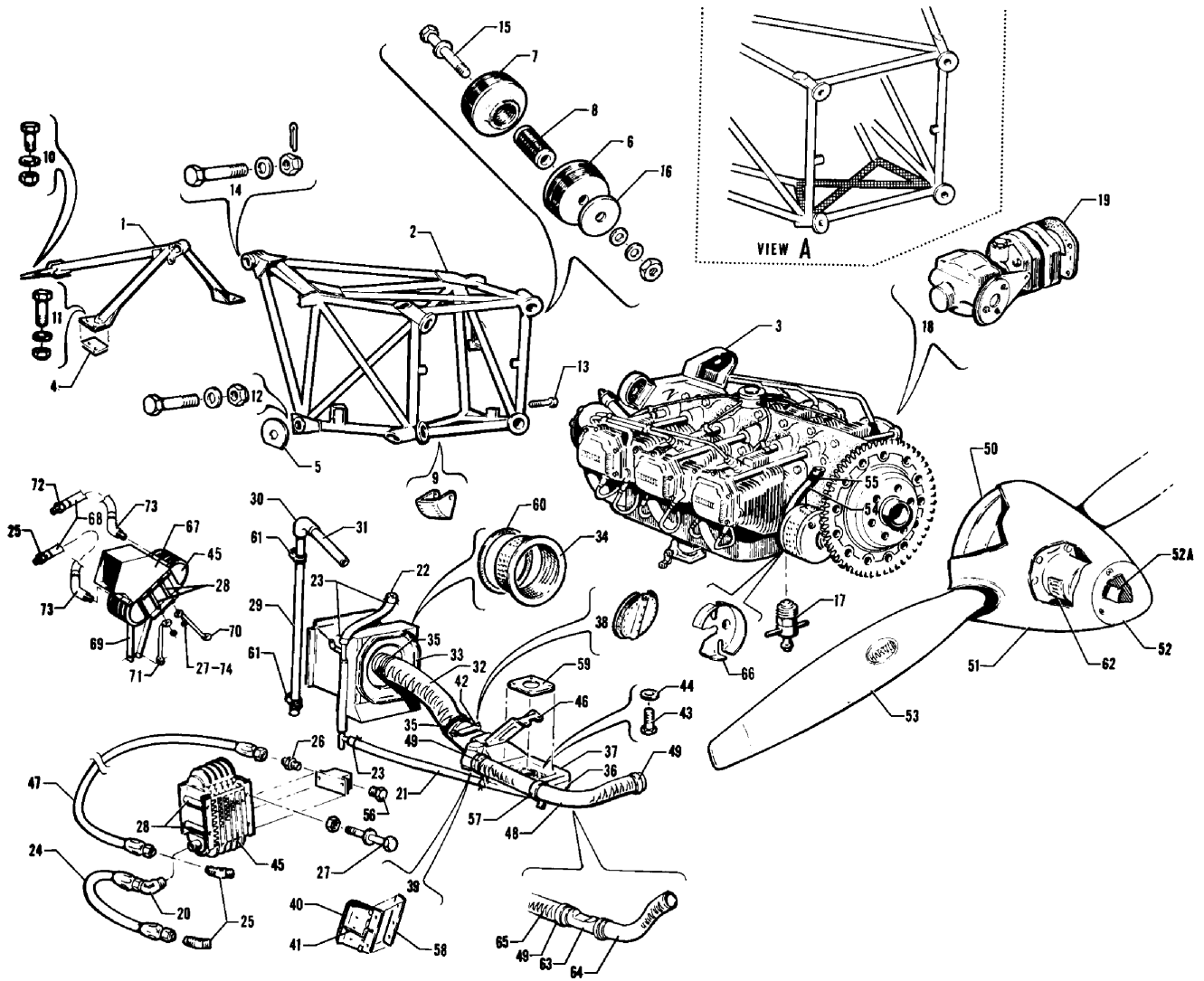


Figure 30A. Power Plant Installation
(Serial Nos. 27-2505 and up)

PIPER PARTS CATALOG

Figure and Index Number	Part Number	Code	NOMENCLATURE	No. Req.	SERIAL NUMBERS AFFECTED
30A-	31470 31426		DRAWING - Power Plant DRAWING - Engine Installation		27-2505 and up 27-2505 and up
-1	16073-00 16073-04 16073-01 16073-05		SUPPORT ASSEMBLY - Engine mount, left SUPPORT ASSEMBLY - Engine mount, left SUPPORT ASSEMBLY - Engine mount, right SUPPORT ASSEMBLY - Engine mount, right	1 1 1 1	27-2505 to 27-4429 inclusive 27-4430 and up 27-2505 to 27-4429 inclusive 27-4430 and up
-2	33261-00 33261-01 33261-47	B,C B,C,D B,E	MOUNT ASSEMBLY - Engine, left MOUNT ASSEMBLY - Engine, right MOUNT ASSEMBLY - Engine, right	1 1 1	27-2505 to 27-7854050 inclusive 27-7854051 and up
-3		A,B	ENGINE - Lycoming (IO-540-C4B5)	2	
-4	18752-02 18752-03 18752-04		SHIM - Engine mount support (.016) SHIM - Engine mount support (.032) SHIM - Engine mount support (.064)	AR AR AR	
-5	18943-00		SHIM - Engine mount attachnt	AR	
-6	475 116		MOUNT ASSEMBLY - Top front and bottom rear (J-7763-1)	8	
-7	475 117		MOUNT ASSEMBLY - Top rear and bottom front (J-9612-8)	8	
-8	487 436		SPACER - Mount assembly (J-7766-9)	8	
-9	24754-00		SHIELD ASSEMBLY - Exhaust tube heat	2	
-10	400 003 407 565 404 888		BOLT - (AN4-6A) WASHER - (AN960-416) NUT - (MS20365-428C)	8 8 8	
-11	401 310 407 565 404 888		BOLT - (AN4-10A) WASHER - (AN960-416) NUT - (MS20365-428C)	8 8 8	
-12	400 215 407 587 404 890		BOLT - (AN6-22) WASHER - (AN960-616L) NUT - (MS20365-624C)	2 2 2	
-13	400 213 407 567 404 890		BOLT - (AN6-20) WASHER - (AN960-616) NUT - (MS20365-624C)	2 2 2	
-14	402 354 407 567 404 103 424 059		BOLT - (AN176-24) WASHER - (AN960-616) NUT - (AN310-6) PIN - Cotter (MS24665-283)	2 2 2 2	
-15	400 274 407 568 477 664		BOLT - (AN7-35) WASHER - (AN960-716) NUT - (32FL720)	8 24 8	
<p>A - Refer to Figure 30B if Airesearch Turbocharger is installed. B - Refer to Figure 30C if Lycoming Turbocharger is installed. C - If part is being ordered for Non-Turbo Aircraft with serial numbers 27-2505 to 27-4853 inclusive, it will be necessary to order Engine Mount Replacement Kit 760 598 also. If existing mount incorporates "X" bracing as shown in View "A" on illustration, order mount only. D - Order part for serial numbers 27-7854051 and up if Dual Hydraulic Pump Installation Kit 763 836 has been installed per Service Spares Letter No. 351. E - Also used on aircraft with serial numbers 27-7654001 to 27-7854050 inclusive if Dual Hydraulic Pump Installation Kit 763 836 has been installed per Service Spares Letter No. 351.</p>					

When ordering, always specify Part Number, Description and Serial Number of Aircraft

PIPER PARTS CATALOG

Figure and Index Number	Part Number	Code	NOMENCLATURE	No. Req.	SERIAL NUMBERS AFFECTED
30A-16	85012-101		WASHER - Mount assembly	8	
-17	61879-02		VALVE ASSEMBLY - Oil drain	2	
-18	24622-04		GOVERNOR ASSEMBLY - Propeller	2	
	24622-08	H,K	GOVERNOR ASSEMBLY - Propeller, left	1	
	24622-15	A,J	GOVERNOR ASSEMBLY - Propeller, left	1	
	24622-08	G,H,K	GOVERNOR ASSEMBLY - Propeller, right	1	
	24622-15	A,G,J	GOVERNOR ASSEMBLY - Propeller, right	1	
-19	751 833		GASKET - Governor mounting	1	
-20	458 888		ELBOW - Oil cooler (AN822-8D)	2	27-2505 to 27-8054024 incl.
-21	16633-51	C,D	HOSE - Left engine, air box drain	1	
	16633-54	C,D	HOSE - Right engine, air box drain	1	
-22	61541-32		HOSE - Hydraulic pump drain, left (12" L.)	1	
	61541-25		HOSE - Hydraulic pump drain, right (21.5" L.)	1	
-23	454 983		CLAMP - Drain hose	4	
-24	17766-82	B,D	HOSE ASSEMBLY - Oil cooler	2	27-2505 to 27-8054024 incl.
-25	458 886		ELBOW - Oil cooler hose (AN823-8D)	4	27-2505 to 27-8054024 incl.
	458 886		ELBOW - Oil cooler hose (AN823-8D)	2	27-8054025 and up
-26	476 664		NIPPLE - Oil cooler hose (AN816-8D)	2	27-2505 to 27-8054024 incl.
	458 886	F	ELBOW - Oil cooler hose (AN823-8D)	2	27-2505 to 27-4221 inclusive
-27	400 463		BOLT - Oil cooler (AN3-40A)	8	
	407 564		WASHER - Oil cooler (AN980-10)	8	
	404 835		NUT - Oil cooler (MS20364-1032C)	8	
-28	86062-94	B	TUBE - Oil cooler	8	27-2505 to 27-8054024 incl.
	49995-29	E	TUBE - Oil cooler	8	27-8054025 and up
-29	82352-26		TUBE - Engine breather	2	

- A - Used on PA-23-250 (Six Place) with serial nos. 27-7405360, 27-7405362, 27-7405364, 27-7405365, 27-7405368 and up.
- B - Order part for serial numbers 27-8054025 and up if Oil Cooler Replacement Kit 764 001 has been installed per Service Spares Letter No. 374.
- C - Refer to Figure 30B if Airesearch Turbocharger is installed.
- D - Refer to Figure 30C if Lycoming Turbocharger is installed.
- E - Also used on serial numbers 27-2505 to 27-8054024 inclusive if Oil Cooler Replacement Kit 764 001 has been installed per Service Spares Letter No. 374.
- F - Used if Airesearch Turbocharger is installed.
- G - Refer to Figure 31C if Propeller Synchrophaser System is installed.
- H - Used if Lycoming Serial No. on engine does not include suffix "A."
- J - Used if Lycoming Serial No. on engine includes suffix "A."
- K - Used on PA-23-250 (Six Place) with serial nos. 27-3433 to 27-7405359, 27-7405361, 27-7405363, 27-7405366, 27-7405367 inclusive.

When ordering, always specify Part Number, Description and Serial Number of Aircraft

PIPER PARTS CATALOG

Figure and Index Number	Part Number	Code	NOMENCLATURE	No. Req.	SERIAL NUMBERS AFFECTED
30A-30	21459-00		ELBOW - Engine breather tube	4	
-31	86142-42		TUBE - Left engine breather	1	
	86142-43		TUBE - Right engine breather	1	
-32	22502-65	C,D	HOSE - Air filter	2	
-33	31248-04	C,D,G	COVER ASSEMBLY - Air filter box	2	
-34	32198-00	C,D	FILTER ASSEMBLY - Induction air (includes foam gaskets)	2	
-35	454 816	D,F	CLAMP - Air filter hose (SAE TY A-4)	4	
-36	31214-09	D,F	BOX ASSEMBLY - Engine air induction, bottom	2	
-37	32215-00	D,F,G	BOX ASSEMBLY - Engine air induction, top	2	
-38	32214-00	D,F,G	* VALVE ASSEMBLY - Air induction box	1	
-39	31207-03	D,F,G	* DOOR ASSEMBLY - Alternate air	1	
-40	23094-02	D,F,G	* * SEAL - Alternate air door	1	
-41	23097-00	D,F,G	* * SPRING - Alternate air door	1	
-42	32226-00	D,F,G	* SHAFT ASSEMBLY - Shutoff valve	1	
-43	401 920		BOLT - Air induction box attachment (AN74A-5)	8	
-44	80122-20		WASHER - Air induction box attachment	8	
-45	764 001	A,C,D	KIT - Oil Cooler Replacement	2	27-2505 to 27-8054024 incl.
	32330-07	B,C	COOLER ASSEMBLY - Oil	2	27-8054025 and up
-46	32229-00	D,F	BRACKET - Air induction box support	2	
-47	17766-48	A,C	HOSE ASSEMBLY - Oil cooler, upper	2	27-2505 to 27-8054024 incl.
-48	32257-02	D,F	HOSE - Alternate air, left engine	1	27-2505 to 27-7405282 inclusive
	32257-03	D,F	HOSE - Alternate air, right engine	1	27-2505 to 27-7405282 inclusive
-49	554 599	D,F	CLAMP - Alternate air hose (4236)	4	27-2505 to 27-7405282 inclusive
	554 599	D,F	CLAMP - Alternate air hose (4236)	8	27-7405283 and up
-50	23815-00		BULKHEAD ASSEMBLY - Propeller spinner	2	
-51	23818-00		SPINNER ASSEMBLY - Propeller	2	
-52	23819-00	E	CAP ASSEMBLY - Propeller spinner	2	27-2505 to 27-4543 inclusive
	23819-04		CAP ASSEMBLY - Propeller spinner	2	27-4544 and up

- A - Order part for serial numbers 27-8054025 and up if Oil Cooler Replacement Kit 764 001 has been installed per Service Spares Letter No. 374.
- B - Also used on serial numbers 27-2505 to 27-8054024 inclusive if Oil Cooler Replacement Kit 764 001 has been installed per Service Spares Letter No. 374.
- C - Refer to Figure 30C if Lycoming Turbocharger is installed.
- D - Not used when Airesearch Turbocharger is installed. Refer to Airesearch Aviation Service Co. Parts Catalog.
- E - Order part for serial numbers 27-4544 and up if propeller HC-E2YK-2RBS/8465-7R or HC-E2YR-2RBS/8465-7R is installed.
- F - Not used when Lycoming Turbocharger is installed.
- G - When ordering for airplanes with serial numbers 27-2505 to 27-3275 inclusive, ascertain that Engine Induction Alternate Air Modification Kit 757 021 has been installed per Service Bulletin No. 230A.

When ordering, always specify Part Number, Description and Serial Number of Aircraft

PIPER PARTS CATALOG

Figure and Index Number	Part Number	Code	NOMENCLATURE	No. Req.	SERIAL NUMBERS AFFECTED
30A-52a	46348-03	G	* DECAL - Propeller, pressure temperature	1	27-2505 to 27-4543 inclusive
	46348-05		* DECAL - Propeller, pressure temperature	1	27-4544 and up
-53	450 931	E,F	PROPELLER - (HC-E2YR-2RB/8465-7R)	2	27-2505 to 27-3892 inclusive, 27-3894 to 27-3897 inclusive
	550 902	C,E,F	PROPELLER - (HC-E2YR-2RB/8465-7R)	2	27-3893, 27-3898 to 27-4543 incl.
	550 917	C,F	PROPELLER - (HC-E2YR-2RB/8465-7R)	2	27-4544 to 27-4759 inclusive
	550 924	C,F	PROPELLER - (HC-E2YR-2RBSF/F8465-7R)	2	27-4760 and up
-54	22502-53		HOSE - Alternator air	2	27-2505 to 27-7405476 inclusive
	49997-12		HOSE - Alternator air	2	27-7554001 and up
-55	454 997		CLAMP - Alternator air hose (H 1-1160)	4	27-2505 to 27-7405476 inclusive
	554 600		CLAMP - Alternator air hose (4212)	4	27-7554001 and up
-56	460 670		PLUG - Oil cooler (W/H 3152 x 6)	2	27-2505 to 27-8054024 inclusive
-57	80032-81		CLAMP - Alternate air hose support	2	27-2505 to 27-7405282 inclusive
-58	81352-23		SHIM - Air box bracket	AR	
-59	31559-00		GASKET - Air induction box	2	
-60	189 729		TAPE - Foam, air filter (50' roll)		
-61	454 942		CLAMP - Left engine breather tube (A2980S-16-1)	2	
	454 977		CLAMP - Right engine breather tube (A3046S-16-91)	4	
-62	581 700	A	PLACARD - Propeller pressure warning (CA-003)	2	
-63	33485-00	B	DUCT ASSEMBLY - Alternate air	2	27-7405283 and up
-64	80005-07	B	HOSE - Alternate air, left engine	1	27-7405283 and up
	80005-08	B	HOSE - Alternate air, right engine	1	27-7405283 and up
-65	80005-06	B	HOSE - Alternate air	2	27-7405283 and up
-66	26890-00		TUBE ASSEMBLY - Alternator cooling	2	27-7554001 and up
-67	32333-07	D	DUCT ASSEMBLY - Oil cooler	2	27-8054025 and up
-68	39995-07	D	HOSE ASSEMBLY - Oil cooler	4	27-8054025 and up
-69	32332-00		BRACKET - Oil cooler mounting	2	27-8054025 and up
-70	32335-00	D	STRUT - Oil cooler support, forward	2	27-8054025 and up
-71	28613-02	C,D	STRUT - Oil cooler support, left engine, aft	1	27-8054025 and up
	28584-02	C,D	STRUT - Oil cooler support, right engine, aft	1	27-8054025 and up
-72	476 664	D	NIPPLE - Oil cooler hose	2	27-8054025 and up
-73	41623-00	D	ELBOW - Special	4	27-8054025 and up
	462 031	D	GASKET - (AN6290-8)	4	27-8054025 and up
	477 621	D	NUT - (AN924-8D)	4	27-8054025 and up
-74	407 584	D	WASHER - (AN960-10L)	AR	27-8054025 and up

- A - Used on HC-E2YK-2RBS/8465-7R and HC-E2YR-2RBS/8465-7R propellers only.
- B - Used on serial numbers 27-2505 to 27-7405282 inclusive if Alternate Induction Air Hose Replacement Kit 760 816 has been installed.
- C - Refer to Figure 30C if Lycoming Turbocharger is installed.
- D - Also used on serial numbers 27-2505 to 27-8054024 inclusive if Oil Cooler Replacement Kit 764 001 has been installed per Service Spares Letter No. 374.
- E - Not available. Order Propeller Part No. 550 924 (HC-E2YR-2RBSF/F8456-7R) which incorporates a Spring Back-Up Kit. The opposite propeller must also include the Spring Back-Up Kit per Piper Service Letter No. 564 and Hartzell Service Letter No. 62.
- F - Refer to Figure 31A for component parts.
- G - Order part for serial numbers 27-4544 and up if propeller HC-E2YK-2RBS/8465-7R or HC-E2YR-2RBS/8465-7R is installed.

When ordering, always specify Part Number, Description and Serial Number of Aircraft

PIPER PARTS CATALOG

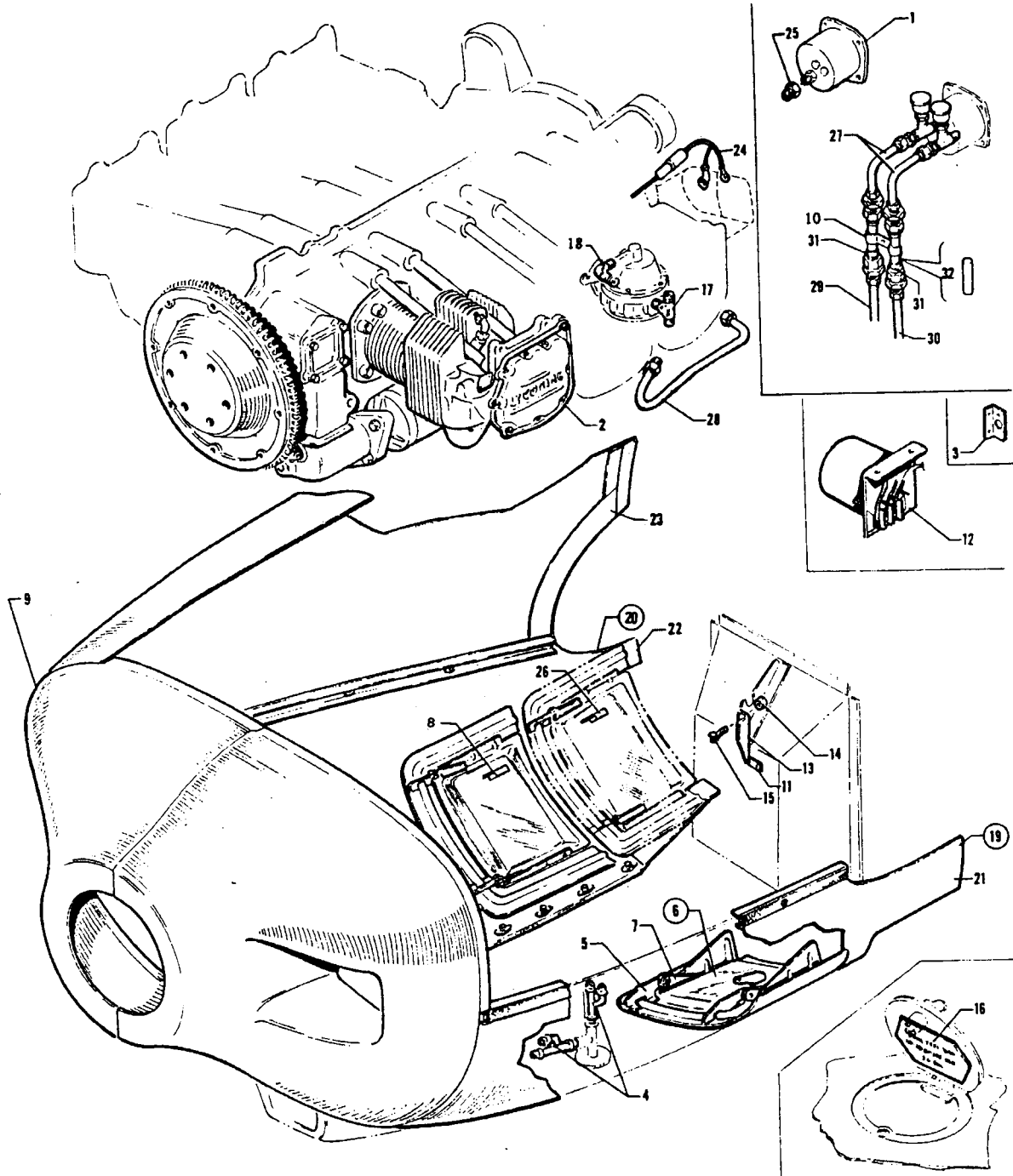


Figure 30B. Airesearch Turbocharger Installation
(Serial Nos. 27-2505 to 27-4221 inclusive)

PIPER PARTS CATALOG

Figure and Index Number	Part Number	Code	NOMENCLATURE	No. Req.	SERIAL NUMBERS AFFECTED
30B-	32016		DRAWING - Turbocharger System Installation (Airesearch)		
-1	31084-02		GAUGE - Fuel flow	1	27-2505 to 27-3836 inclusive, 27-3838 to 27-3943 inclusive
-2			ENGINE - Lycoming (IO-540-J4A5)	2	
-3	30266-00		BRACKET - Wire connector mounting	1	
-4	16632-00		TUBE - "Y," drain connector	3	
-5	31284-00		HINGE ASSEMBLY - Cowl flap, left	4	
	31284-01		HINGE ASSEMBLY - Cowl flap, right	4	
-6	31294-00		FLAP ASSEMBLY - Cowl, outboard, left engine	1	
	31294-01		FLAP ASSEMBLY - Cowl, inboard, left engine	1	
	31294-01		FLAP ASSEMBLY - Cowl, outboard, right engine	1	
	31294-00		FLAP ASSEMBLY - Cowl, inboard, right engine	1	
-7	31283-00		HINGE ASSEMBLY - Cowl flap, left	1	
	31283-01		HINGE ASSEMBLY - Cowl flap, right	1	
-8	31312-01		ARM - Cowl flap, outboard, left engine	1	
	31312-01		ARM - Cowl flap, outboard, right engine	1	
	31312-02		ARM - Cowl flap, inboard, left engine	1	
	31312-03		ARM - Cowl flap, inboard, right engine	1	
-9	31755-06		COWL ASSEMBLY - Engine nose	2	
-10	32339-00		CLIP - Line support	2	
-11	60054-37		LINK	1	
-12	492 669		VIBRATOR - Starting (#10-176487-122)	1	
-13	32020-00		ANGLE	2	
-14	404 887		NUT - (MS20365-1032C)	4	
-15	416 995		SCREW - (AN526-1032R8)	4	
-16	31192-05		PLATE - Gasket retainer	4	
-17	488 330		TEE - (AN825-6) Fuel pump	2	
-18	458 868		ELBOW - (MS20822-6) Fuel pump	2	
-19	32282-00		COWL ASSEMBLY - Bottom, left engine, outboard	1	
	32282-01		COWL ASSEMBLY - Bottom, right engine, outboard	1	
-20	32282-02		COWL ASSEMBLY - Bottom, left engine, inboard	1	
	32282-03		COWL ASSEMBLY - Bottom, right engine, inboard	1	
-21	32282-08		* SKIN ASSEMBLY - Bottom cowl, left engine, outboard	1	
	32282-09		* SKIN ASSEMBLY - Bottom cowl, right engine, outboard	1	
-22	32282-10		* SKIN ASSEMBLY - Bottom cowl, left engine, inboard	1	
	32282-11		* SKIN ASSEMBLY - Bottom cowl, right engine, inboard	1	
-23	31759-08		PANEL ASSEMBLY - Cowl, left engine, outboard	1	
	31760-07		PANEL ASSEMBLY - Cowl, right engine, inboard	1	
-24	32417-00		FILTER ASSEMBLY - Shielded magneto lead, left engine	2	
-25	451 854		ADAPTER - (W/H 3200 x 2)	1	
-26	31312-03		ARM - Cowl flap, outboard, left engine	1	
	31312-01		ARM - Cowl flap, outboard, right engine	1	
	31312-02		ARM - Cowl flap, inboard, left engine	1	
	31312-03		ARM - Cowl flap, inboard, right engine	1	
-27	32338-00		LINE ASSEMBLY - Manifold pressure	2	27-2505 to 27-3836 inclusive, 27-3838 to 27-3943 inclusive
	32796-00		LINE ASSEMBLY - Manifold pressure	2	27-3837, 27-3944 and up
-28	32340-00		LINE ASSEMBLY - Manifold pressure	2	
-29	32378-00		LINE ASSEMBLY - Manifold pressure, right engine	1	
-30	32379-00		LINE ASSEMBLY - Manifold pressure, left engine	1	
-31	43404-00		FILTER ASSEMBLY - Manifold pressure gauge	2	
-32	754 817		* FILTER - Manifold pressure gauge line	1	

NOTE

Airesearch Turbocharger System Components are not listed and are not available from Piper Aircraft Corporation. Refer to Airesearch Aviation Service Company Parts Catalog.

When ordering, always specify Part Number, Description and Serial Number of Aircraft

PIPER PARTS CATALOG

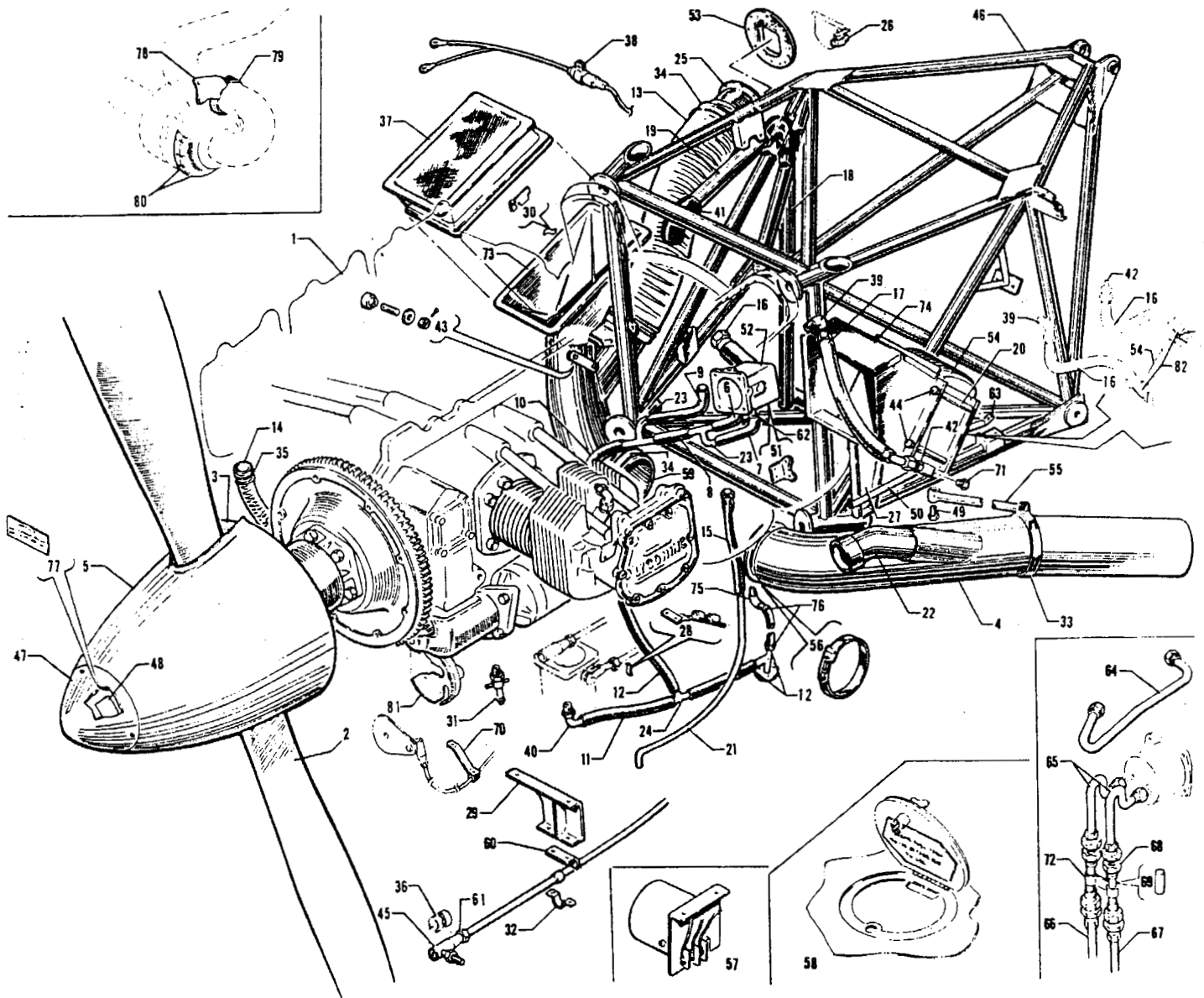


Figure 30C Lycoming Turbocharger Installation

PIPER PARTS CATALOG

Figure and Index Number	Part Number	Code	NOMENCLATURE	No. Req.	SERIAL NUMBERS AFFECTED
30C-	32330		DRAWING - Turbocharger System Installation (Lycoming)		
-1			ENGINE - Lycoming (TIO-540-C1A)	2	
-2	550 913	A,B	PROPELLER - (HC-E2YR-2RB/8465-7R)	2	27-4053, 27-4226 to 27-4543 inclusive
	550 918	A	PROPELLER - (HC-E2YR-2RBS/8465-7R)	2	27-4544 to 27-4764 inclusive
	550 925	A	PROPELLER - (HC-E2YR-2RBSF/F8465-7R)	2	27-4765 and up
-3	23815-00		BULKHEAD ASSEMBLY - Spinner rear	2	
-4	32779-00		TAIL PIPE ASSEMBLY - Left	1	
	32781-00		TAIL PIPE ASSEMBLY - Right	1	
-5	23818-00		SPINNER ASSEMBLY	2	
-6	16633-75		HOSE - Oil drain	2	
-7	16633-76		HOSE - Oil drain	2	
-8	16633-91		HOSE - Oil drain	2	
-9	16633-92		HOSE - Oil drain	2	
-10	16633-93		HOSE - Oil drain, (13" L.)	1	
	16633-36		HOSE - Oil drain, (20" L.)	1	
-11	61541-32		HOSE - Drain, injector inlet box	2	
-12	61541-33		HOSE - Drain	6	
-13	48076-04		HOSE - Duct, alternate air	2	
-14	22502-53		HOSE - Alternate air	2	27-4053, 27-4226 to 27-7405476 inclusive
	49997-12		HOSE - Alternate air	2	27-7554001 and up
-15	39998-04		HOSE ASSEMBLY - Drain, waste gate	2	
-16	39995-07		HOSE ASSEMBLY - Oil cooler	2	
-17	39995-08	C	HOSE ASSEMBLY - Oil cooler	2	
	39995-07	D	HOSE ASSEMBLY - Oil cooler	2	
-18	82352-56		TUBE - Engine breather	2	
-19	86142-42		TUBE - Engine breather, left	1	
	86142-43		TUBE - Engine breather, right	1	
-20	86062-94	E	TUBE - Oil cooler	8	
	49995-29	D	TUBE - Oil cooler	8	
-21	32824-00		TUBE - Waste gate drain	2	
-22	32847-00		TUBE - Exhaust, left	1	
	32848-00		TUBE - Exhaust, right	1	
-23	16632-00		TUBE - "Y" oil drain	4	
-24	32820-00		TUBE ASSEMBLY - Drain connector	2	
-25	32352-00		TUBE ASSEMBLY - Alternate air	2	
-26	554 046		* CATCH - Magnetic (41ALD)	1	
-27	32332-00		BRACKET ASSEMBLY - Oil cooler mounting	2	

- A - Refer to Figure 31A for component parts.
- B - Not available. Order Propeller Part No. 550 918 (HC-E2YR-2RBS/8465-7R) which incorporates a Spring Back-Up Kit. The opposite propeller must also include the Spring Back-Up Kit per Piper Service Letter No. 584 and Hartzell Service Letter No. 62.
- C - Order hose assembly, part number 39995-07, if Oil Cooler Replacement Kit 764 081 has been installed.
- D - Used on serial numbers 27-4053, 27-4226 and up if Oil Cooler Replacement Kit 764 081 has been installed.
- E - Order tube, part number 49995-29, if Oil Cooler Replacement Kit 764 081 has been installed.

When ordering, always specify Part Number, Description and Serial Number of Aircraft

PIPER PARTS CATALOG

Figure and Index Number	Part Number	Code	NOMENCLATURE	No. Req.	SERIAL NUMBERS AFFECTED
30C-28	32341-00		BRACKET ASSEMBLY - Mixture control cable support	2	
-29	32345-00		BRACKET ASSEMBLY - Throttle control cable attachment	2	
-30	41596-00		BRACKET - Air filter attachment	4	
-31	12956-05		VALVE ASSEMBLY - Oil drain	2	
-32	18219-02		CLAMP - Control cable	4	
-33	33536-01		CLAMP - Tail pipe, left engine	1	
	33536-00		CLAMP - Tail pipe, right engine	1	
-34	554 682		CLAMP - Alternate air induction (SAE TY F-64SS)	4	
-35	454 997		CLAMP - Alternate air tube (H-1160)	4	27-4053, 27-4226 to 27-7405476 inclusive 27-7554001 and up
	554 600		CLAMP - Alternate air tube (4212)	4	
-36	55447-02		RETAINER - Ball joint	4	
-37	26874-00		FILTER ASSEMBLY - Induction air	2	
-38	32417-00		FILTER ASSEMBLY - Shielded magneto lead	2	
-39	458 886		ELBOW - Oil cooler hose (AN823-8D)	4	
-40	458 948		ELBOW - Drain, injector inlet box (1K1-2-4)	2	
-41	21459-00		ELBOW - Engine breather tube	4	
-42	476 664		NIPPLE - Oil cooler hose (AN816-8D)	2	
-43	70371-02		FITTING - Swivel, alternate air control cable	2	
	70371-03		STUD - Alternate air control cable	2	
	81342-18		WASHER - O.D. 7/16", thickness .045	AR	
	81342-19		WASHER - O.D. 1/2", thickness .032	AR	
	404 392		NUT - (AN320-3)	2	
	424 051		PIN - Cotter (MS24665-132)	2	
-44	400 463		BOLT - (AN3-40A)	8	
	407 564		WASHER - (AN960-10)	8	
	407 584		WASHER - (AN960-10L)	AR	
-45	31747-00	A	JOINT ASSEMBLY - Control cable	4	
-46	32301-00		MOUNT ASSEMBLY - Engine, left	1	
	32301-01	D	MOUNT ASSEMBLY - Engine, right	1	27-4053, 27-4226 to 27-7854050 inclusive
	32301-05	E	MOUNT ASSEMBLY - Engine, right	1	27-7854051 and up
-47	23819-00	B	CAP ASSEMBLY - Propeller spinner	2	27-4053, 27-4226 to 27-4543 incl.
	23819-04	C	CAP ASSEMBLY - Propeller spinner	2	27-4544 and up
-48	46348-03	B	* DECAL - Propeller, pressure temperature	1	
	46348-05	C	* DECAL - Propeller, pressure temperature	1	

A - See Figure 31B if propeller synchronizer is installed.
B - Used on HC-E2YR-2RB/8465-7R propeller only.
C - Used on HC-E2YR-2RBS/8465-7R propeller only.
D - Order part for serial numbers 27-7854051 and up if Dual Hydraulic Pump Installation Kit 763 836 has been installed per Service Spares Letter No. 351.
E - Also used on aircraft with serial numbers 27-7654001 to 27-7854050 if Dual Hydraulic Pump Installation Kit 763 836 has been installed per Service Spares Letter No. 351.

When ordering, always specify Part Number, Description and Serial Number of Aircraft

PIPER PARTS CATALOG

Figure and Index Number	Part Number	Code	NOMENCLATURE	No. Req.	SERIAL NUMBERS AFFECTED
30C-49	401 927	A	SCREW - Drilled head (MS20074-04-14) (1.53 L.)	2	
	28472-02	A	BOLT - Special (1.88 L.)	2	
	401 924	B	SCREW - Drilled head (MS20074-04-10) (1.03 L.)	4	
	407 565		WASHER - (AN960-416)	AR	
-50	32335-00		STRUT - Oil cooler	2	
-51	32336-00		CLIP - Fuel pump shield	4	
-52	32337-00		SHIELD ASSEMBLY - Fuel pump	2	
-53	32342-00		GASKET - Alternate air tube, outer	2	
-54	32356-00	C	COOLER - Oil	2	
	32330-07	D	COOLER - Oil	2	
-55	32775-04	A	SUPPORT ASSEMBLY - Tail pipe, left engine	1	
	28489-02	B	SUPPORT ASSEMBLY - Tail pipe, left engine	1	
	32775-05	A	SUPPORT ASSEMBLY - Tail pipe, right engine	1	
	28499-02	B	SUPPORT ASSEMBLY - Tail pipe, right engine	1	
-56	555 511		COUPLING - Turbocharger to exhaust tube (MVT69861-377-M)	2	
-57	492 669		VIBRATOR - Starting (10-176487-122) 14-volt	1	
	492 687		VIBRATOR - Starting (10-357487-242) 28-volt	1	
-58	31192-05		PLATE - Gasket retainer	4	27-4053 to 27-7554168 inclusive
-59	42172-04		COUPLING - Hose	2	
-60	18132-02		LUG - Control cable support bracket	4	
-61	404 224		NUT - Control cable lock (AN315-3R)	4	
-62	451 857		ADAPTER - Hose, fuel pump drain (AN840-4D)	2	
-63	32334-02		STRUT - Oil cooler, right engine	1	
	32914-00		STRUT - Oil cooler, left engine	1	
-64	32340-00		LINE ASSEMBLY - Manifold pressure	2	27-4053, 27-4226 to 27-7405476 inclusive
-65	32796-00		LINE ASSEMBLY - Manifold pressure	2	27-4053, 27-4226 to 27-7405476 inclusive
-66	32378-00		LINE ASSEMBLY - Manifold pressure, right engine	1	27-4053, 27-4226 to 27-7405476 inclusive
-67	32379-00		LINE ASSEMBLY - Manifold pressure, left engine	1	27-4053, 27-4226 to 27-7405476 inclusive
-68	43404-00		FILTER ASSEMBLY - Manifold pressure gauge	2	27-4053, 27-4226 to 27-7405476 inclusive
-69	754 817		* FILTER - Manifold pressure gauge line	1	27-4053, 27-4226 to 27-7405476 inclusive
-70	21146-03		LUG - Propeller governor control cable support	2	
-71	460 670		PLUG - (W/H 3152 x 6)	2	
<p>A - Used on serial numbers 27-4053, 27-4226 to 27-7754162 inclusive, 27-7854002 to 27-7954001 inclusive and 27-7954003 to 27-8054025 incl.</p> <p>B - Used on serial numbers 27-7854001, 27-7954002 and 27-8054026 and up.</p> <p>C - Order Oil Cooler, part number 32330-07, if Oil Cooler Replacement Kit 764 081 has been installed.</p> <p>D - Used on serial numbers 27-4053, 27-4226 and up if Oil Cooler Replacement Kit 764 081 has been installed.</p>					

When ordering, always specify Part Number, Description and Serial Number of Aircraft

PIPER PARTS CATALOG

Figure and Index Number	Part Number	Code	NOMENCLATURE	No. Req.	SERIAL NUMBERS AFFECTED
30C-72	32339-00		CLIP - Line support	2	27-4053, 27-4226 to 27-7405476 inclusive
-73	32355-00		TUBE ASSEMBLY - Air induction	2	
-74	32333-00	B	DUCT ASSEMBLY - Oil cooler	2	
	32333-07	C	DUCT ASSEMBLY - Oil cooler	2	
-75	558 983	A	ELBOW - (2140-53) 45°	2	
-76	454 983	A	CLAMP - (SAE TY E-8)	4	
-77	581 700		PLACARD - Propeller pressure warning (CA-003)	1	
-78	33187-00		BRACKET ASSEMBLY - Tail pipe hanger, right	1	27-4053, 27-4226 to 27-7654079 inclusive
	15843-02		BRACKET ASSEMBLY - Tail pipe hanger, right	1	27-7654080 to 27-7754162 incl., 27-7854002 to 27-7954001 incl., 27-7954003 to 27-8054025 incl.
	28488-02		BRACKET ASSEMBLY - Tail pipe hanger, right	1	27-7854001, 27-7954002, 27-8054026 and up
-79	33188-00		CLAMP ASSEMBLY - Tail pipe, right	2	27-4053, 27-4226 to 27-7654079 inclusive
	554 631		CLAMP - (NH-1002876-10) right	1	27-7654080 to 27-7754162 incl., 27-7854002 to 27-7954001 incl., 27-7954003 to 27-8054025 incl.
	455 012		CLAMP - (NH-1002876-20) right	1	27-7854001, 27-7954002, 27-8054026 and up
	49989-15		STRAP - Clamp, right	1	27-7654080 to 27-7754162 incl., 27-7854002 to 27-7954001 incl., 27-7954003 to 27-8054025 incl.
-80	452 907		BLANKET - Insulation, turbocharger housing, lower half (4-652568-3)	2	
	452 908		BLANKET - Insulation, turbocharger housing, rear upper half (4-652568-5)	2	
	452 909		BLANKET - Insulation, turbocharger housing, forward upper half (4-652568-7)	2	
-81	26890-00		TUBE ASSEMBLY - Alternator cooling	2	27-7554001 and up
-82	41623-00	C	ELBOW - Special	4	
	462 031	C	GASKET - (AN6290-8)	4	
	477 621	C	NUT - (AN924-8D)	4	
			<p>A - Used if turbocharger compressor housing incorporates a drain boss.</p> <p>B - Order Duct Assembly, part number 32333-07, if Oil Cooler Replacement Kit 764 081 has been installed.</p> <p>C - Used on serial numbers 27-4053, 27-4226 and up if Oil Cooler Replacement Kit 764 081 has been installed.</p>		

When ordering, always specify Part Number, Description and Serial Number of Aircraft

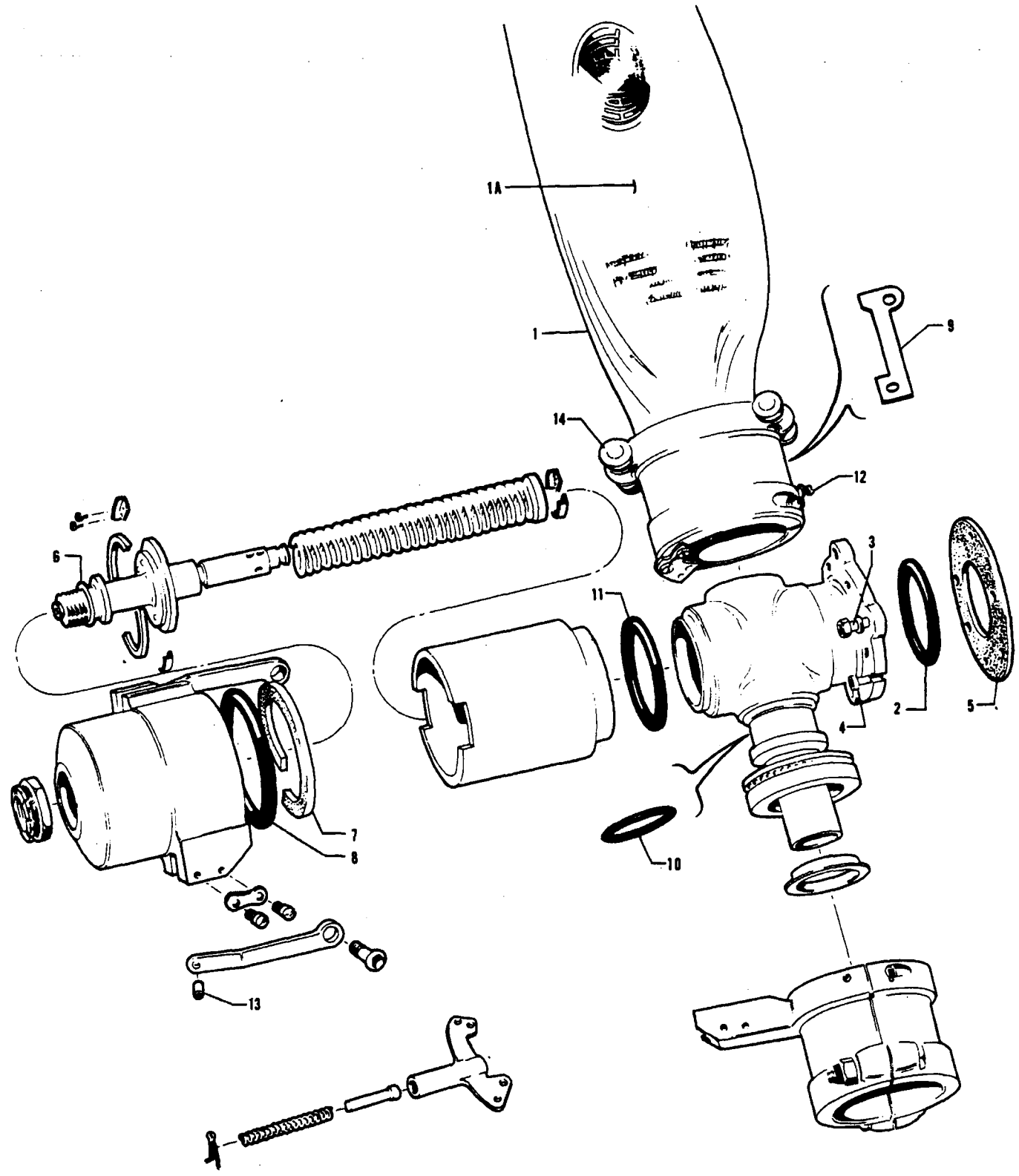


Figure 31. Propeller
(Serial Nos. 27-1 to 27-2504 inclusive)

PROPELLER
(Serial Nos. 27-1 to 27-2504 inclusive)



SECTION V
Power Plant Group

Figure and Index Number	Part Number	Code	NOMENCLATURE	No. Req.	SERIAL NUMBERS AFFECTED
31-1	450 925		PROPELLER - Hartzell (HC-A2XK-2/8433-10)	2	
	450 926	A	PROPELLER - Hartzell (HC-A2XK-2/8433B-10) (28-volt)	2	
-1a	751 440	A	BLADE - Propeller (8433B-10) (28-volt)	2	
-2	752 832		PACKING - "O" Ring (AN627-32)	1	
-3	751 433		BOLT - Hub mounting (A-1333)	2	
-4	756 104		SCREW - Hub mounting socket (1328)	4	
-5	751 855		GASKET - Propeller mounting (B-1322)	1	
-6	752 757		PACKING - "O" Ring (PRP-914-12)	1	
-7	752 896		SEAL - Piston felt dust (A-863)	1	
-8	752 774		PACKING - "O" Ring (PRP-902-46)	1	
-9	751 856		GASKET - Clamp (A-47-1)	4	
-10	755 800		PACKING - "O" Ring (PRP-908-6)	2	
-11	755 801		PACKING - "O" Ring (PRP-908-13)	1	
-12	751 784		FITTING - Clamp, Zerk (5010)	4	
-13	756 105		SLEEVE - Link screw (A-844)	2	
-14	752 489		NUT - Clamp (AN363-624 H. T.)	4	

A - Used when 28-volt propeller deicer installation is installed.

When ordering, always specify Part Number, Description and Serial Number of Aircraft

2C24

INTENTIONALLY LEFT BLANK

PIPER PARTS CATALOG

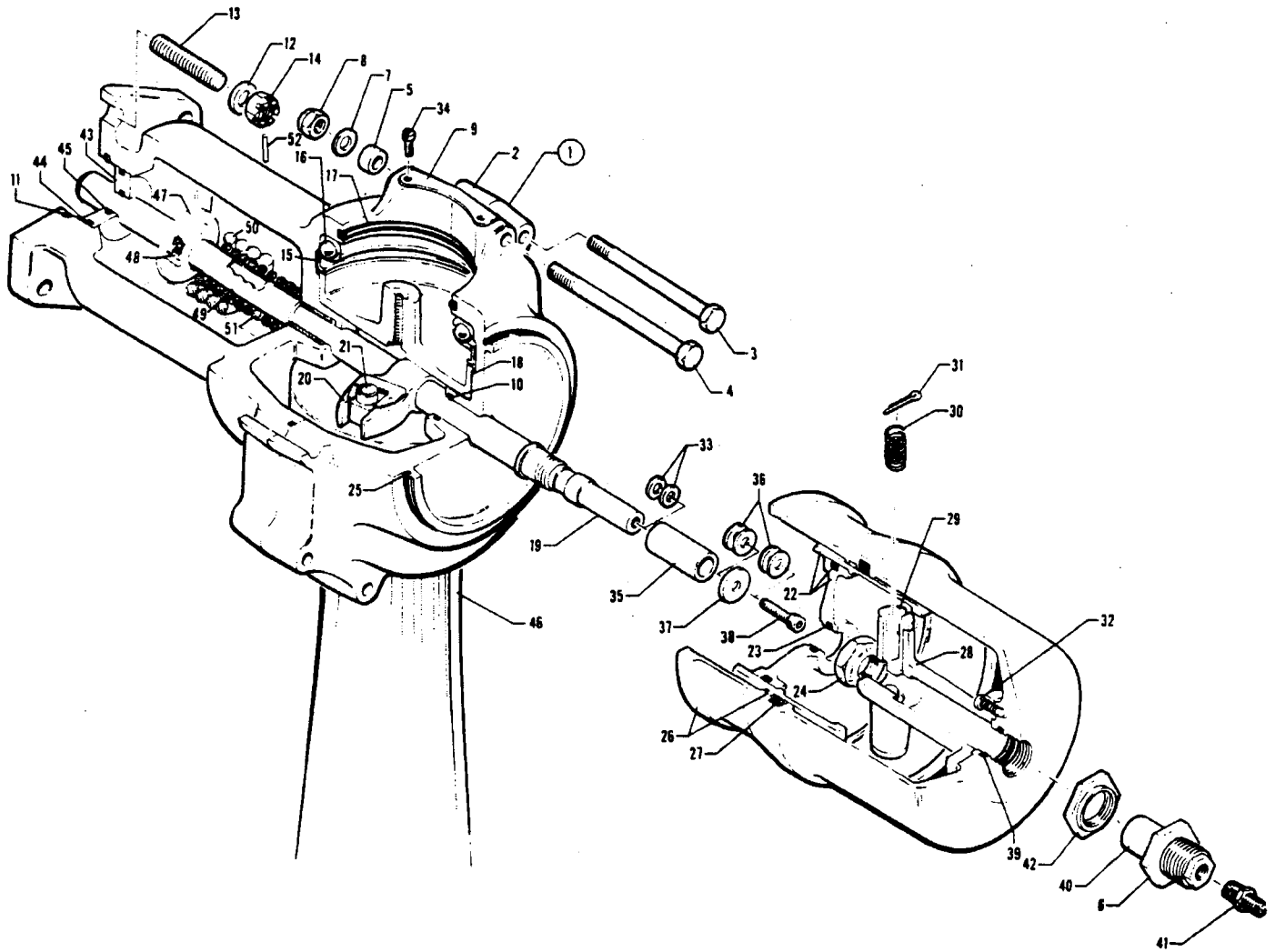


Figure 31A. Propeller
(Serial Nos. 27-2505 and up)

PIPER PARTS CATALOG

Figure and Index Number	Part Number	Code	NOMENCLATURE	No. Req.	SERIAL NUMBERS AFFECTED
31A-1	450 931	A	PROPELLER ASSEMBLY - Hartzell (HC-E2YK-2RB/8465-7R)	2	27-2505 to 27-3892 inclusive, 27-3894 to 27-3897 inclusive
	550 902	A	PROPELLER ASSEMBLY - Hartzell (HC-E2YR-2RB/8465-7R)	2	27-3893, 27-3898 to 27-4543 incl.
	550 917		PROPELLER ASSEMBLY - Hartzell (HC-E2YR-2RBS/8465-7R)	2	27-4544 to 27-4759 inclusive
	550 924		PROPELLER ASSEMBLY - Hartzell (HC-E2YR-2RBSF/F8465-7R)	2	27-4760 and up
	550 913	A,B	PROPELLER ASSEMBLY - Hartzell (HC-E2YR-2RB/8465-7R)	2	27-4053, 27-4226 to 27-4543 incl.
	550 918	B	PROPELLER ASSEMBLY - Hartzell (HC-E2YR-2RBS/8465-7R)	2	27-4544 to 27-4764 inclusive
	550 925	B	PROPELLER ASSEMBLY - Hartzell (HC-E2YR-2RBSF/F8465-7R)	2	27-4765 and up
-2	751 982	C	HUB ASSEMBLY - Propeller (D-2477-R)	1	
	752 007	D	HUB ASSEMBLY - Propeller (D-2477-2R)	1	
	755 221	F	HUB ASSEMBLY - Propeller (D-2477-2RF)	1	
-3	753 461		BOLT - Hex head (A-2431)	6	
-4	753 462		BOLT - Hex head (A-2433)	4	
-5	756 284		SPACER - (A-2246-4)	4	
-6	752 510		NUT - Check (A-2405-1)	1	
-7	407 567		WASHER - (AN960-816)	10	
-8	752 511		NUT - Elastic (A-2043)	10	
-9	756 607		WEIGHT - Balance (A-2424)	AR	
-10	752 713	E	"O" RING - Hub (PRP-902-15)	1	
-11	755 800	E	"O" RING - Shaft (PRP-909-6)	1	
-12	407 569		WASHER - (AN960-816)	6	
-13	756 295	C	STUD - Flange (A-2247-2)	6	
	757 583	D	STUD - Flange (A-2067)	6	
-14	752 516	C	NUT - Castle (A-2045)	6	
	752 530	D	NUT - Castle (A-2069)	6	
-15	755 968		RING - Bearing guide (A-2204)	2	
-16	753 463		BEARING - Split (A-2202)	2	
-17	755 934	E	"O" RING - Blade (PRP-902-42)	2	
-18	757 249		PLATE UNIT - Preload (B-2256)	2	

A - Not available. Order propeller 550 924 for non-turbocharged aircraft or P/N 550 925 for turbocharged aircraft. A Spring Back-Up Kit is incorporated in 550 924 and 550 925 propellers. The opposite propeller must also include the Spring Back-Up Kit per Piper Service Letter No. 564 and Hartzell Service Letter No. 62.

B - Used if Lycoming Turbocharger is installed.

C - Used with Propeller Assemblies HC-E2YK-2RB/8465-7R and HC-E2YK-2RBS/8465-7R only.

D - Used with Propeller Assemblies HC-E2YR-2RB/8465-7R and HC-E2YR-2RBS/8465-7R only.

E - Parts included in Propeller Repair Kit, P/N 756 806.

F - Used with Propeller Assembly HC-E2YR-2RBSF/F8465-7R only.

When ordering, always specify Part Number, Description and Serial Number of Aircraft

PIPER PARTS CATALOG

Figure and Index Number	Part Number	Code	NOMENCLATURE	No. Req.	SERIAL NUMBERS AFFECTED
31A-19	755 971	E	* ROD UNIT - Piston (B-2491-4)	1	
	756 040	B	* ROD UNIT - Piston (B-2491-4S)	1	
-20	751 820	D,F	* FORK UNIT - Pitch change (B-2457-2)	1	
	754 826	C	* FORK UNIT - Pitch change (B-2457-3)	1	
-21	753 464	H	* BLOCK - Pitch change (A-2217-1)	2	
	753 465	H	* BLOCK - Pitch change (A-2217-2)	2	
	758 204	C	* BLOCK - Pitch change (A-2217-3)	2	
	758 422	G	* BLOCK - Pitch change (A-2217-4)	2	
-22	757 254		* PISTON UNIT - (B-3239)	1	
-23	752 713	A	* "O" RING - Piston seal (PRP-902-15)	1	
-24	752 514		* NUT - Rod (Esna 52NTE-108)	1	
-25	755 937	A	* "O" RING - Cylinder mounting (PRP-909-29)	1	
-26	753 983		* CYLINDER UNIT - (B-2452-1)	1	
-27	755 978	A	* "O" RING - Cylinder (A-3224)	1	
-28	753 467		* BRACKET - High stop (B-3224)	1	
-29	757 251		* PIN - High stop (A-2407-2)	4	
-30	756 242	A	* SPRING - High stop (A-884)	4	
-31	424 061	A	* PIN - Cotter, high stop (AN380-3-5)	4	
-32	756 286		* SCREW - Filister head (AN501A416-10)	4	
-33	756 603		* WASHER - High pitch adjustment (A-2435)	2	
	756 604		* WASHER - High pitch adjustment (A-2435-1)	1	
-34	756 294		* SCREW - Weight (AN501-A10-10)	8	
-35	756 289		* SLEEVE - High stop (A-2499-10)	1	
-36	407 676		* WASHER - (AN960-C516)	4	
-37	756 606		* WASHER - Feathering stop (A-2411-1)	1	
-38	756 291		* SCREW - Socket head cap (A-3205)	1	
-39	755 933	A	* "O" RING - Stop seal (PRP-914-17)	1	
-40	756 293		* LOW STOP - (A-2404-1)	1	
-41	756 510		* AIR VALVE - Schrader (A625)	1	
-42	752 515		* NUT - Check (A-2405)	1	
-43	757 253		* PLUG - Shaft (A-2481)	1	
-44	755 931	A	* "O" RING - Plug (PRP-909-4)	1	
-45	755 932	A	* "O" RING - Plug (PRP-902-13)	1	
			<p>A - Parts included in Propeller Repair Kit, P/N 756 806. B - Used with Propeller Assemblies HC-E2YK-2RBS/8465-7R and HC-E2YR-2RBS/8465-7R only. C - Used with Propeller Assembly HC-E2YR-2RBSF/F8465-7R only. D - Used with Propeller Assemblies HC-E2YK-2RB/8465-7R, HC-E2YR-2RB/8465-7R, HC-E2YR-2RBS/8465-7R and HC-E2YK-2RBS/8465-7R only. E - Used with Propeller Assemblies HC-E2YK-2RB/8465-7R and HC-E2YR-2RB/8465-7R only. F - No longer available. Order one fork unit, P/N 754 826 (B-2457-3) and two blocks, P/N 758 422 (A-2217-4) for replacement. G - Used with Propeller Assemblies HC-E2YK-2RB/8465-7R, HC-E2YR-2RB/8465-7R, HC-E2YR-2RBS/8465-7R and HC-E2YK-2RBS/8465-7R if fork unit 751 820 has been replaced with fork unit 754 826. H - Used with fork unit 751 820 (B-2457-2) only.</p>		

When ordering, always specify Part Number, Description and Serial Number of Aircraft

PIPER PARTS CATALOG

Figure and Index Number	Part Number	Code	NOMENCLATURE	No. Req.	SERIAL NUMBERS AFFECTED
31A-46	753 409	A	* BLADE - Propeller (8465-7R)	2	
	758 196	C	* BLADE - Propeller (F8465-7R)	2	
-47	756 041	B	* RETAINER - Spring	1	
-48	760 454	B	* KEEPER - Spring retainer	1	
-49	757 645	B	* SPACER - Spring back-up	1	
-50	757 647	B	* SPRING - Spacer	1	
-51	757 646	B	* SPRING - Spacer	1	
-52	763 417	B	* PIN - Roll (31-S-094-0750)	6	
		A	- Used with Propeller Assemblies HC-E2YK-2RB/8465-7R, HC-E2YR-2RB/8465-7R, HC-E2YR-2RBS/8465-7R and HC-E2YK-2RBS/8465-7R only.		
		B	- Used with Propeller Assemblies HC-E2YK-2RBS/8465-7R and HC-E2YR-2RBS/8465-7R only.		
		C	- Used with Propeller Assembly HC-E2YR-2RBSF/F8465-7R only.		

When ordering, always specify Part Number, Description and Serial Number of Aircraft

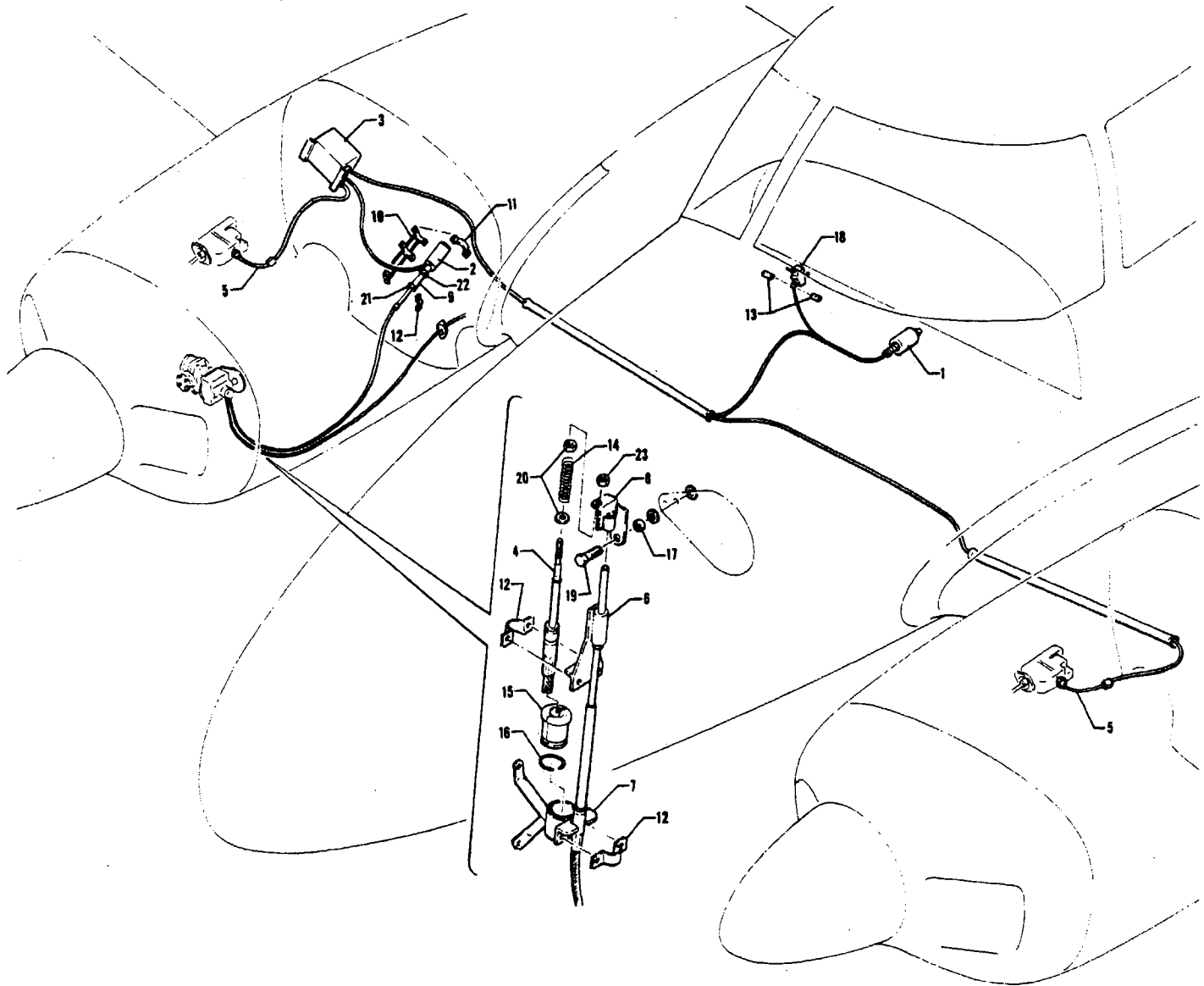


Figure 31B. Propeller Synchronizer System Installation

PROPELLER SYNCHRONIZER
SYSTEM INSTALLATION



SECTION V
Power Plant Group

Figure and Index Number	Part Number	Code	NOMENCLATURE	No. Req.	SERIAL NUMBERS AFFECTED
31B-	33006		DRAWING - Propeller Synchronizer System Installation		
-1	44350-00		CONTROL HEAD - Propeller synchronizer (555 382)	1	
-2	44342-02		SERVO - Propeller control, phase (486 399)	1	
-3	44341-02		CHASSIS - Electronics propeller control (454 399)	1	
-4	44340-02		CABLE ASSEMBLY - Push pull control, flexible (554 128)	1	
-5	490 647		PICK-UP - Magnetic (10-187065-1)	2	
-6	33004-00		BRACKET ASSEMBLY - Propeller control	1	
-7	33006-00		BRACKET ASSEMBLY - Propeller control, fairlead	1	
-8	33003-00		LINK ASSEMBLY - Propeller control	1	
-9	44332-00		ADAPTER - Propeller control cable	1	
-10	44329-00		CLAMP ASSEMBLY - Propeller control	1	
-11	44337-00		CLAMP - Propeller control	2	
-12	18219-02		CLAMP - Control cable attachment	3	
-13	31506-02		BAR - Bus	2	
-14	83302-81		SPRING - Propeller control (587 263)	1	
-15	40701-02		SEGMENT - Cable fairlead	2	
-16	40081-00		RING - Snap, fairlead	1	
-17	49999-29		BUSHING - Mixture control arm	1	
-18	454 656		CIRCUIT BREAKER - (PS50120-3-7)	1	
-19	401 266		BOLT - (AN3-5A)	1	
	407 564		WASHER - (AN960-10)	2	
	404 835		NUT - (MS20364-1032C)	1	
-20	407 584		WASHER - (AN960-10L)	2	
	404 224		NUT - (AN315-3R)	1	
-21	404 224		NUT - (AN315-3R)	1	
-22	404 225		NUT - (AN315-4R)	1	
-23	404 835		NUT - (MS20364-1032C)	1	

When ordering, always specify Part Number, Description and Serial Number of Aircraft

PIPER PARTS CATALOG

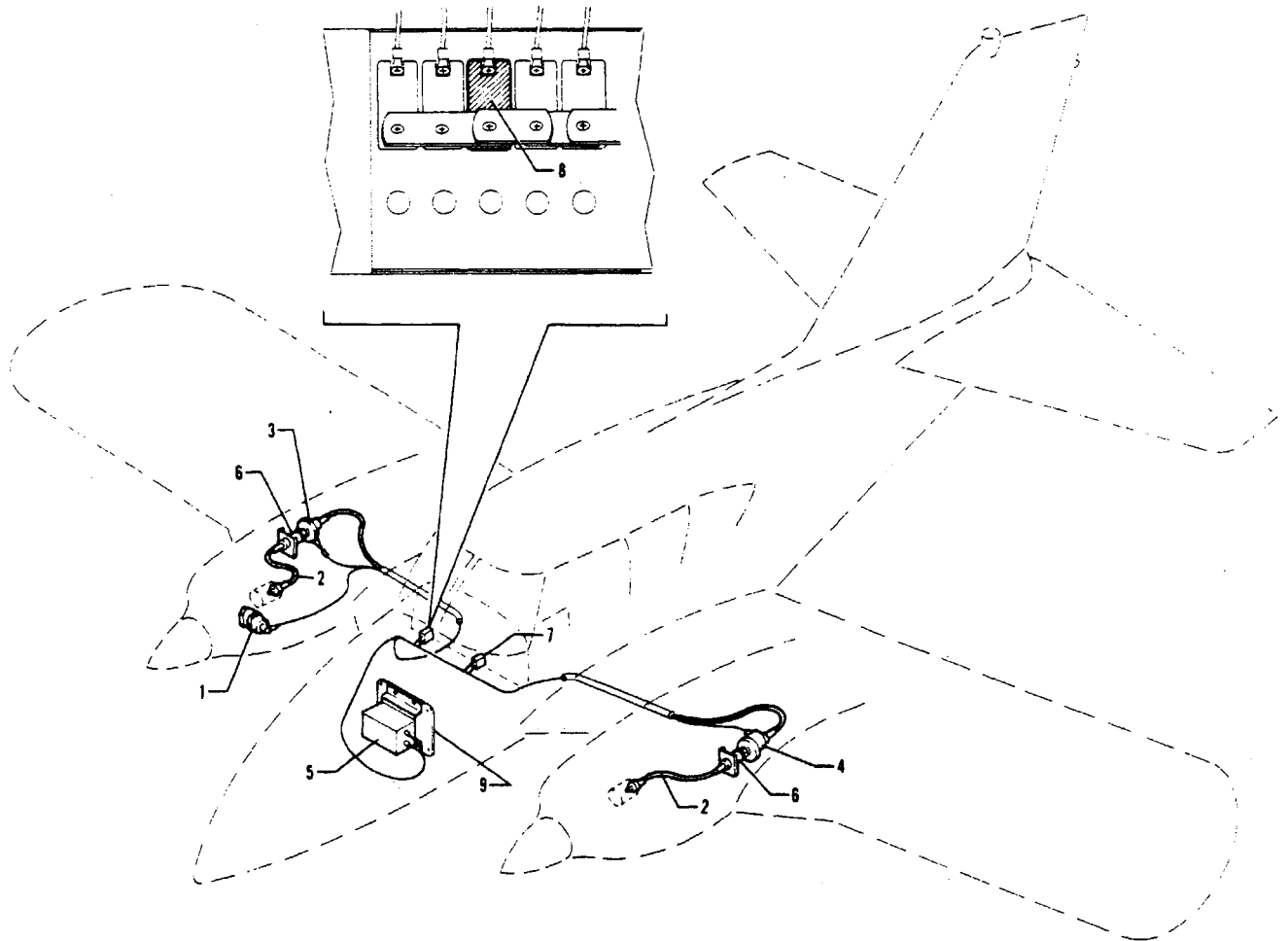


Figure 31C. Propeller Synchrophaser System Installation

PIPER PARTS CATALOG

Figure and Index Number	Part Number	Code	NOMENCLATURE	No. Req.	SERIAL NUMBERS AFFECTED
31C-	33249 28475		DRAWING - Propeller Synchrophaser System Installation DRAWING - Propeller Synchrophaser System Installation		27-3944 to 27-7854067 inclusive 27-7854068 and up
-1	24622-12 24622-16 24622-22	A,C B,D	GOVERNOR ASSEMBLY - Right (F-8-5A) GOVERNOR ASSEMBLY - Right (F-8-28) GOVERNOR ASSEMBLY - Right (F-8-47)	1 1 1	27-7854068 and up
-2	486 629		SHAFT ASSEMBLY - (PS60044-18)	2	
-3	757 887 763 434		STROBE SENSOR - (C-3968) PULSE GENERATOR ASSEMBLY - (A-4478)	1 1	27-3944 to 27-7854067 inclusive 27-7854068 and up
-4	757 375 763 434		PULSE GENERATOR ASSEMBLY - (B-3956) PULSE GENERATOR ASSEMBLY - (A-4478)	1 1	27-3944 to 27-7854067 inclusive 27-7854068 and up
-5	757 946 757 947 763 249		COMPUTER ASSEMBLY - (D-3996) 14-volt COMPUTER ASSEMBLY - (D-43403) 28-volt COMPUTER ASSEMBLY - (C-4362-1)	1 1 1	27-3944 to 27-7854067 inclusive 27-3944 to 27-7854067 inclusive 27-7854068 and up
-6	33203-00		CONNECTOR ASSEMBLY - Bulkhead	2	
-7	32370-22 33318-18 33318-29		SWITCH - Propeller synchrophaser (14-volt) SWITCH - Propeller synchrophaser (28-volt) SWITCH - Propeller synchrophaser	1 1 1	27-3944 to 27-7854067 inclusive 27-3944 to 27-7854067 inclusive 27-7854068 and up
-8	454 656		CIRCUIT BREAKER - (PS50120-3-7) 5 amp	1	
-9	49436-02		PLATE - Computer mounting	1	27-7854068 and up
<p>A - Used if Lycoming Serial Number on engine does not include suffix "A". B - Used if Lycoming Serial Number on engine includes suffix "A". C - Used on PA-23-250 (Six Place) with serial numbers 27-3944 to 27-7405359 inclusive, 27-7405361, 27-7405363, 27-7405366 and 27-7405367. D - Used on PA-23-250 (Six Place) with serial numbers 27-7405360, 27-7405362, 27-7405364, 27-7405365, 27-7405368 to 27-7854067 inclusive.</p>					

When ordering, always specify Part Number, Description and Serial Number of Aircraft

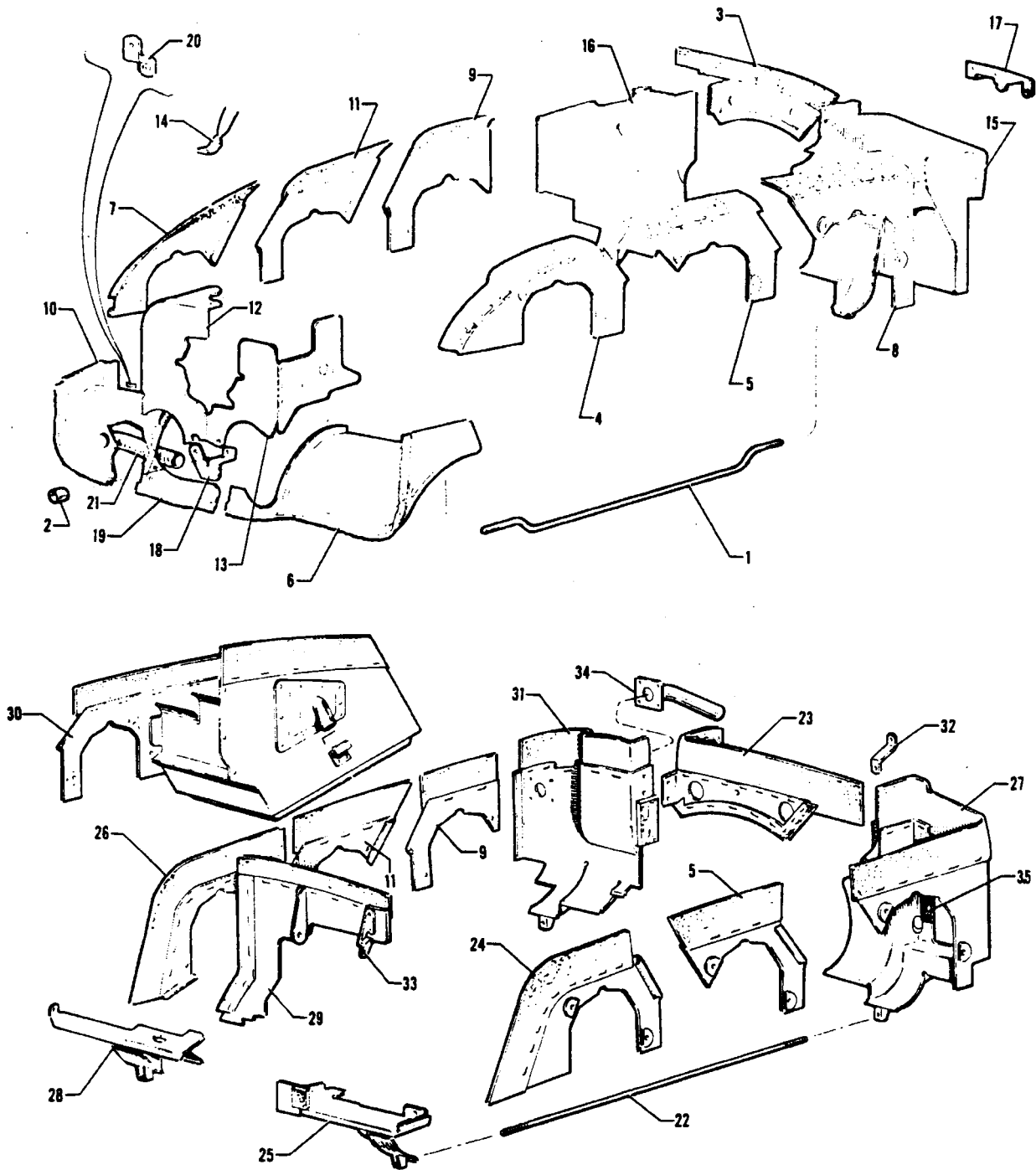


Figure 32. Engine Baffle Installation

PIPER PARTS CATALOG

Figure and Index Number	Part Number	Code	NOMENCLATURE	No. Req.	SERIAL NUMBERS AFFECTED
32-	16578 31434	C Y	DRAWING - Engine Baffle Installation DRAWING - Engine Baffle Installation		27-2505 and up
-1	14513-02	C	ROD - Baffle tie, left side	2	
	14513-03	C	ROD - Baffle tie, right side	2	
-2	14976-41	C	BUSHING	2	
-3	18360-00	C	BAFFLE ASSEMBLY - Left engine, rear center	1	
	16957-00	C	BAFFLE ASSEMBLY - Right engine, rear center	1	
-4	18363-00	C	BAFFLE ASSEMBLY - Left side, front	2	
-5	18364-00	C	BAFFLE ASSEMBLY - Left side, center	2	
-6	16627-00	C	BAFFLE ASSEMBLY - Right engine, left front	1	
	16627-04	C	BAFFLE ASSEMBLY - Left engine, left front	1	
-7	16372-00	C	BAFFLE ASSEMBLY - Right side, front	2	
-8	16413-00	C	BAFFLE ASSEMBLY - Left side, rear	2	
-9	16414-00	C	BAFFLE ASSEMBLY - Right side, rear	2	
-10	30194-02	C	BAFFLE ASSEMBLY - Left engine, right front	1	
	30194-03	C	BAFFLE ASSEMBLY - Right engine, right front	1	
-11	18594-00	C	BAFFLE ASSEMBLY - Right side, center	2	
-12	16596-00	A,C	BAFFLE ASSEMBLY - Front center, right	2	
	30046-00	B,C	BAFFLE ASSEMBLY - Front center, right	2	
-13	16607-00	C	BAFFLE ASSEMBLY - Engine front center, left half	2	
-14	16608-00	C	BRACKET - Baffle attachment	2	

A - Used when de-icer installation is not installed.
 B - Used when de-icer installation is installed.
 C - Used on PA-23-250 (Six Place) with serial numbers 27-2000 to 27-2504 inclusive. Also used on PA-23-250 and PA-23-235 airplanes.
 Y - Used on PA-23-250 (Six Place) airplanes only.

When ordering, always specify Part Number, Description and Serial Number of Aircraft

PIPER PARTS CATALOG

Figure and Index Number	Part Number	Code	NOMENCLATURE	No. Req.	SERIAL NUMBERS AFFECTED
32-15	16436-00	A	BAFFLE ASSEMBLY - Right engine, left rear	1	
	16948-00	A	BAFFLE ASSEMBLY - Left engine, left rear	1	
-16	16365-00	A	BAFFLE ASSEMBLY - Left engine, right rear	1	
	16625-00	A	BAFFLE ASSEMBLY - Right engine, right rear	1	
-17	21517-00		BRACKET - Rear baffle attachment	2	27-1 to 27-366 inclusive
	21146-00	A	LUG - Rear baffle attachment	4	27-367 to 27-2504 inclusive
-18	21518-00	A	BRACKET - Front baffle attachment	2	
-19	16949-00	A	BAFFLE ASSEMBLY - Engine front center	2	
-20	16950-00	A	BRACKET - Baffle attachment	2	
-21	10525-51	A	HOSE - Generator air blast, L. 11"	1	
-22	10487-07	Y	ROD - Baffle tie	4	27-2505 and up
-23	16957-00	Y	BAFFLE ASSEMBLY - Left engine, rear center	1	27-2505 to 27-3836 inclusive, 27-3838 to 27-3943 inclusive
	16957-03	Y	BAFFLE ASSEMBLY - Left engine, rear center	1	27-3837, 27-3944 and up
	16957-03	Y	BAFFLE ASSEMBLY - Right engine, rear center	1	27-2505 and up
	16957-00	D,Y	BAFFLE ASSEMBLY - Rear center	2	
-24	31348-00	Y	BAFFLE ASSEMBLY - Left side, front	2	27-2505 and up
-25	31359-04	Y	BAFFLE ASSEMBLY - Left engine, left front	1	27-2505 and up
	31359-00	Y	BAFFLE ASSEMBLY - Right engine, left front	1	27-2505 and up
	31359-06	D,Y	BAFFLE ASSEMBLY - Left front	2	
-26	31344-00	Y	BAFFLE ASSEMBLY - Right side, front	2	27-2505 and up
-27	33415-00	B,E,Y	BAFFLE ASSEMBLY - Left rear	2	27-2505 to 27-8054024 incl.
	33416-00	F,Y	BAFFLE ASSEMBLY - Left rear	2	27-8054025 and up
	33416-00	D,Y	BAFFLE ASSEMBLY - Left rear	2	
-28	31329-00	Y	BAFFLE ASSEMBLY - Right front	2	27-2505 to 27-7405476 incl.
	31329-08	Y	BAFFLE ASSEMBLY - Right front	2	27-7554001 and up
	31329-02	D,Y	BAFFLE ASSEMBLY - Right front	2	27-4053 to 27-7405476 incl.
	31329-06	D,Y	BAFFLE ASSEMBLY - Right front	2	27-7554001 and up
-29	31340-00	Y	BAFFLE ASSEMBLY - Front center	2	27-2505 and up
-30	32362-00	D,Y	BAFFLE ASSEMBLY - Right side, rear	2	
-31	33413-00	C,Y	BAFFLE ASSEMBLY - Right rear	2	27-2505 and up
	33414-00	D,Y	BAFFLE ASSEMBLY - Right rear	2	
-32	21146-02	Y	LUG - Rear baffle attachment	4	27-2505 and up
-33	31360-00	Y	BRACKET - Baffle attachment	2	27-2505 and up
-34	31393-00	B,Y	TAKE-OFF ASSEMBLY - Air	1	27-2505 and up
-35	32027-00	B,Y	ANGLE - Baffle reinforcement, oil cooler	2	27-3044, 27-3048 and up

- A - Used on PA-23-250 (Six Place) with serial numbers 27-2000 to 27-2504 inclusive. Also used on PA-23-250 and PA-23-235 airplanes.
- B - Not used if Lycoming Turbocharger is installed.
- C - When ordering for airplanes with serial numbers 27-2505 to 27-2565, 27-2567 to 27-2634, 27-2636 to 27-2656, 27-2658 to 27-2692 and 27-2694 to 27-2742 inclusive, ascertain that Fuel Pump Replacement Kit 756 880 has been installed per Service Letter No. 441.
- D - Used if Lycoming Turbocharger is installed.
- E - Order part for serial numbers 27-8054025 and up if Oil Cooler Replacement Kit 764 001 has been installed per Service Spares Letter No. 374.
- F - Also used on serial numbers 27-2505 to 27-8054024 inclusive if Oil Cooler Replacement Kit 764 001 has been installed per Service Spares Letter No. 374.
- Y - Used on PA-23-250 (Six Place) airplanes only.

When ordering, always specify Part Number, Description and Serial Number of Aircraft

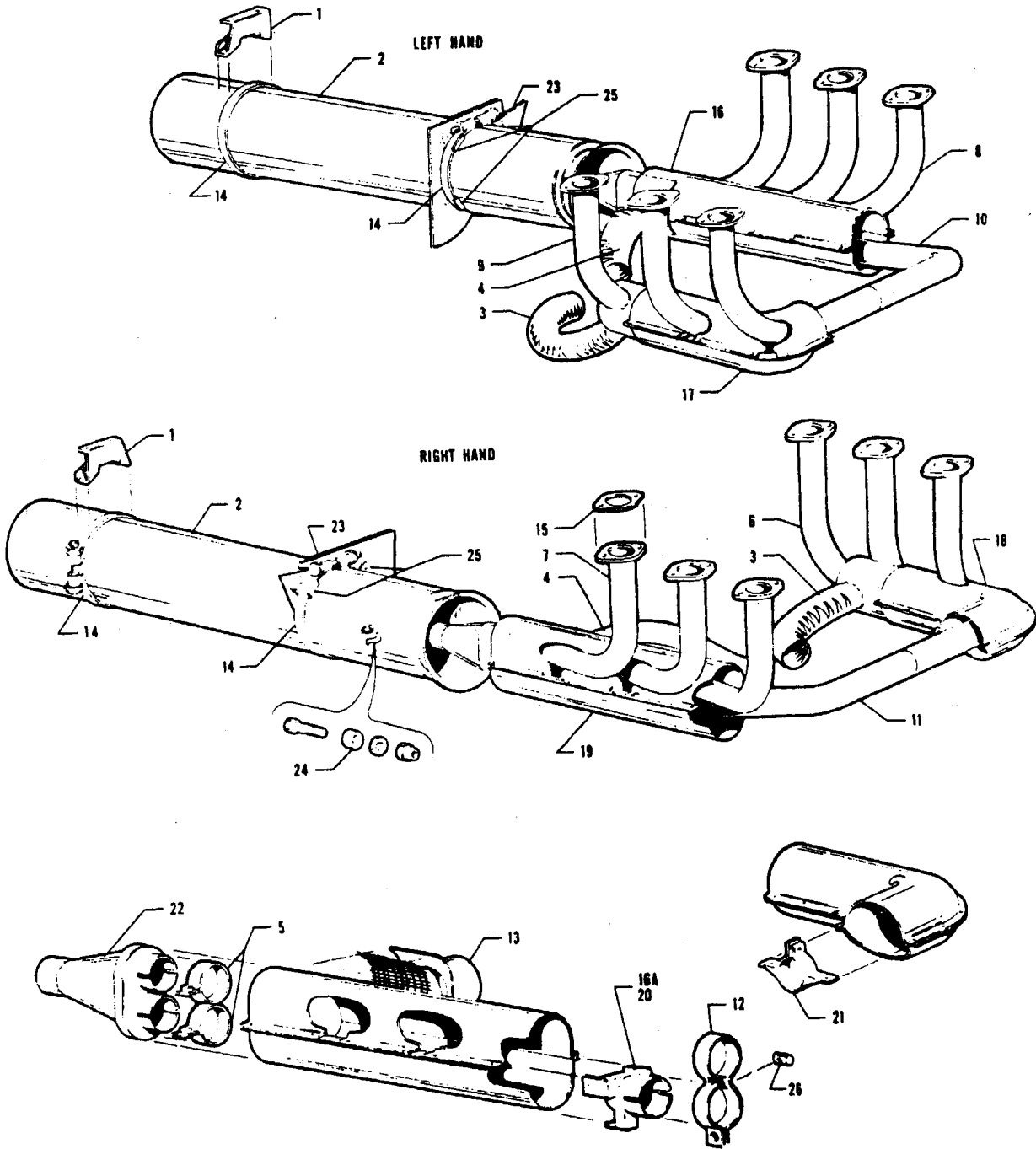


Figure 33. Exhaust Collectors Installation
(Serial Nos. 27-1 to 27-2504 inclusive)

PIPER PARTS CATALOG

Figure and Index Number	Part Number	Code	NOMENCLATURE	No. Req.	SERIAL NUMBERS AFFECTED
33-	16579 16420		DRAWING - Exhaust System Installation DRAWING - Exhaust Ejector Tube Installation		
-1	16419-00 16419-01		BRACKET - Left engine exhaust ejector tube rear support clamp mounting BRACKET - Right engine exhaust ejector tube rear support clamp mounting	1 1	
-2	16418-08 16418-07		TUBE ASSEMBLY - Engine exhaust ejector, left TUBE ASSEMBLY - Engine exhaust ejector, right	1 1	
-3	10525-79		HOSE - Carburetor heat	2	
-4	10525-80		HOSE - Carburetor heat	2	
-5	14235-10		CLAMP - Exhaust stack	4	
-6	30349-10	B	STACK ASSEMBLY - Right engine, left side (16315-10)	1	
-7	30349-09		STACK ASSEMBLY - Right engine, right side (16315-09)	1	
-8	30348-13		STACK ASSEMBLY - Left engine, left side (16314-13)	1	
-9	30348-14	B	STACK ASSEMBLY - Left engine, right side (16314-14)	1	
-10	30348-02		STACK ASSEMBLY - Left engine, left (16314-02)	1	
-11	30349-08		STACK ASSEMBLY - Right engine, right (16315-08)	1	
-12	18241-00 80002-71		CLAMP - Exhaust stack, right engine CLAMP - Exhaust stack, left engine	1 1	
-13	16586-00		TUBE ASSEMBLY - Carburetor heat	2	
-14	16416-00		CLAMP ASSEMBLY - Exhaust ejector tube support	4	
-15		A	GASKET - Exhaust stack (#65321)		
-16	16556-03 16556-05		SHROUD ASSEMBLY - Exhaust stack, left engine, left side, top SHROUD ASSEMBLY - Exhaust stack, left engine, left side, bottom	1 1	
-16a	16560-05		BRACKET ASSEMBLY - Exhaust stack shroud support	1	
-17	16547-08 16547-09		SHROUD ASSEMBLY - Exhaust stack, left engine, right side, top SHROUD ASSEMBLY - Exhaust stack, left engine, right side, bottom	1 1	
-18	16571-08 16571-09		SHROUD ASSEMBLY - Exhaust stack, right engine, left side, top SHROUD ASSEMBLY - Exhaust stack, right engine, left side, bottom	1 1	
-19	16565-03 16565-05		SHROUD ASSEMBLY - Exhaust stack, right engine, right side, top SHROUD ASSEMBLY - Exhaust stack, right engine, right side, bottom	1 1	
-20	16560-05		BRACKET ASSEMBLY - Exhaust stack shroud support	1	
-21	16548-00		CLAMP ASSEMBLY - Exhaust stack	2	
-22	16392-11	B	NOZZLE ASSEMBLY - Exhaust stack (16392-00)	1	
-23	16361-08 16361-09		PLATE ASSEMBLY - Firewall outboard corner, left PLATE ASSEMBLY - Firewall outboard corner, right	1 1	
-24	14976-39		BUSHING	1	
-25	16417-00		BRACKET - Ejector tube clamp	6	
-26	18242-02		PIN - Exhaust stack clamp	2	

A - Secure from Lycoming, Division-Avco Corporation, Williamsport, Penna.
B - Not used on fuel injection model. Refer to Figure 35A for correct part.

When ordering, always specify Part Number, Description and Serial Number of Aircraft

PIPER PARTS CATALOG

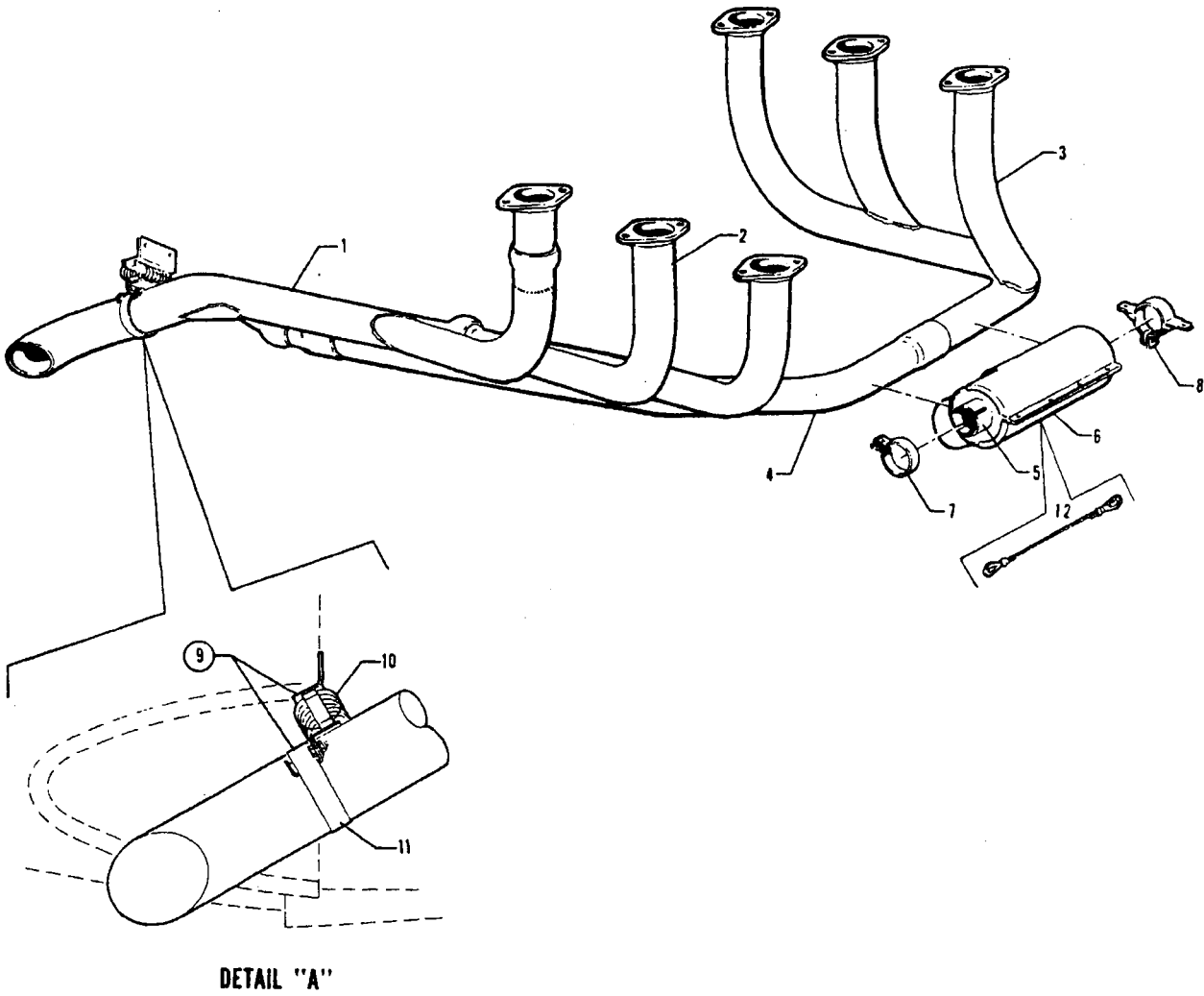


Figure 33A. Exhaust System Installation
(Serial Nos. 27-2505 and up)

PIPER PARTS CATALOG

Figure and Index Number	Part Number	Code	NOMENCLATURE	No. Req.	SERIAL NUMBERS AFFECTED
33A-	31470		DRAWING - Power Plant Installation		
-1	28278-03	A,D	STACK ASSEMBLY - Left engine, outboard	1	
	28279-03	A,E	STACK ASSEMBLY - Right engine, outboard	1	
-2	28278-02	D	STACK ASSEMBLY - Left engine, outboard	1	
	28279-02	E	STACK ASSEMBLY - Right engine, outboard	1	
-3	33419-03		STACK ASSEMBLY - Left engine, inboard	1	
	33420-02		STACK ASSEMBLY - Right engine, inboard	1	
-4	31212-02	C	TUBE - Left engine exhaust	1	
	28278-12	B	TUBE - Left engine exhaust	1	
	31226-05	C	TUBE - Right engine exhaust	1	
	28279-14	B	TUBE - Right engine exhaust	1	
-5	32217-00		TAKE-OFF ASSEMBLY - Heat shroud	2	
-6	33178-02	G	SHROUD - Exhaust stack, top	2	27-2505 to 27-8054034 incl.
	33178-03	G	SHROUD - Exhaust stack, bottom	2	27-2505 to 27-8054034 incl.
	33178-04		SHROUD - Exhaust stack, top	2	27-8054035 and up
	33178-05		SHROUD - Exhaust stack, bottom	2	27-8054035 and up
-7	14235-13	G	CLAMP ASSEMBLY - Heat shroud take-off	2	27-2505 to 27-8054019 incl.
	14235-18		CLAMP ASSEMBLY - Heat shroud take-off	2	27-8054020 and up
-8	32275-00	G	CLAMP ASSEMBLY - Heat shroud	2	27-2505 to 27-8054019 incl.
	32275-03		CLAMP ASSEMBLY - Heat shroud	2	27-8054020 and up
-9	760 702		KIT - Exhaust stack support assembly	2	27-2505 to 27-7304958 incl.
-10	33538-00		BRACKET ASSEMBLY - Exhaust stack support	2	27-7304959 and up
-11	14235-02		CLAMP - Exhaust stack support bracket	2	
-12	40123-100	F	CABLE ASSEMBLY - Heat shroud safetying	2	27-8054020 and up
			NOTE: Parts not applicable if Airesearch or Lycoming Turbocharger is installed.		
			A - If part is being ordered for serial numbers 27-2505 to 27-7304958 inclusive, and stack assembly is not supported with new type support bracket as shown on Detail "A" on illustration, it will be necessary to secure Exhaust Stack Support Assembly Kit Part No. 760 702 also.		
			B - Used if outboard stack assembly incorporates a ball joint 16 inches from end of tailpipe.		
			C - Used if outboard stack assembly does not incorporate a ball joint 16 inches from end of tailpipe.		
			D - When replacing left engine stack assemblies on aircraft that do not incorporate a ball joint 16 inches from end of tailpipe, it will be necessary to secure one (1) each of 28278-02 stack assembly, 28278-03 stack assembly and 28278-12 exhaust tube.		
			E - When replacing right engine stack assemblies on aircraft that do not incorporate a ball joint 16 inches from end of tailpipe, it will be necessary to secure one (1) each of 28279-02 stack assembly, 28279-03 stack assembly and 28279-14 exhaust tube.		
			F - Also used on serial nos. 27-2505 to 27-8054019 incl. if Exhaust System Inspection and Modification Kit 763 975 has been installed per Service Bulletin 662.		
			G - If Exhaust System Inspection and Modification Kit 763 975 has been installed per Service Bulletin 662, order part for serial nos. 27-8054020 and up.		

When ordering, always specify Part Number, Description and Serial Number of Aircraft

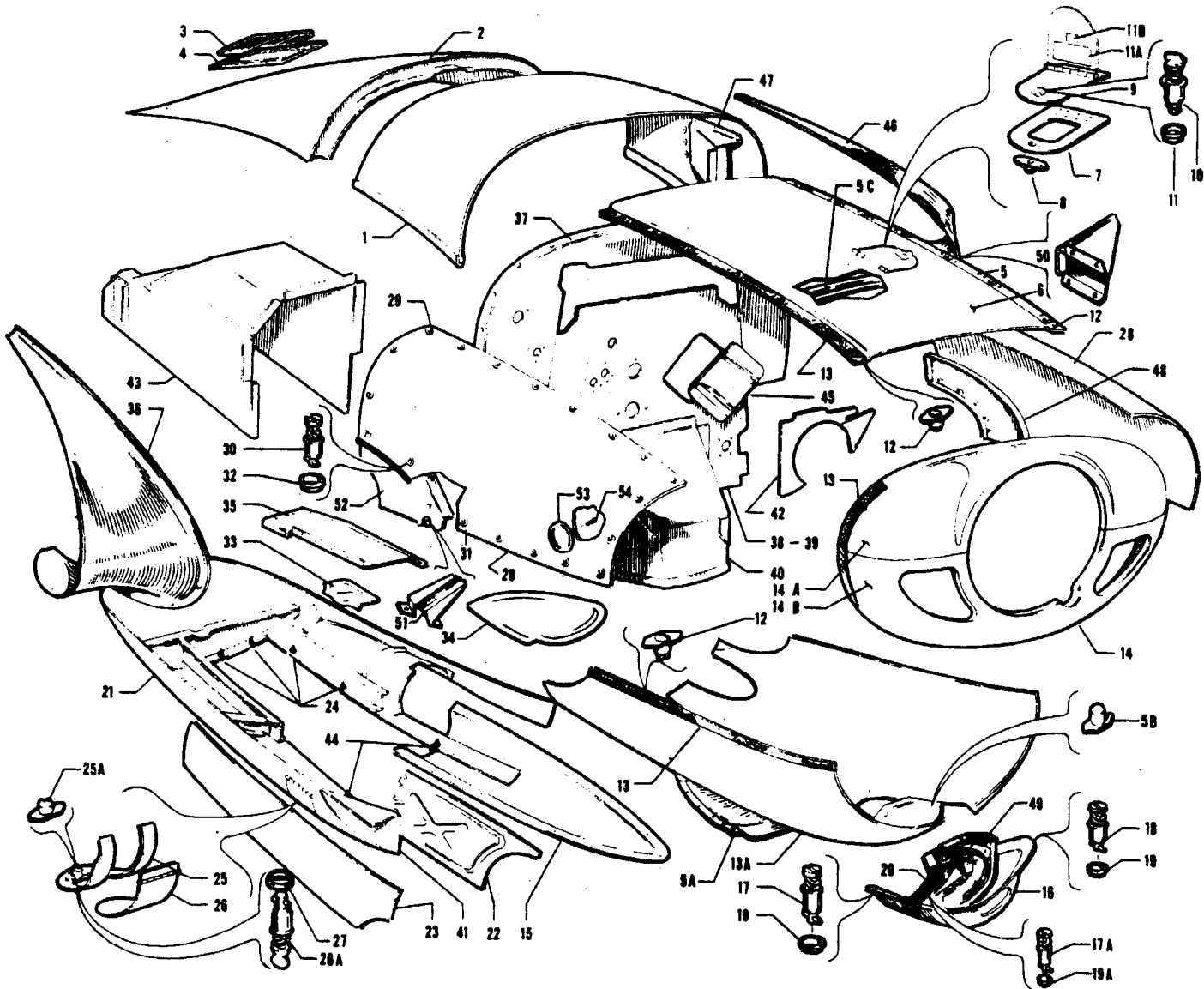


Figure 34. Nacelle Installation
(Serial Nos. 27-1 to 27-2504 inclusive)



Figure and Index Number	Part Number	Code	NOMENCLATURE	No. Req.	SERIAL NUMBERS AFFECTED
34-	16600		DRAWING - Engine Nacelle Installation		
-1	16954-00		NACELLE ASSEMBLY - Left engine, rear top, front	1	
	16954-01		NACELLE ASSEMBLY - Right engine, rear top, front	1	
-2	16534-00		NACELLE ASSEMBLY - Left engine, rear top, rear	1	
	16534-01		NACELLE ASSEMBLY - Right engine, rear top, rear	1	
-3	17316-00		PLATE - Cover	1	
-4	17315-00		REINFORCEMENT - Cover plate	1	
-5	16549-00		COWL ASSEMBLY - Engine, left	1	
	16549-01		COWL ASSEMBLY - Engine, right	1	
-5a	16544-00		SECTION ASSEMBLY - Carburetor air scoop, rear	1	
-5b	484 345		RECEPTACLE - (5R2-2)	3	
-5c	16549-09		REINFORCEMENT	1	
-6	16549-08		COWL ASSEMBLY - Engine top	1	
-7	19803-00		PLATE ASSEMBLY - Reinforcement	1	
-8	484 342		RECEPTACLE - Stud (212-12D)	1	
-9	19800-00		PLATE - Cover	1	
-10	487 588		STUD - (2600-1W)	1	
-11	494 060		WASHER - (2600-LW)	1	
-11a	80454-02		PLACARD - Oil recommendations	1	
-11b	80455-02		PLACARD - Oil capacity	1	
-12	484 342		RECEPTACLE	37	
-13	180 817		WEBBING - Anti-squeak	16'	
-13a	16549-10		SKIN - Bottom cowl, left side, left engine	1	
	16549-12		SKIN - Bottom cowl, right side, left engine	1	
	16549-13		SKIN - Bottom cowl, left side, right engine	1	
	16549-11		SKIN - Bottom cowl, right side, right engine	1	
-14	16483-00		COWL ASSEMBLY - Engine, nose	1	
-14a	16483-09		COWL ASSEMBLY - Engine nose, top	1	
-14b	16483-08		COWL ASSEMBLY - Engine nose, bottom	1	
-15	16511-00		FAIRING - Exhaust ejector tube, left	1	
	16511-01		FAIRING - Exhaust ejector tube, right	1	
-16	16530-00		SCOOP ASSEMBLY - Carburetor air	2	
-17	487 587		STUD - (2600-5)	6	
-17a	487 619		STUD - (6S5-9)	3	
-18	487 586		STUD - (2600-4)	8	
-19	494 057		WASHER - Split (2600-SW2)	13	
-19a	494 065		WASHER - Split (5S3-1)	3	
-20	16530-03		WEBBING - Anti-squeak, neoprene	2'	
-21	16535-00		NACELLE ASSEMBLY - Engine, bottom rear, left	1	
	16535-01		NACELLE ASSEMBLY - Engine, bottom rear, right	1	
-22	17793-00		DOOR ASSEMBLY - Left, main gear outboard	1	
	19098-00		DOOR ASSEMBLY - Right, main gear outboard	1	
-23	17792-00		DOOR ASSEMBLY - Left, main gear inboard	1	
	19092-00		DOOR ASSEMBLY - Right, main gear inboard	1	
-24	453 641		BUMPER - Rubber stem	6	
-25	16473-00		REINFORCEMENT - Cover, left	1	
	16473-01		REINFORCEMENT - Cover, right	1	
-25a	484 342		RECEPTACLE - (212-12D)	1	
-26	16474-05		COVER ASSEMBLY - Fuel drain access	1	
-26a	487 588		STUD - (2600-1W)	1	
-27	494 060		WASHER - (2600-LW)	1	

When ordering, always specify Part Number, Description and Serial Number of Aircraft



Figure and Index Number	Part Number	Code	NOMENCLATURE	No. Req.	SERIAL NUMBERS AFFECTED
34-28	16517-00		COWL ASSEMBLY - Left engine side outboard	1	
	16517-01		COWL ASSEMBLY - Right engine side outboard	1	
	16609-00		COWL ASSEMBLY - Left engine side inboard	1	
	16509-01		COWL ASSEMBLY - Right engine side inboard	1	
-29	487 598		STUD - (2600-7)	6	
-30	487 587		STUD - (2600-5)	6	
-31	487 586		STUD - (2600-4)	28	
-32	494 067		WASHER - Split (2600-SW-2)	40	
-33	18288-00		PLATE - Cover, left fuel cell outlet	1	
	18288-01		PLATE - Cover, right fuel cell outlet	1	
-34	18267-00		PLATE - Left engine oil cooler air exhaust baffle	1	
	18267-01		PLATE - Right engine oil cooler air exhaust baffle	1	
-35	18033-00		PLATE - Left engine nacelle trim	1	
	18033-01		PLATE - Right engine nacelle trim	1	
-36	16617-00		FAIRING - Nacelle inboard, left	1	
	16617-01		FAIRING - Nacelle inboard, right	1	
-37	16536-00		FIREWALL ASSEMBLY - Top, left	1	
	16536-01		FIREWALL ASSEMBLY - Top, right	1	
-38	16281-00	A	FIREWALL ASSEMBLY - Center, left	1	
	16978-00	B	FIREWALL ASSEMBLY - Center, left	1	
-39	16486-00	A	FIREWALL ASSEMBLY - Center, right	1	
	16979-00	B	FIREWALL ASSEMBLY - Center, right	1	
-40	16495-00		PLATE ASSEMBLY - Wheel well forward, left	1	
	16495-01		PLATE ASSEMBLY - Wheel well forward, right	1	
-41	18087-00		PLATE ASSEMBLY - Oil cooler air outlet, left engine	1	
	18087-01		PLATE ASSEMBLY - Oil cooler air outlet, right engine	1	
-42	16361-02		PLATE ASSEMBLY - Firewall outboard corner, left	1	
	16361-03		PLATE ASSEMBLY - Firewall outboard corner, right	1	
-43	16969-00		PLATE ASSEMBLY - Wheel well rear, left	1	
	16969-01		PLATE ASSEMBLY - Wheel well rear, right	1	
-44	453 641		BUMPER - Rubber stem	2	
-45	18818-00		PLATE - Voltage regulator mounting	2	
-46	16777-00		FAIRING ASSEMBLY - Nacelle, outboard, left	1	
	16777-01		FAIRING ASSEMBLY - Nacelle, outboard, right	1	
-47	16850-00		PLATE ASSEMBLY - Nacelle air outlet, left	1	
	16850-01		PLATE ASSEMBLY - Nacelle air outlet, right	1	
-48	16772-00		PLATE ASSEMBLY - Nacelle reinforcement	1	
	16772-01		PLATE ASSEMBLY - Nacelle reinforcement	1	
-49	16552-00		BRACKET ASSEMBLY - Carburetor air filter	1	
-50	16505-00	Y	BRACKET ASSEMBLY - Left engine side outboard	1	
	16505-01	Y	BRACKET ASSEMBLY - Right engine side outboard	1	
-51	30295-00	Y	BRACKET ASSEMBLY - Left engine side inboard	1	
	16503-01	Y	BRACKET ASSEMBLY - Right engine side inboard	1	
-52	16528-00		PLATE ASSEMBLY - Nacelle reinforcement, LH	1	
	16528-01		PLATE ASSEMBLY - Nacelle reinforcement, RH	1	
-53	474 658		Mirror - Left nacelle, inboard (G300L)	1	
-54	415 517		SCREW - (MS35206-227)	1	

A - Used on airplanes with serial numbers 27-1 to 27-101, 27-103 to 27-123 inclusive.

B - Used on airplanes with serial numbers 27-102, 27-124 to 27-2504 inclusive.

Y - Used on PA-23-250 (Six Place) airplanes only.

When ordering, always specify Part Number, Description and Serial Number of Aircraft

**2D19 THRU 2D24
INTENTIONALLY LEFT BLANK**

PIPER PARTS CATALOG

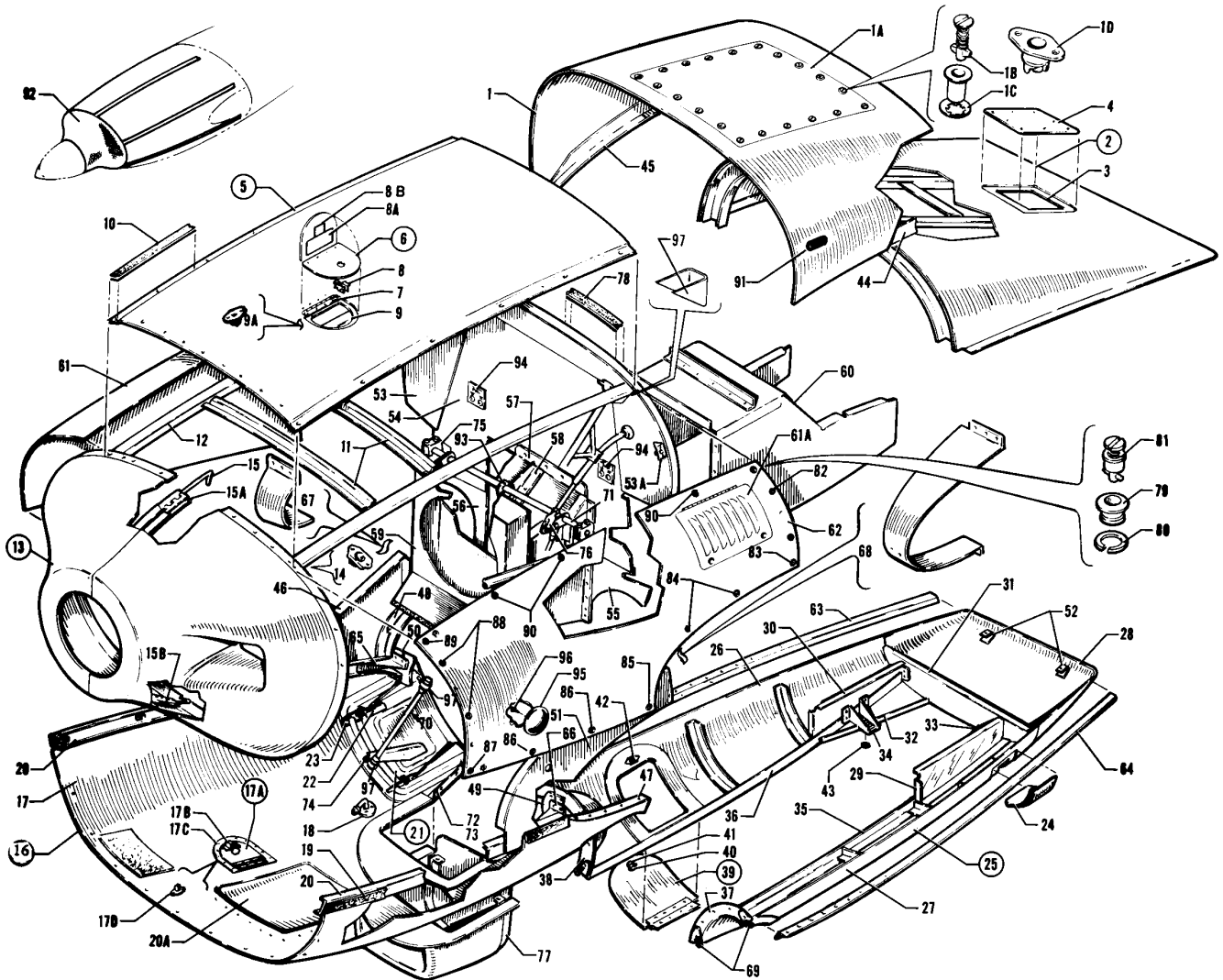


Figure 34A. Nacelle Installation
(Serial Nos. 27-2505 and up)

PIPER PARTS CATALOG

Figure and Index Number	Part Number	Code	NOMENCLATURE	No. Req.	SERIAL NUMBERS AFFECTED
34A-	31316 31771 31457 31991	A	DRAWING - Engine Nacelle Installation DRAWING - Engine Nacelle Installation DRAWING - Cowl Flap Mechanism Installation DRAWING - Cowl Flap Mechanism Installation		27-2505 to 27-2736 inclusive 27-2737 and up 27-2505 to 27-2868 inclusive 27-2869 and up
-1	31288-00		SKIN - Nacelle, left engine, center	1	27-2505 to 27-4425 inclusive 27-4427 to 27-4573 inclusive
	33049-00		SKIN ASSEMBLY - Nacelle, left engine, center	1	27-4426, 27-4574 and up
	31627-00		SKIN ASSEMBLY - Nacelle, right engine, center	1	27-2505 to 27-4425 inclusive 27-4427 to 27-4573 inclusive
	33049-10		SKIN ASSEMBLY - Nacelle, right engine, center	1	27-4426, 27-4574 and up
-1a	33049-06		* COVER ASSEMBLY - Access	1	27-4426, 27-4574 and up
-1b	487 644		* * STUD - (2700-4)	20	
-1c	494 088		* * WASHER - (27S5-1)	20	
-1d	484 342		* RECEPTACLE - (212-12D)	20	27-4426, 27-4574 and up
-2	16534-00		SECTION ASSEMBLY - Left engine, top rear	1	
	16534-01		SECTION ASSEMBLY - Right engine, top rear	1	
-3	17315-00		* REINFORCEMENT - Cover plate	1	
-4	17316-00		PLATE - Cover	2	
-5	31232-00		COWL ASSEMBLY - Nacelle top	2	27-2505 to 27-2736 inclusive
	31763-00		COWL ASSEMBLY - Nacelle top	2	27-2737 and up
-6	31217-00	C	* PLATE ASSEMBLY - Oil access (push button latch)	1	27-2505 to 27-3797 inclusive
	19800-00		* PLATE ASSEMBLY - Oil access (stud fastener)	1	27-3798 and up
-7	19799-00		* * HINGE ASSEMBLY - Access plate	1	
-8	472 017	D	* * LATCH - Access plate (KM-810-32)	1	
	487 588	B	* * STUD - Access plate (2600-1W)	1	
	487 614	B	* * STUD - Access plate (2600-2W)	1	
	494 060	B	* * LOCK WASHER - Access plate (2600-LW)	1	
-8a	80454-02		* * PLACARD - Oil recommendations	1	
-8b	80455-02		* * PLACARD - Oil capacity	1	
-9	31218-00	D	* PLATE - Access plate reinforcement	1	
	19803-00	B	* PLATE - Access plate reinforcement	1	
-9a	484 342	B	* * RECEPTACLE - Stud (212-12D)	1	
-10	180 806		* WEBBING - Anti-squeak	10	
-11	16549-09		* REINFORCEMENT - Top cowl	2	
-12	31227-00		* CHANNEL ASSEMBLY - Top cowl, left	1	27-2505 to 27-2736 inclusive
	31227-01		* CHANNEL ASSEMBLY - Top cowl, right	1	27-2505 to 27-2736 inclusive
	31762-00		* CHANNEL ASSEMBLY - Top cowl, left	1	27-2737 and up
	31762-01		* CHANNEL ASSEMBLY - Top cowl, right	1	27-2737 and up

NOTE: Refer to Figure 34B if Lycoming Turbocharger is installed.

- A - Order drawing for serial numbers 27-2869 and up if Kit 756 916 has been installed.
- B - Used with access plate assembly which incorporates a stud fastener.
- C - Not available. Plate Assembly, Part No. 19800-00 and Reinforcement Plate, Part No. 19803-00 will be supplied as a replacement.
- D - Used with access plate assembly which incorporates a push button latch.

When ordering, always specify Part Number, Description and Serial Number of Aircraft

PIPER PARTS CATALOG

Figure and Index Number	Part Number	Code	NOMENCLATURE	No. Req.	SERIAL NUMBERS AFFECTED
34A-13	31213-00	A	COWL ASSEMBLY - Engine nose	2	27-2505 to 27-2736 inclusive
	31755-00	A	COWL ASSEMBLY - Engine nose	2	27-2737 and up
-14	484 322		* RECEPTACLE - (#82-35-302-15)	5	27-2505 to 27-2736 inclusive
	484 310		* RECEPTACLE - (#244-16)	2	27-2737 and up
-15	31220-04		* PIN - Hinge, top	1	
	31221-04		* PIN - Hinge, bottom	1	
-15a	31220-02		* HINGE HALF - Right top	1	
	31220-03		* HINGE HALF - Left top	1	
-15b	31221-02		* HINGE HALF - Right bottom	1	
	31221-03		* HINGE HALF - Left bottom	1	
-16	31280-00	A	COWL ASSEMBLY - Left engine, bottom	1	27-2505 to 27-2736 inclusive
	31280-01	A	COWL ASSEMBLY - Right engine, bottom	1	27-2505 to 27-2736 inclusive
	31761-00	A	COWL ASSEMBLY - Left engine, bottom	1	27-2737 and up
	31761-01	A	COWL ASSEMBLY - Right engine, bottom	1	27-2737 and up
-17	31280-08	A	* SKIN ASSEMBLY - Left engine	1	27-2505 to 27-2736 inclusive
	31280-09	A	* SKIN ASSEMBLY - Right engine	1	27-2505 to 27-2736 inclusive
	31761-06	A	* SKIN ASSEMBLY - Left engine	1	27-2737 and up
	31761-07	A	* SKIN ASSEMBLY - Right engine	1	27-2737 and up
-17a	31217-03	B	* PLATE ASSEMBLY - Engine access (push button latch)	1	27-3600 to 27-3797 inclusive
	19800-04		* PLATE ASSEMBLY - Engine access (stud fastener)	1	27-3798 and up
-17b	472 017	C	* * LATCH - Access plate (#KM-610-32)	1	
	487 588	D	* * STUD - Access plate (#2600-1W)	1	
	494 060	D	* * LOCK WASHER - Access plate (#2600-LW)	1	
-17c	31218-00	C	* PLATE - Access plate reinforcement	1	
	19803-00	D	* PLATE - Access plate reinforcement	1	
-17d	484 342	D	* * RECEPTACLE - Stud (#212-12D)	1	
-18	23194-00		* TUBE ASSEMBLY - Drain connector	1	
-19	180 806		* WEBBING - Anti-squeak	5	
-20	31253-00		* CHANNEL ASSEMBLY - Nacelle, outboard	1	27-2505 to 27-2736 inclusive
	31254-00		* CHANNEL ASSEMBLY - Nacelle, inboard	1	27-2505 to 27-2736 inclusive
	31750-00		* CHANNEL ASSEMBLY - Nacelle, outboard, left	1	27-2737 and up
	31750-01		* CHANNEL ASSEMBLY - Nacelle, outboard, right	1	27-2737 and up
	31756-00		* CHANNEL ASSEMBLY - Nacelle, inboard, left	1	27-2737 and up
	31756-01		* CHANNEL ASSEMBLY - Nacelle, inboard, right	1	27-2737 and up
-20a	31280-04		* PLATE - Bottom cowl	1	

NOTE: Refer to Figure 34B if Lycoming Turbocharger is installed.

- A - Refer to Figure 30B if Airesearch Turbocharger is installed.
- B - Not available. Plate Assembly, Part No. 19800-04 and Reinforcement Plate, Part No. 19803-00 will be supplied as a replacement.
- C - Used with access plate assembly which incorporates a push button latch.
- D - Used with access plate assembly which incorporates a stud fastener.

When ordering, always specify Part Number, Description and Serial Number of Aircraft



Figure and Index Number	Part Number	Code	NOMENCLATURE	No. Req.	SERIAL NUMBERS AFFECTED
34A-21	31294-00		FLAP ASSEMBLY - Cowl, outboard, left engine	1	
	31294-01		FLAP ASSEMBLY - Cowl, inboard, left engine	1	
	31294-00		FLAP ASSEMBLY - Cowl, inboard, right engine	1	
	31294-01		FLAP ASSEMBLY - Cowl, outboard, right engine	1	
-22	31283-00		HINGE ASSEMBLY - Cowl flap, left	2	
	31283-01		HINGE ASSEMBLY - Cowl flap, right	2	
-23	31284-00		HINGE ASSEMBLY - Cowl flap, left	2	
	31284-01		HINGE ASSEMBLY - Cowl flap, right	2	
-24	31308-00		DOOR - Nacelle access, left engine	1	27-2505 to 27-2736 inclusive
	31308-01		DOOR - Nacelle access, right engine	1	27-2505 to 27-2736 inclusive
-25	31309-00		NACELLE ASSEMBLY - Bottom rear, left engine	1	
	31309-01		NACELLE ASSEMBLY - Bottom rear, right engine	1	
-26	31309-24		SKIN ASSEMBLY - Inboard, left engine	1	
	31309-23		SKIN ASSEMBLY - Inboard, right engine	1	
-27	31309-22		SKIN ASSEMBLY - Outboard, left engine	1	
	31309-21		SKIN ASSEMBLY - Outboard, right engine	1	
-28	31309-06		SKIN - Nacelle, left engine	1	
	31309-07		SKIN - Nacelle, right engine	1	
-29	31264-00		PLATE ASSEMBLY - Wheel well, outboard, left engine	1	
	31264-01		PLATE ASSEMBLY - Wheel well, outboard, right engine	1	
-30	31265-00		PLATE ASSEMBLY - Wheel well, inboard, left engine	1	
	31265-01		PLATE ASSEMBLY - Wheel well, inboard, right engine	1	
-31	31272-00		BULKHEAD - Engine nacelle, rear	1	
-32	31276-00		PLATE - Wheel well reinforcement, outboard, right engine	1	
	31276-01		PLATE - Wheel well reinforcement, outboard, left engine	1	
-33	31276-00		PLATE - Wheel well reinforcement, inboard, left engine	1	
	31276-01		PLATE - Wheel well reinforcement, inboard, right engine	1	
-34	31277-00		BRACKET - Wheel well door stop	2	
-35	31291-00		ANGLE ASSEMBLY - Reinforcement, outboard, left engine	1	
	31291-01		ANGLE ASSEMBLY - Reinforcement, outboard, right engine	1	
-36	31291-00		ANGLE ASSEMBLY - Reinforcement, inboard, right engine	1	
	31291-01		ANGLE ASSEMBLY - Reinforcement, inboard, left engine	1	
-37	31306-00		PLATE - Nacelle exhaust, outboard, left engine	1	
	31306-01		PLATE - Nacelle exhaust, outboard, right engine	1	
-38	31306-00		PLATE - Nacelle exhaust, inboard, right engine	1	
	31306-01		PLATE - Nacelle exhaust, inboard, left engine	1	
-39	15725-02		DOOR ASSEMBLY - Fuel strainer access	1	
-40	487 588		STUD - (2600-1W)	1	
-41	494 060		WASHER - (2600-LW)	1	
-42	484 342		RECEPTACLE - (212-12D)	1	
-43	453 641		BUMPER - Rubber	2	

Note: Refer to Figure 34B if Lycoming Turbocharger is installed.

When ordering, always specify Part Number, Description and Serial Number of Aircraft



Figure and Index Number	Part Number	Code	NOMENCLATURE	No. Req.	SERIAL NUMBERS AFFECTED
34A-44	16489-04		ANGLE ASSEMBLY - Nacelle, outboard, left engine	1	
	16489-05		ANGLE ASSEMBLY - Nacelle, outboard, right engine	1	
-45	16498-00		ANGLE ASSEMBLY - Nacelle, inboard, left engine	1	
	16498-01		ANGLE ASSEMBLY - Nacelle, inboard, right engine	1	
-46	16528-06		PLATE ASSEMBLY - Reinforcement, left engine	1	27-2505 to 27-2736 inclusive
	16528-05		PLATE ASSEMBLY - Reinforcement, right engine	1	27-2505 to 27-2736 inclusive
	31754-00		PLATE ASSEMBLY - Reinforcement, left engine	1	27-2737 and up
	31754-01		PLATE ASSEMBLY - Reinforcement, right engine	1	27-2737 and up
-47	16541-02		ANGLE ASSEMBLY - Outboard skin attachment, left engine	1	
	16541-03		ANGLE ASSEMBLY - Outboard skin attachment, right engine	1	
-48	16542-00		ANGLE - Inboard skin attachment, left engine	1	
	16542-01		ANGLE - Inboard skin attachment, right engine	1	
-49	16917-00		PLATE ASSEMBLY - Nacelle, left engine	1	
	16917-01		PLATE ASSEMBLY - Nacelle, right engine	1	
-50	16925-00		PLATE ASSEMBLY - Nacelle, right engine	1	
	16925-01		PLATE ASSEMBLY - Nacelle, left engine	1	
-51	16772-04		PLATE ASSEMBLY - Nacelle reinforcement, left engine	1	27-2505 to 27-2736 inclusive
	16772-05		PLATE ASSEMBLY - Nacelle reinforcement, right engine	1	27-2505 to 27-2736 inclusive
	31749-00		PLATE ASSEMBLY - Nacelle reinforcement, left engine	1	27-2737 and up
	31749-01		PLATE ASSEMBLY - Nacelle reinforcement, right engine	1	27-2737 and up
-52	18262-00		CLIP ASSEMBLY - Nacelle attachment	4	
-53	31244-00		PLATE ASSEMBLY - Firewall, upper, left engine	1	27-2505 to 27-2736 inclusive
	31244-01		PLATE ASSEMBLY - Firewall, upper, right engine	1	27-2505 to 27-2736 inclusive
	31770-00		PLATE ASSEMBLY - Firewall, upper, left engine	1	27-2737 to 27-4834 inclusive
	31770-01		PLATE ASSEMBLY - Firewall, upper, right engine	1	27-2737 to 27-4834 inclusive
	33208-00		PLATE ASSEMBLY - Firewall, upper, left engine	1	27-4835 and up
	33208-01		PLATE ASSEMBLY - Firewall, upper, right engine	1	27-4835 and up
-53a	31764-00		RECEPTACLE ASSEMBLY - Firewall plate	3	27-2737 and up
-54	31216-00		FIREWALL ASSEMBLY - Center, left engine	1	
	31228-00		FIREWALL ASSEMBLY - Center, right engine	1	
-55	31235-00		PLATE ASSEMBLY - Firewall, outboard, left engine	1	
	31235-01		PLATE ASSEMBLY - Firewall, outboard, right engine	1	
-56	31245-00		PLATE ASSEMBLY - Firewall, inboard, left engine	1	
	31245-01		PLATE ASSEMBLY - Firewall, inboard, right engine	1	
-57	31229-00		PLATE ASSEMBLY - Wheel well, forward, left engine	1	
	31229-01		PLATE ASSEMBLY - Wheel well, forward, right engine	1	
-58	31626-00		BRACKET - Cowl flap control tube	2	
-59	31247-00	A	BOX ASSEMBLY - Air filter	2	
-60	31260-00		PLATE ASSEMBLY - Wheel well, center, left engine	1	
	31260-01		PLATE ASSEMBLY - Wheel well, center, right engine	1	
-61	31282-00		PANEL ASSEMBLY - Cowl, inboard, left engine	1	27-2505 to 27-2736 inclusive
	31282-01	B	PANEL ASSEMBLY - Cowl, inboard, right engine	1	27-2505 to 27-2736 inclusive
	31760-00		PANEL ASSEMBLY - Cowl, inboard, left engine	1	27-2737 and up
	31760-01	B	PANEL ASSEMBLY - Cowl, inboard, right engine	1	27-2737 and up
	32328-01		PANEL ASSEMBLY - Cowl, inboard, right engine	1	27-4574 and up
-61a	32325-00		LOUVER ASSEMBLY - Inboard, right engine	1	27-4574 and up

Note: Refer to Figure 34B if Lycoming Turbocharger is installed.

A - Not used when Airesearch Turbocharger is installed.
Refer to Airesearch Aviation Service Co. Parts Catalog.
B - Refer to Figure 30B if Airesearch Turbocharger is installed.

When ordering, always specify Part Number, Description and Serial Number of Aircraft

SECTION V
Power Plant Group



NACELLE INSTALLATION
(Serial Nos. 27-2505 and up) (See Note)

Figure and Index Number	Part Number	Code	NOMENCLATURE	No. Req.	SERIAL NUMBERS AFFECTED
34A-62	31286-00	C	PANEL ASSEMBLY - Cowl, outboard, left engine	1	27-2505 to 27-2736 inclusive
	31286-01		PANEL ASSEMBLY - Cowl, outboard, right engine	1	27-2505 to 27-2736 inclusive
	31759-00	C	PANEL ASSEMBLY - Cowl, outboard, left engine	1	27-2737 and up
	31759-01		PANEL ASSEMBLY - Cowl, outboard, right engine	1	27-2737 and up
-63	31292-00		ANGLE ASSEMBLY - Nacelle, inboard, left engine	1	
	31292-01		ANGLE ASSEMBLY - Nacelle, inboard, right engine	1	
-64	31583-00		ANGLE ASSEMBLY - Nacelle, outboard, left engine	1	
	31583-01		ANGLE ASSEMBLY - Nacelle, outboard, right engine	1	
-65	31296-00		BRACKET ASSEMBLY - Cowl support, inboard, left engine	1	
	31296-01		BRACKET ASSEMBLY - Cowl support, inboard, right engine	1	
-66	31300-00		BRACKET ASSEMBLY - Cowl support, outboard, left engine	1	
	31300-01		BRACKET ASSEMBLY - Cowl support, outboard, right engine	1	
-67	31302-00		PLATE - Left wing, leading edge cover, inboard	1	
	31696-00		PLATE - Right wing, leading edge cover, inboard	1	
-68	31311-00		PLATE - Left wing, leading edge cover, outboard	1	
	31311-01		PLATE - Right wing, leading edge cover, outboard	1	
-69	31538-00		STOP ASSEMBLY - Cowl flap, top inboard and bottom outboard	4	
	31538-01		STOP ASSEMBLY - Cowl flap, bottom inboard and top outboard	4	
-70	31400-00	AB	ROD ASSEMBLY - Ball joint, cowl flap, inboard	2	27-2505 to 27-2868 inclusive
	31993-03	B	ROD ASSEMBLY - Ball joint, cowl flap, inboard	2	27-2869 and up
	31400-03	AB	ROD ASSEMBLY - Ball joint, cowl flap, outboard	2	27-2505 to 27-2868 inclusive
	31993-02	B	ROD ASSEMBLY - Ball joint, cowl flap, outboard	2	27-2869 and up
-71	31428-00		ARM ASSEMBLY - Cowl flap control, left engine	1	
	31428-01		ARM ASSEMBLY - Cowl flap control, right engine	1	
-72	31255-00		ANGLE ASSEMBLY - Inboard, left engine	1	
	31255-01		ANGLE ASSEMBLY - Inboard, right engine	1	
-73	31255-00		ANGLE ASSEMBLY - Outboard, right engine	1	
	31255-01		ANGLE ASSEMBLY - Outboard, left engine	1	
-74	31312-00	AB	ARM - Outboard cowl flap, left engine	1	27-2505 to 27-2868 inclusive
	31992-02	B	ARM - Outboard cowl flap, left engine	1	27-2869 and up
	31312-01	A	ARM - Outboard cowl flap, right engine	1	27-2505 to 27-2868 inclusive
	31992-03	B	ARM - Outboard cowl flap, right engine	1	27-2869 and up
	31312-02	A	ARM - Inboard cowl flap, left engine	1	27-2505 to 27-2868 inclusive
	31992-04	B	ARM - Inboard cowl flap, left engine	1	27-2869 and up
	31312-03	A	ARM - Inboard cowl flap, right engine	1	27-2505 to 27-2868 inclusive
	31992-05	B	ARM - Inboard cowl flap, right engine	1	27-2869 and up

Note: Refer to Figure 34B if Lycoming Turbocharger is installed.

- A - Order part for serial numbers 27-2869 and up if Kit 756 916 has been installed.
- B - Not used when Airesearch Turbocharger is installed. Refer to Airesearch Aviation Service Co. Parts Catalog.
- C - Refer to Figure 30B if Airesearch Turbocharger is installed.

When ordering, always specify Part Number, Description and Serial Number of Aircraft

PIPER PARTS CATALOG

Figure and Index Number	Part Number	Code	NOMENCLATURE	No. Req.	SERIAL NUMBERS AFFECTED
34A-75	31399-00		BLOCK - Bearing, cowl flap arm	8	
-76	554 757		CLEVIS - Cowl flap control cable (MS35812-1)	2	
-77	31275-00	A	SCOOP ASSEMBLY - Air (9 1/2" length)	2	
	32269-00	A	SCOOP ASSEMBLY - Air (40" length)	2	
-78	180 816		WEBBING - Anti-squeak	6	27-2737 and up
-79	463 400		GROMMET - (4002-0)	66	27-2737 and up
-80	484 482		RETAINING RING - (PS10077-2-64)	46	27-2505 to 27-2736 inclusive
	484 755		SNAP RING - (R4G)	66	27-2737 and up
-81	487 671		STUD - (2F280)	4	27-2505 to 27-2736 inclusive
	487 684		STUD - (4002-7) .84 long	4	27-2737 and up
-82	487 669		STUD - (2F160)	8	27-2505 to 27-2736 inclusive
	487 689		STUD - (4002-6) .81 long	6	27-2737 and up
-83	487 670		STUD - (2F240)	4	27-2505 to 27-2736 inclusive
	487 689		STUD - (4002-6) .81 long	4	27-2737 and up
-84	487 669		STUD - (2F160)	6	27-2505 to 27-2736 inclusive
	487 689		STUD - (4002-6) .81 long	6	27-2737 and up
-85	487 670		STUD - (2F240)	4	27-2505 to 27-2736 inclusive
	487 685		STUD - (4002-8) .87 long	4	27-2737 and up
-86	487 660		STUD - (2F140)	14	27-2505 to 27-2736 inclusive
	487 689		STUD - (4002-6) .81 long	10	27-2737 and up
-87	487 670		STUD - (2F240)	4	27-2505 to 27-2736 inclusive
	487 687		STUD - (4002-10) .93 long	4	27-2737 and up
-88	487 661		STUD - (2F180)	20	27-2505 to 27-2736 inclusive
	487 686		STUD - (4002-9) .90 long	8	27-2737 and up
-89	487 670		STUD - (2F240)	4	27-2505 to 27-2736 inclusive
	487 686		STUD - (4002-9) .90 long	4	27-2737 and up
-90	487 660		STUD - (2F140)	24	27-2505 to 27-2736 inclusive
	487 689		STUD - (4002-6) .81 long	18	27-2737 and up
-91	25016-00		BUMPER - Cabin door (453 715)	1	
-92	32295-00		COVER ASSEMBLY - Engine cowl	2	
-93	31625-00		BLOCK - Bearing, cowl flap control tube	2	
-94	31236-02		PLACARD - Fuel line, left	1	
	31236-03		PLACARD - Fuel line, right	1	
-95	474 658		MIRROR - Left nacelle, inboard (G300L)	1	
-96	415 517		SCREW - (MS35206-227)	1	
-97	55447-02		RETAINER - Ball joint	4	
-98	16471-00		FOOT - Nacelle support channel	4	
			NOTE: Refer to Figure 34B if Lycoming Turbocharger is installed.		
			A - Not used when Airesearch Turbocharger is installed. Refer to Airesearch Aviation Service Co. Parts Catalog.		

When ordering, always specify Part Number, Description and Serial Number of Aircraft

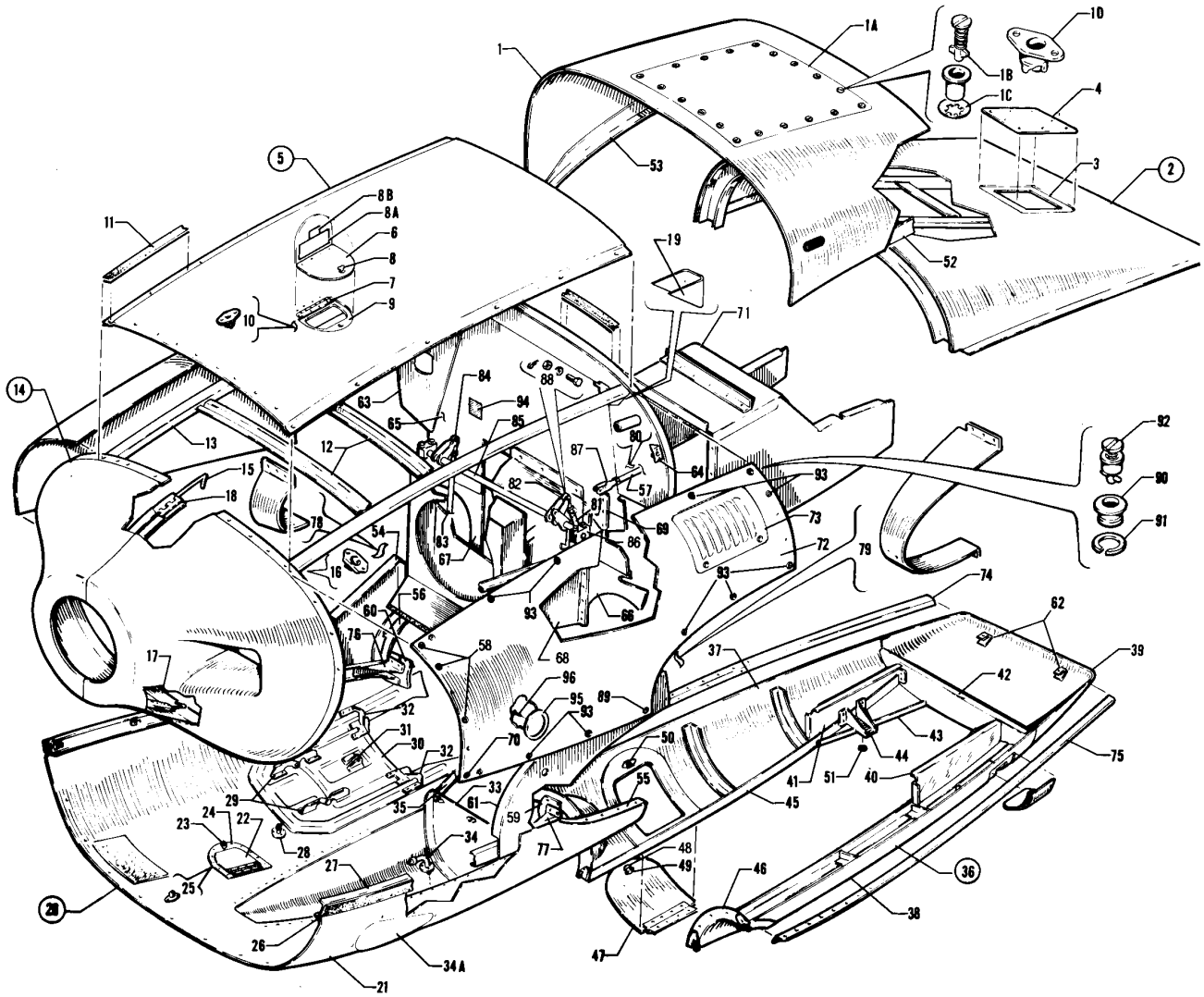


Figure 34B. Nacelle Installation (Lycoming Turbocharger)

PIPER PARTS CATALOG

Figure and Index Number	Part Number	Code	NOMENCLATURE	No. Req.	SERIAL NUMBERS AFFECTED
348-	32400 32916		DRAWING - Engine Nacelle Installation DRAWING - Cowl Flap Mechanism Installation		
-1	31288-00		SKIN - Nacelle, left engine, center	1	27-4053, 27-4226 to 27-4425, 27-4427 to 27-4573 inclusive
	33049-00		SKIN ASSEMBLY - Nacelle, left engine, center	1	27-4426, 27-4574 and up
	31627-00		SKIN ASSEMBLY - Nacelle, right engine, center	1	27-4053, 27-4226 to 27-4425, 27-4427 to 27-4573 inclusive
	33049-10		SKIN ASSEMBLY - Nacelle, right engine, center	1	27-4426, 27-4574 and up
-1a	33049-08		* COVER ASSEMBLY - Access	1	27-4426, 27-4574 and up
-1b	487 644		* * STUD - (2700-4)	20	
-1c	494 088		* * WASHER - (27S5-1)	20	
-1d	484 342		* RECEPTACLE - (212-12D)	20	27-4426, 27-4574 and up
-2	16534-00		SECTION ASSEMBLY - Left engine, top rear	1	
	16534-01		SECTION ASSEMBLY - Right engine, top rear	1	
-3	17315-00		* REINFORCEMENT - Cover plate	1	
-4	17316-00		PLATE - Cover	2	
-5	31763-00		COWL ASSEMBLY - Nacelle, top	2	
-6	19800-00		* PLATE ASSEMBLY - Engine oil access	1	
-7	19799-00		* * HINGE ASSEMBLY - Access plate	1	
-8	487 588		* * STUD - Access plate (2600-1W)	1	
	487 614		* * STUD - Access plate (2600-2W)	1	
	494 060		* * LOCK WASHER - Access plate (2600-LW)	1	
-8a	80454-02		* * PLACARD - Oil recommendations	1	
-8b	80455-02		* * PLACARD - Oil capacity	1	
-9	19803-00		* PLATE - Access plate reinforcement	1	
-10	484 342		* * RECEPTACLE - Stud (212-12D)	1	
-11	180 806		* WEBBING - Anti-squeak	10'	
-12	16549-09		* REINFORCEMENT - Top cowl	2	
-13	31762-00		* CHANNEL ASSEMBLY - Top cowl, left	1	
	31762-01		* CHANNEL ASSEMBLY - Top cowl, right	1	
-14	31755-12		COWL ASSEMBLY - Engine nose	2	
-15	31220-04		* PIN - Hinge, top	1	
	31221-04		* PIN - Hinge, bottom	1	
-16	484 310		* RECEPTACLE - (244-16)	2	
-17	31221-03		* HINGE HALF - Left bottom	1	
	31221-02		* HINGE HALF - Right bottom	1	
-18	31220-03		* HINGE HALF - Left top	1	
	31220-02		* HINGE HALF - Right top	1	
-19	16471-00		FOOT - Nacelle support channel	4	
-20	32387-300		COWL ASSEMBLY - Left engine, bottom	1	
	32387-301		COWL ASSEMBLY - Right engine, bottom	1	
-21	32387-04		* SKIN ASSEMBLY - Left engine	1	
	32387-05		* SKIN ASSEMBLY - Right engine	1	
-22	19800-04		* PLATE ASSEMBLY - Engine access	1	
-23	487 588		* * STUD - Access plate (2600-1W)	1	
	494 060		* * LOCK WASHER - Access plate (2600-LW)	1	
-24	19803-00		* PLATE - Access reinforcement	1	
-25	484 342		* * RECEPTACLE - Stud (212-12D)	1	
-26	180 806		* WEBBING - Anti-squeak	5'	
-27	31750-00		* CHANNEL ASSEMBLY - Nacelle, outboard, left engine	1	
	31750-01		* CHANNEL ASSEMBLY - Nacelle, outboard, right engine	1	
	31756-00		* CHANNEL ASSEMBLY - Nacelle, inboard, left engine	1	
	31756-01		* CHANNEL ASSEMBLY - Nacelle, inboard, right engine	1	

When ordering, always specify Part Number, Description and Serial Number of Aircraft

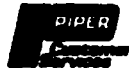


Figure and Index Number	Part Number	Code	NOMENCLATURE	No. Req.	SERIAL NUMBERS AFFECTED
34B-28	42138-00		TUBE ASSEMBLY - Drain	1	
-29	32800-00		HINGE ASSEMBLY - Cowl flap, left side	2	
	32800-01		HINGE ASSEMBLY - Cowl flap, right side	2	
-30	32789-02		FLAP ASSEMBLY - Cowl, inboard, left engine	1	
	32789-05		FLAP ASSEMBLY - Cowl, inboard, right engine	1	
	32789-03		FLAP ASSEMBLY - Cowl, outboard, left engine	1	
	32789-04		FLAP ASSEMBLY - Cowl, outboard, right engine	1	
-31	32918-07		BRACKET ASSEMBLY - Cowl flap, inboard, left engine	1	
	32918-09		BRACKET ASSEMBLY - Cowl flap, inboard, right engine	1	
	32918-08		BRACKET ASSEMBLY - Cowl flap, outboard, left engine	1	
	32918-08		BRACKET ASSEMBLY - Cowl flap, outboard, right engine	1	
-32	32864-00		STOP ASSEMBLY - Cowl flap, right side	2	
	32864-01		STOP ASSEMBLY - Cowl flap, left side	2	
-33	32384-00		FAIRING ASSEMBLY - Lower cowl	1	
-34	24623-00		TUBE ASSEMBLY - Drain	1	27-4053, 27-4226 to 27-4425, 27-4427 to 27-4573 inclusive
	23194-00		TUBE ASSEMBLY - Drain	1	27-4426, 27-4574 and up
-34a	33031-00		FAIRING - Bottom cowl	1	
-35	31255-00		ANGLE ASSEMBLY - Wheel well attachment, nacelle, right side	2	
	31255-01		ANGLE ASSEMBLY - Wheel well attachment, nacelle, left side	2	
-36	31309-00		NACELLE ASSEMBLY - Bottom rear, left engine	1	
	31309-01		NACELLE ASSEMBLY - Bottom rear, right engine	1	
-37	31309-24		SKIN ASSEMBLY - Inboard, left engine	1	
	31309-23		SKIN ASSEMBLY - Inboard, right engine	1	
-38	31309-22		SKIN ASSEMBLY - Outboard, left engine	1	
	31309-21		SKIN ASSEMBLY - Outboard, right engine	1	
-39	31309-06		SKIN - Nacelle, left engine	1	
	31309-07		SKIN - Nacelle, right engine	1	
-40	31264-00		PLATE ASSEMBLY - Wheel well, outboard, left engine	1	
	31264-01		PLATE ASSEMBLY - Wheel well, outboard, right engine	1	
-41	31265-00		PLATE ASSEMBLY - Wheel well, inboard, left engine	1	
	31265-01		PLATE ASSEMBLY - Wheel well, inboard, right engine	1	
-42	31272-00		BULKHEAD - Engine nacelle, rear	1	
-43	31276-00		PLATE - Wheel well reinforcement, right side	2	
	31276-01		PLATE - Wheel well reinforcement, left side	2	
-44	31277-00		BRACKET - Wheel well door stop	2	
-45	31291-00		ANGLE ASSEMBLY - Wheel well reinforcement, nacelle, left side	2	
	31291-01		ANGLE ASSEMBLY - Wheel well reinforcement, nacelle, right side	2	
-46	31306-00		PLATE - Nacelle exhaust, left outboard, right inboard	2	
	31306-01		PLATE - Nacelle exhaust, left inboard, right outboard	2	

When ordering, always specify Part Number, Description and Serial Number of Aircraft



Figure and Index Number	Part Number	Code	NOMENCLATURE	No. Req.	SERIAL NUMBERS AFFECTED
34B-47	15725-02		DOOR ASSEMBLY - Fuel strainer access	1	
-48	487 588		STUD - (2600-1W)	1	
-49	494 060		WASHER - (2600-LW)	1	
-50	484 342		RECEPTACLE - (212-12D)	1	
-51	453 641		BUMPER - Rubber	2	
-52	16489-04		ANGLE ASSEMBLY - Nacelle, outboard, left engine	1	
	16489-05		ANGLE ASSEMBLY - Nacelle, outboard, right engine	1	
-53	16498-00		ANGLE ASSEMBLY - Nacelle, inboard, left engine	1	
	16498-01		ANGLE ASSEMBLY - Nacelle, inboard, right engine	1	
-54	31754-00		PLATE ASSEMBLY - Reinforcement, left engine	1	
	31754-01		PLATE ASSEMBLY - Reinforcement, right engine	1	
-55	16541-02		ANGLE ASSEMBLY - Outboard skin attachment, left engine	1	
	16541-03		ANGLE ASSEMBLY - Outboard skin attachment, right engine	1	
-56	16542-00		ANGLE - Inboard skin attachment, left engine	1	
	16542-01		ANGLE - Inboard skin attachment, right engine	1	
-57	32921-00		CABLE ASSEMBLY - Cowl flap control	2	
-58	487 686		STUD - (4002-9)	12	
-59	16917-00		PLATE ASSEMBLY - Nacelle, outboard, left engine	1	
	16917-01		PLATE ASSEMBLY - Nacelle, outboard, right engine	1	
-60	16925-00		PLATE ASSEMBLY - Nacelle, inboard, right engine	1	
	16925-01		PLATE ASSEMBLY - Nacelle, inboard, left engine	1	
-61	31749-10		PLATE ASSEMBLY - Nacelle reinforcement, left engine	1	
	31749-01		PLATE ASSEMBLY - Nacelle reinforcement, right engine	1	
-62	18262-00		CLIP ASSEMBLY - Nacelle attachment	4	
-63	32431-00		PLATE ASSEMBLY - Firewall, upper, left engine	1	
	32431-01		PLATE ASSEMBLY - Firewall, upper, right engine	1	
-64	31764-00		RECEPTACLE ASSEMBLY - Firewall plate	3	
-65	31216-04		FIREWALL ASSEMBLY - Center, left engine	1	
	31228-04		FIREWALL ASSEMBLY - Center, right engine	1	
-66	31235-00		PLATE ASSEMBLY - Firewall, outboard, left engine	1	
	31235-01		PLATE ASSEMBLY - Firewall, outboard, right engine	1	
-67	31245-00		PLATE ASSEMBLY - Firewall, inboard, left engine	1	
	31245-01		PLATE ASSEMBLY - Firewall, inboard, right engine	1	
-68	32327-00		PLATE ASSEMBLY - Wheel well, forward, left engine	1	
	32435-00		PLATE ASSEMBLY - Wheel well, forward, right engine	1	
-69	31432-00		BRACKET - Bearing block support, outboard	2	
	31432-02		BRACKET - Bearing block support, inboard	2	
-70	487 687		STUD - (4002-10)	4	
-71	31260-00		PLATE ASSEMBLY - Wheel well, center, left engine	1	
	31260-01		PLATE ASSEMBLY - Wheel well, center, right engine	1	
-72	32328-00		PANEL ASSEMBLY - Cowl, inboard, left engine	1	
	32328-01		PANEL ASSEMBLY - Cowl, inboard, right engine	1	
	32329-00		PANEL ASSEMBLY - Cowl, outboard, left engine	1	
	32329-01		PANEL ASSEMBLY - Cowl, outboard, right engine	1	
-73	32325-00		LOUVER ASSEMBLY - Cowl, left outboard, right inboard	1	
	32325-01		LOUVER ASSEMBLY - Cowl, left inboard, right outboard	1	
-74	31292-00		ANGLE ASSEMBLY - Nacelle, inboard, left engine	1	
	31292-01		ANGLE ASSEMBLY - Nacelle, inboard, right engine	1	
-75	31583-00		ANGLE ASSEMBLY - Nacelle, outboard, left engine	1	
	31583-01		ANGLE ASSEMBLY - Nacelle, outboard, right engine	1	

When ordering, always specify Part Number, Description and Serial Number of Aircraft

PIPER PARTS CATALOG

Figure and Index Number	Part Number	Code	NOMENCLATURE	No. Req.	SERIAL NUMBERS AFFECTED
34B-76	31296-00		BRACKET ASSEMBLY - Cowl support, inboard, left engine	1	
	31296-01		BRACKET ASSEMBLY - Cowl support, inboard, right engine	1	
-77	31300-00		BRACKET ASSEMBLY - Cowl support, outboard, left engine	1	
	31300-01		BRACKET ASSEMBLY - Cowl support, outboard, right engine	1	
-78	31302-00		PLATE - Left wing, leading edge cover, inboard	1	
	31696-00		PLATE - Right wing, leading edge cover, inboard	1	
-79	31311-00		PLATE - Left wing, leading edge cover, outboard	1	
	31311-01		PLATE - Right wing, leading edge cover, outboard	1	
-80	32925-00		GUARD - Control cable	2	
-81	32919-02		TUBE ASSEMBLY - Outboard cowl flap, left engine	1	
	32919-04		TUBE ASSEMBLY - Outboard cowl flap, right engine	1	
-82	452 383		* BEARING ASSEMBLY - Rod end (24166)	2	
-83	32919-03		TUBE ASSEMBLY - Inboard cowl flap, left engine	1	
	32920-00		TUBE ASSEMBLY - Inboard cowl flap, right engine	1	
-84	452 383		* BEARING ASSEMBLY - Rod end (24166)	2	
-85	32906-00		TUBE ASSEMBLY - Cowl flap torque, left engine	1	
	32908-00		TUBE ASSEMBLY - Cowl flap torque, right engine	1	
-86	32801-00		BLOCK - Bearing, cowl flap torque tube	8	
-87	454 901		CLEVIS - Cowl flap control cable (MS27975-4)	4	
-88	400 104		BOLT - (AN4-7)	4	
	407 584		WASHER - (AN960-416L)	4	
	424 051		PIN - (AN480-2-2)	4	
	404 101		NUT - (AN310-4)	4	
-89	487 685		STUD - (4002-8)	4	
-90	463 400		GROMMET - (4002-0)	66	
-91	484 755		SNAP RING - (R4G)	66	
-92	487 684		STUD - (4002-7)	4	
-93	487 689		STUD - (4002-6)	42	
-94	31236-02		PLACARD - Fuel line, left	1	
	31236-03		PLACARD - Fuel line, right	1	
-95	474 658		MIRROR - Left nacelle, inboard (G300L)	1	
-96	415 517		SCREW - (MS35206-227)	1	

When ordering, always specify Part Number, Description and Serial Number of Aircraft

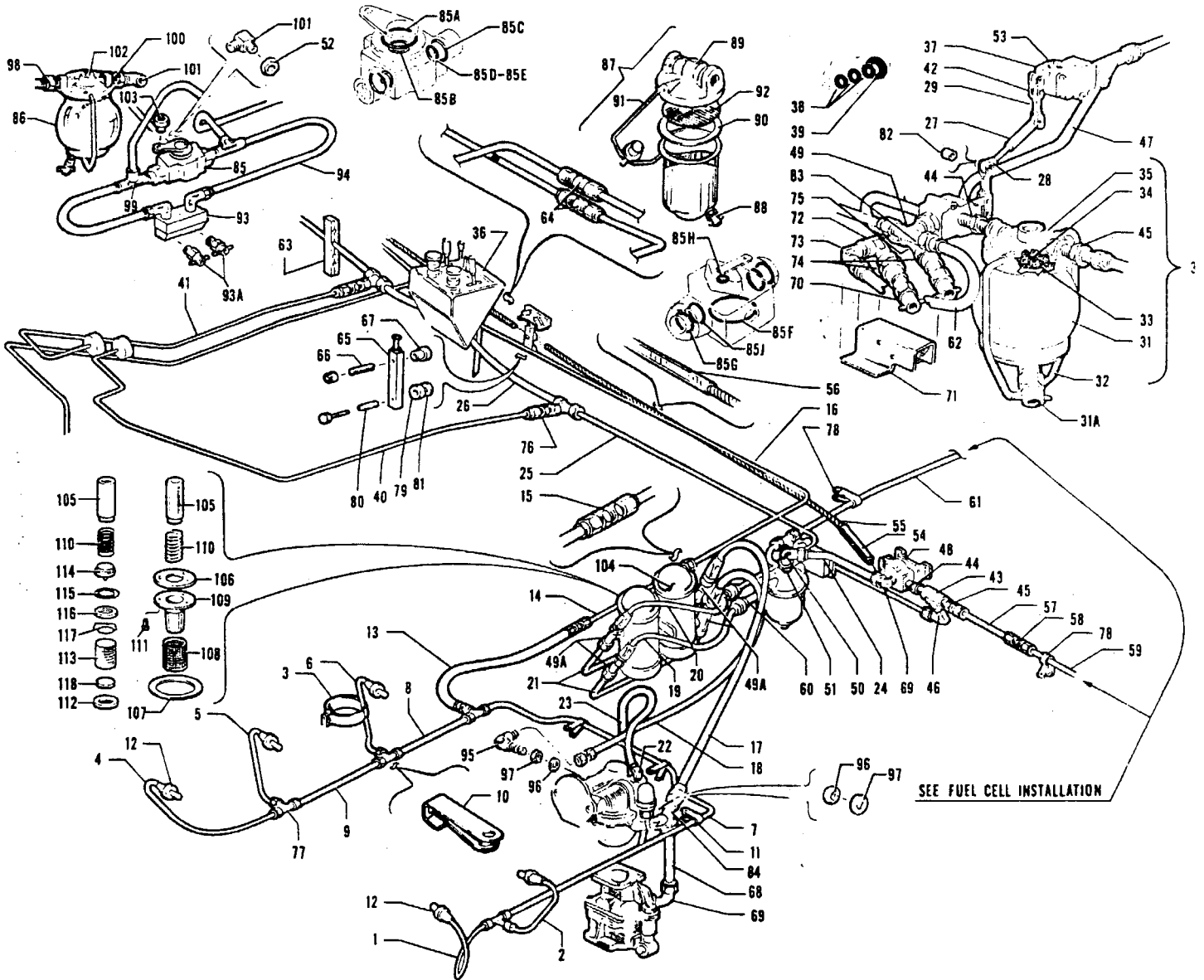


Figure 35. Fuel System Installation
(Serial Nos. 27-1 to 27-2504 inclusive)



Figure and Index Number	Part Number	Code	NOMENCLATURE	No. Req.	SERIAL NUMBERS AFFECTED
35-	16319	X	DRAWING - Fuel System Installation		
	16319	Y	DRAWING - Fuel System Installation		27-2000 to 27-2222 inclusive
	30879	Y	DRAWING - Fuel System Installation		27-2223 to 27-2504 inclusive
	30879	Z	DRAWING - Fuel System Installation		
-1	21537-06	X	LINE ASSEMBLY - Primer, left front cylinder	2	
	21537-06	Y	LINE ASSEMBLY - Primer, left front cylinder	2	27-2000 to 27-2222 inclusive
	22991-00	Y	LINE ASSEMBLY - Primer, left front cylinder	2	27-2223 to 27-2504 inclusive
	22991-00	Z	LINE ASSEMBLY - Primer, left front cylinder	2	
-2	21537-02		LINE ASSEMBLY - Primer, left center cylinder	2	
-3	21230-00		CLAMP - Primer line	10	
-4	21537-03		LINE ASSEMBLY - Primer, right front cylinder	2	
-5	21537-04		LINE ASSEMBLY - Primer, right center cylinder	2	
-6	21537-05		LINE ASSEMBLY - Primer, right rear cylinder	2	
-7	21538-02		LINE ASSEMBLY - Rear primer	2	
-8	21538-04		LINE ASSEMBLY - Primer, right rear	2	
-9	21538-03		LINE ASSEMBLY - Primer, right center	2	
-10	18078-00		CLAMP - Primer tee	8	
-11	80032-69		CLAMP - Offset	6	
-12	468 340		JET - Primer	10	
-13	17786-06		HOSE ASSEMBLY - Flexible	2	
-14	16246-02		LINE ASSEMBLY - Primer, left	1	
	16246-04		LINE ASSEMBLY - Primer, right	1	
-15	491 058		UNION - (AN832-2D)	2	
-16	17984-00		LINE ASSEMBLY - Primer	2	
-17	30155-03		HOSE ASSEMBLY - Flexible, left	1	
	31055-04		HOSE ASSEMBLY - Flexible, right	1	
-18	17766-25		LINE ASSEMBLY - Flexible, left engine inlet	1	
	17766-24		LINE ASSEMBLY - Flexible, right engine inlet	1	
-19	17766-24		LINE ASSEMBLY - Fuel, flexible	2	
-20	17766-22		LINE ASSEMBLY - Fuel, flexible	2	
-21	21657-00		LINE ASSEMBLY - Fuel	4	
-22	21227-00	X,Y	FITTING - Elbow	2	27-1 to 27-2222 inclusive
	458 948	Y	FITTING - Elbow (1K1-2-4)	2	27-2223 to 27-2504 inclusive
	458 948	Z	FITTING - Elbow (1K1-2-4)	2	27-505 to 27-597 inclusive
	558 911	Z	FITTING - Elbow (1K11-1)	2	27-598 and up
-23	82371-95		HOSE - Fuel pump vent, left engine	1	
	82371-96		HOSE - Fuel pump vent, right engine	1	
-24	16247-00	X	LINE ASSEMBLY - Fuel	2	
	16247-00	Y	LINE ASSEMBLY - Fuel	2	27-2000 to 27-2222 inclusive
-25	16204-00		LINE ASSEMBLY - Fuel crossfeed, left	1	
	16204-01		LINE ASSEMBLY - Fuel crossfeed, right	1	
-26	16225-00		LINE ASSEMBLY - Fuel crossfeed, 18 1/4", left	1	
	16225-03		LINE ASSEMBLY - Fuel crossfeed, 20 7/8", right	1	
	16225-05		LINE ASSEMBLY - Fuel crossfeed, 20 3/16", left	1	
-27	18608-00	X	ROD - Fuel valve connector	2	
	18608-00	Y	ROD - Fuel valve connector	2	27-2000 to 27-2222 inclusive
-28	13444-03	X	EYE - Turnbuckle	2	
	13444-03	Y	EYE - Turnbuckle	2	27-2000 to 27-2222 inclusive

X - Used on PA-23-250 airplanes only.
Y - Used on PA-23-250 (Six Place) airplanes only.
Z - Used on PA-23-235 airplanes only.

When ordering, always specify Part Number, Description and Serial Number of Aircraft

PIPER PARTS CATALOG

Figure and Index Number	Part Number	Code	NOMENCLATURE	No. Req.	SERIAL NUMBERS AFFECTED
35-29	18593-00	X	ARM ASSEMBLY - Fuel valve control, left	2	
	18593-01	X	ARM ASSEMBLY - Fuel valve control, right	2	
	18593-00	Y	ARM ASSEMBLY - Fuel valve control, left	2	27-2000 to 27-2222 inclusive
	18593-01	Y	ARM ASSEMBLY - Fuel valve control, right	2	27-2000 to 27-2222 inclusive
-30	14330-04	X	STRAINER ASSEMBLY - Fuel	2	
	14330-04	Y	STRAINER ASSEMBLY - Fuel	2	27-2000 to 27-2222 inclusive
-31	16211-00		* BOWL ASSEMBLY - E.Z. Drain type	1	
-31a	492 022		* * DRAIN - (#CCA-1550)	1	
-32	60765-02		* BAIL WIRE ASSEMBLY	1	
-33	85012-32		* GASKET - Fuel strainer	1	
-34	750 272		* SCREEN - (#130P)	1	
-35	14428-00		* COVER	1	
-26	16218-00	B,X	BOX - Fuel system control	1	
	16218-00	B,Y	BOX - Fuel system control	1	27-2000 to 27-2222 inclusive
	30851-00	A,B,Y	BOX - Fuel system control	1	27-2223 to 27-2504 inclusive
	30851-00	B,Z	BOX - Fuel system control	1	
-37	756 520	X	VALVE ASSEMBLY - Fuel (S-4600)	4	
	756 520	Y	VALVE ASSEMBLY - Fuel (S-4600)	4	27-2000 to 27-2222 inclusive
-38	752 742	X	* PACKING - "O" Ring (MS29513-10)	3	
	752 742	Y	* PACKING - "O" Ring (MS29513-10)	3	27-2000 to 27-2222 inclusive
-39	752 760	X	* PACKING - "O" Ring (MS29513-113)	1	
	752 760	Y	* PACKING - "O" Ring (MS29513-113)	1	27-2000 to 27-2222 inclusive
-40	19634-00		LINE ASSEMBLY - Fuel pressure, left	1	
-41	17987-00	X	LINE ASSEMBLY - Fuel pressure, right	1	
	17987-00	Y	LINE ASSEMBLY - Fuel pressure, right	1	27-2000 to 27-2222 inclusive
	17987-03	Y	LINE ASSEMBLY - Fuel pressure, right	1	27-2223 to 27-2504 inclusive
	17987-03	Z	LINE ASSEMBLY - Fuel pressure, right	1	
-42	18611-00	X	BUSHING	4	
	18611-00	Y	BUSHING	4	27-2000 to 27-2222 inclusive
-43	488 322	X	FITTING - Tee (AN917-2D)	2	
	488 322	Y	FITTING - Tee (AN917-2D)	2	27-2000 to 27-2222 inclusive
-44	476 651	X	NIPPLE - (AN911-2D)	4	
	476 651	Y	NIPPLE - (AN911-2D)	4	27-2000 to 27-2222 inclusive
-45	476 662	X	NIPPLE - (AN816-6D)	2	
	476 662	Y	NIPPLE - (AN816-6D)	2	27-2000 to 27-2222 inclusive
-46	458 915	X	ELBOW - (AN822-4-4D)	2	
	458 915	Y	ELBOW - (AN822-4-4D)	2	27-2000 to 27-2222 inclusive
-46a	458 895	Y	ELBOW - (AN822-6D) 90°	2	27-2000 to 27-2222 inclusive
-47	16467-00	X	LINE ASSEMBLY - Fuel, left	1	
	16467-01	X	LINE ASSEMBLY - Fuel, right	1	
	16467-00	Y	LINE ASSEMBLY - Fuel, left	1	27-2000 to 27-2222 inclusive
	16467-01	Y	LINE ASSEMBLY - Fuel, right	1	27-2000 to 27-2222 inclusive
-48	16226-00	X	BRACKET - Fuel valve attachment, left	1	
	16226-01	X	BRACKET - Fuel valve attachment, right	1	
	16226-00	Y	BRACKET - Fuel valve attachment, left	1	27-2000 to 27-2222 inclusive
	16226-01	Y	BRACKET - Fuel valve attachment, right	1	27-2000 to 27-2222 inclusive
-49	488 309		FITTING - Tee (AN825-6D)	8	
-49a	488 333		TEE - Special	4	
-50	458 892		FITTING - Elbow 45° (AN823-6D)	4	
-51	451 872		ADAPTER - (W/H 3204 x 4 x 2)	10	

A - See Figure 35A for fuel injection.
 B - See Figure 37 for component parts.
 X - Used on PA-23-250 airplanes only.
 Y - Used on PA-23-250 (Six Place) airplanes only.
 Z - Used on PA-23-235 airplanes only.

When ordering, always specify Part Number, Description and Serial Number of Aircraft

PIPER PARTS CATALOG

Figure and Index Number	Part Number	Code	NOMENCLATURE	No. Req.	SERIAL NUMBERS AFFECTED
35-52	460 824		FITTING - Tru-seal (#B122-4P2)	2	
-53	460 679	X	PLUG - (W/H 3150 x 4)	4	
	460 679	Y	PLUG - (W/H 3150 x 4)	4	27-2000 to 27-2222 inclusive
-54	19052-00	X	SLEEVE - Fuel control	4	
	19052-00	Y	SLEEVE - Fuel control	4	27-2000 to 27-2222 inclusive
-55	18816-00	X	CABLE ASSEMBLY - Fuel control	2	
	18816-00	Y	CABLE ASSEMBLY - Fuel control	2	27-2000 to 27-2222 inclusive
	30856-00	Y	CABLE ASSEMBLY - Fuel control	2	27-2223 to 27-2504 inclusive
	30856-00	Z	CABLE ASSEMBLY - Fuel control	2	
-56	13586-23		TUBING - Fuel control valve plastic	2	
-57	16245-00	X	LINE ASSEMBLY - Fuel	2	
	16245-00	Y	LINE ASSEMBLY - Fuel	2	27-2000 to 27-2222 inclusive
	30863-00	AY	LINE ASSEMBLY - Fuel, left	1	27-2223 to 27-2504 inclusive
	30863-01	BY	LINE ASSEMBLY - Fuel, right	1	27-2223 to 27-2504 inclusive
	30863-00	AZ	LINE ASSEMBLY - Fuel, left	1	
	30863-01	BZ	LINE ASSEMBLY - Fuel, right	1	
	33436-00	CYZ	LINE ASSEMBLY - Fuel, left	1	
	33436-01	CYZ	LINE ASSEMBLY - Fuel, right	1	
-58	491 052		UNION - (AN815-6D)	2	
-59	16183-00		LINE ASSEMBLY - Fuel	2	
-60	16205-00	X	LINE ASSEMBLY - Fuel	2	
	16205-00	Y	LINE ASSEMBLY - Fuel	2	27-2000 to 27-2222 inclusive
	30867-00	Y	LINE ASSEMBLY - Fuel	2	27-2223 to 27-2504 inclusive
	30867-00	Z	LINE ASSEMBLY - Fuel	2	
-61	17995-03	X	LINE ASSEMBLY - Fuel	2	
	17995-03	Y	LINE ASSEMBLY - Fuel	2	27-2000 to 27-2222 inclusive
	30864-00	DY	LINE ASSEMBLY - Fuel	2	27-2223 to 27-2504 inclusive
	30864-00	DZ	LINE ASSEMBLY - Fuel	2	
	33437-00	CYZ	LINE ASSEMBLY - Fuel	2	
-62	16466-00	X	LINE ASSEMBLY - Inboard fuel cell drain, left	1	
	16466-01	X	LINE ASSEMBLY - Inboard fuel cell drain, right	1	
	16466-00	Y	LINE ASSEMBLY - Inboard fuel cell drain, left	1	27-2000 to 27-2222 inclusive
	16466-01	Y	LINE ASSEMBLY - Inboard fuel cell drain, right	1	27-2000 to 27-2222 inclusive
	30865-00	Y	LINE ASSEMBLY - Inboard fuel cell drain	2	27-2223 to 27-2504 inclusive
	30865-00	Z	LINE ASSEMBLY - Inboard fuel cell drain	2	
-63	17981-02	X	BLOCK - Retaining	2	
	17981-02	Y	BLOCK - Retaining	2	27-2000 to 27-2222 inclusive
-64	491 048		UNION - (AN815-2D)	2	
-65	18782-00		ARM - Fuel control cable support	2	
-66	18790-00		STUD	2	
-67	18791-00		SWIVEL	2	
-68	30155-02		HOSE ASSEMBLY - Flexible	2	
-69	458 895		FITTING - Elbow, 90° (AN822-6D)	2	
-70	492 022		VALVE ASSEMBLY - Drain (CCA-1550)	4	

A - If Dukes Fuel Selector Valve has been installed, order Part No. 33436-00.
 B - If Dukes Fuel Selector Valve has been installed, order Part No. 33436-01.
 C - Used if Dukes Fuel Selector Valve has been installed.
 D - If Dukes Fuel Selector Valve has been installed, order Part No. 33437-00.
 X - Used on PA-23-250 airplanes only.
 Y - Used on PA-23-250 (Six Place) airplanes only.
 Z - Used on PA-23-235 airplanes only.

When ordering, always specify Part Number, Description and Serial Number of Aircraft

SECTION VI
Fuel System Group



FUEL SYSTEM INSTALLATION
(Serial Nos. 27-1 to 27-2504 inclusive)

Figure and Index Number	Part Number	Code	NOMENCLATURE	No. Req.	SERIAL NUMBERS AFFECTED
35-71	16469-00	X	BRACKET ASSEMBLY - Fuel drain valve, left	1	
	16469-01	X	BRACKET ASSEMBLY - Fuel drain valve, right	1	
	16469-00	Y	BRACKET ASSEMBLY - Fuel drain valve, left	1	27-2000 to 27-2222 inclusive
	16469-01	Y	BRACKET ASSEMBLY - Fuel drain valve, right	1	27-2000 to 27-2222 inclusive
	30858-00	Y	BRACKET ASSEMBLY - Fuel drain valve, left	1	27-2223 to 27-2504 inclusive
	30858-01	Y	BRACKET ASSEMBLY - Fuel drain valve, right	1	27-2223 to 27-2504 inclusive
	30858-00	Z	BRACKET ASSEMBLY - Fuel drain valve, left	1	
	30858-01	Z	BRACKET ASSEMBLY - Fuel drain valve, right	1	
-72	458 904		FITTING - Elbow, 90° (AN914-1D)	2	
-73	458 891		FITTING - Elbow, 90° (AN822-4D)	2	
-74	455 173		NIPPLE - (AN910-1D)	4	
-75	458 891		FITTING - Elbow, 45° (AN923-4D)	2	
-76	19289-00		NIPPLE - Fuel pressure line	2	
-77	488 318		FITTING - Primer line tee (AN824-2D)	8	
-78	80032-94		CLAMP	12	
-79	80022-75		BUSHING	2	
-80	80022-76		BUSHING	2	
-81	80122-10		BUSHING	2	
-82	14175-48	X	BUSHING	2	
	14175-48	Y	BUSHING	2	27-2000 to 27-2222 inclusive
-83	453 630		BUSHING - (AN894D6-4)	2	
-84	488 330	XY	FITTING - Tee (AN825-6)	2	
	488 330	AZ	FITTING - Tee (AN825-6)	2	
	488 505	BZ	FITTING - Tee (AN834-6)	2	
-85	30857-00	CY	VALVE ASSEMBLY - Fuel selector, left, Scott	1	27-2223 to 27-2504 inclusive
	30857-00	CZ	VALVE ASSEMBLY - Fuel selector, left, Scott	1	
	492 222	GYZ	VALVE ASSEMBLY - Fuel selector, left (3564-00-1) Dukes	1	
	30857-01	DY	VALVE ASSEMBLY - Fuel selector, right, Scott	1	27-2223 to 27-2504 inclusive
	30857-01	DZ	VALVE ASSEMBLY - Fuel selector, right, Scott	1	
	492 223	GYZ	VALVE ASSEMBLY - Fuel selector, right (3564-00-2) Dukes	1	
-85a	755 834	EY	PACKING - (19006)	1	27-2223 to 27-2504 inclusive
	755 834	EZ	PACKING - (19006)	1	
-85b	755 835	EY	PACKING - (19007)	1	27-2223 to 27-2504 inclusive
	755 835	EZ	PACKING - (19007)	1	
-85c	755 836	EY	PACKING - (19008)	2	27-2223 to 27-2504 inclusive
	755 836	EZ	PACKING - (19008)	2	
-85d	760 504	EY	KIT - Valve "O" rings (package of four)	1	27-2223 to 27-2504 inclusive
	760 504	EZ	KIT - Valve "O" rings (package of four)	1	
-85e	757 633	EY	SEAL - Fuel selector valve (15709)	1	27-2223 to 27-2504 inclusive
	757 633	EZ	SEAL - Fuel selector valve (15709)	1	
-85f	757 259	F	PACKING - "O" Ring (MS29513-28)	1	
-85g	462 061	F	PACKING - "O" Ring (MS29512-8)	2	
-85h	756 069	F	PACKING - "O" Ring (MS29513-7)	1	
-85j	756 070	F	PACKING - "O" Ring (MS29513-15)	2	

A - Used when engine fuel pump A.C. #6440174 is installed.
 B - Used when engine fuel pump A.C. #6440295 is installed.
 C - If Dukes Fuel Selector Valve has been installed, order Part No. 492 222.
 D - If Dukes Fuel Selector Valve has been installed, order Part No. 492 223.
 E - Used with Scott Valve only.
 F - Used with Dukes Valve only.
 G - Used only if the Scott Valve has previously been replaced with the Dukes Valve.
 X - Used on PA-23-250 airplanes only.
 Y - Used on PA-23-250 (Six Place) airplanes only.
 Z - Used on PA-23-235 airplanes only.

When ordering, always specify Part Number, Description and Serial Number of Aircraft

PIPER PARTS CATALOG

Figure and Index Number	Part Number	Code	NOMENCLATURE	No. Req.	SERIAL NUMBERS AFFECTED
35-86	14330-04	Y	STRAINER ASSEMBLY	2	27-2223 to 27-2504 inclusive
	14330-04	Z	STRAINER ASSEMBLY	2	
-87	16211-00		* BOWL ASSEMBLY - Fuel strainer	1	
-88	492 022		* * DRAIN - (#CCA-1550)	1	
-89	14428-00		* COVER - Fuel strainer	1	
-90	86012-32		* GASKET - Fuel strainer	1	
-91	60765-02		* BAIL WIRE ASSEMBLY	1	
-92	750 272		* SCREEN - (#130P)	1	
-93	30862-00	Y	VALVE ASSEMBLY - Fuel drain, left	1	27-2223 to 27-2504 inclusive
	30862-01	Y	VALVE ASSEMBLY - Fuel drain, right	1	27-2223 to 27-2504 inclusive
	30862-00	Z	VALVE ASSEMBLY - Fuel drain, left	1	
	30862-01	Z	VALVE ASSEMBLY - Fuel drain, right	1	
-93a	492 022		* DRAIN - (#CCA-1550)	2	
-93b	458 895		* ELBOW - (AN822-6D)	2	
-94	30866-00	Y	LINE ASSEMBLY - Fuel	2	27-2223 to 27-2504 inclusive
	30866-00	Z	LINE ASSEMBLY - Fuel	2	
-95	458 895	X,Y	FITTING - Elbow, 90° (AN822-6D)	2	
	458 895	A,Z	FITTING - Elbow, 90° (AN822-6D)	2	
	458 936	B,Z	FITTING - Elbow, 90° (AN833-6)	2	
-96	462 060	B,Z	GASKET - (MS29512-6)	4	
-97	477 631	B,Z	NUT - (AN924-6)	4	
-98	478 662	Y	NIPPLE - (AN816-6D)	1	27-2223 to 27-2504 inclusive
	478 662	Z	NIPPLE - (AN816-6D)	1	
-99	488 314	Y	TEE - (AN826-6D)	2	27-2223 to 27-2504 inclusive
	488 314	Z	TEE - (AN826-6D)	2	
-100	478 651	Y	NIPPLE - (AN911-2D)	2	27-2223 to 27-2504 inclusive
	478 651	Z	NIPPLE - (AN911-2D)	1	
-101	458 919	Y	ELBOW - (AN914-2D)	1	27-2223 to 27-2504 inclusive
	458 919	Z	ELBOW - (AN914-2D)	1	
-102	580 777	Y	PLUG - (AN932-2)	1	27-2223 to 27-2504 inclusive
	580 777	Z	PLUG - (AN932-2)	1	
-103	91193-00	Y	FITTING - Swivel	2	27-2223 to 27-2504 inclusive
	91193-00	Z	FITTING - Swivel	2	
-104	481 686		PUMP - Electric fuel, 14 Volt	4	
	481 678		PUMP - Electric fuel, 28 Volt	4	
-105	755 803		* PLUNGER ASSEMBLY - (476 474)	1	
-106	751 857		* GASKET - Plunger (475 128)	1	
-107	751 858		* GASKET - Cover (475 694)	1	
-108	756 107		* SCREEN - Filter (475 634)	1	
-109	751 556		* SPRING CUP ASSEMBLY - (476 364)	1	
-110	756 108		* SPRING - (475 127)	1	
-111	756 109		* SCREW - (490 028)	3	
-112	751 872		* GASKET - Cover (479 136)	1	
-113	751 799		* SCREEN - Filter (479 135)	1	
-114	753 119		* CUP VALVE - (479 132)	1	
-115	756 162		* SEAL - "O" Ring (479 139)	1	
-116	753 193		* WASHER - (479 138)	1	
-117	752 869		* RETAINER - (479 137)	1	
-118	753 650		* MAGNET - (479 012)	1	

A - Used when engine fuel pump A.C. #6440174 is installed.
 B - Used when engine fuel pump A.C.#6440295 is installed.
 X - Used on PA-23-250 airplanes only.
 Y - Used on PA-23-250 (Six Place) airplanes only.
 Z - Used on PA-23-235 airplanes only.

When ordering, always specify Part Number, Description and Serial Number of Aircraft

**2E19 THRU 2E24
INTENTIONALLY LEFT BLANK**

PIPER PARTS CATALOG

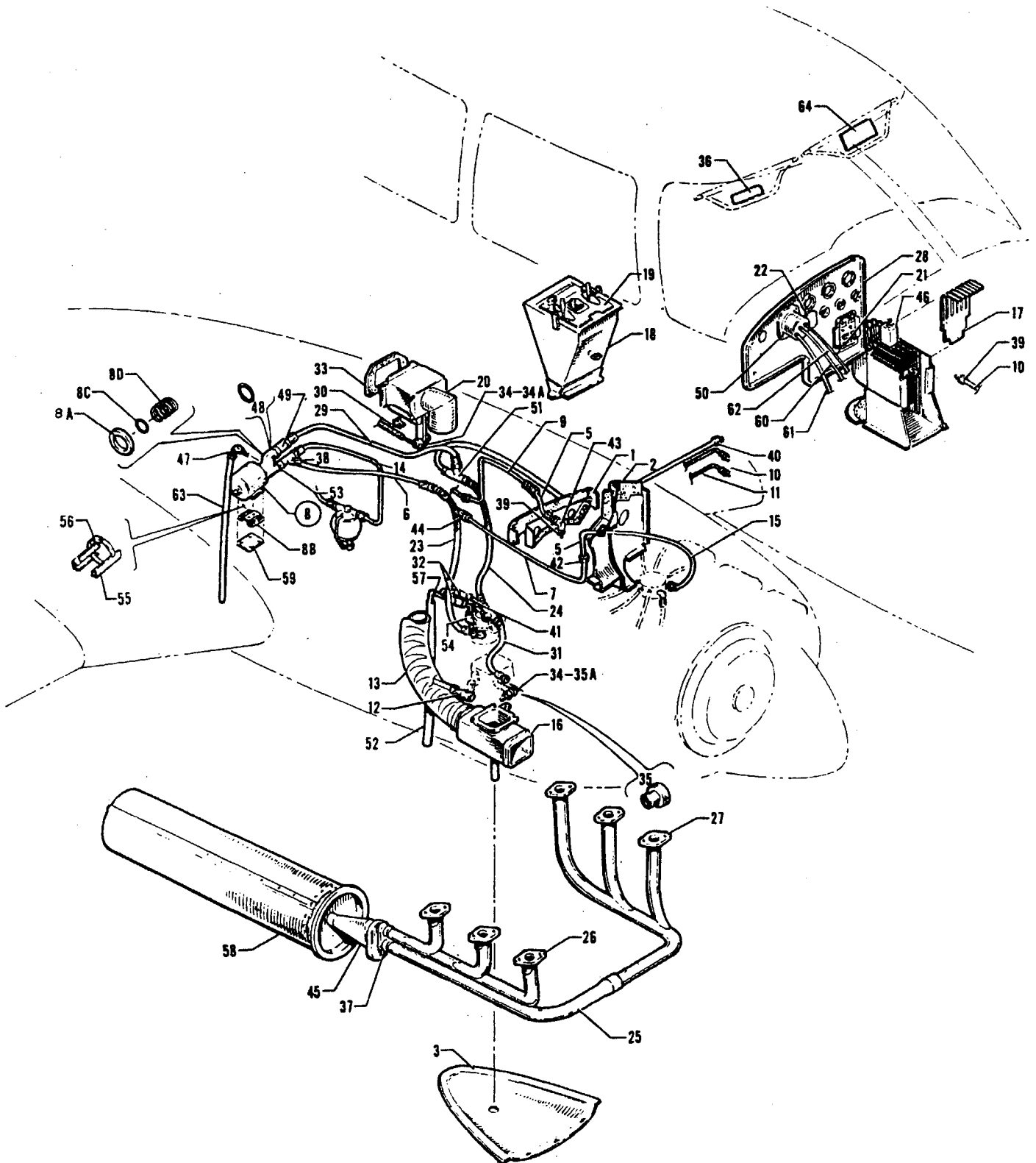


Figure 35A. Fuel Injection System Installation
(Serial Nos. 27-2322 to 27-2504 inclusive)

PIPER PARTS CATALOG

Figure and Index Number	Part Number	Code	NOMENCLATURE	No. Req.	SERIAL NUMBERS AFFECTED
35A-	30980		DRAWING - Fuel Injection System Installation		27-2322 to 27-2504 inclusive
-1	16957-03		BAFFLE ASSEMBLY - Rear center, RH	1	
-2	16436-06		BAFFLE ASSEMBLY - Rear center, RH	1	
	16365-08		BAFFLE ASSEMBLY - Rear center, LH	1	
-3	16544-04		SCOOP - Carburetor air, rear	2	
-4	16633-03		HOSE - Flexible	2	27-2322 to 27-2490 inclusive
	82371-51		HOSE - Flexible	2	27-2491 to 27-2504 inclusive
-5	17766-06		HOSE ASSEMBLY - Fuel primer	3	
-6	30145-00		LINE ASSEMBLY - Fuel, right	1	27-2322 to 27-2490 inclusive
	30142-00		LINE ASSEMBLY - Fuel, left	1	27-2322 to 27-2490 inclusive
	31194-00		LINE ASSEMBLY - Fuel	2	27-2491 to 27-2504 inclusive
-7	17984-10		LINE ASSEMBLY - Fuel pressure, left	1	
	17984-12		LINE ASSEMBLY - Fuel pressure, right	1	
-8	33959-03	J	PUMP ASSEMBLY - Fuel	2	
-8a	756 155		SEAL - Shaft (8500)	1	
-8b	753 457	E,F,G	BASE - Fuel pump motor (8800-3)	1	
	758 117	D,H	BASE - Fuel pump motor (8800-3B)	1	
-8c	755 842	E,F	"O" RING - Plunger (MS29513-6)	1	
-8d	756 176	E	SPRING - Valve (8705)	1	
	756 243	F	SPRING - Valve (8706)	1	
	757 561	B,D,G,H	SPRING - Valve (8707)	1	
-9	17984-07		LINE ASSEMBLY - Fuel, right	1	
-10	17984-08		LINE ASSEMBLY - Fuel pressure	2	
-11	17984-09		LINE ASSEMBLY - Fuel, right	1	
-12	19987-00		JOINT ASSEMBLY - Ball	2	
-13	22502-24		HOSE - Air duct	2	27-2322 to 27-2490 inclusive
	22502-34		HOSE - Air duct	2	27-2491 to 27-2504 inclusive
-14	30146-00		LINE ASSEMBLY - Fuel, right	1	27-2322 to 27-2490 inclusive
	30140-00		LINE ASSEMBLY - Fuel, left	1	27-2322 to 27-2490 inclusive
	31195-01		LINE ASSEMBLY - Fuel, right	1	27-2491 to 27-2504 inclusive
	31195-00		LINE ASSEMBLY - Fuel, left	1	27-2491 to 27-2504 inclusive
-15	31146-02		LINE ASSEMBLY - Fuel, right	1	
	31146-04		LINE ASSEMBLY - Fuel, left	1	
-16	30107-00		BOX ASSEMBLY - Engine air induction	2	
-17	30112-00		PLACARD - Pedestal control	1	
-18	30113-00	A	BOX ASSEMBLY - Fuel system control, complete	1	
-19	30106-00		PLACARD - Fuel panel	1	
-20	30119-00		BOX - Alternate air	2	
-21	30114-00	C	CLUSTER ASSEMBLY - Instrument	1	
-22	30123-00		PLATE ASSEMBLY - Cover	1	

A - See Figure 37 for component parts.
 B - Used with Fuel Pump Part No. 33959-03 only.
 C - See Figure 10 for component parts.
 D - Used with Fuel Pump Part No. 33127-00 only.
 E - Used with Fuel Pump 8001-A only.
 F - Used with Fuel Pump A8001-A only.
 G - Used with Fuel Pump AA8001-A only.
 H - Used with Fuel Pump B8001-C only.
 J - Also order Fuel Pump Replacement Installation Kit 760 898 if Fuel Pump Part No. 33959-03 is not presently installed.

When ordering, always specify Part Number, Description and Serial Number of Aircraft

PIPER PARTS CATALOG

Figure and Index Number	Part Number	Code	NOMENCLATURE	No. Req.	SERIAL NUMBER AFFECTED
35A-23	17766-22		HOSE ASSEMBLY - Flexible, right	1	
	30155-02		HOSE ASSEMBLY - Flexible, left (17 1/2" L)	1	
-24	17766-65		HOSE ASSEMBLY - Flexible, right	1	
	30155-04		HOSE ASSEMBLY - Flexible, left (20" L)	1	
-25	30348-02		STACK ASSEMBLY - Left engine, left (16314-02)	1	
	30349-08		STACK ASSEMBLY - Right engine, right (16315-08)	1	
-26	30348-13		STACK ASSEMBLY - Engine exhaust, left outboard	1	
	30349-09		STACK ASSEMBLY - Engine exhaust, right outboard	1	
-27	30348-17		STACK ASSEMBLY - Engine exhaust, left inboard	1	
	30349-14		STACK ASSEMBLY - Engine exhaust, right inboard	1	
-28	30964-00	A	PANEL ASSEMBLY - Instrument, right cover	1	
-29	30148-00		LINE ASSEMBLY - Fuel, LH	1	
	30148-01		LINE ASSEMBLY - Fuel, RH	1	
-30	30969-00		BRACKET - Control clamp	2	
-31	17766-76		HOSE ASSEMBLY - Flexible	2	
-32	16633-37		HOSE - Flexible	4	27-2322 to 27-2490 inclusive
-33	30976-00		GASKET - Air box	2	
-34	70371-02		FITTING ASSEMBLY - Swivel, air box	2	27-2322 to 27-2490 inclusive
	91193-00		FITTING ASSEMBLY - Swivel, air box	2	27-2491 to 27-2504 inclusive
-34a	70371-03		FITTING ASSEMBLY - Air box	2	27-2491 to 27-2504 inclusive
-35	91193-00		FITTING ASSEMBLY - Swivel, air box	2	27-2322 to 27-2490 inclusive
	31157-00		FITTING ASSEMBLY - Swivel, air box	2	27-2491 to 27-2504 inclusive
-35a	70371-03		FITTING ASSEMBLY - Air box	2	27-2322 to 27-2490 inclusive
	31156-00		STUD - Air box	2	27-2491 to 27-2504 inclusive
-36	30716-02		PLACARD - Checklist	1	
-37	14235-10		CLAMP - Exhaust	4	
-38	488 312		TEE - Fuel pump (AN804-6D)	1	
-39	491 048		UNION - Flared tube (AN815-2D)	2	27-2322 to 27-2490 inclusive
-40	491 052		UNION - Flared tube (AN815-6D)	2	27-2322 to 27-2490 inclusive
	491 062		UNION - Flared tube (AN832-6D)	2	27-2491 to 27-2504 inclusive
-41	458 940		ELBOW - Hose (AN844-4D)	2	27-2322 to 27-2490 inclusive
-42	491 058		UNION - Flared tube, bulkhead (AN832-2D)	3	
-43	458 876		ELBOW - Flared tube, bulkhead (AN833-2D)	2	
-44	477 619		NUT - Bulkhead fitting (AN924-2D)	5	
-45	16392-20		NOZZLE ASSEMBLY - Exhaust stack	2	
-46	454 659		CIRCUIT BREAKER - (PS50120-3-16)	1	
-47	458 940		ELBOW - Fuel pump (AN844-4D)	1	
-48	462 060		GASKET - Fuel pump (MS29512-6)	2	
-49	492 072		VALVE ASSEMBLY - Check, fuel pump (K1332-6-10)	1	
-50	31084-00		GAUGE ASSEMBLY - Fuel flow	1	
-51	488 312		TEE - Flared tube, bulkhead (AN804-6D)	2	
-52	61541-25		HOSE - Flexible, right	1	27-2322 to 27-2490 inclusive
	82371-95		HOSE - Flexible, left	1	27-2322 to 27-2490 inclusive
	61541-31		HOSE - Flexible, right	1	27-2491 to 27-2504 inclusive
	61541-32		HOSE - Flexible, left	1	27-2491 to 27-2504 inclusive
-53	477 620		NUT - Fuel valve (AN924-6D)	1	
-54	23333-02		VALVE ASSEMBLY - Check	1	
-55	33963-02	B	BRACKET ASSEMBLY - Fuel pump mounting	4	
-56	554 834	B	CLAMP - (SAE TY E-40)	4	
-57	24037-00		TUBE ASSEMBLY - Drain connector	2	27-2322 to 27-2490 inclusive
-58	16418-08		TUBE ASSEMBLY - Exhaust ejector, LH	1	
	16418-07		TUBE ASSEMBLY - Exhaust ejector, RH	1	

A - Used when Glar-Ban lights are installed.
B - Used if Fuel Pump Replacement Installation Kit 760 898 has been installed.

When ordering, always specify Part Number, Description and Serial Number of Aircraft

PIPER PARTS CATALOG

Figure and Index Number	Part Number	Code	NOMENCLATURE	No. Req.	SERIAL NUMBERS AFFECTED
35A-59	30149-00		PAD - Fuel pump mounting	2	
-60	17987-05		LINE ASSEMBLY - Fuel pressure	1	
-61	17987-07		LINE ASSEMBLY - Fuel	1	
-62	19634-03		LINE ASSEMBLY - Fuel	1	
-63	22369-09		TUBE - Plastic	2	
-64	31109-00		PLACARD - Engine starting instructions	1	

When ordering, always specify Part Number, Description and Serial Number of Aircraft

PIPER PARTS CATALOG

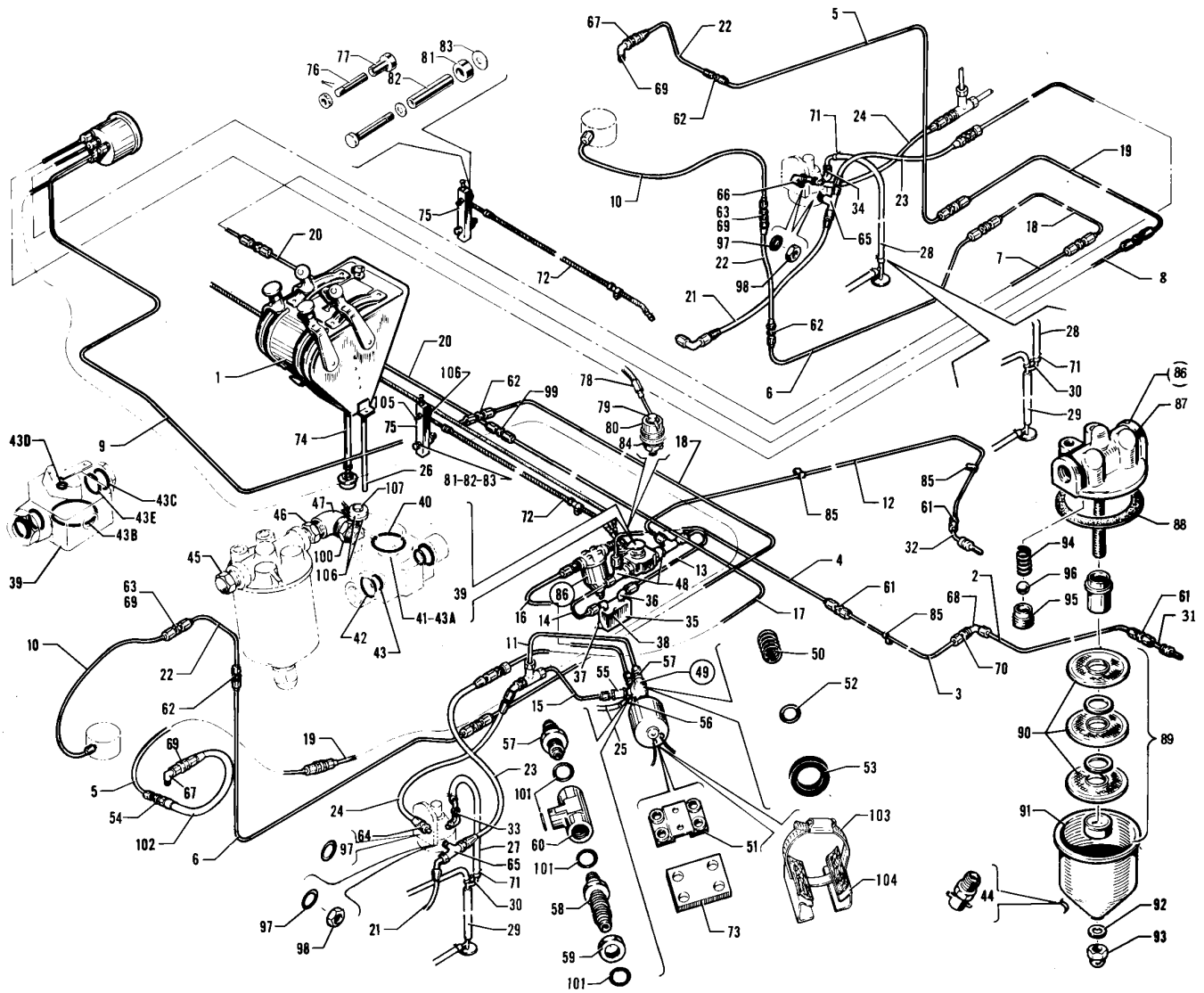


Figure 35B. Fuel System Installation
(Serial Nos. 27-2505 and up)

PIPER PARTS CATALOG

Figure and Index Number	Part Number	Code	NOMENCLATURE	No. Req.	SERIAL NUMBERS AFFECTED
35B-	31310		DRAWING - Fuel Injection System Installation		
-1	31375-00	A	BOX ASSEMBLY - Fuel system control	1	27-2505 to 27-2868 inclusive
	31375-02	A	BOX ASSEMBLY - Fuel system control	1	27-2869 to 27-7405431 inclusive
	31375-04	A,H,C	BOX ASSEMBLY - Fuel system control	1	27-7405432 to 27-7954089 incl.
	31375-03	A,D	BOX ASSEMBLY - Fuel system control	1	27-4053, 27-4226 to 27-7405431 inclusive
	31375-05	A,D,C	BOX ASSEMBLY - Fuel system control	1	27-7405432 to 27-7954089 incl.
	31375-06	A,H,B	BOX ASSEMBLY - Fuel system control	1	27-7654001 to 27-7954089 incl.
	31375-07	A,D,B	BOX ASSEMBLY - Fuel system control	1	27-7654001 to 27-7954089 incl.
	31375-08	A,H,C	BOX ASSEMBLY - Fuel system control	1	27-7954090 and up
	31375-09	A,D,C	BOX ASSEMBLY - Fuel system control	1	27-7954090 and up
	31375-10	A,H,B	BOX ASSEMBLY - Fuel system control	1	27-7954090 and up
	31375-11	A,D,B	BOX ASSEMBLY - Fuel system control	1	27-7954090 and up
-2	16180-00		LINE ASSEMBLY - Fuel, outboard fuel cell	2	
-3	16183-00		LINE ASSEMBLY - Fuel, outboard fuel cell	2	
-4	30863-00	G	LINE ASSEMBLY - Fuel, outboard fuel cell, left	1	27-2505 to 27-7305126 incl.
	33436-00		LINE ASSEMBLY - Fuel, outboard fuel cell, left	1	27-7305127 and up
	30863-01	G	LINE ASSEMBLY - Fuel, outboard fuel cell, right	1	27-2505 to 27-7305126 incl.
	33436-01		LINE ASSEMBLY - Fuel, outboard fuel cell, right	1	27-7305127 and up
-5	17984-07		LINE ASSEMBLY - Fuel flow gauge vent, right	1	
	17984-07		LINE ASSEMBLY - Fuel flow gauge vent, left	1	27-3837, 27-3944 and up
	17984-21	D	LINE ASSEMBLY - Fuel flow gauge vent, right	1	
	17984-22	D	LINE ASSEMBLY - Fuel flow gauge vent, left	1	
-6	17984-10		LINE ASSEMBLY - Fuel flow gauge, left	1	
	17984-16		LINE ASSEMBLY - Fuel flow gauge, right	1	
-7	17897-05		LINE ASSEMBLY - Fuel flow gauge, right	1	27-2505 to 27-7405476 incl.
	80024-45		LINE ASSEMBLY - Fuel flow gauge, right	1	27-7554001 and up
-8	17987-07		LINE ASSEMBLY - Fuel flow gauge vent, right	1	27-2505 to 27-7405476 incl.
	80024-45		LINE ASSEMBLY - Fuel flow gauge vent, right	1	27-7554001 and up
	32506-00		LINE ASSEMBLY - Fuel flow gauge vent, left	1	27-3837, 27-3944 to 27-7405476 inclusive
-9	80024-44		LINE ASSEMBLY - Fuel flow gauge vent, left	1	27-7554001 and up
	19634-03		LINE ASSEMBLY - Fuel flow gauge vent, left	1	27-2505 to 27-3836 inclusive, 27-3838 to 27-3943 inclusive
	32506-00		LINE ASSEMBLY - Fuel flow gauge, left	1	27-3837, 27-3944 to 27-7405476 inclusive
-10	80024-44		LINE ASSEMBLY - Fuel flow gauge, left	1	27-7554001 and up
	23195-13		LINE ASSEMBLY - Fuel flow gauge, right	1	
	31146-04		LINE ASSEMBLY - Fuel flow gauge, left	1	
-11	31918-00	E,F	LINE ASSEMBLY - Fuel, left (electric fuel pump to firewall)	1	
	31918-04	D	LINE ASSEMBLY - Fuel, left (electric fuel pump to firewall)	1	

- A - See Figure 37A for component parts.
- B - Used if Wing Tip Fuel Tanks are installed.
- C - Used if Wing Tip Fuel Tanks are not installed.
- D - Used if Lycoming Turbocharger is installed.
- E - See Figure 30B if Airessearch Turbocharger is installed.
- F - When ordering for airplanes with serial numbers 27-2505 to 27-2565 inclusive, 27-2567 to 27-2634 inclusive, 27-2636 to 27-2656 inclusive, 27-2658 to 27-2692 inclusive and 27-2694 to 27-2742 inclusive, ascertain that Fuel Pump Replacement Kit 756 880 has been installed per Service Letter No. 441.
- G - If Dukes Fuel Selector Valve has been installed, order part with serial numbers 27-7305127 and up.
- H - Used if Lycoming Turbocharger is not installed.

When ordering, always specify Part Number, Description and Serial Number of Aircraft

PIPER PARTS CATALOG

Figure and Index Number	Part Number	Code	NOMENCLATURE	No. Req.	SERIAL NUMBERS AFFECTED
35B-11.	31918-01	E,F	LINE ASSEMBLY - Fuel, right (electric fuel pump to firewall)	1	
	31918-05	D	LINE ASSEMBLY - Fuel, right (electric fuel pump to firewall)	1	
-12	30864-00	G	LINE ASSEMBLY - Fuel, inboard fuel cell	2	27-2505 to 27-7305126 inclusive
	33437-00		LINE ASSEMBLY - Fuel, inboard fuel cell	2	27-7305127 and up
-13	30865-00	H	LINE ASSEMBLY - Fuel drain	2	
	30866-04	J	LINE ASSEMBLY - Fuel drain	2	
-14	30866-00	H	LINE ASSEMBLY - Fuel drain	2	
	31712-00	J	LINE ASSEMBLY - Fuel drain	2	
-15	31194-05	F	LINE ASSEMBLY - Fuel (electric fuel pump to firewall)	2	
-16	31195-04		LINE ASSEMBLY - Fuel, left (electric fuel pump to filter)	1	
	31195-06		LINE ASSEMBLY - Fuel, right (electric fuel pump to filter)	1	
-17	16204-00		LINE ASSEMBLY - Fuel cross feed, left	1	
	16204-01		LINE ASSEMBLY - Fuel cross feed, right	1	
-18	17984-08		LINE ASSEMBLY - Fuel flow gauge	2	
-19	17984-09		LINE ASSEMBLY - Fuel flow gauge vent, right	1	
	17984-20		LINE ASSEMBLY - Fuel flow gauge vent, left	1	27-3837, 27-3944 and up
-20	16225-03		TUBE ASSEMBLY - Fuel cross feed, left	1	
	16225-05		TUBE ASSEMBLY - Fuel cross feed, right	1	
-21	23745-10	A,C	HOSE ASSEMBLY - Fuel (21" L)	2	27-2505 to 27-4853 inclusive
	39995-31	D	HOSE ASSEMBLY - Fuel (27.50" L)	2	27-4854 and up
-22	17766-06		HOSE ASSEMBLY - Fuel	3	
-23	17766-85		HOSE ASSEMBLY - Fuel, left	1	
	39995-06	B	HOSE ASSEMBLY - Fuel, left	1	
	17766-86		HOSE ASSEMBLY - Fuel, right	1	
	23745-12	B	HOSE ASSEMBLY - Fuel, right	1	
-24	23745-11		HOSE ASSEMBLY - Fuel, left	1	
	23745-12		HOSE ASSEMBLY - Fuel, right	1	
-25	22369-09		TUBE - Electric fuel pump drain	2	
-26	22369-13		TUBE - Control box fuel drain	1	
-27	16633-54		HOSE - Engine fuel pump drain, left	1	
-28	61541-31		HOSE - Engine fuel pump drain, right	1	27-2505 to 27-7854050 inclusive
	16633-54		HOSE - Engine fuel pump drain, right	1	27-7854051 and up
-29	82371-95		HOSE - Engine fuel pump drain, left	2	
-30	16632-00		TUBE - Drain hose connector	2	
-31	16206-00		STRAINER ASSEMBLY - Fuel, outboard cell	2	

- A - Not used when Airesearch Turbocharger is installed. Refer to Airesearch Aviation Service Co. Parts Catalog.
- B - Used if Lycoming Turbocharger is installed.
- C - Order part for serial numbers 27-4854 and up if existing hose is 27.50 inches long and secured to engine crankcase.
- D - Not used when Lycoming Turbocharger is installed.
- E - See Figure 30B if Airesearch Turbocharger is installed.
- F - When ordering for airplanes with serial numbers 27-2505 to 27-2565 inclusive, 27-2567 to 27-2634 inclusive, 27-2636 to 27-2656 inclusive, 27-2658 to 27-2692 inclusive and 27-2694 to 27-2742 inclusive, ascertain that Fuel Pump Replacement Kit 756 880 has been installed per Service Letter No. 441.
- G - If Dukes Fuel Selector Valve has been installed, order part with serial numbers 27-7305127 and up.
- H - Used on airplanes with serial numbers 27-2505 to 27-2621, 27-2625 to 27-2635 inclusive, 27-2639 to 27-2654 inclusive.
- J - Used on airplanes with serial numbers 27-2622 to 27-2624 inclusive, 27-2636 to 27-2638 inclusive, 27-2655 and up.

When ordering, always specify Part Number, Description and Serial Number of Aircraft

PIPER PARTS CATALOG

Figure and Index Number	Part Number	Code	NOMENCLATURE	No. Req.	SERIAL NUMBERS AFFECTED
35B-32	17943-06		STRAINER ASSEMBLY - Fuel, left inboard cell	1	
	17943-07		STRAINER ASSEMBLY - Fuel, right inboard cell	1	
-33	23333-04		VALVE ASSEMBLY - Check, left engine fuel pump	1	
-34	23333-03		VALVE ASSEMBLY - Check, right engine fuel pump	1	27-2505 to 27-7854050 inclusive
	23333-04		VALVE ASSEMBLY - Check, right engine fuel pump	1	27-7854051 and up
-35	30862-00		VALVE ASSEMBLY - Fuel drain, left	1	
	30862-01		VALVE ASSEMBLY - Fuel drain, right	1	
-36	458 895		ELBOW - (AN822-6D)	2	
-37	492 022		VALVE - Drain (CCA-1550)	2	
-38	30858-00		BRACKET - Drain valve support, left	1	
	30858-01		BRACKET - Drain valve support, right	1	
-39	30857-00	H	VALVE ASSEMBLY- Fuel selector, left, Scott	1	27-2505 to 27-7305126 inclusive
	492 222		VALVE ASSEMBLY - Fuel selector, left (3564-00-1) Dukes	1	27-7305127 and up
	30857-01	H	VALVE ASSEMBLY - Fuel selector, right, Scott	1	27-2505 to 27-7305126 incl.
	492 223		VALVE ASSEMBLY - Fuel selector, right (3564-00-2) Dukes	1	27-7305127 and up
-40	755 834	F	PACKING - (19006)	1	27-2505 to 27-7305126 incl.
-41	755 835	F	PACKING - (19007)	1	27-2505 to 27-7305126 incl.
-42	755 836	F	PACKING - (19008)	2	27-2505 to 27-7305126 incl.
-43	760 504	F	KIT - Valve "O" Ring (package of four)	1	27-2505 to 27-7305126 incl.
-43a	757 633	F	SEAL - Fuel selector valve (15709)	1	27-2505 to 27-7305126 incl.
-43b	757 259	G	PACKING - "O" Ring (MS29513-28)	1	27-7305127 and up
-43c	462 061	G	PACKING - "O" Ring (MS29512-8)	2	27-7305127 and up
-43d	756 069	G	PACKING - "O" Ring (MS29513-7)	1	27-7305127 and up
-43e	756 070	G	PACKING - "O" Ring (MS29513-15)	2	27-7305127 and up
-44	492 022		VALVE - Fuel filter drain (CCA-1550)	2	27-2548 and up
-45	476 662		NIPPLE - Fuel filter outlet (AN816-6D)	2	
-46	476 651		NIPPLE - Fuel filter inlet (AN911-2D)	2	
-47	458 919		ELBOW - Fuel valve (AN914-2D)	2	
-48	488 314		TEE - Fuel valve (AN826-6D)	4	
-49	33959-03	K	PUMP ASSEMBLY - Fuel, 14 Volt	2	27-2505 to 27-7405476 incl.
	33959-02	K	PUMP ASSEMBLY - Fuel, 28 Volt	2	27-2584 and up
-50	756 176	B	SPRING - Valve (8705)	1	
	756 243	C	SPRING - Valve (8706)	1	
	757 561	A,D,E,J	SPRING - Valve (8707)	1	
-51	753 457	B,C,D	BASE - Fuel pump motor (8800-3)	1	
	758 117	E,J	BASE - Fuel pump motor (8800-3B)	1	
-52	752 741	B,C	"O" RING - Plunger (MS29513-6)	1	
-53	756 155		SEAL - Shaft (8500)	1	
-54	491 048		UNION - (AN815-2D)	2	
	484 348	D	REDUCER - (AN919-0D)	2	
-55	492 072		VALVE ASSEMBLY - Check (K1322-6-10) (4 used if Turbocharger is installed)	2	
-56	458 940	B,C,D	ELBOW - Fuel pump drain (AN844-4D)	2	
	458 929	E	ELBOW - Fuel pump drain (AN842-4D)	2	

- A - Used with Fuel Pump Part No. 33959-02 and 33959-03 only.
- B - Used with Fuel Pump 8001-A only.
- C - Used with Fuel Pump A8001-A only.
- D - Used with Fuel Pump AA8001-A only.
- E - Used with Fuel Pump B8001-C only.
- F - Used with Scott Fuel Selector Valve only.
- G - Used with Dukes Fuel Selector Valve only.
- H - If Dukes Fuel Selector Valve has been installed, order part for serial numbers 27-7305127 and up.
- J - Used with Fuel Pump Part No. 33127-00 and Part No. 33327-00 only.
- K - Also order Fuel Pump Replacement Installation Kit 760 898 if Fuel Pump Part No. 33959-02 (28 Volt) or 33959-03 (14 Volt) is not presently installed.

When ordering, always specify Part Number, Description and Serial Number of Aircraft

PIPER PARTS CATALOG

Figure and Index Number	Part Number	Code	NOMENCLATURE	No. Req.	SERIAL NUMBERS AFFECTED
35B-57	491 052		UNION - Fuel pump (AN815-6D)	4	
-58	491 062		UNION - Fuel pump (AN832-6D)	2	
-59	477 620		NUT - Fuel pump (AN924-6D)	2	
-60	488 472		TEE - Fuel pump (AN938-6D)	2	
-61	491 052		UNION - (AN815-6D)	6	
-62	491 048		UNION - (AN815-2D)	5	
-63	491 058		UNION - (AN832-2D)	2	
-64	476 678	A	NIPPLE - (AN816-6) Left	1	
	491 056	B,C	UNION - (AN815-6) Left	1	
-65	488 330	A	TEE - (AN825-6)	2	
	488 505	B,C	TEE - (AN834-6)	2	
-66	458 868	A	ELBOW - (MS20822-6) Right	1	
	458 936	B,C	ELBOW - (AN833-6) Right	1	
-67	458 876	D	ELBOW - (AN833-2D)	2	
-68	458 901		ELBOW - (AN833-6D)	2	
-69	477 619	D	NUT - (AN924-2D)	4	
-70	477 620		NUT - (AN924-6D)	2	
-71	454 943		CLAMP - Hose (8)	6	
-72	30856-00		CABLE ASSEMBLY - Fuel control	1	27-2505 to 27-7954089 incl.
	42628-16		CABLE ASSEMBLY - Fuel control	1	27-7954090 and up
-73	30149-00		PAD - Fuel pump mounting	2	27-2505 to 27-7554047 incl.
-74	19920-00		SUPPORT ASSEMBLY - Fuselage skin	1	27-2505 to 27-3456 inclusive
-75	18782-00		ARM - Fuel control cable support	2	27-2505 to 27-7954089 incl.
	18782-02		ARM - Fuel control cable support	2	27-7954090 and up
-76	18790-00		STUD - Swivel fitting	2	27-2505 to 27-7954089 incl.
-77	18791-00		FITTING - Swivel	2	27-2505 to 27-7954089 incl.
-78	19052-02		SLEEVE - Fuel valve control cable	4	27-2505 to 27-7954089 incl.
-79	31156-00		STUD - Swivel fitting	2	27-2505 to 27-7954089 incl.
-80	91193-00		FITTING - Swivel	2	27-2505 to 27-7954089 incl.
-81	80022-75		BUSHING	2	
-82	80022-76		BUSHING	2	
-83	80122-10		WASHER	2	
-84	81342-19		WASHER	2	27-2505 to 27-7954089 incl.
-85	80032-94		CLAMP	10	
-86	460 623		FILTER ASSEMBLY - Fuel (01W03805)	2	27-2505 to 27-3943 inclusive
	460 621		FILTER ASSEMBLY - Fuel, left (01W03805-1)	1	27-3944 to 27-4136 inclusive
	460 622		FILTER ASSEMBLY - Fuel, right (01W03805-2)	1	27-3944 to 27-4136 inclusive
	460 616		FILTER ASSEMBLY - Fuel, left (01W031297-1)	1	27-4137 and up
	460 617		FILTER ASSEMBLY - Fuel, right (01W031297-2)	1	27-4137 and up
-87	755 249		HEAD AND STUD ASSEMBLY - Fuel filter	1	
-88	751 882		GASKET - Fuel filter head assembly	1	
-89	753 913		CARTRIDGE ASSEMBLY - Fuel filter	1	
-90	751 805		FILTER - Cartridge assembly	3	
-91	757 854		CONTAINER - Fuel filter	1	
-92	753 205		GASKET - Container nut	1	
-93	752 502		NUT - Container gasket	1	
-94	756 200		SPRING - Fuel filter valve	1	
-95	756 199		SEAT - Fuel filter valve	1	
-96	753 402		BALL - Steel, fuel filter valve	1	

A - Used when engine fuel pump A.C. 5656999 is installed.
 B - Used when engine fuel pump A.C. 6440296 is installed.
 C - Refer to Figure 30B if Airesearch Turbocharger is installed.
 D - Not used if Lycoming Turbocharger is installed.

When ordering, always specify Part Number, Description and Serial Number of Aircraft

PIPER PARTS CATALOG

Figure and Index Number	Part Number	Code	NOMENCLATURE	No. Req.	SERIAL NUMBERS AFFECTED
35B-97	462 060	B,C	GASKET - (MS29512-6)	4	
-98	477 631	B,C	NUT - (AN924-6)	3	
-99	491 052	A	UNION - (AN816-6D)	2	
	491 062	B	UNION - (AN832-6D)	2	
-100	460 824		FITTING - Tru-seal (B122-4P-2)	2	
-101	462 060		GASKET - Fuel pump (MS29512-6)	10	
-102	17786-06		HOSE ASSEMBLY - Fuel flow gauge vent, right	1	
	17786-06		HOSE ASSEMBLY - Fuel flow gauge vent, left	1	27-3837, 27-3944 and up
	39999-08	D	HOSE ASSEMBLY - Fuel flow gauge vent	2	
-103	554 834	E	CLAMP - (SAE TYF-40)	2	27-7554048 and up
-104	33963-02	E	BRACKET ASSEMBLY - Fuel pump mounting	4	27-7554048 and up
-105	400 443		BOLT - (AN3-12A)	2	27-7954090 and up
	407 564		WASHER - (AN960-10)	6	27-7954090 and up
	404 835		NUT - (MS20364-1032C)	2	27-7954090 and up
-106	452 806		BEARING - Rod end (PS10020-16-2)	6	27-7954090 and up
-107	400 443		BOLT - (AN3-12A)	2	27-7954090 and up
	407 584		WASHER - (AN960-10L)	4	27-7954090 and up
	407 564		WASHER - (AN960-10)	4	27-7954090 and up
	80012-06		BUSHING - Control arm	2	27-7954090 and up
	404 835		NUT - (MS20364-1032C)	2	27-7954090 and up

- A - Used when engine fuel pump A.C. 5656999 is installed.
- B - Used when engine fuel pump A.C. 6440296 is installed.
- C - Refer to Figure 30B if Airesearch Turbocharger is installed.
- D - Used if Lycoming Turbocharger is installed.
- E - Used on PA-23-250 (Six Place) with serial numbers 27-2505 to 27-7554047 inclusive if Fuel Pump Replacement Installation Kit 760 898 has been installed.

When ordering, always specify Part Number, Description and Serial Number of Aircraft

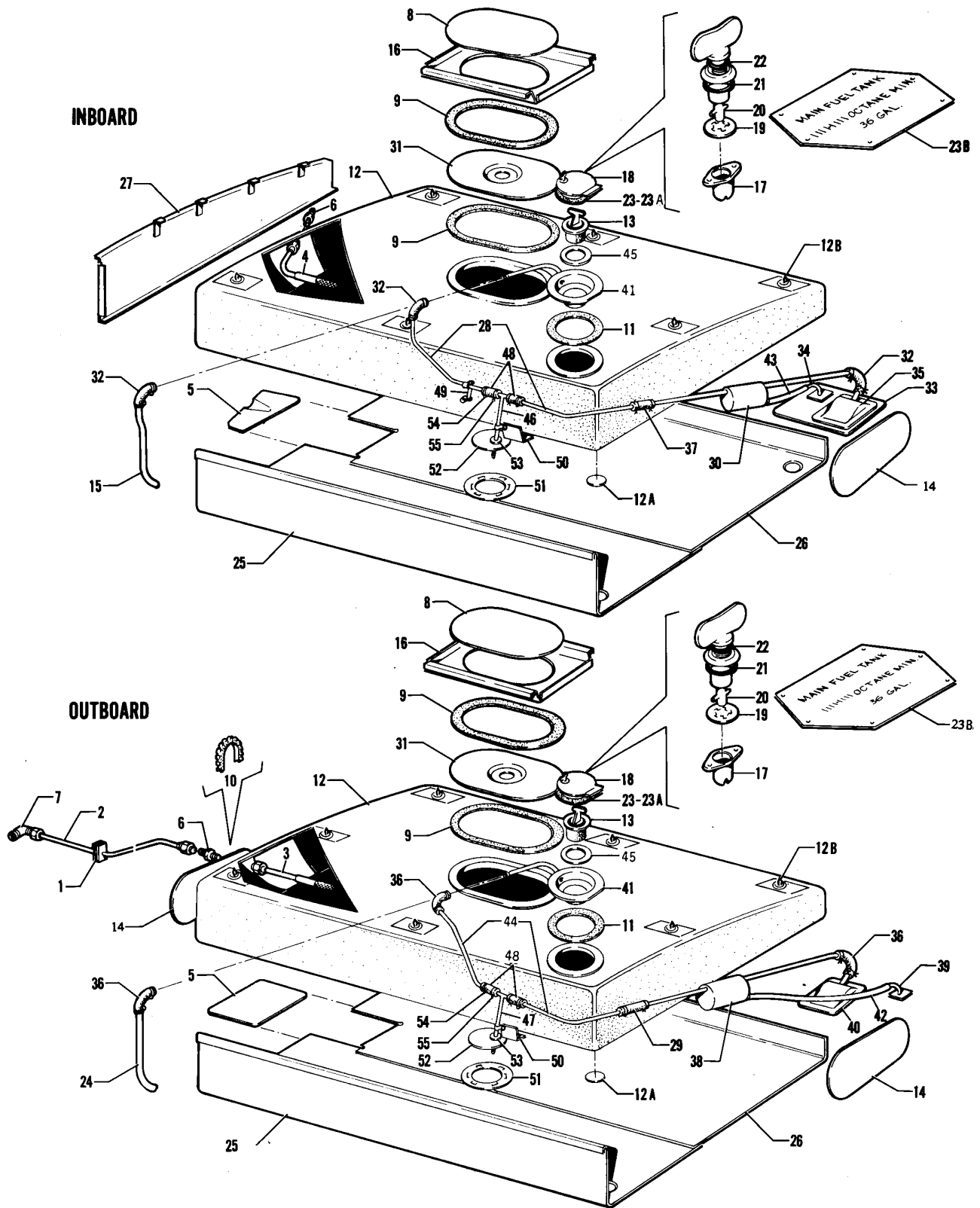


Figure 36. Fuel Cell Installation
(Serial Nos. 27-1 to 27-4815 inclusive)

PIPER PARTS CATALOG

Figure and Index Number	Part Number	Code	NOMENCLATURE	No. Req.	SERIAL NUMBERS AFFECTED
36-	16099	A	DRAWING - Fuel Cell Compartment Installation		
	31012	B	DRAWING - Fuel Cell Compartment Installation		
	16115		DRAWING - Fuel Cell Installation		
	16319	X	DRAWING - Fuel System Installation		
	30879	Z	DRAWING - Fuel System Installation		
	16319	Y	DRAWING - Fuel System Installation		27-2000 to 27-2222 inclusive
	30879	Y	DRAWING - Fuel System Installation		27-2223 to 27-2504 inclusive
	31310	Y	DRAWING - Fuel System Installation		27-2505 and up
-1	16035-00		BLOCK - Support	4	
-2	16180-00		LINE ASSEMBLY - Outboard fuel cell	2	
-3	16206-00		STRAINER ASSEMBLY - Fuel, outboard	2	
-4	17943-06		STRAINER ASSEMBLY - Fuel, left inboard	1	
	17943-07		STRAINER ASSEMBLY - Fuel, right inboard	1	
-5	18605-00		PLATE - Outboard fuel strainer access	2	
	18288-00		PLATE - Inboard fuel strainer access, left	1	
	18288-01		PLATE - Inboard fuel strainer access, right	1	
-6	491 052		UNION - (AN815-6D)	4	
-7	458 901		FITTING - Elbow 90° (AN833-6D)	2	
-8	16009-00		PLATE - Fuel gauge	4	
-9	462 014		GASKET - (FC#25752)	8	
-10	189 625		GROMMET - (MS21266-1N) 12 3/4" L.	AR	
-11	462 015		GASKET - (FC #25719)	4	
-12	454 320		CELL ASSEMBLY - Fuel, left	2	
	454 321		CELL ASSEMBLY - Fuel, right	2	
-12a	758 141		* BUTTON - Fuel cell, bottom (FCB-48009)	4	
-12b	752 016		* HANGER - Top (295055)	7	
-13	16097-00		CAP ASSEMBLY - Fuel cell	4	
-14	16036-00		PLATE - Cover	6	
-15	19462-00	C,X	TUBE - Fuel cell vent, inboard	2	
	19462-00	C,Y	TUBE - Fuel cell vent, inboard	2	27-2000 to 27-2269 inclusive
	19462-00	C,Z	TUBE - Fuel cell vent, inboard	2	27-505 to 27-524 inclusive
-16	17384-00		BRACKET - Fuel gauge mounting plate	4	
-17	484 342		RECEPTACLE - (212-12D)	4	
-18	19049-06	X	PLATE ASSEMBLY - Fuel cell filler neck cover	4	
	19049-06	Y	PLATE ASSEMBLY - Fuel cell filler neck cover	4	27-2000 to 27-2470 inclusive
	31196-00	Y	PLATE ASSEMBLY - Fuel cell filler neck cover	4	27-2471 to 27-4815 inclusive
	19049-07	Z	PLATE ASSEMBLY - Fuel cell filler neck cover	4	27-505 to 27-587 inclusive
	31196-02	Z	PLATE ASSEMBLY - Fuel cell filler neck cover	4	27-588 and up
-19	494 060		* LOCK WASHER - (2600 LW)	1	
-20	487 590		* STUD - (2600-5W)	1	
-21	484 708		* PACKING - "O" Ring (AN6227B-6)	1	
-22	484 707		* PACKING - "O" Ring (AN6227B-3)	1	

A - Used on PA-23-250 and PA-23-235 with serial numbers 27-1 to 27-524 and PA-23-250 (Six Place) with serial numbers 27-2000 to 27-2269 inclusive.
 B - Used on PA-23-235 with serial numbers 27-525 and up, and PA-23-250 (Six Place with serial numbers 27-2270 to 27-4815 inclusive.
 C - If Kit 754 493 has been installed, see note on Next Page.
 X - Used on PA-23-250 airplanes only.
 Y - Used on PA-23-250 (Six Place) airplanes only.
 Z - Used on PA-23-235 airplanes only.

When ordering, always specify Part Number, Description and Serial Number of Aircraft

SECTION VI
Fuel System Group



FUEL CELL INSTALLATION
(Serial Nos. 27-1 to 27-4815 inclusive) (See Note)

Figure and Index Number	Part Number	Code	NOMENCLATURE	No. Req.	SERIAL NUMBERS AFFECTED
36-23	19051-00		GASKET (Ring Type)	1	
-23a	31190-00	Y	GASKET (Disc Type)	1	27-2471 to 27-4815 inclusive
	31190-00	Z	GASKET (Disc Type)	1	27-588 and up
-23b	31192-02	BY	PLATE - Gasket retainer	1	27-2471 to 27-4815 inclusive
	31192-03	Z	PLATE - Gasket retainer	1	27-588 and up
-24	16003-00	AX	TUBE - Fuel cell vent, outboard	2	
	16003-00	AY	TUBE - Fuel cell vent, outboard	2	27-2000 to 27-2269 inclusive
	16003-00	AZ	TUBE - Fuel cell vent, outboard	2	27-505 to 27-524 inclusive
-25	16005-00		END LINER - Fuel cell, left front	2	
	16005-01		END LINER - Fuel cell, right front	2	
-26	16004-00		LINER - Fuel cell, left rear	2	
	16004-01		LINER - Fuel cell, right rear	2	
-27	16019-00		LINER - Fuel cell, left	1	
	16019-01		LINER - Fuel cell, right	1	
-28	31008-00	Y	TUBE - Fuel cell vent, inboard, LH	1	27-2270 to 27-4815 inclusive
	31008-01	Y	TUBE - Fuel cell vent, inboard, RH	1	27-2270 to 27-4815 inclusive
	31008-00	Z	TUBE - Fuel cell vent, inboard, LH	1	27-525 and up
	31008-01	Z	TUBE - Fuel cell vent, inboard, RH	1	27-525 and up
-29	16633-41	Z	HOSE - Flexible, inboard	2	27-525 and up
	16633-41	Y	HOSE - Flexible, inboard	2	27-2270 to 27-2746 inclusive
	16633-59	Y	HOSE - Flexible, inboard	2	27-2747 to 27-4815 inclusive
-30	31074-00	Y	TUBE ASSEMBLY - Fuel cell vent, inboard	2	27-2270 to 27-4815 inclusive
	31074-00	Z	TUBE ASSEMBLY - Fuel cell vent, inboard	2	27-525 and up
-31	17768-00		PLATE ASSEMBLY - Fuel gauge mounting	4	
-32	455 149	Y	CONNECTION - Hose (#10135), inboard	2	27-2270 to 27-4815 inclusive
	455 149	Z	CONNECTION - Hose (#10135), inboard	2	27-525 and up
-33	31010-00	Y	PLATE ASSEMBLY - Fuel cell access, inboard, LH	2	27-2270 to 27-4815 inclusive
	31010-00	Z	PLATE ASSEMBLY - Fuel cell access, inboard, LH	2	27-525 and up
	31010-01	Y	PLATE ASSEMBLY - Fuel cell access, inboard, RH	2	
	31010-01	Z	PLATE ASSEMBLY - Fuel cell access, inboard, RH	2	
-34	31075-00	Y	TUBE ASSEMBLY - Fuel cell vent drain, inboard	2	27-2270 to 27-4815 inclusive
	31075-00	Z	TUBE ASSEMBLY - Fuel cell vent drain, inboard	2	27-525 and up
-35	30988-00	Y	VENT ASSEMBLY - Fuel cell, inboard	1	27-2270 to 27-4815 inclusive
	30988-00	Z	VENT ASSEMBLY - Fuel cell, inboard	1	27-525 and up
-36	455 149	Y	CONNECTION - Hose (#10135), outboard	4	27-2270 to 27-4815 inclusive
	455 149	Z	CONNECTION - Hose (#10135), outboard	4	27-525 and up
-37	82371-101	Y	HOSE - Flexible, outboard	2	27-2270 to 27-4815 inclusive
	82371-101	Z	HOSE - Flexible, outboard	2	27-525 and up

Note: If Fuel Cell Vent Relocation Kit 754 493 has been installed on PA-23-250 or PA-23-235, order parts for serial numbers 27-525 and up. If installed on PA-23-250 (Six Place), order parts for serial numbers 27-2270 to 27-4815 inclusive.

- A - If Kit 754 493 has been installed, see note.
- B - Refer to Figure 30B if Airesearch Turbocharger is installed, or Figure 30C if Lycoming Turbocharger is installed.
- X - Used on PA-23-250 airplanes only.
- Y - Used on PA-23-250 (Six Place) airplanes only.
- Z - Used on PA-23-235 airplanes only.

When ordering, always specify Part Number, Description and Serial Number of Aircraft



Figure and Index Number	Part Number	Code	NOMENCLATURE	No. Req.	SERIAL NUMBERS AFFECTED
36-38	31074-00	Y	TUBE ASSEMBLY - Fuel cell vent, outboard	2	27-2270 to 27-4815 inclusive
	31074-00	Z	TUBE ASSEMBLY - Fuel cell vent, outboard	2	27-525 and up
-39	31075-00	Y	TUBE ASSEMBLY - Fuel cell vent drain, outboard	2	27-2270 to 27-4815 inclusive
	31075-00	Z	TUBE ASSEMBLY - Fuel cell vent drain, outboard	2	27-525 and up
-40	30988-00	Y	VENT ASSEMBLY - Fuel cell, outboard	2	27-2270 to 27-4815 inclusive
	30988-00	Z	VENT ASSEMBLY - Fuel cell, outboard	2	27-525 and up
-41	19263-04		PLATE ASSEMBLY - Filler neck mounting, left wing	2	
	19263-03		PLATE ASSEMBLY - Filler neck mounting, right wing	2	
-42	83161-29	Y	HOSE - Flexible, outboard	2	27-2270 to 27-4815 inclusive
	83161-29	Z	HOSE - Flexible, outboard	2	27-525 and up
-43	83161-28	Y	HOSE - Fuel cell vent, inboard	2	27-2270 to 27-4815 inclusive
	83161-28	Z	HOSE - Fuel cell vent, inboard	2	27-525 and up
-44	31007-00	Y	TUBE - Fuel cell vent, outboard, LH	1	27-2270 to 27-4815 inclusive
	31007-00	Z	TUBE - Fuel cell vent, outboard, LH	1	27-525 and up
	31007-01	Y	TUBE - Fuel cell vent, outboard, RH	1	27-2270 to 27-4815 inclusive
	31007-01	Z	TUBE - Fuel cell vent, outboard, RH	1	27-525 and up
-45	30160-00		PLATE - Fuel cell attachment	4	
-46	33287-00	A	TUBE ASSEMBLY - Vent drain, inboard	2	27-4766 to 27-4815 inclusive
-47	33277-00	A	TUBE ASSEMBLY - Vent drain, outboard, left wing	1	27-4766 to 27-4815 inclusive
	33277-01	A	TUBE ASSEMBLY - Vent drain, outboard, right wing	1	27-4766 to 27-4815 inclusive
-48	82371-125	A	HOSE - Coupling, vent drain	8	27-4766 to 27-4815 inclusive
-49	39994-14	A	BUSHING - Spacer, inboard	2	27-4766 to 27-4815 inclusive
-50	33274-00	A	BRACKET ASSEMBLY - Vent drain, left wing	2	27-4766 to 27-4815 inclusive
	33274-01	A	BRACKET ASSEMBLY - Vent drain, right wing	2	27-4766 to 27-4815 inclusive
-51	17317-00	A	PLATE ASSEMBLY - Access hole, outboard	2	27-4766 to 27-4815 inclusive
-52	17318-03	A	PLATE - Cover, access, outboard	2	27-4766 to 27-4815 inclusive
-53	434 134	A	GROMMET - (MS35489-11)	4	27-4766 to 27-4815 inclusive
-54	454 921	A	CLAMP - (SAE TY F-10)	8	27-4766 to 27-4815 inclusive
-55	454 805	A	CLAMP - (SAE TY F-16)	8	27-4766 to 27-4815 inclusive

Note: If Fuel Cell Vent Relocation Kit 754 493 has been installed on PA-23-250 or PA-23-235, order parts for serial numbers 27-525 and up. If installed on PA-23-250 (Six Place), order parts for serial numbers 27-2270 to 27-4815 inclusive.

A - Also used on airplanes with serial numbers 27-1 to 27-4765 inclusive if Fuel Cell Vent Drain Installation Kit 760 577 has been installed per Service Letter 606A.

Y - Used on PA-23-250 (Six Place) airplanes only.

Z - Used on PA-23-235 airplanes only.

When ordering, always specify Part Number, Description and Serial Number of Aircraft

PIPER PARTS CATALOG

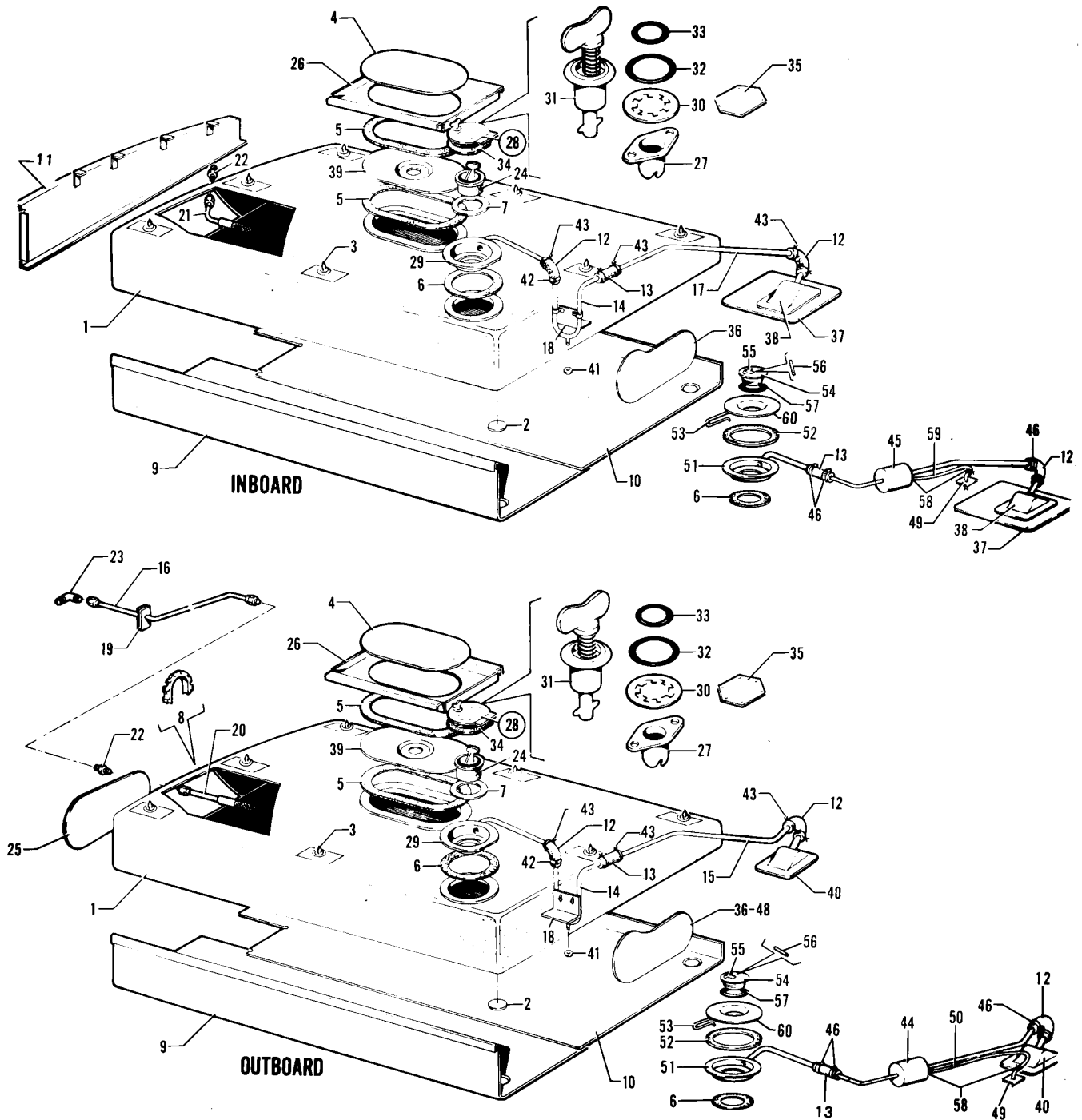


Figure 36A. Fuel Cell Installation
(Serial Nos. 27-4816 and up)

PIPER PARTS CATALOG

Figure and Index Number	Part Number	Code	NOMENCLATURE	No. Req.	SERIAL NUMBERS AFFECTED
36A-	33307 16115 31310		DRAWING - Fuel Cell Compartment Installation DRAWING - Fuel Cell Installation DRAWING - Fuel System Installation		
-1	454 320 454 321 33605-00 33605-01 33605-00 33605-01 33779-02 33779-03	A A B B B	CELL ASSEMBLY - Fuel, left CELL ASSEMBLY - Fuel, right CELL ASSEMBLY - Fuel, left CELL ASSEMBLY - Fuel, right CELL ASSEMBLY - Fuel, left, inboard CELL ASSEMBLY - Fuel, right, inboard CELL ASSEMBLY - Fuel, left, outboard CELL ASSEMBLY - Fuel, right, outboard	2 2 2 2 1 1 1 1	27-4816 to 27-7405476 inclusive 27-4816 to 27-7405476 inclusive 27-7554001 and up 27-7554001 and up 27-7654001 and up 27-7654001 and up 27-7654001 and up 27-7654001 and up
-2	758 141		* BUTTON - Fuel cell, bottom (FCB-48009)	4	
-3	752 016		* HANGER - Top (295005)	7	
-4	16009-00		PLATE - Fuel gauge	4	
-5	462 014		GASKET - (FCB-25752)	8	
-6	462 015		GASKET - (FCB-25719)	4	
-7	30160-00		PLATE - Fuel cell attachment	4	
-8	189 625		GROMMET - (MS21266-IN) (12 3/4" L)	AR	
-9	16005-00 16005-01		LINER - Fuel cell, left front LINER - Fuel cell, right front	2 2	
-10	16004-00 16004-01		LINER - Fuel cell, left rear LINER - Fuel cell, right rear	2 2	
-11	16019-00 16019-01		LINER - Fuel cell, end, left outboard LINER - Fuel cell, end, right outboard	1 1	
-12	558 843		CONNECTOR - Hose (M-124C)	8	
-13	82371-101	A	HOSE - Vent drain	4	
-14	33289-00 33289-01		TUBE ASSEMBLY - Vent drain, left wing TUBE ASSEMBLY - Vent drain, right wing	2 2	27-4816 to 27-7554168 inclusive 27-4816 to 27-7554168 inclusive
-15	33288-00		TUBE ASSEMBLY - Vent drain	2	27-4816 to 27-7554168 inclusive
-16	33293-00		LINE ASSEMBLY - Fuel cell, outboard	2	
-17	33290-00		TUBE ASSEMBLY - Vent drain, inboard	2	27-4816 to 27-7554168 inclusive
-18	33294-00		BRACKET ASSEMBLY - Vent tube support	4	27-4816 to 27-7554168 inclusive
-19	16035-00		BLOCK - Support	4	
-20	16206-00		STRAINER ASSEMBLY - Fuel, outboard	2	
-21	17943-06 17943-07		STRAINER ASSEMBLY - Fuel, left outboard STRAINER ASSEMBLY - Fuel, right inboard	1 1	
-22	491 052		UNION - (AN815-6D)	6	
-23	458 901		ELBOW - (AN833-6D) 90 degrees	2	
-24	16097-00		CAP ASSEMBLY - Fuel cell	4	27-4816 to 27-7554168 inclusive
-25	16036-00		PLATE - Cover	2	
-26	17364-00 17364-00 17364-02		BRACKET - Fuel gauge mounting plate BRACKET - Fuel gauge mounting plate, inboard BRACKET - Fuel gauge mounting plate, outboard	4 2 2	27-4816 to 27-7554168 inclusive 27-7654001 and up 27-7654001 and up
-27	484 342		RECEPTACLE - (212-12D)	4	
-28	33308-02 33308-03 33309-02 33309-03		FILLER NECK ASSEMBLY - Fuel cell, outboard, left wing FILLER NECK ASSEMBLY - Fuel cell, inboard, left wing FILLER NECK ASSEMBLY - Fuel cell, outboard, right wing FILLER NECK ASSEMBLY - Fuel cell, inboard, right wing	1 1 1 1	27-4816 to 27-7554168 inclusive 27-4816 to 27-7554168 inclusive 27-4816 to 27-7554168 inclusive 27-4816 to 27-7554168 inclusive
-29	33296-00 33312-00		* PLATE ASSEMBLY - Filler neck mounting, left wing * PLATE ASSEMBLY - Filler neck mounting, right wing	1 1	27-4816 to 27-7554168 inclusive 27-4816 to 27-7554168 inclusive
-30	494 060		* LOCK WASHER - (2600-LW)	1	27-4816 to 27-7554168 inclusive

A - Used if Wing Tip Fuel Tanks are not installed.
B - Used if Wing Tip Fuel Tanks are installed.

When ordering, always specify Part Number, Description and Serial Number of Aircraft

PIPER PARTS CATALOG

Figure and Index Number	Part Number	Code	NOMENCLATURE	No. Req.	SERIAL NUMBERS AFFECTED
36A-31	487 590		* STUD - (2600-5W)	1	27-4816 to 27-7554168 incl.
-32	484 708		* PACKING - "O" Ring (AN6227B-6)	1	27-4816 to 27-7554168 incl.
-33	484 707		* PACKING - "O" Ring (AN6227B-3)	1	27-4816 to 27-7554168 incl.
-34	31190-00		* GASKET - Rubber	1	27-4816 to 27-7554168 incl.
-35	31192-02		* PLATE - Gasket retainer	1	27-4816 to 27-7554168 incl.
-36	33301-00		PLATE - Cover	2	
-37	33310-00		PLATE ASSEMBLY - Fuel cell access, left wing	1	
	33310-01		PLATE ASSEMBLY - Fuel cell access, right wing	1	
-38	30988-00		* VENT ASSEMBLY - Fuel cell access	1	
-39	17768-00		PLATE ASSEMBLY - Fuel gauge mounting	4	
-40	30988-00		VENT ASSEMBLY - Fuel cell access	2	
-41	434 128		GROMMET - (MS35489-6)	4	27-4816 to 27-7554168 incl.
-42	454 921		CLAMP - (SAE TY F-10)	4	27-4816 to 27-7554168 incl.
-43	554 809		CLAMP - (SAE TY E-15)	20	
-44	33850-02	A	VENT LINE ASSEMBLY - Outboard fuel cell, left	1	27-7654001 and up
	33850-03	A	VENT LINE ASSEMBLY - Outboard fuel cell, right	1	27-7654001 and up
-45	33856-02		VENT LINE ASSEMBLY - Inboard fuel cell, left	1	27-7654001 and up
	33856-03		VENT LINE ASSEMBLY - Inboard fuel cell, right	1	27-7654001 and up
-46	554 916		CLAMP - (SAE TY F-10)	16	27-7654001 and up
-47	454 983		CLAMP - (SAE TY E-8)	4	27-7654001 and up
-48	33301-00		PLATE - Cover	2	27-4816 to 27-7554168 incl.
	33768-02		PLATE - Cover	2	27-7654001 and up
-49	31075-00		TUBE ASSEMBLY - Fuel cell vent drain	2	27-7654001 and up
-50	49998-38	A	HOSE - Vent, outboard	2	27-7654001 and up
-51	33810-02	A	PLATE ASSEMBLY - Filler neck mounting, left wing	2	27-7654001 and up
	33810-03	A	PLATE ASSEMBLY - Filler neck mounting, right wing	2	27-7654001 and up
-52	33797-02		GASKET - Filler neck	4	27-7654001 and up
-53	472 059	A	RETAINER - (452-16-6)	4	27-7654001 and up
-54	554 257	A	CAP ASSEMBLY - (431-139) (includes Lanyard)	4	27-7654001 and up
-55	755 241		* HANDLE - Fuel tank cap (431-15)	1	27-7654001 and up
-56	757 313		* PIN - Fuel tank handle (416-9-1)	1	27-7654001 and up
-57	762 515		* RING - "O" (MS29513-338)	1	
-58	454 806		CLAMP - (SAE TY E-7)	4	27-7654001 and up
-59	49998-38		HOSE - Vent, inboard	2	27-7654001 and up
-60	551 860		ADAPTER - Fuel cap (431-138-1)	4	27-7654001 and up

A - See Figure 36B if Wing Tip Fuel Tank is installed.

When ordering, always specify Part Number, Description and Serial Number of Aircraft

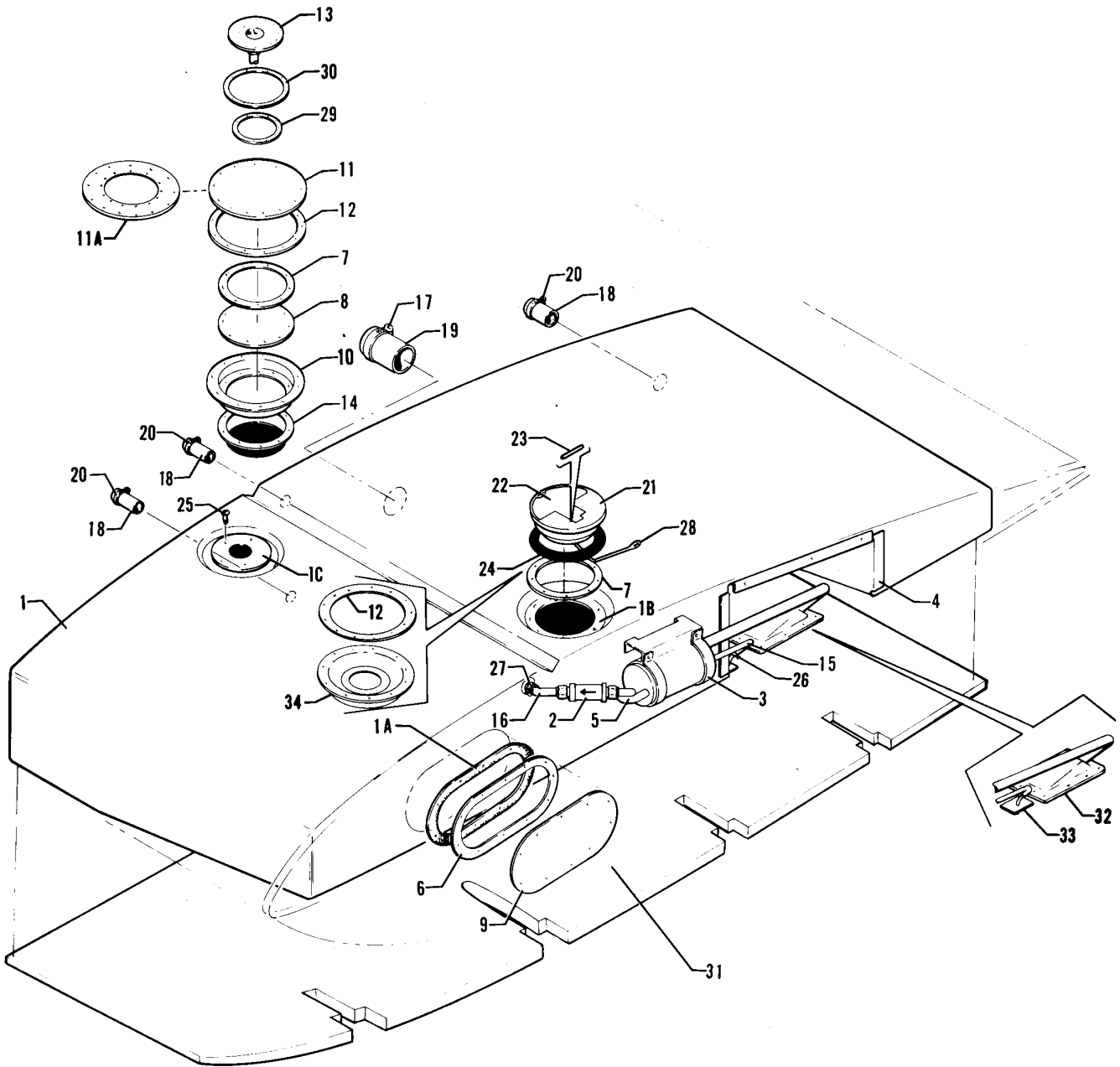


Figure 36B. Wing Tip Fuel Tank Installation
(Serial Nos. 27-7654001 and up)

PIPER PARTS CATALOG

Figure and Index Number	Part Number	Code	NOMENCLATURE	No. Req.	SERIAL NUMBERS AFFECTED
36B-	33826		DRAWING - Wing Tip Tank Installation		27-7654001 and up
-1	33848-02		CELL ASSEMBLY - Fuel, left	1	
	33848-03		CELL ASSEMBLY - Fuel, right	1	
-1a	755 070		GASKET - Fuel cell (FCA-25751)	1	
-1b	462 015		GASKET - Fuel cell (FCB-25719)	1	
-1c	755 113		GASKET - Fuel cell (FCA-25750)	1	
-2	27483-02		VALVE ASSEMBLY - Check	2	
-3	33784-03		BRACKET ASSEMBLY - Vent attachment	4	
-4	33847-02		COVER ASSEMBLY - Tip tank vent, left	1	
	33847-03		COVER ASSEMBLY - Tip tank vent, right	1	
-5	33849-02		VENT LINE ASSEMBLY - Tip tank, left	1	
	33849-03		VENT LINE ASSEMBLY - Tip tank, right	1	
-6	33829-02		REINFORCEMENT - Access plate	2	
-7	30160-00		PLATE - Fuel cell attachment	4	
-8	33802-02	A	PLATE - Fuel cell	2	
-9	33828-02		PLATE - Access	2	
-10	33789-04		PLATE ASSEMBLY - Fuel filler	2	
-11	33803-02	A	COVER - Fuel cell	2	
-11a	15767-02	B	PLATE ASSEMBLY - Gauge mounting	2	
-12	33797-02		GASKET - Fuel cell	4	
-13	15768-02	B	GAUGE ASSEMBLY - Visual fuel, left	1	
	15768-03	B	GAUGE ASSEMBLY - Visual fuel, right	1	
-14	462 015		GASKET - (FCB-25719)	4	
-15	49998-38		HOSE - Fuel vent	2	
-16	33825-02		LINE ASSEMBLY - Tip tank vent	2	
-17	554 665		CLAMP - (H-32SS Type "F")	6	
-18	33888-02		TUBE ASSEMBLY - Fuel tank	6	
-19	82352-113		TUBE ASSEMBLY - Fuel tank	2	
-20	554 610		CLAMP - (4812SS)	12	
-21	554 257		CAP ASSEMBLY - (431-139) (Includes Lanyard)	2	
-22	755 241		HANDLE - Fuel tank cap (431-15)	1	
-23	757 313		PIN - Fuel tank handle (416-9-1)	1	
-24	762 515		RING - "O" (MS29513-338)	1	
-25	411 534		SCREW - (MS35207-265)	10	
	494 063		WASHER - (3/8 O.D. x 3/16 I.D.)	10	
-26	454 806		CLAMP - (SAE TY E-7)	4	
-27	554 659		CLAMP - (SAE TY F-8)	2	
-28	472 059		RETAINER - (452-16-6)	2	
-29	15771-02	B	GASKET - Fuel sender	2	
-30	15665-02	B	SHIM - Fuel sender	2	
-31	33857-02		SUPPORT - Wing tip fuel cell, left	1	
	33857-03		SUPPORT - Wing tip fuel cell, right	1	
-32	30988-00		VENT ASSEMBLY - Fuel cell	2	
-33	31075-00		TUBE ASSEMBLY - Fuel cell vent drain	2	
-34	551 860		FILLER ADAPTER - (431-138-1)	2	

A - Used if external reading fuel gauge is not installed.
B - Used if external reading fuel gauge is installed.

When ordering, always specify Part Number, Description and Serial Number of Aircraft

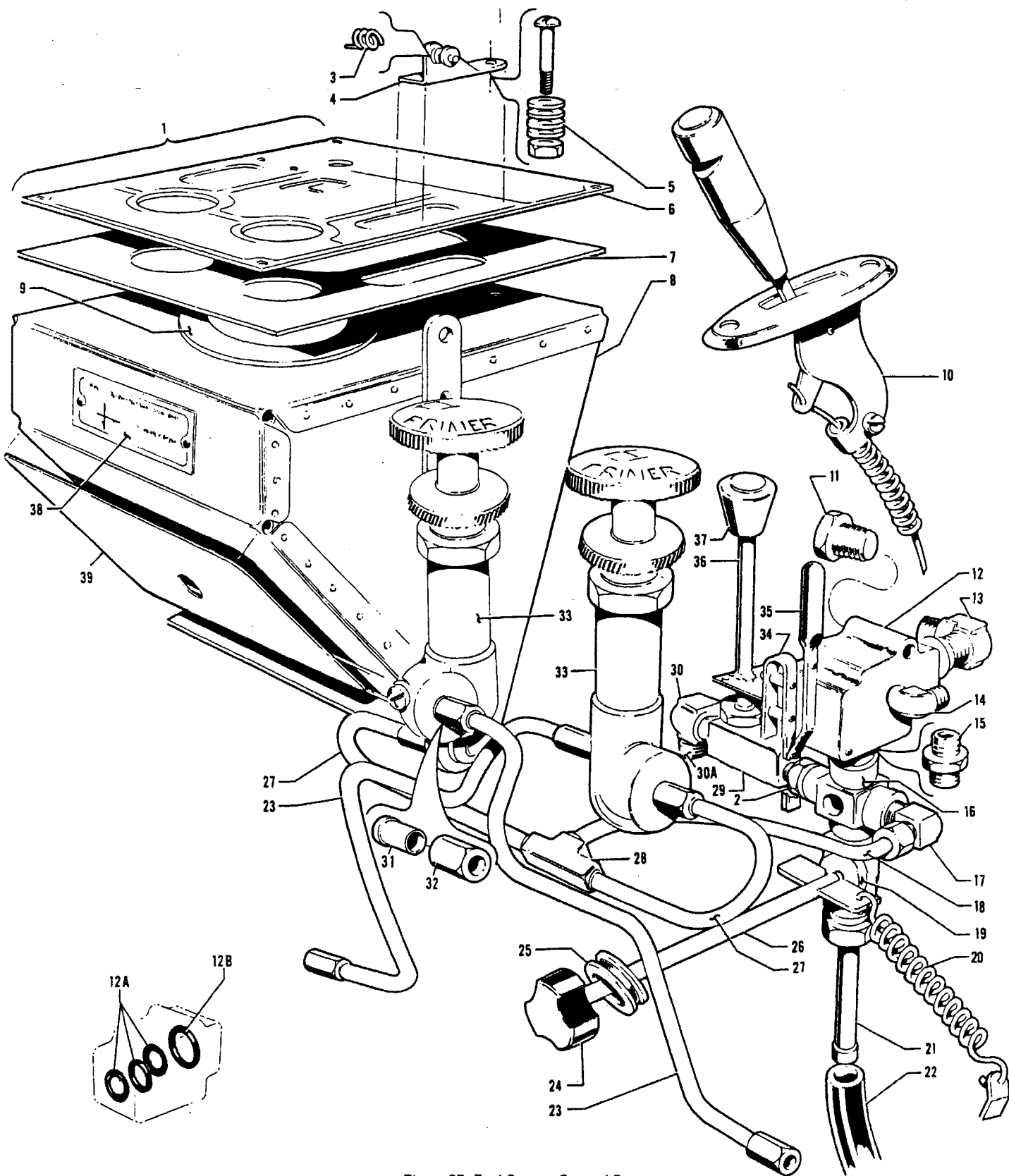


Figure 37. Fuel System Control Box
(Serial Nos. 27-1 to 27-2504 inclusive)

REVISED: NOVEMBER 1974

2F20

PA-23-250 (Six Place)
PA-23-250, PA-23-235



Figure and Index Number	Part Number	Code	NOMENCLATURE	No. Req.	SERIAL NUMBERS AFFECTED
37-1	16218-00	X	BOX ASSEMBLY - Fuel system control	1	
	16218-00	Y	BOX ASSEMBLY - Fuel system control	1	27-2000 to 27-2222 inclusive
	30851-00	Y	BOX ASSEMBLY - Fuel system control	1	27-2223 to 27-2504 inclusive
	30851-00	Z	BOX ASSEMBLY - Fuel system control	1	
-2	451 854		ADAPTER - (W/H 3200 x 2)	2	
-3	83302-46		SPRING - Coil	2	
-4	16900-00		PLATE ASSEMBLY - Fuel valve lock, left hand	1	
	16900-01		PLATE ASSEMBLY - Fuel valve lock, right hand	1	
-5	81342-82		WASHER	2	
-6	16127-00		PLACARD - Fuel control box	1	
-7	18279-00		PLATE - Fuel system control box spacer	1	
-8	17934-00		BOX - Fuel system control	1	
-9	19513-35		WASHER	1	
-10	18746-03	X	CABLE ASSEMBLY - Fuel shutoff control (lever and only)	2	
	18746-03	Y	CABLE ASSEMBLY - Fuel shutoff control (lever and only)	2	27-2000 to 27-2222 inclusive
	18746-05	Y	CABLE ASSEMBLY - Fuel shutoff control (lever and only)	2	27-2223 to 27-2504 inclusive
	18746-05	Z	CABLE ASSEMBLY - Fuel shutoff control (lever and only)	2	
-11	460 679		PLUG - (W/H 3150 x 4)	1	
-12	492 052		VALVE ASSEMBLY - Fuel shutoff (4600)	1	
-12a	752 742		PACKING - "O" Ring (MS29513-10)	3	
-12b	752 760		PACKING - "O" Ring (MS29513-113)	1	
-13	458 892		ELBOW - (AN823-6D)	1	
-14	458 895		ELBOW - (AN822-6D)	1	
-15	476 857		NIPPLE - (W/H 3325 x 4 x 2)	1	
-16	455 405		CROSS - (AN918-1D)	1	
-17	460 651		ELBOW - (W/H 200 x 2)	1	
-18	17935-03		LINE ASSEMBLY - Primer, inlet	1	
-19	17946-00		VALVE ASSEMBLY - Fuel drain	1	
-20	83302-13		SPRING - Coil	1	
-21	451 857		ADAPTER - (AN840-4D)	1	
-22	22389-13		HOSE - Drain	1	
-23	17938-00		LINE ASSEMBLY - Primer, outlet	2	
-24	471 069		KNOB - Crossfeed drain (Black)	1	
-25	434 128		GROMMET - (AN831-4-7)	1	
-26	17944-00		STEM - Fuel drain control	1	
-27	17937-00		LINE ASSEMBLY - Primer, inlet	2	
-28	460 652		TEE - (W/H 702 x 2)	1	
-29	19460-00		VALVE ASSEMBLY - Heater shutoff	1	
-30	460 681		ELBOW - (W/H 3500 x 2)	1	
-30a	476 647		NIPPLE - (AN816-3D)	1	
-31	460 683		SLEEVE - (W/H W60 x 2) Compression	4	
-32	460 684		NUT - (W/H W81 x 2) Compression	4	

X - Used on PA-23-250 airplanes only.
Y - Used on PA-23-250 (Six Place) airplanes only.
Z - Used on PA-23-235 airplanes only.

When ordering, always specify Part Number, Description and Serial Number of Aircraft



Figure and Index Number	Part Number	Code	NOMENCLATURE	No. Req.	SERIAL NUMBERS AFFECTED
37-33	451 103	V	PRIMER - Engine fuel (K-2406-SAE-2)	2	
-34	16224-00		BRACKET - Fuel valve lever attachment	1	
-35	17941-00		LEVER ASSEMBLY - Fuel crossfeed valve	1	
-36	17780-04		CONTROL ASSEMBLY - Heater fuel	1	
-37	471 089		KNOB - Heater fuel control (black)	1	
-38	17992-02		PLACARD - Fuel drain	1	
-39	19238-02		PLATE - Fuel control box access	1	
			V - These parts must be ordered from Service Spares Department, Piper Aircraft Corporation, Vero Beach, Florida.		

When ordering, always specify Part Number, Description and Serial Number of Aircraft

**2F23 THRU 2F24
INTENTIONALLY LEFT BLANK**

PIPER PARTS CATALOG

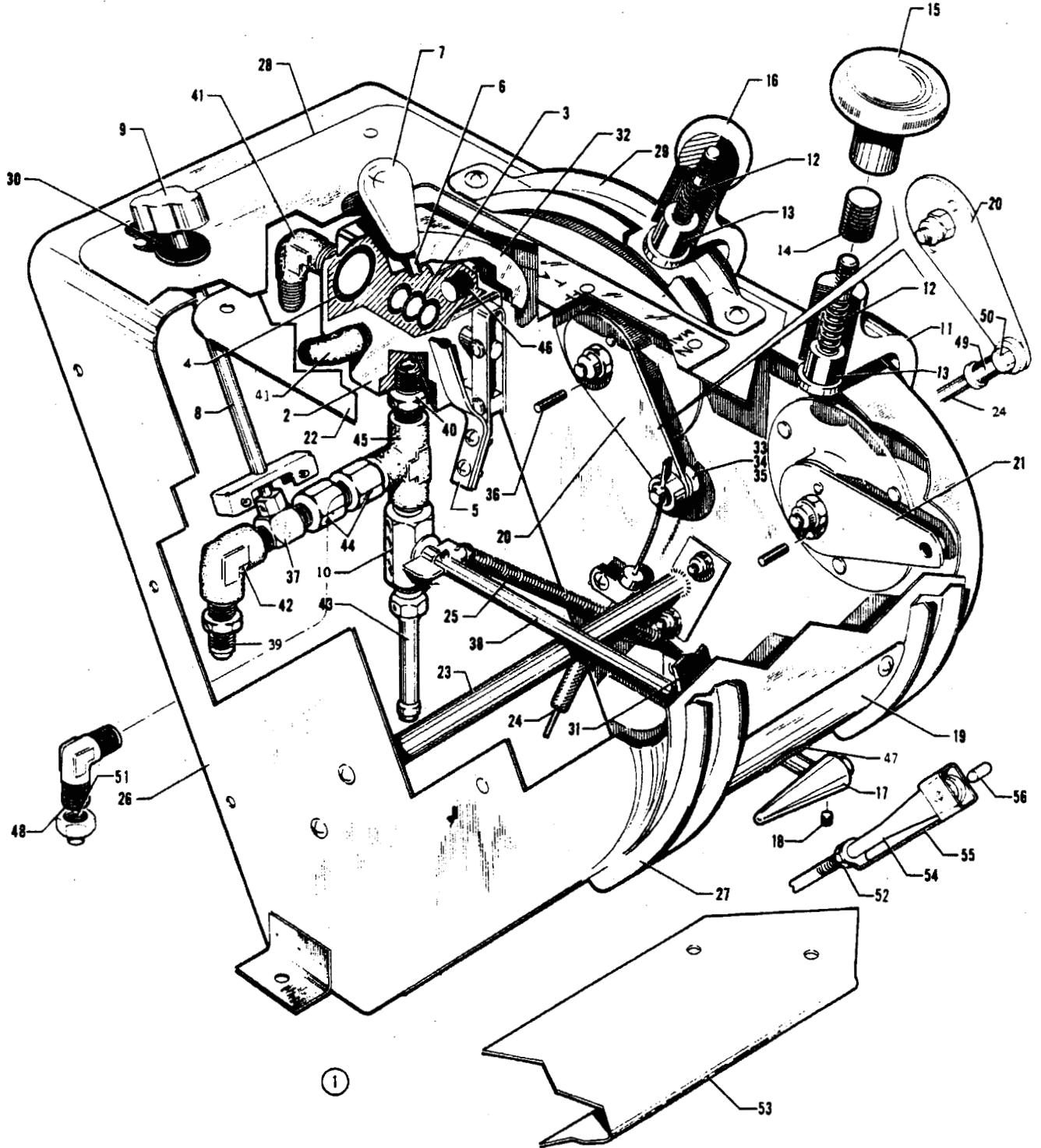


Figure 37A Fuel System Control Box
(Serial Nos. 27-2505 and up)

PIPER PARTS CATALOG

Figure and Index Number	Part Number	Code	NOMENCLATURE	No. Req.	SERIAL NUMBERS AFFECTED
37A-1	31375-00	A	BOX ASSEMBLY - Fuel system control	1	27-2505 to 27-2868 incl.
	31375-02	B	BOX ASSEMBLY - Fuel system control	1	27-2869 to 27-7405431 incl.
	31375-04	D,F	BOX ASSEMBLY - Fuel system control	1	27-7405432 to 27-7954089 incl.
	31375-03	E	BOX ASSEMBLY - Fuel system control	1	27-4053, 27-4226 to 27-7405431 inclusive
	31375-05	E,F	BOX ASSEMBLY - Fuel system control	1	27-7405432 to 27-7954089 incl.
	31375-06	D,G	BOX ASSEMBLY - Fuel system control	1	27-7654001 to 27-7954089 incl.
	31375-07	E,G	BOX ASSEMBLY - Fuel system control	1	27-7654001 to 27-7954089 incl.
	31375-08	D,F	BOX ASSEMBLY - Fuel system control	1	27-7954090 and up
	31375-09	E,F	BOX ASSEMBLY - Fuel system control	1	27-7954090 and up
	31375-10	D,G	BOX ASSEMBLY - Fuel system control	1	27-7954090 and up
	31375-11	E,G	BOX ASSEMBLY - Fuel system control	1	27-7954090 and up
-2	492 297		* VALVE ASSEMBLY - Fuel shutoff (4600)	1	
-3	752 742		* * PACKING - "O" Ring (MS29513-10)	3	
-4	752 760		* * PACKING - "O" Ring (MS29513-113)	1	
-5	16224-00		* BRACKET - Fuel valve lever attachment	1	
-6	17941-05		* LEVER ASSEMBLY - Fuel crossfeed valve	1	
-7	571 057		* KNOB - Fuel crossfeed valve (225)	1	
-8	17780-04		* CONTROL ASSEMBLY - Heater fuel	1	27-2505 to 27-2868 incl.
	32926-00		* CONTROL ASSEMBLY - Heater fuel	1	27-2869 to 27-7405431 incl.
-9	571 164		* KNOB - Heater fuel (9NF-282)	1	27-2505 to 27-7405431 incl.
-10	17946-00		* VALVE ASSEMBLY - Fuel drain	1	
-11	31366-00		* LEVER - Control	4	
-12	83302-12		* SPRING - Control lever	4	
-13	31380-00		* PLUNGER - Control lever	4	
-14	467 048		* INSERT - Cowl flap knob (19032-30)	2	
-15	571 073		* KNOB - Cowl flap lever (KN679D-3)	2	
	471 073		* KNOB - Cowl flap lever (KN679D-1 with 10-32 insert)	2	
-16	471 072		* KNOB - Fuel shutoff lever (113)	2	
-17	31383-00		* KNOB - Crossfeed drain	1	
-18	419 965		* SCREW - Set (6-32 x 3/16)	1	
-19	31376-00		* PLATE - Control box cover	1	
-20	31378-00		* ARM - Fuel control lever	2	27-2505 to 27-7954089 incl.
	28490-04		* ARM - Fuel control lever, left	1	27-7954090 and up
	28490-05		* ARM - Fuel control lever, right	1	27-7954090 and up
-21	31378-02	C	* ARM - Cowl flap control lever	2	27-2505 to 27-2868 incl.
	31378-03	D	* ARM - Cowl flap control lever	2	27-2869 and up
	32922-00	E	* ARM - Cowl flap control lever, left	1	
	32922-01	E	* ARM - cowl flap control lever, right	1	
-22	31381-00		* PLATE - Control box spacer	1	
-23	31377-00		* TUBE ASSEMBLY - Control cable support	1	27-2505 to 27-7954089 incl.
	31377-05		* TUBE ASSEMBLY - Control cable support	1	27-7954090 and up
-24	31384-00		* CABLE ASSEMBLY - Fuel control	2	27-2505 to 27-7954089 incl.
	42628-04		* CABLE ASSEMBLY - Fuel control	2	27-7954090 and up
-25	83302-13		* SPRING - Fuel valve drain	1	
-26	31389-00		* BOX ASSEMBLY - Fuel control	1	
-27	31387-00		* PLATE - Cowl flap lock	2	

A - Order part for serial numbers 27-2869 to 27-7405431 inclusive if Kit 756 916 has been installed.
 B - Order Box Assembly 31375-03 if Lycoming Turbocharger is installed.
 C - Order part for serial numbers 27-2869 and up if Kit 756 916 has been installed.
 D - Used if Lycoming Turbocharger is not installed.
 E - Used if Lycoming Turbocharger is installed.
 F - Used if Wing Tip Fuel Tanks are not installed.
 G - Used if Wing Tip Fuel Tanks are installed.

When ordering, always specify Part Number, Description and Serial Number of Aircraft

PIPER PARTS CATALOG

Figure and Index Number	Part Number	Code	NOMENCLATURE	No. Req.	SERIAL NUMBERS AFFECTED
37A-28	31396-00		PLACARD - Control box, complete	1	27-2505 to 27-7405431 inclusive
	80398-02		PLACARD - Control box, upper half, cowl flap	1	27-7405432 and up
	80399-02	A	PLACARD - Control box, lower half, fuel	1	27-7405432 and up
	80399-03	B	PLACARD - Control, lower half, fuel	1	27-7654001 and up
-29	31388-00		PLATE - Fuel selector lock	2	
-30	434 128		GROMMET - (AN931-4-7)	1	27-2505 to 27-7405431 incl.
-31	13945-83		STRIP - Control box	2	
-32	19513-35		WASHER - Control box	1	
-33	70371-02		FITTING - Swivel	2	27-2505 to 27-7954089 incl.
-34	70371-03		STUD - Swivel fitting	2	27-2505 to 27-7954089 incl.
-35	81342-18		WASHER - Swivel fitting	2	27-2505 to 27-7954089 incl.
-36	480 700		PIN - Roll (59-022-094-0375)	4	
-37	19480-00		VALVE ASSEMBLY - Heater shutoff	1	27-2505 to 27-7405431 incl.
-38	17944-02		STEM - Fuel drain control	1	
-39	476 647		NIPPLE - (AN816-3D)	1	27-2505 to 27-7405431 incl.
-40	476 657		NIPPLE - (W/H 3325 x 4 x 2)	1	
-41	458 895		ELBOW - (AN822-6D)	2	
-42	460 681		ELBOW - (W/H 3200 x 2)	1	27-2505 to 27-7405431 incl.
-43	451 857		ADAPTER - (AN840-4D)	1	
-44	451 854		ADAPTER - (W/H 3200 x 2)	1	27-2505 to 27-7405431 incl.
-45	488 474		TEE - (AN917-1D)	1	
-46	480 937		PLUG - (W/H 3152 x 4)	1	
-47	434 130		GROMMET - (MS35489-13)	1	
-48	458 893		ELBOW - (AN822-3D)	1	27-7405432 and up
-49	452 606		BEARING - Rod end (PS10020-16-2)	2	27-7954090 and up
	404 224		NUT - (AN315-3R)	2	27-7954090 and up
-50	400 440		BOLT - (AN3-6A)	2	27-7954090 and up
	407 564		WASHER - (AN960-10)	4	27-7954090 and up
	404 835		NUT - (MS20364-1032C)	2	27-7954090 and up
-51	454 289		CAP ASSEMBLY - (AN929-3)	1	27-7954090 and up
-52	404 224		NUT - Cowl flap cable (AN315-3R)	2	
-53	31497-00		BRACKET - Cowl flap cable support	1	
-54	24091-00		CLEVIS - Cowl flap control cable	2	
-55	24123-00		CLIP - Cowl flap control cable	2	
-56	86092-82		PIN - Cowl flap control cable	2	

A - Used if Wing Tip Fuel Tanks are not installed.
B - Used if Wing Tip Fuel Tanks are installed.

When ordering, always specify Part Number, Description and Serial Number of Aircraft

PIPER PARTS CATALOG

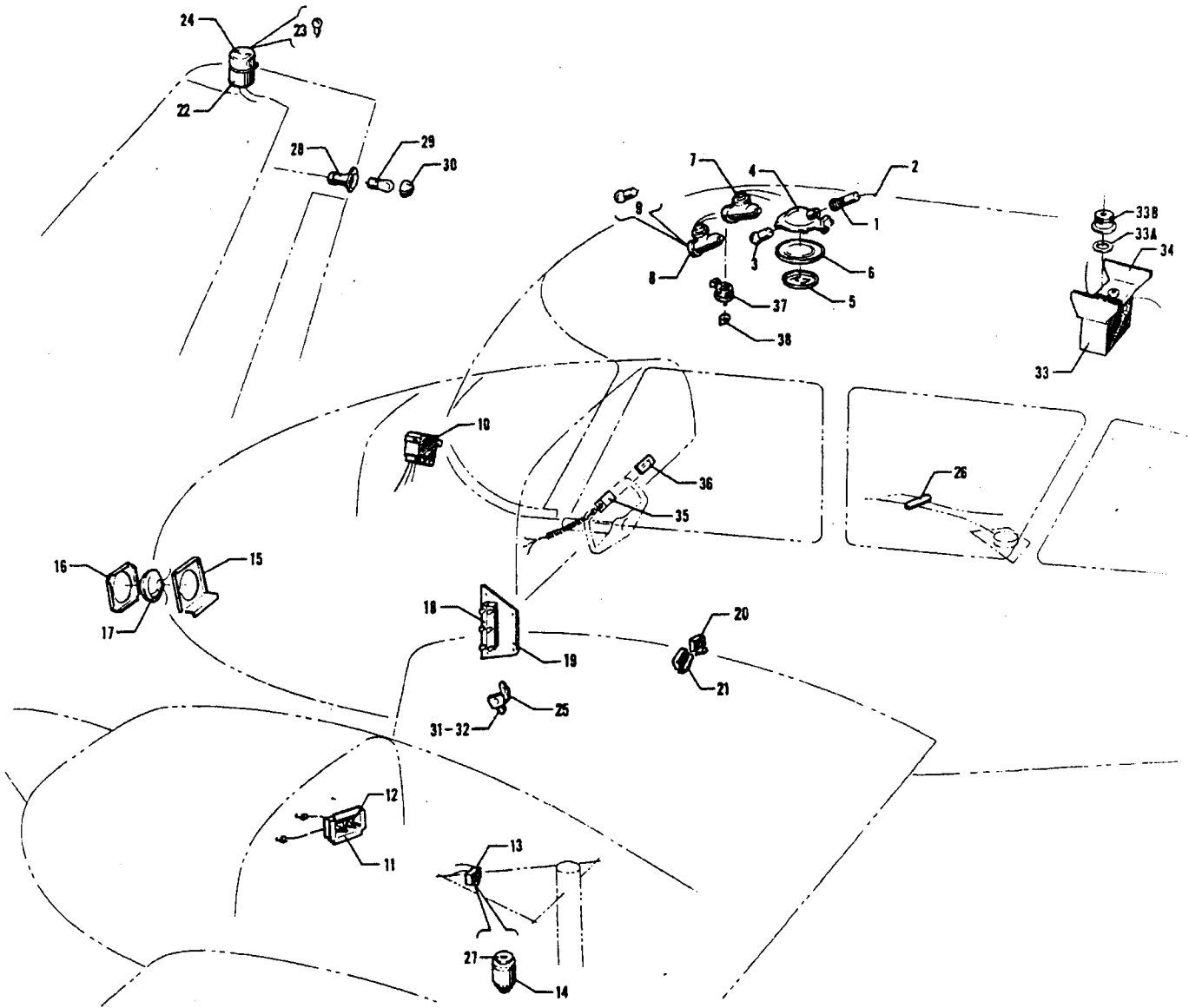


Figure 38. Fuselage Electrical System Installation

PIPER PARTS CATALOG

Figure and Index Number	Part Number	Code	NOMENCLATURE	No. Req.	SERIAL NUMBERS AFFECTED
38-	16330	X,Z	DRAWING - Electrical System Installation, 14-Volt		27-259 to 27-364 inclusive 27-402
	30090	X	DRAWING - Electrical System Installation, 28-Volt		
	30290	X	DRAWING - Electrical System Installation, 28-Volt		
	31660	Z	DRAWING - Electric Stabilator Trim Installation		
-1	83302-15		SPRING - Coil	1	
-2	18477-02		WIRE ASSEMBLY - Socket	1	
-3	472 036		LAMP - 89, (14-volt)	1	
	472 029		LAMP - 303, (28-volt)	1	
-4	12716-00		REFLECTOR ASSEMBLY - Dome light	1	
-5	472 330		LENS - Dome light (12715-00)	1	
-6	17680-00		PLATE - Dome light trim	1	
-7	472 658		LIGHT - Spot, instrument panel (14-volt)	2	
	472 707		LIGHT - Spot, instrument panel (28-volt)	2	
-8	752 310		LENS - Spotlight, red	1	
-9	752 322		BULB - Spotlight (14-volt)	1	
	752 323		BULB - Spotlight (28-volt)	1	
-10	492 643		VIBRATOR - Starting (10-87998-1) (14-volt)	1	
	492 644		VIBRATOR - Starting (10-87996-1) (28-volt)	1	
-11	14311-37	A	BOX ASSEMBLY - Magneto filter, left	1	
	14311-38	A	BOX ASSEMBLY - Magneto filter, right	1	
-12	460 634	A	FILTER - Magneto	4	
-13	487 805		SWITCH ASSEMBLY - Limit (nose down) (BZ-7RQ31T1-1PA15)	1	
-14	752 938		SEAL - Micro switch	1	
-15	19324-00		BRACKET - Landing light rear support	1	
-16	19323-00		BRACKET - Landing light front support	1	
-17	472 654		LIGHT - Landing (250 watt), 14-volt	1	
	472 706		LIGHT - Landing (250 watt), 28-volt	1	
-18	455 190		BLOCK - Connector (40095)	2	
-19	16331-00		CHANNEL - Connector strip mounting, left	1	
	16331-01		CHANNEL - Connector strip mounting, right	1	
-20	487 804		SWITCH - Fuel quantity limit (MS25253-1)	4	
-21	18811-02		PLATE - Fuel quantity switch actuator, left	1	
	18811-03		PLATE - Fuel quantity switch actuator, right	1	
-22	452 402		BEACON - Rotating (Whelan), 14-volt	1	
	452 400		BEACON - Rotating (Grimes), 14-volt	1	
	452 401	B	BEACON - Rotating (D7080) (Grimes), 28-volt	1	
	751 458	B	BEACON - Rotating (Whelan WRM-24), 28-volt	1	
-23	752 307		BULB - Rotating beacon (Grimes), 14-volt	2	
	758 402	V	BULB - Rotating beacon (Whelan), 14-volt	2	
	752 316		BULB - Rotating beacon (Grimes), 28-volt	2	
	751 457		BULB - Rotating beacon (Whelan), 28-volt	1	
-24	754 527		DOME - (WRM-10) Whelan beacon	1	
-25	17685-00		BRACKET - Limit switch mounting	1	
-26	81262-00		LINK - Flap indicator wire attachment	1	
-27	404 820		NUT - (USAF 356-820)	4	

A - Used only when O-540-A1B5 engine is installed.
 B - Used on PA-23-250 airplanes with serial numbers 27-259 to 27-364 inclusive and PA-23-250 Special with serial number 27-402.
 V - These parts must be ordered from Service Spares Department, Piper Aircraft Corporation, Vero Beach, Florida.
 X - Used on PA-23-250 airplanes only.
 Z - Used on PA-23-235 airplanes only.

When ordering, always specify Part Number, Description and Serial Number of Aircraft

PIPER PARTS CATALOG

Figure and Index Number	Part Number	Code	NOMENCLATURE	No. Req.	SERIAL NUMBERS AFFECTED
38-28	472 736		LIGHT - White, tail (14-volt) (A2064-1073)	1	
	472 711		LIGHT - White, tail (28-volt)	1	
-29	753 431		* BULB - (1073) (14-volt)	1	
	751 437		* BULB - (305) (28-volt)	1	
-30	751 203		* LENS - White	1	
-31	487 810		SWITCH - Micro (DT-2R-A7) (nose up)	1	
-32	752 938		* SEAL - Micro switch	1	
-33	24704-00	A,B,C	SERVO ASSEMBLY - Electric trim (complete)	1	
-33a	494 159	V	* WASHER - Servo friction (24696-00)	1	
-33b	581 126	V	* PLATE - Servo clutch, outer (24695-00)	1	
-34	31688-00	A	BRACKET ASSEMBLY - Servo mounting	1	
-35	31893-02	A	CORD AND SWITCH ASSEMBLY - Electric trim	1	
-36	25596-00	A	PLACARD - Trim switch	1	
-37	484 575		RHEOSTAT ASSEMBLY - Spot light	1	
-38	31488-00		KNOB - Rheostat assembly	1	
-39	17756-03		CLAMP - Wire support	3	
			A - Optional equipment.		
			B - See Figure 61 if AltiMatic II is installed.		
			C - Used when 14-volt electrical system is installed.		
			V - These parts must be ordered from Service Spares Department, Piper Aircraft Corporation, Vero Beach, Florida.		

When ordering, always specify Part Number, Description and Serial Number of Aircraft

PIPER PARTS CATALOG

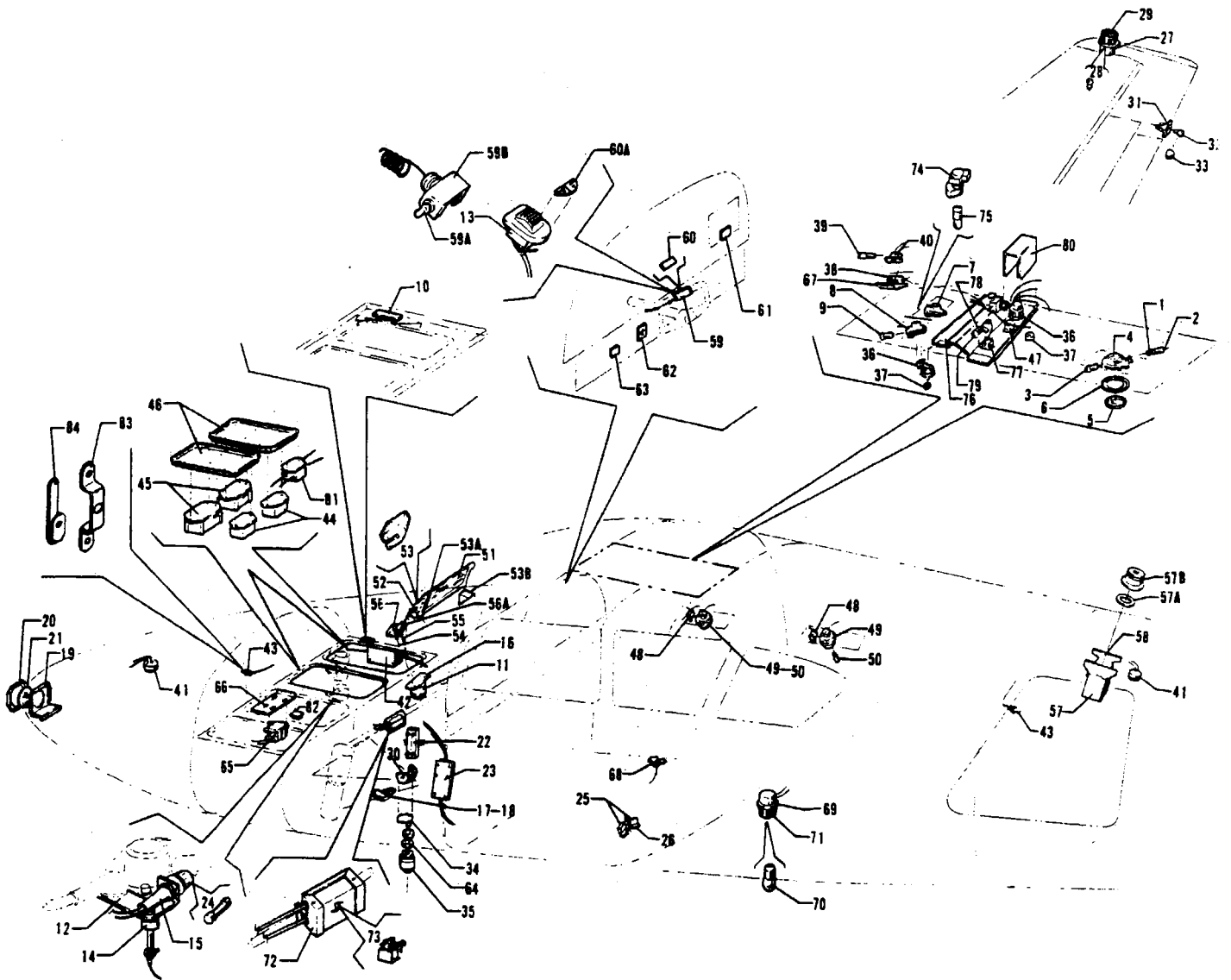


Figure 38A. Fuselage Electrical System Installation

PIPER PARTS CATALOG

Figure and Index Number	Part Number	Code	NOMENCLATURE	No. Req.	SERIAL NUMBERS AFFECTED	
38A-	31163		DRAWING - Electrical System Installation, 28-Volt		27-2298, 27-2331	
	30470		DRAWING - Electrical System Installation, 14-Volt		27-2000 to 27-2504 inclusive	
	31480		DRAWING - Electrical System Installation, 14-Volt		27-2505 to 27-3836 inclusive.	
		32664		DRAWING - Electrical System Installation, 14-Volt		27-3837, 27-3944 to 27-4425.
		33020		DRAWING - Electrical System Installation, 14-Volt		27-4427 to 27-4573 inclusive
		33320		DRAWING - Electrical System Installation, 28-Volt		27-4426, 27-4574 to 27-7405476 inclusive
		33650		DRAWING - Electrical System Installation, 28-Volt		27-4801 to 27-7405476 inclusive
		31687		DRAWING - Heated Windshield Installation		27-7554001 and up
		31640		DRAWING - Heated Windshield Installation		27-2000 to 27-2504 inclusive
		31660		DRAWING - Electric Stabilator Trim Installation		27-2505 and up
				DRAWING - Electric Stabilator Trim Installation		27-2000 to 27-3836 inclusive.
				DRAWING - Electric Stabilator Trim Installation		27-3837 to 27-3943 inclusive
				DRAWING - Electric Stabilator Trim Installation		27-3944 and up
-1	83302-15	A	SPRING - Coil	1		
-2	18477-02	A	WIRE ASSEMBLY - Socket	1		
-3	472 036	A	LAMP - (89) (14-volt)	1		
	472 029		LAMP - (303) (28-volt)	1		
-4	12716-05	A	REFLECTOR ASSEMBLY - Dome light	1		
-5	472 330	A	LENS - Dome light (12715-00)	1		
-6	17680-00	A	PLATE - Dome light trim	1		
-7	472 658	A	LIGHT ASSEMBLY - Spot (14-volt) (red lens)	2		
	472 777		LIGHT ASSEMBLY - Spot (14-volt) (clear lens)	2	27-3837, 27-3944 to 27-4803	
	472 707		LIGHT ASSEMBLY - Spot (28-volt) (red lens)	2	27-2298 to 27-4693 inclusive	
-8	752 310		* LENS - Spotlight, red (A-8446)	1		
	752 372		* LENS - Spotlight, clear (A-8446-1)	1		
-9	752 322		* BULB - Spotlight (14-volt)	1		
	752 323		* BULB - Spotlight (28-volt)	1		
-10	32248-00		DIODE ASSEMBLY	1	27-3477 and up	
-11	565 323		HORN - Stall warning (02054-4)	1	27-7554109 and up	
-12	32095-00		LINK - Bus bar, baggage compartment	1	27-3050, 27-3154 to 27-3778	
	42398-00		LINK - Bus bar, baggage compartment	1	27-3779 and up	
-13	761 039	C.V	KIT - Electric trim switch replacement	1		
-14	456 704	B	DIODE - (N1183) Baggage compartment	1		
-15	465 256		FUSE HOLDER - (HKP-GG) Baggage compartment	1	27-3050, 27-3154 and up	
-16	44235-00		PLATE - Stall warning mounting	1	27-7554109 and up	
-17	487 805		SWITCH ASSEMBLY - Limit (nose down)	1	27-2000 to 27-2504 inclusive	
			(BZ-7RQ31T1-1PA15)	1	27-2505 and up	
	487 864		SWITCH ASSEMBLY - Limit (nose down) (1CH23-4)	1	27-2000 to 27-2504 inclusive	
-18	752 938		* SEAL - Micro switch	1	27-2000 to 27-2504 inclusive	
-19	30783-00		BRACKET ASSEMBLY - Landing light rear support	1	27-2000 to 27-4425 inclusive.	
			BRACKET ASSEMBLY - Landing light rear support	1	27-4427 to 27-4573 inclusive	
	32999-00		BRACKET ASSEMBLY - Landing light rear support	1	27-4426, 27-4574 and up	
-20	19323-00		BRACKET - Landing light front support	1		

A - Used on PA-23-250 (Six Place) with serial numbers 27-2000 to 27-2504 inclusive, 27-3674 to 27-3836 inclusive, and 27-3838 to 27-3943 inclusive
 B - Used on PA-23-250 (Six Place) with serial numbers 27-3050, 27-3154 to 27-3836 inclusive, and 27-3838 to 27-3943 inclusive
 C - Used on PA-23-250 (Six Place) with serial numbers 27-3837, 27-3944 and up
 V - These parts must be ordered from Service Spares Department, Piper Aircraft Corporation, Vero Beach, Florida

When ordering, always specify Part Number, Description and Serial Number of Aircraft

PIPER PARTS CATALOG

Figure and Index Number	Part Number	Code	NOMENCLATURE	No. Req.	SERIAL NUMBERS AFFECTED
38A-21	472 654		LIGHT - Landing (250 watt) 14-volt	1	27-2000 to 27-7405476 inclusive
	472 706		LIGHT - Landing (250 watt) 28-volt	1	
-22	455 190		BLOCK - Connector (40095)	2	
-23	31732-00		BLOCK ASSEMBLY - Rub	2	
-24	461 623		FUSE - (AGC-5) Baggage compartment	1	27-3050, 27-3154 and up
-25	487 804		SWITCH - Fuel quantity limit (MS25253-1)	4	27-2000 to 27-7405234 inclusive
	28334-02		SWITCH ASSEMBLY - Fuel quantity selector (complete), left	1	27-7405235 to 27-7754024 incl.
	28334-03		SWITCH ASSEMBLY - Fuel quantity selector (complete), right	1	27-7405235 to 27-7754024 incl.
	588 035		SWITCH - Fuel quantity limit (16-403)	4	27-7754025 and up
-26	18811-02		PLATE - Fuel quantity switch actuator, left	1	
	18811-03		PLATE - Fuel quantity switch actuator, right	1	
-27	452 402	C	BEACON - Rotating (Whelan) 14-volt	1	27-2505 to 27-7305134 inclusive
	452 400	C	BEACON - Rotating (Grimes) 14-volt	1	27-2505 to 27-7305134 inclusive
	751 458	A,C,F	BEACON - Rotating (Whelan WRM-24) 28-volt	1	
	452 430	A,C	BEACON - Rotating (Grimes 40-0101-11-24) 28-volt	1	27-3721 to 27-3762 inclusive
	452 471	A,C	BEACON - Rotating (Grimes 40-0103-25) 28-volt	1	27-4016 to 27-4021 inclusive
-28	752 307		BULB - Rotating beacon (Grimes) 14-volt	1	27-2505 to 27-7305134 inclusive
	758 402	V	BULB - Rotating beacon (Whelan) 14-volt	1	27-2505 to 27-7305134 inclusive
	751 457	A,F	BULB - Rotating beacon (Whelan) 28-volt	1	
	753 440	A	BULB - Rotating beacon (Grimes) 28-volt	1	27-3721 to 27-3762 inclusive, 27-4016 to 27-4021 inclusive
-29	754 527		DOME - Rotating beacon (Whelan WRM-10)	1	27-2505 to 27-7305134 inclusive
	754 549	A	DOME - Rotating beacon (Grimes 41-1063-1) 28-volt	1	27-3721 to 27-3762 inclusive, 27-4016 to 27-4021 inclusive
-30	17685-00		BRACKET - Limit switch mounting	1	27-2000 to 27-2504 inclusive
	31495-00		BRACKET - Limit switch and timer check valve mounting	1	27-2505 and up
-31	472 736		LIGHT - White, tail (14-volt) (A206401973)	1	27-2000 to 27-7405476 inclusive
	472 711		LIGHT - White, tail (28-volt)	1	27-2298 to 27-4681 inclusive
	472 956		LIGHT - White, tail (28-volt)	1	27-4693 and up
-32	753 431		BULB - (1073) (14-volt)	1	27-2000 to 27-7405476 inclusive
	751 437		BULB - (305) (28-volt)	1	27-2298 to 27-4681 inclusive
	753 477		BULB - (1683) (28-volt)	1	27-4693 and up
-33	751 203		LENS - white	1	
-34	487 810		SWITCH - Micro (DT-2R-A7) (nose up)	1	27-2000 to 27-2504 inclusive
	487 851		SWITCH - Micro (1CH15-4) (nose up)	1	27-2505 to 27-2796 inclusive
	487 863		SWITCH - Micro (1CH22-4) (nose up)	1	27-2797 and up
-35	752 938		SEAL - Micro switch	1	27-2000 to 27-2504 inclusive
-36	484 575	B	RHEOSTAT ASSEMBLY - Lights (14-volt)	1	27-2000 to 27-7304153 inclusive
	756 013	A	RHEOSTAT ASSEMBLY - Lights (28-volt)	1	27-3584 to 27-4021 inclusive
	18492-04	A	RHEOSTAT ASSEMBLY - Lights (28-volt)	1	27-4678 to 27-7305153 inclusive
	487 847		SWITCH - Lights (PA216-024)	1	27-7305154 and up
-37	31488-00	E	KNOB - Rheostat assembly	1	
	571 100	D	KNOB - Light switch and rheostat assembly (5344), black	2	

- A - Used on PA-23-250 (Six Place) with 28-volt electrical system.
- B - Used when 14-volt electrical system is installed.
- C - See Figure 40A if strobe light is installed.
- D - Used on PA-23-250 (Six Place) with serial numbers 27-3837, 27-3944 and up.
- E - Used on PA-23-250 (Six Place) with serial numbers 27-2505 to 27-3836 inclusive, 27-3838 to 27-3943 inclusive.
- F - Used on serial numbers 27-2298 to 27-2585 inclusive, 27-3812, 27-4678 to 27-7305134 inclusive.
- V - These parts must be ordered from Service Spares Department, Piper Aircraft Corporation, Vero Beach, Florida.

When ordering, always specify Part Number, Description and Serial Number of Aircraft

PIPER PARTS CATALOG

Figure and Index Number	Part Number	Code	NOMENCLATURE	No. Req.	SERIAL NUMBERS AFFECTED
38A-38	472 714		LIGHT ASSEMBLY - (2195-501P) Less lamp	2	27-2000 to 27-2504 inclusive
	24158-00		SOCKET ASSEMBLY - Less lamp	2	27-2505 to 27-3673 inclusive
	472 714		LIGHT ASSEMBLY - (2195-501P) Less lamp	2	27-3674 and up
-39	472 040		LAMP - (G.E. 1816) 14-volt	2	27-2000 to 27-2504 inclusive
	472 026		LAMP - (G.E. 90) 14-volt	2	27-2505 to 27-3673 inclusive
	472 040		LAMP - (G.E. 1816) 14-volt	2	27-3674 to 27-7405476 incl.
	453 792		LAMP - (PS10008-1828) 28-volt	2	
-40	487 790		SWITCH - (100-S-73) (with ring nut U-65)	2	27-2000 to 27-2504 inclusive
	487 777		SWITCH - (5518)	2	27-2505 and up
-41	472 753	B	LIGHT - Baggage compartment (14-volt)	2	27-3050, 27-3154 to 27-7405476 inclusive
	472 840	A	LIGHT - Baggage compartment (28-volt)	2	
-42	23844-00		SHUNT ASSEMBLY	1	27-2505 and up
-43	487 878		SWITCH - (9251) Baggage door	2	27-3050, 27-3154 and up
-44	450 385		REGULATOR - Voltage, Lycoming (72077) 14-volt	2	27-2000 to 27-2504 inclusive
	450 392	C	REGULATOR - Voltage, Lycoming (74291) Delco Remy (9000590) 14-volt	2	
	450 395		REGULATOR - Voltage (9000591) 28-volt	2	27-2584 to 27-4015 inclusive
	550 381		REGULATOR - Voltage (VSF-7403) 28-volt	2	27-4016 to 27-4693 inclusive
	550 390		REGULATOR - Voltage (B-00286-1) 28-volt	2	27-4801 and up
	550 383		REGULATOR - Voltage (VSF-7203) 14-volt	2	27-3837, 27-3944 to 27-4793 incl.
	550 393		REGULATOR - Voltage (B-00288-1) 14-volt	2	27-4794 to 27-7405476 incl.
-45	450 393	C	RELAY - Overvoltage, Lycoming (74661) Delco Remy (115831) 14-volt	2	
	450 396		RELAY - Overvoltage (115382) 28-volt	2	27-2298 to 27-3812 inclusive
	550 382	D	RELAY - Overvoltage (X-17620) 28-volt	2	27-4016 to 27-4693 inclusive
	484 182		RELAY - Overvoltage (B-00266-2) 28-volt	2	27-4801 and up
	550 380	E	RELAY - Overvoltage (X-17621) 14-volt	2	27-3837, 27-3944 to 27-4793 incl.
	484 183		RELAY - Overvoltage (B-00289-2) 14-volt	2	27-4794 to 27-7405476 incl.
-46	31274-00	C	PLATE ASSEMBLY - Voltage regulator mounting	2	
	32463-00		PLATE ASSEMBLY - Voltage regulator mounting	2	27-3837, 27-3944 to 27-4793 incl.
	33189-00		PLATE ASSEMBLY - Voltage regulator mounting	2	27-4794 and up
-47	481 152		POTENTIOMETER - Dimmer (A-10294-1)	1	27-7554001 and up
-48	487 777		SWITCH - Reading light (5518)	4	27-2505 and up
-49	472 719		LIGHT ASSEMBLY - Reading light (2385) (less lamp)	4	27-2505 and up
-50	472 040		LAMP - Reading light (1816) 14-volt	4	27-2505 to 27-7405476 incl.
	472 057		LAMP - Reading light (PS10008-313) 28-volt	4	
-51	31638-00	A	PANEL ASSEMBLY - Heated glass (complete) (14-volt)	1	27-2000 to 27-7405476 incl.
	31638-08		PANEL ASSEMBLY - Heated glass (complete) (28-volt)	1	27-4678 and up
-52	31997-00		* PLATE ASSEMBLY - Heated glass panel hinge	1	
-53	33034-00		* BLOCK - Rubber	1	
-53a	23183-00		* MOULDING - Rubber	2	
-53b	31637-02		* BLOCK - Rub, heated glass panel (1/2" thick)	1	
	31637-03		* BLOCK - Rub, heated glass panel (11/16" thick)	1	
-54	468 007		JACK - Banana, heated glass (108-902)	1	
-55	468 008		JACK - Banana, heated glass (108-903)	1	
-56	31633-00		PLATE ASSEMBLY - Heated glass receptacle	1	
-56a	764 096		KIT - Heated Glass Panel Plug Replacement	1	

- A - Used on PA-23-250 (Six Place) with 28-volt electrical system.
- B - Used when 14-volt electrical system is installed.
- C - Used on PA-23-250 (Six Place) with serial numbers 27-2505 to 27-3836, 27-3838 to 27-3943 inclusive.
- D - Order P/N 484 182 if Overvoltage Relay Replacement Kit 760 787 has been installed.
- E - Overvoltage Relay, part number 484 183, may be used as a replacement.

When ordering, always specify Part Number, Description and Serial Number of Aircraft

PIPER PARTS CATALOG

Figure and Index Number	Part Number	Code	NOMENCLATURE	No. Req.	SERIAL NUMBERS AFFECTED	
38A-57	24704-00	A,B,D,E	SERVO ASSEMBLY - Electric trim (complete) (Piper)	1		
	27129-02	A,B,D,E	SERVO ASSEMBLY - Electric trim (complete) (Mitchell)	1		
	27129-03	A,B,E,L	SERVO ASSEMBLY - Electric trim (complete) (Mitchell)	1		
	27129-04	A,E,L,M	SERVO ASSEMBLY - Electric trim (complete) (Mitchell)	1		
	757 568	C	SERVO ASSEMBLY - Pitch trim (AK228)	1		
	-57a	494 159	N,V	* WASHER - Servo friction (24696-00)	1	
	-57b	581 126	N,V	* PLATE - Servo clutch, outer (24695-00)	1	
	-58	31688-00	A	BRACKET ASSEMBLY - Servo mounting	1	
	-59	31893-02	A,G	CORD AND SWITCH ASSEMBLY - Electric trim	1	
	-59a	487 859	G	* SWITCH - (8868K2)	1	
	-59b	24641-00	G	* HOOD ASSEMBLY	1	
	-60	25596-00	A,G	PLACARD - Trim switch	1	
	-60a	43360-00	F	PLACARD - Trim, up-down	1	
	-61	31709-00		PLACARD - Icing warning	1	
	-62	31686-00		PLACARD - Windshield heat switch	1	27-2000 to 27-2504 incl.
-63	31689-00		PLACARD - Windshield heat	1	27-2000 to 27-2504 incl.	
-64	404 820		NUT - (USAF 356-802)	2		
-65	492 643	G,H	VIBRATOR - Starter (10-87998-1) 14-volt	1		
	492 674	H,J	VIBRATOR - Starter (10-176487-121) 14-volt	1	27-3837, 27-3944 to 27-7405476 incl.	
	492 644		VIBRATOR - Starter (10-87996-1) 28-volt	1	27-2298 to 27-3762 incl	
	492 670		VIBRATOR - Starter (10-176487-242) 28-volt	1	27-3812 to 27-4693 incl.	
	492 686	J	VIBRATOR - Starter (10-357487-241) 28-volt	1	27-4801 and up	
-66	32056-00	D	PLATE ASSEMBLY - Vibrator mounting	1	27-3050, 27-3154 to 27-4901 incl	
	33326-00	K	PLATE ASSEMBLY - Vibrator and deicer timer mounting	1		
	33326-03		PLATE ASSEMBLY - Vibrator and deicer timer mounting	1	27-8054001 and up	
-67	31492-00		BRACKET ASSEMBLY - Map light, left	1	27-2505 to 27-3673 incl	
	31492-01		BRACKET ASSEMBLY - Map light, right	1	27-2505 to 27-3673 incl.	
-68	487 878		SWITCH - Cabin door (9251)	1	27-3477 and up	

- A - Optional equipment.
- B - See Figure 61 if AltiMatic II is installed, Figure 61A if AltiMatic III or AltiMatic III B is installed, Figure 62 if AltiMatic III B-1 is installed, Figure 63 if AltiMatic III C is installed, Figure 64 if AltiMatic X FD/AP is installed, or Figure 65 if AltiMatic X Autopilot is installed
- C - Used on PA-23-250 (Six Place) with 28-volt electrical system serial numbers 27-3584, 27-3585, 27-3721, 27-3722, 27-3726, 27-3732, 27-3762, 27-4678, 27-4679, 27-4681 and 27-4870 only.
- D - Used if 14-volt electrical system is installed
- E - Ascertain existing servo manufacturer, either Piper or Mitchell, and order accordingly.
- F - Used on PA-23-250 (Six Place) with serial numbers 27-3837, 27-3944 and up.
- G - Used on PA-23-250 (Six Place) with serial numbers 27-2000 to 27-3836, 27-3838 to 27-3943 inclusive
- H - Refer to Figure 30B if Airesearch Turbocharger is installed.
- J - Refer to Figure 30C if Lycoming Turbocharger is installed
- K - Used if 14-volt electrical system is installed with serial numbers 27-4902 and up, and 28-volt electrical system with serial numbers 27-3812 to 27-7954121 inclusive.
- L - Used if 28-volt electrical system is installed.
- M - See Figure 59A if AutoControl III B Autopilot is installed
- N - Used on Piper servo only
- V - These parts must be ordered from Service Spares Department, Piper Aircraft Corporation, Vero Beach, Florida

When ordering, always specify Part Number, Description and Serial Number of Aircraft

PIPER PARTS CATALOG

Figure and Index Number	Part Number	Code	NOMENCLATURE	No. Req.	SERIAL NUMBERS AFFECTED
38A-69	751 458	A	BEACON - Rotating (Whelan WRM-24) 28-volt	1	
	452 444	B	BEACON - Rotating (Grimes 40-0101-5-24) 28-volt	1	
-70	751 457	A	* BULB - Rotating beacon (Whelan)	1	
	753 440	B	* BULB - Rotating beacon (Grimes 1939)	1	
-71	754 527	A	* DOME - Rotating beacon (Whelan WRM-10)	1	
	754 555	B	* DOME - Rotating beacon (Grimes 41-1063-3)	1	
-72	32944-05		BOX ASSEMBLY - Relay, alternator field control (28-volt)	1	27-4016 to 27-4021 incl.
	758 206		BOX ASSEMBLY - Relay, alternator field control (28-volt)	1	27-4678, 27-4679, 27-4681 and 27-4693
	32944-02		BOX ASSEMBLY - Relay, alternator field control (14-volt)	1	27-3837, 27-3944 to 27-4442 incl.
	32951-02		BOX ASSEMBLY - Relay, alternator field control (14-volt)	1	27-4443 to 27-4793 incl.
-73	484 231		* RELAY - Alternator field (KA11DG) 28-volt	2	
	484 254		* RELAY - Alternator field (KA11DG) 14-volt	2	
-74	484 278	D	RECEPTACLE - Trim indicator light (GB-5952-3RH-C)	2	
-75	472 028	D	BULB - Trim indicator light (327)	2	
-76	32482-00		BRACKET - Overhead light	1	27-3837, 27-3944 to 27-7405476 incl.
	32482-02		BRACKET - Overhead light	1	27-7554001 to 27-7954121 incl.
	28432-02		BRACKET - Overhead light	1	27-8054001 and up
-77	487 847	D	SWITCH - Overhead light (PA216-024)	1	
-78	487 137	D	SOCKET - Overhead light (11-24)	1	
-79	472 036	D	LAMP - Overhead light (PA10008-89) 14-volt	1	27-3837, 27-3944 to 27-7405476 incl.
	472 066	E	LAMP - Overhead light (PS10008-1251) 28-volt	1	
-80	30485-00	D	INSULATOR - Rheostat	1	
-81	24373-00	C	FILTER ASSEMBLY - Regulator	2	
	44060-02		FILTER - Regulator	2	27-3837, 27-3944, 27-4156
	44180-00		FILTER - Regulator	2	27-4157 to 27-4793 incl.
-82	584 153		RELAY - Heater reset (285XAX101)	1	27-8154001 and up
-83	32190-00		BRACKET - Baggage compartment light switch	1	27-3050, 27-3154 and up
-84	32191-00		ACTUATOR - Baggage compartment light switch	1	27-3050, 27-3154 and up

A - Used on PA-23-250 (Six Place) with serial numbers 27-3584, 27-3585.
 B - Used on PA-23-250 (Six Place) with serial numbers 27-3721, 27-3722, 27-3726, 27-3732, 27-3762, 27-4016 to 27-4021 inclusive.
 C - Used on PA-23-250 (Six Place) with serial numbers 27-2505 to 27-3838, 27-3838 to 27-3943 inclusive.
 D - Used on PA-23-250 (Six Place) with serial numbers 27-3837, 27-3944 and up.
 E - Used when 28-volt electrical system is installed.

When ordering, always specify Part Number, Description and Serial Number of Aircraft

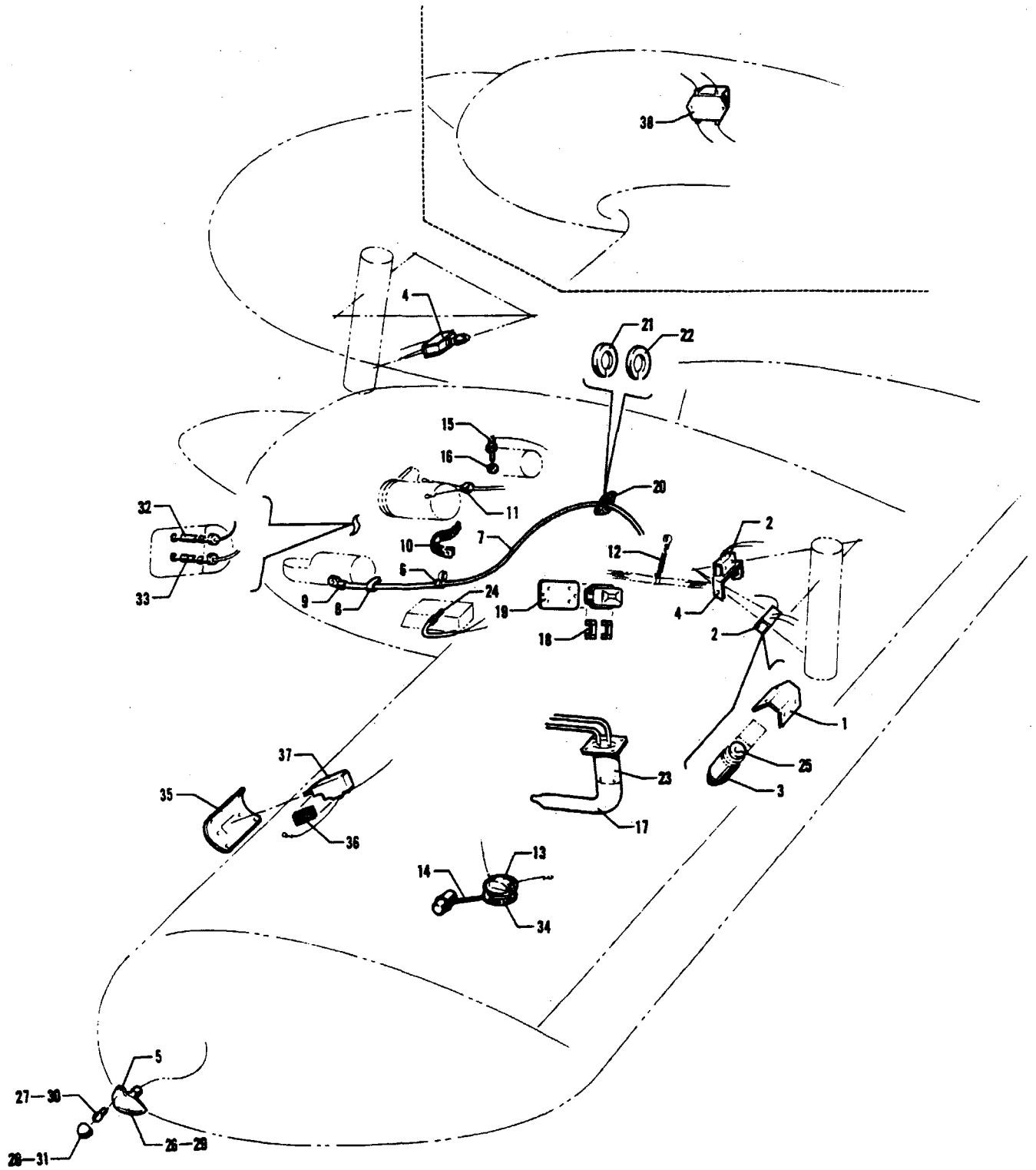


Figure 38B. Wing Electrical System Installation

PIPER PARTS CATALOG

Figure and Index Number	Part Number	Code	NOMENCLATURE	No. Req.	SERIAL NUMBERS AFFECTED
388-	16330 30090 30290	X,Z X A	DRAWING - Electrical System Installation, 14-Volt DRAWING - Electrical System Installation, 28-Volt DRAWING - Electrical System Installation, 28-Volt		27-259 to 27-364 inclusive 27-402
-1	17807-00		GUARD - Limit switch	4	
-2	487 805		SWTCH ASSEMBLY - Limit (main up and down) (BZ-7RQ31T1-1PA15)	4	
-3	752 938		SEAL - Micro switch	1	
-4	17690-00		BRACKET - Limit switch support	2	
-5	17806-00		REFLECTOR - Navigation light	2	
-6	454 902		CLIP - Nyloc (Type 3)	2	
-7	14226-22 14226-23		CABLE ASSEMBLY - Starter, left CABLE ASSEMBLY - Starter, right	1 1	
-8	80032-68		CLAMP - Starter harness	2	
-9	488 347		TERMINAL - (VAVICA-L-2) (PS10025-4-14)	2	
-10	17604-04		CABLE ASSEMBLY - Ground	4	
-11	454 933		CLAMP - Generator harness (A4980S-8-9)	2	
-12	42891-00		SPRING - Wire support	2	
-13	18363-00		GAUGE ASSEMBLY - Fuel tank unit	4	
-14	751 767		FLOAT ASSEMBLY - Fuel gauge (1516415)	1	
-15	462 042 462 043	B	BULB - Oil temperature (1514976) 14-volt BULB - Oil temperature (1514542) 28-volt	2 2	
-16	462 012		GASKET - Oil temperature, bulb (AH1522)	2	
-17	19024-02 19024-03		TUBE ASSEMBLY - Electric pitot, 14-volt TUBE ASSEMBLY - Electric pitot, 28-volt	1 1	
-18	470 648		KIT - Voltage regulator shock mount	2	
-19	18818-00		PLATE ASSEMBLY - Voltage regulator access	2	
-20	18821-00		PLATE - Firewall seal disc mounting	4	
-21	18320-02		DISC - Firewall seal, forward	2	
-22	18320-08		DISC - Firewall seal, aft	2	
-23	24381-00		MAST ASSEMBLY - Electric pitot tube	1	
-24	453 652		BULB - Resistance, carb. air box (50B2)	2	
-25	404 820		NUT - (USAF 356-820)	2	
-26	472 666 472 710		LIGHT - Green, right wing (14-volt) LIGHT - Green, right wing (28-volt)	1 1	
-27	751 381 751 438		BULB - (1512) (14-volt) BULB - (1524) (28-volt)	1 1	
-28	751 201		LENS - Green	1	
-29	472 665 472 709		LIGHT - Red, left wing (14-volt) LIGHT - Red, left wing (28-volt)	1 1	
-30	751 381 751 438		BULB - (1512) (14-volt) BULB - (1524) (28-volt)	1 1	
-31	751 202		LENS - Red	1	
-32	470 656		KIT ASSEMBLY - Magneto ground	4	
-33	470 657		KIT ASSEMBLY - Magneto retard	2	
-34	13002-00		GASKET - Fuel gauge mounting	4	

A - Used on PA-23-250 Special 28-volt.
 B - Used on PA-23-250 airplanes with serial numbers 27-259 to 27-364 inclusive, and PA-23-250 Special with serial number 27-402.
 X - Used on PA-23-250 airplanes only.
 Z - Used on PA-23-235 airplanes only.

When ordering, always specify Part Number, Description and Serial Number of Aircraft



Figure and Index Number	Part Number	Code	NOMENCLATURE	No. Req.	SERIAL NUMBERS AFFECTED
38B-35 -36 -37 -38	19807-00 450 741 450 742 450 386		PLATE - Lift detector mounting DECAL - Lift detector (C25507-3) LIFT DETECTOR - (C25507-4) PARALLELING RELAY - Lycoming 68628, Delco Remy 1116887 (14-volt)	1 1 1 1	

When ordering, always specify Part Number, Description and Serial Number of Aircraft

PIPER PARTS CATALOG

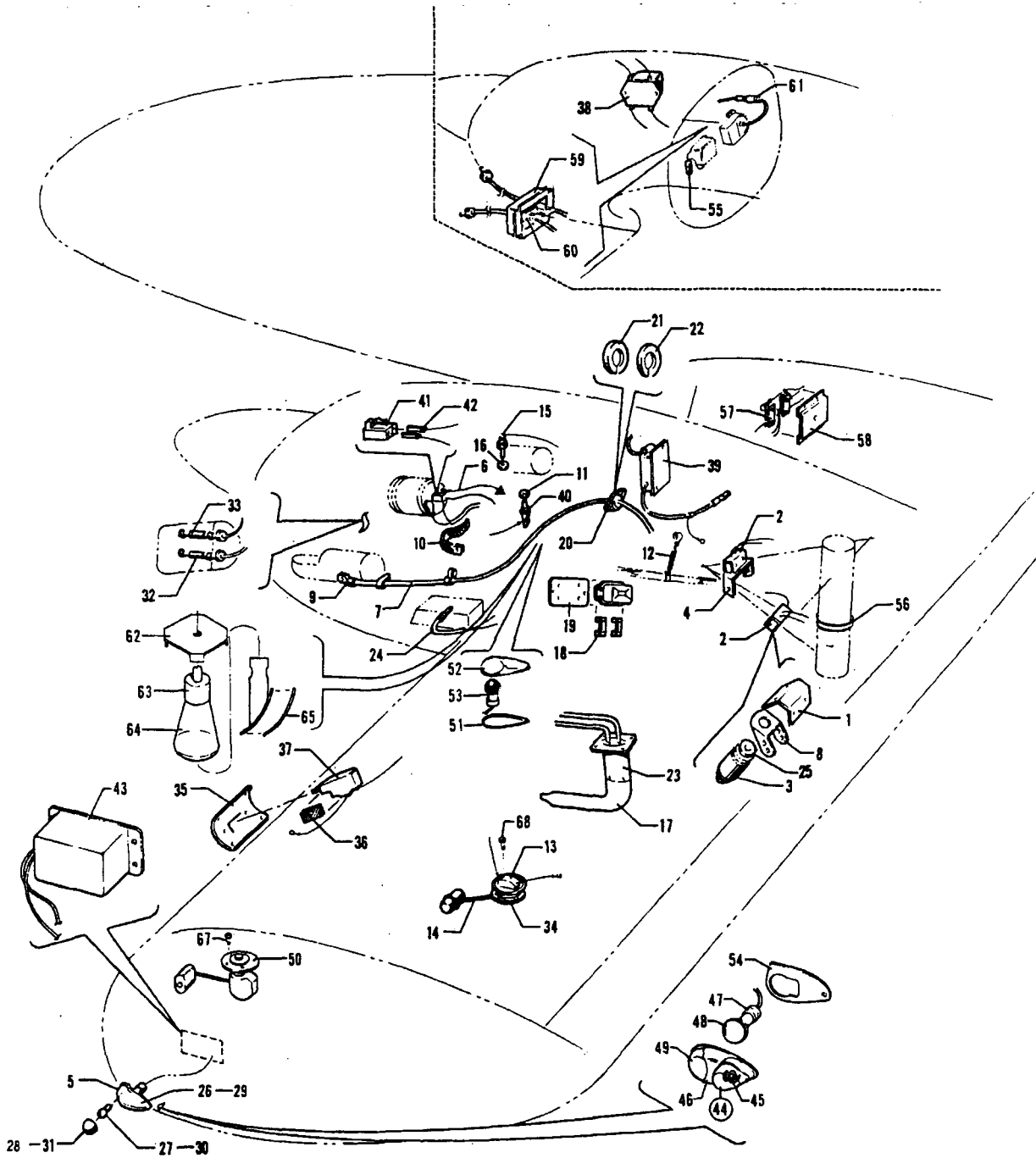


Figure 38C. Wing Electrical System Installation

PIPER PARTS CATALOG

Figure and Index Number	Part Number	Code	NOMENCLATURE	No. Req.	SERIAL NUMBERS AFFECTED
38C-	31163		DRAWING - Electrical System Installation (28-Volt)		27-2298, 27-2331
	33320		DRAWING - Electrical System Installation (28-Volt)		27-4801 to 27-7405476 inclusive
	30470		DRAWING - Electrical System Installation (14-Volt)		27-2000 to 27-2504 inclusive
	31480		DRAWING - Electrical System Installation (14-Volt)		27-2505 to 27-3836 inclusive, 27-3838 to 27-3943 inclusive
	32664		DRAWING - Electrical System Installation (14-Volt)		27-3837, 27-3944 to 27-4425, 27-4427 to 27-4573 inclusive
	33020		DRAWING - Electrical System Installation (14-Volt)		27-4426, 27-4574 to 27-7405476 inclusive
	33650		DRAWING - Electrical System Installation (28-Volt)		27-7554001 and up
-1	17807-00		GUARD - Limit switch	4	27-2000 to 27-2504 inclusive
-2	487 805		SWITCH ASSEMBLY - Limit (main up and down) (BZ-7RQ31T1-1PA15)	4	27-2000 to 27-2504 inclusive
	487 864		SWITCH ASSEMBLY - Limit (main up and down) (1CH23-4)	4	27-2505 and up
-3	752 938		* SEAL - Micro switch	1	27-2000 to 27-2504 inclusive
-4	17690-00		BRACKET - Limit switch support	2	27-2000 to 27-2504 inclusive
	31498-00		BRACKET ASSEMBLY - Limit switch support	2	27-2505 and up
-5	17806-00		REFLECTOR - Navigation light	2	
-6	17604-22		CABLE ASSEMBLY - Alternator ground	2	27-2505 to 27-2603 inclusive
	24159-209		CABLE ASSEMBLY - Alternator ground	2	27-2604 and up
-7	14226-31		CABLE ASSEMBLY - Starter, left	1	
	14226-22		CABLE ASSEMBLY - Starter, right	1	
-8	16250-00		BRACKET - Gear switch	2	27-1 to 27-2504 inclusive
	31287-00		BRACKET - Gear switch	2	27-2505 and up
-9	488 347		TERMINAL - (YAVICA-L-2)	2	
-10	17604-29		CABLE ASSEMBLY - Ground	4	
-11	462 018		GASKET - Engine unit (1556847)	2	27-2505 and up
-12	42891-00		SPRING - Wire support	2	27-2000 to 27-2504 inclusive
-13	18363-00		GAUGE ASSEMBLY - Fuel tank unit	4	27-2000 to 27-7554072 inclusive
	33855-03		GAUGE ASSEMBLY - Fuel tank unit (7740-00037)	4	27-7554073 to 27-7554168 incl.
	486 412	C	GAUGE ASSEMBLY - Fuel tank unit (7740-107), left inboard and outboard	2	27-7654001 and up
	486 411	C	GAUGE ASSEMBLY - Fuel tank unit (7740-106), right inboard and outboard	2	27-7654001 and up
	486 414	B	GAUGE ASSEMBLY - Fuel tank unit (7740-109), left outboard	1	27-7654001 and up
	486 413	B	GAUGE ASSEMBLY - Fuel tank unit (7740-108), right outboard	1	27-7654001 and up
	486 412	B	GAUGE ASSEMBLY - Fuel tank unit (7740-107), left inboard	1	27-7654001 and up
	486 411	B	GAUGE ASSEMBLY - Fuel tank unit (7740-106), right inboard	1	27-7654001 and up
-14	751 767		* FLOAT ASSEMBLY - Fuel gauge (1516415)	1	27-2000 to 27-7554072 inclusive
-15	462 046		BULB - Oil temperature (1514976) A.C.	2	
	462 047	A	BULB - Oil temperature (1514981)	2	
	486 425		BULB - Oil temperature (3080-11) Rochester	2	27-7554064 and up
-16	462 012		GASKET - Oil temperature, bulb (AH1522)	2	
-17	19024-02		TUBE ASSEMBLY - Electric pitot (14-volt)	1	27-2000 to 27-7405476 inclusive
	19024-03		TUBE ASSEMBLY - Electric pitot (28-volt)	1	
-18	470 648		KIT - Voltage regulator shock mount	2	27-2000 to 27-2504 inclusive

A - Used on PA-23-250 (Six Place) with serial numbers 27-2298 and 27-2331.
B - Used if wing tip fuel tanks are installed.
C - Used if wing tip fuel tanks are not installed

When ordering, always specify Part Number, Description and Serial Number of Aircraft

PIPER PARTS CATALOG

Figure and Index Number	Part Number	Code	NOMENCLATURE	No. Req.	SERIAL NUMBERS AFFECTED
38C-19	18818-00		PLATE ASSEMBLY - Voltage regulator access	2	27-2000 to 27-2504 incl
-20	18321-00		PLATE - Firewall seal disc mounting	4	
-21	18320-02		DISC - Firewall seal, forward	2	
-22	18320-08		DISC - Firewall seal, aft	2	
-23	24381-00		MAST ASSEMBLY - Electric pitot tube	1	
-24	453 652		BULB - Resistance (50B2)	2	27-2000 to 27-2504 incl.
-25	404 820	F	NUT - (USAF 356-802)	2	
-26	472 666	D	LIGHT - Green, right wing (14-volt)	1	27-2000 to 27-7405476 incl.
	472 710	D	LIGHT - Green, right wing (28-volt)	1	27-2000 to 27-7554168 incl.
-27	751 381		* BULB - (1512) 14-volt	1	27-2000 to 27-7405476 incl
	751 438		* BULB - (1524) 28-volt	1	27-2000 to 27-7554168 incl.
-28	751 201		* LENS - Green	1	
-29	472 665	D	LIGHT - Red, left wing (14-volt)	1	27-2000 to 27-7405476 incl.
	472 709	D	LIGHT - Red, left wing (28-volt)	1	27-2000 to 27-7554168 incl.
-30	751 381		* BULB - (1512) 14-volt	1	27-2000 to 27-7405476 incl
	751 438		* BULB - (1524) 28-volt	1	27-2000 to 27-7554168 incl
-31	751 202		* LENS - Red	1	
-32	470 656	B.C	KIT ASSEMBLY - Magneto ground	4	
-33	470 657	B.C	KIT ASSEMBLY - Magneto retard	2	
-34	13002-00		GASKET - Fuel gauge mounting	4	
-35	450 740		PLATE - Lift detector mounting (C-52207-2)	1	
-36	450 741		DECAL - Lift detector (C-52207-3)	1	
-37	450 742		LIFT DETECTOR - (C-52207-4)	1	
-38	450 386		PARALLELING RELAY - Lycoming 68628, Delco Remy 1116887 (14-volt)	1	27-2000 to 27-2504 incl
	450 388		PARALLELING RELAY - Lycoming 71349, Delco Remy 1116902 (28-volt)	1	27-2000 to 27-2504 incl.
-39	31494-00		FILTER ASSEMBLY - Alternator	2	27-2505 to 27-7405476 incl
	43843-00	E	FILTER ASSEMBLY - Alternator	2	27-4678 and up
-40	462 044		ENGINE UNIT - Cylinder head temperature gauge (1514340)	2	27-2505 and up
-41	581 028.	A	PLUG - Alternator (2977373)	2	
-42	488 488	A	TERMINAL - Alternator plug (2965510)	2	
-43	51212-04		POWER SUPPLY - Strobe light	2	27-7654001 and up
-44	51210-02		NAVIGATION AND STROBE LIGHT ASSEMBLY - Tip, red (shielded)	1	27-7654001 and up
	51210-03		NAVIGATION AND STROBE LIGHT ASSEMBLY - Tip, green (shielded)	1	27-7654001 and up
-45	761 187		* LIGHT ASSEMBLY - Wing tip strobe	1	27-7654001 and up
-46	761 162		* LENS AND RETAINER ASSEMBLY - Wing tip strobe	1	27-7654001 and up
-47	472 710		* LIGHT ASSEMBLY - Wing, Type E, green	1	27-7654001 and up
	472 709		* LIGHT ASSEMBLY - Wing, Type E, red	1	27-7654001 and up
-48	753 478		* * BULB - Light assembly	1	27-7654001 and up
-49	751 201		* * LENS - Green	1	27-7654001 and up
	751 202		* * LENS - Red	1	27-7654001 and up

A - Used on PA-23-250 (Six Place) with serial numbers 27-2505 to 27-3837, 27-3838 to 27-3943 inclusive.
 B - Refer to Figure 30B if Airesearch Turbocharger is installed.
 C - Refer to Figure 30C if Lycoming Turbocharger is installed.
 D - See Figure 40A if strobe light is installed on aircraft with serial numbers 27-4445 to 27-7554168 inclusive.
 E - Used on PA-23-250 (Six Place) with 28-volt electrical system.
 F - Used on PA-23-250 (Six Place) with serial numbers 27-2000 to 27-3836 inclusive, 27-3838 to 27-3943 inclusive

When ordering, always specify Part Number, Description and Serial Number of Aircraft

PIPER PARTS CATALOG

Figure and Index Number	Part Number	Code	NOMENCLATURE	No. Req.	SERIAL NUMBERS AFFECTED
38C-50	33855-02		GAUGE ASSEMBLY - Fuel, tip tank (7740-114)	2	27-7654001 and up
-51	51024-00		GASKET - Wing inspection light	1	27-7654004 to 27-7954121 incl.
-52	472 888		LIGHT ASSEMBLY - Wing inspection (30-0273-1-7512)	1	27-7654004 to 27-7954121 incl.
-53	753 478		* BULB - Light assembly	1	27-7654004 to 27-7954121 incl.
-54	33036-00		DEFLECTOR - Strobe light	2	27-7654001 and up
-55	454 207	A	CAPACITOR - (32D1166T)	1	
-56	17756-03		CLAMP - Wire support	2	
-57	23844-00		SHUNT ASSEMBLY	2	
-58	31535-00		BRACKET ASSEMBLY - Shunt mounting	1	27-2505 and up
-59	14311-37	B	BOX ASSEMBLY - Magneto filter, left	1	
	14311-38	B	BOX ASSEMBLY - Magneto filter, right	1	
-60	460 634	B	FILTER - Magneto	4	
-61	33502-00	C	FILTER ASSEMBLY - Shielded magneto lead	2	27-7305154 and up
-62	28541-02		BRACKET - Wing inspection light mounting	1	27-8054001 and up
-63	487 074		SOCKET - Wing inspection light (11-225)	1	27-8054001 and up
-64	472 125		BULB - Wing inspection light (PS10008-1385)	1	27-8054001 and up
-65	28542-06		LENS - Wing inspection light	1	27-8054001 and up
-66	48659-08		SCREW ASSEMBLY - Fuel sender, inboard and outboard	20	27-2000 to 27-7554072 incl
	48659-10		SCREW ASSEMBLY - Fuel sender, inboard and outboard	20	27-7554073 and up
-67	48659-11		SCREW ASSEMBLY - Fuel sender, tip tank	10	27-7654001 and up
<p>A - Used on PA-23-250 (Six Place) with serial numbers 27-2000 to 27-2504 inclusive, 27-3674 to 27-3836 inclusive, and 27-3838 to 27-3943 inclusive.</p> <p>B - Used only when O-540-A1B5 engine is installed.</p> <p>C - Used when Lycoming engine T10-540-C1A is not installed.</p>					

When ordering, always specify Part Number, Description and Serial Number of Aircraft

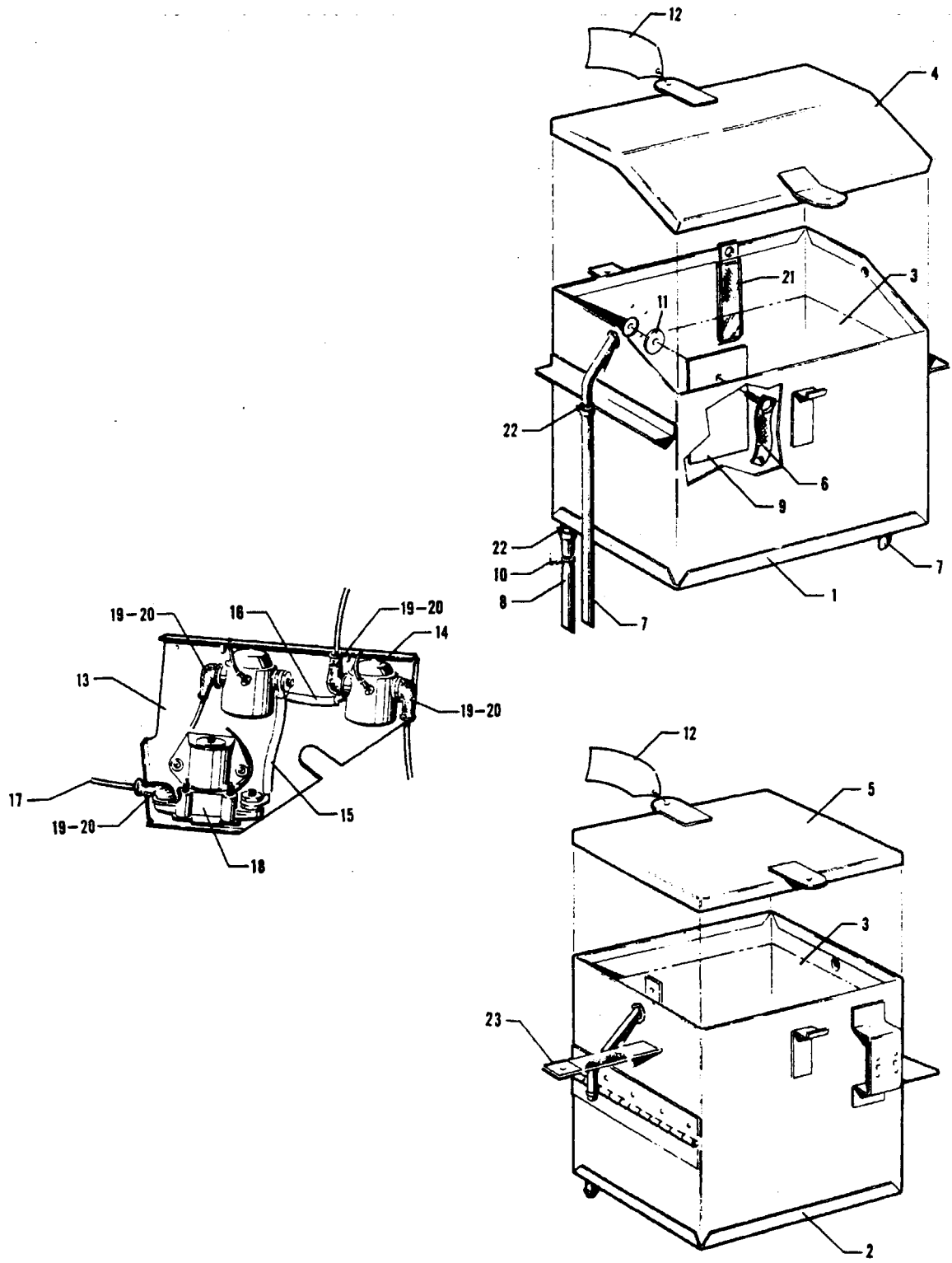


Figure 38D. Battery Box Installation

BATTERY BOX INSTALLATION



SECTION VII
Electrical System Group

Figure and Index Number	Part Number	Code	NOMENCLATURE	No. Req.	SERIAL NUMBERS AFFECTED
38D-	16330 30090 30290	X,Z X X	DRAWING - Electrical System Installation, 14-Volt DRAWING - Electrical System Installation, 28-Volt DRAWING - Electrical System Installation, 28-Volt		27-259 to 27-364 inclusive 27-402
-1	17564-00 30010-00	X	BOX ASSEMBLY - Battery, 14-volt system BOX ASSEMBLY - Battery, 28-volt system	1 1	
-2	30043-00	B,X	BOX ASSEMBLY - Battery	1	
-3	450 035 450 030	A B,C	BATTERY - 14-volt, (R-35) BATTERY - 14-volt, (S-25)	1 2	
-4	17566-00 30024-00	A B,C	LID ASSEMBLY - Battery box LID ASSEMBLY - Battery box	1 1	
-5	30044-00	B,X	LID ASSEMBLY - Battery box	1	
-6	14069-00 30105-00	A B	TERMINAL ASSEMBLY - Battery box TERMINAL ASSEMBLY - Battery box	1 1	
-7	13586-07 13586-87	B,C	TUBE - Plastic, battery box vent TUBE - Plastic, battery box vent	2 2	
-8	13586-08		TUBE - Plastic, battery box	1	
-9	17555-00		PLATE - Battery box insulator	1	
-10	454 925		CLAMP - Battery drain tube	1	
-11	81342-56		WASHER	1	
-12	14072-00		TAG - Battery box service instruction	1	
-13	19167-00		PLATE ASSEMBLY - Solenoid, mounting	1	
-14	487 149 487 152	A B	SOLENOID - (001464) SOLENOID - (001466)	2 2	
-15	19175-02		CABLE ASSEMBLY - Solenoid (8 5/8" L)	1	
-16	19175-03		CABLE ASSEMBLY - Solenoid (4 5/8" L)	1	
-17	18564-00		WIRE ASSEMBLY - Battery to solenoid	1	
-18	455 151 455 211		CONTACTOR - Solenoid (6041H105) 14-volt CONTACTOR - Solenoid (6041H202) 28-volt	1 1	
-19	476 882	Z	NIPPLE - Electric terminal (23969-04)	4	
-20	476 674		NIPPLE - (MS25171-3)	4	
-21	13586-18		TUBE - Plastic, battery ground cable	1	
-22	454 983		CLAMP - Battery box tube (SAE 8)	3	

A - Used when 14-volt electrical system is installed.
 B - Used when 28-volt electrical system is installed.
 C - Used on PA-23-250 airplanes with serial numbers 27-259 to 27-364 inclusive, and PA-23-250 Special with serial number 27-402.
 X - Used on PA-23-250 airplanes only.
 Z - Used on PA-23-235 airplanes only.

When ordering, always specify Part Number, Description and Serial Number of Aircraft

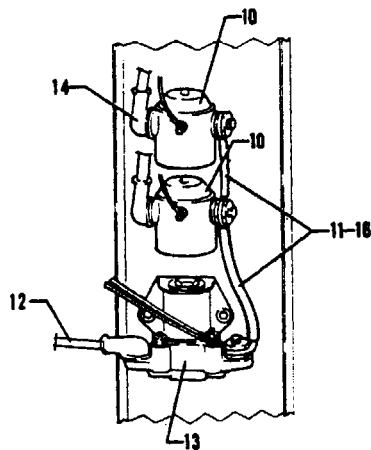
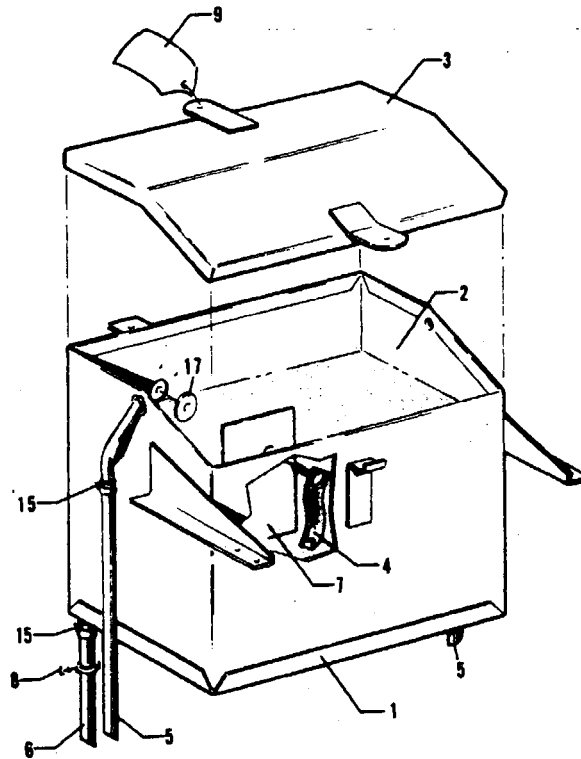


Figure 38E. Battery Box Installation (14 Volt)



Figure and Index Number	Part Number	Code	NOMENCLATURE	No. Req.	SERIAL NUMBERS AFFECTED
38E-	30470		DRAWING - Electrical System Installation, 14 Volt		27-2000 to 27-2504 inclusive 27-2505 to 27-3836 inclusive, 27-3838 to 27-3943 inclusive 27-3837, 27-3944 to 27-4425, 27-4427 to 27-4573 inclusive 27-4426, 27-4574 to 27-7405476
	31480		DRAWING - Electrical System Installation, 14 Volt		
	32664		DRAWING - Electrical System Installation, 14 Volt		
	33020		DRAWING - Electrical System Installation, 14 Volt		
-1	30711-00		BOX ASSEMBLY - Battery	1	
-2	450 035		BATTERY - (R-35)	1	
-3	17566-00		LID ASSEMBLY - Battery box	1	
-4	14069-00		TERMINAL ASSEMBLY - Battery box	1	
-5	22369-12		TUBE - Plastic, battery box vent	2	
-6	22369-11		TUBE - Plastic, battery box	1	
-7	17555-00		PLATE - Battery box insulator	1	
-8	454 925		CLAMP - Battery drain tube	1	
-9	14072-00		TAG - Battery box service instructions	1	
-10	487 149		SOLENOID - (26898-02)	2	
-11	17604-09		CABLE ASSEMBLY - Solenoid (6 1/2" L)	1	27-2000 to 27-2504 inclusive
	17604-19		CABLE ASSEMBLY - Solenoid (3 1/2" L)	1	27-2000 to 27-2504 inclusive
	31060-00		CABLE ASSEMBLY - Solenoid (9 1/2" L)	1	27-2505 and up
-12	18554-00		WIRE ASSEMBLY - Battery to solenoid	1	27-2000 to 27-2286 inclusive
	30958-00		WIRE ASSEMBLY - Battery to solenoid	1	27-2287 and up
-13	455 151		CONTACTOR - Solenoid (6041H105)	1	
-14	476 682		NIPPLE - Electric terminal (23969-04)	4	
-15	454 983		CLAMP - Battery box tube (SAE #8)	1	
-16	13586-18		TUBE - Plastic, battery ground cable	2	
-17	81342-56		WASHER	1	

When ordering, always specify Part Number, Description and Serial Number of Aircraft

2G24

INTENTIONALLY LEFT BLANK

PIPER PARTS CATALOG

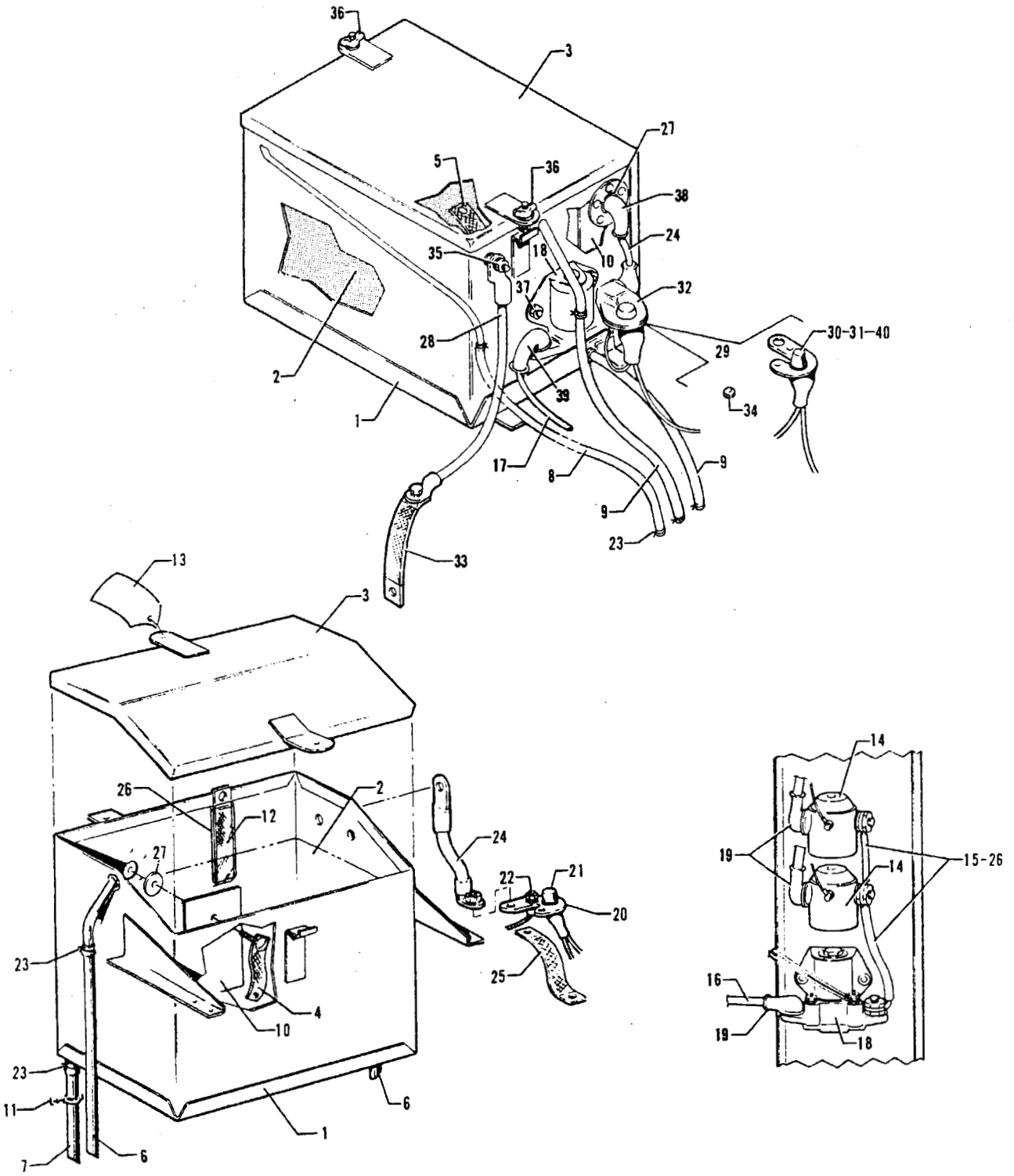


Figure 38F. Battery Box Installation (28 Volt)
(Serial Nos. 27-2298 to 27-7954097 inclusive)

PIPER PARTS CATALOG

Figure and Index Number	Part Number	Code	NOMENCLATURE	No. Req.	SERIAL NUMBERS AFFECTED
38F-	31163 33320 33650		DRAWING - Electrical System Installation (28-Volt) DRAWING - Electrical System Installation (28-Volt) DRAWING - Electrical System Installation (28-Volt)		27-2298, 27-2331 27-4801 to 27-7405476 inclusive 27-7554001 to 27-7954097 incl
-1	30711-00 41328-00 44729-00		BOX ASSEMBLY - Battery BOX ASSEMBLY - Battery BOX ASSEMBLY - Battery	1 1 1	27-2298, 27-2331 27-3584 to 27-4021 inclusive 27-4678 and up
-2	450 030 450 026 450 032 450 031		BATTERY - (S-25) BATTERY - (12GCAB-9) 17 amp/hour BATTERY - (PS12-11) 17 amp/hour BATTERY - (PS12-24) 25 amp/hour	2 1 1 1	27-2298, 27-2331 27-3584 to 27-7854111 inclusive 27-7854112 and up 27-7554001 and up
-3	30024-00 41329-00 44727-02 44727-03	A B	LID ASSEMBLY - Battery box LID ASSEMBLY - Battery box LID ASSEMBLY - Battery box LID ASSEMBLY - Battery box	1 1 1 1	27-2298, 27-2331 27-3584 to 27-4021 inclusive 27-4678 and up 27-7554001 and up
-4	30150-00 42826-00		TERMINAL ASSEMBLY - Battery box TERMINAL ASSEMBLY - Battery box	1 1	27-2298, 27-2331 27-3584 to 27-4021 inclusive
-5	14069-02		TERMINAL ASSEMBLY - Battery box	2	27-4678 and up
-6	13586-87 19790-20		TUBE - Plastic, battery box vent TUBE - Plastic, battery box vent	2 2	27-2298, 27-2331 27-3584 to 27-4021 inclusive
-7	19790-19		TUBE - Plastic, battery box	1	27-3584 to 27-4021 inclusive
-8	80006-18		TUBE - Plastic, battery box inlet	1	27-4678 and up
-9	80006-19		TUBE - Plastic, battery box outlet	2	27-4678 and up
-10	17555-00		PLATE - Battery box insulator	1	
-11	454 925		CLAMP - Battery drain tube	1	27-2298 to 27-4021 inclusive
-12	17735-03		CABLE ASSEMBLY - Battery box ground	1	27-3584 to 27-4021 inclusive
-13	14072-00		TAG - Battery box service instruction	1	27-2298 to 27-4021 inclusive
-14	487 152		SOLENOID - Starter	2	
-15	31060-00 31060-03 17604-19		CABLE ASSEMBLY - Solenoid (9 1/4" L.) CABLE ASSEMBLY - Solenoid (3 3/4" L.) CABLE ASSEMBLY - Solenoid (3 1/2" L.)	1 1 1	
-16	757 848		CABLE ASSEMBLY - Battery to solenoid (28 1/4" L.)	1	27-3584 to 27-4021 inclusive
-17	80009-06		CABLE ASSEMBLY - Battery to solenoid (34" L.)	1	27-4678 and up
-18	455 211		CONTACTOR - Solenoid (6041H202A)	1	
-19	476 682		NIPPLE - Electric terminal (23969-04)	3	
-20	42399-00		LINK ASSEMBLY - Bus bar, battery box	1	27-3584 to 27-4021 inclusive
-21	465 256		* HOLDER - Fuse (HKP-GG)	1	27-3584 to 27-4021 inclusive
-22	456 704		* DIODE - (IN1183)	1	27-3584 to 27-4021 inclusive
-23	454 983		CLAMP - (SAE B, Type "E")	6	
-24	41530-04		WIRE ASSEMBLY - Battery box	1	27-3584 and up
-25	17604-27		CABLE ASSEMBLY - Battery box (4 1/2" L.)	1	27-3584 to 27-4021 inclusive
-26	13586-18		TUBE - Plastic, battery ground cable	3	27-2298 to 27-4021 inclusive
-27	81342-56		WASHER	1	
-28	80009-04 30958-00		WIRE ASSEMBLY - Battery ground (22" L.) WIRE ASSEMBLY - Battery ground (14" L.)	1 1	27-4678 to 27-7405476 inclusive 27-7554001 and up
-29	44009-00 32377-00		LINK ASSEMBLY - Bus bar, battery box LINK ASSEMBLY - Bus bar, battery box	1 1	27-4678 to 27-7405476 inclusive 27-7554001 and up
-30	465 256		* HOLDER - Fuse (HKP-GG)	1	27-4578 and up
-31	461 623		* FUSE - (AG-5)	1	27-4678 to 27-7405476 inclusive
-32	43680-00		COVER ASSEMBLY - Master contactor	1	27-4578 and up
-33	17604-33		CABLE ASSEMBLY - Battery box ground (7 1/8" L.)	1	27-4801 and up
-34	477 721		NUT - Cap nylon (6-32)	1	27-4678 and up
-35	407 045 404 638		WASHER - Lock (MS35338-45) NUT - (AN340-B516)	2 2	27-4678 and up 27-4678 and up

A - Used if 17 ampere/hour battery is installed.
B - Used if 25 ampere/hour battery is installed.

When ordering, always specify Part Number, Description and Serial Number of Aircraft

PIPER PARTS CATALOG

Figure and Index Number	Part Number	Code	NOMENCLATURE	No. Req.	SERIAL NUMBERS AFFECTED
38F-36	417 784	A	SCREW - (AN520-10R22)	2	27-4678 and up
	407 043		WASHER - Lock (MS35338-43)	2	27-4678 and up
	407 564		WASHER - (AN960-10)	2	27-4678 and up
	405 312		NUT - (10-32)	2	27-4678 and up
	404 752		NUT - Wing (MS35426-13)	2	27-4678 and up
	-37 400 100		BOLT - (AN4-3)	2	27-4678 and up
	407 044		WASHER - Lock (MS35338-44)	2	27-4678 and up
	404 888		NUT - (MS20365-428C)	2	27-4678 and up
	-38 23969-05		NIPPLE - Electrical terminal (476 683)	2	27-4678 and up
	-39 476 682		NIPPLE - Electrical terminal (23969-04)	1	27-4678 and up
-40	453 171	BOOT - Electric terminal (5466)	1	27-4678 and up	
	461 623	FUSE - (AGC-5)	1	27-7554001 and up	

A - Used when External Power Supply is installed.

When ordering, always specify Part Number, Description and Serial Number of Aircraft

PIPER PARTS CATALOG

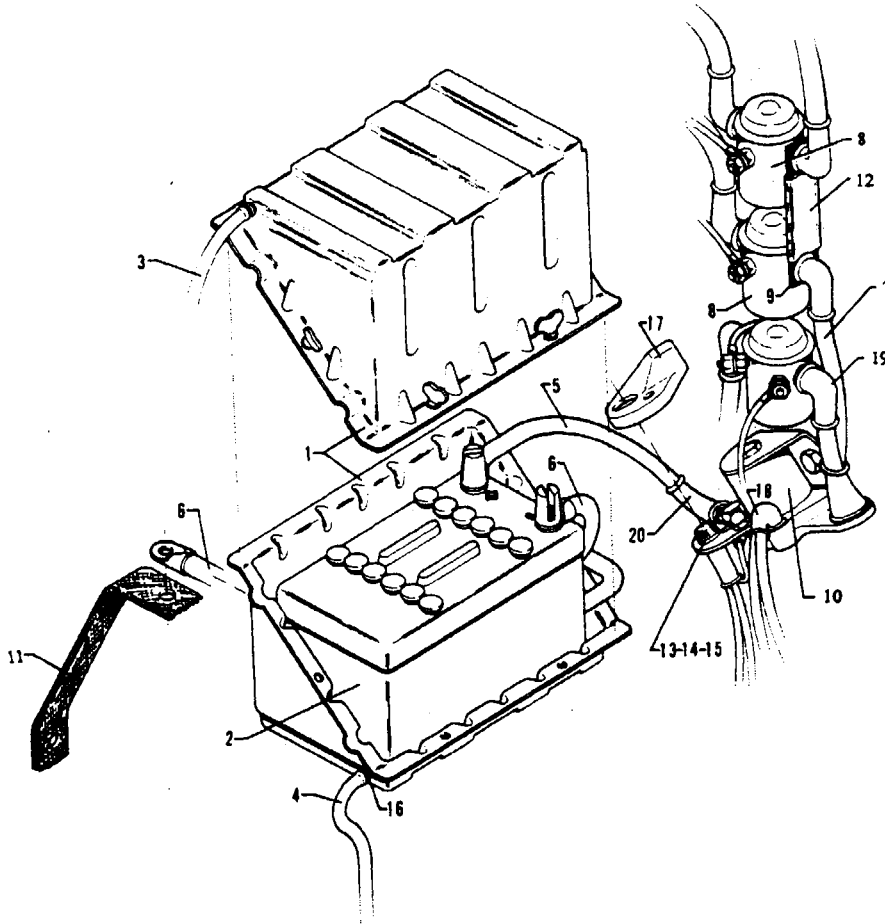


Figure 38G. Battery Box Installation (28 Volt)
(Serial Nos. 27-7954098 and up)

PIPER PARTS CATALOG

Figure and Index Number	Part Number	Code	NOMENCLATURE	No. Req.	SERIAL NUMBERS AFFECTED
38G-	28381		DRAWING - Electrical System Installation (28-Volt)		27-7954098 and up
-1	28376-02		BOX ASSEMBLY - Battery	1	
-2	450 032		BATTERY - (PS12-11) 17 Amp/hour	1	
	450 031		BATTERY - (PS12-24) 25 Amp/hour	1	
-3	80006-32		TUBE - Plastic, battery box vent	2	
-4	80006-03		TUBE - Plastic, battery box drain	1	
-5	80009-11		CABLE ASSEMBLY - Battery to master contactor (12.00" L)	1	
-6	80009-10		CABLE ASSEMBLY - Ground (25.00" L)	1	
-7	80009-13		CABLE ASSEMBLY - Master contactor to solenoid (6.00" L)	1	
-8	487 152		SOLENOID	2	
-9	31060-03		CABLE ASSEMBLY - Solenoid, braided (3.75" L)	1	
-10	455 211		CONTACTOR - Master (6041H202A)	1	
-11	17604-33		CABLE ASSEMBLY - Ground, braided (7.12" L)	1	
-12	80006-27		TUBE - Plastic, insulator	1	
-13	32377-00		LINK ASSEMBLY - Bus bar	1	
-14	465 256		* HOLDER - Fuse (HKP-GG)	1	
-15	461 623		FUSE - (AGC-5)	1	
-16	454 983		CLAMP - (SAE TY E-8)	6	
-17	43680-01		COVER - Bus bar link	1	
-18	23969-02		NIPPLE - Electrical terminal	3	
-19	23969-04		NIPPLE - Electrical terminal	5	
-20	23969-05		NIPPLE - Electrical terminal	1	

When ordering, always specify Part Number, Description and Serial Number of Aircraft

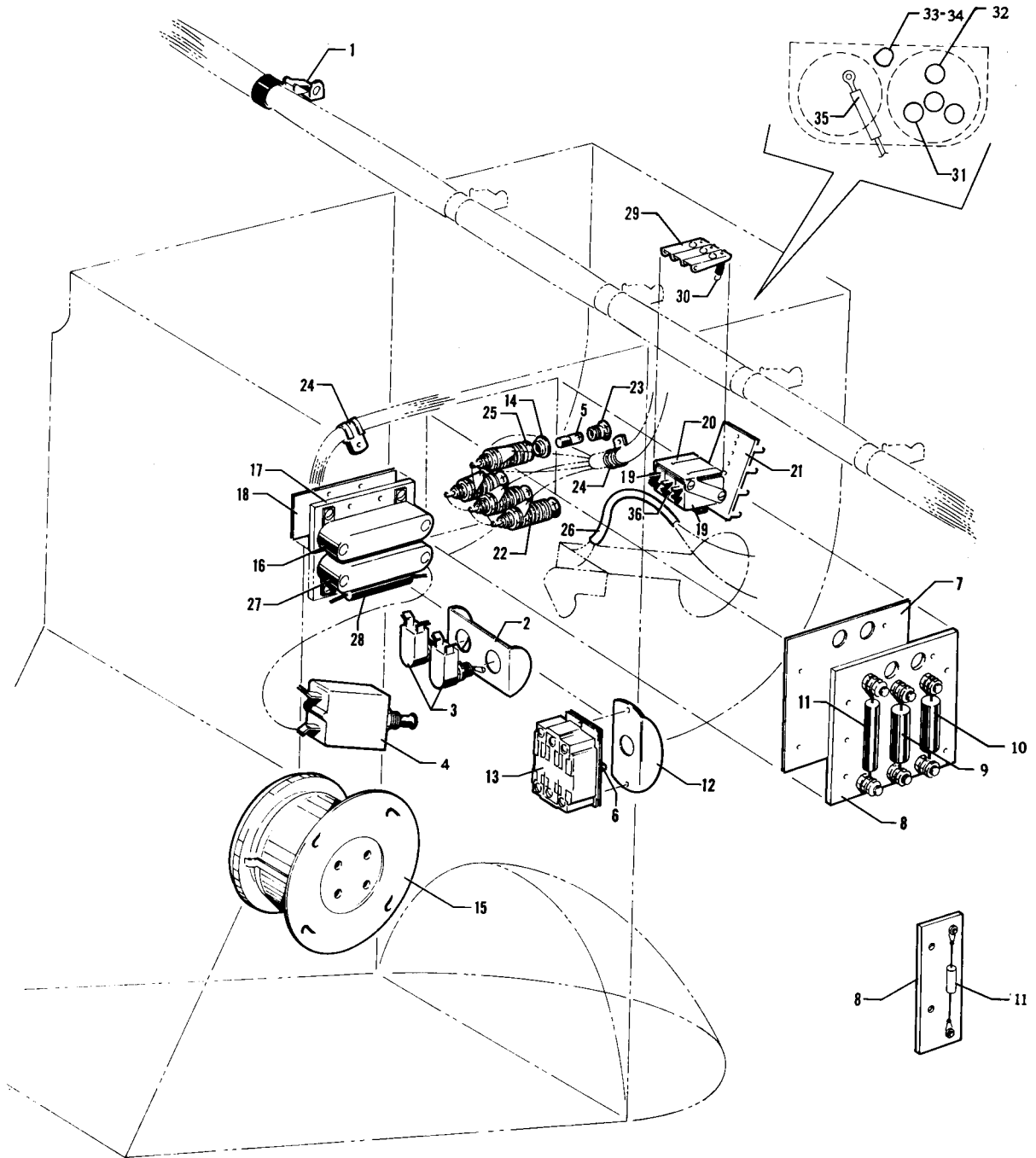


Figure 39. Pedestal Electrical Installation

PIPER PARTS CATALOG

Figure and Index Number	Part Number	Code	NOMENCLATURE	No. Req.	SERIAL NUMBERS AFFECTED
39-	16298		DRAWING - Pedestal Installation		27-1 to 27-2504 inclusive
	31510	A,Y	DRAWING - Pedestal Assembly		
	32579	Y	DRAWING - Pedestal Assembly		27-3837, 27-3944 to 27-4084 incl
	32793	Y	DRAWING - Pedestal Assembly		27-4085 to 27-7405476 inclusive
	33749	Y	DRAWING - Pedestal Assembly		27-7554001 and up
-1	487 608		STRAP ASSEMBLY - (668-12-6FR)	5	
-2	18519-00		GUARD - Generator switch	1	27-1 to 27-2504 inclusive
-3	487 790		SWITCH - Toggle, generator (100-S-73)	2	27-1 to 27-2504 inclusive
-4	454 664	A,Z	CIRCUIT BREAKER - (PS50120-3-4)	1	
-5	472 054		LAMP - Indicator gear, 330 (14 volt)	4	27-1 to 27-7405476 inclusive
	472 028		LAMP - Indicator gear, 327 (28 volt)	4	
-6	488 665	A,X,Z	TIP - Switch, red	2	
-7	17689-00		PLATE - Resistor panel insulator	1	27-1 to 27-7554052 inclusive
	15642-02		PLATE - Resistor panel insulator	1	27-7554053 and up
-8	17688-00		PANEL - Resistor mounting	1	27-1 to 27-7405476 inclusive
	33642-03		PANEL - Resistor mounting	1	27-7554001 and up
-9	484 382		RESISTOR - 40 ohm (14 volt)	1	27-1 to 27-7405476 inclusive
	484 404		RESISTOR - 350 ohm (28 volt)	1	27-1 to 27-7405476 inclusive
	484 476		RESISTOR - 15 ohm (28 volt)	1	27-7554001 to 27-7554052 incl.
-10	484 383		RESISTOR - 75 ohm (14 volt)	1	27-1 to 27-7405476 inclusive
	484 403		RESISTOR - 225 ohm (28 volt)	1	27-1 to 27-7405476 inclusive
-11	484 380		RESISTOR - 100 ohm (14 volt)	1	27-1 to 27-7405476 inclusive
	484 402		RESISTOR - 150 ohm (28 volt)	1	
-12	18089-00		GUARD - Master switch	1	27-1 to 27-2504 inclusive
-13	487 803		SWITCH - Master (8740K9)	1	27-1 to 27-2504 inclusive
-14	18360-00	A,X,Z	BUSHING - Indicator light	4	
	18360-02		BUSHING - Indicator light	4	27-3837, 27-3944 to 27-7405476 inclusive
-15	465 162		HORN - Landing gear warning (14 volt)	1	27-1 to 27-3879 inclusive
	565 325	Y	HORN - Landing gear warning (14 volt)	1	27-3880 to 27-7405476 inclusive
	465 231	Y	HORN - Landing gear warning (28 volt)	1	27-2000 to 27-3812 inclusive
	565 274	Y	HORN - Landing gear warning (28 volt)	1	27-4016 to 27-4693 inclusive
	565 326	Y	HORN - Landing gear warning (28 volt)	1	27-4801 to 27-7554108 inclusive
	32401-07	Y	HORN - Landing gear warning (28 volt)	1	27-7554109 and up
-16	460 901		FLASHER - (617)	1	
-17	452 897		BLOCK - (4753)	1	
-18	18493-00		PLATE - Flasher insulator	1	
-19	487 940		SWITCH - Micro, flasher and horn (AN3234-2)	2	
-20	18418-00		PLATE - Throttle switch actuator	1	27-1 to 27-7304984 inclusive
	33991-02		PLATE - Throttle switch actuator	1	27-7304985 and up
-21	588 439		BLOCK - (MS27212-1-3)	1	
-22	472 694		LIGHT ASSEMBLY - (Less lens and bulb)	5	27-1 to 27-7405476 inclusive
-23	472 333		LENS - Gear indicator, green	3	27-1 to 27-7405476 inclusive
	472 331		LENS - Gear indicator, amber	1	27-1 to 27-7405476 inclusive
-24	454 929		CLAMP - Tinnerman (A4980S-4-91)	3	
-25	80122-74		WASHER	4	27-1 to 27-7405476 inclusive
-26	90797-23		SLEEVE	1	
-27	460 901		FLASHER - (617) Lift detector light	1	

A - Used on PA-23-250 (Six Place) with serial numbers 27-2505 to 27-3836, 27-3838 to 27-3943 inclusive.
X - Used on PA-23-250 airplanes only.
Y - Used on PA-23-250 (Six Place) airplanes only
Z - Used on PA-23-235 airplanes only.

When ordering, always specify Part Number, Description and Serial Number of Aircraft

PIPER PARTS CATALOG

Figure and Index Number	Part Number	Code	NOMENCLATURE	No. Req.	SERIAL NUMBERS AFFECTED
39-28	484 380		RESISTOR - 100 ohm (14 volt)	1	27-1 to 27-7405476 inclusive
	484 402		RESISTOR - 150 ohm (28 volt)	1	
-29	33433-00		BRACKET - Switch actuator	3	27-7304985 and up
-30	83302-87		SPRING - Switch actuator	3	27-7304985 and up
-31	472 740		LIGHT ASSEMBLY - (801-1030-0332-504) Green	3	27-7554001 and up
-32	472 793		LIGHT ASSEMBLY - (801-1030-0333-504) Yellow	1	27-7554001 and up
-33	15675-02		BOLTLIGHT - Special	1	27-7554001 and up
-34	472 028		* BULB - Boltlight (327)	1	27-7554001 and up
-35	484 420		RESISTOR - (100 ohm, 10 W.)	1	27-7554001 to 27-7554057 incl.
-36	487 940		SWITCH - Micro, flasher and horn (MS25253-2)	1	27-1 to 27-8054048 inclusive
	43981-00		SPACER	1	27-8054049 and up

When ordering, always specify Part Number, Description and Serial Number of Aircraft

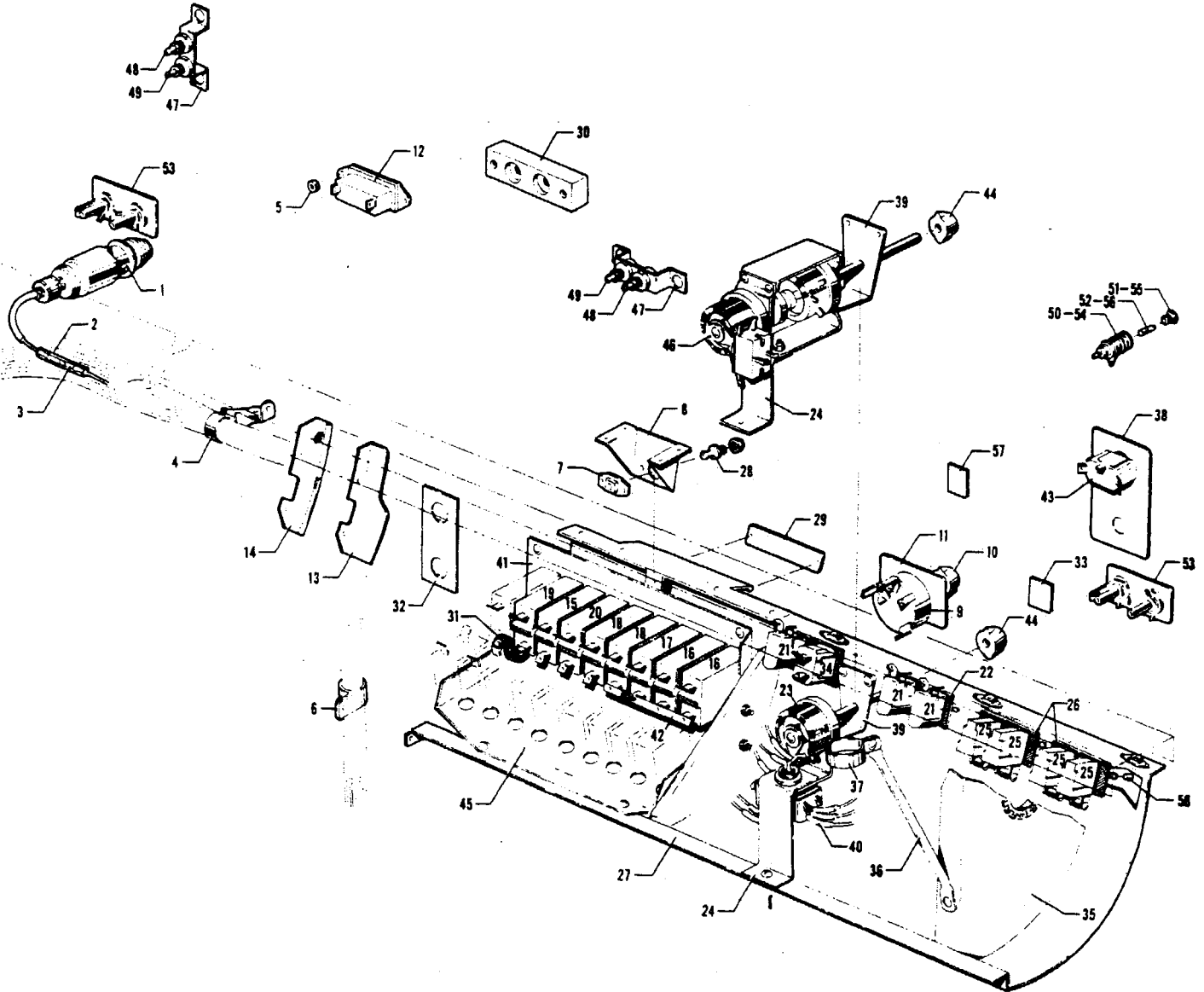


Figure 39A. Instrument Panel Electrical Installation
(Serial Nos. 27-1 to 27-2504 inclusive)

PIPER PARTS CATALOG

Figure and Index Number	Part Number	Code	NOMENCLATURE	No. Req.	SERIAL NUMBERS AFFECTED
39A-	16220	A	DRAWING - Fuselage Harness Installation, 14-Volt		
	16985	B,X,Z	DRAWING - Fuselage Harness Installation, 14-Volt		
	30087	C	DRAWING - Fuselage Harness Installation, 28-Volt		27-259 to 27-364 inclusive
	30288	D	DRAWING - Fuselage Harness Installation, 28-Volt		
	30370	Y	DRAWING - Fuselage Harness Installation, 14-Volt		27-2000 to 27-2504 inclusive
-1	472 653		LIGHTER - (60248) 14-volt	1	
-2	476 673		NIPPLE - (MS-25171-1)	1	
-3	488 364		TERMINAL - (151642)	1	
-4	487 608		STRAP ASSEMBLY - (668-12-6FR)	5	
-5	81102-25		WASHER	2	
-6	454 955		CLAMP - Plastic (5)	1	
-7	454 070		CATCH - Tinnerman (A6273-020-1)	1	
-8	17654-00		CATCH - Circuit breaker door	1	
-9	18774-00		SWITCH - Heater control	1	
-10	471 068		KNOB - Heater switch (M88010-4)	1	
-11	18761-00		PLACARD - Cabin heat	1	
-12	487 814		SWITCH - Carburetor air temperature (8482K1)	1	
-13	17657-00		BULKHEAD - Instrument panel roll	1	
-14	17653-02		ANGLE - Instrument panel roll	1	
-15	454 659		CIRCUIT BREAKER - (PS50120-3-16)	1	
-16	454 662		CIRCUIT BREAKER - (PS50120-3-25) 14-volt system	2	
	454 660		CIRCUIT BREAKER - (PS50120-3-17) 28-volt system	2	
	454 662	E	CIRCUIT BREAKER - (PS50120-3-25)	2	
	-17	454 657	CIRCUIT BREAKER - (PS50120-3-12)	AR	
-18	454 656		CIRCUIT BREAKER - (PS50120-3-7)	AR	
-19	454 658		CIRCUIT BREAKER - (PS50120-3-14) 14-volt system	AR	
	454 658		CIRCUIT BREAKER - (PS50120-3-14) 28-volt system	AR	
-20	454 661		CIRCUIT PROTECTOR - (PS50120-3-18)	AR	
-21	487 790		SWITCH - Toggle, turn and bank, and fuel pump (110-S-73)	3	
-22	18146-02		PLATE - Switch mounting	2	
-23	18492-00	F	RHEOSTAT - Navigation light, 14-volt	1	
	18492-03	F	RHEOSTAT - Navigation light, 28-volt	1	
-24	18558-00	X	BRACKET - Rheostat mounting	1	
	18558-02	Y	BRACKET - Rheostat mounting	1	27-2000 to 27-2254 inclusive
	30993-01	Y	BRACKET - Rheostat mounting	1	27-2255 to 27-2504 inclusive
	18558-00	Z	BRACKET - Rheostat mounting	1	27-505 to 27-531 inclusive
	30993-00	Z	BRACKET - Rheostat mounting	1	27-532 to 27-2504 inclusive

A - Used when O-540-A1B5 engines are installed.
 B - Used when O-540-A1D5 and O-540-B1A5 engines are installed.
 C - Used when O-540-A3D5 engines are installed.
 D - Used on PA-23-250 Special (28-volt).
 E - Used on 28-volt electrical system with 50 amp generators.
 F - Secure Item 46 when Glar-Ban lights are installed.
 X - Used on PA-23-250 airplanes only.
 Y - Used on PA-23-250 (Six Place) airplanes only
 Z - Used on PA-23-235 airplanes only

When ordering, always specify Part Number, Description and Serial Number of Aircraft

SECTION VII
Electrical System Group



INSTRUMENT PANEL ELECTRICAL INSTALLATION
(Serial Nos. 27-1 to 27-2504 inclusive)

Figure and Index Number	Part Number	Code	NOMENCLATURE	No. Req.	SERIAL NUMBERS AFFECTED
39A-25	487 809		SWITCH - Toggle, magneto (8295K8)	4	
-26	18146-03		PLATE - Switch mounting	2	
-27	19173-00	XZ	ROLL ASSEMBLY - Instrument panel	1	
	19173-02	Y	ROLL ASSEMBLY - Instrument panel	1	
-28	487 537		STUD - (P116-473-6-24A)	1	
-29	17897-03		PLACARD - Circuit breaker, black	1	
-30	16410-00		BLOCK ASSEMBLY - Ammeter shunt	1	
-31	16439-00		BAR - Bus, 14 Volt system	6	
	16439-00		BAR - Bus, 28 Volt system	3	
-32	18716-03	XZ	PLACARD - Pitot, heat and rotating beacon	1	
-33	30759-00	Y	PLACARD - (Pitot heat only)	1	27-2000 to 27-2504 inclusive
-34	487 828		SWITCH - Landing light (#8801K13) 14 Volt	1	
	487 836	D	SWITCH - Landing light	1	
-35	17753-05		PLATE ASSEMBLY - Wire support, left	1	
-36	17737-00		TUBE - Brace	1	
-37	80002-53		CLAMP - Round	1	
-38	19521-00	XZ	PLACARD - Starter switch, black	1	
	30543-00	Y	PLACARD - Starter switch, black	1	
-39	18559-00	XY	BRACKET - Rheostat support	1	
	30284-00	CX	BRACKET - Rheostat support	1	
	31029-00	Z	BRACKET - Rheostat support	1	
-40	90797-05		SLEEVE - Insulating	8	
-41	16447-00	BX	PANEL - Circuit breaker, 14 Volt system	1	
	16447-03	AX	PANEL - Circuit breaker, 14 Volt system	1	
	16447-04	Z	PANEL - Circuit breaker, 14 Volt system	1	
	30379-00	Y	PANEL - Circuit breaker, 14 Volt system	1	27-2000 to 27-2504 inclusive
	30002-00	E	PANEL - Circuit breaker, 28 Volt system	1	
-42	22856-05	AX	BUS ASSEMBLY - Circuit breaker	8	
	19536-02	BX	BUS ASSEMBLY - Circuit breaker	1	
	22856-05	YZ	BUS ASSEMBLY - Circuit breaker	7	27-505 to 27-2504 inclusive
-43	487 811	X	SWITCH - Starter (8857K25) (3 terminal attachment)	1	
	487 832	X	SWITCH - Starter (8859K50) (12 terminal attachment)	1	
	487 832	YZ	SWITCH - Starter (8859K50)	1	
-44	471 068		KNOB - Plastic (#M88010-4) black	1	
-45	16448-00		PANEL - Circuit protector mounting	1	

- A - Used when O-540-A1B5 engines are installed.
- B - Used when O-540-A1D5 and O-540-A3D5 engines are installed.
- C - Optional equipment on 14 Volt electrical system.
- D - Used on 28 Volt system with 50 AMP generators.
- E - Used on PA-23-250 airplanes with serial numbers 27-259 to 27-364 inclusive, PA-23-250 Special with serial number 27-402, and PA-23-250 (Six Place) with serial numbers 27-2298 and 27-2331.
- X - Used on PA-23-250 airplanes only.
- Y - Used on PA-23-250 (Six Place) airplanes only.
- Z - Used on PA-23-235 airplanes only.

When ordering, always specify Part Number, Description and Serial Number of Aircraft



Figure and Index Number	Part Number	Code	NOMENCLATURE	No. Req.	SERIAL NUMBERS AFFECTED
39A-46	484 578	X	RHEOSTAT ASSEMBLY - Instrument panel lights with Glar Ban and navigation lights, 28 Volt	1	
	19857-00	X	RHEOSTAT ASSEMBLY - Instrument panel lights with Glar Ban and navigation lights, 14 Volt	1	
-47	30012-00	BC	BRACKET - Instrument light jack mounting	2	
-48	468 007	BC	JACK - Instrument light (108-902)	2	
-49	468 008	BC	JACK - Instrument light (109-903)	2	
-50	472 694		LIGHT ASSEMBLY - (Less lens and bulb) Stall warning	1	
-51	472 334		LENS - Stall warning indicator	1	
-52	472 037		LAMP - Stall warning, 14 Volt	1	
	472 028		LAMP - Stall warning, 28 Volt	1	
-53	30313-00		PLACARD - Phone jacks	1	
-54	472 694	A	LIGHT ASSEMBLY - (Less lens and bulb) Generator indicator	1	
-55	472 331	A	LENS - Generator indicator, amber	2	
-56	472 028	A	BULB - Generator indicator (G. E. #327)	1	
-57	30104-00	A	PLACARD - Landing light switch	1	
-58	488 668		TIP - Switch, yellow	4	
	488 664		TIP - Switch, white	5	
	488 665		TIP - Switch, red	2	
	488 666		TIP - Switch, blue	6	

A - Used on 28 Volt electrical system with 50 AMP generators.
 B - Used on 28 Volt electrical system.
 C - Optional equipment on 14 Volt electrical system.
 X - Used on PA-23-250 airplanes only.

When ordering, always specify Part Number, Description and Serial Number of Aircraft

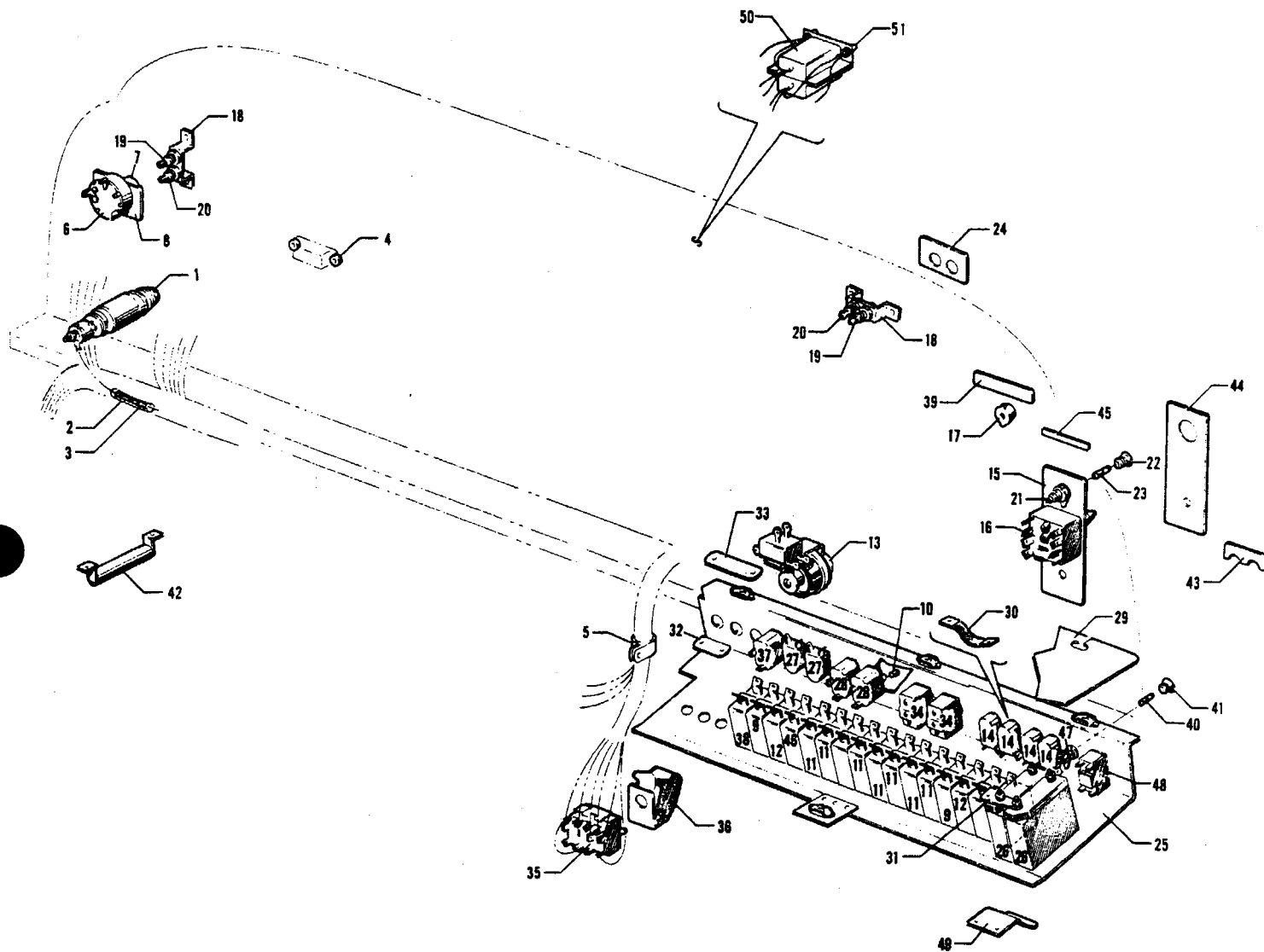


Figure 39B. Instrument Panel Electrical Installation
 (Serial Nos. 27-2505 to 27-3836 inclusive, 27-3838 to 27-3943 inclusive)



Figure and Index Number	Part Number	Code	NOMENCLATURE	No. Req.	SERIAL NUMBERS AFFECTED
39B-	31430		DRAWING - Fuselage Harness Installation, 14-Volt		27-2505 to 27-3049 inclusive, 27-3051 to 27-3153 inclusive
	32143		DRAWING - Fuselage Harness Installation, 14-Volt		27-3050, 27-3154 to 27-3476
	32264		DRAWING - Fuselage Harness Installation, 14-Volt		27-3477 to 27-3836 inclusive, 27-3838 to 27-3943 inclusive
-1	472 653		LIGHTER - (60248) 14-volt	1	
-2	476 673		NIPPLE - (MS25171-1)	1	
-3	488 364		TERMINAL - (151642)	1	
-4	81102-25		WASHER	2	
-5	454 955		CLAMP - Plastic (5)	1	
-6	18774-00		SWITCH - Heater control	1	27-2505 to 27-3049 inclusive, 27-3051 to 27-3153 inclusive
	487 858	E	SWITCH - Heater control (2GM74-73)	1	
-7	471 068		KNOB - Heater switch (M88010-4)	1	
-8	30559-00		PLACARD - Cabin heat	1	27-2505 to 27-3049 inclusive, 27-3051 to 27-3153 inclusive
	32077-00	E	PLACARD - Cabin heat	1	
	SK-1806-1	A	PLACARD - Cabin heat, 28-volt	1	
-9	454 659		CIRCUIT BREAKER - (PS50120-3-16)	2	
-10	488 668		TIP - Switch, yellow	4	
	488 664		TIP - Switch, white	5	
	488 665		TIP - Switch, red	2	
	488 666		TIP - Switch, blue	6	
-11	454 656		CIRCUIT BREAKER - (PS50120-3-7)	7	
-12	454 658		CIRCUIT BREAKER - (PS50120-3-14) 14-volt system	AR	
	454 658		CIRCUIT BREAKER - (PS50120-3-14) 28-volt system	AR	
-13	18492-02		RHEOSTAT - Navigation light, 14-volt	1	27-2505 to 27-3049 inclusive, 27-3051 to 27-3153 inclusive
	18492-05	E,F	RHEOSTAT - Navigation light, 14-volt	1	
	19857-00	A	RHEOSTAT ASSEMBLY - Navigation light (484 581)	1	
-14	487 790		SWITCH - Toggle, magneto (110-S-73)	4	
15	30543-00	B	PLACARD - Starter switch, black	1	
-16	487 832		SWITCH - Starter (8859D50)	1	
-17	471 068		KNOB - Plastic (M88010-4), black	2	
-18	30012-00	C,D	BRACKET - Instrument light jack mounting	2	
-19	468 007	C,D	JACK - Instrument light (108-902)	2	
-20	468 008	C,D	JACK - Instrument light (108-903)	2	
-21	472 694		LIGHT ASSEMBLY - (Less lens and bulb) Stall warning	1	
-22	472 334		LENS - Stall warning indicator	1	
-23	472 037		LAMP - Stall warning, 14-volt	1	
	472 028		LAMP - Stall warning, 28-volt	1	
-24	30313-00		PLACARD - Phone jacks	1	
-25	31458-00		PANEL ASSEMBLY - Circuit protector	1	
-26	454 687		CIRCUIT BREAKER - (302-290-102-90 amp)	2	

A - Used on PA-23-250 (Six Place) with 28-volt electrical system with serial numbers 27-3584, 27-3585, 27-3721, 27-3722, 27-3726, 27-3732 and 27-3762.

B - Used when 14-volt electrical system is installed.

C - Used on 28-volt electrical system.

D - Optional equipment on 14-volt electrical system.

E - Used on PA-23-250 (Six Place) with serial numbers 27-3050, 27-3154 to 27-3836, 27-3838 to 27-3943.

F - Used on PA-23-250 (Six Place) with 28-volt electrical system, serial numbers 27-3812.

When ordering, always specify Part Number, Description and Serial Number of Aircraft

INSTRUMENT PANEL ELECTRICAL INSTALLATION
 (Serial Nos. 27-2505 to 27-3836 inclusive,
 27-3838 to 27-3943 inclusive)



SECTION VI
 Electrical System Group

Figure and Index Number	Part Number	Code	NOMENCLATURE	No. Req.	SERIAL NUMBERS AFFECTED
398-27	487 790		SWITCH - Toggle, rotating beacon and position lights (110-S-73)	2	
-28	487 860		SWITCH - Toggle, landing light, taxi light and pitot heat (2FA54-73)	3	
-29	31554-00		PLATE - Circuit protector guard	1	
-30	16439-00		BAR - Bus	2	
31	31620-00		BAR - Bus	1	
-32	31506-02		BAR - Bus	15	
-33	31506-03		BAR - Bus	1	
-34	487 849		SWITCH - Fuel pump (1TL81-3)	2	
-35	487 852		SWITCH - Voltage regulator (1L254)	1	
-36	463 600		GUARD - Voltage regulator switch (8497K1)	1	
-37	487 860		SWITCH - Heated windshield (2FA54-73)	1	
-38	454 658		CIRCUIT BREAKER - Heated windshield (PS50120-3-14)	1	
-39	581 022		PLACARD - Meter switch (31263-00)	1	27-3154 to 27-3384 inclusive
	581 277		PLACARD - Meter switch (32239-00)	1	27-3385 to 27-3836 inclusive, 27-3838 to 27-3943 inclusive
-40	472 037	B	LAMP - Door ajar (330) 14 Volt	1	
	472 028		LAMP - Door ajar (327) 28 Volt	1	
-41	472 334	B	LENS - Door ajar indicator	1	
-42	484 554		RESISTOR - Cigar lighter (VP50-K-2.0 ohm) 28 volt system	1	
-43	SK-1896-2	A	PLACARD - Mike and phone	1	
-44	SK-1896-5	A	PLACARD - Starter and parking brake	1	
-45	SK-1896-3	A	PLACARD - Stall warning	1	
-46	454 651		CIRCUIT BREAKER - (PS50120-3-18)	AR	
-47	472 894	B	LIGHT ASSEMBLY - (Less lens and bulb) Door ajar	1	
-48	487 856		SWITCH - Master (2GK54-72)	1	27-2505 to 27-3384 inclusive
	487 907		SWITCH - Master (2GK54-73)	1	27-3385 to 27-3836 inclusive, 27-3838 to 27-3943 inclusive
-49	31481-00		GUARD - Master switch	1	
-50	587 863	C	MONITOR - Voltage (A-00258-1) (14 Volt)	2	
	587 867	D	MONITOR - Voltage (A-00258-2) (28 Volt)	2	
-51	472 862	C	LIGHT - Indicator, alternator inoperative (14 Volt)	2	
	472 861	D	LIGHT - Indicator, alternator inoperative (28 Volt)	1	

A - Used on PA-23-250 (Six Place) with 28 Volt Electrical System, serial numbers 27-3584, 27-3585, 27-3721, 27-3722, 27-3726, 27-3732 and 27-3762.
 B - Used on PA-23-250 (Six Place) with serial numbers 27-3060, 27-3154 to 27-3836 inclusive, 27-3838 to 27-3943 inclusive.
 C - Used if Alternator Warning Light Installation Kit 760 744 (for 14 Volt aircraft) has been installed.
 D - Used if Alternator Warning Light Installation Kit 760 745 (for 28 Volt aircraft) has been installed.

When ordering, always specify Part Number, Description and Serial Number of Aircraft

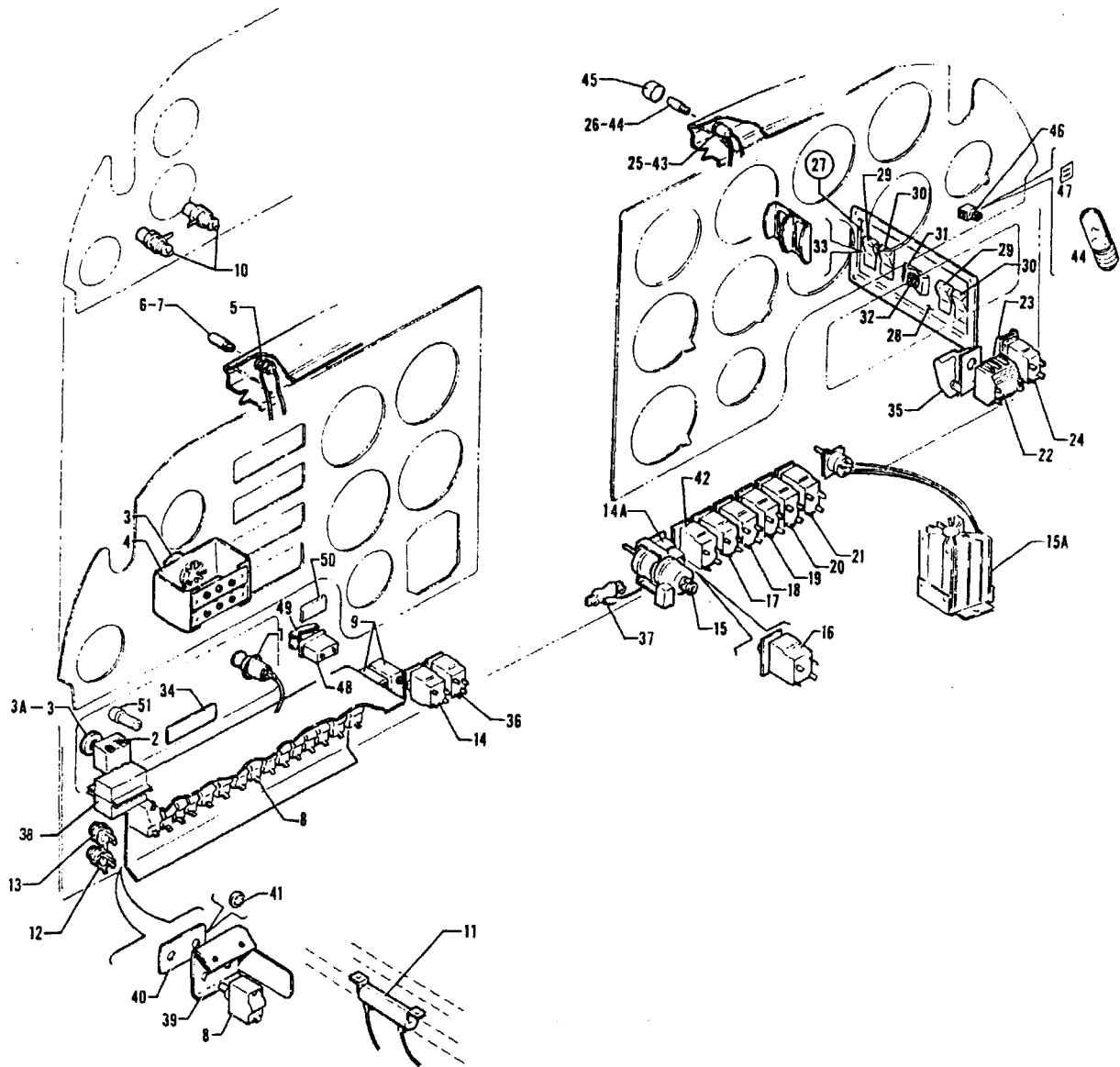


Figure 39C. Instrument Panel Electrical Installation
(Serial Nos. 27-3837, 27-3944 and up)

PIPER PARTS CATALOG

Figure and Index Number	Part Number	Code	NOMENCLATURE	No. Req.	SERIAL NUMBERS AFFECTED
39C-	32423		DRAWING - Fuselage Harness Installation		27-3837, 27-3944 to 27-7305234 inclusive
	33510		DRAWING - Fuselage Harness Installation		27-7405235 to 27-7405476 incl.
	33640		DRAWING - Fuselage Harness Installation		27-7554001 and up
-1	472 653		LIGHTER - (60248) (Complete)	1	27-1 to 27-7654014 inclusive
-2	487 957	A	SWITCH - Heater control (70305) (knob type)	1	27-3837, 27-3944 to 27-7304984 inclusive
	587 899		SWITCH - Heater control (2GG54-73) (Toggle)	1	27-7304985 and up
-3	571 115	D	KNOB - Heater switch, dimmer switch, ammeter switch (409D2K1)	3	27-3837, 27-3944 to 27-7405476 inclusive
	571 115		KNOB - Ammeter switch (409D2K1)	1	27-7554001 and up
-3a	571 170		KNOB - Heater switch (109-D)	1	27-7554001 to 27-8054059 incl.
-4	31269-00		SWITCH ASSEMBLY - Ammeter	1	
-5	472 694		INDICATOR LIGHT - Door ajar (L 1010)	1	27-3837, 27-3944 to 27-7554108 inclusive
-6	472 054		LAMP - Indicator light, door ajar (330) 14-volt	1	27-3837, 27-3944 to 27-7405476 inclusive
	472 028		LAMP - Indicator light, door ajar (327) 28-volt	1	27-3837, 27-3944 to 27-7554108 inclusive
-7	472 334		LENS - Indicator light, door ajar (A040-192).	1	27-3837, 27-3944 to 27-7554108 inclusive
-8	454 656		CIRCUIT BREAKER - (PS50120-3-7) 5 amp	AR	
	454 657		CIRCUIT BREAKER - (PS50120-3-12) 10 amp	AR	
	454 658		CIRCUIT BREAKER - (PS50120-3-14) 15 amp	AR	
	454 659		CIRCUIT BREAKER - (PS50120-3-16) 20 amp	AR	
	454 661		CIRCUIT BREAKER - (PS50120-3-18) 30 amp	AR	
-9	454 667		CIRCUIT BREAKER - Alternator (302-290-102) 90 amp	AR	27-4719, 27-4722 to 27-4725 inclusive
	454 712		CIRCUIT BREAKER - Alternator (PS50120-6-1) 90 amp	AR	27-4720, 27-4721, 27-4726 and up
-10	472 862	B	LIGHT - Indicator, alternator inoperative (14-volt)	2	27-4794 to 27-7405476 incl.
	472 861	C	LIGHT - Indicator, alternator inoperative (28-volt)	2	27-4801 and up
-11	484 520		RESISTOR - Lighter (0400K, 2 ohm)	1	27-4801 and up
-12	468 002		MIKE JACK - (S12B)	2	
-13	468 006		PHONE JACK - (11)	2	
-14	32370-09		SWITCH - Pitot heat, illuminated (14-volt)	1	27-3837, 27-3944 to 27-7305234 inclusive
	33318-07		SWITCH - Pitot heat, illuminated (28-volt)	1	27-3837, 27-3944 to 27-7305234 inclusive
-14a	32370-25		SWITCH - Pitot heat, illuminated (14-volt)	1	27-7405235 to 27-7405476 incl.
	33318-21		SWITCH - Pitot heat, illuminated (28-volt)	1	27-7405235 to 27-7405476 incl.
	33318-07		SWITCH - Pitot heat, illuminated (28-volt)	1	27-7554001 and up
-15	32603-02		RHEOSTAT ASSEMBLY - Dimmer (14-volt)	1	27-3837, 27-3944 to 27-4175 inclusive

A - Order P/N 587 899 if Toggle type switch is installed.
 B - Also used on serial numbers 27-2505 to 27-4793 inclusive if Alternator Warning Light Installation Kit 760 744 (for 14-volt aircraft) has been installed.
 C - Also used on serial numbers 27-2505 to 27-4793 inclusive if Alternator Warning Light Installation Kit 760 745 (for 28-volt aircraft) has been installed.
 D - See Figure 12A for dimmer knob used on serial numbers 27-7554001 and up.

When ordering, always specify Part Number, Description and Serial Number of Aircraft

PIPER PARTS CATALOG

Figure and Index Number	Part Number	Code	NOMENCLATURE	No. Req.	SERIAL NUMBERS AFFECTED
39C-15a	26875-04		DIMMER ASSEMBLY - Instrument lights (28-volt) (with potentiometer)	1	27-4016 to 27-4693 inclusive
	26875-03	A	DIMMER ASSEMBLY - Instrument lights (14-volt) (with potentiometer)	1	
	47732-04	B	DIMMER ASSEMBLY - Instrument lights (14-volt) (with potentiometer)	1	
	47732-07		DIMMER ASSEMBLY - Instrument lights (28-volt) (with potentiometer)	1	27-4801 to 27-7405476 inclusive
	33379-03		DIMMER ASSEMBLY - Instrument lights (28-volt)	1	27-7554001 and up
-16	32370-05		SWITCH - Landing light, illuminated (14-volt)	1	27-3837, 27-3944 to 27-7405476 inclusive
	33318-03		SWITCH - Landing light, illuminated (28-volt)	1	
-17	32370-06		SWITCH - Taxi light, illuminated (14-volt)	1	27-3837, 27-3944 to 27-7405476 inclusive
	33318-04		SWITCH - Taxi light, illuminated (28-volt)	1	
-18	32370-04		SWITCH - Navigation lights, illuminated (14-volt)	1	27-3837, 27-3944 to 27-7405476 inclusive
	33318-02		SWITCH - Navigation lights, illuminated (28-volt)	1	
-19	32370-03		SWITCH - Rotating beacon, illuminated (14-volt) S.P.S.T.	1	27-3837, 27-3944 to 27-4444 incl.
	32370-15		SWITCH - Strobe, illuminated (14-volt) S.P.S.T.	1	27-4445 to 27-7305134 inclusive
	32370-23		SWITCH - Strobe, illuminated (14-volt) S.P.S.T.	1	27-7305135 to 27-7405476 incl.
	33318-08		SWITCH - Strobe, illuminated (28-volt) S.P.S.T.	1	27-3837, 27-3944 to 27-7305134 inclusive
	33318-20		SWITCH - Strobe, illuminated (28-volt) S.P.S.T.	1	27-7305135 and up
	33318-11	C	SWITCH - Strobe and rotating beacon, illuminated (28-volt) D.P.D.T.	1	27-7754075 and up
-20	32370-08		SWITCH - Fuel pump, right, illuminated (14-volt)	1	27-3837, 27-3944 to 27-7405476 inclusive
	33318-06		SWITCH - Fuel pump, right, illuminated (28-volt)	1	
-21	32370-07		SWITCH - Fuel pump, left, illuminated (14-volt)	1	27-3837, 27-3944 to 27-7405476 inclusive
	33318-05		SWITCH - Fuel pump, left, illuminated (28-volt)	1	
-22	487 852		SWITCH - Voltage regulator (IL-254-73)	1	27-3837, 27-3944 to 27-4793 incl.
-23	32690-00		BRACKET - Switch protector	1	27-3837, 27-3944 to 27-4793 incl.
-24	32370-02		SWITCH - Master (487 945) (14-volt)	1	27-3837, 27-3944 to 27-4793 incl.
	27274-00		SWITCH - Master (587 866)	1	27-4794 to 27-7854135 inclusive
	757 689		SWITCH - Master (28-volt)	1	27-4016 to 27-4693 inclusive
	49819-02		SWITCH - Master (588 134)	1	27-7854136 and up
-25	32424-00		LIGHT ASSEMBLY - Stall warning (14-volt)	1	27-3837, 27-3944 to 27-7405476 inclusive
	32424-02		LIGHT ASSEMBLY - Stall warning (28-volt)	1	27-3837, 27-3944 to 27-7405476 inclusive
	32424-03		LIGHT ASSEMBLY - Stall warning (28-volt)	1	27-7554001 to 27-7554108 incl.
-26	472 054		LAMP - Stall warning light (330) 14-volt	1	27-3837, 27-3944 to 27-7405476 inclusive
	472 028		LAMP - Stall warning light (327) 28-volt	1	27-3837, 27-3944 to 27-7554108 inclusive

- A - Used on airplanes with serial numbers 27-4176 to 27-4564 inclusive, 27-4568, 27-4574 and 27-4575.
- B - Used on airplanes with serial numbers 28-4565 to 27-4567 inclusive, 27-4569 to 27-4573 inclusive, and 27-4576 to 27-7405476 inclusive.
- C - Also used if rotating beacon is operated independently from strobe lights.

When ordering, always specify Part Number, Description and Serial Number of Aircraft

PIPER PARTS CATALOG

Figure and Index Number	Part Number	Code	NOMENCLATURE	No. Req.	SERIAL NUMBERS AFFECTED
39C-27	32575-00		PANEL ASSEMBLY - Starter and magneto (14-volt)	1	27-3837, 27-3944 to 27-4793 incl.
	33182-00		PANEL ASSEMBLY - Starter and magneto (14-volt)	1	27-4794 to 27-7405476 inclusive
	33182-02		PANEL ASSEMBLY - Starter and magneto (28-volt)	1	27-4801 to 27-7654001 inclusive
	33182-03		PANEL ASSEMBLY - Starter and magneto (28-volt)	1	27-7654002 and up
-28	32438-03		* PANEL ASSEMBLY - Switch	1	
-29	32371-02		* SWITCH - Magneto, left, illuminated (14-volt)	2	27-3837, 27-3944 to 27-7405476 inclusive
	33318-09		* SWITCH - Magneto, left, illuminated (28-volt)	2	
-30	32371-03		* SWITCH - Magneto, right, illuminated (14-volt)	2	27-3837, 27-3944 to 27-7405476 inclusive
	33318-10		* SWITCH - Magneto, right, illuminated (28-volt)	2	
-31	487 882		* SWITCH - Starter (4TP12-7)	1	
-32	41554-00		* PLACARD - Starter switch (581 259)	1	
-33	15779-02		* BRACKET ASSEMBLY - Circuit protector	2	
-34	32736-00		PLACARD - Icing conditions warning (581 474)	1	
-35	463 600		GUARD - Voltage regulator switch (8497K1)	1	27-3837, 27-3944 to 27-4793 incl.
-36	32370-10		SWITCH - Heated glass panel, illuminated (14-volt)	1	27-3837, 27-3944 to 27-7405476 inclusive
	33318-12		SWITCH - Heated glass panel, illuminated (28-volt)	1	
-37	26995-00		RESISTOR ASSEMBLY - Dimmer unit (14-volt)	1	27-3837, 27-3944 to 27-7405476 inclusive
	26995-04		RESISTOR ASSEMBLY - Dimmer unit (28-volt)	1	27-4801 and up
-38	587 863	A	MONITOR - Voltage (A-00258-1) 14-volt	2	27-4794 to 27-7405476 inclusive
	587 857	B	MONITOR - Voltage (A-00258-2) 28-volt	2	27-4801 and up
-39	33653-02		BRACKET - Circuit breaker	1	27-7554001 and up
-40	80319-02		PLACARD - Circuit breaker	1	27-7554001 and up
-41	453 664		BUTTON - Plug (SS-48192)	1	27-7554001 and up
-42	33318-26		SWITCH - Wing inspection, illuminated	1	27-7654004 and up
-43	472 694		INDICATOR LIGHT - Door ajar (L1010)	1	27-7554109 and up
-44	472 028		LAMP - (327)	AR	27-7554109 and up
-45	472 334		LENS - Indicator light, door ajar (A040-192)	1	27-7554109 and up
-46	588 141		SWITCH - Ground clearance (2C227)	1	27-7954001 to 27-8054059 incl.
-47	29016-02		CAP - Ground clearance switch	1	27-7954001 to 27-8054059 incl.
-48	454 691		CIRCUIT BREAKER - Emergency avionics bus power (PS50120-7-1) 50 amp (switch type)	1	27-7754001 and up
-49	49196-04		GUARD - Switch	1	27-7754001 and up
-50	80535-02		PLACARD - Emergency avionics bus power	1	27-7754001 and up
-51	588 216		SWITCH - Heater reset (513-0101-604)	1	27-8154001 and up
	653 076		CAP - Heater reset switch (188-5073)	1	27-8154001 and up
			<p>A - Also used on serial numbers 27-2505 to 27-4793 inclusive if Alternator Warning Light Installation Kit 760 744 (for 14-volt aircraft) has been installed.</p> <p>B - Also used on serial numbers 27-2505 to 27-4793 inclusive if Alternator Warning Light Installation Kit 760 745 (for 28-volt aircraft) has been installed.</p>		

When ordering, always specify Part Number, Description and Serial Number of Aircraft

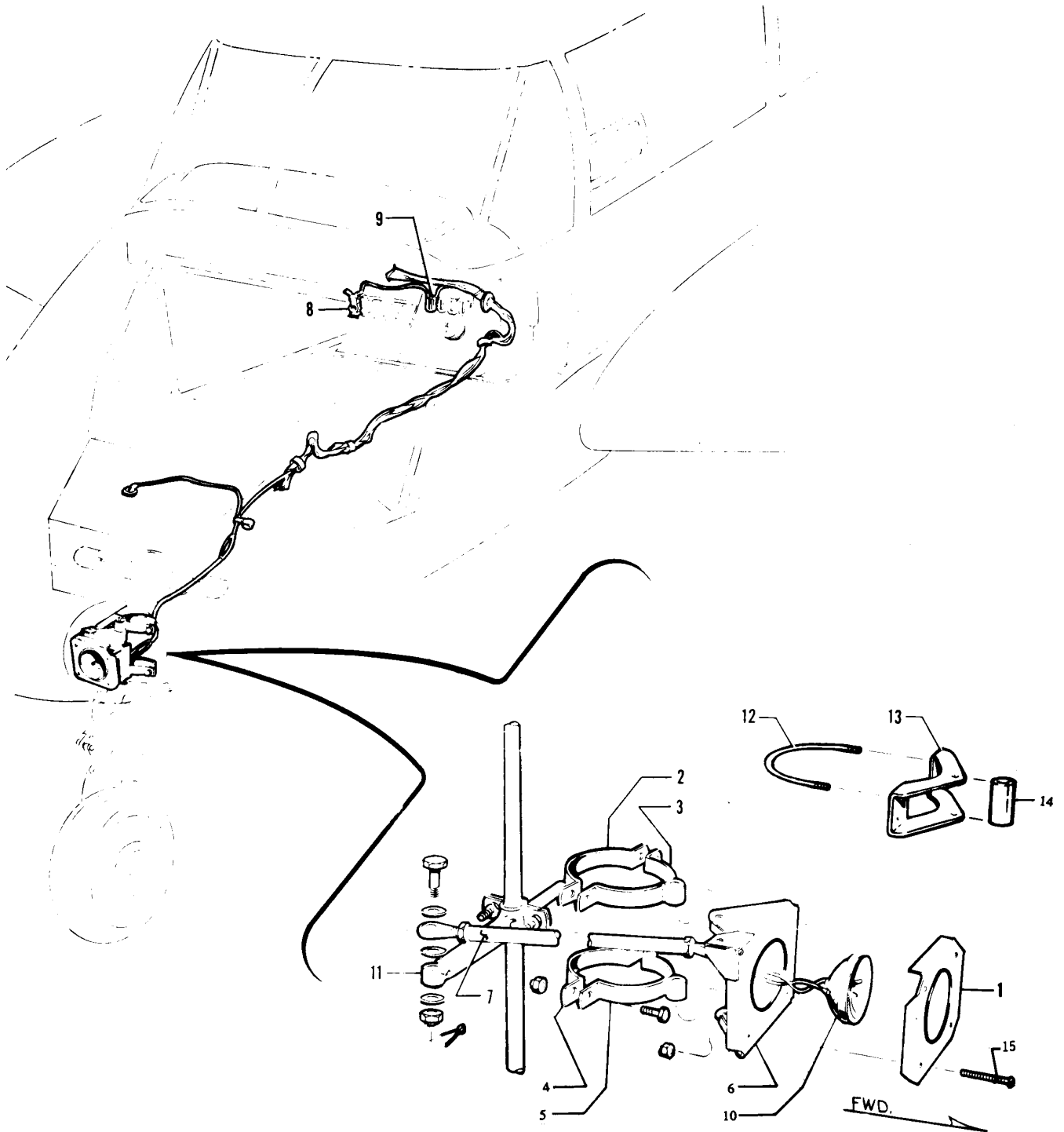


Figure 40. Taxi Light Installation

PIPER PARTS CATALOG

Figure and Index Number	Part Number	Code	NOMENCLATURE	No. Req.	SERIAL NUMBERS AFFECTED
40-1	19170 30503	X,Z Y	DRAWING - Taxi Light Installation DRAWING - Taxi Light Installation		
-1	17975-00		BRACKET - Light mounting	1	
-2	19130-00	X,Z	CLAMP - Taxi light upper mounting	1	
-3	19131-00	X,Z	CLAMP - Taxi light upper mounting	1	
-4	19132-00	X	CLAMP - Taxi light lower mounting	1	
-5	19133-00	X,Z	CLAMP - Taxi light lower mounting	1	
-6	19134-00	X,Z	BRACKET ASSEMBLY - Taxi light mounting	1	
	30495-00	Y	BRACKET ASSEMBLY - Taxi light mounting	1	
-7	19169-00	X,Z	ROD ASSEMBLY - Taxi light steering	1	
	30497-00	Y	ROD ASSEMBLY - Taxi light steering	1	
-8	454 651		CIRCUIT BREAKER - (PSM-20)	1	
-9	487 790		SWITCH - Toggle (100-S-73), landing light	1	
-10	472 661		LIGHT - 100 Watt (4509) 14 Volt	1	27-1 to 27-7405476 incl.
	472 071		LIGHT - 100 Watt (PS10008-4594) 28 Volt	1	
-11	19241-00	X	ADAPTER ASSEMBLY - Taxi light steering rod	1	
-12	30496-00	Y	BOLT - Taxi light, "U"	2	
-13	30498-00	Y	BRACKET - Taxi light support	1	
-14	61402-50	Y	BUSHING	1	
-15	415 155	Y	SCREW - (AN526-632R20)	4	

X - Used on PA-23-250 airplanes only.
Y - Used on PA-23-250 (Six Place) airplanes only.
Z - Used on PA-23-235 airplanes only.

When ordering, always specify Part Number, Description and Serial Number of Aircraft

PIPER PARTS CATALOG

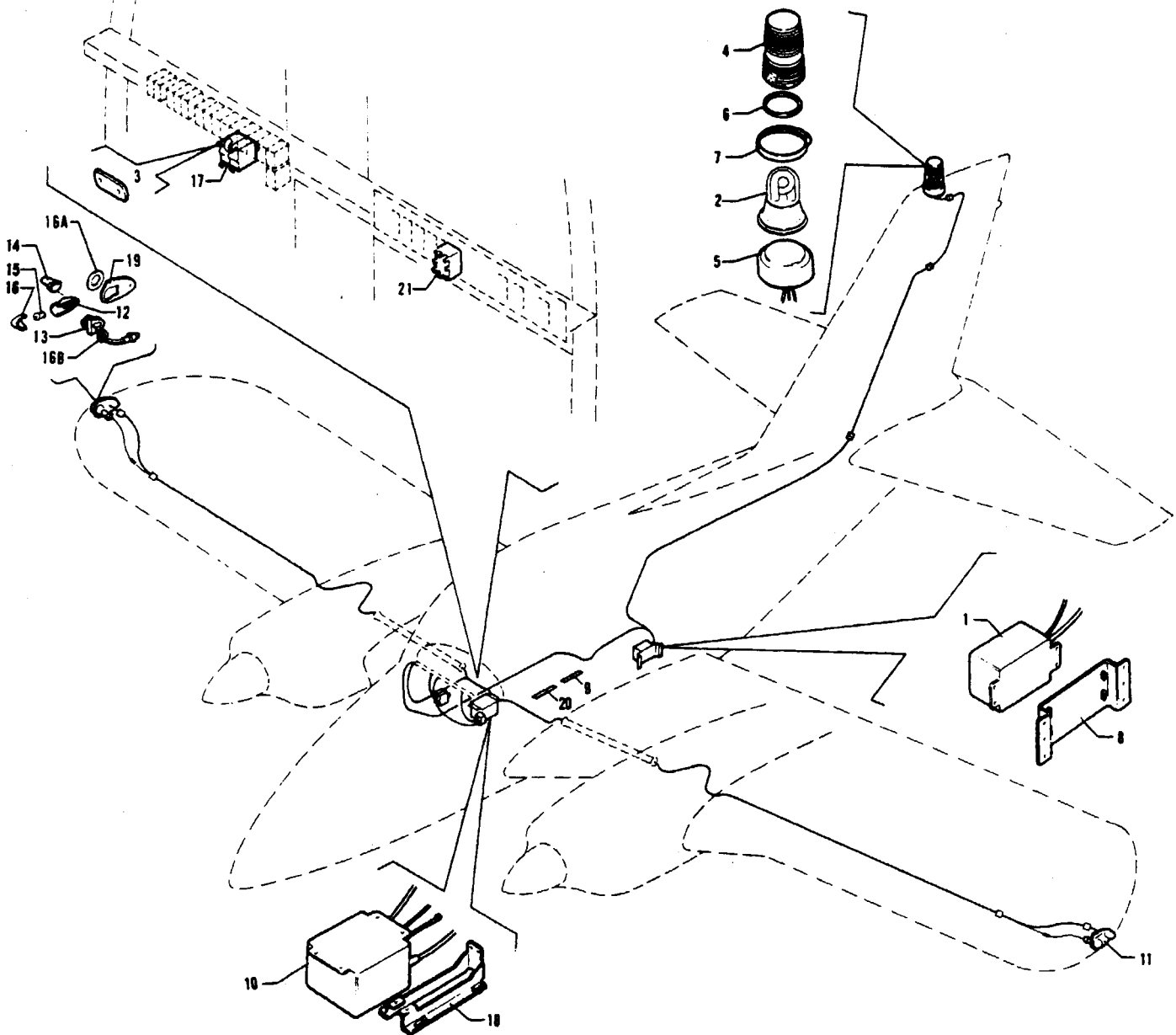


Figure 40A. Strobe Lights Installation
(See Code "A")

PIPER PARTS CATALOG

Figure and Index Number	Part Number	Code	NOMENCLATURE	No. Req.	SERIAL NUMBERS AFFECTED
40A-	32940 32941	E	DRAWING - Red Strobe Light Installation DRAWING - White Strobe Light Installation		27-4445 to 27-7554168 inclusive
-1	481 214		POWER SUPPLY - Strobe light	1	
-2	757 762	E,H	LIGHT AND SOCKET ASSEMBLY - Strobe (unshielded)	1	
	761 189	E,H	LIGHT AND SOCKET ASSEMBLY - Strobe (shielded)	1	
-3	31506-02	B,G	BAR - Bus	1	
-4	27046-04	E,H	LENS - Strobe light, red	1	
-5	751 308	E,H	ADAPTER - Mounting plate	1	
-6	755 042	E,H	GASKET - Strobe light	1	
-7	755 200	E,H	CLAMP ASSEMBLY - Ring	1	
-8	32933-00	E,H	BRACKET ASSEMBLY - Power supply mounting	1	
-9	33048-00	D,H	PLACARD - Red strobe	1	
-10	757 360	B	POWER SUPPLY - Strobe light (14-volt)	1	27-4445 to 27-7405476 inclusive
	757 355	B,C	POWER SUPPLY - Strobe light (28-volt)	1	27-4678 to 27-7554168 inclusive
-11	761 158	B	LIGHT ASSEMBLY - Navigation and strobe, tip, red (unshielded) (14-volt)	1	27-4445 to 27-4682 inclusive
	761 165	B	LIGHT ASSEMBLY - Navigation and strobe, tip, red (shielded) (14-volt)	1	27-4683 to 27-7405476 inclusive
	761 166	B,C	LIGHT ASSEMBLY - Navigation and strobe, tip, red (shielded) (28-volt)	1	27-4678 to 27-7554168 inclusive
	761 159	B	LIGHT ASSEMBLY - Navigation and strobe, tip, green (unshielded) (14-volt)	1	27-4445 to 27-4682 inclusive
	761 168	B	LIGHT ASSEMBLY - Navigation and strobe, tip, green (shielded) (14-volt)	1	27-4683 to 27-7405476 inclusive
	761 167	B,C	LIGHT ASSEMBLY - Navigation and strobe, tip, green (shielded) (28-volt)	1	27-4678 to 27-7554168 inclusive
-12	756 037	G	* RETAINER - Light lens	1	
-13	761 156	G	* TUBE ASSEMBLY - Flash, tip	1	
-14	761 157		* LENS - Wing tip strobe (unshielded)	1	27-4445 to 27-4682 inclusive
	761 164		* LENS - Wing tip strobe (shielded)	1	27-4683 and up
-15	751 381		* BULB - (1512) 14-volt	1	27-4445 to 27-7405476 inclusive
	751 438		* BULB - (1524) 28-volt	1	
-16	751 201	G	* LENS - Green	1	
	751 202	G	* LENS - Red	1	

A - Used if Red Strobe Lights are installed on aircraft with serial numbers 27-4445 to 27-7305134 inclusive and 27-7554001 and up. Also used if White Strobe Lights are installed on aircraft with serial numbers 27-4445 to 27-7554168 inclusive. Refer to Figure 38C if White Strobe Lights are installed on aircraft with serial numbers 27-7854001 and up.

B - Used if White Strobe Lights are installed.

C - Used on PA-23-250 (Six Place) with 28-volt electrical system.

D - Used on PA-23-250 (Six Place) with serial numbers 27-4445 to 27-7305134 inclusive, 27-7554001 to 27-7554168 inclusive.

E - Used on PA-23-250 (Six Place) with serial numbers 27-4445 to 27-7305134 inclusive, 27-7554001 and up.

F - Used on PA-23-250 (Six Place) with serial numbers 27-4683 to 27-7305134 inclusive, 27-7554001 and up.

G - Used on PA-23-250 (Six Place) with serial numbers 27-4445 to 27-7554168 inclusive.

H - Used if Red Strobe Light is installed.

When ordering, always specify Part Number, Description and Serial Number of Aircraft

PIPER PARTS CATALOG

Figure and Index Number	Part Number	Code	NOMENCLATURE	No. Req.	SERIAL NUMBERS AFFECTED
40A-16a	755 075		* GASKET - Navigation light (W1283)	1	
-16b	755 076		* GASKET - Wing strobe (A-427-4)	1	
-17	454 656		CIRCUIT BREAKER - (PS50120-3-7) 5 amp	2	
-18	32935-00	B,E	BRACKET ASSEMBLY - Power supply mounting	1	
-19	33036-00	B,E	DEFLECTOR - Strobe light	1	
-20	33038-00	B	PLACARD - Strobe light, tip	1	27-4445 to 27-7554041 inclusive
	80257-02	B	PLACARD - Strobe light, tip	1	27-7554042 to 27-7554168 incl.
-21	32370-17	B,D	SWITCH - Strobe, illuminated (14-volt) D.P.D.T	1	27-4445 to 27-7305134 inclusive
	33318-11	B,C,D	SWITCH - Strobe, illuminated (28-volt) D.P.D.T.	1	27-4678 to 27-7305134 inclusive
<p>A - Used if Red Strobe Lights are installed on aircraft with serial numbers 27-4445 to 27-7305134 inclusive and 27-7554001 and up. Also used if White Strobe Lights are installed on aircraft with serial numbers 27-4445 to 27-7554168 inclusive. Refer to Figure 38C if White Strobe Lights are installed on aircraft with serial numbers 27-7654001 and up.</p> <p>B - Used if White Strobe Lights are installed.</p> <p>C - Used on PA-23-250 (Six Place) with 28-volt electrical system.</p> <p>D - See Figure 39C for Strobe Switch on serial numbers 27-7305135 and up.</p> <p>E - Used on PA-23-250 (Six Place) with serial numbers 27-4445 to 27-7554168 inclusive.</p>					

When ordering, always specify Part Number, Description and Serial Number of Aircraft

PIPER PARTS CATALOG

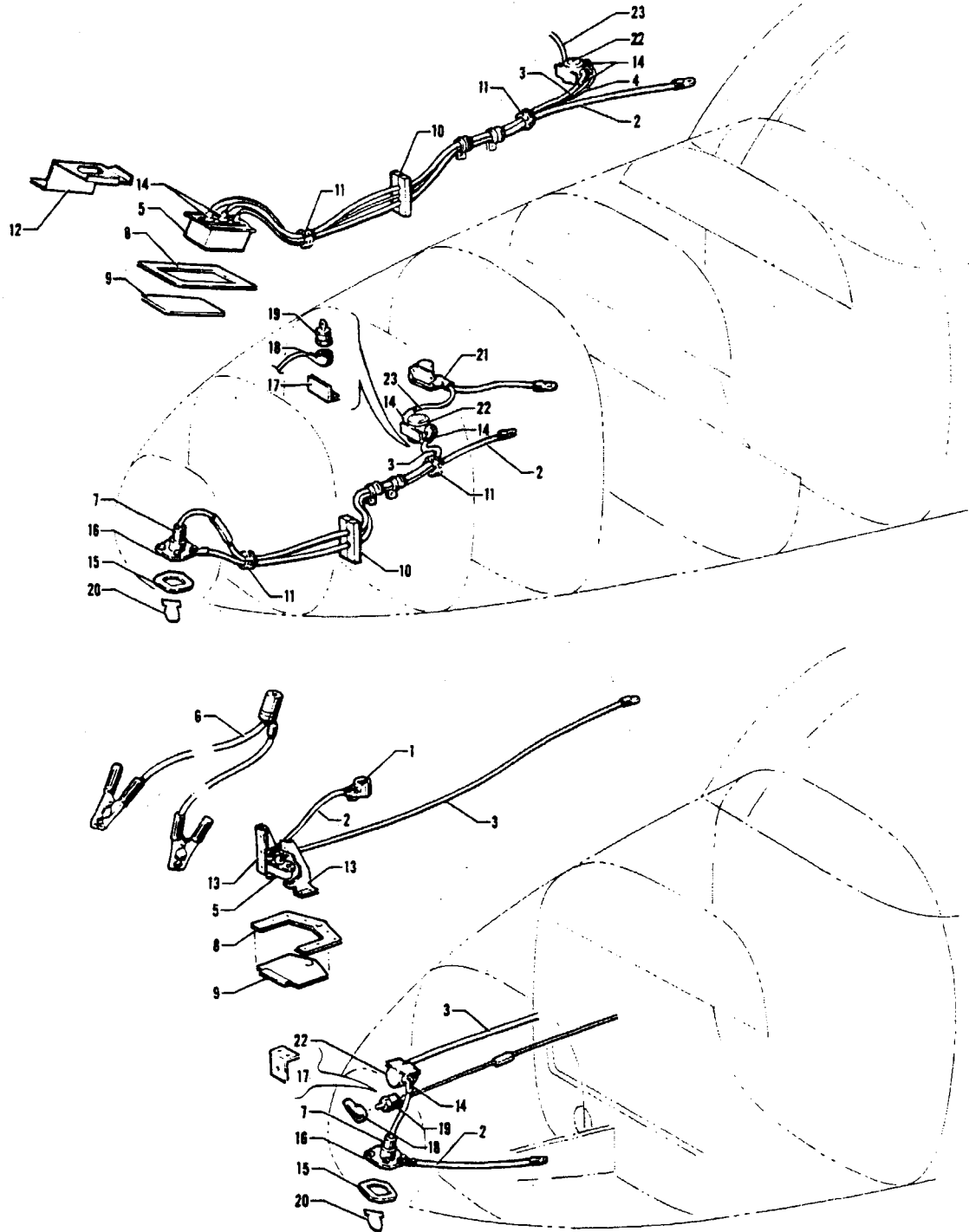


Figure 41. External Power Supply
(Serial Nos. 27-1 to 27-7954097 inclusive)

PIPER PARTS CATALOG

Figure and Index Number	Part Number	Code	NOMENCLATURE	No. Req.	SERIAL NUMBERS AFFECTED
41-	16330	A,X,Z	DRAWING - Electrical System		
	30826	A,Y	DRAWING - External Power Supply Installation		
	31681	B,X,Z	DRAWING - External Power Supply Installation		
	31622	B,Y	DRAWING - External Power Supply Installation		27-2505 to 27-3836 inclusive.
	32743	Y	DRAWING - External Power Supply Installation		27-3838 to 27-3943 inclusive
	33021	Y	DRAWING - External Power Supply Installation (14-Volt)		27-3837, 27-3944 to 27-4425, 27-4427 to 27-4573 inclusive
	33328	Y	DRAWING - External Power Supply Installation (28-Volt)		27-4426, 27-4574 to 27-7405476 inclusive
					27-4859 to 27-7954097 incl.
-1	10466-35	X,Z	CLAMP - Round	1	
-2	14226-27	X,Z	WIRE ASSEMBLY - Ground (29 1/2" L.)	1	
	14226-33	Y	WIRE ASSEMBLY - Ground (64" L.)	1	27-1 to 27-3836 inclusive.
	14226-44	Y	WIRE ASSEMBLY - Ground (55" L.)	1	27-3838 to 27-3943 inclusive
	17604-09	C	CABLE - Braided (6 1/2" L.)	1	27-3837, 27-3944 to 27-7405476 inclusive
	17604-03	C	CABLE - Braided (9 3/4" L.)	1	27-3584 to 27-4693 inclusive
	80035-13	C	CABLE - Braided (7 7/8" L.)	1	27-4801 to 27-4812 inclusive
-3	14226-10	A,X,Z	WIRE ASSEMBLY - Power (32 1/2" L.)	1	27-4859 and up
	14226-32	A,Y	WIRE ASSEMBLY - Power (55" L.)	1	
	24159-191	B,X,Z	WIRE ASSEMBLY - Power (35" L.)	1	
	24159-190	B,Y	WIRE ASSEMBLY - Power (45" L.)	1	
	757 849	C	WIRE ASSEMBLY - Power (20" L.)	1	
	80009-05	C	WIRE ASSEMBLY - Power (34" L.)	1	27-3584 to 27-4021 inclusive
	80009-04	C	WIRE ASSEMBLY - Power (22" L.)	1	27-4678 to 27-7405476 incl.
-4	30027-239	A,Y	WIRE ASSEMBLY - (55" L.)	1	27-7554001 and up
	29993-120	A,C	WIRE ASSEMBLY - (34" L.)	1	27-4678 and up
-5	484 125	A	RECEPTACLE - (MS3506-1)	1	
-6	62355-02	B	PLUG ASSEMBLY - Power connector	1	
	757 862	A	PLUG ASSEMBLY - Power connector	1	
-7	62355-03	B	SOCKET ASSEMBLY - Power connector	1	
-8	18667-00	A,X,Z	PLATE ASSEMBLY - Receptacle access reinforcement	1	
	30812-00	A,Y	PLATE ASSEMBLY - Receptacle access reinforcement	1	
-9	18666-04	A,X,Z	COVER ASSEMBLY - Receptacle	1	
	30814-00	A,Y	COVER ASSEMBLY - Receptacle	1	
-10	30816-00		BLOCK - Wire retaining	2	
-11	16268-06		GROMMET	1	
-12	33319-00	C	BRACKET - External power receptacle mounting	1	27-3584 and up
-13	30019-00	A,X,Z	BRACKET ASSEMBLY - Receptacle mounting, left	1	
	30019-01	A,X,Z	BRACKET ASSEMBLY - Receptacle mounting, right	1	
-14	23969-02	A,Y	NIPPLE - Rubber	2	
	23969-04		NIPPLE - Rubber	3	

A - Used when installation with triple prong receptacle is installed
 B - Used when installation with single prong receptacle is installed.
 C - Used on PA-23-250 (Six Place) with 28-volt electrical system.
 X - Used on PA-23-250 airplanes only.
 Y - Used on PA-23-250 (Six Place) airplanes only.
 Z - Used on PA-23-235 airplanes only.

When ordering, always specify Part Number, Description and Serial Number of Aircraft

PIPER PARTS CATALOG

Figure and Index Number	Part Number	Code	NOMENCLATURE	No. Req.	SERIAL NUMBERS AFFECTED
41-15	62226-00	B	SPACER - Receptacle	1	
-16	62227-00	B	PLATE - Receptacle	1	
-17	62342-00	B	BRACKET - Power relay	1	
-18	476 673	B	NIPPLE - (MS25171-1S)	1	
-19	456 728	B	DIODE - (IN3208)	1	
	456 706	C	DIODE ASSEMBLY - External power (1N2154)	1	27-3584 and up
-20	62343-00	B	PLACARD - External power	1	27-1 to 27-3836 inclusive.
	32739-00	Y,D	PLACARD - External power	1	27-3837, 27-3944 to 27-7405476 inclusive
-21	453 171	B	BOOT - (5466)	1	27-1 to 27-3836 inclusive
-22	487 153	A.Y.	SOLENOID - (114217) 14 Volt	1	27-3838 to 27-3943 inclusive
	484 373	B	SOLENOID - (24059) 14 Volt	1	27-2000 to 27-7405476 incl.
	487 167	C	SOLENOID - (26898-05) 28 Volt	1	27-1 to 27-7405476 incl.
-23	17604-30	A.Y	CABLE - Solenoid	1	27-3584 and up
	63862-152	B.Y	CABLE - Solenoid	1	
	757 850	C	CABLE ASSEMBLY - External power solenoid to battery	1	27-3584 to 27-4021 inclusive
	80009-07	C	CABLE ASSEMBLY - External power solenoid to battery	1	27-4678 and up
<p>A - Used when installation with triple prong receptacle is installed.</p> <p>B - Used when installation with single prong receptacle is installed</p> <p>C - Used on PA-23-250 (Six Place) with 28 Volt Electrical System.</p> <p>D - Used on 14 Volt Electrical System.</p> <p>Y - Used on PA-23-250 (Six Place) airplanes only.</p>					

When ordering, always specify Part Number, Description and Serial Number of Aircraft

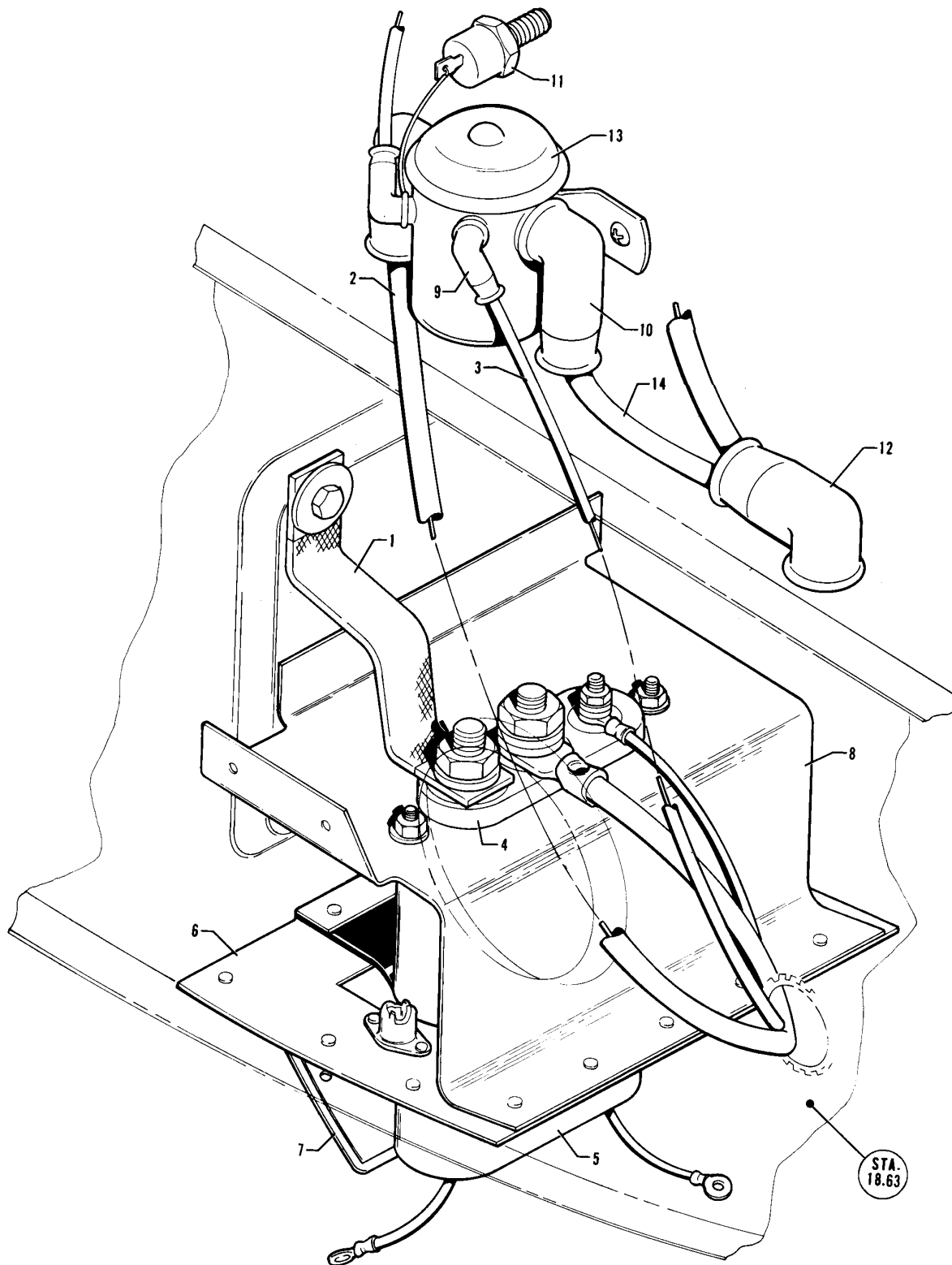


Figure 41A. External Power Supply
(Serial Nos. 27-7954098 and up)

PIPER PARTS CATALOG

Figure and Index Number	Part Number	Code	NOMENCLATURE	No. Req.	SERIAL NUMBERS AFFECTED
41A	28381		DRAWING - External Power Supply Installation		27-7954098 and up
-1	80035-13		CABLE - Ground braided	1	
-2	80009-14		CABLE ASSEMBLY - Power (22" L.)	1	
-3	29993-120		WIRE ASSEMBLY - (34" L.)	1	
-4	484 125		RECEPTACLE - (MS3506-1)	1	
-5	757 862		PLUG ASSEMBLY - Power connector	1	
-6	30812-00		PLATE ASSEMBLY - Receptacle access reinforcement	1	
-7	30814-00		COVER ASSEMBLY - Receptacle	1	
-8	33319-00		BRACKET - External power receptacle mounting	1	
-9	23969-02		NIPPLE - Electrical terminal	2	
-10	23969-04		NIPPLE - Electrical terminal	3	
-11	456 706		DIODE ASSEMBLY - External power (IN2154)	1	
-12	453 171		BOOT - (5466)	1	
-13	26898-05		SOLENOID	1	
-14	80009-12		CABLE ASSEMBLY - Master contactor to solenoid (3" L.)	1	

When ordering, always specify Part Number, Description and Serial Number of Aircraft

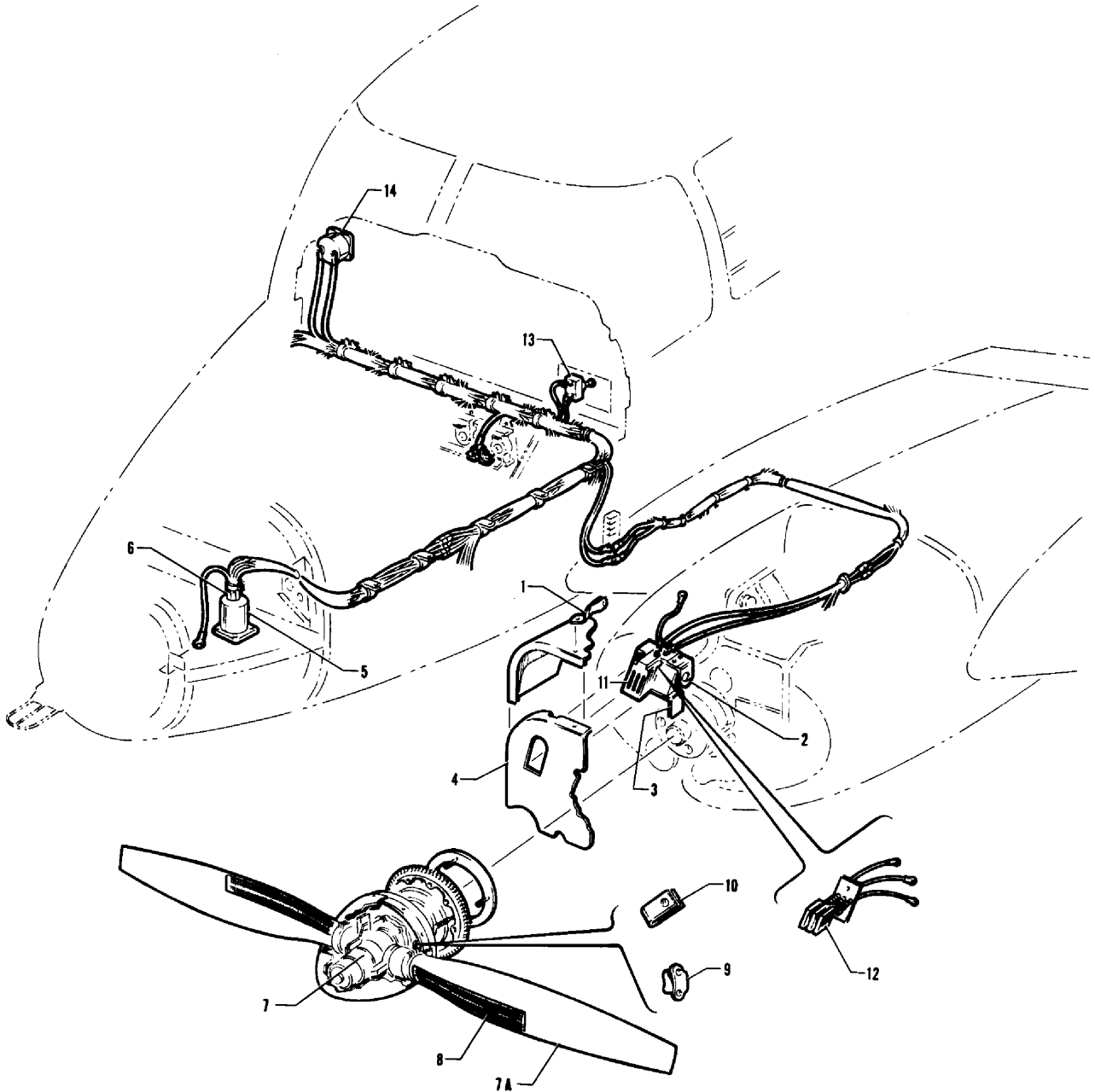


Figure 42. PA-23-250 Propeller Deicer Installation (28-Volt)

PIPER PARTS CATALOG

Figure and Index Number	Part Number	Code	NOMENCLATURE	No. Req.	SERIAL NUMBERS AFFECTED
42-	30066		DRAWING - System Installation - Deicer		
-1	16608-00		BRACKET - Baffle attachment	2	
-2	30033-00		BRACKET ASSEMBLY - Brush holder	2	
-3	30034-00		BRACKET - Brush holder	2	
-4	30046-00		BAFFLE ASSEMBLY - Engine crankcase	2	
-5	761 990		TIMER	1	
-6	455 212		CONNECTOR - Electrical plugs, straight (AN3106A-20-15S)	1	
-7	450 926		PROPELLER - Hartzell (HCA2XK-2/8433B-10)	2	
-7a	751 440		* BLADE - Propeller (8433B-10)	2	
-8	450 851		* * PROPELLER BLADE DEICER - (4E-1188)	2	
-9	450 852		* * DEICER STRAP CLAMP - (2E-1087)	2	
-10	450 853		DEICER STRAP CLIP - (2E-1063-2)	4	
-11	450 854		BRUSH BLOCK ASSEMBLY - (4E-1240)	2	
-12	751 436		* BRUSH AND RETAINER PLATE ASSEMBLY - (3E-1176)	2	
-13	450 855		SWITCH - (1E-1062)	1	
-14	450 856		AMMETER - (1E-1063)	1	

When ordering, always specify Part Number, Description and Serial Number of Aircraft

PIPER PARTS CATALOG

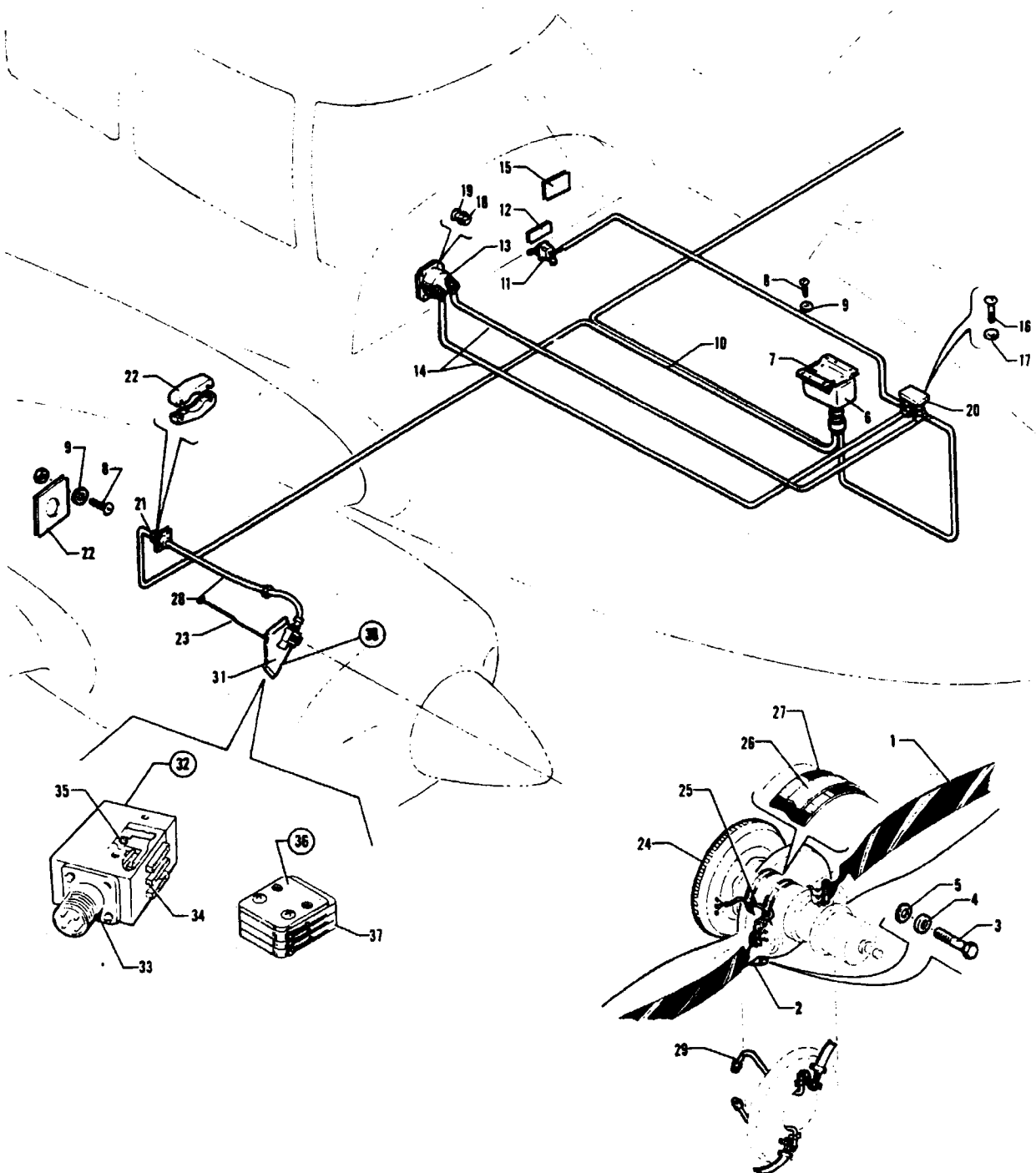


Figure 42A. Propeller Deicer Installation
(Serial Nos. 27-2505 and up)

PIPER PARTS CATALOG

Figure and Index Number	Part Number	Code	NOMENCLATURE	No. Req.	SERIAL NUMBERS AFFECTED
42A-	32001		DRAWING - Propeller Electric Deicer Installation		27-2505 to 27-3836 inclusive,
	32740		DRAWING - Propeller Electric Deicer Installation		27-3838 to 27-3943 inclusive 27-3837, 27-3944 and up
-1	753 420		BOOT - Propeller deicer (14-volt)	4	27-2505 to 27-7405476 inclusive
	758 101		BOOT - Propeller deicer (28-volt)	4	
-2	756 232	A	STRAP - Restrainer (2 per unit)	2	
-3	753 462		BOLT - Propeller	4	
-4	756 233		SPACER - Propeller	4	
-5	407 678		WASHER - Propeller (AN960-C616)	4	
-6	761 990		TIMER - Propeller deicer	1	
-7	755 899		PLATE - Timer mounting	1	
-8	415 175		SCREW - (AN526-C632R8)	28	
-9	407 133		WASHER - (AN936-A6)	18	
-10	751 973		HARNESS - Timer (14-volt)	2	
	752 009		HARNESS - Timer (28-volt)	2	
-11	756 234		SWITCH - Propeller deicer (14-volt)	1	27-2505 to 27-3836 inclusive, 27-3838 to 27-3943 inclusive
	32370-11		SWITCH - Propeller deicer, illuminated (14-volt)	1	27-3837, 27-3944 to 27-7405476 inclusive
	757 586		SWITCH - Propeller deicer (28-volt)	1	27-2505 to 27-3812 inclusive
	33318-13		SWITCH - Propeller deicer, illuminated (28-volt)	1	27-4016 and up
-12	757 201		PLACARD - Propeller deicer switch	1	
-13	752 116		INSTRUMENT - Ammeter (14-volt)	1	27-2505 to 27-7405476 inclusive
	751 286		INSTRUMENT - Ammeter (28-volt)	1	
-14	752 347		LEAD WIRE	2	
-15	755 893		PLACARD - Warning	1	
-16	416 996		SCREW - (AN526-C632R10)	2	
-17	407 133		WASHER - (AN936-A6)	6	
-18	404 908		NUT - (AN365-440)	4	
-19	407 132		WASHER - (AN936-A4)	4	
-20	756 235		SHUNT - Ammeter	1	
-21	755 923		RECEPTACLE - Cable	4	
-22	754 542		DOUBLER - Receptacle mounting	2	
-23	760 616		ROD ASSEMBLY - Brush holder support	2	27-2505 to 27-4425 inclusive, 27-4427 to 27-4573 inclusive
	756 042		ROD ASSEMBLY - Brush holder support	2	27-4426, 27-4574 and up
-24	756 237		STARTER GEAR SLIP RING ASSEMBLY	2	
-25	751 992		HARNESS ASSEMBLY - Slip ring	2	
-26	757 808		CLAMP - Slip ring harness	2	
-27	757 542		SPACER - Rudder, harness clamp	4	
-28	751 974		HARNESS - Wire	2	

A - This unit sold in pairs since they are matched by weight to maintain propeller balance and should be installed in this manner.

When ordering, always specify Part Number, Description and Serial Number of Aircraft

PIPER PARTS CATALOG

Figure and Index Number	Part Number	Code	NOMENCLATURE	No. Req.	SERIAL NUMBERS AFFECTED
42A-29	760 613	A	KIT - Conduit replacement	2	
-30	758 180		BRUSH BLOCK AND BRACKET ASSEMBLY (4E1515-3)	2	
-31	753 423	C	BRACKET - Brush mounting (4E1514-1)	1	
	758 243	D,G,V	BRACKET - Brush mounting (4E1514-2)	1	
-32	758 168	E	BRUSH BLOCK ASSEMBLY (4E1350-5)	1	
-33	755 924	C,E	RETAINER ASSEMBLY - Brush (3E1398)	1	
	756 032	D	RETAINER ASSEMBLY - Brush (3E1536)	1	
-34	753 427	B,C	BRUSH - (3E1206-1)	3	
	758 170	B,D	BRUSH - (3E1443-2)	3	
-35	756 236	C,D	SPRING - (4E1513)	3	
-36	763 856	F	KIT - Brush block assembly replacement (65-403)	1	
	758 433	G	MODULAR BRUSH ASSEMBLY (3E2046-1)	1	
-37	758 434	G	BRUSH MODULE ASSEMBLY (3E2011-1)	1	
	758 435	G	BRUSH MODULE ASSEMBLY (3E2011-2)	1	
	758 436	G	BRUSH MODULE ASSEMBLY (3E2011-3)	1	
			<p>A - Metal tubing conduit and wire assemblies are no longer available and this kit will convert both conduits on one propeller to the improved slip ring wire harness arrangement. Kit 760 613 will include a Spinner Bulkhead Assembly, Slip Ring Wire Harness Assemblies, Mounting Hardware and Instructions. Do not order this kit if the Starter Gear Slip Ring Assembly, P/N 756 237, is being replaced. P/N 756 237 will also include a Spinner Bulkhead Assembly, Slip Ring Wire Harness Assemblies, Mounting Hardware and Instructions.</p> <p>B - It is recommended that new springs, Item No. 35, be installed when replacing brushes.</p> <p>C - Used if Brush Block Assembly 4E1350-2 is installed. Identifiable by 4E1350-2 ink stamped on surface of brush holder and by protruding brush rods.</p> <p>D - Used if Brush Block Assembly 4E1350-5 is installed. Identifiable by 4E1350-5 molded into surface, or ink stamped onto surface of brush holder assembly and by rodless brushes.</p> <p>E - No longer available. Order Brush Block Assembly Replacement Kit 763 856.</p> <p>F - This kit is required when replacing a brush block assembly with a modular brush assembly.</p> <p>G - Used if modular brush assembly is installed.</p> <p>V - These parts must be ordered from Service Spares Department, Piper Aircraft Corporation, Vero Beach, Florida.</p>		

When ordering, always specify Part Number, Description and Serial Number of Aircraft

PIPER PARTS CATALOG

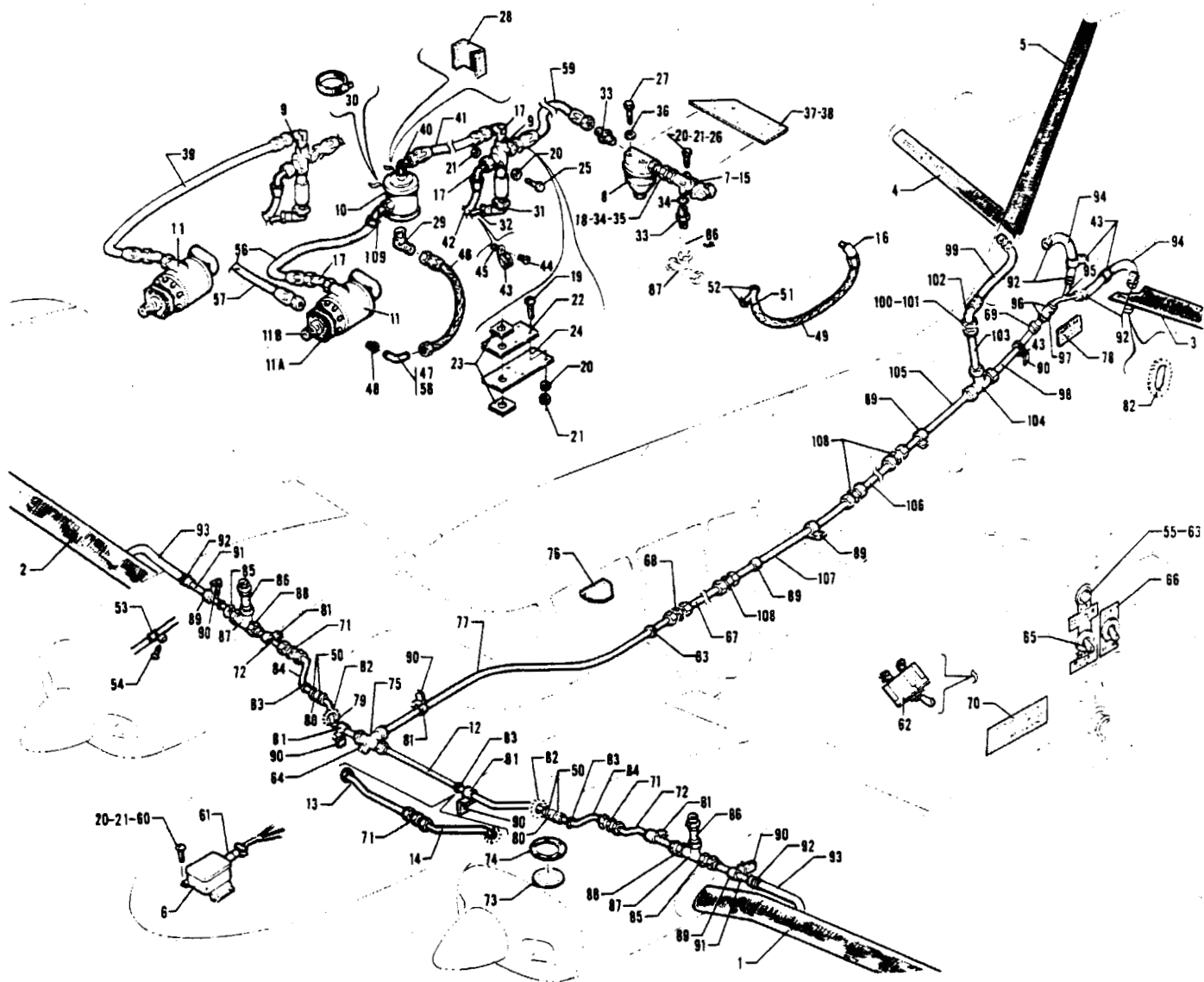


Figure 42B. Pneumatic Deicer Installation (B. F. Goodrich)

REVISED: MARCH 1980



Figure and Index Number	Part Number	Code	NOMENCLATURE	No. Req.	SERIAL NUMBERS AFFECTED
42B-	32000		DRAWING - Deicing Installation (Wet Vacuum Pump)		27-2505 to 27-3836 inclusive, 27-3838 to 27-3943 inclusive 27-3837, 27-3944 to 27-7554168 inclusive 27-4510 to 27-7304963 inclusive, 27-7304965 to 27-7304983 incl.
	32735		DRAWING - Deicing Installation (Wet Vacuum Pump)		
	32302		DRAWING - Deicing Installation (Dry Vacuum Pump)		
-1	753 411		BOOT - Deicer, left wing (23S-2039-1-1)	1	
-2	753 412		BOOT - Deicer, right wing (23S-2039-1-2)	1	
-3	753 413		BOOT - Deicer, left stabilator (23S-2039-2-1)	1	
-4	753 414		BOOT - Deicer, right stabilator (23S-2039-2-2)	1	
-5	753 415		BOOT - Deicer, fin (23S-2039-3-1)	1	
-6	753 062	B	TIMER - Deicer (3D1740)	1	
	756 329	C	TIMER - Deicer (3D1472)	1	
-7	756 501		VALVE - Shuttle, left	1	
-8	751 807		FILTER ASSEMBLY - Vacuum	2	
-9	756 502	B	VALVE - Vacuum control	2	
	756 518	C	VALVE - Vacuum control	2	
-10	756 219	D	SEPARATOR - Oil	2	
-11	32171-00		PUMP - Wet vacuum (481 703)	2	
	481 720		PUMP - Dry vacuum (431CC-7)	2	
-11a	462 023	D	GASKET - Vacuum pump mounting (AN4045-1)	1	
	751 859	E	GASKET - Vacuum pump mounting (B3-1-2)	1	
-11b	753 952	D	COUPLING ASSEMBLY - Pump drive (ARO903406)	1	
	757 865	E	COUPLING ASSEMBLY - Pump drive (B1-10-2)	1	
<p>A - This installation is used on PA-23-250 (Six Place) with serial numbers 27-2505 to 27-7554168 inclusive if deicer system with wet vacuum pumps has been factory installed; also used on PA-23-250, PA-23-235 and PA-23-250 (Six Place) with serial numbers 27-1 to 27-7554168 inclusive if Pneumatic Deicing Installation Kit 753 382 or 760 218 (with wet vacuum pumps) has been field installed. Used on PA-23-250 (Six Place) with serial numbers 27-2505 to 27-4772 inclusive, 27-4774 to 27-4818 inclusive, 27-4818 to 27-7304963 inclusive, 27-7304965 to 27-7304983 inclusive, 27-7304995, 27-7304997 to 27-7304999 inclusive, 27-7305001 to 27-7305003 inclusive, 27-7305005, 27-7305008, 27-7305011, 27-7305012, 27-7305014, 27-7305015 and 27-7305018 to 27-7305023 inclusive if deicer system with dry vacuum pumps has been factory installed; also used on PA-23-250, PA-23-235 and PA-23-250 (Six Place) with serial numbers 27-1 to 27-7304963 inclusive if Pneumatic Deicing Installation Kit 760 559 (with dry vacuum pumps) has been field installed. Refer to Figure 42C if Lightweight Pneumatic Deicing Installation Kit 760 730 (14-volt) or 760 731 (28-volt) has been field installed.</p> <p>B - Used with 14-volt electrical system. C - Used with 28-volt electrical system on PA-23-250 (Six Place) airplanes. D - Used if Wet Vacuum Pump is installed. E - Used if Dry Vacuum Pump is installed.</p>					

When ordering, always specify Part Number, Description and Serial Number of Aircraft

PIPER PARTS CATALOG

Figure and Index Number	Part Number	Code	NOMENCLATURE	No. Req.	SERIAL NUMBERS AFFECTED
42B-12	753 067		TUBE - Left wing vacuum	1	
-13	756 330		TUBE - Left wing vacuum	1	
-14	756 331		TUBE - Left wing vacuum	1	
-15	756 503		VALVE - Shuttle, right	1	
-16	458 885		ELBOW - (AN823-10D)	3	
-17	558 920		ELBOW - (MS20822-10D)	8	
-18	477 704		NUT - (AN924-10D)	4	
-19	417 776		SCREW - (AN520-10R10)	8	
-20	407 694		WASHER - (AN960-D10)	26	
-21	404 887		NUT - (MS20365-1032)	28	
-22	756 220		STIFFENER - Firewall	4	
-23	756 221		SHIM - Oil separator	4	
-24	755 896		PLATE - Oil separator mounting	2	
-25	400 451		BOLT - (AN3-20A)	4	
-26	400 448		BOLT - (AN3-22A)	6	
-27	401 857		BOLT - (AN4H6A)	2	
-28	28476-02		BRACKET - Oil separator	2	
-29	754 760	B	ELBOW RESTRICTOR	2	
-30		B	CLAMP - (AN737TW107)	4	
-31			CONNECTOR - Electric (MS3108A12S-3S)	2	
-32			CLAMP - Electric (MS3057-4A)	2	
-33	491 057		UNION - (AN815-10D)	4	
-34	755 895		PACKING - "O" Ring	8	
-35	491 069		UNION - Bulkhead (AN832-10D)	2	
-36	407 695		WASHER - (AN960-D416)	8	
-37	753 417		BRACKET - Filter mounting, left	1	
-38	753 418		BRACKET - Filter mounting, right	1	

A - This installation is used on PA-23-250 (Six Place) with serial numbers 27-2505 to 27-7554168 inclusive if deicer system with wet vacuum pumps has been factory installed; also used on PA-23-250, PA-23-235 and PA-23-250 (Six Place) with serial numbers 27-1 to 27-7554168 inclusive if Pneumatic Deicing Installation Kit 753 382 or 760 218 (with wet vacuum pumps) has been field installed.

Used on PA-23-250 (Six Place) with serial numbers 27-2505 to 27-4772 inclusive, 27-4774 to 27-4816 inclusive, 27-4818 to 27-7304963 inclusive, 27-7304965 to 27-7304993 inclusive, 27-7304995, 27-7304997 to 27-7304999 inclusive, 27-7305001 to 27-7305003 inclusive, 27-7305005, 27-7305008, 27-7305011, 27-7305012, 27-7305014, 27-7305015 and 27-7305018 to 27-7305023 inclusive if deicer system with dry vacuum pumps has been factory installed; also used on PA-23-250, PA-23-235 and PA-23-250 (Six Place) with serial numbers 27-1 to 27-7304963 inclusive if Pneumatic Deicing Installation Kit 760 559 (with dry vacuum pumps) has been field installed. Refer to Figure 42C if Lightweight Pneumatic Deicing Installation Kit 760 730 (14-volt) or 760 731 (28-volt) has been field installed.

B - Used if wet vacuum pump is installed.

When ordering, always specify Part Number, Description and Serial Number of Aircraft

PIPER PARTS CATALOG

Figure and Index Number	Part Number	Code	NOMENCLATURE	No. Req.	SERIAL NUMBERS AFFECTED
42B-39	751 966	C	HOSE - Deicer, left pump	1	
	751 966	C	HOSE - Deicer, right pump	1	
-40	558 920	B	ELBOW - (MS20822-10D)	2	
-41	751 966	B	HOSE - Oil separator	2	
-42	753 064		TUBE ASSEMBLY - Overboard	2	
-43	758 062		CLAMP - (MS21919DG-10)	5	
-44	415 149		SCREW - (AN526-632R8)	22	
-45	404 909		NUT - (MS20365-632)	22	
-46	751 969	B	HOSE - Oil separator	2	
-47	458 891	B	ELBOW - (AN823-4D) Left	1	
-48	453 618	B	BUSHING - (AN912-3D)	2	
-49	751 970		HOSE - Shuttle valve to "Y"	2	
-50			CLAMP - (AN737TW26)	4	
-51	751 808		FITTING - "Y"	2	
-52			CLAMP - (NAS397-14)	4	
-53	758 063		CLAMP - (MS21919DG-12)	12	
-54	416 995		SCREW - (AN526-1032R8)	12	
-55	472 054		LAMP - (PS10008-330) 14-volt	1	
	472 028		LAMP - (PS10008-327) 28-volt	1	
-56	751 966	B	HOSE - Left pump	1	
	751 972	B	HOSE - Right pump	1	
-57	755 201	C	HOSE ASSEMBLY - Left pump	1	
	751 967	B	HOSE ASSEMBLY - Left pump	1	
	751 968		HOSE ASSEMBLY - Right pump	1	
-58	458 894	B	ELBOW - (AN822-4D) Right	1	
-59	751 966		HOSE - Air filter	2	
-60	416 999		SCREW - (AN526-1032R16)	4	
-61	755 920		RECEPTACLE - Timer	1	
-62	454 656		CIRCUIT BREAKER - (PS50120-3-7)	1	
-63	752 343		LIGHT - Indicator	1	
-64	757 560		SWITCH - Pressure	2	

A - This installation is used on PA-23-250 (Six Place) with serial numbers 27-2505 to 27-7554168 inclusive if deicer system with wet vacuum pumps has been factory installed; also used on PA-23-250, PA-23-235 and PA-23-250 (Six Place) with serial numbers 27-1 to 27-7554168 inclusive if Pneumatic Deicing Installation Kit 753 382 or 760 218 (with wet vacuum pumps) has been field installed.
Used on PA-23-250 (Six Place) with serial numbers 27-2505 to 27-4772 inclusive, 27-4774 to 27-4816 inclusive, 27-4818 to 27-7304963 inclusive, 27-7304965 to 27-7304993 inclusive, 27-7304995, 27-7304997 to 27-7304999 inclusive, 27-7305001 to 27-7305003 inclusive, 27-7305005, 27-7305008, 27-7305011, 27-7305012, 27-7305014, 27-7305015 and 27-7305018 to 27-7305023 inclusive if deicer system with dry vacuum pumps has been factory installed; also used on PA-23-250, PA-23-235 and PA-23-250 (Six Place) with serial numbers 27-1 to 27-7304963 inclusive if Pneumatic Deicing Installation Kit 760 559 (with dry vacuum pumps) has been field installed. Refer to Figure 42C if Lightweight Pneumatic Deicing Installation Kit 760 730 (14-volt) or 760 731 (28-volt) has been field installed.

B - Used if Wet Vacuum Pump is installed.
C - Used if Dry Vacuum Pump is installed

When ordering, always specify Part Number, Description and Serial Number of Aircraft

PIPER PARTS CATALOG

Figure and Index Number	Part Number	Code	NOMENCLATURE	No. Req.	SERIAL NUMBERS AFFECTED
42B-65	756 223		SWITCH - Deicer	1	27-2505 to 27-3836 inclusive, 27-3838 to 27-3943 inclusive 27-3837, 27-3944 and up
	32370-12		SWITCH - Deicer, illuminated (14-volt)	1	
	33318-14		SWITCH - Deicer, illuminated (28-volt)	1	
-66	754 536		DECAL ASSEMBLY - (ON - deicer, OFF - wing tail)	1	
-67	753 053		TUBE - Fuselage vacuum	1	
-68	484 359		REDUCER - (AN919-12D)	1	
-69	414 138		GROMMET - (MS35489-17)	2	
-70	755 893		PLACARD	1	
-71	491 053		UNION - (AN815-8D)	3	
-72	753 068		TUBE - Wing vacuum	2	
-73	17318-02		PLATE - Access	2	
-74	17317-03		PLATE - Access reinforcement	2	
-75	753 063		TEE - Pressure switch	1	
-76	755 894		PLATE - Floorboard cover	1	
-77	753 066		TUBE - Fuselage vacuum	1	
-78	755 892		PLACARD	2	
-79	753 065		TUBE - Right wing vacuum	1	
-80			HOSE - Flexible 4 1/2 x 1/2 I.D. (MILH6000)	2	
-81	758 068		CLAMP - (MS21919DG-8)	5	
-82			GROMMET - (122-37-1000)	4	
-83	434 135		GROMMET - (MS35489-14)	5	
-84	753 061		TUBE - Wing vacuum	2	
-85	755 922		REDUCER	2	
-86	753 060		TUBE - Wing vacuum	2	
-87	488 532		TEE - (AN824-10D)	2	
-88	755 921		REDUCER	2	
-89	758 061		CLAMP - (MS21919DG-6)	7	
-90	753 419		BRACKET - Vacuum tube support	6	
-91	753 059		TUBE - Wing vacuum	2	
<p>A - This installation is used on PA-23-250 (Six Place) with serial numbers 27-2505 to 27-7554168 inclusive if deicer system with wet vacuum pumps has been factory installed; also used on PA-23-250, PA-23-235 and PA-23-250 (Six Place) with serial numbers 27-1 to 27-7554168 inclusive if Pneumatic Deicing Installation Kit 753 382 or 760 218 (with wet vacuum pumps) has been field installed</p> <p>Used on PA-23-250 (Six Place) with serial numbers 27-2505 to 27-4772 inclusive, 27-4774 to 27-4816 inclusive, 27-4818 to 27-7304963 inclusive, 27-7304965 to 27-7304993 inclusive, 27-7304995, 27-7304997 to 27-7304999 inclusive, 27-7305001 to 27-7305003 inclusive, 27-7305005, 27-7305008, 27-7305011, 27-7305012, 27-7305014, 27-7305015 and 27-7304018 to 27-7305023 inclusive if deicer system with dry vacuum pumps has been factory installed; also used on PA-23-250, PA-23-235 and PA-23-250 (Six Place) with serial numbers 27-1 to 27-7304963 inclusive if Pneumatic Deicing Installation Kit 760 559 (with dry vacuum pumps) has been installed. Refer to Figure 42C if Lightweight Pneumatic Deicing Installation Kit 760 730 (14-volt) or 760 731 (28-volt) has been field installed</p>					

When ordering, always specify Part Number, Description and Serial Number of Aircraft

PIPER PARTS CATALOG

Figure and Index Number	Part Number	Code	NOMENCLATURE	No. Req.	SERIAL NUMBERS AFFECTED
42B-92	763 230		CLAMP - (NAS397-10)	12	
-93	49998-41		HOSE - Wing vacuum 35 x 3/8 I.D. (MIL-H-6399A)	2	
-94	49998-42		HOSE - Fuselage vacuum 48 x 3/8 I.D. (MIL-H-6399A)	2	
-95	751 809		FITTING - "Y"	1	
-96			CLAMP - (AN737TW26)	2	
-97			HOSE - Fuselage vacuum 3 1/2 x 3/8 I.D. (MIL-H-6000)	1	
-98	753 058		TUBE - Fuselage vacuum	1	
-99	49998-40		HOSE - Fuselage vacuum 30 x 3/8 I.D. (MIL-H-6399A)	1	
-100	477 620		NUT - (AN924-6D)	1	
-101			WASHER - (AN960D1016)	1	
-102	558 841		ELBOW - (AN839-6D)	1	
-103	753 057		TUBE - Fuselage vacuum	1	
-104	488 319		TEE - (AN824-6D)	1	
-105	753 056		TUBE - Fuselage vacuum	1	
-106	753 055		TUBE - Fuselage vacuum	1	
-107	753 054		TUBE - Fuselage vacuum	1	
-108	491 052		UNION - (AN815-6D)	3	
-109	458 885	B	ELBOW - (AN823-10D) Left engine	1	
	558 920	B	ELBOW - (MS20822-10D) Right engine	1	
<p>A - This installation is used on PA-23-250 (Six Place) with serial numbers 27-2505 to 27-7554168 inclusive if deicer system with wet vacuum pumps has been factory installed; also used on PA-23-250, PA-23-235 and PA-23-250 (Six Place) with serial numbers 27-1 to 27-7554168 inclusive if Pneumatic Deicing Installation Kit 753 382 or 760 218 (with wet vacuum pumps) has been field installed. Used on PA-23-250 (Six Place) with serial numbers 27-2505 to 27-4772 inclusive, 27-4774 to 27-4816 inclusive, 27-4818 to 27-7304963 inclusive, 27-7304965 to 27-7304993 inclusive, 27-7304995, 27-7304997 to 27-7304999 inclusive, 27-7305001 to 27-7305003 inclusive, 27-7305005, 27-7305008, 27-7305011, 27-7305012, 27-7305014, 27-7305015 and 27-7305018 to 27-7305023 inclusive if deicer system with dry vacuum pumps has been factory installed; also used on PA-23-250, PA-23-235 and PA-23-250 (Six Place) with serial numbers 27-1 to 27-7304963 inclusive if Pneumatic Deicing Installation Kit 760 559 (with dry vacuum pumps) has been field installed. Refer to Figure 42C if Lightweight Pneumatic Deicing Installation Kit 760 730 (14-volt) or 760 731 (28-volt) has been field installed</p> <p>B - Used if Wet Pump is installed.</p>					

When ordering, always specify Part Number, Description and Serial Number of Aircraft

PIPER PARTS CATALOG

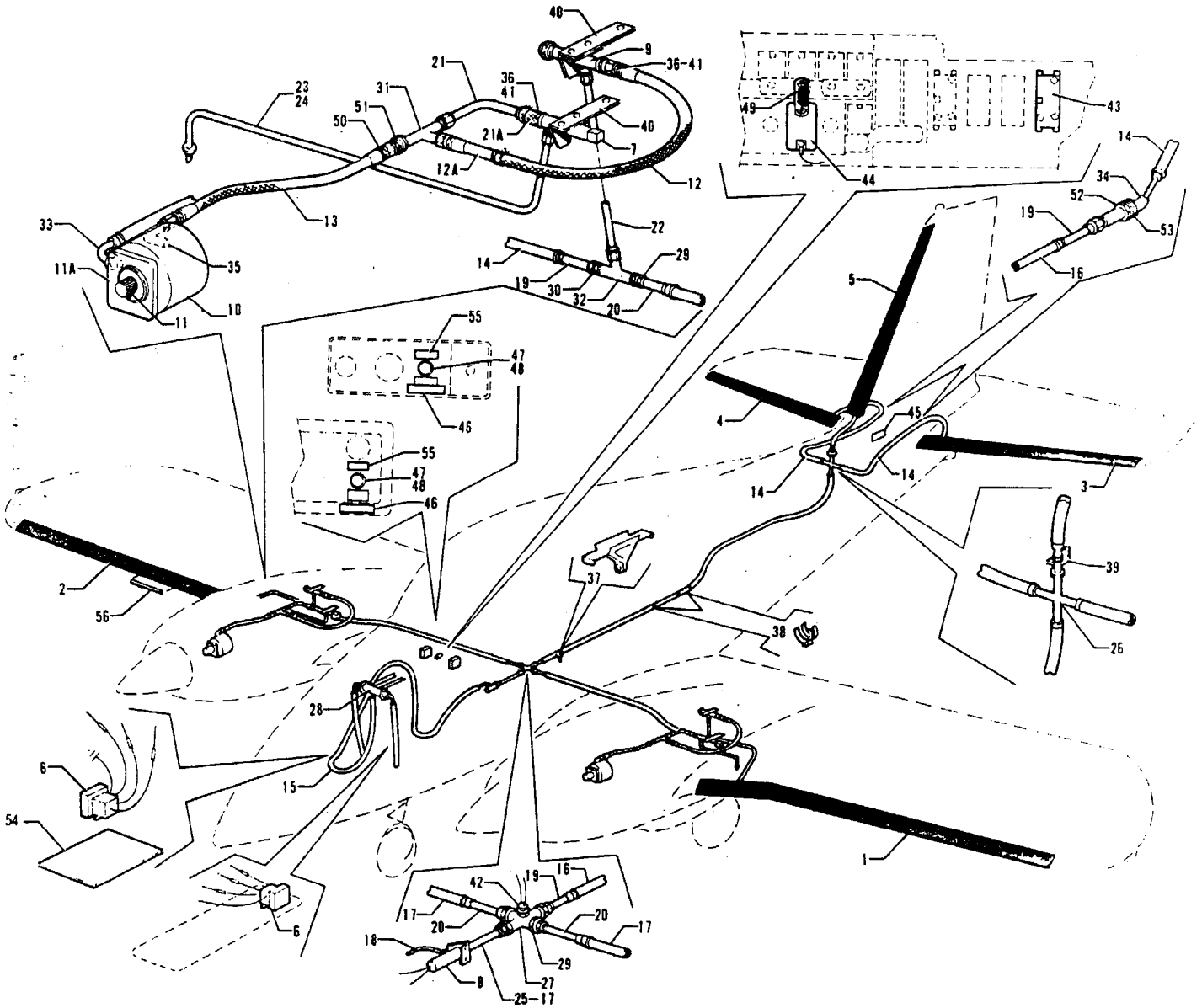


Figure 42C. Pneumatic Deicer Installation (B. F. Goodrich)

PIPER PARTS CATALOG

Figure and Index Number	Part Number	Code	NOMENCLATURE	No. Req.	SERIAL NUMBERS AFFECTED
42C-	33435 15585		DRAWING - Deicing Installation (Dry Vacuum Pump) DRAWING - Deicing Installation (Dry Vacuum Pump)		27-7304964 to 27-7554168 incl. 27-7654001 and up
-1	758 254	B	BOOT - Deicer, left wing (25S-7D5050-01)	1	
	753 411	C	BOOT - Deicer, left wing (23S-2039-1-1)	1	
	758 332		BOOT - Deicer, left wing (25S-7D5063-01)	1	27-7654001 and up
-2	758 255	B	BOOT - Deicer, right wing (25S-7D5050-02)	1	
	753 412	C	BOOT - Deicer, right wing (23S-2039-1-2)	1	
	758 333		BOOT - Deicer, right wing (25S-7D5063-02)	1	27-7654001 and up
-3	758 256	B	BOOT - Deicer, left stabilator (25S-7D5050-03)	1	
	753 413	C	BOOT - Deicer, left stabilator (23S-2039-2-1)	1	
	758 334		BOOT - Deicer, left stabilator (25S-7D5063-09)	1	27-7654001 to 27-7954121 incl.
	758 489		BOOT - Deicer, left stabilator (25S-7D5063-03)	1	27-8054001 and up
-4	758 257	B	BOOT - Deicer, right stabilator (25S-7D5050-04)	1	
	753 414	C	BOOT - Deicer, right stabilator (23S-2039-2-2)	1	
	758 335		BOOT - Deicer, right stabilator (25S-7D5063-10)	1	27-7654001 to 27-7954121 incl.
	758 490		BOOT - Deicer, right stabilator (25S-7D5063-04)	1	27-8054001 and up
-5	758 258	B	BOOT - Deicer, fin (25S-7D5050-05)	1	
	753 415	C	BOOT - Deicer, fin (23S-2039-3-1)	1	
	758 336		BOOT - Deicer, fin (25S-7D5063-05)	1	27-7654001 and up
-6	761 936	B	TIME MODULE - Deicer (14-volt) (3D2498-03)	1	
	761 912	E	TIME MODULE - Deicer (14-volt) (3D2498-02)	1	
	761 937	D	TIME MODULE - Deicer (28-volt) (3D2495-03)	1	
	761 917		TIME MODULE - Deicer (28-volt) (3D2495-02)	1	27-7304964 to 27-7405476 incl.
	488 699		TIME MODULE - Deicer (28-volt) (B-00325-1)	1	27-7654001 and up
-7	756 532		VALVE - Pressure control (14-volt)	2	27-7304964 to 27-7554168 incl.
	756 536		VALVE - Pressure control (28-volt)	2	27-7304964 to 27-7554168 incl.
	756 558		VALVE - Pressure control (28-volt)	2	27-7654001 and up
-8	756 534		VALVE - Exhaust (14-volt)	1	27-7304964 to 27-7554168 incl.
	756 537		VALVE - Exhaust (28-volt)	1	27-7304964 to 27-7554168 incl.
	756 557		VALVE - Exhaust (28-volt)	1	27-7654001 and up
-9	756 533		VALVE - Check	2	27-7304964 to 27-7554168 incl.
	756 556		VALVE - Check	2	27-7654001 and up
<p>A - This installation is used on PA-23-250 (Six Place) with serial numbers 27-4773, 27-4817, 27-7304964, 27-7304994, 27-7304996, 27-7305000, 27-7305004, 27-7305006, 27-7305007, 27-7305009, 27-7305010, 27-7305013, 27-7305016, 27-7305017, 27-7305024, 27-7305025 and up if deicer system has been factory installed; also used on PA-23-250, PA-23-235 and PA-23-250 (Six Place) with serial numbers 27-1 and up if Lightweight Pneumatic Deicing Installation Kit 760 730 (14-volt) or 760 731 (28-volt) has been field installed.</p> <p>B - Used only on PA-23-250 (Six Place) with serial numbers 27-4773, 27-4817, 27-7304964, 27-7304994, 27-7304996, 27-7305000, 27-7305004, 27-7305006, 27-7305007, 27-7305009, 27-7305010, 27-7305013, 27-7305016, 27-7305017, 27-7305024 and 27-7305025.</p> <p>C - Used on airplanes with serial numbers up to 27-7554168 inclusive excluding Code "B" serial numbers.</p> <p>D - Used on airplanes with serial numbers 27-7304964, 27-7554001 to 27-7554168 inclusive.</p> <p>E - Used on airplanes with serial numbers up to 27-7405476 inclusive excluding Code "B" serial numbers.</p>					

When ordering, always specify Part Number, Description and Serial Number of Aircraft

SECTION VII
Electrical System Group



PNEUMATIC DEICER INSTALLATION
(B. F. Goodrich) (See Code "A")

Figure and Index Number	Part Number	Code	NOMENCLATURE	No. Req.	SERIAL NUMBERS AFFECTED
42C-10	481 720		PUMP - Dry vacuum (431CC-7)	2	27-7304964 to 27-7554168 incl.
	26749-09		PUMP - Dry vacuum (441CC-7)	2	27-7654001 and up
-11	757 865		COUPLING ASSEMBLY KIT - Vacuum pump drive (No. 352)	1	
-11a	751 859		GASKET - Pump mounting (83-1-2)	1	
-12	751 972		HOSE - Tee to check valve	2	27-7304964 to 27-7554168 incl.
	61541-11		HOSE - Pneumatic	2	27-7654001 and up
-12a	761 988		TUBE ASSEMBLY - Pneumatic	2	27-7654001 and up
-13	755 239		HOSE - Tee to pump outlet	2	
-14	755 240		HOSE - Deicer boots	22'	
-15	761 918		TUBE - Plastic, deicer	6'	
-16	761 919		TUBE - Plastic, deicer	15'	
-17	761 920		TUBE - Plastic, deicer	14'	
-18	761 921		TUBE ASSEMBLY - Deicer exhaust valve	1	
-19	761 922		TUBE ASSEMBLY - Deicer	5	27-7304964 to 27-7554168 incl.
-20	761 923		TUBE ASSEMBLY - Deicer	4	27-7304964 to 27-7554168 incl.
-21	761 924		TUBE ASSEMBLY - Tee to control valve	2	27-7304964 to 27-7554168 incl.
	761 989		TUBE ASSEMBLY - Pneumatic	2	27-7654001 and up
-21a	61541-50		HOSE - Pneumatic	2	27-7654001 and up
-22	761 925		TUBE ASSEMBLY - Deicer, tee to check valve	2	27-7304964 to 27-7554168 incl.
	61541-36		HOSE - Deicer, tee to check valve	2	27-7654001 and up
-23	761 926		TUBE ASSEMBLY - Vent, left engine, outboard	1	27-7304964 to 27-7554168 incl.
-24	761 927		TUBE ASSEMBLY - Vent, right engine, outboard	1	27-7304964 to 27-7554168 incl.
-25	761 928		TUBE ASSEMBLY - Exhaust valve to cross	1	27-7304964 to 27-7554168 incl.
-26	757 983		CROSS - Deicer, dorsal fin	1	
-27	757 984		CROSS - Deicer, exhaust vent	1	27-7304964 to 27-7554168 incl.
	763 232		CROSS - Deicer, exhaust vent	1	27-7654001 and up
-28	756 538		VALVE - Manifold check (1H5-14)	1	
-29	755 922		REDUCER - Deicer tee	4	27-7304964 to 27-7554168 incl.
	763 231		CLAMP - Hose (A-10) (for 1/2" I.D. plastic tube)	6	27-7654001 and up
-30	755 921		REDUCER - Deicer tee	3	27-7304964 to 27-7554168 incl.
	763 230		CLAMP - Hose (NAS 397-10) (for 3/8" I.D. plastic tube)	10	27-7654001 and up
-31	761 929		TEE - Deicer	2	27-7304964 to 27-7554168 incl.
	761 987		TEE - Deicer	2	27-7654001 and up
-32	761 930		TEE - Deicer	2	27-7304964 to 27-7554168 incl.
	761 986		TEE - Deicer	2	27-7654001 and up
-33	558 923		ELBOW - Pump inlet (1K1-8-10)	2	
-34	754 777		ELBOW - Deicer stabilator hose	2	27-7304964 to 27-7554168 incl.
-35	754 778		ELBOW - Pump outlet	2	
-36	753 086		UNION - Deicer	4	27-7304964 to 27-7554168 incl.
	763 229		CLAMP - Hose (6204) (for 5/8" I.D. hose)	12	27-7654001 and up
-37	757 985		CLAMP - Saddle	1	
-38	757 986		CLAMP - Saddle	3	
-39	753 419		BRACKET - Cross mounting	1	
-40	758 259		BRACKET - Deicer, engine mount	4	
-41	756 088		RING - "O"	4	27-7304964 to 27-7554168 incl.

A - This installation is used on PA-23-250 (Six Place) with serial numbers 27-4773, 27-4817, 27-7304964, 27-7304994, 27-7304996, 27-7305000, 27-7305004, 27-7305006, 27-7305007, 27-7305009, 27-7305010, 27-7305013, 27-7305016, 27-7305017, 27-7305024, 27-7305025 and up if deicer system has been factory installed; also used on PA-23-250, PA-23-235 and PA-23-250 (Six Place) with serial numbers 27-1 and up if Lightweight Pneumatic Deicing Installation Kit 760 730 (14-volt) or 760 731 (28-volt) has been field installed.

When ordering, always specify Part Number, Description and Serial Number of Aircraft



Figure and Index Number	Part Number	Code	NOMENCLATURE	No. Req.	SERIAL NUMBERS AFFECTED
42C-42	757 660		SWITCH - Pressure	1	
-43	757 751		SWITCH - Toggle type	1	
	32370-24		SWITCH - Rocker type (14-volt)	1	
	33318-19		SWITCH - Rocker type (28-volt)	1	
-44	454 657		CIRCUIT BREAKER - (PS50120-3-12) 14-volt	1	
	454 656		CIRCUIT BREAKER - (PS50120-3-7) 28-volt	1	
-45	755 892		PLACARD - Deicer warning	2	
-46	757 430		PLACARD - Deicer	1	
-47	752 343		LIGHT - Indicator (MS25041-3)	1	
-48	472 054		LAMP - (PS10008-330) 14-volt	1	
	472 028		LAMP - (PS10008-327) 28-volt	1	
-49	16438-00		BAR - Bus	1	
-50	752 545		NUT - Hose fitting	2	
-51	407 687		WASHER - Hose fitting (AN960C1416)	4	
-52	752 546		NUT - Fitting	2	27-7304964 to 27-7554168 incl.
-53	407 700		WASHER - Fitting (AN960D916)	4	27-7304964 to 27-7554168 incl.
-54	755 899		PLATE - Timer mounting	1	27-7304964 to 27-7554168 incl.
-55	754 536		DECAL - Deicer	1	
-56	44275-09		FLOW STRIP - Wing, right	1	27-7654001 and up
<p>A - This installation is used on PA-23-250 (Six Place) with serial numbers 27-4773, 27-4817, 27-7304964, 27-7304994, 27-7304996, 27-7305000, 27-7305004, 27-7305006, 27-7305007, 27-7305009, 27-7305010, 27-7305013, 27-7305016, 27-7305017, 27-7305024, 27-7305025 and up if deicer system has been factory installed; also used on PA-23-250, PA-23-235 and PA-23-250 (Six Place) with serial numbers 27-1 and up if Lightweight Pneumatic Deicing Installation Kit 760 730 (14-volt) or 760 731 (28-volt) has been field installed.</p>					

When ordering, always specify Part Number, Description and Serial Number of Aircraft

PIPER PARTS CATALOG

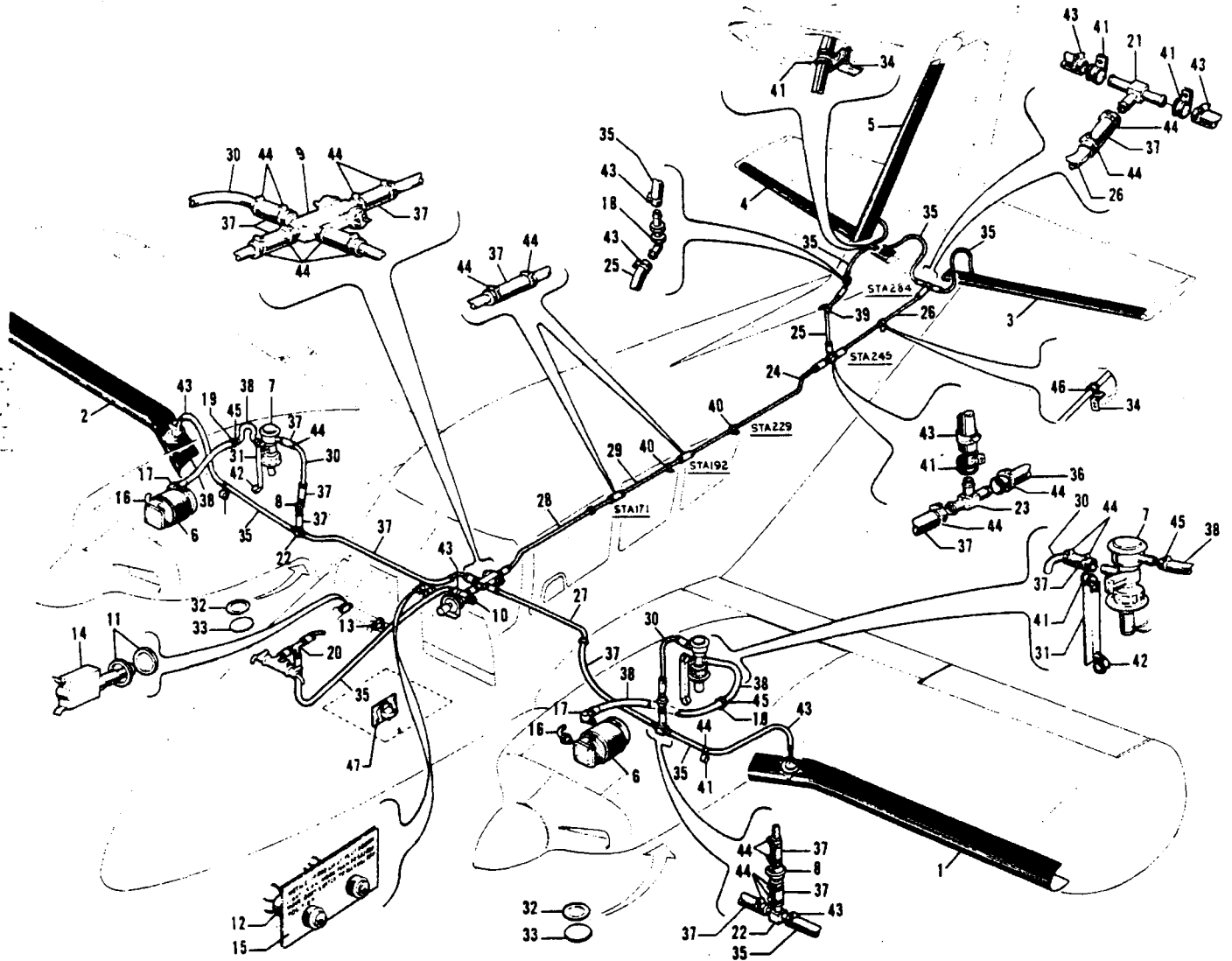


Figure 42D. Pneumatic Deicer Installation (Airborne/Goodyear)
 (Serial Nos. 27-7554112 to 27-7554168 inclusive)

PIPER PARTS CATALOG

Figure and Index Number	Part Number	Code	NOMENCLATURE	No. Req.	SERIAL NUMBERS AFFECTED
42D-	15695		DRAWING - Pneumatic Deicing System Installation		27-7554112 to 27-7554168 incl.
-1	758 338	A,C	BOOT - Deicer, left wing (11A-20211-101) Goodyear	1	
	753 411	B	BOOT - Deicer, left wing (23S2039-1-1) Goodrich	1	
-2	758 339	A,C	BOOT - Deicer, right wing (11A-20211-202) Goodyear	1	
	753 412	B	BOOT - Deicer, right wing (23S2039-1-2) Goodrich	1	
-3	758 340	A,D	BOOT - Deicer, left stabilator (11A-20212-101) Goodyear	1	
	753 413	B	BOOT - Deicer, left stabilator (23S2039-2-1) Goodrich	1	
-4	758 341	A,D	BOOT - Deicer, right stabilator (11A-20212-202) Goodyear	1	
	753 414	B	BOOT - Deicer, right stabilator (23S2039-2-2) Goodrich	1	
-5	758 342	A,E	BOOT - Deicer, fin (11A-20213-301) Goodyear	1	
	753 415	B	BOOT - Deicer, fin (23S2039-3-1) Goodrich	1	
-6	26749-09		PUMP - Dry vacuum (441CC-7)	2	
-7	756 543		VALVE - Deice control (1H43-16), left	1	
	756 544		VALVE - Deice control (1H43-15), right	1	
-8	756 545		VALVE - Check (1H37-1)	2	
-9	762 241		SWITCH ASSEMBLY - (2E21-1)	1	
-10	756 546		VALVE - Deflate (1H44-17)	1	
-11	477 740		NUT - Drilled (55008A)	1	
-12	761 195		LIGHT AND WIRE ASSEMBLY - (F5-15-4)	1	
-13	762 242		SWITCH ASSEMBLY - (F7-11-1)	1	
-14	454 657		CIRCUIT BREAKER - (PS50120-3-12) 10 amp	1	
-15	757 462		PLACARD - (B4-129-1)	1	
-16	558 923		ELBOW - (1K1-8-10)	2	
-17	558 925		ELBOW - (1K1-8-12)	2	
-18	754 841		FITTING - (1K54-6-6)	1	
-19	754 842		FITTING - (1K61-12-12)	2	
-20	761 911		TEE - (1K14-6-6-6)	1	
-21	761 954		TEE - (1K30-6-6-8)	1	
-22	761 955		TEE - (1K30-10-6-10)	2	
-23	761 956		TEE - (1K30-10-8-6)	1	
-24	761 957		TUBE BEND - (D4-92-1)	1	
-25	761 958		TUBE BEND - (D4-93-1)	1	
-26	761 959		TUBE BEND - (D4-94-1)	1	
-27	761 960		TUBE BEND - (D4-136-1)	1	
-28	761 961		TUBE BEND - (D4-137-1)	1	
-29	761 962		TUBE BEND - (D4-138-1)	1	
-30	761 963		TUBE BEND - (D4-139-1)	3	
-31	762 240		SUPPORT - Firewall (D5-26-1)	2	
-32	17317-03		PLATE - Reinforcement	2	
-33	17318-02		PLATE - Access	2	
-34	453 420		BRACKET - (AN743-12)	3	
-35	755 267		HOSE - (3/8" I.D.)	32'	
-36	755 268		HOSE - (1/2" I.D.)	1'	

- A - No longer available.
- B - Used if Goodyear Deicer boots have been replaced with Goodrich Deicer boots.
- C - Both left and right wing deicer boots must be from same manufacturer. Order one each of part number 753 411 and 753 412 for replacement.
- D - Both left and right stabilator deicer boots must be from same manufacturer. Order one each of part number 753 413 and 753 414 for replacement.
- E - Order part number 753 415 as a replacement.

When ordering, always specify Part Number, Description and Serial Number of Aircraft

PIPER PARTS CATALOG

Figure and Index Number	Part Number	Code	NOMENCLATURE	No. Req.	SERIAL NUMBERS AFFECTED
42D-37	755 269		HOSE - (5/8" I.D.)	20'	
-38	755 270		HOSE - (3/4" I.D.)	5'	
-39	758 061		CLAMP - (MS21919-DG6)	1	
-40	758 062		CLAMP - (MS21919-DG10)	5	
-41	758 063		CLAMP - (MS21919-DG12)	10	
-42	758 064		CLAMP - (MS21919-DG14)	1	
-43	758 065		CLAMP - (QS700M-8H)	10	
-44	758 066		CLAMP - (OS700M-10H)	30	
-45	758 067		CLAMP - (QS100M-12H)	4	
-46	758 068		CLAMP - (MS21919-DG8)	1	
-47	757 461		PANEL - Relay (1E7-1)	1	

When ordering, always specify Part Number, Description and Serial Number of Aircraft

2124

INTENTIONALLY LEFT BLANK

PIPER PARTS CATALOG

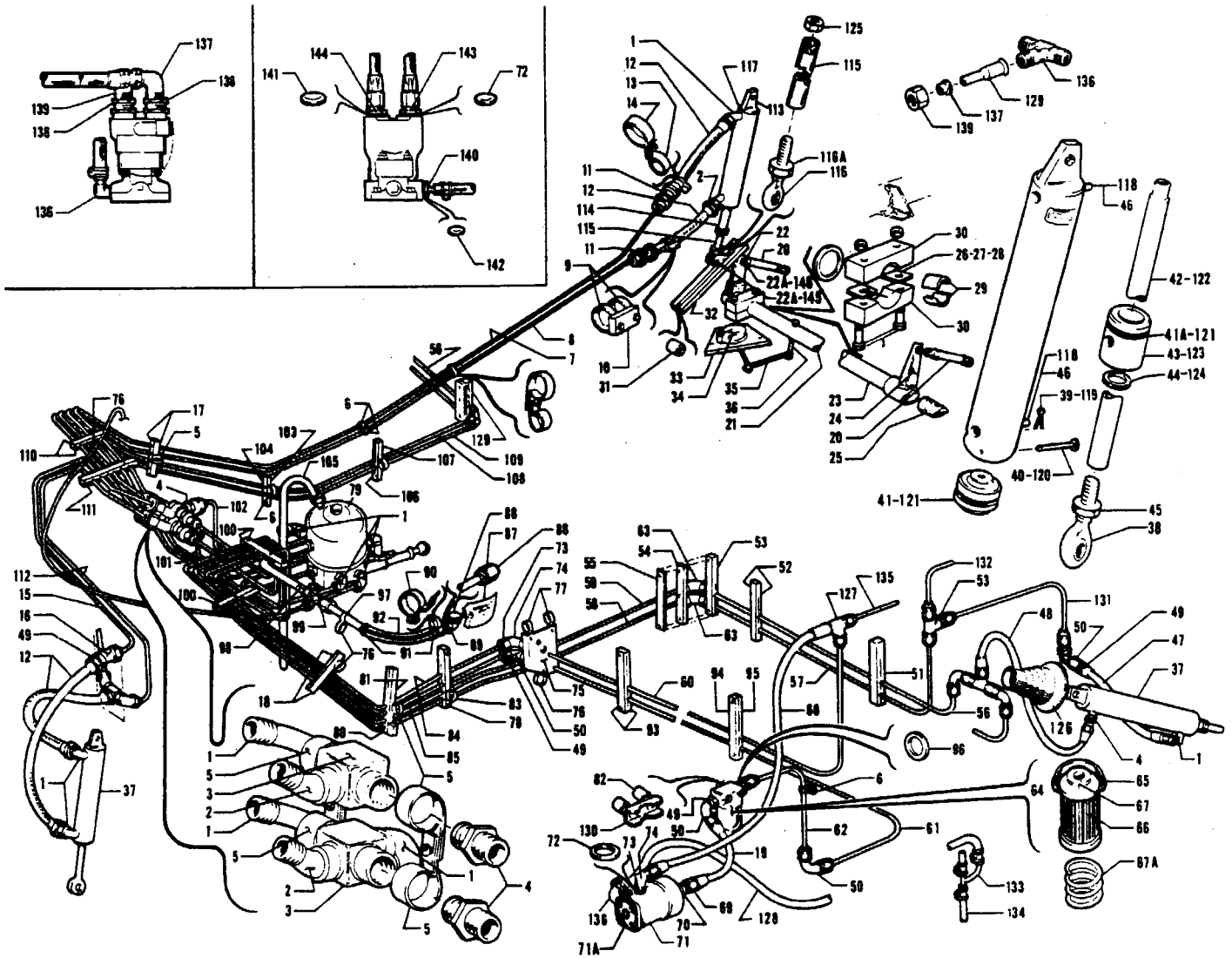


Figure 43. Hydraulic System Installation
(Serial Nos. 27-1 to 27-2504 inclusive)

PIPER PARTS CATALOG

Figure and Index Number	Number	Code	NOMENCLATURE	No. Req.	SERIAL NUMBERS AFFECTED
43-	16610		DRAWING — Hydraulic System Installation		
-1	458 894		ELBOW - (AN822-4D)	7	
-2	458 891		ELBOW - (AN823-4D)	2	
-3	455 405		CROSS FITTING - (AN918-1D)	2	
-4	476 648		NIPPLE - (AN816-4D)	5	
-5	454 886		CLAMP - Tinnerman (A4886S-10-24)	6	
-6	454 929		CLAMP - Tinnerman (A4980S-4-91)	6	
-7	17725-07		LINE ASSEMBLY - Flap control hydraulic	1	
-8	17718-07		LINE ASSEMBLY - Flap control hydraulic	1	
-9	454 885		CLAMP - Tinnerman (A4886S-8-24)	2	
-10	17616-00		BLOCK - Filter	1	
-11	491 050		UNION (AN815-4D)	11	
-12	17766-02		HOSE ASSEMBLY - Flexible	4	
-13	80002-07		CLAMP - Round	1	
-14	10466-29		CLAMP - Round	1	
-15	16963-00		LINE ASSEMBLY - Landing gear hydraulic	1	
-16	458 910		ELBOW - (AN837-4D)	1	
-17	18527-02		BLOCK - Retaining	2	
-18	17617-02		BLOCK - Retaining	2	
-19	17766-02		HOSE ASSEMBLY - Flexible	1	
-20	18316-00		ROD ASSEMBLY - Flap control	2	
-21	18254-02		TUBE ASSEMBLY - Flap torque	1	
-22	16423-00		* BELLCRANK ASSEMBLY - Flap	1	
-22a	14175-31		* * BUSHING - Bellcrank	2	
-23	17634-00		* TUBE - Flap control torque tube	1	
-24	16424-00		* HORN ASSEMBLY - Flap control	1	
-25	17631-00		* PLUG - Flap control torque tube	2	
-26	41371-02		SHIM - Torque tube bearing (.010)	AR	
-27	41371-03		SHIM - Torque tube bearing (.015)	AR	
-28	41371-04		SHIM - Torque tube bearing (.032)	AR	
-29	17629-00		BEARING - Flap control torque tube	4	
-30	17630-00		BLOCK - Flap control torque tube bearing	4	
-31	82732-46		BUSHING	1	
-32	17320-00		BLOCK - Flap actuating arm guide	1	
-33	17625-00		PLATE - Sending unit mounting, flap position	1	
-34	17624-00		UNIT ASSEMBLY - Flap position indicator sending	1	
-35	17615-00		LINK - Flap position indicator	1	
-36	17614-00		ROD ASSEMBLY - Flap position indicator attachment	1	
-37	35030-02		CYLINDER - Hydraulic	3	
-38	752 817	B	BEARING - End (MXK-46-16A)	1	
-39	424 050	B	PIN - Cotter (AN380-2-1)	2	
-40	752 703	B	PIN - Flat head (AN392-39)	2	
-41	752 727	B	PACKING - "O" Ring (AN6227-19)	1	
	756 098	A	PACKING - "O" Ring (7214MR-160-T)	1	
-41a	752 727	B	PACKING - "O" Ring (AN6227-19)	1	
	762 501	A	PACKING - "O" Ring (MS28775-121)	1	
	762 502	A	RING - Back-up (MS28774-121)	1	
-42	752 700	B	PISTON AND ROD ASSEMBLY - (PAC 31868-00)	1	
	35033-00	A	PISTON AND ROD ASSEMBLY	1	
-43	751 691	B	END PLUG - Cylinder (31866-00)	1	
	35031-00	A	END PLUG - Cylinder	1	

A - Used on Hydraulic Cylinder Assembly Part Number 455 956 (35030-02) only.
B - Used on Hydraulic Cylinder Assembly Part Number 455 935 (31870-00) and Electrol 849-1 only.

When ordering, always specify Part Number, Description and Serial Number of Aircraft

PIPER PARTS CATALOG

Figure and Index Number	Part Number	Code	NOMENCLATURE	No. Req.	SERIAL NUMBERS AFFECTED
43-44	752 726	F	PACKING - "O" Ring (AN6227-10)	1	
	756 099	C	PACKING - "O" Ring (7112FT-160-T)	1	
-45	752 495	F	NUT - Check	1	
	752 564	C	NUT - Check	1	
-46	18829-00	A,F	PIN - Cylinder shear (1/4")	2	
	752 745	A,F	PIN - Cylinder shear (1/8")	2	
-47	17766-02		HOSE ASSEMBLY - Flexible	2	
-48	17766-31		HOSE ASSEMBLY - Flexible	2	
-49	477 618		NUT - (AN924-4D)	5	
-50	31094-00		ELBOW - Special	2	
-51	16434-00		BLOCK - Tube retaining, left wing	2	
	16431-00		BLOCK - Tube retaining, right wing	2	
-52	16432-00		BLOCK - Tube retaining, left wing	2	
	16430-00		BLOCK - Tube retaining, right wing	2	
-53	488 311		TEE - (AN804-4D)	1	
-54	16377-00		BLOCK - Tube retaining	1	
-55	16377-00		BLOCK - Tube retaining	1	
-56	17706-00		LINE ASSEMBLY - Landing gear hydraulic, left	1	
	17706-01		LINE ASSEMBLY - Landing gear hydraulic, right	1	
-57	17705-00		LINE ASSEMBLY - Landing gear hydraulic, left	1	
	17705-01		LINE ASSEMBLY - Landing gear hydraulic, right	1	
-58	16815-00		LINE ASSEMBLY - Left landing gear hydraulic, front	1	
	17721-03		LINE ASSEMBLY - Left landing gear hydraulic, rear	1	
-59	16816-00		LINE ASSEMBLY - Left landing gear hydraulic, front	1	
	17724-03		LINE ASSEMBLY - Left landing gear hydraulic, rear	1	
-60	17723-00		LINE ASSEMBLY - Hydraulic pump return (57 1/2" L)	1	
	19753-00		LINE ASSEMBLY - Hydraulic pump return (53 3/16" L)	1	
-61	17702-00		LINE ASSEMBLY - Hydraulic pump, outlet (49 1/4" L)	1	
	19752-00		LINE ASSEMBLY - Hydraulic pump, outlet (52 5/8" L)	1	
-62	16590-00		LINE ASSEMBLY - Hydraulic pump, outlet	1	
-63	458 880		ELBOW - (AN821-4D)	5	
-64	460 635		FILTER ASSEMBLY - Oil (AN6234-1)	1	
-65	751 836	B	GASKET - (AN6290-16)	1	
	751 869	E	"O" RING - (AN6227-B22)	1	
-66	751 759		ELEMENT - Filter (AN6235-1A)	1	
-67	484 701		PACKING - "O" Ring (AN6227-7)	1	
-67a	756 164		SPRING - (572 755)	1	
-68	17766-30		HOSE ASSEMBLY - Flexible	1	27-1 to 27-101 inclusive, 27-103 to 27-123 inclusive
	17766-05		HOSE ASSEMBLY - Flexible	1	27-102, 27-124 to 27-2504 incl.
-69	484 350	D	REDUCER - (AN919-3D) Outlet	1	
-70	462 028	D	GASKET - (AN6290-5) Outlet	1	
-71	756 889		KIT - Hydraulic pump replacement	1	
-71a	462 023		GASKET - Hydraulic pump (AN4045-1)	1	

- A - Measure dimension of pin before ordering.
- B - Used when purolator filter is installed.
- C - Used on Hydraulic Cylinder Assembly part number 455 956 (35030-02) only.
- D - Used when New York hydraulic pump 481 663 (67B025) is installed.
- E - Used when Bendix filter is installed.
- F - Used on Hydraulic Cylinder Assembly part number 455 935 (31870-00) and Electrol 849-1 only.

When ordering, always specify Part Number, Description and Serial Number of Aircraft

PIPER PARTS CATALOG

Figure and Index Number	Part Number	Code	NOMENCLATURE	No. Req.	SERIAL NUMBERS AFFECTED
43-72	462 029	C,D	GASKET - (AN6290-6) Outlet	1	
	462 027	A	GASKET - (AN6290-4) Outlet	1	
-73	477 620	D	NUT - (AN924-6D) Inlet	1	
-74	19101-00	D	ELBOW - (AN833-6D) (458 901) Inlet	1	
-75	19452-00		PLATE - Tube support, left side only	1	
-76	454 940		CLAMP - Tinnerman (A2980S-12-1)	5	
-77	454 942		CLAMP - Tinnerman (A2980S-16-1)	1	
-78	17621-07		BLOCK ASSEMBLY - Tube retaining	1	
-79	31800-02	B	POWERPAK - New, 14-volt	1	
	757 206	B	POWERPAK - Reconditioned (PAC31800-02) 14-volt	1	
	481 144	B	POWERPAK - New (PAC31800-03) 28-volt	1	
	755 802	B	POWERPAK - Reconditioned (PAC31800-03) 28-volt	1	
-80	18530-02		BLOCK - Tube retaining, left side only	1	
-81	18530-02		BLOCK - Tube retaining, left side only	1	
-82	14175-65		BUSHING	2	
-83	454 941		CLAMP - Tinnerman (A2980S-14-1)	5	
-84	16813-00		LINE ASSEMBLY - Hydraulic pump inlet, front	1	
	17722-03		LINE ASSEMBLY - Hydraulic pump inlet, rear	1	
-85	16814-00		LINE ASSEMBLY - Hydraulic pump outlet, front	1	
	17720-03		LINE ASSEMBLY - Hydraulic pump outlet, rear 27"	1	
	19746-00		LINE ASSEMBLY - Hydraulic pump outlet, rear 20"	1	
-86	17609-00		TUBE ASSEMBLY - Powerpak filler	1	
-87	17887-00		TAG - Powerpak filling instructions	1	
-88	454 037		CAP - (AN820-6)	1	
-89	458 882		ELBOW - (AN821-6D)	1	
-90	17764-00		CLIP ASSEMBLY - Powerpak filler	1	
-91	454 924		CLAMP - Tinnerman (A3122-10-59)	2	
-92	82371-75		HOSE - Flexible	1	
-93	17709-02		BLOCK - Tube retaining, left wing	4	
	16435-00		BLOCK - Tube retaining, right wing	4	
-94	17713-02		BLOCK - Tube retaining, left wing	1	
	16429-00		BLOCK - Tube retaining, right wing	1	
-95	17713-02		BLOCK - Tube retaining, left wing	1	
	16428-00		BLOCK - Tube retaining, right wing	1	
-96	462 027		GASKET - (AN6290-4)	2	
-97	80002-06		CLAMP - Round	1	
-98	17608-00		TUBE ASSEMBLY - Powerpak filler	1	
-99	476 662		NIPPLES - (AN816-6D)	1	
-100	17617-02		BLOCK - Tube retaining	2	
-101	17610-00		LINE ASSEMBLY - Landing gear hydraulic, retraction	1	
-102	17611-00		LINE ASSEMBLY - Landing gear hydraulic, extension	1	
-103	17619-04		BLOCK - Tube retaining	1	
-104	17619-04		BLOCK - Tube retaining	1	
-105	17761-00		TUBE ASSEMBLY - Powerpak overflow, aluminum, (29 5/8" L.)	1	
	30192-00		TUBE ASSEMBLY - Powerpak overflow, aluminum, (26" L.)	1	
	13586-53		TUBE - Plastic	1	
-106	17626-04		BLOCK - Tube retaining	1	
-107	17626-04		BLOCK - Tube retaining	1	

A - Used when Eastern Industries hydraulic pump 481 693 (1235HBG Type 263) or 481 716 (1233HNG 284) is installed.
 B - See Figure 45 and 45A for component parts.
 C - Used when Pesco hydraulic pump 481 674 (012023-15) is installed.
 D - Used when New York hydraulic pump 481 663 (67B025) is installed.

When ordering, always specify Part Number, Description and Serial Number of Aircraft

PIPER PARTS CATALOG

Figure and Index Number	Part Number	Code	NOMENCLATURE	No. Req.	SERIAL NUMBERS AFFECTED
43-108	17719-07		LINE ASSEMBLY - Right landing gear hydraulic	1	
-109	17717-07		LINE ASSEMBLY - Right landing gear hydraulic	1	
-110	16965-00		BLOCK - Tube retaining	2	
-111	16562-00		BLOCK - Tube retaining	2	
-112	17703-00		LINE ASSEMBLY - Landing gear hydraulic 20"	1	
	16962-00		LINE ASSEMBLY - Landing gear hydraulic 18"	1	
-113	17637-00		CYLINDER ASSEMBLY - Flap actuating	1	
-114	14175-30		BUSHING	1	
-115	17636-00		TUBE	1	
-116	452 383		BEARING - Rod end (24166)	1	
-116a	477 663		NUT - Check	1	
-117	35030-02		CYLINDER - Hydraulic	1	
-118	18829-00	A,C	PIN - Cylinder shear (1/4")	2	
	752 745	A,C	PIN - Cylinder shear (1/8")	2	
-119	424 050	C	PIN - Cotter (AN380-2-1)	2	
-120	752 703	C	PIN - Flat head (AN392-39)	2	
-121	752 727	C	PACKING - "O" Ring (AN6227-19)	2	
	756 098	E	PACKING - "O" Ring (7414MR-160-T)	2	
-122	752 700	C	PISTON AND ROD ASSEMBLY - (PAC 31868-00)	1	
	35033-00	E	PISTON AND ROD ASSEMBLY	1	
-123	751 691	C	END PLUG - Cylinder (PAC 31866-00)	1	
	35031-00	E	END PLUG - Cylinder	1	
-124	752 726	C	PACKING - "O" Ring (AN6227-10)	1	
	756 099	E	PACKING - "O" Ring (7112FT-160-T)	1	
-125	752 495	C	NUT - Check	1	
	752 564	E	NUT - Check	1	
-126	17473-04		BOOT - Main gear, hydraulic cylinder	2	
-127	488 329		TEE - (AN784-6D)	1	
-128	82371-95		HOSE ASSEMBLY - Flexible	1	
-129	16506-00		BLOCK - Tube retaining	2	
-130	16546-00	X,Z	CHANNEL - Mounting	1	
-131	16585-00		LINE ASSEMBLY	2	
-132	16588-00		LINE ASSEMBLY	1	
-133	16632-00		TUBE ASSEMBLY - Drain connector	1	
-134	82371-73		HOSE ASSEMBLY - Flexible	1	
-135	16641-00		LINE ASSEMBLY - Hydraulic anti-retraction	1	
-136	21227-00	B,D	ELBOW - (AN842-4) (458 903) Drain	1	
-137	476 662	B	NIPPLE - (AN816-6D) Inlet	1	
-138	453 617	B	REDUCER - (AN919-2D) Inlet and outlet	2	
-139	476 679	B	NIPPLE - (AN816-4-4D) Outlet	1	

- A - Measure dimension of pin before ordering.
- B - Used when Pesco hydraulic pump 481 676 (1P-677-CCW) is installed.
- C - Used on Hydraulic Cylinder Assembly Part Number 455 935 (31870-00) and Electrol 849-1 only.
- D - Used when New York hydraulic pump 481 663 (67B025) is installed.
- E - Used on Hydraulic Cylinder Assembly Part Number 455 956 (35030-02) only.
- X - Used on PA-23-250 Airplanes only.
- Z - Used on PA-23-235 Airplanes only.

When ordering, always specify Part Number, Description and Serial Number of Aircraft

PIPER PARTS CATALOG

Figure and Index Number	Part Number	Code	NOMENCLATURE	No. Req.	SERIAL NUMBERS AFFECTED
43-140	19804-00	A,B	ADAPTER - (AN919-12D) Drain	1	
-141	462 031	A	GASKET - (AN6290-8) Inlet	1	
	462 029	B	GASKET - (AN6290-6) Inlet	1	
-142	462 027	A,B	GASKET - (AN8290-4) Drain	1	
-143	484 353	A	REDUCER - (AN919-6D) Outlet	1	
	491 050	B	UNION - (AN815-4D) Outlet	1	
-144	484 359	A	REDUCER - (AN919-12D) Inlet	1	
	491 052	B	UNION - (AN815-6D) Inlet	1	
-145	401 312		BOLT - (AN4-12A)	1	
	407 565		WASHER - (AN960-416)	1	
	404 888		NUT - (MS20365-428C)	1	
-146	400 106		BOLT - (AN4-11)	1	
	404 101		NUT - (AN310-4)	1	
	424 051		COTTER PIN - (MS24665-132)	1	
			A - Used when Pesco hydraulic pump 481 674 (012023-015) is installed.		
			B - Used when Eastern Industries hydraulic pump 481 693 (1235HBG Type 263) is installed.		

When ordering, always specify Part Number, Description and Serial Number of Aircraft

PIPER PARTS CATALOG

Figure and Index Number	Part Number	Code	NOMENCLATURE	No. Req.	SERIAL NUMBERS AFFECTED
43A-	31560 28329	C	DRAWING - Hydraulic System Installation DRAWING - Hydraulic System Installation		27-2505 to 27-7854050 inclusive 27-7854051 and up
-1	35030-02	B	CYLINDER - Landing gear, hydraulic	1	
-2	17637-02	B	CYLINDER ASSEMBLY - Flap control, hydraulic	1	27-2505 to 27-3049 inclusive 27-3051 to 27-3153 inclusive
	17637-03	B	CYLINDER ASSEMBLY - Flap control, hydraulic	1	27-3050, 27-3154 to 27-7405304 inclusive
	17637-04	B	CYLINDER ASSEMBLY - Flap control, hydraulic	1	27-7405305 to 27-8054022 incl.
	17637-05	B	CYLINDER ASSEMBLY - Flap control, hydraulic	1	27-8054023 and up
-3	455 934	B	ACTUATOR - Nose gear door (PAC 31879-00)	1	
-4	492 096	B	VALVE - Timer check (PAC 31810-00)	1	
-5	492 097	B	VALVE - Priority (PAC 31850-00)	1	
-6	31800-02	A	POWERPAK - New, 14-volt	1	27-2505 to 27-7405476 inclusive
	757 206	A	POWERPAK - Reconditioned (PAC 31800-02) 14-volt	1	27-2505 to 27-7405476 inclusive
	481 144	A	POWERPAK - New (PAC 31800-03) 28-volt	1	27-7554001 and up
	755 802	A	POWERPAK - Reconditioned (PAC 31800-03) 28-volt	1	27-7554001 and up
-7	17766-02		HOSE ASSEMBLY - Flexible	2	
-8	17766-31		HOSE ASSEMBLY - Flexible	1	
-9	31448-00		LINE ASSEMBLY - Hydraulic actuator retraction	1	
-10	31449-00		LINE ASSEMBLY - Hydraulic actuator retraction	1	
-11	31450-00		LINE ASSEMBLY - Hydraulic actuator extension	1	27-2505 to 27-7954003 incl.
	28549-02		LINE ASSEMBLY - Hydraulic actuator extension	1	27-7954004 and up
-12	31452-00		LINE ASSEMBLY - Hydraulic actuator extension	1	
-13	31453-00		LINE ASSEMBLY - Hydraulic	1	
-14	28314-02	C	LINE ASSEMBLY - Hydraulic pressure	1	27-7854051 and up
-15	28315-02	C	LINE ASSEMBLY - Hydraulic pressure	1	27-7854051 and up
-16	19746-00		LINE ASSEMBLY - Hydraulic pressure	1	
-17	16814-00		LINE ASSEMBLY - Hydraulic pressure	1	
-18	28317-02	C	LINE ASSEMBLY - Hydraulic suction	1	27-7854051 and up
-19	28316-02	C	LINE ASSEMBLY - Hydraulic suction	1	27-7854051 and up
-20	15734-02		LINE ASSEMBLY - Hydraulic suction	1	27-2505 to 27-7854050 inclusive
	28368-02		LINE ASSEMBLY - Hydraulic suction	1	27-7854051 and up
-21	16813-00		LINE ASSEMBLY - Hydraulic suction	1	
-22	17724-03		LINE ASSEMBLY - Left actuator retraction	1	
	17719-03		LINE ASSEMBLY - Right actuator retraction	1	
-23	16816-00		LINE ASSEMBLY - Left actuator retraction	1	
	17719-04		LINE ASSEMBLY - Right actuator retraction	1	
-24	17721-03		LINE ASSEMBLY - Left actuator extension	1	
	17717-03		LINE ASSEMBLY - Right actuator extension	1	
-25	16815-00		LINE ASSEMBLY - Left actuator extension	1	
	31528-00		LINE ASSEMBLY - Right actuator extension	1	27-2505 to 27-7854050 inclusive
	17717-04		LINE ASSEMBLY - Right actuator extension	1	27-7854051 and up

A - See Figure 45 and 45A for component parts.
 B - See Figure 43C for component parts.
 C - Also used on aircraft with serial numbers 27-7854001 to 27-7854050 inclusive if Dual Hydraulic Pump Installation Kit 763 836 has been installed per Service Spares Letter No. 351.

When ordering, always specify Part Number, Description and Serial Number of Aircraft

PIPER PARTS CATALOG

Figure and Index Number	Part Number	Code	NOMENCLATURE	No. Req.	SERIAL NUMBERS AFFECTED
43A-26	31527-00		LINE ASSEMBLY - Hydraulic, left	1	
	31526-00		LINE ASSEMBLY - Hydraulic, right	1	
-27	16815-03		LINE ASSEMBLY - Hydraulic, left	1	
	31579-00		LINE ASSEMBLY - Hydraulic, right	1	
-28	16962-00		LINE ASSEMBLY - Hydraulic actuator extension	1	27-2505 to 27-7954121 incl.
	28393-02		LINE ASSEMBLY - Hydraulic actuator extension	1	27-8054001 and up
-29	16963-00		LINE ASSEMBLY - Hydraulic actuator retraction	1	
-30	31522-00		LINE ASSEMBLY - Hydraulic	1	
-31	31499-00		LINE ASSEMBLY - Hydraulic, nose gear	1	
-32	31500-00		LINE ASSEMBLY - Hydraulic, nose gear	1	
-33	31501-00		LINE ASSEMBLY - Hydraulic, nose gear	1	27-2505 to 27-7954121 incl.
	28581-02		LINE ASSEMBLY - Hydraulic, nose gear	1	27-8054001 and up
-34	17766-03		HOSE ASSEMBLY - Flexible	2	
-35	17766-27		HOSE ASSEMBLY - Flexible	1	
-36	17725-03		LINE ASSEMBLY - Flap cylinder extension	1	
-37	17725-04		LINE ASSEMBLY - Flap cylinder extension	1	
-38	17718-03		LINE ASSEMBLY - Flap cylinder retraction	1	27-2505 to 27-4425 inclusive, 27-4427 to 27-4573 inclusive
	80024-04		LINE ASSEMBLY - Flap cylinder retraction	1	27-4426, 27-4574 and up
-39	17718-04		LINE ASSEMBLY - Flap cylinder retraction	1	
-40	33091-00		TUBE ASSEMBLY - Hydraulic by-pass	1	27-4426, 27-4574 and up
-41	18254-02		TUBE ASSEMBLY - Flap torque	1	27-2505 to 27-7554168 incl.
	18254-04		TUBE ASSEMBLY - Flap torque	1	27-7654001 and up
-42	16423-06		* BELLCRANK ASSEMBLY - Flap	1	
-42a	14175-31		* * BUSHING - Bellcrank	1	
-43	17634-00		* TUBE - Flap control torque	1	
-44	16424-00		* HORN ASSEMBLY - Flap control	1	
-45	17631-00		* PLUG - Flap control torque tube	2	
-46	15610-02		* PULLEY - Flap torque tube	1	27-7654001 and up
-47	17629-00		* BEARING - Flap control torque tube	4	
-48	17630-00		BLOCK - Flap control torque tube bearing	4	
-49	17320-00		BLOCK - Flap actuating arm guide	1	
-50	17614-00		ROD ASSEMBLY - Flap position indicator attachment	1	27-2505 to 27-7554055 inclusive
	17614-04		ROD ASSEMBLY - Flap position indicator attachment	1	27-7554056 and up
-51	17615-00		LINK - Flap position indicator	1	27-2505 to 27-7554055 inclusive
	17615-04		LINK - Flap position indicator	1	27-7554056 and up
-52	17624-00		UNIT ASSEMBLY - Flap position indicator sending	1	27-2505 to 27-7554055 inclusive
	15583-02		RHEOSTAT ASSEMBLY - Flap	1	27-7554056 and up
-53	17625-00		PLATE - Flap sending unit mounting	1	27-2505 to 27-7554055 inclusive
	15578-02		PLATE - Flap sending unit mounting	1	27-7554056 and up
-54	18316-00		ROD ASSEMBLY - Flap control	2	
-55	31495-00		BRACKET ASSEMBLY - Limit switch and timer check valve mounting	1	
-56	42785-04		ARM - Rheostat assembly	1	27-7554056 and up
-57	13586-53		TUBE - Powerpak overflow, plastic	1	
-58	30808-00		TUBE ASSEMBLY - Powerpak filler	1	
-59	17774-02		HOSE ASSEMBLY - Flexible, vent	1	
-60	17887-00		TAG - Powerpak filling instructions	1	
-61	17616-00		BLOCK - Filler	1	27-2505 to 27-3365 inclusive
-62	16670-00		CLIP ASSEMBLY - Block attachment	4	
-63	16377-00		BLOCK - Tube retaining, left	2	
-64	16506-00		BLOCK - Tube retaining, right	2	
-65	17619-04		BLOCK - Tube retaining	2	
-66	17621-07		BLOCK ASSEMBLY - Tube retaining	3	
-67	18527-02		BLOCK - Tube retaining	2	
-68	19756-00		BLOCK - Tube retaining	2	
-69	31616-00		BLOCK - Tube retaining	4	
-70	16976-00		BLOCK - Tube retaining	2	

When ordering, always specify Part Number, Description and Serial Number of Aircraft

PIPER PARTS CATALOG

Figure and Index Number	Part Number	Code	NOMENCLATURE	No. Req.	SERIAL NUMBERS AFFECTED
43A-71	41371-02		SHIM - Torque tube bearing (.010)	AR	
	41371-03		SHIM - Torque tube bearing (.015)	AR	
	41371-04		SHIM - Torque tube bearing (.032)	AR	
-72	33037-00		VALVE ASSEMBLY - Control, by-pass flow	1	27-4426, 27-4574 and up
-73	458 882		ELBOW - (AN821-6D) 90 degrees	1	27-2505 to 27-4425 inclusive.
	33092-00	B	TEE - Special (588 363)	1	27-4427 to 27-4573 inclusive
	488 472	A	TEE - (AN938-D6)	1	27-4426, 27-4574 to 27-7854050 inclusive
-74	488 320		TEE - (AN824-4D)	1	27-7854051 and up
-75	488 383		TEE - (AN834-4D)	1	27-2505 to 27-7954121 incl.
	488 499		TEE - (AN825-4D)	1	27-8054001 and up
-76	455 405		FITTING - Cross (AN918-1D)	3	
-77	458 894		ELBOW - (AN822-4D) 90 degrees	7	
-78	458 880		ELBOW - (AN821-4D) 90 degrees	6	
-79	458 900		ELBOW - (AN833-4D) 90 degrees	2	
-80	458 891		ELBOW - (AN823-4D) 45 degrees	4	
-81	458 882	A	ELBOW - (AN821-6D) 90 degrees	1	27-7854051 and up
-82	488 312	A	TEE - (AN804-D6)	1	27-7854051 and up
-83	491 050	B	UNION - (AN815-4D)	1	27-2505 to 27-7854050 inclusive
	488 510	A	TEE - (AN938-D4)	1	27-7854051 and up
-84	491 050		UNION - (AN815-4D)	18	
-85	491 060		UNION - (AN832-4D)	2	
-86	491 052		UNION - (AN815-6D)	3	
-87	476 648		NIPPLE - (AN816-4D)	5	
-88	484 351		REDUCER - (AN919-2D)	2	
-89	484 353	A	REDUCER - (AN919-6D)	1	27-7854051 and up
-90	477 618		NUT - (AN924-4D)	4	
-91	477 676		NUT - (AN6289-D4)	1	
-92	477 620	A	NUT - (AN924-6D)	1	27-7854051 and up
-93	484 752		RING - (AN6291-4)	1	
-94	492 106	A	VALVE - Check (AN6249-4)	2	27-7854051 and up
-95	462 027		GASKET - (AN6290-4)	7	
-96	462 026		GASKET - (AN6290-3)	2	
-97	462 029		GASKET - (AN6290-6)	3	
-98	28601-02		BUSHING - Special	1	27-8054001 and up
-99	484 937		"O" RING - (MS28775-112)	1	27-8054001 and up.
-100	28623-02		UNION - Special	1	
-101	400 008		BOLT - (AN4-13A)	2	
	14175-44		BUSHING - Spacer, left (23/64" long)	1	
	14175-46		BUSHING - Spacer, right (1/4" long)	1	
	404 888		NUT - (MS20365-428C)	2	
-102	401 312		BOLT - (AN4-12A)	1	
	407 565		WASHER - (AN960-416)	1	
	404 888		NUT - (MS20365-428C)	1	
-103	401 312		BOLT - (AN4-12A)	1	
	407 565		WASHER - (AN960-416)	2	
	404 888		NUT - (MS20365-428C)	1	
-104	401 931		BOLT - (AN74-22)	4	
	407 565		WASHER - (AN960-416)	4	

A - Also used on aircraft with serial numbers 27-7854001 to 27-7854050 inclusive if Dual Hydraulic Pump Installation Kit 763 836 has been installed per Service Spares Letter No. 351.

B - Order part for serial numbers 27-7854051 and up if Dual Hydraulic Pump Installation Kit 763 836 has been installed per Service Spares Letter No. 351.

When ordering, always specify Part Number, Description and Serial Number of Aircraft

PIPER PARTS CATALOG

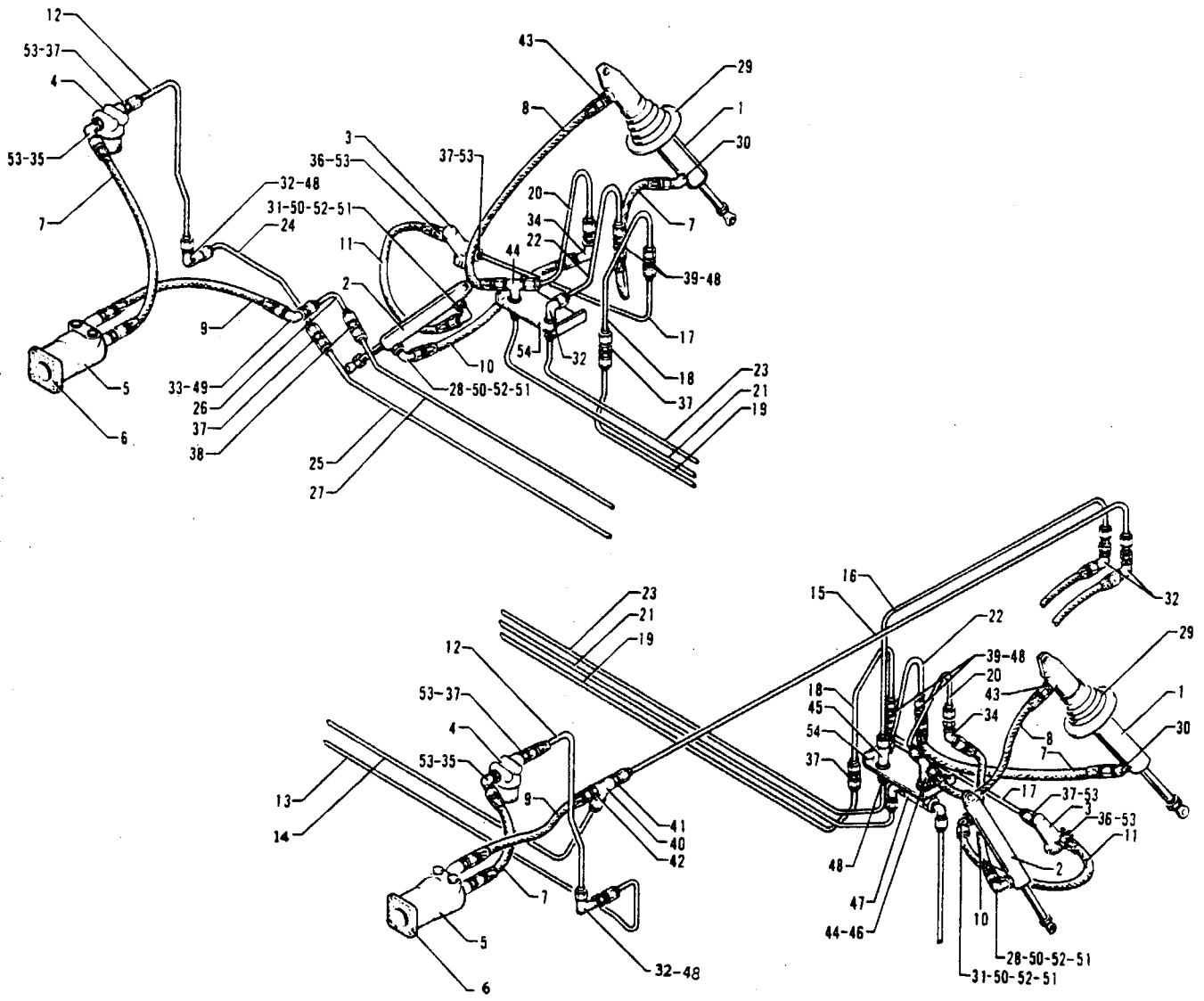


Figure 438. Wing Hydraulic System Installation
(Serial Nos. 27-2505 and up)

PIPER PARTS CATALOG

Figure and Index Number	Part Number	Code	NOMENCLATURE	No. Req.	SERIAL NUMBERS AFFECTED
43B-	31580 28329	D	DRAWING - Hydraulic System Installation DRAWING - Hydraulic System Installation		27-2505 to 27-7854050 inclusive 27-7854051 and up
-1	35030-02	B	CYLINDER ASSEMBLY - Landing gear, hydraulic	2	
-2	455 933	B,C	ACTUATOR - Main gear door (PAC 31901-00)	2	
-3	492 096	B	VALVE - Timer check (PAC 31810-00)	2	
-4	460 635	B	FILTER ASSEMBLY - Oil (AN6234-01)	1	27-2505 to 27-7854050 inclusive
	460 635	B	FILTER ASSEMBLY - Oil (AN6234-01)	2	27-7854051 and up
-5	756 889	A,E	KIT - Hydraulic pump assembly	1	27-2505 to 27-7854050 inclusive
	32176-11	A,D	PUMP ASSEMBLY - Hydraulic	2	27-7854051 and up
-6	462 023		* GASKET - Hydraulic pump (AN4045-1)	1	
-7	17766-02		HOSE ASSEMBLY - Flexible	4	
-8	17766-31		HOSE ASSEMBLY - Flexible	2	
-9	17766-05		HOSE ASSEMBLY - Flexible	1	27-2505 to 27-4425 inclusive, 27-4427 to 27-4573 inclusive
	17766-65		HOSE ASSEMBLY - Flexible	1	27-4426, 27-4574 to 27-7854050 inclusive
	17766-65	D	HOSE ASSEMBLY - Flexible	2	27-7854051 and up
-10	17766-03		HOSE ASSEMBLY - Flexible	2	
-11	17766-45		HOSE ASSEMBLY - Flexible	2	
-12	16590-00		LINE ASSEMBLY - Hydraulic pressure, left	1	
	28346-02	D	LINE ASSEMBLY - Hydraulic pressure, right	1	27-7854051 and up
-13	19752-00		LINE ASSEMBLY - Hydraulic pressure, left	1	27-2505 to 27-7854050 inclusive
	28319-02		LINE ASSEMBLY - Hydraulic pressure, left	1	27-7854051 and up
-14	19753-00		LINE ASSEMBLY - Hydraulic suction, left	1	27-2505 to 27-7854050 inclusive
	28320-02		LINE ASSEMBLY - Hydraulic suction, left	1	27-7854051 and up
-15	16641-00		LINE ASSEMBLY - Hydraulic anti-retraction	1	
-16	16588-00		LINE ASSEMBLY - Hydraulic anti-retraction	1	
-17	31490-01		LINE ASSEMBLY - Hydraulic, left gear door	1	
	31490-00		LINE ASSEMBLY - Hydraulic, right gear door	1	
-18	31465-00		LINE ASSEMBLY - Hydraulic	2	
-19	31446-00		LINE ASSEMBLY - Hydraulic, left gear door	1	
	31446-01		LINE ASSEMBLY - Hydraulic, right gear door	1	
-20	31536-00		LINE ASSEMBLY - Hydraulic, left	1	27-2505 to 27-7954121 incl.
	31536-01		LINE ASSEMBLY - Hydraulic, right	1	27-2505 to 27-7954121 incl.
	28311-02		LINE ASSEMBLY - Hydraulic, left	1	27-8054001 and up
	28311-03		LINE ASSEMBLY - Hydraulic, right	1	27-8054001 and up

- A - See Figure 43C for installation fittings.
- B - See Figure 43C for component parts.
- C - Secure P/N 451 844 if actuator nameplate is stamped EA1819-1.
- D - Also used on aircraft with serial numbers 27-7654001 to 27-7854050 inclusive if Dual Hydraulic Pump Installation Kit 763 836 has been installed per Service Spares Letter No. 351.
- E - Order part for serial numbers 27-7854051 and up if Dual Hydraulic Pump Installation Kit 763 836 has been installed per Service Spares Letter No. 351.

When ordering, always specify Part Number, Description and Serial Number of Aircraft

PIPER PARTS CATALOG

Figure and Index Number	Part Number	Code	NOMENCLATURE	No. Req.	SERIAL NUMBERS AFFECTED
43B-21	17706-00		LINE ASSEMBLY - Hydraulic extension, left	1	27-2505 to 27-7954121 incl.
	17706-01		LINE ASSEMBLY - Hydraulic extension, right	1	27-2505 to 27-7954121 incl.
	28312-02		LINE ASSEMBLY - Hydraulic extension, left	1	27-8054001 and up
	28312-03		LINE ASSEMBLY - Hydraulic extension, right	1	27-8054001 and up
-22	16585-00		LINE ASSEMBLY - Hydraulic retraction	2	
-23	17705-00		LINE ASSEMBLY - Hydraulic retraction, left	1	
	17705-01		LINE ASSEMBLY - Hydraulic retraction, right	1	
-24	28324-02	C	LINE ASSEMBLY - Hydraulic pressure, right	1	27-7854051 and up
-25	28323-02	C	LINE ASSEMBLY - Hydraulic pressure, right	1	27-7854051 and up
-26	28325-02	C	LINE ASSEMBLY - Hydraulic suction, right	1	27-7854051 and up
-27	28322-02	C	LINE ASSEMBLY - Hydraulic suction, right	1	27-7854051 and up
-28	31647-00		ELBOW - Special	2	
-29	17473-04		BOOT - Main gear, hydraulic cylinder	2	
-30	458 894		ELBOW - (AN822-4D) 90°	2	
-31	458 899		ELBOW - (AN833-3D) 90°	2	
-32	458 900		ELBOW - (AN833-4D) 90°	5	
-33	458 901	B	ELBOW - (AN833-6D) 90°	1	27-7854051 and up
-34	458 910		ELBOW - (AN837-4D) 45°	2	
-35	31094-00		ELBOW - Special	2	
-36	484 351		REDUCER - (AN919-2D)	2	
-37	491 050		UNION - (AN815-4D)	7	
-38	491 052	B	UNION - (AN815-6D)	1	27-7854051 and up
-39	491 060		UNION - (AN832-4D)	4	
-40	488 329		TEE - Firewall (AN784-D6)	1	
-41	484 353		REDUCER - (AN919-6D)	1	
-42	477 620		NUT - (AN924-6D)	1	
	407 570		WASHER - (AN960-916)	2	
-43	476 648		NIPPLE - (AN816-4D)	2	
-44	488 383		TEE - (AN834-4D)	2	
-45	488 311		TEE - (AN804-4D) Left	1	
-46	477 621		NUT - (AN924-8D)	2	
	477 676		NUT - (AN8289-D4)	2	
	484 752		RING - (AN6291-4)	2	
	462 027		GASKET - (AN6290-4)	2	
	81102-24		WASHER	4	
-47		A	VALVE ASSEMBLY - Shuttle	1	27-2505 to 27-7954121 incl.
-48	477 618		NUT - (AN924-4D)	8	
-49	477 620		NUT - (AN924-6D)	1	
-50	477 617		NUT - (AN924-3D)	4	27-2505 to 27-2588 inclusive
	477 678		NUT - (AN6289-D3)	4	27-2589 and up
-51	484 753		RING - (AN6291-3)	4	27-2589 and up
-52	462 028		GASKET - (AN6290-3)	4	
-53	462 027		GASKET - (AN6290-4)	8	
-54	18688-00		BRACKET - Hydraulic line support, left	1	27-2505 to 27-7954121 incl.
	18688-01		BRACKET - Hydraulic line support, right	1	27-2505 to 27-7954121 incl.
	18688-02		BRACKET - Hydraulic line support, left	1	27-8054001 and up
	18688-03		BRACKET - Hydraulic line support, right	1	27-8054001 and up

A - See Figure 46 for installation and fittings.

B - Also used on aircraft with serial numbers 27-7854001 to 27-7854050 inclusive if Dual Hydraulic Pump Installation Kit 763 836 has been installed per Service Spares Letter No. 351.

C - Also used on aircraft with serial numbers 27-7854001 to 27-7854050 inclusive if Dual Hydraulic Pump Installation Kit 763 836 has been installed per Service Spares Letter No. 351.

When ordering, always specify Part Number, Description and Serial Number of Aircraft

PIPER PARTS CATALOG

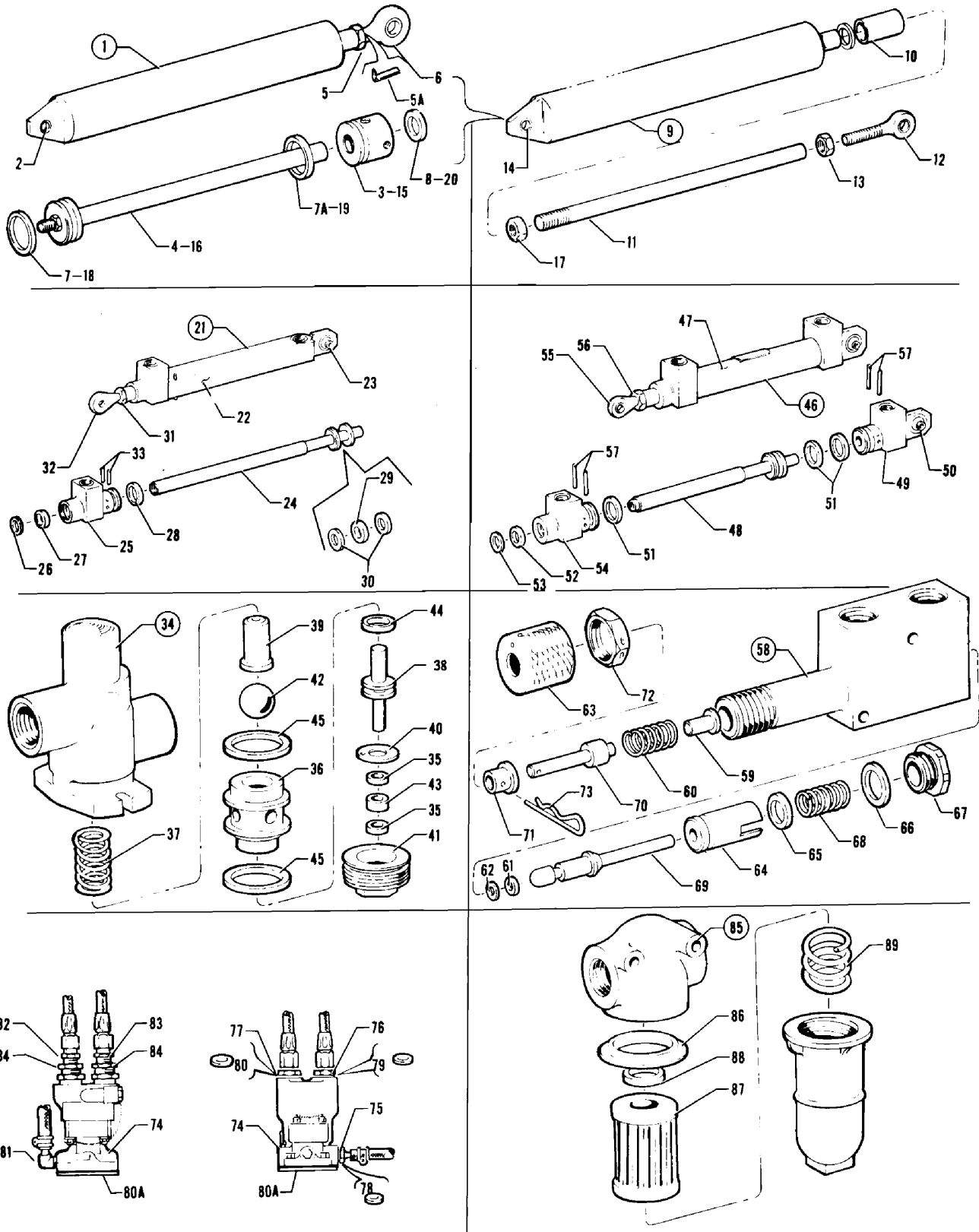


Figure 43C. Hydraulic System Components
(Serial Nos. 27-2505 and up)

PIPER PARTS CATALOG

Figure and Index Number	Part Number	Code	NOMENCLATURE	No. Req.	SERIAL NUMBERS AFFECTED
43C-	31560 31510		DRAWING - Hydraulic System Installation DRAWING - Pedestal Assembly and Installation		
-1	35030-02		CYLINDER - Landing gear, hydraulic	3	
-2	31865-00	A	* BUSHING - Hydraulic cylinder	1	
	31865-02	B	* BUSHING - Hydraulic cylinder	1	
-3	751 691	A	* END PLUG - Cylinder (PAC 31866-00)	1	
	35031-00	B	* END PLUG - Cylinder	1	
-4	752 700	A	* PISTON AND ROD ASSEMBLY - (PAC 31868-00)	1	
	35033-00	B	* PISTON AND ROD ASSEMBLY	1	
-5	752 495	A	* NUT - Check	1	
	752 564	B,C	* NUT - Check	1	
	752 526	B,D	* NUT - Check	1	
	404 528	B,E	* NUT - Check	1	
-5a	752 365	D	* KEY - Lock (NAS559-2)	1	
	761 115	E	* KEY - Lock (2115004-1)	1	
-6	762 554		* BEARING - End (MXK46-16A)	1	
-7	752 727	A	* PACKING - "O" ring (6227-19)	1	
	756 098	B	* PACKING - "O" ring (7414MR-160-T)	1	
-7a	752 727	A	* PACKING - "O" ring (6227-19)	1	
	762 501	B	* PACKING - "O" ring (MS28775-121)	1	
	762 502	B	* RING - Back-up (MS28774-121)	1	
-8	752 726	A	* PACKING - "O" ring (AN6227-10)	1	
	756 099	B	* PACKING - "O" ring (7112FT-160-T)	1	
-9	17637-02		CYLINDER ASSEMBLY - Flap control, hydraulic	1	27-2505 to 27-3049 inclusive.
	17637-03		CYLINDER ASSEMBLY - Flap control, hydraulic	1	27-3051 to 27-3153 inclusive 27-3050, 27-3154 to 27-7405304 inclusive
	17637-04		CYLINDER ASSEMBLY - Flap control, hydraulic	1	27-7405305 to 27-8054022 incl.
	17637-05		CYLINDER ASSEMBLY - Flap control, hydraulic	1	27-8054023 and up
-10	14175-102		* BUSHING - Hydraulic cylinder (1.25" L.)	1	27-2505 to 27-3049 inclusive, 27-3051 to 27-3153 inclusive
	42129-14		* BUSHING - Hydraulic cylinder (1.34" L.)	1	27-3050, 27-3154 to 27-8054022 inclusive
	42129-48		* BUSHING - Hydraulic cylinder (1.09" L.)	1	27-8054023 and up
	407 569		* WASHER - Shim (AN960-816)	AR	27-8054023 and up
	407 589		* WASHER - Shim (AN960-816L)	AR	27-8054023 and up
-11	17636-00		* TUBE - Hydraulic cylinder	1	
-12	452 383		* BEARING - Rod end (24166)	1	
-13	477 663		* NUT - Check	1	
-14	31865-00	A	* BUSHING - Hydraulic cylinder	1	
	31865-02	B	* BUSHING - Hydraulic cylinder	1	
-15	751 691	A	* END PLUG - Cylinder (PAC 31866-00)	1	
	35031-00	B	* END PLUG - Cylinder	1	

A - Used on hydraulic cylinder assembly, P/N 455 935 (31870-00) and Electrol 849-1 only.
 B - Used on hydraulic cylinder assembly, P/N 455 956 (35030-02) only.
 C - Used on Ozone hydraulic cylinder and on Wiebel hydraulic cylinder with Wiebel serial numbers up to 4069 inclusive.
 D - Used on Wiebel hydraulic cylinder with Wiebel serial numbers 4070 to 5177 inclusive.
 E - Used on Wiebel hydraulic cylinder with Wiebel serial numbers 5178 and up.

When ordering, always specify Part Number, Description and Serial Number of Aircraft

PIPER PARTS CATALOG

Figure and Index Number	Part Number	Code	NOMENCLATURE	No. Req.	SERIAL NUMBERS AFFECTED
43C-16	752 700	A	* PISTON AND ROD ASSEMBLY - (PAC 31868-00)	1	
	35033-00	B	* PISTON AND ROD ASSEMBLY	1	
-17	752 495	A	* NUT - Check	1	
	752 564	B	* NUT - Check	1	
-18	752 727	A	* PACKING - "O" ring (AN6227-19)	1	
	756 098	B	* PACKING - "O" ring (7214MR-160-T)	1	
-19	752 727	A	* PACKING - "O" ring (AN6227-19)	1	
	762 501	B	* PACKING - "O" ring (MS28775-121)	1	
	762 502	B	* RING - Back-up (MS28774-121)	1	
-20	752 726	A	* PACKING - "O" ring (AN6227-10)	1	
	756 099	B	* PACKING - "O" ring (7112FT-160-T)	1	
-21	455 934		ACTUATOR - Nose gear door (PAC 31879-00)	1	
-22	753 393		* BARREL AND BEARING ASSEMBLY - (PAC 31881-00)	1	
-23	753 394		* * BEARING - Barrel assembly (LH3B-16B)	1	
-24	755 868		* PISTON - (PAC 31880-00)	1	
-25	753 395		* * BEARING - End (PAC 31882-00)	1	
-26	755 902		* RING - Back-up (MS28774-011)	1	
-27	484 708		* PACKING - "O" ring (AN6227-6)	1	
-28	484 697		* PACKING - "O" ring (AN6227-9)	1	
-29	755 903		* PACKING - "O" ring (CSR 1009-3)	1	
-30	755 904		* BACK-UP - "O" ring (.389 I.D. x 120 width x .052)	2	
-31	752 499		* NUT - Rod end (AB032-SCN-3)	1	
-32	755 905		* ROD END - Bearing (HM-3)	1	
-33	755 906		* PIN - Roll (23-S-094-0688)	2	
-34	492 096		VALVE - Timer check (PAC 31810-00)	3	
-35	755 907		* RING - Back-up (AN6246-1)	2	
-36	756 188		* SEAT - Back-up (PAC 31822-00)	1	
-37	756 189		* SPRING - Compression (PAC 31795-00)	1	
-38	755 869		* PLUNGER - (PAC 31787-00)	1	
-39	751 879		* GUIDE - (PAC 31802-00)	1	
-40	753 203		* WASHER - (PAC 31807-00)	1	
-41	755 870		* PLUG - (PAC 31821-00)	1	
-42	753 396		* BALL - (PAC 31814-06)	1	
-43	755 871		* PACKING - "O" ring (AN6227-1)	1	
-44	755 941		* PACKING - "O" ring (MS28775-011)	1	
-45	484 730		* PACKING - "O" ring (AN6227-14)	2	
-46	455 933	C	ACTUATOR - Main gear door (PAC 31901-00)	2	
-47	753 400	C	* BARREL - Actuator (PAC 31837-00)	1	
-48	755 874	C	* PISTON - (PAC 31838-00)	1	
-49	751 261	C	* ANCHOR ASSEMBLY - Actuator (PAC 31863-00)	1	
-50	753 394	C	* * BEARING - Anchor assembly (LH3B-16B)	1	
-51	484 706	C	* PACKING - "O" ring (AN6227-11)	3	
-52	484 701	C,D	* PACKING - "O" ring (AN6227-7)	1	
	762 619	C,E	* RING - "O" (7012FS-160T AGT)	1	
-53	753 399	C	* RING - Back-up (MS28774-012)	1	
-54	751 804	C	* FITTING - Gland (PAC 31864-00)	1	
-55	755 911	C	* ROD END - Bearing (ARE-3-20)	1	
-56	752 501	C	* NUT - Check (AB 1/4-28-SCN-3)	1	
-57	755 910	C	* PIN - Roll (52-022-094-0750)	4	

A - Used on Hydraulic Cylinder Assembly, P/N 455 935 (31870-00) and Electrol 849-1 only.
 B - Used on Hydraulic Cylinder Assembly, P/N 455 956 (35030-02) only.
 C - Refer to items 21 through 33 inclusive for securing replacement parts if actuator nameplate is stamped EA1819-1.
 D - Used if back-up ring, item 53, is installed.
 E - Used if back-up ring, item 53, is not installed.

When ordering, always specify Part Number, Description and Serial Number of Aircraft

PIPER PARTS CATALOG

Figure and Index Number	Part Number	Code	NOMENCLATURE	No. Req.	SERIAL NUMBERS AFFECTED
43C-58	492 097		VALVE - Priority (PAC 31850-00)	1	
-59	751 880		* GUIDE - Spring (PAC 31844-00)	1	
-60	756 190	F	* SPRING - (PAC 31847-00)	1	
	32322-00	G	* SPRING	1	
-61	755 908		* PACKING - "O" ring (AN6227-1)	1	
-62	753 397		* RING - Back-up (MS28774-006)	1	
-63	753 907		* CAP - Adjusting (PAC 31831-00)	1	
-64	756 191		* SEAT - Check (PAC 31842-00)	1	
-65	484 701		* PACKING - "O" ring (AN6227-7)	1	
-66	755 909		* PACKING - "O" ring (MS29513-15)	1	
-67	753 908		* CAP - Check (PAC 31834-00)	1	
-68	756 192		* SPRING - Check (PAC 31839-00)	1	
-69	755 872		* POPPET AND PIN ASSEMBLY - (PAC 31846-00)	1	
-70	756 193		* GUIDE - Spring (PAC 31830-00)	1	
-71	753 398		* BUSHING - Lock pin (PAC 31832-00)	1	
-72	31848-00		* NUT - Check	1	
-73	755 873		* PIN - Lock (PAC 31833-00)	1	
-74	756 889		KIT - Hydraulic pump assembly	1	27-2505 to 27-7854050 inclusive
	32176-11		PUMP ASSEMBLY - Hydraulic	2	27-7854051 and up
-75	19804-00	D,E	* ADAPTER - Drain	1	
-76	484 353	E	* REDUCER - (AN919-6D) Outlet	1	
	491 050	D	* UNION - (AN815-4D) Outlet	1	
-77	484 359	E	* REDUCER - (AN919-12D) Inlet	1	
	491 052	D	* UNION - (AN815-6D) Inlet	1	
-78	462 027	D,E	* GASKET - (AN6290-4) Drain	1	
-79	462 029	E	* GASKET - (AN6290-6) Outlet	1	
	462 027	D	* GASKET - (AN6290-4) Outlet	1	
-80	462 031	E	* GASKET - (AN6290-8) Inlet	1	
	462 029	D	* GASKET - (AN6290-6) Inlet	1	
-80a	462 023		* GASKET - Hydraulic pump (AN4045-1)	1	
-81	458 948	B	ELBOW - (1K1-2-4) Drain	1	
-82	476 679	B	NIPPLE - (AN816-4-4D) Outlet	1	
-83	476 662	B	NIPPLE - (AN816-6D) Inlet	1	
-84	453 617	B	BUSHING - (AN912-2D) Inlet and outlet	2	
-85	460 635		FILTER ASSEMBLY - Oil (AN6234-1)	1	
-86	751 836	C	* GASKET - (AN6290-16)	1	
	751 869	A	* "O" RING - (AN6227-B22)	1	
-87	751 759		* ELEMENT - Filter (AN6235-1A)	1	
-88	484 701		* * PACKING - "O" ring (AN6227-7)	1	
-89	756 164		* SPRING - (572 755)	1	

- A - Used when Bendix filter is installed.
- B - Used when Pesco hydraulic pump 481 676 (1P-677-CCW) is installed.
- C - Used when Purolator filter is installed.
- D - Used when Eastern Industries hydraulic pump 481 693 (1235 HBG Type 263), 481 716 (1233 HNG 284) or 32176-11 (1233 HNG 311) is installed.
- E - Used when Pesco hydraulic pump 481 674 (012023-015) is installed.
- F - Used if the letter S is not stamped after the priority valve serial number.
- G - Used if the letter S is stamped after the priority valve serial number.

When ordering, always specify Part Number, Description and Serial Number of Aircraft

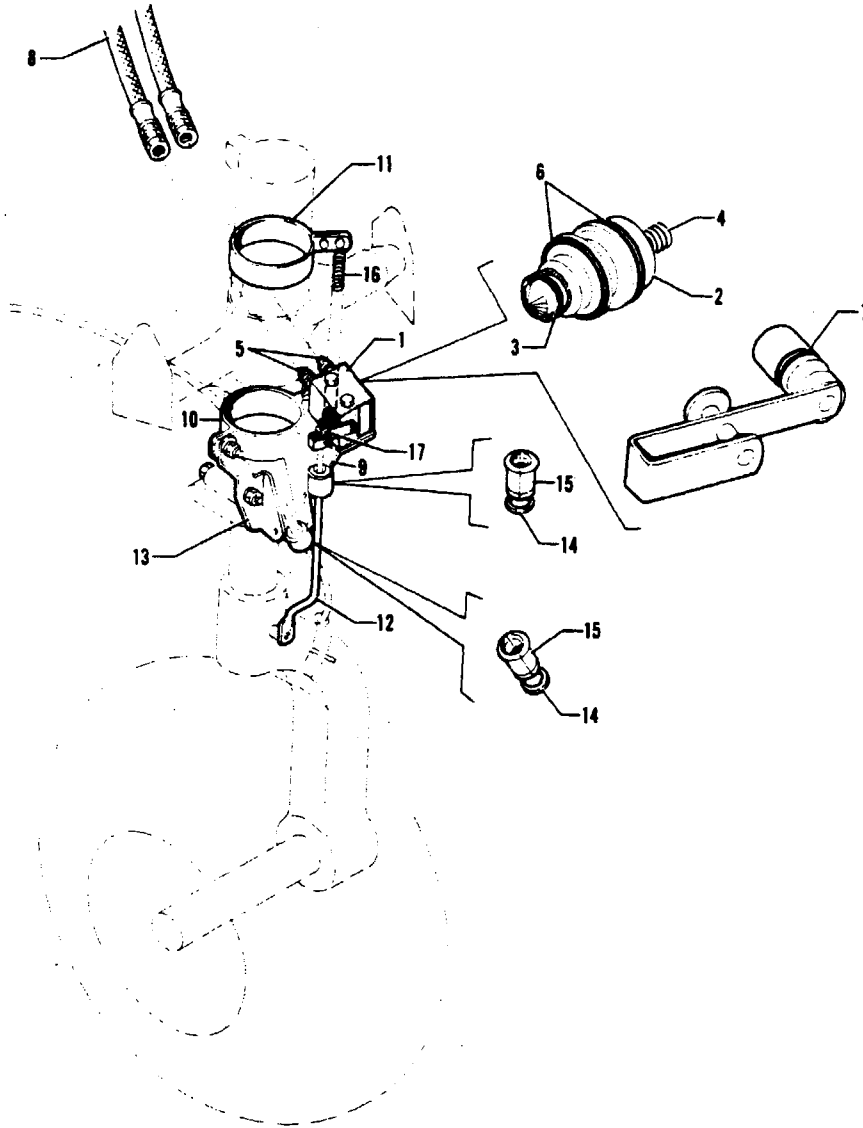


Figure 44. Landing Gear Auto-Retraction Valve Installation

PIPER PARTS CATALOG

Figure and Index Number	Part Number	Code	NOMENCLATURE	No. Req.	SERIAL NUMBERS AFFECTED
44-	16480		DRAWING - Landing Gear Anti-Retracton Valve Installation		
-1	492 098		VALVE ASSEMBLY - Anti-retraction (PAC 31860-00)	1	
-2	31857-00		* POPPET ASSEMBLY - Anti-retraction	1	
-3	484 700		* "O" RING - (AN6227-5)	1	
-4	31856-00		* SPRING - Valve	1	
-5	476 648		* NIPPLE - (AN816-4D)	2	
-6	484 730		* "O" RING - (AN6227-14)	2	
-7	752 746		* "O" RING - (AN6227-8)	1	
-8	17766-27		HOSE ASSEMBLY - Flexible	2	
-9	16479-00		BRACKET ASSEMBLY - Anti-retraction valve mounting	1	
-10	19139-00		CLAMP - Anti-retraction valve mounting, left	1	
	80002-81		CLAMP - Anti-retraction valve mounting, right	1	
-11	19143-00		CLAMP - Anti-retraction valve mounting	1	
-12	19147-00		ROD - Anti-retraction valve	1	27-1 to 27-4136 inclusive
	32881-00		ROD - Anti-retraction valve	1	27-4137 and up
-13	19145-00	A	BRACKET - Retraction actuating	1	
	31740-00		BRACKET - Retraction actuating, left	1	27-2505 and up
	31740-01		BRACKET - Retraction actuating, right	1	27-2505 and up
-14	40081-00		RING - Snap	2	
-15	40071-02		SEGMENT - Fairlead	4	
-16	81411-02		SPRING - Coil	1	
-17	406 660		NUT - Barrel (#1452-048)	1	
			A - Used on PA-23-250 (Six Place) with serial numbers 27-2000 to 27-2504 inclusive, PA-23-250 and PA-23-235 airplanes.		

When ordering, always specify Part Number, Description and Serial Number of Aircraft

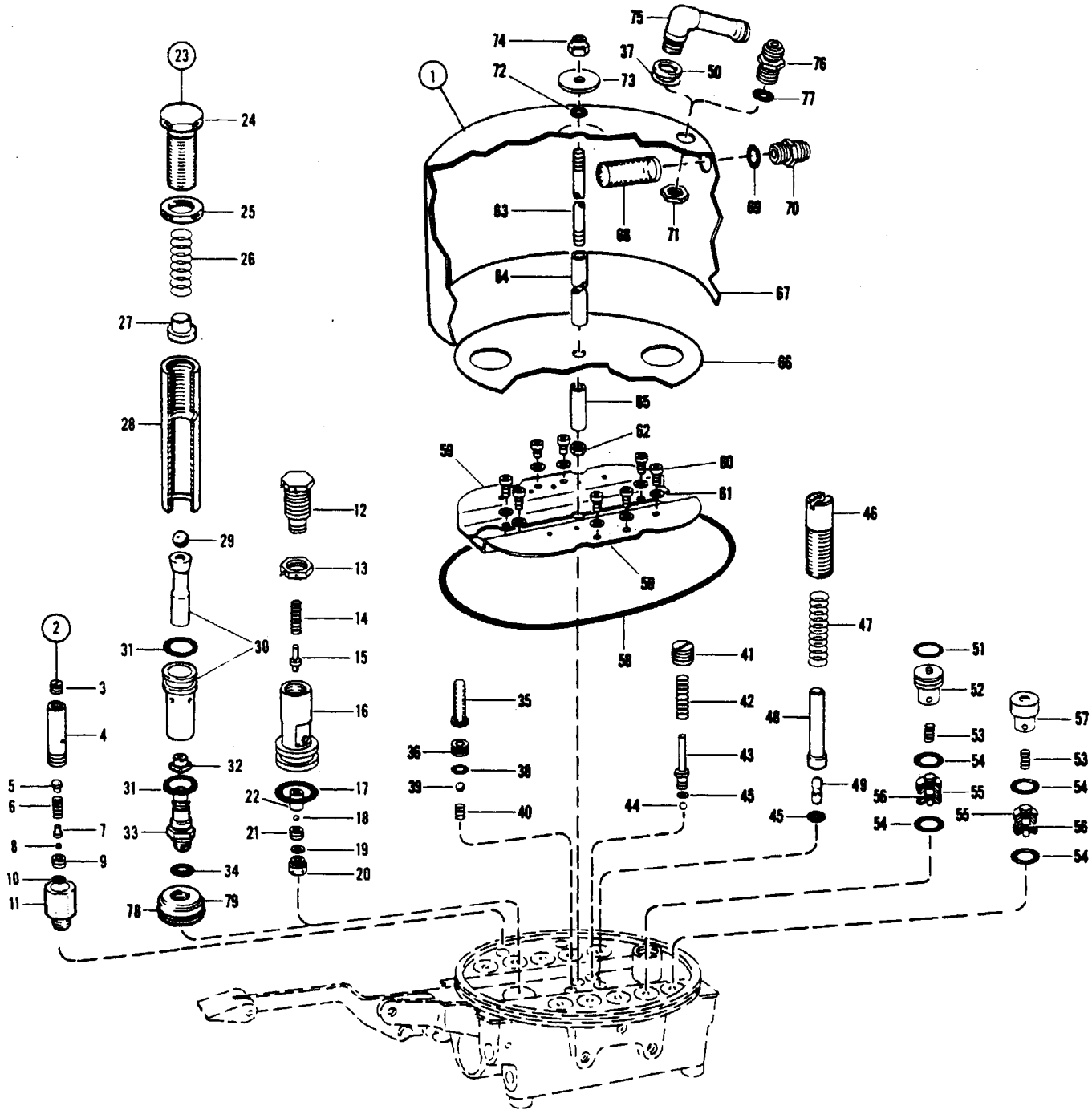


Figure 45. Hydraulic Powerpak Components

PIPER PARTS CATALOG

Figure and Index Number	Part Number	Code	NOMENCLATURE	No. Req.	SERIAL NUMBERS AFFECTED
45-1	31800-02		POWERPAK ASSEMBLY - New (14-volt)	1	
	757 206		POWERPAK ASSEMBLY - Reconditioned (14-volt) (PAC 31800-02)	1	
	481 144		POWERPAK ASSEMBLY - New (28-volt) (PAC 31800-03)	1	
	755 802		POWERPAK ASSEMBLY - Reconditioned (28-volt) (PAC 31800-03)	1	
-2	31878-00		* VALVE ASSEMBLY - Thermal relief	4	
-3	31876-00		* * SCREW ASSEMBLY - Thermal relief valve	1	
-4	31872-00		* * BODY - Thermal relief valve	1	
-5	31875-00		* * RETAINER - Thermal relief valve	1	
-6	31871-00		* * SPRING - Thermal relief valve	1	
-7	31877-00		* * RETAINER - Thermal relief valve	1	
-8	31814-02		* * BALL - Thermal relief valve	1	
-9	31874-00		* * SEAT - Thermal relief valve	1	
-10	752 714		* * PACKING - "O" Ring (AN6227-4)	1	
-11	31873-00		* * HEAD - Thermal relief valve	1	
-12	31955-00	B	* SCREW - Powerpak relief valve	1	
-13	31848-00	B	* NUT - Powerpak relief valve	1	
-14	31957-00	B	* SPRING - Powerpak relief valve	1	
-15	31952-00	B	* PLUNGER - Powerpak relief valve	1	
-16	31951-00	B	* BODY - Powerpak relief valve	1	
-17	752 713	B	* PACKING - "O" Ring (AN6227-15) (484 712)	1	
-18	31814-07	B	* BALL - Powerpak relief valve	1	
-19	752 714	B	* PACKING - "O" Ring (AN6227-4)	1	
-20	31953-00	B	* PLUG - Powerpak relief valve	1	
-21	31954-00	B	* SEAT - Powerpak relief valve	1	
-22	31956-00	B	* RETAINER - Powerpak relief valve	1	
-23	31950-00	C	* VALVE ASSEMBLY - Powerpak relief	1	
-24	31962-00	C	* * CAP - Powerpak relief valve	1	
-25	31848-00	C	* * NUT - Powerpak relief valve	1	
-26	31949-00	C	* * SPRING - Powerpak relief valve	1	
-27	31900-00	C	* * GUIDE - Powerpak relief valve	1	
-28	31963-00	C	* * BODY - Powerpak relief valve	1	
-29	31814-03	C	* * BALL - Powerpak relief valve	1	
-30	31899-00	C	* * POPPET ASSEMBLY - Powerpak relief valve	1	
-31	484 701	C	* * PACKING - "O" Ring (AN6227-7)	2	
-32	31885-00	C	* * RETAINER - Powerpak relief valve	1	
-33	31948-00	C	* * END FITTING - Powerpak relief valve	1	
-34	462 027	C	* PACKING - "O" Ring (AN6290-4)	1	
-35	31912-00		* STRAINER	1	
-36	31937-00		* SEAT - Check	1	
-37	753 189		* WASHER - Dyna-seal (110 x 9/16)	1	
-38	484 708		* PACKING - "O" Ring (AN6227-6)	1	
-39	751 354		* BALL - Check (PAC 31814-05)	1	
-40	752 908		* SPRING - Check (PAC 31936-00)	1	

A - Refer to Figure 45A for balance of powerpak components.
 B - Used on Piper Powerpak 31800-00 and Electrol Powerpak only.
 C - Used on Piper Powerpak 31800-02, 31800-03 and 31800-2M only.

When ordering, always specify Part Number, Description and Serial Number of Aircraft

HYDRAULIC POWERPAK COMPONENTS
(See Code "A")



SECTION VIII
Hydraulic System Group

Figure and Index Number	Part Number	Code	NOMENCLATURE	No. Req.	SERIAL NUMBERS AFFECTED
45-41	752 732	B	CAP - Flap detent (PAC 31904-00)	1	
-42	31947-00	B	SPRING	1	
-43	31905-00	B	PLUNGER - Powerpak	1	
-44	753 428	B	BALL - (PAC 31814-04)	1	
-45	752 715		PACKING - "O" Ring (PRP902-3/4)	2	
-46	31917-00	C	CAP - Gear detent	1	
-47	31915-00	C	SPRING	1	
-48	31916-00	C	DETENT SPRING GUIDE	1	
-49	31914-00	C	DETENT - Plunger	1	
-50	407 597		WASHER - (AN960-916L)	1	
-51	484 726		PACKING - "O" Ring (AN6227-10)	6	
-52	31913-00		RETAINER - Pressure	6	
-53	31856-00		SPRING	10	
-54	752 736		PACKING - "O" Ring (2-15PSI-30-5AN)	20	
-55	31854-00		POPPET AND SEAT ASSEMBLY	10	
-56	752 735		PACKING - "O" Ring (AN6227-3) (484 707)	10	
-57	31923-00		RETAINER - Return	4	
-58	752 718		PACKING - "O" Ring (AN6230-36)	1	
-59	31886-02		PLATE - Powerpak, left	1	
	31886-03		PLATE - Powerpak, right	1	
-60	756 281		SCREW - Cap (1/4-28NF-3-5/16" L)	8	
-61	407 127		WASHER - (AN936B-416)	8	
-62	404 322		NUT - (AN316-4R)	1	
-63	31939-00		STUD - Reservoir	1	
-64	31924-00		SPACER - Reservoir	1	
-65	31940-00		SPACER - Reservoir	1	
-66	31944-00		BAFFLE - Reservoir	1	
-67	31827-00		RESERVOIR	1	
-68	31925-00		STRAINER	1	
-69	484 697		PACKING - "O" Ring (AN6227-9)	1	
-70	491 052		UNION - (AN815-6D)	1	
-71	477 620		NUT - (AN924-6D)	1	
-72	484 700		PACKING - "O" Ring (AN6227-5)	1	
-73	31926-00		WASHER - Reservoir	1	
-74	404 888		NUT - (MS20365-428C)	1	
-75	754 767		ELBOW - Reservoir (1K42-1)	1	
-76	753 076	D	UNION	1	
-77	462 029	D	PACKING - "O" Ring (AN6290-6)	1	
-78	752 713	E	PACKING - "O" Ring (AN6227-15) (484 712)	1	
-79	32278-00	E	ADAPTER - Relief valve	1	

- A - Refer to Figure 45A for balance of powerpak components.
- B - Two required on Piper Powerpak 31800-00 and Electrol Powerpak.
- C - Used on Piper Powerpak 31800-02, 31800-03 and 31800-2M only.
- D - Used when elbow is not installed.
- E - Used on Piper Powerpak 31800-2M only.

When ordering, always specify Part Number, Description and Serial Number of Aircraft

**2J23 THRU 2J24
INTENTIONALLY LEFT BLANK**

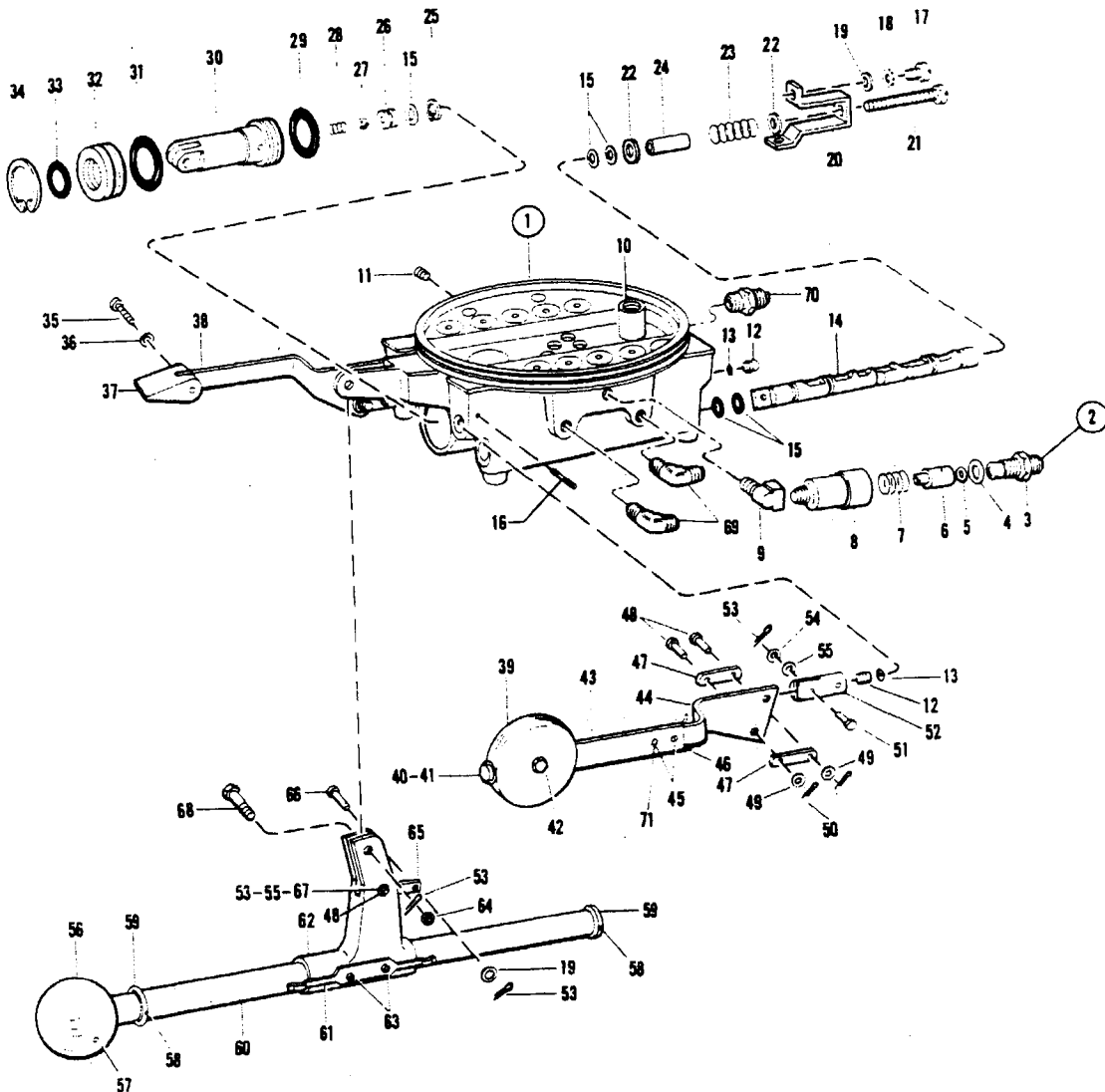


Figure 45A. Hydraulic Powerpak Components

PIPER PARTS CATALOG

Figure and Index Number	Part Number	Code	NOMENCLATURE	No. Req.	SERIAL NUMBERS AFFECTED
45A-1	31800-02		POWERPAK ASSEMBLY - New (14-volt)	1	
	757 206		POWERPAK ASSEMBLY - Reconditioned (14-volt) (PAC 31800-02)	1	
	481 144		POWERPAK ASSEMBLY - New (28-volt) (PAC 31800-03)	1	
	755 802		POWERPAK ASSEMBLY - Reconditioned (28-volt) (PAC 31800-03)	1	
-2	31862-00		* VALVE ASSEMBLY - Check	1	
-3	31803-00		* * END FITTING - Check valve	1	
-4	755 940		* * GASKET - (MS28778-6)	1	
-5	755 941		* * PACKING - "O" Ring (MS28775-011)	1	
-6	31861-00		* * POPPET - Check valve	1	
-7	756 168		* * SPRING - Check valve (PAC 31799-00)	1	
-8	31801-00		* * BODY - Check valve	1	
-9	458 920		* ELBOW - Check valve (W/H 3400 x 2)	1	
-10	31911-00		* STANDPIPE	1	
-11	757 248		* PLUG - (AN932-1)	1	
-12	31941-00		* PLUG	4	
-13	752 715		* PACKING - "O" Ring (PRP902-3/4)	4	
-14	31887-00		* CAMSHAFT - Left	1	
	31887-01		* CAMSHAFT - Right	1	
-15	484 708		* PACKING - "O" Ring (AN6227-6)	9	
-16	480 689		* PIN - Roll (52-040-187-0750)	2	
-17	756 281		* SCREW - Cap (1/4-28NF-3 5/16" L.)	2	
-18	407 127		* WASHER - Lock (AN936B-416)	2	
-19	753 138		* WASHER - (AN960-PD416)	3	
-20	31943-00		* RETAINER	2	
-21	31907-00		* SCREW	2	
-22	31902-00		* WASHER	2	
-23	31946-00		* SPRING	2	
-24	31888-00		* SPACER	2	
-25	752 811		* RING - Snap (NAS50-43)	1	
-26	31937-00		* SEAT - Check	1	
-27	751 354		* BALL - Check (PAC 31814-05)	1	
-28	752 908		* SPRING - Check (PAC 31936-00)	1	
-29	752 713		* PACKING - "O" Ring (AN6227-15) (484 712)	1	
-30	31938-00		* PISTON	1	
-31	484 702		* PACKING - "O" Ring (AN6227-16)	1	
-32	31935-00		* STOP	1	
-33	752 712		* PACKING - "O" Ring (AN6227-13) (484 696)	1	
-34	484 721		* RING - Snap (5000-106)	1	
-35	756 282		* SCREW - Cap (10-32NF-3-11/16" L.)	1	
-36	407 124		* WASHER - Lock (AN935-10L)	1	
-37	754 069		* KNOB - Flap control (PAC 31929-00)	1	
-38	752 306		* LEVER - Flap control (PAC 31928-00)	1	
-39	754 042		* KNOB - Landing gear (14-volt) (PAC 31909-00)	1	
	31909-02		* KNOB - Landing gear (28-volt)	1	
-40	472 054		* * LAMP - Landing gear knob (330) 14-volt	1	
	472 028		* * LAMP - Landing gear knob (327) 28-volt	1	
-41	752 838		* * REFLECTOR - Landing gear knob	1	
-42	31908-00		* BOLT - Landing gear knob	1	
	756 600		* NUT - Landing gear knob (AN364-832)	1	
-43	753 027		* TUBE - Landing gear lever (PAC 31910-00)	1	
-44	761 213		* LEVER - Landing gear (PAC 28468-02)	1	

A - Refer to Figure 45 for balance of powerpak components.

When ordering, always specify Part Number, Description and Serial Number of Aircraft



Figure and Index Number	Part Number	Code	NOMENCLATURE	No. Req.	SERIAL NUMBERS AFFECTED
45A-46	752 704		PIN - Roll (52-040-187-0312)	2	
-46	753 037		TERMINAL BLOCK AND WIRE ASSEMBLY (PAC31932-00)	1	
-47	31930-00		LINK	4	
-48	424 142		PIN - Clevis (AN392-11)	4	
-49	756 601		WASHER - (AN960PD4L)	4	
-50	424 050		PIN - Cotter (AN380-2-1)	4	
-51	424 179		PIN - Clevis (AN393-21)	2	
-52	31942-00		STUD	2	
-53	424 051		PIN - Cotter (MS24665-132)	5	
-54	407 584		WASHER - (AN960PD10L)	2	
-55	753 136		WASHER - (AN960PD10)	3	
-56	751 838		GRIP - Hand pump (PAC31933-00)	1	
-57	752 706		PIN - Roll (52-028-125-1.375)	1	
-58	752 705		PIN - Roll (52-028-125-1.187)	2	
-59	31934-00		STOP	2	
-60	31825-00		HANDLE	1	
-61	752 813		SPRING - (PAC31906-00)	1	
-62	31829-00		FORK ASSEMBLY	1	
-63	752 918		SCREW - (AN500-6-3)	2	
	407 122		WASHER - Lock (AN935-6L)	2	
-64	404 382		NUT - (AN320-3)	1	
-65	31922-00		LINK	1	
-66	424 206		PIN - Clevis (AN394-19)	1	
-67	424 210		PIN - Clevis (AN394-27)	1	
-68	400 055		BOLT - (AN3-10)	1	
-69	458 894		ELBOW - (AN822-4D)	4	
-70	476 662		NIPPLE - (AN816-6D)	1	
-71	421 024		RIVET - (AN455-A3-6)	1	

A - Refer to Figure 45 for balance of powerpak components.

When ordering, always specify Part Number, Description and Serial Number of Aircraft

PIPER PARTS CATALOG

Figure and Index Number	Part Number	Code	NOMENCLATURE	No. Req.	SERIAL NUMBERS AFFECTED
46-	18447 31560 28329		DRAWING - Emergency Gear Extender Installation DRAWING - Emergency Gear Extender Installation DRAWING - Emergency Gear Extender Installation		27-1 to 27-2504 inclusive 27-2505 to 27-7854050 inclusive 27-7854051 and up
-1	16961-00		LINE ASSEMBLY - Emergency gear extender	1	
-2	492 047 31424-00 32803-00	A Y Y	VALVE - Shuttle (A-50) VALVE - Hydraulic shuttle VALVE - Hydraulic shuttle (492 139)	3 3 3	27-1 to 27-2504 inclusive 27-2505 to 27-4147 inclusive 27-4148 and up
-3	755 848	B	* PACKING - "O" Ring (HL332)	2	
-4	755 849	B	* PACKING - "O" Ring (HL648)	2	
-4a	484 898	D	* "O" RING - (MS28775-015)	2	
-4b	757 275	C	* "O" RING - (MS28778-8)	1	
-5	18438-00 18438-04	Y	COVER ASSEMBLY - Emergency gear extender ring COVER ASSEMBLY - Emergency gear extender ring	1 1	27-1 to 27-3625 inclusive 27-3626 and up
-6	484 341 484 342	Y Y	RECEPTACLE - (99947-P130) RECEPTACLE - (212-12D)	1 1	27-1 to 27-3625 inclusive 27-3626 and up
-7	484 648		RING - Key	1	
-8	18444-00 31442-00	Y	TUBE ASSEMBLY - Cable guide TUBE ASSEMBLY - Cable guide	1 1	27-1 to 27-2504 inclusive 27-2505 and up
-9	406 863		RIVNUT - (A8K-75)	2	
-10	454 940		CLAMP - Tinnerman (A2980S-12-1)	1	
-11	454 929		CLAMP - Tinnerman (A4980S-4-91)	6	
-12	18445-00		CABLE ASSEMBLY - Emergency gear extender	1	
-13	487 291		SPRING	1	
-14	18468-00		CLIP - Spring	1	
-15	488 320		TEE - (AN824-4D)	1	
-16	18441-00		LINE ASSEMBLY - Emergency gear extender	2	
-17	18440-02		LINE ASSEMBLY - Emergency gear extender	1	
-18	18440-03		LINE ASSEMBLY - Emergency gear extender	1	
-19	491 050		UNION - (AN815-4D)	1	
-20	18443-00		CLAMP - Emergency gear extender bottle	1	
-21	751 504		CAP - (A132-2)	1	
-22	753 144		WASHER - (A-136-A)	1	
-23	751 658		UNIT - Discharge (A-145)	1	
-24	753 145		WASHER - (A-136-B)	1	
-25	752 931		STEM - (A-36-133)	1	
-26	462 027		GASKET - (AN6290-4)	1	
-27	477 621		NUT - (AN924-8D)	3	
-28	488 383		TEE - (AN834-4D)	1	
-29	18439-00 18439-02	X,Z Y	BRACKET - Emergency gear extender bottle BRACKET - Emergency gear extender bottle	1 1	
-30	751 393		BOTTLE - CO2 (US36-152)	1	
-31	486 879		SLEEVE - (28-1-C)	1	

- A - If Shuttle Valve Replacement Kit 760 812 has been installed, order Part No. 32803-00.
- B - Used on Hoof valves Part Numbers 492 047 (Model A-50) and 31424-00 (Model A-51) only.
- C - Used on valve part number 32803-00 manufactured by T.B.C. Product only.
- D - Used on valve part number 32803-00 manufactured by Gar-Kenyon Inst. Co. only.
- X - Used on PA-23-250 airplanes only.
- Y - Used on PA-23-250 (Six Place) airplanes only.
- Z - Used on PA-23-235 (Six Place) airplanes only.

When ordering, always specify Part Number, Description and Serial Number of Aircraft

PIPER PARTS CATALOG

Figure and Index Number	Part Number	Code	NOMENCLATURE	No. Req.	SERIAL NUMBERS AFFECTED
46-32	18688-00		BRACKET - Hydraulic line support, LH	1	27-1 to 27-2504 incl.
	18688-01		BRACKET - Hydraulic line support, RH	1	27-1 to 27-2504 incl.
-33	454 886		CLAMP - Tinnerman (A4886S-10-24A)	1	
-34	18445-03	Y	CABLE ASSEMBLY - Emergency gear extension	1	27-2505 and up
-35	31604-00	Y	CABLE ASSEMBLY - Emergency gear extension	1	27-2505 and up
-36	477 618		NUT - (AN924-4D)	3	27-1 to 27-2504 inclusive
	477 676	Y	NUT - (AN6289-D4)	1	27-2505 and up
-37	484 752	Y	RING - (AN6291-4)	3	27-2505 and up
-38	488 383	Y	TEE - (AN834-4D)	2	27-2505 and up
-39	488 311		TEE - (AN804-4D) Left	1	
	458 900		ELBOW - (AN833-4D) Right	1	
-40	477 676	Y	NUT - (AN6289-D4)	2	27-2505 and up
-41	462 027	Y	GASKET - (AN6290-4)	2	27-2505 and up
-42	458 894		ELBOW - (AN822-4D)	6	
-43	31920-00	A,Y	TUBE ASSEMBLY - Cable support	1	27-2659 and up
-44	462 027	B	GASKET - (AN6290-4)	1	
-45	491 050	B	UNION - (AN815-4D)	1	

A - Used on airplanes with serial numbers 27-2505 to 27-2658 inclusive if Kit 756 878 has been installed.
 B - Used on airplanes with serial numbers 27-1 to 27-2504 inclusive if Shuttle Valve Replacement Kit 760 812 has been installed.
 Y - Used on PA-23-250 (Six Place) airplanes only.

When ordering, always specify Part Number, Description and Serial Number of Aircraft

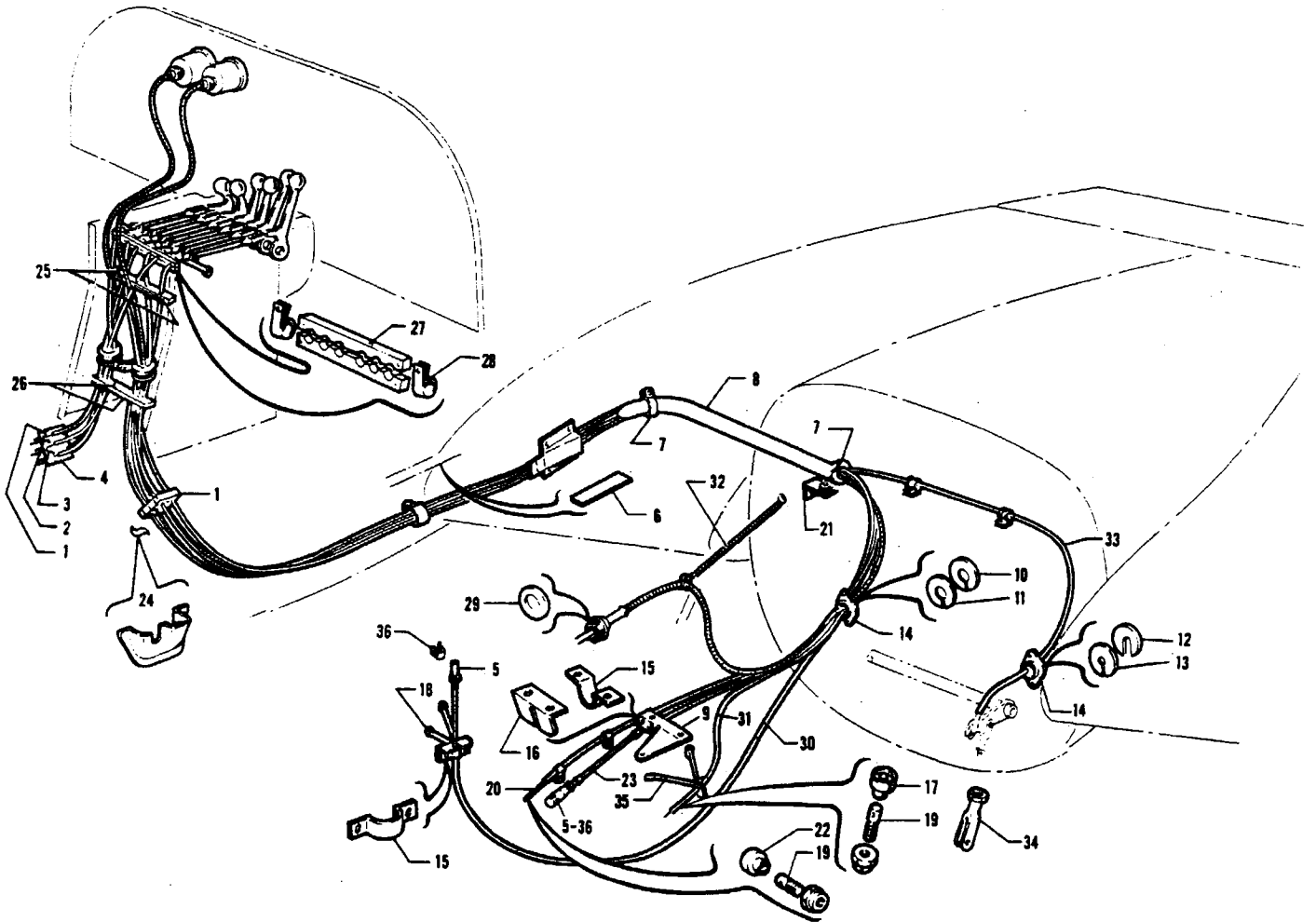


Figure 47. Engine Controls Installation



Figure and Index Number	Part Number	Code	NOMENCLATURE	No. Req.	SERIAL NUMBERS AFFECTED
47-	16804 30723 31555	X,Z Y Y	DRAWING - Engine Controls Installation DRAWING - Engine Controls Installation DRAWING - Engine Controls Installation		27-20000 to 27-2504 inclusive 27-2505 and up
-1	18001-02		BLOCK - Engine controls support	2	
-2	18001-03		BLOCK - Engine controls support	2	
-3	18001-04		BLOCK - Engine controls support	2	
-4	18001-05		BLOCK - Engine controls support	2	
-5	19987-00		BALL JOINT - Propeller governor control (C103)	4	
-6	11473-86		PLATE - Rectangular	2	
-7	80032-65		CLAMP - Offset	4	
-8	16356-00		TUBE - Engine control cable guide	2	
-9	21519-00		BRACKET ASSEMBLY - Controls attachment	2	
-10	18320-08	X,Z	DISC - Firewall seal, aft	2	
	18320-05	Y,Z	DISC - Firewall seal, aft	2	27-2000 to 27-2504 inclusive
	18320-06	Y	DISC - Firewall seal, aft	2	27-2505 and up
-11	18320-04		DISC - Firewall seal, forward	2	27-1 to 27-2504 inclusive
	18320-03	Y	DISC - Firewall seal, forward	2	27-2505 and up
-12	18320-08	X,Z	DISC - Firewall seal, aft (outboard hole)	2	
	18320-07	Y	DISC - Firewall seal, aft (outboard hole)	2	27-2000 to 27-2504 inclusive
	18320-06	Y	DISC - Firewall seal, aft (outboard hole) right	1	27-2505 and up
-13	18320-04	X,Z	DISC - Firewall seal, forward (outboard hole)	2	
	18320-03	Y	DISC - Firewall seal, forward (outboard hole)	2	27-2000 to 27-2504 inclusive
	18320-03	Y	DISC - Firewall seal, forward (outboard hole) right	1	27-2505 and up
-14	18321-00		PLATE - Firewall seal disc mounting	10	
-15	18219-02		CLAMP - Control cable attachment	4	
-16	18132-02		LUG - Control cable support bracket	2	
-17	91193-00	X,Y	FITTING - Swivel	2	27-1 to 27-2504 inclusive
-18	16604-00	A	BRACKET ASSEMBLY - Propeller pitch control	2	
-19	70371-03		STUD - Swivel	4	
-20	19331-02		CABLE ASSEMBLY - Heat control or alternate air	2	
-21	16555-00		CLIP - Cable guide tube support, left	1	
	16555-01		CLIP - Cable guide tube support, right	1	
-22	70371-02		FITTING - Swivel	2	
-23	30205-02		CABLE ASSEMBLY - Throttle control	2	
-24	30635-00		COVER ASSEMBLY - Engine control cable, left	1	
	30635-01		COVER ASSEMBLY - Engine control cable, right	1	
-25	18532-00		BLOCK	2	
-26	18533-02		BLOCK	2	
-27	18531-00		BLOCK	1	
-28	80032-39		CLAMP	2	
-29	85012-14		WASHER	4	
-30	17906-06	X	CABLE ASSEMBLY - Left engine propeller pitch control	1	
	30929-05	Y,Z	CABLE ASSEMBLY - Left engine propeller pitch control	1	
	17905-05	X	CABLE ASSEMBLY - Right engine propeller pitch control	1	
	30929-04	Y,Z	CABLE ASSEMBLY - Right engine propeller pitch control	1	

A - See Figure 31B if propeller synchronizer is installed.
X - Used on PA-23-250 airplanes only.
Y - Used on PA-23-250 (Six Place) airplanes only.
Z - Used on PA-23-235 airplanes only.

When ordering, always specify Part Number, Description and Serial Number of Aircraft



Figure and Index Number	Part Number	Code	NOMENCLATURE	No. Req.	SERIAL NUMBERS AFFECTED
47-31	17906-02	X	CABLE ASSEMBLY - Mixture control	2	
	30848-03	Y,Z	CABLE ASSEMBLY - Mixture control	2	27-2000 to 27-2504 inclusive
	30205-08	Y	CABLE ASSEMBLY - Left engine mixture control	1	27-2505 and up
	30205-02	Y	CABLE ASSEMBLY - Right engine mixture control	1	27-2505 and up
-32	42891-00		SPRING	2	
-33	30205-07	A,Y	CABLE ASSEMBLY - Cowl flap control	2	27-2505 and up
-34	554 757	Y	CLEVIS - Mixture control (MS35812-1)	2	27-2505 and up
-35	31210-00		BRACKET ASSEMBLY - Mixture control support	2	
-36	55447-02	Y	RETAINER - Ball joint	4	

A - Refer to Figure 34B if Lycoming Turbocharger is installed.
 X - Used on PA-23-250 airplanes only.
 Y - Used on PA-23-250 (Six Place) airplanes only.
 Z - Used on PA-23-235 airplanes only.

When ordering, always specify Part Number, Description and Serial Number of Aircraft

PIPER PARTS CATALOG

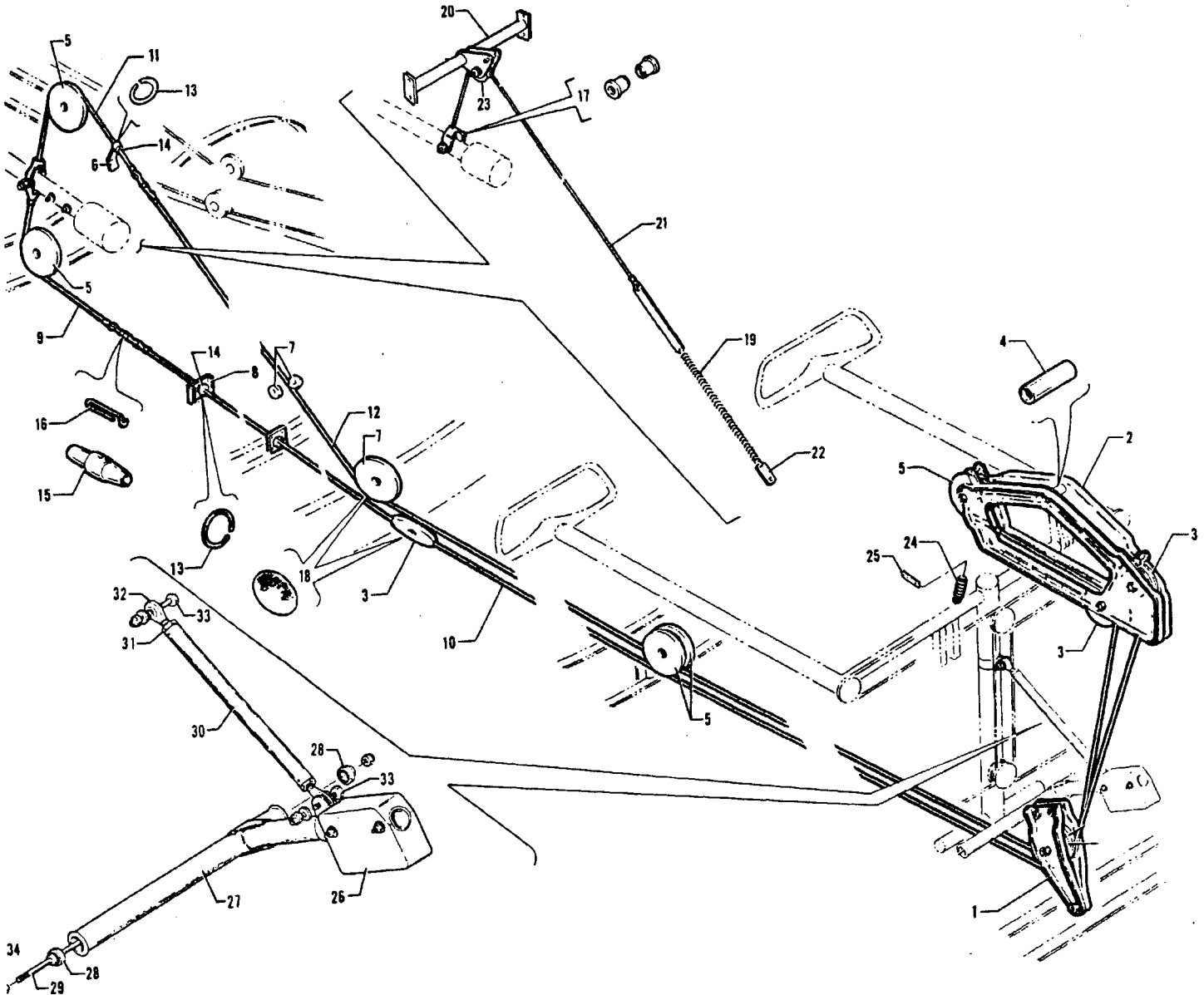


Figure 48. Stabilator Control Installation

REVISED: AUGUST 1979

2K10

PA-23-250 (Six Place)
PA-23-250, PA-23-235

PIPER PARTS CATALOG

Figure and Index Number	Part Number	Code	NOMENCLATURE	No. Req.	SERIAL NUMBERS AFFECTED
48-	16354		DRAWING - Control System Installation		27-1 to 27-3049 inclusive,
	32142	Y	DRAWING - Control System Installation		27-3051 to 27-3153 inclusive
	32635	Y	DRAWING - Control System Installation		27-3050, 27-3154 to 27-3836,
	30732	Y	DRAWING - Cockpit Control Installation		27-3838 to 27-3943 inclusive
	16306	X,Z	DRAWING - Cockpit Control Installation		27-3837, 27-3944 and up
	28583	Y	DRAWING - Cockpit Control Installation		27-2000 to 27-7954121 incl.
					27-8054001 and up
-1	16750-00		BRACKET - Stabilator pulley, left	1	
	16750-01		BRACKET - Stabilator pulley, right	1	
-2	16707-00		BRACKET - Stabilator pulley support, left	1	
	16707-01		BRACKET - Stabilator pulley support, right	1	
-3	41001-03		PULLEY	5	
-4	14976-47		BUSHING	1	
-5	481 624		PULLEY - (AN210-4B)	6	
-6	32033-00	Y	BRACKET ASSEMBLY - Fairlead	1	27-3050, 27-3154 and up
-7	481 651	Y	PULLEY - Rudder and stabilator (MS20220-1)	3	27-3050, 27-3154 and up
-8	11151-02		PLATE - Fairlead bracket	1	
-9	16353-03		CABLE - Stabilator control	1	
-10	16353-04		CABLE - Stabilator control	1	
-11	16353-05		CABLE - Stabilator control (28 5/16" L.)	1	
	16353-07		CABLE - Stabilator control (32 5/16" L.)	1	
	16353-09	Y	CABLE - Stabilator control (32 1/2" L.)	1	27-3050, 27-3154 and up
-12	16353-06		CABLE - Stabilator control (262 1/4" L.)	1	
	16353-08		CABLE - Stabilator control (258 1/4" L.)	1	
-13	40081-00		SNAP RING - Fairlead	2	
-14	40701-02		FAIRLEAD	4	
-15	452 011		BARREL - (NAS649B32S)	2	
-16	454 867		CLIP - (NAS651-16S)	4	
-17	453 834	Y	BUSHING - Stabilator bungee (NAS77-4-09)	2	27-4426, 27-4574 and up
-18	41723-03		DISC - Fabric	2	27-7305085 and up
-19	33149-02	Y	SPRING - Stabilator bungee	1	27-4426, 27-4574 and up
-20	33185-00	Y	BRACKET ASSEMBLY - Bungee pulley	1	27-4426, 27-4574 and up
-21	33186-00	Y	CABLE ASSEMBLY - Stabilator bungee	1	27-4426, 27-4574 to 27-7954121 incl.
	33186-04	Y	CABLE ASSEMBLY - Stabilator bungee	1	27-8054001 and up
-22	81262-112	Y	LINK - Stabilator bungee	1	27-4426, 27-4574 and up
-23	481 640	Y	PULLEY - Stabilator bungee (MS24566-1B)	1	27-4426, 27-4574 and up
-24	83302-26	X,Z	SPRING - Control column	1	
	83302-26	A,Y	SPRING - Control column	1	
-25	60054-20	Y	LINK - Stabilator control	1	27-2000 to 27-2504 inclusive
	60054-30	B,Y	LINK - Stabilator control	1	

A - Used on PA-23-250 (Six Place) with serial numbers 27-2000 to 27-4425, 27-4427 to 27-4573 inclusive.
 B - Used on PA-23-250 (Six Place) with serial numbers 27-2505 to 27-4425, 27-4427 to 27-4573 inclusive.
 X - Used on PA-23-250 airplanes only.
 Y - Used on PA-23-250 (Six Place) airplanes only.
 Z - Used on PA-23-235 airplanes only.

When ordering, always specify Part Number, Description and Serial Number of Aircraft

PIPER PARTS CATALOG

Figure and Index Number	Part Number	Code	NOMENCLATURE	No. Req.	SERIAL NUMBERS AFFECTED
48-26	28571-02		BOBWEIGHT	1	27-8054001 and up
-27	28570-02		ARM ASSEMBLY - Bobweight	1	27-8054001 and up
-28	452 342		BEARING - (CS1255)	2	27-8054001 and up
-29	16182-03		ROD - Bobweight arm attachment	1	27-8054001 and up
-30	28572-02		TUBE ASSEMBLY - Bobweight control	1	27-8054001 and up
-31	404 322		NUT - (AN316-4R)	2	27-8054001 and up
-32	452 630		BEARING - Rod end (PS10020-1-5RX)	2	27-8054001 and up
-33	401 310		BOLT - (AN4-10A)	2	27-8054001 and up
	407 565		WASHER - (AN960-416)	2	27-8054001 and up
	404 888		NUT - (MS20365-428C)	2	27-8054001 and up
-34	404 888		NUT - (MS20365-428C)	2	27-8054001 and up

When ordering, always specify Part Number, Description and Serial Number of Aircraft

PIPER PARTS CATALOG

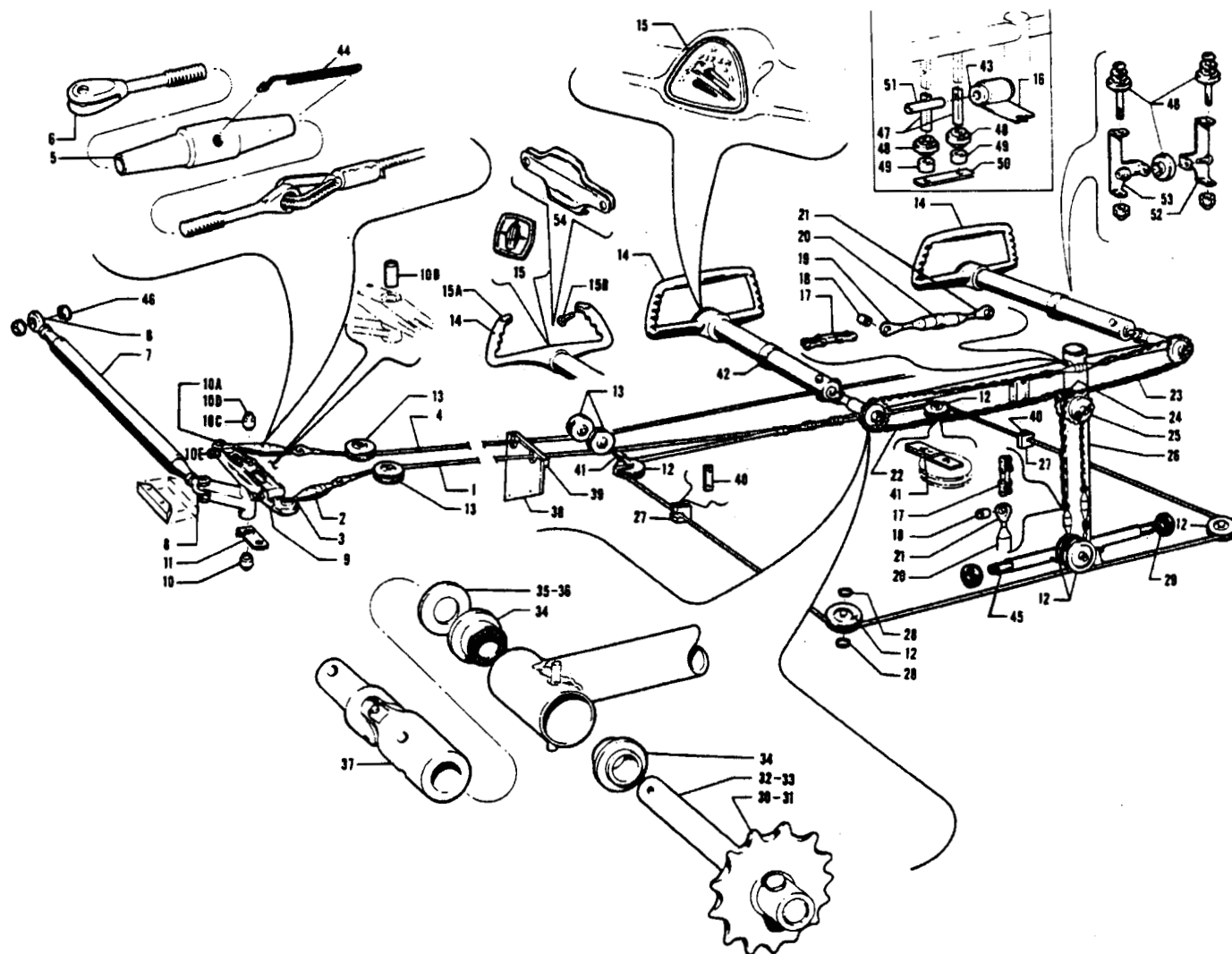


Figure 49. Aileron Controls Installation

PIPER PARTS CATALOG

Figure and Index Number	Part Number	Code	NOMENCLATURE	No. Req.	SERIAL NUMBERS AFFECTED
49-	16306	X,Z	DRAWING - Cockpit Controls Installation		
	30732	Y	DRAWING - Cockpit Controls Installation		27-2000 to 27-7954121 incl.
	28583	Y	DRAWING - Cockpit Controls Installation		27-8054001 and up
	16292	X,Z	DRAWING - Wing Installation		
	30698	Y	DRAWING - Wing Installation		27-2000 to 27-4815 inclusive
	33304	Y	DRAWING - Wing Installation		27-4816 to 27-7554168 inclusive
	33900	Y	DRAWING - Wing Installation		27-7654001 and up
-1	17389-02		CABLE ASSEMBLY - Aileron control	1	
-2	452 011		* BARREL - Turnbuckle (NAS649B32S)	2	
-3	461 133		* FORK - Turnbuckle (NAS645-32RS)	2	
-4	14300-04		CABLE ASSEMBLY - Aileron balance	1	
-5	452 011		* BARREL - Turnbuckle (NAS649B32S)	2	
-6	461 133		* FORK - Turnbuckle (NAS645-32RS)	2	
-7	17471-00		TUBE ASSEMBLY - Aileron control	2	
-8	452 383		* BEARING - Rod end (24166)	2	
-9	18823-01		BELLCRANK ASSEMBLY - Aileron, right	1	
	18823-00		BELLCRANK ASSEMBLY - Aileron, left	1	
-10	452 344		* BEARING - (5035)	1	
-10a	80022-74		* BUSHING - Aileron bellcrank	2	
-10b	80022-73		* BUSHING - Aileron bellcrank	1	
-10c	452 361		* BEARING - Sleeve (B86)	1	
-10d	452 362		* BEARING - Race (1RA5)	1	
-10e	71698-02		* BOLT - Stop	2	
	405 580		* NUT - Jam (1/4-20 NC-3)	2	
-11	18287-00		PLATE - Bolt stop	2	
-12	41001-00		PULLEY - (2 3/4")	8	
-13	481 628		PULLEY - (MS24566-3B)	8	
-14	17239-11	B	WHEEL ASSEMBLY - Control (Solid Type)	2	27-1 to 27-366 inclusive
	17239-12	B	WHEEL ASSEMBLY - Control (Solid Type)	2	27-367 to 27-3836 inclusive, 27-3838 to 27-3943 inclusive
	32587-02	Y	WHEEL ASSEMBLY - Control (Yoke Type)	2	27-3837, 27-3944 to 27-7305234 inclusive
	32587-04	A,Y	WHEEL ASSEMBLY - Control (Yoke Type)	2	27-7405235 to 27-7954121 incl.
	32587-03		WHEEL ASSEMBLY - Control (Yoke Type)	2	27-8054001 and up
-15	17804-00		* MEDALLION - Control wheel "Apache"	1	
	16093-00		* MEDALLION - Control wheel "Aztec"	1	27-1 to 27-2504 inclusive
	16093-02		* MEDALLION - Control wheel "Aztec"	1	27-2505 to 27-3483 inclusive
	16093-03		* MEDALLION - Control wheel "Aztec"	1	27-3484 to 27-3836 inclusive, 27-3838 to 27-3943 inclusive
	474 345		* MEDALLION - Control wheel "Aztec" (8706-1)	1	27-3837, 27-3944 to 27-7305234 inclusive
	48657-00		* MEDALLION - Control wheel "Aztec"	1	27-7405235 and up
-15a	53856-00	A	* PLATE - Cover, control wheel	2	

A - When ordering, specify color black or beige.
 B - "Solid Type" control wheel is no longer available.
 Order "Yoke Type" control wheel P/N 32587-04 as a replacement.
 X - Used on PA-23-250 airplanes only.
 Y - Used on PA-23-250 (Six Place) airplanes only.
 Z - Used on PA-23-235 airplanes only.

When ordering, always specify Part Number, Description and Serial Number of Aircraft

PIPER PARTS CATALOG

Figure and Index Number	Part Number	Code	NOMENCLATURE	No. Req.	SERIAL NUMBERS AFFECTED
49-15b	43255-02	Y	* BUTTON - Plug, control wheel, black	2	27-3837, 27-3944 to 27-7554168 inclusive
	43255-03	Y	* BUTTON - Plug, control wheel, beige	1	27-7654001 and up
-16	16891-00		SPRING - Control column negator	1	27-1 to 27-2504 inclusive
	16891-00	Y	SPRING - Control column negator	2	27-2505 to 27-7554168 inclusive
-17	472 684		LINK - Coupler	4	
-18	80012-95	X,Z	BUSHING	4	
-19	459 928		EYE - Turnbuckle (NAS648-22LS)	1	
-20	452 011		BARREL - Turnbuckle (NAS649B32S)	3	
-21	459 930		EYE - Turnbuckle (NAS648-22RS)	3	
-22	13445-02		CHAIN ASSEMBLY - Roller (69 links)	1	
-23	13445-03		CHAIN ASSEMBLY - Roller (53 links)	1	
	13445-05		CHAIN ASSEMBLY - Roller (55 links)	1	
-24	13439-03		SPROCKET ASSEMBLY - Control column	1	
-25	13439-02		SPROCKET ASSEMBLY - Control column	1	
-26	16193-00		COLUMN ASSEMBLY - Control	1	27-1 to 27-7954121 inclusive
	16193-06		COLUMN ASSEMBLY - Control	1	27-8054001 and up
-27	17533-00		BLOCK - Aileron cable rub	2	
-28	81342-11		WASHER	4	
-29	452 342		BEARING - (CS1255)	2	
-30	13441-04		SPROCKET - Control column, right	1	
	13441-05	A	SPROCKET - Control column, right	1	
-31	13440-04		SPROCKET ASSEMBLY - Control column, left	1	
-32	12520-05		SHAFT - Control column pulley, right	1	
-33	12520-04		SHAFT - Control column pulley, left	1	
-34	452 340		BEARING - (46677-00)	4	
-35	85012-58		WASHER - Shim (.012)	AR	
-36	85012-59		WASHER - Shim (.018)	AR	
-37	12734-00		JOINT ASSEMBLY - Universal	2	
-38	19808-00		BLOCK - Aileron cable rub	2	27-1 to 27-2504 inclusive
	19808-02	Y	BLOCK - Aileron cable rub	2	27-2505 and up
-39	18011-00		STRIP - Aileron cable rub block	2	
-40	18521-00		STRIP - Aileron cable block retaining	2	
-41	18563-00		BLOCK - Rub	2	
-42	17393-04	X,Z	PLATE - Control wheel tube	2	
-43	14976-53		BUSHING	1	27-1 to 27-7554168 inclusive
-44	454 867		CLIP - Turnbuckle locking (NAS651-16S)	10	
-45	16182-00		ROD - Control column attachment	1	
-46	80012-22		BUSHING - Aileron control tube attachment	4	
-47	16849-00		BLOCK - Roller mounting	2	
-48	16851-00		ROLLER ASSEMBLY - Control column	8	27-1 to 27-366 inclusive
	16851-02		ROLLER ASSEMBLY - Control column	8	27-367 and up
-49	80012-11		BUSHING - Spacer	2	
-50	81262-99		LINK - Spacer	1	
-51	86102-91		BUSHING - Spacer	1	27-1 to 27-366 inclusive
	14976-54		BUSHING - Spacer	1	27-367 and up
-52	16848-00		BRACKET - Roller support, bottom	2	
-53	16848-01		BRACKET - Roller support, top	2	
-54	43618-06		CLIP ASSEMBLY - Map	1	

A - Used if AutoControl is installed.
X - Used on PA-23-250 airplanes only.
Y - Used on PA-23-250 (Six Place) airplanes only.
Z - Used on PA-23-235 airplanes only.

When ordering, always specify Part Number, Description and Serial Number of Aircraft

PIPER PARTS CATALOG

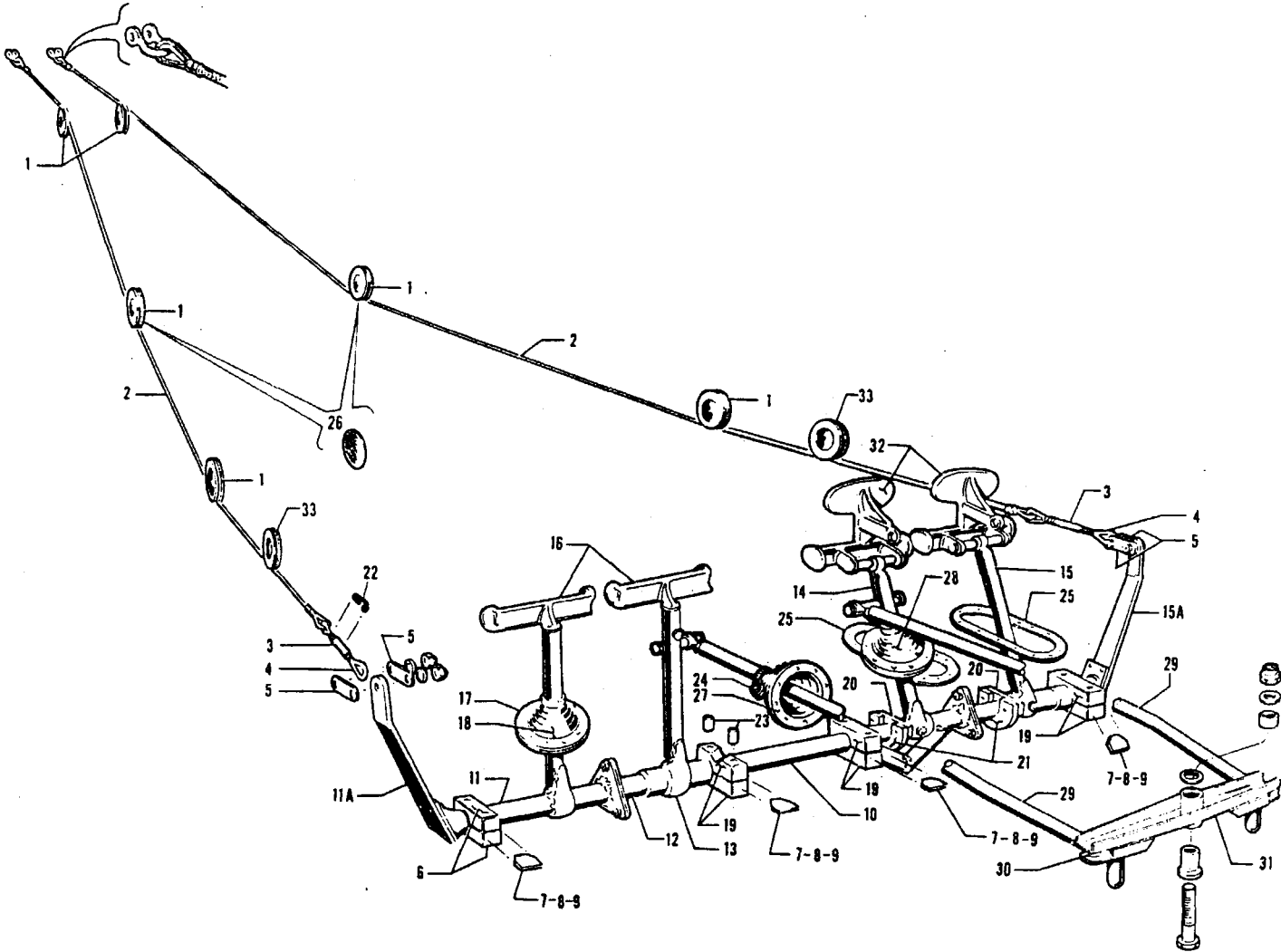


Figure 50. Rudder Control Installation

PIPER PARTS CATALOG

Figure and Index Number	Part Number	Code	NOMENCLATURE	No. Req.	SERIAL NUMBERS AFFECTED
50-	16306	X,Z	DRAWING - Cockpit Controls Installation		
	30732	Y	DRAWING - Cockpit Controls Installation		
	28583		DRAWING - Cockpit Controls Installation		
	16354		DRAWING - Control System Installation		
	32142	Y	DRAWING - Control System Installation		
	32635	Y	DRAWING - Control System Installation		
-1	41001-00		PULLEY - Fiber (2 3/4")	6	
-2	16353-02	A	CABLE - Rudder control	2	
-3	452 011		BARREL - Turnbuckle (NAS649B32S)	2	
-4	459 930		EYE - Turnbuckle (NAS648-22-RS)	2	
-5	81262-14		LINK	4	27-1 to 27-43, 27-72, 27-74 to 27-3049, 28-3051 to 27-3153 incl.
	81262-106	Y	LINK	4	27-3050, 27-3154 and up
	60054-03		LINK	4	27-44 to 27-71 and 27-73
-6	17203-02		BEARING - Rudder pedal torque tube (for 1" tube)	2	
	17203-03		BEARING - Rudder pedal torque tube (for 1 1/8" tube)	2	
-7	41371-02		SHIM - Torque tube bearing (.010)	AR	
-8	41371-03		SHIM - Torque tube bearing (.015)	AR	
-9	41371-04		SHIM - Torque tube bearing (.032)	AR	
-10	16253-00		TUBE ASSEMBLY - Rudder pedal torque	1	27-1 to 27-3803 inclusive
	15821-02	B,Y	TUBE ASSEMBLY - Rudder pedal torque	1	27-3804 and up
-11	16868-00		TUBE ASSEMBLY - Rudder pedal right torque	1	27-1 to 27-3803 inclusive
	32374-02	B	TUBE ASSEMBLY - Rudder pedal right torque	1	27-3804 and up
-11a	16861-01		ARM - Rudder pedal torque, right	1	
-12	17293-00		TUBE ASSEMBLY - Rudder pedal connector	1	
-13	16242-00		TUBE ASSEMBLY - Rudder pedal center torque	1	27-1 to 27-3803 inclusive
	32372-07	Y	TUBE ASSEMBLY - Rudder pedal center torque	1	27-3804 and up
-14	16249-00		TUBE ASSEMBLY - Rudder pedal mounting	1	
-15	16869-00		TUBE ASSEMBLY - Rudder pedal left torque	1	
-15a	16861-00		ARM - Rudder pedal torque, left	1	
-16	17530-02		PEDAL - Rudder	2	
-17	15847-02		PLATE - Rudder pedal boot attachment	2	
-18	17473-00		BOOT - Rudder pedal	2	
-19	17203-03		BEARING - Rudder pedal torque tube	3	
-20	17204-02		BEARING - Rudder pedal torque tube upper	4	
-21	17204-03		BEARING - Rudder pedal torque tube lower	4	
-22	454 867		CLIP - Turnbuckle locking (NAS651-16S)	4	
-23	14175-90		BUSHING	2	
-24	454 855		CLAMP - (A3122-14-1)	2	
-25	17903-00		PLATE - Boot attachment, outboard	1	
	15848-02		PLATE - Boot attachment, inboard	1	
-26	41723-03		DISC - Fabric	2	27-7305085 and up

A - When replacing present cables on airplanes with serial numbers 27-44 to 27-71 and 27-73 inclusive, obtain new attachment links 81262-14, Item 5.

B - When ordering for PA-23-250 (Six Place) with serial numbers 27-3804 to 27-7654142 inclusive, 27-7654144, 27-7654149 and 27-7654152, and dual brakes are not installed, also order two 17203-03 bearings.

X - Used on PA-23-250 airplanes only.

Y - Used on PA-23-250 (Six Place) airplanes only.

Z - Used on PA-23-235 airplanes only.

When ordering, always specify Part Number, Description and Serial Number of Aircraft

PIPER PARTS CATALOG

Figure and Index Number	Part Number	Code	NOMENCLATURE	No. Req.	SERIAL NUMBERS AFFECTED
50-27	17902-02		PLATE - Steering rod boot attachment	2	
-28	17473-00		BOOT - Rudder pedal and steering rod	4	
-29	16238-00		ROD ASSEMBLY - Nose gear steering	2	
-30	452 383		BEARING - Rod end (24166)	2	
-31	17310-00	A	ARM ASSEMBLY - Nose gear steering	1	
-32	17567-00		PEDAL - Brake and rudder	2	
-33	481 651		PULLEY - (MS20220-1)	2	
			A - See Figure 24 for component parts.		

When ordering, always specify Part Number, Description and Serial Number of Aircraft

PIPER PARTS CATALOG

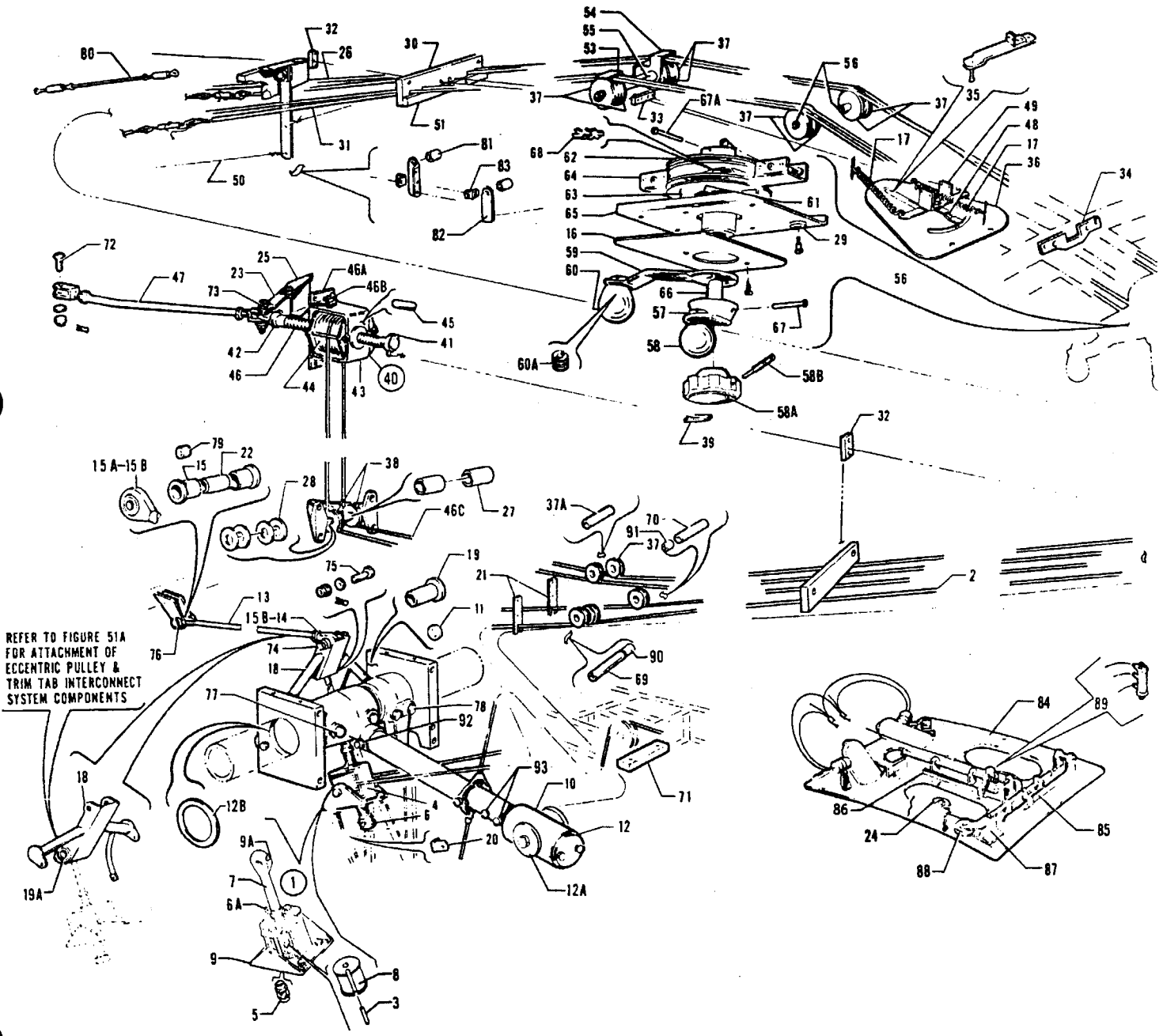


Figure 51. Tail Trim Mechanism Installation

PIPER PARTS CATALOG

Figure and Index Number	Part Number	Code	NOMENCLATURE	No. Req.	SERIAL NUMBERS AFFECTED
51-	16187		DRAWING - Stabilator Trim Mechanism Installation		27-1 to 27-7554168 inclusive 27-7654001 and up
	15633		DRAWING - Stabilator Trim Mechanism Installation		
	16278		DRAWING - Rudder Trim and Servo Tab Mechanism Installation		
	16354		DRAWING - Control System Installation		27-1 to 27-3049 inclusive, 27-3051 to 27-3153 inclusive 27-3050, 27-3154 to 27-3836, 27-3838 to 27-3943 inclusive 27-3837, 27-3944 and up
	32142	Y	DRAWING - Control System Installation		
	32635	Y	DRAWING - Control System Installation		
-1	16672-00		SCREW ASSEMBLY - Stabilator trim tab (complete)	1	27-2604 to 27-7554168 incl.
	15591-03		SCREW ASSEMBLY - Stabilator trim tab (complete)	1	27-7654001 and up
-2	16960-03		* CABLE - Stabilator trim	1	
-3	17089-00		* PIN - Stabilator trim drum	1	
-4	20840-03		* BRACKET ASSEMBLY - Control cable drum	1	
-5	452 376		* * BEARING - (F-586)	2	
-6	20834-00	B	* STOP - Stabilator trim tab screw	2	27-1 to 27-2603 inclusive
	20834-05		* STOP - Stabilator trim tab screw, bottom	1	27-2604 to 27-7554040 incl.
	20834-09		* STOP - Stabilator trim tab screw, bottom	1	27-7554041 to 27-7554168 incl.
	48437-03		* STOP - Stabilator trim tab screw, bottom	1	27-7654001 and up
	20834-05		* STOP - Stabilator trim tab screw, top	1	27-2604 to 27-7554051 incl.
	20834-09		* STOP - Stabilator trim tab screw, top	1	27-7554052 to 27-7554168 incl.
-6a	20834-08		* STOP - Stabilator trim tab screw, top	1	27-7654001 and up
	756 216	A	* SCREW AND STOP ASSEMBLY - Stabilator trim tab	1	27-1 to 27-2603 inclusive
	20802-03		* SCREW - Stabilator trim tab control	1	27-2604 to 27-7554168 incl.
	15590-03		* SCREW - Stabilator trim tab control	1	27-7654001 and up
-8	16829-00		* DRUM - Stabilator trim tab control	1	
-9	16722-02		* BRACKET - Stabilator tab control drum, left	1	
	16722-03		* BRACKET - Stabilator tab control drum, right	1	
-9a	480 686	V	* FITTING - Lubricator (MS15002-1)	1	27-7654001 and up
-10	16834-00		WEIGHT - Stabilator balance	1	27-1 to 27-7554168 inclusive
	15693-02	D	WEIGHT - Stabilator balance	1	
	15693-04		WEIGHT - Stabilator balance	1	27-7654045 to 27-7954121 incl.
	15693-03	C,D	WEIGHT - Stabilator balance	1	
	15693-05	C	WEIGHT - Stabilator balance	1	27-7654045 to 27-7954121 incl.
	28589-02		WEIGHT - Stabilator balance	1	27-8054001 and up
-11	14976-52		BUSHING - Spacer	2	
-12	16780-00		PLATE - Balance weight adjustment (.125)	AR	27-1 to 27-7554168 inclusive, 27-8054001 and up
	16780-02		PLATE - Balance weight adjustment (.250)	AR	27-1 to 27-7554168 inclusive
	16780-03		PLATE - Balance weight adjustment (.062)	AR	27-1 to 27-7554168 inclusive, 27-8054001 and up

A - If Screw and Stop Assembly 756 216, which incorporates a clevis pin for the stop attachment, has been installed, order part for serial numbers 27-2604 to 27-7554168 inclusive.

B - If Screw and Stop Assembly 756 216, which incorporates a clevis pin for the stop attachment, has been installed, order Part Number 20834-05.

C - Used if B. F. Goodrich Pneumatic System is installed.

D - Used on serial numbers 27-7654001 to 27-7654044 inclusive. Order part for serial numbers 27-7654045 and up if Stabilator Assemblies P/N 15658-22 and P/N 15658-23 are installed.

Y - Used on PA-23-250 (Six Place) airplanes only.

V - These parts must be ordered from Service Spares Department, Piper Aircraft Corp., Vero Beach, Florida.

When ordering, always specify Part Number, Description and Serial Number of Aircraft

PIPER PARTS CATALOG

Figure and Index Number	Part Number	Code	NOMENCLATURE	No. Req.	SERIAL NUMBERS AFFECTED
51-12a	49979-17		PLATE - Balance weight adjustment	AR	27-7654001 to 27-7954121 incl.
-12b	80122-84		WASHER	AR	
-13	16638-00		ARM ASSEMBLY - Stabilator tab actuator	1	27-1 to 27-326 inclusive
	30176-00		ARM ASSEMBLY - Stabilator tab actuator	1	27-327 to 27-7554168 incl., 27-8054001 and up
	15618-02		ARM ASSEMBLY - Stabilator tab actuator	1	27-7654001 to 27-7654078 incl.
	15618-05		ARM ASSEMBLY - Stabilator tab actuator	1	27-7654079 to 27-7954121 incl.
-14	452 383		* BEARING - Rod end (24166)	1	27-1 to 27-7554168 incl., 27-8054001 and up
	452 439		* BEARING - (PS10020-17-1R)	1	27-7654001 to 27-7654078 incl.
-15	452 374		* BEARING - (F-427)	2	27-1 to 27-326 inclusive
	452 385		* BEARING - (FF-520-15)	2	27-327 to 27-7554168 incl., 27-8054001 and up
-15a	452 556		* BEARING - Rod end (HMVV-4MCB)	1	27-7654001 to 27-7654078 incl.
-15b	452 630		* BEARING - (PS10020-1-5RX)	2	27-7654079 to 27-7954121 incl.
-16	17895-04		PLACARD - Tail trim control, black	1	27-1 to 27-2504 inclusive
	31237-00	Y	PLACARD - Tail trim control, tan	1	27-2505 to 27-3836 inclusive, 27-3838 to 27-3943 inclusive
	32647-00	Y	PLACARD - Tail trim control, black	1	27-3837, 27-3944 to 27-7954121 inclusive
	80887-02		DECAL - Tail trim control	1	27-8054001 and up
-17	42891-00		SPRING - Stabilator indicator return	2	27-1 to 27-3836 inclusive, 27-3838 to 27-7554168 inclusive
-18	16888-10		BELLCRANK ASSEMBLY - Stabilator tab control	1	27-1 to 27-7554168 inclusive
	33972-02		BELLCRANK ASSEMBLY - Stabilator tab control	1	27-7654001 to 27-7654078 incl.
	33972-08		BELLCRANK ASSEMBLY - Stabilator tab control	1	27-7654079 and up
-19	21831-03		* BEARING	2	
-19a	15799-02		* BUSHING - Bellcrank	2	27-7654001 and up
-20	19128-00		ANGLE - Stabilator trim indicator wire attachment	1	
-21	16887-00		BLOCK - Stabilator tab cable guide	2	
-22	14976-61		BUSHING	1	27-1 to 27-326 inclusive
	14976-63		BUSHING	1	27-327 to 27-7554168 inclusive
-23	81322-16		LINK	2	
-24	22793-00	Y	PULLEY - Trim indicator	1	27-4426, 27-4574 and up
-25	16272-00		BRACKET - Idler link	1	
-26	14300-10		CABLE ASSEMBLY - Rudder trim	1	
-27	80012-04		BUSHING	2	
-28	80122-18		WASHER	4	
-29	81342-61		WASHER	4	
-30	17403-00		BLOCK - Control cable rub	1	
-31	14300-11		CABLE ASSEMBLY - Stabilator trim, forward	1	
-32	17384-00		BLOCK - Trim indicator wire rub	2	
-33	17385-00		BLOCK - Trim indicator wire rub	2	
-34	18502-02		BLOCK - Trim cable rub	1	
-35	16890-00		LINK ASSEMBLY - Stabilator tab indicator	1	27-1 to 27-3836 inclusive, 27-3838 to 27-3943 inclusive
-36	16853-00	X,Z	PLACARD - Tail trim indicator, black	1	27-1 to 27-595 inclusive
	16853-00	Y	PLACARD - Tail trim indicator, black	1	27-2000 to 27-2441 inclusive
	31108-00	Z	PLACARD - Tail trim indicator, black	1	27-596 and up
	31108-00	Y	PLACARD - Tail trim indicator, black	1	27-2442 to 27-2504 inclusive
	31108-03	Y	PLACARD - Tail trim indicator, tan	1	27-2505 to 27-3836 inclusive, 27-3838 to 27-3943 inclusive
-37	481 621		PULLEY - (AN210-1B)	13	
-37a	14976-48		BUSHING	2	

X - Used on PA-23-250 airplanes only.
Y - Used on PA-23-250 (Six Place) airplanes only.
Z - Used on PA-23-235 airplanes only.

When ordering, always specify Part Number, Description and Serial Number of Aircraft

PIPER PARTS CATALOG

Figure and Index Number	Part Number	Code	NOMENCLATURE	No. Req.	SERIAL NUMBERS AFFECTED
51-38	80421-00		PULLEY	2	
-39	16675-00		BLOCK - Indicator wire rub	1	27-1 to 27-2504 inclusive
	16675-02	Y	BLOCK - Indicator wire rub	1	27-2505 and up
-40	16665-00		SCREW ASSEMBLY - Rudder trim tab (complete)	1	
-41	16274-02	A	* COLLAR - Rudder trim tab screw, front	1	27-1 to 27-2620 inclusive
	16274-04		* COLLAR - Rudder trim tab screw, front	1	27-2621 and up
-42	16274-00	A	* COLLAR - Rudder trim tab screw, rear	1	27-1 to 27-2620 inclusive
	16274-03		* COLLAR - Rudder trim tab screw, rear	1	27-2621 and up
-43	16276-00		* BRACKET ASSEMBLY - Rudder trim tab screw	1	
-44	17088-02		* DRUM - Rudder trim tab	1	
-45	17089-00		* PIN	1	
-46	756 215	A	* SCREW AND COLLAR ASSEMBLY - Rudder trim tab	1	27-1 to 27-2620 inclusive
	16275-02		* SCREW - Rudder trim tab control	1	27-2621 and up
-46a	16273-00		* ANGLE - Drum support	2	
-46b	402 735		* BOLT - Close tolerance (NAS333CP5)	2	
-46c	16960-02		* CABLE ASSEMBLY - Rudder trim	1	
-47	16515-00		ROD ASSEMBLY - Rudder trim tab control	1	
-48	17443-00		TEE ASSEMBLY - Rudder trim indicator	1	27-1 to 27-326 inclusive
	17443-01		TEE ASSEMBLY - Rudder trim indicator	1	27-327 to 27-3836 inclusive, 27-3838 to 27-3943 inclusive
-49	17444-00		BRACKET - Indicator tee attachment	1	27-1 to 27-3836 inclusive, 27-3838 to 27-3943 inclusive
-50	151 310		WIRE - Steel (.024) indicator	35	
-51	17408-00		STRIP - Cable retaining	1	
-52	14175-06		BUSHING	2	
-53	17479-01		GUARD - Cable	1	
-54	17479-00		GUARD - Cable	1	
-55	14175-11		BUSHING	1	
-56	16832-00		CONTROL ASSEMBLY - Tail trim	1	27-1 to 27-2504 inclusive
	16832-02	Y	CONTROL ASSEMBLY - Tail trim	1	27-2505 to 27-3836 inclusive, 27-3838 to 27-3943 inclusive
	32468-00	Y	CONTROL ASSEMBLY - Tail trim	1	27-3837, 27-3944 and up
-57	18507-02		* CRANK ASSEMBLY - Rudder trim	1	27-1 to 27-2504 inclusive
	18507-03	Y	* CRANK ASSEMBLY - Rudder trim	1	27-2505 to 27-3049 inclusive, 27-3051 to 27-3153 inclusive
	18507-02		* CRANK ASSEMBLY - Rudder trim	1	27-3050, 27-3154 to 27-3836, 27-3838 to 27-3943 inclusive
-58	471 063		* * KNOB - Plastic, black	1	27-1 to 27-2504 inclusive
	31478-00	Y	* * KNOB - Chrome	1	27-2505 to 27-3836 inclusive, 27-3838 to 27-3943 inclusive
-58a	32469-00	Y	* KNOB - Rudder trim, black	1	28-3837, 27-3944 and up
-58b	32470-00	Y	* SET SCREW - Rudder trim knob	1	27-3837, 27-3944 and up
-59	18500-02		* CRANK ASSEMBLY - Stabilator trim	1	27-1 to 27-2504 inclusive
	18500-03	Y	* CRANK ASSEMBLY - Stabilator trim	1	27-2505 to 27-3049 inclusive, 27-3051 to 27-3153 inclusive
	18500-02	Y	* CRANK ASSEMBLY - Stabilator trim	1	27-3050, 27-3154 to 27-3836, 27-3838 to 27-3943 inclusive
	32468-02	Y	* CRANK ASSEMBLY - Stabilator trim	1	27-3837, 27-3944 and up
-60	471 065		* * KNOB - Plastic, black	1	27-1 to 27-2504 inclusive
	31487-00	Y	* * KNOB - Chrome	1	27-2505 to 27-3836 inclusive, 27-3838 to 27-3943 inclusive
	571 105	Y	* * KNOB - Black	1	27-3837, 27-3944 and up
-60a	467 045		* * INSERT - Threaded (used with plastic knob)	1	27-1 to 27-2504 inclusive
-61	408 802		* WASHER - Spring (3572-39-00)	1	
-62	18503-00		* PULLEY ASSEMBLY - Rudder trim cable	1	
			A - If screw and collar assembly 756 215, which incorporates a clevis pin for the collar attachment, has been installed, order part for serial numbers 27-2621 and up.		
			Y - Used on PA-23-250 (Six Place) airplanes only.		

When ordering, always specify Part Number, Description and Serial Number of Aircraft

PIPER PARTS CATALOG

Figure and Index Number	Part Number	Code	NOMENCLATURE	No. Req.	SERIAL NUMBERS AFFECTED
51-63	16831-00		* PULLEY ASSEMBLY - Stabilator trim cable	1	27-1 to 27-2849 inclusive
.	31970-00	Y	* PULLEY ASSEMBLY - Stabilator trim cable	1	27-2850 and up
-64	18510-00		* BRACKET ASSEMBLY - Trim crank	1	
-65	18499-03		* BRACKET ASSEMBLY - Trim crank bearing	1	
-66	18501-00		* PIN - Trim crank control assembly	1	27-1 to 27-3836 inclusive, 27-3838 to 27-3943 inclusive
	18501-02	Y	* PIN - Trim crank control assembly	1	27-3837, 27-3944 and up
-67	480 682		* PIN - Roll (59-022-094-0750)	1	27-1 to 27-3836 inclusive, 27-3838 to 27-3943 inclusive
-67a	480 682		* PIN - Roll (59-022-094-0750)	1	
-68	408 801		* WASHER - Spring (3562-32-00)	1	
-69	14976-37		BUSHING	1	
-70	14976-37		BUSHING	1	
-71	16771-00		BLOCK - Stabilator balance weight bumper	2	27-1 to 27-7554003 inclusive
	16771-00		BLOCK - Stabilator balance weight bumper	5	27-7554004 and up
-72	402 257		BOLT - Clevis (AN173-7), rudder trim tab rod	1	
	407 564		WASHER - (AN960-10)	1	
	404 392		NUT - (AN320-3)	1	
	424 051		PIN - Cotter (AN380-2-2)	1	
-73	402 261		BOLT - Clevis (AN173-11), rudder trim tab rod	1	
	404 100		NUT - (AN310-3)	1	
	424 051		PIN - Cotter (AN380-2-2)	1	
-74	402 311		BOLT - (AN174-12A) Stabilator tab actuator arm	1	27-1 to 27-7554168 inclusive
	402 286		BOLT - (AN173-11A) Stabilator tab actuator arm	1	27-7654001 to 27-7654078 incl.
	402 317		BOLT - (AN174-11A) Stabilator tab actuator arm	1	27-7654079 to 27-7954121 incl.
	28587-02		BOLT - Special	1	27-8054001 and up
	407 565		WASHER - (AN960-416)	1	27-1 to 27-7554168 inclusive
	407 564		WASHER - (AN960-10)	1	27-7654001 to 27-7654078 incl.
	407 565		WASHER - (AN960-416)	1	27-7654079 and up
	404 888		NUT - (MS20365-428C)	1	27-1 to 27-7554168 inclusive
	404 887		NUT - (MS20365-1032C)	1	27-7654001 to 27-7654078 incl.
	404 888		NUT - (MS20365-428C)	1	27-7654079 and up
	424 052		PIN - Cotter (MS24665-134)	1	27-8054001 and up
-75	402 310		BOLT - (AN174-12) Stabilator torque horn, rear	1	27-1 to 27-7554168 inclusive
	407 565		WASHER - (AN960-416)	1	27-1 to 27-7554168 inclusive
	404 101		NUT - (AN310-4)	1	27-1 to 27-7554168 inclusive
	424 051		PIN - Cotter (AN380-2-2)	1	27-1 to 27-7554168 inclusive
-76	402 315		BOLT - (AN174-15) Stabilator tab actuator arm	1	27-1 to 27-7554168 inclusive
	402 318		BOLT - (AN174-14A) Stabilator tab actuator arm	1	27-7654001 to 27-7954121 incl.
	28587-03		BOLT - Special, stabilator tab actuator arm	1	27-8054001 and up
	80122-111		WASHER - (.75 O.D.)	2	27-7654001 to 27-7954121 incl.
	407 565		WASHER - (AN960-416)	2	
	404 101		NUT - (AN310-4)	1	27-1 to 27-7554168 inclusive
	404 888		NUT - (MS20365-428C)	1	27-7654001 and up
	424 051		PIN - Cotter (MS24665-132)	1	27-1 to 27-7554168 inclusive
	424 052		PIN - Cotter (MS24665-134)	1	27-8054001 and up
-77	402 346		BOLT - (AN175-33A) Stabilator torque horn, front	2	
	404 889		NUT - (AN365-524)	2	
-78	402 342		BOLT - (AN175-32A) Stabilator torque collar	2	
	407 566		WASHER - (AN960-516)	2	
	404 889		NUT - (AN365-524)	2	
-79	14976-61		BUSHING	1	27-1 to 27-326 inclusive
	14976-63		BUSHING	1	27-327 to 27-7554168 incl., 27-8054001 and up

Y - Used on PA-23-250 (Six Place) airplanes only.

When ordering, always specify Part Number, Description and Serial Number of Aircraft

PIPER PARTS CATALOG

Figure and Index Number	Part Number	Code	NOMENCLATURE	No. Req.	SERIAL NUMBERS AFFECTED
51-80	14300-30	B	CABLE ASSEMBLY - Stabilator trim	1	
-81	41413-66	Y	BUSHING - Bracket, trim indicator wire	2	27-3837, 27-3944 and up
-82	32492-00	Y	BRACKET - Trim indicator wire	2	27-3837, 27-3944 and up
-83	19128-00	Y	ANGLE - Trim indicator wire	2	27-3837, 27-3944 and up
-84	32618-02	A,Y	PANEL ASSEMBLY - Trim indicator	1	
	32618-05	Y	PANEL ASSEMBLY - Trim indicator	1	27-4426, 27-4574 to 27-4800, 27-4802 and 27-4803
	32618-08	Y	PANEL ASSEMBLY - Trim indicator	1	27-4801, 27-4804 to 27-7954121 inclusive
	32618-10	Y	PANEL ASSEMBLY - Trim indicator	1	27-8054001 and up
-85	32540-00	Y	* BRACKET ASSEMBLY - Rudder indicator, complete	1	27-3837, 27-3944 and up
-86	32552-00	A,Y	* BRACKET ASSEMBLY - Stabilator indicator, complete	1	
	32552-02	Y	* BRACKET ASSEMBLY - Stabilator indicator, complete	1	27-4426, 27-4574 and up
-87	32618-03	Y	* BRACKET ASSEMBLY - Pulley, trim indicator	1	27-3837, 27-3944 and up
-88	22793-00	Y	* * PULLEY - Trim indicator	1	27-3837, 27-3944 and up
-89	584 151	Y	RESISTOR - (VP-5FR 300 ohm, 5 watt)	1	27-7554001 and up
-90	14976-49		BUSHING - (.367 L.)	1	
-91	14976-50		BUSHING - (.242 L.)	1	
-92	402 325		BOLT - (AN174-27A)	1	
	404 888		NUT - (AN365-428)	1	
-93	400 015		BOLT - (AN4-22A)	2	
	407 565		WASHER - (AN960-416)	2	
	404 888		NUT - (AN365 -428)	2	

A - Used on PA-23-250 (Six Place) with serial numbers 27-3837, 27-3944 to 27-4425 inclusive, 27-4427 to 27-4573 inclusive.
 B - Used when stabilator electric trim is installed.
 Y - Used on PA-23-250 (Six Place) airplanes only.

When ordering, always specify Part Number, Description and Serial Number of Aircraft

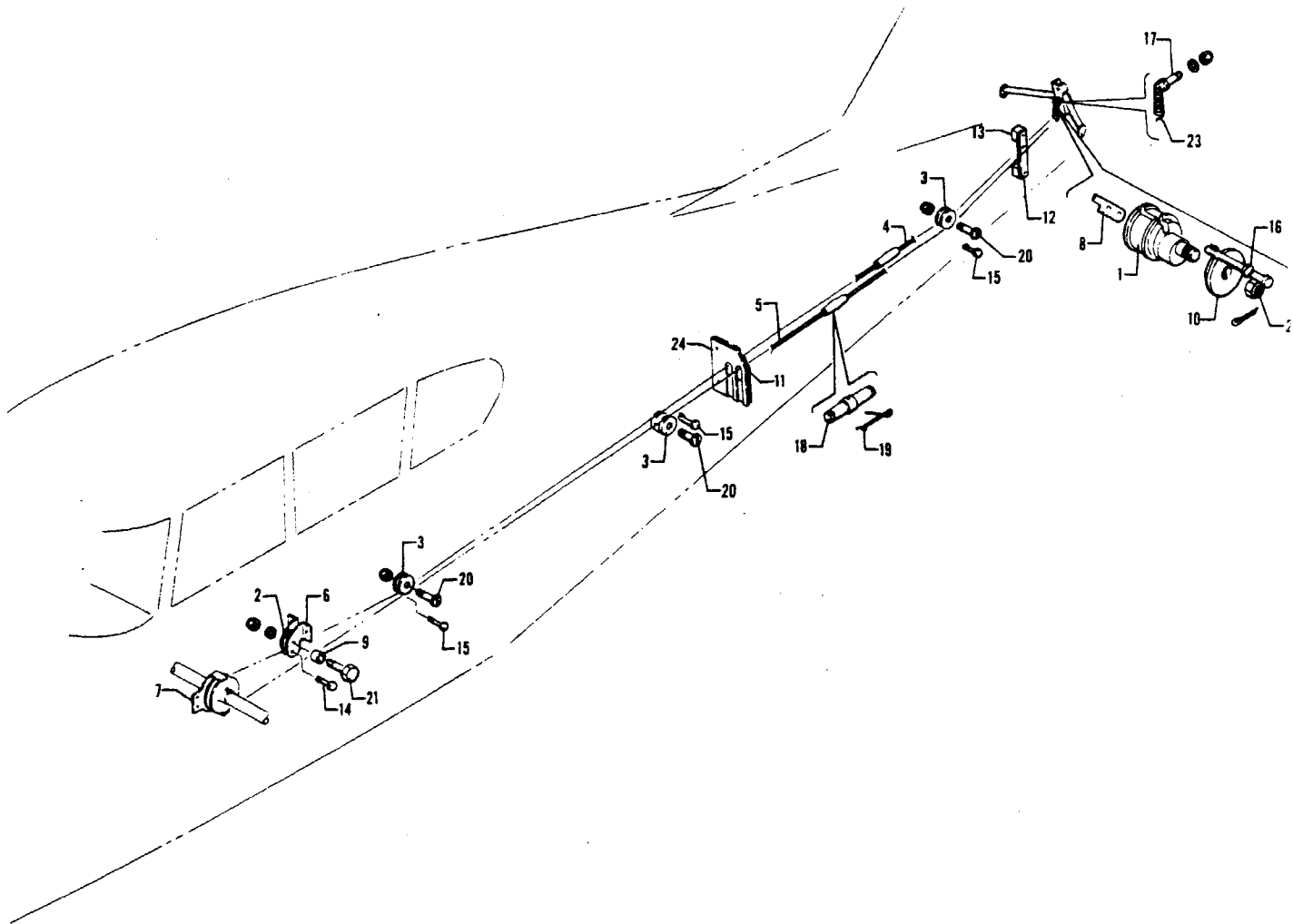


Figure 51A. Trim Tab Interconnect System Installation
(Serial Nos. 27-7654001 and up)



Figure and Index Number	Part Number	Code	NOMENCLATURE	No. Req.	SERIAL NUMBERS AFFECTED
51A-	15633 15634		DRAWING - Stabilator Trim Mechanism Installation DRAWING - Trim Tab Interconnect System Installation		27-7654001 and up 27-7654001 and up
-1	15597-03		PULLEY - Eccentric	1	
-2	20534-00		PULLEY - Trim tab	1	
-3	481 640		PULLEY - (MS24566-1B)	6	
-4	15622-02		CABLE ASSEMBLY - Aft	1	
-5	15622-03		CABLE ASSEMBLY - Forward	1	
-6	15629-02		BRACKET - Idler pulley, left	1	
	15629-03		BRACKET - Idler pulley, right	1	
-7	15697-02		GUARD - Flap torque tube pulley	1	
-8	15609-02		STOP - Eccentric pulley	1	
-9	14843-34		BUSHING - Pulley	1	
-10	15698-03		BUSHING - Eccentric pulley	1	
-11	15616-02		BLOCK - Cable rub	1	
-12	15645-02		BLOCK - Cable rub	1	
-13	80022-104		BUSHING	1	
-14	424 500		PIN - Pulley guard (NAS427K6)	1	
-15	424 505		PIN - Pulley guard (NAS427K11)	3	
-16	424 621		PIN - Pulley guard (NAS427T21)	2	
-17	402 030		BOLT - Eye (AN42B-3A)	1	
	407 584		WASHER - (AN960-10L)	1	
	404 887		NUT - (MS20365-1032C)	1	
-18	452 015		TURNBUCKLE - (NAS64988S)	2	
-19	454 867		CLIP - (NAS651-16S)	4	
-20	401 269		BOLT - (AN3-10A)	3	
	404 887		NUT - (MS20365-1032C)	3	
-21	401 270		BOLT - (AN3-11A)	1	
	407 584		WASHER - (AN960-10L)	1	
	404 887		NUT - (MS20365-1032C)	1	
-22	404 101		NUT - (AN310-4)	1	
	424 051		COTTER PIN - (MS24665-132)	1	
-23	83302-74		SPRING	1	
-24	15748-02		BLOCK - Cable rub	1	

When ordering, always specify Part Number, Description and Serial Number of Aircraft

2L3 THRU 2L24
INTENTIONALLY LEFT BLANK



**AZTEC
PARTS CATALOG**

CARD 3 OF 3

PA-23-235 APACHE

PA-23-250 AZTEC

PA-23-250 (Six place) AZTEC

Courtesy of Bomar Flying Service
www.bomar.biz

PIPER AIRCRAFT CORPORATION

PIPER PARTS CATALOG

AEROFICHE EXPLANATION AND REVISION STATUS

The Parts Catalog information incorporated in this set of Aerofiche cards has been arranged in accordance with the general specifications of Aerofiche adopted by the General Aircraft Manufacturer's Association.

Conversion of Aerofiche alpha/numeric code numbers:

First number is the Aerofiche card identifier.

Letter is the horizontal line reference per card.

Second number is the vertical line reference per card.

Example: 2J16 = Aerofiche card number two of given set, Grid location J16.

To aid in locating the various sections and related information desired, the following is provided:

A complete Catalog Table of Contents is given at Grid 1A8 of Aerofiche card number 1 of this set. Each additional card in this set will have a Table of Contents for all sections on that particular card. This table will start at Grid A3.

REVISIONS

The information compiled in this Aerofiche Parts Catalog will be kept current by revisions distributed periodically. These revisions will supersede all previous revisions and will be complete Aerofiche card replacements and shall supersede Aerofiche cards of the same number in the set.

Current Revisions to this PA-23-235 and PA-23-250 Parts Catalog issued August 15, 1972 are as follows:

753 522 (PR741122).....	Dated November 1974
753 522 (PR750530).....	Dated May 1975
753 522 (PR751205).....	Dated December 1975
753 522 (PR761018).....	Dated October 1976
753 522 (PR770429).....	Dated April 1977
753 522 (PR770902).....	Dated September 1977
753 522 (PR780906).....	Dated September 1978
753 522 (PR790205).....	Dated February 1979
753 522 (PR790816).....	Dated August 1979
753 522 (PR800314).....	Dated March 1980
753 522 (PR801017).....	Dated October 1980
753 522 (PR810813).....	Dated August 1981
753 522 (PR840712).....	Dated July 1984

NOTE: Refer to the last card of the Piper - Parts Price List - Aerofiche for a check list of current revision dates and card effectivities for this parts catalog.

TABLE OF CONTENTS

FIGURE NUMBER	FIGURE TITLE	GRID NUMBER
SECTION X ELECTRONICS GROUP		
52	Collins and ARC Radio Installation	3A5
53	Radio Junction Boxes (PA-23-235/250/250(6) S/N 27-1 to 27-3836 incl., 27-3838 to 27-3943 incl.)	3A9
54	Radio Junction Boxes (PA-23-250(6) S/N 27-3837, 27-3944 to 27-4784 incl.)	3A13
54A	Radio Junction Boxes (14-Volt) (PA-23-250(6) S/N 27-4785 and up)	3A15
54B	Radio Junction Boxes (28-Volt) (PA-23-250(6) S/N 27-4902 and up)	3A17
55	All Weather Antenna Installation	3A19
55A	Piper Automatic Locator (ELT) Installation (Garrett Mfg. Ltd.)	3A21
55B	Piper Automatic Locator (ELT) Installation (Communications Components Corp.)	3A23
55C	Piper Automatic Locator (ELT) Installation (Narco Avionics)	3B1
56	Piper PM-1 Marker Beacon Installation (PA-23-250(6))	3B3
57	AutoControl I Installation	3B6
58	AutoControl II Installation	3B9
59	AutoControl III Installation (PA-23-250(6) S/N 27-3457 to 27-7554071 incl.)	3B12
59A	AutoControl III B Installation (PA-23-250(6) S/N 27-7554071 and up)	3B14
60	AltiMatic I Installation	3B16
61	AltiMatic II Installation	3B19
61A	AltiMatic III and III B Installation	3C1
62	AltiMatic III B-1 Installation	3C5
63	AltiMatic III C Installation (PA-23-250(6) S/N 27-7554001, 27-7554074 and up)	3C8
64	AltiMatic X F/D Autopilot Installation (PA-23-250(6) S/N 27-7854001 and up)	3C12
65	AltiMatic X Autopilot Installation (PA-23-250(6) S/N 27-7854001 and up)	3C15
66	AltiMatic V F/D and V F/D-1 Autopilot Installation (PA-23-250(6) S/N 27-4426, 27-4574 to 27-7754093 incl.)	3C18
67	AltiMatic V and V-1 Autopilot Installation (PA-23-250(6) S/N 27-4426, 27-4574 to 27-7754093 incl.)	3D1
68	Autopilot/Flight Director Installation (Bendix FCS-810) (PA-23-250(6) S/N 27-7754094 to 27-7954121 incl.)	3D5
69	Autopilot Installation (Bendix FCS-810) (PA-23-250(6) S/N 27-7754094 to 27-7954121 incl.)	3D8
69A	King Autopilot (KAP-200) and King Autopilot F/D (KFC-200) Installations	3D11
70	Radar Altimeter Installation (PA-23-250(6) S/N 27-4794 and up)	3D13
71	Glide Slope Coupler Installation (PA-23-250(6) S/N 27-7554001, 27-7554074 and up)	3D15
72	Radio Magnetic Indicator Installation (PA-23-250(6) S/N 27-4426, 27-4574 and up)	3D17
73	King Radar Installation (KWX-40) (PA-23-250(6) S/N 27-7554001 and up)	3D19
74	Bendix Radar Installation (RDR-150) (PA-23-250(6) S/N 27-7754001 and up)	3D21
75	Encoding Altimeter Installation (PA-23-250(6) S/N 27-7554001 and up)	3E1
	Radio Installation and Wiring Diagram Drawings	3E3

TABLE OF CONTENTS

FIGURE NUMBER	FIGURE TITLE	GRID NUMBER
	SECTION XI MISCELLANEOUS GROUP	
	Optional Equipment Kits, Repair Kits and Special Tools	3E12
	Decals	3E18
	NUMERICAL INDEX	3F2

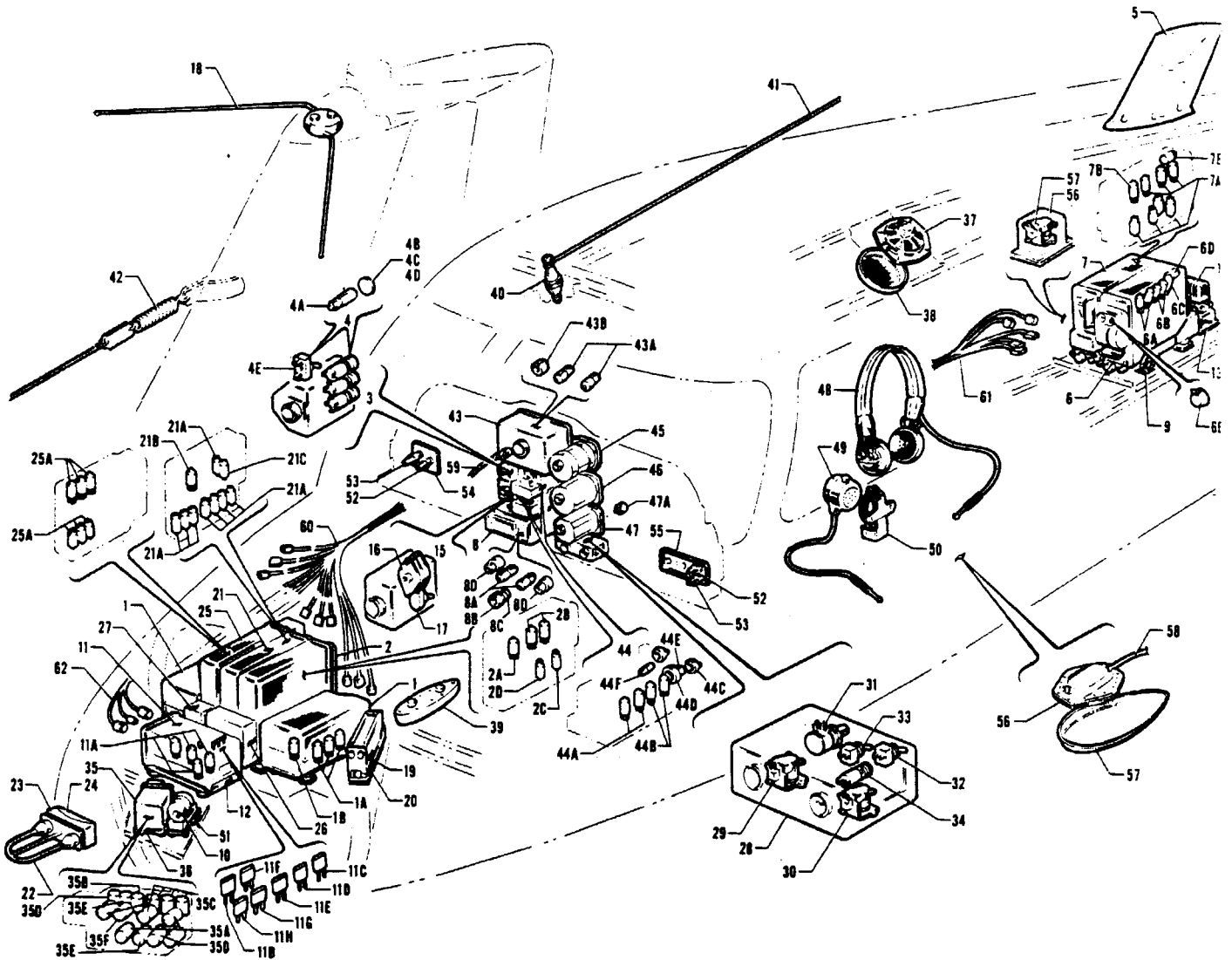


Figure 52. Collins and ARC Radio Installation
 (Used when 28-volt electrical system is installed)
 (Serial Nos. 27-259 to 27-364 inclusive)



Figure and Index Number	Part Number	Code	NOMENCLATURE	No. Req.	SERIAL NUMBERS AFFECTED
52-	30070		DRAWING - Radio Installation		
-1	451 150		POWER SUPPLY - (427B-1)	2	
-1a	753 010		ELECTRON TUBE - (5749) (253 0005 00)	3	
-1b	753 014		ELECTRON TUBE - (12AT7WA) (255 0218 00)	1	
-2	451 151		RECEIVER - Marker beacon (51Z-2)	1	
-2a	753 008		ELECTRON TUBE - (5670) (253 0002 00)	1	
-2b	753 007		ELECTRON TUBE - (5654) (253 0001 00)	2	
-2c	753 011		ELECTRON TUBE - (5751) (253 0012 00)	1	
-2d	753 021		ELECTRON TUBE - (5814A) (253 0013 00)	1	
-3	16991-00		INDICATOR ASSEMBLY - Marker beacon	1	
-4	451 152		MARKER BEACON KIT - (327A-1)	1	
-4a	752 318		LAMP - (G. E. 47)	3	
-4b	752 319		LENS - Blue, outer marker	1	
-4c	752 320		LENS - Amber, inner marker	1	
-4d	752 321		LENS - White, airway marker	1	
-4e	756 110		SWITCH - Toggle, selector	1	
-5	451 153		ANTENNA - VHF Comm. (37R-2)	1	
-6	451 154		TRANSMITTER - (17L-7A)	1	
-6a	753 008		ELECTRON TUBE - (5670) (253 0002 00)	2	
-6b	753 007		ELECTRON TUBE - (5654) (253 0001 00)	2	
-6c	753 009		ELECTRON TUBE - (5686) (253 0009 00)	1	
-6d	753 013		ELECTRON TUBE - (5884) (256 0118 00)	1	
-6e	754 312		KNOB - Meter switch (281 0280 00)	1	
-7	451 155		RECEIVER - (51X-2B)	1	
-7a	753 007		ELECTRON TUBE - (5654) (253 0001 00)	6	
-7b	753 008		ELECTRON TUBE - (5670) (253 0002 00)	3	
-8	451 156		CONTROL HEAD - (614U-6)	1	
-8a	752 325		LAMP - 28-volt (282 0179 00)	2	
-8b	754 313		KNOB - Volume control (541 1938 002)	1	
-8c	754 314		KNOB - Squelch control (544 1943 002)	1	
-8d	754 315		KNOB - Frequency selector (544 1946 022)	2	
-9	451 158		SHOCK MOUNT - (390E-2)	1	
-10	451 159		POWER UNIT - (P-14A)	1	
-11	451 160		TRANSMITTER - (T-20)	1	
-11a	753 012		ELECTRON TUBE - (5763)	4	
-11b	751 562		CRYSTAL - (Y5 210) (121.5)	1	
-11c	751 563		CRYSTAL - (Y5 211) (142.02)	1	
-11d	751 564		CRYSTAL - (Y5 212) (142.74)	1	
-11e	751 565		CRYSTAL - (Y5 213) (143.84)	1	
-11f	751 566		CRYSTAL - (Y5 209) (126.2)	1	
-11g	751 567		CRYSTAL - (Y5 214) (134.1)	1	
-11h	751 568		CRYSTAL - (Y5 215) (135.9)	1	
-12	451 161		SHOCK MOUNT - (M-12A)	1	
-13	451 162		POWER UNIT - (P-12)	1	
-14	451 163		DYNAVERTER - (DV-10A)	1	
-15	30072-00		CONTROL ASSEMBLY - ARCT-20 remote	1	
-16	451 164		KIT - Control unit (FES 1322)	1	
-17	487 790		SWITCH - (110S-73)	1	
-18	451 273		ANTENNA - Omni	1	
-19	451 168		AMPLIFIER - Audio (CA-2A)	1	
-20	451 169		SHOCK MOUNT - (SM-2)	1	
-21	451 181		RECEIVER - Glide slope (51V-3)	1	
-21a	753 007		TUBE - Electron (5654) (253 0001 00)	8	
-21b	753 008		TUBE - Electron (5670) (253 0002 00)	1	
-21c	753 010		TUBE - Electron (5749) (253 0005 00)	1	

When ordering, always specify Part Number, Description and Serial Number of Aircraft



Figure and Index Number	Part Number	Code	NOMENCLATURE	No. Req.	SERIAL NUMBERS AFFECTED
52-22	451 182		ANTENNA - Glide slope (37P-4)	1	
-23	30253-00	A	PLATE - Glide slope antenna outside mounting	1	
-24	30254-00	B	PLATE - Glide slope antenna inside mounting	1	
-25	451 188		CONVERTER - Omni-Loc. (344A-1)	1	
-25a	753 008		TUBE - Electron (5670) (253 0002 00)	6	
-26	451 190		SHOCK MOUNT - (390F-1)	1	
-27	451 191		SHOCK MOUNT - (390D-8)	1	
-28	30015-00		BOX ASSEMBLY - Radio junction (complete)	1	
-29	484 369		RELAY - (400-2516)	1	
-30	484 370		RELAY - (400-2213)	1	
-31	484 580		RHEOSTAT - (WN-800)	1	
-32	487 829		SWITCH - (8867K1)	5	
-33	487 830		SWITCH - (8866K4)	1	
-34	487 831		SWITCH - (T2104)	2	
-36	451 177		RECEIVER - ARC (R-30A)	1	
-35a	753 015		TUBE - Subminiature (5718)	2	
-35b	753 016		TUBE - Subminiature (5896)	1	
-35c	753 017		TUBE - Subminiature (5899)	5	
-35d	753 018		TUBE - Subminiature (5902)	3	
-35e	753 019		TUBE - Subminiature (6021)	2	
-35f	753 020		TUBE - Subminiature (6112)	1	
-36	451 170		SHOCK MOUNT - (M26A)	1	
-37	19260-00		SPEAKER ASSEMBLY - Radio	1	
-38	18004-06		SPEAKER BEZEL ASSEMBLY	1	
-39	451 196		ANTENNA - Marker beacon (37X-2)	1	
-40	467 064		INSULATOR - (135-40)	1	
-41	17953-00		WIRE ASSEMBLY - Antenna	1	
-42	17783-00		SPRING	1	
-43	451 178		CONTROL UNIT - ARC (C-59A)	1	
-43a	472 028		LAMP - (G. E. 327)	2	
-43b	754 320		KNOB - Volume control (C-59A)	1	
-44	451 193		RECEIVER - VHF (51X-3)	2	
-44a	753 007		ELECTRON TUBE - (5654) (253 0001 00)	2	
-44b	753 008		ELECTRON TUBE - (5670) (253 0002 00)	2	
-44c	754 317		KNOB - Selector (542 3082 002)	2	
-44d	754 318		KNOB - Squelch control (543 4849 002)	1	
-44e	754 319		KNOB - Volume control (543 4850 002)	1	
-44f	752 324		LAMP - (1401) (262 0464 00)	1	
-45	451 179		INDICATOR - ARC (IN-12)	1	
-46	451 185		INDICATOR - Omni-Loc. glide slope (331H1)	1	
-47	451 187		CONVERTER - Trans Omni-Loc. (344D-1)	1	
-47a	754 316		KNOB - Selector (544 4023 002)	1	
-48	464 327		HEADPHONE - (P-23) 300 ohm	1	
-49	474 647		MICROPHONE - (Telephonics RS-38A)	1	
	474 649		MICROPHONE - (TEL-66C)	1	
-50	454 809		CLIP - Microphone (used with Telephonics Mike RS-38A)	1	
	453 415		BRACKET - Microphone (used with Telex Mike 66C)	1	
-51	451 171		SHOCK MOUNT - (M28A)	1	
-52	468 002		MIKE JACK - (S12B)	2	
-53	468 006		PHONE JACK - (11)	2	

A - Order mating part 30254-00 also.
B - Order mating part 30253-00 also.

When ordering, always specify Part Number, Description and Serial Number of Aircraft



Figure and Index Number	Part Number	Code	NOMENCLATURE	No. Req.	SERIAL NUMBERS AFFECTED
52-54	30313-00		PLACARD - Phone jack	1	
-55	30025-00		PANEL ASSEMBLY - Switch cover	1	
-56	451 173		LOOP - ARC (L-11)	1	
-57	451 174		LOOP HOUSING KIT - ARC (19050)	1	
-58	451 175		LOOP CABLE - ARC (17985)	1	
-59	16953-00		CABLE ASSEMBLY - Remote tuning	1	
-60	30028-00		HARNESS ASSEMBLY - Collins radio	1	
-61	30069-00		HARNESS ASSEMBLY - VHF radio	1	
-62	30076-00		HARNESS ASSEMBLY - Radio	1	

When ordering, always specify Part Number, Description and Serial Number of Aircraft

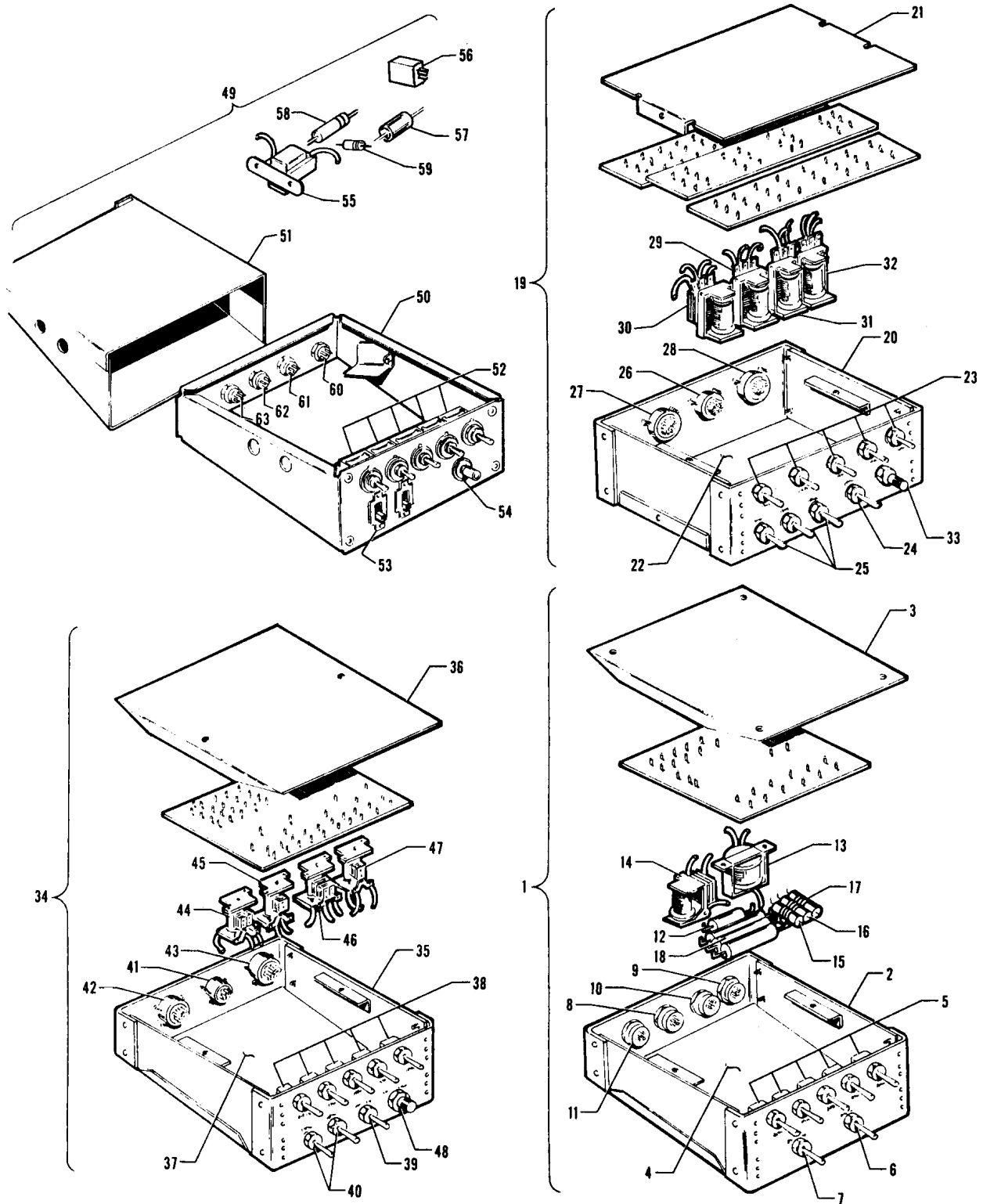


Figure 53. Radio Junction Boxes
(Serial Nos. 27-1 to 27-3836, 27-3838 to 27-3943 inclusive)



Figure and Index Number	Part Number	Code	NOMENCLATURE	No. Req.	SERIAL NUMBERS AFFECTED
53-1	22329-00	A	BOX ASSEMBLY - Radio junction (complete)	1	
	23100-00	B	BOX ASSEMBLY - Radio junction (complete)	1	
	30310-00	C	BOX ASSEMBLY - Radio junction (complete)	1	
-2	22326-00	A,B,C	BOX ASSEMBLY	1	
-3	22327-00	A,B,C	COVER - Radio junction box, top	1	
-4	22327-03	A,B,C	COVER - Radio junction box, bottom	1	
-5	487 829	A,B,C	SWITCH - (8867K1)	5	
-6	487 834	A,B,C	SWITCH - (8867K4)	1	
-7	487 831	A,C	SWITCH - (T2104)	1	
	487 831	B	SWITCH - (T2104)	2	
-8	455 226	A,B,C	CONNECTOR - (126-197)	1	
-9	455 227	A,B,C	CONNECTOR - (126-198)	1	
-10	455 228	A,B,C	CONNECTOR - (126-216)	1	
-11	455 229	A,B,C	CONNECTOR - (126-221)	1	
-12	454 142	B,C	CAPACITOR - (5MFD 50 VDC)	1	
-13	489 372	A,B,C	TRANSFORMER - (8101)	1	
-14	484 365	A,B,C	RELAY - (400-2515)	1	
-15	484 394	A,B,C	RESISTOR - (2W 330 ohm)	1	
-16	484 396	A,B,C	RESISTOR - (2W 220 ohm)	1	
-17	484 396	A,B,C	RESISTOR - (2W 150 ohm)	1	
-18	484 388	C	RESISTOR - (2W 3.3 ohm)	3	
	484 388	A	RESISTOR - (2W 3.3 ohm)	4	
-19	16841-00	D	BOX ASSEMBLY - Radio junction (complete)	1	
-20	16835-00		BOX ASSEMBLY	1	
-21	22327-02		COVER - Radio junction box, top	1	
-22	22327-03		COVER - Radio junction box, bottom	1	
-23	487 829		SWITCH - (8867K1)	5	
-24	487 830		SWITCH - (8866K4)	1	
-25	487 831		SWITCH - (T2104)	3	
-26	484 333		RECEPTACLE - (165-15)	1	
-27	484 334		RECEPTACLE - (165-27)	1	
-28	484 335		RECEPTACLE - (165-31)	1	
-29	484 366		RELAY - (400-2197)	1	
-30	484 368		RELAY - (400-2206)	1	
-31	484 365		RELAY - (400-2515)	1	
-32	484 367		RELAY - (400-2550)	1	
-33	484 578		RHEOSTAT - (WN-300 Radiohm)	1	
-34	19900-00	E	BOX ASSEMBLY - Radio junction (complete)	1	
-35	19905-00		BOX ASSEMBLY	1	
-36	22327-04		COVER - Radio junction box, top	1	
-37	22327-05		COVER - Radio junction box, bottom	1	
-38	487 829		SWITCH - (8867K1)	5	

- A - Used when the following Narco Radios are installed in airplanes: Marker Beacon, ADF-T-12, Sunair, Mark V (export).
- B - Used on PA-23-250 (Six Place) and PA-23-235 supercustom airplanes.
- C - Used when the following Narco Radios are installed in airplanes: Mark VI, Marker Beacon, ADF-T-12, Mark V and Glide Slope.
- D - Used when 14-volt Collins Radio are installed in airplanes with serial numbers 27-1 to 27-430 inclusive.
- E - Used when 14-volt Collins Radios are installed in airplanes with serial numbers 27-431 and up.

When ordering, always specify Part Number, Description and Serial Number of Aircraft



Figure and Index Number	Part Number	Code	NOMENCLATURE	No. Req.	SERIAL NUMBERS AFFECTED
53-39	487 830		SWITCH - (#8866K4)	1	
-40	487 831		SWITCH - (#T2104)	2	
-41	484 333		RECEPTACLE - (#165-15)	1	
-42	484 334		RECEPTACLE - (#165-27)	1	
-43	484 335		RECEPTACLE - (#165-31)	1	
-44	484 366		RELAY - (#400-2197)	1	
-45	484 368		RELAY - (#400-2205)	1	
-46	484 365		RELAY - (#400-2515)	1	
-47	484 367		RELAY - (#400-2550)	1	
-48	484 578		RHEOSTAT - (#WN-300)	1	
-49	30960-02	A	BOX ASSEMBLY - Radio junction (complete)	1	
	30960-03	B	BOX ASSEMBLY - Radio junction (complete)	1	
	30960-04	C	BOX ASSEMBLY - Radio junction (complete)	1	
	30960-06	D	BOX ASSEMBLY - Radio junction (complete)	1	
	30960-08	E	BOX ASSEMBLY - Radio junction (complete)	1	
	30960-09	F	BOX ASSEMBLY - Radio junction (complete)	1	
	30960-16	G	BOX ASSEMBLY - Radio junction (complete)	1	
	30960-12	H	BOX ASSEMBLY - Radio junction (complete)	1	
	30960-13	J	BOX ASSEMBLY - Radio junction (complete)	1	
			A - Used with Narco Radio Installation, Dual Mark 12 or Mark 12A with Marker Beacon, Glide Slope, DME and ADF.		
			B - Used with Narco Radio Installation, Dual Mark 12 or Mark 12A with Marker Beacon and Glide Slope and ADF.		
			C - Used with Narco Radio Installation, Dual Mark 12 or Mark 12A with Marker Beacon, DME and ADF.		
			D - Used with Narco Radio Installation, Dual Mark 12 or Mark 12A with Marker Beacon and ADF.		
			E - Used with Narco Radio Installation, Single Mark 12 or Mark 12A with Marker Beacon and ADF.		
			F - Used with Narco Radio Installation, Single Mark 12 or Mark 12A and ADF.		
			G - Used with Bendix ADF Radio Installation.		
			H - Used with Narco Radio Installation, Single Mark 12A with Glide Slope and ADF.		
			J - Used with Narco Radio Installation, Single Mark 12A with Glide Slope, Marker Beacon and ADF.		

When ordering, always specify Part Number, Description and Serial Number of Aircraft

RADIO JUNCTION BOXES
(Serial Nos. 27-1 to 27-3836, 27-3838 to 27-3943)



SECTION X
Electronics Group

Figure and Index Number	Part Number	Code	NOMENCLATURE	No. Req.	SERIAL NUMBERS AFFECTED
53-49	26088-02	A	BOX ASSEMBLY - Radio junction (complete)	1	
	26088-03	B	BOX ASSEMBLY - Radio junction (complete)	1	
	26088-04	C	BOX ASSEMBLY - Radio junction (complete)	1	
	26088-06	D	BOX ASSEMBLY - Radio junction (complete)	1	
	26088-12	E	BOX ASSEMBLY - Radio junction (complete)	1	
	26088-13	F	BOX ASSEMBLY - Radio junction (complete)	1	
	26088-08	G	BOX ASSEMBLY - Radio junction (complete)	1	
	26088-09	H	BOX ASSEMBLY - Radio junction (complete)	1	
-50	30953-00		BOX ASSEMBLY	1	
-51	30955-00		COVER - Radio junction box	1	
-52	487 848		SWITCH - (#12TS115-1)	AR	
-53	487 846		SWITCH - (#SS-36-1-C5) Black	AR	
	487 876		SWITCH - (#SS-36-1-C1) Gray	AR	
-54	487 847		SWITCH - (#PA216-024)	1	
-55	489 372		TRANSFORMER - (#A-8101)	1	
-56	484 372		RELAY - (#KHPI7D11)	1	
-57	26156-00		CAPACITOR - (5MFD 50 VDC)	1	
-58	484 388		RESISTOR - (#2W 3.3 OHM)	1	
-59	484 410		RESISTOR - (#1W 560 OHM)	1	
-60	455 226		CONNECTOR - (#126-197)	1	
-61	455 227		CONNECTOR - (#126-198)	1	
-62	455 228		CONNECTOR - (#126-216)	1	
-63	455 229		CONNECTOR - (#126-221)	1	
			A - Used with Narco Radio Installation, Dual Mark 12A with Marker Beacon, Glide Slope and DME.		
			B - Used with Narco Radio Installation, Dual Mark 12A with Marker Beacon and Glide Slope.		
			C - Used with Narco Radio Installation, Dual Mark 12A with Marker Beacon and DME.		
			D - Used with Narco Radio Installation, Dual Mark 12A with Marker Beacon.		
			E - Used with Narco Radio Installation, Single Mark 12A with Glide Slope.		
			F - Used with Narco Radio Installation, Single Mark 12A with Glide Slope and Marker Beacon.		
			G - Used with Narco Radio Installation, Single Mark 12A with Marker Beacon.		
			H - Used with Narco Radio Installation, Single Mark 12A.		

When ordering, always specify Part Number, Description and Serial Number of Aircraft

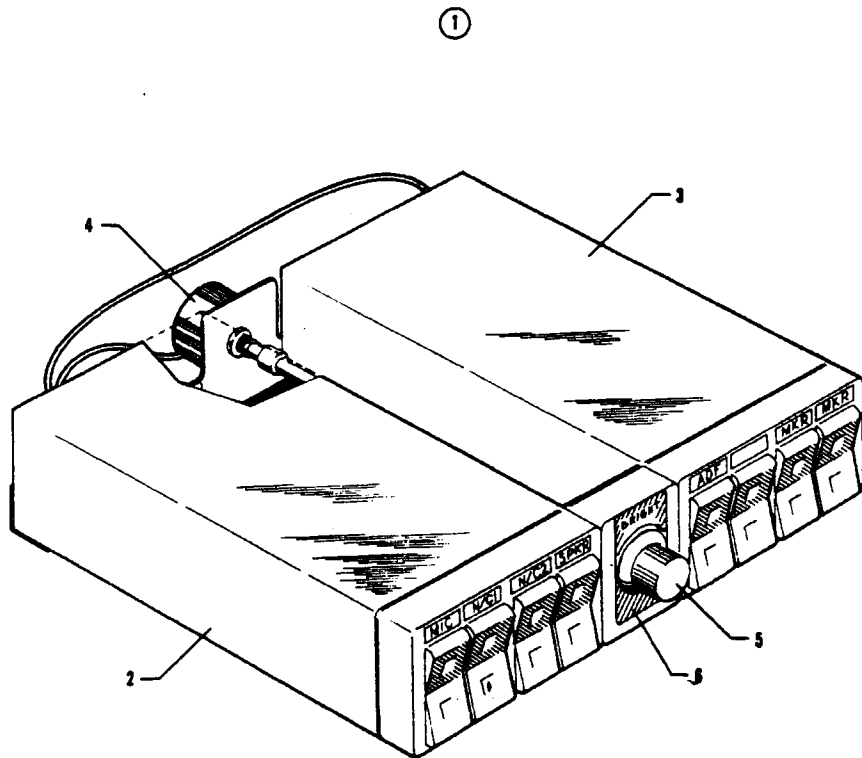


Figure 54. Radio Junction Boxes
(Serial Nos. 27-3837, 27-3944 to 27-4784 inclusive)

Figure and Index Number	Part Number	Code	NOMENCLATURE	No. Req.	SERIAL NUMBERS AFFECTED
54-1	32671-02	ADEGH	BOX ASSEMBLY - Radio junction, 8 switches (complete)	1	
	32671-03	AEGH	BOX ASSEMBLY - Radio junction, 8 switches (complete)	1	
	32671-04	BDEGH	BOX ASSEMBLY - Radio junction, 8 switches (complete)	1	
	32671-05	BEGH	BOX ASSEMBLY - Radio junction, 8 switches (complete)	1	
	32671-06	CEH	BOX ASSEMBLY - Radio junction, 4 switches (complete)	1	
	32671-07	CDEH	BOX ASSEMBLY - Radio junction, 4 switches (complete)	1	
	32671-08	DEH	BOX ASSEMBLY - Radio junction, 4 switches (complete)	1	
	32671-09	ADGJ	BOX ASSEMBLY - Radio junction, 8 switches (complete)	1	
	32671-10	AGJ	BOX ASSEMBLY - Radio junction, 8 switches (complete)	1	
	32671-11	BDGJ	BOX ASSEMBLY - Radio junction, 8 switches (complete)	1	
	32671-12	BGJ	BOX ASSEMBLY - Radio junction, 8 switches (complete)	1	
	32671-13	CJ	BOX ASSEMBLY - Radio junction, 4 switches (complete)	1	
	32671-15	DJ	BOX ASSEMBLY - Radio junction, 4 switches (complete)	1	
	32671-16	CDJ	BOX ASSEMBLY - Radio junction, 4 switches (complete)	1	
	32671-18	FGJ	BOX ASSEMBLY - Radio junction, 4 switches (complete)	1	
	32671-19	ADJ	BOX ASSEMBLY - Radio junction, 8 switches (complete)	1	
	32671-20	AJ	BOX ASSEMBLY - Radio junction, 8 switches (complete)	1	
	32671-21	BDJ	BOX ASSEMBLY - Radio junction, 8 switches (complete)	1	
	32671-22	BJ	BOX ASSEMBLY - Radio junction, 8 switches (complete)	1	
	32671-23	FJ	BOX ASSEMBLY - Radio junction, 4 switches (complete)	1	
-2	596 071	K	NARCOMASTER UNIT - Left (#VP-22A-2)	1	
-3	596 072	K	NARCOMASTER UNIT - Right (#VP-22B1)	1	
-4	484 585		RHEOSTAT - (#E-100-R1-352)	1	
-5	571 114		KNOB - (#1-103D)	1	
-6	32766-00		PLACARD - Junction box	1	

- A - Junction box includes microphone, Dual Nav. Com., and Marker Beacon speaker/phone switches.
- B - Junction box includes microphone, Single Nav. Com., and Marker Beacon speaker/phone switches.
- C - Junction box includes microphone and Single Nav. Com. switches.
- D - Junction box includes ADF switch.
- E - Junction box includes speaker switch.
- F - Junction box includes Marker Beacon speaker/phone switch.
- G - Junction box includes Marker Beacon high/low sensitivity switch.
- H - Used on PA-23-250 (Six Place) with serial numbers 27-3837, 27-3944 to 27-4425 inclusive, 27-4427 to 27-4573 inclusive.
- J - Used on PA-23-250 (Six Place) with serial numbers 27-4426, 27-4574 and up.
- K - Individual switch must be ordered from an authorized Narco Sales and Service Dealer.

When ordering, always specify Part Number, Description and Serial Number of Aircraft

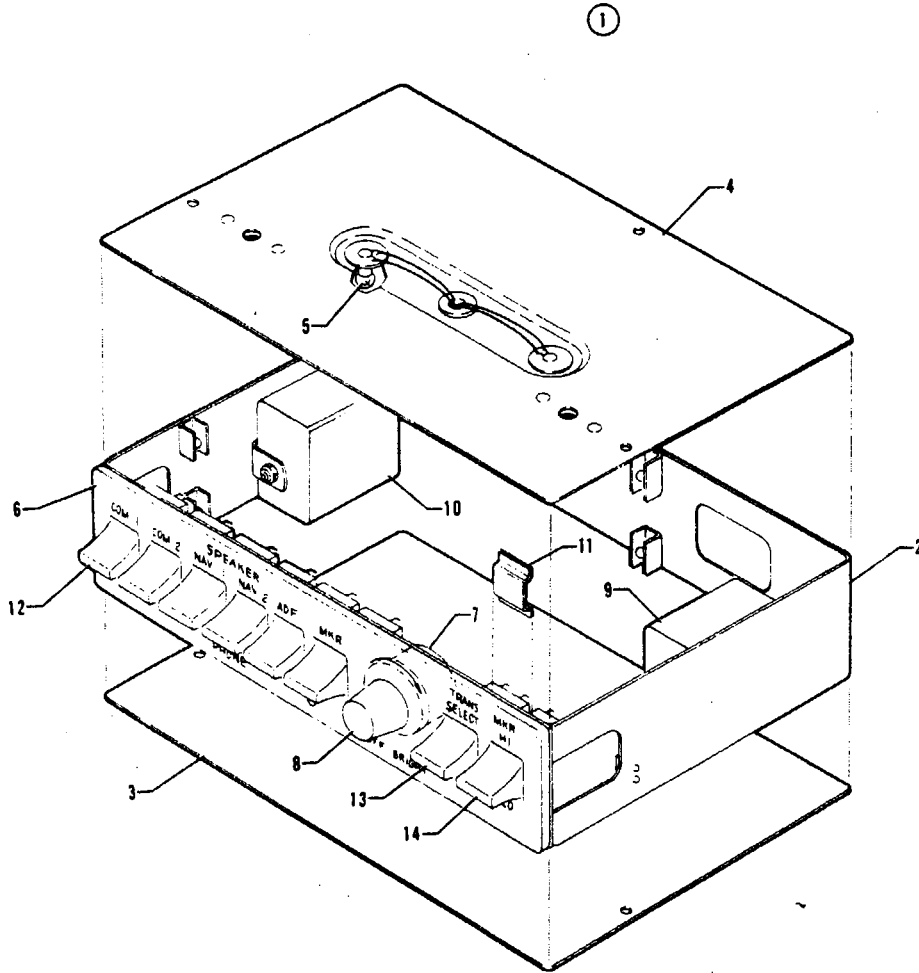


Figure 64A. Radio Junction Boxes (14-Volt)
(Serial Nos. 27-4785 and up)



Figure and Index Number	Part Number	Code	NOMENCLATURE	No. Req.	SERIAL NUMBERS AFFECTED
54A-1	33237-02	A,B	BOX ASSEMBLY - Radio junction (complete)	1	
	33237-03	A,C	BOX ASSEMBLY - Radio junction (complete)	1	
	33237-04	C,D	BOX ASSEMBLY - Radio junction (complete)	1	
	33237-05	C,E	BOX ASSEMBLY - Radio junction (complete)	1	
	33237-06	C,F	BOX ASSEMBLY - Radio junction (complete)	1	
	33237-07	A,G	BOX ASSEMBLY - Radio junction (complete)	1	
	33237-08	D,G	BOX ASSEMBLY - Radio junction (complete)	1	
	33237-09	E,G	BOX ASSEMBLY - Radio junction (complete)	1	
	33237-10	F,G	BOX ASSEMBLY - Radio junction (complete)	1	
	33237-11	B,D	BOX ASSEMBLY - Radio junction (complete)	1	
	33237-13	H	BOX ASSEMBLY - Radio junction (complete)	1	
-2	33224-00		BOX ASSEMBLY - Radio junction	1	
-3	33227-00		BOTTOM - Junction box	1	
-4	33232-00		LID ASSEMBLY - Junction box (complete)	1	
-5	472 064		LAMP - (PS10008-348)	2	
-6	33229-02	J	PLACARD - Junction box	1	
	33229-03	K	PLACARD - Junction box	1	
-7	484 585		RHEOSTAT - (E-100-R1-352)	1	
-8	571 127		KNOB - (1-525-D)	1	
-9	484 214		RELAY - (T154-4C-12 VDC)	1	
-10	484 213	L	RELAY - (T154-2C-12 VDC)	1	
-11	33234-00		COVER - Switch	AR	
-12	587 867		SWITCH - (SC3BX18-1)	6	
-13	587 868		SWITCH - (SC4CW18-1)	1	
-14	587 869	J	SWITCH - (SC4CW18-2)	1	
	587 868	K	SWITCH - (SC4CW18-1)	1	

A - Used with Narco Single Radios less ADF.
 B - Used with or without Glide Slope and without Marker Beacon.
 C - Used with Piper Marker Beacon or Piper Marker Beacon and Glide Slope.
 D - Used with Narco Single Radios with ADF.
 E - Used with Narco Dual Radios less ADF.
 F - Used with Narco Dual Radios with ADF.
 G - Used with Narco Marker Beacon or Narco Marker Beacon and Glide Slope.
 H - Used with King KR-85 and Bendix ADF.
 J - Used only if Piper Marker Beacon is installed.
 K - Used only if Narco Marker Beacon is installed.
 L - Used only if Narco Dual Radios are installed.

When ordering, always specify Part Number, Description and Serial Number of Aircraft

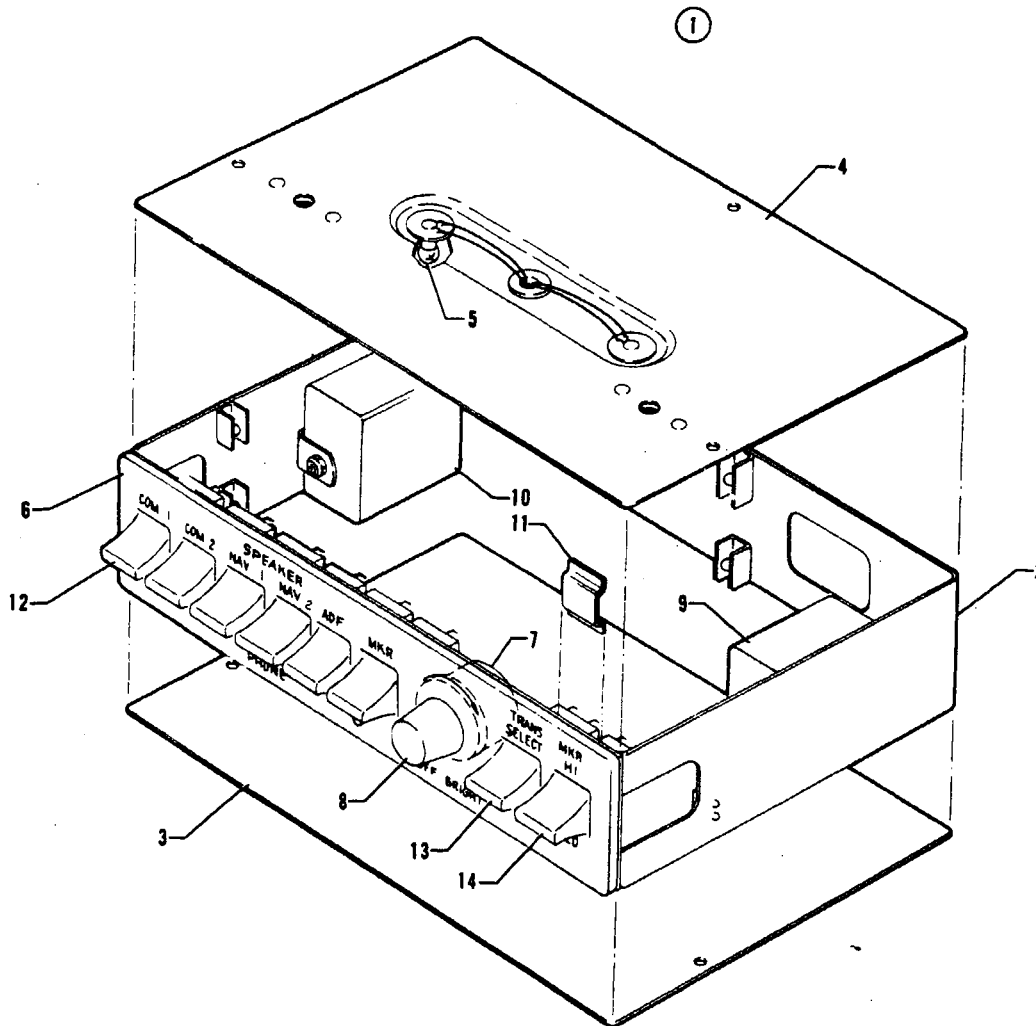


Figure 54B. Radio Junction Boxes (28 Volt)
(Serial Nos. 27-4902 and up)



Figure and Index Number	Part Number	Code	NOMENCLATURE	No. Req.	SERIAL NUMBERS AFFECTED
54B-1	33361-02	AB	BOX ASSEMBLY - Radio junction (complete)	1	
	33361-03	AC	BOX ASSEMBLY - Radio junction (complete)	1	
	33361-04	CD	BOX ASSEMBLY - Radio junction (complete)	1	
	33361-05	CE	BOX ASSEMBLY - Radio junction (complete)	1	
	33361-06	CF	BOX ASSEMBLY - Radio junction (complete)	1	
	33361-07	AG	BOX ASSEMBLY - Radio junction (complete)	1	
	33361-08	DG	BOX ASSEMBLY - Radio junction (complete)	1	
	33361-09	EG	BOX ASSEMBLY - Radio junction (complete)	1	
	33361-10	FG	BOX ASSEMBLY - Radio junction (complete)	1	
	33361-11	BD	BOX ASSEMBLY - Radio junction (complete)	1	
	33361-12	H	BOX ASSEMBLY - Radio junction (complete)	1	
-2	33224-00		BOX ASSEMBLY - Radio junction	1	
-3	33227-00		BOTTOM - Junction box	1	
-4	33232-02		LID ASSEMBLY - Junction box (complete)	1	
-5	472 047		LAMP - (PS1008-335)	2	
-6	33229-02	J	PLACARD - junction box	1	
	33229-03	K	PLACARD - junction box	1	
-7	484 585		RHEOSTAT - (#E-100-R1-352)	1	
-8	571 127		KNOB - (#1-525-D)	1	
-9	484 208		RELAY - (#T154-4C-24 VDC)	1	
-10	484 207	L	RELAY - (#T154-2C-24 VDC)	1	
-11	33234-00		COVER - Switch	AR	
-12	587 867		SWITCH - (#SC3BX18-1)	6	
-13	587 868		SWITCH - (#SC4CW18-1)	1	
-14	587 869	J	SWITCH - (#SC4CW18-2)	1	
	587 868	K	SWITCH - (#SC4CW18-1)	1	
<p>A - Used with Narco Single Radios less ADF. B - Used with or without Glide Slope and without Marker Beacon. C - Used with Piper Marker Beacon or Piper Marker Beacon and Glide Slope. D - Used with Narco Single Radios with ADF. E - Used with Narco Dual Radios less ADF. F - Used with Narco Dual Radios with ADF. G - Used with Narco Marker Beacon or Narco Marker Beacon and Glide Slope. H - Used with King KR-85 and Bendix ADF. J - Used only if Piper Marker Beacon is installed. K - Used only if Narco Marker Beacon is installed. L - Used only if Narco Dual Radios are installed.</p>					

When ordering, always specify Part Number, Description and Serial Number of Aircraft

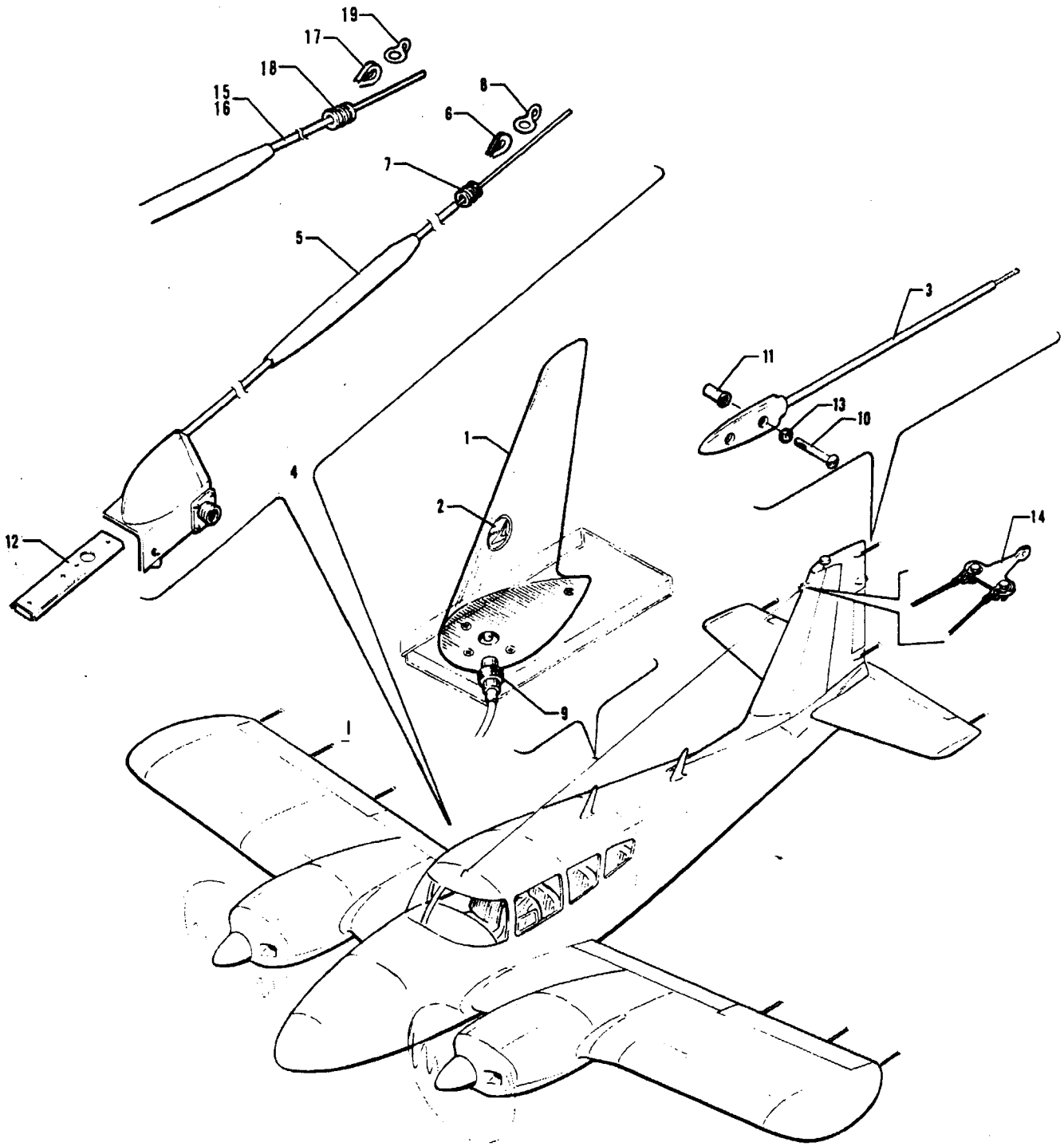


Figure 56. All Weather Antenna Installation

PIPER PARTS CATALOG

Figure and Index Number	Part Number	Code	NOMENCLATURE	No. Req.	SERIAL NUMBERS AFFECTED
55-	31628		DRAWING - All Weather Antenna Installation		
-1	451 800		ANTENNA ASSEMBLY - Broad band	2	
	451 817	B,Y	ANTENNA ASSEMBLY - Broad band	2	
-2	456 388		DECAL - Antenna	2	
-3	494 678		PROBE - Airaid (SW10-96-3) (9" long)	10	
-4	31614-03		ANTENNA ASSEMBLY - Sense	1	27-1 to 27-7554123 inclusive
-5	33504-00		* ANTENNA ASSEMBLY - Sense	1	27-1 to 27-7754123 inclusive
-6	40111-00		* THIMBLE - Sense antenna	1	27-1 to 27-7754123 inclusive
-7	486 879		* SLEEVE - Sense antenna (28-1-C)	1	27-1 to 27-7754123 inclusive
-8	486 562		* SHACKLE - Sense antenna (MS20115-2)	1	27-1 to 27-7754123 inclusive
-9	581 043		PLUG KIT - (2-329082-1)	2	
-10	415 520		SCREW - (MS35206-230)	20	
-11	406 848		* RIVNUT - (A6K75)	20	
-12	32131-00	Y	CHOKE ASSEMBLY - Sense antenna filter	1	27-3050, 27-3154 to 27-7754123 inclusive
-13	407 041		WASHER - Lock (MS35338-41)	20	
-14	43080-00	A	LINK - Dual ADF antenna attachment	1	
-15	33509-00	A	ANTENNA ASSEMBLY - Sense dual, right	1	
-16	33504-00	A	* ANTENNA ASSEMBLY - Sense	1	
-17	40111-00	A	* THIMBLE - Sense antenna	1	
-18	486 879	A	* SLEEVE - Sense antenna (28-1-C)	1	
-19	486 562	A	* SHACKLE - Sense antenna (MS20115-2)	1	

A - Used on PA-23-250 (Six Place) with serial numbers 27-7305168, 27-7305206, 27-7305210, 27-7405260 to 27-7754123 inclusive.
 B - Used on aircraft that comply with C.A.A. (United Kingdom) requirements.
 Y - Used on PA-23-250 (Six Place) airplanes only.

When ordering, always specify Part Number, Description and Serial Number of Aircraft

PIPER PARTS CATALOG

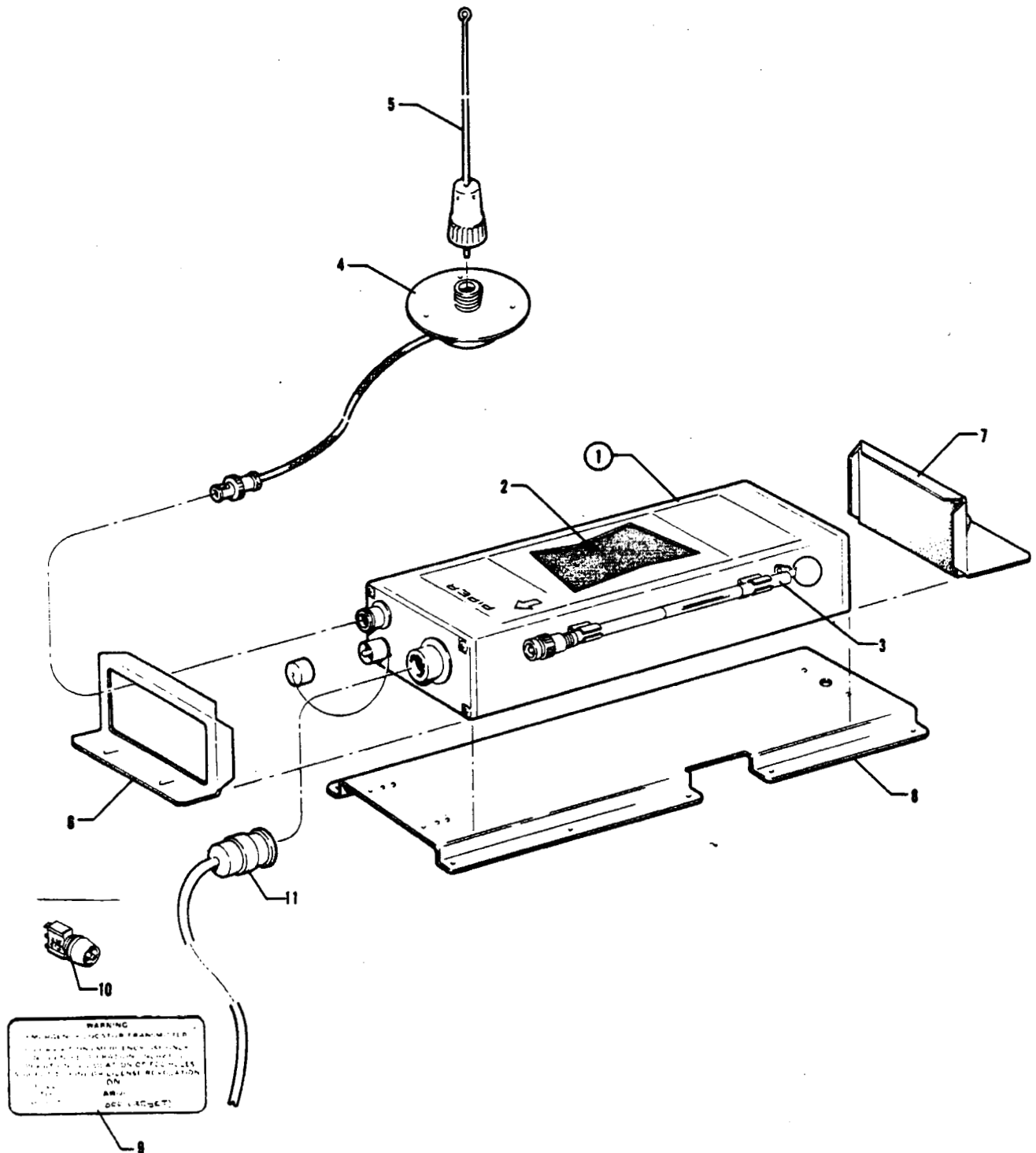


Figure 55A. Piper Automatic Locator (ELT) Installation
 (Garrett Mfg. Ltd.)

PIPER PARTS CATALOG

Figure and Index Number	Part Number	Code	NOMENCLATURE	No. Req.	SERIAL NUMBERS AFFECTED
55A-	33313	A	DRAWING - Piper Automatic Locator (ELT) Installation		
	33542	B,C	DRAWING - Piper Automatic Locator (ELT) Installation		
-1	756 398	D	TRANSMITTER ASSEMBLY - Automatic locator (627484-1) (includes magnesium battery pack)	1	
	761 939	D	TRANSMITTER ASSEMBLY - Automatic locator (627674-1) (includes magnesium battery pack)	1	
	761 967	D	TRANSMITTER ASSEMBLY - Automatic locator (627810-1) (includes lithium battery pack)	1	
-2	758 281	A,B	* BATTERY PACK - Transmitter assembly (magnesium)	1	
	758 364	C,D	* BATTERY PACK - Transmitter assembly (lithium)	1	
-3	751 316		* ANTENNA ASSEMBLY - Telescopic	1	
-4	751 318		CABLE AND BASE ASSEMBLY - Whip antenna	1	
-5	751 319		ANTENNA ASSEMBLY - Whip (less cable and base)	1	
-6	758 266		BRACKET - Forward transmitter mounting	1	
-7	758 267		BRACKET ASSEMBLY - Aft transmitter mounting (includes lock knob)	1	
-8	53093-00		BRACKET ASSEMBLY - Emergency locator transmitter	1	
-9	33543-00	B	PLACARD - Warning (ELT)	1	
	80418-02	C	PLACARD - Warning (ELT)	1	
-10	762 270	B	SWITCH AND DRESS NUT ASSEMBLY - ELT	1	
	587 965	C	SWITCH - ELT (7101K)	1	
-11	555 731	B,C	CONNECTOR - (612129-3)	1	
			A - Used with Transmitter Assembly P/N 756 398 (Model 627484-1).		
			B - Used with Transmitter Assembly P/N 761 939 (Model 627674-1).		
			C - Used with Transmitter Assembly P/N 761 967 (Model 627810-1).		
			D - No longer available. Order ELT Replacement Kit 764 082 (Garrett ELT to Narco ELT 10) as a replacement.		

When ordering, always specify Part Number, Description and Serial Number of Aircraft

PIPER PARTS CATALOG

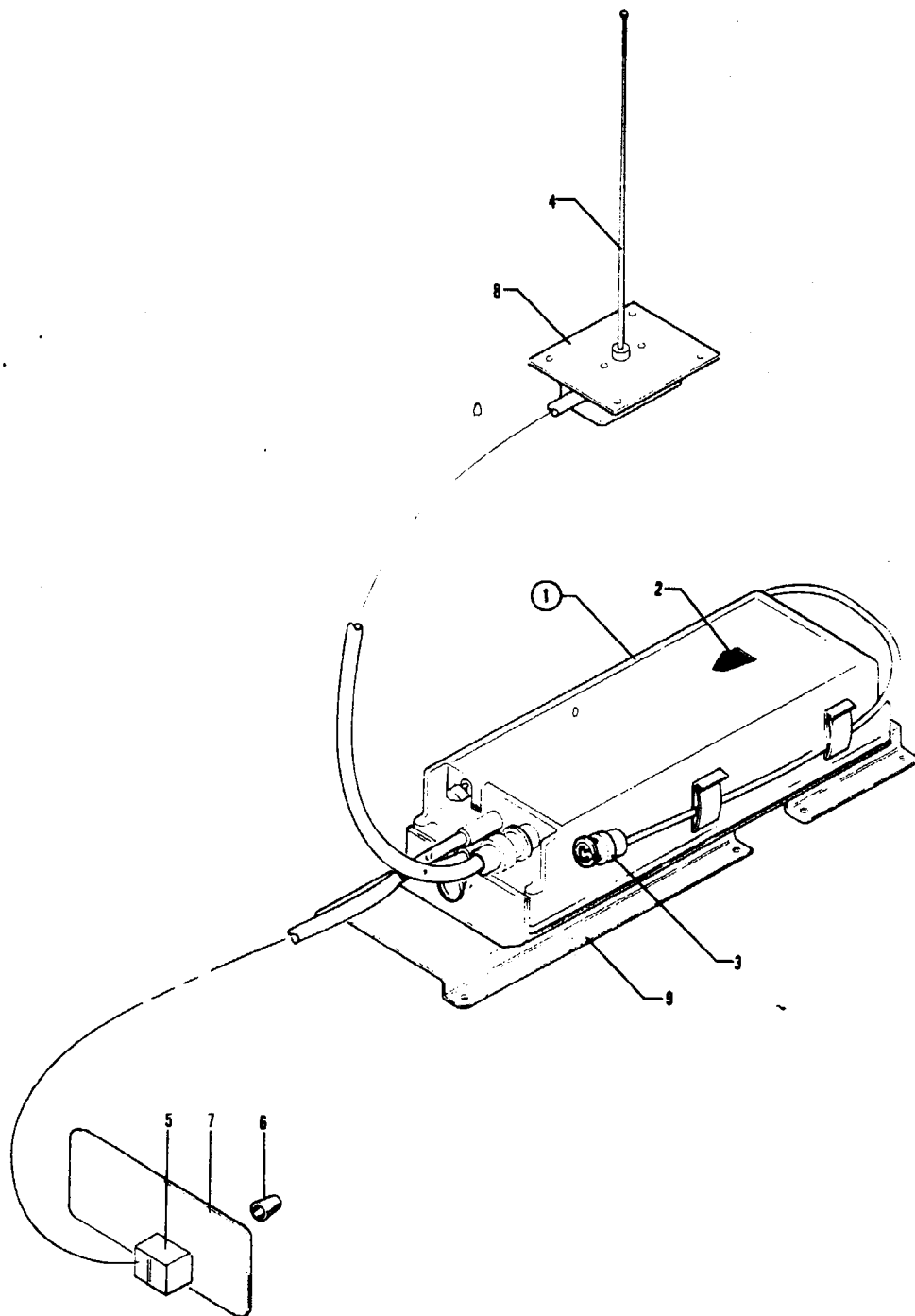


Figure 55B. Piper Automatic Locator (ELT) Installation
(Communications Components Corp.)

PIPER PARTS CATALOG

Figure and Index Number	Part Number	Code	NOMENCLATURE	No. Req.	SERIAL NUMBERS AFFECTED
55B-	28326		DRAWING - Piper Automatic Locator (ELT) Installation		
-1	762 030	V	TRANSMITTER ASSEMBLY - Automatic locator (CIR-11-2) (includes alkaline battery pack)	1	
-2	758 528	V	* BATTERY PACK - Transmitter assembly (alkaline)	1	
-3	758 092	V	* ANTENNA ASSEMBLY - Portable (10-249)	1	
-4	763 004	V	ANTENNA ASSEMBLY - Whip (10-234)	1	
-5	588 043		SWITCH - (7207)	1	
-6	477 829		NUT - Dress (8025)	1	
-7	80529-02		PLACARD - Warning (ELT)	1	
-8	60704-02		PLATE - Doubler	1	
-9	53093-04		BRACKET ASSEMBLY - ELT mounting	1	
			V - These parts must be ordered from Service Spares Department, Piper Aircraft Corporation, Vero Beach, Florida.		

When ordering, always specify Part Number, Description and Serial Number of Aircraft

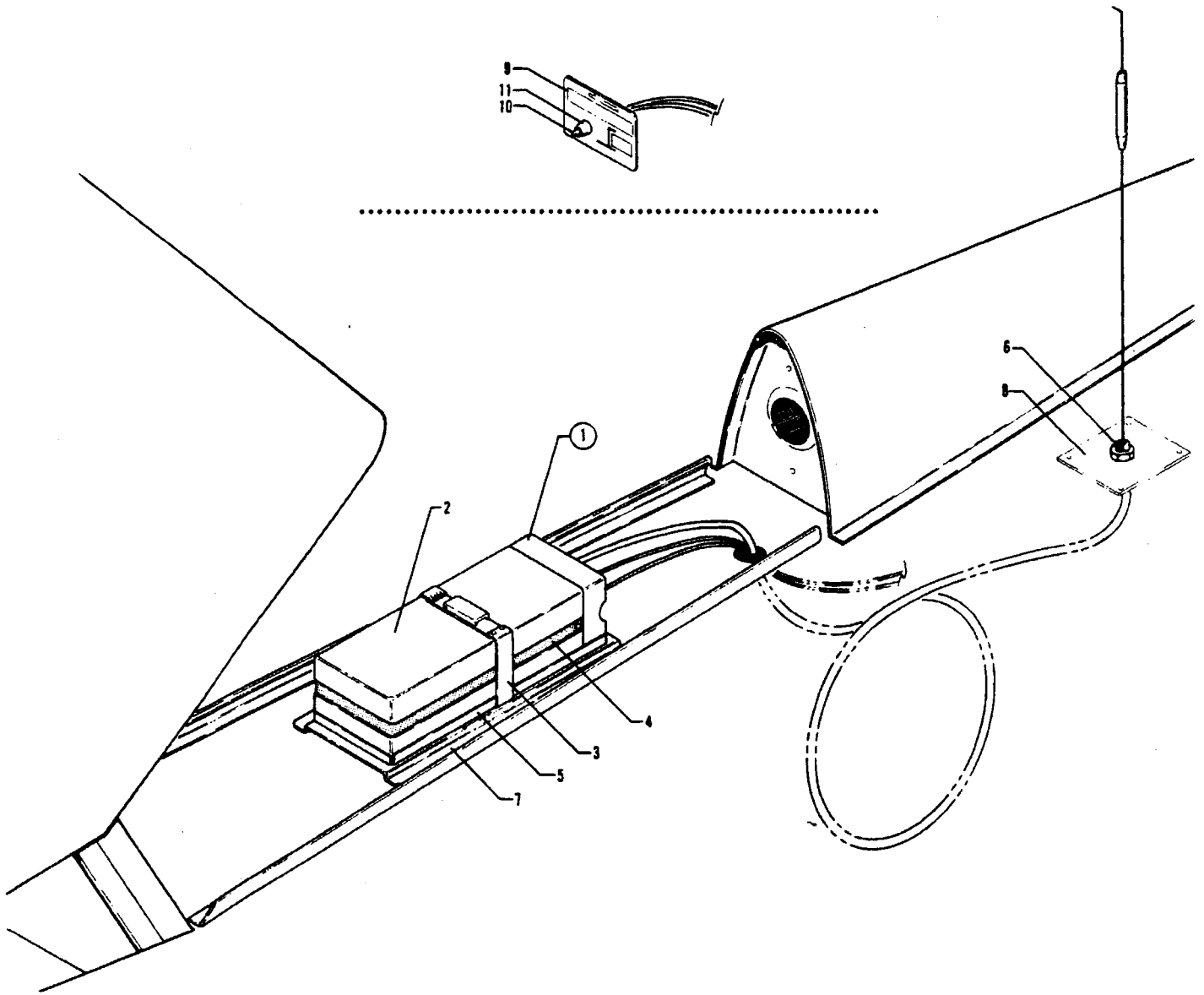


Figure 55C. Piper Automatic Locator (ELT) Installation
(Narco Avionics)

PIPER PARTS CATALOG

Figure and Index Number	Part Number	Code	NOMENCLATURE	No. Req.	SERIAL NUMBERS AFFECTED
55C-	28481		DRAWING - Piper Automatic Locator (ELT) Installation		
-1	54800-54		TRANSMITTER ASSEMBLY - Automatic locator (ELT 10), (includes alkaline battery pack)	1	
-2	758 452		* BATTERY PACK - Transmitter assembly (57674-0001)	1	
-3	762 357		* STRAP - Transmitter assembly (57682-0101)	1	
-4	763 019		* ANTENNA - Blade, portable (57667-0001)	1	
-5	758 453		* BASE - Transmitter assembly (57666-0001)	1	
-6	597 257		ANTENNA ASSEMBLY - ELT (01652-0101)	1	
-7	39273-02		BRACKET ASSEMBLY - ELT, mounting	1	
-8	60704-02		BRACKET - Doubler	1	
-9	80687-02		PLACARD - Warning, ELT	1	
-10	587 965		SWITCH - (7101-K)	1	
-11	477 829		NUT - Dress (8025)	1	

When ordering, always specify Part Number, Description and Serial Number of Aircraft

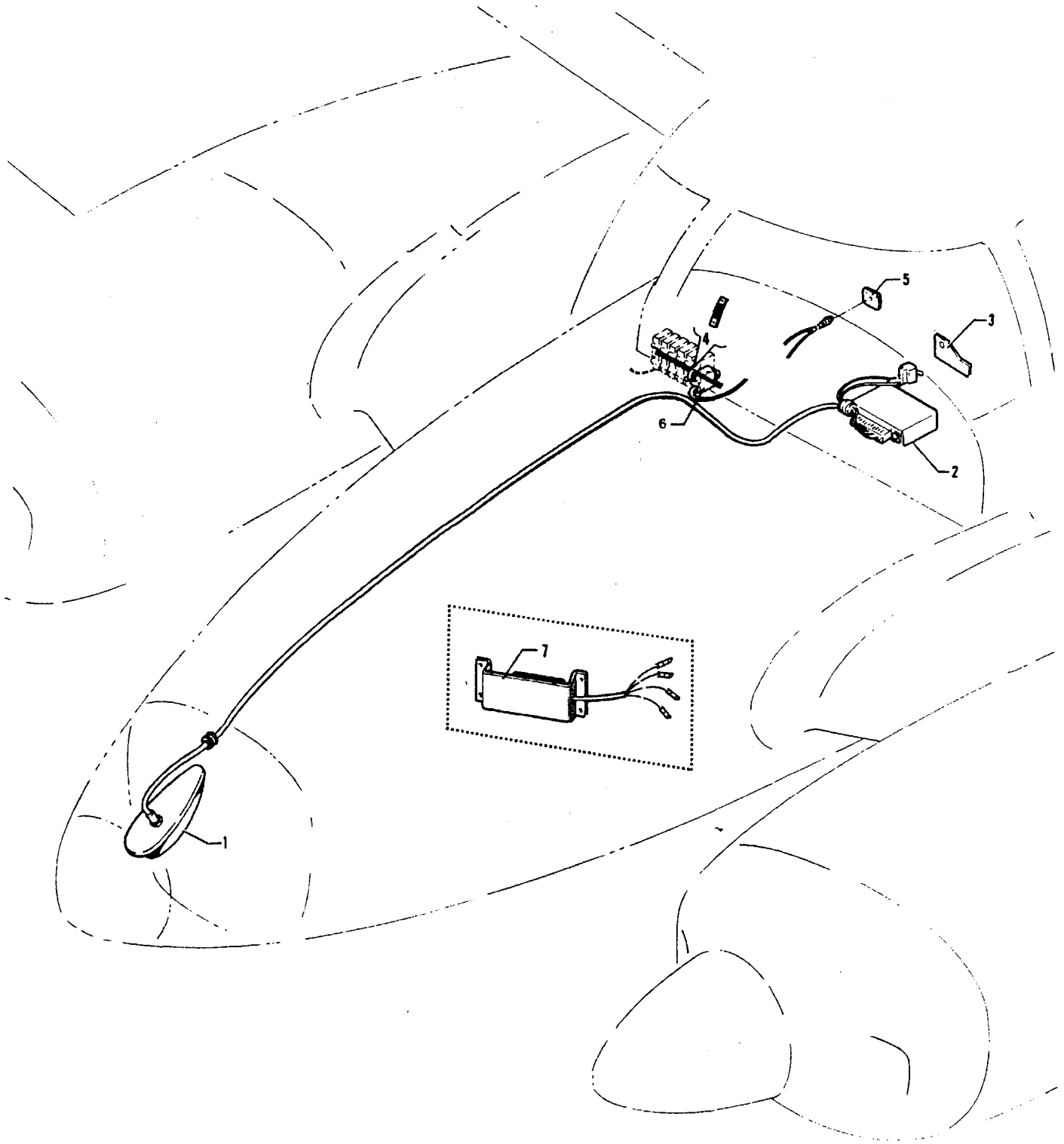


Figure 56. Piper PM-1 Marker Beacon Installation



Figure and Index Number	Part Number	Code	NOMENCLATURE	No. Req.	SERIAL NUMBERS AFFECTED
56-	31659	D	DRAWING - Piper PM-1 Marker Beacon Installation		27-2000 to 27-3943 inclusive 27-3944 to 27-4160 inclusive 27-4160 to 27-4425 inclusive, 27-4427 to 27-4573 inclusive 27-4426, 27-4574 to 27-4784 incl. 27-4160 to 27-4425 inclusive, 27-4427 to 27-4573 inclusive 27-4426, 27-4574 to 27-4784 incl. 27-4160 to 27-4425 inclusive, 27-4427 to 27-4573 inclusive 27-4426, 27-4574 to 27-4784 incl. 27-4160 to 27-4425 inclusive, 27-4427 to 27-4573 inclusive 27-4426, 27-4574 to 27-4784 incl. 27-4160 to 27-4425 inclusive, 27-4427 to 27-4573 inclusive 27-4426, 27-4574 to 27-4784 incl. 27-4160 to 27-4425 inclusive, 27-4427 to 27-4573 inclusive 27-4426, 27-4574 to 27-4784 incl. 27-4785 and up
	32505		DRAWING - Piper PM-1 Marker Beacon Installation		
	32860		DRAWING - Piper PM-1 Marker Beacon Installation		
	32995	D	DRAWING - Piper PM-1 Marker Beacon Installation		
	32859	E	DRAWING - Piper PM-1 Marker Beacon Installation		
	32994	E	DRAWING - Piper PM-1 Marker Beacon Installation		
	32505	F	DRAWING - Piper PM-1 Marker Beacon Installation		
	32996	F	DRAWING - Piper PM-1 Marker Beacon Installation		
	32850	G	DRAWING - Piper PM-1 Marker Beacon Installation		
	32993	G	DRAWING - Piper PM-1 Marker Beacon Installation		
33263	C	DRAWING - Piper PM-1 Marker Beacon Installation			
-1	551 216		RECEIVER - Marker beacon (1-950005)	1	
-2	551 233		PANEL ASSEMBLY - Marker beacon control (1-950012)	1	27-2000 to 27-3943 inclusive
	32408-00	C,D,F	PANEL ASSEMBLY - Marker beacon control	1	27-3944 and up
-3	32408-02	E,G	PANEL ASSEMBLY - Marker beacon control	1	27-4160 to 27-4784 inclusive
	31645-00	A	PLACARD - Marker beacon (1-950012)	1	27-2000 to 27-3943 inclusive
	32484-02		PLACARD - Marker beacon indicator lights (581 498)	1	27-3944 and up
	SK-1896-6	B	PLACARD - Marker beacon, hi-lo	1	
	30620-00	B	PLACARD - Marker beacon light	1	
<p>A - Used when 14-volt electrical system is installed. B - Used with 28-volt electrical system, serial numbers 27-3584, 27-3585, 27-3721, 27-3722, 27-3726, 27-3732 and 27-3762. C - Used with Narco COM 11, NAV 11 and NAV 12 Radio Installations. D - Used with Single Narco Mark 16 (less ADF) or Single Mark 12B (less ADF) if trim panel indicator lights are installed. This installation also available without Narco Radios. E - Used with Single Narco Mark 16 (less ADF) or Single Narco Mark 12B (less ADF) if VOA-40M or VOA-50M Omni Converter, which incorporates Indicator lights, is installed. F - Used with Single Narco Mark 16 (with ADF), Dual Narco Mark 16 (with ADF), Dual Narco Mark 16 (less ADF), Dual Narco Mark 12B (with ADF), Dual Narco Mark 12B (less ADF) or Single Narco Mark 12B (with ADF) if trim panel indicator lights are installed. G - Used with Single Narco Mark 16 (with ADF), Dual Narco Mark 16 (with ADF), Dual Narco Mark 16 (less ADF), Dual Narco Mark 12B (with ADF), Dual Narco Mark 12B (less ADF) or Single Narco Mark 12B (with ADF) if VOA-40M or VOA-50M Omni Converter, which incorporates indicator lights, is installed.</p>					

When ordering, always specify Part Number, Description and Serial Number of Aircraft



Figure and Index Number	Part Number	Code	NOMENCLATURE	No. Req.	SERIAL NUMBERS AFFECTED
66-4	16439-00	A,B,D	BAR - Bus	2	27-4160 to 27-4784 inclusive
-5	32856-00	A,B	PLACARD - Marker beacon test switch	1	27-4160 to 27-4784 inclusive
-6	454 666	A,B,D	CIRCUIT PROTECTOR - (109-205-102)	1	27-4160 to 27-4784 inclusive
-7	43517-00	C	CONVERTER ASSEMBLY - Marker beacon power	1	27-3812
	43517-05	C	CONVERTER ASSEMBLY - Marker beacon power	1	27-4902 and up
<p>A - Used with Single Narco Mark 16 (less ADF) or Single Narco Mark 12B (less ADF) if VOA-40M or VOA-50M Omni Converter, which incorporates indicator lights, is installed.</p> <p>B - Used with Single Narco Mark 16 (with ADF), Dual Narco Mark 16 (with ADF), Dual Narco Mark 16 (less ADF), Dual Narco Mark 12B (with ADF), Dual Narco Mark 12B (less ADF) or Single Narco Mark 12B (with ADF), if VOA-40M or VOA-50M Omni Converter, which incorporates indicator lights, is installed.</p> <p>C - Used with 28-volt electrical system.</p> <p>D - Used with Single Narco Mark 16 (less ADF) or Single Mark 12B (less ADF) if trim panel indicator lights are installed. This installation also available without Narco Radios.</p>					

When ordering, always specify Part Number, Description and Serial Number of Aircraft

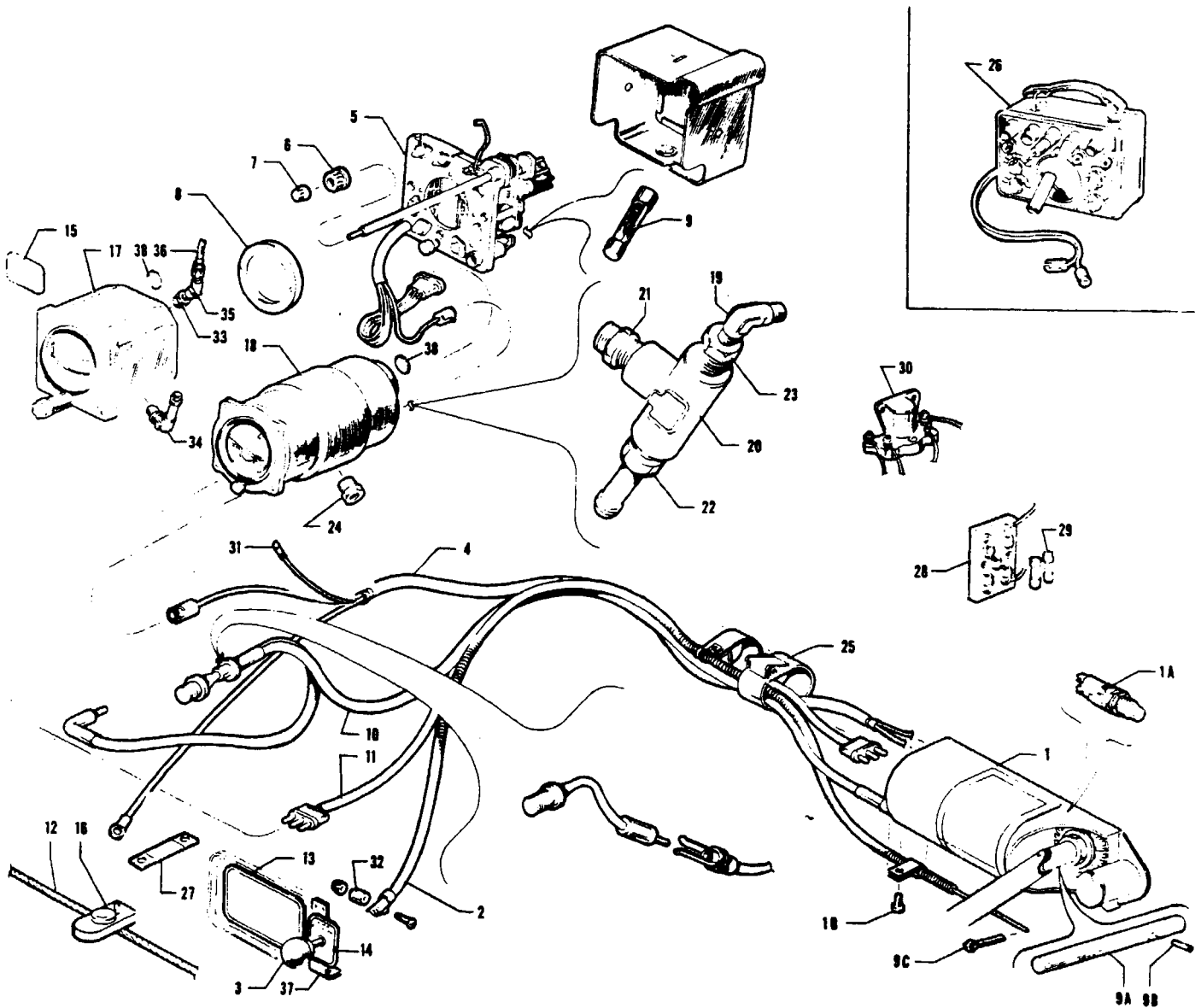


Figure 57. AutoControl I Installation



Figure and Index Number	Part Number	Code	NOMENCLATURE	No. Req.	SERIAL NUMBERS AFFECTED
57-	19676 30601	X,Z Y	DRAWING - AutoControl I Installation DRAWING - AutoControl I Installation		
-1	753 502		MOTOR ASSEMBLY - Roll servo (less engage cable, shaft and roll pin) (1X216AP)	1	
-1a	752 967		SWITCH - Roll servo (40S18)	1	
-1b	756 112		SCREW - (8-32 x 1/2")	1	
-2	751 555		CABLE ASSEMBLY - Control (30A47-48)	1	
-3	754 211		KNOB - Engage control (36A43)	1	
-4	751 520		CABLE ASSEMBLY - Power switch (30A60-52)	1	
-5	751 232		AMPLIFIER - (Complete) (1X217)	1	
-6	754 209		KNOB - (L-R turn) (36A37)	1	
-7	754 210		KNOB - Trim (36A39)	1	
-8	752 955		RING - Spacer (42A63)	1	
-9	751 783		FUSE - 10 amp (AGC-10)	1	
-9a	752 962		SHAFT - (47A75)	1	
-9b	752 766		ROLL PIN - (22S12)	1	
-9c	424 051		COTTER PIN - (AN380-2-2)	1	
-10	751 521		CABLE ASSEMBLY - Gyro to servo (30A61-52)	1	
-11	751 522		CABLE ASSEMBLY - Amplifier to servo (30A53-36)	1	
-12	17652-02		BUS ASSEMBLY	1	
-13	19561-00	C	PLACARD - Operations	1	
	19993-00	D	PLACARD - Operations	1	
-14	19582-00	C	PLACARD - Push-pull control	1	
	30279-00	D	PLACARD - Automatic pilot (directional gyro operation)	1	
-15	19563-00	C	PLACARD - Directional gyro control	1	
	19991-00	D	PLACARD - Directional gyro control	1	
-16	454 664		CIRCUIT BREAKER - (PS50120-3-4)	1	
-17	450 725	E	INSTRUMENT - Directional gyro	1	
-18	450 724	E	INSTRUMENT - Gyro horizon	1	
-19	458 893		ELBOW - (AN822-3D)	1	
-20	488 322		TEE - (AN917-2D)	1	
-21	476 661		NIPPLE - (AN911-2D)	1	
	19897-00		CONNECTOR ASSEMBLY - Vacuum line	1	
-22	476 652		ADAPTER - (AN840-6D)	1	
-23	453 663		BUSHING - (3224 x 2)	1	
-24	480 937		PLUG - (3152 x 4)	1	
	458 945		ELBOW - (1K1-4-6)	1	
-25	487 607		STRAP - Elastic (668-4-6DR)	2	
-26	751 412		TESTING EQUIPMENT - (With cables)	1	
-27	16439-00	A	BAR - Bus (14-volt)	1	
-28	13051-00	B	BLOCK ASSEMBLY - Fuse (28-volt)	1	

A - Used only when 14-volt electrical system is installed.
 B - Used only when 28-volt electrical system is installed.
 C - When course selector is not installed.
 D - When course selector is installed.
 E - No longer available.
 X - Used on PA-23-250 airplanes only.
 Y - Used on PA-23-250 (Six Place) airplanes only.
 Z - Used on PA-23-235 airplanes only.

When ordering, always specify Part Number, Description and Serial Number of Aircraft



Figure and Index Number	Part Number	Code	NOMENCLATURE	No. Req.	SERIAL NUMBERS AFFECTED
57-29	461 618	B	FUSE - (AGC-3)	2	
-30	465 214	B	CONTACTOR - (6041-H201) (24-volt)	1	
-31	488 368	B	TERMINAL - (31770)	1	
-32	14976-18		BUSHING	1	27-367 and up
-33	453 616	C	BUSHING - (AN912-1D)	1	
-34	458 928	C	ELBOW - 90 degrees (AN842-6D)	1	
	458 945	A,B	ELBOW - (1K1-4-6)	1	
-35	458 888	C	ELBOW - 45 Degrees (MS20823-3D)	1	
-36	17881-03	C	LINE ASSEMBLY	1	
	19897-00	A,B	CONNECTOR ASSEMBLY - Vacuum line	1	
-37	19886-00		PLATE - AutoControl engage cable mounting	1	27-367 and up
-38	755 825		PAD - AutoControl instrument filter (2 per instrument)	AR	

A - Used only when 14-volt electrical system is installed.
 B - Used only when 28-volt electrical system is installed.
 C - Used when a dual vacuum system installation is installed.

When ordering, always specify Part Number, Description and Serial Number of Aircraft

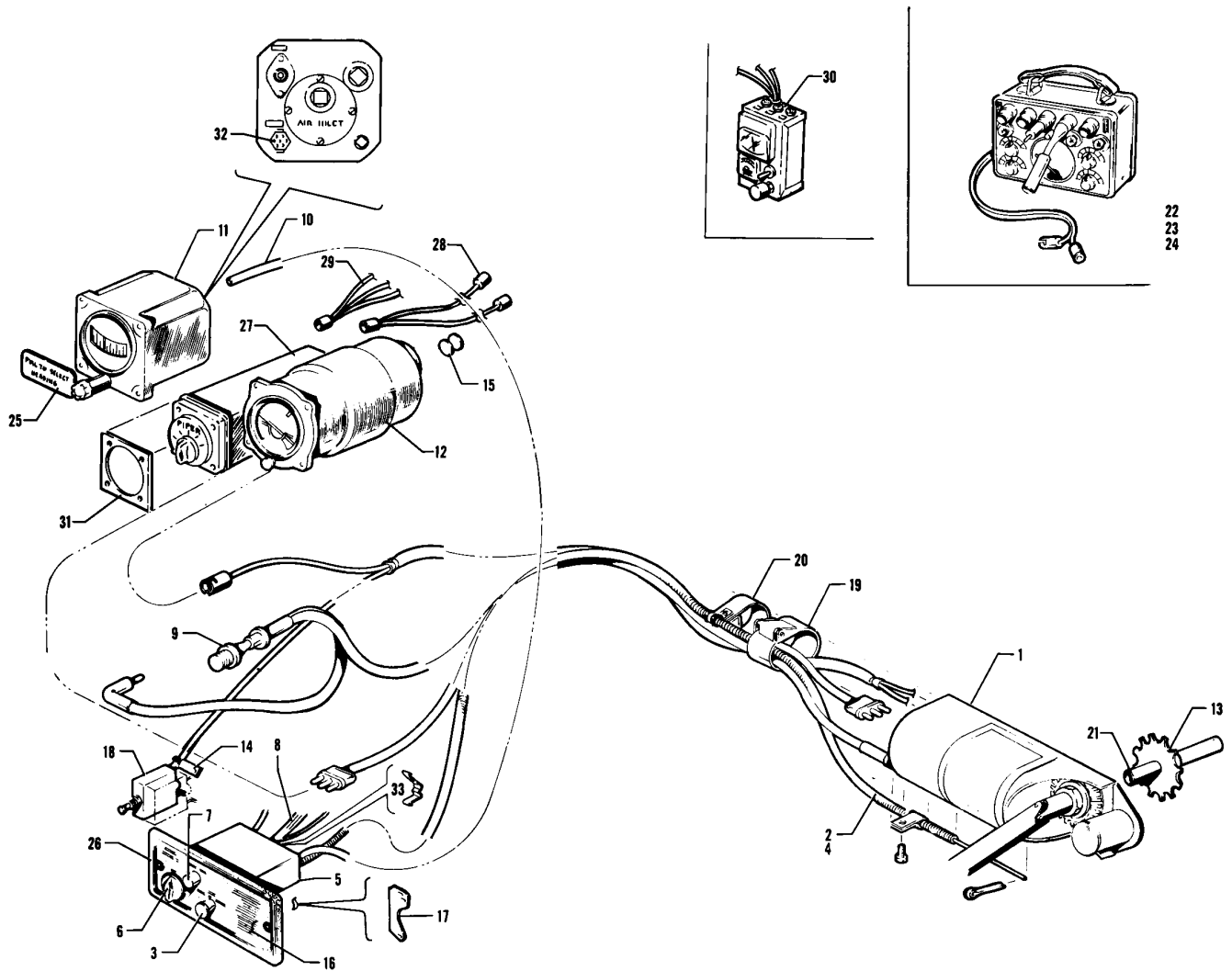


Figure 58. AutoControl II Installation



Figure and Index Number	Part Number	Code	NOMENCLATURE	No. Req.	SERIAL NUMBERS AFFECTED
58-	30990	Y	DRAWING - AutoControl II Installation		
	30989	XZ	DRAWING - AutoControl II Installation		
	31052	C	DRAWING - AutoControl II Schematic		27-1 to 27-2651 inclusive
	31668	AY	DRAWING - AutoControl II Schematic		27-2652 and up
	31669	BY	DRAWING - AutoControl II Schematic		27-2652 and up
-1	753 636		MOTOR ASSEMBLY - Roll servo (1X221-E-AZ)	1	
-2	753 875		CABLE ASSEMBLY - Engage control (30A139-50)	1	
-3	756 716		KNOB - Engage control cable (36S92)	1	
-4	752 333		LEVER - Engage (30A83)	1	
-5	753 877	FY	CONSOLE - Amplifier assembly (1X214E)	1	27-2000 to 27-2651 inclusive
	753 877	XZ	CONSOLE - Amplifier assembly (1X214E)	1	27-1 to 27-611 inclusive
	751 262	Y	CONSOLE - Amplifier assembly (1X214E-3)	1	27-2652 and up
	751 262	Z	CONSOLE - Amplifier assembly (1X214E-3)	1	27-612 and up
-6	754 366		KNOB - Turn and trim (36A77)	1	
-7	756 720		BUTTON - Heading lock (36S93)	1	
-8	751 954		HARNESS ASSEMBLY - (30B116-1)	1	
-9	753 879		CABLE ASSEMBLY - Servo motor (30A53-42)	1	
-10	753 036		HOSE - Air, amplifier to directional gyro (47A147-24)	1	
-11	450 795	DFGY	INSTRUMENT - Directional gyro (52B15-E)	1	27-2000 to 27-2651 inclusive
	450 795	DGXZ	INSTRUMENT - Directional gyro (52B15-E)	1	27-1 to 27-611 inclusive
	550 640	DGY	INSTRUMENT - Directional gyro (30987-02)	1	27-2652 and up
	550 640	DGZ	INSTRUMENT - Directional gyro (30987-02)	1	27-612 and up
	550 643	EG	INSTRUMENT - Directional gyro (31058-02)	1	
	550 626	AY	INSTRUMENT - Directional gyro (31324-00) (3 inch)	1	27-2652 to 27-3049 inclusive, 27-3051 to 27-3153 inclusive
	550 644	BY	INSTRUMENT - Directional gyro (31324-02) (3 inch)	1	27-2652 to 27-3049 inclusive, 27-3051 to 27-3153 inclusive
	550 779	AY	INSTRUMENT - Directional gyro (32169-00) (3 inch)	1	27-3050, 27-3154 and up
	550 778	BY	INSTRUMENT - Directional gyro (32168-00) (3 inch)	1	27-3050, 27-3154 and up
-12	450 724	FGY	INSTRUMENT - Gyro horizon (52B9)	1	27-2000 to 27-2651 inclusive
	450 724	GXZ	INSTRUMENT - Gyro horizon (52B9)	1	27-1 to 27-611 inclusive
	550 642	GY	INSTRUMENT - Gyro horizon (31053-02)	1	27-2652 and up
	550 642	GZ	INSTRUMENT - Gyro horizon (31053-02)	1	27-612 and up
	550 645	Y	INSTRUMENT - Gyro horizon (31694-00) (3 inch)	1	27-2652 to 27-3049 inclusive, 27-3051 to 27-3153 inclusive
	550 777		INSTRUMENT - Gyro horizon (32167-00) (3 inch)	1	27-3050, 27-3154 and up

- A - Used when Omni coupler is not installed.
- B - Used when Omni coupler is installed.
- C - Secure drawing for serial numbers 27-2652 and up if Kit 756 847 or 756 863 has been installed on PA-23-250 (Six Place).
- D - Used on AutoControl with "O" heading.
- E - Used on AutoControl with course selector.
- F - If Kit 756 847 or 756 863 has been installed on PA-23-250 (Six Place), order part for serial numbers 27-2652 and up.
- G - No longer available.
- X - Used on PA-23-250 airplanes only.
- Y - Used on PA-23-250 (Six Place) airplanes only.
- Z - Used on PA-23-235 airplanes only.

When ordering, always specify Part Number, Description and Serial Number of Aircraft

PIPER PARTS CATALOG

Figure and Index Number	Part Number	Code	NOMENCLATURE	No. Req.	SERIAL NUMBERS AFFECTED
58-13	13441-05		SPROCKET	1	
-14	22856-05	Y	BAR - Bus	1	
-15	755 825		PAD - Gyro instrument filter (not used on 3 inch gyros)	AR	
-16	31042-00	C,D	PLACARD - Operation instructions	1	27-1 to 27-2651 inclusive
	31043-00	D	PLACARD - Operation instructions	1	27-2652 and up
	31744-00	A	PLACARD - Operation instructions	1	
-17	31045-00		BRACKET - Console mounting, left	1	
	31045-01		BRACKET - Console mounting, right	1	
-18	454 664		CIRCUIT BREAKER - (PS50120-3-4)	1	
-19	487 607		STRAP ASSEMBLY - (668-4-6DR)	1	
-20	487 624		STRAP ASSEMBLY - (G-123)	2	
-21	752 962		SHAFT - (47A75)	1	
-22	751 412		TEST EQUIPMENT	1	
-23	756 737		ADAPTER - Test kit (66A44)	1	
-24	753 880		CABLE - Test (30B116-1-T)	1	
-25	30279-00	A	PLACARD - Directional gyro operation	1	
-26	31044-00		PANEL - Cover	1	
-27	31671-00	B,Y	COUPLER ASSEMBLY - Omni (1C292)	1	
-28	753 932	B,Y	CABLE ASSEMBLY - Omni coupler (30B 152)	1	
-29	25008-00	B,Y	CABLE ASSEMBLY - Omni coupler	1	
-30	756 873	Y	KIT - Test, omni coupler	1	
-31	25130-00	B,Y	PLATE - Omni coupler spacer	1	
-32	751 272	B,Y	ADAPTER - Directional gyro	1	
-33	756 257		SPRING - Retainer	1	

- A - Used on AutoControl with course selector.
- B - Used when Omni Coupler is installed.
- C - If Kit 756 847 or 756 863 has been installed on PA-23-250 (Six Place), order part for serial numbers 27-2652 and up.
- D - Used on AutoControl with "O" heading.
- Y - Used on PA-23-250 (Six Place) airplanes only.

When ordering, always specify Part Number, Description and Serial Number of Aircraft

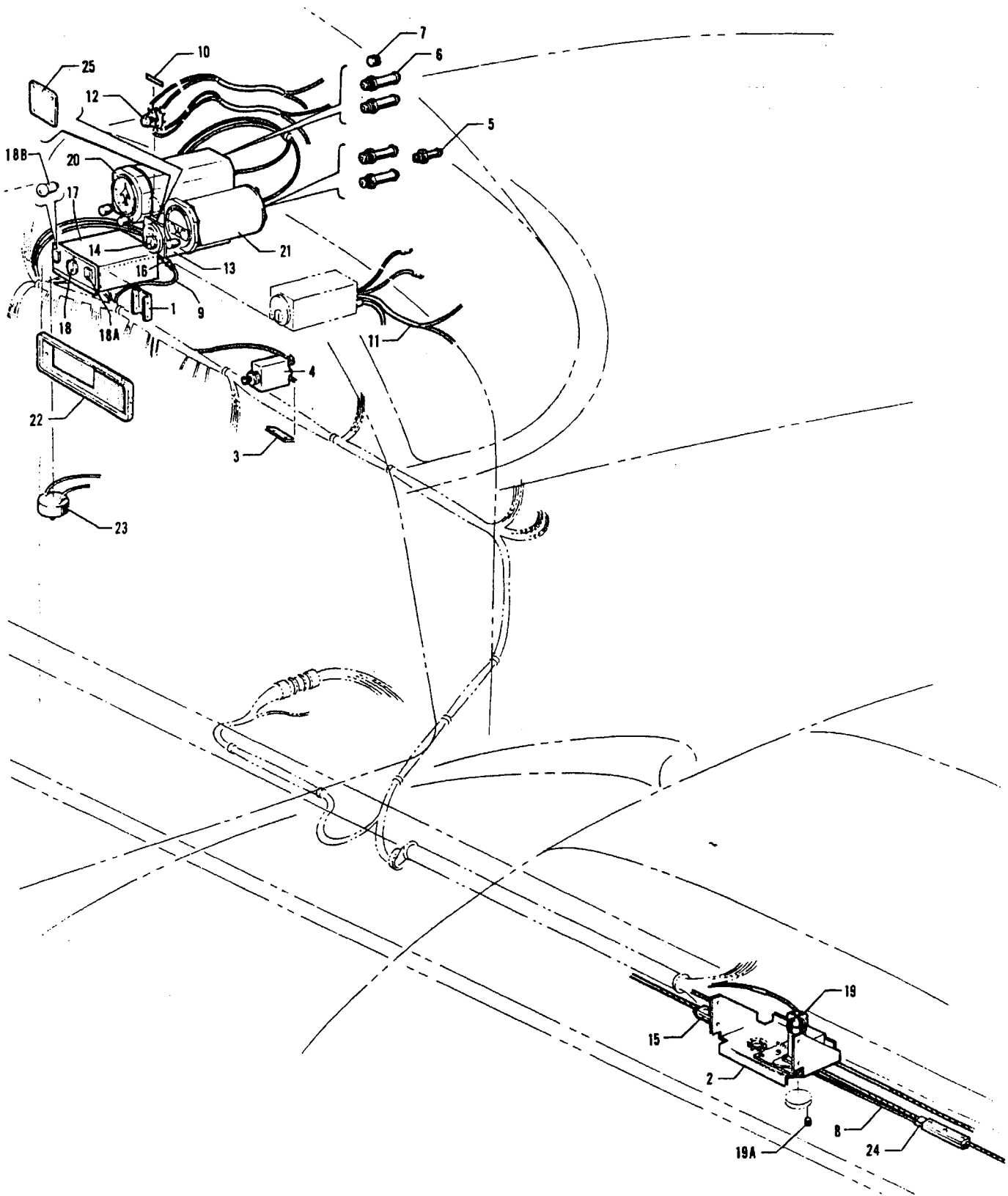


Figure 59. AutoControl III Installation

3B12

PIPER PARTS CATALOG

Figure and Index Number	Part Number	Code	NOMENCLATURE	No. Req.	SERIAL NUMBERS AFFECTED
59-	32249 32749	A B	DRAWING - AutoControl III DRAWING - AutoControl III		
-1	25673-00 32754-00	A B	BRACKET - AutoControl III console BRACKET - AutoControl III console	1 1	
-2	32277-00		BRACKET - Roll servo mounting	1	
-3	22856-05 16439-00	A B	BAR - Bus BAR - Bus	1 1	
-4	454 656		CIRCUIT BREAKER - (PS50120-3-7)	1	
-5	451 881		ADAPTER - (1K10-2-4)	1	
-6	451 939		ADAPTER - (1K10-4-6)	4	
-7	24712-02		PLUG - Pipe, plated (518 212)	1	
-8	25960-25		CABLE ASSEMBLY - Bridle, servo	1	
-9	32203-08		CABLE ASSEMBLY - Servo extension	1	
-10	25743-00	A	PLACARD - Omni coupler (581 290)	1	
-11	25716-00 32763-00	A B	HARNESS ASSEMBLY - Omni coupler HARNESS ASSEMBLY - Omni coupler	1 1	
-12	42038-02		* SWITCH - Transmitter selector (487 893)	1	
-13	551 114		COUPLER ASSEMBLY - Omni (25690-00)	1	
-14	757 052		* KNOB - (36A98)	1	
-15	753 981		CLAMP ASSEMBLY - Bridle cable (42A173)	2	
-16	751 987		HARNESS ASSEMBLY - Amplifier (25662-00)	1	
-17	751 283 751 325		CONSOLE AMPLIFIER ASSEMBLY - AutoControl III (1C338 S/N 1 to 10000 inclusive) 14 volt CONSOLE AMPLIFIER ASSEMBLY - AutoControl III (1C338-24) 28 volt	1 1	
-18	757 052		* KNOB - (36A98)	1	
-18a	757 581		* SWITCH - Engage (40A22-4)	2	
-18b	753 496		* BULB - Console (65S28)	2	
-19	753 721 43909-10 43909-12	A B B	SERVO ASSEMBLY - (1D363-184R) SERVO ASSEMBLY - (1C363-1-184R) 14 volt SERVO ASSEMBLY - (1C465-1-371R) 28 volt	1 1 1	
-19a	757 579		* SET SCREW - Capstan (3S326)	1	
-20	550 778		INSTRUMENT - Directional gyro (32168-00) (3 inch)	1	
-21	755 444		INDICATOR - Attitude gyro (3 inch)	1	
-22	31044-03	A	PANEL - Instrument panel cover	1	
-23	754 807		FILTER - Noise reducing (1A479)	1	
-24	26100-00		SLEEVE - Safety	2	
-25	41679-00	B	PLATE - Cover	1	

A - Used on PA-23-250 (Six Place) with serial numbers 27-3457 to 27-3836, 27-3838 to 27-3943 inclusive.
B - Used on PA-23-250 (Six Place) with serial numbers 27-3837, 27-3944 to 27-7554070 inclusive.

When ordering, always specify Part Number, Description and Serial Number of Aircraft

PIPER PARTS CATALOG

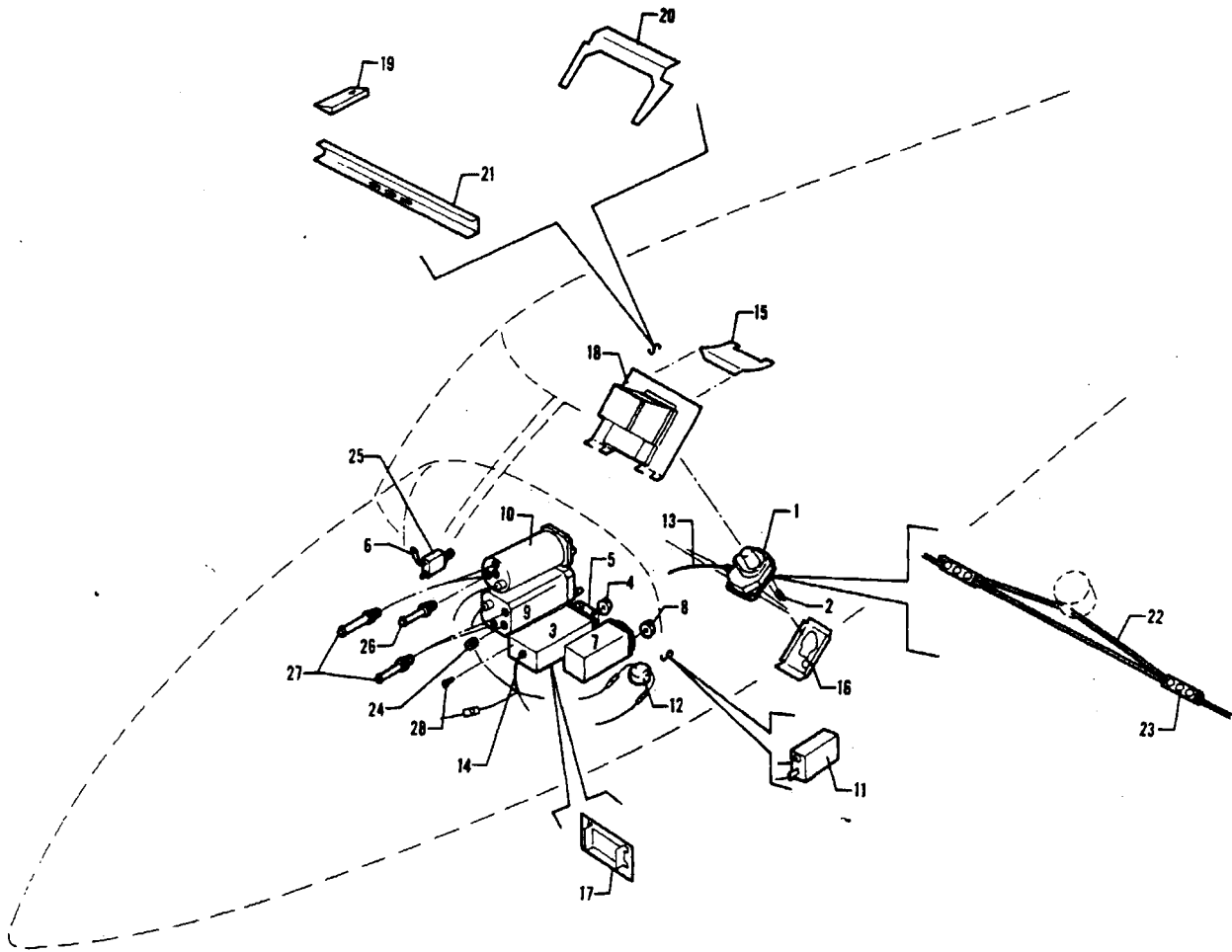


Figure 59A. AutoControl III B Installation
(Serial Nos. 27-7554071 to 27-7954121 incl.)
(See Code "A")

PIPER PARTS CATALOG

Figure and Index Number	Part Number	Code	NOMENCLATURE	No. Req.	SERIAL NUMBERS AFFECTED
59A-	15710	A	DRAWING - AutoControl III B Installation		27-7554071 to 27-7954121 incl.
-1	762 207		SERVO ASSEMBLY - Roll (1C465-1-504R)	1	
-2	757 579		* SET SCREW - Capstan (3S326)	1	
-3	758 059		CONSOLE AMPLIFIER ASSEMBLY - AutoControl III (1C338-24 S/N 10001 and up)	1	
-4	757 052		* KNOB - (36A98)	1	
-5	758 024		* CIRCUIT BOARD - Face plate light (includes 4 bulbs) 1B686	1	
-6	16439-00		BUS BAR	1	
-7	25690-02		COUPLER ASSEMBLY - Omni (1C388-2)	1	
-8	757 052		* KNOB - (36A98)	1	
-9	550 778		INSTRUMENT - Directional gyro (32168-00)	1	
-10	755 444		INDICATOR - Attitude gyro	1	
-11	754 806		ROLL SIGNAL FILTER - (1B440)	1	
-12	754 807		NOISE FILTER - (1A479)	1	
-13	758 002		CABLE ASSEMBLY - Roll servo (30C211-156R)	1	
-14	758 057		CABLE ASSEMBLY - Console amplifier (30C198)	1	
-15	15455-02		BRACKET ASSEMBLY - Aileron servo	1	
-16	33163-00		BRACKET ASSEMBLY - Aileron servo	1	
-17	32754-00		BRACKET ASSEMBLY - Console amplifier	1	
-18	28353-02		COVER - Aileron servo	1	
-19	33105-00		SPACER - Aileron servo channel	1	
-20	33079-00		REINFORCEMENT - Spar cover	1	
-21	33063-00		CHANNEL ASSEMBLY - Aileron servo	1	
-22	15664-02		CABLE ASSEMBLY - Servo	1	27-7554071 to 27-7554168 incl.
	15664-08		CABLE ASSEMBLY - Servo	1	27-7654001 and up
-23	757 863		CLAMP ASSEMBLY - Bridle assembly (42A173-1)	2	
-24	24712-02		PLUG - Instrument	1	
-25	454 656		CIRCUIT BREAKER - (PS50120-3-7)	1	
-26	451 881		ADAPTER - (1K10-2-4)	1	
-27	451 939		ADAPTER - (1K10-4-6)	4	
-28	762 235		SCREW - (3S327)	2	
			A - On aircraft with serial numbers 27-8054001 and up, refer to the Avionics Drawing Index List and the appropriate drawings supplied with each aircraft when ordering replacement parts.		

When ordering, always specify Part Number, Description and Serial Number of Aircraft

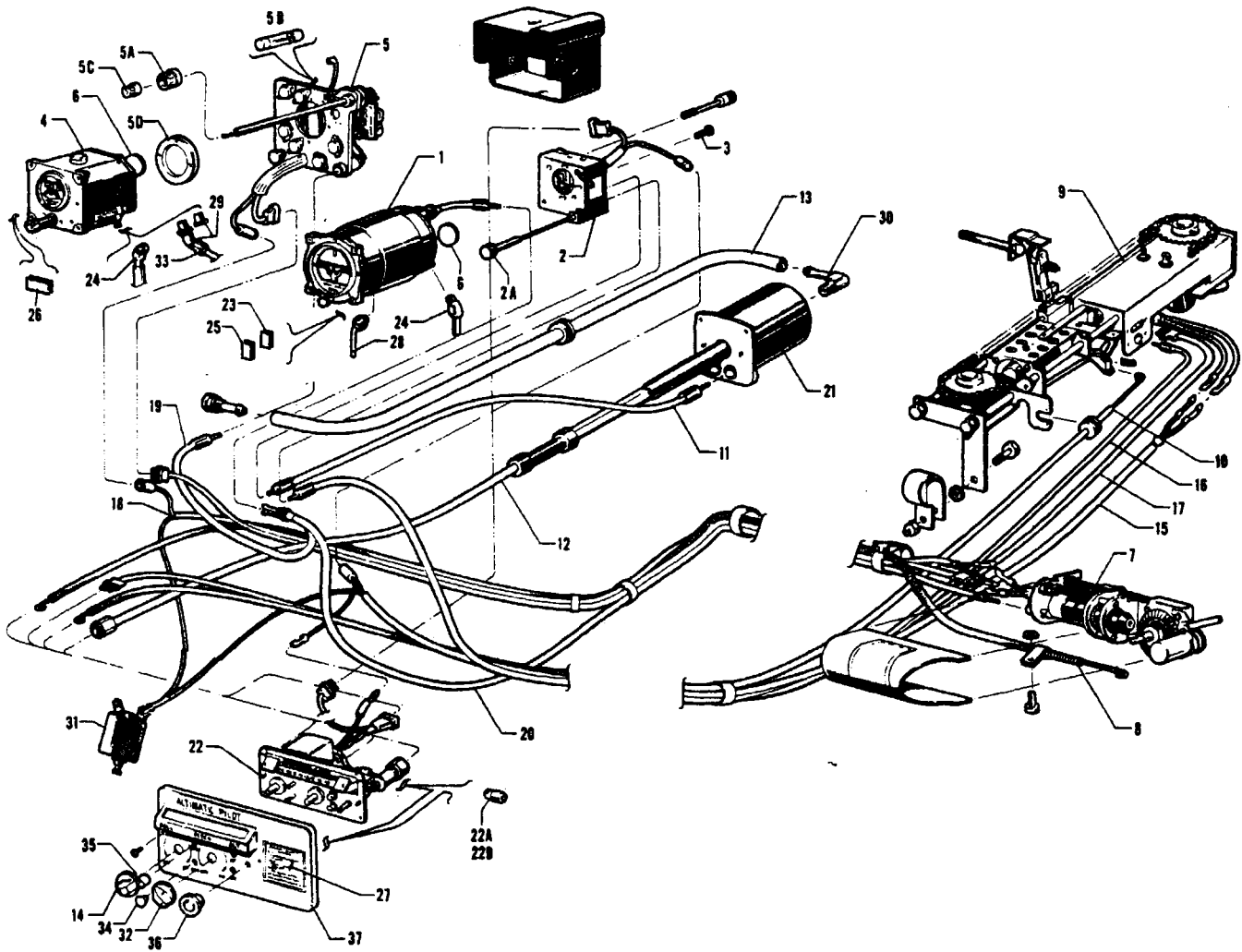


Figure 60. AltiMatic Pilot I Installation



Figure and Index Number	Part Number	Code	NOMENCLATURE	No. Req.	SERIAL NUMBERS AFFECTED
60-	30275 30600	X,Z Y	DRAWING - AltiMatic I Pilot Installation DRAWING - AltiMatic I Pilot Installation		
-1	450 758	C	INSTRUMENT - Gyro horizon (52B21)	1	
-2	551 134		AMPLIFIER - Pitch	1	
-2a	754 367		KNOB - Pitch engage	1	
-3	416 416		SCREW - (6-40 x 3/4") Fillister head	3	
-4	450 757	C	INSTRUMENT - Directional gyro (52B22)	1	
-5	551 135	D	AMPLIFIER - Roll (1 x 232)	1	
	751 232		AMPLIFIER - Roll (complete) (1 x 217)	1	
-5a	754 210		KNOB - Turn trim (36A39)	1	
-5b	751 783		FUSE - 10 amp (AGC-10)	1	
-5c	754 209	E	KNOB - (L-R turn) (36A37)	1	
-5d	752 955		RING - Spacer (42A63)	1	
-6	756 825		PAD - AutoControl instrument filter (2 per instrument)	AR	
-7	551 129		MOTOR ASSEMBLY - Roll servo (30269-00)	1	
-8	753 844		CABLE - Roll engage control (30A72-44A)	1	
-9	551 130		MOTOR ASSEMBLY - Pitch servo (30272-00)	1	
-10	753 842		CABLE - Pitch control (30A72-54A)	1	
-11	753 841		CABLE - Altitude selector (30A79)	1	
-12	756 124		CABLE - Altitude selector flex shaft (81A8-20A)	1	
-13	751 947		HOSE - Static air (47S147-40)	1	
-14	754 366		KNOB - Roll engage (36A77)	1	
-15	753 837		CABLE - Power switch (30A-104A)	1	
-16	753 839		CABLE - Pitch servo (30A78-42A)	1	
-17	753 835		CABLE - Pitch servo (30A77A)	1	
-18	751 520		CABLE - Power switch (30A60-52)	1	
-19	751 522		CABLE - Roll servo (30A53-36)	1	
-20	751 521		CABLE - Roll assembly (30A61-52)	1	
-21	551 131		ALTITUDE SELECTOR - (1 x 225) (756 133)	1	
-22	753 846		CONSOLE ASSEMBLY - Less knobs and face plate	1	
-22a	751 460		BULB - Effort, up and down	2	
-22b	751 461		BULB - Console	1	
-23	19885-00		PLACARD - Altitude hold	1	
-24	19899-00		ELBOW	2	
	458 945		ELBOW - (134A3)	1	
-25	22546-00		PLACARD - Pitch rate, up and down	1	
-26	30279-00		PLACARD - Heading selector	1	
-27	30282-00		PLACARD - Operating instructions	1	
-28	19897-00		CONNECTOR ASSEMBLY - Gyro horizon	1	
	458 945		ELBOW - (134A3)	1	
-29	458 888	A	ELBOW - (MS20823-3D)	1	
	580 914	B	PLUG - (AN932-3)	1	

A - Used only when dual vacuum system is installed.
 B - Used only when single vacuum system is installed.
 C - No longer available.
 D - No longer available. Order P/N 751 232 as a replacement.
 E - Used on Amplifier, P/N 751 232 only.
 X - Used on PA-23-250 airplanes only.
 Y - Used on PA-23-250 (Six Place) airplanes only.
 Z - Used on PA-23-235 airplanes only.

When ordering, always specify Part Number, Description and Serial Number of Aircraft



Figure and Index Number	Part Number	Code	NOMENCLATURE	No. Req.	SERIAL NUMBERS AFFECTED
60-30	458 929		ELBOW - (AN842-4D)	1	
-31	454 656		CIRCUIT BREAKER - (PS50120-3-7)	1	
-32	754 365		KNOB - Pitch control	1	
-33	17881-03	A	LINE ASSEMBLY - Vacuum (3" Aluminum)	1	
	19897-00	A	LINE ASSEMBLY - Vacuum (2 1/2" Copper)	1	
-34	754 369		KNOB - Dimmer switch	1	
-35	754 370		KNOB - Calibration	1	
-36	754 368		KNOB - Altitude selector	1	
-37	755 813		PLATE - Console face	1	

A - Used only when dual vacuum system is installed.

When ordering, always specify Part Number, Description and Serial Number of Aircraft

PIPER PARTS CATALOG

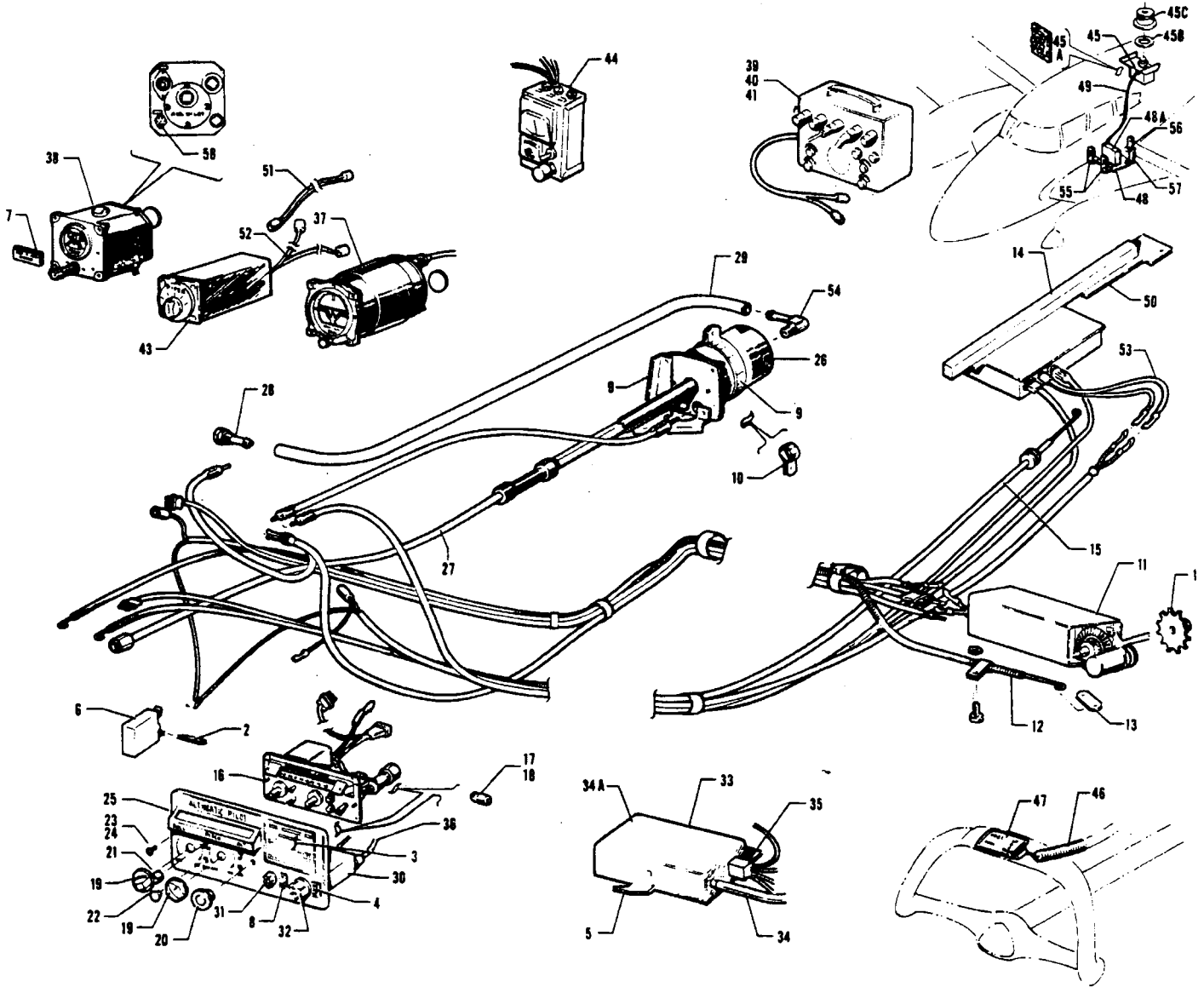


Figure 61. AltiMatic Pilot II Installation

REVISED: MARCH 1980

PA-23-250 (Six Place)
PA-23-250, PA-23-235

PIPER PARTS CATALOG

Figure and Index Number	Part Number	Code	NOMENCLATURE	No. Req.	SERIAL NUMBERS AFFECTED
61-	31000	C,Y	DRAWING - AltiMatic Pilot II Installation		27-2000 to 27-2651 inclusive
	31670	Y	DRAWING - AltiMatic Pilot II Installation		27-2652 and up
	30992	E,X,Z	DRAWING - AltiMatic Pilot II Installation		
	31968	F,Z	DRAWING - AltiMatic Pilot II Installation		
	30995	C	DRAWING - AltiMatic Pilot II Schematic		27-368 to 7-2651 inclusive
	31666	A,Y	DRAWING - AltiMatic Pilot II Schematic		27-2652 and up
	31667	B,Y	DRAWING - AltiMatic Pilot II Schematic		27-2652 and up
	31667	F,Z	DRAWING - AltiMatic Pilot II Schematic		
-1	13441-05		SPROCKET	1	
-2	22856-05	Y	BAR - Bus	1	
-3	30282-00		PLACARD - Operating instruction	1	
-4	19885-00		PLACARD - Altitude hold	1	
-5	30994-00		PLATE - Amplifier mounting	1	
-6	454 856		CIRCUIT BREAKER - (PS50120-3-7)	1	
-7	30279-00		PLACARD - Heading selector	1	
-8	22546-02		PLACARD - Pitch rate	1	
-9	31066-00	Y	BRACKET - Altitude selector mounting	1	
	31093-00	Y	BRACKET - Altitude selector mounting	1	
-10	80002-22	Y	CLAMP - Altitude selector mounting	1	
-11	753 636		MOTOR ASSEMBLY - Roll servo (1X221-E-A) (less engage cable and lever)	1	
-12	753 871		CABLE - Roll servo engage (30A72-48)	1	
-13	752 334		LEVER - Roll servo engage	1	
-14	753 635	D,X,Y	MOTOR ASSEMBLY - Pitch servo (1X222-A1)	1	27-368 to 27-2651 inclusive
	753 635	E,Z	MOTOR ASSEMBLY - Pitch servo (1X222-A1)	1	
	756 211	Y	MOTOR ASSEMBLY - Pitch servo (1X312-A)	1	27-2652 and up
	756 211	F,Z	MOTOR ASSEMBLY - Pitch servo (1X312-A)	1	
-15	753 842	D,X,Y	CABLE - Pitch servo engage (30A72-54A)	1	27-368 to 27-2651 inclusive
	753 842	E,Z	CABLE - Pitch servo engage (30A72-54A)	1	
	753 872	Y	CABLE - Pitch servo engage (30A72-32)	1	27-2652 and up
	753 872	F,Z	CABLE - Pitch servo engage (30A72-32)	1	
-16	753 868		CONSOLE ASSEMBLY - (Less face plate) (1X227-E)	1	
-17	751 460		BULB - Effort light	2	
-18	751 461		BULB - Console light	2	
-19	754 366		KNOB - Engage (36A77)	1	
-20	754 368		KNOB - Altitude selector (36A54)	1	
-21	754 370		KNOB - Calibration (36A75)	1	
-22	754 369		KNOB - Dimmer (36A76)	1	

- A - Used when Omni coupler is installed.
- B - Used when Omni coupler is not installed.
- C - Secure drawing for serial numbers 27-2652 and up if Kit 756 829, 756 833, 756 834, 756 846 or 756 855 has been installed on PA-23-250 (Six Place).
- D - If Kit 756 833 or 756 834 has been installed on PA-23-250 (Six Place), order part for serial numbers 27-2652 and up.
- E - Used if Kit 754 487 has been installed.
- F - Used if Kit 756 833 has been installed.
- X - Used on PA-23-250 airplanes only.
- Y - Used on PA-23-250 (Six Place) airplanes only.
- Z - Used on PA-23-235 airplanes only.

When ordering, always specify Part Number, Description and Serial Number of Aircraft



Figure and Index Number	Part Number	Code	NOMENCLATURE	No. Req.	SERIAL NUMBERS AFFECTED
61-23	753 190		WASHER - (4S88B-2)	2	
-24	756 146		SCREW - (3S131B)	2	
-25	755 832		PLATE - Face (13B109E)	1	
-26	551 131		ALTITUDE SELECTOR - (1X225)	1	
-27	756 124		CABLE - Altitude selector (81A8-20A)	1	
-28	755 833		STATIC PORT ASSEMBLY - (43A97)	1	
-29	753 036		TUBING - (47S147-36)	1	
-30	751 240		CONTROL ASSEMBLY - (1X246)	1	
-31	754 364		KNOB - Trim roll (36A39)	1	
-32	754 365		KNOB - Trim roll (36A73)	1	
-33	751 239	DY	AMPLIFIER - (1X247)	1	27-2000 to 27-2651 inclusive
	751 239	CXZ	AMPLIFIER - (1X247)	1	27-368 to 27-611 inclusive
	751 263	Y	AMPLIFIER - (1D293)	1	27-2652 and up
	751 263	Z	AMPLIFIER - (1D293)	1	27-612 and up
-34	753 035		TUBING - Air (47S147-14)	1	
-34a	753 916	Y	COVER - Louvered, amplifier	1	27-2652 and up
	753 916	Z	COVER - Louvered, amplifier	1	27-612 and up
-35	751 953		HARNESS ASSEMBLY - (30D131)	1	
-36	753 841		CABLE - Altitude selector (30A79)	1	
-37	752 093	DEY	INSTRUMENT - Gyro horizon (52D21-1)	1	27-2000 to 27-2651 inclusive
	752 093	CEXZ	INSTRUMENT - Gyro horizon (52D21-1)	1	27-368 to 27-611 inclusive
	550 641	EY	INSTRUMENT - Gyro horizon (30997-02)	1	27-2652 to 27-3049 inclusive, 27-3051 to 27-3153 inclusive
	550 641	EZ	INSTRUMENT - Gyro horizon (30997-02)	1	27-612 and up
	550 625	Y	INSTRUMENT - Gyro horizon (31323-00) (3 inch)	1	27-2652 to 27-3049 inclusive, 27-3051 to 27-3153 inclusive
	550 776	Y	INSTRUMENT - Gyro horizon (32166-00) (3 inch)	1	27-3050, 27-3154 and up
-38	752 092	DEY	INSTRUMENT - Directional gyro (52D27-E)	1	27-2000 to 27-2651 inclusive
	752 092	CEXZ	INSTRUMENT - Directional gyro (52D27-E)	1	27-368 to 27-611 inclusive
	550 643	BEY	INSTRUMENT - Directional gyro (31058-02)	1	27-2652 to 27-3049 inclusive, 27-3051 to 27-3153 inclusive
	550 643	EZ	INSTRUMENT - Directional gyro (31058-02)	1	27-612 and up
	550 644	AY	INSTRUMENT - Directional gyro (31324-02) (3 inch)	1	27-2652 to 27-3049 inclusive, 27-3051 to 27-3153 inclusive
	550 626	BY	INSTRUMENT - Directional gyro (31324-00) (3 inch)	1	27-2652 to 27-3049 inclusive, 27-3051 to 27-3153 inclusive
	550 778	AY	INSTRUMENT - Directional gyro (32168-00) (3 inch)	1	27-3050, 27-3154 and up
	550 779	BY	INSTRUMENT - Directional gyro (32169-00) (3 inch)	1	27-3050, 27-3154 and up
-39	751 412		TEST EQUIPMENT	1	
-40	756 706		ADAPTER - Test kit (66B58)	1	
-41	753 873		CABLE - Test (30D131T)	1	
-42	755 825		PAD - Gyro instrument filter (not used on 3 inch gyros)	AR	

A - Used when omni coupler is installed.
 B - Used when omni coupler is not installed.
 C - If Kit 756 833 has been installed on PA-23-235, order part for serial numbers 27-612 and up.
 D - If Kit 756 833 or 756 834 has been installed on PA-23-250 (Six Place), order part for serial numbers 27-2652 and up.
 E - No longer available.
 X - Used on PA-23-250 airplanes only.
 Y - Used on PA-23-250 (Six Place) airplanes only.
 Z - Used on PA-23-235 airplanes only.

When ordering, always specify Part Number, Description and Serial Number of Aircraft

PIPER PARTS CATALOG

Figure and Index Number	Part Number	Code	NOMENCLATURE	No. Req.	SERIAL NUMBERS AFFECTED
61-43	31671-00	A.Y	COUPLER ASSEMBLY - Omni (1C292)	1	
-44	756 873	Y	KIT - Test, omni coupler	1	
-45	25037-00	E,F,G	SERVO ASSEMBLY - Stabilator trim (Piper PET-2)	1	
	753 693	D.Y	SERVO ASSEMBLY - Stabilator trim (1D345)	1	27-3014 and up
-45a	751 276		* AMPLIFIER ASSEMBLY - Trim servo (1B346)(used with trim servo 1D345)	1	
-45b	494 159	H.V	* WASHER - Servo friction (24696-00)	1	
-45c	581 126	H.V	* PLATE - Servo clutch, outer (24695-00)	1	
-46	24636-02	F.Y	SWITCH AND CORD ASSEMBLY - Electric trim (toggle type)	1	27-2652 to 27-2692 inclusive
	31893-02	F.Y	SWITCH AND CORD ASSEMBLY - Electric trim (toggle type)	1	27-2693 to 27-3013 inclusive
	31893-02	F.Z	SWITCH AND CORD ASSEMBLY - Electric trim (toggle type)	1	
	32008-02	D.Y	SWITCH AND CORD ASSEMBLY - Electric trim (toggle type)	1	27-3014 and up
-47	25596-00	Y.Z	PLACARD - Electric trim	1	
-48	756 212	C.E	SENSOR ASSEMBLY - Pitch trim (1D310-128)	1	
	756 254	B	SENSOR ASSEMBLY - Pitch trim (1D310-128-1)	1	
	756 249	D.Y	SENSOR ASSEMBLY - Pitch trim (1C365-151)	1	27-3014 and up
-48a	751 277		* AMPLIFIER - Pitch trim sensor (1B383) (used with pitch trim sensor 1D310-128-1)	1	
-49	24805-03	E.F	CABLE ASSEMBLY - Sensor assembly	1	
	32005-02	D.Y	CABLE ASSEMBLY - Sensor assembly	1	27-3014 and up
-50	31673-00	Y.Z	BRACKET - Pitch servo mounting	1	
-51	25008-00	A.Y	CABLE ASSEMBLY - Omni coupler	1	
-52	753 932	A.Y	CABLE ASSEMBLY - Omni coupler (30B152)	1	
-53	25306-00	F.Y	HARNESS ASSEMBLY - Trim servo	1	27-2652 to 27-2692 inclusive
	31890-02	F.Y	HARNESS ASSEMBLY - Trim servo	1	27-2693 to 27-3013 inclusive
	31890-02	F.Z	HARNESS ASSEMBLY - Trim servo	1	
	32006-02	D.Y	HARNESS ASSEMBLY - Trim servo	1	27-3014 and up
-54	458 929		ELBOW - (AN842-4D) Altitude selector	1	
-55	32039-00	D.Y	BRACKET - Trim sensor mounting	2	27-3014 and up
-56	32066-00	D.Y	BRACKET - Trim sensor mounting	1	27-3014 and up
-57	32067-00	D.Y	BRACKET ASSEMBLY - Trim sensor mounting	1	27-3014 and up
-58	751 272	A.Y	ADPATER - Directional gyro	1	

- A - Used when omni coupler is installed.
- B - Used on PA-23-250 (Six Place) with serial numbers 27-2000 to 27-3013 inclusive, and PA-23-235 if Kit 756 973 has been installed.
- C - Order P/N 756 254 if Kit 756 973 has been installed.
- D - Used on PA-23-250 (Six Place) with serial numbers 27-2000 to 27-3013 inclusive, and PA-23-235 if pitch trim sensor assembly 1C365-151 has been installed.
- E - Used on PA-23-250 (Six Place) with serial numbers 27-2000 to 27-3013 inclusive, and PA-23-250 airplanes.
- F - Used when pitch trim sensor assembly 1D310-128 or 1D310-128-1 is installed.
- G - No longer available.
- H - Used on Piper servo only
- V - These parts must be ordered from Service Spares Department, Piper Aircraft Corp., Vero Beach, Florida.
- Y - Used on PA-23-250 (Six Place) airplanes only.
- Z - Used on PA-23-235 airplanes only.

When ordering, always specify Part Number, Description and Serial Number of Aircraft

3B23 THRU 3B24
INTENTIONALLY LEFT BLANK



Figure and Index Number	Part Number	Code	NOMENCLATURE	No. Req.	SERIAL NUMBERS AFFECTED
61A-	32261 32719	A	DRAWING - AltMatic Pilot III Installation DRAWING - AltMatic Pilot III Installation		27-3837, 27-3944 to 27-4159 inclusive 27-4160 and up
	32862	C	DRAWING - AltMatic Pilot III B Installation		
-1	13945-83		STRIP - Rubber, altitude selector bracket	1	
-2	32204-00		BRACKET - Altitude selector	1	
-3	32205-00	B	BRACKET - Disconnect switch	1	
-4	32277-00		BRACKET - Roll servo mounting	1	
-5	31898-00		BRACKET ASSEMBLY - Trim servo mounting	1	
-6	32255-00		BRACKET - Trim sensor mounting	1	
-7	32256-00		ANGLE - Trim sensor mounting	1	
-8	25671-00	A	ANGLE ASSEMBLY - Console	1	
	32483-01	B	ANGLE ASSEMBLY - Console, right	1	
	32483-00	B	ANGLE ASSEMBLY - Console, left	1	
-9	22856-05	A	BAR - Bus (Aluminum)	3	
	16439-00	B	BAR - Bus (Braided copper)	2	
	31506-02	B	BAR - Bus (Tinned copper)	2	
-10	454 656		CIRCUIT BREAKER - (PS50120-3-7)	3	
-11	24712-02		PLUG - Pipe, plated (581 212)	1	
-12	451 881		ADAPTER - (1K10-2-4)	1	
-13	451 939		ADAPTER - (1K10-4-6)	4	
-14	14976-25		BUSHING - Trim servo bracket	6	
-15	475 130		SHOCK MOUNT - Gyro amplifier (323B)	8	
-16	487 860	A	SWITCH - AutoFlite (2FA54-73)	1	
	32370-13	B	SWITCH - AutoFlite, illuminated (487 956)	1	
-17	25596-00	A	PLACARD - Electric trim (581 168)	1	
	43360-00	B	PLACARD - Electric trim (581 371)	1	
-18	25707-00	A	PLACARD - AutoFlite (581 282)	1	
	43363-00		PLACARD - AutoFlite (581 374)	1	27-3837, 27-3944 to 27-4159 inclusive 27-4160 and up
	43365-00	C	PLACARD - AutoPilot (581 376)	1	
	43362-00	D	PLACARD - AutoPilot and boom mike (581 373)	1	
-19	42919-00	A	PLACARD - AutoFlite (581 339)	1	
-20	25743-00	A	PLACARD - Omni coupler (581 290)	1	
-21	25716-00	A	HARNESSE ASSEMBLY - Omni coupler	1	
	32763-00	B	HARNESSE ASSEMBLY - Omni coupler	1	
-22	42038-02	A	SWITCH - Nav Selector (487 928)	1	
	32550-00	B	SWITCH - Nav Selector (487 942)	1	
-23	551 114		COUPLER ASSEMBLY - Omni (25690-00) (for D.C. Converter)	1	
	757 905		COUPLER ASSEMBLY - Omni (1C388P-C) (for A.C. Converter)	1	
-24	757 052		KNOB - (36A98)	1	

A - Used on airplanes with serial numbers 27-3457 to 27-3836, 27-3838 to 27-3943 inclusive.
 B - Used on airplanes with serial numbers 27-3837, 27-3944 and up.
 C - Used on airplanes with serial numbers 27-3837, 27-3944 to 27-4159 inclusive if AltMatic III B is installed.
 D - Used if Boom Mike is installed.

When ordering, always specify Part Number, Description and Serial Number of Aircraft

PIPER PARTS CATALOG

Figure and Index Number	Part Number	Code	NOMENCLATURE	No. Req.	SERIAL NUMBERS AFFECTED
61A-25	25960-25		CABLE ASSEMBLY - Bridle, roll servo	1	
-26	25960-04		CABLE ASSEMBLY - Bridle, pitch servo	1	
-27	32005-06		CABLE ASSEMBLY - Trim sensor	1	
-28	32007-02		CABLE ASSEMBLY - Trim servo	1	
-28a	14300-30		CABLE ASSEMBLY - Trim servo extension	1	
-29	32210-03		HARNESS ASSEMBLY - Trim servo	1	27-3457 to 27-4573 inclusive
	32210-05		HARNESS ASSEMBLY - Trim servo	1	27-4574 and up
-30	32213-00		CORD AND SWITCH ASSEMBLY - AutoFlite	1	
	32008-02		CORD AND SWITCH ASSEMBLY - Electric trim	1	
	32284-00	A	CORD AND SWITCH ASSEMBLY - AutoFlite and electric trim	1	
-31	487 861	A	* SWITCH - Autoflite (MSP-205R)	1	
-32	487 873	A	* SWITCH - Electric trim (8869-K2)	1	
-32a	24641-00	A	* HOOD ASSEMBLY - Connector	1	
-33	751 988		HARNESS ASSEMBLY - AltiMatic III (25689-04)	1	
-34	751 994		HARNESS ASSEMBLY - AutoFlite (32211-03)	1	
-35	757 823	A	HARNESS ASSEMBLY - AutoFlite (32207-02) (with knob)	1	
	32207-04	B	HARNESS ASSEMBLY - AutoFlite (30B208-2) (less knob)	1	
-36	757 297		* POTENTIOMETER - (18A18)	1	
-37	757 052	A	KNOB - Potentiometer (36A98)	1	
-37a	571 115	B	KNOB - Potentiometer (409D2K1)	1	
-38	757 816		CABLE ASSEMBLY - Flexible (81A15-184)	1	
-39	753 981		CLAMP ASSEMBLY - Bridle cable (42A173)	4	
-40	757 548		SENSOR ASSEMBLY - Trim (1C365-188)	1	
-41	753 721	A	SERVO ASSEMBLY - Pitch (1D363-184P) 14-volt	1	
	753 783		SERVO ASSEMBLY - Pitch (1D363-184P) (28) 28-volt	1	27-3812
	43909-02	B	SERVO ASSEMBLY - Pitch (1C508-1-184) 14-volt	1	
-41a	757 579		* SET SCREW - Capstan (3S326)	1	
-42	753 721	A	SERVO ASSEMBLY - Roll (1D363-184R) 14-volt	1	
	753 782		SERVO ASSEMBLY - Roll (1D363-184R) (28) 14-volt	1	27-3812
	43909-10	B	SERVO ASSEMBLY - Roll (1C363-1-184R) 14-volt	1	
-42a	757 579		* SET SCREW - Capstan (3S326)	1	
-43	753 693	A	SERVO ASSEMBLY - Trim (1D345) 14-volt	1	
	753 784		SERVO ASSEMBLY - Trim (1D345) (28) 28-volt	1	27-3812
	757 590	B	SERVO ASSEMBLY - Trim (1C345-1) 14-volt	1	
-43a	751 276	A	* AMPLIFIER ASSEMBLY - Trim servo (1B346)	1	
-43b	751 301	B	* AMPLIFIER ASSEMBLY - Trim servo (79C53-1)	1	
-44	755 990		RELAY SWITCHING BOX - (1B405) 14-volt	1	
	755 991		RELAY SWITCHING BOX - (1B405-24) 28-volt	1	27-3812
-45	751 278		AMPLIFIER - Gyro (1C359-1)	1	
-45a	756 052		* RELAY - Gyro amplifier (80S11)	1	
-46	751 284	A	AMPLIFIER - (1D395A)	1	
	751 314	B	AMPLIFIER - (1C515-1)	1	

A - Used on airplanes with serial numbers 27-3457 to 27-3836, 27-3838 to 27-3943 inclusive.
 B - Used on airplanes with serial numbers 27-3837, 27-3944 and up.

When ordering, always specify Part Number, Description and Serial Number of Aircraft

PIPER PARTS CATALOG

Figure and Index Number	Part Number	Code	NOMENCLATURE	No. Req.	SERIAL NUMBERS AFFECTED
61A-47	757 807		CONSOLE - AltMatic III (25688-00)	1	
	26882-00		CONSOLE - AltMatic III B (1C519)	1	
-47a	757 581	C	SWITCH - Engage (40A22-4)	4	
-48	757 052		KNOB - Roll (36A98)	1	
-49	757 061		KNOB - Selector (36A123)	1	
-49a	753 496	C	BULB - Console (65S28)	4	
	758 164	D	BULB - Console, blue, 14-volt (65A56-1)	3	
-49b	758 179	D	BUTTON - Push (36S137)	3	
-50	757 538		ALTITUDE SELECTOR - (1D391-186)	1	
-51	550 778		INSTRUMENT - Directional gyro (32168-00) (3 inch)	1	
-52	550 559	E	INSTRUMENT - Gyro horizon (32173-02) (3 inch)	1	
	560 560	E	INSTRUMENT - Gyro horizon (32173-03) (3 inch)	1	
-53	83161-38		HOSE - Airspeed indicator, static	1	
-54	83161-37		HOSE - Airspeed indicator, pressure	1	
-55	25705-00		TUBE ASSEMBLY - Airspeed indicator	1	
-56	454 983		CLAMP - (SAE 8)	4	
-57	488 525		TEE - Swivel (3-SW-12)	1	
-58	754 807		FILTER - Noise reducing (1A479)	1	
-59	32286-00		BRACKET - Altitude selector mounting	1	
-60	26100-00		SLEEVE - Safety	4	
-61	26934-00		CORD ASSEMBLY	1	27-3837, 27-3944 and up
-62	761 039	V	KIT - Electric trim switch replacement	1	27-3837, 27-3944 and up
-63	487 904		SWITCH - Autopilot (39-1)	1	27-3837, 27-3944 and up
	487 904	B	SWITCH - Autopilot (39-1)	2	
-64	754 557		VOLTAGE DIVIDER - (1C472)	1	27-3812
-65	26838-00	A	RELAY ASSEMBLY - Autopilot	1	27-4160 and up
-66	26564-00		TUBE ASSEMBLY - Airspeed indicator	1	
-67	756 347		TRIM WARNING ASSEMBLY UNIT - (1C547)	1	27-4574 and up
-68	755 202		HARNES ASSEMBLY - Trim warning (30C358)	1	27-4574 and up
-69	27214-00		NUT - Autopilot switch	1	

- A - Used on airplanes with serial numbers 27-3837, 27-3944 to 27-4159 inclusive if AltMatic III B is installed.
- B - Used if boom mike is installed.
- C - Used with AltMatic III console only.
- D - Used with AltMatic III B console only.
- E - Instruments, P/N 550 559 and P/N 550 560, are interchangeable on this model.
- V - These parts must be ordered from Service Spares Department, Piper Aircraft Corporation, Vero Beach, Florida.

When ordering, always specify Part Number, Description and Serial Number of Aircraft

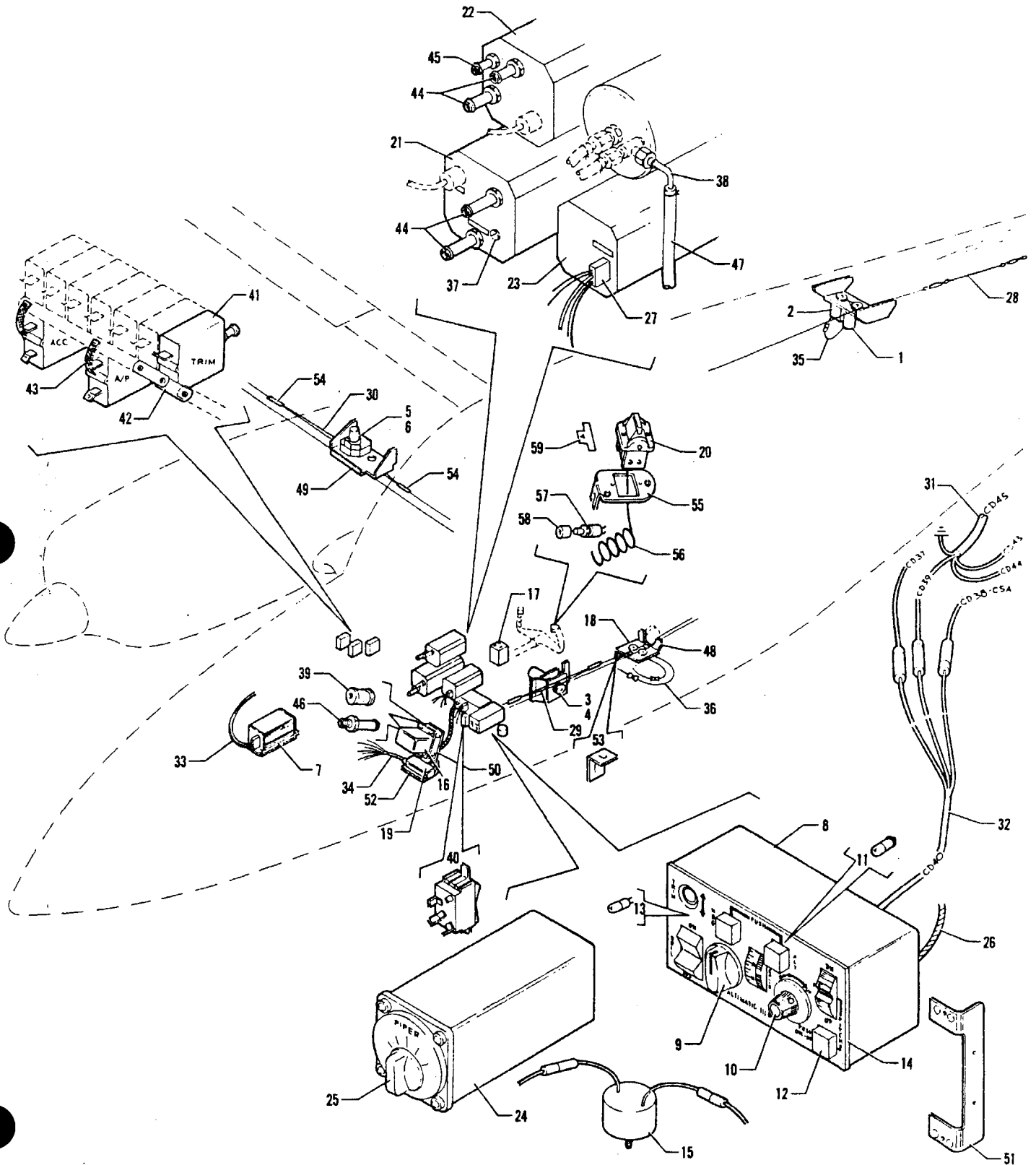


Figure 62. AltiMatic Pilot III B-1 Installation

PIPER PARTS CATALOG

Figure and Index Number	Part Number	Code	NOMENCLATURE	No. Req.	SERIAL NUMBERS AFFECTED
62-	33233 33626	A	DRAWING - AltiMatic Pilot III B-1 DRAWING - AltiMatic Pilot III B-1		27-4794 to 27-7405398 inclusive
-1	757 704 757 753		SERVO ASSEMBLY - Trim (1C345-5-184) 14-volt SERVO ASSEMBLY - Trim (1C469-5-371) 28-volt	1 1	
-2	751 315		* AMPLIFIER - Trim servo (1C671)	1	
-3	43909-02 43909-13		SERVO ASSEMBLY - Pitch (1C508-1-184P) 14-volt SERVO ASSEMBLY - Pitch (1C470-1-371P) 28-volt	1 1	
-4	757 579		* SET SCREW - Capstan (3S326)	1	
-5	43909-10 43909-12		SERVO ASSEMBLY - Roll (1C363-1-184R) 14-volt SERVO ASSEMBLY - Roll (1C465-1-371R) 28-volt	1 1	
-6	757 579		* SET SCREW - Capstan (3S326)	1	
-7	751 314		AMPLIFIER - (1C515-1)	1	
-8	26882-02		CONSOLE - AltiMatic III B-1 (1C519-2)	1	
-9	757 052		* KNOB - Roll (36A98)	1	
-10	757 051		* KNOB - Selector (36A123)	1	
-11	758 207 752 317		* BULB - Blue (65A22-1) * BULB - Clear (327)	3 3	
-12	758 179		* BUTTON - Push (36S137)	3	
-13	753 496		* BULB - Console, roll switch (65S28)	1	
-14	757 382		* PLATE - Face (13B-439-1) (with four bulbs)	1	
-15	754 807		FILTER - Noise (1A479)	1	
-16	44377-04		ALTITUDE SELECTOR - (1D391-2)	1	
-17	755 990 758 261		BOX - Relay switch (1B405) 14-volt BOX - Relay switch (1B405-24) 28-volt	1 1	27-4794 to 27-7405398 inclusive 27-4794 to 27-7405398 inclusive
-18	757 703		SENSOR - Pitch trim (1C672)	1	
-19	758 181 758 260		BOX - Relay (1A526) 14-volt BOX - Relay (1A526-1) 28-volt	1 1	
-20	757 754		SWITCH ASSEMBLY - (1C670-2)	1	
-21	550 778		INSTRUMENT - Directional gyro (32168-00) (3 inch)	1	
-22	550 559 550 560	B B	INSTRUMENT - Attitude gyro (32173-02) (3 inch) INSTRUMENT - Attitude gyro (32173-03) (3 inch)	1 1	
-23	52586-02 52586-03		INDICATOR ASSEMBLY - Turn and bank (14-volt) INDICATOR ASSEMBLY - Turn and bank (28-volt)	1 1	27-4794 to 27-7405398 inclusive 27-4794 to 27-7405398 inclusive
-24	551 114		COUPLER ASSEMBLY - Omni (25690-00)	1	
-25	757 052		* KNOB - (36A98)	1	
-26	757 816		CABLE ASSEMBLY - (81A16-184)	1	
-27	52588-04		CABLE ASSEMBLY - Turn and bank	1	27-4794 to 27-7405398 inclusive
-28	14300-30		CABLE ASSEMBLY - Pitch trim servo extension	1	
-29	25960-04		CABLE ASSEMBLY - Bridle, pitch servo	1	
-30	25960-25		CABLE ASSEMBLY - Bridle, roll servo	1	
-31	32007-02		CABLE ASSEMBLY - Pitch trim amplifier	1	
-32	32210-03		HARNESS ASSEMBLY - Trim servo	1	
-33	751 988		HARNESS ASSEMBLY - (25689-04)	1	
-34	33220-00		HARNESS ASSEMBLY - Relay disconnect	1	
-35	755 229		HARNESS ASSEMBLY - Cable (30A330)	1	
-36	755 230		HARNESS ASSEMBLY - Cable (30C415-1)	1	
-37	24712-02		PLUG - Pipe, plated (581 212)	2	
-38	26564-00		TUBE ASSEMBLY - Connector	1	
-39	475 130		MOUNT - Shock altitude selector (323B)	4	
-40	32370-13 33318-15		SWITCH - AutoFlite (14-volt) SWITCH - AutoFlite (28-volt)	1 1	27-4794 to 27-7405398 inclusive 27-4794 to 27-7405398 inclusive

A - Used on PA-23-250 (Six Place) with serial numbers 27-7405399 to 27-7405476 inclusive, 27-7554002 to 27-7554073 inclusive.
B - Instruments, P/N 550 559 and P/N 550 560, are interchangeable on this model.

When ordering, always specify Part Number, Description and Serial Number of Aircraft



Figure and Index Number	Part Number	Code	NOMENCLATURE	No. Req.	SERIAL NUMBERS AFFECTED
62-41	454 856		CIRCUIT BREAKER - (PS60120-3-7)	3	
-42	31506-02		BAR - Bus	2	
-43	16439-00		BAR - Bus	2	
-44	451 939		ADAPTER - (1K104-6)	4	
-45	451 881		ADAPTER - (1K102-4)	1	
-46	451 857		ADAPTER - (AN840-4D)	1	
-47	83161-38		HOSE - Static air	1	
-48	33363-00		BRACKET - Trim sensor mounting	1	
-49	32277-00		BRACKET - Mounting, roll servo	1	
-50	32286-00		BRACKET - Altitude selector mounting	1	
-51	32483-00		BRACKET ASSEMBLY - Console, left	1	
	32483-01		BRACKET ASSEMBLY - Console, right	1	
-52	32204-00		BRACKET - Altitude selector	1	
-53	32256-00		ANGLE - Trim sensor mounting	1	
-54	753 981		CLAMP ASSEMBLY - Bridle cable (42A173)	4	
-55	33265-02		PLATE - Cover	1	
	33265-03	A	PLATE - Cover	1	
-56	26934-00		CORD ASSEMBLY	1	
-57	487 904	A	SWITCH - AutoPilot (39-1)	1	
-58	454 277	A	CAP - (30B1012)	1	
-59	33266-00	A	PLACARD - "Mike"	1	

A - Used if Boom Mike is installed.

When ordering, always specify Part Number, Description and Serial Number of Aircraft

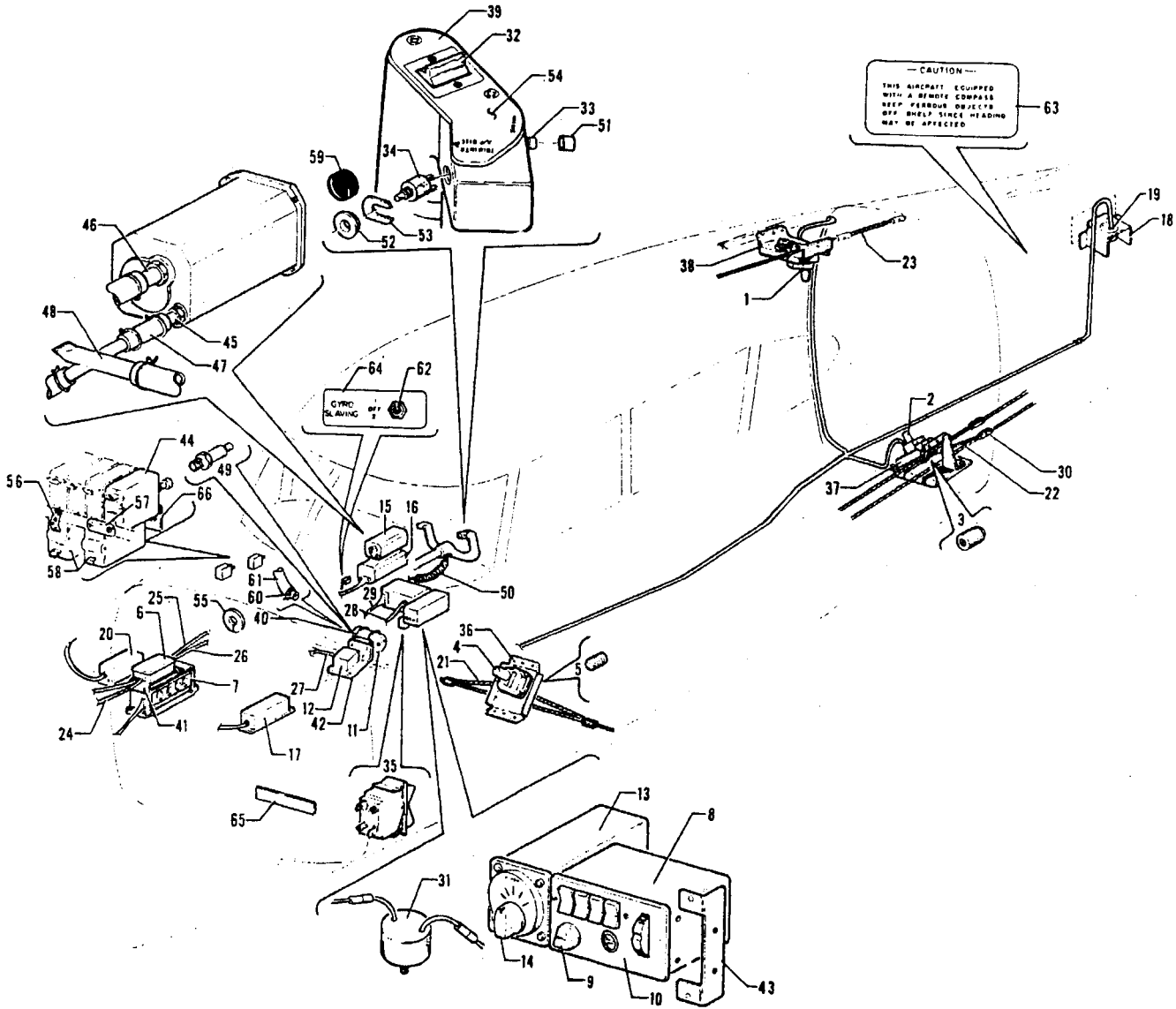


Figure 63. AltiMatic Pilot III C Installation
(Serial Nos. 27-7554001, 27-7554074 to 27-7954121 incl.)
(See Code "A")

PIPER PARTS CATALOG

Figure and Index Number	Part Number	Code	NOMENCLATURE	No. Req.	SERIAL NUMBERS AFFECTED
63-	15600	A	DRAWING - AltiMatic III C Installation		27-7554001, 27-7554074 to 27-7954121 incl.
-1	762 205		SERVO ASSEMBLY - Trim (1C469-6-504)	1	
-2	762 206		SERVO ASSEMBLY - Pitch (1C470-2-504P)	1	27-7554001, 27-7554074 to 27-7554168 inclusive
	762 255		SERVO ASSEMBLY - Pitch (1C470-1-509P)	1	27-7654001 and up
-3	757 579		* SET SCREW - Capstan (3S326)	1	
-4	762 207		SERVO ASSEMBLY - Roll (1C465-1-504R)	1	
-5	757 579		* SET SCREW - Capstan (3S326)	1	
-6	763 032		AMPLIFIER - Trim (1C709-32)	1	
-7	751 314		AMPLIFIER - (1C515-1)	1	
-8	758 026		CONSOLE - AltiMatic III C (1D720)	1	
-9	760 899		* KNOB - Roll (36B141)	1	
-10	757 456		* PLATE - Face (13C767) (with six bulbs)	1	
-11	751 287		ALTITUDE HOLD - (1C407)	1	
-12	758 260		BOX - Relay (1A526-1)	1	
-13	25690-02	J	COUPLER ASSEMBLY - Omni (1C388-2)	1	
	551 114	H	COUPLER ASSEMBLY - Omni (25690-00)	1	
-14	757 052		* KNOB - (36A98)	1	
-15	550 559	C	INSTRUMENT - Attitude gyro (32173-02) (3 inch)	1	
	550 560	C	INSTRUMENT - Attitude gyro (32173-03) (3 inch)	1	
-16	596 511	F	INSTRUMENT - Directional gyro (52D136-0000)	1	
	550 778	G	INSTRUMENT - Directional gyro (32168-00)	1	
	596 509	L	INSTRUMENT - Horizontal situation indicator (NSD-360-(10)/52D136-1020)	1	27-7554001, 27-7554074 to 27-7754072 inclusive
	596 755	L	INSTRUMENT - Horizontal situation indicator (NSD-360A-(15)/52D136-1333)	1	27-7754073 and up
	596 510	B	INSTRUMENT - Horizontal situation indicator (NSD-360-(23)/52D137-1020)	1	
-17	596 508	D	CONVERTER - Navigation (1C707)	1	
	596 820	K	ADAPTER - Nav flag (1C775)	1	27-7554001, 27-7554074 to 27-7754072 inclusive
-18	33076-00	E	BRACKET ASSEMBLY - Flux sensor	1	
-19	754 838	E	FLUX DETECTOR - Magnetic (1B495)	1	

A - On aircraft with serial numbers 27-8054001 and up, refer to the Avionics Drawing Index List and the appropriate drawings supplied with each aircraft when ordering replacement parts.
 B - Used if gyro slaving system is installed.
 C - Instruments, P/N 550-559 and P/N 550 560, are interchangeable on this model.
 D - Used if horizontal situation indicator is installed.
 E - Used if unslaved horizontal situation indicator is installed.
 F - Used on airplanes with serial numbers 27-7554079, 27-7554081 and 27-7554087 only.
 G - Used on airplanes with serial numbers 27-7554001, 27-7554074 to 27-7554078, 27-7554080, 27-7554082 to 27-7554086, 27-7554088 and up.
 H - Used with directional gyro 550 778 (32168-00) only.
 J - Used with directional gyro 596 511 (52D136-0000) or HSI instrument only.
 K - Used if Collins VIR 351, King KN-74, King KN-77 or Narco OC110 Converter Systems are installed.
 L - Used if gyro slaving system is not installed.

When ordering, always specify Part Number, Description and Serial Number of Aircraft

PIPER PARTS CATALOG

Figure and Index Number	Part Number	Code	NOMENCLATURE	No. Req.	SERIAL NUMBERS AFFECTED
63-20	751 336	D	AMPLIFIER - Gyro slaving (1C714)	1	
	751 348	C	AMPLIFIER - Gyro slaving (1C722)	1	
	598 007	F	AMPLIFIER - Gyro slaving (1D755)	1	
-21	15664-02		CABLE ASSEMBLY - Bridle, roll servo	1	27-7554001, 27-7554074 to 27-7554168 inclusive
	15664-08		CABLE ASSEMBLY - Bridle, roll servo	1	27-7654001 and up
-22	15664-03		CABLE ASSEMBLY - Bridle, pitch servo	1	
-23	14300-30		CABLE ASSEMBLY - Extension, pitch trim (6 3/4" L.)	1	
-24	758 027		CABLE ASSEMBLY - Pitch trim amplifier (30B174-6)	1	27-7554001, 27-7554074 to 27-7654213 inclusive
-25	758 028		CABLE ASSEMBLY - Pitch trim amplifier (30C481-7)	1	27-7554001, 27-7554074 to 27-7654213 inclusive
-26	758 029		CABLE ASSEMBLY - Pitch trim amplifier (30C481-8)	1	27-7554001, 27-7554074 to 27-7654213 inclusive
-27	758 030		CABLE ASSEMBLY - Relay box (30B340-4)	1	27-7554001, 27-7554074 to 27-7654213 inclusive
-28	758 031		CABLE ASSEMBLY - Console (30B156-6)	1	27-7554001, 27-7554074 to 27-7654213 inclusive
-29	758 032		CABLE ASSEMBLY - Console (30D207-18)	1	27-7554001, 27-7554074 to 27-7654213 inclusive
-30	757 863		CLAMP ASSEMBLY - Bridle (42A173-1)	4	
-31	754 807		FILTER - Nose (1A479)	1	
-32	757 754		SWITCH - (1C670-2)	1	
-33	487 904	E	SWITCH - (39-1)	1	
-34	587 985		SWITCH - (8N301-1)	1	
-35	33318-25		SWITCH - Illuminated	1	
-36	33163-00		BRACKET - Roll servo mounting	1	
-37	33074-03		BRACKET ASSEMBLY - Pitch servo mounting	1	27-7554001, 27-7554074 to 27-7554168 inclusive
	33101-02		BRACKET ASSEMBLY - Pitch servo mounting	1	27-7654001 and up
-38	31688-00		BRACKET - Pitch trim servo mounting	1	
-39	53755-02		BRACKET - Control wheel	1	
-40	15595-02		BRACKET ASSEMBLY - Altitude hold	1	
-41	15596-02		BRACKET - Trim amplifier	1	
-42	15630-02		BRACKET - Relay box	1	
-43	32483-00		BRACKET ASSEMBLY - Console, left	1	
	32483-01		BRACKET ASSEMBLY - Console, right	1	
-44	454 664		CIRCUIT BREAKER - (PS50120-3-4)	1	
-45	451 940		ADAPTER - (1K10-4-4)	1	
-46	29997-05		HOSE - Air	1	
-48	33085-00		TUBE ASSEMBLY - Instrument air	1	
-49	475 098		MOUNT - Shock (JA6984-1)	3	
-50	26934-00		CORD ASSEMBLY	1	
-51	454 277	E	CAP - (30B1012)	1	
-52	15660-02		ADAPTER - Trim switch	1	
-53	15661-02		ADPATER - Trim switch	1	
-54	80338-02	B	PLACARD - Control wheel	1	
	80338-03	E	PLACARD - Control wheel	1	
-55	30839-00		GROMMET - Harness	1	
-56	16439-00		BAR - Bus	1	
-57	31506-06		BAR - Bus	1	

A - On aircraft with serial numbers 27-8054001 and up, refer to the Avionics Drawing Index List and the appropriate drawings supplied with each aircraft when ordering replacement parts.
 B - Used if boom mike is not installed.
 C - Used to slave on NSD-360 (A) to a 1B495-1 flux detector and bootstrap an RMI or second NSD to the primary NSD. Can replace a 1D755, while connected to an NSD.
 D - Two channel amplifier used to slave one (or two) NSD-360 (A) to one 1B495 (or-1) flux detector.
 E - Used if boom mike is installed.
 F - Supersedes the 1C722 no longer in production. Used to slave one NSD-360 (A) and one (or two) RMI compass card(s) to one 1B495-1 flux detector.

When ordering, always specify Part Number, Description and Serial Number of Aircraft

PIPER PARTS CATALOG

Figure and Index Number	Part Number	Code	NOMENCLATURE	No. Req.	SERIAL NUMBERS AFFECTED
63-58	464 656		CIRCUIT BREAKER - (PS50120-3-7)	2	
-59	553 601		CAP - Switch (8Z0083)	1	
-60	451 857		ADAPTER - (AN840-4D)	1	
-61	83161-38		HOSE - Altitude hold	1	
-62	587 994		SWITCH - (7303)	1	
	487 915	B	SWITCH - (7101)	1	
-63	33564-00		PLACARD - Caution, flux sensor	1	
-64	80388-02		PLACARD - Gyro slaving	1	27-7554001, 27-7554074 to 27-7554168 inclusive
	80435-02		PLACARD - Gyro slaving	1	27-7654001 and up
		B	PLACARD - Gyro slaving	1	
-65	80442-02		PLACARD - Trim check	1	
-66	80439-02		PLACARD - HSI	1	

A - On aircraft with serial numbers 27-8054001 and up, refer to the Avionics Drawing Index List and the appropriate drawings supplied with each aircraft when ordering replacement parts.
 B - Used on airplanes with serial numbers 27-7654199 and up if RMI is also installed.

When ordering, always specify Part Number, Description and Serial Number of Aircraft

PIPER PARTS CATALOG

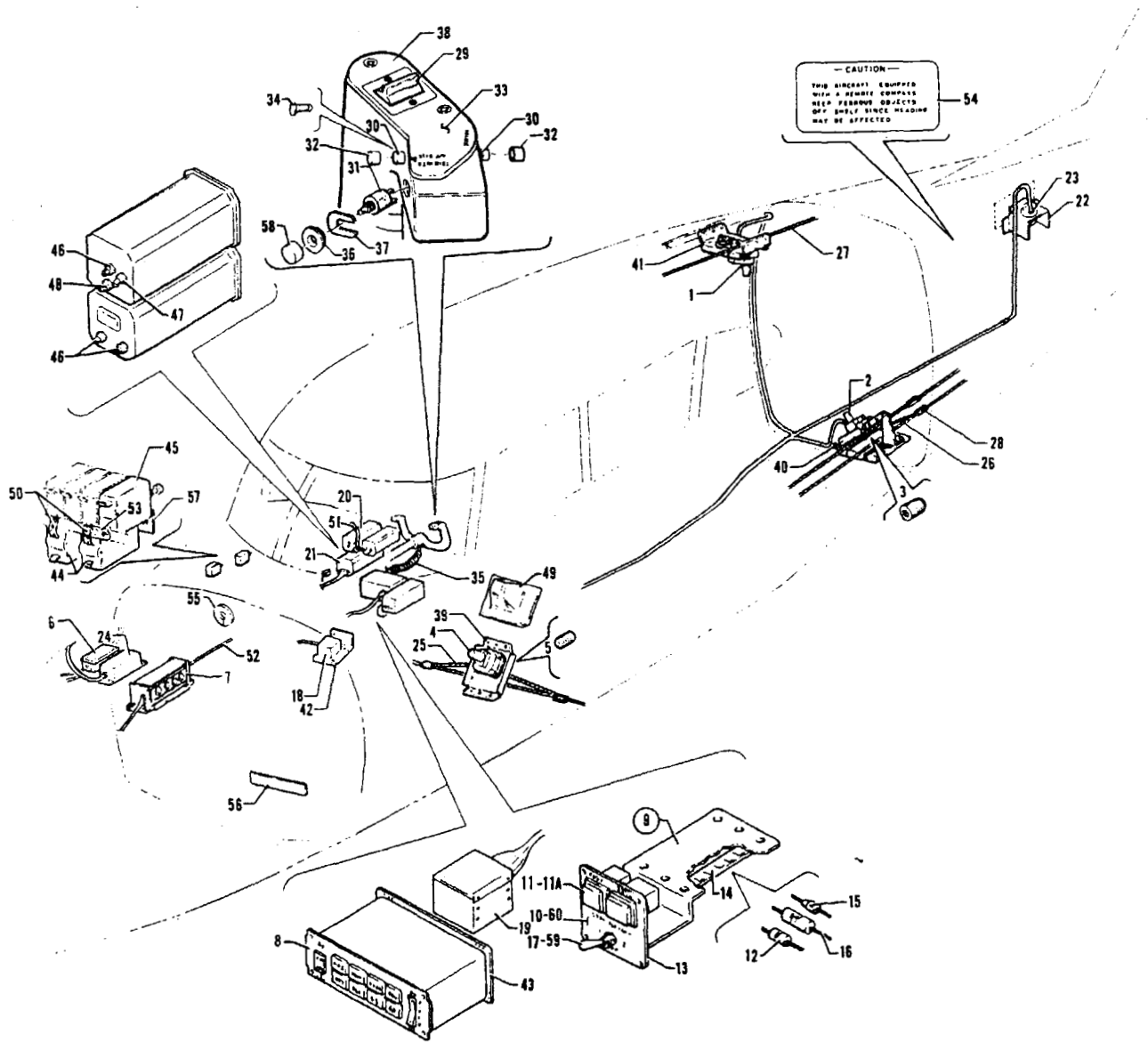


Figure 64. AltiMatic X Flight Director/Autopilot Installation
 (Serial Nos. 27-7854001 to 27-7954121 incl.)
 (See Code "A")

PIPER PARTS CATALOG

Figure and Index Number	Part Number	Code	NOMENCLATURE	No. Req.	SERIAL NUMBERS AFFECTED
64-	28411	A	DRAWING - AltiMatic X Flight Director/Autopilot Installation		
	28410	A	DRAWING - AltiMatic X Systems Installation		27-7854001 to 27-7954121 incl. 27-7854001 to 27-7954121 incl.
-1	762 205		SERVO ASSEMBLY - Trim (1C469-6-504)	1	
-2	762 255		SERVO ASSEMBLY - Pitch (1C470-1-509P)	1	
-3	757 579		* SET SCREW - Capstan (3S326)	1	
-4	762 207		SERVO ASSEMBLY - Roll (1C465-1-504R)	1	
-5	757 579		* SET SCREW - Capstan (3S326)	1	
-6	763 032		AMPLIFIER - Trim (1C709-32)	1	
-7	596 822	B	AMPLIFIER - Computer (1D496-12404)	1	
	596 821	H	AMPLIFIER - Computer (1D496-12102)	1	
-8	596 928		PROGRAMMER - Flight (1C497-10)	1	
-9	28362-04	E	PANEL ASSEMBLY - Function switch (complete)	1	
	28362-08	D	PANEL ASSEMBLY - Function switch (complete)	1	
-10	80595-02	E	* PLACARD - Function switch panel	1	
	80618-02	D	* PLACARD - Function switch panel	1	
-11	587 967		* SWITCH - (SC2CX191-96)	2	
-11a	758 569		* BULB - (SW8FL)	1	
-12	484 545		* RESISTOR - (50 ohm, 5 watt)	2	
-13	28367-02		* PANEL - Function switch	1	
-14	588 395		* TERMINAL STRIP - (3005)	3	
-15	456 758		* DIODE - (IN4005)	4	
-16	484 427		* RESISTOR - (680 ohm, 11 watt)	2	
-17	587 994	E	SWITCH - Gyro slaving (7303)	1	
	487 915	D	SWITCH - Gyro slaving (7301)	1	
-18	596 929		BOX -Relay (1B544)	1	
-19	596 930		COUPLER - Systems (1C543-1)	1	
-20	596 758		INSTRUMENT - Director horizon (52D177) (Cross-Pointer)	1	
	596 754		INSTRUMENT - Director horizon (52C77-2) (V-Bar)	1	
-21	596 756	F	INSTRUMENT - Horizontal situation indicator (NSD-360A-(26)/52D137-1333)	1	
	596 755	G	INSTRUMENT - Horizontal situation indicator (NSD-360A-(15)/52D136-1333)	1	27-7954001 and up
-22	33076-00		BRACKET ASSEMBLY - Flux detector	1	
-23	754 838		FLUX DETECTOR - Magnetic (1B495)	1	
-24	751 336	E	AMPLIFIER - Gyro slaving (1C714)	1	
	751 348	D	AMPLIFIER - Gyro slaving (1C722)	1	
-25	15664-08		CABLE ASSEMBLY - Bridle, roll servo	1	
-26	15664-03		CABLE ASSEMBLY - Bridle, pitch servo	1	
-27	14300-30		CABLE ASSEMBLY - Trim servo extension	1	
-28	757 863		CLAMP ASSEMBLY - Bridle (42A173-1)	4	
-29	587 950		SWITCH - (1C670-2)	1	
-30	487 904		SWITCH - (39-1)	2	
-31	587 985		SWITCH - (8N302-1)	1	
-32	454 277		CAP - (30B1012)	2	
-33	80669-02		PLACARD - Control wheel	1	
-34	26870-00	C	BUTTON - Plug	1	

- A - On aircraft with serial numbers 27-8054001 and up refer to the Avionics Drawing Index List and the appropriate drawings supplied with each aircraft when ordering replacement parts.
- B - Used if Cross-Pointer director horizon is installed.
- C - Used if boom mike is not installed.
- D - Used if RMI is installed.
- E - Used if RMI is not installed.
- F - Used if gyro slaving system is installed.
- G - Used if gyro slaving system is not installed.
- H - Used if V-Bar director horizon is installed.

When ordering, always specify Part Number, Description and Serial Number of Aircraft

PIPER PARTS CATALOG

Figure and Index Number	Part Number	Code	NOMENCLATURE	No. Req.	SERIAL NUMBERS AFFECTED
64-35	26934-00		CORD ASSEMBLY - Control wheel	1	
-36	15660-02		ADAPTER - Trim switch	1	
-37	15661-02		ADAPTER - Trim switch	1	
-38	28339-03		BRACKET ASSEMBLY - Control wheel	1	
-39	33163-00		BRACKET - Roll servo mounting	1	
-40	33101-02		BRACKET ASSEMBLY - Pitch servo mounting	1	
-41	31688-00		BRACKET - Pitch servo mounting	1	
-42	28360-02		PLATE - Relay box mounting	1	
-43	28365-02		PLATE ASSEMBLY - Programmer mounting	1	
-44	454 656		CIRCUIT BREAKER - (PS50120-3-7) 5 amp	2	
-45	454 695		CIRCUIT BREAKER - (PS50120-3-24) 3 amp	1	
-46	451 939		ADAPTER - (1K10-4-6)	3	
-47	458 948		ELBOW - (1K1-2-4)	1	
-48	558 913		ELBOW - (1K9-4-6)	1	
-49	28353-02		COVER - Roll servo	1	27-7854001 to 27-7954102 incl. 27-7954103 and up
	28555-02		COVER - Roll servo	1	
-50	16439-00		LINK - Bus bar	2	
-51	26564-00		LINE ASSEMBLY - Static air (From Airspeed Ind.)	1	
-52	83161-69		HOSE - Static air (To Computer Amplifier)	1	
-53	31506-02		LINK - Bus bar	1	
-54	33564-00		PLACARD - Caution, flux detector	1	
-55	30839-00		GROMMET - Harness	1	
-56	80442-02		PLACARD - Trim check	1	
-57	80439-02		PLACARD - HSI	1	
-58	553 884		CAP - Switch (8Z0082)	1	
-59	487 915	B	SWITCH - Gyro slaving (7101)	1	
-60	80618-02	B	PLACARD - Function switch panel	1	

A - On aircraft with serial numbers 27-8054001 and up, refer to the Avionics Drawing Index List and the appropriate drawings supplied with each aircraft when ordering replacement parts.
 B - Used if RMI is installed.

When ordering, always specify Part Number, Description and Serial Number of Aircraft

PIPER PARTS CATALOG

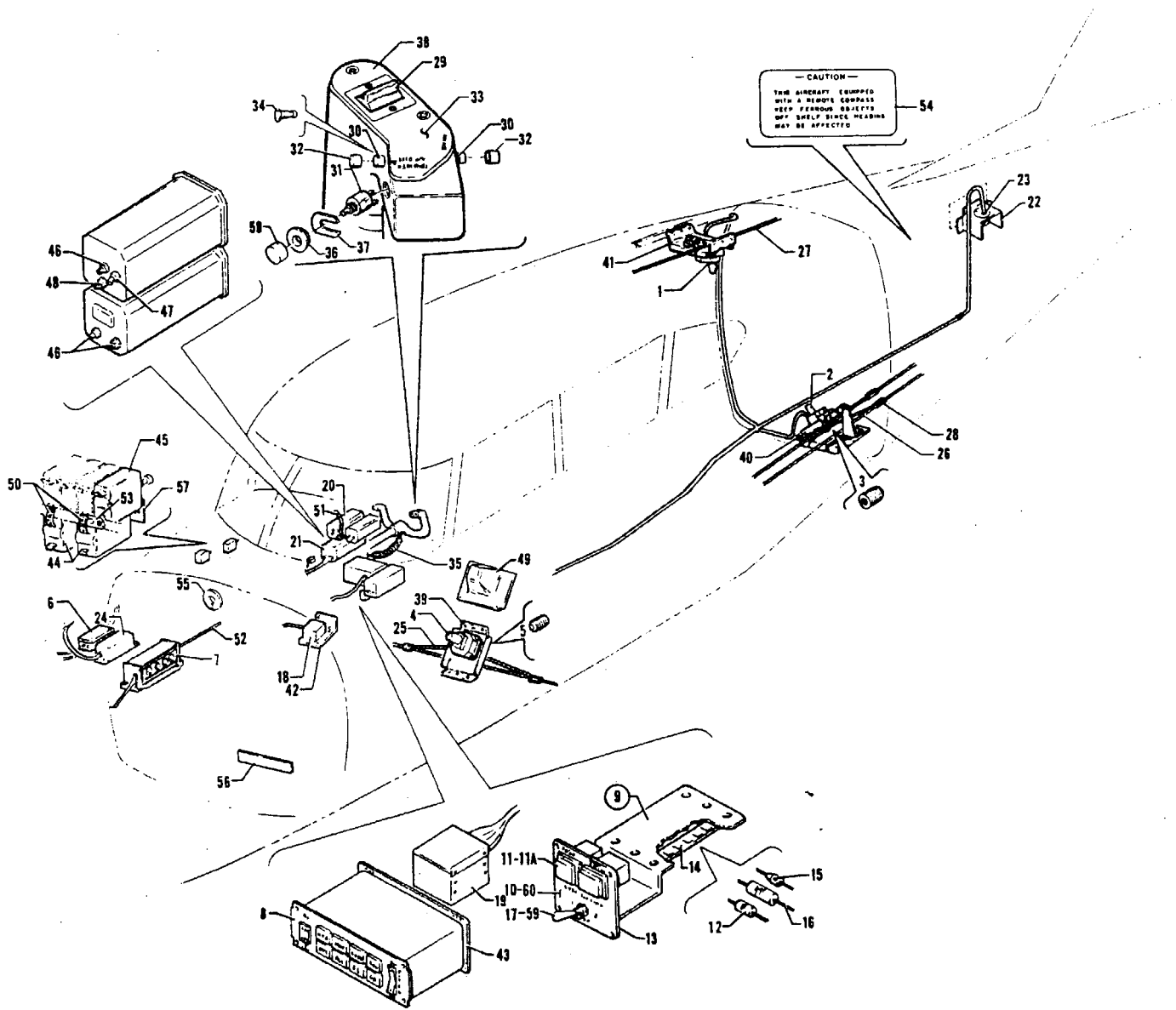


Figure 65. AltiMatic X Autopilot Installation
 (Serial Nos. 27-7854001 to 27-7954121 incl.)
 (See Code "A")

PIPER PARTS CATALOG

Figure and Index Number	Part Number	Code	NOMENCLATURE	No. Req.	SERIAL NUMBERS AFFECTED
65-	28410	A	DRAWING - AltiMatic X Autopilot Installation		27-7854001 to 27-7954121 incl.
-1	762 205		SERVO ASSEMBLY - Trim (1C469-6-504)	1	
-2	762 255		SERVO ASSEMBLY - Pitch (1C470-509P)	1	
-3	757 579		* SET SCREW - Capstan (3S326)	1	
-4	762 207		SERVO ASSEMBLY - Roll (1C465-1-504R)	1	
-5	757 579		* SET SCREW - Capstan (3S326)	1	
-6	763 032		AMPLIFIER - Trim (1C709-32)	1	
-7	596 822		AMPLIFIER - Computer (1D496-12404)	1	
-8	596 928		PROGRAMMER - Flight (1C497-10)	1	
-9	28362-02	B	PANEL ASSEMBLY - Function switch (complete)	1	
	28362-03	F	PANEL ASSEMBLY - Function switch (complete)	1	
	28362-07	C,F	PANEL ASSEMBLY - Function switch (complete)	1	
-10	80593-02	B	* PLACARD - Function switch panel	1	
	80594-02	E,F	* PLACARD - Function switch panel	1	
	80617-02	C,F	* PLACARD - Function switch panel	1	
-11	587 967		* SWITCH - (SC2CXL191-96)	2	
-11a	758 569		* * BULB - (SW8FL)	1	
-12	484 545		* RESISTOR - (50 ohm, 5 watt)	2	
-13	28367-02		* PANEL - Function switch	1	
-14	588 395		* TERMINAL STRIP - (3005)	3	
-15	456 758		* DIODE - (IN4005)	4	
-16	484 427		* RESISTOR - (68 ohm, 11 watt)	2	
-17	587 994	E,F	SWITCH - Gyro slaving (7303)	1	
	487 915	C,F	SWITCH - Gyro slaving (7301)	1	
-18	596 929		BOX - Relay (1B544)	1	
-19	596 930		COUPLER - Systems (1C543-1)	1	
-20	596 757		INSTRUMENT - Artificial horizon (52D167)	1	
-21	596 755	B	INSTRUMENT - Horizontal situation indicator (NSD-360A-(15)/ 52D136-1333)	1	
	596 756	F	INSTRUMENT - Horizontal situation indicator (NSD-360A-(26)/ 52D137-1333)	1	
-22	33076-00	F	BRACKET ASSEMBLY - Flux detector	1	
-23	754 838	F	FLUX DETECTOR - Magnetic (1B495)	1	
-24	751 336	E	AMPLIFIER - Gyro slaving (1C714)	1	
	751 348	C	AMPLIFIER - Gyro slaving (1C722)	1	
-25	15664-08		CABLE ASSEMBLY - Bridle, roll servo	1	
-26	15664-03		CABLE ASSEMBLY - Bridle, pitch servo	1	
-27	14300-30		CABLE ASSEMBLY - Trim servo extension	1	
-28	757 863		CLAMP ASSEMBLY - Bridle (42A173-1)	4	
-29	587 950		SWITCH - (1C670-2)	1	
-30	487 904		SWITCH - (39-1)	2	
-31	587 985		SWITCH - (8N302-1)	1	
-32	454 277		CAP - (30B1012)	2	
-33	80669-02		PLACARD - Control wheel	1	
-34	26870-00	D	BUTTON - Plug	1	

A - On aircraft with serial numbers 27-8054001 and up, refer to the Avionics Drawing Index List and the appropriate drawings supplied with each aircraft when ordering replacement parts.
 B - Used if gyro slaving system is not installed.
 C - Used if RMI is installed.
 D - Used if boom mike is not installed.
 E - Used if RMI is not installed.
 F - Used if gyro slaving system is installed.

When ordering, always specify Part Number, Description and Serial Number of Aircraft

PIPER PARTS CATALOG

Figure and Index Number	Part Number	Code	NOMENCLATURE	No. Req.	SERIAL NUMBERS AFFECTED
65-35	26934-00		CORD ASSEMBLY - Control wheel	1	
-36	15660-02		ADAPTER - Trim switch	1	
-37	15661-02		ADAPTER - Trim switch	1	
-38	28339-03		BRACKET ASSEMBLY - Control wheel	1	
-39	33163-00		BRACKET - Roll servo mounting	1	
-40	33101-02		BRACKET ASSEMBLY - Pitch servo mounting	1	
-41	31688-00		BRACKET - Pitch trim servo mounting	1	
-42	28360-02		PLATE - Relay box mounting	1	
-43	28365-02		PLATE ASSEMBLY - Programmer mounting	1	
-44	454 656		CIRCUIT BREAKER - (PS50120-3-7) 5 amp	2	
-45	454 695		CIRCUIT BREAKER - (PS50120-3-24) 3 amp	1	
-46	451 939		ADAPTER - (1K10-4-6)	3	
-47	458 948		ELBOW - (1K1-2-4)	1	
-48	558 913		ELBOW - (1K9-4-6)	1	
-49	28353-02		COVER - Roll servo	1	27-7854001 to 27-7954102 incl. 27-7954103 and up
	28555-02		COVER - Roll servo	1	
-50	16439-00		LINK - Bus bar	2	
-51	26564-00		LINE ASSEMBLY - Static air (From Airspeed Ind.)	1	
-52	83161-69		HOSE - Static air (To Computer Amplifier)	1	
-53	31506-02	C	LINK - Bus bar	1	
-54	33564-00	C	PLACARD - Caution, flux detector	1	
-55	30839-00		GROMMET - Harness	1	
-56	80442-02		PLACARD - Trim check	1	
-57	80439-02		PLACARD - HSI	1	
-58	553 884		CAP - Switch (8Z0082)	1	
-59	487 915	B	SWITCH - Gyro slaving	1	
-60	80617-02	B	PLACARD - Function switch panel	1	
<p>A - On aircraft with serial numbers 27-8054001 and up, refer to the Avionics Drawing Index List and the appropriate drawings supplied with each aircraft when ordering replacement parts.</p> <p>B - Used if RMI is installed.</p> <p>C - Used if gyro slaving system is installed.</p>					

When ordering, always specify Part Number, Description and Serial Number of Aircraft

PIPER PARTS CATALOG

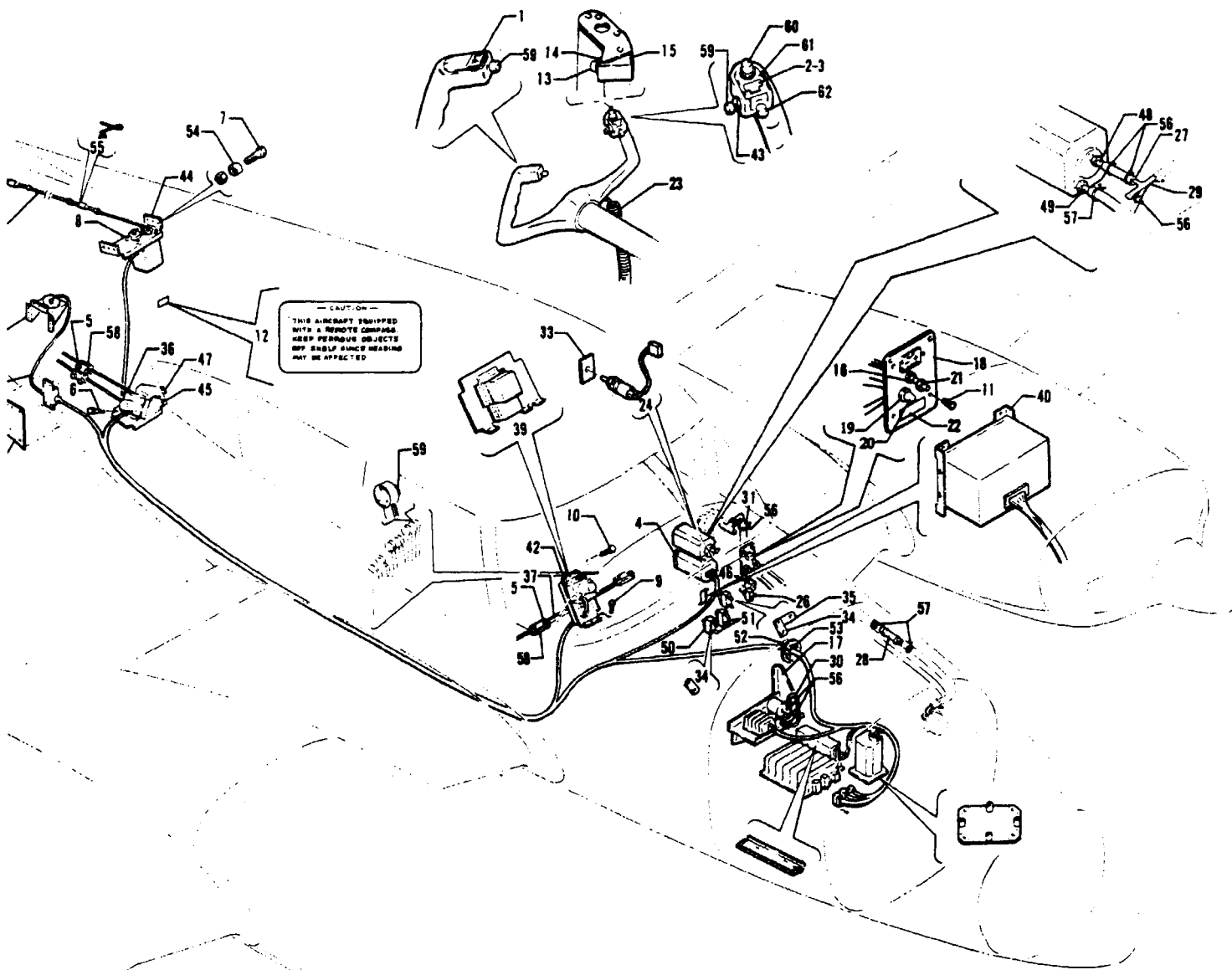


Figure 66. AltiMatic V F/D and V F/D-1 Autopilot Installation
 (Serial Nos. 27-4426, 27-4574 to 27-7754093 inclusive)
 (See Code "A")

PIPER PARTS CATALOG

Figure and Index Number	Part Number	Code	NOMENCLATURE	No. Req.	SERIAL NUMBERS AFFECTED
66-	33100		DRAWING - AltiMatic V F/D and V F/D-1 Autopilot Installation		27-4426, 27-4574 to 27-7754093 inclusive
-1	33090-00	C	PLACARD - "Go Around"	1	
-2	43365-00	D	PLACARD - Autopilot	1	27-4426, 27-4574 to 27-7554066 inclusive
	80291-02	D	PLACARD - Autopilot	1	27-7554067 to 27-7654001 incl.
	53768-02	D	PLACARD - Autopilot	1	27-7654002 and up
-3	43362-00	B	PLACARD - Autopilot and mike	1	27-4426, 27-4574 to 27-7554066 inclusive
	80291-03	B	PLACARD - Autopilot and mike	1	27-7554067 to 27-7654001 incl.
	53768-03	B	PLACARD - Autopilot and mike	1	27-7654002 and up
-4	596 200		PLATE - Mooring (073-0044-00)	1	
-5	400 440		BOLT - (AN3-8A)	8	
	407 564		WASHER - (AN960-10)	8	
	404 887		NUT - (MS20365-1032C)	8	
-6	400 441		BOLT - (AN3-7A)	2	
	407 564		WASHER - (AN960-10)	2	
	404 887		NUT - (MS20365-1032C)	2	
-7	401 266		BOLT - (AN3-5A)	6	
	404 887		NUT - (MS20365-1032C)	6	
-8	407 564		WASHER - (AN960-10)	4	
	404 887		NUT - (MS20365-1032C)	4	
-9	400 438		BOLT - (AN3-4A)	6	
	407 584		WASHER - (AN960-10L)	6	
	404 887		NUT - (MS20365-1032C)	6	
-10	400 441		BOLT - (AN3-7A)	2	
-11	414 508		SCREW - (MS24693-S28)	4	
	404 909		NUT - (MS20365-832C)	4	
-12	33564-00		PLACARD - Caution, flux sensor (582 211)	1	
-13	587 916		SWITCH - Trim disconnect (SA25SCT12-1)	1	27-7654002 and up
-14	477 788		NUT - Trim disconnect (7C1040)	1	27-7654002 and up
-15	53755-00		BRACKET ASSEMBLY - Control wheel switch	1	27-7654002 and up
-16	587 849		SWITCH - Fast slave (30-1)	1	27-7654002 and up

- A - This installation is relative only to associated Piper Aircraft Corporation parts that are used when installing Bendix Altimatic V F/D and V F/D-1 Autopilot. All Bendix equipment and components must be procured from an approved Bendix service facility or from Bendix Avionics Repair Services, Department 390, Post Office Box 9414, Fort Lauderdale, Florida, 33310.
- B - Used if boom mike is installed.
- C - Not used if "Go Around" switch is located in throttle control lever knob.
- D - Used if boom mike is not installed.

When ordering, always specify Part Number, Description and Serial Number of Aircraft

PIPER PARTS CATALOG

Figure and Index Number	Part Number	Code	NOMENCLATURE	No. Req.	SERIAL NUMBERS AFFECTED
66-17	33060-00		SHELF ASSEMBLY - Accessory	1	
-18	33087-00		PANEL - Trim warning	1	27-4426, 27-4574 to 27-7654001 inclusive
	15778-02		PANEL - Trim warning	1	27-7654002 and up
-19	472 817		LIGHT ASSEMBLY - (162-8430-0931-502)	1	
-20	471 037		LAMP - Indicator (330)	1	
-21	587 820		SWITCH ASSEMBLY - Trim test (46-101B)	1	
-22	33088-00		PLACARD - Trim warning	1	27-4426, 27-4574 to 27-7654001 inclusive
-23	26934-00		CORD ASSEMBLY - AltiMatic V F/D	1	
-24	587 820	B	SWITCH - Nav Test (46-101B)	1	27-4426, 27-4574 to 27-7654001 inclusive
	33166-00	B,C	SWITCH ASSEMBLY - Nav Test and fast slave	1	27-4426, 27-4574 to 27-7654001 inclusive
	52594-00	D	SWITCH ASSEMBLY - Fast slave	1	27-4426, 27-4574 to 27-7654001 inclusive
-25	33093-00		HARNES ASSEMBLY - Flux sensor	1	
-26	32370-20		SWITCH - AltiMatic V F/D (14-volt)	1	
	33318-16		SWITCH - AltiMatic V F/D (28-volt)	1	
-27	16633-37		HOSE - Director horizon	1	
-28	33057-00		RESTRICTOR - Air	1	
-29	33085-00		TUBE ASSEMBLY - Air filter hose	1	
-30	17881-06		LINE ASSEMBLY - Altitude controller	1	
-31	62371-118		HOSE - Airspeed to altitude selector	1	
-32	33077-00		PLATE - Corrector	1	

A - This installation is relative only to associated Piper Aircraft Corporation parts that are used when installing Bendix Altimatic V F/D and V F/D-1 Autopilot. All Bendix equipment and components must be procured from an approved Bendix service facility or from Bendix Avionics Repair Services, Department 390, Post Office Box 9414, Fort Lauderdale, Florida, 33310.

B - Used if Narco Mark 16 Radios are installed.

C - Used if Narco Nav 14 Radios are installed.

D - Used if King Silver Crown Avionics are installed.

When ordering, always specify Part Number, Description and Serial Number of Aircraft

PIPER PARTS CATALOG

Figure and Index Number	Part Number	Code	NOMENCLATURE	No. Req.	SERIAL NUMBERS AFFECTED
66-33	52144-00	E	PLACARD - Nav test	1	27-4426, 27-4574 to 27-7654001 inclusive
	33167-00	E,B	PLACARD - Nav test and fast slave	1	27-4426, 27-4574 to 27-7654001 inclusive
	52595-00	D	PLACARD - Fast slave	1	27-4426, 27-4574 to 27-7654001 inclusive
-34	16439-00		BAR - Bus	2	
-35	31506-06		BAR - Bus	1	
-36	33067-03		CABLE ASSEMBLY - Pitch servo	1	
-37	33067-02		CABLE ASSEMBLY - Roll servo	1	
-38	14300-30		CABLE ASSEMBLY - Trim servo extension	1	
-39	33062-00		COVER ASSEMBLY - Aileron servo (complete)	1	27-4426, 27-4574 to 27-7554162 inclusive
	28353-02		COVER - Aileron servo	1	27-7654001 and up
-40	32483-00		BRACKET ASSEMBLY - Controller attachment, outboard	1	
	32483-01		BRACKET ASSEMBLY - Controller attachment, inboard	1	
-41	33076-00		BRACKET ASSEMBLY - Flux sensor	1	
-42	33163-00		BRACKET ASSEMBLY - Aileron servo	1	
-43	27214-00		NUT - Autopilot switch	1	
-44	33075-00		BRACKET - Trim servo	1	
-45	33074-02		BRACKET ASSEMBLY - Stabilator servo (complete)	1	
-46	33170-00	C	RELAY ASSEMBLY - AltiMatic V F/D	1	
-47	33070-00		BRACKET - Stabilator servo	1	
-48	451 940		ADAPTER - (1K10-4-4)	1	
-49	451 939		ADAPTER - (1K10-4-6)	1	
-50	454 657		CIRCUIT BREAKER - (PS50120-3-12)	1	
-51	454 656		CIRCUIT BREAKER - (PS50120-3-7)	2	
-52	30839-00		GROMMET - Harness	1	
-53	189 625		GROMMET - (MS21266-1N) 12 3/4" L.	AR	
-54	14976-25		BUSHING - Trim servo mounting	6	
-55	454 867		CLIP - Locking (NAS651-16S)	4	
-56	454 983		CLAMP - (SAE TY E-8)	4	
-57	454 832		CLAMP - (SAE TY E-10)	4	
-58	33078-02		CLAMP - Cable	8	
-59	487 775		SWITCH ASSEMBLY - (39-2)	2	
-60	587 822		SWITCH ASSEMBLY - (S22048-0001)	1	
-61	33054-00		PLATE - Cover	1	
-62	454 277		CAP - (30B1012)	2	

- A - This installation is relative only to associated Piper Aircraft Corporation parts that are used when installing Bendix AltiMatic V F/D and V F/D-1 Autopilot. All Bendix equipment and components must be procured from an approved Bendix service facility or from Bendix Avionics Repair Services, Department 390, Post Office Box 9414, Fort Lauderdale, Florida, 33310.
- B - Used if Narco Nav 14 radios are installed.
- C - Not used if "Go Around" switch is located in throttle control lever knob.
- D - Used if King Silver Crown avionics are installed.
- E - Used if Narco Mark 16 radios are installed.

When ordering, always specify Part Number, Description and Serial Number of Aircraft

3C22
INTENTIONALLY LEFT BLANK

3C23 THRU 3C24
INTENTIONALLY LEFT BLANK

PIPER PARTS CATALOG

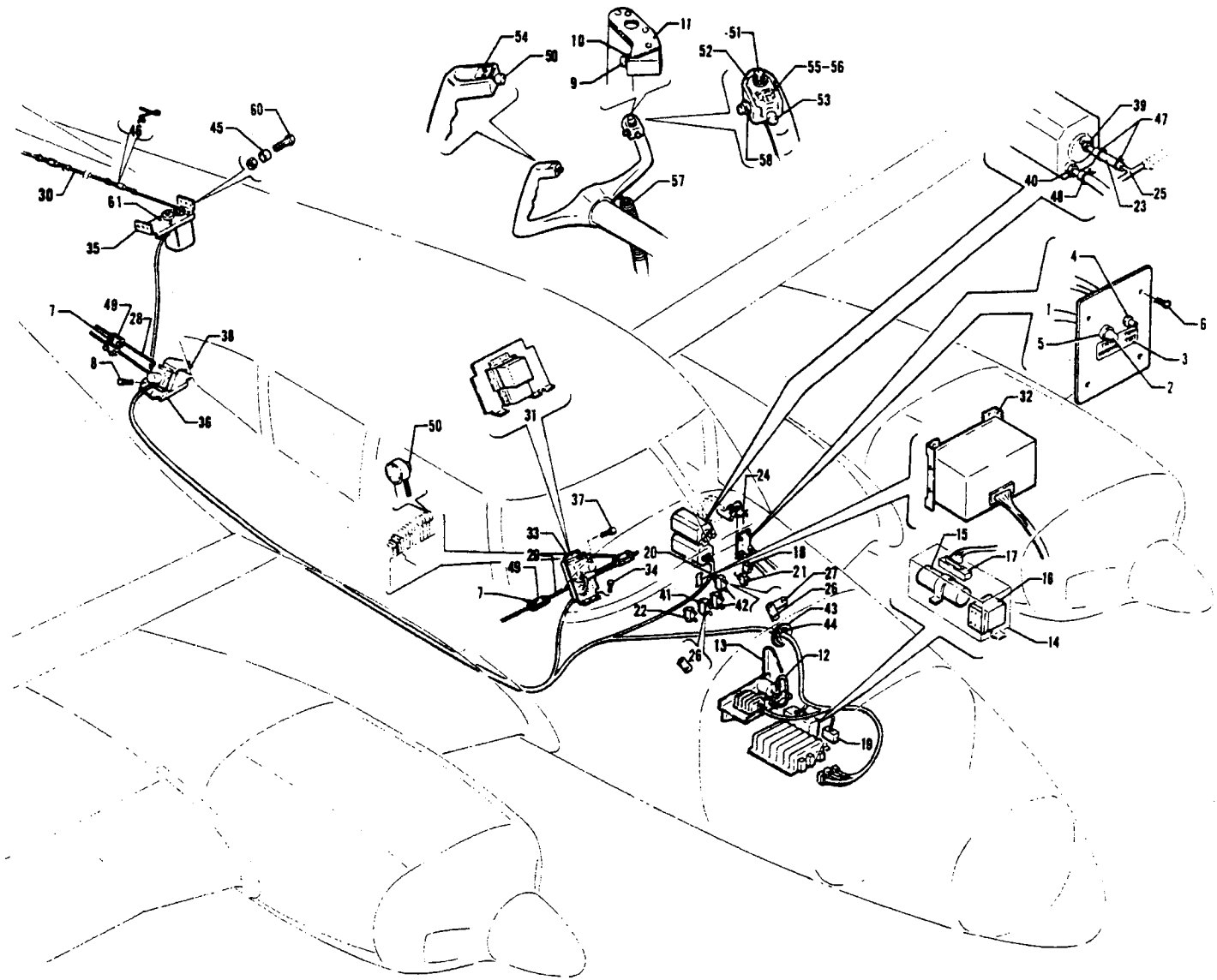


Figure 67 AltiMatic V and V-1 Autopilot Installation
(Serial Nos 27-4426, 27-4574 to 27-7754093 inclusive)
(See Code "A")

PIPER PARTS CATALOG

Figure and Index Number	Part Number	Code	NOMENCLATURE	No. Req.	SERIAL NUMBERS AFFECTED
67-	33106		DRAWING - AltiMatic V and V-1 AutoPilot Installation		27-4426, 27-4574 to 27-7754093 inclusive
-1	48187-00		PANEL ASSEMBLY - Trim warning	1	
-2	472 054		LAMP - Indicator (PS10008-330) 14 Volt	1	
-3	33088-00		PLACARD - Trim warning	1	
-4	587 820		SWITCH ASSEMBLY - (46-101B)	1	
-5	472 827		LIGHT ASSEMBLY - (162-8430-0931-502)	1	
-6	414 508		SCREW - (MS24693-S28)	4	
	404 909		NUT - (MS20365-832C)	4	
-7	400 440		BOLT - (AN3-6A)	8	
	407 564		WASHER - (AN960-10)	8	
	404 887		NUT - (MS20365-1032C)	8	
-8	400 441		BOLT - (AN3-7A)	2	
	407 564		WASHER - (AN960-10)	2	
	404 887		NUT - (MS20365-1032C)	2	
-9	587 918		SWITCH - Trim disconnect (SA25SCT12-1)	1	27-7854002 and up
-10	477 788		NUT - Trim disconnect (7C1040)	1	27-7854002 and up
-11	53755-00		BRACKET ASSEMBLY - Control wheel switch	1	27-7854002 and up
-12	17881-06		LINE ASSEMBLY - Altitude controller	1	
-13	33080-00		SHELF ASSEMBLY - Accessory	1	
-14	33117-00		BOX ASSEMBLY - Accessory (complete)	1	
-15	554 175		CAPACITOR - (308G030JS4) Type 39D	1	
-16	484 254		RELAY - (KA11DG) 10 amp	1	
-17	555 451		CONNECTOR - (D8F-25P)	1	
-18	33170-00	B	RELAY ASSEMBLY - AltiMatic V	1	
-19	33173-00		BOX ASSEMBLY - Reverse course datum	1	
-20	33115-00		HARNESSE ASSEMBLY - Omni coupler	1	
-21	32550-00		SWITCH - Illuminated	1	
-22	32370-21		SWITCH - AltiMatic V (14 Volt)	1	
	33318-17		SWITCH - AltiMatic V (28 Volt)	1	
-23	16633-37		HOSE - Attitude horizon	1	
-24	82371-118		HOSE - Airspeed to altitude selector	1	

A - This installation is relative only to associated Piper Aircraft Corporation parts that are used when installing Bendix AltiMatic V and V-1 AutoPilot. All Bendix equipment and components must be procured from an approved Bendix Service facility or from Bendix Avionics Repair Services, Department 390, Post Office Box 9414, Fort Lauderdale, Florida, 33310.

B - Not used if "Go Around" Switch is located in throttle control lever knob.

When ordering, always specify Part Number, Description and Serial Number of Aircraft

PIPER PARTS CATALOG

Figure and Index Number	Part Number	Code	NOMENCLATURE	No. Req.	SERIAL NUMBERS AFFECTED
67-25	33085-00		TUBE ASSEMBLY - Air filter hose	1	
-26	16439-00		BAR - Bus	2	
-27	31506-06		BAR - Bus	1	
-28	33067-03		CABLE ASSEMBLY - Pitch servo	1	
-29	33067-02		CABLE ASSEMBLY - Roll servo	1	
-30	14300-30		CABLE ASSEMBLY - Trim servo extension	1	
-31	33062-00		COVER ASSEMBLY - Aileron servo (complete)	1	27-4426, 27-4574 to 27-7554168 inclusive
	28353-02		COVER - Aileron servo	1	27-7654001 and up
-32	32483-00		BRACKET ASSEMBLY - Controller attachment, outboard	1	
	32483-01		BRACKET ASSEMBLY - Controller attachment, inboard	1	
-33	33163-00		BRACKET ASSEMBLY - Aileron servo	1	
-34	400 438		BOLT - (AN3-4A)	6	
	407 584		WASHER - (AN960-10L)	6	
	404 887		NUT - (MS20365-1032C)	6	
-35	33075-00		BRACKET - Trim servo	1	
-36	33074-02		BRACKET ASSEMBLY - Stabilator servo (complete)	1	
-37	400 441		BOLT - (AN3-7A)	2	
-38	33070-00		BRACKET - Stabilator servo	1	
-39	451 940		ADAPTER - (1K10-4-4)	1	
-40	451 939		ADAPTER - (1K10-4-6)	1	
-41	454 657		CIRCUIT PROTECTOR - (109-210-102)	1	
-42	454 656		CIRCUIT PROTECTOR - (109-205-102)	2	
-43	30839-00		GROMMET - Harness	1	
-44	189 625		GROMMET - (MS21266-1N) 12 3/4" L	AR	
-45	14976-25		BUSHING - Trim servo mounting	6	
-46	454 867		CLIP - Locking (NAS651-16S)	4	
-47	454 983		CLAMP - (SAE TY E-8)	5	
-48	454 832		CLAMP - (SAE TY E-10)	2	
-49	33078-02		CLAMP - Cable	8	
-50	487 775		SWITCH ASSEMBLY - (39-2)	2	
-51	587 822		SWITCH ASSEMBLY - (S22048-0001)	1	
-52	33054-00		PLATE - Cover	1	
-53	454 277		CAP - (30B 1012)	2	
-54	33090-00	C	PLACARD - "Go Around"	1	
-55	43365-00	D	PLACARD - AutoPilot	1	27-4426, 27-4574 to 27-7554066 inclusive
	80291-02	D	PLACARD - AutoPilot	1	27-7554067 to 27-7654001 incl.
	53768-02	D	PLACARD - AutoPilot	1	27-7654002 and up
-56	43362-00	B	PLACARD - AutoPilot and mike	1	27-4426, 27-4574 to 27-7554066 inclusive
	80291-03	B	PLACARD - AutoPilot and mike	1	27-7554067 to 27-7654001 incl.
	53768-03	B	PLACARD - AutoPilot and mike	1	27-7654002 and up
-57	26934-00		CORD ASSEMBLY - AltiMatic V	1	
-58	27214-00		NUT - AutoPilot switch	1	
-59	510 008		SCREW - (NAS514P440-6)	4	
	404 908		NUT - (MS20365-440C)	4	

A - This installation is relative only to associated Piper Aircraft Corporation parts that are used when installing Bendix AltiMatic V and V-1 AutoPilot. All Bendix equipment and components must be procured from an approved Bendix Service facility or from Bendix Avionics Repair Services, Department 390, Post Office Box 9414, Fort Lauderdale, Florida, 33310.

B - Used if Boom Mike is installed.

C - Not used if "Go Around" Switch is located in throttle control lever knob.

D - Used if Boom Mike is not installed.

When ordering, always specify Part Number, Description and Serial Number of Aircraft

PIPER PARTS CATALOG

Figure and Index Number	Part Number	Code	NOMENCLATURE	No. Req.	SERIAL NUMBERS AFFECTED
67-80 -61	401 266 404 887 407 564 404 887		BOLT - (AN3-5A) NUT - (MS20365-1032C) WASHER - (AN960-10) NUT - (MS20365-1032C)	6 6 4 4	
<p>A - This installation is relative only to associated Piper Aircraft Corporation parts that are used when installing Bendix AltiMatic V and V-1 AutoPilot. All Bendix Equipment and Components must be procured from an approved Bendix Service facility or from Bendix Avionics Repair Services, Department 390, Post Office Box 9414, Fort Lauderdale, Florida, 33310.</p>					

When ordering, always specify Part Number, Description and Serial Number of Aircraft

PIPER PARTS CATALOG

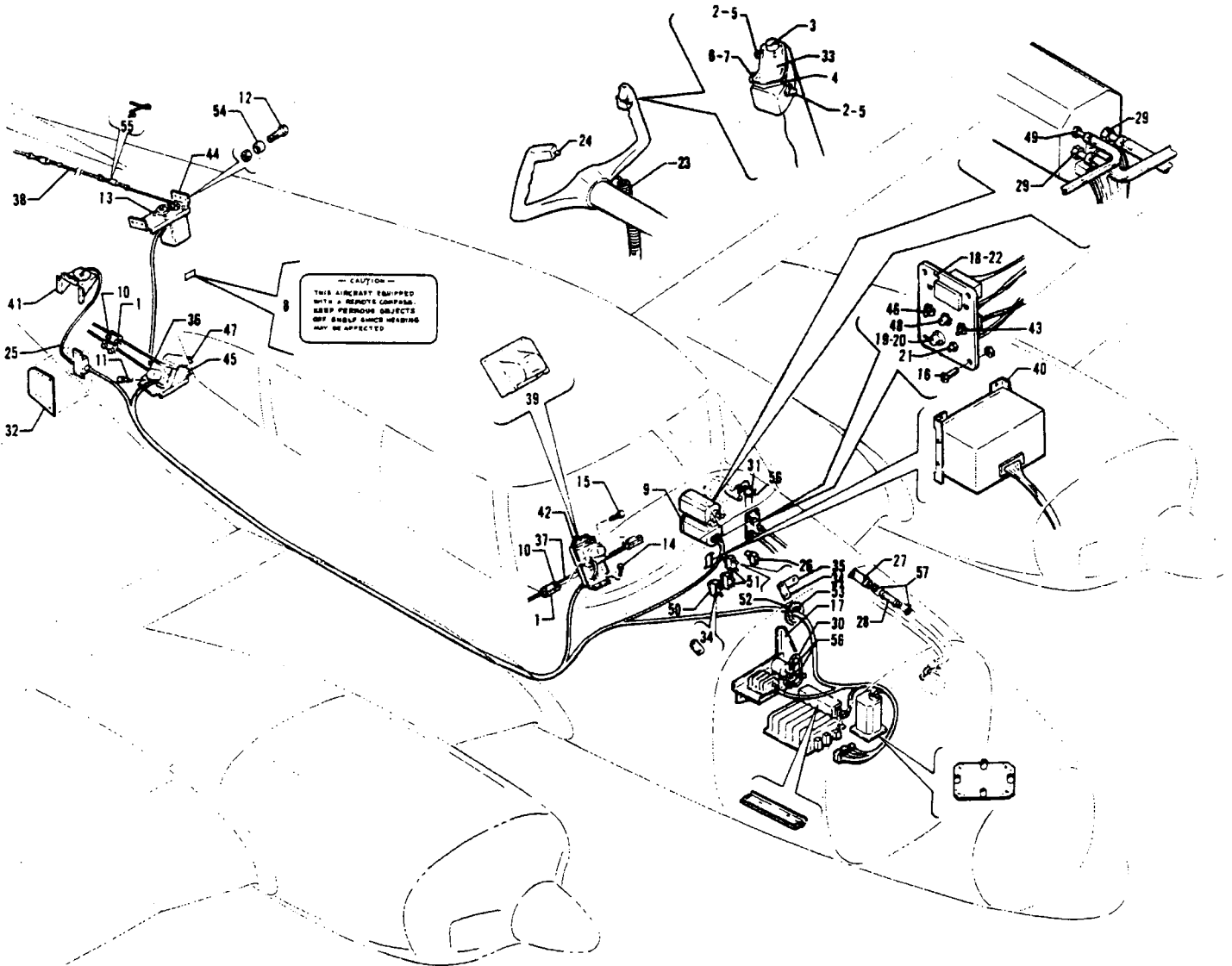


Figure 88. Autopilot/ Flight Director Installation (Bendix FCS-810)
 (Serial Nos. 27-7754094 to 27-7954121 inclusive)
 (See Code "A")

PIPER PARTS CATALOG

Figure and Index Number	Part Number	Code	NOMENCLATURE	No. Req.	SERIAL NUMBERS AFFECTED
68-	28400		DRAWING - Autopilot/Flight Director Installation (Bendix FCS-810)		27-7754094 and up
-1	33078-02		CLAMP - Cable	8	
-2	487 904		SWITCH ASSEMBLY - (39-1)	2	
-3	587 822		SWITCH ASSEMBLY - (S22048-0001)	1	
-4	53755-00		BRACKET ASSEMBLY - Control wheel switch	1	27-7754094 to 27-7854028 incl.
	28339-02		BRACKET ASSEMBLY - Control wheel switch	1	27-7854027 and up
-5	454 277		CAP - (30B1012)	2	
-6	477 788		NUT - Trim disconnect (7C1040)	1	
-7	587 916		SWITCH - Trim disconnect (SA25SCT12-1)	1	
-8	33564-00		PLACARD - Caution, flux sensor (582 211)	1	
-9	596 200		PLATE - Mooring (073-0044-00)	1	
-10	400 440		BOLT - (AN3-6A)	8	
	407 564		WASHER - (AN960-10)	8	
	404 887		NUT - (MS20365-1032C)	8	
-11	400 441		BOLT - (AN3-7A)	2	
	407 564		WASHER - (AN960-10)	2	
	404 887		NUT - (MS20365-1032C)	2	
-12	401 288		BOLT - (AN3-5A)	6	
	404 887		NUT - (MS20365-1032C)	6	
-13	407 564		WASHER - (AN960-10)	4	
	404 887		NUT - (MS20365-1032C)	4	
-14	400 438		BOLT - (AN3-4A)	6	
	407 584		WASHER - (AN960-10L)	6	
	404 887		NUT - (MS20365-1032C)	6	
-15	400 441		BOLT - (AN3-7A)	2	
-16	414 508		SCREW - (MS24893-S28)	4	
	404 909		NUT - (MS20365-832C)	4	
-17	33060-00		SHELF ASSEMBLY - Accessory	1	
-18	28303-02		PANEL - Trim warning	1	
-19	472 817		LIGHT ASSEMBLY - (162-8430-0931-502)	1	
-20	471 037		LAMP - Indicator (330)	1	
-21	587 820		SWITCH ASSEMBLY - Trim test (46-101B)	1	
-22	80520-02		PLACARD - Switch panel	1	
-23	26934-00		CORD ASSEMBLY - Coiled	1	
-24	43255-03		BUTTON - Plug	1	
-25	33093-00		HARNES ASSEMBLY - Flux sensor	1	

A - This installation is relative only to associated Piper Aircraft Corporation parts that are used when installing Bendix FCS-810 F/D Autopilot. All Bendix equipment and components must be procured from an approved Bendix service facility or from Bendix Avionics Repair Services, Department 390, Post Office Box 9414, Fort Lauderdale, Florida, 33310.

When ordering, always specify Part Number, Description and Serial Number of Aircraft

PIPER PARTS CATALOG

Figure and Index Number	Part Number	Code	NOMENCLATURE	No. Req.	SERIAL NUMBERS AFFECTED
68-26	33318-27		SWITCH - Autopilot/Flight director	1	
-27	47863-00		PLUG - Flexible hose	1	
-28	16633-49		HOSE - Flexible	1	
-29	451 939		ADAPTER - (1K10-4-6)	2	
-30	17881-06		LINE ASSEMBLY - Altitude controller	1	
-31	82371-118		HOSE - Airspeed to altitude selector	1	
-32	33077-00		PLATE - Corrector	1	
-33	80521-02	B	PLACARD - Control wheel	1	27-7754094 to 27-7854026 incl.
	80519-02	C	PLACARD - Control wheel	1	27-7754094 to 27-7854026 incl.
	80668-02		PLACARD - Control wheel	1	27-7854027 and up
-34	18439-00		BAR - Bus	2	
-35	31506-06		BAR - Bus	1	
-36	33067-03		CABLE ASSEMBLY - Pitch servo	1	
-37	33067-02		CABLE ASSEMBLY - Roll servo	1	
-38	14300-30		CABLE ASSEMBLY - Trim servo extension	1	
-39	28353-02		COVER - Aileron servo	1	27-7754094 to 27-7954102 incl.
	28555-02		COVER - Aileron servo	1	27-7954103 and up
-40	32483-00		BRACKET ASSEMBLY - Controller attachment, outboard	1	
	32483-01		BRACKET ASSEMBLY - Controller attachment, inboard	1	
-41	33076-00		BRACKET ASSEMBLY - Flux sensor	1	
-42	33163-00		BRACKET ASSEMBLY - Aileron servo	1	
-43	587 888		SWITCH - Gyro slaved (7201)	1	
-44	33075-00		BRACKET - Trim servo	1	
-45	33074-02		BRACKET ASSEMBLY - Stabilator servo (complete)	1	
-46	587 943		SWITCH - Slew (SFISH x 191)	1	
-47	33070-00		BRACKET - Stabilator servo	1	
-48	587 849		SWITCH - Fast slave (30-1)	1	
-49	458 948		ADAPTER - (1K1-2-4)	1	
-50	454 657		CIRCUIT BREAKER - (PS50120-3-12)	1	
-51	454 656		CIRCUIT BREAKER - (PS50120-3-7)	2	
-52	30839-00		GROMMET - Harness	1	
-53	189 625		GROMMET - (MS21266-1N) 12 3/4" L	AR	
-54	14976-25		BUSHING - Trim servo mounting	6	
-55	454 867		CLIP - Locking (NAS651-16S)	4	
-56	454 983		CLAMP - (SAE TY E-8)	4	
-57	454 832		CLAMP - (SAE TY E-10)	4	

A - This installation is relative only to associated Piper Aircraft Corporation parts that are used when installing Bendix FCS-810 F/D Autopilot. All Bendix equipment and components must be procured from an approved Bendix service facility or from Bendix Avionics Repair Services, Department 390, Post Office Box 9414, Fort Lauderdale, Florida, 33310.

B - Used if boom mike is not installed.

C - Used if boom mike is installed.

When ordering, always specify Part Number, Description and Serial Number of Aircraft

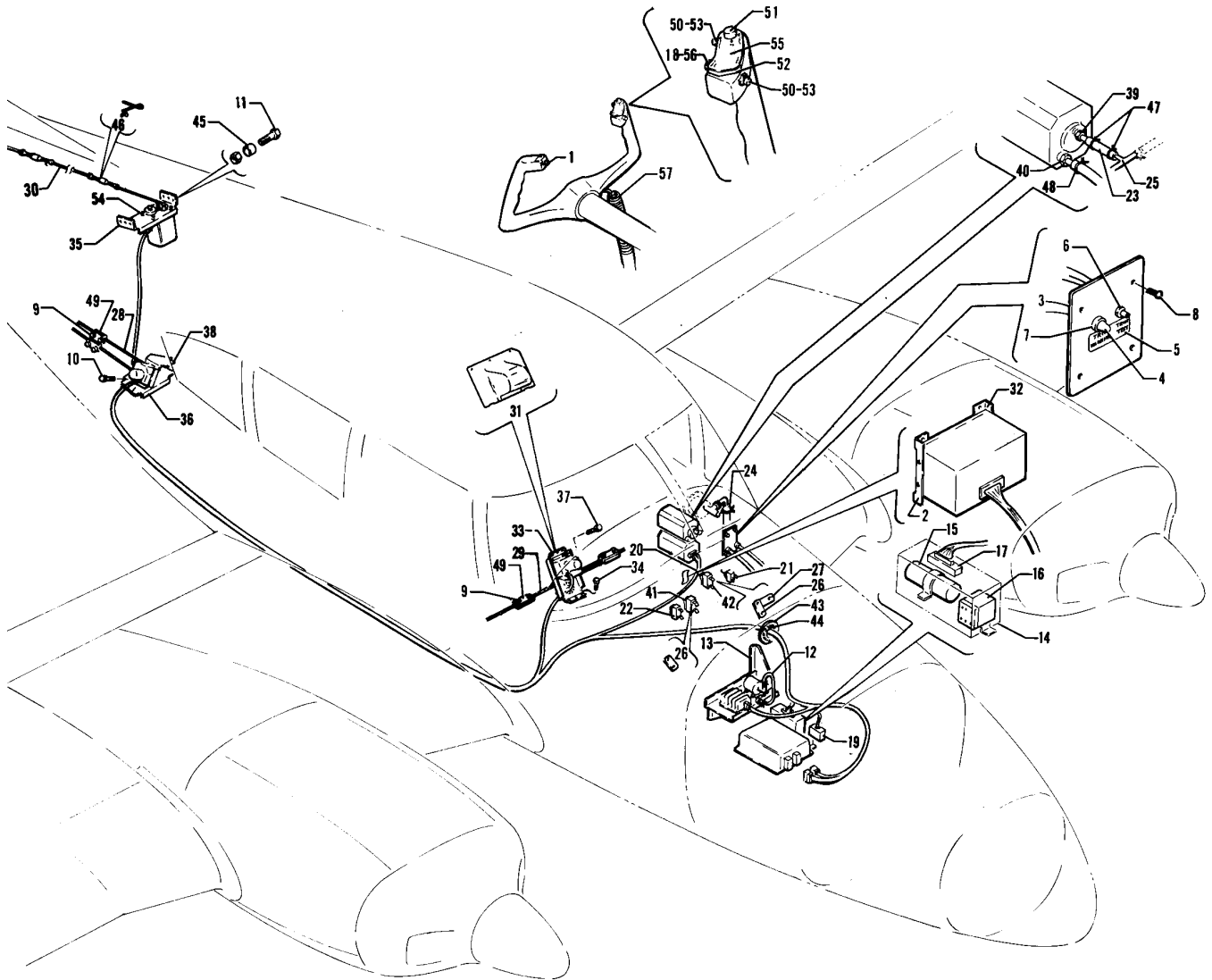


Figure 69. Autopilot Installation (Bendix FCS-810)
 (Serial Nos. 27-7754094 to 27-7954121 inclusive)
 (See Code "A")

PIPER PARTS CATALOG

Figure and Index Number	Part Number	Code	NOMENCLATURE	No. Req.	SERIAL NUMBERS AFFECTED
69-	33106		DRAWING - AutoPilot Installation (Bendix FCS-810)		
-1	43255-03		BUTTON - Plug	1	
-2	510 008		SCREW - (NAS514P440-6)	4	
	404 908		NUT - (MS20365-440C)	4	
-3	48187-00		PANEL ASSEMBLY - Trim warning	1	
-4	472 054		* LAMP - Indicator (PS10008-330) 14-volt	1	
-5	33088-00		* PLACARD - Trim warning	1	
-6	587 820		* SWITCH ASSEMBLY - (46-101B)	1	
-7	472 827		* LIGHT ASSEMBLY - (162-8430-0931-502)	1	
-8	414 508		SCREW - (MS24693-S28)	4	
	404 909		NUT - (MS20365-632C)	4	
-9	400 440		BOLT - (AN3-6A)	8	
	407 564		WASHER - (AN960-10)	8	
	404 887		NUT - (MS20365-1032C)	8	
-10	400 441		BOLT - (AN3-7A)	2	
	407 564		WASHER - (AN960-10)	2	
	404 887		NUT - (MS20365-1032C)	2	
-11	401 266		BOLT - (AN3-5A)	6	
	404 887		NUT - (MS20365-1032C)	6	
-12	17881-08		LINE ASSEMBLY - Altitude controller	1	
-13	33060-00		SHELF ASSEMBLY - Accessory	1	
-14	33117-00		BOX ASSEMBLY - Accessory (complete)	1	
-15	554 175		* CAPACITOR - (308G030JS4) Type 39D	1	
-16	484 254		* RELAY - (KA11DG) 10 amp	1	
-17	555 451		* CONNECTOR - (DBF-25P)	1	
-18	477 788		NUT - Trim disconnect (7C1040)	1	
-19	33173-00		BOX ASSEMBLY - Reverse course datum	1	
-20	33115-00		HARNES ASSEMBLY - Omni coupler	1	
-21	32550-00		* SWITCH - Illuminated	1	
-22	33318-28		SWITCH - AutoPilot master	1	
-23	16633-37		HOSE - Attitude horizon	1	
-24	82371-118		HOSE - Airspeed to altitude selector	1	
-25	33085-00		TUBE ASSEMBLY - Air filter hose	1	
-26	16439-00		BAR - Bus	2	
-27	31506-06		BAR - Bus	1	
-28	33067-03		CABLE ASSEMBLY - Pitch servo	1	
-29	33067-02		CABLE ASSEMBLY - Roll servo	1	
-30	14300-30		CABLE ASSEMBLY - Trim servo extension	1	
-31	28353-02		COVER - Aileron servo	1	27-7754094 to 27-7954102 incl 27-7954103 and up
	28555-02		COVER - Aileron servo	1	
-32	32483-00		BRACKET ASSEMBLY - Controller attachment, ouboard	1	
	32483-01		BRACKET ASSEMBLY - Controller attachment, inboard	1	
-33	33163-00		BRACKET ASSEMBLY - Aileron servo	1	
-34	400 438		BOLT - (AN3-4A)	6	
	407 584		WASHER - (AN960-10L)	6	
	404 887		NUT - (MS20365-1032C)	6	
-35	33075-00		BRACKET - Trim servo	1	
-36	33074-02		BRACKET ASSEMBLY - Stabilator servo (complete)	1	
			<p>A - This installation is relative only to associated Piper Aircraft Corporation parts that are used when installing Bendix FCS-810 AutoPilot. All Bendix equipment and components must be procured from an approved Bendix Service facility or from Bendix Avionics Repair Services, Department 390, Post Office Box 9414, Fort Lauderdale, Florida, 33310.</p>		

When ordering, always specify Part Number, Description and Serial Number of Aircraft

PIPER PARTS CATALOG

Figure and Index Number	Part Number	Code	NOMENCLATURE	No. Req.	SERIAL NUMBERS AFFECTED
68-37	400 441		BOLT - (AN3-7A)	2	
-38	33070-00		BRACKET - Stabilator servo	1	
-39	451 940		ADAPTER - (1K10-4-4)	1	
-40	451 939		ADAPTER - (1K10-4-8)	1	
-41	454 857		CIRCUIT BREAKER - (PS50120-3-12)	1	
-42	454 656		CIRCUIT BREAKER - (PS50120-3-7)	1	
-43	30839-00		GROMMET - Harness	1	
-44	189 625		GROMMET - (MS21266-IN) 12 3/4" L	AR	
-45	14978-25		BUSHING - Trim servo mounting	6	
-46	454 867		CLIP - Locking (NAS651-16S)	4	
-47	454 983		CLAMP - (SAE TY E-8)	5	
-48	454 832		CLAMP - (SAE TY E-10)	2	
-49	33078-02		CLAMP - Cable	8	
-50	487 904		SWITCH ASSEMBLY - (39-1)	2	
-51	587 822		SWITCH ASSEMBLY - (S22048-0001)	1	
-52	53756-00		BRACKET ASSEMBLY - Control wheel switch	1	27-7754094 to 27-7854026 incl.
	28339-02		BRACKET ASSEMBLY - Control wheel switch	1	27-7854027 and up
-53	454 277		CAP - (30B1012)	2	
-54	407 564		WASHER - (AN960-10)	4	
	404 887		NUT - (MS20365-1032C)	4	
-55	80521-02	C	PLACARD - Control wheel	1	27-7754094 to 27-7854026 incl.
	80519-02	B	PLACARD - Control wheel	1	27-7754094 to 27-7854026 incl.
	80668-02		PLACARD - Control wheel	1	27-7854027 and up
-56	587 916		SWITCH - Trim disconnect (SA25SCT12-1)	1	
-57	28934-00		CORD ASSEMBLY - Coiled	1	

A - This installation is relative only to associated Piper Aircraft Corporation parts that are used when installing Bendix FCS-810 AutoPilot. All Bendix equipment and components must be procured from an approved Bendix service facility or from Bendix Avionics Repair Services, Department 390, Post Office Box 9414, Fort Lauderdale, Florida, 33310.

B - Used if boom mike is installed.

C - Used if boom mike is not installed.

When ordering, always specify Part Number, Description and Serial Number of Aircraft

PIPER PARTS CATALOG

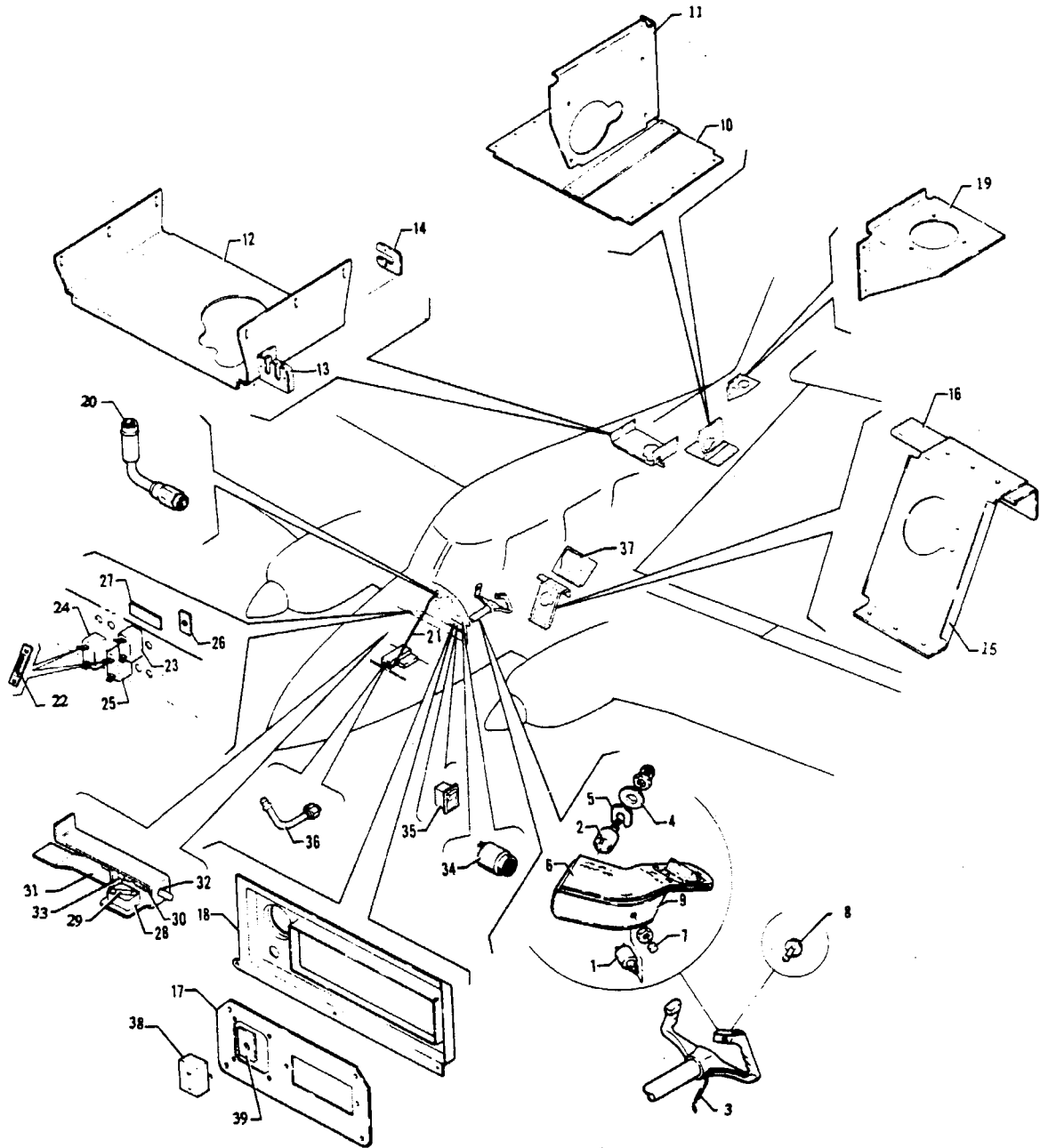


Figure 69A King Autopilot (KAP-200) and King Autopilot F/D (KFC-200) Installations
(Serial Nos. 27-7954004 to 27-7954121 incl.)
(See Code "A" and "B")

PIPER PARTS CATALOG

Figure and Index Number	Part Number	Code	NOMENCLATURE	No. Req.	SERIAL NUMBERS AFFECTED
69A-	28550		DRAWING - System Installation (King KFC-200)		27-7954004 to 27-7954121 incl.
-1	487 904		SWITCH - Mike and sync. (39-1)	2	
-2	587 985		SWITCH - Trim interrupt and A/P disconnect (8N3021)	1	
-3	555 695		CORD - Coiled (44067-0002)	1	
-4	15660-02		ADAPTER - Trim switch	1	
-5	15661-02		ADAPTER - Trim switch	1	
-6	80669-02		PLACARD - Control wheel	1	
-7	454 277		CAP - Mike and sync. switch (30B1012)	2	
-8	26870-00		BUTTON - Plug	1	
-9	49655-02		BRACKET ASSEMBLY - Switch	1	
-10	28502-02		BRACKET ASSEMBLY - Pitch servo mounting	1	
-11	28504-02		BRACKET ASSEMBLY - Pitch servo mounting	1	
-12	28512-02		BRACKET - Pitch trim servo mounting	1	
-13	28515-02		CUSHION - Cable stop (Phenolic)	1	
-14	28514-02		CUSHION - Cable stop (Phenolic)	1	
-15	28509-02		BRACKET - Roll servo mounting	1	
-16	28507-02		BRACKET - Roll servo mounting	1	
-17	28517-02		PLATE ASSEMBLY - Control panel	1	
-18	33685-02	D	COVER - Instrument panel, left, center	1	
-19	33078-00		BRACKET ASSEMBLY - Flux detector	1	
-20	26564-00		LINE ASSEMBLY - Static instrument air	1	
-21	83161-69		HOSE - Flexible, static air	1	
-22	16439-00		LINK - Bus bar	2	
-23	454 856		CIRCUIT BREAKER - (PS50120-3-7) 5 amp	1	
-24	454 658		CIRCUIT BREAKER - (PS50120-3-14) 15 amp	1	
-25	454 694		CIRCUIT BREAKER - (PS50120-3-23) 2 amp	1	
-26	80439-02		PLACARD - HSI	1	
-27	80704-02		PLACARD - Preflight test	1	
-28	487 925		SWITCH - Flap compensation (V3-1)	1	
-29	451 841		ACTUATOR - Flap compensation switch (JV-5)	1	
-30	587 113		SPRING - Flap compensation switch (LC-029C-11)	1	
-31	28533-02		BRACKET ASSEMBLY - Switch actuating	1	
-32	80008-10		* BUSHING	1	
-33	453 721		* BUSHING - (31796-00)	1	
-34	565 367		HORN - Trim warning (SC628)	1	
-35	33318-25	C	SWITCH ASSEMBLY - Trim master	1	
-36	46722-00		LINE ASSEMBLY - Static air	1	
-37	28555-02		COVER - Roll servo	1	
-38	588 139		SWITCH - Accelerometer test (7105S)	1	27-7954004 to 27-7954121 incl.
-39	80703-02		PLACARD - Accelerometer test	1	27-7954004 to 27-7954121 incl.

A - This installation is relative only to associated Piper Aircraft Corporation parts that are used when installing the King KFC-200 Autopilot/Flight Director and King KAP-200 Autopilot. All King equipment and components must be procured from King Radio Corporation, 400 N. Rogers Road, Olathe, Kansas 66061.

B - On aircraft with serial numbers 27-8054001 and up, refer to the Avionics Drawing Index List and the appropriate drawings supplied with each aircraft when ordering replacement parts.

C - Used on airplanes with serial numbers 27-7954004; 27-7954005, 27-7954008 and up.

D - Serial number of aircraft must be supplied when ordering this part.

When ordering, always specify Part Number, Description and Serial Number of Aircraft

PIPER PARTS CATALOG

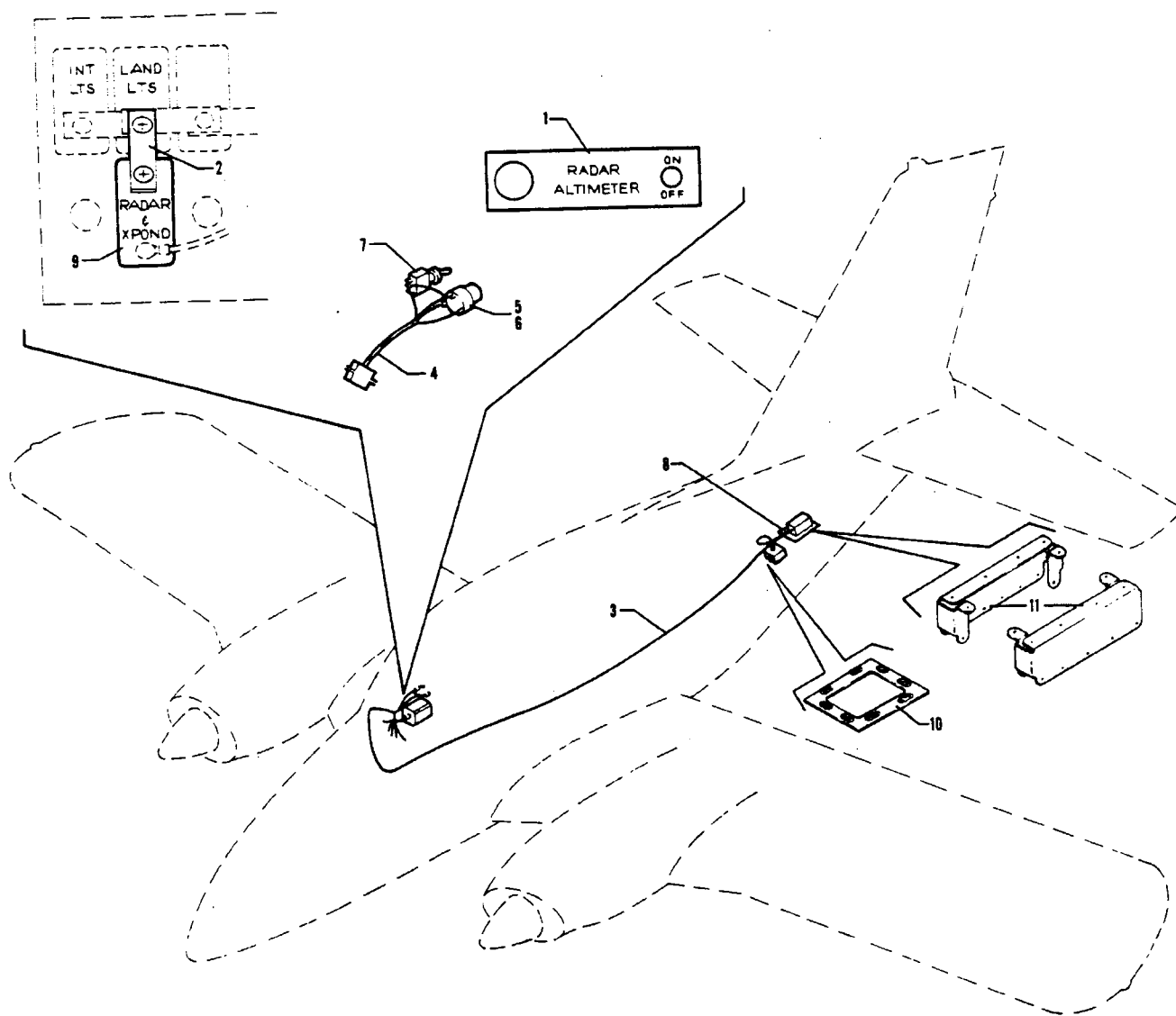


Figure 70. Radar Altimeter Installation
(Serial Nos. 27-4794 to 27-7954060 incl.)
(See Code "A")

PIPER PARTS CATALOG

Figure and Index Number	Part Number	Code	NOMENCLATURE	No. Req.	SERIAL NUMBERS AFFECTED
70-	33201	A	DRAWING - Radar Altimeter Installation		27-4794 to 27-7954060 incl.
-1	33193-00		PLACARD - Radar altimeter	1	27-4794 to 27-7305234 inclusive
	52838-00		PLACARD - Radar altimeter	1	27-7405235 and up
-2	16439-00		BAR - Bus	1	
-3	52839-04		HARNES ASSEMBLY - Radar altimeter	1	27-4794 to 27-7554123 inclusive
	54580-04		HARNES ASSEMBLY - Radar altimeter	1	27-7554124 and up
-4	48284-02		HARNES ASSEMBLY - Radar altimeter	1	
-5	761 163		* LIGHT ASSEMBLY - Indicator (136-044-00)	1	
-6	472 028		* BULB - (PS10008-327)	1	
-7	487 915		* SWITCH - Radar altimeter (7101)	1	
-8	33194-00		SHELF ASSEMBLY - Receiver/Transmitter	1	
-9	454 656		CIRCUIT BREAKER - (PS50120-3-7)	1	
-10	15699-02		PLATE ASSEMBLY - Antenna mount	1	27-7554124 and up
-11	15749-02		SUPPORT - Radar altimeter	2	27-7554124 and up
			<p>A - On aircraft with serial numbers 27-7954061 and up, refer to the Avionics Drawing Index List and the appropriate drawings supplied with each aircraft when ordering replacement parts.</p>		

When ordering, always specify Part Number, Description and Serial Number of Aircraft



Figure 71. Glide Slope Coupler Installation

PIPER PARTS CATALOG

Figure and Index Number	Part Number	Code	NOMENCLATURE	No. Req.	SERIAL NUMBERS AFFECTED
71-	32752	D	DRAWING - Glide Slope Coupler Installation		
	15632	A	DRAWING - Glide Slope Coupler Installation (Without "J" Box)		27-7554001, 27-7554074 to 27-7954060 incl.
	15988	A	DRAWING - Glide Slope Coupler Installation (With "J" Box)		27-7754001 to 27-7954060 incl.
-1	751 300		COUPLER ASSEMBLY - Glide slope (1C493)	1	
-2	752 010	B	HARNESS ASSEMBLY - Glide slope coupler (30C291)	1	
	15965-02	C	HARNESS ASSEMBLY - Glide slope coupler	1	27-7754001 and up
-3	752 011		HARNESS ASSEMBLY - Glide slope coupler (30B295)	1	
-4	752 371		INDICATOR LIGHT ASSEMBLY - Glide slope coupler (30A296)	1	
-5	472 054		LAMP - Indicator light (330) 14-volt	1	
	472 028		LAMP - Indicator light (PS10006-327) 28-volt	1	
-6	43918-00		PLACARD - Glide slope engage (581 471)	1	
<p>A - On aircraft with serial numbers 27-7954061 and up, refer to the Avionics Drawing Index List and the appropriate drawings supplied with each aircraft when ordering replacement parts.</p> <p>B - Used if "J" Box is not installed.</p> <p>C - Used if "J" Box is installed.</p> <p>D - Used on PA-23-250 (Six Place) with serial numbers 27-3837, 27-3944 to 27-7405476 inclusive, 27-7554002 to 27-7554073 inclusive.</p>					

When ordering, always specify Part Number, Description and Serial Number of Aircraft

PIPER PARTS CATALOG

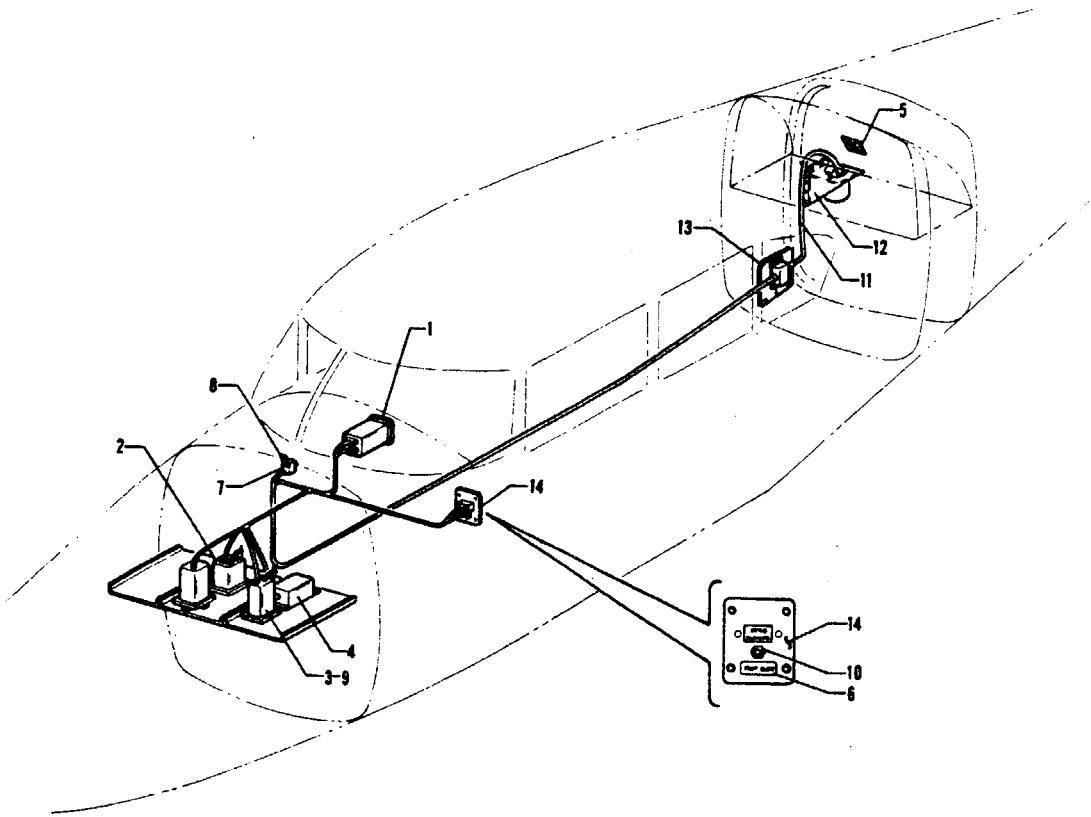


Figure 72. Radio Magnetic Indicator Installation
(Serial Nos. 27-4426, 27-4574 to 27-7954060 incl.)
(See Code "A")

PIPER PARTS CATALOG

Figure and Index Number	Part Number	Code	NOMENCLATURE	No. Req.	SERIAL NUMBERS AFFECTED
72-	33620		DRAWING - King KI-226 RMI Installation		27-4426, 27-4574 to 27-7654203 inclusive
	15977	A,E	DRAWING - King KI-226 RMI Installation		27-7754001 to 27-7954060 incl.
	28292	A,F	DRAWING - King KI-226 RMI Installation		27-7754001 to 27-7954060 incl.
-1	755 459		INDICATOR - RMI (066-3021-00)	1	
-2	596 439	G	INDICATOR - (KI-225-01)	1	
-3	596 057	B	INDICATOR - Servo amplifier (551E)	1	
-4	596 440		INVERTER - RMI (P-21) (14-volt)	1	27-4426, 27-4574 to 27-7405476 inclusive
	596 172		INVERTER - RMI (P-20) (28-volt)	1	
-5	33564-00	C,D	PLACARD - Caution -, flux sensor	1	
-6	80226-02	C,D	* PLACARD - Fast slave	1	
-7	454 657		CIRCUIT BREAKER - (PS50120-3-12)	1	
-8	16439-00		BAR - Bus	1	
-9	54800-28	F	ADAPTER - ADF to RMI (ADA-650)	1	27-7754001 and up
-10	587 849	C,D	SWITCH - (30-1)	1	
-11	33093-00	C,D	HARNESS ASSEMBLY - Flux sensor	1	
-12	33076-00	C,D	BRACKET ASSEMBLY - Flux sensor	1	
-13	33077-00	C,D	PLATE - Compensator	1	
-14	33612-02	C,D	PANEL - Trim warning	1	

- A - On aircraft with serial numbers 27-7954061 and up, refer to the Avionics Drawing Index List and the appropriate drawings supplied with each aircraft when ordering replacement parts.
- B - Used only if Bendix ADF is installed.
- C - Not used if AltiMatic V F/D or V F/D-1 and Collins CTM-1-23 Radio Installation is installed.
- D - Used on airplanes with serial umbers 27-4426, 27-4574 to 27-7405476 inclusive, 27-7654001 and up
- E - Used if King KTS-2-23 Radio Installation is installed.
- F - Used if Collins CTM-1-23 Radio Installation is installed.
- G - Used only if King ADF is installed.

When ordering, always specify Part Number, Description and Serial Number of Aircraft

PIPER PARTS CATALOG

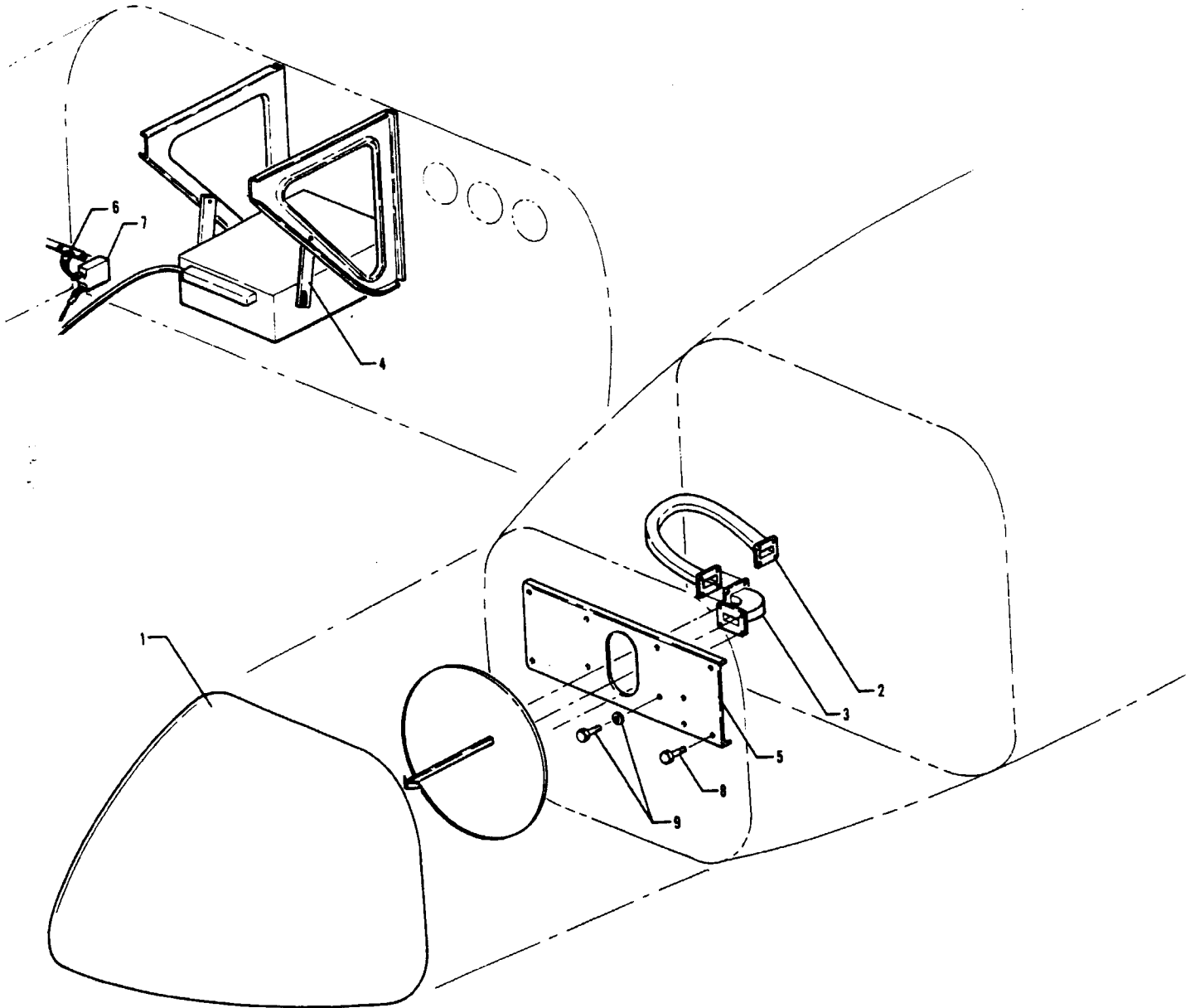


Figure 73. King Radar Installation (KWX-40)
(Serial Nos. 27-7554001 to 27-7954060 incl.)
(See Code "A")

PIPER PARTS CATALOG

Figure and Index Number	Part Number	Code	NOMENCLATURE	No. Req.	SERIAL NUMBERS AFFECTED
73-	15470	A	DRAWING - King Radar Installation (KWX-40)		27-7554001 to 27-7954060 incl.
-1	33346-05		CONE ASSEMBLY - Fuselage nose	1	
-2	596 249		WAVEGUIDE - Flexible (AT-7-B-090-24)	1	
-3	596 038		ADAPTER - Waveguide (X624B) "H" plane, 90°	1	
-4	15469-03		BRACKET ASSEMBLY - Radar support	2	
-5	48031-00		PLATE ASSEMBLY - Radar mounting	1	
-6	16439-00		BAR - Circuit protector	1	
-7	454 695		CIRCUIT BREAKER - (PS50120-3-24) 3 amp	1	
	454 656		CIRCUIT BREAKER - (PS50120-3-7) 5 amp	1	
-8	401 306		BOLT - (AN4-3A)	4	
-9	400 003		BOLT - (AN4-6A)	4	
	407 565		WASHER - (AN960-416)	4	
			<p>A - On aircraft with serial numbers 27-7954060 and up, refer to the Avionics Drawing Index List and the appropriate drawings supplied with each aircraft when ordering replacement parts.</p>		

When ordering, always specify Part Number, Description and Serial Number of Aircraft

PIPER PARTS CATALOG

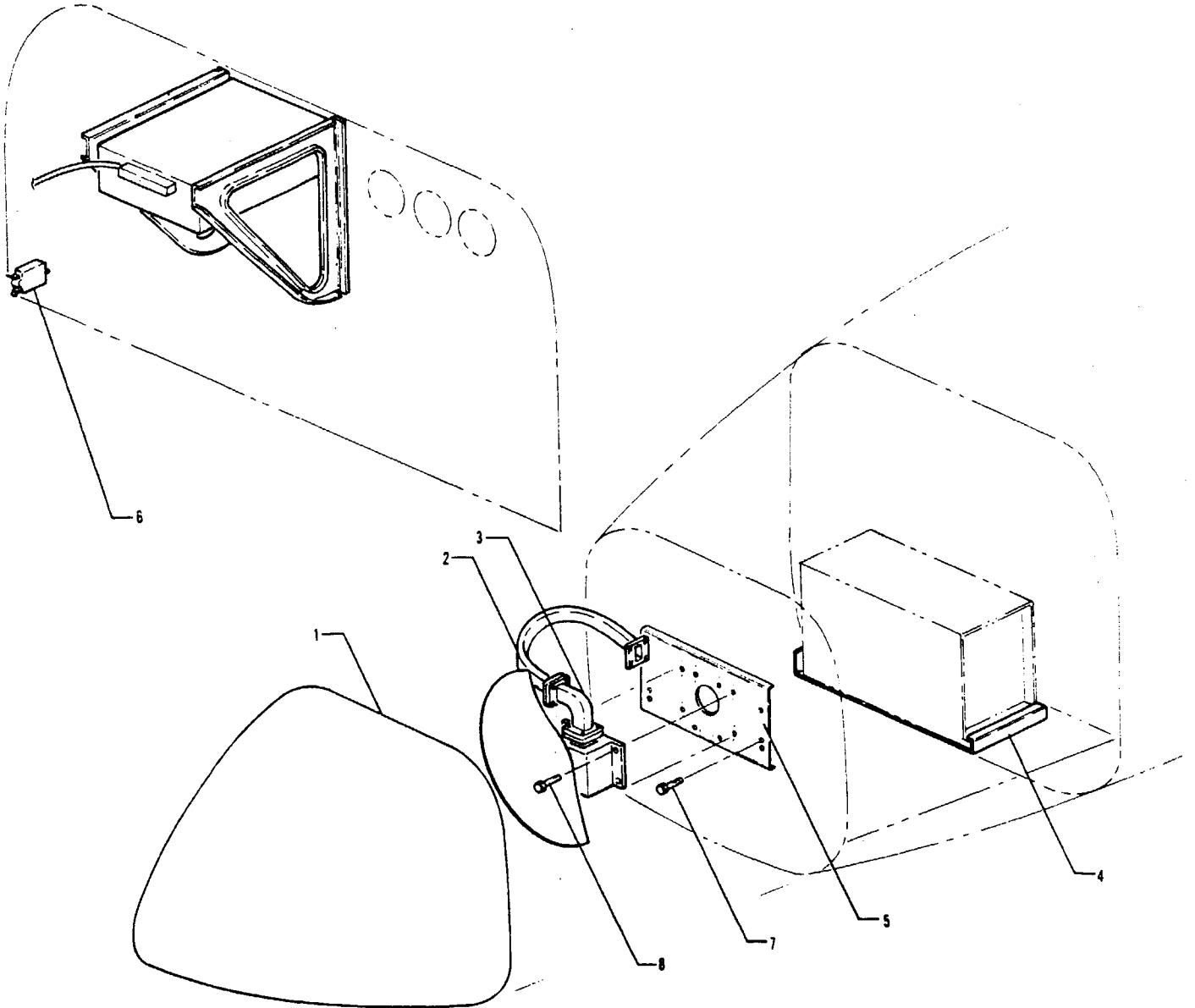


Figure 74. Bendix Radar Installation (RDR-150)
(Serial Nos. 27-7754001 to 27-7954060 incl.)
(See Code "A")

PIPER PARTS CATALOG

Figure and Index Number	Part Number	Code	NOMENCLATURE	No. Req.	SERIAL NUMBERS AFFECTED
74-	28297	A	DRAWING - Bendix Radar Installation (RDR-150)		27-7754001 to 27-7954060 incl.
-1	33346-05		CONE ASSEMBLY - Fuselage nose	1	
-2	596 249		WAVEGUIDE - Flexible	1	
-3	596 038		ADAPTER - Waveguide "H" bend (X624B)	1	
-4	596 650		TRAY - Mounting (4007261-0502)	1	
-5	48881-02		PLATE ASSEMBLY - Radar mounting	1	
-6	454 656		CIRCUIT BREAKER - (PS50120-3-7)	1	
-7	401 306		BOLT - (AN4-3A)	4	
-8	401 307		BOLT - (AN4-4A)	4	
			A - On aircraft with serial numbers 27-7954061 and up, refer to the Avionics Drawing Index List and the appropriate drawings supplied with each aircraft when ordering replacement parts.		

When ordering, always specify Part Number, Description and Serial Number of Aircraft

3D23 THRU 3D24
INTENTIONALLY LEFT BLANK

PIPER PARTS CATALOG

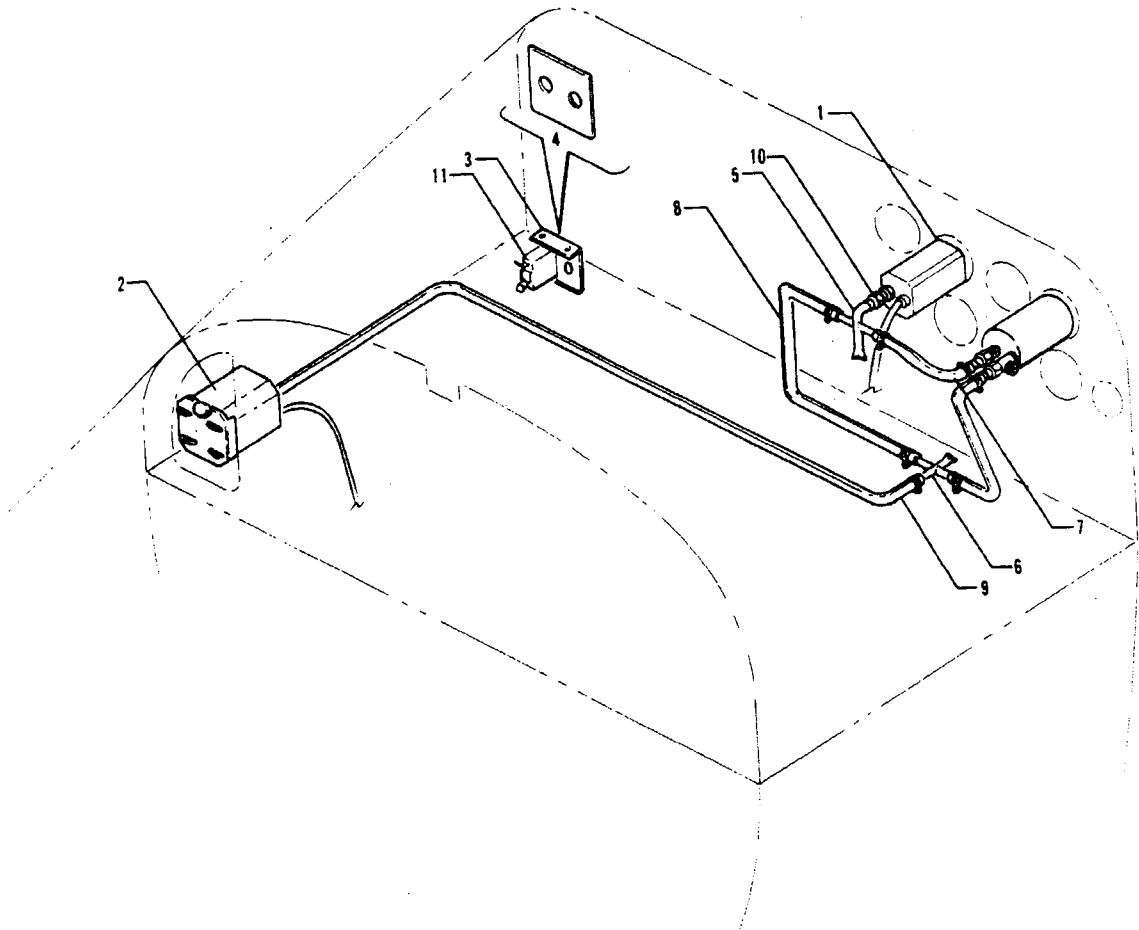


Figure 75. Encoding Altimeter Installation
(Serial Nos. 27-7554001 to 27-7954060 incl.)
(See Code "A")

PIPER PARTS CATALOG

Figure and Index Number	Part Number	Code	NOMENCLATURE	No. Req.	SERIAL NUMBERS AFFECTED
75-	15564	A,C	DRAWING - Encoding Altimeter Installation		27-7754001 to 27-7954060 incl.
	15570	A,C	DRAWING - Encoding Altimeter Installation		27-7754001 to 27-7954060 incl.
	15892	A,B	DRAWING - Encoding Altimeter Installation		27-7754001 to 27-7954060 incl.
	15980	A,B	DRAWING - Encoding Altimeter installation		27-7754001 to 27-7954060 incl.
	28301	A,B	DRAWING - Blind Encoder Altimeter Installation		27-7754001 to 27-7954060 incl.
-1	548 039		INSTRUMENT - Encoding altimeter (PS50008-6-2)	1	
	548 045		INSTRUMENT - Encoding altimeter (81-41-M3H0)	1	
-2	548 138		INSTRUMENT - Altitude reporter (AR-500)	1	
-3	33853-02		BRACKET - Circuit breaker	1	
-4	80351-02		PLACARD - Circuit breaker	1	
-5	15561-02		LINE ASSEMBLY - Encoding altimeter	1	
-6	28298-02		LINE ASSEMBLY - Altitude reporter	1	
-7	80007-31		HOSE - Instruments (22" L)	1	
-8	80007-32		HOSE - Instruments (16" L)	1	
-9	83161-68		HOSE - Altitude reporter (53" L)	1	
-10	476 648		NIPPLE - (AN816-4D)	1	
-11	454 694		CIRCUIT BREAKER - (PS50120-3-23)	1	
			<p>A - On aircraft with serial numbers 27-7954061 and up, refer to the Avionics Drawing Index List and the appropriate drawings supplied with each aircraft when ordering replacement parts.</p> <p>B - With Junction Box.</p> <p>C - Without Junction Box.</p>		

When ordering, always specify Part Number, Description and Serial Number of Aircraft

PIPER PARTS CATALOG

NOTE

Avionics Equipment Installation Drawings listed on the following pages apply only to PA-23-235, PA-23-250 and PA-23-250 (Six Place) aircraft with serial numbers 27-1 to 27-7954060 inclusive. All Avionics Equipment Installation Drawings for serial numbers 27-7954061 and up are listed on an Avionics Installation Drawing Index List included with aircraft paperwork.

PIPER PARTS CATALOG

Figure and Index Number	Part Number	Code	NOMENCLATURE	No. Req.	SERIAL NUMBERS AFFECTED
	16940	X	DRAWING - Collins Radio Installation with ADF-T-12, Collins Marker Beacon, Collins Glide Slope		27-1 to 27-430 inclusive
	16841	X	* DRAWING - Junction Box		27-1 to 27-430 inclusive
	16843	X	* * DRAWING - Junction Box Wiring Diagram		27-1 to 27-430 inclusive
	16944	X	DRAWING - ARC, ADF - Radio Installation		
	30223	X	DRAWING - Collins Radio Installation with Dare Glide Slope, Collins Marker Beacon, ADF-T-12, Narco Marker Beacon, Narco Glide Slope		27-431 and up
	19900	X	* DRAWING - Junction Box		27-431 and up
	19882	X	* * DRAWING - Junction Box Wiring Diagram		27-431 and up
	30315	X	* DRAWING - Narco Glide Slope Installation		27-431 and up
	30200	X	DRAWING - Collins Radio Installation with ADF-T-12, Collins Marker Beacon, Narco Marker Beacon, Sunair		
	19900	X	* DRAWING - Junction Box		
	19882	X	* * DRAWING - Junction Box Wiring Diagram		
	16945	X	DRAWING - Collins Glide Slope Installation		
	16946	X	DRAWING - Collins Marker Beacon Installation		
	30210	X	DRAWING - Narco Radio Installation with Mark VI, Marker Beacon, ADF-T-12, Mark V and Glide Slope		
	30310	X	* DRAWING - Junction Box		
	30307	X	* * DRAWING - Junction Box Wiring Diagram		
	30318	X	* DRAWING - Narco Glide Slope Installation		
	30257	X	DRAWING - Narco Radio Installation with Marker Beacon, ADF-T-12, Sunair, Mark V (Export)		
	22329	X	* DRAWING - Junction Box		
	30183	X	* * DRAWING - Junction Box Wiring Diagram		
	22419	X	* DRAWING - Narco Marker Beacon Installation		
	30232	X	DRAWING - Narco Marker Beacon Installation		
	30300	X	DRAWING - Sunair Radio Installation		
	30308	X	DRAWING - ADF-T-12 Radio Installation for Collins Radio Installation		
	30299	X	DRAWING - ADF-T-12 Radio Installation for Narco Radio Installation		
	30294	A	DRAWING - Collins Radio Installation		
	30297	A	* DRAWING - Junction Box		
	30298	A	* * DRAWING - Junction Box Wiring Diagram		
	30320	X	DRAWING - Dare Glide Slope Installation		
	30450	Y	DRAWING - Super Custom Radio Installation ADF-T-12, Marker Beacon, Mark X, Mark V		
	23100	Y	* DRAWING - Junction box		
	23065	Y	* * DRAWING - Junction Box Wiring Diagram		

A - Used when PA-23-250 Special 28-volt system is installed.
X - Used on PA-23-250 airplanes only.
Y - Used on PA-23-250 (Six Place) airplanes only.

When ordering, always specify Part Number, Description and Serial Number of Aircraft

PIPER PARTS CATALOG

Figure and Index Number	Part Number	Code	NOMENCLATURE	No. Req.	SERIAL NUMBERS AFFECTED
	30815	Y	DRAWING - Collins Radio Installation, ARC, ADF or ADF-T-12, Narco Marker Beacon, or Collins Marker Beacon, Narco Glide Slope or Dare Glide Slope with Collins Transmitter 17L-8A, Receiver 51X-3 and Trans Receiver 618F-1		
	19900	Y	* DRAWING - Junction Box		
	19882	Y	* * DRAWING - Junction Box Wiring Diagram		
	30350	Z	DRAWING - Super Custom Radio Installation, Mark 10, VOA-3A Omni Converter, DME, Glide Slope, ADF-T-12 and Marker Beacon		
	23100	Z	* DRAWING - Junction Box		
	23065	Z	* * DRAWING - Junction Box Wiring Diagram		
	31111	Z	DRAWING - Narco Radio Installation, Mark 12, VOA-5 Omni Converter, DME, Glide Slope, ADF-T-12C and Marker Beacon		
	30960	Z	* DRAWING - Junction Box		
	23375	Z	* * DRAWING - Junction Box Wiring Diagram		
	31115	Y	DRAWING - Narco Radio Installation, Mark 12, VOA-5 Omni Converter, DME, Glide Slope, ADF-T-12C and Marker Beacon		
	30960	Y	* DRAWING - Junction Box		
	23375	Y	* * DRAWING - Junction Box Wiring Diagram		
	31180	Z	DRAWING - Narco Radio Installation, Single Mark 12 with (90 or 360) Channel, VOA-4 or VOA-5 Omni Converter, ADF-T-12C and Marker Beacon		
	30960	Z	* DRAWING - Junction Box		
	31124	Z	* * DRAWING - Junction Box Wiring Diagram		
	31739	Y	DRAWING - Narco Radio Installation, Single Mark 12 with (96 or 360) Channel, VOA-4 or VOA-5 Omni Converter, ADF-T-12C and Marker Beacon		
	30960	Y	* DRAWING - Junction Box		
	31124	Y	* * DRAWING - Junction Box Wiring Diagram		
	31748	Y	DRAWING - Bendix Radio Installatin, ADF		27-2000 to 27-3836 inclusive, 27-3838 to 27-3943 inclusive
	30960	Y	* DRAWING - Junction Box		27-2000 to 27-3836 inclusive, 27-3838 to 27-3943 inclusive
	31124	Y	* * DRAWING - Junction Box Wiring Diagram		27-2000 to 27-3836 inclusive, 27-3838 to 27-3943 inclusive
	32162	Y	DRAWING - Narco Radio Installation, Dual Mark 12A with (90 or 360) Channel, VOA-4 or VOA-5 Omni Converter, Marker Beacon, ADF-T-12C, DME and Glide Slope		27-2000 to 27-3836 inclusive, 27-3838 to 27-3943 inclusive
	30960	Y	* DRAWING - Junction Box		27-2000 to 27-3836 inclusive, 27-3838 to 27-3943 inclusive
	31124	Y	* * DRAWING - Junction Box Wiring Diagram		27-2000 to 27-3836 inclusive, 27-3838 to 27-3943 inclusive

Y - Used on PA-23-250 (Six Place) airplanes only.
Z - Used on PA-23-235 airplanes only.

When ordering, always specify Part Number, Description and Serial Number of Aircraft

PIPER PARTS CATALOG

Figure and Index Number	Part Number	Code	NOMENCLATURE	No. Req.	SERIAL NUMBERS AFFECTED
	32178	Y	DRAWING - Narco Radio Installation, Single Mark 12A with (90 or 360) Channel, ADF-T-12C, Marker Beacon and VOA-4 or VOA-5 Omni Converter		27-2000 to 27-3836 inclusive, 27-3838 to 27-3943 inclusive
	30960	Y	* DRAWING - Junction Box		
	31124	Y	* * DRAWING - Junction Box Wiring Diagram		27-2000 to 27-3836 inclusive, 27-3838 to 27-3943 inclusive
	32292	Y	DRAWING - Narco Radio Installation, Single Mark 12A with (90, 100, 360 or 380) Channel, Marker Beacon, Glide Slope and VOA-4 or VOA-5 Omni Converter		27-2000 to 27-3836 inclusive, 27-3838 to 27-3943 inclusive
	26088	Y	* DRAWING - Junction Box		
	26083	Y	* * DRAWING - Junction Box Wiring Diagram		27-2000 to 27-3836 inclusive, 27-3838 to 27-3943 inclusive
	32293	Y	DRAWING - Narco Radio Installation, Dual Mark 12A with (90, 100, 360 or 380) Channel, Marker Beacon, Glide Slope, VOA-4 or VOA-5 Omni Converter and DME UDI-2 or DME UDI-4		27-2000 to 27-3836 inclusive, 27-3838 to 27-3943 inclusive
	26088	Y	* DRAWING - Junction Box		
	26083	Y	* * DRAWING - Junction Box Wiring Diagram		27-2000 to 27-3836 inclusive, 27-3838 to 27-3943 inclusive
	32721	Y	DRAWING - Radio Installation, Narco DME		27-3837 to 27-3944 and up
	32680	Y	DRAWING - Narco Radio Installation, Dual Mark 12A with (90, 100, 360 or 380) Channel, VOA-4 or VOA-8 Omni Converter Indicator, Marker Beacon, Glide Slope, VOA-5 or VOA-9 Omni Converter Glide Slope Indicator and ADF		
	32671	Y	* DRAWING - Junction Box		27-3837, 27-3944 to 27-4159 inclusive
	32682	Y	DRAWING - Narco Radio Installation, Dual Mark 12A with (90, 100, 360 or 380) Channel, VOA-4 or VOA-8 Omni Converter Indicator, Marker Beacon, Glide Slope, VOA-5 or VOA-9 Omni Converter Glide Slope Indicator		27-3837, 27-3944 to 27-4159 inclusive
	32671	Y	* DRAWING - Junction Box		27-3837, 27-3944 to 27-4159 inclusive
	32681	Y	DRAWING - Narco Radio Installation, Single Mark 12A with (90, 100, 360 or 380) Channel, VOA-4 or VOA-8 Omni Converter Indicator, Glide Slope, VOA-5 or VOA-9 Omni Converter Glide Slope Indicator		27-3837, 27-3944 to 27-4159 inclusive
	32671	Y	* DRAWING - Junction Box		27-3837, 27-3944 to 27-4159 inclusive

Y - Used on PA-23-250 (Six Place) airplanes only.

When ordering, always specify Part Number, Description and Serial Number of Aircraft

PIPER PARTS CATALOG

Figure and Index Number	Part Number	Code	NOMENCLATURE	No. Req.	SERIAL NUMBERS AFFECTED
	32683	Y	DRAWING - Narco Radio Installation, Single Mark 12A with (90, 100, 360 or 380) Channel, VOA-4 or VOA-8 Omni Converter Indicator, Marker Beacon, Glide Slope, VOA-5 or VOA-9 Omni Converter Glide Slope Indicator and ADF		27-3837, 27-3944 to 27-4159 inclusive
	32671	Y	* DRAWING - Junction Box		27-3837, 27-3944 to 27-4159 inclusive
	32712	Y	DRAWING - Bendix ADF Installation		27-3837, 27-3944 to 27-4784 inclusive
	32671	Y	* DRAWING - Junction Box		27-3837, 27-3944 to 27-4784 inclusive
	33123	Y	DRAWING - King ADF Installation		27-4588 to 27-4784 inclusive
	32671	Y	* DRAWING - Junction Box		27-4588 to 27-4784 inclusive
	32852	Y	DRAWING - Narco Radio Installation, Single Mark 16 with 360 Channel, Marker Beacon, Glide Slope, VOA-40M, VOA-50M, VOA-9 or VOA-40 Omni Converter, ADF		27-4176 to 27-4784 inclusive
	32671	Y	* DRAWING - Junction Box		27-4176 to 27-4784 inclusive
	32853	Y	DRAWING - Narco Radio Installation, Single Mark 16 with 360 Channel, Marker Beacon, Glide Slope, VOA-40M, VOA-50M, VOA-9 or VOA-40 Omni Converter		27-4176 to 27-4784 inclusive
	32671	Y	* DRAWING - Junction Box		27-4176 to 27-4784 inclusive
	32854	Y	DRAWING - Narco Radio Installation, Dual Mark 16 with 360 Channel, Marker Beacon, Glide Slope, VOA-40M, VOA-50M, VOA-8, VOA-9 or VOA-40 Omni Converter, ADF		27-4176 to 27-4784 inclusive
	32671	Y	* DRAWING - Junction Box		27-4176 to 27-4784 inclusive
	32855	Y	DRAWING - Narco Radio Installation, Dual Mark 16 with 360 Channel, Marker Beacon, Glide Slope, VOA-40M, VOA-50M, VOA-8, VOA-9 or VOA-40 Omni Converter		27-4176 to 27-4784 inclusive
	32671	Y	* DRAWING - Junction Box		27-4176 to 27-4784 inclusive
	32865	Y	DRAWING - Narco Radio Instl., Dual Mark 12B with (90, 100, 360 or 380) Channel, Marker Beacon, Glide Slope, VOA-40M, VOA-50M, VOA-8, VOA-9 or VOA-40 Omni Converter, ADF		27-4160 to 27-4784 inclusive
	32671	Y	* DRAWING - Junction Box		27-4160 to 27-4784 inclusive
	32866	Y	DRAWING - Narco Radio Instl., Dual Mark 12B with (90, 100, 360 or 380) Channel, Marker Beacon, Glide Slope, VOA-40M, VOA-50M, VOA-8, VOA-9 or VOA-40 Omni Converter		27-4160 to 27-4784 inclusive
	32671	Y	* DRAWING - Junction Box		27-4160 to 27-4784 inclusive
	32871	Y	DRAWING - Narco Radio Instl., Single Mark 12B with (90, 100, 360 or 380) Channel, Marker Beacon, Glide Slope, VOA-40M, VOA-50M, VOA-8, VOA-9 or VOA-40 Omni Converter, ADF		27-4160 to 27-4784 inclusive
	32671	Y	* DRAWING - Junction Box		27-4160 to 27-4784 inclusive
	32872	Y	DRAWING - Narco Radio Instl., Single Mark 12B with (90, 100, 360 or 380) Channel, Marker Beacon, Glide Slope, VOA-40M, VOA-50M, VOA-8, VOA-9 or VOA-40 Omni Converter		27-4160 to 27-4784 inclusive
	32671	Y	* DRAWING - Junction Box		27-4160 to 27-4784 inclusive

Y - Used on PA-23-250 (Six Place) airplanes only.

When ordering, always specify Part Number, Description and Serial Number of Aircraft

PIPER PARTS CATALOG

Figure and Index Number	Part Number	Code	NOMENCLATURE	No. Req.	SERIAL NUMBERS AFFECTED
	32235	Y	DRAWING - Narco Transponder (UAT-1) (with UTC-1 Control Unit)		27-3385 to 27-3836 inclusive, 27-3838 to 27-3943 inclusive
	32729	Y	DRAWING - Narco Transponder (UAT-1) (with UTC-1 Control Unit)		27-3837, 27-3944 to 27-4097
	32526	Y	DRAWING - Narco Transponder (AT6-A)		27-4098 to 27-4784 inclusive
	33299	Y	DRAWING - Narco Transponder (AT6-A)		27-4785 to 27-7405298 inclusive
	32888	Y	DRAWING - Narco Transponder (UAT-1) (with UTC-2 Control Unit)		27-4098 to 27-4576 inclusive
	33125	Y	DRAWING - Narco Transponder (AT5-A)		27-4577 to 27-4784 inclusive
	33207	Y	DRAWING - Narco Transponder (AT-5)		27-4785 to 27-7405298 inclusive
	33262	Y	DRAWING - King KP-85 ADF Installation		27-4785 to 27-7405298 inclusive
	33237	A,Y	* DRAWING - Junction Box		27-4785 to 27-7405298 inclusive
	33361	B,Y	* DRAWING - Junction Box		27-4902 to 27-7405298 inclusive
	33273	Y	DRAWING - Bendix ADF Installation		27-4785 to 27-7405298 inclusive
	33237	A,Y	* DRAWING - Junction Box		17-4785 to 27-7405298 inclusive
	33361	B,Y	* DRAWING - Junction Box		27-4902 to 27-7405298 inclusive
	33275	A,Y	DRAWING - Narco Radio Installation, Single COM 11A, NAV 11 or NAV 12 with Marker Beacon, Glide Slope, ADF		27-4785 to 27-7405298 inclusive
	33237	Y	* DRAWING - Junction Box		27-4785 to 27-7405298 inclusive
	33276	A,Y	DRAWING - Narco Radio Installation, Dual COM 11A, NAV 11 or NAV 12 with Marker Beacon, Glide Slope, ADF		27-4785 to 27-7405298 inclusive
	33237	Y	* DRAWING - Junction Box		27-4785 to 27-7405298 inclusive
	33375	B,Y	DRAWING - Narco Radio Installation, Single COM 11A, NAV 11 or NAV 12 with Marker Beacon, Glide Slope, ADF		27-4902 to 27-7405298 inclusive
	33361	Y	* DRAWING - Junction Box		27-4902 to 27-7405298 inclusive
	33376	B,Y	DRAWING - Narco Radio Installation, Dual COM 11A, NAV 11 or NAV 12 with Mark Beacon, Glide Slope, ADF		27-4902 to 27-7405298 inclusive
	33361	Y	* DRAWING - Junction Box		27-4902 to 27-7405298 inclusive
	33410	Y	DRAWING - King Silver Crown Avionics Installation, KR-85 ADF, KMA-20 Audio Amplifier and Marker Beacon, KT-76 Transponder, KX-175B NAV/Com 1 and 2, KN-65 DME		27-4902 to 27-7405476 incl. 27-4902 to 27-7405476 inclusive
	33268	Y	* DRAWING - King KR-85 ADF Installation		27-4902 to 27-7405476 inclusive
	33383	Y	* DRAWING - King KMA-20 Audio Amplifier and Marker Beacon Installation		27-4902 to 27-7405476 inclusive
	33397	Y	* DRAWING - King KT-76 Transponder Installation		27-4902 to 27-7405476 inclusive
	33400	Y	* DRAWING - King KX-175B NAV/COM 1 Installation		27-4902 to 27-7405476 inclusive
	33401	Y	* DRAWING - King KX-175B NAV/COM 2 Installation		27-4902 to 27-7405476 inclusive
	33404	Y	* DRAWING - King KN-65 DME Installation		27-4902 to 27-7405476 inclusive

A - Used when 14 Volt Electrical System is installed.
B - Used when 28 Volt Electrical System is installed.
Y - Used on PA-23-250 (Six Place) airplanes only.

When ordering, always specify Part Number, Description and Serial Number of Aircraft

PIPER PARTS CATALOG

Figure and Index Number	Part Number	Code	NOMENCLATURE	No. Req.	SERIAL NUMBERS AFFECTED
	33406	Y	DRAWING - King Silver Crown Avionics Installation, KR-85 ADF, KMA-20 Audio Amplifier and Marker Beacon, KT-76 Transponder, KX-170B NAV/COM 1 and 2, KN-60C DME		27-4902 to 27-7405476 incl.
	33268	Y	* DRAWING - King KR-85 ADF Installation		27-4902 to 27-7405476 incl.
	33383	Y	* DRAWING - King KMA-20 Audio Amplifier and Marker Beacon Installation		27-4902 to 27-7405476 incl.
	33397	Y	* DRAWING - King KT-76 Transponder Installation		27-4902 to 27-7405476 incl.
	33398	A,Y	* DRAWING - King KX-170B NAV/COM 1 Installation		27-4902 to 27-7405476 incl.
	33399	Y	* DRAWING - King KX-170B NAV/COM 2 Installation		27-4902 to 27-7405476 incl.
	33394	Y	* DRAWING - King KN-60C DME Installation		27-4902 to 27-7405476 incl.
	33463	B,Y	DRAWING - King KX-170A NAV/COM 1 Installation		27-4902 to 27-7405476 incl.
	33560	Y	DRAWING - Narco Avionics Installation, NS-23 Group 603		27-7405299 to 27-7405476 incl.
	33267	Y	* DRAWING - Bendix ADF-T-12C, ADF-T-12D ADF Installation		27-7405299 to 27-7405476 incl.
	33394	Y	* DRAWING - King KN-60C DME Installation		27-7405299 to 27-7405476 incl.
	33559	Y	* DRAWING - Narco COM 11A/NAV 12 NAV/COMM 1 Installation		27-7405299 to 27-7405476 incl.
	33562	Y	* DRAWING - Narco COM 11A/NAV 11 NAV/COMM 2 Installation		27-7405299 to 27-7405476 incl.
	33577	Y	* DRAWING - Narco CP-25B and CP-125 Audio Amplifier and Marker Beacon Installation		27-7405299 to 27-7405476 incl.
	33578	Y	* DRAWING - Narco AT-50A Transponder Installation		27-7405299 to 27-7405476 incl.
	33570	Y	DRAWING - Narco Avionics Installation, NT-2-23 Group 618		27-7405299 to 27-7405476 incl.
	33404	Y	* DRAWING - King KN-65 DME Installation		27-7405299 to 27-7405476 incl.
	33578	Y	* DRAWING - Narco AT-50A Transponder Installation		27-7405299 to 27-7405476 incl.
	33581	Y	* DRAWING - Narco COM 111/NAV 111 NAV/COMM 2 Installation		27-7405299 to 27-7405476 incl.
	33582	Y	* DRAWING - Narco COM 111/NAV 112 NAV/COMM 1 Installation		27-7405299 to 27-7405476 incl.
	33577	Y	* DRAWING - Narco CP-25B and CP-125 Audio Amplifier and Marker Beacon Installation		27-7405299 to 27-7405476 incl.
	33520	Y	DRAWING - King Avionics Installation, KTS-23-1, Group 612		27-7405260 to 27-7405476 incl.
	33383	Y	* DRAWING - King KMA-20 Audio Amplifier and Marker Beacon Installation		27-7405260 to 27-7405476 incl.
	33400	Y	* DRAWING - King KX-175B NAV/COM 1 Installation		27-7405260 to 27-7405476 incl.
	33401	Y	* DRAWING - King KX-175B NAV/COM 2 Installation		27-7405260 to 27-7405476 incl.
	33521	Y	* DRAWING - Sunair HF COMM Installation, ASB-130		27-7405260 to 27-7405476 incl.
	33526	Y	* DRAWING - King Dual KR-85 ADF Installation		27-7405260 to 27-7405476 incl.
	33600	Y	DRAWING - King KS-4-23 (1), Group 611 Avionics Instl.		27-7405299 to 27-7405476 incl.
	33383	Y	* DRAWING - King KNA-20 Audio Amplifier and Marker Beacon Installation		27-7405299 to 27-7405476 incl.
	33398	Y	* DRAWING - King KX-170B NAV/COM 1 Installation		27-7405299 to 27-7405476 incl.
	33399	Y	* DRAWING - King KX-170B NAV/COM 2 Installation		27-7405299 to 27-7405476 incl.
	33526	Y	* DRAWING - King KR-85 ADF Installation		27-7405299 to 27-7405476 incl.

A - Used if AltiMatic V F/D is not installed.
 B - Used only if AltiMatic V F/D is installed.
 Y - Used on PA-23-250 (Six Place) airplanes only.

When ordering, always specify Part Number, Description and Serial Number of Aircraft

PIPER PARTS CATALOG

Figure and Index Number	Part Number	Code	NOMENCLATURE	No. Req.	SERIAL NUMBERS AFFECTED
	15479	Y	DRAWING - King Avionics Installation, KTS-2-23		27-7554001 to 27-7654035 incl
	15765	Y	DRAWING - King Avionics Installation, KTS-2-23		27-7654036 to 27-7654203 incl.
	33268	Y	* DRAWING - King KR-85 ADF Installation		27-7554001 to 27-7654203 incl.
	33397	Y	* DRAWING - King KT-76 Transponder Installation		27-7554001 to 27-7654203 incl.
	33878	Y	* DRAWING - King KX-175B NAV/COMM 1 Installation		27-7554001 to 27-7654203 incl.
	33401	Y	* DRAWING - King KX-175B NAV/COMM 2 Installation		27-7554001 to 27-7654203 incl.
	33404	Y	* DRAWING - King KN-65 DME Installation		27-7554001 to 27-7654035 incl.
	15772	Y	* DRAWING - King KN-65A DME Installation		27-7654036 to 27-7654203 incl.
	33383	Y	* DRAWING - King KMA-20 Audio Amplifier and Marker Beacon Installation		27-7554001 to 27-7654035 incl.
	15770	Y	* DRAWING - King KMA-20 Audio Amplifier and Marker Beacon Installation		27-7654036 to 27-7654203 incl.
	33916	Y	DRAWING - Narco N-1-23 Avionics Installation, NON-TSO		27-7554023 and up
	33577	Y	* DRAWING - Narco CP-25B and CP-125 Audio Panel and Marker Beacon Installation		27-7554023 and up
	33883	Y	* DRAWING - Narco ADF-140 ADF Installation		27-7554023 and up
	33559	Y	* DRAWING - Narco COM 11A/11B/NAV 12 NAV/COMM 1 Installation		27-7554023 and up
	33562	Y	* DRAWING - Narco COM 11A/11B/NAV 11 NAV/COMM 2 Installation		27-7554023 and up
	33578	Y	* DRAWING - Narco AT-50A Transponder Installation		27-7554023 and up
	33890		DRAWING - Narco N-2-23 NON-TSO, NT-2-23 TSO Avionics installed		27-7554023 and up
	33577		* DRAWING - Narco CP-25B and CP-125 Audio Panel and Marker Beacon Installation		27-7554023 and up
	33883		* DRAWING - Narco ADF-140 ADF Installation		27-7554023 and up
	33912		* DRAWING - Narco COM 11A/11B/111/111B COMM 1 Installation		27-7554023 and up
	33562		* DRAWING - Narco COMM 11A/11B/NAV 11 NAV/COMM 2 Installation		27-7554023 and up
	33581		* DRAWING - Narco COM 111/111B/NAV 111 NAV/COMM 2 Installation		27-7554023 and up
	33592		* DRAWING - Narco NAV 14, NAV 1 Installation		27-7554023 and up
	33593		* DRAWING - Narco NAV 114, NAV 1 Installation		27-7554023 and up
	33578		* DRAWING - Narco AT-50A Transponder Installation		27-7554023 and up
	33882		* DRAWING - Narco DME-190 DME Installation		27-7554023 and up
	33931		DRAWING - Narco NT-4-23 (1) TSO Avionics Installation		27-7554038 and up
	33864		* DRAWING - Narco CP-127 Audio Panel and Marker Beacon Installation		27-7554038 and up
	33909		* DRAWING - Narco Dual ADF-140 ADF Installation (with RMI)		27-7554038 and up
	33582		* DRAWING - Narco COM 111/NAV 112/NAV/COMM 1 Installation		27-7554038 and up
	33851		* DRAWING - Narco COM 111/NAV 111/NAV/COMM 2 Installation		27-7554038 and up
	15575		* DRAWING - Sunair ASB-130 HF COMM Installation		27-7554038 and up

Y - Used on PA-23-250 (Six Place) airplanes only.

When ordering, always specify Part Number, Description and Serial Number of Aircraft

PIPER PARTS CATALOG

Figure and Index Number	Part Number	Code	NOMENCLATURE	No. Req.	SERIAL NUMBERS AFFECTED
	33929		DRAWING - King KS-1-23 Avionics Installation		27-7554028 to 27-7654203 incl.
	15580		* DRAWING - King KR-86 ADF Installation		27-7554028 to 27-7654203 incl.
	33383		* DRAWING - King KMA-20 Audio Amplifier and Marker Beacon Installation		27-7554028 to 27-7654203 incl.
	33397		* DRAWING - King KT-76 Transponder Installation		27-7554028 to 27-7654203 incl.
	33398		* DRAWING - King KX-170B NAV/COMM 1 Installation		27-7554028 to 27-7654203 incl.
	33399		* DRAWING - King KX-170B NAV/COMM 2 Installation		27-7554028 to 27-7654203 incl.
	33940		DRAWING - King KTS-4-23 Avionics Installation		27-7554028 to 27-7654203 incl.
	15575		* DRAWING - Sunair ASB-130 HF COMM Installation		27-7554028 to 27-7654203 incl.
	33383		* DRAWING - King KMA-20 Audio Amplifier and Marker Beacon Installation		27-7554028 to 27-7654203 incl.
	33878		* DRAWING - King KX-175B NAV/COMM 1 Installation		27-7554028 to 27-7654203 incl.
	33401		* DRAWING - King KX-175B NAV/COMM 2 Installation		27-7554028 to 27-7654203 incl.
	33526		* DRAWING - King KR-85 Dual ADF Installation		27-7554028 to 27-7654203 incl.
	15905		DRAWING - Avionics Installation, KS-1-23		27-7754001 to 27-7954060 incl.
	15915		* DRAWING - Equipment Installation, KS-1-23		27-7754001 to 27-7954060 incl.
	15906		DRAWING - Avionics Installation, KTS-2-23		27-7754001 to 27-7954060 incl.
	15916		* DRAWING - Equipment Installation, KTS-2-23		27-7754001 to 27-7954060 incl.
	15907		DRAWING - Avionics Installation, KTS-4-23(1)		27-7754001 to 27-7954060 incl.
	15917		* DRAWING - Equipment Installation, KTS-4-23(1)		27-7754001 to 27-7954060 incl.
	15908		DRAWING - Avionics Installation, CTM-1-23		27-7754001 to 27-7954060 incl.
	15918		* DRAWING - Equipment Installation, CTM-1-23		27-7754001 to 27-7954060 incl.
	15903		DRAWING - Avionics Installation, NT-3-23		27-7754001 to 27-7954060 incl.
	15913		* DRAWING - Equipment Installation, NT-3-23		27-7754001 to 27-7954060 incl.

When ordering, always specify Part Number, Description and Serial Number of Aircraft

PIPER PARTS CATALOG

Figure and Index Number	Part Number	Code	NOMENCLATURE	No. Req.	SERIAL NUMBERS AFFECTED
OPTIONAL EQUIPMENT KITS					
754 263 760 439	C.X.Z E		SHOULDER HARNESS - Single Passenger INERTIA REEL SHOULDER HARNESS INSTALLATION (One Seat)		27-4367 to 27-7554168 inclusive
760 440	H		SHOULDER HARNESS INSTALLATION (One Seat)		27-4367 to 27-7554168 inclusive
754 283	X.Z		ICE SHIELD INSTALLATION		27-1 to 27-622 inclusive
760 830	Y		ICE SHIELD INSTALLATION		27-2000 and up
754 339	X		FUSELAGE HOSE MOISTURE SEAL INSTALLATION		
754 335	X		MODIFICATION OF RIGHT ENGINE BAFFLES		27-1 to 27-267 inclusive
754 347	X		AUXILIARY DOOR LOCK MODIFICATION		27-1 to 27-381 inclusive
754 348	X		OIL FILTER INSTALLATION		
754 363	X		GLAR-BAN INSTRUMENT LIGHTING INSTALLATION		
30273-02	A.Z		PANEL - Glar-Ban, Left		
30007-02	A.Z		PANEL - Glar-Ban, Right		
754 473	F.Y		GLAR-BAN INSTRUMENT LIGHTING INSTALLATION		27-2000 to 27-2504 inclusive
756 793	F.Y		GLAR-BAN INSTRUMENT LIGHTING INSTALLATION		27-2505 to 27-3384 inclusive
757 059	B.Y		GLAR-BAN INSTRUMENT LIGHTING INSTALLATION		27-3385 to 27-3836 inclusive. 27-3838 to 27-3943 inclusive
760 219	Y		GLAR-BAN INSTRUMENT LIGHTING INSTALLATION		27-3837, 27-3944 to 27-4097 incl
756 829	D.Y		PIPER GYROS INSTALLATION (Less 3" gyros)		27-2000 to 27-3456 inclusive
754 466	G		DUAL ALTIMETER INSTALLATION (Less altimeter)		
32281-03			ALTIMETER - SENSITIVE - BAROMETRIC SCALE IN INCHES OF MERCURY		
32281-04			ALTIMETER - SENSITIVE - BAROMETRIC SCALE IN MILLIBARS		
754 467			CYLINDER HEAD TEMPERATURE GAUGE INSTALLATION		
754 427	X		AMPLIFIER AND RADIO COOLING		27-1 to 27-2504 inclusive
<p>A - Installation Kit not necessary for PA-23-235 Glar-Ban. B - Less left Glar-Ban cover panel. Order Part No 30560-03 if 3" gyros are not installed for serial numbers 27-3385 to 27-3547 inclusive, or Part No. 30560-04 if 3" gyros are installed for serial numbers 27-3385 to 27-3836, 27-3838 to 27-3943 inclusive. C - Used on PA-23-250 (Six Place) with serial numbers 27-2000 to 27-3049, 27-3051 to 27-3153 inclusive D - Glar-Ban cover panel 30560-04 and insert panel 31966-03 must be ordered separately E - This Kit is less the Harness Assembly which must be purchased separately; Harness Assembly P/N 44762-03 Black. F - Used when 3" gyros are not installed G - If Dual Tachometer is not installed on PA-23-250 (Six Place) with serial numbers 27-3837, 27-3944 and up, it will be necessary to install Dual Tachometer Kit 757 049 in order to install this Kit. H - This Kit is less the Harness Assembly which must be purchased separately; Harness Assembly P/N 43813-04 Black, P/N 43813-05 Blue or P/N 43813-03 Fawn. X - Used on PA-23-250 airplanes only Y - Used on PA-23-250 (Six Place) airplanes only Z - Used on PA-23-235 airplanes only</p>					

When ordering, always specify Part Number, Description and Serial Number of Aircraft

PIPER PARTS CATALOG

Figure and Index Number	Part Number	Code	NOMENCLATURE	No. Req.	SERIAL NUMBERS AFFECTED
OPTIONAL EQUIPMENT KITS (cont.)					
	756 834	Y	ALTIMATIC III (3" gyros)		27-2000 to 27-3456 inclusive
	757 067	B.Y	ALTIMATIC III (3" gyros)		27-3457 to 27-3836 inclusive, 27-3838 to 27-3943 inclusive
	760 310	Y	ALTIMATIC III B (3" gyros)		27-3837, 27-3944 to 27-4793 incl.
	760 641	Y	ALTIMATIC III B-1 (3" gyros) 14-volt		27-4794 to 27-7405398 incl.
	760 716	Y	ALTIMATIC III B-1 (3" gyros) 28-volt		27-4794 to 27-7405398 incl.
	760 483	A.Y	ALTIMATIC V F/D AUTOPILOT		27-4426, 27-4574 to 27-4784 incl.
	756 847	Y	AUTOCONTROL II (with course selector) (3" gyros)		27-2000 to 27-3456 inclusive
	757 072	B.Y	AUTOCONTROL III (3" gyros)		27-3457 to 27-3836 inclusive, 27-3838 to 27-3943 inclusive
	760 222	Y	AUTOCONTROL III (3" gyros) 14-volt		27-3837, 27-3944 to 27-7405476 inclusive
	760 726	Y	AUTOCONTROL III (3" gyros) 28-volt		27-4016 to 27-7554070 inclusive
	756 750	D,X,Z	WINDOW CURTAINS - Champagne		
	754 425	X,Z	WINDOW CURTAINS HARDWARE INSTALLATION		
	754 454	E	WINDOW CURTAINS HARDWARE INSTALLATION		
	760 226	Y	WINDOW CURTAINS HARDWARE INSTALLATION		27-3837, 27-3944 to 27-7554168 incl.
	756 705	E,F	WINDOW CURTAINS - Champagne		
	760 227	C.Y	WINDOW CURTAINS - Beige		27-3837, 27-3944 to 27-7554168 incl.
	760 228	C.Y	WINDOW CURTAINS - Ivory		27-3837, 27-3944 to 27-7554168 incl.
	760 229	C.Y	WINDOW CURTAINS - White		27-3837, 27-3944 to 27-7554168 incl.
	754 485	G	DUAL BRAKE SYSTEM INSTALLATION		
	761 114	H	DUAL BRAKE SYSTEM INSTALLATION		
	756 767	Z	DUAL BRAKE SYSTEM INSTALLATION		
<p>A - This kit can be installed only in aircraft equipment with Narco Mark 15, UGR-2 Glide Slope and external Marker Beacon Lighting.</p> <p>B - Glar-Ban Cover Panel 30560-04 and Gyro Insert Panel 31966-03 are required for serial numbers 27-3457 to 27-3547 inclusive and must be ordered separately.</p> <p>C - Less Installation Kit 760 226.</p> <p>D - Less Installation Kit 754 425.</p> <p>E - Used on PA-23-250 (Six Place) with serial numbers 27-2000 to 27-3836, 27-3838 to 27-3943 inclusive.</p> <p>F - Less Installation Kit 754 454.</p> <p>G - Used on PA-23-250 (Six Place) with serial numbers 27-2000 to 27-7654141 inclusive, 27-7654144, 27-7654149 and 27-7654152.</p> <p>H - Used on PA-23-250 (Six Place) with serial numbers 27-7654142, 27-7654143, 27-7654145, 27-7654146, 27-7654147, 27-7654148, 27-7654150, 27-7654151, 27-7654153 and up.</p> <p>X - Used on PA-23-250 airplanes only.</p> <p>Y - Used on PA-23-250 (Six Place) airplanes only.</p> <p>Z - Used on PA-23-235 airplanes only.</p>					

When ordering, always specify Part Number, Description and Serial Number of Aircraft

PIPER PARTS CATALOG

Figure and Index Number	Part Number	Code	NOMENCLATURE	No. Req.	SERIAL NUMBERS AFFECTED
OPTIONAL EQUIPMENT KITS (cont.)					
756 781 760 234	B,C,D B,Y		EXTERNAL POWER RECEPTACLE INSTALLATION EXTERNAL POWER RECEPTACLE INSTALLATION (14-Volt)		27-3837, 27-3944 to 27-7405476 inclusive
760 749	Y		EXTERNAL POWER RECEPTACLE INSTALLATION (28-Volt)		27-4859 to 27-7954097 incl.
62355-02 757 862	E F		EXTERNAL POWER CONNECTOR PLUG ASSEMBLY PLUG ASSEMBLY - Power connector		
756 784 756 800	Y Y		ALL WEATHER ANTENNA HEATED WINDSHIELD (14-Volt)		27-2000 to 27-7405476 incl.
760 625 756 828	Y A		HEATED WINDSHIELD (28-Volt) CENTRAL AIR FILTER		
756 846	Y		PIPER OMNI COUPLER KIT (used with AltiMatic II or AutoControl II)		27-2000 to 27-3456 inclusive
757 074	Y		PIPER OMNI COUPLER KIT (used with AltiMatic III or AutoControl III)		27-3457 to 27-3836 inclusive, 27-3838 to 27-3943 inclusive
760 224	Y		PIPER OMNI COUPLER KIT (used with AltiMatic III, AltiMatic Control III B, AltiMatic III B-1 or AutoControl III) (14-Volt)		27-3837, 27-3944 to 27-7405476 inclusive
760 225			PIPER OMNI COUPLER KIT (used with AutoControl III, AltiMatic II, AltiMatic III B or AltiMatic III B-1 (28-Volt)		27-3837, 27-3944 to 27-7554073 inclusive
756 855 756 874	Y,Z Y,Z		AUTOMATIC PITCH TRIM MANUAL ELECTRIC PITCH TRIM		27-505 to 27-3456 inclusive 27-505 to 27-3836 inclusive, 27-3838 to 27-3943 inclusive
760 232	Y		MANUAL ELECTRIC PITCH TRIM (14-Volt)		27-3837, 27-3944 to 27-7405476 inclusive
760 725 551 215, 551 229	Y		MANUAL ELECTRIC PITCH TRIM (28-Volt) PIPER GLIDE SLOPE ANTENNA PIPER GLIDE SLOPE ANTENNA (Ribbon Type)		27-4016 to 27-7554070 incl.
760 213	Y		GLIDE SLOPE COUPLER INSTALLATION		27-3837, 27-3944 to 27-7554073 inclusive
760 217 760 748	Y Y		PROPELLER DEICING (14-Volt) PROPELLER ELECTRIC DEICER (28-Volt)		27-2505 to 27-7405476 incl. 27-2505 and up
<p>A - Used on PA-23-250 with serial numbers 27-1 to 27-504 inclusive, PA-23-235 with serial numbers 27-505 to 27-604 inclusive and PA-23-250 (Six Place) with serial numbers 27-2000 to 27-2650 inclusive.</p> <p>B - Less Power Connector Plug Assembly, Part No. 62355-02.</p> <p>C - Used on PA-23-250 (Six Place) with serial numbers 27-2000 to 27-3836 inclusive, 27-3838 to 27-3943 inclusive, and PA-23-250 and PA-23-235 airplanes.</p> <p>D - When installing this kit on PA-23-250 and PA-23-235 airplanes, secure power extension cable 24159-191 and ground cable 14226-27. On PA-23-250 (Six Place), secure power extension cable 24159-190 and ground cable 14226-33.</p> <p>E - Used when installation with single prong receptacle is installed.</p> <p>F - Used when installation with triple prong receptacle is installed.</p> <p>Y - Used on PA-23-250 (Six Place) airplanes only.</p> <p>Z - Used on PA-23-235 airplanes only.</p>					

When ordering, always specify Part Number, Description and Serial Number of Aircraft

PIPER PARTS CATALOG

Figure and Index Number	Part Number	Code	NOMENCLATURE	No. Req.	SERIAL NUMBERS AFFECTED
OPTIONAL EQUIPMENT KITS (cont.)					
	756 826		PIPER NAV-TIMER		
	756 908	C	ALTERNATE STATIC SYSTEM INSTALLATION		
	550 758		PIPER MIXTURE CONTROL INDICATOR KIT		27-1 to 27-3836 inclusive.
	760 730	D	PNEUMATIC DEICING (14-Volt)		27-3838 to 27 3943 inclusive
	760 731	D	PNEUMATIC DEICING (28-Volt)		27-1 to 27-7405476 inclusive
	761 027	D	PNEUMATIC DEICING (28-Volt)		27-4801 to 27-7554168 incl
	764 037	D	PNEUMATIC DEICING		27-7654001 to 27-7954121 incl
	756 916	Y	AZTEC "C" 5200 LB. GROSS WEIGHT INCREASE		27-8054001 and up
	756 925	Y,Z	SAFETY MIRROR		27-2505 to 27-2868 inclusive
	756 945	B,Y	OXYGEN SYSTEM		
	757 002	B,Y	OXYGEN SYSTEM		27-2000 to 27-3049 inclusive
	760 230	B,Y	OXYGEN SYSTEM		27-3051 to 27-3153 inclusive
	757 050	Y	OXYGEN SYSTEM RECHARGE ACCESS DOOR INSTALLATION		27-3050, 27-3154 to 27-3836, 27-3838 to 27-3943 inclusive 27-3837, 27-3944 and up
	756 984		REGENCY TRANSPONDER		
	474 656		MICROPHONE - (Shure CM-16TF)		
	474 657		MICROPHONE - (Telex 62800-01)		
	464 327		HEADPHONE - (P-23) 300 ohm		
	474 654		MICROPHONE - (Telex TEL-66C)		
	464 362		HEADSET - (61650-03, 600 ohms)		
	27004-00		HEADSET AND BOOM MIKE ASSEMBLY - (464 369)		
	474 659		MICROPHONE - (M700B)		27 7554023 and up
	757 049	A,Y	DUAL TACHOMETER INSTALLATION		27-3385 to 27 7305234 incl
	753 892	Y	PLOTTER - Weight and balance (4800 lb gross weight)		27-2000 to 27 7554168 incl
	32170-00	Y	PLOTTER - Weight and balance (5200 lb. gross weight)		27-2000 to 27-7554168 incl
	33982-02	Y	PLOTTER - Weight and balance (without tip tanks)		27-7654001 and up
	33982-03	Y	PLOTTER - Weight and balance (with tip tanks)		27-7654001 and up
	757 096	Y	AIR SCOOP AND DUST COVER INSTALLATION		27-2505 and up
	760 986	Y	WHEEL AND BRAKE CONVERSION - Heavy duty		27-2505 to 27-7554149 incl
	757 112		NITROGEN CYLINDER ASSEMBLY - (With fittings)		
<p>A - Less Hour Meter, Part No 25701-00 for serial numbers 27-3385 to 27-3836, 27-3838 to 27-3943 inclusive, or Hour Meter, Part No 32658-02 for serial numbers 27-3837, 27-3944 to 27-7305234 inclusive and Dual Tachometer, Part No. 25700-03 Airplanes with serial numbers 27-3837, 27-3944 to 27-4038 inclusive will also require a right instrument panel, Part No. 32447-00.</p> <p>B - Oxygen masks must be ordered separately. See oxygen system installation for part numbers.</p> <p>C - Used on PA-23-235 and PA-23-250 (Six Place)</p> <p>D - Dry Vacuum Pump, Part No 26749-09 (2 required) must be ordered separately</p> <p>Y - Used on PA-23-250 (Six Place) airplanes only.</p> <p>Z - Used on PA-23-235 airplanes only.</p>					

When ordering, always specify Part Number, Description and Serial Number of Aircraft

PIPER PARTS CATALOG

Figure and Index Number	Part Number	Code	NOMENCLATURE	No. Req.	SERIAL NUMBERS AFFECTED
OPTIONAL EQUIPMENT KITS (cont.)					
	760 651	A,Y	PROPELLER SYNCHROPHASER INSTALLATION (14-Volt)		27-3944 to 27-7405476 incl.
	760 912	A,Y	PROPELLER SYNCHROPHASER INSTALLATION (28-Volt)		27-3944 to 27-7854067 incl.
	760 587	Y	EXTENDED C. G. RANGE		27-4426, 27-4575 to 27-4780 inclusive
	760 744		ALTERNATOR WARNING LIGHT INSTALLATION (14-Volt)		27-2505 to 27-4793 inclusive
	760 745		ALTERNATOR WARNING LIGHT INSTALLATION (28-Volt)		27-2505 to 27-4793 inclusive
	760 930	Y	25 AMPERE/HOUR BATTERY INSTALLATION		27-7554001 and up
	761 026	B,Y	RADOME INSTALLATION		27-4426, 27-4574 and up
	761 140	Y	WING ICE DETECTION LIGHT INSTALLATION		27-7654004 to 27-7954121 incl.
	763 836	Y	DUAL HYDRAULIC PUMP INSTALLATION		27-7654001 to 27-7854050 incl.
	28611-02	Y	CARD - PASSENGER BRIEFING		
<p>A - This kit is less the right engine governor which must be purchased separately; Governor P/N 24622-12 per serial numbers 27-3944 to 27-7405359 inclusive, 27-7405361, 27-7405363, 27-7405366 and 27-7405367 or P/N 24622-16 for serial numbers 27-7405360, 27-7405362, 27-7405364, 27-7405365, 27-7405368 to 27-7854067 inclusive.</p> <p>B - For application on earlier serial numbers Aztecs, contact your local FAA GADO. Reference: AD72-21-7 and Piper Service Bulletin 345.</p> <p>Y - Used on PA-23-250 (Six Place) airplanes only.</p>					

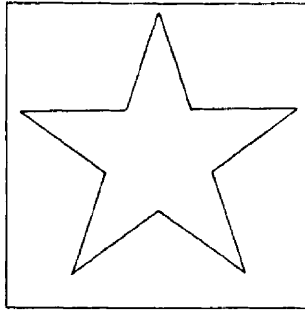
When ordering, always specify Part Number, Description and Serial Number of Aircraft

PIPER PARTS CATALOG

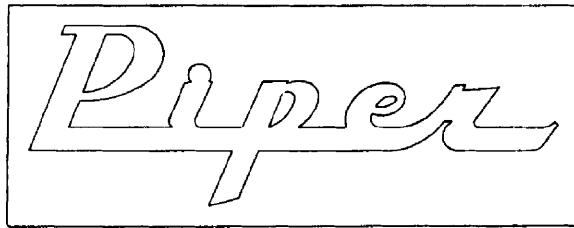
Figure and Index Number	Part Number	Code	NOMENCLATURE	No. Req.	SERIAL NUMBERS AFFECTED
REPAIR KITS					
754 077			GEAR OLEO "O" RINGS AND SEALS-(Complete airplane)		
754 311			GEAR OLEO BUSHINGS - (Complete airplane)		
754 104			POWERPAK "O" RINGS AND SEALS		
754 310			BRAKE SYSTEM SEAL RINGS - (Complete airplane)		
754 239			HARTZELL PROPELLER REPAIR - (HC-A2XK-2C)		
756 806			HARTZELL PROPELLER REPAIR - (HC-E2YK-2RB & HC-E2YR-2RB)		
754 260			POWERPAK REPAIR - Major overhaul		
754 262			LANDING GEAR NUTS AND BOLTS - (Complete airplane)		
754 306	A		HEATER VENT AIR BLOWER - (G720 466)		
754 307	A		HEATER COMBUSTION AIR BLOWER MOTOR - (G717 695)		
754 321			FUEL CELL REPAIR		
754 264			FIBERGLAS - Reinforced plastic repair		
756 995			HEATER MODIFICATION - (940-DB12 to 940-K12)		27-2505 to 27-3049 inclusive, 27-3051 to 27-3153 inclusive
757 125	B,C,D		HYDRAULIC PUMP SEALS AND RINGS		
757 126	B		HYDRAULIC PUMP CENTERPLATE ASSEMBLY		
757 130	B		HYDRAULIC PUMP REAR SIDE ASSEMBLY		
760 397	C		HYDRAULIC PUMP CENTERPLATE ASSEMBLY		
760 399	C		HYDRAULIC PUMP SHAFTS		
760 401	C,D		HYDRAULIC PUMP MISCELLANEOUS HARDWARE		
760 403	C,D		HYDRAULIC PUMP DRIVE SIDE ASSEMBLY		
760 406	C,D		HYDRAULIC PUMP REAR SIDE ASSEMBLY		
763 990	D		HYDRAULIC PUMP CENTERPLATE ASSEMBLY		
763 991	D		HYDRAULIC PUMP SHAFTS		
757 174	Y		NOSE GEAR DOOR SPRING		27-2505 to 27-3795 inclusive
760 193	Y		AFT BAGGAGE DOOR HOLDER REPLACEMENT		27-3050, 27-3154 to 27-3884
TOOLS					
18551-00			PIN - Fuel cell locating		
18557-00			WRENCH - Oil pressure relief valve		
18642-00			FITTING - Torque, fuel cell bolt (used with torque meter)		
754 037			KIT - Wing jacks and tail pedestal		
868 313			TORQUE-O-METER-TO-6 (inch pounds)(used for fuel cell installation)		
754 165			KIT - Rivet setting (Cleveland brake lining)		
754 232			KIT - High shear rivet and tool		
753 003			* TOOL - High shear rivet		
756 771			KIT - Air pressure gauge and valve		27-2505 and up
764 963			JANITROL HEATER PRESSURE CHECK KIT		
<p>A - Used on Heater Models 940-B12 and 940-D12. B - Used with Eastern Industries Hydraulic Pump, Part No. 481 693 (1235-HBG Type 263). C - Used with Eastern Industries Hydraulic Pump, Part No. 481 716 (1233-HNG Type 284). D - Used with Eastern Industries Hydraulic Pump, Part No. 32176-11 (1233-HNG Type 311). Y - Used on PA-23-250 (Six Place) airplanes only.</p>					

When ordering, always specify Part Number, Description and Serial Number of Aircraft

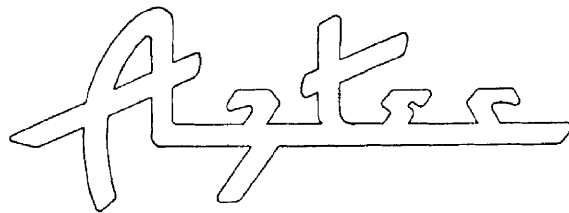
1



2



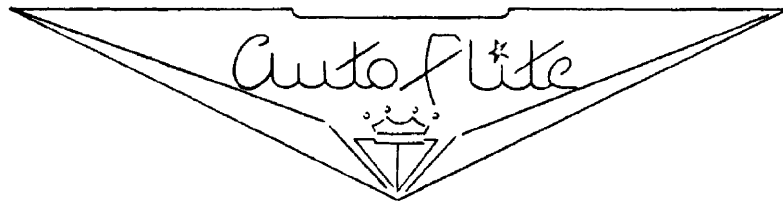
3



4



5



6



7



- 1. 16119-00 DECAL - Star - Chrome Color
16119-02 DECAL - Star - Aluminum Color
- 2. 16122-00 DECAL - Piper - Chrome Color
16122-02 DECAL - Piper - Aluminum Color
15030-00 STENCIL - Piper
- 3. 16120-00 MEDALLION - Aztec

- 4. 19390-02 DECAL - Piper - Chrome Color
19390-03 DECAL - Piper - Aluminum Color
- 5. 22047-00 MEDALLION - AutoFlite
- 6. 17598-00 Letters - PIPER
- 7. 19842-00 MEDALLION - Aztec
19842-01 MEDALLION - Aztec

8

Apache

9

235

10

Piper

11

AZTEC

12

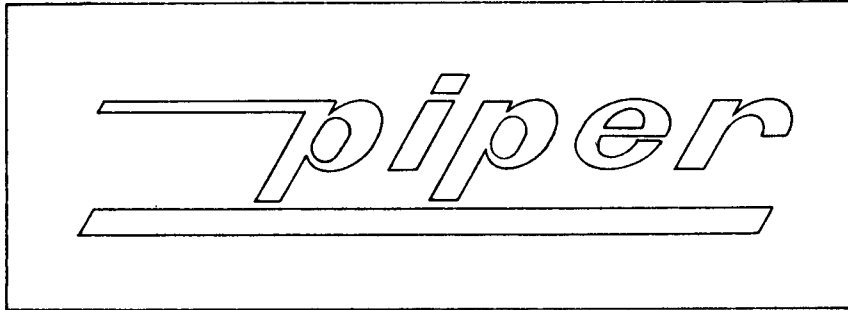
Aztec

13

TURBO Charged

- | | |
|---|--|
| <p>8. 19831-00 MEDALLION - "Apache" - PA-23-235
19831-01 MEDALLION - "Apache" - PA-23-235</p> <p>9. 22418-02 NUMERAL - "2" - PA-23-235
22418-03 NUMERAL - "5" - PA-23-235
22773-02 NUMERAL - "3" - PA-23-235</p> <p>10. 22859-00 STENCIL - "Piper"
(27-1 to 27-3836, 27-3838 to 27-3943)
32368-00 STENCIL - "Piper" (Right side)
(27-3837, 27-3944 to 27-4425 inclusive,
27-4427 to 27-4573 inclusive)
32369-00 STENCIL - "Piper" (Left side)
(27-3837, 27-3944 to 27-4425 inclusive,
27-4427 to 27-4573 inclusive)</p> | <p>11. 31574-00 STENCIL - "Aztec"
(27-2000 to 27-3836, 27-3838 to 27-3943)</p> <p>12. 32653-00 STENCIL - "Aztec" (Left side)
(27-3837, 27-3944 to 27-4425 inclusive,
27-4427 to 27-4573 inclusive)
32654-00 STENCIL - "Aztec" (Right side)
(27-3837, 27-3944 to 27-4425 inclusive,
27-4427 to 27-4573 inclusive)</p> <p>13. 25681-00 STENCIL - "Turbocharged"
(27-2505 to 27-4425 inclusive,
27-4427 to 27-4573 inclusive)</p> |
|---|--|

14



15



16



- 14. 50613-02 DECAL - "Piper"
(27-4426, 27-4574 to 27-7305234 inclusive)
- 15. 33011-00 DECAL - "Aztec"
(27-4426, 27-4574 to 27-7305234 inclusive)
- 16. 27122-00 DECAL - "Turbocharged"
(27-4426, 27-4574 to 27-7305234 inclusive)

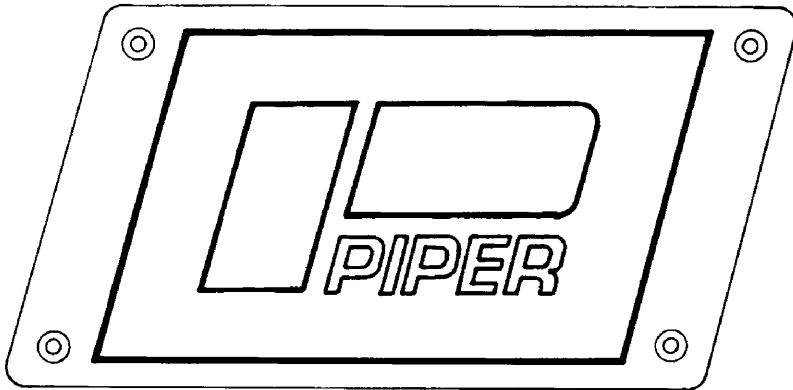
17



18



19



- 17. 33603-00 DECAL - "Aztec E"
(27-7405235 to 27-7554168 inclusive)
- 18. 33604-00 DECAL - "Turbo Aztec E"
(27-7405235 to 27-7554168 inclusive)
- 19. 48629-00 MEDALLION - "Piper Logo"
(27-7405354 and up)

20

aztec F

21

turbo aztec F

- 20. 15490-00 DECAL - "Aztec F"
(27-7654001 to 27-7754162 inclusive)
- 21. 15501-00 DECAL - "Turbo Aztec F"
(27-7654001 to 27-7754162 inclusive)



22

**MAIN FUEL TANK
91-96 OCTANE MIN.
36 GAL.**

23

**MAIN FUEL TANK
91-96 OCTANE MIN.
56 GAL.**

24

**MAIN FUEL TANK
100-130 OCTANE MIN.
36 GAL.**

25

**MAIN FUEL TANK
100-130 OCTANE MIN.
56 GAL.**

- 22. 33978-02 DECAL - Fuel Cell Quantity (27-7654001 and up)
- 23. 33979-02 DECAL - Fuel Cell Quantity (27-7654001 and up)

- 24. 33980-02 DECAL - Fuel Cell Quantity (27-7654001 and up)
- 25. 33981-02 DECAL - Fuel Cell Quantity (27-7654001 and up)

26

PIPER

27

AZTEC F

28

TURBO AZTEC F

- 26. 49374-02 DECAL - "Piper"
(27-7854001 to 27-7954121 incl.)
- 27. 28378-02 DECAL- "Aztec F"
(27-7854001 to 27-7954121 incl.)
- 28. 28379-02 DECAL - "Turbo Aztec F"
(27-7854001 to 27-7954121 incl.)

When ordering, always specify Part Number, Description and Serial Number of Aircraft

29



30



- 29. 28495-02 DECAL - "Piper Aztec F"
(27-8054001 and up)
- 30. 49809-02 DECAL - "Piper"
(27-8054001 and up)

When ordering, always specify Part Number, Description and Serial Number of Aircraft

NUMERICAL INDEX

Part Number	Fig. and Index
23-8182	10-101
SK-1861	10-68
SK-1862	10-74
SK-1895	9-46
SK-1895-2	9-46
SK-1896-1	10-21j
SK-1896-1	39B-8
SK-1896-2	10-94
SK-1896-2	39B-43
SK-1896-3	10-96
SK-1896-3	39B-45
SK-1896-4	10-97
SK-1896-5	10-95
SK-1896-5	39B-44
SK-1896-6	56-3
SK-1897	9-47
SK-1898-2	10-60a
SK-1899-2	10-60a
SK-1899-3	10-60
SK-1931	10-60
SK-2276	7-93
01821-06	23-9
10466-29	43-14
10466-35	41-1
10487-07	32-22
10525-19	21-12
10525-19	21-13
10525-25	21-65
10525-27	21-9
10525-37	21-12
10525-51	32-21
10525-55	21-15
10525-55	21A-17
10525-56	21-8
10525-56	21-83
10525-56	21A-13
10525-57	21-16
10525-57	21A-18
10525-77	20-21
10525-79	33-3
10525-80	33-4
10525-87	30-57
10525-88	30-57
10525-89	30-56
10525-90	30-56
10525-92	20-26
10525-95	20-10
11151-02	48-8

Part Number	Fig. and Index
11473-86	47-6
11473-102	7A-24c
11568-09	14-12
11987-59	21-17
11987-67	21A-2
11987-73	21A-2
11987-87	21A-2
12073-00	17-10
12073-00	17-32
12073-00	17-52
12073-00	17A-22
12073-00	17B-42
12520-04	49-33
12520-05	49-32
12605-00	15-14
12605-00	15A-34
12605-00	27-29
12607-00	27-22
12678-00	8-61
12678-00	12-17
12716-00	38-4
12716-05	38A-4
12734-00	49-37
12956-05	30C-31
13002-00	38B-34
13002-00	38C-34
13051-00	57-28
13425-00	19-5
13439-02	49-25
13439-03	49-24
13440-04	49-31
13441-04	49-30
13441-05	49-30
13441-05	58-13
13441-05	61-1
13444-03	35-28
13445-02	49-22
13445-03	49-23
13445-05	49-23
13541-04	10-37
13541-21	10F-11
13541-21	19-2
13541-22	10F-12
13541-22	19-1
13586-07	38D-7
13586-08	38D-8
13586-18	38D-21
13586-18	38E-16

Part Number	Fig. and Index
13586-18	38F-26
13586-19	20-20
13586-19	21-18
13586-23	35-56
13586-33	21-18
13586-53	43-105
13586-53	43A-57
13586-54	30-36
13586-56	20-20
13586-76	20-5
13586-77	20-1
13586-79	20-26
13586-80	20-3
13586-81	20-7
13586-82	20-6
13586-82	20-10
13586-83	20-2
13586-87	38D-7
13586-87	38F-6
13586-91	20-4
13586-92	20-10
13586-93	20-11
13621-06	10A-1
13945-31	14-11b
13945-63	37A-31
13945-83	61A-1
13947-30	17-1
13947-33	17-2
13947-43	17-1
13947-46	17-2
13947-49	17-1
13947-52	17-2
13947-62	17-2
13947-68	17-2
13947-71	17-1
13947-75	17-2
13947-87	17-1
13947-88	17-1
13947-89	17-1
13947-90	17-1
13950-00	12-10
13950-00	12-15
13950-00	12-24
13950-00	12-29
13950-02	12-10
13950-02	12-15
13950-02	12-24

Part Number	Fig. and Index
13950-02	12-29
14069-00	38D-6
14069-00	38E-4
14069-02	38F-5
14072-00	38D-12
14072-00	38E-9
14072-00	38F-13
14154-00	27-23
14175-05	17A-3
14175-05	51-52
14175-11	51-55
14175-28	24-12
14175-29	24-11
14175-30	43-114
14175-31	43-22a
14175-31	43A-42a
14175-34	25-21
14175-37	11-50
14175-43	17-56
14175-44	43A-101
14175-45	6A-123
14175-45	12-58
14175-46	2-63
14175-46	43A-101
14175-47	12-58
14175-48	24-75
14175-48	35-82
14175-50	17-3
14175-50	17A-20
14175-59	15-50
14175-59	15A-41
14175-61	14-9
14175-62	14-10
14175-65	14-46
14175-65	43-82
14175-69	11-26
14175-70	11-25
14175-85	14-40
14175-87	24-76
14175-89	2-63
14175-90	50-23
14175-102	43C-10
14183-07	7A-35
14184-00	30-31
14226-10	41-3
14226-22	38B-7
14226-22	38C-7
14226-23	38B-7
14226-27	41-2

PIPER PARTS CATALOG

Part Number	Figure and Index No.
14226-31	38C-7
14226-32	41-3
14226-33	41-2
14226-44	41-2
14235-02	33A-11
14235-10	33-5
14235-10	35A-37
14235-13	33A-7
14235-18	33A-7
14300-04	49-4
14300-10	51-26
14300-11	51-31
14300-30	51-80
14300-30	61A-28a
14300-30	62-28
14300-30	63-23
14300-30	64-27
14300-30	65-27
14300-30	66-38
14300-30	67-30
14300-30	68-38
14300-30	69-30
14311-37	38-11
14311-37	38C-59
14311-38	38-11
14311-38	38C-59
14330-04	35-30
14330-04	35-86
14384-05	25-73a
14428-00	35-35
14428-00	35-89
14476-05	12-1
14513-02	32-1
14513-03	32-1
14635-02	15-59c
14635-02	15A-86
14635-03	15-90
14636-00	15-84
14636-00	15A-80
14817-00	27-48
14843-11	24-40
14843-34	51A-9
14843-40	14-44
14843-77	19-6
14843-78	14-93
14976-18	57-32
14976-22	30-27a
14976-25	61A-14
14976-25	66-54
14976-25	67-45
14976-25	68-54
14976-25	69-45
14976-33	25-36
14976-37	51-69
14976-37	51-70
14976-39	33-24
14976-41	32-2
14976-47	48-4

Part Number	Figure and Index No.
14976-48	51-37a
14976-49	51-90
14976-50	51-91
14976-51	30-27b
14976-52	51-11
14976-53	49-43
14976-54	49-51
14976-61	29-32
14976-61	51-22
14976-61	51-79
14976-63	29-32
14976-63	51-22
14976-63	51-79
14976-63	51-79
14976-76	24-66
14976-87	14-82
14976-88	21-93
14976-107	17B-74
14976-107	17B-78
15436-02	17B-73
15436-02	17B-77
15445-02	12B-39
15445-03	12B-39
15455-02	59A-15
15469-03	73-4
15513-03	13-20
15513-03	13-22
15513-04	13-12
15513-05	13-13
15513-06	13-19
15513-07	13-16
15513-08	13-15
15513-09	13-14
15513-10	13-21
15513-11	13-18
15513-12	13-17
15514-02	2-30
15514-02	3-11
15540-02	10C-19
15540-02	10C-19a
15540-03	10C-19
15561-02	75-5
15578-02	43A-53
15582-02	11-61
15583-02	43A-52
15584-02	11-66
15586-02	4-37
15586-03	4-37
15590-03	51-7
15591-03	51-1
15592-02	29-26
15595-02	63-40
15596-02	63-41
15597-03	51A-1
15598-03	51A-10
15609-02	51A-8
15610-02	43A-46
15616-02	51A-11
15618-02	51-13

Part Number	Figure and Index No.
15618-05	51-13
15622-02	51A-4
15622-03	51A-5
15623-02	19-53
15624-02	19-54
15625-02	19-23b
15626-02	19-23a
15627-02	19-24
15628-02	19-13a
15629-02	51A-6
15629-03	51A-6
15630-02	63-42
15637-02	29B-14
15642-02	39-7
15645-02	51A-12
15655-02	29B-16
15657-10	29B-2
15657-11	29B-2
15658-02	29B-1
15658-03	29B-1
15658-04	29B-5
15658-07	29B-8
15658-07	29B-9
15658-09	29B-6
15658-12	29B-21
15658-13	29B-7
15658-17	29B-10
15658-18	29B-11
15658-22	29B-1
15658-23	29B-1
15658-29	29B-13
15658-30	29B-1
15658-31	29B-1
15658-32	29B-1
15658-33	29B-1
15659-02	21A-32
15660-02	63-52
15660-02	64-36
15660-02	65-36
15660-02	69A-4
15661-02	63-53
15661-02	64-37
15661-02	65-37
15661-02	69A-5
15664-02	59A-22
15664-02	63-21
15664-03	63-22
15664-03	64-26
15664-03	65-26
15664-08	59A-22
15664-08	63-21
15664-08	64-25
15664-08	65-25
15665-02	36B-30
15667-02	29B-17
15670-02	29B-3
15670-02	29B-15
15670-03	29B-3

Part Number	Figure and Index No.
15670-03	29B-15
15675-02	39-33
15681-02	10C-78
15684-02	18A-4b
15685-02	18A-4a
15693-02	29-42
15693-02	51-10
15693-03	29-42
15693-03	51-10
15693-04	29-42
15693-04	51-10
15693-05	29-42
15693-05	51-10
15697-02	51A-7
15699-02	70-10
15708-02	6A-149
15708-02	10C-28a
15709-02	6A-150
15709-02	10C-28b
15711-02	4-46
15713-02	4-21
15717-02	4-22
15718-02	4-23
15718-03	4-23
15720-02	3-37
15720-02	3-37a
15725-02	34A-39
15725-02	34B-47
15734-02	43A-20
15736-02	4-47
15744-02	12A-92
15748-02	51A-24
15749-02	70-11
15767-02	36B-11a
15768-02	36B-13
15768-03	36B-13
15771-02	36B-29
15777-02	10C-24
15777-05	10C-24
15778-02	66-18
15779-02	39C-33
15782-02	3-58a
15782-03	3-58a
15784-02	10C-43
15797-02	3-107
15797-03	3-107
15799-02	51-19a
15808-02	15A-14
15809-02	15A-15
15810-02	15A-16
15811-02	15A-17
15813-02	15A-18
15814-02	14-32
15814-02	15A-1
15814-03	14-32
15814-03	15A-1
15815-02	12B-41
15816-02	9-30a

PIPER PARTS CATALOG

Part Number	Figure and Index No.
15817-02	12B-12
15817-03	12B-12
15821-02	50-10
15823-02	27A-15
15824-02	14-126
15829-02	12A-22
15829-04	12A-22
15829-05	12A-22
15829-07	12A-22
15841-04	29B-20
15843-02	30C-78
15845-02	12-60
15845-02	12B-13
15845-02	27A-11
15846-02	12B-15
15846-02	27A-10
15847-02	50-17
15848-02	50-25
15852-02	27A-8
15872-02	6A-155
15965-02	71-2
15970-02	6A-154
16003-00	36-24
16004-00	36-26
16004-00	36A-10
16004-01	36-26
16004-01	36A-10
16005-00	36-25
16005-00	36A-9
16005-01	36-25
16005-01	36A-9
16008-02	3-48
16008-03	3-48
16008-04	3-48
16008-04	3-49
16008-05	3-48
16008-05	3-49
16009-00	4-4
16009-00	36-8
16009-00	36A-4
16010-00	3-94
16010-01	3-94
16012-02	3-70
16012-03	3-70
16013-00	3-73
16013-01	3-73
16014-00	3-72
16014-01	3-72
16014-02	3-72
16014-03	3-72
16015-00	3-73a
16015-01	3-73a
16016-00	3-71a
16016-01	3-71a
16017-00	3-71
16017-01	3-71
16018-02	3-46
16018-03	3-46

Part Number	Figure and Index No.
16018-04	3-45
16018-05	3-45
16019-00	36-27
16019-00	36A-11
16019-01	36-27
16019-01	36A-11
16024-00	3-47
16024-01	3-47
16027-00	3-44
16027-01	3-44
16034-00	3-68
16034-01	3-68
16035-00	36-1
16035-00	36A-19
16036-00	36-14
16036-00	36A-25
16040-00	29-23
16042-00	3-69
16042-01	3-69
16042-10	3-69
16042-11	3-69
16043-00	7-20
16043-01	7-20
16045-04	4-10
16045-05	4-10
16045-10	4-10
16045-11	4-10
16045-14	4-10
16045-15	4-10
16046-00	3-90
16047-00	3-36
16047-01	3-36
16048-00	14-25d
16048-01	14-25d
16049-00	14-14
16049-01	14-15
16052-00	3-38
16052-01	3-38
16053-02	3-37
16053-02	3-37a
16053-04	3-37
16053-04	3-37a
16053-05	3-37
16053-05	3-37a
16053-12	3-37
16053-12	3-37a
16054-00	3-35
16054-01	3-35
16055-00	3-51
16055-01	3-51
16055-02	3-53a
16055-03	3-53a
16055-06	3-53c
16055-07	3-53c
16057-04	4-9
16057-05	4-9
16057-07	4-7
16059-00	29-21

Part Number	Figure and Index No.
16067-00	29-14
16067-02	29-15
16069-00	29C-5
16070-00	29C-8
16073-00	30-1
16073-00	30A-1
16073-01	30-1
16073-01	30A-1
16073-04	30A-1
16073-05	30A-1
16079-00	29-10
16082-00	8-2
16082-05	8-2
16083-00	8-3
16083-01	8-3
16084-00	7-43
16084-01	7-44
16085-00	8-24
16085-01	8-24
16086-00	29-9
16087-00	8-7
16087-06	8-7
16088-00	7-63
16088-01	7-63
16089-00	29C-30
16093-00	49-15
16093-02	49-15
16093-03	49-15
16096-00	10-27
16097-00	36-13
16097-00	36A-24
16103-02	29D-19
16103-03	29D-17
16108-00	29C-49
16109-00	29A-10
16110-02	29A-2
16110-03	29A-9
16112-02	29C-10
16112-04	29C-9
16116-00	29D-5
16117-00	8-4
16117-14	8-4
16123-11	29-8
16124-00	29D-6
16125-00	29D-7
16127-00	37-6
16128-00	29C-18
16129-00	29C-19
16132-00	29C-40
16135-00	29C-44
16136-00	29C-37
16136-02	29C-50
16136-03	29C-51
16137-00	29D-11
16138-00	29D-10
16139-00	29D-9
16142-00	8-5
16146-00	29D-13

Part Number	Figure and Index No.
16147-00	29D-12
16148-00	29D-4
16149-00	25-6
16149-01	25-6
16150-00	25-8
16150-01	25-8
16152-00	29C-21
16153-00	29C-22
16158-00	8-6
16159-00	29C-23
16160-00	29C-24
16161-00	29C-25
16165-00	29C-26
16166-00	29C-28
16167-02	29D-23
16167-06	29D-24
16167-07	29D-25
16167-08	29D-25
16170-00	2-1
16170-00	3-1
16170-00	4-1
16170-01	2-1
16170-01	3-1
16170-01	4-1
16170-02	4-3
16170-05	4-6
16170-06	4-6
16170-09	4-2
16170-10	4-2
16170-11	4-18
16170-12	4-18
16170-16	4-1a
16170-17	4-1a
16170-18	4-17
16170-19	4-17
16170-20	4-19
16170-21	4-19
16170-25	2-1
16170-25	3-1
16170-25	4-1
16170-26	2-1
16170-26	3-1
16170-26	4-1
16170-27	2-1
16170-27	3-1
16170-27	4-1
16170-28	2-1
16170-28	3-1
16170-28	4-1
16170-29	2-1
16170-29	3-1
16170-29	4-1
16170-29	4-1
16170-30	2-1
16170-30	3-1
16170-30	4-1
16170-31	2-1
16170-31	3-1
16170-31	4-1

PIPER PARTS CATALOG

Part Number	Figure and Index No.
16170-32	2-1
16170-32	3-1
16170-32	4-1
16170-35	4-6
16170-36	4-6
16173-00	29C-29
16177-00	29D-14
16178-00	29D-3
16179-00	9-32
16179-01	9-33
16180-00	35B-2
16180-00	36-2
16182-00	49-45
16182-03	48-29
16183-00	35-59
16183-00	35B-3
16186-00	24-36a
16186-00	25-37a
16190-00	25-35
16193-00	49-26
16193-06	49-26
16198-00	24-39
16198-03	24-39
16199-00	29-2
16199-00	29C-1
16199-02	29C-31
16199-03	29C-32
16199-04	29C-33
16199-06	29C-34
16199-07	29C-35
16199-10	29C-36
16199-14	29-2
16199-14	29C-1
16199-16	29C-34
16199-18	29-2
16199-18	29C-1
16199-19	29-2
16199-19	29C-1
16199-20	29-2
16199-20	29C-1
16199-21	29-2
16199-21	29C-1
16200-00	29-3
16200-00	29D-1
16200-02	29D-22
16200-10	29D-28
16200-11	29D-29
16200-12	29D-2
16200-14	29-3
16200-14	29D-1
16200-15	29-3
16200-15	29D-1
16200-17	29D-1
16200-18	29D-28
16200-21	29D-29
16200-22	29D-1
16203-00	30-6
16203-01	30-6

Part Number	Figure and Index No.
16204-00	35-25
16204-00	35B-17
16204-01	35-25
16204-01	35B-17
16205-00	35-60
16206-00	35B-31
16206-00	36-3
16206-00	36A-20
16210-00	5-3
16210-00	8-1
16210-02	8-47
16210-03	8-47
16210-06	8-45
16210-07	8-44
16210-09	8-41
16210-10	8-49
16210-11	8-49
16210-12	8-50
16210-13	8-48
16210-14	8-42
16210-15	8-51
16210-16	8-52
16210-20	8-43
16210-21	8-46
16210-22	8-46
16210-29	8-40
16211-00	35-31
16211-00	35-87
16216-00	3-86
16216-01	3-86
16218-00	35-36
16218-00	37-1
16221-00	7-19
16221-01	7-19
16223-00	29D-21
16224-00	37-34
16224-00	37A-5
16225-00	35-26
16225-03	35-26
16225-03	35B-20
16225-05	35-26
16225-05	35B-20
16226-00	35-48
16226-01	35-48
16228-00	5-4
16228-00	9-1
16229-00	25-14
16229-01	25-14
16230-00	5-2
16230-00	7-1
16230-02	7-6
16230-03	7-4
16230-04	7-3
16230-05	7-11
16230-06	7-10
16230-07	7-10
16231-00	3-57
16231-01	3-57

Part Number	Figure and Index No.
16235-02	24-38
16235-02	25-38
16235-03	24-38
16236-00	6A-44
16237-02	9-26
16237-02	27A-1
16237-03	9-27
16238-00	50-29
16240-00	25-34a
16240-04	25-34a
16240-05	25-37
16241-00	14-54
16242-00	50-13
16245-00	35-57
16246-02	35-14
16246-04	35-14
16247-00	35-24
16249-00	50-14
16250-00	25-34b
16250-00	38C-8
16252-00	24-42a
16253-00	50-10
16265-00	9-11
16265-01	9-11
16268-06	41-11
16268-13	16A-8
16268-15	21-91
16268-15	21A-19
16268-29	16B-4
16268-29	16C-5
16272-00	51-25
16273-00	51-46a
16274-00	51-42
16274-02	51-41
16274-03	51-42
16274-04	51-41
16275-02	51-46
16276-00	51-43
16279-00	24-35a
16279-04	24-35a
16279-06	24-35a
16279-07	24-36
16281-00	34-38
16289-00	8-8
16289-01	8-8
16290-00	8-9
16290-01	8-9
16296-00	2-20
16300-00	5-1
16305-00	7-60
16313-00	11-15
16318-00	30-34
16320-00	30-35
16321-02	25-40
16321-03	24-37
16331-00	38-19
16331-01	38-19
16337-00	14-5

Part Number	Figure and Index No.
16337-01	14-6
16338-00	14-25b
16339-00	14-25c
16340-02	14-16
16340-03	14-17
16340-04	14-25a
16340-05	14-25a
16341-00	14-6a
16341-01	14-6b
16353-02	50-2
16353-03	48-9
16353-04	48-10
16353-05	48-11
16353-06	48-12
16353-07	48-11
16353-08	48-12
16353-09	48-11
16356-00	47-8
16360-00	32-3
16361-02	34-42
16361-03	34-42
16361-08	33-23
16361-09	33-23
16363-00	32-4
16364-00	32-5
16365-00	32-16
16365-08	35A-2
16372-00	32-7
16377-00	43-54
16377-00	43-55
16377-00	43A-63
16380-00	7A-6
16380-01	7A-6
16382-00	7A-7
16382-01	7A-7
16386-00	8-10
16389-02	7A-8
16392-11	33-22
16392-20	35A-45
16400-00	7A-1
16400-02	7A-1a
16400-03	7A-2
16400-04	7A-3
16400-05	7A-4
16400-06	7A-5
16400-07	7A-1
16401-02	7A-9
16401-03	7A-10
16401-04	7A-11
16401-05	7A-12
16410-00	10-41
16410-00	39A-30
16413-00	32-8
16414-00	32-9
16416-00	33-14
16417-00	33-25
16418-07	33-2
16418-07	35A-58

PIPER PARTS CATALOG

Part Number	Figure and Index No.
16418-08	33-2
16418-08	35A-58
16419-00	33-1
16419-01	33-1
16422-00	25-19
16422-01	25-19
16423-06	43-22
16423-06	43A-42
16424-00	43-24
16424-00	43A-44
16428-00	43-95
16429-00	43-94
16430-00	43-52
16431-00	43-51
16432-00	43-52
16434-00	43-51
16435-00	43-93
16436-00	32-15
16436-06	35A-2
16439-00	39A-31
16439-00	39B-30
16439-00	42C-49
16439-00	56-4
16439-00	57-27
16439-00	59-3
16439-00	59A-6
16439-00	61A-9
16439-00	62-43
16439-00	63-56
16439-00	64-50
16439-00	65-50
16439-00	66-34
16439-00	67-26
16439-00	68-34
16439-00	69-26
16439-00	69A-22
16439-00	70-2
16439-00	72-8
16439-00	73-6
16441-00	29D-15
16441-01	29D-15
16443-00	30-20
16444-00	30-19
16444-03	30-19
16445-00	12-3
16445-02	12-3
16445-03	12-3
16445-04	12-3
16446-00	12-4
16446-02	12-4
16446-03	12-4
16446-04	12-4
16447-00	39A-41
16447-03	39A-41
16447-04	39A-41
16448-00	39A-45
16450-02	17-4
16450-03	17-4

Part Number	Figure and Index No.
16450-40	17-6
16450-41	17-6
16450-48	17-5
16450-48	17-26
16450-71	17-5
16457-00	30-37
16457-02	30-37
16460-00	30-27c
16463-09	30-27
16466-00	35-62
16466-01	35-62
16467-00	35-47
16467-01	35-47
16469-00	35-71
16469-01	35-71
16471-00	34A-98
16471-00	34B-19
16473-00	34-25
16473-01	34-25
16474-05	34-26
16477-00	27-52
16478-00	27-1
16478-01	27-1
16478-06	27-1
16478-07	27-1
16479-00	44-9
16481-02	17-25
16481-03	17-25
16481-10	17-27
16481-11	17-27
16483-00	34-14
16483-08	34-14b
16483-09	34-14a
16486-00	34-39
16489-04	34A-44
16489-04	34B-52
16489-05	34A-44
16489-05	34B-52
16495-00	34-40
16495-01	34-40
16498-00	34A-45
16498-00	34B-53
16498-01	34A-45
16498-01	34B-53
16499-02	17-45
16499-07	17-47
16499-11	17-46
16503-01	34-51
16504-02	14-32
16504-02	15-1
16504-06	15-57
16504-07	15-56
16504-08	15-58
16504-09	15-59
16504-12	14-32
16504-12	15-1
16505-00	34-50
16505-01	34-50

Part Number	Figure and Index No.
16506-00	43-129
16506-00	43A-64
16508-02	15-2
16509-00	34-28
16509-01	34-28
16510-22	17-57
16511-00	34-15
16511-01	34-15
16515-00	51-47
16517-00	34-28
16517-01	34-28
16520-02	12-6
16520-03	12-6
16520-04	12-6
16520-05	12-6
16520-50	12-10b
16520-51	12-10b
16520-52	12-10b
16520-53	12-10b
16522-02	12-11
16522-03	12-11
16522-04	12-11
16522-05	12-11
16522-31	12-11
16522-32	12-11
16522-33	12-11
16522-34	12-11
16523-02	12-16
16523-03	12-16
16523-04	12-16
16523-05	12-16
16523-27	12-16
16523-28	12-16
16523-29	12-16
16523-30	12-16
16524-02	12-19
16524-03	12-19
16524-04	12-19
16524-05	12-19
16524-27	12-19
16524-28	12-19
16524-29	12-19
16524-30	12-19
16525-02	12-20
16525-03	12-20
16525-04	12-20
16525-05	12-20
16525-32	12-20
16525-33	12-20
16525-34	12-20
16525-35	12-20
16526-02	12-25
16526-03	12-25
16526-04	12-25
16526-05	12-25
16527-02	12-30
16527-03	12-31
16527-04	12-32

Part Number	Figure and Index No.
16527-05	12-33
16527-06	12-30
16527-07	12-31
16527-08	12-32
16527-09	12-33
16527-10	12-30
16527-11	12-31
16527-12	12-32
16527-13	12-33
16527-14	12-30
16527-15	12-31
16527-17	12-32
16527-18	12-33
16528-00	34-52
16528-01	34-52
16528-05	34A-46
16528-06	34A-46
16530-00	34-16
16530-03	34-20
16534-00	34-2
16534-00	34A-2
16534-00	34B-2
16534-01	34-2
16534-01	34A-2
16534-01	34B-2
16535-00	34-21
16535-01	34-21
16536-00	34-37
16536-01	34-37
16541-02	4-42
16541-02	34A-47
16541-02	34B-55
16541-03	4-42
16541-03	34A-47
16541-03	34B-55
16542-00	34A-48
16542-00	34B-56
16542-01	34A-48
16542-01	34B-56
16544-00	34-5a
16544-04	35A-3
16546-00	18-7
16546-00	43-130
16547-08	33-17
16547-09	33-17
16548-00	33-21
16549-00	34-5
16549-01	34-5
16549-08	34-6
16549-09	34-5c
16549-09	34A-11
16549-09	34B-12
16549-10	34-13a
16549-11	34-13a
16549-12	34-13a
16549-13	34-13a
16552-00	34-49
16553-02	30-26

PIPER PARTS CATALOG

Part Number	Figure and Index No.
16555-00	47-21
16555-01	47-21
16556-03	33-16
16556-05	33-16
16558-00	12-34
16558-05	12-34
16559-00	30-23
16560-05	33-16a
16560-05	33-20
16562-00	43-111
16564-00	30-15
16565-03	33-19
16565-05	33-19
16566-00	18-3
16566-00	18A-1
16567-00	18-3a
16571-08	33-18
16571-09	33-18
16574-00	2-39
16574-01	2-39
16585-00	43-131
16585-00	43B-22
16586-00	33-13
16588-00	43-132
16588-00	43B-16
16590-00	43-62
16590-00	43B-12
16591-00	29C-27
16593-02	7-45
16593-03	7-46
16594-00	32-11
16596-00	32-12
16597-02	15-3
16597-03	15-3
16597-04	15-3
16597-05	15-3
16604-00	47-18
16606-00	29C-39
16607-00	32-13
16608-00	32-14
16608-00	42-1
16617-00	2-52
16617-00	34-36
16617-01	2-52
16617-01	34-36
16617-08	2-52
16617-09	2-52
16618-00	30-38
16619-00	30-39
16625-00	32-16
16627-00	32-6
16627-04	32-6
16629-00	29C-45
16632-00	20A-13
16632-00	20B-1
16632-00	21A-64
16632-00	30B-4
16632-00	30C-23

Part Number	Figure and Index No.
16632-00	35B-30
16632-00	43-133
16633-03	30-51
16633-03	35A-4
16633-04	10F-2
16633-24	18-83
16633-24	18A-10
16633-25	18-84
16633-26	10F-3
16633-26	10F-3a
16633-28	18A-10
16633-28	18A-16
16633-33	21-74
16633-34	6-75
16633-34	6A-153
16633-36	30C-10
16633-37	18A-11
16633-37	20A-8
16633-37	20B-7
16633-37	35A-32
16633-37	66-27
16633-37	67-23
16633-37	69-23
16633-38	19-30
16633-39	19-30
16633-41	36-29
16633-44	18A-49
16633-45	6A-153
16633-48	18A-12
16633-49	18A-13
16633-49	68-28
16633-51	30A-21
16633-54	20A-9
16633-54	30A-21
16633-54	35B-27
16633-54	35B-28
16633-58	6A-119
16633-59	36-29
16633-63	16B-3
16633-68	10F-5
16633-68	10F-5a
16633-68	18A-49
16633-68	18A-50
16633-75	30C-6
16633-76	30C-7
16633-91	30C-8
16633-92	30C-9
16633-93	30C-10
16637-00	30-41
16638-00	51-13
16641-00	43-135
16641-00	43B-15
16644-00	19-31
16644-03	19-14
16645-00	6-66
16645-01	6-67
16652-00	19-15
16658-02	3-39

Part Number	Figure and Index No.
16658-03	3-43a
16658-04	3-41
16658-05	3-43
16658-06	3-39
16658-07	3-43a
16658-08	3-41
16658-09	3-43
16659-00	2-41
16659-01	2-41
16664-06	14-35
16664-07	14-43
16664-08	14-37
16664-09	14-38
16664-09	15-36
16664-10	14-35
16664-11	14-43
16664-12	14-37
16664-13	14-38
16664-13	15-36
16665-00	51-40
16667-00	24-46
16669-00	10F-21
16670-00	43A-62
16672-00	51-1
16675-00	51-39
16675-02	51-39
16676-00	18-25
16676-00	18A-7
16681-00	11-17
16685-00	29-26
16688-00	29-28
16689-00	8-21
16689-01	8-21
16690-00	8-2a
16690-01	8-2a
16690-07	8-2a
16690-08	8-2a
16693-03	8-23
16693-04	8-23
16693-06	8-23
16696-00	29-17
16698-00	8-22
16698-00	8-25
16698-01	8-22
16698-01	8-25
16700-00	8-12
16707-00	48-2
16707-01	48-2
16711-00	8-26
16711-01	8-26
16712-00	8-27
16712-01	8-27
16713-00	8-17
16714-01	8-28
16715-00	8-18
16715-01	8-18
16715-02	8-18
16715-03	8-18

Part Number	Figure and Index No.
16716-01	8-65
16719-00	8-19
16719-01	8-19
16719-02	8-19
16719-03	8-19
16722-02	51-9
16722-03	51-9
16725-02	29C-41
16725-03	29C-42
16725-04	29C-43
16730-00	7A-30
16731-00	7A-29
16732-00	8-29
16733-00	8-30
16736-00	8-31
16740-00	8-20
16745-00	6A-60
16748-00	27-16
16748-00	27A-2
16750-00	48-1
16750-01	48-1
16758-00	21-2
16758-00	21A-57
16758-01	21-2
16758-01	21A-57
16759-00	12-47
16768-00	29-20
16771-00	51-71
16772-00	34-48
16772-01	34-48
16772-04	34A-51
16772-05	34A-51
16773-00	29-19
16774-00	29-18
16777-00	2-53
16777-00	34-46
16777-01	2-53
16777-01	34-46
16778-00	8-28
16779-00	8-65
16780-00	29-27
16780-00	51-12
16780-02	29-27
16780-02	51-12
16780-03	29-27
16780-03	51-12
16781-00	29C-53
16781-02	29C-53
16782-02	29C-54
16782-03	29C-55
16782-04	29C-56
16782-05	29C-57
16782-06	29C-58
16782-07	29C-59
16782-08	29C-60
16782-09	29C-59
16782-10	29C-60
16783-00	29C-52

PIPER PARTS CATALOG

Part Number	Figure and Index No.
16784-00	29D-32
16784-02	29D-32
16786-00	29D-8
16788-00	29C-2
16789-00	29C-4
16790-00	29C-16
16791-00	29C-17
16792-00	29C-61
16793-00	29D-30
16794-00	29C-15
16799-00	30-52
16799-01	30-52
16800-00	29A-1
16800-01	29A-1
16800-02	29A-34
16800-03	29A-34
16800-07	29A-18
16800-08	29A-17
16800-09	29A-19
16800-10	29A-20
16800-11	29A-21
16800-12	29A-22
16800-14	29A-37
16800-15	29A-30
16800-16	29A-31
16800-17	29A-23
16800-18	29A-24
16800-19	29A-25
16800-20	29A-12
16800-28	29A-32
16800-29	29A-29
16800-32	29A-33
16800-33	29A-33
16800-36	29A-3
16800-37	29A-37
16800-38	29A-3
16800-40	29A-5
16800-41	29A-5
16800-42	29A-6
16800-43	29A-6
16800-53	29A-27
16800-54	29A-28
16800-55	29A-13
16800-56	29A-14
16802-00	29A-26
16803-00	29A-4
16809-02	29A-15
16809-03	29A-16
16812-00	7A-28
16813-00	43-84
16813-00	43A-21
16814-00	43-85
16814-00	43A-17
16815-00	43-58
16815-00	43A-25
16815-03	43A-27
16816-00	43-59
16816-00	43A-23

Part Number	Figure and Index No.
16819-00	6-14
16822-00	6-71
16823-00	6-17
16823-01	6-17
16825-00	6-15
16826-00	6-16
16827-00	6-14
16827-02	6-14
16829-00	51-8
16831-00	51-63
16832-00	51-56
16832-02	51-56
16834-00	29-42
16834-00	51-10
16835-00	53-20
16841-00	53-19
16844-00	29C-3
16844-00	29C-64
16844-02	29C-64
16845-02	29C-63
16845-03	29C-63
16848-00	49-52
16848-01	49-53
16849-00	49-47
16850-00	34-47
16850-01	34-47
16851-00	49-48
16851-02	49-48
16852-02	30-54
16852-03	30-55
16852-04	30-54
16852-05	30-55
16853-00	51-36
16856-00	30-40
16861-00	50-15a
16861-01	50-11a
16866-00	6-20
16866-00	10-60
16868-00	50-11
16869-00	50-15
16876-00	20-12
16876-00	20A-6
16877-00	20-19
16877-01	20-19
16878-00	20-27
16878-01	20-28
16879-00	20-29
16879-01	20-30
16885-00	6-20
16887-00	51-21
16888-10	51-18
16890-00	51-35
16891-00	49-16
16899-00	7-70
16900-00	37-4
16900-01	37-4
16901-00	29C-11
16902-00	29C-12

Part Number	Figure and Index No.
16903-00	29C-20
16904-00	29C-46
16905-00	29C-47
16906-00	29C-48
16911-02	12-2
16911-03	12-2
16911-04	12-2
16911-05	12-2
16911-12	12-2
16911-13	12-2
16911-14	12-2
16911-15	12-2
16911-20	12-2
16911-22	12-2
16911-25	12-2
16911-25	12A-7
16914-00	29-5
16914-00	29A-8
16914-00	29C-14
16914-00	29C-38
16916-02	12-5
16916-03	12-5
16916-04	12-5
16916-05	12-5
16916-12	12-5
16916-13	12-5
16916-14	12-5
16916-15	12-5
16917-00	34A-49
16917-00	34B-59
16917-01	34A-49
16917-01	34B-59
16925-00	34A-50
16925-00	34B-60
16925-01	34A-50
16925-01	34B-60
16930-00	19-31
16934-00	30-40
16943-00	30-50
16948-00	32-15
16949-00	32-19
16950-00	32-20
16953-00	52-59
16954-00	34-1
16954-01	34-1
16956-00	11-12
16957-00	32-3
16957-00	32-23
16957-00	32-23
16957-03	32-23
16957-03	35A-1
16958-00	12-59
16958-05	12-59
16958-05	12B-1
16958-07	12B-1
16960-02	51-46c
16960-03	51-2
16961-00	48-1
16962-00	43-112

Part Number	Figure and Index No.
16962-00	43A-28
16963-00	43-15
16963-00	43A-29
16965-00	43-110
16969-00	34-43
16969-01	34-43
16975-00	11-8
16976-00	43A-70
16978-00	34-38
16979-00	34-39
16991-00	52-3
16999-00	29A-7
17065-05	11-6
17065-06	11-6
17069-37	8-11
17069-39	8-11
17069-42	8-11
17076-04	9-6
17076-05	9-6
17077-00	9-39
17078-00	9-37
17078-01	9-38
17080-00	9-10
17080-01	9-10
17082-00	9-22
17082-01	9-22
17083-00	9-8
17083-01	9-8
17084-00	9-7
17088-02	51-44
17089-00	51-3
17089-00	51-45
17091-00	8-16
17091-01	8-16
17095-00	2A-38
17095-01	2A-38
17097-00	2A-39
17097-01	2A-39
17099-00	9-31
17100-00	2-48
17100-00	2A-23
17100-01	2-48
17100-01	2A-23
17100-04	2A-33
17100-04	2A-34
17100-05	2A-33
17100-05	2A-34
17100-08	2A-31
17100-11	2A-27
17100-12	2A-27
17100-13	2A-37
17100-14	2A-35
17100-16	2A-28
17100-16	2A-29
17100-17	2A-28
17100-17	2A-29
17100-18	2A-26
17100-19	2A-32

PIPER PARTS CATALOG

Part Number	Figure and Index No.
17100-20	2A-32
17100-21	2A-36
17101-00	2A-20
17101-02	2A-20
17101-03	2A-20
17102-00	2A-22
17102-01	2A-22
17102-02	2A-22
17102-03	2A-22
17103-00	2A-21
17103-01	2A-21
17103-02	2A-21
17103-03	2A-21
17103-04	2A-21
17103-05	2A-21
17104-01	2-49
17104-01	2A-1
17104-02	2A-2
17104-04	2A-8
17104-04	2A-10
17104-04	2A-11
17104-05	2A-8
17104-05	2A-10
17104-05	2A-11
17104-06	2A-9
17104-07	2A-9
17104-08	2A-13
17104-09	2A-14
17104-09	2A-17
17104-10	2A-5d
17104-10	2A-14
17104-10	2A-17
17104-11	2A-15
17104-12	2A-15
17104-22	2A-3
17104-23	2A-3
17104-25	2A-5b
17104-26	2A-4
17104-27	2A-4
17104-37	2A-2
17104-40	2-49
17104-40	2A-1
17104-41	2A-13
17104-42	2A-12
17104-43	2A-12
17104-46	2A-5
17104-47	2A-5
17104-48	2A-7
17104-49	2A-6
17104-52	2A-6
17104-57	2-49
17104-57	2A-1
17104-58	2-49
17104-58	2A-1
17104-59	2-49
17104-59	2A-1
17104-60	2-49
17104-60	2A-1

Part Number	Figure and Index No.
17104-61	2A-5c
17104-62	2A-2
17104-63	2A-5
17104-65	2-49
17104-65	2A-1
17104-66	2A-6
17104-68	2-49
17104-68	2A-1
17104-69	2-49
17104-69	2A-1
17104-70	2A-13
17104-77	2A-5a
17120-00	2A-16
17121-13	8-39
17121-14	8-39
17121-19	8-13
17121-20	8-13
17121-21	8-15
17121-22	8-15
17125-00	2-60
17125-02	2-60
17126-08	2A-24
17126-09	2A-24
17144-00	9-21
17145-00	9-20
17146-00	9-23
17150-00	9-4
17151-00	9-29
17151-01	9-30
17152-00	9-34
17152-01	9-35
17158-00	9-36
17158-01	9-36
17162-04	9-49
17164-00	9-18
17168-00	9-3
17171-00	9-13
17172-00	9-24
17173-00	9-24
17184-11	3-62
17184-12	3-59
17184-14	3-58
17184-14	3-58a
17184-15	3-62
17184-16	3-58
17184-16	3-58a
17184-17	3-59
17184-18	3-64
17184-19	3-64
17184-20	3-59
17184-21	3-59
17184-22	3-58
17184-23	3-58
17185-15	3-61
17185-16	3-61
17185-17	3-60
17185-18	3-60
17186-08	3-63

Part Number	Figure and Index No.
17186-09	3-63
17187-10	3-65
17187-11	3-65
17188-10	3-66
17188-11	3-66
17188-12	3-66
17188-13	3-66
17189-10	3-67
17189-11	3-67
17193-00	3-76
17202-00	2A-25
17203-02	50-6
17203-03	27A-28
17203-03	50-6
17203-03	50-19
17204-02	27A-3
17204-02	50-20
17204-03	27A-4
17204-03	50-21
17209-04	3-89
17209-05	3-89
17212-00	7-21
17212-01	7-22
17214-00	6-4
17215-02	7-23
17215-03	7-24
17216-00	6-2
17219-00	7-25
17219-01	7-26
17220-00	7-27
17220-01	7-28
17221-00	7-30
17221-01	7-30
17222-00	7-64
17222-01	7-65
17223-00	7A-13
17223-01	7A-13
17224-00	7-31
17224-01	7-32
17230-06	3-52
17230-07	3-53
17239-11	49-14
17239-12	49-14
17241-00	7-33
17244-00	6-3
17245-00	6-6
17247-00	6-5
17248-00	6-7
17252-00	6-8
17254-00	7A-14
17254-01	7A-14
17256-00	7-35
17256-01	7-36
17258-01	7-40
17259-00	7-41
17260-00	7-42
17260-02	7-42
17262-00	6-1

Part Number	Figure and Index No.
17272-00	27-3
17272-00	27A-26
17276-00	7-48
17276-04	7-49
17277-00	7-50
17277-05	7-50
17278-00	7-51
17279-02	7-52
17282-02	7-53
17284-00	7-54
17285-00	7-55
17285-01	7-55
17288-00	7-56
17293-00	50-12
17304-06	7-58
17305-08	7-59
17307-09	7-61
17308-00	7-62
17309-02	7-1a
17309-03	7-2
17309-08	7-7
17309-14	7-12
17309-21	7-15
17309-37	7-5
17309-38	7-5a
17309-39	7-14
17309-40	7-8
17309-43	7-13
17309-44	7-9
17310-00	24-20
17310-00	50-31
17311-00	24-20a
17311-02	24-20a
17311-03	24-20a
17313-00	9-14
17313-01	9-14
17315-00	4-7a
17315-00	34-4
17315-00	34A-3
17315-00	34B-3
17316-00	4-11
17316-00	34-3
17316-00	34A-4
17316-00	34B-4
17317-00	4-8a
17317-00	4-9a
17317-00	29D-26
17317-00	36-51
17317-03	4-10a
17317-03	4-10b
17317-03	4-19a
17317-03	42B-74
17317-03	42D-32
17318-02	4-5
17318-02	42B-73
17318-02	42D-33
17318-03	4-12
17318-03	29D-27

PIPER PARTS CATALOG

Part Number	Figure and Index No.
17318-03	36-52
17318-04	4-5a
17320-00	43-32
17320-00	43A-49
17326-02	9-16
17326-03	9-17
17329-08	3-26
17329-12	3-22
17329-13	3-22
17329-23	3-26
17329-27	3-27
17329-27	3-28
17329-27	3-29
17329-28	3-23
17329-28	3-24
17329-28	3-25
17329-29	3-23
17329-29	3-24
17329-29	3-25
17329-30	3-27
17329-30	3-28
17329-30	3-29
17329-31	3-32
17329-34	3-32
17330-02	3-3
17330-03	3-1a
17331-02	3-5
17344-00	6-31
17345-00	6-28
17345-01	6-28
17346-00	6-27
17346-01	6-29
17347-00	6-57
17348-00	6-38
17348-01	6-37
17353-00	6-65
17353-01	6-64
17354-00	6-36
17354-01	6-35
17356-01	6-63
17356-12	6-62
17356-14	6-62
17356-15	6-63
17358-05	6-33
17358-06	6-32
17360-10	6-23
17360-12	6-41
17360-13	6-42
17360-14	6-43
17360-15	6-44
17360-23	6-26
17361-02	4-14
17361-03	4-14
17361-04	4-15
17361-05	4-15
17362-02	4-16
17362-03	4-16
17364-00	36-16

Part Number	Figure and Index No.
17364-00	36A-26
17364-02	36A-26
17365-00	4-20
17367-00	3-40
17375-00	3-74
17377-02	7A-15
17377-03	7A-15
17377-09	7A-20
17377-10	7A-21
17377-15	7A-19
17377-16	7A-26
17377-24	7A-16
17377-25	7A-16
17377-27	7A-18
17377-29	7A-17
17382-00	3-75
17382-01	3-75
17383-00	4-13
17383-01	4-13
17384-00	51-32
17385-00	51-33
17387-00	5-10
17389-02	49-1
17393-04	10-40
17393-04	49-42
17401-00	9-2
17403-00	51-30
17408-00	51-51
17412-22	3-55
17412-40	3-54
17412-41	3-54
17413-03	5-5
17413-03	5-20
17419-09	10-7
17419-14	10-7
17419-15	10-7
17419-19	10-7
17419-19	10A-10
17419-19	10B-8
17419-19	10C-8
17419-19	10D-10
17419-19	10E-10
17419-27	10A-10
17419-27	10B-8
17419-27	10C-8
17419-27	10D-10
17419-27	10E-10
17419-31	10C-8
17419-31	10E-10
17420-00	25-12
17420-01	25-12
17420-02	25-13
17420-03	25-13
17422-35	4-7
17422-36	4-8
17422-37	4-8
17423-00	3-42
17428-00	3-77

Part Number	Figure and Index No.
17428-01	3-77
17428-02	3-77
17428-03	3-77
17428-04	3-77
17428-05	3-77
17435-00	6A-42
17435-01	6A-42
17443-00	51-48
17443-01	51-48
17444-00	51-49
17459-00	3-78
17461-05	24-6
17471-00	49-7
17473-00	12A-55
17473-00	27-40
17473-00	27A-5
17473-00	50-18
17473-00	50-28
17473-04	43-126
17473-04	43B-29
17475-04	2-14
17475-05	2-15
17475-06	2-14
17476-02	2-5
17477-00	2-2
17477-02	2-3
17477-03	2-2
17479-00	51-54
17479-01	51-53
17480-00	2-26
17483-00	11-3
17483-02	11-3
17492-00	17-11
17497-04	6-47
17497-05	6-48
17501-06	7-17
17504-02	6-30
17504-05	6-56
17518-00	25-17
17521-00	21-20
17529-02	3-9
17529-03	3-10
17529-04	2-30
17529-04	3-11
17530-02	50-16
17531-00	2-58
17531-00	4-26
17531-01	2-58
17531-01	4-26
17531-06	3-19
17531-07	3-19
17531-08	3-21
17531-09	3-21
17531-12	3-17
17531-13	3-17
17531-14	3-20
17531-15	3-20
17531-16	3-18

Part Number	Figure and Index No.
17531-17	3-18
17531-18	4-30
17531-19	4-30
17531-32	4-28
17531-33	4-28
17531-34	4-27
17531-35	4-27
17531-36	4-27
17531-37	4-27
17531-40	2-58
17531-40	4-26
17531-41	2-58
17531-41	4-26
17531-42	4-27
17531-43	4-27
17531-46	2-58
17531-46	4-26
17531-47	2-58
17531-47	4-26
17533-00	49-27
17537-06	7-69
17541-09	10-29
17544-00	24-8
17544-02	24-8
17546-00	24-53
17546-01	24-52
17546-04	24-50
17546-05	24-51
17547-04	25-5
17550-00	7-71
17555-00	38D-9
17555-00	38E-7
17555-00	38F-10
17557-00	7-68
17559-00	12-61
17559-04	12-61
17559-04	12B-14
17559-06	12B-14
17560-02	12-62
17561-00	12-63
17561-00	12B-19
17562-00	12-38
17562-00	12A-26
17562-01	12-38
17562-01	12A-26
17564-00	38D-1
17566-00	38D-4
17566-00	38E-3
17587-00	27A-6
17587-00	50-32
17589-00	24-30
17587-30	12-39
17587-31	12-39
17587-32	12-39
17587-33	12-39
17587-34	12-39
17587-35	12-39
17587-36	12-39

PIPER PARTS CATALOG

Part Number	Figure and Index No.
17587-37	12-39
17587-46	12-39
17587-47	12-39
17587-48	12-39
17587-49	12-39
17587-50	12-39
17587-51	12-39
17587-52	12-39
17587-53	12-39
17587-62	12-39
17587-66	12-39
17587-69	12-39
17587-69	12A-8
17593-03	10-28
17602-02	24-34
17602-04	25-43
17603-00	11-2
17604-03	41-2
17604-04	38B-10
17604-09	38E-11
17604-09	41-2
17604-19	38E-11
17604-19	38F-15
17604-22	38C-6
17604-27	38F-25
17604-29	38C-10
17604-30	41-23
17604-33	38F-33
17604-33	38G-11
17608-00	43-98
17609-00	43-86
17610-00	43-101
17611-00	43-102
17614-00	43-36
17614-00	43A-50
17614-04	43A-50
17615-00	43-35
17615-00	43A-51
17615-04	43A-51
17616-00	43-10
17616-00	43A-61
17617-02	43-18
17617-02	43-100
17619-04	43-103
17619-04	43-104
17619-04	43A-65
17621-07	43-78
17621-07	43A-66
17624-00	43-34
17624-00	43A-52
17625-00	43-33
17625-00	43A-53
17626-04	43-106
17626-04	43-107
17629-00	43-29
17629-00	43A-47
17630-00	43-30
17630-00	43A-48

Part Number	Figure and Index No.
17631-00	43-25
17631-00	43A-45
17634-00	43-23
17634-00	43A-43
17636-00	43-115
17636-00	43C-11
17637-00	43-113
17637-02	43A-2
17637-02	43C-9
17637-03	43A-2
17637-03	43C-9
17637-04	43A-2
17637-04	43C-9
17637-05	43A-2
17637-05	43C-9
17640-23	11-16
17645-00	24-48
17652-02	57-12
17653-02	39A-14
17654-00	39A-8
17657-00	39A-13
17664-00	24-10
17667-00	8-32
17669-00	10-4
17669-02	10-4
17669-03	10-4
17669-03	10A-17
17669-03	10B-12
17679-00	7-34
17680-00	38-6
17680-00	38A-6
17682-00	24-29
17684-00	24-9
17684-01	24-9
17685-00	38-25
17685-00	38A-30
17688-00	39-8
17689-00	39-7
17690-00	25-69
17690-00	38B-4
17690-00	38C-4
17691-00	21-5
17691-00	21A-59
17692-00	24-17
17694-05	2-22
17694-06	2-21
17696-00	24-13
17696-03	24-13
17696-05	24-13
17698-00	27-34
17699-00	27-33
17699-03	27-33
17702-00	43-61
17703-00	43-112
17705-00	43-57
17705-00	43B-23
17705-01	43-57
17705-01	43B-23

Part Number	Figure and Index No.
17706-00	43-56
17706-00	43B-21
17706-01	43-56
17706-01	43B-21
17707-00	27-9
17709-02	43-93
17713-02	43-94
17713-02	43-95
17716-00	27-41
17716-03	27-41
17717-03	43A-24
17717-04	43A-25
17717-07	43-109
17718-03	43A-38
17718-04	43A-39
17718-07	43-8
17719-03	43A-22
17719-04	43A-23
17719-07	43-108
17720-03	43-85
17721-03	43-58
17721-03	43A-24
17722-03	43-84
17723-00	43-60
17724-03	43-59
17724-03	43A-22
17725-03	43A-36
17725-04	43A-37
17725-07	43-7
17731-04	10-30
17731-05	10-30
17734-02	10-66
17734-03	10-67
17735-03	38F-12
17736-03	11-19
17736-05	11-19
17737-00	39A-36
17742-00	24-15
17742-01	24-16
17752-02	3-81
17753-05	39A-35
17754-05	10-57
17756-03	38-39
17756-03	38C-56
17758-03	6-54
17758-03	6A-61
17761-00	43-105
17762-00	7A-31
17764-00	43-90
17765-00	25-33
17765-02	25-31
17766-02	43-12
17766-02	43-19
17766-02	43-47
17766-02	43A-7
17766-02	43B-7
17766-03	27-39
17766-03	27A-7

Part Number	Figure and Index No.
17766-03	43A-34
17766-03	43B-10
17766-04	27-39
17766-04	27A-7
17766-05	43-68
17766-05	43B-9
17766-06	21-21
17766-06	35-13
17766-06	35A-5
17766-06	35B-22
17766-06	35B-102
17766-07	19-7
17766-07	21-22
17766-22	35-20
17766-22	35A-23
17766-24	35-18
17766-24	35-19
17766-25	35-18
17766-27	43A-35
17766-27	44-8
17766-28	27-7
17766-29	27-6
17766-30	43-68
17766-31	43-48
17766-31	43A-8
17766-31	43B-8
17766-32	19-5
17766-32	19-32
17766-45	19-7
17766-45	43B-11
17766-47	30-42
17766-48	30-33
17766-48	30A-47
17766-49	30-53
17766-65	35A-24
17766-65	43B-9
17766-76	35A-31
17766-77	19-5
17766-82	30A-24
17766-85	35B-23
17766-86	35B-23
17767-00	10-56
17768-00	36-31
17768-00	36A-39
17774-02	43A-59
17780-04	37-36
17780-04	37A-8
17783-00	52-42
17785-00	6-15
17786-00	6-16
17787-00	6-14
17790-02	10-26
17790-03	10-25
17792-00	25-30
17792-00	34-23
17793-00	25-29
17793-00	34-22
17794-00	25-24

PIPER PARTS CATALOG

Part Number	Figure and Index No.
17795-00	25-22
17802-00	25-25
17803-00	19-8
17804-00	49-15
17806-00	38B-5
17806-00	38C-5
17807-00	38B-1
17807-00	38C-1
17810-03	18-67
17812-02	19-9
17813-00	19-10
17813-03	19-10
17814-00	19-50
17815-00	19-11
17815-03	19-11
17816-00	19-12
17816-03	19-12
17820-00	11-11
17821-03	19-13
17822-03	19-48
17829-00	10F-16
17829-00	19-22
17829-04	10F-17
17829-04	19-16
17834-00	11-4
17835-00	11-31
17847-00	12-66a
17848-02	11-37
17850-00	11-33
17852-02	11-38
17852-03	11-49
17855-00	11-34
17860-00	21-23
17860-00	21A-22
17861-03	11-13
17862-02	21-24
17866-00	21-25
17866-00	21A-30
17867-00	12-64
17868-00	12-64
17868-00	12-65
17868-00	12B-18
17870-06	17-58
17870-08	6A-122
17870-08	6A-135
17870-08	8-68
17870-08	12-66
17870-08	17-58
17870-10	17-58
17870-12	6A-122
17871-06	17-59
17871-10	6A-122
17871-10	8-68
17871-10	12-66
17871-10	17-59
17871-12	17-59
17871-14	6A-135
17872-05	12-66

Part Number	Figure and Index No.
17873-00	15-62
17874-00	15-72
17874-02	15-72
17881-03	18-4
17881-03	19-17
17881-03	57-36
17881-03	60-33
17881-04	10-49b
17881-04	10A-64
17881-04	10B-81
17881-04	10C-69
17881-04	10D-27
17881-04	10E-23
17881-04	10F-26
17881-06	66-30
17881-06	67-12
17881-06	68-30
17881-06	69-12
17881-06	157A-7
17882-00	15-63
17883-14	14-53
17883-14	15-60
17883-22	14-53
17883-22	15-60
17883-26	14-53
17883-26	15-60
17887-00	43-87
17887-00	43A-60
17891-00	11-10
17891-00	11-28
17891-02	11-10
17895-04	51-16
17897-03	39A-29
17900-00	10-27
17902-02	12A-56
17902-02	50-27
17903-00	27A-8
17903-00	50-25
17903-02	27A-8
17905-05	47-30
17905-06	47-30
17906-02	47-31
17912-00	27-14
17922-04	12-67
17922-05	12-68
17923-00	12-69
17923-01	12-69
17923-04	12B-12
17923-05	12B-12
17924-00	12-70
17924-00	12B-22
17925-02	12-71
17925-02	12B-20
17925-03	12-72
17925-03	12B-21
17927-00	11-46
17929-00	11-5
17934-00	37-8

Part Number	Figure and Index No.
17935-03	37-18
17936-00	37-23
17937-00	37-27
17941-00	37-35
17941-05	37A-6
17943-06	35B-32
17943-06	36-4
17943-06	36A-21
17943-07	35B-32
17943-07	36-4
17943-07	36A-21
17944-00	37-26
17944-02	37A-38
17946-00	37-19
17946-00	37A-10
17953-00	52-41
17957-02	15-73
17964-02	15-66
17965-05	12-40
17966-00	10-76
17966-00	11-9
17969-02	21-26
17969-04	21-27
17969-05	21-28
17969-06	21-29
17969-07	21-27
17969-07	21-97
17969-08	21-26
17971-00	12B-11
17971-01	12B-11
17975-00	40-1
17981-02	35-63
17984-00	35-16
17984-07	35A-9
17984-07	35B-5
17984-08	35A-10
17984-08	35B-18
17984-09	35A-11
17984-09	35B-19
17984-10	35A-7
17984-10	35B-6
17984-12	35A-7
17984-15	35B-6
17984-20	35B-19
17984-21	35B-5
17984-22	35B-5
17987-00	35-41
17987-03	35-41
17987-05	35A-60
17987-05	35B-7
17987-07	35A-61
17987-07	35B-8
17992-02	37-38
17995-03	35-61
18001-02	47-1
18001-03	47-2
18001-04	47-3
18001-05	47-4

Part Number	Figure and Index No.
18004-06	12-41
18004-06	52-38
18004-08	12-41
18004-10	12-41
18004-12	12-41
18007-03	15-27
18011-00	49-39
18017-03	15-4c
18022-00	24-26
18033-00	34-35
18033-01	34-35
18036-00	14-33
18040-00	14-36
18045-00	15-59j
18045-00	15A-43
18049-00	15-6
18049-00	15A-27
18050-00	15-20
18053-00	15-8
18056-00	15-9
18057-00	15-10
18057-00	15A-36
18058-00	15-11
18058-00	15A-37
18060-00	15-12
18060-00	15A-28
18063-00	14-34
18064-00	15-13
18064-02	15-13
18064-02	15A-29
18064-02	18-5
18067-03	15-53
18067-04	15-53
18067-06	15-53
18067-06	15A-30
18068-00	15-19
18068-05	15-19
18068-05	15A-32
18078-00	35-10
18081-00	17-15
18081-00	17A-17
18087-00	34-41
18087-01	34-41
18089-00	39-12
18097-00	15-21
18097-00	15A-33
18097-02	15A-33
18098-00	15-25
18098-00	15A-8
18099-12	15-22
18099-14	15-22
18100-33	15-26
18128-00	2-44
18129-00	2-44
18130-00	2-45
18131-00	2-45
18132-02	30C-60
18132-02	47-16

PIPER PARTS CATALOG

Part Number	Figure and Index No.
18133-02	12-55
18134-13	15-28
18145-03	11-35
18146-02	39A-22
18146-03	39A-26
18147-25	12-56
18149-00	11-24
18152-12	12-42
18152-14	12-42
18152-16	12-42
18152-20	12-42
18152-22	12-42
18152-24	12A-17
18152-26	12A-17
18154-03	14-30
18155-00	14-8
18156-04	14-7
18158-00	14-31
18160-00	14-11
18160-00	14-103
18161-02	14-108
18161-04	14-100
18161-05	14-108
18163-02	14-27
18166-06	2-37
18166-07	2-37
18170-00	14-41
18171-00	14-39
18176-00	2-43
18179-00	12-43
18219-02	30C-32
18219-02	31B-12
18219-02	47-15
18230-00	5-8
18231-00	5-9
18237-19	12-57
18237-21	12-57
18237-23	12-57
18237-25	12-57
18237-27	12-57
18237-29	12-57
18237-31	12-57
18237-42	12A-27
18241-00	33-12
18242-02	33-26
18253-02	3-13
18253-03	3-16
18253-10	3-16
18253-11	3-16
18253-12	3-16
18253-17	3-14
18253-19	3-15
18253-20	3-13
18254-02	43-21
18254-04	43A-41
18262-00	34A-52
18262-00	34B-62
18267-00	34-34

Part Number	Figure and Index No.
18267-01	34-34
18274-02	25-15
18274-03	25-16
18274-05	25-18
18274-10	25-16
18274-11	25-15
18274-12	25-18
18279-00	37-7
18283-00	2-4
18287-00	49-11
18288-00	34-33
18288-00	36-5
18288-01	34-33
18288-01	36-5
18289-00	27-32
18290-00	27-15
18290-08	27-15
18291-00	18-6
18296-00	11-21
18296-01	11-23
18297-00	11-22
18298-00	11-27
18314-00	12-78
18316-00	43-20
18316-00	43A-54
18318-00	12-74
18318-00	12B-27
18320-02	38B-21
18320-02	38C-21
18320-03	47-11
18320-03	47-13
18320-04	47-11
18320-04	47-13
18320-05	47-10
18320-06	47-10
18320-06	47-12
18320-07	47-12
18320-08	38B-22
18320-08	38C-22
18320-08	47-10
18320-08	47-12
18321-00	38C-20
18321-00	47-14
18323-00	11-20
18325-00	27-44
18326-00	24-3
18329-02	3-82
18340-00	6-55
18343-00	24-2
18343-13	24-2
18343-14	24-2
18343-18	24-2
18344-03	24-28
18344-03	25-28
18348-14	12-44
18349-02	14-26
18353-00	24-1
18354-00	24-7

Part Number	Figure and Index No.
18356-00	11-1
18357-00	9-9
18358-00	3-83
18358-01	3-83
18359-00	14-42
18360-00	39-14
18360-02	39-14
18363-00	38B-13
18363-00	38C-13
18379-00	2A-30
18380-02	2-31
18380-03	2-32
18380-04	2-33
18390-00	21-4
18390-00	21A-58
18392-00	21-78
18393-00	21-81
18395-00	21-79
18396-00	21-80
18398-00	3-7
18398-01	3-7
18399-300	24-22
18405-00	8-34
18405-00	20-22
18409-00	8-35
18409-00	20-24
18409-00	20A-34
18411-06	12-114
18412-00	8-36
18412-00	20-25
18412-00	20A-35
18418-00	39-20
18419-00	15-15
18419-00	15A-35
18420-00	15-29
18420-00	15A-45
18421-00	15-30
18421-00	15A-46
18422-00	15-31
18422-00	15A-47
18423-00	15-54
18423-00	15A-40
18425-00	15-32
18425-00	15A-21
18430-06	15-33
18430-08	14-18
18430-09	14-19
18430-10	14-20
18430-11	14-21
18430-12	14-22
18430-13	14-23
18430-14	15-34
18430-16	14-24
18430-17	14-25
18430-18	14-21a
18430-19	14-19
18430-20	14-23
18430-21	14-22

Part Number	Figure and Index No.
18433-00	9-31
18434-01	14-50
18434-03	14-50
18435-00	14-89
18435-01	14-89
18435-02	14-51
18435-03	14-52
18435-04	14-52
18435-05	14-50
18438-00	46-5
18438-04	46-5
18439-00	46-29
18439-02	46-29
18440-02	46-17
18440-03	46-18
18441-00	46-16
18443-00	46-20
18444-00	46-8
18445-00	46-12
18445-03	46-34
18457-00	2-46
18465-00	12-45
18465-00	12A-31
18468-00	46-14
18477-02	38-2
18477-02	38A-2
18480-00	4-25
18482-19	12-46
18482-21	12-46
18482-23	12-46
18482-25	12-46
18482-29	12-46
18492-00	39A-23
18492-02	39B-13
18492-03	39A-23
18492-04	38A-36
18492-05	39B-13
18493-00	39-18
18499-03	51-65
18500-02	51-59
18500-03	51-59
18501-00	51-66
18501-02	51-66
18502-02	51-34
18503-00	51-62
18507-02	51-57
18507-03	51-57
18510-00	51-64
18519-00	39-2
18521-00	49-40
18527-02	43-17
18527-02	43A-67
18528-00	21-30
18530-02	43-80
18530-02	43-81
18531-00	47-27
18532-00	47-25
18533-02	47-26

PIPER PARTS CATALOG

Part Number	Figure and Index No.
18551-00	Misc
18554-00	38D-17
18554-00	38E-12
18557-00	Misc
18558-00	39A-24
18558-02	39A-24
18559-00	39A-39
18563-00	49-41
18570-00	25-11
18571-00	3-88
18571-01	3-88
18572-00	3-87
18572-01	3-87
18574-00	25-10
18578-07	18-62
18578-09	21-31
18578-11	18-9
18578-15	21-31
18578-17	18-10
18578-19	18-62
18578-21	21-31
18578-21	21A-8
18578-23	21A-9
18593-00	35-29
18593-01	35-29
18601-02	15-64
18602-00	7A-32
18602-01	7A-32
18605-00	36-5
18606-00	3-80
18608-00	35-27
18611-00	35-42
18614-00	3-79
18614-01	3-79
18642-00	Misc.
18653-00	12-82
18653-00	12B-31
18666-04	41-9
18667-00	41-8
18671-02	14-55
18674-00	16-13
18688-00	3-56
18688-00	43B-54
18688-00	46-32
18688-01	3-56
18688-01	43B-54
18688-01	46-32
18688-02	3-56
18688-02	43B-54
18688-03	3-56
18688-03	43B-54
18694-00	4-29
18707-00	16-17
18708-02	16-5
18708-03	16-6
18716-03	39A-32
18746-03	37-10
18746-05	37-10

Part Number	Figure and Index No.
18752-02	30-28
18752-02	30A-4
18752-03	30-29
18752-03	30A-4
18752-04	30-30
18752-04	30A-4
18758-00	16-11
18761-00	39A-11
18764-00	21-32
18764-02	21-32
18764-03	21A-23
18765-00	21-3
18765-00	21A-56
18771-00	21-34
18772-00	12B-42
18772-00	21-35
18774-00	39A-9
18774-00	39B-6
18779-06	12-84
18779-07	12-85
18779-08	12-86
18779-09	12-87
18782-00	35-65
18782-00	35B-75
18782-02	35B-75
18786-01	21-2
18788-00	17-33
18788-00	17-53
18790-00	35-66
18790-00	35B-76
18791-00	35-67
18791-00	35B-77
18793-00	21-41
18794-00	21-42
18796-00	21-43
18798-00	12B-43
18798-00	21-45
18806-00	12B-4
18806-01	12B-4
18809-00	12B-5
18809-01	12B-5
18811-02	38-21
18811-02	38A-26
18811-03	38-21
18811-03	38A-26
18814-20	21-46
18816-00	35-55
18817-00	6-53
18818-00	34-45
18818-00	38B-19
18818-00	38C-19
18821-00	38B-20
18823-00	49-9
18823-01	49-9
18829-00	43-46
18829-00	43-118
18842-00	17-60
18842-00	17A-39

Part Number	Figure and Index No.
18842-00	17B-33
18848-27	17-27a
18848-29	17-27a
18848-31	17-27a
18859-02	19-18
18874-00	24-54
18874-02	24-54
18874-03	24-54
18889-00	18-15
18889-02	18-15
18891-05	18-17
18892-03	18-76
18893-03	18-19
18894-03	18-20
18894-05	18-20
18895-03	18-21
18902-00	11-47
18902-05	11-47
18907-00	18-26
18909-00	14-48
18911-00	14-47
18912-00	14-45
18917-26	12-89
18917-27	12-90
18917-28	12-91
18917-29	12-92
18917-30	12-89
18917-31	12-90
18917-32	12-91
18917-33	12-92
18917-34	12-89
18917-35	12-90
18917-36	12-91
18917-37	12-92
18917-38	12-89
18917-39	12-90
18917-40	12-91
18917-41	12-92
18917-42	12-92
18917-43	12-92
18917-44	12-92
18917-45	12-92
18917-46	12-90
18917-47	12-90
18917-48	12-90
18917-49	12-90
18917-50	12-89
18917-51	12-89
18917-52	12-89
18917-53	12-89
18917-54	12-91
18917-55	12-91
18917-56	12-91
18917-57	12-91
18928-06	17-61
18928-08	17-61
18930-00	18-28
18931-43	15-75

Part Number	Figure and Index No.
18931-48	15-75
18931-52	15-75
18931-56	15-75
18931-65	15-75
18931-66	15-75
18931-67	15-75
18931-68	15-75
18933-05	15-76
18933-07	15-76
18936-00	18-30
18942-00	3-85
18942-02	3-84
18943-00	30-24
18943-00	30A-5
18956-02	12B-6
18956-03	12B-7
18956-04	12B-8
18956-11	12B-9
18958-00	15-52
18958-00	15-74
18959-00	12B-10
18959-01	12B-10
18968-00	17-13
18968-00	17-35
18968-00	17-55
18968-00	17A-15
18968-00	17A-16
18968-00	17B-10
18968-00	17B-44
18994-00	12-48
18995-00	21-67
18996-00	21-66
19008-00	11-29
19015-00	18-54
19018-00	18-55
19018-00	18A-32
19024-02	38B-17
19024-02	38C-17
19024-03	38B-17
19024-03	38C-17
19041-00	21-36
19049-06	36-18
19049-07	36-18
19051-00	36-23
19052-00	35-54
19052-02	35B-78
19053-00	19-8
19057-15	12-18
19057-17	12-18
19057-19	12-18
19057-21	12-18
19057-23	12-18
19057-24	12-18
19057-25	12-18
19057-26	12-18
19063-02	15-37
19063-02	15A-12
19066-00	21-33

PIPER PARTS CATALOG

Part Number	Figure and Index No.
19092-00	25-30
19092-00	34-23
19094-02	12-75
19094-02	12B-2
19094-03	12-75
19095-00	12-76
19095-02	12-76
19095-02	12B-3
19095-04	12B-3
19098-00	25-29
19098-00	34-22
19101-00	43-74
19103-00	21-37
19106-03	18-75
19107-03	18-16
19107-07	18-16
19108-00	21-38
19108-00	21A-38
19110-00	21-39
19110-00	21-40
19128-00	51-20
19128-00	51-83
19130-00	40-2
19131-00	40-3
19132-00	40-4
19133-00	40-5
19134-00	40-6
19139-00	25-82
19139-00	44-10
19143-00	44-11
19145-00	25-83
19145-00	44-13
19147-00	44-12
19155-03	24-47
19155-03	25-42
19161-00	13-1
19166-04	13-2
19166-05	13-3
19166-09	13-6
19166-11	13-10
19166-18	13-5
19166-21	13-9
19166-23	13-5
19166-23	13-8
19167-00	38D-13
19168-02	27-28
19169-00	40-7
19171-02	27-18
19173-00	39A-27
19173-02	39A-27
19175-02	38D-15
19175-03	38D-16
19186-00	7-39
19238-02	37-39
19241-00	40-11
19260-00	52-37
19263-03	36-41
19263-04	36-41

Part Number	Figure and Index No.
19271-00	14-49
19275-02	12-49
19275-03	12-49
19283-03	3-31
19283-04	3-31
19283-09	3-28a
19283-10	3-28a
19283-10	3-29a
19283-12	3-30
19283-13	3-30
19287-00	3-50
19287-01	3-50
19288-00	21-44
19289-00	35-76
19294-00	3-92
19294-01	3-92
19295-00	3-93
19298-00	9-28
19299-00	9-25
19302-00	3-91
19303-00	2-10
19304-00	17-24
19304-00	17-44
19304-00	17A-29
19304-00	17B-46
19323-00	38-16
19323-00	38A-20
19324-00	38-15
19326-00	6-46
19327-00	6-40
19327-03	6-45
19327-05	6-40
19331-02	47-20
19331-03	21A-46
19331-04	21A-45
19331-05	21A-44
19331-06	21A-43
19331-06	21A-44
19331-06	21A-47
19331-07	21A-48
19336-00	17-19
19336-00	17-39
19336-00	17A-34
19336-00	17B-51
19336-01	17-19
19336-01	17-39
19336-01	17A-34
19336-01	17B-51
19345-03	20-36
19346-03	20-37
19347-03	20-38
19354-00	6A-62
19354-00	21-1
19354-04	6A-62
19359-00	17-23
19359-00	17-43
19359-00	17A-30
19359-00	17B-47

Part Number	Figure and Index No.
19365-00	17-22
19365-00	17-42
19365-00	17A-32
19365-00	17B-49
19377-00	20-15
19379-00	10-59
19379-02	10-59
19379-03	10A-15
19379-03	10B-24
19379-03	10C-22
19379-04	10C-22
19380-06	20-13
19380-06	20-32
19388-02	17-5a
19388-02	17-26a
19392-12	17-17
19392-12	17-37
19392-13	17-17
19392-13	17-37
19392-15	17A-31
19392-15	17B-48
19392-16	17A-28
19392-16	17B-45
19392-17	17A-28
19392-17	17B-45
19394-00	17-16
19394-02	17A-14
19402-00	17-5b
19402-00	17-26b
19417-02	7A-22
19417-03	7A-23
19436-06	12-80
19436-08	12-80
19436-10	12-80
19436-12	12-80
19436-14	12-80
19436-15	12-80
19436-16	12-80
19436-17	12-80
19447-02	6-60
19447-03	6-61
19447-04	6-58
19447-05	6-59
19447-13	6-49
19447-18	6-39
19447-19	6-13
19447-20	6-52
19452-00	19-39
19452-00	43-75
19453-02	19-19
19455-00	17-18
19455-00	17-38
19459-02	2-10
19459-03	2-10
19460-00	37-29
19460-00	37A-37
19462-00	36-15
19477-09	8-37

Part Number	Figure and Index No.
19477-09	20-23
19497-02	11-40
19497-03	11-39
19505-00	10-21
19508-00	11-42
19508-01	11-41
19509-02	11-44
19509-03	11-43
19512-04	14-29
19512-05	14-29
19512-07	14-28
19513-35	37-9
19513-35	37A-32
19513-52	15A-54
19513-52	24-78
19513-53	15-91
19513-53	15A-87
19513-75	20A-22
19513-75	20A-39
19513-83	24-80
19515-00	6-24
19519-00	11-32
19521-00	10-32
19521-00	39A-38
19525-00	7-67
19526-02	10-20
19526-03	10-20
19531-03	10-75
19531-04	10-75
19534-00	7-57
19535-00	6-25
19535-01	6-25
19536-02	39A-42
19540-00	10-55
19543-00	10-23
19551-00	10-50
19551-02	10-50
19552-00	7-37
19552-01	7-38
19552-02	7-37
19552-03	7-38
19553-02	6-22
19553-04	6-21
19560-00	10-58
19560-00	10-58a
19561-00	57-13
19562-00	57-14
19563-00	57-15
19564-00	7-47
19590-02	12-100
19602-09	12-77
19602-10	12-77
19602-11	12-77
19602-12	12-77
19602-13	12-79
19602-14	12-79
19602-15	12-79
19602-16	12-79

PIPER PARTS CATALOG

Part Number	Figure and Index No.
19602-21	12-79
19602-22	12-79
19602-23	12-79
19602-24	12-79
19602-25	12-77
19602-26	12-77
19602-27	12-77
19602-28	12-77
19619-00	12-73
19619-00	12B-16
19626-04	12-52
19626-05	12-52
19626-06	12-52
19626-07	12-52
19627-02	18-59
19628-00	18-50
19629-00	18-29
19630-03	18-63
19631-03	18-2
19634-00	35-40
19634-03	35A-62
19634-03	35B-9
19635-00	19-23
19635-03	19-23
19635-06	19-23
19635-07	19-23
19636-03	19-24
19637-00	18-27
19637-02	18A-33
19639-00	18-71
19644-00	15-53a
19644-00	15A-31
19649-00	12-53
19650-00	10-61
19655-00	15-38
19655-00	15A-22
19668-00	15-65
19697-03	10-6
19697-03	10A-5
19697-03	10B-4
19697-03	10C-4
19697-03	10D-2
19697-03	10E-2
19697-05	10A-5
19697-05	10B-4
19697-05	10C-4
19697-05	10D-2
19697-05	10E-2
19722-00	12-50
19731-02	10-22
19731-06	10-22
19734-00	5-12
19734-07	5-12
19746-00	43-85
19746-00	43A-16
19747-00	19-47
19748-00	19-49
19749-00	10F-14

Part Number	Figure and Index No.
19749-00	19-51
19751-00	10F-15
19751-00	19-52
19752-00	43-61
19752-00	43B-13
19753-00	43-60
19753-00	43B-14
19754-00	27-9
19754-03	27-9
19756-00	43A-68
19770-00	9-29
19770-01	9-30
19782-00	18-22b
19785-00	12-78
19785-00	12B-30
19786-00	18-63
19787-00	12-95
19788-00	12-95
19790-02	20-9
19790-03	20-8
19790-09	20A-1
19790-10	20A-2
19790-11	20A-3
19790-11	20B-4
19790-12	20A-4
19790-19	38F-7
19790-20	38F-6
19790-24	20A-44
19790-32	20B-5
19790-33	20B-6
19793-00	12-94
19793-02	12-94
19795-00	2-38
19795-00	2-40
19795-00	2-42
19795-00	14-88
19795-00	29-13
19796-00	12-54
19798-00	12-96
19798-00	14-95
19799-00	34A-7
19799-00	34B-7
19800-00	34-9
19800-00	34A-6
19800-00	34B-6
19800-04	34A-17a
19800-04	34B-22
19802-02	6-39a
19802-03	6-39d
19802-05	16B-60
19802-05	16C-56
19803-00	34-7
19803-00	34A-9
19803-00	34A-17c
19803-00	34B-9
19803-00	34B-24
19804-00	43-140
19804-00	43C-75

Part Number	Figure and Index No.
19807-00	38B-35
19808-00	49-38
19808-02	49-38
19811-02	12-93
19811-03	12-93
19823-00	15-7
19823-00	15A-55
19826-00	6-30
19827-00	6-56
19830-00	6-52
19836-00	15-59e
19836-00	15A-56
19837-00	15-59b
19844-00	14-48a
19847-00	20-34
19848-00	15-59g
19848-02	15-59g
19851-00	10-61
19852-00	10-58
19852-02	10-58
19853-00	10-58a
19854-00	10-20
19857-00	39A-46
19857-00	39B-13
19859-00	15-27
19859-00	15A-42
19860-00	6-20
19860-03	6-20
19860-03	10-60
19864-00	11-2
19871-00	20-16
19883-02	5-15
19883-03	5-15
19883-04	5-17
19883-05	5-17
19883-06	5-16
19883-07	5-16
19885-00	60-23
19885-00	61-4
19886-00	57-37
19889-00	20-33
19890-00	18-67
19891-00	18-63
19892-00	18-15
19892-00	18A-34
19893-00	18-15a
19893-00	18A-35
19897-00	10-17
19897-00	57-21
19897-00	57-36
19897-00	60-28
19897-00	60-33
19899-00	60-24
19900-00	53-34
19901-00	18-76
19901-00	18A-8
19905-00	53-35
19907-00	18-75

Part Number	Figure and Index No.
19907-00	18A-9
19912-00	15-24
19912-01	15-24
19913-00	21-70
19914-00	21-36
19916-00	21-73
19919-00	15-9
19919-08	15-9
19919-08	15A-57
19920-00	35B-74
19926-00	21-76
19927-02	12-40
19927-03	12-40
19927-04	12-40
19927-07	12-40
19927-09	12A-62
19927-10	12A-62
19928-02	12-44
19928-04	12-44
19930-00	10-56
19934-02	17-4
19934-03	17-4
19934-20	17-6
19934-21	17-6
19934-22	17-5
19934-23	17-5
19934-23	17-26
19934-33	17-4
19934-34	17-4
19934-35	17-6
19934-36	17-6
19934-37	17-5
19934-37	17-26
19934-38	17-5
19934-41	17-4
19934-42	17-4
19934-43	17-6
19934-44	17-6
19934-45	17-5
19934-45	17-26
19934-46	17-5
19934-49	17-4
19934-50	17-4
19934-51	17-6
19934-52	17-6
19934-58	17-5
19934-59	17-5
19934-59	17-26
19934-71	17-4
19934-72	17-4
19934-73	17-6
19934-74	17-6
19934-75	17-5
19934-75	17-26
19934-76	17-5
19934-77	17-4
19934-78	17-4
19934-79	17-6

PIPER PARTS CATALOG

Part Number	Figure and Index No.
19934-80	17-6
19934-81	17-5
19934-81	17-26
19934-82	17-5
19934-83	17-4
19934-84	17-4
19934-85	17-6
19934-86	17-6
19934-87	17-5
19934-87	17-26
19934-88	17-5
19935-05	17-45
19935-06	17-47
19935-07	17-46
19936-00	11-52
19937-02	17-25
19937-03	17-25
19937-04	17-27
19937-05	17-27
19937-06	17-25
19937-07	17-25
19937-08	17-27
19937-09	17-27
19937-10	17-25
19937-11	17-25
19937-12	17-25
19937-13	17-25
19937-14	17-27
19937-15	17-27
19937-16	17-25
19937-17	17-25
19937-18	17-27
19937-19	17-27
19937-20	17-25
19937-21	17-25
19937-22	17-27
19937-23	17-27
19937-24	17-25
19937-25	17-25
19937-26	17-27
19937-27	17-27
19937-28	17-25
19937-29	17-25
19937-30	17-27
19937-31	17-27
19939-00	11-51
19940-00	10-39
19941-00	15-4c
19942-00	19-14
19943-02	17-57
19943-07	17-57
19943-08	17-57
19943-17	17-57
19943-22	17-57
19947-00	12-43
19950-00	10-22b
19951-00	10-21j
19952-00	10-21j

Part Number	Figure and Index No.
19955-00	12-50
19956-20	12-16
19956-24	12-16
19957-21	12-11
19957-24	12-11
19957-27	12-11
19959-04	12-80
19959-10	12-80
19959-12	12-80
19959-14	12-80
19959-16	12-80
19959-18	12-80
19959-18	12B-17
19959-20	12-80
19959-22	12-80
19959-22	12B-17
19959-23	12-80
19959-23	12B-17
19959-24	12-80
19959-24	12B-17
19959-25	12-80
19959-26	12-80
19960-02	12-6
19960-13	12-10b
19961-21	12-19
19961-25	12-19
19962-18	15-75
19962-38	15-75
19962-46	15-75
19963-18	12-20
19963-21	12-20
19963-24	12-20
19966-18	12-25
19966-22	12-25
19969-00	12-116
19969-00	12A-21
19971-00	15-23
19971-00	15A-5
19971-02	15-23a
19971-02	15A-6
19976-00	3-95
19976-01	3-95
19978-00	12-79
19978-02	12-79
19978-03	12-79
19978-04	12-79
19978-05	12-79
19978-06	12-79
19978-07	12-79
19978-07	12B-35
19978-08	12-79
19978-09	12-79
19978-10	12-79
19979-00	12-77
19979-02	12-77
19979-03	12-77
19979-04	12-77
19979-05	12-77

Part Number	Figure and Index No.
19979-06	12-77
19979-07	12-77
19979-07	12B-34
19979-08	12-77
19979-09	12-77
19979-10	12-77
19983-00	15-35
19984-13	15-2
19985-03	15-28
19985-09	15-28
19985-11	15-28
19985-13	15-28
19985-15	15-28
19985-16	15-28
19987-00	14-62
19987-00	35A-12
19987-00	47-5
19991-00	57-15
19992-00	15-5
19992-00	15A-20
19993-00	57-13
19994-03	12-110
19994-04	12-110
19994-05	12-110
19994-09	12-110
19994-10	12-110
19994-13	12-110
19994-14	12-110
19994-14	12A-30
19994-15	12-110
19994-15	12A-30
19994-19	12-110
19994-19	12A-30
19994-21	12-110
19994-21	12A-30
19994-23	12-110
19994-23	12A-30
19994-25	12-110
19994-25	12A-30
19994-27	12-110
19994-27	12A-30
19994-29	12-110
19994-29	12A-30
20193-24	29A-11
20193-25	29A-35
20193-25	29B-12
20204-00	29-16
20370-00	6A-102
20370-00	11-57
20372-03	6A-63
20534-00	51A-2
20650-00	10-49
20650-05	10-37
20663-03	12-35
20663-04	12-36
20663-08	12-37
20663-08	12-54
20663-09	12-35

Part Number	Figure and Index No.
20663-10	12-36
20663-11	12-37
20663-11	12-54
20737-15	29-6a
20744-02	14-67
20802-03	51-7
20834-00	51-6
20834-05	51-6
20834-05	51-6a
20834-08	51-6a
20834-09	51-6
20834-09	51-6a
20840-03	51-4
20988-02	8-38
20988-03	8-38
21025-02	14-106
21025-04	14-98
21027-00	14-102
21027-02	14-105
21027-03	14-104
21027-04	14-112
21100-00	27-53
21146-00	32-17
21146-02	32-32
21146-03	30C-70
21226-00	30-43
21227-00	35-22
21227-00	43-136
21230-00	35-3
21459-00	30-18
21459-00	30A-30
21459-00	30C-41
21510-00	29C-13
21510-02	29-7
21517-00	32-17
21518-00	32-18
21519-00	47-9
21537-02	35-2
21537-03	35-4
21537-04	35-5
21537-05	35-6
21537-06	35-1
21538-02	35-7
21538-03	35-9
21538-04	35-8
21657-00	35-21
21788-00	10-13a
21788-03	10-13a
21788-03	10A-109
21788-03	10B-100
21788-03	10C-78
21788-03	10D-32
21831-03	51-19
21922-00	20-18
21922-01	20-17
22045-00	20-15
22221-00	10-58
22326-00	53-2

PIPER PARTS CATALOG

Part Number	Figure and Index No.
22327-00	53-3
22327-02	53-21
22327-03	53-4
22327-03	53-22
22327-04	53-36
22327-05	53-37
22329-00	53-1
22369-05	21A-61
22369-09	35A-63
22369-09	35B-25
22369-11	38E-6
22369-12	38E-5
22369-13	21A-60
22369-13	35B-26
22369-13	37-22
22369-19	21A-5
22369-32	16B-64
22369-32	16C-60
22369-38	16C-54
22369-44	20B-5
22427-00	14-76
22472-11	20A-14
22472-11	20B-12
22478-00	6A-89a
22478-00	6A-93a
22478-05	6-72
22478-07	6A-156
22478-08	6A-93a
22482-00	6-73
22482-00	6A-89b
22482-00	6A-93b
22502-06	21A-12
22502-07	21-71
22502-19	20-21
22502-20	21-84
22502-20	21A-14
22502-22	20-10
22502-22	20A-10
22502-22	20B-9
22502-23	21-11
22502-23	21A-12
22502-23	21A-12a
22502-23	21A-15
22502-24	35A-13
22502-26	20-1
22502-26	20A-11
22502-34	35A-13
22502-41	21A-12a
22502-53	30A-54
22502-53	30C-14
22502-54	20A-12
22502-54	20B-10
22502-58	21A-16
22502-64	20A-42
22502-64	20B-11
22502-65	30A-32
22502-80	20A-46
22514-00	18-78

Part Number	Figure and Index No.
22546-00	60-25
22546-02	61-8
22615-00	15-92
22615-00	15A-88
22616-00	14-57
22616-01	14-57
22641-02	15-93
22641-02	15A-89
22673-04	18-62
22673-06	18-62
22673-08	21-31
22793-00	51-24
22793-00	51-88
22856-05	39A-42
22856-05	58-14
22856-05	59-3
22856-05	61-2
22856-05	61A-9
22991-00	35-1
23052-02	17-64
23052-03	17-64
23052-04	17-64
23094-02	30A-40
23097-00	30A-41
23100-00	53-1
23183-00	14-58
23183-00	15-82
23183-00	15-116
23183-00	15A-84
23183-00	15A-114
23183-00	38A-53a
23194-00	34A-18
23194-00	34B-34
23195-13	35B-10
23302-00	16B-58
23303-00	12-10a
23333-02	35A-54
23333-03	35B-34
23333-04	35B-33
23333-04	35B-34
23339-04	20A-7
23339-04	20B-2
23463-11	15-4
23463-12	15-4
23463-17	12-117
23463-18	12-117
23463-22	15-4
23463-24	12-117
23463-26	15-4
23463-27	15-4
23463-28	15-4
23463-29	15-4
23463-30	15-4
23463-36	12-117
23463-37	12-117
23463-38	12-117
23463-39	12-117
23463-40	12-117

Part Number	Figure and Index No.
23469-00	17-64
23469-07	17-64
23469-12	17-64
23469-13	17-64
23469-14	17-64
23515-09	14-97
23515-10	14-97a
23745-10	35B-21
23745-11	35B-24
23745-12	35B-23
23745-12	35B-24
23815-00	30A-50
23815-00	30C-3
23818-00	30A-51
23818-00	30C-5
23819-00	30A-52
23819-00	30C-47
23819-04	30A-52
23819-04	30C-47
23844-00	38A-42
23844-00	38C-57
23857-00	10-3
23857-00	10A-9
23857-00	10B-11
23857-00	10C-11
23857-00	10D-3
23857-00	10E-3
23969-02	38G-18
23969-02	41-14
23969-02	41A-9
23969-04	38G-19
23969-04	41-14
23969-04	41A-10
23969-05	38F-38
23969-05	38G-20
24019-02	14-119
24037-00	35A-57
24042-00	14-120
24091-00	37A-54
24123-00	37A-55
24158-00	12-56d
24158-00	38A-38
24159-190	41-3
24159-191	41-3
24159-209	38C-6
24245-00	17-66
24246-00	17-5c
24246-00	17-26b
24247-02	17-57a
24247-03	17-57a
24247-04	17-57a
24247-14	17-57a
24247-15	17-57a
24247-16	17-57a
24247-26	17-57a
24247-30	17-57a
24247-34	17-57a
24258-02	8-7a

Part Number	Figure and Index No.
24282-00	8-7b
24373-00	38A-81
24381-00	10F-1
24381-00	19-57
24381-00	38B-23
24381-00	38C-23
24567-00	15-59f
24567-00	15A-58
24622-04	30A-18
24622-08	30A-18
24622-12	31C-1
24622-15	30A-18
24622-16	31C-1
24622-22	31C-1
24623-00	16B-65
24623-00	16C-61
24623-00	34B-34
24636-02	61-46
24641-00	38A-59b
24641-00	61A-32a
24671-00	21A-31
24704-00	38-33
24704-00	38A-57
24712-00	10-14
24712-00	10-17
24712-02	10A-63
24712-02	59-7
24712-02	59A-24
24712-02	61A-11
24712-02	62-37
24754-00	30A-9
24805-03	61-49
24935-00	12-125
25008-00	58-29
25008-00	61-51
25016-00	34A-91
25036-00	61-53
25037-00	61-45
25130-00	58-31
25223-02	17-57b
25223-03	17-57b
25223-04	17-57b
25223-12	17-57b
25223-15	17-57b
25223-18	17-57b
25223-24	17-57b
25223-25	17-57b
25223-30	17-57b
25223-33	17-57b
25223-36	17-57b
25223-39	17-57b
25223-42	17-57b
25223-45	17-57b
25223-48	17-57b
25223-51	17-57b
25233-06	17-5d
25233-06	17-26c
25233-09	17-5a

PIPER PARTS CATALOG

Part Number	Figure and Index No.	Part Number	Figure and Index No.	Part Number	Figure and Index No.	Part Number	Figure and Index No.
25233-09	17-26a	25960-04	61A-26	26995-04	39C-37	28352-02	29B-13
25290-05	19-43	25960-04	62-29	27004-00	Misc	28352-07	29B-13a
25394-00	16B-61	25960-25	59-8	27046-04	40A-4	28353-02	59A-18
25394-00	16C-57	25960-25	61A-25	27129-02	38A-57	28353-02	64-49
25397-04	16A-5	25960-25	62-30	27129-03	38A-57	28353-02	65-49
25552-03	12B-28	26088-02	53-49	27129-04	38A-57	28353-02	66-39
25552-03	17B-33a	26088-03	53-49	27178-00	10A-95	28353-02	67-31
25568-03	16C-52	26088-04	53-49	27214-00	61A-69	28353-02	68-39
25568-11	16C-53	26088-06	53-49	27214-00	66-43	28353-02	69-31
25568-22	16C-49	26088-08	53-49	27214-00	67-58	28360-02	64-42
25568-23	16C-51	26088-09	53-49	27274-00	39C-24	28360-02	65-42
25596-00	38-36	26088-12	53-49	27483-02	36B-2	28362-02	65-9
25596-00	38A-60	26088-13	53-49	27822-00	17B-40	28362-03	65-9
25596-00	61-47	26100-00	59-24	27822-01	17B-40	28362-04	64-9
25596-00	61A-17	26100-00	61A-60	28208-00	10C-38	28362-07	65-9
25603-00	16B-62	26156-00	53-57	28208-00	10C-39	28362-08	64-9
25603-00	16C-58	26255-00	10-13a	28208-00	10E-25	28365-02	64-43
25671-00	61A-8	26255-00	10A-109	28278-02	33A-2	28365-02	65-43
25673-00	59-1	26255-00	10B-100	28278-03	33A-1	28366-02	4-45
25690-02	59A-7	26255-00	10D-32	28278-12	33A-4	28366-03	4-45
25690-02	63-13	26272-00	10-103	28279-02	33A-2	28367-02	64-13
25697-00	16B-63	26273-00	10-104	28279-03	33A-1	28367-02	65-13
25697-00	16C-59	26273-00	10A-52	28279-14	33A-4	28368-02	43A-20
25700-03	10-5	26564-00	10A-82	28285-02	7-41	28372-02	29B-4
25700-03	10A-2	26564-00	10B-80	28288-02	11-61	28372-03	29B-4
25700-03	10B-1	26564-00	61A-66	28298-02	75-6	28374-02	12B-44
25700-03	10C-1	26564-00	62-38	28303-02	68-18	28376-02	38G-1
25700-03	10D-4	26564-00	64-51	28311-02	43B-20	28386-02	15A-13
25700-03	10E-4	26564-00	65-51	28311-03	43B-20	28387-02	15A-3
25701-00	10-91	26564-00	69A-20	28312-02	43B-21	28388-02	14-32
25704-00	3-2	26749-07	18A-22	28312-03	43B-21	28388-02	15A-1
25704-00	3-4	26749-09	42C-10	28314-02	43A-14	28388-03	14-32
25704-00	3-6	26749-09	42D-6	28315-02	43A-15	28388-03	15A-1
25704-00	3-8	26753-00	10B-20	28316-02	43A-19	28390-02	15A-2
25705-00	10A-65	26753-00	10C-19	28317-02	43A-18	28391-03	15A-75b
25705-00	10B-79	26753-00	10C-19a	28319-02	43B-13	28393-02	43A-28
25705-00	61A-55	26838-00	61A-65	28320-02	43B-14	28397-02	12A-2
25707-00	61A-18	26870-00	64-34	28322-02	43B-27	28398-02	12A-2
25716-00	59-11	26870-00	65-34	28323-02	43B-25	28399-02	12A-3
25716-00	61A-21	26870-00	69A-8	28324-02	43B-24	28408-02	12A-5
25726-00	14-99	26874-00	30C-37	28325-02	43B-26	28412-02	10C-79
25727-00	14-107	26875-03	39C-15a	28334-02	38A-25	28413-02	12A-58
25743-00	59-10	26875-04	39C-15a	28334-03	38A-25	28414-02	12A-103
25743-00	61A-20	26882-00	61A-47	28336-02	6A-93a	28415-02	12A-104
25801-02	17-2	26882-02	62-8	28339-02	68-4	28416-02	14-115
25801-02	17A-2	26890-00	30A-66	28339-02	69-52	28416-03	14-115
25801-02	17B-65	26890-00	30C-81	28339-03	64-38	28418-02	12A-105
25801-03	17-2	26898-05	41A-13	28339-03	65-38	28419-02	12A-107
25801-03	17A-2	26934-00	61A-61	28345-04	12B-36	28420-02	20B-27
25801-04	17-2	26934-00	62-56	28345-05	12B-34	28420-03	20B-27
25801-04	17A-2	26934-00	63-50	28345-06	12B-35	28420-05	20B-27
25801-05	17-1	26934-00	64-35	28346-02	43B-12	28422-02	12A-104
25801-05	17A-1	26934-00	65-35	28347-02	8-85	28423-02	12A-104
25801-05	17B-36	26934-00	66-23	28347-05	8-85	28424-02	12A-105
25801-06	17-1	26934-00	67-57	28348-02	15A-83a	28425-02	15A-22
25801-06	17A-1	26934-00	68-23	28349-02	15A-81	28427-02	12A-101
25801-07	17-1	26934-00	69-57	28350-02	8-63	28428-02	12A-102
25801-07	17A-1	26995-00	39C-37	28350-04	8-63	28429-02	12A-10

PIPER PARTS CATALOG

Part Number	Figure and Index No.
28429-06	12A-9
28432-02	38A-76
28436-02	8-63
28436-04	8-63
28437-02	15A-81
28438-02	12A-7
28440-02	15A-4
28445-02	12A-97
28447-02	12A-41
28451-02	20B-17
28452-02	12A-17
28459-02	12A-67
28463-02	12A-67
28465-03	15A-75a
28465-04	15A-75a
28465-05	15A-75a
28465-06	15A-75a
28465-07	15A-75a
28466-02	29B-16
28467-03	15-118
28467-03	15A-110
28472-02	30C-49
28476-02	42B-28
28478-02	17B-5
28478-03	17B-39
28479-02	17B-8
28479-13	17B-8
28484-02	17B-41
28484-03	17B-41
28485-02	17B-34
28485-03	17B-34
28486-02	17B-64
28488-02	30C-78
28489-02	30C-55
28490-04	37A-20
28490-05	37A-20
28491-02v	6A-126
28491-04	6A-126
28492-02	6A-125
28492-03	6A-125
28495-02	Misc
28499-02	30C-55
28502-02	69A-10
28504-02	69A-11
28507-02	69A-16
28509-02	69A-15
28512-02	69A-12
28514-02	69A-14
28515-02	69A-13
28517-02	69A-17
28523-02	15A-113
28533-02	69A-31
28534-02	10C-89
28535-02	7A-36
28537-02	12A-90
28541-02	38C-62
28542-06	38C-65
28544-02	7-88

Part Number	Figure and Index No.
28544-03	7-88
28545-02	7-94
28547-02	7-95
28548-02	17B-2
28548-02	17B-35
28549-02	43A-11
28552-02	21A-56
28553-02	12A-50a
28555-02	64-49
28555-02	65-47
28555-02	68-39
28555-02	69-31
28555-02	69A-37
28567-02	17B-63
28567-03	17B-63
28568-02	12A-50b
28570-02	48-27
28571-02	48-26
28572-02	48-30
28573-02	24-82
28577-02	17B-58
28581-02	43A-33
28584-02	30A-71
28587-02	51-74
28587-03	29-31
28587-03	51-76
28589-02	29-42
28589-02	51-10
28591-02	29C-32
28592-02	29C-65
28596-03	21A-36g
28597-02	21A-36
28601-02	43A-98
28603-02	21A-36f
28604-02	12A-19
28604-03	12A-19
28609-02	17B-75a
28609-02	17B-80
28611-02	Misc.
28613-02	30A-71
28615-02	19-11
28616-02	15A-17
28618-02	8-88
28619-02	8-89
28620-02	14-126
28623-02	43A-100
28624-02	9-15
28624-03	9-15
29016-02	39C-47
29993-120	41-4
29993-120	41A-3
29997-05	63-47
29997-06	6A-153
29999-10	12A-79
29999-11	12A-79
30002-00	39A-41
30005-00	10-21a
30005-03	10-21a

Part Number	Figure and Index No.
30006-00	10-22a
30007-00	10-21
30007-02	10-21
30007-02	Misc.
30008-00	10-22
30010-00	38D-1
30012-00	39A-47
30012-00	39B-18
30014-00	10-21b
30014-00	10-22c
30015-00	52-28
30019-00	41-13
30019-01	41-13
30024-00	38D-4
30024-00	38F-3
30025-00	10-58
30025-00	10-58a
30025-00	52-55
30026-00	10-45
30027-239	41-4
30028-00	52-60
30029-00	10-41
30030-00	10-48
30033-00	42-2
30034-00	42-3
30035-00	6-20
30035-00	10-60
30043-00	38D-2
30044-00	38D-5
30046-00	32-12
30046-00	42-4
30048-00	16-23
30049-00	5-1
30055-00	16-3
30056-00	16-4
30059-00	52-61
30060-02	6-54a
30060-03	6-54b
30063-00	6-52
30063-02	6-59
30063-03	6-52
30064-00	16-9
30068-00	6-69
30069-00	6-70
30072-00	52-15
30076-00	52-62
30102-00	10-26
30104-00	39A-57
30105-00	38D-6
30105-00	38F-4
30106-00	35A-19
30107-00	35A-16
30112-00	11-13
30112-00	35A-17
30113-00	35A-18
30114-00	10-50
30114-00	10A-7
30114-00	35A-21

Part Number	Figure and Index No.
30114-03	10-50
30119-00	35A-20
30123-00	35A-22
30137-00	15-18b
30137-00	15A-59
30138-00	15-18a
30138-02	15-18a
30138-02	15A-60
30139-00	14-36
30140-00	35A-14
30142-00	35A-6
30145-00	35A-6
30146-00	35A-14
30148-00	35A-29
30148-01	35A-29
30149-00	35A-59
30149-00	35B-73
30155-02	35-68
30155-02	35A-23
30155-03	35-17
30155-04	35-17
30155-04	35A-24
30160-00	36-45
30160-00	36A-7
30160-00	36B-7
30176-00	51-13
30178-00	30-38
30186-00	5-1
30186-02	5-1
30187-02	10-60
30192-00	43-105
30194-02	32-10
30194-03	32-10
30199-02	29D-16
30205-02	47-23
30205-02	47-31
30205-07	47-33
30205-08	47-31
30206-00	7-74
30216-03	10F-13
30216-03	19-56
30216-04	10F-13
30216-04	19-56
30216-05	10F-13
30216-05	19-56
30234-00	10A-44
30248-00	19-15
30248-00	19-26
30249-00	19-26
30253-00	52-23
30254-00	52-24
30265-02	10-22a
30266-00	30B-3
30273-02	10-22
30273-02	Misc
30279-00	57-14
30279-00	58-25
30279-00	60-26

PIPER PARTS CATALOG

Part Number	Figure and Index No.
30279-00	61-7
30282-00	60-27
30282-00	61-3
30283-00	7A-27
30284-00	39A-39
30289-00	13-8
30292-00	13-5
30295-00	34-51
30310-00	53-1
30313-00	39A-53
30313-00	39B-24
30313-00	52-54
30321-00	29-6
30321-01	29-6
30325-00	29-4
30325-01	29-4
30340-00	6-20
30348-02	33-10
30348-02	35A-25
30348-13	33-8
30348-13	35A-26
30348-14	33-9
30348-17	35A-27
30349-08	33-11
30349-08	35A-25
30349-09	33-7
30349-09	35A-26
30349-10	33-6
30349-14	35A-27
30353-02	10-7
30353-07	10-7
30353-08	10-7
30353-14	10-7
30353-14	10A-10
30353-14	10B-8
30353-14	10C-8
30353-14	10D-10
30353-14	10E-10
30353-24	10C-8
30353-24	10E-10
30354-00	14-73
30354-03	14-73
30355-00	14-72
30357-00	8-67
30359-00	8-55
30359-01	8-55
30360-00	8-56
30362-00	8-16
30362-01	8-16
30365-00	8-12
30365-09	8-12
30367-00	15-85
30368-00	8-14
30368-01	8-14
30373-00	8-57
30374-00	8-54
30375-00	15-80
30379-00	39A-41

Part Number	Figure and Index No.
30380-00	8-15
30380-01	8-15
30381-00	8-13
30381-01	8-13
30383-00	15-86
30384-00	8-22
30386-00	9-17
30386-00	9-47
30386-00	9-48
30386-00	9-48a
30388-00	8-59
30388-00	14-68
30388-00	15-79
30389-00	9-42
30389-01	9-42
30390-00	9-44
30392-00	5-4
30392-00	9-1
30392-04	5-4
30392-04	9-1
30392-05	5-4
30392-05	9-1
30392-06	5-4
30392-06	9-1
30392-07	9-1
30394-00	9-40
30394-01	9-40
30395-00	9-41
30395-01	9-41
30396-00	9-43
30397-00	6A-81
30402-00	6A-14
30402-02	6A-14
30403-04	6A-15
30405-00	8-58
30405-00	15-81
30409-00	6A-16
30410-00	5-3
30410-00	8-1
30410-06	8-43
30410-07	8-44
30410-08	8-46
30410-09	8-46
30410-12	5-3
30410-12	8-1
30413-03	6A-17
30414-00	6A-95
30414-03	6A-95
30415-01	6A-34
30415-04	6A-34
30416-00	6A-19
30417-00	6A-18
30419-00	6A-39
30419-02	6A-40
30422-06	6A-20
30422-07	6A-20
30422-09	6A-65
30422-10	6A-65

Part Number	Figure and Index No.
30424-00	6A-21
30425-00	6A-66
30425-01	6A-66
30426-04	15-83
30426-04	15-94
30426-04	15A-79
30426-04	15A-90
30427-00	6A-97
30428-00	6A-67
30430-00	6A-38
30431-00	6A-22
30435-00	6A-68
30435-01	6A-68
30435-04	6A-68
30436-00	6A-85
30436-01	6A-85
30437-00	6A-23
30437-01	6A-23
30438-00	6A-103
30438-00	6A-139
30444-00	6A-24
30446-02	6A-25
30446-03	6A-26
30446-04	6A-27
30446-05	6A-28
30447-00	6A-70
30448-00	6A-71
30448-00	21-86
30449-00	6A-72
30449-00	21-87
30449-04	6A-72
30451-00	8-60
30453-00	8-60
30454-00	8-62
30456-00	6A-73
30456-04	6A-73
30457-00	6A-74
30457-04	6A-74
30458-00	7-78
30459-00	7-77
30460-00	6A-75
30461-02	6A-110
30463-00	6A-76
30463-00	21-85
30463-07	6A-76
30464-00	6A-98
30464-01	6A-98
30468-00	14-84b
30469-00	14-84
30472-00	14-30
30474-00	6A-45
30474-01	27A-9
30475-00	6A-77
30475-01	6A-77
30477-00	14-79
30478-00	14-75
30478-09	14-75
30479-00	6A-78

Part Number	Figure and Index No.
30481-00	6A-79
30485-00	38A-80
30486-00	6A-46
30486-02	6A-47
30486-03	6A-48
30486-04	6A-49
30486-05	6A-48
30486-06	6A-49
30486-07	6A-46
30487-02	6A-106
30488-00	6A-80
30489-00	6A-1a
30489-02	6A-3
30489-03	6A-7
30489-04	6A-4
30489-05	6A-8
30489-06	6A-5
30489-07	6A-9
30489-08	6A-2
30489-09	6A-6
30489-10	6A-11
30489-11	6A-11
30489-12	6A-12
30489-13	6A-13
30489-14	6A-10
30495-00	40-6
30496-00	40-12
30497-00	40-7
30498-00	40-13
30500-00	6A-50
30500-02	6A-52
30500-03	6A-58
30500-04	6A-55
30500-05	6A-53
30500-06	6A-53
30500-07	6A-59
30500-08	6A-56
30500-09	6A-51
30500-10	6A-54
30500-11	6A-57
30500-14	6A-50
30500-15	6A-55
30500-16	6A-54
30500-17	6A-50
30500-18	6A-55
30500-19	6A-54
30500-20	6A-50
30500-21	6A-50
30502-00	6A-86
30502-01	6A-90
30502-02	6A-87
30502-04	6A-88
30502-05	6A-92
30502-06	6A-89
30502-07	6A-93
30502-10	6A-86
30502-11	6A-87
30502-11	6A-91

PIPER PARTS CATALOG

Part Number	Figure and Index No.
30502-13	6A-90
30502-14	6A-86
30502-15	6A-90
30502-17	6A-91
30502-19	6A-90
30505-00	10-65
30507-00	10-22b
30508-00	14-27
30509-00	6A-31
30509-00	6A-140
30509-01	6A-31
30509-01	6A-140
30509-14	6A-140
30509-15	6A-140
30511-00	24-17
30513-00	6A-82
30513-00	24-18a
30514-00	8-69
30515-00	6A-29
30515-01	6A-29
30517-00	6A-101
30517-06	6A-101
30519-04	14-29
30519-05	14-29
30519-07	14-28
30520-00	6A-83
30520-01	6A-83
30523-00	14-85
30524-00	14-77
30525-00	14-80
30526-00	14-78
30527-00	7-76
30528-02	14-92
30528-03	14-92
30528-04	14-92
30528-05	14-92
30528-06	14-92
30528-07	14-92
30528-11	14-92
30528-12	14-92
30528-13	14-92
30533-00	6A-36
30533-02	6A-36
30535-00	6A-37
30535-02	6A-37
30537-00	6A-43
30537-01	6A-43
30538-00	6A-41
30538-01	6A-41
30540-04	6A-94
30542-02	6A-1
30542-03	6A-1
30542-05	6A-1
30543-00	10-32
30543-00	39A-38
30543-00	39B-15
30544-00	10-22
30544-04	10-22

Part Number	Figure and Index No.
30545-03	10-21
30548-02	6A-108
30548-04	6A-109
30550-00	6A-64
30551-00	14-59
30557-00	10-68
30558-00	8-63
30559-00	10-21j
30559-00	39B-8
30560-00	10-22
30560-03	10-22
30560-04	10-22
30561-00	10-21
30563-00	7-18
30564-00	7-18
30566-02	12-3
30566-03	12-3
30566-04	12-3
30567-02	12-4
30567-03	12-4
30567-04	12-4
30568-00	15-88
30568-00	15-109
30568-02	15-88
30568-02	16A-6
30575-00	24-15
30575-01	24-16
30576-00	15-96
30576-00	15A-92
30577-00	15-97
30577-00	15A-93
30578-02	15-98
30578-02	15A-94
30578-03	15-99
30578-03	15A-95
30579-00	15-95
30579-00	15A-91
30580-00	15-100
30580-00	15A-96
30586-00	12-56b
30586-02	12-56b
30587-00	12-101
30588-00	10-27
30589-00	10-28
30593-00	15-101
30593-00	15A-97
30595-00	10-60
30595-02	10-60
30596-00	10-60
30603-00	14-87
30611-00	7-73
30619-00	7-60
30620-00	56-3
30621-00	10-74
30624-00	6A-104
30624-03	6A-104
30625-00	6A-96
30626-00	6A-105

Part Number	Figure and Index No.
30628-00	8-64
30628-05	8-64
30629-00	7-62
30632-00	7-61
30634-00	15-102
30634-00	15A-98
30635-00	47-24
30635-01	47-24
30636-02	7-72
30636-03	7-72
30637-00	10-61
30640-00	15-103
30640-00	15A-99
30641-02	12-98
30641-03	12-98
30641-04	12-98
30641-09	12-98
30641-10	12-98
30641-12	12-98
30641-17	12-98
30641-17	12B-36
30641-18	12-98
30641-19	12-98
30641-21	12-98
30644-00	15-52
30644-00	15A-44
30645-00	12-53
30646-00	3-54
30646-01	3-54
30646-06	3-55a
30646-07	3-55a
30646-08	3-55b
30646-10	3-54
30646-11	3-54
30646-13	3-55a
30646-14	3-55a
30647-00	15-104
30647-00	15A-100
30648-00	14-60
30648-02	14-61
30652-00	8-86
30653-02	12-85
30653-02	12-86
30653-02	12B-26
30653-03	12-84
30653-03	12-87
30653-03	12B-25
30653-04	12B-26
30653-05	12B-25
30655-00	7-9
30656-00	15-105
30657-00	7-79
30658-00	7-16
30660-00	5-2
30660-00	7-1
30660-02	5-2
30660-02	7-1
30660-03	5-2

Part Number	Figure and Index No.
30660-03	7-1
30662-02	6-19
30663-02	6-18
30666-00	21-82
30667-00	21-46
30667-06	21-46
30668-00	7-2
30669-00	7-3
30670-00	21-42
30672-00	21-41
30678-00	6A-99
30678-00	14-63
30678-00	15-89
30679-00	21-43
30679-00	21A-24
30679-02	21A-24
30682-00	27-32
30684-03	7-75
30690-00	12-47
30690-04	12-47
30690-04	12A-54
30690-05	12A-54
30693-00	6A-151
30694-00	6A-152
30696-00	2-21
30696-01	2-22
30697-00	2-20
30700-00	5-1
30700-02	5-1
30700-03	5-1
30701-00	27-55
30704-00	18-63
30705-00	27-33
30706-00	7-19
30706-01	7-19
30709-00	27-56
30710-00	27-34
30711-00	38E-1
30711-00	38F-1
30714-00	21-39
30714-00	21-40
30714-00	21A-39
30716-00	10-31
30716-00	12-97
30716-02	35A-36
30718-00	7-11
30725-00	7-13
30728-00	6A-107
30740-00	15-2
30740-05	15-2
30740-07	15-2
30740-09	15-2
30743-00	20-39
30743-05	20A-36
30746-02	20-40
30746-03	20-41
30746-04	20-42
30747-00	20-43

PIPER PARTS CATALOG

Part Number	Figure and Index No.
30748-00	12-56f
30748-00	20-31
30754-00	17-62
30754-13	17-62
30754-16	17-62
30754-19	17-62
30754-23	17-62
30754-31	17-62
30754-33	17-62
30754-35	17-62
30755-00	17-63
30755-11	17-63
30755-13	17-63
30755-15	17-63
30755-18	17-63
30755-25	17-63
30755-27	17-63
30755-29	17-63
30756-00	12-102
30757-00	12-103
30758-00	12-104
30759-00	39A-33
30762-00	6A-115
30762-00	12-48
30766-00	12-10b
30766-01	15-3
30766-08	12-10b
30766-09	15-3
30766-15	12-10b
30766-16	15-3
30766-22	12-10b
30766-25	15-3
30766-29	12-10b
30766-32	15-3
30766-36	12-10b
30766-39	12-10b
30766-42	12-10b
30774-00	12-6
30774-07	12-6
30774-10	12-6
30774-11	12-6
30774-12	12-6
30774-15	12-6
30776-00	12-105
30777-00	12-11
30777-09	12-11
30777-10	12-11
30777-11	12-11
30777-13	12-11
30777-14	12-11
30777-15	12-11
30777-18	12-11
30778-00	12-20
30782-00	12-16
30782-00	12-50
30783-00	38A-19
30784-00	12-25
30784-07	12-25

Part Number	Figure and Index No.
30784-10	12-25
30784-13	12-25
30787-00	12-56a
30788-00	12-56
30788-07	12-56
30789-00	12-46
30789-04	12-46
30789-05	12-46
30789-07	12-46
30789-08	12-46
30790-05	12-34
30790-06	12-34
30790-07	12-34
30790-12	12-34
30790-13	12-34
30790-14	12-34
30790-22	12-34
30804-00	14-86
30804-01	14-86
30805-00	12-106
30805-00	12A-18
30806-00	24-7
30808-00	43A-58
30810-00	15-22
30810-11	15-22
30812-00	41-8
30812-00	41A-6
30814-00	41-9
30814-00	41A-7
30816-00	41-10
30817-00	15-26
30820-02	14-32
30820-02	15-1
30820-03	14-32
30820-03	15-1
30820-04	15-57
30820-05	15-57
30820-06	15-57
30820-07	15-56
30820-08	15-56
30820-09	15-56
30820-10	15-58
30820-11	15-58
30820-12	15-58
30820-13	15-59
30820-14	15-59
30820-15	15-59
30821-12	12-6
30821-15	12-6
30821-18	12-6
30825-00	12-112
30825-00	12A-73
30827-00	13-7
30830-00	6A-84
30839-00	63-55
30839-00	64-55
30839-00	65-55
30839-00	66-52

Part Number	Figure and Index No.
30839-00	67-43
30839-00	68-52
30839-00	69-43
30842-02	6A-100
30842-05	6A-100
30842-06	6A-100
30843-02	8-66
30846-00	12-99
30848-03	47-31
30849-02	12-93
30849-03	12-93
30849-04	12-93
30851-00	35-36
30851-00	37-1
30852-00	15-106
30852-00	15-114
30852-00	15A-102
30856-00	35-55
30856-00	35B-72
30857-00	35-85
30857-00	35B-39
30857-01	35-85
30857-01	35B-39
30858-00	35-71
30858-00	35B-38
30858-01	35-71
30858-01	35B-38
30859-02	3-57
30859-03	3-57
30862-00	35-93
30862-00	35B-35
30862-01	35-93
30862-01	35B-35
30863-00	35-57
30863-00	35B-4
30863-01	35-57
30863-01	35B-4
30864-00	35-61
30864-00	35B-12
30865-00	35-62
30865-00	35B-13
30865-04	35B-13
30866-00	35-94
30866-00	35B-14
30867-00	35-60
30877-00	12-55
30877-00	12A-29
30878-02	12-109
30878-03	12-109
30878-04	12-109
30878-09	12-109
30878-11	12-109
30878-11	12A-28
30878-13	12-109
30881-00	14-50
30884-00	14-22
30884-01	14-22
30888-00	12-53a

Part Number	Figure and Index No.
30889-00	12-39
30889-05	12-39
30889-08	12-39
30889-08	12A-8
30890-00	12-5
30890-05	12-5
30890-08	12-5
30890-08	12A-7
30892-00	21-88
30896-00	6A-111
30915-00	27A-12
30916-00	27A-13
30917-00	27A-14
30924-00	8-70
30926-00	27A-16
30927-00	27A-17
30928-00	8-71
30929-04	47-30
30929-05	47-30
30935-00	27A-18
30936-00	27A-19
30937-00	27A-20
30938-00	27A-21
30939-00	27A-22
30947-00	10A-66
30947-00	19-44
30948-00	12-113
30949-00	7A-33
30953-00	53-50
30955-00	53-51
30956-00	20-37a
30957-00	20-13
30957-00	20-32
30958-00	38E-12
30958-00	38F-28
30960-02	53-49
30960-03	53-49
30960-04	53-49
30960-06	53-49
30960-08	53-49
30960-09	53-49
30960-12	53-49
30960-13	53-49
30960-16	53-49
30964-00	10-21
30964-00	35A-28
30969-00	35A-30
30976-00	35A-33
30985-00	6A-41
30985-02	6A-41
30988-00	4-31
30988-00	36-35
30988-00	36-40
30988-00	36A-38
30988-00	36A-40
30988-00	36B-32
30993-00	39A-24
30993-01	39A-24

PIPER PARTS CATALOG

Part Number	Figure and Index No.
30994-00	61-5
31002-00	2A-12a
31002-01	2A-12a
31003-00	2A-20
31003-05	2A-20
31003-07	2A-20
31007-00	36-44
31007-01	36-44
31008-00	36-28
31008-01	36-28
31010-00	36-33
31010-01	36-33
31013-00	15-26
31013-00	15A-9
31013-02	15-26a
31013-02	15A-10
31013-03	15A-9
31014-00	14-6
31014-02	14-116
31014-03	14-6
31015-00	14-6a
31015-01	14-6b
31015-02	14-117
31015-04	14-6a
31015-05	14-6b
31016-00	14-96
31016-02	14-101
31016-03	14-96
31016-04	14-101
31017-02	15-33
31017-02	15A-61
31017-03	15-34
31017-03	15A-62
31018-02	14-38
31018-03	14-38
31019-02	14-43
31019-03	14-43
31019-04	14-43
31019-05	14-43
31020-02	14-37
31020-03	14-37
31021-02	15-59a
31021-03	15-59a
31021-04	15-59a
31021-05	15-59a
31023-02	12-4
31023-03	12-4
31023-04	12-4
31023-05	12-4
31024-02	12-3
31024-03	12-3
31024-04	12-3
31024-05	12-3
31025-02	12-115
31025-03	12-115
31025-04	12-115
31025-05	12-115
31026-00	14-32

Part Number	Figure and Index No.
31026-00	15-1
31026-02	14-32
31026-02	15-1
31029-00	39A-39
31035-02	12-33
31035-03	12-33
31035-04	12-33
31035-05	12-33
31035-06	12A-11
31035-07	12A-11
31036-00	14-114
31036-01	14-114
31037-00	14-113
31037-02	12A-32
31038-00	12-20
31038-05	12-20
31038-09	12-20
31038-10	12-20
31038-12	12-20
31038-13	12-20
31038-14	12-20
31038-17	12-20
31042-00	58-16
31043-00	58-16
31044-00	10-58
31044-00	58-26
31044-03	59-22
31045-00	58-17
31045-01	58-17
31047-00	7-73
31049-00	7-63
31049-01	7-63
31050-00	7-78
31054-00	7-78
31055-00	7-50
31056-00	7-82
31060-00	38E-11
31060-00	38F-15
31060-03	38F-15
31060-03	38G-9
31066-00	61-9
31068-00	10-20a
31072-00	12-50
31072-07	12-50
31072-10	12-50
31074-00	36-30
31074-00	36-38
31075-00	4-32
31075-00	36-34
31075-00	36-39
31075-00	36A-49
31075-00	36B-33
31077-00	12-101
31077-03	12-101
31084-00	10-78
31084-00	35A-50
31084-02	30B-1
31085-00	12-46

Part Number	Figure and Index No.
31085-04	12-46
31087-29	15-3
31087-34	15-3
31087-39	15-3
31088-00	10-22a
31088-04	10-22a
31089-00	10-21a
31089-02	10-21a
31090-02	10-21
31093-00	61-9
31094-00	43-50
31094-00	43B-35
31108-00	51-36
31108-03	51-36
31109-00	35A-64
31110-00	12-44
31110-02	12-44
31125-00	12-16
31125-02	12-16
31125-06	12-16
31127-00	6A-152
31128-00	6-74
31130-00	12-93
31135-00	21-33
31135-00	21A-37
31135-08	21A-37
31146-02	35A-15
31146-04	35A-15
31146-04	35B-10
31153-00	10-74
31155-02	27-23
31156-00	35A-35a
31156-00	35B-79
31157-00	35A-35
31159-00	27-47
31167-00	27A-29
31168-00	27A-30
31169-00	27A-31
31171-00	27A-32
31172-00	27A-33
31174-00	27A-14
31175-00	27A-9
31185-00	12A-33
31185-01	12A-33
31186-00	17-65
31186-02	17-65
31186-03	17-65
31186-04	17-65
31186-05	17-65
31186-11	17-65
31186-17	17-65
31186-18	17-65
31186-19	17-65
31186-20	17-65
31186-25	17-65
31190-00	36-23a
31190-00	36A-34
31192-02	36-23b

Part Number	Figure and Index No.
31192-02	36A-35
31192-03	36-23b
31192-05	30B-16
31192-05	30C-58
31194-00	35A-6
31194-05	35B-15
31195-00	35A-14
31195-01	35A-14
31195-04	35B-16
31195-06	35B-16
31196-00	36-18
31196-02	36-18
31197-02	19-29
31200-00	13-11
31207-03	30A-39
31210-00	47-35
31212-02	33A-4
31213-00	34A-13
31214-09	30A-36
31216-00	34A-54
31216-04	34B-65
31217-00	34A-6
31217-03	34A-17a
31218-00	34A-9
31218-00	34A-17c
31220-02	34A-15a
31220-02	34B-18
31220-03	34A-15a
31220-03	34B-18
31220-04	34A-15
31220-04	34B-15
31221-02	34A-15b
31221-02	34B-17
31221-03	34A-15b
31221-03	34B-17
31221-04	34A-15
31221-04	34B-15
31226-05	33A-4
31227-00	34A-12
31227-01	34A-12
31228-00	34A-54
31228-04	34B-65
31229-00	34A-57
31229-01	34A-57
31232-00	34A-5
31233-00	17-5a
31233-00	17-26a
31235-00	34A-55
31235-00	34B-66
31235-01	34A-55
31235-01	34B-66
31236-02	34A-94
31236-02	34B-94
31236-03	34A-94
31236-03	34B-94
31237-00	51-16
31239-00	15-4c
31244-00	34A-53

PIPER PARTS CATALOG

Part Number	Figure and Index No.
31244-01	34A-53
31245-00	34A-56
31245-00	34B-67
31245-01	34A-56
31245-01	34B-67
31247-09	34A-59
31248-04	30A-33
31250-02	17-11
31253-00	34A-20
31254-00	34A-20
31255-00	34A-72
31255-00	34A-73
31255-00	34B-35
31255-01	34A-72
31255-01	34A-73
31255-01	34B-35
31260-00	34A-60
31260-00	34B-71
31260-01	34A-60
31260-01	34B-71
31261-00	6A-116
31264-00	34A-29
31264-00	34B-40
31264-01	34A-29
31264-01	34B-40
31265-00	34A-30
31265-00	34B-41
31265-01	34A-30
31265-01	34B-41
31269-00	10A-46
31269-00	10B-72
31269-00	10C-63
31269-00	10D-13
31269-00	10E-12
31269-00	39C-4
31272-00	34A-31
31272-00	34B-42
31274-00	38A-46
31275-00	34A-77
31276-00	34A-32
31276-00	34A-33
31276-00	34B-43
31276-01	34A-32
31276-01	34A-33
31276-01	34B-43
31277-00	34A-34
31277-00	34B-44
31278-00	10-60
31278-02	10-60
31280-00	34A-16
31280-01	34A-16
31280-04	34A-20a
31280-08	34A-17
31280-09	34A-17
31282-00	34A-61
31282-01	34A-61
31283-00	30B-7
31283-00	34A-22

Part Number	Figure and Index No.
31283-01	30B-7
31283-01	34A-22
31284-00	30B-5
31284-00	34A-23
31284-01	30B-5
31284-01	34A-23
31285-00	24-42a
31286-00	34A-62
31286-01	34A-62
31287-00	25-34b
31287-00	38C-8
31288-00	34A-1
31288-00	34B-1
31291-00	34A-35
31291-00	34A-36
31291-00	34B-45
31291-01	34A-35
31291-01	34A-36
31291-01	34B-45
31292-00	34A-63
31292-00	34B-74
31292-01	34A-63
31292-01	34B-74
31294-00	30B-6
31294-00	34A-21
31294-01	30B-6
31294-01	34A-21
31295-00	10-21a
31295-03	10-21a
31296-00	34A-65
31296-00	34B-76
31296-01	34A-65
31296-01	34B-76
31297-00	10-21
31297-02	10-21
31300-00	34A-66
31300-00	34B-77
31300-01	34A-66
31300-01	34B-77
31302-00	34A-67
31302-00	34B-78
31304-00	25-61
31305-00	25-61
31306-00	34A-37
31306-00	34A-38
31306-00	34B-46
31306-01	34A-37
31306-01	34A-38
31306-01	34B-46
31308-00	34A-24
31308-01	34A-24
31309-00	34A-25
31309-00	34B-36
31309-01	34A-25
31309-01	34B-36
31309-06	34A-28
31309-06	34B-39
31309-07	34A-28

Part Number	Figure and Index No.
31309-07	34B-39
31309-21	34A-27
31309-21	34B-38
31309-22	34A-27
31309-22	34B-38
31309-23	34A-26
31309-23	34B-37
31309-24	34A-26
31309-24	34B-37
31311-00	34A-68
31311-00	34B-79
31311-01	34A-68
31311-01	34B-79
31312-00	34A-74
31312-01	30B-8
31312-01	30B-26
31312-01	34A-74
31312-02	30B-8
31312-02	30B-26
31312-02	34A-74
31312-03	30B-8
31312-03	30B-26
31312-03	34A-74
31320-00	12-118
31320-01	12-118
31321-00	12-53
31325-00	10-21
31325-03	10-21
31326-00	10-22b
31329-00	32-28
31329-02	32-28
31329-06	32-28
31329-08	32-28
31330-02	17-27
31330-03	17-27
31330-12	17-27
31330-13	17-27
31333-00	18A-2
31334-00	18A-3
31335-00	18A-4
31337-00	18A-5
31340-00	32-29
31344-00	32-26
31345-00	11-15
31348-00	32-24
31349-00	18A-6
31359-00	32-25
31359-04	32-6
31359-04	32-25
31359-06	32-25
31360-00	32-33
31362-00	10-28
31362-04	10-28
31366-00	37A-11
31367-00	10-77
31375-00	35B-1
31375-00	37A-1
31375-02	35B-1

Part Number	Figure and Index No.
31375-02	37A-1
31375-03	35B-1
31375-03	37A-1
31375-04	35B-1
31375-04	37A-1
31375-05	35B-1
31375-05	37A-1
31375-06	35B-1
31375-06	37A-1
31375-07	35B-1
31375-07	37A-1
31375-08	35B-1
31375-08	37A-1
31375-09	35B-1
31375-09	37A-1
31375-10	35B-1
31375-10	37A-1
31375-11	35B-1
31375-11	37A-1
31376-00	37A-19
31377-00	37A-23
31377-05	37A-23
31378-00	37A-20
31378-02	37A-21
31378-03	37A-21
31380-00	37A-13
31381-00	37A-22
31383-00	37A-17
31384-00	37A-24
31385-00	27-7
31385-02	27-7
31386-00	37A-29
31387-02	37A-27
31389-00	37A-26
31390-00	12-93
31390-02	12A-22
31390-03	12A-22
31391-00	12-119
31391-00	12A-63
31393-00	32-34
31395-00	17-5
31395-00	17-26
31395-08	17-5
31395-08	17-26
31396-00	37A-28
31399-00	34A-75
31400-00	34A-70
31400-03	34A-70
31404-00	3-83
31404-01	3-83
31407-00	9-5
31407-04	9-5
31408-00	3-55c
31409-00	3-96
31409-01	3-96
31417-00	6A-70
31420-00	8-40
31421-00	25-73

PIPER PARTS CATALOG

Part Number	Figure and Index No.
31422-00	8-37
31422-00	20A-33
31424-00	46-2
31425-00	20A-43
31425-01	20A-43
31425-05	20A-43
31428-00	34A-71
31428-01	34A-71
31429-00	20A-21
31429-00	20A-40
31431-00	12-56h
31431-00	12A-47
31431-00	20A-37
31432-00	34B-69
31432-02	34B-69
31435-00	20A-15
31435-00	20B-13
31436-00	25-74
31438-00	6A-43
31439-00	20A-17
31440-00	20A-18
31441-00	20A-16
31442-00	46-8
31443-00	25-70
31443-06	25-71
31443-07	25-72
31446-00	43B-19
31446-01	43B-19
31447-00	14-101a
31448-00	43A-9
31449-00	43A-10
31450-00	43A-11
31452-00	43A-12
31453-00	43A-13
31458-00	39B-25
31459-00	25-62
31460-00	25-62
31460-01	25-62
31461-00	11-53
31465-00	43B-18
31466-00	25-60
31466-01	25-60
31468-00	25-75
31468-04	25-75
31469-02	25-76
31469-03	25-78
31471-00	25-80
31475-00	25-81
31477-00	12-56g
31477-00	20A-38
31478-00	51-58
31479-00	25-63
31479-01	25-63
31479-06	25-63
31479-07	25-63
31481-00	39B-49
31482-00	24-10
31486-00	25-64

Part Number	Figure and Index No.
31486-01	25-64
31486-03	25-64
31486-04	25-64
31487-00	51-60
31488-00	12-108
31488-00	38-38
31488-00	38A-37
31489-00	12-9
31489-00	12-14
31489-00	12-23
31489-00	12-28
31489-00	17-6b
31489-00	17-28
31490-00	43B-17
31490-01	43B-17
31492-00	38A-67
31492-01	38A-67
31494-00	38C-39
31495-00	38A-30
31495-00	43A-55
31497-00	37A-53
31498-00	25-69
31498-00	38C-4
31499-00	43A-31
31500-00	43A-32
31501-00	43A-33
31503-00	14-32
31503-00	15-1
31504-00	24-71
31504-00	25-67
31506-02	31B-13
31506-02	39B-32
31506-02	40A-3
31506-02	61A-9
31506-02	62-42
31506-02	64-53
31506-02	65-53
31506-03	39B-33
31506-06	63-57
31506-06	66-35
31506-06	67-27
31506-06	68-35
31506-06	69-27
31507-00	20A-20
31509-00	12-56a
31509-02	12-56a
31514-00	24-70
31515-00	24-15
31515-01	24-16
31515-10	24-18b
31515-11	24-18b
31517-00	20A-26
31517-00	20B-16
31519-00	7A-19
31519-02	7A-21
31519-03	7A-24a
31519-03	7A-40
31519-04	7A-24b

Part Number	Figure and Index No.
31519-04	7A-41
31522-00	43A-30
31525-00	10-22a
31526-00	43A-26
31527-00	43A-26
31528-00	43A-25
31532-00	15-2
31534-02	11-58
31534-03	11-58
31534-04	11-58
31534-05	11-58
31534-06	11-58
31534-07	11-58
31534-14	11-58
31534-15	11-58
31534-16	11-58
31534-17	11-58
31534-18	11-58
31534-19	11-58
31534-20	11-58
31534-21	11-58
31534-22	11-58
31534-23	11-58
31535-00	38C-58
31536-00	43B-20
31536-01	43B-20
31537-00	7-93
31537-00	8-33
31537-02	7-93
31537-02	8-33
31538-00	34A-69
31538-01	34A-69
31540-00	12-56
31554-00	39B-29
31556-02	17-6
31556-03	17-6
31556-04	17-6
31556-05	17-6
31557-02	17-6a
31557-05	17-6a
31559-00	30A-59
31561-00	17-25
31561-01	17-25
31561-02	17-25
31561-03	17-25
31561-04	17-25
31561-05	17-25
31562-00	17-4
31562-01	17-4
31562-02	17-4
31562-03	17-4
31562-04	17-4
31562-05	17-4
31564-00	25-65
31565-00	24-73
31566-00	12-11
31570-00	17-62
31570-12	17-62

Part Number	Figure and Index No.
31576-00	12-25
31577-00	12-20
31578-00	12-6
31579-00	43A-27
31582-00	12-46
31582-00	12A-34
31583-00	34A-64
31583-00	34B-75
31583-01	34A-64
31583-01	34B-75
31585-00	17-63
31585-08	17-63
31586-00	12-50
31587-00	14-115
31587-01	14-115
31592-01	13-7
31596-00	4-10a
31599-00	10-79
31604-00	46-35
31614-03	55-4
31616-00	43A-69
31620-00	39B-31
31625-00	34A-93
31626-00	34A-58
31627-00	34A-1
31627-00	34B-1
31633-00	38A-56
31637-02	38A-53b
31637-03	38A-53b
31638-00	38A-51
31638-08	38A-51
31645-00	56-3
31647-00	43B-28
31663-00	10-22
31665-00	10-81
31671-00	58-27
31671-00	61-43
31673-00	61-50
31675-00	6A-112
31676-00	6A-113
31677-00	6A-114
31683-00	12A-64
31685-00	17-5
31685-00	17-26
31686-00	38A-62
31688-00	8-81
31688-00	38-34
31688-00	38A-58
31688-00	61A-5
31688-00	63-38
31688-00	64-41
31688-00	65-41
31688-03	8-81
31689-00	38A-63
31891-00	12-123
31695-00	6A-118
31695-04	6A-118
31696-00	34A-67

PIPER PARTS CATALOG

Part Number	Figure and Index No.
31696-00	34B-78
31704-00	15-93
31705-00	12-97
31709-00	38A-61
31710-02	5-22
31710-03	5-22
31711-00	5-21
31712-00	35B-14
31727-00	9-8
31727-01	9-8
31732-00	38A-23
31737-00	27A-37
31738-00	27A-38
31740-00	25-83
31740-00	44-13
31740-01	25-83
31740-01	44-13
31744-00	58-16
31747-00	30C-45
31749-00	34A-51
31749-01	34A-51
31749-01	34B-61
31749-10	34B-61
31750-00	34A-20
31750-00	34B-27
31750-01	34A-20
31750-01	34B-27
31754-00	34A-46
31754-00	34B-54
31754-01	34A-46
31754-01	34B-54
31755-00	34A-13
31755-06	30B-9
31755-12	34B-14
31756-00	34A-20
31756-00	34B-27
31756-01	34A-20
31756-01	34B-27
31759-00	34A-62
31759-01	34A-62
31759-08	30B-23
31760-00	34A-61
31760-01	34A-61
31760-07	30B-23
31761-00	34A-16
31761-01	34A-16
31761-06	34A-17
31761-07	34A-17
31762-00	34A-12
31762-00	34B-13
31762-01	34A-12
31762-01	34B-13
31763-00	34A-5
31763-00	34B-5
31764-00	34A-53a
31764-00	34B-64
31767-00	23-1
31767-00	24-44

Part Number	Figure and Index No.
31767-02	23-1
31767-02	24-44
31768-03	23-2
31770-00	34A-53
31770-01	34A-53
31772-00	23-13
31776-00	23-7
31777-00	23-10
31780-00	23-11
31782-00	23-10
31786-00	23-63
31786-07	23-63
31789-02	23-33
31793-03	23-21
31797-00	23-61
31800-02	43-79
31800-02	43A-6
31800-02	45-1
31800-02	45A-1
31801-00	45A-8
31803-00	45A-3
31805-06	23-19
31812-00	23-16
31814-02	45-8
31814-03	45-29
31814-07	45-18
31824-02	23-21
31825-00	45A-60
31827-00	45-67
31829-00	45A-62
31848-00	43C-72
31848-00	45-13
31848-00	45-25
31854-00	45-55
31856-00	44-4
31856-00	45-53
31857-00	44-2
31861-00	45A-6
31862-00	45A-2
31865-00	43C-2
31865-00	43C-14
31865-02	43C-2
31865-02	43C-14
31871-00	45-6
31872-00	45-4
31873-00	45-11
31874-00	45-9
31875-00	45-5
31876-00	45-3
31877-00	45-7
31878-00	45-2
31885-00	45-32
31886-02	45-59
31886-03	45-59
31887-00	45A-14
31887-01	45A-14
31888-00	45A-24
31890-02	61-53

Part Number	Figure and Index No.
31893-02	38-35
31893-02	38A-59
31893-02	61-46
31899-00	45-30
31900-00	45-27
31902-00	45A-22
31903-00	23-1
31903-00	25-20
31903-02	23-1
31903-02	25-20
31905-00	45-43
31907-00	45A-21
31908-00	45A-42
31909-02	45A-39
31911-00	45A-10
31912-00	45-35
31913-00	45-52
31914-00	45-49
31915-00	45-47
31916-00	45-48
31917-00	45-46
31918-00	35B-11
31918-01	35B-11
31918-04	35B-11
31918-05	35B-11
31920-00	46-43
31922-00	45A-65
31923-00	45-57
31924-00	45-64
31925-00	45-68
31926-00	45-73
31930-00	45A-47
31934-00	45A-59
31935-00	45A-32
31937-00	45-36
31937-00	45A-26
31938-00	45A-30
31939-00	45-63
31940-00	45-65
31941-00	45A-12
31942-00	45A-52
31943-00	45A-20
31944-00	45-66
31946-00	45A-23
31947-00	45-42
31948-00	45-33
31949-00	45-26
31950-00	45-23
31951-00	45-16
31952-00	45-15
31953-00	45-20
31954-00	45-21
31955-00	45-12
31956-00	45-22
31957-00	45-14
31959-07	12-53
31962-00	45-24
31963-00	45-28

Part Number	Figure and Index No.
31966-02	10-20
31966-03	10-20
31970-00	51-63
31975-00	18-63
31978-02	16A-25
31978-03	16A-26
31978-04	16A-27
31978-04	16C-50
31978-05	16A-28
31978-06	16A-29
31978-06	16B-48
31978-07	16A-30
31978-08	16A-31
31978-09	16A-32
31978-10	16A-33
31978-11	16B-20
31978-11	16C-19
31978-14	16C-46
31978-22	16B-49
31978-23	16B-50
31978-24	16B-51
31978-24	16B-54
31978-25	16B-52
31978-26	16B-53
31978-26	16C-47
31978-28	16B-55
31978-29	16B-56
31978-29	16C-48
31978-30	16B-32
31978-30	16C-31
31982-00	18-59
31987-00	12-124
31987-00	12A-93
31987-02	12-124
31987-03	12A-93
31988-00	11-54
31992-02	34A-74
31992-03	34A-74
31992-04	34A-74
31992-05	34A-74
31993-02	34A-70
31993-03	34A-70
31997-00	38A-52
32002-00	16A-3
32005-02	61-49
32005-06	61A-27
32006-02	61-53
32007-02	61A-28
32007-02	62-31
32008-02	61-46
32008-02	61A-30
32011-00	16A-4
32020-00	30B-13
32022-00	16A-7
32023-02	16A-1
32023-03	16A-2
32026-00	8-57
32027-00	32-35

PIPER PARTS CATALOG

Part Number	Figure and Index No.
32029-00	8-55
32030-02	8-67
32032-04	8-75
32033-00	48-6
32038-00	8-72
32039-00	61-55
32041-00	8-76
32042-00	29C-62
32043-00	29C-61
32044-00	5-3
32044-00	8-1
32044-03	8-46
32046-00	8-12
32047-00	8-86
32048-00	8-22
32049-02	8-15
32049-03	8-15
32051-00	16B-1
32051-00	16C-1
32053-00	12-99
32053-02	12A-13
32054-00	21A-32
32055-00	21A-33
32056-00	38A-66
32057-02	8-74
32057-03	8-74
32059-02	21A-34
32063-00	8-58
32063-00	15-81
32063-00	15A-78
32064-00	6A-77
32065-00	6A-98
32066-00	61-56
32067-00	61-57
32068-00	21A-36
32069-02	21A-35
32069-11	21A-55
32069-13	21A-55
32070-00	8-73
32070-01	8-73
32071-00	6A-84a
32072-00	21A-3
32073-00	21A-4
32074-02	17-4
32074-03	17-4
32074-04	17-4
32074-05	17-4
32075-02	17-25
32075-03	17-25
32075-04	17-25
32075-05	17-25
32076-02	15-76
32076-04	15-76
32077-00	10-21j
32077-00	39B-8
32078-00	11-15
32079-00	8-72
32080-00	8-60

Part Number	Figure and Index No.
32082-00	20A-19
32082-00	20B-14
32083-02	6A-108
32084-02	6A-106
32090-02	17-5
32090-02	17-26
32090-03	17-5
32090-03	17-26
32091-00	15-80
32091-00	15A-77
32092-00	6A-24a
32094-00	8-78
32094-04	8-78
32094-06	8-78
32095-00	38A-12
32096-00	12-127
32096-00	12A-38
32097-00	16B-2
32097-00	16C-2
32099-00	8-77
32100-02	17-6
32100-03	17-6
32100-04	17-6
32100-05	17-6
32101-02	17-27
32101-03	17-27
32101-04	17-27
32101-05	17-27
32102-00	8-79
32102-07	8-79
32102-08	8-79
32103-00	10-27
32105-02	17-62
32105-03	17-62
32106-02	17-63
32106-03	17-63
32107-00	29D-15
32107-01	29D-15
32111-00	21A-6
32112-00	15-88a
32113-00	15-88b
32116-00	15-87
32117-00	8-59
32117-00	14-68
32117-00	15-79
32121-02	8-66
32121-03	8-66
32121-04	8-66
32121-08	8-66
32121-10	8-66
32121-12	8-66
32121-14	8-66
32121-16	8-66
32122-00	12-50
32122-06	12A-1
32122-07	12A-1
32124-00	12-11
32125-00	12-20

Part Number	Figure and Index No.
32128-00	8-62
32131-00	55-12
32133-00	12-126
32133-00	12B-29
32133-02	12B-38
32135-00	8-63
32136-00	17-17
32136-00	17-37
32136-01	17-17
32136-01	17-37
32137-00	5-1
32161-00	16B-9
32161-03	16C-8
32161-04	16C-8
32170-00	Misc.
32171-00	42B-11
32175-00	21-98
32176-11	43B-5
32176-11	43C-74
32179-00	19-24
32179-04	19-24
32180-00	19-47
32181-00	19-13
32181-04	19-13
32182-00	19-48
32184-00	11-15
32185-00	8-80
32185-04	8-80
32185-07	8-80
32189-02	17-67
32189-03	17-67
32189-04	17-67
32189-05	17-67
32189-06	17-67
32189-07	17-67
32189-08	17-67
32189-09	17-67
32190-00	38A-83
32191-00	38A-84
32192-00	16B-57
32195-02	12-79
32195-03	12-79
32195-03	12B-35
32195-04	12-79
32195-05	12-79
32195-05	12B-35
32195-06	12-79
32195-06	12B-35
32195-06	12B-35
32196-02	12-77
32196-03	12-77
32196-03	12B-34
32196-04	12-77
32196-05	12-77
32196-05	12B-34
32196-06	12-77
32196-06	12B-34
32198-00	30A-34
32203-08	59-9

Part Number	Figure and Index No.
32204-00	61A-2
32204-00	62-52
32205-00	61A-3
32207-04	61A-35
32209-00	10-60
32210-03	61A-29
32210-03	62-32
32210-05	61A-29
32213-00	61A-30
32214-00	30A-38
32215-00	30A-37
32217-00	33A-5
32226-00	30A-42
32229-00	30A-46
32231-00	10-60
32238-00	10-21a
32240-00	10-21
32241-00	10-21
32242-00	12-120
32242-00	12B-33
32243-00	12-121
32243-00	12B-32
32243-02	12B-32
32248-00	38A-10
32253-00	16B-67
32253-02	16C-63
32255-00	61A-6
32256-00	61A-7
32256-00	62-53
32257-02	30A-48
32257-03	30A-48
32262-00	7A-34
32262-01	7A-34
32262-06	7A-34
32262-07	7A-34
32265-00	7A-37
32265-02	7A-38
32268-00	24-30
32269-00	34A-77
32271-00	19-16
32272-00	7A-1
32273-02	12-98
32273-02	12B-36
32273-03	12-98
32273-04	12-98
32273-05	12-98
32273-05	12B-36
32273-06	12-98
32273-06	12B-36
32274-06	24-19
32274-07	24-19
32275-00	33A-8
32275-03	33A-8
32276-00	13-4
32276-00	13-7
32277-00	59-2
32277-00	61A-4
32277-00	62-49

PIPER PARTS CATALOG

Part Number	Figure and Index No.
32278-00	45-79
32280-00	7-29
32280-01	7-29
32281-03	10-8
32281-03	10A-3
32281-03	10B-2
32281-03	10C-2
32281-03	10D-1
32281-03	10E-1
32281-03	Misc
32281-04	10-8
32281-04	10A-3
32281-04	10B-2
32281-04	10C-2
32281-04	10D-1
32281-04	10E-1
32281-04	Misc
32282-00	30B-19
32282-01	30B-19
32282-02	30B-20
32282-03	30B-20
32282-08	30B-21
32282-09	30B-21
32282-10	30B-22
32282-11	30B-22
32283-00	35B-49
32284-00	61A-30
32286-00	61A-59
32286-00	62-50
32294-00	12-56
32295-00	34A-92
32299-05	12A-35
32301-00	30C-46
32301-01	30C-46
32301-05	30C-46
32304-00	14-56
32306-00	9-45
32318-00	15-8
32318-00	15A-63
32319-00	15-22
32322-00	43C-60
32324-00	14-32
32324-00	15-1
32325-00	34A-61a
32325-00	34B-73
32325-01	34B-73
32327-00	34B-68
32328-00	34B-72
32328-01	34A-61
32328-01	34B-72
32329-00	34B-72
32329-01	34B-72
32330-07	30A-45
32330-07	39-54
32332-00	30A-69
32332-00	30C-27
32333-00	30C-74
32333-07	30A-67

Part Number	Figure and Index No.
32333-07	30C-74
32334-02	30C-63
32335-00	30A-70
32335-00	30C-50
32336-00	30C-51
32337-00	30C-52
32338-00	30B-27
32339-00	19-61
32339-00	30B-10
32339-00	30C-72
32340-00	19-15
32340-00	19-26
32340-00	19-62
32340-00	30B-28
32340-00	30C-64
32341-00	30C-28
32342-00	30C-53
32345-00	30C-29
32352-00	30C-25
32355-00	30C-73
32356-00	30C-54
32362-00	32-30
32367-00	14-122
32370-02	39C-24
32370-03	39C-19
32370-04	39C-18
32370-05	39C-16
32370-06	39C-17
32370-07	39C-21
32370-08	39C-20
32370-09	39C-14
32370-10	39C-36
32370-11	42A-11
32370-12	42B-65
32370-13	61A-16
32370-13	62-40
32370-15	39C-19
32370-17	40A-21
32370-20	66-26
32370-21	67-22
32370-22	31C-7
32370-23	39C-19
32370-24	42C-43
32370-25	39C-14a
32370-26	10F-18
32371-02	39C-29
32371-03	39C-30
32372-07	50-13
32374-02	50-11
32377-00	38F-29
32377-00	38G-13
32378-00	19-13
32378-00	30B-29
32378-00	30C-66
32379-00	19-24
32379-00	30B-30
32379-00	30C-67
32380-00	17A-35

Part Number	Figure and Index No.
32380-02	17B-52
32381-00	17A-13
32381-02	17A-13
32381-03	17A-13
32384-00	34B-33
32387-04	34B-21
32387-05	34B-21
32387-300	34B-20
32387-301	34B-20
32390-00	14-125
32391-00	15-88b
32391-00	15A-83
32393-02	12A-19
32393-02	17A-6
32393-03	12A-19
32393-03	17A-6
32393-04	12A-19
32393-04	17A-6
32393-05	12A-19
32393-05	17A-6
32393-06	12A-19
32393-06	17A-6
32393-07	12A-19
32393-07	17A-6
32393-08	12A-19
32393-08	17A-6
32393-09	12A-19
32393-09	17A-6
32393-10	12A-19
32393-10	17A-6
32393-11	12A-19
32393-11	17A-6
32395-00	14-124
32397-02	17A-37
32397-03	17A-37
32397-32	17A-37
32397-34	17A-37
32397-36	17A-37
32397-38	17A-37
32397-39	17A-37
32401-07	39-15
32406-03	6A-120
32406-03	10A-22
32406-05	6A-120
32406-05	10A-22
32407-04	6A-38
32407-04	6A-42
32407-05	6A-38
32408-00	56-2
32408-02	56-2
32413-00	12A-59
32413-00	12A-70
32414-02	10A-21
32414-03	6A-121
32414-03	10A-20
32414-06	10A-21
32414-08	10A-21
32414-10	6A-121

Part Number	Figure and Index No.
32414-10	10A-20
32414-10	10B-28
32414-12	10B-29
32414-12	10C-27
32415-00	6A-19
32415-03	6A-19
32416-00	6A-18
32416-03	6A-18
32417-00	30B-24
32417-00	30C-38
32424-00	39C-25
32424-02	39C-25
32424-03	39C-25
32428-02	17A-38
32428-03	17A-38
32428-18	17A-38
32428-20	17A-38
32428-22	17A-38
32429-02	17A-5
32429-03	17A-5
32429-04	17A-5
32429-05	17A-5
32429-06	17A-5
32429-07	17A-5
32429-08	17A-5
32429-09	17A-5
32429-10	17A-5
32429-11	17A-5
32431-00	34B-63
32431-01	34B-63
32435-00	34B-68
32438-03	39C-28
32439-00	7-84
32443-06	10A-18
32443-07	10A-18
32446-00	7-83
32447-00	10A-19
32447-02	10A-19
32447-03	10A-19
32447-04	10A-19
32448-00	12A-69
32450-00	6A-23
32450-01	6A-23
32452-00	17A-7
32452-01	17A-7
32452-06	17A-7
32452-07	17A-7
32456-00	20B-15
32463-00	38A-46
32464-00	2-39
32464-01	2-39
32466-00	2-52
32466-01	2-52
32467-00	11-2
32468-00	51-56
32468-02	51-59
32469-00	51-58a
32470-00	51-58b

PIPER PARTS CATALOG

Part Number	Figure and Index No.
32471-00	2-53
32471-01	2-53
32472-00	12A-25
32472-00	15-4g
32472-00	15A-53
32474-00	12A-36
32475-00	12A-52
32475-02	12A-52
32475-03	12A-52
32476-00	11-56
32477-02	10A-26
32477-02	10B-32
32477-03	10A-26
32477-03	10B-32
32477-04	10A-26
32477-04	10B-32
32478-02	10A-24
32478-02	10B-31
32478-03	10A-24
32478-03	10B-31
32478-04	10A-24
32478-04	10B-31
32479-00	10A-35
32479-00	10B-51
32479-00	10C-43
32479-02	10C-43
32480-02	10A-23
32480-03	10A-23
32480-04	10A-23
32480-05	10A-23
32480-06	10A-23
32481-02	10A-25
32481-03	10A-25
32481-04	10A-25
32481-05	10A-25
32481-06	10A-25
32482-00	38A-76
32482-02	38A-76
32483-00	61A-8
32483-00	62-51
32483-00	63-43
32483-00	66-40
32483-00	67-32
32483-00	68-40
32483-00	69-32
32483-01	61A-8
32483-01	62-51
32483-01	63-43
32483-01	66-40
32483-01	67-32
32483-01	68-40
32483-01	69-32
32484-02	56-3
32485-00	12A-37
32487-00	12A-14
32488-00	12A-15
32489-04	12A-16
32489-05	12A-16

Part Number	Figure and Index No.
32491-00	12A-74
32492-00	51-82
32493-00	11-55
32495-00	18A-4
32496-00	12A-50
32496-04	12A-100
32500-00	10A-38
32502-00	10A-37
32502-00	10B-41
32502-00	10C-36
32504-00	7-86
32506-00	35B-8
32506-00	35B-9
32509-00	11-11
32509-02	11-11
32510-00	10A-29
32510-00	10B-42
32510-00	10C-37
32512-02	12A-60
32512-03	12A-60
32513-00	7-87
32514-00	11-12
32515-00	12-62
32519-02	12A-42
32519-03	12A-42
32522-02	20B-17
32522-03	20B-18
32524-00	10A-28
32524-03	10A-28
32525-00	10A-39
32525-00	11-13a
32527-00	23-2
32529-00	10-53
32529-00	10A-7b
32529-00	10B-17
32529-00	10C-16
32531-00	10-54a
32531-00	10A-7d
32531-00	10B-19
32531-00	10C-18
32534-00	11-19
32535-00	11-6
32538-00	10A-40
32540-00	51-85
32541-00	10A-41
32541-00	11-13b
32543-00	7-89
32543-01	7-89
32543-04	7-89
32543-05	7-89
32550-00	61A-22
32550-00	67-21
32550-00	69-21
32552-00	51-86
32552-02	51-86
32553-02	13-22
32553-03	13-20
32553-04	13-12

Part Number	Figure and Index No.
32553-05	13-13
32553-06	13-19
32553-07	13-16
32553-08	13-15
32553-09	13-14
32553-21	13-21
32553-22	13-18
32553-23	13-17
32554-02	12A-41
32554-03	12A-41
32555-02	12A-51
32555-03	12A-51
32555-06	12A-51
32555-07	12A-51
32555-13	12A-51
32555-15	12A-51
32561-00	11-32
32561-02	11-32
32564-00	6A-1a
32564-02	6A-1a
32564-03	6A-1a
32564-05	6A-1a
32564-06	6A-1a
32566-00	7-61
32567-02	17A-40
32567-03	17A-40
32567-04	17A-40
32567-05	17A-40
32567-06	17A-40
32568-02	17A-41
32568-03	17A-41
32568-04	17A-41
32568-05	17A-41
32568-06	17A-41
32574-00	8-12
32575-00	39C-27
32577-00	7-60
32578-02	6A-1
32580-00	12A-20
32580-00	15-4b
32581-00	8-11
32583-00	7-78
32584-00	7-19
32584-01	7-19
32585-02	11-44
32585-03	11-43
32585-07	11-44b
32587-02	49-14
32587-03	49-14
32587-04	49-14
32588-02	11-40
32588-03	11-39
32598-00	10A-53
32600-00	11-42
32600-01	11-41
32603-02	39C-15
32606-00	17A-9
32606-01	17A-9

Part Number	Figure and Index No.
32606-28	17A-9
32606-29	17A-9
32606-31	17A-9
32606-32	17A-9
32606-33	17A-9
32606-34	17A-9
32607-00	17A-10
32607-01	17A-10
32607-02	17A-10
32607-03	17A-10
32607-04	17A-10
32607-05	17A-10
32607-06	17A-10
32607-07	17A-10
32607-18	17A-10
32607-19	17A-10
32609-00	5-3
32609-00	8-1
32609-02	5-3
32609-02	8-1
32609-03	5-3
32609-03	8-1
32612-00	7-78
32613-00	17A-26
32613-02	17A-26
32613-02	17B-43
32614-02	15-4a
32614-03	15-4a
32614-04	15-4a
32614-05	15-4a
32614-06	15-4a
32614-07	15-4a
32614-08	15-4a
32614-09	15-4a
32614-10	15-4a
32614-11	15-4a
32616-00	5-2
32616-00	7-1
32617-00	5-1
32617-02	5-1
32618-02	51-84
32618-03	51-87
32618-05	51-84
32618-08	51-84
32618-10	51-84
32621-02	17A-11
32621-03	17A-11
32621-04	17A-11
32621-05	17A-11
32621-06	17A-11
32622-00	7-63
32622-01	7-63
32623-00	17A-4
32623-01	17A-4
32623-02	17A-4
32623-03	17A-4
32623-06	17A-4
32623-07	17A-4

PIPER PARTS CATALOG

Part Number	Figure and Index No.
32623-08	17A-4
32623-09	17A-4
32623-10	17A-4
32623-11	17A-4
32623-12	17A-4
32623-13	17A-4
32623-14	17A-4
32623-15	17A-4
32623-16	17A-4
32623-17	17A-4
32623-18	17A-4
32623-19	17A-4
32623-20	17A-4
32623-21	17A-4
32623-22	17A-4
32623-23	17A-4
32623-24	17A-4
32623-25	17A-4
32623-26	17A-4
32623-27	17A-4
32623-28	17A-4
32623-29	17A-4
32623-30	17A-4
32623-31	17A-4
32623-32	17A-4
32623-33	17A-4
32623-34	17A-4
32623-35	17A-4
32623-36	17A-4
32623-37	17A-4
32623-38	17A-4
32623-39	17A-4
32623-40	17A-4
32623-41	17A-4
32624-00	17A-4
32624-01	17A-4
32624-02	17A-4
32624-03	17A-4
32624-08	17A-4
32624-09	17A-4
32624-10	17A-4
32624-11	17A-4
32624-12	17A-4
32624-13	17A-4
32624-14	17A-4
32624-15	17A-4
32624-16	17A-4
32624-17	17A-4
32624-18	17A-4
32624-19	17A-4
32624-20	17A-4
32624-21	17A-4
32624-22	17A-4
32624-23	17A-4
32624-24	17A-4
32624-25	17A-4
32624-26	17A-4
32624-27	17A-4

Part Number	Figure and Index No.
32624-28	17A-4
32624-29	17A-4
32624-30	17A-4
32624-31	17A-4
32624-32	17A-4
32624-33	17A-4
32624-34	17A-4
32624-35	17A-4
32624-36	17A-4
32624-37	17A-4
32624-38	17A-4
32624-39	17A-4
32624-40	17A-4
32624-41	17A-4
32624-42	17A-4
32624-43	17A-4
32624-46	17A-4
32624-47	17A-4
32625-02	17A-8
32625-03	17A-8
32625-24	17A-8
32625-31	17A-8
32626-02	12A-4
32626-02	12A-6
32626-02	17A-12
32626-03	12A-4
32626-03	12A-6
32626-03	17A-12
32626-04	12A-4
32626-04	12A-6
32626-04	17A-12
32626-05	12A-4
32626-05	12A-6
32626-05	17A-12
32629-00	10A-38
32630-00	15-22
32630-05	15A-4
32632-00	17A-9
32632-01	17A-9
32632-02	17A-9
32632-03	17A-9
32632-17	17A-9
32632-18	17A-9
32632-28	17A-9
32632-29	17A-9
32632-32	17A-9
32632-33	17A-9
32633-02	18A-21
32636-00	10A-42
32637-00	12A-43
32639-00	20B-27
32639-01	20B-27
32639-05	20B-27
32640-00	12-96
32640-00	12A-12
32641-00	10A-43
32641-02	10A-43
32641-03	10A-43

Part Number	Figure and Index No.
32641-04	10A-43
32644-00	12A-61
32645-00	15-4c
32646-00	12A-65
32647-00	51-16
32651-00	12A-67
32651-04	12A-67
32657-00	11-54
32658-02	10A-4
32666-00	12A-5
32666-06	12A-5
32666-07	12A-5
32667-02	12B-23
32667-03	12B-24
32668-00	14-115
32668-01	14-115
32671-02	54-1
32671-03	54-1
32671-04	54-1
32671-05	54-1
32671-06	54-1
32671-07	54-1
32671-08	54-1
32671-09	54-1
32671-10	54-1
32671-11	54-1
32671-12	54-1
32671-13	54-1
32671-15	54-1
32671-16	54-1
32671-18	54-1
32671-19	54-1
32671-20	54-1
32671-21	54-1
32671-22	54-1
32671-23	54-1
32676-00	15-2
32677-00	12A-3
32678-04	13-11
32684-02	12A-58
32684-03	12A-58
32684-04	12A-58
32684-05	12A-58
32684-06	12A-58
32685-00	8-62
32686-00	15-59g
32690-00	39C-23
32692-03	12A-10
32692-05	12A-9
32692-07	12A-10
32692-09	12A-9
32693-00	12A-57
32693-01	12A-57
32694-00	12A-39
32695-02	10A-23
32695-03	10A-23
32695-04	10A-23
32695-05	10A-23

Part Number	Figure and Index No.
32695-06	10A-23
32696-00	8-63
32697-04	15-59a
32697-05	15-59a
32699-00	10A-27
32699-04	10A-27
32699-04	10B-33
32702-00	14-32
32702-00	15-1
32706-00	12A-2
32707-00	12A-2
32709-00	15-87
32711-00	8-59
32711-00	14-68
32711-00	15-79
32711-02	8-59
32711-02	14-68
32711-02	15-79
32718-03	12A-9
32718-04	12A-9
32728-02	12A-66
32728-03	12A-66
32734-00	10A-6
32734-00	10B-25
32734-00	10C-23
32734-00	10E-17
32736-00	39C-34
32737-02	10A-14
32737-04	10A-14
32737-04	10B-7
32737-04	10D-5
32737-05	10B-7
32737-05	10D-5
32739-00	41-20
32745-00	10A-94
32745-00	10B-14
32745-00	10D-9
32754-00	59-1
32754-00	59A-17
32759-00	21A-36d
32762-00	21A-36e
32763-00	59-11
32763-00	61A-21
32764-00	21A-36
32766-00	54-6
32774-00	19-11
32774-03	19-11
32775-04	30C-55
32775-05	30C-55
32778-02	11-11
32778-03	11-11
32779-00	30C-4
32780-00	7-90
32780-01	7-90
32781-00	30C-4
32784-00	11-12
32785-00	11-13b
32785-02	11-13b

PIPER PARTS CATALOG

Part Number	Figure and Index No.
32786-00	11-19
32787-00	11-6
32788-03	10A-28
32788-03	10B-40
32788-03	10C-35
32789-02	34B-30
32789-03	34B-30
32789-04	34B-30
32789-05	34B-30
32791-00	11-55
32795-00	7-88
32795-01	7-88
32796-00	19-58
32796-00	30B-27
32796-00	30C-65
32800-00	34B-29
32800-01	34B-29
32801-00	34B-86
32803-00	46-2
32804-02	12B-34
32804-03	12B-34
32804-04	12B-34
32804-05	12B-34
32805-00	12A-71
32806-00	12A-72
32812-04	7-85
32812-05	7-85
32820-00	30C-24
32821-00	12A-66
32823-00	10A-19
32823-04	10A-19
32823-05	10A-19
32823-08	10A-19
32824-00	30C-21
32825-00	10A-38
32825-02	10A-38
32825-02	10A-38
32835-00	10A-33
32835-00	10B-43
32836-00	6A-23
32836-01	6A-23
32843-00	17A-36
32843-01	17A-36
32844-04	12A-35
32844-05	12A-35
32845-00	15-24
32845-00	15A-7
32845-01	15-24
32845-01	15A-7
32847-00	30C-22
32848-00	30C-22
32849-00	12A-76
32856-00	56-5
32858-02	10A-6
32858-02	10B-25
32858-02	10C-23
32858-02	10E-17
32864-00	34B-32

Part Number	Figure and Index No.
32864-01	34B-32
32881-00	44-12
32884-00	12A-78
32884-04	12A-78
32887-00	7-91
32889-00	7-91
32891-00	7-92
32892-00	7-92
32899-02	17A-8a
32899-03	17A-8a
32899-04	17A-8a
32899-05	17A-8a
32899-06	17A-8a
32899-07	17A-8a
32899-08	17A-8a
32899-09	17A-8a
32899-10	17A-8a
32899-11	17A-8a
32901-02	17A-8
32901-03	17A-8
32901-04	17A-8
32901-05	17A-8
32901-06	17A-8
32901-07	17A-8
32901-08	17A-8
32901-09	17A-8
32901-10	17A-8
32901-11	17A-8
32901-12	17A-8
32901-13	17A-8
32901-14	17A-8
32901-15	17A-8
32901-16	17A-8
32901-17	17A-8
32901-18	17A-8
32901-19	17A-8
32901-20	17A-8
32901-21	17A-8
32901-22	17A-8
32901-23	17A-8
32901-24	17A-8
32901-25	17A-8
32901-26	17A-8
32901-27	17A-8
32901-28	17A-8
32901-29	17A-8
32901-30	17A-8
32901-31	17A-8
32901-32	17A-8
32901-33	17A-8
32901-34	17A-8
32901-35	17A-8
32901-36	17A-8
32901-37	17A-8
32901-126	17A-8
32901-127	17A-8
32901-128	17A-8
32901-129	17A-8

Part Number	Figure and Index No.
32901-130	17A-8
32901-131	17A-8
32901-132	17A-8
32901-140	17A-8
32906-00	34B-85
32908-00	34B-85
32909-00	7-80
32910-00	7-66
32914-00	30C-63
32918-07	34B-31
32918-08	34B-31
32918-09	34B-31
32919-02	34B-81
32919-03	34B-83
32919-04	34B-81
32920-00	34B-83
32921-00	34B-57
32922-00	37A-21
32922-01	37A-21
32923-00	9-50
32925-00	34B-80
32926-00	37A-8
32928-00	21A-36b
32930-00	21A-36c
32931-00	21A-36
32933-00	40A-8
32935-00	40A-18
32937-00	10A-23a
32937-00	10B-35
32938-02	10A-40
32938-03	10A-40
32939-02	10A-23
32939-02	10B-34
32939-03	10A-23
32939-03	10B-34
32939-04	10A-23
32939-04	10B-34
32939-05	10A-23
32939-05	10B-34
32939-06	10A-23
32939-06	10B-34
32944-02	38A-72
32944-05	38A-72
32951-02	38A-72
32952-02	10A-23
32952-02	10B-34
32952-03	10A-23
32952-03	10B-34
32952-04	10A-23
32952-04	10B-34
32952-05	10A-23
32952-05	10B-34
32952-06	10A-23
32952-06	10B-34
32954-00	6A-125
32954-01	6A-125
32956-00	6A-127
32956-01	6A-127

Part Number	Figure and Index No.
32957-02	15-88
32957-03	15-88
32958-00	6A-101a
32999-00	38A-19
33000-00	8-85
33001-00	6A-126
33002-02	8-84
33002-03	8-84
33002-04	8-84
33003-00	31B-8
33004-00	31B-6
33005-00	31B-7
33010-00	8-82
33017-00	6A-133
33017-03	6A-133
33017-05	6A-133
33018-02	6A-1
33018-07	6A-1
33018-09	6A-1
33018-12	6A-1
33022-00	8-83
33025-00	6A-81
33026-00	6A-128
33028-00	6A-130
33030-00	6A-129
33031-00	34B-34a
33034-00	38A-53
33035-00	6A-131
33036-00	38C-54
33036-00	40A-19
33037-00	43A-72
33038-00	40A-20
33046-00	10A-7
33048-00	40A-9
33049-00	34B-1
33049-01	34A-1
33049-06	34A-1a
33049-06	34B-1a
33049-10	34A-1
33049-10	34B-1
33053-00	6A-136
33054-00	66-61
33054-00	67-52
33057-00	66-28
33058-00	7-98
33058-01	7-98
33059-00	7-97
33059-01	7-97
33060-00	66-17
33060-00	67-13
33060-00	68-17
33060-00	69-13
33062-00	66-39
33062-00	67-31
33063-00	59A-21
33067-02	66-37
33067-02	67-29
33067-02	68-37

PIPER PARTS CATALOG

Part Number	Figure and Index No.
33067-02	69-29
33067-03	66-36
33067-03	67-28
33067-03	68-36
33067-03	69-28
33070-00	66-47
33070-00	67-38
33070-00	68-47
33070-00	69-38
33074-02	66-45
33074-02	67-36
33074-02	68-45
33074-02	69-36
33074-03	63-37
33075-00	66-44
33075-00	67-35
33075-00	68-44
33075-00	69-35
33076-00	63-18
33076-00	64-22
33076-00	65-22
33076-00	66-41
33076-00	68-41
33076-00	69A-19
33076-00	72-12
33077-00	66-32
33077-00	68-32
33077-00	72-13
33078-02	66-58
33078-02	67-49
33078-02	68-1
33078-02	69-49
33079-00	59A-20
33080-00	12B-16
33085-00	63-48
33085-00	66-29
33085-00	67-25
33085-00	69-25
33087-00	66-18
33088-00	66-22
33088-00	67-3
33088-00	69-5
33090-00	66-1
33090-00	67-54
33091-00	43A-40
33092-00	43A-73
33093-00	66-25
33093-00	68-25
33093-00	72-11
33097-00	10A-40
33097-02	10A-40
33101-02	63-37
33101-02	64-40
33101-02	65-40
33104-05	6A-138
33105-00	59A-19
33111-00	12A-82
33115-00	67-20

Part Number	Figure and Index No.
33115-00	69-20
33117-00	67-14
33117-00	69-14
33126-00	12A-85
33128-00	15-59g
33131-00	15-59b
33131-00	15A-48
33132-00	15-59d
33132-00	15A-49
33136-00	14-32
33136-00	15-1
33149-02	48-19
33158-00	3-98
33158-01	3-98
33159-00	3-97
33159-01	3-97
33160-00	17A-45
33160-00	17B-70
33161-00	8-87
33163-00	63-36
33163-00	64-39
33163-00	65-39
33163-00	66-42
33163-00	67-33
33163-00	68-42
33163-00	69-33
33165-00	11-44
33166-00	66-24
33167-00	66-33
33170-00	66-46
33170-00	67-18
33171-00	6A-143
33173-00	67-19
33173-00	69-19
33178-02	33A-6
33178-03	33A-6
33178-04	33A-6
33178-05	33A-6
33182-00	39C-27
33182-02	39C-27
33182-03	39C-27
33183-02	10A-19
33183-03	10A-19
33183-04	10A-19
33183-05	10A-19
33183-06	10A-19
33183-07	10A-19
33183-08	10A-19
33185-00	48-20
33186-00	48-21
33186-04	48-21
33187-00	30C-78
33188-00	30C-79
33189-00	38A-46
33193-00	70-1
33194-00	70-8
33195-00	10A-42
33195-00	10B-55

Part Number	Figure and Index No.
33195-00	10D-26
33197-02	10A-40
33197-03	10A-40
33197-04	10B-56
33198-00	10A-43
33198-03	10A-43
33198-04	10A-43
33203-00	31C-6
33208-00	34A-53
33208-01	34A-53
33220-00	62-34
33224-00	54A-2
33224-00	54B-2
33227-00	54A-3
33227-00	54B-3
33229-02	54A-6
33229-02	54B-6
33229-03	54A-6
33229-03	54B-6
33231-02	12A-66
33231-03	12A-66
33232-00	54A-4
33232-02	54B-4
33234-00	54A-11
33234-00	54B-11
33237-02	54A-1
33237-03	54A-1
33237-04	54A-1
33237-05	54A-1
33237-06	54A-1
33237-07	54A-1
33237-08	54A-1
33237-09	54A-1
33237-10	54A-1
33237-11	54A-1
33237-13	54A-1
33243-00	12A-69
33243-00	12A-86
33246-04	10A-18
33246-04	10B-26
33246-05	10A-18
33246-06	10A-18
33246-07	10A-18
33246-10	10A-18
33246-11	10A-18
33246-14	10B-26
33248-00	12A-67
33248-01	12A-67
33248-04	12A-67
33257-03	11-46
33261-00	30A-2
33261-01	30A-2
33261-47	30A-2
33265-02	62-55
33265-03	62-55
33266-00	62-59
33270-02	12A-35
33270-03	12A-35

Part Number	Figure and Index No.
33270-06	12A-35
33274-00	36-50
33274-01	36-50
33277-00	36-47
33277-01	36-47
33287-00	36-46
33288-00	36A-15
33289-00	36A-14
33289-01	36A-14
33290-00	36A-17
33293-00	36A-16
33294-00	36A-18
33296-00	36A-29
33300-00	2-1
33300-00	3-1
33300-00	4-1
33300-01	2-1
33300-01	3-1
33300-01	4-1
33300-04	4-17
33300-05	4-17
33300-06	2-1
33300-06	3-1
33300-06	4-1
33300-07	2-1
33300-07	3-1
33300-07	4-1
33300-12	4-2
33300-14	4-1a
33300-15	4-1a
33301-00	36A-36
33301-00	36A-48
33302-00	3-38
33302-01	3-38
33308-02	36A-28
33308-03	36A-28
33309-02	36A-28
33309-03	36A-28
33310-00	36A-37
33310-01	36A-37
33312-00	36A-29
33314-04	9-46
33318-02	39C-18
33318-03	39C-16
33318-04	39C-17
33318-05	39C-21
33318-06	39C-20
33318-07	39C-14
33318-07	39C-14a
33318-08	39C-19
33318-09	39C-29
33318-10	39C-30
33318-11	39C-19
33318-11	40A-21
33318-12	39C-36
33318-13	42A-11
33318-14	42B-65
33318-15	62-40

PIPER PARTS CATALOG

Part Number	Figure and Index No.
33318-16	66-26
33318-17	67-22
33318-18	31C-7
33318-19	42C-43
33318-20	39C-19
33318-21	39C-14a
33318-22	10F-18
33318-24	10F-18
33318-25	63-35
33318-25	69A-35
33318-26	39C-42
33318-27	68-26
33318-28	69-22
33318-29	31C-7
33319-00	41-12
33319-00	41A-8
33322-00	10A-7
33324-02	17A-4
33324-03	17A-4
33324-04	17A-4
33324-05	17A-4
33324-06	17A-4
33324-07	17A-4
33324-08	17A-4
33324-09	17A-4
33324-10	17A-4
33324-11	17A-4
33324-12	17A-4
33324-13	17A-4
33324-14	17A-4
33324-15	17A-4
33324-16	17A-4
33324-17	17A-4
33324-18	17A-4
33324-19	17A-4
33324-20	17A-4
33324-21	17A-4
33324-22	17A-4
33324-23	17A-4
33324-24	17A-4
33324-25	17A-4
33324-26	17A-4
33324-27	17A-4
33324-28	17A-4
33324-29	17A-4
33324-30	17A-4
33324-31	17A-4
33324-32	17A-4
33324-33	17A-4
33324-34	17A-4
33324-35	17A-4
33324-36	17A-4
33324-37	17A-4
33325-02	17A-4
33325-03	17A-4
33325-04	17A-4
33325-05	17A-4
33325-06	17A-4

Part Number	Figure and Index No.
33325-07	17A-4
33325-08	17A-4
33325-09	17A-4
33325-10	17A-4
33325-11	17A-4
33325-12	17A-4
33325-13	17A-4
33325-14	17A-4
33325-15	17A-4
33325-16	17A-4
33325-17	17A-4
33325-18	17A-4
33325-19	17A-4
33325-20	17A-4
33325-21	17A-4
33326-00	38A-66
33326-03	38A-66
33329-00	4-44
33330-00	4-43
33332-02	10A-40
33332-03	10A-40
33335-00	19-13
33343-00	6A-131
33346-05	6A-101a
33346-05	73-1
33346-05	74-1
33348-00	6A-134
33349-00	6A-134
33349-05	6A-134
33351-00	6A-126
33361-02	54B-1
33361-03	54B-1
33361-04	54B-1
33361-05	54B-1
33361-06	54B-1
33361-07	54B-1
33361-08	54B-1
33361-09	54B-1
33361-10	54B-1
33361-11	54B-1
33361-12	54B-1
33363-00	62-48
33369-00	6A-23
33369-01	6A-23
33369-09	6A-23
33379-03	39C-15a
33413-00	32-31
33414-00	32-31
33415-00	32-27
33416-00	32-27
33419-03	33A-3
33420-02	33A-3
33426-00	10A-30
33429-00	19-13
33432-00	6A-145
33433-00	39-29
33436-00	35-57
33436-00	35B-4

Part Number	Figure and Index No.
33436-01	35-57
33436-01	35B-4
33437-00	35-61
33437-00	35B-12
33438-00	10-107
33438-00	10A-42
33444-02	29C-17
33444-03	29C-15
33445-02	29C-3
33447-02	29D-32
33447-03	29D-32
33448-00	29C-61
33449-00	29D-30
33451-02	29C-63
33451-03	29C-63
33454-00	10B-53
33455-00	10D-25
33456-00	12A-36
33457-00	10B-50
33461-00	10B-54
33465-00	10B-39
33465-00	12A-66
33467-00	10B-49
33469-00	6A-120
33469-00	10B-30
33470-02	10B-36
33470-03	10B-36
33470-04	10B-36
33470-05	10B-36
33470-06	10B-36
33471-00	6A-19
33471-04	6A-19
33472-00	10B-62
33472-00	10C-80
33474-00	10D-17
33474-00	10D-31
33475-02	10B-15
33475-03	10B-15
33475-04	10C-14
33477-02	10B-27
33477-02	10D-12
33477-03	10B-27
33477-03	10D-12
33484-00	12A-88
33485-00	30A-63
33486-00	6A-144
33498-02	6A-146
33498-03	6A-147
33498-04	6A-148
33498-12v	6A-148a
33498-15	6A-146
33502-00	38C-61
33504-00	55-5
33504-00	55-16
33509-00	55-15
33518-00	2A-18
33536-00	30C-33
33536-01	30C-33

Part Number	Figure and Index No.
33538-00	33A-10
33541-00	2A-19
33541-01	2A-19
33543-00	55A-11
33555-00	2A-19a
33555-01	2A-19a
33564-00	63-63
33564-00	64-54
33564-00	65-54
33564-00	66-12
33564-00	68-8
33564-00	72-5
33605-00	36A-1
33605-01	36A-1
33607-00	18A-4
33608-02	2A-21
33608-03	2A-21
33609-04	12B-23
33609-04	12B-24
33612-02	72-14
33616-02	12B-34
33617-04	12B-36
33617-05	12B-36
33617-06	12B-36
33617-07	12B-36
33624-03	9-30a
33628-02	12B-16
33628-05	12B-16
33631-02	17B-72
33631-03	17B-72
33631-08	17B-72
33631-09	17B-72
33634-02	6A-23
33634-03	6A-23
33635-02	12B-29
33635-02	12B-38
33636-02	10C-26
33636-04	6A-121
33637-02	6A-120
33637-02	10C-28
33638-02	10C-85
33642-03	39-8
33647-04	8-59
33647-04	14-68
33647-04	15A-76
33647-05	8-59
33647-05	14-68
33647-05	15A-76
33648-02	14-92
33648-03	14-92
33653-02	39C-39
33653-02	75-3
33654-03	10C-41
33658-02	6A-85
33658-02	6A-100
33658-04	6A-100
33659-02	6A-132
33659-03	6A-132

PIPER PARTS CATALOG

Part Number	Figure and Index No.
33660-02	10C-14
33660-03	10C-14
33663-02	20B-17
33667-02	15A-101
33668-06	10C-24
33673-03	13-11
33674-02	6A-99
33674-02	14-63
33674-02	15A-85
33676-12	14-115
33676-13	14-115
33678-02	15-59a
33678-02	15A-13
33679-02	15A-11
33680-02	17B-71
33682-04	10C-33
33684-03	10C-32
33685-02	69A-18
33691-02	10C-83
33699-03	12B-35
33701-02	5-1
33707-02	17B-63
33707-03	17B-63
33708-02	8-80
33708-04	8-80
33709-02	8-77
33710-02	8-66
33710-03	8-66
33711-02	15A-2
33712-02	12A-51
33713-02	15A-3
33713-03	12A-19
33715-02	12A-74
33716-02	8-78
33717-02	8-79
33717-05	8-79
33720-02	12A-11
33720-03	12A-11
33724-02	12A-41
33729-02	12A-34
33732-02	8-84
33732-03	8-84
33733-02	10C-25
33733-02	10E-11
33734-02	12A-7
33740-02	12A-7
33741-03	10C-30
33743-03	10C-29
33747-02	12A-8
33750-02	12A-17
33751-02	12A-30
33752-02	12B-17
33753-02	12A-1
33754-04	12A-57
33754-05	12A-57
33756-02	12A-8
33760-02	3-102
33760-03	3-102

Part Number	Figure and Index No.
33761-03	10E-16
33761-04	10E-16
33766-02	12A-85
33767-02	3-35
33767-03	3-35
33768-02	36A-48
33770-02	3-101
33770-03	3-101
33771-02	12A-2
33771-21	12A-2
33772-02	3-106
33772-03	3-106
33773-02	3-104
33774-02	3-105
33777-02	10C-31
33779-02	36A-1
33779-03	36A-1
33784-03	36B-3
33785-03	12A-58
33789-04	36B-10
33790-02	11-58
33790-03	11-58
33791-02	3-100
33791-03	3-100
33792-02	3-99
33792-03	3-99
33793-02	12A-5
33795-02	16C-8
33797-02	4-41
33797-02	36A-52
33797-02	36B-12
33799-02	12A-28
33799-04	12A-28
33801-02	12A-3
33802-02	36B-8
33803-02	4-40
33803-02	36B-11
33807-02	12A-9
33807-03	12A-9
33808-03	4-38
33810-02	36A-51
33810-03	36A-51
33817-02	12A-2
33817-16	12A-2
33819-02	12A-10
33819-03	12A-9
33819-04	12A-10
33819-05	12A-9
33825-02	36B-16
33828-02	36B-9
33829-02	36B-6
33836-02	16C-63
33837-03	17B-58
33840-02	17B-9
33841-02	16C-63
33842-02	6A-18
33842-05	6A-18
33845-02	17B-34

Part Number	Figure and Index No.
33845-03	17B-34
33845-04	17B-34
33845-05	17B-34
33847-02	36B-4
33847-03	36B-4
33848-02	36B-1
33848-03	36B-1
33849-02	36B-5
33849-03	36B-5
33850-02	36A-44
33850-03	36A-44
33855-02	38C-50
33855-03	38C-13
33856-02	36A-45
33856-03	36A-45
33857-02	36B-31
33857-03	36B-31
33872-02	17B-64
33874-02	12A-90
33874-04	12A-90
33877-02	10E-27
33879-02	10E-27
33888-02	36B-18
33895-02	29D-30b
33895-03	29D-30b
33914-02	6A-134
33914-06	6A-133
33914-06	6A-134
33917-02	3-12
33917-03	3-12
33921-02	6A-137
33959-02	35B-49
33959-03	35A-8
33959-03	35B-49
33963-02	35A-55
33963-02	35B-104
33972-02	51-18
33972-08	51-18
33982-02	Misc.
33982-03	Misc.
33991-02	39-20
33994-02	6A-89a
33997-04	6A-152
34152-03	11-11
34220-00	3-103
34220-01	3-103
34220-14	3-103
34220-15	3-103
34267-00	4-45
34267-01	4-45
34282-00	2-58
34282-00	4-33
34282-01	2-58
34282-01	4-33
34282-02	4-35
34282-03	4-35
34282-04	4-34
34282-05	4-34

Part Number	Figure and Index No.
34282-06	4-36
34282-07	4-36
34282-14	2-58
34282-14	4-33
34282-15	2-58
34282-15	4-33
34298-00	8-20
34374-16	17B-76
34374-17	17B-76
34374-18	17B-76
34374-19	17B-76
34447-00	17B-7
34447-03	17B-7
34508-02	24-46
34551-00	17B-6
34551-01	17B-6
34552-00	6A-101a
34597-00	17B-24a
34770-00	17B-26
34893-02	17B-11
34907-00	17B-24b
34934-00	17B-12
34937-00	17B-13
34939-00	17B-22
34942-02	17B-14
34968-00	17B-15
34968-01	17B-15
34974-00	17B-5
34974-14	17B-39
35017-02	17B-8
35017-18	17B-8
35021-02	17B-1
35021-03	17B-1
35021-04	17B-1
35021-05	17B-1
35030-02	43-37
35030-02	43-117
35030-02	43A-1
35030-02	43B-1
35030-02	43C-1
35031-00	43-43
35031-00	43-123
35031-00	43C-3
35031-00	43C-15
35033-00	43-42
35033-00	43-122
35033-00	43C-4
35033-00	43C-16
35043-02	17B-41
35043-03	17B-41
35043-14	17B-57
35043-15	17B-41
35043-16	17B-41
35054-02	11-12
35055-02	11-55
35057-02	11-54
35058-03	11-60
35087-02	29D-30a

PIPER PARTS CATALOG

Part Number	Figure and Index No.
35088-02	29D-28a
39273-02	55C-7
39994-14	36-49
39995-06	35B-23
39995-07	30A-68
39995-07	30C-16
39995-07	30C-17
39995-08	30C-17
39995-31	35B-21
39998-04	30C-15
39999-08	35B-102
40071-02	44-15
40081-00	25-23
40081-00	31B-16
40081-00	44-14
40081-00	48-13
40111-00	55-6
40111-00	55-17
40123-100	33A-12
40546-08	4-39
40701-02	31B-15
40701-02	48-14
41001-00	49-12
41001-00	50-1
41001-03	48-3
41194-02	10A-75
41194-02	10B-73
41194-02	10C-64
41194-02	10E-26
41328-00	38F-1
41329-00	38F-3
41371-02	24-23
41371-02	43-26
41371-02	43A-71
41371-02	50-7
41371-03	24-24
41371-03	43-27
41371-03	43A-71
41371-03	50-8
41371-04	24-25
41371-04	43-28
41371-04	43A-71
41371-04	50-9
41413-38	17-14
41413-38	17-36
41413-38	17A-18
41413-38	17A-19
41413-38	17B-16
41413-38	17B-53
41413-66	51-81
41415-00	11-45
41416-00	11-45
41417-00	11-45
41494-00	6A-134
41494-00	6A-134a
41502-00	10-91
41530-04	38F-24
41554-00	39C-32

Part Number	Figure and Index No.
41596-00	30C-30
41623-00	30A-73
41623-00	30C-82
41678-00	10A-31
41678-00	10B-44
41678-02	10B-45
41678-03	10B-46
41678-04	10C-39
41678-06	10C-38
41678-06	10C-40
41679-00	10A-30
41679-00	10A-32
41679-00	10A-33
41679-00	10B-47
41679-00	10D-28
41679-00	59-25
41707-00	5-6
41711-00	10B-7
41711-00	10C-7
41711-00	10D-5
41711-00	10E-5
41711-02	10-13
41711-02	10A-14
41711-02	10B-7
41711-02	10D-5
41723-03	48-18
41723-03	50-26
42034-00	10A-91
42034-00	10B-63
42034-00	10C-55
42034-02	10A-73
42034-02	10B-64
42038-02	59-12
42038-02	61A-22
42129-14	43C-10
42129-48	43C-10
42138-00	34B-28
42172-04	30C-59
42398-00	38A-12
42399-00	38F-20
42628-04	37A-24
42628-16	35B-72
42785-04	43A-56
42826-00	38F-4
42891-00	15-39
42891-00	15-59c
42891-00	15A-64
42891-00	38B-12
42891-00	38C-12
42891-00	47-32
42891-00	51-17
42919-00	61A-19
42973-00	12A-68
43080-00	29D-31
43080-00	55-14
43086-02	10A-32
43220-00	10A-14
43255-02	49-15b

Part Number	Figure and Index No.
43255-03	49-15b
43255-03	68-24
43255-03	69-1
43256-06	23-4
43256-06	23-17
43256-06	23-23
43360-00	38A-60a
43360-00	61A-17
43362-00	61A-18
43362-00	66-3
43362-00	67-56
43363-00	61A-18
43365-00	61A-18
43365-00	66-2
43365-00	67-55
43404-00	19-59
43404-00	30B-31
43404-00	30C-68
43492-00	21A-62
43493-07	21A-63
43517-00	56-7
43517-05	56-7
43618-06	49-54
43680-00	38F-32
43680-01	38G-17
43813-03	17A-42
43813-03	17A-43
43813-04	17A-42
43813-04	17A-43
43813-05	17A-42
43813-05	17A-43
43843-00	38C-39
43909-02	61A-41
43909-02	62-3
43909-10	59-19
43909-10	61A-42
43909-10	62-5
43909-12	59-19
43909-12	62-5
43909-13	62-3
43918-00	71-6
43981-00	39-36
44009-00	38F-29
44060-02	38A-81
44114-00	17B-31
44114-00	17B-38
44180-00	38A-81
44235-00	38A-16
44275-08	4-24
44275-09	42C-56
44329-00	31B-10
44332-00	31B-9
44337-00	31B-11
44340-02	31B-4
44341-02	31B-3
44342-02	31B-2
44347-02	12A-83
44347-10	12A-83

Part Number	Figure and Index No.
44350-00	31B-1
44377-04	62-16
44512-00	17A-45
44512-00	17B-70
44514-00	17A-46
44514-01	17A-46
44727-02	38F-3
44727-03	38F-3
44729-00	38F-1
46031-00	73-5
46348-03	30A-52a
46348-03	30C-48
46348-05	30A-52a
46348-05	30C-48
46654-00	12B-40
46722-00	69A-36
46911-00	10A-12
46912-00	10A-11
47652-00	10F-23
47732-04	39C-15a
47732-07	39C-15a
47863-00	68-27
47877-02	12A-44
47877-02	20B-17b
47877-02	38A-40
47877-02	38A-48
48076-04	30C-13
48187-00	67-1
48187-00	69-3
48284-02	70-4
48437-03	51-6
48657-00	49-15
48659-08	38C-66
48659-10	38C-66
48659-11	38C-67
48881-02	74-5
49196-04	39C-49
49436-02	31C-9
49655-02	69A-9
49809-02	Misc.
49819-02	39C-24
49979-17	29-27a
49979-17	51-12a
49982-02	17B-75
49982-02	17B-79
49982-05	12A-79
49989-15	30C-79
49995-29	30A-28
49995-29	30C-20
49997-12	30A-54
49997-12	30C-14
49998-30	157A-8
49998-38	36A-50
49998-38	36A-59
49998-38	36B-15
49998-40	42B-99
49998-41	42B-93
49998-42	42B-94

PIPER PARTS CATALOG

Part Number	Figure and Index No.
49999-29	31B-17
50111-00	17-9
50111-00	17-31
50111-00	17-51
50111-00	17A-23
50111-00	17B-54
51006-00	10A-4
51006-00	10B-3
51006-00	10C-3
51006-00	10C-3a
51006-00	10C-3b
51024-00	38C-51
51210-02	38C-44
51210-03	38C-44
51212-04	38C-43
52017-02	11-44e
52018-00	11-44g
52020-00	11-44f
52144-00	66-33
52160-00	17B-55
52160-02	17B-56
52543-02	17B-33
52543-02	17B-33a
52586-02	62-23
52586-03	62-23
52588-04	62-27
52594-00	66-24
52595-00	66-33
52798-02	10B-48
52826-04	10A-103
52826-04	10B-37
52826-05	10A-102
52826-05	10B-38
52838-00	70-1
52839-04	70-3
53093-00	55A-10
53093-04	55B-9
53134-00	17B-4
53134-00	17B-37
53214-02	12A-83
53755-00	66-15
53755-00	67-11
53755-00	68-4
53755-00	69-52
53755-02	63-39
53768-02	66-2
53768-02	67-55
53768-03	66-3
53768-03	67-56
53856-00	49-15a
54493-04	17B-2
54493-04	17B-35
54507-04	5-6
54536-02	17A-44
54536-02	17B-3
54536-02	17B-61
54536-02	17B-62
54536-04	17B-69

Part Number	Figure and Index No.
54580-04	70-3
54800-28	72-9
54800-54	55C-1
55447-02	30C-36
55447-02	34A-97
55447-02	47-36
55841-02	10C-79
60054-03	50-5
60054-14	15-107
60054-14	15A-103
60054-20	48-25
60054-30	48-25
60054-37	30B-11
60704-02	55B-8
60704-02	55C-8
60765-02	35-32
60765-02	35-91
61402-19	14-13
61402-39	10A-74
61402-39	10B-74
61402-49	14-69
61402-50	40-14
61402-51	14-64
61402-67	24-21
61541-11	6A-119
61541-11	18-49
61541-11	42C-12
61541-12	18-49
61541-12	18A-15
61541-14	18-49
61541-15	18-32
61541-15	18A-14
61541-21	18A-16
61541-25	30A-22
61541-25	35A-52
61541-31	35A-52
61541-31	35B-28
61541-32	10C-86
61541-32	30A-22
61541-32	30C-11
61541-32	35A-52
61541-33	30C-12
61541-36	42C-22
61541-37	18A-50
61541-46	18A-21
61541-50	42C-21a
61879-02	30A-17
62226-00	41-15
62227-00	41-16
62342-00	41-17
62343-00	41-20
62355-02	41-6
62355-02	Misc.
62355-03	41-7
63020-00	14-93
63862-152	41-23
63900-54	17B-25
70371-00	21-48

Part Number	Figure and Index No.
70371-00	21A-40
70371-02	15-40
70371-02	15A-23
70371-02	20A-27
70371-02	20B-19
70371-02	21A-41
70371-02	30C-43
70371-02	35A-34
70371-02	37A-33
70371-02	47-22
70371-03	15-41
70371-03	15A-24
70371-03	20A-28
70371-03	20B-20
70371-03	21A-42
70371-03	30C-43
70371-03	35A-34a
70371-03	35A-35a
70371-03	37A-34
70371-03	47-19
71533-02	29-24a
71533-02	29-43
71698-02	49-10e
72381-21	21-11
80002-06	43-97
80002-07	43-13
80002-22	61-10
80002-53	11-7
80002-53	39A-37
80002-54	18A-45
80002-71	33-12
80002-81	25-82
80002-81	44-10
80004-58	21A-9
80005-06	30A-65
80005-07	30A-64
80005-08	30A-64
80006-03	38G-4
80006-18	38F-8
80006-19	38F-9
80006-27	38G-12
80006-32	38G-3
80007-02	10F-5a
80007-31	10C-68
80007-31	75-7
80007-32	10C-67
80007-32	75-8
80008-10	69A-32
80009-04	38F-28
80009-04	41-3
80009-05	41-3
80009-06	38F-17
80009-07	41-23
80009-10	38G-6
80009-11	38G-5
80009-12	41A-14
80009-13	38G-7
80009-14	41A-2

Part Number	Figure and Index No.
80012-04	51-27
80012-06	35B-107
80012-11	49-49
80012-20	24-68
80012-22	49-46
80012-91	24-67
80012-92	24-69
80012-94	2-54
80012-95	49-18
80012-96	3-53b
80012-97	24-18
80012-97	25-32
80012-97	25-34
80012-99	25-7
80012-99	25-9
80018-11	7-96
80022-73	49-10b
80022-74	49-10a
80022-75	35-79
80022-75	35B-81
80022-76	35-80
80022-76	35B-82
80022-89	15-43
80022-89	15A-65
80022-99	15-77
80022-104	51A-13
80022-123	17B-28
80022-130	11-50
80024-04	43A-38
80024-43	19-13b
80024-44	35B-8
80024-44	35B-9
80024-45	35B-7
80024-45	35B-8
80024-57	10C-90
80032-15	16B-7
80032-15	16C-3
80032-39	47-28
80032-44	21-49
80032-44	21A-25
80032-52	27-47
80032-53	19-25
80032-55	19-33
80032-65	47-7
80032-68	38B-8
80032-69	35-11
80032-72	15-45
80032-72	15A-66
80032-81	30A-57
80032-82	18-34
80032-87	21-10
80032-87	21A-27
80032-89	21-63
80032-89	21A-28
80032-94	35-78
80032-94	35B-85
80032-98	16B-8
80032-98	16C-4

PIPER PARTS CATALOG

Part Number	Figure and Index No.
80035-13	41-2
80035-13	41A-1
80041-08	12A-27
80122-07	6A-124
80122-07	12-81
80122-10	12-83
80122-10	27A-34
80122-10	35-81
80122-10	35B-83
80122-18	51-28
80122-20	30A-44
80122-68	2-59
80122-69	6-10
80122-70	6-11
80122-71	6-12
80122-74	39-25
80122-81	10-46
80122-81	10A-48
80122-82	18-31
80122-83	10-47
80122-83	10A-49
80122-84	29-25
80122-84	51-12b
80122-87	2-25a
80122-111	29-31
80122-111	51-76
80202-00	10B-54
80220-02	11-63
80223-02	11-64
80224-02	11-65
80226-02	72-6
80235-02	11-62
80236-02	10C-47
80236-03	10C-47
80238-02	10C-44
80239-02	12A-38a
80240-02	12A-12
80247-02	10-108
80247-02	10A-110
80247-02	10B-105
80247-02	10C-48
80251-02	10C-46
80251-02	10E-22
80251-03	10C-46
80251-03	10E-22
80255-02	12A-61
80256-02	15-59g
80256-02	15A-67
80257-02	12A-91
80257-02	40A-20
80259-02	15-4c
80259-02	15A-68
80260-02	10C-42
80272-02	15-109
80272-02	15A-105
80272-04	15-88
80272-04	15A-82
80272-05	15A-82

Part Number	Figure and Index No.
80281-02	12A-52
80283-02	11-54
80291-02	66-2
80291-02	67-55
80291-03	66-3
80291-03	67-56
80319-02	39C-40
80320-02	10C-45
80328-02	14-84a
80329-02	12A-38a
80335-02	12A-38a
80338-02	63-54
80338-03	63-54
80347-02	10C-45
80351-02	75-4
80382-02	10-106
80382-02	10A-108
80382-02	10B-52
80388-02	63-64
80398-02	37A-28
80399-02	37A-28
80399-03	37A-28
80417-02	10C-83
80418-02	55A-11
80421-00	51-38
80425-02	12A-38a
80426-02	10C-42
80435-02	63-64
80439-02	63-66
80439-02	64-57
80439-02	65-57
80439-02	69A-26
80442-02	63-65
80442-02	64-56
80442-02	65-56
80454-02	34-11a
80454-02	34A-8a
80454-02	34B-8a
80455-02	34-11b
80455-02	34A-8b
80455-02	34B-8b
80517-02	12A-65
80519-02	68-33
80519-02	69-55
80520-02	68-22
80521-02	68-33
80521-02	69-55
80529-02	55B-7
80535-02	39C-50
80554-02	12A-94
80593-02	65-10
80594-02	65-10
80595-02	64-10
80617-02	65-10
80617-02	65-60
80618-02	64-10
80618-02	64-60
80626-02	10C-88

Part Number	Figure and Index No.
80668-02	68-33
80668-02	69-55
80669-02	64-33
80669-02	65-33
80669-02	69A-6
80687-02	55C-9
80703-02	69A-39
80704-02	69A-27
80722-02	10C-45
80745-02	12A-38b
80757-02	15A-68
80779-02	10C-45
80860-02	10C-44
80866-02	12A-65
80875-02	15A-69
80886-02	12A-12
80886-02	14-95
80887-02	51-16
80889-02	12A-43
80892-02	12A-101a
80893-02	12A-91
80916-02	15A-67
80926-02	10C-45
81090-02	10-109
81090-02	10A-111
81090-02	10B-106
81090-02	10C-92
81102-24	43B-46
81102-25	39A-5
81102-25	39B-4
81102-28	10-21c
81102-28	10-22d
81172-70	2-50
81172-98	27A-39
81262-14	50-5
81262-46	21-51
81262-60	38-26
81262-93	15-47
81262-93	15A-70
81262-94	29-12
81262-99	49-50
81262-102	24-72
81262-102	25-68
81262-106	50-5
81262-112	48-22
81322-16	51-23
81342-08	5-24
81342-11	49-28
81342-18	20A-29
81342-18	20B-21
81342-18	30C-43
81342-18	37A-35
81342-19	15-42
81342-19	15A-25
81342-19	20B-22
81342-19	30C-43
81342-19	35B-84
81342-56	38D-11

Part Number	Figure and Index No.
81342-56	38E-17
81342-56	38F-27
81342-61	51-29
81342-68	11-48
81342-69	15-17
81342-69	15A-38
81342-70	14-3
81342-70	15-48
81342-71	14-4
81342-82	37-5
81342-97	25-54
81342-101	5-23
81342-107	17B-18
81352-23	30A-58
81411-02	44-16
81761-46	14-70
81761-59	14-70
82332-26	19-26
82352-56	30-41
82352-56	30A-29
82352-56	30C-18
82352-113	36B-19
82371-06	27A-41
82371-25	18-16
82371-25	18A-18
82371-32	18-46
82371-41	18-48
82371-45	18-32
82371-49	27-37
82371-51	35A-4
82371-57	18-46
82371-60	18-45
82371-60	18-46
82371-73	27A-25
82371-73	43-134
82371-74	27A-25
82371-75	43-92
82371-82	18-33
82371-87	18-46
82371-88	18-45
82371-88	18-46
82371-89	18-78
82371-89	18A-19
82371-90	18-32
82371-91	18-16
82371-91	18-20
82371-91	18-49
82371-91	18A-17
82371-92	18-20
82371-93	18A-20
82371-95	18A-11a
82371-95	18A-21
82371-95	20B-8
82371-95	35-23
82371-95	35A-52
82371-95	35B-29
82371-95	43-128
82371-96	35-23

PIPER PARTS CATALOG

Part Number	Figure and Index No.
82371-97	18-48
82371-98	18-35
82371-98	18-47
82371-101	36-37
82371-101	36A-13
82371-118	66-31
82371-118	67-24
82371-118	68-31
82371-118	69-24
82371-125	36-48
82371-127	10F-4
82732-46	43-31
82732-98	29C-6
82732-99	29C-7
82732-121	2-64
83161-02	10-36
83161-06	10F-6
83161-07	10-36
83161-07	10A-89
83161-07	10B-75
83161-07	10C-65
83161-07	10F-7
83161-07	19-28
83161-17	18-37
83161-18	18-36
83161-18	18A-21
83161-20	10F-8
83161-20	19-4
83161-21	10F-9
83161-21	19-3
83161-22	10-49
83161-22	10A-67
83161-22	10B-77
83161-22	10C-67
83161-22	10D-29
83161-22	10E-24
83161-22	10F-27
83161-23	10-36
83161-24	10F-10
83161-24	19-27
83161-25	10B-76
83161-25	10C-66
83161-28	36-43
83161-29	10A-68
83161-29	10B-78
83161-29	10C-68
83161-29	10D-30
83161-29	36-42
83161-30	10A-69
83161-32	18A-21
83161-37	61A-54
83161-38	61A-53
83161-38	62-47
83161-38	63-61
83161-40	19-45
83161-68	75-9
83161-69	64-52
83161-69	65-52

Part Number	Figure and Index No.
83161-69	69A-21
83302-12	37A-12
83302-13	37-20
83302-13	37A-25
83302-14	27-27
83302-15	38-1
83302-15	38A-1
83302-19	27-26
83302-21	24-45
83302-21	25-45
83302-23	15-68
83302-24	15-49
83302-26	24-4
83302-26	48-24
83302-32	25-27
83302-41	24-74
83302-46	37-3
83302-47	15-108
83302-47	15A-104
83302-67	15-119
83302-67	15A-111
83302-74	51A-23
83302-81	31B-14
83302-87	39-30
84802-07	9-12
85012-10	27-21
85012-14	47-29
85012-30	17-7
85012-30	17-29
85012-30	17-49
85012-30	17A-25
85012-32	35-33
85012-32	35-90
85012-58	49-35
85012-59	49-36
85012-93	15-61
85012-95	14-1
85012-101	30A-16
85052-11	20-10
85052-20	21-7
85052-20	21A-10
85052-21	21-7
85052-21	21A-10
85052-22	21-14
85052-36	21-14
85052-38	21-14
85052-38	21A-11
85052-40	21A-7
85512-10	14-94
85512-11	15-115
85512-15	15-117
85512-16	14-101b
85512-17	14-118
85512-18	14-121
85512-19	15-46
85512-19	15A-75
85512-23	15-117
86062-84	25-55

Part Number	Figure and Index No.
86062-92	17-5d
86062-92	17-26c
86062-94	30A-28
86062-94	30C-20
86062-104	25-55
86092-79	12-107
86092-79	12A-75
86092-80	12-107
86092-81	12-107
86092-82	37A-56
86102-02	24-31
86102-28	9-19
86102-56	17-8
86102-56	17-30
86102-56	17-50
86102-56	17A-24
86102-91	49-51
86102-99	17B-29
86142-31	30-44
86142-32	30-45
86142-34	20-10
86142-34	20A-5
86142-34	20B-3
86142-42	30A-31
86142-42	30C-19
86142-43	30A-31
86142-43	30C-19
86142-44	20A-45
90797-05	39A-40
90797-09	11-18
90797-23	39-26
90797-27	27-13
91193-00	15-51
91193-00	15A-71
91193-00	35-103
91193-00	35A-34
91193-00	35A-35
91193-00	35B-80
91193-00	47-17
99361-00v	17B-7a
99479-02	5-6
149 063	3-34
151 310	51-50
151 325	15-59h
151 325	15A-26
159 125	16-7
180 404	14-127
180 425	12-111
180 426	12-111
180 432	13-1a
180 806	34A-10
180 806	34A-19
180 806	34B-11

Part Number	Figure and Index No.
180 806	34B-26
180 816	34A-78
180 817	34-13
187 508	15-67
187 625	23-35
187 652	14-11a
187 652	14-109
189 625	5-11
189 625	36-10
189 625	36A-8
189 625	66-53
189 625	67-44
189 625	68-53
189 625	69-44
189 729	30A-60
400 002	25-66
400 002	26-7
400 002	29-30
400 002	29-39
400 003	26-13
400 003	29-36
400 003	30-2
400 003	30A-10
400 003	73-9
400 004	26-13
400 004	29B-18
400 008	2-56
400 008	43A-101
400 009	5-13
400 015	24-27
400 015	51-93
400 055	45A-68
400 100	38F-37
400 104	34B-88
400 106	43-146
400 107	24-63
400 110	24-64
400 110	29-40
400 111	24-62
400 111	24-63
400 111	25-58
400 112	24-81
400 112	25-57
400 162	24-65
400 168	2-28
400 213	30-8
400 213	30A-13
400 215	24-79
400 215	30-8
400 215	30A-12
400 235	24-60
400 268	30-13
400 274	30A-15
400 438	66-9
400 438	67-34
400 438	68-14
400 438	69-34
400 440	37A-50

PIPER PARTS CATALOG

Part Number	Figure and Index No.
400 440	66-5
400 440	67-7
400 440	68-10
400 440	69-9
400 441	29-41
400 441	66-6
400 441	66-10
400 441	67-8
400 441	67-37
400 441	68-11
400 441	68-15
400 441	69-10
400 441	69-37
400 443	35B-105
400 443	35B-107
400 444	2-16
400 444	25-49
400 448	42B-26
400 451	42B-25
400 452	2-8
400 463	30A-27
400 463	30C-44
400 708	29-35
400 758	24-61
400 869	8-21b
400 910	17B-30
400 917	17B-32
400 924	17B-38
401 188	2-6a
401 189	2-6
401 266	31B-19
401 266	66-7
401 266	67-60
401 266	68-12
401 266	69-11
401 269	2-11
401 269	51A-20
401 270	8-21a
401 270	17B-68
401 270	51A-21
401 272	24-77
401 306	73-8
401 306	74-7
401 307	74-8
401 310	2-55
401 310	23-38
401 310	24-83
401 310	30-3
401 310	30A-11
401 310	48-33
401 312	43-145
401 312	43A-102
401 312	43A-103
401 329	28-37
401 332	2-23
401 334	24A-12
401 335	2-23
401 336	2-23

Part Number	Figure and Index No.
401 363	2-27
401 365	2-13
401 388	23-12
401 395	2-17
401 404	17B-66
401 405	17B-67
401 434	29-33
401 857	42B-27
401 920	30A-43
401 924	30C-49
401 927	30C-49
401 931	43A-104
402 030	51A-17
402 257	51-72
402 261	51-73
402 286	51-74
402 308	25-53
402 310	51-75
402 311	51-74
402 315	29-31
402 315	51-76
402 316	25-59
402 317	51-74
402 318	29-31
402 318	51-76
402 322	29-34
402 325	23-31
402 325	51-92
402 329	23-28
402 331	23-29
402 333	25-50
402 342	51-78
402 344	23-41
402 346	51-77
402 350	2-34
402 354	30-7
402 354	30A-14
402 357	24-59
402 427	25-48
402 433	25-51
402 452	25-52
402 525	25-1
402 530	24-55
402 735	51-46b
404 100	51-73
404 101	23-42
404 101	24-62
404 101	24-63
404 101	24-64
404 101	24-81
404 101	25-57
404 101	25-58
404 101	29-31
404 101	29-35
404 101	29-40
404 101	34B-88
404 101	43-146
404 101	51-75

Part Number	Figure and Index No.
404 101	51-76
404 101	51A-22
404 102	23-43
404 102	24-65
404 103	24-59
404 103	24-60
404 103	30-11
404 103	30A-14
404 104	25-48
404 104	25-51
404 104	25-52
404 104	30-22
404 105	24-56
404 105	25-2
404 224	30C-61
404 224	31B-20
404 224	31B-21
404 224	37A-49
404 224	37A-52
404 225	27-30
404 225	31B-22
404 322	45-62
404 322	48-31
404 392	21A-54
404 392	30C-43
404 392	45A-64
404 392	51-72
404 395	24-61
404 528	43C-5
404 638	38F-35
404 752	38F-36
404 820	38-27
404 820	38A-64
404 820	38B-25
404 820	38C-25
404 824	14-123
404 835	8-21b
404 835	28-20
404 835	30A-27
404 835	31B-19
404 835	31B-23
404 835	35B-105
404 835	35B-107
404 835	37A-50
404 836	23-26
404 836	29-34
404 836	29-36
404 836	29-37
404 836	29-38
404 887	2-9
404 887	8-21a
404 887	17B-68
404 887	25-49
404 887	28-20
404 887	30B-14
404 887	42B-21
404 887	51-74
404 887	51A-17

Part Number	Figure and Index No.
404 887	51A-20
404 887	51A-21
404 887	66-5
404 887	66-6
404 887	66-7
404 887	66-8
404 887	66-9
404 887	67-7
404 887	67-8
404 887	67-34
404 887	67-60
404 887	67-61
404 887	68-10
404 887	68-11
404 887	68-12
404 887	68-13
404 887	68-14
404 887	69-9
404 887	69-10
404 887	69-11
404 887	69-34
404 887	69-54
404 888	2-25
404 888	2-57
404 888	2-62
404 888	23-45
404 888	24-27
404 888	24-83
404 888	24A-14
404 888	25-53
404 888	26-9
404 888	26-15
404 888	28-31
404 888	28-37
404 888	29-30
404 888	29-31
404 888	29B-18
404 888	30-5
404 888	30A-10
404 888	30A-11
404 888	38F-37
404 888	43-145
404 888	43A-101
404 888	43A-102
404 888	43A-103
404 888	45-74
404 888	48-33
404 888	48-34
404 888	51-74
404 888	51-76
404 888	51-92
404 888	51-93
404 889	2-7
404 889	2-36
404 889	24A-14
404 889	25-50
404 889	28-31
404 889	29-29

PIPER PARTS CATALOG

Part Number	Figure and Index No.
404 889	51-77
404 889	51-78
404 890	2-19
404 890	17B-66
404 890	17B-67
404 890	29-33
404 890	30-12
404 890	30A-12
404 890	30A-13
404 898	46-4a
404 908	42A-18
404 908	67-59
404 908	69-2
404 909	42B-45
404 909	66-11
404 909	67-6
404 909	68-16
404 909	69-8
404 979	22B-17
404 986	24-79
404 999	5-7
405 312	38F-36
405 580	49-10e
406 434	16-10
406 440	16-1
406 660	44-17
406 700	14-111
406 701	14-42
406 848	55-11
406 863	46-9
407 041	55-13
407 043	38F-36
407 044	38F-37
407 045	38F-35
407 103	22A-65
407 103	22A-69
407 122	45A-63
407 124	45A-36
407 127	45-61
407 127	45A-18
407 128	22B-23
407 132	42A-19
407 133	22B-7
407 133	22B-10
407 133	42A-9
407 133	42A-17
407 134	22A-21
407 134	22A-26
407 134	22A-29
407 134	22A-34
407 134	22A-38
407 134	22A-57
407 134	22A-63
407 134	22B-6
407 134	24A-8
407 562	15-119
407 562	15A-111
407 563	22A-35

Part Number	Figure and Index No.
407 563	22A-62
407 564	2-12
407 564	8-21a
407 564	14-65
407 564	15-112
407 564	15A-108
407 564	17B-68
407 564	21A-54
407 564	24-77
407 564	25-49
407 564	29-41
407 564	30A-27
407 564	30C-44
407 564	31B-19
407 564	35B-105
407 564	35B-107
407 564	37A-50
407 564	38F-36
407 564	51-72
407 564	51-74
407 564	66-5
407 564	66-6
407 564	66-8
407 564	67-7
407 564	67-8
407 564	67-61
407 564	68-10
407 564	68-11
407 564	68-13
407 564	69-9
407 564	69-10
407 564	69-54
407 565	2-24
407 565	2-61
407 565	5-14
407 565	12A-81
407 565	17B-32
407 565	17B-38
407 565	23-56
407 565	23-58
407 565	24-27
407 565	24-62
407 565	24-63
407 565	24-64
407 565	24-81
407 565	24-83
407 565	24A-13
407 565	25-57
407 565	25-58
407 565	26-8
407 565	26-14
407 565	28-15
407 565	28-30
407 565	28-37
407 565	29-31
407 565	29-34
407 565	29-35
407 565	29-36

Part Number	Figure and Index No.
407 565	29-37
407 565	29-38
407 565	29-39
407 565	30-4
407 565	30A-10
407 565	30A-11
407 565	30C-49
407 565	43-145
407 565	43A-102
407 565	43A-103
407 565	43A-104
407 565	48-33
407 565	51-74
407 565	51-75
407 565	51-76
407 565	51-93
407 565	73-9
407 566	2-29
407 566	24-65
407 566	24A-13
407 566	29-29
407 566	51-78
407 567	2-18
407 567	2-35
407 567	17B-66
407 567	17B-67
407 567	21A-53
407 567	24-59
407 567	24-60
407 567	24-61
407 567	24-79
407 567	29-33
407 567	30-9
407 567	30A-13
407 567	30A-14
407 567	31A-7
407 568	25-48
407 568	25-51
407 568	25-52
407 568	30-14
407 568	30A-15
407 569	24-58
407 569	25-4
407 569	31A-12
407 569	43C-10
407 570	43B-42
407 573	18-74
407 573	18A-38
407 584	14-71
407 584	14-123
407 584	22B-22
407 584	30A-74
407 584	30C-44
407 584	31B-20
407 584	34B-88
407 584	35B-107
407 584	51A-17
407 584	51A-21

Part Number	Figure and Index No.
407 584	66-9
407 584	67-34
407 584	68-14
407 584	69-34
407 585	21A-54
407 585	23-25
407 585	23-30
407 585	23-57
407 585	23-59
407 585	24-81
407 585	28-15
407 585	29-30
407 585	29-34
407 585	29-40
407 585	29B-18
407 586	23-32
407 586	24-65
407 586	28-30
407 587	30-9
407 587	30A-12
407 589	43C-10
407 594	45A-54
407 597	22A-33
407 597	45-50
407 676	31A-36
407 678	42A-5
407 682	8-21b
407 687	42C-51
407 694	42B-20
407 695	42B-36
407 700	42C-53
408 801	51-68
408 802	51-61
408 813	14-110
410 040	12A-80
410 044	2-47
410 044	12-88
411 230	29-38
411 231	12A-81
411 231	29-37
411 534	36B-25
414 138	42B-69
414 506	29B-19
414 508	66-11
414 508	67-6
414 508	68-15
414 508	69-8
415 149	42B-44
415 155	40-15
415 175	42A-8
415 289	29A-36
415 292	29A-36
415 449	14-74
415 517	34-54
415 517	34A-96
415 517	34B-96
415 520	55-10
415 535	2-51

PIPER PARTS CATALOG

Part Number	Figure and Index No.
415 751	22A-25
415 751	22A-61
415 751	22A-80
415 752	22A-56
415 752	22A-68
415 753	22A-20
415 754	22A-28
415 754	22A-64
415 755	22A-37
416 416	60-3
416 993	14-74
416 995	30B-15
416 995	42B-54
416 996	42A-16
416 999	42B-60
417 563	22A-30
417 776	22B-16
417 776	42B-19
417 784	38F-36
419 586	22A-4
419 965	37A-18
419 986	15A-17a
419 999	16-12
421 024	45A-71
424 050	43-39
424 050	43-119
424 050	45A-50
424 051	15-119
424 051	15-120
424 051	15A-111
424 051	17B-18
424 051	21A-54
424 051	24-62
424 051	24-63
424 051	24-64
424 051	24-65
424 051	24-81
424 051	25-57
424 051	25-58
424 051	27A-27
424 051	29-31
424 051	29-35
424 051	29-40
424 051	30C-43
424 051	34B-88
424 051	43-146
424 051	45A-53
424 051	51-72
424 051	51-73
424 051	51-75
424 051	51-76
424 051	51A-22
424 051	57-9c
424 052	23-46
424 052	29-31
424 052	51-74
424 052	51-76
424 059	24-57

Part Number	Figure and Index No.
424 059	24-59
424 059	24-60
424 059	24-61
424 059	25-3
424 059	25-48
424 059	25-51
424 059	25-52
424 059	30-10
424 059	30A-14
424 061	31A-31
424 071	23-47
424 140	15-71
424 142	45A-48
424 145	15-119
424 145	15A-111
424 177	15-110
424 177	15A-106
424 179	45A-51
424 182	14-66
424 183	15-111
424 183	15A-107
424 186	15-120
424 186	15A-112
424 187	17-12
424 187	17-34
424 187	17-54
424 187	17A-27
424 187	17B-56
424 200	14-83
424 201	14-83
424 206	17B-18
424 206	45A-66
424 210	45A-67
424 500	51A-14
424 505	51A-15
424 621	51A-16
434 124	16A-10
434 125	16B-5
434 125	16C-6
434 128	16A-9
434 128	16B-6
434 128	16C-7
434 128	20A-30
434 128	21A-21
434 128	24-35
434 128	25-44
434 128	27-5
434 128	36A-41
434 128	37-25
434 128	37A-30
434 129	11-14
434 129	21-57
434 129	22B-36
434 130	37A-47
434 134	7A-25
434 134	10-62
434 134	21A-20
434 134	36-53

Part Number	Figure and Index No.
434 135	18A-36
434 135	22A-46
434 135	42B-83
434 138	18A-37
434 139	22A-23
450 026	38F-2
450 030	38D-3
450 030	38F-2
450 031	38F-2
450 031	38G-2
450 032	38F-2
450 032	38G-2
450 035	38D-3
450 035	38E-2
450 385	38A-44
450 386	38B-38
450 386	38C-38
450 388	38C-38
450 392	38A-44
450 393	38A-45
450 395	38A-44
450 396	38A-45
450 634	10-12
450 635	10-11
450 648	10-2
450 652	10-3
450 706	10-9
450 706	10A-13
450 706	10B-13
450 706	10C-12
450 710	10-1
450 724	57-18
450 724	58-12
450 725	57-17
450 728	10-5
450 740	38C-35
450 741	38B-36
450 741	38C-36
450 742	38B-37
450 742	38C-37
450 743	10-13
450 757	60-4
450 758	60-1
450 788	10-13
450 788	10A-14
450 795	58-11
450 851	42-8
450 852	42-9
450 853	42-10
450 854	42-11
450 855	42-13
450 856	42-14
450 925	30-21
450 925	31-1
450 926	30-21
450 926	31-1
450 926	42-7
450 931	30A-53

Part Number	Figure and Index No.
450 931	31A-1
451 103v	37-33
451 150	52-1
451 151	52-2
451 152	52-4
451 153	52-5
451 154	52-6
451 155	52-7
451 156	52-8
451 158	52-9
451 159	52-10
451 160	52-11
451 161	52-12
451 162	52-13
451 163	52-14
451 164	52-16
451 168	52-19
451 169	52-20
451 170	52-36
451 171	52-51
451 173	52-56
451 174	52-57
451 175	52-58
451 177	52-35
451 178	52-43
451 179	52-45
451 181	52-21
451 182	52-22
451 185	52-46
451 187	52-47
451 188	52-25
451 190	52-26
451 191	52-27
451 193	52-44
451 196	52-39
451 273	52-18
451 717	28-1
451 720	24-32
451 735	24-33
451 736	25-46
451 755	24-43
451 755	24A-1
451 784	24-43
451 784	24A-1
451 800	55-1
451 817	55-1
451 841	69A-29
451 854	30B-25
451 854	37-2
451 854	37A-44
451 855	30-59
451 857	21-56
451 857	30C-62
451 857	37-21
451 857	37A-43
451 857	62-46
451 857	63-60
451 859	18-11

PIPER PARTS CATALOG

Part Number	Figure and Index No.
451 861	18-11
451 861	18-12
451 861	18-30
451 872	35-51
451 881	10A-62
451 881	10A-100
451 881	59-5
451 881	59A-26
451 881	61A-12
451 881	62-45
451 921	18-72
451 939	10-14
451 939	10-82
451 939	10-83
451 939	10A-61
451 939	10A-90
451 939	10A-101
451 939	10B-87
451 939	10C-72
451 939	10D-21
451 939	10F-22
451 939	59-6
451 939	59A-27
451 939	61A-13
451 939	62-44
451 939	63-46
451 939	64-46
451 939	65-46
451 939	66-49
451 939	67-40
451 939	68-29
451 939	69-40
451 940	63-45
451 940	66-48
451 940	67-39
451 940	69-39
452 011	48-15
452 011	49-2
452 011	49-5
452 011	49-20
452 011	50-3
452 015	51A-18
452 335	24-14
452 335	25-26
452 335	25-77
452 335	25-79
452 340	49-34
452 342	48-28
452 342	49-29
452 344	49-10
452 345	3-2
452 345	3-4
452 345	3-6
452 345	3-8
452 347	29-11
452 347	29D-18
452 347	29D-20
452 359	11-39a

Part Number	Figure and Index No.
452 359	11-40a
452 359	11-41a
452 359	11-42a
452 359	11-43a
452 359	11-44a
452 359	11-44c
452 361	49-10c
452 362	49-10d
452 363	29-22
452 363	29-24
452 374	51-15
452 376	51-5
452 383	34B-82
452 383	34B-84
452 383	43-116
452 383	43C-12
452 383	49-8
452 383	50-30
452 383	51-14
452 385	51-15
452 400	38-22
452 400	38A-27
452 401	38-22
452 402	38-22
452 402	38A-27
452 430	38A-27
452 439	51-14
452 444	38A-69
452 471	38A-27
452 556	51-15a
452 606	35B-106
452 606	37A-49
452 630	48-32
452 630	51-15b
452 897	39-17
452 907	30C-80
452 908	30C-80
452 909	30C-80
453 124	23-49
453 141	12-7
453 141	12-12
453 141	12-21
453 141	12-26
453 171	38F-39
453 171	41-21
453 171	41A-12
453 186	12A-23
453 186	15-4e
453 186	15A-51
453 415	12-10a
453 415	52-50
453 420	42D-34
453 424	10A-34
453 424	10B-69
453 424	10C-60
453 445	12-10a
453 448	17B-23
453 602	10-42

Part Number	Figure and Index No.
453 616	10-15
453 616	57-33
453 617	18-66
453 617	43-138
453 617	43C-84
453 618	18-40
453 618	42B-48
453 628	14-2
453 628	15-18
453 630	35-83
453 639	25-56
453 641	6A-69
453 641	34-24
453 641	34-44
453 641	34A-43
453 641	34B-51
453 652	38B-24
453 652	38C-24
453 653	57-23
453 661	10A-36
453 664	10-69
453 664	10C-70
453 664	14-90
453 664	39C-41
453 676	14-47a
453 694	10-69
453 694	10A-36
453 694	10B-83
453 694	21-92
453 712	6A-117
453 721	23-20
453 721	69A-33
453 732	16B-10
453 732	16C-9
453 792	12A-46
453 792	38A-39
453 799	10A-93
453 799	10B-82
453 834	48-17
453 865	10A-99
453 865	10B-85
453 886	12A-96
453 886	38A-50
453 891	10B-84
454 037	43-88
454 053	23-50
454 070	39A-7
454 142	53-12
454 160	7-76a
454 207	38C-55
454 277	62-58
454 277	63-51
454 277	64-32
454 277	65-32
454 277	66-62
454 277	67-53
454 277	68-5
454 277	69-53

Part Number	Figure and Index No.
454 277	69A-7
454 289	10A-55
454 289	10B-86
454 289	10C-71
454 289	10D-24
454 289	10E-21
454 289	37A-51
454 320	36-12
454 320	36A-1
454 321	36-12
454 321	36A-1
454 651	40-8
454 656	31B-18
454 656	31C-8
454 656	39A-18
454 656	39B-11
454 656	39C-8
454 656	40A-17
454 656	42B-62
454 656	42C-44
454 656	56-6
454 656	59-4
454 656	59A-25
454 656	60-31
454 656	61-6
454 656	61A-10
454 656	62-41
454 656	63-58
454 656	64-44
454 656	65-44
454 656	66-51
454 656	67-42
454 656	68-51
454 656	69-42
454 656	69A-23
454 656	70-9
454 656	73-7
454 656	74-6
454 657	39A-17
454 657	39C-8
454 657	42C-44
454 657	42D-14
454 657	66-50
454 657	67-41
454 657	68-50
454 657	69-41
454 657	72-7
454 658	39A-19
454 658	39B-12
454 658	39B-38
454 658	39C-8
454 658	69A-24
454 659	35A-46
454 659	39A-15
454 659	39B-9
454 659	39C-8
454 660	39A-16
454 661	39A-20

PIPER PARTS CATALOG

Part Number	Figure and Index No.
454 661	39B-46
454 661	39C-8
454 662	39A-16
454 664	39-4
454 664	57-16
454 664	58-18
454 664	63-44
454 667	39B-26
454 667	39C-9
454 691	39C-48
454 694	69A-25
454 694	75-11
454 695	64-45
454 695	65-45
454 695	73-7
454 712	39C-9
454 805	20A-32
454 805	20B-25
454 805	36-55
454 806	36A-58
454 806	36B-26
454 809	52-50
454 816	30A-35
454 819	6A-35
454 832	10F-25
454 832	18-85
454 832	18A-41
454 832	66-57
454 832	67-48
454 832	68-57
454 832	69-48
454 833	16B-66
454 833	16C-62
454 833	18A-39
454 833	19-46
454 848	21A-26
454 855	21-75
454 855	50-24
454 859	30-17
454 859	30-63
454 867	48-16
454 867	49-44
454 867	50-22
454 867	51A-19
454 867	66-55
454 867	67-46
454 867	68-55
454 867	69-46
454 880	15-44
454 880	15A-73
454 885	43-9
454 886	24-49
454 886	27-49
454 886	43-5
454 886	46-33
454 887	27-10
454 894	15-9a
454 894	15A-74

Part Number	Figure and Index No.
454 900	15-16
454 900	15A-39
454 901	34B-87
454 902	38B-6
454 912	21-47
454 912	21A-23
454 914	21-50
454 914	21-90
454 921	36-54
454 921	36A-42
454 924	27-36
454 924	43-91
454 925	38D-10
454 925	38E-8
454 925	38F-11
454 926	21-64
454 926	21-89
454 929	16-2
454 929	27-4
454 929	39-24
454 929	43-6
454 929	46-11
454 929	18A-33
454 930	18A-46
454 933	18A-43
454 933	38B-11
454 940	9-51
454 940	43-76
454 940	46-10
454 941	43-83
454 942	24-5
454 942	27-8
454 942	30A-61
454 942	43-77
454 943	20A-31
454 943	20B-23
454 943	35B-71
454 949	21-72
454 955	39A-6
454 955	39B-5
454 977	30A-61
454 983	10F-24
454 983	18A-40
454 983	30A-23
454 983	30C-76
454 983	36A-47
454 983	38D-22
454 983	38E-15
454 983	38F-23
454 983	38G-16
454 983	61A-56
454 983	66-56
454 983	67-47
454 983	68-56
454 983	69-47
454 987	18A-42
454 997	30A-55
454 997	30C-35

Part Number	Figure and Index No.
455 012	30C-79
455 124	23-48
455 149	6A-158
455 149	18-70
455 149	36-32
455 149	36-36
455 151	38D-18
455 151	38E-13
455 152	30-46
455 156	27-42
455 173	35-74
455 190	38-18
455 190	38A-22
455 211	38D-18
455 211	38F-18
455 211	38G-10
455 212	42-6
455 214	57-30
455 226	53-8
455 226	53-60
455 227	53-9
455 227	53-61
455 228	53-10
455 228	53-62
455 229	53-11
455 229	53-63
455 405	37-16
455 405	43-3
455 405	43A-76
455 933	43B-2
455 933	43C-46
455 934	43A-3
455 934	43C-21
456 388	55-2
456 704	38A-14
456 704	38F-22
456 706	41-19
456 706	41A-11
456 728	41-19
456 758	64-15
456 758	65-15
458 868	30B-18
458 868	35B-66
458 872	21-94
458 872	21A-51
458 876	35A-43
458 876	35B-67
458 879	19-40
458 880	19-30
458 880	43-63
458 880	43A-78
458 881	18-14
458 881	18A-28
458 882	43-89
458 882	43A-73
458 882	43A-81
458 885	42B-16
458 885	42B-109

Part Number	Figure and Index No.
458 886	18-52a
458 886	30-61
458 886	30A-25
458 886	30A-25
458 886	30A-26
458 888	10-17
458 888	18-43
458 888	18-51
458 888	19-41
458 888	57-35
458 888	60-29
458 891	27-50
458 891	27A-35
458 891	35-73
458 891	35-75
458 891	42B-47
458 891	43-2
458 891	43A-80
458 892	35-50
458 892	37-13
458 893	10A-60
458 893	10C-76
458 893	10C-91
458 893	18-53
458 893	18-68
458 893	21-95
458 893	21A-50
458 893	37A-48
458 893	57-19
458 894	27-46
458 894	27-57
458 894	27A-24
458 894	42B-58
458 894	43-1
458 894	43A-77
458 894	43B-30
458 894	45A-69
458 894	46-42
458 895	35-46a
458 895	35-69
458 895	35-93b
458 895	35-95
458 895	35B-36
458 895	37-14
458 895	37A-41
458 898	18-44
458 898	18-52
458 898	18-65
458 898	30-62
458 898	30A-20
458 899	18-24
458 899	18-61
458 899	19-20
458 899	21A-49
458 899	43B-31
458 900	19-36
458 900	19-37
458 900	27-11

PIPER PARTS CATALOG

Part Number	Figure and Index No.
458 900	43A-79
458 900	43B-32
458 900	46-39
458 901	35B-68
458 901	36-7
458 901	36A-23
458 901	43B-33
458 904	35-72
458 905	18-24a
458 905	18-60
458 909	18-61
458 910	43-16
458 910	43B-34
458 914	18-1
458 914	18-60
458 914	18A-29
458 915	35-46
458 918	18-56
458 919	18-52a
458 919	35-101
458 919	35B-47
458 920	45A-9
458 928	18-57
458 928	57-34
458 929	35B-56
458 929	60-30
458 929	61-54
458 936	35-95
458 936	35B-66
458 940	10-17
458 940	27-35
458 940	35A-41
458 940	35A-47
458 940	35B-56
458 945	10-16
458 945	10-18
458 945	10-82
458 945	10-83
458 945	57-24
458 945	57-34
458 945	60-24
458 945	60-28
458 948	10-18
458 948	10A-59
458 948	10B-88
458 948	10C-73
458 948	30C-40
458 948	35-22
458 948	43C-81
458 948	64-47
458 948	65-47
458 948	68-49
458 951	21-60
458 958	18-56
458 958	18A-25
459 839	12B-37
459 848	12B-37
459 928	49-19

Part Number	Figure and Index No.
459 930	49-21
459 930	50-4
460 616	35B-86
460 617	35B-86
460 621	35B-86
460 622	35B-86
460 623	35B-86
460 632	30-47
460 634	38-12
460 634	38C-60
460 635	43-64
460 635	43B-4
460 635	43C-85
460 651	37-17
460 652	37-28
460 664	10-80
460 664	10A-107
460 669	18-58
460 669	21-61
460 670	30-58
460 670	30A-56
460 670	30C-71
460 679	35-53
460 679	37-11
460 681	37-30
460 681	37A-42
460 683	21-58
460 683	37-31
460 684	21-59
460 684	37-32
460 685	19-29
460 686v	51-9a
460 687	24-20b
460 690	23-53
460 691	23-52
460 691	23-54
460 691	24-41
460 691	24-42
460 691	25-39
460 755	21-6
460 824	35-52
460 824	35B-100
460 888	10F-20
460 888	18-81
460 888	18A-47
460 901	39-16
460 901	39-27
461 133	49-3
461 133	49-6
461 618	57-29
461 623	38A-24
461 623	38F-31
461 623	38F-40
461 623	38G-15
462 000	4-48
462 012	38B-16
462 012	38C-16
462 014	36-9

Part Number	Figure and Index No.
462 014	36A-5
462 015	36-11
462 015	36A-6
462 015	36B-1 b
462 015	36B-14
462 018	38C-11
462 023	18-69a
462 023	42B-11a
462 023	43-71a
462 023	43B-6
462 023	43C-80a
462 026	43A-96
462 026	43B-52
462 027	43-72
462 027	43-96
462 027	43-142
462 027	43A-95
462 027	43B-46
462 027	43B-53
462 027	43C-78
462 027	43C-79
462 027	45-34
462 027	46-26
462 027	46-41
462 027	46-44
462 028	43-70
462 029	43-72
462 029	43-141
462 029	43A-97
462 029	43C-79
462 029	43C-80
462 029	45-77
462 031	30A-73
462 031	30C-82
462 031	43-141
462 031	43C-80
462 042	38B-15
462 043	38B-15
462 044	38C-40
462 046	38C-15
462 047	38C-15
462 060	35-96
462 060	35A-48
462 060	35B-47
462 060	35B-101
462 061	35-85g
462 061	35B-43c
463 374	21-62
463 391	7A-24
463 391	7A-39
463 400	34A-79
463 400	34B-90
463 411	17-5e
463 411	17-26d
463 600	39B-36
463 600	39C-35
464 022	15-55
464 022	15A-72

Part Number	Figure and Index No.
464 106	15A-72
464 323	22-1
464 324	22-1
464 327	52-48
464 327	Misc.
464 338	22-1
464 341	22-1
464 352	22-1
464 362	Misc.
465 162	39-15
465 176	12-51
465 231	39-15
465 256	38A-15
465 256	38F-21
465 256	38F-30
465 256	38G-14
467 045	51-60a
467 048	37A-14
467 064	52-40
468 002	39C-12
468 002	52-52
468 006	39C-13
468 006	52-53
468 007	38A-54
468 007	39A-48
468 007	39B-19
468 008	38A-55
468 008	39A-49
468 008	39B-20
468 340	35-12
470 648	38B-18
470 648	38C-18
470 656	38B-32
470 656	38C-32
470 657	38B-33
470 657	38C-33
471 037	66-20
471 037	68-20
471 044	11-36
471 059	20-14
471 059	20-35
471 063	21-19
471 063	51-58
471 065	11-45
471 065	51-60
471 066	11-45
471 067	11-45
471 068	39A-10
471 068	39A-44
471 068	39B-7
471 068	39B-17
471 069	37-24
471 069	37-37
471 072	37A-16
471 073	37A-15
471 075	12-9
471 075	12-14
471 075	12-23

PIPER PARTS CATALOG

Part Number	Figure and Index No.
471 075	12-28
471 075	17-28
471 075	17-48
471 080	10-33
471 080	10A-70
471 080	10A-71
471 080	10B-67
471 080	10C-58
471 080	27A-40
471 081	12-108
471 082	20-14
471 083	15-59f
471 090	15-59f
471 091	15-59f
471 092	15-59f
471 093	17-6b
471 093	17-28
472 017	34A-8
472 017	34A-17b
472 026	12-56e
472 026	38A-39
472 028	10-21f
472 028	10-21h
472 028	10-21i
472 028	10-22g
472 028	10-22j
472 028	10-22i
472 028	10-59a
472 028	10A-51
472 028	10A-98
472 028	10B-60
472 028	10C-53
472 028	10D-15
472 028	10D-15
472 028	10E-14
472 028	38A-75
472 028	39-5
472 028	39-34
472 028	39A-52
472 028	39A-56
472 028	39B-23
472 028	39B-40
472 028	39C-6
472 028	39C-26
472 028	39C-44
472 028	42B-55
472 028	42C-48
472 028	45A-40
472 028	52-43a
472 028	70-6
472 028	71-5
472 029	38-3
472 029	38A-3
472 036	38-3
472 036	38A-3
472 036	38A-79
472 037	10-21f
472 037	10-21h

Part Number	Figure and Index No.
472 037	10-22g
472 037	10-22j
472 037	10-59a
472 037	39A-52
472 037	39B-23
472 037	39B-40
472 040	12-56e
472 040	12A-46
472 040	20A-25
472 040	38A-39
472 040	38A-50
472 047	54B-5
472 052	12-56e
472 054	10A-51
472 054	10B-60
472 054	10D-15
472 054	10D-15
472 054	39-5
472 054	39C-6
472 054	39C-26
472 054	42B-55
472 054	42C-48
472 054	45A-40
472 054	67-2
472 054	69-4
472 054	71-5
472 057	38A-50
472 059	36A-53
472 059	36B-28
472 064	54A-5
472 066	38A-79
472 071	40-10
472 126	30C-64
472 330	38-5
472 330	38A-5
472 331	39-23
472 331	39A-55
472 333	39-23
472 334	39A-51
472 334	39B-22
472 334	39B-41
472 334	39C-7
472 334	39C-45
472 653	10-24
472 653	10A-54
472 653	10B-57
472 653	10C-50
472 653	39A-1
472 653	39B-1
472 653	39C-1
472 654	38-17
472 654	38A-21
472 658	38-7
472 658	38A-7
472 661	40-10
472 665	38B-29
472 665	38C-29
472 666	38B-26

Part Number	Figure and Index No.
472 666	38C-26
472 684	49-17
472 694	39-22
472 694	39A-50
472 694	39A-54
472 694	39B-21
472 694	39B-47
472 694	39C-5
472 694	39C-43
472 706	38-17
472 706	38A-21
472 707	38-7
472 707	38A-7
472 709	38B-29
472 709	38C-29
472 709	38C-47
472 710	38B-26
472 710	38C-26
472 710	38C-47
472 711	38-28
472 711	38A-31
472 714	12-56d
472 714	12A-45
472 714	38A-38
472 719	20A-24
472 719	38A-49
472 736	38-28
472 736	38A-31
472 740	39-31
472 753	38A-41
472 776	10A-50
472 776	10B-59
472 776	10D-14
472 777	38A-7
472 793	39-32
472 816	10A-96
472 817	66-19
472 817	68-19
472 827	67-5
472 827	69-7
472 829	10A-50
472 829	10B-59
472 829	10C-52
472 829	10D-14
472 829	10E-13
472 840	38A-41
472 861	39B-51
472 861	39C-10
472 862	39B-51
472 862	39C-10
472 888	38C-52
472 911	12A-95
472 911	38A-49
472 956	38A-31
474 055	16A-18
474 055	16B-16
474 055	16C-15
474 085	16A-18

Part Number	Figure and Index No.
474 085	16B-16
474 085	16C-15
474 086	16C-15
474 087	16A-18
474 087	16B-16
474 087	16C-15
474 111	16A-18
474 111	16B-16
474 111	16C-15
474 345	49-15
474 647	52-49
474 649	52-49
474 654	Misc.
474 656	Misc.
474 657	Misc.
474 658	34-53
474 658	34A-95
474 658	34B-95
474 659	Misc.
475 098	63-49
475 109	10-98
475 109	10A-92
475 109	10B-68
475 109	10C-59
475 109	10D-33
475 109	10E-15
475 116	30A-6
475 117	30A-7
475 122	30-32
475 126	10-63
475 130	61A-15
475 130	62-39
475 162	10A-76
475 162	10B-70
475 162	10C-61
475 162	10E-28
476 643	21-69
476 643	21-96
476 645	18-41
476 647	10-34
476 647	10A-81
476 647	10B-90
476 647	10C-54
476 647	10C-76
476 647	10C-91
476 647	18-8
476 647	21-55
476 647	21A-50
476 647	37-30a
476 647	37A-39
476 648	10-35
476 648	27-50
476 648	27-51
476 648	27A-36
476 648	43-4
476 648	43A-87
476 648	43B-43
476 648	44-5

PIPER PARTS CATALOG

Part Number	Figure and Index No.
476 648	75-10
476 649	10A-80
476 649	10B-21
476 649	10C-20
476 649	21-54
476 649	21A-51
476 651	35-44
476 651	35-100
476 651	35B-46
476 651	57-21
476 652	57-22
476 657	37-15
476 657	37A-40
476 662	35-45
476 662	35-98
476 662	35B-45
476 662	43-99
476 662	43-137
476 662	43C-83
476 662	45A-70
476 663	30-60
476 664	18-86
476 664	30-46
476 664	30-60
476 664	30A-26
476 664	30A-72
476 664	30C-42
476 673	39A-2
476 673	39B-2
476 673	41-18
476 674	38D-20
476 678	35B-64
476 679	43-139
476 679	43C-82
476 682	38D-19
476 682	38E-14
476 682	38F-19
476 682	38F-39
476 686	21A-52
476 696	22A-12
477 617	18-79
477 617	19-21
477 617	21A-53
477 617	43B-50
477 618	19-38
477 618	27-12
477 618	27-31
477 618	43-49
477 618	43A-90
477 618	43B-48
477 618	46-36
477 619	35A-44
477 619	35B-69
477 620	35A-53
477 620	35B-59
477 620	35B-70
477 620	42B-100
477 620	43-73

Part Number	Figure and Index No.
477 620	43A-92
477 620	43B-42
477 620	43B-49
477 620	45-71
477 621	18-73
477 621	18-80
477 621	18A-31
477 621	30A-73
477 621	30C-82
477 621	43B-46
477 621	46-27
477 629	22A-44
477 631	35-97
477 631	35B-98
477 663	43-116a
477 663	43C-13
477 664	30A-15
477 676	43A-91
477 676	43B-46
477 676	46-36
477 676	46-40
477 678	43B-50
477 704	42B-18
477 708	17B-38
477 709	17B-32
477 721	38F-34
477 740	42D-11
477 788	66-14
477 788	67-10
477 788	68-6
477 788	69-18
477 829	55B-6
477 829	55C-11
479 443	12A-99
479 443	20B-26
479 445	16A-18
479 445	16B-16
479 445	16C-15
480 264	12A-77
480 264	15-4d
480 264	15A-50
480 647	31B-5
480 650	30-49
480 682	51-67
480 682	51-67a
480 683	17-21
480 683	17-41
480 684	15-70
480 686	15-69
480 689	45A-16
480 691	15-113
480 691	15A-109
480 700	37A-36
480 701	17-20
480 701	17-40
480 701	17A-33
480 701	17B-50
480 706	14-81

Part Number	Figure and Index No.
480 711	15-69
480 937	37A-46
480 937	57-24
480 951	16-8
481 060	10-21d
481 060	10-22e
481 144	43-79
481 144	43A-6
481 144	45-1
481 144	45A-1
481 152	38A-47
481 214	40A-1
481 363	10B-101
481 364	10C-79
481 621	51-37
481 624	48-5
481 628	49-13
481 640	48-23
481 640	51A-3
481 651	48-7
481 651	50-33
481 666	35-104
481 667	18-69
481 673	18-69
481 678	35-104
481 692	18-69
481 720	18A-22
481 720	42B-11
481 720	42C-10
484 125	41-5
484 125	41A-4
484 182	38A-45
484 183	38A-45
484 207	54B-10
484 208	54B-9
484 213	54A-10
484 214	54A-9
484 231	38A-73
484 254	38A-73
484 254	67-16
484 254	69-16
484 278	38A-74
484 310	34A-14a
484 310	34B-16
484 322	34A-14
484 326	10-21g
484 326	10-22h
484 327	10-21e
484 327	10-22f
484 329	10-21e
484 329	10-22f
484 332	10-21g
484 332	10-22h
484 333	53-26
484 333	53-41
484 334	53-27
484 334	53-42
484 335	53-28

Part Number	Figure and Index No.
484 335	53-43
484 341	46-6
484 342	6-34
484 342	6-39g
484 342	6-68
484 342	6A-30
484 342	34-8
484 342	34-12
484 342	34-25a
484 342	34A-1d
484 342	34A-9a
484 342	34A-17d
484 342	34A-42
484 342	34B-1d
484 342	34B-10
484 342	34B-25
484 342	34B-50
484 342	36-17
484 342	36A-27
484 342	46-6
484 345	34-5b
484 348	10-49a
484 348	10A-45
484 348	10B-22
484 348	10C-20
484 348	10C-21
484 348	35B-54
484 350	43-69
484 351	43A-88
484 351	43B-36
484 353	43-143
484 353	43A-89
484 353	43B-41
484 353	43C-76
484 359	42B-68
484 359	43-144
484 359	43C-77
484 365	53-14
484 365	53-31
484 365	53-46
484 366	53-29
484 366	53-44
484 367	53-32
484 367	53-47
484 368	53-30
484 368	53-45
484 369	52-29
484 370	52-30
484 372	53-56
484 373	41-22
484 380	39-11
484 380	39-28
484 382	39-9
484 383	39-10
484 385	12-8
484 385	12-13
484 385	12-22
484 385	12-27

PIPER PARTS CATALOG

Part Number	Figure and Index No.
484 388	53-18
484 388	53-58
484 394	53-15
484 395	53-16
484 396	53-17
484 402	39-11
484 402	39-28
484 403	39-10
484 404	39-9
484 410	53-59
484 419	10-93
484 420	39-35
484 425	12A-24
484 425	15-4f
484 425	15A-52
484 427	64-16
484 427	65-16
484 464	12A-84
484 476	10B-23
484 476	10C-49
484 476	39-9
484 482	34A-80
484 520	39C-11
484 545	64-12
484 545	65-12
484 554	39B-42
484 575	38-37
484 575	38A-36
484 578	39A-46
484 578	53-33
484 578	53-48
484 580	52-31
484 585	54-4
484 585	54A-7
484 585	54B-7
484 648	46-7
484 696	27-20
484 697	43C-28
484 697	45-69
484 698	28-26
484 700	27-24
484 700	27-45b
484 700	44-3
484 700	45-72
484 701	27-19
484 701	28-23
484 701	43-67
484 701	43C-52
484 701	43C-65
484 701	43C-88
484 701	45-31
484 702	45A-31
484 706	27-25
484 706	43C-51
484 707	36-22
484 707	36A-33
484 708	36-21
484 708	36A-32

Part Number	Figure and Index No.
484 708	43C-27
484 708	45-38
484 708	45A-15
484 711	28-26
484 721	45A-34
484 725	27-17
484 726	45-51
484 730	43C-45
484 730	44-6
484 752	43A-93
484 752	43B-46
484 752	46-37
484 753	43B-51
484 755	34A-80
484 755	34B-91
484 937	43A-99
486 380	18-13
486 411	38C-13
486 412	38C-13
486 413	38C-13
486 414	38C-13
486 425	38C-15
486 562	55-8
486 562	55-19
486 583	10-44
486 583	10A-47
486 583	10B-65
486 583	10C-56
486 629	31C-2
486 879	46-31
486 879	55-7
486 879	55-18
487 074	38C-63
487 098	10C-84
487 137	38A-78
487 149	38D-14
487 149	38E-10
487 152	38D-14
487 152	38F-14
487 152	38G-8
487 153	41-22
487 167	41-22
487 291	17B-81
487 291	46-13
487 350	10-38
487 424	18-77
487 436	30A-8
487 479	17B-20
487 537	39A-28
487 560	12A-106
487 560	17A-47
487 560	17B-60
487 570	10-43
487 584	6-39b
487 584	6-39e
487 584	6-50
487 584	6A-32
487 584	6A-141

Part Number	Figure and Index No.
487 585	6A-141
487 586	34-18
487 586	34-31
487 587	5-18
487 587	34-17
487 587	34-30
487 588	34-10
487 588	34-26a
487 588	34A-8
487 588	34A-17b
487 588	34A-40
487 588	34B-8
487 588	34B-23
487 588	34B-48
487 589	15-78
487 590	36-20
487 590	36A-31
487 598	34-29
487 607	57-25
487 607	58-19
487 608	21-77
487 608	39-1
487 608	39A-4
487 614	34A-8
487 614	34B-8
487 616	30-48
487 619	34-17a
487 624	58-20
487 644	34A-1b
487 644	34B-1b
487 648	14-91
487 660	34A-86
487 660	34A-90
487 661	34A-88
487 669	34A-82
487 669	34A-84
487 670	34A-83
487 670	34A-85
487 670	34A-87
487 670	34A-89
487 671	34A-81
487 684	34A-81
487 684	34B-92
487 685	34A-85
487 685	34B-89
487 686	34A-88
487 686	34A-89
487 686	34B-58
487 687	34A-87
487 687	34B-70
487 689	34A-82
487 689	34A-83
487 689	34A-84
487 689	34A-86
487 689	34A-90
487 689	34B-93
487 775	11-44d
487 775	66-59

Part Number	Figure and Index No.
487 775	67-50
487 777	12-56c
487 777	12A-44
487 777	38A-40
487 777	38A-48
487 790	12-56c
487 790	38A-40
487 790	39-3
487 790	39A-21
487 790	39B-14
487 790	39B-27
487 790	40-9
487 790	52-17
487 803	39-13
487 804	38-20
487 804	38A-25
487 805	38-13
487 805	38A-17
487 805	38B-2
487 805	38C-2
487 809	39A-25
487 810	38-31
487 810	38A-34
487 811	39A-43
487 814	10-70
487 814	39A-12
487 828	39A-34
487 829	52-32
487 829	53-5
487 829	53-23
487 829	53-38
487 830	52-33
487 830	53-24
487 830	53-39
487 831	52-34
487 831	53-7
487 831	53-25
487 831	53-40
487 832	39A-43
487 832	39B-16
487 834	53-6
487 836	39A-34
487 846	53-53
487 847	38A-36
487 847	38A-77
487 847	53-54
487 848	53-52
487 849	39B-34
487 851	38A-34
487 852	39B-35
487 852	39C-22
487 856	39B-48
487 858	39B-6
487 859	38A-59a
487 860	39B-28
487 860	39B-37
487 860	61A-16
487 861	61A-31

PIPER PARTS CATALOG

Part Number	Figure and Index No.
487 863	38A-34
487 864	38A-17
487 864	38C-2
487 873	61A-32
487 876	53-53
487 878	38A-43
487 878	38A-68
487 882	39C-31
487 904	11-44d
487 904	61A-63
487 904	62-57
487 904	63-33
487 904	64-30
487 904	65-30
487 904	68-2
487 904	69-50
487 904	69A-1
487 905	10-92
487 905	10A-78
487 905	10B-58
487 905	10C-51
487 907	39B-48
487 915	10-100
487 915	63-62
487 915	64-17
487 915	64-59
487 915	65-17
487 915	65-59
487 915	70-7
487 925	69A-28
487 940	39-19
487 940	39-36
487 957	39C-2
488 308	18-42
488 309	35-49
488 310	10-19
488 310	10A-57
488 310	10B-92
488 310	10C-77
488 310	10D-23
488 310	10E-20
488 310	10F-28
488 311	27-2
488 311	43-53
488 311	43B-45
488 311	46-39
488 312	35A-38
488 312	35A-51
488 312	43A-82
488 314	35-99
488 314	35B-48
488 318	35-77
488 319	42B-104
488 320	43A-74
488 320	46-15
488 322	35-43
488 322	57-20
488 323	18-39

Part Number	Figure and Index No.
488 323	18-64
488 329	43-127
488 329	43B-40
488 330	30B-17
488 330	35-84
488 330	35B-65
488 333	35-49a
488 347	38B-9
488 347	38C-9
488 358	57-31
488 364	39A-3
488 364	39B-3
488 383	43A-75
488 383	43B-44
488 383	46-28
488 383	46-38
488 472	35B-60
488 472	43A-73
488 474	10A-79
488 474	10B-91
488 474	10C-75
488 474	37A-45
488 488	38C-42
488 499	43A-75
488 505	35-84
488 505	35B-65
488 510	43A-83
488 525	10A-56
488 525	10B-93
488 525	61A-57
488 532	42B-87
488 544	27-48
488 577	10-71
488 577	10A-105
488 664	39A-58
488 664	39B-10
488 665	39-6
488 665	39A-58
488 665	39B-10
488 666	39A-58
488 666	39B-10
488 668	39A-58
488 668	39B-10
488 699	42C-6
488 891	27-38
489 372	53-13
489 372	53-55
489 389	12-15a
489 389	12-24a
491 048	35-64
491 048	35A-39
491 048	35B-54
491 048	35B-62
491 049	19-35
491 049	19-63
491 049	21-53
491 050	19-30
491 050	19-34

Part Number	Figure and Index No.
491 050	19-55
491 050	27-43
491 050	28-36
491 050	43-11
491 050	43-143
491 050	43A-83
491 050	43A-84
491 050	43B-37
491 050	43C-76
491 050	46-19
491 050	46-45
491 052	35-58
491 052	35A-40
491 052	35B-57
491 052	35B-61
491 052	35B-99
491 052	36-6
491 052	36A-22
491 052	42B-108
491 052	43-144
491 052	43A-86
491 052	43B-38
491 052	43C-77
491 052	45-70
491 053	18-18
491 053	18A-30
491 053	42B-71
491 056	35B-64
491 057	42B-33
491 058	21-52
491 058	35-15
491 058	35A-42
491 058	35B-63
491 060	19-36
491 060	27-54
491 060	43A-85
491 060	43B-39
491 062	35A-40
491 062	35B-58
491 062	35B-99
491 069	42B-35
492 022	30-34a
492 022	35-31a
492 022	35-70
492 022	35-88
492 022	35-93a
492 022	35B-37
492 022	35B-44
492 031	27-45
492 037	27A-23
492 047	46-2
492 052	37-12
492 055	18-38
492 059	18-22
492 060	27-45
492 064	18-23
492 066	18-22
492 072	35A-49

Part Number	Figure and Index No.
492 072	35B-55
492 082	12-56f
492 082	12A-49
492 082	20A-23
492 082	20A-41
492 082	20B-17a
492 085	18A-24
492 096	43A-4
492 096	43B-3
492 096	43C-34
492 097	43A-5
492 097	43C-58
492 098	44-1
492 100	19-42
492 106	43A-94
492 222	35-85
492 222	35B-39
492 223	35-85
492 223	35B-39
492 223	35B-39
492 225	10D-17
492 226	10F-19
492 265	18A-23
492 297	37A-2
492 643	38-10
492 643	38A-65
492 644	38-10
492 644	38A-65
492 669	30B-12
492 669	30C-57
492 670	38A-65
492 674	38A-65
492 686	38A-65
492 687	30C-57
494 057	5-19
494 057	6-51
494 057	6A-33
494 057	6A-142
494 057	34-19
494 057	34-32
494 060	6-39c
494 060	6-39f
494 060	34-11
494 060	34-27
494 060	34A-8
494 060	34A-17b
494 060	34A-41
494 060	34B-8
494 060	34B-23
494 060	34B-49
494 060	36-19
494 060	36A-30
494 063	36B-25
494 065	34-19a
494 071	29B-19
494 083	27-24
494 088	34A-1c
494 088	34B-1c
494 159v	38-33a

PIPER PARTS CATALOG

Part Number	Figure and Index No.
494 159v	38A-57a
494 159v	61-45b
494 642	10-72
494 642	10A-106
494 678	55-3
494 686	10C-81
502 342	29-29
506 519	29-24a
506 619	29-43
510 008	67-59
510 008	69-2
548 036	10B-14
548 036	10C-13
548 039	75-1
548 045	75-1
548 138	75-2
548 312	10C-7
548 312	10E-5
548 321	10C-10
548 321	10E-8
548 322	10C-10
548 322	10E-8
548 323	10C-9
548 323	10E-7
548 331	10-8
548 331	10A-3
548 331	10B-2
548 331	10C-2
548 331	10D-1
548 331	10E-1
548 437	10C-10
548 437	10E-8
548 449	10E-5
548 449	10C-7
548 452	10C-7
548 452	10E-5
548 454	10C-7
548 454	10E-5
548 460	10C-9
548 460	10E-7
550 380	38A-45
550 381	38A-44
550 382	38A-45
550 383	38A-44
550 390	38A-44
550 393	38A-44
550 559	61A-52
550 559	62-22
550 559	63-15
550 560	61A-52
550 560	62-22
550 560	63-15
550 606	10-2
550 606	10A-8
550 606	10B-5
550 606	10C-5
550 606	10D-11
550 610	10-73

Part Number	Figure and Index No.
550 610	10A-104
550 625	61-37
550 626	58-11
550 626	61-38
550 640	58-11
550 641	61-37
550 642	58-12
550 643	58-11
550 643	61-38
550 644	58-11
550 644	61-38
550 645	58-12
550 646	10-12
550 647	10-11
550 684	10-10
550 684	10A-16
550 684	10B-6
550 684	10C-6
550 684	10D-6
550 684	10E-6
550 758	Misc.
550 776	61-37
550 777	58-12
550 778	58-11
550 778	59-20
550 778	59A-9
550 778	61-38
550 778	61A-51
550 778	62-21
550 778	63-16
550 779	58-11
550 779	61-38
550 782	10-13
550 902	30A-53
550 902	31A-1
550 913	30C-2
550 913	31A-1
550 917	30A-53
550 917	31A-1
550 918	30C-2
550 918	31A-1
550 924	30A-53
550 924	31A-1
550 925	30C-2
550 925	31A-1
551 114	59-13
551 114	61A-23
551 114	62-24
551 114	63-13
551 129	60-7
551 130	60-9
551 131	60-21
551 131	61-26
551 134	60-2
551 135	60-5
551 215	Misc.
551 216	56-1
551 129	Misc.

Part Number	Figure and Index No.
551 233	56-2
551 721	28-1
551 722	28-1
551 759	26-1
551 768	26-1
551 860	36A-60
551 860	36B-34
553 601	63-59
553 884	64-58
553 884	65-58
554 046	30C-26
554 175	67-15
554 175	69-15
554 257	36A-54
554 257	36B-21
554 299	17B-24
554 343	10B-104
554 552	18A-44
554 599	30A-49
554 600	30A-55
554 600	30C-35
554 610	36B-20
554 631	30C-79
554 659	36B-27
554 665	36B-17
554 670	17B-21
554 682	30C-34
554 757	11-30
554 757	34A-76
554 757	47-34
554 809	6A-157
554 809	20A-47
554 809	20B-24
554 809	36A-43
554 812	21A-29
554 834	35A-56
554 834	35B-103
554 868	10A-77
554 868	10B-71
554 868	10C-62
554 868	10E-29
554 916	36A-46
555 451	67-17
555 451	69-17
555 511	30C-56
555 695	69A-3
555 731	55A-13
556 743	10C-34
558 809	10C-50
558 841	42B-102
558 843	36A-12
558 900	18-56
558 900	18-78
558 900	18A-26
558 907	18A-27
558 911	35-22
558 913	10-83
558 913	10A-58

Part Number	Figure and Index No.
558 913	10B-89
558 913	10C-74
558 913	10D-22
558 913	10E-19
558 913	64-48
558 913	65-48
558 920	42B-17
558 920	42B-40
558 920	42B-109
558 923	18A-25
558 923	18A-26
558 923	42C-33
558 923	42D-16
558 925	42D-17
558 983	30C-75
560 669	10D-18
565 274	39-15
565 323	38A-11
565 325	39-15
565 326	39-15
565 367	69A-34
565 446	12-122
565 446	12A-40
565 608	10C-84
565 929	12A-89
571 057	37A-7
571 073	37A-15
571 076	12-56g
571 076	20A-38
571 100	12A-48
571 100	12A-53
571 100	12A-98
571 100	38A-37
571 105	15A-19
571 105	51-60
571 107	11-36
571 109	17B-27
571 114	54-5
571 115	10A-72
571 115	10B-66
571 115	10C-57
571 115	10D-20
571 115	10E-18
571 115	39C-3
571 115	61A-37a
571 127	54A-8
571 127	54B-8
571 164	37A-9
571 165	17A-21
571 165	17B-59
571 170	39C-3
571 170	39C-3a
571 176	12A-53
580 777	35-102
580 914	60-29
581 022	39B-39
581 028	38C-41
581 043	55-9

PIPER PARTS CATALOG

Part Number	Figure and Index No.
581 126v	38-33b
581 126v	38A-57b
581 126v	61-45c
581 277	39B-39
581 700	30A-62
581 700	30C-77
584 151	51-89
584 153	38A-82
587 113	69A-30
587 289	17B-19
587 409	17B-20
587 600	17A-36a
587 600	17B-57
587 820	66-21
587 820	66-24
587 820	67-4
587 820	68-21
587 820	69-6
587 822	66-60
587 822	67-51
587 822	68-3
587 822	69-51
587 849	66-16
587 849	68-48
587 849	72-10
587 857	39B-50
587 857	39C-38
587 863	39B-50
587 863	39C-38
587 867	54A-12
587 867	54B-12
587 868	54A-13
587 868	54A-14
587 868	54B-13
587 868	54B-14
587 869	54A-14
587 869	54B-14
587 888	68-43
587 899	39C-2
587 916	66-13
587 916	67-9
587 916	68-7
587 916	69-56
587 943	68-46
587 950	64-29
587 950	65-29
587 965	10C-87
587 965	55A-12
587 965	55C-10
587 967	64-11
587 967	65-11
587 985	63-34
587 985	64-31
587 985	65-31
587 985	69A-2
587 994	63-62
587 994	64-17
587 994	65-17

Part Number	Figure and Index No.
588 035	38A-25
588 043	55B-5
588 139	69A-38
588 141	39C-46
588 216	39C-51
588 395	64-14
588 395	65-14
588 439	39-21
596 038	73-3
596 038	74-3
596 057	72-3
596 071	54-2
596 072	54-3
596 172	72-4
596 200	66-4
596 200	68-9
596 249	73-2
596 249	74-2
596 439	72-2
596 440	72-4
596 508	63-17
596 509	63-16
596 510	63-16
596 511	63-16
596 644v	55B-1
596 650	74-4
596 754	64-20
596 755	63-16
596 755	64-21
596 755	65-21
596 756	64-21
596 756	65-21
596 757	65-20
596 758	64-20
596 820	63-17
596 821	64-7
596 822	64-7
596 822	65-7
596 928	64-8
596 928	65-8
596 929	64-18
596 929	65-18
596 930	64-19
596 930	65-19
597 257	55C-6
598 007	63-20
653 076	39C-51
750 272	35-34
750 272	35-92
751 201	38B-28
751 201	38C-28
751 201	38C-49
751 201	40A-16
751 202	38B-31
751 202	38C-31
751 202	38C-49
751 202	40A-16
751 203	38-30

Part Number	Figure and Index No.
751 203	38A-33
751 228	6-9
751 228	7-81
751 228	8-53
751 231	22-15
751 232	57-5
751 232	60-5
751 235	22-9
751 239	61-33
751 240	61-30
751 261	43C-49
751 262	58-5
751 263	61-33
751 272	58-32
751 272	61-58
751 273	22B-5
751 274	22A-3
751 276	61-45a
751 276	61A-43a
751 277	61-48a
751 278	61A-45
751 283	59-17
751 284	61A-46
751 286	42A-13
751 287	63-11
751 291	10-105
751 294	10A-88
751 294	10B-99
751 299	10-105
751 300	71-1
751 301	61A-43b
751 308	40A-5
751 314	61A-46
751 314	62-7
751 314	63-7
751 315	62-2
751 316	55A-4
751 317	55A-5
751 318	55A-6
751 319	55A-7
751 325	59-17
751 332	22B-2
751 336	63-20
751 336	64-24
751 336	65-24
751 342	64-6
751 342	65-6
751 348	63-20
751 348	64-24
751 348	65-24
751 354	45-39
751 354	45A-27
751 363	23-8
751 367	23-4
751 367	23-17
751 367	23-23
751 368	23-3
751 370	23-40

Part Number	Figure and Index No.
751 372	23-64
751 381	38B-27
751 381	38B-30
751 381	38C-27
751 381	38C-30
751 381	40A-15
751 393	46-30
751 397	22-21
751 405	24A-12
751 412	57-26
751 412	58-22
751 412	61-39
751 416	23-5
751 417	23-5
751 420	23-31
751 425	28-29
751 431	22-16
751 432	22-34
751 433	31-3
751 435	22-21
751 436	42-12
751 437	38-29
751 437	38A-32
751 438	38B-27
751 438	38B-30
751 438	38C-27
751 438	38C-30
751 438	40A-15
751 440	31-1a
751 440	42-7a
751 457	38-23
751 457	38A-28
751 457	38A-70
751 458	38-22
751 458	38A-27
751 458	38A-69
751 460	60-22a
751 460	61-17
751 461	60-22b
751 461	61-18
751 470	28-14
751 489	24A-6
751 489	26-3
751 494	24A-3
751 494	24A-5
751 494	26-5
751 494	26-12
751 501	23-15
751 504	46-21
751 507	28-16
751 511	26-18
751 520	57-4
751 520	60-18
751 521	57-10
751 521	60-20
751 522	57-11
751 522	60-19
751 534	28-24

PIPER PARTS CATALOG

Part Number	Figure and Index No.
751 535	28-2
751 541	28-4
751 545	22-36
751 546	22-32
751 547	22-48
751 548	22-3
751 548	22-14
751 550	22-40
751 555	57-2
751 556	35-109
751 557	16-14
751 558	16-18
751 559	16-19
751 560	16-22
751 562	52-11b
751 563	52-11c
751 564	52-11d
751 565	52-11e
751 566	52-11f
751 567	52-11g
751 568	52-11h
751 658	46-23
751 691	43-43
751 691	43-123
751 691	43C-3
751 691	43C-15
751 759	43-66
751 759	43C-87
751 767	38B-14
751 767	38C-14
751 772	26-17
751 775	22-13
751 776	22-18
751 777	23-21
751 781	22-12
751 782	22-30
751 783	57-9
751 783	60-5b
751 784	31-12
751 799	35-113
751 801	22A-24
751 802	22A-66
751 804	43C-54
751 805	35B-90
751 807	42B-8
751 808	42B-51
751 809	42B-95
751 811	16A-51
751 811	16B-43
751 811	16C-41
751 812	16A-52
751 812	16B-44
751 812	16C-42
751 813	16A-34
751 813	16B-46
751 813	16C-44
751 814	16A-35
751 814	16B-47

Part Number	Figure and Index No.
751 814	16C-45
751 815	18-22a
751 815	18A-23a
751 816	16B-34
751 816	16C-32
751 817	22B-19
751 819	24A-9
751 820	31A-20
751 832	22-49
751 833	30-16
751 833	30A-19
751 834	23-51
751 836	43-65
751 836	43C-86
751 838	45A-56
751 848	21-8b
751 849	22-27
751 850	22-38
751 851	22-29
751 852	22-8
751 853	22-43
751 854	22-39
751 855	31-5
751 856	31-9
751 857	35-106
751 858	35-107
751 859	18-69c
751 859	18A-22b
751 859	42B-11a
751 859	42C-11a
751 869	43-65
751 869	43C-86
751 872	35-112
751 874	22A-31
751 875	22A-52
751 876	22A-74
751 877	22A-77
751 878	22B-18
751 879	43C-39
751 880	43C-59
751 882	35B-88
751 896	16B-23
751 896	16C-22
751 904	10A-94
751 904	10B-14
751 904	10D-9
751 905	22-56
751 913	16A-11
751 914	10-84
751 920	22A-10
751 922	22A-74
751 929	23-2
751 930	23-2
751 933	22-19
751 934	22-17
751 947	60-13
751 953	61-35
751 954	58-8

Part Number	Figure and Index No.
751 960	22A-53
751 962	22B-34
751 966	42B-39
751 966	42B-39
751 966	42B-41
751 966	42B-56
751 967	42B-57
751 966	42B-59
751 968	42B-57
751 969	42B-46
751 970	42B-49
751 972	42B-56
751 972	42C-12
751 973	42A-10
751 974	42A-28
751 977	22B-13
751 978	22A-1
751 982	31A-2
751 987	59-16
751 988	61A-33
751 988	62-33
751 992	42A-25
751 994	61A-34
751 999	22A-1
752 000	12-34
752 007	31A-2
752 009	42A-10
752 010	71-2
752 011	71-3
752 016	36-12b
752 016	36A-3
752 044	22-50
752 055	10-52
752 056	10-53
752 057	10-54
752 064	10-51
752 065	10-51
752 066	10-54
752 075	10-51
752 075	10A-7a
752 075	10B-16
752 075	10C-15
752 076	10-52
752 078	10-54
752 078	10A-7c
752 078	10B-18
752 078	10C-17
752 092	61-38
752 093	61-37
752 107	22A-39
752 109	22B-2
752 115	10-13
752 116	42A-13
752 119	10-84
752 122	16A-21
752 122	16B-19
752 122	16C-18
752 123	22A-17

Part Number	Figure and Index No.
752 126	22-51
752 128	22A-76
752 134	10B-102
752 136	22A-76
752 304	23-18
752 306	45A-38
752 307	38-23
752 307	38A-28
752 308	28-11
752 309	28-7
752 310	38-8
752 310	38A-8
752 311	23-55
752 313	22-26
752 315	22-25
752 316	38-23
752 317	62-11
752 318	52-4a
752 319	52-4b
752 320	52-4c
752 321	52-4d
752 322	38-9
752 322	38A-9
752 323	38-9
752 323	38A-9
752 324	52-44f
752 325	52-8a
752 333	58-4
752 334	61-13
752 341	22B-29
752 343	42B-63
752 343	42C-47
752 347	42A-14
752 355	16A-12
752 355	16B-24
752 355	16C-23
752 365	43C-5a
752 368	10-21k
752 368	10-22k
752 371	71-4
752 372	38A-8
752 416	22-22
752 417	22-20
752 482	23-60
752 486	23-27
752 488	26-10
752 489	31-14
752 495	43-45
752 495	43-125
752 495	43C-5
752 495	43C-17
752 499	43C-31
752 501	43C-56
752 502	35B-93
752 504	16A-50
752 504	16B-42
752 504	16C-40
752 505	16A-53

PIPER PARTS CATALOG

Part Number	Figure and Index No.
752 505	16B-45
752 505	16C-43
752 507	22A-75
752 510	31A-6
752 511	31A-8
752 514	31A-24
752 515	31A-42
752 516	31A-14
752 526	43C-5
752 529	22A-75
752 530	31A-14
752 545	42C-50
752 546	42C-52
752 562	22A-79
752 563	22A-13
752 564	43-45
752 564	43-125
752 564	43C-5
752 564	43C-17
752 583	16A-15
752 583	16B-40
752 583	16C-38
752 700	43-42
752 700	43-122
752 700	43C-4
752 700	43C-16
752 703	43-40
752 703	43-120
752 704	45A-45
752 705	45A-58
752 706	45A-57
752 712	45A-33
752 713	23-39
752 713	31A-10
752 713	31A-23
752 713	45-17
752 713	45-78
752 713	45A-29
752 714	45-10
752 714	45-19
752 715	45-45
752 715	45A-13
752 718	45-58
752 720	23-24
752 721	23-44
752 722	23-37
752 726	43-44
752 726	43-124
752 726	43C-8
752 726	43C-20
752 727	43-41
752 727	43-41a
752 727	43-121
752 727	43C-7
752 727	43C-7a
752 727	43C-18
752 727	43C-19
752 731	23-62

Part Number	Figure and Index No.
752 732	45-41
752 733	22-28
752 735	10D-19
752 735	45-56
752 736	45-54
752 741	35B-52
752 742	35-38
752 742	37-12a
752 742	37A-3
752 745	43-46
752 745	43-118
752 746	44-7
752 749	28-10
752 750	28-5
752 751	28-25
752 757	31-6
752 760	35-39
752 760	37-12b
752 760	37A-4
752 765	23-22
752 766	57-9b
752 767	28-6
752 768	28-9
752 772	22-31
752 774	31-8
752 791	27-45a
752 798	27-45b
752 811	45A-25
752 814	23-34
752 815	23-36
752 824	22-33
752 826	28-8
752 826	28-12
752 829	26-16
752 830	24A-11
752 830	26-19
752 831	26-2
752 832	31-2
752 833	22-44
752 836	28-3
752 838	45A-41
752 839	22-6
752 840	22-52
752 842	22-44
752 843	22-33
752 844	27-45a
752 869	35-117
752 882	24A-7
752 896	31-7
752 908	45-40
752 908	45A-28
752 913	45A-61
752 918	45A-63
752 931	46-25
752 936	22-11
752 938	38-14
752 938	38-32
752 938	38A-18

Part Number	Figure and Index No.
752 938	38A-35
752 938	38B-3
752 938	38C-3
752 945	28-17
752 946	28-19
752 948	26-20
752 955	57-8
752 955	60-5d
752 959	3-33
752 962	57-9a
752 962	58-21
752 964	28-13
752 965	28-21
752 966	28-22
752 967	57-1a
752 971	22-35
752 972	22-46
752 973	22-45
752 974	22-47
753 000	23-6
753 003	Misc.
753 005	22-10
753 006	22-37
753 007	52-2b
753 007	52-6b
753 007	52-7a
753 007	52-21a
753 007	52-44a
753 008	52-2a
753 008	52-6a
753 008	52-7b
753 008	52-21b
753 008	52-25a
753 008	52-44b
753 009	52-6c
753 010	52-1a
753 010	52-21c
753 011	52-2c
753 012	52-11a
753 013	52-6d
753 014	52-1b
753 015	52-35a
753 016	52-35b
753 017	52-35c
753 018	52-35d
753 019	52-35e
753 020	52-35f
753 021	52-2d
753 027	45A-43
753 035	61-34
753 036	58-10
753 036	61-29
753 037	45A-46
753 049	22A-36
753 053	42B-67
753 054	42B-107
753 055	42B-106
753 056	42B-105

Part Number	Figure and Index No.
753 057	42B-103
753 058	42B-98
753 059	42B-91
753 060	42B-86
753 061	42B-84
753 062	42B-6
753 063	42B-75
753 064	42B-42
753 065	42B-79
753 066	42B-77
753 067	42B-12
753 068	42B-72
753 074	16A-20
753 074	16B-18
753 074	16C-17
753 076	45-76
753 077	16-21
753 086	42C-36
753 102	22-2
753 104	22-42
753 106	22-42
753 107	22-2
753 108	22-42
753 116	22-2
753 117	22-42
753 119	35-114
753 121	22A-73
753 122	22B-32
753 128	24A-4
753 129	24A-2
753 136	45A-55
753 138	45A-19
753 144	46-22
753 145	46-24
753 148	28-18
753 156	26-11
753 162	23-14
753 166	26-4
753 168	22-5
753 169	22-23
753 189	45-37
753 190	61-23
753 193	35-116
753 194	24A-4
753 195	24A-2
753 199	22A-51
753 200	22A-45
753 201	22A-54
753 203	43C-40
753 205	35B-92
753 213	10-90
753 389	22A-48
753 390	22A-42
753 391	22A-60
753 391	22B-26
753 392	22A-59
753 392	22B-25
753 393	43C-22

PIPER PARTS CATALOG

Part Number	Figure and Index No.
753 394	43C-23
753 394	43C-50
753 395	43C-25
753 396	43C-42
753 397	43C-62
753 398	43C-71
753 399	43C-53
753 400	43C-47
753 402	35B-96
753 407	28-29
753 409	31A-46
753 411	42B-1
753 411	42C-1
753 411	42D-1
753 412	42B-2
753 412	42C-2
753 412	42D-2
753 413	42B-3
753 413	42C-3
753 413	42D-3
753 414	42B-4
753 414	42C-4
753 414	42D-4
753 415	42B-5
753 415	42C-5
753 415	42D-5
753 417	42B-37
753 418	42B-38
753 419	42B-90
753 419	42C-39
753 420	42A-1
753 423	42A-31
753 427	42A-34
753 428	45-44
753 431	38-29
753 431	38A-32
753 433	16A-13
753 433	16B-25
753 433	16C-24
753 436	16A-41
753 436	16B-15
753 436	16C-14
753 437	16A-22
753 437	16B-28
753 437	16C-27
753 440	38A-28
753 440	38A-70
753 441	22B-1
753 442	22B-3
753 443	22A-47
753 457	35A-8b
753 457	35B-51
753 461	31A-3
753 462	31A-4
753 462	42A-3
753 463	31A-16
753 464	31A-21
753 465	31A-21

Part Number	Figure and Index No.
753 467	31A-28
753 477	38A-32
753 478	38C-48
753 478	38C-53
753 496	59-18b
753 496	61A-49a
753 496	62-13
753 502	57-1
753 559	22-20
753 560	22-22
753 561	16-16
753 635	61-14
753 636	58-1
753 636	61-11
753 650	35-118
753 663	22A-58
753 663	22B-24
753 693	61-45
753 693	61A-43
753 721	59-19
753 721	61A-41
753 721	61A-42
753 737	22A-58
753 743	16A-18
753 743	16B-16
753 743	16C-15
753 760	22B-24
753 782	61A-42
753 783	61A-41
753 784	61A-43
753 835	60-17
753 837	60-15
753 839	60-16
753 841	60-11
753 841	61-36
753 842	60-10
753 842	61-15
753 844	60-8
753 846	60-22
753 850	28-28
753 868	61-16
753 871	61-12
753 872	61-15
753 873	61-41
753 875	58-2
753 877	58-5
753 879	58-9
753 880	58-24
753 892	Misc.
753 899	22A-55
753 900	22A-67
753 901	22A-71
753 903	22B-30
753 904	22B-35
753 907	43C-63
753 908	43C-67
753 910	18-69b
753 910	18A-22a

Part Number	Figure and Index No.
753 913	35B-89
753 916	61-34a
753 932	58-28
753 932	61-52
753 941	16A-24
753 941	16B-22
753 941	16C-16
753 941	16C-21
753 942	16A-38
753 944	16C-33
753 945	16A-48
753 945	16B-31
753 945	16B-35
753 945	16C-30
753 946	16A-42
753 946	16B-11
753 946	16C-10
753 947	16A-44
753 947	16B-14
753 947	16C-13
753 948	10-87
753 949	10-88
753 952	42B-11b
753 962	22B-11
753 963	22B-4
753 972	10A-88
753 972	10B-99
753 973	16A-14
753 973	16B-26
753 973	16C-25
753 974	16A-19
753 974	16B-17
753 974	16C-16
753 975	16A-19
753 975	16B-17
753 975	16C-16
753 981	59-15
753 981	61A-39
753 981	62-54
753 983	31A-26
754 037	Misc.
754 042	45A-39
754 069	45A-37
754 077	Misc.
754 104	Misc.
754 165	Misc.
754 209	57-6
754 209	60-5c
754 210	57-7
754 210	60-5a
754 211	57-3
754 232	Misc.
754 239	Misc.
754 260	Misc.
754 262	Misc.
754 263	Misc.
754 264	Misc.
754 283	Misc.

Part Number	Figure and Index No.
754 306	Misc.
754 307	Misc.
754 309	16-15
754 310	Misc.
754 311	Misc.
754 312	52-6e
754 313	52-8b
754 314	52-8c
754 315	52-8d
754 316	52-47a
754 317	52-44c
754 318	52-44d
754 319	52-44e
754 320	52-43b
754 321	Misc.
754 335	Misc.
754 339	Misc.
754 347	Misc.
754 348	Misc.
754 363	Misc.
754 364	61-31
754 365	60-32
754 365	61-32
754 366	58-6
754 366	60-14
754 366	61-19
754 367	60-2a
754 368	60-36
754 368	61-20
754 369	60-34
754 369	61-22
754 370	60-35
754 370	61-21
754 425	Misc.
754 427	Misc.
754 454	Misc.
754 466	Misc.
754 467	Misc.
754 473	Misc.
754 485	Misc.
754 527	38-24
754 527	38A-29
754 527	38A-71
754 536	42B-66
754 536	42C-55
754 542	42A-22
754 547	16A-17
754 547	16B-27
754 547	16C-26
754 548	8-59
754 548	14-68
754 548	15-79
754 549	38A-29
754 555	38A-71
754 557	61A-64
754 612	26-6
754 650	26-6
754 651	26-6

PIPER PARTS CATALOG

Part Number	Figure and Index No.
754 707	22-41
754 708	22-7
754 710	22-4
754 715	16-20
754 758	22A-40
754 760	42B-29
754 761	16A-47
754 761	16B-38
754 761	16C-36
754 762	16B-39
754 762	16C-37
754 767	45-75
754 771	22A-15
754 771	22A-40
754 777	42C-34
754 778	42C-35
754 779	22A-11
754 785	10C-50
754 806	59A-11
754 807	59-23
754 807	59A-12
754 807	61A-58
754 807	62-15
754 807	63-31
754 817	19-60
754 817	30B-32
754 817	30C-69
754 826	31A-20
754 835	22A-5
754 838	63-19
754 838	64-23
754 838	65-23
754 841	42D-18
754 842	42D-19
755 022	22A-9
755 034	10D-9
755 034	10E-9
755 035	10B-14
755 035	10D-9
755 042	40A-6
755 070	36B-1a
755 075	40A-16a
755 076	40A-16b
755 113	36B-1c
755 200	40A-7
755 201	42B-57
755 202	61A-68
755 221	31A-2
755 229	62-35
755 230	62-36
755 239	42C-13
755 240	42C-14
755 241	36A-55
755 241	36B-22
755 243	22A-2
755 249	35B-87
755 252	22B-14
755 253	22B-15

Part Number	Figure and Index No.
755 255	22A-53
755 256	22A-1
755 257	22A-1
755 267	42D-35
755 268	42D-36
755 269	42D-37
755 270	42D-38
755 324	22A-1
755 400	22A-17
755 406	10-10
755 407	10-4
755 417	28-27
755 417	28-35
755 427	10-11
755 427	10A-12
755 427	10B-10
755 427	10C-8
755 427	10D-8
755 427	10E-8
755 428	10-12
755 428	10A-11
755 428	10B-9
755 428	10C-9
755 428	10D-7
755 428	10E-7
755 444	59-21
755 444	59A-10
755 452	10C-15
755 453	10C-16
755 454	10C-17
755 455	10C-18
755 456	22A-17
755 458	22A-17
755 459	72-1
755 478	10C-15
755 800	31-10
755 800	31A-11
755 801	31-11
755 802	43-79
755 802	43A-6
755 802	45-1
755 802	45A-1
755 803	35-105
755 805	18-58
755 806	18-58
755 813	60-37
755 825	10-64
755 825	57-38
755 825	58-15
755 825	60-6
755 825	61-42
755 832	61-25
755 833	61-28
755 834	35-85a
755 834	35B-40
755 835	35-85b
755 835	35B-41
755 836	35-85c

Part Number	Figure and Index No.
755 836	35B-42
755 842	35A-8c
755 848	46-3
755 849	46-4
755 864	22A-72
755 865	22A-70
755 866	22B-20
755 868	43C-24
755 869	43C-38
755 870	43C-41
755 871	43C-43
755 872	43C-69
755 873	43C-73
755 874	43C-48
755 892	42B-78
755 892	42C-45
755 893	42A-15
755 893	42B-70
755 894	42B-76
755 895	42B-34
755 896	42B-24
755 899	42A-7
755 899	42C-54
755 902	43C-26
755 903	43C-29
755 904	43C-30
755 905	43C-32
755 906	43C-33
755 907	43C-35
755 908	43C-61
755 909	43C-66
755 910	43C-57
755 911	43C-55
755 920	42B-61
755 921	42B-88
755 921	42C-30
755 922	42B-85
755 922	42C-29
755 923	42A-21
755 924	42A-33
755 931	31A-44
755 932	31A-45
755 933	31A-39
755 934	31A-17
755 937	31A-25
755 940	45A-4
755 941	43C-44
755 941	45A-5
755 946	16A-37
755 946	16B-33
755 946	16B-69
755 946	16C-65
755 964	24A-10
755 968	31A-15
755 971	31A-19
755 978	31A-27
755 990	61A-44
755 990	62-17

Part Number	Figure and Index No.
755 991	61A-44
756 013	38A-36
756 032	42A-33
756 037	40A-12
756 038	16A-42a
756 038	16B-11a
756 038	16C-10a
756 040	31A-19
756 041	31A-47
756 042	42A-23
756 050	12A-87
756 052	61A-45a
756 068	42C-41
756 069	35-85h
756 069	35B-43d
756 070	35-85j
756 070	35B-43e
756 098	43-41
756 098	43-121
756 098	43C-7
756 098	43C-18
756 099	43-44
756 099	43-124
756 099	43C-8
756 099	43C-20
756 100	22-24
756 102	22-53
756 104	31-4
756 105	31-13
756 107	35-108
756 108	35-110
756 109	35-111
756 110	52-4e
756 111	21-6a
756 112	57-1b
756 124	60-12
756 124	61-27
756 129	24A-8
756 146	61-24
756 147	28-32
756 149	28-22
756 151	22-11
756 153	22-45
756 154	22-46
756 155	35A-8e
756 155	35B-53
756 162	35-115
756 164	43-67a
756 164	43C-89
756 168	45A-7
756 176	35A-8d
756 176	35B-50
756 177	22A-27
756 178	22A-32
756 179	22A-41
756 180	22A-22
756 181	22A-49
756 182	22A-50

PIPER PARTS CATALOG

Part Number	Figure and Index No.
756 183	22A-43
756 184	22B-21
756 187	22B-23
756 188	43C-36
756 189	43C-37
756 190	43C-60
756 191	43C-64
756 192	43C-68
756 193	43C-70
756 197	22-54
756 199	35B-95
756 200	35B-94
756 211	61-14
756 212	61-48
756 215	51-46
756 216	51-7
756 219	42B-10
756 220	42B-22
756 221	42B-23
756 223	42B-65
756 232	42A-2
756 233	42A-4
756 234	42A-11
756 235	42A-20
756 236	42A-35
756 237	42A-24
756 242	31A-30
756 243	35A-8d
756 243	35B-50
756 246	15-78
756 249	61-48
756 254	61-48
756 256	10-89
756 257	58-33
756 261	22B-28
756 262	22B-31
756 273	10A-85
756 273	10B-96
756 274	10A-86
756 274	10B-97
756 281	45-60
756 281	45A-17
756 282	45A-35
756 284	31A-5
756 286	31A-32
756 289	31A-35
756 291	31A-38
756 293	31A-40
756 294	31A-34
756 295	31A-13
756 300	16A-36
756 300	16B-32
756 301	16A-45
756 301	16B-36
756 301	16C-34
756 302	16A-46
756 302	16B-37
756 302	16C-35

Part Number	Figure and Index No.
756 304	16A-49
756 304	16B-30
756 304	16C-29
756 307	10-86
756 314	22B-27
756 315	22A-78
756 317	10A-84
756 317	10B-95
756 319	16A-20
756 319	16B-18
756 319	16C-17
756 326	16B-68
756 326	16C-64
756 328	22-55
756 329	42B-6
756 330	42B-13
756 331	42B-14
756 337	10A-84
756 337	10B-95
756 347	61A-67
756 398	55A-1
756 399	55A-2
756 501	42B-7
756 502	42B-9
756 503	42B-15
756 504	16A-39
756 505	16A-43
756 505	16B-13
756 505	16C-12
756 507	16A-42b
756 507	16B-12
756 507	16C-11
756 510	31A-41
756 512	22A-66
756 514	16B-29
756 514	16C-28
756 515	22-42
756 518	42B-9
756 520	35-37
756 532	42C-7
756 533	42C-9
756 534	42C-8
756 536	42C-7
756 537	42C-8
756 538	42C-28
756 543	42D-7
756 544	42D-7
756 545	42D-8
756 546	42D-10
756 556	42C-9
756 557	42C-8
756 558	42C-7
756 560	22B-32
756 577	22A-18
756 600	45A-42
756 601	45A-49
756 603	31A-33
756 604	31A-33

Part Number	Figure and Index No.
756 606	31A-37
756 607	31A-9
756 623	10A-83
756 623	10B-94
756 652	26-1
756 663	22A-57
756 672	26-4
756 705	Misc.
756 706	61-40
756 716	58-3
756 720	58-7
756 737	58-23
756 750	Misc.
756 767	Misc.
756 771	Misc.
756 781	Misc.
756 784	Misc.
756 793	Misc.
756 800	Misc.
756 806	Misc.
756 826	Misc.
756 828	Misc.
756 829	Misc.
756 834	Misc.
756 846	Misc.
756 847	Misc.
756 855	Misc.
756 873	58-30
756 873	61-44
756 874	Misc.
756 889	43-71
756 889	43B-5
756 889	43C-74
756 907	10-85
756 908	Misc.
756 916	Misc.
756 925	Misc.
756 945	Misc.
756 984	Misc.
756 995	Misc.
757 002	Misc.
757 049	Misc.
757 050	Misc.
757 051	61A-49
757 051	62-10
757 052	59-14
757 052	59-18
757 052	59A-4
757 052	59A-8
757 052	61A-24
757 052	61A-37
757 052	61A-48
757 052	62-9
757 052	62-25
757 052	63-14
757 059	Misc.
757 062	16A-40
757 062	16B-59

Part Number	Figure and Index No.
757 062	16C-55
757 067	Misc.
757 072	Misc.
757 074	Misc.
757 096	Misc.
757 112	Misc.
757 122	14-56
757 125	Misc.
757 174	Misc.
757 194	14-56
757 201	42A-12
757 206	43-79
757 206	43A-6
757 206	45-1
757 206	45A-1
757 213	16A-16
757 213	16B-41
757 213	16C-39
757 220	22B-8
757 248	45A-11
757 249	31A-18
757 251	31A-29
757 253	31A-43
757 254	31A-22
757 259	35-85f
757 259	35B-43b
757 275	46-4b
757 297	61A-36
757 307	10-102
757 308	12-53
757 309	28-25
757 313	36A-56
757 313	36B-23
757 334	22A-22
757 355	40A-10
757 360	40A-10
757 375	31C-4
757 382	62-14
757 393	10A-18
757 394	10A-18
757 395	10A-18
757 396	10A-18
757 397	10A-18
757 398	10A-18
757 399	10A-18
757 400	10A-18
757 401	10A-18
757 402	10A-18
757 403	6A-120
757 404	6A-120
757 405	6A-120
757 411	10A-43
757 412	10A-43
757 418	12A-67
757 430	42C-46
757 453	10B-101
757 456	63-10
757 461	42D-47

PIPER PARTS CATALOG

Part Number	Figure and Index No.
757 462	42D-15
757 463	28-5
757 464	28-9
757 465	28-5
757 466	28-2
757 467	28-33
757 538	61A-50
757 542	42A-27
757 548	61A-40
757 560	42B-64
757 560	42C-42
757 561	35A-8d
757 561	35B-50
757 568	38A-57
757 569	10-99
757 579	59-19a
757 579	59A-2
757 579	61A-41a
757 579	61A-42a
757 579	62-4
757 579	62-6
757 579	63-3
757 579	63-5
757 579	64-3
757 579	64-5
757 579	65-3
757 579	65-5
757 581	59-18a
757 581	61A-47a
757 583	31A-13
757 586	42A-11
757 590	61A-43
757 602	22A-41
757 633	35-85e
757 633	35B-43a
757 645	31A-49
757 646	31A-51
757 647	31A-50
757 687	31C-3
757 689	39C-24
757 703	62-18
757 704	62-1
757 741	28-34
757 751	42C-43
757 753	62-1
757 754	62-20
757 754	63-32
757 756	22A-41
757 762	40A-2
757 784	22A-8
757 792	22A-8
757 794	22B-9
757 794	22B-12
757 795	22A-61
757 795	22A-80
757 796	22A-20
757 796	22A-64
757 797	22A-28

Part Number	Figure and Index No.
757 798	22A-37
757 799	22A-50
757 800	22B-12
757 805	22A-71
757 807	61A-47
757 808	42A-26
757 810	16A-23
757 810	16B-21
757 810	16C-20
757 816	61A-38
757 816	62-26
757 823	61A-35
757 845	28-24
757 846	22B-1
757 848	38F-16
757 849	41-3
757 850	41-23
757 854	35B-91
757 862	41-6
757 862	41A-5
757 862	Misc.
757 863	59A-23
757 863	63-30
757 863	64-28
757 863	65-28
757 865	18A-22a
757 865	42B-11b
757 865	42C-11
757 866	10A-87
757 866	10B-98
757 877	10A-51a
757 877	10B-61
757 877	10D-16
757 877	10D-16
757 888	22A-19
757 899	18-82
757 899	18A-48
757 905	61A-23
757 938	10A-97
757 946	31C-5
757 947	31C-5
757 964	10A-7
757 965	10A-7
757 967	12A-66
757 968	12A-66
757 970	22A-16
757 982	22A-19
757 983	42C-26
757 984	42C-27
757 985	42C-37
757 986	42C-38
757 987	22A-16
758 002	59A-13
758 013	22A-55
758 013	22B-26a
758 014	10B-103
758 014	10C-82
758 018	22B-4

Part Number	Figure and Index No.
758 019	22B-1
758 020	22B-1
758 024	59A-5
758 026	63-8
758 027	63-24
758 028	63-25
758 029	63-26
758 030	63-27
758 031	63-28
758 032	63-29
758 057	59A-14
758 059	59A-3
758 061	42B-89
758 061	42D-39
758 062	42B-43
758 062	42D-40
758 063	42B-53
758 063	42D-41
758 064	42D-42
758 065	42D-43
758 066	42D-44
758 067	42D-45
758 068	42B-81
758 068	42D-46
758 069	28-4
758 070	28-24
758 076	28-4
758 092v	55B-4
758 101	42A-1
758 117	35A-8b
758 117	35B-51
758 119	6A-23
758 120	22A-47
758 126	6A-23
758 141	36-12a
758 141	36A-2
758 164	61A-49a
758 168	42A-32
758 170	42A-34
758 179	61A-49b
758 179	62-12
758 180	42A-30
758 181	62-19
758 196	31A-46
758 204	31A-21
758 206	38A-72
758 207	62-11
758 209	55A-3
758 243	42A-31
758 254	42C-1
758 255	42C-2
758 256	42C-3
758 257	42C-4
758 258	42C-5
758 259	42C-40
758 260	62-19
758 260	63-12
758 261	62-17

Part Number	Figure and Index No.
758 266	55A-8
758 267	55A-9
758 281	55A-3
758 299	22A-6
758 300	22A-7
758 302	22B-37
758 303	22A-47
758 304	22A-47
758 305	22A-48
758 306	22B-3
758 309	22A-14
758 332	42C-1
758 333	42C-2
758 334	42C-3
758 335	42C-4
758 336	42C-5
758 338	42D-1
758 339	42D-2
758 340	42D-3
758 341	42D-4
758 342	42D-5
758 364	55A-3
758 370v	55B-2
758 402v	38-23
758 402v	38A-28
758 422	31A-21
758 433	42A-36
758 434	42A-37
758 435	42A-37
758 436	42A-37
758 452	55C-2
758 453	55C-5
758 489	42C-3
758 490	42C-4
758 569	64-11a
758 569	65-11a
760 193	Misc.
760 213	Misc.
760 217	Misc.
760 219	Misc.
760 222	Misc.
760 224	Misc.
760 225	Misc.
760 226	Misc.
760 227	Misc.
760 228	Misc.
760 229	Misc.
760 230	Misc.
760 232	Misc.
760 234	Misc.
760 310	Misc.
760 397	Misc.
760 399	Misc.
760 401	Misc.
760 403	Misc.
760 406	Misc.
760 439	Misc.
760 440	Misc.

PIPER PARTS CATALOG

Part Number	Figure and Index No.
760 446	21A-36a
760 454	31A-48
760 483	Misc.
760 504	35-85d
760 504	35B-43
760 523	22A-79
760 587	Misc.
760 613	42A-29
760 616	42A-23
760 619	26-4
760 625	Misc.
760 641	Misc.
760 651	Misc.
760 702	33A-9
760 716	Misc.
760 725	Misc.
760 726	Misc.
760 730	Misc.
760 731	Misc.
760 744	Misc.
760 745	Misc.
760 748	Misc.
760 749	Misc.
760 830	Misc.
760 899	63-9
760 912	Misc.
760 930	Misc.
760 986	Misc.
761 026	Misc.
761 027	Misc.
761 039v	38A-13
761 039v	61A-62
761 114	Misc.
761 115	43C-5a
761 140	Misc.
761 156	40A-13
761 157	40A-14
761 158	40A-11
761 159	40A-11
761 162	38C-46
761 163	70-5
761 164	40A-14
761 165	40A-11
761 166	40A-11
761 167	40A-11
761 168	40A-11
761 169	19-23
761 170	19-11
761 171	19-24
761 187	38C-45
761 189	40A-2
761 195	42D-12
761 196	28-7
761 197	28-7
761 197	28-11
761 213	45A-44
761 607	22B-24
761 608	22B-24

Part Number	Figure and Index No.
761 609	22A-58
761 610	22A-58
761 911	42D-20
761 912	42C-6
761 917	42C-6
761 918	42C-15
761 919	42C-16
761 920	42C-17
761 921	42C-18
761 922	42C-19
761 923	42C-20
761 924	42C-21
761 925	42C-22
761 926	42C-23
761 927	42C-24
761 928	42C-25
761 929	42C-31
761 930	42C-32
761 936	42C-6
761 937	42C-6
761 939	55A-1
761 940	55A-2
761 946	22A-36
761 947	22A-78
761 954	42D-21
761 955	42D-22
761 956	42D-23
761 957	42D-24
761 958	42D-25
761 959	42D-26
761 960	42D-27
761 961	42D-28
761 962	42D-29
761 963	42D-30
761 967	55A-1
761 970	24-32
761 972	24-32
761 973	25-47
761 986	42C-32
761 987	42C-31
761 988	42C-12a
761 989	42C-21
761 990	42-5
761 990	42A-6
761 994	24-32
761 995	24-32
762 000	25-47
762 032	24-32
762 033	24-32
762 038	25-47
762 205	63-1
762 205	64-1
762 205	65-1
762 206	63-2
762 207	59A-1
762 207	63-4
762 207	64-4
762 207	65-4

Part Number	Figure and Index No.
762 235	59A-28
762 240	42D-31
762 241	42D-9
762 242	42D-13
762 255	63-2
762 255	64-2
762 255	65-2
762 270	55A-12
762 357	55C-3
762 431	22A-27
762 451	22A-55a
762 452	22A-81
762 455	22A-55a
762 455	22B-11a
762 455	22B-26b
762 456	22A-55b
762 456	22B-26c
762 501	43-41a
762 501	43C-7a
762 501	43C-19
762 502	43-41a
762 502	43C-7a
762 502	43C-19
762 515	36A-57
762 515	36B-24
762 554	43-38
762 554	43C-6
762 619	43C-52
763 004v	55B-3
763 019	55C-4
763 032	63-6
763 032	64-6
763 032	65-6
763 229	42C-36
763 230	42B-92
763 230	42C-30
763 231	42C-29
763 232	42C-27
763 246	12A-83a
763 249	31C-5
763 417	31A-52
763 434	31C-3
763 434	31C-4
763 494	28-8
763 494	28-12
763 836	Misc.
763 856	42A-36
763 990	Misc.
763 991	Misc.
764 001	30A-45
764 037	Misc.
764 096	38A-56a
764 963	Misc.
868 313	Misc.
913 320	14-129
913 323	14-128

Part Number	Figure and Index No.
-------------	----------------------

**3H11 THRU 3L24
INTENTIONALLY LEFT BLANK**