



Courtesy of Bomar Flying Service
www.bomar.biz

PA-22 **TRI-PACER**
PARTS CATALOG

PA-22-108

PA-22-125

PA-22-135

PA-22-150

PA-22-160

PIPER AIRCRAFT CORPORATION



AEROFICHE EXPLANATION

The Parts Catalog information incorporated in this set of Aerofiche cards has been arranged in accordance with the general specifications of Aerofiche adopted by the General Aircraft Manufacturer's Association.

Conversion of Aerofiche alpha/numeric code numbers:

First number is the Aerofiche card identifier.

Letter is the horizontal line reference per card.

Second number is the vertical line reference per card.

Example: 2J16 = Aerofiche card number two of given set, Grid location J16.

To aid in locating the various sections and related information desired, the following is provided:

A complete Catalog Table of Contents is given at Grid 1A8 of Aerofiche card number 1 of this set. Each additional card in this set will have a Table of Contents for all sections on that particular card. This table will start at Grid A3.

REVISIONS

The information compiled in this Aerofiche Parts Catalog will be kept current by revisions distributed periodically. These revisions will supersede all previous revisions and will be complete Aerofiche card replacements and shall supersede Aerofiche cards of the same number in the set.

Current Revisions to this PA-22 Series Parts Catalog issued March 1973 are as follows:

752 450 (PR770603) ----- Dated June 1977



INTRODUCTION

This Illustrated Parts Catalog is designed to provide simple but positive identification of replacement parts for the Piper Tri-Pacer PA-22 Models "108", "125", "135", "150" and "160" manufactured by the Piper Aircraft Corporation of Lock Haven, Pennsylvania.

NOTE: UNDER NO CIRCUMSTANCES SHALL THIS CATALOG BE USED FOR RIGGING AND INSTALLATION PURPOSES.

It is suggested that this catalog be thoroughly studied to determine its arrangement prior to its utilization.

1. The catalog is divided into eleven (11) major sections described as follows:
 - a. Section I to X inclusive contains all replacement parts for the complete airplane. Each section is subdivided and each division includes an illustration and a parts listing.
 - b. Section XI is the Miscellaneous Group. This group includes a listing of the Optional Equipment Kits, Repair Kits and Special Tools.
2. The following is a brief explanation of the columns in the parts listing:
 - a. The "FIGURE AND INDEX" column indicates the illustration figure number and its part index number. Example: (2-1), the 2 is the figure number and the 1 is the index number. The figure number appears only at the top of each parts listing page or at the beginning of each new parts listing.
 - b. The "PART NUMBER" column contains the identifying number of the replacement part and this number must be shown on all Parts Orders.
 - c. The "CODE" column is for the purpose of indicating special uses of the part. An explanation of the letter code used is shown below each listing.
 - d. The "NOMENCLATURE" column indicates the part name. This name must be shown on all Parts Orders.
 - e. The "NO. REQ." (Number Required) column represents the total quantity of parts used per aircraft per figure when the part is not indented and the quantity of parts used per assembly when the part is indented. The symbol "AR" listed in this column means "As Required".
 - f. The "SERIAL NUMBERS AFFECTED" column indicates the part application by airplane serial numbers.

Indentation Example: Indentations of listings in the "Nomenclature column" indicate "assemblies" and "components" or "parts", in order of their indentations.

EXAMPLE					
Figure and Index Number	Part Number	Code	NOMENCLATURE	No. Req.	SERIAL NUMBERS AFFECTED
			DOOR ASSEMBLY - Baggage compartment	1	
			FRAME ASSEMBLY - Baggage compartment door	1	
			HINGE ASSEMBLY - Baggage door	1	
			CLIP - Baggage door spring	1	

This listing is interpreted as follows:

If the DOOR ASSEMBLY (not indented) is ordered, it will include the three items listed under that item.

If the FRAME ASSEMBLY (indented one space) is ordered, it will include the two items listed under the sub-assembly.

If you want only a HINGE ASSEMBLY or CLIP, you order only that item.

3. The "ATTACHING PARTS" such as nuts, bolts, screws, etc., that are available as commercial hardware items, are not generally supplied by the Piper Aircraft Corporation. The catalog lists, for your convenience, those attaching parts required for main assemblies and installations. The identifying number for these parts appears after the part name.

4. All items of Optional Equipment are contained in the parts list in their proper sequence and sections. These items were not marked optional since they are fully identified by their descriptions.

HOW TO IDENTIFY A PART
IF YOU KNOW WHAT IT LOOKS LIKE
AND KNOW WHERE IT IS LOCATED

1. Refer to Figure 1 to determine the Section number in which the part is used.
2. Refer to the Table of Contents and locate the section. Note the figure numbers that illustrate the various subgroups of this main section.
 - a. Select the figure title you think might contain the part you wish to identify and proceed to the grid (page) specified.
3. Find the part on the illustration and note the index number.

NOTE: If you don't find the part on this illustration, try another figure in this group.

4. Refer to the "Figure and Index Number" in the Parts Listing for complete description of the part.

HOW TO ORDER PARTS

In ordering parts for your Piper airplane, observe the following instructions which will aid in your getting the right parts required without delay:

- a. Place your order with the distributor or dealer for your territory, since parts are available only through our distributor organization.
- b. Always specify the model and serial number of your airplane.
- c. Always specify Part Number, Name, Type and Quantity Required.
- d. Specify the method of shipment - freight, express, parcel post, air express, air freight, or air parcel post. Where the nature of the shipment requires it or when no instructions are given, we reserve the right to ship the most suitable way.

GENERAL INFORMATION

- a. Shortages
All orders are checked and rechecked before leaving our Shipping Department. A packing slip is enclosed with the shipment and claims for errors or shortages must be made within three days after receipt of orders.

- b. Returned Goods
No material should be returned to us without first securing our written permission. Material sent in without notice will be held at the owner's risk for thirty (30) days and will then be disposed of as we see fit.

Transportation charges must be PREPAID on returned goods or the shipment will be refused.

- c. Transportation Liabilities
The Piper Aircraft Corporation cannot be held liable for damages to parts in transit from the factory. If a shipment is received in a damaged condition, have the delivery man or Transportation Company make a notation of the damage and file your claim with the Carrier. In case of concealed damage, do not attempt to remove the part from the shipping container, or endeavor to repair the damage, but call the Carrier and have his Claim Agent inspect the damage before filing your claim with the Carrier.



PA-22 SERIES SERIAL NUMBER INFORMATION

The following information should be kept in mind when ordering from this catalog:

a. The serial numbers of the aircraft covered by this parts catalog are as follows:

- (1) Serial numbers of the 1951 PA-22 Models "125" are 22-1 to 22-353 inclusive.
- (2) Serial numbers of the 1952 PA-22 Models "125" are 22-354 to 22-533 inclusive.
- (3) Serial numbers of the 1952 PA-22 Models "135" are 22-534 to 22-806 inclusive.
- (4) Serial numbers of the 1953 PA-22 Models "135" are 22-807 to 22-1759 inclusive.
- (5) Serial numbers of the 1954 PA-22 Models "135" are 22-1760 to 22-2377 inclusive and 22-2379 to 22-2424 inclusive.
- (6) Serial numbers of the 1955 PA-22 Models "150" are 22-2378, 22-2425 to 22-3217 inclusive and 22-3219 to 22-3386 inclusive.
- (7) Serial numbers of the 1956 PA-22 Models "150" are 22-3218, 22-3387 to 22-4142 inclusive and 22-4144 to 22-4459 inclusive.
- (8) Serial numbers of the 1957 PA-22 Models "150" are 22-4143, 22-4460 to 22-5138 inclusive and 22-5140 to 22-5602 inclusive.
- (9) Serial numbers of the 1958 PA-22 Models "150" and "160" are 22-5139, 22-5603 to 22-6215 inclusive and 22-6217 to 22-6351 inclusive.
- (10) Serial numbers of the 1959 PA-22 Models "150" and "160" are 22-6216, 22-6352 to 22-6784 inclusive, 22-6786 to 22-6857 inclusive and 22-6859 to 22-6979 inclusive.
- (11) Serial numbers of the 1960 PA-22 Models "150" and "160" are 22-6758, 22-6858, 22-6980 to 22-7642 inclusive.
- (12) Serial numbers of the 1961 PA-22 Models "108" are 22-8000 to 22-9036 inclusive.
- (13) Serial numbers of the 1962 PA-22 Models "108" are 22-9037 to 22-9469 inclusive.
- (14) Serial numbers of the 1963 PA-22 Models "108" are 22-9470 to 22-9728 inclusive.
- (15) Serial numbers of the 1964 PA-22 Models "108" are 22-9729 to 22-9848 inclusive.

b. The model designation "135" pertains to the PA-22 Tri-Pacer aircraft equipped with the Lycoming O-290-D2 engine.

c. The rear seat heater was installed on all Model PA-22 "135" aircraft with the exception of airplanes serial numbers 22-535, 22-536, 22-537, 22-538, 22-539 and 22-543.



STANDARD PAINT CHART

	MFG. NO.	PIPER PART NUMBER	
		QUART	GALLON
DOPE - BUTYRATE			
Sportsman Beige	X-5710-B	751 591	751 592
Hickory Brown	Y-9775-B	751 651	751 652
Lock Haven Yellow	M-9521-B	751 587	751 588
Tucson Cream	X-5260-B	751 589	751 590
Miami Blue	X-5700-B	751 603	751 604
Sacramento Green	X-5270-B	751 597	751 598
Boston Maroon	X-5680-B	751 605	751 606
Tennessee Red	M-9522-B	751 599	751 600
Polar Gray	Y-6100-B	751 595	751 596
Forest Green	Y-6350-B	751 607	751 608
Tennessee Red "52"	M-9522-B	751 641	751 642
Lemon Yellow	M-9512-B	751 635	751 636
Cream Yellow	Y-7551-B	751 643	751 644
Tampico Green	XZ-2160-B	751 649	751 650
Sun Valley Ivory	Z-7245-B	751 647	751 648
Adirondack Gray	Z-7240-B	751 656	751 657
Daytona White	J-9545-B	751 660	751 661
Key West Blue	J-9550-B	751 662	751 663
Cadillac Red	J-9555-B	751 664	751 665
Pasadena Rose	H-4800-B	751 666	751 667
Santa Fe Red	H-9150-B	754 500	754 501
Bahama Blue	H-9170-B	754 502	754 503
Hershey Brown	H-9160-B	754 504	754 505
Montego Green	F-5830-B	754 507	754 508
Pensacola Gray	W-1462-B	754 510	754 511
Pontiac Red	W-3665-B	754 512	754 513
Phoenix Tan	W-3557-B	754 514	754 515
Portland Green	W-3558-B	754 516	754 517
El Paso Brown (Metallic)	W-8433-B	754 519	754 520
Tampa Green (Metallic)	W-8427-B	754 521	754 522
Newport Blue (Metallic)	W-8430-B	754 523	754 524
Juneau White	B-4243-B	754 532	754 533

ENAMEL

Lock Haven Yellow	M-9521-E	751 617	751 618
Tucson Cream	X-5260-E	751 609	751 610
Miami Blue	X-5700-E	751 611	751 612
Sacramento Green	X-5270-E	751 619	751 620
Boston Maroon	X-5680-E	751 625	751 626
Polar Gray	Y-6100-E	751 615	751 616
Sportsman Beige	X-5710-E	751 613	751 614
Hickory Brown	Y-9775-E	751 687	751 688
Forest Green	Y-6350-E	751 627	751 628
Tennessee Red	M-9522-E	751 621	751 622
Tennessee Red "52"	M-9522-E	751 694	751 695
Lemon Yellow	M-9512-E	751 692	751 693
Cream Yellow	Y-7551-E	751 677	751 678
Tampico Green	XZ-2160-E	751 683	751 684
Sun Valley Ivory	Z-7245-E	751 681	751 682



STANDARD PAINT CHART (cont.)

	MFG. NO.	PIPER PART NUMBER	
		QUART	GALLON
ENAMEL (cont.)			
Adirondack Gray	Z-7240-E	751 685	751 686
Rapid City Black	J-3940-E	751 696	751 697
Daytona White	J-9545-E	751 700	751 701
Key West Blue	J-9550-E	751 702	751 703
Cadillac Red	J-9555-E	751 704	751 705
Pasadena Rose	H-4800-E	751 708	751 709
Santa Fe Red	H-9150-E	751 712	751 713
Bahama Blue	H-9170-E	751 714	751 715
Hershey Brown	H-9160-E	751 716	751 717
Montego Green	F-5830-E	751 718	751 719
Pontiac Red	W-3665-E	754 716	754 717
Phoenix Tan	W-3557-E	754 718	754 719
Portland Green	W-3558-R	754 724	754 725
Pensacola Gray	W-1462-E	754 711	754 712
Norfolk Gray	W-1463-E	754 713	754 714
El Paso Brown (Metallic)	W-8433-E	754 737	754 738
Tampa Green (Metallic)	W-8427-E	754 739	754 740
Newport Blue (Metallic)	W-8430-E	754 741	754 742
Juneau White	B-4243-E	754 755	754 756
DOPE - CLEAR			
Nitrate		750 165	750 166
Butyrate		751 593	751 594
DOPE - ALUMINUM			
Nitrate		750 193	750 194
Butyrate		751 633	751 634
PRIMER			
Zinc Chromate		750 161	750 162
THINNER			
Nitrate		750 177	750 178
Zinc Chromate			750 186
Butyrate		751 631	751 632
Enamel		751 629	751 630
RETARDER			
Butyrate			179 550



TABLE OF CONTENTS

FIGURE NUMBER	FIGURE TITLE	GRID NUMBER
1	Exploded View of Complete Airplane	1A11
SECTION I WING GROUP		
2	Wing and Fuel Tank Installation	1A12
3	Lift Strut Installation	1A17
4	Aileron Installation	1A20
5	Flap Installation (Not used on PA-22-108)	1A21
6	Wing Panel Assembly	1A22
7	Wing Panel Assembly	1B3
8	Wing Panel Assembly	1B6
SECTION II FUSELAGE GROUP		
9	Fuselage Frame Assembly	1B11
10	Fuselage Covered Assembly	1B15
SECTION III COCKPIT GROUP		
11	Rear Seat Installation (PA-22-125-135-150-160 S/N 22-1 to 22-7642 incl.)	1B20
12	Front Seat Installation	1C1
13	Front Door Assembly (PA-22-125-135 S/N 22-1 to 22-806 incl.)	1C11
14	Front Door Assembly (PA-22-108-135-150-160 S/N 22-807 and up)	1C13
15	Rear Door Assembly (PA-22-125-135 S/N 22-1 to 22-806 incl.)	1C17
16	Rear Door Assembly (PS-22-135-150-160 S/N 22-807 and up)	1C19
17	Baggage Compartment Installation (PA-22-135-150-160 S/N 22-807 and up)	1C22
18	Instrument Panel Installation, Standard and Primary	1D1
19	Instrument Panel Installation, Standard and Primary	1D5
20	Instrument Panel Installation, Standard and Primary	1D9
21	Instrument Panel Installation, Standard and Primary	1D13
22	Instrument Panel Installation, Directional Gyro and Gyro Horizon	1D17
23	Instrument Panel Installation, Directional Gyro	1D20
24	Vacuum Pump Installation	1D23
25	Litter Installation (Not used on PA-22-108)	1E3
26	Floorboard and Carpet Installation	1E5
27	Cockpit Finishing Installation	1E11
28	Cockpit Finishing Installation	1E17
29	Cockpit Finishing Installation	1E20
SECTION IV CONTROL GROUP		
30	Control Column and Rudder Pedal Installation	1E23
31	Stabilizer Adjustment Crank Installation	1F2
32	Stabilizer Adjustment Mechanism Installation	1F3
33	Aileron, Elevator and Stabilizer Adjustment Control	1F6
33A	AutoControl Installation	1F9



TABLE OF CONTENTS

FIGURE NUMBER	FIGURE TITLE	GRID NUMBER
SECTION IV (cont.) CONTROL GROUP		
34	Aileron and Rudder Interconnecting System	1F11
35	Rudder and Flap Control System (Not used on PA-22-108)	1F14
36	Tail Surfaces Installation	1F16
SECTION V FUEL SYSTEM GROUP		
37	Fuel System Installation	1F20
38	Auxiliary Fuel System Installation (PA-22-135-150-160 S/N 22-534 to 22-7642 incl.)	1G2
SECTION VI CHASSIS GROUP		
39	Landing Gear Shock Unit and Fairings Installation	1G4
40	Main Wheel Assembly (Used with drum brakes only)	1G7
40A	Main Wheel Assembly (Used with disc brakes only)	1G9
41	Landing Gear Vee	1G10
42	EDO Float Installation (Not used on PA-22-108)	1G13
43	Nose Wheel Installation	1G16
43A	Nose Wheel Assembly	1G20
44	Wheel Fairing Installation	1G22
SECTION VII BRAKE INSTALLATION GROUP		
45	Brake Installation	1H1
46	Brake Shoe Assembly	1H5
46A	Disc Brake Installation	1H7
SECTION VIII ELECTRICAL SYSTEM GROUP		
47	Electrical System Installation	1H8
48	Landing Light Installation	1H15
SECTION IX POWER PLANT GROUP		
49	Spinner and Propeller Installation	1H18
50	Hartzell Propeller Installation (PA-22-150 S/N 22-3387 to 22-7642 incl.)	1H23
51	Aeromatic Propeller Installation (PS-22-125-135-150 S/N 22-1 to 22-3217 incl., 22-3219 to 22-3386 incl.)	1I2
52	Cowl Assembly (Not used on PA-22-108)	1I4
53	Engine Baffle Installation (Not used on PA-22-108)	1I7
53A	Cowl and Baffles Installation (PA-22-108 only)	1I11
54	Oil Radiator Installation (Not used on PA-22-108)	1I14
55	Muffler and Stack Installation (Not used on PA-22-108)	1I17



TABLE OF CONTENTS

FIGURE NUMBER	FIGURE TITLE	GRID NUMBER
SECTION IX (cont.) POWER PLANT GROUP		
56	Power Plant Installation (PA-22-125-135-150-160)	1119
56A	Power Plant Installation (PA-22-108)	1123
SECTION X RADIO GROUP		
57	Antenna System Installation (Not used on PA-22-108)	1J3
58	Marker Beacon Installation (Not used on PA-22-108)	1J6
59	Lear Radio Installation (Not used on PA-22-108)	1J8
60	Narco Radio Installation (Not used on PA-22-108)	1J11
61	Piper Radio Installation (PA-22-108 S/N 22-9417 and up)	1J14
62	Piper Automatic Locator (ELT) Installation (Garrett Mfg. Ltd.)	1J17
SECTION XI MISCELLANEOUS GROUP		
	Optional Equipment and Repair Kits	1J19
	Decals	1J22
	NUMERICAL INDEX	1J23

XI MISCELLANEOUS

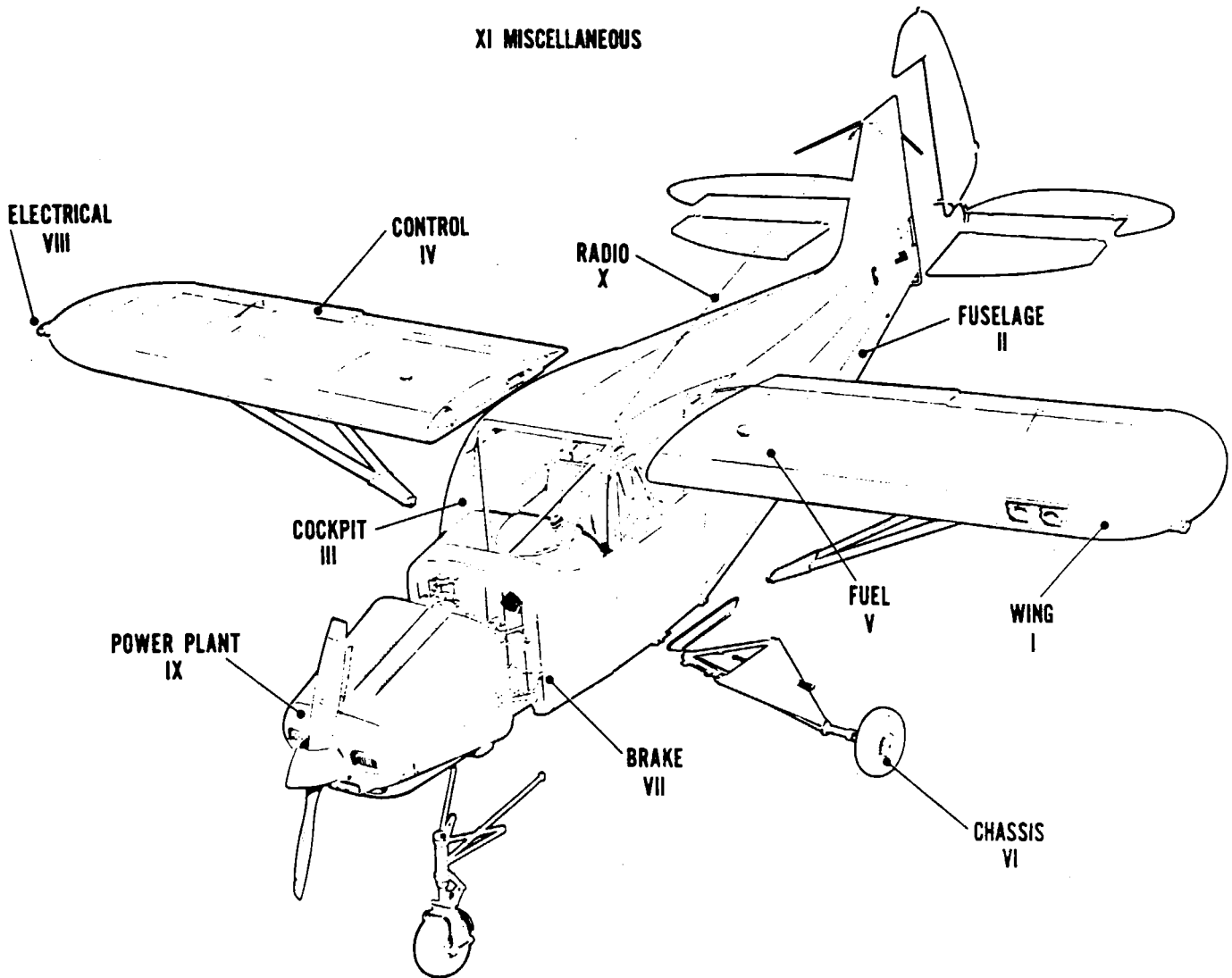


Figure 1. Exploded View of Complete Airplane

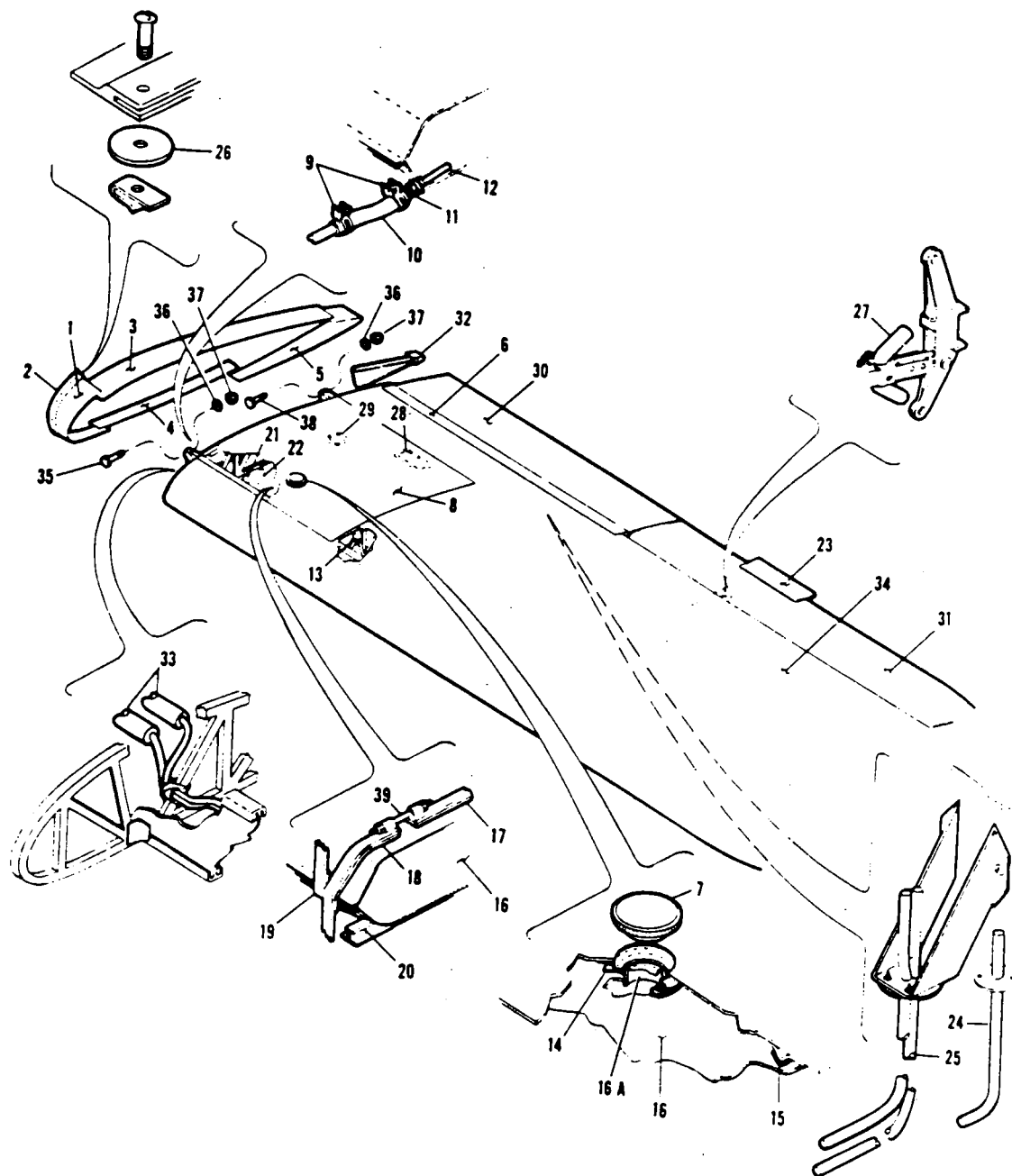


Figure 2. Wing and Fuel Tank Installation



Figure and Index Number	Part Number	Code	NOMENCLATURE	No. Req.	SERIAL NUMBERS AFFECTED
2-	13088		DRAWING - Rigging Procedure		22-1 to 22-806 inclusive 22-807 to 22-2377 inclusive and 22-2379 to 22-2424 inclusive 22-1 to 22-2377 inclusive and 22-2379 to 22-2424 inclusive 22-2378, 22-2425 to 22-3217 incl. and 22-3219 to 22-3386 inclusive 22-2378, 22-2425 to 22-7642 incl. 22-3218, 22-3387 to 22-7642 incl. 22-8000 and up
	13943		DRAWING - Rigging Procedure		
	12538		DRAWING - Wing and Fuel Tank Installation		
	14464		DRAWING - Rigging Procedure		
	14414		DRAWING - Wing and Fuel Tank Installation		
	14698		DRAWING - Rigging Procedure		
	15140		DRAWING - Wing Installation		
-1	11526-00		FAIRING - Wing root, leading edge, LH	1	
	11526-01		FAIRING - Wing root, leading edge, RH	1	
-2	19657-00		MOULDING - Rubber	2	
-3	11523-00		FAIRING - Wing root, top	2	
-4	11525-00		FAIRING - Wing root, bottom front, LH	1	22-1 to 22-806 inclusive 22-807 and up 22-1 to 22-7642 inclusive, 22-8000 to 22-8814 inclusive, 22-8816, 22-8818, 22-8821, 22-8822 22-8815, 22-8817, 22-8819, 22-8820, 22-8823 and up
	11525-02		FAIRING - Wing root, bottom front, LH	1	
	11659-00		FAIRING - Wing root, bottom front, RH	1	
	15214-00		FAIRING - Wing root, bottom front, RH	1	
-5	11524-04		FAIRING - Wing root, bottom rear, LH	1	22-1 to 22-7642 inclusive, 22-8000 to 22-8814 inclusive, 22-8816, 22-8818, 22-8821, 22-8822 22-8815, 22-8817, 22-8819, 22-8820, 22-8823 and up
	15212-00		FAIRING - Wing root, bottom rear, LH	1	
	11524-03		FAIRING - Wing root, bottom rear, RH	1	
	15212-01		FAIRING - Wing root, bottom rear, RH	1	
-6	13172-00	A	FAIRING - Flap, LH	1	22-8815, 22-8817, 22-8819, 22-8820, 22-8823 and up
	13172-01	A	FAIRING - Flap, RH	1	
-7	454 039	A	CAP ASSEMBLY - Fuel tank	2	
	454 039	B	CAP ASSEMBLY - Fuel tank	1	
-8	12570-00		COVER ASSEMBLY - Fuel tank	2	
-9	454 904		CLAMP - Ideal hose, 3/4 inch	6	
	454 904	A	CLAMP - Hose, fuel line to right tank attachment	2	
	454 904	B	CLAMP - Hose, fuel line to left tank attachment	4	
-10	82371-10	A	HOSE - Flexible, tank strainer to fuel line connector	3	
	82371-10	A	HOSE - Flexible, fuel line to right rear wing tank attachment	1	
	82371-10	B	HOSE - Flexible, fuel strainer to fuel line	2	
-11	476 652		NIPPLE - Tank strainer to fuel line (AN840-6D)	3	
	476 652	B	NIPPLE - Tank strainer to fuel line (AN840-6D)	2	
	476 652		NIPPLE - Tank strainer to fuel line (AN840-6D)	1	

A - Not used on PA-22-108.
B - Used on PA-22-108.

When ordering, always specify Part Number, Description and Serial Number of Aircraft



Figure and Index Number	Part Number	Code	NOMENCLATURE	No. Req.	SERIAL NUMBERS AFFECTED
2-12	72091-00		STRAINER ASSEMBLY - Fuel tank outlet (in tank)	3	
	72091-00		STRAINER ASSEMBLY - Fuel tank outlet (in tank)	1	
	72091-00	B	STRAINER ASSEMBLY - Fuel tank outlet (in tank)	2	
-13	11034-00		COVER ASSEMBLY - Fuel tank brace	4	
	11034-00	B	COVER ASSEMBLY - Fuel tank brace	2	
-14	80122-48	A	WASHER - Fuel seal	2	
	80122-48	B	WASHER - Fuel seal	1	
-15	180 497		FELT - Wing tank cover, SAE F-50	10'	
-16	10849-34		TANK ASSEMBLY - Fuel, LH	1	
	10849-33	A,C	TANK ASSEMBLY - Fuel, RH	1	
-16a	74181-00		FLANGE - Fuel tank filler cap	1	
-17	10016-20	A	FELT - Fuel tank strap, top, rear	4	
	10016-20	B	FELT - Fuel tank strap, top, rear	2	
-18	10016-17	A	FELT - Fuel tank strap, top, front	4	
	10016-17	B	FELT - Fuel tank strap, top, front	2	
-19	10016-21	A	FELT - Fuel tank strap, bottom	4	
	10016-21	B	FELT - Fuel tank strap, bottom	2	
-20	10016-22	A	FELT STRIP - Fuel tank rib	4	
	10016-22	B	FELT STRIP - Fuel tank rib	2	
-21	10016-23	A	FELT STRIP - Wing channel brace, short (at fuel tank)	2	
	10016-23	B	FELT STRIP - Wing channel brace, short (at fuel tank)	1	
-22	10016-24	A	FELT STRIP - Wing channel brace, long (at fuel tank)	2	
	10016-24	B	FELT STRIP - Wing channel brace, long (at fuel tank)	1	
-23	11253-00		TAB - Aileron trim	1	
-24	11582-00		TUBE ASSEMBLY - Pitot	1	22-1 to 22-533 inclusive
-25	13764-00		TUBE ASSEMBLY - Pitot and static, "135"	1	22-534 to 22-2377 inclusive and 22-2379 to 22-2424 inclusive
	14494-00		TUBE ASSEMBLY - Pitot, airspeed	1	22-2378, 22-2425 and up
-26	85012-14		WASHER - Windshield attachment, felt	2	
-27	14581-05		STOP ASSEMBLY - Aileron horn	2	
-28	82461-00		COVER - Inspection rectangular	AR	
-29	12761-02		COVER - Inspection round	AR	
-30	12484-00	A,D	FLAP ASSEMBLY - Covered, LH	1	
	12484-01	A,D	FLAP ASSEMBLY - Covered, RH	1	
-31	12475-00	E	AILERON ASSEMBLY - Covered, LH	1	
	12475-01	E	AILERON ASSEMBLY - Covered, RH	1	
-32	12537-00	A	PLATE ASSEMBLY - Fairing attachment (at rear of wing butt rib)	2	
-33	83161-02		HOSE - Rubber, airspeed tube connector at wing butt	2	22-1 to 22-2377 inclusive and 22-2379 to 22-2424 inclusive
	83161-02		HOSE - Rubber, airspeed tube connector at wing butt	1	22-2378, 22-2425 and up

A - Not used on PA-22-108.
 B - Used on PA-22-108.
 C - Used when auxiliary fuel system is installed on PA-22-108.
 D - See Figure 7 for component parts.
 E - See Figure 4 for component parts.

When ordering, always specify Part Number, Description and Serial Number of Aircraft



Figure and Index Number	Part Number	Code	NOMENCLATURE	No. Req.	SERIAL NUMBERS AFFECTED
2-34	12487-00		PANEL ASSEMBLY - Wing, covered, "125", LH	1	22-1 to 22-533 inclusive
	14413-00	A	PANEL ASSEMBLY - Wing, covered, LH	1	22-2378, 22-2425 and up
	15138-00	B	PANEL ASSEMBLY - Wing, covered, LH	1	
	14413-01	A	PANEL ASSEMBLY - Wing, covered, RH	1	22-2378, 22-2425 and up
	15138-01	B	WING ASSEMBLY - Covered, RH	1	
-34	15138-03	BC	WING ASSEMBLY - Covered, RH	1	
	12487-04	A	PANEL ASSEMBLY - Wing, covered, "135", LH	1	22-534 to 22-2377 inclusive and 22-2379 to 22-2424 inclusive
	12487-01	A	PANEL ASSEMBLY - Wing, covered, RH	1	22-1 to 22-2377 inclusive and 22-2379 to 22-2424 inclusive
-35	401 195		BOLT - (AN5-17A) (Front spar)	2	
-36	407 566		WASHER - (AN960-516)	10	
-37	406 683		STOP NUT - Elastic. No. 42E054	4	
-38	401 194		BOLT - (AN5-16A) (Rear spar)	2	
-39	80111-00		STUD - Fuel tank strap connection	4	
			A - Not used on PA-22-108.		
			B - Used on PA-22-108.		
			C - Optional equipment for use with auxiliary fuel system on PA-22-108.		

When ordering, always specify Part Number, Description and Serial Number of Aircraft

1A16

INTENTIONALLY LEFT BLANK

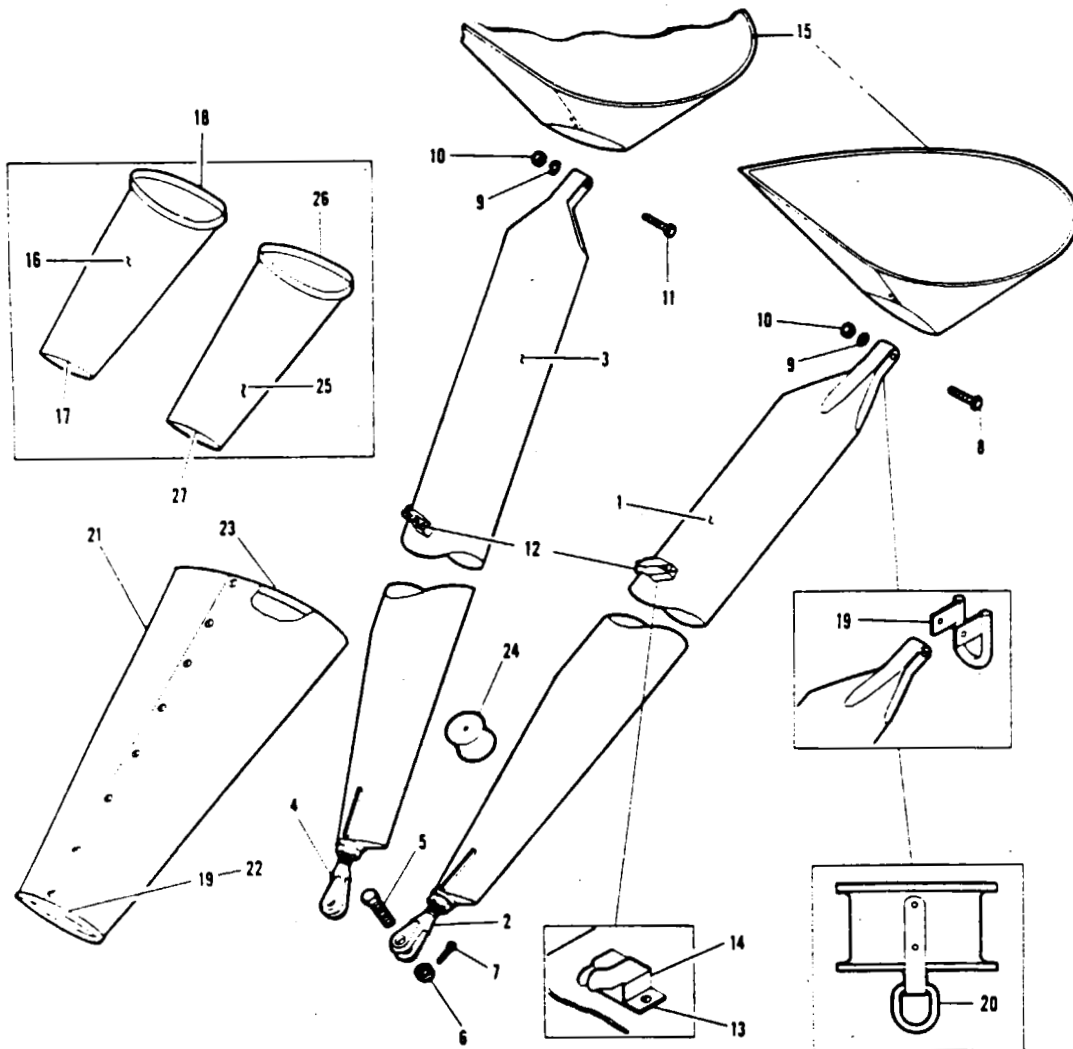


Figure 3. Lift Strut Installation



Figure and Index Number	Part Number	Code	NOMENCLATURE	No. Req.	SERIAL NUMBERS AFFECTED
3-1	11773-03		STRUT ASSEMBLY - Lift, front	2	
-2	14481-00		FORK ASSEMBLY	1	
-3	11774-00		STRUT ASSEMBLY - Lift, rear	2	
-4	14481-00		FORK ASSEMBLY	1	
-5	13241-00		BOLT - Lift strut attachment at fuselage	4	
-6	404 395		NUT - (AN320-6)	4	
-7	424 059		PIN - Cotter (AN380-3-3)	4	
-8	401 194		BOLT - (AN5-16A)	2	
-9	407 566		WASHER - (AN960-516)	4	
-10	406 683		STOP NUT - Elastic, No. 42E054	4	
-11	401 355		BOLT - (AN5-14A)	2	
-12	83491-00	C	CATCH - Door	2	22-1 to 22-2377 inclusive and 22-2379 to 22-2424 inclusive
	487 205		CATCH - Door, on strut	2	22-2378, 22-2425 and up
-13	85662-28		STRIP - Leather, strut door catch installation	1	
-14	13347-00		SPACER - Strut door catch installation	1	22-1 to 22-2377 inclusive and 22-2379 to 22-2424 inclusive
-15	187 550		EXTRUSION - Rubber, die No. 827	26'	
-16	12974-00	D	CUFF - Strut, upper rear, LH	1	
	12974-01	D	CUFF - Strut, upper rear, RH	1	
-17	19795-00	D	MOULDING - Rubber	1-1/2'	
-18	189 125	D	CORK AND NEOPRENE RIBBON - No. DK 153	1'	
-19	12345-04	D	RING ASSEMBLY - Tie down (at upper end of left strut)	2	
-20	12596-00		RING ASSEMBLY - Tie down (at wing spar)	2	22-1 to 22-806 inclusive
-21	12969-00	D	FAIRING - Strut, lower, LH	1	
	12969-01	D	FAIRING - Strut, lower, RH	1	
-22	19795-00	D	MOULDING - Rubber	1'	
-23	189 125	D	CORK AND NEOPRENE RIBBON - No. DK 153	2'	
-24	30831-02	D	BLOCK - Rubber, lower fairing installation	2	
-25	12973-04	A	CUFF - Strut, upper front, LH	1	22-354 and up
	12973-03	A	CUFF - Strut, upper front, RH	1	22-354 and up
	12973-00	B	CUFF - Strut, upper front, LH	1	
	12973-01	B	CUFF - Strut, upper front, RH	1	
-26	19795-00		MOULDING - Rubber	1-1/2'	
-27	189 125		CORK AND NEOPRENE RIBBON - No. DK 153	1'	

A - Used when tie down rings installed at upper end of lift strut.
B - Used when tie down rings installed on wing spar and also when no tie down rings are installed.
C - Also used on PA-22-108.
D - Optional equipment on PA-22-108.

When ordering, always specify Part Number, Description and Serial Number of Aircraft

1A19
INTENTIONALLY LEFT BLANK

Figure and Index Number	Part Number	Code	NOMENCLATURE	No. Req.	SERIAL NUMBERS AFFECTED
4-1	12475-00		AILERON ASSEMBLY - Covered, LH	1	
	12475-01		AILERON ASSEMBLY - Covered, RH	1	
-2	12468-00		AILERON ASSEMBLY - Uncovered, LH	1	
	12468-01		AILERON ASSEMBLY - Uncovered, RH	1	
-3	41881-00		HINGE - Outboard	1	
-4	12454-00		HORN ASSEMBLY	1	
-4a	42933-03		EDGE ASSEMBLY - Aileron, outboard trailing	1	
-5	80122-53		GROMMET - Drain	6	
-6	424 217		PIN - (AN394-41)	4	
-7	80122-86		WASHER	8	
-8	424 051		PIN - Cotter (AN380-2-2)	4	

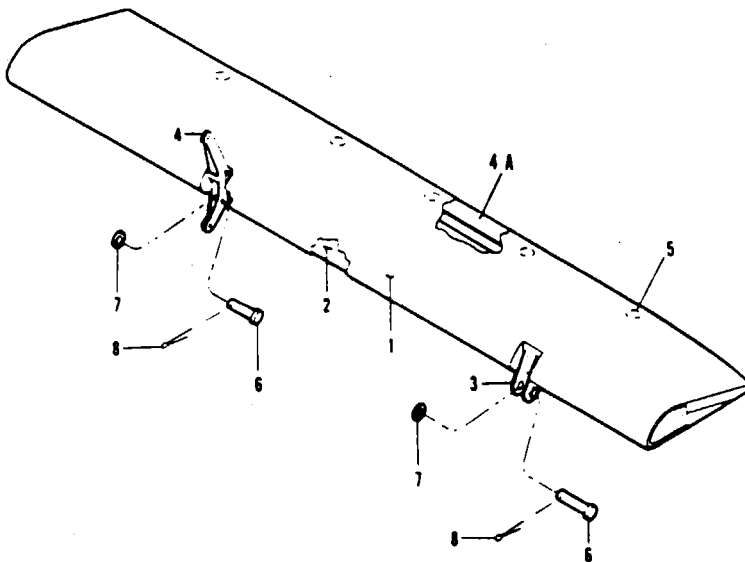


Figure 4. Aileron Installation

Figure and Index Number	Part Number	Code	NOMENCLATURE	No. Req.	SERIAL NUMBERS AFFECTED
5-1	12484-00		FLAP ASSEMBLY - Covered, LH	1	
	12484-01		FLAP ASSEMBLY - Covered, RH	1	
-2	12469-00		FLAP ASSEMBLY - Uncovered, LH	1	
	12469-01		FLAP ASSEMBLY - Uncovered, RH	1	
-3	41881-02		HINGE - Outboard	1	
-4	11682-00		HINGE - Inboard	1	
-5	80122-53		GROMMET - Drain	6	
-6	424 217		PIN - (AN394-41)	4	
-7	85012-10		WASHER	4	
-8	424 051		PIN - Cotter (AN380-2-2)	4	
-9	407 565		WASHER - (AN960-416)	4	
-10	400 443		BOLT - (AN3-12A)	2	
-11	407 564		WASHER - (AN960-10)	2	
-12	406 681		STOP NUT - Elastic, No. 22M02	2	
-13	80122-16		WASHER	4	

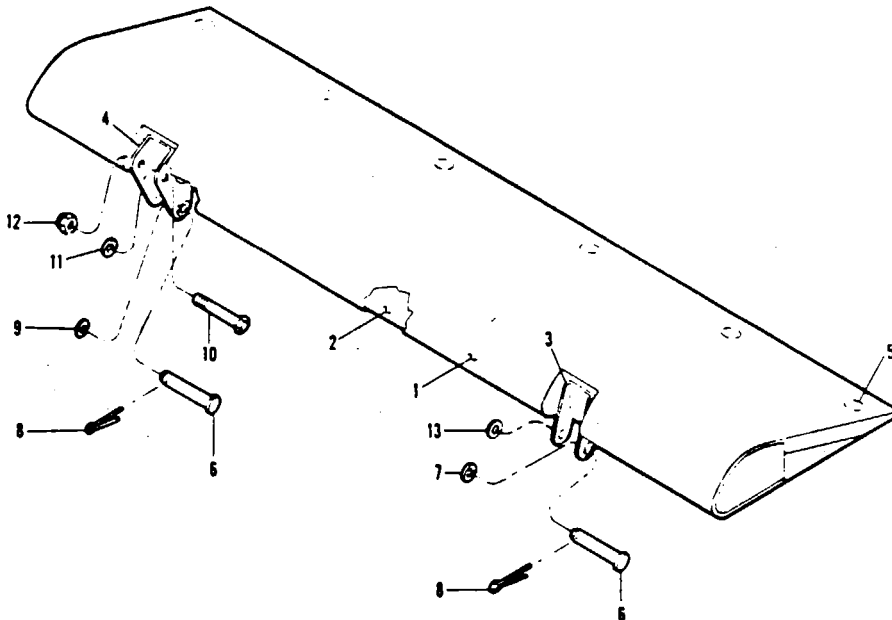


Figure 5. Flap Installation

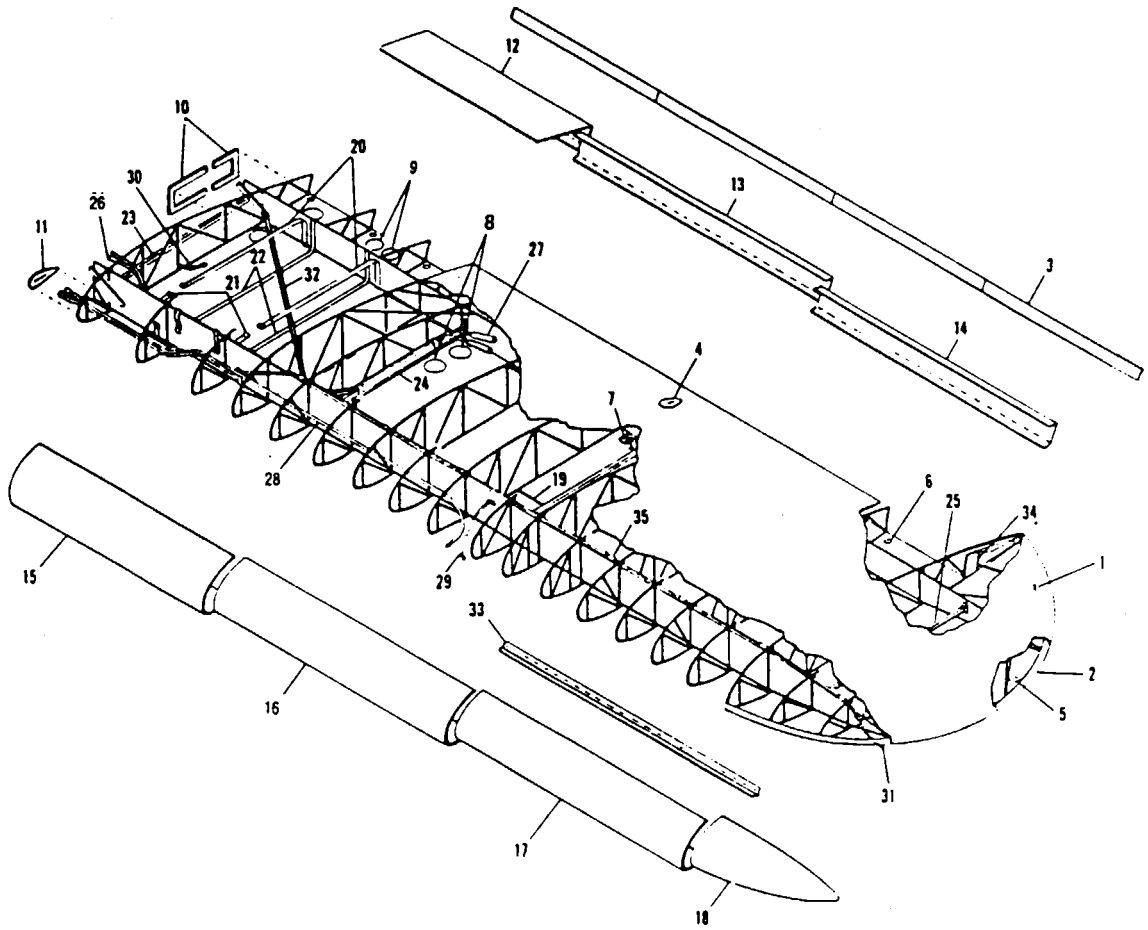


Figure 6. Wing Panel Assembly



Figure and Index Number	Part Number	Code	NOMENCLATURE	No. Req.	SERIAL NUMBERS AFFECTED
6-	12487		DRAWING - Wing Panel Assembly, Covered, Less Flap, Aileron and Fuel Tank		22-1 to 22-2377 inclusive and 22-2379 to 22-2424 inclusive 22-1 to 22-2377 inclusive and 22-2379 to 22-2424 inclusive 22-2378, 22-2425 to 22-7642 22-2378, 22-2425 to 22-7642
	12483		DRAWING - Wing Panel Assembly, Uncovered		
	14413		DRAWING - Wing Panel Assembly, Covered, Less Flap, Aileron and Fuel Tank		
	14407		DRAWING - Wing Panel Assembly, Uncovered		
	15138	A	DRAWING - Wing Panel Assembly, Covered, Less Fuel Tank and Aileron		
	15094	A	DRAWING - Wing Panel Assembly, Uncovered		
-1	12487-00		PANEL ASSEMBLY - Wing, covered, less aileron, flap and tank, LH	1	22-1 to 22-533 inclusive
	12487-04		PANEL ASSEMBLY - Wing, covered, less aileron, flap and tank, LH	1	22-534 to 22-2377 inclusive and 22-2379 to 22-2424 inclusive
	12487-01		PANEL ASSEMBLY - Wing, covered, less aileron, flap and tank, "125" and "135", RH	1	22-1 to 22-2377 inclusive and 22-2379 to 22-2424 inclusive
	14413-00	C	PANEL ASSEMBLY - Left wing, covered, less aileron, flap and fuel tank	1	22-2378, 22-2425 and up
	14413-01	C	PANEL ASSEMBLY - Right wing, covered, less aileron, flap and fuel tank	1	22-2378, 22-2425 and up
	15138-00	A	PANEL ASSEMBLY - Left wing, covered, less fuel tank and aileron	1	
	15138-01	A	PANEL ASSEMBLY - Right wing, covered, less aileron	1	
	15138-03	AB	PANEL ASSEMBLY - Right wing, covered, less fuel tank and aileron	1	
-2	12483-00		PANEL ASSEMBLY - Wing, uncovered, LH	1	22-1 to 22-533 inclusive
	12483-02		PANEL ASSEMBLY - Wing, uncovered, LH	1	22-534 to 22-2377 inclusive and 22-2379 to 22-2424 inclusive
	12483-01		PANEL ASSEMBLY - Wing, uncovered, RH	1	22-1 to 22-2377 inclusive and 22-2379 to 22-2424 inclusive
	14407-00	C	PANEL ASSEMBLY - Wing, left, uncovered	1	22-2378, 22-2425 and up
	14407-01	C	PANEL ASSEMBLY - Wing, right, uncovered	1	22-2378, 22-2425 and up
	15094-00	A	PANEL ASSEMBLY - Wing, uncovered, LH	1	
	15094-01	A	PANEL ASSEMBLY - Wing, uncovered, RH	1	
	15094-03	AB	PANEL ASSEMBLY - Wing, uncovered, RH	1	
-3	11473-47		PLATE - Reinforcement, aluminum, aileron false spar	8	22-807 and up
-4	60863-03		GROMMET - Reinforcing, leather (aileron cable)	4	
-5	81232-15		DISC - Pyralin (at wing tip)	8	
	81232-15	A	DISC - Pyralin (at wing tip)	4	

A - Used on PA-22-108.
 B - Optional equipment for use with auxiliary fuel system on PA-22-108.
 C - Not used on PA-22-108.

When ordering, always specify Part Number, Description and Serial Number of Aircraft



Figure and Index Number	Part Number	Code	NOMENCLATURE	No. Req.	SERIAL NUMBERS AFFECTED
6-6	80122-53		GROMMET - Drain	24	
	80122-53	A	GROMMET - Drain	13	
-7	15761-00		GROMMET - Reinforcing, pyralin (at lift strut)	4	
	15761-00	A	GROMMET - Reinforcing, pyralin (at lift strut)	2	
-8	85012-78		GROMMET - Round, inspection cover	AR	
-9	85012-78		GROMMET - Round, inspection cover	4	
-10	80541-02		GROMMET - Rectangular, inspection cover	AR	
-11	85012-49		GROMMET - Reinforcing, leather (at wing butt leading edge)	2	
-12	12463-00	C	SPAR - False, No. 1 (inboard) LH	1	
	12463-01	C	SPAR - False, No. 1 (inboard) RH	1	
	12820-03	A	TRAILING EDGE ASSEMBLY	1	
-13	12473-00	C	SPAR - False, No. 2 (center) LH	1	
	12473-01	C	SPAR - False, No. 2 (center) RH	1	
	12822-02	A	SPAR - False, No. 2 (center) LH	1	
	12822-03	A	SPAR - False, No. 2 (center) RH	1	
-14	15572-00		SPAR - False, No. 3 (outboard) LH	1	
	15572-01		SPAR - False, No. 3 (outboard) RH	1	
-15	10630-08		COVER - Leading edge (inboard) LH	1	
	10630-05	BD	COVER - Leading edge (inboard) RH	1	
	15137-00	A	COVER - Leading edge (inboard) RH	1	
-16	15482-05		COVER - Leading edge (center) LH	1	22-1 to 22-2377 inclusive and 22-2379 to 22-2424 inclusive
	15482-04		COVER - Leading edge (center) RH	1	22-1 to 22-2377 inclusive and 22-2379 to 22-2424 inclusive
	14405-00		COVER - Leading edge (center) left	1	22-2378, 22-2425 and up
	14405-01		COVER - Leading edge (center) right	1	22-2378, 22-2425 and up
-17	13072-05		COVER - Leading edge (outboard)	2	
-18	15723-00		COVER - Wing tip, leading edge, LH	1	
	15723-01		COVER - Wing tip, leading edge, RH	1	
-19	10531-02		PLATE - Fabric, former, at "N" brace, LH	1	22-1 to 22-2377 inclusive and 22-2379 to 22-2424 inclusive
	10531-03		PLATE - Fabric, former, at "N" brace, RH	1	22-1 to 22-2377 inclusive and 22-2379 to 22-2424 inclusive
	14403-00		PLATE - Fabric, former front lift strut fitting, left	1	22-2378, 22-2425 and up
	14403-01		PLATE - Fabric, former front lift strut fitting, right	1	22-2378, 22-2425 and up
-20	10649-03		STRAP - Fuel tank, rear, top, long	4	
-21	10648-03		STRAP - Fuel tank, front, top, short	4	
-22	10650-02		STRAP - Fuel tank (inboard and outboard) bottom	4	
-23	14232-02		STRUT - Drag, No. 1	2	
-24	14222-02		STRUT - Drag, No. 2	2	
-25	14222-00		STRUT - Drag, No. 4	2	
-26	13541-12		TUBE - Airspeed	2	
-27	83161-02		HOSE - Airspeed, rubber	2	
-28	12177-38	C	WIRE ASSEMBLY - Safe flight indicator, RH	1	
-29	10128-71	C	WIRE ASSEMBLY - Safe flight indicator, ground, RH	1	

A - Used on PA-22-108.
 B - Used when auxiliary fuel system is installed on PA-22-108.
 C - Not used on PA-22-108.
 D - Standard equipment on PA-22.

When ordering, always specify Part Number, Description and Serial Number of Aircraft



Figure and Index Number	Part Number	Code	NOMENCLATURE	No. Req.	SERIAL NUMBERS AFFECTED
6-30	12177-84		WIRE ASSEMBLY - Fuel gauge, ground, left	1	22-1 to 22-7642 inclusive
	12177-84	A	WIRE ASSEMBLY - Fuel gauge, ground, left	1	22-8000 to 22-9704 inclusive
	14230-83	A	WIRE ASSEMBLY - Fuel gauge, ground, left	1	22-9705 and up
	10128-86	B	WIRE ASSEMBLY - Fuel gauge, ground, right	1	22-8000 to 22-9704 inclusive
	14230-82	B	WIRE ASSEMBLY - Fuel gauge, ground, right	1	22-9705 and up
-31	12177-13		WIRE ASSEMBLY - Navigation light, LH	1	
	12177-12		WIRE ASSEMBLY - Navigation light, RH	1	
-32	10641-02		TUBE - Drag brace, at fuel tank	2	
-33	15742-02		REINFORCEMENT - Wing leading edge, outboard	2	22-1 to 22-2377 inclusive and 22-2379 to 22-2424 inclusive
	14406-00		REINFORCEMENT - Outboard wing leading edge	2	22-2378, 22-2425 and up
-34	13171-00		GUSSET - False spar attachment at outboard aileron rib	2	
-35	11061-00		CLIP - Navigation light wire	16	
			A - Used on PA-22-108.		
			B - Used when auxiliary fuel system is installed on PA-22-108.		

When ordering, always specify Part Number, Description and Serial Number of Aircraft

1 B2

INTENTIONALLY LEFT BLANK

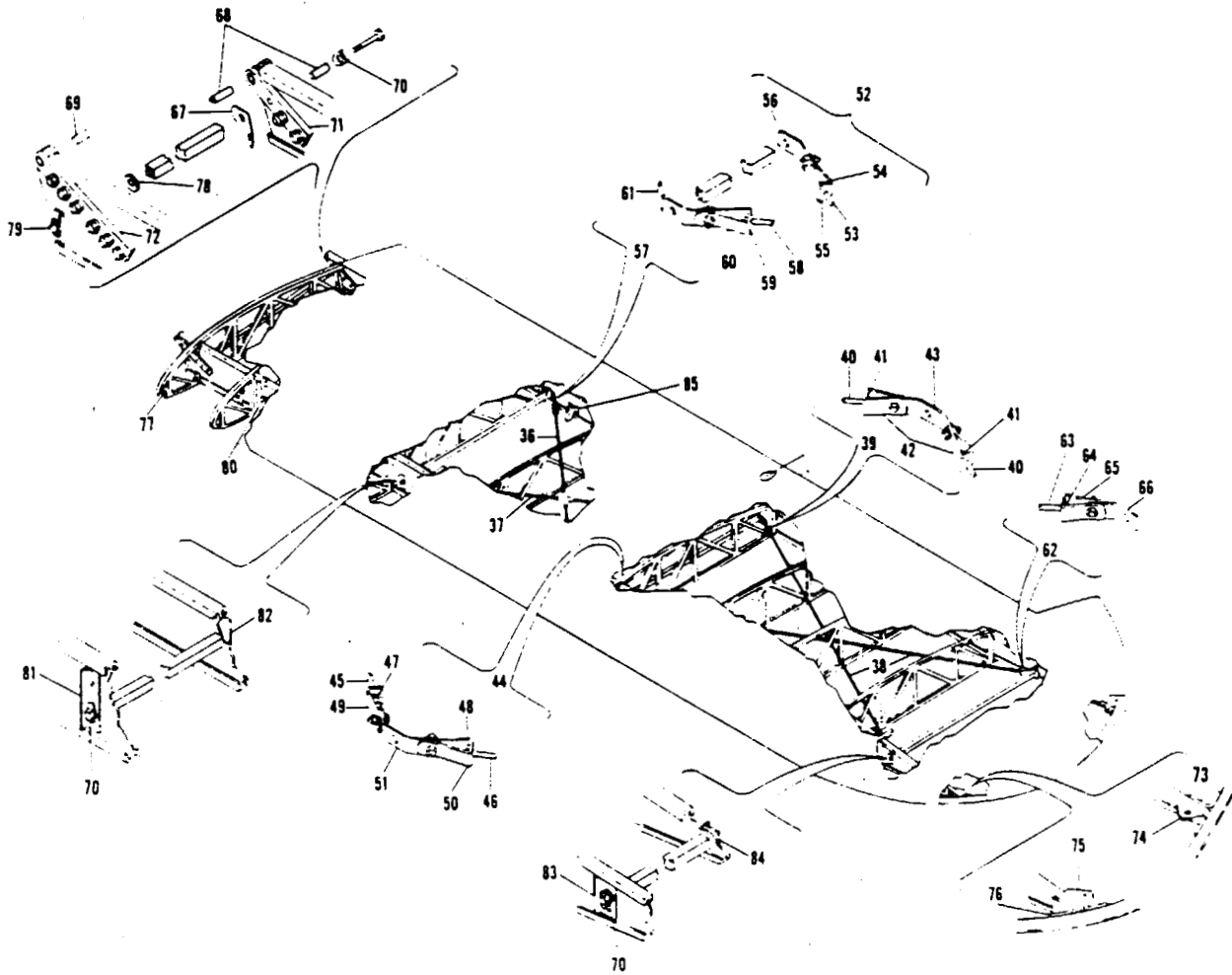


Figure 7. Wing Panel Assembly

Figure and Index Number	Part Number	Code	NOMENCLATURE	No. Req.	SERIAL NUMBERS AFFECTED
7-36	14941-11		WIRE ASSEMBLY - Drag, No. 2 bay, 44-7/8 in., rear spar to "N" brace	2	
-37	14941-06		WIRE ASSEMBLY - Drag, No. 2 bay, 44-7/8 in., front spar to "N" brace	2	
-38	14941-07		WIRE ASSEMBLY - Drag, No. 3 bay, 56-1/4 in.	4	
-39	10707-00		FITTING ASSEMBLY - Drag wire pull, "N" drag brace, No. 3 (at rear spar)	2	
-40	10201-00		NIPPLE	2	
-41	81102-03		WASHER	2	
-42	10221-00		CLEVIS	2	
-43	10161-05		FITTING - Wire pull	1	
-44	11936-00		FITTING ASSEMBLY - Drag wire pull, "N" drag brace, No. 3 (at front spar)	2	
-45	10211-00		NIPPLE - No. 10-32 tie rod	1	
-46	10201-00		NIPPLE - No. 6-40 tie rod	1	
-47	11933-00		WASHER - No. 10-32 tie rod	1	
-48	81102-03		WASHER - No. 6-40 tie rod	1	
-49	10231-00		CLEVIS - No. 10-32 tie rod	1	
-50	10221-00		CLEVIS - No. 6-40 tie rod	1	
-51	10161-05		FITTING - Wire pull	1	
-52	11935-00		FITTING ASSEMBLY - Drag wire pull, No. 2 drag strut (at rear spar)	2	
-53	10211-00		NIPPLE	1	
-54	11933-00		WASHER	1	
-55	10231-00		CLEVIS	1	
-56	10171-04		FITTING - Wire pull	1	
-57	10711-00		FITTING ASSEMBLY - Drag wire pull, No. 2 drag strut (at front spar)	2	
-58	10201-00		NIPPLE	1	
-59	81102-03		WASHER - Square	1	
-60	10221-00		CLEVIS	1	
-61	10161-04		FITTING - Wire pull	1	
-62	10709-00		FITTING ASSEMBLY - Drag wire pull, No. 4 drag strut, front and rear spar	4	
-63	10201-00		NIPPLE	1	
-64	81102-03		WASHER - Square	1	
-65	10221-00		CLEVIS	1	
-66	10171-05		FITTING - Wire pull	1	
-67	10171-04		FITTING - Drag brace tube attachment, at No. 1 drag strut	2	
-68	80022-31		BUSHING - Rear spar butt hinge and No. 1 drag strut at rear spar	4	
-69	80022-31		BUSHING - Front spar butt hinge	2	
-70	10151-00		PLATE - Lock, No. 4 drag strut (4 per ship) No. 2 drag strut (4 per ship) No. 3 drag strut (8 per ship) No. 1 drag strut (4 per ship)		
-71	14161-00		FITTING - Hinge, rear spar butt	4	
-72	10401-00		FITTING - Hinge, front spar butt	4	
-73	16611-00		FITTING - Wing tip bow, rear spar, rear	2	
-74	16601-00		FITTING - Wing tip bow, rear spar, front	2	
-75	16551-00		FITTING - Wing tip bow, front spar, rear	2	
-76	16561-00		FITTING - Wing tip bow, front spar, front	2	

When ordering, always specify Part Number, Description and Serial Number of Aircraft



Figure and Index Number	Part Number	Code	NOMENCLATURE	No. Req.	SERIAL NUMBERS AFFECTED
7-77	12331-02		PLATE - Butt rib, No. 1 rib, leading edge attachment	2	
-78	80122-25		WASHER - No. 1 drag strut installation	2	
-79	14401-06		ANGLE - Front spar, No. 1 drag strut	2	
-80	80122-11		WASHER - Fuel tank strap installation	16	
-81	14401-03		ANGLE - Front spar, No. 2 drag strut	2	
-82	14411-02		ANGLE - Rear spar, No. 2 drag strut	2	
-83	14401-05		ANGLE - Front spar, No. 4 drag strut	2	
-84	14411-04		ANGLE - Rear spar, No. 4 drag strut	2	
-85	11580-00		BRACKET - Airspeed, LH	1	

When ordering, always specify Part Number, Description and Serial Number of Aircraft

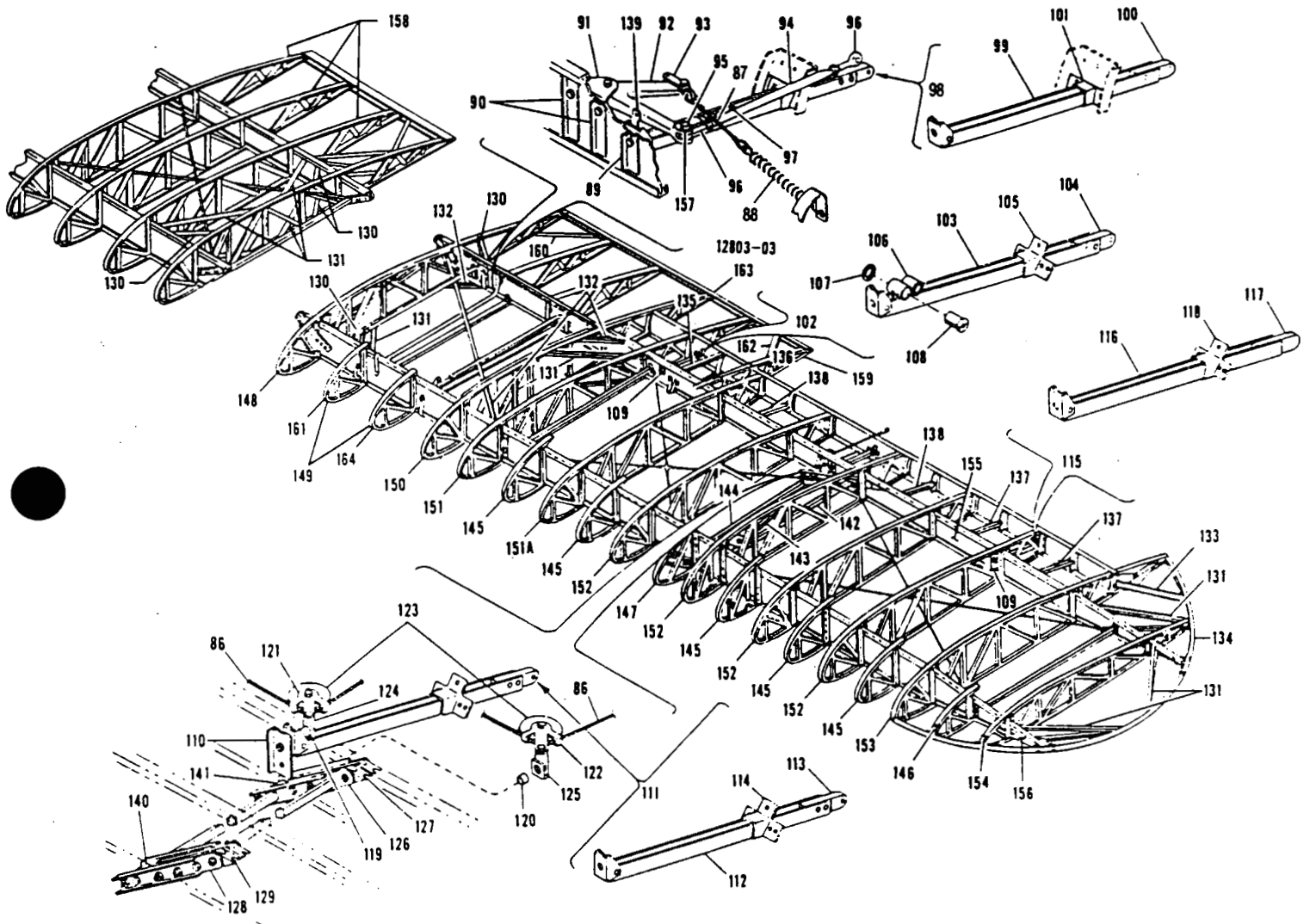


Figure 8. Wing Panel Assembly



Figure and Index Number	Part Number	Code	NOMENCLATURE	No. Req.	SERIAL NUMBERS AFFECTED
8-86	11527-02		CABLE ASSEMBLY - Aileron	4	
-87	11694-02	A	CABLE ASSEMBLY - Flap return	2	22-1 to 22-2377 inclusive and 22-2379 to 22-2424 inclusive
-88	10940-00	A	SPRING	2	22-1 to 22-2377 inclusive and 22-2379 to 22-2424 inclusive
	487 328	A	SPRING - Flap return (14384-00)	2	22-2378, 22-2425 to 22-7642
-89	11675-03	A	ANGLE - Rear spar, No. 1 flap hinge bracket	2	
-90	11675-02	A	ANGLE - Rear spar, flap bellcrank bracket	4	
-91	11672-00	A	BRACKET - Flap bellcrank attachment	2	
-92	40092-10	A	BELLCRANK - Flap, LH	1	
	40092-09	A	BELLCRANK - Flap, RH	1	
-93	81262-14	A	LINK - Flap cable attachment, at bellcrank	4	
-94	11677-00	A	ROD - Flap, control push pull	2	
-95	12713-04		SCREW - Flap, push pull rod to bellcrank	2	22-1 to 22-806 inclusive
	410 050	A	SCREW - Attaching, flap push pull rod to bellcrank	2	22-807 to 22-7642 inclusive
-96	452 335	A	BEARING - Flap push pull rod end	4	
-97	90150-02	A	STRIP - Rub, flap cable	2	
-98	12474-02	A	BRACKET - Flap hinge, No. 1, inboard	2	
-99	10912-06	A	BRACKET - Hinge	1	
-100	10921-00	A	BLOCK - Bearing	1	
-101	12476-00	A	CLAMP - Attachment, at false spar	1	
-102	12474-00	A	BRACKET - Flap hinge, No. 2, outboard	2	
-103	10912-06	A	BRACKET - Hinge	1	
-104	10921-00	A	BLOCK - Bearing	1	
-105	12056-02	A	CLAMP - Attachment, at false spar	1	
-106	12467-00	A	GUIDE - Aileron cable	1	
-107	40081-00		RING - Fairlead snap	4	
-108	40701-00		FAIRLEAD - Aileron cable, split and safety, less ring	8	
-109	10291-00		ANGLE - Rear spar at No. 2 flap and aileron hinge bracket	4	
-110	14401-07		ANGLE - Rear spar, at aileron pulley bracket	2	
-111	10703-02		BRACKET ASSEMBLY - Aileron hinge, No. 1 inboard	2	
-112	10912-08		BRACKET - Hinge	1	
-113	10921-00		BLOCK - Bearing	1	
-114	12056-02		CLAMP - Attachment, at false spar	1	
-115	10703-00		BRACKET ASSEMBLY - Aileron hinge, No. 2 outboard	2	
-116	10912-06		BRACKET - Hinge	1	
-117	10921-00		BLOCK - Bearing	1	
-118	12056-02		CLAMP - Attachment, at false spar	1	
-119	86102-54		BUSHING - Upper aileron pulley housing	2	
-120	86102-62	A	BUSHING - Spacer, lower aileron pulley housing attachment fitting	2	
-121	41291-00		HOUSING ASSEMBLY - Aileron pulley, upper	2	
-122	12462-00		HOUSING ASSEMBLY - Aileron pulley, lower	2	
-123	40991-00		PULLEY - Aileron cable	4	
-124	14261-02		FITTING - Upper aileron pulley housing attachment	2	
-125	12466-00		FITTING - Lower aileron pulley housing attachment, LH	1	
	12466-01		FITTING - Lower aileron pulley housing attachment, RH	1	
-126	11755-03		FITTING - Lift strut, rear spar	4	
-127	11757-02		BLOCK - Filler, lift strut fitting, rear spar	4	
-128	11755-00		FITTING - Lift strut, front spar	4	

A - Not used on PA-22-108.

When ordering, always specify Part Number, Description and Serial Number of Aircraft



Figure and Index Number	Part Number	Code	NOMENCLATURE	No. Req.	SERIAL NUMBERS AFFECTED
8-129	11757-00		BLOCK - Filler, left strut fitting, front spar	4	
-130	12252-02		BRACE - Channel, at No. 1 rib, 8-1/2 in.	4	
-131	12252-03		BRACE - Channel, 16", No. 1, No. 4, No. 12 rib and bow to spar, tip end	16	22-1 to 22-2377 inclusive and 22-2379 to 22-2424 inclusive
	12252-03		BRACE - Channel, 16", #1, #4, #13 and bow to spar tip end	16	22-2378, 22-2425 and up
-132	12252-06		BRACE - Channel, 6-1/4" No. 4 and No. 1 rib to spar	6	
-133	12252-05		BRACE - Channel, 11", No. 11 rib to bow	2	22-1 to 22-2377 inclusive and 22-2379 to 22-2424 inclusive
	12252-05		BRACE - Channel, 11", #12 rib to bow	2	22-2378, 22-2425 and up
-134	453 126		BOW - Wing tip	2	
-135	12252-12		BRACE - Channel, top, false spar	2	
-136	12252-11		BRACE - Channel, false spar, bottom	2	
-137	14541-00	AB	BRACE ASSEMBLY - Aileron false spar, No. 3 and No. 4 (#3, #4 and #5 on "150" and "160") (#6 on "108")	4	
-138	14541-02	B	BRACE ASSEMBLY - Aileron false spar, No. 1 and No. 2	4	
-139	11678-00	C	PLATE - Flap bellcrank stop	2	
-140	15631-03		SPACER - Lift strut fitting, rear spar	2	
-141	15631-02		SPACER - Lift strut fitting, front spar	2	
-142	16472-00		TUBE - Brace, lower "N" (at strut point)	2	
-143	11771-00		TUBE - Brace, diagonal "N" (at strut point)	2	
-144	16462-00		TUBE - Brace, upper "N" (at strut point)	2	
-145	12662-02	AB	RIB ASSEMBLY - Nose (#14 on "150", "160" and "108")	10	
-146	16192-00		RIB ASSEMBLY - Wing tip, nose, LH	1	
	16192-01		RIB ASSEMBLY - Wing tip, nose, RH	1	
-147	15712-00		RIB ASSEMBLY - Nose, special, at strut fitting	2	
	15712-02		RIB ASSEMBLY - Nose, special, at strut fitting, "150", "160" and "108"	2	
-148	12470-00	C	RIB ASSEMBLY - No. 1, butt, LH	1	
	12470-01	C	RIB ASSEMBLY - No. 1, butt, RH	1	
	10634-02	B	RIB ASSEMBLY - No. 1, butt, LH	1	
	10634-09	BD	RIB ASSEMBLY - No. 1, butt, RH	1	
	13052-11	B	RIB ASSEMBLY - No. 1, butt, RH	1	
-149	12472-00	C	RIB ASSEMBLY - No. 2 and No. 3, LH and RH	4	
-150	11752-00	C	RIB ASSEMBLY - No. 4, LH	1	
	11752-01	C	RIB ASSEMBLY - No. 4, RH	1	
	12046-10	B	RIB ASSEMBLY - No. 4, LH	1	
	12046-11	D	RIB ASSEMBLY - No. 4, RH	1	
-151	12046-04	C	RIB ASSEMBLY - No. 5, LH and RH	2	
	12825-00	B	RIB ASSEMBLY - No. 5, LH and RH	2	
-151a	12046-04		RIB ASSEMBLY - No. 6, LH and RH	2	
-152	12046-04	A	RIB ASSEMBLY - No. 7, No. 8, No. 9 and No. 10, LH and RH (#7, #8, #9, #10 and #11 on "150", "160" and "108")	8	
			A - "150" wing panels used on PA-22 airplanes with serial numbers 22-2600 and 22-2601.		
			B - Used on PA-22-108 only.		
			C - Not used on PA-22-108.		
			D - Used when auxiliary fuel system is installed on PA-22-108.		

When ordering, always specify Part Number, Description and Serial Number of Aircraft



Figure and Index Number	Part Number	Code	NOMENCLATURE	No. Req.	SERIAL NUMBERS AFFECTED
8-153	12046-07	A	RIB ASSEMBLY - No. 11, aileron outboard, LH (#12 on "150", "160" and "108")	1	
	12046-08	A	RIB ASSEMBLY - No. 11, aileron outboard, RH (#12 on "150", "160" and "108")	1	
-154	10742-02	A	RIB ASSEMBLY - No. 12, tip, LH (#13 on "150", "160" and "108")	1	
	10742-03	A	RIB ASSEMBLY - No. 12, tip, RH (#13 on "150", "160" and "108")	1	
-155	11754-07		SPAR ASSEMBLY - Wing, rear, LH	1	22-1 to 22-2377 inclusive and 22-2379 to 22-2424 inclusive
	11754-08		SPAR ASSEMBLY - Wing, rear, RH	1	22-1 to 22-2377 inclusive and 22-2379 to 22-2424 inclusive
	14399-02		SPAR ASSEMBLY - Wing, rear, left	1	22-2378, 22-2425 to 22-7642 incl.
	14399-03		SPAR ASSEMBLY - Wing, rear, right	1	22-2378, 22-2425 to 22-7642 incl.
	14399-06		SPAR ASSEMBLY - Wing, rear, left	1	22-8000 and up
	14399-07		SPAR ASSEMBLY - Wing, rear, right	1	22-8000 and up
-156	11753-02		SPAR ASSEMBLY - Wing, front, LH	1	22-1 to 22-2377 inclusive and 22-2379 to 22-2424 inclusive
	11753-07		SPAR ASSEMBLY - Wing, front, RH	1	22-1 to 22-2377 inclusive and 22-2379 to 22-2424 inclusive
	14398-02		SPAR ASSEMBLY - Wing, front, left	1	22-2378, 22-2425 and up
	14398-03		SPAR ASSEMBLY - Wing, front, right	1	22-2378, 22-2425 and up
-157	80122-07	B	WASHER - Flap push pull rod attachment, at bellcrank	4	
-158	12046-02	DE	RIB ASSEMBLY - No. 2, No. 3, No. 4, right wing only	3	
-159	15131-00	E	RIB ASSEMBLY - Aileron, inboard, left	1	
	15131-01	E	RIB ASSEMBLY - Aileron, inboard, right	1	
-160	12252-08	E	CHANNEL - Brace	1	
-161	10635-00	CE	RIB ASSEMBLY	1	
-162	12252-13	E	CHANNEL - Brace	1	
-163	12820-03	E	TRAILING EDGE ASSEMBLY	1	
-164	10635-03	CE	RIB ASSEMBLY	1	
			A - "150" wing panels used on PA-22 airplanes with serial numbers 22-2600 and 22-2601.		
			B - Not used on PA-22-108.		
			C - Used when auxiliary fuel system is installed on PA-22-108.		
			D - Used when auxiliary fuel system is <u>not</u> installed.		
			E - Used on PA-22-108 only.		

When ordering, always specify Part Number, Description and Serial Number of Aircraft

1 B10

INTENTIONALLY LEFT BLANK

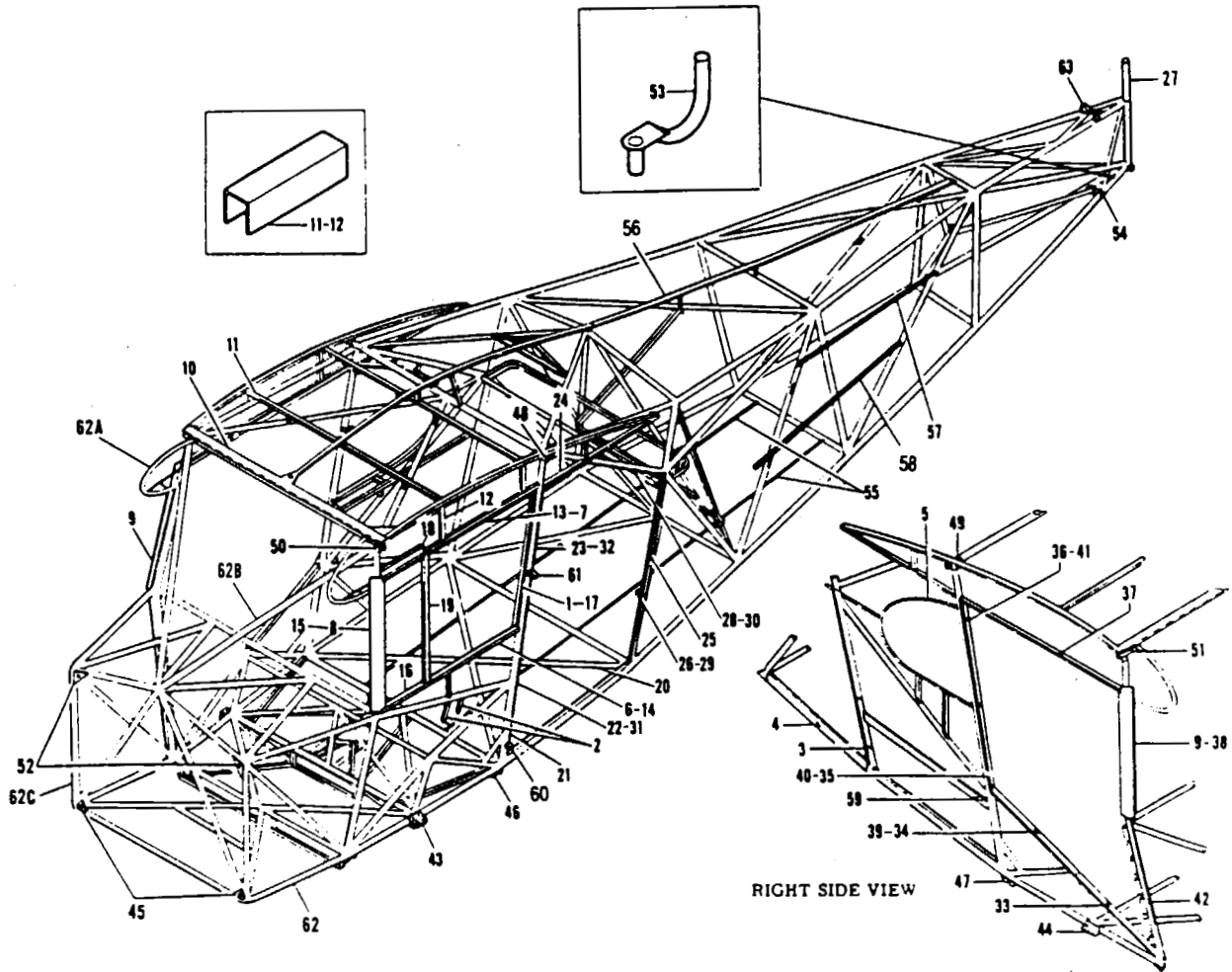


Figure 9. Fuselage Frame Assembly



Figure and Index Number	Part Number	Code	NOMENCLATURE	No. Req.	SERIAL NUMBERS AFFECTED
9-	13049 13808		DRAWING - Fuselage Frame, Complete DRAWING - Fuselage Frame, Complete		22-1 to 22-806 inclusive 22-807 to 22-2599 inclusive, 22-2602 to 22-3217 inclusive, and 22-3219 to 22-3386 incl.
	13050 13869		DRAWING - Frame, Fuselage Fitting Installation DRAWING - Frame, Fuselage Fitting Installation		22-1 to 22-806 inclusive 22-807 to 22-2599 inclusive, 22-2602 to 22-3217 inclusive, and 22-3219 to 22-3386 incl.
	14609 14610 15116 15110		DRAWING - Fuselage Frame, Complete DRAWING - Frame, Fuselage Fitting Installation DRAWING - Frame Assembly, Fuselage DRAWING - Fuselage Fittings Installation		22-3218, 22-3387 to 22-7642 incl. 22-3218, 22-3387 to 22-7642 incl. 22-8000 and up 22-8000 and up
-1	12027-00		ANGLE - Sliding window, rear, LH	1	22-1 to 22-806 inclusive
-2	12766-00		BRACKET ASSEMBLY - Armrest	2	
-3	13829-00		CHANNEL - Baggage compartment, door, frame, front	1	22-807 to 22-7642 inclusive
-4	13831-00		CHANNEL - Baggage compartment, door, bottom	1	22-807 to 22-7642 inclusive
-5	11856-00		CHANNEL - Rear window, RH	1	22-1 to 22-3217 inclusive and 22-3219 to 22-3386 inclusive
	14617-00		CHANNEL ASSEMBLY - Right rear window	1	22-3218, 22-3387 to 22-7642 incl.
-6	11546-00		CHANNEL - Sliding window, bottom, LH	1	22-1 to 22-806 inclusive
-7	12329-00		CHANNEL - Sliding window, top, LH	1	22-1 to 22-806 inclusive
-8	11548-03		CHANNEL - Windshield, LH	1	22-1 to 22-806 inclusive
-9	11543-03		CHANNEL - Windshield, RH	1	
-10	11536-00		CHANNEL - Windshield, top	1	22-1 to 22-7642 inclusive
	15130-00		CHANNEL - Windshield, top	1	22-8000 and up
-11	750 283		CHANNEL - "U", steel (3/8 x .020) 6' pcs.		
-12	750 284		CHANNEL - "U", steel (1/4 x .016) 6' pcs.		22-1 to 22-7642 inclusive
	750 283		CHANNEL - "U", steel (3/8 x .020) 6' pcs.		22-8000 and up
-13	13807-00		CHANNEL - Fuselage window, top, rear, LH	1	22-807 and up
-14	13809-00		CHANNEL - Fuselage window, bottom, LH	1	22-807 and up
-15	13859-00		CHANNEL - Fuselage window (also left windshield channel) LH	1	22-807 and up
-16	13856-00		CHANNEL - Fuselage window, bottom, front, LH	1	22-807 and up
-17	13930-00		CHANNEL - Fuselage window, rear, LH	1	22-807 and up
-18	13861-00		CHANNEL - Fuselage window, top, front, LH	1	22-807 and up
-19	13865-00		CHANNEL - Fuselage window, front, LH	1	22-807 and up
-20	11871-00		ANGLE - Bottom	1	22-1 to 22-7642 inclusive
-21	11868-00		CHANNEL - Side, front, lower	1	22-1 to 22-7642 inclusive
-22	11869-00		CHANNEL - Side, front, center	1	22-1 to 22-806 inclusive
-23	11870-00		CHANNEL - Side, front, upper	1	22-1 to 22-806 inclusive
-24	13096-00		CHANNEL - Top, front	1	22-1 to 22-7642 inclusive
	22762-9c		CHANNEL - Top, front	1	22-8000 and up
-25	11867-02		ANGLE - Side, rear, upper	1	22-1 to 22-806 inclusive
-26	11867-00		ANGLE - Side, rear, lower	2	22-1 to 22-806 inclusive, 22-8000 and up
-27	22412-00		TAIL POST ASSEMBLY	1	
-28	12205-07		CHANNEL - Top rear	1	22-1 to 22-806 inclusive
-29	13857-00		CHANNEL - Side, rear	1	22-807 to 22-3217 inclusive, and 22-3219 to 22-3386 inclusive
	13857-02		CHANNEL - Side, rear, bottom door frame, LH	1	22-3218, 22-3387 to 22-7642 incl.

When ordering, always specify Part Number, Description and Serial Number of Aircraft

SECTION II
Fuselage Group



FUSELAGE FRAME ASSEMBLY

Figure and Index Number	Part Number	Code	NOMENCLATURE	No. Req.	SERIAL NUMBERS AFFECTED
9-30	13856-00		CHANNEL - Rear, top	1	22-807 to 22-7642 inclusive
-31	13816-00		CHANNEL - Side, front, center	1	22-807 to 22-7642 inclusive, 22-8000 to 22-9000 inclusive
	13816-02		CHANNEL - Side, front, center	1	22-9001 and up
-32	13817-00		CHANNEL - Side, front, upper	1	22-807 to 22-7642 inclusive, 22-8000 to 22-9000 inclusive
	13817-02		CHANNEL - Side, front, upper	1	22-9001 and up
-33	11538-00		CHANNEL - Bottom, front	1	22-1 to 22-806 inclusive
-34	11575-00		CHANNEL - Bottom, rear	1	22-1 to 22-806 inclusive
-35	12026-00		CHANNEL - Side, rear, lower	1	22-1 to 22-806 inclusive
-36	12025-00		CHANNEL - Side, rear, upper	1	22-1 to 22-806 inclusive
-37	11537-00		CHANNEL - Top	1	
-38	11543-02		CHANNEL - Side, front, upper (also windshield channel)	1	22-1 to 22-3217 inclusive, 22-3219 to 22-3386 inclusive
	11543-03		CHANNEL - Side, front, upper (also windshield channel)	1	22-3218, 22-3387 and up
-39	13818-00		CHANNEL - Bottom	1	22-807 and up
-40	13820-00		CHANNEL - Side, rear, lower	1	22-807 to 22-3217 inclusive, and 22-3219 to 22-3386 inclusive
	13820-02		CHANNEL - Side, rear, lower, door frame, LH	1	22-3218, 22-3387 and up
-41	13819-00		CHANNEL - Side, rear, upper	1	22-807 and up
-42	11542-00		HINGE - Door, RH	1	
-43	21262-04		FITTING ASSEMBLY - Fuselage, landing gear and lift strut, LH	1	
-44	21262-05		FITTING ASSEMBLY - Fuselage, landing gear and lift strut, RH	1	
-45	20301-00		FITTING ASSEMBLY - Fuselage, lower engine mount	2	
-46	13047-00		FITTING ASSEMBLY - Fuselage, landing gear, rear, LH	1	
-47	13047-01		FITTING ASSEMBLY - Fuselage, landing gear, rear, RH	1	
-48	11821-00		FITTING - Fuselage, rear wing hinge, LH	1	
-49	11821-01		FITTING - Fuselage, rear wing hinge, RH	1	
-50	11823-00		FITTING - Fuselage, front wing hinge, LH	1	
-51	11823-01		FITTING - Fuselage, front wing hinge, RH	1	
-52	20291-00		FITTING ASSEMBLY - Fuselage, upper engine mount	2	
-53	13147-00		FITTING - Fuselage, tail skid assembly	1	
	13147-03		TAIL SKID ASSEMBLY - (Used when marker beacon antenna is installed on 1956 Model)	1	22-3218, 22-3387 to 22-7642
	13147-00		FITTING - Fuselage, tail skid assembly	1	22-8000 and up
-54	20631-00		FITTING - Fuselage, tail skid, front "U"	1	
-55	21621-26		STRINGER - Fuselage, bottom, 91-3/4 in.	2	22-1 to 22-806 inclusive
	14980-00		STRINGER - Fuselage, bottom	2	22-807 to 22-7642 inclusive
	15096-02		STRINGER - Fuselage, bottom, LH	2	22-8000 and up
	15096-03		STRINGER - Fuselage, bottom, RH	2	22-8000 and up
-56	21621-17		STRINGER - Fuselage, top center, 66-1/2 in.	1	22-1 to 22-806 inclusive
	13934-00		STRINGER - Fuselage, top center (Metal)	1	22-807 to 22-7642 inclusive
	14983-06		STRINGER - Fuselage, top center	1	22-8000 and up
-57	21621-19		STRINGER - Fuselage, side, 64 in.	2	22-1 to 22-806 inclusive
	14982-03		STRINGER - Fuselage, side, upper	2	22-807 to 22-7642 inclusive
-58	21621-20		STRINGER - Fuselage, side, lower 58 in., LH	1	22-1 to 22-806 inclusive
	21621-21		STRINGER - Fuselage, side, lower 83 in., RH	1	22-1 to 22-806 inclusive
	14982-02		STRINGER - Fuselage, side, lower, LH	1	22-807 to 22-7642 inclusive
	14982-04		STRINGER - Fuselage, side, lower, RH	1	22-807 to 22-7642 inclusive
	14982-05		STRINGER - Fuselage, center, both sides	2	22-8000 and up
-59	14983-02		STRINGER - Fuselage, side, front, lower, RH	1	22-807 to 22-7642 inclusive

When ordering, always specify Part Number, Description and Serial Number of Aircraft



Figure and Index Number	Part Number	Code	NOMENCLATURE	No. Req.	SERIAL NUMBERS AFFECTED
9-60	81302-22		HINGE - Rear door, lower, LH	1	22-1 to 22-7642 inclusive
-61	81302-23		HINGE - Rear door, upper, LH	1	22-1 to 22-806 inclusive
	81302-26		HINGE - Rear door, upper, LH	1	22-807 to 22-7642 inclusive
-62	13049-00	A	FRAME - Fuselage, complete	1	22-1 to 22-353 inclusive
	13049-02	A	FRAME - Fuselage, complete	1	22-354 to 22-806 inclusive
	13808-00	A	FRAME - Fuselage, complete	1	22-807 to 22-3217 inclusive and 22-3219 to 22-3386 inclusive
	14609-00	AB	FRAME - Fuselage, complete	1	23-3218, 22-3387 to 22-7642 incl
	15116-00	AB	FRAME - Fuselage, complete	1	22-8000 and up
-62a	12149-03		TUBE - Top deck former	2	
-62b	11567-06		TUBE - Diagonal (from front wing hinge fitting to firewall) 35", left	1	
	11567-07		TUBE - Diagonal (from front wing hinge fitting to firewall) 35", right	1	
-62c	13584-00		BULKHEAD ASSEMBLY - Fuselage	1	
-63	21211-00		SUPPORT ASSEMBLY - Stabilizer, rear	1	

A - The Stringers and Tail Skid Part No. 13147-00 are not included with this part.
 B - Supply serial number when ordering this part.

When ordering, always specify Part Number, Description and Serial Number of Aircraft

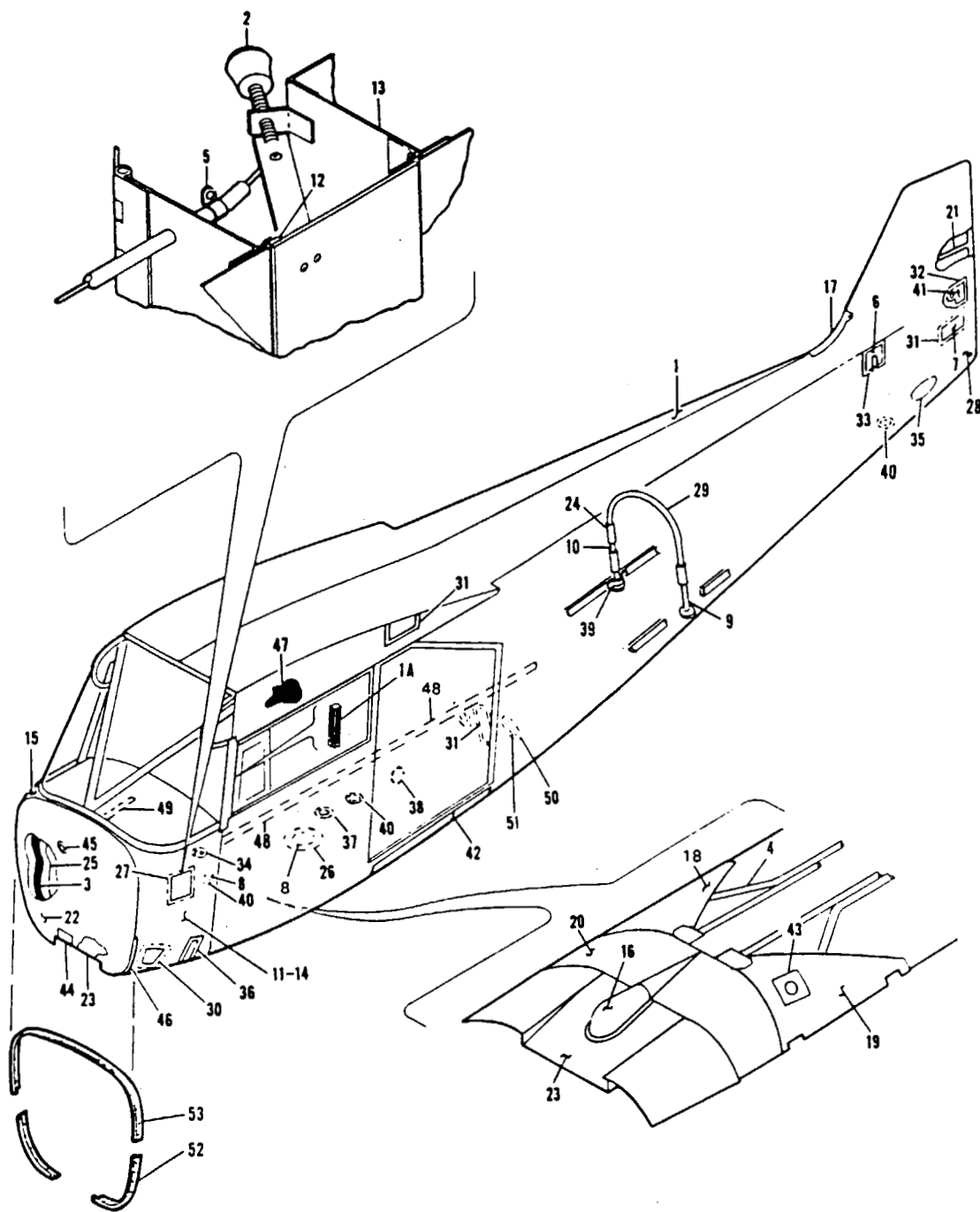


Figure 10. Fuselage Covered Assembly



Figure and Index Number	Part Number	Code	NOMENCLATURE	No. Req.	SERIAL NUMBERS AFFECTED
10-	13145 13925 15126		DRAWING - Fabric Installation, Fuselage DRAWING - Fabric Installation, Fuselage DRAWING - Fabric Installation, Fuselage		22-1 to 22-806 inclusive 22-807 to 22-7642 inclusive 22-8000 and up
-1	751 735		FUSELAGE ASSEMBLY - Covered, with seat and floor (Standard, does not include optional equipment)	1	22-1 to 22-353 inclusive
	751 747		FUSELAGE ASSEMBLY - Covered, with seat and floor (Standard, does not include optional equipment) "125" and "135"	1	
	751 752	A	FUSELAGE ASSEMBLY - Covered, with seat and floor (Standard, does not include optional equipment)	1	
	751 768	B	FUSELAGE ASSEMBLY - Covered, with seat and floor (Standard, does not include optional equipment)	1	
	15143-00	C	FUSELAGE ASSEMBLY - Covered, with seat and floor (Standard, does not include optional equipment)	1	22-3218, 22-3387 to 22-7642 incl.
-1a	13945-36		SEAL - Storm window, L 16"	1	22-8000 and up
-2	13483-00		ARM ASSEMBLY - Air box valve control	1	22-354 and up
-3	14080-00		BLANKET - Insulator, firewall	2	
-4	13541-18		TUBE - Airspeed, static vent line in bottom of fuselage	1	22-2378, 22-2425 and up
-5	454 887		CLAMP - Cabin vent control (Tinnerman No. A4886A-3-A-1)	1	22-534 and up
-6	11990-00		COVER - Stabilizer yoke inspection, LH	1	
	11990-01		COVER - Stabilizer yoke inspection, RH	1	
-7	82461-00		COVER - Inspection, rectangular	1	
-8	12761-02		COVER - Inspection, round (inside cockpit)	1	22-776 and up
	12761-02		COVER - Inspection, round, battery drain access	1	22-1021, 22-1022, 22-1024 and up
-9	14495-00		PLATE ASSEMBLY - Airspeed static vent line attachment, in rear bottom fuselage, right and left	2	22-2378, 22-2425 and up
-10	14493-00		TEE ASSEMBLY - Airspeed static vent line, in rear bottom fuselage	1	22-2378, 22-2425 and up
-11	13647-00		COWL ASSEMBLY - Fuselage, LH	1	22-354 to 22-806 inclusive
	13647-02	A	COWL ASSEMBLY - Fuselage, LH	1	
	13647-03		COWL ASSEMBLY - Fuselage, LH	1	22-3218, 22-3387 to 22-6351 incl.
	13647-04	D	COWL ASSEMBLY - Fuselage, LH	1	
	13647-05		COWL ASSEMBLY - Fuselage, LH	1	22-8381, 22-8393, 22-8440
-12	189 125		SEAL - Cork and neoprene (for air box)	1	22-354 and up
-13	13746-00		BOX ASSEMBLY - Cabin air vent	1	22-354 and up
			A - Used on PA-22 with serial numbers 22-807 to 22-3217 inclusive, and 22-3219 to 22-3386 inclusive.		
			B - Supply serial number of airplane when ordering this part.		
			C - Covered fuselage with brake cylinders, pedals, valves, floorboard and control cables.		
			D - Used on PA-22 with serial numbers 22-6352 to 22-7642 inclusive, 22-8000 to 22-8380 inclusive, 22-8382 to 22-8392 inclusive, 22-8394 to 22-8439 inclusive, 22-8441 and up.		

When ordering, always specify Part Number, Description and Serial Number of Aircraft

SECTION II
Fuselage Group



FUSELAGE COVERED ASSEMBLY

Figure and Index Number	Part Number	Code	NOMENCLATURE	No. Req.	SERIAL NUMBERS AFFECTED
10-14	13144-05		COWL ASSEMBLY - Fuselage, LH	1	22-1 to 22-353 inclusive
-15	13648-00		COWL ASSEMBLY - Fuselage, RH	1	22-1 to 22-800 inclusive
	13648-02	B	COWL ASSEMBLY - Fuselage, RH	1	
	13648-03	C	COWL ASSEMBLY - Fuselage, RH	1	
	13648-04		COWL ASSEMBLY - Fuselage, RH	1	22-8381, 22-8393, 22-8440
-16	12622-00		FAIRING - Cup, bottom, fuselage cowl	1	
-17	11665-02		FAIRING - Fin, fuselage	1	
-18	13140-00		FAIRING - Triangular, bottom (at landing gear) (inside) LH	1	22-1 to 22-353 inclusive
	13140-02		FAIRING - Triangular, bottom (at landing gear) (inside) LH	1	22-354 and up
-19	13140-01		FAIRING - Triangular, bottom (at landing gear) (inside) RH	1	22-1 to 22-353 inclusive
	13140-04		FAIRING - Triangular, bottom (at landing gear) (inside) RH	1	22-354 and up
-20	13143-00		FAIRING - Rear of fuselage cowl	1	
-21	11783-00		FIN ASSEMBLY	1	
-22	13139-00		FIREWALL ASSEMBLY	1	22-1 to 22-353 inclusive
	13482-05		FIREWALL ASSEMBLY	1	22-354 to 22-3217, 22-3219 to 22-3386 inclusive
	14699-03	A	FIREWALL ASSEMBLY	1	
	15174-00		FIREWALL ASSEMBLY	1	22-8381, 22-8393, 22-8417, 22-8437, 22-8440 to 22-9522 incl.
	15242-00		FIREWALL ASSEMBLY	1	22-9533 and up
-23	13149-00	A	PANEL - Bottom	1	
	13149-02		PANEL - Bottom	1	22-8381, 22-8393, 22-8417, 22-8437, 22-8440 and up
-24	83161-02		HOSE - Airspeed, static vent line tee connection	4	22-2378, 22-2425 and up
-25	24032-14		FIREWALL LEATHER - Brown, cement to blanket	1	22-1 to 22-1759 inclusive
	24032-17		FIREWALL LEATHER - Green, cement to blanket	1	22-807 to 22-2377 inclusive, and 22-2379 to 22-2424 inclusive
	24032-20		FIREWALL LEATHER - Brown	1	22-1760 to 22-2377 inclusive, and 22-2379 to 22-2424 inclusive
	24032-21		FIREWALL LEATHER - Black	1	22-1760 to 22-4142 inclusive, and 22-4144 to 22-4459 inclusive
	24032-23		FIREWALL LEATHER - Black	1	22-4143, 22-4460 and up

A - Used on PA-22 with serial numbers 22-3218, 22-3387 to 22-7642 inclusive, 22-8000 to 22-8380 inclusive, 22-8382 to 22-8392 inclusive, 22-8394 to 22-8416 inclusive, 22-8418 to 22-8430 inclusive, 22-8438 to 22-8439 inclusive.

B - Used on PA-22 with serial numbers 22-807 to 22-3217 inclusive, and 22-3219 to 22-3386 inclusive.

C - Used on PA-22 with serial numbers 22-3218, 22-3387 to 22-7642 inclusive, 22-8000 to 22-8380 inclusive, 22-8382 to 22-8392 inclusive, 22-8394 to 22-8439 inclusive, 22-8441 and up.

When ordering, always specify Part Number, Description and Serial Number of Aircraft



Figure and Index Number	Part Number	Code	NOMENCLATURE	No. Req.	SERIAL NUMBERS AFFECTED
10-26	80122-49		GROMMET - Battery drain access	1	22-1021, 22-1022, 22-1024 to 22-7642 inclusive
	85012-78		WASHER - Battery drain access	2	22-8000 and up
-27	13535-00		GROMMET - Cabin vent box	2	22-354 and up
-28	80122-53		GROMMET - Drain	1	22-1 to 22-2377 inclusive and 22-2379 to 22-2424 inclusive
-29	13541-19		TUBE - Connecting static vent line, rear bottom fuselage	1	22-2378, 22-2425 and up
-30	10293-02		GROMMET - Inspection cover	2	
-31	80541-02		GROMMET - Inspection cover, rectangle	4	
-32	10293-00		GROMMET - Tail inspection panel	2	
-33	10292-00		GROMMET - Stabilizer yoke inspection plate	2	
-34	80122-51		GROMMET - Reinforcement, round, pyralin, 1-1/2 in. O. D. x 3/4 in. I. D. x .050	5	
-35	60863-03		GROMMET - Reinforcement leather, at rudder cable, rear	2	
-36	11855-02		GROMMET - Reinforcement, at aileron pulley bracket	2	
-37	80122-51		GROMMET - Reinforcement, battery vent and drain	2	22-1021, 22-1022, 22-1024 and up
-38	80122-56	B	GROMMET - Reinforcement, rear seat clip	1	
-39	80032-48		CLAMP - Offset, airspeed static vent line attachment, rear fuselage	2	22-2378, 22-2425 and up
-40	80122-49	A	GROMMET - Inspection cover, round	1	
	80122-49		GROMMET - Inspection cover, round	2	22-534 to 22-2377 inclusive, and 22-2379 to 22-2424 inclusive
-41	60742-00		PANEL - Tail inspection, LH	1	
	60742-01		PANEL - Tail inspection, RH	1	
-42	13157-00		PLATE - Fabric former, rear of rear landing gear fitting, LH	1	
	13157-01		PLATE - Fabric former, rear of rear landing gear fitting, RH	1	
-43	13141-00	C	PLATE - Cover, rear fuel strainer, bottom fuselage fairing, RH	1	
-44	13059-00		PLATE - Cover, firewall opening (when rear seat heater is not installed)	1	22-1 to 22-806 inclusive
-45	80122-07		WASHER - Firewall attachment	5	
-46	180 815		WEBBING - Fuselage cowl	6	
-47	181 231		INSULATION - Fiberglass, 30 ply, "125" and "135", 11 sq. yd.		
-48	11473-28		STRIP - Pyralin, upholstered trim panel anchor strip attachment, "125" and "135"	2	
-49	12911-00		CHANNEL - Fuselage cowl reinforcement	1	22-1 to 22-3217 inclusive and 22-3219 to 22-3386 inclusive
	12911-02		CHANNEL - Fuselage cowl reinforcement	1	22-3218, 22-3387 and up
-50	12761-02		COVER - Inspection, round	3	22-1 to 22-806 inclusive
-51	80122-49		GROMMET - Round	3	22-1 to 22-806 inclusive
-52	14972-00		MOULDING - Firewall seal, left	1	
	14972-01		MOULDING - Firewall seal, right	1	
-53	14973-00		MOULDING - Firewall seal	1	

A - Used on PA-22 with serial numbers 22-776 to 22-2424 inclusive.
 B - Not used on PA-22-108.
 C - Optional on PA-22-108.

When ordering, always specify Part Number, Description and Serial Number of Aircraft

1 B19

INTENTIONALLY LEFT BLANK

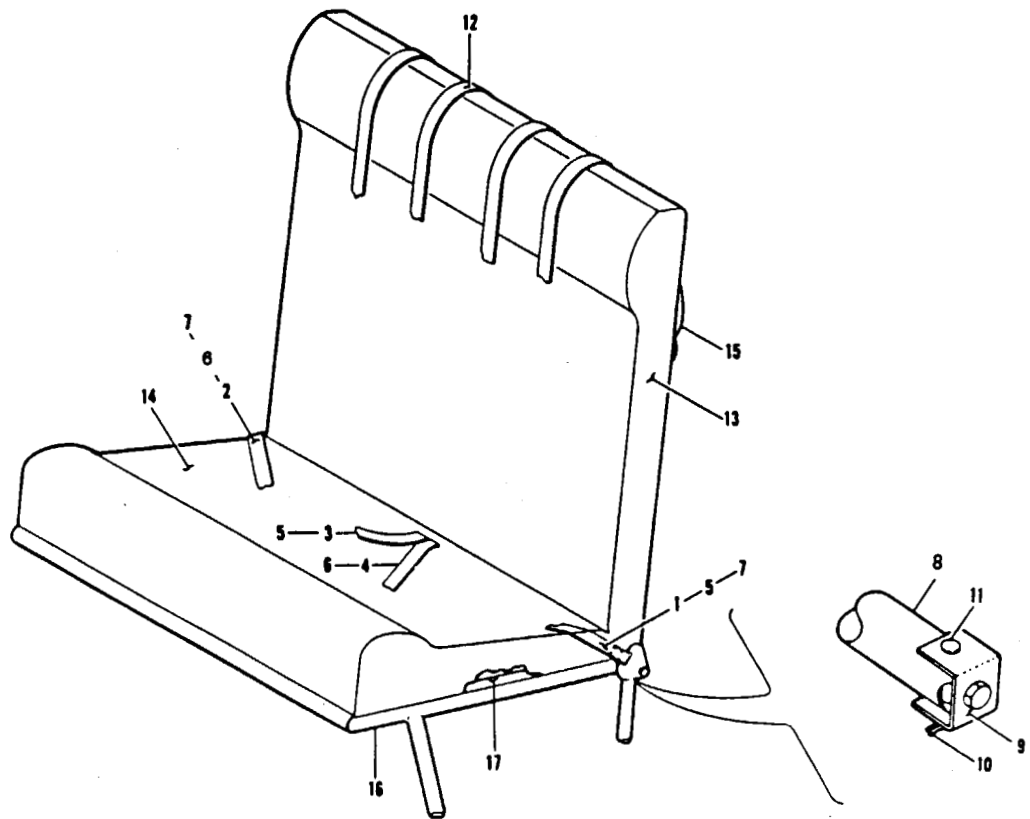


Figure 11. Rear Seat Installation
(Serial Nos. 22-1 to 22-7630 inclusive)



Figure and Index Number	Part Number	Code	NOMENCLATURE	No. Req.	SERIAL NUMBERS AFFECTED
11-	13038 13909		DRAWING - Seat Installation DRAWING - Seat Installation		22-1 to 22-806 inclusive 22-807 to 22-2377 inclusive and 22-2379 to 22-2424 inclusive
	14460		DRAWING - Seat Installation		22-2378, 22-2425 to 22-3217 incl. and 22-3219 to 22-3386 inclusive
	14705 14995 15033	B	DRAWING - Seat Installation DRAWING - Seat Installation DRAWING - Seat Installation		22-3218, 22-3387 to 22-6351 incl. 22-6785, 22-6858, 22-6980 and up
-1	451 339	A	BELT ASSEMBLY - Left side rear seat, tip end	1	
-2	451 338	A	BELT ASSEMBLY - Right side rear seat, buckle end	1	
-3	451 341	A	BELT ASSEMBLY - Rear seat, center, tip end	1	
-4	451 340	A	BELT ASSEMBLY - Rear seat, center, buckle end	1	
-5	13947-02 13947-05		BELT ASSEMBLY - Safety, rear, complete (M5100M4-T32) BELT ASSEMBLY - Safety, rear, complete (M5100M4-T32)	2 2	22-807 to 22-1759 inclusive 22-1760 to 22-2377 inclusive and 22-2379 to 22-2424 inclusive
	13947-20 13947-41		BELT ASSEMBLY - Safety, rear, complete, black BELT ASSEMBLY - Safety, rear, complete, gray	1 2	
-6	13947-02 13947-05		BELT ASSEMBLY - Safety, rear, complete (M5100M4-B22) BELT ASSEMBLY - Safety, rear, complete (M5100M4-B22)	2 2	22-807 to 22-1759 inclusive 22-1760 to 22-2377 inclusive and 22-2379 to 22-2424 inclusive
	13947-20 13947-41		BELT ASSEMBLY - Safety, rear, complete, black BELT ASSEMBLY - Safety, rear, complete, gray	1 2	
-7	451 337		BELT - Safety (No. SB1361) complete buckle and tip end	1	22-1 to 22-333 inclusive, 22-334 to 22-339 inclusive and 22-342
-8	13420-00	A	TUBE - Rear center safety belt attachment	1	
-9	13421-00	A	BRACKET - Attachment, rear safety belt tube	2	
-10	454 888	A	CLIP - Rear safety belt tube attachment pin (No. 62)	2	
-11	424 224	A	PIN - Rear safety belt tube attachment (AN394-55)	2	
-12	13129-03 13129-05		STRAP ASSEMBLY - Shoulder harness, rear seat, brown STRAP - Shoulder harness, rear seat (black)	4 4	22-2378, 22-2425 and up
			A - Used on PA-22 with serial numbers 22-333, 22-340, 22-341 and 22-343 to 22-806 inclusive. B - Used on PA-22 with serial numbers 22-6352 to 22-6784 inclusive, 22-6786 to 22-6857 inclusive and 22-6859 to 22-6979 inclusive.		

When ordering, always specify Part Number, Description and Serial Number of Aircraft



Figure and Index Number	Part Number	Code	NOMENCLATURE	No. Req.	SERIAL NUMBERS AFFECTED	
11-13	12584-30		CUSHION ASSEMBLY - Rear seat, back, "125" and "135"	1	22-1 to 22-806 inclusive	
	14201-02		CUSHION ASSEMBLY - Rear seat, back (brown)	1	22-807 to 22-1759 inclusive	
	14201-00		CUSHION ASSEMBLY - Rear seat, back (green)	1	22-807 to 22-1759 inclusive	
	14270-20		CUSHION ASSEMBLY - Rear seat, back (red)	1	22-1760 to 22-2377 inclusive and 22-2379 to 22-2424 inclusive	
	14270-00		CUSHION ASSEMBLY - Rear seat, back (green)	1	22-1760 to 22-2377 inclusive and 22-2379 to 22-2424 inclusive	
	14270-02	D	CUSHION ASSEMBLY - Rear seat, back (brown)	1	22-1760 to 22-2377 inclusive and 22-2379 to 22-2424 inclusive	
	14270-26		CUSHION ASSEMBLY - Rear seat, back (black) freize	1	22-807 to 22-1759 inclusive	
	14270-33		CUSHION ASSEMBLY - Rear seat, back (black) (smooth)	1	22-2829, 22-2834, 22-2835, 22-2836, 22-2839 to 22-3217 incl. and 22-3219 to 22-3386 inclusive	
	14695-02		CUSHION ASSEMBLY - Rear seat, back (black with red trim)	1	22-3218, 22-3387 to 22-4142 incl. and 22-4144 to 22-4459 inclusive	
	14695-08		CUSHION ASSEMBLY - Rear seat, back (black with blue trim)	1	22-3218, 22-3387 to 22-4142 incl. and 22-4144 to 22-4459 inclusive	
	14834-02	A	CUSHION ASSEMBLY - Rear seat back (with red trim)	1		
	14834-05	A	CUSHION ASSEMBLY - Rear seat back (with blue trim)	1		
	14834-08	A	CUSHION ASSEMBLY - Rear seat back (with pasadena rose trim)	1		
	14900-02	B	CUSHION ASSEMBLY - Rear seat back (with red trim)	1		
	14900-03	B	CUSHION ASSEMBLY - Rear seat back (with blue trim)	1		
	14900-04	B	CUSHION ASSEMBLY - Rear seat back (with pasadena rose trim)	1		
	14942-02		CUSHION ASSEMBLY - Rear seat back, red	1	22-5139, 22-5603 to 22-6351 incl.	
	14942-05		CUSHION ASSEMBLY - Rear seat back, blue	1	22-5139, 22-5603 to 22-6351 incl.	
	14942-08		CUSHION ASSEMBLY - Rear seat back, brown	1	22-5139, 22-5603 to 22-6351 incl.	
	14942-22	C	CUSHION ASSEMBLY - Rear seat back, red	1		
	14942-24	C	CUSHION ASSEMBLY - Rear seat back, blue	1		
	14942-26	C	CUSHION ASSEMBLY - Rear seat back, brown	1		
	14942-28	C	CUSHION ASSEMBLY - Rear seat back, green	1		
	15025-02		CUSHION ASSEMBLY - Rear seat back, red	1	22-6785, 22-6858, 22-6980 and up	
	15025-04		CUSHION ASSEMBLY - Rear seat back, blue	1	22-6785, 22-6858, 22-6980 and up	
	15025-06		CUSHION ASSEMBLY - Rear seat back, brown	1	22-6785, 22-6858, 22-6980 and up	
	15025-08		CUSHION ASSEMBLY - Rear seat back, green	1	22-6785, 22-6858, 22-6980 and up	
				A - Used on PA-22 with serial numbers 22-4143, 22-4460 to 22-4494 inclusive, 22-4506, 22-4527, 22-4535, 22-4543, 22-4571, 22-4573, 22-4590, 22-4591, 22-4610, 22-4611, 22-4613 to 22-5138 inclusive and 22-5140 to 22-5602 inclusive.		
				B - Used on PA-22 with serial numbers 22-4495 to 22-4505 inclusive, 22-4507 to 22-4526 inclusive, 22-4528 to 22-4534 inclusive, 22-4536 to 22-4542 inclusive, 22-4544 to 22-4570 inclusive, 22-4572, 22-4574 to 22-4589 inclusive, 22-4592 to 22-4609 inclusive and 22-4612.		
				C - Used on PA-22 with serial numbers 22-6352 to 22-6784 inclusive, 22-6786 to 22-6857 inclusive and 22-6859 to 22-6979 inclusive.		
				D - When ordering this cushion assembly, be sure to specify exact color combination desired (Brown and Gray) or (Brown and Brown Check).		

When ordering, always specify Part Number, Description and Serial Number of Aircraft



Figure and Index Number	Part Number	Code	NOMENCLATURE	No. Req.	SERIAL NUMBERS AFFECTED
11-14	12889-37		CUSHION ASSEMBLY - Rear seat bottom	1	22-1 to 22-806 inclusive
	14199-02		CUSHION ASSEMBLY - Rear seat bottom, brown	1	22-807 to 22-1759 inclusive
	14199-00		CUSHION ASSEMBLY - Rear seat bottom, green	1	22-807 to 22-1759 inclusive
	14272-14		CUSHION ASSEMBLY - Rear seat bottom, red	1	22-1760 to 22-2377 inclusive and 22-2379 to 22-2424 inclusive
	14272-02		CUSHION ASSEMBLY - Rear seat bottom, green	1	22-1760 to 22-2377 inclusive and 22-2379 to 22-2424 inclusive
	14272-03	D	CUSHION ASSEMBLY - Rear seat bottom, brown	1	22-1760 to 22-2377 inclusive and 22-2379 to 22-2424 inclusive
	14272-18		CUSHION ASSEMBLY - Rear seat bottom, black, freize	1	22-807 to 22-1759 inclusive
	14272-23		CUSHION ASSEMBLY - Rear seat bottom, black, smooth	1	22-2629, 22-2634, 22-2635, 22-2636, 22-2639 to 22-3217 incl. and 22-3219 to 22-3386 inclusive
	14272-25		CUSHION ASSEMBLY - Rear seat, bottom (black with red trim)	1	22-3218, 22-3387 to 22-4142 incl. and 22-4144 to 22-4459 inclusive
	14272-30		CUSHION ASSEMBLY - Rear seat, bottom (black with blue trim)	1	22-3218, 22-3387 to 22-4142 incl. and 22-4144 to 22-4459 inclusive
	14869-02	A	CUSHION ASSEMBLY - Rear seat, bottom (with red trim)	1	
	14869-05	A	CUSHION ASSEMBLY - Rear seat, bottom (with blue trim)	1	
	14869-08	A	CUSHION ASSEMBLY - Rear seat, bottom (with pasadena, rose trim)	1	
	14899-02	B	CUSHION ASSEMBLY - Rear seat, bottom (with red trim)	1	
	14899-03	B	CUSHION ASSEMBLY - Rear seat, bottom (with blue trim)	1	
	14899-04	B	CUSHION ASSEMBLY - Rear seat, bottom (with pasadena rose trim)	1	
	14940-02		CUSHION ASSEMBLY - Rear seat, bottom, red	1	22-5139, 22-5603 to 22-6351 incl.
	14940-05		CUSHION ASSEMBLY - Rear seat, bottom, blue	1	22-5139, 22-5603 to 22-6351 incl.
	14940-08		CUSHION ASSEMBLY - Rear seat, bottom, brown	1	22-5139, 22-5603 to 22-6351 incl.
	14940-11	C	CUSHION ASSEMBLY - Rear seat, bottom, red	1	
	14940-12	C	CUSHION ASSEMBLY - Rear seat, bottom, blue	1	
	14940-13	C	CUSHION ASSEMBLY - Rear seat, bottom, brown	1	
	14940-14	C	CUSHION ASSEMBLY - Rear seat, bottom, green	1	
	15024-02		CUSHION ASSEMBLY - Rear seat, bottom, red	1	22-6755, 22-6856, 22-6980 and up
	15024-04		CUSHION ASSEMBLY - Rear seat, bottom, blue	1	22-6755, 22-6856, 22-6980 and up
	15024-06		CUSHION ASSEMBLY - Rear seat, bottom, brown	1	22-6755, 22-6856, 22-6980 and up
	15024-08		CUSHION ASSEMBLY - Rear seat, bottom, green	1	22-6755, 22-6856, 22-6980 and up
	<p>A - Used on PA-22 with serial numbers 22-4143, 22-4460 to 22-4494 inclusive, 22-4506, 22-4527, 22-4535, 22-4543, 22-4571, 22-4573, 22-4590, 22-4591, 22-4610, 22-4611, 22-4613 to 22-5138 inclusive, 22-5140 to 22-5602 inclusive.</p> <p>B - Used on PA-22 with serial numbers 22-4495 to 22-4505 inclusive, 22-4507 to 22-4526 inclusive, 22-4528 to 22-4534 inclusive, 22-4536 to 22-4542 inclusive, 22-4544 to 22-4570 inclusive, 22-4572, 22-4574 to 22-4589 inclusive, 22-4592 to 22-4609 inclusive and 22-4612.</p> <p>C - Used on PA-22 with serial numbers 22-6352 to 22-6784 inclusive, 22-6786 to 22-6857 inclusive, 22-6859 to 22-6979 inclusive.</p> <p>D - When ordering this cushion assembly, be sure to specify exact color combination desired (Brown and Gray) or (Brown and Brown Check).</p>				

When ordering, always specify Part Number, Description and Serial Number of Aircraft

REAR SEAT INSTALLATION
(Serial Nos. 22-1 to 22-7642 inclusive)



SECTION III
Cockpit Group

Figure and Index Number	Part Number	Code	NOMENCLATURE	No. Req.	SERIAL NUMBERS AFFECTED
11-15	180 610		CORD - (Mason Line No. 4) (used for lacing cushions to frame)	46'	
-16	11860-00		FRAME ASSEMBLY - Rear seat, bottom	1	22-1 to 22-806 inclusive
	11860-04		FRAME ASSEMBLY - Rear seat, bottom	1	22-807 and up
-17	12887-00		FRAME ASSEMBLY - Rear seat, bottom cushion	1	

When ordering, always specify Part Number, Description and Serial Number of Aircraft

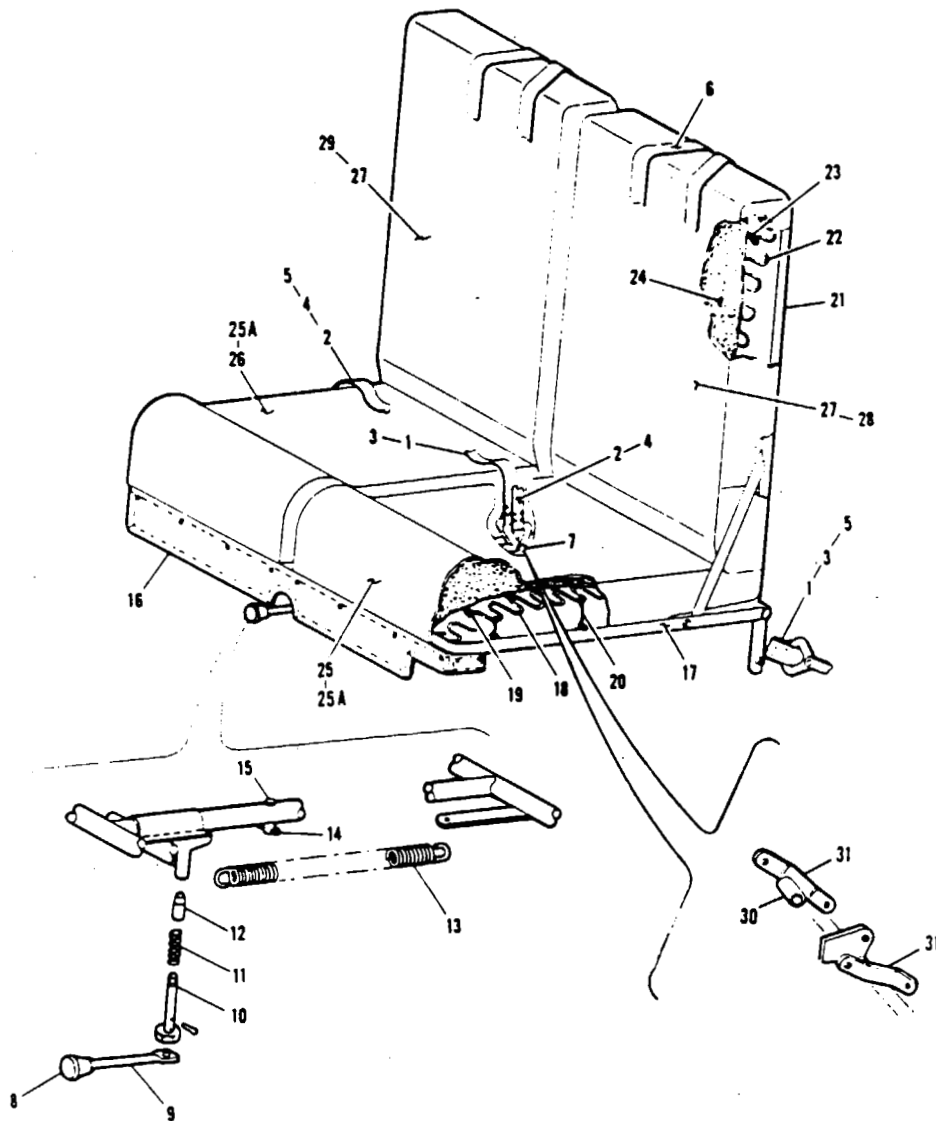


Figure 12. Front Seat Installation



Figure and Index Number	Part Number	Code	NOMENCLATURE	No. Req.	SERIAL NUMBERS AFFECTED
12-	13038 13909 14460 14705 14995 15100		DRAWING - Seat Installation DRAWING - Seat Installation DRAWING - Seat Installation DRAWING - Seat Installation DRAWING - Seat Installation DRAWING - Seat Installation		22-1 to 22-806 inclusive 22-807 to 22-2377 inclusive and 22-2379 to 22-2424 inclusive 22-2378, 22-2425 to 22-3217 incl. and 22-3219 to 22-3386 inclusive 22-3218, 22-3387 to 22-6351 incl. 22-6352 to 22-7642 inclusive 22-8000 and up
-1	451 339		BELT ASSEMBLY - Front seat, tip end	2	22-333, 22-340, 22-341 and 22-343 to 22-806 inclusive
-2	451 338		BELT ASSEMBLY - Front seat, buckle end	2	22-333, 22-340, 22-341 and 22-343 to 22-806 inclusive
-3	13947-04 13947-07		BELT ASSEMBLY - Safety, front, tip end (M5100M4-T32) BELT ASSEMBLY - Safety, front, tip end (M5100M4-T32)	2 2	22-807 to 22-1759 inclusive 22-1760 to 22-2377 inclusive and 22-2379 to 22-2424 inclusive
	13947-20 13947-41		BELT ASSEMBLY - Safety, front, complete, black BELT ASSEMBLY - Safety, front, complete, gray	1 2	
-4	13947-03 13947-06		BELT ASSEMBLY - Safety, front, buckle end (M5100M4-B22) BELT ASSEMBLY - Safety, front, buckle end (M5100M4-B22)	2 2	22-807 to 22-1759 inclusive 22-1760 to 22-2377 inclusive and 22-2379 to 22-2424 inclusive
	13947-20 13947-41		BELT ASSEMBLY - Safety, front, complete, black BELT ASSEMBLY - Safety, front, complete, gray	1 2	
-5	451 337		BELT - Safety (SB361) complete, buckle end and tip end	1	22-1 to 22-332 inclusive, 22-334 to 22-339 inclusive and 22-342
-6	13129-02 13129-04	B	STRAP ASSEMBLY - Shoulder harness, front seat, brown STRAP - Shoulder harness, front seat (black)	4 4	22-1 to 22-3386 inclusive 22-3218, 22-3387 and up
-7	13241-00		BOLT - Safety belt attachment, front seat, center	1	22-354 and up
-8	471 052 18875-05 471 063		KNOB - Front seat stop control (No. 3004-SM) KNOB - Front seat stop control (No. 3004-SM) black (2 on 1956 Model) KNOB - Front seat stop control (=113-1")	1 1 2	22-1 to 22-2377 inclusive and 22-2379 to 22-2424 inclusive 22-2378, 22-2425 to 22-7642 incl. 22-8000 and up
-9	12654-02 14803-00	A	ROD - Front seat stop ROD - Front seat stop	1 2	22-3218, 22-3387 and up
-10	12653-02 12653-04 401 273	A C	ROD - Front seat stop control ROD - Front seat stop control BOLT - Front seat stop control (AN3-14A)	1 2 2	22-3218, 22-3387 and up
-11	487 304 83302-35	A	SPRING - Front seat stop plunger SPRING - Front seat stop plunger	1 2	22-3218, 22-3387 and up
-12	12032-00 12032-02	A	PLUNGER - Front seat stop assembly PLUNGER - Front seat stop	1 2	22-3218, 22-3387 and up
-13	487 293	A	SPRING - Tension front seat installation	1	
-14	454 888	A	CLIP - Seat safety stop pin	1	
-15	424 217	A	PIN - Seat safety stop (AN394-41)	1	

A - Used on PA-22 with serial numbers 22-1 to 22-3217
inclusive and 22-3219 to 22-3386 inclusive.
B - Optional equipment on PA-22-108.
C - Used on PA-22-108 only.

When ordering, always specify Part Number, Description and Serial Number of Aircraft



Figure and Index Number	Part Number	Code	NOMENCLATURE	No. Req.	SERIAL NUMBERS AFFECTED
12-16	12991-00		PLATE ASSEMBLY - Trim, upholstered, front seat, bottom (brown leather)	1	22-1 to 22-1759 inclusive
	12291-05		PLATE ASSEMBLY - Trim, upholstered, front seat, bottom (green leather)	1	22-807 to 22-1759 inclusive
	14269-02		PLATE ASSEMBLY - Trim, upholstered, front seat, bottom, green	1	22-1760 to 22-2377 inclusive and 22-2379 to 22-2424 inclusive
	14269-04		PLATE ASSEMBLY - Trim, upholstered, front seat, bottom, brown	1	22-1760 to 22-2377 inclusive and 22-2379 to 22-2424 inclusive
	14269-07		PLATE ASSEMBLY - Trim, upholstered, front seat, bottom, gray	1	22-1760 to 22-2377 inclusive and 22-2379 to 22-2424 inclusive
	14269-10		PLATE ASSEMBLY - Trim, upholstered, front seat, bottom, black	1	22-2378, 22-2425 to 22-2829 incl., 22-2830 to 22-2833 inclusive, 22-2837 and 22-2838
	14269-12		PLATE ASSEMBLY - Trim, upholstered, front seat, bottom, black, smooth	1	22-2829, 22-2834, 22-2835, 22-2836, 22-2839 to 22-3217 incl. and 22-3219 to 22-3386 inclusive
	14717-00	A	PLATE ASSEMBLY - Trim, upholstered, RH, black	1	
	14718-00	A	PLATE ASSEMBLY - Trim, upholstered, LH, black	1	
	14718-05	B	PLATE - Trim, upholstered, LH, red	1	22-8000 and up
	14718-07	B	PLATE - Trim, upholstered, LH, blue	1	22-8000 and up
	14718-09	B	PLATE - Trim, upholstered, LH, pasadena rose	1	
	14717-05	B	PLATE - Trim, upholstered, RH, red	1	22-8000 and up
	14717-07	B	PLATE - Trim, upholstered, RH, blue	1	22-8000 and up
	14717-09	B	PLATE - Trim, upholstered, RH, pasadena rose	1	
	14717-11		PLATE - Trim, upholstered, RH, red	1	22-5139, 22-5603 to 22-7642 incl.
	14717-13		PLATE - Trim, upholstered, RH, blue	1	22-5139, 22-5603 to 22-7642 incl.
	14717-15		PLATE - Trim, upholstered, RH, brown	1	22-5139, 22-5603 and up
	14718-11		PLATE - Trim, upholstered, LH, red	1	22-5139, 22-5603 to 22-7642 incl.
	14718-13		PLATE - Trim, upholstered, LH, blue	1	22-5139, 22-5603 to 22-7642 incl.
	14718-15		PLATE - Trim, upholstered, LH, brown	1	22-5139, 22-5603 and up
	14717-17	C	PLATE - Trim, upholstered, RH, green	1	22-8000 and up
	14718-17	C	PLATE - Trim, upholstered, LH, green	1	22-8000 and up
	14717-19		PLATE - Trim, upholstered, RH, gray	1	22-6785, 22-6858, 22-6980 to 22-7642 inclusive
	14718-19		PLATE - Trim, upholstered, LH, gray	1	22-6785, 22-6858, 22-6980 to 22-7642 inclusive
		A	A - Used on PA-22 with serial numbers 22-3218, 22-3387 to 22-4142 inclusive and 22-4144 to 22-4459 inclusive.		
		B	B - Used on PA-22 with serial numbers 22-4143, 22-4460 to 22-5138 inclusive and 22-5140 to 22-5602 inclusive.		
		C	C - Used on PA-22 with serial numbers 22-6352, 22-6784, 22-6786 to 22-6857 inclusive and 22-6859 to 22-6979 inclusive.		

When ordering, always specify Part Number, Description and Serial Number of Aircraft



Figure and Index Number	Part Number	Code	NOMENCLATURE	No. Req.	SERIAL NUMBERS AFFECTED
12-17	12990-08		FRAME ASSEMBLY - Front seat, bottom	1	22-1 to 22-1759 inclusive
-18	487 271		SPRING - No-sag, front seat, bottom	10	
-19	11420-00		LINK - Spring, connecting	24	
-20	11420-02		LINK - Spring, connecting	8	
-21	12894-06		FRAME ASSEMBLY - Front seat, back	2	22-1 to 22-1759 inclusive
-22	487 274		SPRING - No-sag, front seat, right and left, back	4	
-23	11420-02		LINK - Spring connecting	6	22-1 to 22-2377 inclusive and 22-2379 to 22-2424 inclusive
	11420-04		LINK - Spring connecting	6	22-2378, 22-2425 and up
-24	14166-00		FILLER - Front seat back assembly	2	22-1 to 22-1759 inclusive
-25	12895-18		CUSHION ASSEMBLY - Front seat, bottom, left "125" and "135"	1	22-1 to 22-806 inclusive
	14198-10		CUSHION ASSEMBLY - Front seat, bottom, left (brown)	1	22-807 to 22-1759 inclusive
	14198-00		CUSHION ASSEMBLY - Front seat, bottom, left (green)	1	22-807 to 22-1759 inclusive
	14716-02		CUSHION ASSEMBLY - Front seat, bottom, LH (black with red trim)	1	22-3218, 22-3367 to 22-4142 incl. and 22-4144 to 22-4459 inclusive
	14716-04		CUSHION ASSEMBLY - Front seat, bottom, LH (black with blue trim)	1	22-3218, 22-3387 to 22-4142 incl. and 22-4144 to 22-4459 inclusive
	14874-02	A	CUSHION ASSEMBLY - Front seat bottom, LH (with red trim)	1	
	14874-04	A	CUSHION ASSEMBLY - Front seat bottom, LH (with blue trim)	1	
	14874-06	A	CUSHION ASSEMBLY - Front seat bottom, LH (with pasadena rose trim)	1	
	14897-02	B	CUSHION ASSEMBLY - Front seat bottom, LH (with red trim)	1	
	14897-04	B	CUSHION ASSEMBLY - Front seat bottom, LH (with blue trim)	1	
	14897-06	B	CUSHION ASSEMBLY - Front seat bottom, LH (with pasadena rose trim)	1	
	14938-02		CUSHION ASSEMBLY - Front seat bottom, LH, red	1	22-5139, 22-5603 to 22-6351 incl.
	14938-04		CUSHION ASSEMBLY - Front seat bottom, LH, blue	1	22-5139, 22-5603 to 22-6351 incl.
	14938-06		CUSHION ASSEMBLY - Front seat bottom, LH, brown	1	22-5139, 22-5603 to 22-6351 incl.
	14938-20	C	CUSHION ASSEMBLY - Front seat bottom, LH, red	1	
	14938-22	C	CUSHION ASSEMBLY - Front seat bottom, LH, blue	1	
	14938-24	C	CUSHION ASSEMBLY - Front seat bottom, LH, brown	1	
	14938-26	C	CUSHION ASSEMBLY - Front seat bottom, LH, green	1	
			A - Used on PA-22 with serial numbers 22-4143, 22-4460 to 22-4494 inclusive, 22-4506, 22-4527, 22-4535, 22-4543, 22-4571, 22-4573, 22-4590, 22-4591, 22-4610, 22-4611, 22-4613 to 22-5138 inclusive and 22-5140 to 22-5602 inclusive.		
			B - Used on PA-22 with serial numbers 22-4495 to 22-4505 inclusive, 22-4507 to 22-4526 inclusive, 22-4528 to 22-4534 inclusive, 22-4536 to 22-4542 inclusive, 22-4544 to 22-4570 inclusive, 22-4572, 22-4574 to 22-4589 inclusive, 22-4592 to 22-4609 inclusive and 22-4612.		
			C - Used on PA-22 with serial numbers 22-6352 to 22-6784 inclusive, 22-6786 to 22-6857 inclusive and 22-6859 to 22-6979 inclusive.		

When ordering, always specify Part Number, Description and Serial Number of Aircraft



Figure and Index Number	Part Number	Code	NOMENCLATURE	No. Req.	SERIAL NUMBERS AFFECTED
12-25	15023-02		CUSHION ASSEMBLY - Front seat bottom, left, red	1	22-6785, 22-6858, 22-6980 to 22-7642 inclusive
	15023-04		CUSHION ASSEMBLY - Front seat bottom, left, blue	1	22-6785, 22-6858, 22-6980 to 22-7642 inclusive
	15023-06		CUSHION ASSEMBLY - Front seat bottom, left, brown	1	22-6785, 22-6858, 22-6980 to 22-7642 inclusive
	15023-08		CUSHION ASSEMBLY - Front seat bottom, left, green	1	22-6785, 22-6858, 22-6980 to 22-7642 inclusive
	15107-02		CUSHION ASSEMBLY - Front seat bottom, LH, red	1	22-8000 and up
	15107-04		CUSHION ASSEMBLY - Front seat bottom, LH, blue	1	22-8000 and up
	15107-06		CUSHION ASSEMBLY - Front seat bottom, LH, brown	1	22-8000 and up
	15107-08		CUSHION ASSEMBLY - Front seat bottom, LH, green	1	22-8000 and up
-25a	14273-03	CD	CUSHION ASSEMBLY - Front seat, bottom, brown	1	
	14273-02	D	CUSHION ASSEMBLY - Front seat, bottom, green	1	
	14273-28	D	CUSHION ASSEMBLY - Front seat, bottom, red	1	
	14273-38		CUSHION ASSEMBLY - Front seat, bottom, black freize	1	22-2378, 22-2425 to 22-2828 incl., 22-2830 to 22-2833 inclusive and 22-2837 and 22-2838
	14273-49		CUSHION ASSEMBLY - Front seat, bottom, black, smooth	1	22-2829, 22-2834, 22-2835, 22-2836, 22-2839 to 22-3217 incl. and 22-3219 to 22-3386 inclusive
-26	14716-03		CUSHION ASSEMBLY - Front seat, bottom, RH (black with red trim)	1	22-3218, 22-3387 to 22-4142 incl. and 22-4144 to 22-4459 inclusive
	14716-05		CUSHION ASSEMBLY - Front seat, bottom, RH (black with blue trim)	1	22-3218, 22-3387 to 22-4142 incl. and 22-4144 to 22-4459 inclusive
	14874-03	A	CUSHION ASSEMBLY - Front seat bottom, RH (with red trim)	1	
	14874-05	A	CUSHION ASSEMBLY - Front seat bottom, RH (with blue trim)	1	
	14874-07	A	CUSHION ASSEMBLY - Front seat bottom, RH (with pasadena rose trim)	1	
	14897-03	B	CUSHION ASSEMBLY - Front seat bottom, RH (with red trim)	1	
	14897-05	B	CUSHION ASSEMBLY - Front seat bottom, RH (with blue trim)	1	
	14897-07	B	CUSHION ASSEMBLY - Front seat bottom, RH (with pasadena rose trim)	1	
			A - Used on PA-22 with serial numbers 22-4143, 22-4460 to 22-4494 inclusive, 22-4506, 22-4527, 22-4535, 22-4543, 22-4571, 22-4573, 22-4590, 22-4591, 22-4610, 22-4611, 22-4613 to 22-5138 inclusive and 22-5140 to 22-5602 inclusive.		
			B - Used on PA-22 with serial numbers 22-4495 to 22-4505 inclusive, 22-4507 to 22-4526 inclusive, 22-4528 to 22-4534 inclusive, 22-4536 to 22-4542 inclusive, 22-4544 to 22-4570 inclusive, 22-4572, 22-4574 to 22-4589 inclusive, 22-4592 to 22-4609 inclusive and 22-4612.		
			C - When ordering this cushion assembly, be sure to specify exact color combination desired (Brown and Gray) or (Brown and Brown Check).		
			D - Used on PA-22 with serial numbers 22-1760 to 22-2377 inclusive and 22-2379 to 22-2424 inclusive.		

When ordering, always specify Part Number, Description and Serial Number of Aircraft



Figure and Index Number	Part Number	Code	NOMENCLATURE	No. Req.	SERIAL NUMBERS AFFECTED	
12-26	12895-19		CUSHION ASSEMBLY - Front seat, bottom, RH	1	22-1 to 22-806 inclusive	
	14198-11		CUSHION ASSEMBLY - Front seat, bottom, right, brown	1	22-807 to 22-1759 inclusive	
	14198-01		CUSHION ASSEMBLY - Front seat, bottom, right, green	1	22-807 to 22-1759 inclusive	
	14938-03		CUSHION ASSEMBLY - Front seat, bottom, right, red	1	22-5139, 22-5603 to 22-6351 incl.	
	14938-05		CUSHION ASSEMBLY - Front seat, bottom, right, blue	1	22-5139, 22-5603 to 22-6351 incl.	
	14938-07		CUSHION ASSEMBLY - Front seat, bottom, right, brown	1	22-5139, 22-5603 to 22-6351 incl.	
	14938-21	A	CUSHION ASSEMBLY - Front seat, bottom, right, red	1		
	14938-23	A	CUSHION ASSEMBLY - Front seat, bottom, right, blue	1		
	14938-25	A	CUSHION ASSEMBLY - Front seat, bottom, right, brown	1		
	14938-27	A	CUSHION ASSEMBLY - Front seat, bottom, right, green	1		
	15023-03		CUSHION ASSEMBLY - Front seat, bottom, right, red	1	22-6785, 22-6858, 22-6980 to 22-7642 inclusive	
	15023-05		CUSHION ASSEMBLY - Front seat, bottom, right, blue	1	22-6785, 22-6858, 22-6980 to 22-7642 inclusive	
	15023-07		CUSHION ASSEMBLY - Front seat, bottom, right, brown	1	22-6785, 22-6858, 22-6980 to 22-7642 inclusive	
	15023-09		CUSHION ASSEMBLY - Front seat, bottom, right, green	1	22-6785, 22-6858, 22-6980 to 22-7642 inclusive	
	15107-03		CUSHION ASSEMBLY - Front seat, bottom, RH, red	1	22-8000 and up	
	15107-05		CUSHION ASSEMBLY - Front seat, bottom, RH, blue	1	22-8000 and up	
	15107-07		CUSHION ASSEMBLY - Front seat, bottom, RH, brown	1	22-8000 and up	
	15107-09		CUSHION ASSEMBLY - Front seat, bottom, RH, green	1	22-8000 and up	
	-27	12896-24		CUSHION ASSEMBLY - Front seat, back	2	22-1 to 22-806 inclusive
	-28	14200-04		CUSHION ASSEMBLY - Front seat, back, left, brown	1	22-807 to 22-1759 inclusive
14200-02			CUSHION ASSEMBLY - Front seat, back, left, green	1	22-807 to 22-1759 inclusive	
14274-27		C	CUSHION ASSEMBLY - Front seat, back, left, red	1		
14274-02		C	CUSHION ASSEMBLY - Front seat, back, left, green	1		
14274-04		BC	CUSHION ASSEMBLY - Front seat, back, left, brown	1		
14462-00			CUSHION ASSEMBLY - Front seat, back, LH (black freize)	1	22-2378, 22-2425 to 22-2828 incl., 22-2830 to 22-2833 inclusive, 22-2837 and 22-2838	
14462-09			CUSHION ASSEMBLY - Front seat, back, LH (black) (smooth)	1	22-2829, 22-2834 to 22-2836 incl., 22-2839 to 22-3217 inclusive, 22-3219 to 22-3386 inclusive	
14693-02			CUSHION ASSEMBLY - Front seat, back, LH (black with red trim)	1	22-3218, 22-3387 to 22-4142 incl., 22-4144 to 22-4459 inclusive	
14693-04			CUSHION ASSEMBLY - Front seat, back, LH (black with blue trim)	1	22-3218, 22-3387 to 22-4142 incl., 22-4144 to 22-4459 inclusive	

A - Used on PA-22 with serial numbers 22-6352 to 22-6784 inclusive, 22-6786 to 22-6857 inclusive and 22-6859 to 22-6979 inclusive.
 B - When ordering this cushion assembly, be sure to specify exact color combination desired (Brown and Gray) or (Brown and Brown Check).
 C - Used on PA-22 with serial numbers 22-1760 to 22-2377 inclusive and 22-2379 to 22-2424 inclusive.

When ordering, always specify Part Number, Description and Serial Number of Aircraft



Figure and Index Number	Part Number	Code	NOMENCLATURE	No. Req.	SERIAL NUMBERS AFFECTED
12-28	14876-02	A	CUSHION ASSEMBLY - Front seat, back, LH (with red trim)	1	
	14876-04	A	CUSHION ASSEMBLY - Front seat, back, LH (with blue trim)	1	
	14876-06	A	CUSHION ASSEMBLY - Front seat, back, LH (with pasadena rose trim)	1	
	14898-02	B	CUSHION ASSEMBLY - Front seat, back, LH (with red trim)	1	
	14898-04	B	CUSHION ASSEMBLY - Front seat, back, LH (with blue trim)	1	
	14898-06	B	CUSHION ASSEMBLY - Front seat, back, LH (with pasadena rose trim)	1	
	14939-02		CUSHION ASSEMBLY - Front seat, back, LH, red	1	22-5139, 22-5603 to 22-6351 incl.
	14939-04		CUSHION ASSEMBLY - Front seat, back, LH, blue	1	22-5139, 22-5603 to 22-6351 incl.
	14939-06		CUSHION ASSEMBLY - Front seat, back, LH, brown	1	22-5139, 22-5603 to 22-6351 incl.
	14939-26	E	CUSHION ASSEMBLY - Front seat, back, LH, red	1	
	14939-28	E	CUSHION ASSEMBLY - Front seat, back, LH, blue	1	
	14939-30	E	CUSHION ASSEMBLY - Front seat, back, LH, brown	1	
	14939-32	E	CUSHION ASSEMBLY - Front seat, back, LH, green	1	
	15022-02		CUSHION ASSEMBLY - Front seat, back, left, red	1	22-6785, 22-6858, 22-6980 and up
	15022-04		CUSHION ASSEMBLY - Front seat, back, left, blue	1	22-6785, 22-6858, 22-6980 and up
	15022-06		CUSHION ASSEMBLY - Front seat, back, left, brown	1	22-6785, 22-6858, 22-6980 and up
	15022-08		CUSHION ASSEMBLY - Front seat, back, left, green	1	22-6785, 22-6858, 22-6980 and up
-29	14200-03		CUSHION ASSEMBLY - Front seat, back, right, brown	1	22-807 to 22-1759 inclusive
	14200-00		CUSHION ASSEMBLY - Front seat, back, right, green	1	22-807 to 22-1759 inclusive
	14274-26	C	CUSHION ASSEMBLY - Front seat, back, right, red	1	
	14274-00	C	CUSHION ASSEMBLY - Front seat, back, right, green	1	
	14274-03	CD	CUSHION ASSEMBLY - Front seat, back, right, brown	1	
			<p>A - Used on PA-22 with serial numbers 22-4143, 22-4460 to 22-4494 inclusive, 22-4506, 22-4527, 22-4535, 22-4543, 22-4571, 22-4573, 22-4590, 22-4591, 22-4610, 22-4611, 22-4613 to 22-5138 inclusive and 22-5140 to 22-5602 inclusive.</p> <p>B - Used on PA-22 with serial numbers 22-4495 to 22-4505 inclusive, 22-4507 to 22-4526 inclusive, 22-4528 to 22-4534 inclusive, 22-4536 to 22-4542 inclusive, 22-4544 to 22-4570 inclusive, 22-4572, 22-4574 to 22-4589 inclusive, 22-4592 to 22-4609 inclusive and 22-4612.</p> <p>C - Used on PA-22 with serial numbers 22-1760 to 22-2377 inclusive and 22-2379 to 22-2424 inclusive.</p> <p>D - When ordering this cushion assembly, be sure to specify exact color combination desired (Brown and Gray) or (Brown and Brown Check).</p> <p>E - Used on PA-22 with serial numbers 22-6352 to 22-6784 inclusive, 22-6786 to 22-6857 inclusive, and 22-6859 to 22-6979 inclusive.</p>		

When ordering, always specify Part Number, Description and Serial Number of Aircraft



Figure and Index Number	Part Number	Code	NOMENCLATURE	No. Req.	SERIAL NUMBERS AFFECTED
12-29	14462-08		CUSHION ASSEMBLY - Front seat, back, RH (black freize)	1	22-2378, 22-2425 to 22-2829 incl., 22-2830 to 22-2833 inclusive, 22-2837 and 22-2838
	14462-10		CUSHION ASSEMBLY - Front seat, back, RH (black) (smooth)	1	22-2829, 22-2834, 22-2835, 22-2836, 22-2839 to 22-3217 incl. and 22-3219 to 22-3386 inclusive
	14693-03		CUSHION ASSEMBLY - Front seat, back, RH	1	22-3218, 22-3387 to 22-4142 incl. and 22-4144 to 22-4459 inclusive
	14693-05		CUSHION ASSEMBLY - Front seat, back, RH (black with blue trim)	1	22-3218, 22-3387 to 22-4142 incl. and 22-4144 to 22-4459 inclusive
	14876-05	C	CUSHION ASSEMBLY - Front seat, back, RH (with blue trim)	1	
	14876-03	C	CUSHION ASSEMBLY - Front seat, back, RH (with red trim)	1	
	14876-07	C	CUSHION ASSEMBLY - Front seat, back, RH (with pasadena rose trim)	1	
	14898-03	B	CUSHION ASSEMBLY - Front seat, back, RH (with red trim)	1	
	14898-05	B	CUSHION ASSEMBLY - Front seat, back, RH (with blue trim)	1	
	14898-07	B	CUSHION ASSEMBLY - Front seat, back, RH (with pasadena rose trim)	1	
	14939-03		CUSHION ASSEMBLY - Front seat, back, RH, red	1	22-5139, 22-5603 to 22-6351 incl.
	14939-05		CUSHION ASSEMBLY - Front seat, back, RH, blue	1	22-5139, 22-5603 to 22-6351 incl.
	14939-07		CUSHION ASSEMBLY - Front seat, back, RH, brown	1	22-5139, 22-5603 to 22-6351 incl.
	14939-27	A	CUSHION ASSEMBLY - Front seat, back, RH, red	1	
	14939-29	A	CUSHION ASSEMBLY - Front seat, back, RH, blue	1	
	14939-31	A	CUSHION ASSEMBLY - Front seat, back, RH, brown	1	
	14939-33	A	CUSHION ASSEMBLY - Front seat, back, RH, green	1	
	15022-03		CUSHION ASSEMBLY - Front seat, back, right, red	1	22-6785, 22-6858, 22-6980 to 22-7642 inclusive
	15022-05		CUSHION ASSEMBLY - Front seat, back, right, blue	1	22-6785, 22-6858, 22-6980 to 22-7642 inclusive
	15022-07		CUSHION ASSEMBLY - Front seat, back, right, brown	1	22-6785, 22-6858, 22-6980 to 22-7642 inclusive
	15022-09		CUSHION ASSEMBLY - Front seat, back, right, green	1	22-6785, 22-6858, 22-6980 to 22-7642 inclusive
			A - Used on PA-22 with serial numbers 22-6352 to 22-6784 inclusive, 22-6786 to 22-6857 inclusive and 22-6859 to 22-6979 inclusive.		
			B - Used on PA-22 with serial numbers 22-4495 to 22-4505 inclusive, 22-4507 to 22-4526 inclusive, 22-4528 to 22-4534 inclusive, 22-4536 to 22-4542 inclusive, 22-4544 to 22-4570 inclusive, 22-4572, 22-4574 to 22-4589 inclusive, 22-4592 to 22-4609 inclusive and 22-4612.		
			C - Used on PA-22 with serial numbers 22-4143, 22-4460 to 22-4494 inclusive, 22-4506, 22-4527, 22-4535, 22-4543, 22-4571, 22-4573, 22-4590, 22-4591, 22-4610, 22-4611, 22-4613 to 22-5138 inclusive and 22-5140 to 22-5602 inclusive.		

When ordering, always specify Part Number, Description and Serial Number of Aircraft



Figure and Index Number	Part Number	Code	NOMENCLATURE	No. Req.	SERIAL NUMBERS AFFECTED
12-29	15108-02		CUSHION ASSEMBLY - Front seat, back, red	2	22-8000 and up
	15108-03		CUSHION ASSEMBLY - Front seat, back, blue	2	22-8000 and up
	15108-04		CUSHION ASSEMBLY - Front seat, back, brown	2	22-8000 and up
	15108-05		CUSHION ASSEMBLY - Front seat, back, green	2	22-8000 and up
-30	14843-44		BUSHING - Safety belt extension plate	1	
-31	14920-02		PLATE - Safety belt extension	2	

When ordering, always specify Part Number, Description and Serial Number of Aircraft

1C10

INTENTIONALLY LEFT BLANK

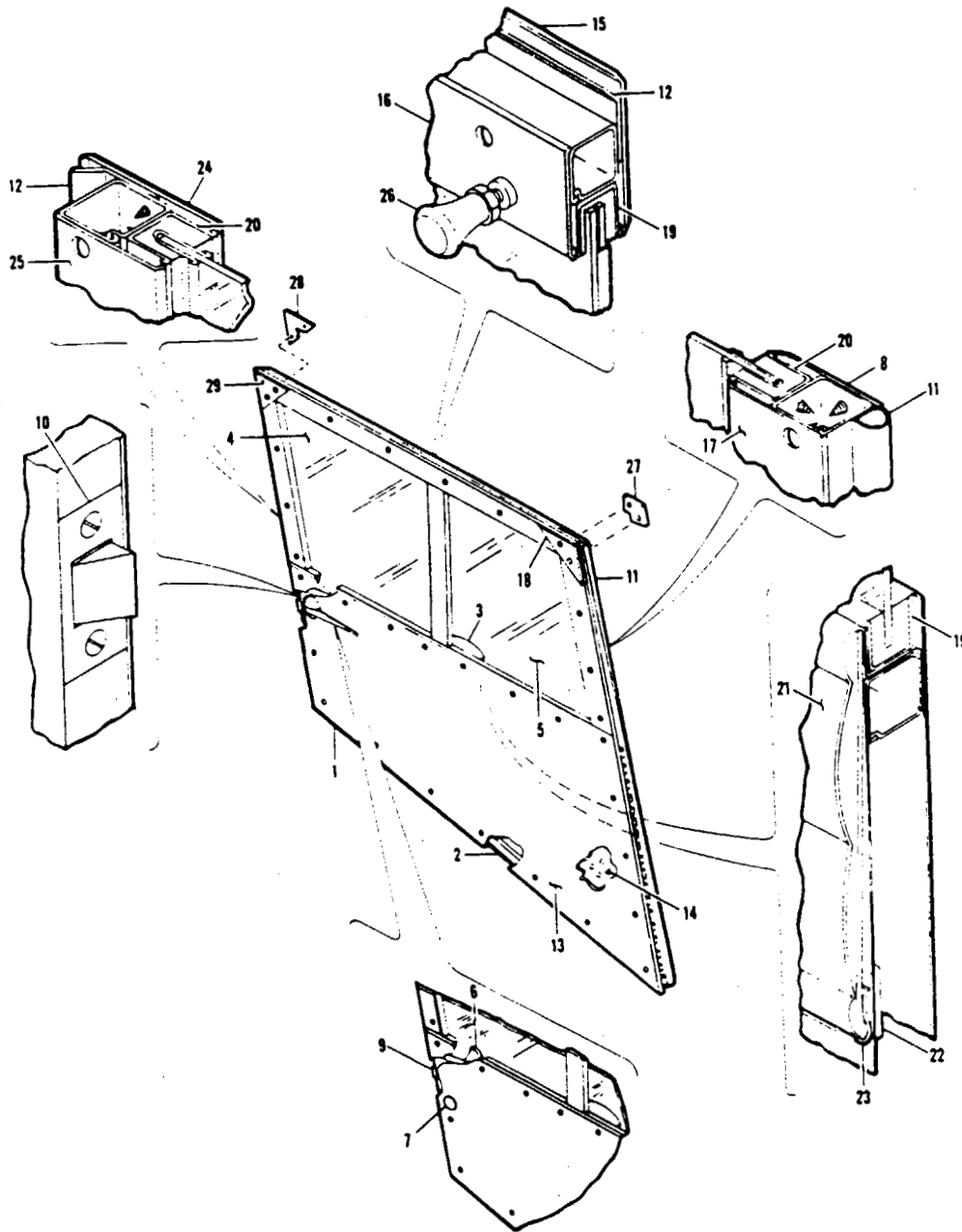


Figure 13. Front Door Assembly
(Serial Nos. 22-1 to 22-806 inclusive)



Figure and Index Number	Part Number	Code	NOMENCLATURE	No. Req.	SERIAL NUMBERS AFFECTED
13-1	13027-00		DOOR ASSEMBLY - Front, with door and window locks	1	22-1 to 22-806 inclusive
	13027-02		DOOR ASSEMBLY - Front, without door and window locks	1	22-1 to 22-806 inclusive
-2	11653-14		DOOR FRAME	1	22-1 to 22-806 inclusive
-3	481 630		HANDLE - Inside, door pull (No. 6730E)	1	22-1 to 22-806 inclusive
-4	12685-00		WINDOW - Sliding, rear	1	22-1 to 22-806 inclusive
-5	12684-00		WINDOW - Sliding, front	1	22-1 to 22-806 inclusive
-6	471 052		KNOB - Door latch assembly, inside	1	22-1 to 22-806 inclusive
-7	473 130		LOCK ASSEMBLY - Door, with keys (PAC No. 13014-00)	1	22-1 to 22-906 inclusive, 22-910
-8	11656-04		TRIM STRIP - Outside, at front of window	1	22-1 to 22-806 inclusive
-9	13186-00		LATCH ASSEMBLY - Door	1	22-1 to 22-806 inclusive
-10	13012-00		PLATE - Door latch	1	22-1 to 22-3217 inclusive and 22-3219 to 22-3386 inclusive
-11	187 608		MOULDING - Rubber seal, at front of door (Continental Die No. 2179)	3'	22-1 to 22-806 inclusive
-12	187 535		MOULDING - Rubber seal, at top, bottom and rear of door (Continental Die No. 3591)	8'	22-1 to 22-806 inclusive
-13	11654-02		PANEL - Outside cover (used when door lock is installed)	1	22-1 to 22-806 inclusive
	11654-03		PANEL - Outside cover (used when door lock is not installed)	1	22-1 to 22-806 inclusive
-14	181 231		INSULATION - Fibreglas, 1.2 sq. yd.	AR	
-15	11656-03		TRIM STRIP - Outside, at top of window	1	
-16	12680-04		TRIM STRIP - Inside, at top of window (when window lock is not installed)	1	22-1 to 22-806 inclusive
	12680-03		TRIM STRIP - Inside, at top of window (when lock is installed)	1	22-1 to 22-806 inclusive
-17	12680-05		TRIM STRIP - Inside, at front of window	1	22-1 to 22-806 inclusive
-18	12997-02		PLATE - Trim, triangular, front top corner of door	1	
-19	12634-03		CHANNEL - Window sliding upper with stop nut, for locking window	1	22-1 to 22-806 inclusive
	11432-13		CHANNEL - Window sliding upper and lower (upper not used when window lock is installed)	2	22-1 to 22-806 inclusive
-20	11432-12		CHANNEL - Window sliding front and rear, sides	2	22-1 to 22-806 inclusive
-21	12670-18		PANEL - Trim, upholstered, inside	1	22-1 to 22-806 inclusive
-22	11473-27		STRIP - Pyralin, upholstered trim panel anchor strip attachment	1	22-1 to 22-806 inclusive
-23	12664-02		STRIP - Anchor, upholstered trim panel	1	22-1 to 22-806 inclusive
-24	11656-02		TRIM STRIP - Outside, at rear of window	1	
-25	12680-02		TRIM STRIP - Inside, at rear of window	1	22-1 to 22-806 inclusive
-26	12856-00		KNOB - Window locking device	1	22-1 to 22-806 inclusive
-27	12683-00		PLATE - Trim, corner, at top front window	1	22-1 to 22-806 inclusive
-28	12681-00		PLATE - Trim, corner, at top rear window	1	22-1 to 22-806 inclusive
-29	12997-03		PLATE - Trim, triangular, rear top corner of door	1	

When ordering, always specify Part Number, Description and Serial Number of Aircraft

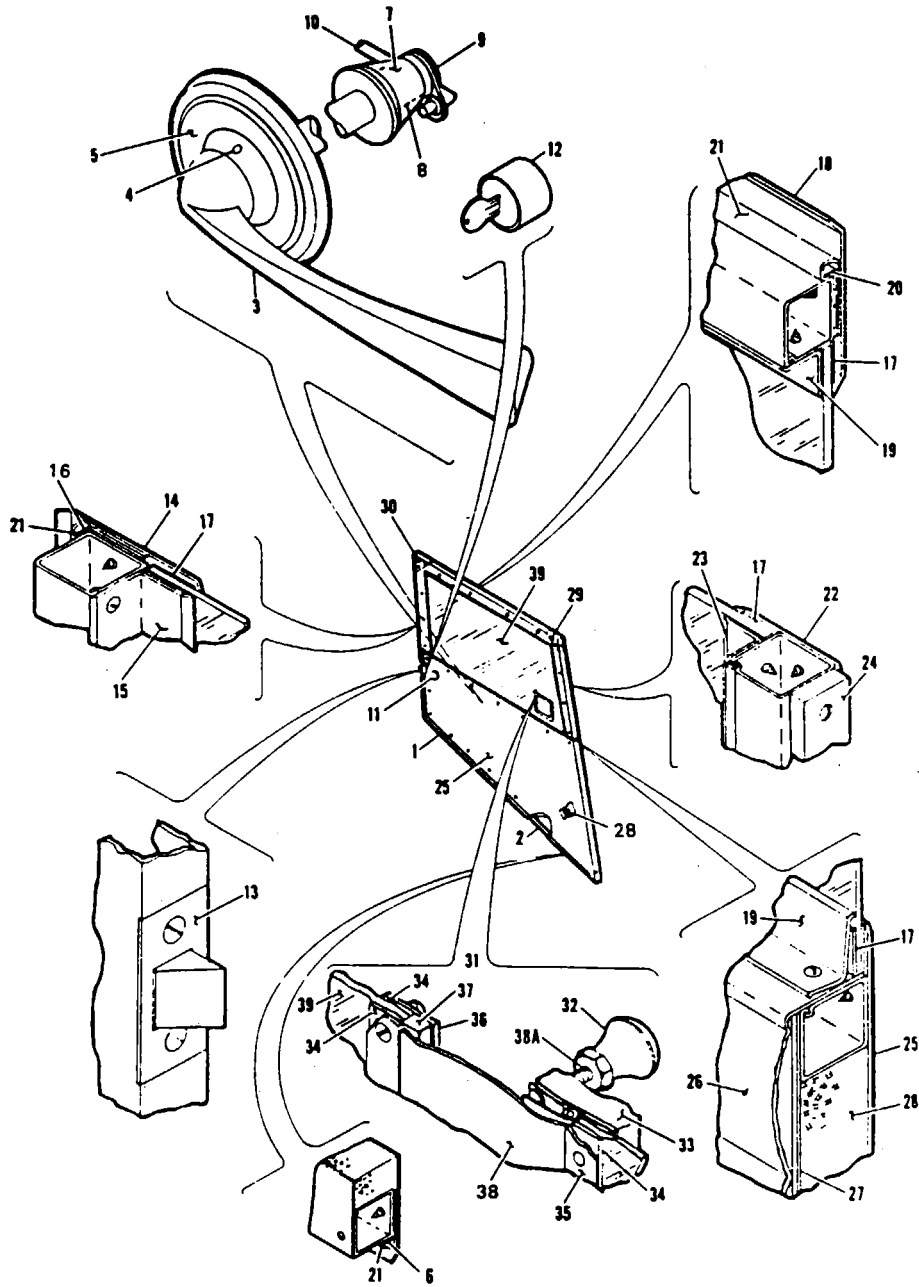


Figure 14. Front Door Assembly
(Serial Nos. 22-807 and up)



Figure and Index Number	Part Number	Code	NOMENCLATURE	No. Req.	SERIAL NUMBERS AFFECTED
14-1	13922-00	D	DOOR ASSEMBLY - Front	1	22-807 to 22-906 inclusive and 22-910
	13922-03	D	DOOR ASSEMBLY - Front	1	22-907, 22-908, 22-909 and 22-911 to 22-1759 inclusive
	13922-04	D	DOOR ASSEMBLY - Front	1	22-1760 to 22-2377 inclusive and 22-2379 to 22-2424 inclusive
	13922-05	D	DOOR ASSEMBLY - Front	1	22-2378, 22-2425 to 22-3217 inc and 22-3219 to 22-3386 inclusive
	14657-00	D	DOOR ASSEMBLY - Front	1	22-3218, 22-3387 to 22-7642 inc and 22-8000 to 22-8709 inclusive
	14657-09	D	DOOR ASSEMBLY - Front	1	22-8710 and up
-2	13874-00	A	DOOR FRAME	1	
	14655-00		DOOR FRAME	1	22-3218, 22-3387 and up
-3	464 028		HANDLE - Door, inside	1	22-807 and up
-4	81761-11		PIN - Door handle attachment	1	22-807 and up
-5	15073-00		PLATE - Door handle escutcheon	1	22-807 and up
-6	13935-07	A	ANGLE - Rubber strip support, bottom, 32 1/2 in.	1	
-7	13884-01		LINK - Door latch	1	22-807 and up
-8	13882-00		BUSHING - Door handle installation	1	22-807 and up
-9	801 22-05		WASHER - Latch rod installation	2	22-807 and up
-10	13881-00	A	ROD - Door latch control	1	
	14654-00		ROD - Door latch control	1	22-3218, 22-3387 and up
-11	13878-00	A	LATCH ASSEMBLY - Door	1	
	14636-00		LATCH ASSEMBLY - Door	1	22-3218, 22-3387 and up
-12	473 130		LOCK ASSEMBLY - Door with keys (PAC No. 13014-00)	1	22-1 to 22-906 incl., and 22-910
	14034-03		LOCK ASSEMBLY - Door with keys	1	22-907, 22-908, 22-909, 22-911 to 22-1482 inclusive, 22-1484 to 22-1498 inclusive and 22-1517
	752 301		LOCK ASSEMBLY - Door with keys	1	22-1483, 22-1499 to 22-1516 inc and 22-1518 to 22-3386 inclusive
	14711-03	B	LOCK ASSEMBLY - Door with keys (14711-02 and 2 keys)	1	22-3218, 22-3387 to 22-7642 inc; 22-9523 and up
	15157-03	C	LOCK ASSEMBLY - Door with keys	1	22-8000 to 22-9522 inclusive
-13	13012-00		PLATE - Door latch	1	22-1 to 22-3217 inclusive and 22-3219 to 22-3386 inclusive
	14644-00		PLATE - Latch	1	22-3218, 22-3387 and up
-14	11656-02		TRIM STRIP - Outside, at rear of window	1	
-15	13870-02		TRIM STRIP - Window, inside door, rear	1	22-807 and up
-16	13935-08	A	ANGLE - Rubber strip support, rear, 25 in.	1	
-17	180 400		TAPE - Elastic compound No. 163, window seat	8	22-807 and up
-18	11656-03		TRIM STRIP - Outside, at top of window	1	
-19	13870-03		TRIM STRIP - Window, inside door, top and bottom	2	22-807 and up

- A - Used on PA-22 with serial numbers 22-807 to 22-3217 inclusive and 22-3219 to 22-3386 inclusive.
- B - If ignition switch, door lock and matching keys are desired, order Part No. 14711-00.
- C - If ignition switch, door lock and matching keys are desired, order Part No. 15157-00.
- D - Specify color red, blue, gray, green, brown or black leather when ordering.

When ordering, always specify Part Number, Description and Serial Number of Aircraft



Figure and Index Number	Part Number	Code	NOMENCLATURE	No. Req.	SERIAL NUMBERS AFFECTED
14-20	13935-09	A	ANGLE - Rubber strip support, tip, 29 1/2 in.	1	
-21	13945-19	A	MOULDING - Rubber, door seal (2 1/2 in. wide x 1/16 in.)	9	
	19063-00		MOULDING - Rubber, door seal	8	22-3218, 22-3387 and up
-22	11656-06		TRIM STRIP - Outside, at front of window	1	22-807 and up
-23	13870-04		TRIM STRIP - Window, inside door, front	1	22-807 and up
-24	13945-02		MOULDING - Rubber, door seal (1/2 in. wide x 3/16 in.)	1	22-807 and up
	13945-37		STRIP - Rubber spacer, door seal	1	22-3218, 22-3387 and up
-25	14015-00		PANEL - Outside cover	1	22-807 and up
-26	13937-18		PANEL - Trim, upholstered inside (brown)	1	22-807 to 22-1759 inclusive
	13937-02		PANEL - Trim, upholstered inside (green)	1	22-807 to 22-1759 inclusive
	14263-02		PANEL - Trim, upholstered inside (green)	1	22-1760 to 22-2377 inclusive and 22-2379 to 22-2424 incl.
	14263-03		PANEL - Trim, upholstered inside (brown)	1	22-1760 to 22-2377 inclusive and 22-2379 to 22-2424 incl.
	14263-07	B	PANEL - Trim, upholstered inside (black)	1	
	15027-00	C	PANEL - Trim, upholstered inside	1	22-6785, 22-6858, 22-6980 and up
-27	13887-00		PANEL - Inside cover	1	22-807 and up
-28	181 231		INSULATION - Fiberglass, 1.2 sq. yd.	AR	
-29	12997-02		PLATE - Trim, triangular front top corner of door	1	
-30	12997-03		PLATE - Trim, triangular rear top corner of door	1	
-31	13975-00		WINDOW ASSEMBLY - Door, front	1	22-807 and up
-32	471 051		KNOB - Ventilator (No. 3001SD ivory)	1	22-807 to 22-1759 inclusive
	471 059		KNOB - Ventilator (No. 3001SD black)	1	22-2378, 22-2425 and up
-33	13900-00		BLOCK - Adjustment, ventilator	1	22-807 and up
-34	14240-03		PLATE - (Vellumoid) outside	1	22-807 and up
	14246-02		PLATE - Inside trim (Vellumoid)	1	22-807 and up
-35	14240-02		PLATE - Outside trim	1	22-807 and up
-36	14246-00		PLATE - Inside trim	1	22-807 and up
-37	13914-00		GASKET	1	22-807 and up
-38	13904-00		VENTILATOR	1	22-807 and up
-38a	13903-00		SCREW - Ventilator	1	22-807 and up
-39	14244-00		WINDOW	1	22-807 and up

- A - Used on PA-22 with serial numbers 22-807 to 22-3217 inclusive and 22-3219 to 22-3386 inclusive.
- B - Used on PA-22 with serial numbers 22-1760 to 22-6784 inclusive, 22-6786 to 22-6857 inclusive and 22-6859 to 22-6979 inclusive.
- C - Specify color red, blue, green, brown or gray when ordering.

When ordering, always specify Part Number, Description and Serial Number of Aircraft

1 C16

INTENTIONALLY LEFT BLANK

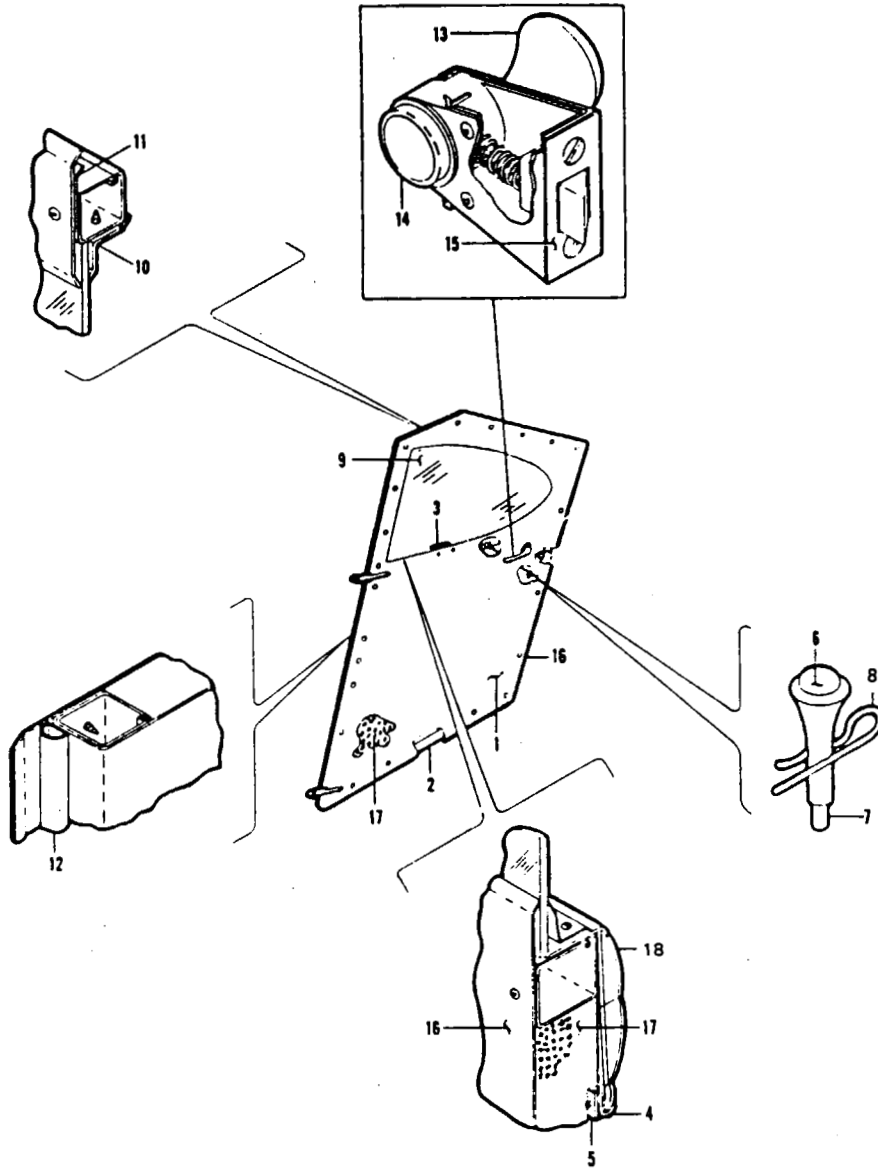


Figure 15. Rear Door Assembly
(Serial Nos. 22-1 to 22-806 inclusive)



Figure and Index Number	Part Number	Code	NOMENCLATURE	No. Req.	SERIAL NUMBERS AFFECTED
15-1	13028-00		DOOR ASSEMBLY - Rear, with lock	1	22-1 to 22-806 inclusive
	13028-02		DOOR ASSEMBLY - Rear, without lock	1	22-1 to 22-806 inclusive
-2	12003-16		DOOR FRAME	1	22-1 to 22-806 inclusive
-3	481 630		HANDLE - Door pull, inside	1	22-1 to 22-806 inclusive
-4	12664-03		STRIP - Anchor upholstered trim panel "125" and "135"	1	22-1 to 22-806 inclusive
-5	11473-26		STRIP - Pyralin, upholstered trim panel anchor strip attachment "125"	1	22-1 to 22-806 inclusive
-6	471 051		KNOB - Locking rod, "125" and "135"	1	22-1 to 22-806 inclusive
-7	12668-02		ROD - Locking, less knob	1	22-1 to 22-3217 inclusive and 22-3219 to 22-3386 inclusive
-8	454 888		CLIP - Locking rod (No. 62) "125" and "135"	1	
-9	12009-00		WINDOW	1	22-1 to 22-806 inclusive
-10	12245-02		PANEL - Trim, window, inside	1	22-1 to 22-806 inclusive
-11	187 535		MOULDING - Rubber seal, at top, bottom and rear of door (Continental Die No. 2591)	8'	22-1 to 22-806 inclusive
-12	187 608		MOULDING - Rubber seal, front of door (Continental Die No. 2179)	3 1/2'	22-1 to 22-806 inclusive
-13	471 052		KNOB - Door latch assembly, inside	1	22-1 to 22-806 inclusive
-14	13186-00		LATCH ASSEMBLY - Door	1	22-1 to 22-806 inclusive
-15	13012-00		PLATE - Door latch	1	22-1 to 22-3217 inclusive and 22-3219 to 22-3386 inclusive
-16	12246-00		PANEL - Outside	1	22-1 to 22-3217 inclusive and 22-3219 to 22-3386 inclusive
-17	181 231		INSULATION - Fibreglas, 1.2 sq. yd.	AR	
-18	12670-00		PANEL - Trim, upholstered inside, "125" and "135"	1	22-1 to 22-806 inclusive

When ordering, always specify Part Number, Description and Serial Number of Aircraft

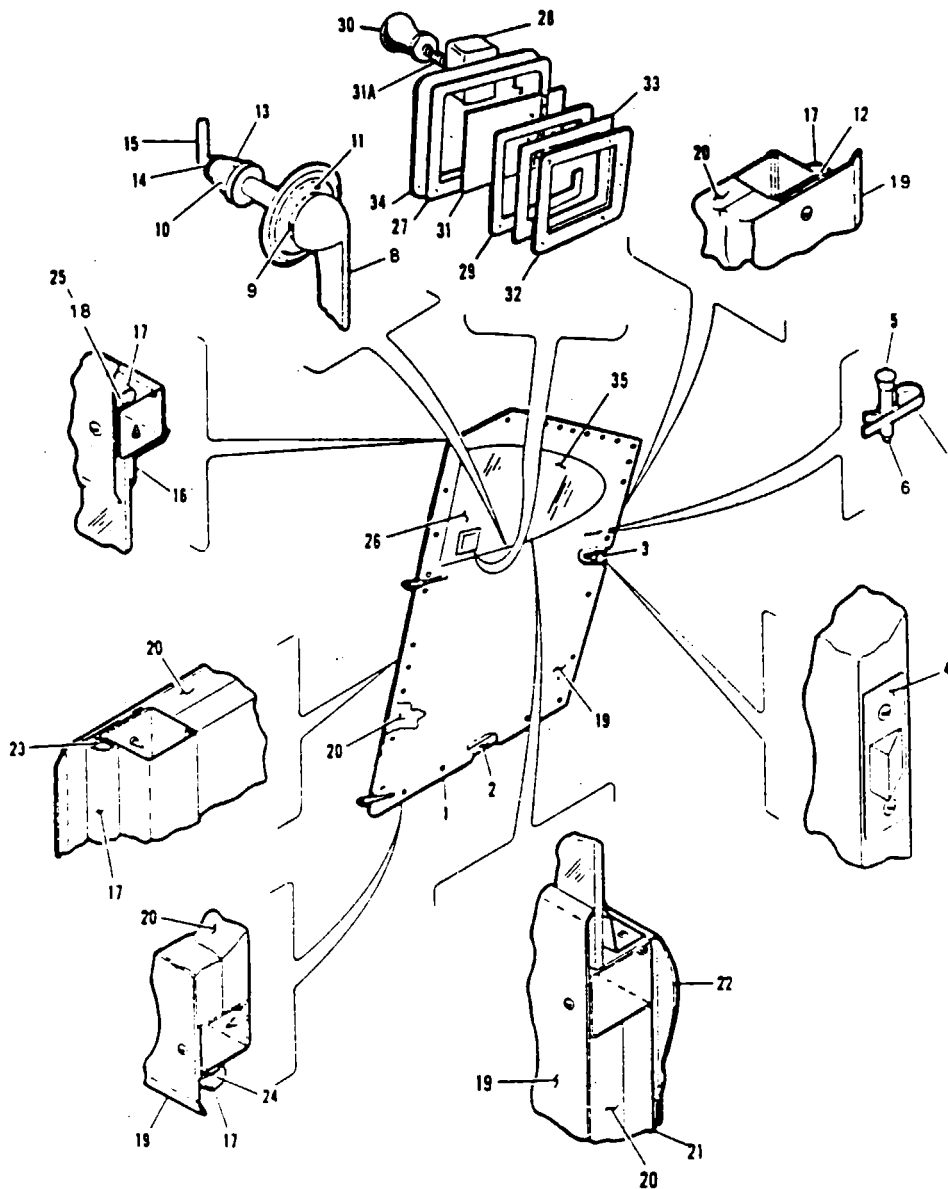


Figure 16. Rear Door Assembly
(Serial Nos. 22-807 to 22-7642 inclusive)



Figure and Index Number	Part Number	Code	NOMENCLATURE	No. Req.	SERIAL NUMBERS AFFECTED
16-1	13923-00	D	DOOR ASSEMBLY - Rear	1	22-807 to 22-1759 inclusive
	13923-02	A,D	DOOR ASSEMBLY - Rear	1	
	13923-03	D	DOOR ASSEMBLY - Rear	1	22-2378, 22-2425 to 22-3217 in- and 22-3219 to 22-3386 inclusive
-2	14650-00	D	DOOR ASSEMBLY - Rear	1	22-3218, 22-3387 and up
	13879-00	B	DOOR FRAME	1	
-3	14641-00		FRAME - Door	1	22-3218, 22-3387 and up
	13878-00	B	LATCH ASSEMBLY - Door	1	
-4	14636-00		LATCH ASSEMBLY - Door	1	22-3218, 22-3387 and up
	13012-00	B	PLATE - Door latch	1	
-5	14644-00		PLATE - Door latch	1	22-3218, 22-3387 and up
	471 051		KNOB - Locking rod	1	22-1 to 22-2377 inclusive and 22-2379 to 22-2424 inclusive
-6	471 059		KNOB - Locking rod (3301SD black)	1	22-2378, 22-2425 and up
	12668-02	B	ROD - Locking, less knob	1	
-7	12668-03		ROD - Locking, less knob	1	22-3218, 22-3387 and up
	454 888		CLIP - Locking rod (No. 62)	1	
-8	464 028		HANDLE - Door, inside	1	22-807 and up
-9	81761-11		PIN - Door handle attachment	1	22-807 and up
-10	13882-00		BUSHING - Door handle installation	1	22-807 and up
-11	15073-00		PLATE - Door handle, escutcheon (ESC-7)	1	22-807 and up
-12	13935-04	B	ANGLE - Rubber strip support, rear, 24 1/2 in.	1	
-13	13884-01		LINK - Door latch	1	22-807 and up
-14	80122-05		WASHER - Latch rod installation	2	22-807 and up
-15	13881-00	B	ROD - Door latch control	1	
	14642-00		ROD - Door latch control	1	22-3218, 22-3387 and up
-16	13982-00	B	PANEL - Trim, window inside	1	
	14616-00		PANEL - Trim, window inside	1	22-3218, 22-3387 and up
-17	13945-19	B	MOULDING - Rubber, door seal (2 1/2 in. wide x 1/16 in.)	11 1/2	
	19063-02		MOULDING - Rubber, door seal	10 1/2	22-3218, 22-3387 to 22-7642 in-
-18	13935-02	B	ANGLE - Rubber strip support top, front, 9 3/4 in.	1	
-19	12246-00	B	PANEL - Outside	1	
	14614-00		PANEL - Outside	1	22-3218, 22-3387 and up
-20	181 231		INSULATION - Fibreglas, 1.2 sq. yd.	AR	
-21	13880-00		PANEL - Inside cover	1	22-807 and up
-22	13937-19		PANEL - Trim, upholstered, inside (brown)	1	22-807 to 22-1759 inclusive
	13937-03		PANEL - Trim, upholstered, inside (green)	1	22-807 to 22-1759 inclusive
-23	14262-02	B	PANEL - Trim, upholstered, inside (green)	1	
	14262-03	B	PANEL - Trim, upholstered, inside (brown)	1	
-24	14262-07	C	PANEL - Trim, upholstered, inside (black)	1	
	15028-00		PANEL - Trim, upholstered, inside (gray)	1	22-6785, 22-6858, 22-6980 and
-25	13935-06	B	ANGLE - Rubber strip support, front, 42 1/2 in.	1	
	13935-05	B	ANGLE - Rubber strip support, bottom, 28 1/2 in.	1	
	13935-03	B	ANGLE - Rubber strip support, top rear, 14 1/2 in.	1	

A - Used on PA-22 with serial numbers 22-1760 to 22-2377 inclusive and 22-2379 to 22-2424 inclusive.
 B - Used on PA-22 with serial numbers 22-807 to 22-3217 inclusive, and 22-3219 to 22-3386 inclusive.
 C - Used on PA-22 with serial numbers 22-1760 to 22-6784 inclusive, 22-6785 to 22-6857 inclusive and 22-6859 to 22-6979 inclusive.
 D - Specify color green, brown or black trim when ordering.

When ordering, always specify Part Number, Description and Serial Number of Aircraft



Figure and Index Number	Part Number	Code	NOMENCLATURE	No. Req.	SERIAL NUMBERS AFFECTED
16-26	13835-00	A	WINDOW - Door	1	22-807 to 22-1759 inclusive
	14254-00		WINDOW - Door	1	
	14620-00		WINDOW ASSEMBLY - Door	1	22-3218, 22-3387 and up
-27	14246-02		PLATE - Seal, vellumoid, inside	1	22-1760 and up
-28	13900-00		BLOCK - Adjusting, ventilator	1	22-1760 and up
-29	13914-00		GASKET - Cork, ventilator	1	22-1760 and up
-30	471 051		KNOB - Ventilator (3001SD ivory)	1	22-1760 to 22-2377 inclusive a
	471 059		KNOB - Window ventilator (3001SD black)	1	22-2379 to 22-2424 inclusive
-31	13904-00		VENTILATOR	1	22-2378, 22-2425 and up
-31a	13903-00		SCREW - Ventilator	1	22-1760 and up
-32	14240-02		PLATE - Outside trim, ventilator	1	22-1760 and up
-33	14240-03		PLATE - Seal, vellumoid, outside	1	22-1760 and up
-34	14246-00		PLATE - Inside trim, ventilator	1	22-1760 and up
-35	14247-00		WINDOW	1	
	14618-00		WINDOW - Door	1	22-3218, 22-3387 and up

A - Used on PA-22 with serial numbers 22-1760 to 22-3217 inclusive, 22-3219 to 22-3386 inclusive.

When ordering, always specify Part Number, Description and Serial Number of Aircraft

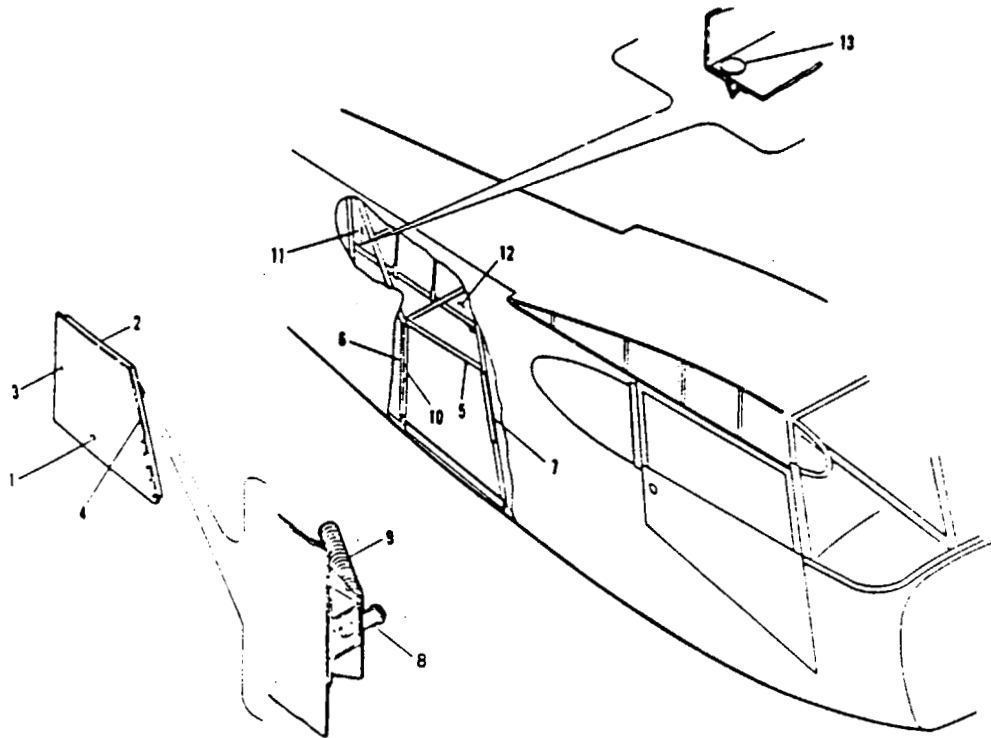


Figure 17. Baggage Compartment Installation
(Serial Nos. 22-807 to 22-7642 inclusive)

BAGGAGE COMPARTMENT INSTALLATION
(Serial Nos. 22-807 to 22-7642 inclusive)



SECTION I
Cockpit Group

Figure and Index Number	Part Number	Code	NOMENCLATURE	No. Req.	SERIAL NUMBERS AFFECTED
17-	13927		DRAWING - Baggage Compartment Installation		22-807 and up
-1	13839-00		DOOR ASSEMBLY - Baggage	1	22-807 to 22-906 inclusive and 22-910
	13839-03		DOOR ASSEMBLY - Baggage	1	22-907, 22-908, 22-909, 22-910 and up
-2	13838-08		FRAME ASSEMBLY - Door	1	22-807 and up
-3	473 130		LOCK ASSEMBLY - (13014-00)	1	22-807 to 22-906 inclusive and 22-910
	752 301		LOCK ASSEMBLY - With keys	1	22-907, 22-908, 22-909, 22-910 to 22-3217 inclusive, and 22-3218 to 22-3386 inclusive
	14711-03		LOCK ASSEMBLY - With keys (14711-02 with 2 keys)	1	22-3218, 22-3387 and up
-4	19063-02	A	MOULDING - Rubber, door seal	7	22-807 and up
	13945-19		MOULDING - Rubber baggage door seal, front	2	22-1760 and up
-5	13866-00		CHANNEL - Trim, baggage compartment door, top	1	22-807 and up
-6	13867-00		CHANNEL - Trim, baggage compartment door, rear	1	22-807 and up
-7	13865-00		CHANNEL - Trim, baggage compartment door, front	1	22-807 and up
-8	80012-04		BUSHING - Baggage compartment door spring installation	1	22-807 and up
-9	487 306		SPRING - Baggage compartment door installation	1	22-807 and up
-10	14171-00		PLATE - Latch, baggage compartment door striker	1	22-807 and up
-11	13889-00		PANEL - Hat shelf, rear	1	22-807 to 22-1759 inclusive
	13889-04		PANEL - Hat shelf, rear	1	22-1760 to 22-5138 inclusive and 22-5140 to 22-5602 inclusive
	13889-08	B	PANEL - Hat shelf, rear	1	
	13889-12	C	PANEL - Hat shelf, rear	1	
-12	13886-00		SHELF ASSEMBLY - Hat baggage compartment	1	22-807 and up
-13	454 917		CLIP - Wire, hat shelf installation (No. 1-LC)	10	22-807 and up

A - 5 1/2" used on 1954 Model.
 B - Used on PA-22 with serial numbers 22-5139, 22-5603 to 22-6784 inclusive, 22-6786 to 22-6857 inclusive, and 22-6859 to 22-6979 inclusive.
 C - Used on PA-22 with serial numbers 22-6785, 22-6858, 22-6980 and up.

When ordering, always specify Part Number, Description and Serial Number of Aircraft

1 C24

INTENTIONALLY LEFT BLANK

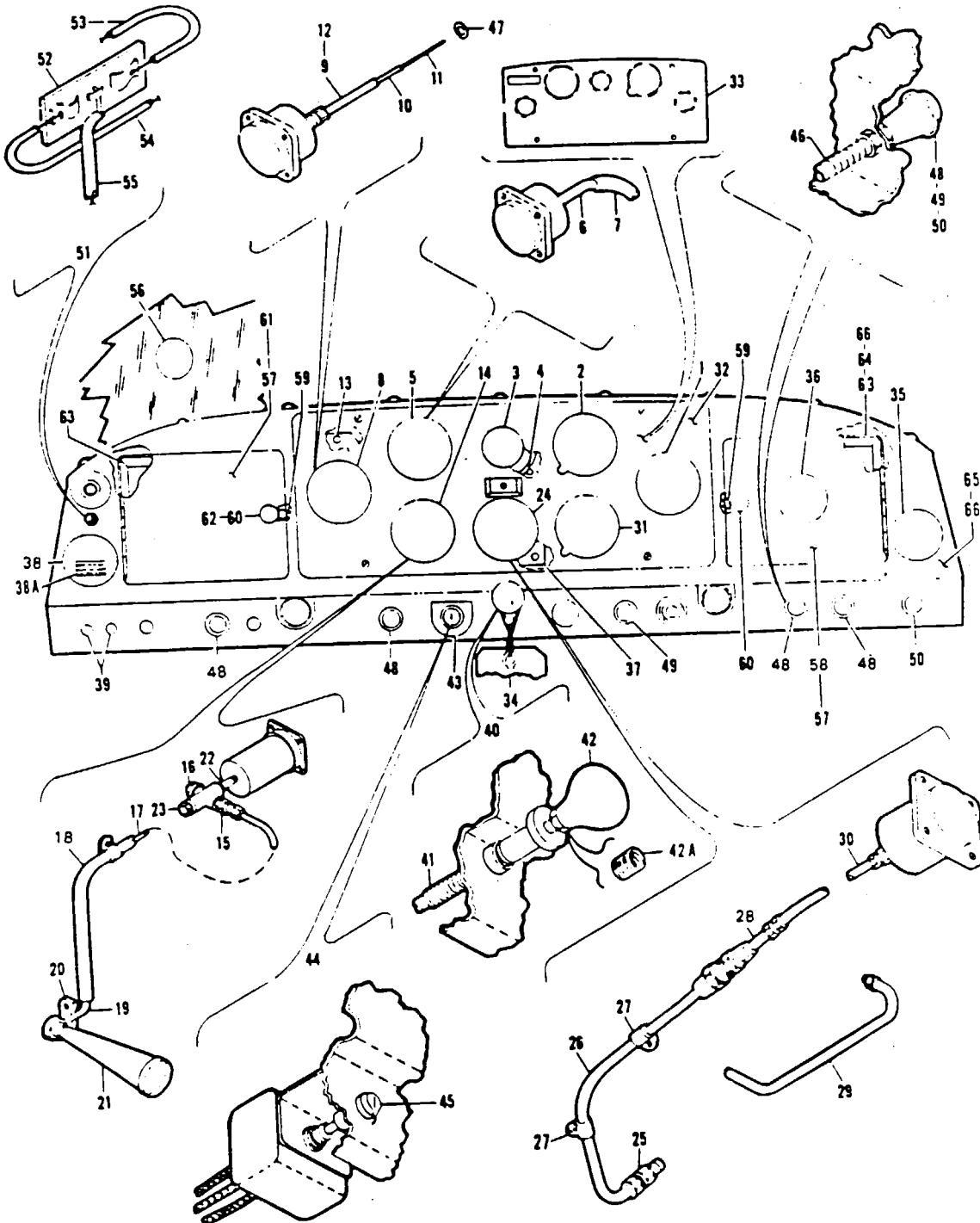


Figure 18. Instrument Panel Installation
Standard and Primary
(Serial Nos. 22-1 to 22-7642 inclusive)

INSTRUMENT PANEL INSTALLATION
STANDARD AND PRIMARY
(Serial Nos. 22-1 to 22-7642 inclusive)



SECTION III
Cockpit Group

Figure and Index Number	Part Number	Code	NOMENCLATURE	No. Req.	SERIAL NUMBERS AFFECTED
18-	12994		DRAWING - Instrument Panel Installation, "125"		22-1 to 22-353 inclusive
-1	450 680		INSTRUMENT - Oil temperature and pressure (PAC No. 13416-02) "125", "135", "150" and "160"	1	
-2	450 611		INSTRUMENT - Altimeter, standard (PAC No. 11343-00) "125", "135", "150" and "160"	1	
	450 694		INSTRUMENT - Altimeter, sensitive "125", "135", "150" and "160"	1	
-3	450 628	A	INSTRUMENT - Compass (No. C-2300)	1	
-4	11199-03	A	PLATE - Mounting, compass (used with No. C-2300 compass)	1	
-5	450 607		INSTRUMENT - Airspeed (PAC No. 11339-00)	1	22-1 to 22-533 inclusive
-6	13541-04		TUBE - Airspeed at instrument	1	
-7	83161-02		HOSE - Airspeed at instrument	1	
-8	450 642		INSTRUMENT - Tachometer, non-recording (PAC No. 11342-00) "125"	1	22-1 to 22-353 inclusive
	450 643	A	INSTRUMENT - Tachometer, recording (PAC No. 13621-00) (751 146) "125" and "135"	1	
-9	486 565		SHAFT - Tachometer, with core, 34" (used with non-recording tachometer)	1	22-1 to 22-353 inclusive
-10	750 907		CASING ASSEMBLY	1	22-1 to 22-353 inclusive
-11	750 909		CORE ASSEMBLY	1	22-1 to 22-353 inclusive
-12	486 570	B	SHAFT - Tachometer, recording 32-1/2" (used when recording tachometer is installed)	1	
-13	12826-00		PLATE - Attachment, recording tachometer (not required with gyro installation)	1	22-1 to 22-353 inclusive
-14	450 658		INSTRUMENT - Indicator, turn and bank	1	
-15	460 685	A	CONNECTOR - (W/H 200 x 4)	1	
-16	492 024	A	VALVE - Suction regulating	1	
-17	11987-21	A	TUBE ASSEMBLY - (To instrument)	1	
-18	82371-65	A	HOSE - Connecting, at venturi	1	
-19	458 903	A	ELBOW - At venturi (AN842-4)	1	
-20	12876-00	A	PLATE - Venturi mounting	1	
-21	466 635	A	VENTURI - 2"	1	
-22	460 680	A	NIPPLE - (W/H 3327 x 2)	1	
-23	460 669	A	PLUG - (W/H 3152 x 2)	1	
-24	751 118		INSTRUMENT - Gauge, manifold pressure	1	
-25	460 685		CONNECTOR - At manifold (W/H 200 x 4)	1	
-26	82332-26		TUBE ASSEMBLY - To manifold	1	
-27	80032-53		CLAMP - Tube assembly, on engine	2	
-28	15216-00		HOSE ASSEMBLY - Flexible connecting	1	
			A - Used on PA-22 with serial numbers 22-1 to 22-3217 inclusive and 22-3219 to 22-3386 inclusive.		
			B - This part must be ordered from Service Spares Department, Piper Aircraft Corporation, <u>Vero Beach, Florida.</u>		

When ordering, always specify Part Number, Description and Serial Number of Aircraft



Figure and Index Number	Part Number	Code	NOMENCLATURE	No. Req.	SERIAL NUMBERS AFFECTED
18-29	11987-19		LINE ASSEMBLY - Primer, tee (rear of engine to left front cylinder, with four cylinder priming and when manifold pressure gauge is installed)	1	22-1 to 22-2377 inclusive and 22-2379 to 22-2424 inclusive
-30	82332-32		TUBE ASSEMBLY - To gauge (used when gauge is equipped with male attachment fitting)	1	
	82332-24		TUBE ASSEMBLY - To gauge (used when gauge is equipped with female attachment fitting)	1	22-1 to 22-806 inclusive
-31	450 659		INSTRUMENT - Indicator, rate of climb	1	
-32	12659-04		PANEL - Cover, instrument, primary, "125"	1	22-1 to 22-533 inclusive
-33	12659-05		PANEL - Cover, instrument (for standard instrument group) "125"	1	22-1 to 22-533 inclusive
-34	13286-00		TAG - Throttle cruise stop	1	22-42 and up
-35	450 655		INSTRUMENT - Ammeter	1	
-36	450 698		INSTRUMENT - Clock	1	
-37	11199-00		PLATE - Cover, instrument panel (used when manifold pressure gauge is not installed with primary group)	1	
-38	450 664		GAUGE - Fuel (panel unit)	1	22-1 to 22-3217 inclusive, 22-3219 to 22-3386 inclusive
	450 664		GAUGE - Fuel (panel unit)	2	22-3218, 22-3387 and up
-38a	15306-00		PLACARD - Fuel gauge	1	22-1 to 22-7642 inclusive
-39	454 917		CLIP - Radio phone and mike jack hole cover (when radio is not installed) (No. 1-LC)	3	
-40	12693-00		CONTROL - Throttle assembly	1	22-1 to 22-2377 inclusive and 22-2379 to 22-2424 inclusive
-41	455 139		CONTROL ASSEMBLY - Less knob	1	
-42	471 056		KNOB ASSEMBLY - Red	1	22-1 to 22-2377 inclusive and 22-2379 to 22-2424 inclusive
	471 049		KNOB ASSEMBLY - Black	1	22-1760 and up
-42a	11789-00		BUSHING - Insert throttle knob (used with black knob)	1	22-1760 and up
-43	10373-03		PLACARD - Ignition switch	1	22-1 to 22-906 inclusive and 22-910
-44	750 888		SWITCH ASSEMBLY - Ignition, with keys and wires, less terminals	1	22-1 to 22-906 inclusive and 22-910
-45	487 782		SWITCH - Ignition, with keys, less wires and terminals	1	22-1 to 22-906 inclusive and 22-910
-4c	41481-1c		CABLE ASSEMBLY - (1) carburetor heat; (1) mixture control; (1) cabin heat	3	
	41481-16		CABLE ASSEMBLY - Cold air inlet control	1	
	41481-16		CABLE ASSEMBLY - Parking brake control	1	
-47	85012-14		WASHER - Felt tachometer shaft (494 005)	1	
-48	471 052		KNOB - (No. 3004-SM) (1) carburetor heat (2) cabin heat (1) parking brake	4	22-1 to 22-2377 inclusive and 22-2379 to 22-2424 inclusive
-49	471 053		KNOB - Mixture control, pastel red (No. 3004-SM)	1	
-50	471 052		KNOB - Cold air inlet control	1	22-1 to 22-2377 inclusive and 22-2379 to 22-2424 inclusive

When ordering, always specify Part Number, Description and Serial Number of Aircraft



Figure and Index Number	Part Number	Code	NOMENCLATURE	No. Req.	SERIAL NUMBERS AFFECTED
15-51	13025-00	A	SWITCH ASSEMBLY - Fuel gauge, with wires	1	
-52	487 796	A	SWITCH - Fuel gauge, less wires	1	
-53	12177-30	A	WIRE ASSEMBLY - To fuel tank unit	1	
-54	10126-84	A	WIRE ASSEMBLY - To fuel tank unit	1	
-55	12177-79	A	WIRE ASSEMBLY - To gauge	1	
-56	450 662		INSTRUMENT - Air temperature (No. 751 145)	1	
-57	13155-00		DOOR - Glove compartment, left (used when two-unit Bendix Radio, PAR-70A and PAT-50A is installed)	1	22-1 to 22-353 inclusive
	12979-00		DOOR - Glove compartment (left and right when radio is not installed and right side only when Lear, Narco or Bendix PATR-10A Radio is installed)	2	22-1 to 22-806 inclusive
			NOTE: See instrument panel assemblies for 1950 Model.		
-58	13156-00		DOOR - Glove compartment, right (used when two-unit Bendix Radio, PAR-70A and PAT-50A is installed)	1	22-1 to 22-353 inclusive
-59	12965-00		CATCH - Door	1	22-1 to 22-806 inclusive
-60	471 051		KNOB - Door (No. 3001-SD)	1	22-1 to 22-806 inclusive
-61	13485-00		DOOR - False, LH (when glove compartment is not installed)	1	22-1 to 22-353 inclusive
-62	471 051		KNOB - Door (No. 3001-SD)	1	22-1 to 22-806 inclusive
-63	12980-00		BOX ASSEMBLY - Glove compartment (left and right when radio is not installed and right side only when Lear, Narco or Bendix PATR-10A Radio is installed)	2	22-1 to 22-806 inclusive
	12980-04		BOX ASSEMBLY - Radio mounting, left (used only with two-unit Bendix Radio, PAR-70A and PAT-50A)	1	22-1 to 22-353 inclusive
-64	13154-00		BOX ASSEMBLY - Radio mounting, right (used only with two-unit Bendix Radio, PAR-70A and PAT-50A)	1	22-1 to 22-353 inclusive
-65	13335-03		PANEL ASSEMBLY - Instrument (used when radio is not installed and with one glove compartment box, also when Lear or Narco Radio is installed)	1	22-1 to 22-806 inclusive
-66	12976-03		PANEL ASSEMBLY - Instrument (used when radio is not installed and with two glove compartment boxes, also when Bendix PATR-10A single unit and Bendix two-unit, PAR-70A and PAT-50A is installed)	1	22-1 to 22-353 inclusive
			A - Used on PA-22 with serial numbers 22-1 to 22-3217 inclusive and 22-3219 to 22-3386 inclusive.		

When ordering, always specify Part Number, Description and Serial Number of Aircraft

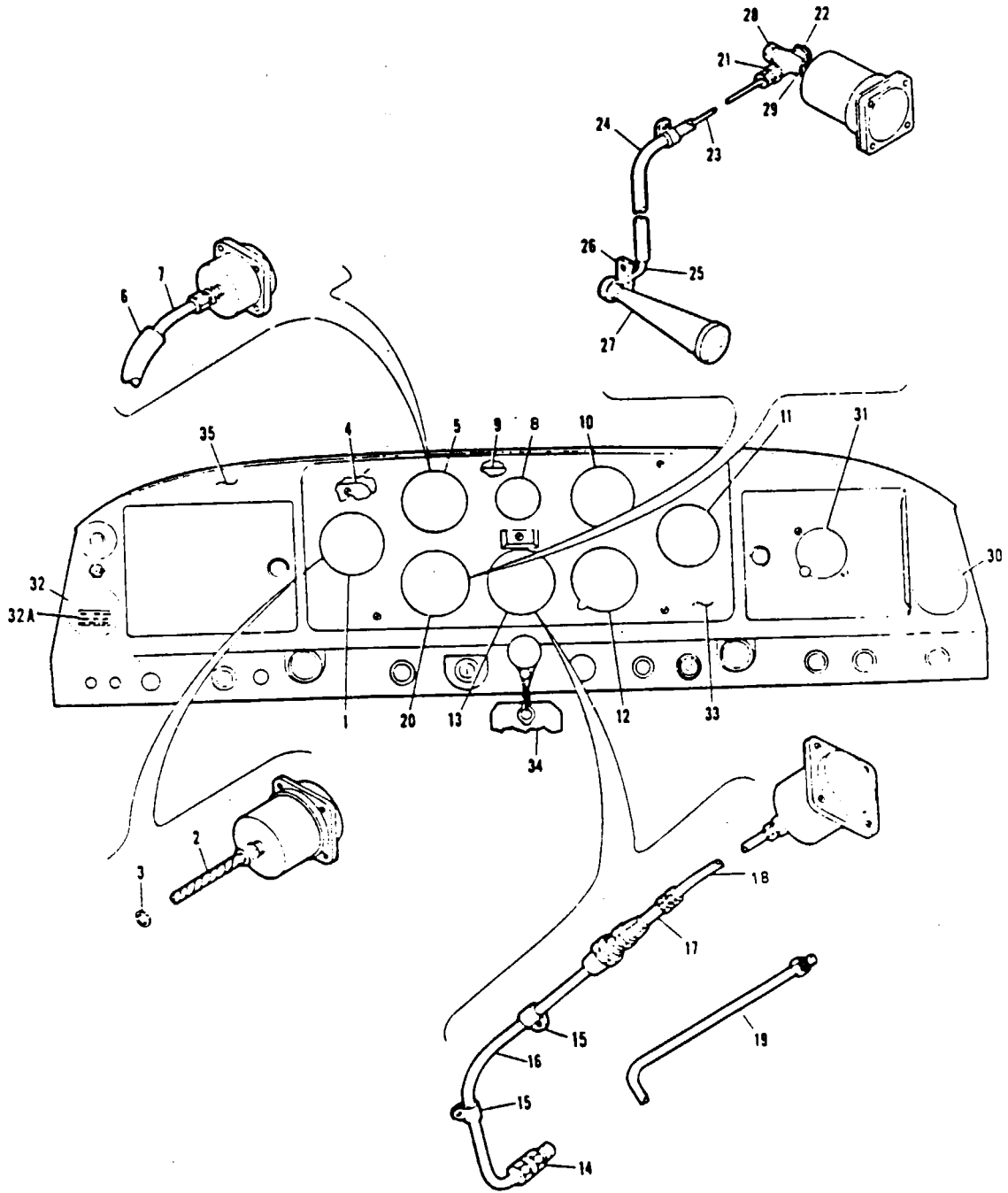


Figure 19. Instrument Panel Installation
Standard and Primary



Figure and Index Number	Part Number	Code	NOMENCLATURE	No. Req.	SERIAL NUMBERS AFFECTED
19-	13797		DRAWING - Instrument Panel Installation, Standard (for use with panel 13785-03)		22-635, 22-637, 22-640, 22-642, 22-644, 22-647, 22-648, 22-654, 22-657, 22-659 and up
	13798		DRAWING - Instrument Panel Installation, Primary (for use with panel 13785-03)		22-635, 22-637, 22-640, 22-642, 22-644, 22-647, 22-648, 22-654, 22-657, 22-659 and up
	13626		DRAWING - Instrument Panel Installation, Standard (for use with panel 13602-03)		22-354 to 22-806 inclusive
	13642		DRAWING - Instrument Panel Installation, Primary (for use with panel 13602-03)		22-354 to 22-806 inclusive
	13489		DRAWING - Instrument Panel Installation, Standard and Primary (for use with panel 13335-03)		22-354 to 22-806 inclusive
	14708		DRAWING - Instrument Panel Installation		22-3216, 22-3387 to 22-7642 incl.
	15120		DRAWING - Instrument Panel Installation		22-8000 and up
-1	450 643	A	INSTRUMENT - Tachometer, recording (PAC No. 13621-00) (751 146) "125", "135" and "108"	1	
	450 646		INSTRUMENT - Tachometer, recording (PAC No. 13621-04) "150" and "160"	1	22-2378, 22-2425 and up
-2	486 570	B	SHAFT - Tachometer, recording, 32-1/2 in.	1	
-3	85012-14		WASHER - Felt, tachometer shaft (494 005)	1	
-4	12828-00		PLATE - Adapter (for use with instrument panel 13335-03 when installing recording tachometer or AN size combination oil temperature and pressure gauge)	AR	22-1 to 22-806 inclusive
-5	450 607		INSTRUMENT - Airspeed (PAC No. 11339-00) "125"	1	22-1 to 22-533 inclusive
	450 666		INSTRUMENT - Airspeed (PAC No. 11339-05) "135"	1	22-534 to 22-2377 inclusive and 22-2379 to 22-2424 inclusive
	450 718		INSTRUMENT - Airspeed indicator (PAC No. 11339-13) "150" and "160"	1	22-2378, 22-2425 to 22-7642 incl.
	11339-16		INSTRUMENT - Airspeed indicator (450 761) "108"	1	22-8000 and up
	450 761		INSTRUMENT - Airspeed indicator (11339-16) "108"	1	22-8000 and up
-6	83161-02		HOSE - Airspeed indicator (11339-16) "108"	2	
-7	13541-04		TUBE - Airspeed, at instrument (2 per ship Model "135", "150" and "160"	2	
-8	450 628	A	INSTRUMENT - Compass (No. C-2300)	1	
-9	11199-03	A	PLATE - Compass mounting (used when installing 450 628, No. C-2300, compass panels 13335-03 and 13785-03)	1	

A - Used on PA-22 with serial numbers 22-1 to 22-3217 inclusive and 22-3219 to 22-3386 inclusive.
 B - This part must be ordered from Service Spares Department, Piper Aircraft Corporation, Vero Beach, Florida.

When ordering, always specify Part Number, Description and Serial Number of Aircraft

SECTION III
Cockpit Group



INSTRUMENT PANEL INSTALLATION
STANDARD AND PRIMER

Figure and Index Number	Part Number	Code	NOMENCLATURE	No. Req	SERIAL NUMBERS AFFECTED
19-10	450 604		INSTRUMENT - Altimeter, sensitive, "125", "135", "150" and "160"	1	
	450 611		INSTRUMENT - Altimeter, standard (PAC No. 11343-00) "125", "135", "150", "160" and "108"	1	
-11	450 650		INSTRUMENT - Gauge, oil temperature and pressure (PAC No. 13416-02) "125", "135", "150", "160" and "108"	1	
-12	450 659	B	INSTRUMENT - Indicator, rate of climb	1	
-13	751 115	B	INSTRUMENT - Gauge, manifold pressure	1	
-14	460 665	B	CONNECTOR - At manifold (W/H 200 x 4)	1	
-15	454 929	B	CLAMP - Tube assembly, on engine	2	
-16	82332-26	B	TUBE ASSEMBLY - To manifold	1	
-17	1521c-00	B	HOSE ASSEMBLY - Flexible connecting	1	
-18	82332-32	B	TUBE ASSEMBLY - To gauge (used when gauge is equipped with male attachment fitting)	1	
	82332-24	B	TUBE ASSEMBLY - To gauge (used when gauge is equipped with female attachment fitting)	1	22-1 to 22-806 inclusive
-19	11987-19		LINE ASSEMBLY - Primer, tee (rear of engine) to left front cylinder, with four cylinder priming and when manifold pressure gauge is installed	1	22-1 to 22-2377 inclusive and 22-2379 to 22-2424 inclusive
	10143-95	B	LINE ASSEMBLY - Primer, tee at left rear side of engine to left front cylinder (used when manifold pressure gauge is installed)	1	22-2378, 22-2425 and up
-20	450 658	B	INSTRUMENT - Indicator, turn and bank	1	
-21	460 655	AB	CONNECTOR - (W/H 200 x 4)	1	
-22	492 024	AB	VALVE - Suction regulating	1	
	14205-00	C	VALVE - Suction regulating	1	22-8000 and up
-23	11987-21	AB	TUBE ASSEMBLY - To instrument	1	
-24	82371-65	AC	HOSE - Connecting, at venturi	1	
-25	458 903	AC	ELBOW - At venturi (ANS42-4)	1	
-26	1257e-00	AC	PLATE - Venturi mounting	1	
-27	489 655	AB	VENTURI - 2 in.	1	
	489 657	C	VENTURI - 2 in.	1	
-28	460 669	AB	PLUG - (W/H 3152 x 2)	1	
-29	460 660	AB	NIPPLE - (W/H 3327 x 2)	1	
-30	450 655		INSTRUMENT - Ammeter	1	22-1 to 22-7642 inclusive
	450 652		INSTRUMENT - Ammeter	1	22-8000 and up
-31	450 70e	B	INSTRUMENT - Clock	1	22-8000 and up
-32	450 664	D	GAUGE - Fuel (panel unit)	1	22-1 to 22-3217 inclusive, 22-3219 to 22-3356 inclusive
	450 664		GAUGE - Fuel (panel unit)	2	22-3218, 22-3357 and up
	450 7c0	C	GAUGE - Fuel (panel unit) main tank	1	22-8000 and up
-32a	15306-00		PLACARD - Fuel gauge	1	22-1 to 22-7642 inclusive

A - Used on PA-22 with serial numbers 22-1 to 22-2377 inclusive and 22-2379 to 22-2424 inclusive.
 B - Not used on PA-22-108.
 C - Used on PA-22-108.
 D - Used for PA-22-108 right wing fuel tank when auxiliary fuel system is installed.

When ordering, always specify Part Number, Description and Serial Number of Aircraft



Figure and Index Number	Part Number	Code	NOMENCLATURE	No. Req.	SERIAL NUMBERS AFFECTED
19-33	12659-04		PANEL - Cover, primary (8 holes) (for use with instrumen instrument panel 13335-03)	1	22-1 to 22-806 inclusive
-34	13286-00		TAG - Throttle cruise stop	1	22-42 and up
-35	13335-03		PANEL ASSEMBLY - Instrument NOTE: This panel will accommodate the large oil temperature and pressure gauge and tachometer, sizes of these holes are 3.547 diameter, and this panel has eight instrument holes.	1	22-1 to 22-806 inclusive

When ordering, always specify Part Number, Description and Serial Number of Aircraft

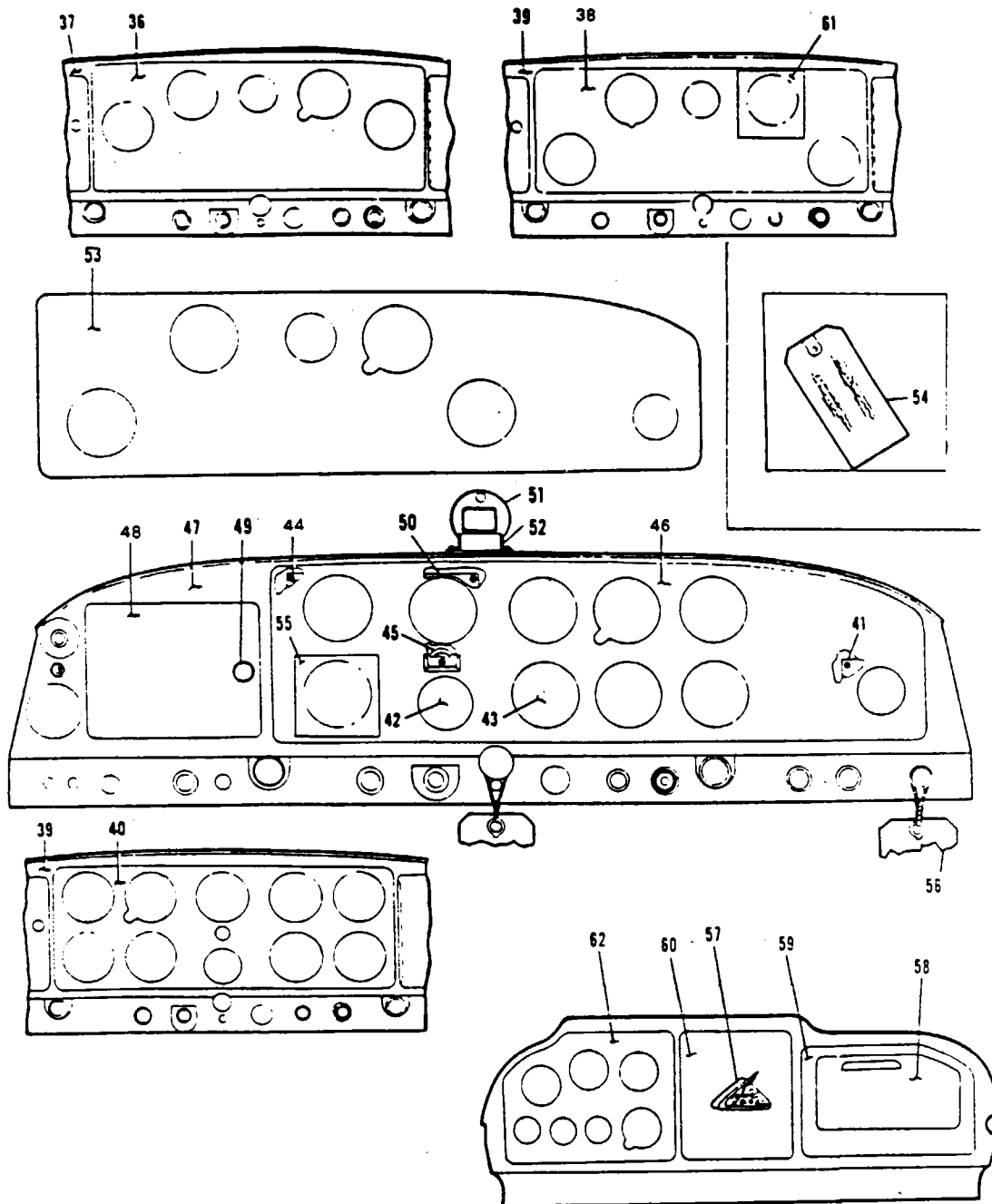


Figure 20. Instrument Panel Installation
Standard and Primary



Figure and Index Number	Part Number	Code	NOMENCLATURE	No. Req.	SERIAL NUMBERS AFFECTED
20-30	1259-05		PANEL - Cover, standard (5 holes) (for use with instrument panel 13335-03)	1	22-1 to 22-606 inclusive
-37	13335-03		PANEL ASSEMBLY - Instrument NOTE: This panel will accommodate the large oil temperature and pressure gauge and tachometer, sizes of these holes are 3.547 diameter, and this panel has eight instrument holes.	1	22-1 to 22-606 inclusive
-38	13604-00		PANEL - Cover, standard (5 holes) (for use with instrument panel 13602-03)	1	22-354 to 22-606 inclusive
-39	13602-03		PANEL ASSEMBLY - Instrument NOTE: This panel will accommodate only the AN size oil temperature and pressure gauge and the recording tachometer and this panel has ten instrument holes.	1	22-354 to 22-606 inclusive
-40	13605-00		PANEL - Cover, primary (10 holes) (for use with instrument panel 13602-03)	1	22-354 to 22-806 inclusive
-41	11199-04		PLATE - Mounting, ammeter	1	22-635 and up
-42	11203-00		PLATE - Cover, instrument hole (2-3/8 in. x 2-3/8 in.)	AR	
-43	11199-00		PLATE - Cover, instrument hole (3-3/16 in. x 3-3/16 in.)	AR	
-44	13795-00	A	PLATE - Mounting, instrument NOTE: This plate is used for mounting two AN size instruments at left side of panel.	1	
-45	55012-82	A	WASHER - Mounting, compass deviation card holder (primary group)	1	
-46	13795-00	A	PANEL - Cover, instrument, primary	1	
-47	13785-03	A	PANEL ASSEMBLY - Instrument, standard and primary	1	
	14652-00		PANEL ASSEMBLY - Main	1	22-3218, 22-3387 to 22-7642 incl.
	14652-05		PANEL ASSEMBLY - Main	1	22-8000 and up
-48	13485-04		DOOR - False, left (when radio is not installed)	1	22-354 to 22-3217 inclusive and 22-3219 to 22-3386 inclusive
-49	471 051	B	KNOB - Door (No. 3001-SD)	1	
	471 052	C	KNOB - (No. 3001-SD - black)	1	
-50	11199-05	A	PLATE - Trim (used when installing 450 628, No. C-2300, compass in primary group)	1	
-51	450 630		INSTRUMENT - Compass, pedestal type (6 volt)	1	22-3218, 22-3387 to 22-5442 incl. 22-5444 to 22-5470 inclusive and 22-5556 to 22-5598 inclusive
	14919-00		INSTRUMENT - Compass, pedestal type (12 volt)	1	22-5443, 22-5471 to 22-5555 incl. 22-5599 and up
-52	14040-00		PLATE - Mounting compass (when mounting No. C-2300 compass on top of panel)	1	22-607 to 22-3217 inclusive and 22-3219 to 22-3386 inclusive
-53	13792-00	A	PANEL - Cover, instrument, standard	1	
-54	14090-00		TAG - Winterization, on instrument panel	1	22-1 to 22-7642 inclusive

A - Used on PA-22 with serial numbers 22-635, 22-637, 22-640, 22-642, 22-644, 22-647, 22-648, 22-654, 22-657, 22-659 to 22-3386 inclusive.
 B - Used on PA-22 with serial numbers 22-1 to 22-2377 inclusive and 22-2379 to 22-2424 inclusive.
 C - Used on PA-22 with serial numbers 22-2378, 22-2425 to 22-3217 inclusive and 22-3219 to 22-3386 inclusive.

When ordering, always specify Part Number, Description and Serial Number of Aircraft



Figure and Index Number	Part Number	Code	NOMENCLATURE	No. Req.	SERIAL NUMBERS AFFECTED
20-55	14672-00	B	PLATE - Mounting, standard panel, left fuel gauge	1	
-56	14078-00	B	TAG - Cabin vent	1	
-57	14471-03		MEDALLION - Tri-Pacer "150", instrument panel (474 324)	1	22-3218, 22-3387 to 22-5138 inc and 22-5140 to 22-5602 inclusive
	19397-04		MEDALLION - Tri-Pacer	1	22-5139, 22-5603 to 22-7642 inc
-58	14661-00		DOOR ASSEMBLY - Glove compartment	1	
	14667-00		COMPARTMENT ASSEMBLY - Glove	1	
-59	14750-00		FRAME - Door, glove compartment	1	22-3218, 22-3387 to 22-7642 inc
	15154-00		PANEL - Cover, blank, RH	1	22-8000 and up
-60	14677-00	B	PANEL ASSEMBLY - Radio opening (used only when radio is not installed)	1	
-61	14741-00	B	PLATE - Mounting oil temperature and pressure gauge	1	
-62	14683-00		PANEL - Cover, instrument, standard, LH	1	22-3218, 22-3387 to 22-7642 inc
	14683-03		PANEL - Cover, instrument, standard, LH	1	22-8000 and up
	14683-06	A	PANEL - Cover, instrument, standard, LH	1	22-8000 and up

A - Used on PA-22-108 only when sensitive altimeter is installed.
B - Used on PA-22 with serial numbers 22-3218, 22-3387 and up.

When ordering, always specify Part Number, Description and Serial Number of Aircraft

1D12

INTENTIONALLY LEFT BLANK

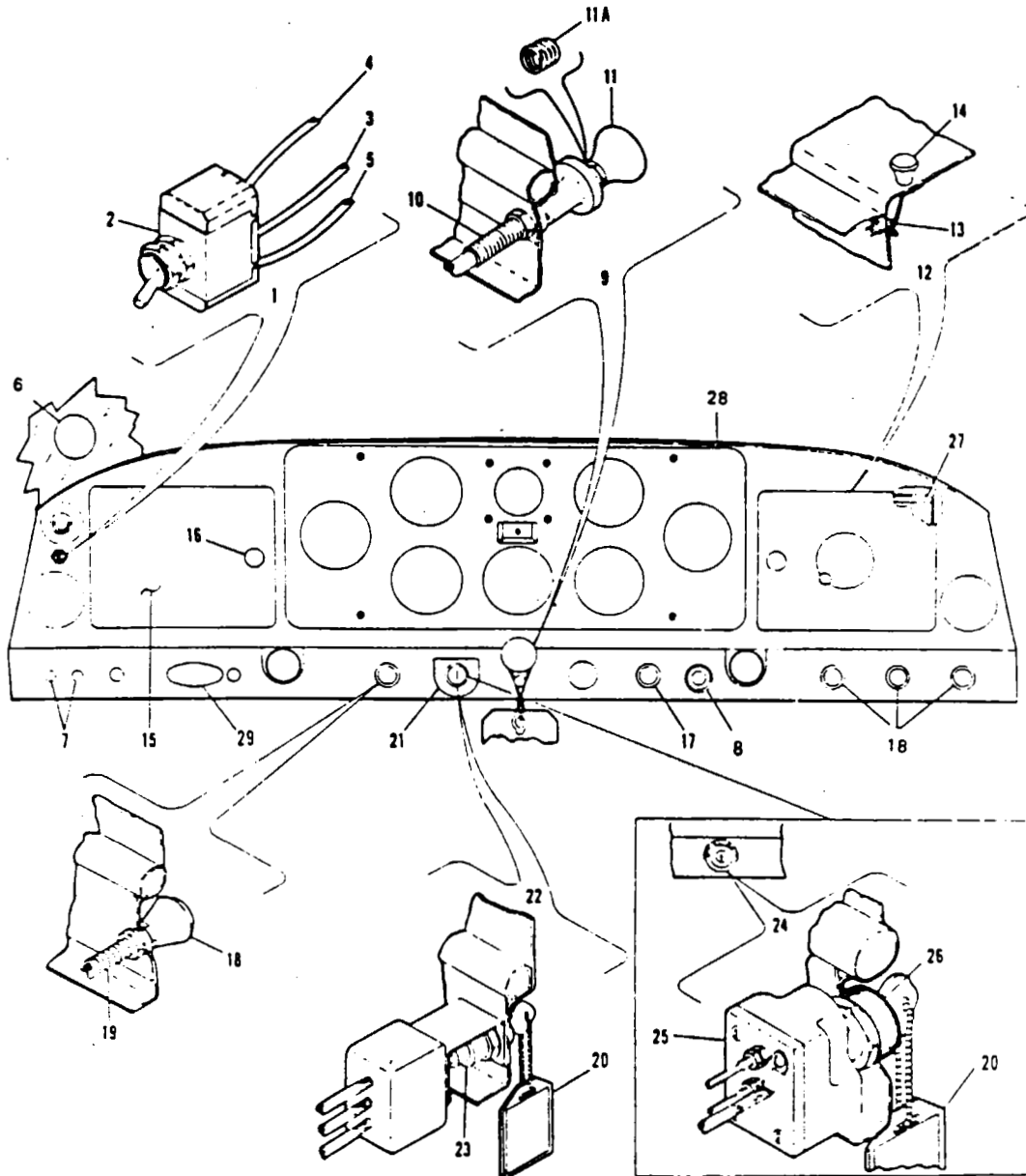


Figure 21. Instrument Panel Installation
Standard and Primary



Figure and Index Number	Part Number	Code	NOMENCLATURE	No. Req.	SERIAL NUMBERS AFFECTED
21-1	13025-00	A	SWITCH ASSEMBLY - Fuel gauge, with wires	1	
-2	487 796	A	SWITCH - Fuel gauge, less wires	1	
-3	12177-79	A	WIRE ASSEMBLY - To gauge	1	
-4	12177-30	A	WIRE ASSEMBLY - To fuel tank unit	1	
-5	10126-84	A	WIRE ASSEMBLY - To fuel tank unit	1	
-6	450 662	D	INSTRUMENT - Gauge, air temperature (751 145)	1	
-7	454 917		CLIP - Radio phone and mike jack hole cover (No. 1-LC) (when radio is not installed)	2	
-8	472 668	D	LIGHTER - Cigarette (No. L-37)	1	
-9	12693-00	B	CONTROL - Throttle assembly	1	
	12693-04		CONTROL ASSEMBLY - Throttle	1	22-2376, 22-2425 and up
-10	455 139		CONTROL ASSEMBLY - Less knob	1	
-11	471 050		KNOB ASSEMBLY - Red	1	
	471 049		KNOB ASSEMBLY - Black	1	
-11a	11789-00		BUSHING - Insert	1	22-2378, 22-2425 and up
-12	12979-00		DOOR ASSEMBLY - Glove compartment, right	1	22-1 to 22-806 inclusive
-13	12985-00		CATCH - Door	1	22-1 to 22-806 inclusive
-14	471 051		KNOB - Door (No. 3001-SD) ivory	1	22-1 to 22-806 inclusive
-15	13485-04		DOOR - False, left (when radio is not installed)	1	22-354 to 22-2377 inclusive and 22-2379 to 22-2424 inclusive
-16	471 051	B	KNOB - Door (No. 3001-SD) ivory	1	
-17	471 053		KNOB - Mixture control, pastel red (No. 3004-SM)	1	
-18	471 052	B	KNOB - (No. 3004-SM) ivory	5	
		B	Carburetor heat control		
		B	Cabin heat control, front seat		
		B	Cabin heat control, rear seat		
		B	Parking brake control		
		B	Cold air inlet control		
	471 060	B	KNOB - (No. 3004-SM) black	5	22-2376, 22-2425 and up
			Carburetor heat control		
			Cabin heat control, front seat		
			Cabin heat control, rear seat		
			Cold air inlet control		
			Cabin vent		
-19	16775-00		CABLE ASSEMBLY - Cold air inlet	1	
	16775-00		CABLE ASSEMBLY (1) Carburetor heat (1) Mixture control (1) Cabin heat	3	
	16775-00		CABLE ASSEMBLY - Parking brake control	1	
	16775-00		CABLE ASSEMBLY - Cabin heat (when rear seat heater is installed)	1	22-354 and up
			A - Used on PA-22 with serial numbers 22-1 to 22-3217 inclusive and 22-3219 to 22-3386 inclusive.		
			B - Used on PA-22 with serial numbers 22-1 to 22-2377 inclusive and 22-2379 to 22-2424 inclusive.		
			C - Not used on PA-22-106.		
			D - Optional equipment on 22-106.		

When ordering, always specify Part Number, Description and Serial Number of Aircraft



Figure and Index Number	Part Number	Code	NOMENCLATURE	No. Req.	SERIAL NUMBERS AFFECTED
21-20	230 043		KEY CHAIN - With card and holder	1	22-807 to 22-4459 inclusive
-21	10373-03		PLACARD - Ignition switch	1	22-1 to 22-906 inclusive and 22-910
	752 697	A	PLACARD - Ignition switch	1	
	481 054	D	PLACARD - Ignition switch	1	
-22	750 888		SWITCH ASSEMBLY - Ignition, with keys and wires, less terminals	1	22-1 to 22-906 inclusive and 22-910
-23	467 782		SWITCH - Ignition, with keys, less wires and terminals	1	22-1 to 22-906 inclusive and 22-910
-24	14049-02		SWITCH ASSEMBLY - Ignition (with two keys and wires, less terminals)	1	22-907, 22-908, 22-909, 22-911 to 22-2265 inclusive
	14314-02		SWITCH ASSEMBLY - Ignition (with two keys, wires and terminals)	1	22-2266 to 22-7630, 22-9523 and up
-25	752 892	B	SWITCH - Ignition (with two keys less wires)	1	22-8000 to 22-9522 inclusive
	756 115		SWITCH - Ignition (with two keys less wires)	1	22-9523 and up
-26	752 302	B	LOCK - Ignition (with two keys) (No. 10-81307)	1	22-8000 to 22-9522 inclusive
	752 328		LOCK - Ignition (with two keys)	1	22-1 to 22-806 inclusive
-27	12980-00		BOX ASSEMBLY - Glove compartment	1	
-28	13436-00	C	BEADING - Top of instrument panel (brown)	1	22-807 to 22-2377 inclusive and 22-2379 to 22-2424 inclusive
	13436-02		BEADING - Top of instrument panel (green)	1	22-2378, 22-2425 to 22-5138 inclusive and 22-5140 to 22-5602 inclusive
-29	471 060		KNOB - Black, parking brake	1	22-5139, 22-5603 and up
	471 062		HANDLE - Tee, parking brake OR	1	22-8000 and up
	471 080		KNOB - Chrome, parking brake	1	

A - Used on PA-22 with serial numbers 22-907, 22-908, 22-909, 22-911 and up.
 B - Used on PA-22 with serial numbers 22-907, 22-908, 22-909, 22-911 to 22-7642 inclusive.
 C - Used on PA-22 with serial numbers 22-1 to 22-2377 inclusive and 22-2379 to 22-2424 inclusive.
 D - Used on ignition switch No. 756 115.

When ordering, always specify Part Number, Description and Serial Number of Aircraft

1D16

INTENTIONALLY LEFT BLANK

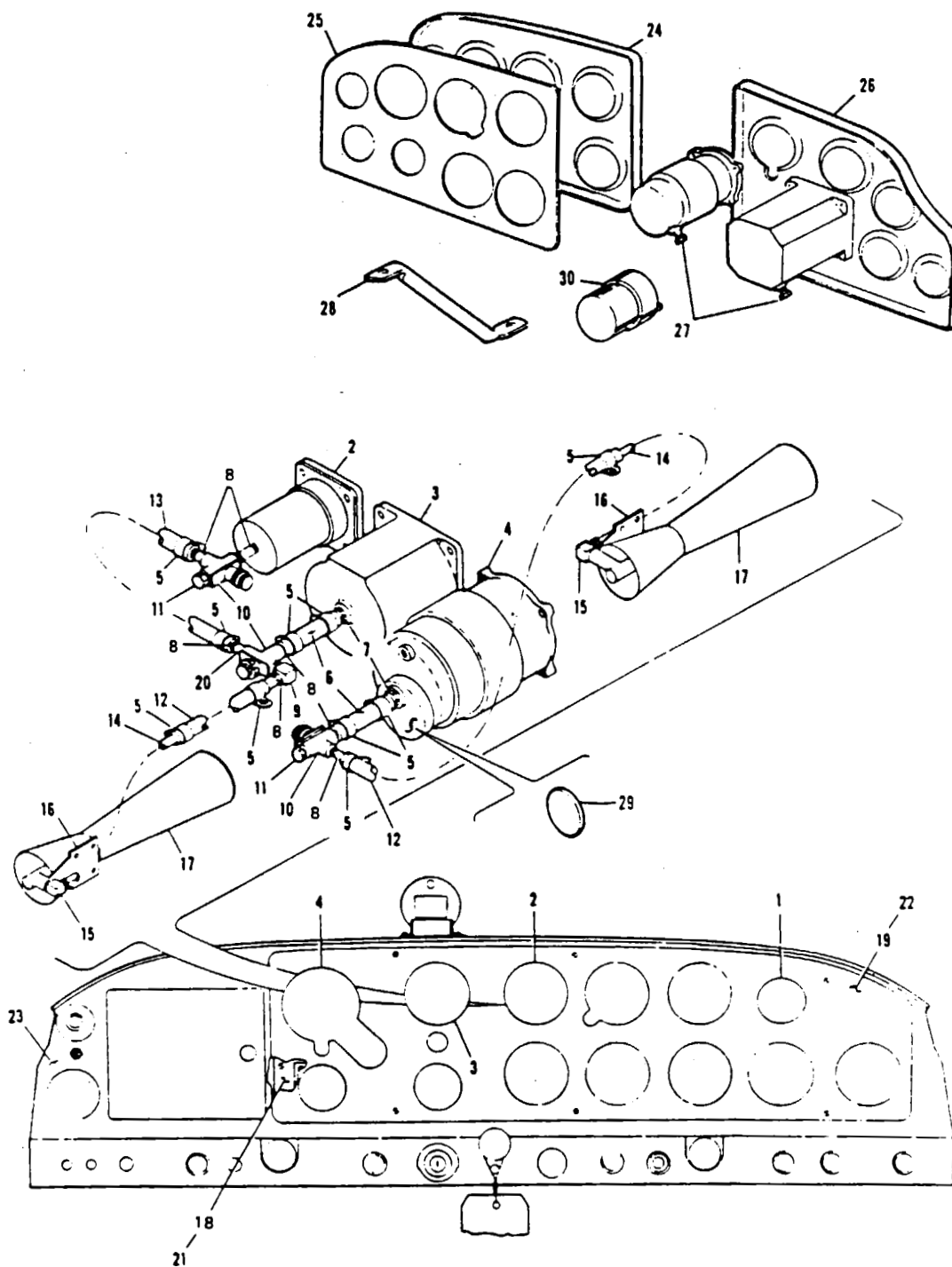


Figure 22. Instrument Panel Installation
Directional Gyro and Gyro Horizon



Figure and Index Number	Part Number	Code	NOMENCLATURE	No. Req.	SERIAL NUMBERS AFFECTED
22-	13682	A	DRAWING - Directional Gyro and Gyro Horizon Instrument Panel Installation		
	13799	B	DRAWING - Directional Gyro and Gyro Horizon Instrument Panel Installation		
	14709		DRAWING - Directional Gyro and Gyro Horizon Instrument Panel Installation		22-3218, 22-3387 to 22-7642 incl.
	15122		DRAWING - Directional Gyro and Gyro Horizon Instrument Panel Installation		22-8000 and up
-1	450 655		INSTRUMENT - Ammeter	1	
-2	450 658		INSTRUMENT - Indicator, turn and bank	1	
-3	450 635		INSTRUMENT - Directional gyro	1	
-4	450 634		INSTRUMENT - Gyro, horizon	1	22-354 and up
-5	454 903	C	CLAMP - Hose, 5/8"	10	
-6	82371-15	C	HOSE - Valve to gyro	2	
-7	476 652	C	ADAPTER - Gyro to hose (AN840-6D)	2	
-8	460 680	C	NIPPLE - (#3327 x 2)	7	
-9	456 920	C	ELBOW - (W/H 3400 x 2)	1	
-10	492 024	C	VALVE - Suction regulating	3	
-11	460 669	C	PLUG - Suction valve (W/H 3152 x 2)	2	
-12	82371-10	C	HOSE - Connecting, valve to venturi	2	
-13	82371-22	C	HOSE - Connecting, turn and bank valve to directional gyro valve	1	
-14	11987-51	C	LINE ASSEMBLY - Venturi to suction regulating valve	2	
-15	460 654	C	ELBOW - Venturi to line (W/H 400 x 6)	2	
-16	13160-00	C	PLATE - Venturi mounting	2	
-17	489 639	C	VENTURI - 4"	2	
-18	13794-00	B	PLATE - Mounting, gyro horizon	1	
-19	13640-02	B	PANEL - Cover, instrument (used when gyro horizon is equipped with caging knob)	1	
	13640-00	A	PANEL - Cover, instrument, gyro horizon	1	
	13640-03	A	PANEL - Cover, instrument (used when gyro horizon is not equipped with caging knob)	1	22-607 to 22-3217 inclusive and 22-3219 to 22-3386 inclusive
-20	460 669	C	PLUG - Suction valve (W/H 3152 x 2) (used when directional gyro only is installed)	1	
-21	13795-00	B	PLATE - Mounting (will accommodate (2) two "AN" size instruments (used when gyro horizon is not installed)	1	
-22	13793-00	B	PANEL - Cover (when gyro horizon is not installed)	1	
			A - Used on PA-22 with serial numbers 22-354 to 22-634 inclusive. 22-636, 22-638, 22-639, 22-641, 22-643, 22-645, 22-646, 22-649, 22-650, 22-651, 22-652, 22-653, 22-655, 22-656 and 22-658.		
			B - Used on PA-22 with serial numbers 22-635, 22-637, 22-640, 22-642, 22-644, 22-647, 22-648, 22-654, 22-657, 22-659 to 22-3386 inclusive.		
			C - Not used when vacuum pump is installed. Used on PA-22 with serial numbers 22-1 to 22-3217 inclusive and 22-3219 to 22-3386 inclusive.		

When ordering, always specify Part Number, Description and Serial Number of Aircraft

INSTRUMENT PANEL INSTALLATION
DIRECTIONAL GYRO AND GYRO HORIZON



SECTION III
Cockpit Group

Figure and Index Number	Part Number	Code	NOMENCLATURE	No. Req.	SERIAL NUMBERS AFFECTED
22-23	13785-03	B	PANEL ASSEMBLY - Instrument	1	
	13639-03	A	PANEL ASSEMBLY - Instrument	1	
-24	14658-00		PANEL - Cover instrument, gyro installation, R. H.	1	22-3218, 22-3387 to 22-7642 inc
	14658-03		PANEL - Cover instrument, gyro installation, R. H.	1	22-8000 and up
-25	14656-00		PANEL - Mounting, instrument, gyro installation, R. H.	1	22-3218, 22-3387 to 22-7642 inc
	14656-03		PANEL - Mounting, instrument, gyro installation, R. H.	1	22-8000 and up
-26	14678-00		PANEL - Cover instrument, gyro installation, L. H.	1	22-3218, 22-3387 to 22-7642 inc
	14678-03		PANEL - Cover instrument, gyro installation, L. H.	1	22-8000 and up
-27	24712-00		PLUG - Directional gyro and gyro horizon	4	
-28	14504-00		TUBE - Brace, compass support	1	22-2378, 22-2425 to 22-3217 inc and 22-3219 to 22-3386 inclusive
-29	755 824		PAD - Standard instrument filter (2 per instrument)	AR	
-30	450 750		INSTRUMENT - Indicator, rate of climb	1	
<p>A - Used on PA-22 with serial numbers 22-354 to 22-634 inclusive, 22-636, 22-638, 22-639, 22-641, 22-643, 22-645, 22-646, 22-649, 22-650, 22-651, 22-652, 22-653, 22-655, 22-656 and 22-658.</p> <p>B - Used on PA-22 with serial numbers 22-635, 22-637, 22-640, 22-642, 22-644, 22-647, 22-648, 22-654, 22-657, 22-659 to 22-3386 inclusive.</p>					

When ordering, always specify Part Number, Description and Serial Number of Aircraft

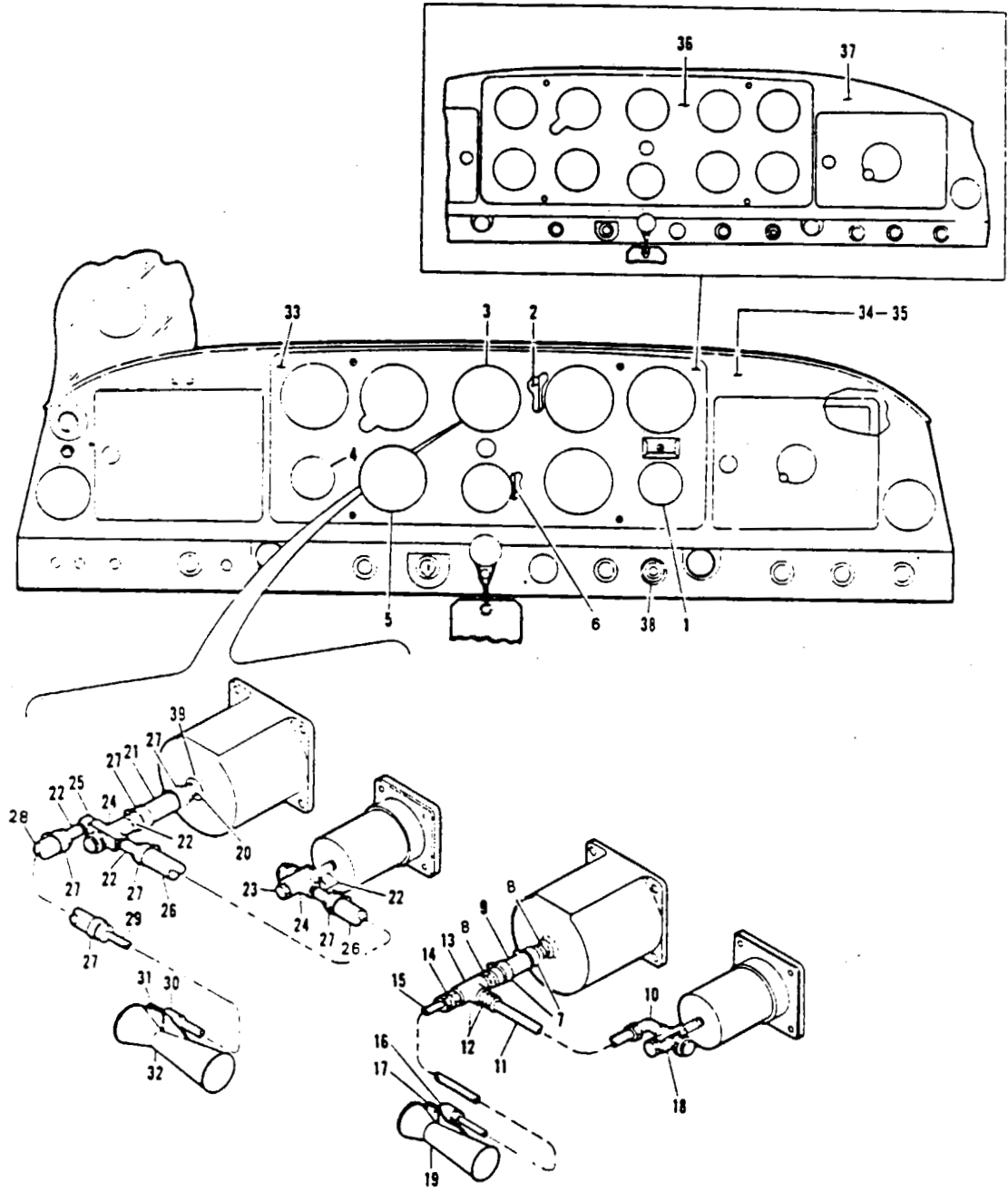


Figure 23. Instrument Panel Installation
Directional Gyro
(Serial Nos. 22-1 to 22-7642 inclusive)



Figure and Index Number	Part Number	Code	NOMENCLATURE	No. Req.	SERIAL NUMBERS AFFECTED
23-	13642		DRAWING - Directional Gyro Instrument Panel Installation (Used with Panel 13602-03)		22-354 to 22-806 inclusive
	13490		DRAWING - Directional Gyro Instrument Panel Installation (Used with Panel 13360-03)		22-354 to 22-806 inclusive
	13170		DRAWING - Gyro Instrument Panel Installation		22-1 to 22-353 inclusive
-1	751 828		INSTRUMENT - Gauge, oil temperature	1	22-1 to 22-806 inclusive
-2	13175-00		PLATE - Mounting, directional gyro	1	22-1 to 22-806 inclusive
-3	450 635		INSTRUMENT - Indicator, directional gyro	1	
-4	751 827		INSTRUMENT - Oil pressure gauge	1	22-1 to 22-806 inclusive
-5	450 658		INSTRUMENT - Indicator, turn and bank	1	
-6	11203-00		PLATE - Cover, instrument hole (2-3/8" x 2-3/8")	1	
-7	454 904	AB	CLAMP - Hose at gyro and hose connection, 3/4"	2	
-8	476 652	AC	ADAPTER - Gyro and hose connection (AN840-6D)	2	
-9	82371-14	AB	HOSE ASSEMBLY - Directional gyro to tee	1	
-10	460 677	AB	ELBOW - At turn and bank indicator and tube connection (W/H 400 x 4)	1	
-11	11967-35	AB	TUBE ASSEMBLY - Turn and bank indicator to tee	1	
-12	460 649	AB	CONNECTOR - Inverted male, turn and bank connection at tee (W/H 234 x 4)	1	
-13	488 379	AB	TEE - Directional gyro and turn and bank indicator connection (W/H 3700 x 4)	1	
-14	460 653	AB	CONNECTOR - Inverted male, venturi connection at tee (W/H 200 x 6)	1	
-15	11987-33	AB	TUBE ASSEMBLY - Gyro to venturi	1	
-16	460 654	AC	ELBOW - At venturi and tube connection (W/H 400 x 6)	1	
-17	13160-00	AC	PLATE - Mounting, venturi	1	
-18	492 024	AC	VALVE - Suction regulating	1	
-19	489 639	AC	VENTURI - 4"	1	
-20	476 652	CD	ADAPTER - Hose to gyro (AN840-6D)	1	
-21	82371-15	CD	HOSE - Valve to gyro	1	
-22	460 680	CD	NIPPLE - (3327 x 2)	5	
-23	460 669	CD	PLUG - Suction valve (W/H 3152 x 2)	1	
-24	492 024	CD	VALVE - Suction regulating	2	
-25	458 920	CD	ELBOW - (W/H 3400 x 2)	1	
-26	82371-22	CD	HOSE - Connecting, between valves to turn and bank indicator	1	
-27	454 903	CD	CLAMP - Hose, 5/8" A - Directional gyro and turn and bank indicator installation when suction regulating valve is used for turn and bank indicator only (Venturi System). B - Used on PA-22 with serial numbers 22-1 to 22-353 inclusive. C - Used on PA-22 with serial numbers 22-1 to 22-3217 inclusive and 22-3219 to 22-3386 inclusive. D - Directional gyro and turn and bank indicator installation when one suction regulating valve is used for both turn and bank indicator and directional gyro and also when two suction regulating valves are used (Venturi System).	6	

When ordering, always specify Part Number, Description and Serial Number of Aircraft



Figure and Index Number	Part Number	Code	NOMENCLATURE	No. Req.	SERIAL NUMBERS AFFECTED
23-28	82371-10	AB	HOSE - Connecting, valve to venturi line	1	
-29	11987-51	AB	LINE - Venturi to valve	1	
-30	460 654	AB	ELBOW - Venturi to line (W/H 400 x 6)	1	
-31	13160-00	AB	PLATE - Mounting, venturi	1	
-32	489 639	AB	VENTURI - 4"	1	
-33	13176-00		PANEL - Cover, gyro instrument	1	22-1 to 22-806 inclusive
-34	13169-03		PANEL ASSEMBLY - Instrument (used when radio is not installed and with two glove compartment boxes, or when Bendix PATR-10A single unit radio is installed or when Bendix two unit PAR-70A and PAT-50A radio is installed)	1	22-1 to 22-353 inclusive
-35	13360-03		PANEL ASSEMBLY - Instrument (used when radio is not installed and with one glove compartment box, or when Lear or Narco radio is installed)	1	22-1 to 22-806 inclusive
-36	13605-00		PANEL - Cover	1	22-354 to 22-806 inclusive
-37	13602-03		PANEL ASSEMBLY - Instrument (this panel is used when AN sized combination oil temperature and pressure gauge is installed)	1	22-354 to 22-806 inclusive
-38	472 668		LIGHTER - Cigarette (#L-37)	1	
-39	755 824		PAD - Standard instrument filter (2 per instrument)	AR	

- A - Directional gyro and turn and bank indicator installation when one suction regulating valve is used for both turn and bank indicator and directional gyro and also when two suction regulating valves are used (Venturi System).
- B - Used on PA-22 with serial numbers 22-1 to 22-3217 inclusive and 22-3219 to 22-3386 inclusive.

When ordering, always specify Part Number, Description and Serial Number of Aircraft

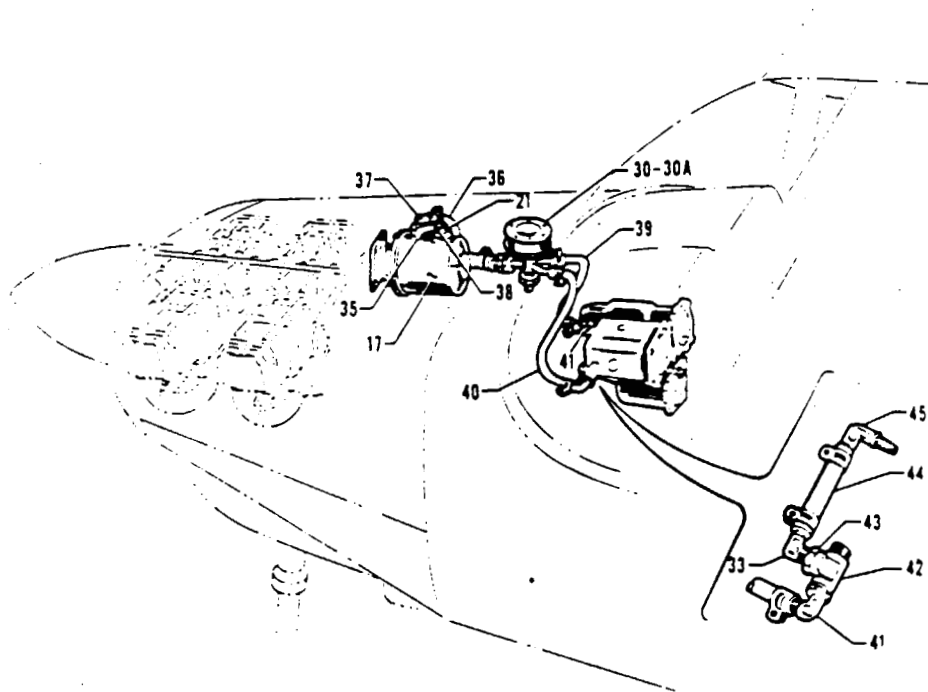
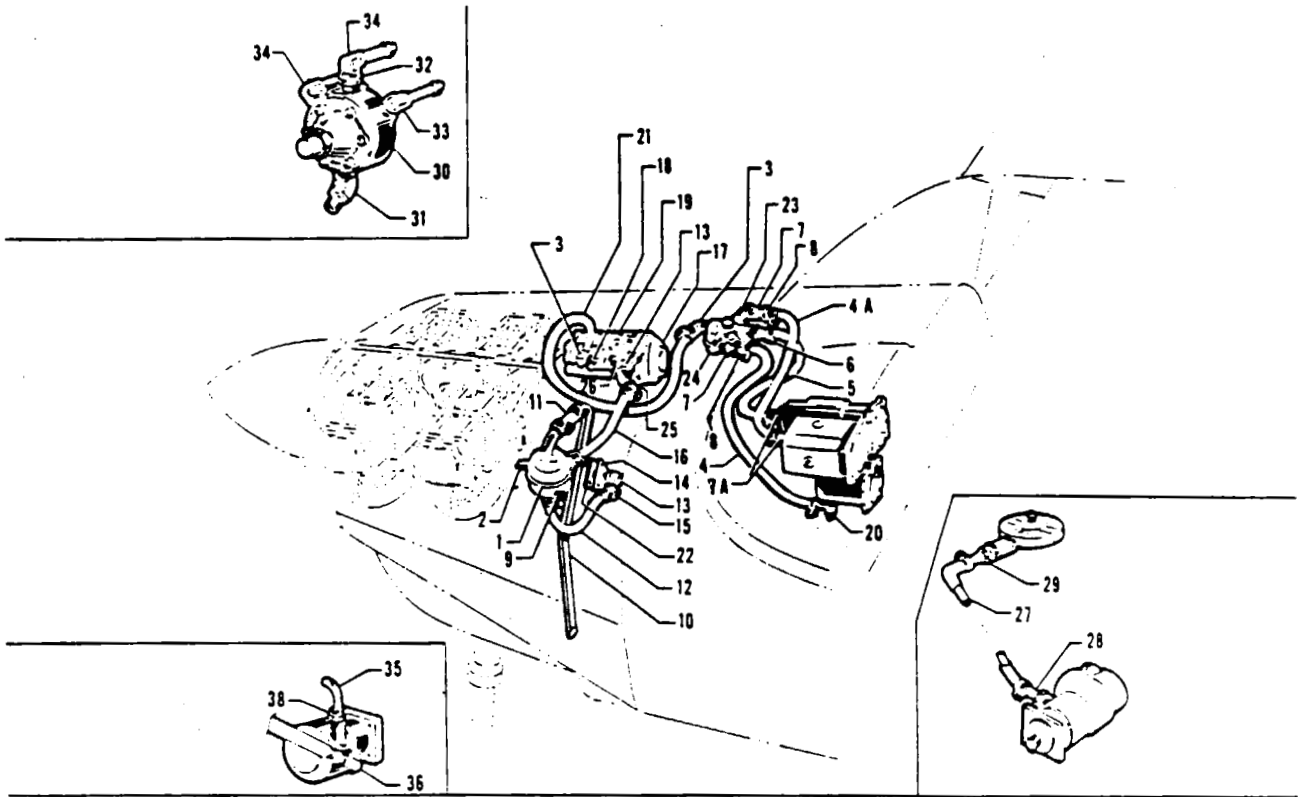


Figure 24. Vacuum Pump Installation



Figure and Index Number	Part Number	Code	NOMENCLATURE	No. Req.	SERIAL NUMBERS AFFECTED
24-	14747		DRAWING - Hartzell Propeller Installation with Vacuum Pump		
	14058		DRAWING - Vacuum Pump Installation		22-3936 to 22-7642 inclusive
	14739		DRAWING - Vacuum Pump Installation		22-354 to 22-3935 inclusive
	15163		DRAWING - Vacuum Pump Installation		22-3936 to 22-7642 inclusive
	15208		DRAWING - Vacuum Pump Installation		22-8000 to 22-8709 inclusive 22-8710 and up
-1	15291-00		ROD - Oil separator attachment	1	22-354 to 22-7642 inclusive
-2	18293-00		ANGLE - Oil separator attachment	1	22-3936 to 22-7642 inclusive
	14500-00		ANGLE - Oil separator attachment	1	22-2425 to 22-3935 inclusive
-3	14345-00		ELBOW	2	22-3936 to 22-7642 inclusive
	458 925	C	ELBOW	2	
-4	82371-66		HOSE - (3/4" x 3/8" x 24")	2	
-4a	82371-66		HOSE - (3/4" x 3/8" x 24")	1	22-354 to 22-7642 inclusive
	82371-57		HOSE	1	22-8000 to 22-8709 inclusive
-5	82371-65	C	HOSE - (5/8" x 1/4" x 24-1/2")	1	22-3936 to 22-7642 inclusive
	61541-08		HOSE	1	22-8000 to 22-8709 inclusive
	82371-06	D	HOSE - (5/8" x 1/4" x 6")	1	
-6	451 857	C	ADAPTER - (AN840-4D)	1	22-3936 to 22-7642 inclusive
	458 903	D	ELBOW - (AN942-4)	1	
-7	476 652		ADAPTER - (AN840-6D)	4	22-354 to 22-7642 inclusive
-7a	476 652		ADAPTER - (AN840-6D)	2	22-8000 to 22-8709 inclusive
-8	434 134		GROMMET - (AN931-6-10)	3	22-8000 to 22-8709 inclusive
-9	456 380		SEPARATOR ASSEMBLY - Oil	1	22-354 to 22-7642 inclusive
-10	14730-00		LINE - Discharge (5/8" x .032" x 27-1/2")	1	
	14047-02		LINE - Discharge (5/8" x .032" x 36")	1	
	14047-00		LINE - Discharge (1/2" x .035" x 38")	1	
-11	455 149		HOSE - (29/32" x 5/8" x 2")	1	22-3936 to 22-7642 inclusive
	82371-23	CD	HOSE - (27/32" x 1/2" x 3")	1	
-12	82371-69		HOSE - (29/32" x 5/8" x 14")	1	22-3936 to 22-7642 inclusive
	82371-54	CD	HOSE - (25/32" x 1/2" x 13")	1	
-13	458 918		ELBOW - (AN914-3D)	2	22-3936 to 22-7642 inclusive
	458 925		ELBOW - (AN942-8D)	1	22-8000 to 22-8709 inclusive
-14	14734-00		PLATE - Oil return inlet	1	22-3936 to 22-7642 inclusive
-15	451 861		ADAPTER - (AN840-9D)	1	22-3936 to 22-7642 inclusive
	14046-00	CD	LINE ASSEMBLY - Return oil separator (6")	1	
	14404-00	CD	ADAPTER - Special (2")	1	
-16	82371-70		HOSE - Separator to vacuum pump (29/32" x 5/8" x 10")	1	22-3936 to 22-7642 inclusive
	82371-25	CD	HOSE - Separator to vacuum pump (25/32" x 1/2" x 11")	1	
-17	451 867		PUMP - Vacuum	1	22-354 to 22-7642 inclusive
	451 861		PUMP - Vacuum (=113A5)	1	22-8000 to 22-9848 inclusive
	451 692		PUMP - Vacuum (=200CC)	1	22-9649 and up
-18	492 026		VALVE - Check	1	22-354 to 22-7642 inclusive
-19		AB	KIT - Dual drive, Lycoming =70385	1	
	450 380		KIT - Single drive, Lycoming =69439	1	

A - Secure from Lycoming, Division - Avco Corporation, Williamsport, Pennsylvania.
 B - Used with Hartzell propeller installation.
 C - Used prior to 22-3936 when regulating valve installed on engine side of firewall.
 D - Used prior to 22-3936 when regulating valve installed on cockpit side of firewall.

When ordering, always specify Part Number, Description and Serial Number of Aircraft



Figure and Index Number	Part Number	Code	NOMENCLATURE	No. Req.	SERIAL NUMBERS AFFECTED
24-20	14205-00		VALVE - Air regulating, turn and bank	1	
-21	82371-72	C	HOSE - Vacuum pump to regulator (25/32" x 1/2" x 12")	1	
	82371-28	C	HOSE - Vacuum pump to regulator (25/32" x 1/2" x 5-1/2")	1	
	61541-10		HOSE - Vacuum pump to regulator	1	22-8000 to 22-8709 inclusive
	61541-13		HOSE - Vacuum pump to regulator	1	22-8710 and up
-22	462 016		GASKET - Oil return plate	1	22-3936 to 22-7642 inclusive
-23	492 059	D	VALVE - Suction regulator (#643 646)	1	
-24	460 661		ELBOW - W/H 3400 x 4	2	
-25	451 861		ADAPTER - (AN840-9D)	1	22-3936 to 22-7642 inclusive
	458 925	AB	ELBOW - (AN842-8D)	1	
-26	476 659		NIPPLE - W/H 3326 x 6	1	22-354 to 22-7642 inclusive
-27	14046-00		ELBOW - Hose reinforcement	1	22-354 to 22-7642 inclusive
-28	14168-00	BC	LINE ASSEMBLY - Check valve to pump	1	
-29	451 859	BC	ADAPTER - (AN840-8D)	1	
-30	492 059	D	VALVE - Suction regulating (#643 646)	1	22-8000 to 22-8709 inclusive
	492 065		VALVE - Suction regulating (#133A4)	1	22-8710 and up
-30a	751 815	E	FILTER - Regulating valve (#B-3005A1)	1	
-31	15077-00		ELBOW - 45°	1	22-8000 to 22-8709 inclusive
-32	453 617		BUSHING - Reducer (AN912-2D)	1	22-8000 to 22-8709 inclusive
-33	458 929		ELBOW - 90° (AN842-4D)	1	22-8000 and up
-34	458 928		ELBOW - 90° (AN842-6D)	2	22-8000 to 22-8709 inclusive
-35	22514-00		TUBE ASSEMBLY - Vacuum pump exhaust	1	22-8000 and up
-36	458 896		ELBOW - 90° (AN822-8D)	1	22-8000 and up
-37	458 958		ELBOW - (#134A2)	1	22-8710 and up
-38	477 624		NUT - (AN818-8D)	1	22-8000 and up
-39	82371-58		HOSE	1	22-8710 and up
-40	82371-33		HOSE	1	22-8710 and up
-41	458 945		ELBOW - (#134A3)	2	22-8710 and up
-42	488 469		TEE - (W/H #3750 x 4)	1	22-8710 and up
-43	453 653		BUSHING - (W/H #3224 x 2)	1	22-8710 and up
-44	82371-30		HOSE	1	22-8710 and up
-45	14205-00		VALVE ASSEMBLY - Air regulating	1	22-8710 and up

- A - Used prior to 22-3936 when regulating valve installed on engine side of firewall.
- B - Used prior to 22-3936 when regulating valve installed on cockpit side of firewall.
- C - Not used on PA-22-108.
- D - Not available. Suction Regulating Valve Replacement Kit 756 764 will be supplied as a replacement. If Kit 756 764 has previously been installed, order Valve Assembly 492 065.

When ordering, always specify Part Number, Description and Serial Number of Aircraft

1E2

INTENTIONALLY LEFT BLANK



Figure and Index Number	Part Number	Code	NOMENCLATURE	No. Req	SERIAL NUMBERS AFFECTED
25-	12733 14157		DRAWING DRAWING		22-1 to 22-806 inclusive 22-807 and up
-1	751 101		GRAN LITTER	1	
-2	12732-04		LITTER STRAP ASSEMBLY	1	
-3	12732-03		LITTER STRAP ASSEMBLY	1	
-4	12732-02		LITTER STRAP ASSEMBLY - Double	1	22-1 to 22-806 inclusive
	14186-00		LITTER STRAP ASSEMBLY	1	22-807 and up
-5	12730-02		LITTER FITTING - Strap assembly	2	
-6	60002-41		LITTER CLAMP	2	
-7	12732-05		LITTER STRAP ASSEMBLY	1	22-807 and up

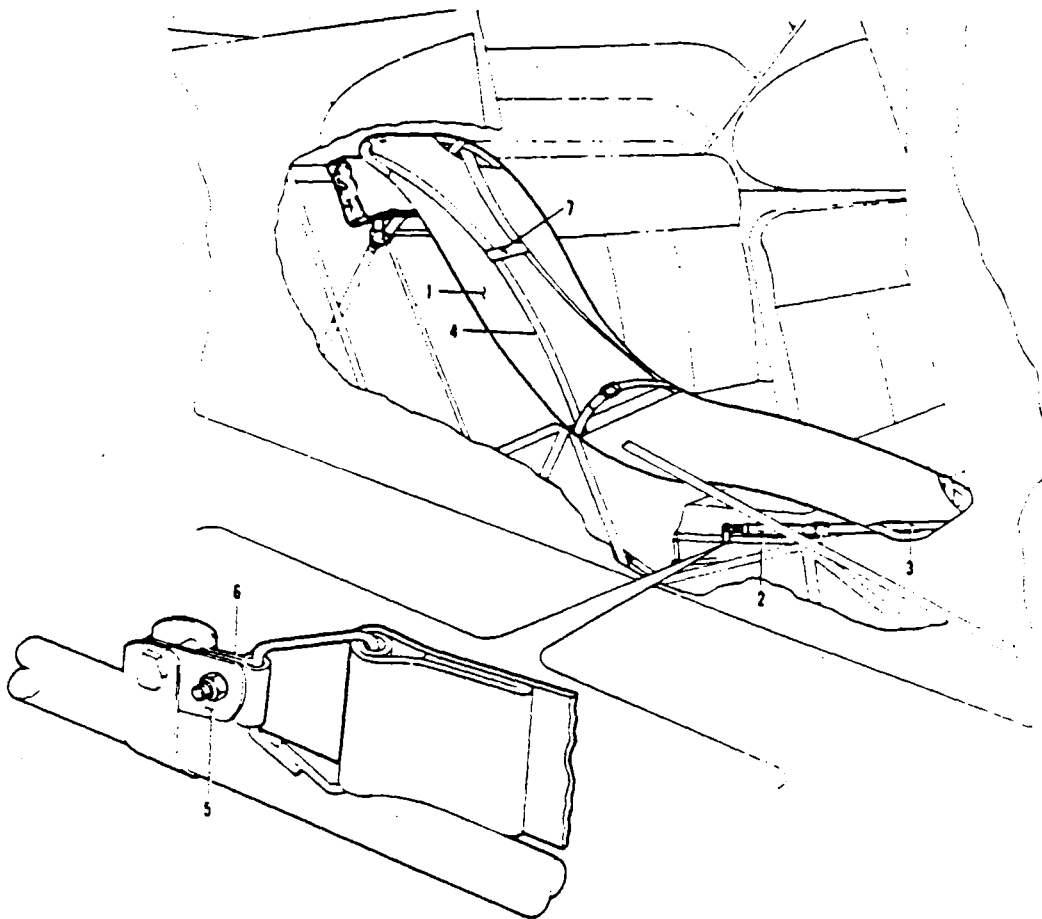


Figure 25. Litter Installation

1E4

INTENTIONALLY LEFT BLANK

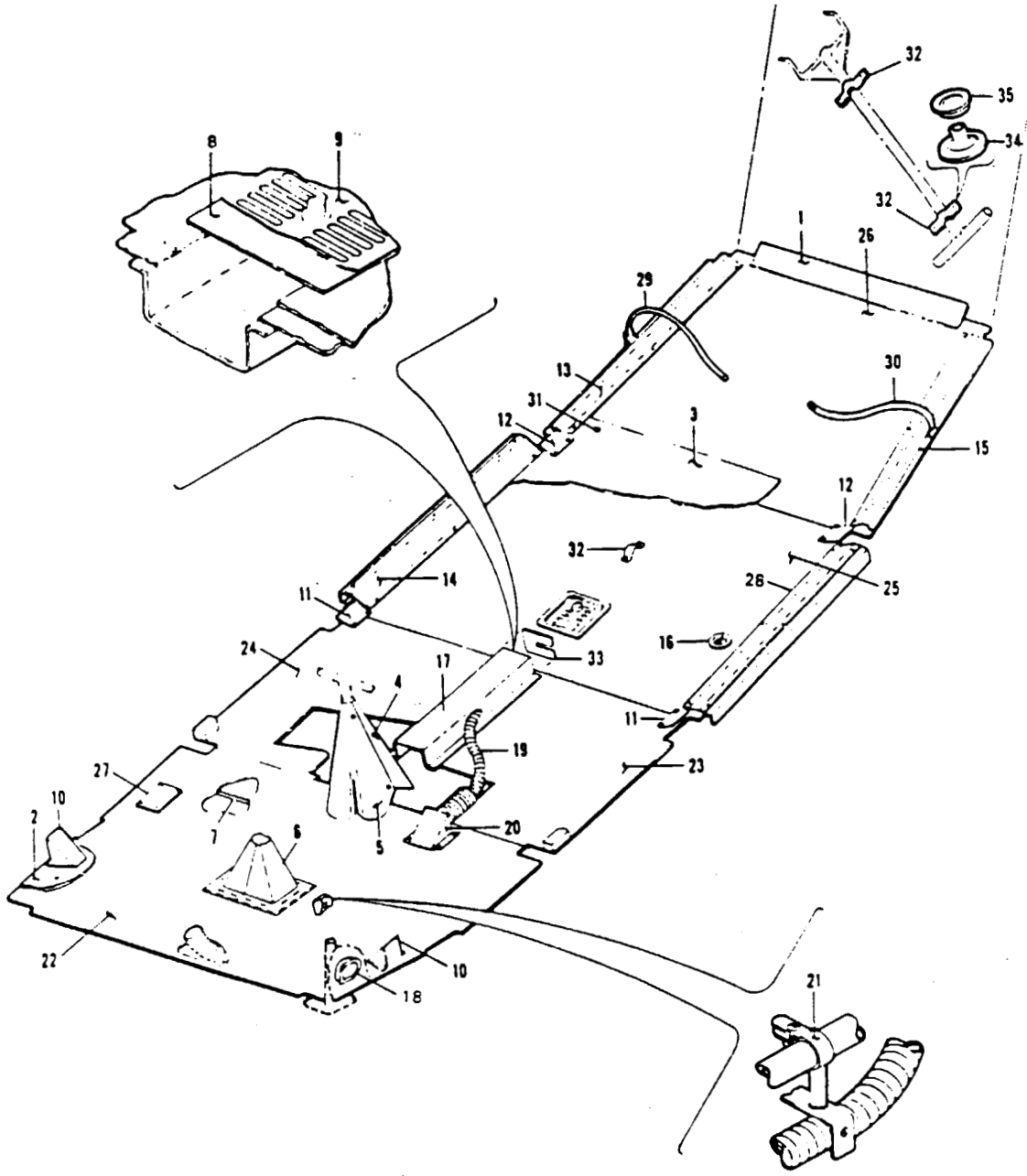


Figure 26. Floorboard and Carpet Installation



Figure and Index Number	Part Number	Code	NOMENCLATURE	No. Req	SERIAL NUMBERS AFFECTED
20-	13101		DRAWING - Floorboard and Carpet Installation		22-1 to 22-806 inclusive 22-807 to 22-2599 inclusive, 22-2602 to 22-3217 inclusive and 22-3219 to 22-3386 inclusive
	13932		DRAWING - Floorboard and Carpet Installation		
	14704		DRAWING - Floorboard and Carpet Installation		22-3218, 22-3387 to 22-7642 incl. 22-8000 and up
	15112		DRAWING - Controls Installation, Cockpit		
-1	11914-00		ANGLE - Baggage compartment, rear	1	22-1 to 22-806 inclusive
	15104-00		ANGLE - Baggage compartment, rear	1	22-8000 and up
-2	12613-03		CARPET ASSEMBLY - Front	1	22-1 to 22-2599 inclusive, 22-2602 to 22-3217 inclusive and 22-3219 to 22-3386 inclusive
	12613-05	A	CARPET ASSEMBLY - Front	1	22-4143, 22-4460 to 22-6351 incl.
	12613-07		CARPET ASSEMBLY - Front	1	
	12613-11	B	CARPET ASSEMBLY - Front	1	22-6785, 22-6858, 22-6980 to 22-7642 inclusive
	12613-13		CARPET ASSEMBLY - Front, brown	1	
	12613-15		CARPET ASSEMBLY - Front, blue	1	22-6785, 22-6858, 22-6980 to 22-7642 inclusive
	12613-17		CARPET ASSEMBLY - Front, red	1	22-6785, 22-6858, 22-6980 to 22-7642 inclusive
	12613-19		CARPET ASSEMBLY - Front, green	1	22-6785, 22-6858, 22-6980 to 22-7642 inclusive
	12613-21		CARPET ASSEMBLY - Front	1	22-8000 and up
-3	13060-02		CARPET ASSEMBLY - Rear (when rear seat heater is not installed)	1	22-1 to 22-353 inclusive
	13473-03		CARPET ASSEMBLY - Rear (when rear seat heater is not installed)	1	22-354 to 22-806 inclusive
	13060-03		CARPET ASSEMBLY - Rear (when rear seat heater is installed)	1	22-1 to 22-353 inclusive
	13473-02		CARPET ASSEMBLY - Rear (when rear seat heater is installed)	1	22-354 to 22-806 inclusive
	13473-06		CARPET ASSEMBLY - Rear	1	22-807 to 22-1759 inclusive
	14306-00		CARPET ASSEMBLY - Rear	1	22-1760 to 22-3217 inclusive and 22-3219 to 22-3386 inclusive
	14702-03	A	CARPET ASSEMBLY - Rear	1	22-4143, 22-4460 to 22-6351 incl.
	14702-05		CARPET ASSEMBLY - Rear	1	
	14702-09	B	CARPET ASSEMBLY - Rear	1	22-6785, 22-6858, 22-6980 to 22-7642 inclusive
	14702-11		CARPET ASSEMBLY - Rear, brown	1	
	14702-13		CARPET ASSEMBLY - Rear, blue	1	22-6785, 22-6858, 22-6980 to 22-7642 inclusive
	14702-15		CARPET ASSEMBLY - Rear, red	1	22-6785, 22-6858, 22-6980 to 22-7642 inclusive
	14702-17		CARPET ASSEMBLY - Rear, green	1	22-6785, 22-6858, 22-6980 to 22-7642 inclusive

A - Used on PA-22 with serial numbers 22-3218, 22-3387 to 22-4142 inclusive and 22-4144 to 22-4459 inclusive.
B - Used on PA-22 with serial numbers 22-6352 to 22-6784 inclusive, 22-6786 to 22-6857 inclusive and 22-6859 to 22-6979 inclusive.

When ordering, always specify Part Number, Description and Serial Number of Aircraft



Figure and Index Number	Part Number	Code	NOMENCLATURE	No. Req.	SERIAL NUMBERS AFFECTED
26-4	12729-06		BOOT ASSEMBLY - Rear half, shock cord and hydrasorb unit	1	22-1 to 22-353 inclusive
	12729-10		BOOT ASSEMBLY - Rear half, shock cord and hydrasorb unit (brown)	1	22-354 to 22-1759 inclusive
	12729-12		BOOT ASSEMBLY - Rear half, shock cord and hydrasorb unit (green)	1	22-807 to 22-2377 inclusive and 22-2379 to 22-2424 inclusive
	12729-18		BOOT ASSEMBLY - Rear half, shock cord and hydrasorb unit (brown)	1	22-1760 to 22-2377 inclusive and 22-2379 to 22-2424 inclusive
	12729-24		BOOT ASSEMBLY - Rear half, shock cord and hydrasorb unit (black)	1	22-1760 to 22-4142 inclusive and 22-4144 to 22-4459 inclusive
	12729-28		BOOT ASSEMBLY - Rear half, shock cord and hydrasorb unit (black)	1	22-4143, 22-4460 and up
-5	12729-08		BOOT ASSEMBLY - Front half, shock cord and hydrasorb unit (brown)	1	22-1 to 22-1759 inclusive
	12729-14		BOOT ASSEMBLY - Front half, shock cord and hydrasorb unit (green)	1	22-807 to 22-2377 inclusive and 22-2379 to 22-2424 inclusive
	12729-22		BOOT ASSEMBLY - Front half, shock cord and hydrasorb unit (brown)	1	22-1760 to 22-2377 inclusive and 22-2379 to 22-2424 inclusive
	12729-26		BOOT ASSEMBLY - Front half, shock cord and hydrasorb unit (black)	1	22-1760 and up
-6	12759-04		BOOT ASSEMBLY - Control column (brown)	1	22-4143, 22-4460 and up
	12759-06	A	BOOT ASSEMBLY - Control column (green)	1	22-1 to 22-1759 inclusive
	12759-10	B	BOOT ASSEMBLY - Control column (brown)	1	
	12759-12	C	BOOT ASSEMBLY - Control column (black)	1	
-7	12759-14		BOOT ASSEMBLY - Control column (black)	1	22-4143, 22-4460 and up
	180 497		FELT - Chafing (SAE F-50 .065 x 1/2")	54	22-1 to 22-800 inclusive and 22-8000 and up
-8	12752-00		PLATE - Spacer, rear seat heater	1	22-1 to 22-7642 inclusive
-9	12675-00		GRILL ASSEMBLY - Rear seat heater	1	22-1 to 22-353 inclusive
	12676-00	D	GRILL ASSEMBLY - Rear seat heater	1	
-10	12565-00	E	GUARD ASSEMBLY - Aileron cable pulley, front cockpit	2	
	12565-05		GUARD ASSEMBLY - Aileron cable pulley, front cockpit	2	22-3219, 22-3387 to 22-7642 inclusive
	12565-00		GUARD ASSEMBLY - Aileron cable pulley, front cockpit RH	1	22-8000 and up
	12565-05		GUARD ASSEMBLY - Aileron cable pulley, front cockpit LH	1	22-8000 and up

A - Used on PA-22 with serial numbers 22-807 to 22-2377 inclusive and 22-2379 to 22-2424 inclusive.
 B - Used on PA-22 with serial numbers 22-1760 to 22-2377 inclusive and 22-2379 to 22-2424 inclusive.
 C - Used on PA-22 with serial numbers 22-1760 to 22-4142 inclusive and 22-4144 to 22-4459 inclusive.
 D - Used on PA-22 with serial numbers 22-354 to 22-3217 inclusive and 22-3219 to 22-3386 inclusive.
 E - Used on PA-22 with serial numbers 22-1 to 22-2599 inclusive, 22-2602 to 22-3217 inclusive and 22-3219 to 22-3386 inclusive.

When ordering, always specify Part Number, Description and Serial Number of Aircraft



Figure and Index Number	Part Number	Code	NOMENCLATURE	No. Req.	SERIAL NUMBERS AFFECTED
26-11	12170-00		GUARD - Rudder cable pulley, front	2	22-1 to 22-7642 inclusive
-12	12113-00		GUARD - Rudder cable pulley, rear	2	22-1 to 22-806 inclusive
	12113-00		GUARD - Rudder cable pulley, rear, LH	1	22-807 to 22-7642 inclusive
	13846-00		GUARD - Rudder cable pulley, rear, RH	1	22-807 to 22-7642 inclusive
-13	12021-00		GUARD - Rudder cables, in rear cockpit	1	22-1 to 22-7642 inclusive
-14	13868-00		GUARD - Rudder cable, baggage compartment, RH	1	22-807 to 22-7642 inclusive
	12021-00		GUARD - Rudder cable, baggage compartment, RH	1	22-1 to 22-806 inclusive
	15103-00		GUARD - Rudder cable, baggage compartment, RH	1	22-8000 and up
-15	13847-00		GUARD - Rudder cable, baggage compartment, LH	1	22-807 to 22-7642 inclusive
	12021-00		GUARD - Rudder cable, baggage compartment, LH	1	22-1 to 22-806 inclusive
-16	12281-00		PLATE - Floor mat, reinforcement, at rear seat	1	22-1 to 22-7642 inclusive
-17	21612-00		COVER - Elevator bellcrank and flap control mechanism (when rear seat heater is not installed)	1	22-1 to 22-353 inclusive
	12612-02		COVER - Elevator bellcrank and flap control mechanism (when rear seat heater is not installed)	1	22-354 to 22-806 inclusive
	13007-00		COVER - Elevator bellcrank and flap control mechanism (when rear seat heater is installed)	1	22-1 to 22-353 inclusive
	13007-04	E	COVER - Elevator bellcrank and flap control mechanism (when rear seat heater is installed)	1	
	14630-00		COVER - Elevator bellcrank and rear seat heater	1	22-3218, 22-3387 to 22-7642 in.
	15164-00		COVER - Elevator bellcrank	1	22-8000 and up
-18	14050-02		COVER ASSEMBLY - Rudder pedal tube, brown, LH	1	22-807 to 22-1759 inclusive
	14050-03		COVER ASSEMBLY - Rudder pedal tube, brown, RH	1	22-807 to 22-1759 inclusive
	14050-00	A	COVER ASSEMBLY - Rudder pedal tube, green, LH	1	
	14050-01	A	COVER ASSEMBLY - Rudder pedal tube, green, RH	1	
	14050-12	B	COVER ASSEMBLY - Rudder pedal tube, brown, LH	1	
	14050-13	B	COVER ASSEMBLY - Rudder pedal tube, brown, RH	1	
	14050-16	C	COVER ASSEMBLY - Rudder pedal tube, black, LH	1	
	14050-17	C	COVER ASSEMBLY - Rudder pedal tube, black, RH	1	
	14050-20		COVER ASSEMBLY - Rudder pedal tube, black, LH	1	22-4143, 22-4460 and up
	14050-21		COVER ASSEMBLY - Rudder pedal tube, black, RH	1	22-4143, 22-4460 and up
-19	13008-00	D	TUBE - Flexible, rear seat heater	1	
	14649-00		TUBE - Flexible, rear seat heater	1	22-3218, 22-3387 to 22-7642 in.
-20	13006-00		COVER - Rear seat heater tube	1	22-1 to 22-7642 inclusive
-21	13005-00		CLAMP - Rear seat heater tube attachment	1	22-1 to 22-7642 inclusive

A - Used on PA-22 with serial numbers 22-807 to 22-2377 inclusive and 22-2379 to 22-2424 inclusive.
 B - Used on PA-22 with serial numbers 22-1760 to 22-2377 inclusive and 22-2379 to 22-2424 inclusive.
 C - Used on PA-22 with serial numbers 22-1760 to 22-4142 inclusive and 22-4144 to 22-4459 inclusive.
 D - Used on PA-22 with serial numbers 22-1 to 22-3217 inclusive and 22-3219 to 22-3386 inclusive.
 E - Used on PA-22 with serial numbers 22-354 to 22-3217 inclusive and 22-3219 to 22-3386 inclusive.

When ordering, always specify Part Number, Description and Serial Number of Aircraft



Figure and Index Number	Part Number	Code	NOMENCLATURE	No. Req.	SERIAL NUMBERS AFFECTED
26-22	13063-02		FLOORBOARD ASSEMBLY - Front (used when rear seat heater is installed)	1	22-1 to 22-806 inclusive
	13063-03	A	FLOORBOARD ASSEMBLY - Front (used when rear seat heater is installed)	1	
	13063-04		FLOORBOARD ASSEMBLY - Front	1	22-3216, 22-3387 to 22-7642 incl.
	13063-05		FLOORBOARD ASSEMBLY - Front	1	22-8000 and up
-23	12610-02	A	FLOORBOARD - Center, front, LH	1	
	12610-04		FLOORBOARD - Center, front, LH	1	22-3216, 22-3387 and up
-24	12609-00		FLOORBOARD - Center, front, RH	1	22-1 to 22-353 inclusive
	13456-00		FLOORBOARD - Center, front, RH	1	22-353 to 22-1020 inclusive
	13456-02		FLOORBOARD - Center, front, RH	1	22-1021, 22-1022, 22-1024 and up
-25	11909-00		FLOORBOARD - Center, rear	1	22-1 to 22-806 inclusive
	11909-03		FLOORBOARD - Center, rear	1	22-807 to 22-7642 inclusive
	11909-05		FLOORBOARD - Rear, baggage compartment	1	22-8000 to 22-8709 inclusive
	15209-00		FLOORBOARD - Rear, baggage compartment	1	22-8710 and up
-26	12555-00		FLOORBOARD - Rear	1	22-1 to 22-806 inclusive
	12555-02		FLOORBOARD - Rear	1	22-807 to 22-7642 inclusive
-27	13468-00		PLATE - Name, on floor	1	22-374, 22-375, 22-378 and up
-25	12019-00		PLATE - Floor trim, rear door	1	22-1 to 22-7642 inclusive
	15103-00		PLATE - Floor trim, left side	1	22-8000 and up
-29	12036-02		STRAP ASSEMBLY - Baggage tie down, buckle end	1	22-1 to 22-806 inclusive
-30	12036-03		STRAP ASSEMBLY - Baggage tie down, tip end (2 per ship 1953, 1954 and 1955 Models)	1	
-31	487 560		STUD - Durable dot, No. 459, floor carpet attachment	13	
-32	13289-00		STRAP ASSEMBLY - Tow bar, tie down	1	22-1 to 22-2377 inclusive and 22-2379 to 22-2424 inclusive
	14476-00		STRAP ASSEMBLY - Tie down, tow bar	2	22-2378, 22-2425 to 22-7642 incl.
-33	14651-00		PLATE - Cover, rear seat cabin heat	1	22-3216, 22-3387 to 22-7642 incl. 22-8000 to 22-8709 inclusive
	15213-00		PLATE - Cover, rear seat cabin heat	1	22-8710 and up
-34	83913-08		EYELET - Strap assembly, tow bar	4	22-2378, 22-2425 to 22-7642 incl.
-35	83913-06		STUD - Strap assembly, tow bar	4	22-2378, 22-2425, 22-7642

A - Used on PA-22 with serial numbers 22-1 to 22-3217 inclusive and 22-3219 to 22-3386 inclusive.

When ordering, always specify Part Number, Description and Serial Number of Aircraft

1 E10

INTENTIONALLY LEFT BLANK

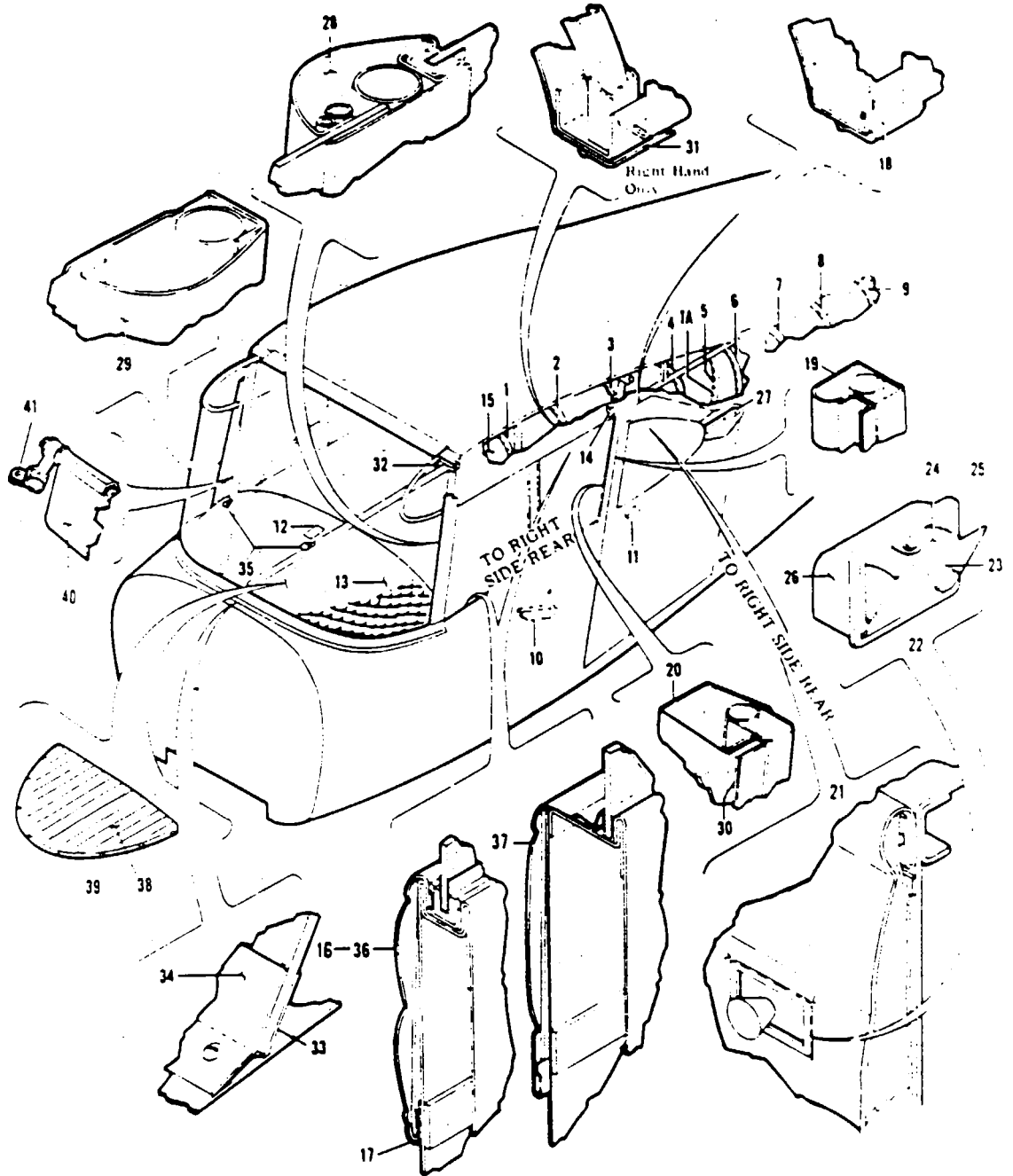


Figure 27. Cockpit Finishing Installation.



Figure and Index Number	Part Number	Code	NOMENCLATURE	No. Req.	SERIAL NUMBERS AFFECTED
27-	13111 13906 12626 13926 14463 14459 14696 14700 15143 15134	A A B B	DRAWING - Fuselage Assembly, Complete DRAWING - Fuselage Assembly, Complete DRAWING - Cockpit Finishing Installation DRAWING - Cockpit Finishing Installation DRAWING - Fuselage Assembly, Complete DRAWING - Cockpit Finishing Installation DRAWING - Fuselage Assembly, Complete DRAWING - Cockpit Finishing Installation DRAWING - Fuselage Assembly, Complete DRAWING - Cockpit Finishing Installation		22-1 to 22-806 inclusive 22-1 to 22-806 inclusive 22-3218, 22-3387 to 22-7642 incl. 22-3218, 22-3387 to 22-7642 incl. 22-8000 and up 22-8000 and up
-1	12193-02		ARCH - Headlining, No. 1	1	
-1a	12193-02		ARCH - Headlining	1	22-8000 and up
-2	12192-03 14083-00		ARCH - Headlining, No. 2 ARCH - Headlining, No. 2	1 1	22-1 to 22-806 inclusive 22-807 and up
-3	12193-04		ARCH - Headlining, No. 3	1	22-1 to 22-7642 inclusive, 22-8000 to 22-8709 inclusive
	12193-11		ARCH - Headlining, No. 3	1	22-8710 and up
-4	12193-05 12193-11		ARCH - Headlining, No. 4 ARCH - Headlining, No. 4	1 1	22-1 to 22-806 inclusive 22-807 to 22-7642 inclusive
-5	12193-06 12193-12	E	ARCH - Headlining, No. 5 ARCH - Headlining, No. 5	1 1	22-1 to 22-806 inclusive 22-807 to 22-7642 inclusive
-6	12193-07	E	ARCH - Headlining, No. 6	1	22-1 to 22-806 inclusive
-7	13854-00	E	ARCH - Headlining, No. 6	1	22-807 to 22-7642 inclusive
-8	13890-00	E	ARCH - Headlining, No. 7	1	22-807 to 22-7642 inclusive
-9	12193-13	E	ARCH - Headlining, No. 8	1	22-807 to 22-7642 inclusive
-10	451 955 12799-03 14260-00 14260-02 14260-05		ARMREST - Brown leather (PAC No. 12799-02) ARMREST - Green leather ARMREST - Green ARMREST - Brown ARMREST - Black	1 1 1 1 1	22-1 to 22-1759 inclusive 22-354 to 22-806 inclusive 22-1760 to 22-4142 inclusive and 22-4144 to 22-4459 inclusive
	14260-17 14260-43 14260-45 14260-53 14260-57 14260-59	D F F F F F	ARMREST - Black ARMREST - Brown ARMREST - Green ARMREST - Gray ARMREST - Red ARMREST - Blue	1 1 1 1 1 1	22-6785, 22-6855, 22-6980 and 22-6785, 22-6855, 22-6980 and 22-6785, 22-6855, 22-6980 and 22-6785, 22-6855, 22-6980 to 22-7642, 22-8000 to 22-8709 incl.
	14260-51	F	ARMREST - Blue	1	22-6710 and up
			A - Used on PA-22 with serial numbers 22-807 to 22-2377 inclusive and 22-2379 to 22-2424 inclusive. B - Used on PA-22 with serial numbers 22-2378, 22-2425 to 22-3217 inclusive and 22-3219 to 22-3386 inclusive. C - Used on PA-22 with serial numbers 22-1760 to 22-2377 inclusive and 22-2379 to 22-2424 inclusive. D - Used on PA-22 with serial numbers 22-4143, 22-4460 to 22-6784 inclusive, 22-6786 to 22-6857 inclusive and 22-6859 to 22-6979 inclusive. E - Not used on PA-22-106. F - Optional equipment on PA-22-106.		

When ordering, always specify Part Number, Description and Serial Number of Aircraft



Figure and Index Number	Part Number	Code	NOMENCLATURE	No. Req.	SERIAL NUMBERS AFFECTED
27-11	489 370		ASH TRAY - Rear seat, RH	1	22-1 to 22-806 inclusive
-12	489 371		ASH TRAY - With retainer, front	1	
-13	14259-03	C	BLANKET ASSEMBLY - Fuselage cowl, top of instrument panel (brown)	1	
	14259-02	C	BLANKET ASSEMBLY - Fuselage cowl, top of instrument panel (green)	1	
	14259-04		BLANKET ASSEMBLY - Fuselage cowl, top of instrument panel, black	1	22-1760 to 22-3217 inclusive and 22-3219 to 22-3386 inclusive
	14715-00		BLANKET ASSEMBLY - Fuselage cowl, top of instrument panel, black	1	22-3218, 22-3387 to 22-4142 incl. and 22-4144 to 22-4459 inclusive
	14715-04		BLANKET ASSEMBLY - Fuselage cowl, top of instrument panel, black	1	22-4143, 22-4460 and up
-14	465 149		COAT HOOK - (No. 98443)	2	
-15	12194-03		HEADLINING ASSEMBLY	1	22-1 to 22-806 inclusive
	13939-02		HEADLINING ASSEMBLY	1	22-807 to 22-1759 inclusive
	13939-04		HEADLINING ASSEMBLY	1	22-1760 to 22-5138 inclusive and 22-5140 to 22-5602 inclusive
	13939-08		HEADLINING ASSEMBLY	1	22-5139, 22-5603 to 22-6351 incl.
	13939-10	A	HEADLINING ASSEMBLY	1	
	13939-12		HEADLINING ASSEMBLY	1	22-6785, 22-6858, 22-6950 to 22-7642 inclusive
	15150-00		HEADLINING ASSEMBLY	1	22-8000 and up
-16	12670-22		PANEL ASSEMBLY - Trim, upholstery, "125" and "135", LH	1	22-1 to 22-806 inclusive
-17	12664-02		STRIP - Anchor, upholstered trim panel, "125" and "135"	2	22-1 to 22-806 inclusive
-18	12187-00	B	TRIM STRIP - Headlining and top of door frame channel, LH	1	
-19	12218-00		TRIM STRIP - Cockpit, rear left post	1	22-1 to 22-806 inclusive
	12218-02		TRIM STRIP - Cockpit, rear left post with coat hook installation parts (less coat hook)	1	22-1 to 22-806 inclusive
	12221-00		TRIM STRIP - Cockpit, rear right post	1	22-1 to 22-806 inclusive
	12221-02		TRIM STRIP - Cockpit, rear right post with coat hook installation parts (less coat hook)	1	22-1 to 22-806 inclusive
-20	13893-02	B	TRIM STRIP - Cockpit, rear left post	1	22-1 to 22-806 inclusive
	13693-03	B	TRIM STRIP - Cockpit, rear left post with coat hook installation parts (less coat hook)	1	
	13902-02	B	TRIM STRIP - Cockpit, rear right post	1	
	13902-03	B	TRIM STRIP - Cockpit, rear right post with coat hook installation parts (less coat hook)	1	

A - Used on PA-22 with serial numbers 22-6352 to 22-6784 inclusive, 22-6786 to 22-6857 inclusive and 22-6859 to 22-6979 inclusive.
 B - Not used on PA-22-108.
 C - Used on PA-22 with serial numbers 22-807 to 22-2377 inclusive and 22-2379 to 22-2424 inclusive.
 D - Optional equipment on PA-22-108.

When ordering, always specify Part Number, Description and Serial Number of Aircraft



Figure and Index Number	Part Number	Code	NOMENCLATURE	No. Req.	SERIAL NUMBERS AFFECTED
27-21	13952-02		PANEL ASSEMBLY - Trim, upholstered, brown, RH	1	22-807 to 22-1759 inclusive
	13952-00		PANEL ASSEMBLY - Trim, upholstered, green, RH	1	22-807 to 22-1759 inclusive
	14266-02		PANEL ASSEMBLY - Trim, upholstered, green, right side	1	22-1760 to 22-2377 inclusive, and 22-2379 to 22-2424 inclusive
	14266-03		PANEL ASSEMBLY - Trim, upholstered, right side, brown	1	22-1760 to 22-2377 inclusive and 22-2379 to 22-2424 inclusive
	14266-04	D	PANEL ASSEMBLY - Trim, upholstered, black, RH	1	
	15032-00		PANEL ASSEMBLY - Trim, upholstered, gray, RH	1	22-6785, 22-6858, 22-6950 to 22-7642 inclusive
-22	13953-00		BOX ASSEMBLY - Ash	1	22-807 and up
-23	471 051	B	KNOB - (No. 3001-SD) Ivory	1	
-24	453 141		ASH TRAY - (No. 947 478)	1	22-807 and up
-25	13950-00		PANEL - Ash tray	1	22-807 and up
-26	484 385		RETAINER - Ash tray (No. 947 483)	1	22-807 and up
-27	12199-00	C	TRIM STRIP - Headlining, rear, lower, RH	1	
-28	12673-00		TRIM STRIP - Cockpit, front post, LH	1	22-1 to 22-806 inclusive
	13944-00		TRIM STRIP - Cockpit, front post, LH	1	22-807 to 22-3217 inclusive and 22-3219 to 22-3386 inclusive
	14684-00		TRIM STRIP - Cockpit, front post, LH	1	22-3218, 22-3387 and up
-29	12674-00		TRIM STRIP - Cockpit, front post, RH	1	22-1 to 22-3217 inclusive and 22-3219 to 22-3386 inclusive
	14685-00		TRIM STRIP - Cockpit, front post, RH	1	22-3218, 22-3387 and up
-30	180 400		TAPE - Elastic, window seal (Compound No. 163)	7	22-807 and up
-31	12189-00		TRIM STRIP - Headlining and top of door frame channel, RH	1	
-32	10262-03		PLATE ASSEMBLY - Eyebrows and headlining	2	22-1 to 22-806 inclusive
	10262-05		PLATE ASSEMBLY - Eyebrow and headlining	2	22-807 to 22-1759 inclusive
	10262-13		PLATE ASSEMBLY - Eyebrows and headlining, left	1	22-1760 to 22-5138 inclusive and 22-5140 to 22-5602 inclusive
	10262-15		PLATE ASSEMBLY - Eyebrows and headlining, right	1	22-1760 to 22-5138 inclusive and 22-5140 to 22-5602 inclusive
	10262-17	A	PLATE ASSEMBLY - Eyebrows and headlining, left	1	
	10262-19	A	PLATE ASSEMBLY - Eyebrows and headlining, right	1	
	10262-21	C	PLATE ASSEMBLY - Eyebrows and headlining, left, gray	1	22-6785, 22-6858, 22-6980 and up
	10262-23	C	PLATE ASSEMBLY - Eyebrows and headlining, right, gray	1	22-6785, 22-6858, 22-6980 and up
	10262-25		PLATE ASSEMBLY - Eyebrows and headlining, left, white	1	22-6785, 22-6858, 22-6980 and up
	10262-27		PLATE ASSEMBLY - Eyebrows and headlining, right, white	1	22-6785, 22-6858, 22-6980 and up

A - Used on PA-22 with serial numbers 22-5139, 22-5603 to 22-6784 inclusive, 22-6786 to 22-6657 inclusive, 22-6859 to 22-6979 inclusive.
 B - Used on PA-22 with serial numbers 22-807 to 22-2377 inclusive and 22-2379 to 22-2424 inclusive.
 C - Not used on PA-22-108.
 D - Used on PA-22 with serial numbers 22-1760 to 22-6784 inclusive, 22-6786 to 22-6857 inclusive and 22-6859 to 22-6979 inclusive.

When ordering, always specify Part Number, Description and Serial Number of Aircraft



Figure and Index Number	Part Number	Code	NOMENCLATURE	No. Req.	SERIAL NUMBERS AFFECTED
27-33	12757-00	D	COLLAR - Windshield, rear	1	
	14770-00		COLLAR - Windshield, rear	1	22-3218, 22-3387 and up
-34	12786-00	D	COLLAR - Windshield, front	1	
	14669-00		COLLAR - Windshield, front	1	22-3218, 22-3387 and up
-35	453 640		BUMPER - Rubber, windshield support (No. 285)	2	22-1 to 22-353 inclusive
-36	12670-24		PANEL ASSEMBLY - Trim, upper right upholstery "125" and "135"	1	22-1 to 22-806 inclusive
-37	13937-20		PANEL ASSEMBLY - Trim, upholstered, brown, LH	1	22-807 to 22-1759 inclusive
	13937-04		PANEL ASSEMBLY - Trim, upholstered, green, LH	1	22-807 to 22-1759 inclusive
	14264-02		PANEL ASSEMBLY - Trim, upholstered, green, left	1	22-1760 to 22-2377 inclusive and 22-2379 to 22-2424 inclusive
	14264-03		PANEL ASSEMBLY - Trim, upholstered, brown, left side	1	22-1760 to 22-2377 inclusive and 22-2379 to 22-2424 inclusive
	14264-07		PANEL ASSEMBLY - Trim, upholstered, left side, black	1	22-1760 to 22-3217 inclusive and 22-3219 to 22-3386 inclusive
	14714-00	E	PANEL ASSEMBLY - Trim, upholstered, left side, black	1	
	15026-00		PANEL ASSEMBLY - Trim, upholstered, left side, gray	1	22-6785, 22-6858, 22-6960 to 22-7642 inclusive
	15026-10		PANEL ASSEMBLY - Left cockpit trim, red	1	
	15026-12		PANEL ASSEMBLY - Left cockpit trim, blue	1	
	15026-14		PANEL ASSEMBLY - Left cockpit trim, green	1	
	15026-16		PANEL ASSEMBLY - Left cockpit trim, brown	1	
-38	14671-00	C	PANEL ASSEMBLY - Instrument access, top	1	
	14671-03		PANEL ASSEMBLY - Instrument access, top, black	1	22-4143, 22-4460 to 22-6351 incl.
	14996-00		PANEL ASSEMBLY - Instrument access, top, black	1	22-6352 to 22-7642 inclusive, 22-8000 to 22-8622 inclusive
	14996-04		PANEL ASSEMBLY - Instrument access, top, black	1	22-8623 and up
-39	81342-74		WASHER - Attachment, instrument access panel	6	22-3218, 22-3387 and up
-40	14597-00		SUN VISOR ASSEMBLY	2	22-3218, 22-3387 to 22-5138 incl. and 22-5140 to 22-5603 inclusive
	14597-07		SUN VISOR ASSEMBLY	2	22-5139, 22-5603 to 22-6351 incl.
	14597-08	A	SUN VISOR ASSEMBLY	2	
	14597-11	B	SUN VISOR ASSEMBLY	2	22-6785, 22-6858, 22-6960 and up
-41	14599-02	B	BRACKET ASSEMBLY - Sun visor attachment, LH	1	22-3218, 22-3387 and up
	14599-03	B	BRACKET ASSEMBLY - Sun visor attachment, RH	1	22-3218, 22-3387 and up

- A - Used on PA-22 with serial numbers 22-6352 to 22-6784 inclusive, 22-6786 to 22-6857 inclusive, and 22-6859 to 22-6979 inclusive.
- B - Optional equipment on PA-22-108.
- C - Used on PA-22 with serial numbers 22-3218, 22-3387 to 22-4142 inclusive, and 22-4144 to 22-4459 inclusive.
- D - Used on PA-22 with serial numbers 22-1 to 22-2599 inclusive, 22-2602 to 22-3217 inclusive and 22-3219 to 22-3366 inclusive.
- E - Used on PA-22 with serial numbers 22-3218, 22-3387 to 22-6784 inclusive, 22-6786 to 22-6857 inclusive and 22-6859 to 22-6979 inclusive.

When ordering, always specify Part Number, Description and Serial Number of Aircraft

1E16
INTENTIONALLY LEFT BLANK

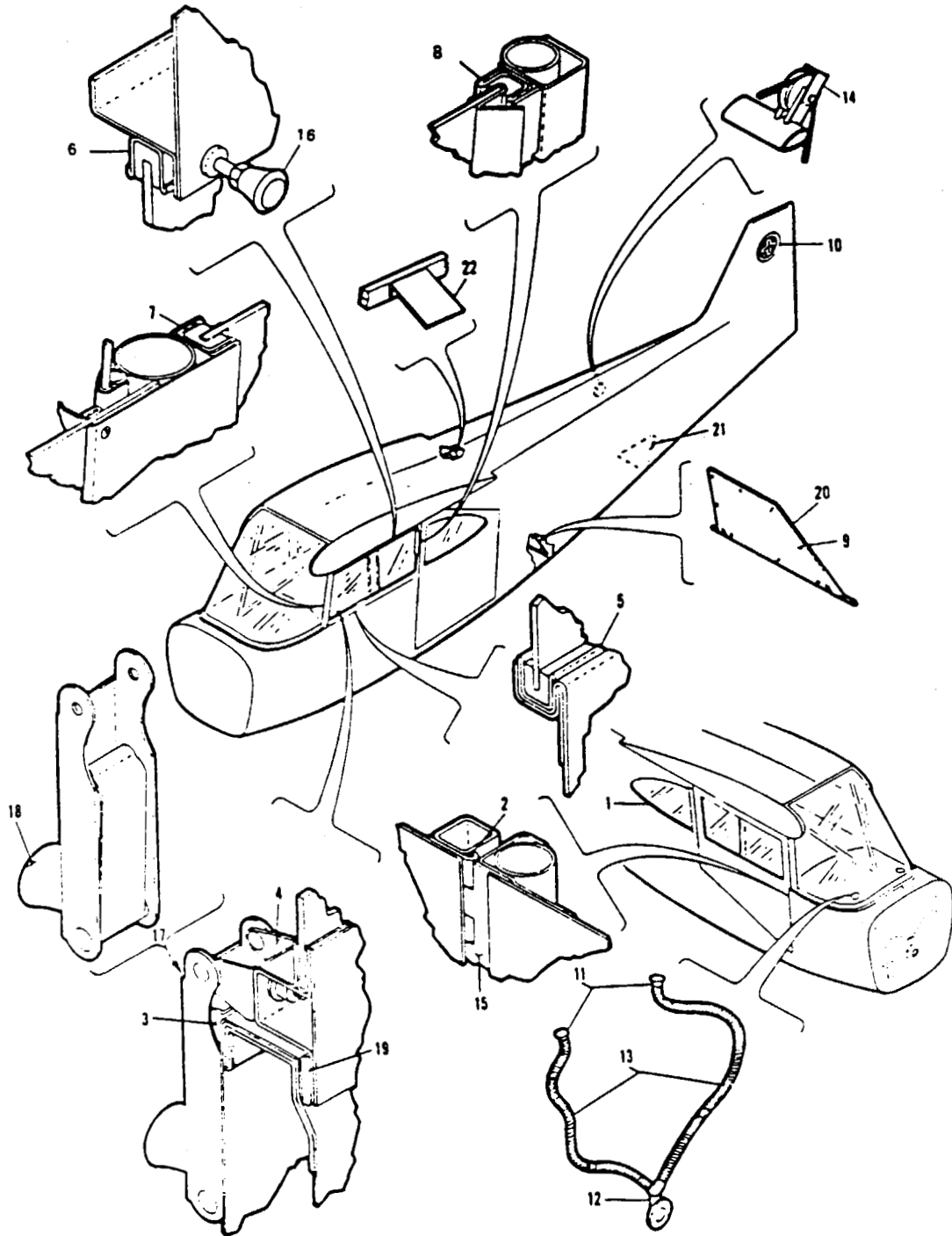


Figure 28. Cockpit Finishing Installation



Figure and Index Number	Part Number	Code	NOMENCLATURE	No. Req.	SERIAL NUMBERS AFFECTED
28-	14150		DRAWING - Defroster Installation		22-807 and up
-1	913 320		BEADING - Permagum window seal NOTE: This material sold only by the roll, 125 ft. per roll.	11	22-807 and up
-2	86092-23		PIN - Door hinge, RH	1	
-3	13844-00	A	BRACKET - Hinged, window latch attachment	1	
	14797-00	B	BRACKET - Hinged, window latch attachment	1	
-4	13845-00	A	BRACKET - Hinged, window latch attachment	1	
	14790-00	B	BRACKET - Hinged, window latch attachment	1	
-5	11432-06		CHANNEL - Weatherstrip, bottom, sliding window	1	22-1 to 22-806 inclusive
-6	11432-05		CHANNEL - Weatherstrip (no window lock)	1	22-1 to 22-806 inclusive
	12634-02		CHANNEL - Weatherstrip, top sliding window (with window lock)	1	22-1 to 22-806 inclusive
-7	11432-07		CHANNEL - Weatherstrip, front sliding window, side	1	22-1 to 22-806 inclusive
-8	11432-08		CHANNEL - Weatherstrip, rear sliding window, side	1	22-1 to 22-806 inclusive
-9	454 898		CLIP - Panel, baggage compartment	10	22-1 to 22-806 inclusive
-10		C	INSIGNIA - "Piper", on fin	2	
-11	14149-00		TUBE ASSEMBLY - Air outlet (defroster) top	2	22-807 and up
-12	14148-00		TUBE ASSEMBLY - Defroster air inlet, bottom	1	22-807 and up
-13	85052-16		TUBE - Flexible, aluminum, 7/8 in. O.D., defroster	2	22-807 and up
-14	13973-00		GUARD - Flap cable, station No. 6, top center	1	22-807 and up
-15	13936-00		HINGE - Door, front	1	22-807 and up
-16	12856-00		KNOB ASSEMBLY - Sliding window lock, LH	1	22-1 to 22-806 inclusive
-17	13840-00	A	LATCH ASSEMBLY - Hinged window	1	
	13840-02	B	LATCH ASSEMBLY - Hinged window	1	
-18	471 051	D	KNOB - (No. 3001-SD) Ivory	1	
	471 059		KNOB - (No. 3001-SD) Black	1	22-2378, 22-2425 and up
-19	13945-18		MOULDING - Rubber, window seal (1/4 in. x 3/16 in.)	4	22-807 and up
-20	12014-00		PANEL ASSEMBLY - Baggage compartment, black	1	22-1 to 22-806 inclusive
-21	13796-00	E	PANEL ASSEMBLY - Fuselage access, bottom	1	22-807 to 22-7642 inclusive
-22	12788-00		PLATE - Pulley guard, stabilizer indicator wire and adjustment cable in top deck, "125" and "135"	1	22-1 to 22-806 inclusive

- A - Used on PA-22 with serial numbers 22-807 to 22-4148 inclusive and 22-4150 and 22-4152.
- B - Used on PA-22 with serial numbers 22-4149, 22-4151 and 22-4153 and up.
- C - Insignia put on by silk screen method. Not available for supply.
- D - Used on PA-22 with serial numbers 22-807 to 22-2377 inclusive and 22-2379 to 22-2424 inclusive.
- E - Not used on PA-22-108.

When ordering, always specify Part Number, Description and Serial Number of Aircraft

1E19

INTENTIONALLY LEFT BLANK

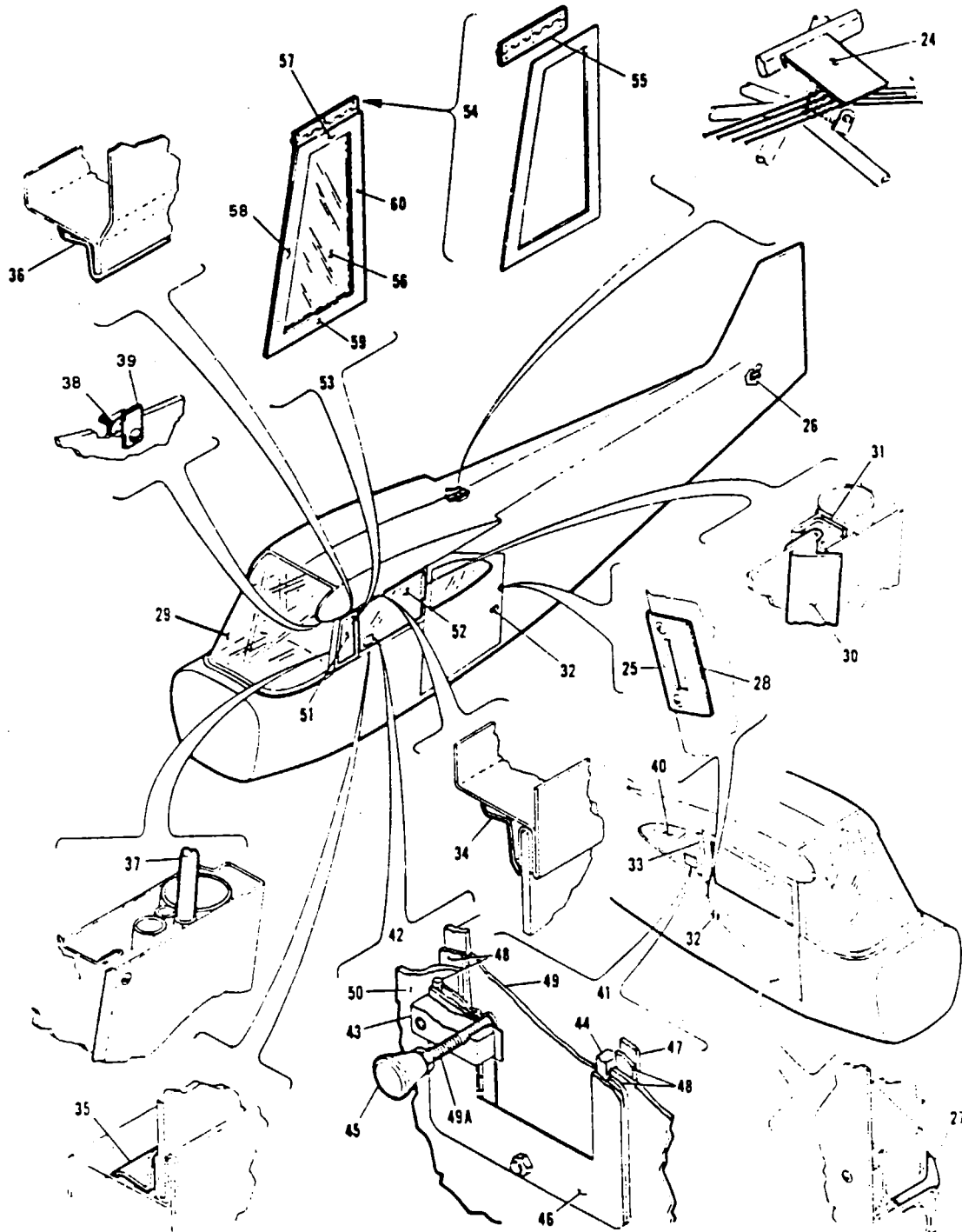


Figure 29. Cockpit Finishing Installation



Figure and Index Number	Part Number	Code	NOMENCLATURE	No. Req.	SERIAL NUMBERS AFFECTED
29-24	13919-00		PLATE - Pulley guard, stabilizer adjustment cable, top center (fuselage station No. 4)	1	22-807 and up
-25	10980-02	A	PLATE - Striker, door latch (2 per ship 1953 Model, left and right) RH	1	
	10980-03		PLATE - Striker, door latch, LH	1	22-1 to 22-807 inclusive
	14171-00	B	PLATE - Striker, door lock, RH	1	
	14710-00		PLATE - Door latch striker, LH and RH	2	22-3218, 22-3387 and up
-26	85411-00	C	PLACARD - Airplane serial, at tail	1	
-27	55512-08		SEAL - Front door, lower corner	1	
-28	13974-03		SHIM - Striker plate door latch, RH	1	22-1 to 22-807 inclusive
	13974-02	A	SHIM - Striker plate door latch, LH	1	
-29	13432-00	A	WINDSHIELD	1	
	13432-02		WINDSHIELD	1	22-3218, 22-3387 to 22-742 incl.
	13432-03		WINDSHIELD	1	22-8000 and up
-30	13322-00		STRIP - Air deflector	1	22-1 to 22-806 inclusive
-31	86082-33	E	STRIP - Felt (at rear side of rear sliding window) 15-1/2 in. long	1	
-32	53481-00		STUD - Door catch, on door to engage catch on lift struts	2	
-33	12012-00	E	TRIM STRIP - Right rear window attachment, front, outside	1	
-34	13891-00		TRIM STRIP - Window, inside, top, LH	1	22-807 and up
-35	13802-00		TRIM STRIP - Window, inside, bottom, LH	1	22-807 and up
-36	14182-00		TRIM STRIP - Inside, top of hinged window	1	22-807 and up
-37	13541-03	A	TUBE - Airspeed, left front post (2 per ship Model "135")	1	
-38	85012-14		WASHER - Windshield attachment, felt	2	
-39	81342-45		WASHER - Windshield attachment, outside	2	
-40	12011-00		WINDOW - Enclosure, rear, RH	1	22-1 to 22-806 inclusive
-41	13918-00	D	WINDOW ASSEMBLY - Enclosure, rear, RH	1	
	14707-00	E	WINDOW ASSEMBLY - Rear enclosure, RH	1	22-3218, 22-3387 to 22-742 incl.
-42	13978-00		WINDOW ASSEMBLY - LH	1	22-807 and up
-43	13900-00		VENTILATOR BLOCK - Adjustment	1	22-807 and up
-44	13914-00		VENTILATOR GASKET - Cork	1	22-807 and up
-45	471 051		VENTILATOR KNOB - (No. 3001-SD) Ivory	1	22-807 to 22-2377 inclusive and 22-2379 to 22-2424 inclusive
	471 054		VENTILATOR KNOB - (No. 3001-SD) Black	1	22-2378, 22-2425 and up
-46	14248-00		VENTILATOR PLATE - Inside trim	1	22-807 and up
-47	14240-02		VENTILATOR PLATE - Outside trim	1	22-807 and up
-48	14240-03		VENTILATOR PLATE - (Vellumoid)	2	22-807 and up
	14248-02		VENTILATOR PLATE - Inside trim (Vellumoid)	1	22-1760 and up
-49	13904-00		VENTILATOR PLATE	1	22-807 and up
-49a	13403-00		SCREW - Ventilator	1	22-807 and up

A - Used on PA-22 with serial numbers 22-1 to 22-2599 inclusive, 22-2600 to 22-3217 inclusive and 22-3219 to 22-3386 inclusive.
 B - Used on PA-22 with serial numbers 22-1483, 22-1499 and up except 22-1517.
 C - Used on PA-22 with serial numbers 22-1 to 22-373 inclusive and 22-376 and 22-377.
 D - Used on PA-22 with serial numbers 22-807 to 22-2599 inclusive, 22-2600 to 22-3217 inclusive and 22-3219 to 22-3386 inclusive.
 E - Not used on PA-22-108.

When ordering, always specify Part Number, Description and Serial Number of Aircraft



Figure and Index Number	Part Number	Code	NOMENCLATURE	No. Req.	SERIAL NUMBERS AFFECTED
29-50	14250-00	A	WINDOW - RH	1	
	14248-00		WINDOW - LH	1	22-807 and up
	14013-00		WINDOW - RH	1	22-3216, 22-3387 and up
-51	11635-00		WINDOW ASSEMBLY - Sliding, front, LH	1	22-1 to 22-806 inclusive
-52	11636-00		WINDOW ASSEMBLY - Sliding, front, LH	1	22-1 to 22-806 inclusive
-53	13853-00		WINDOW ASSEMBLY - Hinged	1	22-807 and up
-54	13851-00		FRAME ASSEMBLY - Hinged window	1	22-807 and up
-55	13848-00		HINGE	1	22-807 and up
-56	13849-00		WINDOW	1	22-807 and up
-57	13850-02		TRIM STRIP - Hinged window, top	1	22-807 and up
-58	13850-03		TRIM STRIP - Hinged window, front	1	22-807 and up
-59	13850-04		TRIM STRIP - Hinged window, bottom	1	22-807 and up
-60	13850-05		TRIM STRIP - Hinged window, rear	1	22-807 and up
<p>A - Used on PA-22 with serial numbers 22-807 to 22-2599 inclusive, 22-2600 to 22-3217 inclusive and 22-3219 to 22-3386 inclusive.</p>					

When ordering, always specify Part Number, Description and Serial Number of Aircraft

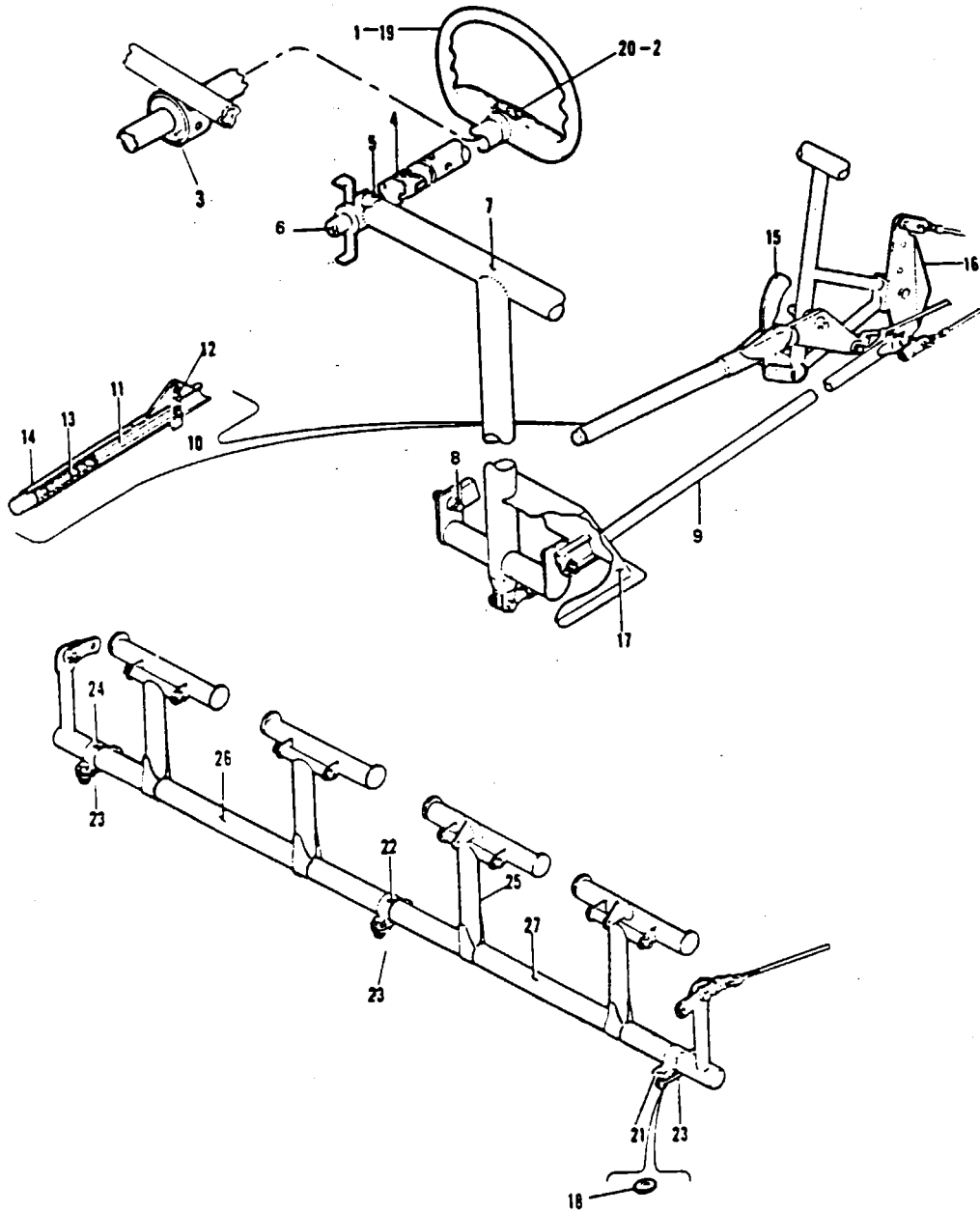


Figure 30. Control Column and Rudder Pedal Installation

SECTION IV
Control Group



CONTROL COLUMN AND RUDDER
PEDAL INSTALLATION

Figure and Index Number	Part Number	Code	NOMENCLATURE	No. Req.	SERIAL NUMBERS AFFECTED
30-	13101 13449 13932 14704	A	DRAWING - Control Column and Rudder Pedal Installation DRAWING - Control Column and Rudder Pedal Installation DRAWING - Control Column and Rudder Pedal Installation DRAWING - Control Column and Rudder Pedal Installation		22-1 to 22-353 inclusive 22-354 to 22-806 inclusive 22-3218, 22-3387 and up
-1	12593-00 14267-00	D	WHEEL ASSEMBLY - Control, brown WHEEL ASSEMBLY - Control, black	2 2	22-1 to 22-1759 inclusive
-2	13058-00 14227-00		PLATE - Name, brown PLATE - Name (=474 320) Red	1 1	22-1 to 22-1759 inclusive 22-1760 and up
-3	86102-64		BUSHING - Insert, control wheel shaft	2	
-4	12734-00		JOINT - Universal, pulley shaft assembly and control wheel shaft attachment (No. UJ367) (469 130)	2	
-5	85012-58 85012-59		SHIM - Control column shaft attachment SHIM - Control column shaft attachment	AR AR	
-6	452 340		BEARING - Pulley shaft assembly installation on control column (No. 4050)	4	
-7	12500-00 13438-00		CONTROL COLUMN ASSEMBLY CONTROL COLUMN ASSEMBLY	1 1	22-1 to 22-353 inclusive 22-354 and up
-8	452 342		BEARING - Control column to fuselage attachment (No. CS1255)	2	
-9	12508-00		ROD ASSEMBLY - Control column to elevator bellcrank	1	
-10	12494-02 13185-00		LEVER ASSEMBLY - Flap control LEVER ASSEMBLY - Flap control	1 1	22-1 to 22-4 inclusive 22-5 to 22-7642 inclusive
-11	11699-05 13203-00		PLUNGER ASSEMBLY - Flap control PLUNGER ASSEMBLY - Flap control	1 1	22-1 to 22-4 inclusive 22-5 to 22-7642 inclusive
-12	11700-00		PAWL	1	22-1 to 22-7642 inclusive
-13	50111-00		SPRING	1	22-1 to 22-7642 inclusive
-14	13184-00 12493-02		LEVER - (less plunger mechanism) LEVER - (less plunger mechanism)	1 1	22-5 to 22-7642 inclusive 22-1 to 22-4 inclusive
-15	12495-00 13183-00		RATCHET ASSEMBLY - Flap control RATCHET ASSEMBLY - Flap control	1 1	22-1 to 22-4 inclusive 22-5 to 22-7642 inclusive
-16	11816-00		BELLCRANK ASSEMBLY - Elevator	1	
-17	12759-04 12759-06 12759-10 12759-12 12759-14	B C D D	BOOT ASSEMBLY - Control column, brown BOOT ASSEMBLY - Control column, green BOOT ASSEMBLY - Control column, brown BOOT ASSEMBLY - Control column, black BOOT ASSEMBLY - Control column, black	1 1 1 1 1	22-1 to 22-1759 inclusive 22-4143, 22-4460 and up

A - Used on PA-22 with serial numbers 22-807 to 22-2599 inclusive, 22-2600 to 22-3217 inclusive and 22-3219 to 22-3386 inclusive.
 B - Used on PA-22 with serial numbers 22-807 to 22-2377 inclusive and 22-2379 to 22-2424 inclusive.
 C - Used on PA-22 with serial numbers 22-1760 to 22-2377 inclusive and 22-2379 to 22-2424 inclusive.
 D - Used on PA-22 with serial numbers 22-1760 to 22-4142 inclusive and 22-4144 to 22-4459 inclusive.

When ordering, always specify Part Number, Description and Serial Number of Aircraft

CONTROL COLUMN AND RUDDER
PEDAL INSTALLATION



SECTION IV
Control Group

Figure and Index Number	Part Number	Code	NOMENCLATURE	No. Req.	SERIAL NUMBERS AFFECTED
30-18	85012-04		WASHER - Spacer, rudder pedal torque tube (.010 to .014)	AR	
	85012-05		WASHER - Spacer, rudder pedal torque tube (.015 to .020)	AR	
	85012-06		WASHER - Spacer, rudder pedal torque tube (.032)	AR	
-19	12595-02		WHEEL ASSEMBLY - Control, green	2	22-807 to 22-1759 inclusive
	14267-02		WHEEL ASSEMBLY - Control, black	2	22-4143, 22-4460 and up
-20	13056-02		PLATE - Name, green	1	22-807 to 22-1759 inclusive
-21	80222-23		CLAMP	1	
-22	80222-23		CLAMP	1	
-23	81262-46		LINK	7	
-24	80222-24		CLAMP	1	
-25	13065-00		PEDAL ASSEMBLY	1	
-26	13064-00	A	TUBE ASSEMBLY - Torque	1	
	13064-02	B	TUBE ASSEMBLY - Torque	1	
	14691-00		TUBE ASSEMBLY - Torque	1	22-3218, 22-3387 and up
	14691-02	C	TUBE ASSEMBLY - Torque	1	
-27	13066-00		TUBE ASSEMBLY - Torque	1	
	13066-02	D	TUBE ASSEMBLY - Torque	1	

- A - Used on PA-22 with serial numbers 22-1 to 22-3217 inclusive and 22-3219 to 22-3386 inclusive.
- B - Used when ski installation is installed on PA-22 with serial numbers 22-1 to 22-3217 inclusive and 22-3219 to 22-3386 inclusive.
- C - Used when ski installation is installed on PA-22 with serial numbers 22-3218, 22-3387 and up.
- D - Used when ski installation is installed on PA-22 with serial numbers 22-1 and up.

When ordering, always specify Part Number, Description and Serial Number of Aircraft

Figure and Index Number	Part Number	Code	NOMENCLATURE	No. Req.	SERIAL NUMBERS AFFECTED
31-	12986		DRAWING - Stabilizer Adjustment Crank Installation		
-1	12105-00		PIN - Stabilizer adjustment crank	1	
-2	81761-04		PIN - Stabilizer adjustment crank pulley locking	1	
-3	81761-11		PIN - Stabilizer adjustment crank locking	1	
-4	85012-18		WASHER - Stabilizer crank control pulley bracket attachment	1	
-5	12987-02		GUARD - Stabilizer adjustment crank pulley	1	
-6	12983-00		PULLEY - Stabilizer adjustment crank	1	
-7	41121-03		INDICATOR ASSEMBLY - Stabilizer	1	
-8	42891-00		SPRING - Stabilizer indicator wire	1	
-9	41151-00		SPRING - Stabilizer crank escutcheon plate	1	
-10	12103-00		PLATE - Support, stabilizer indicator	1	
-11	12102-00		PLATE - Cover, stabilizer indicator	1	
-12	41101-00		PLATE - Stabilizer crank escutcheon	1	
-13	13446-00		CRANK ASSEMBLY - Stabilizer adjustment	1	22-354 and up
	41111-00		CRANK ASSEMBLY - Stabilizer adjustment	1	22-1 to 22-353 inclusive
-14	80012-04		BUSHING	1	
-15	80122-18		WASHER	2	
-16	80421-00		PULLEY - 1-3/4 in.	1	
-17	11692-05		BRACKET - Stabilizer adjustment cable tension pulley and spring attachment	1	
-18	424 148		PIN - (AN392-23)	1	
-19	81411-02		SPRING - Tension, stabilizer adjustment	1	
-20	80002-25		CLAMP - Tension spring attachment	1	

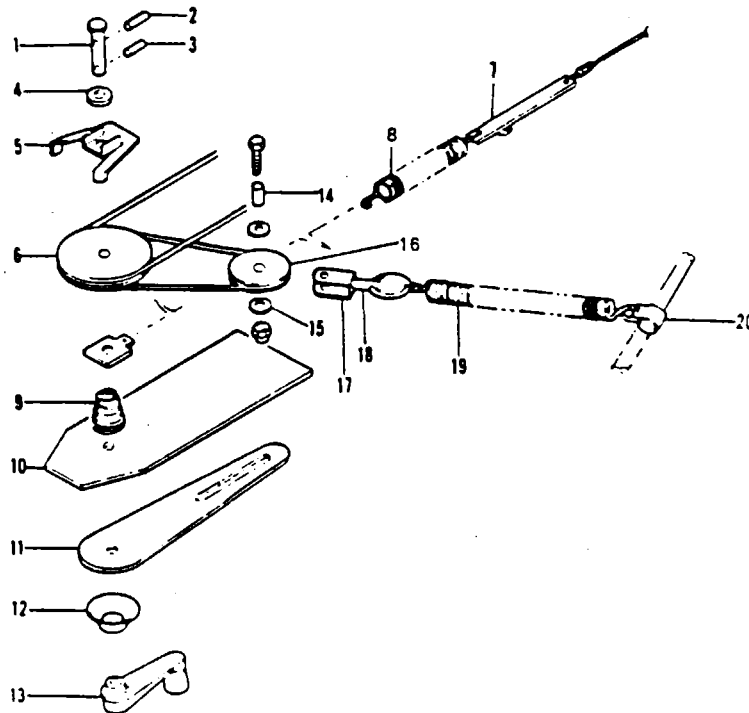


Figure 31. Stabilizer Adjustment Crank Installation

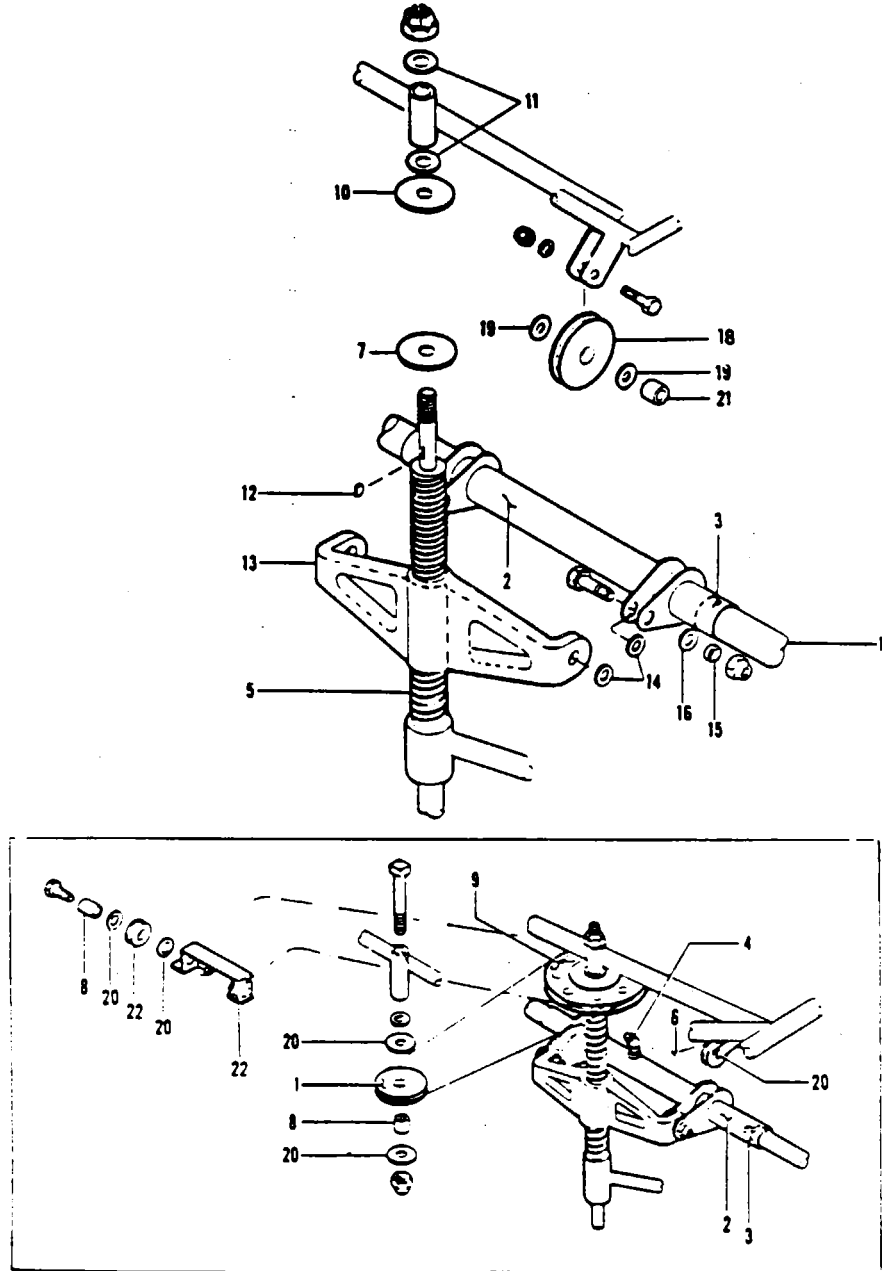


Figure 32. Stabilizer Adjustment Mechanism Installation

STABILIZER ADJUSTMENT
MECHANISM INSTALLATION



SECTION I
Control Grp.

Figure and Index Number	Part Number	Code	NOMENCLATURE	No. Req.	SERIAL NUMBERS AFFECTED
32-	12989		DRAWING - Stabilizer Adjustment Mechanism Installation		
-1	80421-00		PULLEY - 1-3/4 in.	1	
-2	14179-00		LINK ASSEMBLY - Stabilizer adjustment	1	
-3	14177-00		BUSHING - Brass	2	
-4	460 693		FITTING - Grease, stabilizer adjustment, No. 1688	1	
-5	42961-02		SCREW - Stabilizer adjustment	1	
-6	151 310		WIRE - Stabilizer, indicator (18-8S Type 304)	124"	
-7	80122-41		WASHER - Stabilizer screw pulley	1	
-8	80012-04		BUSHING - Stabilizer adjustment control cable pulley	3	
-9	12982-00		PULLEY - 4 in. stabilizer screw, aluminum	1	
-10	81342-05		WASHER - Stabilizer screw pulley	1	
-11	407 587		WASHER - Spacer, stabilizer screw bearing	2	
-12	41631-00		KEY - Stabilizer screw pulley	1	
-13	42692-00		YOKE ASSEMBLY - Stabilizer adjustment (Cast aluminum)	1	
-14	81342-08		WASHER - Stabilizer link attachment	4	
-15	80012-32		BUSHING - Indicator wire attachment	1	
-16	80122-24		WASHER - Link tube attachment	2	
-17	86062-80		TUBE - Liner, stabilizer adjustment	1	
-18	481 609		PULLEY - 1-1/2 in., stabilizer indicator wire	1	
-19	80122-18		WASHER - Stabilizer indicator wire pulley installation	2	
-20	80122-18		WASHER - Stabilizer adjustment control cable pulley installation	6	
-21	80012-04		BUSHING - Indicator wire pulley	1	
-22	43001-00	A	PULLEY - 1 in., stabilizer adjustment control	2	22-8392 to 22-8395 inclusive, 22-8398, 22-8400 and up
	11200-00		PULLEY - 1 in., stabilizer adjustment control	2	
			A - Used on PA-22 with serial numbers 22-1 to 22-7642 inclusive, 22-8000 to 22-8391 inclusive, 22-8396, 22-8397, 22-8399.		

When ordering, always specify Part Number, Description and Serial Number of Aircraft

1 F5

INTENTIONALLY LEFT BLANK

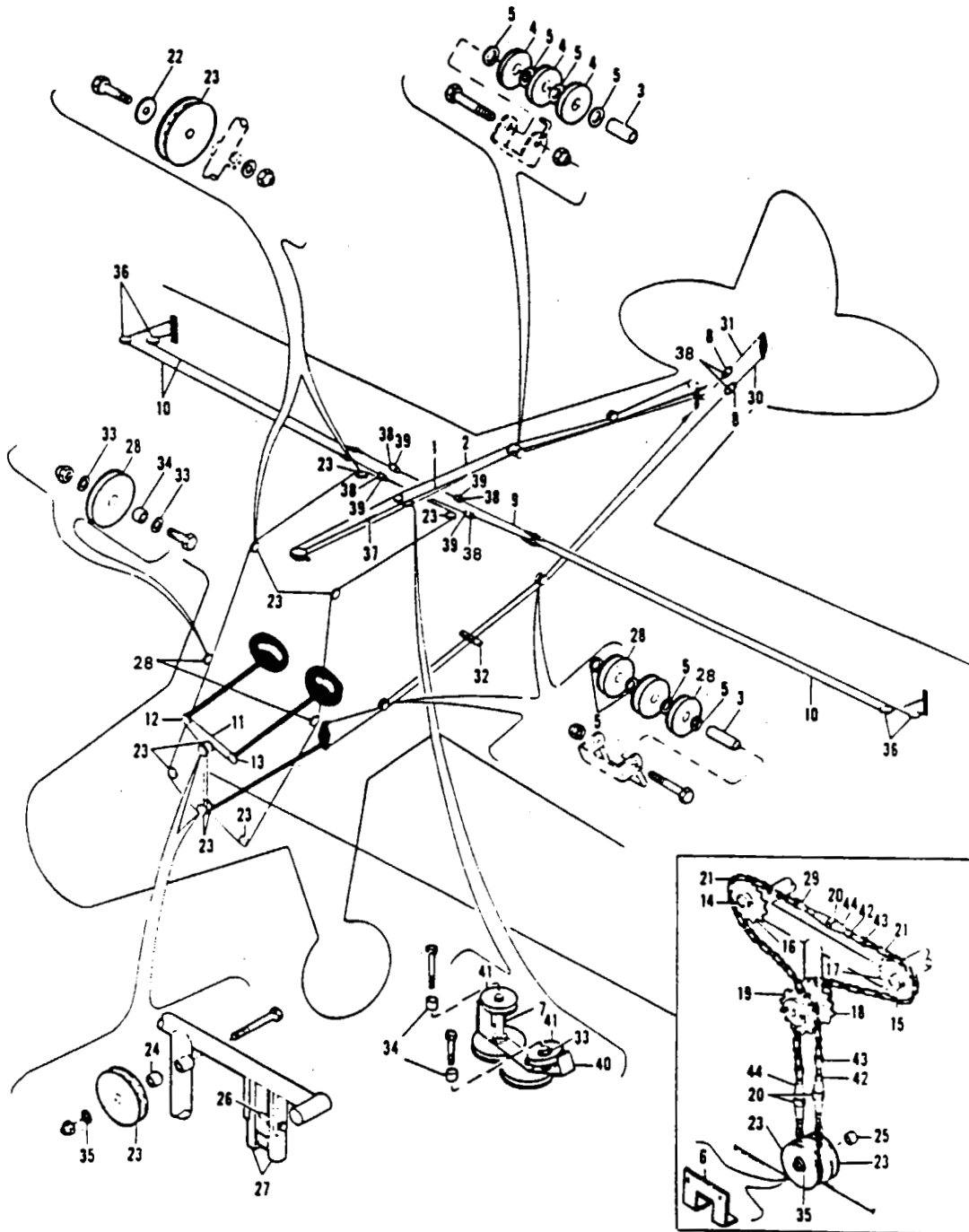


Figure 33. Aileron, Elevator and Stabilizer Adjustment Control



Figure and Index Number	Part Number	Code	NOMENCLATURE	No. Req.	SERIAL NUMBERS AFFECTED
33-	1390c 13111 14696 15143		DRAWING - Control Cables Installation DRAWING - Control Cables Installation DRAWING - Fuselage Assembly, Complete DRAWING - Fuselage Assembly, Complete		22-807 and up 22-1 to 22-806 inclusive 22-3218, 22-3387 to 22-7642 incl. 22-8000 and up
-1	151 308		WIRE - Stabilizer, indicator (18-8S Type 304)	124"	
-2	41671-16		CABLE ASSEMBLY - Stabilizer adjustment	1	
-3	80022-67 80012-04		BUSHING - Insert BUSHING - Insert	3 2	22-1 to 22-7642 inclusive 22-8000 and up
-4	43001-00 11200-00	B	PULLEY - Stabilizer adjustment control PULLEY - Stabilizer adjustment control	3 3	22-8392 to 22-8395 inclusive, 22-8398, 22-8400 and up
-5	81342-42 80122-18		WASHER - Spacer WASHER - Spacer	12 8	22-1 to 22-7642 inclusive 22-8000 and up
-6	14503-00		GUARD - Aileron cables, bottom of control column	1	22-2378, 22-2425 and up
-7	80012-04		BUSHING - Insert	3	22-1 to 22-7642 inclusive
-8	40071-00		FAIRLEAD - Cable, segment, elevator	4	
-9	40123-69		CABLE - Aileron balance, in top deck	1	
-10	11527-02		CABLE ASSEMBLY - Aileron control, in wing	4	
-11	1252e-00		CABLE ASSEMBLY - Aileron control column, top	1	22-1 to 22-353 inclusive
-12	12522-02		SHAFT AND PULLEY ASSEMBLY - Wheel control, top of, control column, RH	1	22-1 to 22-353 inclusive
-13	12522-05		SHAFT AND PULLEY ASSEMBLY - Wheel control, top of control column, LH	1	22-1 to 22-353 inclusive
-14	12520-04	A	SHAFT - Sprocket, wheel control, RH	1	
-15	12520-05	A	SHAFT - Sprocket, wheel control, LH	1	
-16	13440-00	A	SPROCKET ASSEMBLY - Upper (12 teeth) RH	1	
-17	13440-00	A	SPROCKET ASSEMBLY - Upper (12 teeth) LH	1	
-18	13439-03	A	SPROCKET ASSEMBLY - Lower (15 teeth) rear	1	
-19	13439-02	A	SPROCKET ASSEMBLY - Lower (15 teeth) front	1	
-20	1347e-00	A	BARREL - Turnbuckle, control column, chain installation	3	
-21	13445-05	A	CHAIN ASSEMBLY - Roller, control column	2	
-22	81342-11		WASHER - Aileron cable pulley attachments	4	
-23	41001-00		PULLEY - Aileron control cable, 2-3/4 in. dia. (8 per ship 1952, 1953 and 1954)	10	
-24	86102-75		BUSHING - Pulley installation control column	2	22-1 to 22-353 inclusive
-25	86102-75	A	BUSHING - Pulley installation control column, bottom	1	
-26	86102-76		BUSHING - Spacer, control guide block attachment	1	
-27	12505-00		BLOCK - Control column guide, fibre	2	
-28	80421-00		PULLEY - 1-3/4 in. dia.	6	
-29	13444-02	A	EYE - Turnbuckle, control column chain installation, upper right	1	
-30	40123-68		CABLE ASSEMBLY - Elevator, to lower horn	1	
-31	40123-67		CABLE ASSEMBLY - Elevator, upper horn	1	
-32	40721-02		BLOCK - Rubbing, elevator control	1	

A - Used on PA-22 with serial numbers 22-354 and up.
B - Used on PA-22 with serial numbers 22-1 to 22-7642
inclusive, 22-8000 to 22-8391 inclusive, 22-839c,
22-8397, 22-8399.

When ordering, always specify Part Number, Description and Serial Number of Aircraft

AILERON, ELEVATOR AND
STABILIZER ADJUSTMENT CONTROL



SECTION IV
Control Group

Figure and Index Number	Part Number	Code	NOMENCLATURE	No. Req.	SERIAL NUMBERS AFFECTED
33-33	80122-18		WASHER	10	
-34	80012-04		BUSHING - Insert	5	
-35	81342-11		WASHER - Aileron cable pulley attachment on control	AR	
-36	40991-00		PULLEY - Aileron cable (in wing)	4	
-37	42911-00		FAIRLEAD - Stabilizer indicator wire in top deck	1	
-38	40081-00		RING - Snap, fairlead	6	
-39	40701-00		FAIRLEAD - Cable (segment) aileron 1-1/16 in. long	8	
-40	12772-00		BRACKET - Stabilizer adjustment cable pulley attachment at top fuselage station No. 4	1	22-1 to 22-7642 inclusive
-41	43001-00	A	PULLEY - Stabilizer adjustment control, 1 in. fibre	2	
	11200-00		PULLEY - Stabilizer adjustment control, 1 in. fibre	2	22-8392 to 22-8395 inclusive, 22-8396, 22-8400 and up
-42	82732-76		BUSHING - Chain to turnbuckle attachment	4	22-354 and up
-43	472 684		LINK - Coupler, roller chain to turnbuckle	4	22-354 and up
-44	13444-03		EYE - Turnbuckle, control column chain installation, left and lower	3	22-354 and up

A - Used on PA-22 with serial numbers 22-1 to 22-7642 inclusive, 22-8000 to 22-8391 inclusive, 22-8396, 22-8397, 22-8399.

When ordering, always specify Part Number, Description and Serial Number of Aircraft

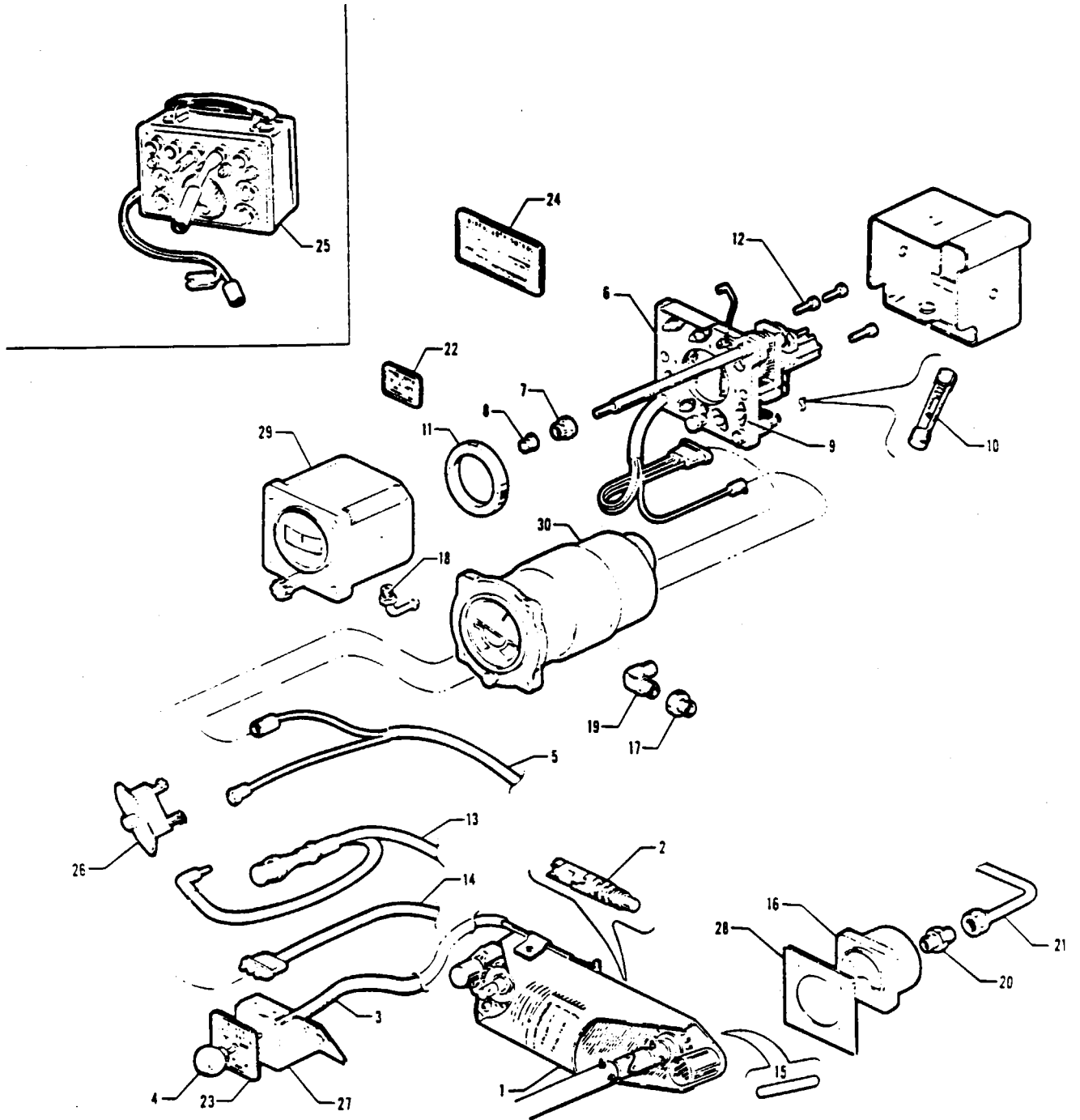


Figure 33A. AutoControl Installation



Figure and Index Number	Part Number	Code	NOMENCLATURE	No. Req.	SERIAL NUMBERS AFFECTED
33A-	14970		DRAWING - AutoControl Installation		
-1	753 503		MOTOR ASSEMBLY - Roll servo	1	
-2	752 967		SWITCH - Roll servo (#40518)	1	
-3	751 519		CABLE ASSEMBLY - Control	1	
-4	754 211		KNOB - Engage control cable	1	
-5	751 520		CABLE ASSEMBLY - Power supply	1	
-6	751 232		AMPLIFIER - (Complete)	1	
-7	754 209		KNOB - Turn	1	
-8	754 210		KNOB - Trim	1	
-9	753 004		TRANSISTOR - 9 (2N250)	4	
-10	751 783		FUSE - 10 AMP (AGC-10)	1	
-11	752 955		RING - Spacer	1	
-12	752 956		SCREW - Attaching	3	
-13	751 521		CABLE ASSEMBLY - Gyros to servo	1	
-14	751 522		CABLE ASSEMBLY - Directional gyro to servo	1	
-15	752 963		SHAFT - Roll servo (#47A68)	1	
-16	450 648		INSTRUMENT - Suction gauge	1	
-17	453 653		BUSHING - (3224-2)	1	
-18	458 928		ELBOW - (AN842-6D)	2	22-1 to 22-7642 inclusive, 22-8000 to 22-8709 inclusive 22-8710 and up
	458 945		ELBOW - (#134A3)	2	
-19	458 893		ELBOW - (AN822-3D)	2	
-20	476 647		NIPPLE - (AN816-3D)	1	
-21	14994-00		LINE ASSEMBLY - Suction gauge	1	
-22	19563-00		PLACARD - Turn control	1	
-23	19562-00		PLACARD - Control engage	1	
-24	19561-00		PLACARD - Operation	1	
-25	751 412		TEST EQUIPMENT	1	
-26	454 664		CIRCUIT PROTECTOR - (3003) Wood	1	
-27	14990-00		BRACKET - Control mounting	1	
-28	11199-03		PLATE - Mounting	1	
-29	450 725		INSTRUMENT - Directional gyro	1	
-30	450 724		INSTRUMENT - Gyro horizon	1	

When ordering always specify Part Number, Description and Serial Number of Aircraft

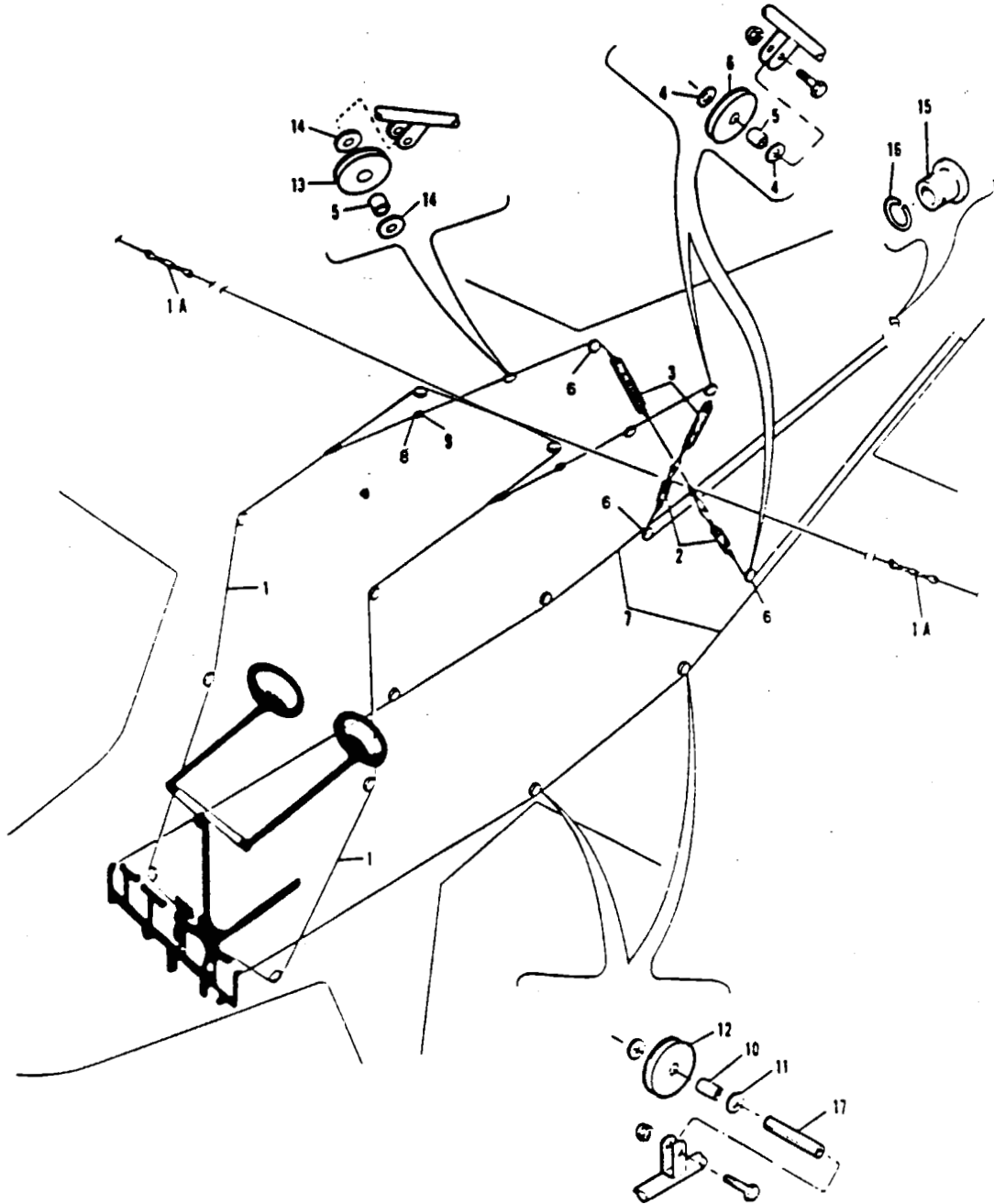


Figure 34. Aileron and Rudder Interconnecting System.

**AILERON AND RUDDER
INTERCONNECTING SYSTEM**



**SECTION I
Control Group**

Figure and Index Number	Part Number	Code	NOMENCLATURE	No. Req.	SERIAL NUMBERS AFFECTED
34-1	13106-00		CABLE ASSEMBLY - Interconnecting, aileron and rudder control	1	22-1 to 22-806 inclusive
	13106-02		CABLE ASSEMBLY - Interconnecting, aileron and rudder control	1	22-807 to 22-7642 inclusive
	12514-00		CABLE ASSEMBLY - Aileron	1	22-8000 and up
-1a	42722-00		TURNBUCKLE ASSEMBLY - Aileron control cable	2	
-2	467 292	B	SPRING - Tension, connecting, interconnecting control cable (rudder and aileron) lower (PAC 13098-00)	2	
-3	467 291	B	SPRING - Tension, interconnecting cable, upper (rudder and aileron)	2	
-4	80122-18	B	WASHER - Station No. 6, interconnecting cable pulley installation	6	
-5	80012-04	B	BUSHING - Insert, interconnecting cable pulley (6 per ship 1953 Model)	4	
-6	80421-00	B	PULLEY - 1-3/4 in. dia.	4	
-7	13109-00		CABLE ASSEMBLY - Rudder	2	22-1 to 22-806 inclusive
	13109-02	A	CABLE ASSEMBLY - Rudder, RH	1	
	13109-03	A	CABLE ASSEMBLY - Rudder, LH	1	
	13109-10		CABLE ASSEMBLY - Rudder, RH	1	22-3218, 22-3396 to 22-7642 inclusive
	13109-12		CABLE ASSEMBLY - Rudder, LH	1	22-3218, 22-3396 to 22-7642 inclusive
	11e41-07		CABLE ASSEMBLY - Rudder	2	22-8000 and up
-8	40071-00	E	FAIRLEAD - Segment (at interconnecting cable in top deck, right and left) 13/16 in. long	4	
-9	40061-00	B	RING - Snap, fairlead (at interconnecting cable, top deck, right and left)	2	
-10	80012-04		BUSHING - Insert, rudder cable pulley	4	22-1 to 22-7642 inclusive
	61402-27		BUSHING - Insert, rudder cable pulley	2	22-8000 and up
-11	61342-42		WASHER - Spacer, rudder cable pulley	6	
-12	11200-00		PULLEY - Rudder cable, 1-1/8 in. fibre	4	22-1 to 22-7642 inclusive
	60421-00		PULLEY - Rudder cable, 1-3/4 in. fibre	6	22-8000 and up
-13	11200-00	B	PULLEY - 1-1/8 in. fibre interconnecting control cable (between fuselage stations No. 4 and No. 5)	2	22-807 and up
-14	80122-18	B	WASHER - Interconnecting cable pulley installation (between fuselage stations No. 4 and No. 5, top)	4	22-807 and up
-15	40071-00		FAIRLEAD SEGMENT - Rudder cables	4	
-16	40061-00		RING - Snap, fairlead	4	
-17	60022-c7		BUSHING - Insert, rudder cable pulley	2	

A - Used on PA-22 with serial numbers 22-807 to 22-2599 inclusive, 22-2600 to 22-3217 inclusive and 22-3219 to 22-3386 inclusive.
 B - Not used on PA-22-106.

When ordering, always specify Part Number, Description and Serial Number of Aircraft

1F13

INTENTIONALLY LEFT BLANK

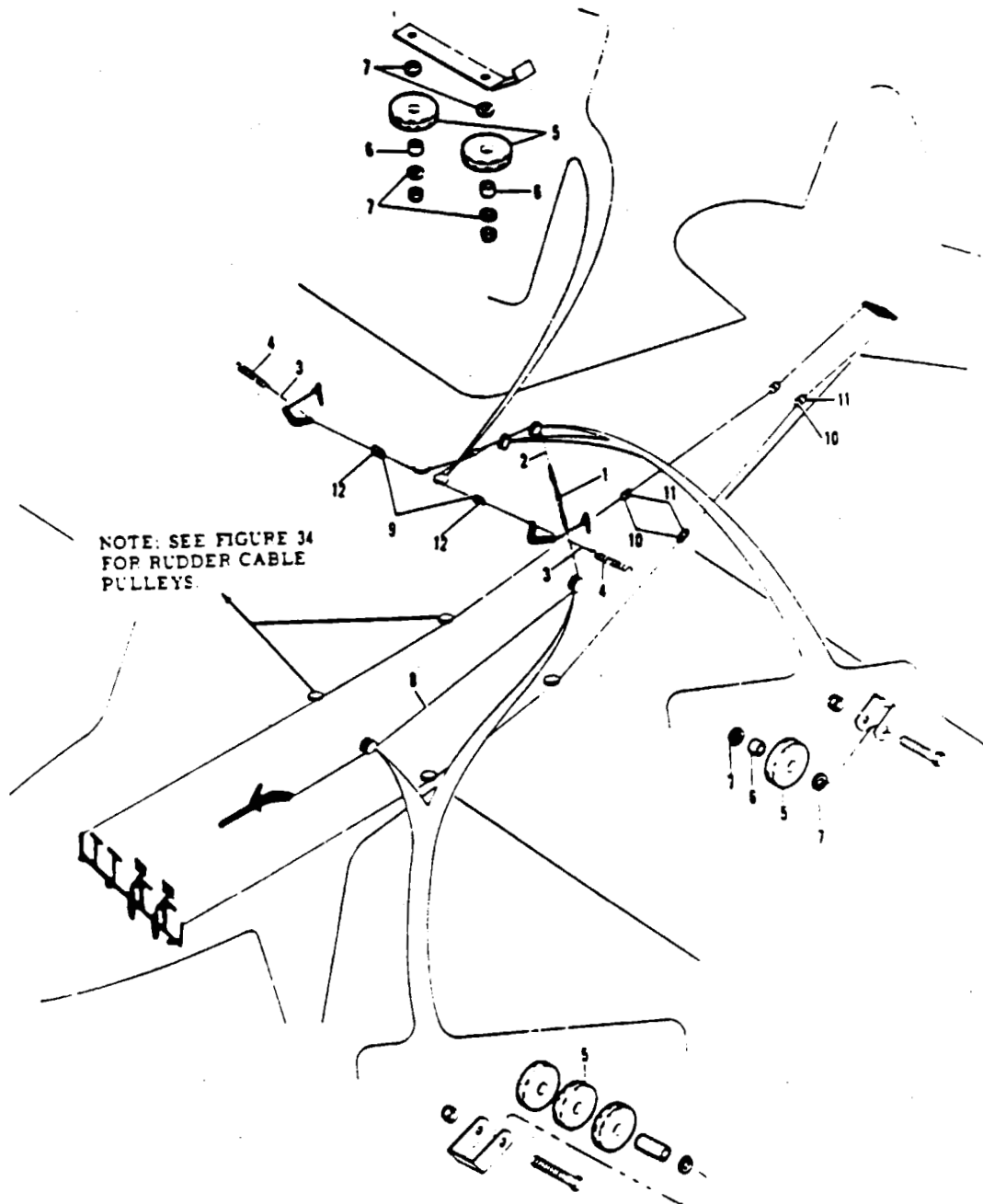


Figure 35. Rudder and Flap Control System.
(Serial Nos. 22-1 to 22-7042 inclusive)



Figure and Index Number	Part Number	Code	NOMENCLATURE	No. Req.	SERIAL NUMBERS AFFECTED
35-1	13676-00	A	BARREL - Turnbuckle, flap control, connecting	1	
-2	12515-00		CABLE ASSEMBLY - Flap control (upper to wing panel) "125" and "135"	1	22-1 to 22-806 inclusive
	12515-03		CABLE ASSEMBLY - Flap control (upper to wing panel)	1	22-807 and up
-3	11694-02		CABLE - Flap return, "125", "135" and "150" and "160"	2	
-4	10940-00		SPRING - "125", "135" and "150" and "160"	1	
-5	80421-00		PULLEY - 1-3/4 in. flap cable control (6 per ship 1953 and 1954 Models) "150" and "160"	5	
-6	80012-04		BUSHING - Insert, flap cable control (4 per ship 1953 and 1954 Models) "150" and "160"	3	
-7	80122-18		WASHER - Flap cable control	6	
	80122-18		WASHER - Flap cable control (fuselage station No. 6, top)	2	22-807 and up
-8	40123-80		CABLE ASSEMBLY - Flap control, lower "125" and "135"	1	22-1 to 22-806 inclusive
	40123-93		CABLE ASSEMBLY - Flap control, lower	1	22-807 and up
-9	40081-00		RING - Snap, fairlead	2	
-10	40071-00	FAIRLEAD - Cable (segment) rudder, 1-3/16 in. long	8		
-11	40081-00	RING - Snap, fairlead	4		
-12	40701-00	FAIRLEAD - Cable, segment	4		

A - Used on PA-22 with serial numbers 22-807 to 22-2599 inclusive, 22-2600 to 22-3217 inclusive and 22-3219 to 22-3586 inclusive.

When ordering, always specify Part Number, Description and Serial Number of Aircraft

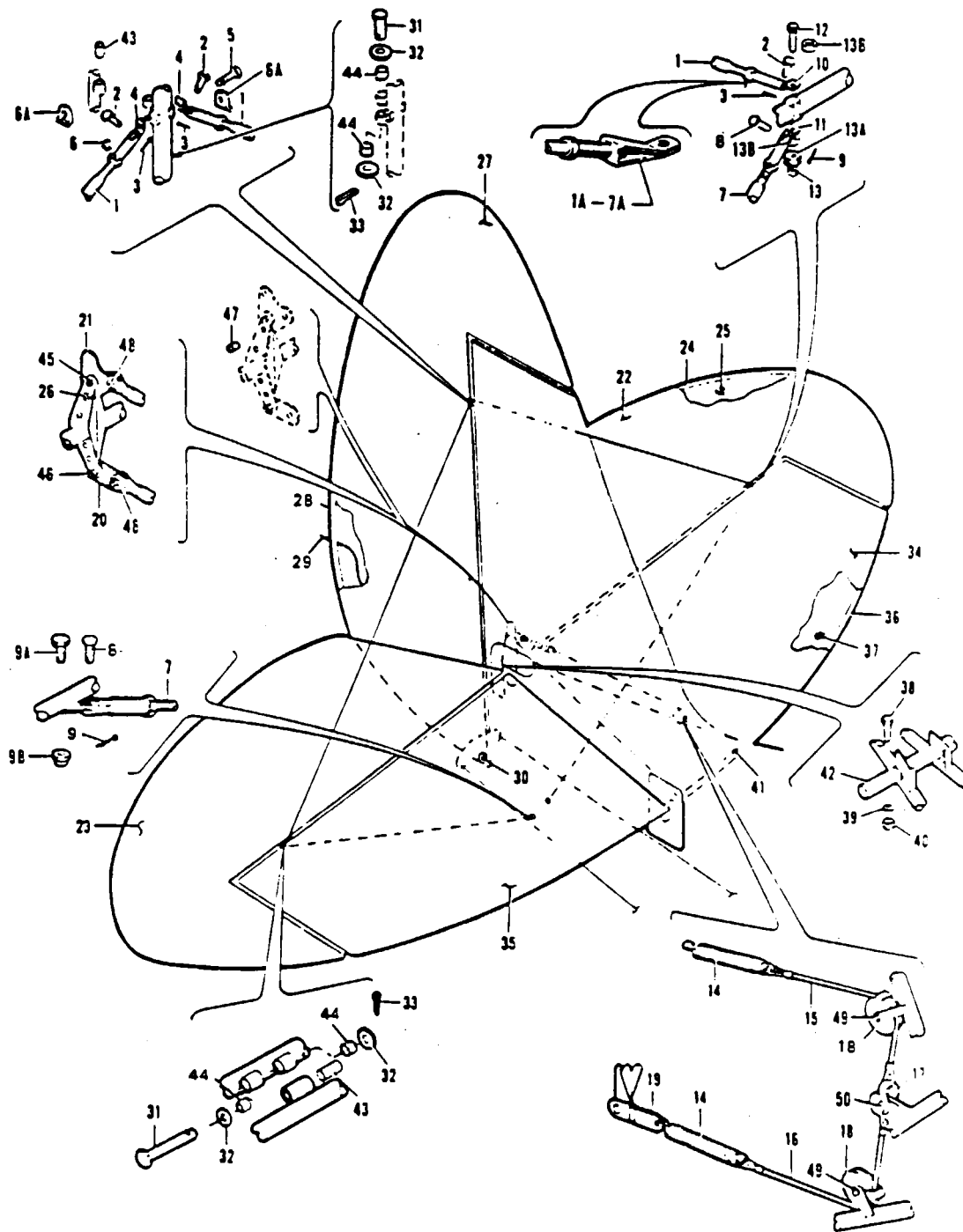


Figure 36. Tail Surfaces Installation



Figure and Index Number	Part Number	Code	NOMENCLATURE	No. Req.	SERIAL NUMBERS AFFECTED
3c-	11625		DRAWING - Tail Surfaces Installation		
-1	10074-02	AC	ROD ASSEMBLY - Streamline tie, upper tail brace	2	
	10555-02	B	ROD ASSEMBLY - Tie, upper tail brace	2	
-1a	40521-07	B	CLEVIS - Tail brace wire, bottom	1	
	40521-08	B	CLEVIS - Tail brace wire, top	1	
-2	424 174	AD	PIN - Tie rod attachment (AN393-11)	4	
-3	424 051	AD	PIN - Cotter (AN380-2-2)	4	
-4	10075-02	AD	FITTING - Tie rod attachment at fin	2	
-5	400 009	AC	BOLT - (AN4-14A)	1	
	401 315	B	BOLT - (AN4-15A)	1	
-6	406 682		STOP NUT - Elastic, No. 42E048	1	
-6a	40131-00	B	WASHER	2	
-7	10074-03	AC	ROD ASSEMBLY - Streamline tie, lower tail brace	2	
	10556-02	B	ROD ASSEMBLY - Tie, lower tail brace	2	
-7a	40531-00	B	CLEVIS - Tail brace wire, bottom	1	
	40521-09	B	CLEVIS - Tail brace wire, top	1	
-8	424 174	AD	PIN - Tie rod attachment (AN393-11)	4	
-9	424 051	AD	PIN - Cotter (AN380-2-2)	4	
-9a	401 266	B	BOLT - (AN3-5A)	2	
-9b	406 681	B	STOP NUT - Elastic, No. 22M02	2	
-10	10075-03	AD	FITTING - Tie rod attachment at stabilizer, top	2	
-11	10075-04	AD	FITTING - Tie rod attachment at stabilizer, bottom	2	
-12	401 273	AC	BOLT - (AN3-14A)	2	
	401 274	B	BOLT - (AN3-15A)	2	
-13	406 681		STOP NUT - Elastic, No. 22M02	2	
-13a	407 564	B	WASHER - (AN960-10)	4	
-13b	82732-72	B	BUSHING	4	
-14	10940-02		SPRING - Bungee cable	2	
-15	40123-61		CABLE ASSEMBLY - Control, bungee, upper	1	
-16	40123-70		CABLE ASSEMBLY - Control, bungee, lower	1	
-17	486 563		SHACKLE - Cable (AN113-16)	1	
-18	80421-00		PULLEY - 1-3/4 in.	2	
-19	81322-15		LINK - Offset, lower bungee spring	1	
-20	41271-04		LINK - Elevator horn, lower	1	
-21	10449-00		LINK - Elevator horn, upper	1	

A - Used on PA-22 with serial numbers 22-1 to 22-7642 inclusive
 B - Used on PA-22 with serial numbers 22-8000 and up.
 C - If Service Letter No. 400 has been complied with, order part for Serial Nos. 22-8000 and up.
 D - Not used if Service Letter No. 400 has been complied with.

When ordering, always specify Part Number, Description and Serial Number of Aircraft



Figure and Index Number	Part Number	Code	NOMENCLATURE	No. Req.	SERIAL NUMBERS AFFECTED
36-22	12650-00		ELEVATOR ASSEMBLY - Covered, LH	1	
-23	12650-01		ELEVATOR ASSEMBLY - Covered, RH	1	
-24	12649-00		ELEVATOR ASSEMBLY - Uncovered	1	
-25	80122-53		GROMMET - Drain	4	
-26	400 003		BOLT - (AN4-6A)	1	
	407 565		WASHER - (AN960-416)	2	
	406 682		STOP NUT - Elastic, No. 42E046	1	
	80012-17		BUSHING - Elevator horn, rear upper link attachment	1	
-27	12573-00		RUDDER ASSEMBLY - Covered	1	
-28	40622-07		RUDDER ASSEMBLY - Uncovered	1	
-29	12177-39		WIRE ASSEMBLY - Tail light	1	
-30	80122-53		GROMMET - Drain	2	
-31	424 224		PIN - Tail surface hinge (AN394-55)	6	
-32	80122-86		WASHER - Tail surface hinge pin	12	
-33	424 051		PIN - Cotter (AN380-2-2)	6	
-34	12648-00		STABILIZER ASSEMBLY - Covered, LH	1	
-35	12648-01		STABILIZER ASSEMBLY - Covered, RH	1	
-36	12647-00		STABILIZER ASSEMBLY - Uncovered	1	
-37	80122-53		GROMMET - Drain	3	
-38	400 443		BOLT - (AN3-12A) Rear	2	
-39	407 564		WASHER - (AN960-10)	4	
-40	406 681		STOP NUT - Elastic, No. 22M02	4	
-41	400 444		BOLT - (AN3-13A) Front	2	
-42	86062-79		TUBE - Stabilizer, rear liner	1	
	86062-79		TUBE - Stabilizer, rear liner, seaplane	1	
-43	80022-44		BUSHING - Bronze, insert, long, tail surfaces	6	
-44	80022-45		BUSHING - Bronze, insert, short, tail surfaces	12	
-45	401 266		BOLT - (AN3-5A)	1	
	406 681		STOP NUT - Elastic (No. 22M02)	1	
	407 564		WASHER - (AN960-10)	2	
-46	400 672		BOLT - (AN23-10)	1	
	404 100		NUT - (AN310-3)	1	
	424 051		COTTER PIN - (AN380-2-2)	1	
-47	80012-17		BUSHING - Elevator horn, rear upper link attachment	1	
-48	400 674		BOLT - (AN23-12)	2	
	407 564		WASHER - (AN960-10)	2	
	404 100		NUT - (AN310-3)	2	
	424 051		COTTER PIN - (AN380-2-2)	2	
-49	400 104		BOLT - (AN4-7)	2	
	424 051		PIN - (AN380-2-2)	2	
	404 101		NUT - (AN310-4)	2	
-50	400 440		BOLT - (AN3-6A)	1	
	406 681		STOP NUT - Elastic, No. 22M02	1	

When ordering, always specify Part Number, Description and Serial Number of Aircraft

1F19

INTENTIONALLY LEFT BLANK

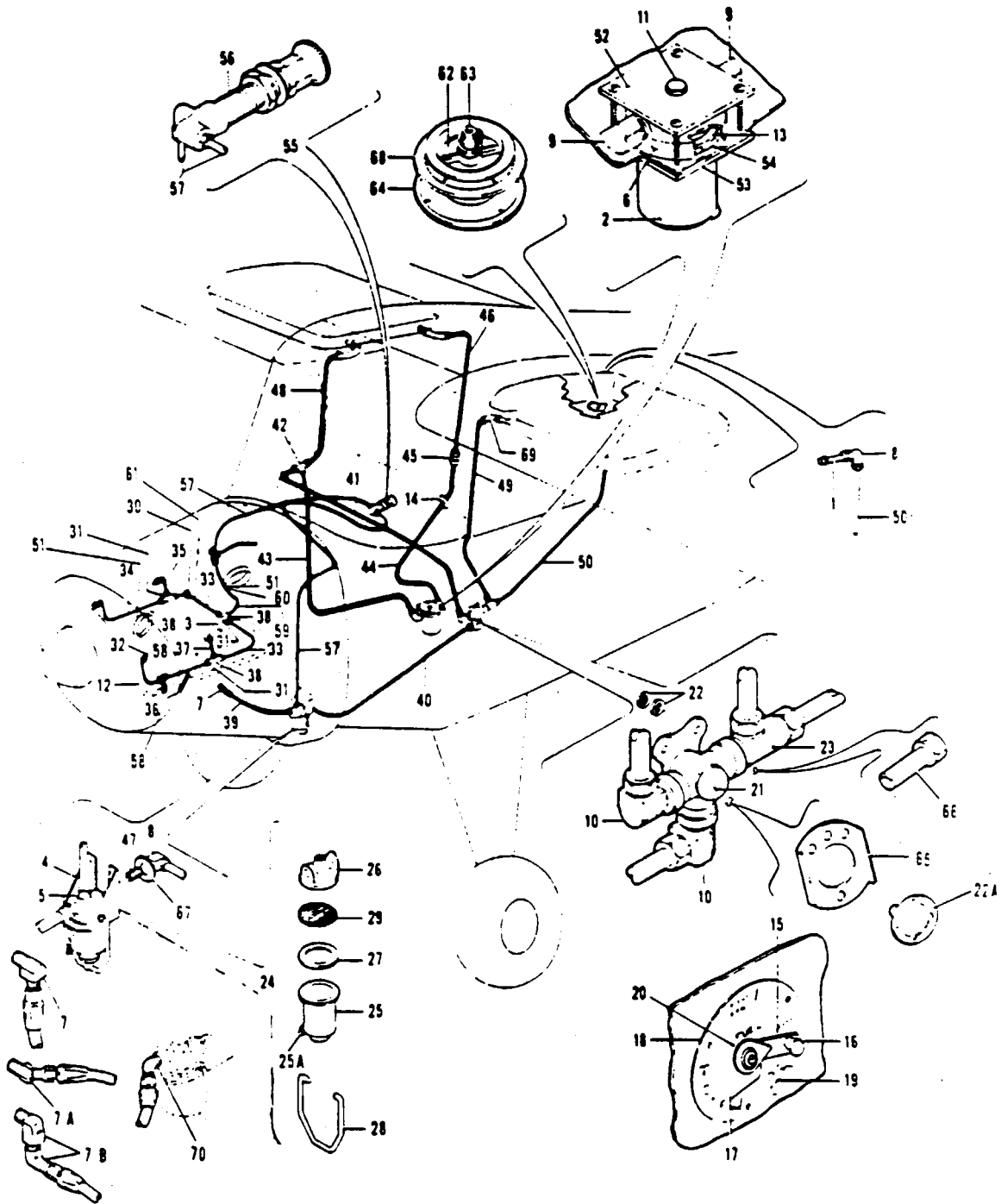


Figure 37. Fuel System Installation



Figure and Index Number	Part Number	Code	NOMENCLATURE	No. Req	SERIAL NUMBERS AFFECTED
37-	12709 14425 15119	A E	DRAWING - Fuel System Installation DRAWING - Fuel System Installation DRAWING - Fuel System Installation		22-2378, 22-2425 to 22-7642 incl. 22-8000 and up
-1	476 652		ADAPTER - Fuel line to left rear tank (AN840-6D)	1	
-2	12704-00	D	BOWL - Fuel strainer, E-Z drain type, bottom fuselage	1	
-3	12870-00	A	BRACKET - Primer line tee attachment at rear engine	1	
-4	71991-00		BRACKET ASSEMBLY - Fuel strainer mounting	1	
-5	460 651		CONNECTOR - Primer line to gascolator (W/H No. 200 x 2)	1	
-6	14425-00		COVER - Rear fuel strainer	1	
	14425-00	D	COVER - Rear fuel strainer, bottom of fuselage	1	22-2378, 22-2425 and up
-7	460 654	BC	ELBOW - Flexible fuel line to carburetor attachment (W/H No. 400 x 6)	1	
-7a	460 655	CE	ELBOW - Flexible fuel line to carburetor attachment (W/H No. 352 x 6)	1	
-7b	460 661		ELBOW - Flexible fuel line to carburetor attachment (W/H No. 3400 x 4)	1	22-9393 and up
	459 648		ELBOW - Flexible fuel line to carburetor attachment (AN822-6D)	1	22-9393 and up
-8	460 659		ELBOW - (1) Fuel line to gascolator (1) fuel line to left rear tank (W/H No. 450 x 6)	2	22-1 to 22-9000 inclusive
	460 659		ELBOW - (1) Fuel line to gascolator (1) fuel line to left rear tank (W/H No. 352 x 6)	2	22-9001 and up
-9	460 654	D	ELBOW - Fuel line to rear fuel strainer attachment (W/H No. 400 x 6)	2	
-10	460 654	D	ELBOW - (W/H No. 400 x 6) (Shutoff to right wing tank) 1 per ship (Shutoff to gascolator) 1 per ship	2	
-11	460 669	D	PLUG - Piper, top of rear strainer (not used when auxiliary fuel tank is installed) (W/H No. 3152 x 2)	1	
-12	11937-19	A	LINE ASSEMBLY - Primer tee (rear of engine) to left front cylinder, when manifold pressure gauge is installed	1	
-13	85012-32	D	GASKET - Rear fuel strainer	1	
-14	434 134	D	GROMMET - Rubber right rear fuel line attachment to frame (AN931-6-10)	1	
-15	13033-00	B	HANDLE - Fuel to shutoff	1	
-16	471 651	A	KNOB - Fuel valve shutoff handle	1	
	471 659	B	KNOB - Fuel shutoff valve handle (#3001-SD)	1	22-2378, 22-2425 and up
-17	12857-00	B	POINTER - Fuel valve	1	
-18	12709-01		PLATE - Indicator, fuel shutoff valve	1	
	15119-00	E	PLATE - Indicator, fuel shutoff valve	1	
-19	12709-02		PLATE - Reinforcement fuel valve indicator	1	
			A - Used on PA-22 with serial numbers 22-1 to 22-2377 inclusive and 22-2379 to 22-2424 inclusive. B - Not used on PA-22-108. C - If Kit 754 439 has been installed, order parts for Serial Nos. 22-9393 and up. D - Optional equipment on PA-22-108. E - Used on PA-22-108.		

When ordering, always specify Part Number, Description and Serial Number of Aircraft



Figure and Index Number	Part Number	Code	NOMENCLATURE	No. Req.	SERIAL NUMBERS AFFECTED
37-20	65012-67	D	WASHER - Fuel valve handle installation	1	
-21	11363-04	F	VALVE ASSEMBLY - Fuel shutoff	1	
	492 014	E	VALVE ASSEMBLY - Fuel shutoff	1	
-22	752 692	BG	GASKET	2	
	752 822	C	"O" RING	1	22-1760 and up
-22a	756 645		WASHER - Fuel valve	1	
-23	488 375	E	TEE - Inverted, left wing tank, fuel lines to shutoff valve (W/H 752 x 6)	1	
	488 313	F	TEE - Inverted, left wing tank, fuel lines to shutoff valve (W/H 702 x 6)	1	
-24	14330-02	A	STRAINER ASSEMBLY - Fuel (complete)	1	
-25	12764-00	A	BOWL - (E-2 drain type)	1	
-25a	492 022		DRAIN - (*CCA-1550)	1	
-26	14426-00	A	COVER - Strainer	1	
-27	85012-32	A	GASKET	1	
-28	494 644	A	BAIL WIRE ASSEMBLY	1	
-29	750 272	A	SCREEN - (*130P)	1	
-30	60032-69	A	CLAMP - Primer lines attachment on engine	4	
-31	14470-00	A	BRACKET - Mounting, primer line tees	3	
-32	466 340		JET - Primer, straight (includes ball sleeve and compression nut) (4 per ship with four cylinder priming)	2	
-35	11987-09		LINE ASSEMBLY - Primer tee (rear of engine) to rear cylinder	2	22-1 to 22-1759 inclusive
-34	10143-20		LINE - Primer, at right front cylinder	1	22-1 to 22-1759 inclusive
	10143-89	H	LINE - Primer, at right front cylinder	1	
	11987-61		LINE - Primer, at right front cylinder	1	22-3216, 22-3367 and up
-35	10143-61		LINE - Primer, at right rear cylinder	1	22-1 to 22-1759 inclusive
	10143-18	A	LINE - Primer, at right rear cylinder	1	
-36	10143-20		LINE - Primer, at left front cylinder	1	22-1 to 22-1759 inclusive
	10143-91	A	LINE - Primer, at left front cylinder	1	
-37	10143-61		LINE - Primer, at left rear cylinder	1	22-1 to 22-1759 inclusive
	10143-95	A	LINE - Primer, at left rear cylinder	1	
-38	460 652		TEE - Primer lines at engine (W/H No. 702 x 2) (3 per ship with four cylinder priming)	1	

- A - Used on PA-22 with serial numbers 22-2376, 22-2425 and up.
- B - Used with fuel valves which have a brass plug.
- C - Used with fuel valves which have a nickel silver plug.
- D - Not used on PA-22-106.
- E - Used on PA-22-106.
- F - Optional equipment on PA-22-106.
- G - Used on PA-22 with serial numbers 22-1 to 22-2377 inclusive and 22-2379 to 22-2424 inclusive.
- H - Used on PA-22 with serial numbers 22-2376, 22-2425 to 22-3217 inclusive and 22-3219 to 22-3366 inclusive.

When ordering, always specify Part Number, Description and Serial Number of Aircraft



Figure and Index Number	Part Number	Code	NOMENCLATURE	No. Req	SERIAL NUMBERS AFFECTED
37-39	17700-00	CD	LINE ASSEMBLY - Fuel, flexible, strainer to carburetor	1	22-9393 and up
-40	11973-03		LINE ASSEMBLY - Fuel, shutoff valve to gascolator	1	
	11973-09	E	LINE ASSEMBLY - Fuel, shutoff valve to gascolator	1	
-41	12800-00	G	LINE ASSEMBLY - Fuel, right front tank, tee to shutoff	1	
	12800-03	AF	LINE ASSEMBLY - Fuel, right front tank, tee to shutoff	1	
-42	488 37c	G	TEE - Compression, right front fuel line (W/H No. 64 x 6)	1	
	488 313	AF	TEE - Inverted (W/H No. 702 x 6) right front fuel line	1	
-43	12864-03		LINE ASSEMBLY - Fuel, right front tank, tee to rear strainer	1	22-354 to 22-4157 inclusive, 22-4189 to 22-4197 inclusive, 22-4200 and 22-4202
	12864-00		LINE ASSEMBLY - Fuel, right front tank, tee to rear strainer	1	
	12864-05	AF	LINE ASSEMBLY - Fuel, right front tank, tee to rear strainer	1	
-44	12862-00	B	LINE ASSEMBLY - Fuel, right rear tank, compression union to rear strainer	1	
	12862-05	AF	LINE ASSEMBLY - Fuel, right rear tank, inverted union to strainer	1	22-8000 to 22-9000 inclusive
-45	491 080	B	UNION - Compression right rear fuel line connection (W/H No. 62 x 6)	1	
	491 072	AF	UNION - Inverted (W/H No. 300 x 6) right rear fuel line connection	1	
-46	12863-00	B	LINE - Fuel, right rear tank, tank to compression union	1	22-8000 to 22-9000 inclusive
	14796-00	AF	LINE ASSEMBLY - Fuel, right rear tank, tank to inverted union	1	
-47	476 640		NIPPLE - 1/4 NPT 1-1/8" Long	1	
-48	12865-00	B	LINE ASSEMBLY - Fuel, tee to front of right tank	1	22-1 to 22-3217 inclusive and 22-3219 to 22-3336 inclusive
	14795-00	AF	LINE ASSEMBLY - Fuel, tee to front of right tank	1	
-49	12574-00		LINE ASSEMBLY - Fuel, shutoff to front of left tank	1	
	14005-00		LINE ASSEMBLY - Fuel	1	22-3218, 22-3337 and up

- A - Used on PA-22 with serial numbers 22-4188, 22-4198, 22-4199, 22-4201, 22-4203 and up.
- B - Used on PA-22 with serial numbers 22-1 to 22-4157 inclusive, 22-4189 to 22-4197 inclusive.
- C - Also order two clamps, Part No. 14929-03 when ordering this Hose Assembly for all PA-22-108 or PA-22-150 and PA-22-160 licensed or converted to utility category.
- D - When ordering for airplanes with serial numbers 22-1 to 22-9392, Installation Kit 754 439 must also be ordered.
- E - Used on PA-22-108.
- F - Optional equipment on PA-22-108.
- G - Used on PA-22 with serial numbers 22-1 to 22-4187 inclusive, 22-4189 to 22-4197 inclusive, 22-4200 and 22-4202.

When ordering, always specify Part Number, Description and Serial Number of Aircraft



Figure and Index Number	Part Number	Code	NOMENCLATURE	No. Req.	SERIAL NUMBERS AFFECTED
37-50	14173-00	C	LINE ASSEMBLY - Fuel, shutoff to rear of left tank	1	
	15204-03	B	LINE ASSEMBLY - Fuel, shutoff to rear of left tank	1	22-9001 and up
	14173-03	B	LINE ASSEMBLY - Fuel, shutoff to rear of left tank	1	22-8000 to 22-9000 inclusive
-51	18307-00		CLAMP - Primer line attachment to intake manifold tubes, right and left	2	22-2378, 22-2425 and up
-52	12868-02		PLATE - Top, rear fuel strainer mounting	1	22-1 to 22-2377 inclusive, 22-2379 to 22-2424 inclusive
	12868-04	D	PLATE - Top, rear fuel strainer mounting	1	22-2378, 22-2425 and up
-53	12868-03	D	PLATE - Bottom, rear fuel strainer mounting	1	
-54	12867-00	D	RING - Spacer, rear fuel strainer mounting	1	
-55	11382-00		PRIMER ASSEMBLY	1	
-56	451 103	D,V	PUMP - Primer (K-2406-SAE-2)	1	
-57	10143-65		LINE ASSEMBLY - Primer (to gascolator - 1 per ship) (to tee at engine - 1 per ship)	2	
-58	90797-02		SLEEVE - Primer line attachment at left front cylinder	1	22-2378, 22-2425 and up
-59	11987-57		LINE ASSEMBLY - Primer tee at left rear side of engine to tee at cylinders	1	22-2378, 22-2425 and up
-60	10143-93	A	LINE ASSEMBLY - Primer tee at left rear side of engine to left front cylinder (used when manifold pressure gauge is installed)	1	
-61	11987-55		LINE ASSEMBLY - Primer tee at left rear side of engine to right side tee	1	22-2378, 22-2425 and up
-62	15039-00	A	VALVE ASSEMBLY - Fuel drain	2	22-6785, 22-6858, 22-6960, 22-7642 inclusive
	15039-00	B	VALVE ASSEMBLY - Fuel drain	1	22-8000 and up
-63	492 057		VALVE - Quick drain (CCA-1600)	1	22-6785, 22-6858, 22-6960
-64	15038-00		PLATE - Fuel drain valve trim	2	22-6785, 22-6858, 22-6960, 22-7642 inclusive
	15038-00	B	PLATE - Fuel drain valve trim	1	22-8000 and up
-65	14307-00		WASHER - Fuel valve mounting	1	
-66	15133-00		LINE ASSEMBLY - Fuel valve to tee	1	
-67	80122-67		WASHER - Fuel line to fuel strainer	1	
-68	85012-78		WASHER - Fuel tank quick drain	1	
-69	82371-10		HOSE - Fuel tank to fuel line	2	
-70	458 892		ELBOW - (AN823-60)	1	22-9393 and up

A - Not used on PA-22-108.
 B - Used on PA-22-108.
 C - When ordering for aircraft not equipped with an elbow and an adapter at tank end of line, it will be necessary to order one (1) each elbow P/N 460 689 and one (1) each adapter P/N 476 652 for proper installation.
 D - Optional equipment on PA-22-10E.
 V - These parts must be ordered from Service Spares Department, Piper Aircraft Corporation, Vero Beach, Florida.

When ordering, always specify Part Number, Description and Serial Number of Aircraft

REVISED: JUNE 1977

1 G1

INTENTIONALLY LEFT BLANK

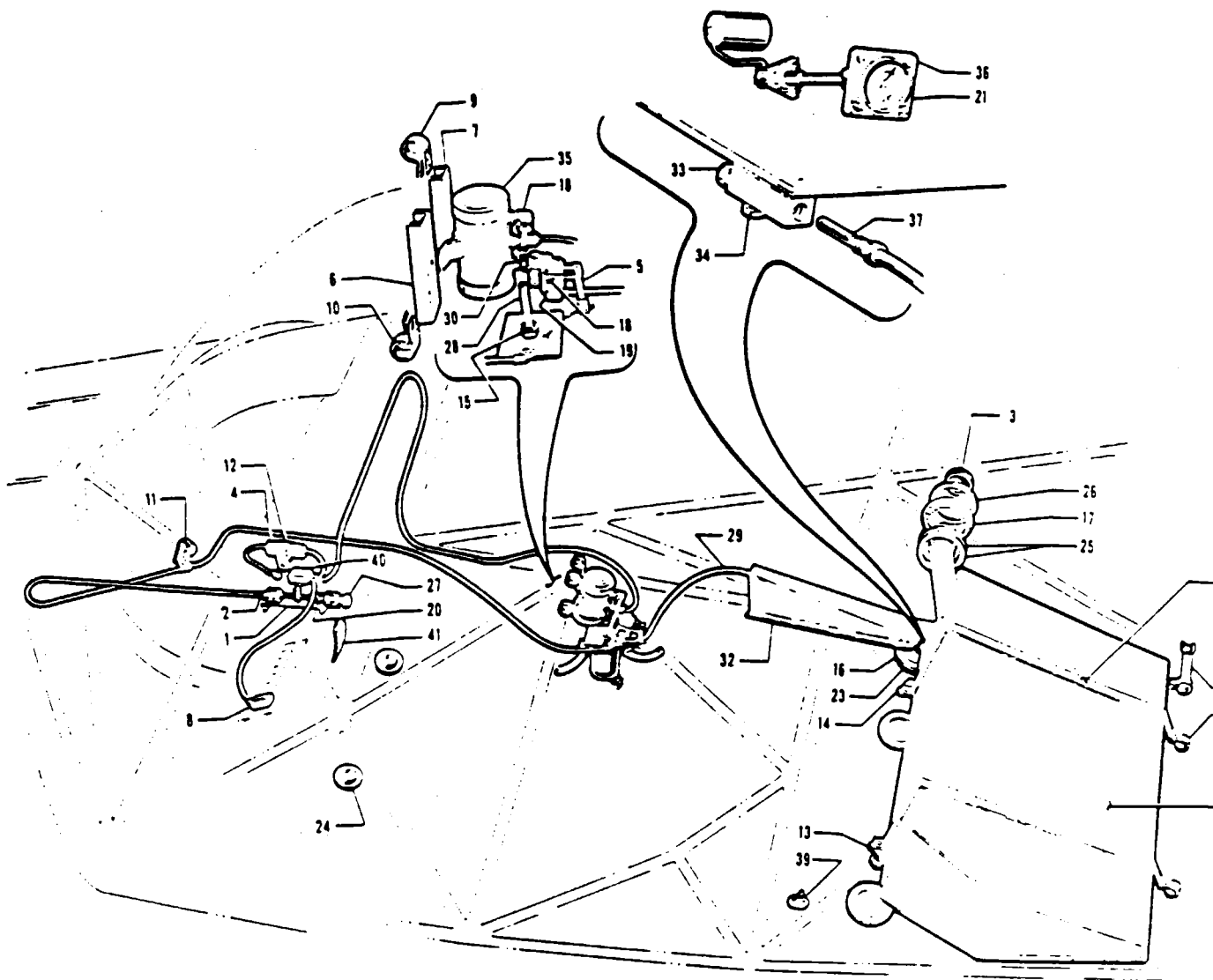


Figure 38. Auxiliary Fuel System Installation
(Serial Nos. 22-534 to 22-7642 inclusive)



Figure and Index Number	Part Number	Code	NOMENCLATURE	No. Req.	SERIAL NUMBERS AFFECTED
38-	14-54	A	DRAWING - Auxiliary Fuel Tank Installation, "135" and "150"		
-1	14523-00	A	BRACKET - Fuel pump switch, mounting	1	
-2	14524-00	A	CABLE ASSEMBLY - Control, valve and switch	1	
-3	454 009	A	CAP - Auxiliary fuel tank (Badger #600 S Special)	1	
-4	454 044	A	CAPACITOR - (500MFD 25 VD C) at fuel pump	1	
-5	492 056	A	VALVE ASSEMBLY - #4225-A2 fuel pump installation	1	
-6	14409-00	A	CHANNEL - Fuel pump mounting (short)	1	
-7	14416-00	A	CHANNEL - Fuel pump mounting (long)	1	
-8	454 048		CIRCUIT BREAKER - PSM5 Electric fuel pump installation (Spencer)	1	
	454 65c		CIRCUIT BREAKER - (2305-5) (Wood)	1	
-9	80032-59	A	CLAMP - Fuel pump channel attachment, top	2	
-10	80032-75	A	CLAMP - Fuel pump channel attachment, bottom "2"; tank installation rear "2"	4	
-11	80032-20	A	CLAMP - Cable attachment, electric pump valve control	3	
-12	80032-39	A	CLAMP - Attachment, capacitor	1	
-13	80032-7c	A	CLAMP - Fuel tank installation, front left	1	
-14	80032-77	A	CLAMP - Fuel tank installation, front right	1	
-15	4c0 c65	A	CONNECTOR - (W/H 200 x 4)	2	
-1c	12761-02	B	COVER - Inspection, round	4	
-17	1444c-00	A	DISC - (Aluminum, retainer, fuel tank neck grommet)	1	
-18	4c0 c77	A	ELBOW - (W/H 400 x 4)	2	
-19	458 920	A	ELBOW - Street (W/H 3400 x 2)	1	
-20	459 440	A	FERRULE - Switch and valve control cable end	1	
-21	14522-00	A	GAUGE - Fuel, in tank	1	
-22	14396-00	A	TANK ASSEMBLY - Auxiliary fuel	1	
-23	80122-49	B	GROMMET - Fuselage	4	
-24	4c3 872	A	GROMMET - (AN231-4) Fuselage	2	
-25	81342-81	A	GROMMET - (Pyralin) Fuel tank filler neck	2	
-2c	80122-48	A	GROMMET - (Rubber) Fuel tank filler neck	1	
-27	471 0c0	A	KNOS - #3004-SM (Black) Control cable, auxiliary fuel tank valve	1	
-28	14412-02	A	LINE ASSEMBLY - Fuel (pump to strainer)	1	
-29	14412-03	A	LINE ASSEMBLY - Fuel (tank to pump)	1	
-30	476 65c	A	NIPPLE - (W/H 3325 x 2)	1	
-31	1441c-00		TUBE ASSEMBLY - Rear seat support	3	22-807 and up
	1441c-04		TUBE ASSEMBLY - Rear seat support	3	22-354 to 22-807 inclusive
-32	14408-00	A	PLATE ASSEMBLY - Fuel line cover	1	
-33	4c0 c70	A	PLUG - (W/H 3152 x 6) Drain	1	
-34	4c0 c69	A	PLUG - (W/H 3152 x 2) Drain auxiliary fuel tank bottom	1	
-35	451 ccc	A	PUMP - Electric, fuel #476 067	1	
-3c	41c 128	A	SCREW - (AN501-10-6) Fuel gauge attachment	4	
-37	14548-00	A	STRAINER - Bottom of tank	1	
-38	14395-00	A	STRAP ASSEMBLY - Fuel tank	2	
-39	487 5c0	A	STUD - Durable dot #459, rear carpet installation	4	
-40	487 802	A	SWITCH - Toggle, fuel pump #86964	1	
-41	14544-00	A	TAG - Auxiliary fuel system operation	1	

A - Used on PA-22 with serial numbers 22-534 and up.
B - Used on PA-22 with serial numbers 22-2378, 22-2425 to 22-3217 inclusive and 22-3219 to 22-3386 inclusive.

When ordering, always specify Part Number, Description and Serial Number of Aircraft

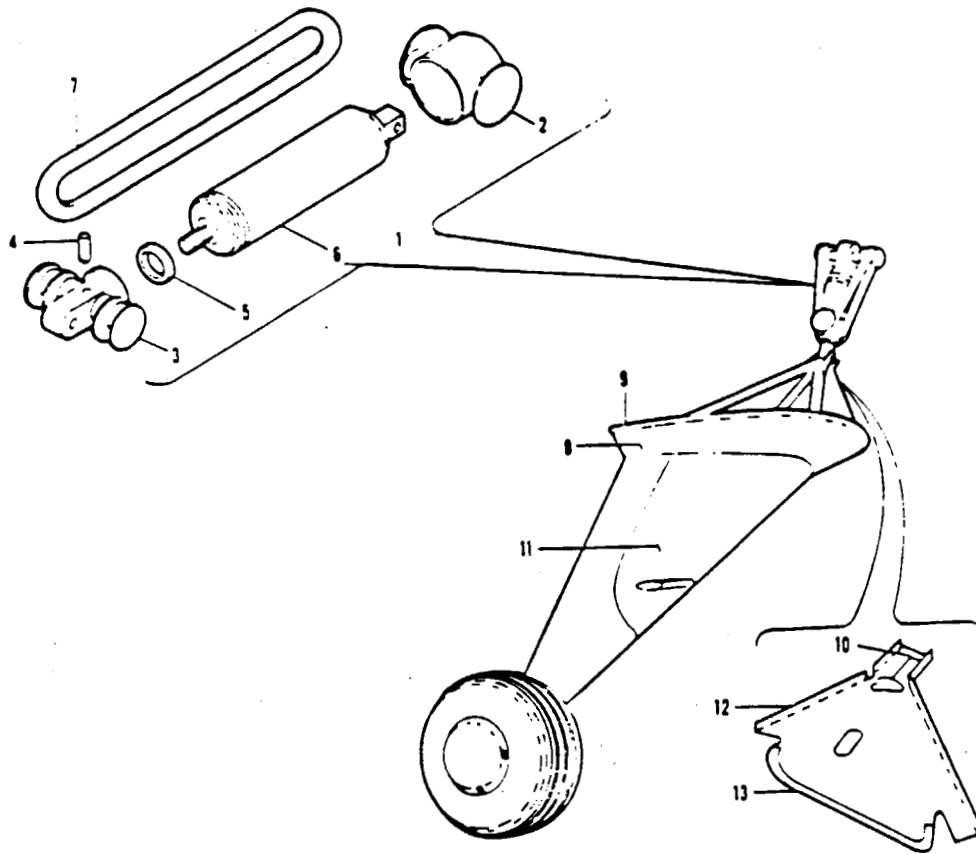


Figure 39. Landing Gear Shock Unit and Fairings Installation



Figure and Index Number	Part Number	Code	NOMENCLATURE	No. Req.	SERIAL NUMBERS AFFECTED
39-	13113 15142 15173	C D	DRAWING - Landing Gear Installation DRAWING - Landing Gear Installation DRAWING - Landing Gear Installation		22-1 to 22-7642 inclusive
-1	13146-00 13146-02		STRUT - Shock assembly (Hydrasorb) STRUT - Shock assembly (Hydrasorb)	2 2	22-1 to 22-7642 inclusive 22-8000 and up
-2	12875-00		FITTING ASSEMBLY - Shock strut end, bottom	1	
-3	12639-00		FITTING ASSEMBLY - Shock strut end, top	1	
-4	480 691		PIN	1	
-5	85012-57		WASHER - Bumper	1	
-6	487 558		SHOCK STRUT - (No. 18233-00)	1	
-7	31322-06 31322-02		RING - Shock cord (451 358) RING - Shock cord	2 2	22-1 to 22-7642 inclusive 22-8000 and up
-8	13150-01 13150-00		FAIRING - Landing gear, outer, RH FAIRING - Landing gear, outer, LH	1 1	
-9	13150-04		MOULDING - Rubber	1	
-10	11848-03		CHANNEL - Belly fairing stiffener	2	
-11	13749-00 14908-00	E	PLATE - Scuff, landing gear, RH PLATE - Scuff, landing gear, RH	1 1	22-354 to 22-4459 inclusive
-12	13152-01 13152-05 13152-06 13152-00	A B	FAIRING - Landing gear, belly, RH FAIRING - Landing gear, belly, RH FAIRING - Landing gear, belly, RH FAIRING - Landing gear, belly, LH	1 1 1 1	22-1 to 22-353 inclusive 22-354 and up
-13	19793-00		MOULDING - Rubber	24	
<p>A - Used on PA-22-106 if auxiliary fuel system is installed.</p> <p>B - Used on PA-22-106 if auxiliary fuel system is not installed.</p> <p>C - Used on PA-22 with serial numbers 22-8000 to 22-8269 inclusive, 22-8271 to 22-8288 inclusive, 22-8290, 22-8292, 22-8294 to 22-8297 inclusive, 22-8299 to 22-8303 inclusive, 22-8306, 22-8308 to 22-8317 inclusive, 22-8319 to 22-8333 inclusive, 22-8335 to 22-8454 inclusive, 22-8456.</p> <p>D - Used on PA-22 with serial numbers 22-8270, 22-8289, 22-8291, 22-8293, 22-8296, 22-8298, 22-8304, 22-8305, 22-8307, 22-8318, 22-8334, 22-8455, 22-8457 and up.</p> <p>E - Used on PA-22 with serial numbers 22-4143, 22-4460 to 22-7642 inclusive, 22-8270, 22-8289, 22-8291, 22-8293, 22-8298, 22-8304, 22-8305, 22-8307, 22-8318, 22-8334, 22-8455, 22-8457 and up.</p>					

When ordering, always specify Part Number, Description and Serial Number of Aircraft

166
INTENTIONALLY LEFT BLANK

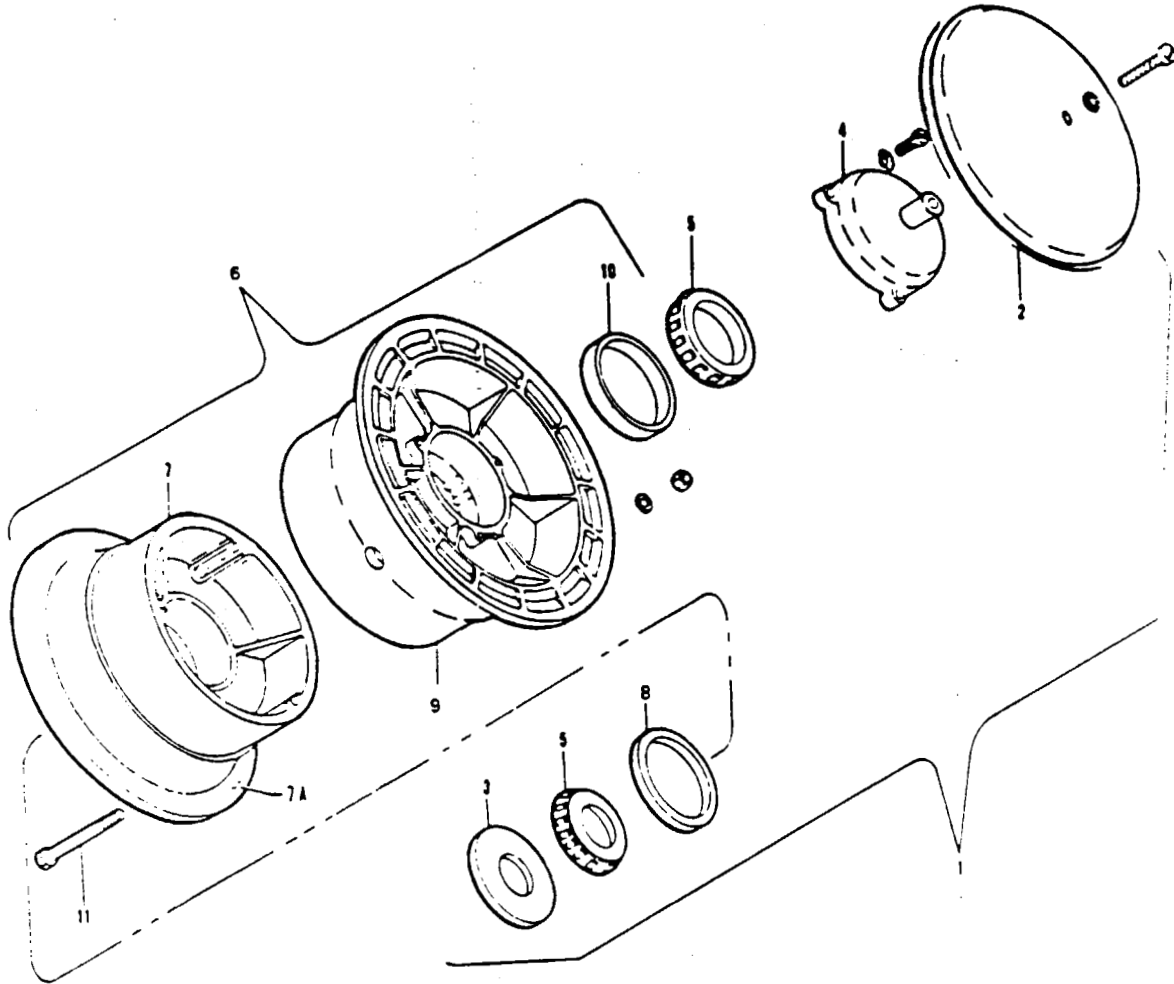


Figure 40. Main Wheel Assembly
(Used with Drum Brakes only)

MAIN WHEEL ASSEMBLY
(Used with Drum Brakes only)



SECTION
Chassis Gro

Figure and Index Number	Part Number	Code	NOMENCLATURE	No. Req.	SERIAL NUMBERS AFFECTED
40-1	451 750		WHEEL ASSEMBLY - Main, complete (C-38500-HA)	2	
-2	751 491		DUST CAP - Spinning, with screw (No. A38550)	1	
-3	752 882		GREASE SEAL ASSEMBLY - (No. B-39001)	2	
-4	751 490		HUB CAP WITH SCREWS - (No. A38520)	1	
	751 490	A	HUB CAP WITH SCREWS - (No. A38520)	1	
	751 510	B	HUB CAP WITH SCREWS - (No. A38520-A)	1	
-5	751 489		BEARING CONE - Timken (No. 13889)	2	
-6	753 130		WHEEL ASSEMBLY - Outer wheel half, inner wheel assembly, 3 thru bolts, washers and stop nuts (C-38500-H)	1	
-7	753 131		INNER WHEEL HALF - (C38100-H)	1	
-7a	751 673		DRUM - Brake (B38180A)	1	
-8	751 494		CUP - Bearing (No. 13836)	1	
-9	753 128		OUTER WHEEL HALF WITH BEARING CUP (C-38510-H)	1	
-10	751 494		CUP - Bearing (No. 13836)	1	
-11	751 364		BOLT - Thru wheel (AN4-36A)	3	

- A - This hub cap applicable only on airplanes where the main wheel assemblies do not include a placard on the outer wheel half numbered 3040.
- B - This hub cap is applicable only on airplanes where the main wheel assemblies are placarded with the number 3040 on the outer wheel half.

When ordering, always specify Part Number, Description and Serial Number of Aircraft

Figure and Index Number	Part Number	Code	NOMENCLATURE	No. Req.	SERIAL NUMBERS AFFECTED
40A-1	451 769		WHEEL ASSEMBLY - 6:00-6 Type III (40-26)	2	
-2	753 125		OUTER WHEEL HALF ASSEMBLY - (3041A)	1	
-3	751 494		CUP - Bearing (13836)	1	
-4	753 176		INNER WHEEL HALF ASSEMBLY - (161-16)	1	
-5	751 494		CUP - Bearing (13836)	1	
-6	754 518		BRAKE DISC ASSEMBLY - (164-5)	1	
-7	751 384		BOLT - (AN4-36A)	3	
-8	404 888		NUT - (AN365-428)	3	
-9	407 565		WASHER - (AN960-416)	3	
-10	752 947		SHIELD - Dust (A38550)	1	
-11	752 862		SEAL - Wheel grease	2	
-12	751 510		CAP - Hub (38520A)	1	
-13	756 128		SCREW - F. H. C. (#10-24 x 1/2)	1	
-14	753 178		LOCK WASHER - (#1210)	1	
-15	756 129		SCREW - F. H. C. (#6-32 x 1/2)	6	
-16	753 171		LOCK WASHER - (#1208)	6	
-17	751 489		CONE BEARING - (13889)	2	

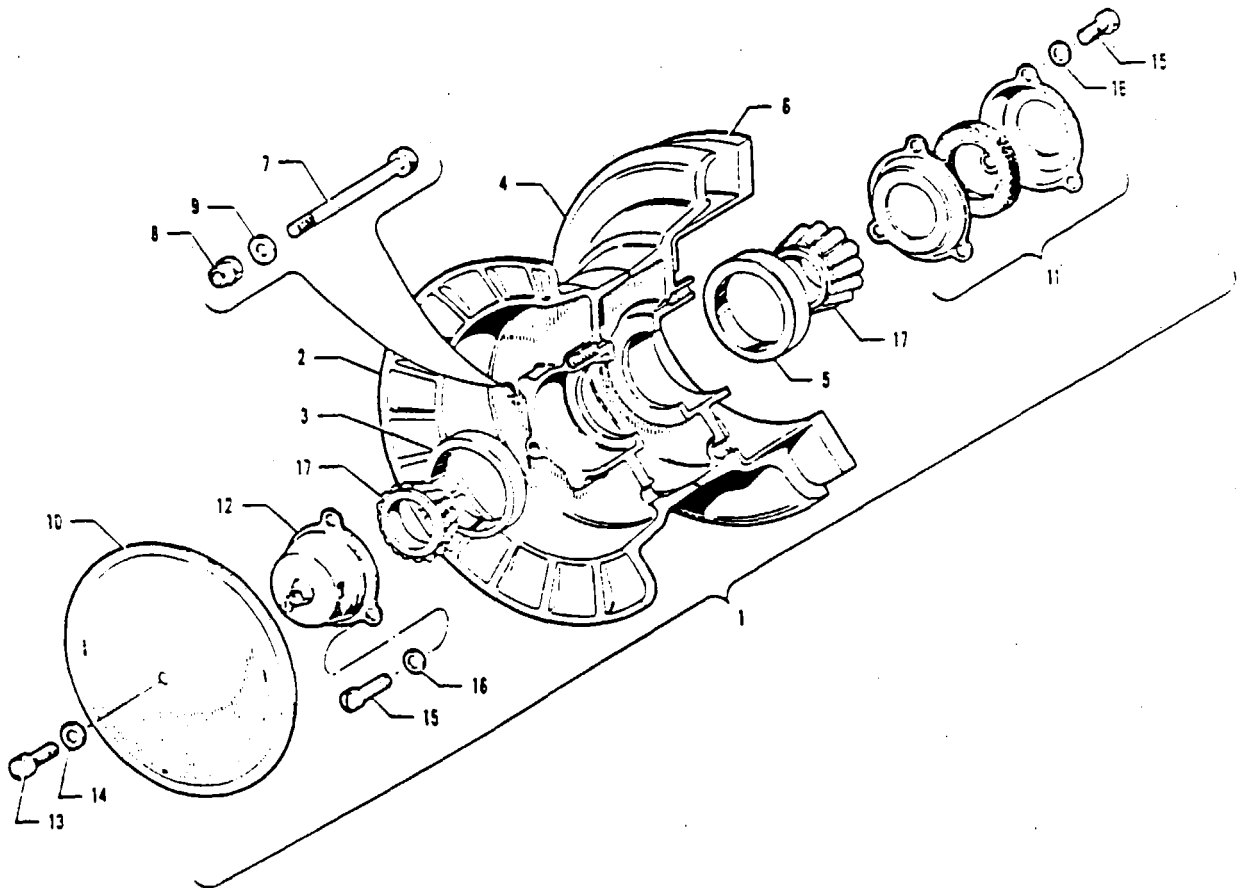


Figure 40A. Main Wheel Assembly
(Used with Disc Brake only)

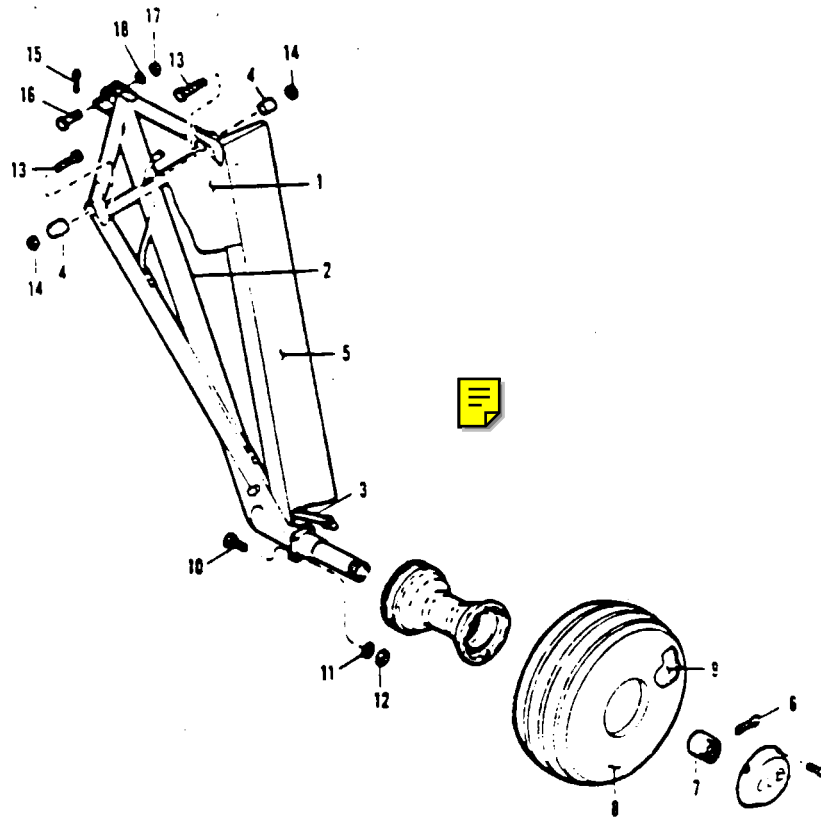


Figure 41. Landing Gear Vee



Figure and Index Number	Part Number	Code	NOMENCLATURE	No. Req	SERIAL NUMBERS AFFECTED		
41-1	13124-00	C	VEE ASSEMBLY - Covered, landing gear, LH	1	22-1 to 22-4459 inclusive		
	13124-11	B	VEE ASSEMBLY - Covered, landing gear, LH	1			
	13124-12	F	VEE ASSEMBLY - Covered, landing gear, LH	1			
	13124-04	DE	VEE ASSEMBLY - Covered, landing gear, LH	1			
	13124-01		VEE ASSEMBLY - Covered, landing gear, RH	1			
	13124-05	A	VEE ASSEMBLY - Covered, landing gear, RH	1			
	13124-09	B	VEE ASSEMBLY - Covered, landing gear, RH	1			
	13124-11	F	VEE ASSEMBLY - Covered, landing gear, RH	1			
	13124-03	D	VEE ASSEMBLY - Covered, landing gear, RH	1			
	13124-0c	E	VEE ASSEMBLY - Covered, landing gear, RH	1			
	-2	1301c-00	C	VEE ASSEMBLY - Uncovered, LH		1	22-1 to 22-4459 inclusive
		1301c-28	B	VEE ASSEMBLY - Uncovered, LH		1	
		1301c-30	F	VEE ASSEMBLY - Uncovered, LH		1	
		1301c-18	DE	VEE ASSEMBLY - Uncovered, LH		1	
1301c-01			VEE ASSEMBLY - Uncovered, RH	1			
1301c-21		A	VEE ASSEMBLY - Uncovered, RH	1			
1301c-29		B	VEE ASSEMBLY - Uncovered, RH	1			
1301c-31		F	VEE ASSEMBLY - Uncovered, RH	1			
1301c-19		D	VEE ASSEMBLY - Uncovered, RH	1			
1301c-24		E	VEE ASSEMBLY - Uncovered, RH	1			
13104-00		C	LINE ASSEMBLY - Brake LH and RH	1			
15172-00		E	LINE ASSEMBLY - Brake, LH	1			
15172-01		B	LINE ASSEMBLY - Brake, RH	1			
50022-03			BUSHING - Insert	2			
13125-00		FAIRING - Vee assembly, rear leg, LH and RH	1				

- A - Used on PA-22 with serial numbers 22-4460 to 22-7642 inclusive, 22-8000 to 22-8269 inclusive, 22-8271 to 22-8288 inclusive, 22-8290, 22-8292, 22-8294 to 22-8297 inclusive, 22-8299 to 22-8303 inclusive, 22-8306, 22-8308 to 22-8317 inclusive, 22-8319 to 22-8333 inclusive, 22-8335 to 22-8454 inclusive, 22-8456.
- B - Used on PA-22 with serial numbers 22-8270, 22-8289, 22-8291, 22-8293, 22-8298, 22-8304, 22-8305, 22-8307, 22-8318, 22-8334, 22-8455, 22-8457 and up.
- C - Used on PA-22 with serial numbers 22-1 to 22-7642 inclusive, 22-8000 to 22-8269 inclusive, 22-8271 to 22-8288 inclusive, 22-8290, 22-8292, 22-8294 to 22-8297 inclusive, 22-8299 to 22-8303 inclusive, 22-8306, 22-8308 to 22-8318 inclusive, 22-8319 to 22-8333 inclusive, 22-8335 to 22-8454 inclusive, 22-8456.
- D - Used when ski installation is installed on PA-22 with serial numbers 22-4142, 22-4144 to 22-4459 inclusive.
- E - Used when ski installation is installed on PA-22 with serial numbers 22-4143, 22-4460 and up.
- F - Used when ski installation is installed on PA-22 with serial numbers 22-8000 and up.

When ordering, always specify Part Number, Description and Serial Number of Aircraft



Figure and Index Number	Part Number	Code	NOMENCLATURE	No. Req.	SERIAL NUMBER AFFECTED
41-6	424 065		PIN - Cotter (AN380-4-2)	2	
-7	13020-00		NUT - Axle	2	
-8	451 720		TIRE - Rib tread (6:00 x 6, 4 ply) McCreary	2	
	761 970		TIRE - Rib tread (6:00 x 6, 4 ply) B. F. Goodrich	2	
-9	451 735		TUdE - 6:00 x 6	2	
-10	400 004		BOLT - (AN4-7A)	12	
-11	407 565		WASHER - (AN960-416)	12	
-12	406 682		NUT - Elastic stop (No. 42E048)	12	
-13	400 220		BOLT - (AN6-27)	4	
-14	406 683		NUT - (52E064)	4	
-15	424 051		PIN - Cotter (AN380-2-2)	2	
-16	400 160		BOLT - (AN5-15)	2	
-17	404 102		NUT - (AN310-5)	2	
-18	407 566		WASHER - (AN960-516)	2	

When ordering, always specify Part Number, Description and Serial Number of Aircraft

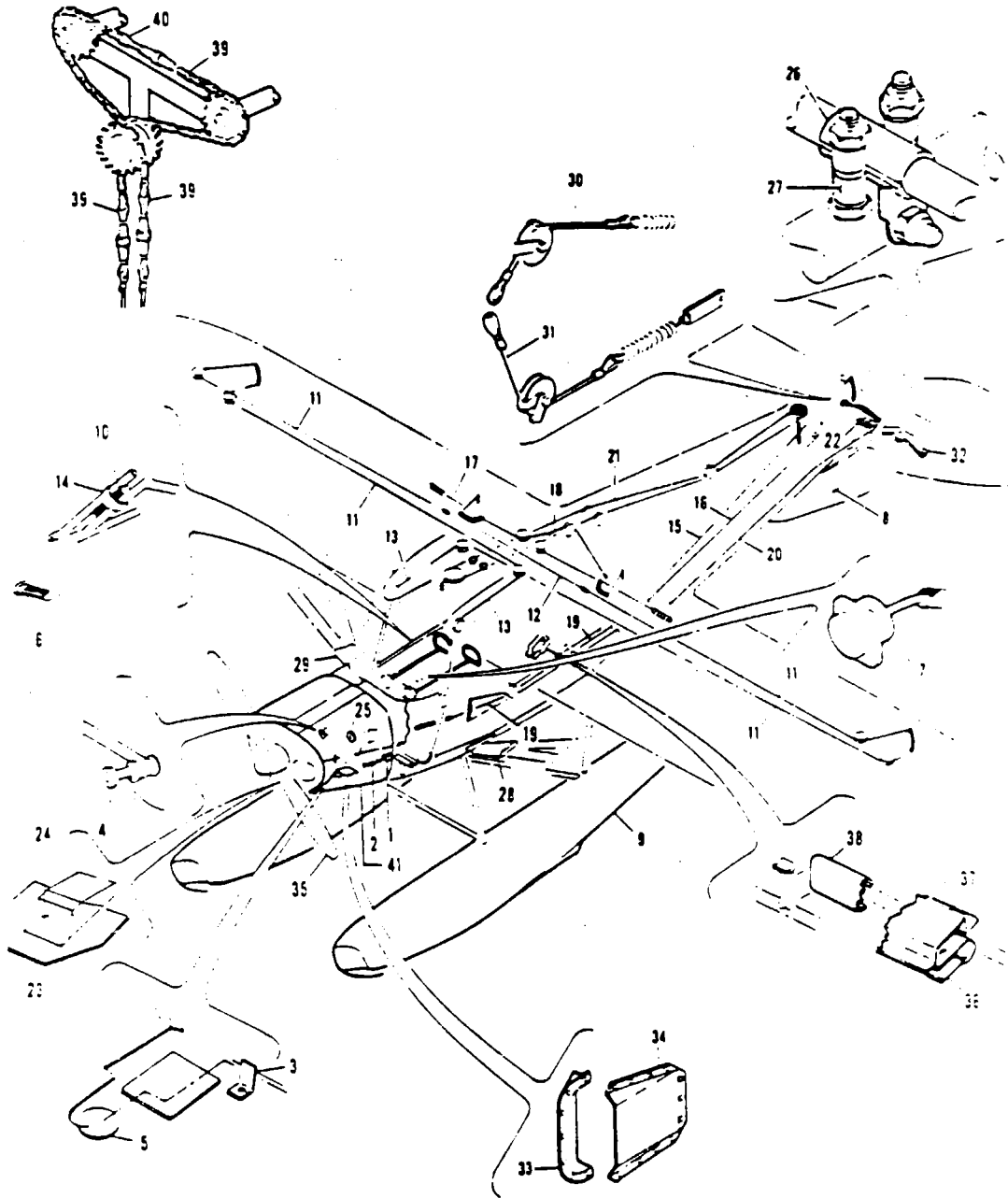


Figure 42. EDO Float Installation
(Serial Nos. 22-1 to 22-7642 inclusive)

PIPER PARTS CATALOG

Figure and Index Number	Part Number	Code	NOMENCLATURE	No. Req.	SERIAL NUMBERS AFFECTED
42-	14375 14450 14725	A	DRAWING - Float Installation, "135" DRAWING - Float Installation "150" and "160" DRAWING - Channel Installation (Used when floats are installed on PA-22 which have auxiliary fuel tank)		22-2378, 22-2425 and up 22-807 and up
	12501		DRAWING - Cowl Vent Installation (Used when Hartzell is installed on PA-22 22-3218, 22-3387 and up)		22-3218, 22-3387 and up
-1	81262-39	B	LINK - Rudder pedal return spring	2	
-2	42891-00	B	SPRING - Rudder pedal return	2	
-3	14377-00	B	ANGLE - Baffle support	2	
-4	14381-00	B	BUSHING ASSEMBLY - Spacer	2	
-5	12761-02	B	COVER - Inspection	1	
-6	14373-00	B	STEP ASSEMBLY	1	
-7	11339-09	A	INSTRUMENT - Airspeed indicator, "135" and "160"	1	
	11339-14		INSTRUMENT - Airspeed indicator, "150" and "160"	1	22-2378, 22-2425 and up
-8	11030-03		FIN ASSEMBLY - Auxiliary (covered) "150" and "160"	1	22-2378, 22-2425 and up
-9		B	FLOAT INSTALLATION - EDO Drawing No. 16270 (Secure from EDO)	1	
-10	14370-00	B	BLOCK - Step bumper	1	
-11	11527-02	B	CABLE - Aileron, stainless steel	4	
-12	40123-69	B	CABLE - Aileron balance, stainless steel	1	
-13	13108-02	B	CABLE - Aileron, stainless steel	1	
-14	14369-00	B	CLAMP - Step attachment	1	
-15	40123-67	B	CABLE - Elevator, stainless steel	1	
-16	40123-68	B	CABLE - Elevator, stainless steel	1	
-17	11694-04	B	CABLE - Flap return, stainless steel	2	
-18	12515-03	B	CABLE - Flap, stainless steel	1	
-19	40123-93	B	CABLE - Flap, stainless steel	1	
-20	13109-12		CABLE - Rudder, RH, stainless steel	1	22-3218, 22-3387 and up
	13109-10		CABLE - Rudder, LH, stainless steel	1	22-3218, 22-3387 and up
-21	41671-18	B	CABLE - Stabilizer adjustment, stainless steel	1	
-22	14483-00		FITTING ASSEMBLY - Auxiliary fin, rear	1	22-2378, 22-2425 and up
-23	14485-00		PLATE - Bottom cowl cover	1	22-2378, 22-2425 and up
-24	14484-00		SCOOP ASSEMBLY - Carburetor air box	1	22-2378, 22-2425 and up
-25	81342-76	B	WASHER - Nose wheel cover	4	
-26	11032-02		CLAMP ASSEMBLY - Auxiliary fin, top front	1	22-2378, 22-2425 and up
-27	11032-03		CLAMP ASSEMBLY - Auxiliary fin, bottom front	1	22-2378, 22-2425 and up
-28	14374-00	B	FAIRING - Bottom, left	1	
-29	14376-00	B	FAIRING - Bottom, right	1	
-30	40123-73		CABLE - Bungee, upper, stainless steel	1	22-354 and up
-31	40123-81		CABLE - Bungee, lower, stainless steel	1	22-354 and up
-32	485 615		ARM - Rudder (2719)	1	22-354 and up

A - Used on PA-22 with serial numbers 22-354 to 22-2377 inclusive and 22-2379 to 22-2424 inclusive,
B - Used on PA-22 with serial numbers 22-354 and up.

When ordering, always specify Part Number, Description, and Serial Number of Aircraft



Figure and Index Number	Part Number	Code	NOMENCLATURE	No. Req.	SERIAL NUMBERS AFFECTED
42-33	12504-00		VENT FLANGE - Cowl, "150" and "160" (used when Hartzell propeller is installed)	2	22-3218, 22-3387 and up
-34	12503-00		VENT PLATE - Cowl, "150" and "160" (used when Hartzell propeller is installed)	2	22-3218, 22-3387 and up
-35	450 996		PROPELLER - Sensenich (M74DM-56)	1	22-3218, 22-3387 and up
-36	80032-27		CLAMP		22-354 to 22-606 inclusive
-37	12480-00		CHANNEL		22-354 to 22-806 inclusive
-38	14724-00		CHANNEL - Reinforcement (used when auxiliary fuel tank is installed)	1	22-807 and up
-39	13444-05		EYE - Turnbuckle, control column chain installation, upper left and lower	3	
-40	13444-04		EYE - Turnbuckle, control column chain installation, upper right		
-41	14258-03		COWL ASSEMBLY - Engine bottom "160"	1	

When ordering, always specify Part Number, Description and Serial Number of Aircraft

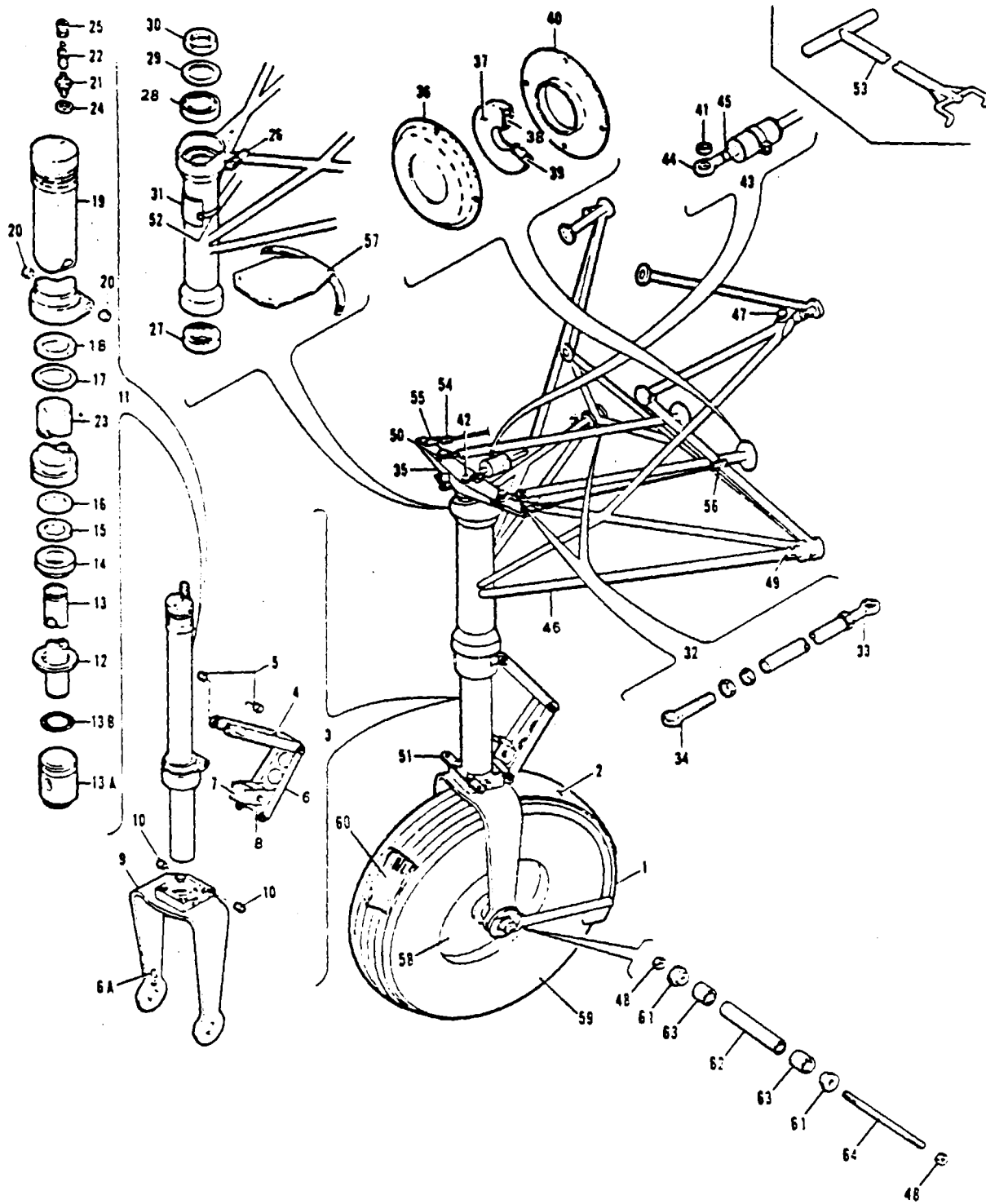


Figure 43. Nose Wheel Installation



Figure and Index Number	Part Number	Code	NOMENCLATURE	No. Req	SERIAL NUMBERS AFFECTED
43-	13113 13142 13173		DRAWING - Nose Wheel Installation DRAWING - Nose Wheel Installation DRAWING - Nose Wheel Installation		22-1 to 22-7642 inclusive 22-8000 to 22-9000 inclusive 22-9001 and up
-1	13216-00	B	BRACKET ASSEMBLY - Fender, nose wheel	1	
-2	13217-00	B	FENDER ASSEMBLY - Nose wheel	1	
-3	13117-00		STRUT ASSEMBLY - Nose wheel	1	
-4	13074-02		LINK ASSEMBLY - Torque, upper	1	
-5	80022-47		BUSHING - Insert, bronze	2	
-6	13074-03		LINK ASSEMBLY - Torque, lower	1	
-6a	406 817		NUT - Anchor, nose wheel fairing attachment	2	
-7	13114-00		BLOCK - Bumper, rubber	1	
-8	13115-00		BRACKET ASSEMBLY - Bumper block	1	
-9	13079-03		FORK ASSEMBLY - With block	1	
-10	80022-47		BUSHING - Insert, bronze	2	
-11	13079-02		OLEO ASSEMBLY	1	
-12	484 705		RING - Retaining, bearing tube (No. 5000-200)		
-13	753 026	C	TUBE ASSEMBLY - Inner, lower	1	22-1 to 22-7642 inclusive. 22-8000 to 22-9000 inclusive
	15205-00		TUBE ASSEMBLY - Inner, lower	1	22-9001 and up
-13a	15206-00		PLUG - Nose wheel oleo piston tube	1	22-9001 and up
-13b	484 733		PACKING - "O" Ring, Special	1	22-9001 and up
-14	187 625		STRIP - Wiper (5-1/4")		
-15	494 025		RING - Back up, inside bearing tube (AN6246-27)	1	
-16	484 695		RING - "O", inside bearing tube (AN6227-27)	1	
-17	462 050		RING - "O", outside bearing tube (AN6230-B2)	1	
-18	484 720		RING - Snap, top inner lower tube (No. 3478)	1	
-19	13069-00		TUBE ASSEMBLY - Outer upper	1	
-20	80022-47		BUSHING - Insert, bronze	2	
-21	455 124		VALVE BODY - Air (AN812-1)	1	
-22	455 124		VALVE CORE - Air (AN809-1)	1	
-23	13026-00		TUBE - Bearing (Lower inner tube assembly)	1	
-24	85012-91		VALVE GASKET - Air	1	
-25	454 053		VALVE CAP - Air (AN813-1A)	1	
-26	85061-00		STOP - Steering horn	2	
-27	452 332		BEARING - Main, oleo, lower (KP-33B)	1	
-28	452 419		BEARING - Main, oleo, upper	1	
-29	85012-72		WASHER - Seal, upper bearing	1	
-30	13071-00		COLLAR - Threaded, oleo retaining	1	
-31	13291-00		PLACARD - Oleo service instruction	1	
-32	13107-00	A	ROD ASSEMBLY - Nose wheel control	2	
	14079-00		ROD ASSEMBLY - Nose wheel control	2	22-3218, 22-3367 and up
-33	11001-00	A	EYE BOLT - Rod end	1	
-34	452 335	A	BEARING - (#M34-14)	1	
	452 357		BEARING - (#M34-14)	1	22-3218, 22-3367 and up

A - Used on PA-22 with serial numbers 22-1 to 22-2599 inclusive, 22-2602 to 22-3217 inclusive and 22-3219 to 22-3366 inclusive.
 B - Optional equipment on PA-22-108.
 C - Order Part No. 15205-00 if Kit 753 026 has been installed.

When ordering, always specify Part Number, Description and Serial Number of Aircraft



Figure and Index Number	Part Number	Code	NOMENCLATURE	No Req	SERIAL NUMBERS AFFECTED
43-35	13085-00		HORN ASSEMBLY - Steering, nose wheel	1	22-1 to 22-7642 inclusive
	14927-00		HORN ASSEMBLY - Steering, nose wheel	1	22-8000 and up
-36	13135-00		PLATE - Retainer, seal ring housing, nose wheel control rod (at firewall)	2	
-37	13134-00		HOUSING - Seal ring, nose wheel control rod (at firewall)	4	
-38	65012-71		RING - Seal nose wheel control rod (at firewall)	2	
-39	199 410		PACKING - Nose wheel control rod seal (at firewall)	10	
-40	13133-00		PLATE - Trim, nose wheel control rod (inside firewall)	2	
-41	56102-27	A	BUSHING - Insert, shimmy dampener, eye bolt	1	
-42	10636-02		CAP SCREW - Horn attachment	1	
-43	13086-00	B	DAMPENER ASSEMBLY - Nose wheel shimmy	1	22-1 to 22-6065 inclusive, 22-6068, 22-6069, 22-6071 to 22-6073 inclusive and 22-6075
	21701-02		DAMPENER ASSEMBLY - Nose wheel shimmy	1	22-6066, 22-6067, 22-6070 22-6074, 22-6076 to 22-7642 inc
	21701-04		DAMPENER ASSEMBLY - Nose wheel shimmy	1	22-8000 and up
-44	11601-02		EYE BOLT	1	
-45	13196-00		BUSHING - Threaded	1	22-3 to 22-21 inclusive
-46	13034-00		MOUNT ASSEMBLY - Nose wheel	1	
-47	400 009		BOLT - (AN4-14A)	2	
	406 662		STOP NUT - Elastic (No. 42E046)	2	
-48	404 664		STOP NUT - (MS20365-524C)	2	
-49	400 225		BOLT - (AN6-35)	2	
	406 664		STOP NUT - Elastic (No. 52E064)	2	
	407 567		WASHER - (AN960-616)	2	
-50	61342-24		WASHER - Steering rod attachment	2	
-51	13257-00		LINK - Tow bar	1	
-52	11473-40		PLATE - Oleo placard installation	1	
-53	13288-00		BAR ASSEMBLY - Tow	1	
	752 214		KIT - Landing gear, nuts and bolts	1	
-54	487 361	CD	SPRING - Steering equalizer	2	
-55	61262-51	C	LINK - Steering equalizer	2	
-56	14924-03	C	CLAMP ASSEMBLY - Steering equalizer	2	
-57	14057-00		BOOT ASSEMBLY - Nose wheel oleo, top cover	1	22-9649 and up

- A - This part is not included with Part No. 13086-00, Index No. 43.
- B - Order 21701-02 if attachment clamp is not welded to shimmy dampener.
- C - Used on airplanes with serial numbers 22-8000 and up or when Kit 754 174 has been installed or airplane has been converted to Utility Category on airplanes with serial numbers 22-1 to 22-7642 inclusive.
- D - When replacing steering equalizer springs, both springs must have 8" coils.

When ordering, always specify Part Number, Description and Serial Number of Aircraft



Figure and Index Number	Part Number	Code	NOMENCLATURE	No. Req.	SERIAL NUMBERS AFFECTED
43-58	451 755	A, B	WHEEL ASSEMBLY - Nose (38501)	1	
	451 784	A	WHEEL ASSEMBLY - Nose (40-76B)	1	
-59	451 720		TIRE - Rib tread (6:00 x 6, 4 ply) McCreary	1	
	761 970		TIRE - Rib tread (6:00 x 6, 4 ply) B. F. Goodrich	1	
-60	451 735		TUBE - 6:00 x 6	1	
-61	13090-00		CAP ASSEMBLY - Axle	2	
-62	86062-57	C	BUSHING - Nose wheel spacer	2	
	31786-04	D	BUSHING - Nose wheel spacer	2	
-63	86062-56		AXLE TUBE - Nose wheel	1	
-64	13089-00		AXLE ROD - Nose wheel	1	

- A - See Figure 43A for component parts.
- B - Part is no longer available. Order Wheel Assembly, Part No. 451 784 and two Spacer Bushings, Part No. 31786-04 when replacing Model 38501 Wheel. Order Part No. 451 784 Wheel only, if Model 40-76B has previously been installed.
- C - Used with Model No. 38501 Nose Wheel Assembly.
- D - Used with Model No. 40-76B Nose Wheel Assembly.

When ordering, always specify Part Number, Description and Serial Number of Aircraft

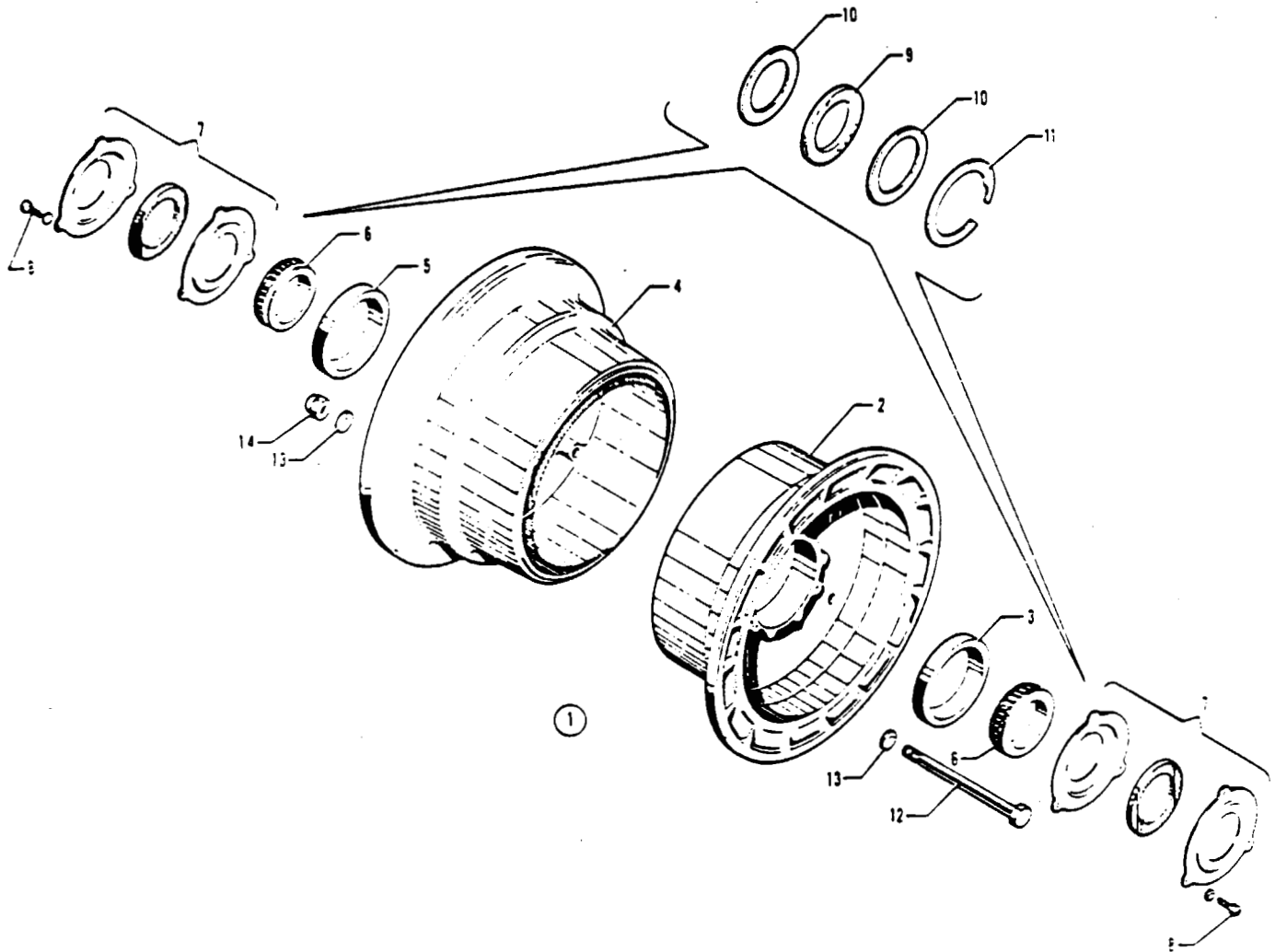


Figure 43A. Nose Wheel Assembly



Figure and Index Number	Part Number	Code	NOMENCLATURE	No Req	SERIAL NUMBERS AFFECTED
40A-1	451 755	A	WHEEL ASSEMBLY - Nose (38501)	1	
	451 754		WHEEL ASSEMBLY - Nose (40-76B)	1	
-2	753 129	B	WHEEL HALF ASSEMBLY - Inner (3045A)	1	
	753 195	C	WHEEL HALF ASSEMBLY - Inner (161-30)	1	
-3	751 494		CUP - Bearing (13836)	1	
-4	753 125	B	WHEEL HALF ASSEMBLY - Outer (3041-A) (with valve hole)	1	
	753 194	C	WHEEL HALF ASSEMBLY - Outer (162-27) (with valve hole)	1	
-5	751 494		CUP - Bearing (13836)	1	
-6	751 489		BEARING - Cone, Timken (13889)	2	
-7	752 882	B	GREASE SEAL ASSEMBLY - (B39001)	2	
-8	756 129	B	SCREW - (8-32 x 1/2)	6	
	407 134	B	WASHER - (AN936A8)	6	
-9	751 819	C	FELT - Grease seal (154-14)	2	
-10	755 964	C	RING - Grease seal (153-9)	4	
-11	752 830	C	RING - Snap (3023)	2	
-12	401 334	B	BOLT - (AN4-36A)	3	
	751 405	C	BOLT - (AN5-35A)	3	
-13	407 565	E	WASHER - (AN960-416)	6	
	407 566	C	WASHER - (AN960-516)	6	
-14	404 888	B	NUT - (AN365-428)	3	
	404 889	C	NUT - (AN365-524)	3	

A - Part is no longer available. Order Wheel Assembly Part No. 451 764 and two Spacer Bushings Part No. 31786-03 when replacing Model No. 38501 Wheel. Order Part No. 451 764 Wheel only, if Model No. 40-76B has previously been installed.
 B - Used on Model 38501 Wheel Assembly only.
 C - Used on Model 40-76B Wheel Assembly only.

When ordering, always specify Part Number, Description and Serial Number of Aircraft

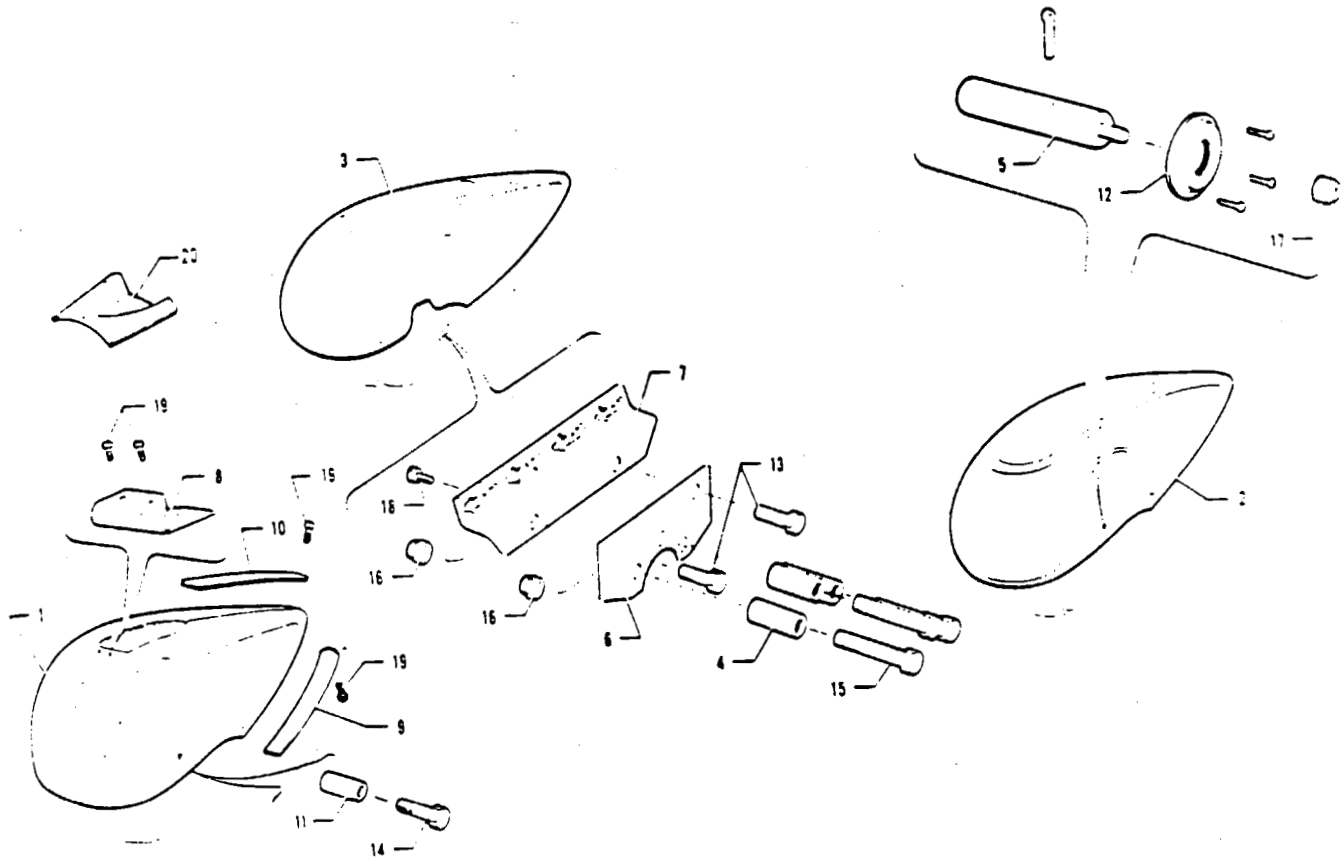


Figure 44. Wheel Fairing Installation



Figure and Index Number	Part Number	Code	NOMENCLATURE	No. Req.	SERIAL NUMBERS AFFECTED
44-	15055		DRAWING - Fairing Installation, Wheel		
-1	15052-00		FAIRING ASSEMBLY - Nose wheel	1	
-2	15060-00		FAIRING - Main wheel, left	1	
-3	15060-01		FAIRING - Main wheel, right	1	
-4	14976-55		BUSHING - Main wheel fairing spacer, L. 1"	6	
	14976-67		BUSHING - Main wheel fairing spacer, L. 1-3/8"	6	
-5	15046-00		TUBE ASSEMBLY - Wheel fairing support	2	
-6	15049-00		PLATE - Wheel fairing attachment	2	
-7	15052-03	A	BRACKET ASSEMBLY	2	
-8	15055-00		BRACKET ASSEMBLY - Nose wheel fairing upper attachment	1	
-9	15056-00		PLATE - Nose wheel fairing, inner splice	1	
-10	15057-00		PLATE - Nose wheel fairing, upper splice, 18" L.	1	
-11	82341-1c		BUSHING ASSEMBLY - Nose wheel fairing spacer	2	
-12	752 882		SEAL - Grease (#B39001)	2	
-13	401 307		BOLT - (AN4-4A)	12	
-14	400 011		BOLT - (AN4-16A)	2	
-15	400 012		BOLT - (AN4-17A) Used when 1" spacers are installed	6	
	401 318		BOLT - (AN4-20A) Used when 1-3/8" spacers are installed	6	
-16	404 888		NUT - (AN365-428) Used when 1" spacers are installed	6	
	404 88c		NUT - (AN364-428) Used when 1-3/8" spacers are installed	6	
-17	404 890		NUT - (AN365-624)	2	
-18	411 345		SCREW - (AN526-426R5)	8	
-19	41c 995		SCREW - (AN526-1032R6)	2	
-20	15064-00		PLATE - Nose wheel fairing, trim, upper splice 5" L.	1	
			A - This bracket requires 1-3/8" spacer bushings. Order spacer Part No. 14976-67 if 1" spacers are presently installed. (See Item 4)		

When ordering, always specify Part Number, Description and Serial Number of Aircraft

1G24

INTENTIONALLY LEFT BLANK

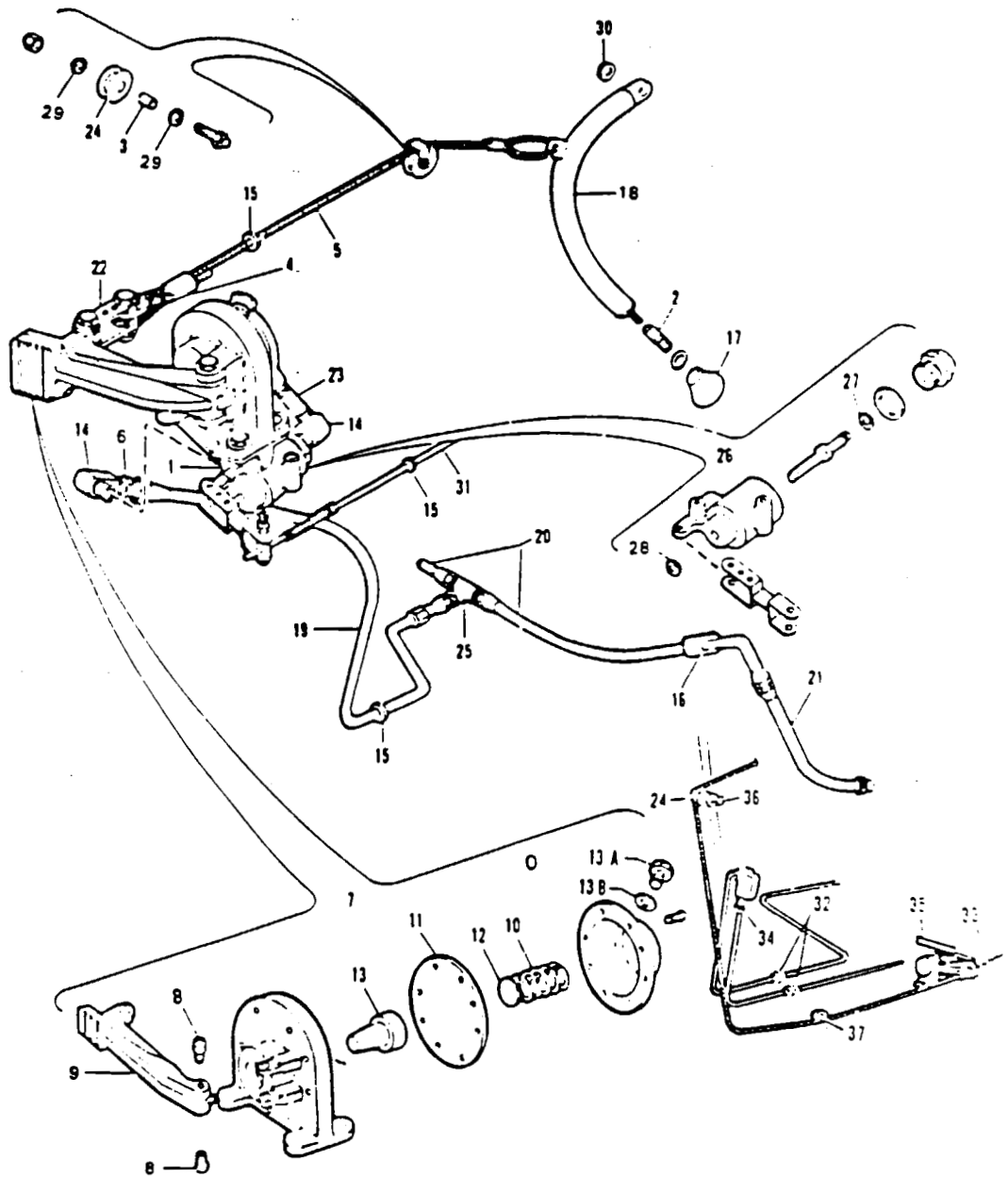


Figure 45. Brake Installation.



Figure and Index Number	Part Number	Code	NOMENCLATURE	No. Req.	SERIAL NUMBERS AFFECTED
45-	13054 14694	A	DRAWING - Brake Installation DRAWING - Brake Installation		22-3218, 22-3387 and up
-1	13161-00	A	BRACKET - Parking brake control valve support	1	
-2	11789-00	B	BUSHING - Insert, brake lever knob	1	
	11709-00	C	BUSHING - Insert, brake lever knob	1	
-3	80012-04		BUSHING - Spacer, brake control cable pulley installation	3	
-4	82732-68		BUSHING - Spacer, brake cable connector links	1	
-5	40123-91	A	CABLE ASSEMBLY - Brake control	1	
	14300-05		CABLE ASSEMBLY - Brake control	1	22-3218, 22-3387 and up
-6	460 682	A	CONNECTOR - Male, brake line to parking brake valve (W/H 48 x 4)	1	
-7	14726-00		CYLINDER - Brake master	1	
-8	750 997		BUSHING - Pedal attachment (B-1494)	2	
-9	750 999		PEDAL - With bushing (B-1714)	1	
-10	750 386		SPRING - (B-1256)	1	
-11	750 384		DIAPHRAGM - (No. 2844)	1	
-12	752 682		PAD - Diaphragm (No. 2003)	1	
-13	750 295		PISTON - (B-1383)	1	
-13a	750 387		SCREW - Vent (B-1258)	1	
-13b	750 379		GASKET - Vent (B-1159)	1	
-14	458 920	A	ELBOW - At parking brake valve (W/H 3400 x 2)	2	
	458 894		ELBOW - (AN822-4D)	2	22-3218, 22-3387 and up
-15	434 134		GROMMET - Rubber, at firewall, brake line and control cable (AN931-6-10)	3	
-16	434 138		GROMMET - Rubber, brake line opening, bottom fuselage (AN931-10-14)	2	
-17	471 056	D,E	KNOB - Brake lever, red	1	
	18875-07		KNOB - 95, brake lever, black	1	22-1760 and up
-18	13067-00	A	LEVER ASSEMBLY - Brake control, less knob	1	
	14690-00		LEVER ASSEMBLY - Brake control, less knob	1	22-3218, 22-3387 and up
-19	11987-29	A	LINE ASSEMBLY - Non-flexible, parking brake valve to tee	1	
	14720-00		LINE ASSEMBLY - Brake, valve to union	1	22-3218, 22-3387 and up
	14719-00		LINE ASSEMBLY - Brake, from union to tee in bottom of fuselage	1	22-3218, 22-3387 and up
-20	11987-41		LINE ASSEMBLY - Non-flexible, tee to flexible line at gear	2	
-21	15216-00		LINE ASSEMBLY - Flexible, fuselage to landing gear vee	2	

A - Used on PA-22 with serial numbers 22-1 to 22-2599 inclusive, 22-2600 to 22-3217 inclusive and 22-3219 to 22-3386 inclusive.
 B - Used with ivory or black knob.
 C - Used on PA-22 with serial numbers 22-1762 to 22-1784 inclusive, 22-1786 to 22-1793 inclusive, 22-1795, 22-1796, 22-1798, 22-1802 and 22-1804.
 D - Bushing not required with this knob.
 E - Used on PA-22 with serial numbers 22-1 to 22-2377 inclusive and 22-2379 to 22-2424 inclusive.

When ordering, always specify Part Number, Description and Serial Number of Aircraft



Figure and Index Number	Part Number	Code	NOMENCLATURE	No. Req.	SERIAL NUMBERS AFFECTED
45-22	13080-00		LINK - Connector, brake cable to brake cylinder arm	2	
-23	460 675	A	NIPPLE - Connector, brake cylinder to parking brake valve (W/H 3328 x 2)	1	
	14664-00	B	LINE ASSEMBLY - Non-flexible, union to valve	1	
	14662-00	B	LINE ASSEMBLY - Non-flexible, brake cylinder to union	1	
-24	11200-00		PULLEY - Brake control cable	2	22-1 to 22-9769 inclusive
	80421-00		PULLEY - Brake control cable	2	22-9770 and up
-25	488 369		TEE - Brake line connection in fuselage	1	
-26	492 023	A	VALVE - Parking brake control (No. 4200-A1)	1	
	14721-00	BC	VALVE - Parking brake control (492 042)	1	
	492 062	BD	VALVE - Parking brake control	1	
-27	752 791	C	"O" RING - 1/4 in. O. D. x 1/8 in. I. D. (On stem) (10V70-57-1)	1	
	752 855	D	"O" RING - (MS28784-6)	2	
-28	752 798	C	"O" RING - 3/8 in. O. D. x 1/4 in. I. D. (10V70-57-5)	1	
-29	81342-42		WASHER - Spacer, brake control cable pulley installation	6	
-30	13215-00		WASHER - Friction, brake lever attachment	1	
-31	41481-16		CABLE - Parking brake control	1	
-32	491 050	B	UNION - Brake line connector (AN815-4D)	2	
-33	487 306	B	SPRING - Return brake unit pedal #120	1	
-34	476 648	B	NIPPLE - (AN816-4D) At parking brake valve	1	
-35	14751-00	B	GUARD - Brake pedal	1	
-36	SK-699		CLAMP AND BRACKET ASSEMBLY - Brake cable, on firewall	1	22-3218, 22-3387 to 22-3507 inclusive, 22-3509 and 22-3513
-37	11200-00		PULLEY - Brake control cable, lower	1	22-3218, 22-3378 and up

A - Used on PA-22 with serial numbers 22-1 to 22-2599 inclusive, 22-2600 to 22-3217 inclusive and 22-3219 to 22-3386 inclusive.

B - Used on PA-22 with serial numbers 22-3218, 22-3387 and up.

C - Used when Scott valve is installed.

D - Used when Hoof valve is installed.

When ordering, always specify Part Number, Description and Serial Number of Aircraft

1H4

INTENTIONALLY LEFT BLANK

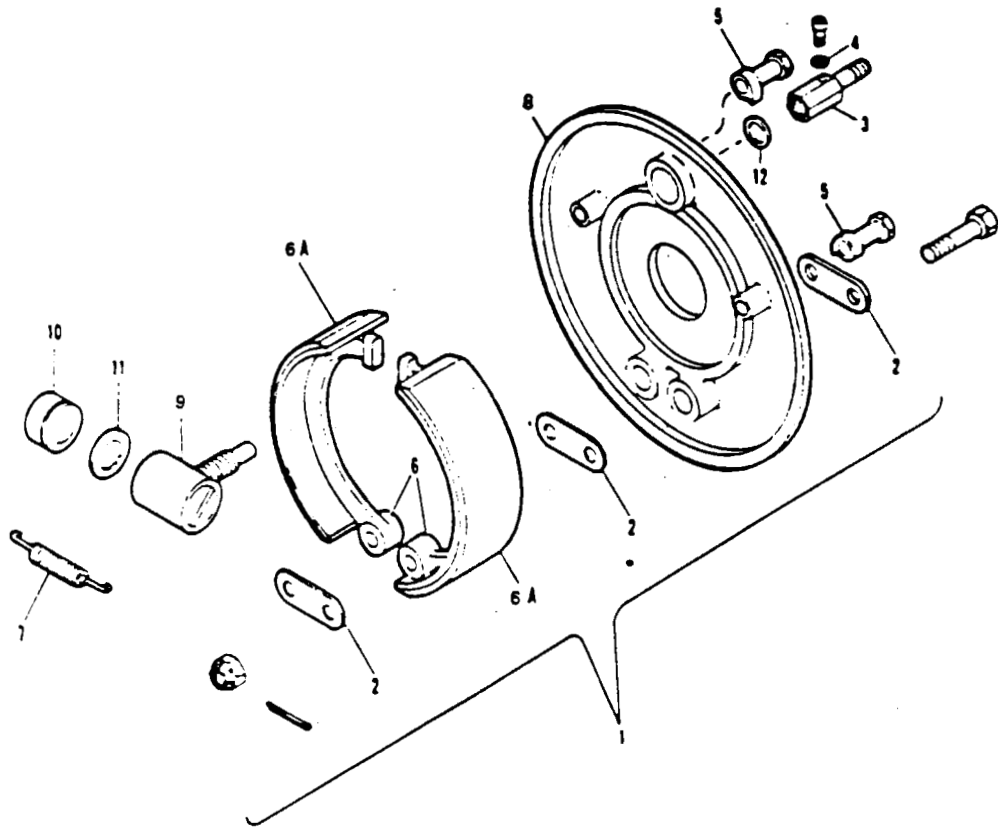


Figure 46. Brake Shoe Assembly

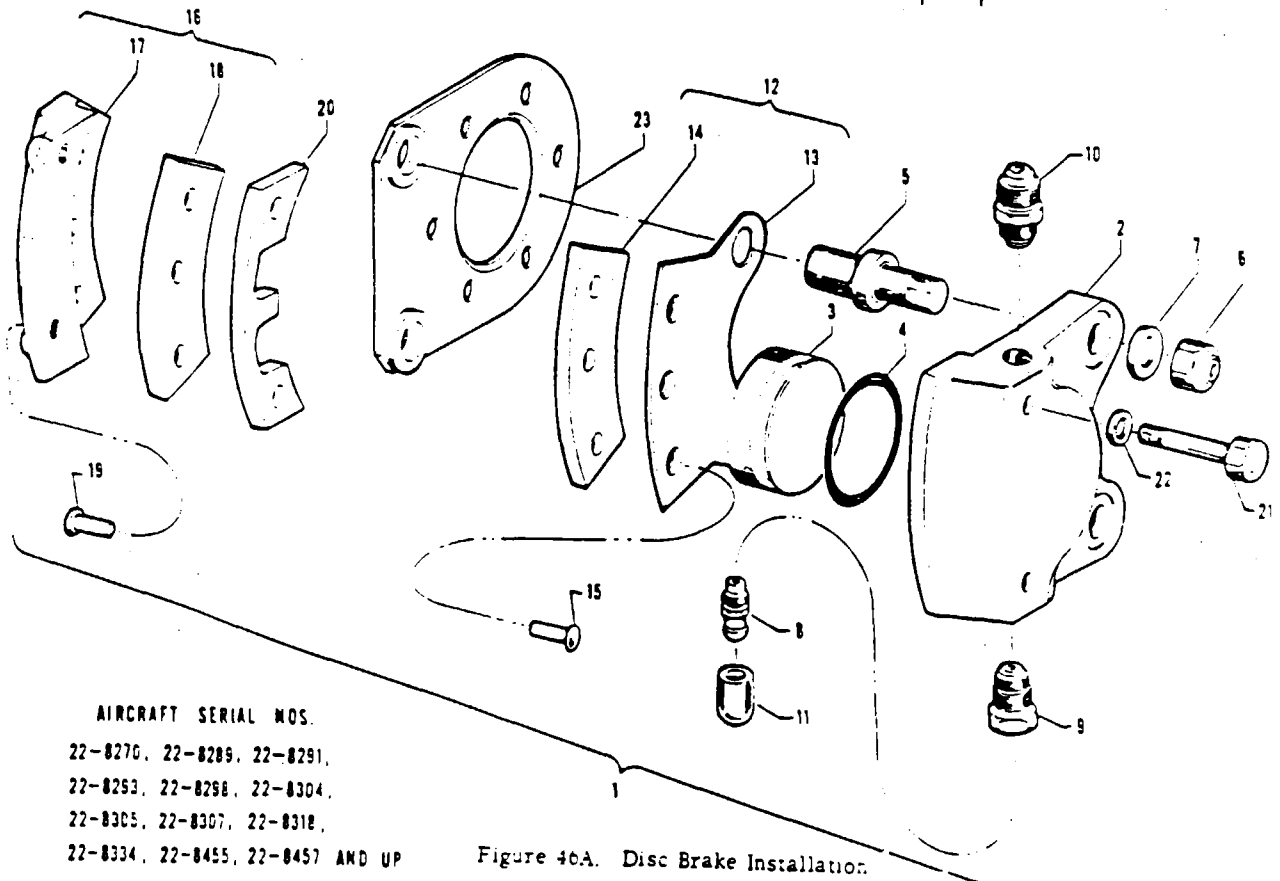


Figure and Index Number	Part Number	Code	NOMENCLATURE	No. Req.	SERIAL NUMBERS AFFECTED
4c-	13113 15142		DRAWING - Landing Gear Installation DRAWING - Landing Gear Installation		22-1 to 22-7642 inclusive 22-8000 to 22-8269 inclusive, 22-8271 to 22-8288 inclusive, 22-8290, 22-8292, 22-8294 to 22-8297 inclusive, 22-8299 to 22-8303 inclusive, 22-830c, 22-8306 to 22-8317 inclusive, 22-8319 to 22-8333 inclusive, 22-8335 to 22-8454 inclusive, 22-8456
-1	451 706		BRAKE ASSEMBLY - Complete (C-2000-H-7)	2	
-2	752 68c		BOLT PLATE - Anchor (A-7110-H)	3	
-3	751 380		VALVE BODY - Bleeder (A-2050-7)	1	
-4	752 786		"O" RING - For bleeder screw (AN6227-B3)	1	
-5	751 676		ADJUSTING ECCENTRIC - Brake (A-2300) RH	1	
	751 675		ADJUSTING ECCENTRIC - Brake (A-2300) LH	1	
-6	751 378		SHOE ASSEMBLY - Brake (B-2400-A-HR) RH	1	
	751 379		SHOE ASSEMBLY - Brake (B-2400-A-HL) LH	1	
-6a	752 370		LINING - Brake (66-5D)	1	
-7	752 881		RETURN SPRING - Shoe (A-7220-H)	1	
-8	752 685		TORQUE PLATE - (B-2010)	1	
-9	751 488		CYLINDER ASSEMBLY - (A-2200-H)	1	
-10	752 687		PISTON ASSEMBLY - (A-2600)	2	
-11	752 784		"O" RING - Piston (AN6227-B16)	2	
-12	484 700		"O" RING - Cylinder nipple (AN6227-B5)	1	

When ordering, always specify Part Number, Description and Serial Number of Aircraft



Figure and Index Number	Part Number	Code	NOMENCLATURE	No. Req.	SERIAL NUMBERS AFFECTED
40A-	15173		DRAWING - Landing Gear Installation		
-1	451 716		BRAKE ASSEMBLY - (30-18)	2	
-2	753 849		CYLINDER - Brake (61-6)	1	
-3	752 751		PISTON - (3002)	1	
-4	484 711		PACKING - "O" Ring (AN6227-23) (752 752)	1	
-5	751 402		BOLT - Anchor (3013)	2	
-6	404 836		NUT - (AN364-624)	2	
-7	407 587		WASHER - (AN960-616L)	2	
-8	752 965		SCREW - Bleeder (FC6446)	1	
-9	752 966		SEAT - Bleeder (37-206)	1	
-10	476 648		TUBE FITTING - (AN822-4D)	1	
-11	753 850		CAP - Bleeder (183-1)	1	
-12	755 815		PLATE ASSEMBLY - Pressure (73-3)	1	
-13	755 816		PLATE - Pressure (63-5)	1	
-14	752 308		LINING - (3006)	1	
-15	752 826		RIVET - (561)	3	
-16	752 765		PLATE ASSEMBLY - Back (74-2)	1	
-17	752 749		PLATE - Back (3012)	1	
-18	752 308		LINING - (3006)	1	
-19	752 826		RIVET - (561)	3	
-20	756 127		SHIM - (C-4)	1	
-21	751 450		BOLT - (AN4H-15A)	2	
-22	407 585		WASHER - (AN960-416L)	2	
-23	755 816		TORQUE PLATE ASSEMBLY - (75-16)	1	



AIRCRAFT SERIAL NOS.
22-8270, 22-8289, 22-8291,
22-8293, 22-8298, 22-8304,
22-8305, 22-8307, 22-8318,
22-8334, 22-8455, 22-8457 AND UP

Figure 40A. Disc Brake Installation.

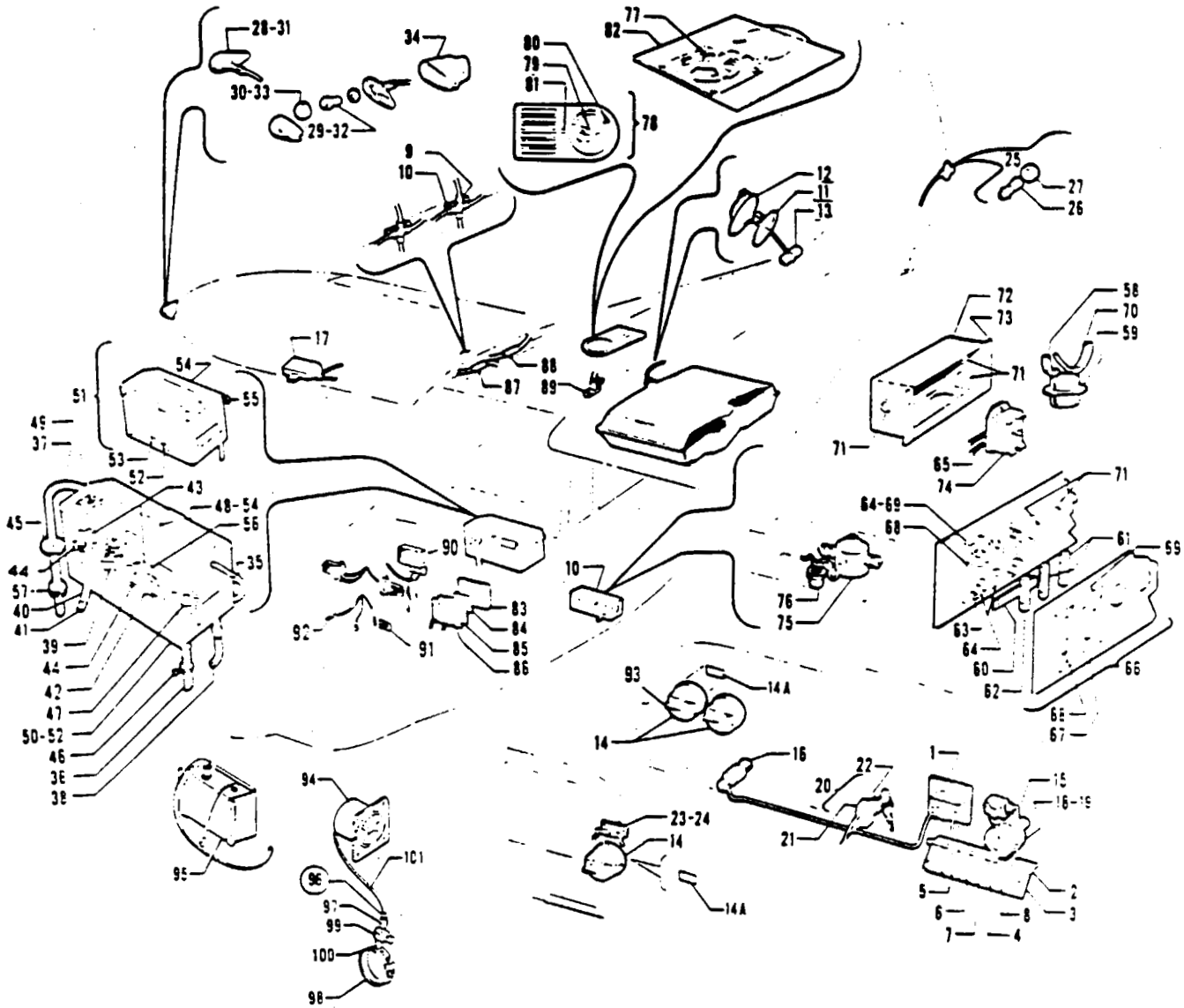


Figure 47. Electrical System Installation



Figure and Index Number	Part Number	Code	NOMENCLATURE	No. Req.	SERIAL NUMBERS AFFECTED
47-	12629 1346c 14706 14091 15146 15240 15168		DRAWING - Electrical System Installation DRAWING - Electrical System Installation DRAWING - Electrical System Installation DRAWING - Battery Box Installation DRAWING - Electrical System Installation DRAWING - Electrical System Installation DRAWING - Battery Box Installation		22-1 to 22-353 inclusive 22-354 to 22-3217 inclusive and 22-3219 to 22-3366 inclusive 22-3218, 22-3387 and up 22-1021, 22-1022, 22-1024 and 22-8000 to 22-9522 inclusive 22-9523 and up
-1	450 655		AMMETER ASSEMBLY	1	
-2	12691-00 14449-00	AB B	JUMPER - Circuit breaker JUMPER - Circuit breaker	1 1	22-2376, 22-2425 and up
-3	12687-02 13333-00 13460-00 14587-00 14992-00 15064-00 15064-02 15064-03	A C DE DE F F	PLATE - Circuit breaker mounting PLATE - Circuit breaker mounting PLATE - Circuit breaker mounting PLATE - Circuit breaker mounting PLATE - Circuit breaker mounting PLATE - Circuit breaker mounting PLATE - Circuit breaker mounting PLATE - Circuit breaker mounting	1 1 1 1 1 1 1 1	22-1 to 22-806 inclusive 22-2378, 22-2425 to 22-6351 inc 22-6352 to 22-7157 inclusive 22-7158 and up 22-8000 to 22-9522 inclusive 22-9523 and up
-4	454 648 454 65c		CIRCUIT BREAKER - PSM5, Fuel gauge CIRCUIT BREAKER - (2305) Fuel gauge	1 1	
-5	454 649 454 657	B B	CIRCUIT BREAKER - PSM10, landing light (Spencer) CIRCUIT BREAKER - (2310) Landing light (Wood)	2 2	
-6	454 649 454 657 454 656	B B F	CIRCUIT BREAKER - PSM10, Radio (Spencer) CIRCUIT BREAKER - (2310) Radio (Wood) CIRCUIT BREAKER - (2305) Radio (Wood)	1 1 1	
-7	454 648 454 656 454 649 454 657		CIRCUIT BREAKER - PSM5, Navigation light (Spencer) CIRCUIT BREAKER - (2305) (Wood) CIRCUIT BREAKER - PSM10 (Spencer) CIRCUIT BREAKER - (2310) (Wood)	1 1 1 1	
-8	454 652 454 660 454 650		CIRCUIT BREAKER - PSM25, generator, "135" and "150" (Spencer) CIRCUIT BREAKER - (2325) (Wood) CIRCUIT BREAKER - PSM15, generator, "115" and "125" (Spencer)	1 1 1 1	22-534 and up 22-1 to 22-535 inclusive
-9	455 161	A	CONNECTOR - Cross (3714)	2	
-10	11473-36	A	PLATE - Insulator	2	
-11	13002-00		GASKET - Tank fuel gauge (462 019)	2	

A - Used on PA-22 with serial numbers 22-1 to 22-2377 inclusive and 22-2379 to 22-2424 inclusive.

B - Optional equipment.

C - Used with Lear radio only when fuse and switch are mounted in plate.

D - Used with Narco and Lear radio when fuse and switch are not mounted in plate.

E - Used on PA-22 with serial numbers 22-1 to 22-2599 inclusive, 22-2600 to 22-3217 inclusive and 22-3219 to 22-3366 inclusive.

F - Used on PA-22-106 only.

When ordering, always specify Part Number, Description and Serial Number of Aircraft



Figure and Index Number	Part Number	Code	NOMENCLATURE	No. Req.	SERIAL NUMBERS AFFECTED
47-12	450 663		GAUGE ASSEMBLY - Fuel, tank unit (13009-00)	2	
-13	751 767		FLOAT ASSEMBLY - Fuel gauge	2	
-14	450 664	D	GAUGE - Fuel (panel unit)	1	22-1 to 22-3217 inclusive, 22-3219 to 22-3386 inclusive
	450 664		GAUGE - Fuel (panel unit)	2	22-3218, 22-3387 and up
	450 760	F	GAUGE - Fuel (panel unit) Main tank	1	22-8000 and up
-14a	15306-00		PLACARD - Fuel gauge	1	22-1 to 22-7642 inclusive
-15	12643-00	E	KNOB ASSEMBLY - Navigation light switch	1	
-16	472 653	E	LIGHTER - Cigarette	1	
-17	450 675	CE	INDICATOR - Safe flight	1	
-18	12325-03	AH	SWITCH ASSEMBLY - Navigation light (with wires)	1	
	12325-02		SWITCH ASSEMBLY - Navigation light (with wires)	1	
-19	464 575		SWITCH ASSEMBLY - Navigation light (36232) (less wires)	1	
-20	14314-02		SWITCH - Ignition, with keys	1	22-2266 to 22-7642 inclusive, 22-9523 and up
	14049-02		SWITCH - Ignition, with keys	1	22-1 to 22-2265 inclusive
-21	467 762		SWITCH - Ignition, with keys	1	22-1 to 22-906 inclusive and 22-910
	752 892	B	SWITCH - Ignition, with keys	1	22-9523 and up
	756 115	FG	SWITCH - Ignition, with keys	1	22-8000 to 22-9522 inclusive
-22	752 302	B	LOCK - Ignition, with keys	1	22-9523 and up
	752 325	F	LOCK - Ignition, with keys	1	22-8000 to 22-9522 inclusive
-23	13025-00	C	SWITCH ASSEMBLY - Fuel gauge	1	
-24	467 79c	C	SWITCH - Fuel gauge	1	
-25	472 667	H	LIGHT - White, tail	1	
-26	751 382	H	BULB - (GE #93)	1	
-27	751 203	H	LENS - White (#A2103-1)	1	
-28	472 666	H	LIGHT - Green, right wing	1	
-29	751 381	H	BULB - (#1512)	1	
-30	751 201	H	LENS - Green	1	
-31	472 665	H	LIGHT - Red, left wing	1	
-32	751 391	H	BULB - (#1512)	1	
-33	751 202	H	LENS - Red	1	
-34	12560-00	H	BRACKET ASSEMBLY - Navigation light, wing	2	
-35	13556-31	J	TUBE - Plastic, battery vent inlet	1	
-36	13556-03	J	TUBE - Plastic, battery drain	1	
-37	13556-06	J	TUBE - Plastic, battery vent outlet	1	
-38	14006-00	J	TUBE ASSEMBLY - Battery air intake	1	
-39	14072-00	J	TAG - Battery box service instructions	1	

- A - Used only when lighted compass is installed.
- B - Used on PA-22 with serial numbers 22-907, 22-908, 22-909, 22-911 to 22-7642 inclusive.
- C - Used on PA-22 with serial numbers 22-1 to 22-2599 inclusive, 22-2600 to 22-3217 inclusive and 22-3219 to 22-3386 inclusive.
- D - Used for PA-22-108 right wing fuel tank when auxiliary fuel system is installed.
- E - Optional equipment.
- F - Used on PA-22-106 only.
- G - If ignition switch, door lock and matching keys are desired, order Part No. 15157-00.
- H - Optional equipment on PA-22-108.
- J - Used on PA-22 with serial numbers 22-1021, 22-1022, 22-1024 and up.

When ordering, always specify Part Number, Description and Serial Number of Aircraft.



Figure and Index Number	Part Number	Code	NOMENCLATURE	No. Req.	SERIAL NUMBERS AFFECTED
47-40	11122-04 11122-02	C	CABLE ASSEMBLY - Battery ground CABLE ASSEMBLY - Battery ground	1 1	22-1 to 22-1020 inclusive and 22-1023
-41	189 080	C	DUCT - Battery ground cable	1	
-42	14086-00 476 674	F	HOSE - Terminal shield NIPPLE - Terminal shield (MS-2517-3)	1 1	22-1760 and up
-43	81342-56	C	WASHER - Terminal bolt attachment	2	
-44	14069-00	C	BOLT ASSEMBLY - Battery terminal	2	
-45	434 139	C	GROMMET - (AN931-10-20) Battery vent tubes installation	2	
-46	454 925	C	CLAMP - Battery drain tube (No. 18-882)	1	
-47	80032-43 454 920		CLAMP - Cable attachment CLAMP - Attachment (Starter cable and battery to switch box cable) plastic	1 3	22-1 to 22-1759 inclusive 22-1760 and up
-48	15169-00 14065-00 12045-05	D	LID ASSEMBLY - Battery box LID ASSEMBLY - Battery box LID ASSEMBLY - Battery box	1 1 1	22-1021, 22-1022, 22-1024 and 22-1 to 22-353 inclusive
-49	450 025 450 035	D	BATTERY - 12 Volt (Reading S-24) BATTERY - 12 Volt (Reading R-33)	1 1	22-1 to 22-353 inclusive 22-354 and up
-50	14064-07 12044-13		BOX ASSEMBLY - Battery, bottom BOX ASSEMBLY - Battery, bottom	1 1	22-1021, 22-1022, 22-1024 and 22-1 to 22-353 inclusive
-51	13459-00	A	BOX ASSEMBLY - Battery (complete)	1	
-52	13456-00	A	BOTTOM ASSEMBLY	1	
-53	90150-02	A	FIBRE STRIP	2	
-54	13457-00	A	LID ASSEMBLY	1	
-55	13447-00	A	PIN - Hinge	2	
-56	14070-00 434 138		STRIP - Insulation, positive terminal GROMMET - (AN931-10-14, 3/8 in., air vent outlet inner fairing	1 1	22-1021, 22-1022, 22-1024 and 22-1 to 22-1759 inclusive
-58	11227-02 14226-05		CABLE ASSEMBLY - Starter to switch box CABLE ASSEMBLY - Starter to switch box	1 1	22-1 to 22-1759 inclusive 22-1760 and up
-59	467 765 467 527	BH G	SWITCH - Starter (#185-0) SWITCH - Starter (#1875-0)	1 1	
-60	14712-00		BUSS BAR - Fuse block, master switch	1	22-3216, 22-3367 and up
-61	461 624		FUSE - Starter switch (No. 3AG-30 AMP)	2	
-62	461 623	E	FUSE - Safe flight indicator (5 AMP)	1	

A - Used on PA-22 with serial numbers 22-354 to 22-1020 inclusive and 22-1023.
B - Used on PA-22 with serial numbers 22-1 to 22-3676 inclusive, 22-3676 and 22-3879.
C - Used on PA-22 with serial numbers 22-1021, 22-1022, 22-1024 and up.
D - Used on PA-22-108.
E - Used on PA-22 with serial numbers 22-1 to 22-2599 inclusive, 22-2600 to 22-3217 inclusive and 22-3219 to 22-3366 inclusive.
F - Used on PA-22 with serial numbers 22-1021, 22-1022 and 22-1024 to 22-1759 inclusive.
G - Used on serial numbers 22-1 to 22-3076, 22-3676 to 22-3679 inclusive if Kit 756 895 has been installed.
H - If Starter Replacement Kit 756 895 has been installed, order Part with Code "G".

When ordering, always specify Part Number, Description and Serial Number of Aircraft



Figure and Index Number	Part Number	Code	NOMENCLATURE	No. Req.	SERIAL NUMBERS AFFECTED
47-63	12919-00		BUSS BAR - Fuse block	1	22-1 to 22-3217 inclusive and 22-3219 to 22-3366 inclusive
-64	90797-10		SLEEVE - Bus bar	2	
-65	153 320		SHIELDING - Wire (Placard No. 690-D)	25	
-66	12916-00	BE	BACK ASSEMBLY - Starter and master switch box	1	
	14769-00		BACK ASSEMBLY - Starter and master switch box	1	22-3877, 22-3680 and up
	14769-03	G	BACK ASSEMBLY - Starter and master switch box	1	
-67	13051-00		FUSE BLOCK - Doubler master switch	1	
-68	12156-02	C	FUSE BLOCK - Single safe flight indicator	1	
-69	12926-00	B	INSULATOR - Under fuse block	1	
	14770-00		INSULATOR - Under fuse block	1	22-3877, 22-3680 and up
-70	11134-06		CABLE ASSEMBLY - Battery to starter switch	1	22-1 to 22-1020 inclusive and 22-1023
	11134-09		CABLE ASSEMBLY - Battery to starter switch	1	22-1021, 22-1022 and 22-1024 to 22-1759 inclusive
	14226-04		CABLE ASSEMBLY - Battery to starter switch	1	22-1760 to 22-3685 inclusive
	14226-13		CABLE ASSEMBLY - Battery to solenoid	1	22-3877, 22-3680 and up
-71	434 136		GROMMET - Rubber, starter switch box (AN931-10-14)	3	
-72	12917-00	BE	PLATE - Switch box cover	1	
	14766-00	G	PLATE - Switch box cover	1	22-3877, 22-3680 and up
-73	12964-00	BE	BOX - Starter and master switch	1	
	14772-00		BOX - Starter and master switch	1	22-3877, 22-3680 and up
	14764-00	D	BOX - Starter and master switch	1	22-8000 to 22-8031, 22-9532 and
	14764-02	D	BOX - Starter and master switch	1	22-8032 to 22-9522 inclusive
	14764-03	G	BOX - Starter and master switch	1	
-74	487 776		SWITCH - Master (AN3023-1B)	1	
-75	487 149	G	SOLENOID - Starter switch box (=001464)	1	22-3877, 22-3680 and up
-76	487 527	FG	BUTTON - Starter switch (=1875-0)	1	
-77	487 241		SPEAKER - (Used with Bendix Radio) (PMR-24)	1	22-1 to 22-355 inclusive
	487 240		SPEAKER - (Used with General Electric Radio)	1	22-1 to 22-355 inclusive
	16476-00	A	SPEAKER - Radio (Used with Narco Radio Installation)	1	
	752 884	A	SPEAKER - Radio (Used with Lear Radio)	1	
-78	12702-05		DOME LIGHT AND SPEAKER GRILL ASSEMBLY	1	22-1 to 22-6351 inclusive
	12702-09	A	DOME LIGHT AND SPEAKER GRILL ASSEMBLY	1	22-6352 and up
-79	472 036	A	BULB - (Mazda No. 89)	1	
-80	472 330	A	LENS - Dome light	1	
-81	487 777	A	SWITCH - Dome light	1	

- A - Optional equipment on PA-22-106.
- B - Used on PA-22 with serial numbers 22-1 to 22-3676 inclusive, 22-3676 and 22-3679.
- C - Used on PA-22 with serial numbers 22-1 to 22-3217 inclusive and 22-3219 to 22-3366 inclusive.
- D - Used on PA-22-106.
- E - If Starter Replacement Kit 756 895 has been installed, order Part with Code "G".
- F - Used on airplanes with serial numbers 22-3877, 22-3680 to 22-8031 inclusive, and 22-9523 and up.
- G - Used on serial numbers 22-1 to 22-3676, 22-3676 to 22-3679 inclusive if Kit 756 895 has been installed.

When ordering, always specify Part Number, Description and Serial Number of Aircraft.



Figure and Index Number	Part Number	Code	NOMENCLATURE	No. Req.	SERIAL NUMBERS AFFECTED
47-82	12700-00		PANEL - Speaker (Used with General Electric, Bendix PAR-70A and PAT-50A Radios)	1	22-1 to 22-353 inclusive
	12951-00		PANEL - Speaker (Used with Bendix PATR-10A Radio)	1	22-1 to 22-353 inclusive
	13361-00		PANEL - Speaker (Used with Lear and Narco Radio Installations)	1	
-83	14310-00	B	PLATE - Mounting, magneto filter box	1	22-4143, 22-4460 to 22-7642 incl.
	15186-00	A	PLATE - Fibre, magneto filter trim	1	
	15195-00	C	PLATE - Firewall hole cover	1	
-84	14327-00	E	BLOCK - Terminal, magneto filter box	1	22-4143, 22-4460 and up
-85	14311-07	B	BOX ASSEMBLY - Magneto filter	1	22-4143, 22-4460 to 22-7642 incl.
	15187-00	A	BOX ASSEMBLY - Magneto filter	1	22-8000 to 22-9522 inclusive
	14311-02	E	BOX ASSEMBLY - Magneto filter	1	
-86	14309-00	E	BOX - Filter	1	22-4143, 22-4460 to 22-7642 incl.
	15185-00	A	BOX - Filter	1	22-8000 to 22-9522 inclusive
-87	14508-00		HARNESS ASSEMBLY - Navigation light	1	22-2378, 22-2425 and up
-88	14509-00		HARNESS ASSEMBLY - Cockpit spotlight	1	22-2378, 22-2425 and up
-89	472 660	A	LIGHT ASSEMBLY - Cockpit	2	
-90	492 643	D	VIBRATOR - Starter #10-87998-1	1	22-8000 to 22-9522 inclusive
-91	470 656	D	KIT ASSEMBLY - Magneto ground	1	22-8000 to 22-9522 inclusive
-92	470 657	D	KIT ASSEMBLY - Magneto retard	1	22-8000 to 22-9522 inclusive
-93	451 850		ADAPTER - Fuel gauge	1	
-94	752 120	F	GAUGE ASSEMBLY - Mixture control indicator	1	
	751 915	G	GAUGE ASSEMBLY - Mixture control indicator	1	
-95	751 291		AMPLIFIER ASSEMBLY - Mixture control gauge	1	
-96	756 907		THERMOCOUPLE ASSEMBLY - (With Mounting Kit)	1	
-97	756 307		THERMOCOUPLE - (Less Mounting Kit)	1	
-98	753 948		CLAMP - Thermocouple probe attachment	1	
-99	753 949		CLAMP ASSEMBLY - Thermocouple probe attachment	1	
-100	756 256		MOUNTING SLEEVE - Thermocouple probe attachment	1	
-101	753 212		WIRE ASSEMBLY - Mixture control gauge	1	

A - Optional equipment on PA-22-108.

B - Not used on PA-22-108.

C - Used when magneto filter is not installed.

D - Used on PA-22-108.

E - Used on PA-22-108 with serial numbers 22-9523 and up.

F - Used if Mixture Control Gauge Amplifier is not installed.G - Used if Mixture Control Gauge Amplifier is installed.

When ordering, always specify Part Number, Description and Serial Number of Aircraft

1H14

INTENTIONALLY LEFT BLANK

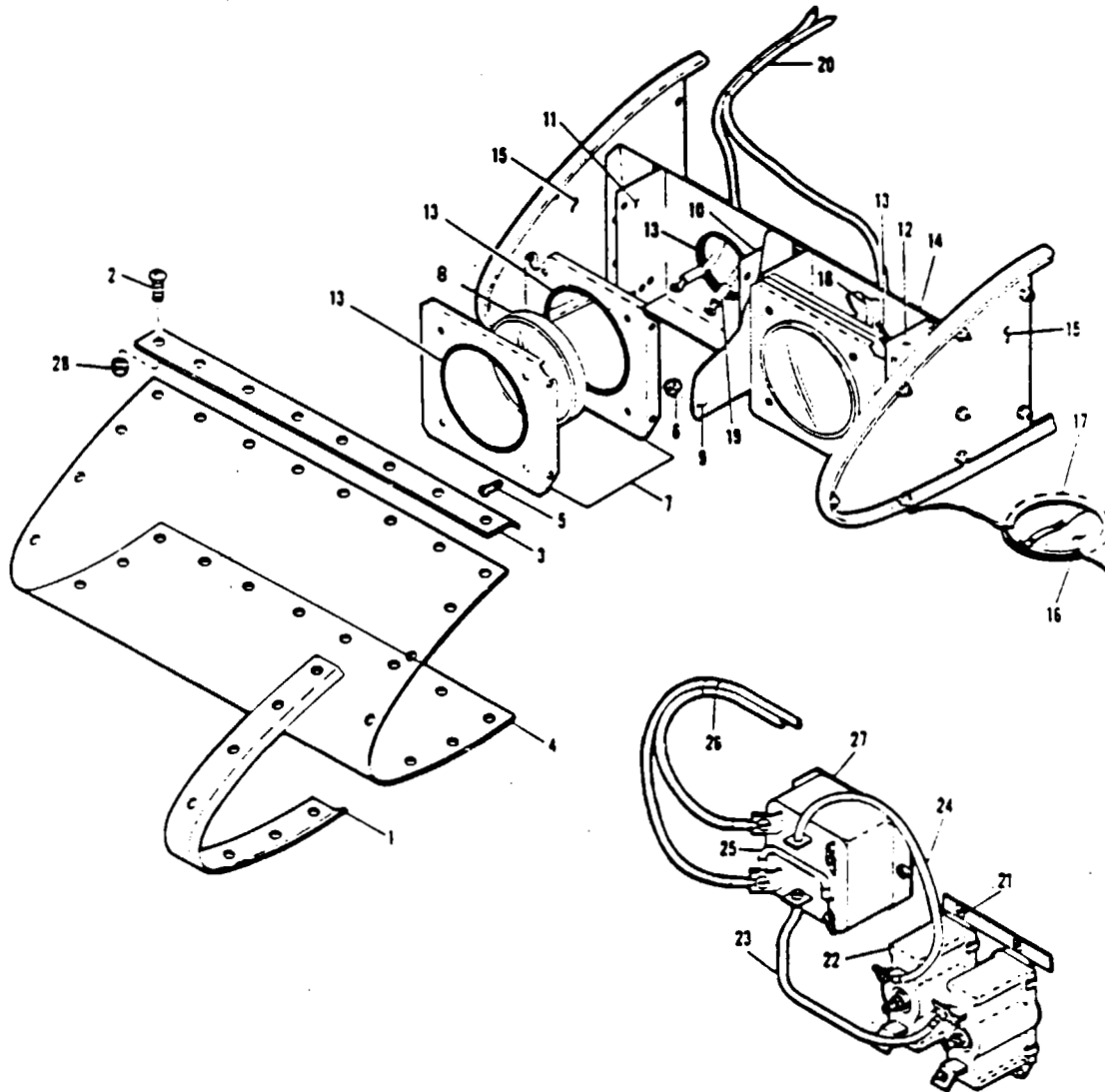


Figure 48. Landing Light Installation



Figure and Index Number	Part Number	Code	NOMENCLATURE	No. Req.	SERIAL NUMBERS AFFECTED
46-	12534	A	DRAWING - Landing Light Installation		
	14442	B	DRAWING - Landing Light Installation		
	14502	B	DRAWING - Landing Light Assembly		
-1	12533-03		STRIP - Landing light window attachment, side	2	22-1 to 22-4049 inclusive
	14766-00		STRIP - Landing light window attachment, side, left	1	22-4050 and up
	14766-01		STRIP - Landing light window attachment, side, right	1	22-4050 and up
-2	415 739		SCREW - Machine, round head (6-32 x 1/2" long)	73	
-3	12533-02	A	STRIP - Landing light window attachment, top and bottom	2	
	12533-04		STRIP - Landing light window attachment, top and bottom	2	22-2378, 22-2425 to 22-4049 incl.
	14787-02		STRIP - Landing light window attachment, top and bottom	2	22-4050 and up
-4	12532-00	A	WINDOW - Landing light	1	
	12532-02		WINDOW - Landing light	1	22-2378, 22-2425 to 22-4049 incl.
	14785-02		WINDOW - Landing light	1	22-4050 and up
-5	415 742		SCREW - Machine, round head (6-32 x 7/8" long)	8	
-6	406 678		STOP NUT - Elastic (No. 22M62)	43	
-7	12525-00		PLATE - Landing light attachment	4	
-8	472 6c1		LIGHT - Landing (No. 4509) (100 W. - 12 V.)	2	
-9	12529-03		PLATE - Rib reinforcement, center	1	
-10	12524-02		BRACKET - Landing light attachment, center	1	
-11	12524-03		BRACKET - Landing light attachment, outer right	1	
-12	12524-04		BRACKET - Landing light attachment, outer left	1	
-13	19795-00		MOULDING - Rubber	72	
-14	12527-00	A	PLATE - Landing light mounting	1	
	12527-02	E	PLATE - Landing light mounting	1	
-15	12529-02	A	PLATE - Rib reinforcement, outer	2	
	14425-00	B	PLATE - Rib reinforcement, outboard	1	
-16	12761-02		COVER ASSEMBLY - Round inspection plate (8 per airplane on "150")	6	
-17	80122-49		GROMMET - Cover, inspection (8 per airplane on "150")	6	
-18	12177-33	C	WIRE ASSEMBLY - Light, ground, 6" outboard	1	
	14230-22		WIRE ASSEMBLY - Ground outboard	1	22-2378, 22-2425 and up
-19	10128-83	C	WIRE ASSEMBLY - Ground, 6" inboard	1	
	14230-28		WIRE ASSEMBLY - Ground inboard	1	22-2378, 22-2425 and up
-20	12296-09	AD	HARNES ASSEMBLY - Wire, light to wing root	1	
	12296-03	E	HARNES ASSEMBLY - Wire, light to wing root	1	22-1 to 22-80c inclusive
	12296-17	B	HARNES ASSEMBLY - Wire, wing root connection to landing light	1	

- A - Used on PA-22 with serial numbers 22-1 to 22-2377 inclusive and 22-2379 to 22-2424 inclusive.
- B - Used on PA-22 with serial numbers 22-2378, 22-2425 and up.
- C - Used on PA-22 with serial numbers 22-1 to 22-2599 inclusive, 22-2600 to 22-3217 inclusive and 22-3219 to 22-338c inclusive.
- D - Used on airplanes where wire assemblies have knife disconnects only.
- E - Used on airplanes where wire assemblies have end terminals only.

When ordering, always specify Part Number, Description and Serial Number of Aircraft



Figure and Index Number	Part Number	Code	NOMENCLATURE	No. Req.	SERIAL NUMBERS AFFECTED
46-21	415 740		SCREW - Machine, round head (o-32 x 3/8" long)	4	
-22	454 649		CIRCUIT BREAKER - PSM-10 (Spencer)	2	
	454 657		CIRCUIT BREAKER - (2310) (Wood)	2	
-23	10126-62	A	WIRE ASSEMBLY - Switch to circuit breaker	1	
	14230-27		WIRE ASSEMBLY - Switch to circuit breaker	1	22-2378, 22-2425 and up
-24	12177-64	A	WIRE ASSEMBLY - Switch to circuit breaker	1	
	14230-23		WIRE ASSEMBLY - Switch to circuit breaker	1	22-2378, 22-2425 and up
-25	12177-65	A	WIRE ASSEMBLY - Jumper	1	
	14230-24		WIRE - Jumper	1	22-2378, 22-2425 and up
-26	12296-18	B	HARNESS ASSEMBLY - Wire, wing root to switch	1	
	12296-05	C	HARNESS ASSEMBLY - Wire, wing root to switch	1	22-1 to 22-60e inclusive
-27	467 776		SWITCH - (AN3023-1B)	1	
-28	40c 434		NUT - (Tinnerman No. 188-M-1)	26	

A - Used on PA-22 with serial numbers 22-1 to 22-2599 inclusive, 22-2600 to 22-3217 inclusive and 22-3219 to 22-3386 inclusive.

E - Used on airplanes where wire assemblies have knife disconnects only.

C - Used on airplanes where wire assemblies have end terminals only.

When ordering, always specify Part Number, Description and Serial Number of Aircraft

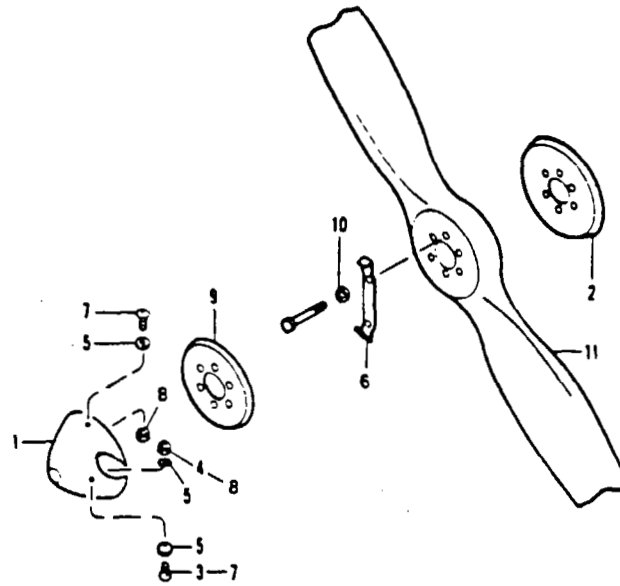


Figure 49. Spinner and Propeller Installation



Figure and Index Number	Part Number	Code	NOMENCLATURE	No. Req.	SERIAL NUMBERS AFFECTED
NOTE					
When securing a complete new spinner installation, all parts with like coding, in quantities indicated, should be ordered.					
49-1	12416-00	A	SPINNER ASSEMBLY	1	22-1 to 22-7 inclusive, 22-8000 to 22-8031 inclusive
	10246-00	B	SPINNER ASSEMBLY	1	22-1 to 22-7 inclusive
	13187-00	B	SPINNER ASSEMBLY	1	22-8 to 22-553 inclusive
	13668-00	B,C	SPINNER ASSEMBLY	1	
	13163-00	A	SPINNER ASSEMBLY	1	22-8 to 22-553 inclusive
	13661-00	A,C,H	SPINNER ASSEMBLY	1	
	14422-00	E	SPINNER - Propeller "150" and "160"	1	22-2378, 22-2425 to 22-7642
	13661-00	F	SPINNER - Propeller	1	22-8032 and up
-2	10247-00	A	PLATE - Back	1	22-1 to 22-7 inclusive, 22-8000 to 22-8031 inclusive
	10247-00	D	PLATE - Back	1	22-1 to 22-353 inclusive
	10247-00	B	PLATE - Back	1	22-1 to 22-7 inclusive
	13188-00	B	PLATE - Back	1	22-8 to 22-553 inclusive
	13666-00	B,C	PLATE - Back	1	
	13164-00	A	PLATE - Back	1	22-8 to 22-553 inclusive
	13663-00	A,C,H	PLATE - Back	1	
	13663-00		PLATE - Back	1	22-8032 and up
	14424-00		PLATE - Rear "150" and "160"	1	22-2378, 22-2425 to 22-7642
-3	415 754	A,G	SCREW - Machine, round head, spinner attachment to front bracket (No. 8-32 x 1/2")	2	22-1 to 22-7 inclusive
	415 754	D	SCREW - Machine, round head, spinner attachment to front bracket (No. 8-32 x 1/2")	2	22-1 to 22-353 inclusive
	415 754	B	SCREW - Machine, round head, spinner attachment to front bracket	2	22-1 to 22-7 inclusive
-4	406 357	A,G	NUT - Spinner attachment to front bracket (Tinnerman No. A190-832-1)	2	22-1 to 22-7 inclusive
	406 357	D	NUT - Spinner attachment to front bracket (Tinnerman No. A190-932-1)	2	22-1 to 22-353 inclusive
	406 357	B	NUT - Spinner attachment to front bracket (Tinnerman No. A190-832-1)	2	22-1 to 22-7 inclusive
<p>A - Used with Sensenich Metal Propeller Installation. B - Used with Sensenich Wood Propeller Installation. C - Used on PA-22 with serial numbers 22-534 to 22-2377 inclusive, 22-2379 to 22-2424 inclusive. D - Used with "115" McCauley MET-L-PROP, Spinner Installation. E - Used on PA-22-150 and PA-22-160 only. F - Used on PA-22-108 only. G - Used on PA-22-108 with serial numbers 22-8000 and up. Optional equipment. H - Used if Sensenich Metal Propeller 76AM-2-57 is installed. If propeller has been replaced by Sensenich Metal Propeller M74DM-61, order part for PA-22-150-160.</p>					

When ordering, always specify Part Number, Description and Serial Number of Aircraft



Figure and Index Number	Part Number	Code	NOMENCLATURE	No. Req.	SERIAL NUMBERS AFFECTED
49-5	85012-47	AF	WASHER - Fibre at front spinner bracket	4	22-1 to 22-7 inclusive
	85012-47	C	WASHER - Fibre at front spinner bracket	4	
	85012-47	B	WASHER - Fibre at front spinner bracket	4	
	85012-47	B	WASHER - Fibre attachment, at front and rear spinner plate	10	
	85012-47	BE	WASHER - Fibre attachment, at front and rear spinner plate	10	
	85012-47	A	WASHER - Fibre attachment, at front and rear spinner plate	10	
	85012-47	AE	WASHER - Fibre attachment, at front and rear spinner plate	10	
-6	12330-04	A	BRACKET - Front	1	22-1 to 22-7 inclusive, 22-8000 to 22-8031 inclusive
	12330-02	B	BRACKET - Front	1	
	12330-02	B	BRACKET - Front	1	
	12330-04	AH	BRACKET - Front	1	
-7	415 737	AG	SCREW - Machine, round head, spinner attachment to back plate (No. 6-32 x 3/8")	10	22-1 to 22-7 inclusive
	415 737	C	SCREW - Machine, round head, spinner attachment to back plate (No. 6-32 x 3/8")	10	
	415 737	B	SCREW - Machine, round head, spinner attachment to back plate (No. 6-32 x 3/8")	10	
	416 995	B	SCREW - Truss head machine, spinner attachment to front and rear plate (No. 10-32 x 1/2")	6	
	416 995	BD	SCREW - Truss head machine, spinner attachment to front and rear plate (No. 10-32 x 1/2")	10	
	416 995	A	SCREW - Truss head machine, spinner attachment to front and rear plate (No. 10-32 x 1/2")	6	
	416 995	AD	SCREW - Machine truss head, spinner attachment to front and rear plate (No. 10-32 x 1/2")	10	

- A - Used with Sensenich Metal Propeller Installation.
- B - Used with Sensenich Wood Propeller Installation.
- C - Used with "115" McCauley MET-L-PROP, Spinner Installation.
- D - Used on PA-22 with serial numbers 22-534 to 22-2424 inclusive, 22-2600 and 22-2601.
- E - Used on PA-22 with serial numbers 22-534 to 22-7642 inclusive.
- F - Used on PA-22-108 with serial numbers 22-8000 and up. Optional equipment.
- G - Used on PA-22-106.
- H - Used on airplanes with serial numbers 22-8032 and up.

When ordering, always specify Part Number, Description and Serial Number of Aircraft



Figure and Index Number	Part Number	Code	NOMENCLATURE	No. Req.	SERIAL NUMBERS AFFECTED
49-8	406 351	A,F	NUT - Spinner attachment to back plate (Tinnerman No. A-880-632-1)	10	22-1 to 22-7 inclusive
	406 351	C	NUT - Spinner attachment to back plate (Tinnerman No. A-880-632-1)	10	22-1 to 22-353 inclusive
	406 351	B	NUT - Spinner attachment to back plate (Tinnerman No. A-880-632-1)	10	22-1 to 22-7 inclusive
	406 359	B	NUT - Spinner attachment to front and rear plate (Tinnerman No. A-1505-1032-1)	8	22-8 to 22-553 inclusive
	406 359	A	NUT - Spinner attachment to front and rear plate (Tinnerman No. A-1505-1032-1)	8	22-8 to 22-553 inclusive
-9	13667-00	B,D	PLATE - Front	1	
	13664-00	A,D,G,H	PLATE - Front	1	
	14426-00		PLATE - Front, "150" and "160"	1	22-2378, 22-2425 to 22-7642 in
-10	80122-55	B,D	WASHER - Propeller bolt attachment	6	
	80122-55	A,D	WASHER - Propeller bolt attachment	6	
-11	450 945		PROPELLER - Sensenich wood (74FM-57) "125"	1	22-1 to 22-533 inclusive
	450 946	E	PROPELLER - Sensenich wood (74FM-58) "135"	1	
	450 988	E,H	PROPELLER - Sensenich metal (76AM-2-57) "135"	1	
	450 998		PROPELLER - Sensenich metal (M74DM-61) "150" and "160"	1	22-2378, 22-2425 and up
	450 978		PROPELLER - Sensenich metal (M76AM-2-48) "108"	1	

A - Used with Sensenich Metal Propeller Installation.
 B - Used with Sensenich Wood Propeller Installation.
 C - Used with "115" McCauley MET-L-PROP, Spinner Installation.
 D - Used on PA-22 with serial numbers 22-534 to 22-2424 inclusive, 22-2600 and 22-2601.
 E - Used on PA-22 with serial numbers 22-534 to 22-2377 inclusive and 22-2379 to 22-2424 inclusive.
 F - Used on PA-22-108 with serial numbers 22-8000 and up. Optional Equipment.
 G - Used on PA-22-108.
 H - Used on PA-22-135 with serial numbers 22-534 to 22-2377 inclusive, 22-2379 to 22-2424 inclusive if Sensenich Metal Propeller 76AM-2-57 is installed. If propeller has been replaced by Sensenich Metal Propeller M74DM-61, order part for PA-22-150-160.

When ordering, always specify Part Number, Description and Serial Number of Aircraft

1 H22

INTENTIONALLY LEFT BLANK

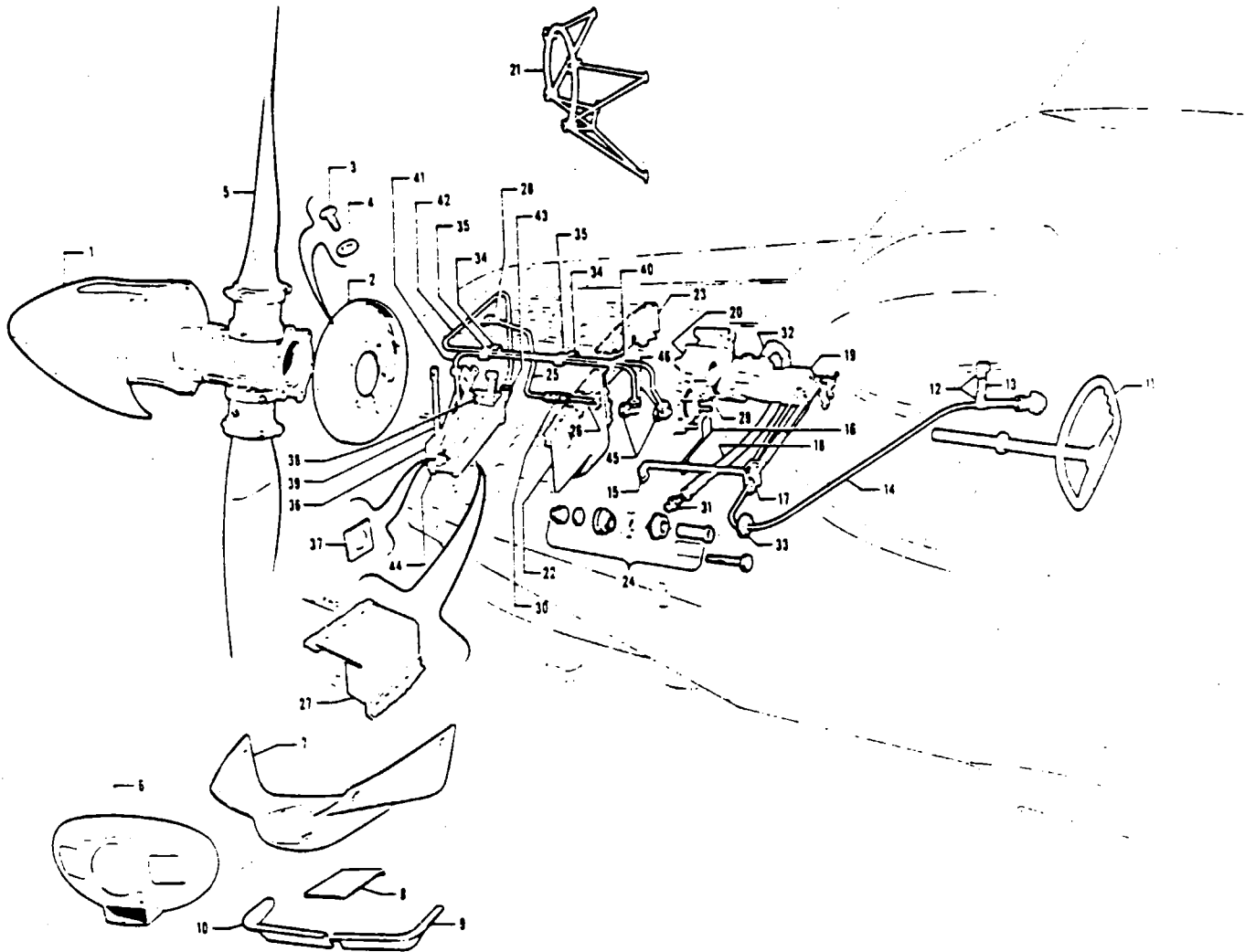


Figure 50. Hartzell Propeller Installation
(Serial Nos. 22-3387 to 22-7642 inclusive) (PA-22-150 only)



Figure and Index Number	Part Number	Code	NOMENCLATURE	No. Req.	SERIAL NUMBERS AFFECTED
50-	14747	B	DRAWING - Propeller Installation, Hartzell Constant Speed, Controllable		
	14728	B	DRAWING - Oil Radiator Installation		
-1	14879-00	B	SPINNER - Hartzell propeller	1	
-2	14878-00	B	PLATE ASSEMBLY - Spinner mounting	1	
-3	416 996	B	SCREW - Spinner attaching (10-32 x 5/8 tr. hd.)	6	
-4	85012-47	B	WASHER - Spinner installation	6	
-5	450 919	B	PROPELLER - Hartzell (#HC82XG-6/7 636D-4)	1	
-6	13776-03	B	COWL - Nose	1	
-7	14256-03	B	COWL - Bottom	1	
-8	14256-02	B	PLATE - Cowl bottom	1	
-9	14303-02	B	LOUVER - L. H.	1	
-10	14301-02	B	LOUVER - R. H.	1	
-11	14267-00	B	WHEEL ASSEMBLY - Control	2	
-12	80032-83	B	CLAMP - Propeller control support	2	
-13	61262-70	B	LINK - Clamp attachment, propeller control support	1	
-14	14733-00	B	CABLE - Governor control	1	
-15	14748-00	B	BRACE - Propeller governor	1	
-16	18769-00	B	BRACE - Dual drive	1	
-17	60222-33	B	CLAMP - Control cable attachment	1	
-18	17766-15	B	HOSE - Flexible, governor to engine	1	
-19	463 123	B	GOVERNOR - Woodward #210 115	1	
-20		AB	KIT - Dual drive, Lycoming #70385	1	
-21	14738-00	B	MOUNT - Engine	1	
-22	14736-00	B	BAFFLE - Engine, left rear	1	
-23	14443-07	B	BAFFLE - Engine, right rear	1	
-24	475 134	B	MOUNT ASSEMBLY - Lord #J-6230-1	4	
-25	14760-00	B	LINE - Pressure, propeller governor	1	
-26	14607-00	B	LINE ASSEMBLY - Pressure, propeller governor	1	
-27	14756-00	B	BAFFLE - At oil radiator	1	
-28	458 897	B	ELBOW - (AN822-5-4D)	2	
-29	460 663	B	ELBOW - (W/H 3350 x 2)	1	
-30	491 051	B	UNION - (AN815-5D)	1	
-31	476 663	B	NIPPLE - (AN816-6-6D)	1	
-32	458 892	B	ELBOW - (AN823-6D)	1	
-33	434 135	B	GROMMET - (AN931-8-13)	1	
-34	14729-00	B	BRACKET - Oil cooler lines support	2	
-35	454 872	B	CLIP - (#598-2)	2	
-36	14206-00		COOLER ASSEMBLY - Oil	1	22-534 and up
-37	13726-00		PLATE - Lock	2	
-38	13720-04		BRACKET - Oil cooler support, right	1	22-3454 and up
-39	13725-07		BRACKET - Oil cooler support, left	1	22-3454 and up
-40	14765-00	B	PLATE - Oil cooler line support	1	
-41	14623-00		LINE ASSEMBLY - Oil cooler, left	1	22-3866 and up
-42	14624-00		LINE ASSEMBLY - Oil cooler, right	1	22-3866 and up
-43	458 932	B	ELBOW - (#1100-8)	1	
-44	453 643	B	BUMPER - Rubber #9607	4	
-45	451 855	B	ADAPTER - #3200 x 6	2	
-46	458 931	B	ELBOW - #905-8E	3	

A - Secure from Lycoming, Division-Avco Corporation, Williamsport, Pennsylvania.
B - Used on PA-22 with serial numbers 22-3387 and up.

When ordering, always specify Part Number, Description and Serial Number of Aircraft

111

INTENTIONALLY LEFT BLANK

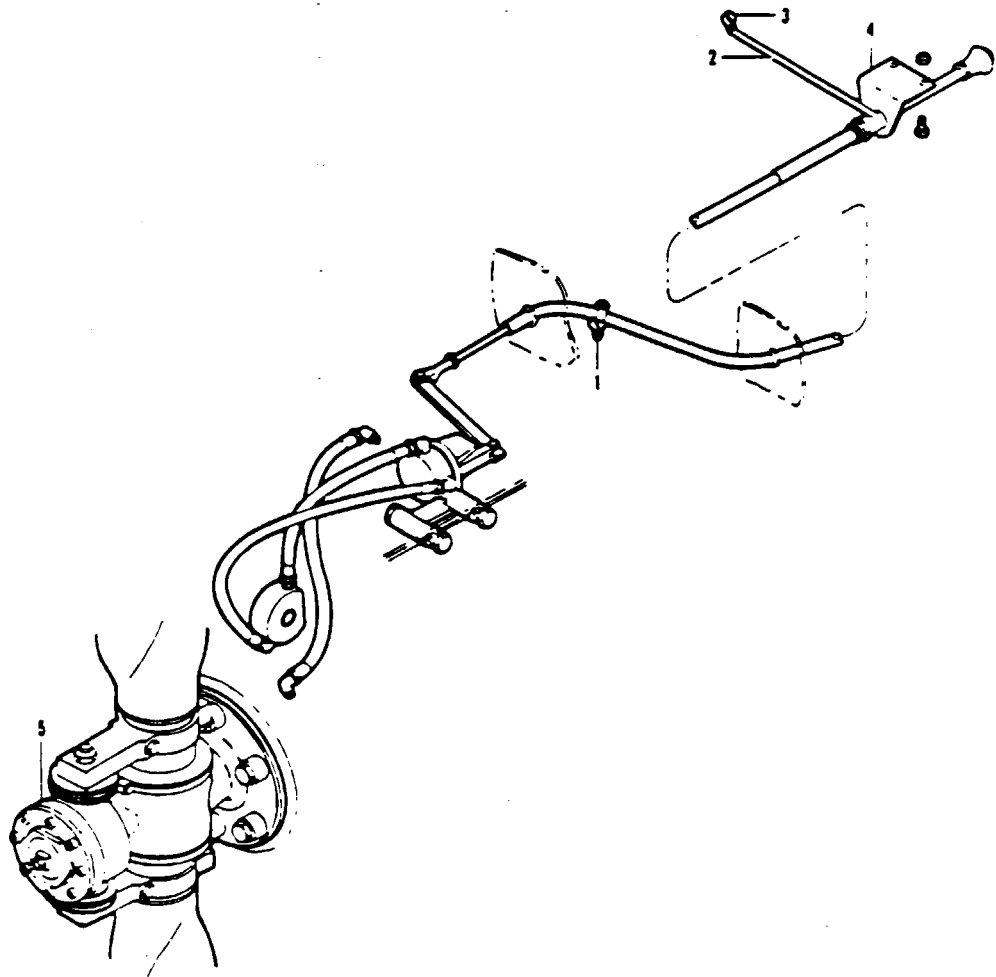


Figure 51. Aeromatic Propeller Installation
(Serial Nos. 22-1 to 22-7642 inclusive)



Figure and Index Number	Part Number	Code	NOMENCLATURE	No. Req.	SERIAL NUMBERS AFFECTED
51-	12654	A	DRAWING - Propeller Installation		
-1	12833-00	A	CLAMP ASSEMBLY - Propeller control support at engine mount	1	
-2	12832-04	A	TUBE ASSEMBLY - Propeller control support	1	
-3	80002-09	A	CLAMP - Propeller control support tube assembly	1	
-4	12826-00	A	BRACKET - Propeller control support at instrument panel	1	
-5	450 911	A	PROPELLER - Aeromatic, F200-H/00-74E (secure from Koppers Co. Inc.)	1	
A - Used on PA-22 with serial numbers 22-1 to 22-2599 inclusive, 22-2600 to 22-3217 inclusive and 22-3219 to 22-3386 inclusive.					

When ordering, always specify Part Number, Description and Serial Number of Aircraft

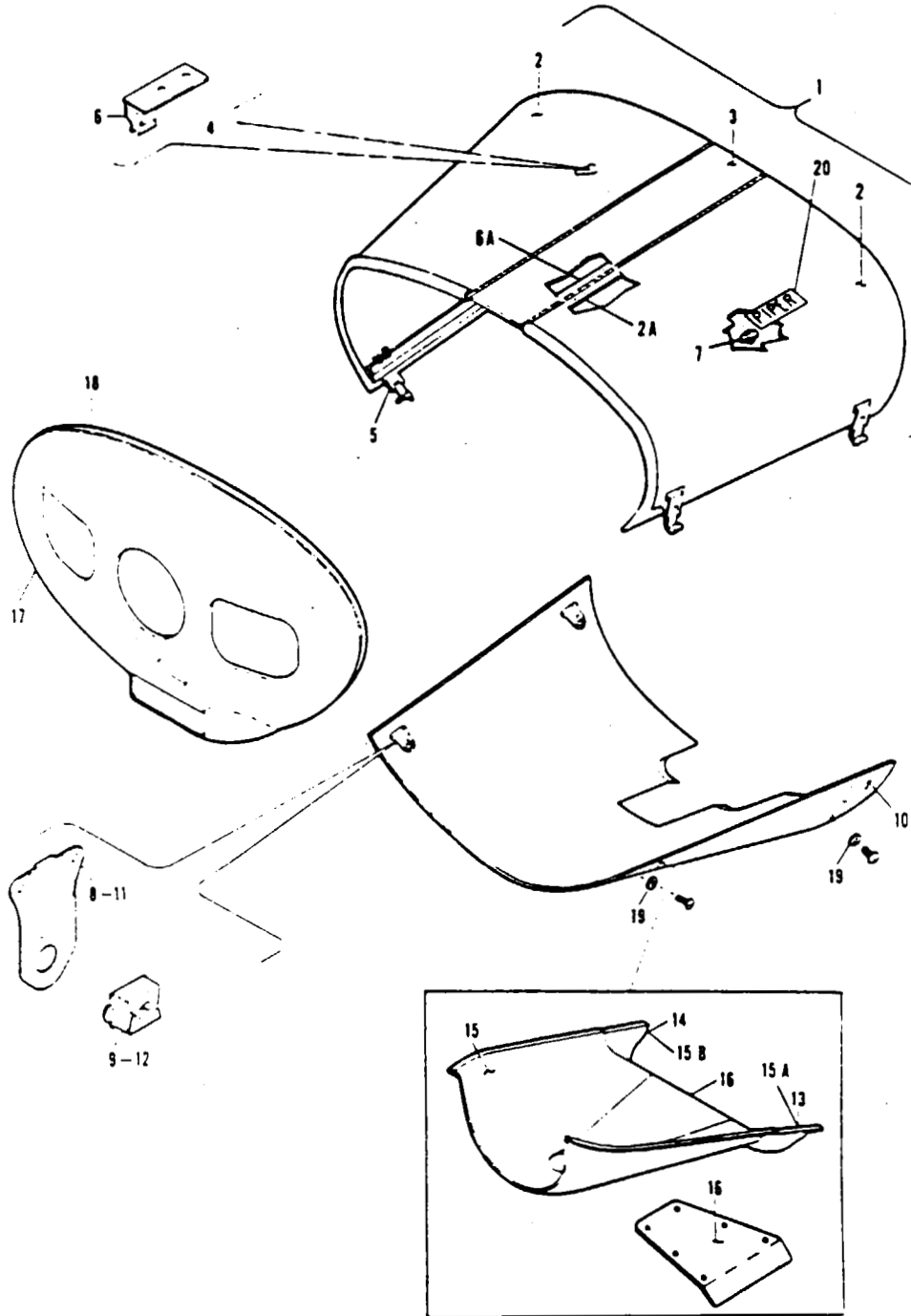


Figure 52. Cowl Assembly
(Serial Nos. 22-1 to 22-7642 inclusive)



Figure and Index Number	Part Number	Code	NOMENCLATURE	No. Req	SERIAL NUMBERS AFFECTED
52-1	13156-00	C	COWL ASSEMBLY - Top, complete	1	
-2	13156-10		COWL ASSEMBLY - Top side, LH	1	
	13156-09		COWL ASSEMBLY - Top side, RH	1	
-2a	12720-00		HINGE - Cowl (complete)	1	
-3	13156-08		COWL ASSEMBLY - Top, center	1	
-4	83491-00		FASTENER - (No. 487 205)	1	
-5	12723-00		FASTENER	4	
-6	12613-00		CATCH ASSEMBLY - Rod, cowl support	2	
-6a	12720-06		HINGE - Cowl (complete)	2	
-7	406 361		NUT - Medallion attachment, Tinnerman No. A1059-014-1	6	22-2378, 22-2425 and up
-8	12707-00		CUP - Cowl fastener	4	
-9	484 341		RECEPTACLE - Fastener	4	
-10	13119-00		COWL ASSEMBLY - Bottom "125"	1	22-1 to 22-353 inclusive
	13119-03		COWL ASSEMBLY - Bottom "125"	1	22-354 to 22-533 inclusive
	13764-00		COWL ASSEMBLY - Bottom "135"	1	22-534 to 22-1759 inclusive
	14256-00		COWL ASSEMBLY - Bottom "135", "150" and "160"	1	22-1760 and up
-11	12707-00		CUP - Cowl fastener	4	
-12	484 341		RECEPTACLE - Fastener	4	
-13	13763-00		LOUVER - "135", L. H.	1	22-534 to 22-1759 inclusive
-14	13761-00		LOUVER - "135", R. H.	1	22-534 to 22-1759 inclusive
-15	13119-05	SCOOP ASSEMBLY - "125"	1	22-1 to 22-533 inclusive	
	13764-02	SCOOP ASSEMBLY - "135"	1	22-534 to 22-1759 inclusive	
	14256-02	SCOOP ASSEMBLY - "135", "150" and "160"	1	22-1760 and up	
-15a	13132-00	LOUVER - "125", L. H.	1	22-1 to 22-533 inclusive	
	14303-00	LOUVER - Left, "135", "150" and "160"	1	22-1760 and up	
-15b	13130-00	LOUVER - "125", R. H.	1	22-1 to 22-533 inclusive	
	14301-00	LOUVER - Right, "135", "150" and "160"	1	22-1760 and up	
-16	13120-00	PLATE - Bottom (Note: Used when attached by Lion fasteners) "125"	1	22-1 to 22-533 inclusive	
	13656-00	PLATE - Bottom (Note: Used when attached by anchor nuts) "125"	1	22-1 to 22-533 inclusive	
	13777-00	A PLATE - Bottom, "135"	1		
	14256-00	A PLATE - Bottom, "150" and "160"	1	22-1760 and up	
-17	13776-00	COWL ASSEMBLY - Nose, "135", "150" and "160"	1	22-534 and up	
	11956-04	COWL ASSEMBLY - Nose	1	22-1 to 22-533 inclusive	
	13778-03	COWL - Nose (used when Hartzell Propeller is installed)	1	22-3215, 22-3387 and up	
-18	160 815	WEBBING - Cowl	8		
-19	85012-47	WASHER - Fibre, bottom cowl attachment, front and rear	13		
-20	14471-00	B MEDALLION - Tri-Pacer "150" engine cowl	2		
	18655-00	B STENCIL - "Piper"	1	22-6352 and up	

A - Used on PA-22 with serial numbers 22-534 to 22-2377 inclusive and 22-2379 to 22-2424 inclusive.
 B - Used on PA-22 with serial numbers 22-2378, 22-2425 to 22-3217 inclusive and 22-3219 to 22-3386 inclusive.
 C - Not used on PA-22-106.

When ordering, always specify Part Number, Description and Serial Number of Aircraft

116

INTENTIONALLY LEFT BLANK

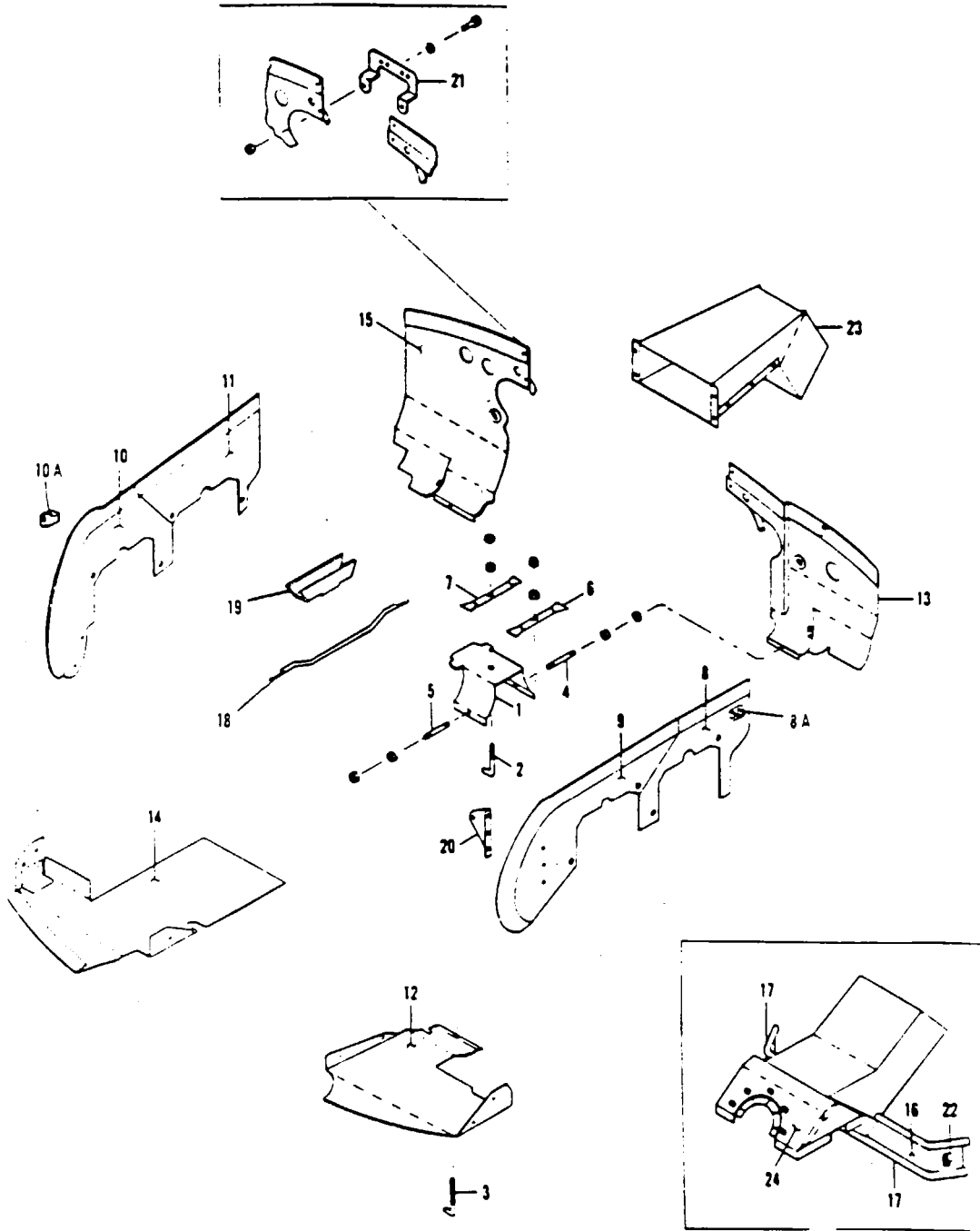


Figure 55. Engine Baffle Installation
(Serial Nos. 22-1 to 22-7042 inclusive)



Figure and Index Number	Part Number	Code	NOMENCLATURE	No. Req.	SERIAL NUMBERS AFFECTED
53-1	74912-00	AB	BAFFLE - Intercylinder, "135"	2	
		C	BAFFLE - Intercylinder, "150" and "160"	2	
-2	71451-03	B	ROD - Hanger, intercylinder baffle	2	
-3	71451-08	B	ROD - Hanger, right front baffle (2 per ship Model "135", LH and RH)	1	
-4	10467-04	B	ROD - Tie, rear engine baffle to intercylinder baffle, 3"	2	
-5	10467-03		ROD - Tie, left front baffle to intercylinder baffle, 2", "125"	1	22-1 to 22-533 inclusive
	10467-03		ROD - Tie, intercylinder baffle to front and rear side baffles, "150" and "160"	4	22-2376, 22-2425 and up
-6	10415-02	A	SUPPORT - Right front baffle hanger, 3" (2 per ship Model "135", LH and RH)	1	
-7	10415-03	A	SUPPORT - Intercylinder baffle	2	
		C	SUPPORT - Intercylinder baffle, "150"	2	
-8	11945-05		BAFFLE ASSEMBLY - Engine, rear, "125", LH side	1	22-1 to 22-533 inclusive
	13774-00	A	BAFFLE ASSEMBLY - Engine, rear, "135", LH side	1	
	14430-00		BAFFLE ASSEMBLY - Engine, left side rear, "150" and "160"	1	22-2376, 22-2425 and up
-8a	454 919		CLIP - Cowl support rod	1	
-9	11944-05	B	BAFFLE ASSEMBLY - Engine, front, LH side	1	
	14429-00		BAFFLE ASSEMBLY - Engine, left side front "150" and "160"	1	22-2376, 22-2425 and up
-10	11946-05		BAFFLE ASSEMBLY - Engine, front, "125", RH side	1	22-1 to 22-533 inclusive
	13773-00	A	BAFFLE ASSEMBLY - Engine, front, RH side, "135"	1	
	14432-00		BAFFLE ASSEMBLY - Engine, right side front, "150" and "160"	1	22-2376, 22-2425 and up
-10a	454 919		CLIP - Cowl support rod	1	
-11	11947-05		BAFFLE ASSEMBLY - Engine, rear, "125", RH side	1	22-1 to 22-533 inclusive
	13772-00	A	BAFFLE ASSEMBLY - Engine, rear, "135", RH side	1	
	14437-00		BAFFLE ASSEMBLY - Engine, right side rear	1	22-2376, 22-2425 and up
-12	12748-00		BAFFLE ASSEMBLY - Engine, front, "125", LH	1	22-1 to 22-533 inclusive
	12428-04	A	BAFFLE ASSEMBLY - Engine, front, "135", LH	1	
	14440-00		BAFFLE ASSEMBLY - Engine, left front, "150" and "160"	1	22-2376, 22-2425 and up
-13	12712-06		BAFFLE ASSEMBLY - Engine, rear, "125", LH (Used on shielded engine)	1	22-1 to 22-533 inclusive
	12712-00		BAFFLE ASSEMBLY - Engine, rear, "125", LH (Used on non-shielded engine)	1	22-1 to 22-533 inclusive
	13779-00	A	BAFFLE ASSEMBLY - Engine, rear, "135", LH	1	
	14431-00		BAFFLE ASSEMBLY - Engine, left rear, "150"	1	22-2425 to 22-3685 inclusive
	14431-06		BAFFLE ASSEMBLY - Engine, left rear, "150" and "160"	1	22-3686 and up

A - Used on PA-22 with serial numbers 22-534 to 22-2377 inclusive and 22-2379 to 22-2424 inclusive.
 B - Used on PA-22 with serial numbers 22-1 to 22-2377 inclusive and 22-2379 to 22-2424 inclusive.
 C - Not available through Piper Aircraft Corporation. Secure from Lycoming, Division-Avco Corporation, Williamsport, Pennsylvania.

When ordering, always specify Part Number, Description and Serial Number of Aircraft



Figure and Index Number	Part Number	Code	NOMENCLATURE	No. Req.	SERIAL NUMBERS AFFECTED
53-14	12749-00	A	BAFFLE ASSEMBLY - Engine, front, "125", RH	1	22-1 to 22-533 inclusive
	12749-05		BAFFLE ASSEMBLY - Engine, front, "135", RH	1	
	14439-00		BAFFLE ASSEMBLY - Engine, right front, "150" and "160"	1	22-2376, 22-2425 and up
-15	12714-04		BAFFLE ASSEMBLY - Engine, rear, "125" (Used with shielded engine) RH	1	22-1 to 22-533 inclusive
	12714-00		BAFFLE ASSEMBLY - Engine, rear, "125" (Used on non-shielded engine) RH	1	22-1 to 22-533 inclusive
	12714-06		BAFFLE ASSEMBLY - Engine, rear (Used on shielded engine) (When rear seat heater is installed) "125", RH	1	22-354 to 22-533 inclusive
	12714-05		BAFFLE ASSEMBLY - Engine, rear (Used on non-shielded engine) (When rear seat heater is installed) "125", RH	1	22-354 to 22-533 inclusive
	13780-02	A	BAFFLE ASSEMBLY - Engine, rear (Used when rear seat heater is installed)	1	
	13780-04		BAFFLE ASSEMBLY - Engine, rear (Used when rear seat heater is not installed) "135", RH	1	22-534 to 22-806 inclusive
	14443-00		BAFFLE ASSEMBLY - Engine, right rear "150" and "160"	1	22-2425 to 22-3865 inclusive
	14443-05		BAFFLE ASSEMBLY - Engine, right rear "150" and "160"	1	22-3866 and up
-16	13136-00		BAFFLE ASSEMBLY - Air bottom cowl	1	
-17	187 510		MOULDING - Rubber (No. NX502B-52)	3-12	
-18	14513-00		ROD - Tie, connecting front and rear baffles, "150" and "160"	2	22-2376, 22-2425 and up
-19	18213-00	B	CHANNEL - Inner cylinder baffle attachment, "150" and "160" (65883)	2	22-2376, 22-2425 and up
-20	13587-00		BRACKET - Baffle support, side baffle, front, LH	1	22-464 and up
-21	10175-00		BRACKET ASSEMBLY - Top center baffle plate attachment, "115", "135", "150" and "160"	1	22-354 and up
-22	80032-41		CLAMP - Attachment, carburetor air baffle (Used with 1" tube on nose wheel mount)	2	
-23	12758-00		SCOOP ASSEMBLY - Air, oil cooler, "125"	1	22-1 to 22-353 inclusive
-24	13137-00		SCOOP ASSEMBLY - Carburetor air box	1	

A - Used on PA-22 with serial numbers 22-534 to 22-2377 inclusive and 22-2379 to 22-2424 inclusive.
 B - Not available through Piper Aircraft Corporation. Secure from Lycoming, Division-Avco Corporation, Williamsport, Pennsylvania.

When ordering, always specify Part Number, Description and Serial Number of Aircraft

1110

INTENTIONALLY LEFT BLANK

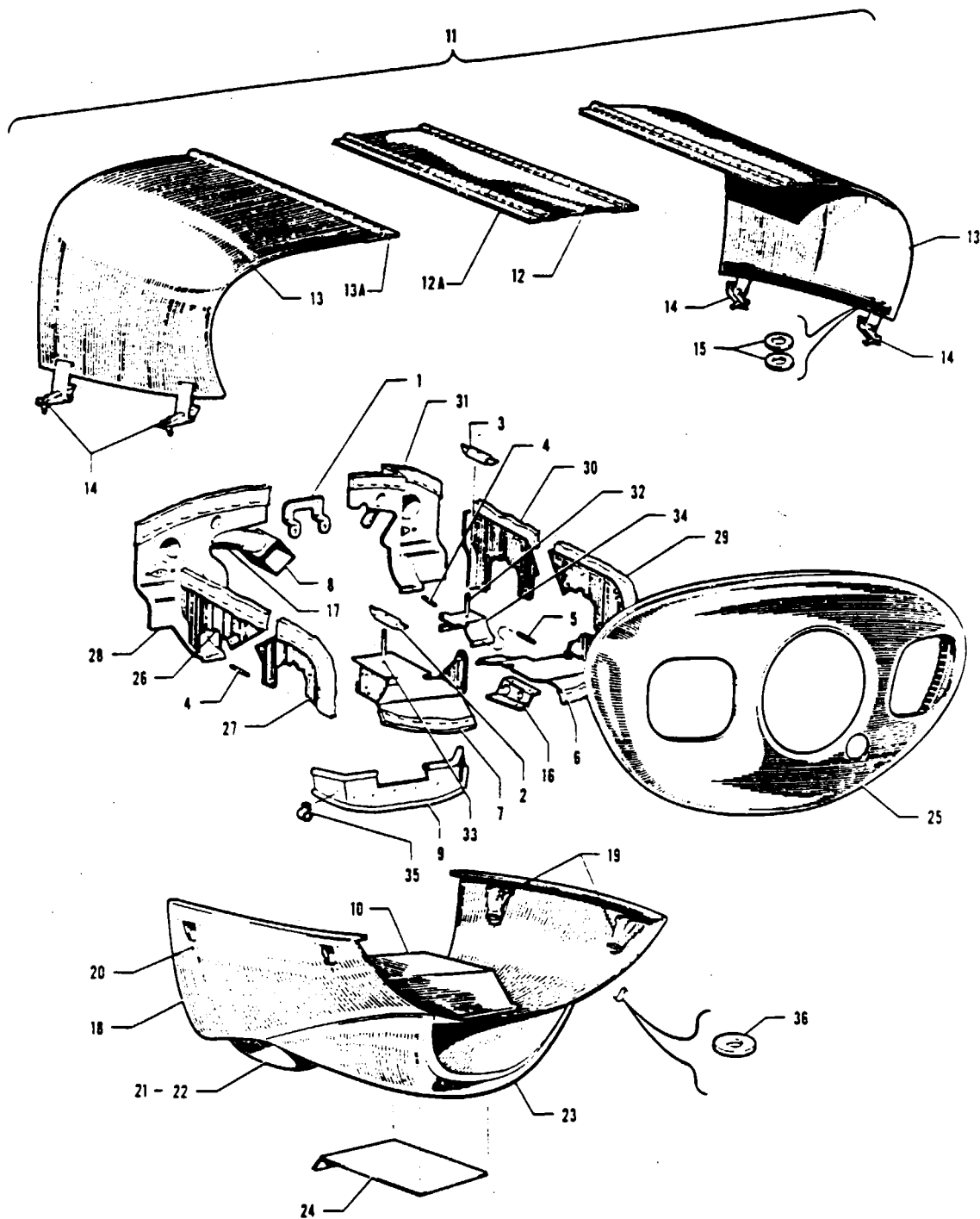


Figure 53A. Cowl and Baffles Installation
(Serial Nos. 22-8000 and up)



Figure and Index Number	Part Number	Code	NOMENCLATURE	No. Req.	SERIAL NUMBERS AFFECTED
53A-	15144		DRAWING - Power Plant		
-1	10175-00		BRACKET - Rear baffle	1	
-2	10415-02		SUPPORT - Baffle hanger, right	1	
-3	10415-03		SUPPORT - Baffle hanger	2	
-4	10487-00		TIE ROD - Baffle attachment, rear	2	
-5	10487-02		TIE ROD - Baffle attachment, front, left	1	
-6	15210-00		BAFFLE ASSEMBLY - Front, left	1	
-7	11948-00		BAFFLE ASSEMBLY - Front, right	1	
-8	11951-00		BAFFLE ASSEMBLY - Oil pressure housing	1	22-8000 to 22-8622 inclusive
	11951-07		BAFFLE ASSEMBLY - Oil pressure housing	1	22-8623 and up
-9	13136-00		BAFFLE ASSEMBLY - Engine bottom	1	
-10	13137-00		SCOOP ASSEMBLY - Carburetor air box	1	
-11	13158-16	A	COWL ASSEMBLY - Engine top, complete	1	
	15189-00		COWL ASSEMBLY - Engine top, complete	1	22-8381, 22-8393, 22-8440, 22-8630 and up
-12	13158-08	A	COWL ASSEMBLY - Top center	1	
	15192-00		COWL ASSEMBLY - Top center	1	22-8381, 22-8393, 22-8440, 22-8630 and up
-12a	12720-06		HINGE - Cowl (complete)	2	
-13	13158-21	A	COWL ASSEMBLY - Top side, RH	1	
	15194-00		COWL ASSEMBLY - Top side, RH	1	22-8381, 22-8393, 22-8440, 22-8630 and up
	13158-22	A	COWL ASSEMBLY - Top side, LH	1	
	15193-00		COWL ASSEMBLY - Top side, LH	1	22-8381, 22-8393, 22-8440, 22-8630 and up
-13a	12720-06		HINGE - Cowl (complete)	1	
-14	12723-00		FASTENER ASSEMBLY	2	
-15	81342-19		WASHER	6	
-16	11400-00		BRACKET - Attachment, left front baffle	1	
-17	10525-69	A	HOSE - Oil pressure housing baffle	1	
	22502-06		HOSE - Oil pressure housing baffle	1	22-8381, 22-8393, 22-8440, 22-8630 and up
-18	14258-05	A	COWL ASSEMBLY - Engine bottom, complete	1	
	14258-06		COWL ASSEMBLY - Engine bottom, complete	1	22-8381, 22-8393, 22-8440, 22-8630 and up
-19	12707-00	A	CUP - Cowl fastener	4	
	12707-00		CUP - Cowl fastener, rear	2	22-8381, 22-8393, 22-8440, 22-8630 and up
	12707-02		CUP - Cowl fastener, LH, front	1	22-8381, 22-8393, 22-8440, 22-8630 and up
	12707-03		CUP - Cowl fastener, RH, front	1	22-8381, 22-8393, 22-8440, 22-8630 and up
-20	484 341		RECEPTACLE - Fastener	4	
-21	14303-00		LOUVER - Left	1	
-22	14301-00		LOUVER - Right	1	
-23	14257-00		SCOOP ASSEMBLY	1	
-24	14256-00		PLATE - Bottom	1	
			A - Used on airplanes with serial numbers 22-8000 to 22-8380 inclusive, 22-8382 to 22-8392 inclusive, 22-8394 to 22-8439 inclusive, 22-8441 to 22-8629 inclusive.		

When ordering, always specify Part Number, Description and Serial Number of Aircraft.



Figure and Index Number	Part Number	Code	NOMENCLATURE	No. Req.	SERIAL NUMBERS AFFECTED
53A-25	15127-00		COWL ASSEMBLY - Nose	1	
-26	15152-00		BAFFLE ASSEMBLY - Side, right rear	1	
-27	15153-00		BAFFLE ASSEMBLY - Side, right front	1	
-28	15155-00		BAFFLE ASSEMBLY - Rear, right	1	
-29	15159-00		BAFFLE ASSEMBLY - Side, left front	1	
-30	15160-00		BAFFLE ASSEMBLY - Side, left rear	1	
-31	15162-00		BAFFLE ASSEMBLY - Rear, left	1	
-32	71451-04		TIE ROD - Baffle support	2	
-33	71451-08		TIE ROD - Baffle support, right	1	
-34	74912-00		BAFFLE - Intercylinder	2	
-35	80032-41		CLAMP - Engine bottom baffle	2	
-36	85012-47		WASHER	12	

When ordering, always specify Part Number, Description and Serial Number of Aircraft

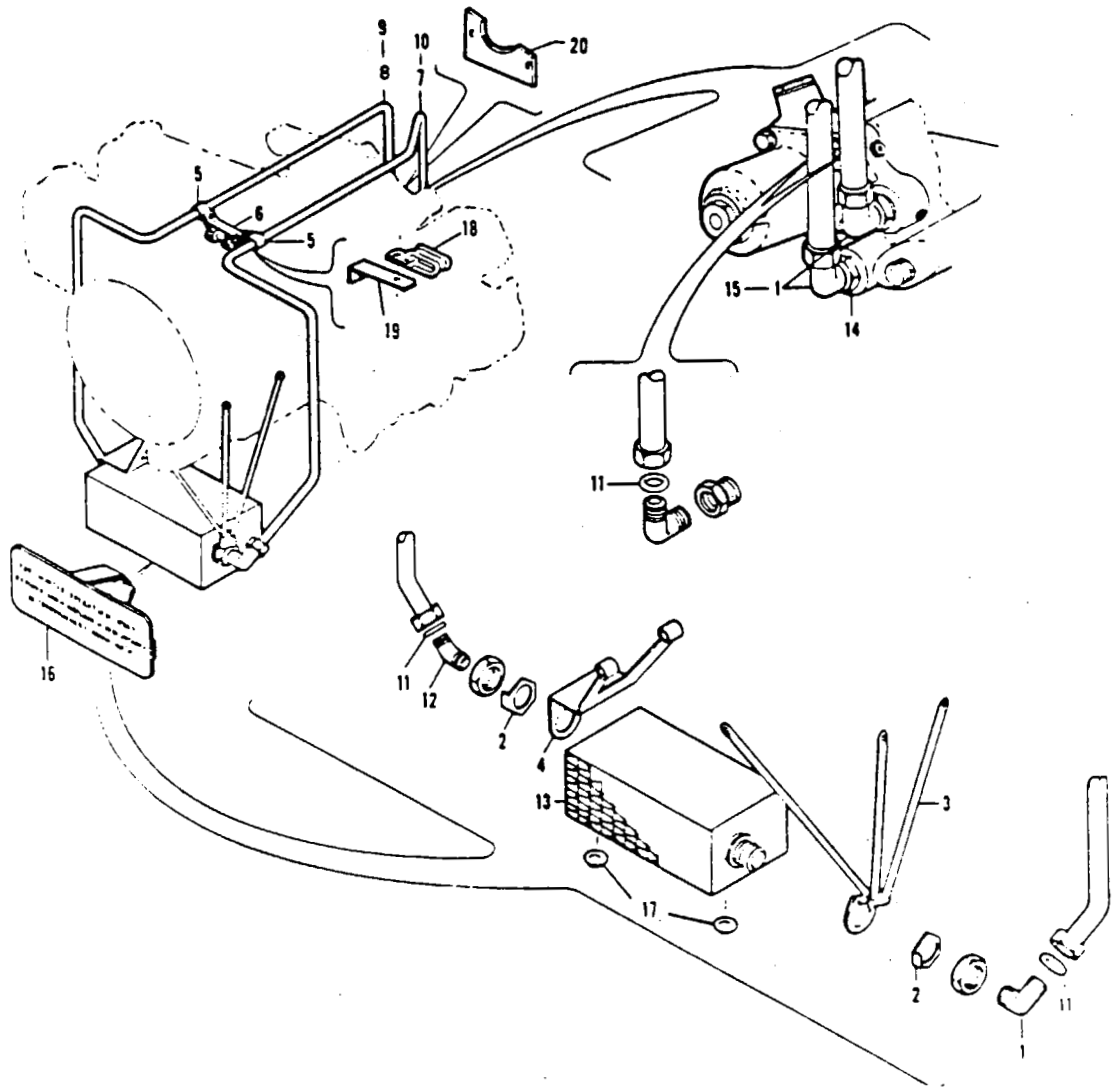


Figure 54. Oil Radiator Installation
(Serial Nos. 22-1 to 22-7642 inclusive)



Figure and Index Number	Part Number	Code	NOMENCLATURE	No. Req	SERIAL NUMBERS AFFECTED
54-	13724 14368 14726	A B	DRAWING - Oil Radiator Installation "135" DRAWING - Oil Radiator Installation DRAWING - Oil Radiator Installation		22-2425 to 22-3885 inclusive 22-3886 and up
-1	458 931	A	ELBOW - Oil radiator line attachment (at left side radiator and at engine when vacuum pump is not installed) (No. 900-8B) "135"	3	
	458 931	BC	ELBOW - Oil radiator line attachment (at left side radiator and at engine)	2	
-2	13726-00		PLATE - Lock, oil radiator installation "135", "150" and "160"	2	22-534 and up
-3	13725-00		BRACKET ASSEMBLY - Oil radiator mounting, left side, "135" and "150"	1	22-534 to 22-3453 inclusive
	13725-07		BRACKET ASSEMBLY - Oil radiator mounting, LH	1	22-3454 and up
-4	13720-00		BRACKET ASSEMBLY - Oil radiator mounting, right side, "135" and "150"	1	22-534 to 22-3453 inclusive
	13720-04		BRACKET ASSEMBLY - Oil radiator mounting, RH	1	22-3454 and up
-5	454 933		CLAMP - Tinnerman No. A4985-8-91, oil line attachment	2	22-2425 to 22-3885 inclusive
-6	14549-00		STRAP - Bracket support	1	22-2425 to 22-3885 inclusive
-7	13723-00	A	LINE ASSEMBLY - Oil radiator, left side, "135" (used when vacuum pump is not installed)	1	
	14367-00	B	LINE ASSEMBLY - Oil cooler, left (outlet)	1	
	14623-00		LINE ASSEMBLY - Oil radiator, LH	1	22-3886 and up
-8	13722-00	A	LINE ASSEMBLY - Oil radiator (when vacuum pump is not installed) "135", RH	1	
	14366-00	B	LINE ASSEMBLY - Oil cooler, right (inlet)	1	
	14624-00		LINE ASSEMBLY - Oil radiator, RH	1	22-3886 and up
-9	14025-00	A	LINE ASSEMBLY - "135", Oil radiator (used when vacuum pump is installed) RH	1	
-10	14026-00	A	LINE ASSEMBLY - "135", Oil radiator (used when vacuum pump is installed) LH	1	
-11	484 654		RING - Seal, "135", "150" and "160"	2	22-534 and up
-12	458 932		ELBOW - Oil radiator line attachment, "135" and "150" (at right side radiator) (No. 1100-8)	1	22-534 and up
-13	455 166		RADIATOR - Oil cooler, 12 plate (14206-00) "135" and "150"	1	22-534 and up
			A - Used on PA-22 with serial numbers 22-534 to 22-2213 inclusive, 22-2216 to 22-2219 inclusive, 22-2221, 22-2222, 22-2223, 22-2227, 22-2230, 22-2231, 22-2232, 22-2236, 22-2245, 22-224c, 22-2249 and 22-2254.		
			B - Used on PA-22 with serial numbers 22-2214, 22-2215, 22-2220, 22-2223, 22-2224, 22-2226, 22-2228, 22-2229, 22-2233 to 22-2237 inclusive, 22-2239 to 22-2244 inclusive, 22-2247, 22-2248, 22-2250 to 22-2253 inclusive and 22-2255 to 22-3885 inclusive.		
			C - Three (3) used on PA-22 with serial numbers 22-3886 and up.		

When ordering, always specify Part Number, Description and Serial Number of Aircraft



Figure and Index Number	Part Number	Code	NOMENCLATURE	No. Req.	SERIAL NUMBERS AFFECTED
54-14	451 855	A	ADAPTER - Oil radiator line attachment (at engine) (No. 3200 x 6) "135", "150" and "160"	1	
-15	455 158	B	CONNECTOR - Oil radiator attachment at engine (500 x 8) (used when vacuum pump is installed) "135"	2	22-2425 to 22-3885 inclusive
-16	455 158	C	CONNECTOR - Oil radiator attachment at engine (500 x 8)	1	
-17	14073-00		COVER - Oil radiator, "135", "150" and "160"	1	22-534 and up
-18	453 647		BUMPER - Snap-in #4235	4	22-1760 and up
-18	454 872		CLIP - (#598-2) Oil radiator line attachment	2	22-3886 to 22-6759 inclusive and 22-6762
-19	15020-00		BLOCK - Line attachment	2	22-6760, 22-6761, 22-6763 and up
-19	14729-00		BRACKET - Oil radiator line attachment	2	22-3886 to 22-6759 inclusive and 22-6762
-20	15019-00		BRACKET - Oil radiator line	2	22-6760, 22-6761, 22-6763 and up
-20	14783-00		PLATE - Baffle reinforcement	1	22-3886 and up
<p>A - Two (2) used on PA-22 with serial numbers 22-3886 and up.</p> <p>B - Used on PA-22 with serial numbers 22-534 to 22-2215 inclusive, 22-2216 to 22-2219 inclusive, 22-2221, 22-2222, 22-2225, 22-2227, 22-2230, 22-2231, 22-2232, 22-2238, 22-2245, 22-2246, 22-2249 and 22-2254.</p> <p>C - Used on PA-22 with serial numbers 22-534 to 22-2213 inclusive, 22-2216 to 22-2219 inclusive, 22-2221, 22-2222, 22-2225, 22-2227, 22-2230, 22-2231, 22-2232, 22-2238, 22-2245, 22-2246, 22-2249, 22-2254 and 22-2425 to 22-3885 inclusive.</p>					

When ordering, always specify Part Number, Description and Serial Number of Aircraft

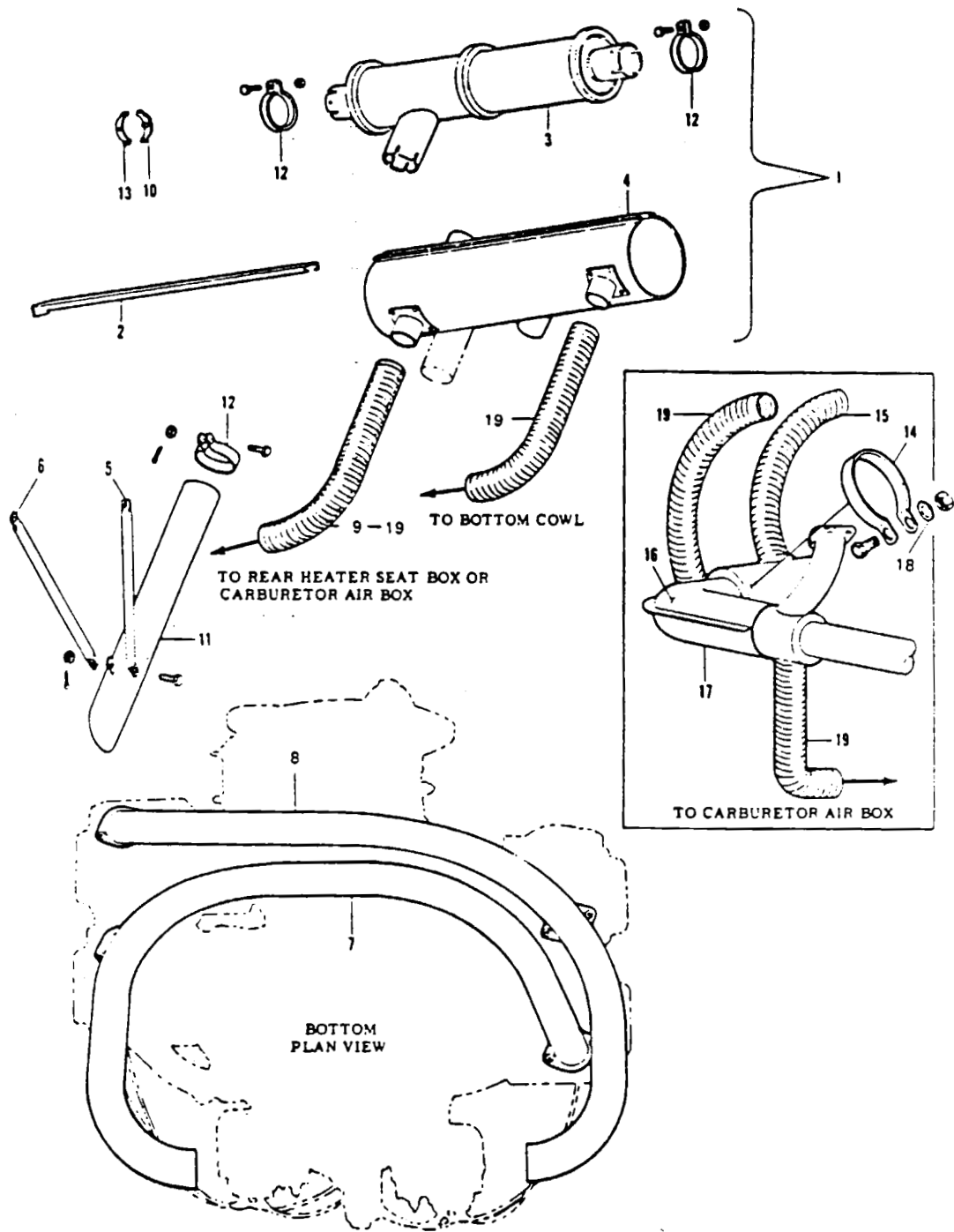


Figure 55. Muffler and Stack Installation
(Serial Nos. 22-1 to 22-7642 inclusive)



Figure and Index Number	Part Number	Code	NOMENCLATURE	No. Req.	SERIAL NUMBERS AFFECTED
55-1	12742-06		MUFFLER ASSEMBLY - Complete (12742-03)	1	
-2	10430-00		CLIP ASSEMBLY - Muffler shroud	1	
-3	10306-03		MUFFLER ASSEMBLY - Less shroud (10306-00)	1	
-4	12742-04		SHROUD ASSEMBLY - Muffler	1	
-5	11962-00		TUBE - Tail pipe support (tail pipe to stack) (used on all 1951 Models and on 1952 Models when rear seat heater is not installed)	1	22-1 to 22-806 inclusive
	11392-03		TUBE - Tail pipe support (tail pipe to stack) (when rear seat heater is installed)	1	22-354 and up
-6	11963-00		TUBE - Tail pipe support (tail pipe to muffler attachment clamp) (used on all 1951 Models and on 1952 Models when rear seat heater is not installed)	1	22-1 to 22-806 inclusive
	11963-02		TUBE - Tail pipe support (tail pipe to muffler) (when rear seat heater is installed)	1	22-354 and up
-7	12043-22		STACK ASSEMBLY - Exhaust, rear cylinders, "125" and "135" (12043-11)	1	22-1 to 22-806 inclusive
	13238-05		STACK ASSEMBLY - Exhaust, rear cylinders (used when rear seat heater is installed) (13238-00)	1	22-354 and up
-8	12043-23		STACK ASSEMBLY - Exhaust, front cylinders (12043-17)	1	
-9	10525-13		HOSE - Muffler shroud to rear seat heater box (when rear seat heater is installed)	1	22-1 to 22-1926 inclusive
	10525-54		HOSE - Muffler shroud to rear seat heater box	1	22-1927 and up
-10	11394-00		CLAMP ASSEMBLY - Exhaust stack to muffler attachment, with stud, RH	1	22-1 to 22-353 inclusive
-11	11417-04		TAIL PIPE ASSEMBLY - Exhaust (11417-02)	1	
-12	70591-02		CLAMP ASSEMBLY - Exhaust stack to muffler attachment, "125" and "135", RH	1	22-1 to 22-1948 inclusive
	70591-02		CLAMP ASSEMBLY - Exhaust stack to muffler, left side and tail pipe attachment	2	22-1 to 22-1948 inclusive
	14235-00		CLAMP ASSEMBLY - Exhaust stacks to muffler and tail pipe attachment	3	22-1949 and up
-13	11394-03		CLAMP ASSEMBLY - Exhaust stack to muffler attachment, less stud, RH	1	22-1 to 22-353 inclusive
-14	18116-05		CLAMP - Tail pipe support attachment (on muffler shroud) (used when rear seat heater is installed)	1	22-354 and up
-15	13290-00		TUBE - Flexible, aluminum, baffle to muffler shroud, "125" and "135"	1	
-16	10643-03		SHROUD - Exhaust stack, upper half (used when rear seat heater is installed)	1	22-354 and up
-17	10764-03		SHROUD - Exhaust stack, lower half (used when rear seat heater is installed)	1	22-354 and up
-18	40131-00		WASHER - Tail pipe support clamp attachment (used when rear seat is installed) "125", "135" and "150"	1	
-19	101 980		TUBE - Flexible, aluminum, 2-1/8 in. O. D. (63-1/2" per ship for PA-22) (56" per ship when rear seat heater is installed) (26-1/2" per ship for "125" and "135" when rear seat heater is not installed)		22-1 to 22-353 inclusive 22-354 and up 22-354 to 22-806 inclusive

When ordering, always specify Part Number, Description and Serial Number of Aircraft

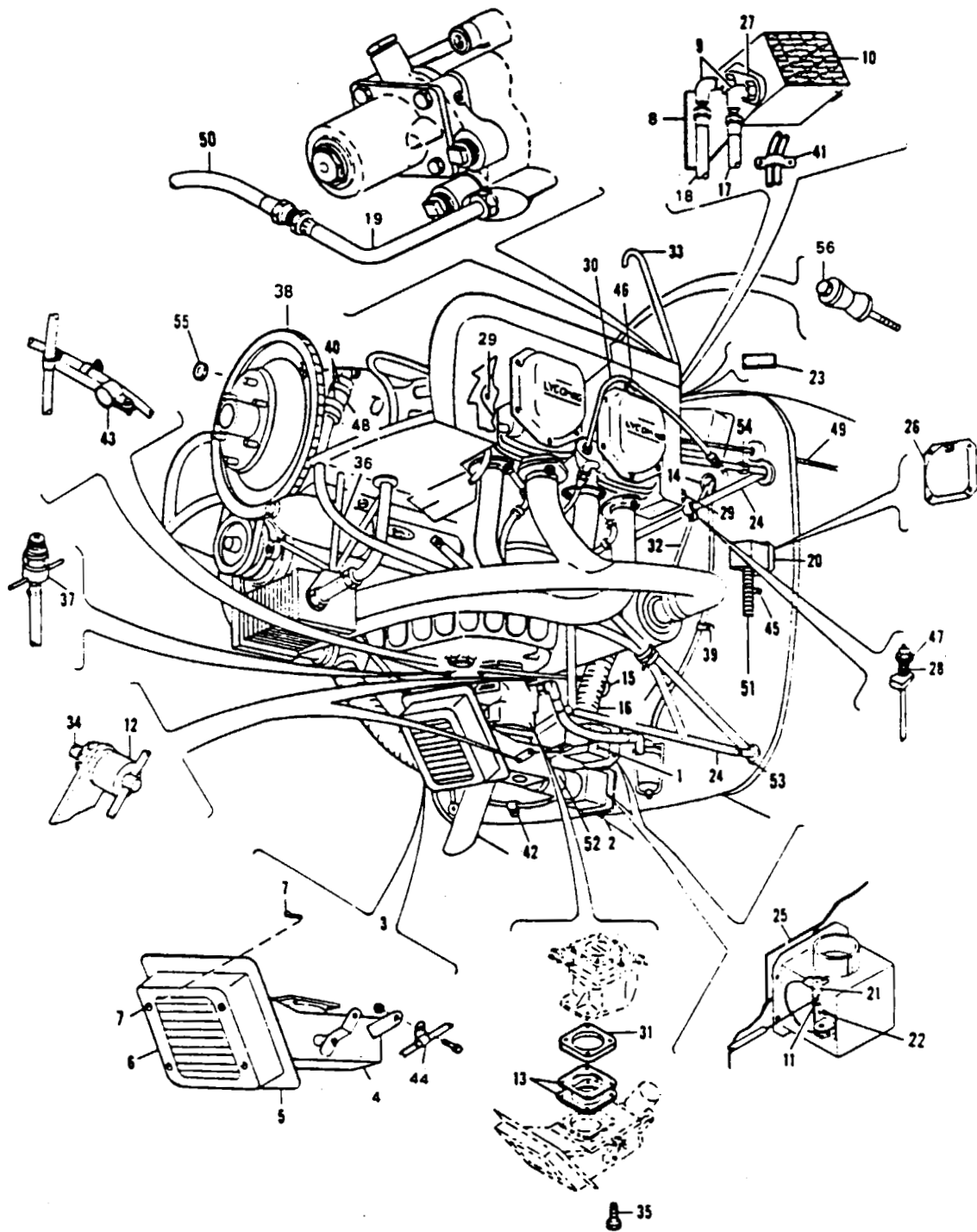


Figure 56. Power Plant Installation
(Serial Nos. 22-1 to 22-7642 inclusive)



Figure and Index Number	Part Number	Code	NOMENCLATURE	No. Req.	SERIAL NUMBERS AFFECTED
56-	13110	A	DRAWING - Power Plant Section, "125"		22-1 to 22-533 inclusive
	13776		DRAWING - Power Plant Section, "135"		
	14474		DRAWING - Power Plant Section, "150"		
	14475		DRAWING - Conversion Instructions (150 H.P. to 135 H.P.)		
-1	13358-00	B	BOX ASSEMBLY - Cabin heat, front seat	1	22-354 and up
	12718-00		BOX ASSEMBLY - Cabin heat, front seat (used on 1951 Model when rear seat heater is not installed)		
	12986-00		BOX ASSEMBLY - Cabin heat, front and rear seat (when rear seat heater is installed)	1	22-1 to 22-353 inclusive
-2	13359-00		BOX ASSEMBLY - Cabin heat, rear seat	1	22-1 to 22-353 inclusive
-3	12746-00	B	BOX ASSEMBLY - Carburetor air "125" (used on 1952 Model when rear seat heater is not installed)	1	22-354 and up
	11950-05		BOX ASSEMBLY - Carburetor air "125" (when rear seat heater is installed)		
	13765-04		BOX ASSEMBLY - Carburetor air "135" (when rear seat heater is installed)	1	22-807 to 22-1759 inclusive
	13765-05		BOX ASSEMBLY - Carburetor air "135" (when rear seat heater is not installed)	1	22-534 to 22-1759 inclusive
	14255-00	C	BOX ASSEMBLY - Carburetor air "135"	1	22-534 to 22-806 inclusive
	14255-02		BOX ASSEMBLY - Carburetor air (complete) "150" and "160"		
-4	12746-04	C	BOX ASSEMBLY - Less filter (used on 1952 Model when rear seat heater is not installed)	1	22-2378, 22-2425 and up
	11950-07		BOX ASSEMBLY - Less filter (when rear seat heater is installed) "125" and "135"		
	14253-04		BOX ASSEMBLY - Less filter, "150" and "160"	1	22-354 to 22-1759 inclusive
	14253-03	C	BOX ASSEMBLY - Less filter, "135"	1	22-2378, 22-2425 and up
-5	11950-04		BAFFLE - Leather		
-6	460 639	D	FILTER - "125"	1	22-1 to 22-533 inclusive
	13681-02		FILTER - "135", "150" and "160"		
-7	480 650	D	PIN - (No. 99785-2)	4	22-1 to 22-1759 inclusive
	487 568		STUD - (No. 99899-10-1.590) "125" (used only with 1-1/2" filter)		
	487 571		STUD - (No. 98293-15-2.100) "135"	4	22-1 to 22-353 inclusive
	487 569		STUD - (No. 98293-8-1.100) "125"	4	22-534 to 22-1759 inclusive
	487 542	E	STUD - Ball (No. P116-421-12-24A)	2	22-1760 and up
	406 355		NUT - Tinnerman		

- A - Used on PA-22 with serial numbers 22-534 to 22-2377 inclusive and 22-2379 to 22-2424 inclusive.
- B - Used on PA-22 with serial numbers 22-2378, 22-2425 to 22-3217 inclusive and 22-3219 to 22-3386 inclusive.
- C - Used on PA-22 with serial numbers 22-1760 to 22-2377 inclusive and 22-2379 to 22-2424 inclusive.
- D - Used on PA-22 with serial numbers 22-1 to 22-2377 inclusive and 22-2379 to 22-2424 inclusive.
- E - Used on PA-22 with serial numbers 22-1760 and up.

When ordering, always specify Part Number, Description and Serial Number of Aircraft



Figure and Index Number	Part Number	Code	NOMENCLATURE	No. Req.	SERIAL NUMBERS AFFECTED
5c-8	12755-00		BRACKET ASSEMBLY - Oil cooler mounting, "125"	1	22-1 to 22-533 inclusive
-9	458 924		ELBOW - Oil cooler installation, "125" (W/H No. 49 x 6B)	2	22-1 to 22-533 inclusive
-10	455 162		RADIATOR - Oil cooler, "125"	1	22-1 to 22-533 inclusive
-11	70371-00		FITTING ASSEMBLY - Swivel, cabin heat control (2 per ship when rear seat heater is installed)	1	22-354 and up
-12	70371-02		FITTING ASSEMBLY - Swivel, carburetor heat control attachment at carburetor	1	
	91193-00		FITTING ASSEMBLY - Swivel, mixture control attachment at carburetor	1	
-13	73451-03	A	GASKET - Air box to carburetor attachment	2	
	73451-07		PLATE - (Gasket) Air box to carburetor "150" and "160"	1	22-2376, 22-2425 and up
-14	434 142		GROMMET - Rubber, cable control, at firewall (AN931-14-20)	3	
-15	434 134		GROMMET - Throttle and mixture control at firewall (AN931-6-10)	1	
-16	10525-05	A	HOSE - Air duct, cabin heater to muffler shroud	1	
	10525-18		HOSE - Muffler to cabin heat box front seat	1	22-2376, 22-2425 and up
-17	465 132		HOSE ASSEMBLY - Oil cooler to engine, 9-1/2" long (No. 12762-02) "125"	1	22-1 to 22-533 inclusive
-18	465 133		HOSE ASSEMBLY - Oil cooler to engine, 12-1/2" long (No. 12762-03) "125"	1	22-1 to 22-533 inclusive
-19	72791-02		HOSE ASSEMBLY - Oil pressure gauge, at engine, 6" flexible (Alternate line No. 71061-00 may be used)	1	
-20	12716-05		INTAKE ASSEMBLY - Cold air, at firewall	1	22-1 to 22-353 inclusive
-21	612e2-51		LINK - Attachment, cabin heater box control, flat	2	22-354 and up
-22	13356-00		LINK - Attachment, cabin heat control, angle	2	22-354 and up
-23	14765-00		PLATE - Firewall hole cover (used when vacuum pump is not installed)	1	22-3218, 22-3387 and up
-24	11786-12		MOUNT - Engine, "125"	1	22-1 to 22-353 inclusive
	11786-14	B	MOUNT - Engine	1	
	11786-15		MOUNT ASSEMBLY - Engine "150" and "160"	1	22-3218, 22-3387 and up
-25	12765-02		PLATE - Trim, cabin heat intake, front seat, inside firewall	1	
-26	12765-02		PLATE - Trim, cold air intake, inside firewall	1	22-1 to 22-353 inclusive
-27	12797-00		PLATE - Lock, oil cooler bracket, "125"	1	22-1 to 22-353 inclusive
-28	10493-00		SPRING - Muffler support rod	2	22-1 to 22-353 inclusive
-29	450 932	A	PLUG - At engine baffle (No. 65614)	2	
-30	62332-26		TUBE ASSEMBLY - To manifold (when manifold pressure gauge is installed)	1	22-2376, 22-2425 and up
-31	91499-00	A	SPACER - Air box to carburetor	2	
-32	10490-00		ROD - Muffler support, 10-1/4"	2	22-1 to 22-353 inclusive
-33	12809-00		ROD - Cowl support	2	

A - Used on PA-22 with serial numbers 22-1 to 22-2377 inclusive and 22-2379 to 22-2424 inclusive.
 B - Used on PA-22 with serial numbers 22-354 to 22-3217 inclusive and 22-3219 to 22-3386 inclusive.

When ordering, always specify Part Number, Description and Serial Number of Aircraft:



Figure and Index Number	Part Number	Code	NOMENCLATURE	No. Req.	SERIAL NUMBERS AFFECTED
50-34	70371-03		STUD - Mixture and carburetor heat control attachment	2	
-35	487 567	A	STUD - Air box to carburetor attachment (No. 62840)	4	
	401 918		BOLT - (AN74A-3) Air box to carburetor attachment "150" and "160"	4	22-2378, 22-2425 and up
-36	11957-00	A	TUBE - Breather, engine	1	
	14466-00		TUBE - Engine breather "150"	1	22-2425 to 22-3707 inclusive
	14441-00		TUBE - Engine breather	1	22-3708 and up
-37	12956-04		VALVE ASSEMBLY - Quick oil drain	1	
-38			ENGINE - Lycoming O-290-D, "125"	1	22-1 to 22-533 inclusive
		B	ENGINE - Lycoming O-290-D2, "135"	1	
			ENGINE - Lycoming O-320-Spec. #2114 "150"	1	22-2378, 22-2425 and up
			ENGINE - Lycoming O-320-B2A "160"	1	22-5603 and up
-39	454 887	A	CLAMP - Cabin and carburetor heat control and primer line, at firewall (Tinnerman A4886A-3-A1)	AR	
-40	454 882		CLAMP - Hose, oil breather line, 1 inch	2	22-1 to 22-3707 inclusive
	454 970		CLAMP - Hose, oil breather "150" and "160"	2	22-3708 and up
-41	80222-26		CLAMP - Throttle and mixture control at firewall	1	
-42	13357-00		CLAMP - Cabin heat control attachment	2	22-354 and up
-43	12316-00		CLAMP ASSEMBLY - Throttle and mixture control attachment, on engine mount	1	
-44	80032-34		CLAMP - Offset, carburetor heat control attachment, on air box	1	
-45	80222-27		CLAMP - Attachment, cold air inlet tube	1	22-1 to 22-353 inclusive
-46	80032-53		CLAMP - Tube assembly, on engine (when manifold pressure gauge is installed)	2	22-2378, 22-2425 and up
-47	80122-20		WASHER - Muffler support spring installation	2	22-1 to 22-353 inclusive
-48	74311-00		HOSE - Connector, breather line	1	22-1 to 22-3707 inclusive
	82371-56		HOSE - Connector, breather line	1	22-3708 and up
-49	82332-32		TUBE ASSEMBLY - To gauge (when manifold pressure gauge is installed)	1	22-2378, 22-2425 and up
-50	82332-24		TUBE ASSEMBLY - Oil pressure gauge line to instrument	1	
-51	101 980		TUBE - Flexible, aluminum, 2-1/8 O. D.	34	22-1 to 22-353 inclusive
-52	10525-13		HOSE - Muffler shroud to rear seat heater box (when rear seat heater is installed)	1	22-1 to 22-1926 inclusive
-53	400 228		BOLT - (AN6-35)	2	
	406 684		NUT - Elastic stop (No. 52E064)	2	
	407 567		WASHER - (AN960-616)	2	
-54	400 217		BOLT - (AN6-24)	2	
	406 684		NUT - Elastic stop (No. 52E064)	2	
-55	80122-55		WASHER - Propeller bolt attachment	6	22-2378, 22-2425 and up
-56	400 321		BOLT - (AN6-44)	4	
	404 105		NUT - (AN310-8)	4	
	424 059		PIN - Cotter (AN380-3-3)	4	

A - Used on PA-22 with serial numbers 22-1 to 22-2377
inclusive and 22-2379 to 22-2424 inclusive.
B - Used on PA-22 with serial numbers 22-534 to 22-2377
inclusive and 22-2379 to 22-2424 inclusive.

When ordering, always specify Part Number, Description and Serial Number of Aircraft

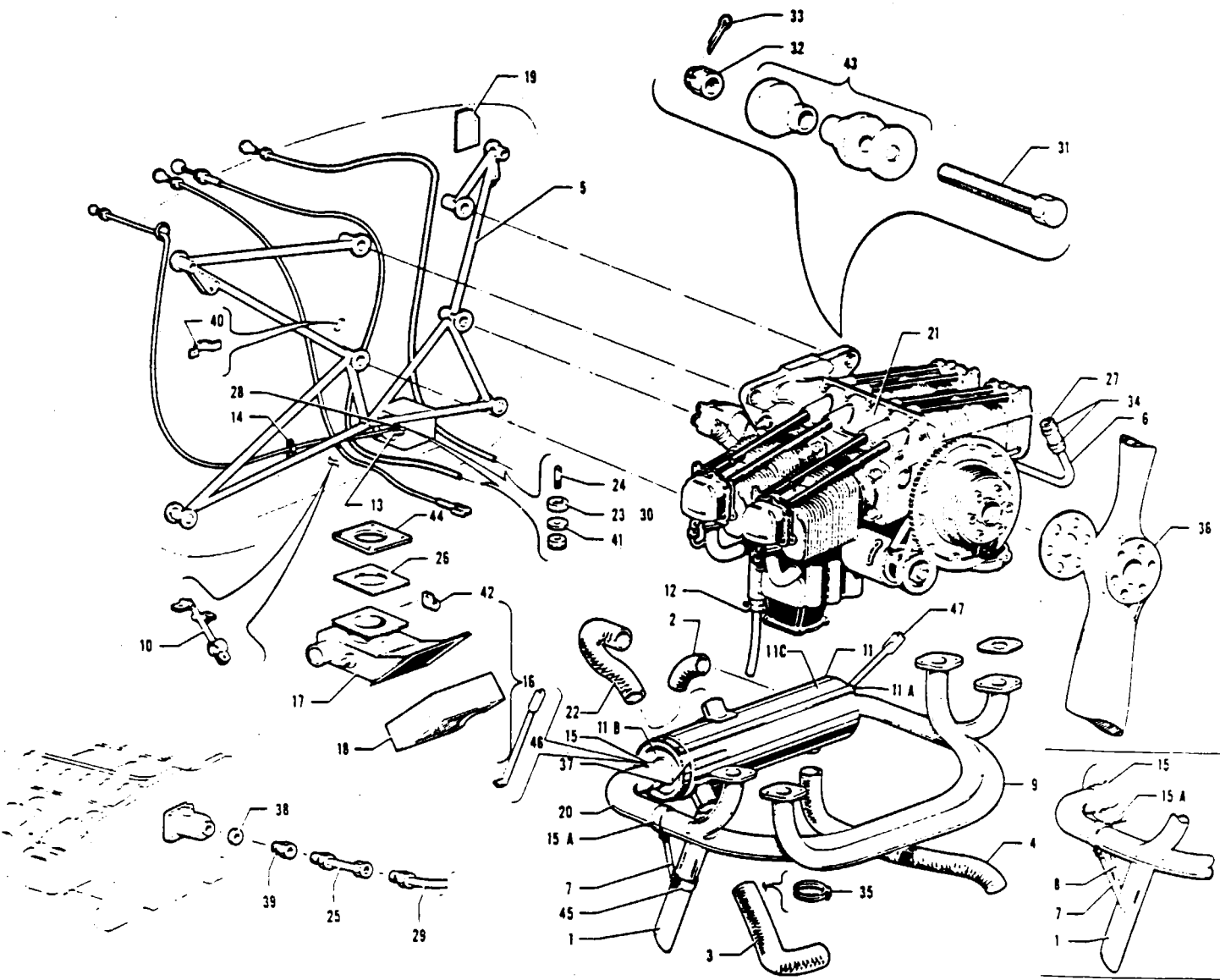


Figure 56A. Power Plant Installation
(Serial Nos. 22-8000 and up)



Figure and Index Number	Part Number	Code	NOMENCLATURE	No. Req.	SERIAL NUMBERS AFFECTED
56A-	15144		DRAWING - Power Plant		
-1	11417-02		TAIL PIPE ASSEMBLY	1	22-8000 to 22-9442 inclusive
	11417-04		TAIL PIPE ASSEMBLY	1	22-9443 and up
-2	10525-18		HOSE - Air duct, cabin heat box	1	
-3	10525-69		HOSE - Air duct, right	1	
-4	10525-76		HOSE - Air duct, left	1	
-5	11786-15		MOUNT ASSEMBLY - Engine	1	
-6	11957-02		TUBE - Engine breather	1	
-7	15217-00		TUBE - Tail pipe support	1	22-8000 to 22-9204 inclusive
	11962-00		TUBE - Tail pipe support	1	22-9205 and up
-8	11963-02		TUBE - Tail pipe support	1	22-8000 to 22-9204 inclusive
-9	12043-20		STACK ASSEMBLY - Exhaust front cylinder	1	22-8000 to 22-9453 inclusive
	12043-29		STACK ASSEMBLY - Exhaust front cylinder	1	22-9454 and up
-10	12316-00		CLAMP ASSEMBLY THROTTLE CONTROL	1	
-11	12742-03		MUFFLER ASSEMBLY - Complete	1	22-8000 to 22-9363 inclusive
	12742-06		MUFFLER ASSEMBLY - Complete	1	22-9364 and up
-11a	10430-00		CLIP ASSEMBLY - Muffler shroud	1	
-11b	10308-00		MUFFLER ASSEMBLY - Less shroud	1	22-8000 to 22-9363 inclusive
	10308-03		MUFFLER ASSEMBLY - Less shroud	1	22-9364 and up
-11c	12742-04		SHROUD ASSEMBLY - Muffler	1	
-12	12956-04		VALVE ASSEMBLY	1	
-13	13356-00		LINK	1	
-14	13357-00		CLAMP - Flexible control	1	
-15	14235-00		CLAMP ASSEMBLY - Exhaust stack	4	22-8000 to 22-8734 inclusive
	14235-00		CLAMP ASSEMBLY - Exhaust stack	3	22-8735 and up
-15a	14235-00		CLAMP ASSEMBLY - Exhaust stack	1	22-8000 to 22-8734 inclusive
	80002-74		CLAMP - Exhaust stack	2	22-9205 and up
-16	14255-02		BOX ASSEMBLY - Carburetor air, complete	1	
-17	14253-04		BOX ASSEMBLY - Less filter	1	
-18	13681-02		FILTER	1	
-19	15076-00	A	PLATE - Firewall hole cover	1	
-20	12043-19		STACK ASSEMBLY - Exhaust rear cylinder	1	22-8000 to 22-9453 inclusive
	12043-27		STACK ASSEMBLY - Exhaust rear cylinder	1	22-9454 and up
-21		B	ENGINE - Lycoming O-235-C1B	1	22-8000 to 22-9522 inclusive
		B	ENGINE - Lycoming O-235-C1	1	22-9523 and up
-22	22502-05		HOSE - Air duct, engine baffle to muffler shroud	1	
-23	70371-02		FITTING - Swivel, carburetor heat control and cabin heat control	2	
-24	70371-03		FITTING - Stud, carburetor heat control, mixture control and cabin heat control	3	
-25	71061-00		HOSE ASSEMBLY - Oil pressure	1	
-26	73451-07		PLATE - (Gasket) Air box to carburetor	1	
-27	74311-00	C	HOSE - Connector breather line	1	
	82371-56		HOSE - Connector breather line	1	22-8381, 22-8393, 22-8440, 22-8630 and up

A - Used only when vacuum pump is not installed.
 B - Secure from Lycoming, Division-Avco Corporation, Williamsport, Pennsylvania.
 C - Used on airplanes with serial numbers 22-8000 to 22-8380 inclusive, 22-8382 to 22-8392 inclusive, 22-8394 to 22-8439 inclusive and 22-8441 to 22-8629 inclusive.

When ordering, always specify Part Number, Description and Serial Number of Aircraft



Figure and Index Number	Part Number	Code	NOMENCLATURE	No. Req.	SERIAL NUMBERS AFFECTED
50A-28	81202-51		LINK - Attachment, cabin heater box control, flat	1	
-29	82332-24		TUBE ASSEMBLY - To oil pressure gauge	1	
-30	91193-00		FITTING - Swivel, carburetor mixture control	1	
-31	400 321		BOLT - (AN6-44) Engine to mount attachment	4	
-32	404 105		NUT - (AN310-8)	4	
-33	424 059		COTTER PIN - (AN380-3-3)	4	
-34	454 582		HOSE CLAMP - Oil breather line (1")	2	
	454 970		HOSE CLAMP - Oil breather line (1-1/8")	2	
-35	454 895		CLAMP - Hose (S2-1800)	8	
-36	450 978		PROPELLER - Sensenich metal (=M76AM-2-48)	1	
-37	18116-05		CLAMP ASSEMBLY - Muffler shroud	1	
-38	462 012		GASKET - Oil temperature bulb	1	
-39	451 851		ADAPTER - Oil temperature bulb	1	22-8000 to 22-9664 inclusive
	15244-00		ADAPTER - Oil temperature bulb	1	22-9665 and up
-40	80222-26		CLAMP - Control cable attachment	2	
-41	81342-19		WASHER - Swivel fitting	1	
-42	80032-34		CLAMP - Cable, control, carburetor heat	1	
-43		A	BUSHING - Rubber, engine mount	8	
		A	WASHER - Engine mount	4	
-44	91499-00		PLATE - Air box to carburetor	1	
-45	10466-33		CLAMP - Tail pipe	1	22-9205 and up
-46	15269-00		TUBE ASSEMBLY - Right support	1	22-9846 and up
-47	15270-00		TUBE ASSEMBLY - Left support	1	22-9848 and up

A - Secure from Lycoming, Division-Avco Corporation, Williamsport, Pennsylvania.

When ordering, always specify Part Number, Description and Serial Number of Aircraft

1J2

INTENTIONALLY LEFT BLANK

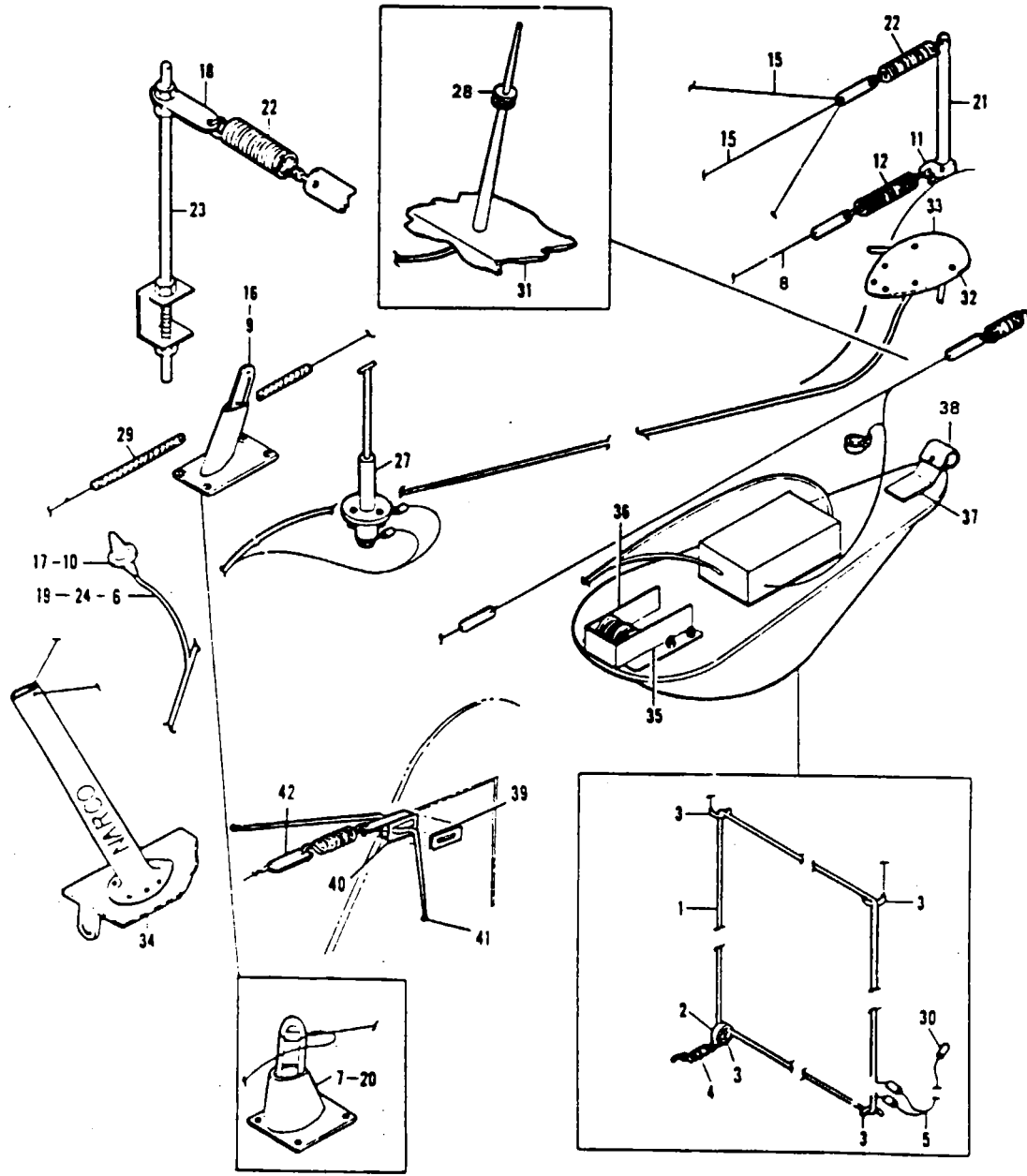


Figure 57. Antenna System Installation
(Serial Nos. 22-1 to 22-7642 inclusive)



Figure and Index Number	Part Number	Code	NOMENCLATURE	No. Req.	SERIAL NUMBERS AFFECTED
ANTENNA ASSEMBLY - FIXED LOOP INSTALLATION					
57-1	14163-00	A	ANTENNA ASSEMBLY - Fixed loop	1	
	12698-00		ANTENNA ASSEMBLY - Fixed loop	1	22-1 to 22-806 inclusive
	14163-00		ANTENNA ASSEMBLY - Fixed loop (used with Narco Installation)	1	22-2378, 22-2425 and up
-2	80032-50		CLAMP	1	22-1 to 22-806 inclusive
-3	90794-04		SLEEVE - Plastic insulator (3 per ship 1953, 1954, 1955 and 1956 Models)	4	
-4	42891-00		SPRING - (No. 487 213)	1	
-5	12699-02		WIRE ASSEMBLY - Lead in (used with Bendix Radio)	1	22-1 to 22-353 inclusive
	13527-00		WIRE ASSEMBLY - Lead in (used with Narco Radio)	1	22-1 to 22-806 inclusive
	13527-02		WIRE ASSEMBLY - Lead in (used with Narco Radio)	1	22-807 and up
ANTENNA ASSEMBLY - SINGLE WIRE INSTALLATION					
-6	13526-00	B	WIRE ASSEMBLY - Lead in, insulator to radio (used with Narco Radio Installation)	1	
-7	13094-00		ANTENNA MAST - (used with Bendix, Lear and Narco Radios)	1	22-1 to 22-1759 inclusive
-8	153 026		ANTENNA WIRE - (18 gauge copper weld)	21	
-9	467 050	C	INSULATOR - At front mast	1	
-10	467 062		INSULATOR - At windshield	1	
-11	10624-00	B	LINK - Antenna attachment at rudder	1	
-12	751 124	B	SPRING AND INSULATOR - At rudder	1	
	14572-00		SPRING AND BRACKET ASSEMBLY - At fin	1	22-2378, 22-2425 and up
ANTENNA ASSEMBLY - VEE INSTALLATION					
(NOTE: All parts necessary for both single and vee antenna installation)					
	12577	D	DRAWING		
-15	153 026	D	ANTENNA WIRE - (18 gauge copper weld)	59	
-16	467 050	CDE	INSULATOR - Short, at front mast	1	
-17	467 062		INSULATOR - Wing root fairing	1	
-18	81262-48	D	LINK - Wing tip post	2	
-19	12952-00		WIRE ASSEMBLY - Insulator to radio (used with Bendix Radio)	1	22-1 to 22-353 inclusive
-20	13094-00	DE	MAST ASSEMBLY - (Used with Bendix, Lear and Narco Radios)	1	
-21	12703-00	D	RUDDER POST	1	
-22	751 124	D	SPRING AND INSULATOR ASSEMBLY	3	
-23	12578-00	D	WING TIP POST	2	
-24	13526-00	D	WIRE ASSEMBLY - Lead in, insulator to radio (used with Narco Radio installation)	1	
	13526-00		WIRE - Lead in, to radio (used with Lear installation)	1	22-2378, 22-2425 and up
<p>A - Optional installation on 1953 PA-22. B - Used on PA-22 with serial numbers 22-1 to 22-2377 inclusive and 22-2379 to 22-2424 inclusive. C - Used on PA-22 with serial numbers 22-354 to 22-2377 inclusive and 22-2379 to 22-2424 inclusive. D - All other parts for this installation furnished by Lear, Inc.</p>					

When ordering, always specify Part Number, Description and Serial Number of Aircraft



Figure and Index Number	Part Number	Code	NOMENCLATURE	No. Req.	SERIAL NUMBERS AFFECTED
57-27		B	ANTENNA - Whip, VHF (Not available through Piper Aircraft Corporation. Secure from General Electric, Bendix Aviation Corporation, Lear Incorporated or National Aeronautical Corporation)	1	
	451 272		ANTENNA - Whip, VHF transmitting VTP-10 (used with Narco and Lear installations)	1	22-2378, 22-2425 and up
-28	434 126		GROMMET - (AN931-3-5) VHF transmitter antenna installation at tail (Narco Radio Installation)	1	
-29	13590-02		HOUSING - Insulator, stabilizer indicator cable (used with Lear and Narco installations)	1	
-30	455 160		CONNECTOR - Antenna (No. 221) (used with Bendix Radio)	1	22-1 to 22-353 inclusive
-31	14032-00	C	PLATE - VHF transmitting antenna installation at tail (Narco Radio installation)	1	
-32	13737-00		PLATE - Omnitenna mounting (bottom) (Lear Radio)	1	22-1 to 22-806 inclusive
-33	13736-00		PLATE - Omnitenna mounting (top) (Lear Radio)	1	22-1 to 22-806 inclusive
-34	13736-00		PLATE - Mounting, Narco VHF receiving antenna	1	22-1 to 22-2068 inclusive
	13350-00	AC	DRAWING - Rotable loop installation (used with Lear ADF-12)		
-35	13755-00	C	BRACKET - Support, LH	1	
-36	13755-01	C	BRACKET - Support, RH	1	
-37	13756-00	C	BRACKET - Support, rear	1	
-38	80032-46	C	CLAMP - Attachment, rear support bracket	1	
-39	14313-00		GROMMET - VHF receiving antenna installation, fin	2	22-2069 and up
-40	14296-00		PLATE - Trim VHF receiving antenna mounting on fin	2	22-2069 and up
-41	451 273		ANTENNA - Omni, receiver VRP-37 (used on Lear and Narco installations)	1	22-2378, 22-2425 and up
-42	17955-00		LINK - Insulator, antenna, at fin	1	22-2378, 22-2425 and up

A - Optional installation on 1953 PA-22.
 B - Used on PA-22 with serial numbers 22-1 to 22-2377 inclusive and 22-2379 to 22-2424 inclusive.
 C - Used on PA-22 with serial numbers 22-354 to 22-2377 inclusive and 22-2379 to 22-2424 inclusive.
 D - All other parts for this installation furnished by Lear, Inc.

When ordering, always specify Part Number, Description and Serial Number of Aircraft

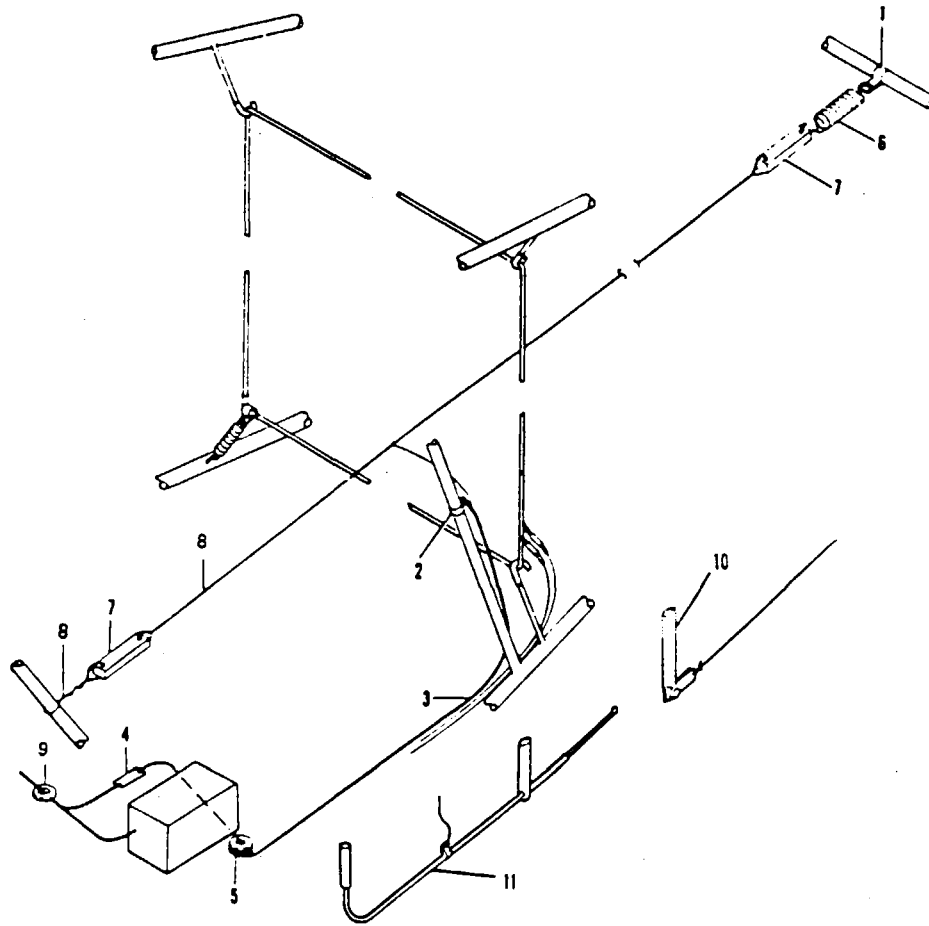


Figure 58. Marker Beacon Installation
(Serial Nos. 22-1 to 22-7642 inclusive)



Figure and Index Number	Part Number	Code	NOMENCLATURE	No. Req.	SERIAL NUMBERS AFFECTED
			NOTE: Marker Beacon Antenna Installation (used with Lear and Narco Radios)		
58-	13350 13523 14388 14732 14737	A A B	DRAWING - Marker Beacon Installation (Lear) DRAWING - Marker Beacon Installation (Narco) DRAWING - Marker Beacon Installation (Narco) DRAWING - Marker Beacon Installation (Narco) DRAWING - Marker Beacon Installation (Lear)		22-3216, 22-3387 and up 22-3216, 22-3387 and up
-1	80032-50	A	CLAMP	1	
-2	80032-46 80032-61	A	CLAMP - Ground CLAMP - Ground, marker beacon and co-ax cable (used on Lear and Narco installations)	1 1	22-2376, 22-2425 and up
-3			CABLE - Coaxial antenna to radio (not available through Piper Aircraft Corporation)	1	
-4	455 160		CONNECTOR - Antenna coaxial cable connection (No. 221) when LD-5 dynamotor is installed on floor	1	22-1 to 22-806 inclusive
-5	434 134		GROMMET - Floorboard (AN931-6-10) (when LD-5 dynamotor is installed on floor)	1	22-1 to 22-806 inclusive
-6	42691-00		SPRING	1	
-7	467 051	A	INSULATOR	2	
-8	153 026 14496-00 14763-00	C B	WIRE - Antenna WIRE ASSEMBLY - Antenna, 75MC marker beacon ANTENNA ASSEMBLY - Marker beacon, Narco and Lear	7 1 1	22-3216, 22-3387 to 22-4142 incl. and 22-4144 to 22-4459 inclusive
-9	85012-77		WASHER - Coaxial cable installation, through fabric (used with Lear Radio installation when LD-5 dynamotor is installed on floor)	1	22-1 to 22-806 inclusive
-10	14762-00		MAST ASSEMBLY - (used when marker beacon antenna is installed)	1	22-3216, 22-3387 to 22-4142 incl. and 22-4144 to 22-4159 inclusive
-11	451 264		ANTENNA - Bent marker beacon (XA-135)	1	22-3216, 22-3387 and up
			A - Used on PA-22 with serial numbers 22-1 to 22-2377 inclusive and 22-2379 to 22-2424 inclusive. B - Used on PA-22 with serial numbers 22-2376, 22-2425 to 22-3217 inclusive and 22-3219 to 22-3386 inclusive. C - Used on PA-22 with serial numbers 22-1 to 22-2599 inclusive, 22-2600 to 22-3217 inclusive and 22-3219 to 22-3386 inclusive.		

When ordering, always specify Part Number, Description and Serial Number of Aircraft

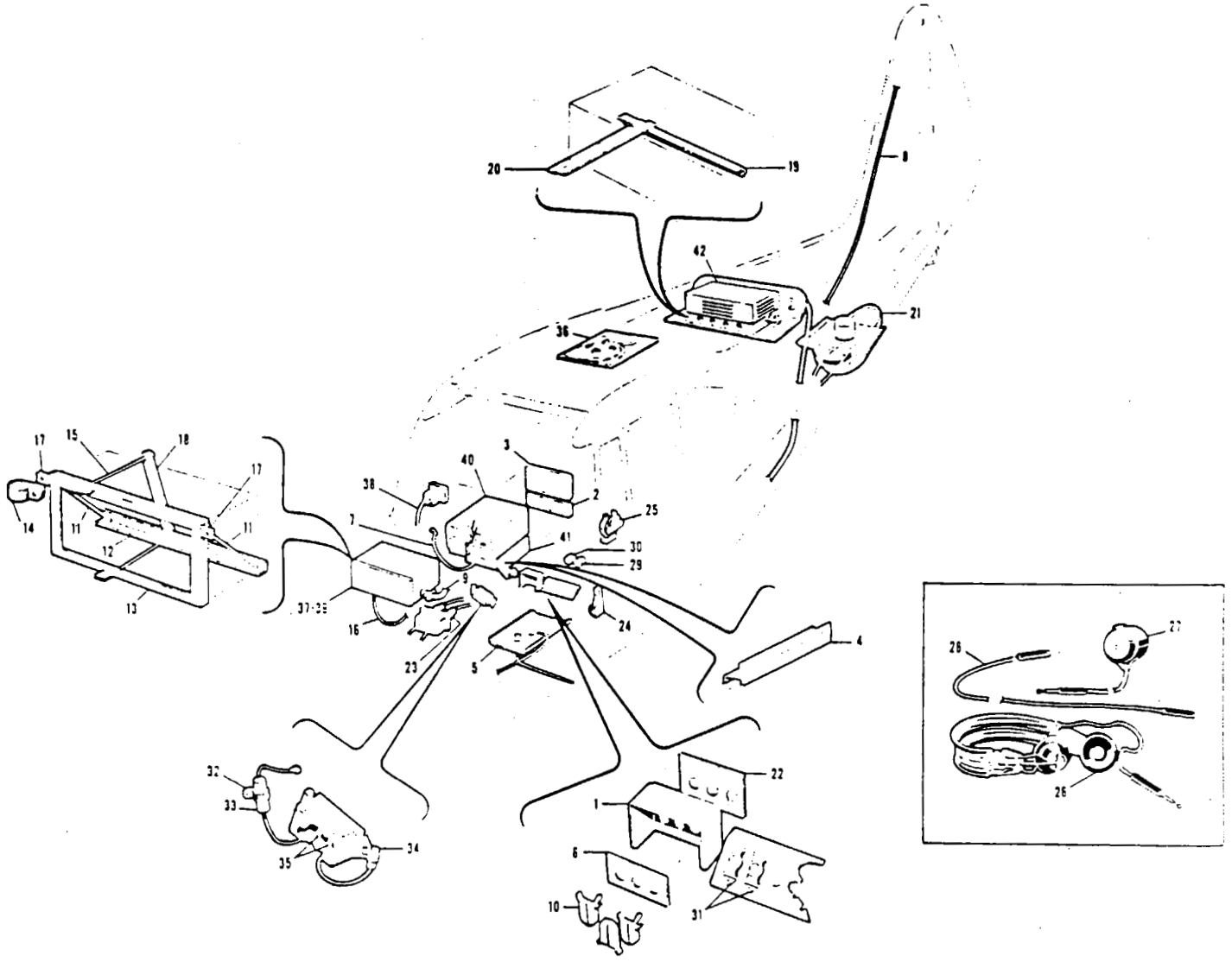


Figure 59. Lear Radio Installation
(Serial Nos. 22-1 to 22-7642 inclusive)

SECTION X
Radio Group



LEAR RADIO INSTALLATION
(Serial Nos. 22-1 to 22-7642 inclusive)

Figure and Index Number	Part Number	Code	NOMENCLATURE	No. Req.	SERIAL NUMBERS AFFECTED
59-	13350	A	DRAWING - Lear Radio Installation (LTA-5, LTR-5, LTRA-5, ADF-12, RT-10CH)		
	14553	B	DRAWING - Lear Radio Installation (LTRA-6, ADF-12C)		
	14737		DRAWING - Lear Radio Installation (LTRA-6, ADF-12C)		22-3218, 22-3387 and up
	12954	C	DRAWING - Bendix Radio Installation (PATR-10A)		22-1 to 22-353 inclusive
	13278	C	DRAWING - Bendix Radio Installation (PAT-50A VHF transmitter and PAR-70A receiver)		
-1	14743-00		BOX ASSEMBLY - Radio switch	1	22-3218, 22-3387 and up
-2	14686-00		PANEL - Radio opening (used with LTRA-6 installation)	1	22-3218, 22-3387 and up
-3	14681-00		PANEL - Radio opening (used with ADF-12C installation)	1	22-3218, 22-3387 and up
-4	14640-00		CHANNEL ASSEMBLY - Radio mounting	1	22-3218, 22-3387 and up
-5	14342-00	D	PLATE - VHF transmitting antenna attachment	1	
-6	14525-00	D	PLATE - Switch box reinforcement	1	
-7	14379-03	D	WIRE - Ground, L. F. receiver	2	
-8	451 299	D	CABLE - Omni-antenna to VHF receiver (14564-04)	1	
-9	451 288	D	CABLE - Cross pointer (14576-00)	1	
-10	487 790	D	SWITCH - Toggle (=110-S-73)	2	
-11	14516-02	D	ROD - Radio hangar	2	
-12	14518-00	D	ANGLE - Radio support	1	
-13	14517-00	D	BRACKET ASSEMBLY - Radio support	1	
-14	14540-00	D	CLAMP - Offset	4	
-15	14516-03	D	ROD - Radio hangar	2	
-16	14546-00	D	HARNESS ASSEMBLY - Dynamotor	1	
-17	18522-03	D	CLIP - Bent, dynamotor support	2	
-18	81262-66	D	LINK - Dynamotor rod support	1	
-19	14554-00	D	STRIP - Amplifier attachment	2	
-20	14555-00	D	CHANNEL - Amplifier shelf support	1	
-21	14556-00	D	PLATE ASSEMBLY - ADF antenna support	1	
-22	13761-02		PLACARD - Radio "On-Off" (ADF and VHF transmitter and receiver)	1	22-354 and up
	13761-03		PLACARD - Radio "On-Off" (ADF and VHF transmitter)	1	22-354 and up
	13761-04		PLACARD - Radio "On-Off" (VHF, MKR-BCN and LF radio)	1	22-354 and up
-23	460 637		FILTER - Magneto (Lear 1-NC) (=63149)	1	
	460 634		FILTER - Magneto (=NFIF-247)	1	
-24	10940-00		HOOK - Headphone	1	
-25	12347-02		HOOK - Microphone (at left front sliding window) (used with Telephonics Mike RS-38A)	1	
	454 889		HOOK - Microphone, spring type (used with Telephonics Mike RS-38A)	1	
	453 415		BRACKET - Microphone (used with Telex Mike 66C)	1	
			A - Used on PA-22 with serial numbers 22-1 to 22-2377 inclusive and 22-2379 to 22-2424 inclusive.		
			B - Used on PA-22 with serial numbers 22-2378, 22-2425 to 22-3217 inclusive and 22-3219 to 22-3386 inclusive.		
			C - Listed for reference only.		
			D - Used on PA-22 with serial numbers 22-2378, 22-2425 and up.		

When ordering, always specify Part Number, Description and Serial Number of Aircraft



Figure and Index Number	Part Number	Code	NOMENCLATURE	No. Req.	SERIAL NUMBERS AFFECTED
59-26	464 326		HEADPHONE - Radio	1	
-27	474 647		MICROPHONE - (Telephonics #RS-38A)	1	
	474 649		MICROPHONE - (TEL-66C)	1	
-28	459 864		EXTENSION - Microphone	1	22-1 to 22-2377 inclusive and 22-2379 to 22-2424 inclusive
-29	468 003		JACK ASSEMBLY - Headphone	1	
-30	468 002		JACK ASSEMBLY - Microphone	1	
-31	454 657		CIRCUIT PROTECTOR - Wood (2310)	2	
-32	13669-00	B	CLAMP - Capacitor	1	
-33	454 044	B	CAPACITOR - (500MFD)	1	
-34	454 083		CAPACITOR - (.5 MFD)	1	
-35	454 051		CAPACITOR - (.001 MFD)	5	
-36	18476-00		SPEAKER - Radio	1	
-37		A	CONVERTER - Omni range	1	
-38		A	INDICATOR - Omni course cross pointer	1	
-39		A	DYNAMOTOR - (LD-5)	1	
-40		A	TUNER - LTRA-6	1	
-41		A	TUNER - ADF-12C)	1	
-42		A	AMPLIFIER - ADF-12C	1	

A - Not available through Piper Aircraft Corporation.
Secure from Lear, Incorporated, 3171 S. Bundy
Drive, Santa Monica, California.

B - Used on PA-22 with serial numbers 22-1 to 22-5138
inclusive, and 22-5140 to 22-5602 inclusive.

When ordering, always specify Part Number, Description and Serial Number of Aircraft

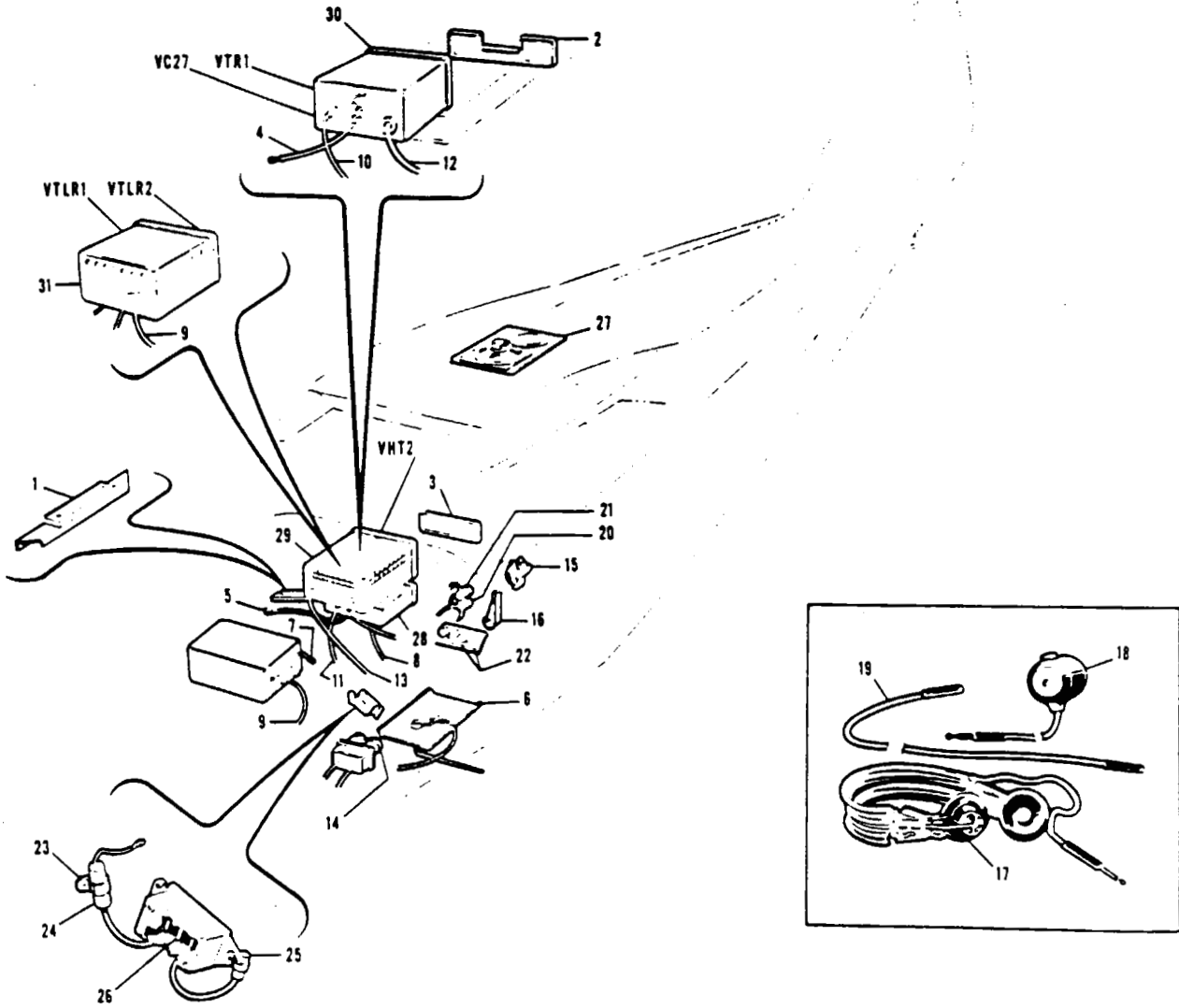


Figure 60. Narco Radio Installation
(Serial Nos. 22-1 to 22-7642 inclusive)



Figure and Index Number	Part Number	Code	NOMENCLATURE	No. Req.	SERIAL NUMBERS AFFECTED
60-	13523		DRAWING - Narco Radio Installation (VTLR-1, VTLR-2, VHT-2, VTR-1 and LFR-1)		22-1 to 22-2377 inclusive and 22-2379 to 22-2424 inclusive
	14385		DRAWING - Narco Radio Installation (VTLR-2, Super Homer and Omnigator Radios)		22-2378, 22-2425 to 22-3217 incl. and 22-3219 to 22-3366 inclusive
	14732		DRAWING - Narco Radio Installation (VTLR-2, Super Homer and Omnigator Radios)		22-3218, 22-3367 and up
	12954	A	DRAWING - Bendix Radio Installation (PATR-10A)		22-1 to 22-353 inclusive
	13278	A	DRAWING - Bendix Radio Installation (PAT-50 VHF Transmitter and PAR-70A Receiver)		22-1 to 22-353 inclusive
-1	14640-00	B	CHANNEL ASSEMBLY - Radio mounting	1	
-2	14686-00	B	PANEL - Face, radio opening (used when omnigator or Super Homer is installed)	1	
-3	14680-00	B	PANEL - Face, radio opening (used when VTLR-2 is installed)	1	
-4	11122-05	B	CABLE - Ground radio to frame	1	
-5	11122-0c	B	CABLE - Ground L. F. receiver	1	
-6	14342-00	C	PLATE - VHF transmitting antenna attachment, bottom of fuselage	1	
-7	14379-02	C	WIRE ASSEMBLY - Ground, omni power supply	1	
-8	451 204	C	CABLE - Lead in, insulator to L. F. radio (14563-04)	1	
-9	14566-00	C	HARNESS - Audio (VTLR-2)	1	
	14560-00	C	HARNESS - Audio (VHT-2)	1	
	1489c-00	C	HARNESS - Audio (VTR-1 and VC-27)	1	
-10	451 299	C	CABLE - Omni antenna to VHF receiver (14564-04)	1	
-11	451 255	C	CABLE - L. F. receiver to power supply (14566-03)	1	
-12	451 274	C	CABLE - Power, omni (14562-02)	1	
-13	451 263	C	CABLE - VTR-1 to marker beacon (14565-04)	1	
-14	460 637		FILTER - Magneto (Lear I-NC)	1	
	460 634		FILTER - Magneto (=NFIF 247)	1	
-15	12347-02		HOOK - Microphone (at left front sliding window) (used with Telephonics Mike RS-38A)	1	
	454 889		HOOK - Microphone, spring type (used with Telephonics Mike RS-38A)	1	
	453 415		BRACKET - Microphone (used with Telex Mike 66C)	1	
-16	10946-00		HOOK - Headphone	1	
-17	464 32c		HEADPHONE - Radio	1	
-18	474 647		MICROPHONE - (Telephonics RS-38A)	1	
	474 649		MICROPHONE - (TEL 66C)	1	
-19	459 864		EXTENSION - Microphone	1	22-1 to 22-2377 inclusive and 22-2379 to 22-2424 inclusive
-20	468 003		JACK ASSEMBLY - Headphone	1	
-21	468 002		JACK ASSEMBLY - Microphone	1	
			A - Listed for reference only.		
			B - Used on PA-22 with serial numbers 22-3218, 22-3367 and up.		
			C - Used on PA-22 with serial numbers 22-2378, 22-2425 and up.		

When ordering, always specify Part Number, Description and Serial Number of Aircraft



Figure and Index Number	Part Number	Code	NOMENCLATURE	No. Req.	SERIAL NUMBERS AFFECTED
60-22	454 649	C	CIRCUIT PROTECTOR - PSM-10	2	
	454 657	D	CIRCUIT PROTECTOR - (2310)	2	
-23	13669-00	B	CLAMP - Capacitor	1	
-24	454 044	B	CAPACITOR - (500 MFD)	1	
-25	454 083		CAPACITOR - (.5 MFD)	1	
-26	454 051		CAPACITOR - (.001 MFD)	5	
-27	18476-00		SPEAKER - Radio	1	
-28		A	RADIO - Narco, LFR-1		22-354 and up
-29		A	RADIO - Narco, VHT-2		22-354 and up
-30		A	RADIO - Narco, VTR-1		22-354 and up
-31		A	RADIO - Narco, VTLR-1		22-354 and up
		A	RADIO - Narco, VTLR-2		22-354 and up

A - Not available through Piper Aircraft Corporation. Secure from National Aeronautical Corporation, Ambler, Pennsylvania.
 B - Used on PA-22 with serial numbers 22-1 to 22-5138 inclusive and 22-5140 to 22-5602 inclusive.
 C - Used when Spencer circuit protectors are installed.
 D - Used when Wood circuit protectors are installed.

When ordering, always specify Part Number, Description and Serial Number of Aircraft

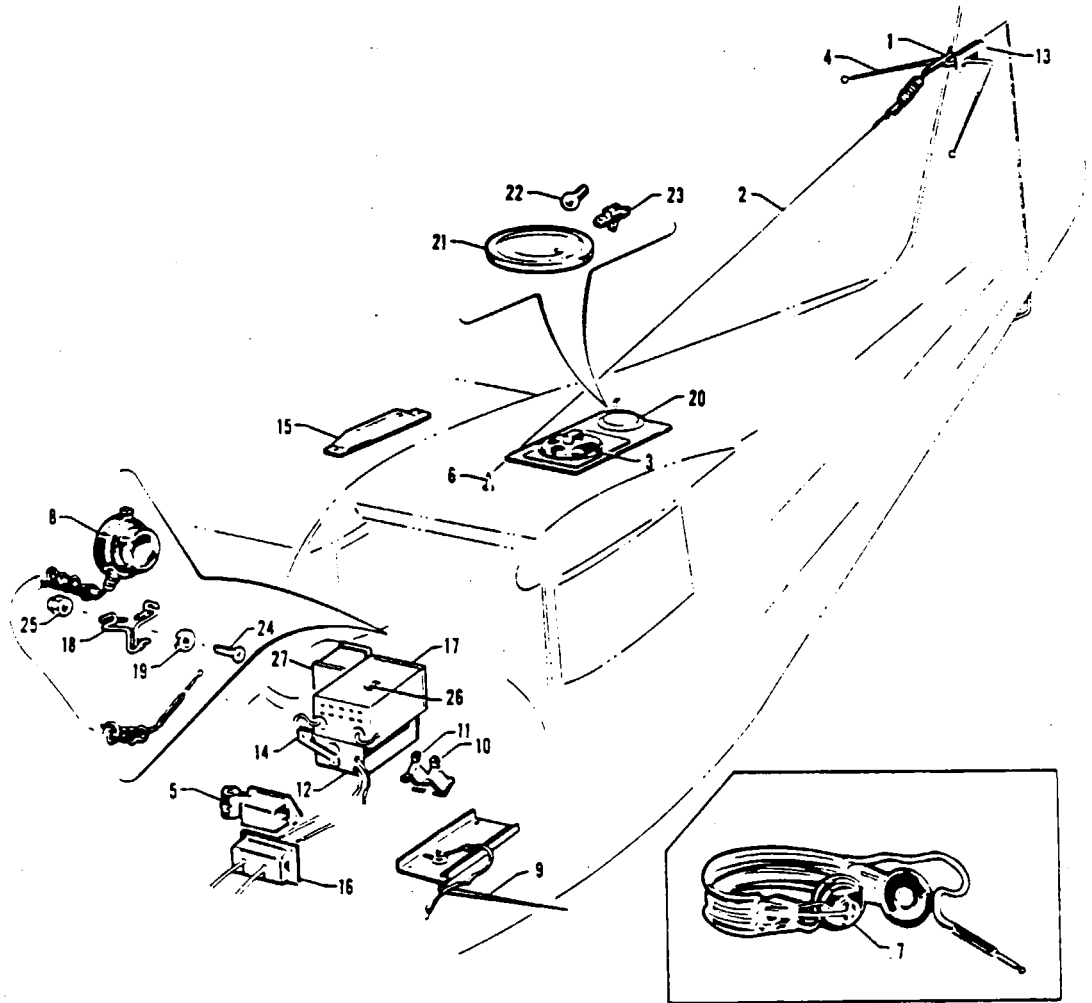


Figure 61. Piper Radio Installation
 AutoNav PRC-3 and Super Homer VHT-4
 AutoNav PRC-3 and PTR-1



Figure and Index Number	Part Number	Code	NOMENCLATURE	No. Req.	SERIAL NUMBERS AFFECTED
01-	15090		DRAWING - Piper Radio Installation, AutoNav PRC-3 and Super Homer VHT-4		22-9417 to 22-9637 inclusive 22-9638 and up
	15245		DRAWING - Radio Installation, AutoNav PRC-3 and PTR-1		
-1	14572-00	A	BRACKET ASSEMBLY - Radio antenna	1	
-2	17953-00	A	ANTENNA WIRE ASSEMBLY	1	
-3	18476-00		SPEAKER ASSEMBLY	1	
-4	451 273	BC	ANTENNA ASSEMBLY	1	
-5	19286-00		CAPACITOR ASSEMBLY	1	
-6	467 062	A	INSULATOR - (#135-42)	1	
-7	464 327	BC	HEADPHONE - (#P-23)	1	
-8	474 647	BC	MICROPHONE - (Telephonics #RS-38A)	1	
	474 649	BC	MICROPHONE - (TEL 66C)	1	
-9	451 272	BC	ANTENNA - Whip (VTP-17)	1	
-10	454 657	BC	CIRCUIT PROTECTOR - (#2310)	1	
-11	454 656	A	CIRCUIT PROTECTOR - (#2305)	1	
-12	451 129	A	RECEIVER - PIPER AUTONAV (PRC-3)	1	
-13	14296-00	BC	PLATE - Antenna trim	2	
-14	15089-00	A	BRACKET - Radio support	1	
-15	451 127	A	ANTENNA - Loop (#A-3-2.5)	1	
-16	460 634		FILTER - Magneto (#NFIF 247)	2	
-17	19266-00	A	PLATE ASSEMBLY - Radio opening cover	1	
-18	23303-00	BC	HOLDER - Microphone (used with Telephonics Mike RS-38A)	1	
	453 415	BC	BRACKET - Microphone (used with Telex Mike 66C)	1	
-19	23302-00	BC	WASHER - Retaining, microphone holder	1	
-20	12702-09		LIGHT ASSEMBLY - Dome	1	
-21	472 330		LENS - Dome light (12715-00)	1	
-22	472 036		BULB - Dome light (#89)	1	
-23	487 777		SWITCH - Dome light (#5518)	1	
-24	414 763	BC	SCREW - (AN507-832R8)	1	
-25	404 910	BC	NUT - Self-locking (MS20365-832C)	1	
-26	551 174	C	RADIO - PTR-1, low band	1	
-27	551 176	C	CONVERTER - O-1 Omni	1	

A - Used with AutoNav installation.
B - Used with Super Homer installation.
C - Used with PTR-1 installation.

When ordering, always specify Part Number, Description and Serial Number of Aircraft

1J16

INTENTIONALLY LEFT BLANK

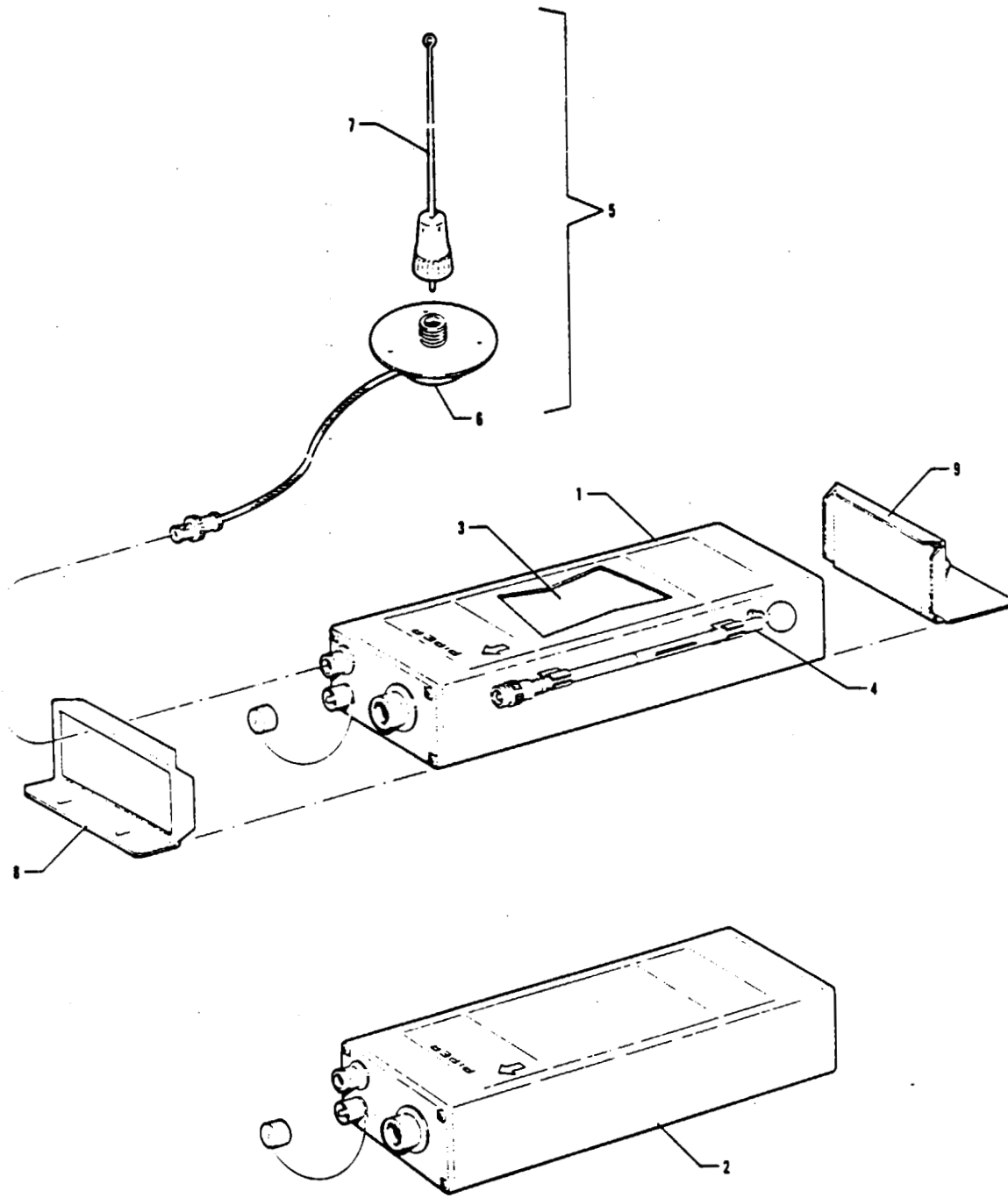


Figure 62. Piper Automatic Locator (ELT) Installation (Garrett Mfg. Ltd.)



Figure and Index Number	Part Number	Code	NOMENCLATURE	No. Req.	SERIAL NUMBERS AFFECTED
62-1	756 398		TRANSMITTER ASSEMBLY - Automatic locator (627484-1) (includes battery pack & telescopic antenna)	1	
	761 939		TRANSMITTER ASSEMBLY - Automatic locator (627674-1) (includes battery pack & telescopic antenna)	1	
-2	756 399	A	TRANSMITTER ASSEMBLY - Automatic locator (less battery pack & telescopic antenna)	1	
	761 940	B	TRANSMITTER ASSEMBLY - Automatic locator (less battery pack & telescopic antenna)	1	
-3	758 209	A	BATTERY PACK - Transmitter assembly	1	
	758 281	B	BATTERY PACK - Transmitter assembly	1	
-4	751 316		ANTENNA ASSEMBLY - Telescopic	1	
-5	751 317		ANTENNA ASSEMBLY - Whip (includes cable and base)	1	
-6	751 318		CABLE AND BASE ASSEMBLY - Whip antenna	1	
-7	751 319		ANTENNA ASSEMBLY - Whip (less cable and base)	1	
-8	758 266		BRACKET - Forward transmitter mounting	1	
-9	758 267		BRACKET ASSEMBLY - Aft transmitter mounting (includes lock knob)	1	
			<p>A - Used with Transmitter Assembly P/N 756 398 (Model 627484-1).</p> <p>B - Used with Transmitter Assembly P/N 761 939 (Model 627674-1).</p>		

When ordering, always specify Part Number, Description and Serial Number of Aircraft



Figure and Index Number	Part Number	Code	NOMENCLATURE	No. Req.	SERIAL NUMBERS AFFECTED
752 272		B	AEROMATIC PROPELLER INSTALLATION (less propeller)		
754 025			ANTENNA - Fixed loop (used with Narco Radio)		22-807 to 22-1759 inclusive
751 204			ANTENNA - Fixed loop (used on all radio installations except the Lear Radio)		22-1 to 22-806 inclusive
754 378			AUXILIARY FUEL SYSTEM INSTALLATION (less instrument panel cover plate)		22-8000 and up
754 074			AUXILIARY FUEL TANK INSTALLATION "135" and "150"		22-534 to 22-7642 inclusive
752 297			BATTERY BOX INSTALLATION - Sealed		22-354 and up
752 300		C	DEFROSTER INSTALLATION		
752 261		A	DIRECTIONAL GYRO INSTALLATION (Venturi installation)		
754 035			FLOAT INSTALLATION (with 89-2000 floats) "135"		22-807 to 22-2424 inclusive
754 036			FLOAT INSTALLATION (with 89-2000 floats) "135"		22-534 to 22-806 inclusive
754 082		C	FLOAT INSTALLATION "150" and "160" (EDO Model 89-2000 floats)		22-2378, 22-2425 and up
752 243			FRESH AIR VENT INSTALLATION		22-1 to 22-353 inclusive
752 260		A	INSTRUMENT INSTALLATION - Advanced (Venturi installation)		
752 259		A	INSTRUMENT INSTALLATION - Primary (Venturi installation)		
752 214			LANDING GEAR - Nuts and bolts		
751 200		B	LANDING LIGHT INSTALLATION		
754 052			LANDING LIGHT KIT		22-2378, 22-2425 and up
752 271		C	MANIFOLD PRESSURE GAUGE		
752 182		C	NAVIGATION LIGHT AND COCKPIT - SPOTLIGHT INSTALLATION		
754 371			NAVIGATION LIGHT, INSTRUMENT SPOTLIGHT AND DOME LIGHT INSTALLATION		22-8000 and up
752 241			OIL RADIATOR INSTALLATION "135" (for use when installing large 12 plate oil radiator in "125" airplanes, this kit is less the nose cowl)		
752 213		C	REAR SEAT HEATER INSTALLATION		
750 454			RIB REPAIR KIT		
752 273		C	SAFE FLIGHT INDICATOR		
754 088		C	SKI INSTALLATION "135" and "150"		22-3219 to 22-3386 inclusive
754 167		C	SKI INSTALLATION "150"		22-3218, 22-3387 and up
750 736			SPAR SPLICE - Front (Wing)		
750 737			SPAR SPLICE - Rear (Wing)		
752 209		C	SPEAKER AND DOME LIGHT INSTALLATION (used with Bendix Radio)		
752 252		C	SPEAKER AND DOME LIGHT INSTALLATION (used with Narco Radio)		
751 160		C	STORM LAKE LITTER		22-1 to 22-806 inclusive
754 007		C	STORM LAKE LITTER		22-807 and up

A - Used on PA-22 with serial numbers 22-635, 22-637, 22-640, 22-642, 22-644, 22-647, 22-648, 22-654, 22-657, 22-659 to 22-7642 inclusive.
 B - Used on PA-22 with serial numbers 22-1 to 22-2377 inclusive and 22-2379 to 22-2424 inclusive.
 C - Not used on PA-22-108.

When ordering, always specify Part Number, Description and Serial Number of Aircraft

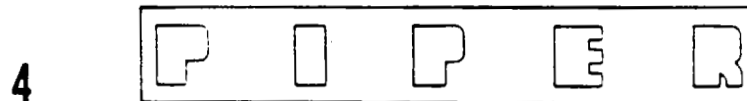
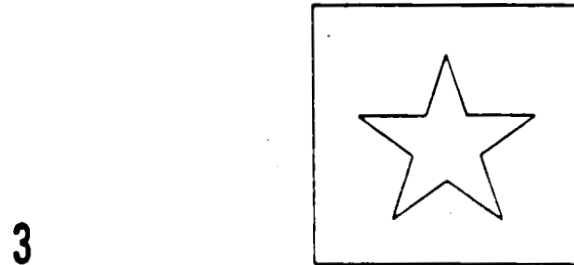
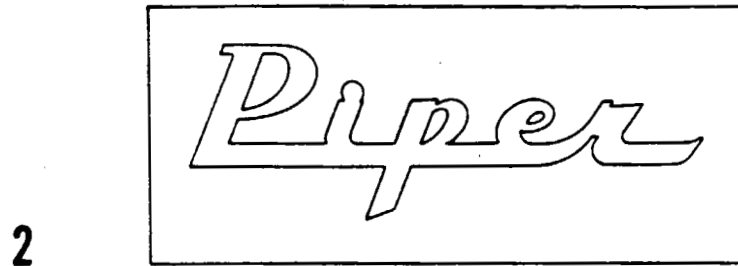


Figure and Index Number	Part Number	Code	NOMENCLATURE	No. Req.	SERIAL NUMBERS AFFECTED
	752 207	C	STRUT FAIRINGS INSTALLATION (used when tie down rings are installed on wing spar and also when no tie down rings are installed)		
	752 248		STRUT FAIRINGS INSTALLATION (used when tie down rings are installed at upper end of lift strut)		22-354 and up
	754 098	C	SUN VISOR INSTALLATION		
	752 231	C	SUPER HEATER INSTALLATION		22-1 to 22-353 inclusive
	754 034	A	VACUUM PUMP INSTALLATION (new type accessory case)		
	754 059	B	VACUUM PUMP INSTALLATION		
	754 136		VACUUM PUMP INSTALLATION		22-3936 to 22-7642 inclusive
	752 267		VACUUM PUMP INSTALLATION (used only when engine is equipped for installation) "135"		22-354 to 22-2213 inclusive
	754 374		VACUUM PUMP INSTALLATION (less pump) (to be used with Accessory Case Lyc. 68802 and Drive gear Adapter Lyc. 69439 - secured from Lycoming)		22-8000 and up
	754 373		VENTURI INSTALLATION - Standard to Primary (less turn and bank)		22-8000 and up
	752 208		WINDOW AND DOOR LOCK INSTALLATION		22-1 to 22-806 inclusive
	752 287	C	WINDOW VENTILATOR		
	754 360		PIPER - AutoNav		
	754 444		SKI INSTALLATION "108"		22-8000 and up
	754 352		OIL FILTER INSTALLATION KIT		
	754 388	D	WHEEL FAIRINGS INSTALLATION (less fairings) "108"		
	754 331	E	WHEEL FAIRINGS INSTALLATION (less fairings) "150" and "160"		
	754 174		UTILITY CATEGORY - Conversion for "150" and "160"		
<p>A - Used on PA-22 with serial numbers 22-2214, 22-2215, 22-2220, 22-2223, 22-2224, 22-2226, 22-2228, 22-2229, 22-2233 to 22-2237 inclusive, 22-2239 to 22-2244 inclusive, 22-2247, 22-2248, 22-2250 to 22-2253 inclusive, 22-2255 to 22-2377 inclusive and 22-2379 to 22-2424 inclusive.</p> <p>B - Used on PA-22 with serial numbers 22-2378, 22-2425 to 22-3217 inclusive and 22-3219 to 22-3386 inclusive.</p> <p>C - Not used on PA-22-108.</p> <p>D - Used on airplanes with serial numbers 22-8270, 22-8289, 22-8291, 22-8293, 22-8298, 22-8304, 22-8305, 22-8307, 22-8318, 22-8334, 22-8455, 22-8457 and up.</p> <p>E - Used on airplanes with serial numbers 22-1 to 22-8269 inclusive, 22-8271 to 22-8288 inclusive, 22-8290, 22-8292, 22-8294 to 22-8297 inclusive, 22-8299 to 22-8303 inclusive, 22-8306, 22-8308 to 22-8317 inclusive, 22-8319 to 22-8333 inclusive, 22-8335 to 22-8454 inclusive, and 22-8456.</p>					

When ordering, always specify Part Number, Description and Serial Number of Aircraft

1J21

INTENTIONALLY LEFT BLANK



1. 15003-00 STENCIL - Caribbean (Gold) (22-6216, 22-6352 to 22-6764 inclusive, 22-6786 to 22-6857 inclusive, 22-6859 to 22-6979 inclusive)
- 15003-02 STENCIL - Caribbean (Chrome) (22-6785, 22-6858, 22-6980 to 22-7642 inclusive)
2. 15030-00 STENCIL - Piper (22-6785, 22-6855, 22-6960 to 22-9036 inclusive)
- 22659-00 DECAL - Piper (22-9037 and up)
3. 15045-00 STENCIL - Star (22-6765, 22-6885, 22-6980 to 22-7642 inclusive)
4. 19390-00 STENCIL - Piper (22-6216, 22-6352 to 22-6764 inclusive, 22-6786 to 22-6857 inclusive, 22-6859 to 22-6979 inclusive)
5. 22047-00 MEDALLION - AutoFlite



NUMERICAL INDEX

Part Number	Fig. and Index
SK-699	45-36
10016-17	2-18
10016-21	2-19
10016-22	2-20
10016-23	2-21
10016-24	2-24
10074-02	36-1
10074-03	36-7
10075-02	36-4
10075-03	36-10
10075-04	36-11
10128-71	6-29
10128-82	43-22
10128-84	18-54
10128-84	21-5
10128-86	6-30
10128-93	48-19
10143-18	37-35
10143-20	37-34
10143-20	37-36
10143-61	37-35
10143-61	37-37
10143-65	37-57
10143-89	37-34
10143-91	37-36
10143-93	19-19
10143-93	37-60
10143-95	37-37
10151-00	7-70
10161-04	7-61
10161-05	7-43
10161-05	7-51
10171-04	7-56
10171-04	7-67
10171-05	7-66
10175-00	53-21
10175-00	53A-1
10201-00	7-40
10201-00	7-46
10201-00	7-58
10201-00	7-63
10211-00	7-45
10211-00	7-53
10221-00	7-42
10221-00	7-50
10221-00	7-60
10221-00	7-65
10231-00	7-49

Part Number	Fig. and Index
10231-00	7-55
10246-00	49-1
10247-00	49-2
10262-03	27-32
10262-05	27-32
10262-13	27-32
10262-15	27-32
10262-17	27-32
10262-19	27-32
10262-21	27-32
10262-23	27-32
10262-25	27-32
10262-27	27-32
10291-00	8-109
10292-00	10-33
10293-00	10-32
10293-00	10-30
10308-00	55-3
10308-00	56A-11b
10308-03	55-3
10308-03	56A-11b
10373-03	18-43
10373-03	21-21
10401-00	7-72
10415-02	53-6
10415-02	53A-2
10415-03	53-7
10415-03	53A-3
10430-00	55-2
10430-00	56A-11a
10449-00	36-21
10466-33	56A-45
10487-00	53A-4
10487-02	53A-5
10487-03	53-5
10487-04	53-4
10490-00	56-32
10493-00	56-28
10525-05	56-16
10525-13	55-9
10525-13	56-52
10525-18	56-16
10525-18	56A-2
10525-54	55-9
10525-69	53A-17
10525-69	56A-3
10525-76	56A-4
10531-02	6-19

Part Number	Fig. and Index
10531-03	6-19
10555-02	36-1
10556-02	36-7
10630-05	6-15
10630-08	6-15
10634-02	8-148
10634-09	8-148
10635-00	8-161
10635-03	8-164
10641-02	6-32
10648-03	6-21
10649-03	6-20
10650-02	6-22
10703-00	8-115
10703-02	8-11
10707-00	7-39
10709-00	7-62
10711-00	7-57
10742-02	8-154
10742-03	8-154
10764-03	55-17
10824-00	57-11
10836-02	43-42
10843-03	55-16
10849-33	2-16
10849-34	2-16
10912-06	8-99
10912-06	8-103
10912-06	8-116
10912-08	8-112
10921-00	8-100
10921-00	8-104
10921-00	8-113
10921-00	8-117
10940-00	8-88
10940-00	35-4
10940-02	36-14
10946-00	59-24
10946-00	60-16
10980-02	29-25
10980-03	29-25
11030-03	42-8
11032-02	42-26
11032-03	42-27
11034-00	2-13
11061-00	6-35
11122-02	47-40
11122-04	47-40

Part Number	Fig. and Index
11122-05	60-4
11122-06	60-5
11134-06	47-70
11134-09	47-80
11199-00	18-37
11199-00	20-43
11199-03	12-4
11199-03	19-9
11199-03	33A-28
11199-04	20-41
11199-05	20-50
11200-00	32-22
11200-00	33-4
11200-00	33-41
11200-00	34-12
11200-00	34-13
11200-00	45-24
11200-00	45-37
11203-00	20-42
11203-00	23-6
11227-02	47-58
11253-00	2-23
11339-09	42-7
11339-14	42-7
11339-16	19-5
11382-00	37-55
11383-04	37-21
11392-03	55-5
11394-00	55-10
11394-03	55-13
11400-00	53A-16
11417-02	55-11
11417-02	56A-1
11417-04	55-11
11417-04	56A-1
11420-00	12-19
11420-02	12-16
11420-02	12-20
11420-04	12-23
11432-05	28-6
11432-06	28-5
11432-07	28-7
11432-08	28-8
11432-12	13-20
11432-13	13-19
11473-26	15-5
11473-27	13-22
11473-28	10-48



Part Number	Fig. and Index	Part Number	Fig. and Index	Part Number	Fig. and Index	Part Number	Fig. and Index
11473-36	47-10	11753-02	8-156	11963-02	55-6	12102-00	31-11
11473-40	43-52	11753-07	8-156	11963-02	56A-8	12103-00	31-10
11473-47	6-3	11754-07	8-155	11973-03	37-40	12105-00	31-1
11523-00	2-3	11754-08	8-155	11973-09	37-40	12113-00	26-12
11524-03	2-5	11755-00	8-128	11987-09	37-33	12149-03	9-62a
11524-04	2-5	11755-03	8-126	11987-19	18-29	12156-02	47-68
11525-00	2-4	11757-00	8-129	11987-19	19-19	12170-00	26-11
11525-02	2-4	11757-02	8-127	11987-19	37-12	12177-12	6-31
11526-00	2-1	11773-03	3-1	11987-21	18-17	12177-13	6-31
11526-01	2-1	11774-00	3-3	11987-21	19-23	12177-30	18-53
11527-02	8-86	11783-00	10-21	11987-29	45-19	12177-30	21-4
11527-02	33-10	11786-12	56-24	11987-33	23-15	12177-33	48-18
11527-02	42-11	11786-14	56-24	11987-35	23-11	12177-38	6-28
11536-00	9-10	11786-15	56-24	11987-41	45-20	12177-39	36-29
11537-00	9-37	11786-15	56A-5	11987-51	22-14	12177-64	48-24
11538-00	9-33	11789-00	18-42a	11987-51	23-29	12177-65	48-25
11542-00	9-42	11789-00	21-11a	11987-55	37-61	12177-79	18-55
11543-02	9-38	11789-00	45-2	11987-57	37-59	12177-79	21-3
11543-03	9-9	11818-00	30-16	11987-61	37-34	12177-84	6-30
11543-03	9-38	11821-00	9-48	11990-00	10-6	12187-00	27-18
11546-00	9-6	11821-01	9-49	11990-01	10-6	12189-00	27-31
11548-03	9-8	11823-00	9-50	12003-16	15-2	12192-03	27-2
11567-06	9-62b	11823-01	9-51	12009-00	15-9	12193-02	27-1
11567-07	9-62b	11848-03	39-10	12011-00	29-40	12193-02	27-1a
11575-00	9-34	11855-02	10-36	12012-00	29-33	12193-04	27-3
11580-00	7-85	11856-00	9-5	12014-00	28-20	12193-05	27-4
11582-00	2-24	11860-00	11-16	12019-00	26-28	12193-06	27-5
11601-00	43-33	11860-04	11-16	12021-00	26-13	12193-07	27-6
11601-02	43-44	11867-00	9-26	12021-00	26-14	12193-11	27-3
11635-00	29-51	11867-02	9-25	12021-00	26-15	12193-11	27-4
11636-00	29-52	11868-00	9-21	12025-00	9-36	12193-12	27-5
11641-07	34-7	11869-00	9-22	12026-00	9-35	12193-13	27-9
11653-14	13-2	11870-00	9-23	12027-00	9-1	12194-03	27-15
11654-02	13-13	11871-00	9-20	12032-00	12-12	12199-00	27-27
11654-03	13-13	11909-00	26-25	12032-02	12-12	12205-07	9-28
11656-02	13-24	11909-03	26-25	12036-02	26-29	12218-00	27-19
11656-02	14-14	11909-05	26-25	12036-03	26-30	12218-02	27-19
11656-03	13-15	11914-00	26-1	12043-11	55-7	12221-00	27-19
11656-03	14-18	11933-00	7-47	12043-17	55-8	12221-02	27-19
11656-04	13-8	11933-00	7-54	12043-19	56A-20	12245-02	15-10
11656-05	14-22	11935-00	7-52	12043-20	56A-9	12246-00	15-16
11659-00	2-4	11936-00	7-44	12043-22	55-7	12246-00	16-19
11665-02	10-17	11944-05	53-9	12043-23	55-8	12252-02	8-130
11672-91	8-91	11945-05	53-8	12043-27	56A-20	12252-03	8-131
11675-02	8-90	11946-05	53-10	12043-29	56A-9	12252-05	8-133
11675-03	8-89	11947-05	53-11	12044-13	47-50	12252-06	8-132
11677-00	8-94	11948-00	53A-7	12045-05	47-48	12252-08	8-160
11678-00	8-139	11950-04	56-5	12046-02	8-158	12252-11	8-136
11682-00	5-4	11950-05	56-3	12046-04	8-151	12252-12	8-135
11692-05	31-17	11950-07	56-4	12046-04	8-151a	12252-13	8-162
11694-02	8-87	11951-00	53A-8	12046-04	8-152	12281-00	26-16
11694-02	35-3	11951-07	53A-8	12046-07	8-153	12291-05	12-16
11694-04	42-17	11957-00	56-36	12046-08	8-153	12298-03	48-20
11699-05	30-11	11957-02	56A-6	12046-10	8-150	12298-05	48-26
11700-00	30-12	11958-04	52-17	12046-11	8-150	12298-09	48-20
11709-00	45-2	11962-00	55-5	12056-02	8-105	12298-17	48-20
11752-00	8-150	11962-00	56A-7	12056-02	8-114	12298-18	48-26
11752-01	8-150	11963-00	55-6	12056-02	8-118	12316-00	56-43



Part Number	Fig. and Index
12316-00	56A-10
12325-02	47-18
12325-03	47-18
12329-00	9-7
12330-02	49-6
12330-04	49-6
12331-02	7-77
12345-04	3-19
12347-02	59-25
12347-02	60-15
12416-00	49-1
12428-04	53-12
12454-00	4-4
12462-00	8-122
12463-00	6-12
12463-01	6-12
12466-00	8-125
12466-01	8-125
12467-00	8-106
12468-00	4-2
12468-01	4-2
12469-00	5-2
12469-01	5-2
12470-00	8-148
12470-01	8-148
12472-00	8-149
12473-00	6-13
12473-01	6-13
12474-00	8-102
12474-02	8-98
12475-00	2-31
12475-00	4-1
12475-01	2-31
12475-01	4-1
12476-00	8-101
12480-00	42-37
12483-00	6-2
12483-01	6-2
12483-02	6-2
12484-00	2-30
12484-00	5-1
12484-01	2-30
12484-01	5-1
12487-00	2-34
12487-00	6-1
12487-01	2-34
12487-01	6-1
12487-04	2-34
12487-04	6-1
12493-02	30-14
12494-02	30-10
12495-00	30-15
12500-00	30-7
12503-00	42-34
12504-00	42-33
12505-00	33-27
12508-00	30-9
12514-00	34-1

Part Number	Fig. and Index
12515-00	35-2
12515-03	35-2
12515-03	42-18
12520-04	33-14
12520-05	33-15
12522-02	33-12
12522-03	33-13
12524-02	48-10
12524-03	48-11
12524-04	48-12
12525-00	48-7
12526-00	33-11
12527-00	48-14
12527-02	48-14
12529-02	48-15
12529-03	48-9
12532-00	48-4
12532-02	48-4
12533-02	48-3
12533-03	48-1
12533-04	48-3
12537-00	2-32
12555-00	26-26
12555-02	26-26
12560-00	47-34
12565-00	26-10
12565-05	26-10
12570-00	2-8
12573-00	36-27
12574-00	37-49
12578-00	57-23
12584-30	11-13
12593-00	30-1
12593-02	30-19
12596-00	3-20
12609-00	26-24
12610-02	26-23
12610-04	26-23
12612-02	26-17
12613-03	26-2
12613-05	26-2
12613-07	26-2
12613-11	26-2
12613-13	26-2
12613-15	26-2
12613-17	26-2
12613-19	26-2
12613-21	26-2
12622-00	10-16
12634-02	28-6
12639-00	39-3
12639-03	13-19
12643-00	47-15
12647-00	36-36
12648-00	36-34
12648-01	36-35
12649-00	36-24
12650-00	36-22

Part Number	Fig. and Index
12650-01	36-23
12653-02	12-10
12653-04	12-10
12654-02	12-9
12659-04	18-32
12659-04	19-33
12659-05	18-33
12659-05	20-36
12662-02	8-145
12664-02	13-23
12664-02	27-17
12664-03	15-4
12668-02	15-7
12668-02	16-6
12668-03	16-6
12670-18	13-21
12670-20	15-18
12670-22	27-16
12670-24	27-36
12673-00	27-28
12674-00	27-29
12675-00	26-9
12678-00	26-9
12680-02	13-25
12680-03	13-16
12680-04	13-16
12680-05	13-17
12681-00	13-28
12683-00	13-27
12684-00	13-5
12685-00	13-4
12687-02	47-3
12691-00	47-2
12693-00	18-40
12693-00	21-9
12693-04	21-9
12698-00	57-1
12699-02	57-5
12700-00	47-82
12702-05	47-78
12702-09	47-78
12702-09	61-20
12703-00	57-21
12707-00	52-8
12707-00	52-11
12707-00	53A-19
12707-02	53A-19
12707-03	53A-19
12709-02	37-19
12709-03	37-18
12712-00	53-13
12712-06	53-13
12713-04	8-95
12714-00	53-15
12714-04	53-15
12714-05	53-15
12714-06	53-15
12718-00	56-1

Part Number	Fig. and Index
12718-08	56-20
12720-06	52-2a
12720-06	52-6a
12720-06	53A-12a
12720-06	53A-13a
12723-00	52-5
12723-00	53A-14
12729-06	26-4
12729-08	26-5
12729-10	26-4
12729-12	26-4
12729-14	26-5
12729-18	26-4
12729-22	26-5
12729-24	26-4
12729-26	26-5
12729-28	26-4
12729-30	26-5
12730-02	25-5
12732-02	25-4
12732-03	25-3
12732-04	25-2
12732-05	25-7
12734-00	30-4
12742-03	55-1
12742-03	56A-11
12742-04	55-4
12742-04	56A-11c
12742-06	56A-11
12746-00	56-3
12746-04	56-4
12748-00	53-12
12749-00	53-14
12749-05	53-14
12752-00	26-8
12755-00	56-8
12758-00	53-23
12759-04	26-6
12759-04	30-17
12759-06	26-6
12759-06	30-17
12759-10	26-6
12759-10	30-17
12759-12	26-6
12759-12	30-17
12759-14	26-6
12759-14	30-17
12761-02	2-29
12761-02	10-8
12761-02	10-50
12761-02	38-16
12761-02	42-5
12761-02	48-16
12764-00	37-2
12764-00	37-25
12765-02	56-25
12765-02	56-26
12766-00	9-2

PIPER PARTS CATALOG

Part Number	Figure and Index	Part Number	Figure and Index	Part Number	Figure and Index	Part Number	Figure and Index
12772-00	33-40	12973-01	3-25	13051-00	47-67	13124-09	41-1
12786-00	27-34	12973-03	3-25	13052-11	8-148	13124-10	41-1
12787-00	27-33	12973-04	3-25	13058-00	30-2	13124-11	41-1
12788-00	28-22	12974-00	3-16	13058-02	30-20	13124-12	41-1
12797-00	56-27	12974-01	3-16	13059-00	10-44	13129-02	12-6
12799-03	27-10	12978-03	18-66	13060-02	26-3	13129-03	11-12
12809-00	56-33	12979-00	18-57	13060-03	26-3	13129-04	12-6
12813-00	52-6	12979-00	21-12	13063-02	26-22	13129-05	11-12
12820-03	6-12	12980-00	18-63	13063-03	26-22	13130-00	52-15b
12820-03	8-164	12980-00	21-27	13063-04	26-22	13132-00	52-15a
12822-02	6-13	12980-04	18-63	13063-05	26-22	13133-00	43-40
12822-03	6-13	12983-00	31-6	13064-00	30-26	13134-00	43-37
12822-03	8-163	12984-00	47-73	13064-02	30-26	13135-00	43-36
12825-00	8-151	12985-00	18-59	13065-00	30-25	13136-00	53-16
12826-00	51-4	12985-00	21-13	13066-00	30-27	13136-00	53A-9
12828-00	18-13	12986-00	56-1	13066-02	30-27	13137-00	53-24
12828-00	19-4	12987-02	31-5	13067-00	45-18	13137-00	53A-10
12832-04	51-2	12990-08	12-17	13069-00	43-19	13139-00	10-22
12833-00	51-1	12991-00	12-16	13071-00	43-30	13140-00	10-18
12856-00	13-26	12997-02	13-18	13072-05	6-17	13140-01	10-19
12856-00	28-16	12997-02	14-29	13074-02	43-4	13140-02	10-18
12857-00	37-17	12997-03	13-29	13074-03	43-6	13140-04	10-19
12862-00	37-44	12997-03	14-30	13079-02	43-11	13141-00	10-43
12862-05	37-44	13002-00	47-11	13079-03	43-9	13143-00	10-20
12863-00	37-46	13005-00	26-21	13080-00	45-22	13144-05	10-14
12864-00	37-43	13006-00	26-20	13085-00	43-35	13147-00	9-53
12864-03	37-43	13007-00	26-17	13086-00	43-43	13147-03	9-53
12864-05	37-43	13007-04	26-17	13089-00	43-64	13148-00	39-1
12865-00	37-48	13008-00	26-19	13090-00	43-61	13148-02	39-1
12866-00	37-41	13012-00	13-10	13094-00	57-7	13149-00	10-23
12866-03	37-41	13012-00	14-13	13094-00	57-20	13149-02	10-23
12867-00	37-54	13012-00	15-15	13096-00	9-24	13150-00	39-8
12868-02	37-52	13012-00	16-4	13104-00	41-3	13150-01	39-8
12868-03	37-53	13016-00	41-2	13107-00	43-32	13150-04	399
12868-04	37-52	13016-01	41-2	13108-00	34-1	13152-00	39-12
12870-00	37-3	13016-18	41-2	13108-02	34-1	13152-01	39-12
12875-00	39-2	13016-19	41-2	13108-02	42-13	13152-05	39-12
12876-00	18-20	13016-21	41-2	13109-00	34-7	13152-08	39-12
12876-00	19-26	13016-24	41-2	13109-02	34-7	13154-00	18-64
12887-00	11-17	13016-28	41-2	13109-03	34-7	13155-00	18-57
12889-37	11-14	13016-29	41-2	13109-10	34-7	13156-00	18-58
12894-06	12-21	13016-30	41-2	13109-10	42-20	13157-00	10-42
12895-18	12-25	13016-31	41-2	13109-12	34-7	13157-01	10-42
12895-19	12-26	13020-00	41-7	13109-12	42-20	13158-00	52-1
12896-24	12-27	13025-00	18-51	13114-00	43-7	13158-08	52-3
12911-00	10-49	13025-00	21-1	13115-00	43-8	13158-08	53A-12
12911-02	10-49	13025-00	47-23	13117-00	43-3	13158-09	52-2
12917-00	47-72	13026-00	43-23	13119-00	52-10	13158-10	52-2
12918-00	47-66	13027-00	13-1	13119-03	52-10	13158-16	53A-11
12919-00	47-63	13027-02	13-1	13119-05	52-15	13158-21	53A-13
12928-00	47-69	13028-00	15-1	13120-00	52-16	13158-22	53A-13
12951-00	47-82	13028-02	15-1	13123-00	41-5	13160-00	22-16
12952-00	57-19	13033-00	37-15	13124-00	41-1	13160-00	23-17
12956-04	56-37	13034-00	43-46	13124-01	41-1	13160-00	23-31
12956-04	56A-12	13047-00	9-46	13124-03	41-1	13161-00	45-1
12969-00	3-21	13047-01	9-47	13124-04	41-1	13163-00	49-1
12969-01	3-21	13049-00	9-62	13124-05	41-1	13164-00	49-2
12973-00	3-25	13049-02	9-62	13124-06	41-1	13169-03	23-34

PIPER PARTS CATALOG

Part Number	Figure and Index	Part Number	Figure and Index	Part Number	Figure and Index	Part Number	Figure and Index
13171-00	6-34	13445-05	33-21	13666-00	49-2	13808-00	9-62
13172-00	2-6	13447-00	47-55	13667-00	49-9	13809-00	9-14
13172-01	2-6	13448-00	31-13	13668-00	49-1	13816-00	9-31
13175-00	23-2	13456-00	26-24	13669-00	59-32	13816-02	9-31
13176-00	23-33	13456-02	26-24	13669-00	60-23	13817-00	9-32
13183-00	30-15	13457-00	47-54	13676-00	33-20	13817-02	9-32
13184-00	30-14	13458-00	47-52	13676-00	35-1	13819-00	9-41
13185-00	30-10	13459-00	47-51	13681-02	56-6	13820-00	9-40
13186-00	13-9	13460-00	33-16	13681-02	56A-18	13820-02	9-40
13186-00	15-14	13468-00	26-27	13720-00	54-4	13829-00	9-3
13187-00	49-1	13473-02	26-3	13720-04	50-38	13831-00	9-4
13188-00	49-2	13473-03	26-3	13720-04	54-4	13835-00	16-26
13196-00	43-45	13473-06	26-3	13722-00	54-8	13838-08	17-2
13203-00	30-11	13480-00	47-3	13723-00	54-7	13839-00	17-1
13215-00	45-30	13482-05	10-22	13725-00	54-3	13839-03	17-1
13216-00	43-1	13483-00	10-2	13725-07	50-39	13840-00	28-17
13217-00	43-2	13485-00	18-61	13725-07	54-3	13840-02	28-17
13238-00	55-7	13485-04	20-48	13726-00	50-37	13844-00	28-3
13238-05	55-7	13485-04	21-15	13726-00	54-2	13845-00	28-4
13241-00	3-5	13526-00	57-6	13736-00	57-34	13846-00	26-12
13241-00	12-7	13526-00	57-24	13737-00	57-32	13847-00	26-15
13286-00	18-34	13527-00	57-5	13738-00	57-33	13848-00	29-55
13286-00	19-34	13527-02	57-5	13746-00	10-13	13849-00	29-56
13287-00	43-51	13535-00	10-27	13749-00	39-11	13850-02	29-57
13288-00	43-53	13541-03	29-37	13755-00	57-35	13850-03	29-58
13289-00	26-32	13541-04	18-6	13755-01	57-36	13850-04	29-59
13290-00	55-15	13541-04	19-7	13756-00	57-37	13850-05	29-60
13291-00	43-31	13541-12	6-26	13761-02	59-22	13851-00	29-54
13322-00	29-30	13541-18	10-4	13761-03	59-22	13853-00	29-53
13333-00	47-3	13541-19	10-29	13761-04	59-22	13854-00	27-7
13335-03	18-65	13583-00	9-62c	13764-00	2-25	13856-00	9-30
13335-03	19-35	13586-06	47-37	13765-04	56-3	13857-00	9-29
13335-03	20-37	13586-08	47-36	13765-05	56-3	13857-02	9-29
13347-00	3-14	13586-31	47-35	13772-00	53-11	13858-00	9-16
13350-00	57-34	13587-00	53-20	13773-00	53-10	13859-00	9-15
13356-00	56-22	13590-02	57-29	13774-00	53-8	13861-00	9-18
13356-00	56A-13	13602-03	20-39	13777-00	52-16	13863-00	9-19
13357-00	56-42	13602-03	23-37	13778-00	52-17	13865-00	17-7
13357-00	56A-14	13604-00	20-38	13778-03	50-6	13866-00	17-5
13358-00	56-1	13605-00	20-40	13778-03	52-17	13867-00	17-6
13359-00	56-2	13605-00	23-36	13779-00	53-13	13868-00	26-14
13360-03	23-35	13639-03	22-23	13780-02	53-15	13870-02	14-15
13361-00	47-82	13640-00	22-19	13780-04	53-15	13870-03	14-19
13420-00	11-8	13640-02	22-19	13781-00	52-14	13870-04	14-23
13421-00	11-9	13640-03	22-19	13783-00	52-13	13874-00	14-2
13432-00	29-29	13647-00	10-11	13784-00	52-10	13878-00	14-11
13432-02	29-29	13647-02	10-11	13784-02	52-15	13878-00	16-3
13432-03	29-29	13647-03	10-11	13785-03	20-47	13879-00	16-2
13436-00	21-28	13647-04	10-11	13785-03	22-23	13880-00	16-21
13436-02	21-28	13647-05	10-11	13792-00	20-53	13881-00	14-10
13438-00	30-7	13648-00	10-15	13793-00	20-46	13881-00	16-15
13439-02	33-19	13648-02	10-15	13793-00	22-22	13882-00	14-8
13439-03	33-18	13648-03	10-15	13794-00	22-18	13882-00	16-10
13440-00	33-17	13648-04	10-15	13795-00	20-44	13884-01	14-7
13444-02	33-29	13656-00	52-16	13795-00	22-21	13884-01	16-13
13444-03	33-44	13661-00	49-1	13796-00	28-21	13886-00	17-12
13444-04	42-40	13663-00	49-2	13802-00	29-35	13887-00	14-27
13444-05	42-39	13664-00	49-9	13807-00	9-13	13889-00	17-11

PIPER PARTS CATALOG

Part Number	Figure and Index	Part Number	Figure and Index	Part Number	Figure and Index	Part Number	Figure and Index
13889-04	17-11	13945-36	10-1a	14080-00	10-3	14246-00	29-46
13889-08	17-11	13945-37	14-24	14083-00	27-2	14246-02	14-34
13889-12	17-12	13947-02	11-5	14086-00	47-42	14246-02	16-27
13890-00	27-8	13947-02	11-6	14087-00	43-57	14246-02	29-48
13891-00	29-34	13947-03	12-4	14090-00	20-54	14247-00	16-35
13893-02	27-20	13947-04	12-3	14120-04	12-24	14248-00	29-50
13893-03	27-20	13947-05	11-5	14148-00	28-12	14250-00	29-50
13900-00	14-33	13947-05	11-6	14149-00	28-11	14253-03	56-4
13900-00	16-28	13947-06	12-4	14161-00	7-71	14253-04	56-4
13900-00	29-43	13947-07	12-3	14162-00	29-36	14253-04	56A-17
13902-02	27-20	13947-20	11-5	14163-00	57-1	14254-00	16-26
13902-03	27-20	13947-20	11-6	14168-00	24-28	14255-00	56-3
13903-00	14-38a	13947-20	12-3	14171-00	17-10	14255-02	56-3
13903-00	16-31a	13947-20	12-4	14171-00	29-25	14255-02	56A-16
13903-00	29-49a	13947-41	10-6	14173-00	37-50	14256-00	52-16
13904-00	14-38	13947-41	11-5	14173-03	37-50	14256-00	53A-24
13904-00	16-31	13947-41	12-3	14186-00	25-4	14256-02	50-8
13904-00	29-49	13947-41	12-4	14198-01	12-26	14257-00	53A-23
13914-00	14-37	13950-00	27-25	14198-10	12-25	14258-00	52-10
13914-00	16-29	13952-00	27-21	14198-11	12-26	14258-02	52-15
13914-00	29-44	13952-02	27-21	14199-00	11-14	14258-03	42-41
13916-00	29-41	13953-00	27-22	14199-02	11-14	14258-03	50-7
13919-00	29-24	13973-00	28-14	14200-00	12-29	14258-05	53A-18
13922-00	14-1	13974-02	29-28	14200-02	12-28	14258-06	53A-18
13922-03	14-1	13974-03	29-28	14200-03	12-29	14259-02	27-13
13922-04	14-1	13975-00	14-31	14200-04	12-28	14259-03	27-13
13922-05	14-1	13976-00	29-42	14201-00	11-13	14259-04	27-13
13923-00	16-1	13982-00	16-16	14201-02	11-13	14260-00	27-10
13923-02	16-1	14015-00	14-25	14205-00	19-22	14260-02	27-10
13923-03	16-1	14025-00	54-9	14205-00	24-20	14260-05	27-10
13930-00	9-17	14026-00	54-10	14205-00	24-45	14260-17	27-10
13934-00	9-56	14032-00	57-31	14206-00	50-36	14260-43	27-10
13935-02	16-18	14034-03	14-12	14222-00	6-25	14260-45	27-10
13935-03	16-25	14040-00	20-52	14222-02	6-24	14260-51	27-10
13935-04	16-12	14046-00	24-15	14226-04	47-70	14260-53	27-10
13935-05	16-24	14047-00	24-10	14226-05	47-58	14260-57	27-10
13935-06	16-23	14047-02	24-10	14226-13	47-70	14260-59	27-10
13935-07	14-6	14048-00	24-27	14227-00	30-2	14261-02	8-124
13935-08	14-16	14049-02	21-24	14230-22	48-18	14262-02	16-22
13935-09	14-20	14049-02	47-20	14230-23	48-24	14262-03	16-22
13936-00	28-15	14050-00	26-18	14230-24	48-25	14262-07	16-22
13937-02	14-26	14050-01	26-18	14230-27	48-23	14263-02	14-26
13937-03	16-22	14050-02	26-18	14230-28	48-19	14263-03	14-26
13937-04	27-37	14050-03	26-18	14230-82	6-30	14263-07	14-26
13937-18	14-26	14050-12	26-18	14230-83	6-30	14264-02	27-37
13937-19	16-22	14050-13	26-18	14232-02	6-23	14264-03	27-37
13937-20	27-37	14050-16	26-18	14235-00	55-12	14264-07	27-37
13939-02	27-15	14050-17	26-18	14235-00	56A-15	14266-02	27-21
13939-04	27-15	14050-20	26-18	14235-00	56A-15a	14266-03	27-21
13939-08	27-15	14050-21	26-18	14240-02	14-35	14266-04	27-21
13939-10	27-15	14064-07	47-50	14240-02	16-32	14267-00	30-1
13939-12	27-15	14065-00	47-48	14240-02	29-47	14267-00	50-11
13944-00	27-28	14066-00	47-38	14240-03	14-34	14267-02	30-19
13945-02	14-24	14069-00	47-44	14240-03	16-33	14269-02	12-16
13945-18	28-19	14070-00	47-56	14240-03	29-48	14269-04	12-16
13945-19	14-21	14072-00	47-39	14244-00	14-39	14269-07	12-16
13945-19	16-17	14073-00	54-16	14246-00	14-36	14269-10	12-16
13945-19	17-4	14078-00	20-56	14246-00	16-34	14269-12	12-16



Part Number	Fig. and Index
14270-00	11-13
14270-02	11-13
14270-20	11-13
14270-26	11-13
14270-33	11-13
14272-02	11-14
14272-03	11-14
14272-14	11-14
14272-18	11-14
14272-23	11-14
14272-25	11-14
14272-30	11-14
14273-02	12-25a
14273-03	12-25a
14273-28	12-25a
14273-38	12-25a
14273-49	12-25a
14274-00	12-29
14274-02	12-28
14274-03	12-29
14274-04	12-28
14274-26	12-29
14274-27	12-28
14296-00	57-40
14296-00	61-13
14300-05	45-5
14301-00	52-15b
14301-00	53A-22
14301-02	50-10
14303-00	52-15a
14303-00	53A-21
14303-02	50-9
14306-00	26-3
14307-00	37-65
14309-00	47-86
14310-00	47-83
14311-02	47-85
14311-07	47-85
14313-00	57-39
14314-02	21-24
14314-02	47-20
14327-00	47-84
14330-02	37-24
14342-00	59-5
14342-00	60-6
14345-00	24-3
14366-00	54-8
14367-00	54-7
14369-00	42-14
14370-00	42-10
14373-00	42-6
14374-00	42-28
14376-00	42-29
14377-00	42-3
14379-02	60-7
14379-03	59-7
14381-00	42-4
14395-00	38-38

Part Number	Fig. and Index
14396-00	38-22
14398-02	8-156
14398-03	8-156
14399-02	8-155
14399-03	8-155
14399-06	8-155
14399-07	8-155
14401-03	7-81
14401-05	7-83
14401-06	7-79
14401-07	8-110
14403-00	6-19
14403-01	6-19
14404-00	24-15
14405-00	6-16
14405-01	6-16
14406-00	6-33
14407-00	6-2
14407-01	6-2
14408-00	38-32
14409-00	38-6
14410-00	38-7
14411-02	7-82
14411-04	7-84
14412-02	38-28
14412-03	38-29
14413-00	2-34
14413-00	6-1
14413-01	2-34
14413-01	6-1
14416-00	38-31
14416-04	38-31
14422-00	49-1
14424-00	49-2
14425-00	48-15
14426-00	49-9
14428-00	37-6
14428-00	37-26
14429-00	53-8
14430-00	53-8
14431-00	53-13
14431-06	53-13
14432-00	53-10
14437-00	53-11
14439-00	53-14
14440-00	53-12
14441-00	56-36
14443-00	53-15
14443-05	53-15
14443-07	50-23
14446-00	38-17
14449-00	47-2
14462-00	12-28
14462-08	12-29
14462-09	12-28
14462-10	12-29
14466-00	56-36
14470-00	37-31

Part Number	Fig. and Index
14471-00	52-20
14471-03	20-57
14476-00	26-32
14481-00	3-2
14481-00	3-4
14483-00	42-22
14484-00	42-24
14485-00	42-23
14493-00	10-10
14494-00	2-25
14495-00	10-8
14496-00	58-8
14500-00	24-2
14503-00	33-6
14504-00	22-28
14508-00	47-87
14509-00	47-88
14513-00	53-18
14516-02	59-11
14516-03	59-15
14517-00	59-13
14518-00	59-12
14522-00	38-21
14523-00	38-1
14524-00	38-2
14525-00	59-6
14540-00	59-14
14541-00	8-137
14541-02	8-138
14544-00	38-41
14545-00	38-37
14548-00	59-16
14549-00	54-6
14554-00	59-19
14555-00	59-20
14556-00	59-21
14560-00	60-9
14568-00	60-9
14572-00	57-12
14572-00	61-1
14581-05	2-27
14587-00	47-3
14597-00	27-40
14597-07	27-40
14597-08	27-40
14597-11	27-40
14599-02	27-41
14599-03	27-41
14605-00	37-49
14607-00	50-26
14609-00	9-62
14613-00	29-50
14614-00	16-19
14616-00	16-16
14617-00	9-5
14618-00	16-35
14620-00	16-26
14623-00	50-41

Part Number	Fig. and Index
14623-00	54-7
14624-00	50-42
14624-00	54-8
14630-00	26-17
14631-00	26-33
14636-00	14-11
14636-00	16-3
14640-00	59-4
14640-00	60-1
14641-00	16-2
14643-00	16-15
14644-00	14-13
14644-00	16-4
14649-00	26-19
14650-00	16-1
14652-00	20-47
14652-05	20-47
14654-00	14-10
14655-00	14-2
14656-00	22-25
14656-03	22-25
14657-00	14-1
14657-09	14-1
14658-00	22-24
14658-03	22-24
14661-00	20-58
14662-00	45-23
14664-00	45-23
14667-00	20-58
14669-00	27-34
14670-00	27-33
14671-00	27-38
14671-03	27-38
14672-00	20-55
14677-00	20-60
14678-00	22-26
14678-03	22-26
14679-00	43-32
14680-00	60-3
14681-00	59-3
14683-00	20-62
14683-03	20-62
14683-06	20-62
14684-00	27-28
14685-00	27-29
14686-00	59-2
14688-00	60-2
14690-00	45-18
14691-00	30-26
14691-02	30-26
14693-02	12-28
14693-03	12-29
14693-04	12-28
14693-05	12-29
14695-02	11-13
14695-08	11-13
14699-03	10-22
14702-03	26-3



Part Number	Fig. and Index
14702-05	26-3
14702-09	26-3
14702-11	26-3
14702-13	26-3
14702-15	26-3
14702-17	26-3
14707-00	29-41
14710-00	29-25
14711-03	14-12
14711-03	17-3
14712-00	47-60
14714-00	27-37
14715-00	27-13
14715-04	27-13
14716-02	12-25
14716-03	12-26
14716-04	12-25
14716-05	12-26
14717-00	12-16
14717-05	12-16
14717-07	12-16
14717-09	12-16
14717-11	12-16
14717-13	12-16
14717-15	12-16
14717-17	12-16
14717-19	12-16
14718-00	12-16
14718-05	12-16
14718-07	12-16
14718-09	12-16
14718-11	12-16
14718-13	12-16
14718-15	12-16
14718-17	12-16
14718-19	12-16
14719-00	45-19
14720-00	45-19
14721-00	45-26
14724-00	42-38
14726-00	45-7
14729-00	50-34
14729-00	54-19
14730-00	24-10
14733-00	50-14
14734-00	24-14
14736-00	50-22
14738-00	50-21
14741-00	20-61
14743-00	59-1
14748-00	50-15
14750-00	20-59
14751-00	45-35
14758-00	50-27
14760-00	50-25
14762-00	58-10
14763-00	58-8
14765-00	56-23

Part Number	Fig. and Index
14768-00	47-72
14769-00	47-66
14769-03	47-66
14770-00	47-69
14772-00	47-73
14783-00	50-40
14783-00	54-20
14784-00	47-73
14784-02	47-73
14784 03	47-73
14785-02	48-4
14786-00	48-1
14786-01	48-1
14787-02	48-3
14790-00	28-4
14795-00	37-48
14796-00	37-46
14797-00	28-3
14803-00	12-9
14834-02	11-13
14834-05	11-13
14834-08	11-13
14841-06	7-37
14843-44	12-29
14869-02	11-14
14869-05	11-14
14869-08	11-14
14874-02	12-25
14874-03	12-26
14874-05	12-26
14874-06	12-25
14874-07	12-26
14876-02	12-28
14876-03	12-29
14876-04	12-28
14876-05	12-29
14876-06	12-28
14876-07	12-29
14878-00	50-2
14879-00	50-1
14896-00	60-9
14897-02	12-25
14897-03	12-26
14897-04	12-25
14897-05	12-26
14897-06	12-25
14897-07	12-26
14898-02	12-28
14898-03	12-29
14898-04	12-28
14898-05	12-29
14898-06	12-28
14898-07	12-29
14899-02	11-14
14899-03	11-14
14899-04	11-14
14900-02	11-13
14900-03	11-13

Part Number	Fig. and Index
14900-04	11-13
14908-00	39-11
14919-00	20-51
14920-02	12-31
14927-00	43-35
14929-03	43-56
14938-02	12-25
14938-03	12-26
14938-04	12-25
14938-05	12-26
14938-06	12-25
14938-07	12-26
14938-20	12-25
14938-21	12-26
14938-22	12-25
14938-23	12-26
14938-24	12-25
14938-25	12-26
14938-26	12-25
14938-27	12-26
14939-02	12-28
14939-03	12-29
14939-04	12-28
14939-05	12-29
14939-06	12-28
14939-07	12-29
14939-26	12-28
14939-27	12-29
14939-28	12-28
14939-29	12-29
14939-30	12-28
14939-31	12-29
14939-32	12-28
14939-33	12-29
14940-02	11-14
14940-05	11-14
14940-08	11-14
14940-11	11-14
14940-12	11-14
14940-13	11-14
14940-14	11-14
14941-07	7-38
14941-11	7-36
14942-02	11-13
14942-05	11-13
14942-08	11-13
14942-22	11-13
14942-24	11-13
14942-26	11-13
14942-28	11-13
14972-00	10-52
14972-01	10-52
14973-00	10-53
14976-55	44-4
14976-67	44-4
14980-00	9-55
14982-02	9-58
14982-03	9-57

Part Number	Fig. and Index
14982-04	9-58
14982-05	9-58
14983-02	9-59
14983-06	9-56
14990-00	33A-27
14992-00	47-3
14994-00	33A-21
14996-00	27-38
14996-04	27-38
15019-00	54-19
15020-00	54-18
15022-02	12-28
15022-03	12-29
15022-04	12-28
15022-05	12-29
15022-06	12-28
15022-07	12-29
15022-08	12-28
15022-09	12-29
15023-02	12-25
15023-03	12-26
15023-04	12-25
15023-05	12-26
15023-06	12-25
15023-07	11-26
15023-08	12-25
15023-09	11-26
15024-02	11-14
15024-04	11-14
15024-06	11-14
15024-08	11-14
15025-02	11-13
15025-04	11-13
15025-06	11-13
15025-08	11-13
15026-00	27-37
15026-10	27-37
15026-12	27-37
15026-14	27-37
15026-16	27-37
15027-00	14-26
15028-00	16-22
15032-00	27-21
15038-00	37-64
15039-00	37-62
15048-00	44-5
15049-00	44-6
15052-03	44-7
15055-00	44-8
15056-00	44-9
15057-00	44-10
15064-00	47-3
15064-02	47-3
15064-03	47-3
15073-00	14-5
15073-00	16-11
15077-00	24-31
15078-00	56A-19



Part Number	Fig. and Index
15080-00	44-2
15080-01	44-3
15082-00	44-1
15084-00	44-20
15089-00	61-14
15094-00	6-2
15094-01	6-2
15094-03	6-2
15096-02	9-55
15096-03	9-55
15103-00	26-14
15103-00	26-28
15104-00	26-1
15107-02	12-25
15107-03	12-26
15107-04	12-25
15107-05	12-26
15107-06	12-25
15107-07	12-26
15107-08	12-25
15107-09	12-26
15108-02	12-29
15108-03	12-29
15108-04	12-29
15108-05	12-29
15116-00	9-62
15119-00	37-18
15127-00	53A-25
15130-00	9-10
15131-00	8-159
15131-01	8-159
15133-00	37-67
15137-00	6-15
15138-00	2-34
15138-00	6-1
15138-01	2-34
15138-01	6-1
15138-03	2-34
15138-03	6-1
15143-00	10-1
15150-00	27-15
15152-00	53A-26
15153-00	53A-27
15154-00	20-59
15155-00	53A-28
15157-03	14-12
15159-00	53A-29
15160-00	53A-30
15162-00	53A-31
15164-00	26-17
15169-00	47-48
15172-00	41-3
15172-01	41-3
15174-00	10-22
15185-00	47-86
15186-00	47-83
15187-00	47-65
15189-00	53A-11

Part Number	Fig. and Index
15192-00	53A-12
15193-00	53A-13
15194-00	53A-13
15195-00	47-83
15204-03	37-50
15205-00	43-13
15206-00	43-13a
15209-00	26-25
15210-00	53A-6
15212-00	2-5
15212-01	2-5
15213-00	26-33
15214-00	2-4
15216-00	18-28
15216-00	19-17
15216-00	45-21
15217-00	56A-7
15242-00	10-22
15244-00	56A-39
15269-00	56A-46
15270-00	56A-47
15306-00	18-38a
15306-00	19-32a
15306-00	47-14a
15482-04	6-16
15482-05	6-16
15572-00	6-14
15572-01	6-14
15631-02	8-141
15631-03	8-140
15712-00	8-147
15712-02	8-147
15723-00	6-18
15723-01	6-18
15742-02	6-33
15761-00	6-7
16192-00	8-146
16192-01	8-146
16462-00	8-144
16472-00	8-142
16551-00	7-75
16561-00	7-76
16601-00	7-74
16611-00	7-73
16775-00	21-19
17766-15	50-18
17766-66	37-39
17771-00	8-143
17953-00	61-2
17955-00	57-42
18116-05	55-14
18116-05	56A-37
18213-00	53-19
18291-00	24-1
18293-00	24-2
18307-00	37-51
18478-00	47-77
18478-00	59-36

Part Number	Fig. and Index
18478-00	60-27
18478-00	61-3
18522-03	59-17
18769-00	50-16
18855-00	52-20
18875-05	12-8
18875-07	45-17
19063-00	14-21
19063-02	16-17
19063-02	17-4
19266-00	61-17
19286-00	61-5
19397-04	20-57
19561-00	33A-24
19562-00	33A-23
19563-00	33A-22
19657-00	2-2
19795-00	3-17
19795-00	3-22
19795-00	3-26
19795-00	39-13
19795-00	48-13
20291-00	9-52
20301-00	9-45
20631-00	9-54
21211-00	9-63
21262-04	9-43
21262-05	9-44
21612-00	26-17
21621-17	9-56
21621-19	9-57
21621-20	9-58
21621-21	9-58
21621-26	9-55
21701-02	43-43
21701-04	43-43
22412-00	9-27
22502-03	56A-22
22502-06	53A-17
22514-00	24-35
22762-96	9-24
23302-00	61-19
23303-00	61-18
24032-14	10-25
24032-17	10-25
24032-20	10-25
24032-21	10-25
24032-23	10-25
24712-00	22-27
30831-02	3-24
31322-02	39-7
31322-06	39-7
31786-04	43-62
40071-00	33-8
40071-00	34-8
40071-00	34-15
40071-00	35-10
40081-00	8-107

Part Number	Fig. and Index
40081-00	33-38
40081-00	34-9
40081-00	34-16
40081-00	35-9
40081-00	35-11
40092-09	8-92
40092-10	8-92
40123-61	36-15
40123-67	33-31
40123-67	42-15
40123-68	33-30
40123-68	42-16
40123-69	33-9
40123-69	42-12
40123-70	36-16
40123-73	42-30
40123-80	35-8
40123-81	42-31
40123-91	45-5
40123-93	35-8
40123-93	42-19
40131-00	36-6a
40131-00	55-18
40521-07	36-1a
40521-08	36-1a
40521-09	36-7a
40531-00	36-7a
40622-07	36-28
40701-00	8-108
40701-00	33-39
40701-00	35-12
40721-02	33-32
40991-00	8-123
40991-00	33-36
41001-00	33-23
41101-00	31-12
41111-00	31-13
41121-03	31-7
41151-00	31-9
41271-04	36-20
41291-00	8-121
41481-16	18-46
41481-16	45-31
41671-16	33-2
41671-18	42-21
41881-00	4-3
41881-02	5-3
42722-00	34-1a
42891-00	31-8
42891-00	42-2
42891-00	57-4
42891-00	58-6
42911-00	33-37
42933-03	4-4a
43001-00	32-22
43001-00	33-4
43001-00	33-41
50111-00	30-13



Part Number	Fig. and Index	Part Number	Fig. and Index	Part Number	Fig. and Index	Part Number	Fig. and Index
60742-00	10-41	80032-34	56-44	80222-24	30-24	82332-32	19-18
60742-01	10-41	80032-34	56A-42	80222-26	56-41	82332-32	56-49
60863-03	6-4	80032-39	38-9	80222-26	56A-40	82341-16	44-11
60863-03	10-35	80032-39	38-12	80222-27	56-45	82371-06	24-5
61402-27	34-10	80032-41	53-22	80222-33	50-17	82371-10	2-10
61541-08	24-5	80032-41	53A-35	80421-00	31-16	82371-10	22-12
61541-10	24-21	80032-43	47-47	80421-00	33-28	82371-10	23-28
61541-13	24-21	80032-46	57-38	80421-00	34-6	82371-10	37-69
70371-00	56-11	80032-46	58-2	80421-00	34-12	82371-14	23-9
70371-02	56-12	80032-48	10-39	80421-00	35-5	82371-15	22-6
70371-02	56A-23	80032-50	57-2	80421-00	36-18	82371-15	23-21
70371-03	56-34	80032-50	58-1	80421-00	45-24	82371-22	22-13
70371-03	56A-24	80032-53	18-27	80541-02	6-10	82371-22	23-26
70591-02	55-12	80032-53	56-46	80541-02	10-31	82371-23	24-11
71061-00	56A-25	80032-61	58-2	81102-03	7-41	82371-25	24-16
71451-03	53-2	80032-69	37-30	81102-03	7-48	82371-28	24-21
71451-04	53A-32	80032-75	38-10	81102-03	7-59	82371-30	24-44
71451-08	53-3	80032-76	38-13	81102-03	7-64	82371-33	24-40
71451-08	53A-33	80032-77	38-14	81232-15	6-5	82371-54	24-12
71991-00	37-4	80032-83	50-12	81262-14	8-93	82371-56	56-48
72091-00	2-12	80111-00	2-39	81262-39	42-1	82371-56	56A-27
72791-02	56-19	80122-05	14-9	81262-46	30-23	82371-57	24-4a
73451-03	56-13	80122-05	16-14	81262-48	57-18	82371-58	24-39
73451-07	56-13	80122-07	8-157	81262-51	43-55	82371-65	18-18
73451-07	56A-26	80122-07	10-45	81262-51	56-21	82371-65	19-24
74181-00	2-16a	80122-11	7-80	81262-51	56A-28	82371-65	24-5
74311-00	56-48	80122-16	5-13	81262-66	59-18	82371-66	24-4
74311-00	56A-27	80122-18	31-15	81262-70	50-13	82371-66	24-4a
74912-00	53-1	80122-18	33-5	81302-22	9-60	82371-69	24-12
74912-00	53A-34	80122-18	33-33	81302-23	9-61	82371-70	24-16
80002-09	51-3	80122-18	34-4	81302-26	9-61	82371-72	24-21
80002-25	31-20	80122-18	34-14	81322-15	36-19	82461-00	2-28
80002-41	25-6	80122-18	35-7	81342-11	33-22	82461-00	10-7
80002-74	56A-15a	80122-20	56-47	81342-11	33-35	82732-68	45-4
80012-04	17-8	80122-25	7-78	81342-19	53A-15	82732-72	36-13b
80012-04	31-14	80122-48	2-48	81342-19	56A-41	82732-76	33-42
80012-04	32-21	80122-48	38-26	81342-24	43-50	83161-02	2-33
80012-04	33-3	80122-49	10-26	81342-42	33-5	83161-02	6-27
80012-04	33-7	80122-49	10-40	81342-42	34-11	83161-02	10-24
80012-04	33-34	80122-49	10-51	81342-42	45-29	83161-02	18-7
80012-04	34-5	80122-49	38-23	81342-45	29-39	83161-02	19-6
80012-04	34-10	80122-49	48-17	81342-56	47-43	83302-35	12-11
80012-04	35-6	80122-51	10-34	81342-74	27-39	83481-00	29-32
80012-04	45-3	80122-51	10-37	81342-76	42-25	83491-00	3-12
80012-17	36-26	80122-53	4-5	81342-81	38-25	83491-00	52-4
80012-17	36-47	80122-53	5-5	81411-02	31-19	83913-06	26-35
80022-31	7-68	80122-53	6-6	81761-04	31-2	83913-08	26-34
80022-31	7-69	80122-53	10-28	81761-11	14-4	85012-04	30-18
80022-44	36-43	80122-53	36-25	81761-11	16-9	85012-05	30-18
80022-45	36-44	80122-53	36-30	81761-11	31-3	85012-06	30-18
80022-47	43-5	80122-53	36-37	82332-24	18-30	85012-10	5-7
80022-47	43-10	80122-55	49-10	82332-24	19-18	85012-14	2-26
80022-47	43-20	80122-55	56-55	82332-24	56-50	85012-14	18-47
80022-63	41-4	80122-56	10-38	82332-24	56A-29	85012-14	19-3
80022-67	33-3	80122-86	4-7	82332-26	18-26	85012-14	29-38
80022-67	34-17	80122-86	36-32	82332-26	19-16	85012-18	31-4
80032-20	38-11	80222-23	30-21	82332-26	56-30	85012-32	37-13
80032-27	42-36	80222-23	30-23	82332-32	18-30	85012-32	37-27



Part Number	Fig. and Index
85012-47	49-5
85012-47	50-4
85012-47	52-19
85012-47	53A-36
85012-49	6-11
85012-57	39-5
85012-58	30-5
85012-59	30-5
85012-67	37-20
85012-71	43-38
85012-72	43-29
85012-77	58-9
85012-78	6-8
85012-78	6-9
85012-78	10-26
85012-78	37-68
85012-82	20-45
85012-91	43-24
85052-16	28-13
85061-00	43-26
85411-00	29-26
85512-08	29-27
95662-28	3-13
86062-56	43-63
86062-57	43-62
86062-79	36-42
86082-83	29-31
86092-23	28-2
86102-27	43-41
86102-54	8-119
86102-62	8-120
86102-64	30-3
86102-75	33-24
86102-75	33-25
86102-76	33-26
90150-02	8-97
90150-02	47-53
90794-04	57-3
90797-02	37-58
90797-10	47-64
91193-00	56-12
91193-00	56A-30
91499-00	56-31
91499-00	56A-44
101 980	55-19
101 980	56-51
151 308	33-1
153 026	57-8
153 026	57-15
153 026	58-8
153 320	47-65
180 400	14-17
180 400	27-30

Part Number	Fig. and Index
180 497	2-15
180 497	26-7
180 610	11-15
180 815	10-46
180 815	52-18
181 231	10-47
181 231	14-28
181 231	15-17
181 231	16-20
181 321	13-14
187 510	53-17
187 535	13-12
187 535	15-11
187 550	3-15
187 608	13-11
187 608	15-12
187 625	43-14
189 080	47-41
189 125	3-18
189 125	3-23
189 125	3-27
189 125	10-12
189 410	43-39
230 043	21-20
400 003	36-26
400 004	41-10
400 009	36-5
400 009	43-47
400 011	44-14
400 012	44-15
400 104	36-49
400 160	41-16
400 217	56-54
400 220	41-13
400 228	43-49
400 228	56-53
400 321	56-56
400 321	56A-31
400 440	36-50
400 443	5-10
400 443	36-38
400 444	36-41
400 672	36-46
400 674	36-48
401 194	2-38
401 194	3-8
401 195	2-35
401 266	36-9a
401 266	36-45
401 273	12-10
401 273	36-12
401 274	36-12
401 307	44-13
401 315	36-5
401 318	44-15
401 334	43A-12
401 355	3-11
401 918	56-35

Part Number	Fig. and Index
404 100	36-46
404 100	36-48
404 101	36-49
404 102	41-17
404 105	56-56
404 105	56A-32
404 395	3-6
404 836	44-16
404 838	46A-6
404 888	40A-8
404 888	43A-14
404 888	44-16
404 889	43-48
404 889	43A-14
404 890	44-17
404 910	61-25
406 351	49-8
406 355	56-7
406 357	49-4
406 359	49-8
406 361	52-7
406 434	48-28
406 678	48-6
406 681	5-12
406 681	36-9b
406 681	36-13
406 681	36-40
406 681	36-45
406 681	36-50
406 682	36-6
406 682	36-26
406 682	41-12
406 682	43-47
406 683	2-37
406 683	3-10
406 683	41-14
406 684	43-49
406 684	56-53
406 684	56-54
406 817	43-6a
407 134	43A-8
407 564	5-11
407 564	36-13a
407 564	36-39
407 564	36-45
407 564	36-48
407 565	5-9
407 565	36-26
407 565	40A-9
407 565	41-11
407 565	43A-13
407 566	2-36
407 566	3-9
407 566	41-18
407 566	43A-13
407 567	43-49
407 567	56-53
407 585	46A-22

Part Number	Fig. and Index
407 587	46A-7
410 050	8-95
411 345	44-18
414 763	61-24
415 737	49-7
415 739	48-2
415 740	48-21
415 742	48-5
415 754	49-3
416 128	38-36
416 995	44-19
416 995	49-7
416 996	50-3
424 051	4-8
424 051	5-8
424 051	36-3
424 051	36-9
424 051	36-33
424 051	36-46
424 051	36-48
424 051	36-49
424 051	41-15
424 059	3-7
424 059	56-56
424 059	56A-33
424 065	41-6
424 148	31-18
424 174	36-2
424 174	36-8
424 217	4-6
424 217	5-6
424 217	12-15
424 224	11-11
424 224	36-31
434 126	57-28
434 134	24-8
434 134	37-14
434 134	45-15
434 134	56-15
434 134	58-5
434 135	50-33
434 138	45-16
434 138	47-57
434 138	47-71
434 139	47-45
434 142	56-14
450 025	47-49
450 035	47-49
450 380	24-19
450 607	18-5
450 607	19-5
450 611	18-2
450 611	19-10
450 628	18-3
450 628	19-8
450 630	20-51
450 634	22-4
450 635	22-3



Part Number	Fig. and Index	Part Number	Fig. and Index	Part Number	Fig. and Index	Part Number	Fig. and Index
450 635	23-3	451 288	59-9	454 053	43-25	455 139	21-10
450 642	18-8	451 299	59-8	454 083	59-34	455 149	24-11
450 643	18-8	451 299	60-10	454 083	60-25	455 158	54-15
450 643	19-1	451 337	11-7	454 648	38-8	455 160	57-30
450 646	19-1	451 337	12-5	454 648	47-4	455 160	58-4
450 648	33A-16	451 338	11-2	454 648	47-7	455 161	47-9
450 652	19-30	451 338	12-2	454 649	47-5	455 162	56-10
450 655	18-35	451 339	11-1	454 649	47-6	455 168	54-13
450 655	19-30	451 339	12-1	454 649	47-7	458 892	50-32
450 655	22-1	451 340	11-4	454 649	48-22	458 893	33A-19
450 655	47-1	451 341	11-3	454 649	60-22	458 894	45-14
450 658	18-14	451 708	46-1	454 650	47-8	458 895	37-7b
450 658	19-20	451 718	46A-1	454 652	47-8	458 897	50-28
450 658	22-2	451 720	41-8	454 656	38-8	458 898	24-36
450 658	23-5	451 720	43-59	454 656	47-4	458 903	18-19
450 659	18-31	451 735	41-9	454 656	47-6	458 903	19-25
450 659	19-12	451 735	43-60	454 656	47-7	458 903	24-6
450 662	18-56	451 750	40-1	454 656	61-11	458 918	24-13
450 662	21-6	451 755	43-58	454 657	47-5	458 920	22-9
450 663	47-12	451 755	43A-1	454 657	47-6	458 920	23-25
450 664	18-38	451 769	40A-1	454 657	47-7	458 920	38-19
450 664	19-32	451 784	43-58	454 657	48-22	458 920	45-14
450 664	47-14	451 784	43A-1	454 657	59-31	458 924	56-9
450 675	47-17	451 850	47-93	454 657	60-22	458 925	24-3
450 680	18-1	451 851	56A-39	454 657	61-10	458 925	24-13
450 680	19-11	451 855	50-45	454 660	47-8	458 925	24-25
450 686	19-5	451 855	54-14	454 664	33A-26	458 928	24-34
450 694	18-2	451 857	24-6	454 872	50-35	458 928	33A-18
450 694	19-10	451 859	24-29	454 872	54-18	458 929	24-33
450 698	18-36	451 861	24-15	454 882	56-40	458 931	50-46
450 706	19-31	451 861	24-25	454 882	56A-34	458 931	54-1
450 718	19-5	451 955	27-10	454 887	10-5	458 932	50-43
450 724	33A-30	452 332	43-27	454 887	56-39	458 932	54-12
450 725	33A-29	452 335	8-96	454 888	11-10	458 945	24-41
450 750	22-30	452 335	43-34	454 888	12-14	458 945	33A-18
450 760	19-32	452 340	30-6	454 888	15-8	458 958	24-37
450 760	47-14	452 342	30-8	454 888	16-7	458 992	37-70
450 761	19-6	452 357	43-34	454 889	59-25	459 440	38-20
450 911	51-5	452 419	43-28	454 889	60-15	459 864	59-28
450 919	50-5	453 124	43-21	454 895	56A-35	459 864	60-19
450 945	49-11	453 126	8-134	454 898	28-9	460 634	59-23
450 946	49-11	453 141	27-24	454 903	22-5	460 634	60-14
450 978	49-11	453 415	59-25	454 903	23-27	460 634	61-16
450 978	56A-36	453 415	60-15	454 904	2-9	460 637	59-23
450 988	49-11	453 415	61-18	454 904	23-7	460 637	60-14
450 996	42-35	453 617	24-32	454 917	17-13	460 639	56-6
450 998	49-11	453 640	27-35	454 917	18-39	460 649	23-12
451 101	37-56	453 643	50-44	454 917	21-7	460 651	37-5
451 127	61-15	453 647	54-17	454 919	53-8a	460 652	37-38
451 129	61-12	453 653	24-43	454 919	53-10a	460 653	23-14
451 204	60-8	453 653	33A-17	454 920	47-47	460 654	22-15
451 264	58-11	454 009	38-3	454 925	47-46	460 654	23-16
451 272	61-9	454 039	2-7	454 929	19-15	460 654	23-30
451 273	57-41	454 044	38-4	454 933	54-5	460 654	37-7
451 273	61-4	454 044	59-33	454 970	56-40	460 654	37-9
451 274	60-12	454 044	60-24	454 970	56A-34	460 654	37-10
451 283	60-13	454 051	59-35	455 124	43-22	460 659	37-7a
451 285	60-11	454 051	60-26	455 139	18-41	460 659	37-8



Part Number	Fig. and Index
460 661	24-24
460 661	37-7b
460 663	50-29
460 669	18-23
460 669	19-28
460 669	22-11
460 669	22-20
460 669	23-23
460 669	37-11
460 669	38-34
460 670	38-33
460 675	45-23
460 677	23-10
460 677	38-18
460 680	18-22
460 680	19-29
460 680	22-8
460 680	23-22
460 682	45-6
460 685	18-15
460 685	18-25
460 685	19-14
460 685	19-21
460 685	38-15
460 689	37-8
461 623	47-62
461 624	47-61
462 012	56A-38
462 016	24-22
462 050	43-17
463 123	50-19
463 372	38-24
464 028	14-3
464 028	16-8
464 326	59-26
464 326	60-17
464 327	61-7
465 132	56-17
465 133	56-18
465 149	27-14
467 050	57-9
467 050	57-16
467 051	58-7
467 062	57-10
467 062	57-17
467 062	61-6
468 002	59-30
468 002	60-21
468 003	59-29
468 003	60-20
468 340	37-32
470 656	47-91
470 657	47-92
471 049	18-42
471 049	21-11
471 051	14-32
471 051	15-6
471 051	16-5

Part Number	Fig. and Index
471 051	16-30
471 051	18-60
471 051	18-62
471 051	20-49
471 051	21-14
471 051	21-16
471 051	27-23
471 051	28-18
471 051	29-45
471 051	37-16
471 052	12-8
471 052	13-6
471 052	15-13
471 052	18-48
471 052	18-50
471 052	21-18
471 053	18-49
471 053	21-17
471 056	18-42
471 056	21-11
471 056	45-17
471 059	14-32
471 059	16-5
471 059	16-30
471 059	20-49
471 059	28-18
471 059	29-45
471 059	37-16
471 060	21-18
471 060	21-29
471 060	38-27
471 062	21-29
471 063	12-8
471 080	21-29
472 036	47-79
472 036	61-22
472 330	47-80
472 330	61-21
472 653	47-16
472 660	47-89
472 661	48-8
472 665	47-31
472 666	47-28
472 667	47-25
472 668	21-8
472 668	23-38
472 684	33-43
473 130	13-7
473 130	14-12
473 130	17-3
474 647	59-27
474 647	60-18
474 647	61-8
474 649	59-27
474 649	60-18
474 649	61-8
475 134	50-24
476 640	37-47

Part Number	Fig. and Index
476 647	33A-20
476 648	45-34
476 648	46A-10
476 652	2-11
476 652	22-7
476 652	23-8
476 652	23-20
476 652	24-7
476 652	24-7a
476 652	37-1
476 656	38-30
476 659	24-26
476 663	50-31
476 674	47-42
477 624	24-38
480 650	56-7
480 691	39-4
480 932	56-29
481 054	21-21
481 630	13-3
481 630	15-3
481 666	38-35
481 667	24-17
481 681	24-17
481 692	24-17
484 341	52-9
484 341	52-12
484 341	53A-20
484 385	27-26
484 575	47-19
484 654	54-11
484 698	43-16
484 700	46-12
484 705	43-12
484 711	46A-4
484 720	43-18
484 733	43-13b
485 615	42-32
486 380	24-9
486 563	36-17
486 565	18-9
486 570	18-12
486 570	19-2
486 635	18-21
487 149	47-75
487 205	3-12
487 240	47-77
487 241	47-77
487 271	12-16
487 274	12-22
487 291	34-3
487 292	34-2
487 293	12-13
487 304	11-12
487 306	17-9
487 306	45-33
487 328	8-58
487 381	43-54

Part Number	Fig. and Index
487 527	47-59
487 527	47-76
487 542	56-7
487 558	39-6
487 560	26-31
487 560	38-39
487 567	56-35
487 568	56-7
487 569	56-7
487 571	56-7
487 776	47-74
487 776	48-27
487 777	47-81
487 777	61-23
487 782	18-45
487 782	21-23
487 782	47-21
487 785	47-59
487 790	59-10
487 796	21-2
487 796	47-24
487 802	38-40
488 313	37-23
488 313	37-42
488 369	45-25
488 375	37-23
488 376	37-42
488 379	23-13
488 469	24-42
489 370	27-11
489 371	27-12
489 635	19-27
489 637	19-27
489 639	22-17
489 639	23-19
489 639	23-32
491 050	45-32
491 050	50-30
491 072	37-45
491 080	37-45
492 014	37-21
492 022	37-25a
492 023	45-26
492 024	18-16
492 024	19-22
492 024	22-10
492 024	23-18
492 024	23-24
492 029	24-18
492 038	38-5
492 057	37-63
492 059	24-23
492 059	24-30
492 062	45-26
492 065	24-30
492 643	47-90
494 025	43-15
494 644	37-28



Part Number	Fig. and Index	Part Number	Fig. and Index	Part Number	Fig. and Index	Part Number	Fig. and Index
551 174	61-26	751 494	40A-5	752 688	45-12	754 085	Misc.
551 176	61-27	751 494	43A-3	752 692	37-22	754 098	Misc.
750 272	37-29	751 494	43A-5	752 697	21-21	754 136	Misc.
750 283	9-11	751 510	40-4	752 749	46A-17	754 167	Misc.
750 283	9-12	751 510	40A-12	752 751	46A-3	754 174	Misc.
750 284	9-12	751 519	33A-3	752 768	46A-16	754 209	33A-7
750 295	45-13	751 520	33A-5	752 784	46-11	754 210	33A-8
750 379	45-13b	751 521	33A-13	752 786	46-4	754 211	33A-4
750 384	45-11	751 522	33A-14	752 791	45-27	754 331	Misc.
750 386	45-10	751 673	40-7a	752 798	45-28	754 352	Misc.
750 387	45-13a	751 675	46-5	752 822	37-22	754 360	Misc.
750 454	Misc.	751 676	46-5	752 826	46A-15	754 371	Misc.
750 736	Misc.	751 735	10-1	752 826	46A-19	754 373	Misc.
750 737	Misc.	751 747	10-1	752 830	43A-11	754 374	Misc.
750 888	18-44	751 752	10-1	752 853	45-27	754 378	Misc.
750 888	21-22	751 767	47-13	752 881	46-7	754 388	Misc.
750 907	18-10	751 768	10-1	752 882	40-3	754 444	Misc.
750 909	18-11	751 783	33A-10	752 882	40A-11	754 518	40A-6
750 997	45-8	751 815	24-30a	752 882	43A-7	755 815	46A-12
750 999	45-9	751 819	43A-9	752 882	44-12	755 816	46A-13
751 118	18-24	751 827	23-4	752 884	47-77	755 818	46A-23
751 118	19-13	751 828	23-1	752 892	21-25	755 824	22-29
751 124	57-12	751 915	47-94	752 892	47-21	755 824	23-39
751 124	57-22	752 120	47-94	752 947	40A-10	755 964	43A-10
751 160	Misc.	752 182	Misc.	752 955	33A-11	756 115	21-25
751 161	25-1	752 207	Misc.	752 956	33A-12	756 115	47-21
751 200	Misc.	752 208	Misc.	752 963	33A-15	756 127	46A-20
751 201	47-30	752 209	Misc.	752 965	46A-8	756 128	40A-13
751 202	47-33	752 213	Misc.	752 966	46A-9	756 129	40A-15
751 203	47-27	752 214	43-53	752 967	33A-2	756 129	43A-8
751 204	Misc.	752 214	Misc.	753 004	33A-9	756 256	47-100
751 232	33A-6	752 231	Misc.	753 026	43-13	756 307	47-97
751 291	47-95	752 241	Misc.	753 128	40-9	756 398	62-1
751 316	62-4	752 243	Misc.	753 128	40A-2	756 399	62-2
751 317	62-5	752 248	Misc.	753 128	43A-4	756 645	37-22a
751 318	62-6	752 252	Misc.	753 129	43A-2	756 907	47-96
751 319	62-7	752 259	Misc.	753 130	40-6	758 209	62-3
751 378	46-6	752 260	Misc.	753 131	40-7	758 266	62-8
751 379	46-6	752 261	Misc.	753 171	40A-16	758 267	62-9
751 380	46-3	752 267	Misc.	753 176	40A-4	758 281	62-3
751 381	47-29	752 271	Misc.	753 178	40A-14	761 939	62-1
751 381	47-32	752 272	Misc.	753 194	43A-4	761 940	62-2
751 382	47-26	752 273	Misc.	753 195	43A-2	761 970	41-8
751 384	40-11	752 287	Misc.	753 212	47-101	761 970	43-59
751 384	40A-7	752 297	Misc.	753 503	33A-1	913 320	28-1
751 402	46A-5	752 300	Misc.	753 849	46A-2		
751 405	43A-12	752 301	14-12	753 850	46A-11		
751 412	33A-25	752 301	17-3	753 948	47-98		
751 450	46A-21	752 302	21-26	753 949	47-99		
751 488	46-9	752 302	47-22	754 007	Misc.		
751 489	40-5	752 308	46A-14	754 025	Misc.		
751 489	40A-17	752 308	46A-18	754 034	Misc.		
751 489	43A-6	752 328	21-26	754 035	Misc.		
751 490	40-4	752 328	47-22	754 036	Misc.		
751 491	40-2	752 370	46-6a	754 052	Misc.		
751 494	40-8	752 685	46-8	754 059	Misc.		
751 494	40-10	752 686	46-2	754 074	Misc.		
751 494	40A-3	752 687	46-10	754 082	Misc.		

1K13 THRU **1L24**
INTENTIONALLY LEFT BLANK