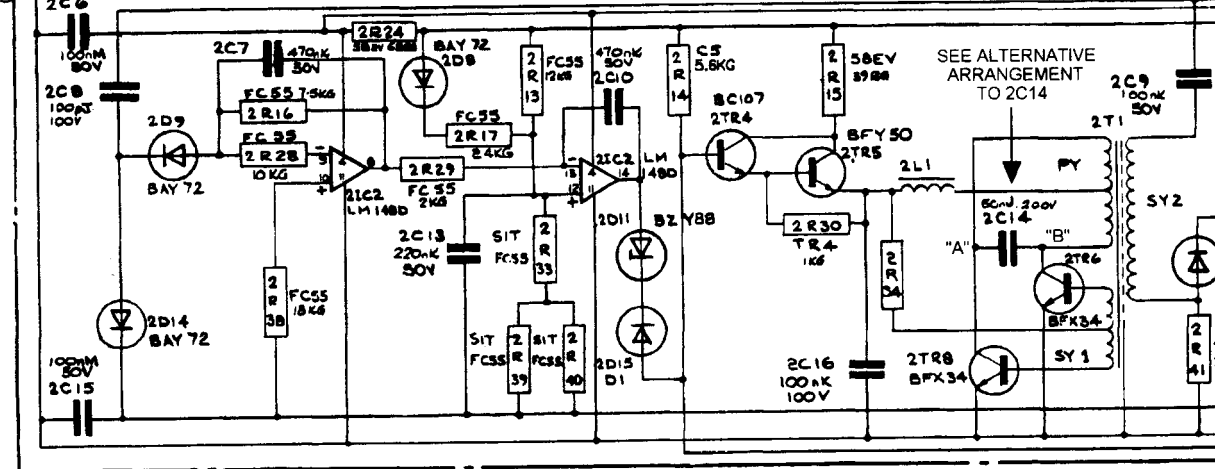
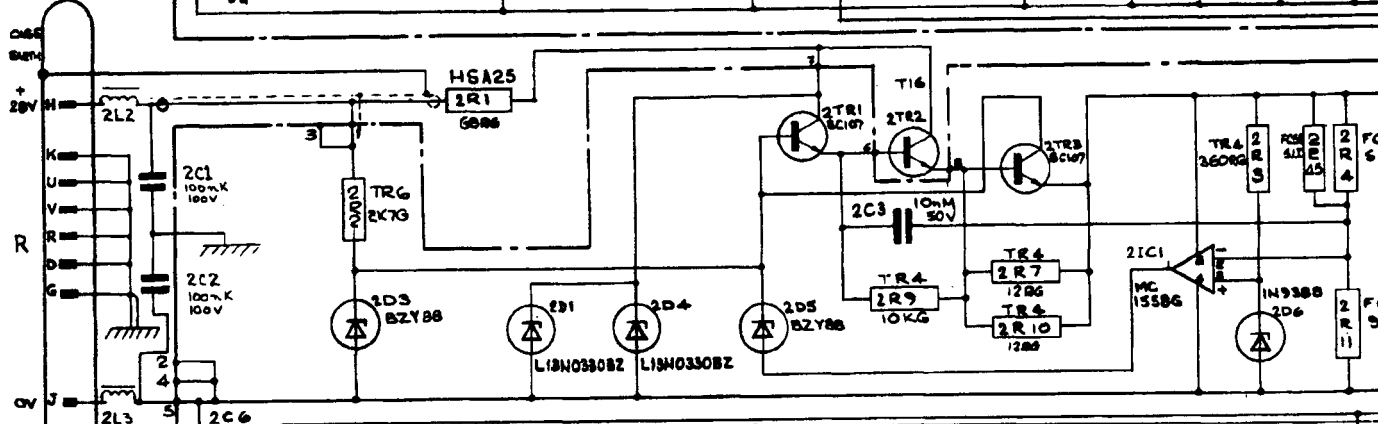


UNUSED PINS:  
L,M,N,P,S,T



UNUSED PINS:  
L,M,N,P,S,T

ALTERNATIVE  
ARRANGEMENT TO  
1C14 AND 2C14

1C20	2C20	10nF
1C21	2C21	100V
1C22	2C22	10nF
1C23	2C23	100V
1C24	2C24	10nF
1C25	2C25	100V
1C26	2C26	10nF
1C27	2C27	100V
1C28	2C28	10nF
1C29	2C29	100V
1C30	2C30	10nF
1C31	2C31	100V
1C32	2C32	10nF
1C33	2C33	100V
1C34	2C34	10nF
1C35	2C35	100V
1C36	2C36	10nF
1C37	2C37	100V
1C38	2C38	10nF
1C39	2C39	100V
1C40	2C40	10nF
1C41	2C41	100V
1C42	2C42	10nF
1C43	2C43	100V
1C44	2C44	10nF
1C45	2C45	100V
1C46	2C46	10nF
1C47	2C47	100V
1C48	2C48	10nF
1C49	2C49	100V
1C50	2C50	10nF
1C51	2C51	100V
1C52	2C52	10nF
1C53	2C53	100V
1C54	2C54	10nF
1C55	2C55	100V
1C56	2C56	10nF
1C57	2C57	100V
1C58	2C58	10nF
1C59	2C59	100V
1C60	2C60	10nF
1C61	2C61	100V
1C62	2C62	10nF
1C63	2C63	100V
1C64	2C64	10nF
1C65	2C65	100V
1C66	2C66	10nF
1C67	2C67	100V
1C68	2C68	10nF
1C69	2C69	100V
1C70	2C70	10nF
1C71	2C71	100V
1C72	2C72	10nF
1C73	2C73	100V
1C74	2C74	10nF
1C75	2C75	100V
1C76	2C76	10nF
1C77	2C77	100V
1C78	2C78	10nF
1C79	2C79	100V
1C80	2C80	10nF
1C81	2C81	100V
1C82	2C82	10nF
1C83	2C83	100V
1C84	2C84	10nF
1C85	2C85	100V
1C86	2C86	10nF
1C87	2C87	100V
1C88	2C88	10nF
1C89	2C89	100V
1C90	2C90	10nF
1C91	2C91	100V
1C92	2C92	10nF
1C93	2C93	100V
1C94	2C94	10nF
1C95	2C95	100V
1C96	2C96	10nF
1C97	2C97	100V
1C98	2C98	10nF
1C99	2C99	100V
1C100	2C100	10nF

TO 1C14 POINT "B"  
TO 2C14 POINT "B"

TO 1C14 POINT "A"  
TO 2C14 POINT "A"