

**Bonanza**  
**F33A**

SERIALS CE-613 THRU CE-771  
EXCEPT CE-748



**Bonanza**  
**F33C**

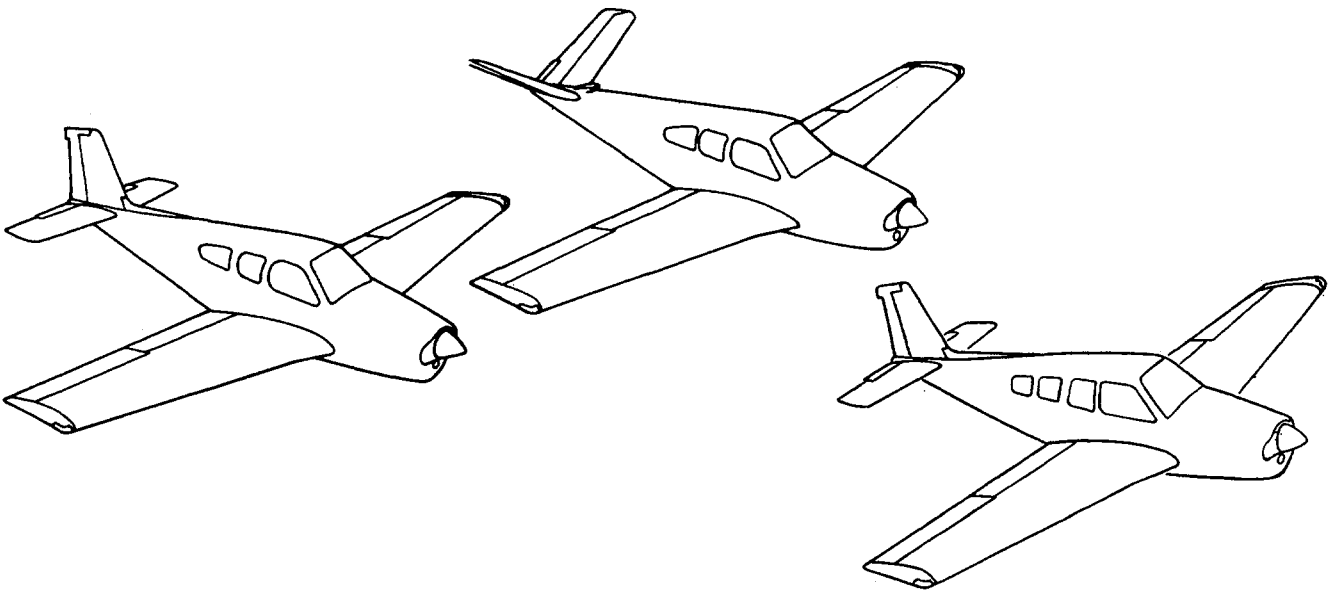
SERIALS CJ-105  
THRU CJ-148

**Bonanza**  
**V35B**

SERIALS D-9818  
THRU D-10119  
EXCEPT D-10097

**Bonanza**  
**A36**

SERIALS E-710,  
E-763 THRU E-1240  
EXCEPT E-1111



**WIRING DIAGRAM MANUAL**  
**14 VOLT ELECTRICAL SYSTEM**

COPYRIGHT © BEECH 1982

**Courtesy of Bomar Flying Service**  
**[www.bomar.biz](http://www.bomar.biz)**

PUBLISHED BY  
COMMERCIAL PUBLICATIONS  
BEECH AIRCRAFT CORPORATION  
WICHITA, KANSAS 67201  
U. S. A.

**LIST OF EFFECTIVE REVISIONS**

Always destroy superseded pages when you insert revised pages.

Title Page.....September 3, 1982  
Logo Page.....  
"A" Page....."B1"

*LOG OF REVISIONS*

Part Number	Date	Chapters Affected
35-590102-7	June 11, 1976	Original
35-590102-7B	April 28, 1978	B Reissue
35-590102-7B1	September 3, 1982	Introduction, Alpha-Numeric Index, 21.

NOTE: A list of the effective pages will be found in the front of each chapter.

B1

98-36416C

Basic publications are assigned a part number which appears on the title page with the date of the issue. Subsequent revisions are identified by the addition of a revision code after the part number. A1 after a part number denotes the first revision to the basic publication, A2 the second, etc. Occasionally, it is necessary to completely reissue and reprint a publication for the purpose of obsoleting a previous issue and outstanding revisions thereto. As these replacement reissues are made, the code will also change to the next successive letter of the alphabet at each issue. For example, B for the first reissue, C for the second reissue, etc.

When ordering a handbook, give the basic number, and the reissue code when applicable, if a complete up-to-date publication is desired. Should only revision pages be required, give the basic number and revision code for the particular set of revision pages you desire.

**BEECHCRAFT  
BONANZA  
WIRING DIAGRAM MANUAL**

**INTRODUCTION**

*LIST OF PAGE EFFECTIVITY*

<b>CHAPTER SECTION SUBJECT</b>	<b>PAGE</b>	<b>DATE</b>
INTRODUCTION-EFFECTIVITY	1	September 3, 1982
INTRODUCTION	1 Thru 15	April 28, 1978  April 28, 1978

# BEECHCRAFT BONANZA WIRING DIAGRAM MANUAL

## INTRODUCTION

### NOTE

Service Publications reissues or revisions are not automatically provided to the holders of this manual. For information on how to obtain reissues or revisions applicable to this manual, refer to BEECHCRAFT Service Instructions No. 0250-010, Rev. IV or subsequent revisions.

The BEECHCRAFT Bonanza Wiring Diagram Manual is prepared in accordance with the GAMA Spec. No 2 (General Aviation Manufacturing Association). This Wiring Diagram Manual is supplemented by the following publications: (1) The BEECHCRAFT Debonair 33 series and Bonanza 33 series Shop Manual, P/N 33-590011-1C, (2) the BEECHCRAFT Bonanza 35 series Shop Manual, P/N 35-590096B, (3) the BEECHCRAFT Bonanza 36 series Shop Manual, P/N 36-590001-3B, (4) the BEECHCRAFT Bonanza Parts Catalog, P/N 33-590010-7C, (5) the BEECHCRAFT Bonanza Parts Catalog, P/N 35-590102-5B, (6) the BEECHCRAFT Bonanza Parts Catalog, P/N 36-590001-1C.

### NOTICE

Beech Aircraft Corporation expressly reserves the right to supersede, cancel and/or declare obsolete any part, part numbers, kits or publication that may be referenced in this manual without prior notice.

### CORRESPONDENCE

If a question should arise concerning the care of your airplane, it is important to include the airplane serial number in any correspondence. The serial number appears on the model designation placard inboard of the right hand flap on the fuselage.

### ASSIGNMENT OF SUBJECT MATERIAL

The content of this publication is organized at four levels: Group, System/Chapter, Sub-System/Section, and Unit/Subject.

Group - Identified by different colored divider tabs. These are primary divisions of the manual that enable broad separation of content. Typical of this division is the sep-

aration between Airframe Systems and the Aircraft Power Plant.

System/Chapter - The various groups are broken down into major systems such as Air Conditioning, Electrical Power, Landing Gear, etc. The systems are arranged more or less alphabetically rather than by precedence or importance. They are assigned a number, which becomes the first element of a standardized numbering system. Thus, the element "28" of the number 28-00-00 refers to the chapter "Fuel". Everything concerning the fuel system will be covered in this chapter.

Sub-System/Section - The major systems of an airplane are broken down into sub-systems. These sub-systems are identified by the second element of a standard numbering system. The number "40" of the number 28-40-00 is for the indicating portion of the fuel system.

Unit/Subject - The individual units within a sub-system may be identified by the third element of the standard numbering system, such as 28-40-01. This number is assigned by the manufacturer and may, or may not, be used and will vary in usage.

### APPLICATION

Any publication conforming to the GAMA format will use the same basic numbering system. Thus, whether the manual be a BEECHCRAFT Baron 58P Wiring Diagram Manual, or a BEECHCRAFT Bonanza Wiring Diagram Manual, the person wishing information concerning the indicating portion of the fuel system, would refer to the System/Chapter Tab "28, Fuel." The table of contents in the front of this chapter will provide a list of sub-systems covered in the chapter.

For example:

28-00	General
28-10	Storage (Tanks, cells, necks, caps, instruments, etc.)
28-20	Distribution (Fuel lines, pumps, valves, controls, etc.)
28-30	Dump (If in-flight dumping system is installed, it would appear here.)
28-40	Indicating (Quantity, temperature, pressure, etc., does not include engine fuel flow or pressure.)

**BEECHCRAFT  
BONANZA  
WIRING DIAGRAM MANUAL**

Carrying this example further, by turning to the Table of Contents for Chapter 28, the following information might be found within the list:

<b>SUBJECT</b>	<b>CHAPTER SECTION SUBJECT</b>	<b>PAGE</b>
FUEL	28	
Indicating	28-40	
Fuel Quantity	28-40-01	1 thru 3

The material is arranged within the chapter in ascending numerical sequence. The Chapter-System Subject number and page number are found at the lower outside corner of each page.

### *EFFECTIVITY*

### **LOG OF EFFECTIVE REVISIONS**

The Log of Effective Revisions following the title page of the manual lists the revisions currently effective for the manual.

### **LIST OF EFFECTIVE PAGES**

The List of Effective Pages following each Chapter Divider-Tab, lists the issue date of each page that is effective for that chapter.

### *WIRING DIAGRAMS*

To facilitate locating components and tracing the circuitry of individual diagrams, each wire is identified by the wire code it bears in the aircraft. The individual circuit components are identified by a reference designator and name adjacent to each item. The diagrams show the terminals, wire numbers, switches, etc., in a manner which will make the operation of each component easily understandable. The circuits are shown consistent with the position of switches and conditions noted on the diagrams. Symbols used in the wiring diagrams appear in the introduction of this manual.

### *OPTIONAL EQUIPMENT*

This manual does not in all cases differentiate between optional and standard equipment. In order to facilitate the installation of certain wire harnesses used to connect optional equipment, these harnesses will be installed in all airplanes. Wires will be dead ended in airplanes that do not require the equipment.

### *EQUIPMENT LIST*

A listing of the component parts accompanies each wiring diagram to aid maintenance personnel in ordering spares replacements. An "R" appearing in the area between the reference designators and part number indicates a revision to the original.

The components are listed in the order of alpha-numeric sequence of the reference designators. Further, the aircraft zone in which each component is installed is provided in the listing. Reference to the zone diagram, page 6 and 7 in the Introduction, will enable location of the component in the airplane.

### *ALPHABETICAL INDEX*

An alphabetical index, which may be found in the Introduction, is also provided as an assistance in locating the desired circuit. The Alphabetical index provides the chapter and sub-chapter in which a circuit appears.

### *NUMERICAL INDEX*

All parts listed in the Wiring Diagram Manual are arranged alpha-numerically in the Numerical Index. The number of the wiring diagram (diagrams) in which the component is found and the reference designator assigned to the component in the wiring diagram accompanies each part number in the Numerical Index.

### *MICROFICHE - AEROFICHE*

The General Aviation Manufacturers Association has developed a specification for microfiche and registered the name Aerofiche for use by all GAMA Members. This manual may be obtained in Aerofiche form from your local BEECHCRAFT Parts and Service Outlet.

### *WIRE CODES*

The wire codes used in the BEECHCRAFT Bonanza closely follow the military numbering system. Each wire and cable are identified by a combination of numbers and letters imprinted on the wire and cable as illustrated in Figure 1. Each wire or cable is identified within 3 inches of each junction. No code is required for short wires or cables less than 3 inches in length. A nonmetallic sleeve carrying identification will appear on wires where imprinted codes cannot be affixed.

Circuit function letters indicate a relationship to a particular system (noted in the list of circuit function designations). Wire numbers are provided to differentiate between wires in a circuit.

**BEECHCRAFT  
BONANZA  
WIRING DIAGRAM MANUAL**

A wire segment is a conductor between two terminals or connections. Alphabetical sequence is usually followed. Wire segment A indicates the power source, B next segment, etc.

The wire size number is used to identify the size of the wire or cable.

A suffix to the wire identification code (N) identifies any wire or cable that completes the circuit to ground network.

Phase letter "A", "B" or "C" used as a suffix identifies three-phase wiring in ac systems.

The phase letter "V" is used as a suffix identifying an ungrounded wire or cable in a single phase system.

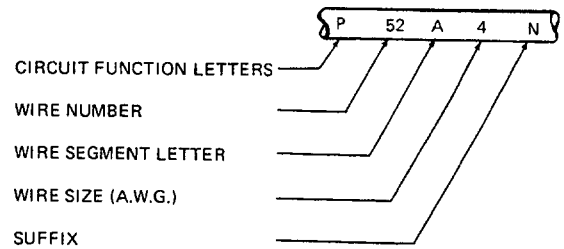
For thermocouple wire, the following suffixes are applicable:

CHROM	-	Chromel	CONST	-	Constantan
ALME	-	Alumel	COP	-	Copper
IRON	-	Iron	ALUM	-	Aluminum

A List of Circuit Function Designations Follows:

- A Armaments
- B Photographic
- C Control surfaces; automatic pilot
- D Instruments other than flight or engine instrument; ammeter, landing gear position, free air temperature, cabin pressure, etc.
- E Engine instrument; fuel flow, fuel quantity, tachometer, synchroscope, etc.
- F Flight Instrument
- G Landing gear; actuator, retraction, warning, down lock, etc.
- H Heating; ventilating, deicing

- J Ignition
- K Engine Control; starter, prop pitch, prop synchronizer, etc.
- L Lighting
- M Miscellaneous electric; windshield wiper, etc.
- P DC power
- Q Fuel and oil; fuel valves, fuel pump motors, throttle control, oil pumps, etc.
- R Radio; RC-radio command, RM-marker beacon, etc.
- S Radar; SA-altimeter, SS-search, etc.
- T Special electronics; TK-telemetry, TR-receivers, etc.
- U Miscellaneous electronics (other than R, S or T)
- V DC power for AC systems
- W Warning and emergency
- X AC power
- Y Armaments special systems





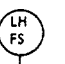

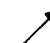
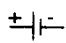
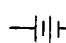
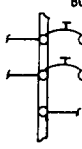
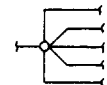
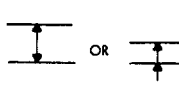


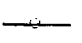
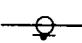


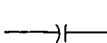
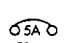
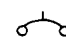
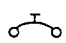
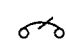
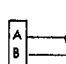
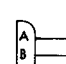
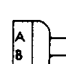
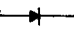
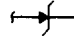
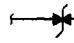
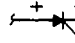
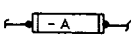
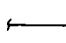

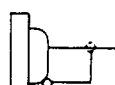
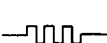
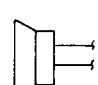
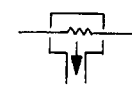


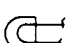
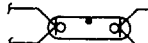





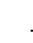
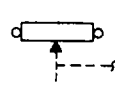
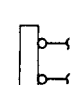
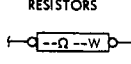





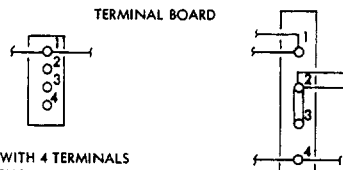

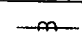
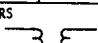




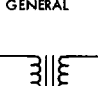
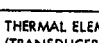
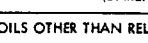


STD-369-24

**Wire Codes  
Figure 1.**

# BEECHCRAFT BONANZA WIRING DIAGRAM MANUAL

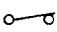
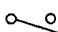
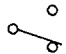
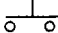
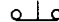
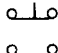

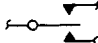
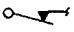
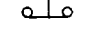

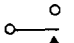



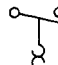


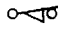
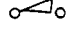
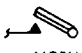


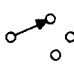
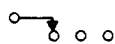

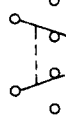
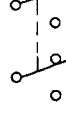




## ELECTRICAL SYMBOLS

AIRCRAFT LOCATION SYMBOLS				ADJUSTABILITY	BATTERIES		BUS		
 LH FW LEFT FIREWALL	 RH FW RIGHT FIREWALL	 LH WW LEFT WHEEL WELL	 RH WW RIGHT WHEEL WELL	 LH FS LEFT FIRE SEAL	 RH FS RIGHT FIRE SEAL	 GENERAL	 GENERAL	 MULTICELL	
CABLES AND CONDUCTORS									
 GROUPING OF LEADS	 TWISTED PAIR	 TWISTED TRIPLE	 TWISTED QUAD	 SHIELDED SINGLE CONDUCTOR	 COAXIAL CABLE	 SHIELDED TWISTED PAIR	 SHIELDED TWISTED TRIPLE		
CAPACITOR	CIRCUIT BREAKERS			CONNECTORS					
 GENERAL	 BASIC	 PUSH BREAKER	 PUSH-PULL BREAKER	 SWITCH BREAKER	 RECEPTACLE	 PLUG	 MATED PLUG AND RECEPTACLE		
DIODE				FUSE	GROUNDS				
 GENERAL	 ZENER, UNIDIRECTIONAL	 ZENER, BIDIRECTIONAL	 SCR	 	 GROUND OR CIRCUIT RETURN	 GROUND TO CHASSIS (WITH TERMINAL)	 SHIELD GROUNDED TO BACKSHELL (WITH TERMINAL)		
HEATER ELEMENT	HORN	IGNITOR	LAMPS						
			 SIGNAL LIGHT * (LETTER TO DENOTE COLOR)	 INCANDESCENT	 COMMUNICATION SWITCH - BOARD TYPE INDICATING LAMP	 FLOURESCENT			
METER	MISC	MOTOR	PIN JACK	POLARITY		POTENTIOMETER			
 * (LETTER TO DENOTE WHAT TYPE OF METER SUCH AS "I" FOR INDICATING METER)	 FURN WITH EQUIP			 POSITIVE	 NEGATIVE				
RELAY COIL	RESISTORS	RHEOSTAT	SPLICES	TEST POINT RECOGNITION	THERMOCOUPLE	TERMINAL BOARD			
	 ADJUSTABLE CONTACT		 PERMANENT  DISCONNECT	 GENERAL	 GENERAL	 WITH 4 TERMINALS SHOWN WITH 4 TERMINALS SHOWN AND 2 BUSSED TOGETHER			
TRANSDUCER	TRANSFORMERS			TRANSISTORS		THERMAL ELEMENT (TRANSDUCER)			
	 CURRENT	 GENERAL		 PNP	 NPN	 TRANSISTOR PAIR (DARLINGTON)			
	 SINGLE - PHASE 3 - WINDING WITH CORE	 NON SATURATING		 GENERAL		 WINDINGS, INDUCTOR REACTOR OR CHOKE			

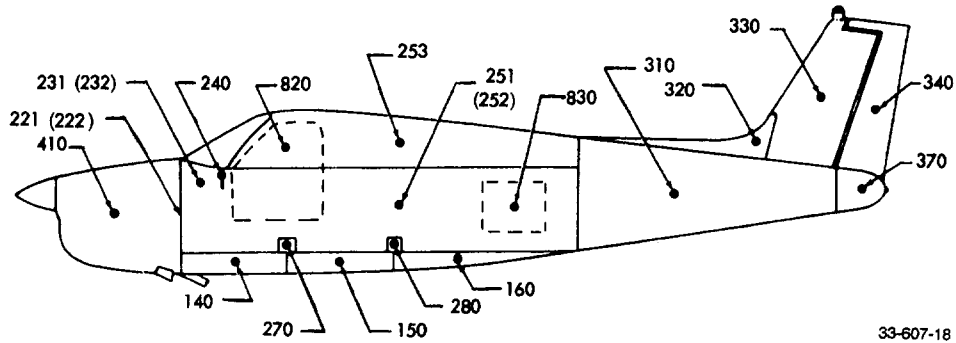


# BEECHCRAFT BONANZA WIRING DIAGRAM MANUAL

## ELECTRICAL SYMBOLS - CONTINUED:

<p style="text-align: center;"><b>BASIC CONTACT SWITCH ASSEMBLIES</b></p> <div style="display: flex; justify-content: space-around; align-items: center;">    </div> <div style="display: flex; justify-content: space-around; margin-top: 5px;"> <p style="text-align: center;">CLOSED CONTACT</p> <p style="text-align: center;">OPEN CONTACT</p> <p style="text-align: center;">TRANSFER</p> </div>	<p style="text-align: center;"><b>PUSH BUTTON (MOMENTARY OR SPRING - RETURN)</b></p> <div style="display: flex; justify-content: space-around; align-items: center;">    </div> <div style="display: flex; justify-content: space-around; margin-top: 5px;"> <p style="text-align: center;">CIRCUIT CLOSING (MAKE)</p> <p style="text-align: center;">CIRCUIT OPENING (BREAK)</p> <p style="text-align: center;">TWO - CIRCUIT</p> </div>
<p style="text-align: center;"><b>NON - LOCKING (MOMENTARY OR SPRING - RETURN)</b></p> <div style="display: flex; justify-content: space-around; align-items: center;">      </div> <div style="display: flex; justify-content: space-around; margin-top: 5px;"> <p style="text-align: center;">CIRCUIT CLOSING (MAKE)</p> <p style="text-align: center;">CIRCUIT OPENING OR CLOSING (MAKE OR BREAK)</p> <p style="text-align: center;">CIRCUIT OPENING (BREAK)</p> <p style="text-align: center;">TWO CIRCUIT</p> <p style="text-align: center;">TRANSFER</p> </div>	<p style="text-align: center;"><b>COMBINATION LOCKING AND NON - LOCKING</b></p> <div style="text-align: center; margin-top: 10px;">  <span style="margin-left: 10px;">OFF</span> </div>
<p style="text-align: center;"><b>PRESSURE OR VACUUM ACTUATED</b></p> <div style="display: flex; justify-content: space-around; align-items: center; margin-top: 10px;">   </div> <div style="display: flex; justify-content: space-around; margin-top: 5px;"> <p style="text-align: center;">CLOSES ON RISING PRESSURE</p> <p style="text-align: center;">OPENS ON RISING PRESSURE</p> </div>	<p style="text-align: center;"><b>TEMPERATURE - ACTUATED</b></p> <div style="display: flex; justify-content: space-around; align-items: center; margin-top: 10px;">  <span style="margin: 0 10px;">OR</span>  </div> <div style="display: flex; justify-content: space-around; margin-top: 5px;"> <p style="text-align: center;">CLOSES ON RISING TEMPERATURE</p> <p style="text-align: center;">OPENS ON RISING TEMPERATURE</p> </div>
<p style="text-align: center;"><b>LIMIT SWITCH (DIRECTLY ACTIVATED SPRING RETURNED)</b></p> <div style="display: flex; justify-content: space-around; align-items: center; margin-top: 10px;">     </div> <div style="display: flex; justify-content: space-around; margin-top: 5px;"> <p style="text-align: center;">NORMALLY OPEN</p> <p style="text-align: center;">NORMALLY OPEN - HELD CLOSED</p> <p style="text-align: center;">NORMALLY CLOSED</p> <p style="text-align: center;">NORMALLY CLOSED - HELD OPEN</p> </div>	<p style="text-align: center;"><b>THERMAL SWITCHES</b></p> <div style="display: flex; justify-content: space-around; align-items: center; margin-top: 10px;">  <span style="margin-left: 10px;">NORMALLY OPEN</span> </div> <div style="display: flex; justify-content: space-around; margin-top: 10px;">  <span style="margin-left: 10px;">NORMALLY CLOSED</span> </div> <div style="text-align: center; margin-top: 10px;">  <p style="text-align: center;">NORMALLY OPEN (WITH INTERNAL HEATER SHOWN)</p> </div>
<p style="text-align: center;"><b>SELECTOR OR MULTI - POSITION SWITCH</b></p> <div style="text-align: center; margin-top: 10px;">   </div> <p style="text-align: center; margin-top: 5px;">(NOTE: ANY NO. OF TRANSMISSION PATHS MAY BE SHOWN)</p>	<p style="text-align: center;"><b>EXAMPLE OF ON-ON-ON SWITCH ACUTATION:</b></p> <div style="text-align: center; margin-top: 10px;">  <p style="margin-left: 10px;">TOGGLE IN "DOWN" POSITION</p> </div> <div style="text-align: center; margin-top: 10px;">  <p style="margin-left: 10px;">TOGGLE IN "CENTER" POSITION</p> <p style="margin-left: 10px; font-size: small;">(NOTE: ALL APPLICABLE DIAGRAMS SHOW ON-ON-ON SWITCH IN THIS POSITION)</p> </div> <div style="text-align: center; margin-top: 10px;">  <p style="margin-left: 10px;">TOGGLE IN "UP" POSITION</p> </div>
<p style="text-align: center;"><b>SWITCHES WITH TIME - DELAY FEATURE</b></p> <div style="display: flex; justify-content: space-around; align-items: center; margin-top: 10px;">     </div> <div style="display: flex; justify-content: space-around; margin-top: 5px;"> <p style="text-align: center;">OPEN TIME - DELAY CLOSING</p> <p style="text-align: center;">CLOSED TIME - DELAY OPENING</p> <p style="text-align: center;">OPEN TIME - DELAY OPENING</p> <p style="text-align: center;">CLOSED TIME - DELAY CLOSING</p> </div> <p style="text-align: center; margin-top: 10px; font-size: small;">(NOTE: POINT OF ARROW INDICATES DIRECTION OF SWITCH OPERATION IN WHICH CONTACT ACTION IS DELAYED).</p>	

**BEECHCRAFT  
BONANZA  
WIRING DIAGRAM MANUAL**

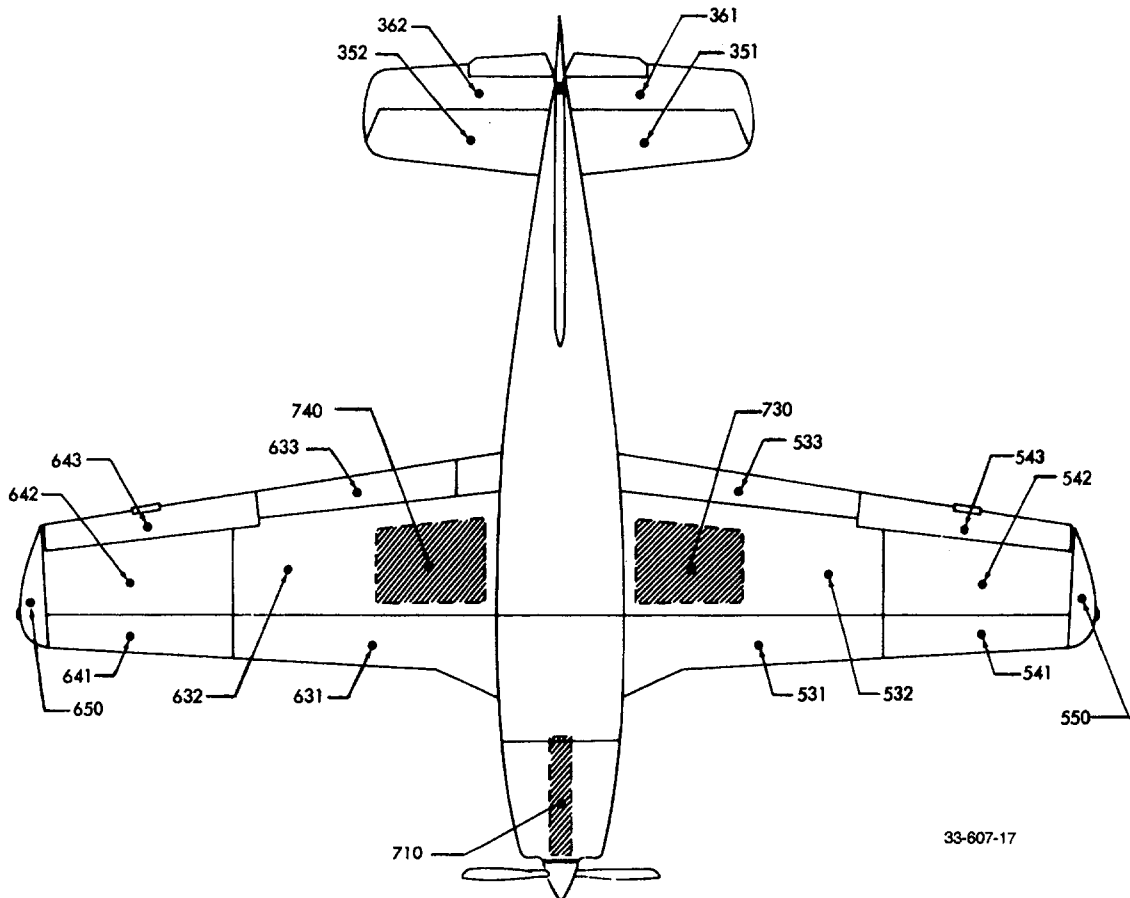


33-607-18

() Indicates Right Side

100	BELOW FLOOR	300	AFT FUSELAGE AND EMPENNAGE
	140 Firewall to Main Spar		310 Aft Fuselage
	150 Main Spar to Rear Spar		320 Dorsal Fin (Aircraft with Conventional Tail)
	160 Aft of Rear Spar		330 Vertical Stabilizer (Aircraft with Conventional Tail)
200	FORWARD FUSELAGE		340 Rudder (Aircraft with Conventional Tail)
	221 (222) Firewall (Attached to or Accessible from Forward Side)		370 Tail Cone
	231 (232) Firewall to Instrument Panel	410	ENGINE COMPARTMENT
	240 Instrument Panel and Subpanel	800	DOORS
	251 (252) Cabin (Floor Line to Headliner)		820 Cabin Entry Door
	253 Cabin Headliner Area		830 Baggage or Cargo Door
	270 Main Spar Carry-Through Structure		

**BEECHCRAFT  
BONANZA  
WIRING DIAGRAM MANUAL**



( ) Indicates Right Side

**300 AFT FUSELAGE AND EMPENNAGE**

351 (352) Horizontal Stabilizer  
361 (362) Elevator

**500 (600) WING AND CONTROL SURFACES**

531 (631) Wing, Inboard Leading Edge  
532 (632) Wing, Inboard-Aft of Main Spar

533 (633) Flap

541 (641) Wing, Outboard-Leading Edge  
542 (642) Wing, Outboard-Aft of Main Spar

543 (643) Aileron  
550 (650) Wing Tip

**700 GEAR DOORS AND WHEELWELLS**

710 Nose Landing Gear  
730 (740) Main Landing Gear

**BEECHCRAFT  
BONANZA  
WIRING DIAGRAM MANUAL**

**SYSTEM - CHAPTER INDEX GUIDE**

The following is a Chapter Index Guide for use with this Wiring Diagram Manual.

Note: The following chapters are not covered within this Wiring Diagram Manual: 4, 5, 6, 7, 8, 9, 10, 11, 12, 20, 22, 26, 29, 31, 35, 36, 37, 38, 39, 49, 51, 52, 53, 54, 55, 56, 57, 60, 61, 70, 71, 72, 73, 75, 76, 78, 79, 80, 81, 83, and 95.

<b>SYSTEM CHAPTER</b>	<b>SUB-SYSTEM SECTION</b>	<b>TITLE</b>
---------------------------	-------------------------------	--------------

**AIRFRAME SYSTEMS**

**21 ENVIRONMENTAL SYSTEMS**

21-00	General	
21-50	Cooling	
21-50-01	Air Conditioning - Cooling (Optional)	

**23 COMMUNICATIONS**

23-00	General	
23-50	Audio Integrating	
23-50-01	Audio Integrating - Cabin Speaker	

**24 ELECTRICAL POWER**

24-00	General	
24-30	DC Generation	
24-30-01	DC Generation - Alternator	
24-31-01	DC Generation - Voltage Regulator (CE-613 thru CE-721; CJ-105 thru CJ-128; D-9818 thru D-10029; E-710, E-763 thru E-1067)	
24-31-02	DC Generation - Voltage Regulator (CE-722 thru CE-771, exc. CE-748; CJ-129 thru CJ-148; D-10030 thru D-10119, exc. D-10097; E-1068 thru E-1240, exc. E-1111)	
24-33-01	DC Generation - Emergency Power (Optional) (CE-613 thru CE-673; CJ-105 thru CJ-128; D-9818 thru D-9944; E-710, E-763 thru E-930)	
24-33-02	DC Generation - Emergency Power (Optional) (CE-674 thru CE-690; D-9945 thru D-9978; E-931 thru E-975)	
24-33-03	DC Generation - Emergency Power (Optional) (CE-691 thru CE-771, exc. CE-748; CJ-129 thru CJ-148; D-9979 thru D-10119, exc. D-10097; E-976 thru E-1240, exc. E-1111)	
24-40	External Power	
24-40-01	External Power (Optional)	

**BEECHCRAFT  
BONANZA  
WIRING DIAGRAM MANUAL**

**SYSTEM - CHAPTER INDEX GUIDE**

<b>SYSTEM CHAPTER</b>	<b>SUB-SYSTEM SECTION</b>	<b>TITLE</b>
<b>AIRFRAME SYSTEMS (Cont'd)</b>		
<b>24</b>	<b>ELECTRICAL POWER (Cont'd)</b>	
24-50	Electrical Load Distribution	
24-50-01	Electrical Load Distribution - Standard	
24-51-01	Electrical Load Distribution - Emergency Power (Optional)	
<b>25</b>	<b>EQUIPMENT/FURNISHINGS</b>	
25-00	General	
25-10	Flight Compartment	
25-10-01	Flight Compartment - Cigarette Lighter	
25-11-01	Flight Compartment - Clock, Panel (Optional) (CE-681 thru CE-771, exc. CE-748; D-9961 thru D-10119, exc. D-10097; E-947 thru E-1240, exc. E-1111)	
25-12-01	Flight Compartment - Clock, Control Wheel (Optional) (CE-718 thru CE-771, exc. CE-748; CJ-129 thru CJ-148; D-10024 thru D-10119, exc. D-10097; E-1059 thru E-1240, exc. E-1111)	
<b>27</b>	<b>FLIGHT CONTROLS</b>	
27-00	General	
27-30	Elevator and Tab	
27-31-01	Elevator and Tab - Stall Warning	
27-32-01	Electric Trim (CE-613 thru CE-771, exc. CE-748; CJ-105 thru CJ-148; D-9818 thru D-10119, exc. D-10097)	
27-50	Flaps	
27-50-01	Flaps - Motor (CE-613 thru CE-682; CJ-105 thru CJ-128; D-9818 thru D-9965; E-710, E-763 thru E-953)	
27-50-02	Flaps - Motor (CE-683 thru CE-771, exc. CE-748; CJ-129 thru CJ-148; D-9966 thru D-10119, exc. D-10097; E-954 thru E-1240, exc. E-1111)	
27-51-01	Flaps - Position Indicator	
<b>28</b>	<b>FUEL</b>	
28-00	General	
28-20	Distribution	
28-20-01	Distribution - Auxiliary Fuel Pump (CE-613 thru CE-771, exc. CE-748; D-9818 thru D-10119, exc. D-10097; E-710, E-763 thru E-1240, exc. E-1111)	
28-20-02	Distribution - Auxiliary Fuel Pump (CJ-105 thru CJ-148)	

**BEECHCRAFT  
BONANZA  
WIRING DIAGRAM MANUAL**

**SYSTEM - CHAPTER INDEX GUIDE**

<b>SYSTEM CHAPTER</b>	<b>SUB-SYSTEM SECTION</b>	<b>TITLE</b>
<b>AIRFRAME SYSTEMS (Cont'd)</b>		
<b>28</b>	<b>FUEL (Cont'd)</b>	
28-40	Indicating	
28-40-01	Indicating - Fuel Quantity (CE-613 thru CE-715; CJ-105 thru CJ-128; D-9818 thru D-10008; E-710, E-763 thru E-1028)	
28-40-02	Indicating - Fuel Quantity (CE-716 thru CE-771, exc. CE-748; CJ-129 thru CJ-148; D-10009 thru D-10119, exc. D-10097; E-1029 thru E-1240, exc. E-1111)	
<b>30</b>	<b>ICE AND RAIN PROTECTION</b>	
30-00	General	
30-30	Pitot and Static	
30-30-01	Pitot and Static - Heated Pitot (Optional)	
30-60	Propellers	
30-60-01	Propellers - 2 Blade Prop Anti-Ice (Optional)	
30-61-01	Propellers - 3 Blade Prop Anti-Ice (Optional)	
<b>32</b>	<b>LANDING GEAR</b>	
32-00	General	
32-30	Extension and Retraction	
32-30-01	Extension and Retraction - Landing Gear (CE-613 thru CE-673; CJ-105 thru CJ-128; D-9818 thru D-9947; E-710, E-763 thru E-926, exc. E-902)	
32-30-02	Extension and Retraction - Landing Gear (CE-674 thru CE-771, exc. CE-748; CJ-129 thru CJ-148; D-9948 thru D-10119, exc. D-10097; E-902, E-927 thru E-1240, exc. E-1111)	
32-31-01	Extension and Retraction - Landing Gear Safety System (Optional) (CE-613 thru CE-673; CJ-105 thru CJ-128; D-9818 thru D-9947; E-710, E-763 thru E-926, exc. E-902)	
32-31-02	Extension and Retraction - Landing Gear Safety System (Optional) (CE-674 thru CE-771, exc. CE-748; CJ-129 thru CJ-148; D-9948 thru D-10119, exc. D-10097; E-902, E-927 thru E-1240, exc. E-1111)	
32-60	Position and Warning	
32-60-01	Position and Warning - Landing Gear Indicators	

**BEECHCRAFT  
BONANZA  
WIRING DIAGRAM MANUAL**

**SYSTEM - CHAPTER INDEX GUIDE**

<b>SYSTEM CHAPTER</b>	<b>SUB-SYSTEM CHAPTER</b>	<b>TITLE</b>
<b>AIRFRAME SYSTEMS (Cont'd)</b>		
<b>33</b>	<b>LIGHTS</b>	
33-00	General	
33-10	Flight Compartment	
33-10-01		Flight Compartment - Annunciator Light Test (CE-613 thru CE-763; CJ-105 thru CJ-128; D-9818 thru D-9947; E-710, E-763 thru E-926)
33-10-02		Flight Compartment - Annunciator Light Test (CE-674 thru CE-771, exc. CE-748; CJ-129 thru CJ-148; D-9948 thru D-10119, exc. D-10097; E-927 thru E-1240, exc. E-1111)
33-11-01		Flight Compartment - Radio and Engine Instrument Lights
33-12-01		Flight Compartment - Engine Instrument Wedge Lights (Optional)
33-13-01		Flight Compartment - Flight Instrument Post Lights (Optional)
33-14-01		Flight Compartment - Flight Instrument Wedge Lights (Optional)
33-15-01		Flight Compartment - Instrument Dimming (CE-613 thru CE-734; CJ-105 thru CJ-128; D-9818 thru D-10054; E-710, E-763 thru E-1116, exc. E-1111)
33-15-02		Flight Compartment - Instrument Dimming (CE-735 thru CE-771, exc. CE-748; CJ-129 thru CJ-148; D-10055 thru D-10119, exc. D-10097; E-1117 thru E-1240)
33-16-01		Flight Compartment - Electroluminous Panel
33-17-01		Flight Compartment - Map, Compass and OAT Lights
33-18-01		Flight Compartment - Floodlights
33-20	Passenger Compartment	
33-20-01		Passenger Compartment - Cabin Lights
33-40	Exterior	
33-40-01		Exterior - Three Strobe Light (Optional) (CE-613 thru CE-702; D-9818 thru D-10006; E-710, E-763 thru E-1013)
33-40-02		Exterior - Three Strobe Light (Optional) (CE-703 thru CE-771, exc. CE-748; CJ-129 thru CJ-148; D-10007 thru D-10119, exc. D-10097; E-1014 thru F-1240, exc. E-1111)
33-41-01		Exterior - Rotating Beacon (Optional)
33-42-01		Exterior - Courtesy Lights (Optional) (CE-613 thru CE-680; CJ-105 thru CJ-128; D-9818 thru D-9960; E-710, E-763 thru E-946)
33-42-02		Exterior - Courtesy Lights (Optional) (CE-681 thru CE-771, exc. CE-748; CJ-129 thru CJ-148; D-9961 thru D-10119, exc. D-10097; E-947 thru E-1240, exc. E-1111)
33-43-01		Exterior - Navigation Lights
33-44-01		Exterior - Taxi Light
33-45-01		Exterior - Landing Lights

**BEECHCRAFT  
BONANZA  
WIRING DIAGRAM MANUAL**

**SYSTEM - CHAPTER INDEX GUIDE**

<b>SYSTEM CHAPTER</b>	<b>SUB-SYSTEM SECTION</b>	<b>TITLE</b>
---------------------------	-------------------------------	--------------

**AIRFRAME SYSTEMS (Cont'd)**

**34            NAVIGATION**

34-00	General	
34-20	Attitude and Direction	
34-20-01	Attitude and Direction - Turn Coordinator	

**POWER PLANT**

**74            IGNITION**

74-00	General	
74-30	Switching	
74-30-01	Switching - Ignition	

**77            ENGINE INDICATING**

77-00	General	
77-20	Temperature	
77-20-01	Temperature - Engine Instrument Cluster	

**91            CHARTS AND WIRING DIAGRAMS**

91-00	General	
91-01-01	Schematic - Electrical Equipment Junction Box	
91-10-01	LH Wing - Wheel Well Access Connector - P14/J14	
91-11-01	RH Wing - Wheel Well Access Connector - P15/J15	
91-15-01	Instrument Panel Grounding Connector - P67/J67	
91-17-01	Junction Box Disconnect - P44/J44	



BEECHCRAFT  
BONANZA  
WIRING DIAGRAM MANUAL

ALPHABETICAL INDEX

COMPONENT ITEM OR SYSTEM NAME	CHAPTER NAME	CHAPTER & SUB CHAPTER
<b>A</b>		
ALTERNATOR	ELECTRICAL POWER	24-30-01
AMMETER SHUNT	ELECTRICAL POWER	24-30-01
ANNUNCIATOR TEST LIGHT	LIGHTS	33-10-01
ANTI-ICE,2-BLADE PROP	ICE AND RAIN PROTECTION	30-60-01
ANTI-ICE,3-BLADE PROP	ICE AND RAIN PROTECTION	30-61-01
AUXILIARY FUEL PUMP	FUEL	28-20-01
<b>B</b>		
BATTERY	ELECTRICAL POWER	24-30-01
BATTERY MASTER RELAY	ELECTRICAL POWER	24-30-01
BLOWER, EVAPORATOR	ENVIRONMENTAL SYSTEMS	21-50-01
<b>C</b>		
CABIN LIGHTS	LIGHTS	33-20-01
CABIN SPEAKER	COMMUNICATIONS	23-50-01
CIGARETTE LIGHTER	EQUIPMENT/FURNISHINGS	25-10-01
CLOCK, CONTROL WHEEL/OPTIONAL/	EQUIPMENT/FURNISHINGS	25-12-01
CLOCK, PANEL/OPTIONAL/	EQUIPMENT/FURNISHINGS	25-11-01
CONNECTOR, INST PANEL GROUND	CHARTS	91-15-01
CONNECTOR, JUNCTION BOX	CHARTS	91-17-01
CONNECTOR, LH WING-WHEEL WELL	CHARTS	91-10-01
CONNECTOR, RH WING-WHEEL WELL	CHARTS	91-11-01
CONTROL WHEEL CLOCK/OPTIONAL/	EQUIPMENT/FURNISHINGS	25-12-01
COOLING/OPTIONAL/	ENVIRONMENTAL SYSTEMS	21-50-01
COURTESY LIGHTS/OPTIONAL/	LIGHTS	33-42-01
<b>E</b>		
ELECTRIC TRIM	FLIGHT CONTROLS	27-32-01
ELECTRICAL EQUIPMENT JUNCTION BOX	CHARTS	91-01-01
ELECTRICAL LOAD DISTRIBUTION-EMERGENCY	ELECTRICAL POWER	24-51-01
ELECTRICAL LOAD DISTRIBUTION-STANDARD	ELECTRICAL POWER	24-50-01
ELECTROLUMINOUS PANEL LIGHTING	LIGHTS	33-16-01
EMERGENCY POWER/OPTIONAL/	ELECTRICAL POWER	24-33-01
ENGINE INST WEDGE LIGHTS/OPTIONAL/	LIGHTS	33-12-01
ENGINE INSTRUMENT CLUSTER	ENGINE INDICATING	77-20-01
EVAPORATOR BLOWER	ENVIRONMENTAL SYSTEMS	21-50-01
EXTERNAL POWER/OPTIONAL/	ELECTRICAL POWER	24-40-01
<b>F</b>		
FLAPS-MOTOR	FLIGHT CONTROLS	27-50-01
FLAPS-POSITION INDICATOR	FLIGHT CONTROLS	27-51-01
FLIGHT INST POST LIGHTS/OPTIONAL/	LIGHTS	33-13-01
FLIGHT INST WEDGE LIGHTS/OPTIONAL/	LIGHTS	33-14-01
FLOODLIGHTS	LIGHTS	33-18-01
FUEL PUMP, AUXILIARY	FUEL	28-20-01
FUEL QUANTITY	FUEL	28-40-01
<b>G</b>		
GENERATOR, STANDBY/OPTIONAL/	ELECTRICAL POWER	24-33-01
<b>H</b>		
HEATED PITOT/OPTIONAL/	ICE AND RAIN PROTECTION	30-30-01
<b>I</b>		
IGNITION SWITCHING	IGNITION	74-30-01
INST PANEL GROUNDING CONNECTOR	CHARTS	91-15-01
INSTRUMENT DIMMING	LIGHTS	33-15-01

BEECHCRAFT  
BONANZA  
WIRING DIAGRAM MANUAL

ALPHABETICAL INDEX

COMPONENT ITEM OR SYSTEM NAME	CHAPTER NAME	CHAPTER & SUB CHAPTER
<b>J</b>		
JUNCTION BOX DISCONNECT	CHARTS	91-17-01
<b>L</b>		
LANDING GEAR	LANDING GEAR	32-30-01
LANDING GEAR INDICATORS	LANDING GEAR	32-60-01
LANDING GEAR SAFETY SYSTEM/OPTIONAL/	LANDING GEAR	32-31-01
LANDING LIGHT	LIGHTS	33-45-01
LIGHTER,CIGARETTE	EQUIPMENT/FURNISHINGS	25-10-01
LIGHTS,ANNUNCIATOR	LIGHTS	33-10-01
LIGHTS,CABIN	LIGHTS	33-20-01
LIGHTS,COURTESY	LIGHTS	33-42-01
LIGHTS,DIMMING-INSTRUMENT	LIGHTS	33-15-01
LIGHTS,ELECTROLUMINOUS PANEL	LIGHTS	33-16-01
LIGHTS,ENGINE INST WEDGE	LIGHTS	33-12-01
LIGHTS,FLIGHT INST POST	LIGHTS	33-13-01
LIGHTS,FLIGHT INST WEDGE	LIGHTS	33-14-01
LIGHTS,FLOODLIGHTS	LIGHTS	33-18-01
LIGHTS,LANDING	LIGHTS	33-45-01
LIGHTS,MAP,COMPASS & OAT	LIGHTS	33-17-01
LIGHTS,NAVIGATION	LIGHTS	33-43-01
LIGHTS,RADIO & ENGINE INST	LIGHTS	33-11-01
LIGHTS,ROTATING BEACON	LIGHTS	33-41-01
LIGHTS,TAXI	LIGHTS	33-44-01
LIGHTS,3-LIGHT STROBE	LIGHTS	33-40-01
LOAD DISTRIBUTION,ELECTRICAL-EMERGENCY	ELECTRICAL POWER	24-51-01
LOAD DISTRIBUTION,ELECTRICAL-STANDARD	ELECTRICAL POWER	24-50-01
<b>M</b>		
MAP,COMPASS & OAT LIGHTS	LIGHTS	33-17-01
MOTOR,FLAPS	FLIGHT CONTROLS	27-50-01
MOTOR,LANDING GEAR-SAFETY SYS	LANDING GEAR	32-31-01
MOTOR,LANDING GEAR-STD SYS	LANDING GEAR	32-30-01
<b>N</b>		
NAVIGATION LIGHTS	LIGHTS	33-43-01
<b>P</b>		
PANEL CLOCK/OPTIONAL/	EQUIPMENT/FURNISHINGS	25-11-01
PITOT,HEATED/OPTIONAL/	ICE AND RAIN PROTECTION	30-30-01
POSITION INDICATOR,FLAPS	FLIGHT CONTROLS	27-51-01
POWER,EMERGENCY/OPTIONAL/	ELECTRICAL POWER	24-33-01
POWER,EXTERNAL/OPTIONAL/	ELECTRICAL POWER	24-40-01
PROP ANTI-ICE,2 BLADE/OPTIONAL/	ICE AND RAIN PROTECTION	30-60-01
PROP ANTI-ICE,3 BLADE/OPTIONAL/	ICE AND RAIN PROTECTION	30-61-01
<b>Q</b>		
QUANTITY,FUEL	FUEL	28-40-01
<b>R</b>		
RADIO & ENGINE INST LIGHTS	LIGHTS	33-11-01
REGULATOR,VOLTAGE	ELECTRICAL POWER	24-31-01
RELAY,BATTERY MASTER	ELECTRICAL POWER	24-30-01
RELAY,STARTER	ELECTRICAL POWER	24-30-01
ROTATING BEACON/OPTIONAL/	LIGHTS	33-41-01
<b>S</b>		
SHUNT,AMMETER	ELECTRICAL POWER	24-30-01
SPEAKER,CABIN	COMMUNICATIONS	23-50-01
STALL WARNING	FLIGHT CONTROLS	27-31-01
STANDBY GENERATOR/OPTIONAL/	ELECTRICAL POWER	24-33-01

BEECHCRAFT  
BONANZA  
WIRING DIAGRAM MANUAL

ALPHABETICAL INDEX

COMPONENT ITEM OR SYSTEM NAME	CHAPTER NAME	CHAPTER & SUB CHAPTER
<b>S</b>		
STARTER RELAY SWITCHING	ELECTRICAL POWER IGNITION	24-30-01 74-30-01
<b>T</b>		
TAXI LIGHT	LIGHTS	33-44-01
THREE STROBE LIGHT/OPTIONAL/ TRIM,ELECTRIC	LIGHTS	33-40-01
TURN COORDINATOR	FLIGHT CONTROLS NAVIGATION	27-32-01 34-20-01
<b>V</b>		
VOLTAGE REGULATOR	ELECTRICAL POWER	24-31-01
<b>W</b>		
WARNING,STALL	FLIGHT CONTROLS	27-31-01
WHEEL WELL ACCESS CONN,LH WING	CHARTS	91-10-01
WHEEL WELL ACCESS CONN,RH WING	CHARTS	91-11-01

**ALPHA-  
NUMERIC  
INDEX**

**BEECHCRAFT  
BONANZA  
WIRING DIAGRAM MANUAL**

**ALPHA-NUMERIC INDEX**

*LIST OF PAGE EFFECTIVITY*

<b>CHAPTER SECTION SUBJECT</b>	<b>PAGE</b>	<b>DATE</b>
ALPHA-NUMERIC EFFECTIVITY	1	September 3, 1982
ALPHA-NUMERIC INDEX	1 Thru 8	September 3, 1982  September 3, 1982

B E E C H C R A F T  
B O N A N Z A  
W I R I N G D I A G R A M M A N U A L

PART NUMBER	GAMA/ATA CODE	REFERENCE DESIGNATOR	PART NUMBER	GAMA/ATA CODE	REFERENCE DESIGNATOR
AGC10	21-50-01	F19	DT2RA7	33-10-01	S46
AGC10	21-50-01	F20	DT2RA7	33-10-02	S46
AGC10	24-33-03	F18	D160-00-1	27-50-02	B18
AGC10	24-33-02	F18	FLLA	24-30-01	F2
AGC10	24-33-01	F18	FR10-75	24-33-03	R32
AGC3	24-31-01	F15	FSH	24-30-01	XF2
AGC3	24-30-01	F10	L18366-3	33-20-01	S12
AGC3	33-42-02	F13	L18366-3	33-20-01	S11
AGC3	33-42-01	F13	L18366-3	33-20-01	S13
AGC3	77-20-01	F12	L18366-3	33-20-01	S14
AGC3	77-20-01	F11	L18366-3	33-20-01	S15
AGC5	24-33-01	F17	L18366-5	33-17-01	S16
AGC5	24-33-01	F16	MCL6501	24-30-01	B11
AGC5	24-33-02	F17	MJ3001	33-15-01	Q1
AGC5	24-33-02	F16	MJ3001	33-15-02	Q3
AGC5	24-33-03	F17	MJ3001	33-15-01	Q3
AGC5	24-33-03	F16	MST105D	27-32-01	S25
AGC5	25-12-01	F21	MST205T	33-10-02	S47
AGC5	25-11-01	F21	MS24510-30	21-50-01	CB33
ALX9424	24-30-01	G10	MS24510-30	24-50-01	CB33
AN2552A3A	24-40-01	J20	MS24510-30	24-51-01	CB33
AN3115-1	30-30-01	P41	MS25026-1	32-30-02	S31
AN4076-1	77-20-01	P55	MS25026-1	32-30-02	S33
AN5546-1	77-20-01	RT14	MS25026-1	32-30-02	S32
A1437	21-50-01	FL1	MS25026-1	32-30-02	S30
A1437	21-50-01	FL2	MS25026-1	32-30-01	S33
A6745B	33-17-01	XDS35	MS25026-1	32-30-01	S30
A6745B	33-17-01	XDS34	MS25026-1	32-30-01	S32
A6795B	33-13-01	XDS90	MS25026-1	32-30-01	S31
A8970B2	33-13-01	XDS119	MS25026-1	27-50-01	S50
A8970B2	33-13-01	XDS72	MS25026-1	27-50-01	S51
A8970B2	33-11-01	XDS116	MS25026-1	32-31-02	S30
A8970B2	33-13-01	XDS67	MS25026-1	32-31-01	S30
A8970B2	33-13-01	XDS73	MS25026-1	32-31-01	S31
A8970B2	33-13-01	XDS66	MS25026-1	32-31-02	S33
A8970B2	33-13-01	XDS74	MS25026-1	32-31-02	S32
A8970B2	33-11-01	XDS117	MS25026-1	27-50-02	S50
A8970B2	33-13-01	XDS78	MS25026-1	32-31-02	S31
A8970B2	33-13-01	XDS69	MS25026-1	32-31-01	S33
A8970B2	33-11-01	XDS114	MS25026-1	27-50-02	S51
A8970B2	33-13-01	XDS68	MS25026-1	32-31-01	S32
A8970B2	33-11-01	XDS118	MS25068-23	24-33-01	S55
A8970B2	33-11-01	XDS115	MS25068-23	24-33-03	S55
A8970B2	33-13-01	XDS80	MS25068-23	24-33-02	S55
A8970B2	33-13-01	XDS79	MS25068-31	24-33-02	S56
A8970B2	33-14-01	XDS101	MS25068-31	24-33-01	S56
A8970B2	33-13-01	XDS65	MS25068-31	24-33-03	S56
A8970B2	33-11-01	XDS112	MS25083-1BA6	27-51-01	BS1
A8970B2	33-13-01	XDS102	MS25125B1	27-50-01	S53
A8970B2	33-13-01	XDS101	MS25226-6-2	24-30-01	W22
A8970B2	33-11-01	XDS113	MS27406-1	21-50-01	S63
A8970B2	33-13-01	XDS77	MS28034-1	77-20-01	RT13
A8970B2	33-13-01	XDS71	MS3106A10SL3S	33-10-02	P45
A8970B2	33-13-01	XDS70	MS3106A10SL3S	34-20-01	P13
BZ3AT	32-31-02	S60	MS3106A10SL3S	33-10-01	P45
BZ3AT	32-31-01	S60	MS3106A10SL3S	30-61-01	P19
BZ3AT	32-30-01	S59	MS3106A10SL3S	30-60-01	P19
BZ3AT	32-30-01	S60	MS3106A12S3S	77-20-01	P21
BZ3AT	32-31-01	S59	MS3106A18-4S	24-31-02	P17
BZ3AT	32-31-02	S59	MS3106A18-4S	24-31-01	P17
BZ3AT	32-30-02	S59	MS3106A20-15S	30-60-01	P18
BZ3AT	32-30-02	S60	MS3106A20-15S	30-61-01	P18
BZ7RWT822	21-50-01	S68	MS3106E10SL3S	33-40-02	P39
BZ7RWT822	33-10-02	S67	MS3106E10SL3S	33-40-01	P38
BZ7RWT822	33-10-01	S67	MS3106E10SL3S	33-40-01	P39
CB2320	32-30-01	CB34	MS3106E10SL3S	33-40-02	P38
CB2320	32-31-02	CB34	MS3106E10SL3S	33-40-02	P37
CB2320	32-31-01	CB34	MS3106E10SL3S	33-40-02	P36
CB2320	32-30-02	CB34	MS3106E10SL3S	33-40-01	P35
CB2320	24-50-01	CB34	MS3106E10SL3S	33-40-01	P36
CB2320	24-51-01	CB34	MS3106E10SL3S	33-40-02	P35
C2A	25-12-01	M32	MS3106E10SL3S	33-40-01	P37

B E E C H C R A F T  
B O N A Z A  
W I R I N G D I A G R A M M A N U A L

Courtesy of Bomar Flying Service  
www.bomar.biz

PART NUMBER	GAMA/ATA CODE	REFERENCE DESIGNATOR	PART NUMBER	GAMA/ATA CODE	REFERENCE DESIGNATOR
MS3106R14S7S	24-33-01	P42	1-350345-0	33-41-01	J64
MS3106R14S7S	24-33-03	P42	1-350346-0	32-30-02	P71
MS3106R14S7S	24-33-02	P42	1-350346-0	27-50-01	P48
MS91586-3	24-30-01	R15	1-350346-0	32-31-01	P71
M4008-7	21-50-01	S65	1-350346-0	32-30-01	P71
OL1	33-14-01	XDS53	1-350346-0	32-31-02	P71
PL-1	33-13-01	XDS53	1-350347-0	32-31-01	J71
PL1	33-18-01	XDS53	1-350347-0	32-30-01	J71
P5	23-50-01	LS13	1-350347-0	32-30-02	J71
RCR42G390JS	33-15-02	A7R26	1-350347-0	27-50-01	J48
RC20GF202K	24-30-01	R9	1-350347-0	32-31-02	J71
RC20GF432J	91-01-01	A3A2R3	1-480270-0	33-10-01	P73
RC42GF101K	24-33-01	R31	1-480270-0	28-40-01	P52
RC42GF101K	24-33-01	R30	1-480270-0	28-40-01	P53
RC42GF101K	24-33-02	R31	1-480270-0	28-40-02	P52
RC42GF101K	24-33-02	R30	1-480270-0	32-60-01	P56
RC42GF151K	91-01-01	A3A1R2	1-480270-0	28-40-02	P53
RC42GF151K	91-01-01	A3A1R3	1-480270-0	33-17-01	P12
RC42GF151K	91-01-01	A3A1R4	1-480270-0	33-18-01	P12
RC42GF470K	91-01-01	A3A1R1	1-480277-0	77-20-01	P43
RC42GF830K	91-01-01	A3A2R1	1-480287-0	33-15-01	P11
R102	91-01-01	A3F1	1-480287-0	33-15-02	P11
SAW4204	24-30-01	K12	1-480287-0	33-10-02	P69
SW442	33-42-02	S29	1-480288-0	33-10-02	J69
SW442	33-42-01	S29	1-480288-0	33-15-02	J11
VW1KSPB	33-15-01	R14	1-480288-0	33-15-01	J11
VW1KSPB	33-15-01	R13	1-480303-0	33-40-02	P60
VW1KSPB	33-15-01	R11	1-480303-0	33-40-01	P60
VW1KSPB	33-15-01	R12	1-480303-0	33-10-01	P72
VW1KSPB	33-15-02	R11	1-480303-0	33-10-02	P72
VW1KSPB	33-15-02	R12	1-480305-0	33-10-02	J72
VW1KSPB	33-15-02	R13	1-480305-0	33-10-01	J72
VW1KSPB	33-15-02	R14	1-480305-0	33-40-02	J60
V3-1	21-50-01	S62	1-480305-0	33-40-01	J60
V3-1	32-31-02	S61	1-480318-0	33-43-01	P66
V3-1	32-60-01	S23	1-480318-0	33-17-01	P57
V3-1	32-31-01	S61	1-480318-0	28-20-02	P50
X17717	33-15-01	MG11	1-480318-0	27-50-02	P40
X17717	33-15-02	MG11	1-480318-0	28-20-02	P49
002-364010-19	24-40-01	W23	1-480318-0	28-20-01	P49
002-364037	91-01-01	A3A2	1-480319-0	28-20-02	J50
002-364037	91-01-01	A3	1-480319-0	28-40-02	J51
002-364038	91-01-01	A3A1	1-480319-0	28-20-02	J49
002-364042-17	33-15-02	A7	1-480319-0	28-20-01	J49
002-364042-17	33-15-01	A7	1-480319-0	33-43-01	J66
002-364042-37	33-15-02	A7	1-480319-0	33-17-01	J57
002-364042-7	33-15-01	A7	1-480340-0	33-17-01	J12
002-364042-7	33-15-02	A7	1-480340-0	33-18-01	J12
0363	27-32-01	R18	1-480340-0	28-40-02	J52
1 5KE51CA	32-31-02	CR30	1-480340-0	32-60-01	J56
1 5KE51CA	32-30-02	CR30	1-480340-0	28-40-01	J52
1-205201-6	91-17-01	P44	1-480340-0	28-40-02	J53
1-205202-6	91-17-01	J44	1-480340-0	33-10-01	J73
1-350344-0	33-41-01	P64	1-480340-0	28-40-01	J53
1-350344-0	33-41-01	P68	1-480349-0	33-41-01	P65
1-350344-0	32-31-01	P54	1-480349-0	33-20-01	P58
1-350344-0	32-31-01	P70	1-480349-0	33-40-01	P59
1-350344-0	32-31-02	P70	1-480349-0	33-42-01	P63
1-350344-0	32-30-02	P70	1-480349-0	33-40-02	P59
1-350344-0	32-30-02	P54	1-480349-0	33-43-01	P76
1-350344-0	32-31-02	P54	1-480349-0	33-42-02	P63
1-350344-0	32-30-01	P54	1-480349-0	33-43-01	P75
1-350344-0	32-30-01	P70	1-480349-0	25-10-01	P46
1-350345-0	32-30-01	J70	1-480349-0	25-10-01	P47
1-350345-0	32-31-01	J70	1-480351-0	25-10-01	J47
1-350345-0	32-31-02	J54	1-480351-0	25-10-01	J46
1-350345-0	32-31-01	J54	1-480351-0	33-42-02	J63
1-350345-0	32-31-02	J70	1-480351-0	33-40-01	J59
1-350345-0	32-30-02	J70	1-480351-0	33-43-01	J76
1-350345-0	32-30-01	J54	1-480351-0	33-42-01	J63
1-350345-0	32-30-02	J54	1-480351-0	33-20-01	J58
1-350345-0	33-41-01	J68	1-480351-0	33-43-01	J75

B E E C H C R A F T  
B O N A N Z A  
W I R I N G D I A G R A M M A N U A L

PART NUMBER	GAMA/ATA CODE	REFERENCE DESIGNATOR	PART NUMBER	GAMA/ATA CODE	REFERENCE DESIGNATOR
1-480351-0	33-40-02	J59	1N4005	32-31-01	CR17
1-480351-0	33-41-01	J65	1N5400	32-31-02	CR31
1-480424-0	24-33-01	P78	101-380002-3	21-50-01	S66
1-480424-0	24-33-03	P78	101-384082-3	25-12-01	W30
1-480424-0	24-33-02	P78	114931-1-10	25-11-01	W19
1-480426-0	24-33-02	J78	114931-1-10	21-50-01	W19
1-480426-0	24-33-03	J78	114931-1-10	27-51-01	W19
1-480585-0	24-33-03	P77	114931-1-10	27-32-01	W19
1-480585-0	24-33-02	P77	114931-1-10	24-50-01	W19
1-480585-0	24-33-01	P77	114931-1-10	25-10-01	W19
1-480585-0	33-43-01	P61	114931-1-10	24-33-01	W19
1-480585-0	32-30-02	P61	114931-1-10	25-12-01	W19
1-480585-0	32-31-01	P61	114931-1-10	24-51-01	W19
1-480585-0	32-31-02	P61	114931-1-10	27-50-01	W19
1-480585-0	32-60-01	P61	114931-1-10	28-20-01	W19
1-480585-0	32-30-01	P61	114931-1-10	24-31-01	W19
1-480586-0	24-33-01	J77	114931-1-10	74-30-01	W19
1-480586-0	24-33-02	J77	114931-1-10	32-30-02	W19
1-480586-0	24-33-03	J77	114931-1-10	32-31-02	W19
1-480586-0	33-43-01	J61	114931-1-10	32-31-01	W19
1-480586-0	32-30-01	J61	114931-1-10	28-20-02	W19
1-480586-0	32-31-01	J61	114931-1-10	32-30-01	W19
1-480586-0	32-60-01	J61	114931-1-12	32-31-01	W13
1-480586-0	32-30-02	J61	114931-1-12	32-30-01	W13
1-480586-0	32-31-02	J61	114931-1-12	32-60-01	W13
1-480702-0	33-40-01	P62	114931-1-12	32-30-02	W13
1-480703-0	33-40-01	J62	114931-1-12	33-10-02	W13
1CH25	32-60-01	S43	114931-1-12	32-31-02	W13
1CH25	32-60-01	S42	114931-1-12	33-10-01	W13
1CH25	32-60-01	S40	114931-1-12	24-30-01	W13
1CH25	32-60-01	S41	114931-1-12	24-50-01	W13
1CH25	32-60-01	S39	114931-1-12	34-20-01	W13
1CH25	32-60-01	S38	114931-1-12	33-20-01	W13
1E1140	30-60-01	CB11	114931-1-12	33-17-01	W13
1E1140	24-51-01	CB11	114931-1-12	33-15-01	W13
1E1140	24-50-01	CB11	114931-1-12	77-20-01	W13
1E1324	24-50-01	CB51	114931-1-12	33-15-02	W13
1E1324	24-51-01	CB51	114931-1-2	24-51-01	W14
1E1324	30-61-01	CB51	114931-1-4	24-51-01	W16
1N1343	24-40-01	CR14	114931-1-4	24-50-01	W14
1N1354	24-33-01	CR42	114931-1-4	24-33-01	W16
1N1354	24-33-02	CR42	114931-1-6	24-33-01	W20
1N1520	91-01-01	A3A2CRI	114931-1-6	24-51-01	W20
1N2979B	24-33-03	CR42	114931-1-6	24-50-01	W12
1N3212	24-33-03	CR40	114931-1-6	24-51-01	W12
1N3212	24-33-02	CR40	114931-1-6	24-51-01	W18
1N3212	24-33-01	CR40	114931-1-6	33-40-01	W12
1N4005	24-33-01	CR41	114931-1-6	33-45-01	W12
1N4005	24-33-01	CR22	114931-1-6	33-40-02	W12
1N4005	24-33-01	CR21	114931-1-6	33-44-01	W12
1N4005	25-11-01	CR26	114931-1-6	33-43-01	W12
1N4005	25-12-01	CR33	114931-1-6	30-60-01	W12
1N4005	25-12-01	CR34	114931-1-6	30-30-01	W12
1N4005	24-33-02	CR21	114931-1-6	30-61-01	W12
1N4005	24-33-02	CR22	114931-3	24-51-01	W17
1N4005	24-33-02	CR41	114931-3	24-33-01	W17
1N4005	24-33-03	CR44	121P60501R5V1	24-30-01	C11
1N4005	25-11-01	CR25	131270-3	24-30-01	GS2
1N4005	24-30-01	CR11, 12	131270-3	27-50-01	GS1
1N4005	91-01-01	A3A1CR9	131270-3	77-20-01	GS2
1N4005	91-01-01	A3A1CR10	131270-3	33-44-01	GS2
1N4005	91-01-01	A3A1CR7	131270-3	33-15-02	GS1
1N4005	91-01-01	A3A1CR8	131270-3	33-15-01	GS1
1N4005	91-01-01	A3A1CR1	131270-3	32-31-01	GS1
1N4005	91-01-01	A3A1CR3	131270-3	32-60-01	GS1
1N4005	91-01-01	A3A1CR2	131270-3	32-30-02	GS1
1N4005	91-01-01	A3A1CR6	131270-3	32-31-02	GS1
1N4005	91-01-01	A3A1CR5	131270-3	32-30-01	GS1
1N4005	91-01-01	A3A1CR4	151	27-31-01	S24
1N4005	91-01-01	A3CR3	1512	33-43-01	DS84
1N4005	91-01-01	A3CR1	1512	33-43-01	DS85
1N4005	32-31-02	CR32	1512	33-43-01	DS86



B E E C H C R A F T  
B O N A N Z A  
W I R I N G D I A G R A M M A N U A L

PART NUMBER	GAMA/ATA CODE	REFERENCE DESIGNATOR	PART NUMBER	GAMA/ATA CODE	REFERENCE DESIGNATOR
1679	34-20-01	M15	2506	33-42-01	XDS43
169-380021-5	91-01-01	LS11	2506	33-20-01	XDS28
169-380021-7	27-31-01	LS12	2506	33-42-02	XDS42
1804	27-32-01	R17	2563	33-20-01	XDS30
1813	33-18-01	DS53	2565	33-20-01	XDS29
1813	33-13-01	DS53	2565	33-20-01	XDS32
1815	33-18-01	DS26	2565	33-20-01	XDS31
1815	33-18-01	DS16	26006	27-32-01	S26
1815	33-18-01	DS25	281XDX12VDC	91-01-01	A3K5
1815	33-18-01	DS24	281XDX12VDC	91-01-01	A3K4
1815	33-18-01	DS23	2962508	25-11-01	P79
1815	33-18-01	DS15	2965981	25-11-01	P79
1815	33-18-01	DS22	3E1150-3	30-60-01	PS14
1815	33-18-01	DS18	3E1150-3	30-61-01	PS15
1815	33-18-01	DS17	3E1219-6	30-60-01	M16
1815	33-18-01	DS21	3E1219-7	30-61-01	M17
1815	33-18-01	DS20	30-0467-5	33-40-01	DS99
1815	33-18-01	DS19	30-0467-5	33-40-01	DS98
1816	33-42-01	DS42	30-0467-5	33-40-02	DS98
1816	33-20-01	DS28	30-0467-5	33-40-02	DS99
1816	33-20-01	DS27	30-0815-3	33-40-02	DS100
1816	33-42-02	DS43	30-0815-3	33-40-01	DS100
1816	33-42-01	DS43	30-1467-1	33-40-01	DS99
1816	33-42-02	DS42	30-1467-1	33-40-01	DS98
1816	33-14-01	DS53	30-1467-1	33-40-02	DS99
1816	33-17-01	DS33	30-1467-1	33-40-02	DS98
2N3055	33-15-01	Q4	30-15	33-10-01	S45
2N3055	33-15-02	Q1	319A208-4	27-32-01	B12
2N3055	33-15-02	Q4	33-380033	33-41-01	DS88
2N3055	33-15-02	Q2	33-380033	33-41-01	DS87
2N3055	33-15-01	Q2	33-524023-21	27-32-01	B12
2N3055	24-33-01	Q16	330	24-33-03	DS122
2N3055	24-33-01	Q15	330	24-33-03	DS123
2N3055	24-33-02	Q15	330	28-40-01	DS97
2N3055	24-33-02	Q16	330	24-33-02	DS106
2N3055	24-33-03	Q16	330	24-33-02	DS105
2N3055	24-33-03	Q15	330	28-40-01	DS95
20-0041	33-17-01	XDS33	330	28-40-02	DS95
200333-1	91-15-01	P67	330	28-40-02	DS97
200838-1	91-15-01	P67	330	24-33-01	DS106
20108	91-01-01		330	24-33-01	DS105
201568-1	91-11-01	J15	330	33-17-01	DS35
201568-1	91-10-01	P14	330	33-17-01	DS34
201570-1	91-10-01	J14	330	33-11-01	DS113
201570-1	91-11-01	J15	330	33-13-01	DS119
201580-1	91-15-01	P67	330	33-13-01	DS80
204228-2	33-13-01	T814	330	33-10-02	DS121
204228-2	33-11-01	T812	330	33-14-01	DS101
204228-2	33-14-01	T814	330	33-11-01	DS115
204228-2	33-14-01	T813	330	33-13-01	DS67
204228-2	33-13-01	T813	330	32-60-01	DS91
204228-2	33-12-01	T812	330	33-13-01	DS68
204228-2	33-12-01	T811	330	33-11-01	DS114
204814-1	91-15-01	J67	330	33-13-01	DS78
205-208	91-01-01	A3A2R2	330	33-13-01	DS74
205839-3	91-17-01	P44	330	33-13-01	DS71
206036-3	91-10-01	J14	330	33-11-01	DS118
206036-3	91-11-01	J15	330	33-10-01	DS45
206037-1	91-10-01	P14	330	33-11-01	DS116
206037-1	91-11-01	P15	330	33-10-02	DS47
206060-1	28-40-02	P32	330	33-13-01	DS79
206060-1	30-30-01	P32	330	33-10-01	DS47
206060-1	27-31-01	P32	330	33-13-01	DS66
206060-1	28-40-01	P32	330	33-10-02	DS96
206152-1	91-17-01	J44	330	33-13-01	DS72
206153-1	30-30-01	J32	330	33-10-01	DS96
206153-1	28-40-02	J32	330	33-13-01	DS73
206153-1	27-31-01	J32	330	33-10-02	DS45
206153-1	28-40-01	J32	330	33-13-01	DS70
2506	33-42-01	XDS42	330	33-11-01	DS112
2506	33-42-02	XDS43	330	32-60-01	DS
2506	33-20-01	XDS27	330	33-13-01	DS90

B E E C H C R A F T  
B O N A N Z A  
W I R I N G D I A G R A M M A N U A L

PART NUMBER	GAMA/ATA CODE	REFERENCE DESIGNATOR	PART NUMBER	GAMA/ATA CODE	REFERENCE DESIGNATOR
330	33-13-01	DS77	350388-1	32-30-01	P61
330	32-60-01	DS92	350388-1	32-60-01	P61
330	33-13-01	DS65	350388-1	32-30-01	P70
330	33-13-01	DS69	350388-1	32-31-01	P61
330	33-11-01	DS117	350388-1	32-30-02	P61
330	33-13-01	DS102	350388-1	32-30-02	P70
330	33-13-01	DS101	350388-1	32-31-02	P70
330	33-10-01	DS121	350388-1	32-31-01	P70
330	32-60-01	DS94	350388-1	32-31-02	P61
35-364160	25-10-01	E11	350389-1	32-31-02	J70
35-364160	25-10-01	E12	350389-1	32-30-02	J61
35-364171-1	32-31-01	S34	350389-1	32-30-02	J70
35-364171-1	32-31-02	S34	350389-1	32-31-01	J70
35-380020-1	77-20-01	M21	350389-1	32-31-01	J61
35-380053-11	32-31-01	S35	350389-1	32-60-01	J61
35-380053-11	32-31-02	S35	350389-1	32-30-01	J70
35-380053-21	33-10-01	S57	350389-1	32-30-01	J61
35-380053-21	33-10-02	S57	350389-1	32-31-02	J61
35-380053-21	28-20-02	S58	350389-1	24-33-01	J77
35-380053-21	24-30-01	S17	350389-1	24-33-02	J77
35-380053-21	28-20-01	S48	350389-1	24-33-03	J77
35-380053-21	24-31-01	S44	350389-1	33-43-01	J61
35-380093-2	24-31-01	VR11	350390-1	33-43-01	P61
35-380093-3	24-31-01	VR11, 12	350390-1	32-30-01	P54
35-380093-3	24-31-02	VR12	350390-1	32-31-02	P54
35-380094	32-31-02	B14	350390-1	32-30-01	P61
35-380094	32-30-02	B14	350390-1	32-31-02	P70
35-380094	32-31-01	B14	350390-1	32-30-01	P71
35-380094	32-30-01	B14	350390-1	32-30-01	P70
35-380094-3	32-30-01	B-14	350390-1	32-60-01	P61
35-380094-3	32-31-01	B14	350390-1	32-31-01	P71
35-380094-3	32-31-02	B14	350390-1	32-31-01	P70
35-380094-3	32-30-02	B14	350390-1	32-31-02	P71
35-380109	27-50-01	B15	350390-1	32-30-02	P61
35-380126-3	33-16-01	DS11	350390-1	32-30-02	P54
35-380132-13	24-50-01	CB28	350390-1	32-31-01	P54
35-380132-13	24-31-02	CB28	350390-1	32-31-02	P61
35-380132-13	24-51-01	CB28	350390-1	32-30-02	P70
35-380132-3	24-50-01	CB12	350390-1	32-31-01	P61
35-380132-3	24-51-01	CB12	350390-1	32-30-02	P71
35-380132-3	30-30-01	CB12	350391-1	32-30-01	J54
35-380132-43	24-51-01	CB13	350391-1	32-31-01	J61
35-380132-43	24-50-01	CB13	350391-1	32-30-02	J54
35-380132-43	33-40-01	CB13	350391-1	32-30-02	J70
35-380132-43	33-40-02	CB13	350391-1	32-31-01	J70
35-380132-45	33-41-01	CB14	350391-1	32-31-02	J70
35-380132-45	24-50-01	CB14	350391-1	32-30-02	J61
35-380132-45	24-51-01	CB14	350391-1	32-31-02	J54
35-380132-47	24-51-01	CB16	350391-1	32-31-01	J54
35-380132-47	24-51-01	CB17	350391-1	32-31-02	J71
35-380132-47	24-50-01	CB17	350391-1	32-60-01	J61
35-380132-47	24-50-01	CB16	350391-1	32-30-02	J71
35-380132-47	33-44-01	CB16	350391-1	32-31-02	J61
35-380132-47	33-45-01	CB17	350391-1	32-30-01	J71
35-380132-47	30-61-01	CB17	350391-1	32-30-01	J61
35-380132-47	30-60-01	CB17	350391-1	32-30-01	J70
35-380132-51	24-50-01	CB15	350391-1	32-31-01	J71
35-380132-51	24-51-01	CB15	350391-1	33-43-01	J61
35-380132-51	33-43-01	CB15	350547-1	33-40-01	J62
35-380133-1	33-16-01	DS13	36-369010-39	24-33-01	K20
35-380133-3	33-16-01	DS12	36-380000-1	33-10-01	A5
35-380136-3	28-40-02	R19	36-380000-1	33-10-02	A5
35-380136-3	28-40-01	R19	36-380013-1	24-33-01	G12
35-380136-5	28-40-01	R20	36-380013-1	24-33-03	G12
35-380136-5	28-40-02	R20	36-380013-1	24-33-02	G12
35-590099-33	74-30-01	S20	36-380025-1	24-30-01	BT10
350359-1	27-50-01	J48	36-380027-1	21-50-01	B17
350388-1	24-33-03	P77	36-380032-1	24-33-02	K17
350388-1	24-33-02	P77	36-380032-1	24-33-03	K22
350388-1	27-50-01	P48	36-500004-51	27-32-01	W30
350388-1	24-33-01	P77	36-500004-51	33-13-01	W30
350388-1	33-43-01	P61	36-500004-51	33-17-01	W30

REVISED  
09/03/82

ALPHA-NUMERIC INDEX  
PAGE 5

B E E C H C R A F T  
B O N A N Z A  
W I R I N G D I A G R A M M A N U A L

PART NUMBER	GAMA/ATA CODE	REFERENCE DESIGNATOR	PART NUMBER	GAMA/ATA CODE	REFERENCE DESIGNATOR
36-555012-1	21-50-01	E19	435-205-104	25-11-01	CB36
39SBEC17CC5512V	27-32-01	B12	435-205-104	24-31-01	CB35
4E1387-1	30-60-01	E14	435-205-104	27-32-01	CB30
4E1387-3	30-61-01	E15	435-205-104	24-51-01	CB37
4E1635	30-60-01	SR11	435-205-104	24-51-01	CB36
4E1681	30-61-01	SR12	435-205-104	27-50-02	CB37
4140-00-103	28-20-02	B16	435-205-104	24-33-02	CB26
4169-143	33-18-01	XDS24	435-205-104	24-51-01	CB30
4169-143	33-18-01	XDS25	435-205-104	24-51-01	CB39
4169-143	33-18-01	XDS23	435-205-104	24-51-01	CB38
4169-143	33-18-01	XDS26	435-205-104	28-40-02	CB26
4169-143	33-18-01	XDS15	435-205-104	32-30-01	CB20
4169-143	33-18-01	XDS17	435-205-104	25-10-01	CB38
4169-143	33-18-01	XDS22	435-205-104	24-51-01	CB40
4169-143	33-18-01	XDS19	435-205-104	24-51-01	CB41
4169-143	33-18-01	XDS18	435-205-104	24-33-03	CB26
4169-143	33-18-01	XDS20	435-210-104	24-33-03	CB24
4169-143	33-18-01	XDS21	435-210-104	24-33-02	CB24
4169-413	33-18-01	XDS16	435-210-104	28-20-02	CB23
4258-0015	28-20-02	B13	435-210-104	24-33-01	CB24
4258-0015	28-20-01	B13	435-210-104	24-50-01	CB23
4313	33-45-01	DS82	435-210-104	24-50-01	CB24
4313	33-44-01	DS83	435-210-104	28-20-01	CB23
435-205-104	77-20-01	CB27	435-210-104	24-51-01	CB24
435-205-104	34-20-01	CB25	435-210-104	24-51-01	CB23
435-205-104	33-17-01	CB41	435-210-104	74-30-01	CB24
435-205-104	32-60-01	CB22	4522	33-42-02	XF13
435-205-104	33-10-02	CB21	4522	33-42-01	XF13
435-205-104	33-20-01	CB41	4522	24-33-01	XF18
435-205-104	33-10-01	CB21	4522	24-33-03	XF18
435-205-104	32-31-02	CB20	4522	24-33-02	XF18
435-205-104	32-31-01	CB18	4532	24-33-02	XF17
435-205-104	33-15-01	CB39	4532	24-33-03	XF17
435-205-104	33-15-02	CB40	4532	24-33-01	XF17
435-205-104	33-15-02	CB39	4532	25-12-01	XF21
435-205-104	32-31-02	CB18	4532	25-11-01	XF21
435-205-104	32-31-01	CB20	4532	24-31-01	XF10
435-205-104	33-15-01	CB40	4532	24-30-01	XF10
435-205-104	32-60-01	CB20	4532	21-50-01	XF19
435-205-104	25-12-01	CB36	4532	77-20-01	XF11
435-205-104	28-40-01	CB26	4765	27-32-01	R17
435-205-104	24-30-01	CB20	50-380048-3	24-33-03	K21
435-205-104	27-51-01	CB36	50-380048-3	32-31-02	K24
435-205-104	24-51-01	CB27	50-384001-33	27-51-01	M11
435-205-104	24-51-01	CB26	50-384040-1	30-30-01	HR11
435-205-104	24-51-01	CB25	552-00S	91-01-01	A3A2R2
435-205-104	24-51-01	CB22	58-361011	24-30-01	M11
435-205-104	24-51-01	CB21	58-364041-0	28-40-02	A2
435-205-104	24-51-01	CB18	58-364041-9	28-40-02	A1
435-205-104	24-51-01	CB20	58-364041-9	28-40-01	A2
435-205-104	24-51-01	CB19	58-364041-9	28-40-01	A1
435-205-104	24-50-01	CB41	58-380009-1	27-51-01	MT1
435-205-104	27-31-01	CB19	58-380022-9	33-12-01	DS110
435-205-104	24-50-01	CB21	58-380022-9	33-14-01	DS59
435-205-104	24-50-01	CB20	58-380022-9	33-14-01	DS62
435-205-104	24-50-01	CB19	58-380022-9	33-14-01	DS60
435-205-104	24-50-01	CB18	58-380022-9	33-14-01	DS61
435-205-104	24-50-01	CB30	58-380022-9	33-14-01	DS56
435-205-104	24-50-01	CB27	58-380022-9	33-12-01	DS109
435-205-104	24-50-01	CB26	58-380022-9	33-14-01	DS57
435-205-104	24-50-01	CB25	58-380022-9	33-12-01	DS108
435-205-104	24-50-01	CB22	58-380022-9	33-12-01	DS107
435-205-104	24-50-01	CB36	58-380022-9	33-14-01	DS55
435-205-104	24-50-01	CB35	58-380022-9	33-14-01	DS120
435-205-104	24-50-01	CB40	58-380022-9	33-12-01	DS111
435-205-104	24-50-01	CB39	58-380022-9	33-14-01	DS58
435-205-104	24-50-01	CB38	58-380050-7	28-40-02	M14
435-205-104	24-50-01	CB37	58-380050-7	28-40-02	M13
435-205-104	32-30-02	CB20	58-380050-7	28-40-01	M14
435-205-104	27-50-01	CB37	58-380050-7	28-40-01	M13
435-205-104	24-33-01	CB26	58-380077-1	25-11-01	M31
435-205-104	24-51-01	CB35	60-1750-1	33-40-01	PS13

B E E C H C R A F T  
B O N A N Z A  
W I R I N G D I A G R A M M A N U A L

PART NUMBER	GAMA/ATA CODE	REFERENCE DESIGNATOR	PART NUMBER	GAMA/ATA CODE	REFERENCE DESIGNATOR
60-1750-1	33-40-02	PS13	60620-1	33-10-01	J73
6041H187	24-30-01	K11	60620-1	33-10-02	J69
6041H35A	24-33-01	K19	60620-1	33-41-01	J68
6041H35A	24-33-01	K18	60620-1	33-41-01	J64
6041H35A	24-33-02	K18	61108-1	33-10-02	P69
6041H35A	24-33-02	K19	61108-1	33-17-01	P12
60617-1	28-40-01	P53	61108-1	33-18-01	P12
60617-1	25-10-01	P46	61108-1	33-10-01	P73
60617-1	24-33-02	P78	61109-1	33-17-01	J12
60617-1	24-33-03	P78	61109-1	33-18-01	J12
60617-1	28-40-02	P52	61109-1	28-40-02	J51
60617-1	25-10-01	P47	662	74-30-01	E18
60617-1	28-20-02	P49	662	74-30-01	E17
60617-1	28-20-01	P49	66509-1	91-11-01	J15
60617-1	28-20-02	P50	66509-1	91-10-01	J14
60617-1	28-40-02	P53	66509-1	30-30-01	J32
60617-1	28-40-01	P52	66509-1	28-40-01	J32
60617-1	33-17-01	P12	66509-1	28-40-02	J32
60617-1	32-60-01	P56	66509-1	27-31-01	J32
60617-1	33-40-01	P60	66510-1	28-40-01	P32
60617-1	33-18-01	P12	66510-1	30-30-01	P32
60617-1	33-40-01	P59	66510-1	27-31-01	P32
60617-1	33-15-02	P11	66510-1	28-40-02	P32
60617-1	33-42-01	P63	66510-1	91-10-01	P14
60617-1	33-43-01	P66	66510-1	91-11-01	J15
60617-1	33-43-01	P76	66536-1	91-11-01	J15
60617-1	33-43-01	P75	66536-1	91-10-01	J14
60617-1	33-42-02	P63	66536-1	30-30-01	J32
60617-1	33-17-01	P57	66536-1	28-40-01	J32
60617-1	33-15-01	P11	66536-1	27-31-01	J32
60617-1	33-40-02	P60	66536-1	28-40-02	J32
60617-1	33-10-01	P72	66538-1	28-40-01	P32
60617-1	33-40-02	P59	66538-1	27-31-01	P32
60617-1	33-41-01	P65	66538-1	30-30-01	P32
60617-1	33-10-02	P72	66538-1	28-40-02	P32
60617-1	33-20-01	P58	66538-1	91-11-01	J15
60618-1	32-60-01	J56	66538-1	91-10-01	P14
60618-1	33-42-01	J63	70-111224	24-40-01	K14
60618-1	33-10-02	J72	70-111224	32-31-02	K15
60618-1	33-20-01	J58	70-111224	32-31-01	K15
60618-1	33-15-01	J11	70-111224-5	32-30-02	K15
60618-1	33-41-01	J65	855291S1G5DS-P6	33-10-01	XDS121
60618-1	33-15-02	J11	855291S1G5DS-P6	33-10-02	XDS121
60618-1	33-40-02	J59	855291S1G5STD	32-60-01	XDS92
60618-1	33-40-01	J60	855291S1G5STD	32-60-01	XDS93
60618-1	33-17-01	J12	855291S1G5STD	32-60-01	XDS91
60618-1	33-10-01	J72	855291S1G5STD	24-33-02	XDS106
60618-1	33-40-02	J60	855291S1G5STD	24-33-02	XDS105
60618-1	33-42-02	J63	855291S1G5STD	24-33-01	XDS105
60618-1	33-40-01	J59	855291S1G5STD	24-33-01	XDS106
60618-1	33-18-01	J12	855291S1G5STDP6	24-33-03	XDS122
60618-1	33-17-01	J57	855291S1G5STDP6	24-33-03	XDS123
60618-1	28-20-01	J49	855291S1R2DS-P6	33-10-01	XDS45
60618-1	25-10-01	J46	855291S1R2DS-P6	33-10-02	XDS96
60618-1	28-20-02	J50	855291S1R2DS-P6	33-10-01	XDS47
60618-1	28-20-02	J49	855291S1R2DS-P6	33-10-02	XDS47
60618-1	28-40-02	J52	855291S1R2DS-P6	33-10-02	XDS45
60618-1	28-40-02	J53	855291S1R2DS-P6	33-10-01	XDS96
60618-1	25-10-01	J47	855291S1R2STD	32-60-01	XDS94
60618-1	28-40-01	J52	8618	33-40-01	W33
60618-1	24-33-03	J78	8618	33-40-01	W32
60618-1	28-40-01	J53	8618	33-40-01	W31
60618-1	24-33-02	J78	8618	33-40-02	W33
60618-1	33-43-01	J76	8618	33-40-02	W31
60618-1	33-43-01	J75	8618	33-40-02	W32
60618-1	33-43-01	J66	8858K40	27-50-02	S52
60619-1	33-41-01	P64	89	33-20-01	DS29
60619-1	33-41-01	P68	89	33-20-01	DS30
60619-1	24-33-02	P78	89	33-20-01	DS32
60619-1	27-50-02	P40	8906K1041	32-30-01	S21
60619-1	24-33-03	P78	8906K1041	32-30-02	S21
60619-1	24-33-01	P78	90-380010-3	32-31-02	S36

B E E C H C R A F T  
 B O N A N Z A  
 W I R I N G D I A G R A M M A N U A L

PART NUMBER	GAMA/ATA CODE	REFERENCE DESIGNATOR	PART NUMBER	GAMA/ATA CODE	REFERENCE DESIGNATOR
90-380010-3	32-31-01	S36	96-380042-1	28-40-02	R21
90-380010-5	32-31-02	S37	96-380042-1	28-40-01	R21
90-380010-5	32-31-01	S37	96-380042-3	28-40-01	R22
96-380021-21	21-50-01	A6	96-380042-3	28-40-02	R22

**CHAPTER**

**21**

**AIR  
CONDITIONING**

B E E C H C R A F T  
B O N A N Z A  
W I R I N G D I A G R A M M A N U A L

L I S T O F P A G E S & T A B L E O F C O N T E N T S  
F O R  
C H A P T E R 2 1 - 0 0 - 0 0 E N V I R O N M E N T A L S Y S T E M S

SYS/SUB-SYS/ CHAP SECTION	PAGE NO.	EFFECTIVE DATE	TABLE OF CONTENTS
21-00-00	1	9/03/82.	. . . . LIST OF PAGES & TABLE OF CONTENTS . . . . .
21-00-00	2	4/28/78	
21-50-01	1	4/28/78.	. . . . AIR CONDITIONING-COOLING /OPTIONAL/ . . . . .
21-50-01	2	9/03/82	CE-613 THRU CE-771,EXCEPT CE-748
21-50-01	3	9/03/82	D-9818 THRU D-10119,EXCEPT D-10097

**BEECHCRAFT  
BONANZA  
WIRING DIAGRAM MANUAL**

**CHAPTER 21  
TABLE OF CONTENTS**

<b>SUBJECT</b>	<b>CHAPTER SECTION SUBJECT</b>	<b>PAGE</b>
<b>AIR CONDITIONING</b>	<b>21</b>	
General	21-00-00	1 thru 2
Cooling	21-50	
Air Conditioning - Cooling (Optional)	21-50-01	1 thru 3

**"END"**



B E E C H C R A F T  
B O N A N Z A  
W I R I N G D I A G R A M M A N U A L

21-50-01  
AIR CONDITIONING-COOLING /OPTIONAL/  
CE-613 THRU CE-771,EXCEPT CE-748  
D-9818 THRU D-10119,EXCEPT D-10097  
E-710;E-763 THRU E-1240,EXCEPT E-1111

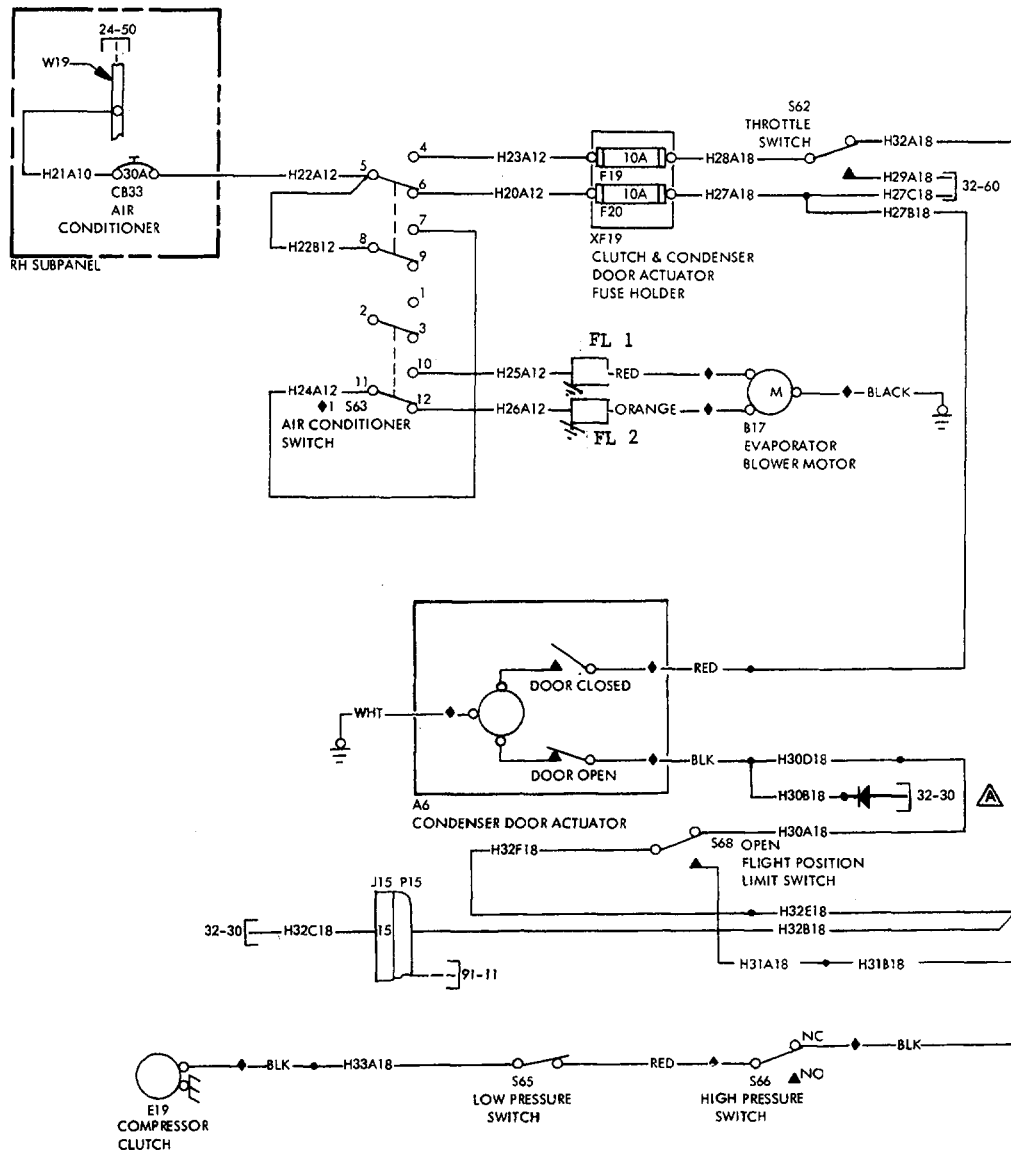
B E E C H C R A F T  
B O N A N Z A  
W I R I N G D I A G R A M M A N U A L

GAMA/ATA CODE & REF DES	PART NO.	1 2 3 4 5 6 7	DESCRIPTION	UNITS		USABLE ON CODE
				PER ASSY	INSTL ZONE	
50-01-A6	96-380021-21		ACTUATOR,CONDENSOR DOOR . . . . .	1	150	
-B17	36-380027-1		MOTOR,EVAPORATOR BLOWER . . . . .	1	140	
-CB33	MS24510-30		CIRCUIT BREAKER,AIR CONDITIONER . . . . .	1	240	
-E19	36-555012-1		CLUTCH,AIR CONDITIONER COMPRESSOR . . . . .	1	410	
-XF19	4532		FUSEBLOCK,AIR CONDITIONER . . . . .	1	222	
-F19	AGC10		. FUSE,AIR CONDITIONER COMPRESSOR CLUTCH. . . . .	1	222	
-F20	AGC10		. FUSE,AIR CONDITIONER ACTUATOR . . . . .	1	222	
-FL1	A1437		FILTER,AIR CONDITIONER. . . . .	1	140	1
-FL2	A1437		FILTER,AIR CONDITIONER. . . . .	1	140	1
-J15			CONNECTOR,RH WING-WHEELWELL ACCESS. . . . .	1	150	
			/SEE CHAPTER 91-11/			
-P15			CONNECTOR,RH WING-WHEELWELL ACCESS. . . . .	1	150	
			/SEE CHAPTER 91-11/			
-S62	V3-1		SWITCH,THROTTLE/OPTIONAL AIR CONDITIONING/. . . . .	1	410	
-S63	MS27406-1		SWITCH,AIR CONDITIONER. . . . .	1	240	
-S65	M4008-7		SWITCH,LOW PRESSURE . . . . .	1	140	
-S66	101-380002-3		SWITCH,HIGH PRESSURE. . . . .	1	140	
-S68	BZ7RWT822		SWITCH,FLIGHT POSITION/PARTIAL OPEN/. . . . .	1	150	
-W19	114931-1-10		BUS BAR . . . . .	1	240	

C O D E S O F E F F E C T I V I T Y

- 1 CE-732 THRU CE-771,  
EXCEPT CE-748
- D-10047 THRU D-10119,  
EXCEPT D-10097
- E-1096 THRU E-1240,  
EXCEPT E-1111

**BEECHCRAFT  
BONANZA  
WIRING DIAGRAM MANUAL**



NOTE: SHOWN GEAR DOWN & LOCKED, THROTTLE BACK & AIR CONDITIONER OFF.

 AIRPLANES IN COMPLIANCE WITH S.I. 1099 HAVE THIS INS404 DIODE

- ◆ FURNISHED WITH EQUIPMENT.
- ◆1 LOW 2-1, 11-10; 8-7, 5-4.
- HIGH 2-3, 11-12; 8-7, 5-4.
- OFF 2-3, 11-12; 8-9, 5-6.

**CHAPTER**

**23**

**COMMUNICATIONS**

BEECHCRAFT  
BONANZA  
WIRING DIAGRAM MANUAL

LIST OF PAGES  
FOR  
CHAPTER 23-00-00 COMMUNICATIONS

SYS/SUB-SYS/ CHAP SECTION	PAGE NO.	DATE	SYS/SUB-SYS/ CHAP SECTION	PAGE NO.	DATE	SYS/SUB-SYS/ CHAP SECTION	PAGE NO.	DATE
23-00-00	1	4/28/78	23-50-01	1	4/28/78	23-50-01	3	4/28/78
23-00-00	2	4/28/78	23-50-01	2	4/28/78			

**BEECHCRAFT  
BONANZA  
WIRING DIAGRAM MANUAL**

**CHAPTER 23**

**TABLE OF CONTENTS**

<b>SUBJECT</b>	<b>CHAPTER SECTION SUBJECT</b>	<b>PAGE</b>
<b>COMMUNICATIONS</b>	<b>23</b>	
General	23-00	1 thru 2
Audio Integrating	23-50	
Audio Integrating - Cabin Speaker	23-50-01	1 thru 3

**"END"**

B E E C H C R A F T  
B O N A N Z A  
W I R I N G D I A G R A M M A N U A L

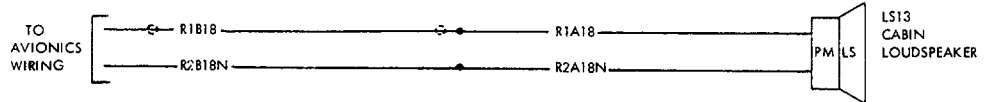
23-50-01  
AUDIO INTEGRATING-CABIN SPEAKER  
CE-613 THRU CE-771, EXCEPT CE-748  
CJ-105 THRU CJ-148  
D-9818 THRU D-10119, EXCEPT D-10097  
E-710, E-763 THRU E-1240, EXCEPT E-1111

B E E C H C R A F T  
B O N A N Z A  
W I R I N G D I A G R A M M A N U A L

ATA CODE & REF DES	PART NO.	1	2	3	4	5	6	7	DESCRIPTION	UNITS		USABLE ON CODE
										PER ASSY	INSTL ZONE	
50-01-LS13	P5								LOUDSPEAKER,CABIN . . . . .	1	253	



BEECHCRAFT  
BONANZA  
WIRING DIAGRAM MANUAL



**CHAPTER**

**24**

**ELECTRICAL  
POWER**

B E E C H C R A F T  
B O N A N Z A  
W I R I N G D I A G R A M M A N U A L

LIST OF PAGES  
FOR  
CHAPTER 24-00-00 ELECTRICAL POWER

SYS/SUB-SYS/ CHAP SECTION	PAGE NO.	DATE	SYS/SUB-SYS/ CHAP SECTION	PAGE NO.	DATE	SYS/SUB-SYS/ CHAP SECTION	PAGE NO.	DATE
24-00-00	1	4/28/78	24-31-02	3	4/28/78	24-40-01	1	4/28/78
24-00-00	2	4/28/78	24-33-01	1	4/28/78	24-40-01	2	4/28/78
24-30-01	1	4/28/78	24-33-01	2	4/28/78	24-40-01	3	4/28/78
24-30-01	2	4/28/78	24-33-01	3	4/28/78	24-50-01	1	4/28/78
24-30-01	3	4/28/78	24-33-02	1	4/28/78	24-50-01	2	4/28/78
24-31-01	1	4/28/78	24-33-02	2	4/28/78	24-50-01	3	4/28/78
24-31-01	2	4/28/78	24-33-02	3	4/28/78	24-51-01	1	4/28/78
24-31-01	3	4/28/78	24-33-03	1	4/28/78	24-51-01	2	4/28/78
24-31-02	1	4/28/78	24-33-03	2	4/28/78	24-51-01	3	4/28/78
24-31-02	2	4/28/78	24-33-03	3	4/28/78			

**BEECHCRAFT  
BONANZA  
WIRING DIAGRAM MANUAL**

**CHAPTER 24**

*TABLE OF CONTENTS*

<b>SUBJECT</b>	<b>CHAPTER SECTION SUBJECT</b>	<b>PAGE</b>
<i>ELECTRICAL POWER</i>	24	
General	24-00	1 thru 2
DC Generation	24-30	
DC Generation - Alternator	24-30-01	1 thru 3
DC Generation - Voltage Regulator (CE-613 thru CE-721; CJ-105 thru CJ-128; D-9818 thru D-10029; E-710, E-763 thru E-1067)	24-31-01	1 thru 3
(CE-722 thru CE-771, exc. CE-748; CJ-129 thru CJ-148; D-10030 thru D-10119, exc. D-10097; E-1068 thru E-1240, exc. E-1111)	24-31-02	1 thru 3
DC Generation - Emergency Power (Optional) (CE-613 thru CE-673; CJ-105 thru CJ-128; D-9818 thru D-9944; E-710, E-763 thru E-930)	24-33-01	1 thru 3
(CE-674 thru CE-690; D-9945 thru D-9978; E-931 thru E-975)	24-33-02	1 thru 3
(CE-691 thru CE-771, exc. CE-748; CJ-129 thru CJ-148; D-9979 thru D-10119, exc. D-10097; E-976 thru E-1240, exc. E-1111)	24-33-03	1 thru 3
External Power	24-40	
External Power (Optional)	24-40-01	1 thru 3
Electrical Load Distribution	24-50	
Electrical Load Distribution - Standard	24-50-01	1 thru 3
Electrical Load Distribution - Emergency Power (Optional)	24-51-01	1 thru 3

**"END"**

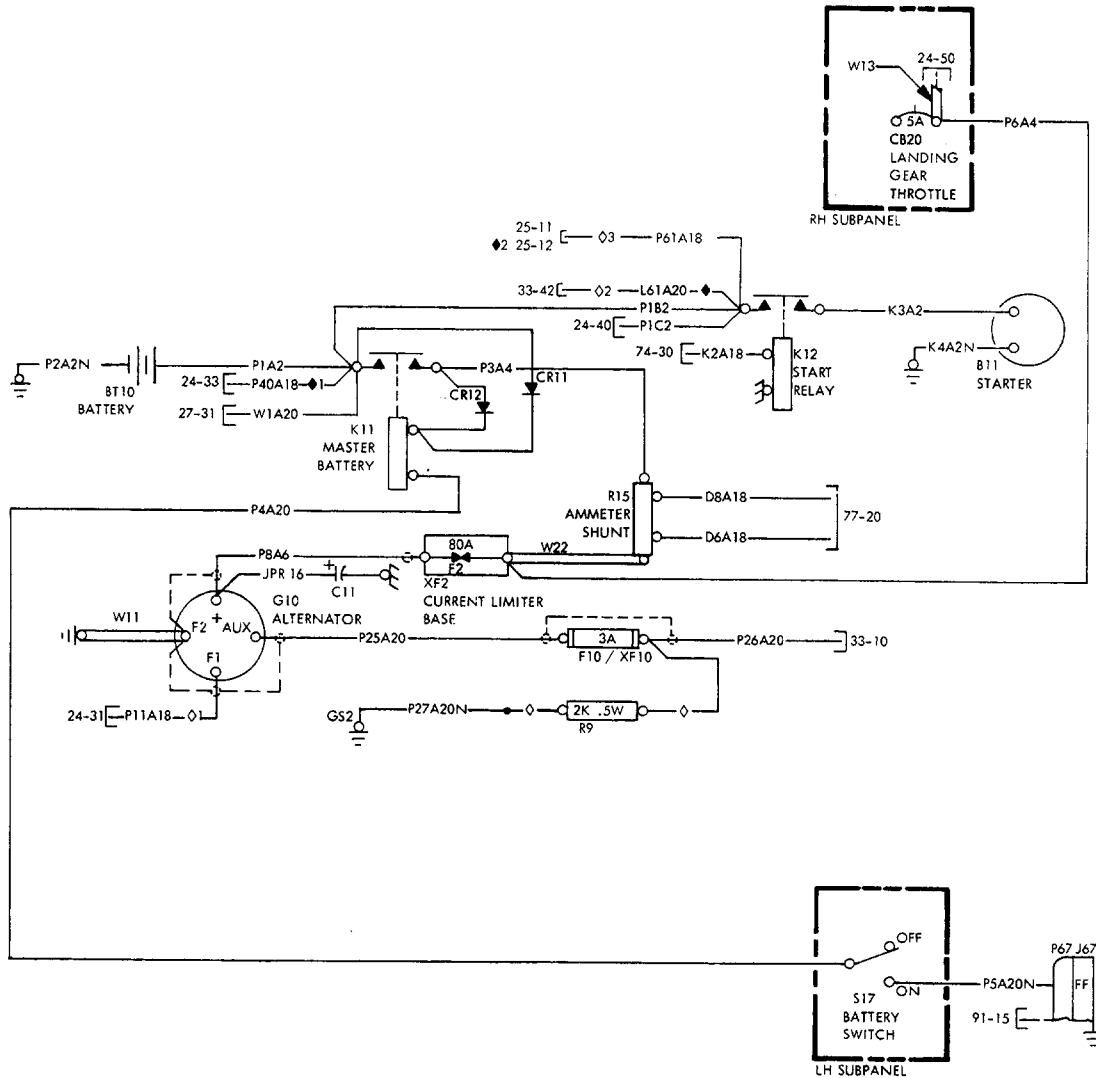
B E E C H C R A F T  
B O N A N Z A  
W I R I N G D I A G R A M M A N U A L

24-30-01  
DC GENERATION-ALTERNATOR  
CE-613 THRU CE-771, EXCEPT CE-748  
CJ-105 THRU CJ-148  
D-9818 THRU D-10119, EXCEPT D-10097  
F-710, E-763 THRU E-1240, EXCEPT E-1111

B E E C H C R A F T  
B O N A N Z A  
W I R I N G D I A G R A M M A N U A L

ATA CODE & REF DES	PART NO.	DESCRIPTION	UNITS		USABLE ON CODE
			PER ASSY	INSTL ZONE	
30-01-BT10	36-380025-1	BATTERY . . . . .	1	221	
-B11	MCL6501	STARTER . . . . .	1	410	
-CB20	435-205-104	CIRCUIT BREAKER, LANDING GEAR THROTTLE . . . . .	1	240	
-CR11,12	1N4005	DIODE, MASTER BATTERY RELAY. . . . .	2	222	
-C11	121P60501R5V1	CAPACITOR . . . . .	1	410	
-XF2	FSH	HOLDER, CURRENT LIMITER. . . . .	1	221	
-F2	FLLA	. CURRENT LIMITER-80 AMP. . . . .	1	221	
-XF10	4532	FUSEBLOCK, ALTERNATOR OUT & VOLTAGE REGULATOR. . . . .	1	231	
-F10	AGC3	. FUSE, ALTERNATOR OUT SENSOR. . . . .	1	231	
-GS2	131270-3	STUD, FIREWALL GROUND. . . . .	1	221	
-G10	ALX9424	ALTERNATOR. . . . .	1	410	
-J67		CONNECTOR, INSTRUMENT PANEL GROUNDING. . . . .	1	231	
		/SEE CHAPTER 91-15/			
-K11	6041H187	RELAY, MASTER BATTERY. . . . .	1	222	
-K12	SAW4204	RELAY, STARTER/SPARES REPLACEMENT FOR 1464/. . . . .	1	222	
-P67		CONNECTOR, INSTRUMENT PANEL GROUNDING. . . . .	1	231	
		/SEE CHAPTER 91-15/			
-R9	RC206F202K	RESISTOR, ALTERNATOR OUT SENSOR. . . . .	1	231	
-R15	MS91586-3	SHUNT, AMMETER . . . . .	1	222	
-S17	35-380053-21	SWITCH, BATTERY. . . . .	1	240	
-W11	58-361011	BUS BAR . . . . .	1	240	
-W13	114931-1-12	BUS BAR . . . . .	1	240	
-W22	MS25226-6-2	BUS BAR/CURRENT LIMITER TO SHUNT/ . . . . .	1	221	

BEECHCRAFT  
BONANZA  
WIRING DIAGRAM MANUAL



- ◇ FURNISHED WITH EQUIPMENT.
- ◇1 ON AIRCRAFT PRIOR TO CE-722, CJ-129, D-10030 & E-1068 WIRE P11A WAS 20 AWG.
- ◇2 ON AIRCRAFT E-710, E-763 THRU E-946, CE-613 THRU CE-680, CJ-105 & AFT, D-9818 THRU D-9960.
- ◇3 ON AIRCRAFT AS FOLLOWS:  
E-947 & AFT, CE-681 & AFT, D-9961 & AFT.

- ◆ WIRE IS USED ONLY WHEN OPTIONAL COURTESY LIGHT IS INSTALLED.
- ◆1 WIRE IS USED WHEN OPTIONAL EMERGENCY POWER IS INSTALLED.
- ◆2 REF WHEN OPTIONAL CONTROL WHEEL CLOCK IS USED.

B E E C H C R A F T  
B O N A N Z A  
W I R I N G D I A G R A M M A N U A L

24-31-01  
DC GENERATION-VOLTAGE REGULATOR  
CE-613 THRU CE-721  
CJ-105 THRU CJ-128  
D-9818 THRU D-10029  
E-710, E-763 THRU E-1067



B E E C H C R A F T  
B O N A N Z A  
W I R I N G D I A G R A M M A N U A L

ATA CODE & REF DES	PART NO.	DESCRIPTION	UNITS		USABLE ON CODE
			PER ASSY	INSTL ZONE	
31-01-CB35	435-205-104	CIRCUIT BREAKER,ALTERNATOR FIELD. . . . .	1	240	1
-XF10	4532	FUSEBLOCK,ALTERNATOR OUT & VOLTAGE REGULATOR. . . . .	1	222	1
-F15	AGC3	. FUSE,VOLTAGE REGULATOR. . . . .	AR	222	1
-J67		CONNECTOR,INSTRUMENT PANEL GROUNDING. . . . .	1	231	1
		/SEE CHAPTER 91-15/			
-P17	MS3106A18-4S	PLUG,REGULATOR. . . . .	1	232	1
-P67		CONNECTOR,INSTRUMENT PANEL GROUNDING. . . . .	1	231	1
		/SEE CHAPTER 91-15/			
-S44	35-380053-21	SWITCH,ALTERNATOR . . . . .	1	240	1
-VR11,12	35-380093-3	VOLTAGE REGULATOR/SUPERSEDES 35-380093-2/ . . . . .	1	232	1

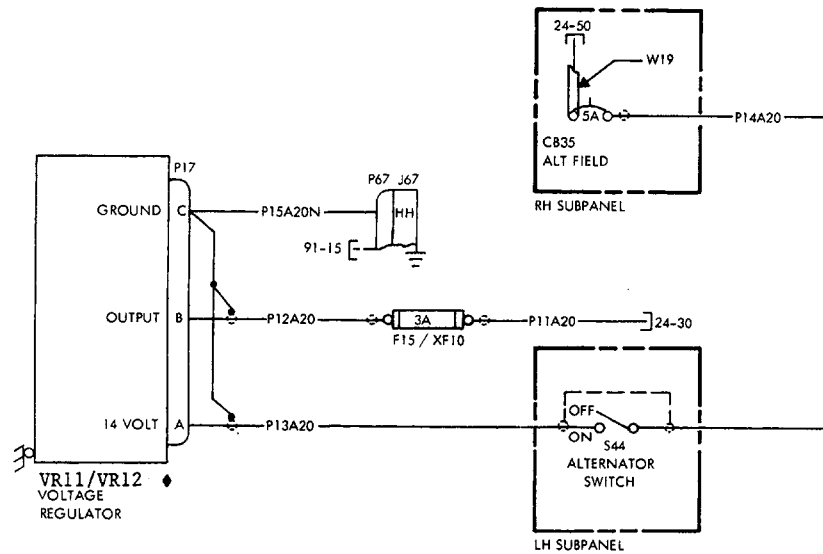
NOTE WHEN INSTALLING 35-380093-3,ENSURE AN  
ELECTRICAL BOND TO THE AIRFRAME BY RE-  
MOVING PAINT FROM THE MOUNTING PLATE TO  
MATCH THE UNPAINTED AREA OF THE REGULATOR

-W19	114931-1-10	BUS BAR . . . . .	1	240	1
------	-------------	-------------------	---	-----	---

CODES OF EFFECTIVITY

- 1 CE-613 THRU CE-721
- CJ-105 THRU CJ-128
- D-9818 THRU D-10029
- E-710,
- E-763 THRU E-1067

BEECHCRAFT  
BONANZA  
WIRING DIAGRAM MANUAL



◆ ON AIRCRAFT CE-690 & AFT, E-973 & AFT AND D-9978 & AFT REF DES VR12 IS USED. ON PRIOR AIRCRAFT EFF & C.J-105 THRU C.J-128 REF DES VR11 IS USED.

B E E C H C R A F T  
B O N A N Z A  
W I R I N G D I A G R A M M A N U A L

24-31-02

DC GENERATION - VOLTAGE REGULATOR  
CE-722 THRU CE-771, EXCEPT CE-748  
CJ-129 THRU CJ-148  
D-10030 THRU D-10119, EXCEPT D-10097  
E-1068 THRU E-1240, EXCEPT E-1111

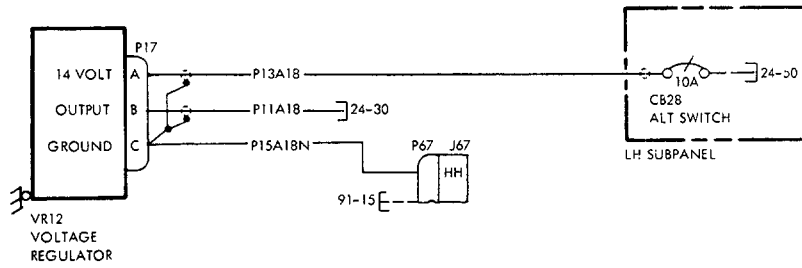
B E E C H C R A F T  
B O N A N Z A  
W I R I N G D I A G R A M M A N U A L

ATA CODE & REF DES	PART NO.	DESCRIPTION	UNITS		USABLE
			PER ASSY	INSTL ZONE	ON CODE
		1 2 3 4 5 6 7			
31-02-CB28	35-380132-13	CIRCUIT BREAKER,ALTERNATOR SWITCH . . . . .	1	240	1
-J67		CONNECTOR,INSTRUMENT PANEL GROUNDING. . . . .	1	231	1
		/SEE CHAPTER 91-15/			
-P17	MS3106A18-4S	PLUG,REGULATOR. . . . .	1	232	1
-P67		CONNECTOR,INSTRUMENT PANEL GROUNDING. . . . .	1	231	1
		/SEE CHAPTER 91-15/			
-VR12	35-380093-3	REGULATOR,VOLTAGE . . . . .	1	232	1

C O D E S O F E F F E C T I V I T Y

- 1 CE-722 THRU CE-771,  
EXCEPT CE-748
- CJ-129 THRU CJ-148
- D-10030 THRU D-10119,  
EXCEPT D-10097
- E-1068 THRU E-1240,  
EXCEPT E-1111

B E E C H C R A F T  
B O N A N Z A  
W I R I N G D I A G R A M M A N U A L



B E E C H C R A F T  
B O N A N Z A  
W I R I N G D I A G R A M M A N U A L

24-33-01  
DC GENERATION-EMERGENCY POWER (OPTIONAL)  
CE-613 THRU CE-673  
CJ-105 THRU CJ-128  
D-9818 THRU D-9944  
E-710,E-763 THRU E-930

B E E C H C R A F T  
B O N A N Z A  
W I R I N G D I A G R A M M A N U A L

ATA CODE & REF DES	PART NO.	DESCRIPTION	UNITS		USABLE ON CODE
			PER ASSY	INSTL ZONE	
33-01-CB24	435-210-104	CIRCUIT BREAKER, START RELAY . . . . .	1	240	1
-CB26	435-205-104	CIRCUIT BREAKER, FUEL QUANTITY . . . . .	1	240	1
-CR21	1N4005	DIODE, STANDBY POWER RELAY . . . . .	1	231	1
-CR22	1N4005	DIODE, STANDBY POWER RELAY . . . . .	1	231	1
-CR40	1N3212	DIODE, STANDBY GENERATOR BATTERY . . . . .	1	240	1
-CR41	1N4005	DIODE, STANDBY REGULATOR . . . . .	1	240	1
-CR42	1N1354	ZENER DIODE, STANDBY REGULATOR . . . . .	1	240	1
-XDS105	855291S1G5STD	LAMPHOLDER, BATTERY TEST LIGHT . . . . .	1	240	1
-DS105	330	. LIGHT, BATTERY TEST. . . . .	1	240	1
-XDS106	855291S1G5STD	LAMPHOLDER, GENERATOR TEST LIGHT . . . . .	1	240	1
-DS106	330	. LIGHT, GENERATOR TEST. . . . .	1	240	1
-XF17	4532	FUSEBLOCK, STANDBY GENERATOR . . . . .	2	222	1
-F16	AGC5	. FUSE, STANDBY GENERATOR. . . . .	1	222	1
-F17	AGC5	. FUSE, STANDBY GENERATOR. . . . .	1	222	1
-XF18	4522	FUSEBLOCK, STANDBY GENERATOR . . . . .	1	222	1
-F18	AGC10	. FUSE, STANDBY GENERATOR. . . . .	1	222	1
-G12	36-380013-1	GENERATOR, STANDBY . . . . .	1	410	1
-J67		CONNECTOR, INSTRUMENT PANEL GROUNDING. . . . .	1	231	1
		/SEE CHAPTER 91-15/			
-J77	1-480586-0	PIN HOUSING, STANDBY GENERATOR RECEPTACLE. . . . .	1	240	1
-J77	350389-1	. PIN CONTACT /14-20 AWG/ . . . . .	9	240	1
-K20	36-369010-39	ASSEMBLY, OVERVOLTAGE RELAY. . . . .	1	240	1
-K18	6041H35A	RELAY, STANDBY POWER . . . . .	1	240	1
-K19	6041H35A	RELAY, STANDBY POWER . . . . .	1	240	1
-P42	MS3106R14S7S	PLUG, STANDBY GENERATOR. . . . .	1	410	1
-P67		CONNECTOR, INSTRUMENT PANEL GROUNDING. . . . .	1	231	1
		/SEE CHAPTER 91-15/			
-P77	1-480585-0	SOCKET HOUSING, STANDBY GENERATOR. . . . .	1	240	1
-P77	350388-1	. SOCKET CONTACT /14-20 AWG/. . . . .	9	240	1
-P78	1-480424-0	SOCKET HOUSING, OVERVOLTAGE RELAY. . . . .	1	232	1
-P78	60619-1	. SOCKET CONTACT. . . . .	2	232	1
-Q15	2N3055	TRANSISTOR, STANDBY REGULATOR. . . . .	1	240	1
-Q16	2N3055	TRANSISTOR, STANDBY REGULATOR. . . . .	1	410	1
-R30	RC42GF101K	RESISTOR, STANDBY REGULATOR. . . . .	1	240	1
-R31	RC42GF101K	RESISTOR, STANDBY REGULATOR. . . . .	1	240	1
-S55	MS25068-23	SWITCH, NAV-COMM GENERATOR . . . . .	1	240	1
-S56	MS25068-31	SWITCH, STANDBY GENERATOR. . . . .	1	240	1
-W16	114931-1-4	BUS BAR . . . . .	1	240	1
-W17	114931-3	BUS BAR . . . . .	1	410	1
-W19	114931-1-10	BUS BAR . . . . .	1	240	1
-W20	114931-1-6	BUS BAR . . . . .	1	240	1

C O D E S O F E F F E C T I V I T Y

- 1 CE-613 THRU CE-673
- CJ-105 THRU CJ-128
- D-9818 THRU D-9944
- E-710,
- E-763 THRU E-930





B E E C H C R A F T  
B O N A N Z A  
W I R I N G D I A G R A M M A N U A L

24-33-02  
DC GENERATION-EMERGENCY POWER (OPTIONAL)  
CE-674 THRU CE-690  
D-9945 THRU D-9978  
E-931 THRU E-975

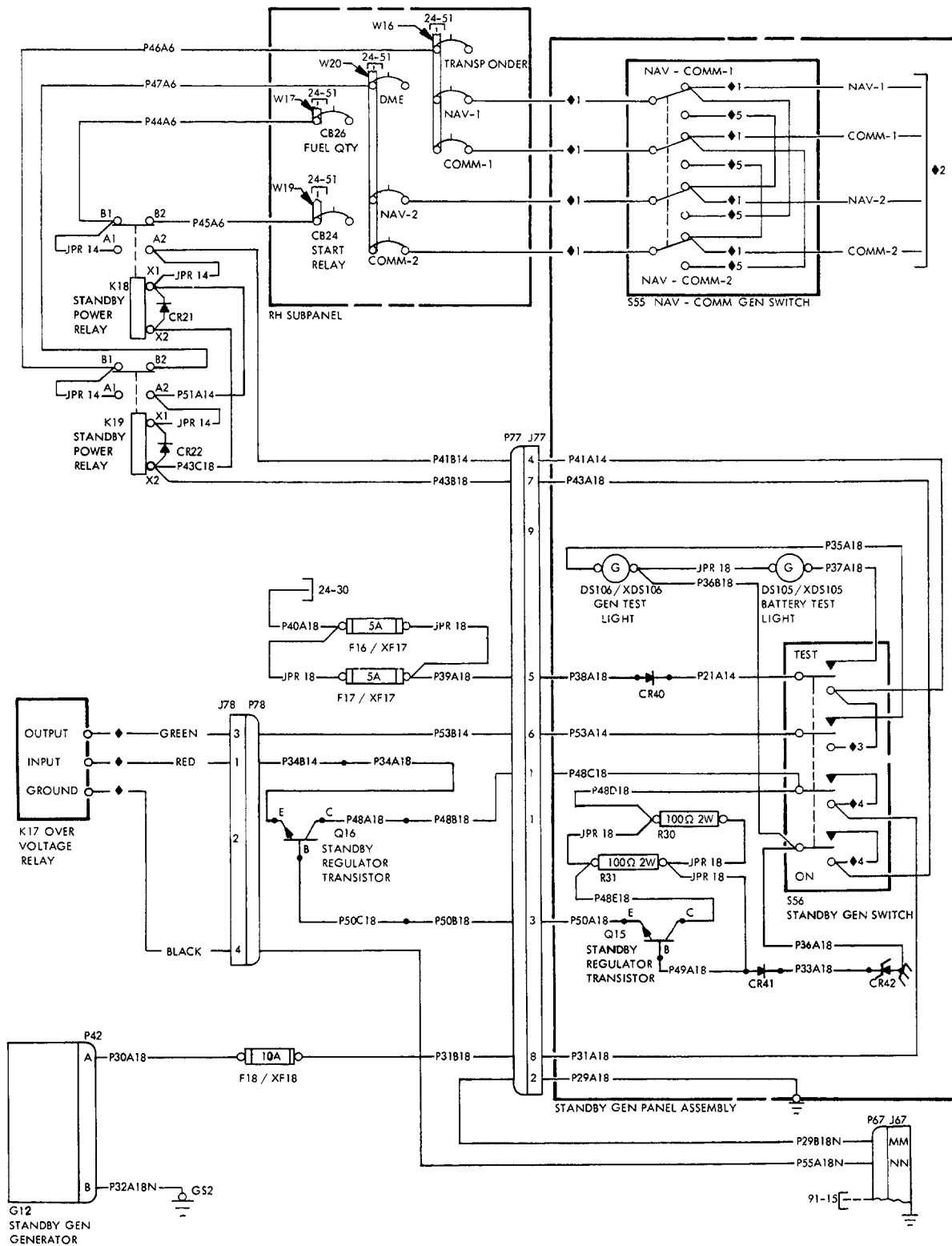
B E E C H C R A F T  
B O N A N Z A  
W I R I N G D I A G R A M M A N U A L

ATA CODE & REF DES	PART NO.	DESCRIPTION	UNITS							USABLE ON CODE	
			PER ASSY	INSTL ZONE	1	2	3	4	5		6
33-02-CB24	435-210-104	CIRCUIT BREAKER, START RELAY . . . . .	1	240							1
-CB26	435-205-104	CIRCUIT BREAKER, FUEL QUANTITY . . . . .	1	240							1
-CR21	1N4005	DIODE, STANDBY POWER RELAY . . . . .	1	231							1
-CR22	1N4005	DIODE, STANDBY POWER RELAY . . . . .	1	231							1
-CR40	1N3212	DIODE, STANDBY GENERATOR BATTERY . . . . .	1	240							1
-CR41	1N4005	DIODE, STANDBY REGULATOR . . . . .	1	240							1
-CR42	1N1354	ZENER DIODE, STANDBY REGULATOR . . . . .	1	240							1
-XDS105	855291S1G5STD	LAMPHOLDER, BATTERY TEST LIGHT . . . . .	1	240							1
-DS105	330	. LAMP, BATTERY TEST LIGHT . . . . .	1	240							1
-XDS106	855291S1G5STD	LAMPHOLDER, GENERATOR TEST LIGHT . . . . .	1	240							1
-DS106	330	. LAMP, GENERATOR TEST LIGHT . . . . .	1	240							1
-XF17	4532	FUSEBLOCK, STANDBY GENERATOR . . . . .	1	222							1
-F16	AGC5	FUSE, STANDBY GENERATOR . . . . .	1	222							1
-F17	AGC5	FUSE, STANDBY GENERATOR . . . . .	1	222							1
-XF18	4522	FUSEHOLDER, STANDBY GENERATOR . . . . .	1	222							1
-F18	AGC10	FUSE, STANDBY GENERATOR . . . . .	1	222							1
-G12	36-380013-1	STANDBY GENERATOR . . . . .	1	410							1
-J67		CONNECTOR, INSTRUMENT PANEL GROUNDING . . . . .	1	231							1
		/SEE CHAPTER 91-15/									
-J77	1-480586-0	PIN HOUSING, STANDBY GENERATOR RECEPTACLE . . . . .	1	240							1
-J77	350389-1	PIN CONTACT /14-20 AWG/ . . . . .	9	240							1
-K17	36-380032-1	OVERVOLTAGE RELAY, EMERGENCY POWER . . . . .	1	240							1
-J78	1-480426-0	. PIN HOUSING, OVERVOLTAGE RELAY ASSEMBLY PLUG . . . . .	1	240							1
-J78	60618-1	. . PIN CONTACT . . . . .	3	240							1
-K18	6041H35A	RELAY, STANDBY POWER . . . . .	1	240							1
-K19	6041H35A	RELAY, STANDBY POWER . . . . .	1	240							1
-P42	MS3106R14S7S	PLUG, STANDBY GENERATOR . . . . .	1	410							1
-P67		CONNECTOR, INSTRUMENT PANEL GROUNDING . . . . .	1	231							1
-P77	1-480585-0	SOCKET HOUSING, STANDBY GENERATOR . . . . .	1	240							1
-P77	350388-1	. SOCKET CONTACT . . . . .	9	240							1
-P78	1-480424-0	SOCKET HOUSING, OVERVOLTAGE . . . . .	1	232							1
-P78	60617-1	. SOCKET CONTACT . . . . .	1	232							1
-P78	60619-1	. SOCKET CONTACT . . . . .	2	232							1
-Q15	2N3055	TRANSISTOR, STANDBY GENERATOR REGULATOR . . . . .	1	240							1
-Q16	2N3055	TRANSISTOR, STANDBY GENERATOR REGULATOR . . . . .	1	410							1
-R30	RC42GF101K	RESISTOR, STANDBY REGULATOR . . . . .	1	240							1
-R31	RC42GF101K	RESISTOR, STANDBY REGULATOR . . . . .	1	240							1
-S55	MS25068-23	SWITCH, NAV-COMM GENERATOR . . . . .	1	240							1
-S56	MS25068-31	SWITCH, STANDBY GENERATOR . . . . .	1	240							1

C O D E S O F E F F E C T I V I T Y

1 CE-674 THRU CE-690  
D-9945 THRU D-9978  
E-931 THRU E-975

**BEECHCRAFT  
BONANZA  
WIRING DIAGRAM MANUAL**



- ◆ FURNISHED WITH EQUIPMENT.
- ◆1 AWG 20 WIRE.
- ◆2 SEE APPLICABLE AVIONICS DIAGRAM FOR MODE OF CONNECTION.
- ◆3 AWG 14 JUMPER WIRE.
- ◆4 AWG 18 JUMPER WIRE.
- ◆5 AWG 20 JUMPER WIRE.

**DC GENERATION-EMERGENCY POWER (OPTIONAL)  
CONFIGURATION 2/SEE PAGE 1 FOR EFFECTIVITY/**

B E E C H C R A F T  
B O N A N Z A  
W I R I N G D I A G R A M M A N U A L

24-33-03  
DC GENERATION-EMERGENCY POWER (OPTIONAL)  
CE-691 THRU CE-771, EXCEPT CE-748  
CJ-129 THRU CJ-148  
D-9979 THRU D-10119, EXCEPT D-10097  
E-976 THRU E-1240, EXCEPT E-1111

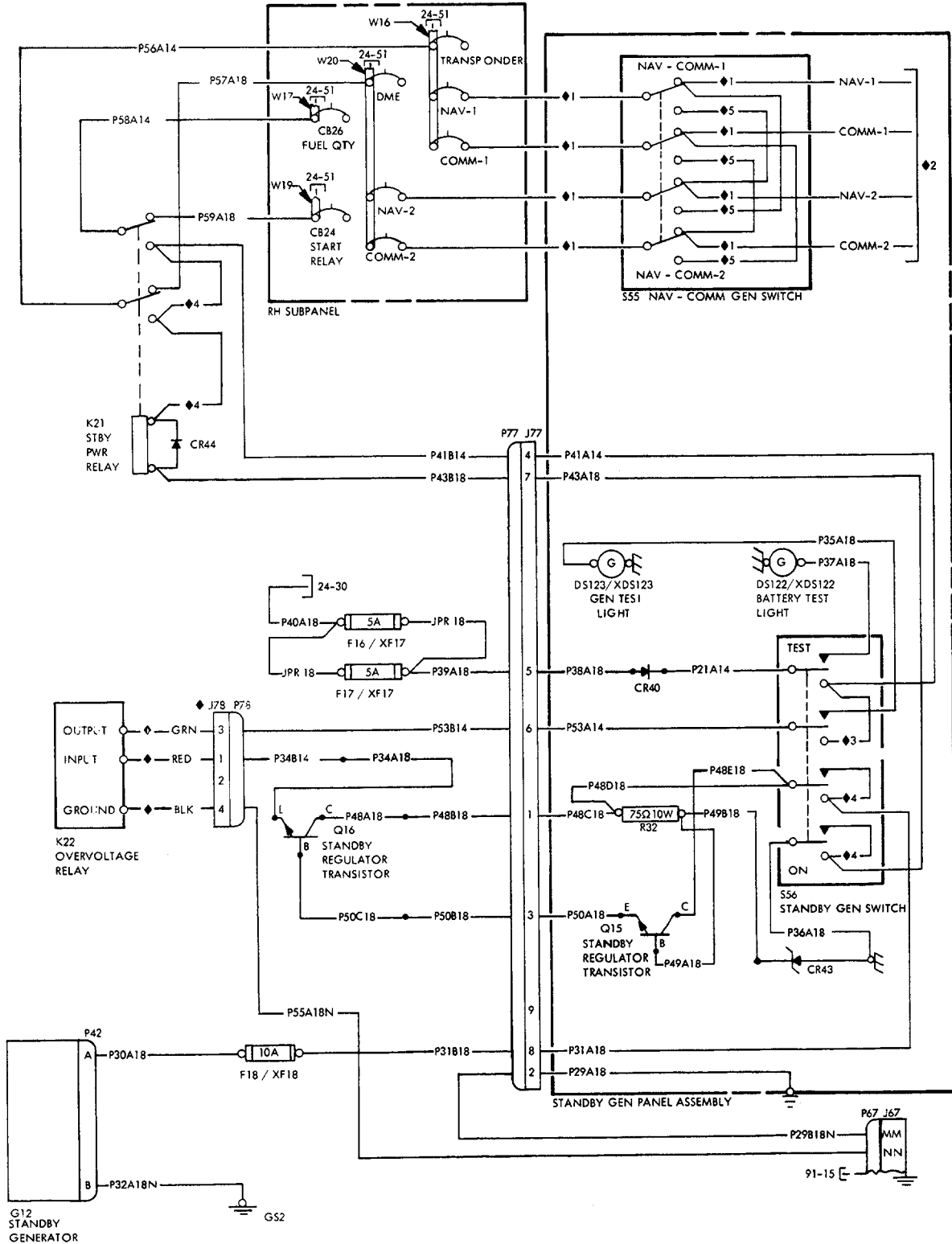
B E E C H C R A F T  
B O N A N Z A  
W I R I N G D I A G R A M M A N U A L

ATA CODE & REF DES	PART NO.	DESCRIPTION	UNITS							USABLE ON CODE	
			PER ASSY	INSTL ZONE	1	2	3	4	5		6
33-03-CB24	435-210-104	CIRCUIT BREAKER, START RELAY . . . . .	1	240							1
-CB26	435-205-104	CIRCUIT BREAKER, FUEL QUANTITY . . . . .	1	240							1
-CR40	1N3212	DIODE, STANDBY GENERATOR BATTERY . . . . .	1	240							1
-CR42	1N2979B	ZENER DIODE, STANDBY REGULATOR . . . . .	1	240							1
-CR44	1N4005	DIODE, STANDBY POWER RELAY . . . . .	1	231							1
-XDS122	855291S1G5STDP6	LAMP HOLDER, BATTERY TEST LIGHT . . . . .	1	240							1
-DS122	330	. LAMP, BATTERY TEST LIGHT . . . . .	1	240							1
-XDS123	855291S1G5STDP6	LAMP HOLDER, GENERATOR TEST LIGHT . . . . .	1	240							1
-DS123	330	. LAMP, GENERATOR TEST LIGHT . . . . .	1	240							1
-XF17	4532	FUSE BLOCK, STANDBY GENERATOR . . . . .	1	222							1
-F16	AGC5	FUSE, STANDBY GENERATOR . . . . .	1	222							1
-F17	AGC5	FUSE, STANDBY GENERATOR . . . . .	1	222							1
-XF18	4522	FUSE HOLDER, STANDBY GENERATOR . . . . .	1	222							1
-F18	AGC10	FUSE, STANDBY GENERATOR . . . . .	1	222							1
-G12	36-380013-1	STANDBY GENERATOR . . . . .	1	410							1
-J67		CONNECTOR, INSTRUMENT PANEL GROUNDING . . . . . /SEE CHAPTER 91-15/	1	231							1
-J77	1-480586-0	PIN HOUSING, STANDBY GENERATOR RECEPTACLE . . . . .	1	240							1
-J77	350389-1	PIN CONTACT /14-20 AWG/ . . . . .	9	240							1
-K21	50-380048-3	RELAY, STANDBY POWER . . . . .	1	240							1
-K22	36-380032-1	OVERVOLTAGE RELAY, EMERGENCY POWER . . . . .	1	240							1
-J78	1-480426-0	. PIN HOUSING, OVERVOLTAGE RELAY ASSEMBLY PLUG . . . . .	1	240							1
-J78	60618-1	. . . PIN CONTACT . . . . .	3	240							1
-P42	MS3106R14S7S	PLUG, STANDBY GENERATOR . . . . .	1	410							1
-P67		CONNECTOR, INSTRUMENT PANEL GROUNDING . . . . .	1	231							1
-P77	1-480585-0	SOCKET HOUSING, STANDBY GENERATOR . . . . .	1	240							1
-P77	350388-1	. SOCKET CONTACT . . . . .	9	240							1
-P78	1-480424-0	SOCKET HOUSING, OVERVOLTAGE RELAY . . . . .	1	232							1
-P78	60617-1	. SOCKET CONTACT . . . . .	1	232							1
-P78	60619-1	. SOCKET CONTACT . . . . .	2	232							1
-Q15	2N3055	TRANSISTOR, STANDBY GENERATOR REGULATOR . . . . .	1	240							1
-Q16	2N3055	TRANSISTOR, STANDBY REGULATOR . . . . .	1	410							1
-R32	FR10-75	RESISTOR, STANDBY REGULATOR . . . . .	1	240							1
-S55	MS25068-23	SWITCH, NAV-COMM GENERATOR . . . . .	1	240							1
-S56	MS25068-31	SWITCH, STANDBY GENERATOR . . . . .	1	240							1

C O D E S O F E F F E C T I V I T Y

- 1 CE-691 THRU CE-771,  
EXCEPT CE-748
- CJ-129 THRU CJ-148
- D-9979 THRU D-10119,  
EXCEPT D-10097
- E-796 THRU E-1240,  
EXCEPT E-1111

**BEECHCRAFT  
BONANZA  
WIRING DIAGRAM MANUAL**



- ◆ FURNISHED WITH EQUIPMENT.
- ◆1 AWG 20 WIRE.
- ◆2 SEE APPLICABLE AVIONICS DIAGRAM FOR MODE OF CONNECTION.
- ◆3 AWG 14 JUMPER WIRE.
- ◆4 AWG 18 JUMPER WIRE.
- ◆5 AWG 20 JUMPER WIRE.

**DC GENERATION-EMERGENCY POWER (OPTIONAL)  
CONFIGURATION 3/SEE PAGE 1 FOR EFFECTIVITY/**

04/28/78

24-33-03  
PAGE 3

B E E C H C R A F T  
B O N A N Z A  
W I R I N G D I A G R A M M A N U A L

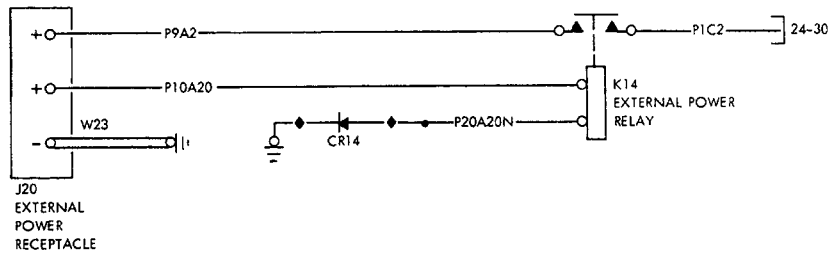
24-40-01  
EXTERNAL POWER /OPTIONAL/  
CE-613 THRU CE-771, EXCEPT CE-748  
CJ-105 THRU CJ-148  
D-9818 THRU D-10119, EXCEPT D-10097  
E-710, E-763 THRU E-1240, EXCEPT E-1111

B E E C H C R A F T  
B O N A N Z A  
W I R I N G D I A G R A M M A N U A L

ATA CODE & REF DES	PART NO.	DESCRIPTION	UNITS		USABLE ON CODE				
			PER ASSY	INSTL ZONE					
			1	2	3	4	5	6	7
40-01-CR14	1N1343	DIODE,EXTERNAL POWER. . . . .	1	222					
-J20	AN2552A3A	RECEPTACLE,EXTERNAL POWER . . . . .	1	410					
-K14	70-111224	RELAY,EXTERNAL POWER. . . . .	1	222					
-W23	002-364010-19	BUS BAR . . . . .	1	221					



BEECHCRAFT  
BONANZA  
WIRING DIAGRAM MANUAL



◆ FURNISHED WITH EQUIPMENT.

04/28/78

EXTERNAL POWER /OPTIONAL/

24-40-01  
PAGE 3

B E E C H C R A F T  
B O N A N Z A  
W I R I N G D I A G R A M M A N U A L

24-50-01  
ELECTRICAL LOAD DISTRIBUTION-STANDARD  
CE-613 THRU CE-771,EXCEPT CE-748  
CJ-105 THRU CJ-148  
D-9818 THRU D-10119,EXCEPT D-10097  
E-710,E-763 THRU E-1240,EXCEPT E-1111

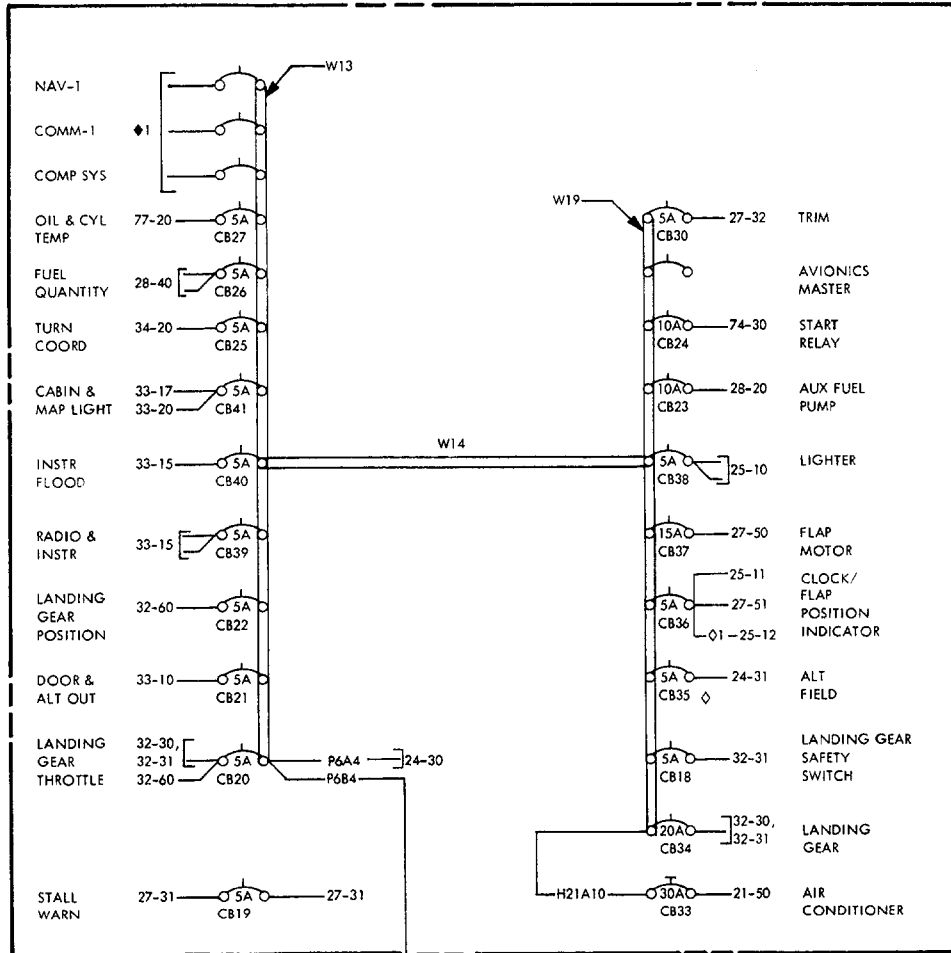
B E E C H C R A F T  
B O N A N Z A  
W I R I N G D I A G R A M M A N U A L

ATA CODE & REF DES	PART NO.	DESCRIPTION	UNITS							USABLE ON CODE	
			1	2	3	4	5	6	7		
50-01-CB11	1E1140	CIRCUIT BREAKER,PROP ANTI-ICE/2 BLADE/.	.	.	.	.	.	.	1	240	
-CB12	35-380132-3	CIRCUIT BREAKER,PITOT HEAT.	.	.	.	.	.	.	1	240	
-CB13	35-380132-43	CIRCUIT BREAKER,STROBE LIGHT.	.	.	.	.	.	.	1	240	
-CB14	35-380132-45	CIRCUIT BREAKER,BEACON LIGHT.	.	.	.	.	.	.	1	240	
-CB15	35-380132-51	CIRCUIT BREAKER,NAV LIGHT	.	.	.	.	.	.	1	240	
-CB16	35-380132-47	CIRCUIT BREAKER,TAXI LIGHT.	.	.	.	.	.	.	1	240	
-CB17	R 35-380132-47	CIRCUIT BREAKER,LANDING LIGHTS.	.	.	.	.	.	.	1	240	
-CB18	435-205-104	CIRCUIT BREAKER,LANDING GEAR SAFETY SWITCH.	.	.	.	.	.	.	1	240	
-CB19	435-205-104	CIRCUIT BREAKER,STALL WARNING	.	.	.	.	.	.	1	240	
-CB20	435-205-104	CIRCUIT BREAKER,LANDING GEAR THROTTLE	.	.	.	.	.	.	1	240	
-CB21	435-205-104	CIRCUIT BREAKER,DOOR AND ALTERNATOR OUT	.	.	.	.	.	.	1	240	
-CB22	435-205-104	CIRCUIT BREAKER,LANDING GEAR POSITION	.	.	.	.	.	.	1	240	
-CB23	435-210-104	CIRCUIT BREAKER,AUXILIARY FUEL PUMP	.	.	.	.	.	.	1	240	
-CB24	435-210-104	CIRCUIT BREAKER,START RELAY	.	.	.	.	.	.	1	240	
-CB25	435-205-104	CIRCUIT BREAKER,TURN COORDINATOR.	.	.	.	.	.	.	1	240	
-CB26	435-205-104	CIRCUIT BREAKER,FUEL QUANTITY	.	.	.	.	.	.	1	240	
-CB27	435-205-104	CIRCUIT BREAKER,OIL AND CYLINDER TEMPERATURE.	.	.	.	.	.	.	1	240	
-CB28	R 35-380132-13	CIRCUIT BREAKER,ALTERNATOR SWITCH	.	.	.	.	.	.	1	240	2
-CB30	435-205-104	CIRCUIT BREAKER,ELECTRIC TRIM	.	.	.	.	.	.	1	240	
-CB33	MS24510-30	CIRCUIT BREAKER,AIR CONDITIONER	.	.	.	.	.	.	1	240	
-CB34	CB2320	CIRCUIT BREAKER,LANDING GEAR.	.	.	.	.	.	.	1	240	
-CB35	R 435-205-104	CIRCUIT BREAKER,ALTERNATOR FIELD.	.	.	.	.	.	.	1	240	1
-CB36	435-205-104	CIRCUIT BREAKER,FLAP POSITION INDICATOR	.	.	.	.	.	.	1	240	
-CB37	435-205-104	CIRCUIT BREAKER,FLAP MOTOR.	.	.	.	.	.	.	1	240	
-CB38	435-205-104	CIRCUIT BREAKER,LIGHTER	.	.	.	.	.	.	1	240	
-CB39	435-205-104	CIRCUIT BREAKER,RADIO AND INSTRUMENT.	.	.	.	.	.	.	1	240	
-CB40	435-205-104	CIRCUIT BREAKER,INSTRUMENT FLOOD.	.	.	.	.	.	.	1	240	
-CB41	435-205-104	CIRCUIT BREAKER,CABIN AND MAP LIGHT	.	.	.	.	.	.	1	240	
-CB51	1E1324	CIRCUIT BREAKER,PROP ANTI ICE/3 BLADE/.	.	.	.	.	.	.	1	240	
-W12	114931-1-6	BUS BAR	.	.	.	.	.	.	1	240	
-W13	114931-1-12	BUS BAR	.	.	.	.	.	.	1	240	
-W14	114931-1-4	BUS BAR	.	.	.	.	.	.	1	240	
-W19	114931-1-10	BUS BAR	.	.	.	.	.	.	1	240	

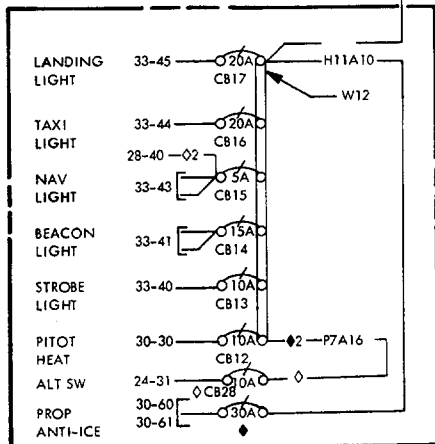
C O D E S O F E F F E C T I V I T Y

1	CE-613 THRU CE-721	2	CE-722 THRU CE-771,
	CJ-105 THRU CJ-128		EXCEPT CE-748
	D-9818 THRU D-10029		CJ-129 THRU CJ-148
	E-710;		D-10030 THRU D-10119
	E-763 THRU E-1067		EXCEPT D-10097
			E-1068 THRU E-1240,
			EXCEPT E-1111

**BEECHCRAFT  
BONANZA  
WIRING DIAGRAM MANUAL**



RH SUBPANEL



LH SUBPANEL

◇ ON AIRCRAFT CE-722 & AFT, CJ-129 & AFT, D-10030 & AFT & E-1068 & AFT; CB35 IS NOT USED AND WIRE P7A & CIRCUIT BREAKER CB28 ARE USED.

◇1 REF WHEN OPTIONAL CONTROL WHEEL CLOCK IS USED.

◇2 ON AIRCRAFT CE-674 & AFT, CJ-129 & AFT, D-9948 & AFT & E-927 & AFT.

◆ CB11, 2-BLADE PROP (REF DIAG 30-60).  
CB51, 3-BLADE PROP (REF DIAG 30-61).

◆1 REFER TO APPLICABLE AVIONICS DIAG FOR MODE OF CONNECTION.

◆2 ROUTED FREE-AIR BETWEEN BUS & CIRCUIT BREAKER.

B E E C H C R A F T  
B O N A N Z A  
W I R I N G D I A G R A M M A N U A L

24-51-01  
ELECTRICAL LOAD DISTRIBUTION-EMERGENCY POWER  
CE-613 THRU CE-771, EXCEPT CE-748  
CJ-105 THRU CJ-148  
D-9818 THRU D-10119, EXCEPT D-10097  
E-710, E-763 THRU E-1240, EXCEPT E-1111

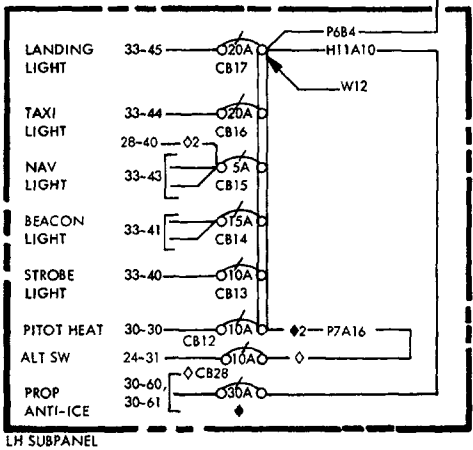
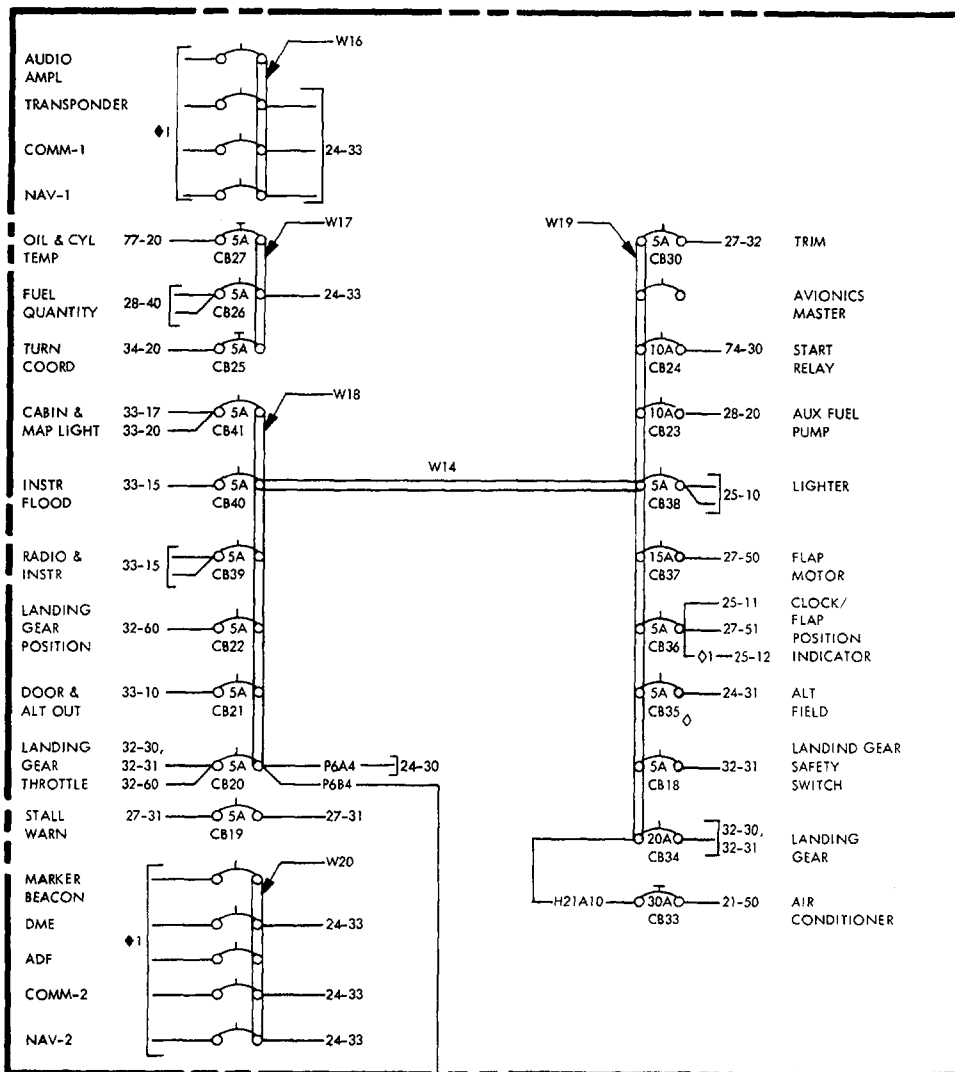
B E E C H C R A F T  
B O N A N Z A  
W I R I N G D I A G R A M M A N U A L

ATA CODE & REF DES	PART NO.	DESCRIPTION							UNITS PER ASSY	INSTL ZONE	USABLE ON CODE
		1	2	3	4	5	6	7			
51-01-CB11	1E1140	CIRCUIT BREAKER,PROP ANTI-ICE/2 BLADE/.	.	.	.	.	.	.	1	410	
-CB12	35-380132-3	CIRCUIT BREAKER,PITOT HEAT.	.	.	.	.	.	.	1	240	
-CB13	35-380132-43	CIRCUIT BREAKER,STROBE LIGHT.	.	.	.	.	.	.	1	240	
-CB14	35-380132-45	CIRCUIT BREAKER,BEACON LIGHT.	.	.	.	.	.	.	1	240	
-CB15	35-380132-51	CIRCUIT BREAKER,NAV LIGHT.	.	.	.	.	.	.	1	240	
-CB16	35-380132-47	CIRCUIT BREAKER,TAXI LIGHT.	.	.	.	.	.	.	1	240	
-CB17	35-380132-47	CIRCUIT BREAKER,LANDING LIGHTS.	.	.	.	.	.	.	1	240	
-CB18	435-205-104	CIRCUIT BREAKER,LANDING GEAR SAFETY SWITCH.	.	.	.	.	.	.	1	240	
-CB19	435-205-104	CIRCUIT BREAKER,STALL WARNING.	.	.	.	.	.	.	1	240	
-CB20	435-205-104	CIRCUIT BREAKER,LANDING GEAR THROTTLE.	.	.	.	.	.	.	1	240	
-CB21	435-205-104	CIRCUIT BREAKER,DOOR AND ALTERNATOR OUT.	.	.	.	.	.	.	1	240	
-CB22	435-205-104	CIRCUIT BREAKER,LANDING GEAR POSITION.	.	.	.	.	.	.	1	240	
-CB23	435-210-104	CIRCUIT BREAKER,AUXILIARY FUEL PUMP.	.	.	.	.	.	.	1	240	
-CB24	435-210-104	CIRCUIT BREAKER,START RELAY.	.	.	.	.	.	.	1	240	
-CB25	435-205-104	CIRCUIT BREAKER,TURN COORDINATOR.	.	.	.	.	.	.	1	240	
-CB26	435-205-104	CIRCUIT BREAKER,FUEL QUANTITY.	.	.	.	.	.	.	1	240	
-CB27	435-205-104	CIRCUIT BREAKER,OIL AND CYLINDER TEMPERATURE.	.	.	.	.	.	.	1	240	
-CB28	R 35-380132-53	CIRCUIT BREAKER,ALTERNATOR SWITCH.	.	.	.	.	.	.	1	240	2
-CB30	435-205-104	CIRCUIT BREAKER,ELECTRIC TRIM.	.	.	.	.	.	.	1	240	
-CB33	MS24510-30	CIRCUIT BREAKER,AIR CONDITIONER.	.	.	.	.	.	.	1	240	
-CB34	CB2320	CIRCUIT BREAKER,LANDING GEAR.	.	.	.	.	.	.	1	240	
-CB35	R 435-205-104	CIRCUIT BREAKER,ALTERNATOR FIELD.	.	.	.	.	.	.	1	240	1
-CB36	435-205-104	CIRCUIT BREAKER,FLAP POSITION INDICATOR.	.	.	.	.	.	.	1	240	
-CB37	435-205-104	CIRCUIT BREAKER,FLAP MOTOR.	.	.	.	.	.	.	1	240	
-CB38	435-205-104	CIRCUIT BREAKER,LIGHTER.	.	.	.	.	.	.	1	240	
-CB39	435-205-104	CIRCUIT BREAKER,RADIO AND INSTRUMENT.	.	.	.	.	.	.	1	240	
-CB40	R 435-205-104	CIRCUIT BREAKER,INSTRUMENT FLOOD.	.	.	.	.	.	.	1	240	
-CB41	435-205-104	CIRCUIT BREAKER,CABIN AND MAP LIGHT.	.	.	.	.	.	.	1	240	
-CB51	1E1324	CIRCUIT BREAKER,PROP ANTI-ICE/3 BLADE/.	.	.	.	.	.	.	1	240	
-W12	114931-1-6	BUS BAR.	.	.	.	.	.	.	1	240	
-W14	114931-1-2	BUS BAR.	.	.	.	.	.	.	1	240	
-W16	114931-1-4	BUS BAR.	.	.	.	.	.	.	1	240	
-W17	114931-3	BUS BAR.	.	.	.	.	.	.	1	410	
-W18	114931-1-6	BUS BAR.	.	.	.	.	.	.	1	240	
-W19	114931-1-10	BUS BAR.	.	.	.	.	.	.	1	240	
-W20	114931-1-6	BUS BAR.	.	.	.	.	.	.	1	240	

C O D E S O F E F F E C T I V I T Y

1	CE-613 THRU CE-721	2	CE-722 THRU CE-771,
	CJ-105 THRU CJ-128		EXCEPT E-744
	D-9818 THRU D-10029		CJ-129 THRU CJ-148
	E-710,		D-10030 THRU D-10119
	E-763 THRU E-1067		EXCEPT D-10097
			E-1068 THRU E-1240,
			EXCEPT E-1111

BEECHCRAFT  
**BONANZA**  
 WIRING DIAGRAM MANUAL



◇ ON AIRCRAFT CE-722 & AFT, CJ-129 & AFT, D-10030 & AFT, E-1068 & AFT; CB35 IS NOT USED AND WIRE P7A AND CIRCUIT BREAKER CB28 ARE USED.

◇1 REF WHEN OPTIONAL CONTROL WHEEL CLOCK IS USED.

◇2 ON AIRCRAFT CE-674 & AFT, CJ-129 & AFT, D-9948 & AFT, E-927 & AFT.

- ◆ CB11, 2-BLADE PROP (REF DIAG 30-60).
- ◆ CB51, 3-BLADE PROP (REF DIAG 30-61).
- ◆1 REFER TO APPLICABLE AVIONICS DIAG FOR MODE OF CONNECTION.
- ◆2 ROUTED FREE-AIR BETWEEN BUS & CIRCUIT BREAKER.

**CHAPTER**

**25**

**EQUIPMENT/  
FURNISHINGS**



B E E C H C R A F T  
B O N A N Z A  
W I R I N G D I A G R A M M A N U A L

LIST OF PAGES  
FOR  
CHAPTER 25-00-00 EQUIPMENT

SYS/SUB-SYS/ CHAP SECTION	PAGE NO.	DATE	SYS/SUB-SYS/ CHAP SECTION	PAGE NO.	DATE	SYS/SUB-SYS/ CHAP SECTION	PAGE NO.	DATE
25-00-00	1	4/28/78	25-10-01	3	4/28/78	25-12-01	1	4/28/78
25-00-00	2	4/28/78	25-11-01	1	4/28/78	25-12-01	2	4/28/78
25-10-01	1	4/28/78	25-11-01	2	4/28/78	25-12-01	3	4/28/78
25-10-01	2	4/28/78	25-11-01	3	4/28/78			

**BEECHCRAFT  
BONANZA  
WIRING DIAGRAM MANUAL**

**CHAPTER 25**

*TABLE OF CONTENTS*

<b>SUBJECT</b>	<b>CHAPTER SECTION SUBJECT</b>	<b>PAGE</b>
<i>EQUIPMENT/FURNISHINGS</i>	25	
General	25-00	1 thru 2
Flight Compartment	25-10	
Flight Compartment - Cigarette Lighter	25-10-01	1 thru 3
Flight Compartment - Clock, Panel (Optional) (CE-681 thru CE-771, exc. CE-748; D-9961 thru D-10119, exc. D-10097; E-947 thru E-1240, exc. E-1111)	25-11-01	1 thru 3
Flight Compartment - Clock, Control Wheel (Optional) (CE-718 thru CE-771, exc. CE-748; CJ-129 thru CJ-148; D-10024 thru D-10119, exc. D-10097; E-1059 thru E-1240, exc. E1111)	25-12-01	1 thru 3

**"END"**

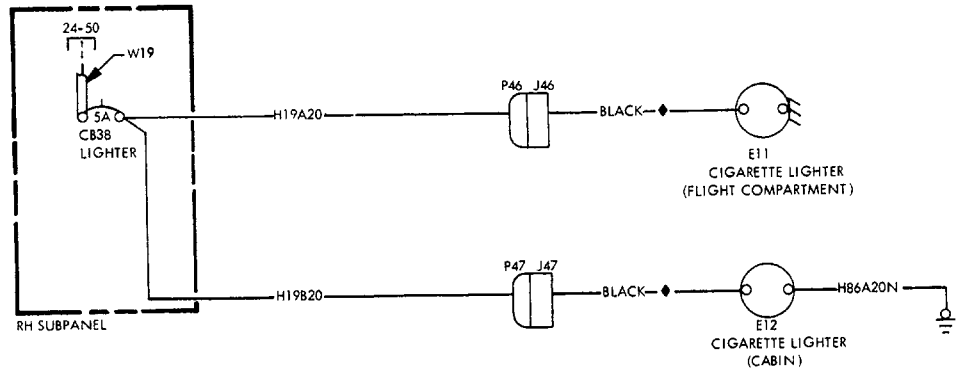
BEECHCRAFT  
BONANZA  
WIRING DIAGRAM MANUAL

25-10-01  
FLIGHT COMPARTMENT-CIGARETTE LIGHTER  
CE-613 THRU CE-771, EXCEPT CE-748  
CJ-105 THRU CJ-148  
D-9818 THRU D-10119, EXCEPT D-10097  
E-710, E-763 THRU E-1240, EXCEPT E-1111

B E E C H C R A F T  
B O N A N Z A  
W I R I N G D I A G R A M M A N U A L

ATA CODE & REF DES	PART NO.	DESCRIPTION	UNITS		USABLE ON CODE
			PER ASSY	INSTL ZONE	
10-01-CB38	435-205-104	CIRCUIT BREAKER,LIGHTER . . . . .	1	240	
-E11	35-364160	LIGHTER,CIGARETTE/FLIGHT COMPARTMENT/ . . . . .	1	240	
-E12	35-364160	LIGHTER,CIGARETTE/CABIN/. . . . .	1	240	
-J46	1-480351-0	PIN HOUSING,CIGARETTE LIGHTER RECEPTACLE. . . . .	1	240	
-J46	60618-1	. PIN CONTACT /18-20 AWG/ . . . . .	AR	240	
-J47	1-480351-0	PIN HOUSING,CIGARETTE LIGHTER RECEPTACLE. . . . .	1	251	
-J47	60618-1	. PIN CONTACT /18-20 AWG/ . . . . .	AR	251	
-P46	1-480349-0	SOCKET HOUSING,CIGARETTE LIGHTER PLUG . . . . .	1	240	
-P46	60617-1	. SOCKET CONTACT. . . . .	AR	240	
-P47	1-480349-0	SOCKET HOUSING,CIGARETTE LIGHTER PLUG . . . . .	1	251	
-P47	60617-1	. SOCKET CONTACT. . . . .	AR	251	
-W19	114931-1-10	BUS BAR . . . . .	1	240	

B E E C H C R A F T  
B O N A N Z A  
W I R I N G   D I A G R A M   M A N U A L



◆ VENDOR FURNISHED.

B E E C H C R A F T  
B O N A N Z A  
W I R I N G D I A G R A M M A N U A L

25-11-01  
CLOCK, PANEL (OPTIONAL)  
CE-681 THRU CE-771, EXCEPT CE-748  
D-9961 THRU D-10119, EXCEPT D-10097  
E-947 THRU E-1240, EXCEPT E-1111

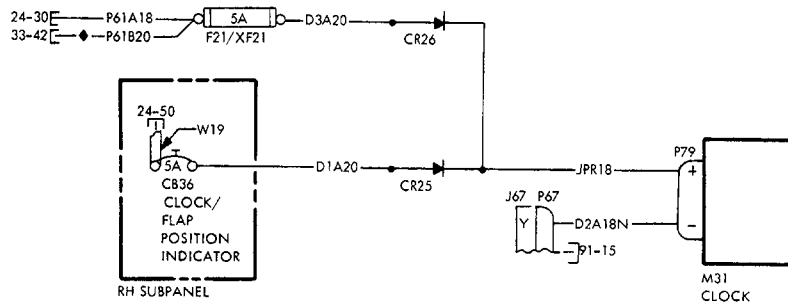
B E E C H C R A F T  
B O N A N Z A  
W I R I N G D I A G R A M M A N U A L

ATA CODE & REF DES	PART NO.	DESCRIPTION	UNITS		USABLE ON CODE
			PER ASSY	INSTL ZONE	
11-01-CB36	435-205-104	CIRCUIT BREAKER, FLAP POSITION INDICATOR . . . . .	1	240	1
-CR25	1N4005	DIODE . . . . .	1	240	1
-CR26	1N4005	DIODE . . . . .	1	240	1
-XF21	4532	FUSEBLOCK-CLOCK, COURTESY LIGHT. . . . .	1	222	1
-F21	AGC5	. FUSE, CLOCK. . . . .	1	222	1
-J67		CONNECTOR, INSTRUMENT PANEL GROUNDING. . . . . /SEE CHAPTER 91-15/	1	231	1
-M31	58-380077-1	CLOCK, PANEL . . . . .	1	240	1
-P67		CONNECTOR, INSTRUMENT PANEL GROUNDING. . . . . /SEE CHAPTER 91-15/	1	231	1
-P79	2965981	PLUG, CLOCK. . . . .	1	240	1
-P79	2962508	. TERMINAL. . . . .	2	240	1
-W19	114931-1-10	BUS BAR . . . . .	1	240	1

C O D E S O F E F F E C T I V I T Y

- 1 CE-681 THRU CE-771,  
EXCEPT CE-748
- D-9961 THRU D-10119,  
EXCEPT D-10097
- E-947 THRU E-1240,  
EXCEPT E-1111

B E E C H C R A F T  
B O N A N Z A  
W I R I N G   D I A G R A M   M A N U A L



◆ USED WITH OPTIONAL COURTESY LIGHTS.

CLOCK, PANEL (OPTIONAL)

04/28/78

25-11-01  
PAGE 3



B E E C H C R A F T  
B O N A N Z A  
W I R I N G D I A G R A M M A N U A L

25-12-01  
CLOCK, CONTROL WHEEL (OPTIONAL)  
CE-718 THRU CE-771, EXCEPT CE-748  
CJ-129 THRU CJ-148  
D-10024 THRU D-10119, EXCEPT D-10097  
E-1059 THRU E-1240, EXCEPT E-1111

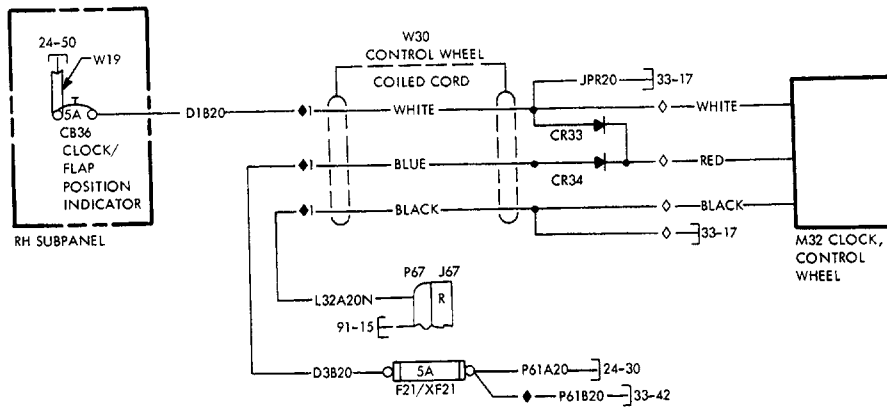
B E E C H C R A F T  
B O N A N Z A  
W I R I N G D I A G R A M M A N U A L

ATA CODE & REF DFS	PART NO.	DESCRIPTION	UNITS		USABLE ON CODE
			PER ASSY	INSTL ZONE	
12-01-CB36	435-205-104	CIRCUIT BREAKER,FLAP POSITION INDICATOR . . . . .	1	240	1
-CR33	1N4005	DIODE . . . . .	1	240	1
-CR34	1N4005	DIODE . . . . .	1	240	1
-XF21	4532	FUSEBLOCK-CLOCK,COURTESY LIGHT. . . . .	1	222	1
-F21	AGC5	. FUSE,CLOCK. . . . .	1	222	1
-J67		CONNECTOR,INSTRUMENT PANEL GROUNDING. . . . .	1	231	1
		/SEE CHAPTER 91-15/			
-M32	CT2A	CLOCK,CONTROL WHEEL . . . . .	1	240	1
-P67		CONNECTOR,INSTRUMENT PANEL GROUNDING. . . . .	1	231	1
		/SEE CHAPTER 91-15/			
-W19	114931-1-10	BUS BAR . . . . .	1	240	1
-W30	101-384082-3	COILED CORD,CONTROL WHEEL . . . . .	1	240	1

C O D E S O F E F F E C T I V I T Y

- 1 CE-718 THRU CE-771,  
EXCEPT CE-748
- CJ-129 THRU CJ-148
- D-10024 THRU D-10119,  
EXCEPT D-10097
- E-1059 THRU E-1240,  
EXCEPT E-1111

BEECHCRAFT  
BONANZA  
WIRING DIAGRAM MANUAL



- ◆ USED WITH OPTIONAL COURTESY LIGHT.
- ◆1 FOR MODE OF CONNECTION, REFER TO APPLICABLE AVIONICS DRAWING.
- ◇ FURNISHED WITH EQUIPMENT.

**CHAPTER**

**27**

**FLIGHT  
CONTROLS**

B E E C H C R A F T  
 B O N A N Z A  
 W I R I N G D I A G R A M M A N U A L

L I S T O F P A G E S  
 F O R  
 C H A P T E R 27-00-00 F L I G H T C O N T R O L S

SYS/SUB-SYS/ CHAP SECTION	PAGE NO.	DATE	SYS/SUB-SYS/ CHAP SECTION	PAGE NO.	DATE	SYS/SUB-SYS/ CHAP SECTION	PAGE NO.	DATE
27-00-00	1	4/28/78	27-32-01	2	4/28/78	27-50-02	2	4/28/78
27-00-00	2	4/28/78	27-32-01	3	4/28/78	27-50-02	3	4/28/78
27-31-01	1	4/28/78	27-50-01	1	4/28/78	27-51-01	1	4/28/78
27-31-01	2	4/28/78	27-50-01	2	4/28/78	27-51-01	2	4/28/78
27-31-01	3	4/28/78	27-50-01	3	4/28/78	27-51-01	3	4/28/78
27-32-01	1	4/28/78	27-50-02	1	4/28/78			

**BEECHCRAFT  
BONANZA  
WIRING DIAGRAM MANUAL**

**CHAPTER 27**

*TABLE OF CONTENTS*

<b>SUBJECT</b>	<b>CHAPTER SECTION SUBJECT</b>	<b>PAGE</b>
<i>FLIGHT CONTROLS</i>	<i>27</i>	
General	27-00	1 thru 2
Elevator and Tab	27-30	
Elevator and Tab - Stall Warning	27-31-01	1 thru 3
Electric Trim (CE-613 thru CE-771, exc. CE-748; CJ-105 thru CJ-148; D-9818 thru D-10119, exc. D-10097)	27-32-01	1 thru 3
Flaps	27-50	
Flaps - Motor (CE-613 thru CE-682; CJ-105 thru CJ-128; D-9818 thru D-9965; E-710, E-763 thru E-953)	27-50-01	1 thru 3
(CE-683 thru CE-771, exc. CE-748; CJ-129 thru CJ-148; D-9966 thru D-10119, exc. D-10097; E-954 thru E-1240, exc. E-1111)	27-50-02	1 thru 3
Flaps - Position Indicator	27-51-01	1 thru 3

**"END"**

B E E C H C R A F T  
B O N A N Z A  
W I R I N G D I A G R A M M A N U A L

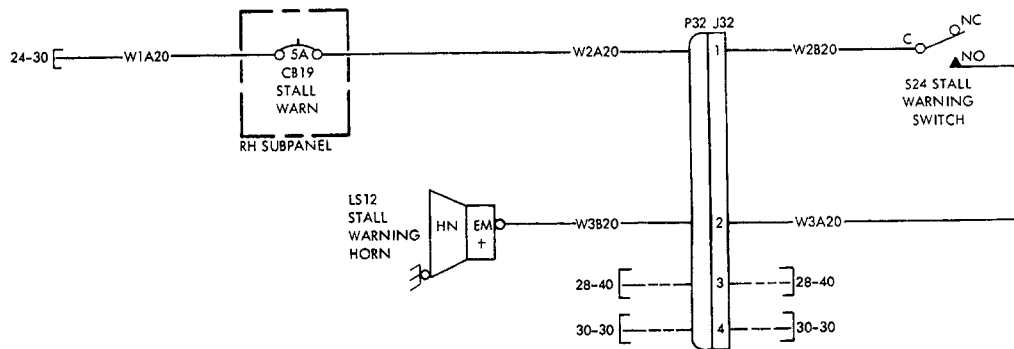
27-31-01  
ELEVATOR AND TAB-STALL WARNING  
CE-613 THRU CE-771, EXCEPT CE-748  
CJ-105 THRU CJ-148  
D-9818 THRU D-10119, EXCEPT D-10097  
E-710, E-763 THRU E-1240 EXCEPT E-1111

B E E C H C R A F T  
B O N A N Z A  
W I R I N G D I A G R A M M A N U A L .

ATA CODE & REF DES	PART NO.	DESCRIPTION	UNITS		USABLE ON CODE
			PER ASSY	INSTL ZONE	
31-01-CB19	435-205-104	CIRCUIT BREAKER,STALL WARNING . . . . .	1	240	
-J32	206153-1	PIN HOUSING,LH WHEEL WELL RECEPTACLE. . . . .	1	140	
-J32	66536-1	. PIN CONTACT /20-24 AWG/ . . . . .	AR	140	
-J32	66509-1	. PIN CONTACT /16-18 AWG/ . . . . .	AR	140	
-LS12	169-380021-7	STALL WARNING HORN. . . . .	1	231	
-P32	206060-1	SOCKET HOUSING,LH WHEEL WELL PLUG . . . . .	1	140	
-P32	66538-1	. SOCKET CONTACT /20-24 AWG/. . . . .	AR	140	
-P32	66510-1	. SOCKET CONTACT /16-18 AWG/. . . . .	AR	140	
-S24	151	SWITCH,STALL WARNING. . . . .	1	531	



BEECHCRAFT  
 BONANZA  
 WIRING DIAGRAM MANUAL



B E E C H C R A F T  
B O N A N Z A  
W I R I N G D I A G R A M M A N U A L

27-32-01  
ELECTRIC TRIM  
CE-613 THRU CE-771, EXCEPT CE-748  
CJ-105 THRU CJ-148  
D-9818 THRU D-10119, EXCEPT D-10097

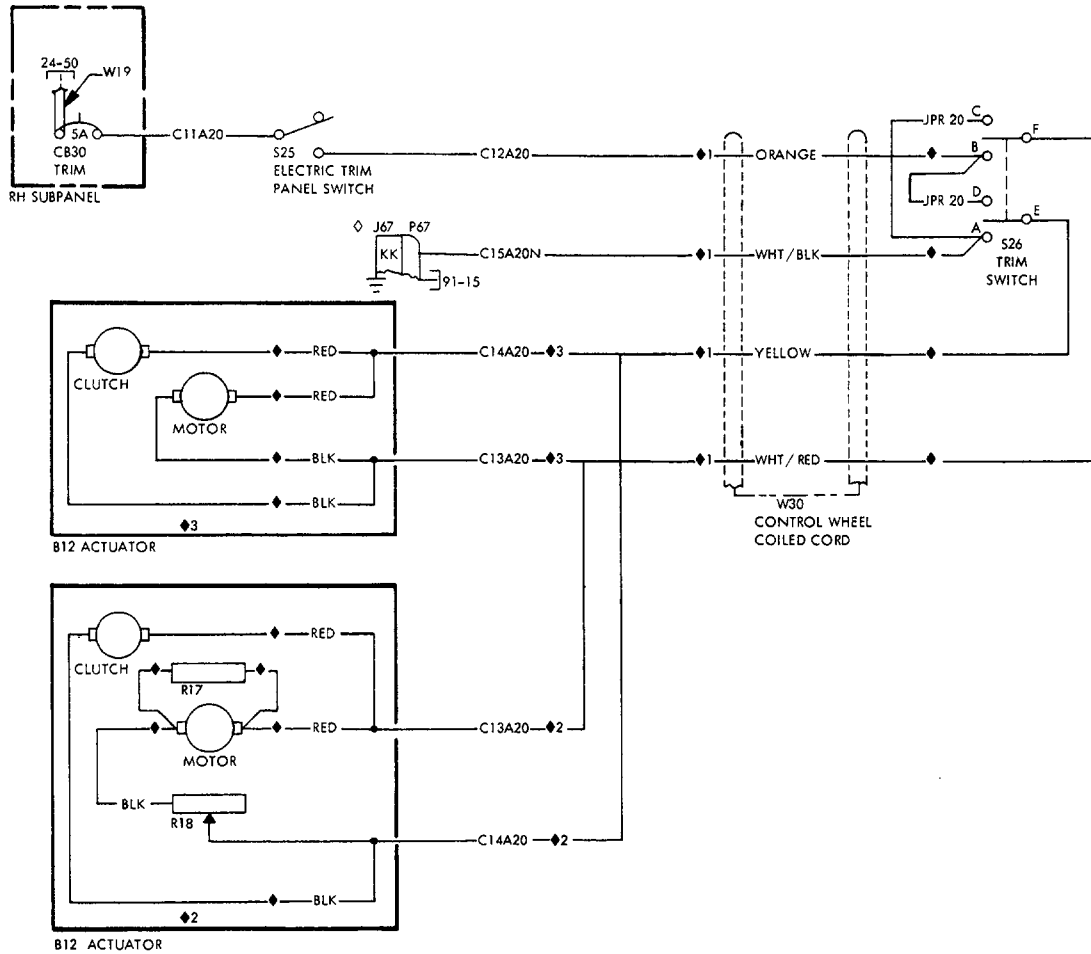
B E E C H C R A F T  
B O N A N Z A  
W I R I N G D I A G R A M M A N U A L

ATA CODE & REF DES	PART NO.	DESCRIPTION	UNITS		USABLE ON CODE
			PER ASSY	INSTL ZONE	
32-01-B12	R 33-524023-21	ASSEMBLY,PITCH TRIM ACTUATOR/USE AS SPARES FOR. 33-524023-3/	1	310	1
-B12	39SBEC17CC5512V	. CLUTCH. . . . .	1	310	1
-B12	319A208-4	. MOTOR . . . . .	1	310	1
-CB30	R 435-205-104	CIRCUIT BREAKER,ELECTRIC TRIM . . . . .	1	240	1
-J67		CONNECTOR,INSTRUMENT PANEL GROUNDING. . . . . /SEE CHAPTER 91-15/	1	231	5
-P67		CONNECTOR,INSTRUMENT PANEL GROUNDING. . . . . /SEE CHAPTER 91-15/	1	231	5
-R17	R 1804	RESISTOR,ELECTRIC TRIM. . . . .	1	310	3
-R17	4765	RESISTOR,ELECTRIC TRIM. . . . .	1	310	4
-R18	0363	POTENTIOMETER,ELECTRIC TRIM . . . . .	1	310	2
-S25	R MST105D	SWITCH,ELECTRIC TRIM PANEL. . . . .	1	240	1
-S26	R 26006	SWITCH,CONTROL WHEEL TRIM . . . . .	1	240	1
-W19	R 114931-1-10	BUS BAR . . . . .	1	240	1
-W30	R 36-500004-51	COILED CORD-CONTROL WHEEL . . . . .	1	240	1

C O D E S O F E F F E C T I V I T Y

- |  |   |
|--|---|
| <p>1 CE-613 THRU CE-771,<br/>EXCEPT CE-748<br/>CJ-105 THRU CJ-148<br/>EXCEPT D-10097</p>                           | <p>2 CE-613 THRU CE-771,<br/>EXCEPT CE-748<br/>CJ-105 THRU CJ-148</p> |
| <p>3 CE-613 THRU CE-771<br/>EXCEPT CE-748</p>  | <p>4 CJ-105 THRU CJ-148</p>   |
| <p>5 CE-716 THRU CE-771,<br/>EXCEPT CE-748<br/>CJ-129 THRU CJ-148<br/>D-10029 THRU D-10119,<br/>EXCEPT D-10097</p> |   |

BEECHCRAFT  
BONANZA  
WIRING DIAGRAM MANUAL



◇ WIRE C15A GOES TO P/J67 CONN BEGINNING ON AIRCRAFT CE-716 & AFT, CJ-129 & AFT, AND D-10009 & AFT.

- ◆ FURNISHED WITH EQUIPMENT.
- ◆1 REFER TO APPLICABLE AVIONICS DWG FOR MODE OF CONNECTION.
- ◆2 ON AIRCRAFT CE-613 & AFTER AND CJ-103 & AFTER.
- ◆3 ON AIRCRAFT D-9818 & AFTER ONLY.

B E E C H C R A F T  
B O N A N Z A  
W I R I N G D I A G R A M M A N U A L

27-50-01  
FLAPS-MOTOR  
CE-613 THRU CE-682  
CJ-105 THRU CJ-128  
D-9818 THRU D-9965  
E-710,E-763 THRU E-953

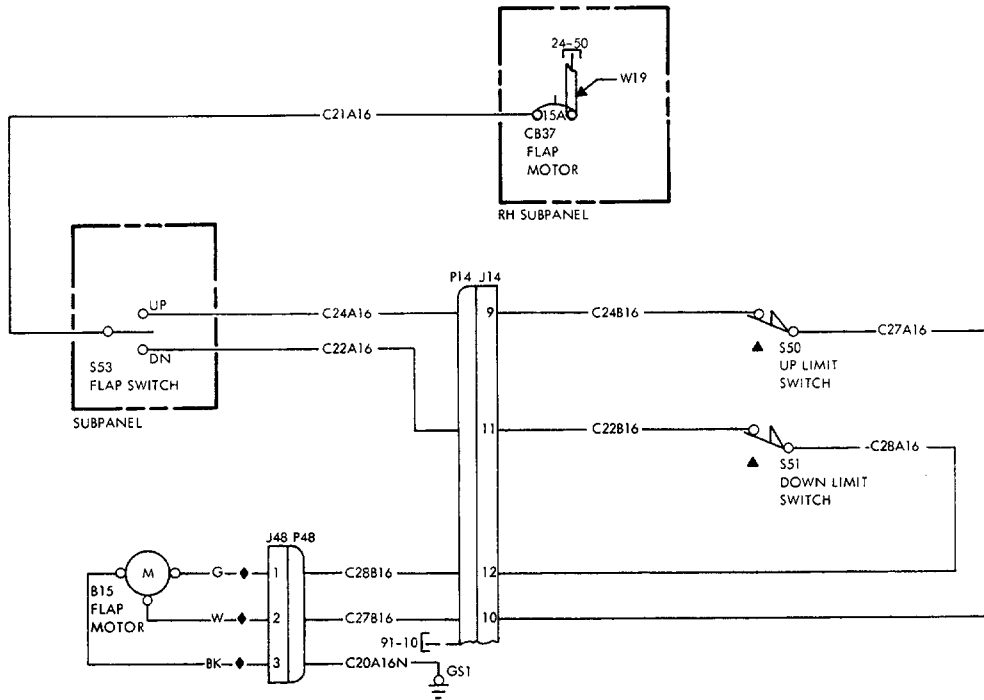
B E E C H C R A F T  
B O N A N Z A  
W I R I N G D I A G R A M M A N U A L

ATA CODE & REF DES	PART NU.	DESCRIPTION	UNITS							USABLE ON CODE
			1	2	3	4	5	6	7	
50-01-B15	35-380109	MOTOR,FLAP. . . . .							1 270	1
-CB37	435-205-104	CIRCUIT BREAKER,FLAP MOTOR. . . . .							1 240	1
-GS1	131270-3	GROUND STUD,MAIN SPAR CARRY THRU. . . . .							1 270	1
-J14		CONNECTOR,LH WING-WHEELWELL ACCESS. . . . . /SEE CHAPTER 91-10/							1 150	1
-J48	1-350347-0	PIN HOUSING,FLAP MOTOR RECEPTACLE . . . . .							1 251	1
-J48	350359-1	. PIN CONTACT /14-20 AWG/ . . . . .							3 251	1
-P14		CONNECTOR,LH WING-WHEELWELL ACCESS. . . . . /SEE CHAPTER 91-10/							1 150	1
-P48	1-350346-0	SOCKET HOUSING,FLAP MOTOR PLUG. . . . .							1 251	1
-P48	350388-1	. SOCKET CONTACT. . . . .							3 251	1
-S50	MS25026-1	SWITCH,FLAP UP LIMIT. . . . .							1 531	1
-S51	MS25026-1	SWITCH,FLAP DOWN LIMIT. . . . .							1 532	1
-S53	MS25125B1	SWITCH,FLAP . . . . .							1 532	1
-W19	114931-1-10	BUS BAR . . . . .							1 240	1

C O D E S O F E F F E C T I V I T Y

- 1 CE-613 THRU CE-682
- CJ-105 THRU CJ-128
- D-9818 THRU D-9965
- E-710,
- E-763 THRU E-953

BEECHCRAFT  
 BONANZA  
 WIRING DIAGRAM MANUAL



◆ FURNISHED WITH EQUIPMENT.

B E E C H C R A F T  
B O N A N Z A  
W I R I N G D I A G R A M M A N U A L

27-50-02  
FLAPS - MOTOR  
CE-683 THRU CE-771, EXCEPT 748  
CJ-129 THRU CJ-148  
D-9966 THRU D-10119, EXCEPT D-10097  
E-954 THRU E-1240, EXCEPT E-1111



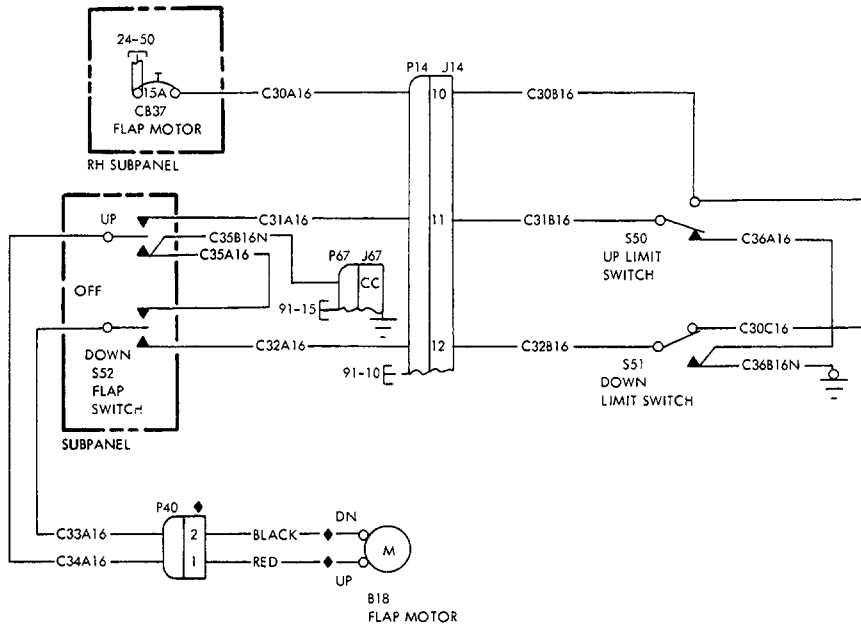
B E E C H C R A F T  
B O N A N Z A  
W I R I N G D I A G R A M M A N U A L

ATA CODE & REF DES	PART NO.	DESCRIPTION	UNITS		USABLE ON CODE
			PER ASSY	INSTL ZONE	
50-02-B18	D160-00-1	MOTOR, FLAP. . . . .	1	270	1
-CB37	435-205-104	CIRCUIT BREAKER, FLAP. . . . .	1	240	1
-J14		CONNECTOR, LH WING-WHEELWELL ACCESS. . . . . /SEE CHAPTER 91-10/	1	150	1
-J67		CONNECTOR, INSTRUMENT PANEL GROUNDING. . . . . /SEE CHAPTER 91-15/	1	231	1
-P14		CONNECTOR, WING-WHEELWELL ACCESS . . . . . /SEE CHAPTER 91-10/	1	150	1
-P40	1-480318-0	SOCKET HOUSING, FLAP MOTOR RECEPTACLE. . . . .	1	270	1
-P40	60619-1	. SOCKET CONTACT. . . . .	2	270	1
-P67		CONNECTOR, INSTRUMENT PANEL GROUNDING. . . . . /SEE CHAPTER 91-10/	1		1
-S50	MS25026-1	SWITCH, FLAP UP LIMIT. . . . .	1	532	1
-S51	MS25026-1	SWITCH, FLAP DOWN LIMIT. . . . .	1	532	1
-S52	8858K40	SWITCH, FLAP . . . . .	1	240	1

C O D E S O F E F F E C T I V I T Y

- 1 CE-683 THRU CE-771;  
EXCEPT CE-748
- CJ-129 THRU CJ-148
- D-9966 THRU D-10119;  
EXCEPT D-10097
- E-954 THRU E-1240;  
EXCEPT E-1111

BEECHCRAFT  
**BONANZA**  
 WIRING DIAGRAM MANUAL



NOTE: FLAPS SHOWN IN UP POSITION.

◆ FURNISHED WITH EQUIPMENT.

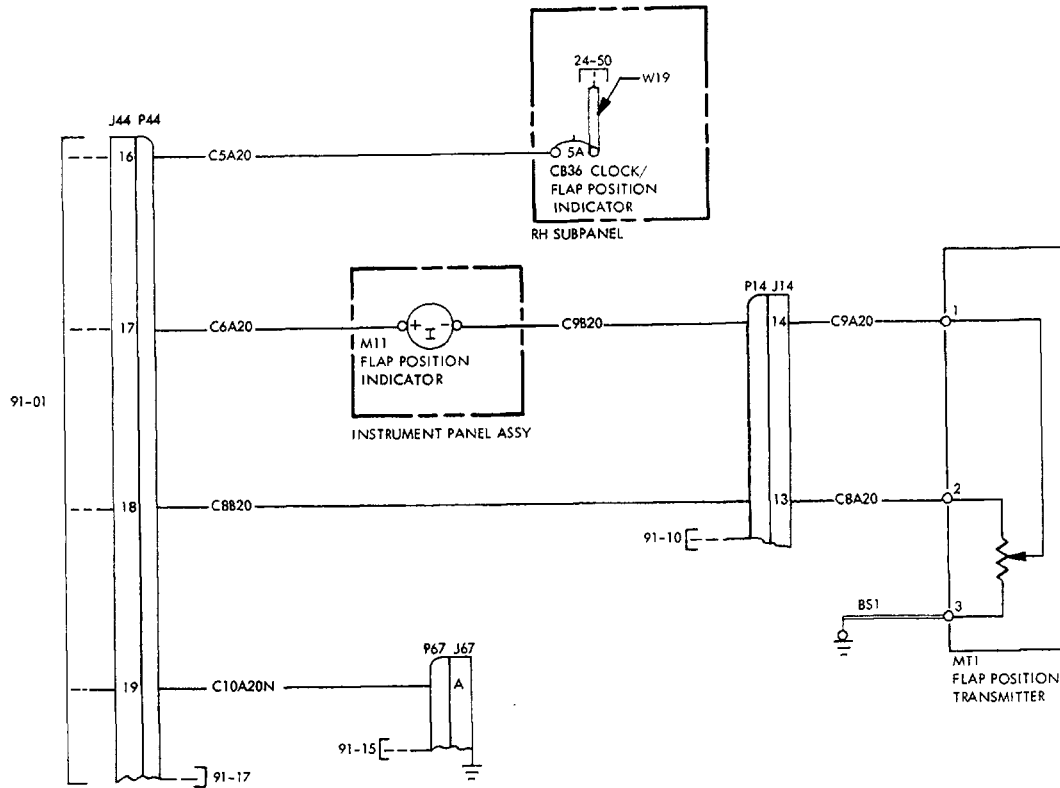
B E E C H C R A F T  
B O N A N Z A  
W I R I N G D I A G R A M M A N U A L

27-51-01  
FLAPS-POSITION INDICATOR  
CE-613 THRU CE-771;EXCEPT CE-748  
CJ-105 THRU CJ-148  
D-9818 THRU D-10119;EXCEPT D-10097  
E-710;E-763 THRU E-1240;EXCEPT E-1111

B E E C H C R A F T  
B O N A N Z A  
W I R I N G D I A G R A M M A N U A L

ATA CODE & REF DES	PART NO.	1	2	3	4	5	6	7	DESCRIPTION	UNITS		USABLE ON CODE
										PER ASSY	INSTL ZONE	
51-01-BS1	MS25083-1BA6								STRAP,FLAP POSITION TRANSMITTER BONDING . . . . .	1	533	
-CB36	435-205-104								CIRCUIT BREAKER,CLOCK/FLAP POSITION INDICATOR . . . . .	1	240	
-J14									CONNECTOR,LH WING-WHEELWELL ACCESS. . . . .	1	150	
									/SEE CHAPTER 91-10/			
-J44									CONNECTOR,JUNCTION BOX DISCONNECT . . . . .	1	231	
									/SEE CHAPTER 91-17/			
-J67									CONNECTOR,INSTRUMENT PANEL GROUNDING. . . . .	1	231	
									/SEE CHAPTER 91-15/			
-MT1	58-380009-1								TRANSMITTER,FLAP POSITION . . . . .	1	533	
-M11	50-384001-33								INDICATOR,FLAP POSITION . . . . .	1	240	
-P14									CONNECTOR,LH WING-WHEELWELL ACCESS. . . . .	1	150	
									/SEE CHAPTER 91-10/			
-P44									CONNECTOR,JUNCTION BOX DISCONNECT . . . . .	1	231	
									/SEE CHAPTER 91-17/			
-P67									CONNECTOR,INSTRUMENT PANEL GROUNDING. . . . .	1	231	
									/SEE CHAPTER 91-15/			
-W19	114931-1-10								BUS BAR . . . . .	1	240	

BEECHCRAFT  
 BONANZA  
 WIRING DIAGRAM MANUAL



**CHAPTER**

**28**

**FUEL**

B E E C H C R A F T  
B O N A N Z A  
W I R I N G D I A G R A M M A N U A L

LIST OF PAGES  
FOR  
CHAPTER 28-00-00 FUEL

SYS/SUB-SYS/ CHAP SECTION	PAGE NO.	DATE	SYS/SUB-SYS/ CHAP SECTION	PAGE NO.	DATE	SYS/SUB-SYS/ CHAP SECTION	PAGE NO.	DATE
28-00-00	1	4/28/78	28-20-02	1	4/28/78	28-40-01	3	4/28/78
28-00-00	2	4/28/78	28-20-02	2	4/28/78	28-40-02	1	4/28/78
28-20-01	1	4/28/78	28-20-02	3	4/28/78	28-40-02	2	4/28/78
28-20-01	2	4/28/78	28-40-01	1	4/28/78	28-40-02	3	4/28/78
28-20-01	3	4/28/78	28-40-01	2	4/28/78			

**BEECHCRAFT  
BONANZA  
WIRING DIAGRAM MANUAL**

**CHAPTER 28**

*TABLE OF CONTENTS*

<b>SUBJECT</b>	<b>CHAPTER SECTION SUBJECT</b>	<b>PAGE</b>
<i>FUEL</i>	28	
General	28-00	1 thru 2
Distribution	28-20	
Distribution - Auxiliary Fuel Pump (CE-613 thru CE-771, exc. CE-748; D-9818 thru D-10119, exc. D-10097; E-710, E-763 thru E-1240, exc. E-1111)	28-20-01	1 thru 3
(CJ-105 thru CJ-148)	28-20-02	1 thru 3
Indicating	28-40	
Indicating - Fuel Quantity (CE-613 thru CE-715; CJ-105 thru CJ-128; D-9818 thru D-10008; E-710, E-763 thru E-1028)	28-40-01	1 thru 3
(CE-716 thru CE-771, exc. CE-748; CJ-129 thru CJ-148; D-10009 thru D-10119, exc. D-10097; E-1029 thru E-1240, exc. E-1111)	28-40-02	1 thru 3

"END"



B E E C H C R A F T  
B O N A N Z A  
W I R I N G D I A G R A M M A N U A L

28-20-01  
DISTRIBUTION-AUXILIARY FUEL PUMP  
CE-613 THRU CE-771,EXCEPT CE-748  
D-9818 THRU D-10119,EXCEPT D-10097  
E-710,E-763 THRU E-1240,EXCEPT E-1111

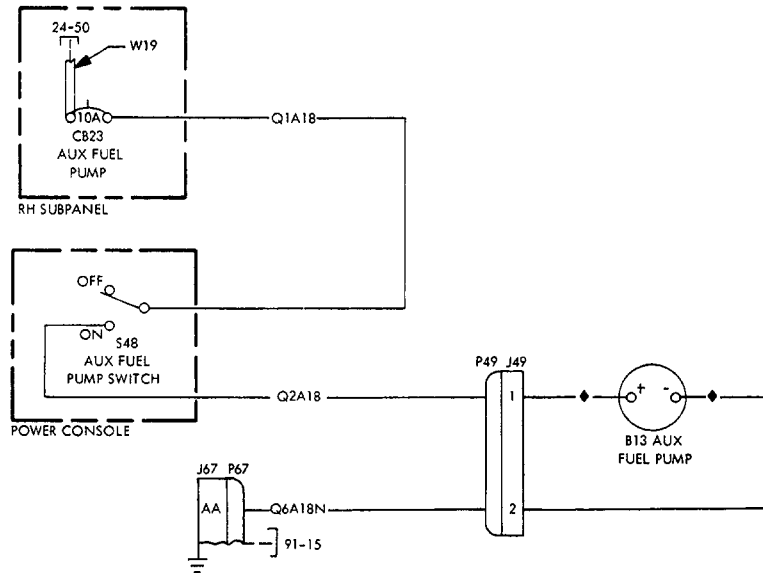
S E E C H C R A F T  
B O N A N Z A  
W I R I N G D I A G R A M M A N U A L

ATA CODE & REF DES	PART NO.	DESCRIPTION	UNITS		USABLE ON CODE				
			PER ASSY	INSTL ZONE					
			1	2	3	4	5	6	7
20-01-B13	4258-0015	PUMP,AUXILIARY FUEL . . . . .	1	270					1
-CB23	R 435-210-104	CIRCUIT BREAKER,AUXILIARY FUEL PUMP . . . . .	1	240					1
-J49	1-480319-0	PIN HOUSING,AUXILIARY FUEL PUMP RECEPTACLE . . . . .	1	140					1
-J49	60618-1	. PIN CONTACT /18-20 AWG/ . . . . .	2	140					1
-J67		CONNECTOR,INSTRUMENT PANEL GROUNDING . . . . .	1	231					1
		/SEE CHAPTER 91-15/							
-P49	R 1-480318-0	CONNECTOR,FLAP MOTOR PLUG . . . . .	1	140					1
-P49	60617-1	. SOCKET CONTACT /18-20 AWG/. . . . .	2	140					1
-P67		CONNECTOR,INSTRUMENT PANEL GROUNDING . . . . .	1	231					1
		/SEE CHAPTER 91-15/							
-S48	35-380053-21	SWITCH,AUXILIARY FUEL PUMP . . . . .	1	240					1
-W19	114931-1-10	BUS BAR . . . . .	1	240					1

C O D E S O F E F F E C T I V I T Y

- 1 CE-613 THRU CE-771,  
EXCEPT CE-748  
D-9818 THRU D-10119,  
EXCEPT D-10097  
E-710,E-763 THRU  
E-1240 EXCEPT E-1111

BEECHCRAFT  
BONANZA  
WIRING DIAGRAM MANUAL



◆ FURNISHED WITH EQUIPMENT.

B E E C H C R A F T  
B O N A N Z A  
W I R I N G D I A G R A M M A N U A L

28-20-02  
DISTRIBUTION-AUXILIARY FUEL PUMP  
CJ-105 THRU CJ-148

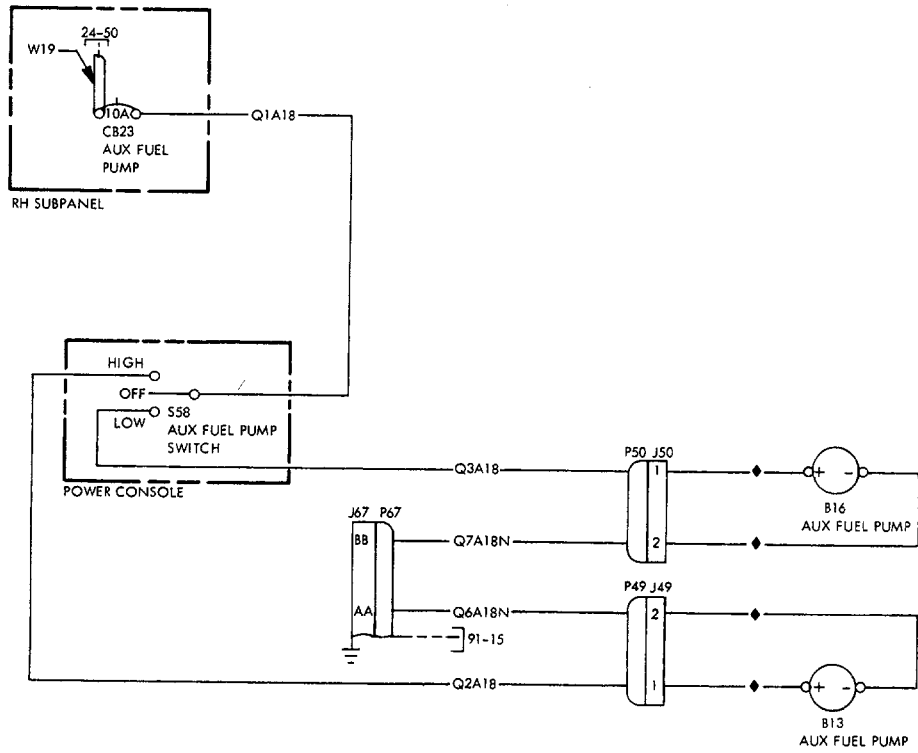
B E E C H C R A F T  
B O N A N Z A  
W I R I N G D I A G R A M M A N U A L

ATA CODE & REF DES	PART NO.	DESCRIPTION	UNITS		USABLE ON CODE
			PER ASSY	INSTL ZONE	
20-02-813	4258-0015	PUMP,AUXILIARY FUEL . . . . .	1	270	1
-B16	4140-00-103	PUMP,AUXILIARY FUEL . . . . .	1	140	1
-CB23	R 435-210-104	CIRCUIT BREAKER,AUXILIARY FUEL PUMP . . . . .	1	240	1
-J49	1-480319-0	PIN HOUSING,AUXILIARY FUEL PUMP RECEPTACLE . . . . .	1	140	1
-J49	60618-1	. PIN CONTACT /18-20 AWG/ . . . . .	2	140	1
-J50	1-480319-0	PIN HOUSING,AUXILIARY FUEL PUMP RECEPTACLE . . . . .	1	140	1
-J50	60618-1	. PIN CONTACT /18-20 AWG/ . . . . .	2	140	1
-J67		CONNECTOR,INSTRUMENT PANEL GROUNDING. . . . . /SEE CHAPTER 91-15/	1	231	1
-P49	1-480318-0	SOCKET HOUSING,AUXILIARY FUEL PUMP PLUG . . . . .	1	140	1
-P49	60617-1	. SOCKET CONTACT /18-20 AWG/. . . . .	2	140	1
-P50	1-480318-0	SOCKET HOUSING,AUXILIARY FUEL PUMP PLUG . . . . .	1	140	1
-P50	60617-1	. SOCKET CONTACT /18-20 AWG/. . . . .	2	140	1
-P67		CONNECTOR,INSTRUMENT PANEL GROUNDING. . . . . /SEE CHAPTER 91-15/	1	231	1
-S58	35-380053-21	SWITCH,AUXILIARY FUEL PUMP. . . . .	1	240	1
-W19	114931-1-10	BUS BAR . . . . .	1	240	1

C O D E S O F E F F E C T I V I T Y

1 CJ-105 THRU CJ-148

BEECHCRAFT  
 BONANZA  
 WIRING DIAGRAM MANUAL



◆ FURNISHED WITH EQUIPMENT.

B E E C H C R A F T  
B O N A N Z A  
W I R I N G D I A G R A M M A N U A L

28-40-01  
INDICATING-FUEL QUANTITY  
CE-613 THRU CE-715  
CJ-105 THRU CJ-128  
D-9818 THRU D-10008  
E-710, E-763 THRU E-1028

B E E C H C R A F T  
B O N A N Z A  
W I R I N G D I A G R A M M A N U A L

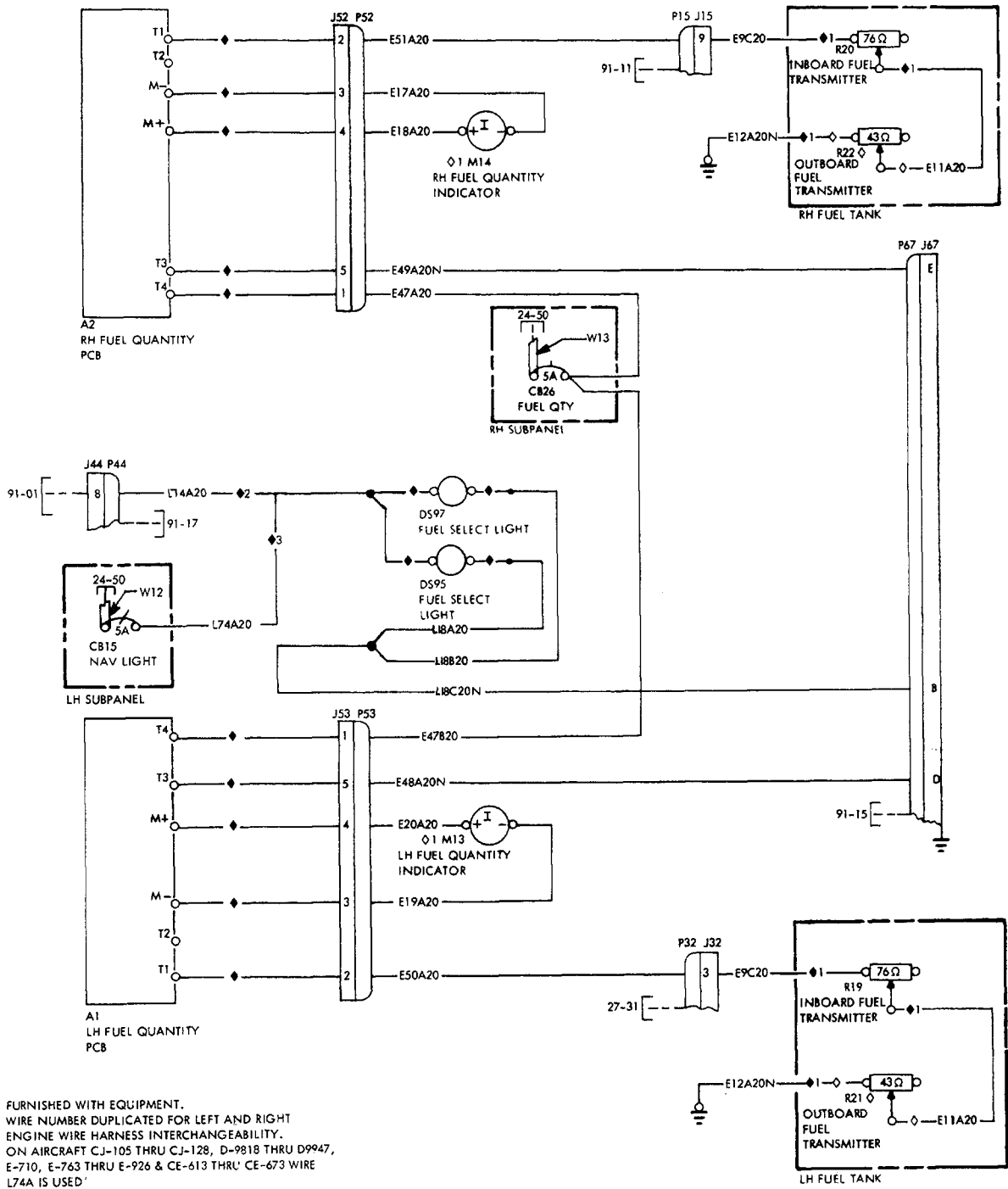
ATA CODE & REF DES	PART NO.	DESCRIPTION	UNITS		USABLE ON CODE
			PER ASSY	INSTL ZONE	
40-01-A1	58-364041-9	PRINTED CIRCUIT BOARD,LH FUEL QUANTITY. . . . .	1	240	1
-A2	R 58-364041-9	PRINTED CIRCUIT BOARD,RH FUEL QUANTITY. . . . .	1	240	1
-CB26	435-205-104	CIRCUIT BREAKER,FUEL QUANTITY . . . . .	1	240	1
-DS95	330	LIGHT,FUEL SELECT . . . . .	1	270	1
-DS97	330	LIGHT,FUEL SELECT . . . . .	1	270	1
-J15		CONNECTOR,RH WING-WHEELWELL ACCESS. . . . .	1	150	1
		/SEE CHAPTER 91-11/			
-J32	206153-1	PIN HOUSING,LH WHEEL WELL RECEPTACLE. . . . .	1	140	1
-J32	66536-1	. PIN CONTACT /20-24 AWG/ . . . . .	AR	140	1
-J32	66509-1	. PIN CONTACT /16-18 AWG/ . . . . .	AR	140	1
-J44		CONNECTOR,JUNCTION BOX DISCONNECT . . . . .	1	231	2
		/SEE CHAPTER 91-17/			
-J52	1-480340-0	PIN HOUSING,RH FUEL QUANTITY PC BD RECEPTACLE . . . . .	1	240	1
-J52	60618-1	. PIN CONTACT /18-20 AWG/ . . . . .	AR	240	1
-J53	1-480340-0	PIN HOUSING,LH FUEL QUANTITY PC BD RECEPTACLE . . . . .	1	240	1
-J53	60618-1	. PIN CONTACT /18-20 AWG/ . . . . .	AR	240	1
-M13	58-380050-7	INDICATOR,LH FUEL QUANTITY. . . . .	1	240	1
-M14	58-380050-7	INDICATOR,RH FUEL QUANTITY. . . . .	1	240	1
-P15		CONNECTOR,RH WING-WHEEL WELL ACCESS . . . . .	1	150	1
		/SEE CHAPTER 91-11/			
-P32	206060-1	SOCKET HOUSING,LH WHEEL WELL PLUG . . . . .	1	140	1
-P32	66538-1	. SOCKET CONTACT /20-24 AWG/. . . . .	AR	140	1
-P32	66510-1	. SOCKET CONTACT /16-18 AWG/. . . . .	AR	140	1
-P44		CONNECTOR,JUNCTION BOX DISCONNECT . . . . .	1	241	1
		/SEE CHAPTER 91-17/			
-P52	1-480270-0	SOCKET HOUSING,RH FUEL QUANTITY PC BD PLUG. . . . .	1	240	1
-P52	60617-1	. SOCKET CONTACT /18-20 AWG/. . . . .	AR	240	1
-P53	1-480270-0	SOCKET HOUSING,LH FUEL QUANTITY PC BD PLUG. . . . .	1	240	1
-P53	60617-1	. SOCKET CONTACT /18-20 AWG/. . . . .	AR	240	1
-R19	35-380136-3	TRANSMITTER,LH INBOARD FUEL . . . . .	1	531	1
-R20	35-380136-5	TRANSMITTER,RH INBOARD FUEL . . . . .	1	631	1
-R21	96-380042-1	TRANSMITTER,LH OUTBOARD FUEL. . . . .	1	531	1
-R22	96-380042-3	TRANSMITTER,RH OUTBOARD . . . . .	1	631	1

C O D E S O F E F F E C T I V I T Y

1	CE-613 THRU CE-715	2	CE-613 THRU CE-715
	CJ-105 THRU CJ-128		CJ-105 THRU CJ-128
	D-9818 THRU D-10008		D-9818 THRU D-9947
	E-710,		E-710,
	E-763 THRU E-1028		E-763 THRU E-926



**BEECHCRAFT  
BONANZA  
WIRING DIAGRAM MANUAL**



- ◆ FURNISHED WITH EQUIPMENT.
- ◆1 WIRE NUMBER DUPLICATED FOR LEFT AND RIGHT ENGINE WIRE HARNESS INTERCHANGEABILITY.
- ◆2 ON AIRCRAFT CJ-105 THRU CJ-128, D-9818 THRU D9947, E-710, E-763 THRU E-926 & CE-613 THRU CE-673 WIRE L74A IS USED
- ◆3 ON AIRCRAFT D-9948 THRU D-10008, E-927 THRU E-1028 AND CE-674 THRU CE-715 WIRE L74A IS USED
  
- ◇ ON AIRCRAFT WITH OPTIONAL 74 GALLON SYSTEM INSTALLED, R21 & R22 TRANSMITTERS AND WIRES E11A & E12A ARE USED AND M29 & M30 FUEL QTY INDICATORS REPLACE M13 & M14 FUEL QTY INDICATORS RESPECTIVELY.

INDICATING, FUEL QUANTITY  
CONFIGURATION 1/SEE PAGE 1 FOR EFFECTIVITY/

B E E C H C R A F T  
B O N A N Z A  
W I R I N G D I A G R A M M A N U A L

28-40-02  
INDICATING-FUEL QUANTITY  
CE-716 THRU CE-771,EXCEPT CE-748  
CJ-129 THRU CJ-148  
D-10009 THRU D-10119,EXCEPT D-10097  
E-1029 THRU E-1240,EXCEPT E-1111

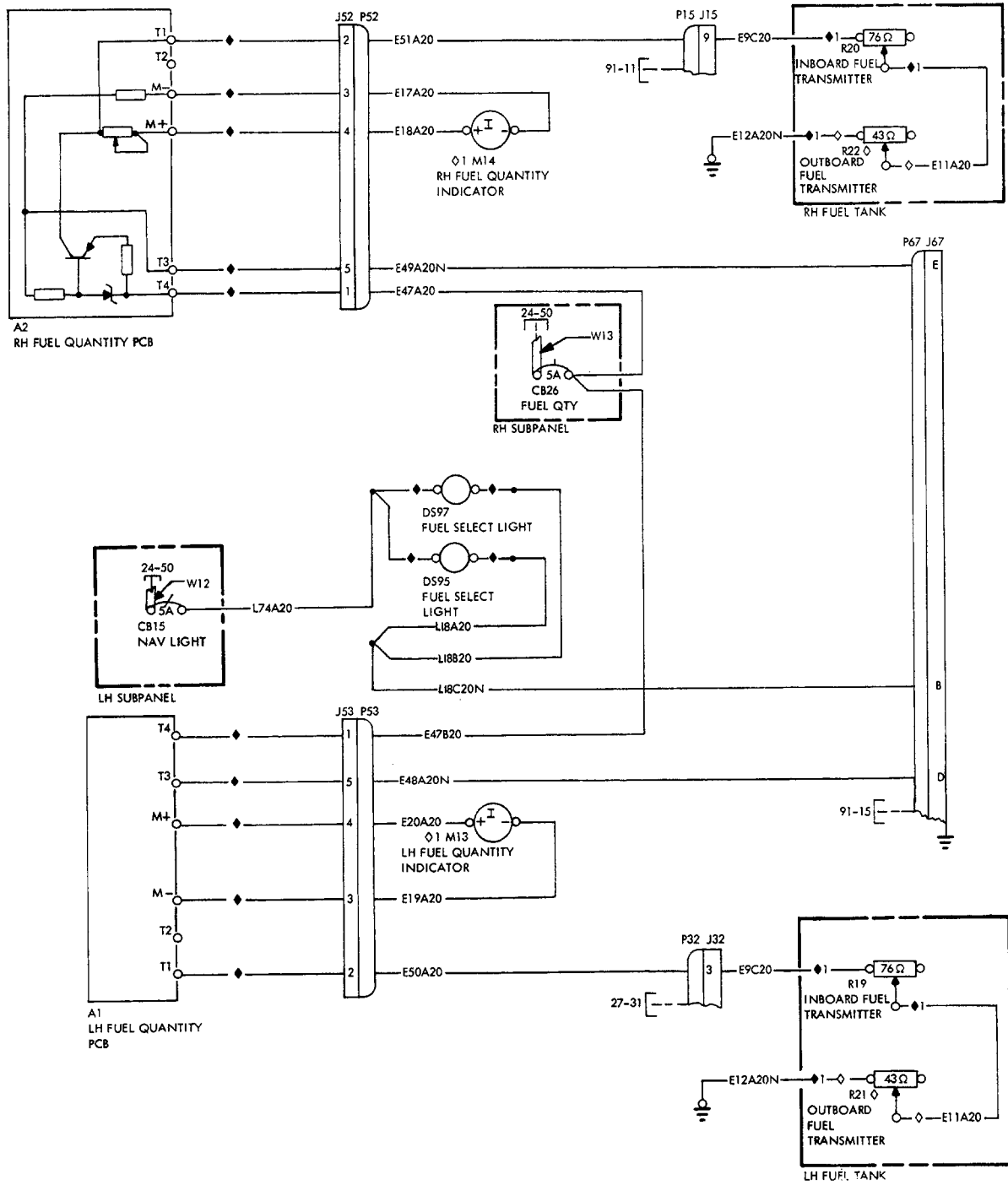
B E E C H C R A F T  
B O N A N Z A  
W I R I N G D I A G R A M M A N U A L

ATA CODE & REF DES	PART NO.	DESCRIPTION	UNITS							USABLE ON CODE	
			PER ASSY	INSTL ZONE	1	2	3	4	5		6
40-02-A1	58-364041-9	PRINTED CIRCUIT BOARD,LH FUEL QUANTITY. . . . .	1	240							1
-A2	58-364041-0	PRINTED CIRCUIT BOARD,RH FUEL QUANTITY. . . . .	1	240							1
-CB26	435-205-104	CIRCUIT BREAKER,FUEL QUANTITY . . . . .	1	240							1
-DS95	330	LIGHT,FUEL SELECT . . . . .	1	270							1
-DS97	330	LIGHT,FUEL SELECT . . . . .	1	270							1
-J15		CONNECTOR,RH WING-WHEELWELL ACCESS. . . . .	1	150							1
		/SEE CHAPTER 91-11/									
-J32	206153-1	PIN HOUSING,LH WHEEL WELL RECEPTACLE. . . . .	1	140							1
-J32	66536-1	. PIN CONTACT /20-24 AWG/ . . . . .	AR	140							1
-J32	66509-1	. PIN CONTACT /16-18 AWG/ . . . . .	AR	140							1
-J51	1-480319-0	PIN HOUSING,FUEL SELECT LIGHT RECEPTACLE. . . . .	1	251							1
-J51	61109-1	. PIN CONTACT /18-20 AWG/ . . . . .	AR	251							1
-J52	1-480340-0	PIN HOUSING,RH FUEL QUANTITY PC BD RECEPTACLE . . . . .	1	240							1
-J52	60618-1	. PIN CONTACT /18-20 AWG/ . . . . .	AR	240							1
-J53	1-480340-0	PIN HOUSING,LH FUEL QUANTITY PC BD RECEPTACLE . . . . .	1	240							1
-J53	60618-1	. PIN CONTACT /18-20 AWG/ . . . . .	AR	240							1
-M13	58-380050-7	INDICATOR,LH FUEL QUANTITY. . . . .	1	240							1
-M14	58-380050-7	INDICATOR,RH FUEL QUANTITY. . . . .	1	240							1
-P15		CONNECTOR,RH WING-WHEEL WELL ACCESS . . . . .	1	150							1
		/SEE CHAPTER 91-11/									
-P32	206060-1	SOCKET HOUSING,LH WHEEL WELL PLUG . . . . .	1	140							1
-P32	66538-1	. SOCKET CONTACT /20-24 AWG/. . . . .	AR	140							1
-P32	66510-1	. SOCKET CONTACT /16-18 AWG/. . . . .	AR	140							1
-P52	1-480270-0	SOCKET HOUSING,RH FUEL QUANTITY PC BD PLUG. . . . .	1	240							1
-P52	60617-1	. SOCKET CONTACT /18-20 AWG/. . . . .	AR	240							1
-P53	1-480270-0	SOCKET HOUSING,LH FUEL QUANTITY PC BD PLUG. . . . .	1	240							1
-P53	60617-1	. SOCKET CONTACT /18-20 AWG/. . . . .	AR	240							1
-R19	35-380136-3	TRANSMITTER,LH INBOARD FUEL . . . . .	1	531							1
-R20	35-380136-5	TRANSMITTER,RH INBOARD FUEL . . . . .	1	631							1
-R21	96-380042-1	TRANSMITTER,LH OUTBOARD FUEL. . . . .	1	531							1
-R22	96-380042-3	TRANSMITTER,RH INBOARD FUEL . . . . .	1	631							1

C O D E S O F E F F E C T I V I T Y

- 1 CE-716 THRU CE-771,  
EXCEPT CE-748
- CJ-129 THRU CJ-148
- D-10009 THRU D-10119,  
EXCEPT D-10097
- E-1029 THRU E-1240,  
EXCEPT E-1111

BEECHCRAFT  
**BONANZA**  
 WIRING DIAGRAM MANUAL



- ◆ FURNISHED WITH EQUIPMENT.
  - ◆1 WIRE NUMBER DUPLICATED FOR LEFT AND RIGHT ENGINE WIRE HARNESS INTERCHANGEABILITY.
  - ◇ ON AIRCRAFT WITH OPTIONAL 74 GALLON SYSTEM INSTALLED, R21 & R22 TRANSMITTERS AND WIRES E11A & E12A ARE USED AND M29 & M30 FUEL QTY INDICATORS REPLACE M13 & M14 FUEL QTY INDICATORS RESPECTIVELY.
- INDICATING - FUEL QUANTITY

**CHAPTER**

**30**

**ICE AND RAIN  
PROTECTION**

B E E C H C R A F T  
 B O N A N Z A  
 W I R I N G D I A G R A M M A N U A L

LIST OF PAGES  
 FOR  
 CHAPTER 30-00-00 ICE AND RAIN PROTECTION

SYS/SUB-SYS/ CHAP SECTION	PAGE NO.	DATE	SYS/SUB-SYS/ CHAP SECTION	PAGE NO.	DATE	SYS/SUB-SYS/ CHAP SECTION	PAGE NO.	DATE
30-00-00	1	4/28/78	30-30-01	3	4/28/78	30-61-01	1	4/28/78
30-00-00	2	4/28/78	30-60-01	1	4/28/78	30-61-01	2	4/28/78
30-30-01	1	4/28/78	30-60-01	2	4/28/78	30-61-01	3	4/28/78
30-30-01	2	4/28/78	30-60-01	3	4/28/78			

**BEECHCRAFT  
BONANZA  
WIRING DIAGRAM MANUAL**

**CHAPTER 30  
TABLE OF CONTENTS**

<b>SUBJECT</b>	<b>CHAPTER SECTION SUBJECT</b>	<b>PAGE</b>
<b>ICE AND RAIN PROTECTION</b>	<b>30</b>	
General	30-00	1 thru 2
Pitot and Static	30-30	
Pitot and Static - Heated Pitot (Optional)	30-30-01	1 thru 3
Propellers/Rotors	30-60	
Propellers/Rotors - 2-Blade Prop Anti-Ice (Optional)	30-60-01	1 thru 3
Propellers/Rotors - 3-Blade Prop Anti-Ice (Optional)	30-61-01	1 thru 3

**"END"**

BEECHCRAFT  
BONANZA  
WIRING DIAGRAM MANUAL

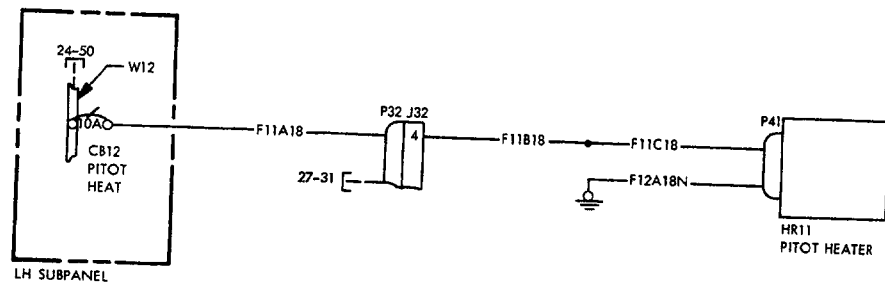
30-30-01  
PITOT AND STATIC-HEATED PITOT /OPTIONAL/  
CE-613 THRU CE-771, EXCEPT CE-748  
CJ-105 THRU CJ-148  
D-9818 THRU D-10119, EXCEPT D-10097  
E-710, E-763 THRU E-1240, EXCEPT E-1111



B E E C H C R A F T  
B O N A N Z A  
W I R I N G D I A G R A M M A N U A L

ATA CODE & REF DES	PART NO.	DESCRIPTION	UNITS							USABLE ON CODE		
			1	2	3	4	5	6	7		PER ASSY	INSTL ZONE
30-01-CB12	35-380132-3	CIRCUIT BREAKER,PITOT HEAT. . . . .								1	240	
-HR11	50-384040-1	HEATER,PITOT /OPTIONAL/ . . . . .								1	511	
-P41	AN3115-1	. PLUG,PITOT HEATER . . . . .								1	531	
-J32	206153-1	PIN HOUSING,LH WHEEL WELL RECEPTACLE. . . . .								1	140	
-J32	66536-1	. PIN CONTACT /20-24 AWG/ . . . . .								AR	140	
-J32	66509-1	. PIN CONTACT /16-18 AWG/ . . . . .								AR	140	
-P32	206060-1	SOCKET HOUSING,LH WHEEL WELL PLUG . . . . .								1	140	
-P32	66538-1	. SOCKET CONTACT /20-24 AWG/. . . . .								AR	140	
-P37	66510-1	. SOCKET CONTACT /16-18 AWG/. . . . .								AR	140	
-W12	114931-1-6	BUS BAR . . . . .								1	240	

BEECHCRAFT  
BONANZA  
WIRING DIAGRAM MANUAL



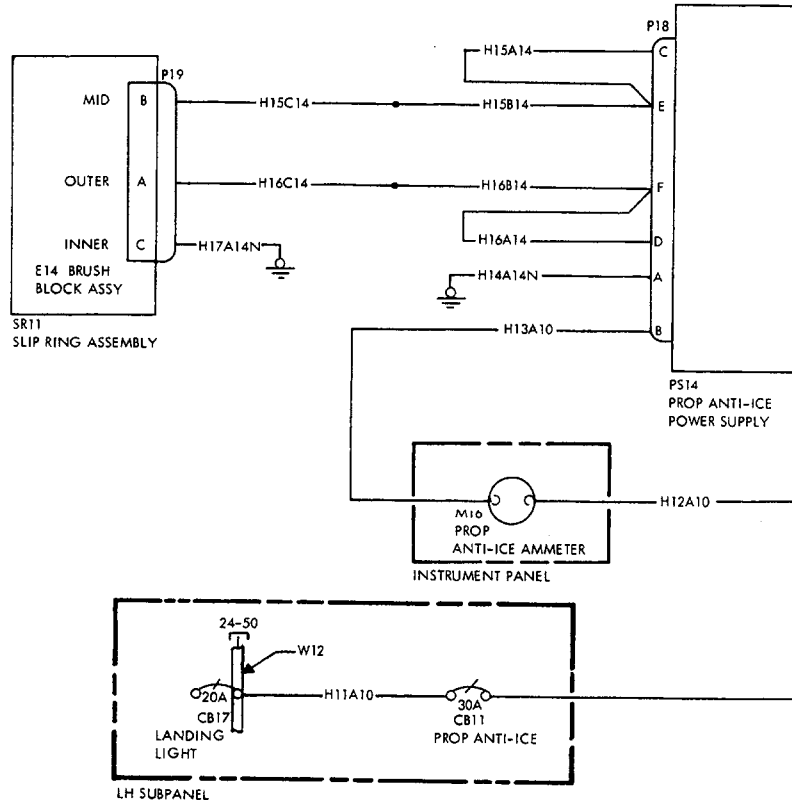
BEECHCRAFT  
BONANZA  
WIRING DIAGRAM MANUAL

30-60-01  
PROPELLERS/ROTORS/  
2-BLADE PROP ANTI-ICE /OPTIONAL/  
CE-613 THRU CE-771, EXCEPT CE-748  
CJ-105 THRU CJ-148  
D-9818 THRU D-10119, EXCEPT D-10097  
E-710, E-763 THRU E-1240, EXCEPT E-1111

B E E C H C R A F T  
B O N A N Z A  
W I R I N G D I A G R A M M A N U A L

ATA CODE & REF DES	PART NO.	1 2 3 4 5 6 7	DESCRIPTION	UNITS	USABLE
				PER ASSY	INSTL ZONE
60-01-CB11	1E1140		CIRCUIT BREAKER,PROP ANTI-ICE,2 BLADE . . . . .	1	240
-CB17	35-380132-47		CIRCUIT BREAKER,LANDING LIGHT . . . . .	1	240
-M16	3E1219-6		2-BLADE PROP ANTI-ICE AMMETER . . . . .	1	240
-PS14	3E1150-3		SUPPLY,PROP ANTI-ICE POWER. . . . .	1	232
-P18	MS3106A20-15S		. PLUG,ANTI-ICE POWER SUPPLY. . . . .	1	232
-SR11	4E1635		ASSY,2-BLADE PROP ANTI-ICE SLIP RING /OPTIONAL/	1	410
-E14	4E1387-1		. ASSY,BRUSH BLOCK-2-BLADE PROP . . . . .	1	410
-P19	MS3106A10SL3S		. PLUG,ANTI-ICE SLIP RING ASSEMBLY. . . . .	1	410
-W12	114931-1-6		BUS BAR . . . . .	1	240

BEECHCRAFT  
BONANZA  
WIRING DIAGRAM MANUAL



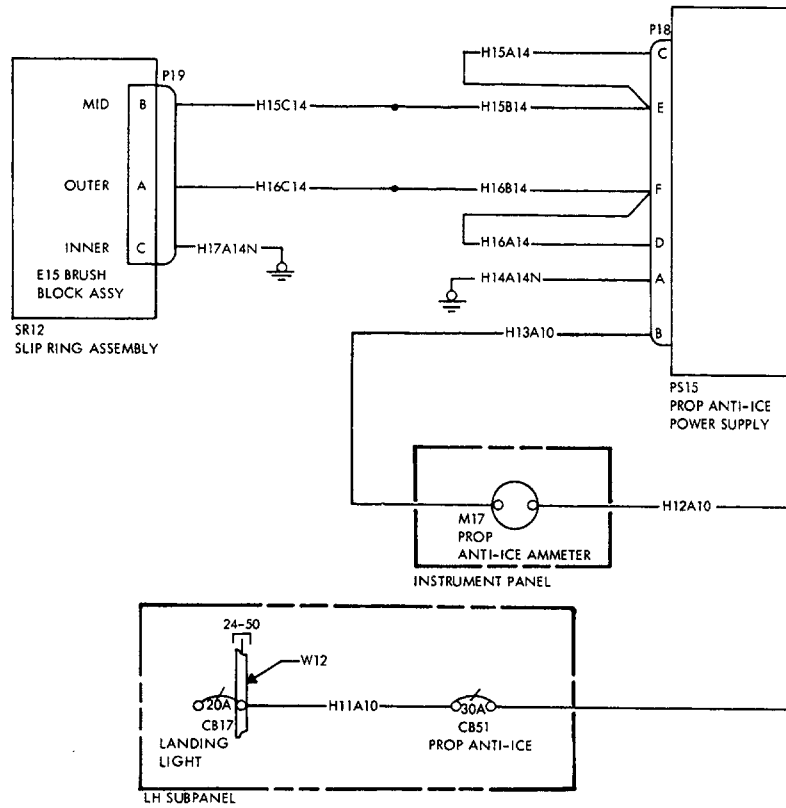
B E E C H C R A F T  
B O N A N Z A  
W I R I N G D I A G R A M M A N U A L

30-61-01  
PROPELLERS/ROTORS  
3-BLADE PROP ANTI-ICE /OPTIONAL/  
CE-613 THRU CE-771, EXCEPT CE-748  
CJ-105 THRU CJ-148  
D-9818 THRU D-10119, EXCEPT D-10097  
E-710, E-763 THRU E-1240, EXCEPT E-1111

B E E C H C R A F T  
B O N A N Z A  
W I R I N G D I A G R A M M A N U A L

ATA CODE & REF DES	PART NO.	DESCRIPTION	UNITS							USABLE ON CODE	
			PER ASSY	INSTL ZONE	1	2	3	4	5		6
61-01-CB17	35-380132-47	CIRCUIT BREAKER, LANDING LIGHT . . . . .	1								240
-CB51	1E1324	CIRCUIT BREAKER, PROP ANTI-ICE, 3-BLADE . . . . .	1								240
-M17	3E1219-7	3-BLADE PROP ANTI-ICE AMMETER . . . . .	1								240
-PS15	3E1150-3	SUPPLY, PROP ANTI-ICE POWER . . . . .	1								232
-P18	MS3106A20-15S	. PLUG, ANTI-ICE POWER SUPPLY . . . . .	1								232
-SR12	4E1681	ASSY, 3-BLADE PROP ANTI-ICE SLIP RING /OPTIONAL/ . . . . .	1								410
-E15	4E1387-3	. ASSY, BRUSH BLOCK-3 BLADE PROP . . . . .	1								410
-P19	MS3106A10SL3S	. PLUG, ANTI-ICE SLIP RING ASSEMBLY . . . . .	1								410
-W12	114931-1-6	BUS BAR . . . . .	1								240

BEECHCRAFT  
BONANZA  
WIRING DIAGRAM MANUAL





**CHAPTER**

**32**

**LANDING GEAR**

B E E C H C R A F T  
B O N A N Z A  
W I R I N G D I A G R A M M A N U A L

LIST OF PAGES  
FOR  
CHAPTER 32-00-00 LANDING GEAR

SYS/SUB-SYS/ CHAP SECTION	PAGE NO.	DATE	SYS/SUB-SYS/ CHAP SECTION	PAGE NO.	DATE	SYS/SUB-SYS/ CHAP SECTION	PAGE NO.	DATE
32-00-00	1	4/28/78	32-30-02	2	4/28/78	32-31-02	2	4/28/78
32-00-00	2	4/28/78	32-30-02	3	4/28/78	32-31-02	3	4/28/78
32-30-01	1	4/28/78	32-31-01	1	4/28/78	32-60-01	1	4/28/78
32-30-01	2	4/28/78	32-31-01	2	4/28/78	32-60-01	2	4/28/78
32-30-01	3	4/28/78	32-31-01	3	4/28/78	32-60-01	3	4/28/78
32-30-02	1	4/28/78	32-31-02	1	4/28/78			

**BEECHCRAFT  
BONANZA  
WIRING DIAGRAM MANUAL**

**CHAPTER 32**

*TABLE OF CONTENTS*

<b>SUBJECT</b>	<b>CHAPTER SECTION SUBJECT</b>	<b>PAGE</b>
<i>LANDING GEAR</i>	32	
General	32-00	1 thru 2
Extension and Retraction	32-30	
Extension and Retraction - Landing Gear (CE-613 thru CE-673; CJ-105 thru CJ-128; D-9818 thru D-9947; E-710, E-763 thru E-926, exc. E-902)	32-30-01	1 thru 3
(CE-674 thru CE-771, exc. CE-748; CJ-129 thru CJ-148; D-9948 thru D-10119, exc. D-10097; E-902, E-927 thru E-1240, exc. E-1111)	32-30-02	1 thru 3
Extension and Retraction - Landing Gear Safety System (Optional) (CE-613 thru CE-673; CJ-105 thru CJ-128; D-9818 thru D-9947; E-710, E-763 thru E-926, exc. E-902)	32-31-01	1 thru 3
(CE-674 thru CE-771, exc. CE-748; CJ-129 thru CJ-148; D-9948 thru D-10119, exc. D-10097; E-902, E-927 thru E-1240, exc. E-1111)	32-31-02	1 thru 3
Position and Warning	32-60	
Position and Warning - Landing Gear Indicators	32-60-01	1 thru 3

**"END"**

BEECHCRAFT  
BONANZA  
WIRING DIAGRAM MANUAL

32-30-01  
EXTENSION & RETRACTION-LANDING GEAR  
CE-613 THRU CE-673  
CJ-105 THRU CJ-128  
D-9818 THRU D-9947  
E-710,E-763 THRU E-926,EXCEPT E-902

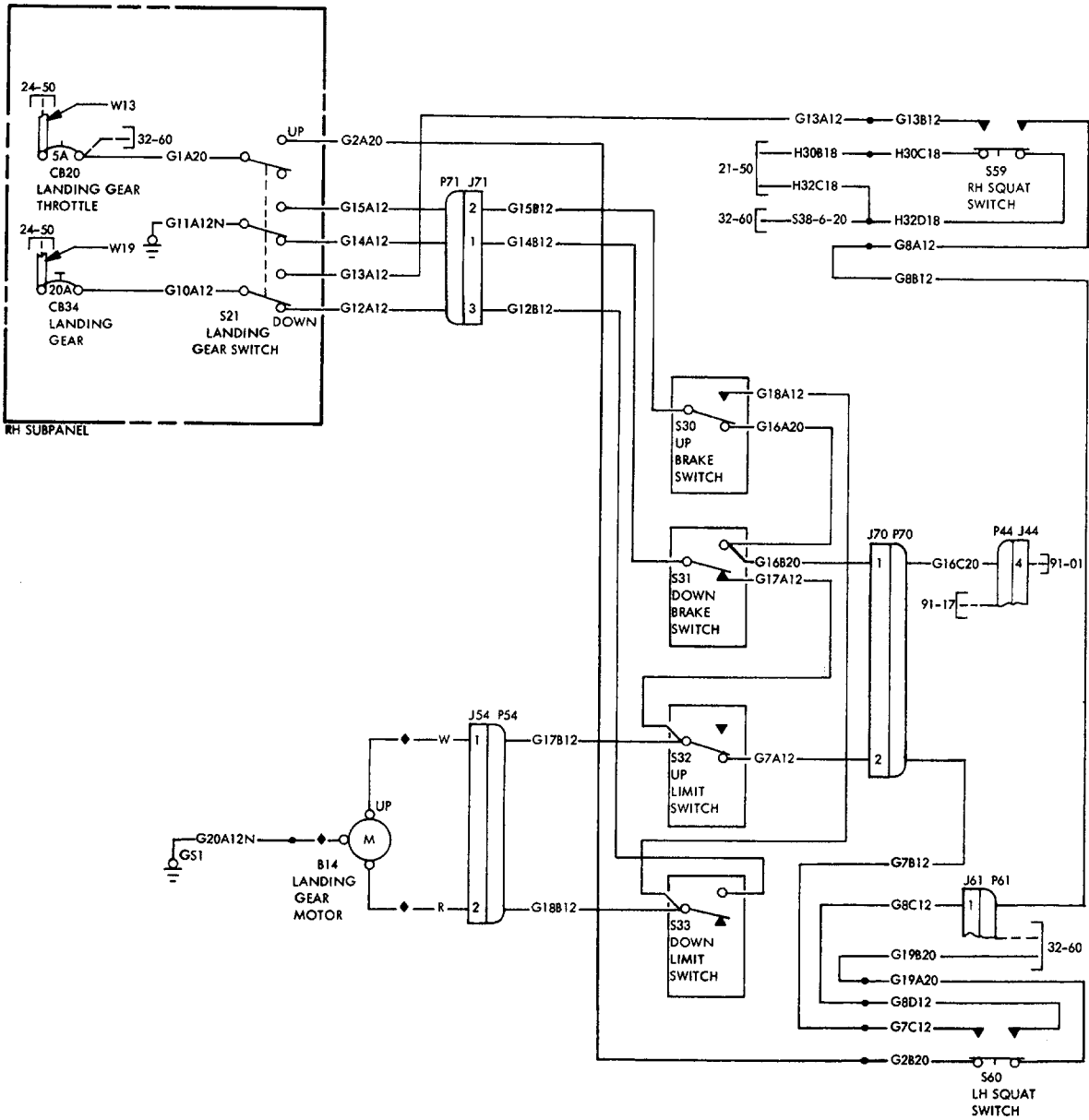
B E E C H C R A F T  
B O N A N Z A  
W I R I N G D I A G R A M M A N U A L

ATA CODE & REF DES	PART NO.	DESCRIPTION	UNITS		USABLE ON CODE
			PER ASSY	INSTL ZONE	
30-01-B14	35-380094	MOTOR, LANDING GEAR/ALTERNATE FOR 35-380094-3/	1	270	1
-B-14	R 35-380094-3	MOTOR, LANDING GEAR/ALTERNATE FOR 35-380094/	1	270	1
-CB20	435-205-104	CIRCUIT BREAKER, LANDING GEAR THROTTLE	1	240	1
-CB34	CB2320	CIRCUIT BREAKER, LANDING GEAR.	1	240	1
-GS1	131270-3	GROUND STUD, MAIN SPAR CARRY THRU.	1	270	1
-J44		CONNECTOR, JUNCTION BOX DISCONNECT	1	231	1
		/SEE CHAPTER 91-17/			
-J54	1-350345-0	PIN HOUSING, LANDING GEAR MOTOR RECEPTACLE	1	252	1
-J54	350391-1	. PIN CONTACT /12 AWG/	AR	252	1
-J61	1-480586-0	PIN HOUSING, AFT SPAR CARRY THRU RECEPTACLE.	1	280	1
-J61	350389-1	. PIN CONTACT /20 AWG/	AR	280	1
-J61	350391-1	. PIN CONTACT /18 AWG/	AR	280	1
-J70	1-350345-0	PIN HOUSING, UP LIMIT & BRAKE SWITCH RECEPTACLE.	1	251	1
-J70	350389-1	. PIN CONTACT /20 AWG/	AR	251	1
-J70	350391-1	. PIN CONTACT /12 AWG/	AR	251	1
-J71	1-350347-0	PIN HOUSING, DN LIMIT & BRAKE SWITCH RECEPTACLE.	1	251	1
-J71	350391-1	. PIN CONTACT /12 AWG/	AR	251	1
-P44		CONNECTOR, JUNCTION BOX DISCONNECT	1	231	1
		/SEE CHAPTER 91-17/			
-P54	1-350344-0	SOCKET HOUSING, LANDING GEAR MOTOR PLUG.	1	252	1
-P54	350390-1	. SOCKET CONTACT /12 AWG/	AR	252	1
-P61	1-480585-0	SOCKET HOUSING, AFT SPAR CARRY THRU PLUG	1	280	1
-P61	350388-1	. SOCKET CONTACT /20 AWG/	AR	280	1
-P61	350390-1	. SOCKET CONTACT /12 AWG/	AR	280	1
-P70	1-350344-0	SOCKET HOUSING, UP LIMIT & BRAKE SWITCH PLUG	1	251	1
-P70	350388-1	. SOCKET CONTACT /20 AWG/	AR	251	1
-P70	350390-1	. SOCKET CONTACT /12 AWG/	AR	251	1
-P71	1-350346-0	SOCKET HOUSING, DN LIMIT & BRAKE SWITCH PLUG	1	251	1
-P71	350390-1	. SOCKET CONTACT /12 AWG/	AR	251	1
-S21	8906K1041	SWITCH, LANDING GEAR	1	240	1
-S30	MS25026-1	SWITCH, LANDING GEAR UP BRAKE.	1	270	1
-S31	MS25026-1	SWITCH, LANDING GEAR DOWN BRAKE.	1	270	1
-S32	MS25026-1	SWITCH, LANDING GEAR UP LIMIT.	1	270	1
-S33	MS25026-1	SWITCH, LANDING GEAR DOWN LIMIT.	1	270	1
-S59	BZ3AT	SWITCH, RH SQUAT	1	740	1
-S60	BZ3AT	SWITCH, LH SQUAT	1	730	1
-W13	114931-1-12	BUS BAR	1	240	1
-W19	114931-1-10	BUS BAR	1	240	1

C O D E S O F E F F E C T I V I T Y

1 CE-613 THRU CE-673  
CJ-105 THRU CJ-128  
D-9818 THRU D-9947  
E-710,  
E-763 THRU E-926,  
EXCEPT E-902

BEECHCRAFT  
BONANZA  
WIRING DIAGRAM MANUAL



NOTE: LANDING GEAR SHOWN IN DOWN POSITION, ON THE GROUND.  
◆ FURNISHED WITH EQUIPMENT.

EXTENSION AND RETRACTION-LANDING GEAR  
CONFIGURATION 1/SEE PAGE 1 FOR EFFECTIVITY/

04/28/78

32-30-01  
PAGE 3

B E E C H C R A F T  
B O N A N Z A  
W I R I N G D I A G R A M M A N U A L

32-30-02  
EXTENSION & RETRACTION-LANDING GEAR  
CE-674 THRU CE-771, EXCEPT CE-748  
CJ-129 THRU CJ-148  
D-9948 THRU D-10119, EXCEPT D-10097  
E-902, E-927 THRU E-1240, EXCEPT E-1111

B E E C H C R A F T  
B O N A N Z A  
W I R I N G D I A G R A M M A N U A L

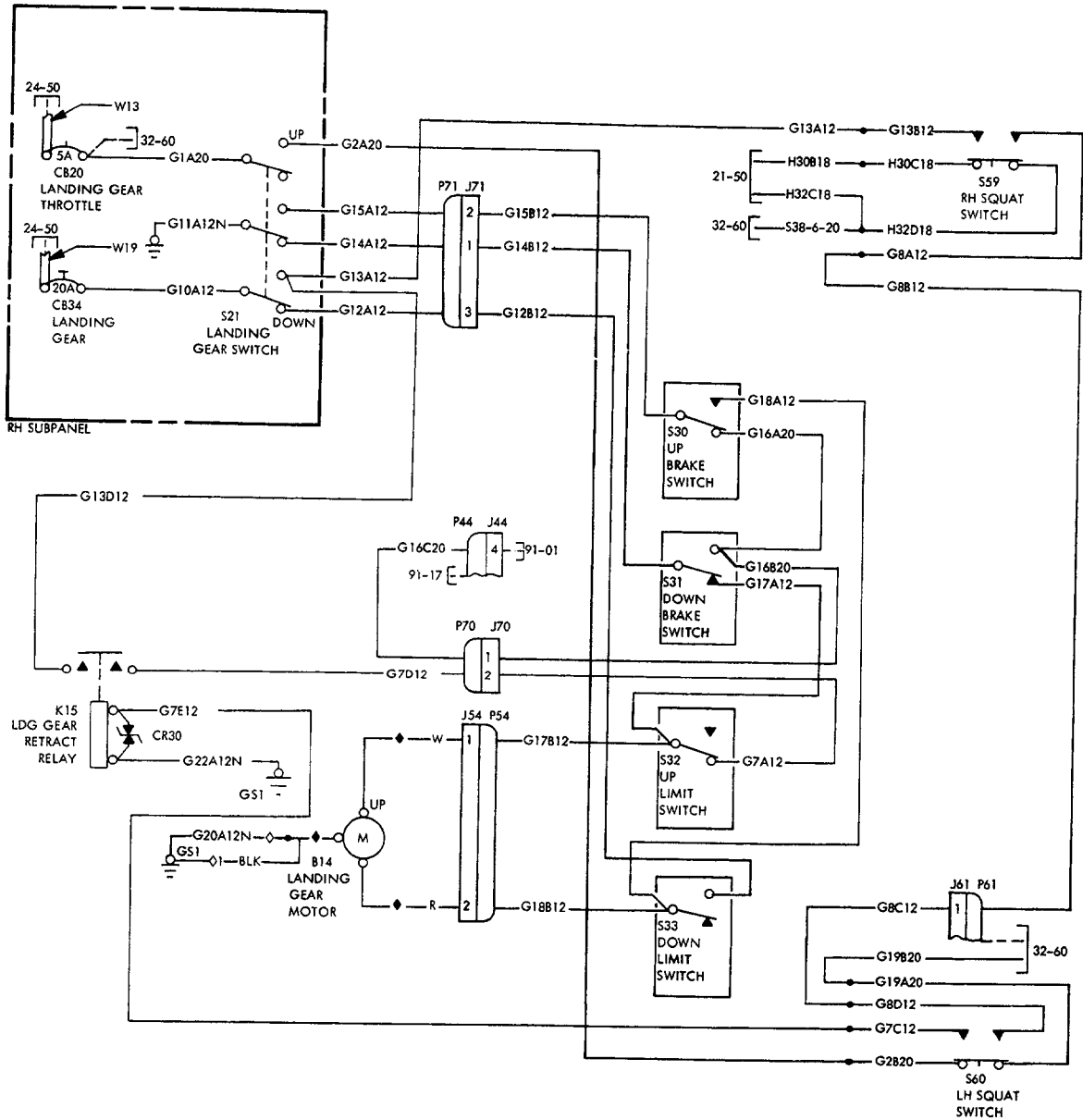
ATA CODE & REF DES	PART NO.	DESCRIPTION	UNITS		USABLE ON CODE
			PER ASSY	INSTL ZONE	
30-02-B14	35-380094	MOTOR, LANDING GEAR/ALTERNATE FOR 35-380094-3/	1	270	1
-B14	35-380094-3	MOTOR, LANDING GEAR/ALTERNATE FOR 35-380094/	1	270	1
-CB20	435-205-104	CIRCUIT BREAKER, LANDING GEAR THROTTLE	1	240	1
-CB34	CB2320	CIRCUIT BREAKER, LANDING GEAR	1	240	1
-CR30	1 5KE51CA	TRANSORB/ACTUAL PART NUMBER IS 1.5KE51CA, HOWEVER, ORDER 1 5KE51CA/	1	270	1
-GS1	131270-3	GROUND STUD, MAIN SPAR CARRY THRU	1	270	1
-J44		CONNECTOR, JUNCTION BOX DISCONNECT /SEE CHAPTER 91-17/	1	231	1
-J54	1-350345-0	PIN HOUSING, LANDING GEAR MOTOR RECEPTACLE	1	252	1
-J54	350391-1	. PIN CONTACT /12 AWG/	AR	252	1
-J61	1-480586-0	PIN HOUSING, AFT SPAR CARRY THRU RECEPTACLE	1	280	1
-J61	350389-1	. PIN CONTACT /20 AWG/	AR	280	1
-J61	350391-1	. PIN CONTACT /18 AWG/	AR	280	1
-J70	1-350345-0	PIN HOUSING, UP LIMIT & BRAKE SWITCH RECEPTACLE	1	251	1
-J70	350389-1	. PIN CONTACT /20 AWG/	AR	251	1
-J70	350391-1	. PIN CONTACT /12 AWG/	AR	251	1
-J71	1-350347-0	PIN HOUSING, DN LIMIT & BRAKE SWITCH RECEPTACLE	1	251	1
-J71	350391-1	. PIN CONTACT /12 AWG/	AR	251	1
-K15	70-111224-5	RELAY, LANDING GEAR RETRACT	1	270	1
-P44		CONNECTOR, JUNCTION BOX DISCONNECT /SEE CHAPTER 91-17/	1	231	1
-P54	1-350344-0	SOCKET HOUSING, LANDING GEAR MOTOR PLUG	1	252	1
-P54	350390-1	. SOCKET CONTACT /12 AWG/	AR	252	1
-P61	1-480585-0	SOCKET HOUSING, AFT SPAR CARRY THRU PLUG	1	280	1
-P61	350388-1	. SOCKET CONTACT /20 AWG/	AR	280	1
-P61	350390-1	. SOCKET CONTACT /12 AWG/	AR	280	1
-P70	1-350344-0	SOCKET HOUSING, UP LIMIT & BRAKE SWITCH PLUG	1	251	1
-P70	350388-1	. SOCKET CONTACT /20 AWG/	AR	251	1
-P70	350390-1	. SOCKET CONTACT /12 AWG/	AR	251	1
-P71	1-350346-0	SOCKET HOUSING, DN LIMIT & BRAKE SWITCH PLUG	1	251	1
-P71	350390-1	. SOCKET CONTACT /12 AWG/	AR	251	1
-S21	8906K1041	SWITCH, LANDING GEAR	1	240	1
-S30	MS25026-1	SWITCH, LANDING GEAR UP BRAKE	1	270	1
-S31	MS25026-1	SWITCH, LANDING GEAR DOWN BRAKE	1	270	1
-S32	MS25026-1	SWITCH, LANDING GEAR UP LIMIT	1	270	1
-S33	MS25026-1	SWITCH, LANDING GEAR DOWN LIMIT	1	270	1
-S59	BZ3AT	SWITCH, RH SQUAT	1	740	1
-S60	BZ3AT	SWITCH, LH SQUAT	1	730	1
-W13	114931-1-12	BUS BAR	1	240	1
-W19	114931-1-10	BUS BAR	1	240	1

C O D E S O F E F F E C T I V I T Y

- 1 CE-674 THRU CE-771,  
EXCEPT CE-748
- CJ-129 THRU CJ-148
- D-9948 THRU D-10119,  
EXCEPT D-10097
- E-902,
- E-927 THRU E-1240,  
EXCEPT E-1111



BEECHCRAFT  
 BONANZA  
 WIRING DIAGRAM MANUAL



- ◇ WIRE G20A TO GS1 USED ON ALL AIRCRAFT THRU THE FOLLOWING: E-1028, CE-715, CJ-128 & D-10008.
- ◇1 FURNISHED BLK WIRE GOES DIRECT TO GS1 ON AIRCRAFT AS FOLLOWS: E-1029 & AFT, CE-716 & AFT, CJ-129 & AFT AND D-10009 & AFT.

NOTE: LANDING GEAR SHOWN IN DOWN POSITION, ON THE GROUND.

◆ FURNISHED WITH EQUIPMENT.

B E E C H C R A F T  
B O N A N Z A  
W I R I N G D I A G R A M M A N U A L

32-31-01  
EXTENSION & RETRACTION-LANDING GEAR SAFETY  
SYSTEM /OPTIONAL/  
CE-613 THRU CE-673  
CJ-105 THRU CJ-128  
D-9818 THRU D-9947  
E-710,E-763 THRU E-926,EXCEPT E-902

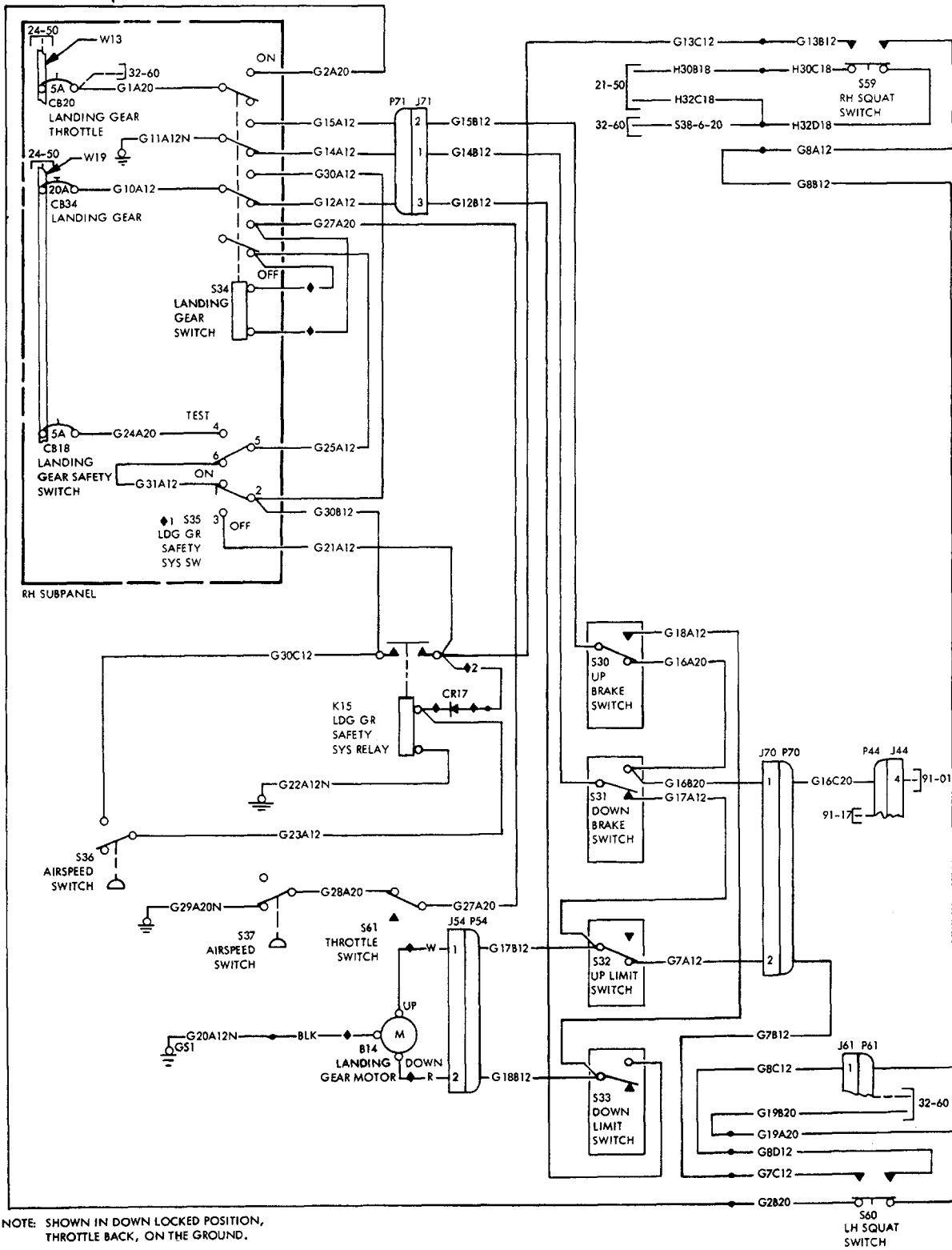
B E E C H C R A F T  
B O N A N Z A  
W I R I N G D I A G R A M M A N U A L

ATA CODE & REF DES	PART NO.	DESCRIPTION	UNITS							USABLE ON CODE	
			PER ASSY	INSTL ZONE	1	2	3	4	5		6
31-01-B14	35-380094	MOTOR, LANDING GEAR/ALTERNATE FOR 35-380094-3/	1	270							1
-B14	35-380094-3	MOTOR, LANDING GEAR/ALTERNATE FOR 35-380094/	1	270							1
-CB18	435-205-104	CIRCUIT BREAKER, LANDING GEAR SAFETY SWITCH.	1	240							1
-CB20	435-205-104	CIRCUIT BREAKER, LANDING GEAR THROTTLE	1	240							1
-CB34	CB2320	CIRCUIT BREAKER, LANDING GEAR.	1	240							1
-CR17	1N4005	DIODE, LANDING GEAR SAFETY SYSTEM RELAY.	1	270							1
-GS1	131270-3	GROUND STUD, MAIN SPAR CARRY THRU.	1	270							1
-J44		CONNECTOR, JUNCTION BOX DISCONNECT	1	231							1
		/SEE CHAPTER 91-17/									
-J54	1-350345-0	PIN HOUSING, LANDING GEAR POSITION RECEPTACLE.	1	252							1
-J54	350391-1	. PIN CONTACT /12 AWG/.	AR	252							1
-J61	1-480586-0	PIN HOUSING, AFT SPAR CARRY THRU RECEPTACLE.	1	280							1
-J61	350389-1	. PIN CONTACT /20 AWG/.	AR	280							1
-J61	350391-1	. PIN CONTACT /12 AWG/.	AR	280							1
-J70	1-350345-0	PIN HOUSING, UP LIMIT & BRAKE SWITCH RECEPTACLE.	1	251							1
-J70	350389-1	. PIN CONTACT /20 AWG/.	AR	251							1
-J70	350391-1	. PIN CONTACT /12 AWG/.	AR	251							1
-J71	1-350347-0	PIN HOUSING, DN LIMIT & BRAKE SWITCH RECEPTACLE.	1	251							1
-J71	350391-1	. PIN CONTACT /12 AWG/.	AR	251							1
-K15	70-111224	RELAY, LANDING GEAR SAFETY SYSTEM.	1	270							1
-P44		CONNECTOR, JUNCTION BOX DISCONNECT	1	231							1
		/SEE CHAPTER 91-17/									
-P54	1-350344-0	SOCKET HOUSING, LANDING GEAR MOTOR PLUG.	1	252							1
-P54	350390-1	. SOCKET CONTACT /12 AWG/.	AR	252							1
-P61	1-480585-0	SOCKET HOUSING, AFT SPAR CARRY THRU PLUG	1	280							1
-P61	350388-1	. SOCKET CONTACT /20 AWG/.	AR	280							1
-P61	350390-1	. SOCKET CONTACT /12 AWG/.	AR	280							1
-P70	1-350344-0	SOCKET HOUSING, UP LIMIT & BRAKE SWITCH PLUG	1	251							1
-P70	350388-1	. SOCKET CONTACT /20 AWG/.	AR	251							1
-P70	350390-1	. SOCKET CONTACT /12 AWG/.	AR	251							1
-P71	1-350346-0	SOCKET HOUSING, DN LIMIT & BRAKE SWITCH PLUG	1	251							1
-P71	350390-1	. SOCKET CONTACT /12 AWG/.	AR	251							1
-S30	MS25026-1	SWITCH, LANDING GEAR UP BRAKE.	1	270							1
-S31	MS25026-1	SWITCH, LANDING GEAR DOWN BRAKE.	1	270							1
-S32	MS25026-1	SWITCH, LANDING GEAR UP LIMIT.	1	270							1
-S33	MS25026-1	SWITCH, LANDING GEAR DOWN LIMIT.	1	270							1
-S34	35-364171-1	SWITCH, LANDING GEAR	1	240							1
-S35	35-380053-11	SWITCH, LANDING GEAR SAFETY SYSTEM	1	240							1
-S36	R 90-380010-3	SWITCH, AIRSPEED PRESSURE.	1	532							1
-S37	R 90-380010-5	SWITCH, AIRSPEED PRESSURE.	1	532							1
-S59	BZ3AT	SWITCH, RH SQUAT	1	740							1
-S60	BZ3AT	SWITCH, LH SQUAT	1	730							1
-S61	V3-1	SWITCH, THROTTLE/OPTIONAL LDG GEAR SAFETY SYSTEM	1	410							1
-W13	114931-1-12	BUS BAR	1	240							1
-W19	114931-1-10	BUS BAR	1	240							1

C O D E S O F E F F E C T I V I T Y

- 1 CE-613 THRU CE-673
- CJ-105 THRU CJ-128
- D-9818 THRU D-9947
- E-710,
- E-763 THRU E-926,
- EXCEPT E-902

BEECHCRAFT  
BONANZA  
WIRING DIAGRAM MANUAL



NOTE: SHOWN IN DOWN LOCKED POSITION,  
THROTTLE BACK, ON THE GROUND.

- ◆ FURNISHED WITH EQUIPMENT.
- ◆1 OFF 2-3 AND 5-6  
ON 2-1 AND 5-6  
MOM 2-1 AND 5-4  
TEST 2-1 AND 5-4
- ◆2 AWG 20 JUMPER.

EXTENSION-RETRACTION, LANDING GEAR SAFETY SYSTEM  
CONFIGURATION 1/SEE PAGE 1 FOR EFFECTIVITY/

04/28/78

32-31-01  
PAGE 3

B E E C H C R A F T  
B O N A N Z A  
W I R I N G D I A G R A M M A N U A L

32-31-02  
EXTENSION & RETRACTION-LANDING GEAR SAFETY  
SYSTEM /OPTIONAL/  
CE-674 THRU CE-771, EXCEPT CE-748  
CJ-129 THRU CJ-148  
D-9948 THRU D-10119, EXCEPT D-10097  
E-902, E-927 THRU E-1240, EXCEPT E-1111

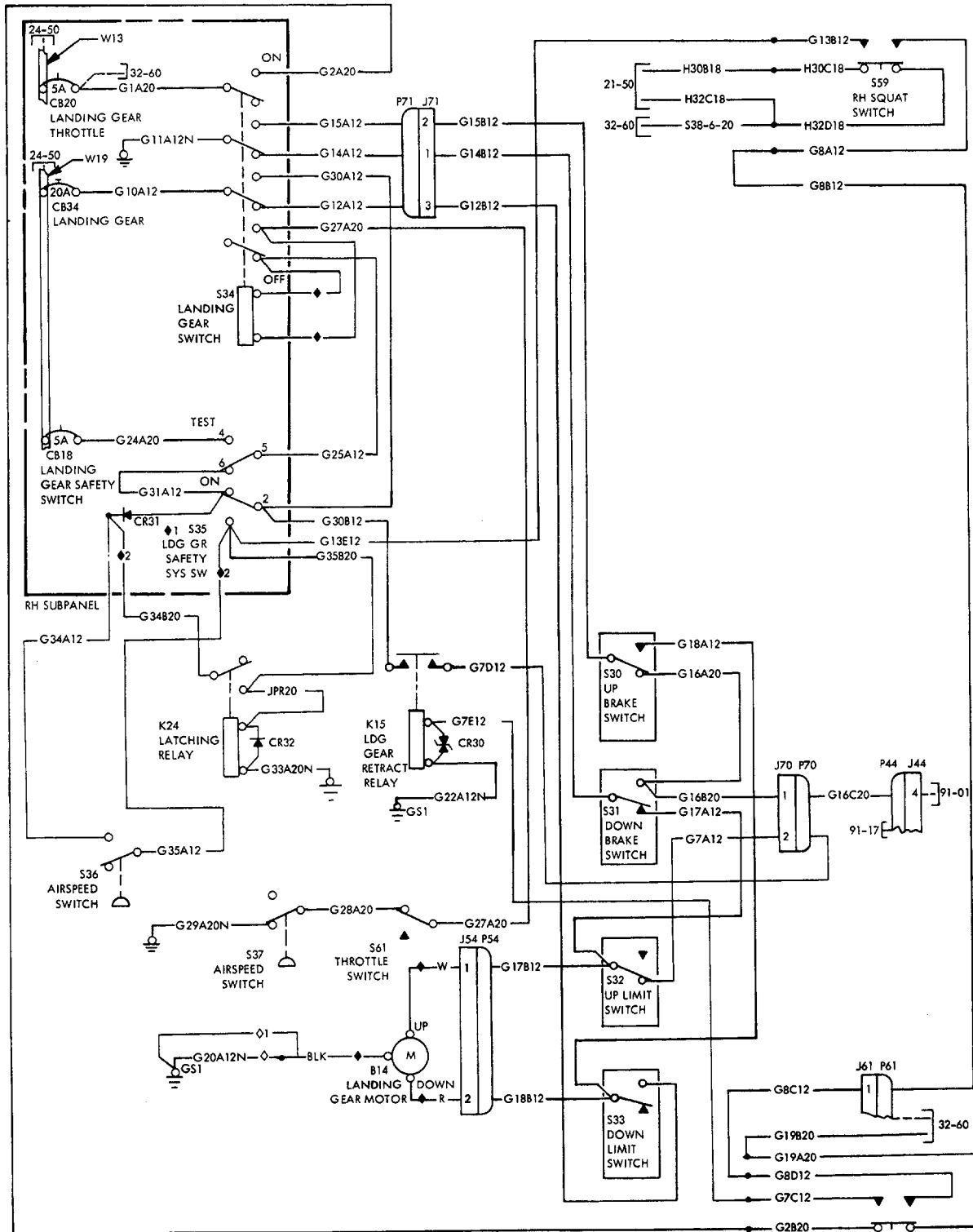
B E E C H C R A F T  
B O N A N Z A  
W I R I N G D I A G R A M M A N U A L

ATA CODE & REF DES	PART NO.	DESCRIPTION	UNITS		USABLE ON CODE
			PER ASSY	INSTL ZONE	
31-02-B14	35-380094	MOTOR, LANDING GEAR/ALTERNATE FOR 35-380094-3/	1	270	1
-B14	35-380094-3	MOTOR, LANDING GEAR/ALTERNATE FOR 35-380094/	1	270	1
-CB18	435-205-104	CIRCUIT BREAKER, LANDING GEAR SAFETY SWITCH.	1	240	1
-CB20	435-205-104	CIRCUIT BREAKER, LANDING GEAR THROTTLE	1	240	1
-CB34	CB2320	CIRCUIT BREAKER, LANDING GEAR.	1	240	1
-CR30	1 5KE51CA	TRANSZORB/ACTUAL PART NUMBER IS 1.5KE51CA, HOWEVER, ORDER 1 5KE51CA/	1	270	1
-CR31	1N5400	DIODE	1	240	1
-CR32	1N4005	DIODE, TRANSIENT SUPPRESSION	1	270	1
-GS1	131270-3	GROUND STUD, MAIN SPAR CARRY THRU.	1	270	1
-J44		CONNECTOR, JUNCTION BOX DISCONNECT /SEE CHAPTER 91-17/	1	231	1
-J54	1-350345-0	PIN HOUSING, LANDING GEAR POSITION RECEPTACLE.	1	252	1
-J54	350391-1	. PIN CONTACT /12 AWG/	AR	252	1
-J61	1-480586-0	PIN HOUSING, AFT SPAR CARRY THRU RECEPTACLE.	1	280	1
-J61	350389-1	. PIN CONTACT /20 AWG/	AR	280	1
-J61	350391-1	. PIN CONTACT /12 AWG/	AR	280	1
-J70	1-350345-0	PIN HOUSING, UP LIMIT & BRAKE SWITCH RECEPTACLE.	1	251	1
-J70	350389-1	. PIN CONTACT /20 AWG/	AR	251	1
-J70	350391-1	. PIN CONTACT /12 AWG/	AR	251	1
-J71	1-350347-0	PIN HOUSING, DN LIMIT & BRAKE SWITCH RECEPTACLE.	1	251	1
-J71	350391-1	. PIN CONTACT /12 AWG/	AR	251	1
-K15	70-111224	RELAY, LANDING GEAR SAFETY SYSTEM.	1	270	1
-K24	50-380048-3	RELAY, LATCHING.	1	270	1
-P44		CONNECTOR, JUNCTION BOX DISCONNECT /SEE CHAPTER 91-17/	1	231	1
-P54	1-350344-0	SOCKET HOUSING, LANDING GEAR MOTOR PLUG.	1	252	1
-P54	350390-1	. SOCKET CONTACT /12 AWG/	AR	252	1
-P61	1-480585-0	SOCKET HOUSING, AFT SPAR CARRY THRU PLUG	1	280	1
-P61	350388-1	. SOCKET CONTACT /20 AWG/	AR	280	1
-P61	350390-1	. SOCKET CONTACT /12 AWG/	AR	280	1
-P70	1-350344-0	SOCKET HOUSING, UP LIMIT & BRAKE SWITCH PLUG	1	251	1
-P70	350388-1	. SOCKET CONTACT /20 AWG/	AR	251	1
-P70	350390-1	. SOCKET CONTACT /12 AWG/	AR	251	1
-P71	1-350346-0	SOCKET HOUSING, DN LIMIT & BRAKE SWITCH PLUG	1	251	1
-P71	350390-1	. SOCKET CONTACT /12 AWG/	AR	251	1
-S30	MS25026-1	SWITCH, LANDING GEAR UP BRAKE.	1	270	1
-S31	MS25026-1	SWITCH, LANDING GEAR DOWN BRAKE.	1	270	1
-S32	MS25026-1	SWITCH, LANDING GEAR UP LIMIT.	1	270	1
-S33	MS25026-1	SWITCH, LANDING GEAR DOWN LIMIT.	1	270	1
-S34	35-364171-1	SWITCH, LANDING GEAR	1	240	1
-S35	35-380053-11	SWITCH, LANDING GEAR SAFETY SYSTEM	1	240	1
-S36	90-380010-3	SWITCH, AIRSPEED PRESSURE.	1	532	1
-S37	90-380010-5	SWITCH, AIRSPEED PRESSURE.	1	532	1
-S59	BZ3AT	SWITCH, RH SQUAT	1	740	1
-S60	BZ3AT	SWITCH, LH SQUAT	1	730	1
-S61	V3-1	SWITCH, THROTTLE/OPTIONAL LDG GEAR SAFETY SYSTEM	1	410	1
-W13	114931-1-12	BUS BAR	1	240	1
-W19	114931-1-10	BUS BAR	1	240	1

C O D E S O F E F F E C T I V I T Y

- 1 CE-674 THRU CE-771,  
EXCEPT CE-748  
CJ-129 THRU CJ-148  
D-9948 THRU D-10119,  
EXCEPT D-10097  
E-902,  
E-977 THRU E-1240  
EXCEPT E-1111

**BEECHCRAFT**  
**BONANZA**  
**WIRING DIAGRAM MANUAL**  
**CONFIGURATION 2/SEE PAGE 1 FOR EFFECTIVITY/**



NOTE: SHOWN IN DOWN LOCKED POSITION, THROTTLE BACK, ON THE GROUND.

- ◆ FURNISHED WITH EQUIPMENT.
- ◆1 OFF 2-3 AND 5-6
- ON 2-1 AND 5-6
- MOM TEST 2-1 AND 5-4
- ◆2 WIRE LENGTH TO BE LESS THAN 12" LG.
- ◇ WIRE G20A TO GS1 USED ON ALL ACFT THRU THE FOLLOWING: E-1028, CE-715, CJ-128 & D-10008.
- ◇1 FURNISHED BLK WIRE GOES DIRECT TO GS1 ON ACFT AS FOLLOWS: E-1029 & AFT, CE-716 & AFT, CJ-129 & AFT AND D-10009 & AFT

B E E C H C R A F T  
B O N A N Z A  
W I R I N G D I A G R A M M A N U A L

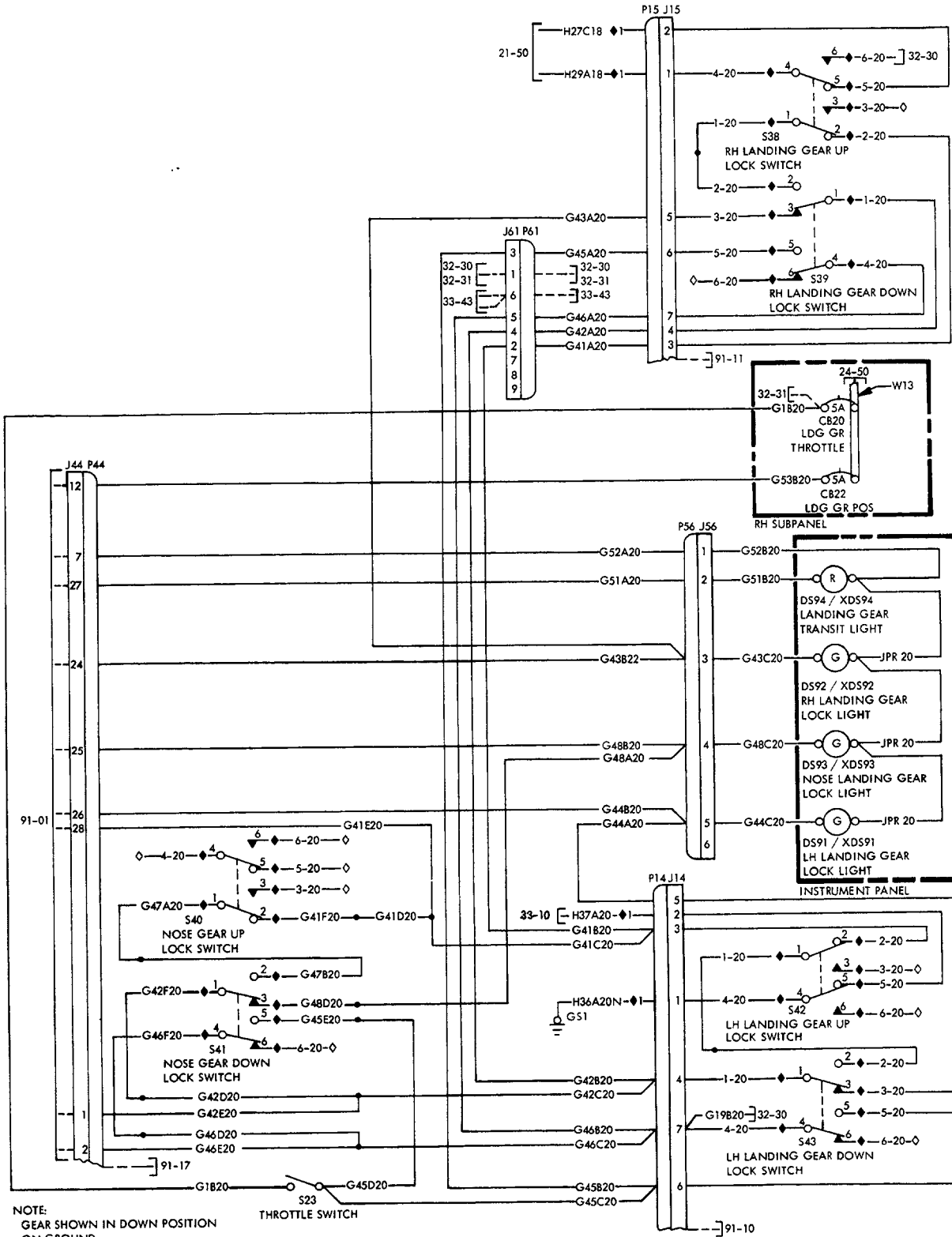
32-60-01  
POSITION & WARNING-LANDING GEAR INDICATORS  
CE-613 THRU CE-771, EXCEPT CE-748  
CJ-105 THRU CJ-148  
D-9818 THRU D-10119, EXCEPT D-10097  
E-710, E-763 THRU E-1240, EXCEPT E-1111



B E E C H C R A F T  
B O N A N Z A  
W I R I N G D I A G R A M M A N U A L

ATA CODE & REF DES	PART NO.	DESCRIPTION	UNITS							USABLE ON CODE	
			1	2	3	4	5	6	7		
60-01-CB20	435-205-104	CIRCUIT BREAKER, LANDING GEAR THROTTLE . . . . .								1 240	
-CB22	435-205-104	CIRCUIT BREAKER, LANDING GEAR POSITION . . . . .								1 240	
-GS1	131270-3	GROUND STUD, MAIN SPAR . . . . .								1 270	
-J14		CONNECTOR, LH WING-WHEEL WELL ACCESS . . . . .								1 150	
		/SEE CHAPTER 91-10/									
-J15		CONNECTOR, RH WING-WHEEL WELL ACCESS . . . . .								1 150	
		/SEE CHAPTER 91-11/									
-J44		CONNECTOR, JUNCTION BOX DISCONNECT . . . . .								1 231	
		/SEE CHAPTER 91-17/									
-J56	1-480340-0	PIN HOUSING, LANDING GEAR POSITION RECEPTACLE. . . . .								1 240	
-J56	60618-1	. PIN CONTACT /18-20 AWG/. . . . .								AR 240	
-J61	1-480586-0	PIN HOUSING, AFT SPAR CARRY THRU RECEPTACLE. . . . .								1 280	
-J61	350389-1	. PIN CONTACT /20 AWG/. . . . .								AR 280	
-J61	350391-1	. PIN CONTACT /12 AWG/. . . . .								AR 280	
-P14		CONNECTOR, LH WING-WHEEL WELL ACCESS . . . . .								1 150	
		/SEE CHAPTER 91-10/									
-P15		CONNECTOR, RH WING-WHEEL WELL ACCESS . . . . .								1 150	
		/SEE CHAPTER 91-11/									
-P44		CONNECTOR, JUNCTION BOX DISCONNECT . . . . .								1 231	
		/SEE CHAPTER 91-17/									
-P56	1-480270-0	SOCKET HOUSING, LANDING GEAR POSITION PLUG . . . . .								1 240	
-P56	60617-1	. SOCKET CONTACT /18-20 AWG/. . . . .								AR	
-P61	1-480585-0	SOCKET HOUSING, AFT SPAR CARRY THRU PLUG . . . . .								1 280	
-P61	350388-1	. SOCKET CONTACT /20 AWG/. . . . .								AR 280	
-P61	350390-1	. SOCKET CONTACT /12 AWG/. . . . .								AR 280	
-S23	V3-1	SWITCH, THROTTLE . . . . .								1 410	
-S38	1CH25	SWITCH, RH LANDING GEAR UP LOCK POSITION . . . . .								1 740	
-S39	1CH25	SWITCH, RH LANDING GEAR DOWN LOCK POSITION . . . . .								1 740	
-S40	1CH25	SWITCH, NOSE LANDING GEAR UP LOCK. . . . .								1 710	
-S41	1CH25	SWITCH, NOSE LANDING GEAR DOWN LOCK. . . . .								1 710	
-S42	1CH25	SWITCH, LANDING GEAR UP LOCK POSITION. . . . .								1 730	
-S43	1CH25	SWITCH, LH LANDING GEAR DOWN LOCK POSITION . . . . .								1 730	
-W13	114931-1-12	BUS BAR . . . . .								1 240	
-XDS91	855291S1G5STD	LAMP HOLDER, LH LANDING GEAR LOCK LIGHT . . . . .								1 240	
-DS91	330	. LIGHT, LH LANDING GEAR LOCK. . . . .								1 240	
-XDS92	855291S1G5STD	LAMP HOLDER, RH LANDING GEAR LOCK LIGHT . . . . .								1 240	
-DS92	330	. LIGHT, RH LANDING GEAR LOCK. . . . .								1 240	
-XDS93	855291S1G5STD	LAMP HOLDER, NOSE LANDING GEAR LOCK LIGHT . . . . .								1 240	
-DS	330	. LIGHT, NOSE LANDING GEAR LOCK. . . . .								1 240	
-XDS94	855291S1R2STD	LAMP HOLDER, LANDING GEAR TRANSIT LIGHT . . . . .								1 240	
-DS94	330	. LIGHT, LANDING GEAR TRANSIT. . . . .								1 240	

BEECHCRAFT  
BONANZA  
WIRING DIAGRAM MANUAL



NOTE:  
GEAR SHOWN IN DOWN POSITION  
ON GROUND.

- ◇ TIE UNUSED WIRES INTO HARNESS.  
CUT OFF AT SPLICE LOCATION.
- ◆ WIRE FURNISHED WITH EQUIPMENT.
- ◆1 WIRE ADDED ONLY WHEN OPTIONAL  
AIR CONDITIONING IS INSTALLED.

**CHAPTER**

**33**

**LIGHTS**

B E E C H C R A F T  
B O N A N Z A  
W I R I N G D I A G R A M M A N U A L

LIST OF PAGES  
FOR  
CHAPTER 33-00-00 LIGHTS

SYS/SUB-SYS/ CHAP SECTION	PAGE NO.	DATE	SYS/SUB-SYS/ CHAP SECTION	PAGE NO.	DATE	SYS/SUB-SYS/ CHAP SECTION	PAGE NO.	DATE
33-00-00	1	4/28/78	33-15-01	1	4/28/78	33-40-02	1	4/28/78
33-00-00	2	4/28/78	33-15-01	2	4/28/78	33-40-02	2	4/28/78
33-00-00	3	4/28/78	33-15-01	3	4/28/78	33-40-02	3	4/28/78
33-10-01	1	4/28/78	33-15-02	1	4/28/78	33-41-01	1	4/28/78
33-10-01	2	4/28/78	33-15-02	2	4/28/78	33-41-01	2	4/28/78
33-10-01	3	4/28/78	33-15-02	3	4/28/78	33-41-01	3	4/28/78
33-10-02	1	4/28/78	33-16-01	1	4/28/78	33-42-01	1	4/28/78
33-10-02	2	4/28/78	33-16-01	2	4/28/78	33-42-01	2	4/28/78
33-10-02	3	4/28/78	33-16-01	3	4/28/78	33-42-01	3	4/28/78
33-11-01	1	4/28/78	33-17-01	1	4/28/78	33-42-02	1	4/28/78
33-11-01	2	4/28/78	33-17-01	2	4/28/78	33-42-02	2	4/28/78
33-11-01	3	4/28/78	33-17-01	3	4/28/78	33-42-02	3	4/28/78
33-12-01	1	4/28/78	33-18-01	1	4/28/78	33-43-01	1	4/28/78
33-12-01	2	4/28/78	33-18-01	2	4/28/78	33-43-01	2	4/28/78
33-12-01	3	4/28/78	33-18-01	3	4/28/78	33-43-01	3	4/28/78
33-13-01	1	4/28/78	33-20-01	1	4/28/78	33-44-01	1	4/28/78
33-13-01	2	4/28/78	33-20-01	2	4/28/78	33-44-01	2	4/28/78
33-13-01	3	4/28/78	33-20-01	3	4/28/78	33-44-01	3	4/28/78
33-14-01	1	4/28/78	33-40-01	1	4/28/78	33-45-01	1	4/28/78
33-14-01	2	4/28/78	33-40-01	2	4/28/78	33-45-01	2	4/28/78
33-14-01	3	4/28/78	33-40-01	3	4/28/78	33-45-01	3	4/28/78

**BEECHCRAFT  
BONANZA  
WIRING DIAGRAM MANUAL**

**CHAPTER 33**

*TABLE OF CONTENTS*

<b>SUBJECT</b>	<b>CHAPTER SECTION SUBJECT</b>	<b>PAGE</b>
<i>LIGHTS</i>	33	
General	33-00	1 thru 3
Flight Compartment	33-10	
Flight Compartment - Annunciator Light Test (CE-613 thru CE-673; CJ-105 thru CJ-128; D-9818 thru D-9947; E-710, E-763 thru E-926)	33-10-01	1 thru 3
(CE-674 thru CE-771, exc. CE-748; CJ-129 thru CJ-148; D-9948 thru D-10119, exc. D-10097; E-927 thru E-1240, exc. E-1111)	33-10-02	1 thru 3
Flight Compartment - Radio and Engine Instru- ment Lights	33-11-01	1 thru 3
Flight Compartment - Engine Instrument Wedge Lights (Optional)	33-12-01	1 thru 3
Flight Compartment - Flight Instrument Post Lights (Optional)	33-13-01	1 thru 3
Flight Compartment - Flight Instrument Wedge Lights (Optional)	33-14-01	1 thru 3
Flight Compartment - Instrument Dimming (CE-613 thru CE-734; CJ-105 thru CJ-128; D-9818 thru D-10054; E-710, E-763 thru E-1116, exc. E-1111)	33-15-01	1 thru 3
(CE-735 thru CE-771, exc. CE-748; CJ-129 thru CJ-148; D-10055 thru D-10119, exc. D-10097; E-1117 thru E-1240)	33-15-02	1 thru 3
Flight Compartment - Electroluminous Panel	33-16-01	1 thru 3
Flight Compartment - Map, Compass and OAT Lights	33-17-01	1 thru 3
Flight Compartment - Floodlights	33-18-01	1 thru 3

**BEECHCRAFT  
BONANZA  
WIRING DIAGRAM MANUAL**

**CHAPTER 33**

*TABLE OF CONTENTS*

<b>SUBJECT</b>	<b>CHAPTER SECTION SUBJECT</b>	<b>PAGE</b>
<i>LIGHTS (Cont'd)</i>	33	
Passenger Compartment	33-20	
Passenger Compartment - Cabin Lights	33-20-01	1 thru 3
Exterior	33-40	
Exterior - Three Strobe Light (Optional) (CE-613, thru CE-702; D-9818 thru D-10006; E-710, E-763 thru E-1013)	33-40-01	1 thru 3
(CE-703 thru CE-771, exc. CE-748; CJ-129 thru CJ-148; D-10007 thru D-10119, exc. D-10097; E-1014 thru E-1240, exc. E-1111)	33-40-02	1 thru 3
Exterior - Rotating Beacon (Optional)	33-41-01	1 thru 3
Exterior - Courtesy Lights (Optional) (CE-613 thru CE-680; CJ-105 thru CJ-128; D-9818 thru D-9960; E-710, E-763 thru E-946)	33-42-01	1 thru 3
(CE-681 thru CE-771, exc. CE-748; CJ-129 thru CJ-148; D-9961 thru D-10119, exc. D-10097; E-947 thru E-1240, exc. E-1111)	33-42-02	1 thru 3
Exterior - Navigation Lights	33-43-01	1 thru 3
Exterior - Taxi Light	33-44-01	1 thru 3
Exterior - Landing Light	33-45-01	1 thru 3

**"END"**

B E E C H C R A F T  
B O N A N Z A  
W I R I N G D I A G R A M M A N U A L

33-10-01  
FLIGHT COMPARTMENT-ANNUNCIATOR LIGHT TEST  
CE-613 THRU CE-673  
CJ-105 THRU CJ-128  
D-9818 THRU D-9947  
E-710,E-763 THRU E-926

B E E C H C R A F T  
B O N A N Z A  
W I R I N G D I A G R A M M A N U A L

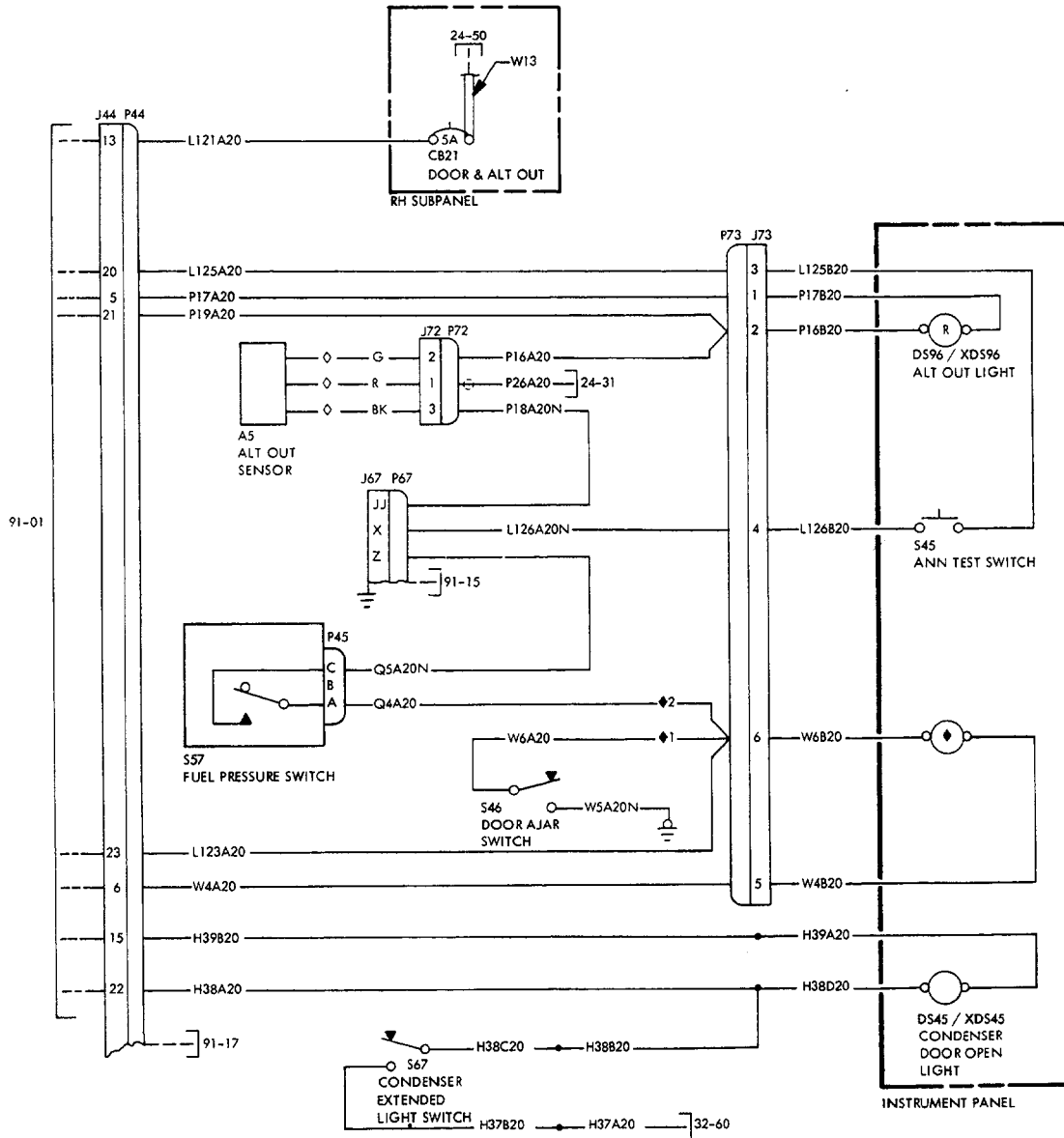
ATA CODE & REF DES	PART NO.	DESCRIPTION	UNITS		USABLE ON CODE
			PER ASSY	INSTL ZONE	
10-01-A5	36-380000-1	SENSOR,ALTERNATOR OUT . . . . .	1	231	1
-CB21	435-205-104	CIRCUIT BREAKER,DOOR AND ALTERNATOR OUT . . . . .	1	240	1
-J44		CONNECTOR,JUNCTION BOX DISCONNECT . . . . .	1	231	1
		/SEE CHAPTER 91-17/			
-J67		CONNECTOR,INSTRUMENT PANEL GROUNDING. . . . .	1	231	1
		/SEE CHAPTER 91-15/			
-J72	1-480305-0	PIN HOUSING,ALTERNATOR SENSOR RECEPTACLE. . . . .	1	232	1
-J72	60618-1	. PIN CONTACT /18-20 AWG/ . . . . .	AR	232	1
-J73	1-480340-0	PIN HOUSING,ANNUNCIATOR BREAK RECEPTACLE. . . . .	1	240	1
-J73	60620-1	. PIN CONTACT /14-20 AWG/ . . . . .	AR	240	1
-P44		CONNECTOR,JUNCTION BOX DISCONNECT . . . . .	1	231	1
		/SEE CHAPTER 91-17/			
-P45	MS3106A10SL3S	CONNECTOR,FUEL PRESSURE SWITCH PLUG . . . . .	1	240	1
-P67		CONNECTOR,INSTRUMENT PANEL GROUNDING. . . . .	1	231	1
		/SEE CHAPTER 91-15/			
-P72	1-480303-0	SOCKET HOUSING,ALTERNATOR SENSOR PLUG . . . . .	1	232	1
-P72	60617-1	. SOCKET CONTACT /18-20 AWG/. . . . .	AR	232	1
-P73	1-480270-0	SOCKET HOUSING,ANNUNCIATOR BREAK PLUG . . . . .	1	240	1
-P73	61108-1	. SOCKET CONTACT /14-20 AWG/. . . . .	AR	240	1
-S45	30-15	SWITCH,ANNUNCIATOR TEST . . . . .	1	240	1
-S46	DT2RA7	SWITCH,DOOR AJAR. . . . .	1	820	1
-S57	35-380053-21	SWITCH,FUEL PRESSURE. . . . .	1	240	1
-S67	BZ7RWT822	SWITCH,CONDENSOR DOOR/SHOWN IN CLOSED POSITION/	1	150	1
-W13	114931-1-12	BUS BAR . . . . .	1	240	1
-XDS45	855291S1R2DS-P6	LAMPHOLDER,CONDENSOR DOOR OPEN LIGHT. . . . .	1	240	1
-DS45	330	. LIGHT,CONDENSOR DOOR OPEN . . . . .	1	240	1
-XDS47	855291S1R2DS-P6	LAMPHOLDER,DOOR AJAR LIGHT. . . . .	1	240	1
-DS47	330	. LIGHT,DOOR AJAR . . . . .	1	240	1
-XDS96	855291S1R2DS-P6	LAMPHOLDER,ALTERNATOR OUT LIGHT . . . . .	1	240	1
-DS96	330	. LIGHT,ALTERNATOR OUT. . . . .	1	240	1
-XDS121	855291S1G5DS-P6	LAMPHOLDER,FUEL PRESSURE LIGHT. . . . .	1	240	1
-DS121	330	. LIGHT,FUEL PRESSURE . . . . .	1	240	1

C O D E S O F E F F E C T I V I T Y

- 1 CE-613 THRU CE-673
- CJ-105 THRU CJ-128
- D-9818 THRU D-9947
- E-710,
- E-763 THRU E-926



BEECHCRAFT  
BONANZA  
WIRING DIAGRAM MANUAL



- ◇ FURNISHED WITH EQUIPMENT.
- ◆ ON AIRCRAFT E-710, E-763 & AFTER ONLY,  
DS47 / XDS47 - DOOR AJAR LIGHT.  
ON AIRCRAFT CJ-103 & AFTER ONLY,  
DS121 / XDS121 - FUEL PRESSURE LIGHT.
- ◆1 ON AIRCRAFT E-710, E-763 & AFTER ONLY,  
ATTACH WIRE W6A20 AS SHOWN.
- ◆2 ON AIRCRAFT CJ-103 & AFTER ONLY,  
ATTACH WIRE Q4A20 AS SHOWN.

B E E C H C R A F T  
B O N A N Z A  
W I R I N G D I A G R A M M A N U A L

33-10-02  
FLIGHT COMPARTMENT-ANNUNCIATOR LIGHT TEST  
CE-674 THRU CE-771, EXCEPT CE-748  
CJ-129 THRU CJ-148  
D-9948 THRU D-10119, EXCEPT D-10097  
E-927 THRU E-1240, EXCEPT E-1111

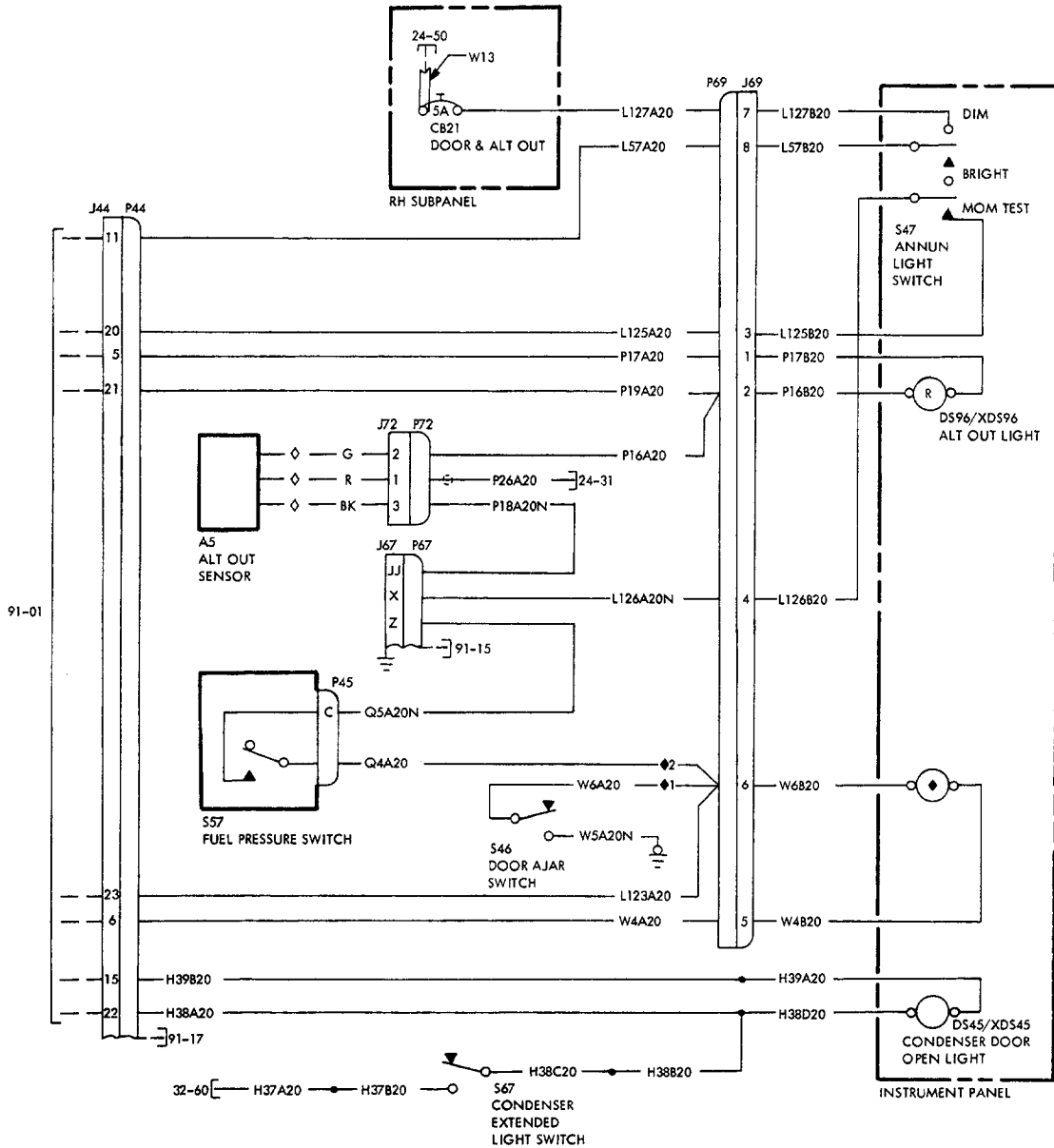
B E E C H C R A F T  
B O N A N Z A  
W I R I N G D I A G R A M M A N U A L

ATA CODE & REF DES	PART NO.	DESCRIPTION	UNITS							USABLE ON CODE	
			PER ASSY	INSTL ZONE	1	2	3	4	5		6
10-02-A5	36-380000-1	SENSOR,ALTERNATOR OUT . . . . .	1	231							1
-CB21	435-205-104	CIRCUIT BREAKER,DOOR AND ALTERNATOR OUT . . . . .	1	240							1
-J44		CONNECTOR,JUNCTION BOX DISCONNECT . . . . .	1	231							1
		/SEE CHAPTER 91-17/									
-J67		CONNECTOR,INSTRUMENT PANEL GROUNDING. . . . .	1	231							1
		/SEE CHAPTER 91-15/									
-J72	1-480305-0	PIN HOUSING,ALTERNATOR SENSOR RECEPTACLE. . . . .	1	232							1
-J72	60618-1	. PIN CONTACT /18-20 AWG/ . . . . .	AR	232							1
-J69	1-480288-0	PIN HOUSING,ANNUNCIATOR BREAK RECEPTACLE. . . . .	1	240							1
-J69	60620-1	. PIN CONTACT /14-20 AWG/ . . . . .	AR	240							1
-P44		CONNECTOR,JUNCTION BOX DISCONNECT . . . . .	1	231							1
		/SEE CHAPTER 91-17/									
-P45	MS3106A10SL3S	CONNECTOR,FUEL PRESSURE SWITCH PLUG . . . . .	1	240							1
-P67		CONNECTOR,INSTRUMENT PANEL GROUNDING. . . . .	1	231							1
		/SEE CHAPTER 91-15/									
-P72	1-480303-0	SOCKET HOUSING,ALTERNATOR SENSOR PLUG . . . . .	1	232							1
-P72	60617-1	. SOCKET CONTACT /18-20 AWG/. . . . .	AR	232							1
-P69	1-480287-0	SOCKET HOUSING,ANNUNCIATOR BREAK PLUG . . . . .	1	240							1
-P69	61108-1	. SOCKET CONTACT /14-20 AWG/. . . . .	AR	240							1
-S47	MST205T	SWITCH,ANNUNCIATOR LIGHT. . . . .	1	240							1
-S46	DT2RA7	SWITCH,DOOR AJAR. . . . .	1	820							1
-S57	35-380053-21	SWITCH,FUEL PRESSURE. . . . .	1	240							1
-S67	BZ7RWT822	SWITCH,CONDENSOR DOOR/SHOWN IN CLOSED POSITION/	1	150							1
-W13	114931-1-12	BUS BAR . . . . .	1	240							1
-XDS45	855291S1R2DS-P6	LAMPHOLDER,CONDENSOR DOOR OPEN LIGHT. . . . .	1	240							1
-DS45	330	. LIGHT,CONDENSOR DOOR OPEN . . . . .	1	240							1
-XDS47	855291S1R2DS-P6	LAMPHOLDER,DOOR AJAR LIGHT. . . . .	1	240							1
-DS47	330	. LIGHT,DOOR AJAR . . . . .	1	240							1
-XDS96	855291S1R?DS-P6	LAMPHOLDER,ALTERNATOR OUT LIGHT . . . . .	1	240							1
-DS96	330	. LIGHT,ALTERNATOR OUT. . . . .	1	240							1
-XDS121	855291S1G5DS-P6	LAMPHOLDER,FUEL PRESSURE LIGHT. . . . .	1	240							1
-DS121	330	. LIGHT,FUEL PRESSURE . . . . .	1	240							1

C O D E S O F E F F E C T I V I T Y

- 1 CE-674 THRU CE-771,  
EXCEPT CE-748
- CJ-129 THRU CJ-148
- D-9948 THRU D-10119,  
EXCEPT D-10097
- E-927 THRU E-1240,  
EXCEPT E-1111

BEECHCRAFT  
BONANZA  
WIRING DIAGRAM MANUAL



- ◇ FURNISHED WITH EQUIPMENT.
- ◆ ON AIRCRAFT E-710, E-763 & AFT ONLY,  
DS47/XDS47 - DOOR AJAR LIGHT.
- ON AIRCRAFT CJ-103 & AFT ONLY,  
DS121/XDS121 - FUEL PRESSURE LIGHT
- ◆1 ON AIRCRAFT E-710, E-763 & AFT ONLY,  
ATTACH WIRE W6A20 AS SHOWN.
- ◆2 ON AIRCRAFT CJ-103 & AFT ONLY,  
ATTACH WIRE Q4A20 AS SHOWN.

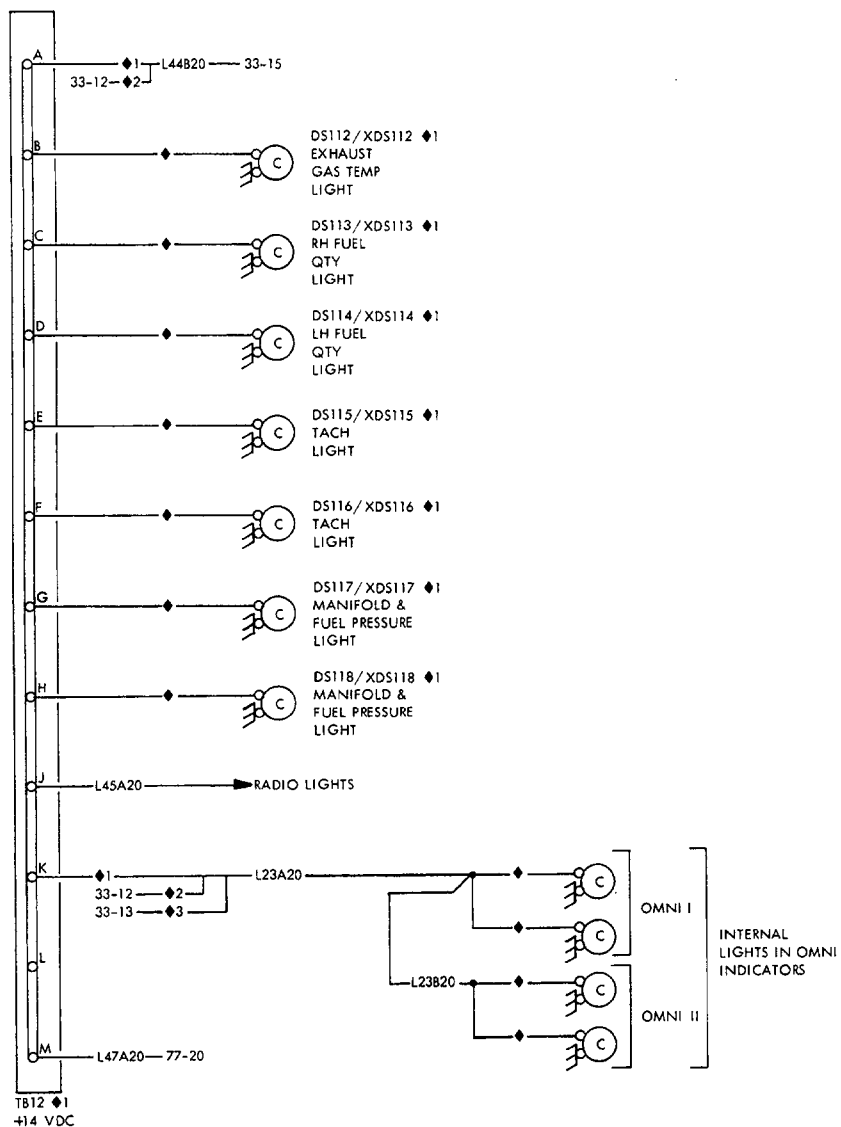
B E E C H C R A F T  
B O N A N Z A  
W I R I N G D I A G R A M M A N U A L

33-11-01  
FLIGHT COMPARTMENT-RADIO & ENGINE INSTR LIGHTS  
CE-613 THRU CE-771, EXCEPT CE-748  
CJ-105 THRU CJ-148  
D-9818 THRU D-10119, EXCEPT D-10097  
E-710, E-763 THRU E-1240, EXCEPT E-1111

B E E C H C R A F T  
B O N A N Z A  
W I R I N G D I A G R A M M A N U A L

ATA CODE & REF DES	PART NO.	DESCRIPTION	UNITS		USABLE ON CODE
			PER ASSY	INSTL ZONE	
11-01-TB12	204228-2	TERMINAL BLOCK,RADIO & ENGINE INSTR LIGHTS . . .	1	240	
-XDS112	A8970B2	LAMPHOLDER,EXHAUST GAS TEMPERATURE POST LIGHT .	1	240	
-DS112	330	. POST LIGHT,EXHAUST GAS TEMPERATURE . . . . .	1	240	
-XDS113	A8970B2	LAMPHOLDER,RH FUEL QUANTITY POST LIGHT . . . . .	1	240	
-DS113	330	. POST LIGHT,RH FUEL QUANTITY . . . . .	1	240	
-XDS114	A8970B2	LAMPHOLDER,LH FUEL QUANTITY POST LIGHT . . . . .	1	240	
-DS114	330	. POST LIGHT,LH FUEL QUANTITY . . . . .	1	240	
-XDS115	A8970B2	LAMPHOLDER,TACHOMETER . . . . .	1	240	
-DS115	330	. POST LIGHT,TACHOMETER . . . . .	1	240	
-XDS116	A8970B2	LAMPHOLDER,TACHOMETER . . . . .	1	240	
-DS116	330	. POST LIGHT,TACHOMETER . . . . .	1	240	
-XDS117	A8970B2	LAMPHOLDER,MANIFOLD & FUEL PRESSURE POST LIGHT.	1	240	
-DS117	330	. POST LIGHT,MANIFOLD & FUEL PRESSURE . . . . .	1	240	
-XDS118	A8970B2	LAMPHOLDER,MANIFOLD . . . . .	1	240	
-DS118	330	. POST LIGHT MANIFOLD . . . . .	1	240	

BEECHCRAFT  
BONANZA  
WIRING DIAGRAM MANUAL



- ◇ OPTIONAL EQUIPMENT.
- ◆ VENDOR FURNISHED.
- ◆1 ON AIRCRAFT HAVING OPTIONAL POST LIGHTS INSTALLED, WIRES L23A & L44B ROUTED AS INDICATED AND EQUIPMENT USED.
- ◆2 ON AIRCRAFT HAVING OPTIONAL WEDGE LIGHTS INSTALLED, WIRES L23A & L44B CONNECTED AS SHOWN ON DIAGRAM 33-12.
- ◆3 WHEN OPTIONAL FLIGHT INSTRUMENT DIMMING IS USED, ROUTE WIRE L23A AS SHOWN ON DIAGRAM 33-13.

B E E C H C R A F T  
B O N A N Z A  
W I R I N G D I A G R A M M A N U A L

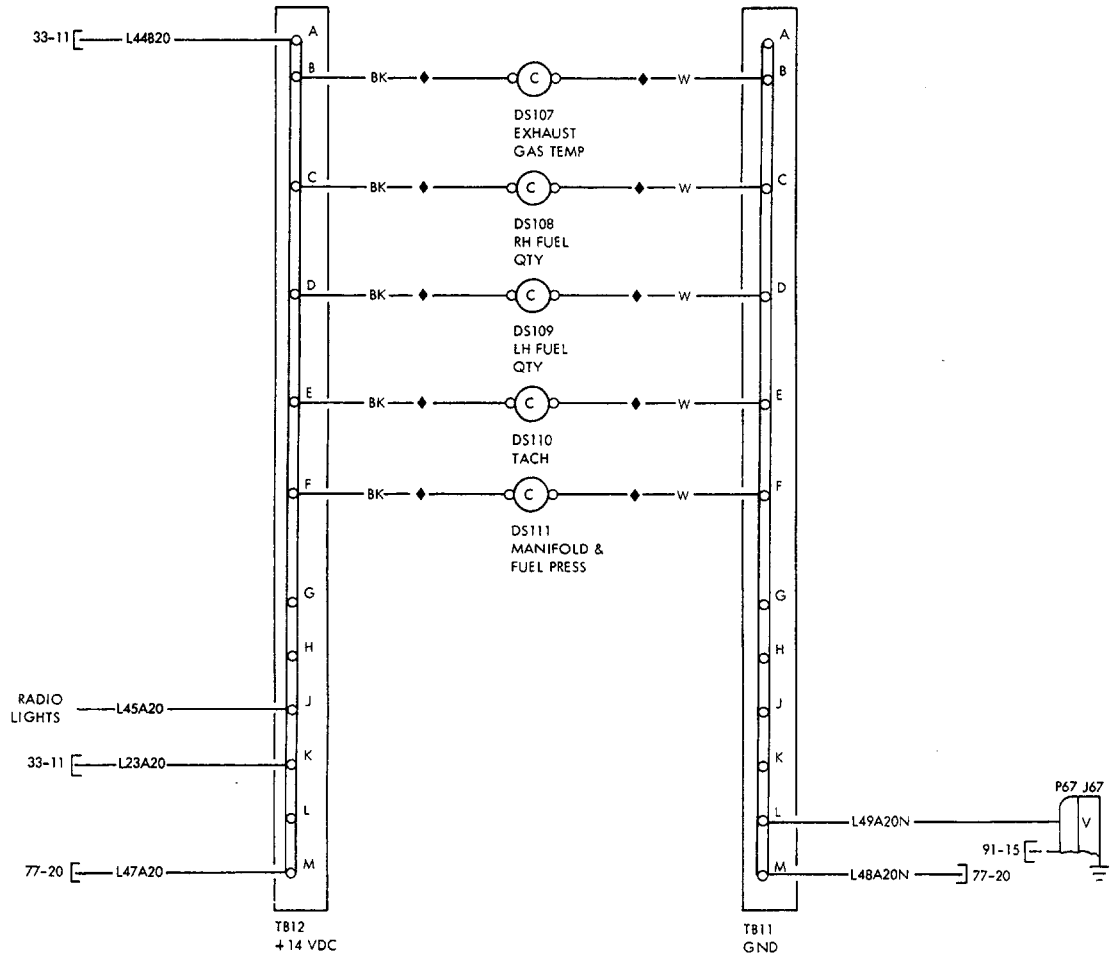
33-12-01  
FLIGHT COMPARTMENT-ENGINE INSTRUMENT WEDGE  
LIGHT /OPTIONAL/  
CE-613 THRU CE-771, EXCEPT CE-748  
CJ-105 THRU CJ-148  
D-9818 THRU D-10119, EXCEPT D-10097  
E-710, E-763 THRU E-1240, EXCEPT E-1111



B E E C H C R A F T  
B O N A N Z A  
W I R I N G D I A G R A M M A N U A L

ATA CODE & REF DES	PART NO.	DESCRIPTION	UNITS		USABLE ON CODE
			PER ASSY	INSTL ZONE	
12-01-DS107	58-380022-9	WEDGE LIGHT, EXHAUST GAS TEMPERATURE . . . . .	1	240	
-DS108	58-380022-9	WEDGE LIGHT, RH FUEL QUANTITY. . . . .	1	240	
-DS109	58-380022-9	WEDGE LIGHT, LH FUEL QUANTITY. . . . .	1	240	
-DS110	58-380022-9	WEDGE LIGHT, TACHOMETER. . . . .	1	240	
-DS111	58-380022-9	WEDGE LIGHT, MANIFOLD & FUEL PRESSURE. . . . .	1	240	
-J67		CONNECTOR, INSTRUMENT PANEL GROUNDING. . . . . /SEE CHAPTER 91-15/	1	231	
-P67		CONNECTOR, INSTRUMENT PANEL GROUNDING. . . . . /SEE CHAPTER 91-15/	1	231	
-TB11	204228-2	TERMINAL BLOCK, INSTR WEDGE LIGHTS /GROUND/. . .	1	240	
-TB12	204228-2	TERMINAL BLOCK, RADIO & ENGINE INSTR LIGHTS. . .	1	240	

BEECHCRAFT  
BONANZA  
WIRING DIAGRAM MANUAL



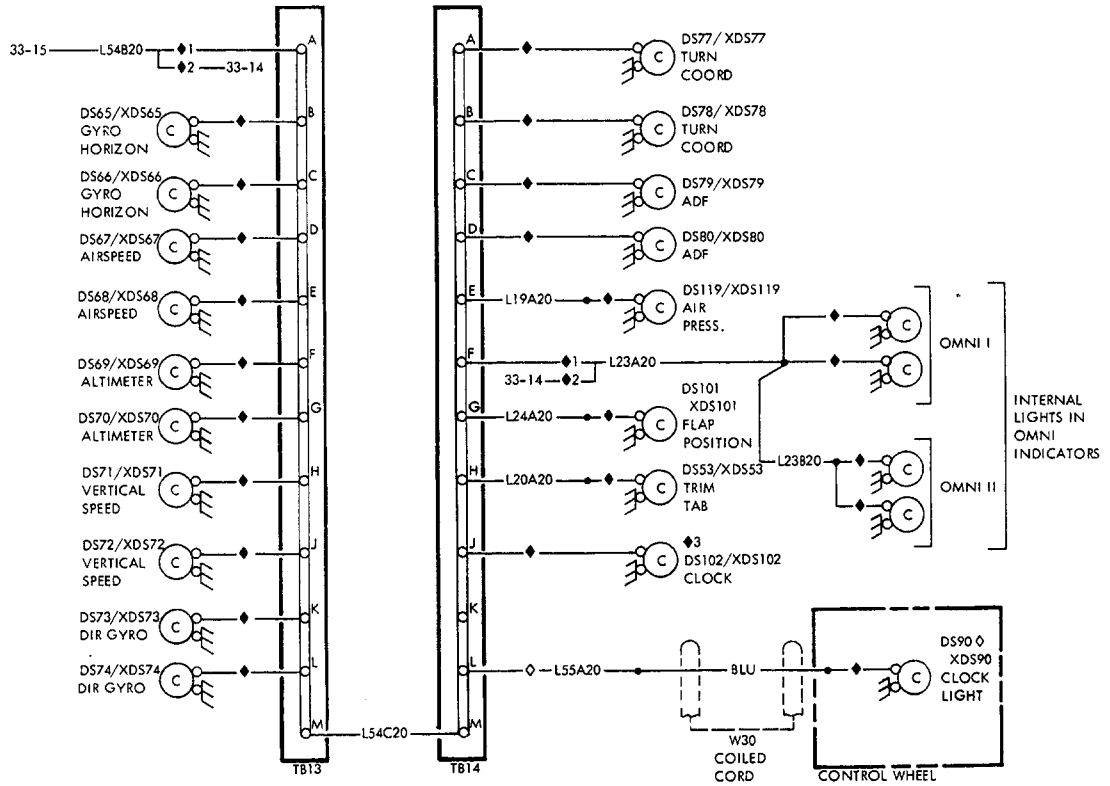
B E E C H C R A F T  
B O N A N Z A  
W I R I N G D I A G R A M M A N U A L

33-13-01  
FLIGHT COMPARTMENT-FLIGHT INSTRUMENT POST  
LIGHTS /OPTIONAL/  
CE-613 THRU CE-771,EXCEPT CE-748  
CJ-105 THRU CJ-148  
D-9818 THRU D-10119,EXCEPT D-10097  
E-710,E-763 THRU E-1240,EXCEPT E-1111

B E E C H C R A F T  
B O N A N Z A  
W I R I N G D I A G R A M M A N U A L

ATA CODE & REF DES	PART NO.	DESCRIPTION	UNITS							USABLE ON CODE
			1	2	3	4	5	6	7	
13-01-TB13	204228-2	TERMINAL BLOCK, FLIGHT INSTRUMENT LIGHTING . . . . .							1	240
-TB14	204228-2	TERMINAL BLOCK, FLIGHT INSTRUMENT LIGHTING . . . . .							1	240
-W30	36-500004-51	COILED CORD-CONTROL WHEEL . . . . .							1	240
-XDS53	PL-1	LAMPHOLDER, TRIM TAB LIGHT . . . . .							1	240
-DS53	1813	. LIGHT, TRIM TAB. . . . .							1	240
-XDS65	A8970B2	LAMPHOLDER, GYRO HORIZON POST LIGHT. . . . .							1	240
-DS65	330	. POST LIGHT, GYRO HORIZON . . . . .							1	240
-XDS66	A8970B2	LAMPHOLDER, GYRO HORIZON POST LIGHT. . . . .							1	240
-DS66	330	. POST LIGHT, GYRO HORIZON . . . . .							1	240
-XDS67	A8970B2	LAMPHOLDER, AIRSPEED POST LIGHT. . . . .							1	240
-DS67	330	. POST LIGHT, AIRSPEED . . . . .							1	240
-XDS68	A8970B2	LAMPHOLDER, AIRSPEED POST LIGHT. . . . .							1	240
-DS68	330	. POST LIGHT, AIRSPEED. . . . .							1	240
-XDS69	A8970B2	LAMPHOLDER, ALTIMETER POST LIGHT . . . . .							1	240
-DS69	330	. POST LIGHT, ALTIMETER . . . . .							1	240
-XDS70	A8970B2	LAMPHOLDER, ALTIMETER POST LIGHT . . . . .							1	240
-DS70	330	. POST LIGHT, ALTIMETER. . . . .							1	240
-XDS71	A8970B2	LAMPHOLDER, VERTICAL SPEED POST LIGHT. . . . .							1	240
-DS71	330	. POST LIGHT, VERTICAL SPEED . . . . .							1	240
-XDS72	A8970B2	LAMPHOLDER, VERTICAL SPEED POST LIGHT. . . . .							1	240
-DS72	330	. POST LIGHT, VERTICAL SPEED . . . . .							1	240
-XDS73	A8970B2	LAMPHOLDER, DIRECTIONAL GYRO POST LIGHT. . . . .							1	240
-DS73	330	. POST LIGHT, DIRECTIONAL GYRO . . . . .							1	240
-XDS74	A8970B2	LAMPHOLDER, DIRECTIONAL GYRO POST LIGHT. . . . .							1	240
-DS74	330	. POST LIGHT, DIRECTIONAL GYRO . . . . .							1	240
-XDS77	A8970B2	LAMPHOLDER, TURN COORDINATOR POST LIGHT. . . . .							1	240
-DS77	330	. POST LIGHT, TURN COORDINATOR . . . . .							1	240
-XDS78	A8970B2	LAMPHOLDER, TURN COORDINATOR . . . . .							1	240
-DS78	330	. POST LIGHT, TURN COORDINATOR . . . . .							1	240
-XDS79	A8970B2	LAMPHOLDER, ADF POST LIGHT . . . . .							1	240
-DS79	330	. POST LIGHT, ADF. . . . .							1	240
-XDS80	A8970B2	LAMPHOLDER, ADF POST LIGHT . . . . .							1	240
-DS80	330	. POST LIGHT, ADF. . . . .							1	240
-XDS90	A6795B	SOCKET LIGHT ASSY, CONTROL WHEEL CLOCK . . . . .							1	240
-DS90	330	. LIGHT, CONTROL WHEEL CLOCK . . . . .							1	240
-XDS101	A8970B2	LAMPHOLDER, FLAP POSITION POST LIGHT . . . . .							1	240
-DS101	330	. POST LIGHT, FLAP POSITION. . . . .							1	240
-XDS102	A8970B2	LAMPHOLDER, CLOCK POSTLIGHT. . . . .							1	240
-DS102	330	. POST LIGHT, CLOCK. . . . .							1	240
-XDS119	A8970B2	LAMPHOLDER, AIR PRESSURE . . . . .							1	240
-DS119	330	POST LIGHT, AIR PRESSURE . . . . .							1	240

**B E E C H C R A F T  
B O N A N Z A  
W I R I N G D I A G R A M M A N U A L**



- ◇ OPTIONAL EQUIPMENT.
- ◆ FURNISHED WITH EQUIPMENT.
- ◆1 ON AIRCRAFT HAVING OPTIONAL POST LIGHTS INSTALLED, WIRES L23A & L54B ARE ROUTED AS INDICATED.
- ◆2 ON AIRCRAFT HAVING OPTIONAL WEDGE LIGHTS INSTALLED, WIRES L23A & L54B ARE CONNECTED AS SHOWN ON DIAGRAM 33-14.
- ◆3 WHEN OPTIONAL CONTROL WHEEL CLOCK LIGHT, DS90 IS INSTALLED, THE STANDARD CLOCK LIGHT, DS102, IS OMITTED.

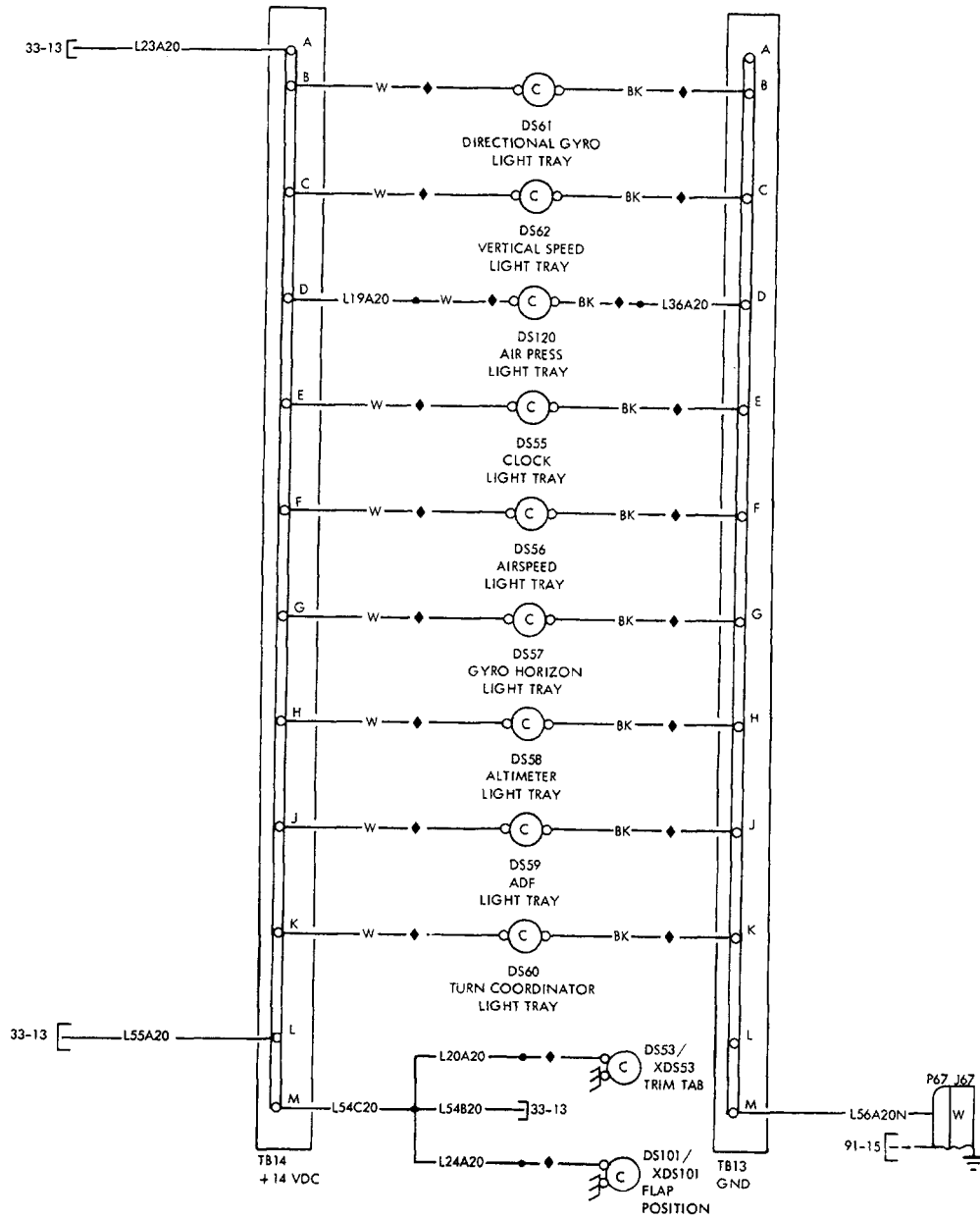
B E E C H C R A F T  
B O N A N Z A  
W I R I N G D I A G R A M M A N U A L

33-14-01  
FLIGHT COMPARTMENT-FLIGHT INSTRUMENT  
WEDGE LIGHTS/OPTIONAL/  
CE-613 THRU CE-771,EXCEPT CE-748  
CJ-105 THRU CJ-148  
D-9818 THRU D-10119,EXCEPT D-10097  
E-710,E-763 THRU E-1240,EXCEPT E-1111

B E E C H C R A F T  
B O N A N Z A  
W I R I N G D I A G R A M M A N U A L

ATA CODE & REF DES	PART NO.	DESCRIPTION	UNITS		USABLE							
			PER ASSY	INSTL ZONE	ON CODE							
			1	2	3	4	5	6	7			
14-01-DS55	58-380022-9	WEDGE LIGHT TRAY,CLOCK. . . . .	1							240		
-DS56	58-380022-9	WEDGE LIGHT TRAY,AIRSPEED . . . . .	1							240		
-DS57	58-380022-9	WEDGE LIGHT TRAY,GYRO HORIZON . . . . .	1							240		
-DS58	58-380022-9	WEDGE LIGHT TRAY,ALTIMETER. . . . .	1							240		
-DS59	58-380022-9	WEDGE LIGHT TRAY,ADF. . . . .	1							240		
-DS60	58-380022-9	WEDGE LIGHT TRAY,TURN COORDINATOR . . . . .	1							240		
-DS61	58-380022-9	WEDGE LIGHT TRAY,DIRECTIONAL GYRO . . . . .	1							240		
-DS62	58-380022-9	WEDGE LIGHT TRAY,VERTICAL SPEED . . . . .	1							240		
-DS120	58-380022-9	WEDGE LIGHT TRAY,AIR PRESSURE . . . . .	1							240		
-J67		CONNECTOR,INSTRUMENT PANEL GROUNDING. . . . .	1							231		
		/SEE CHAPTER 91-15/										
-P67		CONNECTOR,INSTRUMENT PANEL GROUNDING. . . . .	1							231		
		/SEE CHAPTER 91-15/										
-TB13	204228-2	TERMINAL BLOCK,FLIGHT INSTRUMENT LIGHTING . . . . .	1							240		
-TB14	204228-2	TERMINAL BLOCK,FLIGHT INSTRUMENT LIGHTING . . . . .	1							240		
-XDS53	DL1	LAMPHOLDER,TRIM TAB LIGHT . . . . .	1							240		
-DS53	1813	. LIGHT,TRIM TAB. . . . .	1							240		
-XDS101	A897082	LAMPHOLDER,FLAP POSITION POST LIGHT . . . . .	1							240		
-DS101	330	. POST LIGHT,FLAP POSITION. . . . .	1							240		

BEECHCRAFT  
BONANZA  
WIRING DIAGRAM MANUAL



◆ VENDOR FURNISHED.



B E E C H C R A F T  
B O N A N Z A  
W I R I N G D I A G R A M M A N U A L

33-15-01  
FLIGHT COMPARTMENT-INSTRUMENT DIMMING  
CE-613 THRU CE-734  
CJ-105 THRU CJ-128  
D-9818 THRU D-10054  
E-710,E-763 THRU E-1116,EXCEPT E-1111

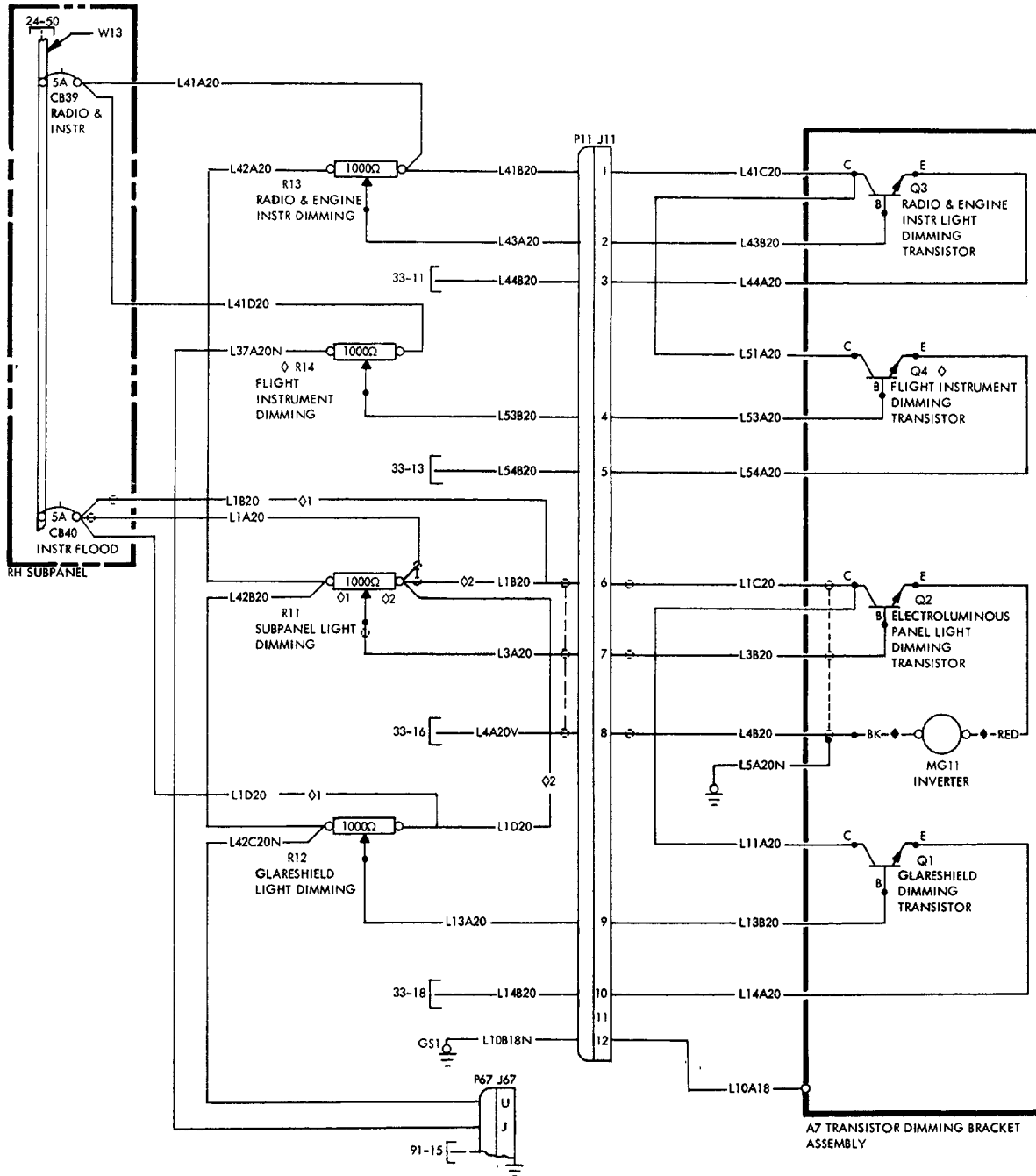
B E E C H C R A F T  
B O N A N Z A  
W I R I N G D I A G R A M M A N U A L

ATA CODE & REF DES	PART NO.	DESCRIPTION	UNITS		USABLE ON CODE
			PER ASSY	INSTL ZONE	
15-01-A7	002-364042-17	ASSEMBLY, TRANSISTOR DIMMING BRACKET . . . . .	1	270	2
		NOTE IMPROVED DIMMING TRANSISTOR BRACKET ASSY, P/N 002-364042-17, CONTAINS 002-364042-27 BRACKET & 002-364042-37 RESISTOR ASSY FOR IMPROVED TRANSISTOR BASE-CURRENT CONTROL. SEE CHAPTER 33-15-02 FOR WIRING INFO.			
-A7	002-364042-7	ASSEMBLY, TRANSISTOR DIMMING BRACKET . . . . .	1	270	3
		NOTE IMPROVED DIMMING TRANSISTOR BRACKET ASSY, P/N 002-364042-7, CONTAINS 002-364042-25 BRACKET & 002-364042-37 RESISTOR ASSY FOR IMPROVED TRANSISTOR BASE-CURRENT CONTROL. SEE CHAPTER 33-15-02 FOR WIRING INFO.			
-MG11	X17717	. INVERTOR. . . . .	1	270	1
-Q1	MJ3001	. TRANSISTOR, GLARESHIELD DIMMING. . . . .	1	270	1
-Q2	2N3055	. TRANSISTOR, ELECTROLUMINOUS PNL LIGHT DIMMING. . . . .	1	270	1
-Q3	MJ3001	. TRANSISTOR, RADIO & ENG INST LIGHT DIMMING . . . . .	1	270	1
-Q4	2N3055	. TRANSISTOR, FLIGHT INST DIMMING/OPTIONAL/. . . . .	1	270	1
-CB39	435-205-104	CIRCUIT BREAKER, RADIO & INSTRUMENT. . . . .	1	240	1
-CB40	435-205-104	CIRCUIT BREAKER, INSTRUMENT FLOOD. . . . .	1	240	1
-GS1	131270-3	GROUND STUD, MAIN SPAR CARRY THRU. . . . .	1	270	1
-J11	1-480288-0	PIN HOUSING, TRANSISTOR DIMMING RECEPTACLE . . . . .	1	251	1
-J11	60618-1	. PIN CONTACT /18-20 AWG/. . . . .	AR	251	1
-J67		CONNECTOR, INSTRUMENT PANEL GROUNDING. . . . .	1	231	1
		/SEE CHAPTER 91-15/			
-P11	1-480287-0	SOCKET HOUSING, TRANSISTOR DIMMING PLUG. . . . .	1	251	1
-P11	60617-1	. SOCKET CONTACT /18-20 AWG/. . . . .	AR	251	1
-P67		CONNECTOR, INSTRUMENT PANEL GROUNDING. . . . .	1	231	1
		/SEE CHAPTER 91-15/			
-R11	VW1KSPB	RHEOSTAT, SUBPANEL LIGHTING DIMMING. . . . .	1	240	1
-R12	VW1KSPB	RHEOSTAT, GLARESHIELD LIGHT DIMMING. . . . .	1	240	1
-R13	VW1KSPB	RHEOSTAT, RADIO & ENGINE INSTRUMENT DIMMING. . . . .	1	240	1
-R14	VW1KSPB	RHEOSTAT, FLIGHT INSTRUMENT DIMMING. . . . .	1	240	1
-W13	114931-1-12	BUS BAR . . . . .	1	240	1

C O D E S O F E F F E C T I V I T Y

- |   |                     |   |                     |
|---|---------------------|---|---------------------|
| 1 | CE-613 THRU CE-734  | 2 | CE-613 THRU CE-734  |
|   | CJ-105 THRU CJ-128  |   | CJ-105 THRU CJ-128  |
|   | D-9818 THRU D-10054 |   | D-9818 THRU D-10054 |
|   | E-710,              |   |                     |
|   | E-763 THRU E-1116,  |   |                     |
|   | EXCEPT E-1111       |   |                     |
| 3 | E-710,              |   |                     |
|   | E-763 THRU E-1116   |   |                     |
|   | EXCEPT E-1111       |   |                     |

BEECHCRAFT  
BONANZA  
WIRING DIAGRAM MANUAL



- ◆ FURNISHED WITH EQUIPMENT.
- ◇ OPTIONAL EQUIPMENT.
- ◇1 WIRE L1B GOES DIRECT TO P11 & L1D DIRECT TO R12, EFF AS FOLLOWS:  
E-1029 & AFT, CE-716 & AFT, CJ-129 & AFT AND D-10009 & AFT.
- ◇2 WIRE L1B GOES FROM R11 TO P11 & WIRE L1D GOES FROM R11 TO R12 POSITIVE, EFF AS FOLLOWS:  
E-710, E-763 THRU E-1028, CE-613 THRU CE-715; CJ-105 THRU CJ-128 & D9818 THRU D-10008.

FLIGHT COMPARTMENT-INSTRUMENT DIMMING  
CONFIGURATION 1/SEE PAGE 1 FOR EFFECTIVITY/

B E E C H C R A F T  
B O N A N Z A  
W I R I N G D I A G R A M M A N U A L

33-15-02  
FLIGHT COMPARTMENT-INSTRUMENT DIMMING  
CE-735 THRU CE-771, EXCEPT CE-748  
CJ-129 THRU CJ-148  
D-10055 THRU D-10119, EXCEPT D-10097  
E-1117 THRU E-1240

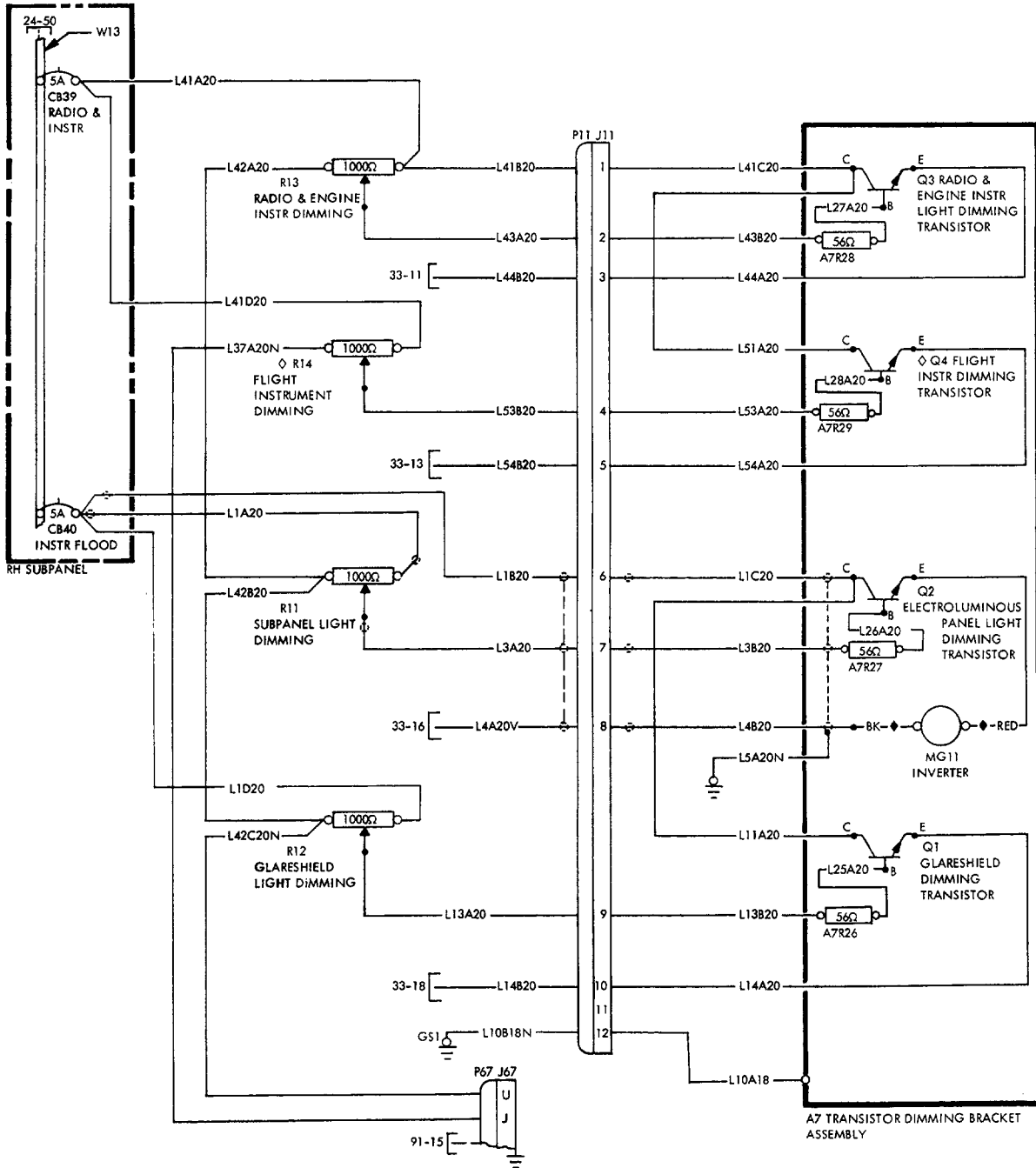
B E E C H C R A F T  
B O N A N Z A  
W I R I N G D I A G R A M M A N U A L

ATA CODE & REF DES	PART NO.	DESCRIPTION							UNITS PER ASSY	INSTL ZONE	USABLE ON CODE
		1	2	3	4	5	6	7			
15-02-A7	002-364042-17	ASSEMBLY, TRANSISTOR DIMMING BRACKET . . . . .							1	270	2
-A7	002-364042-7	ASSEMBLY, TRANSISTOR DIMMING BRACKET . . . . .							1	270	3
-MG11	X17717	. INVERTOR. . . . .							1	270	1
-Q1	2N3055	. TRANSISTOR, GLARESHIELD DIMMING. . . . .							1	270	2
-Q2	2N3055	. TRANSISTOR, ELECTROLUMINOUS PNL LIGHT DIMMING. . . . .							1	270	1
-Q3	MJ3001	. TRANSISTOR, RADIO & ENG INST LIGHT DIMMING . . . . .							1	270	1
-Q4	2N3055	. TRANSISTOR, FLIGHT INST DIMMING/OPTIONAL/. . . . .							1	270	1
-A7	002-364042-37	. RESISTOR ASSEMBLY . . . . .							1	270	1
-A7R26	RCR42G390JS	. . RESISTOR/TYP A7R26 THRU A7R29/. . . . .							4	270	1
-CB39	435-205-104	CIRCUIT BREAKER, RADIO & INSTRUMENT. . . . .							1	240	1
-CB40	435-205-104	CIRCUIT BREAKER, INSTRUMENT FLOOD. . . . .							1	240	1
-GS1	131270-3	GROUND STUD, MAIN SPAR CARRY THRU. . . . .							1	270	1
-J11	1-480288-0	PIN HOUSING, TRANSISTOR DIMMING RECEPTACLE . . . . .							1	251	1
-J11	60618-1	. PIN CONTACT /18-20 AWG/ . . . . .							AR	251	1
-J67		CONNECTOR, INSTRUMENT PANEL GROUNDING. . . . .							1	231	1
		/SEE CHAPTER 91-15/									
-P11	1-480287-0	SOCKET HOUSING, TRANSISTOR DIMMING PLUG. . . . .							1	251	1
-P11	60617-1	. SOCKET CONTACT /18-20 AWG/. . . . .							AR	251	1
-P67		CONNECTOR, INSTRUMENT PANEL GROUNDING. . . . .							1	231	1
		/SEE CHAPTER 91-15/									
-R11	VWIKSPB	RHEOSTAT, SUBPANEL LIGHTING DIMMING. . . . .							1	240	1
-R12	VWIKSPB	RHEOSTAT, GLARESHIELD LIGHT DIMMING. . . . .							1	240	1
-R13	VWIKSPB	RHEOSTAT, RADIO & ENGINE INSTRUMENT DIMMING. . . . .							1	240	1
-R14	VWIKSPB	RHEOSTAT, FLIGHT INSTRUMENT DIMMING. . . . .							1	240	1
-W13	114931-1-12	BUS BAR . . . . .							1	240	1

C O D E S O F E F F E C T I V I T Y

- |   |   |
|---|---|
| <p>1 CE-735 THRU CE-771,<br/>EXCEPT CE-748<br/>CJ-129 THRU CJ-148<br/>D-10055 THRU D-10119,<br/>EXCEPT D-10097<br/>E-1117 THRU E-1240</p> | <p>2 CE-735 THRU CE-771,<br/>EXCEPT CE-748<br/>CJ-129 THRU CJ-148<br/>D-10055 THRU D-10119<br/>EXCEPT D-10097</p> |
| <p>3 E-1117 THRU E-1240</p>   |   |

BEECHCRAFT  
BONANZA  
WIRING DIAGRAM MANUAL



- ◇ OPTIONAL EQUIPMENT.
- ◆ FURNISHED WITH EQUIPMENT.

B E E C H C R A F T  
B O N A N Z A  
W I R I N G D I A G R A M M A N U A L

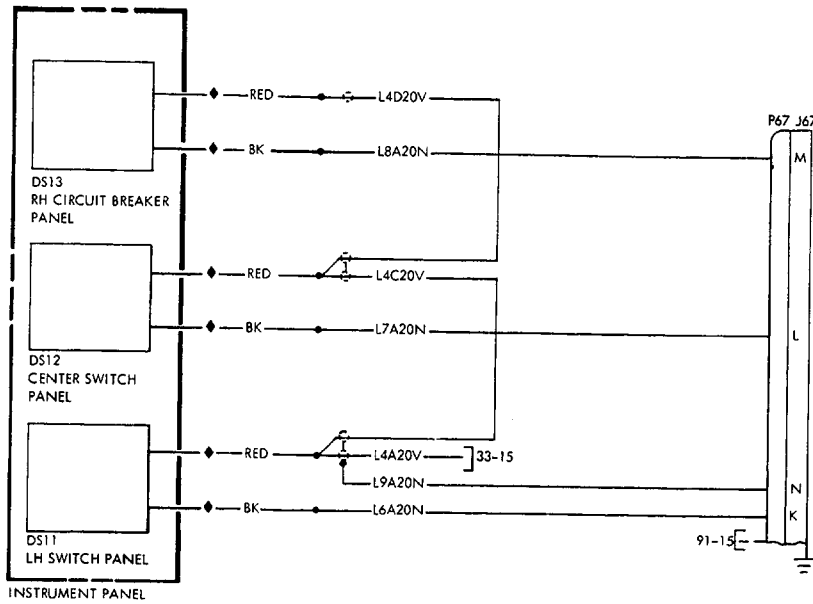
33-16-01  
FLIGHT COMPARTMENT-ELECTROLUMINOUS PANEL  
LIGHTING  
C-613 THRU CE-771, EXCEPT CE-748  
CJ-105 THRU CJ-148  
D-9818 THRU D-10119, EXCEPT D-10097  
E-710, E-763 THRU E-1240, EXCEPT E-1111

B E E C H C R A F T  
B O N A N Z A  
W I R I N G D I A G R A M M A N U A L

ATA CODE & REF DES	PART NO.	DESCRIPTION	UNITS		USABLE ON CODE
			PER ASSY	INSTL ZONE	
16-01-DS11	R 35-380126-3	PANEL,LH ELECTROLUMINOUS SWITCH . . . . .	1	240	
-DS12	R 35-380133-3	PANEL,CENTER ELECTROLUMINOUS SWITCH . . . . .	1	240	
-DS13	R 35-380133-1	PANEL,RH ELECTROLUMINOUS CIRCUIT BREAKER. . . . .	1	240	
-J67		CONNECTOR,INSTRUMENT PANEL GROUNDING. . . . .	1	231	
		/SEE CHAPTER 91-15/			
-P67		CONNECTOR,INSTRUMENT PANEL GROUNDING. . . . .	1	231	
		/SEE CHAPTER 91-15/			



BEECHCRAFT  
 BONANZA  
 WIRING DIAGRAM MANUAL



◆ FURNISHED WITH EQUIPMENT.

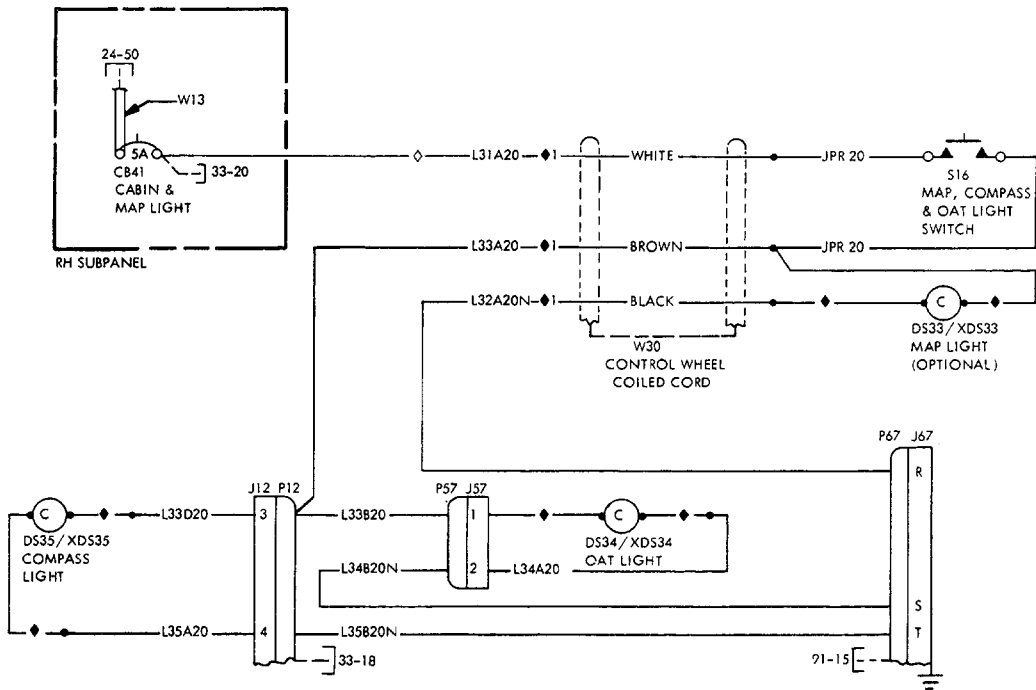
B E E C H C R A F T  
B O N A N Z A  
W I R I N G D I A G R A M M A N U A L

33-17-01  
FLIGHT COMPARTMENT-MAP,COMPASS & OAT LIGHTS  
CE-613 THRU CE-771,EXCEPT CE-748  
CJ-105 THRU CJ-148  
D-9818 THRU D-10119,EXCEPT D-10097  
E-710,E-763 THRU E-1240,E-1111

B E E C H C R A F T  
B O N A N Z A  
W I R I N G D I A G R A M M A N U A L

ATA CODE & REF DES	PART NO.	DESCRIPTION	UNITS							USABLE ON CODE		
			1	2	3	4	5	6	7		PER ASSY	INSTL ZONE
17-01-CB41	435-205-104	CIRCUIT BREAKER,CABIN AND MAP LIGHT . . . . .								1	240	
-J12	1-480340-0	PIN HOUSING,GLARESHIELD RECEPTACLE. . . . .								1	231	
-J12	60618-1	. PIN CONTACT /18-20 AWG/ . . . . .								AR	231	
-J12	61109-1	. PIN CONTACT /18-20 AWG-2 COND/. . . . .								AR	231	
-J57	1-480319-0	PIN HOUSING,OAT LIGHT RECEPTACLE. . . . .								1	251	
-J57	60618-1	. PIN CONTACT /18-20 AWG/ . . . . .								AR	251	
-J67		CONNECTOR,INSTRUMENT PANEL GROUNDING. . . . .								1	231	
		/SEE CHAPTER 91-15/										
-P12	1-480270-0	SOCKET HOUSING,GLARESHIELD PLUG . . . . .								1	231	
-P12	60617-1	. SOCKET CONTACT/18-20 AWG/ . . . . .								AR	231	
-P12	61108-1	. SOCKET CONTACT/18-20 AWG/ . . . . .								AR	231	
-P57	1-480318-0	SOCKET HOUSING,OAT LIGHT PLUG . . . . .								1		
-P57	60617-1	. SOCKET CONTACT. . . . .								AR		
-P67		CONNECTOR,INSTRUMENT PANEL GROUNDING. . . . .								1	231	
		/SEE CHAPTER 91-15/										
-S16	L18366-5	SWITCH,MAP,COMPASS & OAT LIGHT. . . . .								1	240	
-W13	114931-1-12	BUS BAR . . . . .								1	240	
-W30	36-500004-51	COILED CORD-CONTROL WHEEL . . . . .								1	240	
-XDS33	20-0041	LAMPHOLDER ASSY-MAP LIGHT /OPTIONAL/. . . . .								1	240	
-DS33	1816	. MAP LIGHT . . . . .								1	240	
-XDS34	A6745B	LAMPHOLDER-OUTSIDE AIR TEMPERATURE LIGHT. . . . .								1	251	
-DS34	330	. LIGHT,OUTSIDE AIR TEMPERATURE . . . . .								1	251	
-XDS35	A6745B	LAMPHOLDER-COMPASS LIGHT. . . . .								1	240	
-DS35	330	. COMPASS LIGHT . . . . .								1	240	

BEECHCRAFT  
 BONANZA  
 WIRING DIAGRAM MANUAL



- ◊ WHEN OPTIONAL CONTROL WHEEL CLOCK IS USED, CAP & STOW WIRE L31A AND WIRE PER REF DES 25-12, FURNISHED WITH EQUIPMENT.
- ◆ FURNISHED WITH EQUIPMENT.
- ◆1 FOR MODE OF CONNECTION, REFER TO APPLICABLE AVIONICS DRAWING.

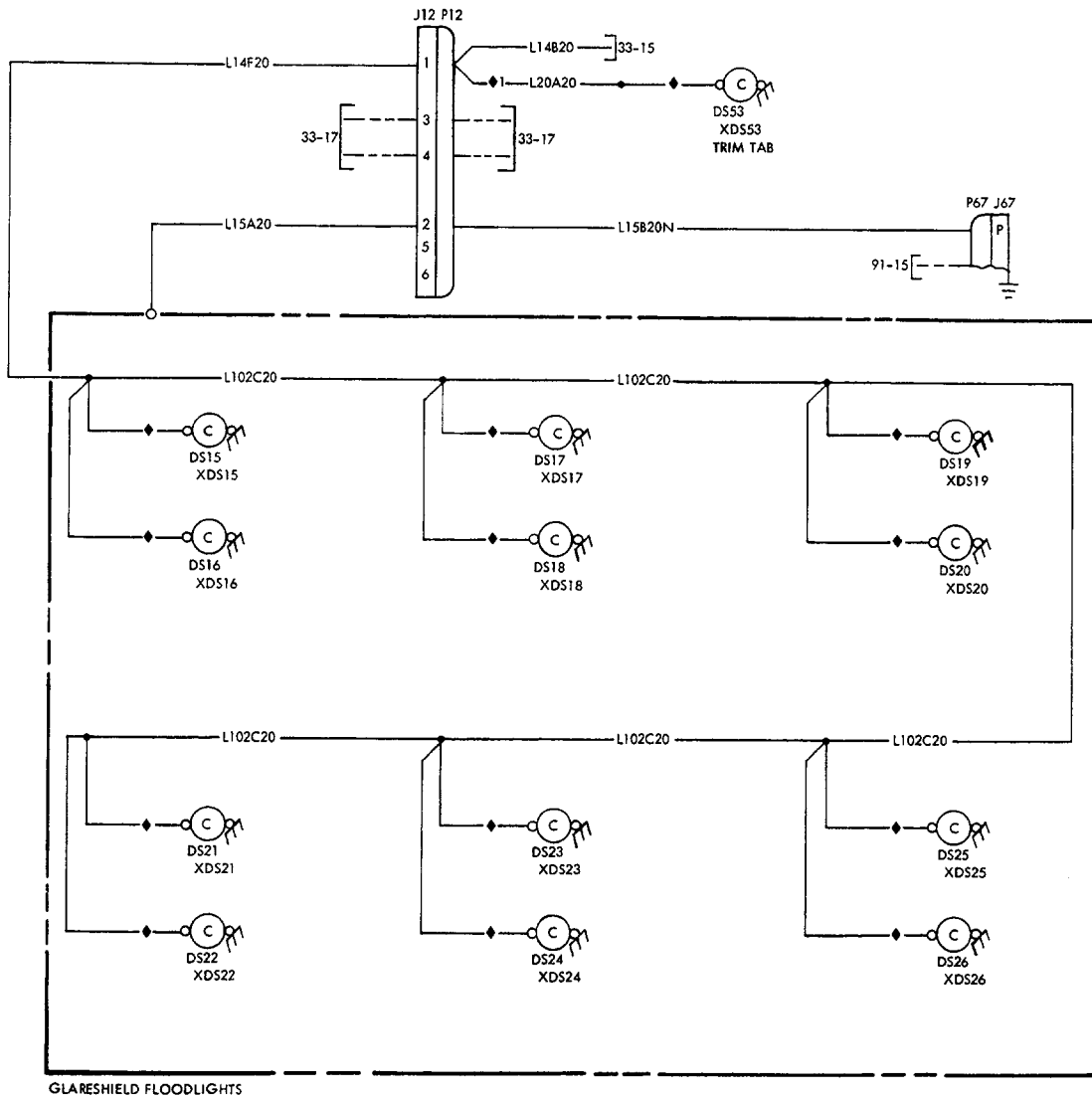
B E E C H C R A F T  
B O N A N Z A  
W I R I N G D I A G R A M M A N U A L

33-18-01  
FLIGHT COMPARTMENT-FLOODLIGHTS  
CE-613 THRU CE-771,EXCEPT CE-748  
CJ-105 THRU CJ-148  
D-9818 THRU D-10119,EXCEPT D-10097  
E-710,E-763 THRU E-1240,EXCEPT E-1111

B E E C H C R A F T  
B O N A N Z A  
W I R I N G D I A G R A M M A N U A L

ATA CODE & REF DES	PART NO.	DESCRIPTION	UNITS							USABLE ON CODE	
			1	2	3	4	5	6	7		
18-01-J12	1-480340-0	PIN HOUSING, GLARESHIELD RECEPTACLE. . . . .							1	231	
-J12	60618-1	. PIN CONTACT /18-20 AWG/ . . . . .							AR	231	
-J12	61109-1	. PIN CONTACT /18-20 AWG-2 COND/. . . . .							AR	231	
-J67		CONNECTOR, INSTRUMENT PANEL GROUNDING. . . . .							1	231	
		/SEE CHAPTER 91-15/									
-P12	1-480270-0	SOCKET HOUSING, GLARESHIELD PLUG . . . . .							1	231	
-P12	60617-1	. SOCKET CONTACT /18-20 AWG/. . . . .							AR	231	
-P12	61108-1	. SOCKET CONTACT /18-20 AWG/. . . . .							AR	231	
-P67		CONNECTOR, INSTRUMENT PANEL GROUNDING. . . . .							1	231	
		/SEE CHAPTER 91-15/									
-XDS15	4169-143	LAMPHOLDER, GLARESHIELD FLOODLIGHT . . . . .							1	240	
-DS15	1815	. FLOODLIGHT, GLARESHIELD. . . . .							1	240	
-XDS16	4169-413	LAMPHOLDER, GLARESHIELD FLOODLIGHT . . . . .							1	240	
-DS16	1815	. FLOODLIGHT, GLARESHIELD. . . . .							1	240	
-XDS17	4169-143	LAMPHOLDER, GLARESHIELD FLOODLIGHT . . . . .							1	240	
-DS17	1815	. FLOODLIGHT, GLARESHIELD. . . . .							1	240	
-XDS18	4169-143	LAMPHOLDER, GLARESHIELD FLOODLIGHT . . . . .							1	240	
-DS18	1815	. FLOODLIGHT, GLARESHIELD. . . . .							1	240	
-XDS19	4169-143	LAMPHOLDER, GLARESHIELD FLOODLIGHT . . . . .							1	240	
-DS19	1815	. FLOODLIGHT, GLARESHIELD. . . . .							1	240	
-XDS20	4169-143	LAMPHOLDER, GLARESHIELD FLOODLIGHT . . . . .							1	240	
-DS20	1815	. FLOODLIGHT, GLARESHIELD. . . . .							1	240	
-XDS21	4169-143	LAMPHOLDER, GLARESHIELD FLOODLIGHT . . . . .							1	240	
-DS21	1815	. FLOODLIGHT, GLARESHIELD. . . . .							1	240	
-XDS22	4169-143	LAMPHOLDER, FLOODLIGHT GLARESHIELD . . . . .							1	240	
-DS22	1815	. FLOODLIGHT, GLARESHIELD. . . . .							1	240	
-XDS23	4169-143	LAMPHOLDER, GLARESHIELD FLOODLIGHT . . . . .							1	240	
-DS23	1815	. FLOODLIGHT, GLARESHIELD. . . . .							1	240	
-XDS24	4169-143	LAMPHOLDER, GLARESHIELD FLOODLIGHT . . . . .							1	240	
-DS24	1815	. FLOODLIGHT, GLARESHIELD. . . . .							1	240	
-XDS25	4169-143	LAMPHOLDER, GLARESHIELD FLOODLIGHT . . . . .							1	240	
-DS25	1815	. FLOODLIGHT, GLARESHIELD. . . . .							1	240	
-XDS26	4169-143	LAMPHOLDER, GLARESHIELD FLOODLIGHT . . . . .							1	240	
-DS26	1815	. FLOODLIGHT, GLARESHIELD. . . . .							1	240	
-XDS53	PL1	LAMPHOLDER, TRIM TAB LIGHT . . . . .							1	240	
-DS53	1813	LIGHT, TRIM TAB. . . . .							1	240	

BEECHCRAFT  
BONANZA  
WIRING DIAGRAM MANUAL



GLARESHIELD FLOODLIGHTS

- ◆ VENDOR FURNISHED.
- ◆1 WHEN OPTIONAL FLIGHT INSTRUMENT DIMMING IS USED, REFER TO DIAGRAM 33-13 OR 33-14 FOR ROUTING OF WIRE L20A20.

B E E C H C R A F T  
B O N A N Z A  
W I R I N G D I A G R A M M A N U A L

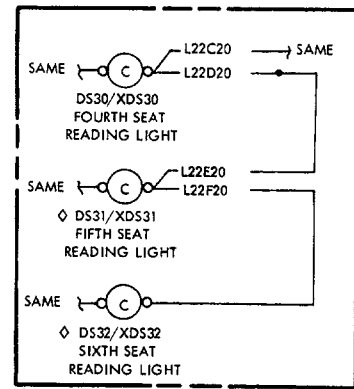
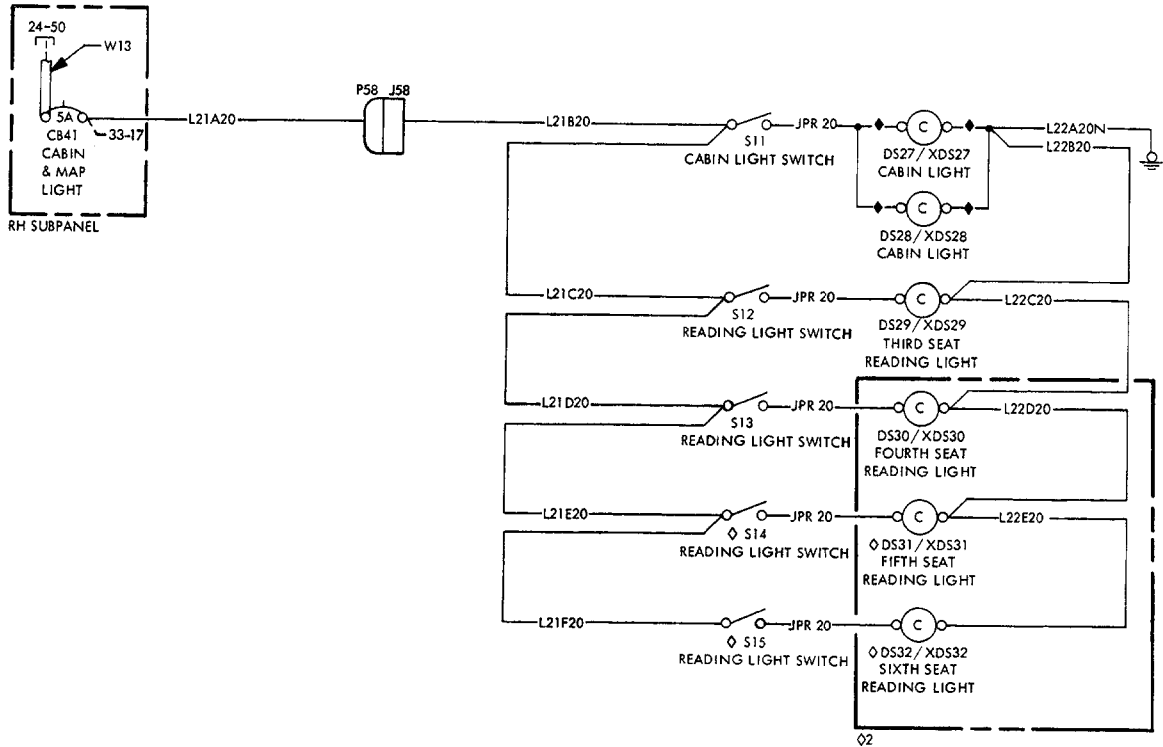
33-20-01  
PASSENGER COMPARTMENT-CABIN LIGHTS  
CE-613 THRU CE-771, EXCEPT CE-748  
CJ-105 THRU CJ-148  
D-9818 THRU D-10119, EXCEPT D-10097  
E-710, E-763 THRU E-1240, EXCEPT E-1111



B E E C H C R A F T  
B O N A N Z A  
W I R I N G D I A G R A M M A N U A L

ATA CODE & REF DES	PART NO.	DESCRIPTION	UNITS		USABLE ON CODE
			PER ASSY	INSTL ZONE	
20-01-CB41	435-205-104	CIRCUIT BREAKER,CABIN AND MAP LIGHT . . . . .	1	240	
-J58	1-480351-0	PIN HOUSING,CABIN LIGHT RECEPTACLE . . . . .	1	253	
-J58	60618-1	. PIN CONTACT /18-20 AWG/ . . . . .	AR	253	
-P58	1-480349-0	SOCKET HOUSING,CABIN LIGHT PLUG . . . . .	1	253	
-P58	60617-1	. SOCKET CONTACT /18-20 AWG/ . . . . .	AR	253	
-S11	L18366-3	SWITCH,CABIN LIGHT. . . . .	1	253	
-S12	L18366-3	SWITCH,READING LIGHT. . . . .	1	253	
-S13	L18366-3	SWITCH,READING LIGHT. . . . .	1	253	
-S14	L18366-3	SWITCH,READING LIGHT /OPTIONAL/ . . . . .	1	253	
-S15	L18366-3	SWITCH,READING LIGHT /OPTIONAL/ . . . . .	1	253	
-W13	114931-1-12	BUS BAR . . . . .	1	240	
-XDS27	2506	SOCKET,CABIN LIGHT. . . . .	1	253	
-DS27	1816	. CABIN LIGHT . . . . .	1	253	
-XDS28	2506	SOCKET,CABIN LIGHT. . . . .	1	253	
-DS28	1816	. CABIN LIGHT . . . . .	1	253	
-XDS29	2565	SOCKET,THIRD SEAT READING LIGHT . . . . .	1	253	
-DS29	89	. READING LIGHT,THIRD SEAT. . . . .	1	253	
-XDS30	2563	SOCKET,FOURTH SEAT READING LIGHT. . . . .	1	253	
-DS30	89	. READING LIGHT,FOURTH SEAT . . . . .	1	253	
-XDS31	2565	SOCKET,FIFTH SEAT READING LIGHT /OPTIONAL/ . . . . .	1	253	
-XDS32	2565	SOCKET,SIXTH SEAT READING LIGHT /OPTIONAL/ . . . . .	1	253	
-DS32	89	. READING LIGHT,SIXTH SEAT /OPTIONAL/ . . . . .	1	253	

BEECHCRAFT  
BONANZA  
WIRING DIAGRAM MANUAL



Q2 WIRE AS SHOWN ON AIRCRAFT  
E-1029 & AFT, CE-716 & AFT,  
CJ-129 & AFT, D-10009 & AFT

Q1 WIRE AS SHOWN ON AIRCRAFT E-710,  
E-763 THRU E-1028, CE-613 THRU CE-715,  
CJ-105 THRU CJ-128, D-9818 THRU  
D-10008.

◊ OPTIONAL EQUIPMENT.

◆ FURNISHED WITH EQUIPMENT.

B E E C H C R A F T  
B O N A N Z A  
W I R I N G D I A G R A M M A N U A L

33-40-01  
EXTERIOR, THREE STROBE LIGHT /OPTIONAL/  
CE-613 THRU CE-702  
D-9818 THRU D-10006  
E-710, E-763 THRU E-1013

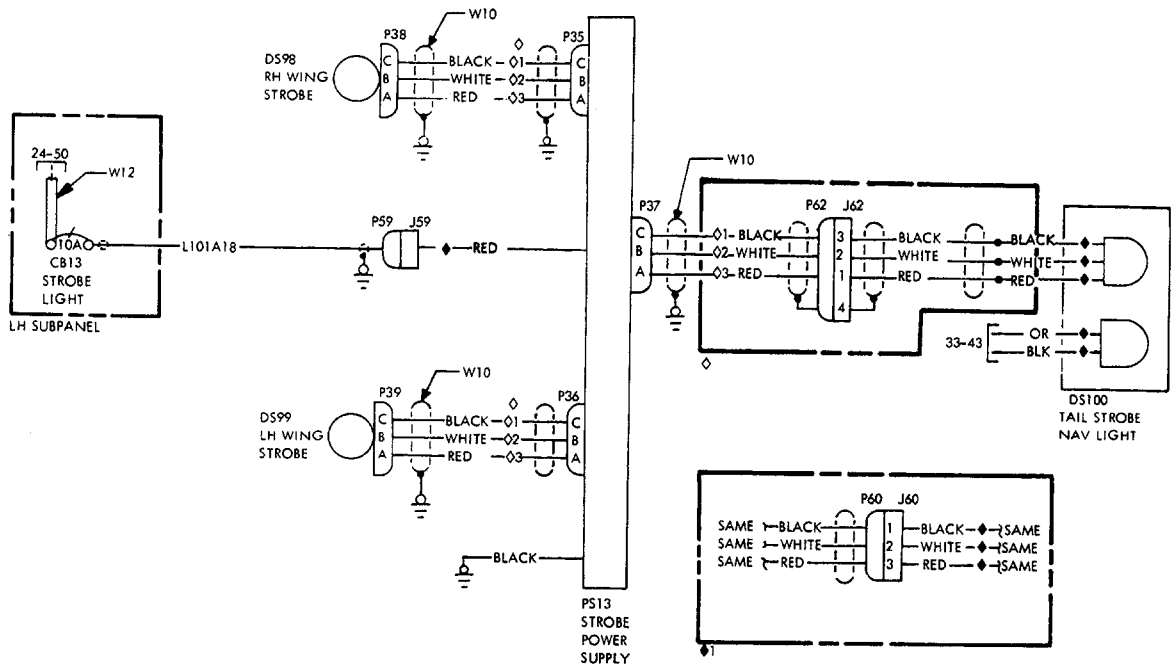
B E E C H C R A F T  
B O N A N Z A  
W I R I N G D I A G R A M M A N U A L

ATA CODE & REF DES	PART NO.	DESCRIPTION	UNITS		USABLE ON CODE
			PER ASSY	INSTL ZONE	
40-01-CB13	35-380132-43	CIRCUIT BREAKER,STROBE LIGHT. . . . .	1	240	1
-DS98	R 30-0467-5	LIGHT,RH WING STROBE. . . . .	1	650	4
-DS98	30-1467-1	LIGHT,RH WING STROBE. . . . .	1	650	5
-DS99	R 30-0467-5	LIGHT,LH WING STROBE. . . . .	1	550	4
-DS99	R 30-1467-1	LIGHT,LH WING STROBE. . . . .	1	550	5
-DS100	30-0815-3	LIGHT,TAIL STROBE/NAV . . . . .	1	370	1
-J59	1-480351-0	PIN HOUSING,STROBE POWER RECTACLE . . . . .	1	310	1
-J59	60618-1	. PIN CONTACT /18-20 AWG/ . . . . .	AR	310	1
-J60	R 1-480305-0	PIN HOUSING,TAIL STROBE/NAV LIGHT RECEPTACLE. . . . .	1	370	2
-J60	R 60618-1	. PIN CONTACT /18-20 AWG/ . . . . .	AR	370	2
-J62	1-480703-0	PIN HOUSING,TAIL STROBE/NAV LIGHT RECEPTACLE. . . . .	1	370	3
-J62	350547-1	PIN CONTACT . . . . .	AR	370	3
-PS13	60-1750-1	POWER SUPPLY,STROBE . . . . .	1	310	1
-P35	MS3106E10SL3S	PLUG,STROBE POWER SUPPLY. . . . .	1	310	1
-P36	MS3106E10SL3S	PLUG,STROBE POWER SUPPLY. . . . .	1	310	1
-P37	MS3106E10SL3S	PLUG,STROBE POWER SUPPLY. . . . .	1	310	1
-P38	MS3106E10SL3S	PLUG,RH WING STROBE . . . . .	1	650	1
-P39	MS3106E10SL3S	PLUG,LH WING STROBE . . . . .	1	550	1
-P59	1-480349-0	SOCKET HOUSING,STROBE POWER PLUG. . . . .	1	310	1
-P59	60617-1	. SOCKET CONTACT /18-20 AWG/. . . . .	AR	310	1
-P60	R 1-480303-0	SOCKET HOUSING,TAIL STROBE/NAV LIGHT PLUG . . . . .	1	370	2
-P60	R 60617-1	. SOCKET CONTACT /18-20 AWG/. . . . .	AR	370	2
-P62	1-480702-0	SOCKET HOUSING,TAIL STROBE/NAV LIGHT PLUG . . . . .	1	370	3
-W12	114931-1-6	BUS BAR . . . . .	1	240	1
-W31	8618	CABLE,LH WING STROBE LIGHT. . . . .	1	500	1
-W32	8618	CABLE,RH WING STROBE LIGHT. . . . .	1	600	1
-W33	8618	CABLE,TAIL STROBE . . . . .	1	310	1

C O D E S O F E F F E C T I V I T Y

- |  |  |
|--|--|
| <p>1 CE-613 THRU CE-702<br/>D-9818 THRU D-10006<br/>E-710,<br/>E-763 THRU E-1013</p> | <p>2 CE-613 THRU CE-675<br/>D-9818 THRU D-9962<br/>E-710,<br/>E-763 THRU E-929</p> |
| <p>3 CE-675 THRU CE-702<br/>D-9963 THRU D-10006<br/>E-930 THRU E-1013</p>            | <p>4 CE-613 THRU CE-666<br/>D-9818 THRU D-9928<br/>E-710,<br/>E-763 THRU E-900</p> |
| <p>5 CE-667 THRU CE-702<br/>D-9929 THRU D-10006<br/>E-901 THRU E-1013</p>            |  |

BEECHCRAFT  
 BONANZA  
 WIRING DIAGRAM MANUAL



◇ ON AIRCRAFT E-930 & AFT, CE-676 & AFT,  
 D-9963 & AFT WIRE AS SHOWN.  
 01 WIRE MAY BE WHITE WITH YELLOW TRACER.  
 02 WIRE MAY BE WHITE WITH BLUE TRACER.  
 03 WIRE MAY BE WHITE WITH RED TRACER.

◆ WIRE AS SHOWN ON AIRCRAFT E-710,  
 E-763 THRU E-929, CE-613 THRU CE-675,  
 D-9818 THRU D-9962.  
 ◆ FURNISHED WITH EQUIPMENT.

EXTERIOR-THREE STROBE LIGHT (OPTIONAL)  
 CONFIGURATION 1/SEE PAGE 1 FOR EFFECTIVITY/

B E E C H C R A F T  
B O N A N Z A  
W I R I N G D I A G R A M M A N U A L

33-40-02  
EXTERIOR, THREE STROBE LIGHT /OPTIONAL/  
CE-703 THRU CE-771, EXCEPT CE-748  
CJ-129 THRU CJ-148  
D-10007 THRU D-10119, EXCEPT D-10097  
E-1014 THRU E-1240, EXCEPT E-1111

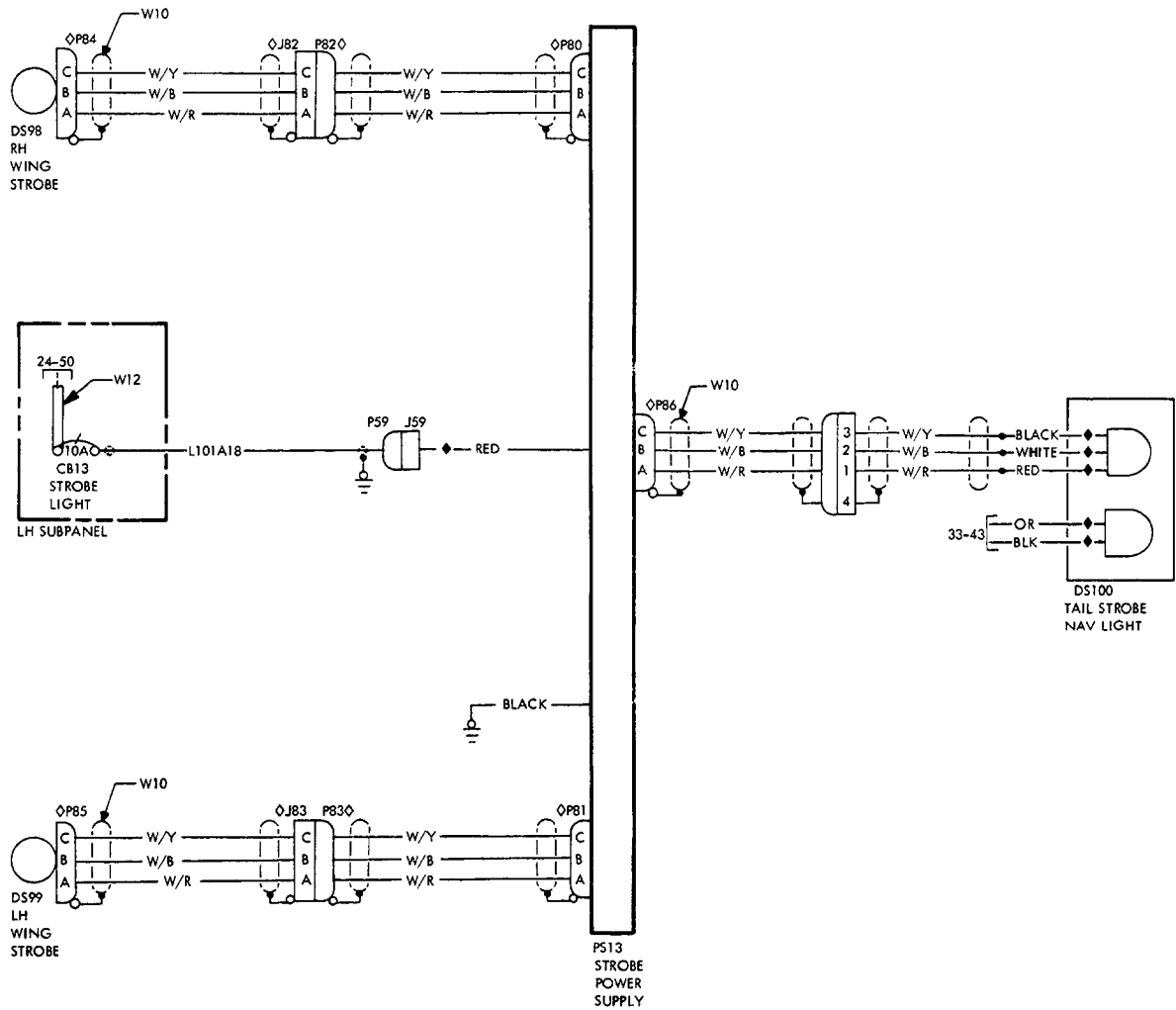
B E E C H C R A F T  
B O N A N Z A  
W I R I N G D I A G R A M M A N U A L

ATA CODE & REF DES	PART NO.	DESCRIPTION	UNITS							USABLE ON CODE	
			PER ASSY	INSTL ZONE	1	2	3	4	5		6
40-02-CB13	35-380132-43	CIRCUIT BREAKER,STROBE LIGHT. . . . .	1	240							1
-DS98	30-1467-1	LIGHT,RH WING STROBE. . . . .	1	650							2
-DS98	30-0467-5	LIGHT,RH WING STROBE. . . . .	1	650							3
-DS99	30-1467-1	LIGHT,LH WING STROBE. . . . .	1	550							2
-DS99	30-0467-5	LIGHT,LH WING STROBE. . . . .	1	550							3
-DS100	30-0815-3	LIGHT,TAIL STROBE/NAV . . . . .	1	370							1
-J59	1-480351-0	PIN HOUSING,STROBE POWER RECTACLE . . . . .	1	310							1
-J59	60618-1	. PIN CONTACT /18-20 AWG/ . . . . .	AR	310							1
-J60	1-480305-0	PIN HOUSING,TAIL STROBE/NAV LIGHT RECEPTACLE. . . . .	1	370							1
-J60	60618-1	. PIN CONTACT /18-20 AWG/ . . . . .	AR	370							1
-PS13	60-1750-1	POWER SUPPLY,STROBE . . . . .	1	310							1
-P35	MS3106E10SL3S	PLUG,STROBE POWER SUPPLY. . . . .	1	310							1
-P36	MS3106E10SL3S	PLUG,STROBE POWER SUPPLY. . . . .	1	310							1
-P37	MS3106E10SL3S	PLUG,STROBE POWER SUPPLY. . . . .	1	310							1
-P38	MS3106E10SL3S	PLUG,RH WING STROBE . . . . .	1	650							1
-P39	MS3106E10SL3S	PLUG,LH WING STROBE . . . . .	1	550							1
-P59	1-480349-0	SOCKET HOUSING,STROBE POWER PLUG. . . . .	1	310							1
-P59	60617-1	. SOCKET CONTACT /18-20 AWG/. . . . .	AR	310							1
-P60	1-480303-0	SOCKET HOUSING,TAIL STROBE/NAV LIGHT PLUG . . . . .	1	370							1
-P60	60617-1	. SOCKET CONTACT /18-20 AWG/. . . . .	AR	370							1
-W12	114931-1-6	BUS BAR . . . . .	1	240							1
-W31	8618	CABLE,LH WING STROBE LIGHT. . . . .	1	500							1
-W32	8618	CABLE,RH WING STROBE LIGHT. . . . .	1	600							1
-W33	8618	CABLE,TAIL STROBE . . . . .	1	310							1

C O D E S O F E F F E C T I V I T Y

- |   |  |
|---|--|
| <p>1 CE-703 THRU CE-771<br/>EXCEPT CE-748<br/>CJ-129 THRU CJ-148<br/>D-10007 THRU D-10119<br/>EXCEPT D-10097<br/>E-1014 THRU E-1240<br/>EXCEPT E-1111</p> | <p>2 CE-703 THRU CJ-771<br/>EXCEPT CE-748<br/>D-10007 THRU D-10119<br/>EXCEPT D-10097<br/>E-1014 THRU D-1240<br/>EXCEPT E-1111</p> |
| <p>3 CJ-129 THRU CJ-148</p>   |  |

BEECHCRAFT  
BONANZA  
WIRING DIAGRAM MANUAL



◇ STROBE SHIELDED CABLES SHALL MAINTAIN A DISTANCE OF 12 INCHES FROM AVIONICS COAXIAL CABLES AND 6 INCHES FROM ALL OTHER HARNESSSES. IF THEY MUST CROSS, IT SHALL BE AT RIGHT ANGLES TO EACH OTHER.

◆ FURNISHED WITH EQUIPMENT.



B E E C H C R A F T  
B O N A N Z A  
W I R I N G D I A G R A M M A N U A L

33-41-01  
EXTERIOR-ROTATING BEACON /OPTIONAL/  
CE-613 THRU CE-771, EXCEPT CE-748  
CJ-105 THRU CJ-148  
D-9818 THRU D-10119, EXCEPT D-10097  
E-710, E-763 THRU E-1240, EXCEPT E-1111

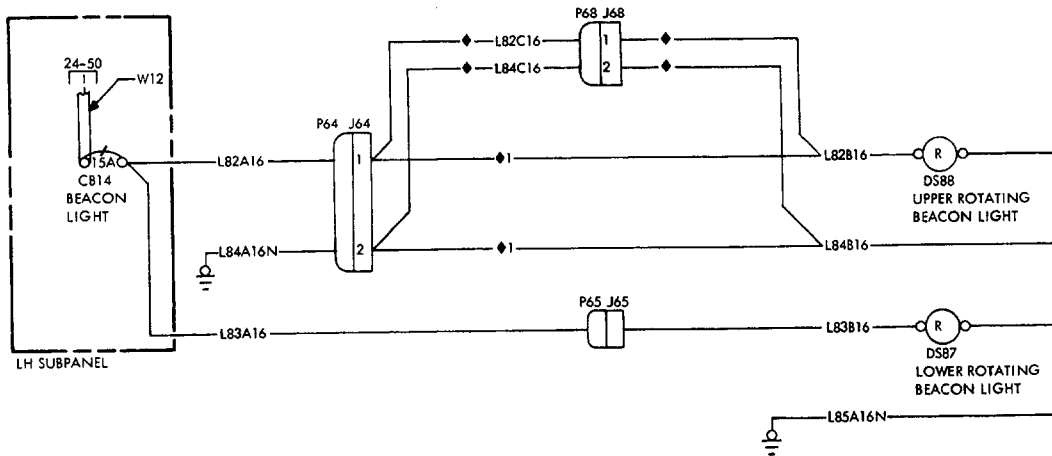
B E E C H C R A F T  
B O N A N Z A  
W I R I N G D I A G R A M M A N U A L

ATA CODE & REF DES	PART NO.	DESCRIPTION	UNITS							USABLE ON CODE	
			1	2	3	4	5	6	7		
41-01-CB14	35-380132-45	CIRCUIT BREAKER, BEACON LIGHT. . . . .							1	240	
-DS87	33-380033	LIGHT, LOWER ROTATING BEACON . . . . .							1	160	
-DS88	33-380033	LIGHT, UPPER ROTATING BEACON . . . . .							1	310	
-J64	1-350345-0	PIN HOUSING, UPPER ROTATING BEACON RECEPTACLE. . . . .							1	160	
-J64	60620-1	. PIN CONTACT /14-20 AWG/ . . . . .							AR	160	
-J65	1-480351-0	PIN HOUSING, LOWER ROTATING BEACON RECEPTACLE. . . . .							1	160	
-J65	60618-1	. PIN CONTACT /18-20 AWG/ . . . . .							AR	160	
-J68	R 1-350345-0	PIN HOUSING, UPPER ROTATING BEACON RECEPTACLE. . . . .							1	310	1
-J68	R 60620-1	. PIN CONTACT /14-20 AWG/ . . . . .							AR	310	1
-P64	1-350344-0	SOCKET HOUSING, UPPER ROTATING BEACON PLUG . . . . .							1	160	
-P64	60619-1	. SOCKET CONTACT /14-20 AWG/. . . . .							AR	160	
-P65	1-480349-0	SOCKET HOUSING, LOWER ROTATING BEACON PLUG . . . . .							1	160	
-P65	60617-1	. SOCKET CONTACT /18-20 AWG/. . . . .							AR	160	
-P68	R 1-350344-0	SOCKET HOUSING, UPPER ROTATING BEACON PLUG . . . . .							1	310	1
-P68	R 60619-1	. SOCKET CONTACT /14-20 AWG/. . . . .							AR	310	1

C O D E S O F E F F E C T I V I T Y

1 E-710,  
E-763 THRU E-1240  
EXCEPT E-1111

BEECHCRAFT  
**BONANZA**  
 WIRING DIAGRAM MANUAL



- ◆ ON AIRCRAFT E-710, E-763 & AFTER ONLY, WIRES L82C16 & L84C16 AND CONNECTORS P68 & J68 ARE CONNECTED AS SHOWN.
- ◆1 ON AIRCRAFT CE-613 & AFTER, CJ-103 & AFTER AND D-9818 & AFTER, WIRES L82B16 & L84B16 ARE CONNECTED DIRECTLY TO J64.

B E E C H C R A F T  
B O N A N Z A  
W I R I N G D I A G R A M M A N U A L

33-42-01  
EXTERIOR-COURTESY LIGHTS /OPTIONAL/  
CE-613 THRU CE-680  
CJ-105 THRU CJ-128  
D-9818 THRU D-9960  
E-710,E-763 THRU E-946

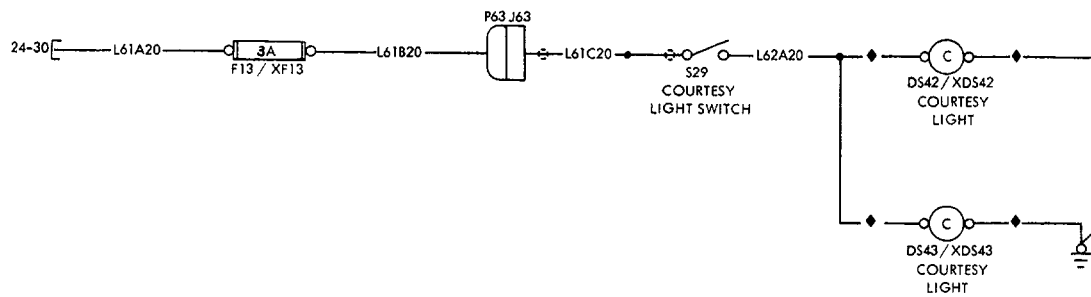
B E E C H C R A F T  
B O N A N Z A  
W I R I N G D I A G R A M M A N U A L

ATA CODE & REF DES	PART NO.	DESCRIPTION	UNITS		USABLE ON CODE
			PER ASSY	INSTL ZONE	
42-01-J63	1-480351-0	PIN HOUSING,COURTESY LIGHT RECEPTACLE . . . . .	1	820	1
-J63	60618-1	. PIN CONTACT /18-20 AWG/ . . . . .	AR	820	1
-P63	1-480349-0	SOCKET HOUSING,COURTESY LIGHT PLUG. . . . .	1	820	1
-P63	60617-1	. SOCKET CONTACT /18-20 AWG/. . . . .	AR	820	1
-S29	SW442	SWITCH,COURTESY LIGHT . . . . .	1	820	1
-XDS42	2506	SOCKET,COURTESY LIGHT . . . . .	1	820	1
-DS42	1816	. LIGHT,COURTESY. . . . .	1	820	1
-XDS43	2506	SOCKET,COURTESY LIGHT . . . . .	1	820	1
-DS43	1816	. LIGHT,COURTESY. . . . .	1	820	1
-XF13	4522	FUSEBLOCK,COURTESY LIGHT. . . . .	1	221	1
-F13	AGC3	. FUSE COURTESY LIGHT . . . . .	1	221	1

C O D E S O F E F F E C T I V I T Y

- 1 CE-613 THRU CE-680
- CJ-105 THRU CJ-128
- D-9818 THRU D-9960
- E-710,
- E-763 THRU E-946

B E E C H C R A F T  
B O N A N Z A  
W I R I N G   D I A G R A M   M A N U A L



◆ FURNISHED WITH EQUIPMENT.

B E E C H C R A F T  
B O N A N Z A  
W I R I N G D I A G R A M M A N U A L

33-42-02  
EXTERIOR-COURTESY LIGHTS /OPTIONAL/  
CE-681 THRU CE-771,EXCEPT CE-748  
CJ-129 THRU CJ-148  
D-9961 THRU D-10119,EXCEPT D-10097  
E-947 THRU E-1240,EXCEPT E-1111

B E E C H C R A F T  
B O N A N Z A  
W I R I N G D I A G R A M M A N U A L

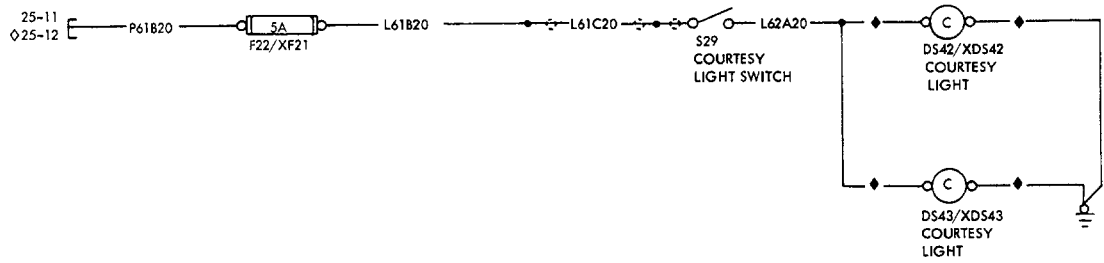
ATA CODE & REF DES	PART NO.	DESCRIPTION	UNITS		USABLE ON CODE
			PER ASSY	INSTL ZONE	
42-02-J63	1-480351-0	PIN HOUSING,COURTESY LIGHT RECEPTACLE . . . . .	1	820	1
-J63	60618-1	. PIN CONTACT /18-20 AWG/ . . . . .	AR	820	1
-P63	1-480349-0	SOCKET HOUSING,COURTESY LIGHT PLUG. . . . .	1	820	1
-P63	60617-1	. SOCKET CONTACT /18-20 AWG/. . . . .	AR	820	1
-S29	SW442	SWITCH,COURTESY LIGHT . . . . .	1	820	1
-XDS42	2506	SOCKET,COURTESY LIGHT . . . . .	1	820	1
-DS42	1816	. LIGHT,COURTESY. . . . .	1	820	1
-XDS43	2506	SOCKET,COURTESY LIGHT . . . . .	1	820	1
-DS43	1816	. LIGHT,COURTESY. . . . .	1	820	1
-XF13	4522	FUSEBLOCK,COURTESY LIGHT. . . . .	1	221	1
-F13	AGC3	. FUSE COURTESY LIGHT . . . . .	1	221	1

C O D E S O F E F F E C T I V I T Y

- 1 CE-681 THRU CE-771  
EXCEPT CE-748
- CJ-129 THRU CJ-148
- D-9961 THRU D-10119  
EXCEPT D-10097
- E-947 THRU E-1240  
EXCEPT E-1111



B E E C H C R A F T  
B O N A N Z A  
W I R I N G   D I A G R A M   M A N U A L



◇ WHEN OPTIONAL CONTROL WHEEL  
CLOCK IS USED.

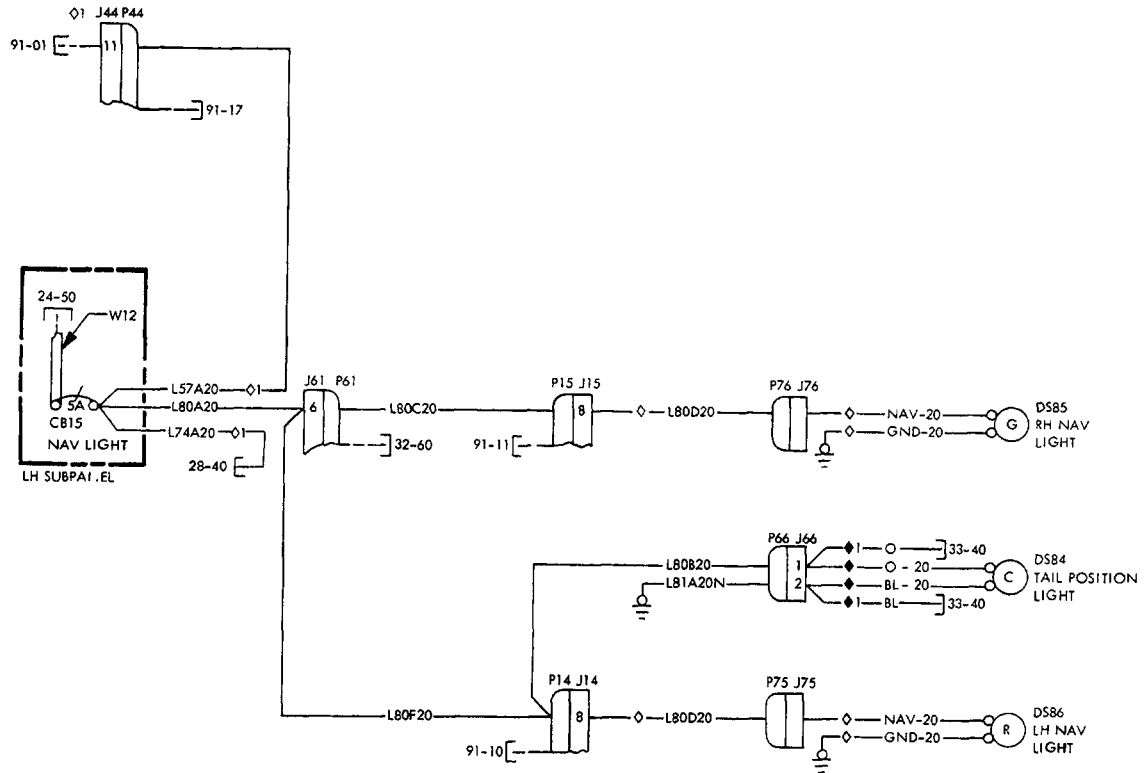
◆ FURNISHED WITH EQUIPMENT.

B E E C H C R A F T  
B O N A N Z A  
W I R I N G D I A G R A M M A N U A L

33-43-01  
EXTERIOR-NAVIGATION LIGHTS  
CE-613 THRU CE-771, EXCEPT CE-748  
CJ-105 THRU CJ-148  
D-9818 THRU D-10119, EXCEPT D-10097  
E-710, E-763 THRU E-1240, EXCEPT E-1111



BEECHCRAFT  
BONANZA  
WIRING DIAGRAM MANUAL



- 01 ON AIRCRAFT E-927 & AFT, CE-674 & AFT, CJ-129 & AFT & D-9948 & AFT WIRE L74A IS USED & WIRE L57A & P/144 ARE NO LONGER USED.
- ◇ WIRE NUMBER DUPLICATED FOR LEFT AND RIGHT WIRE HARNESS INTER-CHANGEABILITY.
- ◆ ON AIRCRAFT NOT HAVING OPTIONAL STROBE LIGHTS INSTALLED, CONN J66 AND WIRES O-20 & BL-20 CONNECTED TO DS84-RH NAV LIGHT AS SHOWN.
- ◆ ON AIRCRAFT HAVING OPTIONAL STROBE LIGHTS INSTALLED, CONN J66 AND WIRES O AND BL CONNECTED AS SHOWN (REF DIAGRAM 33-40).

B E E C H C R A F T  
B O N A N Z A  
W I R I N G D I A G R A M M A N U A L

33-44-01  
EXTERIOR-TAXI LIGHT  
CE-613 THRU CE-771, EXCEPT CE-748  
CJ-105 THRU CJ-148  
D-9818 THRU D-10119, EXCEPT D-10097  
E-710, E-763 THRU E-1240, EXCEPT E-1111

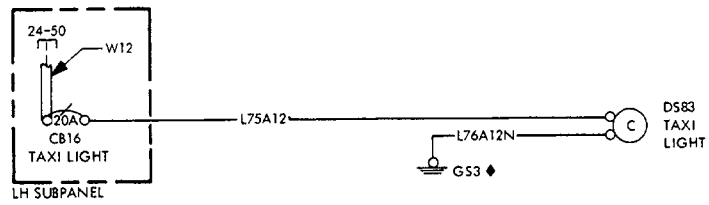
B E E C H C R A F T  
B O N A N Z A  
W I R I N G   D I A G R A M   M A N U A L

ATA CODE & REF DES	PART NO.	DESCRIPTION	UNITS		USABLE ON CODE
			PER ASSY	INSTL ZONE	
44-01-CB16	35-380132-47	CIRCUIT BREAKER, TAXI LIGHT. . . . .	1	240	
-DS83	4313	TAXI LIGHT. . . . .	1	710	
-GS2	131270-3	GROUND STUD, FIREWALL. . . . .	1	221	1
-W12	114931-1-6	BUS BAR . . . . .	1	240	

C O D E S   O F   E F F E C T I V I T Y

- 1 CE-613 THRU CE-694
- CJ-105 THRU CJ-128

BEECHCRAFT  
BONANZA  
WIRING DIAGRAM MANUAL



◆ ALL AIRCRAFT PRIOR TO C-986 & AFT,  
CE-695 & AFT, CJ-129 & AFT, AND  
D-9986 & AFT USED GS2.

B E E C H C R A F T  
B O N A N Z A  
W I R I N G D I A G R A M M A N U A L

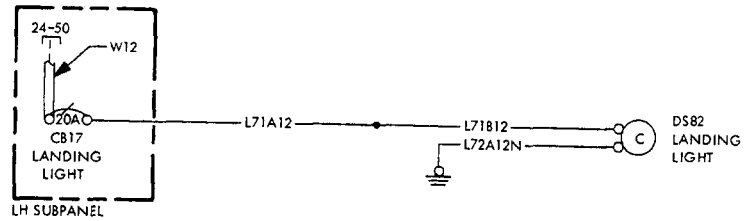
33-45-01  
EXTERIOR-LANDING LIGHT  
CE-613 THRU CE-771  
CJ-105 THRU CJ-148  
D-9818 THRU D-10119, EXCEPT D-10097  
E-710, E-763 THRU E-1240, EXCEPT E-1111



B E E C H C R A F T  
B O N A N Z A  
W I R I N G D I A G R A M M A N U A L

ATA CODE & REF DES	PART NO.	DESCRIPTION	UNITS		USABLE ON CODE
			PER ASSY	INSTL ZONE	
		1 2 3 4 5 6 7			
45-01-CB17	35-380132-47	CIRCUIT BREAKER, LANDING LIGHT . . . . .	1	240	
-DS82	4313	LANDING LIGHT . . . . .	1	410	
-W12	114931-1-6	BUS BAR . . . . .	1	240	

BEECHCRAFT  
BONANZA  
WIRING DIAGRAM MANUAL



**CHAPTER**

**34**

**NAVIGATION**

B E E C H C R A F T  
B O N A N Z A  
W I R I N G D I A G R A M M A N U A L

LIST OF PAGES  
FOR  
CHAPTER 34-00-00 NAVIGATION, PITOT/STATIC

SYS/SUB-SYS/ CHAP SECTION	PAGE NO.	DATE	SYS/SUB-SYS/ CHAP SECTION	PAGE NO.	DATE	SYS/SUB-SYS/ CHAP SECTION	PAGE NO.	DATE
34-00-00	1	4/28/78	34-20-01	1	4/28/78	34-20-01	3	4/28/78
34-00-00	2	4/28/78	34-20-01	2	4/28/78			

**BEEHCRAFT  
BONANZA  
WIRING DIAGRAM MANUAL**

**CHAPTER 34  
TABLE OF CONTENTS**

<b>SUBJECT</b>	<b>CHAPTER SECTION SUBJECT</b>	<b>PAGE</b>
<b>NAVIGATION</b>	<b>34</b>	
General	34-00	1 thru 2
Attitude and Direction	34-20	
Attitude and Direction - Turn Coordinator	34-20-01	1 thru 3

**"END"**

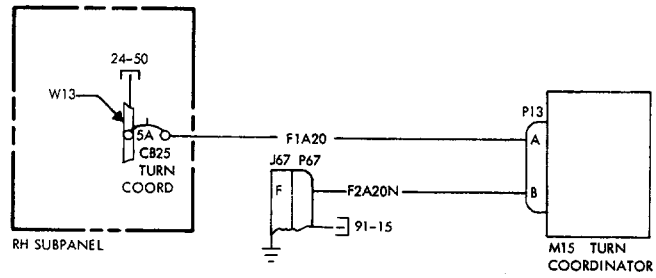
B E E C H C R A F T  
B O N A N Z A  
W I R I N G D I A G R A M M A N U A L

34-20-01  
ATTITUDE & DIRECTION-TURN COORDINATOR  
CE-613 THRU CE-771, EXCEPT CE-748  
CJ-105 THRU CJ-148  
D-9818 THRU D-10119, EXCEPT D-10097  
E-710, E-763 THRU E-1240, EXCEPT E-1111

B E E C H C R A F T  
B O N A N Z A  
W I R I N G D I A G R A M M A N U A L

ATA CODE & REF DES	PART NO.	DESCRIPTION	UNITS		USABLE ON CODE
			PER ASSY	INSTL ZONE	
20-01-CB25	435-205-104	CIRCUIT BREAKER,TURN COORDINATOR. . . . .	1	240	
-J67		CONNECTOR,INSTRUMENT PANEL GROUNDING. . . . . /SEE CHAPTER 91-15/	1	231	
-M15	1679	TURN COORDINATOR. . . . .	1	240	
-P13	MS3106A10SL3S	PLUG,TURN COORDINATOR . . . . .	1	240	
-P67		CONNECTOR,INSTRUMENT PANEL GROUNDING. . . . . /SEE CHAPTER 91-15/	1	231	
-W13	114931-1-12	BUS BAR . . . . .	1	240	

BEECHCRAFT  
BONANZA  
WIRING DIAGRAM MANUAL





**CHAPTER**

**74**

**IGNITION**

B E E C H C R A F T  
B O N A N Z A  
W I R I N G D I A G R A M M A N U A L

LIST OF PAGES  
FOR  
CHAPTER 74-00-00 IGNITION

SYS/SUB-SYS/ CHAP SECTION	PAGE NO.	DATE	SYS/SUB-SYS/ CHAP SECTION	PAGE NO.	DATE	SYS/SUB-SYS/ CHAP SECTION	PAGE NO.	DATE
74-00-00	1	4/28/78	74-30-01	1	4/28/78	74-30-01	3	4/28/78
74-00-00	2	4/28/78	74-30-01	2	4/28/78			

**BEECHCRAFT  
BONANZA  
WIRING DIAGRAM MANUAL**

**CHAPTER 74  
TABLE OF CONTENTS**

<b>SUBJECT</b>	<b>CHAPTER SECTION SUBJECT</b>	<b>PAGE</b>
<b>IGNITION</b>	<b>74</b>	
General	74-00	1 thru 2
Switching	74-30	
Ignition - Switching	74-30-01	1 thru 3

**"END"**

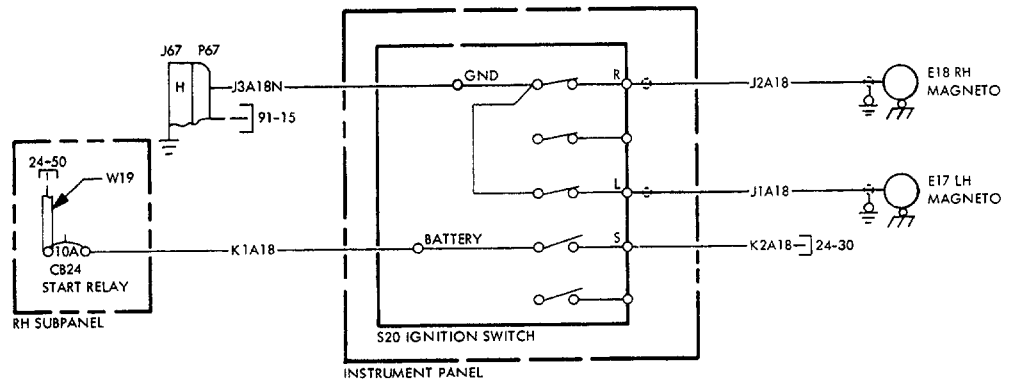
B E E C H C R A F T  
B O N A N Z A  
W I R I N G D I A G R A M M A N U A L

74-30-01  
IGNITION-SWITCHING  
CE-613 THRU CE-771, EXCEPT CE-748  
CJ-105 THRU CJ-148  
D-9818 THRU D-10119, EXCEPT D-10097  
E-710, E-763 THRU E-1240, EXCEPT E-1111

B E E C H C R A F T  
B O N A N Z A  
W I R I N G D I A G R A M M A N U A L

ATA CODE & REF DES	PART NO.	DESCRIPTION	UNITS		USABLE ON CODE
			PER ASSY	INSTL ZONE	
		1 2 3 4 5 6 7			
30-01-CB24	435-210-104	CIRCUIT BREAKER, START RELAY . . . . .	1	240	
-E17	662	MAGNETO, LH. . . . .	1	410	
-E18	662	MAGNETO, RH. . . . .	1	410	
-J67		CONNECTOR, INSTRUMENT PANEL GROUNDING. . . . .	1	231	
		/SEE CHAPTER 91-15/			
-P67		CONNECTOR, INSTRUMENT PANEL GROUNDING. . . . .	1	231	
		/SEE CHAPTER 91-15/			
-S20	35-590099-33	SWITCH, IGNITION . . . . .	1	240	
-W19	114931-1-10	BUS BAR . . . . .	1	240	

BEECHCRAFT  
 BONANZA  
 WIRING DIAGRAM MANUAL



**CHAPTER**

**77**

**ENGINE  
INDICATING**

BEECHCRAFT  
BONANZA  
WIRING DIAGRAM MANUAL

LIST OF PAGES  
FOR  
CHAPTER 77-00-00 ENGINE INDICATING

SYS/SUB-SYS/ CHAP SECTION	PAGE NO.	DATE	SYS/SUB-SYS/ CHAP SECTION	PAGE NO.	DATE	SYS/SUB-SYS/ CHAP SECTION	PAGE NO.	DATE
77-00-00	1	4/28/78	77-20-01	1	4/28/78	77-20-01	3	4/28/78
77-00-00	2	4/28/78	77-20-01	2	4/28/78			



**BEECHCRAFT  
BONANZA  
WIRING DIAGRAM MANUAL**

**CHAPTER 77  
TABLE OF CONTENTS**

<b>SUBJECT</b>	<b>CHAPTER SECTION SUBJECT</b>	<b>PAGE</b>
ENGINE INDICATING	77	
General	77-00	1 thru 2
Temperature	77-20	
Temperature - Engine Instrument Cluster	77-20-01	1 thru 3

**"END"**

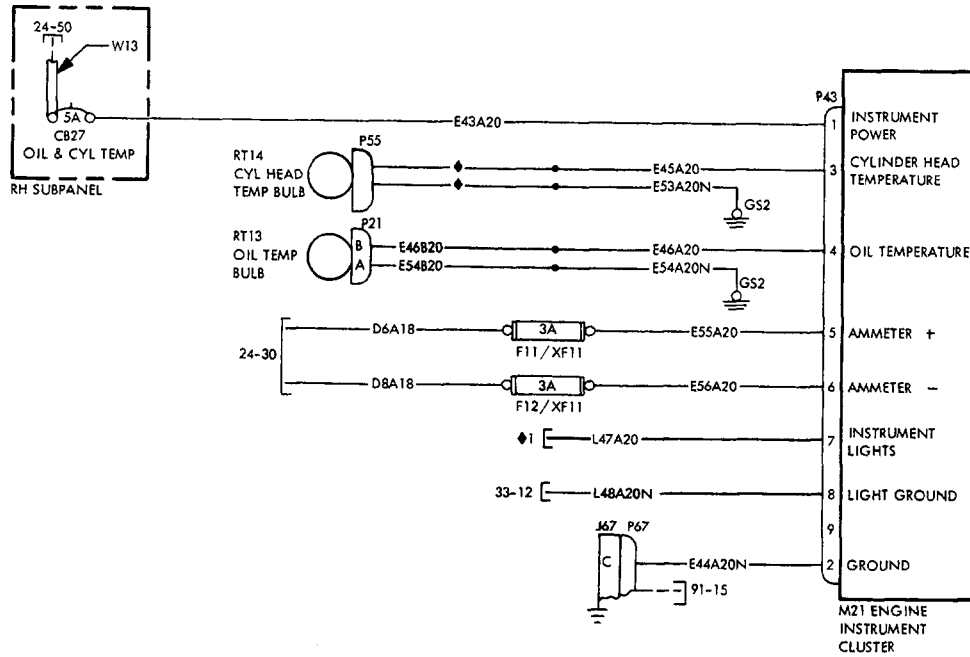
B E E C H C R A F T  
B O N A N Z A  
W I R I N G D I A G R A M M A N U A L

77-20-01  
TEMPERATURE-ENGINE INSTRUMENT CLUSTER  
CE-613 THRU CE-771, EXCEPT CE-748  
CJ-105 THRU CJ-148  
D-9818 THRU D-10119, EXCEPT D-10097  
E-710, E-763 THRU E-1240, EXCEPT E-1111

B E E C H C R A F T  
B O N A N Z A  
W I R I N G D I A G R A M M A N U A L

ATA CODE & REF DES	PART NO.	DESCRIPTION	UNITS							USABLE ON CODE		
			PER	INSTL	1	2	3	4	5		6	7
20-01-CB27	435-205-104	CIRCUIT BREAKER,OIL & CYLINDER TEMPERATURE. . . . .	1	240								
-GS2	131270-3	GROUND STUD,FIREWALL. . . . .	2	221								
-J67		CONNECTOR,INSTRUMENT PANEL GROUNDING. . . . .	1	231								
		/SEE CHAPTER 91-15/										
-M21	35-380020-1	CLUSTER,ENGINE INSTRUMENT . . . . .	1	240								
-P21	MS3106A12S3S	PLUG,OIL TEMPERATURE BULB . . . . .	1	410								
-P43	1-480277-0	PLUG,ENGINE INSTRUMENT CLUSTER. . . . .	1	240								
-P55	AN4076-1	PLUG,CYLINDER HEAD TEMPERATURE BULB . . . . .	1	410								
-P67		CONNECTOR,INSTRUMENT PANEL GROUNDING. . . . .	1	231								
		/SEE CHAPTER 91-15/										
-RT13	MS28034-1	BULB,OIL TEMPERATURE. . . . .	1	410								
-RT14	AN5546-1	BULB,CYLINDER HEAD TEMPERATURE. . . . .	1	410								
-W13	114931-1-12	BUS BAR . . . . .	1	240								
-XF11	4532	FUSEBLOCK,AMMETER . . . . .	1	222								
-F11	AGC3	. FUSE,AMMETER. . . . .	1	222								
-F12	AGC3	. FUSE AMMETER. . . . .	1	222								

BEECHCRAFT  
BONANZA  
WIRING DIAGRAM MANUAL



- ◆ VENDOR FURNISHED.
- ◆1 ON AIRCRAFT HAVING OPTIONAL ENGINE INSTRUMENT WEDGE LIGHTS INSTALLED, REF DIAGRAM 33-12.
- ON AIRCRAFT HAVING OPTIONAL INSTRUMENT POST LIGHTS INSTALLED, REF DIAGRAM 33-11.

**CHAPTER**

**91**

**CHARTS**

B E E C H C R A F T  
B O N A N Z A  
W I R I N G D I A G R A M M A N U A L

LIST OF PAGES  
FOR  
CHAPTER 91-00-00 CHARTS - ELECTRICAL

SYS/SUB-SYS/ CHAP SECTION	PAGE NO.	DATE	SYS/SUB-SYS/ CHAP SECTION	PAGE NO.	DATE	SYS/SUB-SYS/ CHAP SECTION	PAGE NO.	DATE
91-00-00	1	4/28/78	91-10-01	2	4/28/78	91-15-01	2	4/28/78
91-00-00	2	4/28/78	91-10-01	3	4/28/78	91-15-01	3	4/28/78
91-01-01	1	4/28/78	91-11-01	1	4/28/78	91-17-01	1	4/28/78
91-01-01	2	4/28/78	91-11-01	2	4/28/78	91-17-01	2	4/28/78
91-01-01	3	4/28/78	91-11-01	3	4/28/78	91-17-01	3	4/28/78
91-10-01	1	4/28/78	91-15-01	1	4/28/78			

**BEECHCRAFT  
BONANZA  
WIRING DIAGRAM MANUAL**

**CHAPTER 91  
TABLE OF CONTENTS**

<b>SUBJECT</b>	<b>CHAPTER SECTION SUBJECT</b>	<b>PAGE</b>
<b>CHARTS</b>	<b>91</b>	
General	91-00	1 thru 2
Schematic - Electrical Equipment Junction Box	91-01-01	1 thru 3
LH Wing - Wheel Well Access Connector - P14/J14	91-10-01	1 thru 3
RH Wing - Wheel Well Access Connector - P15/J15	91-11-01	1 thru 3
Instrument Panel Grounding Connector - P67/J67	91-15-01	1 thru 3
Junction Box Disconnect - P44/J44	91-17-01	1 thru 3

**"END"**

BEECHCRAFT  
BONANZA  
WIRING DIAGRAM MANUAL

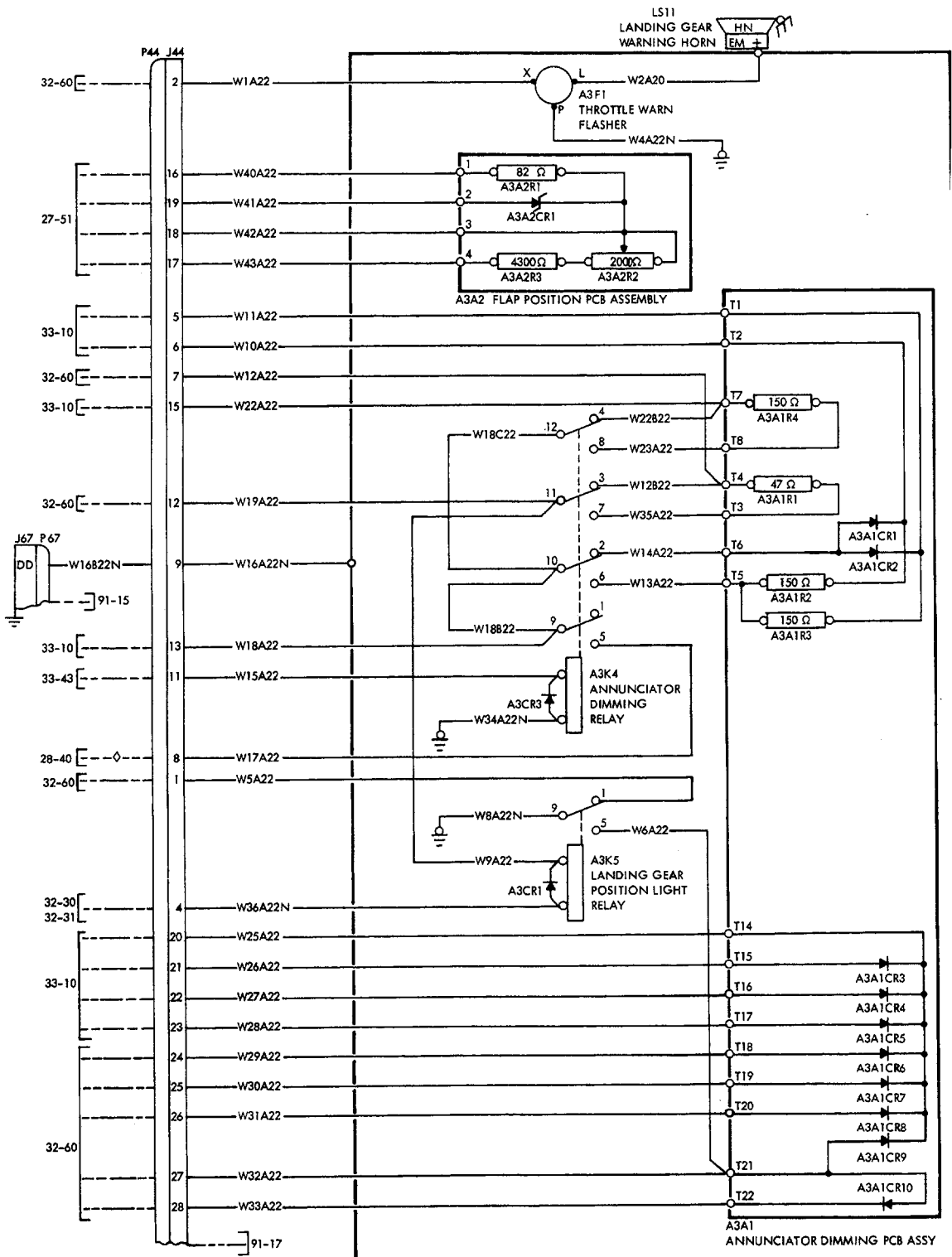
91-01-01  
SCHEMATIC-ELECTRICAL EQUIPMENT JUNCTION BOX  
CE-613 THRU CE-771, EXCEPT CE-748  
CJ-105 THRU CJ-148  
D-9818 THRU D-10119, EXCEPT D-10097  
E-710, E-763 THRU E-1240, EXCEPT E-1111



B E E C H C R A F T  
B O N A N Z A  
W I R I N G D I A G R A M M A N U A L

ATA CODE & REF DES	PART NO.	DESCRIPTION	UNITS		USABLE ON CODE
			PER ASSY	INSTL ZONE	
01-01-A3	002-364037	BOX,ELECTRICAL EQUIPMENT JUNCTION . . . . .	1	231	
-A3CR1	1N4005	. DIODE,LANDING GEAR POSITION LIGHT RELAY . . . . .	1	231	
-A3CR3	1N4005	. DIODE,ANNUNCIATOR DIMMING RELAY . . . . .	1	231	
-A3F1	R102	. FLASHER,THROTTLE WARNING. . . . .	1	231	
-A3K4	281XDX12VDC	. RELAY,ANNUNCIATOR DIMMING . . . . .	1	231	
-A3K5	281XDX12VDC	. RELAY,LANDING GEAR POSITION LIGHT . . . . .	1	231	
-A3A1	002-364038	. ASSEMBLY,ANNUNCIATOR DIMMING PC BOARD . . . . .	1		
-A3A1CR1	1N4005	. . DIODE,ANNUNCIATOR DIMMING PC BOARD ASSY . . . . .	1	231	
-A3A1CR2	1N4005	. . DIODE,ANNUNCIATOR DIMMING PC BOARD ASSY . . . . .	1	231	
-A3A1CR3	1N4005	. . DIODE,ANNUNCIATOR DIMMING PC BOARD ASSY . . . . .	1	231	
-A3A1CR4	1N4005	. . DIODE,ANNUNCIATOR DIMMING PC BOARD ASSY . . . . .	1	231	
-A3A1CR5	1N4005	. . DIODE,ANNUNCIATOR DIMMING PC BOARD ASSY . . . . .	1	231	
-A3A1CR6	1N4005	. . DIODE,ANNUNCIATOR DIMMING PC BOARD ASSY . . . . .	1	231	
-A3A1CR7	1N4005	. . DIODE,ANNUNCIATOR DIMMING PC BOARD ASSY . . . . .	1	231	
-A3A1CR8	1N4005	. . DIODE,ANNUNCIATOR DIMMING PC BOARD ASSY . . . . .	1	231	
-A3A1CR9	1N4005	. . DIODE,ANNUNCIATOR DIMMING PC BOARD ASSY . . . . .	1	231	
-A3A1CR10	1N4005	. . DIODE,ANNUNCIATOR DIMMING PC BOARD ASSY . . . . .	1	231	
-A3A1R1	RC42GF470K	. . RESISTOR,ANNUNCIATOR DIMMING PC BOARD ASSY. . . . .	1	231	
-A3A1R2	RC42GF151K	. . RESISTOR,ANNUNCIATOR DIMMING PC BOARD ASSY. . . . .	1	231	
-A3A1R3	RC42GF151K	. . RESISTOR,ANNUNCIATOR DIMMING PC BOARD ASSY. . . . .	1	231	
-A3A1R4	RC42GF151K	. . RESISTOR,ANNUNCIATOR DIMMING PC BOARD ASSY. . . . .	1	231	
	2010B	. . POST/REF DES T1 THRU T8,T14 THRU T22/ . . . . .	AR	231	
-A3A2	002-364037	. ASSEMBLY,FLAP POSITION PC BOARD . . . . .	1	231	
-A3A2CR1	1N1520	. . ZENER DIODE,FLAP POSITION PC BOARD ASSY . . . . .	1	231	
-A3A2R1	RC42GF830K	. . RESISTOR,FLAP POSITION PC BOARD ASSY. . . . .	1	231	
-A3A2R2	205-208	. . POTENTIOMETER,FLAP POSITION PC BOARD ASSY . . . . .	1	231	
-A3A2R2	552-00S	. . POTENTIOMETER,FLAP POSITION PC BOARD ASSY . . . . .	1	231	
		/ALTERNATE PART FOR 205-208/			
-A3A2R3	RC20GF432J	. . RESISTOR,FLAP POSITION PC BOARD ASSY. . . . .	1	231	
-J44		CONNECTOR,JUNCTION BOX DISCONNECT . . . . .	1	231	
		/SEE CHAPTER 91-17/			
-J67		CONNECTOR,INSTRUMENT PANEL GROUNDING. . . . .	1	231	
		/SEE CHAPTER 91-15/			
-LS11	169-380021-5	HORN,LANDING GEAR WARNING . . . . .	1	231	
-P44		CONNECTOR,JUNCTION BOX DISCONNECT . . . . .	1	231	
		/SEE CHAPTER 91-17/			
-P67		CONNECTOR,INSTRUMENT PANEL GROUNDING. . . . .	1	231	
		/SEE CHAPTER 91-15/			

**BEECHCRAFT  
BONANZA  
WIRING DIAGRAM MANUAL**



NOTE:  
ALL WIRE NUMBERS SHOWN  
ARE PREFIXED WITH "A3"  
EXCEPT FOR WIRE NO.  
W16822N.  
◇ NOT USED ON AIRCRAFT EFF: E-927 & AFT,  
CE-674 & AFT, CJ-129 & AFT, D-9948 & AFT.

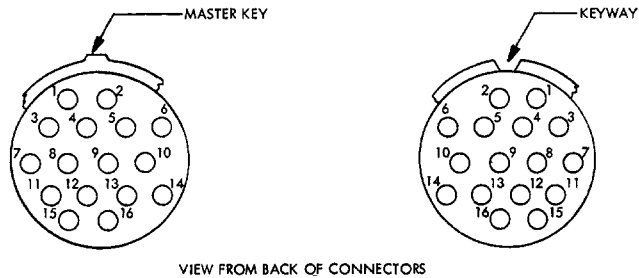
B E E C H C R A F T  
B O N A N Z A  
W I R I N G D I A G R A M M A N U A L

91-10-01  
LH WING-WHEEL WELL ACCESS CONNECTOR  
CE-613 THRU CE-771, EXCEPT CE-748  
CJ-105 THRU CJ-148  
D-9818 THRU D-10119, EXCEPT D-10097  
E-710, E-763 THRU E-1240, EXCEPT E-1111

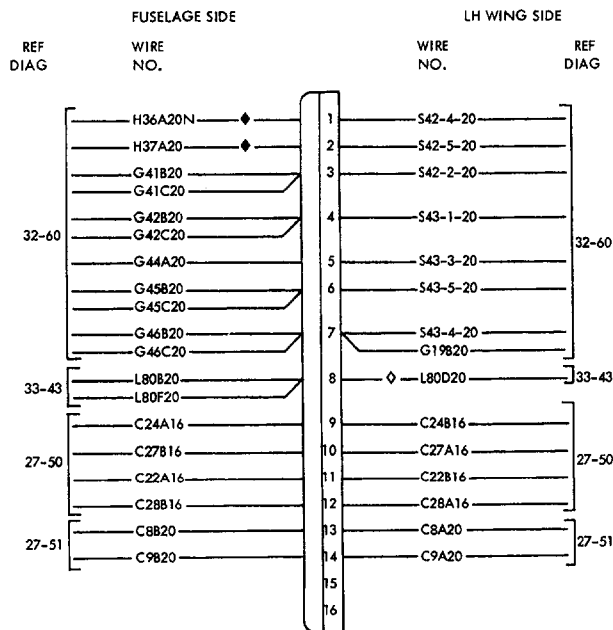
B E E C H C R A F T  
B O N A N Z A  
W I R I N G D I A G R A M M A N U A L

ATA CODE & REF DES	PART NO.	DESCRIPTION	1 2 3 4 5 6 7							UNITS	USABLE	
										PER ASSY	IN STL ZONE	ON CODE
10-01-J14	206036-3	PIN HOUSING,LH WING,WHEEL WELL ACCESS . . . . .								1	150	
		RECEPTACLE										
-J14	66536-1	. PIN CONTACT /20-24 AWG/ . . . . .								AR	150	
-J14	66509-1	. PIN CONTACT /16-18 AWG/ . . . . .								AR	150	
-J14	201570-1	. PIN CONTACT /14 AWG/. . . . .								AR	150	
-P14	206037-1	SOCKET HOUSING,LH WING,WHEEL WELL ACCESS PLUG . . . . .									1	150
-P14	66538-1	. SOCKET CONTACT /20-24 AWG/. . . . .								AR	150	
-P14	66510-1	. SOCKET CONTACT /16-18 AWG/. . . . .								AR	150	
-P14	201568-1	. SOCKET CONTACT /14 AWG/ . . . . .								AR	150	

**BEECHCRAFT  
BONANZA  
WIRING DIAGRAM MANUAL**



VIEW FROM BACK OF CONNECTORS



P14 J14

206037-1 SKT HSG    206036-3 PIN HSG  
 66538-1 SKT (20-24 AWG)    66536-1 PIN (20-24 AWG)  
 66510-1 SKT (16-18 AWG)    66509-1 PIN (16-18 AWG)  
 201568-1 SKT (14 AWG)    201570-1 PIN (14 AWG)

USE OF FOLLOWING TOOLS REQUIRED:

- INSERTION TOOL:    200893-2 (14 AWG)  
                           91002-1 (16 THRU 24 AWG)
- EXTRACTION TOOL:    305183 (14 THRU 24 AWG)
- CRIMPING TOOL:    90136-1 (14 AWG)  
                           90293-1 (16 THRU 24 AWG)
- STRAIN RELIEF:    206070-1

- ◇ WIRE NUMBER DUPLICATED ON CHART 91-11 FOR LEFT AND RIGHT WIRE HARNESS INTERCHANGEABILITY.
- ◆ WIRE ADDED ONLY WHEN OPTIONAL AIR CONDITIONING IS INSTALLED.

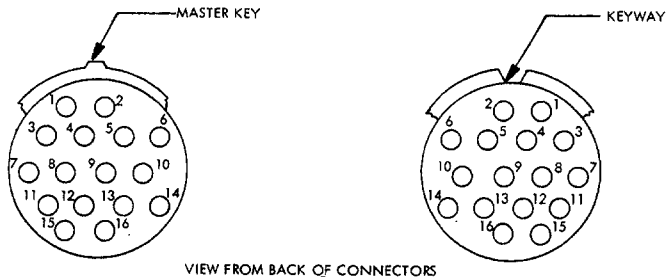
B E E C H C R A F T  
B O N A N Z A  
W I R I N G D I A G R A M M A N U A L

91-11-01  
RH WING WHEEL WELL ACCESS CONNECTOR  
CE-613 THRU CE-771, EXCEPT CE-748  
CJ-105 THRU CJ-148  
D-9818 THRU D-10119, EXCEPT D-10097  
E-710, E-763 THRU E-1240, EXCEPT E-1111

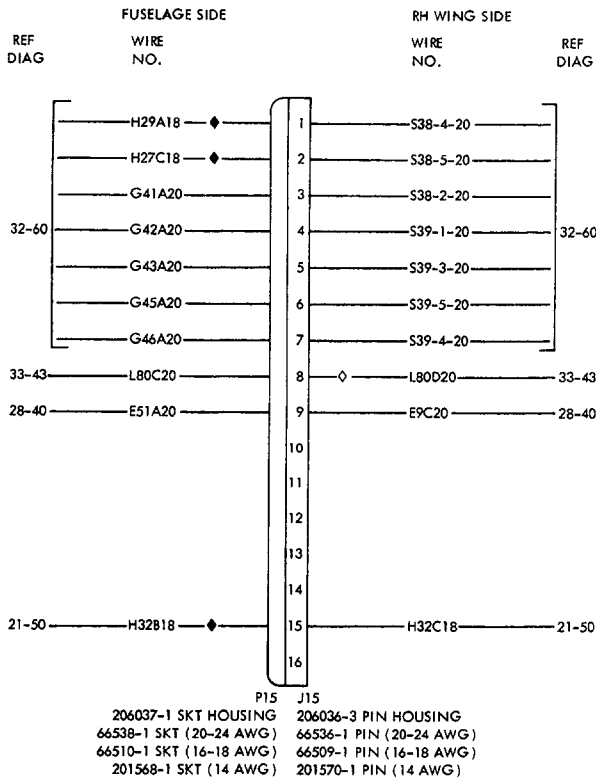
B E E C H C R A F T  
B O N A N Z A  
W I R I N G D I A G R A M M A N U A L

ATA CODE & REF DES	PART NO.	DESCRIPTION	UNITS		USABLE ON CODE
			PER ASSY	INSTL ZONE	
11-01-J15	206036-3	PIN HOUSING,RH WING-WHEEL WELL ACCESS . . . . . RECEPTACLE	1	150	
-J15	66536-1	. PIN CONTACT /20-24 AWG/ . . . . .	AR	150	
-J15	66509-1	. PIN CONTACT /16-18 AWG/ . . . . .	AR	150	
-J15	201570-1	. PIN CONTACT /14 AWG/ . . . . .	AR	150	
-P15	206037-1	SOCKET HOUSING,RH WING-WHEEL WELL ACCESS PLUG . . . . .	1	150	
-J15	66538-1	. SOCKET CONTACT /20-24 AWG/ . . . . .	AR	150	
-J15	66510-1	. SOCKET CONTACT /16-18 AWG/ . . . . .	AR	150	
-J15	201568-1	. SOCKET CONTACT /14 AWG/ . . . . .	AR	150	

B E E C H C R A F T  
B O N A N Z A  
W I R I N G D I A G R A M M A N U A L



VIEW FROM BACK OF CONNECTORS



USE OF FOLLOWING TOOLS REQUIRED:

- INSERTION TOOL: 91002-1 (16 THRU 24 AWG)
- EXTRACTION TOOL: 305183 (16 THRU 24 AWG)
- CRIMPING TOOL: 90293-1 (16 THRU 24 AWG)
- STRAIN RELIEF: 206070-1

- ◇ WIRE NUMBER DUPLICATED ON CHART 91-10 FOR LEFT AND RIGHT WIRE HARNESS INTERCHANGEABILITY.
- ◆ WIRE ADDED ONLY WHEN OPTIONAL AIR CONDITIONING IS INSTALLED.



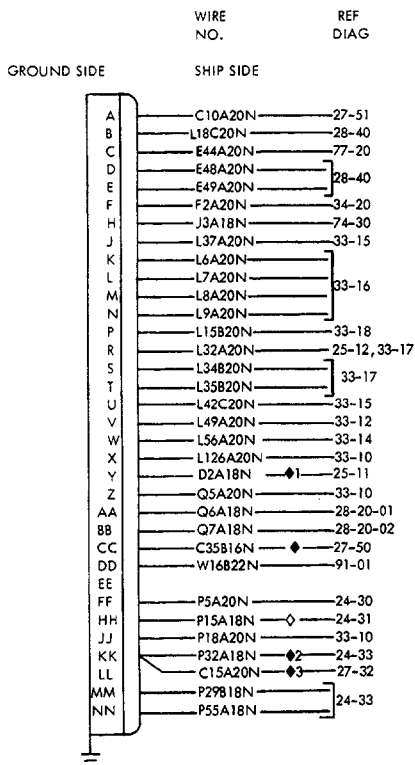
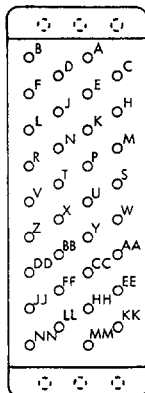
B E E C H C R A F T  
B O N A N Z A  
W I R I N G D I A G R A M M A N U A L

91-15-01  
INSTRUMENT PANEL GROUNDING CONNECTOR  
CE-613 THRU CE-771, EXCEPT CE-748  
CJ-105 THRU CJ-148  
D-9818 THRU D-10119, EXCEPT D-10097  
E-710, E-763 THRU E-1240, EXCEPT E-1111

B E E C H C R A F T  
B O N A N Z A  
W I R I N G   D I A G R A M   M A N U A L

ATA CODE & REF DES	PART NO.	DESCRIPTION	UNITS		USABLE ON CODE
			PER ASSY	INSTL ZONE	
15-01-J67	204814-1	RECEPTACLE, INSTRUMENT PANEL GROUNDING CONNECTOR	1	231	
-P67	200838-1	SOCKET HOUSING, INSTRUMENT PANEL GROUNDING PLUG.	1	231	
-P67	201580-1	. SOCKET CONTACT /20-24 AWG/. . . . .	AR	231	
-P67	200333-1	. SOCKET CONTACT /16-18 AWG/. . . . .	AR	231	

**BEECHCRAFT  
BONANZA  
WIRING DIAGRAM MANUAL**



- |  |   |
|--|---|
| <p><b>J67</b><br/>204814-1<br/>GROUNDING BLOCK</p> | <p><b>P67</b><br/>200838-3 PLUG SOCKET HOUSING<br/>201580-1 SOCKET CONTACT<br/>203618-1 JACKSCREW (MALE) (2)<br/>201224-1 STRAIN RELIEF CLAMP</p> |
|--|---|

- USE OF THE FOLLOWING TOOLS REQUIRED:
- |                    |              |
|--------------------|--------------|
| 45099 (20-24 GAGE) | (CRIMP)      |
| 200893-2           | (INSERTION)  |
| 305183             | (EXTRACTION) |

- ◇ ON AIRCRAFT E-710, E-763 THRU E-1067  
CE-613 THRU CE-721, CJ-105 THRU CJ-128  
AND D9818 THRU D-10029 WIRE P15A WAS 20 AWG.
- ◆ WIRE C35B USED ON ACFT E-954 & AFT, CE-683 & AFT,  
CJ-129 & AFT AND D-9966 & AFT.
- ◆1 WIRE D2A USED ON ACFT E-947 & AFT, CE681 & AFT  
AND D-9961 & AFT AS AN OPTION.
- ◆2 WIRE P32A USED ON ACFT E-710, E-763 THRU E-975,  
CE-613 THRU CE-690, CJ-105 THRU CJ-198,  
AND D9818 THRU D-9978.
- ◆3 WIRE C15A USED ON ACFT E-1029 & AFT,  
CE-716 & AFT, CJ-129 & AFT AND D-1009  
& AFT.

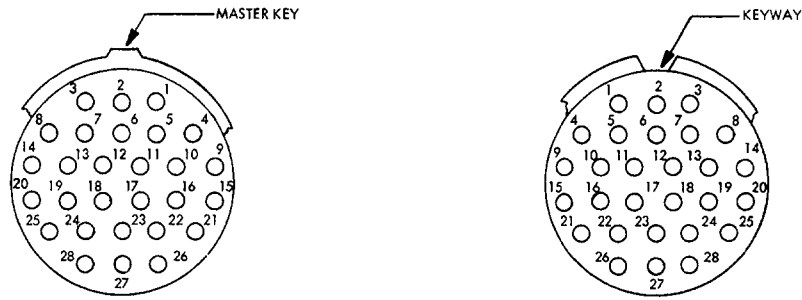
B E E C H C R A F T  
B O N A N Z A  
W I R I N G D I A G R A M M A N U A L

91-17-01  
JUNCTION BOX DISCONNECT  
CE-613 THRU CE-771, EXCEPT CE-748  
CJ-105 THRU CJ-148  
D-9818 THRU D-10119, EXCEPT D-10097  
E-710, E-763 THRU E-1240, EXCEPT E-1111

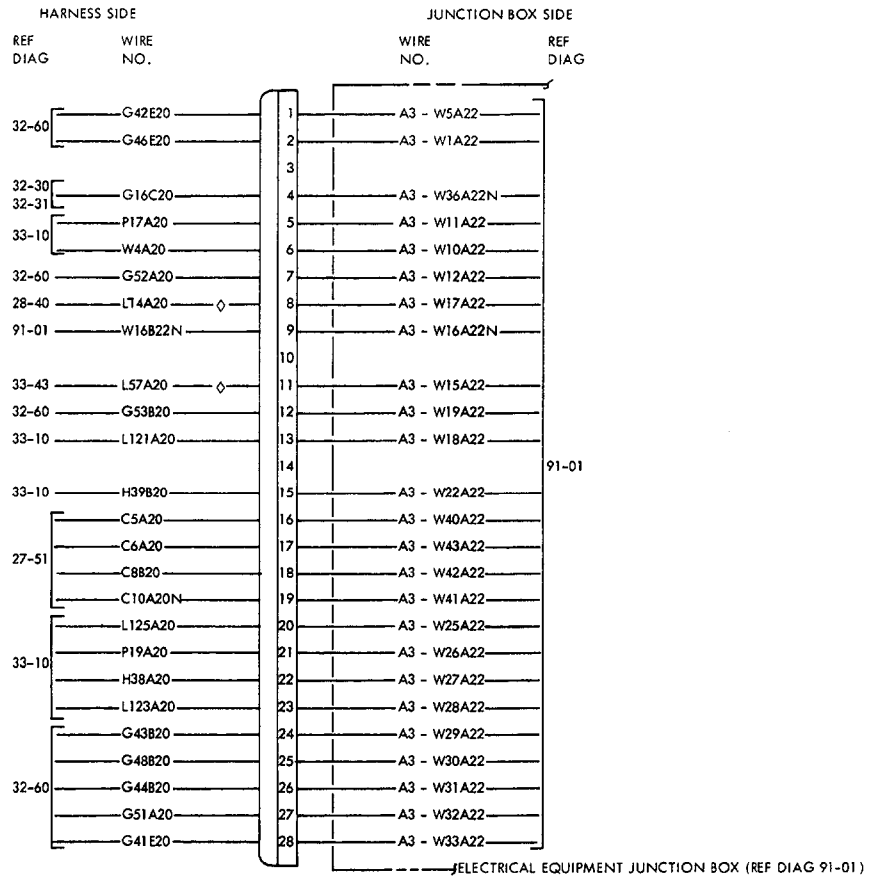
B E E C H C R A F T  
B O N A N Z A  
W I R I N G   D I A G R A M   M A N U A L

ATA CODE & REF DES	PART NO.	DESCRIPTION	UNITS		USABLE ON CODE
			PER ASSY	INSTL ZONE	
		1 2 3 4 5 6 7			
17-01-J44	206152-1	PIN HOUSING, JUNCTION BOX DISCONNECT RECEPTACLE.	1	231	
-J44	1-205202-6	. PIN CONTACT /20-24 AWG/ . . . . .	AR	231	
-P44	205839-3	SOCKET HOUSING, JUNCTION BOX DISCONNECT PLUG . . . . .	1	231	
-P44	1-205201-6	. SOCKET CONTACT /20-24 AWG/. . . . .	AR	231	

**BEECHCRAFT  
BONANZA  
WIRING DIAGRAM MANUAL**



VIEW FROM BACK OF CONNECTORS



P44    J44  
205839-3 SKT HOUSING    206152-1 PIN HOUSING  
1-205201-6 SOCKET    1-205202-6 PIN

USE OF FOLLOWING TOOLS REQUIRED:

INSERTION & EXTRACTION: 91067-2 (20 - 24 AWG).

CRIMP: 90265-1 (20 - 24 AWG).

STRAIN RELIEF: 206070-1

◇ PINS 8 & 11 ARE NOT USED ON ACFT  
E-927 & AFT, CE-674 & AFT, CJ-129 & AFT  
AND D-9948 & AFT. SEE DIAG 28-40 FOR  
WIRE L74A ROUTING.