

Beech[®]
Model 2000

LIBRARY of MANUALS



..... MAINTENANCE



..... ILLUSTRATED PARTS



..... PRINTED CIRCUIT BOARD



..... STRUCTURAL REPAIR



... WIRING DIAGRAM

P/N 122-590013-11B

Volume 2 of 2

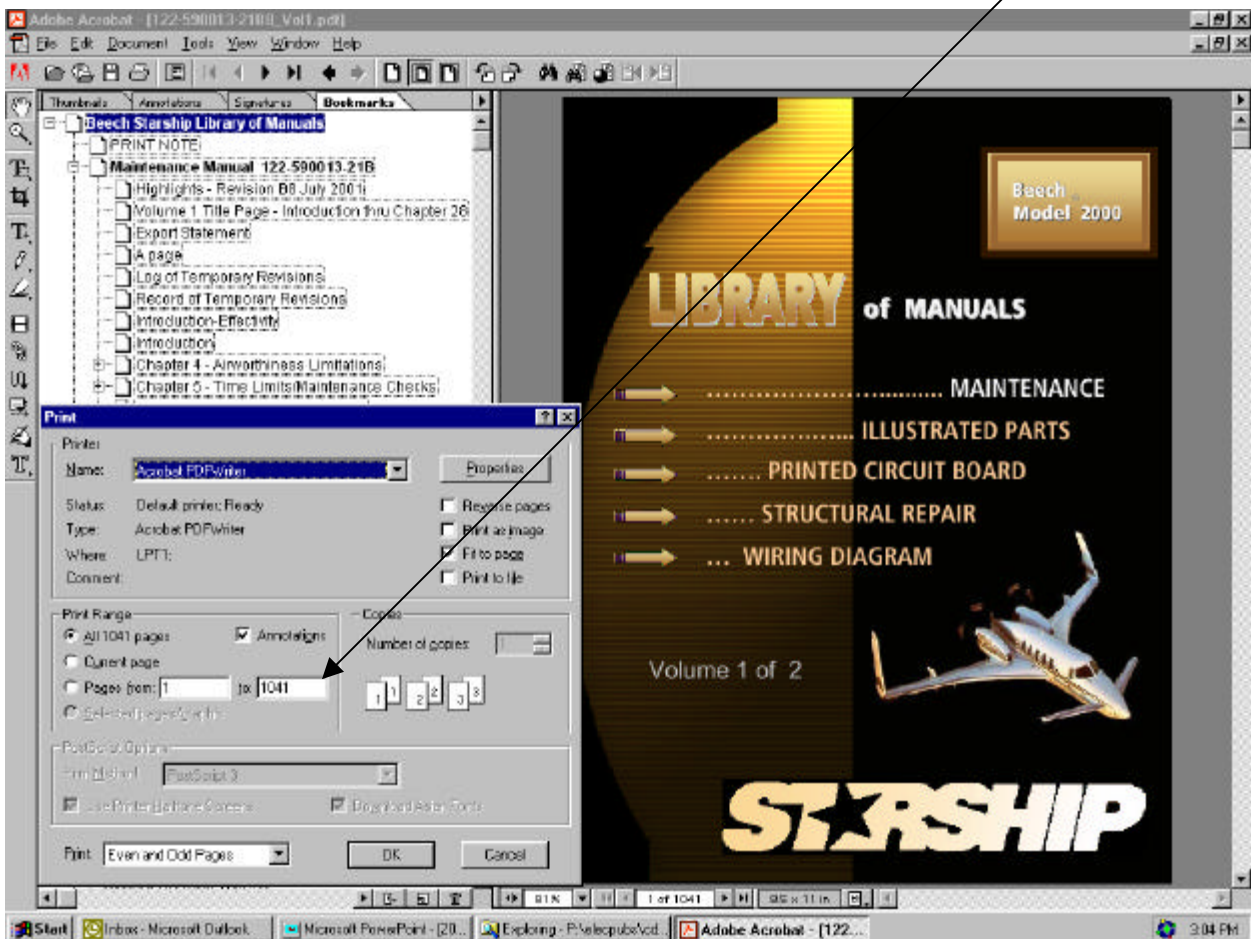


STARSHIP

NOTE: PRINTING

The default on most print commands from Adobe Reader is ALL - the entire CD in this case.

When wanting to print a specific page and/or section you must choose current page or pages and input page range.



Raytheon Aircraft

BEECH

STARSHIP 1®

Model 2000

NC-4 and after

Illustrated Parts Catalog

Volume 2
Chapters 33 thru 80

Note: This manual was formerly called the Beechcraft Starship Illustrated Parts Catalog

Notice

Refer to the applicable Wiring Diagram Manual for wiring diagrams and associated electrical components parts breakdown.

Copyright © Raytheon Aircraft Company 2002

P/N 122-590013-11B
Reissued: February 25, 1994

P/N 122-590013-11B4
Revised: July 31, 2002

Published By
RAYTHEON AIRCRAFT COMPANY
P.O. Box 85
Wichita, Kansas 67201
U.S.A.

NOTE

Where **Beech Aircraft Corporation** or **Beechcraft** is referred to in this publication, it will be taken to read **Raytheon Aircraft Company**.

Exported under the authority of license exception: TSU
"These commodities, technology or software were exported from the
United States in accordance with Export Administration Regulations.
Diversion contrary to U.S. law prohibited."

Raytheon Aircraft

Beech
Hawker

 **Member of GAMA**
General Aviation
Manufacturers Association

Beechcraft
STARSHIP 1
ILLUSTRATED PARTS CATALOG

INTRODUCTION
LIST OF PAGE EFFECTIVITY
(Volume 2)

SECTION	PAGE	DATE
INTRODUCTION-EFFECTIVITY	1	June 30, 1995
INTRODUCTION-ATA INDEX GUIDE	1	June 30, 1995
	thru 12	June 30, 1995
INTRODUCTION-ALPHABETICAL INDEX	13	June 30, 1995
	thru 28	June 30, 1995

"END"

Beechcraft
STARSHIP 1
ILLUSTRATED PARTS CATALOG

ATA-100 SYSTEM - CHAPTER INDEX GUIDE

The Following Is An ATA-100 Chapter Index Guide For Use With This Parts Catalog.

NOTE * The Following Chapters Are Not Applicable To This Parts Catalog
 49, 81, 82 & 83.

CHAPTER	SUB-SECTION	TITLE
AIRCRAFT GENERAL		
11		PLACARDS & MARKINGS
	11-00	GENERAL
	11-00-00	LIST OF PAGES & TABLE OF CONTENTS
	11-20	EXTERIOR PLACARDS & MARKINGS
	11-20-00	EXTERIOR PLACARDS
	11-30	INTERIOR PLACARDS & MARKINGS
	11-30-00	INTERIOR PLACARDS
AIRFRAME SYSTEMS		
21		ENVIRONMENTAL SYSTEMS
	21-00	GENERAL
	21-00-00	LIST OF PAGES & TABLE OF CONTENTS
	21-20	DISTRIBUTION
	21-20-00	AIR INFLOW AND DISTRIBUTION
	21-20-15	COCKPIT DUCTS.....
	21-20-20	CABIN SIDEWALL DUCTS
	21-20-25	CABIN OVERHEAD DUCTS.....
	21-20-30	FORWARD VENTILATION BLOWER
	21-20-35	AFT VENTILATION BLOWER
	21-20-40	AMBIENT AIR INLET
	21-20-60	HEAT EXCHANGER.....
	21-30	PRESSURIZATION CONTROL
	21-30-00	PRESSURIZATION CONTROL.....
	21-30-10	CABIN PRESSURIZATION MODULE.....
	21-50	COOLING
	21-50-10	AIR CONDITIONER SERVICE PROVISIONS
	21-50-20	COOLING CONDENSER
	21-50-30	AFT EVAPORATOR
	21-50-40	FUSELAGE REFRIGERATION PLUMBING.....
	21-50-45	WING REFRIGERATION PLUMBING.....
	21-50-50	COOLING SYSTEM COMPRESSOR.....
		NC-4 THRU NC-29
	21-50-51	COOLING SYSTEM COMPRESSOR.....
		NC-30 AND AFTER
	21-50-60	FORWARD EVAPORATOR.....
	21-55-00	AVIONICS COOLING SYSTEM.....
	21-55-10	NOSE AVIONICS COOLING
	21-60	TEMPERATURE CONTROL
	21-60-00	CABIN TEMPERATURE CONTROL.....

Beechcraft
STARSHIP 1
ILLUSTRATED PARTS CATALOG

ATA-100 SYSTEM - CHAPTER INDEX GUIDE

CHAPTER	SUB-SECTION	TITLE
22		AUTO FLIGHT
	22-00	GENERAL
	22-00-00	LIST OF PAGES & TABLE OF CONTENTS
	22-10	AUTO PILOT
	22-11-00	AUTOPILOT PITCH SYSTEM SERVO
	22-11-10	AUTOPILOT ROLL SYSTEM SERVO
	22-11-20	AUTOPILOT YAW SYSTEM SERVO
	22-11-30	AUTOMATIC TRIM COMPUTER INSTL..... AUTOPILOT ENGAGE PANEL
23		COMMUNICATIONS
	23-00	GENERAL
	23-00-00	LIST OF PAGES & TABLE OF CONTENTS
	23-00-01	GROUND WIRE TERMINATION
	23-10	SPEECH COMMUNICATION
	23-10-00	COMMUNICATION TRANSCIVER AND ANTENNA
	23-10-10	RADIOPHONE AND ANTENNA
	23-10-20	FLIGHT PHONE, PEDESTAL EXTENSION
	23-10-25	FLIGHT PHONE, CABIN
	23-10-30	FLIGHT PHONE, COCKPIT-RH MAP CASE
	23-30	PASSENGER ADDRESS & ENTERTAINMENT
	23-30-00	CABIN SPEAKER
	23-30-10	FM ANTENNA
	23-30-20	PAGING AMPLIFIER
	23-30-30	PAGING AMPLIFIER, CABIN.....
	23-30-40	PASSENGER BRIEFER, COCKPIT
	23-40	INTERPHONE
	23-40-00	INTERPHONE AMPLIFIER
	23-40-10	NOSE WHEEL WELL INTERPHONE EQUIPMENT
	23-50	AUDIO INTEGRATING
	23-50-00	COCKPIT SPEAKERS.....
	23-50-10	AUDIO CONTROL AMPLIFIER
	23-50-30	NOSE AVIONICS JUNCTION BOX
		NC-4 THRU NC-22
	23-50-32	NOSE AVIONICS JUNCTION BOX
		NC-23 AND AFTER
	23-50-40	HEADSET, MICROPHONE AND REEL.....
	23-60	STATIC DISCHARGING
	23-60-00	STATIC DISCHARGE WICKS
	23-60-10	NOSE COMPARTMENT AVIONICS TRANSZORBS.....
	23-70	AUDIO & VIDEO MONITORING
	23-70-10	VOICE RECORDER, COCKPIT.....
24		ELECTRICAL POWER
	24-00	GENERAL
	24-00-00	LIST OF PAGES & TABLE OF CONTENTS
	24-30	DC GENERATION
	24-30-00	BATTERY AND BATTERY VENT.....
	24-30-10	ATTITUDE HEADING COMPUTER AUXILIARY POWER.....
	24-30-20	STANDBY GYRO HORIZON INDICATOR AUXILIARY POWER
	24-30-30	STARTER-GENERATOR

Beechcraft
STARSHIP 1
ILLUSTRATED PARTS CATALOG

ATA-100 SYSTEM - CHAPTER INDEX GUIDE

CHAPTER	SUB-SECTION	TITLE
24		ELECTRICAL POWER (CONT)
	24-40	EXTERNAL POWER
	24-40-00	EXTERNAL POWER RECEPTACLE AND DOOR.....
	24-50	ELECTRICAL LOAD DISTRIBUTION
	24-50-00	LEFT NACELLE ELECTRICAL EQUIPMENT.....
	24-50-10	RIGHT NACELLE ELECTRICAL EQUIPMENT.....
	24-50-20	COCKPIT ELECTROLUMINESCENT PANEL POWER SUPPLY.....
25		EQUIPMENT/FURNISHINGS
	25-00	GENERAL
	25-00-00	LIST OF PAGES & TABLE OF CONTENTS.....
	25-10	FLIGHT COMPARTMENT
	25-10-00	LOOSE TOOLS AND ACCESSORIES.....
	25-10-10	FLIGHT COMPARTMENT MISCELLANEOUS FURNISHINGS.....
	25-10-20	FLIGHT COMPARTMENT SEATS.....
	25-10-30	FLIGHT COMPARTMENT UPPER SIDEWALL UPHOLSTERY.....
	25-10-40	FLIGHT COMPARTMENT LOWER SIDEWALL UPHOLSTERY.....
		NC-4 THRU NC-20
	25-10-41	FLIGHT COMPARTMENT LOWER SIDEWALL UPHOLSTERY.....
		NC-21 AND AFTER
	25-10-50	FLIGHT COMPARTMENT OVERHEAD UPHOLSTERY.....
	25-10-70	GLARESHIELD ASSEMBLY.....
	25-10-80	PEDESTAL UPHOLSTERY.....
	25-10-90	FLIGHT COMPARTMENT CARPET.....
		NC-4 THRU NC-20
	25-10-92	FLIGHT COMPARTMENT CARPET.....
		NC-21 AND AFTER
	25-20	PASSENGER COMPARTMENT
	25-20-00	PASSENGER SEATS.....
	25-20-10	AFT TWO PLACE COUCH.....
		NC-4 THRU NC-20
	25-21-00	CABIN WINDOW PANELS.....
		NC-4 THRU NC-20
	25-21-05	CABIN WINDOW PANELS.....
		NC-21 AND AFTER
	25-21-20	CABIN LOWER SIDEWALL UPHOLSTERY.....
		NC-4 THRU NC-20
	25-21-21	CABIN LOWER SIDEWALL UPHOLSTERY.....
		NC-21 AND AFTER
	25-21-30	CABIN AIRSTAIR DOOR UPHOLSTERY.....
	25-21-40	EMERGENCY EXIT DOOR UPHOLSTERY.....
		NC-4 THRU NC-20
	25-21-45	EMERGENCY EXIT DOOR UPHOLSTERY.....
		NC-21 AND AFTER
	25-21-50	CABIN HEADLINER.....
		NC-4 THRU NC-20
	25-21-55	CABIN HEADLINER.....
		NC-21 AND AFTER
	25-21-60	VESTIBULE HEADLINER.....
	25-21-70	CABIN CARPET.....
		NC-4 THRU NC-20
	25-21-72	CABIN CARPET.....
		NC-21 AND AFTER
	25-21-90	AISLE CONTAINER.....
		NC-4 THRU NC-20
	25-22-00	CABIN TABLES.....
	25-22-10	LH FORWARD PARTITION.....
	25-22-20	LH FORWARD REFRESHMENT CABINET.....
	25-22-30	PYRAMID CABINETS.....
		NC-4 THRU NC-20

Beechcraft
STARSHIP 1
ILLUSTRATED PARTS CATALOG

ATA-100 SYSTEM - CHAPTER INDEX GUIDE

CHAPTER	SUB-SECTION	TITLE
25		EQUIPMENT/FURNISHINGS (CONT)
	25-20	PASSENGER COMPARTMENT (CONT)
	25-22-40	RH BAGGAGE/IAPS CABINET..... NC-4 THRU NC-20
	25-22-41	RH BAGGAGE/IAPS CABINET..... NC-21 AND AFTER
	25-22-50	FWD BAGGAGE COMPARTMENT WEB.....
	25-23-00	AFT TOILET CABINET..... NC-21 AND AFTER
	25-23-10	AFT TOILET HEADLINER..... NC-21 AND AFTER
	25-24-00	AFT CABIN BLEED AIR PLUMBING COVER.....
	25-25-00	AFT CABIN PARTITION..... NC-21 AND AFTER
	25-50	CARGO COMPARTMENTS
	25-50-00	AFT BULKHEAD UPHOLSTERY.....
	25-50-01	AFT COMPARTMENT UPHOLSTERY.....
	25-50-10	AFT BAGGAGE COMPARTMENT WEB.....
	25-50-30	AFT BAGGAGE COMPARTMENT PARTITION..... NC-4 THRU NC-20
	25-50-35	AFT BAGGAGE COMPARTMENT CLOSURE..... NC-21 AND AFTER
	25-60	EMERGENCY
	25-60-00	EMERGENCY LOCATOR TRANSMITTER AND ANTENNA.....
	25-60-20	SPARE FUSE AND LIMITER CONTAINER.....
26		FIRE PROTECTION
	26-00	GENERAL
	26-00-00	LIST OF PAGES & TABLE OF CONTENTS.....
	26-10	DETECTION
	26-10-00	ENGINE FIRE DETECTION.....
	26-10-10	BLEED AIR FAIL WARNING.....
	26-10-20	ANNUNCIATOR/SWITCH LIGHT ASSY.....
	26-20	EXTINGUISHING
	26-20-00	ENGINE FIRE EXTINGUISHER.....
	26-20-10	COCKPIT FIRE EXTINGUISHER.....
	26-20-20	CABIN FIRE EXTINGUISHER.....
27		FLIGHT CONTROLS
	27-00	GENERAL
	27-00-00	LIST OF PAGES & TABLE OF CONTENTS.....
	27-00-10	PULLEY BANK PLATFORM.....
	27-00-20	FORWARD WING AND FLAP MONITOR BOX.....
	27-00-30	ELECTRIC TRIM CONTROL.....
	27-00-40	ROLL AND YAW INTERCONNECT.....
	27-20	RUDDER & TAB
	27-20-00	RUDDER CONTROLS.....
	27-20-10	RUDDER PEDALS.....
	27-20-20	RUDDER FORWARD CONTROL BELL CRANKS AND LINKAGE.....
	27-20-30	RUDDER TRIM TAB CONTROL ACTUATOR.....
	27-30	ELEVATOR & TAB
	27-30-00	ELEVATOR CONTROLS.....
	27-30-10	FLIGHT CONTROL COLUMN.....
	27-30-20	ELEVATOR TRIM TAB CONTROL ACTUATOR.....
	27-30-30	STALL WARNING.....

Beechcraft
STARSHIP 1
ILLUSTRATED PARTS CATALOG

ATA-100 SYSTEM - CHAPTER INDEX GUIDE

CHAPTER	SUB-SECTION	TITLE
27		FLIGHT CONTROLS (CONT)
	27-30	ELEVATOR & TAB (CONT)
	27-30-40	CONTROL COLUMN STABILIZING BOB WEIGHT
	27-31-00	ELEVON CONTROLS
	27-31-10	CONTROL WHEEL
	27-31-20	ELEVON CONTROL MIXER ASSEMBLY
	27-31-30	ELEVON TRIM TAB CONTROL ACTUATOR
	27-40	HORIZONTAL STABILIZERS
	27-40-00	FORWARD WING CONTROL MECHANISM
	27-40-10	FORWARD WING MONITOR SENSOR
	27-50	FLAPS
	27-50-00	FLAP ACTUATING MECHANISM
	27-50-10	FLAP MONITOR SYSTEM
	27-70	GUST LOCK & DAMPER
27-70-00	SURFACE CONTROL GUST LOCK	
28		FUEL
	28-00	GENERAL
	28-00-00	LIST OF PAGES & TABLE OF CONTENTS
	28-10	STORAGE
	28-10-00	FUEL STORAGE AND INTERCONNECT
	28-10-01	CAP AND ADAPTER ASSY
	28-10-10	FUEL VENT SYSTEM
	28-20	DISTRIBUTION
	28-20-00	FUEL DISTRIBUTION SYSTEM
	28-40	INDICATING
28-40-00	FUEL QUANTITY AND TEMPERATURE PROBES	
29		HYDRAULIC POWER
	29-00	GENERAL
	29-00-00	LIST OF PAGES & TABLE OF CONTENTS
29-00-01	HYDRAULIC SYSTEMS/REFERENCE/	
30		ICE & RAIN PROTECTION
	30-00	GENERAL
	30-00-00	LIST OF PAGES & TABLE OF CONTENTS
	30-10	AIRFOIL
	30-10-00	PNEUMATIC DEICE SYSTEM
	30-20	AIR INTAKES
	30-20-00	AIR INLET & INERTIAL VANE ANTI-ICE
	30-40	WINDOWS, WINDSHIELDS & DOORS
	30-40-10	WINDSHIELD WIPER
	30-50	ANTENNAS & RADOMES
	30-50-00	SURFACE DEICE PRINTED CIRCUIT BOARD BOX
30-70	WATER LINES	
30-70-00	ICE DETECTOR	

Beechcraft
STARSHIP 1
ILLUSTRATED PARTS CATALOG

ATA-100 SYSTEM - CHAPTER INDEX GUIDE

CHAPTER	SUB-SECTION	TITLE
31		INSTRUMENTS
	31-00	GENERAL
	31-00-00	LIST OF PAGES & TABLE OF CONTENTS
	31-40	CENTRAL COMPUTERS
	31-40-00	IAPS CARD CAGE.....
	31-50	CENTRAL WARNING SYSTEMS
	31-50-00	ANNUNCIATOR WARNING LIGHT ASSY
	31-50-10	AURAL WARNING TONE GENERATOR
32		LANDING GEAR
	32-00	GENERAL
	32-00-00	LIST OF PAGES & TABLE OF CONTENTS
	32-10	MAIN GEAR & DOORS
	32-10-00	MAIN LANDING GEAR INSTALLATION
	32-10-10	MAIN LANDING GEAR ASSEMBLY
	32-20	NOSE GEAR & DOORS
	32-20-00	NOSE LANDING GEAR INSTALLATION
	32-20-10	NOSE LANDING GEAR ASSEMBLY
	32-30	EXTENSION AND RETRACTION
	32-30-00	NACELLE HYDRAULIC PLUMBING.....
		/LANDING GEAR/
	32-30-05	AFT FUSELAGE HYDRAULIC PLUMBING
		/LANDING GEAR/
	32-30-10	HYDRAULIC HAND PUMP
	32-30-15	FORWARD FUSELAGE AND NOSE HYDRAULIC PLUMBING
		/LANDING GEAR/
	32-30-20	POWER PACK PRESSURE REGULATOR
	32-40	WHEELS & BRAKES
	32-40-00	BRAKE PLUMBING
	32-40-10	BRAKE FLUID RESERVOIR
	32-40-20	BRAKE ANTI SKID PALLET
	32-40-30	BRAKE ANTI SKID CONTROL BOX.....
	32-50	STEERING
	32-50-00	NOSE GEAR STEERING.....
	32-50-10	NOSE GEAR SHIMMY DAMPER.....
33		LIGHTS
	33-00	GENERAL
	33-00-00	LIST OF PAGES & TABLE OF CONTENTS
	33-10	FLIGHT COMPARTMENT
	33-10-00	COCKPIT LIGHTS
	33-20	PASSENGER COMPARTMENT
	33-20-00	LIGHTS-OVERHEAD ENTRY.....
	33-20-03	CABIN OVERHEAD LIGHTS.....
		NC-4 THRU NC-20
	33-20-07	LIGHTS,CABIN-AFT TOILET
		NC-21 AND AFTER
	33-20-10	CABIN AISLE AND AIRSTAIR DOOR LIGHTS
	33-20-30	CABIN LIGHTING POWER SUPPLIES
		NC-4 THRU NC-20
	33-20-35	CABIN LIGHTING POWER SUPPLIES
		NC-21 AND AFTER

Beechcraft
STARSHIP 1
ILLUSTRATED PARTS CATALOG

ATA-100 SYSTEM - CHAPTER INDEX GUIDE

CHAPTER	SUB-SECTION	TITLE
33		LIGHTS (CONT)
	33-20	PASSENGER COMPARTMENT (CONT)
	33-30	CARGO & SERVICE DEPARTMENTS
	33-30-00	AFT BAGGAGE COMPARTMENT LIGHTS
	33-40	EXTERIOR
	33-40-00	NOSE LANDING AND TAXI LIGHTS
	33-40-10	WING LANDING LIGHT
	33-40-20	WING INSPECTION LIGHT
	33-40-50	ANTI-COLLISION LIGHTS
34		NAVIGATION, PITOT/STATIC
	34-00	GENERAL
	34-00-00	LIST OF PAGES & TABLE OF CONTENTS
	34-00-10	AVIONICS FEEDTHRU PLATE
	34-10	FLIGHT ENVIRONMENT DATA
	34-10-00	PITOT AND STATIC PLUMBING
	34-10-20	INSTRUMENT AIR PLUMBING
	34-11-00	AIR DATA COMPUTER AND PLUMBING
	34-20	ATTITUDE & DIRECTION
	34-20-00	MAGNETIC COMPASS
	34-20-10	FLUX DETECTOR
	34-20-20	ATTITUDE HEADING SYSTEM
	34-30	LANDING & TAXIING AIDS
	34-30-00	GLIDESLOPE AND MARKER BEACON ANTENNAS
	34-40	INDEPENDENT POSITION DETERMINING
	34-40-00	WEATHER RADAR TRANSCEIVER AND ANTENNA
	34-50	DEPENDENT POSITION DETERMINING
	34-50-00	NAVIGATION RECEIVER AND ANTENNA
	34-50-10	VLF RECEIVER AND ANTENNA
	34-50-20	ADF RECEIVER AND ANTENNA
	34-50-30	DME TRANSCEIVER AND ANTENNA
	34-50-40	TRANSPONDER AND ANTENNA
	34-50-50	RADIO ALTIMETER TRANSCEIVER AND ANTENNA
	34-50-60	RADIO TUNING ADAPTER
		NC-4 THRU NC-25
35		OXYGEN
	35-00	GENERAL
	35-00-00	LIST OF PAGES & TABLE OF CONTENTS
	35-00-01	OXYGEN SYSTEM INSTALLATION
		NC-4 THRU NC-20
	35-00-02	OXYGEN SYSTEM INSTALLATION
		NC-21 AND AFTER
36		PNEUMATIC
	36-00	GENERAL
	36-00-00	LIST OF PAGES & TABLE OF CONTENTS
	36-00-10	PRESSURIZATION SYSTEM
	36-00-20	WING PRESSURIZATION SYSTEM
	36-10	DISTRIBUTION
	36-10-00	ENGINE COMPARTMENT BLEED AIR

Beechcraft
STARSHIP 1
ILLUSTRATED PARTS CATALOG

ATA-100 SYSTEM - CHAPTER INDEX GUIDE

CHAPTER	SUB-SECTION	TITLE
38		WATER/WASTE
	38-00	GENERAL
	38-00-00	LIST OF PAGES & TABLE OF CONTENTS
	38-30	WASTE DISPOSAL
	38-30-00	RH FORWARD TOILET
		NC-4 THRU NC-20
	38-30-05	AFT TOILET AND RELIEF TUBE
		NC-21 AND AFTER
	38-30-10	COCKPIT RELIEF TUBE
		NC-4 THRU NC-20
	38-30-12	CABIN RELIEF TUBE
		NC-4 THRU NC-20
	38-30-15	AFT TOILET PLUMBING
		NC-21 AND AFTER
	38-30-30	OVERBOARD DRAIN PLUMBING
		NC-4 THRU NC-20
39		ELECTRIC PANELS, PARTS & INST.
	39-00	GENERAL
	39-00-00	LIST OF PAGES & TABLE OF CONTENTS
	39-10	INSTRUMENT & CONTROL PANELS
	39-10-00	OVERHEAD LIGHT CONTROL PANEL
	39-10-10	CONTROL PEDESTAL ASSEMBLY
	39-10-20	LEFT CIRCUIT BREAKER PANEL
	39-10-30	RIGHT CIRCUIT BREAKER PANEL
	39-10-40	AUXILIARY CIRCUIT BREAKER PANEL
	39-10-50	AFT FUSELAGE CIRCUIT BREAKER PANEL
	39-10-60	MAIN INSTRUMENT PANEL
	39-10-70	INSTRUMENT SUBPANEL
		NC-4 THRU NC-28
	39-10-71	INSTRUMENT SUBPANEL
		NC-29 AND AFTER
	39-10-80	REVERSIONARY PANELS
	39-20	ELECTRICAL & ELECTRONIC EQUIPMENT RACKS
	39-20-00	COCKPIT SIDEWALL ELECTRICAL EQUIPMENT
	39-20-10	COCKPIT LOWER ELECTRICAL EQUIPMENT
	39-20-20	AFT STEP ELECTRICAL EQUIPMENT
	39-20-30	AFT FUSELAGE ELECTRICAL EQUIPMENT
	39-21-00	CENTER SECTION ELECTRICAL EQUIPMENT
STRUCTURE		
52		DOORS
	52-00	GENERAL
	52-00-00	LIST OF PAGES & TABLE OF CONTENTS
	52-10	PASSENGER/CREW
	52-10-00	CABIN AIRSTAIR DOOR
	52-10-10	CABIN AIRSTAIR DOOR LATCH MECHANISM
	52-10-20	AIRSTAIR DOOR SEAL PLUMBING
	52-20	EMERGENCY EXIT
	52-20-00	EMERGENCY EXIT DOOR
	52-40	SERVICE
	52-40-00	NOSE AVIONICS ACCESS DOORS

Beechcraft
STARSHIP 1
ILLUSTRATED PARTS CATALOG

ATA-100 SYSTEM - CHAPTER INDEX GUIDE

CHAPTER	SUB-SECTION	TITLE
52		DOORS (CONT)
	52-70	DOOR WARNING
	52-70-00	CABIN DOOR WARNING SWITCHES
	52-80	LANDING GEAR
	52-80-10	MAIN LANDING GEAR DOORS
	52-80-20	NOSE LANDING GEAR DOORS
	52-80-30	NOSE LANDING GEAR AFT DOORS
53		FUSELAGE
	53-00	GENERAL
	53-00-00	LIST OF PAGES & TABLE OF CONTENTS
	53-00-01	AFT PRESSURE DOME WIRE SEAL
	53-20	AUXILIARY STRUCTURE
	53-20-00	COCKPIT LEFT SIDE CONSOLE STRUCTURE
	53-20-10	COCKPIT RIGHT SIDE CONSOLE STRUCTURE
	53-20-20	CONTROL PEDESTAL STRUCTURE
	53-20-30	PEDESTAL EXTENSION STRUCTURE
	53-20-40	SUBPANEL STRUCTURE ASSEMBLY
	53-20-50	COCKPIT FLOOR PANELS
	53-20-60	CABIN FLOOR AND AISLE PANELS
	53-20-70	NOSE AVIONICS SHELVES
	53-20-80	MAIN INSTRUMENT PANEL STRUCTURE
	53-21-00	FUSELAGE ELECTRICAL WIRE CONDUIT
	53-21-10	FLIGHT CONTROL CABLE TRAY
	53-25-00	DYNAMIC ABSORBER
	53-30	PLATES/SKIN
	53-30-00	NOSE SKINS AND PLATES
	53-30-10	AFT FUSELAGE ACCESS DOORS
53-40	ATTACH FITTINGS	
53-40-00	MAIN PANEL AND SUBPANEL SUPPORT	
53-40-10	ELECTRONIC FLIGHT DISPLAYS SUPPORT	
53-40-20	NOSE ATTACH FITTINGS	
53-40-30	AVIONICS INTERFACE RACK	
53-50	AERODYNAMIC FAIRINGS	
53-50-00	RADOME AND TAIL CONE	
53-50-20	FORWARD WING FAIRINGS	
53-50-40	AFT WING/FUSELAGE FAIRING/	
54		NACELLES
	54-00	GENERAL
	54-00-00	LIST OF PAGES & TABLE OF CONTENTS
	54-10	MAIN FRAME
	54-10-00	NACELLE INSTALLATION
	54-10-10	NACELLE
	54-10-20	NACELLE FIREWALL LOWER STRUCTURE
	54-10-30	NACELLE FIREWALL
	54-11-00	NACELLE FIREWALL INSULATION
	54-30	PLATES/SKIN
	54-30-00	COWLING INSTALLATION
	54-30-10	UPPER AFT COWLING
	54-30-20	LOWER AFT COWLING
54-30-30	UPPER FORWARD COWLING	
54-30-40	LOWER FORWARD COWLING	

Beechcraft
STARSHIP 1
ILLUSTRATED PARTS CATALOG

ATA-100 SYSTEM - CHAPTER INDEX GUIDE

CHAPTER	SUB-SECTION	TITLE
55		STABILIZERS
	55-00	GENERAL
	55-00-00	LIST OF PAGES & TABLE OF CONTENTS
	55-10	HORIZONTAL STABILIZERS
	55-10-00	FORWARD WING.....
	55-20	ELEVATOR/ELEVON
	55-20-00	ELEVATOR.....
	55-30	VERTICAL STABILIZER
	55-30-00	TIPSAIL
	55-40	RUDDER
	55-40-00	TIPSAIL RUDDER
55-50	ATTACH FITTINGS	
55-60-00	VENTRAL STABILIZER	
56		WINDOWS
	56-00	GENERAL
	56-00-00	LIST OF PAGES & TABLE OF CONTENTS
	56-10	FLIGHT COMPARTMENT
	56-10-00	FLIGHT COMPARTMENT WINDOWS
	56-20	CABIN
	56-20-00	CABIN POLARIZED WINDOWS
56-20-10	CABIN OUTER WINDOWS	
56-20-20	AFT TOILET WINDOW INSTALLATION	
57		WINGS
	57-00	GENERAL
	57-00-00	LIST OF PAGES & TABLE OF CONTENTS
	57-10	MAIN FRAME
	57-10-00	AFT WING INSTALLATION
	57-10-10	AFT WING
	57-10-20	AFT WING BOX ASSEMBLY
	57-11-00	MAIN LANDING GEAR CLOSURE SUPPORT
		NC-4 THRU NC-33
	57-11-10	MAIN LANDING GEAR CLOSURE SUPPORT
		NC-34 AND AFTER
	57-20	AUXILIARY STRUCTURE
	57-20-00	FLAP FAIRINGS
	57-20-10	WING ELECTRICAL WIRE CONDUIT
	57-20-20	ELEVON FENCE
	57-20-30	AFT WING FLAP COVE.....
	57-20-40	AFT WING ACCESS DOORS.....
	57-21-00	AFT WING TRAILING EDGE INBD COVE.....
	57-40	ATTACH FITTINGS
	57-40-00	LEADING EDGE
	57-40-10	AFT WING LEADING EDGE VORTILON.....
57-50	FLIGHT SURFACES	
57-50-00	FLAP INSTALLATION	
57-60-00	ELEVON INSTALLATION.....	

Beechcraft
STARSHIP 1
ILLUSTRATED PARTS CATALOG

ATA-100 SYSTEM - CHAPTER INDEX GUIDE

CHAPTER	SUB-SECTION	TITLE
PROPELLER/ROTOR		
61		PROPELLERS
	61-00	GENERAL
	61-00-00	LIST OF PAGES & TABLE OF CONTENTS
	61-10	PROPELLER ASSEMBLY
	61-10-00	PROPELLER
	61-20	CONTROLLING
	61-20-00	PROPELLER SYNCHROPHASER
	61-20-10	PROPELLER AUTOFEATHER
	61-20-20	GROUND IDLE STOP SOLENOID
POWER PLANT		
71		POWER PLANT
	71-00	GENERAL
	71-00-00	LIST OF PAGES & TABLE OF CONTENTS
	71-00-10	POWER PLANT
	71-20	MOUNTS
	71-20-00	ENGINE MOUNT
	71-60	AIR INTAKES
	71-60-00	ENGINE AIR PLENUM AND INLET DUCT
	71-70	ENGINE DRAINS
	71-70-00	ENGINE DRAINS
72		ENGINE
	72-00	GENERAL
	72-00-00	LIST OF PAGES & TABLE OF CONTENTS
	72-00-01	ENGINE/REFERENCE/
73		ENGINE FUEL & CONTROL
	73-00	GENERAL
	73-00-00	LIST OF PAGES & TABLE OF CONTENTS
	73-10	DISTRIBUTION
	73-10-00	ENGINE SECTION FUEL
	73-10-05	ENGINE FUEL FILTER ASSEMBLY
	73-10-10	FUEL PURGE TANK
	73-20	CONTROLLING
	73-20-00	CONDITION LEVER FUEL CUTOFF SWITCH
	73-30	INDICATING
	73-30-00	FUEL FLOWMETER TRANSMITTER
74		IGNITION
	74-00	GENERAL
	74-00-00	LIST OF PAGES & TABLE OF CONTENTS

Beechcraft
STARSHIP 1
ILLUSTRATED PARTS CATALOG

ATA-100 SYSTEM - CHAPTER INDEX GUIDE

CHAPTER	SUB-SECTION	TITLE
74		IGNITION (CONT)
	74-10	ELECTRICAL POWER SUPPLY
	74-10-00	IGNITION EXCITER.....
75		AIR
	75-00	GENERAL
	75-00-00	LIST OF PAGES & TABLE OF CONTENTS
	75-20	ACCESSORY COOLING
	75-20-00	GENERATOR COOLING.....
76		ENGINE CONTROLS
	76-00	GENERAL
	76-00-00	LIST OF PAGES & TABLE OF CONTENTS
	76-10	POWER CONTROL
	76-10-00	PEDESTAL ENGINE CONTROL MECHANISM
	76-10-10	ENGINE CONTROLS
	76-10-20	THROTTLE GO AROUND SWITCH.....
77		ENGINE INDICATING
	77-00	GENERAL
	77-00-00	LIST OF PAGES & TABLE OF CONTENTS
	77-30	ANALYZERS
	77-40-00	INTEGRATED ENGINE INSTRUMENT SYSTEMS.....
78		EXHAUST
	78-00	GENERAL
	78-00-00	LIST OF PAGES & TABLE OF CONTENTS
	78-10	COLLECTOR/NOZZLE
	78-10-00	ENGINE EXHAUST STACKS
79		OIL
	79-00	GENERAL
	79-00-00	LIST OF PAGES & TABLE OF CONTENTS
	79-20	DISTRIBUTION
	79-20-00	ENGINE OIL SYSTEM.....
	79-20-10	OIL BREATHER LINE
	79-30	INDICATING
	79-30-00	OIL LEVEL INDICATOR
80		STARTING
	80-00	GENERAL
	80-00-00	LIST OF PAGES & TABLE OF CONTENTS
	80-00-01	STARTER/REFERENCE/.....

Beechcraft
STARSHIP 1
ILLUSTRATED PARTS CATALOG

ALPHABETICAL INDEX

COMPONENT ITEM OR SYSTEM NAME	CHAPTER NAME	CHAP/SUB SECT & UNIT
A		
ABSORBER, DYNAMIC	FUSELAGE	53-25-00
ACCUMULATOR, HYDRAULIC	LANDING GEAR	32-40-20
ACTUATOR ASSEMBLY, FWD WING CONTROL	FLIGHT CONTROLS	27-40-00
ACTUATOR ASSEMBLY, ICE VANE	ICE & RAIN PROTECTION	30-20-00
ACTUATOR ASSEMBLY, NOSE GEAR DOOR	LANDING GEAR	32-20-00
ACTUATOR, ELEVATOR TRIM TAB CONTROL	FLIGHT CONTROLS	27-30-20
ACTUATOR, ELEVON TRIM TAB CONTROL	FLIGHT CONTROLS	27-31-30
ACTUATOR, FLAP	FLIGHT CONTROLS	27-50-00
ACTUATOR, RUDDER	STABILIZERS	55-40-00
ACTUATOR, RUDDER TRIM TAB CONTROL	FLIGHT CONTROLS	27-20-30
ADF ANTENNA	NAVIGATION	34-50-20
ADF SYSTEM	NAVIGATION	34-50-20
AEROFICHE SUBSCRIPTION CARD	EQUIPMENT/FURNISHINGS	25-10-00
AFT BAGGAGE COMPARTMENT CLOSURE	EQUIPMENT/FURNISHINGS	25-50-35
AFT BAGGAGE COMPARTMENT LIGHTS	LIGHTS	33-30-00
AFT BAGGAGE COMPARTMENT PARTITION	EQUIPMENT/FURNISHINGS	25-50-30
AFT BAGGAGE COMPARTMENT WEB	EQUIPMENT/FURNISHINGS	25-50-10
AFT BULKHEAD UPHOLSTERY	EQUIPMENT/FURNISHINGS	25-50-01
AFT CABIN BLEED AIR PLUMBING COVER	EQUIPMENT/FURNISHINGS	25-24-00
AFT CABIN PARTITION	EQUIPMENT/FURNISHINGS	25-25-00
AFT COMPARTMENT UPHOLSTERY	EQUIPMENT/FURNISHINGS	25-50-00
AFT FUSELAGE ACCESS DOORS	FUSELAGE	53-30-10
AFT FUSELAGE CIRCUIT BREAKER PANEL	ELEC PANELS, PARTS, INST.	39-10-50
AFT FUSELAGE ELECTRICAL EQUIPMENT	ELEC PANELS, PARTS, INST.	39-20-30
AFT FUSELAGE HYDRAULIC PLUMBING	LANDING GEAR	32-30-10
AFT PRESSURE DOME WIRE SEAL	FUSELAGE	53-00-01
AFT TOILET	WATER/WASTE	38-30-05
AFT TOILET CABINET	EQUIPMENT/FURNISHINGS	25-23-00
AFT TOILET HEADLINER	EQUIPMENT/FURNISHINGS	25-23-10
AFT TOILET PLUMBING	WATER/WASTE	38-30-15
AFT TOILET WINDOW	WINDOWS	56-20-20
AFT TWO PLACE COUCH	EQUIPMENT/FURNISHINGS	25-20-10
AFT WING	WINGS	57-10-10
AFT WING ACCESS DOORS	WINGS	57-20-40
AFT WING BOX ASSEMBLY	WINGS	57-10-20
AFT WING FLAP COVE	WINGS	57-20-30
AFT WING FUEL TANK	FUEL	28-10-00
AFT WING LEADING EDGE	WINGS	57-40-00
AFT WING TRAILING EDGE INBD COVE	WINGS	57-21-00
AFT WING/FUSELAGE FAIRING/	FUSELAGE	53-50-40
AHC AUXILIARY POWER SUPPLY	ELECTRICAL POWER	24-30-10
AIR DATA COMPUTER AND PLUMBING	NAVIGATION	34-11-00
AIR INFLOW AND DISTRIBUTION	ENVIRONMENTAL SYSTEMS	21-20-00
AIR INLET AND INERTIAL VANE ANTI-ICE	ICE & RAIN PROTECTION	30-20-00
AIR INLET, AMBIENT	ENVIRONMENTAL SYSTEMS	21-20-40
AIR INTAKE LIP ASSEMBLY	ICE & RAIN PROTECTION	30-20-00
AIR PLUMBING, INSTRUMENT	NAVIGATION	34-10-20
AIRSPEED INDICATOR	ELEC PANELS, PARTS, INST.	39-10-60
AIRSTAIR DOOR SEAL PLUMBING	DOORS	52-10-20
AISLE CONTAINER	EQUIPMENT/FURNISHINGS	25-21-90
ALTIMETER, STANDBY/PNEUMATIC/	ELEC PANELS, PARTS, INST.	39-10-60
ALTITUDE INDICATOR	ELEC PANELS, PARTS, INST.	39-10-60
ALTITUDE PRESSURE SWITCH, CABIN	OXYGEN	35-00-01
AMBIENT AIR INLET	ENVIRONMENTAL SYSTEMS	21-20-40
AMPLIFIER, AUDIO CONTROL	COMMUNICATIONS	23-50-10
AMPLIFIER, INTERPHONE	COMMUNICATIONS	23-40-00
AMPLIFIER, PAGING	COMMUNICATIONS	23-30-20
ANNUNCIATOR WARNING LIGHT	INSTRUMENTS	31-50-00
ANTENNA, ADF	NAVIGATION	34-50-20
ANTENNA, DME	NAVIGATION	34-50-30
ANTENNA, ELT	EQUIPMENT/FURNISHINGS	25-60-00
ANTENNA, FM RECEIVER	COMMUNICATIONS	23-30-10
ANTENNA, GLIDESLOPE	NAVIGATION	34-30-00
ANTENNA, MARKER BEACON	NAVIGATION	34-30-00
ANTENNA, RADIO ALTIMETER	NAVIGATION	34-50-50

Beechcraft
STARSHIP 1
ILLUSTRATED PARTS CATALOG

ALPHABETICAL INDEX

COMPONENT ITEM OR SYSTEM NAME	CHAPTER NAME	CHAP/SUB SECT & UNIT
A		
ANTENNA, RADIOPHONE	COMMUNICATIONS	23-10-10
ANTENNA, TRANSPONDER	NAVIGATION	34-50-40
ANTENNA, VHF COMM	COMMUNICATIONS	23-10-00
ANTENNA, VHF NAV	NAVIGATION	34-50-00
ANTENNA, VLF	NAVIGATION	34-50-10
ANTENNA, WEATHER RADAR	NAVIGATION	34-40-00
ANTI-COLLISION LIGHTS	LIGHTS	33-40-50
ANTI-SKID BRAKE PALLET	LANDING GEAR	32-40-20
ANTI-SKID BRAKE SYSTEM	LANDING GEAR	32-40-20
ANTI-SKID LOW PRESSURE WARNING SWITCH	LANDING GEAR	32-40-20
ANTI-SKID MOTOR AND PUMP ASSEMBLY	LANDING GEAR	32-40-20
ANTI-SKID PUMP OUTPUT CONTROL SWITCH	LANDING GEAR	32-40-20
ARM, NOSE GEAR STEERING	LANDING GEAR	32-20-10
ASHTRAY, CREW	EQUIPMENT/FURNISHINGS	25-10-40
AUDIO CONTROL AMPLIFIER	COMMUNICATIONS	23-50-10
AURAL WARNING TONE GENERATOR	INSTRUMENTS	31-50-10
AUTOFEATHER, PROPELLER	PROPELLERS	61-20-10
AUTOMATIC TRIM COMPUTER	AUTO FLIGHT	22-11-30
AUTOPILOT ENGAGE PANEL	AUTO FLIGHT	22-11-30
AUTOPILOT PITCH SYSTEM SERVO	AUTO FLIGHT	22-11-00
AUTOPILOT ROLL SYSTEM SERVO	AUTO FLIGHT	22-11-10
AUTOPILOT YAW SYSTEM SERVO	AUTO FLIGHT	22-11-20
AUXILIARY CIRCUIT BREAKER PANEL	ELEC PANELS, PARTS, INST.	39-10-40
AVIONICS ACCESSORIES	COMMUNICATIONS	23-50-40
AVIONICS COOLING, FUSELAGE	ENVIRONMENTAL SYSTEMS	21-55-00
AVIONICS COOLING, NOSE	ENVIRONMENTAL SYSTEMS	21-55-10
AVIONICS FEEDTHRU PLATE	NAVIGATION	34-00-10
AVIONICS HAND MICROPHONE	COMMUNICATIONS	23-50-40
AVIONICS INTERFACE RACK	FUSELAGE	53-40-30
AVIONICS JUNCTION BOX, NOSE	COMMUNICATIONS	23-50-30
B		
BAG, FLIGHT	EQUIPMENT/FURNISHINGS	25-10-00
BAG, MOTION SICKNESS	EQUIPMENT/FURNISHINGS	25-10-00
BAGGAGE COMPARTMENT WEB, FWD	EQUIPMENT/FURNISHINGS	25-22-50
BAR, TOW	EQUIPMENT/FURNISHINGS	25-10-00
BARREL ASSEMBLY, SHIMMY DAMPER	LANDING GEAR	32-50-10
BATTERY AND BATTERY VENT	ELECTRICAL POWER	24-30-00
BATTERY SUPPORT BRACKET	NACELLES	54-10-10
BATTERY, 34 AMP	ELECTRICAL POWER	24-30-00
BEECHCRAFT SERVICE CENTER DIRECTORY	EQUIPMENT/FURNISHINGS	25-10-00
BLEED AIR FAIL WARNING	FIRE PROTECTION	26-10-10
BLEED AIR FAIL WARNING CONTROL UNIT	FIRE PROTECTION	26-10-10
BLEED AIR INFLOW BYPASS VALVE	ENVIRONMENTAL SYSTEMS	21-20-00
BLEED AIR PLUMBING	ENVIRONMENTAL SYSTEMS	21-20-20
BLEED AIR PLUMBING COVER, AFT CABIN	EQUIPMENT/FURNISHINGS	25-24-00
BLEED AIR, ENGINE COMPARTMENT	PNEUMATIC	36-10-00
BLOWER ASSEMBLY, AFT VENTILATION	ENVIRONMENTAL SYSTEMS	21-20-35
BLOWER ASSEMBLY, FWD VENTILATION	ENVIRONMENTAL SYSTEMS	21-20-30
BLOWER ASSEMBLY, VANE AXIAL	ENVIRONMENTAL SYSTEMS	21-50-20
BOB WEIGHT, CONTROL COLUMN STABILIZING	FLIGHT CONTROLS	27-30-40
BOOKLET, SAFETY INFORMATION	EQUIPMENT/FURNISHINGS	25-10-00
BOOM MICROPHONE HEADSET	EQUIPMENT/FURNISHINGS	25-10-00
BOOT ASSEMBLY, CONTROL COLUMN TEE	FUSELAGE	53-20-50
BOTTLE, ENGINE FIRE EXTINGUISHER	FIRE PROTECTION	26-20-00
BOX ASSEMBLY, AFT WING	WINGS	57-10-20
BOX, BRAKE ANTI-SKID CONTROL	LANDING GEAR	32-40-30
BRACE ASSEMBLY, MAIN GEAR	LANDING GEAR	32-10-10
BRACE ASSEMBLY, NOSE LANDING GEAR	LANDING GEAR	32-20-10
BRACKET, BATTERY SUPPORT	NACELLES	54-10-10
BRACKET, LANDING GEAR HYDRAULIC PUMP	NACELLES	54-10-10
BRAKE ANTI-SKID CONTROL BOX	LANDING GEAR	32-40-30
BRAKE ASSEMBLY	LANDING GEAR	32-10-10
BRAKE ASSEMBLY, CONTROL FRICTION	ENGINE CONTROLS	76-10-00

Beechcraft
STARSHIP 1
ILLUSTRATED PARTS CATALOG

ALPHABETICAL INDEX

COMPONENT ITEM OR SYSTEM NAME	CHAPTER NAME	CHAP/SUB SECT & UNIT
B		
BRAKE FLUID RESERVOIR	LANDING GEAR	32-40-10
BRAKE PALLET, ANTI-SKID	LANDING GEAR	32-40-20
BRAKE PLUMBING	LANDING GEAR	32-40-00
BRAKE SYSTEM, ANTI-SKID	LANDING GEAR	32-40-20
BRAKE VALVE, POWER	LANDING GEAR	32-40-20
BRUSH, ELECTRICAL CONTACT	ELECTRICAL POWER	24-30-30
BUCKLE ASSEMBLY, LEFT ROTARY	EQUIPMENT/FURNISHINGS	25-10-20
BULB, FUEL TEMPERATURE	FUEL	28-40-00
BULKHEAD ASSEMBLY/STA 46.00/	FUSELAGE	53-20-70
C		
CABIN AFT TOILET LIGHTS	LIGHTS	33-20-07
CABIN AIRSTAIR DOOR	DOORS	52-10-00
CABIN AIRSTAIR DOOR UPHOLSTERY	EQUIPMENT/FURNISHINGS	25-21-30
CABIN AISLE AND AIRSTAIR DOOR LIGHTS	LIGHTS	33-20-10
CABIN CARPET	EQUIPMENT/FURNISHINGS	25-21-70
CABIN DOOR WARNING SWITCH	DOORS	52-70-00
CABIN FLOOR AND AISLE DROP PANELS	FUSELAGE	53-20-60
CABIN FLOOR PANELS	FUSELAGE	53-20-60
CABIN HEADLINER	EQUIPMENT/FURNISHINGS	25-21-50
CABIN LIGHTING POWER SUPPLIES	LIGHTS	33-20-30
CABIN LOWER SIDEWALL UPHOLSTERY	EQUIPMENT/FURNISHINGS	25-21-20
CABIN OUTER WINDOWS	WINDOWS	56-20-10
CABIN OVERHEAD DUCTS	ENVIRONMENTAL SYSTEMS	21-20-25
CABIN OVERHEAD ENTRY	LIGHTS	33-20-00
CABIN OVERHEAD LIGHTS	LIGHTS	33-20-03
CABIN PARTITION, AFT	EQUIPMENT/FURNISHINGS	25-25-00
CABIN POLARIZED WINDOWS	WINDOWS	56-20-00
CABIN PRESSURIZATION MODULE	ENVIRONMENTAL SYSTEMS	21-30-10
CABIN SIDEWALL DUCTS	ENVIRONMENTAL SYSTEMS	21-20-20
CABIN SPEAKER	COMMUNICATIONS	23-30-00
CABIN TABLES	EQUIPMENT/FURNISHINGS	25-22-00
CABIN TEMPERATURE CONTROL	ENVIRONMENTAL SYSTEMS	21-60-00
CABIN TEMPERATURE SENSOR	ENVIRONMENTAL SYSTEMS	21-60-00
CABIN WINDOW UPHOLSTERY PANEL	EQUIPMENT/FURNISHINGS	25-21-00
CABINET, AFT TOILET	EQUIPMENT/FURNISHINGS	25-23-00
CABINET, LH FORWARD REFRESHMENT	EQUIPMENT/FURNISHINGS	25-22-20
CABINET, RH BAGGAGE/IAPS	EQUIPMENT/FURNISHINGS	25-22-40
CABINETS, PYRAMID	EQUIPMENT/FURNISHINGS	25-22-30
CABLE ASSEMBLY, ENGINE CONTROL	ENGINE CONTROLS	76-10-10
CABLE TRAY, FLIGHT CONTROL	FUSELAGE	53-21-10
CABLE, ELEVON CONTROL	FLIGHT CONTROLS	27-31-00
CARD, AEROFICHE SUBSCRIPTION	EQUIPMENT/FURNISHINGS	25-10-00
CARD, OWNERS NOTIFICATION REPLY	EQUIPMENT/FURNISHINGS	25-10-00
CARD, PASSENGER BRIEFING	EQUIPMENT/FURNISHINGS	25-10-00
CARPET, CABIN	EQUIPMENT/FURNISHINGS	25-21-70
CARPET, FLIGHT COMPARTMENT	EQUIPMENT/FURNISHINGS	25-10-90
CENTER SECTION ELECTRICAL EQUIPMENT	ELEC PANELS, PARTS, INST.	39-21-00
CHAIRS, PASSENGER	EQUIPMENT/FURNISHINGS	25-20-00
CHESS PIECES	EQUIPMENT/FURNISHINGS	25-10-00
CHESS SET STORAGE INSTRUCTIONS	EQUIPMENT/FURNISHINGS	25-10-00
CIRCUIT BREAKER PANEL, AFT FUSELAGE	ELEC PANELS, PARTS, INST.	39-10-50
CIRCUIT BREAKER PANEL, LEFT	ELEC PANELS, PARTS, INST.	39-10-20
CIRCUIT BREAKER PANEL, RIGHT	ELEC PANELS, PARTS, INST.	39-10-20
CLOCK	ELEC PANELS, PARTS, INST.	39-10-60
CLOSURE, LANDING GEAR SUPPORT	WINGS	57-11-00
COAT HANGER	EQUIPMENT/FURNISHINGS	25-10-00
COCKPIT DUCTS	ENVIRONMENTAL SYSTEMS	21-20-15
COCKPIT EL PANEL POWER SUPPLY	ELECTRICAL POWER	24-50-20
COCKPIT FLOOR PANELS	FUSELAGE	53-20-50
COCKPIT LIGHTS	LIGHTS	33-10-00
COCKPIT LOWER ELECTRICAL EQUIPMENT	ELEC PANELS, PARTS, INST.	39-20-10
COCKPIT RELIEF TUBE	WATER/WASTE	38-30-10
COCKPIT RIGHT SIDE CONSOLE STRUCTURE	FUSELAGE	53-20-10

Beechcraft
STARSHIP 1
ILLUSTRATED PARTS CATALOG

ALPHABETICAL INDEX

COMPONENT ITEM OR SYSTEM NAME	CHAPTER NAME	CHAP/SUB SECT & UNIT
C		
COCKPIT SIDEWALL ELECTRICAL EQUIPMENT	ELEC PANELS, PARTS, INST.	39-20-00
COCKPIT SPEAKER	COMMUNICATIONS	23-50-00
COIL ASSEMBLY, FWD EVAPORATOR	ENVIRONMENTAL SYSTEMS	21-50-60
COLUMN ASSEMBLY, FLIGHT CONTROL	FLIGHT CONTROLS	27-30-10
COMPARTMENT CLOSURE, AFT BAGGAGE	EQUIPMENT/FURNISHINGS	25-50-35
COMPASS, MAGNETIC	NAVIGATION	34-20-00
COMPRESSOR, AIR CONDITIONING	ENVIRONMENTAL SYSTEMS	21-50-50
COMPUTER, STALL WARNING	FLIGHT CONTROLS	27-30-30
CONDENSER ASSEMBLY, COOLING	ENVIRONMENTAL SYSTEMS	21-50-20
CONDITION CONTROL LEVER ASSEMBLY	ENGINE CONTROLS	76-10-00
CONDITION CONTROL LEVER KNOB	ENGINE CONTROLS	76-10-00
CONDITION LEVER FUEL CUTOFF SWITCH	ENGINE FUEL & CONTROL	73-20-00
CONNECTOR ASSEMBLY, BATTERY	ELECTRICAL POWER	24-30-00
CONSOLE STRUCTURE, COCKPIT LEFT	FUSELAGE	53-20-00
CONSOLE STRUCTURE, COCKPIT RIGHT	FUSELAGE	53-20-00
CONTAINER ASSEMBLY, OXYGEN MASK	OXYGEN	35-00-01
CONTAINER, AISLE	EQUIPMENT/FURNISHINGS	25-21-90
CONTAINER, OXYGEN MASK	EQUIPMENT/FURNISHINGS	25-21-50
CONTAINER, SPARE FUSE AND LIMITER	EQUIPMENT/FURNISHINGS	25-60-20
CONTROL ASSEMBLY, DEFROST	ENVIRONMENTAL SYSTEMS	21-20-15
CONTROL BOX, ELECTRIC TRIM	FLIGHT CONTROLS	27-00-30
CONTROL COLUMN STABILIZING BOB WEIGHT	FLIGHT CONTROLS	27-30-40
CONTROL COLUMN TEE BOOT	FUSELAGE	53-20-50
CONTROL FRICTION BRAKE ASSEMBLY	ENGINE CONTROLS	76-10-00
CONTROL PEDESTAL	ELEC PANELS, PARTS, INST.	39-10-10
CONTROL PEDESTAL STRUCTURE	FUSELAGE	53-20-20
CONTROL WHEEL	FLIGHT CONTROLS	27-31-10
CONTROL WHEEL ASSEMBLY, COPILOT'S	FLIGHT CONTROLS	27-31-10
CONTROL WHEEL ASSEMBLY, PILOT'S	FLIGHT CONTROLS	27-31-10
CONTROLLER, FLAP	FLIGHT CONTROLS	27-50-00
COOLER ASSEMBLY, OIL	OIL	79-20-00
COOLING SYSTEM COMPRESSOR	ENVIRONMENTAL SYSTEMS	21-50-50
COPILOT'S CONTROL WHEEL ASSEMBLY	FLIGHT CONTROLS	27-31-10
COPILOT'S SEAT	EQUIPMENT/FURNISHINGS	25-10-20
COUCH, AFT TWO PLACE	EQUIPMENT/FURNISHINGS	25-20-10
COUPLER/GLS/	NAVIGATION	34-30-00
COUPLER/MKR BCN/	NAVIGATION	34-30-00
COUPLER, NAV ANTENNA	NAVIGATION	34-50-00
COVER ASSEMBLY, AISLE DROP	FUSELAGE	53-20-60
COVER ASSEMBLY, RUDDER PEDAL ADJUSTMENT	FUSELAGE	53-20-50
COVER, AFT CABIN BLEED AIR PLUMBING	EQUIPMENT/FURNISHINGS	25-24-00
COVER, ENGINE INLET DUST	EQUIPMENT/FURNISHINGS	25-10-00
COVER, PITOT TUBE	EQUIPMENT/FURNISHINGS	25-10-00
COWLING INSTALLATION	NACELLES	54-30-00
COWLING, LOWER AFT	NACELLES	54-30-20
COWLING, LOWER FWD	NACELLES	54-30-40
COWLING, UPPER AFT	NACELLES	54-30-10
COWLING, UPPER FWD	NACELLES	54-30-30
CUPHOLDER, CREW	EQUIPMENT/FURNISHINGS	25-10-40
CYLINDER, OXYGEN	OXYGEN	35-00-01
D		
DATA CONCENTRATOR, ENGINE	IND/RECORDING SYSTEMS	31-40-00
DEFROST CONTROL ASSEMBLY	ENVIRONMENTAL SYSTEMS	21-20-15
DETECTOR, FLUX	NAVIGATION	34-20-10
DETECTOR, ICE	ICE & RAIN PROTECTION	30-70-00
DIRECTORY, BEECHCRAFT SERVICE CENTER	EQUIPMENT/FURNISHINGS	25-10-00
DISPLAY UNIT, ENGINE	ELEC PANELS, PARTS, INST.	39-10-60
DISPLAY UNIT, MULTIFUNCTION	ELEC PANELS, PARTS, INST.	39-10-60
DISPLAY UNIT, NAVIGATION	ELEC PANELS, PARTS, INST.	39-10-60
DISPLAY UNIT, PRIMARY FLIGHT	ELEC PANELS, PARTS, INST.	39-10-60
DISPLAY UNIT, SENSOR	ELEC PANELS, PARTS, INST.	39-10-60
DISPLAYS SUPPORT, ELECTRONIC FLIGHT	FUSELAGE	53-40-10
DME ANTENNA	NAVIGATION	34-50-30

Beechcraft
STARSHIP 1
ILLUSTRATED PARTS CATALOG

ALPHABETICAL INDEX

COMPONENT ITEM OR SYSTEM NAME	CHAPTER NAME	CHAP/SUB SECT & UNIT
D		
DME SYSTEM	NAVIGATION	34-50-30
DOOR ACTUATOR ASSEMBLY, NOSE GEAR	LANDING GEAR	32-20-00
DOOR ASSEMBLY, MAIN LANDING GEAR	DOORS	52-80-10
DOOR ASSEMBLY, NOSE LANDING GEAR	DOORS	52-80-30
DOOR ASSY, EXTERNAL POWER RECEPTACLE	WINGS	57-10-00
DOOR HANDLE, EMERGENCY EXIT	DOORS	52-20-00
DOOR HANDLE, INSIDE	DOORS	52-10-10
DOOR HANDLE, OUTSIDE FLUSH	DOORS	52-10-10
DOOR LATCHING MECHANISM, EMERGENCY EXIT	DOORS	52-20-00
DOOR PLACARD, CABIN AIRSTAIR	EQUIPMENT/FURNISHINGS	25-21-30
DOOR PUSHROD ASSEMBLY, NOSE GEAR	LANDING GEAR	32-20-00
DOOR UPHOLSTERY, CABIN AIRSTAIR	EQUIPMENT/FURNISHINGS	25-21-30
DOOR WARNING STREAMER PIN	EQUIPMENT/FURNISHINGS	25-10-00
DOOR, AFT WING ACCESS	WINGS	57-20-40
DOOR, CABIN AIRSTAIR	DOORS	52-10-00
DOOR, EMERGENCY EXIT	DOORS	52-20-00
DOORS, AFT FUSELAGE ACCESS	FUSELAGE	53-30-10
DOORS, NOSE AVIONICS ACCESS	DOORS	52-40-00
DOWNLOCK SENSOR SWITCH, MAIN GEAR	LANDING GEAR	32-10-00
DRAG BRACE, NOSE GEAR	LANDING GEAR	32-20-00
DRAIN VALVE, ENGINE OIL	OIL	79-20-00
DRAIN VALVE, FUEL	FUEL	28-10-00
DRAINS, ENGINE	POWER PLANT	71-70-00
DRIVER, SENSOR DISPLAY	NAVIGATION	34-20-20
DUCT, OIL COOLER OUTLET	OIL	79-20-00
DUCTS, CABIN OVERHEAD	ENVIRONMENTAL SYSTEMS	21-20-25
DUCTS, CABIN SIDEWALL	ENVIRONMENTAL SYSTEMS	21-20-20
DUCTS, COCKPIT	ENVIRONMENTAL SYSTEMS	21-20-15
DYNAMIC ABSORBER	FUSELAGE	53-25-00
E		
ELECTRIC TRIM CONTROL	FLIGHT CONTROLS	27-00-30
ELECTRICAL EQUIPMENT, AFT FUSELAGE	ELEC PANELS, PARTS, INST.	39-20-30
ELECTRICAL EQUIPMENT, CENTER SECTION	ELEC PANELS, PARTS, INST.	39-21-00
ELECTRICAL EQUIPMENT, COCKPIT LOWER	ELEC PANELS, PARTS, INST.	39-20-10
ELECTRICAL EQUIPMENT, LEFT NACELLE	ELECTRICAL POWER	24-50-00
ELECTRICAL EQUIPMENT, RIGHT NACELLE	ELECTRICAL POWER	24-50-10
ELECTRICAL WIRE CONDUIT, FUSELAGE	FUSELAGE	53-21-00
ELECTROLUMINESCENT PANELS INVERTER	ELEC PANELS, PARTS, INST.	39-20-20
ELECTRONIC FLIGHT DISPLAYS SUPPORT	FUSELAGE	53-40-10
ELEVATOR	STABILIZERS	55-20-00
ELEVATOR CONTROLS	FLIGHT CONTROLS	27-30-00
ELEVATOR TAB ASSEMBLY	STABILIZERS	55-20-00
ELEVATOR TRIM TAB CONTROL ACTUATOR	FLIGHT CONTROLS	27-30-20
ELEVON ASSEMBLY	WINGS	57-60-00
ELEVON CONTROL CABLE	FLIGHT CONTROLS	27-31-00
ELEVON CONTROL MIXER ASSEMBLY	FLIGHT CONTROLS	27-31-20
ELEVON CONTROLS	FLIGHT CONTROLS	27-31-00
ELEVON FENCE	WINGS	57-20-20
ELEVON TRIM TAB CONTROL ACTUATOR	FLIGHT CONTROLS	27-31-30
EMERGENCY EXIT DOOR	DOORS	52-20-00
EMERGENCY EXIT DOOR LATCHING MECHANISM	DOORS	52-20-00
EMERGENCY EXIT DOOR UPHOLSTERY	EQUIPMENT/FURNISHINGS	25-21-40
EMERGENCY LOCATOR TRANSMITTER	EQUIPMENT/FURNISHINGS	25-60-00
ENG FIRE EXT SWITCH LIGHT ASSY	FIRE PROTECTION	26-10-20
ENGINE AIR PLENUM AND INLET DUCT	POWER PLANT	71-60-00
ENGINE COMPARTMENT BLEED AIR	PNEUMATIC	36-10-00
ENGINE CONTROL CABLE ASSEMBLY	ENGINE CONTROLS	76-10-10
ENGINE CONTROL MECHANISM, PEDESTAL	ENGINE CONTROLS	76-10-00
ENGINE CONTROLS	ENGINE CONTROLS	76-10-10
ENGINE DATA CONCENTRATOR	IND/RECORDING SYSTEMS	31-40-00
ENGINE DISPLAY UNIT	ELEC PANELS, PARTS, INST.	39-10-60
ENGINE DRAINS	POWER PLANT	71-70-00
ENGINE EXHAUST COVER	EQUIPMENT/FURNISHINGS	25-10-00

Beechcraft
STARSHIP 1
ILLUSTRATED PARTS CATALOG

ALPHABETICAL INDEX

COMPONENT ITEM OR SYSTEM NAME	CHAPTER NAME	CHAP/SUB SECT & UNIT
E		
ENGINE EXHAUST STACKS	EXHAUST	78-10-00
ENGINE FIRE DETECTION	FIRE PROTECTION	26-10-00
ENGINE FUEL FILTER	ENGINE FUEL & CONTROL	73-10-05
ENGINE INLET DUST COVER	EQUIPMENT/FURNISHINGS	25-10-00
ENGINE MOUNT	POWER PLANT	71-20-00
ENGINE OIL SYSTEM	OIL	79-20-00
ENGINE SECTION FUEL	ENGINE FUEL & CONTROL	73-10-00
ENGINE TORQUEMETER TRANSDUCER	ENGINE INDICATING	77-40-00
ENGINE/REFERENCE/	ENGINE	72-00-01
ENTRY HEADLINER	EQUIPMENT/FURNISHINGS	25-21-60
EQUIPMENT, COCKPIT LOWER ELECTRICAL	ELEC PANELS, PARTS, INST.	39-20-10
EQUIPMENT, COCKPIT SIDEWALL ELECTRICAL	ELEC PANELS, PARTS, INST.	39-20-00
EVAPORATOR COIL ASSEMBLY, AFT	ENVIRONMENTAL SYSTEMS	21-50-30
EVAPORATOR COIL ASSEMBLY, FWD	ENVIRONMENTAL SYSTEMS	21-50-60
EXCHANGER, HEAT	ENVIRONMENTAL SYSTEMS	21-20-60
EXHAUST STACKS, ENGINE	EXHAUST	78-10-00
EXIT LIGHT, SELF ILLUMINATING	EQUIPMENT/FURNISHINGS	25-21-50
EXIT RAMP	ENVIRONMENTAL SYSTEMS	21-30-00
EXTENSION, GLARESHIELD DECK	EQUIPMENT/FURNISHINGS	25-10-70
EXTENSION, PEDESTAL	FUSELAGE	53-20-30
EXTERIOR PLACARDS	PLACARDS & MARKINGS	11-20-00
EXTERNAL POWER RECEPTACLE	ELECTRICAL POWER	24-40-00
EXTERNAL POWER RECEPTACLE DOOR	WINGS	57-10-00
EXTINGUISHER, CABIN FIRE	FIRE PROTECTION	26-20-20
EXTINGUISHER, COCKPIT FIRE	FIRE PROTECTION	26-20-10
F		
FAIRING, AFT WING/FUSELAGE	FUSELAGE	53-50-40
FAIRINGS, FLAP	WINGS	57-20-00
FAIRINGS, FORWARD WING	FUSELAGE	53-50-20
FENCE, ELEVON	WINGS	57-20-20
FILTER ASSEMBLY, FUEL	ENGINE FUEL & CONTROL	73-10-00
FILTER, ENGINE FUEL	ENGINE FUEL & CONTROL	73-10-05
FIRE DETECTION, ENGINE	FIRE PROTECTION	26-10-00
FIRE EXTINGUISHER, CABIN	FIRE PROTECTION	26-20-20
FIRE EXTINGUISHER, COCKPIT	FIRE PROTECTION	26-20-10
FIRE EXTINGUISHER, ENGINE	FIRE PROTECTION	26-20-00
FIREWALL ASSEMBLY, NACELLE	NACELLES	54-10-30
FIREWALL SHUTOFF VALVE	ENVIRONMENTAL SYSTEMS	21-20-20
FIREWALL VALVE SWITCH LIGHT ASSY	FIRE PROTECTION	26-10-20
FIREWALL, NACELLE	NACELLES	54-30-30
FLAP ACTUATING MECHANISM	FLIGHT CONTROLS	27-50-00
FLAP ACTUATING MOTOR	FLIGHT CONTROLS	27-50-00
FLAP ACTUATOR	FLIGHT CONTROLS	27-50-00
FLAP ACTUATOR INTERCONNECT	FLIGHT CONTROLS	27-50-00
FLAP ASSEMBLY	WINGS	57-50-00
FLAP CONTROLLER	FLIGHT CONTROLS	27-50-00
FLAP COVE, AFT WING	WINGS	57-20-30
FLAP FAIRINGS	WINGS	57-20-00
FLAP MONITOR RELAY	ELEC PANELS, PARTS, INST.	39-21-00
FLAP MONITOR SYSTEM	FLIGHT CONTROLS	27-50-10
FLAP TRACK	FLIGHT CONTROLS	27-50-00
FLIGHT BAG	EQUIPMENT/FURNISHINGS	25-10-00
FLIGHT COMPARTMENT CARPET	EQUIPMENT/FURNISHINGS	25-10-90
FLIGHT COMPARTMENT MISC FURNISHINGS	EQUIPMENT/FURNISHINGS	25-10-10
FLIGHT COMPARTMENT OVERHEAD UPHOLSTERY	EQUIPMENT/FURNISHINGS	25-10-50
FLIGHT COMPARTMENT SEATS	EQUIPMENT/FURNISHINGS	25-10-20
FLIGHT COMPARTMENT WINDOWS	WINDOWS	56-10-00
FLIGHT COMPT LWR SIDEWALL UPHOLSTERY	EQUIPMENT/FURNISHINGS	25-10-40
FLIGHT COMPT UPR SIDEWALL UPHOLSTERY	EQUIPMENT/FURNISHINGS	25-10-30
FLIGHT CONTROL CABLE TRAY	FUSELAGE	53-21-10
FLIGHT CONTROL COLUMN	FLIGHT CONTROLS	27-30-10
FLIGHT PHONE, CABIN	COMMUNICATIONS	23-10-15
FLIGHT PHONE, COCKPIT	COMMUNICATIONS	23-10-30

Beechcraft
STARSHIP 1
ILLUSTRATED PARTS CATALOG

ALPHABETICAL INDEX

COMPONENT ITEM OR SYSTEM NAME	CHAPTER NAME	CHAP/SUB SECT & UNIT
F		
FLIGHT PHONE, PEDESTAL	COMMUNICATIONS	23-10-20
FLOOR PANELS, CABIN	FUSELAGE	53-20-60
FLOOR PANELS, COCKPIT	FUSELAGE	53-20-50
FLUX DETECTOR	NAVIGATION	34-20-10
FM ANTENNA	COMMUNICATIONS	23-30-10
FORWARD PARTITION, LH	EQUIPMENT/FURNISHINGS	25-22-10
FORWARD WING	STABILIZERS	55-10-00
FORWARD WING AND FLAP MONITOR BOX	FLIGHT CONTROLS	27-00-20
FORWARD WING CONTROL MECHANISM	FLIGHT CONTROLS	27-40-00
FORWARD WING FAIRINGS	FUSELAGE	53-50-20
FORWARD WING MONITOR SENSOR	FLIGHT CONTROLS	27-40-10
FRICTION BRAKE KNOB	ENGINE CONTROLS	76-10-00
FUEL BOOST PUMP/ENGINE DRIVEN/	ENGINE FUEL & CONTROL	73-10-00
FUEL CAP AND ADAPTER	FUEL	28-10-01
FUEL CELL ASSEMBLY	FUEL	28-10-00
FUEL DISTRIBUTION SYSTEM	FUEL	28-20-00
FUEL DRAIN VALVE	FUEL	28-10-00
FUEL FLOWMETER TRANSMITTER	ENGINE FUEL & CONTROL	73-30-00
FUEL JET PUMP, PRIMARY	FUEL	28-20-00
FUEL PLUMBING, ENGINE SECTION	ENGINE FUEL & CONTROL	73-10-00
FUEL PUMP ASSEMBLY/ELECTRIC SUBMERSIBLE	FUEL	28-20-00
FUEL PUMP, TRANSFER JET/AFT TANK/	FUEL	28-20-00
FUEL PURGE TANK	ENGINE FUEL & CONTROL	73-10-10
FUEL PURGE VALVE	FUEL	28-20-00
FUEL QUANTITY PROBE	FUEL	28-40-00
FUEL QUANTITY PROCESSING UNIT	FUEL	28-40-00
FUEL SENSOR, HOPPER TANK LOW	FUEL	28-40-00
FUEL STORAGE AND INTERCONNECT	FUEL	28-10-00
FUEL SUMP DRAIN WRENCH	EQUIPMENT/FURNISHINGS	25-10-00
FUEL TANK, AFT WING	FUEL	28-10-00
FUEL TEMPERATURE BULB	FUEL	28-40-00
FUEL VALVE, CROSS TRANSFER	FUEL	28-20-00
FUEL VENT CHECK VALVE	FUEL	28-10-10
FUEL VENT FLOAT VALVE	FUEL	28-10-10
FUEL VENT MANIFOLD ASSEMBLY	FUEL	28-10-10
FUEL VENT PRESSURE RELIEF VALVE	FUEL	28-10-10
FUEL VENT SCOOP	WINGS	57-20-40
FUEL VENT SYSTEM	FUEL	28-10-10
FUEL VENT, HEATED	FUEL	28-10-10
FURNISHINGS, FLIGHT COMPARTMENT MISC	EQUIPMENT/FURNISHINGS	25-10-10
FUSE, TOW TURN BREAK-AWAY	LANDING GEAR	32-20-10
FUSELAGE ELECTRICAL WIRE CONDUIT	FUSELAGE	53-21-00
FUSELAGE REFRIGERATION PLUMBING	ENVIRONMENTAL SYSTEMS	21-50-40
FWD BAGGAGE COMPARTMENT WEB	EQUIPMENT/FURNISHINGS	25-22-50
FWD VENTILATION BLOWER	ENVIRONMENTAL SYSTEMS	21-20-30
G		
GAGE, HYDRAULIC ACCUMULATOR PRESSURE	LANDING GEAR	32-40-20
GAGE, OXYGEN PRESSURE	OXYGEN	35-00-01
GEAR ASSEMBLY, NOSE LANDING	LANDING GEAR	32-20-10
GEAR WARNING STREAMER PIN	EQUIPMENT/FURNISHINGS	25-10-00
GENERATOR	ELECTRICAL POWER	24-30-30
GENERATOR COOLING	AIR	75-20-00
GENERATOR, AURAL WARNING TONE	INSTRUMENTS	31-50-10
GENERATOR, GAS GENERATOR TACHOMETER	ENGINE INDICATING	77-10-10
GENERATOR, PROPELLER SHAFT TACHOMETER	ENGINE INDICATING	77-10-10
GENERATOR, VORTEX	STABILIZERS	55-30-00
GLARESHIELD ASSEMBLY	EQUIPMENT/FURNISHINGS	25-10-70
GLARESHIELD DECK EXTENSION	EQUIPMENT/FURNISHINGS	25-10-70
GLIDESLOPE ANTENNA	NAVIGATION	34-30-00
GO AROUND SWITCH, THROTTLE	ENGINE CONTROLS	76-10-20
GREASE NOZZLE	EQUIPMENT/FURNISHINGS	25-10-00
GROSS WEIGHT INCREASE KIT	EQUIPMENT/FURNISHINGS	25-10-00
GROUND IDLE STOP	PROPELLERS	61-20-20

Beechcraft
STARSHIP 1
ILLUSTRATED PARTS CATALOG

ALPHABETICAL INDEX

COMPONENT ITEM OR SYSTEM NAME	CHAPTER NAME	CHAP/SUB SECT & UNIT
-------------------------------	--------------	----------------------

G

GROUND WIRE TERMINATION	COMMUNICATIONS	23-00-01
GUIDE ASSEMBLY, WIRE HARNESS/STA 46.00/	FUSELAGE	53-20-70
GUST LOCK, SURFACE CONTROL	FLIGHT CONTROLS	27-70-00
GYRO HORIZON INDICATOR/STBY/ELECTRIC/	ELEC PANELS, PARTS, INST.	39-10-60

H

HANDLE ASSEMBLY, DOOR OUTSIDE FLUSH	DOORS	52-10-10
HANDLE ASSEMBLY, EMERGENCY EXIT DOOR	DOORS	52-20-00
HANDLE, AIRSTAIR DOOR INSIDE	DOORS	52-10-10
HANGER, COAT	EQUIPMENT/FURNISHINGS	25-10-00
HEADLINER, AFT COMPARTMENT	EQUIPMENT/FURNISHINGS	25-50-00
HEADLINER, AFT TOILET	EQUIPMENT/FURNISHINGS	25-23-10
HEADLINER, CABIN	EQUIPMENT/FURNISHINGS	25-21-50
HEADLINER, ENTRY	EQUIPMENT/FURNISHINGS	25-21-60
HEADSET, BOOM MICROPHONE	EQUIPMENT/FURNISHINGS	25-10-00
HEADSET, PILOT'S AND COPILOT'S	COMMUNICATIONS	23-50-40
HEAT EXCHANGER	ENVIRONMENTAL SYSTEMS	21-20-60
HOPPER TANK MANIFOLD ASSEMBLY	FUEL	28-10-10
HOSE, AIR CONDITIONER COMPRESSOR DRAIN	POWER PLANT	71-70-00
HYDRAULIC ACCUMULATOR	LANDING GEAR	32-40-20
HYDRAULIC ACCUMULATOR PRESSURE GAGE	LANDING GEAR	32-40-20
HYDRAULIC FLUID LOW LEVEL SENSOR	LANDING GEAR	32-30-00
HYDRAULIC LOCK ASSEMBLY, FWD WING	FLIGHT CONTROLS	27-40-00
HYDRAULIC PLUMBING, AFT FUSELAGE	LANDING GEAR	32-30-05
HYDRAULIC POWER PACK	LANDING GEAR	32-30-00
HYDRAULIC PRESSURE RELIEF VALVE	LANDING GEAR	32-40-20
HYDRAULIC SYSTEM, NACELLE	LANDING GEAR	32-30-00
HYDRAULIC SYSTEMS/REFERENCE/	HYDRAULIC POWER	29-00-01
HYDRAULIC VALVE ASSEMBLY	LANDING GEAR	32-30-00

I

IAPS CARD CAGE	INSTRUMENTS	31-40-00
ICE DETECTOR	ICE & RAIN PROTECTION	30-70-00
ICE VANE ACTUATOR ASSEMBLY	ICE & RAIN PROTECTION	30-20-00
IDLE STOP, GROUND	PROPELLERS	61-20-20
IGNITION EXCITER	IGNITION	74-10-00
INDICATOR, AIRSPEED	ELEC PANELS, PARTS, INST.	39-10-60
INDICATOR, ALTITUDE	ELEC PANELS, PARTS, INST.	39-10-60
INDICATOR, GYRO HORIZON/STBY/ELECTRIC/	ELEC PANELS, PARTS, INST.	39-10-60
INDICATOR, OIL LEVEL	OIL	79-30-00
INSTRUCTIONS, CHESS SET STORAGE	EQUIPMENT/FURNISHINGS	25-10-00
INSTRUMENT AIR PLUMBING	NAVIGATION	34-10-20
INSTRUMENT PANEL STRUCTURE, MAIN	FUSELAGE	53-20-80
INSTRUMENT PANEL, MAIN	ELEC PANELS, PARTS, INST.	39-10-60
INSTRUMENT SUBPANEL	ELEC PANELS, PARTS, INST.	39-10-70
INSULATION, NACELLE FIREWALL	NACELLES	54-11-00
INTERCONNECT ASSEMBLY, FLAP ACTUATOR	FLIGHT CONTROLS	27-50-00
INTERIOR PLACARDS	PLACARDS & MARKINGS	11-30-00
INTERPHONE AMPLIFIER	COMMUNICATIONS	23-40-00
INTERPHONE EQUIPMENT, NOSE WHEEL WELL	COMMUNICATIONS	23-40-10
INVERTER, ELECTROLUMINESCENT PANELS	ELEC PANELS, PARTS, INST.	39-20-20
ISOLATOR ASSEMBLY, ENGINE MOUNT	POWER PLANT	71-20-00

J

JACK POINT FITTING	EQUIPMENT/FURNISHINGS	25-10-00
JET PUMP, FUEL TRANSFER/FWD/	FUEL	28-20-00
JUNCTION BOX, NOSE AVIONICS	COMMUNICATIONS	23-50-30

K

KIT LIST, SERVICE PUBLICATIONS	EQUIPMENT/FURNISHINGS	25-10-00
KIT, GROSS WEIGHT INCREASE	EQUIPMENT/FURNISHINGS	25-10-00

Beechcraft
STARSHIP 1
ILLUSTRATED PARTS CATALOG

ALPHABETICAL INDEX

COMPONENT ITEM OR SYSTEM NAME	CHAPTER NAME	CHAP/SUB SECT & UNIT
K		
KIT, STARTER-GENERATOR MOUNTING	ELECTRICAL POWER	24-30-30
KNEE ASSEMBLY, MAIN GEAR	LANDING GEAR	32-10-10
KNOB, CONDITION CONTROL LEVER	ENGINE CONTROLS	76-10-00
KNOB, FRICTION BRAKE	ENGINE CONTROLS	76-10-00
KNOB, POWER CONTROL LEVER	ENGINE CONTROLS	76-10-00
KNOB, PROPELLER CONTROL LEVER	ENGINE CONTROLS	76-10-00
L		
LANDING GEAR HYDRAULIC PLUMBING	LANDING GEAR	32-30-15
LANDING GEAR HYDRAULIC SYSTEM/NACELLE/	LANDING GEAR	32-30-00
LANDING GEAR INSTALLATION, MAIN	LANDING GEAR	32-10-00
LANDING GEAR INSTALLATION, NOSE	LANDING GEAR	32-20-00
LANDING LIGHT, WING	LIGHTS	33-40-10
LEADING EDGE,AFT WING	WINGS	57-40-00
LEFT NACELLE ELECTRICAL EQUIPMENT	ELECTRICAL POWER	24-50-00
LENS, WING LANDING LIGHT	LIGHTS	33-40-10
LEVER ASSEMBLY, CONDITION CONTROL	ENGINE CONTROLS	76-10-00
LEVER ASSEMBLY, POWER CONTROL	ENGINE CONTROLS	76-10-00
LEVER ASSEMBLY, PROPELLER CONTROL	ENGINE CONTROLS	76-10-00
LID, OXYGEN BOX	EQUIPMENT/FURNISHINGS	25-21-50
LID, OXYGEN CONTAINER	OXYGEN	35-00-01
LIGHT ASSEMBLY, WING LANDING	LIGHTS	33-40-10
LIGHT CONTROL PANEL, OVERHEAD	ELEC PANELS, PARTS, INST.	39-10-00
LIGHT LENS, WING LANDING	LIGHTS	33-40-10
LIGHT SWITCH, PASSENGER READING	EQUIPMENT/FURNISHINGS	25-21-20
LIGHT, ANNUNCIATOR WARNING	INSTRUMENTS	31-50-00
LIGHT, SELF ILLUMINATING EXIT	EQUIPMENT/FURNISHINGS	25-21-50
LIGHTS, AFT BAGGAGE COMPARTMENT	LIGHTS	33-30-00
LIGHTS, ANTI-COLLISION	LIGHTS	33-40-50
LIGHTS, CABIN AFT TOILET	LIGHTS	33-20-07
LIGHTS, CABIN AISLE AND AIRSTAIR DOOR	LIGHTS	33-20-10
LIGHTS, COCKPIT	LIGHTS	33-10-00
LIGHTS, OVERHEAD ENTRY	LIGHTS	33-20-00
LIGHTS, TAXI AND NOSE LANDING	LIGHTS	33-40-00
LIGHTS, WING INSPECTION	LIGHTS	33-40-20
LIP ASSEMBLY, AIR INTAKE	ICE & RAIN PROTECTION	30-20-00
LOCK ASSEMBLY, AIR PRESSURE ACTUATED	DOORS	52-10-10
LOCK ASSEMBLY, FWD WING HYDRAULIC	FLIGHT CONTROLS	27-40-00
LOCK, SURFACE CONTROL GUST	EQUIPMENT/FURNISHINGS	25-10-00
LOGIC RELAY PANEL	ELEC PANELS, PARTS, INST.	39-20-30
LOOSE TOOLS AND ACCESSORIES	EQUIPMENT/FURNISHINGS	25-10-00
LOW LEVEL SENSOR, HYDRAULIC FLUID	LANDING GEAR	32-30-00
LOWER AFT COWLING	NACELLES	54-30-20
LOWER FWD COWLING	NACELLES	54-30-40
M		
MAGNETIC COMPASS	NAVIGATION	34-20-00
MAIN GEAR BRACE ASSEMBLY	LANDING GEAR	32-10-10
MAIN GEAR KNEE ASSEMBLY	LANDING GEAR	32-10-10
MAIN GEAR TIRE	LANDING GEAR	32-10-10
MAIN GEAR UPLOCK ASSEMBLY	LANDING GEAR	32-10-00
MAIN LANDING GEAR DOORS	DOORS	52-80-10
MAIN LANDING GEAR INSTALLATION	LANDING GEAR	32-10-00
MAIN LANDING GEAR SUPPORT CLOSURE	WINGS	57-11-00
MAIN PANEL AND SUBPANEL SUPPORT	FUSELAGE	53-40-00
MANIFOLD ASSEMBLY, FUEL VENT	FUEL	28-10-10
MANIFOLD ASSEMBLY, HOPPER TANK	FUEL	28-10-10
MANIFOLD, VACUUM REGULATED	ENVIRONMENTAL SYSTEMS	21-30-10
MARKER BEACON ANTENNA	NAVIGATION	34-30-00
MASK CONTAINER ASSEMBLY, OXYGEN	OXYGEN	35-00-01
MASK, CREW OXYGEN	OXYGEN	35-00-01
MECHANISM, EMERGENCY DOOR LATCHING	DOORS	52-20-00
MECHANISM, FLAP ACTUATING	FLIGHT CONTROLS	27-50-00

Beechcraft
STARSHIP 1
ILLUSTRATED PARTS CATALOG

ALPHABETICAL INDEX

COMPONENT ITEM OR SYSTEM NAME	CHAPTER NAME	CHAP/SUB SECT & UNIT
M		
MECHANISM, FWD WING CONTROL	FLIGHT CONTROLS	27-40-00
MICROPHONE AND REEL, AVIONICS HAND	COMMUNICATIONS	23-50-40
MIXER ASSEMBLY, ELEVON CONTROL	FLIGHT CONTROLS	27-31-20
MODEL, STARSHIP AIRPLANE	EQUIPMENT/FURNISHINGS	25-10-00
MODULE ASSEMBLY, CABIN PRESSURIZATION	ENVIRONMENTAL SYSTEMS	21-30-10
MONITOR BOX, FWD WING AND FLAP	FLIGHT CONTROLS	27-00-20
MOTION SICKNESS BAG	EQUIPMENT/FURNISHINGS	25-10-00
MOTOR AND PUMP ASSEMBLY, ANTI-SKID	LANDING GEAR	32-40-20
MOTOR, FLAP ACTUATING	FLIGHT CONTROLS	27-50-00
MOTOR, WINDSHIELD WIPER	ICE & RAIN PROTECTION	30-40-10
MOUNT ASSEMBLY, ENGINE	POWER PLANT	71-20-00
MULTIFUNCTION DISPLAY UNIT	ELEC PANELS, PARTS, INST.	39-10-60
N		
NACELLE ASSEMBLY	NACELLES	54-10-10
NACELLE ELECTRICAL EQUIPMENT, LEFT	ELECTRICAL POWER	24-50-00
NACELLE ELECTRICAL EQUIPMENT, RIGHT	ELECTRICAL POWER	24-50-10
NACELLE FIREWALL	NACELLES	54-10-30
NACELLE FIREWALL INSULATION	NACELLES	54-11-00
NACELLE FIREWALL LOWER STRUCTURE	NACELLES	54-10-20
NACELLE INSTALLATION	NACELLES	54-10-00
NAV ANTENNA	NAVIGATION	34-50-00
NAVIGATION DISPLAY UNIT	ELEC PANELS, PARTS, INST.	39-10-60
NOSE ATTACH FITTINGS	FUSELAGE	53-40-20
NOSE AVIONICS ACCESS DOORS	DOORS	52-40-00
NOSE AVIONICS COOLING	ENVIRONMENTAL SYSTEMS	21-55-10
NOSE AVIONICS JUNCTION BOX	COMMUNICATIONS	23-50-30
NOSE AVIONICS SHELF	FUSELAGE	53-20-70
NOSE COMPARTMENT AVIONICS TRANSZORBES	COMMUNICATIONS	23-60-10
NOSE GEAR DRAG BRACE	LANDING GEAR	32-20-00
NOSE GEAR SHOCK ABSORBER ASSEMBLY	LANDING GEAR	32-20-10
NOSE GEAR STEERING	LANDING GEAR	32-50-00
NOSE GEAR STEERING DISCONNECT CRANK	FLIGHT CONTROLS	27-20-20
NOSE GEAR UNLOCK HOOK	LANDING GEAR	32-20-00
NOSE LANDING AND TAXI LIGHTS	LIGHTS	39-40-00
NOSE LANDING GEAR ASSEMBLY	LANDING GEAR	32-20-10
NOSE LANDING GEAR BRACE ASSEMBLY	LANDING GEAR	32-20-10
NOSE LANDING GEAR DOORS	DOORS	52-80-20
NOSE LANDING GEAR INSTALLATION	LANDING GEAR	32-20-00
NOSE LANDING GEAR WHEEL	LANDING GEAR	32-20-10
NOSE SKINS AND PLATES	FUSELAGE	53-30-00
NOSE WHEEL WELL INTERPHONE EQUIPMENT	COMMUNICATIONS	23-40-10
NOSE WHEEL WELL SPEAKER	COMMUNICATIONS	23-40-10
NOZZLE, GREASE	EQUIPMENT/FURNISHINGS	25-10-00
O		
OIL BREATHER LINE	OIL	79-20-10
OIL COOLER	OIL	79-20-00
OIL COOLER DRAIN PLUG	OIL	79-20-00
OIL COOLER OUTLET DUCT	OIL	79-20-00
OIL DRAIN VALVE, ENGINE	OIL	79-20-00
OIL LEVEL INDICATOR	OIL	79-30-00
OIL PRESSURE TRANSMITTER	OIL	79-20-00
OIL SYSTEM, ENGINE	OIL	79-20-00
OIL THERMOSTATIC CONTROL VALVE	OIL	79-20-00
ORIFICE ASSEMBLY, MAIN GEAR	LANDING GEAR	32-10-10
OVERBOARD DRAIN PLUMBING	WATER/WASTE	38-30-30
OVERHEAD LIGHT CONTROL PANEL	ELEC PANELS, PARTS, INST.	39-10-00
OVERHEAD LIGHTS, CABIN	LIGHTS	33-20-03
OWNERS NOTIFICATION REPLY CARD	EQUIPMENT/FURNISHINGS	25-10-00
OXYGEN ARM PRESSURE SWITCH	OXYGEN	35-00-01
OXYGEN CYLINDER	OXYGEN	35-00-01
OXYGEN FILL VALVE	OXYGEN	35-00-01

Beechcraft
STARSHIP 1
ILLUSTRATED PARTS CATALOG

ALPHABETICAL INDEX

COMPONENT ITEM OR SYSTEM NAME	CHAPTER NAME	CHAP/SUB SECT & UNIT
O		
OXYGEN LOW PRESSURE SWITCH	OXYGEN	35-00-01
OXYGEN MASK CONTAINER	EQUIPMENT/FURNISHINGS	25-21-50
OXYGEN MASK CONTAINER ASSEMBLY	OXYGEN	35-00-01
OXYGEN MASK, CREW	OXYGEN	35-00-01
OXYGEN OUTLET VALVE	OXYGEN	35-00-01
OXYGEN PRESSURE GAGE	OXYGEN	35-00-01
OXYGEN PRESSURE SENSE SWITCH	OXYGEN	35-00-01
OXYGEN QUANTITY PRESSURE TRANSDUCER	OXYGEN	35-00-01
OXYGEN SYSTEM	OXYGEN	35-00-01
P		
PAD, ISOLATOR	POWER PLANT	71-20-00
PAGING AMPLIFIER	COMMUNICATIONS	23-30-20
PAGING AMPLIFIER, COCKPIT	COMMUNICATIONS	23-30-30
PALLET ASSEMBLY, ANTI-SKID BRAKE	LANDING GEAR	32-40-20
PANEL ASSEMBLY, CABIN FLOOR	FUSELAGE	53-20-60
PANEL ASSEMBLY, REVERSIONARY	ELEC PANELS, PARTS, INST.	39-10-80
PANEL ASSEMBLY, SUBPANEL SWITCH	ELEC PANELS, PARTS, INST.	39-10-70
PANEL STRUCTURE, MAIN INSTRUMENT	FUSELAGE	53-20-80
PANEL, AUXILIARY CIRCUIT BREAKER	ELEC PANELS, PARTS, INST.	39-10-40
PANEL, CABIN WINDOW UPHOLSTERY	EQUIPMENT/FURNISHINGS	25-21-00
PANEL, COCKPIT CONSOLE FWD UPHOLSTERY	EQUIPMENT/FURNISHINGS	25-10-40
PANEL, COCKPIT KICK	EQUIPMENT/FURNISHINGS	25-10-40
PANEL, RIGHT CIRCUIT BREAKER	ELEC PANELS, PARTS, INST.	39-10-30
PANEL, SIDEWALL ESCUTCHEON	FUSELAGE	53-20-80
PARTITION, AFT BAGGAGE COMPARTMENT	EQUIPMENT/FURNISHINGS	25-50-30
PARTITION, AFT CABIN	EQUIPMENT/FURNISHINGS	25-25-00
PARTITION, LH FORWARD	EQUIPMENT/FURNISHINGS	25-22-10
PASSENGER BRIEFER, COCKPIT	COMMUNICATIONS	23-30-40
PASSENGER BRIEFING CARD	EQUIPMENT/FURNISHINGS	25-10-00
PASSENGER CHAIRS	EQUIPMENT/FURNISHINGS	25-20-00
PASSENGER SEATS	EQUIPMENT/FURNISHINGS	25-20-00
PEDAL, RUDDER	FLIGHT CONTROLS	27-20-10
PEDESTAL ENGINE CONTROL MECHANISM	ENGINE CONTROLS	76-10-00
PEDESTAL EXTENSION STRUCTURE	FUSELAGE	53-20-30
PEDESTAL LOWER QUADRANT	ENGINE CONTROLS	76-10-00
PEDESTAL UPHOLSTERY	EQUIPMENT/FURNISHINGS	25-10-80
PEDESTAL, CONTROL	ELEC PANELS, PARTS, INST.	39-10-10
PILOT'S CONTROL WHEEL ASSEMBLY	FLIGHT CONTROLS	27-31-10
PILOT'S SEAT	EQUIPMENT/FURNISHINGS	25-10-20
PIN, NOSE LANDING GEAR TRUNNION	LANDING GEAR	32-20-10
PIN, RUDDER PEDAL ADJUSTMENT	FLIGHT CONTROLS	27-20-20
PISTON AND AXLE, MAIN GEAR	LANDING GEAR	32-10-10
PISTON ASSEMBLY, SHIMMY DAMPER	LANDING GEAR	32-50-10
PITOT AND STATIC PLUMBING	NAVIGATION	34-10-00
PITOT TUBE COVER	EQUIPMENT/FURNISHINGS	25-10-00
PLACARD, CABIN AIRSTAIR DOOR INSTR	EQUIPMENT/FURNISHINGS	25-21-30
PLACARDS, EXTERIOR	PLACARDS & MARKINGS	11-20-00
PLACARDS, INTERIOR	PLACARDS & MARKINGS	11-30-00
PLENUM, ENGINE AIR	POWER PLANT	71-60-00
PLUG, OIL COOLER DRAIN	OIL	79-20-00
PLUMB BOB SUPPORT	EQUIPMENT/FURNISHINGS	25-10-00
PLUMBING, AFT FUSELAGE HYDRAULIC	LANDING GEAR	32-30-05
PLUMBING, AFT TOILET	WATER/WASTE	38-30-15
PLUMBING, AIR DATA COMPUTER	NAVIGATION	34-11-00
PLUMBING, AIRSTAIR DOOR SEAL	DOORS	52-10-20
PLUMBING, BRAKE	LANDING GEAR	32-40-00
PLUMBING, INSTRUMENT AIR	NAVIGATION	34-10-20
PLUMBING, LANDING GEAR HYDRAULIC	LANDING GEAR	32-30-15
PLUMBING, OVERBOARD DRAIN	WATER/WASTE	38-30-30
PLUMBING, PITOT AND STATIC	NAVIGATION	34-10-00
PNEUMATIC DEICE SYSTEM	ICE & RAIN PROTECTION	30-10-00
PNEUMATIC PRESSURIZATION SYSTEM	PNEUMATIC	36-00-10
POLARIZED WINDOWS, CABIN	WINDOWS	56-20-00

Beechcraft
STARSHIP 1
ILLUSTRATED PARTS CATALOG

ALPHABETICAL INDEX

COMPONENT ITEM OR SYSTEM NAME	CHAPTER NAME	CHAP/SUB SECT & UNIT
--------------------------------------	---------------------	---------------------------------

P

POWER BRAKE VALVE	LANDING GEAR	32-40-20
POWER CONTROL LEVER ASSEMBLY	ENGINE CONTROLS	76-10-00
POWER CONTROL LEVER KNOB	ENGINE CONTROLS	76-10-00
POWER PACK PRESSURE REGULATOR	LANDING GEAR	32-30-20
POWER PACK, HYDRAULIC	LANDING GEAR	32-30-00
POWER PLANT	POWER PLANT	71-00-10
POWER SUPPLY, AHC AUXILIARY	ELECTRICAL POWER	24-30-10
POWER SUPPLY, CABIN LIGHTING	LIGHTS	33-20-30
POWER SUPPLY, STBY HRZN IND AUXILIARY	ELECTRICAL POWER	24-30-20
PRECONDENSER ASSEMBLY, COOLING	ENVIRONMENTAL SYSTEMS	21-50-20
PRESSURE GAGE, HYDRAULIC ACCUMULATOR	LANDING GEAR	32-40-20
PRESSURE REGULATOR	ENVIRONMENTAL SYSTEMS	21-30-10
PRESSURE WARNING SWITCH, ANTI-SKID LOW	LANDING GEAR	32-40-20
PRESSURIZATION CONTROL	ENVIRONMENTAL SYSTEMS	21-30-00
PRIMARY FLIGHT DISPLAY UNIT	ELEC PANELS, PARTS, INST.	39-10-60
PROBE, FUEL QUANTITY	FUEL	28-40-00
PROCESSING UNIT, FUEL QUANTITY	FUEL	28-40-00
PROPELLER	PROPELLERS	61-10-00
PROPELLER AUTOFEATHER	PROPELLERS	61-20-10
PROPELLER CONTROL LEVER ASSEMBLY	ENGINE CONTROLS	76-10-00
PROPELLER CONTROL LEVER KNOB	ENGINE CONTROLS	76-10-00
PROPELLER SLING	EQUIPMENT/FURNISHINGS	25-10-00
PROPELLER SYNCHROPHASER	PROPELLERS	61-20-00
PULLEY BANK PLATFORM	FLIGHT CONTROLS	27-00-10
PUMP ASSEMBLY, FUEL/ELEC SUBMERSIBLE/	FUEL	28-20-00
PUMP BRACKET, LANDING GEAR HYDRAULIC	NACELLES	54-10-10
PUMP OUTPUT CONTROL SWITCH, ANTI-SKID	LANDING GEAR	32-40-20
PUMP, ANTI-SKID	LANDING GEAR	32-40-20
PUMP, FUEL BOOST/ENGINE DRIVEN/	ENGINE FUEL & CONTROL	73-10-00
PUMP, FUEL TRANSFER JET/AFT TANK/	FUEL	28-20-00
PUMP, FUEL TRANSFER JET/FWD/	FUEL	28-20-00
PUMP, HYDRAULIC HAND	LANDING GEAR	32-30-10
PUMP, PRIMARY FUEL JET	FUEL	28-20-00
PURGE VALVE, FUEL	FUEL	28-20-00
PUSHROD ASSEMBLY, NOSE GEAR DOOR	LANDING GEAR	32-20-00
PYRAMID CABINETS	EQUIPMENT/FURNISHINGS	25-22-30

Q

QUADRANT, PEDESTAL LOWER	ENGINE CONTROLS	76-10-00
QUADRANT, RUDDER CONTROL	FLIGHT CONTROLS	27-20-00

R

RACK ASSY, INTERFACE	FUSELAGE	53-40-30
RADAR ANTENNA, WEATHER	NAVIGATION	34-40-00
RADAR TRANSCEIVER, WEATHER	NAVIGATION	34-40-00
RADIO ALTIMETER ANTENNA	NAVIGATION	34-50-50
RADIO ALTIMETER TRANSCEIVER	NAVIGATION	34-50-50
RADIO TUNING ADAPTER	NAVIGATION	34-50-60
RADIOPHONE ANTENNA	COMMUNICATIONS	23-10-10
RADIOPHONE TRANSCEIVER	COMMUNICATIONS	23-10-10
RADOME ASSY	FUSELAGE	53-50-00
READING LIGHT SWITCH, PASSENGER	EQUIPMENT/FURNISHINGS	25-21-20
RECEIVER DRYER, AIR CONDITIONING	ENVIRONMENTAL SYSTEMS	21-50-10
RECEIVER, VLF	NAVIGATION	34-50-10
RECEPTACLE, EXTERNAL POWER	ELECTRICAL POWER	24-40-00
REEL ASSEMBLY, LEFT AND RIGHT SAFETY	EQUIPMENT/FURNISHINGS	25-10-20
REEL, AVIONICS HAND MICROPHONE	COMMUNICATIONS	23-50-40
REFRESHMENT CABINET, LH FORWARD	EQUIPMENT/FURNISHINGS	25-22-20
REFRIGERATION PLUMBING, FUSELAGE	ENVIRONMENTAL SYSTEMS	21-50-40
REFRIGERATION PLUMBING, WING	ENVIRONMENTAL SYSTEMS	21-50-45
REGULATOR, POWER PACK PRESSURE	LANDING GEAR	32-30-20
REGULATOR, PRESSURE	ENVIRONMENTAL SYSTEMS	21-30-10
RELAY, FLAP MONITOR	ELEC PANELS, PARTS, INST.	39-21-00

Beechcraft
STARSHIP 1
ILLUSTRATED PARTS CATALOG

ALPHABETICAL INDEX

COMPONENT ITEM OR SYSTEM NAME	CHAPTER NAME	CHAP/SUB SECT & UNIT
R		
RELAY, PNEUMATIC	ENVIRONMENTAL SYSTEMS	21-30-10
RELIEF TUBE, COCKPIT	WATER/WASTE	38-30-10
RESERVOIR, BRAKE FLUID	LANDING GEAR	32-40-10
RESTRICTOR ASSEMBLY, PRESSURE	ENVIRONMENTAL SYSTEMS	21-30-10
REVERSIONARY PANELS	ELEC PANELS, PARTS, INST.	39-10-80
RH BAGGAGE/IAPS CABINET	EQUIPMENT/FURNISHINGS	25-22-40
RIGHT CIRCUIT BREAKER PANEL	ELEC PANELS, PARTS, INST.	39-10-30
RIGHT NACELLE ELECTRICAL EQUIPMENT	ELECTRICAL POWER	24-50-10
ROLL AND YAW INTERCONNECT	FLIGHT CONTROLS	27-00-40
ROLLER, NOSE GEAR STEERING	LANDING GEAR	32-20-10
RUDDER ACTUATOR	STABILIZERS	55-40-00
RUDDER CONTROL QUADRANT	FLIGHT CONTROLS	27-20-00
RUDDER CONTROL SECTOR	FLIGHT CONTROLS	27-20-00
RUDDER CONTROLS	FLIGHT CONTROLS	27-20-00
RUDDER FWD CONTROL BELL CRANK	FLIGHT CONTROLS	27-20-20
RUDDER PEDAL ADJUSTMENT COVER	FUSELAGE	53-20-50
RUDDER PEDAL ADJUSTMENT PIN	FLIGHT CONTROLS	27-20-20
RUDDER PEDALS	FLIGHT CONTROLS	27-20-10
RUDDER TAB ASSEMBLY	STABILIZERS	55-40-00
RUDDER TAB ASSEMBLY	STABILIZERS	55-60-00
RUDDER TRIM TAB CONTROL ACTUATOR	FLIGHT CONTROLS	27-20-30
S		
SAFETY INFORMATION BOOKLET	EQUIPMENT/FURNISHINGS	25-10-00
SAFETY SWITCH, MAIN GEAR	LANDING GEAR	32-10-00
SCOOP ASSEMBLY, FUEL VENT	WINGS	57-20-40
SEAL, AFT PRESSURE DOME WIRE	FUSELAGE	53-00-01
SEAT TRACK, CABIN	FUSELAGE	53-20-60
SEAT TRACK, COCKPIT	FUSELAGE	53-20-50
SEAT, COPILOT'S	EQUIPMENT/FURNISHINGS	25-10-20
SEAT, PILOT'S	EQUIPMENT/FURNISHINGS	25-10-20
SEATS, PASSENGER	EQUIPMENT/FURNISHINGS	25-20-00
SECTOR, RUDDER CONTROL	FLIGHT CONTROLS	27-20-00
SENSOR DISPLAY UNIT	ELEC PANELS, PARTS, INST.	39-10-60
SENSOR, CABIN TEMPERATURE	ENVIRONMENTAL SYSTEMS	21-60-00
SENSOR, FLAP POSITION	FLIGHT CONTROLS	27-50-10
SENSOR, FWD WING MONITOR	FLIGHT CONTROLS	27-40-10
SENSOR, HOPPER TANK LOW FUEL	FUEL	28-40-00
SENSOR, HYDRAULIC FLUID LOW LEVEL	LANDING GEAR	32-30-00
SERVICE PUBLICATIONS KIT LIST	EQUIPMENT/FURNISHINGS	25-10-00
SERVO, AUTOPILOT PITCH SYSTEM	AUTO FLIGHT	22-11-00
SERVO, AUTOPILOT ROLL SYSTEM	AUTO FLIGHT	22-11-10
SERVO, AUTOPILOT YAW SYSTEM	AUTO FLIGHT	22-11-20
SHAKER, STALL WARNING CONTROL	FLIGHT CONTROLS	27-30-30
SHELF ASSEMBLY, NACELLE	NACELLES	54-10-10
SHELF, AVIONICS	FUSELAGE	53-20-70
SHELF, STROBE LIGHT POWER SUPPLY	STABILIZERS	55-30-00
SHIMMY DAMPER	LANDING GEAR	32-50-10
SHOCK ABSORBER ASSEMBLY, NOSE GEAR	LANDING GEAR	32-20-10
SIDEWALL UPHOLSTERY, FLIGHT COMPT UPR	EQUIPMENT/FURNISHINGS	25-10-30
SKINS, PLATES AND NOSE	FUSELAGE	53-30-10
SLING, PROPELLER	EQUIPMENT/FURNISHINGS	25-10-00
SOLENOID VALVE, PNEUMATIC/PRESET/	ENVIRONMENTAL SYSTEMS	21-30-10
SOLENOID, GROUND IDLE STOP	PROPELLERS	61-20-20
SPARE FUSE AND LIMITER CONTAINER	EQUIPMENT/FURNISHINGS	25-60-20
SPEAKER, CABIN	COMMUNICATIONS	23-30-00
SPEAKER, COCKPIT	COMMUNICATIONS	23-50-00
SPEAKER, NOSE WHEEL WELL	COMMUNICATIONS	23-40-10
SPOILER, FLAP COVE	WINGS	57-10-20
STABILIZER ASSEMBLY, VENTRAL	STABILIZERS	55-60-00
STABILIZER, VERTICAL	STABILIZERS	55-30-00
STALL WARNING COMPUTER	FLIGHT CONTROLS	27-30-30
STALL WARNING CONTROL SHAKER	FLIGHT CONTROLS	27-30-30
STALL WARNING TRANSMITTER	FLIGHT CONTROLS	27-30-30

Beechcraft
STARSHIP 1
ILLUSTRATED PARTS CATALOG

ALPHABETICAL INDEX

COMPONENT ITEM OR SYSTEM NAME	CHAPTER NAME	CHAP/SUB SECT & UNIT
S		
STARSHIP AIRPLANE MODEL	EQUIPMENT/FURNISHINGS	25-10-00
STARTER-GENERATOR	ELECTRICAL POWER	24-30-30
STARTER/REFERENCE/	STARTING	80-00-01
STATIC DISCHARGE WICKS	COMMUNICATIONS	23-60-00
STBY GYRO HORIZON INDICATOR AUX POWER	ELECTRICAL POWER	24-30-20
STEERING ARM, NOSE GEAR	LANDING GEAR	32-20-10
STEERING DISCONNECT CRANK	FLIGHT CONTROLS	27-20-20
STEERING ROLLER, NOSE GEAR	LANDING GEAR	32-20-10
STEERING, NOSE GEAR	LANDING GEAR	32-50-00
STREAMER PIN, DOOR WARNING	EQUIPMENT/FURNISHINGS	25-10-00
STREAMER PIN, GEAR WARNING	EQUIPMENT/FURNISHINGS	25-10-00
STRUCTURE, COCKPIT RIGHT SIDE CONSOLE	FUSELAGE	53-20-10
STRUCTURE, CONTROL PEDESTAL	FUSELAGE	53-20-20
STRUCTURE, NACELLE FIREWALL LOWER	NACELLES	54-30-20
STRUCTURE, SUBPANEL	FUSELAGE	53-20-40
SUBPANEL STRUCTURE	FUSELAGE	53-20-40
SUBPANEL SUPPORT	FUSELAGE	53-40-00
SUBPANEL, INSTRUMENT	ELEC PANELS, PARTS, INST.	39-10-70
SURFACE CONTROL GUST LOCK	FLIGHT CONTROLS	27-70-00
SURFACE DEICE PCB BOX	ICE & RAIN PROTECTION	30-50-00
SWITCH LIGHT ASSY, ENG FIRE EXT	FIRE PROTECTION	26-10-20
SWITCH LIGHT ASSY, FIREWALL VALVE	FIRE PROTECTION	26-10-20
SWITCH PANEL ASSEMBLY, SUBPANEL	ELEC PANELS, PARTS, INST.	39-10-70
SWITCH, -G-	FLIGHT CONTROLS	27-30-30
SWITCH, ANTI-SKID LOW PRESSURE WARNING	LANDING GEAR	32-40-20
SWITCH, ANTI-SKID PUMP OUTPUT CONTROL	LANDING GEAR	32-40-20
SWITCH, CABIN ALTITUDE PRESSURE	OXYGEN	35-00-01
SWITCH, CONDITION LEVER FUEL CUTOFF	ENGINE FUEL & CONTROL	73-20-00
SWITCH, MAIN GEAR DOWNLOCK SENSOR	LANDING GEAR	32-10-00
SWITCH, MAIN GEAR SAFETY	LANDING GEAR	32-10-00
SWITCH, MAIN GEAR UPLOCK SENSOR	LANDING GEAR	32-10-00
SWITCH, NOSE GEAR UPLOCK PROXIMITY	LANDING GEAR	32-20-00
SWITCH, OXYGEN ARM PRESSURE	OXYGEN	35-00-01
SWITCH, OXYGEN LOW PRESSURE	OXYGEN	35-00-01
SWITCH, OXYGEN PRESSURE SENSE	OXYGEN	35-00-01
SWITCH, PASSENGER READING LIGHT	EQUIPMENT/FURNISHINGS	25-21-20
SWITCH, THROTTLE GO AROUND	ENGINE CONTROLS	76-10-20
SWITCH, WINDOW SHADING	EQUIPMENT/FURNISHINGS	25-21-20
SWITCH, CABIN DOOR WARNING	DOORS	52-70-00
SYNCHROPHASER, PROPELLER	PROPELLERS	61-20-00
SYSTEM, ATTITUDE HEADING	NAVIGATION	34-20-20
T		
TAB ASSEMBLY, ELEVATOR	STABILIZERS	55-20-00
TAB ASSEMBLY, RUDDER	STABILIZERS	55-40-00
TAB ASSEMBLY, RUDDER	STABILIZERS	55-55-00
TABLE, CABIN	EQUIPMENT/FURNISHINGS	25-22-00
TACHOMETER GENERATOR, GAS GENERATOR	ENGINE INDICATING	77-10-10
TACHOMETER, GENERATOR PROPELLER SHAFT	ENGINE INDICATING	77-10-10
TAILCONE ASSY	FUSELAGE	53-50-00
TEMPERATURE CONTROL, CABIN	ENVIRONMENTAL SYSTEMS	21-60-00
THROTTLE GO AROUND SWITCH	ENGINE CONTROLS	76-10-20
TIE DOWN RING	EQUIPMENT/FURNISHINGS	25-10-00
TIPSAIL RUDDER	STABILIZERS	55-40-00
TIRE AND WHEEL ASSEMBLY, NOSE GEAR	LANDING GEAR	32-20-10
TIRE, MAIN GEAR	LANDING GEAR	32-10-10
TOILET	WATER/WASTE	38-30-00
TOILET CABINET, AFT	EQUIPMENT/FURNISHINGS	25-23-00
TOILET HEADLINER, AFT	EQUIPMENT/FURNISHINGS	25-23-10
TOILET, AFT	WATER/WASTE	38-30-05
TOW BAR	EQUIPMENT/FURNISHINGS	25-10-00
TOW TURN BREAK-AWAY FUSE	LANDING GEAR	32-20-10
TRACK ASSEMBLY, COCKPIT SEAT	FUSELAGE	53-20-50
TRACK, CABIN SEAT	FUSELAGE	53-20-60

Beechcraft
STARSHIP 1
ILLUSTRATED PARTS CATALOG

ALPHABETICAL INDEX

COMPONENT ITEM OR SYSTEM NAME	CHAPTER NAME	CHAP/SUB SECT & UNIT
T		
TRACK, FLAP	FLIGHT CONTROLS	27-50-00
TRAILING EDGE INBD COVE, AFT WING	WINGS	57-21-00
TRANSCIVER, RADIO ALTIMETER	NAVIGATION	34-50-50
TRANSCIVER, RADIOPHONE	COMMUNICATIONS	23-10-10
TRANSCIVER, VHF COMM	COMMUNICATIONS	23-10-00
TRANSCIVER, WEATHER RADAR	NAVIGATION	34-40-00
TRANSDUCER, ENGINE TORQUEMETER	ENGINE INDICATING	77-40-00
TRANSDUCER, OXYGEN QUANTITY PRESSURE	OXYGEN	35-00-01
TRANSDUCER, WHEEL ROTATION VELOCITY	LANDING GEAR	32-10-10
TRANSMITTER, FUEL FLOWMETER	ENGINE FUEL & CONTROL	73-30-00
TRANSMITTER, OIL PRESSURE	OIL	79-20-00
TRANSMITTER, STALL WARNING	FLIGHT CONTROLS	27-30-30
TRANSPONDER	NAVIGATION	34-50-40
TRANSPONDER ANTENNA	NAVIGATION	34-50-40
TRANZORBBS, NOSE COMPARTMENT AVIONICS	COMMUNICATIONS	23-60-10
TRUNNION PIN, NOSE LANDING GEAR	LANDING GEAR	32-20-10
TRUNNION PLATE ASSEMBLY	FUSELAGE	53-40-20
TUBE, LIGHTNING BREAK	FUEL	28-20-00
U		
UPHOLSTERY, AFT BULKHEAD	EQUIPMENT/FURNISHINGS	25-50-01
UPHOLSTERY, AFT COMPARTMENT	EQUIPMENT/FURNISHINGS	25-50-00
UPHOLSTERY, CABIN AIRSTAIR DOOR	EQUIPMENT/FURNISHINGS	25-21-30
UPHOLSTERY, CABIN LOWER SIDEWALL	EQUIPMENT/FURNISHINGS	25-21-20
UPHOLSTERY, COCKPIT LOWER SIDEWALL	EQUIPMENT/FURNISHINGS	25-10-40
UPHOLSTERY, COCKPIT UPPER SIDEWALL	EQUIPMENT/FURNISHINGS	25-10-30
UPHOLSTERY, EMERGENCY EXIT DOOR	EQUIPMENT/FURNISHINGS	25-21-40
UPHOLSTERY, FLIGHT COMPT UPR SIDEWALL	EQUIPMENT/FURNISHINGS	25-10-30
UPHOLSTERY, PEDESTAL	EQUIPMENT/FURNISHINGS	25-10-80
UPLOCK ASSEMBLY, MAIN GEAR	LANDING GEAR	32-10-00
UPLOCK HOOK, NOSE GEAR	LANDING GEAR	32-20-00
UPLOCK PROXIMITY SWITCH, NOSE GEAR	LANDING GEAR	32-20-00
UPLOCK SENSOR SWITCH, MAIN GEAR	LANDING GEAR	32-10-00
UPPER AFT COWLING	NACELLES	54-30-10
UPPER FWD COWLING	NACELLES	54-30-30
V		
VALVE ASSEMBLY, BATTERY VENT AIR INLET	ELECTRICAL POWER	24-30-00
VALVE ASSEMBLY, FUEL FILTER DRAIN	ENGINE FUEL & CONTROL	73-10-00
VALVE ASSEMBLY, FWD WING LOCK	FLIGHT CONTROLS	27-40-00
VALVE ASSEMBLY, HYDRAULIC	LANDING GEAR	32-30-00
VALVE, AIR CONDITIONER SERVICE	ENVIRONMENTAL SYSTEMS	21-50-10
VALVE, BLEED AIR ALTERNATE INFLOW	ENVIRONMENTAL SYSTEMS	21-20-00
VALVE, BLEED AIR FIREWALL SHUTOFF	ENVIRONMENTAL SYSTEMS	21-20-00
VALVE, BLEED AIR INFLOW BYPASS	ENVIRONMENTAL SYSTEMS	21-20-00
VALVE, CROSS TRANSFER FUEL	FUEL	28-20-00
VALVE, ENGINE OIL DRAIN	OIL	79-20-00
VALVE, FUEL DRAIN	FUEL	28-10-00
VALVE, FUEL PURGE	FUEL	28-20-00
VALVE, FUEL VENT CHECK	FUEL	28-10-10
VALVE, FUEL VENT FLOAT	FUEL	28-10-10
VALVE, FUEL VENT PRESSURE RELIEF	FUEL	28-10-10
VALVE, HYDRAULIC PRESSURE RELIEF	LANDING GEAR	32-40-20
VALVE, OIL THERMOSTATIC CONTROL	OIL	79-20-00
VALVE, OXYGEN FILL	OXYGEN	35-00-01
VALVE, OXYGEN OUTLET	OXYGEN	35-00-01
VALVE, PNEUMATIC SOLENOID/PRESET/	ENVIRONMENTAL SYSTEMS	21-30-10
VALVE, POWER BRAKE	LANDING GEAR	32-40-20
VANE AXIAL BLOWER ASSEMBLY	ENVIRONMENTAL SYSTEMS	21-50-20
VELOCITY TRANSDUCER, WHEEL ROTATION	LANDING GEAR	32-10-10
VENT, BATTERY	ELECTRICAL POWER	24-30-00
VENT, HEATED FUEL	FUEL	28-10-10
VENTILATION BLOWER ASSEMBLY, AFT	ENVIRONMENTAL SYSTEMS	21-20-35

Beechcraft
STARSHIP 1
ILLUSTRATED PARTS CATALOG

ALPHABETICAL INDEX

COMPONENT ITEM OR SYSTEM NAME	CHAPTER NAME	CHAP/SUB SECT & UNIT
V		
VENTILATION BLOWER ASSEMBLY, FWD	ENVIRONMENTAL SYSTEMS	21-20-30
VENTRAL STABILIZER	STABILIZERS	55-60-00
VERTICAL STABILIZER	STABILIZERS	55-30-00
VERTICAL STABILIZER FAIRING	STABILIZERS	55-30-00
VLf ANTENNA	NAVIGATION	34-50-10
VLf RECEIVER	NAVIGATION	34-50-10
VOICE RECORDER, COCKPIT	COMMUNICATIONS	23-70-10
VORTEX GENERATOR	STABILIZERS	55-30-00
VORTILON, AFT WING LEADING EDGE	WINGS	57-40-10
VORTILON, NACELLE	NACELLES	54-10-10
W		
WEATHER RADAR ANTENNA	NAVIGATION	34-40-00
WEATHER RADAR TRANSCEIVER	NAVIGATION	34-40-00
WEB, AFT BAGGAGE COMPARTMENT	EQUIPMENT/FURNISHINGS	25-50-10
WEB, FWD BAGGAGE COMPARTMENT	EQUIPMENT/FURNISHINGS	25-22-50
WHEEL ASSEMBLY, COPILOT'S CONTROL	FLIGHT CONTROLS	27-31-10
WHEEL ASSEMBLY, PILOT'S CONTROL	FLIGHT CONTROLS	27-31-10
WHEEL, NOSE LANDING GEAR	LANDING GEAR	32-20-10
WHEEL, TIRE AND BRAKE ASSEMBLY	LANDING GEAR	32-10-10
WICK, STATIC	COMMUNICATIONS	23-60-00
WICKS, STATIC DISCHARGE	COMMUNICATIONS	23-60-00
WINDOW SHADING SWITCH	EQUIPMENT/FURNISHINGS	25-21-20
WINDOWS, CABIN OUTER	WINDOWS	56-20-10
WINDOWS, CABIN POLARIZED	WINDOWS	56-20-00
WINDOWS, FLIGHT COMPARTMENT	WINDOWS	56-10-00
WINDSHIELD DEICE RELAY	ELEC PANELS, PARTS, INST.	39-20-10
WINDSHIELD WIPER	ICE & RAIN PROTECTION	30-40-10
WINDSHIELD WIPER MOTOR CONVERTER	ICE & RAIN PROTECTION	30-40-10
WING ELECTRICAL WIRE CONDUIT	WINGS	57-20-10
WING FUEL TANK, AFT	FUEL	28-10-00
WING INSPECTION LIGHTS	LIGHTS	33-40-20
WING LANDING LIGHT	LIGHTS	33-40-10
WING LEADING EDGE VORTILON, AFT	WINGS	57-40-10
WING PRESSURIZATION SYSTEM	PNEUMATIC	36-00-20
WING REFRIGERATION PLUMBING	ENVIRONMENTAL SYSTEMS	21-50-45
WING, AFT	WINGS	57-10-00
WING, FWD	STABILIZERS	55-10-00
WIPER, WINDSHIELD	ICE & RAIN PROTECTION	30-40-10
WIRE CONDUIT, WING ELECTRICAL	WINGS	57-20-10
WRENCH, FUEL SUMP DRAIN	EQUIPMENT/FURNISHINGS	25-10-00

Raytheon Aircraft

BEECH STARSHIP 1 ILLUSTRATED PARTS CATALOG

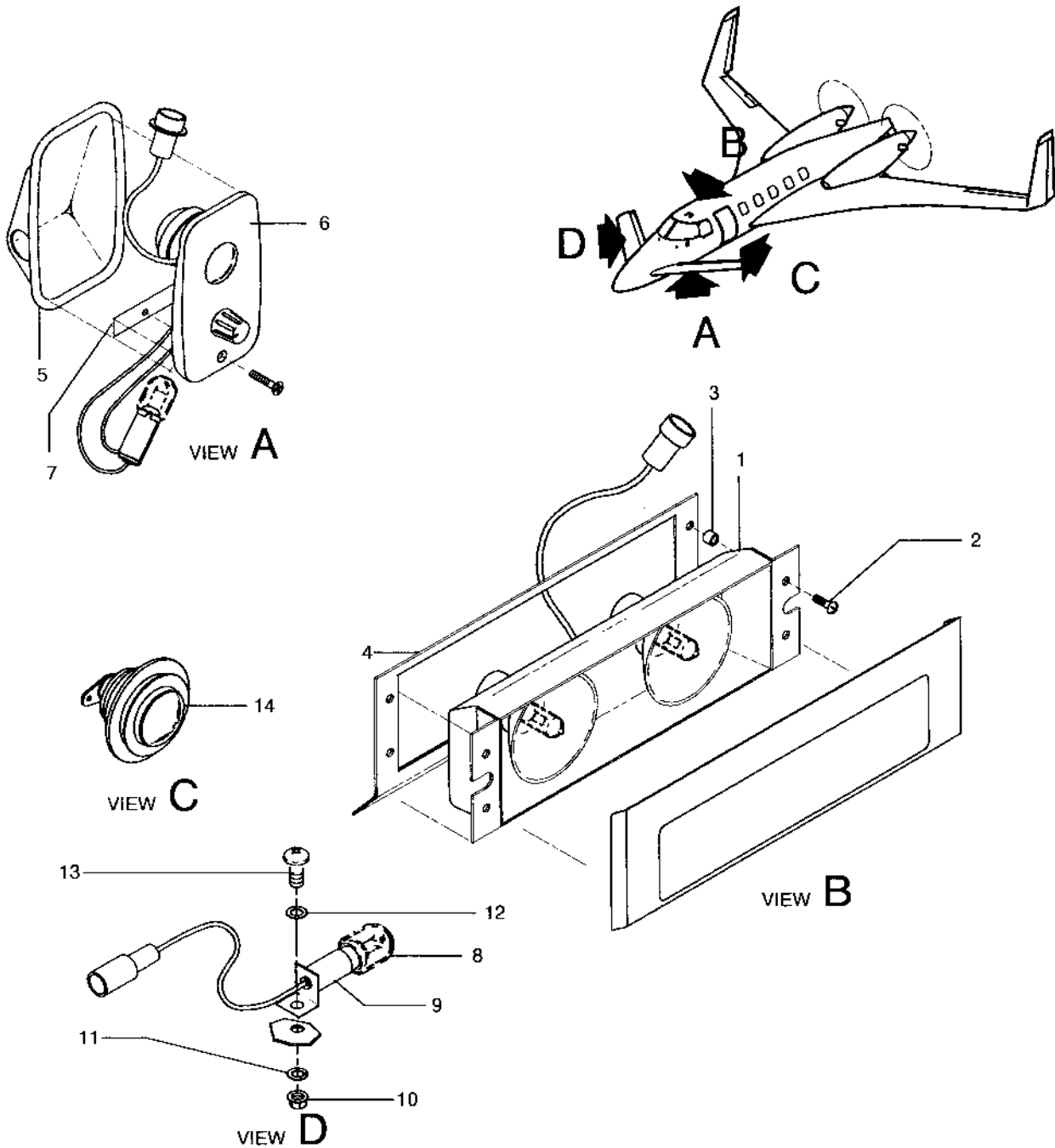
LIST OF PAGES & TABLE OF CONTENTS FOR CHAPTER 33-00-00 LIGHTS

CHAP/SUB-SECT & UNIT	PAGE NUMBER	EFFECTIVE DATE	TABLE OF CONTENTS
33-00-00	1	07/31/02	LIST OF PAGES & TABLE OF CONTENTS
33-10-00	1	02/25/94	COCKPIT LIGHTS
33-10-00	2	02/25/94	
33-10-00	3	02/25/94	
33-20-00	1	02/25/94	LIGHTS-OVERHEAD ENTRY
33-20-00	2	11/04/94	
33-20-00	3	02/25/94	
33-20-03	1	02/25/94	CABIN OVERHEAD LIGHTS
33-20-03	2	02/25/94	NC-4 THRU NC-20
33-20-03	3	02/25/94	
33-20-07	1	02/25/94	LIGHTS,CABIN-AFT TOILET
33-20-07	2	02/25/94	NC-21 AND AFTER
33-20-07	3	02/25/94	
33-20-07	4	02/25/94	
33-20-07	5	02/25/94	
33-20-07	6	02/25/94	
33-20-07	7	02/25/94	
33-20-10	1	02/25/94	CABIN AISLE AND AIRSTAIR DOOR LIGHTS
33-20-10	2	02/25/94	
33-20-10	3	02/25/94	
33-20-10	4	02/25/94	
33-20-10	5	02/25/94	
33-20-30	1	02/25/94	CABIN LIGHTING POWER SUPPLIES
33-20-30	2	02/25/94	NC-4 THRU NC-20
33-20-30	3	02/25/94	
33-20-35	1	02/25/94	CABIN LIGHTING POWER SUPPLIES
33-20-35	2	02/25/94	NC-21 AND AFTER
33-20-35	3	02/25/94	
33-20-35	4	02/25/94	
33-20-35	5	02/25/94	
33-30-00	1	02/25/94	AFT BAGGAGE COMPARTMENT LIGHTS
33-30-00	2	02/25/94	
33-30-00	3	02/25/94	
33-40-00	1	02/25/94	NOSE LANDING AND TAXI LIGHTS
33-40-00	2	02/25/94	
33-40-00	3	02/25/94	
33-40-10	1	02/25/94	WING LANDING LIGHT
33-40-10	2	02/25/94	
33-40-10	3	11/04/94	
33-40-20	1	02/25/94	WING INSPECTION LIGHT
33-40-20	2	02/25/94	
33-40-20	3	02/25/94	
33-40-50	1	02/25/94	ANTI-COLLISION LIGHTS
33-40-50	2	02/25/94	
33-40-50	3	07/31/02	
33-40-50	4	02/25/94	
33-40-50	5	02/25/94	

Beechcraft
STARSHIP 1
ILLUSTRATED PARTS CATALOG

33-10-00
COCKPIT LIGHTS

Beechcraft
STARSHIP 1
ILLUSTRATED PARTS CATALOG



2000-352-03

FIGURE 10-00.COCKPIT LIGHTS

Beechcraft
STARSHIP 1
ILLUSTRATED PARTS CATALOG

SUB-SEC UNIT & ITEM NO	PART NO.	DESCRIPTION 1 2 3 4 5 6 7	UNITS	USABLE
			PER ASSY	ON CODE
10-00	122-322199-3	LIGHT INSTL, THUNDERSTORM	NP	3
	122-322199-5	LIGHT INSTL, THUNDERSTORM	NP	4
- 1	122-384083-3	. LIGHT ASSY, THUNDERSTORM	1	
		./ATTACHING PARTS/		
- 2	AN525-832R12	. SCREW	4	3
	AN525-832R10	. SCREW	4	4
- 3	NAS42DD6-16	. SPACER	2	3
		-----★-----		
	1939X	. . LAMP	2	
	BR7507-700	. . BEZEL	1	
- 4	122-322197-9	. BRACKET ASSY	1	3
	122-322197-23	. BRACKET ASSY	1	4
	MS21075L08	. . NUTPLATE	4	
	122-322230-1	LIGHT INSTL, MAP LAP	NP	
- 5	122-322231-1	. SHIELD, LH AND RH	2	
- 6	122-384077-3	. LIGHT ASSY, LH AND RH	2	
	MS35190-240	. . SCREW/VENDOR FURNISHED/	1	
	1495X	. . LAMP	1	
- 7	122-322039-17	. PLATE, LH AND RH	2	
	MS21060L06K	. . NUTPLATE	1	
	122-322162-1	LIGHT INSTL, SUBPANEL	NP	
- 8	MS25069-1495	. LAMP	2	
- 9	122-322162-3	. HOLDER ASSY, LAMP	2	
		./ATTACHING PARTS/		
- 10	MS21042L06	. NUT	1	
- 11	MS35338-41	. WASHER, LOCK	1	
- 12	AN960-6L	. WASHER	2	
- 13	MS35206-229	. SCREW	1	
		-----★-----		
	122-530388-1	HEADLINER INSTL, FLIGHT COMPARTMENT	NP	1
	122-530396-1	HEADLINER INSTL, FLIGHT COMPARTMENT	NP	2
- 14	3089-01	. LIGHT ASSY, READING	1	
	1308	. . BULB, READING LIGHT	1	

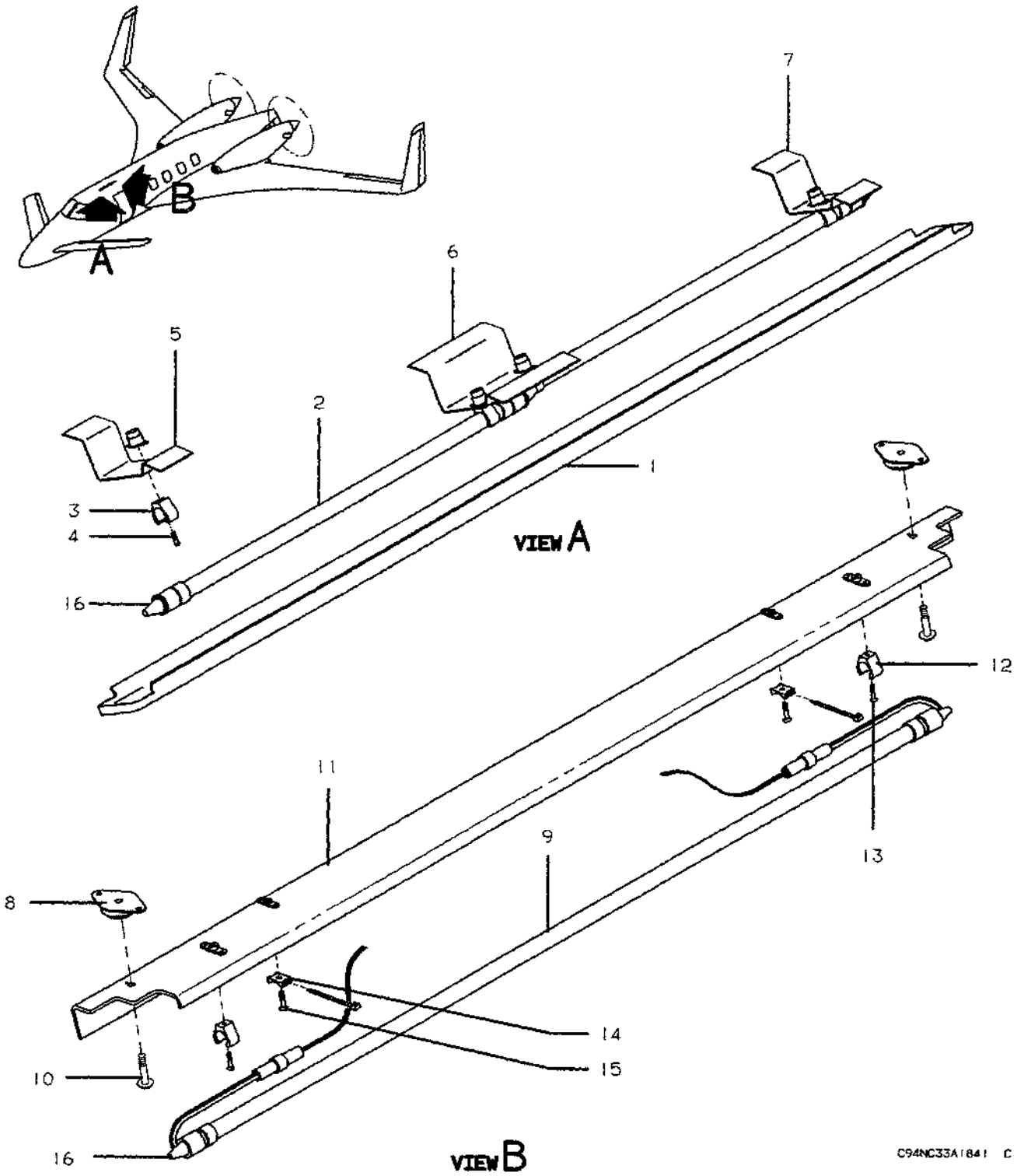
CODES OF EFFECTIVITY

1	NC-4 THRU NC-19	2	NC-20 AND AFTER
3	NC-4 THRU NC-20	4	NC-21 AND AFTER

Beechcraft
STARSHIP 1
ILLUSTRATED PARTS CATALOG

33-20-00
LIGHTS-OVERHEAD ENTRY

Beechcraft
STARSHIP 1
ILLUSTRATED PARTS CATALOG



C94NC33A1841 C

FIGURE 20-00.LIGHTS-OVERHEAD ENTRY

Deechcraft
STARSHIP 1
ILLUSTRATED PARTS CATALOG

SUB-SEC UNIT & ITEM NO	PART NO.	DESCRIPTION 1 2 3 4 5 6 7	UNITS	USABLE
			PER ASSY	ON CODE
20-00 - 1	122-530070-1	LENS, VESTIBULE HEADLINER LIGHT	1	1
	122-530292-1	LIGHT INSTL, VESTIBULE HEADLINER.....	NP	1
- 2	6635-360 2S	. LAMP	2	1
	122-530292-3	. CLIP ASSY/FS 171.00/	1	1
	122-530292-5	. CLIP ASSY/FS 183.75/	1	1
	122-530292-7	. CLIP ASSY/FS 196.50/	1	1
- 3	31 87	. LAMP HOLDER	AR	1
		/ATTACHING PARTS/		
- 4	MS24693S5	. SCREW/2 EA FOR 122-530292-5 CLIP ASSY/	1	1
	NAS1474A04-04	. NUTPLATE	1	1
		-----★-----		
- 5	122-530292-9	. CLIP/FS 171.00/	1	1
- 6	122-530292-11	. CLIP/FS 183.75/	1	1
- 7	122-530292-13	. CLIP/FS 196.50/	1	1
	122-530292-15	LIGHT INSTL, OVERHEAD ENTRY	NP	2
	122-530292-21	LIGHT INSTL, OVERHEAD ENTRY	NP	3
- 8	122-384052-1	. VIBRATION ISOLATOR	2	4
- 9	6635-750 2S	. LAMP	1	2
	122-530292-17	. LAMP ASSY	1	4
		/ATTACHING PARTS/		
- 10	AN525-10-6	. SCREW	2	4
		-----★-----		
- 11	122-530292-19	. REFLECTOR	1	4
- 12	TM2R6	. TIE MOUNT	2	3
		/ATTACHING PARTS/		
- 13	MS24693S7	. SCREW	2	3
	MS21047L04	. NUTPLATE	2	3
		-----★-----		
- 14	31 87	. LAMP HOLDER	2	2
	3187-11	. LAMP HOLDER	2	3
		/ATTACHING PARTS/		
- 15	MS24693S5	. SCREW	1	4
	MS21047L04	. NUTPLATE	1	4
		-----★-----		
	6335-750S	LAMP	1	3
	122-384188-1	WIRE HARNESS INSTL	NP	5
- 16	31 85 1 A	. CONNECTOR ASSY	2	5

CODES OF EFFECTIVITY

1	NC-4 THRU NC-14	2	NC-15 THRU NC-20
3	NC-21 AND AFTER	4	NC-15 AND AFTER
5	NC-4 THRU NC-20		

Beechcraft
STARSHIP 1
ILLUSTRATED PARTS CATALOG

33-20-03
CABIN OVERHEAD LIGHTS
NC-4 THRU NC-20

Beechcraft
STARSHIP 1
 ILLUSTRATED PARTS CATALOG

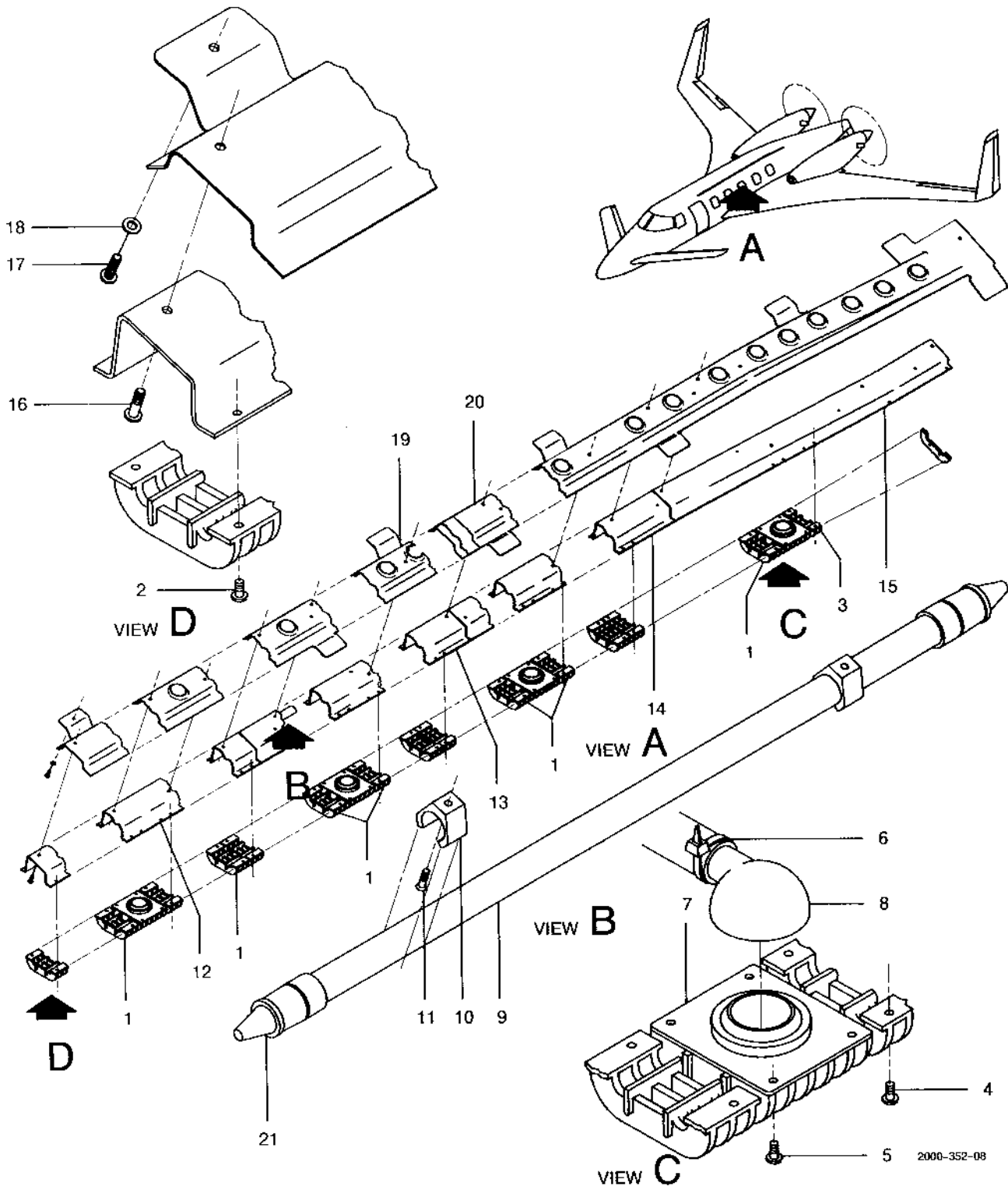
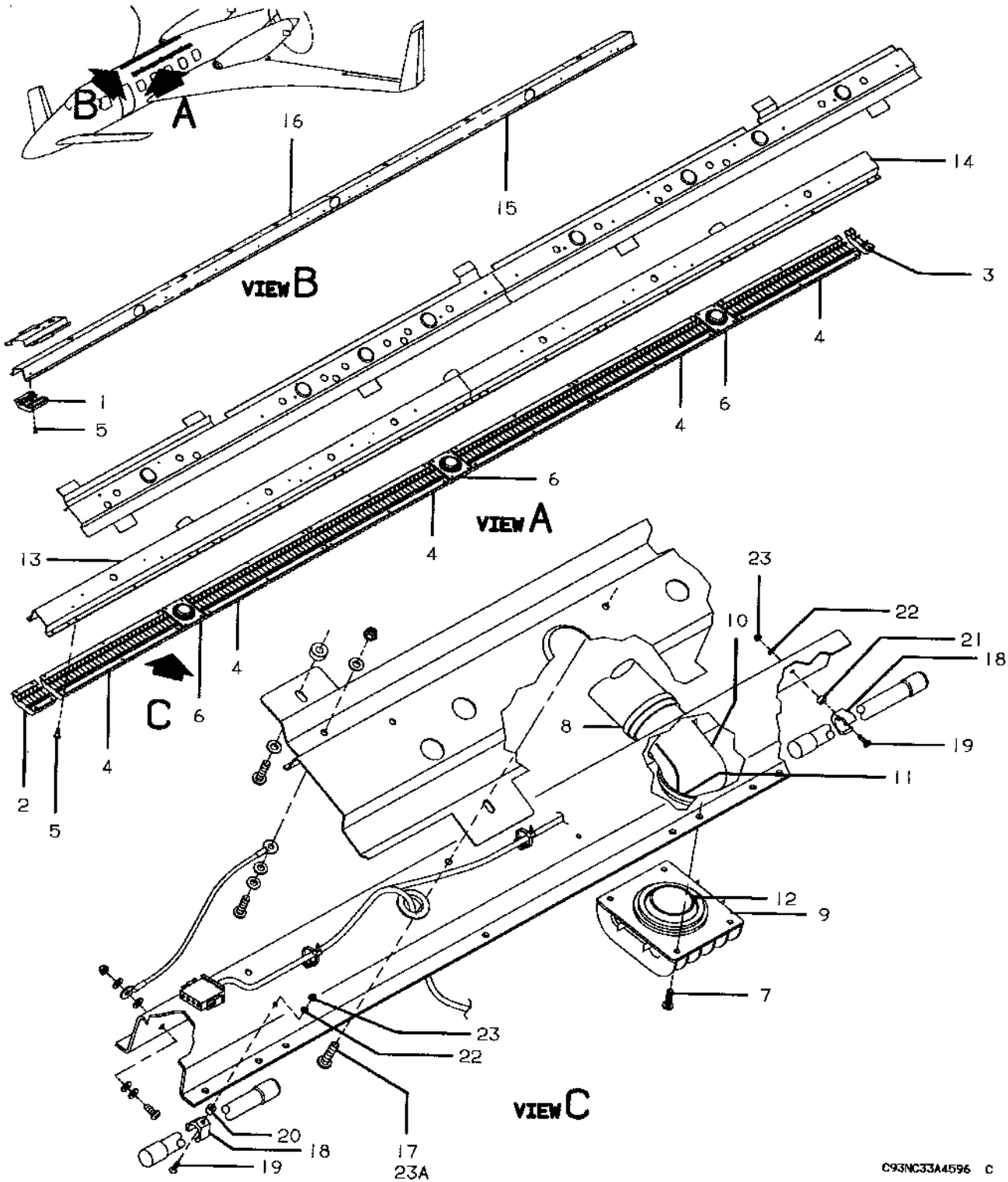


FIGURE 20-03.CABIN OVERHEAD LIGHTS

Beechcraft
STARSHIP 1
ILLUSTRATED PARTS CATALOG

33-20-07
LIGHTS,CABIN-AFT TOILET
NC-21 AND AFTER

Beechcraft
STARSHIP 1
ILLUSTRATED PARTS CATALOG



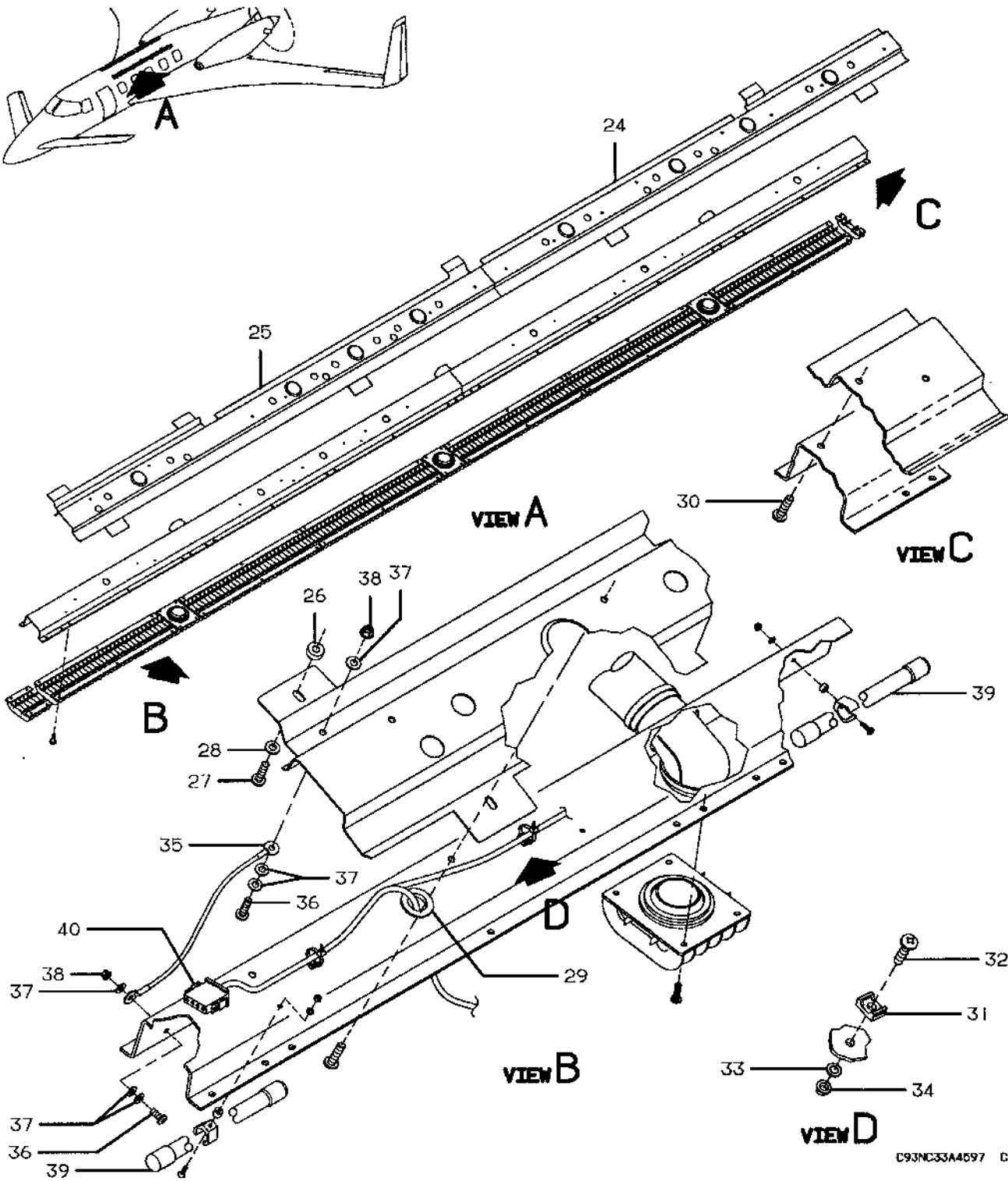
C93NC33A4596 C

FIGURE 20-07. LIGHTS, CABIN-AFT TOILET
/SHEET 1 OF 3 SHEETS/

Deechcraft
STARSHIP 1
ILLUSTRATED PARTS CATALOG

SUB-SEC UNIT & ITEM NO	PART NO.	DESCRIPTION 1 2 3 4 5 6 7	UNITS	USABLE
			PER ASSY	ON CODE
20-07	122-530355-1	LIGHT INSTL, CABIN-AFT TOILET	NP	1
- 1	122-530355-3	. GRILL ASSY/RH FWD/	1	1
- 2	122-530355-5	. GRILL ASSY/LH FWD/	1	1
- 3	122-530355-7	. GRILL ASSY/LH, RH AFT/	2	1
- 4	122-384113-1	. GRILL ASSY/AIR VALVE/	12	1
		/ATTACHING PARTS/		
- 5	FH8C10CP-L09BG	. SCREW	84	1
		-----★-----		
- 6	122-530273-3	. VALVE ASSY-AIR	6	1
		/ATTACHING PARTS/		
- 7	FH8C10CP-L09BG	. SCREW	4	1
- 8	MS3367-5	. TIEDOWN	1	1
		-----★-----		
- 9	122-384114-1	. GRILL ASSY	1	1
- 10	122-554054-1	. PLENUM CAP	1	1
		/ATTACHING PARTS/		
- 11	2000-24	. CLAMP	1	1
		-----★-----		
- 12	3818-01	. AIR OUTLET	1	1
- 13	122-530537-13	. REFLECTOR ASSY	1	1
- 14	122-530537-15	. REFLECTOR ASSY	1	1
- 15	122-530537-16	. REFLECTOR ASSY	1	1
- 16	122-530537-17	. REFLECTOR ASSY	1	1
		/ATTACHING PARTS/		
- 17	DPY79000P8B2 1/2	. SCREW/8EA for -13 AND -15 ASSYS/	AR	1
		7EA FOR -16 AND -17 REFLECTOR ASSYS/		
		-----★-----		
- 18	3187-11	. LAMP HOLDER	28	1
		/ATTACHING PARTS/		
- 19	MS24693S7	. SCREW	1	1
- 20	NAS47ND4B020	. SPACER	1	1
- 21	NAS47ND4B012	. SPACER	1	1
- 22	AN960-4L	. WASHER	1	1
- 23	MS21042-L04	. NUT	1	1
		-----★-----		
-23A	PS8C6CP-L09BG	. SCREW	16	1

Beechcraft
 STARSHIP 1
 ILLUSTRATED PARTS CATALOG



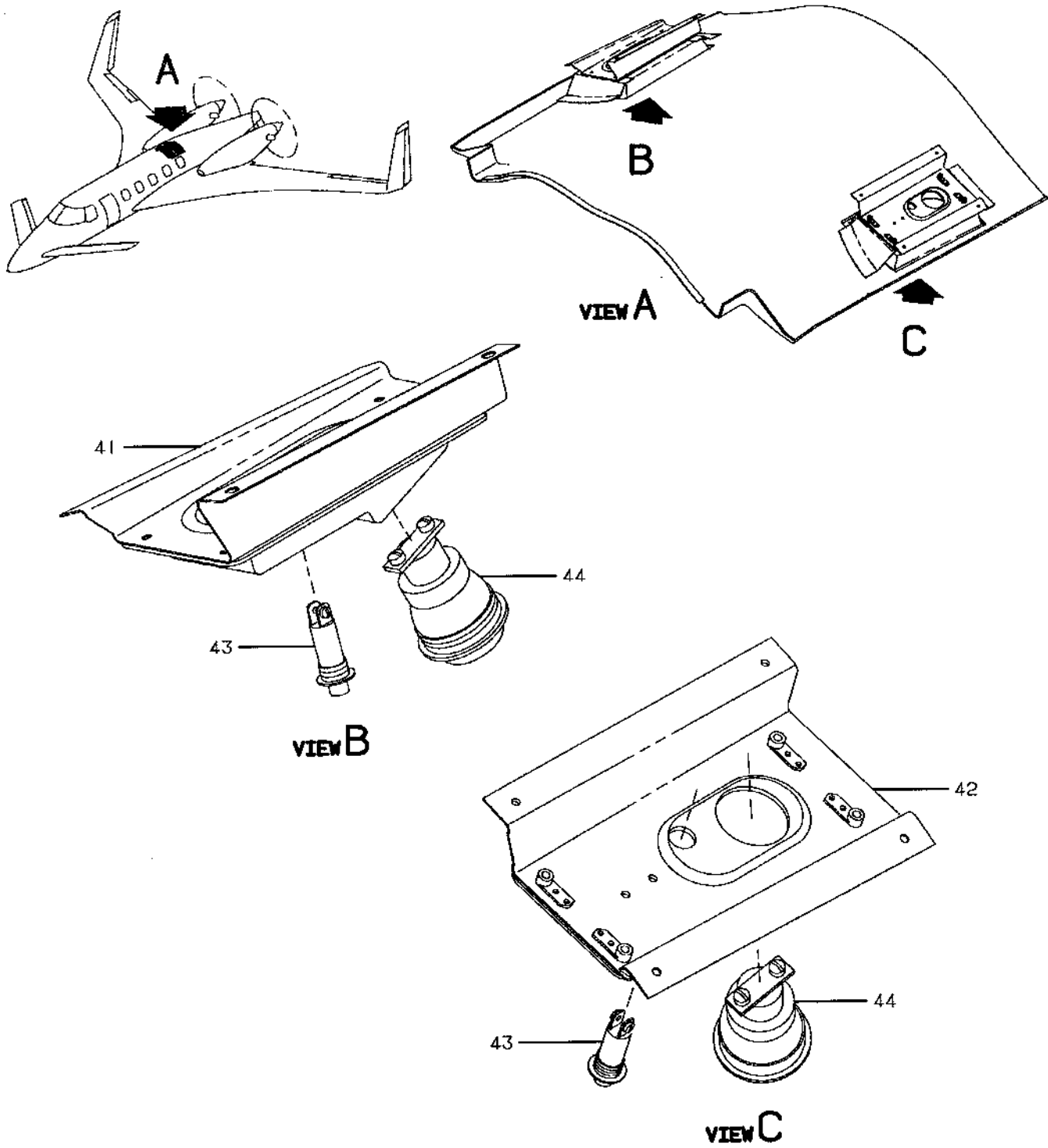
D93NC33A4597 D

FIGURE 20-07. LIGHTS, CABIN-AFT TOILET
 /SHEET 2 OF 3 SHEETS/

Beechcraft
STARSHIP 1
ILLUSTRATED PARTS CATALOG

SUB-SEC UNIT & ITEM NO	PART NO.	DESCRIPTION 1 2 3 4 5 6 7	UNITS	USABLE
			PER ASSY	ON CODE
20-07 -24	122-530356-15	. LIGHT TRAY ASSY	1	2
	122-530356-25	. LIGHT TRAY ASSY	1	3
-25	122-530356-17	. LIGHT TRAY ASSY	1	2
	122-530356-27	. LIGHT TRAY ASSY	1	3
		/ATTACHING PARTS/		
-26	122-530222-3	. SPACER	1	1
-27	MS27039-1-07	. SCREW	1	1
-28	AN960-10L	. WASHER	1	1
		---★---		
-29	MS21266-2N	. GROMMET	1	1
	NAS1474A08	. NUTPLATE/15EA for -15 AND -25 ASSYS/	AR	2
-30	MS24693S270	. SCREW	2	4
-31	TM2R6	. TIEMOUNT	28	1
		/ATTACHING PARTS/		
-32	MS35208-216	. SCREW	1	1
-33	AN960-4L	. WASHER	1	1
-34	MS21042L04	. NUT	1	1
		---★---		
-35	MS25083-2BB5	. JUMPER, BONDING	8	1
		/ATTACHING PARTS/		
-36	MS35208-246	. SCREW	2	1
-37	AN960-8	. WASHER	6	1
-38	MS21042L08	. NUT	2	1
		---★---		
-39	6635-360 2S	LAMP	14	1
	122-364188-1	WIRE HARNESS ASSY	1	1
-40	31 85 1 A	. CONNECTOR ASSY	28	1

Beechcraft
STARSHIP 1
ILLUSTRATED PARTS CATALOG



C93NC33A0203 C

FIGURE 20-07.LIGHTS, CABIN-AFT TOILET
/SHEET 3 OF 3 SHEETS/

Deechcraft
STARSHIP 1
ILLUSTRATED PARTS CATALOG

SUB-SEC UNIT & ITEM NO	PART NO.	DESCRIPTION 1 2 3 4 5 6 7	UNITS	USABLE
			PER ASSY	ON CODE
20-07 - 41	122-530371-1	LIGHT SUPPORT ASSY, AFT TOILET/RH SIDE/	1	1
- 42	122-530372-1	COAT HOOK SUPPORT ASSY, AFT TOILET/LH SIDE/	1	1
- 43	J20125-31	. SWITCH, LIGHT	1	1
- 44	2520-10	. LIGHT	1	1
	207359-1	. CONNECTOR	1	1
	66103-4	. CONTACT, PIN	1	1
	1N4007	. DIODE	2	1

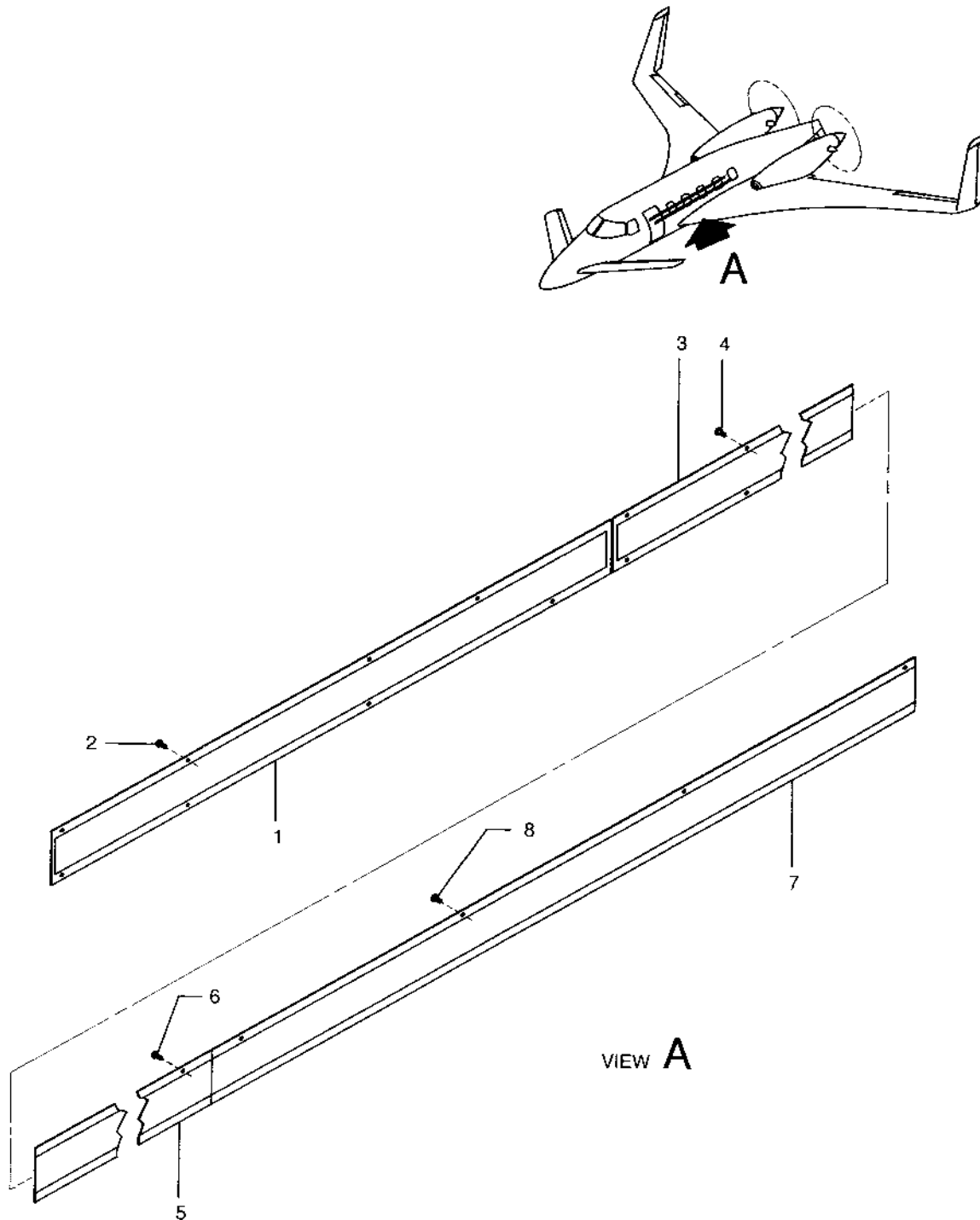
CODES OF EFFECTIVITY

1	NC-21 AND AFTER	2	NC-21 THRU NC-53
3	NC-54 AND AFTER	4	NC-31 AND AFTER

Beechcraft
STARSHIP 1
ILLUSTRATED PARTS CATALOG

33-20-10
CABIN AISLE AND AIRSTAIR DOOR LIGHTS

Beechcraft
STARSHIP 1
ILLUSTRATED PARTS CATALOG



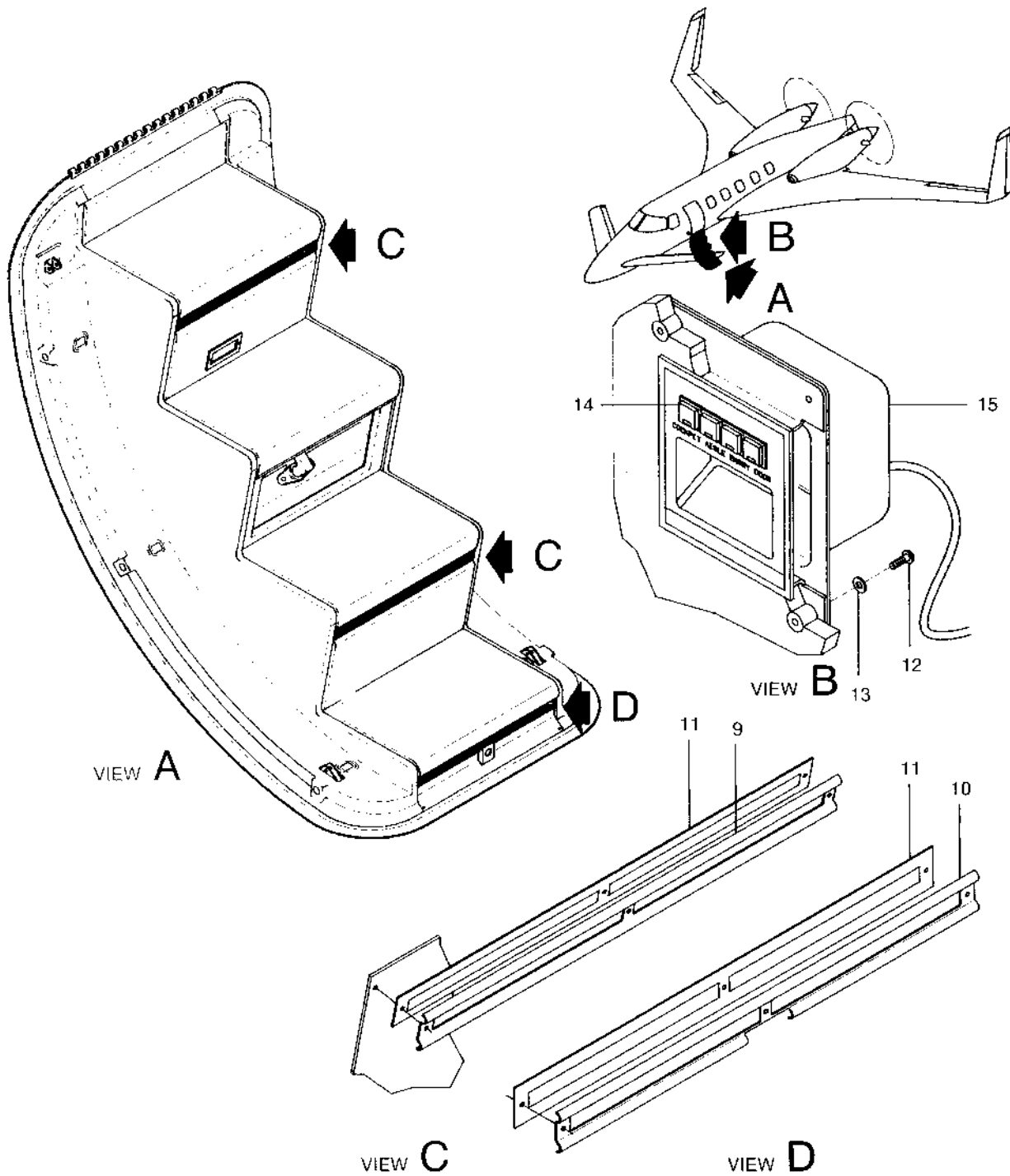
2000-352-10

FIGURE 20-10. CABIN AISLE & AIRSTR DOOR LIGHTS
/SHEET 1 OF 2 SHEETS/

Beechcraft
STARSHIP 1
ILLUSTRATED PARTS CATALOG

SUB-SEC UNIT & ITEM NO	PART NO.	DESCRIPTION 1 2 3 4 5 6 7	UNITS	USABLE
			PER ASSY	ON CODE
20-10	122-530014-5	LIGHT INSTL, CABIN AISLE.....	NP	
- 1	122-384068-15	. LIGHT ASSY, CABIN AISLE LH & RH	2	
		/ATTACHING PARTS/		
- 2	MS35207-263	. SCREW.....	4	
		---★---		
- 3	122-384068-13	. LIGHT ASSY, CABIN AISLE LH & RH	2	
		/ATTACHING PARTS/		
- 4	MS35207-263	. SCREW.....	6	
		---★---		
- 5	122-384068-11	. LIGHT ASSY, CABIN AISLE LH & RH	2	
		/ATTACHING PARTS/		
- 6	MS35207-263	. SCREW.....	6	
		---★---		
- 7	122-384068-9	. LIGHT ASSY, CABIN AISLE LH & RH	2	
		/ATTACHING PARTS/		
- 8	MS35207-263	. SCREW.....	7	
		---★---		

Beechcraft
 STARSHIP 1
 ILLUSTRATED PARTS CATALOG



2000-352-11

FIGURE 20-10. CABIN AISLE & AIRSTR DOOR LIGHTS
 /SHEET 2 OF 2 SHEETS/

Beechcraft
STARSHIP 1
ILLUSTRATED PARTS CATALOG

SUB-SEC UNIT & ITEM NO	PART NO.	DESCRIPTION 1 2 3 4 5 6 7	UNITS	USABLE
			PER ASSY	ON CODE
20-10 - 9	122-530051-1	RETAINER, CABIN DOOR LIGHT PANEL & CARPET	2	
- 10	122-530051-7	RETAINER, CABIN DOOR LIGHT PANEL & CARPET	1	
- 11	122-384080-1	LIGHT PANEL, CABIN AIRSTAIR DOOR STEP	3	1
		/SEE NOTE/		
	122-384080-3	LIGHT PANEL, CABIN AIRSTAIR DOOR STEP	3	2
		/SEE NOTE/		
NOTE AT INSTL 122-384080-1 AND -3 SHOULD NOT BE INTERMIXED ON ANY ONE AIRCRAFT.				
	122-530311-1	SWITCH AND LIGHT INSTL, ENTRY	NP	3
	122-530311-3	SWITCH AND LIGHT INSTL, ENTRY	NP	4
- 12	MS35208-243	. SCREW	4	
- 13	AN960-8L	. WASHER	4	
- 14	122-384081-1	. SWITCH AND LIGHT ASSY, ENTRY	1	3
	122-384081-3	. SWITCH AND LIGHT ASSY, ENTRY	1	4
	MS15570-303	. . LAMP	1	
	122-382035-7	. . SWITCH	4	
	20701B-1	. . HOUSING, CONTACT PIN	1	
	66400-4	. . PIN, CONTACT	AR	
- 15	122-530311-5	. COVER ASSY	1	

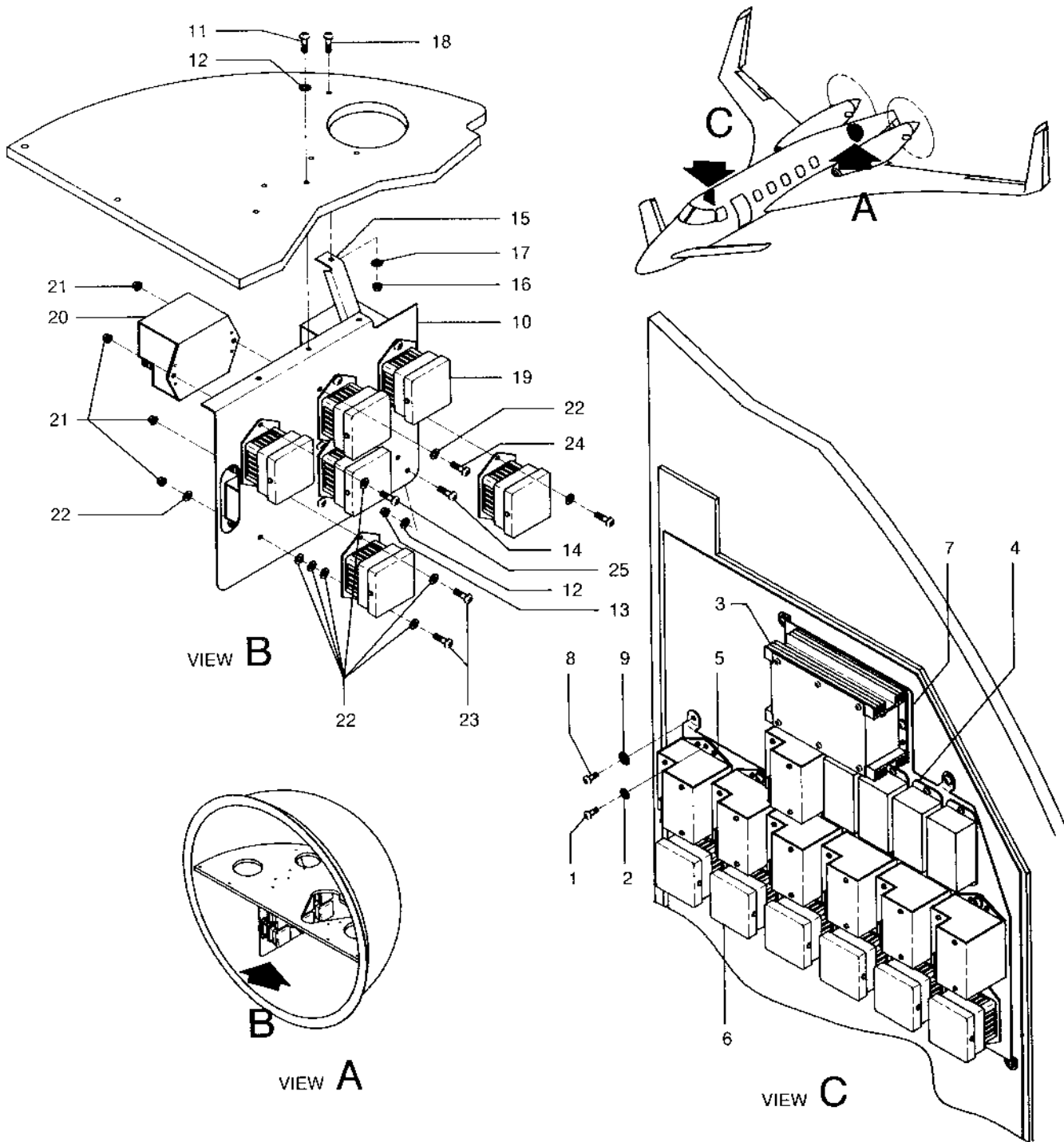
CODES OF EFFECTIVITY

1	NC-4 THRU NC-30	2	NC-31 AND AFTER
3	NC-4 THRU NC-46	4	NC-47 AND AFTER

Beechcraft
STARSHIP 1
ILLUSTRATED PARTS CATALOG

33-20-30
CABIN LIGHTING POWER SUPPLIES
NC-4 THRU NC-20

Beechcraft
STARSHIP 1
ILLUSTRATED PARTS CATALOG



2000-350-04

FIGURE 20-30.CABIN LIGHTING POWER SUPPLIES

Deechcraft
STARSHIP 1
ILLUSTRATED PARTS CATALOG

SUB-SEC UNIT & ITEM NO	PART NO.	DESCRIPTION 1 2 3 4 5 6 7	UNITS	USABLE
			PER ASSY	ON CODE
20-30	122-364000-5	FUSELAGE ELECTRICAL EQUIPMENT INSTALLATION	NP	1
	122-364000-7	. FORWARD POWER SUPPLIES INSTALLATION	NP	1
- 1	MS35206-244	.. SCREW	28	1
- 2	AN960-8L	.. WASHER	36	1
- 3	18-996C	.. INVERTER	1	1
- 4	TR992	.. BALLAST	4	1
		/ATTACHING PARTS/		
	MS35206-216	.. SCREW	8	
	AN960-4L	.. WASHER	8	
		---★---		
- 5	18-95D	.. INVERTER	7	1
- 6	22-311A	.. DIMMER CONTROL	6	1
- 7	122-364000-11	.. MOUNTING PLATE ASSY	1	2
	122-364000-47	.. MOUNTING PLATE ASSY	1	3
		/ATTACHING PARTS/		
- 8	MS35206-244	.. SCREW	6	
- 9	MS35335-59	.. WASHER, LOCK	6	
		---★---		
	MS21075L08	.. NUTPLATE	36	1
	122-364000-35	. AFT POWER SUPPLIES INSTALLATION	NP	1
- 10	122-364000-37	.. MOUNTING PLATE ASSEMBLY	1	1
		/ATTACHING PARTS/		
- 11	MS35206-247	.. SCREW	3	
- 12	AN960-8L	.. WASHER	4	
- 13	130909N28	.. NUT	1	
- 14	MS35206-242	.. SCREW	1	
		---★---		
	MS21075L08	.. NUTPLATE	4	1
- 15	122-364000-19	.. BRACE	1	1
		/ATTACHING PARTS/		
- 16	MS21042-08	.. NUT	1	
- 17	AN960-8L	.. WASHER	1	
- 18	MS35206-247	.. SCREW	1	
		---★---		
- 19	22-311A	.. DIMMER CONTROL	6	1
- 20	18-95D	.. INVERTER	6	1
- 21	130909N28	.. NUT	14	1
- 22	AN960-8L	.. WASHER	35	1
- 23	MS35206-331	.. SCREW	6	1
- 24	MS35206-243	.. SCREW	3	1
- 25	MS35206-244	.. SCREW	3	1

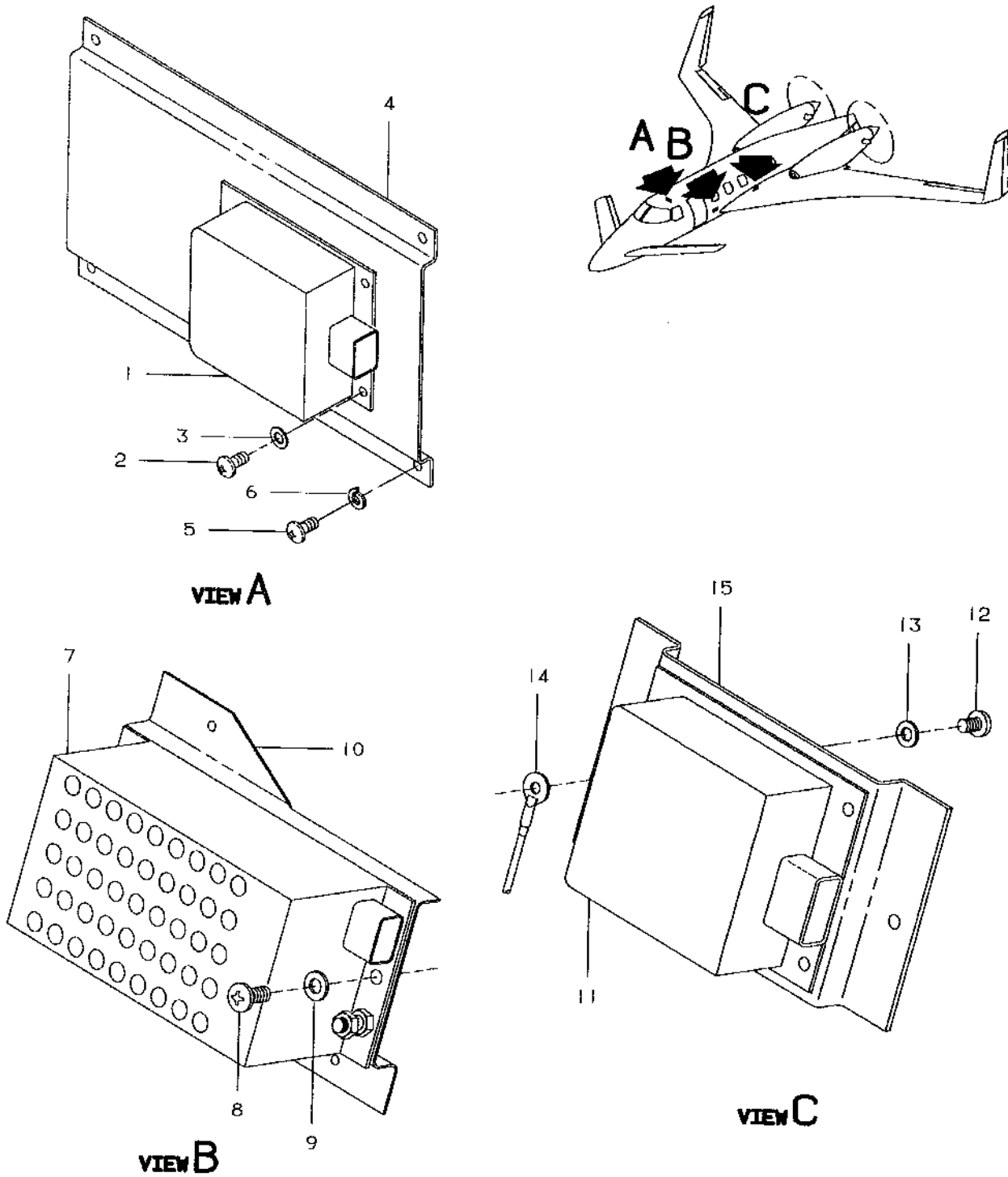
CODES OF EFFECTIVITY

1 NC-4 THRU NC-20 2 NC-4 THRU NC-13
3 NC-14 THRU NC-20

Beechcraft
STARSHIP 1
ILLUSTRATED PARTS CATALOG

33-20-35
CABIN LIGHTING POWER SUPPLIES
NC-21 AND AFTER

Beechcraft
 STARSHIP 1
 ILLUSTRATED PARTS CATALOG



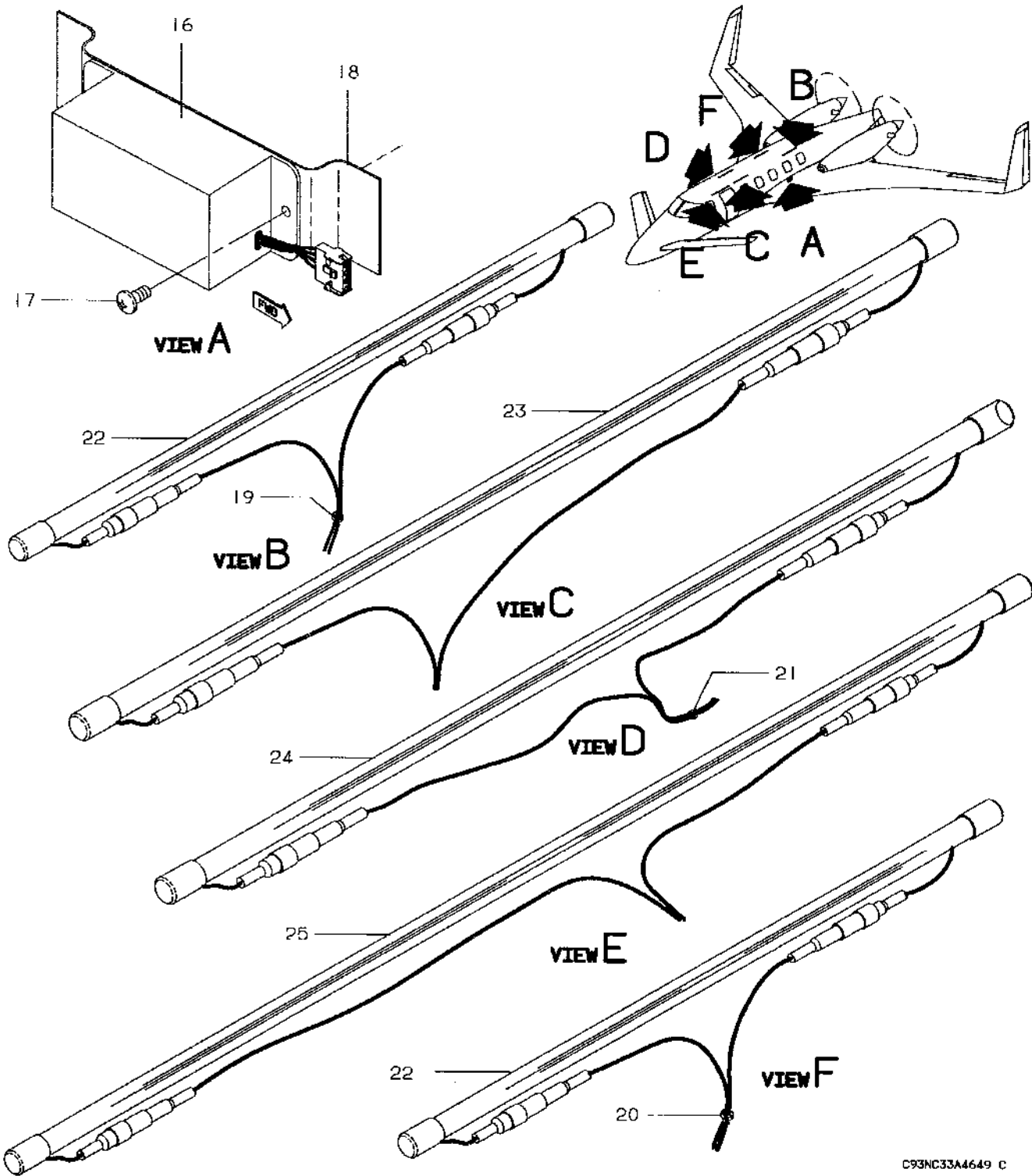
C93NC33A4648 C

FIGURE 20-35. CABIN LIGHTING POWER SUPPLIES
 /SHEET 1 OF 2 SHEETS/

Beechcraft
STARSHIP 1
ILLUSTRATED PARTS CATALOG

SUB-SEC UNIT & ITEM NO	PART NO.	DESCRIPTION 1 2 3 4 5 6 7	UNITS	USABLE
			PER ASSY	ON CODE
20-35	122-364066-1	CABIN FLUORESCENT LIGHT INSTL.....	NP	1
- 1	18-944	. INVERTER, RH/FS 159.691/ORDER 18-944-2 FOR.....	NP	2
		SPARES/		
	18-944-2	. INVERTER, RH/FS 159.691/.....	1	3
		/ATTACHING PARTS/		
- 2	MS35206-244	. SCREW.....	3	
- 3	AN960-8L	. WASHER.....	3	
		-----★-----		
- 4	122-364217-9	. BRACKET ASSY, RH.....	1	1
		/ATTACHING PARTS/		
- 5	MS35206-244	. SCREW.....	4	
- 6	MS35335-59	. WASHER.....	4	
		-----★-----		
- 7	18-1024-2	. INVERTER, LH AND RH.....	2	1
		/ATTACHING PARTS/		
- 8	MS35206-244	. SCREW.....	2	
- 9	AN960-8L	. WASHER.....	2	
		-----★-----		
- 10	122-364217-1	. BRACKET ASSY, LH.....	1	1
	122-364217-2	. BRACKET ASSY, RH.....	1	1
- 11	18-944	. INVERTER/4 LH AND 4 RH/ORDER 18-944-2 FOR.....	NP	2
		SPARES/		
	18-944-2	. INVERTER/4 LH AND 4 RH/.....	8	3
		/ATTACHING PARTS/		
- 12	MS35206-244	. SCREW.....	3	
- 13	AN960-8L	. WASHER.....	3	
		-----★-----		
- 14	51861-1	. TERMINAL.....	1	1
- 15	122-364066-3	. BRACKET ASSY/4 LH AND 4 RH/.....	8	1
	MS21075L08	. NUTPLATE.....	3	1

Beechcraft
STARSHIP 1
ILLUSTRATED PARTS CATALOG



C93NC33A4649 C

FIGURE 20-35. CABIN LIGHTING POWER SUPPLIES
/SHEET 2 OF 2 SHEETS/

Beechcraft
STARSHIP 1
ILLUSTRATED PARTS CATALOG

SUB-SEC UNIT & ITEM NO	PART NO.	DESCRIPTION 1 2 3 4 5 6 7	UNITS	USABLE
			PER ASSY	ON CODE
20-35 - 16	TR992-12	. POWER UNIT/3 LH AND 3 RH/	6	1
		. /ATTACHING PARTS/		
- 17	MS35206-244	. SCREW.....	2	
		-----*		
- 18	122-364217-5	. BRACKET ASSY/3 LH AND 3 RH/	6	1
- 19	PLT2I	. STRAP, TIE	AR	1
- 20	ABMS-A-D	. MOUNT	AR	1
- 21	ABMM-A-D	. MOUNT	AR	1
- 22	6335-430	. LAMP/6 LH AND 6 RH/	12	1
- 23	6635-510	. LAMP, LH	1	1
- 24	6335-560	. LAMP, RH.....	1	1
- 25	6335-750	. LAMP, RH.....	1	1
	132268-5W	. GROMMET, RH FWD TOILET	2	1
	132268-10WS	. GROMMET/7 LH AND 7 RH/	14	1

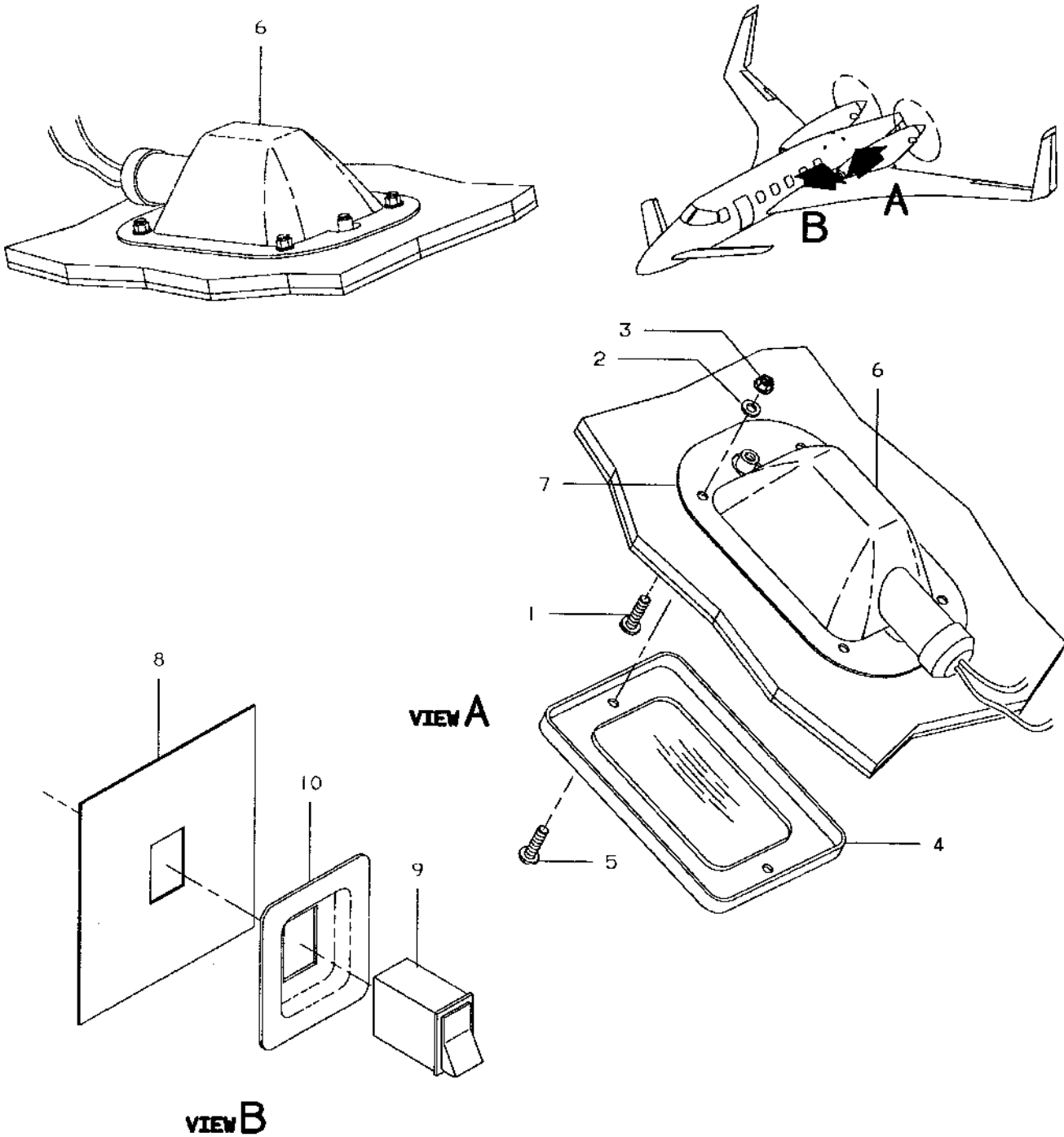
CODES OF EFFECTIVITY

- | | | | |
|---|-----------------|---|------------------|
| 1 | NC-21 AND AFTER | 2 | NC-21 THRU NC-44 |
| 3 | NC-45 AND AFTER | | |

Beechcraft
STARSHIP 1
ILLUSTRATED PARTS CATALOG

33-30-00
AFT BAGGAGE COMPARTMENT LIGHTS

Beechcraft
STARSHIP 1
ILLUSTRATED PARTS CATALOG



C94NC33A0038 C

FIGURE 30-00.AFT BAGGAGE COMPARTMENT LIGHTS

Beechcraft
STARSHIP 1
ILLUSTRATED PARTS CATALOG

SUB-SEC UNIT & ITEM NO	PART NO.	DESCRIPTION 1 2 3 4 5 6 7	UNITS	USABLE
			PER ASSY	ON CODE
30-00	122-530250-1	LIGHT INSTL, AFT BAGGAGE COMPARTMENT	NP	
	122-530250-5	. LIGHT ASSY, AFT BAGGAGE COMPARTMENT	2	
		/ATTACHING PARTS/		
- 1	MS35206-218	. SCREW.....	4	
- 2	AN960-4L	. WASHER	4	
- 3	MS21042L04	. NUT	4	
		---★---		
- 4	11-2764-1	.. LENS ASSY	1	
		/ATTACHING PARTS/		
- 5	NAS387-632-12P	.. SCREW	2	
		---★---		
- 6	A3552-1	.. REFLECTOR AND LAMPHOLDER ASSY	2	
	A3657A	.. GASKET	2	
	MS15570-303	.. LAMP.....	2	
- 7	122-530250-3	. PLATE	2	
	122-530327-1	. SWITCH INSTL, AFT BAGGAGE COMPARTMENT	NP	
- 8	122-530327-5	.. DOUBLER	1	
	85	.. LAMP.....	1	
	AML54F10W	.. ROCKER.....	1	
- 9	AML24FBA2CA01	.. SWITCH.....	1	
- 10	122-530327-3	.. ESCUTCHEON.....	1	

Beechcraft
STARSHIP 1
ILLUSTRATED PARTS CATALOG

33-40-00
NOSE LANDING AND TAXI LIGHTS

Beechcraft
STARSHIP 1
ILLUSTRATED PARTS CATALOG

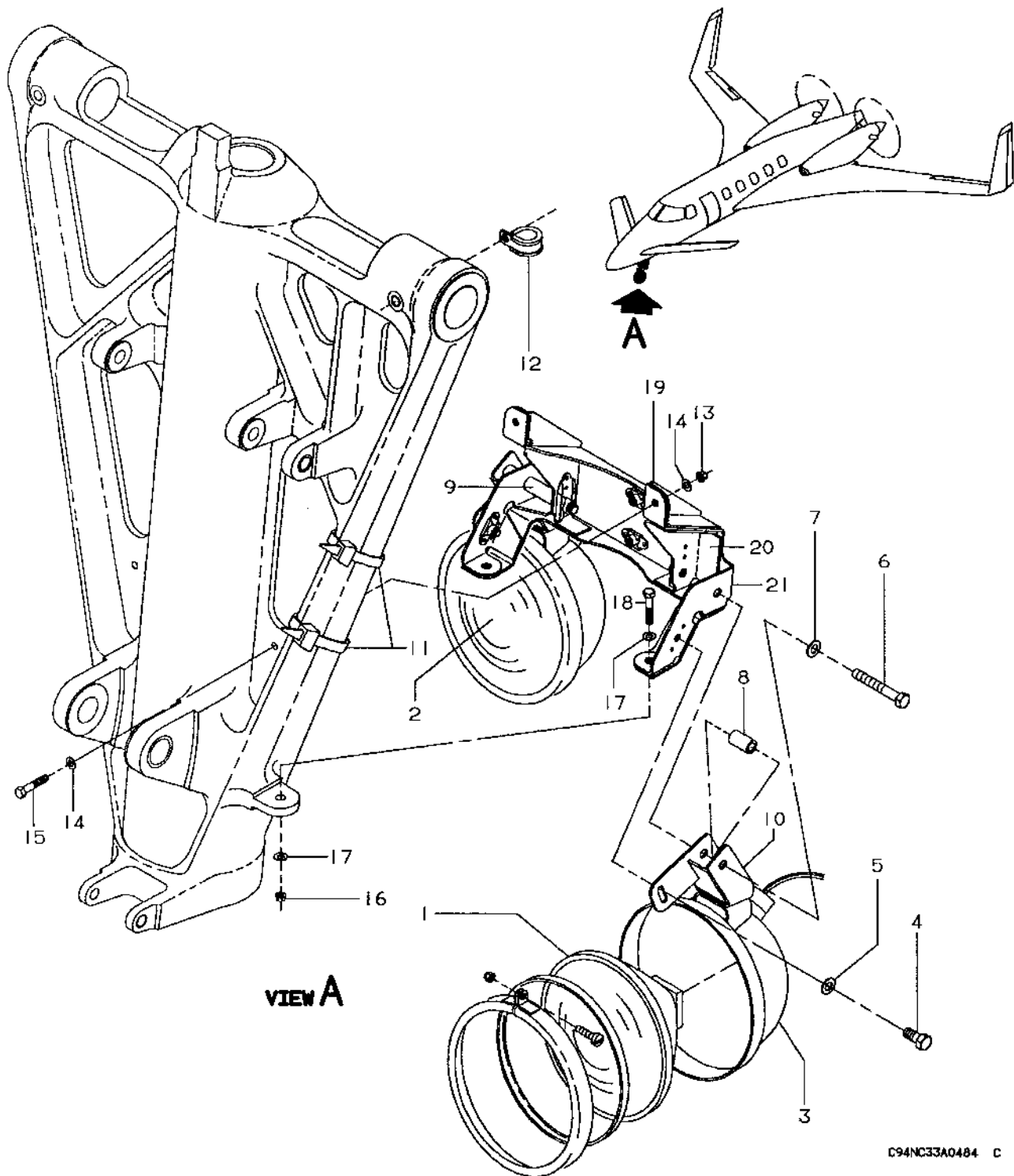


FIGURE 40-00.NOSE LANDING AND TAXI LIGHTS

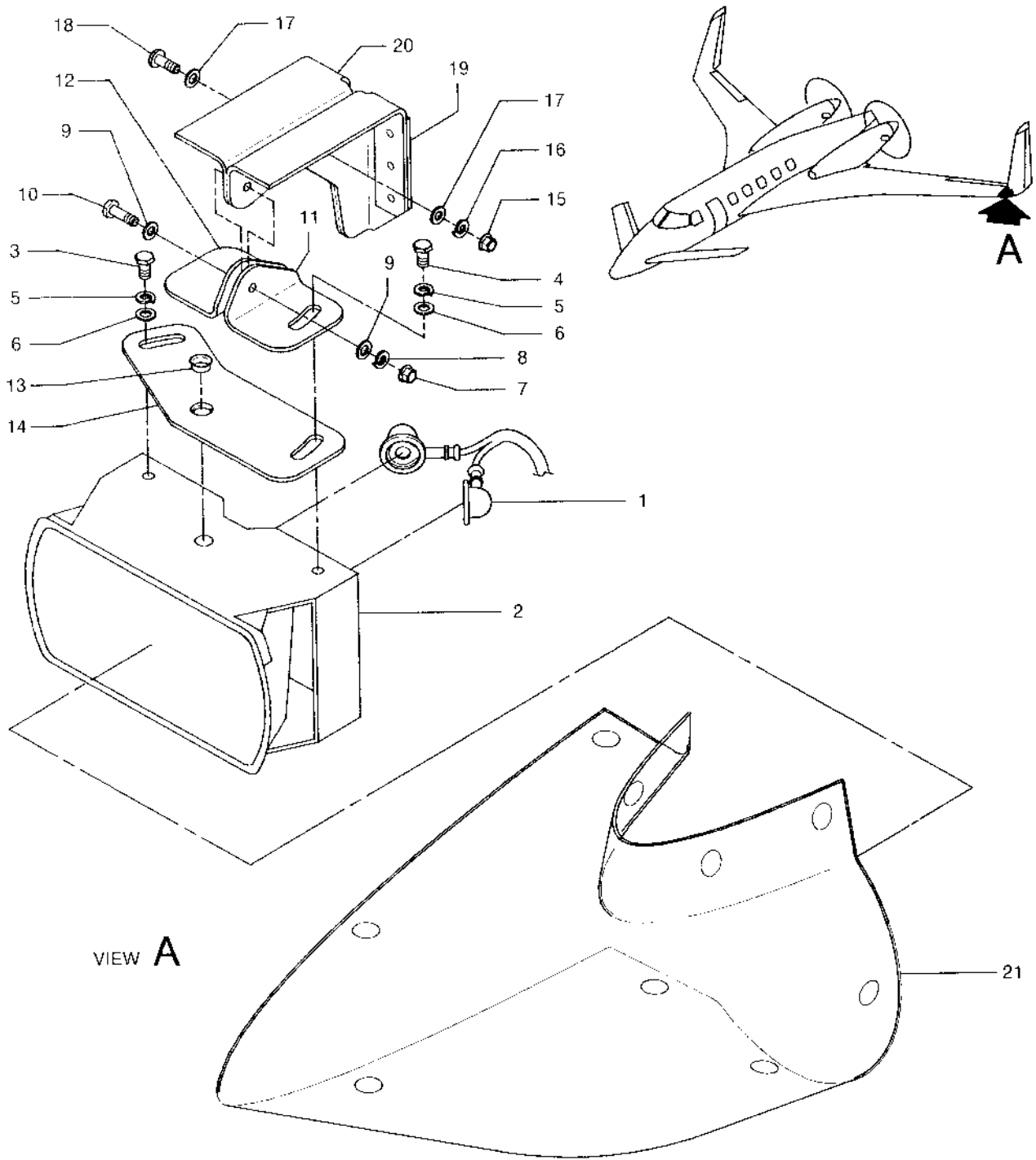
Beechcraft
STARSHIP 1
ILLUSTRATED PARTS CATALOG

SUB-SEC UNIT & ITEM NO	PART NO.	DESCRIPTION 1 2 3 4 5 6 7	UNITS	USABLE
			PER ASSY	ON CODE
40-00	122-364207-1	TAXI & LANDING LIGHT INSTL, NOSE.....	NP	
- 1	4596	. LAMP, LANDING LIGHT	1	
- 2	4587	. LAMP, TAXI LIGHT	1	
- 3	90-384040-1	. HOUSING ASSY, LANDING & TAXI LIGHT	2	
		/ATTACHING PARTS/		
- 4	130909B14	. BOLT	2	
- 5	AN960C10	. WASHER	2	
- 6	AN4-24A	. BOLT	2	
- 7	AN960C416	. WASHER	2	
- 8	NAS43HT4-42	. SPACER	2	
- 9	NAS43HT4-78	. SPACER	2	
		★		
-10	122-364206-15	. BRACKET ASSY, LANDING LIGHT	1	
	122-364206-16	. BRACKET ASSY, TAXI LIGHT	1	
-11	PLT21	. CABLE TIE	3	
-12	MS21919WDG4	. CLAMP, CABLE SECURING	1	
	2174	. BRAIDED SHIELD	AR	
	32545	. TERMINAL END	2	
	122-364206-1	. BRACKET ASSY	1	
		/ATTACHING PARTS/		
-13	MS21043-3	. NUT	2	
-14	AN960C10	. WASHER	4	
-15	130909B14	. BOLT	2	
-16	MS21043-4	. NUT	2	
-17	AN960C416	. WASHER	4	
-18	130909B36	. BOLT	2	
		★		
	MS21059L3	.. NUTPLATE	4	
	MS21062L4	.. NUTPLATE	2	
-19	122-364206-5	.. SUPPORT, LH	1	
	122-364206-6	.. SUPPORT, RH	1	
-20	122-364206-7	.. SUPPORT, LH	1	
	122-364206-8	.. SUPPORT, RH	1	
-21	122-364206-3	.. BRACKET	1	

Beechcraft
STARSHIP 1
ILLUSTRATED PARTS CATALOG

33-40-10
WING LANDING LIGHT

Beechcraft
STARSHIP 1
ILLUSTRATED PARTS CATALOG



VIEW A

2000-360 02

FIGURE 40-10. WING LANDING LIGHT

Beechcraft
STARSHIP 1
ILLUSTRATED PARTS CATALOG

SUB-SEC UNIT & ITEM NO	PART NO.	DESCRIPTION 1 2 3 4 5 6 7	UNITS	USABLE
			PER ASSY	ON CODE
40-10	122-364210-1	LIGHT INSTL, LH WING LANDING.....	NP	
	122-364210-2	LIGHT INSTL, RH WING LANDING.....	NP	
- 1	MS25171-15	. NIPPLE.....	2	
- 2	122-364211-1	. LIGHT ASSY, LH WING LANDING..... /ATTACHING PARTS/	1	
- 3	130909B14	. BOLT.....	1	
- 4	130909B15	. BOLT.....	1	
- 5	MS35338-43	. WASHER, LOCK.....	2	
- 6	AN960-10L	. WASHER.....	2	
- 7	MS21043-3	. NUT.....	1	
- 8	MS35338-43	. WASHER, LOCK.....	1	
- 9	AN960-10L	. WASHER.....	2	
- 10	130909B17	. BOLT.....	1	
	4182271	.. BULB, LANDING LIGHT.....	1	
	122-364210-5	. SUPPORT ASSY, LH.....	1	
	122-364210-6	. SUPPORT ASSY, RH.....	1	
- 11	122-364210-13	.. SUPPORT, LH.....	1	
	122-364210-14	.. SUPPORT, RH.....	1	
- 12	122-364210-15	.. SUPPORT, LH.....	1	
	122-364210-16	.. SUPPORT, RH.....	1	
- 13	122-364210-7	. PIN.....	1	
- 14	122-364210-17	.. BASE, LH.....	1	
	122-364210-18	.. BASE, RH.....	1	
- 15	MS21043-08	. NUT.....	1	
- 16	MS35338-42	. WASHER, LOCK.....	1	
- 17	AN960-8L	. WASHER.....	2	
- 18	MS27039-0808	. SCREW, GROUND.....	1	
	122-364210-3	. SUPPORT ASSY, LH.....	1	
	122-364210-4	. SUPPORT ASSY, RH.....	1	
- 19	122-364210-11	.. SUPPORT, LH.....	1	
	122-364210-12	.. SUPPORT, RH.....	1	
- 20	122-364210-9	.. SUPPORT, LH.....	1	
	122-364210-10	.. SUPPORT, RH.....	1	
- 21	R 122-640045-3	LENS, LH TIPSAIL LANDING LIGHT/SEE CH. 55/.....	1	1
	R 122-640045-5	LENS, LH TIPSAIL LANDING LIGHT/SEE CH. 55/.....	1	2
	R 122-640045-9	LENS, LH TIPSAIL LANDING LIGHT..... /ORDER 122-640045-11 FOR SPARES/SEE CH. 55/	NP	3
	R 122-640045-11	LENS, LH TIPSAIL LANDING LIGHT/SEE CH. 55/.....	1	4
	R 122-640045-4	LENS, RH TIPSAIL LANDING LIGHT/SEE CH. 55/.....	1	1
	R 122-640045-6	LENS, RH TIPSAIL LANDING LIGHT/SEE CH. 55/.....	1	2
	R 122-640045-10	LENS, RH TIPSAIL LANDING LIGHT..... /ORDER 122-640045-12 FOR SPARES/SEE CH. 55/	NP	3
	R 122-640045-12	LENS, RH TIPSAIL LANDING LIGHT/SEE CH. 55/.....	1	4

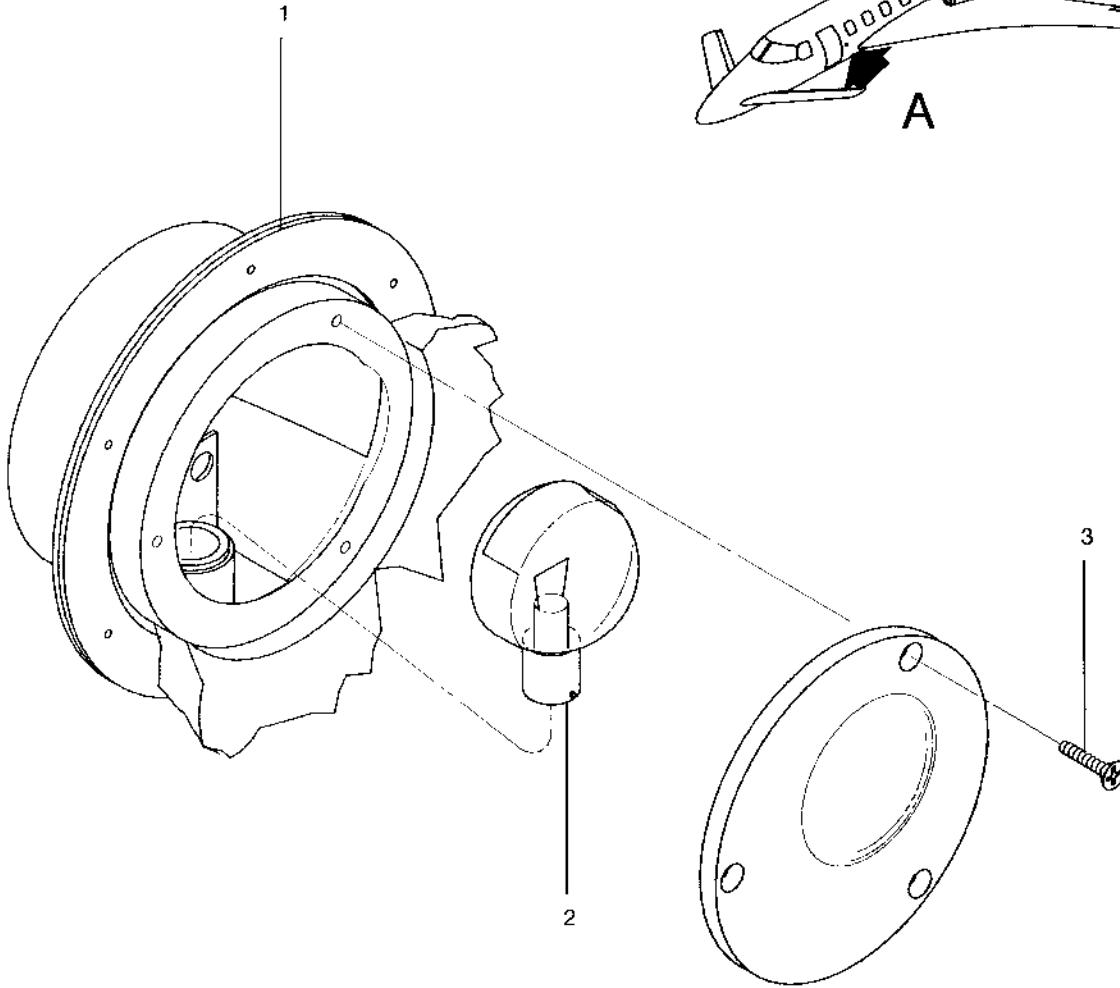
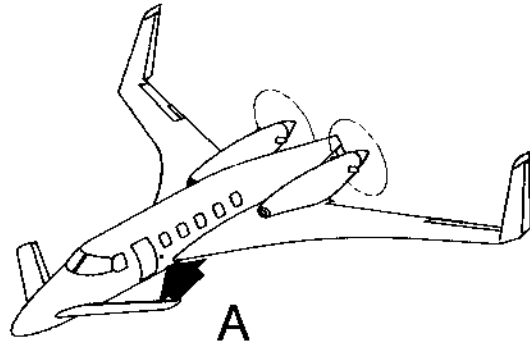
CODES OF EFFECTIVITY

1	NC-4 THRU NC-12	2	NC-13 THRU NC-18
3	NC-19 THRU NC-21	4	NC-22 AND AFTER

Beechcraft
STARSHIP 1
ILLUSTRATED PARTS CATALOG

33-40-20
WING INSPECTION LIGHT

Beechcraft
STARSHIP 1
ILLUSTRATED PARTS CATALOG



VIEW A

2000-367 03

FIGURE 40-20.WING INSPECTION LIGHT

Beechcraft
STARSHIP 1
ILLUSTRATED PARTS CATALOG

SUB-SEC UNIT & ITEM NO	PART NO.	DESCRIPTION 1 2 3 4 5 6 7	UNITS	USABLE
			PER ASSY	ON CODE
40-20	122-364020-1	LIGHT INSTL, LH WING INSPECTION/WITH ENTRANCE..... LIGHT REFLECTOR/	NP	
	122-364020-5	LIGHT INSTL, RH WING INSPECTION/OPTIONAL/.....	NP	
- 1	122-364189-1	. SPACER.....	AR	
	MS3416-10EN	. BACKSHELL.....	2	
	MS35842-11	. CLAMP.....	2	
	122-384078-1	. LIGHT, LH FLOOD/WITH ENTRANCE LIGHT..... REFLECTOR/	1	
	122-384078-2	. LIGHT, RH FLOOD/OPTIONAL/.....	1	
- 2	BR7207-701	.. LIGHT, FLOOD.....	1	
- 3	8-32	... SCREW.....	3	
	MS25338-7079	... LAMP.....	1	

Beechcraft
STARSHIP 1
ILLUSTRATED PARTS CATALOG

33-40-50
ANTI-COLLISION LIGHTS

Beechcraft
STARSHIP 1
ILLUSTRATED PARTS CATALOG

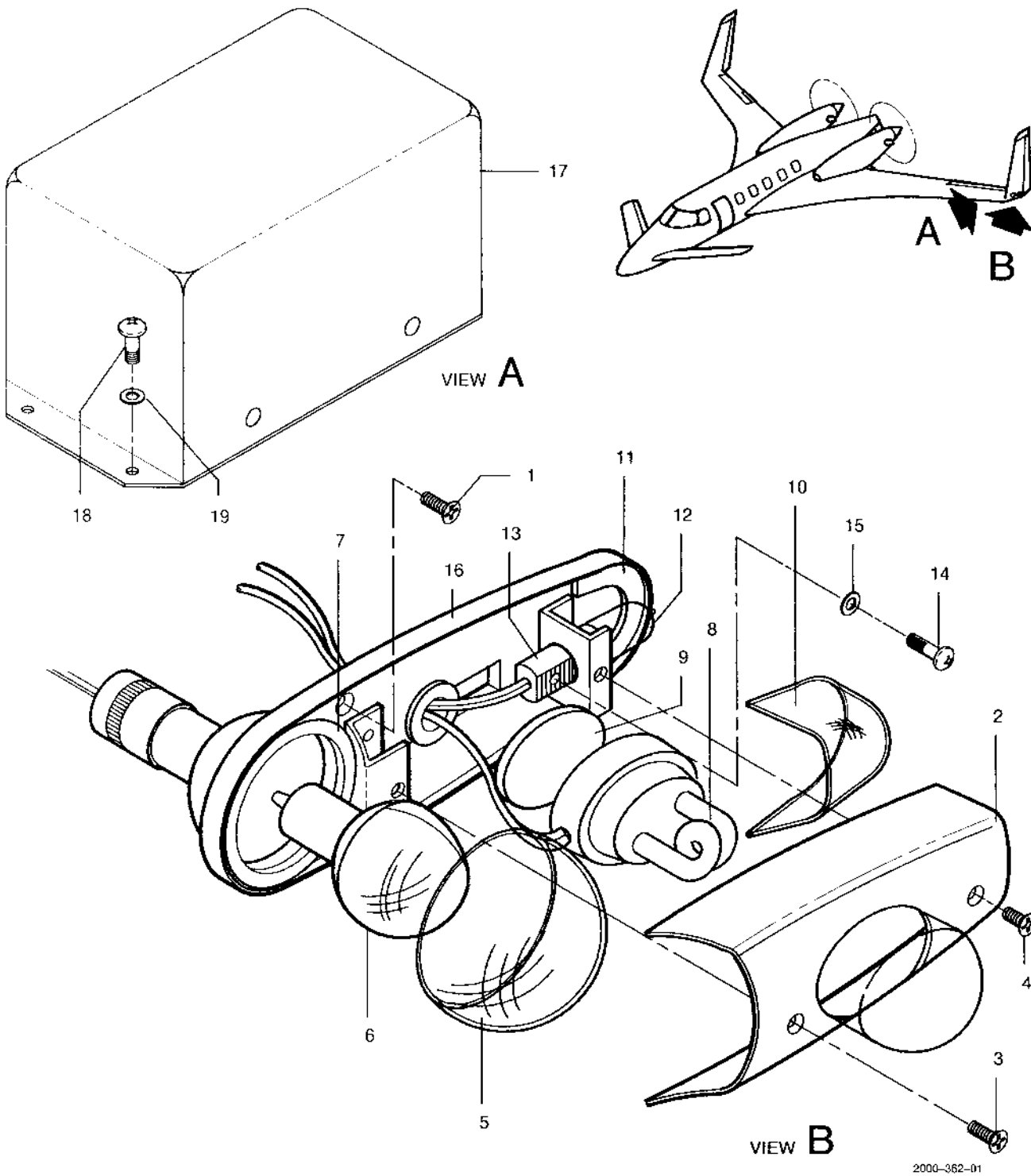


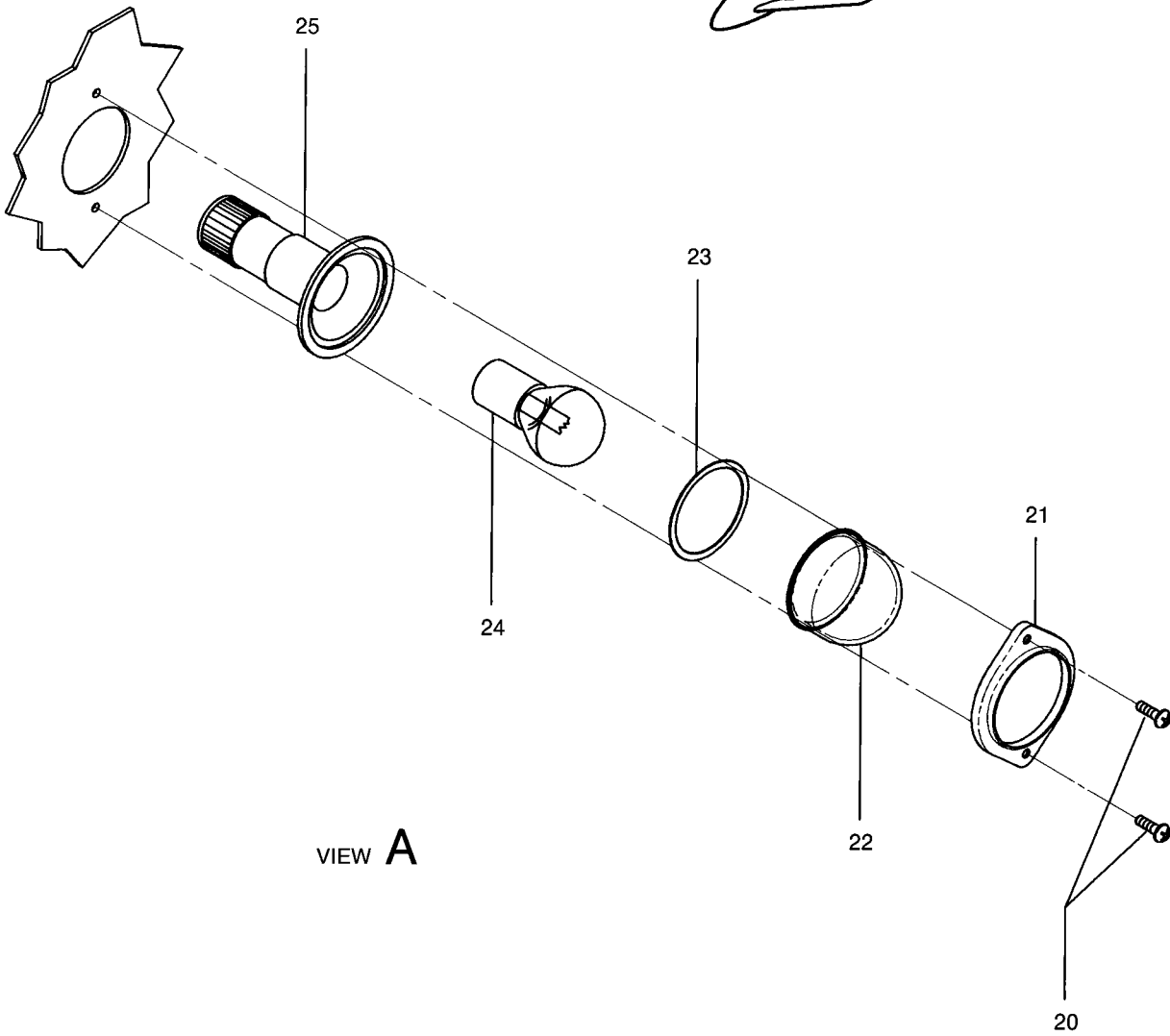
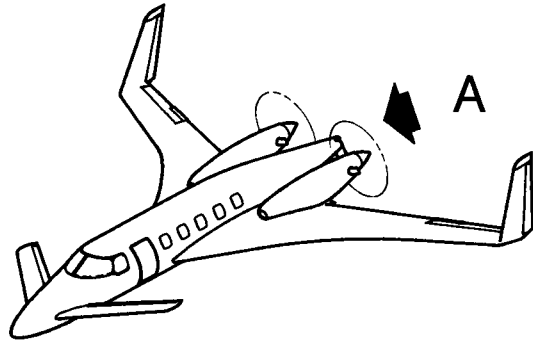
FIGURE 40-50. ANTI-COLLISION LIGHTS
/SHEET 1 OF 2 SHEETS/

Raytheon Aircraft

BEECH STARSHIP 1 ILLUSTRATED PARTS CATALOG

SUB-SECT UNIT & ITEM NO.	PART NO.	1 2 3 4 5 6 7	DESCRIPTION	UNITS PER ASSY	USABLE ON CODE
40-50	122-364179-1		LIGHT INSTL, LH WING ANTI-COLLISION	NP	
	122-364179-2		LIGHT INSTL, RH WING ANTI-COLLISION	NP	
	A600PR-D28		. LIGHT ASSY, LH WING ANTI-COLLISION	1	
	A600PG-D28		. LIGHT ASSY, RH WING ANTI-COLLISION	1	
			(ATTACHING PARTS)		
1	MS24693-28		. SCREW	3	
			-----★-----		
2	A612D		.. RETAINER, LENS	1	
			(ATTACHING PARTS)		
3	14-062116-060		.. SCREW	1	
4	14-062116-040		.. SCREW	1	
			-----★-----		
5	W1284G		.. DOME, LH GREEN GLASS	1	
	W1284R		.. DOME, RH RED GLASS	1	
6	W1290-28		.. BULB, 28 VOLT	1	
7	W1283		.. GASKET	1	
8	A610		.. TUBE ASSY, FLASH	1	
9	A427-4		.. GASKET	1	
10	A-615 LENS		.. DOME, CLEAR GLASS	1	
11	A-616 GASKET		.. GASKET, TAIL LIGHT	1	
12	A508-28		.. LAMP, TAIL LIGHT	1	
13	33-07250060-0		.. SOCKET	1	
			(ATTACHING PARTS)		
14	14-038002-80		.. SCREW	1	
15	16-0320710D2		.. WASHER	1	
			-----★-----		
16	02-0250069-00		.. BASE PLATE ASSY	1	
	207016-1		.. HOUSING, CONTACT PIN	1	
	66400-4		.. PIN, CONTACT	AR	
17	01-0770347-00		.. POWER SUPPLY, WING STROBE LIGHT	1	
			(ATTACHING PARTS)		
18	MS35206-245		. SCREW	4	
19	AN960-8L		. WASHER	4	
			-----★-----		

Beechcraft
STARSHIP 1
ILLUSTRATED PARTS CATALOG



2000-362-02

FIGURE 40-50.ANTI-COLLISION LIGHTS
/SHEET 2 OF 2 SHEETS/

Beechcraft
STARSHIP 1
ILLUSTRATED PARTS CATALOG

SUB-SEC UNIT & ITEM NO	PART NO.	DESCRIPTION 1 2 3 4 5 6 7	UNITS	USABLE
			PER ASSY	ON CODE
40-50	122-440011-47	TAIL CONE ASSY	1	
	101-360021-15	. LIGHT ASSY, TAIL NAV/COMPLETE WITH WIRING/	1	
	A2064-1683	. LIGHT ASSY, TAIL NAV/WITHOUT WIRING/	1	
- 20	MS35206-218	. SCREW..... -----★-----	2	
- 21	A2108	.. RETAINER, LENS	1	
- 22	A4513-1	.. LENS, CLEAR	1	
- 23	A2109-3	.. GASKET	1	
- 24	1683	.. BULB	1	
- 25	A3510	.. REFLECTOR AND SOCKET ASSY.....	1	

Deechcraft
STARSHIP 1
ILLUSTRATED PARTS CATALOG
LIST OF PAGES & TABLE OF CONTENTS
FOR
CHAPTER 34-00-00 NAVIGATION, PITOT/STATIC

CHAP/SUB- SECT & UNIT	PAGE NO.	EFFECTIVE DATE	TABLE OF CONTENTS
34-00-00	1	02/25/94	LIST OF PAGES & TABLE OF CONTENTS
34-00-00	2	02/25/94	
34-00-10	1	02/25/94	AVIONICS FEEDTHRU PLATE.....
34-00-10	2	02/25/94	
34-00-10	3	02/25/94	
34-10-00	1	02/25/94	PITOT AND STATIC PLUMBING
34-10-00	2	02/25/94	
34-10-00	3	02/25/94	
34-10-00	4	02/25/94	
34-10-00	5	02/25/94	
34-10-00	6	02/25/94	
34-10-00	7	02/25/94	
34-10-20	1	02/25/94	INSTRUMENT AIR PLUMBING.....
34-10-20	2	02/25/94	
34-10-20	3	02/25/94	
34-10-20	4	02/25/94	
34-10-20	5	02/25/94	
34-11-00	1	02/25/94	AIR DATA COMPUTER AND PLUMBING.....
34-11-00	2	02/25/94	
34-11-00	3	02/25/94	
34-20-00	1	02/25/94	MAGNETIC COMPASS
34-20-00	2	02/25/94	
34-20-00	3	02/25/94	
34-20-10	1	02/25/94	FLUX DETECTOR.....
34-20-10	2	02/25/94	
34-20-10	3	02/25/94	
34-20-20	1	02/25/94	ATTITUDE HEADING SYSTEM.....
34-20-20	2	02/25/94	
34-20-20	3	02/25/94	
34-20-20	4	02/25/94	
34-20-20	5	02/25/94	
34-30-00	1	02/25/94	GLIDESLOPE AND MARKER BEACON ANTENNAS
34-30-00	2	02/25/94	
34-30-00	3	02/25/94	
34-30-00	4	02/25/94	
34-30-00	5	02/25/94	
34-40-00	1	02/25/94	WEATHER RADAR TRANSCEIVER AND ANTENNA
34-40-00	2	02/25/94	
34-40-00	3	02/25/94	
34-50-00	1	02/25/94	NAVIGATION RECEIVER AND ANTENNA.....
34-50-00	2	02/25/94	
34-50-00	3	02/25/94	
34-50-10	1	02/25/94	VLF RECEIVER AND ANTENNA
34-50-10	2	02/25/94	
34-50-10	3	02/25/94	
34-50-20	1	02/25/94	ADF RECEIVER AND ANTENNA.....
34-50-20	2	02/25/94	
34-50-20	3	02/25/94	

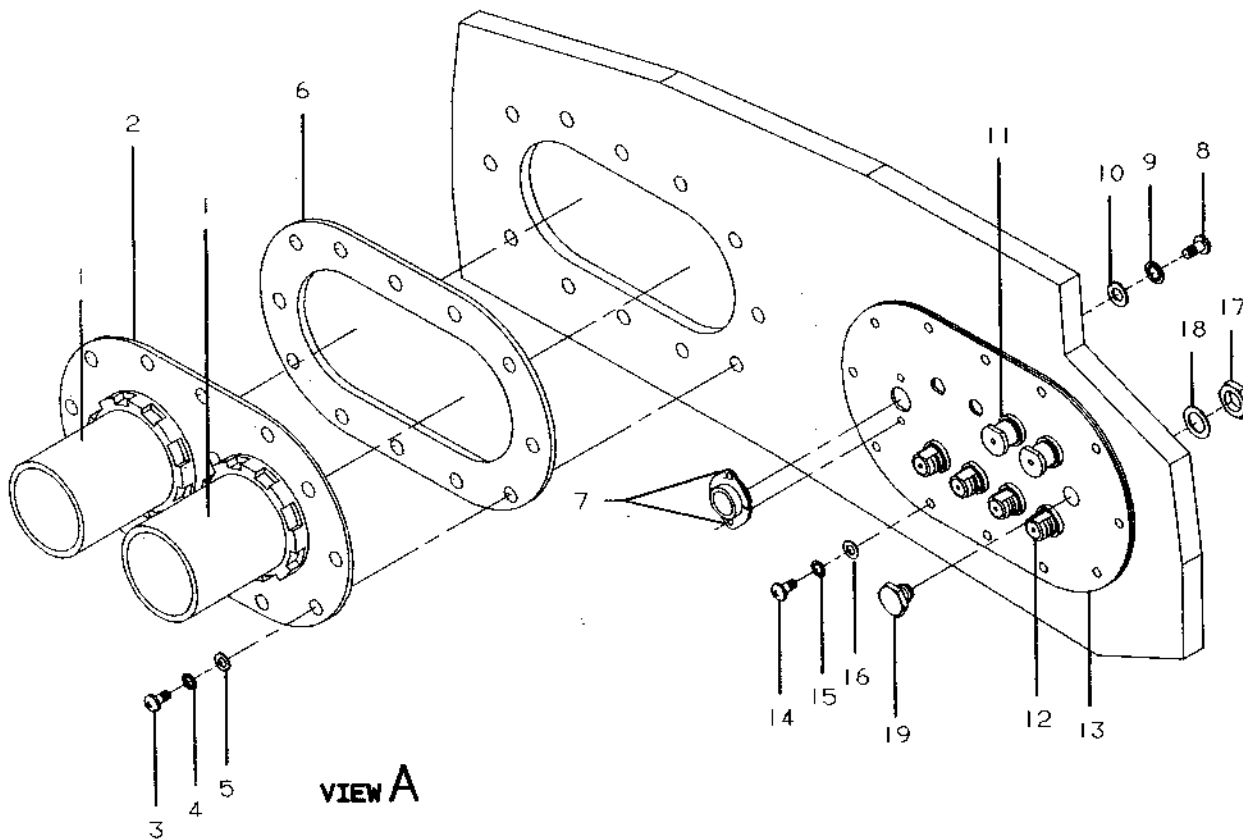
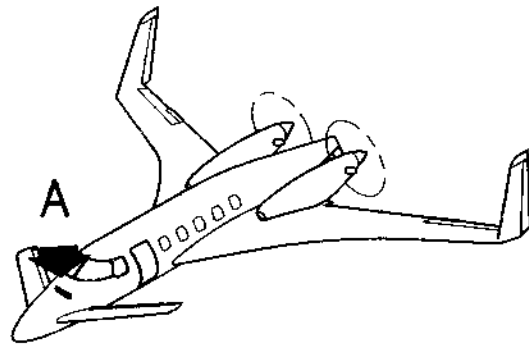
Beechcraft
STARSHIP 1
ILLUSTRATED PARTS CATALOG
LIST OF PAGES & TABLE OF CONTENTS
FOR
CHAPTER 34-00-00 NAVIGATION, PITOT/STATIC

CHAP/SUB- SECT & UNIT	PAGE NO.	EFFECTIVE DATE	TABLE OF CONTENTS
34-50-30	1	02/25/94	DME TRANSCEIVER AND ANTENNA
34-50-30	2	02/25/94	
34-50-30	3	02/25/94	
34-50-30	4	02/25/94	
34-50-30	5	02/25/94	
34-50-40	1	02/25/94	TRANSPONDER AND ANTENNA
34-50-40	2	02/25/94	
34-50-40	3	02/25/94	
34-50-50	1	02/25/94	RADIO ALTIMETER TRANSCEIVER AND ANTENNA
34-50-50	2	02/25/94	
34-50-50	3	02/25/94	
34-50-50	4	02/25/94	
34-50-50	5	02/25/94	
34-50-60	1	02/25/94	RADIO TUNING ADAPTER
34-50-60	2	02/25/94	NC-4 THRU NC-25
34-50-60	3	02/25/94	

Beechcraft
STARSHIP 1
ILLUSTRATED PARTS CATALOG

34-00-10
AVIONICS FEEDTHRU PLATE

Beechcraft
STARSHIP 1
ILLUSTRATED PARTS CATALOG



C93NC34A0459 C

FIGURE 00-10 AVIONICS FEEDTHRU PLATE

Beechcraft
STARSHIP 1
ILLUSTRATED PARTS CATALOG

SUB-SEC UNIT & ITEM NO	PART NO.	DESCRIPTION 1 2 3 4 5 6 7	UNITS	USABLE
			PER ASSY	ON CODE
00-10	122-341045-1	PLATE INSTL, AVIONICS FEEDTHRU	NP	
- 1	207W256-3-01	. FEEDTHRU	2	
- 2	122-341044-3	. PLATE	1	
		/ATTACHING PARTS/		
- 3	MS35207-265	. SCREW	12	
- 4	MS35338-43	. WASHER, LOCK	12	
- 5	AN960-10L	. WASHER	12	
		-----★-----		
- 6	122-340135-9	. GASKET	1	
- 7	97-364064-7	. SEAL ASSY	2	
		/ATTACHING PARTS/		
- 8	MS35206-248	. SCREW	1	
- 9	MS35338-42	. WASHER, LOCK	1	
- 10	AN960-8L	. WASHER	1	
		-----★-----		
	NAS1329A08K75	. RIVNUT	1	
- 11	79100	. CONNECTOR, COAXIAL	2	
- 12	UG30/U	. CONNECTOR, COAXIAL	4	
- 13	122-341044-1	. PLATE	1	
		/ATTACHING PARTS/		
- 14	MS35207-265	. SCREW	12	
- 15	MS35338-43	. WASHER, LOCK	12	
- 16	AN960-10L	. WASHER	12	
		-----★-----		
- 17	AN924-12D	. NUT	1	1
- 18	AN960JD1716L	. WASHER	1	1
- 19	AN814-12D	. PLUG	1	1

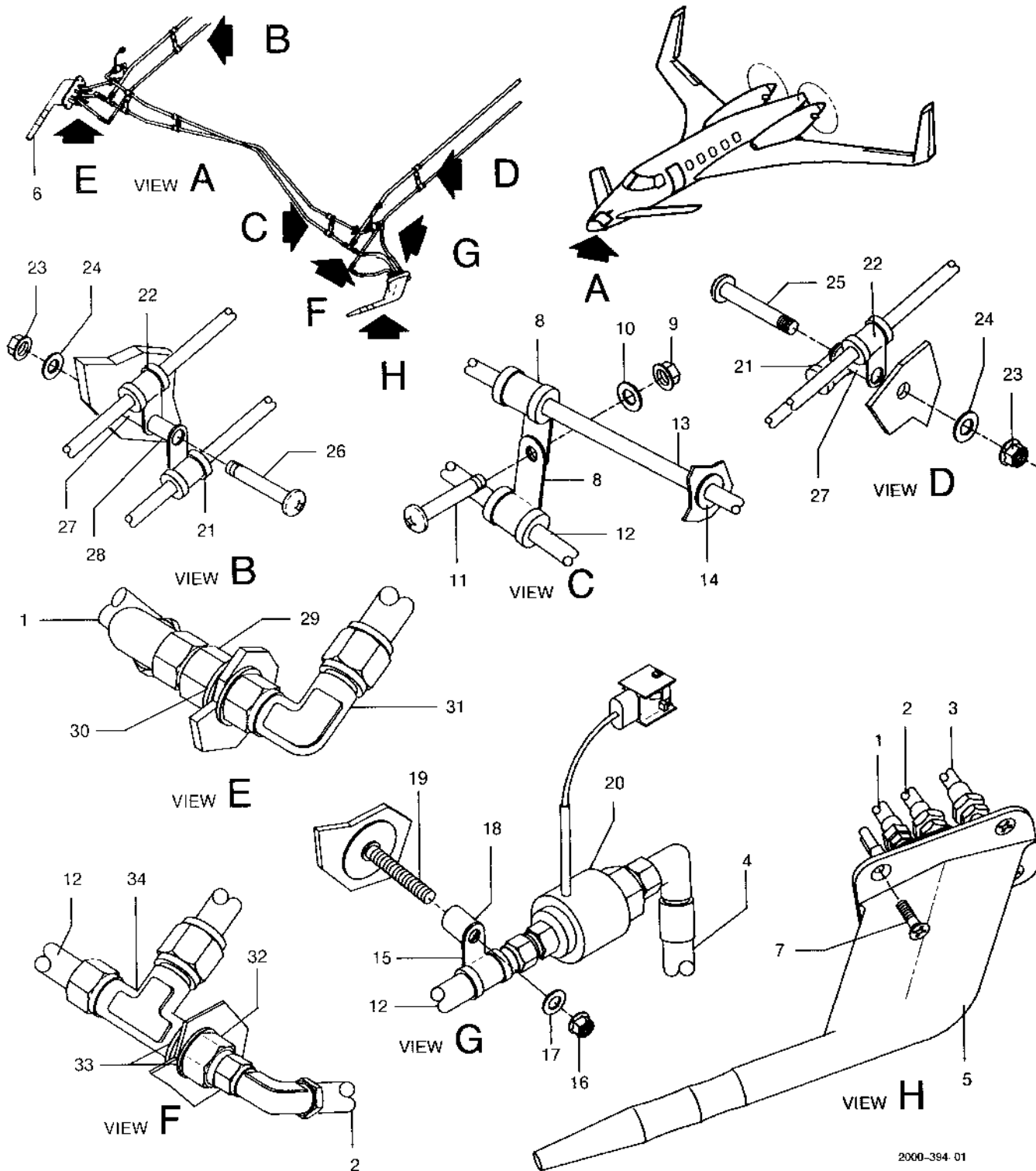
CODES OF EFFECTIVITY

1 NC-33 AND AFTER

Beechcraft
STARSHIP 1
ILLUSTRATED PARTS CATALOG

34-10-00
PITOT AND STATIC PLUMBING

Beechcraft
STARSHIP 1
ILLUSTRATED PARTS CATALOG



2000-394 01

FIGURE 10-00.PITOT AND STATIC PLUMBING
/SHEET 1 OF 3 SHEETS/

Beechcraft
STARSHIP 1
ILLUSTRATED PARTS CATALOG

SUB-SEC UNIT & ITEM NO	PART NO.	DESCRIPTION 1 2 3 4 5 6 7	UNITS	USABLE
			PER ASSY	ON CODE
10-00	122-320000-3	PITOT AND STATIC INSTL.....	NP	
- 1	132001D4-065180	. HOSE ASSY, PITOT.....	2	
- 2	132001D6-077180	. HOSE ASSY, STATIC.....	2	
- 3	132001D5-074260	. HOSE ASSY, LH STATIC.....	1	
- 4	132001D5-074100	. HOSE ASSY, RH STATIC.....	1	
- 5	122-384001-3	. PROBE, LH PITOT AND STATIC PRESSURE.....	1	
- 6	122-384001-4	. PROBE, RH PITOT AND STATIC PRESSURE.....	1	
		/ATTACHING PARTS/		
- 7	MS24694C53	. SCREW.....	4	
		★-----		
- 8	MS21919DG6	. CLAMP.....	4	
		/ATTACHING PARTS/		
- 9	130909N29	. NUT.....	1	
-10	AN960-10L	. WASHER.....	1	
-11	MS35207-264	. SCREW.....	1	
		★-----		
-12	122-320020-1	. TUBE ASSY, STATIC.....	1	
-13	122-320023-1	. TUBE ASSY, STATIC.....	1	
-14	MS35489-16	. GROMMET.....	2	
-15	MS21919DG6	. CLAMP.....	2	
		/ATTACHING PARTS/		
-16	130909N31	. NUT.....	1	
-17	AN960-10L	. WASHER.....	1	
-18	NAS43DD3-60	. SPACER.....	1	
-19	CB4000C3CR22	. STUD.....	1	
		★-----		
-20	122-380046-1	. VALVE ASSY, STATIC SOLENOID.....	2	
-21	MS21919DG6	. CLAMP.....	2	
-22	MS21919DG4	. CLAMP.....	2	
		/ATTACHING PARTS/		
-23	130909N29	. NUT.....	1	
-24	AN960-10L	. WASHER.....	1	
-25	MS27039-1-28	. SCREW.....	1	
-26	MS27039-1-41	. SCREW.....	1	
-27	NAS43DD3-32	. SPACER.....	1	
-28	NAS43DD3-48	. SPACER.....	1	
		★-----		
-29	AN924-4D	. NUT.....	2	
-30	AN960D716L	. WASHER.....	2	
-31	AN833-4D	. ELBOW, BULKHEAD.....	2	
-32	AN924-6D	. NUT.....	2	
-33	AN960D916L	. WASHER.....	6	
-34	AN804-6D	. TEE, BULKHEAD.....	2	

Beechcraft
STARSHIP 1
ILLUSTRATED PARTS CATALOG

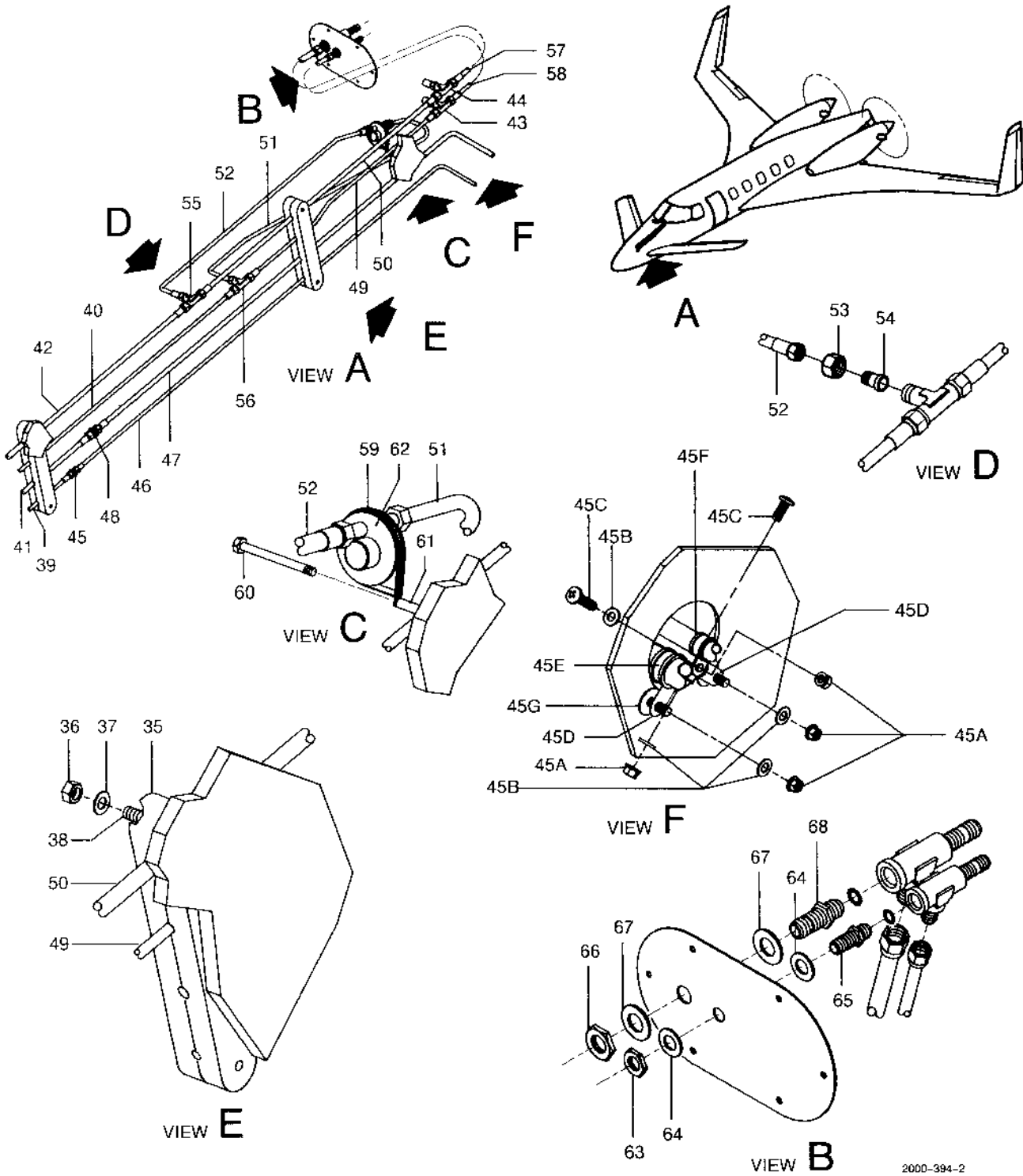
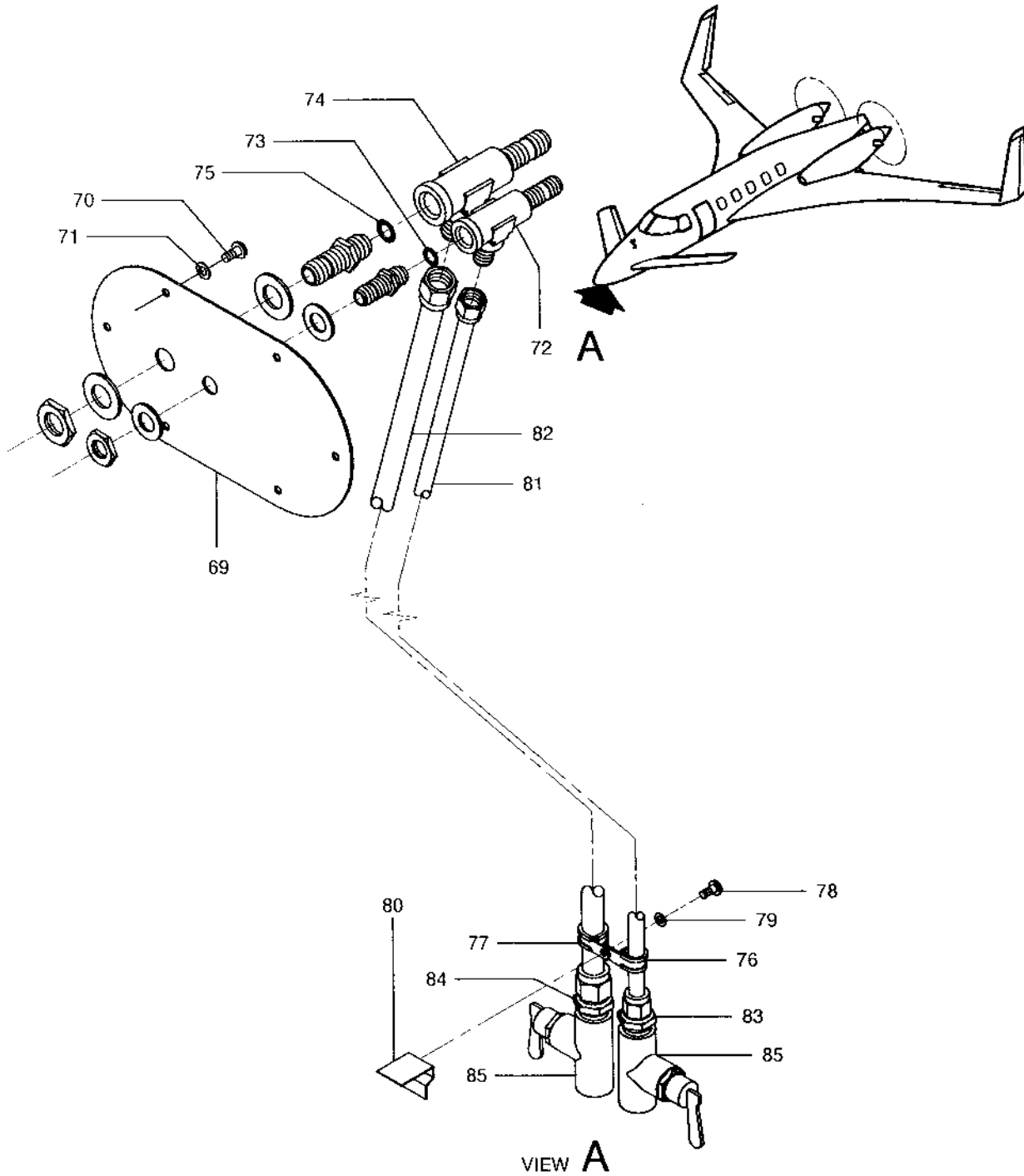


FIGURE 10-00.PITOT AND STATIC PLUMBING
/SHEET 2 OF 3 SHEETS/

Beechcraft
STARSHIP 1
ILLUSTRATED PARTS CATALOG

SUB-SEC UNIT & ITEM NO	PART NO.	DESCRIPTION 1 2 3 4 5 6 7	UNITS PER ASSY	USABLE ON CODE
10-00 - 35	122-580036-17	. BLOCK	4	
		. /ATTACHING PARTS/		
- 36	130909N31	. NUT	2	
- 37	AN960-10L	. WASHER	2	
- 38	CB4000C3CR22	. STUD	2	
		-----★-----		
- 39	122-320022-1	. TUBE ASSY, LH PITOT	1	
- 40	122-320044-1	. TUBE ASSY, RH PITOT	1	
- 41	122-320027-1	. TUBE ASSY, LH STATIC	1	
- 42	122-320040-1	. TUBE ASSY, RH STATIC	1	
- 43	AN824-4D	. TEE, AIR DATA COMPUTER PITOT SOURCE	1	
	AN929-4	. CAP, TEE	1	
- 44	AN824-6D	. TEE, AIR DATA COMPUTER STATIC SOURCE	1	
	AN929-6	. CAP, TEE	1	
- 45	AN815-4D	. UNION, AIR DATA COMPUTER PITOT SOURCE	1	
- 45A	130909N29	. NUT	4	
- 45B	AN960-10L	. WASHER	4	
- 45C	MS35207-262	. SCREW	2	
- 45D	130864-1	. BRACKET	2	
- 45E	MS21919WDG6	. CLAMP	1	
- 45F	MS21919WDG4	. CLAMP	1	
- 45G	132131-3-11	. STUD	2	
- 46	122-320043-1	. TUBE ASSY, LH PITOT	1	
- 47	122-320042-1	. TUBE ASSY, LH STATIC	1	
- 48	AN815-6D	. UNION, AIR DATA COMPUTER STATIC SOURCE	1	
- 49	122-320041-1	. TUBE ASSY, RH PITOT	1	
- 50	122-320039-1	. TUBE ASSY, RH STATIC	1	
- 51	122-320029-5	. TUBE ASSY, RH PITOT TO LDG GR DIFFERENTIAL	1	
		. SWITCH		
- 52	122-320021-5	. TUBE ASSY, RH STATIC TO LDG GR DIFFERENTIAL	1	
		. SWITCH		
		NOTE BOND PLUMBING TUBES TO GROUND PLANE WITH MS25083-2BBX BONDING STRAP WITH AS SHORT A LEAD AS POSSIBLE USING AN735D6 OR AN735D4 CLAMP. SECURE WITH MS35207-265 SCREW, AN960-10L WASHER, 130909N29 NUT AND IF APPLICABLE MS35338-43 LOCK WASHER.		
- 53	AN818-6D	. NUT	1	
- 54	NAS1564D6-4	. REDUCER	1	
- 55	AN824-6D	. TEE	1	
- 56	AN824-4D	. TEE	1	
- 57	122-320036-1	. TUBE ASSY, RH STATIC	1	
- 58	122-320035-1	. TUBE ASSY, RH PITOT	1	
- 59	MS21919WDG42	. CLAMP	1	
		. /ATTACHING PARTS/		
- 60	AN3C27	. BOLT	1	
- 61	NAS43DD3-156	. SPACER	1	
		-----★-----		
- 62	101-384111-3	. SWITCH, LANDING GEAR WARNING DIFFERENTIAL	1	
		. PRESSURE		
- 63	AN924-4D	. NUT	1	
- 64	AN960D716L	. WASHER	2	
- 65	AN832-4D	. UNION, BULKHEAD	1	
- 66	AN924-6D	. NUT	1	
- 67	AN960D916L	. WASHER	2	
- 68	AN832-6D	. UNION, BULKHEAD	1	

Beechcraft
STARSHIP 1
ILLUSTRATED PARTS CATALOG



2000-394-06

FIGURE 10-00.PITOT AND STATIC PLUMBING
/SHEET 3 OF 3 SHEETS/

Beechcraft
STARSHIP 1
ILLUSTRATED PARTS CATALOG

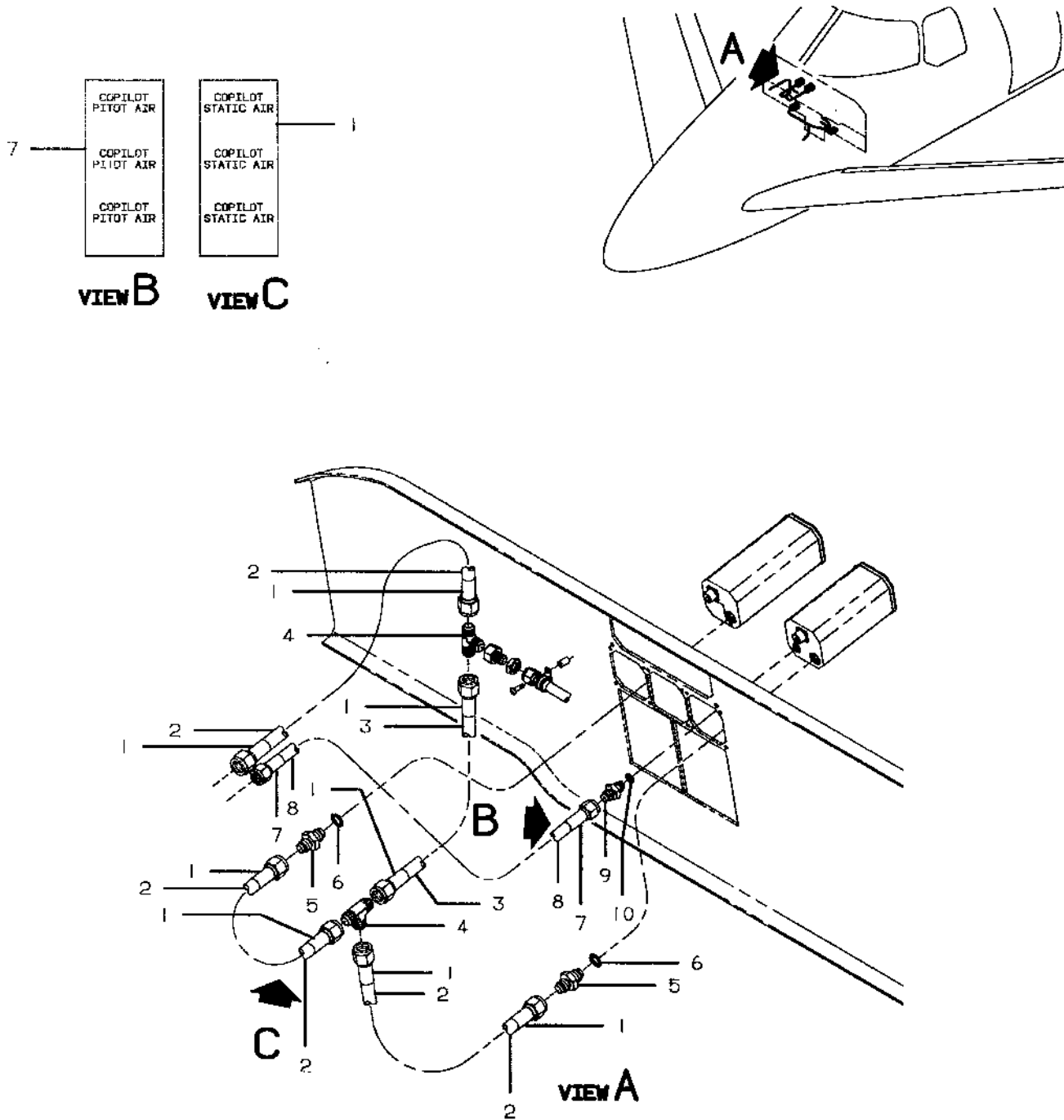
SUB-SEC UNIT & ITEM NO	PART NO.	DESCRIPTION 1 2 3 4 5 6 7	UNITS	USABLE
			PER ASSY	ON CODE
10-00 - 69	122-320034-5	. PLATE	1	
		. /ATTACHING PARTS/		
- 70	MS27039-1-10	. SCREW	6	
- 71	AN960-10L	. WASHER	6	
		-----★-----		
- 72	AN784-4D	. TEE	1	
- 73	MS28778-4	. PACKING, PREFORMED	1	
- 74	AN784-6D	. TEE	1	
- 75	MS28778-6	. PACKING, PREFORMED	1	
- 76	MS21919DG4	. CLAMP	1	
- 77	MS21919DG6	. CLAMP	1	
- 78	MS35207-262	. SCREW	1	
- 79	AN960-10L	. WASHER	1	
- 80	122-320034-7	. BRACKET ASSY	1	
	NAS1474A3	. NUTPLATE	1	
- 81	122-320045-1	. TUBE ASSY, COPILOT PITOT	1	
- 82	122-320046-1	. TUBE ASSY, COPILOT STATIC	1	
- 83	AN816-4D	. ADAPTER	1	
- 84	AN816-6-20	. ADAPTER	1	
- 85	101-384184-3	. VALVE ASSY	2	

-END-

Beechcraft
STARSHIP 1
ILLUSTRATED PARTS CATALOG

34-10-20
INSTRUMENT AIR PLUMBING

Beechcraft
STARSHIP 1
ILLUSTRATED PARTS CATALOG



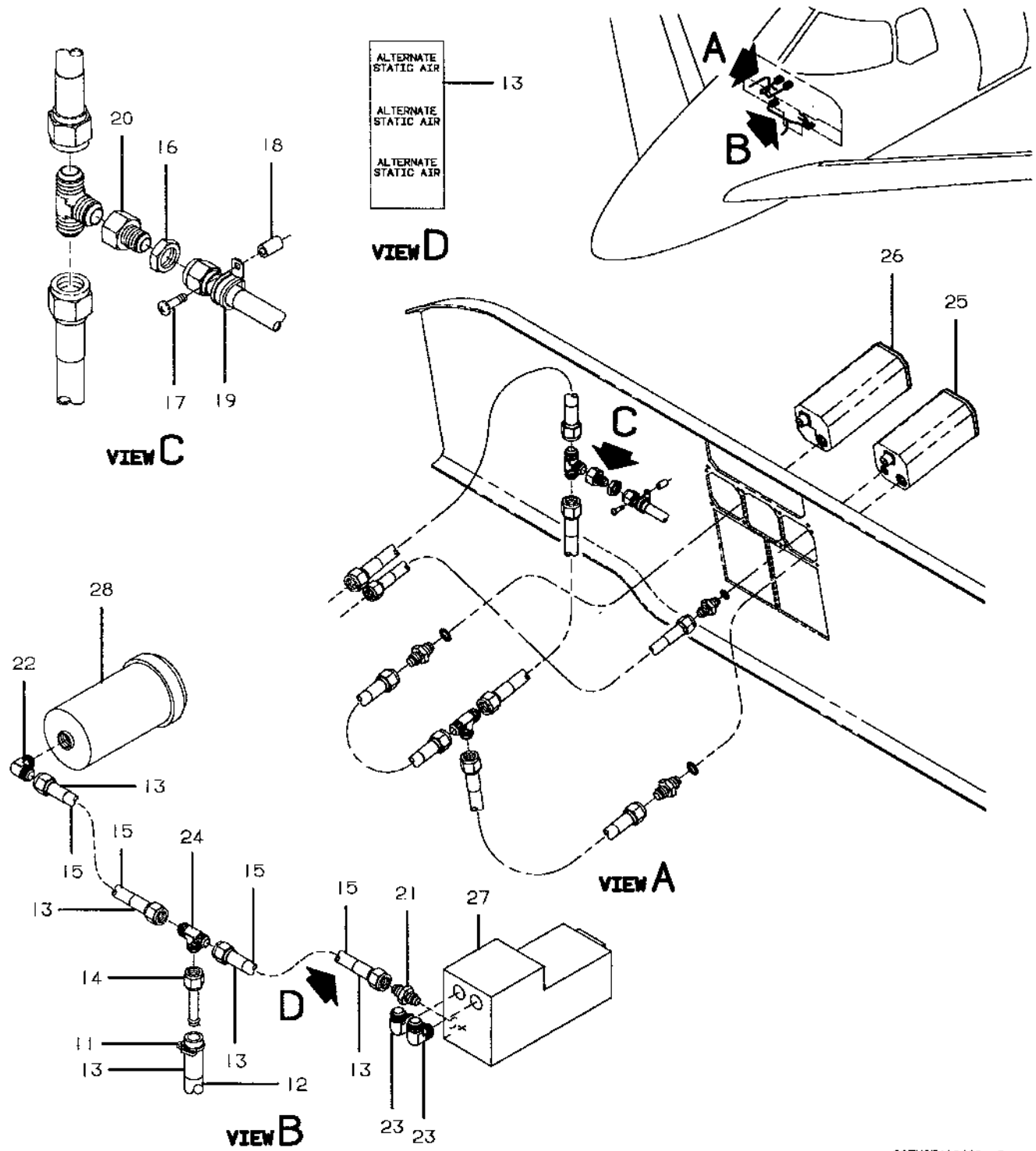
C93NC34A0468 C

FIGURE 10-20. INSTRUMENT AIR PLUMBING
/SHEET 1 OF 2 SHEETS/

Deechcraft
STARSHIP 1
ILLUSTRATED PARTS CATALOG

SUB-SEC UNIT & ITEM NO	PART NO.	DESCRIPTION 1 2 3 4 5 6 7	UNITS	USABLE
			PER ASSY	ON CODE
10-20	122-322175-1	PLUMBING INSTL, INSTRUMENT PANEL	NP	
- 1	101-320234-11	. PLACARD, IDENTIFICATION/COPILOT STATIC AIR/	8	
- 2	36001-6-0080	. HOSE ASSY	3	
- 3	36001-6-0150	. HOSE ASSY, STATIC AIR	1	
- 4	AN824-6D	. TEE, PRESSURE CONTROLLER STATIC AIR SUPPLY	2	
		PORT		
- 5	AN919-7D	. UNION	2	
- 6	MS28778-5	. PACKING, PREFORMED	2	
- 7	101-320234-7	. PLACARD	2	
- 8	36001-4-0250	. HOSE	1	
- 9	AN815-4D	. UNION	1	
- 10	MS28778-4	. PACKING, PREFORMED	1	

Beechcraft
STARSHIP 1
ILLUSTRATED PARTS CATALOG



C93NC34A0469 C

FIGURE 10-20. INSTRUMENT AIR PLUMBING
/SHEET 2 OF 2 SHEETS/

Beechcraft
STARSHIP 1
ILLUSTRATED PARTS CATALOG

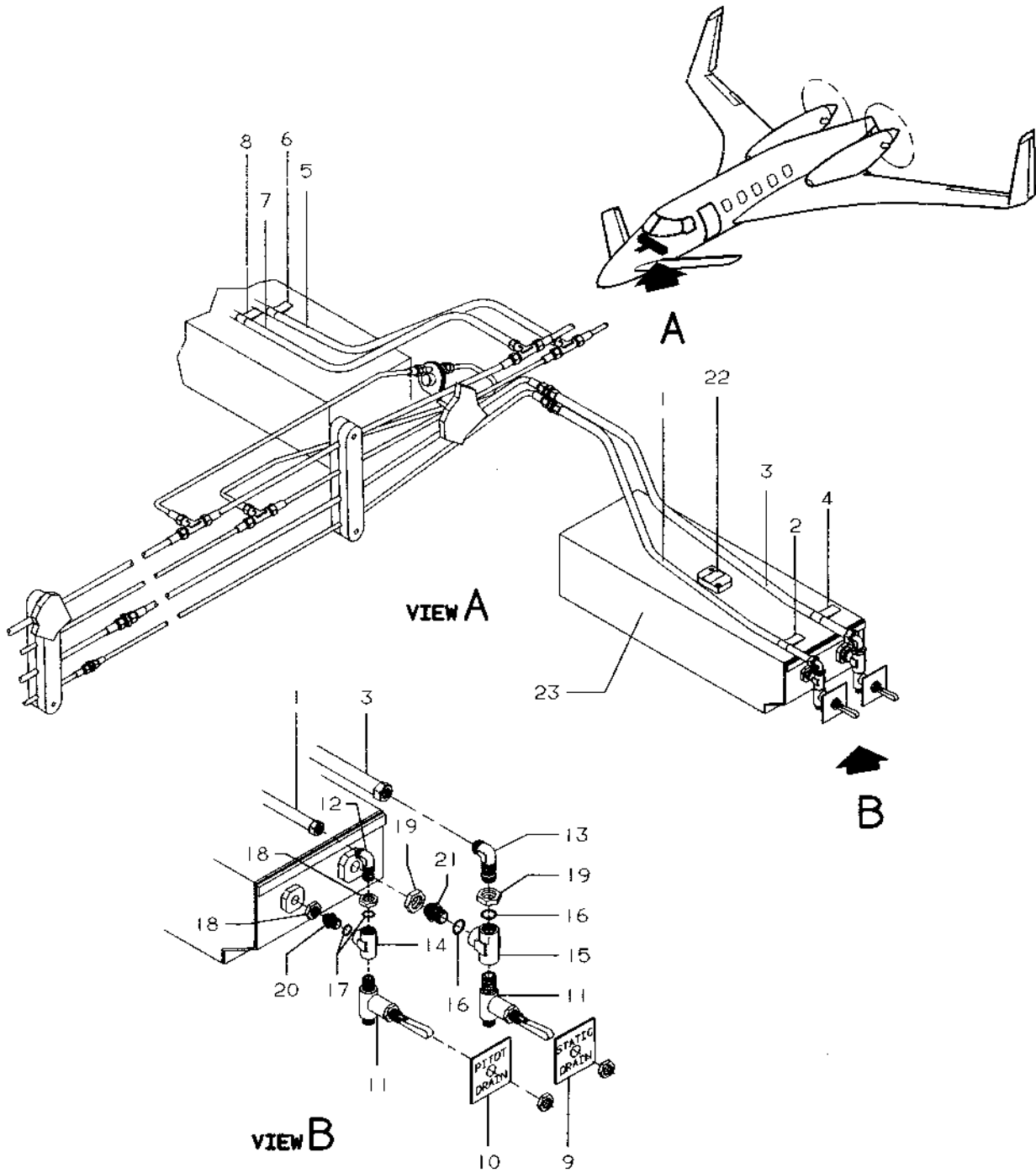
SUB-SEC UNIT & ITEM NO	PART NO.	DESCRIPTION 1 2 3 4 5 6 7	UNITS	USABLE
			PER ASSY	ON CODE
10-20 - 11	131466B1	. CLAMP	2	
- 12	131823E4A0480	. TUBE	1	
- 13	101-320234-13	. PLACARD	6	
- 14	122-540111-13	. TUBE ASSY	1	
- 15	36001-4-0100	. HOSE ASSY	2	
- 16	AN818-6D	. NUT	1	
- 17	MS35207-269	. SCREW	1	
- 18	NAS43DD3-48	. SPACER	1	
- 19	MS21919WDG12	. CLAMP	1	
- 20	NAS1564D6-4	. REDUCER	1	
- 21	AN816-4D	. NIPPLE	1	
- 22	AN822-4D	. ELBOW	1	
- 23	269-0FS04X02	. ELBOW, SWIVEL/MALE/	2	
- 24	AN824-4D	. TEE	1	
- 25	122-382104-1	INDICATOR, AIRSPEED/2 INCH/	1	
- 26	122-382142-5	INDICATOR, PNEUMATIC STANDBY/2 INCH/	1	
- 27	122-382143-1	INDICATOR, DEICE PRESSURIZATION	1	
- 28	122-382146-7	INDICATOR, CABIN ALTITUDE AND DIFFERENTIAL PRESSURIZATION	1	

NOTE SEE CHAPTER 34-10-00 FOR THE INSTRUMENT
AIR PLUMBING FORWARD OF THE FIREWALL.

Beechcraft
STARSHIP 1
ILLUSTRATED PARTS CATALOG

34-11-00
AIR DATA COMPUTER AND PLUMBING

Beechcraft
STARSHIP 1
ILLUSTRATED PARTS CATALOG



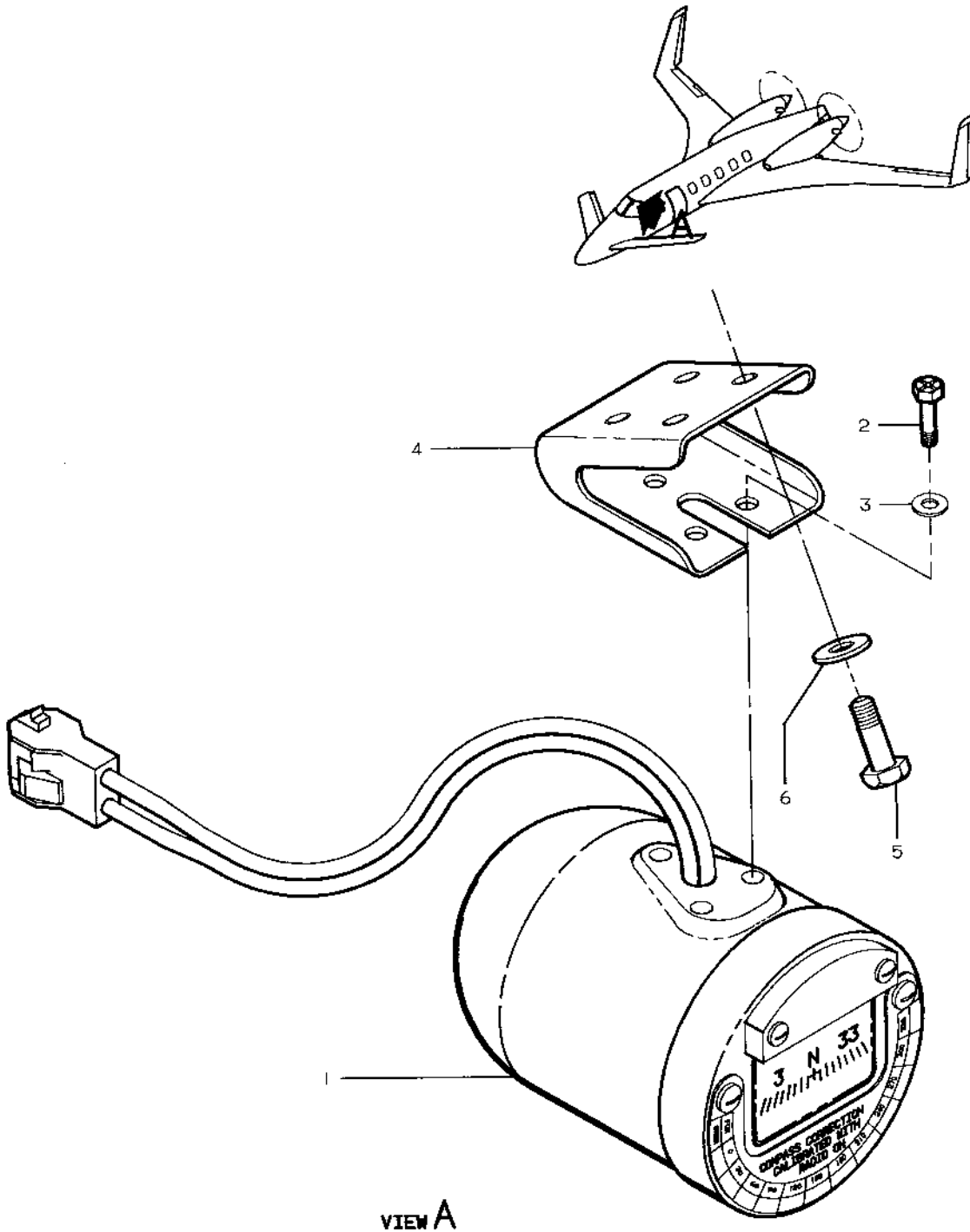
C93NC34A0471 C

FIGURE 11-00.AIR DATA COMPUTER AND PLUMBING

Beechcraft
STARSHIP 1
ILLUSTRATED PARTS CATALOG

34-20-00
MAGNETIC COMPASS

Beechcraft
STARSHIP 1
ILLUSTRATED PARTS CATALOG



C9100912

FIGURE 20-00.MAGNETIC COMPASS

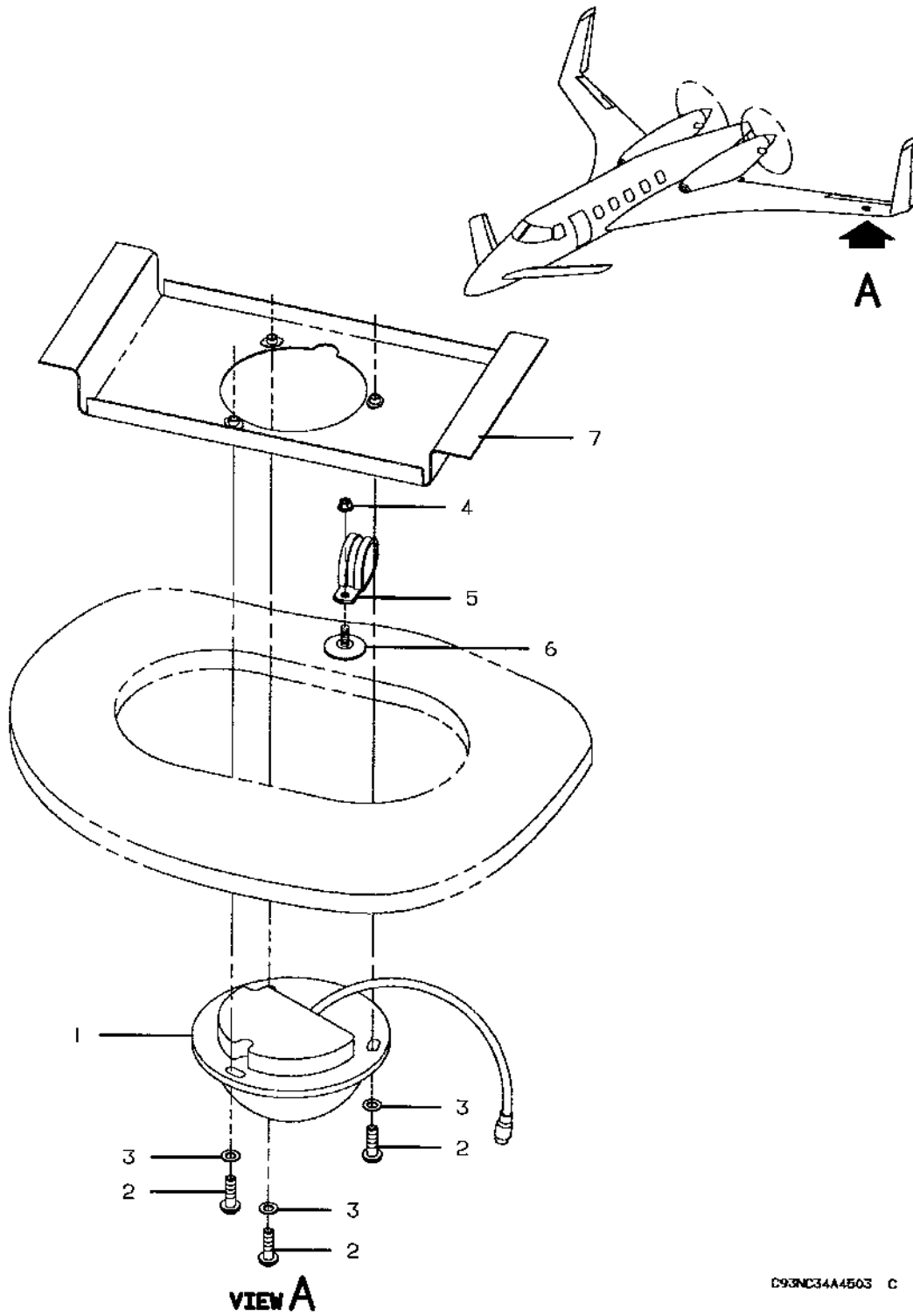

STARSHIP 1
ILLUSTRATED PARTS CATALOG

SUB-SEC UNIT & ITEM NO	PART NO.	DESCRIPTION 1 2 3 4 5 6 7	UNITS PER ASSY	USABLE ON CODE
20-00	122-322015-3	COMPASS INSTL, MAGNETIC/CENTER POST/.....	NP	
- 1	122-382050-3	. COMPASS, MAGNETIC.....	1	
		/ATTACHING PARTS/		
- 2	MS27039C805	. SCREW.....	3	
- 3	AN960C8L	. WASHER.....	3	
		-----★-----		
- 4	122-322066-5	. BRACKET.....	1	
		/ATTACHING PARTS/		
- 5	AN3C4A	. BOLT.....	4	
- 6	AN960C10L	. WASHER.....	4	
		-----★-----		

Beechcraft
STARSHIP 1
ILLUSTRATED PARTS CATALOG

34-20-10
FLUX DETECTOR

Beechcraft
STARSHIP 1
ILLUSTRATED PARTS CATALOG



D93NC34A4563 C

FIGURE 20-10.FLUX DETECTOR

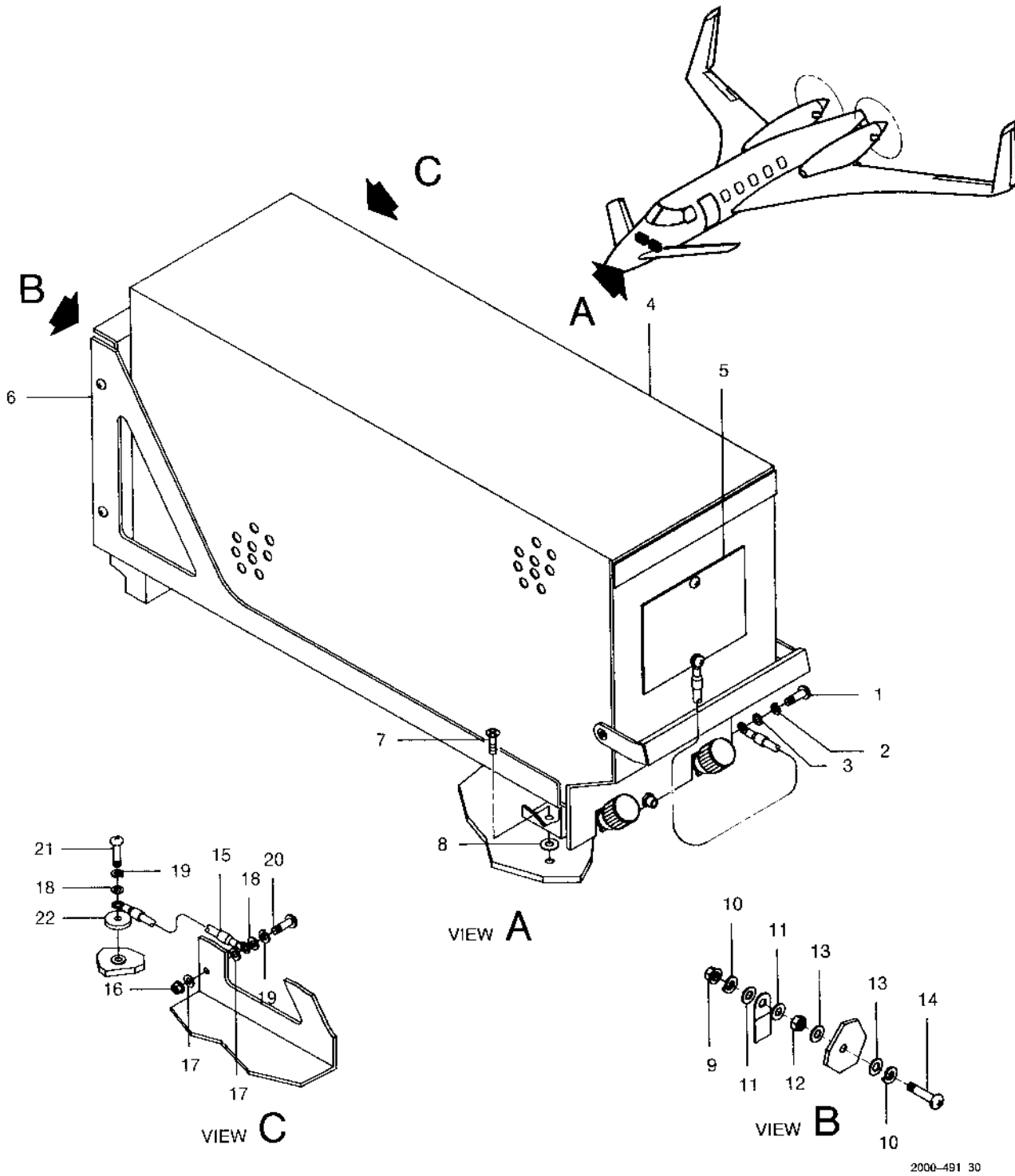
Beechcraft
STARSHIP 1
ILLUSTRATED PARTS CATALOG

SUB-SEC UNIT & ITEM NO	PART NO.	DESCRIPTION 1 2 3 4 5 6 7	UNITS	USABLE
			PER ASSY	ON CODE
20-10	122-342019-1	FLUX DETECTOR INSTL, LH	NP	
	122-342019-2	FLUX DETECTOR INSTL, RH	NP	
- 1	622-5812-001	. FLUX VALVE	1	
		. /ATTACHING PARTS/		
- 2	MS35214-27	. SCREW	3	
- 3	AN960B6	. WASHER	3	
		★		
- 4	MS21043-3	. NUT	1	
- 5	MS21919WDG14	. CLAMP	1	
- 6	CB4000C3CR8	. STUD	1	
- 7	122-341006-5	BRACKET ASSY, LH FLUX VALVE	1	
	122-341006-6	BRACKET ASSY, RH FLUX VALVE	1	
	NAS1068C06M	. NUTPLATE	3	

Beechcraft
STARSHIP 1
ILLUSTRATED PARTS CATALOG

34-20-20
ATTITUDE HEADING SYSTEM

Beechcraft
STARSHIP 1
ILLUSTRATED PARTS CATALOG



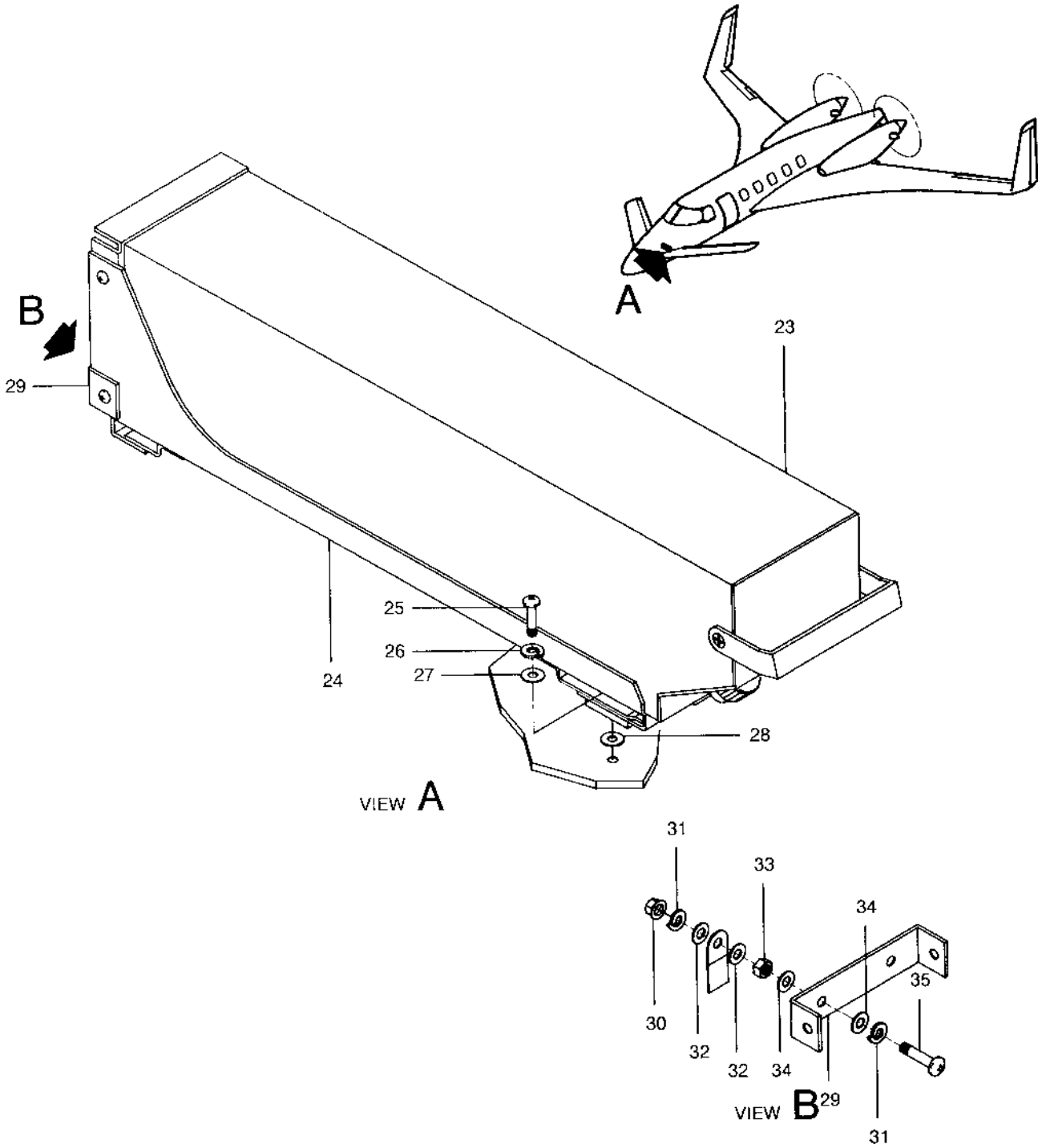
2000-491 30

FIGURE 20-20.ATTITUDE HEADING SYSTEM
/SHEET 1 OF 2 SHEETS/

Boechcraft
STARSHIP 1
ILLUSTRATED PARTS CATALOG

SUB-SEC UNIT & ITEM NO	PART NO.	DESCRIPTION 1 2 3 4 5 6 7	UNITS	USABLE
			PER ASSY	ON CODE
20-20	122-342036-3	ATTITUDE HEADING REF SYSTEM INSTL.....	NP	
- 1	MS35206-213	. SCREW.....	1	
- 2	MS35338-40	. WASHER, LOCK.....	1	
- 3	AN960-4L	. WASHER.....	1	
- 4	622-7386-001	. COMPUTER, ATTITUDE HEADING/AHC-85D/.....	1	
- 5	622-6189-001	. COMPENSATION UNIT, INTERNAL/ICU-85/.....	1	
- 6	122-341001-71	. RACK ASSY.....	1	
		/ATTACHING PARTS/		
- 7	MS35191-278	. SCREW.....	4	
- 8	AN960JD716	. WASHER.....	4	
		---★---		
- 9	130909N28	.. NUT.....	2	
- 10	MS35338-42	.. WASHER, LOCK.....	4	
- 11	AN960-8L	.. WASHER.....	4	
- 12	MS35649-282	.. NUT.....	2	
- 13	AN960JD8	.. WASHER.....	4	
- 14	MS35206-247	.. SCREW.....	2	
	634-1116-001	.. KEYWAY.....	4	
	324-2605-000	.. SCREW.....	4	
	634-1117-001	.. RING, CAPTIVE.....	4	
	634-1128-001	.. SPACER.....	4	
	622-8304-002	.. RACK.....	1	
		NOTE THE FOLLOWING SHIMS ARE USED TO LEVEL THE RACK IF REQUIRED.		
	634-3020-001	.. SHIM/BACK/.....	AR	
	634-3020-002	.. SHIM/BACK/.....	AR	
	634-3020-003	.. SHIM/BACK/.....	AR	
	634-3020-004	.. SHIM/BACK/.....	AR	
	634-3020-005	.. SHIM/BACK/.....	AR	
	634-3020-006	.. SHIM/BACK/.....	AR	
	634-3021-001	.. SHIM/FRONT/.....	AR	
	634-3021-002	.. SHIM/FRONT/.....	AR	
	634-3021-003	.. SHIM/FRONT/.....	AR	
	634-3021-005	.. SHIM/FRONT/.....	AR	
	634-3021-006	.. SHIM/FRONT/.....	AR	
- 15	MS25083-2BB8	. JUMPER ASSY.....	1	
		/ATTACHING PARTS/		
- 16	130909N29	. NUT.....	1	
- 17	AN960JD10L	. WASHER.....	2	
- 18	AN960-10L	. WASHER.....	2	
- 19	MS35338-43	. WASHER, LOCK.....	2	
- 20	MS27039-1-09	. SCREW.....	1	
- 21	MS35207-265	. SCREW.....	1	
- 22	122-340070-9	. WASHER.....	1	
		---★---		
	122-340069-1	. GROUND WIRE TERMINATION INSTL/SEE CHAPTER 23/.....	NP	

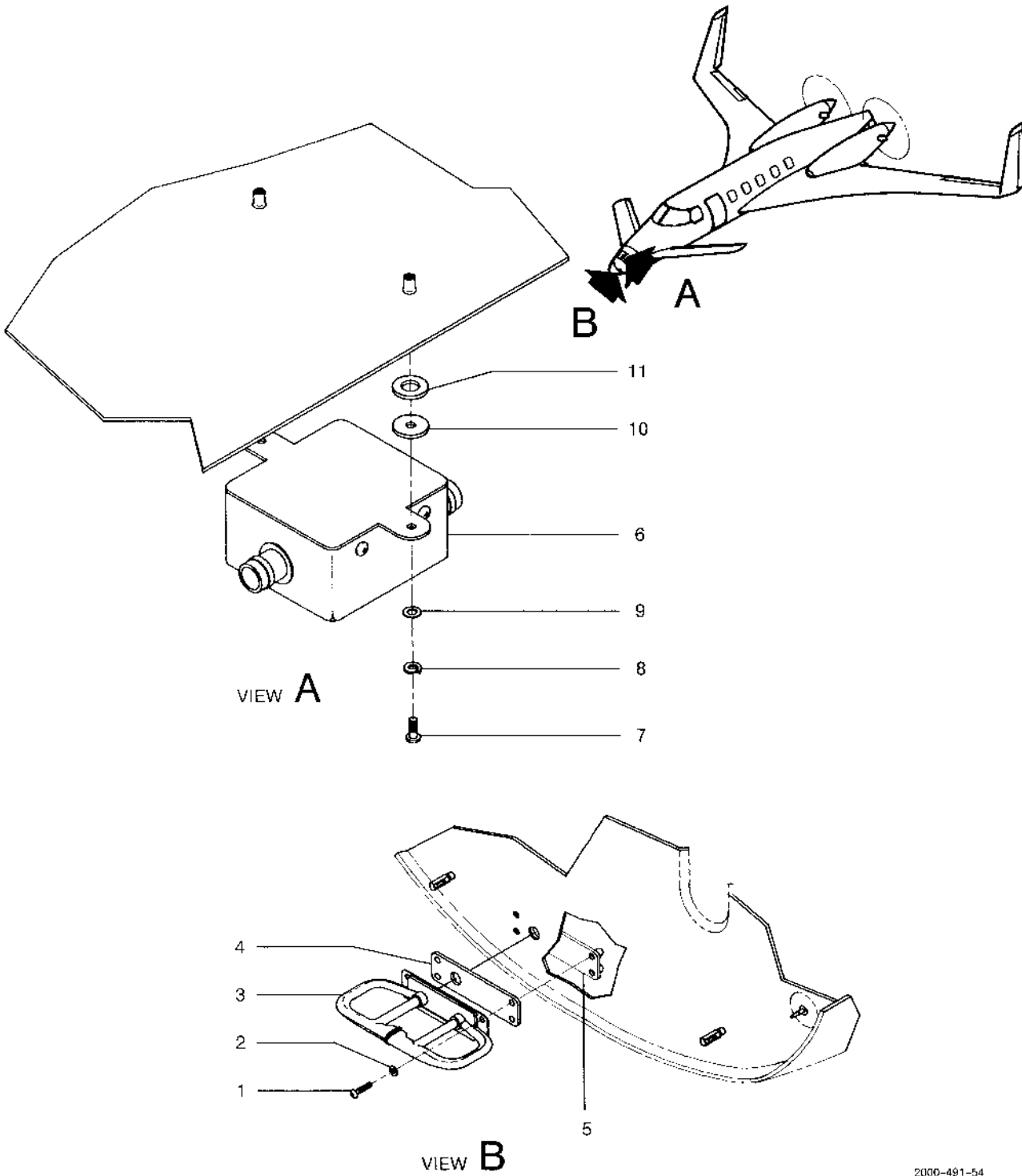
Beechcraft
 STARSHIP 1
 ILLUSTRATED PARTS CATALOG



2000 491-31

FIGURE 20-20. ATTITUDE HEADING SYSTEM
 /SHEET 2 OF 2 SHEETS/

Beechcraft
STARSHIP 1
ILLUSTRATED PARTS CATALOG



2000-491-54

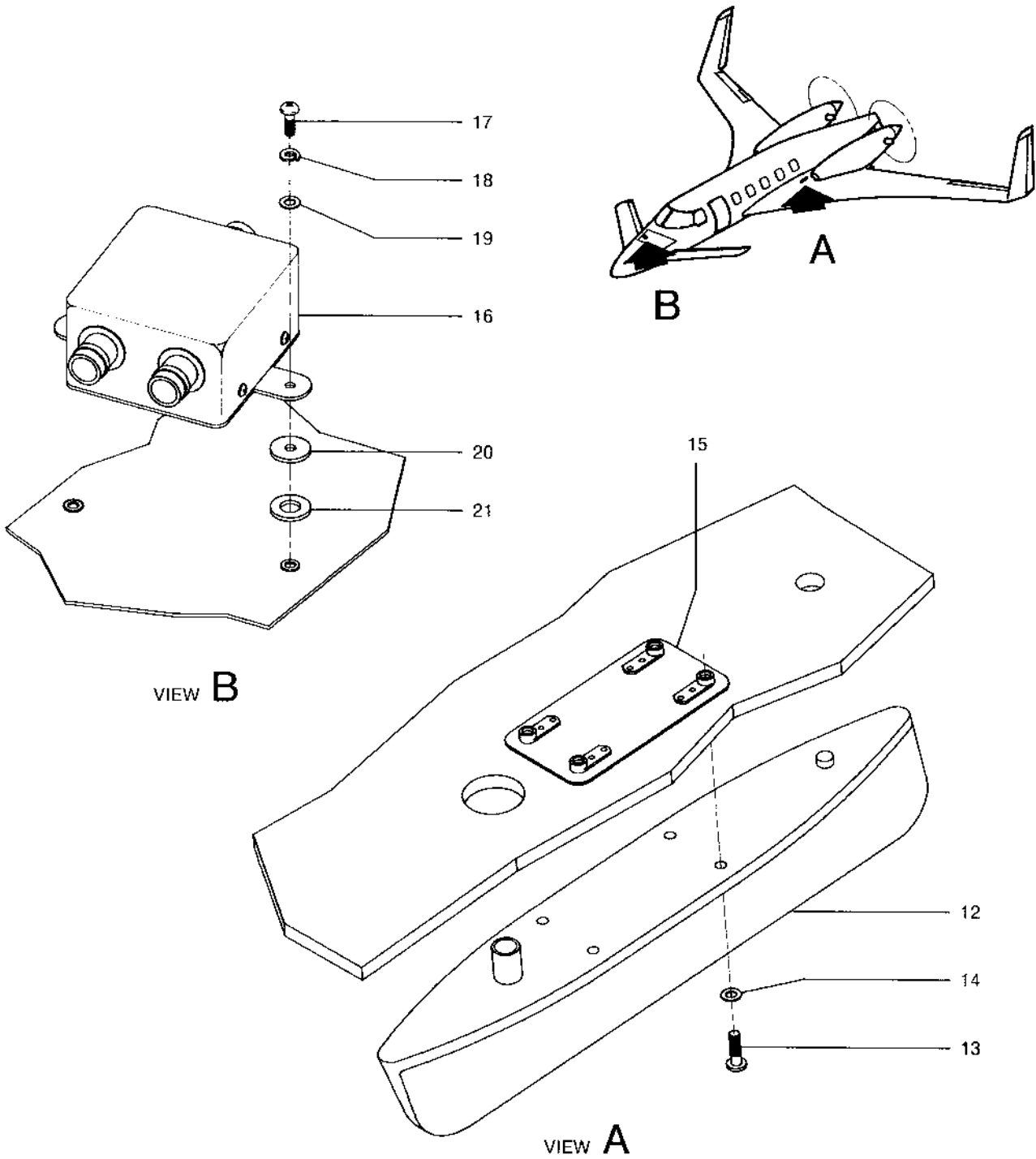
FIGURE 30-00.GLIDESLOPE & MKR BEACON ANTENNAS
/SHEET 1 OF 2 SHEETS/

Beechcraft
STARSHIP 1
ILLUSTRATED PARTS CATALOG

SUB-SEC UNIT & ITEM NO	PART NO.	DESCRIPTION 1 2 3 4 5 6 7	UNITS	USABLE
			PER ASSY	ON CODE
30-00	122-342012-13	ANTENNA INSTL, GLIDESLOPE.....	NP	
- 1	MS27039-0811	. SCREW.....	4	
- 2	AN960-8L	. WASHER.....	4	
- 3	100-384128	. ANTENNA.....	1	
- 4	122-342012-3	. PLATE.....	1	
- 5	122-342012-9	. PLATE ASSY.....	1	
	MS21086L08	. NUTPLATE.....	4	
	122-340071-3	COUPLER INSTL.....	NP	
- 6	101-380043	. COUPLER/GLS/ /ATTACHING PARTS/.....	1	
- 7	MS35207-263	. SCREW.....	2	
- 8	MS35338-43	. WASHER, LOCK.....	2	
- 9	AN960-10L	. WASHER.....	2	
- 10	122-340070-1	. WASHER.....	2	
- 11	AN960JD716	. WASHER.....	2	

---★---

Beechcraft
STARSHIP 1
ILLUSTRATED PARTS CATALOG



2000-491 55

FIGURE 30-00.GLIDESLOPE & MKR BEACON ANTENNAS
/SHEET 2 OF 2 SHEETS/


STARSHIP 1
ILLUSTRATED PARTS CATALOG

SUB-SEC UNIT & ITEM NO	PART NO.	DESCRIPTION 1 2 3 4 5 6 7	UNITS PER ASSY	USABLE ON CODE
30-00	122-341012-1	ANTENNA INSTL, MARKER BEACON.....	NP	
-12	101-384179	. ANTENNA.....	1	
		. /ATTACHING PARTS/		
-13	MS51958-69	. SCREW.....	4	
-14	NAS620-10L	. WASHER.....	4	
		-----★-----		
-15	122-340039-215	. REINFORCEMENT ASSY.....	1	
	MS21051L3	. NUTPLATE.....	4	
	122-340071-1	COUPLER INSTL.....	NP	
-16	101-380042	. COUPLER/MKR BCN/.....	1	
		. /ATTACHING PARTS/		
-17	MS35207-263	. SCREW.....	2	
-18	MS35338-43	. WASHER, LOCK.....	2	
-19	AN960-10L	. WASHER.....	2	
-20	122-340070-1	. WASHER.....	2	
-21	AN960JD716	. WASHER.....	2	
		-----★-----		

NOTE THE SENSOR RECEIVER FOR THE GLIDESLOPE AND MARKER BEACON ANTENNAS IS THE VIR-432 NAVIGATION RECEIVER. SEE CHAPTER 34-50-00.

Beechcraft
STARSHIP 1
ILLUSTRATED PARTS CATALOG

34-40-00
WEATHER RADAR TRANSCEIVER AND ANTENNA

Beechcraft
STARSHIP 1
ILLUSTRATED PARTS CATALOG

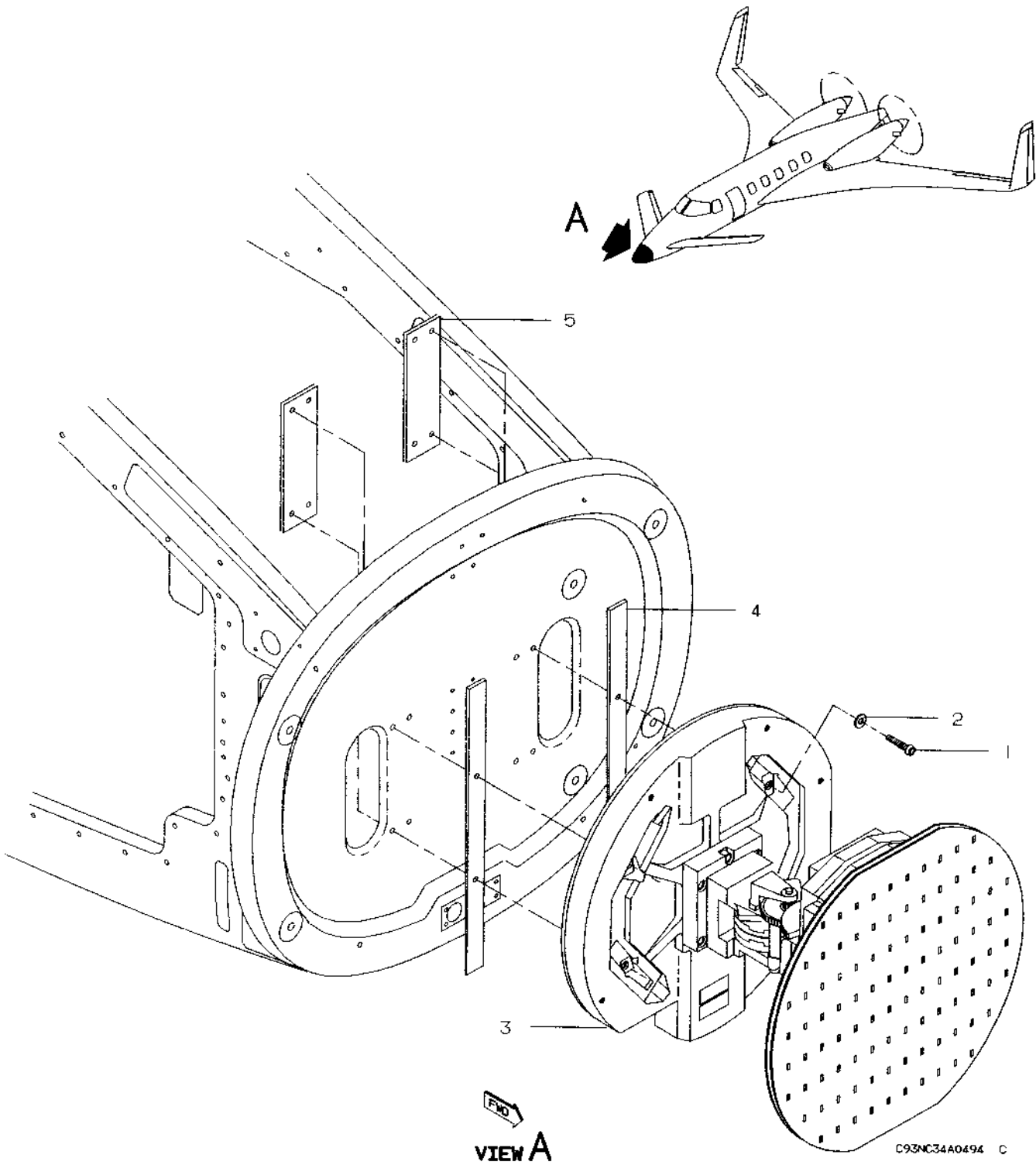


FIGURE 40-00.WEATHER RDR TRANSCEIVER & ANTENNA

Beechcraft
STARSHIP 1
ILLUSTRATED PARTS CATALOG

SUB-SEC UNIT & ITEM NO	PART NO.	DESCRIPTION 1 2 3 4 5 6 7	UNITS	USABLE
			PER ASSY	ON CODE
40-00	122-342042-3	ANTENNA INSTL, WEATHER RADAR.....	NP	
		/ATTACHING PARTS/		
- 1	130909B97	. BOLT.....	4	
- 2	AN980JD416	. WASHER.....	4	
		-----★-----		
- 3	622-8440-003	. ANTENNA, RECEIVER-TRANSMITTER/RTA-854/.....	1	2
	622-8440-001	. ANTENNA, RECEIVER-TRANSMITTER/ORDER.....	NP	1
		622-8440-003 FOR SPARES/		
- 4	122-340040-43	. SPACER.....	2	
	687-9728-001	. SHIM KIT.....	1	
- 5	122-340039-47	. REINFORCEMENT ASSY, LH.....	1	
	122-340039-48	. REINFORCEMENT ASSY, RH.....	1	
	NAS1474A4	. . NUTPLATE.....	4	

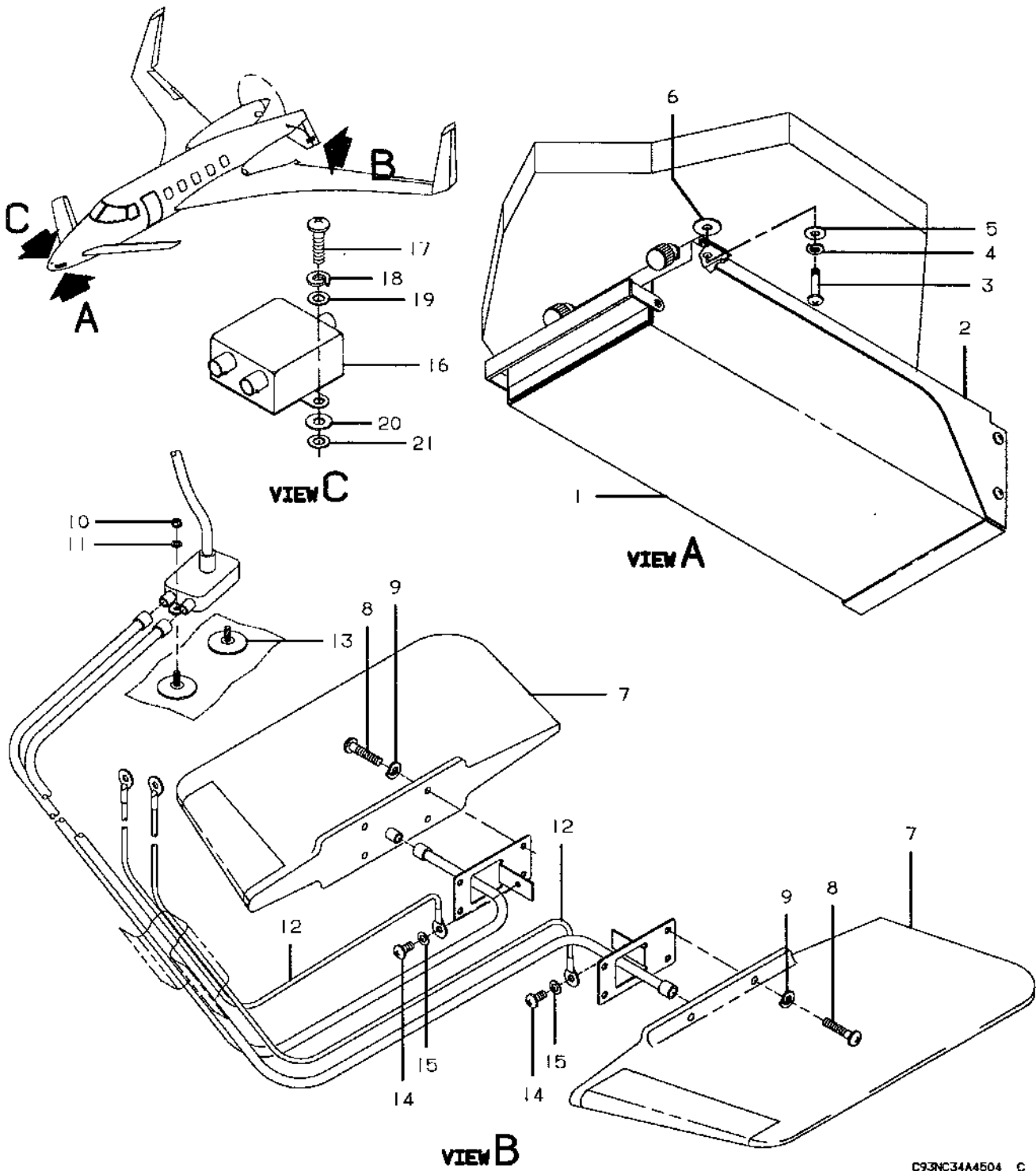
CODES OF EFFECTIVITY

1 NC-4 THRU NC-32 2 NC-33 AND AFTER

Beechcraft
STARSHIP 1
ILLUSTRATED PARTS CATALOG

34-50-00
NAVIGATION RECEIVER AND ANTENNA

Beechcraft
STARSHIP 1
 ILLUSTRATED PARTS CATALOG



C93NC34A4504 C

FIGURE 50-00.NAVIGATION RECEIVER AND ANTENNA

Beechcraft
STARSHIP 1
ILLUSTRATED PARTS CATALOG

SUB-SEC UNIT & ITEM NO	PART NO.	DESCRIPTION 1 2 3 4 5 6 7	UNITS	USABLE
			PER ASSY	ON CODE
50-00	122-342032-1	NAVIGATION INSTL	NP	
- 1	622-7194-001	. RECEIVER/VIR-432/	1	
- 2	122-341001-63	. RACK ASSY,	1	
		/ATTACHING PARTS/		
- 3	MS35206-246	. SCREW	4	
- 4	MS35338-42	. WASHER, LOCK	4	
- 5	AN960JD8L	. WASHER	4	
- 6	AN960JD616	. WASHER	4	
		---★---		
	628-8205-004	.. PLATE ASSY	1	
	324-2604-000	.. SCREW	4	
	634-1116-001	.. KEYWAY	4	
	634-1117-001	.. RING, CAPTIVE	4	
	334-2117-010	.. FASTENER	4	
	634-1120-001	.. FLAT SPRING, GROUND	2	
	622-5212-003	.. RACK	1	
	122-340069-1	. GROUND WIRE TERMINATION INSTL/SEE CHAPTER 23/	NP	
	122-342008-5	ANTENNA INSTL, VHF NAVIGATION	NP	
- 7	58-380114	. ANTENNA/CONSISTS OF BLADES, COUPLER & CABLES/	2	
		/ATTACHING PARTS/		
- 8	MS35207-263	. SCREW/4 LH AND 4 RH/	8	
- 9	MS35338-43	. WASHER, LOCK/4 LH AND 4 RH/	8	
		---★---		
	122-340039-233	. FILLER/BETWEEN ANTENNA AND SKIN/	2	1
	122-340039-247	. FILLER/BETWEEN ANTENNA AND SKIN/	1	2
- 10	MS21042L08	. NUT/BONDING JUMPER/	2	
- 11	AN960-8L	. WASHER	2	
- 12	122-342008-7	. STRAP, BONDING	2	
- 13	132131-08-4	. STUD	2	
- 14	MS35207-263	. SCREW/BONDING JUMPER/	2	
- 15	AN960JD10L	. WASHER	2	
	122-340071-1	COUPLER INSTL	NP	
- 16	101-380042	. COUPLER/NAVIGATION/LOCATED ON AVIONICS	1	
		SHELF ABOVE VIR-432 NO.2 RECEIVER/ /ATTACHING PARTS/		
- 17	MS35207-263	. SCREW	2	
- 18	MS35338-43	. WASHER, LOCK	2	
- 19	AN960-10L	. WASHER	2	
- 20	122-340070-1	. WASHER	2	
- 21	AN960JD716	. WASHER	2	
		---★---		

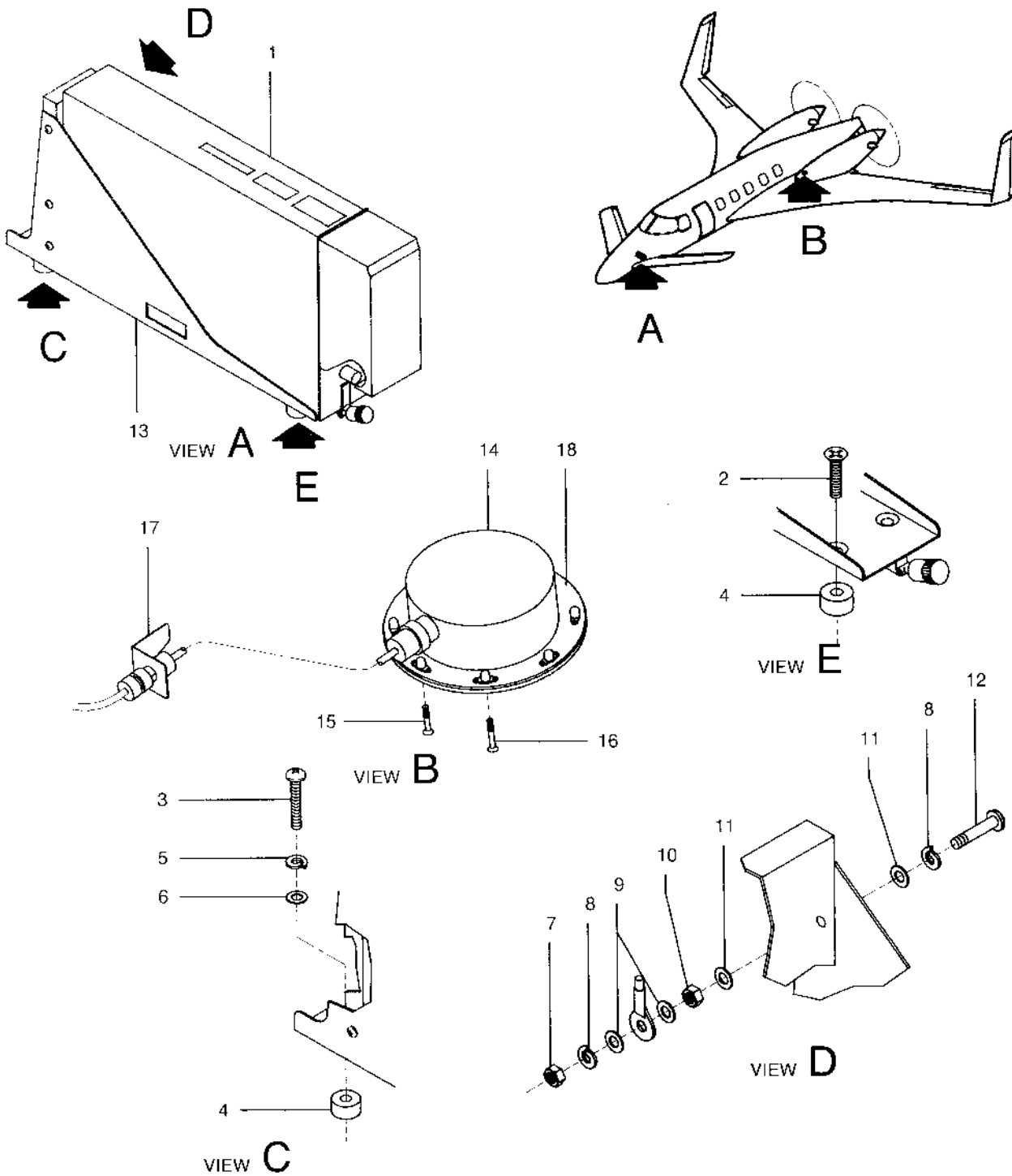
CODES OF EFFECTIVITY

1 NC-4 THRU NC-53 2 NC-54 AND AFTER

Beechcraft
STARSHIP 1
ILLUSTRATED PARTS CATALOG

34-50-10
VLF RECEIVER AND ANTENNA

Beechcraft
STARSHIP 1
 ILLUSTRATED PARTS CATALOG



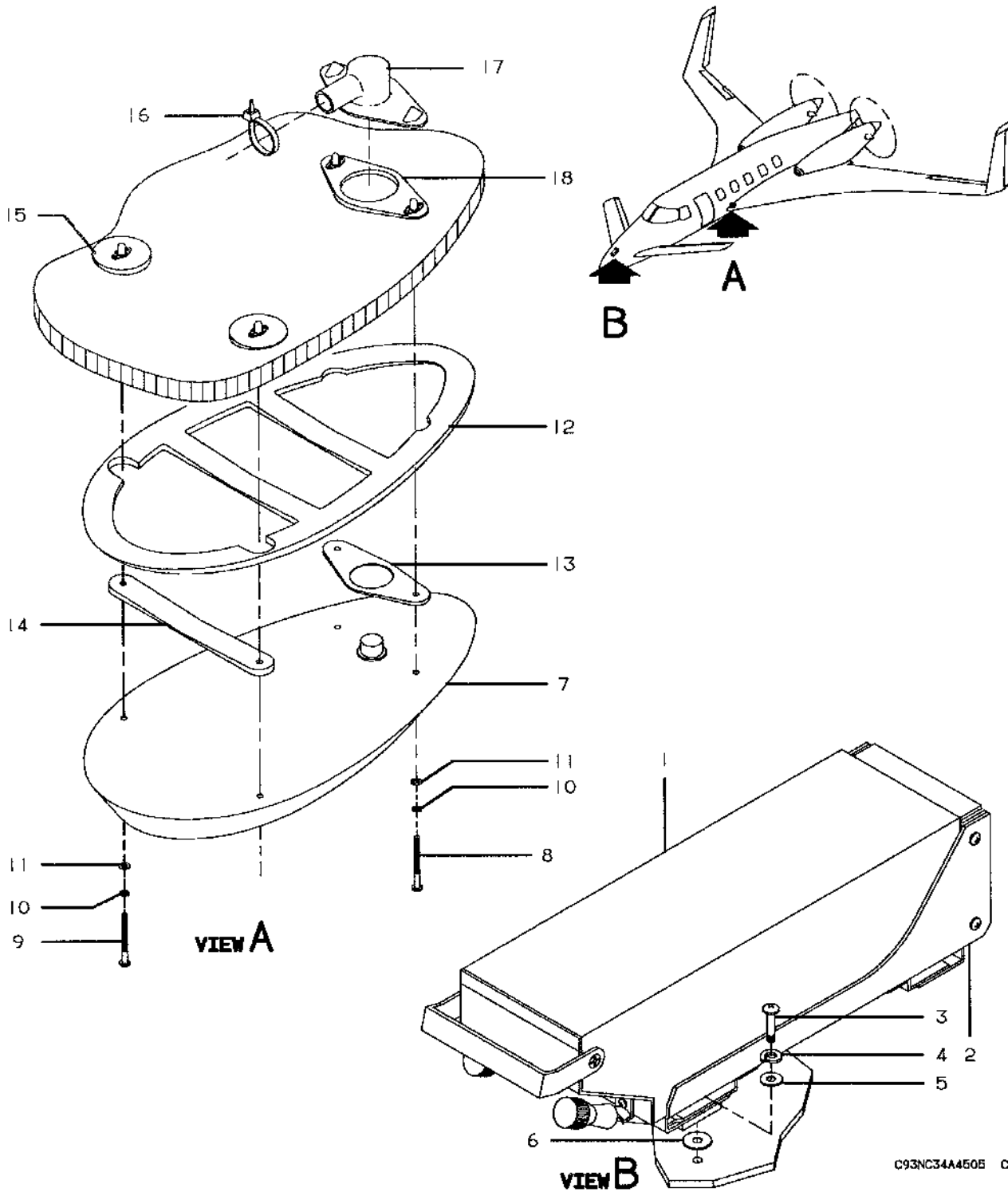
2000-491-69

FIGURE 50-10.VLF RECEIVER AND ANTENNA

Beechcraft
STARSHIP 1
ILLUSTRATED PARTS CATALOG

34-50-20
ADF RECEIVER AND ANTENNA

Beechcraft
 STARSHIP 1
 ILLUSTRATED PARTS CATALOG



C93NC34A4505 C

FIGURE 50-20.ADF RECEIVER AND ANTENNA

Deechcraft
STARSHIP 1
ILLUSTRATED PARTS CATALOG

SUB-SEC UNIT & ITEM NO	PART NO.	DESCRIPTION 1 2 3 4 5 6 7	UNITS	USABLE
			PER ASSY	ON CODE
50-20	122-342033-1	ADF INSTL	NP	
- 1	622-7382-001	. RECEIVER/ADF-462/	1	
- 2	122-341001-57	. RACK ASSY	1	
		/ATTACHING PARTS/		
- 3	MS35206-246	. SCREW	4	
- 4	MS35338-42	. WASHER, LOCK	4	
- 5	AN960JD8L	. WASHER	4	
- 6	AN960JD816	. WASHER	4	
		---★---		
	628-8205-002	.. PLATE ASSY	1	
	324-2604-000	.. SCREW	2	
	634-1116-001	.. KEYWAY	2	
	634-1117-001	.. RING, CAPTIVE	2	
	334-2117-010	.. FASTENER	2	
	634-1120-001	.. FLAT SPRING, GROUND	2	
	622-5212-003	.. RACK	1	
	122-340069-1	. GROUND WIRE TERMINATION INSTL/SEE CHAPTER 23/	NP	
	122-342005-7	ANTENNA INSTL, ADF	NP	
- 7	622-7383-001	. ANTENNA/ANT-462A/	1	
		/ATTACHING PARTS/		
- 8	MS27039C1-41	. SCREW	2	
- 9	MS27039C1-38	. SCREW	2	
- 10	MS35338-43	. WASHER, LOCK	4	
- 11	AN960-10L	. WASHER	4	
		---★---		
- 12	122-340135-13	. GASKET	1	
- 13	122-340040-13	. SPACER	1	
- 14	122-340040-11	. SPACER	1	
- 15	122-340040-49	. DOUBLER ASSY	2	
	NAS1474A3	.. NUTPLATE	1	
- 16	MS3367-4-9	. TIE	1	1
- 17	122-380087-3	. BOOT	1	1
- 18	122-340040-45	. DOUBLER ASSY	1	
	NAS1474A3	.. NUTPLATE	2	

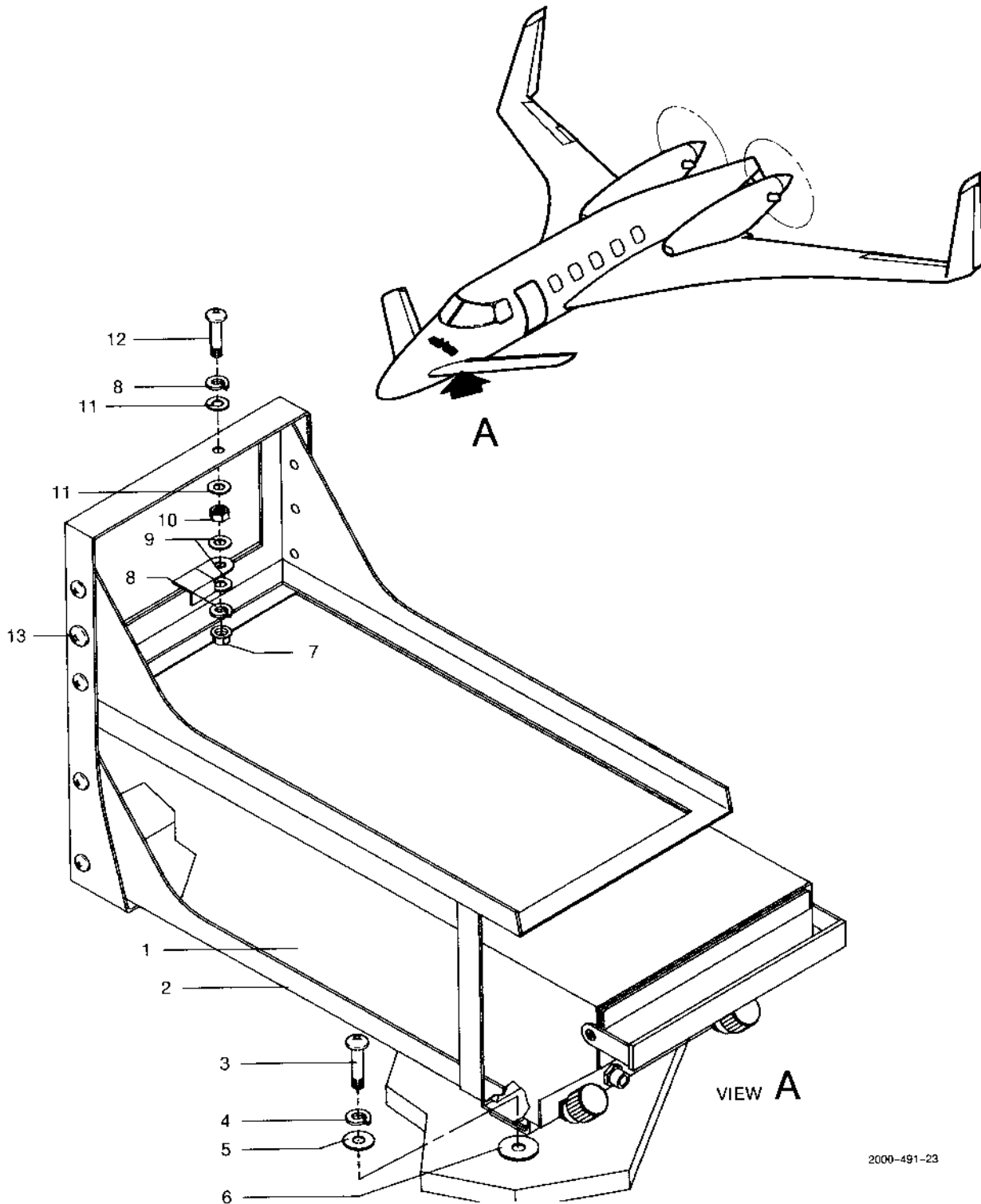
CODES OF EFFECTIVITY

1 NC-54 AND AFTER

Beechcraft
STARSHIP 1
ILLUSTRATED PARTS CATALOG

34-50-30
DME TRANSCEIVER AND ANTENNA

Beechcraft
STARSHIP 1
ILLUSTRATED PARTS CATALOG



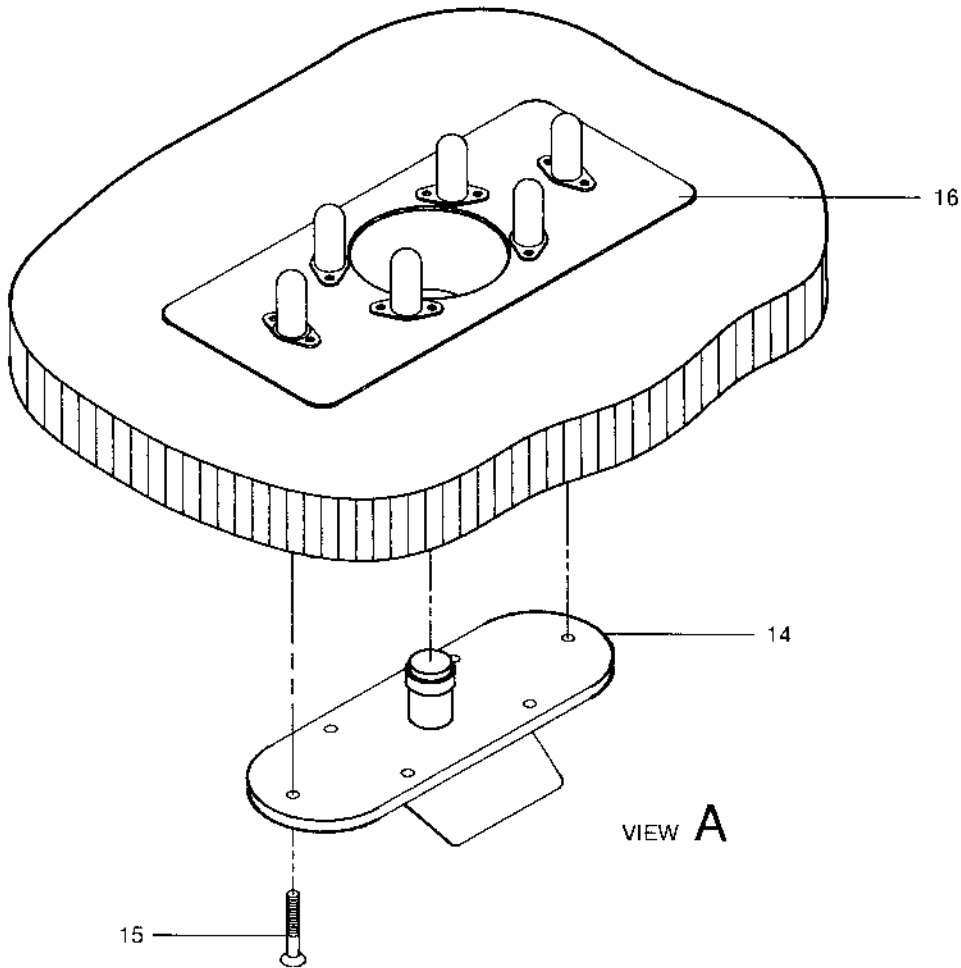
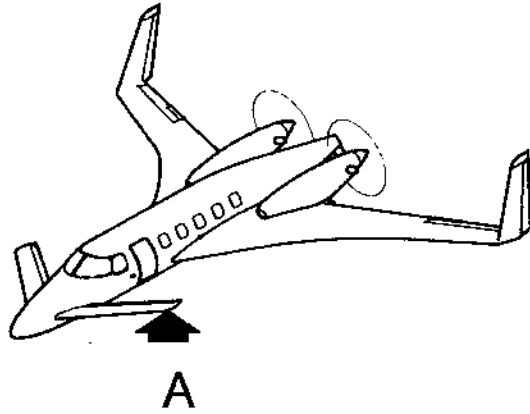
2000-491-23

FIGURE 50-30.DME TRANSCEIVER AND ANTENNA
/SHEET 1 OF 2 SHEETS/

Beechcraft
STARSHIP 1
ILLUSTRATED PARTS CATALOG

SUB-SEC UNIT & ITEM NO	PART NO.	DESCRIPTION 1 2 3 4 5 6 7	UNITS	USABLE
			PER ASSY	ON CODE
50-30	122-342034-5	DME INSTL	NP	
- 1	622-7309-001	. TRANSCIVER/DME-442/	1	
- 2	122-341001-49	. RACK ASSY	1	
		./ATTACHING PARTS/		
- 3	MS35206-246	. SCREW	4	
- 4	MS35338-42	. WASHER, LOCK	4	
- 5	AN960JD8L	. WASHER	4	
- 6	AN960JD616	. WASHER, BONDING	4	
		★		
	622-5213-001	.. RACK, UPPER/ADC-850/	1	
	622-5213-003	.. RACK, LOWER/DME-442/	1	
	634-1103-004	.. KIT, MOUNTING	1	
	634-1094-002	.. BRACKET, FRONT	1	
	634-1077-004	.. BRACKET, REAR	1	
	342-1350-170	.. SCREW	2	
	333-0368-000	.. NUT	2	
	343-0187-000	.. SCREW	2	
	333-0381-000	.. NUT	2	
	628-8205-005	.. PLATE ASSY	1	
	324-2604-000	.. SCREW	8	
	634-1116-001	.. KEYWAY	8	
	634-1117-001	.. RING, CAPTIVE	8	
	334-2117-010	.. FASTENER	8	
	634-1120-001	.. FLAT SPRING, GROUND	1	
- 7	130909N28	.. NUT	3	
- 8	MS35338-42	.. WASHER, LOCK	6	
- 9	AN960-8L	.. WASHER	6	
- 10	MS35649-282	.. NUT	3	
- 11	AN960JD8	.. WASHER	6	
- 12	MS35206-247	.. SCREW	1	
- 13	MS35206-248	.. SCREW	2	
	122-340069-1	. GROUND WIRE TERMINATION INSTL/SEE CHAPTER 23/	NP	

Beechcraft
STARSHIP 1
ILLUSTRATED PARTS CATALOG



2000-491-24

FIGURE 50-30.DME TRANSCEIVER AND ANTENNA
/SHEET 2 OF 2 SHEETS/

Beechcraft
STARSHIP 1
ILLUSTRATED PARTS CATALOG

SUB-SEC UNIT & ITEM NO	PART NO.	DESCRIPTION 1 2 3 4 5 6 7	UNITS	USABLE
			PER ASSY	ON CODE
50-30	122-342010-9	ANTENNA INSTL, DME 1	NP	
	122-342010-11	ANTENNA INSTL, DME 2	NP	
- 14	S65-5366-10L	. ANTENNA.....	1	
		. /ATTACHING PARTS/		
- 15	MS24693S36	. SCREW.....	6	
		-----★-----		
- 16	122-340039-203	. REINFORCEMENT ASSY.....	1	
	4660H62	. NUT, DOME/TWO LUG/	6	
	MS3367-4-9	. TIE	1	1
	122-380087-3	. BOOT	1	1

CODES OF EFFECTIVITY

1 NC-54 AND AFTER

Beechcraft
STARSHIP 1
ILLUSTRATED PARTS CATALOG

34-50-40
TRANSPONDER AND ANTENNA

Beechcraft
STARSHIP 1
ILLUSTRATED PARTS CATALOG

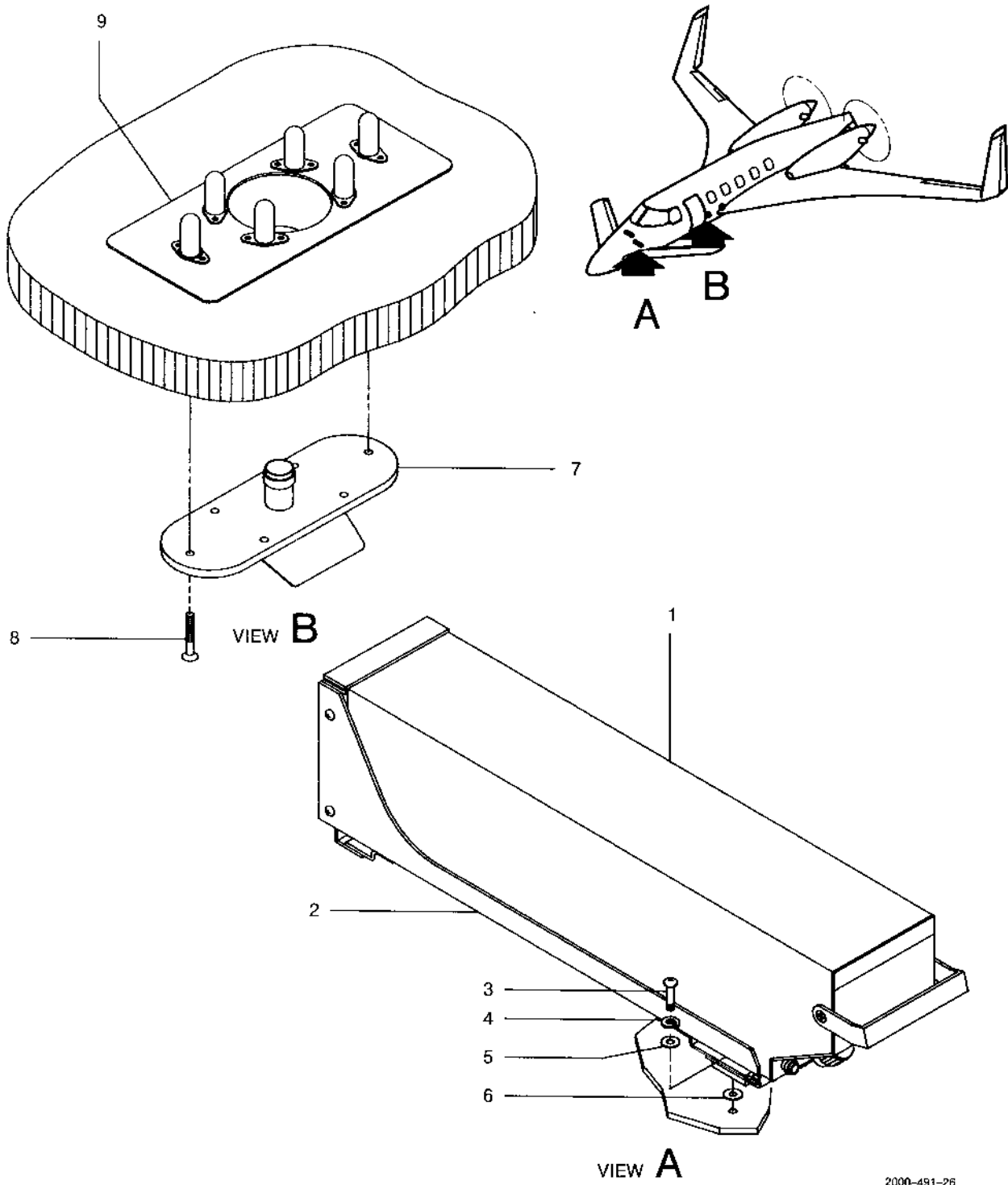


FIGURE 50-40. TRANSPONDER AND ANTENNA

Deechcraft
STARSHIP 1
ILLUSTRATED PARTS CATALOG

SUB-SEC UNIT & ITEM NO	PART NO.	DESCRIPTION 1 2 3 4 5 6 7	UNITS	USABLE
			PER ASSY	ON CODE
50-40	122-342035-1	TRANSPONDER INSTL.....	NP	1
	122-342035-9	TRANSPONDER INSTL.....	NP	2
- 1	622-1270-001	. TRANSPONDER/TDR90/.....	1	1
	622-9352-002	. RECEIVER/TDR94D/.....	1	3
	622-9352-003	. RECEIVER/TDR94/.....	1	4
- 2	122-341001-43	. RACK ASSY.....	1	1
	622-9672-003	. TRAY, MOUNTING.....	1	2
		/ATTACHING PARTS/		
- 3	MS35206-246	. SCREW.....	4	1
	324-2604-000	. SCREWLOCK ASSY, FEMALE.....	4	2
- 4	MS35338-42	. WASHER, LOCK.....	4	1
- 5	AN960JD8L	. WASHER.....	4	1
- 6	AN960JD616	. WASHER.....	4	1
		-----★-----		
	628-8205-001	.. PLATE ASSY.....	1	1
	324-2604-000	.. SCREW.....	2	1
	634-1116-001	.. KEYWAY.....	2	1
	634-1117-001	.. RING, CAPTIVE.....	2	1
	334-2117-010	.. FASTENER.....	2	1
	634-1120-001	.. FLAT SPRING, GROUND.....	1	1
	622-5211-003	.. RACK.....	1	1
	D20418-2	. SCREW.....	2	2
	101-344084-17	. SUPPORT.....	1	2
	634-1116-001	. KEYWAY.....	4	2
	334-2117-010	. FASTENER.....	4	2
	634-1117-001	. RETAINER.....	5	2
	628-8657-002	. PLATE, CONNECTOR.....	1	2
	122-340069-1	. GROUND WIRE TERMINATION INSTL/SEE CHAPTER 23/.....	NP	1
	129-340055-1	. PLUG ASSY, JUMPER.....	1	2
	122-342009-9	ANTENNA INSTL, TRANSPONDER 1.....	NP	
	122-342009-11	ANTENNA INSTL, TRANSPONDER 2.....	NP	
- 7	S65-5366-10L	. ANTENNA.....	1	
		/ATTACHING PARTS/		
- 8	MS24693C36	. SCREW.....	6	
		-----★-----		
- 9	122-340039-203	. REINFORCEMENT ASSY.....	1	
	4660H62	.. NUT, DOME/TWO LUG/.....	6	
	MS3367-4-9	. TIE.....	1	5
	122-380087-3	. BOOT.....	1	5

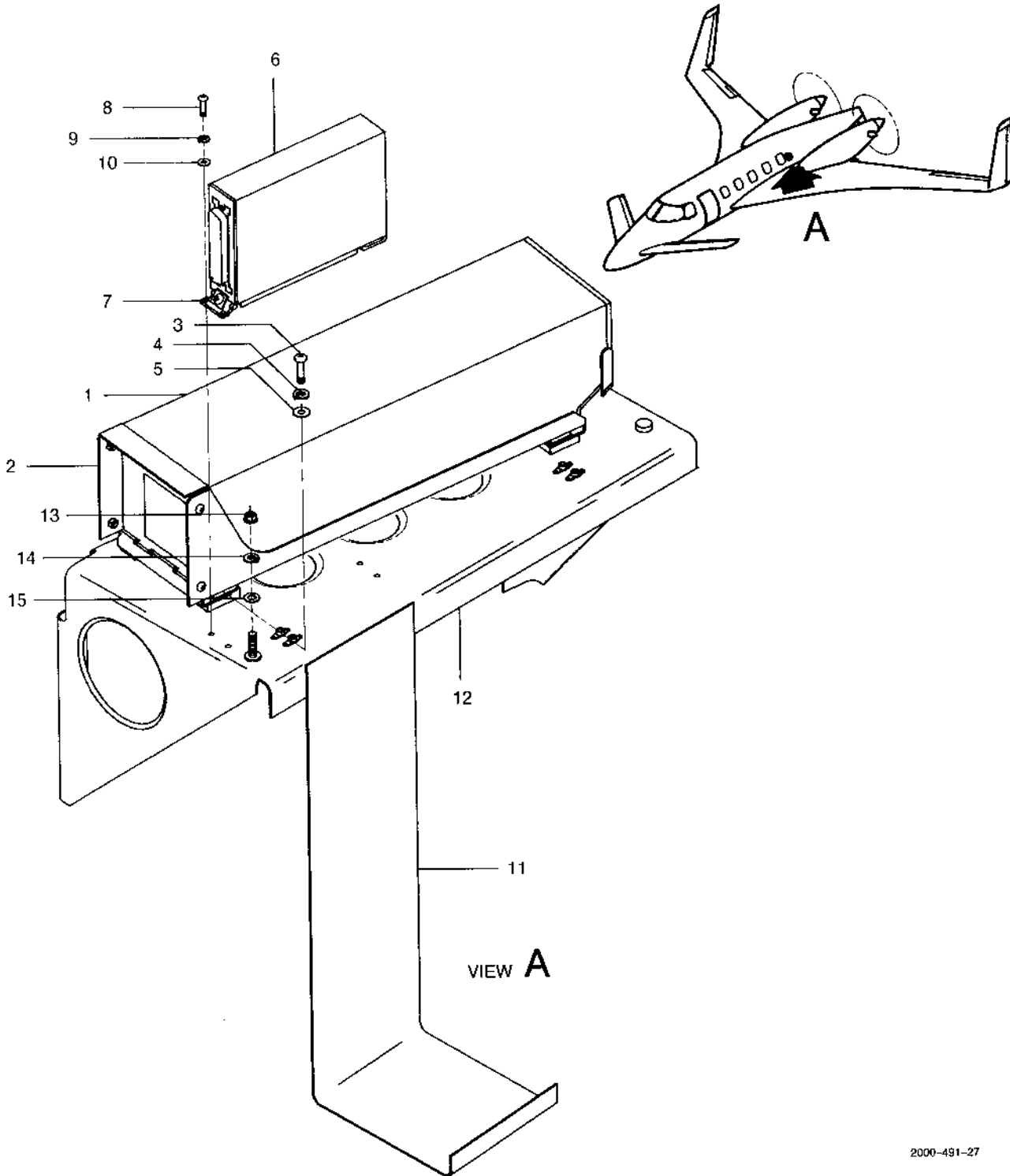
CODES OF EFFECTIVITY

1	NC-4 THRU NC-25	2	NC-26 AND AFTER
3	NC-26 THRU NC-37	4	NC-38 AND AFTER
5	NC-54 AND AFTER		

Beechcraft
STARSHIP 1
ILLUSTRATED PARTS CATALOG

34-50-50
RADIO ALTIMETER TRANSCEIVER AND ANTENNA

Beechcraft
STARSHIP 1
ILLUSTRATED PARTS CATALOG



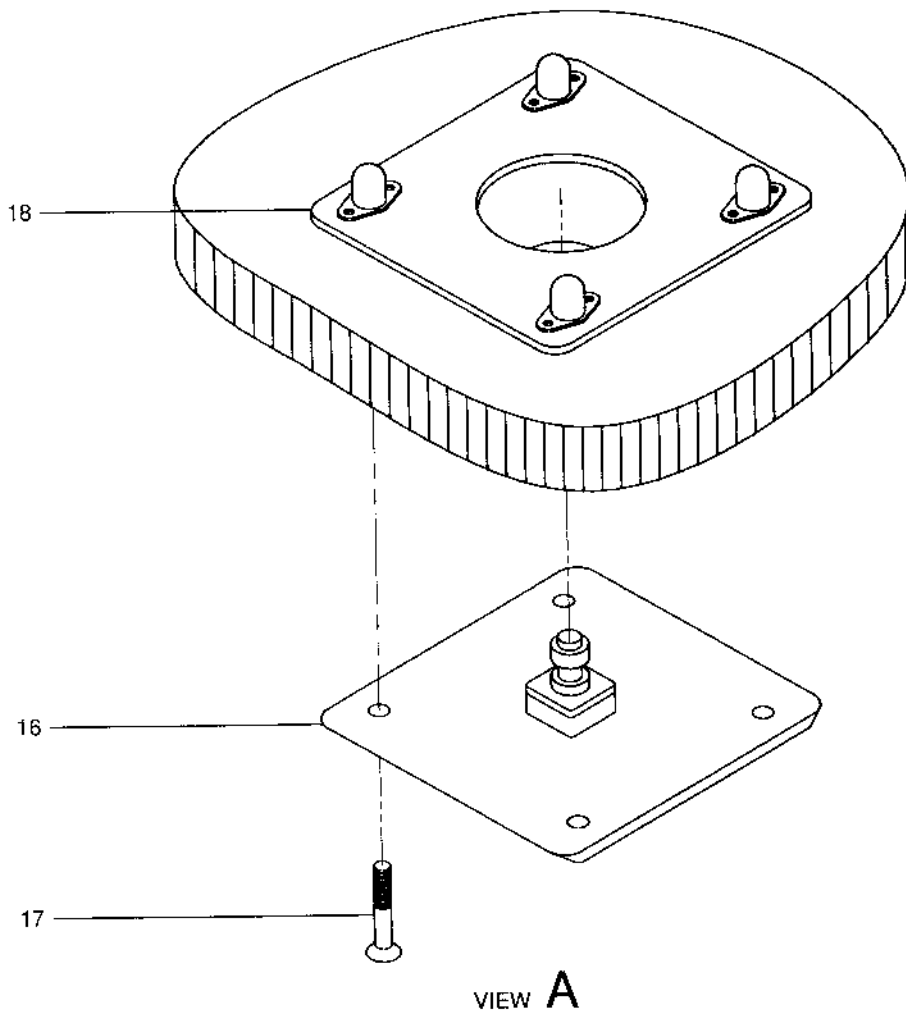
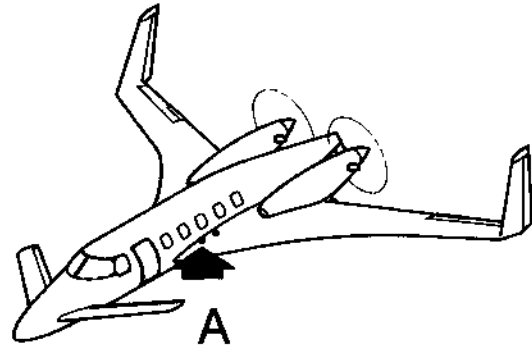
2000-491-27

FIGURE 50-50. RADIO ALTM TRANSCEIVER & ANTENNA
/SHEET 1 OF 2 SHEETS/

Deechcraft
STARSHIP 1
ILLUSTRATED PARTS CATALOG

SUB-SEC UNIT & ITEM NO	PART NO.	DESCRIPTION 1 2 3 4 5 6 7	UNITS	USABLE
			PER ASSY	ON CODE
50-50	122-340099-1	TRANSCEIVER INSTL, RADIO ALTIMETER	NP	
- 1	622-2855-001	. TRANSCEIVER	1	
- 2	122-341001-51	. RACK ASSY	1	
		/ATTACHING PARTS/		
- 3	MS35206-245	. SCREW	4	
- 4	MS35338-42	. WASHER, LOCK	4	
- 5	AN960JD8	. WASHER, BONDING	4	
		-----★-----		
	628-8205-003	. PLATE ASSY	1	
	324-2604-000	. SCREW	2	
	634-1116-001	. KEYWAY	2	
	634-1117-001	. RING, CAPTIVE	2	
	334-2117-010	. FASTENER	2	
	634-1120-001	. FLAT SPRING, GROUND	2	
	622-5212-003	. RACK	1	
- 6	622-7209-001	. CONVERTER/ORDER 622-7209-002 FOR SPARES/	NP	1
	622-7209-002	. CONVERTER	1	2
- 7	653-9015-001	. RACK	1	
		/ATTACHING PARTS/		
- 8	MS35206-229	. SCREW	4	
- 9	MS35338-41	. WASHER, LOCK	4	
- 10	AN960JD6	. WASHER, BONDING	4	
		-----★-----		
- 11	122-340043-19	. BONDING STRAP	1	
- 12	122-340161-1	. BRACKET ASSY	1	
	122-340070-23	. SPACER ASSY	1	
	MS21047L08	. NUTPLATE	4	
	122-340070-11	. SPACER/LOCATED ON UNDERSIDE OF BRACKET/	3	
	MS21047L06	. NUTPLATE	6	
	MS21071L06	. NUTPLATE	4	
	131270-3	. GROUNDING STUD	2	
- 13	130909N29	. NUT	1	
- 14	MS35338-43	. WASHER, LOCK	1	
- 15	AN960-10L	. WASHER	1	

Beechcraft
STARSHIP 1
ILLUSTRATED PARTS CATALOG



2000-491-28

FIGURE 50-50.RADIO ALTM TRANSCEIVER & ANTENNA
/SHEET 2 OF 2 SHEETS/

Beechcraft
STARSHIP 1
ILLUSTRATED PARTS CATALOG

SUB-SEC UNIT & ITEM NO	PART NO.	DESCRIPTION 1 2 3 4 5 6 7	UNITS PER ASSY	USABLE ON CODE
50-50	122-342006-11	ANTENNA INSTL, RADIO ALTIMETER TRANSMITTER.....	NP	
	122-342006-13	ANTENNA INSTL, RADIO ALTIMETER RECEIVER.....	NP	
- 16	S67-2002-14	. ANTENNA.....	1	
		/ATTACHING PARTS/		
- 17	MS24694C65	. SCREW.....	4	
		★		
- 18	122-340039-207	. REINFORCEMENT ASSY.....	1	
	NAS1474A3	. . NUTPLATE.....	4	
	MS3367-4-9	. TIE.....	1	3
	122-380087-3	. BOOT.....	1	3

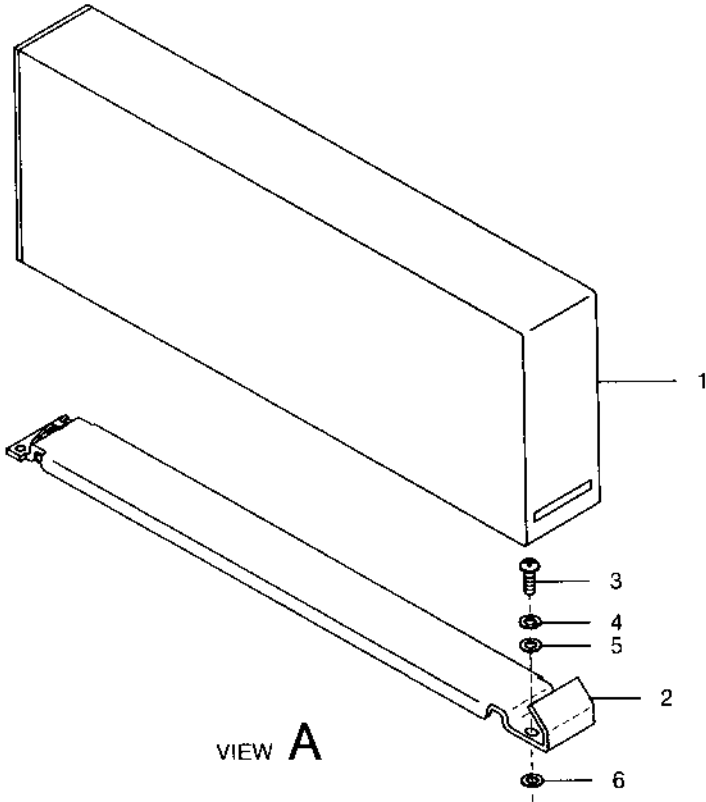
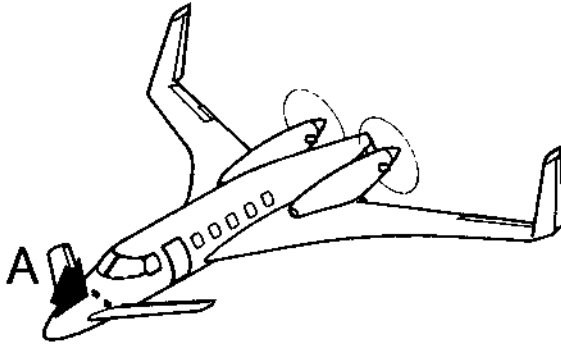
CODES OF EFFECTIVITY

1 NC-4 THRU NC-24	2 NC-25 AND AFTER	
3 NC-54 AND AFTER		

Beechcraft
STARSHIP 1
ILLUSTRATED PARTS CATALOG

34-50-60
RADIO TUNING ADAPTER
NC-4 THRU NC-25

Beechcraft
STARSHIP 1
ILLUSTRATED PARTS CATALOG



2000-491-32

FIGURE 50-60.RADIO TUNING ADAPTER

Beechcraft
STARSHIP 1
ILLUSTRATED PARTS CATALOG

SUB-SEC UNIT & ITEM NO	PART NO.	DESCRIPTION 1 2 3 4 5 6 7	UNITS	USABLE
			PER ASSY	ON CODE
50-60	122-342046-1	ADAPTER INSTL, RADIO TUNING.....	NP	1
- 1	622-7346-001	. ADAPTER, RADIO TUNING/CAD-870/	1	1
- 2	653-9015-002	. RACK.....	1	1
		/ATTACHING PARTS/		
- 3	MS35206-228	. SCREW.....	4	
- 4	MS35338-41	. WASHER, LOCK	4	
- 5	AN960JD6L	. WASHER	4	
- 6	AN960JD516	. WASHER	4	
		---★---		
	122-340069-1	. GROUND WIRE TERMINATION INSTL/SEE CHAPTER 23/	NP	1

CODES OF EFFECTIVITY

1 NC-4 THRU NC-25

Beechcraft
STARSHIP 1
ILLUSTRATED PARTS CATALOG

LIST OF PAGES & TABLE OF CONTENTS
FOR
CHAPTER 35-00-00 OXYGEN

CHAP/SUB- SECT & UNIT	PAGE NO.	EFFECTIVE DATE	TABLE OF CONTENTS
35-00-00	1	11/04/94	LIST OF PAGES & TABLE OF CONTENTS
35-00-01	1	02/25/94	OXYGEN SYSTEM INSTALLATION..... NC-4 THRU NC-20
35-00-01	2	02/25/94	
35-00-01	3	02/25/94	
35-00-01	4	02/25/94	
35-00-01	5	02/25/94	
35-00-01	6	02/25/94	
35-00-01	7	11/04/94	
35-00-01	8	02/25/94	
35-00-01	9	11/04/94	
35-00-02	1	02/25/94	OXYGEN SYSTEM INSTALLATION..... NC-21 AND AFTER
35-00-02	2	02/25/94	
35-00-02	3	11/04/94	
35-00-02	4	02/25/94	
35-00-02	5	02/25/94	
35-00-02	6	02/25/94	
35-00-02	7	11/04/94	
35-00-02	8	02/25/94	
35-00-02	9	11/04/94	
35-00-02	10	02/25/94	
35-00-02	11	11/04/94	

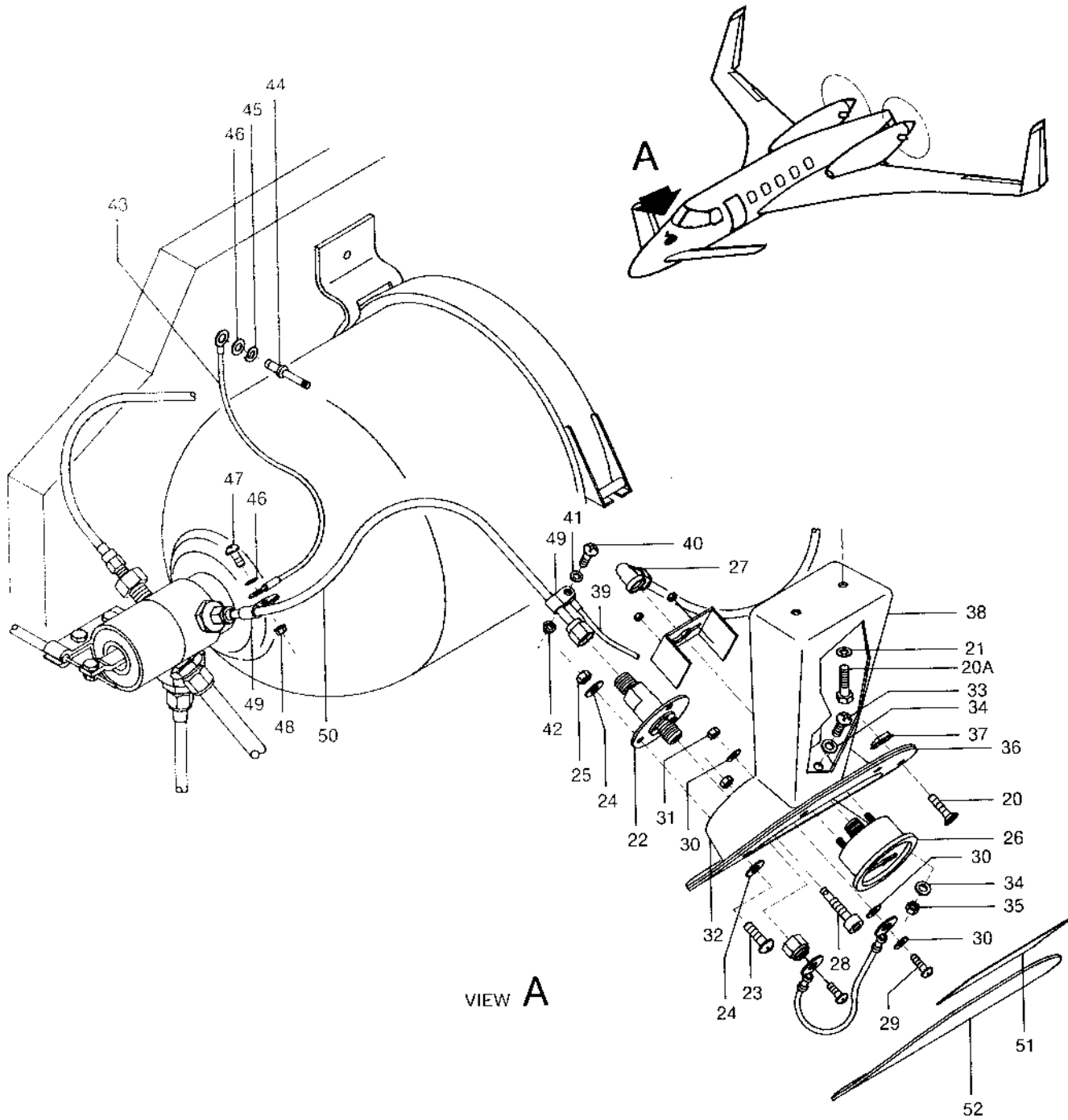
Beechcraft
STARSHIP 1
ILLUSTRATED PARTS CATALOG

35-00-01
OXYGEN SYSTEM INSTALLATION
NC-4 THRU NC-20

Beechcraft
STARSHIP 1
ILLUSTRATED PARTS CATALOG

SUB-SEC UNIT & ITEM NO	PART NO.	DESCRIPTION 1 2 3 4 5 6 7	UNITS	USABLE
			PER ASSY	ON CODE
00-01	122-560000-3	OXYGEN SYSTEM INSTL.....	NP	1
	122-560009-9	.. OXYGEN SYSTEM INSTL, NOSE/77 CU FT/STANDARD/.....	NP	1
	122-560009-11	.. OXYGEN SYSTEM INSTL, NOSE/115 CU FT/OPTIONAL/.....	NP	1
- 1	122-384061-1	.. CONTROL ASSY.....	1	1
- 2	MS21919WDG4	.. CLAMP.....	3	1
		/ATTACHING PARTS/		
- 3	MS27039DD1-08	.. SCREW.....	1	
- 4	AN960JD10L	.. WASHER.....	1	
		---★---		
- 5	101-384207-5	.. OXYGEN CYLINDER/77 CU FT/.....	1	1
	101-384207-7	.. OXYGEN CYLINDER/115 CU FT/.....	1	1
- 6	122-384072-1	.. BRACKET ASSY/77 CU FT/.....	2	1
	122-384072-3	.. BRACKET ASSY/115 CU FT/.....	2	1
		/ATTACHING PARTS/		
- 7	MS27039C1-21	.. SCREW.....	2	
- 8	AN960JD10L	.. WASHER.....	2	
		---★---		
- 9	122-560024-1	.. DOUBLER ASSY, LOWER.....	2	1
	122-560024-5	.. DOUBLER ASSY, UPPER.....	2	1
	130909N33	.. NUTPLATE.....	1	1
- 10	122-382008-3	.. TRANSDUCER, OXYGEN QUANTITY PRESSURE.....	1	1
- 11	MS28778-4	.. PACKING, PREFORMED.....	1	1
- 12	MS21919WDG24	.. CLAMP, TRANSDUCER MOUNTING/77 CU FT/.....	1	1
	MS21919WDG20	.. CLAMP, TRANSDUCER MOUNTING/115 CU FT/.....	1	1
		/ATTACHING PARTS/		
- 13	MS27039DD0809	.. SCREW.....	1	
- 14	AN960PD8L	.. WASHER.....	1	
		---★---		
- 15	122-560015-1	.. TUBE ASSY.....	1	1
- 16	101-380051-3	.. TUBE ASSY, CAPILLARY.....	1	1
- 17	101-384034-3	.. SWITCH, OXYGEN LOW PRESSURE.....	1	1
- 18	MS28778-6	.. PACKING, PREFORMED.....	1	1
- 19	122-560038-1	.. CONNECTOR ASSY.....	1	1

Beechcraft
STARSHIP 1
ILLUSTRATED PARTS CATALOG



VIEW A

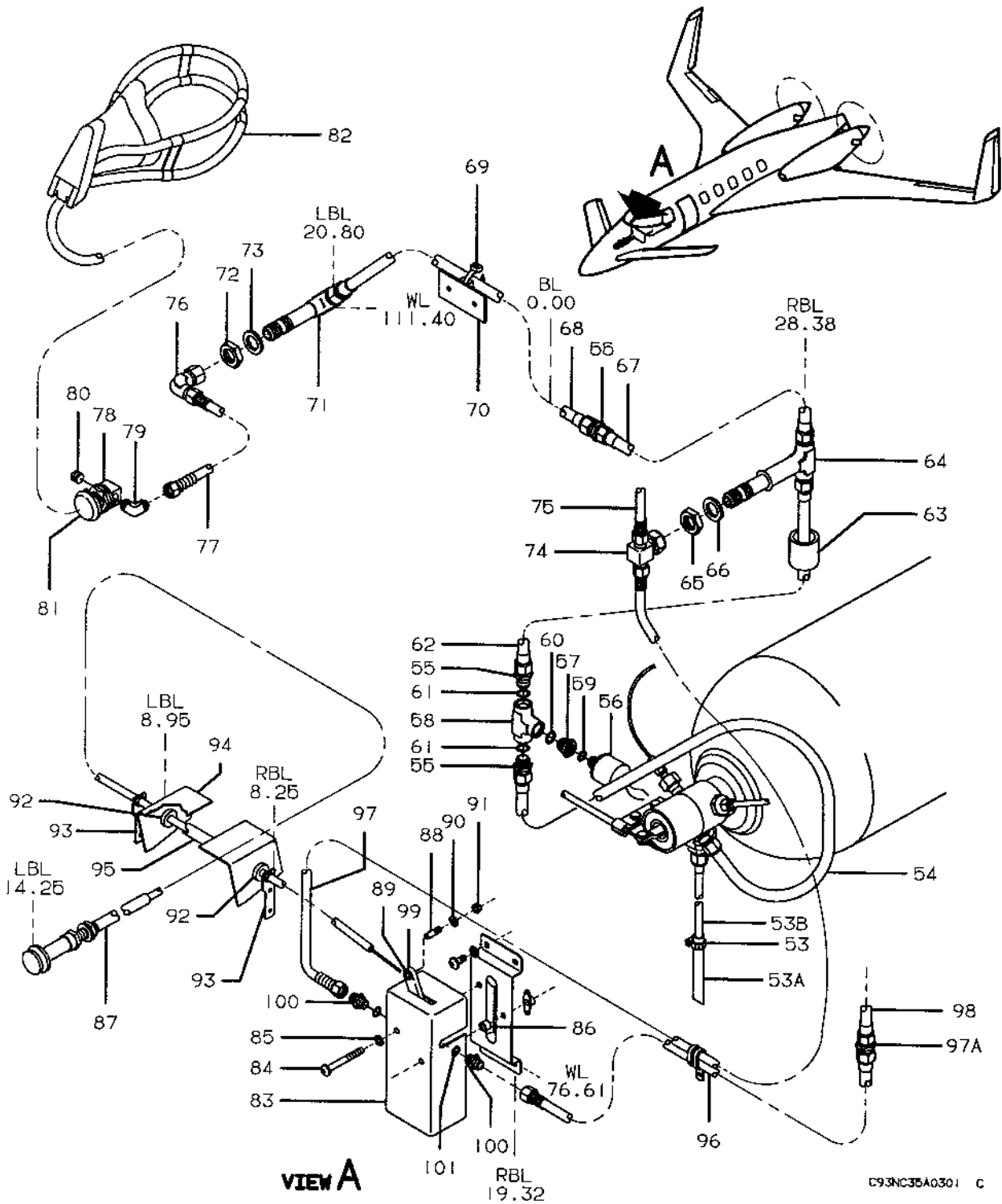
2000 341-02

Beechcraft
STARSHIP 1
ILLUSTRATED PARTS CATALOG

SUB-SEC UNIT & ITEM NO	PART NO.	DESCRIPTION 1 2 3 4 5 6 7	UNITS	USABLE
			PER ASSY	ON CODE
00-01	122-560018-1	.. BRACKET ASSY, FILLER	1	1
		/ATTACHING PARTS/		
- 20	MS24894S49	.. SCREW	4	
- 20A	AN3DD3A	.. BOLT	2	
- 21	AN960PD10L	.. WASHER	2	
		---★---		
- 22	101-384212-3	.. VALVE, OXYGEN FILL	1	1
		/ATTACHING PARTS/		
- 23	MS27039-1-07	.. SCREW	3	
- 24	AN960PD10L	.. WASHER	6	
- 25	MS21083D3	.. NUT	3	
		---★---		
- 26	99-384042-1	.. GAGE, OXYGEN PRESSURE/DIAL/	1	1
- 27	300-B-2	.. ELBOW	1	1
- 28	109	.. JACK, BANANA/GROUNDING/	1	1
	MS35338-44	.. WASHER, LOCK	1	1
- 29	MS35206-22B	.. SCREW/SAFETY STRAP TO PAN/	1	1
- 30	AN960PD6L	.. WASHER	3	1
- 31	MS21042L06	.. NUT	1	1
- 32	122-560018-5	.. PAN ASSY	1	1
		/ATTACHING PARTS/		
- 33	MS27039-0809	.. SCREW	2	
- 34	AN960PD8L	.. WASHER	4	
- 35	MS21083D08	.. NUT	2	
		---★---		
- 36	122-560018-9	.. SEAL	1	1
- 37	MS21060L3	.. NUTPLATE	10	1
- 38	122-560018-11	.. SUPPORT	1	1
- 39	MS25083-2BC6	.. JUMPER, BONDING/GROUND JACK TO FILL TUBE/	1	1
		/SEE NOTE/		
		/ATTACHING PARTS/		
- 40	MS35207-262	.. SCREW	1	
- 41	AN960-10L	.. WASHER	2	
- 42	130909N29	.. NUT	1	
		---★---		
- 43	MS25083-2BB9	.. JUMPER, BONDING/FILL TUBE TO GROUND STRIP/	1	1
		/77 CU FT/SEE NOTE/		
	MS25083-2BB12	.. JUMPER, BONDING/FILL TUBE TO GROUND STRIP/	1	1
		/115 CU FT/SEE NOTE/		
		/ATTACHING PARTS/		
- 44	MS21141P	.. RIVET	1	
- 45	MS35338-43	.. WASHER, LOCK	1	
- 46	AN960-10L	.. WASHER	2	
- 47	MS35207-262	.. SCREW	1	
- 48	130909N29	.. NUT	1	
		---★---		
- 49	AN735D3	.. CLAMP	2	1
- 50	122-560013-5	.. TUBE ASSY/CYLINDER TO FILLER/77 CU FT/	1	1
	122-560013-1	.. TUBE ASSY/CYLINDER TO FILLER/115 CU FT/	1	1
- 51	101-560096-7	.. DECAL, OXYGEN/INSIDE ACCESS DOOR/	1	1
- 52	50-560022-3	.. DECAL, OXYGEN SERVICE LOCATION	1	1

NOTE USE MS25083-XXXX BONDING JUMPER WITH
SHORTEST LEAD POSSIBLE. SECURE
AN735-XX CLAMP WITH MS35207-XXX
SCREW, AN960-10L WASHER, MS35338-43
LOCKWASHER AND MS21042L3 NUT.

Beechcraft
STARSHIP 1
ILLUSTRATED PARTS CATALOG



C9.3NC35A0301 C

FIGURE 00-01.OXYGEN SYSTEM INSTALLATION
/SHEET 3 OF 4 SHEETS/

Beechcraft
STARSHIP 1
ILLUSTRATED PARTS CATALOG

SUB-SEC	UNIT & ITEM NO	PART NO.	DESCRIPTION 1 2 3 4 5 6 7	UNITS PER ASSY	USABLE ON CODE
00-01	- 53	GS4	.. CLAMP	1	1
	- 53A	122-560009-7	.. TUBE ASSY	1	1
	- 53B	122-560040-1	.. TUBE ASSY/77 CU FT/	1	1
		122-560039-1	.. TUBE ASSY/115 CU FT/	1	1
	- 54	R 122-560014-1	.. TUBE ASSY, HIGH PRESSURE OXYGEN	NP	1
			.. /ORDER 122-560035-1 FOR SPARES/		
		R 122-560035-1	.. TUBE ASSY, HIGH PRESSURE OXYGEN	1	1
	- 55	AN815-6D	.. UNION	3	1
	- 56	101-384034-1	.. SWITCH, ARM PRESSURE	1	1
	- 57	AN893-2D	.. REDUCER	1	1
	- 58	AN938-6D	.. TEE	1	1
	- 59	MS28778-6	.. PACKING, PREFORMED	1	1
	- 60	MS28778-4	.. PACKING, PREFORMED	1	1
	- 61	MS28778-5	.. PACKING, PREFORMED	2	1
	- 62	R 122-560016-1	.. TUBE ASSY, HIGH PRESSURE OXYGEN	NP	1
			.. /ORDER 122-560034-1 FOR SPARES/		
		R 122-560034-1	.. TUBE ASSY, HIGH PRESSURE OXYGEN	1	1
	- 63	122-560009-5	.. TUBE	2	1
	- 64	122-384017-1	.. TEE, BULKHEAD	1	1
	- 65	R AN924-6D	.. NUT	1	
	- 66	R AN960PD916L	.. WASHER	2	
	- 67	R 122-560041-1	.. TUBE ASSY, PILOT OXYGEN	NP	1
			.. /ORDER 122-560027-1 FOR SPARES/		
		R 122-560027-1	.. TUBE ASSY, PILOT OXYGEN	1	1
	- 68	R 122-560042-1	.. TUBE ASSY, PILOT OXYGEN	NP	1
			.. /ORDER 122-560026-1 FOR SPARES/		
		R 122-560026-1	.. TUBE ASSY, PILOT OXYGEN	1	1
	- 69	MS3367-5-9	.. CABLE TIE	3	1
	- 70	TM2S6	.. CABLE TIE MTG BASE	3	1
	- 71	122-384015-1	.. ELBOW	1	1
	- 72	R AN924-6D	.. NUT	1	
	- 73	R AN960PD916L	.. WASHER	2	
		122-560030-1	.. OXYGEN SYSTEM INSTL, CABIN	NP	1
	- 74	203102-6-6S	.. ADAPTER	1	1
	- 75	122-560047-1	.. TUBE ASSY/COPILOT TO OXYGEN OUTLET/	1	1
	- 76	MS51521B6	.. ELBOW	1	1
	- 77	122-560048-1	.. TUBE ASSY/PILOT/	1	1
	- 78	101-384226-1	.. VALVE, OXYGEN OUTLET	2	1
	- 79	AN822-6-2D	.. ELBOW	2	1
	- 80	MS20913-1D	.. PLUG	2	1
	- 81	MXP129-2	.. LID ASSY, COCKPIT OXYGEN OUTLET	2	1
	- 82	101-384220-7	.. OXYGEN MASK, CREW	2	1
	- 83	122-560032-3	.. COVER, SHUTOFF VALVE	1	1
			.. /ATTACHING PARTS/		
	- 84	MS35207-269	.. SCREW	2	
	- 85	AN960-10L	.. WASHER	2	
			---★---		
	- 86	NAS43DD3-12	.. SPACER	2	1
	- 87	122-384061-9	.. CONTROL CABLE	1	1
	- 88	35-550520-3	.. PIN	1	1
	- 89	100801D4-0218	.. BUSHING	1	1
	- 90	AN960-10L	.. WASHER	1	1
	- 91	130909N29	.. NUT	1	1
	- 92	MS35489-7	.. GROMMET	2	1
	- 93	122-560030-5	.. SUPPORT	2	1
	- 94	122-560020-7	.. CLOSURE, LH	1	1
		122-560020-8	.. CLOSURE, RH	1	1
	- 95	131545SG6-016-0	.. SLEEVE, FIRE	1	1
	- 96	R 122-560044-1	.. TUBE ASSY	1	1
	- 97	R 122-560043-1	.. TUBE ASSY	1	1
	- 97A	AN815-5D	.. UNION	1	1
	- 98	122-560045-1	.. TUBE ASSY	1	1
	- 99	101-384032-7	.. VALVE, CABIN OXYGEN SHUTOFF	1	1
	- 100	AN919-7D	.. REDUCER	2	1
	- 101	MS28778-5	.. PACKING, PREFORMED	2	1

Beechcraft
STARSHIP 1
ILLUSTRATED PARTS CATALOG

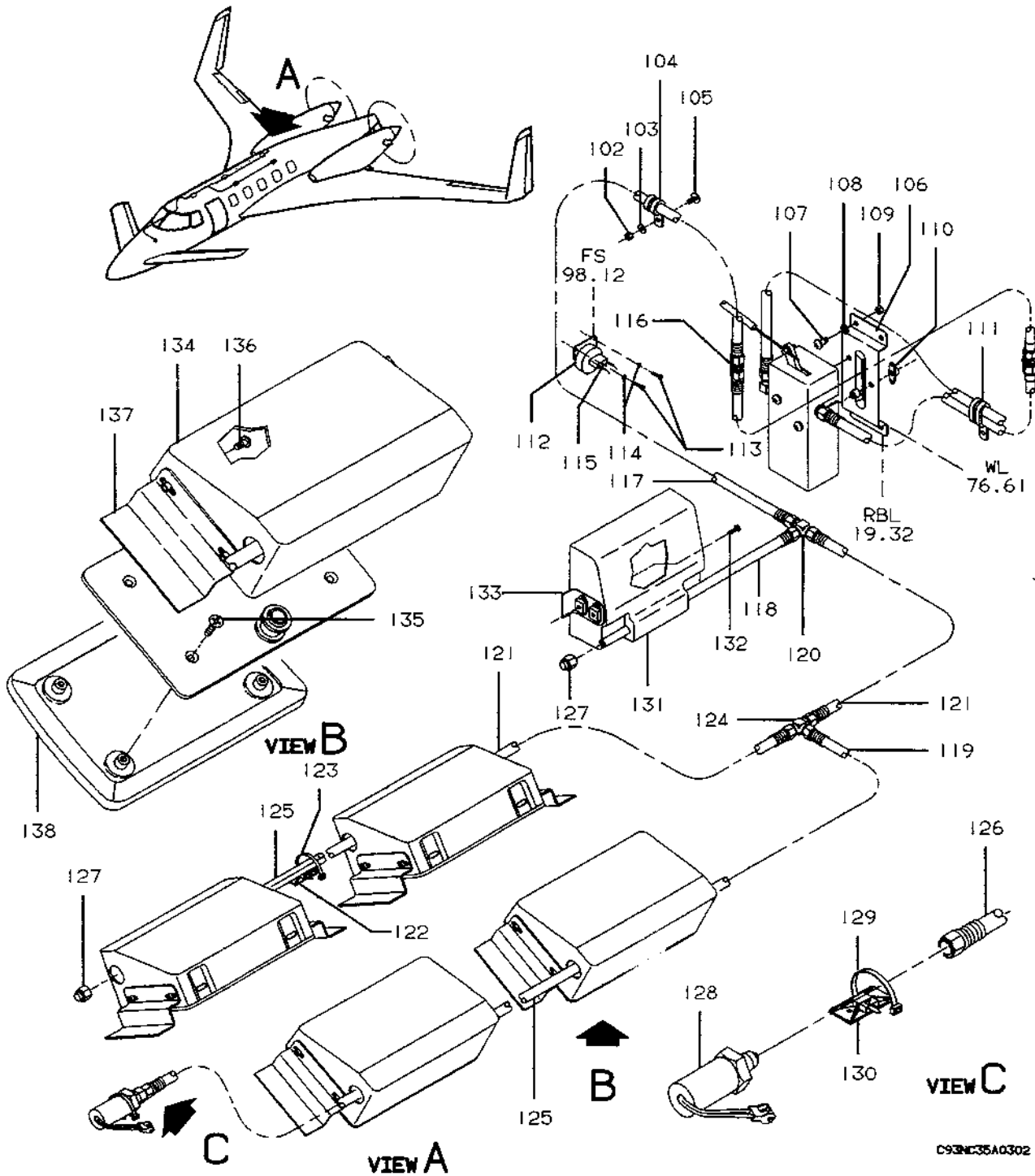
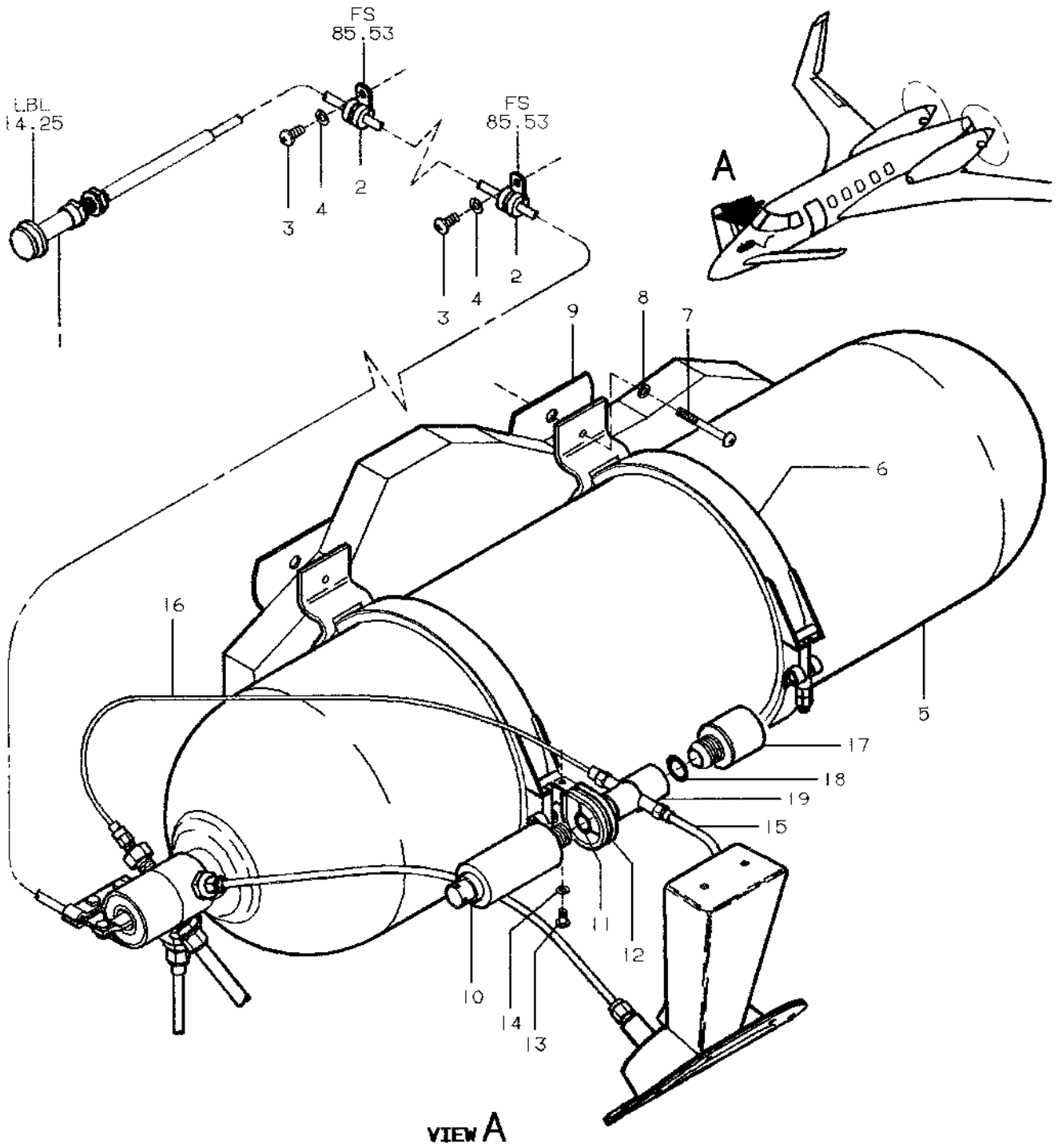


FIGURE 00-01.OXYGEN SYSTEM INSTALLATION
/SHEET 4 OF 4 SHEETS/

Beechcraft
STARSHIP 1
ILLUSTRATED PARTS CATALOG

35-00-02
OXYGEN SYSTEM INSTALLATION
NC-21 AND AFTER

Beechcraft
STARSHIP 1
ILLUSTRATED PARTS CATALOG



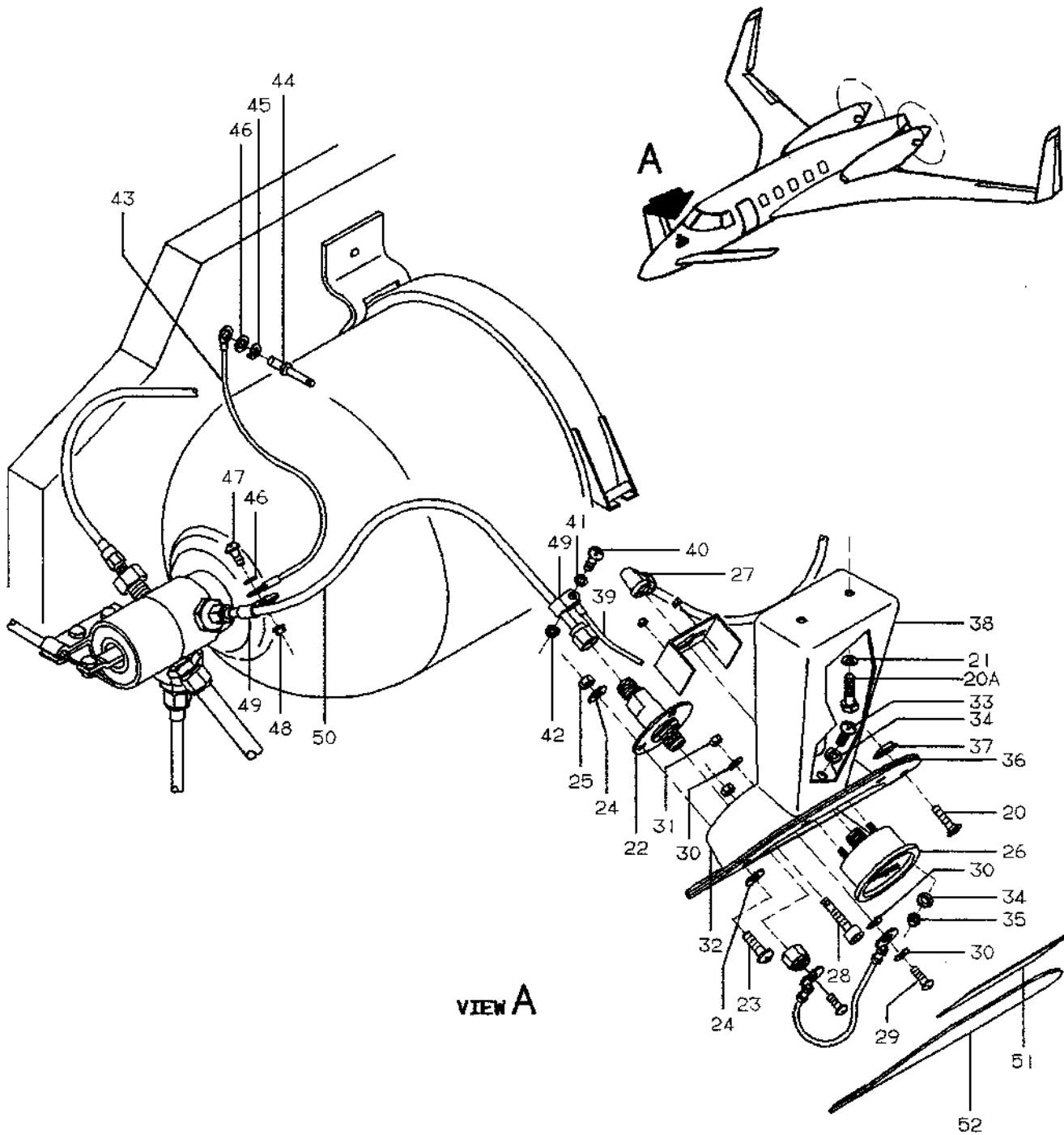
2000-341-01

FIGURE 00-02. OXYGEN SYSTEM INSTALLATION
/SHEET 1 OF 5 SHEETS/

Beechcraft
STARSHIP 1
ILLUSTRATED PARTS CATALOG

SUB-SEC UNIT & ITEM NO	PART NO.	DESCRIPTION 1 2 3 4 5 6 7	UNITS	USABLE
			PER ASSY	ON CODE
00-02	122-560000-3	OXYGEN SYSTEM INSTL.....	NP	1
	122-560009-9	.. OXYGEN SYSTEM INSTL, NOSE/77 CU FT/STANDARD/.....	NP	1
	122-560009-11	.. OXYGEN SYSTEM INSTL, NOSE/115 CU FT/OPTIONAL/.....	NP	1
- 1	122-384061-1	.. CONTROL ASSY.....	1	1
- 2	MS21919WDG4	.. CLAMP.....	3	1
		.. /ATTACHING PARTS/		
- 3	MS27039DD1-08	.. SCREW.....	1	
- 4	AN960JD10L	.. WASHER.....	1	
		---★---		
- 5	101-384207-5	.. OXYGEN CYLINDER/77 CU FT/.....	1	1
	101-384207-7	.. OXYGEN CYLINDER/115 CU FT/.....	1	1
- 6	122-384072-1	.. BRACKET ASSY/77 CU FT/.....	2	1
	122-384072-3	.. BRACKET ASSY/115 CU FT/.....	2	1
		.. /ATTACHING PARTS/		
- 7	MS27039C1-21	.. SCREW.....	2	
- 8	AN960JD10L	.. WASHER.....	2	
		---★---		
- 9	122-560024-1	.. DOUBLER ASSY, LOWER.....	2	1
	122-560024-5	.. DOUBLER ASSY, UPPER.....	2	1
	130909N33	.. NUTPLATE.....	1	1
-10	122-382008-3	.. TRANSDUCER, OXYGEN QUANTITY PRESSURE.....	1	5
R	122-382008-3	.. TRANSDUCER, OXYGEN QUANTITY PRESSURE.....	1	6
		.. /ALTERNATE FOR 122-382008-5/		
	122-382008-5	.. TRANSDUCER, OXYGEN QUANTITY PRESSURE.....	1	6
		.. /ALTERNATE FOR 122-382008-3/		
-11	MS28778-4	.. PACKING, PREFORMED.....	1	1
-12	R MS21919WDG24	.. CLAMP, TRANSDUCER MOUNTING.....	1	5
		.. /USED WITH 122-382008-3/		
	R MS21919WDG24	.. CLAMP, TRANSDUCER MOUNTING.....	1	6
		.. /USED WITH 122-382008-3/		
	R MS21919WDG20	.. CLAMP, TRANSDUCER MOUNTING.....	1	6
		.. /USED WITH 122-382008-5/		
		.. /ATTACHING PARTS/		
-13	MS27039-1-10	.. SCREW.....	1	
-14	AN960-10L	.. WASHER.....	1	
		---★---		
-15	122-560015-1	.. TUBE ASSY.....	1	1
-16	101-380051-3	.. TUBE ASSY, CAPILLARY.....	1	1
-17	101-384034-3	.. SWITCH, OXYGEN LOW PRESSURE.....	1	1
-18	MS28778-6	.. PACKING, PREFORMED.....	1	1
-19	122-560038-1	.. CONNECTOR ASSY.....	1	1

Beechcraft
STARSHIP 1
ILLUSTRATED PARTS CATALOG



2000-341-02

FIGURE 00-02.OXYGEN SYSTEM INSTALLATION
/SHEET 2 OF 5 SHEETS/

Beechcraft
STARSHIP 1
ILLUSTRATED PARTS CATALOG

SUB-SEC UNIT & ITEM NO	PART NO.	DESCRIPTION 1 2 3 4 5 6 7	UNITS	USABLE
			PER ASSY	ON CODE
00-02	122-560018-1	.. BRACKET ASSY, FILLER..... /ATTACHING PARTS/	1	1
-20	MS24694S49	.. SCREW.....	4	
-20A	AN3DD3A	.. BOLT.....	2	
-21	AN960PD10L	.. WASHER.....	2	
		---★---		
-22	101-384212-3	.. VALVE, OXYGEN FILL..... /ATTACHING PARTS/	1	1
-23	MS27039-1-07	.. SCREW.....	3	
-24	AN960PD10L	.. WASHER.....	6	
-25	MS21083D3	.. NUT.....	3	
		---★---		
-26	99-384042-1	.. GAGE, OXYGEN PRESSURE/DIAL/.....	1	1
-27	300-8-2	.. ELBOW.....	1	1
-28	109	.. JACK, BANANA/GROUNDING/.....	1	1
	MS35338-44	.. WASHER, LOCK.....	1	1
-29	MS35206-228	.. SCREW/SAFETY STRAP TO PAN/.....	1	1
-30	AN960PD6L	.. WASHER.....	3	1
-31	MS21042L06	.. NUT.....	1	1
-32	122-560018-5	.. PAN ASSY..... /ATTACHING PARTS/	1	1
-33	MS27039-0809	.. SCREW.....	2	
-34	AN960PD8L	.. WASHER.....	4	
-35	MS21083D08	.. NUT.....	2	
		---★---		
-36	122-560018-9	.. SEAL.....	1	1
-37	MS21060L3	.. NUTPLATE.....	10	1
-38	122-530018-11	.. SUPPORT.....	1	1
-39	MS25083-2BC6	.. JUMPER, BONDING/GROUND JACK TO FILL TUBE/ /SEE NOTE/ /ATTACHING PARTS/	1	1
-40	MS35207-262	.. SCREW.....	1	
-41	AN960-10L	.. WASHER.....	2	
-42	130909N29	.. NUT.....	1	
		---★---		
-43	MS25083-2BB9	.. JUMPER, BONDING/FILL TUBE TO GROUND STRIP/..... /77 CU FT/SEE NOTE/	1	1
	MS25083-2BB12	.. JUMPER, BONDING/FILL TUBE TO GROUND STRIP/..... /115 CU FT/SEE NOTE/ /ATTACHING PARTS/	1	1
-44	MS21141P	.. RIVET.....	1	
-45	MS35338-43	.. WASHER, LOCK.....	1	
-46	AN960-10L	.. WASHER.....	2	
-47	MS35207-262	.. SCREW.....	1	
-48	130909N29	.. NUT.....	1	
		---★---		
-49	AN735-3	.. CLAMP.....	2	1
-50	122-560013-5	.. TUBE ASSY/CYLINDER TO FILLER/77 CU FT/.....	1	1
	122-560013-1	.. TUBE ASSY/CYLINDER TO FILLER/115 CU FT/.....	1	1
-51	101-560096-7	.. DECAL, OXYGEN/INSIDE ACCESS DOOR/.....	1	1
-52	50-560022-3	.. DECAL, OXYGEN SERVICE LOCATION.....	1	1

NOTE USE MS25083-XXXX BONDING JUMPER WITH
SHORTEST LEAD POSSIBLE. SECURE
AN735-XX CLAMP WITH MS35207-XXX
SCREW, AN960-10L WASHER, MS35338-43
LOCKWASHER AND MS21042L3 NUT.

Beechcraft
STARSHIP 1
ILLUSTRATED PARTS CATALOG

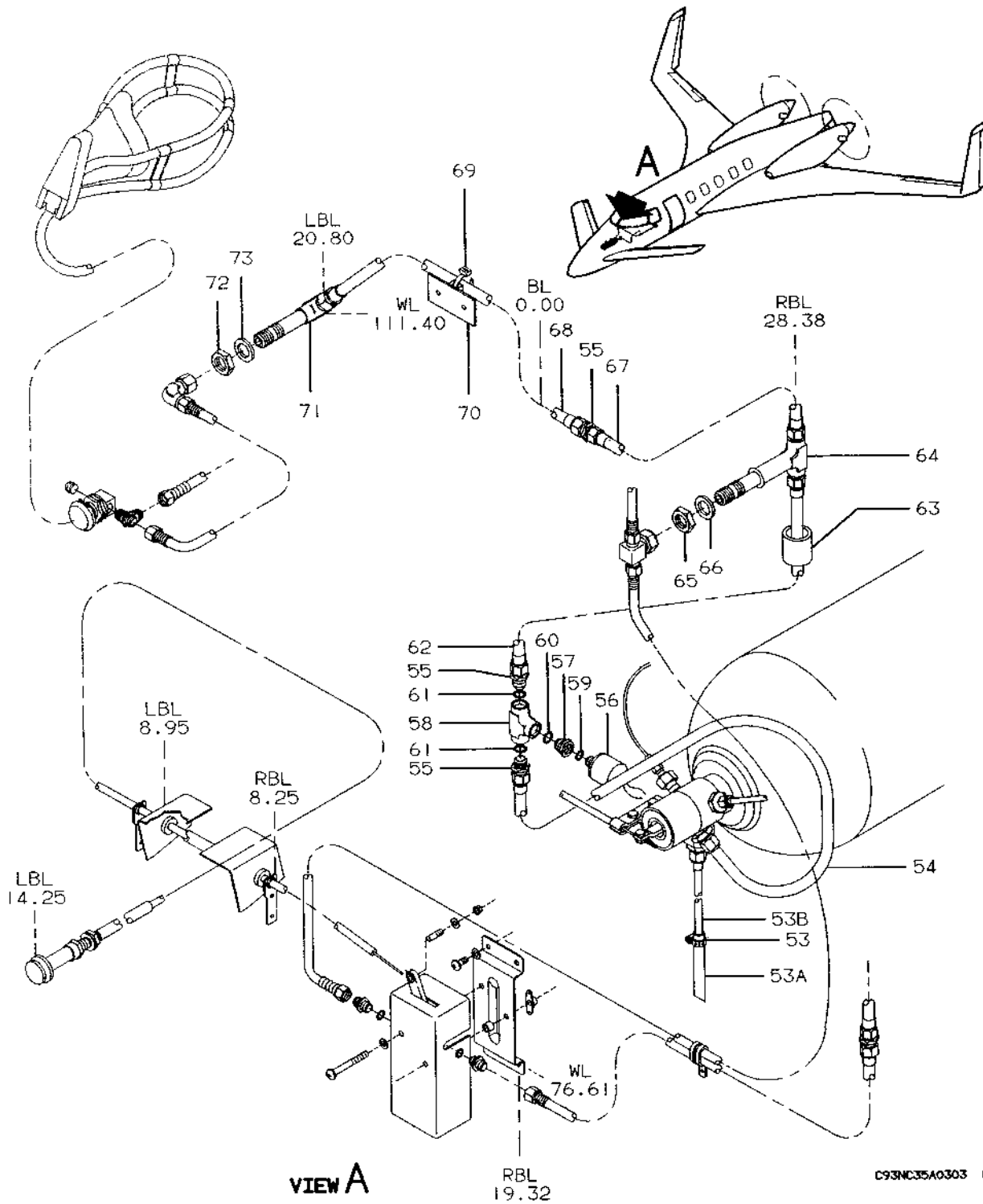


FIGURE 00-02.OXYGEN SYSTEM INSTALLATION
/SHEET 3 OF 5 SHEETS/

Beechcraft
STARSHIP 1
ILLUSTRATED PARTS CATALOG

SUB-SEC UNIT & ITEM NO	PART NO.	DESCRIPTION 1 2 3 4 5 6 7	UNITS	USABLE
			PER ASSY	ON CODE
00-02 - 53	GS4	.. CLAMP	1	1
- 53A	122-560009-7	.. TUBE ASSY	1	1
- 53B	122-560040-1	.. TUBE ASSY/77 CU FT/.....	1	1
	122-560039-1	.. TUBE ASSY/115 CU FT/.....	1	1
- 54	122-560014-1	.. TUBE ASSY, HIGH PRESSURE OXYGEN	NP	3
		.. /ORDER 122-560035-1 FOR SPARES/		
	122-560035-1	.. TUBE ASSY, HIGH PRESSURE	1	4
- 55	AN815-6D	.. UNION	3	1
- 56	101-384034-1	.. SWITCH, ARM PRESSURE	1	1
- 57	AN893-2D	.. REDUCER	1	1
- 58	AN938-6D	.. TEE	1	1
- 59	MS28778-6	.. PACKING, PREFORMED	1	1
- 60	MS28778-4	.. PACKING, PREFORMED	1	1
- 61	MS28778-5	.. PACKING, PREFORMED	2	1
- 62	122-560016-1	.. TUBE ASSY, HIGH PRESSURE OXYGEN	NP	3
		.. /ORDER 122-560034-1 FOR SPARES/		
	122-560034-1	.. TUBE ASSY, HIGH PRESSURE OXYGEN	1	4
- 63	122-560009-5	.. TUBE	2	1
- 64	122-384017-1	.. TEE, BULKHEAD	1	1
- 65	AN924-6D	.. NUT	1	
- 66	AN960PD916L	.. WASHER	2	
- 67	R 122-530041-1	.. TUBE ASSY, PILOT OXYGEN	NP	3
		.. /ORDER 122-560027-1 FOR SPARES/		
	R 122-560027-1	.. TUBE ASSY, PILOT OXYGEN	1	4
- 68	R 122-530042-1	.. TUBE ASSY, PILOT OXYGEN	NP	3
		.. /ORDER 122-560026-1 FOR SPARES/		
	R 122-560026-1	.. TUBE ASSY, PILOT OXYGEN	1	4
- 69	MS3367-5-9	.. CABLE TIE	3	1
- 70	TM256	.. CABLE TIE MTG BASE	3	1
- 71	122-384015-1	.. ELBOW	1	1
- 72	AN924-6D	.. NUT	1	
- 73	AN960PD916L	.. WASHER	2	

Beechcraft
STARSHIP 1
ILLUSTRATED PARTS CATALOG

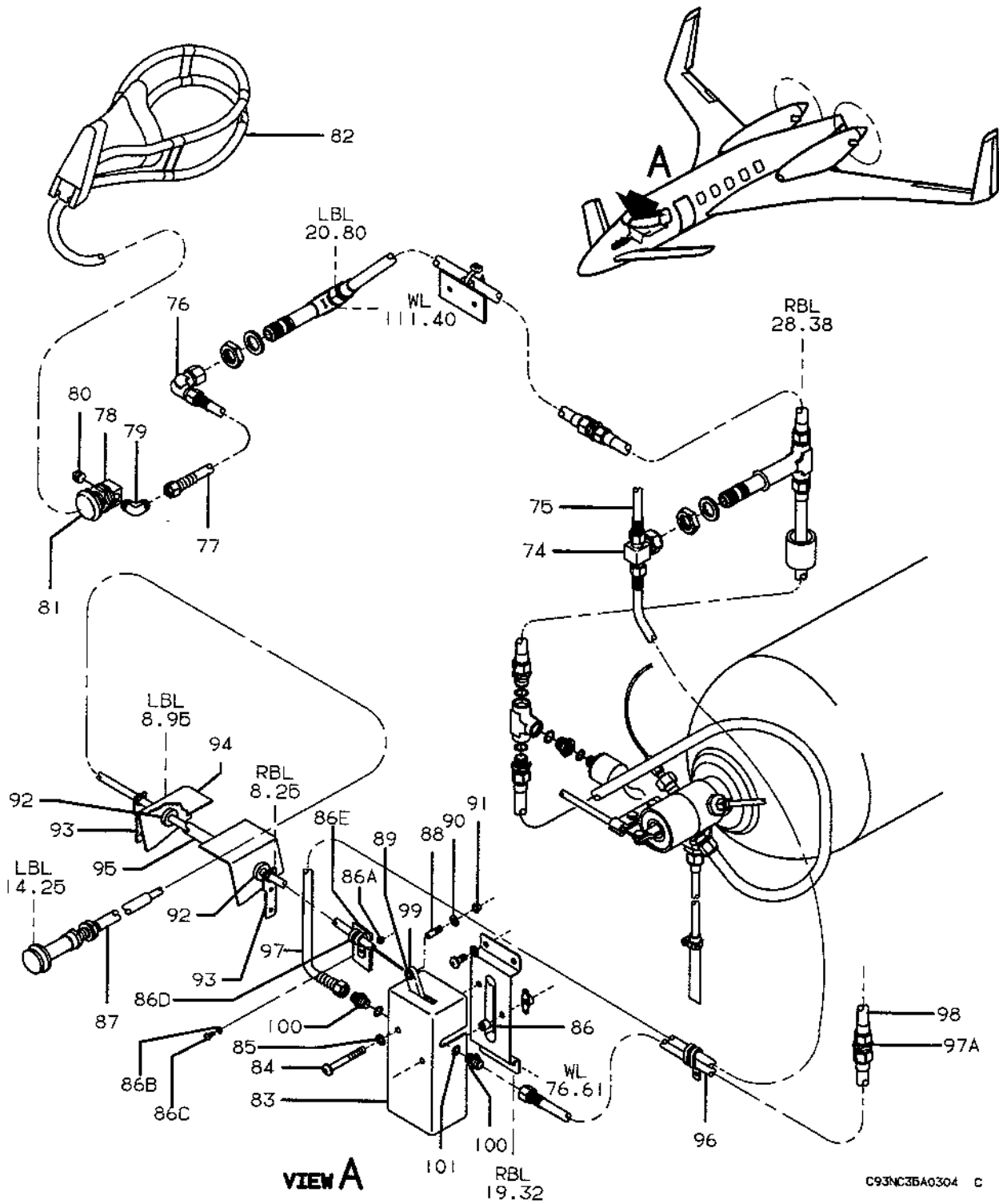


FIGURE 00-02.OXYGEN SYSTEM INSTALLATION
/SHEET 4 OF 5 SHEETS/

Beechcraft
STARSHIP 1
ILLUSTRATED PARTS CATALOG

SUB-SEC UNIT & ITEM NO	PART NO.	DESCRIPTION 1 2 3 4 5 6 7	UNITS	USABLE
			PER ASSY	ON CODE
00-02	122-560030-7	. OXYGEN SYSTEM INSTL, CABIN	NP	1
- 74	203102-6-6S	.. ADAPTER	2	1
- 75	122-560047-1	.. TUBE ASSY/COPILOT TO OXYGEN OUTLET/	1	1
- 76	MS51521B6	.. ELBOW	1	1
- 77	122-560048-1	.. TUBE ASSY/PILOT/	1	1
- 78	101-384226-1	.. VALVE, OXYGEN OUTLET	2	1
- 79	AN822-6-2D	.. ELBOW	2	1
- 80	MS20913-1D	.. PLUG	2	1
- 81	MXP129-2	.. LID ASSY, COCKPIT OXYGEN OUTLET	2	1
- 82	101-384220-9	.. MASK, CREW OXYGEN/SPARES FOR 101-384220-5	2	1
		AND 101-384220-7/		
- 83	122-560032-3	.. COVER, SHUTOFF VALVE	1	1
- 84	MS35207-269	.. SCREW	2	1
- 85	AN960-10L	.. WASHER	2	1
- 86	NAS43DD3-12	.. SPACER	2	1
- 86A	MS21042L3	.. NUT	1	2
- 86B	AN960-10L	.. WASHER	1	2
- 86C	MS35207-263	.. SCREW	1	2
- 86D	MS21919DG7	.. CLAMP	1	2
- 86E	122-420029-71	.. SUPPORT, CONTROL CABLE	1	2
- 87	122-384061-9	.. CABLE, CONTROL	1	1
- 88	35-550520-3	.. PIN	1	1
- 89	100801D4-0218	.. BUSHING	1	1
- 90	AN960-10L	.. WASHER	1	1
- 91	130909N29	.. NUT	1	1
- 92	MS35489-7	.. GROMMET	2	1
- 93	122-560030-5	.. SUPPORT	2	1
- 94	122-560020-7	.. CLOSURE, LH	1	7
	122-560020-9	.. CLOSURE, LH	1	8
	122-560020-8	.. CLOSURE, RH	1	7
	122-560020-10	.. CLOSURE, RH	1	8
- 95	131545G6-016-0	.. SLEEVE, FIRE	1	1
- 96	R 122-560044-1	.. TUBE ASSY	1	1
- 97	R 122-560043-1	.. TUBE ASSY	1	1
- 97A	AN815-5D	.. UNION	1	1
- 98	122-560045-1	.. TUBE ASSY	1	1
- 99	101-384032-7	.. VALVE, CABIN OXYGEN SHUTOFF	1	1
- 100	AN919-7D	.. REDUCER	2	1
- 101	MS28778-5	.. PACKING, PREFORMED	2	1

Beechcraft
STARSHIP 1
ILLUSTRATED PARTS CATALOG

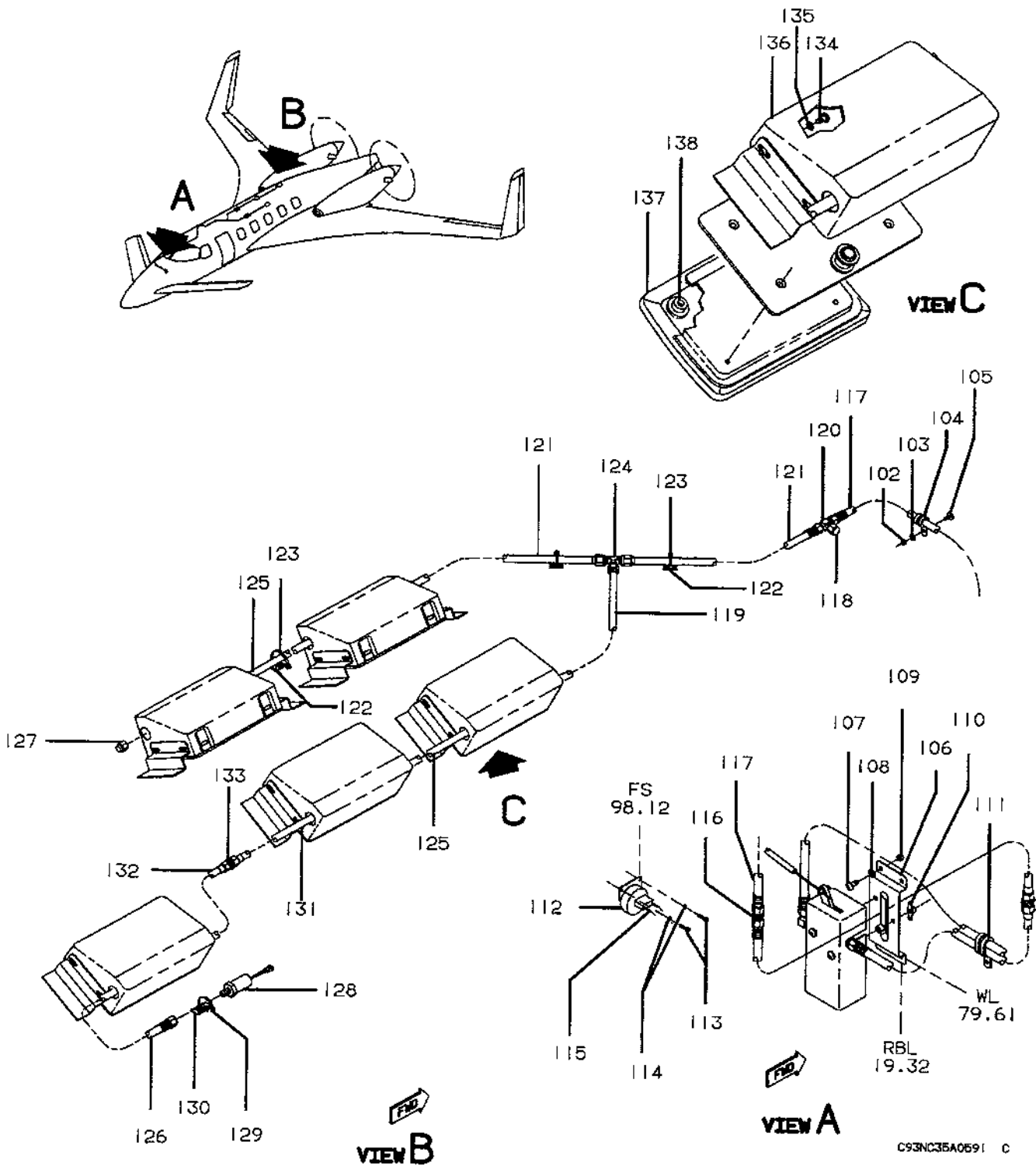


FIGURE 00-02.OXYGEN SYSTEM INSTALLATION
/SHEET 5 OF 5 SHEETS/

C93NC35A0691 C

Beechcraft
STARSHIP 1
ILLUSTRATED PARTS CATALOG

SUB-SEC UNIT & ITEM NO	PART NO.	DESCRIPTION 1 2 3 4 5 6 7	UNITS PER ASSY	USABLE ON CODE
00-02	-102	130909N29 .. NUT	6	1
	-103	AN960-10L .. WASHER	6	1
	-104	MS21919DG7 .. CLAMP	6	1
	-105	132131-3-4 .. STUD	6	1
	-106	122-560031-5 .. BRACKET ASSY	1	1
		/ATTACHING PARTS/		
	-107	MS27039-1-25 .. SCREW	4	
	-108	AN960-10 .. WASHER	8	
	-109	130909N29 .. NUT	4	
		-----★-----		
	-110	130909N33 .. NUTPLATE	2	1
	-111	444-6-2-8 .. CLAMP	1	1
	-112	101-384028-1 .. SWITCH, CABIN ALTITUDE PRESSURE	1	1
		/ATTACHING PARTS/		
	-113	MS35206-233 .. SCREW	2	
	-114	AN960-6L .. WASHER	2	
		-----★-----		
	-115	60939-2 .. RECEPTACLE, PIN	2	1
	-116	AN815-5D .. UNION	1	1
	-117	122-560046-19 .. HOSE ASSY	1	1
	-118	AN929-5 .. CAP ASSY	1	1
	-119	122-560046-1 .. HOSE ASSY	1	1
	-120	AN824-5D .. TEE	1	1
	-121	122-560046-1 .. HOSE ASSY	3	1
	-122	ABMM-A .. MOUNT, TIE	6	1
	-123	MS3367-5-9 .. STRAP	6	1
	-124	AN824-5D .. TEE	1	1
	-125	122-560046-21 .. HOSE ASSY	2	1
	-126	101-380049-15 .. HOSE ASSY	1	1
	-127	AN929-5 .. CAP ASSY	1	1
	-128	101-384034-1 .. SWITCH, OXYGEN PRESSURE SENSER	1	1
	-129	PLT2S .. CABLE TIE	1	1
	-130	SMS-A15 .. MOUNT	1	1
	-131	122-560046-9 .. HOSE	1	1
	-132	122-560036-1 .. TUBE	1	1
	-133	AN919-7D .. REDUCER	1	1
	-134	R MS35206-228 .. SCREW/WITHOUT KIT 122-5025-3 INSTALLED/	16	7
		R AN525-832R7 .. SCREW/WITH KIT 122-5025-3 INSTALLED/	20	7
		R AN525-832R7 .. SCREW	20	8
	-135	R AN960-6L .. WASHER/WITHOUT KIT 122-5025-3 INSTALLED/	16	7
	-136	R 122-380071-1 .. CONTAINER ASSY, AUTO-DEPLOY OXYGEN	5	7
		/WITHOUT KIT 122-5025-3 INSTALLED/		
		R 122-380071-3 .. CONTAINER ASSY, AUTO-DEPLOY OXYGEN	5	7
		/WITH KIT 122-5025-3 INSTALLED/		
		R 122-380071-3 .. CONTAINER ASSY, AUTO-DEPLOY OXYGEN	5	8
	-137	R 122-530246-19 LID ASSY, OXYGEN BOX/CABIN/	4	7
		R 122-530246-31 LID ASSY, OXYGEN BOX/CABIN/	4	8
		R 122-530246-21 LID ASSY, OXYGEN BOX/TOILET COMPARTMENT/	1	7
		R 122-530246-33 LID ASSY, OXYGEN BOX/TOILET COMPARTMENT/	1	8
		/ATTACHING PARTS/		
		R MS24693S4 .. SCREW	4	
		-----★-----		
	-138	R NAS43DD5-14 .. SPACER	4	1

CODES OF EFFECTIVITY

1	NC-21 AND AFTER	2	NC-29 AND AFTER
3	NC-21 THRU NC-38	4	NC-39 AND AFTER
5	NC-21 THRU NC-50	6	NC-51 AND AFTER
7	NC-21 THRU NC-40	8	NC-41 AND AFTER

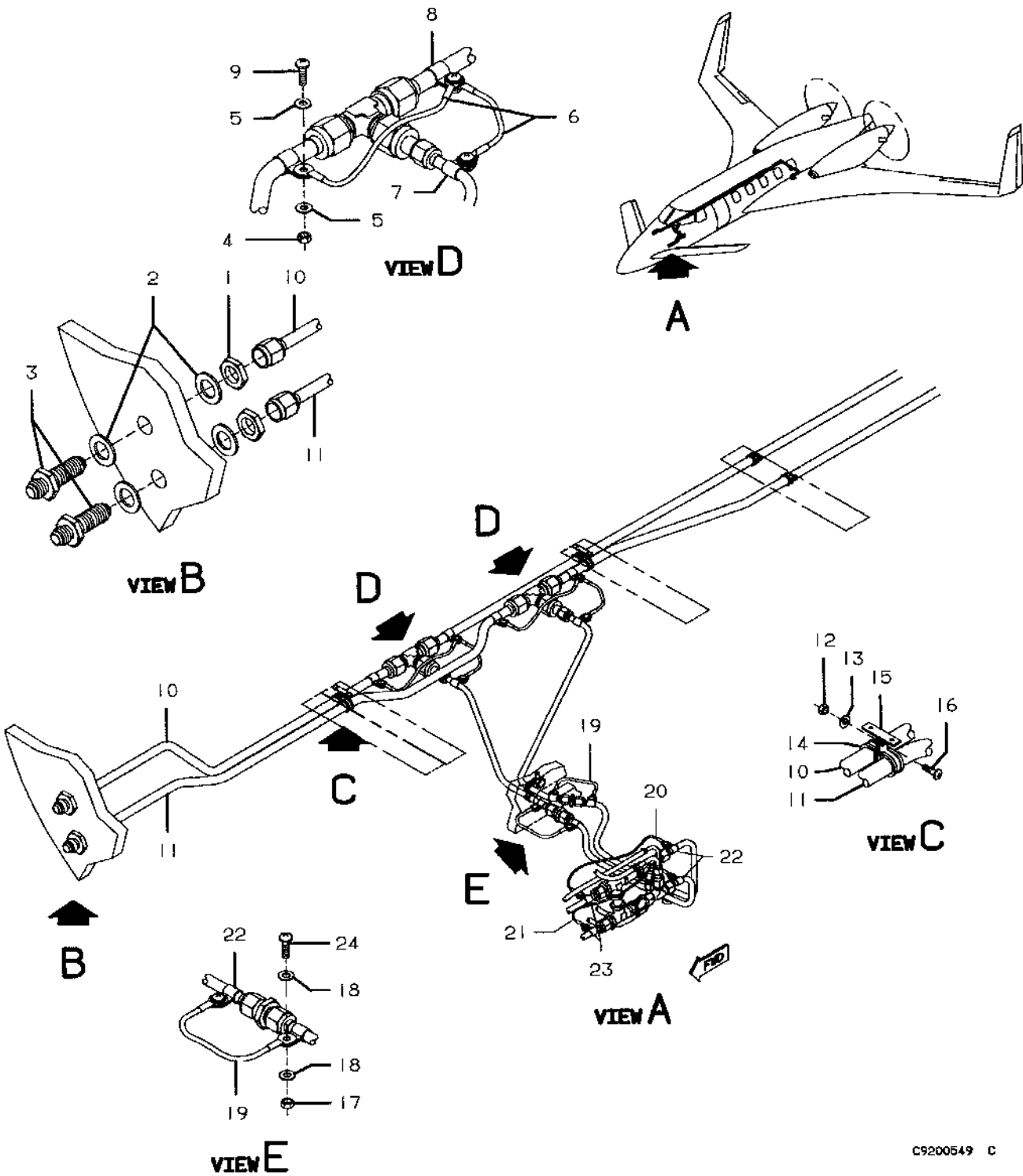
Beechcraft
STARSHIP 1
ILLUSTRATED PARTS CATALOG
LIST OF PAGES & TABLE OF CONTENTS
FOR
CHAPTER 36-00-00 PNEUMATIC

CHAP/SUB- SECT & UNIT	PAGE NO.	EFFECTIVE DATE	TABLE OF CONTENTS
36-00-00	1	02/25/94	LIST OF PAGES & TABLE OF CONTENTS
36-00-10	1	02/25/94	PRESSURIZATION SYSTEM.....
36-00-10	2	02/25/94	
36-00-10	3	02/25/94	
36-00-10	4	02/25/94	
36-00-10	5	02/25/94	
36-00-10	6	02/25/94	
36-00-10	7	02/25/94	
36-00-10	8	02/25/94	
36-00-10	9	02/25/94	
36-00-10	10	02/25/94	
36-00-10	11	02/25/94	
36-00-20	1	02/25/94	WING PRESSURIZATION SYSTEM
36-00-20	2	02/25/94	
36-00-20	3	02/25/94	
36-00-20	4	02/25/94	
36-00-20	5	02/25/94	
36-10-00	1	02/25/94	ENGINE COMPARTMENT BLEED AIR.....
36-10-00	2	02/25/94	
36-10-00	3	02/25/94	

Beechcraft
STARSHIP 1
ILLUSTRATED PARTS CATALOG

36-00-10
PRESSURIZATION SYSTEM

Beechcraft
STARSHIP 1
ILLUSTRATED PARTS CATALOG



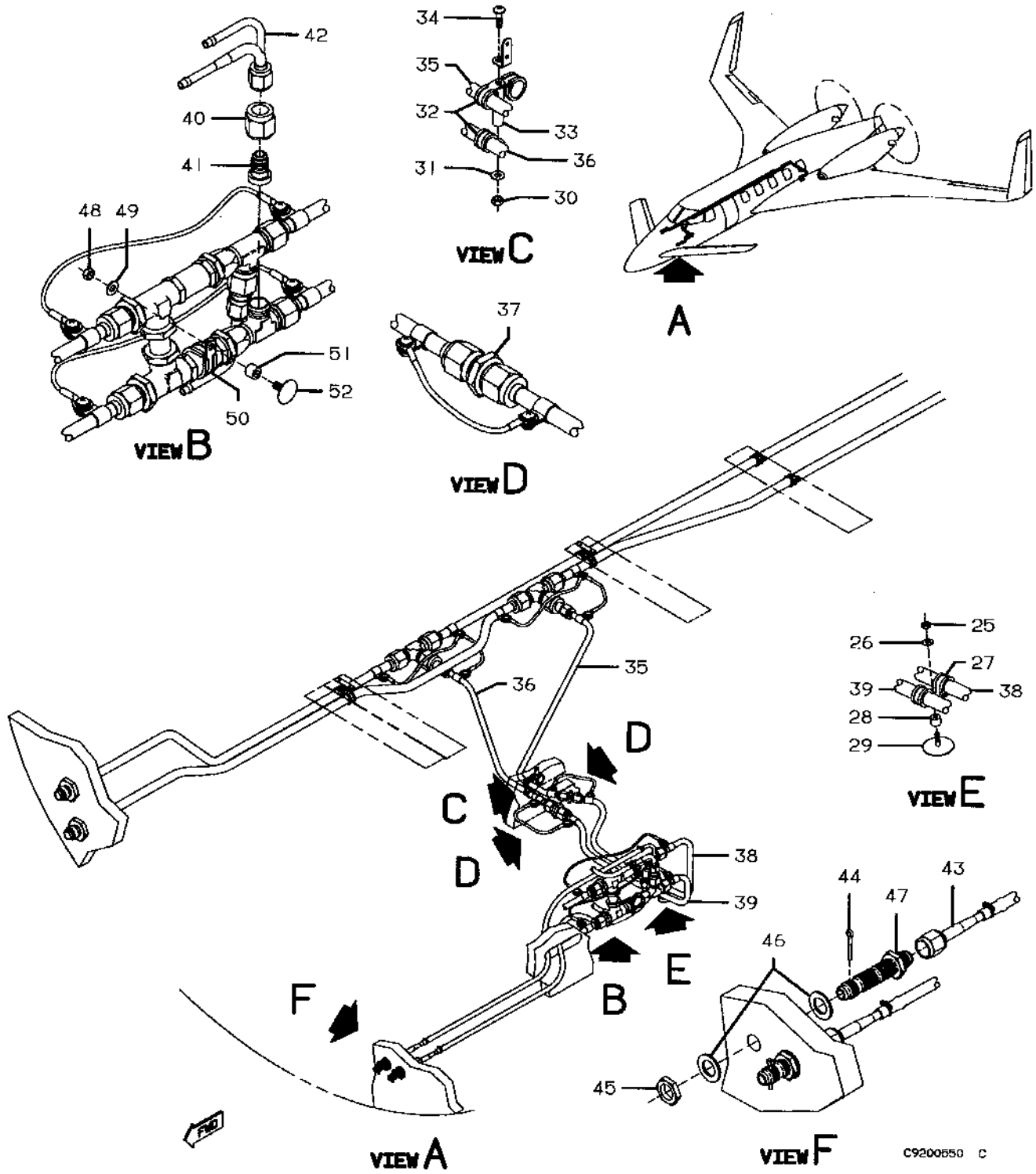
C9200549 C

FIGURE 00-10. PRESSURIZATION SYSTEM
/SHEET 1 OF 5 SHEETS/

Beechcraft
STARSHIP 1
ILLUSTRATED PARTS CATALOG

SUB-SEC UNIT & ITEM NO	PART NO.	DESCRIPTION 1 2 3 4 5 6 7	UNITS PER ASSY	USABLE ON CODE
00-10	122-540114-1	PRESSURIZATION SYSTEM	NP	
- 1	AN924-10D	. NUT	2	
- 2	AN960PD1416	. WASHER	4	
- 3	122-970084-7	. ORIFICE ASSY	2	
- 4	130909N29	. NUT	8	
- 5	AN960-10L	. WASHER	16	
- 6	MS25083-2BB5	. JUMPER, BONDING	4	
- 7	AN735D6	. CLAMP	2	
- 8	AN735D10	. CLAMP	6	
- 9	MS35207-263	. SCREW	8	
-10	122-540101-1	. TUBE ASSY	1	
-11	122-540073-1	. TUBE ASSY	1	
-12	130909N29	. NUT	1	
-13	AN960-10L	. WASHER	1	
-14	105933-10	. CLAMP	2	
-15	122-555068-5	. BRACKET ASSY	1	
-16	MS35207-264	. SCREW	1	
-17	130909N29	. NUT	8	
-18	AN960-10L	. WASHER	16	
-19	MS25083-2BB4	. JUMPER, BONDING	2	
-20	MS25083-2BB10	. JUMPER, BONDING	1	
-21	MS25083-2BB9	. JUMPER, BONDING	1	
-22	AN735D6	. CLAMP	6	
-23	AN735D4	. CLAMP	2	
-24	MS35207-263	. SCREW	8	

Beechcraft
STARSHIP 1
ILLUSTRATED PARTS CATALOG



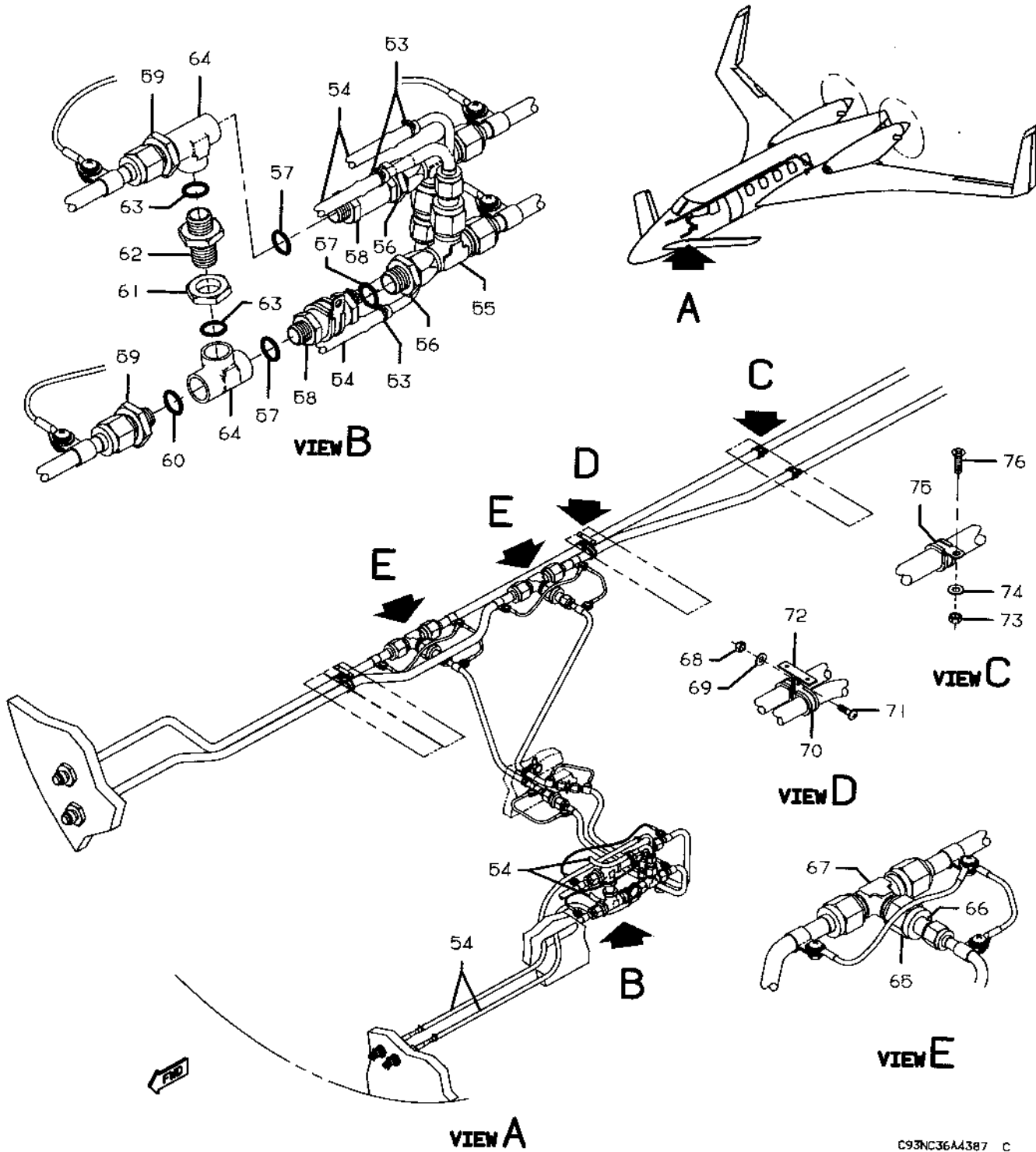
C9200550 C

FIGURE 00-10.PRESSURIZATION SYSTEM
/SHEET 2 OF 5 SHEETS/

Deechcraft
STARSHIP 1
ILLUSTRATED PARTS CATALOG

SUB-SEC UNIT & ITEM NO	PART NO.	DESCRIPTION 1 2 3 4 5 6 7	UNITS	USABLE
			PER ASSY	ON CODE
00-10 -25	130909N29	. NUT	1	
-26	AN960-10L	. WASHER	1	
-27	MS21919WDG6	. CLAMP	2	
-28	NAS43DD3-32	. SPACER	1	
-29	132131-3-8	. STUD	1	
-30	130909N29	. NUT	1	
-31	AN960-10L	. WASHER	1	
-32	MS21919WDG6	. CLAMP	2	
-33	NAS43DD3-64	. SPACER	1	
-34	MS35207-270	. SCREW	1	
-35	122-540099-1	. TUBE ASSY	1	
-36	122-540072-1	. TUBE ASSY	1	
-37	AN815-6D	. UNION	2	
-38	122-540118-1	. TUBE ASSY	1	
-39	122-540119-1	. TUBE ASSY	1	
-40	AN818-6D	. NUT	2	
-41	NAS1564D6-4	. REDUCER	2	
-42	122-540111-5	. TUBE ASSY	2	
-43	122-540111-13	. TUBE ASSY	2	
-44	MS24665-174	. PIN,COTTER	2	
-45	AN924-4D	. NUT	2	
-46	AN960-716L	. WASHER	4	
-47	122-322253-1	. FITTING	2	
-48	130909N29	. NUT	1	
-49	AN960-10L	. WASHER	1	
-50	MS21919WDG12	. CLAMP	1	
-51	NAS43DD3-12	. SPACER	1	
-52	132131-3-8	. STUD	1	

Beechcraft
STARSHIP 1
ILLUSTRATED PARTS CATALOG



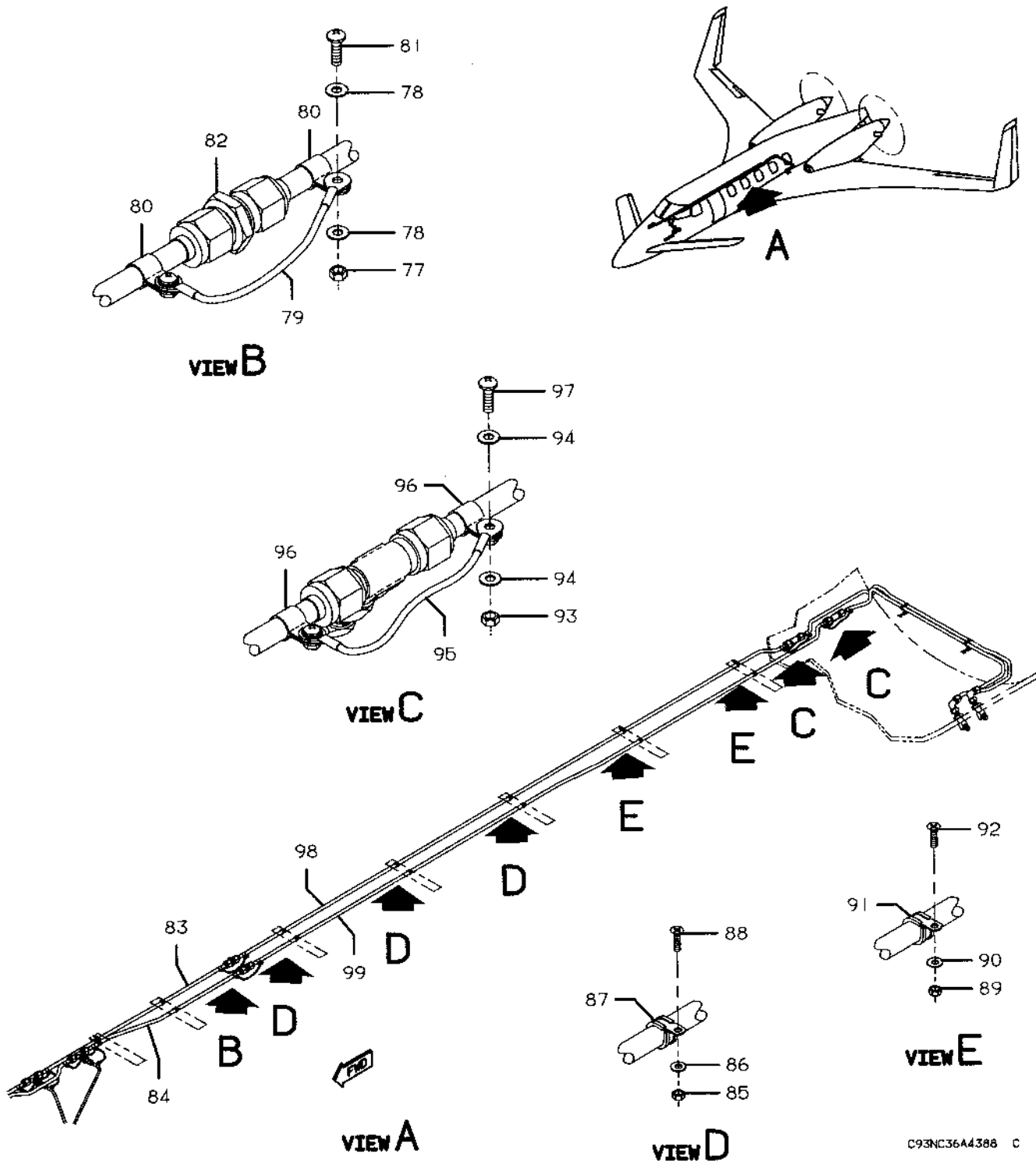
C93NC36A4387 C

FIGURE 00-10. PRESSURIZATION SYSTEM
/SHEET 3 OF 5 SHEETS/

Beechcraft
STARSHIP 1
ILLUSTRATED PARTS CATALOG

SUB-SEC UNIT & ITEM NO	PART NO.	DESCRIPTION 1 2 3 4 5 6 7	UNITS	USABLE
			PER ASSY	ON CODE
00-10 -53	131466B1	. CLAMP	6	
-54	131823E4M0380	. TUBE	4	
-55	6R6X-S	. TEE/FOR SPARES ORDER MS51523B6S OR 6R6X-SS/	NP	1
	MS51523B6S	. TEE/ALTERNATE FOR 6R6X-SS/	2	2
	6R6X-SS	. TEE/ALTERNATE FOR MS51523B6S/	2	2
-56	AN919-6D	. REDUCER	2	
-57	MS28778-4	. PACKING, PREFORMED	4	
-58	101-389011-65	. VALVE, CHECK	2	
-59	AN815-4D	. UNION	2	
-60	MS28778-4	. PACKING, PREFORMED	2	
-61	AN924-4D	. NUT	2	
-62	AN832-4D	. UNION	1	
-63	MS28778-4	. PACKING, PREFORMED	2	
-64	AN938-4D	. TEE	2	
-65	AN818-10D	. NUT	2	
-66	NAS1564D10-6	. REDUCER	2	
-67	AN824-10D	. TEE	2	
-68	130909N29	. NUT	1	
-69	AN960-10L	. WASHER	1	
-70	105933-10	. CLAMP	2	
-71	MS35207-264	. SCREW	1	
-72	122-555068-5	. BRACKET ASSY	1	
-73	130909N28	. NUT	2	
-74	AN960-8L	. WASHER	2	
-75	105933-10	. CLAMP	2	
-76	MS24693S50	. SCREW	2	

Beechcraft
STARSHIP 1
ILLUSTRATED PARTS CATALOG



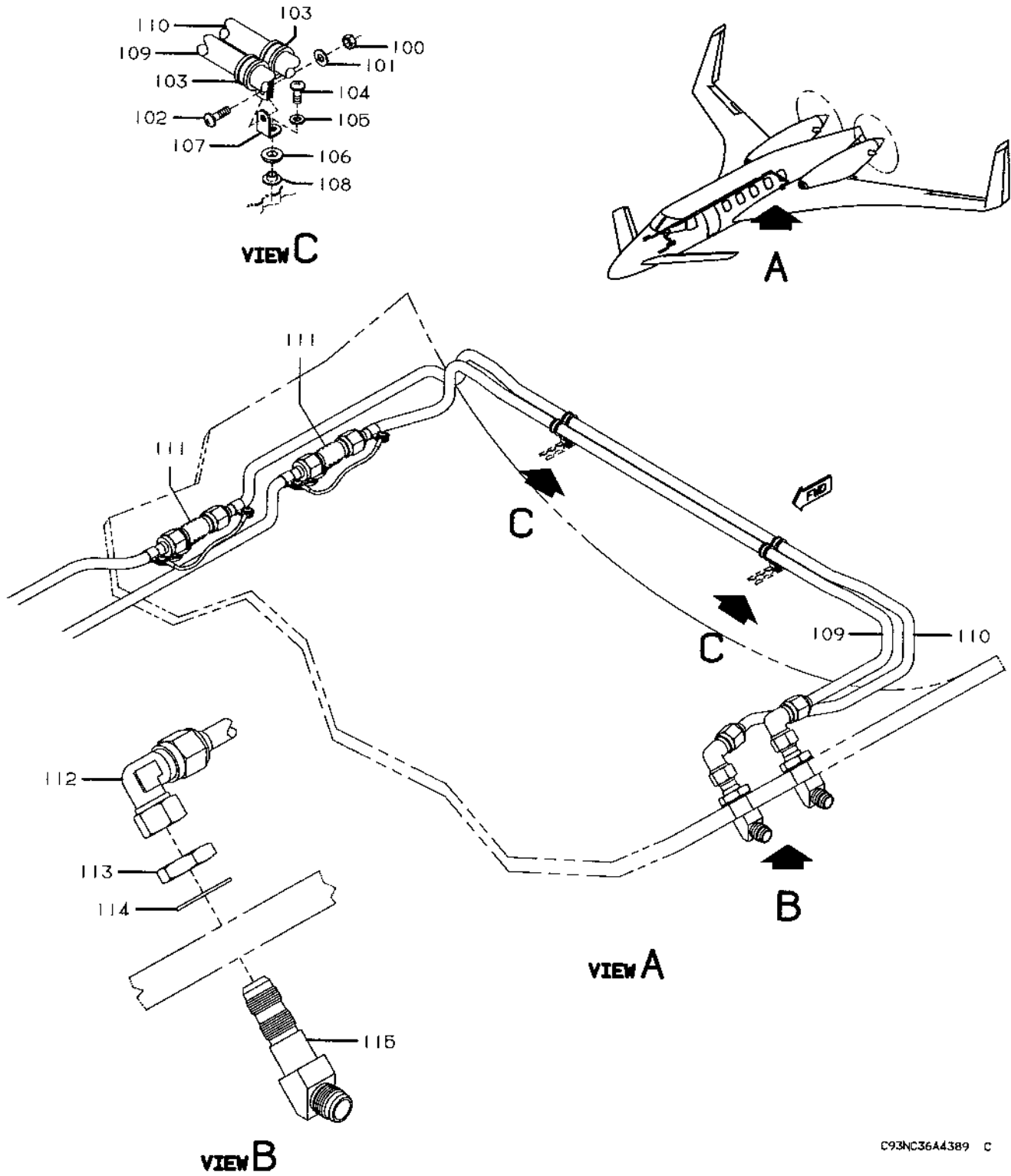
C93NC36A4388 C

FIGURE 00-10.PRESSURIZATION SYSTEM
/SHEET 4 OF 5 SHEETS/

Beechcraft
STARSHIP 1
ILLUSTRATED PARTS CATALOG

SUB-SEC UNIT & ITEM NO	PART NO.	DESCRIPTION 1 2 3 4 5 6 7	UNITS	USABLE
			PER ASSY	ON CODE
00-10 -77	130909N29	. NUT	4	
-78	AN960-10L	. WASHER	8	
-79	MS25083-2BB5	. JUMPER, BONDING	2	
-80	AN735D10	. CLAMP	4	
-81	MS35207-263	. SCREW	4	
-82	AN815-10D	. UNION	2	
-83	122-540071-1	. TUBE ASSY	1	
-84	122-540098-1	. TUBE ASSY	1	
-85	130909N28	. NUT	2	
-86	AN960-8L	. WASHER	2	
-87	105933-10	. CLAMP	2	
-88	MS24693S50	. SCREW	2	
-89	130909N28	. NUT	4	
-90	AN960-8L	. WASHER	4	
-91	105933-10	. CLAMP	4	
-92	MS24693S50	. SCREW	4	
-93	130909N29	. NUT	4	
-94	AN960-10L	. WASHER	8	
-95	MS25083-2BB6	. JUMPER, BONDING	2	
-96	AN735D10	. CLAMP	4	
-97	MS35207-263	. SCREW	4	
-98	122-540070-1	. TUBE ASSY	1	
-99	122-540097-1	. TUBE ASSY	1	

Beechcraft
STARSHIP 1
ILLUSTRATED PARTS CATALOG



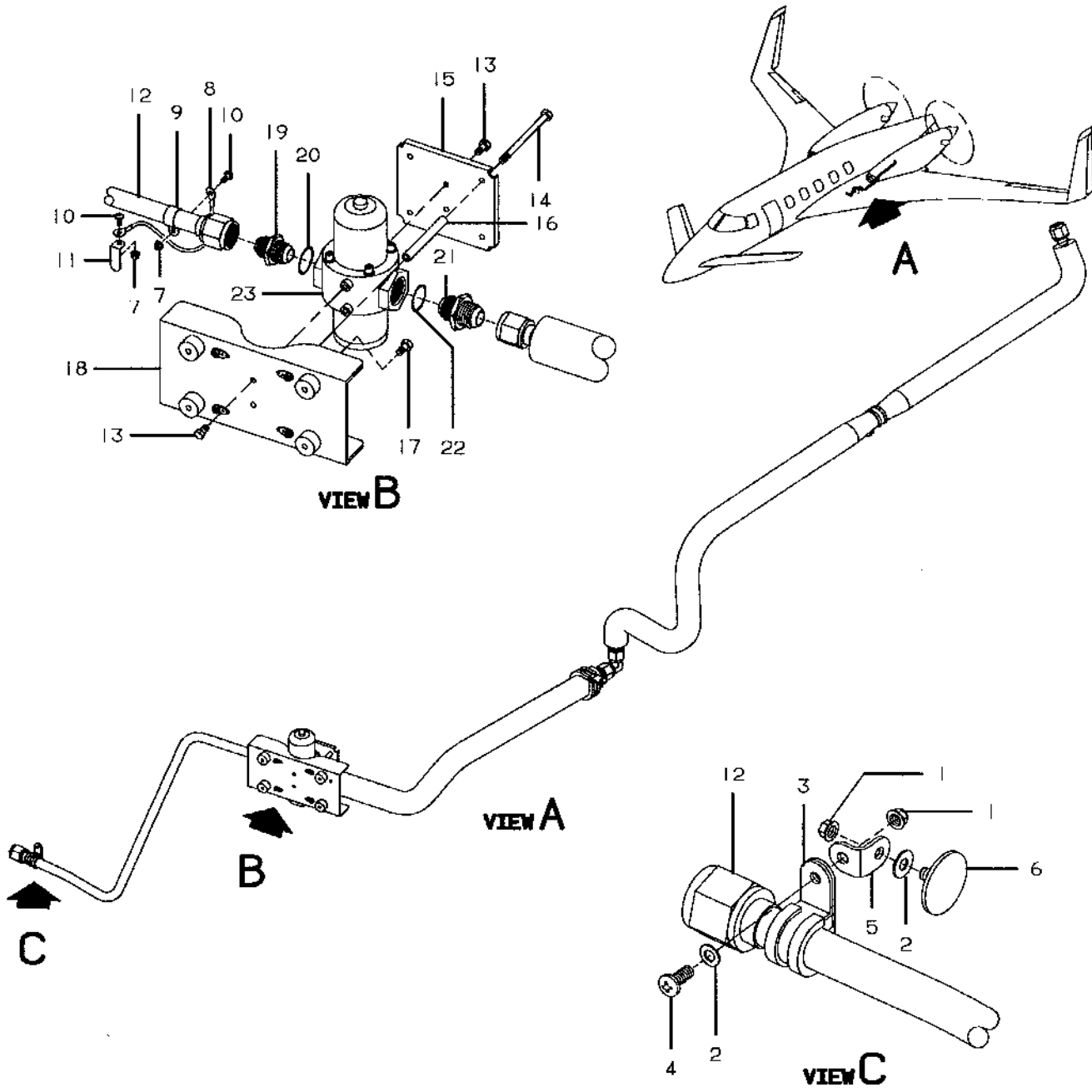
C93NC36A4389 C

FIGURE 00-10. PRESSURIZATION SYSTEM
/SHEET 5 OF 5 SHEETS/

Beechcraft
STARSHIP 1
ILLUSTRATED PARTS CATALOG

36-00-20
WING PRESSURIZATION SYSTEM

Beechcraft
STARSHIP 1
ILLUSTRATED PARTS CATALOG



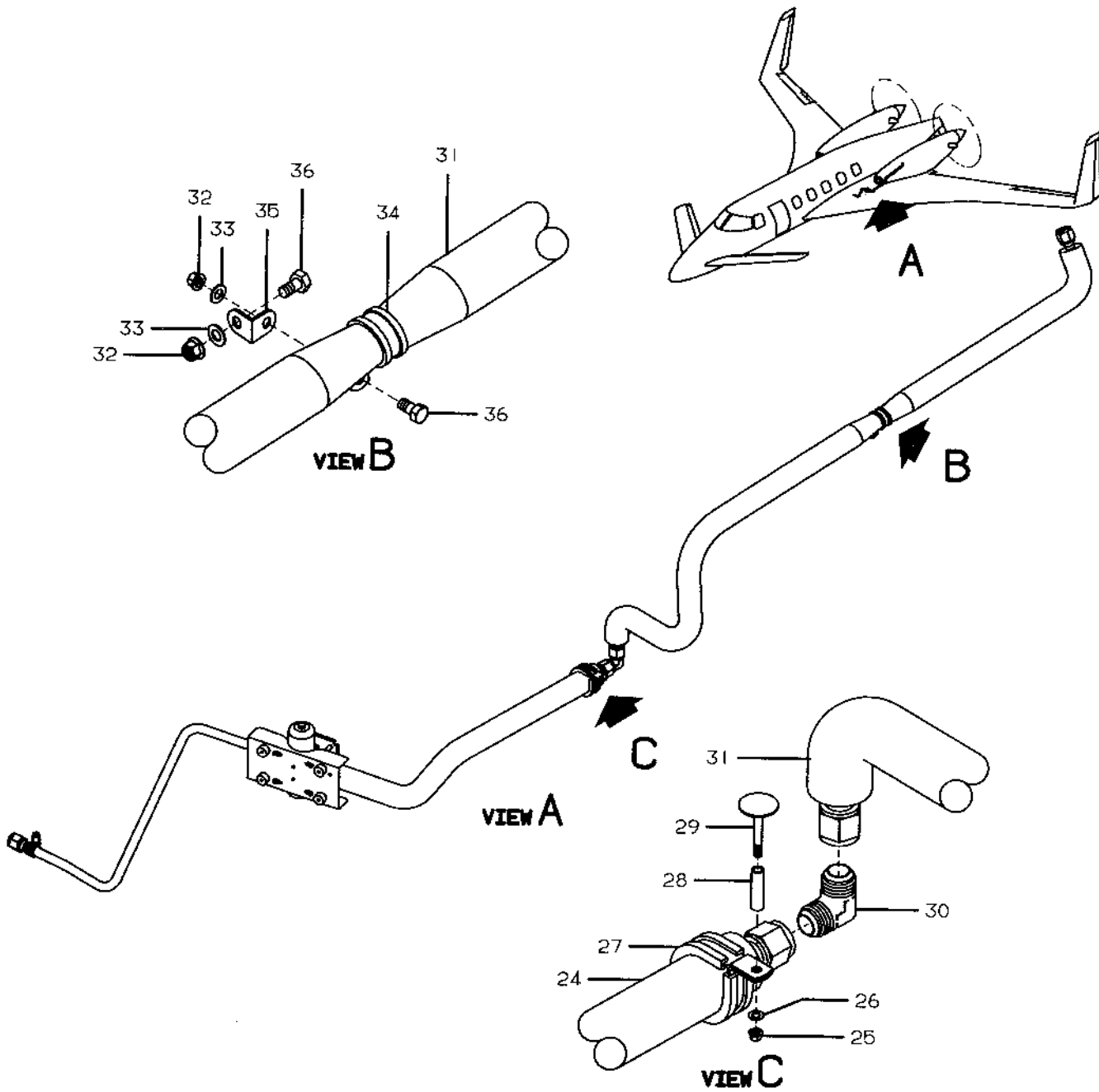
C9200554 C

FIGURE 00-20. WING PRESSURIZATION SYSTEM
/SHEET 1 OF 2 SHEETS/

Beechcraft
STARSHIP 1
ILLUSTRATED PARTS CATALOG

SUB-SEC UNIT & ITEM NO	PART NO.	DESCRIPTION 1 2 3 4 5 6 7	UNITS	USABLE
			PER ASSY	ON CODE
00-20	122-540115-1	PRESSURE SYSTEM, LH WING	NP	
	122-540115-3	PRESSURE SYSTEM, RH WING.....	NP	
- 1	130909N29	. NUT	2	
- 2	AN960-10L	. WASHER	2	
- 3	MS21919WCH10	. CLAMP	1	
- 4	MS35207-261	. SCREW	1	
- 5	AN743-12	. BRACKET	1	
- 6	132131-3-3	. STUD	1	
- 7	130909N29	. NUT	2	
- 8	MS25083-2BB4	. JUMPER, BONDING	1	
- 9	AN735D10	. CLAMP	1	
- 10	MS35207-263	. SCREW	2	
- 11	122-920002-133	. BRACKET.....	1	
- 12	122-540115-5	. TUBE ASSY, LH/TO PNEUMATIC DEICE SYSTEM/.....	1	
	122-540115-9	. TUBE ASSY, RH/TO PNEUMATIC DEICE SYSTEM/	1	
- 13	130909B12	. BOLT	4	
- 14	AN3-32A	. BOLT	4	
- 15	122-540117-5	. BRACKET, PRESSURE REGULATOR VALVE	1	
- 16	NAS43DD3-180	. SPACER	4	
- 17	AN3C7A	. BOLT	4	
- 18	122-540117-1	. BRACKET, PRESSURE REGULATOR VALVE	1	
- 19	AN919-20J	. REDUCER	1	
- 20	MS9387-12	. PACKING, PREFORMED	1	
- 21	AN815-10J	. UNION	1	
- 22	MS9387-10	. PACKING, PREFORMED	1	
- 23	122-380075-3	. REGULATOR	1	

Beechcraft
STARSHIP 1
ILLUSTRATED PARTS CATALOG



C93NC36A4363 C

FIGURE 00-20. WING PRESSURIZATION SYSTEM
/SHEET 2 OF 2 SHEETS/

Beechcraft
STARSHIP 1
ILLUSTRATED PARTS CATALOG

SUB-SEC UNIT & ITEM NO	PART NO.	DESCRIPTION 1 2 3 4 5 6 7	UNITS	USABLE
			PER ASSY	ON CODE
00-20 -24	122-540115-13	. TUBE ASSY, LH.....	1	
	122-540115-17	. TUBE ASSY, RH.....	1	
-25	130909N29	. NUT.....	1	
-26	AN960-10L	. WASHER.....	1	
-27	MS21919WH20	. CLAMP.....	1	
-28	NAS43DD3-74	. SPACER.....	1	
-29	132131-3-13	. STUD.....	1	
-30	AN821-10J	. ELBOW.....	1	
-31	122-540115-21	. TUBE ASSY, LH.....	1	1
	122-540115-29	. TUBE ASSY, LH/FOR OPTIONAL BRAKE DEICE/.....	1	2
	122-540115-25	. TUBE ASSY, RH.....	1	1
	122-540115-33	. TUBE ASSY, RH/FOR OPTIONAL BRAKE DEICE/.....	1	2
-32	130909N29	. NUT.....	2	
-33	AN960-10L	. WASHER.....	2	
-34	MS21919WH20	. CLAMP.....	1	
-35	MS9592-008	. BRACKET.....	1	
-36	130909B12	. BOLT.....	2	

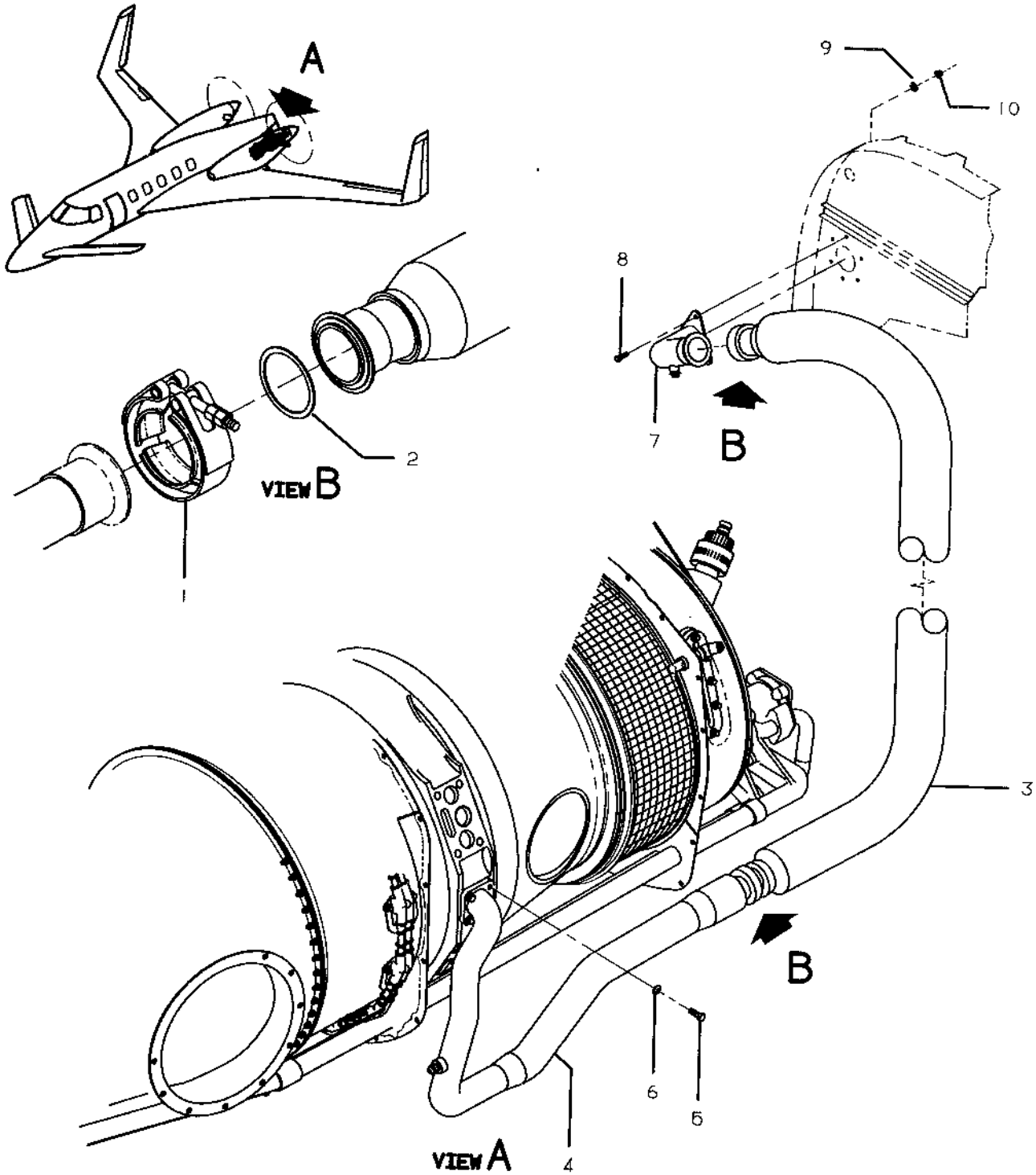
CODES OF EFFECTIVITY

1 NC-4 THRU NC-29 2 NC-30 AND AFTER

Beechcraft
STARSHIP 1
ILLUSTRATED PARTS CATALOG

36-10-00
ENGINE COMPARTMENT BLEED AIR

Beechcraft
STARSHIP 1
ILLUSTRATED PARTS CATALOG



C93NC36A4390 C

FIGURE 10-00.ENGINE COMPARTMENT BLEED AIR

Beechcraft
STARSHIP 1
ILLUSTRATED PARTS CATALOG
LIST OF PAGES & TABLE OF CONTENTS
FOR
CHAPTER 38-00-00 WATER/WASTE

CHAP/SUB- SECT & UNIT	PAGE NO.	EFFECTIVE DATE	TABLE OF CONTENTS
38-00-00	1	02/25/94	LIST OF PAGES & TABLE OF CONTENTS
38-30-00	1	02/25/94	RH FORWARD TOILET
38-30-00	2	02/25/94	NC-4 THRU NC-20
38-30-00	3	02/25/94	
38-30-05	1	02/25/94	AFT TOILET AND RELIEF TUBE
38-30-05	2	02/25/94	NC-21 AND AFTER
38-30-05	3	02/25/94	
38-30-05	4	02/25/94	
38-30-05	5	02/25/94	
38-30-10	1	02/25/94	COCKPIT RELIEF TUBE
38-30-10	2	02/25/94	NC-4 THRU NC-20
38-30-10	3	02/25/94	
38-30-12	1	02/25/94	CABIN RELIEF TUBE
38-30-12	2	02/25/94	NC-4 THRU NC-20
38-30-12	3	02/25/94	
38-30-15	1	02/25/94	AFT TOILET PLUMBING
38-30-15	2	02/25/94	NC-21 AND AFTER
38-30-15	3	02/25/94	
38-30-15	4	02/25/94	
38-30-15	5	02/25/94	
38-30-30	1	02/25/94	OVERBOARD DRAIN PLUMBING
38-30-30	2	02/25/94	NC-4 THRU NC-20
38-30-30	3	02/25/94	
38-30-30	4	02/25/94	
38-30-30	5	02/25/94	

Beechcraft
STARSHIP 1
ILLUSTRATED PARTS CATALOG

38-30-00
RH FORWARD TOILET
NC-4 THRU NC-20

Beechcraft
STARSHIP 1
ILLUSTRATED PARTS CATALOG

SUB-SEC UNIT & ITEM NO	PART NO.	DESCRIPTION 1 2 3 4 5 6 7	UNITS	USABLE
			PER ASSY	ON CODE
30-00	122-530105-1	TOILET INSTL, RH FWD.....	NP	1
- 1	MS3367-5-9	. STRAP.....	AR	1
- 2	SL6207C1-1	. PLATE.....	3	1
- 3	SNP6	. CLAMP.....	6	1
- 4	122-530105-7	. TUBE/TO OVERBOARD DRAIN/.....	1	1
- 5	219822	. CHECK VALVE.....	1	1
- 6	122-530105-5	. TUBE.....	1	1
- 7	MODEL 500-31A	TOILET ASSY.....	1	1

CODES OF EFFECTIVITY

1 NC-4 THRU NC-20

Beechcraft
STARSHIP 1
ILLUSTRATED PARTS CATALOG

38-30-05
AFT TOILET AND RELIEF TUBE
NC-21 AND AFTER

Beechcraft
STARSHIP 1
ILLUSTRATED PARTS CATALOG

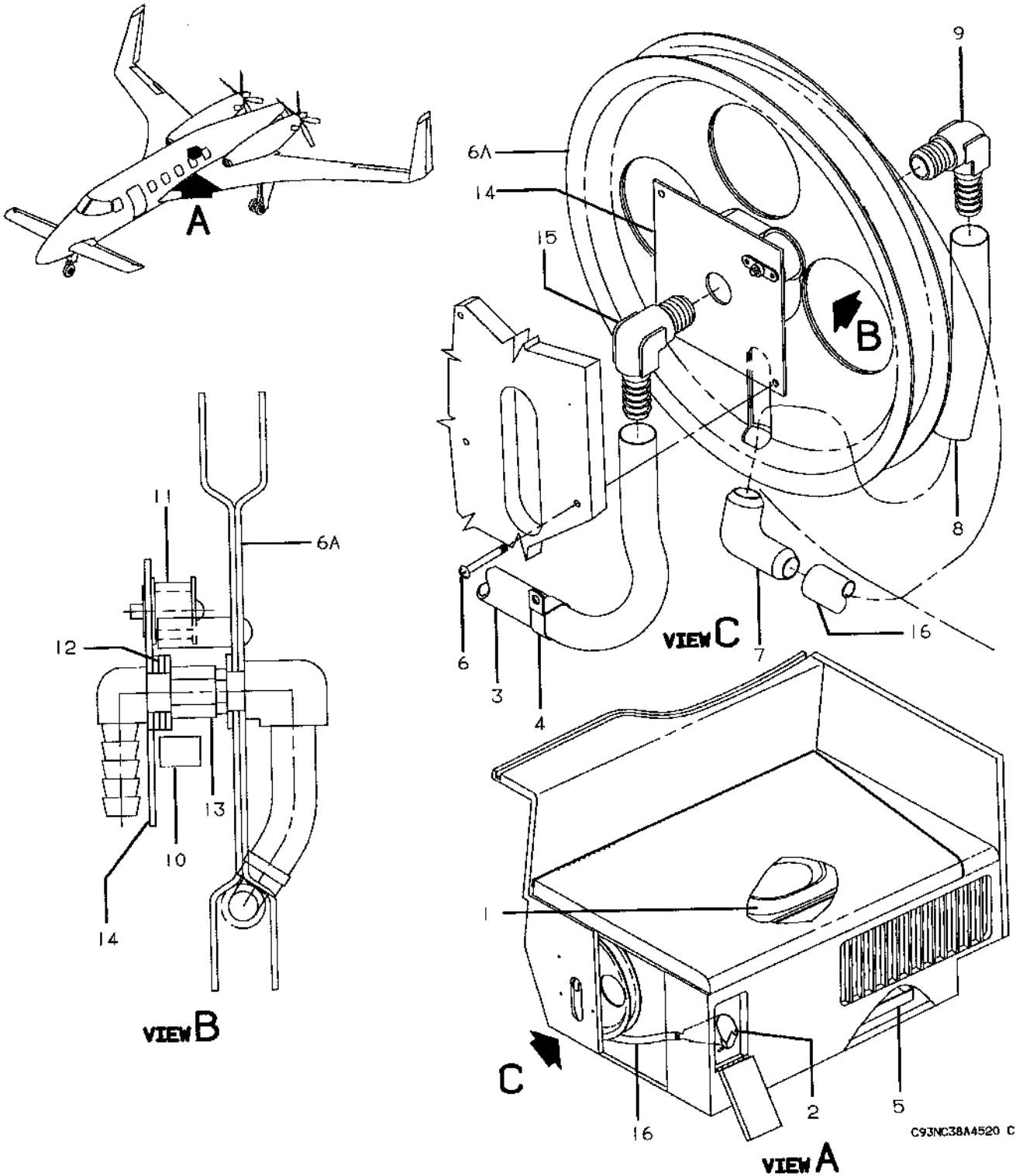
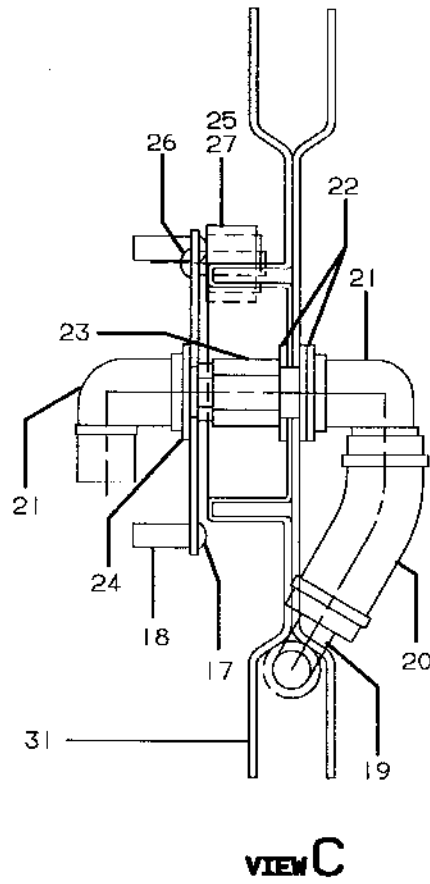
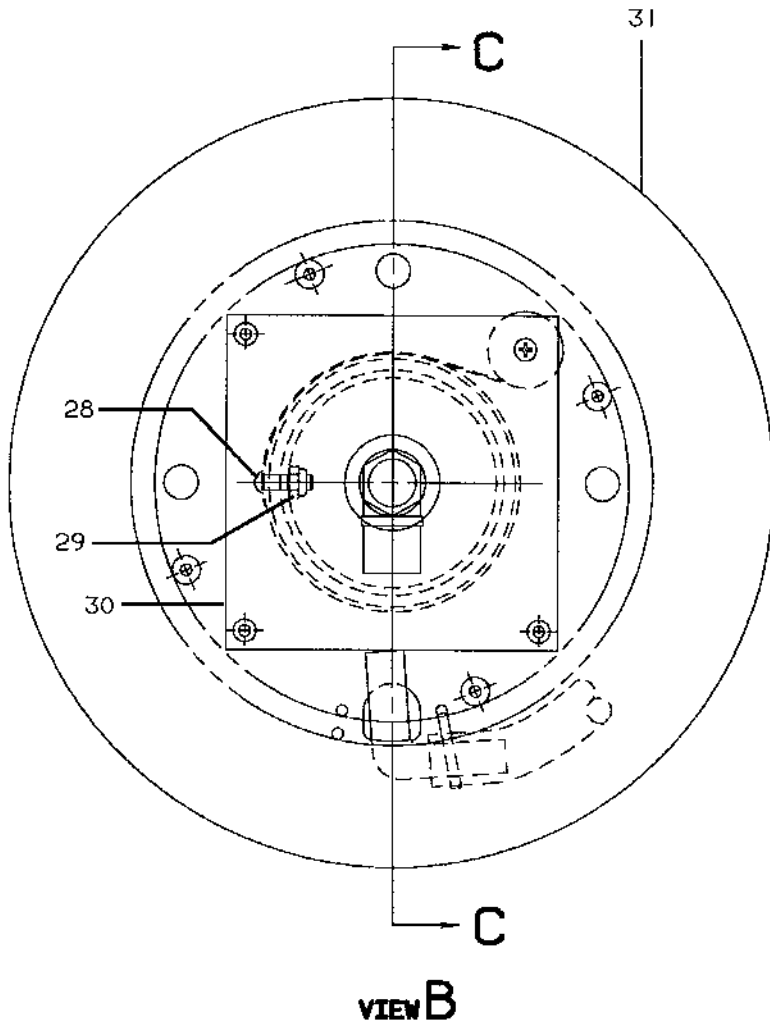
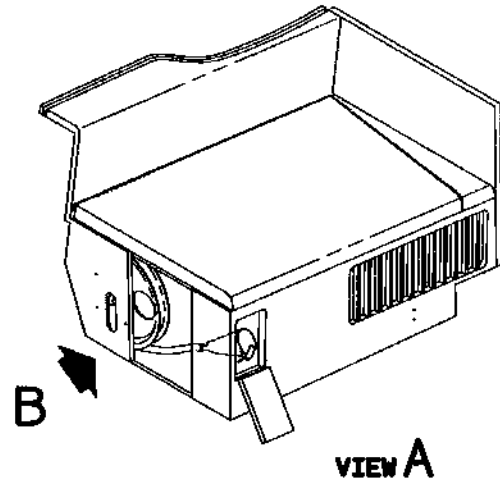
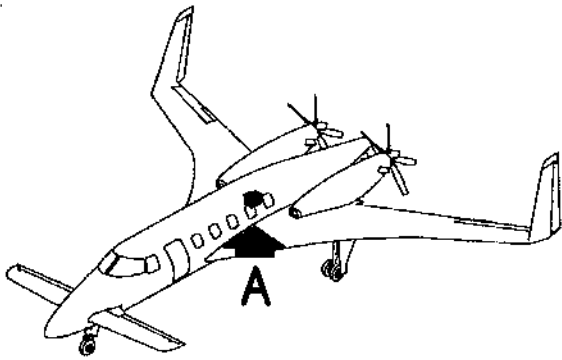


FIGURE 30-05. AFT TOILET AND RELIEF TUBE
/SHEET 1 OF 2 SHEETS/

Beechcraft
STARSHIP 1
ILLUSTRATED PARTS CATALOG

SUB-SEC UNIT & ITEM NO	PART NO.	DESCRIPTION 1 2 3 4 5 6 7	UNITS	USABLE
			PER ASSY	ON CODE
30-05	122-384128-1	CABINET ASSY, AFT TOILET	NP	1
	122-384128-19	CABINET ASSY, AFT TOILET	NP	2
- 1	500-31A	. TOILET/ORDER 500-31A-1 FOR SPARES/	NP	4
	500-31A-1	. TOILET	1	5
	60145-1	. TOILET ASSY, AFT	1	1
	60145-5	. TOILET ASSY, AFT	1	2
- 2	WM203	. RELIEF TUBE ASSY	1	3
- 3	S1014-8-12.0	. HOSE	1	3
- 4	3241-3	. CLAMP	1	1
	CCH62S10C	. CLAMP	1	2
		/ATTACHING PARTS/		
	NAS601-5	. SCREW	1	1
	NAS602-5	. SCREW	1	2
		---★---		
- 5	122-384128-15	. DRIP TRAY	1	3
	12006-13	. REEL ASSY, RELIEF TUBE	1	1
		/ATTACHING PARTS/		
- 6	NAS601-8	. SCREW	3	
	NAS43DD1-12	. SPACER	3	
		---★---		
- 6A	12006-15	. REEL HALF	2	1
	A042BS	. RIVET	4	1
	AN960-6L	. WASHER	4	1
- 7	P6EUB6	. ELBOW	1	1
- 8	S1014-8-3.8	. TUBING	1	1
	S1023-1	. TIE WRAP	2	1
- 9	23400X4	. ELBOW	1	1
- 10	12006-9	. HUB	1	1
		/ATTACHING PARTS/		
	S1012-6-4	. SCREW	3	
		---★---		
- 11	3X50SH08G28	. SPRING	2	1
		/ATTACHING PARTS/		
	NAS601-14	. SCREW	1	
	S1012-6-4	. SCREW	1	
	AN970-3	. WASHER	2	
	AN960D6L	. WASHER	1	
	10806-5	. SPACER	1	
		---★---		
- 12	AN960B916	. WASHER	4	1
- 13	4480K11	. SWIVEL, HOSE	1	1
- 14	12006-5	. PLATE ASSY	1	1
	MS21069L06	. NUTPLATE	1	1
- 15	KF06-04PS90	. ELBOW	1	1
- 16	S1014-8-31.5	. TUBING	1	1
	1360	. SLEEVE/31.5 LENGTH/	1	1
	FIT221-1	. TUBING, SHRINK/2.0 LENGTH/	1	1

Beechcraft
STARSHIP 1
ILLUSTRATED PARTS CATALOG



C94NC38A0352 C

FIGURE 30-05.AFT TOILET AND RELIEF TUBE
/SHEET 2 OF 2 SHEETS/

Beechcraft
STARSHIP 1
ILLUSTRATED PARTS CATALOG

SUB-SEC UNIT & ITEM NO	PART NO.	DESCRIPTION 1 2 3 4 5 6 7	UNITS	USABLE
			PER ASSY	ON CODE
30-05	12131-1	. REEL ASSY, RELIEF TUBE.....	1	2
		.. /ATTACHING PARTS/.....		
- 17	NAS601-5	.. SCREW.....	3	2
	AN936A6	.. WASHER, LOCK/BETWEEN SPACER & PLATE/.....	3	2
- 18	P541M04F02-632	.. SPACER.....	3	2
		-----*		
- 19	P6EUB6	.. ELBOW.....	1	2
- 20	S1014-8-2.0	.. TUBING.....	1	2
	S1023-1	.. TIE WRAP.....	2	2
- 21	S1087-1	.. ELBOW.....	2	2
- 22	AN960PD916	.. WASHER.....	3	2
- 23	4480K11	.. SWIVEL, HOSE.....	1	2
	212400	.. NIPPLE, CLOSE.....	1	2
- 24	AN960PD916L	.. WASHER.....	1	2
- 25	12131-11	.. DRUM, SPRING.....	1	2
		.. /ATTACHING PARTS/.....		
- 26	NAS601-5	.. SCREW.....	1	2
	AN936A6	.. WASHER, LOCK/BETWEEN SPACER & PLATE/.....	1	2
	P541M04F02-632	.. SPACER.....	1	2
		-----*		
- 27	3X50SH08G28	.. SPRING.....	1	2
		.. /ATTACHING PARTS/.....		
- 28	NAS601-8	.. SCREW.....	1	2
- 29	MS21044N06	.. NUT.....	1	2
		-----*		
- 30	12131-9	.. PLATE.....	1	2
- 31	12131-3	.. REEL ASSY.....	1	2

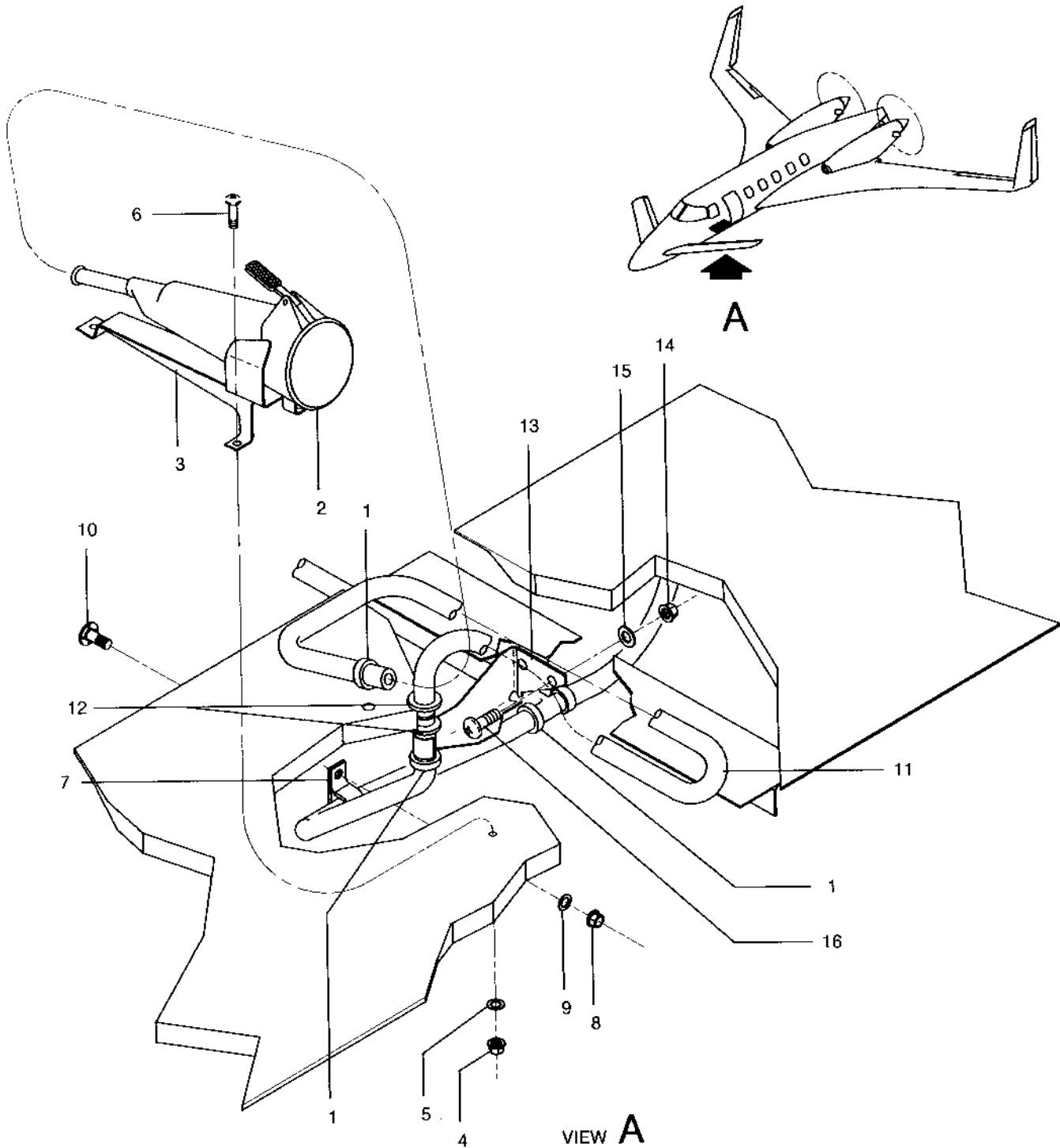
CODES OF EFFECTIVITY

1	NC-21 THRU NC-26	2	NC-27 AND AFTER
3	NC-21 AND AFTER	4	NC-21 THRU NC-25
5	NC-26 AND AFTER		

Beechcraft
STARSHIP 1
ILLUSTRATED PARTS CATALOG

38-30-10
COCKPIT RELIEF TUBE
NC-4 THRU NC-20

Beechcraft
STARSHIP 1
ILLUSTRATED PARTS CATALOG



2000-323-03

FIGURE 30-10. COCKPIT RELIEF TUBE

Beechcraft
STARSHIP 1
ILLUSTRATED PARTS CATALOG

SUB-SEC UNIT & ITEM NO	PART NO.	DESCRIPTION 1 2 3 4 5 6 7	UNITS	USABLE
			PER ASSY	ON CODE
30-10	122-530180-1	RELIEF TUBE INSTL, COCKPIT.....	NP	1
- 1	SNP6	. CLAMP.....	3	1
- 2	90-530034-3	. HORN.....	1	1
- 3	122-530180-11	. BRACKET..... /ATTACHING PARTS/	1	1
- 4	130909N29	. NUT.....	3	
- 5	AN960-10L	. WASHER.....	3	
- 6	NAS1098-3-6	. SCREW.....	3	
		---★---		
- 7	105933-10	. CLIP..... /ATTACHING PARTS/	1	1
- 8	130909N29	. NUT.....	1	1
- 9	AN960-3L	. WASHER.....	1	1
- 10	SL8172-3-4B	. STUD.....	1	1
		---★---		
	122-530180-5	. TUBE ASSY.....	1	1
- 11	122-530180-7	. TUBING.....	1	1
- 12	122-530180-9	. SLEEVE.....	1	1
- 13	122-530180-3	. BRACKET..... /ATTACHING PARTS/	1	1
- 14	130909N28	. NUT.....	2	
- 15	AN960-8L	. WASHER.....	4	
- 16	MS27039-0807	. SCREW.....	2	
		---★---		

CODES OF EFFECTIVITY

1 NC-4 THRU NC-20

Beechcraft
STARSHIP 1
ILLUSTRATED PARTS CATALOG

38-30-12
CABIN RELIEF TUBE
NC-4 THRU NC-20

Beechcraft
STARSHIP 1
ILLUSTRATED PARTS CATALOG

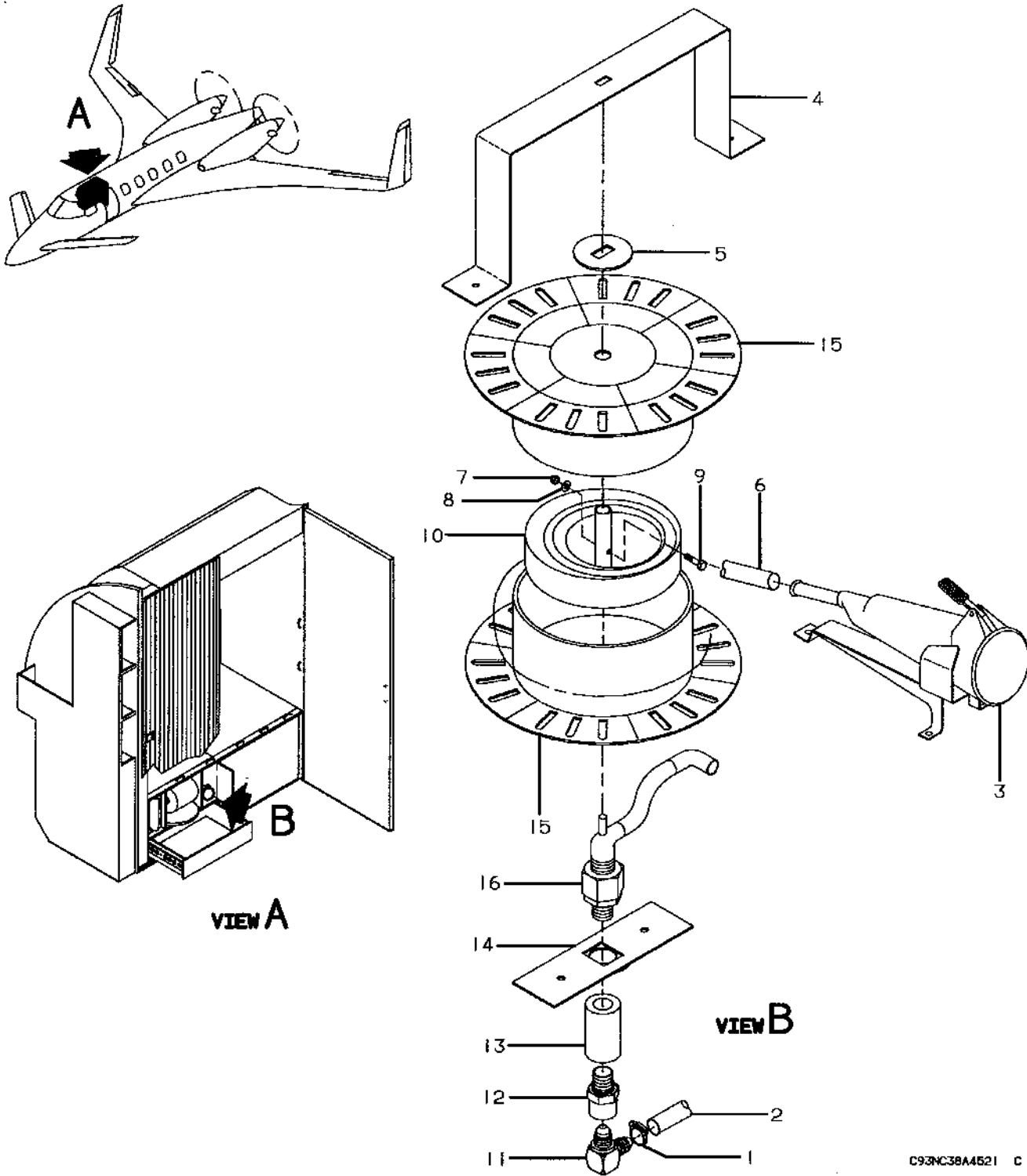


FIGURE 30-12. CABIN RELIEF TUBE

Beechcraft
STARSHIP 1
ILLUSTRATED PARTS CATALOG

SUB-SEC UNIT & ITEM NO	PART NO.	DESCRIPTION 1 2 3 4 5 6 7	UNITS	USABLE
			PER ASSY	ON CODE
	122-530293-1	PLUMBING INSTL, CABIN RELIEF TUBE	NP	1
- 1	SNP6	. CLAMP	2	1
- 2	114693-3-04800	. TUBE	1	1
	122-384125-37	TOILETRY MODULE, RH BAGGAGE COMPARTMENT	1	1
	81028-1	. REEL ASSY, HOSE	1	1
- 3	WM203	. . HORN, RELIEF TUBE	1	1
- 4	81028-5	. . BRACKET	1	1
- 5	81028-17	. . SHIM	1	1
- 6	S50HL	. . TUBING	1	1
- 7	130909N23	. . NUT	1	1
- 8	AN960-6	. . WASHER	1	1
- 9	NAS602-14	. . BOLT	1	1
- 10	81028-13	. . SPRING	1	1
- 11	LCD230-06	. . ELBOW	1	1
- 12	LCD100-06	. . COUPLING	1	1
- 13	S1050-1	. . COUPLING	1	1
- 14	81028-3	. . PLATE	1	1
- 15	81028-11	. . REEL, PLASTIC	1	1
- 16	81029-9	. . PIPE FITTING ASSY	1	1

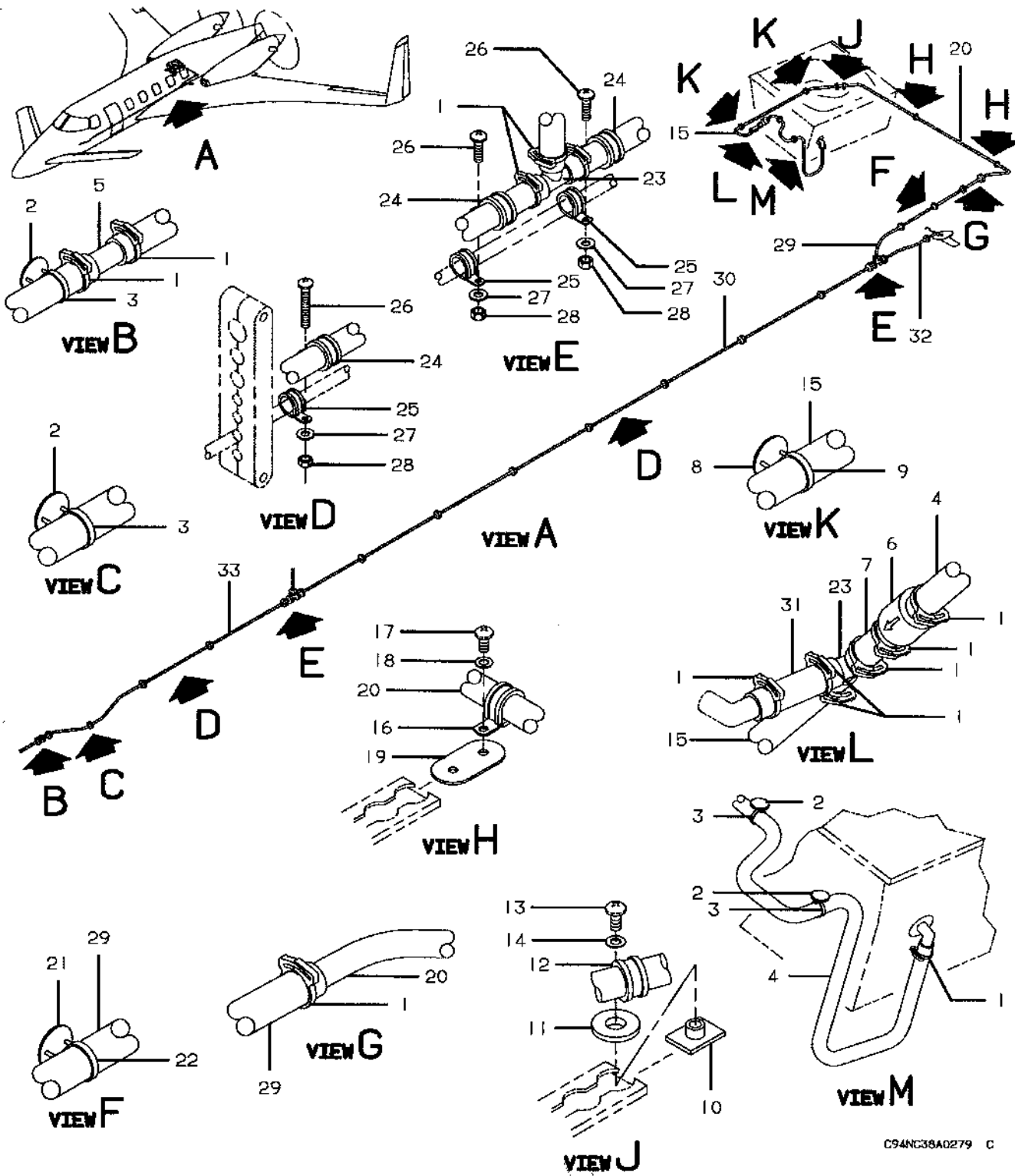
CODES OF EFFECTIVITY

1 NC-4 THRU NC-20

Beechcraft
STARSHIP 1
ILLUSTRATED PARTS CATALOG

38-30-15
AFT TOILET PLUMBING
NC-21 AND AFTER

Beechcraft
STARSHIP 1
ILLUSTRATED PARTS CATALOG



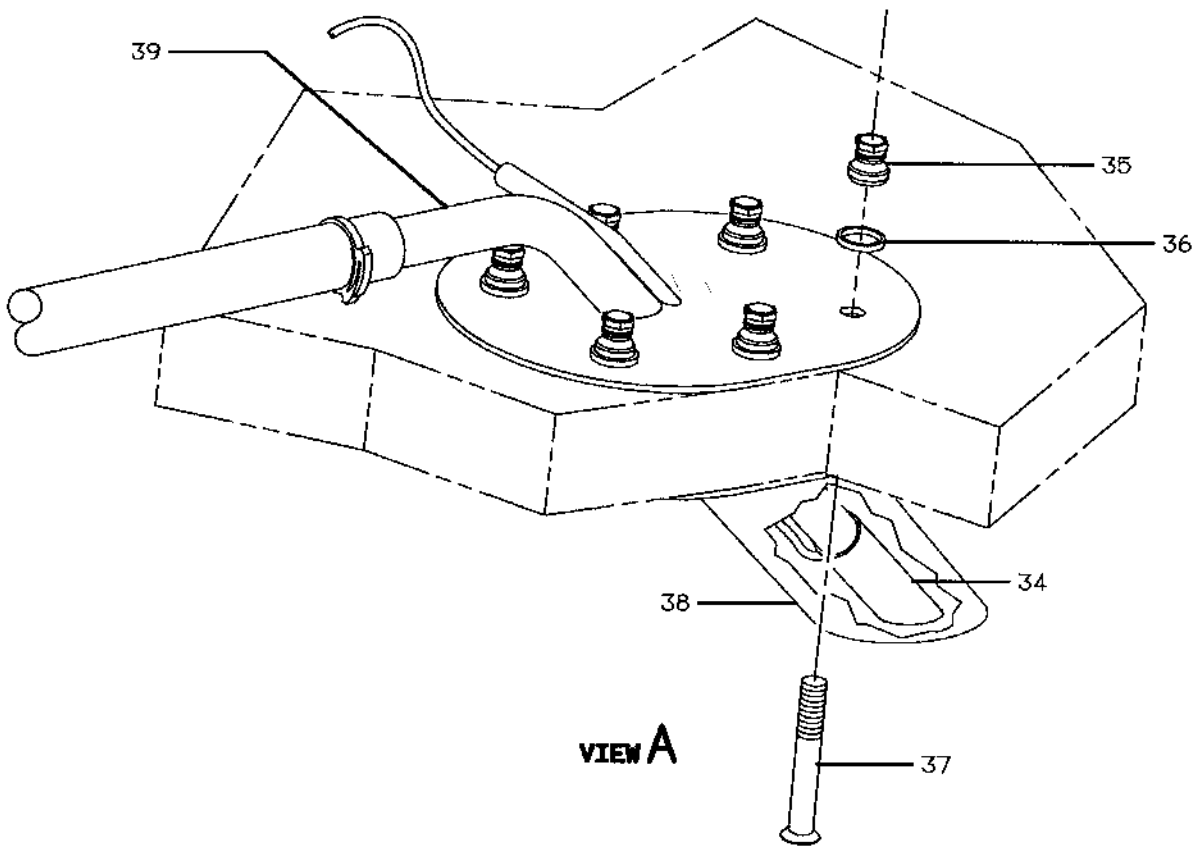
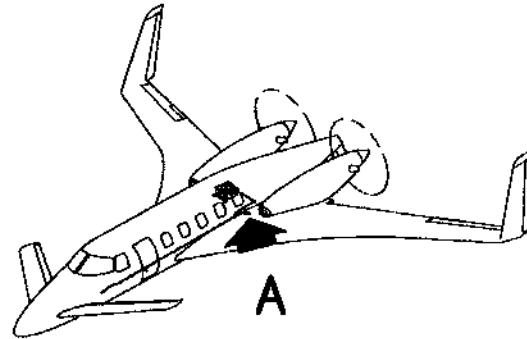
C94NC38A0279 C

FIGURE 30-15. AFT TOILET PLUMBING
/SHEET 1 OF 2 SHEETS/

Beechcraft
STARSHIP 1
ILLUSTRATED PARTS CATALOG

SUB-SEC UNIT & ITEM NO	PART NO.	DESCRIPTION 1 2 3 4 5 6 7	UNITS	USABLE
			PER ASSY	ON CODE
30-15	122-530373-1	PLUMBING INSTL, AFT TOILET	NP	1
- 1	SNP8	. CLAMP	15	1
- 2	SL6207C1-1	. PLATE	4	1
- 3	MS3367-5-9	. STRAP	4	1
- 4	122-530373-15	. TUBE ASSY	1	1
- 5	P6UCB6	. UNION	1	1
- 6	219822	. VALVE, CHECK	1	1
- 7	122-530373-13	. TUBE ASSY	1	1
- 8	SL6207C1-1	. PLATE	2	1
- 9	MS3367-5-9	. STRAP	2	1
-10	90-530029-7	. PLATE	1	1
-11	122-530297-3	. SPACER	1	1
-12	MS21919WDG6	. CLAMP	1	1
		/ATTACHING PARTS/		
-13	MS35207-262	. SCREW	1	
-14	AN960PD10L	. WASHER	1	
		★		
-15	122-530373-11	. TUBE ASSY	1	1
-16	MS21919WDG6	. CLAMP	2	1
		/ATTACHING PARTS/		
-17	MS35207-262	. SCREW	1	
-18	AN960PD10L	. WASHER	1	
		★		
-19	122-530373-5	. PLATE ASSY	1	1
	MS21073L3	. NUTPLATE	1	1
-20	122-530373-3	. TUBE ASSY	1	1
-21	SL6207C1-1	. PLATE	3	1
-22	MS3367-5-9	. STRAP	3	1
-23	P6TUB6	. TEE	3	1
-24	HP-9N	. CLAMP	13	1
-25	HP-7N	. CLAMP	13	1
		/ATTACHING PARTS/		
-26	MS35206-245	. SCREW	1	
-27	AN960PD8L	. WASHER	1	
-28	MS21042L08	. NUT	1	
		★		
-29	122-530373-9	. TUBE	1	1
-30	122-530373-21	. TUBE	1	1
-31	122-530373-17	. TUBE	1	1
-32	122-530373-19	. TUBE	1	1
-33	122-530373-23	. TUBE	1	1

Beechcraft
STARSHIP 1
ILLUSTRATED PARTS CATALOG



C94NC38A0280 C

Beechcraft
STARSHIP 1
ILLUSTRATED PARTS CATALOG

SUB-SEC UNIT & ITEM NO	PART NO.	DESCRIPTION 1 2 3 4 5 6 7	UNITS PER ASSY	USABLE ON CODE
30-15	122-530071-3	DRAIN INSTL, OVERBOARD	NP	1
- 34	122-384070-3	. HEATER ELEMENT	1	1
- 35	HL82-6A	. COLLAR	6	1
- 36	HL82-6CU	. WASHER	6	1
- 37	HL11V6-15	. PIN	6	1
- 38	122-530154-15	. SHIELD ASSY	1	1
- 39	122-530154-1	. DRAIN ASSY	1	1

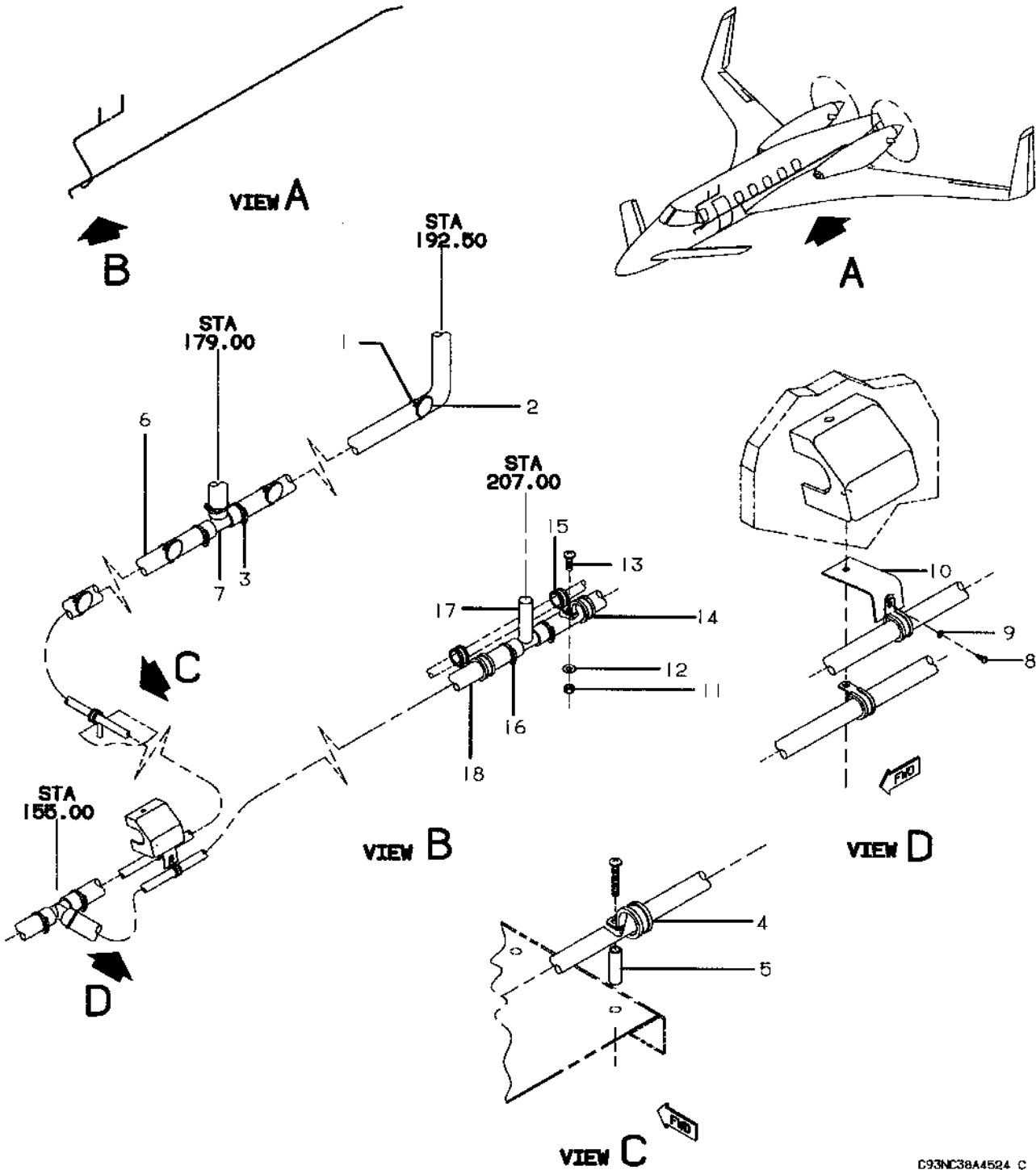
CODES OF EFFECTIVITY

1 NC-21 AND AFTER

Beechcraft
STARSHIP 1
ILLUSTRATED PARTS CATALOG

38-30-30
OVERBOARD DRAIN PLUMBING
NC-4 THRU NC-20

Beechcraft
STARSHIP 1
ILLUSTRATED PARTS CATALOG



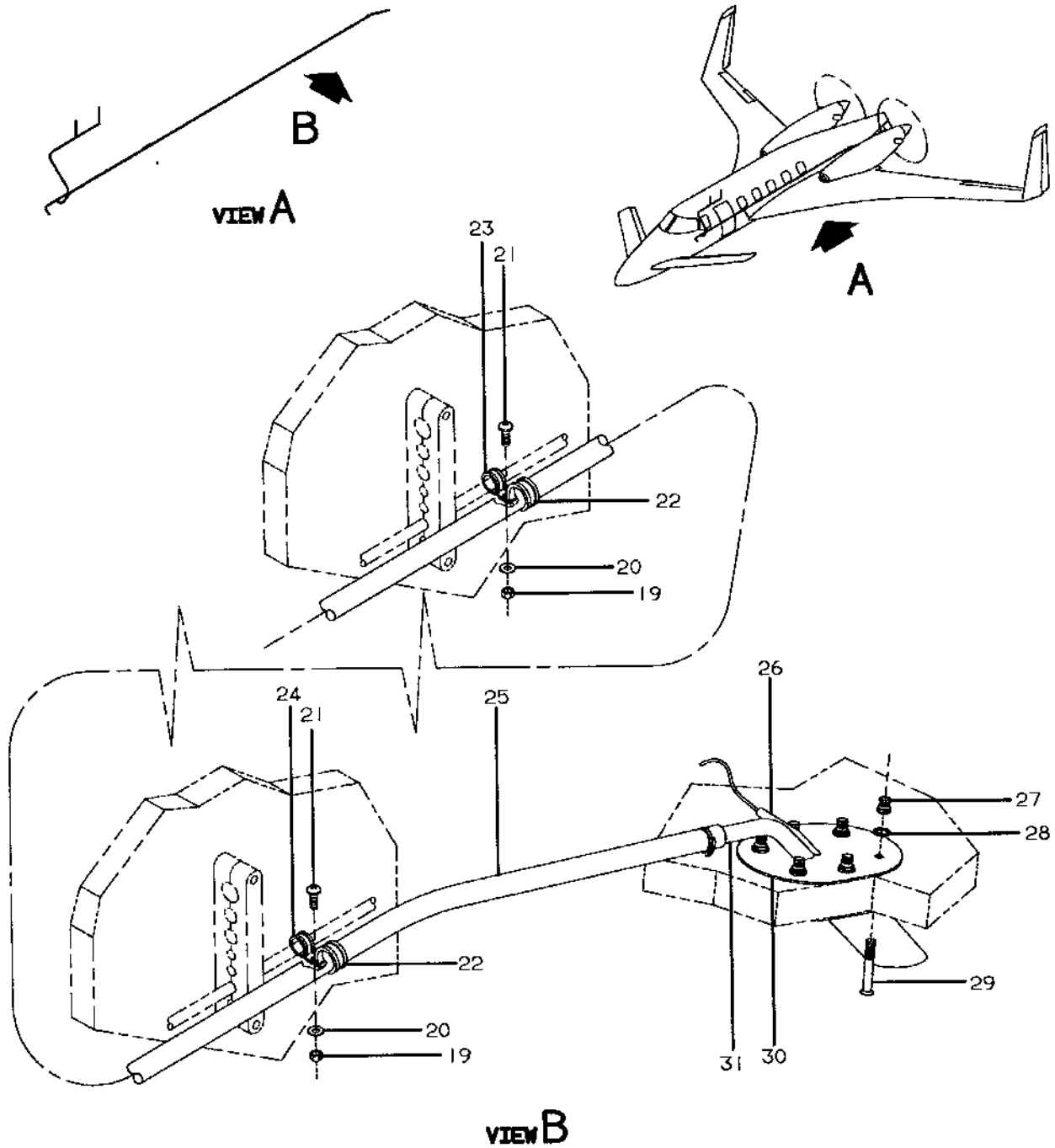
C93NC38A4524 C

FIGURE 30-30.OVERBOARD DRAIN PLUMBING
/SHEET 1 OF 2 SHEETS/

Deechcraft
STARSHIP 1
ILLUSTRATED PARTS CATALOG

SUB-SEC UNIT & ITEM NO	PART NO.	DESCRIPTION 1 2 3 4 5 6 7	UNITS	USABLE
			PER ASSY	ON CODE
	122-530320-1	PLUMBING INSTL, OVERBOARD DRAIN	NP	1
- 1	MS3367-5-9	. STRAP	4	1
- 2	SL6207C1-1	. PLATE, TIEDOWN	4	1
- 3	SNP8	. CLAMP	3	1
- 4	HP9N	. CLAMP	2	1
- 5	NAS43DD1-64	. SPACER	2	1
- 6	122-530320-11	. TUBE	1	1
- 7	P6TUB6	. TEE	2	1
- 8	MS35206-245	. SCREW	1	1
- 9	AN960-8L	. WASHER	1	1
- 10	122-530320-3	. BRACKET ASSY	1	1
	130290-1	. CLIP NUT	1	1
- 11	130909N28	. NUT	4	1
- 12	AN960-8L	. WASHER	4	1
- 13	MS35206-245	. SCREW	4	1
- 14	HP9N	. CLAMP	4	1
- 15	HP7N	. CLAMP	4	1
- 16	SNP8	. CLAMP	2	1
- 17	P6TUB6	. TEE	1	1
- 18	122-530320-9	. TUBE	1	1

Beechcraft
STARSHIP 1
ILLUSTRATED PARTS CATALOG



C93NC38A4525 C

FIGURE 30-30. OVERBOARD DRAIN PLUMBING
/SHEET 2 OF 2 SHEETS/

Beechcraft
STARSHIP 1
ILLUSTRATED PARTS CATALOG

SUB-SEC UNIT & ITEM NO	PART NO.	DESCRIPTION 1 2 3 4 5 6 7	UNITS PER ASSY	USABLE ON CODE
30-30 -19	130909N28	. NUT	8	1
- 20	AN960-8L	. WASHER	8	1
- 21	MS35208-245	. SCREW	8	1
- 22	HP9N	. CLAMP	8	1
- 23	HP7N	. CLAMP	7	1
- 24	HP5N	. CLAMP	1	1
- 25	122-530320-7	. TUBE	1	1
	122-530071-3	DRAIN INSTL, OVERBOARD	NP	1
- 26	122-384070-3	. HEATER ELEMENT	1	1
- 27	HL82-6A	. COLLAR	6	1
- 28	HL82-6CU	. WASHER	6	1
- 29	HL11V6-15	. PIN	6	1
- 30	122-530154-15	. SHIELD ASSY	1	1
- 31	122-530154-1	. DRAIN ASSY	1	1

CODES OF EFFECTIVITY

1 NC-4 THRU NC-20

Beechcraft
STARSHIP 1
ILLUSTRATED PARTS CATALOG

LIST OF PAGES & TABLE OF CONTENTS
FOR
CHAPTER 39-00-00 ELEC PANELS,PARTS,INST.

CHAP/SUB- SECT & UNIT	PAGE NO.	EFFECTIVE DATE	TABLE OF CONTENTS
39-00-00	1	06/30/95	LIST OF PAGES & TABLE OF CONTENTS
39-00-00	2	06/30/95	
39-10-00	1	02/25/94	OVERHEAD LIGHT CONTROL PANEL
39-10-00	2	02/25/94	
39-10-00	3	06/30/95	
39-10-00	4	06/30/95	
39-10-00	5	06/30/95	
39-10-10	1	02/25/94	CONTROL PEDESTAL ASSEMBLY
39-10-10	2	02/25/94	
39-10-10	3	06/30/95	
39-10-10	4	02/25/94	
39-10-10	5	06/30/95	
39-10-10	6	02/25/94	
39-10-10	7	06/30/95	
39-10-20	1	02/25/94	LEFT CIRCUIT BREAKER PANEL
39-10-20	2	02/25/94	
39-10-20	3	06/30/95	
39-10-20	4	02/25/94	
39-10-20	5	06/30/95	
39-10-20	6	02/25/94	
39-10-20	7	06/30/95	
39-10-20	8	02/25/94	
39-10-20	9	02/25/94	
39-10-30	1	02/25/94	RIGHT CIRCUIT BREAKER PANEL
39-10-30	2	06/30/95	
39-10-30	3	06/30/95	
39-10-30	4	02/25/94	
39-10-30	5	06/30/95	
39-10-30	6	06/30/95	
39-10-30	7	06/30/95	
39-10-40	1	02/25/94	AUXILLIARY CIRCUIT BREAKER PANEL
39-10-40	2	02/25/94	
39-10-40	3	06/30/95	
39-10-50	1	02/25/94	AFT FUSELAGE CIRCUIT BREAKER PANEL
39-10-50	2	02/25/94	
39-10-50	3	06/30/95	
39-10-50	4	02/25/94	
39-10-50	5	06/30/95	
39-10-60	1	02/25/94	MAIN INSTRUMENT PANEL
39-10-60	2	06/30/95	
39-10-60	3	06/30/95	
39-10-60	4	06/30/95	
39-10-60	5	06/30/95	
39-10-70	1	02/25/94	INSTRUMENT SUBPANEL
39-10-70	2	02/25/94	
39-10-70	3	06/30/95	
39-10-70	4	02/25/94	
39-10-70	5	06/30/95	
39-10-70	6	02/25/94	
39-10-70	7	06/30/95	
39-10-70	8	02/25/94	
39-10-70	9	06/30/95	
39-10-70	10	06/30/95	
39-10-70	11	06/30/95	
39-10-70	12	02/25/94	
39-10-70	13	06/30/95	
39-10-70	14	06/30/95	
39-10-70	15	06/30/95	

Beechcraft
STARSHIP 1
ILLUSTRATED PARTS CATALOG

LIST OF PAGES & TABLE OF CONTENTS
FOR
CHAPTER 39-00-00 ELEC PANELS,PARTS,INST.

CHAP/SUB- SECT & UNIT	PAGE NO.	EFFECTIVE DATE	TABLE OF CONTENTS
39-10-70	16	02/25/94	
39-10-70	17	06/30/95	
39-10-71	1	02/25/94	INSTRUMENT SUBPANEL
39-10-71	2	02/25/94	NC-29 AND AFTER
39-10-71	3	06/30/95	
39-10-71	4	02/25/94	
39-10-71	5	06/30/95	
39-10-71	6	02/25/94	
39-10-71	7	06/30/95	
39-10-71	8	02/25/94	
39-10-71	9	06/30/95	
39-10-71	10	06/30/95	
39-10-71	11	06/30/95	
39-10-71	12	02/25/94	
39-10-71	13	06/30/95	
39-10-71	14	06/30/95	
39-10-71	15	06/30/95	
39-10-71	16	02/25/94	
39-10-71	17	06/30/95	
39-10-80	1	02/25/94	REVERSIONARY PANELS.....
39-10-80	2	02/25/94	
39-10-80	3	06/30/95	
39-10-80	4	02/25/94	
39-10-80	5	06/30/95	
39-20-00	1	02/25/94	COCKPIT SIDEWALL ELECTRICAL EQUIPMENT.....
39-20-00	2	06/30/95	
39-20-00	3	06/30/95	
39-20-00	4	06/30/95	
39-20-00	5	06/30/95	
39-20-00	6	06/30/95	
39-20-00	7	06/30/95	
39-20-00	8	06/30/95	
39-20-00	9	06/30/95	
39-20-10	1	02/25/94	COCKPIT LOWER ELECTRICAL EQUIPMENT.....
39-20-10	2	06/30/95	
39-20-10	3	06/30/95	
39-20-10	4	02/25/94	
39-20-10	5	06/30/95	
39-20-10	6	02/25/94	
39-20-10	7	06/30/95	
39-20-20	1	02/25/94	AFT STEP ELECTRICAL EQUIPMENT.....
39-20-20	2	06/30/95	
39-20-20	3	06/30/95	
39-20-30	1	02/25/94	AFT FUSELAGE ELECTRICAL EQUIPMENT
39-20-30	2	02/25/94	
39-20-30	3	02/25/94	
39-20-30	4	06/30/95	
39-20-30	5	06/30/95	
39-20-30	6	06/30/95	
39-20-30	7	06/30/95	
39-21-00	1	02/25/94	CENTER SECTION ELECTRICAL EQUIPMENT
39-21-00	2	02/25/94	
39-21-00	3	06/30/95	
39-21-00	4	06/30/95	
39-21-00	5	06/30/95	
39-21-00	6	02/25/94	
39-21-00	7	06/30/95	

Beechcraft
STARSHIP 1
ILLUSTRATED PARTS CATALOG

39-10-00
OVERHEAD LIGHT CONTROL PANEL

Beechcraft
STARSHIP 1
ILLUSTRATED PARTS CATALOG

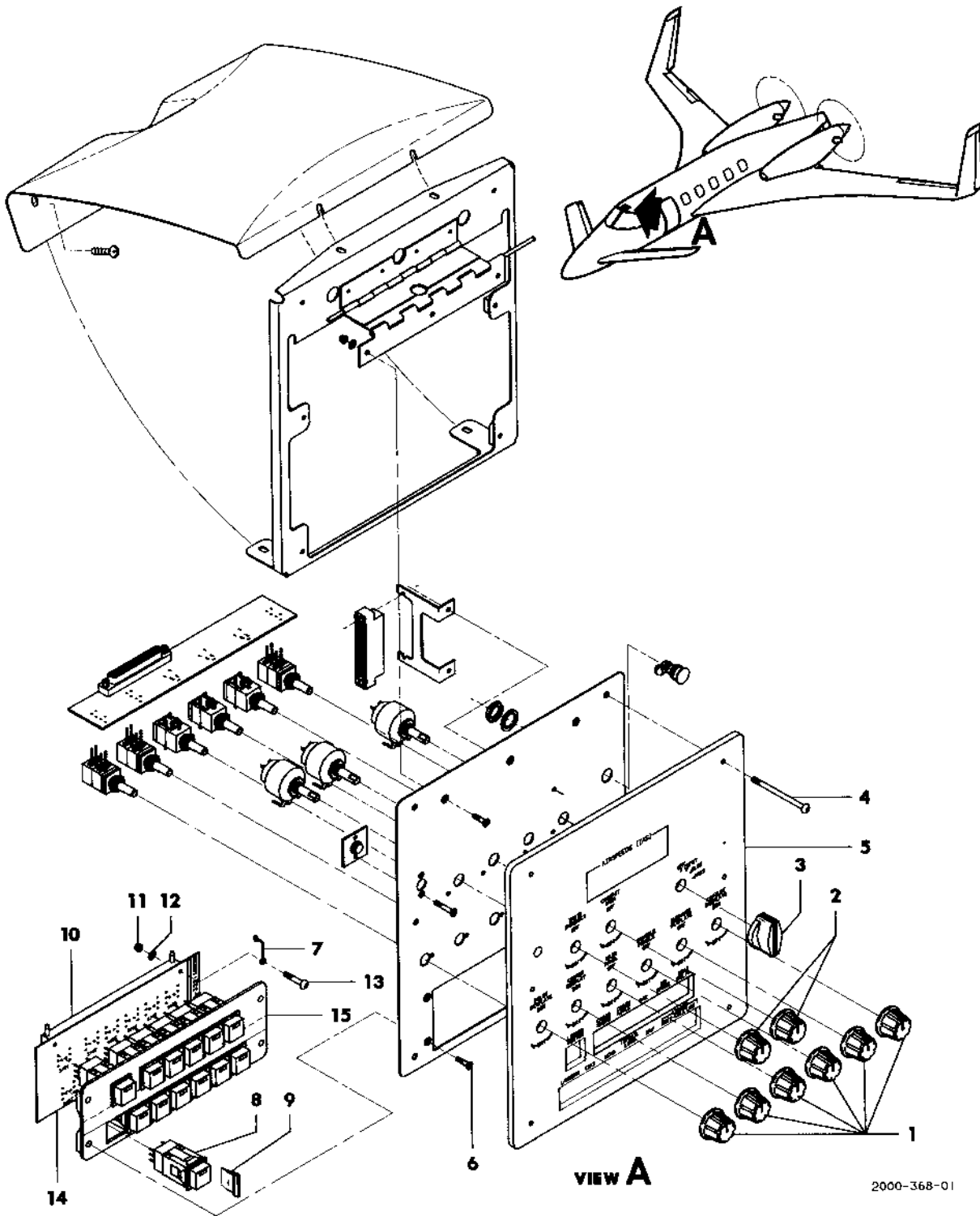
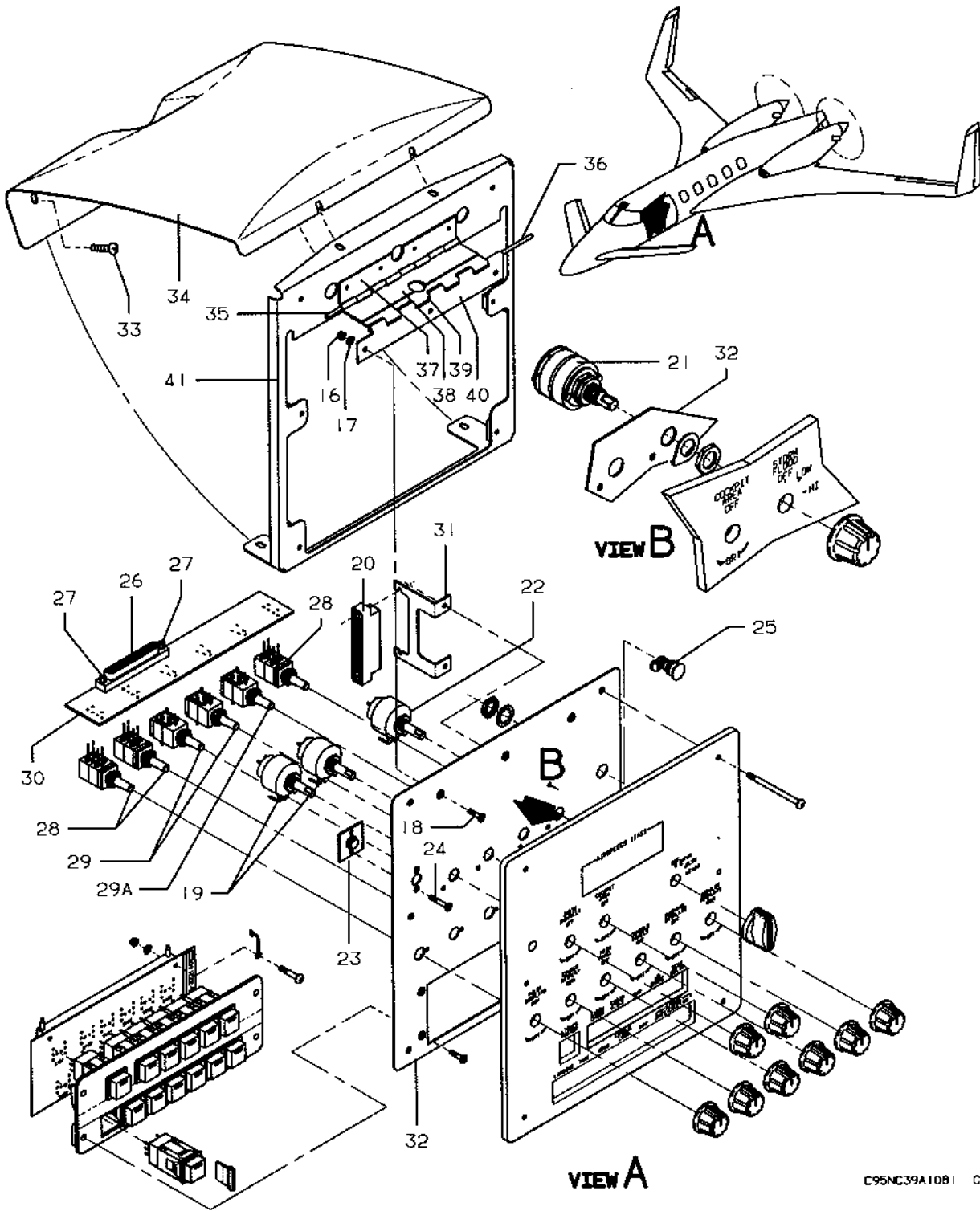


FIGURE 10-00.OVERHEAD LIGHT CONTROL PANEL
/SHEET 1 OF 2 SHEETS/

Beechcraft
STARSHIP 1
ILLUSTRATED PARTS CATALOG

SUB-SEC UNIT & ITEM NO	PART NO.	DESCRIPTION 1 2 3 4 5 6 7	UNITS PER ASSY	USABLE ON CODE
10-00	122-322016-5	PANEL INSTL, OVERHEAD.....	NP	
- 1	122-382036-23	. KNOB.....	6	
- 2	R 122-382036-13	. KNOB/3 WITH STORM FLOOD LIGHTS/.....	2	
- 3	122-382036-9	. KNOB, WINDSHIELD WIPER CONTROL.....	1	
- 4	MS35214-30	. SCREW.....	8	
- 5	R 122-382058-5	. PANEL ASSY, EL.....	1	1
	R 122-382058-23	. PANEL ASSY, EL.....	1	2
	R 122-382058-9	. PANEL ASSY, EL/WITH TIPSAIL LOGO LIGHTS/.....	1	1
	R 122-382058-27	. PANEL ASSY, EL/WITH TIPSAIL LOGO LIGHTS/.....	1	2
	R 122-382058-13	. PANEL ASSY, EL/WITH STORM FLOOD LIGHTS/.....	1	1
	R 122-382058-21	. PANEL ASSY, EL/WITH STORM FLOOD LIGHTS/.....	1	2
	R 122-382058-17	. PANEL ASSY, EL/WITH STORM FLOOD LIGHTS & TIPSAIL LOGO LIGHTS/.....	1	1
	R 122-382058-25	. PANEL ASSY, EL/WITH STORM FLOOD LIGHTS & TIPSAIL LOGO LIGHTS/.....	1	2
	122-322140-5	. MODULE ASSY, LIGHT CONTROL SWITCH.....	1	
	122-322140-1	. MODULE ASSY, LIGHT CONTROL SWITCH/WITH TIPSAIL LOGO LIGHTS/ /ATTACHING PARTS/.....	1	
- 6	MS24693S27	. SCREW.....	4	
- 7	103727-1	.. CLIP, SWITCH RETAINER.....	2	
- 8	R 122-382035-1	.. SWITCH ASSY, LIGHT/14 WITH TIPSAIL LOGO LIGHTS/.....	13	
- 9	R 122-382035-5	.. BARRIER, SWITCH SEPARATING/11 WITH TIPSAIL LOGO LIGHTS/.....	10	
- 10	1-531580-8	.. CONNECTOR..... /ATTACHING PARTS/.....	1	
- 11	MS21042L04	.. NUT.....	2	
- 12	AN960-4L	.. WASHER.....	2	
- 13	MS35206-218	.. SCREW.....	2	
- 14	122-322142-13	.. PRINTED CIRCUIT BOARD, LIGHT CONTROL.....	1	
	122-322142-33	.. PRINTED CIRCUIT BOARD, LIGHT CONTROL/WITH TIPSAIL LOGO LIGHTS/.....	1	
- 15	122-322147-9	.. PANEL ASSY, SWITCH.....	1	
	122-322147-1	.. PANEL ASSY, SWITCH/WITH TIPSAIL LOGO LIGHTS/.....	1	
	MS21061L06	... NUTPLATE.....	4	

Beechcraft
STARSHIP 1
 ILLUSTRATED PARTS CATALOG



C95NC39A1081 C

FIGURE 10-00.OVERHEAD LIGHT CONTROL PANEL
 /SHEET 2 OF 2 SHEETS/

Beechcraft
STARSHIP 1
ILLUSTRATED PARTS CATALOG

SUB-SEC UNIT & ITEM NO	PART NO.	DESCRIPTION 1 2 3 4 5 6 7	UNITS PER ASSY	USABLE ON CODE
10-00 -16	MS21042L06	. NUT	3	
-17	AN960-6L	. WASHER	3	
-18	MS24693S25	. SCREW	3	
	122-322094-603	. PANEL ASSY, SWITCH/STANDARD/	1	
-19	CM42873	. . RESISTOR	2	
	AN960-616	. . WASHER/BETWEEN CM42873 RESISTOR & PANEL/	2	
	200874-1	. . JACK SCREW, CONNECTOR BLOCK	1	
	200875-1	. . JACK SCREW, CONNECTOR BLOCK	1	
	66103-4	. . PIN, CONNECTOR CONTACT	41	
-20	201301-3	. . CONNECTOR BLOCK	1	
-21	122-382076-7	. . SWITCH, STORM FLOOD LIGHT	1	
-22	122-382076-19	. . SWITCH, WINDSHIELD WIPER CONTROL	1	
-23	101-364179-1	. . SENSOR ASSY, AMBIENT LIGHT	1	
		/ATTACHING PARTS/		
-24	MS24693S3	. . SCREW	2	
		---★---		
	50-380048-1	. . RELAY	3	
		/ATTACHING PARTS/		
	MS21042L06	. . NUT	2	
	AN960-6L	. . WASHER	2	
	MS24693S27	. . SCREW	2	
		---★---		
	1N4007	. . DIODE	3	
-25 R	MS90335-6	. . RECEPTACLE, EL PANEL	1	
	122-322163-3	. . MODULE ASSY, POTENTIOMETER	1	
-26	207829-3	. . CONNECTOR	1	
-27	207719-1	. . KIT, SCREWLOCK/DISCARD FLAT WASHER/	1	
-28	122-382083-1	. . POTENTIOMETER, PILOT DISPLAYS, CENTER	3	
		DISPLAY & COPILOT DISPLAYS		
-29	122-382083-3	. . POTENTIOMETER, MAIN PANEL AND CONSOLE	2	
		PANELS		
-29A R	122-382083-7	. . POTENTIOMETER, PRESSURE INDICATOR LIGHTS	1	
		/WITH SWITCH/		
-30	122-322141-29	. . PRINTED CIRCUIT BOARD	1	
	122-322095-5	. . PANEL ASSY	1	
-31	122-322146-1	. . BRACKET, CONNECTOR SUPPORT	1	
-32	122-322095-3	. . PANEL	1	
-33	MS35206-244	. . SCREW	4	
-34	122-322185-1	. . SHIELD	1	
	122-322145-1	. . BRACKET ASSY, OVERHEAD	1	
	122-322057-1	. . HINGE ASSY	1	
-35	105774C-ZE00428	. . PIN	1	
-36	105774C-ZE00516	. . PIN	1	
-37	122-322057-3	. . HINGE HALF	1	
-38	122-322057-5	. . HINGE HALF	1	
-39	122-322057-7	. . HINGE HALF	1	
-40	122-322057-9	. . HINGE HALF	1	
	MS21061L06	. . NUTPLATE	4	
	MS21075L06	. . NUTPLATE	2	
-41	122-322145-3	. . BRACKET	1	

CODES OF EFFECTIVITY

1 NC-4 ONLY

2 NC-5 AND AFTER

Beechcraft
STARSHIP 1
ILLUSTRATED PARTS CATALOG

39-10-10
CONTROL PEDESTAL ASSEMBLY

Beechcraft
STARSHIP 1
ILLUSTRATED PARTS CATALOG

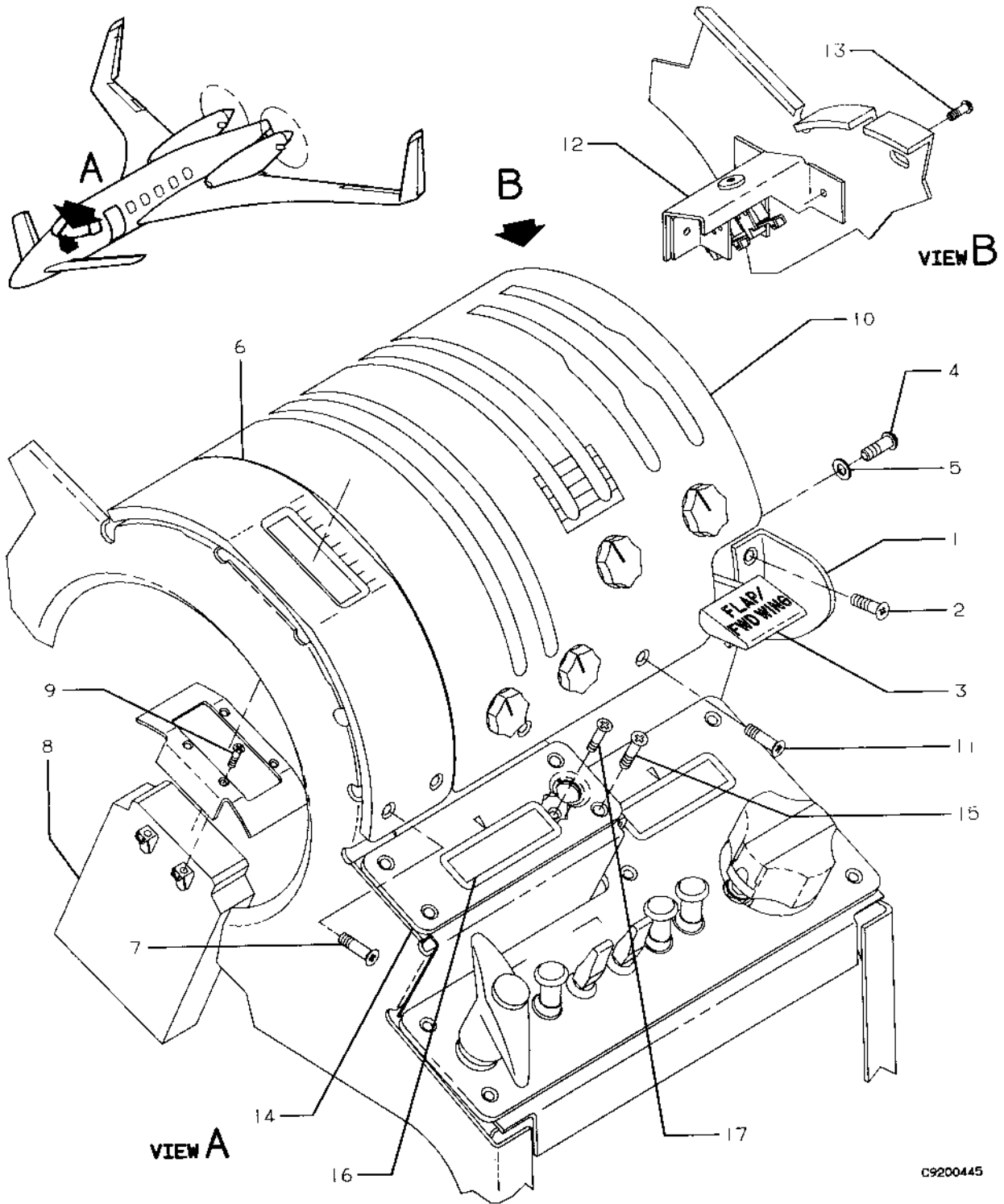
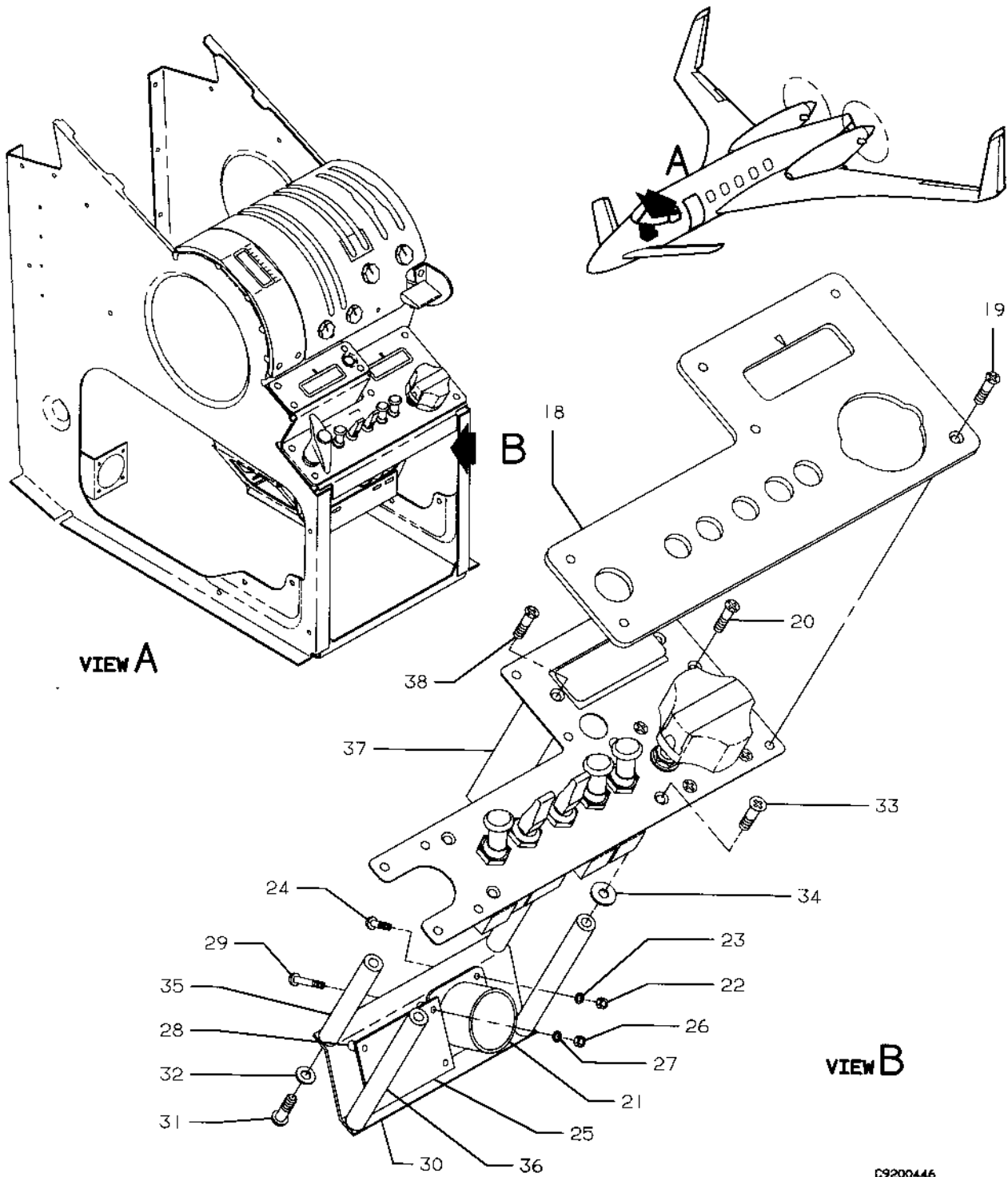


FIGURE 10-10. CONTROL PEDESTAL ASSEMBLY
/SHEET 1 OF 3 SHEETS/

Beechcraft
STARSHIP 1
ILLUSTRATED PARTS CATALOG

SUB-SEC UNIT & ITEM NO	PART NO.	DESCRIPTION 1 2 3 4 5 6 7	UNITS	USABLE
			PER ASSY	ON CODE
10-10	122-522012-5	PEDESTAL INSTL, CONTROL	NP	
- 1	122-522086-1	. GUARD, FLAP/FWD WING CONTROL SWITCH	1	
		. /ATTACHING PARTS/		
- 2	MS35206-248	. SCREW	2	
		-----★-----		
- 3	122-382037-1	. SWITCH ASSY, FLAP/FWD WING CONTROL	1	
		. /ATTACHING PARTS/		
- 4	MS35206-226	. SCREW	3	
- 5	AN936A6	. WASHER	3	
	R AN960-06L	. WASHER	3	
		-----★-----		
- 6	R 122-382108-5	. PANEL ASSY, EL/PITCH TRIM INDICATOR/	1	
		. /ATTACHING PARTS/		
- 7	MS35214-28	. SCREW	4	
		-----★-----		
- 8	122-382113-3	. INDICATOR, PITCH TRIM	1	
		. /ATTACHING PARTS/		
- 9	MS24893S4	. SCREW	4	
		-----★-----		
-10	R 122-382110-3	. PANEL ASSY, EL/ENGINE CONTROLS/	1	
		. /ATTACHING PARTS/		
-11	MS35214-28	. SCREW	7	
		-----★-----		
	R 122-522066-1	. SWITCH INSTL, THROTTLE GO AROUND	NP	
		. /SEE CHAPTER 76/		
	R 122-522098-3	. MECHANISM INSTL, ENGINE CONTROLS UPPER	NP	
		. /SEE CHAPTER 76/		
	R 122-522035-5	. QUADRANT INSTL, ENGINE CONTROLS LOWER	NP	
		. /SEE CHAPTER 76/		
-12	99-524043	. SWITCH ASSY, CONDITION LEVER FUEL CUTOFF	1	
		. /SEE CHAPTER 73/		
		. /ATTACHING PARTS/		
-13	MS35206-243	. SCREW	2	
		-----★-----		
-14	R 122-382112-5	. PANEL ASSY, EL/ROLL TRIM/	1	
		. /ATTACHING PARTS/		
-15	MS35214-28	. SCREW	4	
		-----★-----		
	R MS90335-6	. RECEPTACLE, EL PANEL	1	
-16	122-382005-9	. INDICATOR, ROLL TRIM	1	
		. /ATTACHING PARTS/		
-17	MS24693S4	. SCREW	2	
		-----★-----		

Beechcraft
STARSHIP 1
ILLUSTRATED PARTS CATALOG



C9200446

FIGURE 10-10. CONTROL PEDESTAL ASSEMBLY
/SHEET 2 OF 3 SHEETS/

Beechcraft
STARSHIP 1
ILLUSTRATED PARTS CATALOG

SUB-SEC UNIT & ITEM NO	PART NO.	DESCRIPTION 1 2 3 4 5 6 7	UNITS	USABLE
			PER ASSY	ON CODE
10-10 -18	R 122-382111-7	. PANEL ASSY, EL/TRIM SWITCHES & RUDDER TRIM..... INDICATOR/ /ATTACHING PARTS/	1	
-19	MS35214-28	. SCREW..... -----★-----	6	
	R 122-522104-3	. PANEL ASSY, EL/TRIM SWITCHES & RUDDER TRIM..... INDICATOR/ /ATTACHING PARTS/	1	
-20	R MS24693S26	. SCREW..... -----★-----	4	
-21	MS3470L20-41P	. RECEPTACLE..... /ATTACHING PARTS/	1	
-22	MS21042L04	. NUT.....	4	
-23	AN960-4L	. WASHER.....	4	
-24	MS35208-213	. SCREW..... -----★-----	4	
-25	R 122-340169-1	. PRINTED CIRCUIT BOARD ASSY, STBY TRIM..... /ATTACHING PARTS/	1	
-26	MS21042L04	. NUT.....	4	
-27	AN960-4L	. WASHER.....	4	
-28	NAS43DD0-16	. SPACER.....	4	
-29	MS35206-218	. SCREW..... -----★-----	4	
-30	122-322039-15	. PLATE, CONNECTOR..... /ATTACHING PARTS/	1	
-31	MS35206-228	. SCREW.....	4	
-32	NAS620-6L	. WASHER..... -----★-----	4	
-33	MS24693S26	. SCREW.....	4	
-34	AN960-6	. WASHER.....	4	
-35	1711-632A0	. SPACER.....	2	
-36	1718-632A0	. SPACER.....	2	
-37	122-382005-9	. INDICATOR, RUDDER TRIM..... /ATTACHING PARTS/	1	
-38	MS24693S4	. SCREW..... -----★-----	2	

Beechcraft
STARSHIP 1
ILLUSTRATED PARTS CATALOG

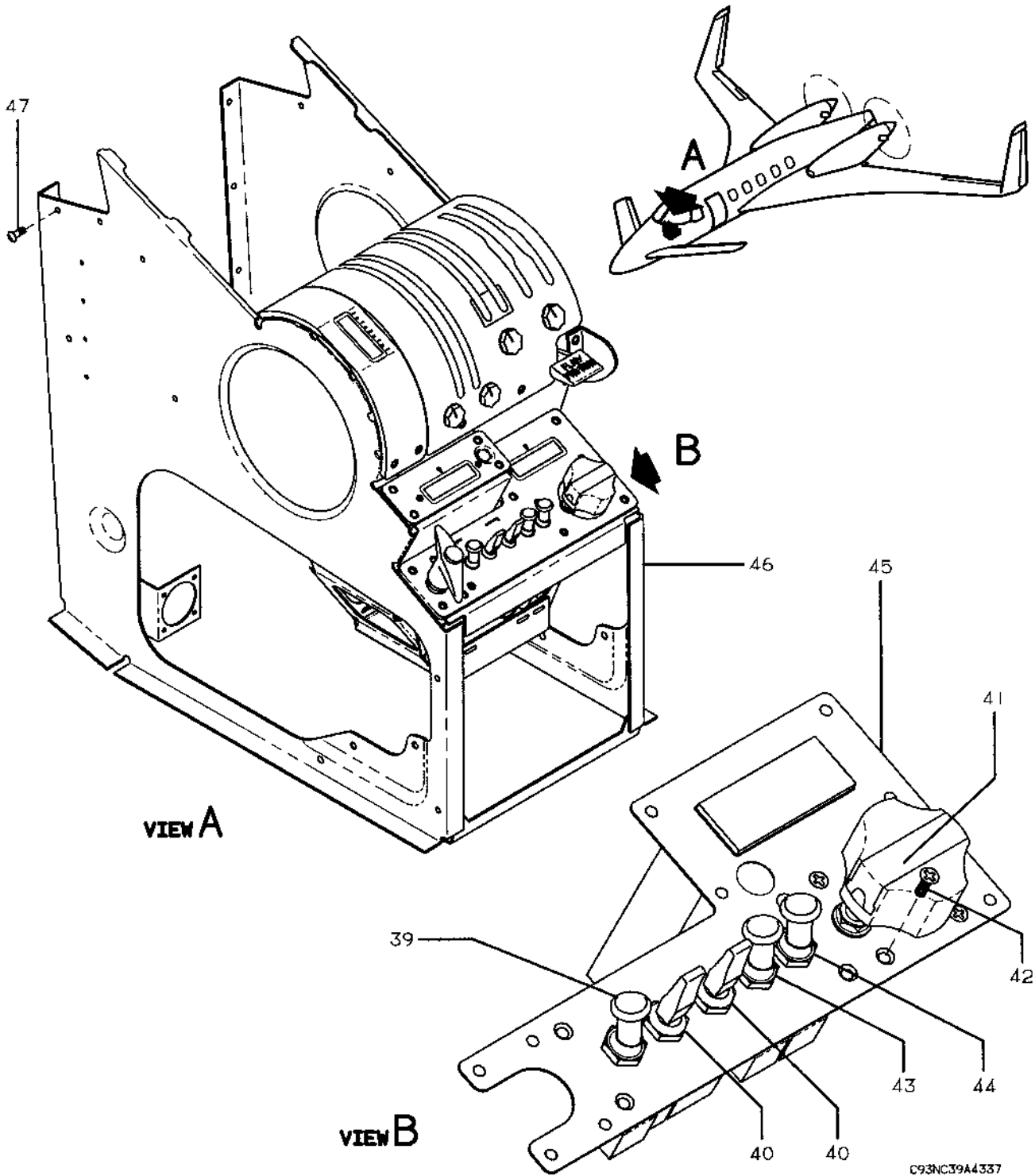


FIGURE 10-10. CONTROL PEDESTAL ASSEMBLY
/SHEET 3 OF 3 SHEETS/

Beechcraft
STARSHIP 1
ILLUSTRATED PARTS CATALOG

SUB-SEC UNIT & ITEM NO	PART NO.	DESCRIPTION 1 2 3 4 5 6 7	UNITS	USABLE
			PER ASSY	ON CODE
10-10 -39	R A3-1228	.. SWITCH,PITCH TRIM OFF/RESET,STBY/SEE NOTE/..... /ALTERNATE FOR 64AT59-1A/	1	
	R 64AT59-1A	.. SWITCH,PITCH TRIM OFF/RESET,STBY/SEE NOTE/..... /ALTERNATE FOR A3-1228/	1	
- 40	R 2TL119-7A02	.. SWITCH, STBY PITCH TRIM/SEE NOTE/..... /ALTERNATE FOR 8567K2M27/	2	
	R 8567K2M27	.. SWITCH, STBY PITCH TRIM/SEE NOTE/..... /ALTERNATE FOR 2TL119-7A02/	2	
- 41	122-382145-1	.. SWITCH, RUDDER TRIM..... /ATTACHING PARTS/	1	
- 42	MS35206-243	.. SCREW.....	4	
- 43	R A3-1227	.. SWITCH, ROLL TRIM OFF/RESET/SEE NOTE/..... /ALTERNATE FOR 62AT59-3D/	1	
	R 62AT59-3D	.. SWITCH, ROLL TRIM OFF/RESET/SEE NOTE/..... /ALTERNATE FOR A3-1227/	1	
- 44	R A3-1227	.. SWITCH, RUDDER TRIM OFF/RESET/SEE NOTE/..... /ALTERNATE FOR 62AT59-3D/	1	
	R 62AT59-3D	.. SWITCH, RUDDER TRIM OFF/RESET/SEE NOTE/..... /ALTERNATE FOR A3-1227/	1	
	R MS90335-6	.. RECEPTACLE, EL PANEL.....	1	
- 45	122-522105-9	.. PANEL.....	1	
	122-322219-1	.. HARNESS ASSY, WIRING.....	1	
	R 130909N29	.. NUT.....	3	
	R AN960JD10L	.. WASHER.....	3	
	R MS35207-264	.. SCREW.....	3	
	MS25083-2BB8	.. JUMPER, BONDING.....	2	
- 46	122-522094-3	.. STRUCTURE ASSY, CONTROL PEDESTAL..... /SEE CHAPTER 53/ /ATTACHING PARTS/	1	
- 47	AN525-10R7	.. SCREW.....	12	

*-----
NOTE DO NOT INTERMIX VENDOR PARTS ON ANY ONE
AIRCRAFT/DO NOT CROSS CODE/

Beechcraft
STARSHIP 1
ILLUSTRATED PARTS CATALOG

39-10-20
LEFT CIRCUIT BREAKER PANEL

Beechcraft
STARSHIP 1
ILLUSTRATED PARTS CATALOG

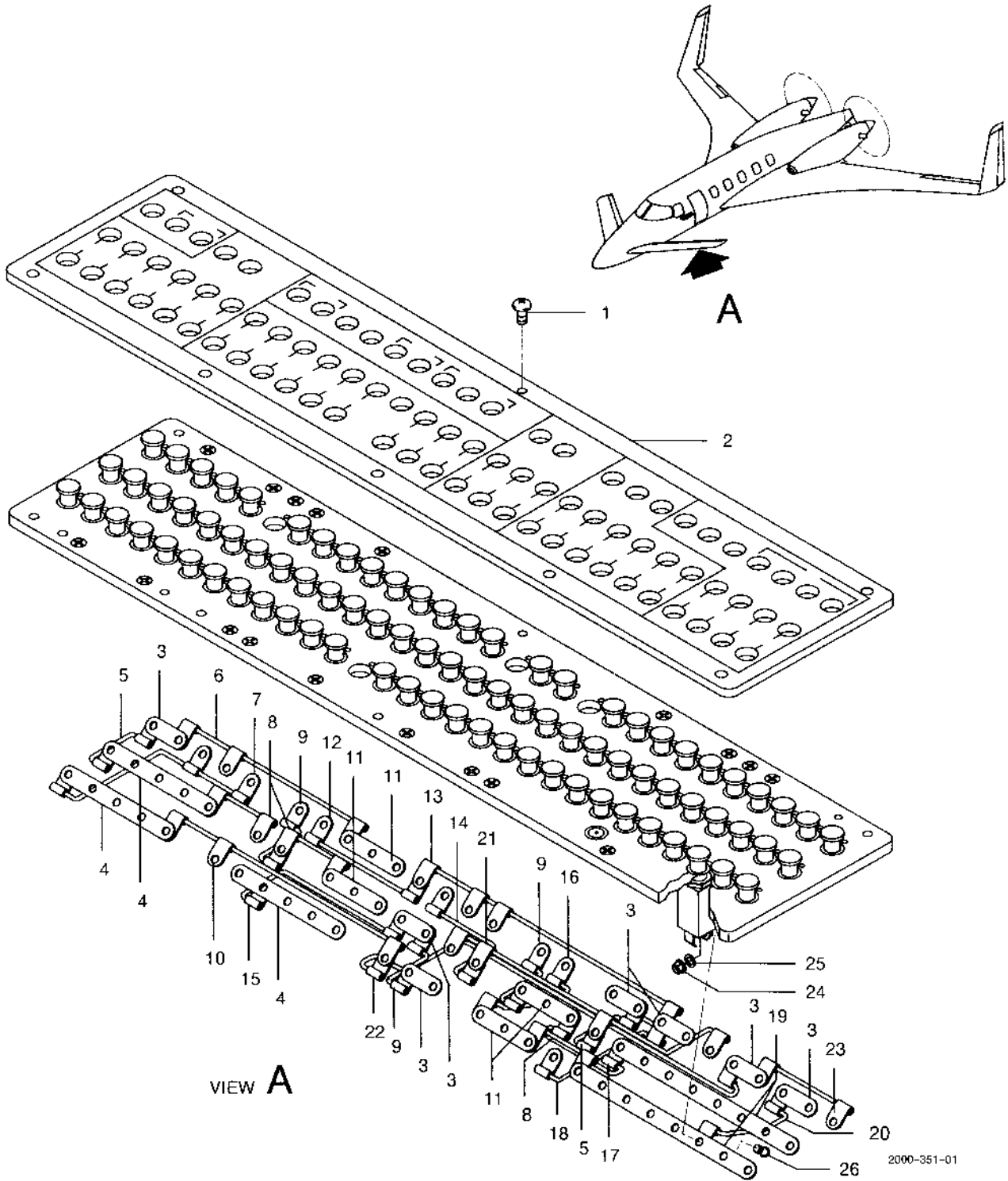
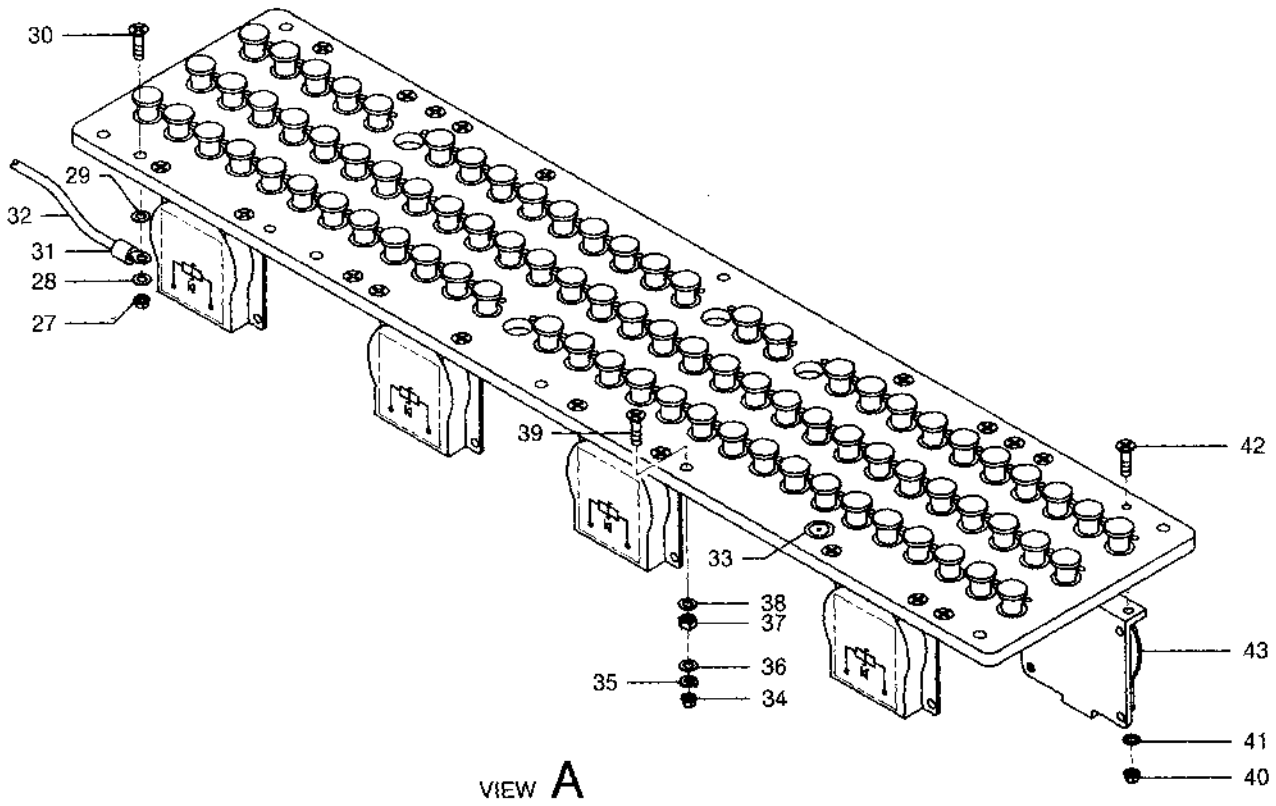
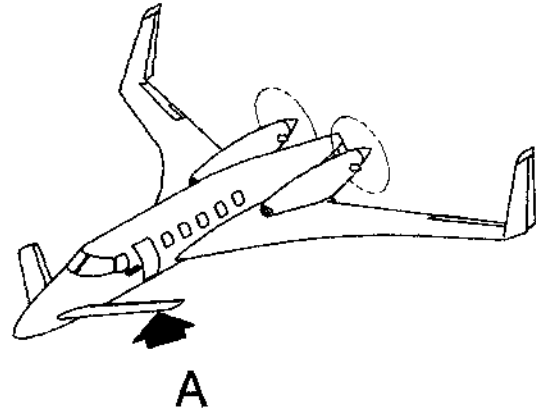


FIGURE 10-20. LEFT CIRCUIT BREAKER PANEL
/SHEET 1 OF 4 SHEETS/

Beechcraft
STARSHIP 1
ILLUSTRATED PARTS CATALOG

SUB-SEC UNIT & ITEM NO	PART NO.	DESCRIPTION 1 2 3 4 5 6 7	UNITS	USABLE
			PER ASSY	ON CODE
10-20	122-322064-5	PANEL INSTL, LEFT CIRCUIT BREAKER	NP	
- 1	MS35214-28	. SCREW.....	10	
- 2	R 122-382105-11	. PANEL ASSY, EL/STANDARD/.....	1	
	R 122-382105-9	. PANEL ASSY, EL/OPTIONAL/BRAKE DEICE/	1	
	122-322239-1	. PANEL ASSY, CIRCUIT BREAKER.....	1	
- 3	50-369101-205	.. BUS BAR.....	7	
- 4	50-369101-225	.. BUS BAR.....	3	
- 5	122-322184-43	.. BUS BAR.....	2	
- 6	122-322184-123	.. BUS BAR.....	1	
- 7	122-322184-125	.. BUS BAR.....	1	
- 8	122-322184-31	.. BUS BAR.....	3	
- 9	122-322184-33	.. BUS BAR.....	3	
-10	122-322184-121	.. BUS BAR.....	1	
-11	50-369101-207	.. BUS BAR.....	4	
-12	122-322184-25	.. BUS BAR.....	1	
-13	122-322184-113	.. BUS BAR.....	1	
-14	122-322184-129	.. BUS BAR.....	1	
-15	122-322184-127	.. BUS BAR.....	1	
-16	122-322184-115	.. BUS BAR.....	1	
-17	122-322184-119	.. BUS BAR.....	1	
-18	122-322184-73	.. BUS BAR.....	1	
-19	50-369101-235	.. BUS BAR.....	2	
-20	122-322184-115	.. BUS BAR.....	1	
-21	122-322184-135	.. BUS BAR.....	1	
-22	122-322184-131	.. BUS BAR.....	1	
-23	122-322184-27	.. BUS BAR.....	1	
-24	MS21042L06	.. NUT.....	AR	
-25	AN960-6L	.. WASHER.....	AR	
-26	MS35206-227	.. SCREW.....	AR	

Beechcraft
STARSHIP 1
ILLUSTRATED PARTS CATALOG



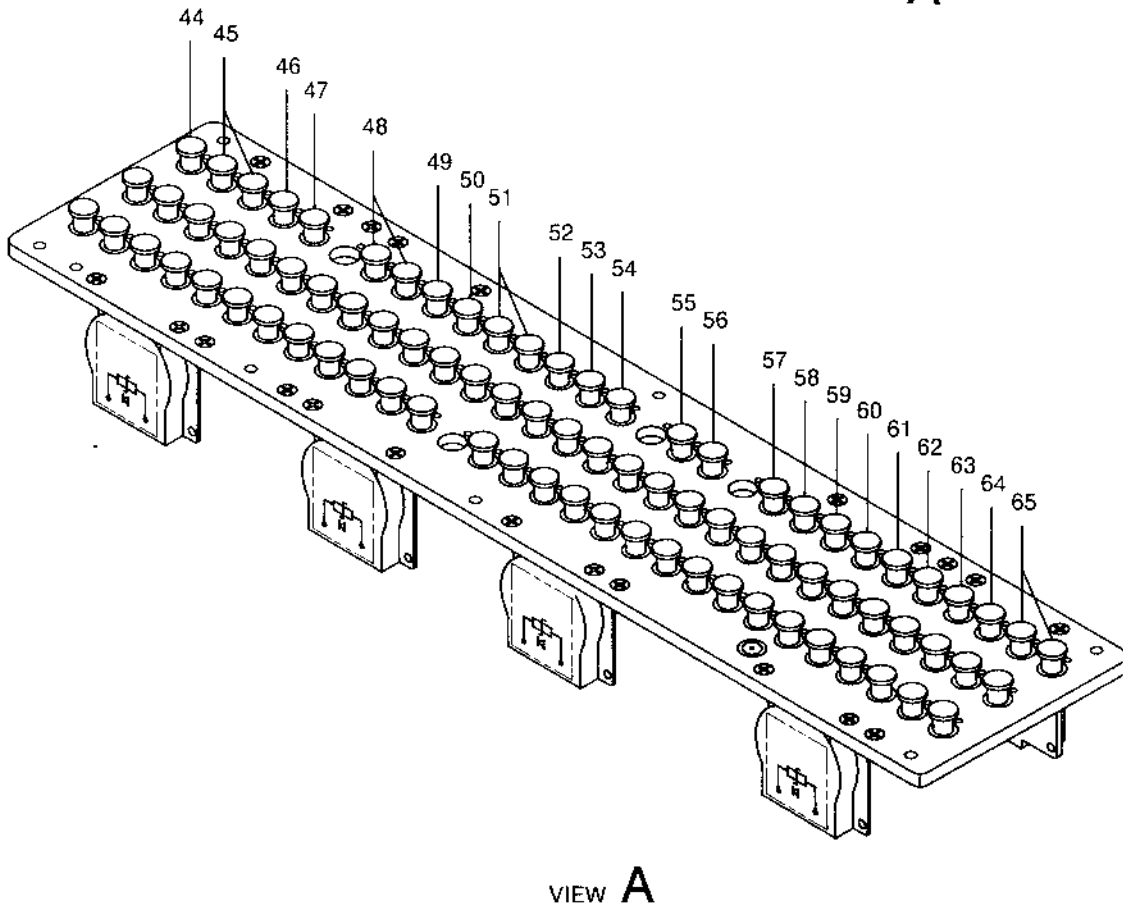
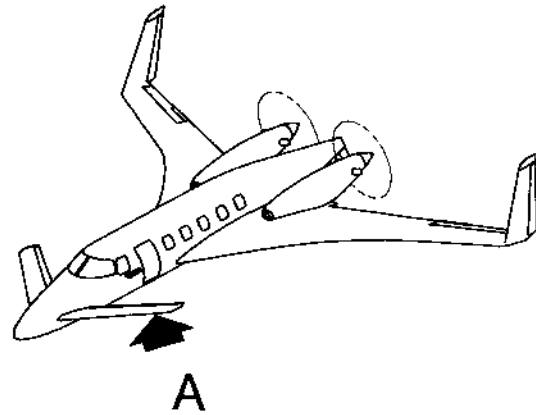
2000-351-02

FIGURE 10-20. LEFT CIRCUIT BREAKER PANEL
/SHEET 2 OF 4 SHEETS/

Deechcraft
STARSHIP 1
ILLUSTRATED PARTS CATALOG

SUB-SEC UNIT & ITEM NO	PART NO.	DESCRIPTION 1 2 3 4 5 6 7	UNITS	USABLE
			PER ASSY	ON CODE
10-20 -27	MS21042L06	.. NUT	1	
-28	AN960-6L	.. WASHER	1	
-29 R	AN960D8	.. WASHER	1	
-30	MS24693S28	.. SCREW	1	
-31	MS25083-2AA6	.. JUMPER, BONDING	1	
-32	106242C31-00600	.. TUBING, HEAT SHRINK	AR	
-33	MS90335-6	.. RECEPTACLE	1	
-34	MS21042L06	.. NUT	6	
-35	MS35338-41	.. WASHER, LOCK	6	
-36	AN960-6L	.. WASHER	6	
-37	MS35649-262	.. NUT	6	
-38	AN960D8	.. WASHER	6	
-39	MS24693S28	.. SCREW	6	
-40 R	MS21042L06	.. NUT	18	
-41	AN960-6L	.. WASHER	18	
-42	MS24693S28	.. SCREW	18	
-43	122-380062-1	.. VARISTOR	9	

Beechcraft
STARSHIP 1
ILLUSTRATED PARTS CATALOG



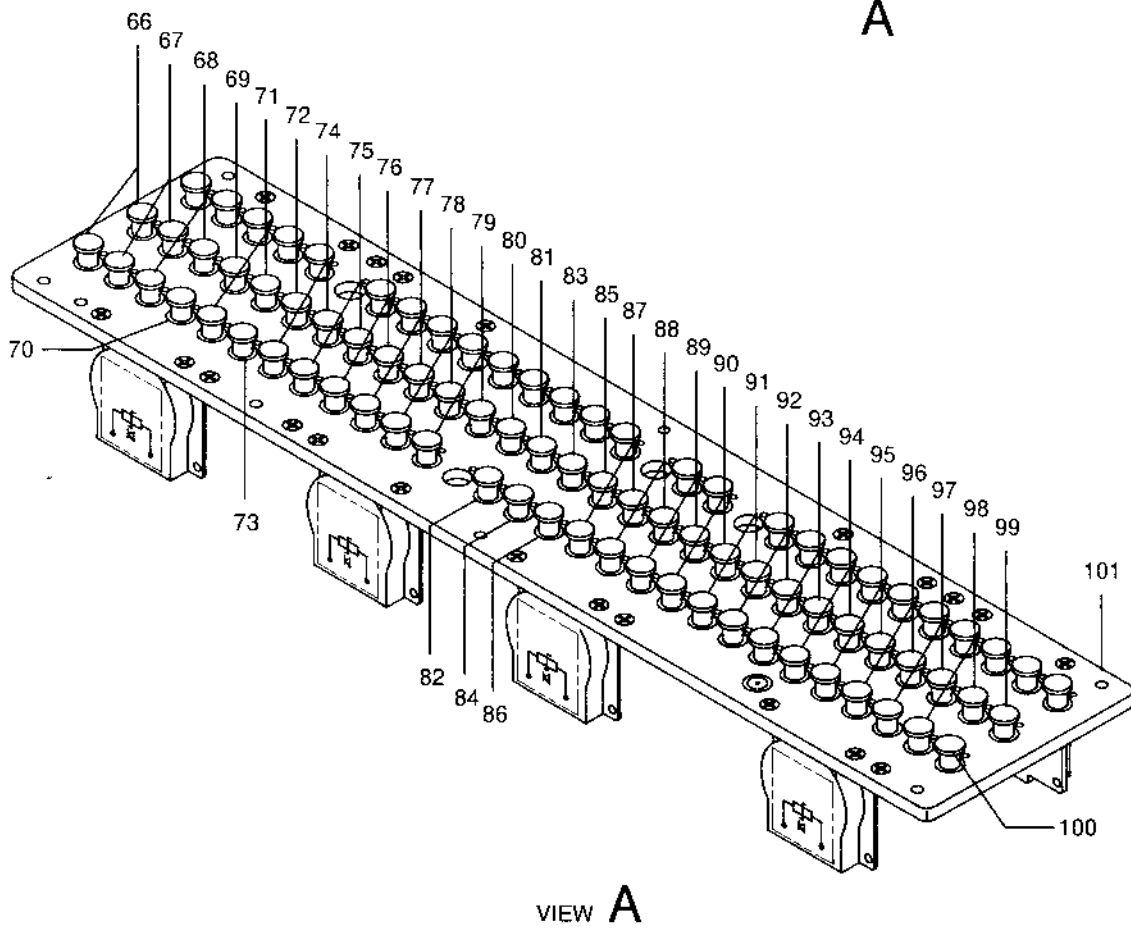
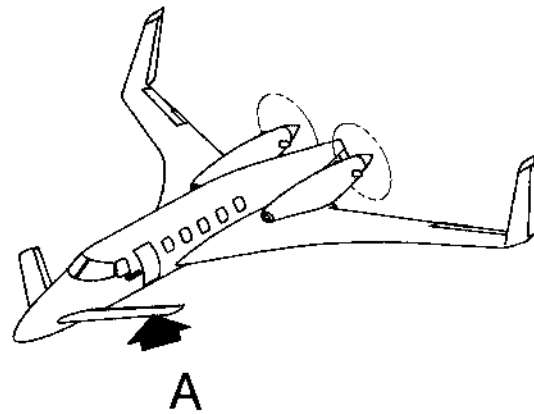
2000-351-21

FIGURE 10-20. LEFT CIRCUIT BREAKER PANEL
/SHEET 3 OF 4 SHEETS/

Beechcraft
STARSHIP 1
ILLUSTRATED PARTS CATALOG

SUB-SEC UNIT & ITEM NO	PART NO.	DESCRIPTION 1 2 3 4 5 6 7	UNITS	USABLE
			PER ASSY	ON CODE
10-20 - 44	131984-5	.. CIRCUIT BREAKER, GEN RESET	1	
- 45	131984-5	.. CIRCUIT BREAKER, BUS TIE CONTROL LEFT AND RIGHT	2	
- 46	131984-5	.. CIRCUIT BREAKER, CABIN DIFF	1	
- 47	131984-5	.. CIRCUIT BREAKER, LANDING GEAR	1	
- 48	131984-5	.. CIRCUIT BREAKER, PNEU IND LEFT AND RIGHT	2	
- 49	131984-5	.. CIRCUIT BREAKER, PRESS SYS	1	
- 50	131984-5	.. CIRCUIT BREAKER, OXY CONTROL	1	
- 51	131984-7	.. CIRCUIT BREAKER, BLEED AIR LEFT AND RIGHT	2	
- 52	131984-5	.. CIRCUIT BREAKER, BLOWER CONT CKPT	1	
- 53	131984-5	.. CIRCUIT BREAKER, BLOWER CONT CABIN	1	
- 54	131984-5	.. CIRCUIT BREAKER, BLOWER CONT COND	1	
- 55	131984-5	.. CIRCUIT BREAKER, FUEL TEMP	1	
- 56 R	131984-5	.. CIRCUIT BREAKER, FUEL TRANSFER	1	
- 57	131984-5	.. CIRCUIT BREAKER, AUTO FEATHER	1	
- 58	131984-10	.. CIRCUIT BREAKER, PROP GOV TEST	1	
- 59	131984-5	.. CIRCUIT BREAKER, PROP SYNC	1	
- 60	131984-5	.. CIRCUIT BREAKER, ANTI SKID	1	
- 61	131984-5	.. CIRCUIT BREAKER, WSHLD WIPER CONTROL	1	
- 62	131984-5	.. CIRCUIT BREAKER, STATIC SOURCE SELECTOR	1	
- 63	131984-5	.. CIRCUIT BREAKER, FLAP IND	1	
- 64	131984-5	.. CIRCUIT BREAKER, FLAP CONTROL	1	
- 65	131984-5	.. CIRCUIT BREAKER, FLAP MONITOR LEFT AND RIGHT	2	

Beechcraft
STARSHIP 1
ILLUSTRATED PARTS CATALOG



2000-351-42

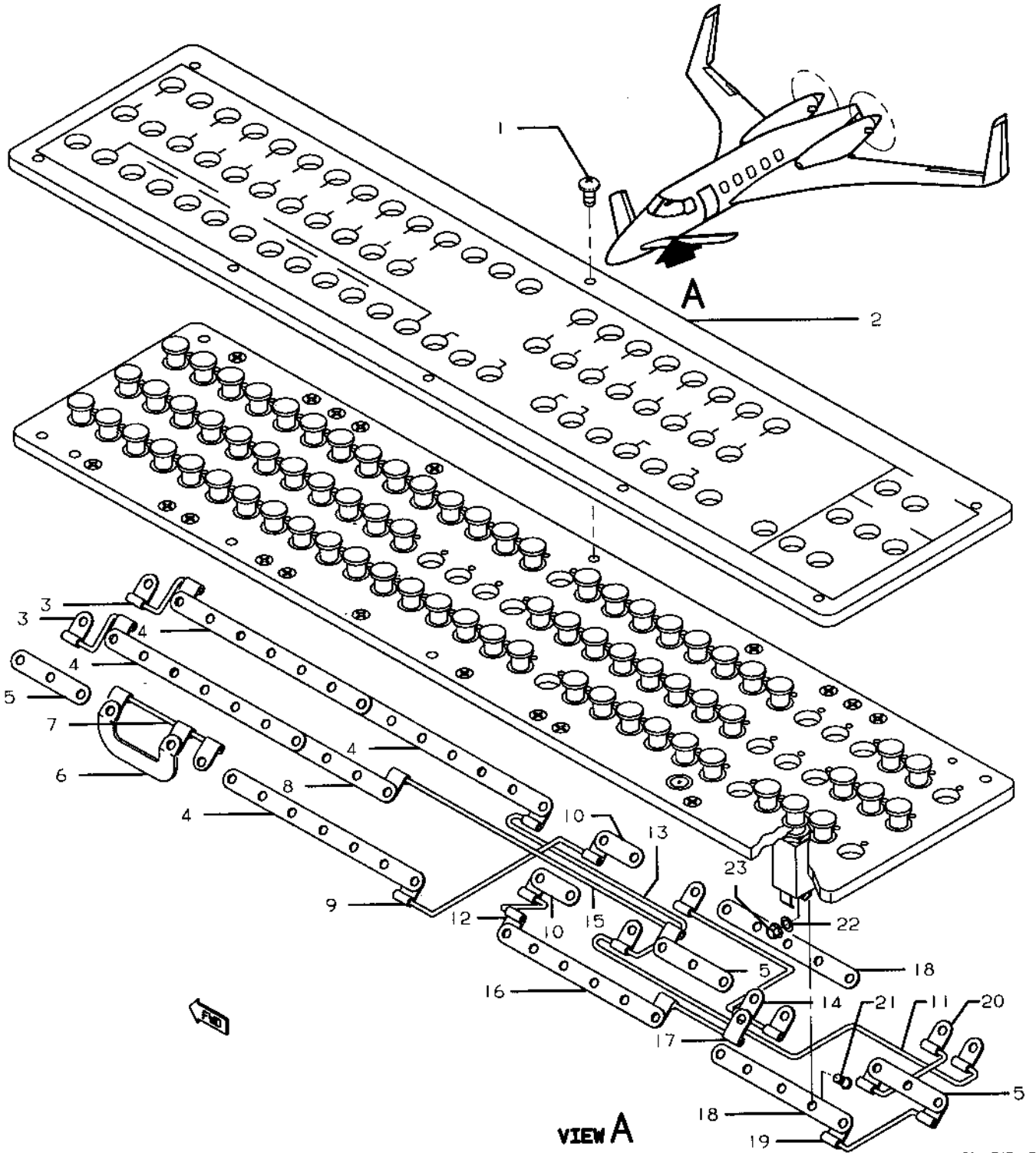
Beechcraft
STARSHIP 1
ILLUSTRATED PARTS CATALOG

SUB-SEC UNIT & ITEM NO	PART NO.	DESCRIPTION 1 2 3 4 5 6 7	UNITS	USABLE
			PER ASSY	ON CODE
10-20 -66	131984-5	.. CIRCUIT BREAKER, FUEL QTY LEFT AND RIGHT	2	
-67	131984-5	.. CIRCUIT BREAKER, FUEL PRESS LEFT AND RIGHT	2	
-68	131984-5	.. CIRCUIT BREAKER, OIL PRESS LEFT AND RIGHT	2	
-69	131984-5	.. CIRCUIT BREAKER, BLEED AIR FAIL	1	
-70	131984-5	.. CIRCUIT BREAKER, CABIN ALT	1	
-71	131984-5	.. CIRCUIT BREAKER, STALL LEFT AND RIGHT	2	
-72	131984-5	.. CIRCUIT BREAKER, CONTROL COLUMN MOTOR	1	
		PUSHER		
-73	131984-5	.. CIRCUIT BREAKER, CONTROL COLUMN CLUTCH	1	
		PUSHER		
-74	131984-5	.. CIRCUIT BREAKER, MAIN ENG LEFT AND RIGHT	2	
-75	131984-5	.. CIRCUIT BREAKER, STBY ENG LEFT AND RIGHT	2	
-76	131984-15	.. CIRCUIT BREAKER, PITOT STATIC LEFT AND	2	
		RIGHT		
-77	131984-5	.. CIRCUIT BREAKER, FUEL VENT LEFT AND RIGHT	2	
-78	131984-7	.. CIRCUIT BREAKER, STALL WARNING LEFT AND	2	
		RIGHT		
-79	131984-5	.. CIRCUIT BREAKER, WSHLD CONT LEFT AND RIGHT	2	
-80	131984-5	.. CIRCUIT BREAKER, STBY WSHLD LEFT	1	
-81	131984-5	.. CIRCUIT BREAKER, SURFACE DEICE MONITOR	1	
-82	131984-7	.. CIRCUIT BREAKER, SURFACE DEICE MANUAL	1	
-83	131984-7	.. CIRCUIT BREAKER, SURFACE DEICE MAIN	1	
-84	131984-7	.. CIRCUIT BREAKER, SURFACE DEICE STBY	1	
-85	131984-15	.. CIRCUIT BREAKER, ICE DETR MAIN	1	
-86	131984-15	.. CIRCUIT BREAKER, ICE DETR STBY	1	
-87	131984-5	.. CIRCUIT BREAKER, F/W VALVE LEFT AND RIGHT	2	
-88	131984-5	.. CIRCUIT BREAKER, FUEL QTY LEFT AND RIGHT	2	
-89	131984-15	.. CIRCUIT BREAKER, STBY PUMP LEFT AND RIGHT	2	
-90	131984-5	.. CIRCUIT BREAKER, EDC CH A LEFT AND RIGHT	2	
-91	131984-5	.. CIRCUIT BREAKER, CHIP DETR LEFT AND RIGHT	2	
-92	131984-5	.. CIRCUIT BREAKER, FIRE DETR LEFT AND RIGHT	2	
-93	131984-5	.. CIRCUIT BREAKER, OIL PRESS LEFT AND RIGHT	2	
-94	131984-5	.. CIRCUIT BREAKER, IGNTN POWER LEFT AND	2	
		RIGHT		
-95	131984-5	.. CIRCUIT BREAKER, START CONTROL LEFT AND	2	
		RIGHT		
-96	131984-5	.. CIRCUIT BREAKER, ROLL TRIM A AND B	2	
-97	131984-5	.. CIRCUIT BREAKER, PITCH TRIM A AND B	2	
-98	131984-5	.. CIRCUIT BREAKER, RUDDER TRIM A AND B	2	
-99	131984-5	.. CIRCUIT BREAKER, LANDING GEAR IND	1	
-100	131984-5	.. CIRCUIT BREAKER, LANDING GEAR CONTROL	1	
-101	122-322060-43	.. PANEL	1	

Beechcraft
STARSHIP 1
ILLUSTRATED PARTS CATALOG

39-10-30
RIGHT CIRCUIT BREAKER PANEL

Beechcraft
STARSHIP 1
ILLUSTRATED PARTS CATALOG



C93NC39A4347 C

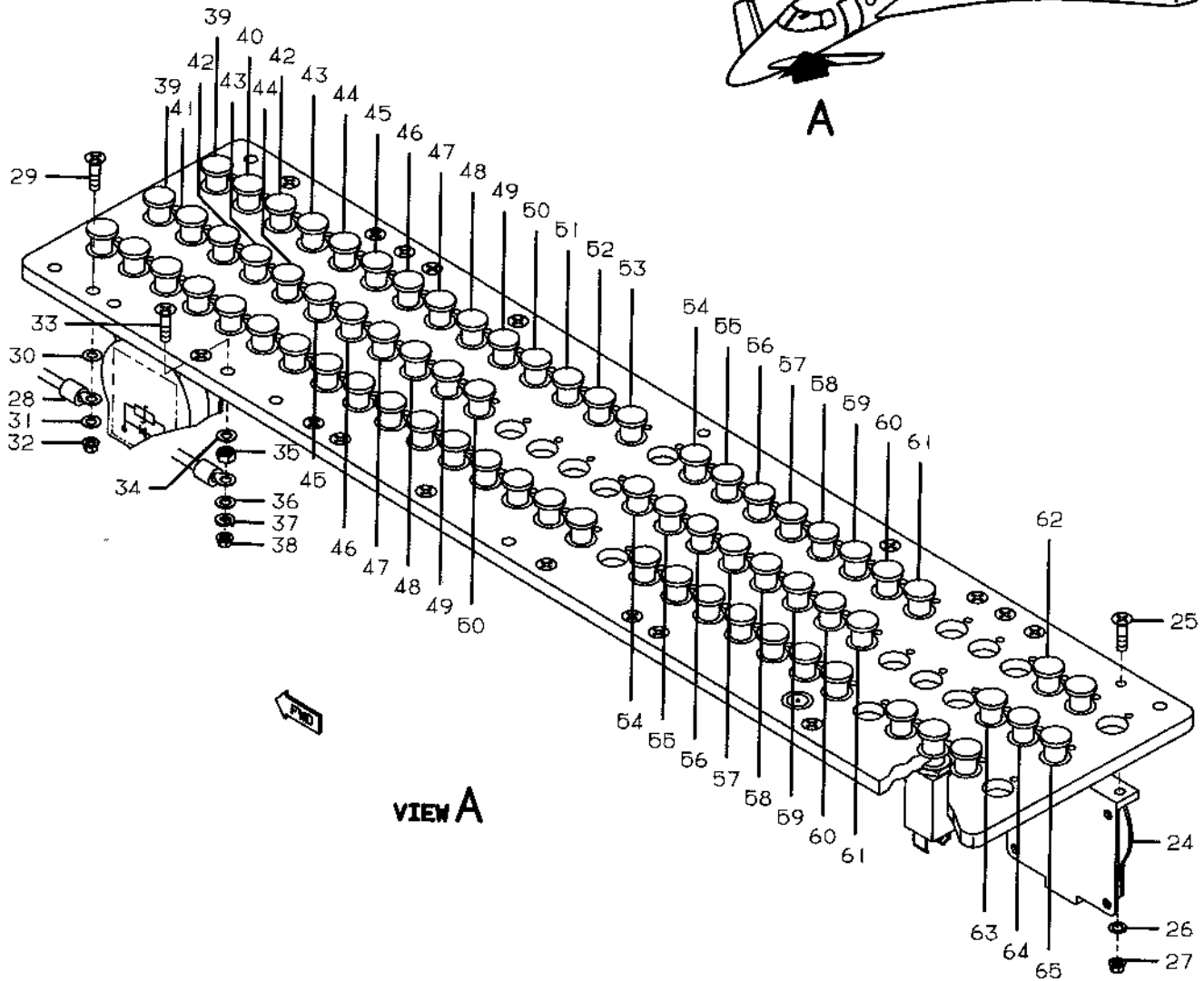
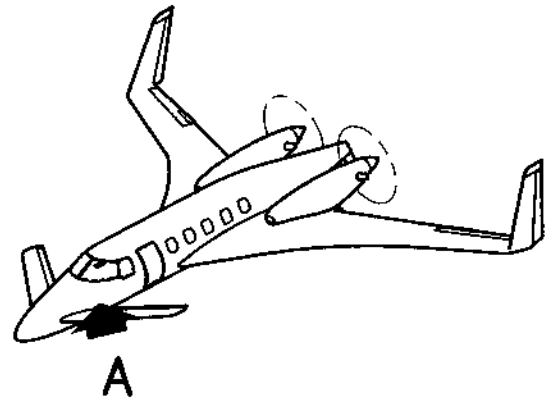
FIGURE 10-30. RIGHT CIRCUIT BREAKER PANEL
/SHEET 1 OF 3 SHEETS/

Beechcraft
STARSHIP 1
ILLUSTRATED PARTS CATALOG

SUB-SEC UNIT & ITEM NO	PART NO.	DESCRIPTION 1 2 3 4 5 6 7	UNITS	USABLE
			PER ASSY	ON CODE
10-30	122-342026-3	PANEL INSTL, RIGHT CIRCUIT BREAKER	NP	
- 1	MS35214-28	. SCREW	8	
	NAS451-43	. BUTTON, PLUG/USE IN OPEN HOLES/.....	AR	
- 2	R 122-382106-9	. PANEL ASSY, EL/STANDARD/.....	1	1
	R 122-382106-11	. PANEL ASSY, EL/STANDARD/.....	1	2
	R 122-382106-7	. PANEL ASSY, EL/FLIGHT PHONE, STEREO/.....	1	1
	R 122-382106-13	. PANEL ASSY, EL/FLIGHT PHONE, STEREO/.....	1	2
	R 122-382106-15	. PANEL ASSY, EL/FLIGHT PHONE/.....	1	
	R 122-382106-17	. PANEL ASSY, EL/FLIGHT PHONE, CABIN BRIEF/.....	1	
	R 122-382106-19	. PANEL ASSY, EL/FLIGHT PHONE, STEREO,.....	1	
		FLIGHT DATA-RCDR/		
	R 122-382106-21	. PANEL ASSY, EL/FLIGHT PHONE, STEREO,.....	1	
		COCKPIT VOICE-RCDR/		
	R 122-382106-23	. PANEL ASSY, EL/FLIGHT PHONE, STEREO, FLIGHT	1	
		DATA-RCDR, COCKPIT-RCDR, NO 1-ADF-NO 2/		
	R 122-382106-25	. PANEL ASSY, EL/FLIGHT PHONE, STEREO, FLIGHT	1	
		DATA-RCDR, COCKPIT-RCDR, CABIN BRIEF,		
		NO 1-ADF-NO 2/		
	R 122-382106-27	. PANEL ASSY, EL/FLIGHT PHONE, COCKPIT.....	1	
		VOICE-RCDR/		
	122-342084-5	. PANEL ASSY, CIRCUIT BREAKER.....	1	1
	122-342084-7	. PANEL ASSY, CIRCUIT BREAKER.....	1	2
- 3	122-322184-61	.. BUS BAR.....	2	
- 4	50-369101-233	.. BUS BAR.....	4	
- 5	50-369101-207	.. BUS BAR.....	3	
- 6	122-361014-69	.. BUS BAR.....	1	
- 7	122-322184-89	.. BUS BAR.....	1	
- 8	50-369101-227	.. BUS BAR.....	1	
- 9	122-322184-91	.. BUS BAR.....	1	
- 10	R 50-369101-205	.. BUS BAR.....	2	
- 11	R 122-322184-139	.. BUS BAR.....	1	2
- 12	122-322184-87	.. BUS BAR.....	1	
- 13	122-322184-133	.. BUS BAR.....	1	
- 14	122-322184-83	.. BUS BAR.....	1	
- 15	122-322184-19	.. BUS BAR.....	1	
- 16	50-369101-231	.. BUS BAR.....	1	
- 17	122-322184-97	.. BUS BAR.....	1	
- 18	50-369101-225	.. BUS BAR.....	2	
- 19	122-322184-29	.. BUS BAR.....	1	
- 20	R 122-322184-1	.. BUS BAR.....	1	
		/ATTACHING PARTS/		
- 21	MS35206-227	.. SCREW.....	AR	
- 22	AN960-6L	.. WASHER.....	AR	
- 23	MS21042L06	.. NUT.....	AR	

★

Beechcraft
STARSHIP 1
ILLUSTRATED PARTS CATALOG



C93NC39A4348 C

FIGURE 10-30. RIGHT CIRCUIT BREAKER PANEL
/SHEET 2 OF 3 SHEETS/

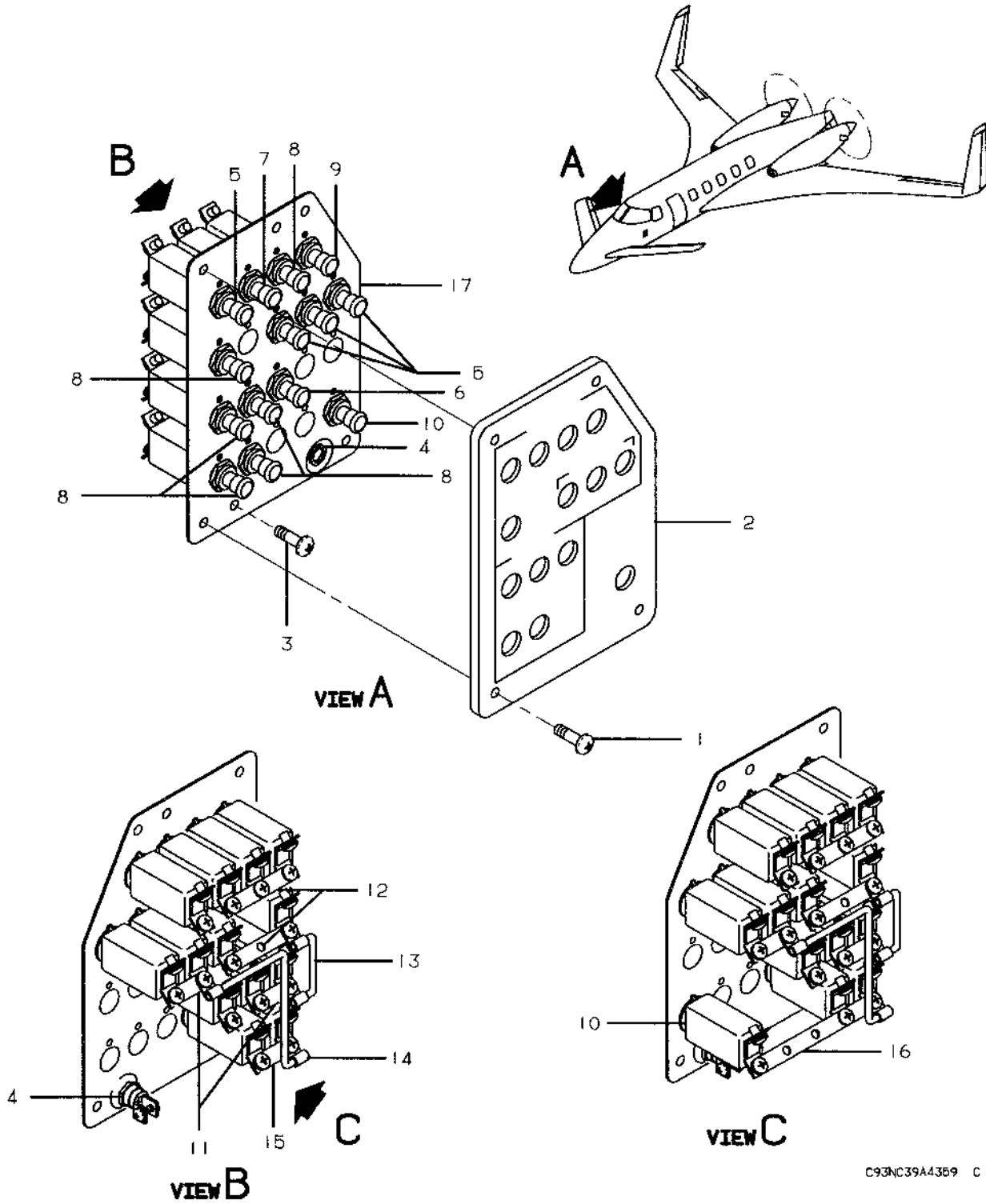
Beechcraft
STARSHIP 1
ILLUSTRATED PARTS CATALOG

SUB-SEC UNIT & ITEM NO	PART NO.	DESCRIPTION 1 2 3 4 5 6 7	UNITS	USABLE
			PER ASSY	ON CODE
10-30 - 24	122-380062-1	.. VARISTOR ASSY/ALTERNATE FOR 122-360023-1/	8	
	122-360023-1	.. VARISTOR ASSY/ALTERNATE FOR 122-380062-1/	8	
		/ATTACHING PARTS/		
- 25	MS24693S28	.. SCREW	2	
- 26	AN960-6L	.. WASHER	2	
- 27	MS21042L06	.. NUT	2	
		---★---		
	R 10824C31-00600	.. TUBING, HEATSHRINK	AR	
- 28	R MS25083-2AB6	.. JUMPER, BONDING	1	
		/ATTACHING PARTS/		
- 29	MS24693S28	.. SCREW	1	
- 30	AN960D8	.. WASHER	1	
- 31	AN960-6L	.. WASHER	1	
- 32	MS21042L06	.. NUT	1	
		---★---		
- 33	MS24693S28	.. SCREW	6	
- 34	AN960D8	.. WASHER	6	
- 35	MS35650-362	.. NUT	6	
- 36	AN960-6L	.. WASHER	6	
- 37	MS35338-41	.. WASHER, LOCK	6	
- 38	MS21042L06	.. NUT	6	
- 39	700-001-50	.. CIRCUIT BREAKER, LEFT GENERATOR BUS FEEDER	2	
- 40	131984-5	.. CIRCUIT BREAKER, RADAR	1	
- 41	131984-10	.. CIRCUIT BREAKER, MFD	1	
- 42	131984-10	.. CIRCUIT BREAKER, ND NO. 1 & 2	2	
- 43	131984-10	.. CIRCUIT BREAKER, PFD NO. 1 & 2	2	
- 44	131984-5	.. CIRCUIT BREAKER, ASI NO. 1 & 2	2	
- 45	131984-5	.. CIRCUIT BREAKER, ALT NO. 1 & 2	2	
- 46	131984-3	.. CIRCUIT BREAKER, CDU NO. 1 & 2	2	
- 47	131984-3	.. CIRCUIT BREAKER, DME NO. 1 & 2	2	
- 48	131984-7	.. CIRCUIT BREAKER, FCS NO. 1 & 2	2	
- 49	131984-7	.. CIRCUIT BREAKER, FMS NO. 1 & 2	2	
- 50	131984-3	.. CIRCUIT BREAKER, ADC NO. 1 & 2	2	
- 51	131984-2	.. CIRCUIT BREAKER, ADF	1	
- 52	131984-5	.. CIRCUIT BREAKER, VLF	1	
- 53	131984-2	.. CIRCUIT BREAKER, RAD ALT	1	
- 54	131984-5	.. CIRCUIT BREAKER, RTU NO. 1 & 2	2	
- 55	131984-3	.. CIRCUIT BREAKER, AHRS NO. 1 & 2	2	
- 56	131984-3	.. CIRCUIT BREAKER, SDU NO. 1 & 2	2	
- 57	R 131984-2	.. CIRCUIT BREAKER, ATC NO. 1 & 2	2	
- 58	R 131984-10	.. CIRCUIT BREAKER, COMM NO. 1 & 2	2	
- 59	R 131984-3	.. CIRCUIT BREAKER, NAV NO. 1 & 2	2	
- 60	131984-1	.. CIRCUIT BREAKER, PLT & COPLT CLOCK	2	
- 61	131984-10	.. CIRCUIT BREAKER, PLT & COPLT TRIP FED BUS	2	
- 62	131984-5	.. CIRCUIT BREAKER, FURNISHINGS MASTER CNTRL	1	
- 63	131984-5	.. CIRCUIT BREAKER, ANNUN 1	1	
- 64	131984-5	.. CIRCUIT BREAKER, ANNUN 2	1	
- 65	131984-5	.. CIRCUIT BREAKER, ANNUN 3	1	

Beechcraft
STARSHIP 1
ILLUSTRATED PARTS CATALOG

39-10-40
AUXILLIARY CIRCUIT BREAKER PANEL

Beechcraft
STARSHIP 1
ILLUSTRATED PARTS CATALOG



C93NC39A4369 C

FIGURE 10-40. AUXILLIARY CIRCUIT BREAKER PANEL

Beechcraft
STARSHIP 1
ILLUSTRATED PARTS CATALOG

SUB-SEC UNIT & ITEM NO	PART NO.	DESCRIPTION 1 2 3 4 5 6 7	UNITS	USABLE
			PER ASSY	ON CODE
10-40	122-322244-1	AUXILLIARY CIRCUIT BREAKER PANEL INSTL	NP	
- 1	MS35214-28	. SCREW	4	
- 2	R 122-382148-13	. PANEL ASSY, EL/STANDARD/READING TABLE LIGHT/..... /IF KIT 122-5024-1 HAS BEEN INSTALLED ORDER 122-382148-17 FOR SPARES/	1	2
	R 122-382148-17	. PANEL ASSY, EL/STANDARD/READING TABLE LIGHT	1	2
	R 122-382148-9	. PANEL ASSY, EL/STANDARD/.....	1	3
	R 122-382148-15	. PANEL ASSY, EL/GROUND ICE DETR/	1	3
	R 122-382148-11	. PANEL ASSY, EL/LOGO LIGHT/.....	1	
- 3	MS35206-229	. SCREW	2	
	122-322245-7	. PANEL ASSY	1	2
	122-322245-5	. PANEL ASSY	1	3
- 4	MS90335-8	. . RECEPTACLE, EL PANEL	1	
- 5	131984-15	. . CIRCUIT BREAKER, TAXI LT, LH & RH LDG LT..... AND NOSE LDG LT	4	
- 6	131984-15	. . CIRCUIT BREAKER, GROUND ICE DETR /USED..... WITH KIT 101-5024-1 OR 122-382148-17/	1	1
- 7	131984-10	. . CIRCUIT BREAKER, WING LIGHT	1	
- 8	131984-7	. . CIRCUIT BREAKER, STROBE LT, NAV LT..... LH AND RH DEICE VALVE HEATER, LH AND RH POWER CABLE HEATER	6	
- 9	R 131984-5	. . CIRCUIT BREAKER, LANDING LIGHT CONTROL	1	
- 10	R 131984-5	. . CIRCUIT BREAKER, READING TABLE LIGHTS.....	1	3
- 11	50-369101-205	. . BAR, BUS	2	
- 12	50-369101-207	. . BAR, BUS	2	
- 13	122-322184-43	. . BAR, BUS	1	
- 14	122-322184-69	. . BAR, BUS	1	
- 15	50-369101-205	. . BAR, BUS	1	2
- 16	50-369101-225	. . BAR, BUS	1	3
- 17	122-322180-15	. . PANEL, SCREENED	1	
	122-322181-15	. . . DECAL	1	

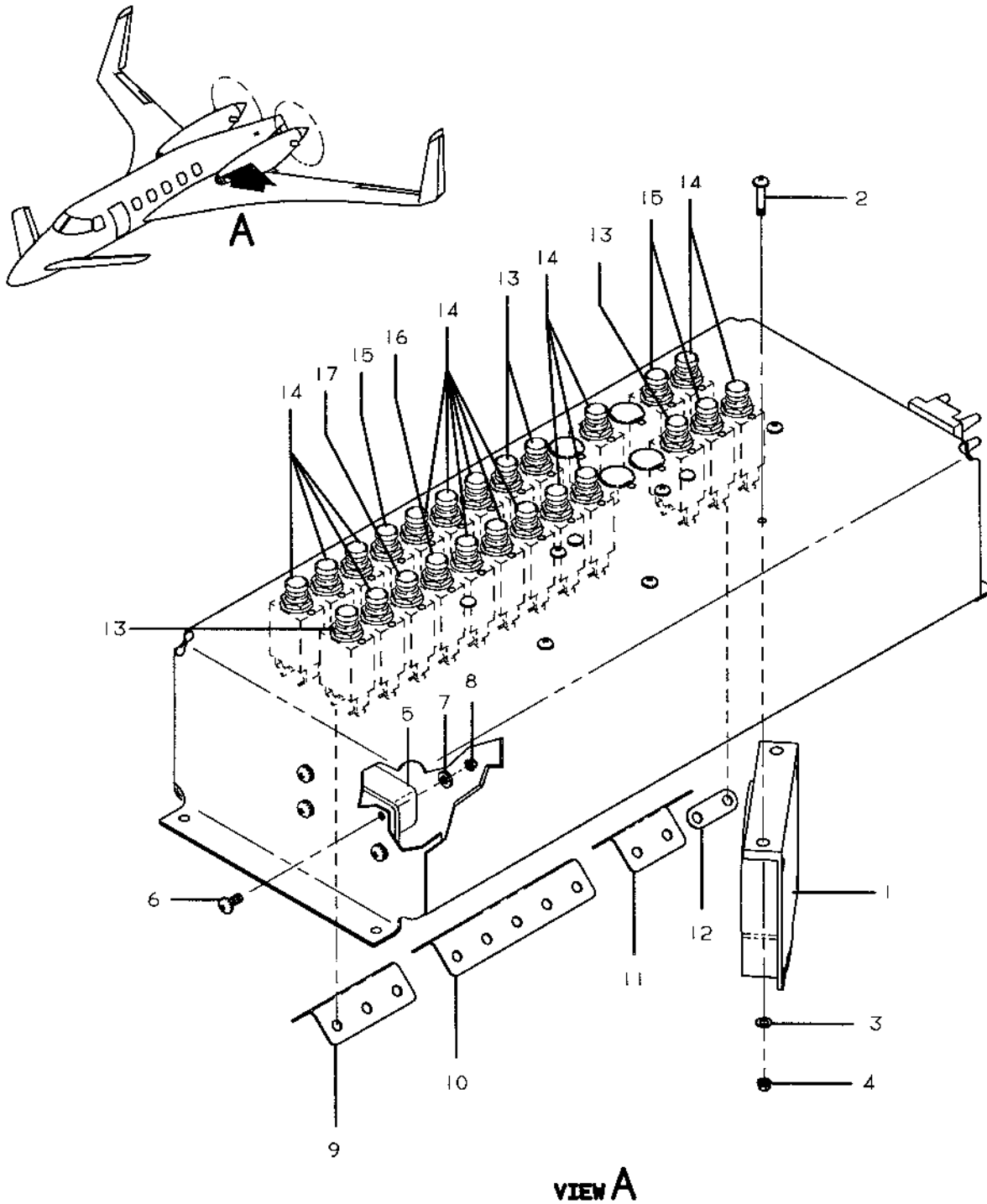
CODES OF EFFECTIVITY

1	NC-4 THRU NC-9 NC-11 AND AFTER	2	NC-4 THRU NC-12 NC-13 AND AFTER
---	-----------------------------------	---	------------------------------------

Beechcraft
STARSHIP 1
ILLUSTRATED PARTS CATALOG

39-10-50
AFT FUSELAGE CIRCUIT BREAKER PANEL

Beechcraft
STARSHIP 1
ILLUSTRATED PARTS CATALOG



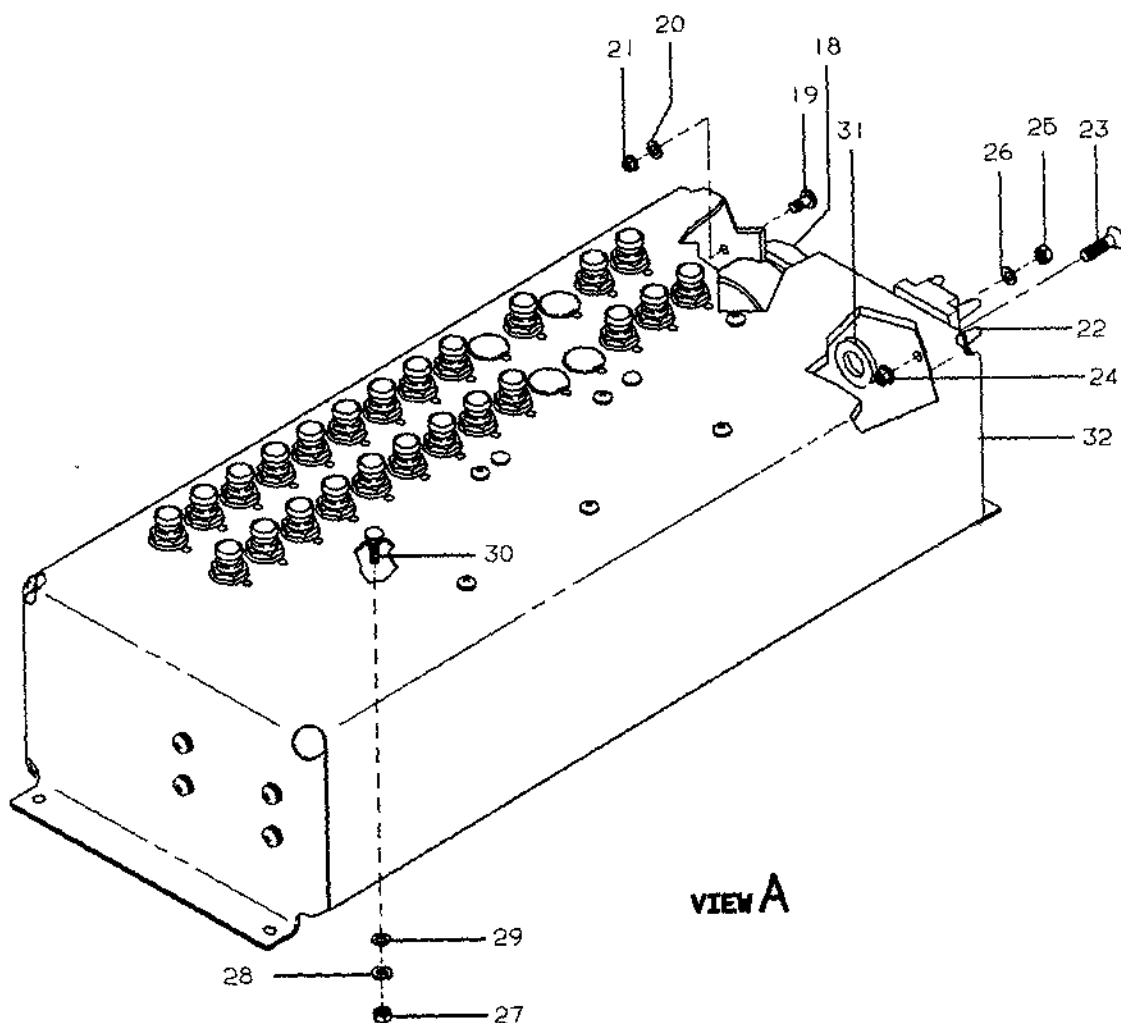
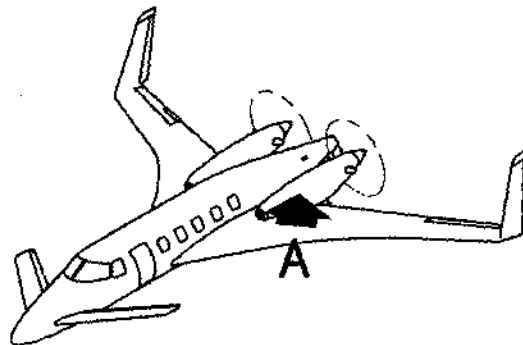
C93NC39A4379 C

FIGURE 10-50. AFT FUSELAGE CIRCUIT BREAKER PANEL
/SHEET 1 OF 2 SHEETS/

Beechcraft
STARSHIP 1
ILLUSTRATED PARTS CATALOG

SUB-SEC UNIT & ITEM NO	PART NO.	DESCRIPTION 1 2 3 4 5 6 7	UNITS PER ASSY	USABLE ON CODE
10-50	122-361013-55	PANEL ASSY, CIRCUIT BREAKER.....	1	1
	122-361013-79	PANEL ASSY, CIRCUIT BREAKER.....	1	2
- 1	122-380062-1	. VARISTOR, METAL OXIDE	3	
		/ATTACHING PARTS/		
- 2	MS35206-247	. SCREW.....	2	
- 3	AN960-8L	. WASHER.....	2	
- 4	R MS21044N08	. NUT.....	2	
		-----*		
	1N4007	. DIODE, RELAY.....	1	
- 5	FCA325-45	. RELAY.....	1	
		/ATTACHING PARTS/		
- 6	MS35206-229	. SCREW.....	4	
- 7	AN960-6L	. WASHER.....	4	
- 8	MS21042-06	. NUT.....	4	
		-----*		
- 9	122-361014-75	. BAR, BUS.....	1	
- 10	122-361014-35	. BAR, BUS.....	1	
- 11	122-361014-73	. BAR, BUS.....	1	
- 12	122-361014-21	. BAR, BUS.....	1	
- 13	R 131984-7 1/2	. CIRCUIT BREAKER.....	4	
		/STORM LIGHT/		
		/FLIGHT INSTRUMENT LIGHTS/		
		/AC CLUTCH/		
		/AVIONICS COPILOT BUS FEEDER/		
- 14	R 131984-5	. CIRCUIT BREAKER.....	15	
		/READING LIGHTS/		
		/TOILET/		
		/CIGARETTE LIGHTER/		
		/OVERBOARD HEATED DRAIN/		
		/DC TEST JACK/		
		/CABIN LIGHTS/		
		/OVERHEAD FLOOD LIGHTS/		
		/INSTRUMENT INDICATOR LIGHTS/		
		/LEFT & RIGHT EDC POWER/		
		/LEFT & RIGHT SQUAT SWITCH/		
		/LCD DISPLAY LIGHTS/		
		/OVERHEAD, SUBPANEL & CONSOLE LIGHTS/		
		/ALT BLOWER CONTROL/		
- 15	R 131984-15	. CIRCUIT BREAKER.....	3	
		/ALT BLOWER POWER/		
		/LEFT & RIGHT WINDSHIELD WIPER/		
- 16	R 131984-5	. CIRCUIT BREAKER/WINDOW SHADING/.....	1	1
- 17	R 131984-7 1/2	. CIRCUIT BREAKER/CABIN FLOOR/.....	1	2
	R NAS451-11	. BUTTON, PLUG/IN HOLES WITHOUT CIRCUIT	5	
		BREAKER INSTALLED/		
	122-361060-25	. DECAL.....	1	1
	122-361060-29	. DECAL.....	1	2

Beechcraft
STARSHIP 1
ILLUSTRATED PARTS CATALOG



C93NC39A4380 C

FIGURE 10-50. AFT FUSELAGE CIRCUIT BREAKER PANEL
/SHEET 2 OF 2 SHEETS/

Beechcraft
STARSHIP 1
ILLUSTRATED PARTS CATALOG

SUB-SEC UNIT & ITEM NO	PART NO.	DESCRIPTION 1 2 3 4 5 6 7	UNITS PER ASSY	USABLE ON CODE
10-50 - 18	MS3472L22-41P	. CONNECTOR.....	1	
		/ATTACHING PARTS/		
- 19	MS35206-229	. SCREW.....	4	
- 20	AN960-6L	. WASHER.....	4	
- 21	MS21042-06	. NUT.....	4	
		*-----		
- 22	MS27212-1-4	. TERMINAL BOARD ASSY.....	1	
		/ATTACHING PARTS/		
- 23	R MS35206-214	. SCREW.....	2	
- 24	MS21044N04	. NUT.....	2	
		*-----		
- 25	MS21042L06	. NUT.....	4	
- 26	AN960-6L	. WASHER.....	4	
	MS18029-1S4	. COVER ASSY.....	1	
- 27	130909N29	. NUT.....	3	
- 28	MS35338-43	. WASHER, LOCK.....	3	
- 29	AN960JD10L	. WASHER.....	3	
- 30	131270-3	. STUD, GROUND.....	3	
- 31	MS35489-9	. GROMMET.....	1	
- 32	122-381013-57	. PANEL.....	1	

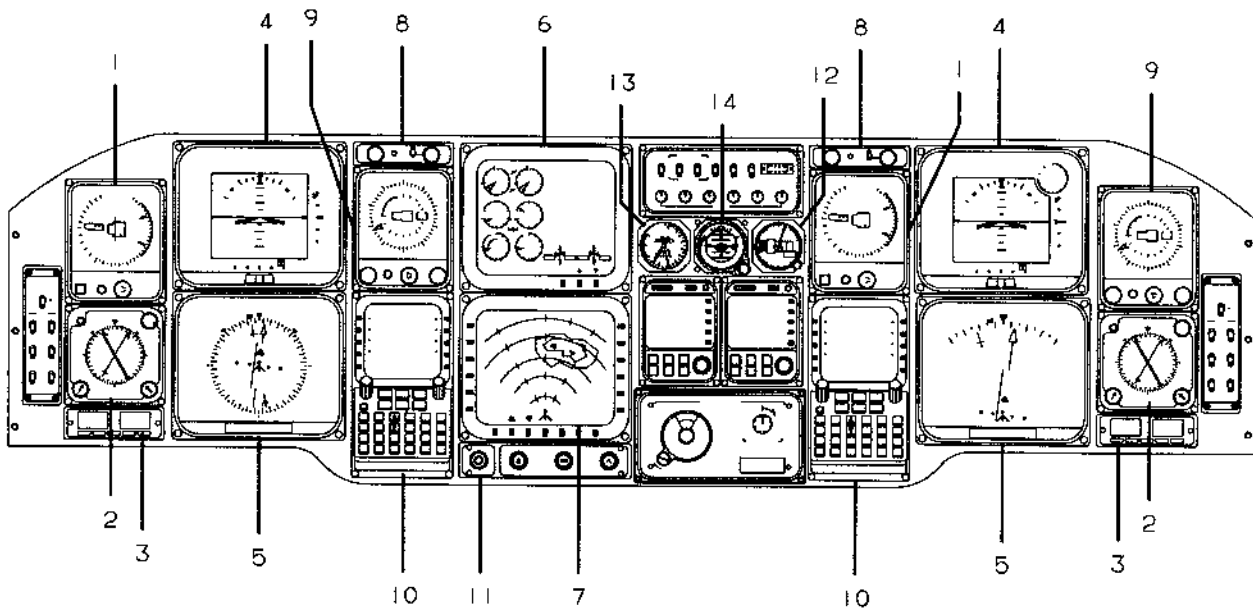
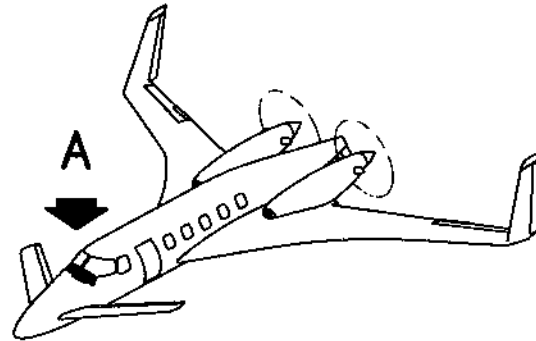
CODES OF EFFECTIVITY

1 NC-4 THRU NC-20 2 NC-21 AND AFTER

Beechcraft
STARSHIP 1
ILLUSTRATED PARTS CATALOG

39-10-60
MAIN INSTRUMENT PANEL

Beechcraft
 STARSHIP 1
 ILLUSTRATED PARTS CATALOG



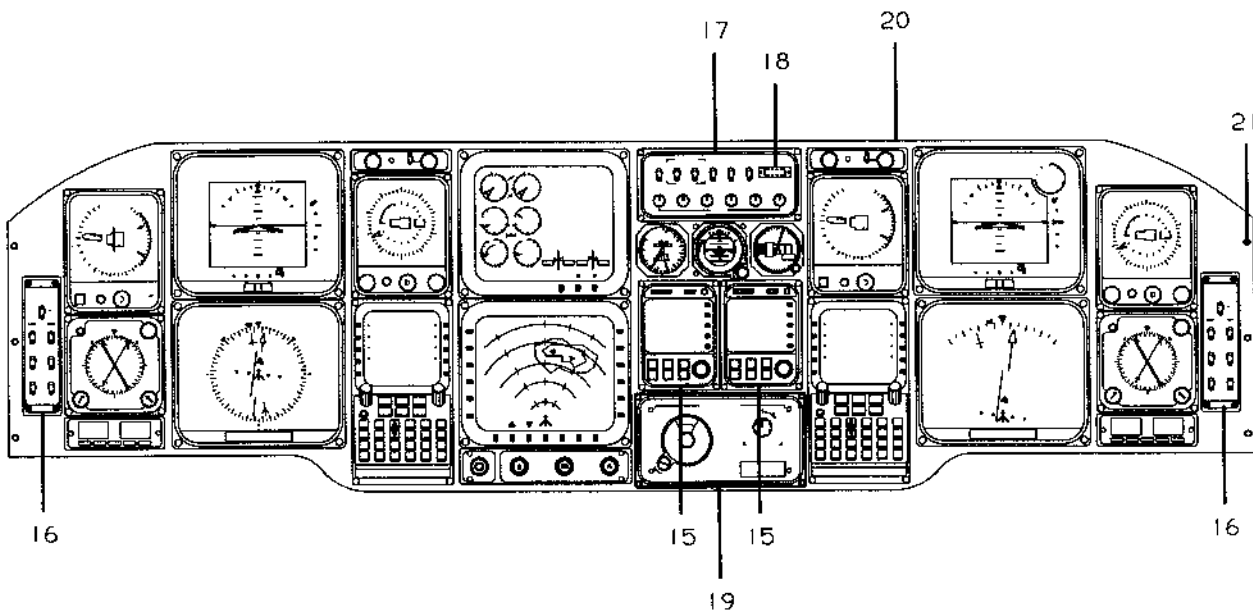
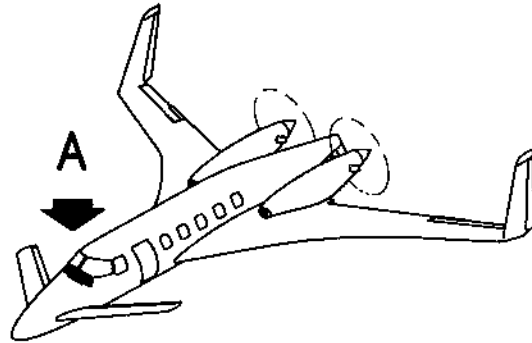
VIEW A

C93NC39A4434

Deechcraft
STARSHIP 1
ILLUSTRATED PARTS CATALOG

SUB-SEC UNIT & ITEM NO	PART NO.	DESCRIPTION 1 2 3 4 5 6 7	UNITS	USABLE
			PER ASSY	ON CODE
10-60	122-322229-1	PANEL INSTL, MAIN INSTRUMENT/BROWN/	NP	1
	122-322229-3	PANEL INSTL, MAIN INSTRUMENT/BLACK/	NP	2
- 1	R 622-8335-010	. INDICATOR, AIRSPEED/ASI-850A/	2	1
	R 622-8335-011	. INDICATOR, AIRSPEED/ASI-850A/	2	3
	R 622-8335-031	. INDICATOR, AIRSPEED/ASI-850A/	2	4
		/ATTACHING PARTS/		
	R 132002-6-7BN	. SCREW	4	1
	R 132002-6-7BK	. SCREW	4	2
		-----★-----		
- 2	R 622-8336-010	. DISPLAY UNIT, SENSOR/SDU-640A/	2	1
	R 622-8336-011	. DISPLAY UNIT, SENSOR/SDU-640A/	NP	5
		/ORDER 622-9735-001 FOR SPARES/		
	R 622-9735-001	. DISPLAY UNIT, SENSOR/SDU-640B/	2	6
		/ATTACHING PARTS/		
	R 132002-6-7BN	. SCREW	4	1
	R 132002-6-7BK	. SCREW	4	2
		-----★-----		
- 3	R 122-382011-11	. CLOCK/ORDER 122-382011-15 FOR SPARES/	NP	7
	R 122-382011-15	. CLOCK	2	8
- 4	R 622-8526-002	. DISPLAY UNIT, PRIMARY FLIGHT/PFD-870/	2	1
	R 622-8526-003	. DISPLAY UNIT, PRIMARY FLIGHT/PFD-870/	2	2
- 5	R 622-8527-002	. DISPLAY UNIT, NAVIGATION/ND-870/	2	1
	R 622-8527-003	. DISPLAY UNIT, NAVIGATION/ND-870/	2	2
- 6	R 622-8529-005	. DISPLAY UNIT, ENGINE CAUTION/ECD-870/BROWN/	1	9
	R 622-8529-014	. DISPLAY UNIT, ENGINE CAUTION/ECD-870/BROWN/	1	10
	R 622-8529-015	. DISPLAY UNIT, ENGINE CAUTION/ECD-870/BLACK/	1	2
- 7	R 622-8528-005	. DISPLAY UNIT, MULTIFUNCTION/MFD-870/	1	9
	R 622-8528-014	. DISPLAY UNIT, MULTIFUNCTION/MFD-870/	1	10
	R 622-8528-015	. DISPLAY UNIT, MULTIFUNCTION/MFD-870/	1	2
- 8	R 622-7398-001	. PANEL, ALTITUDE AWARENESS/AAP850/	2	1
	R 622-7398-002	. PANEL, ALTITUDE AWARENESS/AAP-850/	2	2
- 9	R 622-8334-001	. INDICATOR, ALTITUDE/ALI-850A/	2	1
	R 622-8334-002	. INDICATOR, ALTITUDE/ALI-850A/	2	2
		/ATTACHING PARTS/		
	R 132002-6-7BN	. SCREW	4	1
	R 132002-6-7BK	. SCREW	4	2
		-----★-----		
- 10	R 622-8363-004	. DISPLAY UNIT, CONTROL/CDU-850A/	2	1
	R 622-8363-002	. DISPLAY UNIT, CONTROL/CDU-850A/	2	2
		/ATTACHING PARTS/		
	R 132002-6-7BN	. SCREW	4	1
	R 132002-6-7BK	. SCREW	4	2
		-----★-----		
- 11	R 622-7397-001	. PANEL, COURSE HEADING/CHP-850/	1	1
	R 622-7397-002	. PANEL, COURSE HEADING/CHP-850/	1	2
- 12	R 122-382142-5	. ALTIMETER/2 IN/	1	
		/ATTACHING PARTS/		
	R 122-2222H	. CLAMP	1	
		-----★-----		
- 13	R 122-382139-3	. INDICATOR, AIRSPEED/2 IN/	1	11
	R 122-382139-5	. INDICATOR, AIRSPEED/2 IN/	1	4
		/ATTACHING PARTS/		
	R 123-2222H	. CLAMP	1	
		-----★-----		
- 14	R 122-382015-9	. INDICATOR, GYRO HORIZON/ELECTRIC/2 IN/	1	
		/ATTACHING PARTS/		
	R MS35214-29	. SCREW	3	
		-----★-----		

Beechcraft
STARSHIP 1
ILLUSTRATED PARTS CATALOG



VIEW A

C95NC39A1082 C

Beechcraft
STARSHIP 1
ILLUSTRATED PARTS CATALOG

SUB-SEC UNIT & ITEM NO	PART NO.	DESCRIPTION 1 2 3 4 5 6 7	UNITS	USABLE
			PER ASSY	ON CODE
10-60 - 15	R 622-7356-001	. RADIO TUNING UNIT/RTU-870A/.....	2	1
	R 622-9346-012	. RADIO TUNING UNIT/RTU-870A/ORDER..... 622-9346-022 FOR SPARES/	NP	12
- 16	R 622-9346-022	. RADIO TUNING UNIT/RTU-870A/.....	2	13
	R 122-342021-17	. PANEL ASSY, REVERSIONARY /SEE CHAPTER 39-10-80/	2	1
	R 122-342021-21	. PANEL ASSY, REVERSIONARY /SEE CHAPTER 39-10-80/ /ATTACHING PARTS/	2	2
	R 132002-6-7BN	. SCREW.....	4	1
	R 132002-6-7BK	. SCREW.....	4	2
	*---			
- 17	R 122-342023-9	. PANEL ASSY, ENGINE REVERSIONARY AND VOLUME..... CONTROL/BROWN/SEE CHAPTER 39-10-80/	1	1
	R 122-342023-13	. PANEL ASSY, ENGINE REVERSIONARY AND VOLUME..... CONTROL/BLACK/SEE CHAPTER 39-10-80/ /ATTACHING PARTS/	1	2
	R 132002-6-7BN	. SCREW.....	4	1
	R 132002-6-7BK	. SCREW.....	4	2
	*---			
- 18	R 132015-9	. PLATE, RADIO CALL IDENTIFICATION..... /ATTACHING PARTS/	1	
	R NAS662C2R2	. SCREW.....	2	
	*---			
- 19	R 122-322242-1	. PANEL ASSY, PRESSURIZATION CONTROL/BROWN/.....	1	1
	R 122-322242-3	. PANEL ASSY, PRESSURIZATION CONTROL/BLACK/..... /ATTACHING PARTS/	1	2
	R 132002-6-7BN	. SCREW.....	4	1
	R 132002-6-7BK	. SCREW.....	4	2
	*---			
- 20	R 122-322077-6	. PANEL ASSY, MAIN INSTRUMENT/SEE CHAPTER 53/..... /ATTACHING PARTS/	1	
- 21	R MS27039-1-09	. SCREW.....	8	
	*---			

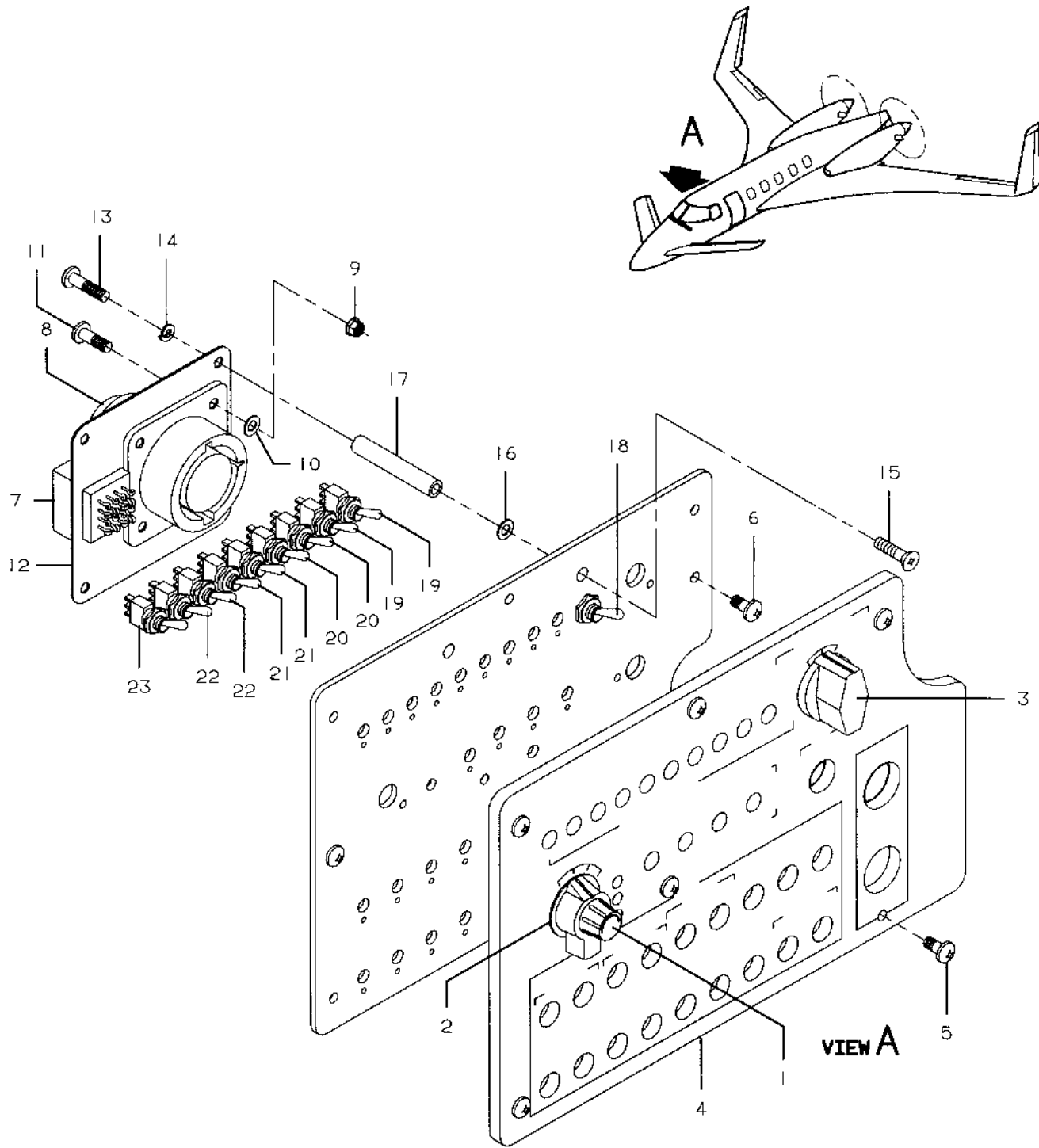
CODES OF EFFECTIVITY

1	NC-4 THRU NC-27	2	NC-28 AND AFTER
3	NC-28	4	NC-29 AND AFTER
5	NC-28 AND NC-29	6	NC-30 AND AFTER
7	NC-4 THRU NC-14	8	NC-15 AND AFTER
9	NC-4 THRU NC-20	10	NC-21 THRU NC-27
11	NC-4 THRU NC-28	12	NC-28 THRU NC-32
13	NC-33 AND AFTER		

Beechcraft
STARSHIP 1
ILLUSTRATED PARTS CATALOG

39-10-70
INSTRUMENT SUBPANEL
NC-4 THRU NC-28

Beechcraft
STARSHIP 1
ILLUSTRATED PARTS CATALOG



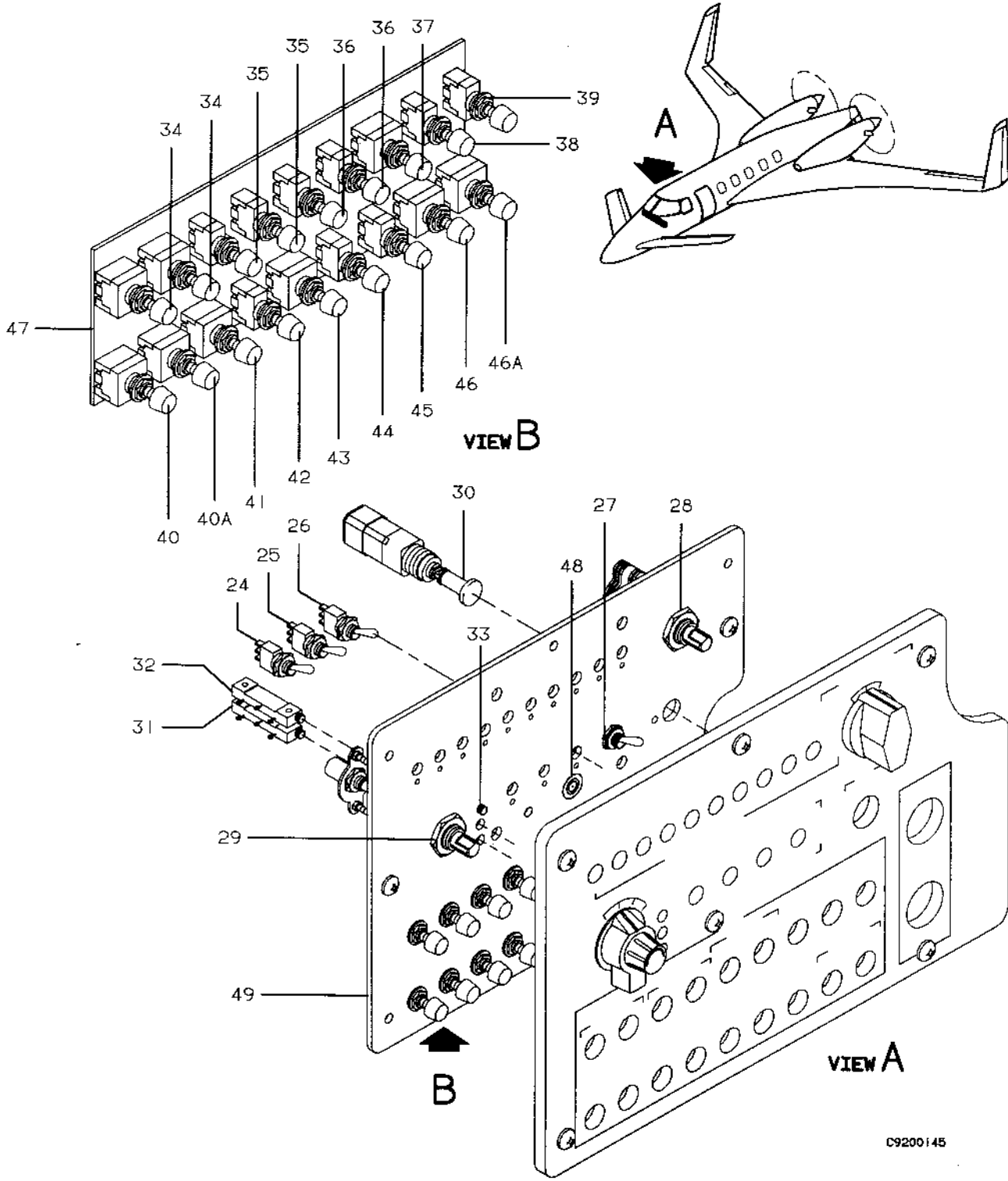
C9200144

FIGURE 10-70. INSTRUMENT SUBPANEL
/SHEET 1 OF 8 SHEETS/

Beechcraft
STARSHIP 1
ILLUSTRATED PARTS CATALOG

SUB-SEC UNIT & ITEM NO	PART NO.	DESCRIPTION 1 2 3 4 5 6 7	UNITS	USABLE
			PER ASSY	ON CODE
10-70	122-322018-5	SUBPANEL INSTL, INSTRUMENT	NP	1
- 1	122-382036-15	. KNOB, COMM VOL CONTROL	1	1
- 2	122-382036-19	. KNOB, COMM SELECTOR.....	1	1
- 3	122-382036-9	. KNOB, MIC SELECTOR.....	1	1
- 4	R 122-382053-15	. PANEL ASSY, EL/LEFT OUTBD/..... /ORDER 122-382053-17 FOR SPARES/	NP	3
	R 122-382053-17	. PANEL ASSY, EL/LEFT OUTBD/..... /ATTACHING PARTS/	1	4
- 5	MS35214-27	. SCREW.....	5	
	R 122-322209-5	. PANEL ASSY, LEFT OUTBD SWITCH	1	1
- 6	MS35206-230	. SCREW.....	2	
- 7	M6106/28-023 451120-061	.. RELAY	1	1
- 8	MS3470L24-61P	.. SOCKET, RELAY	1	1
- 9	R MS21042L06	.. CONNECTOR.....	1	1
- 10	AN960-6L	.. NUT	4	
- 11	MS35206-228	.. WASHER	4	
- 12	122-322039-9	.. SCREW.....	4	
- 13	MS35206-228	.. PLATE, CONNECTOR.....	1	1
- 14	MS35338-41	.. WASHER, LOCK	4	
- 15	MS24693S26	.. SCREW.....	4	
- 16	AN960-6L	.. WASHER	4	
- 17	1713-632A0	.. SPACER.....	4	
- 18	MST105D	.. SWITCH, ADF.....	1	1
- 19	MST105D	.. SWITCH, DME 1 & 2.....	2	1
- 20	MST105D	.. SWITCH, MKR BCN 1 & 2.....	2	1
- 21	MST105D	.. SWITCH, NAV 1 & 2	2	1
- 22	MST105D	.. SWITCH, COMM 1 & 2.....	2	1
- 23	MST105D	.. SWITCH, AUTO COMM	1	1

Beechcraft
STARSHIP 1
ILLUSTRATED PARTS CATALOG



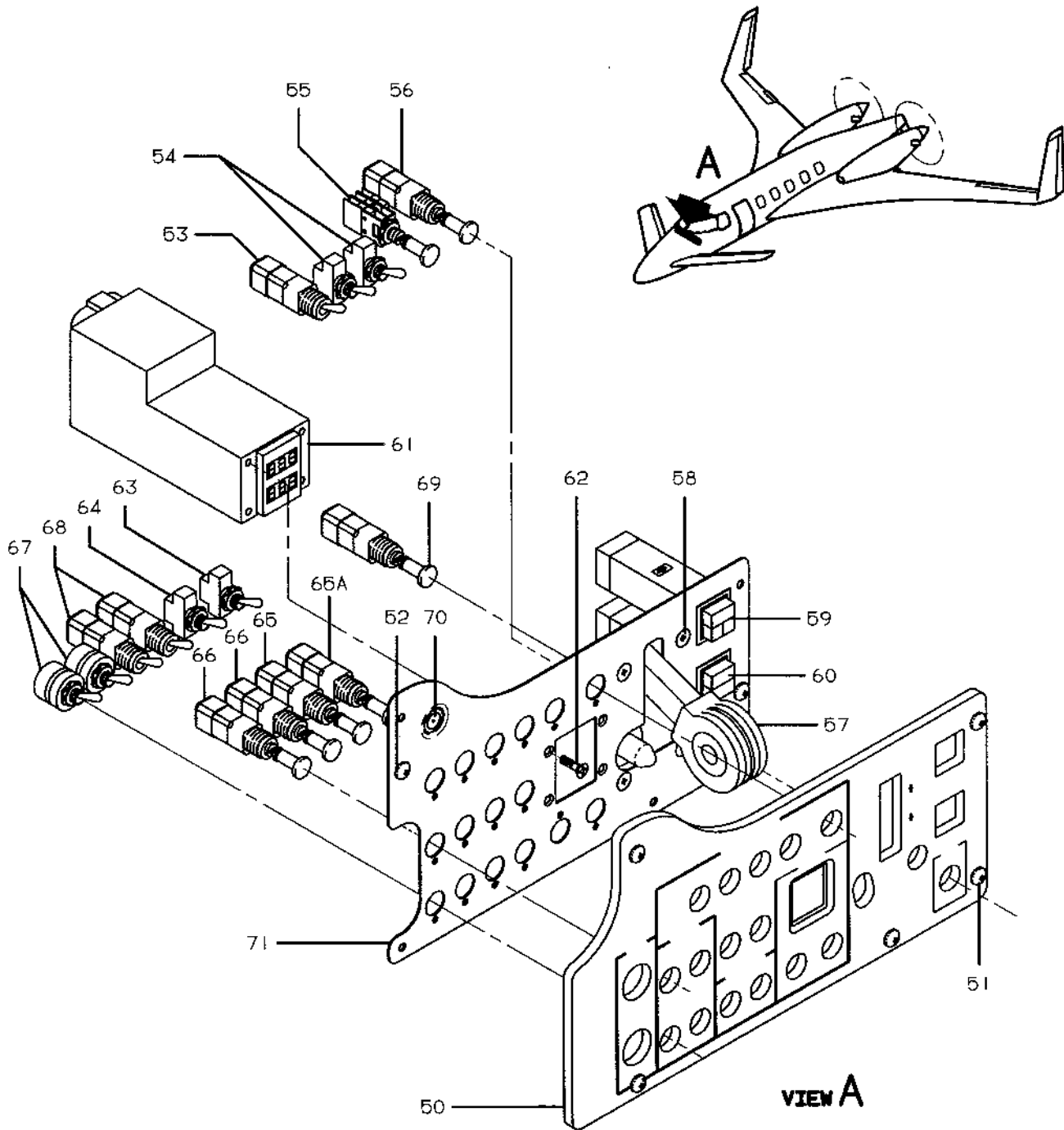
C9200145

FIGURE 10-70. INSTRUMENT SUBPANEL
/SHEET 2 OF 8 SHEETS/

Beechcraft
STARSHIP 1
ILLUSTRATED PARTS CATALOG

SUB-SEC UNIT & ITEM NO	PART NO.	DESCRIPTION 1 2 3 4 5 6 7	UNITS	USABLE
			PER ASSY	ON CODE
10-70 -24	MST405N	.. SWITCH, INTPH	1	1
-25	MST105D	.. SWITCH, AUDIO SPKR	1	1
-26	R MTL208N	.. SWITCH, AUDIO EMER	1	1
-27	MST105E	.. SWITCH, VOICE	1	1
-28	122-382076-1	.. SWITCH, MIC SELECT ROTARY	1	1
-29	122-382076-13	.. SWITCH, COMM SELECT ROTARY	1	1
-30	112TW59-3D	.. SWITCH, STATIC SOURCE	1	1
-31	3059J1-103M	.. TRIMPOT, INTPH SQUELCH	1	1
-32	3059J1-103M	.. TRIMPOT, INTPH VOL	1	1
-33	3059J1-103M	.. TRIMPOT, INTPH SIDETONE	1	1
	R 122-322207-9	.. MODULE ASSY, TEST SWITCH	1	1
-34	MB2061SW06BK	... SWITCH, LEFT & RIGHT FIRE EXT TEST	2	1
-35	MB2011SW08BK	... SWITCH, LEFT & RIGHT FIRE DETECTOR TEST	2	1
-36	R MB2011SW08BK	... SWITCH, LEFT & RIGHT FLAP MONITOR	2	1
-37	MB2061SW06BK	... SWITCH, AUX BATT TEST	1	1
-38	MB2011SW06BK	... SWITCH, BATT MONITOR TEST	1	1
-39	MB2011SW06BK	... SWITCH, PRESS TEST	1	1
-40	MB2061SW06BK	... SWITCH, FUEL LO WARN	1	1
-40A	MB2061SW06BK	... SWITCH, STALL WARN	1	1
-41	R MB2011SW06BK	... SWITCH, VMO/MMO TEST	1	1
-42	MB2011SW06BK	... SWITCH, LDG GR TEST	1	1
-43	MB2061SW06BK	... SWITCH, ANNUN TEST	1	1
-44	MB2011SW06BK	... SWITCH, BLEED AIR TEST	1	1
-45	R MB2011SW06BK	... SWITCH, SURF DEICE VAC	1	1
-46	R MB2061SW06BK	... SWITCH, SURF DEICE/STBY/	1	1
-46A	R MB2061SW06BK	... SWITCH, SURF DEICE/MAIN/	1	1
	R DDMM50PE	... CONNECTOR, MODULE	1	1
		/ATTACHING PARTS/		
	R 207719-3	... KIT, FEMALE SCREWLOCK	2	
	R NAS43DD0-14	... SPACER	2	
		★		
-47	122-322208-37	... PRINTED CIRCUIT BOARD, SWITCH TEST MODULE	1	1
-48	R MS90335-6	.. RECEPTACLE, EL PANEL	1	1
-49	122-322041-13	.. PANEL, SWITCH	1	1

Beechcraft
STARSHIP 1
ILLUSTRATED PARTS CATALOG



C93NC39A4396 C

FIGURE 10-70. INSTRUMENT SUBPANEL
/SHEET 3 OF 8 SHEETS/

Beechcraft
STARSHIP 1
ILLUSTRATED PARTS CATALOG

SUB-SEC UNIT & ITEM NO	PART NO.	DESCRIPTION 1 2 3 4 5 6 7	UNITS	USABLE
			PER ASSY	ON CODE
10-70 - 50	R 122-382137-9	. PANEL ASSY, EL/LEFT INBD/WITHOUT BRAKE DEICE, WITHOUT GND ICE DETR TEST/	1	1
	R 122-382137-11	. PANEL ASSY, EL/LEFT INBD/WITH BRAKE DEICE, WITHOUT GND ICE DETR TEST/	1	1
	R 122-382137-13	. PANEL ASSY, EL/LEFT INBD/WITHOUT BRAKE DEICE, WITH GND ICE DETR TEST/	1	1
	R 122-382137-15	. PANEL ASSY, EL/LEFT INBD/WITH BRAKE DEICE, WITH GND ICE DETR TEST/ /ATTACHING PARTS/	1	1
- 51	MS35214-27	. SCREW	5	
	122-322226-1	. PANEL ASSY, LEFT INBD SWITCH /ATTACHING PARTS/	1	1
- 52	MS35206-230	. SCREW	2	
- 53	112TW91-3	. SWITCH, STALL WARN ANTI-ICE/ALTERNATE FOR MS21347-731/	1	1
	MS21347-731	. SWITCH, STALL WARN ANTI-ICE/ALTERNATE FOR 112TW91-3/	1	1
- 54	MS24523-23	. SWITCH, PILOT & COPILOT PITOT-STATIC HEAT	2	1
- 55	13AT236S-N	. SWITCH, PILOT WINDSHIELD ANTI-ICE	1	1
- 56	112TW59-10N	. SWITCH, COPILOT WINDSHIELD ANTI-ICE	1	1
- 57	122-382038-1	. SWITCH ASSY, LDG GEAR CONTROL /ATTACHING PARTS/	1	1
- 58	MS24693S273	. SCREW	4	
- 59	R 122-382034-11	. LIGHT ASSY, GEAR DOWN/ALTERNATE FOR 122-382034-15/SEE NOTE/	1	1
	R 122-382034-15	. LIGHT ASSY, GEAR DOWN/ALTERNATE FOR 122-382034-11/SEE NOTE/	1	1
- 60	R 122-382034-13	. LIGHT ASSY, FLAPS-FWD WING TRANS-EXTEND /ALTERNATE FOR 122-382034-17/SEE NOTE/	1	1
	R 122-382034-17	. LIGHT ASSY, FLAPS-FWD WING TRANS-EXTEND /ALTERNATE FOR 122-382034-13/SEE NOTE/	1	1
NOTE INSTALL 122-382034-11, -15 AND 122-382034-13, -17 AS MATCHED SETS DO NOT INTERMIX VENDOR PARTS				
- 61	122-382143-1	. DISPLAY, PNEU PRESS /ATTACHING PARTS/	1	1
- 62	MS24693S28	. SCREW	4	
- 63	R MS24523-27	. SWITCH, MAIN WING MANUAL	1	1
- 64	R MS24523-27	. SWITCH, FWD WING MANUAL	1	1
- 65	R 112TW59-3D	. SWITCH, PILOT WSHLD CONTROL/STBY/	1	1
- 65A	112TW91-8	. SWITCH, GROUND ICE DETECTOR /WITH KIT 122-5024-1 INSTALLED/	1	6
- 66	R 112TW59-3D	. SWITCH, LEFT & RIGHT ENGINE ACTUATOR/STBY/	2	1
- 67	R 64AT46-3	. SWITCH, LEFT & RIGHT ENGINE ACTUATOR/MAIN/ /ALTERNATE FOR 21649T10109/	2	1
	R 21649T10109	. SWITCH, LEFT & RIGHT ENGINE ACTUATOR/MAIN/ /ALTERNATE FOR 64AT46-3/	2	1
- 68	R 62AT46-3	. SWITCH, LEFT & RIGHT FUEL VENT/PWR CABLE/ /ALTERNATE FOR 21649T10109/	2	1
	R 21649T10109	. SWITCH, LEFT & RIGHT FUEL VENT/PWR CABLE/ /ALTERNATE FOR 62AT46-3/	2	1
- 69	112TW59-3D	. SWITCH, ANTI SKID	1	1
- 70	R MS90335-6	. RECEPTACLE, EL PANEL	1	1
- 71	122-322227-1	. PANEL, SWITCH	1	1

Beechcraft
STARSHIP 1
ILLUSTRATED PARTS CATALOG

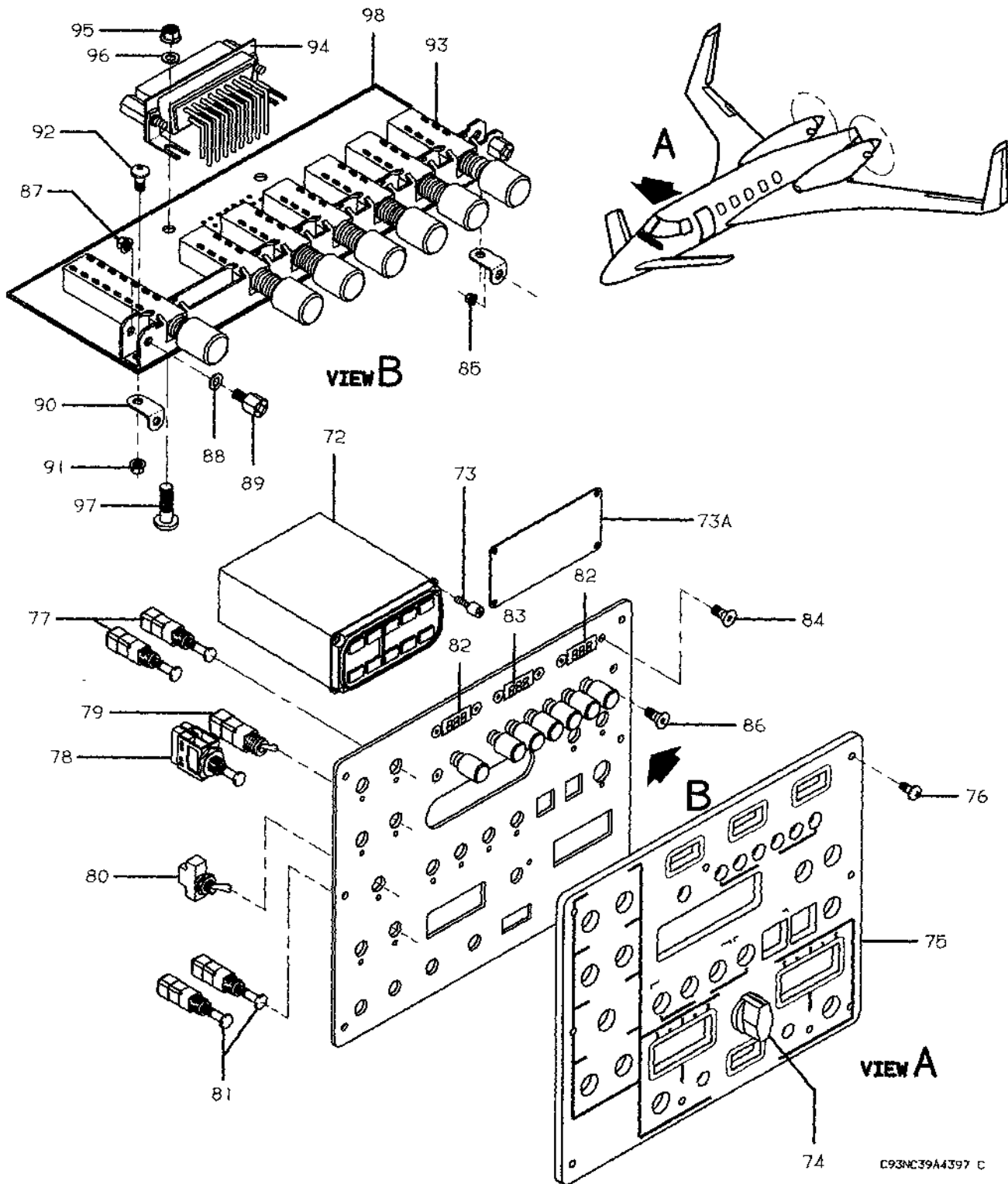
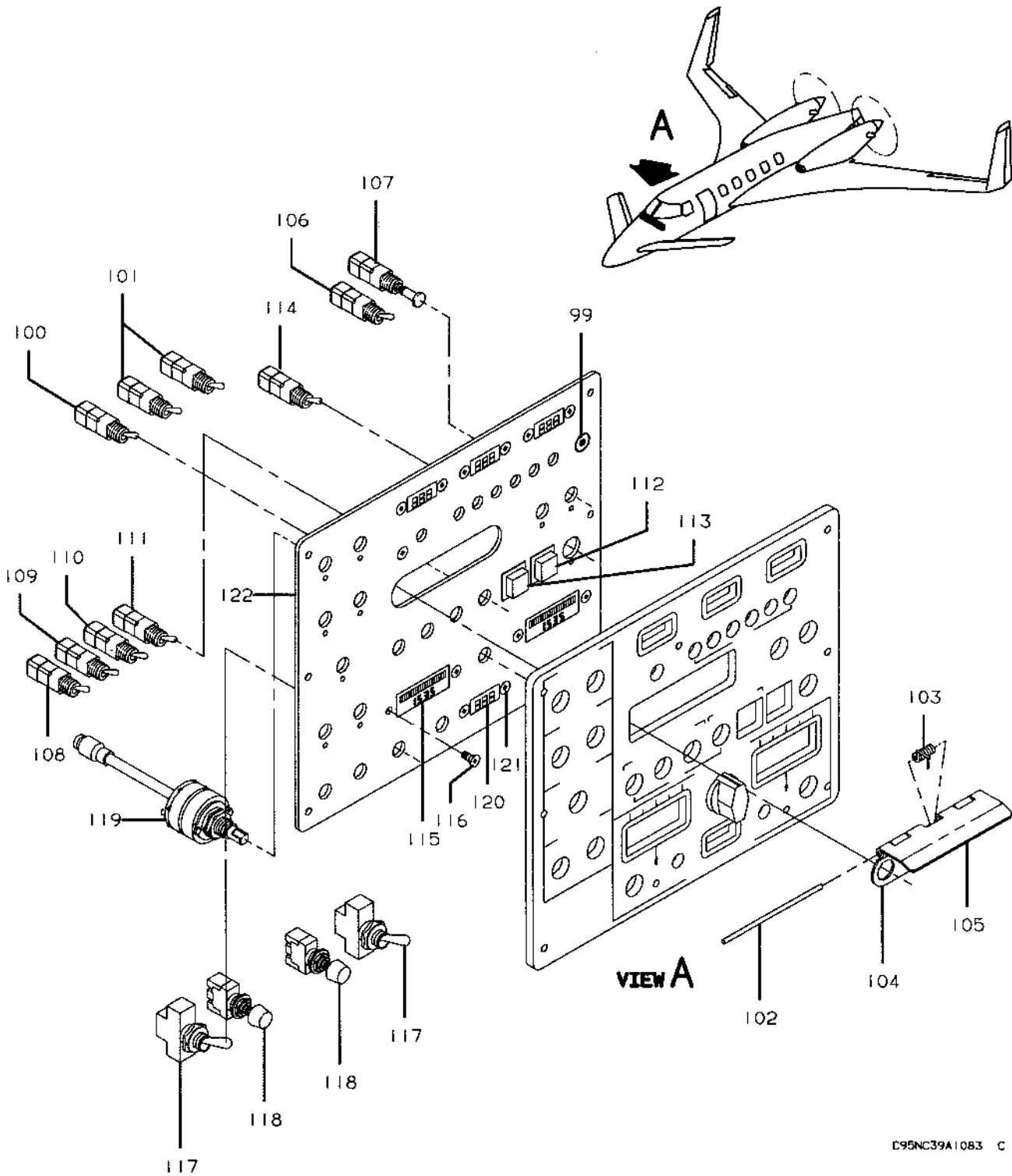


FIGURE 10-70. INSTRUMENT SUBPANEL
/SHEET 4 OF 8 SHEETS/

Beechcraft
STARSHIP 1
ILLUSTRATED PARTS CATALOG

SUB-SEC UNIT & ITEM NO	PART NO.	DESCRIPTION 1 2 3 4 5 6 7	UNITS	USABLE
			PER ASSY	ON CODE
10-70 - 72	622-8330-002	. PANEL, AUTOPILOT MODE/MSP-850A/.....	NP	5
	R 622-8330-005	. /ORDER 622-8330-005 FOR SPARES/ . PANEL, AUTOPILOT MODE/MSP-850A/.....	2	2
	- 73	. /ATTACHING PARTS/ . SCREW, CAP	4	
		-----★-----		
- 73A	122-322220-1	. COVER, AUTOPILOT MODE PANEL	1	1
- 74	122-382036-29	. KNOB, FUEL TRANSFER FLOW	1	1
- 75	R 122-382107-5	. PANEL ASSY, EL/CENTER/.....	1	1
		. /ATTACHING PARTS/ . SCREW	6	
		-----★-----		
	122-322204-1	. PANEL ASSY, CENTER SWITCH	1	1
- 77	112TW59-3D	. . SWITCH, LEFT & RIGHT AUTO IGNITION	2	1
		. /ALTERNATE FOR 8906K3928/ . SWITCH, LEFT & RIGHT AUTO IGNITION	2	1
	8906K3928	. /ALTERNATE FOR 112TW59-3D/.....		
- 78	64AT59-514P	. . SWITCH, AUTOFEATHER	1	1
- 79	112TW91-3	. . SWITCH, PROP SYNC/ALTERNATE FOR	1	1
		MS21347-731/.....		
	MS21347-731	. . SWITCH, PROP SYNC/ALTERNATE FOR 112TW91-3/.....	1	1
- 80	MS24524-27	. . SWITCH, PROP OVERSPEED GOV	1	1
- 81	112TW59-5M	. . SWITCH, LEFT & RIGHT ENGINE START	2	1
		. /ALTERNATE FOR 8906K3916/ . SWITCH, LEFT & RIGHT ENGINE START	2	1
	8906K3916	. /ALTERNATE FOR 112TW59-5M/.....		
- 82	R 122-382045-9	. . DISPLAY, LCD/LEFT & RIGHT DC LOAD/.....	2	1
		. /ALTERNATE FOR 122-382045-11/ . DISPLAY, LCD/LEFT & RIGHT DC LOAD/.....	2	1
	R 122-382045-11	. /ALTERNATE FOR 122-382045-9/.....		
- 83	R 122-382047-7	. . DISPLAY, LCD/DC VOLTS/.....	1	1
		. /ATTACHING PARTS/ . SCREW	2	
- 84	MS24693S4	-----★-----		
	122-322169-1	. . SWITCH ASSY, VOLTMETER SELECT	1	1
		. /ATTACHING PARTS/ . NUT	2	
- 85	R MS21042L04	. . SCREW	4	
- 86	R MS24693S6	-----★-----		
- 87	MS21042L04	. . NUT	2	1
- 88	AN960-4L	. . WASHER	2	1
- 89	4571-440S1	. . STANDOFF	2	1
- 90	122-322039-7	. . SUPPORT	2	1
		. /ATTACHING PARTS/ . NUT	1	
- 91	MS21042L04	. . SCREW	1	
- 92	MS35206-213	-----★-----		
- 93	122-382084-1	. . SWITCH ASSY-GANGED, VOLTAGE SELECT	1	1
- 94	MD15M59R40TX5311	. . CONNECTOR	1	1
		. /ATTACHING PARTS/ . NUT	2	
- 95	MS21042L04	. . WASHER	2	
- 96	AN960-4L	. . SCREW	2	
- 97	MS35206-213	-----★-----		
- 98	122-322170-1	. . PRINTED CIRCUIT BOARD, VOLTMETER SELECT	1	1

Beechcraft
 STARSHIP 1
 ILLUSTRATED PARTS CATALOG



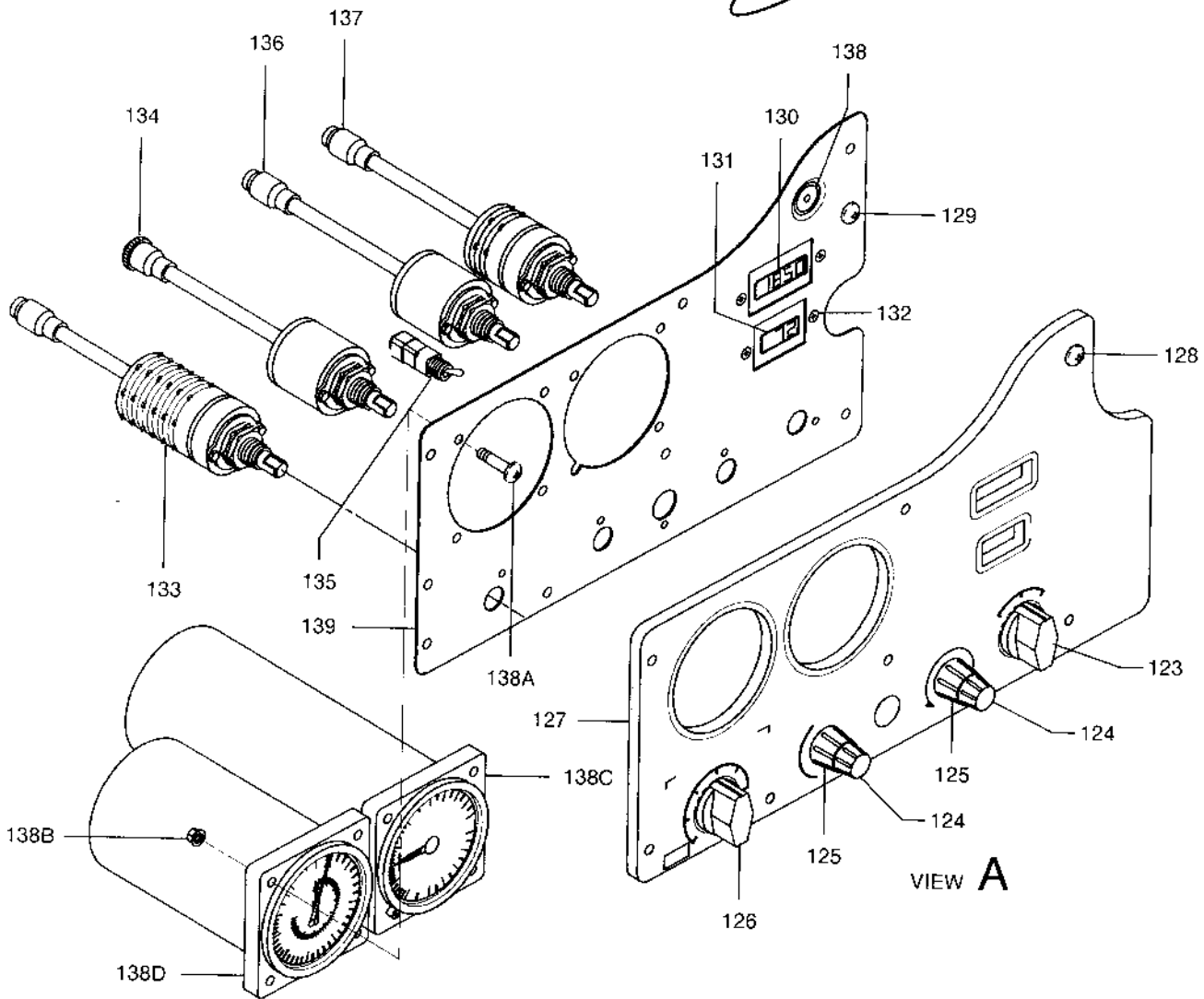
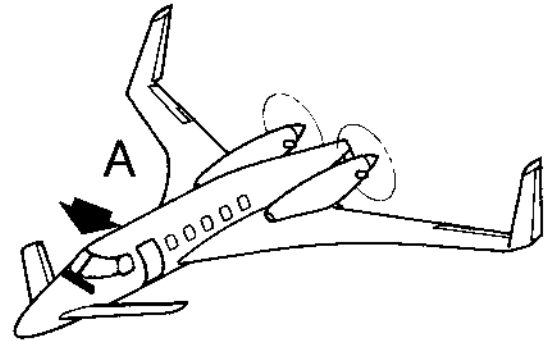
C95NC39A1083 C

FIGURE 10-70. INSTRUMENT SUBPANEL
 /SHEET 5 OF 8 SHEETS/

Beechcraft
STARSHIP 1
ILLUSTRATED PARTS CATALOG

SUB-SEC UNIT & ITEM NO	PART NO.	DESCRIPTION 1 2 3 4 5 6 7	UNITS	USABLE
			PER ASSY	ON CODE
10-70 -99	MS90335-6	.. RECEPTACLE, ELECTROLUMINESCENT PANEL.....	1	1
-100	112TW91-3	.. SWITCH, BATT MASTR/ALTERNATE FOR.....	1	1
	MS21347-731/	MS21347-731/		
-101	MS21347-731	.. SWITCH, BATT MASTR/ALTERNATE FOR 112TW91-3/.....	1	1
	31AT46S	.. SWITCH, L & R GEN	2	1
	122-322129-1	.. ACTUATOR ASSY, MASTER SWITCH.....	1	1
-102	106774M-ZE00301	.. PIN, HINGE.....	1	1
-103	50-320140	.. SPRING	1	1
-104	122-322129-3	.. HINGE.....	1	1
	50-320139-1	.. DECAL, MASTER SWITCH IDENTIFICATION.....	1	1
-105	122-322129-5	.. THROW	1	1
-106	112TW91-3	.. SWITCH, EXT PWR/ALTERNATE FOR MS21347-731/.....	1	1
	MS21347-731	.. SWITCH, EXT PWR/ALTERNATE FOR 112TW91-3/.....	1	1
-107	112TW59-10A	.. SWITCH, BUS TIE/ALTERNATE FOR 8906K3914/.....	1	1
	8906K3914	.. SWITCH, BUS TIE/ALTERNATE FOR 112TW59-10A/.....	1	1
-108	112TW91-3	.. SWITCH, EICAS DISPLAY/ALTERNATE FOR.....	1	1
	MS21347-731/	MS21347-731/		
	MS21347-731	.. SWITCH, EICAS DISPLAY/ALTERNATE FOR	1	1
	112TW91-3/	112TW91-3/		
-109 R	112TW91-3	.. SWITCH, PILOT AVIONICS DISPLAY/ALTERNATE.....	1	1
	FOR MS21347-731/	FOR MS21347-731/		
	R MS21347-731	.. SWITCH, PILOT AVIONICS DISPLAY/ALTERNATE.....	1	1
	FOR 112TW91-3/	FOR 112TW91-3/		
-110	112TW91-3	.. SWITCH, COPILOT AVIONICS DISPLAY/ALTERNATE	1	1
	FOR MS21347-731/	FOR MS21347-731/		
	MS21347-731	.. SWITCH, COPILOT AVIONICS DISPLAY/ALTERNATE	1	1
	FOR 112TW91-3/	FOR 112TW91-3/		
-111	112TW91-3	.. SWITCH, ATTD GYRO/ALTERNATE FOR	1	1
	MS21347-731/	MS21347-731/		
	MS21347-731	.. SWITCH, ATTD GYRO/ALTERNATE FOR 112TW91-3/	1	1
-112	122-382085-1	.. SWITCH LIGHT ASSY, GND COMM PUSH ON/OFF	1	1
-113	122-382085-3	.. SWITCH LIGHT ASSY, ATTD GYRO BATT PWR ON	1	1
-114	112TW91-3	.. SWITCH, AVIONIC ALTN BLWR/ALTERNATE FOR	1	1
	FOR MS21347-731/	FOR MS21347-731/		
	MS21347-731	.. SWITCH, AVIONIC ALTN BLWR/ALTERNATE.....	1	1
	FOR 112TW91-3/	FOR 112TW91-3/		
-115 R	122-382009-7	.. DISPLAY, LCD/LEFT & RIGHT FUEL QTY/	2	1
	/ATTACHING PARTS/	/ATTACHING PARTS/		
-116	MS24693S4	.. SCREW.....	2	
	★	★		
-117	MS24523-23	.. SWITCH, LEFT & RIGHT STANDBY PUMP	2	1
-118	M82011SW01BK	.. SWITCH, LEFT & RIGHT AFT TANK FUEL QTY	2	1
-119	122-322171-1	.. SWITCH ASSY, FUEL TRANSFER	1	1
-120	122-382100-7	.. DISPLAY, FUEL TEMP.....	1	1
	/ATTACHING PARTS/	/ATTACHING PARTS/		
-121	MS24693S4	.. SCREW.....	2	
	★	★		
-122	122-322205-1	.. PANEL, SWITCH	1	1

Beechcraft
STARSHIP 1
ILLUSTRATED PARTS CATALOG



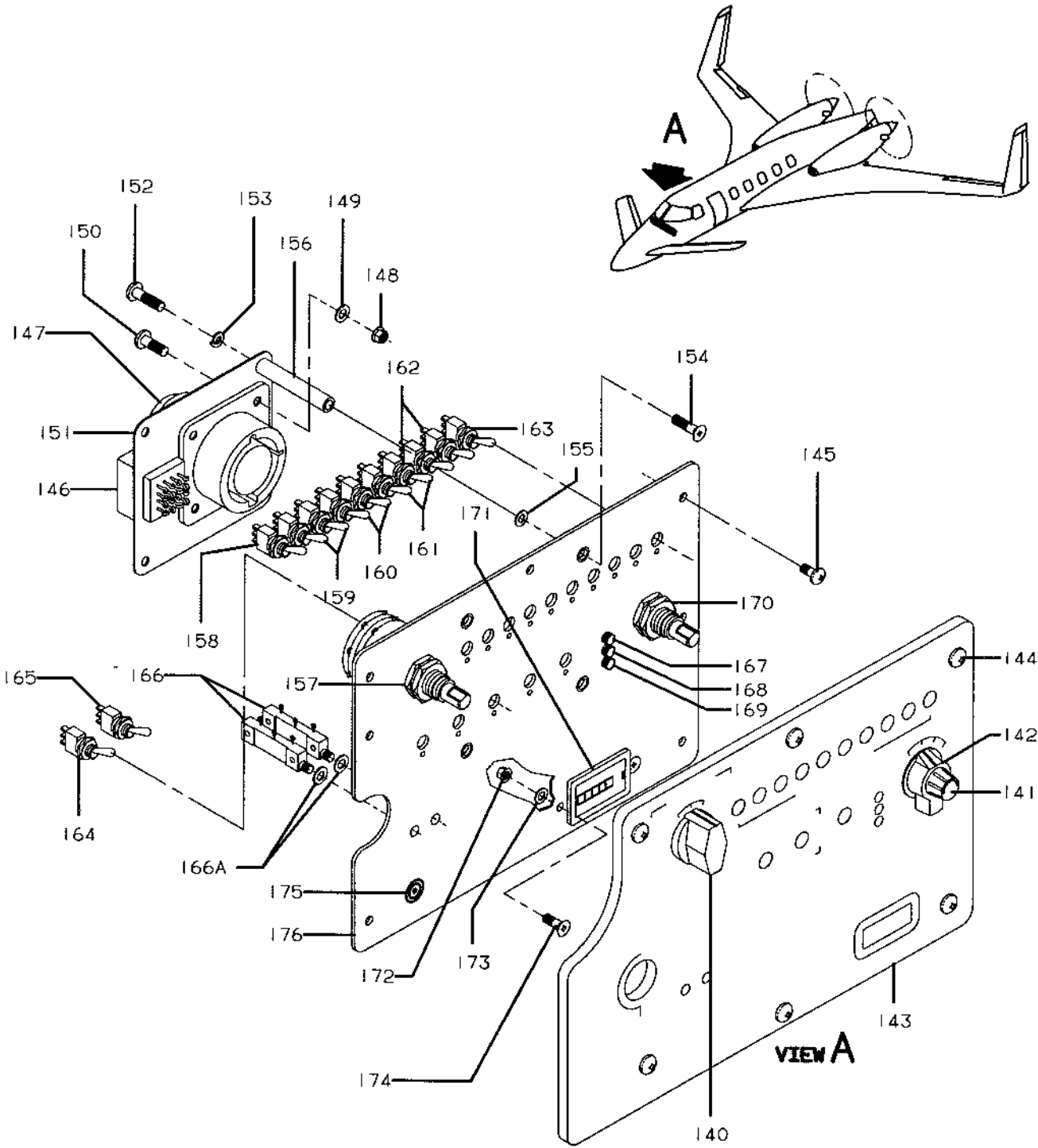
2800 395-06

FIGURE 10-70. INSTRUMENT SUBPANEL
/SHEET 6 OF 8 SHEETS/

Deechcraft
STARSHIP 1
ILLUSTRATED PARTS CATALOG

SUB-SEC UNIT & ITEM NO	PART NO.	DESCRIPTION 1 2 3 4 5 6 7	UNITS	USABLE
			PER ASSY	ON CODE
10-70 -123	122-382036-11	. KNOB, TEMPERATURE MODE SELECTOR	1	1
		SWITCH CONTROL		
-124	122-382036-17	. KNOB, AUTO TEMP & BLWR SPEED SWITCH CONTROL	2	1
-125	122-382036-21	. KNOB, AUTO TEMP & BLWR SPEED SWITCH CONTROL	2	1
-126	122-382036-11	. KNOB, BLEED AIR VALVE SELECTOR	1	1
		SWITCH CONTROL		
-127 R	122-382149-1	. PANEL ASSY, EL/RIGHT INBD/.....	1	1
		/ATTACHING PARTS/		
-128	MS35214-27	. SCREW.....	7	
		---★---		
	122-322240-1	. PANEL ASSY, RIGHT INBD SWITCH.....	1	1
		/ATTACHING PARTS/		
-129	MS35206-230	. SCREW.....	2	
		---★---		
-130	122-382134-1	.. DISPLAY, OXYGEN PRESS.....	1	1
-131	122-382133-1	.. DISPLAY, CABIN TEMPERATURE.....	1	1
		/ATTACHING PARTS/		
-132	MS24693-4B	.. SCREW.....	2	
		---★---		
-133	122-322172-5	.. SWITCH ASSY, BLEED AIR VALVE SELECT	1	1
-134	122-322173-9	.. SWITCH ASSY, BLOWER SPEED.....	1	1
-135	112TW91-7	.. SWITCH, MANUAL TEMP CONTROL.....	1	1
-136	122-322173-1	.. SWITCH ASSY, AUTO TEMP CONTROL.....	1	1
-137	122-322174-1	.. SWITCH ASSY, TEMP MODE SELECTOR	1	1
-138 R	MS90335-6	.. RECEPTACLE, EL PANEL.....	1	1
-138A	MS35214-29	.. SCREW.....	7	1
-138B	MS33737-16	.. NUT	7	1
-138C	122-382147-3	.. INDICATOR, CABIN CLIMB.....	1	1
-138D	122-382146-7	.. INDICATOR, CABIN ALT & DIFF PRESS	1	1
-139	122-322241-1	.. PANEL, SWITCH	1	1
	R MS21071L06	... NUTPLATE	2	

Beechcraft
STARSHIP 1
ILLUSTRATED PARTS CATALOG



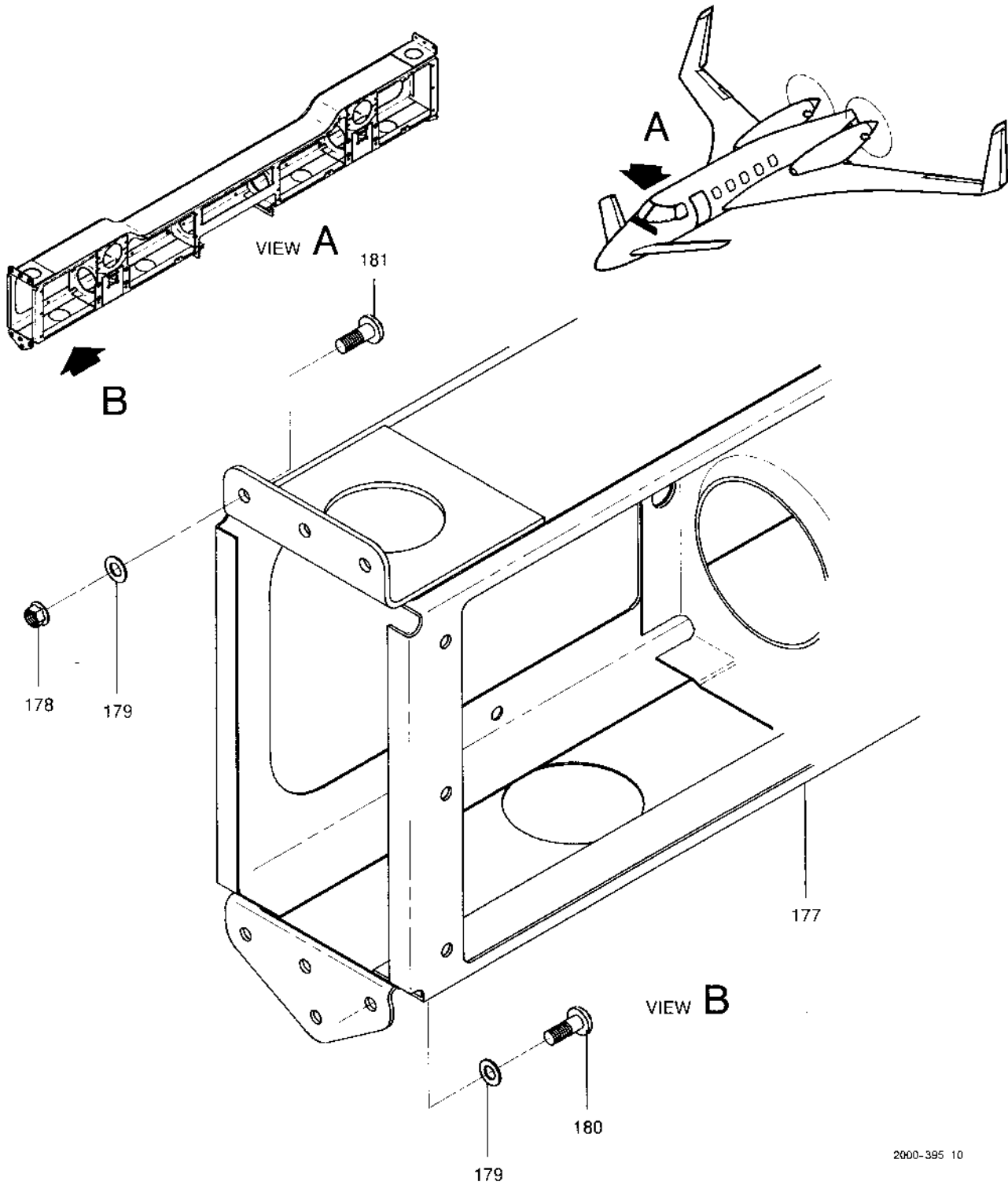
E95NC39A1084 C

FIGURE 10-70. INSTRUMENT SUBPANEL
/SHEET 7 OF 8 SHEETS/

Beechcraft
STARSHIP 1
ILLUSTRATED PARTS CATALOG

SUB-SEC UNIT & ITEM NO	PART NO.	DESCRIPTION 1 2 3 4 5 6 7	UNITS PER ASSY	USABLE ON CODE
10-70	-140	122-382036-9 . KNOB, MIC SELECT SWITCH.....	1	1
	-141	122-382036-15 . KNOB, MSTR PH VOL CONTROL SWITCH.....	1	1
	-142	122-382036-19 . KNOB, COMM SELECT SWITCH.....	1	1
	-143 R	122-382057-5 . PANEL ASSY, EL/RIGHT OUTBD/..... /ATTACHING PARTS/	1	1
	-144	MS35214-27 . SCREW.....	6	
		-----★-----		
		122-322090-3 . PANEL ASSY, RIGHT OUTBD SWITCH..... /ATTACHING PARTS/	1	1
	-145	MS35206-230 . SCREW.....	2	
		-----★-----		
	-146	M6106/28-023 . RELAY.....	1	1
		451120-061 . SOCKET, RELAY.....	1	1
	-147	MS3470L24-61P . CONNECTOR..... /ATTACHING PARTS/	1	1
	-148	MS21042L04 . NUT.....	4	
	-149	AN960-4L . WASHER.....	4	
	-150	MS35206-215 . SCREW.....	4	
		-----★-----		
	-151	122-322039-9 . PLATE, CONNECTOR..... /ATTACHING PARTS/	1	1
	-152	MS35209-206 . SCREW.....	4	
	-153	MS35338-41 . WASHER, LOCK.....	4	
	-154	MS24693S26 . SCREW.....	4	
	-155	AN960-6L . WASHER.....	4	
	-156	1713-632A0 . SPACER.....	4	
		-----★-----		
	-157	122-382076-1 . SWITCH ASSY, MIC SELECT ROTARY.....	1	1
	-158	MST105D . SWITCH, AUTO COMM.....	1	1
	-159	MST105D . SWITCH, COMM 1 & 2.....	2	1
	-160	MST105D . SWITCH, NAV 1 & 2.....	2	1
	-161	MST105D . SWITCH, MKR BCN 1 & 2.....	2	1
	-162	MST105D . SWITCH, DME 1 & 2.....	2	1
	-163	MST105D . SWITCH, ADF.....	1	1
	-164	MST105D . SWITCH, AUDIO SPKR.....	1	1
	-165	MST105E . SWITCH, VOICE.....	1	1
	-166	3059J1-103M . TRIMPOT, LH & RH STALL WARN ELEV POSITION.....	2	1
	-166A R	AN960-10L . WASHER.....	2	1
	-167	3059J1-103M . TRIMPOT, INTPH SIDETONE.....	1	1
	-168	3059J1-103M . TRIMPOT, INTPH VOL.....	1	1
	-169	3059J1-103M . TRIMPOT, INTPH SQUELCH.....	1	1
	-170	122-382076-13 . SWITCH ASSY, COMM SELECT & MSTR PH VOL.....	1	1
	-171	122-382089-1 . METER, FLIGHT HOUR..... /ATTACHING PARTS/	1	1
	-172	MS21042L04 . NUT.....	2	
	-173	AN960-4L . WASHER.....	2	
	-174	MS24693-4B . SCREW.....	2	
		-----★-----		
	-175 R	MS90335-6 . RECEPTACLE, EL PANEL.....	1	1
	-176	122-322053-7 . PANEL, SWITCH.....	1	1

Beechcraft
STARSHIP 1
ILLUSTRATED PARTS CATALOG



2000-395 10

FIGURE 10-70. INSTRUMENT SUBPANEL
/SHEET 8 OF 8 SHEETS/

Beechcraft
STARSHIP 1
ILLUSTRATED PARTS CATALOG

SUB-SEC UNIT & ITEM NO	PART NO.	DESCRIPTION 1 2 3 4 5 6 7	UNITS PER ASSY	USABLE ON CODE
10-70 -177	122-322020-3	. STRUCTURE ASSY, SUBPANEL/SEE CHAPTER 53/ /ATTACHING PARTS/	1	1
-178 R	MS21045L3	. NUT	6	
-179	AN960-10L	. WASHER	12	
-180	MS27039-1-07	. SCREW	6	
-181	MS27039-1-12	. SCREW	6	

---★---

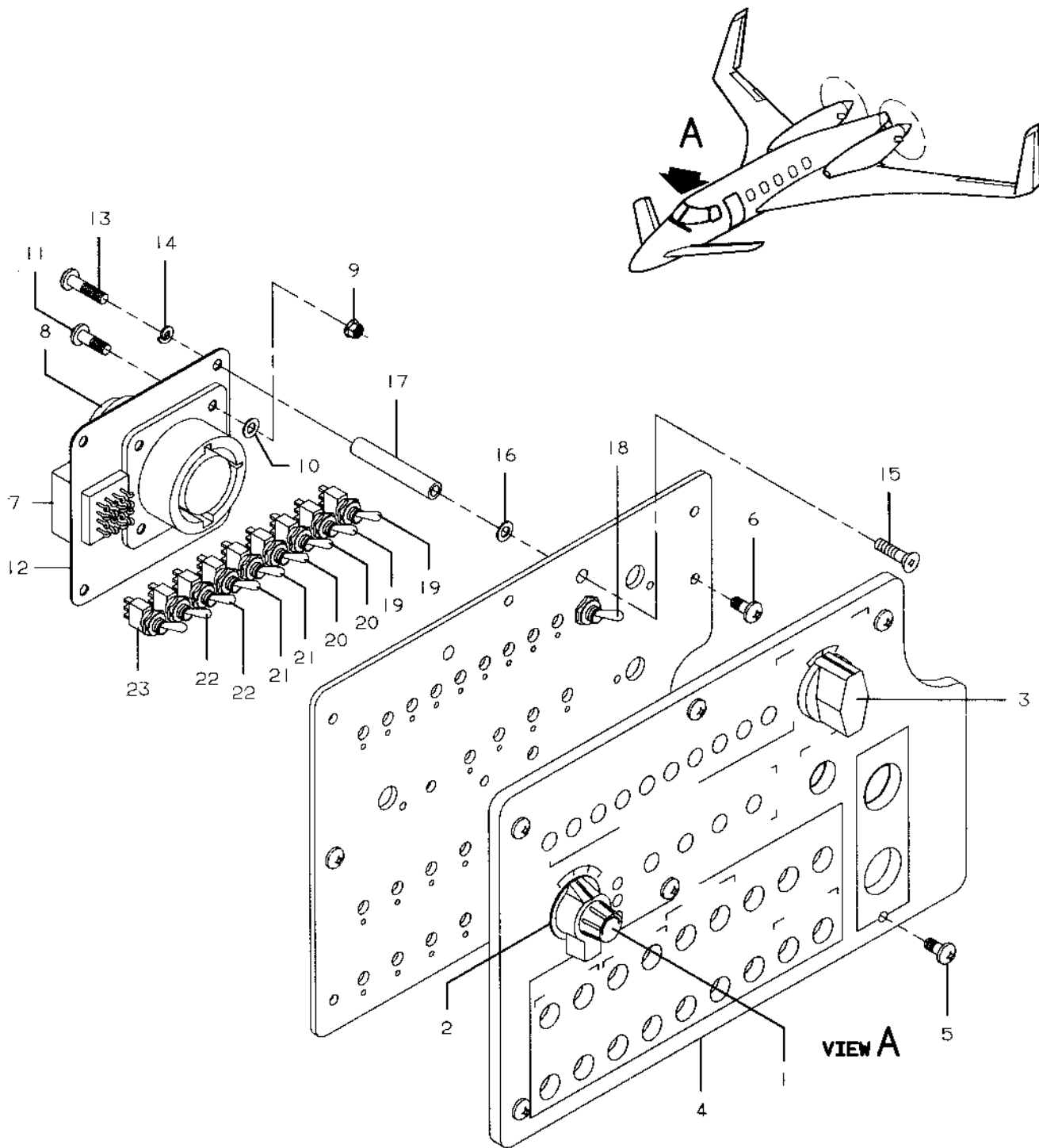
CODES OF EFFECTIVITY

- | | |
|-------------------|--------------------|
| 1 NC-4 THRU NC-28 | 2 NC-23 THRU NC-28 |
| 3 NC-4 THRU NC-26 | 4 NC-27 AND NC-28 |
| 5 NC-4 THRU NC-22 | 6 NC-10 ONLY |

Beechcraft
STARSHIP 1
ILLUSTRATED PARTS CATALOG

39-10-71
INSTRUMENT SUBPANEL
NC-29 AND AFTER

Beechcraft
STARSHIP 1
ILLUSTRATED PARTS CATALOG



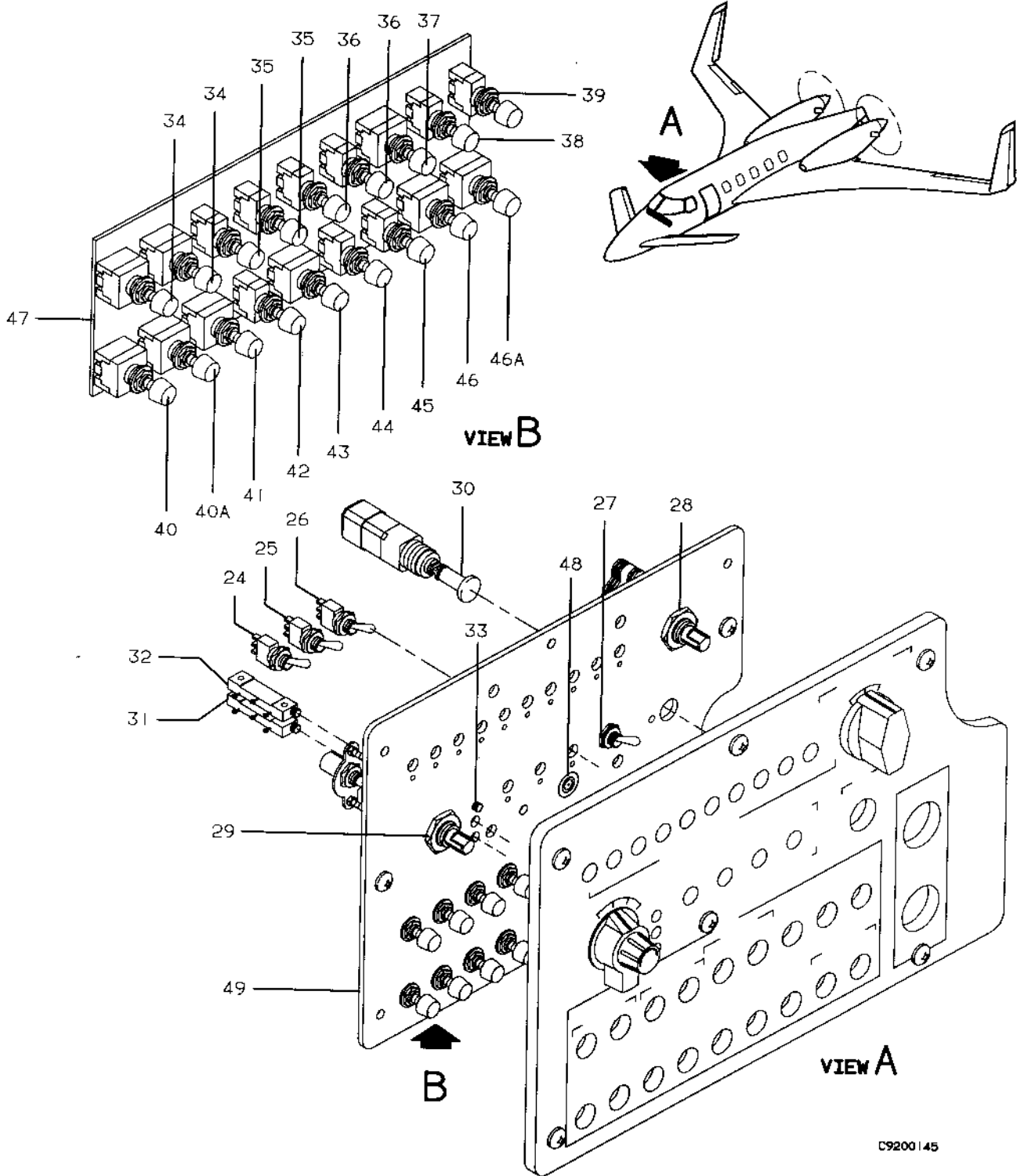
C9200144

FIGURE 10-71. INSTRUMENT SUBPANEL
/SHEET 1 OF 8 SHEETS/

Beechcraft
STARSHIP 1
ILLUSTRATED PARTS CATALOG

SUB-SEC UNIT & ITEM NO	PART NO.	DESCRIPTION 1 2 3 4 5 6 7	UNITS	USABLE
			PER ASSY	ON CODE
10-71	122-322018-5	SUBPANEL INSTL, INSTRUMENT	NP	1
- 1	122-382036-15	. KNOB, COMM VOL CONTROL	1	1
- 2	122-382036-19	. KNOB, COMM SELECTOR.....	1	1
- 3	122-382036-9	. KNOB, MIC SELECTOR.....	1	1
- 4	R 122-382053-17	. PANEL ASSY, EL/LEFT OUTBD/	1	1
		/ATTACHING PARTS/		
- 5	MS35214-27	. SCREW.....	6	
		-----★-----		
	122-322209-5	. PANEL ASSY, LEFT OUTBD SWITCH	1	3
	122-322209-9	. PANEL ASSY, LEFT OUTBD SWITCH	1	4
		/ATTACHING PARTS/		
- 6	MS35206-230	. SCREW.....	2	
		-----★-----		
- 7	M6106/28-023	. . RELAY	1	1
	451120-061	. . SOCKET, RELAY	1	1
- 8	MS3470L24-61P	. . CONNECTOR.....	1	1
		/ATTACHING PARTS/		
- 9	R MS21042L06	. . NUT	4	
- 10	AN960-6L	. . WASHER	4	
- 11	MS35206-228	. . SCREW.....	4	
		-----★-----		
- 12	122-322039-9	. . PLATE, CONNECTOR.....	1	1
		/ATTACHING PARTS/		
- 13	MS35206-228	. . SCREW.....	4	
- 14	MS35338-41	. . WASHER, LOCK	4	
- 15	MS24693S26	. . SCREW.....	4	
- 16	AN960-6L	. . WASHER	4	
- 17	1713-632A0	. . SPACER	4	
		-----★-----		
- 18	MST105D	. . SWITCH, ADF.....	1	1
- 19	MST105D	. . SWITCH, DME 1 & 2.....	2	1
- 20	MST105D	. . SWITCH, MKR BCN 1 & 2.....	2	1
- 21	MST105D	. . SWITCH, NAV 1 & 2.....	2	1
- 22	MST105D	. . SWITCH, COMM 1 & 2.....	2	1
- 23	MST105D	. . SWITCH, AUTO COMM	1	1
	MST105D	. . SWITCH, HF	1	4
	MST105D	. . SWITCH, ADF2.....	1	4

Beechcraft
STARSHIP 1
ILLUSTRATED PARTS CATALOG



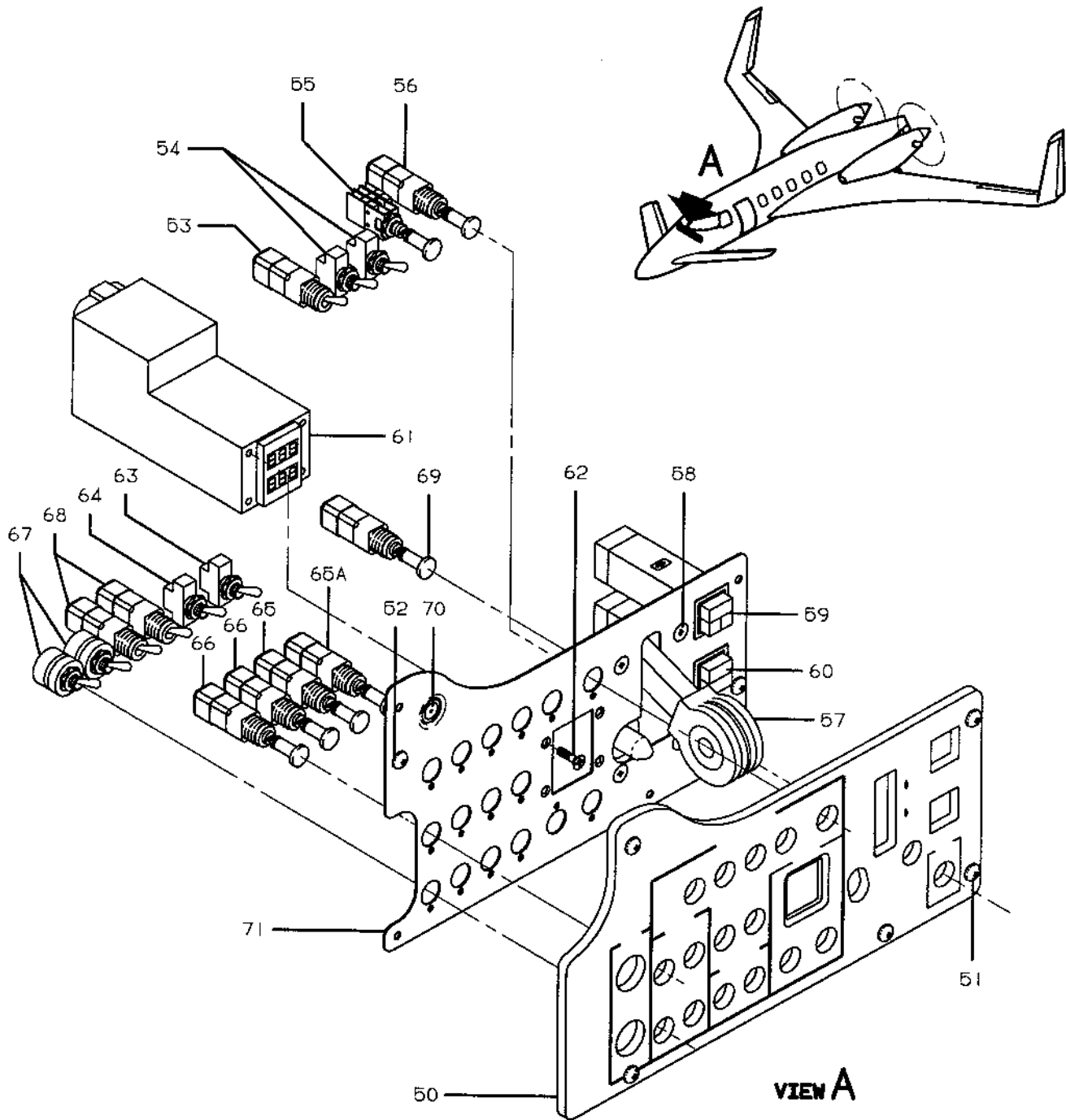
C9200145

FIGURE 10-71. INSTRUMENT SUBPANEL
/SHEET 2 OF 8 SHEETS/

Beechcraft
STARSHIP 1
ILLUSTRATED PARTS CATALOG

SUB-SEC UNIT & ITEM NO	PART NO.	DESCRIPTION 1 2 3 4 5 6 7	UNITS	USABLE
			PER ASSY	ON CODE
10-71 -24	MST405N	.. SWITCH, INTPH	1	1
-25	MST105D	.. SWITCH, AUDIO SPKR	1	1
-26 R	MTL206N	.. SWITCH, AUDIO EMER	1	1
-27	MST105E	.. SWITCH, VOICE	1	1
-28	122-382076-1	.. SWITCH, MIC SELECT ROTARY	1	1
-29	122-382076-13	.. SWITCH, COMM SELECT ROTARY	1	3
	122-382076-25	.. SWITCH, COMM SELECT ROTARY	1	4
-30	112TW59-3D	.. SWITCH, STATIC SOURCE	1	1
-31	3059J1-103M	.. TRIMPOT, INTPH SQUELCH	1	1
-32	3059J1-103M	.. TRIMPOT, INTPH VOL	1	1
-33	3059J1-103M	.. TRIMPOT, INTPH SIDETONE	1	1
	122-322207-9	.. MODULE ASSY, TEST SWITCH	1	1
-34	MB2061SW06BK	... SWITCH, LEFT & RIGHT FIRE EXT TEST	2	1
-35	MB2011SW06BK	... SWITCH, LEFT & RIGHT FIRE DETECTOR TEST	2	1
-36 R	MB2011SW06BK	... SWITCH, LEFT & RIGHT FLAP MONITOR	2	1
-37	MB2061SW06BK	... SWITCH, AUX BATT TEST	1	1
-38	MB2011SW06BK	... SWITCH, BATT MONITOR TEST	1	1
-39	MB2011SW06BK	... SWITCH, PRESS TEST	1	1
-40	MB2061SW06BK	... SWITCH, FUEL LO WARN	1	1
-40A	MB2061SW06BK	... SWITCH, STALL WARN	1	1
-41 R	MB2011SW06BK	... SWITCH, VMO/MMO TEST	1	1
-42	MB2011SW06BK	... SWITCH, LDG GR TEST	1	1
-43	MB2061SW06BK	... SWITCH, ANNUN TEST	1	1
-44	MB2011SW06BK	... SWITCH, BLEED AIR TEST	1	1
-45	MB2011SW06BK	... SWITCH, SURF DEICE VAC	1	1
-46 R	MB2061SW06BK	... SWITCH, SURF DEICE/STBY/	1	1
-46A R	MB2061SW06BK	... SWITCH, SURF DEICE/MAIN/	1	1
	DDMM50PE	... CONNECTOR, MODULE	1	1
		/ATTACHING PARTS/		
	R 207719-3	... KIT, FEMALE SCREWLOCK	2	
	R NAS43DD0-14	... SPACER	2	
		-----*		
-47	122-322208-37	... PRINTED CIRCUIT BOARD, SWITCH TEST MODULE	1	1
-48	MS90335-6	.. RECEPTACLE, ELECTROLUMINESCENT PANEL	1	1
-49	122-322041-13	.. PANEL, SWITCH	1	3
	122-322041-25	.. PANEL, SWITCH	1	4

Beechcraft
STARSHIP 1
ILLUSTRATED PARTS CATALOG



C93NC39A4396 C

FIGURE 10-71. INSTRUMENT SUBPANEL
/SHEET 3 OF 8 SHEETS/

Beechcraft
STARSHIP 1
ILLUSTRATED PARTS CATALOG

SUB-SEC UNIT & ITEM NO	PART NO.	DESCRIPTION 1 2 3 4 5 6 7	UNITS PER ASSY	USABLE ON CODE
10-71 -50	R 122-382137-9	. PANEL ASSY, EL/LEFT INBD/WITHOUT BRAKE DEICE, WITHOUT GND ICE DETR TEST/	1	1
	R 122-382137-11	. PANEL ASSY, EL/LEFT INBD/WITH BRAKE DEICE, WITHOUT GND ICE DETR TEST/	1	1
	R 122-382137-13	. PANEL ASSY, EL/LEFT INBD/WITHOUT BRAKE DEICE, WITH GND ICE DETR TEST/	1	1
	R 122-382137-15	. PANEL ASSY, EL/LEFT INBD/WITH BRAKE DEICE, WITH GND ICE DETR TEST/	1	1
-51	MS35214-27	. SCREW /ATTACHING PARTS/	5	
	122-322226-1	. PANEL ASSY, LEFT INBD SWITCH /ATTACHING PARTS/	1	1
-52	MS35206-230	. SCREW	2	
-53	112TW91-3	.. SWITCH, STALL WARN ANTI-ICE/ALTERNATE FOR MS21347-731/	1	1
	MS21347-731	.. SWITCH, STALL WARN ANTI-ICE/ALTERNATE FOR 112TW91-3/	1	1
-54	MS24523-23	.. SWITCH, PILOT & COPILOT PITOT-STATIC HEAT	2	1
-55	13AT236S-N	.. SWITCH, PILOT WINDSHIELD ANTI-ICE	1	1
-56	112TW59-10N	.. SWITCH, COPILOT WINDSHIELD ANTI-ICE	1	1
-57	122-382038-1	.. SWITCH ASSY, LDG GEAR CONTROL /ATTACHING PARTS/	1	1
-58	MS24693S273	.. SCREW	4	
-59	R 122-382034-11	.. LIGHT ASSY, GEAR DOWN/ALTERNATE FOR 122-382034-15/SEE NOTE/	1	1
	R 122-382034-15	.. LIGHT ASSY, GEAR DOWN/ALTERNATE FOR 122-382034-11/SEE NOTE/	1	1
-60	R 122-382034-13	.. LIGHT ASSY, FLAPS/FWD WING TRANS-EXTEND /ALTERNATE FOR 122-382034-17/SEE NOTE/	1	1
	R 122-382034-17	.. LIGHT ASSY, FLAPS/FWD WING TRANS-EXTEND /ALTERNATE FOR 122-382034-13/SEE NOTE/	1	1
NOTE INSTALL 122-382034-11, -15 AND 122-382034-13, -17 AS MATCHED SETS DO NOT INTERMIX VENDOR PARTS				
-61	122-382143-1	.. DISPLAY, PNEU PRESS /ATTACHING PARTS/	1	1
-62	MS24693S26	.. SCREW	4	
-63	R MS24523-27	.. SWITCH, MAIN WING MANUAL	1	1
-64	R MS24523-27	.. SWITCH, FWD WING MANUAL	1	1
-65	R 112TW59-3D	.. SWITCH, PILOT WSHLD CONTROL/STBY/	1	1
-65A	112TW91-8	.. SWITCH, GROUND ICE DETECTOR /WITH KIT 122-5024-1 INSTALLED/	1	2
-66	R 112TW59-3D	.. SWITCH, LEFT & RIGHT ENGINE ACTUATOR/STBY/	2	1
-67	R 64AT46-3	.. SWITCH, LEFT & RIGHT ENGINE ACTUATOR/MAIN/ /ALTERNATE FOR 21649TI0109/	2	1
	R 21649TI0109	.. SWITCH, LEFT & RIGHT ENGINE ACTUATOR/MAIN/ /ALTERNATE FOR 64AT46-3/	2	1
-68	R 62AT46-3	.. SWITCH, LEFT & RIGHT FUEL VENT/PWR CABLE/ /ALTERNATE FOR 21649TI0109/	2	1
	R 21649TI0109	.. SWITCH, LEFT & RIGHT FUEL VENT/PWR CABLE/ /ALTERNATE FOR 64AT46-3/	2	1
-69	112TW59-3D	.. SWITCH, ANTI SKID	1	1
-70	R MS90335-6	.. RECEPTACLE, EL PANEL	1	1
-71	122-322227-1	.. PANEL, SWITCH	1	1

Beechcraft
STARSHIP 1
ILLUSTRATED PARTS CATALOG

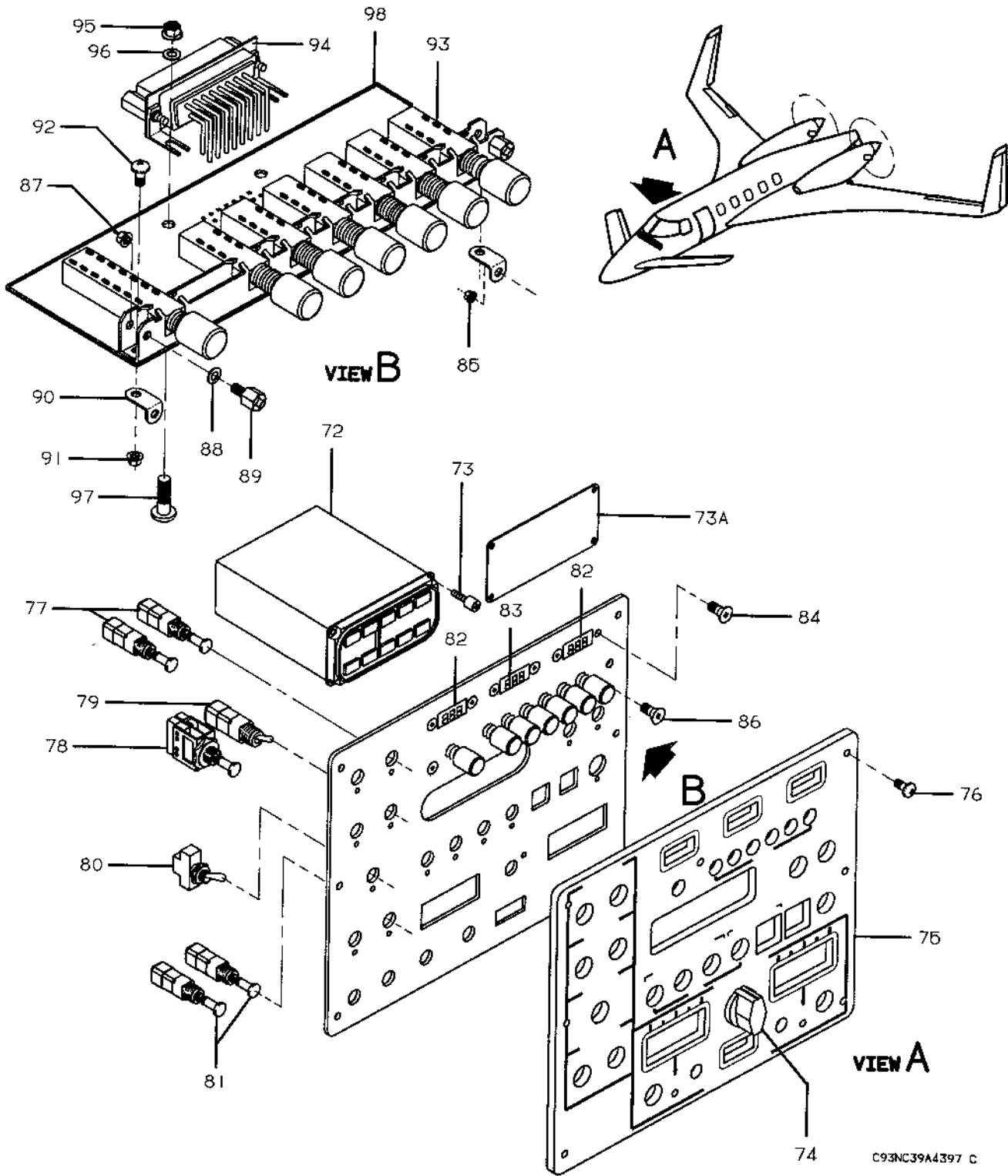
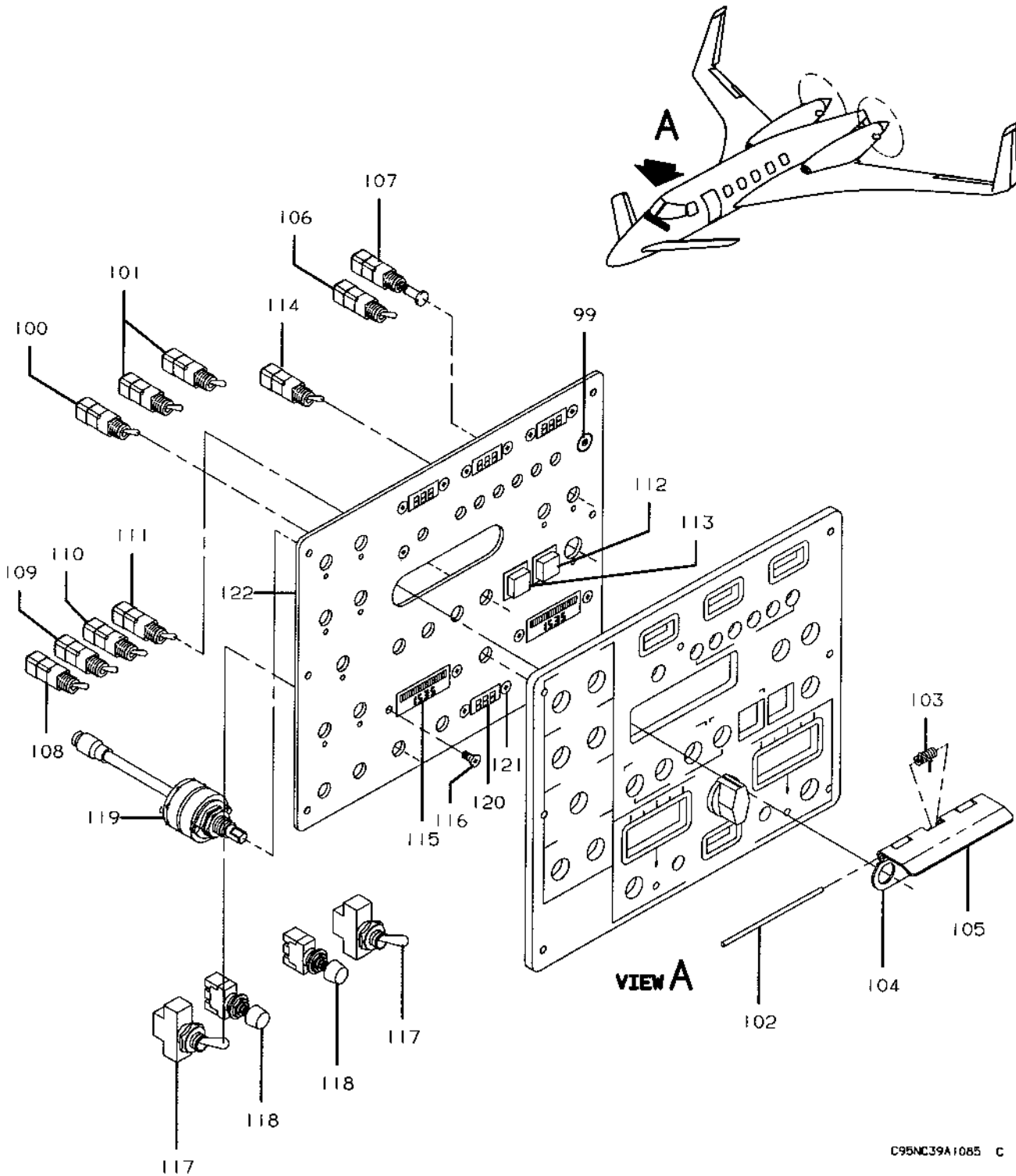


FIGURE 10-71. INSTRUMENT SUBPANEL
/SHEET 4 OF 8 SHEETS/

Beechcraft
STARSHIP 1
ILLUSTRATED PARTS CATALOG

SUB-SEC UNIT & ITEM NO	PART NO.	DESCRIPTION 1 2 3 4 5 6 7	UNITS	USABLE
			PER ASSY	ON CODE
-72	R 622-8330-005	. PANEL, AUTOPILOT MODE/MSP-850A/.....	2	1
		/ATTACHING PARTS/		
-73	132002-06-12BK	. SCREW, CAP	4	
		---★---		
-73A	122-322220-1	. COVER, AUTOPILOT MODE	1	1
-74	122-382036-29	. KNOB, FUEL TRANSFER FLOW	1	1
-75	R 122-382107-9	. PANEL ASSY, EL/CENTER/	1	1
		/ATTACHING PARTS/		
-76	MS35214-27	. SCREW.....	6	
		---★---		
	122-322204-1	. PANEL ASSY, CENTER SWITCH.....	1	1
-77	112TW59-3D	. SWITCH, LEFT & RIGHT AUTO IGNITION	2	1
		/ALTERNATE FOR 8906K3928/		
	8906K3928	. SWITCH, LEFT & RIGHT AUTO IGNITION	2	1
		/ALTERNATE FOR 112TW59-3D/		
-78	64AT59-514P	. SWITCH, AUTOFEATHER	1	1
-79	112TW91-3	. SWITCH, PROP SYNC/ALTERNATE FOR	1	1
		MS21347-731/		
	MS21347-731	. SWITCH, PROP SYNC/ALTERNATE FOR 112TW91-3/	1	1
-80	MS24524-27	. SWITCH, PROP OVERSPEED GOV	1	1
-81	112TW59-5M	. SWITCH, LEFT & RIGHT ENGINE START.....	2	1
		/ALTERNATE FOR 8906K3916/		
	8906K3916	. SWITCH, LEFT & RIGHT ENGINE START.....	2	1
		/ALTERNATE FOR 112TW59-5M/		
-82	R 122-382045-9	. DISPLAY, LCD/LEFT & RIGHT DC LOAD/	2	1
		/ALTERNATE FOR 122-382045-11/		
	R 122-382045-11	. DISPLAY, LCD/LEFT & RIGHT DC LOAD/	2	1
		/ALTERNATE FOR 122-382045-9/		
-83	R 122-382047-7	. DISPLAY, LCD/DC VOLTS/	1	1
		/ATTACHING PARTS/		
-84	MS24693S4	. SCREW.....	2	
		---★---		
	122-322169-1	. SWITCH ASSY, VOLTMETER SELECT.....	1	1
		/ATTACHING PARTS/		
-85	R MS21042L04	. NUT	2	
-86	R MS24693S6	. SCREW.....	4	
		---★---		
-87	MS21042L04	. . . NUT.....	2	1
-88	AN960-4L	. . . WASHER	2	1
-89	4571-440S1	. . . STANDOFF.....	2	1
-90	122-322039-7	. . . SUPPORT	2	1
		/ATTACHING PARTS/		
-91	MS21042L04	. . . NUT.....	1	
-92	MS35206-213	. . . SCREW.....	1	
		---★---		
-93	122-382084-1	. . . SWITCH ASSY-GANGED, VOLTAGE SELECT	1	1
-94	MD15M59R40TX5311	. . . CONNECTOR.....	1	1
		/ATTACHING PARTS/		
-95	MS21042L04	. . . NUT.....	2	
-96	AN960-4L	. . . WASHER	2	
-97	MS35206-213	. . . SCREW.....	2	
		---★---		
-98	122-322170-1	. . . PRINTED CIRCUIT BOARD, VOLTMETER SELECT	1	1

Beechcraft
STARSHIP 1
ILLUSTRATED PARTS CATALOG



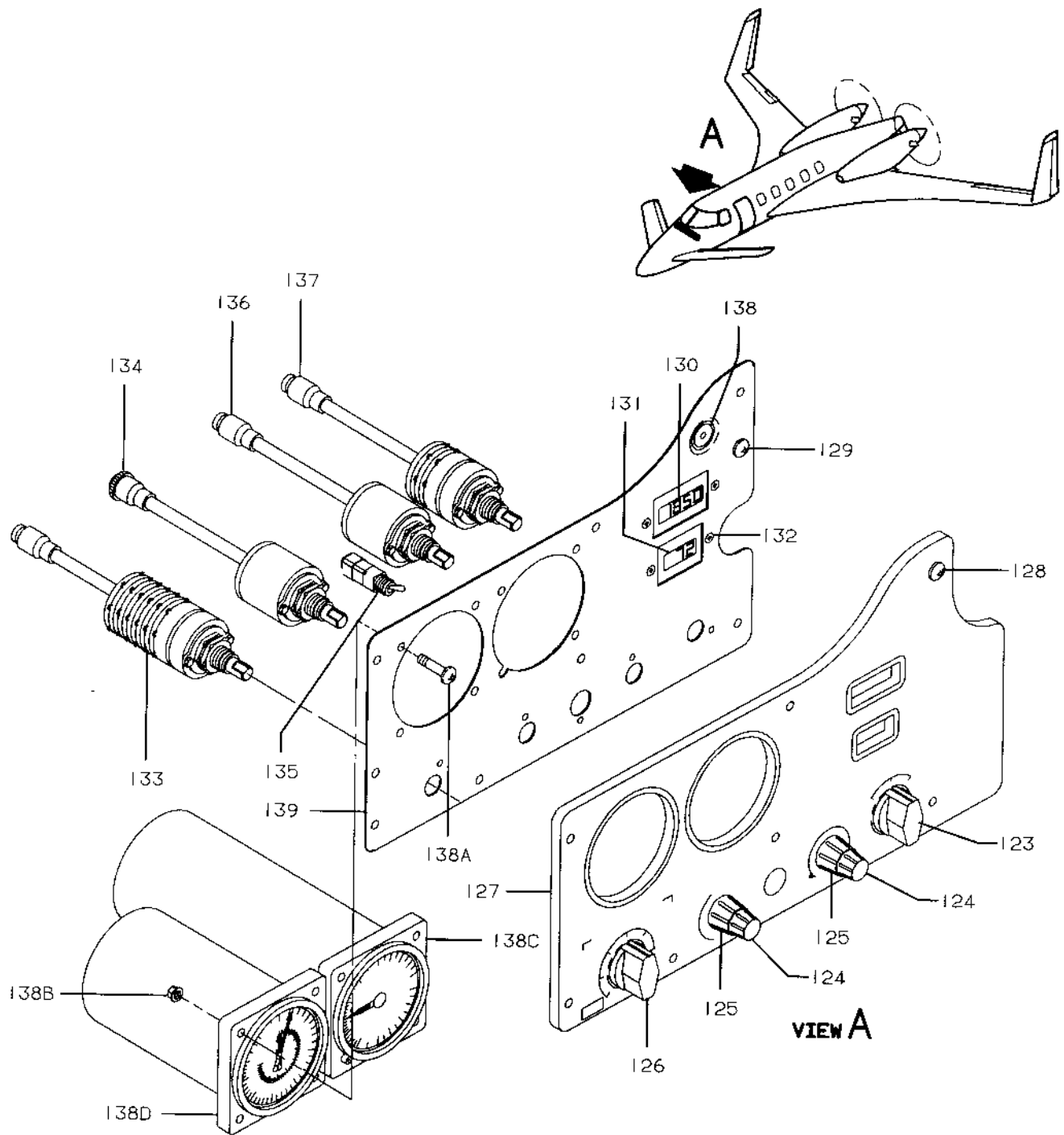
C95NC39A1085 C

FIGURE 10-71. INSTRUMENT SUBPANEL
/SHEET 5 OF 8 SHEETS/

Beechcraft
STARSHIP 1
ILLUSTRATED PARTS CATALOG

SUB-SEC UNIT & ITEM NO	PART NO.	DESCRIPTION 1 2 3 4 5 6 7	UNITS PER ASSY	USABLE ON CODE
10-71 -99	R MS90335-6	.. RECEPTACLE, EL PANEL.....	1	1
-100	112TW91-3	.. SWITCH, BATT MASTR/ALTERNATE FOR..... MS21347-731/	1	1
	MS21347-731	.. SWITCH, BATT MASTR/ALTERNATE FOR 112TW91-3/.....	1	1
-101	31AT46S	.. SWITCH, L & R GEN	2	1
	122-322129-1	.. ACTUATOR ASSY, MASTER SWITCH.....	1	1
-102	105774M-ZE00301	.. PIN, HINGE.....	1	1
-103	50-320140	.. SPRING.....	1	1
-104	122-322129-3	.. HINGE.....	1	1
	50-320139-1	.. DECAL, MASTER SWITCH IDENTIFICATION.....	1	1
-105	122-322129-5	.. THROW	1	1
-106	112TW91-3	.. SWITCH, EXT PWR/ALTERNATE FOR MS21347-731/.....	1	1
	MS21347-731	.. SWITCH, EXT PWR/ALTERNATE FOR 112TW91-3/	1	1
-107	112TW59-10A	.. SWITCH, BUS TIE/ALTERNATE FOR 8906K3914/	1	1
	8906K3914	.. SWITCH, BUS TIE/ALTERNATE FOR 112TW59-10A/	1	1
-108	112TW91-3	.. SWITCH, EICAS DISPLAY/ALTERNATE FOR	1	1
	MS21347-731/	MS21347-731/		
	MS21347-731	.. SWITCH, EICAS DISPLAY/ALTERNATE FOR	1	1
-109	R 112TW91-3	.. SWITCH, PILOT AVIONICS DISPLAY/ALTERNATE..... FOR MS21347-731/	1	1
	R MS21347-731	.. SWITCH, PILOT AVIONICS DISPLAY/ALTERNATE..... FOR 112TW91-3/	1	1
-110	112TW91-3	.. SWITCH, COPILOT AVIONICS DISPLAY/ALTERNATE	1	1
	MS21347-731	.. SWITCH, COPILOT AVIONICS DISPLAY/ALTERNATE	1	1
-111	R 112TW91-3	.. SWITCH, ATTD GYRO/ALTERNATE FOR	1	1
	R MS21347-731	.. SWITCH, ATTD GYRO/ALTERNATE FOR	1	1
-112	122-382085-1	.. SWITCH LIGHT ASSY, GND COMM PUSH ON/OFF.....	1	1
-113	R 122-382085-3	.. SWITCH LIGHT ASSY, ATTD GYRO BATT PWR ON	1	1
-114	112TW91-3	.. SWITCH, AVIONIC ALTN BLWR/ALTERNATE FOR	1	1
	MS21347-731	.. SWITCH, AVIONIC ALTN BLWR/ALTERNATE	1	1
-115	R 122-382009-7	.. DISPLAY, LCD/LEFT & RIGHT FUEL QTY/	2	1
		/ATTACHING PARTS/		
-116	MS24693S4	.. SCREW.....	2	
-117	MS24523-23	.. SWITCH, LEFT & RIGHT STANDBY PUMP	2	1
-118	MB2011SW01BK	.. SWITCH, LEFT & RIGHT AFT TANK FUEL QTY	2	1
-119	122-322171-1	.. SWITCH ASSY, FUEL TRANSFER.....	1	1
-120	122-382100-7	.. DISPLAY, FUEL TEMP.....	1	1
		/ATTACHING PARTS/		
-121	MS24693S4	.. SCREW.....	2	
-122	122-322205-1	.. PANEL, SWITCH.....	1	1

Beechcraft
STARSHIP 1
ILLUSTRATED PARTS CATALOG



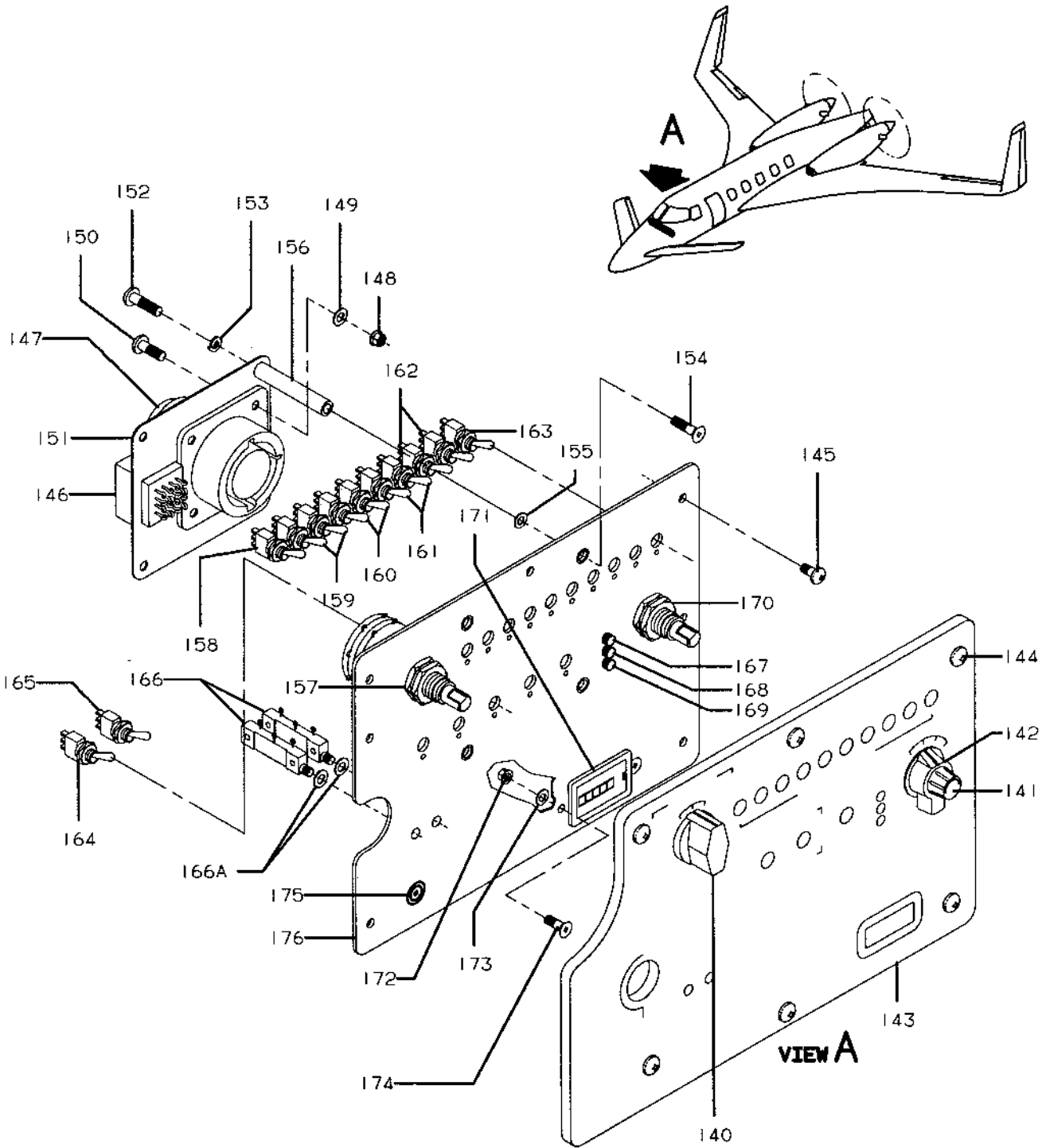
2000-395-06

FIGURE 10-71. INSTRUMENT SUBPANEL
/SHEET 6 OF 8 SHEETS/

Beechcraft
STARSHIP 1
ILLUSTRATED PARTS CATALOG

SUB-SEC UNIT & ITEM NO	PART NO.	DESCRIPTION 1 2 3 4 5 6 7	UNITS	USABLE
			PER ASSY	ON CODE
10-71 -123	122-382036-11	. KNOB, TEMPERATURE MODE SELECTOR	1	1
		SWITCH CONTROL		
-124	122-382036-17	. KNOB, AUTO TEMP & BLWR SPEED SWITCH CONTROL	2	1
-125	122-382036-21	. KNOB, AUTO TEMP & BLWR SPEED SWITCH CONTROL	2	1
-126	122-382036-11	. KNOB, BLEED AIR VALVE SELECTOR SWITCH CONTROL.....	1	1
-127 R	122-382149-1	. PANEL ASSY, EL/RIGHT INBD/.....	1	1
		/ATTACHING PARTS/		
-128	MS35214-27	. SCREW.....	7	
		-----★-----		
	122-322240-1	. PANEL ASSY, RIGHT INBD SWITCH.....	1	1
		/ATTACHING PARTS/		
-129	MS35206-230	. SCREW.....	2	
		-----★-----		
-130	122-382134-1	. . DISPLAY, OXYGEN PRESS.....	1	1
-131	122-382133-1	. . DISPLAY, CABIN TEMPERATURE.....	1	1
		/ATTACHING PARTS/		
-132	MS24693-4B	. . SCREW.....	2	
		-----★-----		
-133	122-322172-5	. . SWITCH ASSY, BLEED AIR VALVE SELECT	1	1
-134	122-322173-9	. . SWITCH ASSY, BLOWER SPEED	1	1
-135	112TW91-7	. . SWITCH, MANUAL TEMP CONTROL.....	1	1
-136	122-322173-1	. . SWITCH ASSY, AUTO TEMP CONTROL	1	1
-137	122-322174-1	. . SWITCH ASSY, TEMP MODE SELECTOR	1	1
-138 R	MS90335-6	. . RECEPTACLE, EL PANEL.....	1	1
-138A	MS35214-29	. . SCREW.....	7	1
-138B	MS33737-16	. . NUT	7	1
-138C	122-382147-3	. . INDICATOR, CABIN CLIMB	1	1
-138D	122-382146-7	. . INDICATOR, CABIN ALT & DIFF PRESS	1	1
-139	122-322241-1	. . PANEL, SWITCH	1	1
R	MS21071L06	. . . NUTPLATE	2	

Beechcraft
 STARSHIP 1
 ILLUSTRATED PARTS CATALOG



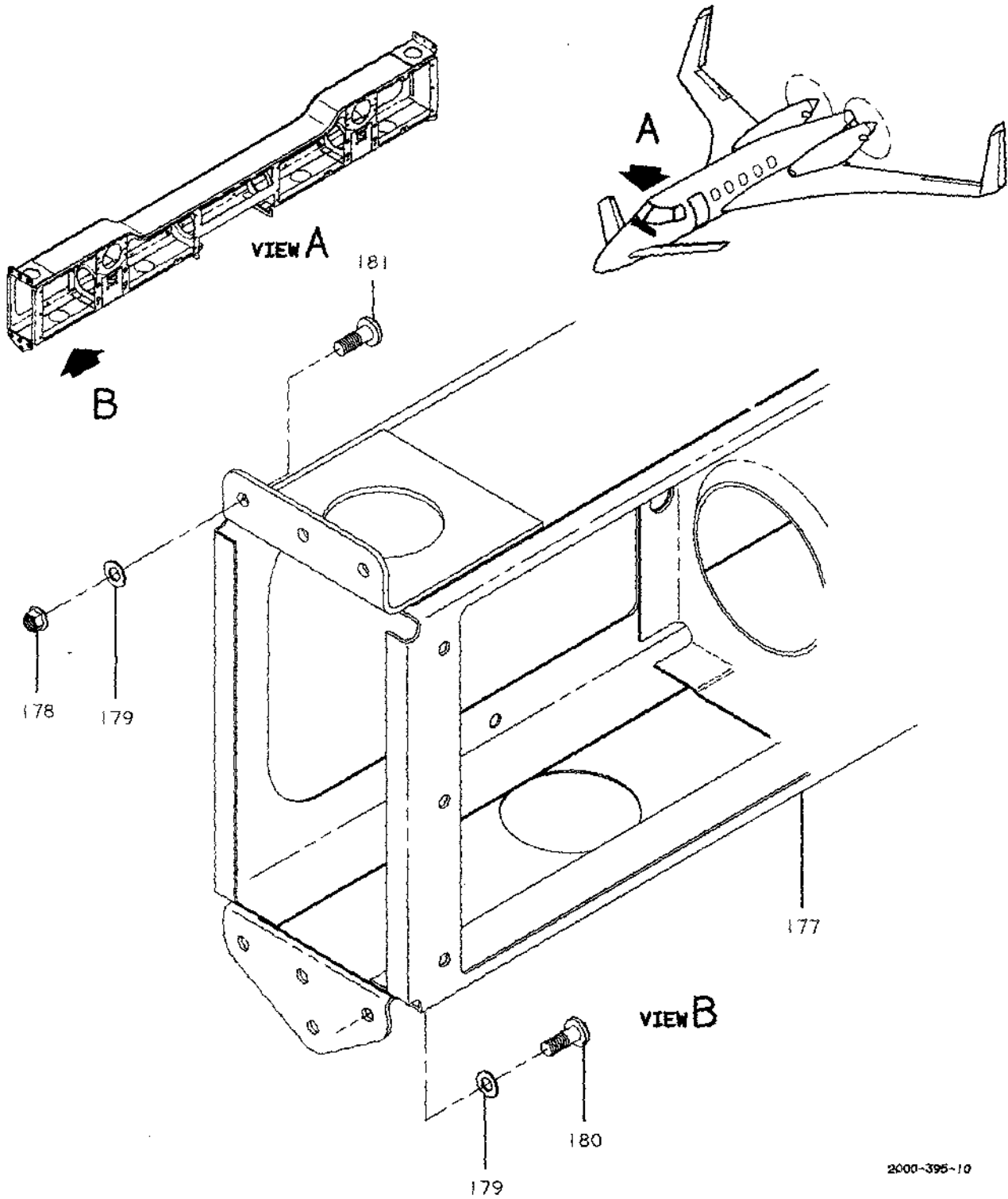
C95NC39A1086 C

FIGURE 10-71. INSTRUMENT SUBPANEL
 /SHEET 7 OF 8 SHEETS/

Beechcraft
STARSHIP 1
ILLUSTRATED PARTS CATALOG

SUB-SEC UNIT & ITEM NO	PART NO.	DESCRIPTION 1 2 3 4 5 6 7	UNITS PER ASSY	USABLE ON CODE
10-71 -140	122-382036-9	. KNOB, MIC SELECT SWITCH.....	1	1
-141	122-382036-15	. KNOB, MSTR PH VOL CONTROL SWITCH.....	1	1
-142	122-382036-19	. KNOB, COMM SELECT SWITCH.....	1	1
-143 R	122-382057-5	. PANEL ASSY, EL/RIGHT OUTBD/..... /ATTACHING PARTS/	1	1
-144	MS35214-27	. SCREW.....	6	
		---★---		
	122-322090-3	. PANEL ASSY, RIGHT OUTBD SWITCH..... /ATTACHING PARTS/	1	1
-145	MS35206-230	. SCREW.....	2	
		---★---		
-146	M6106/28-023	.. RELAY.....	1	1
	451120-081	.. SOCKET, RELAY.....	1	1
-147	MS3470L24-61P	.. CONNECTOR..... /ATTACHING PARTS/	1	1
-148	MS21042L04	.. NUT.....	4	
-149	AN960-4L	.. WASHER.....	4	
-150	MS35206-215	.. SCREW.....	4	
		---★---		
-151	122-322039-9	.. PLATE, CONNECTOR..... /ATTACHING PARTS/	1	1
-152	MS35209-206	.. SCREW.....	4	
-153	MS35338-41	.. WASHER, LOCK.....	4	
-154	MS24693S26	.. SCREW.....	4	
-155	AN960-6L	.. WASHER.....	4	
-156	1713-632A0	.. SPACER.....	4	
		---★---		
-157	122-382076-1	.. SWITCH ASSY, MIC SELECT ROTARY.....	1	1
-158	MST105D	.. SWITCH, AUTO COMM.....	1	1
-159	MST105D	.. SWITCH, COMM 1 & 2.....	2	1
-160	MST105D	.. SWITCH, NAV 1 & 2.....	2	1
-161	MST105D	.. SWITCH, MKR BCN 1 & 2.....	2	1
-162	MST105D	.. SWITCH, DME 1 & 2.....	2	1
-163	MST105D	.. SWITCH, ADF.....	1	1
-164	MST105D	.. SWITCH, AUDIO SPKR.....	1	1
-165	MST105E	.. SWITCH, VOICE.....	1	1
-166	3059J1-103M	.. TRIMPOT, LH & RH STALL WARN ELEV POSITION.....	2	1
-166A R	AN960-10L	.. WASHER.....	2	1
-167	3059J1-103M	.. TRIMPOT, INTPH SIDETONE.....	1	1
-168	3059J1-103M	.. TRIMPOT, INTPH VOL.....	1	1
-169	3059J1-103M	.. TRIMPOT, INTPH SQUELCH.....	1	1
-170	122-382076-13	.. SWITCH ASSY, COMM SELECT & MSTR PH VOL.....	1	1
-171	122-382089-1	.. METER, FLIGHT HOUR..... /ATTACHING PARTS/	1	1
-172	MS21042L04	.. NUT.....	2	
-173	AN960-4L	.. WASHER.....	2	
-174	MS24693-4B	.. SCREW.....	2	
		---★---		
-175 R	MS90335-6	.. RECEPTACLE, EL PANEL.....	1	1
-176	122-322053-7	.. PANEL, SWITCH.....	1	1

Beechcraft
STARSHIP 1
ILLUSTRATED PARTS CATALOG



2000-395-10

FIGURE 10-71. INSTRUMENT SUBPANEL
/SHEET 8 OF 8 SHEETS/

Beechcraft
STARSHIP 1
ILLUSTRATED PARTS CATALOG

SUB-SEC UNIT & ITEM NO	PART NO.	DESCRIPTION 1 2 3 4 5 6 7	UNITS	USABLE
			PER ASSY	ON CODE
10-71 -177	122-322020-3	. STRUCTURE ASSY, SUBPANEL/SEE CHAPTER 53/	1	1
		/ATTACHING PARTS/		
-178 R	MS21045L3	. NUT	6	
-179	AN960-10L	. WASHER	12	
-180	MS27039-1-07	. SCREW	6	
-181	MS27039-1-12	. SCREW	6	

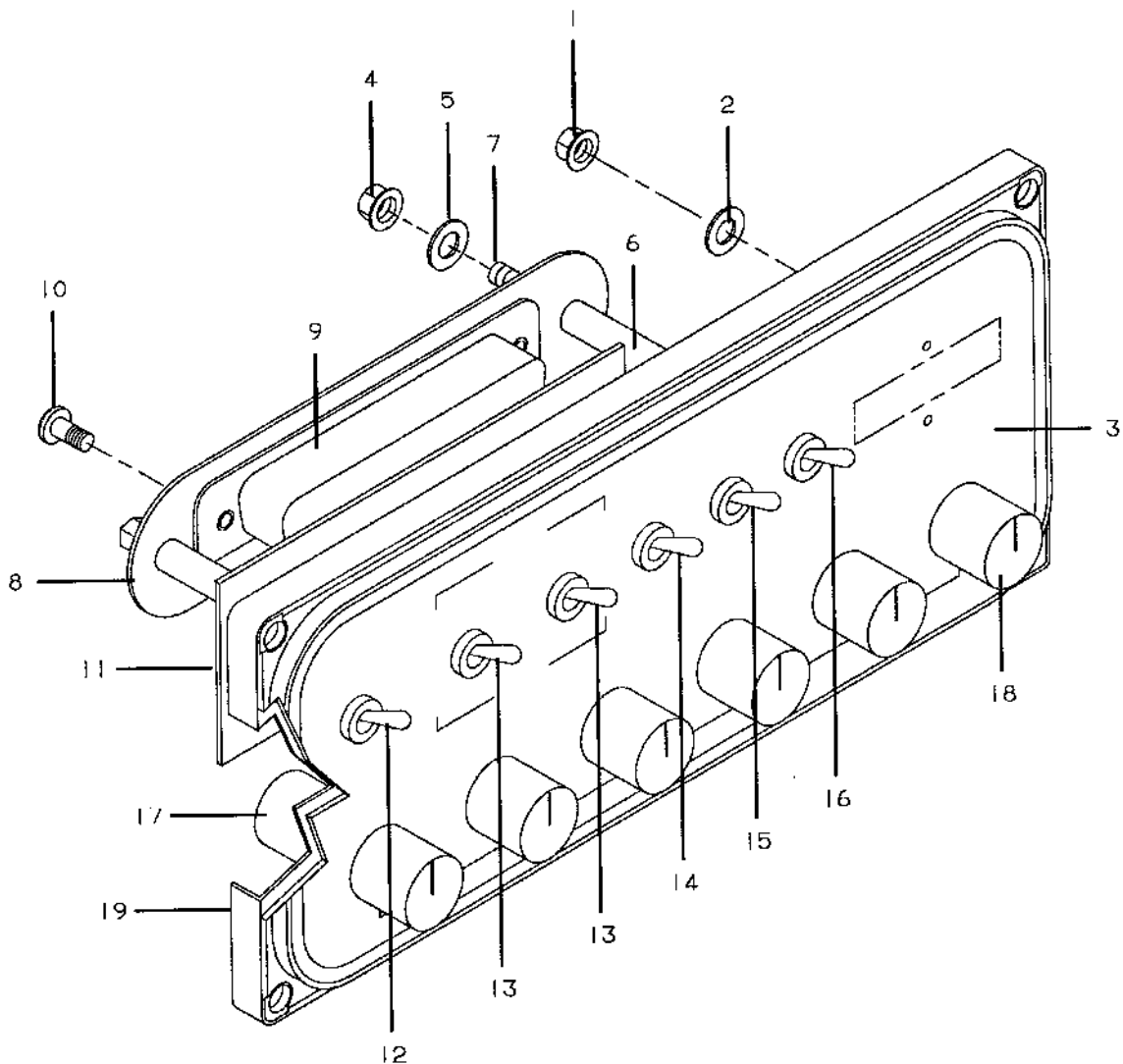
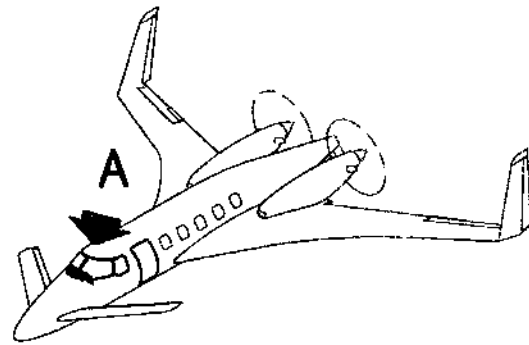
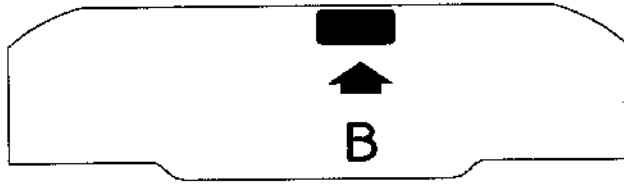
CODES OF EFFECTIVITY

- | | |
|--------------------|-------------------|
| 1 NC-29 AND AFTER | 2 NC-44 AND AFTER |
| 3 NC-29 THRU NC-53 | 4 NC-54 AND AFTER |

Beechcraft
STARSHIP 1
ILLUSTRATED PARTS CATALOG

39-10-80
REVERSIONARY PANELS

Beechcraft
STARSHIP 1
ILLUSTRATED PARTS CATALOG



VIEW B

2000-392-09

FIGURE 10-80. REVERSIONARY PANELS
/SHEET 1 OF 2 SHEETS/

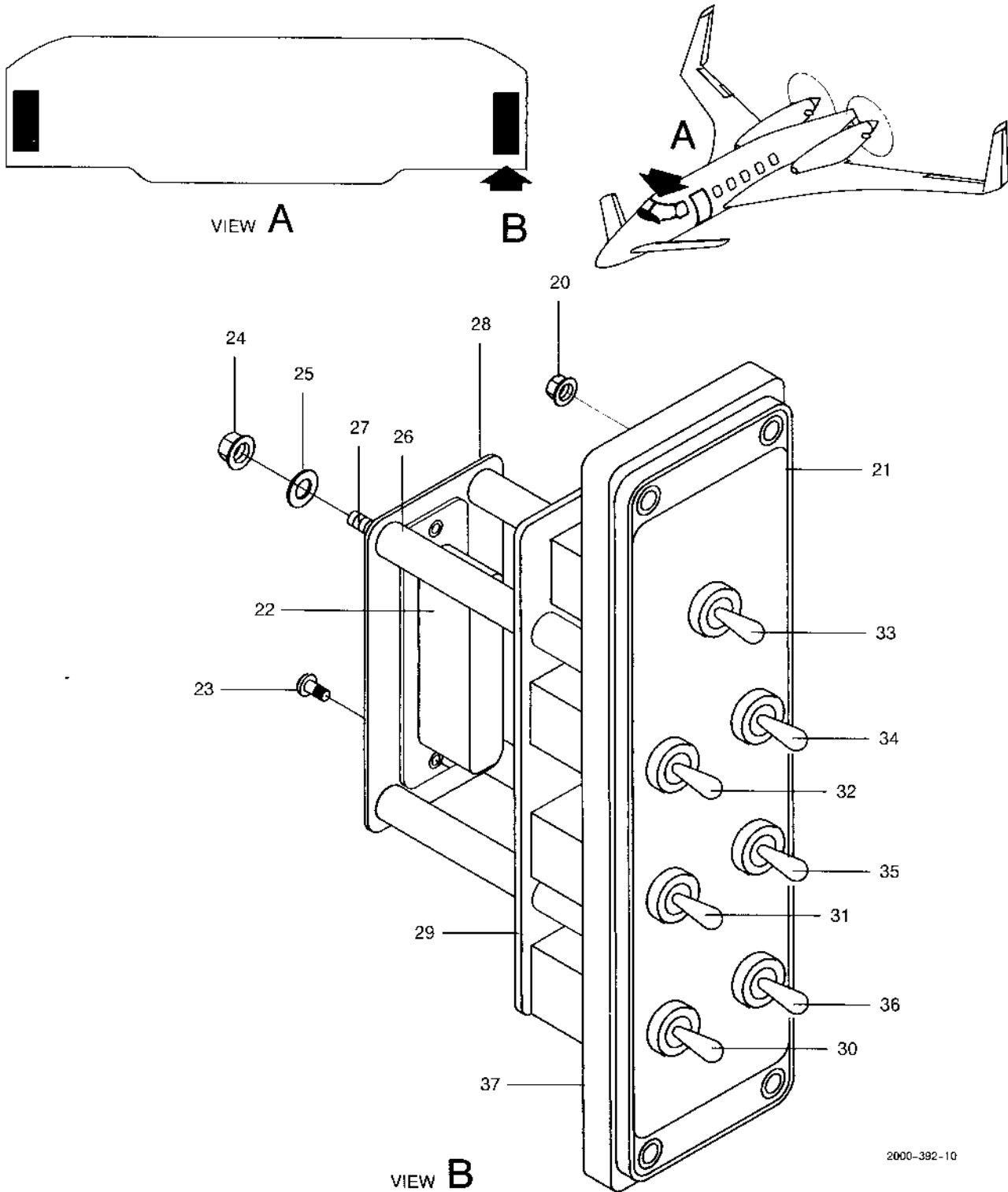
Beechcraft
STARSHIP 1
ILLUSTRATED PARTS CATALOG

SUB-SEC UNIT & ITEM NO	PART NO.	DESCRIPTION 1 2 3 4 5 6 7	UNITS	USABLE
			PER ASSY	ON CODE
10-80	R 122-342023-9	PANEL ASSY, ENGINE REVERSIONARY AND VOLUME	1	1
	R 122-342023-13	PANEL ASSY, ENGINE REVERSIONARY AND VOLUME	1	2
	R 132002-6-7BN	SCREW	4	1
	R 132002-6-7BK	SCREW	4	2

- 1	MS21042L06	.. NUT	2	
- 2	AN960-6L	.. WASHER	2	
- 3	R 122-382092-5	.. PANEL ASSY, EL	1	
	122-342023-11	.. SWITCH ASSY	1	1
	122-342023-15	.. SWITCH ASSY	1	2
- 4	MS21042L06	.. NUT	2	
- 5	AN960-6L	.. WASHER	2	
- 6	NAS43DD1-141	.. SPACER	2	
- 7	MS24693S42	.. SCREW	2	
- 8	122-322039-5	.. PLATE	1	
- 9	RD37M1100V30	.. CONNECTOR/ALTERNATE FOR RD37M1100V30/	1	
	RD37M100V30	.. CONNECTOR/ALTERNATE FOR RD37M1100V30/	1	
		.. ATTACHING PARTS/		
- 10	MS35214-12	.. SCREW	2	

- 11	122-342085-11	.. PRINTED CIRCUIT BOARD	1	
	RCD125-1 3K-J	.. RESISTOR, WIREWOUND POWER	4	
	R RLR20C3901GS	.. RESISTOR, POWER	1	
- 12	M2122TYP516	.. SWITCH ASSY, EICAS/ALTERNATE FOR	1	
		M2122TEW03-561/		
	M2122TEW03-516	.. SWITCH ASSY, EICAS/ALTERNATE FOR	1	
		M2122TEW03-516/		
- 13	R M2123TYYP	.. SWITCH ASSY, RTU ENG DATA 1 & 2/ALTERNATE	2	
		FOR M2123TEW03/		
	R M2123TEW03	.. SWITCH ASSY, RTU ENG DATA 1 & 2/ALTERNATE	2	
		FOR M2123TYYP/		
- 14	M2122TMP516	.. SWITCH ASSY, RAD RMT/ALTERNATE FOR	1	
		M2122TFW03-516/		
	M2122TFW03-516	.. SWITCH ASSY, RAD RMT/ALTERNATE FOR	1	
		M2122TMP516/		
- 15	M2122TYP516	.. SWITCH ASSY, MKR BCN/ALTERNATE FOR	1	
		M2122TEW03-516/		
	M2122TEW03-516	.. SWITCH ASSY, MKR BCN/ALTERNATE FOR	1	
		M2122TYP516/		
- 16	M2022PSW01	.. SWITCH ASSY, ATC/ALTERNATE FOR	1	
		M2022PS1W01/		
	M2022PS1W01	.. SWITCH ASSY, ATC/ALTERNATE FOR	1	
		M2022PSW01/		
- 17	GA2G048F501UA	.. POTENTIOMETER	6	
- 18	122-382036-3	.. KNOB	6	
- 19	R 122-342070-3	.. BEZEL/BROWN/	1	1
	R 122-342070-5	.. BEZEL/BLACK/	1	2

Beechcraft
STARSHIP 1
ILLUSTRATED PARTS CATALOG



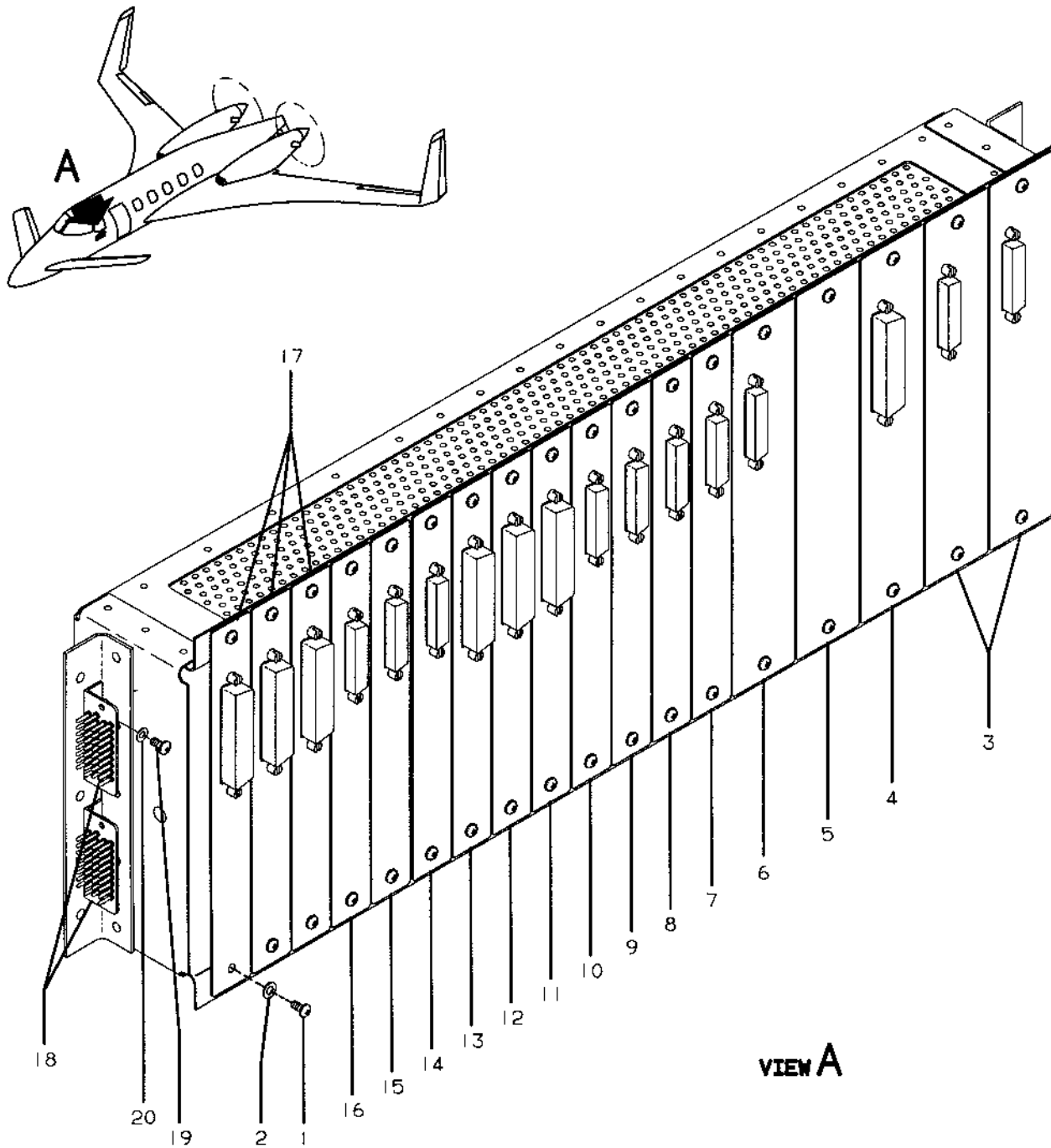
2000-392-10

FIGURE 10-80. REVERSIONARY PANELS
/SHEET 2 OF 2 SHEETS/

Beechcraft
STARSHIP 1
ILLUSTRATED PARTS CATALOG

39-20-00
COCKPIT SIDEWALL ELECTRICAL EQUIPMENT

Beechcraft
STARSHIP 1
ILLUSTRATED PARTS CATALOG



VIEW A

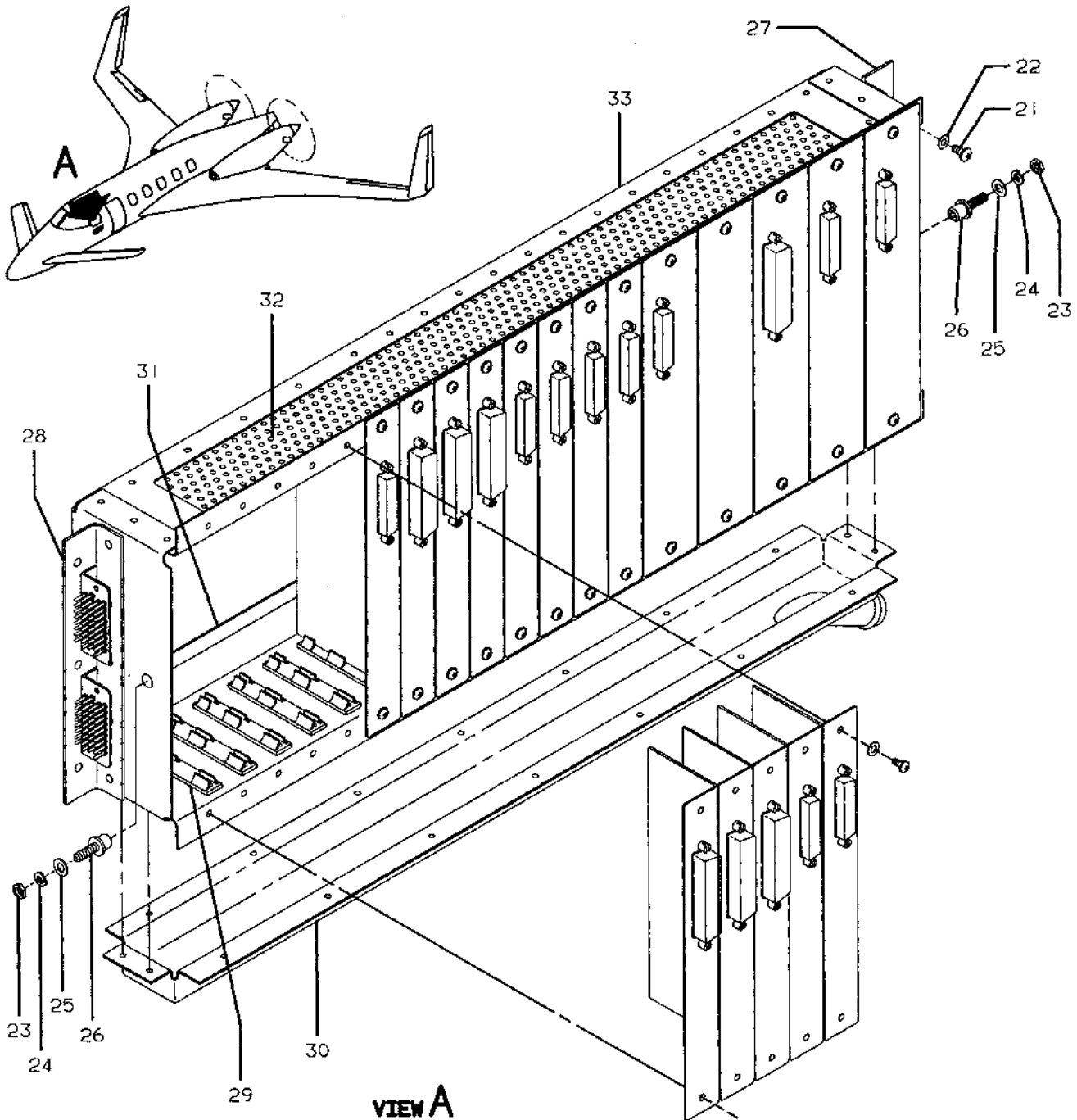
C95NC39A1183 C

Beechcraft
STARSHIP 1
ILLUSTRATED PARTS CATALOG

SUB-SEC UNIT & ITEM NO	PART NO.	DESCRIPTION 1 2 3 4 5 6 7	UNITS	USABLE
			PER ASSY	ON CODE
20-00	122-364155-3	ELECTRICAL EQUIPMENT INSTL, LH SIDEWALL	NP	
- 1	MS35206-230	. SCREW.....	36	
- 2	AN960-6L	. WASHER.....	36	
- 3	122-364168-17	. PRINTED CIRCUIT BOARD ASSY, FLAP & FWD WING.....	2	
		MONITOR & MONITOR TEST		
- 4	122-364166-9	. PRINTED CIRCUIT BOARD ASSY, FLAP & FWD WING.....	NP	3
		CONTROLLER & ANNUNCIATOR/ORDER		
		122-364166-19 FOR SPARES/		
	122-364166-15	. PRINTED CIRCUIT BOARD ASSY, FLAP & FWD WING.....	NP	4
		CONTROLLER & ANNUNCIATOR/ORDER		
		122-364166-19 FOR SPARES/		
	122-364166-19	. PRINTED CIRCUIT BOARD ASSY, FLAP & FWD WING.....	1	9
		CONTROLLER & ANNUNCIATOR		
- 5	122-364154-85	. PLATE/SPARE/.....	1	
- 6	122-364173-17	. PRINTED CIRCUIT BOARD ASSY, POWER DISTRI-	NP	10
		BUTION CONTROL/ORDER 122-364173-21 FOR		
		SPARES/		
	122-364173-21	. PRINTED CIRCUIT BOARD ASSY, POWER DISTRI-	1	11
		BUTION CONTROL		
- 7	122-364030-5	. PRINTED CIRCUIT BOARD ASSY, WINDSHIELD DE-.....	1	
		ICE & EXTERNAL POWER		
- 8	122-364028-11	. PRINTED CIRCUIT BOARD ASSY, LANDING GEAR	NP	7
		CONTROL/ORDER 122-364028-27 FOR SPARES/		
	122-364028-27	. PRINTED CIRCUIT BOARD ASSY, LANDING GEAR	1	8
		CONTROL		
- 9	122-364060-9	. PRINTED CIRCUIT BOARD ASSY, BRAKE DEICE	1	
		TIMER AND TIME DELAY.		
-10	122-364028-21	. PRINTED CIRCUIT BOARD ASSY, LANDING GEAR	1	
		INDICATOR		
-11	122-364180-1	. PRINTED CIRCUIT BOARD ASSY, ANNUNCIATOR	1	
		CONTROL		
-12	122-364038-5	. PRINTED CIRCUIT BOARD ASSY, ANNUNCIATOR	1	
		TEST & FIRE EXTINGUISHER TEST		
-13	122-364139-5	. PRINTED CIRCUIT BOARD ASSY, ANNUNCIATOR	1	
		FAULT DETECTOR		
-14	122-364176-1	. PRINTED CIRCUIT BOARD ASSY, LIGHTING CONTROL.....	1	
-15	122-364054-9	. PRINTED CIRCUIT BOARD ASSY, N1 SPEED & ICE.....	NP	1
		VANE/ORDER 122-364054-13 FOR SPARES/		
	122-364054-13	. PRINTED CIRCUIT BOARD ASSY, N1 SPEED & ICE.....	1	2
		VANE		
-16	122-364182-5	. PRINTED CIRCUIT BOARD ASSY, BATTERY MONITOR.....	NP	5
		/ORDER 122-364182-7 FOR SPARES/		
	122-364182-7	. PRINTED CIRCUIT BOARD ASSY, BATTERY MONITOR.....	1	6
-17 R	122-364156-1	. PRINTED CIRCUIT BOARD ASSY, LOGIC RELAY.....	3	
-18 R	204814-1	. CONNECTOR.....	2	
		/ATTACHING PARTS/		
-19 R	MS35206-246	. SCREW.....	2	
-20 R	AN960-8L	. WASHER.....	2	

*---

Beechcraft
STARSHIP 1
ILLUSTRATED PARTS CATALOG



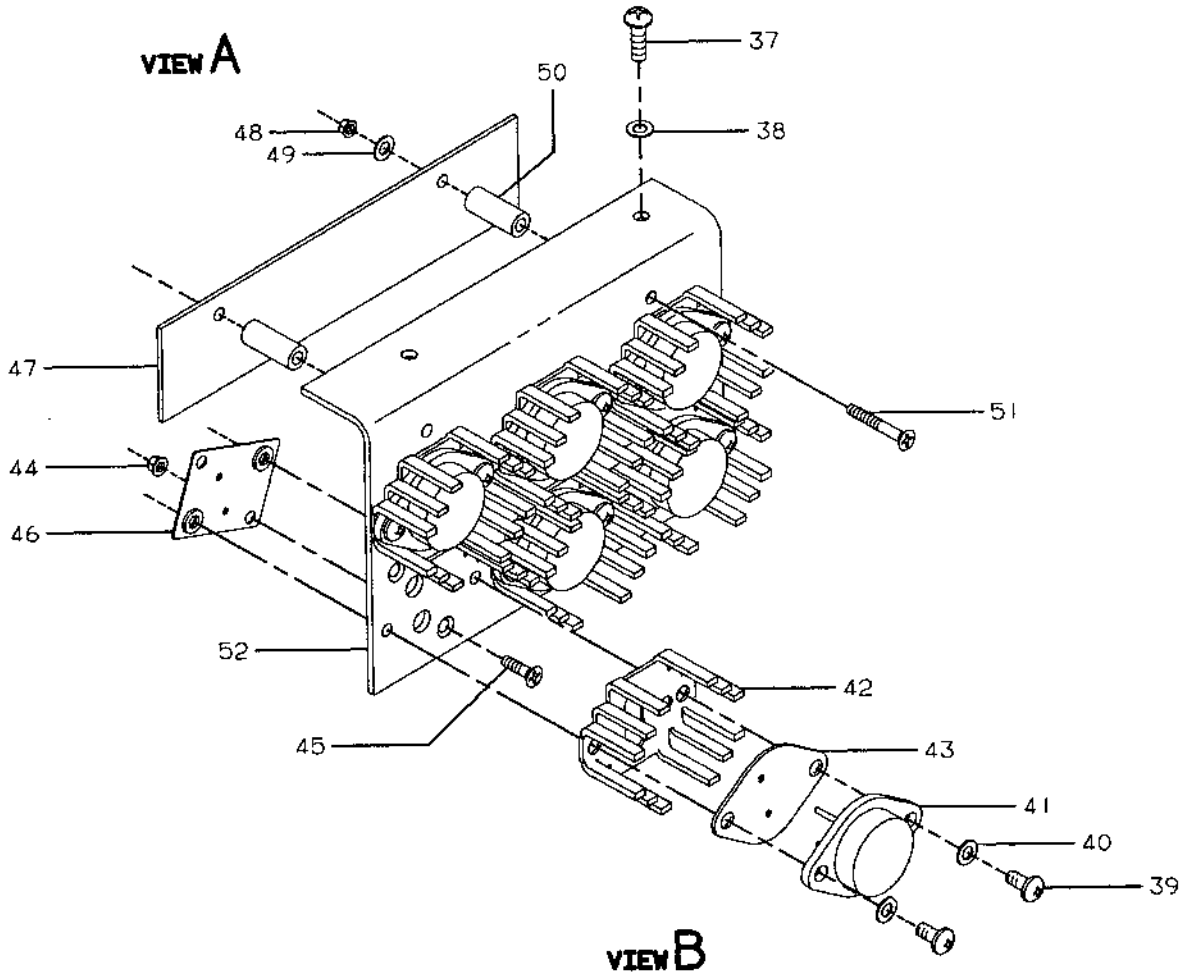
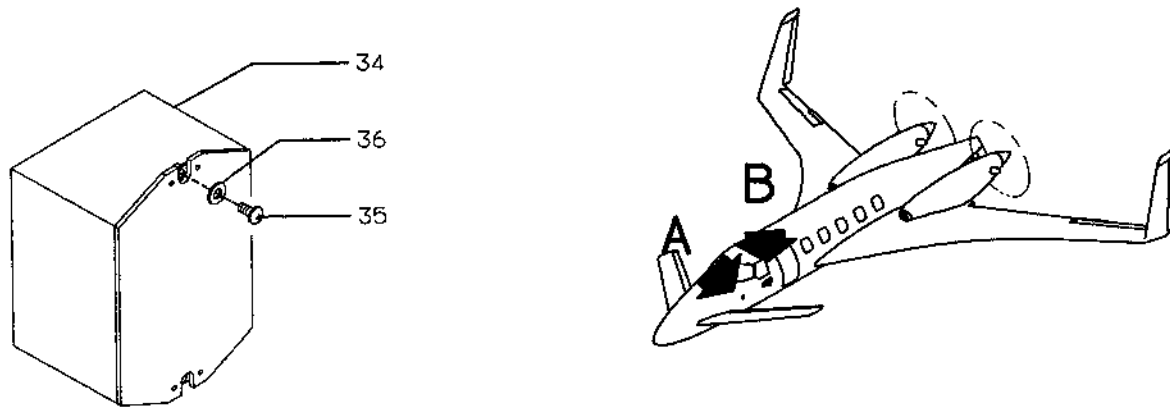
VIEW A

C95NC39A11B4 C

Beechcraft
STARSHIP 1
ILLUSTRATED PARTS CATALOG

SUB-SEC UNIT & ITEM NO	PART NO.	DESCRIPTION 1 2 3 4 5 6 7	UNITS	USABLE
			PER ASSY	ON CODE
20-00	122-364184-1	. BOX ASSY, CIRCUIT CARD	1	
		.. /ATTACHING PARTS/		
- 21	R MS27039-1-10	. SCREW	5	
- 22	R AN960-10L	. WASHER	5	
		*		
- 23	R 130909N49	.. NUT	2	
- 24	R MS35338-43	.. WASHER, LOCK	2	
- 25	R AN960-10L	.. WASHER	2	
- 26	R 131270-3	.. STUD, BLIND GROUNDING	2	
- 27	R 122-364184-17	.. ANGLE	1	
- 28	R 122-364184-9	.. ANGLE	1	
- 29	R 2500-38-4	.. GUIDE, PRINTED CIRCUIT BOARD	36	
- 30	R 122-364184-7	.. PLENUM ASSY	1	
- 31	R 122-364184-13	.. RUBBER STRIP	2	
- 32	R 122-364184-5	.. SHEET, PERFORATED	1	
- 33	R 122-364184-3	.. BOX	1	
	MS21075L06	.. NUTPLATE	36	

Beechcraft
STARSHIP 1
ILLUSTRATED PARTS CATALOG



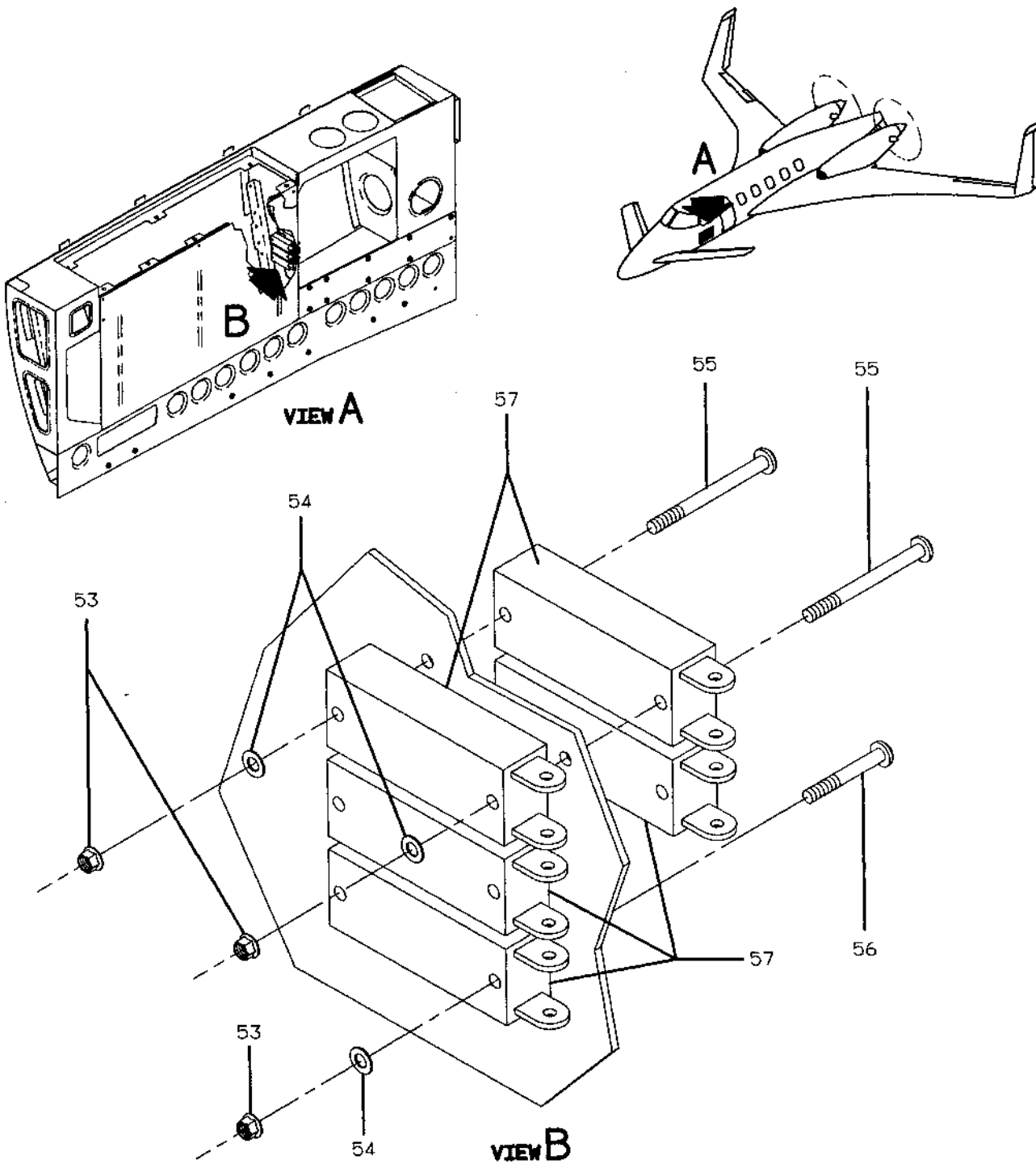
C95NC39A1185 C

FIGURE 20-00. COCKPIT SIDEWALL ELEC EQUIPMENT
/SHEET 3 OF 4 SHEETS/

Beechcraft
STARSHIP 1
ILLUSTRATED PARTS CATALOG

SUB-SEC UNIT & ITEM NO	PART NO.	DESCRIPTION 1 2 3 4 5 6 7	UNITS PER ASSY	USABLE ON CODE
20-00 -34	R 101-380012-7	. POWER SUPPLY, DIMMER CONTROL	1	
		/ATTACHING PARTS/		
-35	R MS35207-265	. SCREW	2	
-36	R AN960-10L	. WASHER	2	
		-----★-----		
	122-364148-3	. PANEL ASSY, LIGHT DIMMING TRANSISTOR	1	
		/ATTACHING PARTS/		
-37	R MS35207-264	. SCREW	2	
-38	R AN960-10L	. WASHER	2	
		-----★-----		
-39	R AN530-6R8	.. SCREW	12	
-40	R AN960-6L	.. WASHER	12	
-41	R MJ11014	.. TRANSISTOR, DIMMING	6	
-42	R LA394B7CB	.. HEAT SINK	6	
-43	R 7403-09FR04	.. INSULATOR	6	
-44	R MS51858-3	.. NUT	12	
-45	R MS24693S25	.. SCREW	12	
-46	R 11693	.. SOCKET, TRANSISTOR	6	
-47	R 122-364149-5	.. PRINTED CIRCUIT BOARD ASSY, LIGHT DIMMING	1	
		/ATTACHING PARTS/		
-48	R MS21042L06	.. NUT	2	
-49	R AN960-6L	.. WASHER	2	
-50	R NAS43DD1-44	.. SPACER	2	
-51	R MS24693S32	.. SCREW	2	
		-----★-----		
	R 207443-1	.. CONNECTOR	1	
-52	R 122-322136-9	.. SUPPORT ASSY	1	
	MS21047-3	... NUTPLATE	3	
	122-364151-3	... DECAL, REFERENCE DESIGNATOR	1	

Beechcraft
STARSHIP 1
ILLUSTRATED PARTS CATALOG



C95NC39A1245 C

FIGURE 20-00. COCKPIT SIDEWALL ELEC EQUIPMENT
/SHEET 4 OF 4 SHEETS/

Beechcraft
STARSHIP 1
ILLUSTRATED PARTS CATALOG

SUB-SEC UNIT & ITEM NO	PART NO.	DESCRIPTION 1 2 3 4 5 6 7	UNITS	USABLE
			PER ASSY	ON CODE
20-00 - 53	R MS21042L04	. NUT	6	
- 54	R AN960-4L	. WASHER	6	
- 55	R MS35206-222	. SCREW	4	
- 56	R MS35206-220	. SCREW	2	
- 57	R 704-15K36	. TRANSORB	5	
	106242C1900100	. TUBING, HEAT SHRINK	AR	

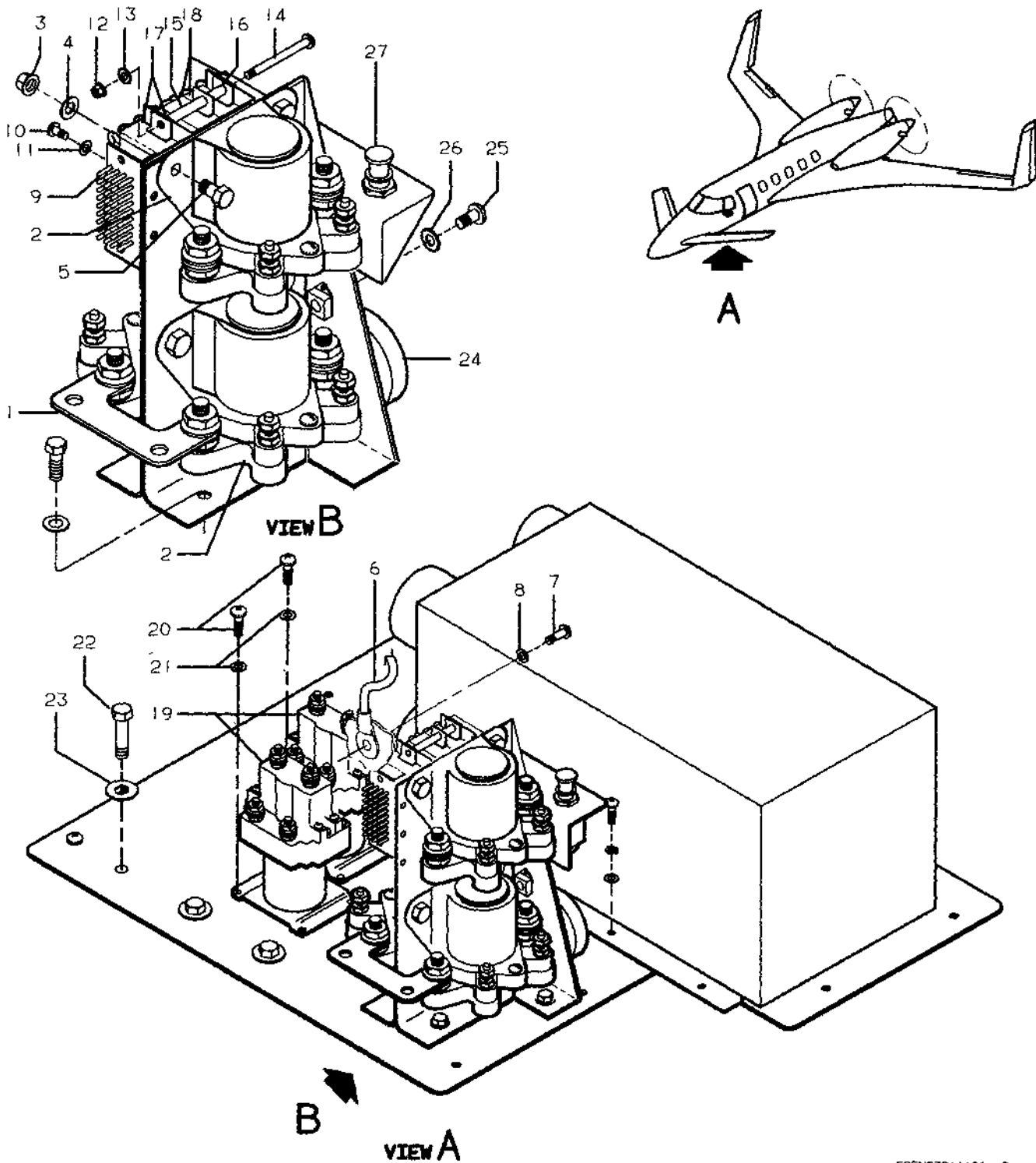
CODES OF EFFECTIVITY

1	NC-4 THRU NC-17	2	NC-18 AND AFTER
3	NC-4 THRU NC-13	4	NC-14 THRU NC-21
5	NC-4 THRU NC-19	6	NC-20 AND AFTER
7	NC-4 THRU NC-16	8	NC-17 AND AFTER
9	NC-22 AND AFTER	10	NC-4 THRU NC-15
11	NC-16 AND AFTER		

Beechcraft
STARSHIP 1
ILLUSTRATED PARTS CATALOG

39-20-10
COCKPIT LOWER ELECTRICAL EQUIPMENT

Beechcraft
 STARSHIP 1
 ILLUSTRATED PARTS CATALOG



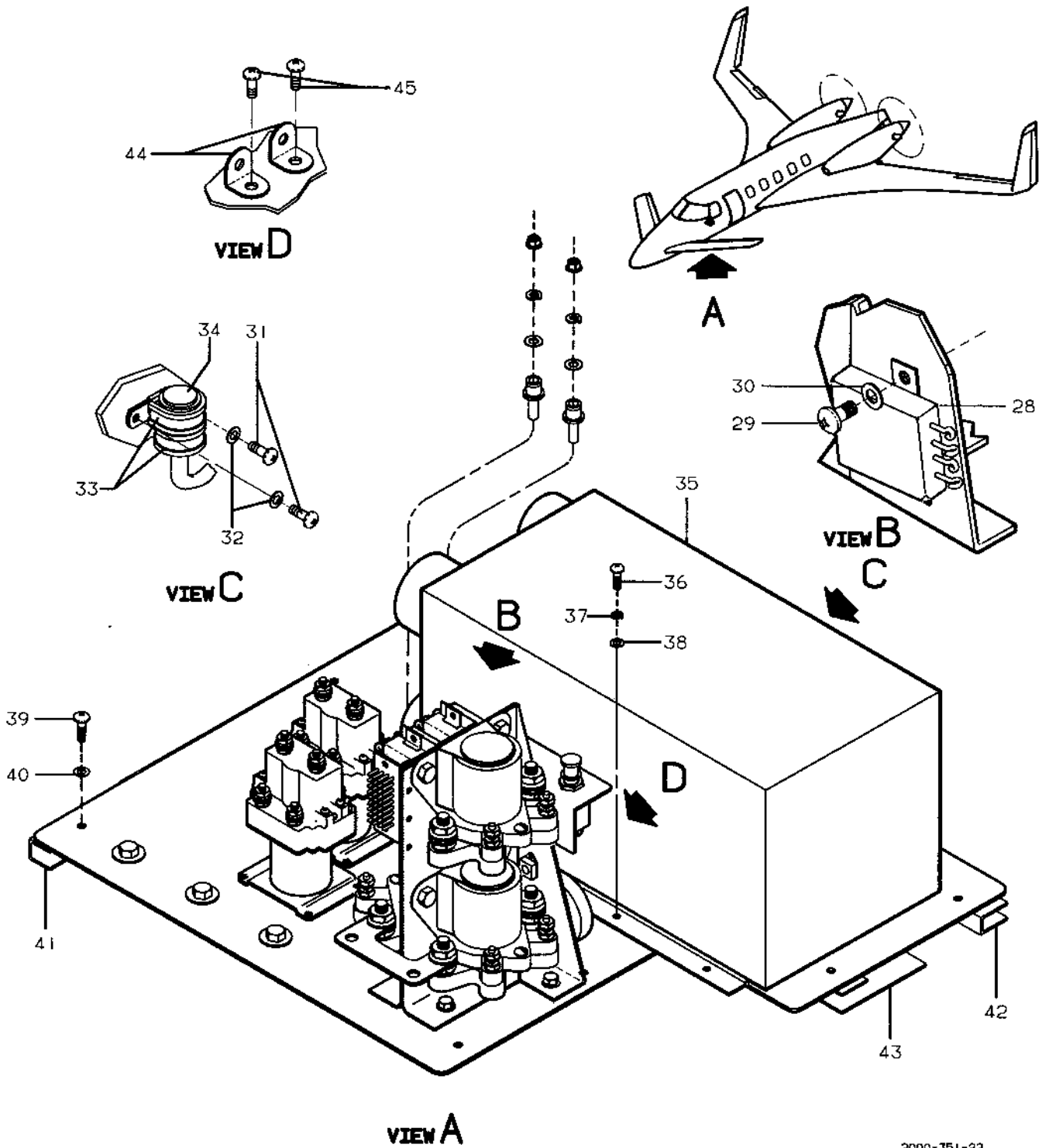
C95NC39A1186 C

FIGURE 20-10. COCKPIT LOWER ELECT EQUIPMENT
 /SHEET 1 OF 3 SHEETS/

Beechcraft
STARSHIP 1
ILLUSTRATED PARTS CATALOG

SUB-SEC UNIT & ITEM NO	PART NO.	DESCRIPTION 1 2 3 4 5 6 7	UNITS	USABLE
			PER ASSY	ON CODE
20-10	122-364005-1	ELECTRICAL EQUIPMENT INSTL, FLIGHT COMPT LOWER	NP	
- 1	122-361014-63	. BUS BAR.....	1	
	100-361045-1	. SUPPRESSOR ASSY, RELAY.....	3	
- 2	6041H80A	. RELAY, WINDSHIELD DEICE..... /ATTACHING PARTS/	3	
- 3	130909N30	. NUT.....	2	
- 4	AN960-416	. WASHER.....	2	
- 5	130909B34	. BOLT.....	2	
		-----★-----		
	R MS25171-1S	. NIPPLE.....	4	
	R MS25171-2S	. NIPPLE.....	4	
- 6	MS25083-2BC10	. JUMPER, BONDING..... /ATTACHING PARTS/	2	
- 7	MS35206-245	. SCREW.....	2	
- 8	AN960-8L	. WASHER.....	2	
		-----★-----		
- 9	204814-1	. CONNECTOR..... /ATTACHING PARTS/	1	
- 10	MS35206-245	. SCREW.....	2	
- 11	AN960-8L	. WASHER.....	2	
		-----★-----		
	1N4007	. DIODE, RELAY.....	5	
- 12	MS21042L06	. NUT.....	2	
- 13	AN960-6L	. WASHER.....	2	
- 14	MS35206-238	. SCREW.....	2	
- 15	NAS43DD1-64	. SPACER.....	2	
- 16	NAS43DD1-32	. SPACER.....	2	
- 17	50-380048-1	. RELAY, LEFT & RIGHT PITOT HEAT.....	2	
- 18	FCA125-14	. RELAY, LEFT, RIGHT & NOSE LANDING LIGHT.....	3	
	100-361045-1	. SUPPRESSOR ASSY, RELAY.....	2	
- 19	SM150D5	. RELAY..... /ATTACHING PARTS/	2	
- 20	MS35207-263	. SCREW.....	4	
- 21	AN960-10L	. WASHER.....	4	
		-----★-----		
- 22	130909B35	. BOLT.....	3	
- 23	AN960D416	. WASHER.....	3	
- 24	101-384028-7	. SWITCH, BAROMETRIC PRESSURE..... /ATTACHING PARTS/	1	
- 25	MS35206-227	. SCREW.....	2	
- 26	AN960-6L	. WASHER.....	2	
		-----★-----		
- 27	131984-15	. CIRCUIT BREAKER, WINDSHIELD HEAT.....	2	

Beechcraft
STARSHIP 1
ILLUSTRATED PARTS CATALOG



2000-351-22

**FIGURE 20-10. COCKPIT LOWER ELECT EQUIPMENT
/SHEET 2 OF 3 SHEETS/**

Beechcraft
STARSHIP 1
ILLUSTRATED PARTS CATALOG

SUB-SEC UNIT & ITEM NO	PART NO.	DESCRIPTION 1 2 3 4 5 6 7	UNITS PER ASSY	USABLE ON CODE
20-10 -28	R FCA125-14	. RELAY, TAXI LIGHT..... /ATTACHING PARTS/	1	
-29	MS35206-227	. SCREW.....	2	
-30	AN960-6L	. WASHER..... ★	2	
-31	MS35207-261	. SCREW.....	2	
-32	AN960-10L	. WASHER.....	2	
-33	R MS21919WCH8	. CLAMP.....	2	
-34	STL20	. G SWITCH.....	1	
-35	622-7414-002	. DATA ACQUISITION UNIT/DAU850/ /ATTACHING PARTS/	1	
-36	R NAS1096-1-7	. SCREW.....	7	
-37	R MS35338-41	. WASHER, LOCK.....	7	
-38	R AN960-6	. WASHER..... ★	7	
	122-364133-75	. PANEL ASSY..... /ATTACHING PARTS/	1	
-39	R MS35206-251	. SCREW.....	8	
-40	R AN960-8	. WASHER..... ★	8	
-41	122-364133-57	. BRACKET, SUPPORT.....	1	
-42	122-364133-59	. BRACKET, SUPPORT.....	1	
-43	122-364133-61	. BRACKET, SUPPORT.....	1	
-44	AN743-12	. BRACKET..... /ATTACHING PARTS/	2	
-45	R MS27039-1-06	. SCREW..... ★	1	

Beechcraft
 STARSHIP 1
 ILLUSTRATED PARTS CATALOG

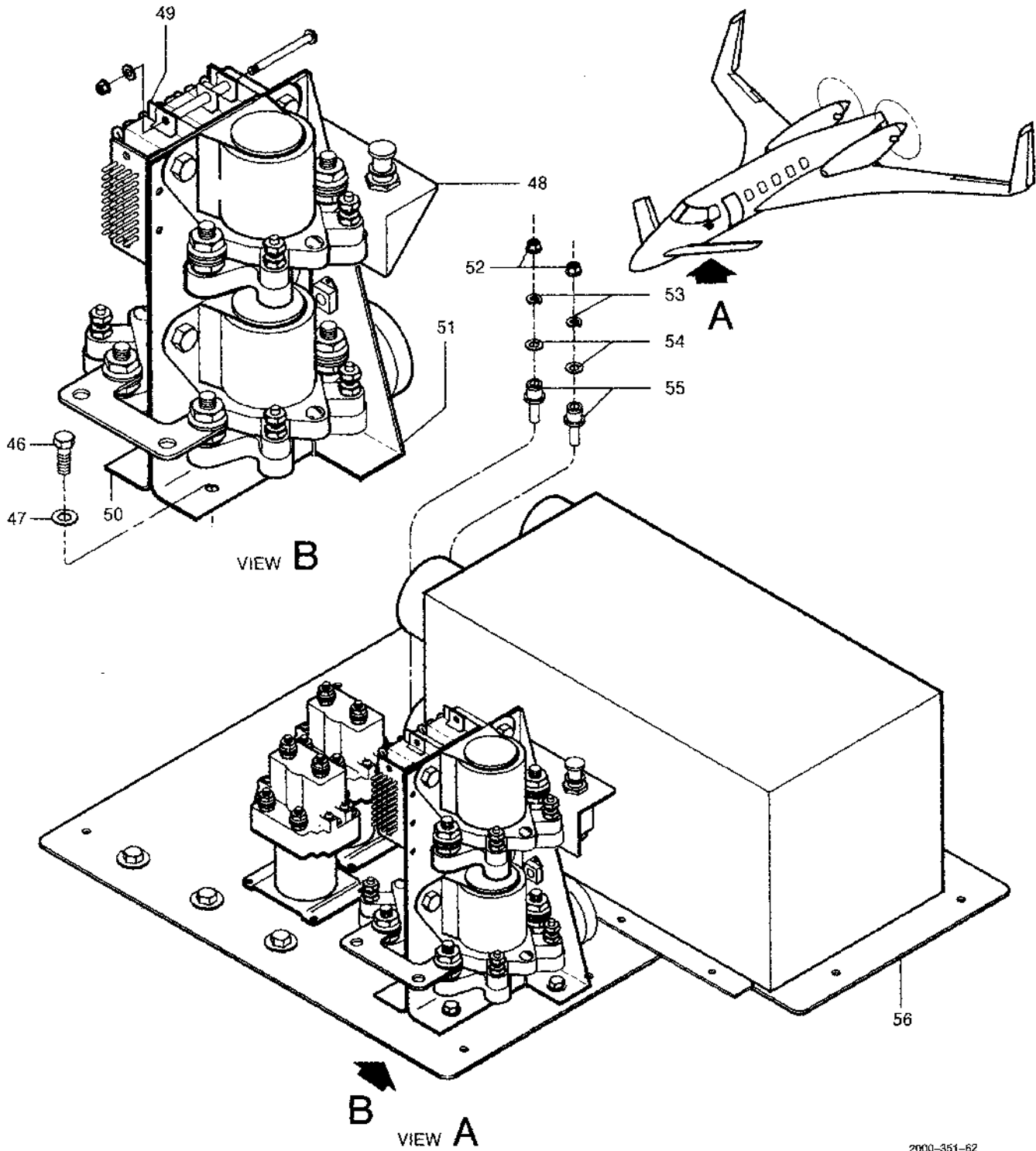


FIGURE 20-10. COCKPIT LOWER ELECT EQUIPMENT
 /SHEET 3 OF 3 SHEETS/

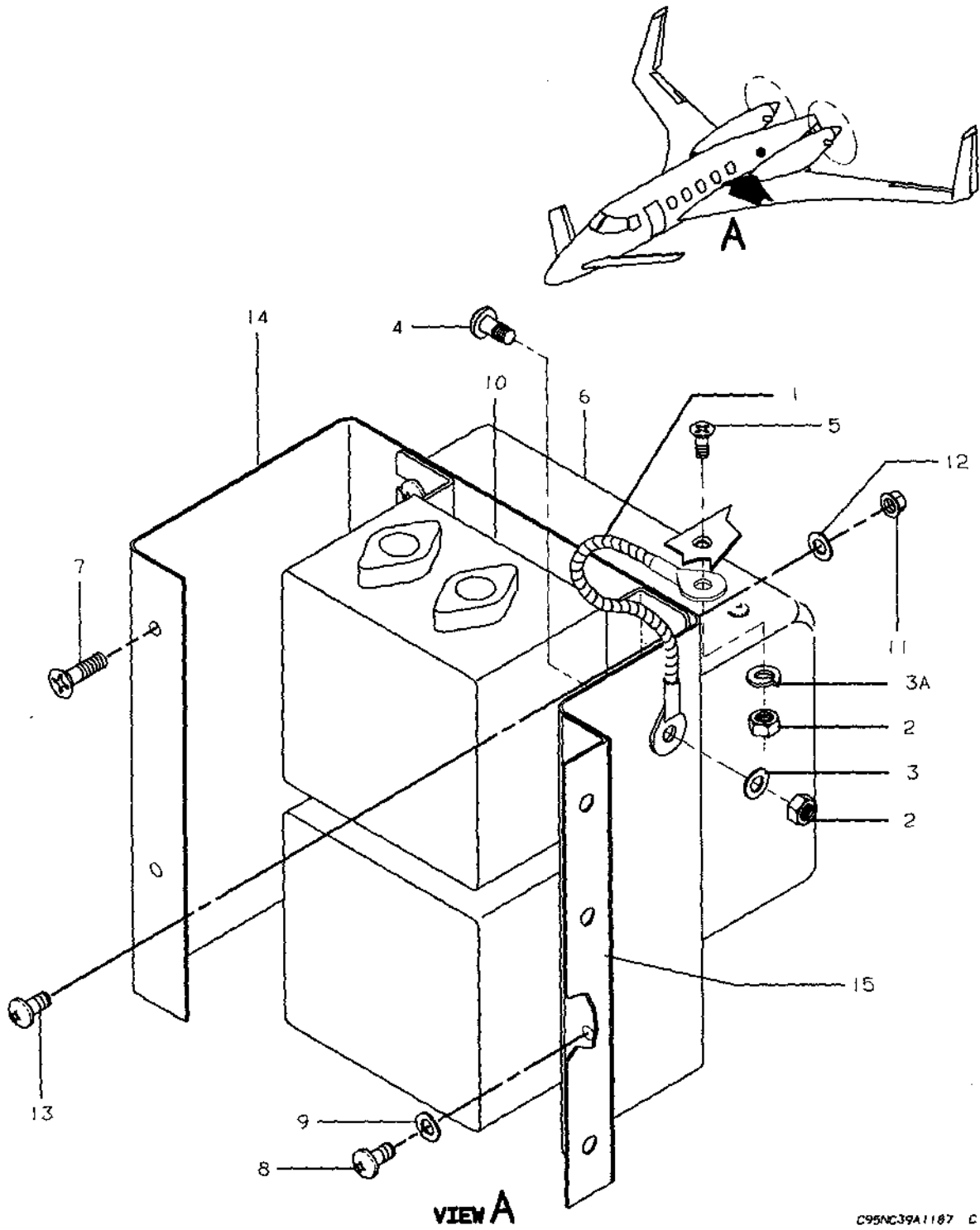
Beechcraft
STARSHIP 1
ILLUSTRATED PARTS CATALOG

SUB-SEC UNIT & ITEM NO	PART NO.	DESCRIPTION 1 2 3 4 5 6 7	UNITS PER ASSY	USABLE ON CODE
20-10	122-364133-73	.. BRACKET ASSY	1	
		.. /ATTACHING PARTS/		
- 46	NAS1096-3	.. SCREW.....	6	
- 47	AN960-10L	.. WASHER	6	
		-----*		
- 48	122-364133-23	.. BRACKET ASSY	1	
- 49	122-364133-71	.. BRACKET	1	
- 50	122-364133-67	.. BRACKET ASSY	1	
	R MS21075L06	.. NUTPLATE	2	
- 51	122-364133-68	.. BRACKET ASSY	1	
	R MS21075L06	.. NUTPLATE	2	
- 52	130909N29	.. NUT	2	
- 53	MS35338-43	.. WASHER, LOCK	2	
- 54	AN960-10L	.. WASHER	2	
- 55	131270-3	.. STUD, BLIND GROUND.....	2	
	MS21047L06	.. NUTPLATE	7	
	R MS21070L3	.. NUTPLATE	8	
	R MS21070L4	.. NUTPLATE	3	
	R 130909N33	.. NUTPLATE	6	
- 56	122-364133-45	.. PANEL	1	

Beechcraft
STARSHIP 1
ILLUSTRATED PARTS CATALOG

39-20-20
AFT STEP ELECTRICAL EQUIPMENT

Beechcraft
 STARSHIP 1
 ILLUSTRATED PARTS CATALOG



C95NC39A1187 C

FIGURE 20-20.AFT STEP ELECTRICAL EQUIPMENT

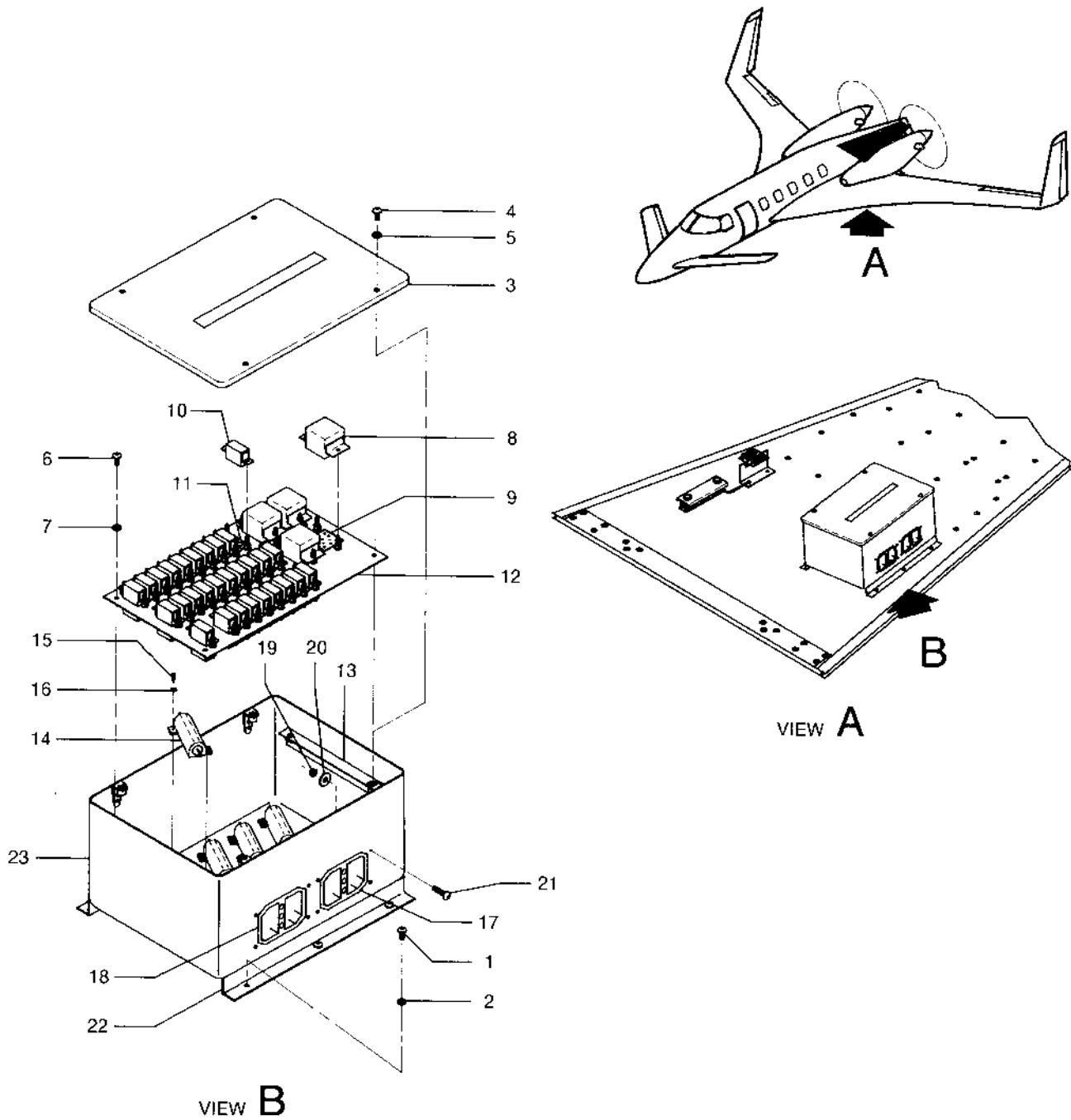
Beechcraft
STARSHIP 1
ILLUSTRATED PARTS CATALOG

SUB-SEC UNIT & ITEM NO	PART NO.	DESCRIPTION 1 2 3 4 5 6 7	UNITS PER ASSY	USABLE ON CODE
20-20	122-364007-3	ELECTRICAL EQUIPMENT INSTL, AFT STEP	NP	
- 1	R MS25083-2BB5	. JUMPER, BONDING	2	
		./ATTACHING PARTS/		
- 2	130909N28	. NUT	2	
- 3	R AN960-8L	. WASHER	3	
- 3A	R MS35338-42	. WASHER, LOCK	1	
- 4	R MS35206-245	. SCREW	1	
- 5	R MS24693S50	. SCREW	1	
		-----★-----		
	MS21049L08	. . NUTPLATE	2	
- 6	122-364165-25	. MONITOR BOX ASSY, FLAP & FWD WING	1	
	122-364144-13	. SHELF ASSY	1	
		./ATTACHING PARTS/		
- 7	MS24694S57	. SCREW	2	
- 8	MS35207-264	. SCREW	2	
- 9	AN960-10L	. WASHER	4	
		-----★-----		
- 10	R 122-384101-1	. . INVERTER, EL PANEL	2	
		./ATTACHING PARTS/		
- 11	130909N29	. . NUT	4	
- 12	AN960-10L	. . WASHER	4	
- 13	MS35207-264	. . SCREW	4	
		-----★-----		
- 14	R 122-364144-15	. . SHELF ASSY	1	
	130909N33	. . . NUTPLATE	8	
- 15	122-430023-21	ANGLE, SUPPORT	1	

Beechcraft
STARSHIP 1
ILLUSTRATED PARTS CATALOG

39-20-30
AFT FUSELAGE ELECTRICAL EQUIPMENT

Beechcraft
STARSHIP 1
ILLUSTRATED PARTS CATALOG



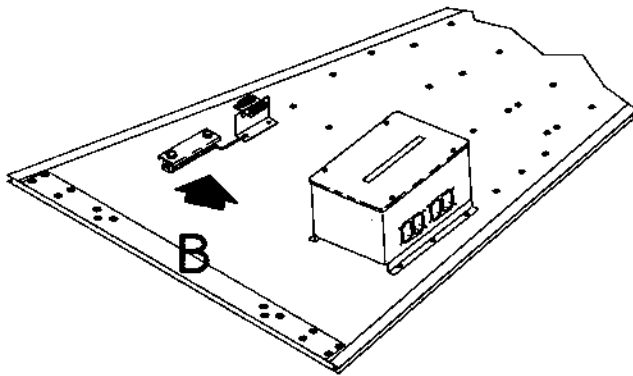
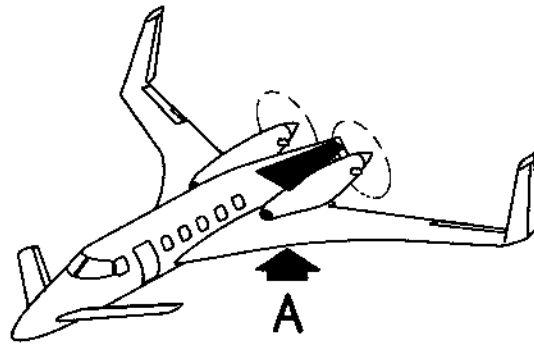
2000-353-01

FIGURE 20-30. AFT FUSELAGE ELECTRICAL EQUIPMENT
/SHEET 1 OF 3 SHEETS/

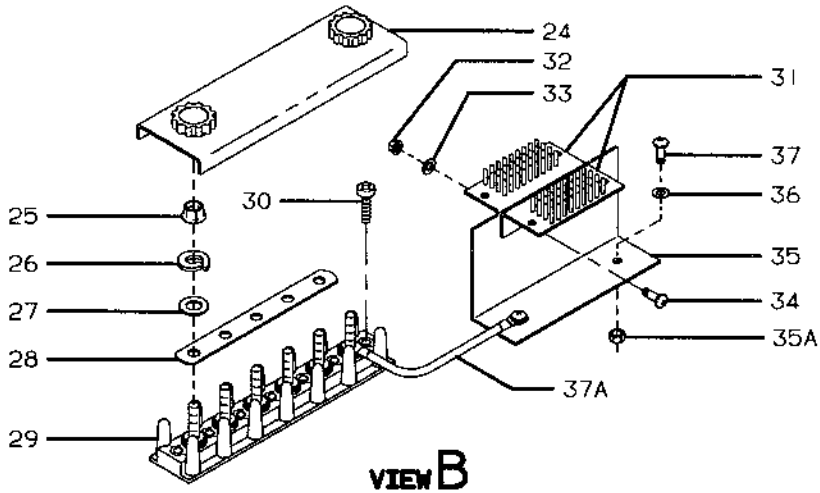
Beechcraft
STARSHIP 1
ILLUSTRATED PARTS CATALOG

SUB-SEC UNIT & ITEM NO	PART NO.	DESCRIPTION 1 2 3 4 5 6 7	UNITS	USABLE
			PER ASSY	ON CODE
20-30	122-366001-1	ELECTRICAL EQUIPMENT INSTL, AFT FUSELAGE	NP	
	122-364131-19	. PANEL ASSY, LOGIC RELAY.....	1	
		/ATTACHING PARTS/		
- 1	MS35206-262	. SCREW.....	6	1
	AN3C3A	. BOLT.....	6	2
- 2	AN960-10L	. WASHER.....	6	
		-----★-----		
- 3	122-364131-11	.. COVER ASSY.....	1	
		/ATTACHING PARTS/		
- 4	MS35206-245	.. SCREW.....	4	
- 5	AN960-8L	.. WASHER.....	4	
		-----★-----		
	122-364131-21	.. BOX ASSY.....	1	
	122-364131-7	.. SHELF ASSY.....	1	
		/ATTACHING PARTS/		
- 6	MS35206-245	.. SCREW.....	4	
- 7	AN960-10L	.. WASHER.....	4	
		-----★-----		
- 8	MS27743-18	... RELAY.....	4	
- 9	451116-162	... SOCKET, RELAY.....	4	
	1N4007	... DIODE, RELAY.....	16	
-10	M6106/27-023	... RELAY.....	29	
-11	451120-051	... SOCKET, RELAY.....	29	
	122-364132-7	... DECAL, RELAY IDENTIFICATION.....	1	
-12	122-364131-9	... SHELF.....	1	
-13	122-364131-15	... ANGLE ASSY.....	2	
	MS21075L08	... NUTPLATE.....	2	
-14	RE75G24R9	... RESISTOR.....	4	
		/ATTACHING PARTS/		
-15	MS35206-215	... SCREW.....	2	
-16	AN960-4L	... WASHER.....	2	
		-----★-----		
-17	RME2R67P26P5002	... CONNECTOR.....	1	
-18	RME2R67P67P5001	... CONNECTOR.....	1	
		/ATTACHING PARTS/		
-19	MS21042L04	... NUT.....	4	
-20	AN960-4L	... WASHER.....	4	
-21	MS35206-217	... SCREW.....	4	
		-----★-----		
-22	122-364131-23	... ANGLE.....	2	
	AN256-8	... NUTPLATE.....	4	
	MS21047L04	... NUTPLATE.....	8	
-23	122-364131-5	... BOX.....	1	

Beechcraft
STARSHIP 1
ILLUSTRATED PARTS CATALOG



VIEW A



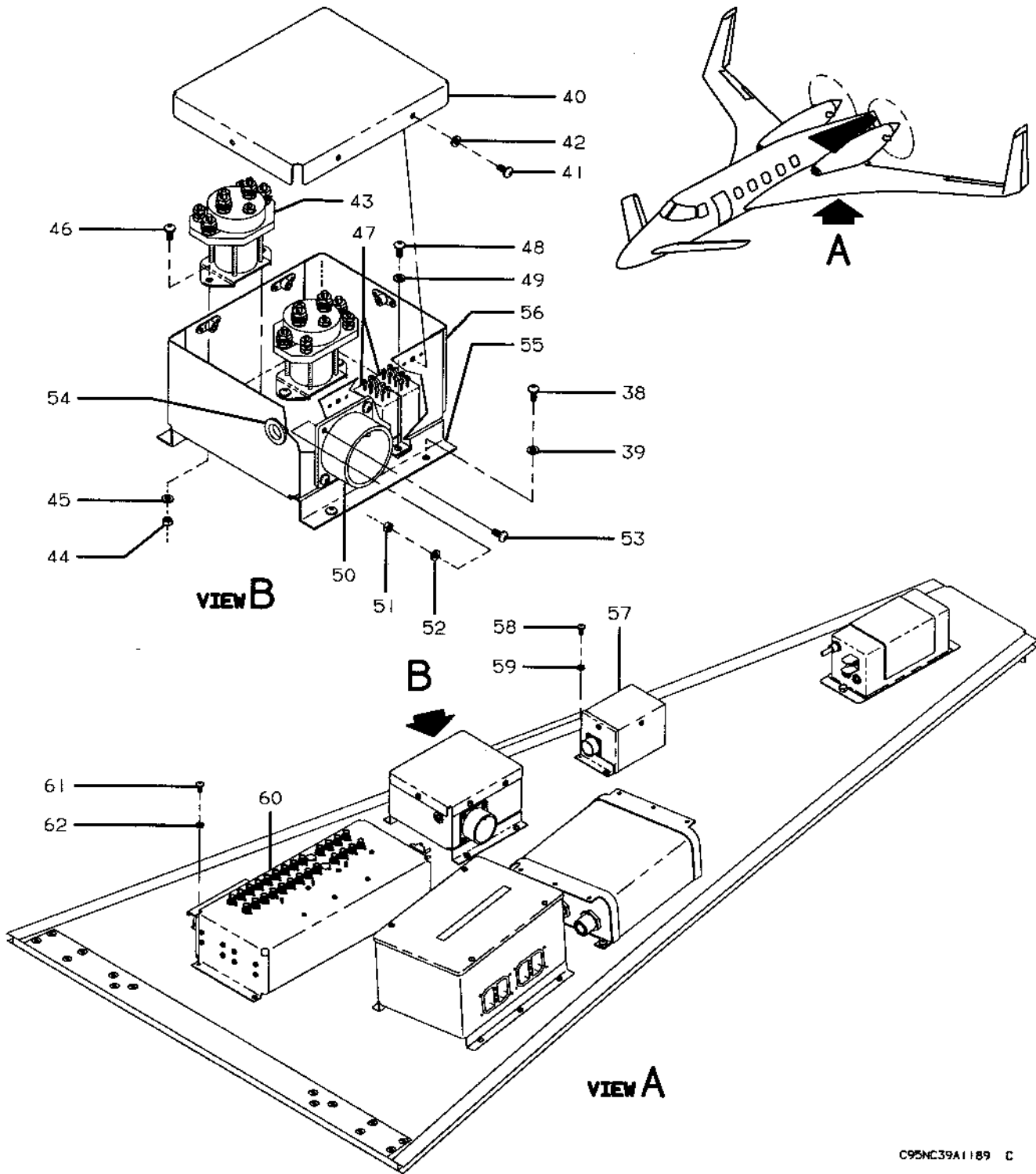
VIEW B

C95NC39A1188 C

Deechcraft
STARSHIP 1
ILLUSTRATED PARTS CATALOG

SUB-SEC UNIT & ITEM NO	PART NO.	DESCRIPTION 1 2 3 4 5 6 7	UNITS	USABLE
			PER ASSY	ON CODE
20-30 -24	MS18029-256	. COVER ASSY, TERMINAL BLOCK	1	
-25	MS35650-304	. NUT	6	
-26	MS35338-138	. WASHER, LOCK	6	
-27	AN960C10L	. WASHER	6	
-28	MS25226-4-5	. BUS BAR	1	
	131033R1-6	. STRIP, TERMINAL IDENTIFICATION	1	
-29	MS27212-2-6	. BOARD, TERMINAL	1	
		/ATTACHING PARTS/		
-30	MS35206-217	. SCREW	2	
		-----★-----		
-31	204814-1	. CONNECTOR ASSY, GROUND	2	
		/ATTACHING PARTS/		
-32	130909N28	. NUT	2	
-33	AN960-8L	. WASHER	2	
-34	MS35206-244	. SCREW	2	
		-----★-----		
-35	122-364133-11	. BRACKET	1	
		/ATTACHING PARTS/		
-35A R	130909N28	. NUT	2	
-36 R	AN960-8L	. WASHER	2	
-37 R	MS35206-244	. SCREW	2	
		-----★-----		
-37A	MS25083-2BB5	. JUMPER, BONDING/TERMINAL BOARD TO GROUND	1	
		CONNECTOR/		
	MS25083-2BB4	. JUMPER, BONDING/GROUND BRACKET TO CIRCUIT	1	
		BREAKER PANEL/		
	MS25083-2BB5	. JUMPER, BONDING/CIRCUIT BREAKER PANEL TO	1	
		RELAY BOX/		
	MS25083-2BB6	. JUMPER, BONDING/RELAY BOX TO ENVIRONMENTAL	1	
		CONTROL BOX/		
	MS25083-2BB4	. JUMPER, BONDING/ENVIRONMENTAL CONTROL BOX TO ..	1	
		RELAY BOX/		
	MS25083-2BB9	. JUMPER, BONDING/RELAY BOX TO BLEED AIR LEAK	1	
		DETECTION CONTROLLER/		
R	MS25083-2BB15	. JUMPER, BONDING/BLEED AIR LEAK DETECTION	1	
		CONTROLLER TO EMERGENCY LOCATOR		
		TRANSMITTER/		

Beechcraft
STARSHIP 1
ILLUSTRATED PARTS CATALOG



C95NC39A1189 C

Beechcraft
STARSHIP 1
ILLUSTRATED PARTS CATALOG

SUB-SEC UNIT & ITEM NO	PART NO.	DESCRIPTION 1 2 3 4 5 6 7	UNITS PER ASSY	USABLE ON CODE
20-30	122-364064-13	. RELAY PANEL ASSY.....	1	
		/ATTACHING PARTS/		
- 38	MS35206-244	. SCREW.....	4	
- 39	AN960-8L	. WASHER.....	4	
		---★---		
- 40	122-364064-7	. COVER.....	1	
		/ATTACHING PARTS/		
- 41	MS35206-244	. SCREW.....	6	
- 42	AN960-8L	. WASHER.....	6	
		---★---		
	100-361045-1	. SUPPRESSOR ASSY, TRANSZORB.....	2	
- 43	6041H220	. RELAY.....	2	
		/ATTACHING PARTS/		
- 44	130909N29	. NUT.....	2	
- 45	AN960-10L	. WASHER.....	2	
- 46	MS35207-262	. SCREW.....	2	
		---★---		
- 47	50-380048-1	. RELAY.....	2	
		/ATTACHING PARTS/		
- 48	MS35206-229	. SCREW.....	2	
- 49	AN960-4	. WASHER.....	2	
		---★---		
	1N4007	. DIODE.....	2	
- 50	MS3472L14-12P	. CONNECTOR.....	1	
		/ATTACHING PARTS/		
- 51	MS21042L06	. NUT.....	4	
- 52	AN960-6	. WASHER.....	4	
- 53	MS35206-229	. SCREW.....	4	
		---★---		
- 54	MS35489-11	. GROMMET.....	1	
	122-364064-15	. BOX ASSY.....	1	
- 55	122-364064-9	. ZEE.....	2	
	MS21047L08	. NUTPLATE.....	6	
- 56	122-364064-17	. BOX.....	1	
	MS21070L06	. NUTPLATE.....	4	
	207359-1	. CONNECTOR.....	1	
	66099-4	. PIN.....	2	
- 57	472184-04	. LEAK DETECTION CONTROLLER, BLEED AIR.....	1	
		/ATTACHING PARTS/		
- 58	MS35207-244	. SCREW.....	4	
- 59	AN960-8L	. WASHER.....	4	
		---★---		
- 60	122-361013-55	. PANEL ASSY, CIRCUIT BREAKER/SEE CHAPTER.....	1	3
		39-10-50/		
	122-361013-79	. PANEL ASSY, CIRCUIT BREAKER/SEE CHAPTER.....	1	4
		39-10-50/		
		/ATTACHING PARTS/		
- 61	MS35207-262	. SCREW.....	4	
- 62	AN960-10L	. WASHER.....	4	
		---★---		

NOTE FOR EMERGENCY LOCATOR TRANSMITTER, SEE CHAPTER 25. FOR ENVIRONMENTAL CONTROL BOX, SEE CHAPTER 21.

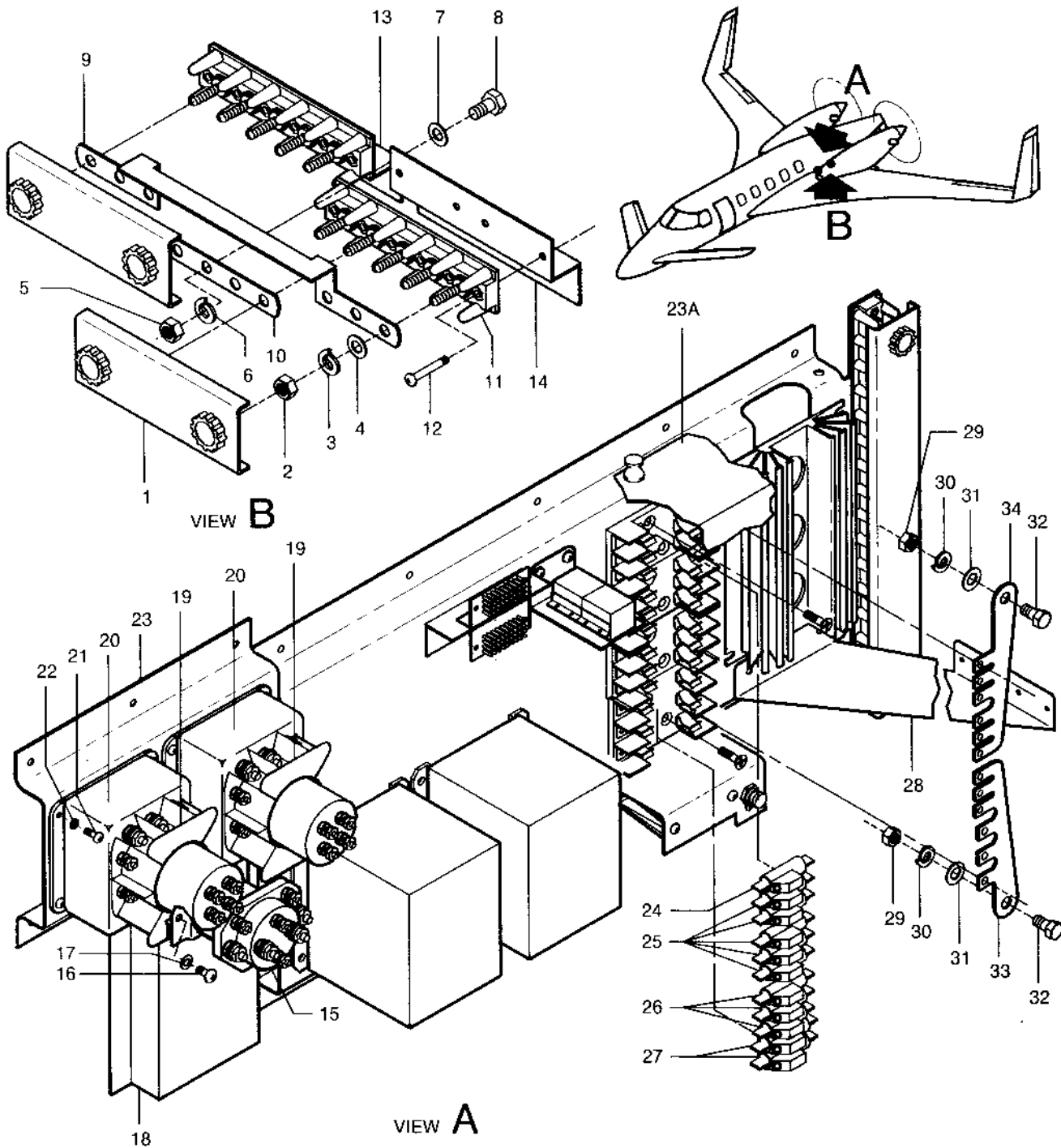
CODES OF EFFECTIVITY

1 NC-4 THRU NC-53	2 NC-54 AND AFTER
3 NC-4 THRU NC-20	4 NC-21 AND AFTER

Beechcraft
STARSHIP 1
ILLUSTRATED PARTS CATALOG

39-21-00
CENTER SECTION ELECTRICAL EQUIPMENT

Beechcraft
 STARSHIP 1
 ILLUSTRATED PARTS CATALOG



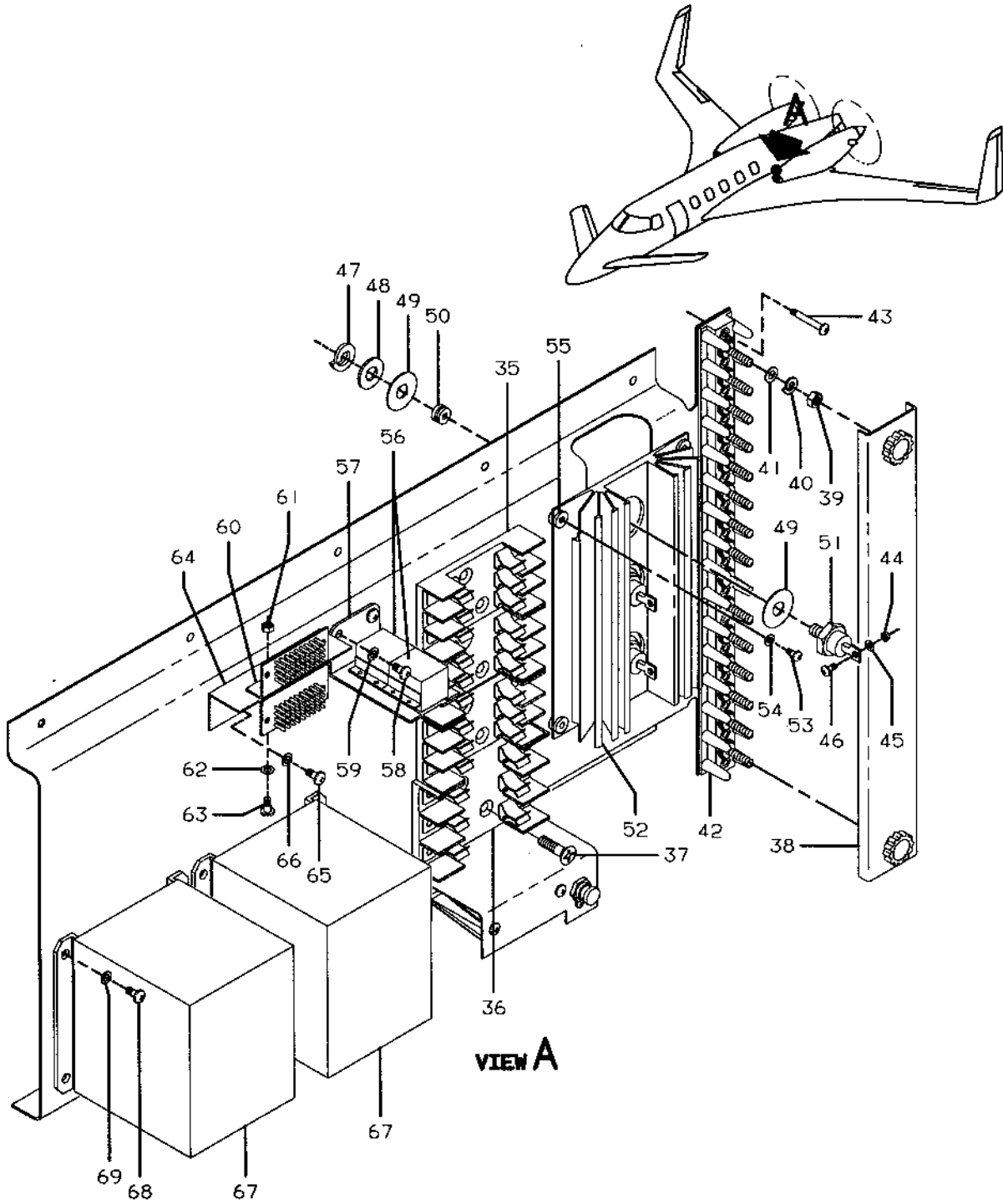
2000-355-14

FIGURE 21-00. CENTER SECTION ELECT EQUIPMENT
 /SHEET 1 OF 3 SHEETS/

Beechcraft
STARSHIP 1
ILLUSTRATED PARTS CATALOG

SUB-SEC UNIT & ITEM NO	PART NO.	DESCRIPTION 1 2 3 4 5 6 7	UNITS	USABLE ON CODE
			PER ASSY	
21-00	122-361016-15	ELECTRICAL EQUIPMENT INSTL, WING CTR SECTION	NP	
- 1	MS18029-5S5	. COVER ASSY	2	
- 2	MS35650-3384	. NUT	10	
- 3	MS35338-141	. WASHER, LOCK	10	
- 4	AN960C616	. WASHER	10	
- 5	AN316-5	. NUT	1	
- 6	R MS35338-45	. WASHER, LOCK	1	
- 7	AN960C516L	. WASHER	1	
- 8	AN5-4A	. BOLT	1	
- 9	122-361014-57	. BUS BAR	1	
-10	122-361014-55	. BUS BAR	1	
-11	MS27212-5-5	. TERMINAL BOARD	2	
		/ATTACHING PARTS/		
-12	MS35206-230	. SCREW	4	
		---★---		
-13	122-361016-31	. BRACKET ASSY	1	
-14	122-361016-35	. BRACKET ASSY	1	
	R MS21075L06	. NUTPLATE	4	
	R 122-361016-13	. PANEL ASSY	1	
	R 100-361045-1	. TRANZORB ASSY, SUPPRESSOR	2	
-15	109-381002-1	. RELAY, FWD WING	1	
		/ATTACHING PARTS/		
-16	MS27039-1-07	. SCREW	2	
-17	AN960-10L	. WASHER	2	
		---★---		
-18	122-361016-11	. BRACKET ASSY	1	
	MS21060-3	. NUTPLATE	4	
	122-361016-21	. PANEL ASSY, FLAP MONITOR RELAY	1	
-19	49-2861	. COVER, TERMINAL	2	
	100-361045-1	. TRANZORB ASSY, SUPPRESSOR	2	
-20	MS24376D2	. RELAY, FLAP MONITOR	2	
		/ATTACHING PARTS/		
-21	MS27039-1-07	. SCREW	4	
-22	AN960-10L	. WASHER	4	
		---★---		
-23	122-361016-19	. BRACKET ASSY	1	
	MS21060-3	. NUTPLATE	8	
-23A	122-361058-55	. COVER ASSY	1	
	HN5P52-1-1	. PLUNGER	3	
	HN5G52-1	. GROMMET	3	
	122-361059-29	. DECAL	1	
-24	ACH15	. LIMITER, NO. 1 AVIONICS BUS	1	
-25	FIL25	. LIMITER, NO. 1, 2, 3, 4 & 5 SUB BUS FEEDER	5	
-26	FIL20	. LIMITER, FWD & AFT SUB BUS FEEDER & FWD WING	3	
		MOTOR		
-27	FIL35	. LIMITER, FLAP & EICAS POWER	2	
-28	122-361033-51	. STRAP, BOND	1	
	122-361019-9	. PANEL ASSY, ELECTRICAL EQUIPMENT	1	
-29	MS35650-3254	. NUT	2	
-30	MS35338-139	. WASHER, LOCK	2	
-31	AN960C416	. WASHER	2	
-32	AN4C5A	. BOLT	2	
-33	122-361014-85	. BUS BAR	1	
-34	122-361014-83	. BUS BAR	1	

Deechcraft
STARSHIP 1
ILLUSTRATED PARTS CATALOG



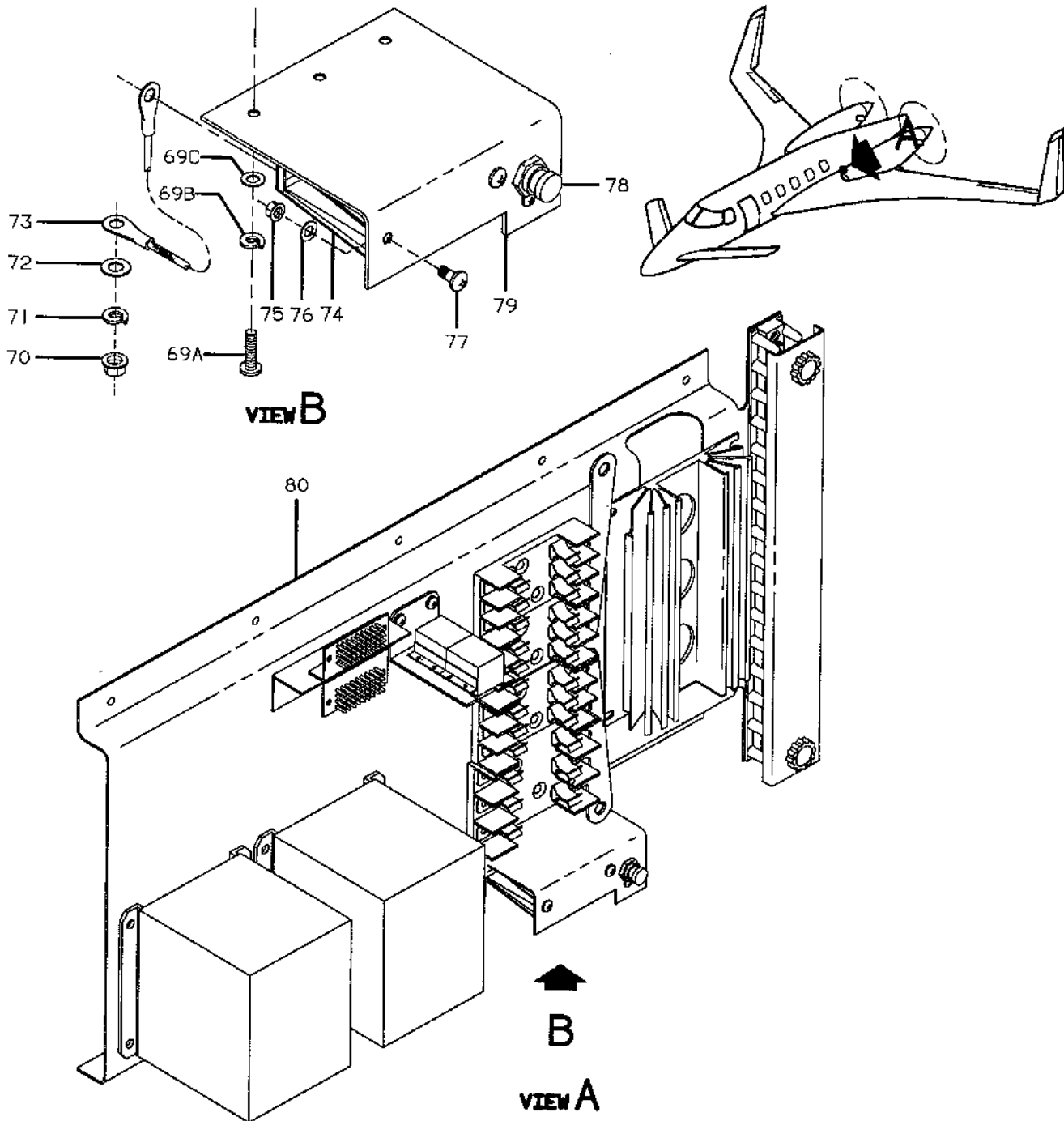
C95NC39A1190 C

FIGURE 21-00. CENTER SECTION ELECT EQUIPMENT
/SHEET 2 OF 3 SHEETS/

Beechcraft
STARSHIP 1
ILLUSTRATED PARTS CATALOG

SUB-SEC UNIT & ITEM NO	PART NO.	DESCRIPTION 1 2 3 4 5 6 7	UNITS PER ASSY	USABLE ON CODE
21-00 -35	3967	.. HOLDER, LIMITER FUSE	3	
-36	3968	.. HOLDER, LIMITER FUSE	1	
		.. /ATTACHING PARTS/		
-37	MS24693S274	.. SCREW	2	
		-----★-----		
	MS35206-243	.. SCREW/USE WITH 3967 FUSE HOLDER/	9	
	AN508-10-6	.. SCREW/USE WITH 3968 FUSE HOLDER/	3	
-38	MS18029-2S15	.. COVER ASSY, TERMINAL BOARD	1	
-39	130909N29	.. NUT	15	
-40	MS35338-138	.. WASHER, LOCK	15	
-41	AN960C10	.. WASHER	15	
	131033R1-15	.. STRIP, TERMINAL IDENTIFICATION	1	
-42	MS27212-2-15	.. TERMINAL BOARD	1	
		.. /ATTACHING PARTS/		
-43	MS35206-217	.. SCREW	4	
		-----★-----		
-44	MS21042L06	.. NUT	3	
-45	AN960-8L	.. WASHER	3	
-46	R NAS1096-1-6	.. SCREW	3	
-47	MS35338-44	.. WASHER, LOCK	3	
-48	R 100951S016ZZ	.. WASHER	15	
-49	7403-09FR25	.. INSULATOR	6	
-50	DF3H	.. INSULATOR	3	
-51	85HF100	.. DIODE/NUT FURNISHED WITH DIODE/	3	
-52	B4949	.. HEAT SINK	1	
		.. /ATTACHING PARTS/		
-53	MS35206-230	.. SCREW	4	
-54	AN960-8L	.. WASHER	4	
		-----★-----		
-55	103	.. INSULATOR	4	
-56	M6106/29-023	.. RELAY	2	
-57	122-361019-7	.. BRACKET, RELAY	1	
		.. /ATTACHING PARTS/		
-58	MS35206-245	.. SCREW	2	
-59	AN960-8L	.. WASHER	2	
		-----★-----		
-60	204814-1	.. CONNECTER, GROUND	2	
		.. /ATTACHING PARTS/		
-61	130909N28	.. NUT	2	
-62	AN960-8L	.. WASHER	2	
-63	MS35206-245	.. SCREW	2	
		-----★-----		
-64	122-364133-11	.. BRACKET	1	
		.. /ATTACHING PARTS/		
-65	MS35206-245	.. SCREW	2	
-66	AN960-8L	.. WASHER	2	
		-----★-----		
-67	51538-001B	.. CONTROL UNIT, GENERATOR	2	
		.. /ATTACHING PARTS/		
-68	MS35206-245	.. SCREW	4	
-69	AN960-8L	.. WASHER	4	
		-----★-----		

Beechcraft
STARSHIP 1
ILLUSTRATED PARTS CATALOG



C93NC39A4449 C

FIGURE 21-00.CENTER SECTION ELECT EQUIPMENT
/SHEET 3 OF 3 SHEETS/


STARSHIP 1
ILLUSTRATED PARTS CATALOG

SUB-SEC UNIT & ITEM NO	PART NO.	DESCRIPTION 1 2 3 4 5 6 7	UNITS	USABLE ON CODE
			PER ASSY	
21-00 -69A	R MS35206-228	.. SCREW.....	3	
-69B	R MS35338-41	.. WASHER, LOCK.....	3	
-69C	R AN960-6L	.. WASHER.....	3	
	R 122-361019-11	.. PANEL ASSY.....	1	
-70	R 130909N49	.. NUT.....	2	
-71	R MS35338-43	.. WASHER, LOCK.....	2	
-72	R AN960-10L	.. WASHER.....	2	
	R AN960JD10	.. WASHER.....	2	
-73	MS25083-2BB5	.. JUMPER, BONDING.....	1	
-74	122-380062-5	.. VARISTOR, METAL OXIDE..... /ATTACHING PARTS/	1	
-75	MS21042L06	.. NUT.....	2	
-76	AN960-6L	.. WASHER.....	4	
-77	MS35206-231	.. SCREW.....	2	
		---★---		
-78	131984-5	.. CIRCUIT BREAKER.....	1	
-79	122-361057-57	.. BRACKET.....	1	
	MS21060-04	.. NUTPLATE.....	4	
	MS21060-06	.. NUTPLATE.....	4	
	R MS21060-08	.. NUTPLATE.....	14	
	MS21060-3	.. NUTPLATE.....	8	
	MS21069L06	.. NUTPLATE.....	3	
	R 130909N29	.. NUT.....	2	
	R MS35338-43	.. WASHER, LOCK.....	2	
	R AN960-10L	.. WASHER.....	2	
	R MS35207-265	.. SCREW.....	1	
	131270-3	.. GROUND STUD, BLIND.....	3	
-80	122-361019-13	.. PANEL.....	1	

Raytheon Aircraft

BEECH STARSHIP 1 ILLUSTRATED PARTS CATALOG

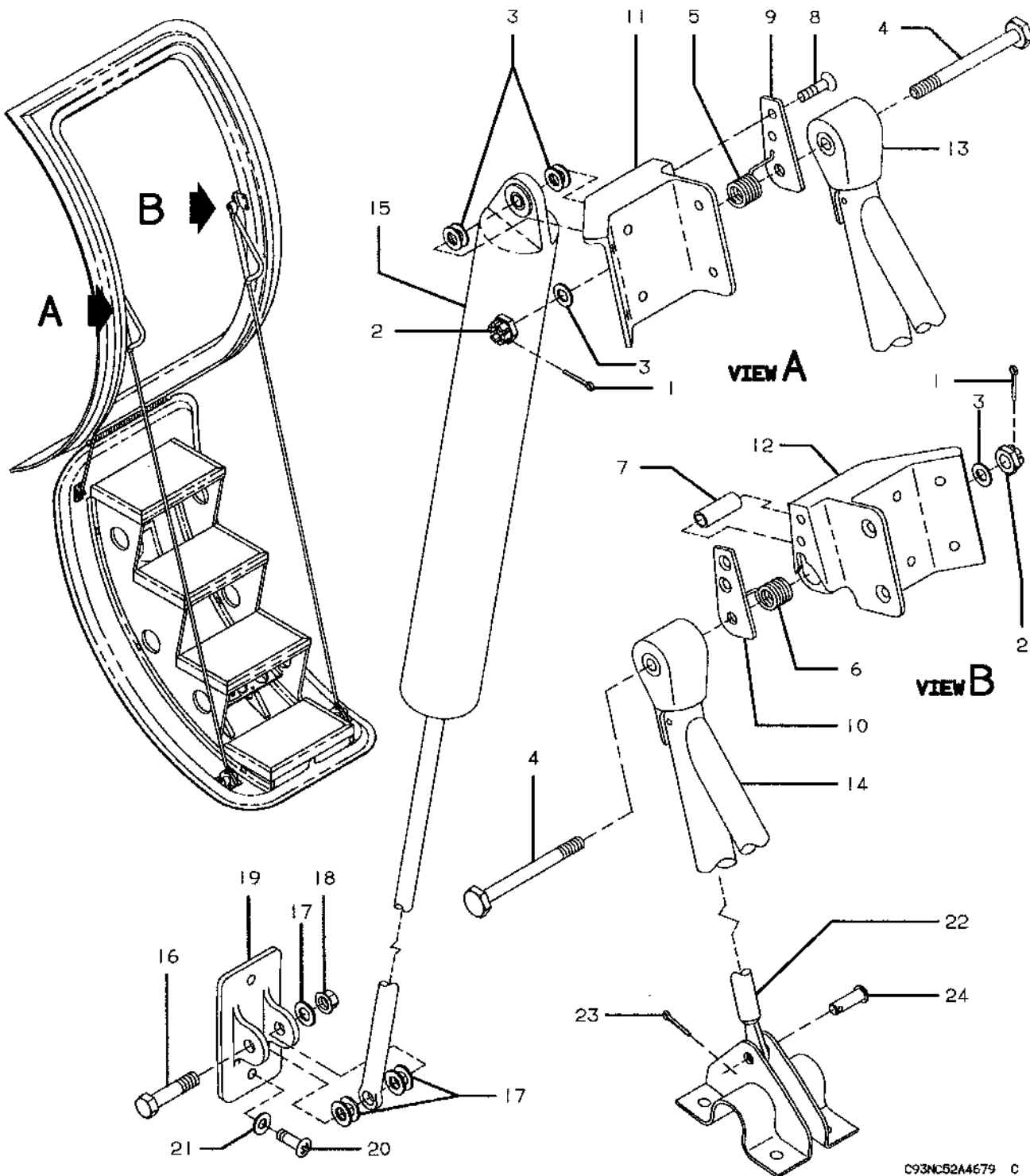
LIST OF PAGES & TABLE OF CONTENTS FOR CHAPTER 52-00-00 DOORS

CHAP/SUB-SECT & UNIT	PAGE NUMBER	EFFECTIVE DATE	TABLE OF CONTENTS
52-00-00	1	10/27/00	LIST OF PAGES & TABLE OF CONTENTS
52-10-00	1	02/25/94	CABIN AIRSTAIR DOOR
52-10-00	2	02/25/94	
52-10-00	3	02/25/94	
52-10-00	4	02/25/94	
52-10-00	5	02/25/94	
52-10-00	6	02/25/94	
52-10-00	7	02/25/94	
52-10-00	8	02/25/94	
52-10-00	9	02/25/94	
52-10-10	1	02/25/94	CABIN AIRSTAIR DOOR LATCH MECHANISM
52-10-10	2	02/25/94	
52-10-10	3	02/25/94	
52-10-10	4	02/25/94	
52-10-10	5	02/25/94	
52-10-10	6	02/25/94	
52-10-10	7	02/25/94	
52-10-10	8	02/25/94	
52-10-10	9	02/25/94	
52-10-20	1	02/25/94	AIRSTAIR DOOR SEAL PLUMBING
52-10-20	2	02/25/94	
52-10-20	3	02/25/94	
52-20-00	1	02/25/94	EMERGENCY EXIT DOOR
52-20-00	2	02/25/94	
52-20-00	3	02/25/94	
52-20-00	4	10/27/00	
52-20-00	5	10/27/00	
52-40-00	1	02/25/94	NOSE AVIONICS ACCESS DOORS
52-40-00	2	02/25/94	
52-40-00	3	02/25/94	
52-70-00	1	02/25/94	CABIN DOOR WARNING SWITCHES
52-70-00	2	02/25/94	
52-70-00	3	02/25/94	
52-80-10	1	02/25/94	MAIN LANDING GEAR DOORS
52-80-10	2	02/25/94	
52-80-10	3	02/25/94	
52-80-10	4	02/25/94	
52-80-10	5	02/25/94	
52-80-20	1	02/25/94	NOSE LANDING GEAR DOORS
52-80-20	2	02/25/94	
52-80-20	3	02/25/94	
52-80-30	1	02/25/94	NOSE LANDING GEAR AFT DOORS
52-80-30	2	02/25/94	
52-80-30	3	02/25/94	

Beechcraft
STARSHIP 1
ILLUSTRATED PARTS CATALOG

52-10-00
CABIN AIRSTAIR DOOR

Beechcraft
STARSHIP 1
ILLUSTRATED PARTS CATALOG



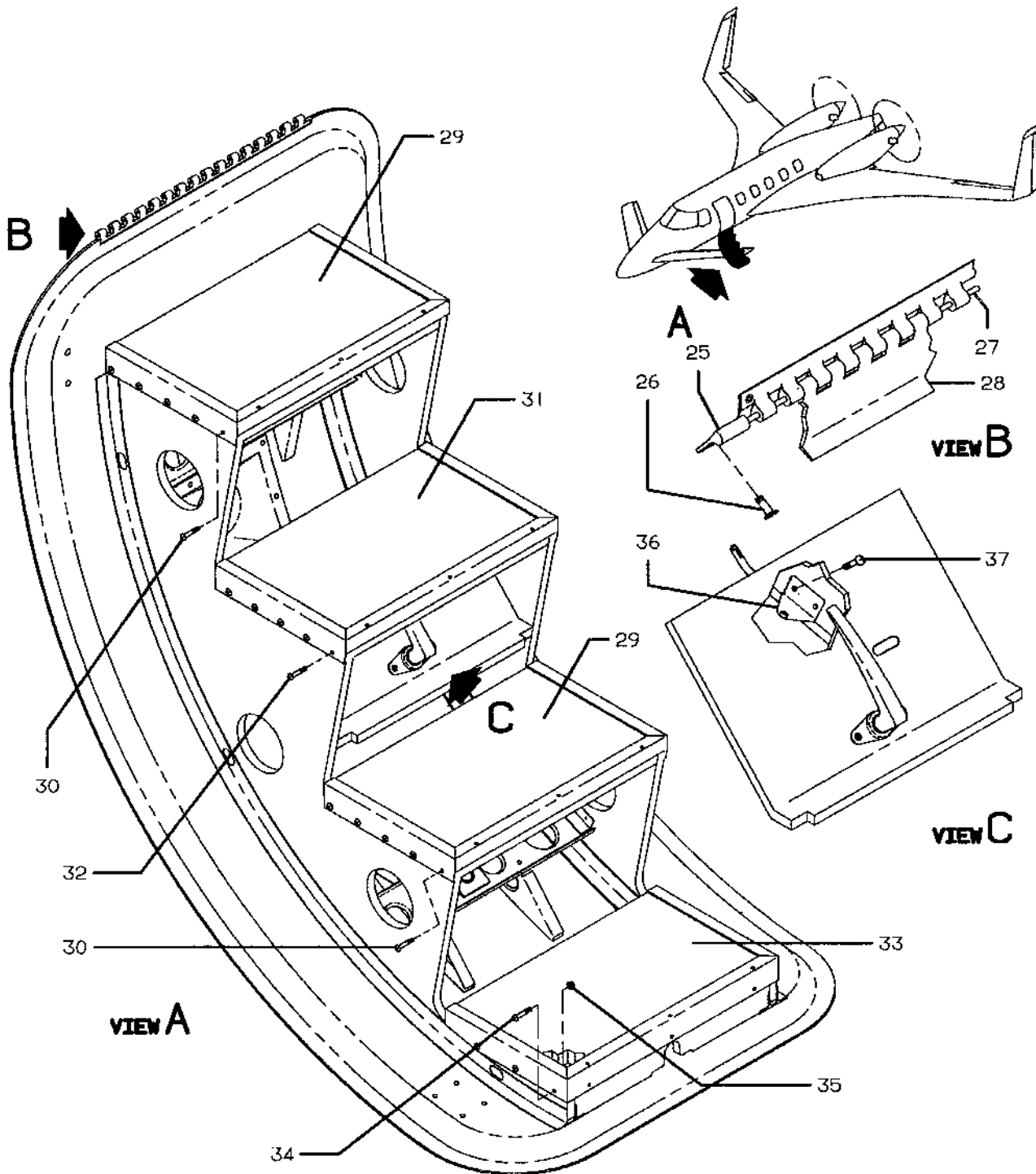
C93NC52A4679 C

FIGURE 10-00.CABIN AIRSTAIR DOOR
/SHEET 1 OF 4 SHEETS/

Beechcraft
STARSHIP 1
ILLUSTRATED PARTS CATALOG

SUB-SEC UNIT & ITEM NO	PART NO.	DESCRIPTION 1 2 3 4 5 6 7	UNITS	USABLE
			PER ASSY	ON CODE
10-00	122-430100-1	DOOR INSTL, CABIN AIRSTAIR	NP	
- 1	MS24665-132	. PIN, COTTER	2	
- 2	MS17828-4	. NUT	2	
- 3	AN960-416	. WASHER	6	
- 4	122-430100-21	. BOLT/ALTERNATE FOR NAS1304-44DW/	2	
	NAS1304-44DW	. BOLT/ALTERNATE FOR 122-430100-21/	2	
- 5	RR1071L	. SPRING	1	
- 6	RR1071R	. SPRING	1	
- 7	NAS43DD4-38	. SPACER	1	
- 8	MS24694S5	. SCREW	4	
- 9	122-430100-5	. PLATE, FWD SUPPORT	1	
- 10	122-430100-6	. PLATE, AFT SUPPORT	1	
- 11	122-430059-1	. FITTING ASSY, FWD HANDRAIL SUPPORT	1	
- 12	122-430059-2	. FITTING ASSY, AFT HANDRAIL SUPPORT	1	
- 13	122-430045-15	. HANDRAIL ASSY, FWD	1	
- 14	122-430045-16	. HANDRAIL ASSY, AFT	1	
	KP4A	. BEARING	2	
- 15	122-380023-1	. DAMPER ASSY, GAS SPRING/ORDER 122-380023-3	NP	3
		FOR SPARES/		
	122-380023-3	. DAMPER ASSY, GAS SPRING	1	4
		/ATTACHING PARTS/		
- 16	122-430100-19	. BOLT/ALTERNATE FOR NAS1304-14W/	1	
	NAS1304-14W	. BOLT/ALTERNATE FOR 122-430100-19/	1	
- 17	AN960C416	. WASHER	5	
- 18	22K1-048	. NUT/INSTALL ON STEP SIDE/	1	
		-----*		
- 19	122-430100-13	. FITTING, DAMPER ASSY SUPPORT	1	
		/ATTACHING PARTS/		
- 20	MS27039-1-07	. SCREW	2	
- 21	AN960-10L	. WASHER	2	
		-----*		
- 22	122-382070-3	. CABLE ASSY, HANDRAIL/ORDER 122-382070-5 FOR	NP	5
		SPARES/		
	122-382070-5	. CABLE ASSY, HANDRAIL	2	6
		/ATTACHING PARTS/		
- 23	MS24665-132	. PIN, COTTER	1	5
- 24	MS20392-3C19	. PIN, CLEVIS/ORDER 122-430100-17 BOLT OR	NP	5
		NAS1304-9W BOLT, AN960C416L WASHER AND		
		22K1-048 NUT/		
	122-430100-17	. BOLT/ALTERNATE FOR NAS1304-9W/	2	6
	NAS1304-9W	. BOLT/ALTERNATE FOR 122-430100-17/	2	6
	AN960C416L	. WASHER	2	6
	22K1-048	. NUT/INSTALL ON STEP SIDE/	2	6
		-----*		
	122-430100-15	. SEAL, COMPRESSIVE/AIRSTAIR DOOR/	1	

Beechcraft
STARSHIP 1
ILLUSTRATED PARTS CATALOG

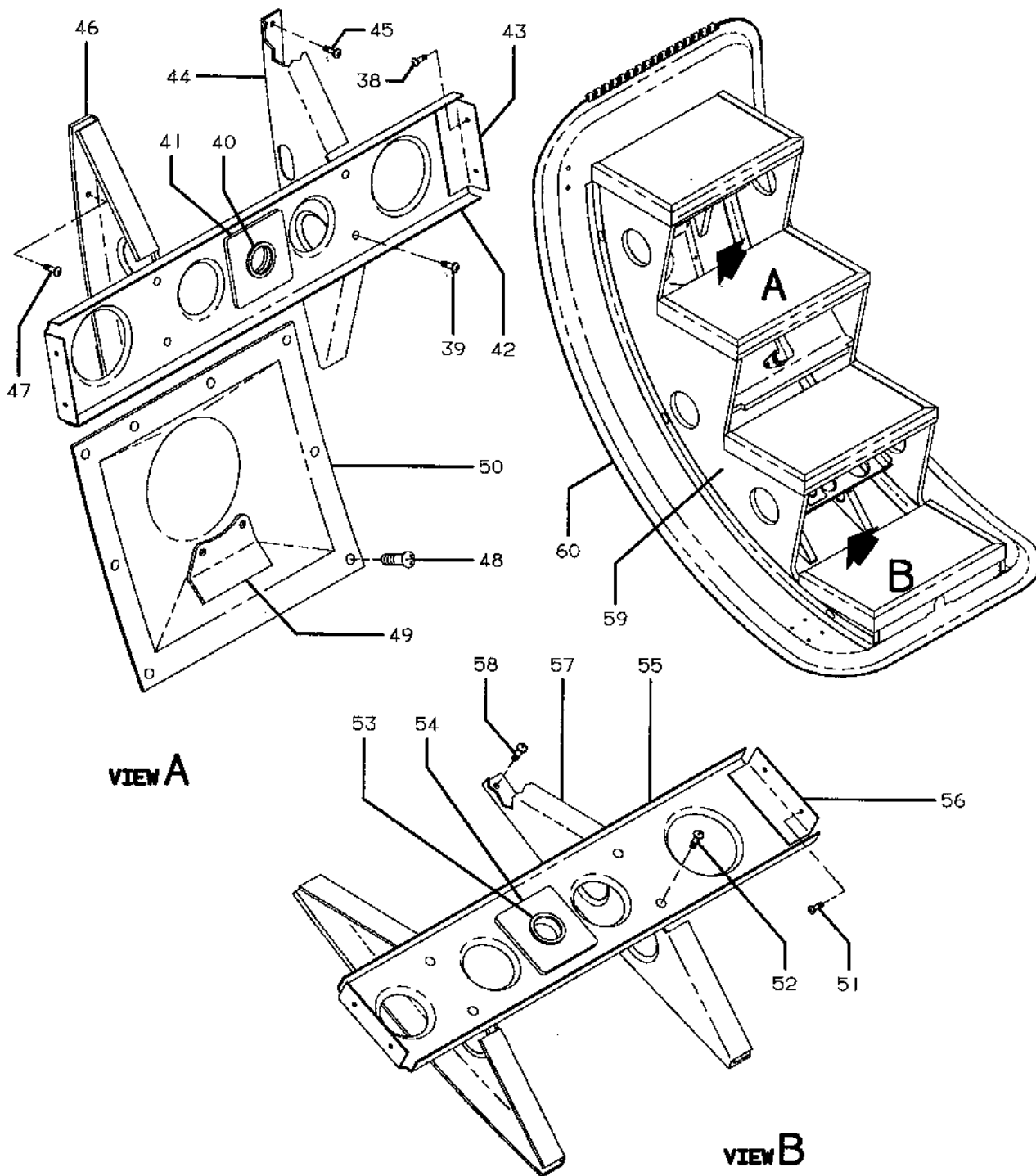


C93NC52A4680 C

Beechcraft
STARSHIP 1
ILLUSTRATED PARTS CATALOG

SUB-SEC UNIT & ITEM NO	PART NO.	DESCRIPTION 1 2 3 4 5 6 7	UNITS PER ASSY	USABLE ON CODE
10-00 -25	122-430058-1	. RETAINER, HINGE PIN FWD.....	1	
	122-430058-2	. RETAINER, HINGE PIN AFT.....	1	
-26	MS24694S55	.. /ATTACHING PARTS/ .. SCREW.....	1	
	2R2329	---★--- .. PLUSNUT.....	2	
-27	122-430100-3	. PIN, HINGE.....	1	
-28	122-430113-5	. HINGE HALF/MAY USE 122-430113-9 FOR SPARES/.....	1	1
	122-430113-9	. HINGE HALF.....	1	2
	122-430100-601	. DOOR ASSY, CABIN AIRSTAIR.....	1	
	122-430050-1	.. MECHANISM INSTL, DOOR LATCH/SEE CHAPTER..... 52-10-10/	NP	
	122-430040-1	.. STRUCTURE ASSY, CABIN AIRSTAIR DOOR.....	1	
-29	122-430060-47	... STEP ASSY, BONDED.....	2	
		.. /ATTACHING PARTS/ ... SCREW.....	10	
-30	AN525-10R16	---★--- ... PLUSNUT.....	3	
-31	122-430060-49	... STEP ASSY, BONDED.....	1	
		.. /ATTACHING PARTS/ ... SCREW.....	10	
-32	AN525-10R16	---★--- ... PLUSNUT.....	3	
	2R2329	... PLUSNUT.....	2	
-33	122-430060-45	... STEP ASSY, BONDED.....	1	
		.. /ATTACHING PARTS/ ... SCREW.....	6	
-34	AN525-10R16	... NUT.....	6	
-35	130909N49	---★--- ... PLUSNUT.....	3	
-36	2R2330	... PLUSNUT.....	2	
	122-430043-17	... BRACKET, SUPPORT/PRESSURE LOCK RELEASE/.....	1	
-37	MS27039-1-05	.. /ATTACHING PARTS/ ... SCREW.....	2	
		---★---		

Beechcraft
STARSHIP 1
ILLUSTRATED PARTS CATALOG

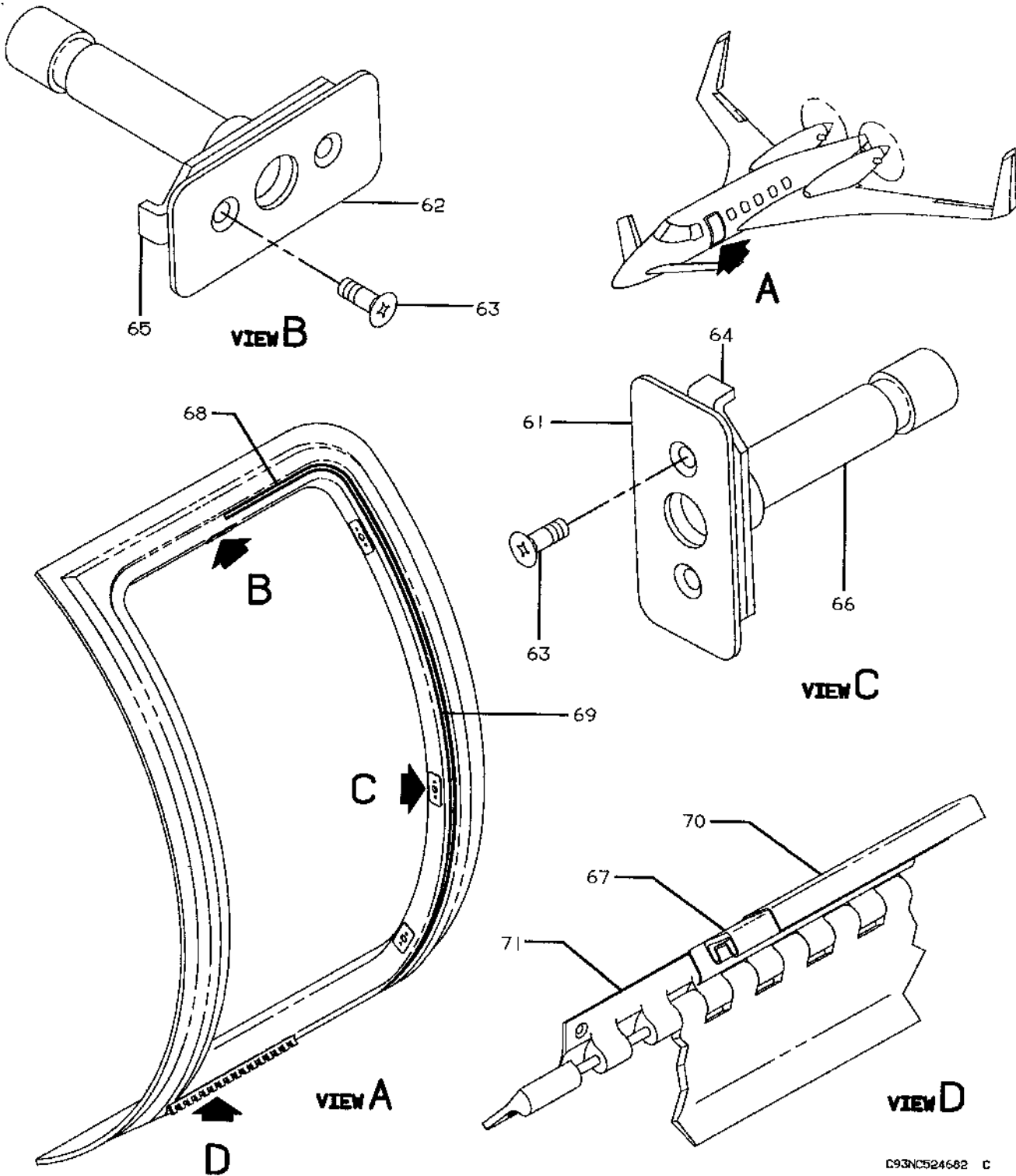


C93NC82M681 C

Beechcraft
STARSHIP 1
ILLUSTRATED PARTS CATALOG

SUB-SEC UNIT & ITEM NO	PART NO.	DESCRIPTION 1 2 3 4 5 6 7	UNITS PER ASSY	USABLE ON CODE
10-00	122-430043-59	... SUPPORT ASSY /ATTACHING PARTS/	1	
-38	MS27039-1-05	... SCREW	4	
-39	MS27039-1-07	... SCREW	4	
		---★---		
-40	NAS77A12-25	... BUSHING	1	
-41	122-430043-29	... PLATE	1	
-42	122-430043-61	... CHANNEL	1	
-43	122-430043-15	... ANGLE	2	
-44	122-430043-5	... SUPPORT ASSY /ATTACHING PARTS/	1	
-45	MS27039-1-05	... SCREW	6	
		---★---		
	MS21069L3	... NUTPLATE	2	
-46	122-430043-43	... SUPPORT ASSY /ATTACHING PARTS/	1	
-47	MS27039-1-05	... SCREW	4	
		---★---		
	MS21069L3	... NUTPLATE	2	
	122-430043-39	... PAN ASSY, AIRSTAIR DOOR PRESSURE LOCK.....	1	11
	122-430043-601	... PAN ASSY, AIRSTAIR DOOR PRESSURE LOCK.....	1	12
		/ATTACHING PARTS/		
-48	MS27039-1-05	... SCREW	10	
		---★---		
-49	122-430043-33	... ANGLE ASSY	1	
	MS21073-3	... NUTPLATE	2	
-50	122-430043-37	... PAN	1	
	122-430044-621	... LOCK ASSY.....	1	12
	122-430043-55	... SUPPORT ASSY /ATTACHING PARTS/	1	
-51	MS27039-1-05	... SCREW	4	
-52	MS27039-1-07	... SCREW	4	
		---★---		
-53	NAS77A12-25	... BUSHING	1	
-54	122-430043-29	... PLATE	1	
-55	122-430043-57	... CHANNEL	1	
-56	122-430043-15	... ANGLE	2	
-57	122-430043-13	... SUPPORT ASSY /ATTACHING PARTS/	2	
-58	MS27039-1-05	... SCREW	6	
		---★---		
	MS21069L3	... NUTPLATE	2	
-59	122-430042-1	... SUPPORT ASSY, STEP/BONDED/	1	
	SL607-06-8CM	... INSERT	1	
	SL607-08-6CM	... INSERT	4	
	465HE1032-07	... INSERT	8	
	E632	... WELLNUT	8	
	2R230	... PLUSNUT	4	
	2R2329	... PLUSNUT	2	
	MS21051L06	... NUTPLATE	2	
-60	122-430041-17	... SHELL ASSY, CABIN AIRSTAIR DOOR/BONDED/.....	1	

Beechcraft
STARSHIP 1
ILLUSTRATED PARTS CATALOG



D93NC524682 C

FIGURE 10-00.CABIN AIRSTAIR DOOR
/SHEET 4 OF 4 SHEETS/

Beechcraft
STARSHIP 1
ILLUSTRATED PARTS CATALOG

SUB-SEC UNIT & ITEM NO	PART NO.	DESCRIPTION 1 2 3 4 5 6 7	UNITS	USABLE
			PER ASSY	ON CODE
10-00	122-430110-1	FRAME INSTL, CABIN AIRSTAIR DOOR/BONDED/.....	NP	9
	122-430110-25	FRAME INSTL, CABIN AIRSTAIR DOOR/BONDED/.....	NP	10
- 61	122-430112-31	. STRIKER, SERRATED/ORDER 122-430112-59	NP	7
		FOR SPARES/		
	122-430112-59	. STRIKER, SERRATED.....	6	8
- 62	122-430112-35	. STRIKER, SERRATED/UPPER CENTER/ORDER	NP	7
		122-430112-61 FOR SPARES/		
	122-430112-61	. STRIKER, SERRATED/UPPER CENTER/	1	8
		/ATTACHING PARTS/		
- 63	MS24694S102	. SCREW.....	2	9
	MS24694C103	. SCREW.....	2	10
		-----*		
	122-430112-37	. PLATE, SERRATED.....	7	9
	122-430112-57	. PLATE, SERRATED.....	7	10
- 64	122-430112-43	. RETAINER ASSY	6	
- 65	122-430112-45	. RETAINER ASSY/UPPER CENTER/	1	
	MS21075L4	. NUTPLATE.....	2	
- 66	122-430112-17	. TUBE, PIN LOCK INDICATION SWITCH.....	6	13
	122-430112-55	. TUBE, PIN LOCK INDICATION SWITCH.....	6	14
- 67	122-380067-1	. SEAL, DOOR/INFLATABLE/	1	
- 68	122-430115-7	. RETAINER, SEAL/TOP/	1	
- 69	122-430115-11	. RETAINER, SEAL/SIDE/.....	2	
- 70	122-430115-9	. RETAINER, SEAL/BOTTOM/	1	
- 71	122-430113-3	. HINGE HALF	1	1
	122-430113-7	. HINGE HALF	1	2

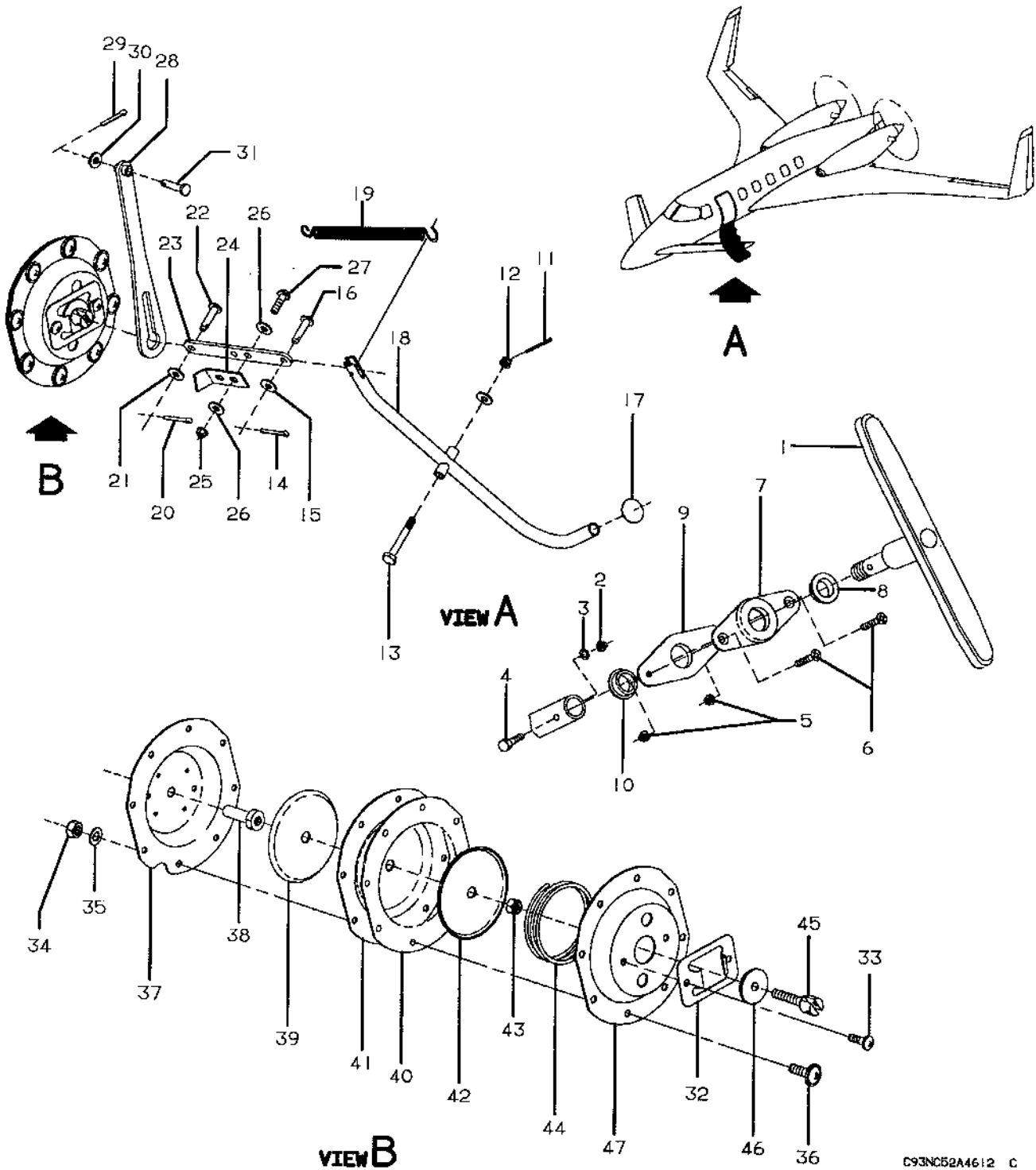
CODES OF EFFECTIVITY

1	NC-4 THRU NC-26	2	NC-27 AND AFTER
3	NC-4 THRU NC-18	4	NC-19 AND AFTER
5	NC-4 THRU NC-21	6	NC-22 AND AFTER
7	NC-4 THRU NC-32	8	NC-33 AND AFTER
9	NC-4 THRU NC-53	10	NC-54 AND AFTER
11	NC-4 THRU NC-11	12	NC-12 AND AFTER
13	NC-4 THRU NC-24	14	NC-25 AND AFTER

Beechcraft
STARSHIP 1
ILLUSTRATED PARTS CATALOG

52-10-10
CABIN AIRSTAIR DOOR LATCH MECHANISM

Beechcraft
STARSHIP 1
ILLUSTRATED PARTS CATALOG



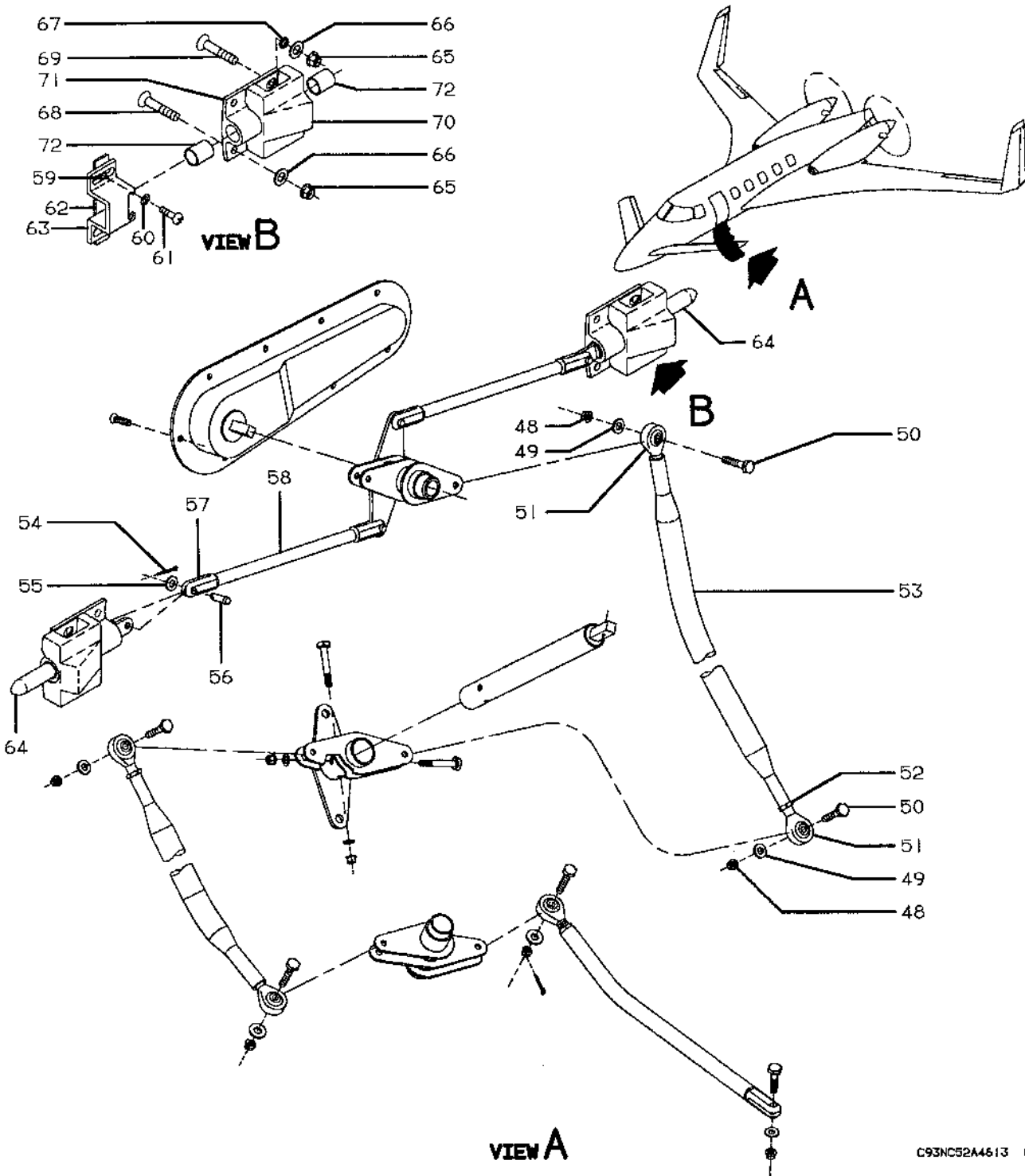
C93NC52A4612 C

FIGURE 10-10. CABIN AIRSTR DOOR LATCH MECHANISM
/SHEET 1 OF 4 SHEETS/

Beechcraft
STARSHIP 1
ILLUSTRATED PARTS CATALOG

SUB-SEC UNIT & ITEM NO	PART NO.	DESCRIPTION 1 2 3 4 5 6 7	UNITS PER ASSY	USABLE ON CODE
10-10	122-430050-21	MECHANISM INSTL, CABIN AIRSTAIR DOOR LATCH	NP	
- 1	122-430050-23	. HANDLE, INSIDE DOOR.....	1	
		/ATTACHING PARTS/		
- 2	130909N49	. NUT	2	
- 3	AN960-10	. WASHER	2	
- 4	130909B23	. BOLT	2	
		---★---		
- 5	130909N49	. NUT	2	
- 6	MS24694S61	. SCREW	2	
- 7	122-430062-5	. SUPPORT ASSY	1	
- 8	NAS77A10-18	. BUSHING	1	
- 9	122-430062-3	. SUPPORT ASSY	1	
- 10	NAS77A12-21	. BUSHING	1	
- 11	MS24665-132	. PIN, COTTER	1	
- 12	MS17825-3	. NUT	1	
- 13	AN3-14	. BOLT	1	
- 14	MS24665-132	. PIN, COTTER	1	
- 15	AN960-4L	. WASHER	1	
- 16	MS20392-1C17	. PIN	1	
- 17	122-430050-29	. BUTTON	1	
- 18	122-430065-25	. TUBE ASSY, WELDED	1	
- 19	100942L0200-48	. SPRING	2	
	122-430065-13	. LINK ASSY	1	
		/ATTACHING PARTS/		
- 20	MS24665-132	. PIN, COTTER	1	
- 21	AN960-4L	. WASHER	1	
- 22	MS20392-1C17	. PIN	1	
		---★---		
- 23	122-430065-9	. LINK	1	
- 24	122-430065-15	. CLIP	1	
		/ATTACHING PARTS/		
- 25	130909N28	. NUT	2	
- 26	AN960-8	. WASHER	4	
- 27	MS27039-0809	. SCREW	2	
		---★---		
- 28	122-430066-7	. LINK ASSY	1	
- 29	MS24665-172	. PIN, COTTER	1	
- 30	AN960-10L	. WASHER	AR	
- 31	MS20392-2C23	. PIN, CLEVIS	1	
- 32	122-430044-17	. GUIDE	1	
		/ATTACHING PARTS/		
- 33	MS35206-227	. SCREW	2	
		---★---		
	122-430044-21	. LOCK ASSY, AIR PRESSURE ACTUATED	1	
		/ATTACHING PARTS/		
	AN525-10R8	. SCREW	2	
		---★---		
- 34	130909N29	. NUT	6	
- 35	AN960PD10	. WASHER	6	
- 36	AN525-10R8	. SCREW	6	
- 37	50-430168-13	. COVER	1	
- 38	122-430044-23	. NUT	1	
- 39	50-430024-7	. SUPPORT	1	
- 40	122-430044-13	. SPACER	1	
- 41	50-430026-3	. SEAL	1	
- 42	50-430024-9	. SUPPORT	1	
- 43	AN316-4R	. NUT	1	
- 44	111504YZ0200-1*	1/2 . . SPRING	1	
- 45	122-430044-5	. BOLT	1	
- 46	102-430284-7	. BUSHING	1	
	MS21075L06	. NUTPLATE	2	
- 47	122-430044-3	. COVER	1	

Beechcraft
STARSHIP 1
 ILLUSTRATED PARTS CATALOG



C93NC52A4613 C

FIGURE 10-10. CABIN AIRSTR DOOR LATCH MECHANISM
 /SHEET 2 OF 4 SHEETS/

Beechcraft
STARSHIP 1
ILLUSTRATED PARTS CATALOG

SUB-SEC UNIT & ITEM NO	PART NO.	DESCRIPTION 1 2 3 4 5 6 7	UNITS	USABLE
			PER ASSY	ON CODE
10-10	122-430055-1	. PUSHROD ASSY /ATTACHING PARTS/	1	
- 48	130909N49	. NUT	2	
- 49	AN960-10	. WASHER	2	
- 50	130909B20	. BOLT	2	

- 51	M81935/1-3	. BEARING	2	
- 52	130909N14	. NUT, JAM	1	
- 53	122-430055-9	. TUBE	1	
	122-430058-3	. PUSHROD ASSY /ATTACHING PARTS/	4	
- 54	MS24665-132	. PIN, COTTER	2	
- 55	AN960-10L	. WASHER	2	
- 56	MS20392-2C17	. PIN	2	

- 57	122-430055-7	. FITTING	2	
- 58	122-430058-9	. TUBE	1	
- 59	2R2330	. PLUSNUT	12	
- 60	AN960JD8	. WASHER	12	
- 61	MS27039C0809	. SCREW	12	
- 62	122-430050-31	. SHIM	1	5
- 63	122-430044-19	. BRACKET	6	
- 64	122-430057-1	. PIN/FOR SPARES ORDER 122-430057-7/	NP	1
	122-430057-7	. PIN	4	2
- 65	130909N30	. NUT	16	
- 66	AN960-416L	. WASHER/ALTERNATE FOR AN960-416/	AR	
	AN960-416	. WASHER/ALTERNATE FOR AN960-416L/	AR	
- 67	NAS43HT4-4	. SPACER/OUTBD/	8	
- 68	SFH22-4A20	. BOLT/INBD/	8	
- 69	SFH22-4A21	. BOLT/OUTBD/	8	
- 70	122-430050-5	. GUIDE	4	
- 71	122-430063-19	. HOUSING ASSY, FWD & AFT LATCH PIN /FOR SPARES ORDER 122-430063-21/	NP	3
	122-430063-21	. HOUSING ASSY, FWD & AFT LATCH PIN	4	4
- 72	08DU14	. BUSHING	2	

Beechcraft
STARSHIP 1
ILLUSTRATED PARTS CATALOG

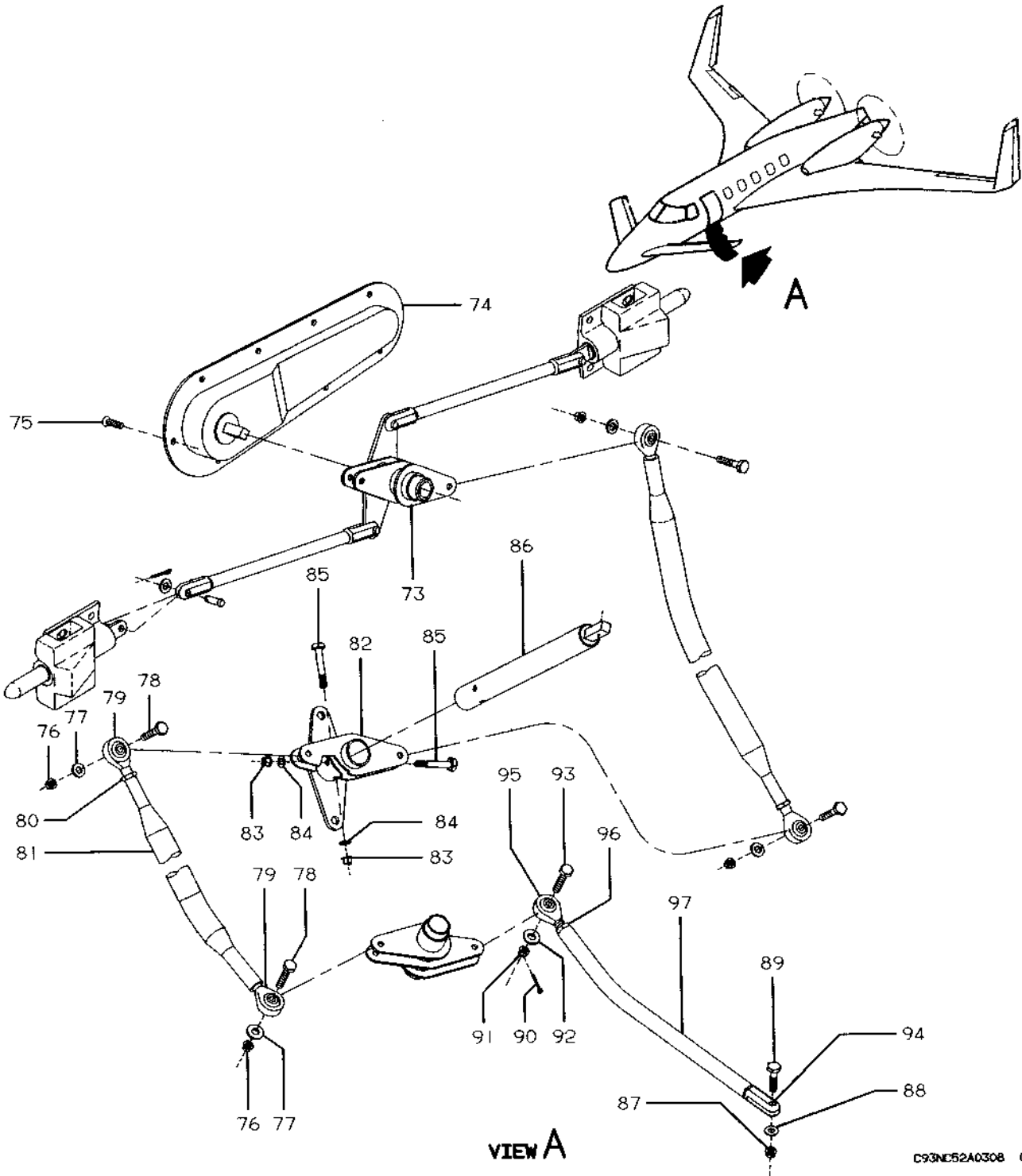
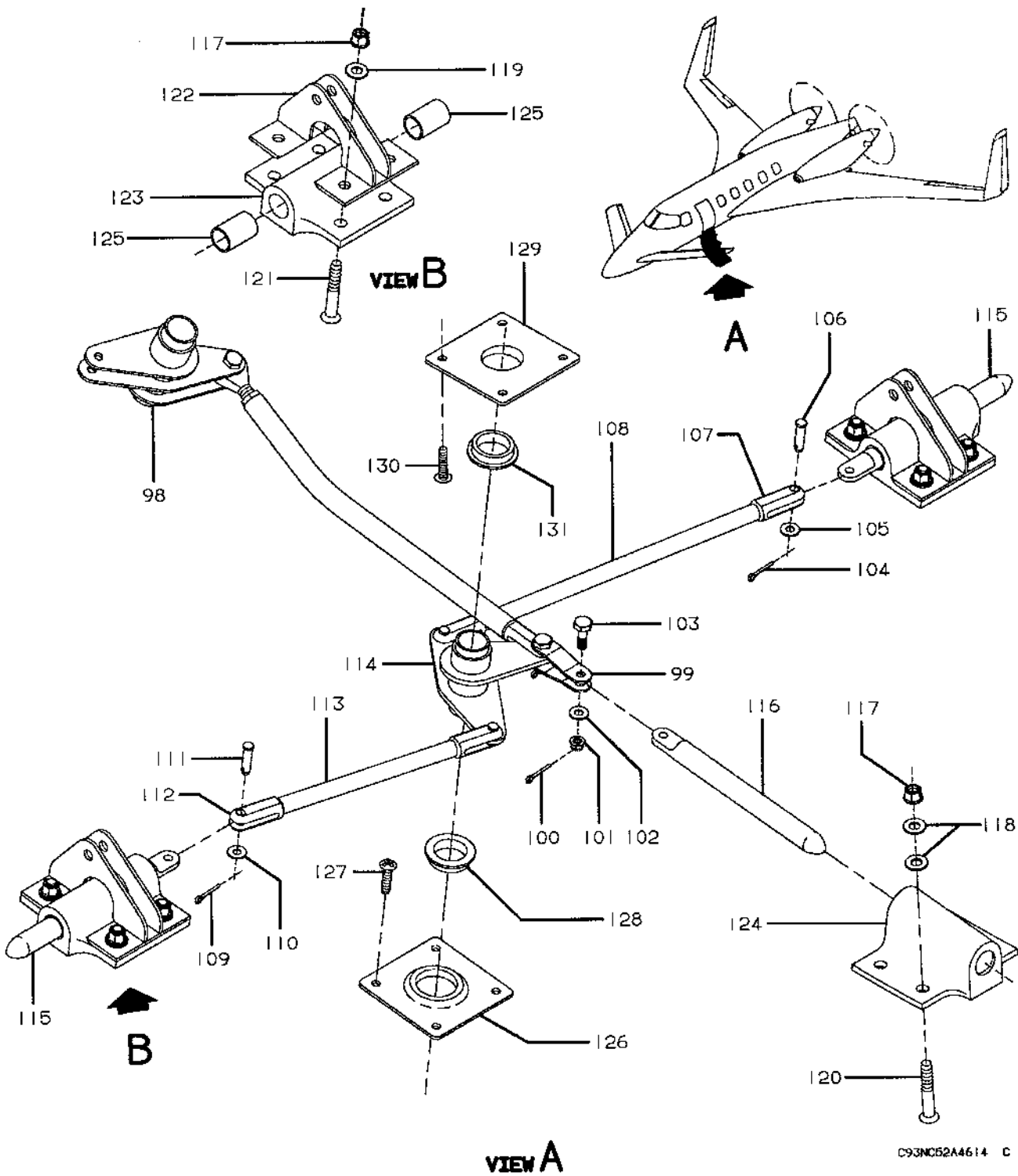


FIGURE 10-10.CABIN AIRSTR DOOR LATCH MECHANISM
/SHEET 3 OF 4 SHEETS/

Beechcraft
STARSHIP 1
ILLUSTRATED PARTS CATALOG

SUB-SEC UNIT & ITEM NO	PART NO.	DESCRIPTION 1 2 3 4 5 6 7	UNITS PER ASSY	USABLE ON CODE
10-10 -73	122-430051-5	. BELLCRANK ASSY.....	1	
-74	122-380022-5	. HANDLE ASSY, DOOR OUTSIDE FLUSH/ORDER	1	
		. HANDLE ASSY FOR KEY LOCK ASSY/ /ATTACHING PARTS/		
-75	MS24894S48	. SCREW.....	9	
		-----★-----		
	H605-163-092-20	. . PLUG, LOCK	1	
	122-430055-3	. PUSHROD ASSY	1	
		. /ATTACHING PARTS/		
-76	130909N49	. NUT	2	
-77	AN960-10	. WASHER	2	
-78	130909B20	. BOLT	2	
		-----★-----		
-79	M81935/1-3	. . BEARING.....	2	
-80	130909N14	. . NUT	1	
-81	122-430055-11	. . TUBE	1	
-82	122-430052-5	. BELLCRANK ASSY/WELDED/.....	1	
		. /ATTACHING PARTS/		
-83	130909N49	. NUT	2	
-84	AN960C10L	. WASHER	2	
-85	130909B23	. BOLT	2	
		-----★-----		
-86	122-430067-7	. SHAFT ASSY	1	
	122-430055-5	. PUSHROD ASSY	1	
		. /ATTACHING PARTS/		
-87	130909N49	. NUT	1	
-88	AN960-10L	. WASHER	1	
-89	130909B20	. BOLT	1	
-90	MS24665-132	. PIN, COTTER	1	
-91	MS17825-3	. NUT	1	
-92	AN960-10L	. WASHER	1	
-93	130909B18	. BOLT	1	
		-----★-----		
-94	122-430055-7	. . FITTING	1	
-95	M81935/1-3	. . BEARING.....	1	
-96	130909N14	. . NUT	1	
-97	122-430055-13	. . TUBE	1	

Beechcraft
STARSHIP 1
ILLUSTRATED PARTS CATALOG



C93NC62A4614 C

FIGURE 10-10. CABIN AIRSTR DOOR LATCH MECHANISM
/SHEET 4 OF 4 SHEETS/

Beechcraft
STARSHIP 1
ILLUSTRATED PARTS CATALOG

SUB-SEC UNIT & ITEM NO	PART NO.	DESCRIPTION 1 2 3 4 5 6 7	UNITS PER ASSY	USABLE ON CODE
10-10 -98	122-430053-1	. BELLCRANK ASSY/WELDED/.....	1	
-99	122-430050-3	. CLIP.....	2	
		/ATTACHING PARTS/		
-100	MS24665-132	. PIN, COTTER.....	1	
-101	MS17B25-3	. NUT.....	1	
-102	AN960-10L	. WASHER.....	1	
-103	AN3-5	. BOLT.....	1	
		---*---		
	122-430058-1	. PUSHROD ASSY.....	1	
		/ATTACHING PARTS/		
-104	MS24665-132	. PIN, COTTER.....	2	
-105	AN960-10L	. WASHER.....	2	
-108	MS20392-2C17	. PIN.....	2	
		---*---		
-107	122-430055-7	. . FITTING.....	2	
-108	122-430056-7	. . TUBE.....	1	
	122-430056-5	. PUSHROD ASSY.....	1	
		/ATTACHING PARTS/		
-109	MS24665-132	. PIN, COTTER.....	2	
-110	AN960-10L	. WASHER.....	2	
-111	MS20392-2C17	. PIN.....	2	
		---*---		
-112	122-430055-7	. . FITTING.....	2	
-113	122-430056-11	. . TUBE.....	1	
-114	122-430054-1	. BELLCRANK ASSY, LOWER PINS/WELDED/.....	1	
-115	122-430057-1	. PIN/FOR SPARES ORDER 122-430057-7/.....	NP	1
	122-430057-7	. PIN.....	2	2
-116	122-430057-5	. PIN.....	1	
-117	130909N30	. NUT.....	12	
-118	AN960-416	. WASHER/UPPER CENTER LATCH HOUSING/.....	8	
-119	AN960-416L	. WASHER/UPR FWD & AFT LATCH HOUSINGS/.....	8	
-120	SFH22-4A20	. BOLT/UPPER CENTER LATCH HOUSING/.....	4	
-121	SFH22-4A21	. BOLT/UPR FWD & AFT LATCH HOUSINGS/.....	8	
-122	122-430039-1	. BRACKET, DOOR HANDRAIL.....	2	
-123	122-430063-19	. HOUSING ASSY, FWD & AFT LATCH PIN.....	NP	3
		/FOR SPARES ORDER 122-430063-21/		
	122-430063-21	. HOUSING ASSY, FWD & AFT LATCH PIN.....	2	4
-124	122-430064-19	. HOUSING ASSY, UPR CTR LATCH PIN.....	1	
-125	08DU14	. . BUSHING.....	2	
-126	122-430062-1	. SUPPORT ASSY.....	1	
		/ATTACHING PARTS/		
-127	MS27039-1-05	. SCREW.....	4	
		---*---		
-128	NAS77A12-18	. . BUSHING.....	1	
-129	122-430062-7	. SUPPORT ASSY.....	3	
		/ATTACHING PARTS/		
-130	MS27039-1-05	. SCREW.....	4	
		---*---		
-131	NAS77A12-18	. . BUSHING.....	1	

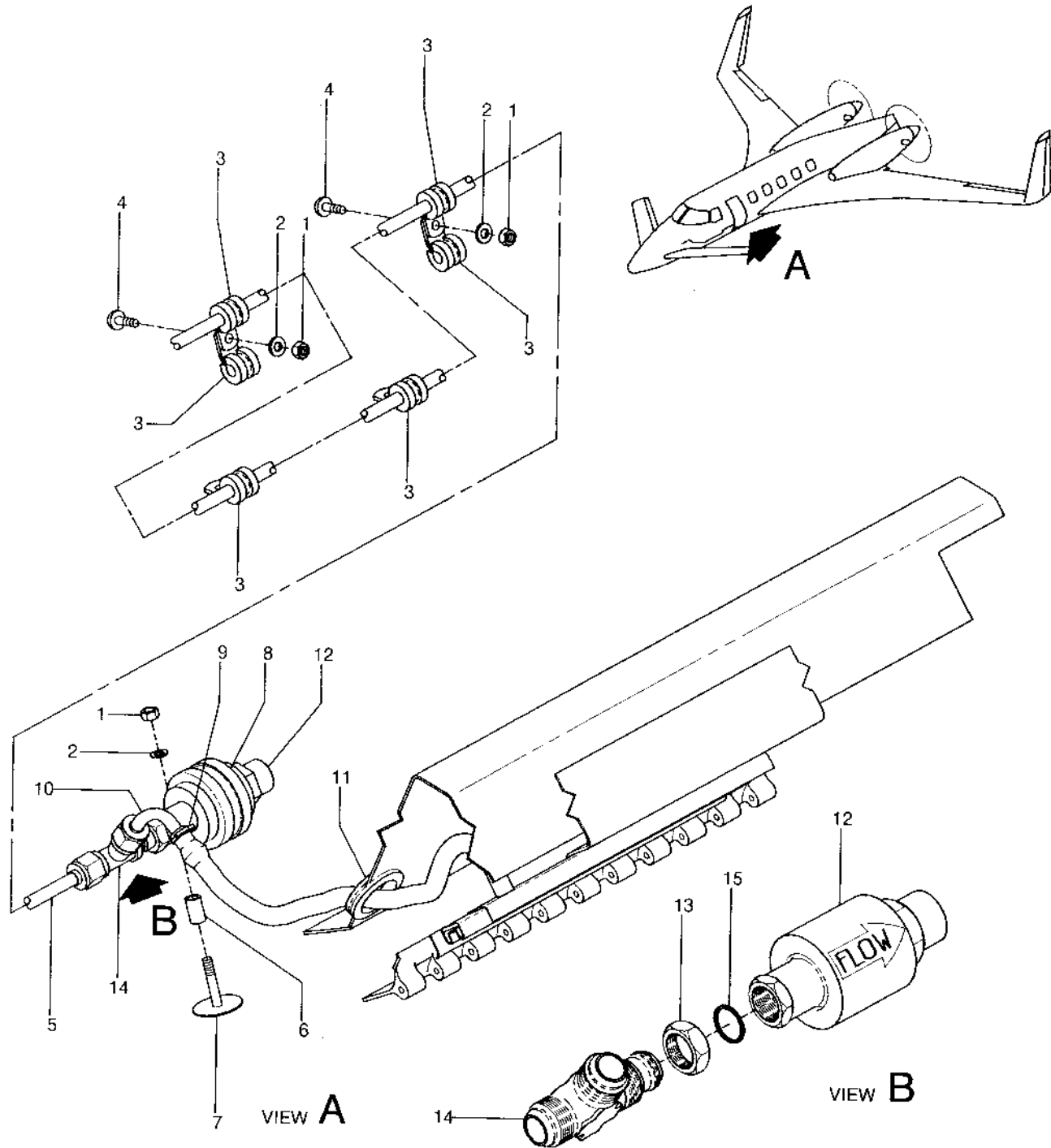
CODES OF EFFECTIVITY

1	NC-4 THRU NC-32	2	NC-33 AND AFTER
3	NC-4 THRU NC-37	4	NC-38 AND AFTER
5	NC-18 AND AFTER		

Beechcraft
STARSHIP 1
ILLUSTRATED PARTS CATALOG

52-10-20
AIRSTAIR DOOR SEAL PLUMBING

Beechcraft
STARSHIP 1
ILLUSTRATED PARTS CATALOG



2000-104-33

FIGURE 10-20. AIRSTAIR DOOR SEAL PLUMBING

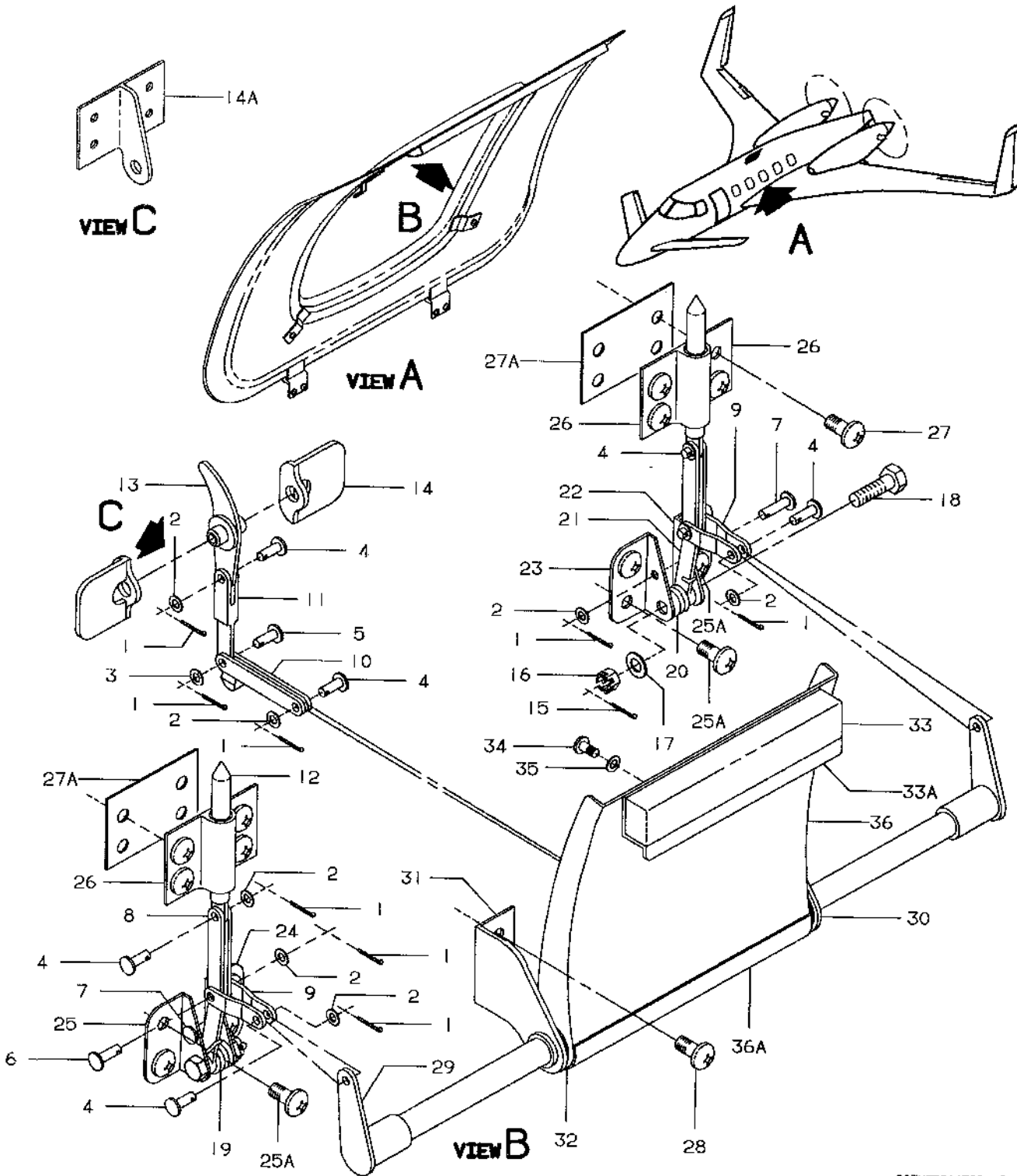
Beechcraft
STARSHIP 1
ILLUSTRATED PARTS CATALOG

SUB-SEC UNIT & ITEM NO	PART NO.	DESCRIPTION 1 2 3 4 5 6 7	UNITS	USABLE
			PER ASSY	ON CODE
10-20	122-540077-1	PLUMBING INSTL, AIRSTAIR DOOR SEAL	NP	
- 1	130909N29	. NUT	3	
- 2	AN960-10L	. WASHER	3	
- 3	MS21919WDG4	. CLAMP	6	
- 4	MS35207-263	. SCREW	2	
- 5	122-540109-1	. TUBE ASSY/FROM PNEUMATIC AIR PLUMBING/	1	
- 6	NAS43DD3-32	. SPACER	1	
- 7	132131-3-8	. STUD	1	
- 8	MS21919WDG20	. CLAMP	1	
- 9	131466SNP2	. CLAMP	1	
- 10	122-540042-9	. TUBE ASSY	1	
- 11	MS35489-12	. GROMMET	1	
NOTE SEE CHAPTER 52-10-00 FOR AIRSTAIR DOOR SEAL AND RETAINERS.				
- 12	101-380018-7	. VALVE, SOLENOID/ALTERNATE FOR 101-380018-3/	1	
	101-380018-3	. VALVE, SOLENOID/ALTERNATE FOR 101-380018-7/	1	
- 13	AN924-4D	. NUT	1	
- 14	122-540043-15	. TEE, RESTRICTOR	1	
- 15	MS28778-4	. PACKING, PREFORMED	1	

Beechcraft
STARSHIP 1
ILLUSTRATED PARTS CATALOG

52-20-00
EMERGENCY EXIT DOOR

Beechcraft
STARSHIP 1
ILLUSTRATED PARTS CATALOG



C93NC52A4589 C

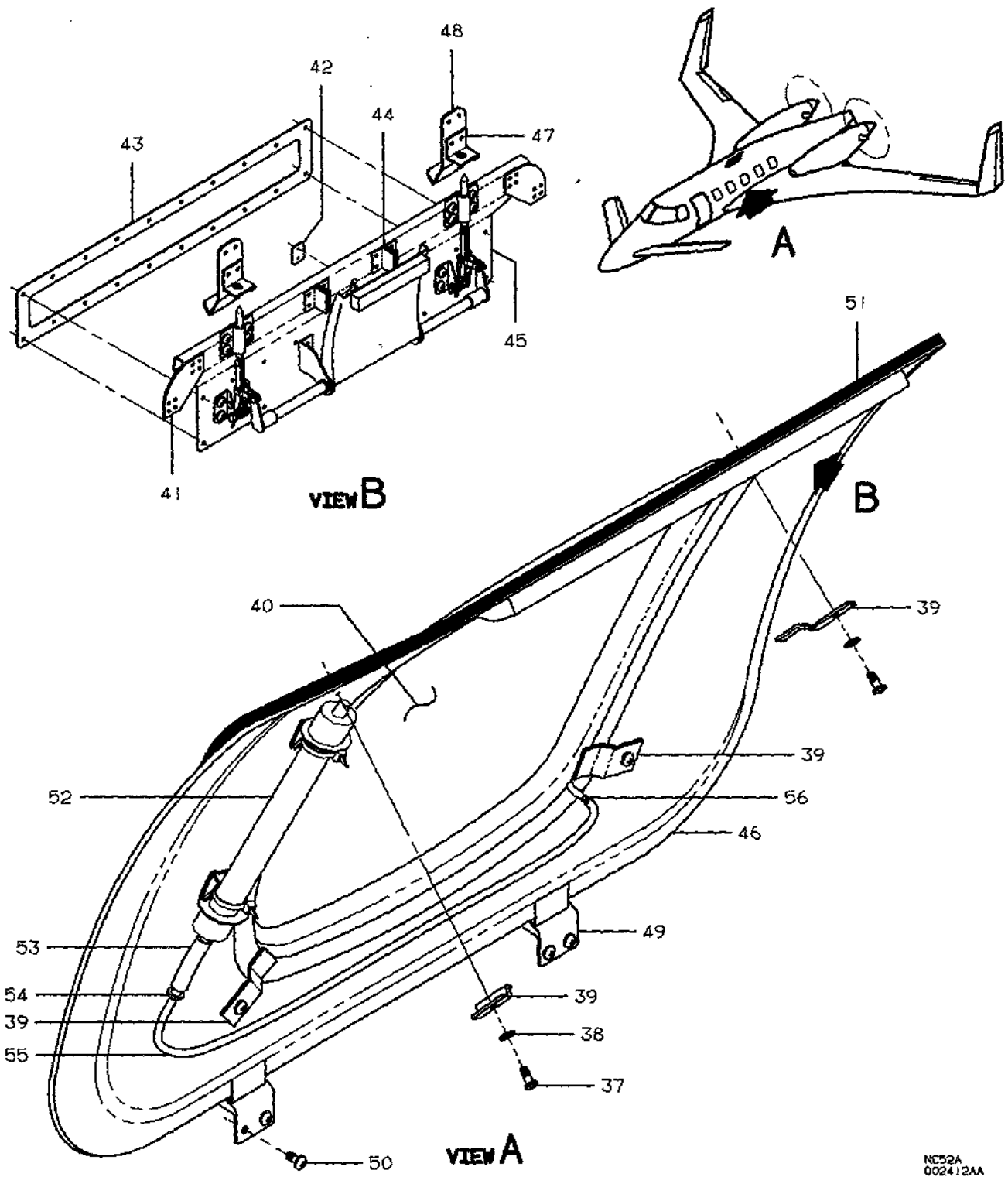
FIGURE 20-00. EMERGENCY EXIT DOOR
/SHEET 1 OF 2 SHEETS/

Beechcraft
STARSHIP 1
ILLUSTRATED PARTS CATALOG

SUB-SEC UNIT & ITEM NO	PART NO.	DESCRIPTION 1 2 3 4 5 6 7	UNITS	USABLE
			PER ASSY	ON CODE
20-00	122-430200-4	DOOR INSTL, EMERGENCY EXIT	NP	
	122-430220-1	. MECHANISM INSTL, LATCHING	NP	
- 1	MS24665-132	.. PIN, COTTER	11	
- 2	AN960-4L	.. WASHER	8	
- 3	AN960-4	.. WASHER	1	
- 4	MS20392-1C7	.. PIN	6	
- 5	MS20392-1C9	.. PIN	1	
- 6	MS20392-1C11	.. PIN	2	
- 7	MS20392-1C21	.. PIN	2	
- 8	122-430224-7	.. LINK ASSY	2	
- 9	122-430224-11	.. LINK, INTERLOCK	4	
- 10	122-430224-5	.. LINK	2	
- 11	122-430224-3	.. LINK ASSY	1	
- 12	122-430222-1	.. PIN, LATCH/FOR SPARES ORDER 122-430222-3/	NP	1
	122-430222-3	.. PIN, LATCH	2	2
- 13	122-430225-7	.. CAM ASSY	1	3
- 14	122-430226-1	.. SUPPORT ASSY, CAM	2	3
- 14A	122-430220-3	.. SUPPORT	1	4
- 15	MS24665-132	.. PIN, COTTER	2	
- 16	130909N45	.. NUT	2	
- 17	AN960-10L	.. WASHER	2	
- 18	130909B172	.. BOLT	2	
- 19	122-430224-33	.. SPRING	1	
- 20	122-430224-34	.. SPRING	1	
- 21	122-430224-9	.. LINK ASSY	2	
- 22	122-430224-29	.. BRACKET ASSY, WELDED	1	
- 23	122-430224-2	.. BRACKET	1	
- 24	122-430224-1	.. BRACKET	1	
- 25	122-430224-30	.. BRACKET ASSY, WELDED	1	
		/ATTACHING PARTS/		
- 25A	MS27039-1-07	.. SCREW	2	
		---★---		
- 26	122-430223-1	.. GUIDE ASSY, LATCH PIN	2	
		/ATTACHING PARTS/		
- 27	MS27039-1-07	.. SCREW	4	
		---★---		
	04DU06	.. BUSHING	2	
- 27A	122-430220-5	.. SHIM, GUIDE ASSY/MAXIMUM 2 EACH LOCATION/	AR	2
	122-430221-23	.. HANDLE ASSY, EMERGENCY EXIT DOOR	1	7
	122-430221-27	.. HANDLE ASSY, EMERGENCY EXIT DOOR	1	8
		/ATTACHING PARTS/		
- 28	MS27039-1-07	.. SCREW	4	
		---★---		
- 29	122-430221-21	.. ARM ASSY, WELDED	2	
	MS21069L3	.. NUTPLATE	2	
- 30	122-430221-7	.. BRACKET ASSY	1	
	NAS77B6-13	.. BUSHING	1	
- 31	122-430221-8	.. BRACKET ASSY	1	
	NAS77B6-13	.. BUSHING	1	
- 32	AN960-616L	.. WASHER	4	
- 33	CAN/AC/7K	.. MARKER, EXIT-PULL, SELF-LUMINOUS	1	
- 33A	122-430221-25	.. GRIP	1	
		/ATTACHING PARTS/		
- 34	MS35206-227	.. SCREW	2	
- 35	AN935-6	.. WASHER	2	
		---★---		
- 36	122-430221-3	.. HANDLE ASSY, WELDED	1	7
	122-430221-29	.. HANDLE ASSY, BONDED	1	8
- 36A	122-430221-31	.. STRAP	1	8

Raytheon Aircraft

BEECH STARSHIP 1 ILLUSTRATED PARTS CATALOG



NC52A
002412AA

FIGURE 20-00 . EMERGENCY EXIT DOOR
/SHEET 2 OF 2 SHEETS/

Raytheon Aircraft

BEECH STARSHIP 1 ILLUSTRATED PARTS CATALOG

SUB-SECT UNIT & ITEM NO.	PART NO.	1 2 3 4 5 6 7	DESCRIPTION	UNITS PER ASSY	USABLE ON CODE
20-00	122-430210-56		. STRUCTURE ASSY,EMERGENCY EXIT DOOR	1	5
	122-430210-54		. STRUCTURE ASSY,EMERGENCY EXIT DOOR	1	6
37	MS27039-1-07		. . SCREW	4	
38	AN960JD10L		. . WASHER	4	
39	122-430032-39		. . CLIP ASSY,WINDOW	4	
			/SUPERSEDES 122-430032-3 & -6/		
	S10P175		. . PLUSNUT	4	5
	2R2329		. . PLUSNUT	4	6
40	122-430030-42		. . WINDOW ASSY,EMERGENCY EXIT	1	
			/SUPERSEDES 122-430030-4,-16 & -22/		
41	122-430210-7		. . STRAP	2	
42	122-430210-17		. . SEAL	1	
43	122-430210-5		. . DOUBLER	1	
	MS21047-3		. . NUTPLATE	20	
	122-430210-31		. . PANEL ASSY	1	
44	122-430210-33		. . . MAGNET ASSY	2	
	RM50		. . . MAGNET/ALTERNATE FOR 0-6091/	1	
	0-6091		. . . MAGNET/ALTERNATE FOR RM50/	1	
45	122-430210-51		. . . PANEL	2	3
	122-430210-67		. . . PANEL	2	4
46	122-430210-62		. . DOOR ASSY,BONDED	1	
47	122-430227-3		. FITTING,UPPER SUPPORT/FOR SPARES ORDER	NP	1
			122-430227-5/		
	122-430227-5		. FITTING,UPPER SUPPORT	2	2
48	122-430228-3		. BRACKET	2	
49	122-430229-7		. HINGE	2	
	122-430220-9		. RETAINER,HINGE/FS 299.00/	1	2
			(ATTACHING PARTS)		
50	MS27039-1-10		. SCREW	2	1
	MS27039-1-12		. SCREW	2	2
			-----★-----		
	SL607-3-8SM		. INSERT	4	
51	130685-13545		. SEAL, EXTRUSION	1	
	122-430200-11		. DAMPER,SOUND/BONDED/	2	8
	122-430200-13		. DAMPER,SOUND/BONDED/	2	8
52	26930		DESSICANT,WINDOW SYSTEM/EMERGENCY EXIT/	1	
			/WITH KIT 122-5031-1 INSTALLED/		
	MS3367-5-9		STRAP,TIE	2	
			/WITH KIT 122-5031-1 INSTALLED/		
53	132239-2-X		TUBING	AR	
			/WITH KIT 122-5031-1 INSTALLED/		
54	3060-9		FITTING	2	
			/WITH KIT 122-5031-1 INSTALLED/		
55	132239-1-X		TUBING	AR	
			/WITH KIT 122-5031-1 INSTALLED/		
56	AC-9		FITTING	1	
			/WITH KIT 122-5031-1 INSTALLED/		

NOTE

122-430030-42 WINDOW ASSY MUST BE
INSTALLED PRIOR TO 122-5031-1
KIT MODIFICATION

CODES OF EFFECTIVITY

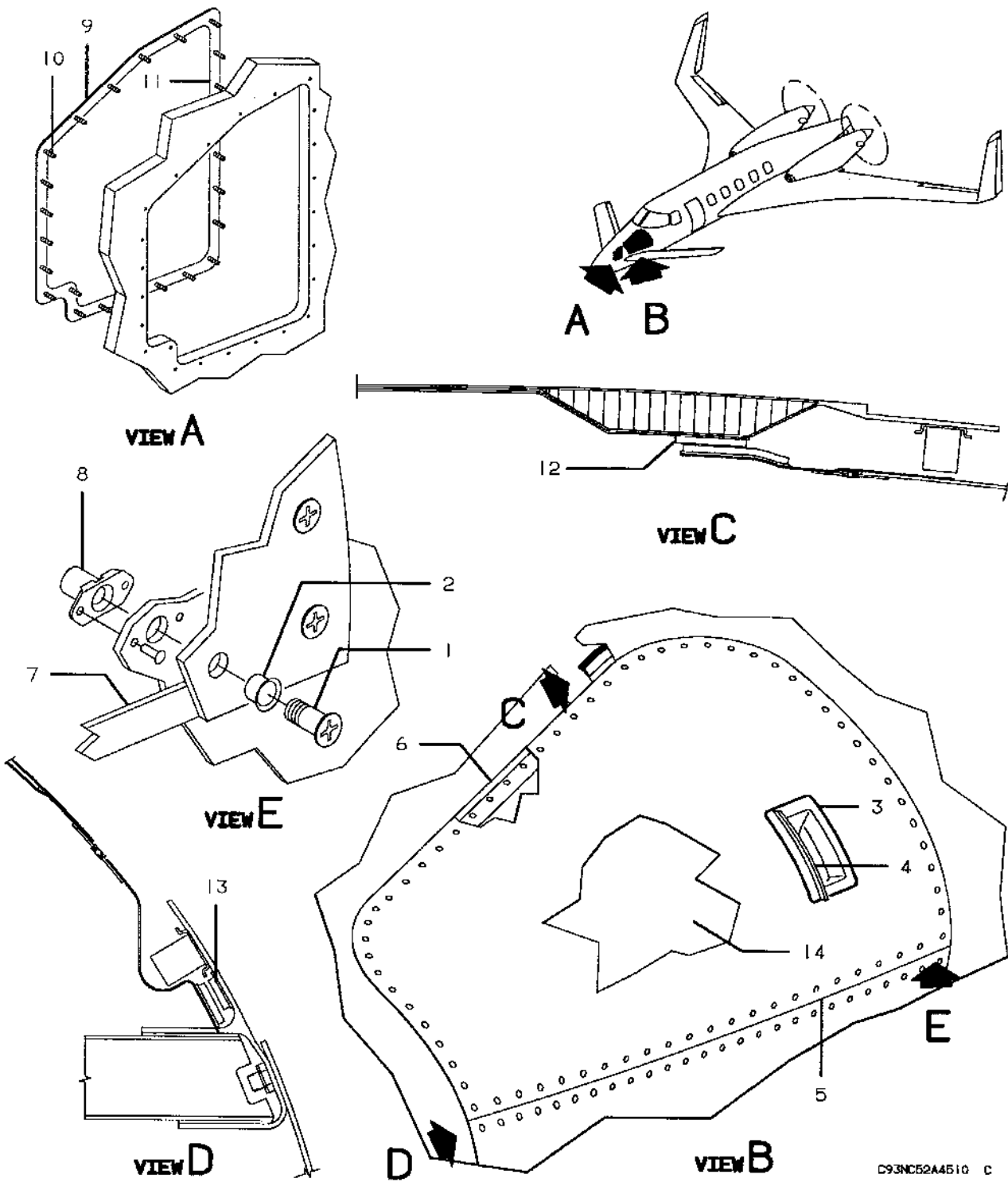
1 NC-4 THRU NC-12	2 NC-13 AND AFTER
3 NC-4 THRU NC-14	4 NC-15 AND AFTER
5 NC-4 THRU NC-23	6 NC-24 AND AFTER
7 NC-4 THRU NC-20	8 NC-21 AND AFTER

- END -

Beechcraft
STARSHIP 1
ILLUSTRATED PARTS CATALOG

52-40-00
NOSE AVIONICS ACCESS DOORS

Beechcraft
STARSHIP 1
 ILLUSTRATED PARTS CATALOG



D93NC52A4510 C

FIGURE 40-00.NOSE AVIONICS ACCESS DOORS

Beechcraft
STARSHIP 1
ILLUSTRATED PARTS CATALOG

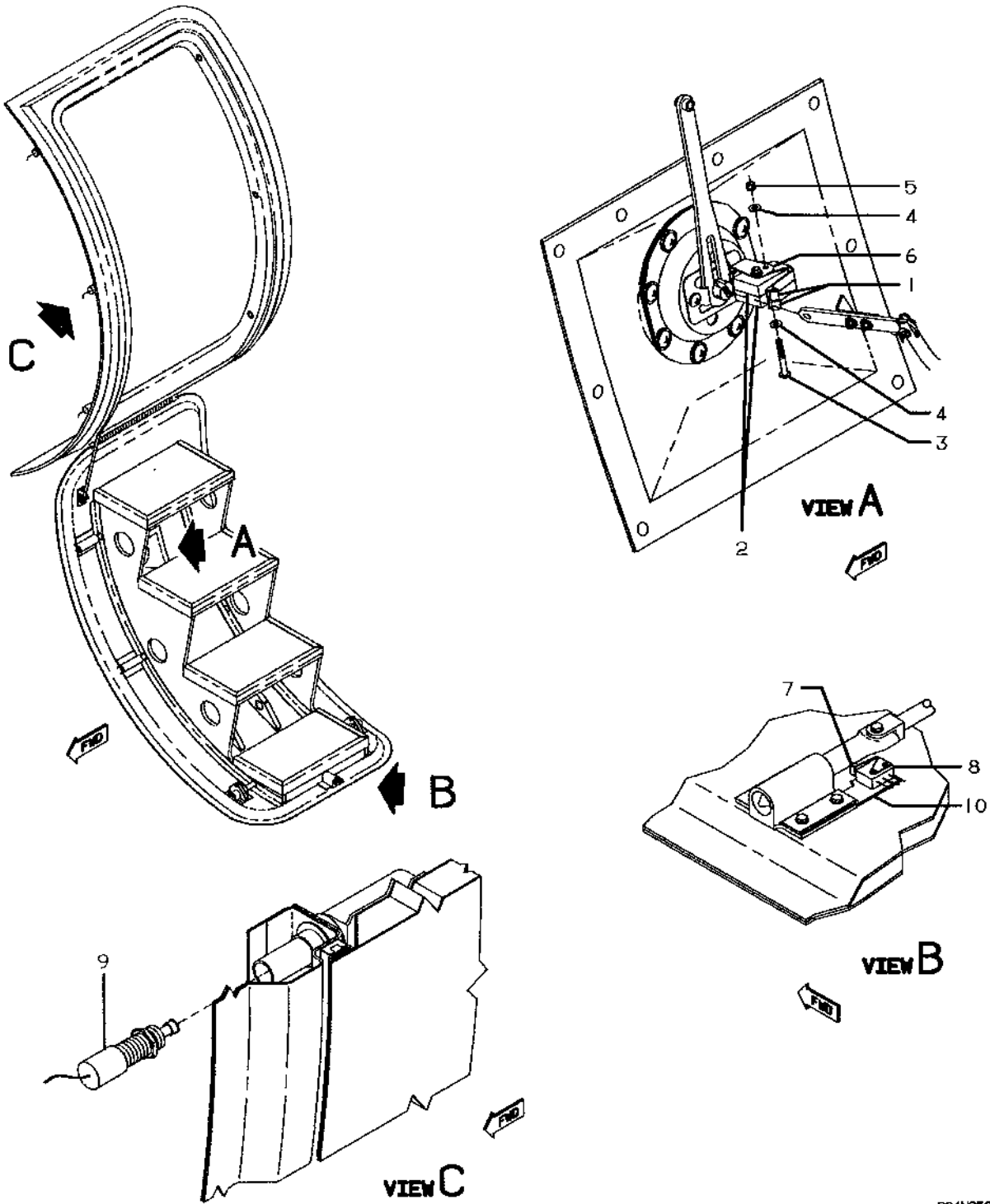
SUB-SEC UNIT & ITEM NO	PART NO.	DESCRIPTION 1 2 3 4 5 6 7	UNITS	USABLE
			PER ASSY	ON CODE
40-00	122-410100-19	DOOR INSTL, LH NOSE AVIONICS ACCESS.....	NP	
	122-410100-20	DOOR INSTL, RH NOSE AVIONICS ACCESS.....	NP	
	122-410105-25	. DOOR ASSY, LH NOSE AVIONICS ACCESS.....	1	
	122-410105-26	. DOOR ASSY, RH NOSE AVIONICS ACCESS.....	1	
		/ATTACHING PARTS/		
- 1	CA18324-2P	. STUD.....	68	
- 2	CA18185	. GROMMET.....	68	
		-----*		
- 3	122-410402-1	. . DUCT ASSY, LH AVIONICS AIR EXIT.....	1	
	122-410402-2	. . DUCT ASSY, RH AVIONICS AIR EXIT.....	1	
- 4	122-410402-3	. . PLATE, LH DEFLECTOR.....	1	
	122-410402-4	. . PLATE, RH DEFLECTOR.....	1	
- 5	122-410105-27	. . DOOR ASSY, LH BONDED.....	1	
	122-410105-28	. . DOOR ASSY, RH BONDED.....	1	
- 6	122-410100-21	. SEAL, DOOR.....	1	
- 7	122-410100-23	. SEAL, DOOR/BOTTOM/.....	1	
- 8	CA1810	. RECEPTACLE.....	68	
	122-410000-1	NOSE ASSY.....	1	
- 9	122-410330-1	. DOOR ASSY, LH LOWER KEEL AVIONICS.....	1	
	122-410330-2	. DOOR ASSY, RH LOWER KEEL AVIONICS.....	1	
	122-410330-5	. . SCREEN.....	1	
-10	DCTC7900-10A3DL	. . SCREW, CAPTIVE.....	24	
-11	122-410710-1	. . SEAL, DOOR ASSY.....	2	
	122-410601-7	. COVER INSTL,LH NOSE AVIONICS BAY.....	NP	
	122-410601-8	. COVER INSTL,RH NOSE AVIONICS BAY.....	NP	
-12	122-410601-13	. . STRIP, FASTENER.....	1	
-13	122-410601-15	. . STRIP, FASTENER.....	1	
-14	122-410602-25	. . COVER ASSY,LH.....	1	
	122-410602-26	. . COVER ASSY,RH.....	1	
	S10P175CSI	PLUSNUT/KEEL AVIONICS DOOR ATTACH/.....	48	

--END--

Beechcraft
STARSHIP 1
ILLUSTRATED PARTS CATALOG

52-70-00
CABIN DOOR WARNING SWITCHES

Beechcraft
 STARSHIP 1
 ILLUSTRATED PARTS CATALOG



D94NC52A0039 C

FIGURE 70-00.CABIN DOOR WARNING SWITCHES

Beechcraft
STARSHIP 1
ILLUSTRATED PARTS CATALOG

SUB-SEC UNIT & ITEM NO	PART NO.	DESCRIPTION 1 2 3 4 5 6 7	UNITS	USABLE
			PER ASSY	ON CODE
70-00 - 1	JE17	ACTUATOR.....	2	
- 2	1SE1	SWITCH.....	2	
		/ATTACHING PARTS/		
- 3	MS35206-321	SCREW.....	2	
- 4	AN960-2L	WASHER/ONE UNDER NUT AND ONE UNDER SCREW HEAD/	4	
- 5	MS21042-02	NUT.....	2	
		★		
- 6	122-364006-19	BRACKET, SWITCH.....	1	
- 7	JE17	ACTUATOR.....	1	
- 8	1SE1	SWITCH.....	1	
- 9	122-384126-1	SWITCH.....	6	
- 10	122-364006-27	BRACKET, SWITCH.....	6	2
	122-364006-25	BRACKET, SWITCH/ORDER 122-364006-27 FOR SPARES/.....	NP	1

CODES OF EFFECTIVITY

1 NC-4 THRU NC-53 2 NC-54 AND AFTER

Beechcraft
STARSHIP 1
ILLUSTRATED PARTS CATALOG

52-80-10
MAIN LANDING GEAR DOORS

Beechcraft
STARSHIP 1
ILLUSTRATED PARTS CATALOG

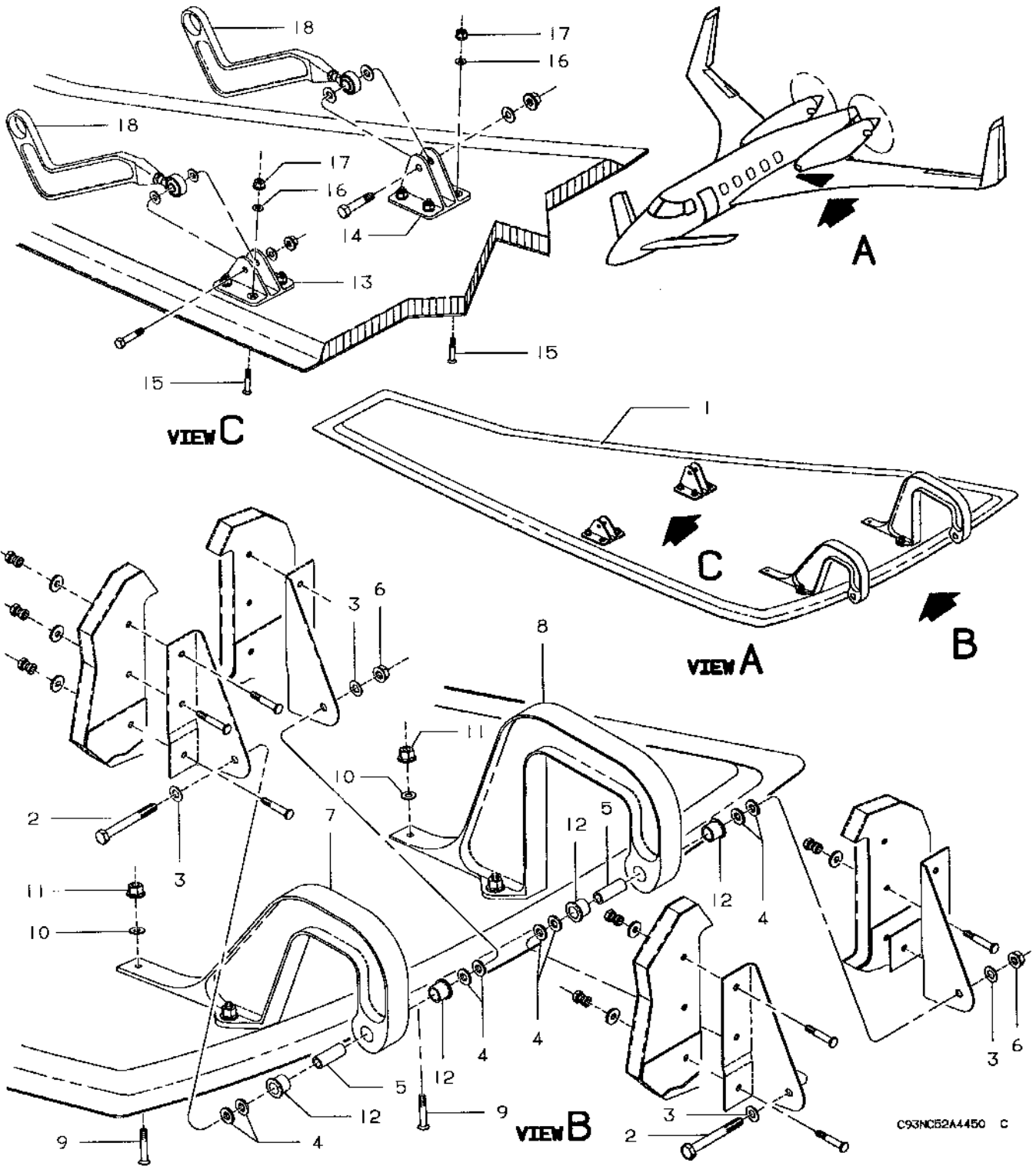
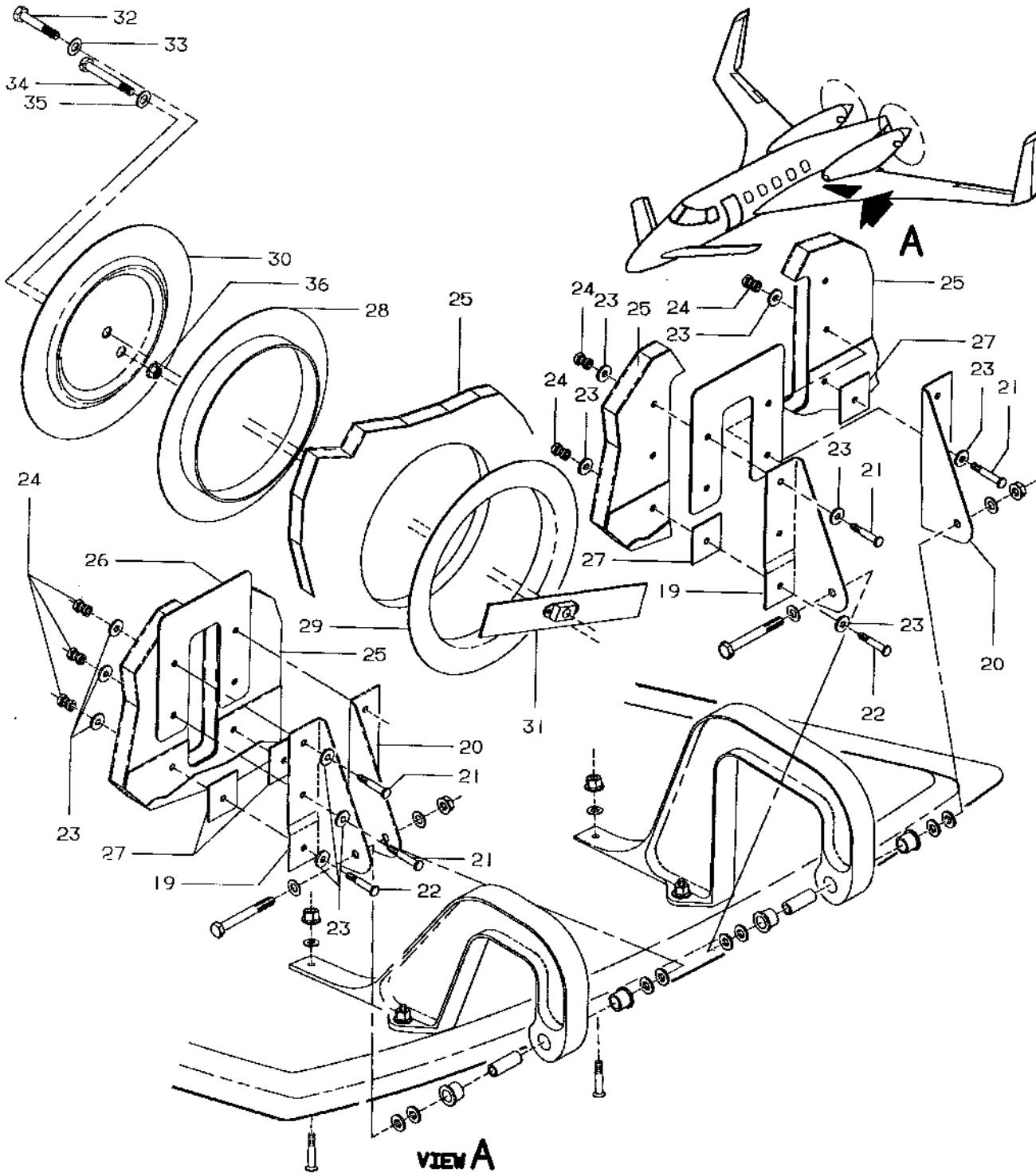


FIGURE 80-10. MAIN LANDING GEAR DOORS
/SHEET 1 OF 2 SHEETS/

Beechcraft
STARSHIP 1
ILLUSTRATED PARTS CATALOG

SUB-SEC UNIT & ITEM NO	PART NO.	DESCRIPTION 1 2 3 4 5 6 7	UNITS	USABLE
			PER ASSY	ON CODE
80-10	122-100100-1	DOOR INSTL, LH MAIN LANDING GEAR.....	NP	
	122-100100-2	DOOR INSTL, RH MAIN LANDING GEAR.....	NP	
- 1	122-100110-13	. DOOR ASSY, LH MAIN LANDING GEAR.....	1	
	122-100110-14	. DOOR ASSY, RH MAIN LANDING GEAR	1	
		/ATTACHING PARTS/		
- 2	AN3C17A	. BOLT.....	2	
- 3	AN960C10L	. WASHER.....	4	
- 4	AN960C10	. WASHER.....	8	
- 5	NAS72-3-100	. BUSHING.....	2	
- 6	130909N29	. NUT.....	2	
		---★---		
- 7	122-100111-1	.. HINGE ASSY, FWD LH GEAR DOOR.....	1	
	122-100111-2	.. HINGE ASSY, FWD RH GEAR DOOR.....	1	
- 8	122-100111-9	.. HINGE ASSY, AFT LH GEAR DOOR.....	1	
	122-100111-10	.. HINGE ASSY, AFT RH GEAR DOOR.....	1	
		/ATTACHING PARTS/		
- 9	MS24694C60	.. SCREW.....	3	
- 10	AN960C10	.. WASHER.....	3	
- 11	130909N49	.. NUT.....	3	
		---★---		
- 12	NAS77-6-38	... BUSHING.....	2	
- 13	122-100112-1	.. FITTING, DOOR RETRACT ROD/FWD/.....	1	1
	122-100112-5	.. FITTING, DOOR RETRACT ROD/FWD/.....	1	2
- 14	122-100112-3	.. FITTING, DOOR RETRACT ROD/AFT/.....	1	
		/ATTACHING PARTS/		
- 15	MS24694C61	.. SCREW.....	4	
- 16	AN960C10	.. WASHER.....	4	
- 17	130909N49	.. NUT.....	4	
		---★---		
- 18		ROD ASSY, DOOR RETRACT/SEE CHAPTER 32/	NP	

Beechcraft
STARSHIP 1
ILLUSTRATED PARTS CATALOG



C93NC52A4451 C

FIGURE 80-10. MAIN LANDING GEAR DOORS
/SHEET 2 OF 2 SHEETS/

Beechcraft
STARSHIP 1
ILLUSTRATED PARTS CATALOG

SUB-SEC UNIT & ITEM NO	PART NO.	DESCRIPTION 1 2 3 4 5 6 7	UNITS PER ASSY	USABLE ON CODE
80-10	122-100085-1	RIB INSTL, LH MAIN LANDING GEAR/BL 104.50/	NP	
	122-100085-2	RIB INSTL, RH MAIN LANDING GEAR/BL 104.50/	NP	
- 19	122-100085-27	. ANGLE, DOOR HINGE SUPPORT/LH FWD,RH AFT/	2	
- 20	122-100085-28	. ANGLE, DOOR HINGE SUPPORT/RH FWD,LH AFT/	2	
		/ATTACHING PARTS/		
- 21	HL10V6-13	. PIN	8	
- 22	HL10V6-14	. PIN	4	
- 23	AN960C10L	. WASHER	24	
- 24	HL198V6	. COLLAR	12	
		★		
- 25	122-100085-35	. RIB ASSY, BONDED/LH/	1	
	122-100085-36	. RIB ASSY, BONDED/RH/	1	
- 26	122-100085-37	. DOUBLER, HINGE SUPPORT ANGLE/UPR/	2	
- 27	122-100085-39	. SHIM, HINGE SUPPORT ANGLE/LWR/	4	
- 28	122-100085-41	. DOUBLER, INBOARD	1	
- 29	122-100085-43	. DOUBLER, OUTBOARD	1	
	122-100085-45	. COVER ASSY, RIB	1	
- 30	122-100085-47	. COVER	1	
- 31	122-100085-49	. BRACKET ASSY, COVER	1	
		/ATTACHING PARTS/		
- 32	AN3H11A	. BOLT	1	
- 33	AN960JD10L	. WASHER	1	
		★		
	MS21060L3	. NUTPLATE	1	
- 34	MS35266-70	. SCREW	1	
- 35	AN960JD10L	. WASHER	1	
- 36	130909N29	. NUT	1	

CODES OF EFFECTIVITY

1 NC-4 THRU NC-40 2 NC-41 AND AFTER

Beechcraft
STARSHIP 1
ILLUSTRATED PARTS CATALOG

52-80-20
NOSE LANDING GEAR DOORS

Beechcraft
STARSHIP 1
ILLUSTRATED PARTS CATALOG

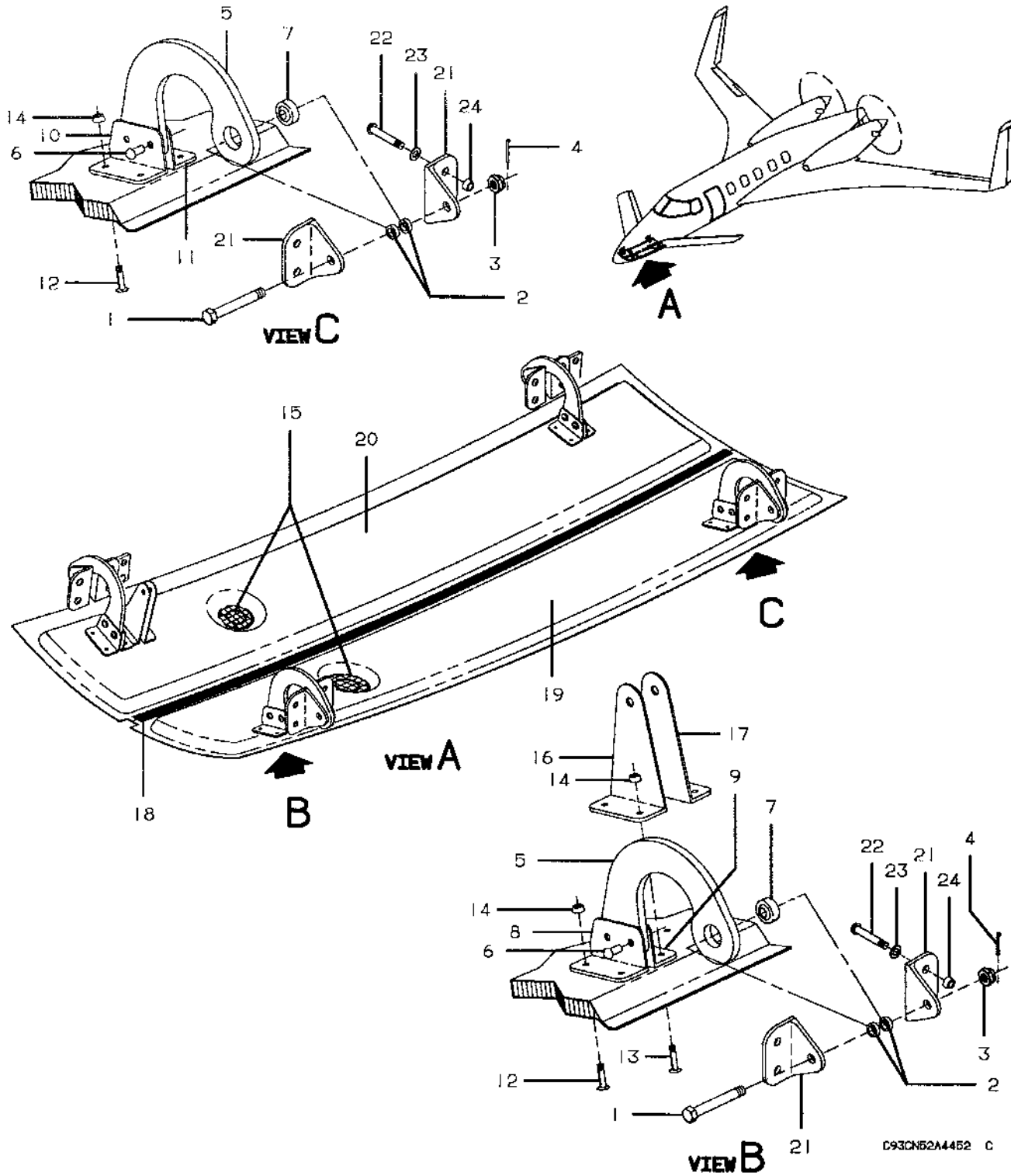


FIGURE 80-20. NOSE LANDING GEAR DOORS

Beechcraft
STARSHIP 1
ILLUSTRATED PARTS CATALOG

SUB-SEC UNIT & ITEM NO	PART NO.	DESCRIPTION 1 2 3 4 5 6 7	UNITS	USABLE
			PER ASSY	ON CODE
80-20	122-410400-1	DOOR INSTL, NOSE LANDING GEAR.....	NP	
	122-410415-1	. DOOR ASSY, LH.....	1	
	122-410415-2	. DOOR ASSY, RH.....	1	
		/ATTACHING PARTS/		
- 1	NAS1303-13	. BOLT.....	2	
- 2	NAS43DD3-14	. SPACER.....	4	
- 3	130909N15	. NUT.....	2	
- 4	MS24665-71	. PIN, COTTER.....	2	
		---★---		
- 5	122-410415-5	. HINGE ASSY.....	2	
		/ATTACHING PARTS/		
- 6	M7885/4-4-3	. RIVET.....	4	
		---★---		
- 7	MS14104-3	. BEARING.....	1	
- 8	122-410415-29	. BRACKET, FWD HINGE SUPPORT/LH FWD/.....	1	
	122-410415-30	. BRACKET, FWD HINGE SUPPORT/RH FWD/.....	1	
- 9	122-410415-31	. BRACKET, FWD HINGE SUPPORT/LH AFT/.....	1	
	122-410415-32	. BRACKET, FWD HINGE SUPPORT/RH AFT/.....	1	
- 10	122-410415-27	. BRACKET, AFT HINGE SUPPORT/LH FWD/.....	1	
	122-410415-28	. BRACKET, AFT HINGE SUPPORT/RH FWD/.....	1	
- 11	122-410415-11	. BRACKET, AFT HINGE SUPPORT/LH AFT/.....	1	
	122-410415-12	. BRACKET, AFT HINGE SUPPORT/RH AFT/.....	1	
- 12	HL613-5-11	. PIN.....	8	
- 13	HL613-5-12	. PIN.....	2	
	AN960XC8L	. WASHER.....	10	
- 14	HL94K5	. COLLAR.....	10	
- 15	122-410415-33	. SCREEN.....	1	
- 16	122-410415-37	. BRACKET, DOOR ACTUATOR/LH FWD/.....	1	
	122-410415-38	. BRACKET, DOOR ACTUATOR/RH FWD/.....	1	
- 17	122-410415-39	. BRACKET, DOOR ACTUATOR/LH AFT/.....	1	
	122-410415-40	. BRACKET, DOOR ACTUATOR/RH AFT/.....	1	
- 18	122-410415-43	. SEAL, DOOR.....	1	
- 19	122-410415-41	. DOOR, LH/BONDED/.....	1	
- 20	122-410415-42	. DOOR, RH/BONDED/.....	1	
- 21	122-410415-19	. BRACKET, HINGE.....	8	
		/ATTACHING PARTS/		
- 22	HL612-5-15	. PIN.....	2	
- 23	AN960C8	. WASHER/INSTALL UNDER HEAD/.....	2	
- 24	HL94K5	. COLLAR.....	2	
		---★---		

Beechcraft
STARSHIP 1
ILLUSTRATED PARTS CATALOG

52-80-30
NOSE LANDING GEAR AFT DOORS

Beechcraft
STARSHIP 1
ILLUSTRATED PARTS CATALOG

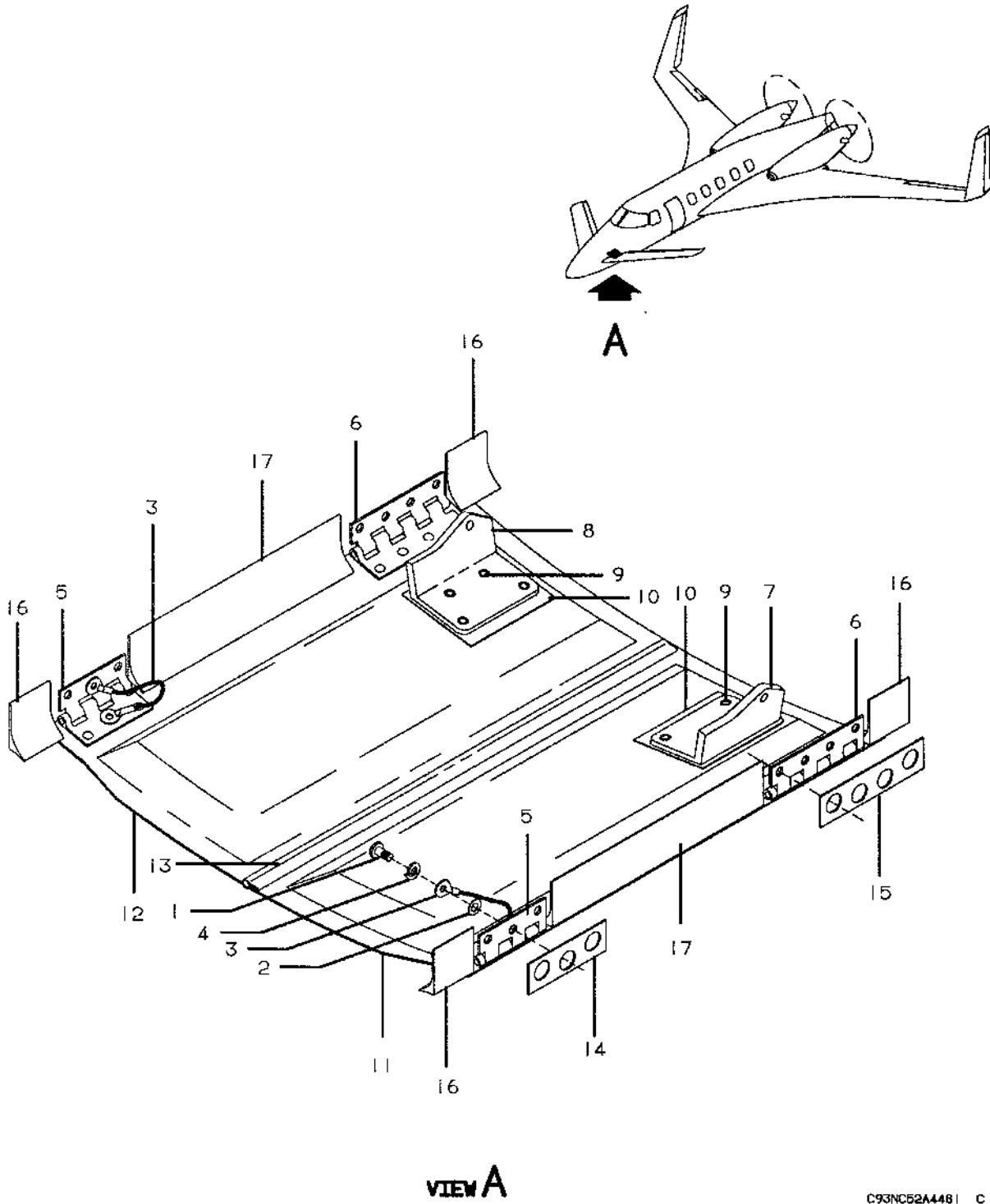


FIGURE 80-30.NOSE LANDING GEAR AFT DOORS

Beechcraft
STARSHIP 1
ILLUSTRATED PARTS CATALOG

SUB-SEC UNIT & ITEM NO	PART NO.	DESCRIPTION 1 2 3 4 5 6 7	UNITS	USABLE
			PER ASSY	ON CODE
80-30	122-410401-1	DOOR INSTL, AFT NOSE LANDING GEAR	NP	1
	122-410401-39	DOOR INSTL, AFT NOSE LANDING GEAR	NP	2
	122-410401-3	DOOR ASSY, AFT NOSE LANDING GEAR/LH/	1	
	122-410401-4	DOOR ASSY, AFT NOSE LANDING GEAR/RH/	1	
		/ATTACHING PARTS/		
- 1	MS27039-10	SCREW	7	
- 2	AN960C10L	WASHER	7	
		★		
- 3	MS25083-2BB2	JUMPER, BONDING	1	
- 4	MS35338-44	WASHER, LOCK	1	
- 5	122-410401-7	HINGE ASSY, FWD	1	
- 6	122-410401-21	HINGE ASSY, AFT	1	
- 7	122-410401-13	BRACKET, DOOR ACTUATOR/LH/	1	
- 8	122-410401-14	BRACKET, DOOR ACTUATOR/RH/	1	
		/ATTACHING PARTS/		
- 9	HL613-5-12	PIN	4	
	HL94K5	COLLAR	4	
		★		
- 10	122-410401-19	DOUBLER, DOOR ACTUATOR BRACKET	1	
- 11	122-410401-31	DOOR ASSY, BONDED/LH/	1	
- 12	122-410401-32	DOOR ASSY, BONDED/RH/	1	
- 13	122-410401-33	SEAL, CENTER	1	
- 14	122-410401-11	PLATE, FWD HINGE	2	
- 15	122-410401-25	PLATE, AFT HINGE	2	
- 16	122-410401-35	SEAL, FWD & AFT/LH BL 8.50, RH BL 8.50/	4	
- 17	122-410401-37	SEAL, CENTER/LH BL 8.50, RH BL 8.50/	2	
	S10P175CSI	PLUSNUT	14	1
	2R23209	PLUSNUT	14	2

CODES OF EFFECTIVITY

1 NC-4 THRU NC-23 2 NC-24 AND AFTER

Raytheon Aircraft

BEECH STARSHIP 1 ILLUSTRATED PARTS CATALOG

LIST OF PAGES & TABLE OF CONTENTS FOR CHAPTER 53-00-00 FUSELAGE

CHAP/SUB-SECT & UNIT	PAGE NUMBER	EFFECTIVE DATE	TABLE OF CONTENTS
53-00-00	1	07/31/02	LIST OF PAGES & TABLE OF CONTENTS
53-00-00	2	07/31/02	
53-00-00	3	07/31/02	
53-00-01	1	02/25/94	AFT PRESSURE DOME WIRE SEAL
53-00-01	2	02/25/94	
53-00-01	3	02/25/94	
53-20-00	1	02/25/94	COCKPIT LEFT SIDE CONSOLE STRUCTURE
53-20-00	2	02/25/94	
53-20-00	3	02/25/94	
53-20-00	4	02/25/94	
53-20-00	5	02/25/94	
53-20-10	1	02/25/94	COCKPIT RIGHT SIDE CONSOLE STRUCTURE
53-20-10	2	02/25/94	
53-20-10	3	02/25/94	
53-20-20	1	02/25/94	CONTROL PEDESTAL STRUCTURE
53-20-20	2	02/25/94	
53-20-20	3	02/25/94	
53-20-20	4	02/25/94	
53-20-20	5	02/25/94	
53-20-30	1	02/25/94	PEDESTAL EXTENSION STRUCTURE
53-20-30	2	02/25/94	
53-20-30	3	02/25/94	
53-20-40	1	02/25/94	SUBPANEL STRUCTURE ASSEMBLY
53-20-40	2	02/25/94	
53-20-40	3	02/25/94	
53-20-50	1	02/25/94	COCKPIT FLOOR PANELS
53-20-50	2	02/25/94	
53-20-50	3	02/25/94	
53-20-50	4	02/25/94	
53-20-50	5	02/25/94	
53-20-50	6	02/25/94	
53-20-50	7	02/25/94	
53-20-60	1	02/25/94	CABIN FLOOR AND AISLE PANELS
53-20-60	2	02/25/94	
53-20-60	3	02/25/94	
53-20-60	4	02/25/94	
53-20-60	5	02/25/94	
53-20-60	6	02/25/94	
53-20-60	7	02/25/94	
53-20-70	1	02/25/94	NOSE AVIONICS SHELVES
53-20-70	2	02/25/94	
53-20-70	3	02/25/94	
53-20-70	4	02/25/94	
53-20-70	5	02/25/94	
53-20-70	6	02/25/94	
53-20-70	7	02/25/94	
53-20-70	8	02/25/94	
53-20-70	9	02/25/94	
53-20-70	10	02/25/94	
53-20-70	11	02/25/94	
53-20-80	1	02/25/94	MAIN INSTRUMENT PANEL STRUCTURE
53-20-80	2	02/25/94	
53-20-80	3	02/25/94	
53-21-00	1	02/25/94	FUSELAGE ELECTRICAL WIRE CONDUIT

Raytheon Aircraft

BEECH STARSHIP 1 ILLUSTRATED PARTS CATALOG

LIST OF PAGES & TABLE OF CONTENTS FOR CHAPTER 53-00-00 FUSELAGE (Continued)

CHAP/SUB-SECT & UNIT	PAGE NUMBER	EFFECTIVE DATE	TABLE OF CONTENTS
53-21-00	2	02/25/94	
53-21-00	3	02/25/94	
53-21-00	4	02/25/94	
53-21-00	5	02/25/94	
53-21-00	6	02/25/94	
53-21-00	7	02/25/94	
53-21-10	1	02/25/94	FLIGHT CONTROL CABLE TRAY
53-21-10	2	02/25/94	
53-21-10	3	02/25/94	
53-25-00	1	02/25/94	DYNAMIC ABSORBER
53-25-00	2	02/25/94	
53-25-00	3	02/25/94	
53-25-00	4	02/25/94	
53-25-00	5	02/25/94	
53-25-00	6	02/25/94	
53-25-00	7	02/25/94	
53-30-00	1	02/25/94	NOSE SKINS AND PLATES
53-30-00	2	02/25/94	
53-30-00	3	02/25/94	
53-30-00	4	02/25/94	
53-30-00	5	02/25/94	
53-30-10	1	02/25/94	AFT FUSELAGE ACCESS DOORS
53-30-10	2	02/25/94	
53-30-10	3	02/25/94	
53-30-10	4	02/25/94	
53-30-10	5	07/31/02	
53-40-00	1	02/25/94	MAIN PANEL AND SUBPANEL SUPPORT
53-40-00	2	02/25/94	
53-40-00	3	02/25/94	
53-40-10	1	02/25/94	ELECTRONIC FLIGHT DISPLAYS SUPPORT
53-40-10	2	02/25/94	
53-40-10	3	02/25/94	
53-40-20	1	02/25/94	NOSE ATTACH FITTINGS
53-40-20	2	02/25/94	
53-40-20	3	02/25/94	
53-40-20	4	02/25/94	
53-40-20	5	02/25/94	
53-40-20	6	02/25/94	
53-40-20	7	02/25/94	
53-40-20	8	02/25/94	
53-40-20	9	02/25/94	
53-40-20	10	02/25/94	
53-40-20	11	02/25/94	
53-40-30	1	02/25/94	AVIONICS INTERFACE RACK
53-40-30	2	02/25/94	
53-40-30	3	02/25/94	
53-50-00	1	02/25/94	RADOME AND TAIL CONE
53-50-00	2	02/25/94	
53-50-00	3	07/31/02	
53-50-20	1	02/25/94	FORWARD WING FAIRINGS
53-50-20	2	02/25/94	
53-50-20	3	02/25/94	
53-50-40	1	02/25/94	AFT WING/FUSELAGE FAIRING/
53-50-40	2	02/25/94	

Raytheon Aircraft

BEECH STARSHIP 1 ILLUSTRATED PARTS CATALOG

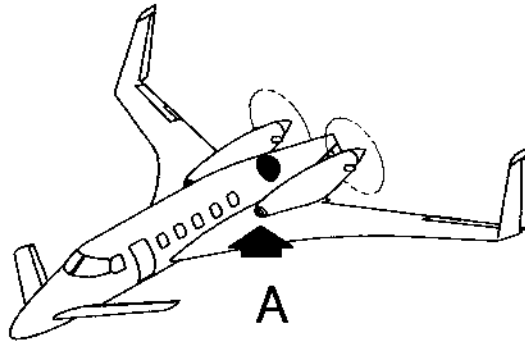
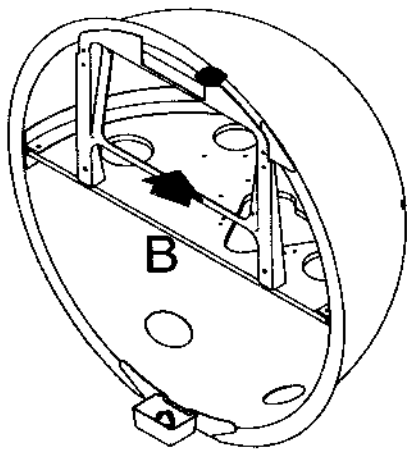
LIST OF PAGES & TABLE OF CONTENTS FOR CHAPTER 53-00-00 FUSELAGE *(Continued)*

CHAP/SUB- SECT & UNIT	PAGE NUMBER	EFFECTIVE DATE	TABLE OF CONTENTS
53-50-40	3	02/25/94	

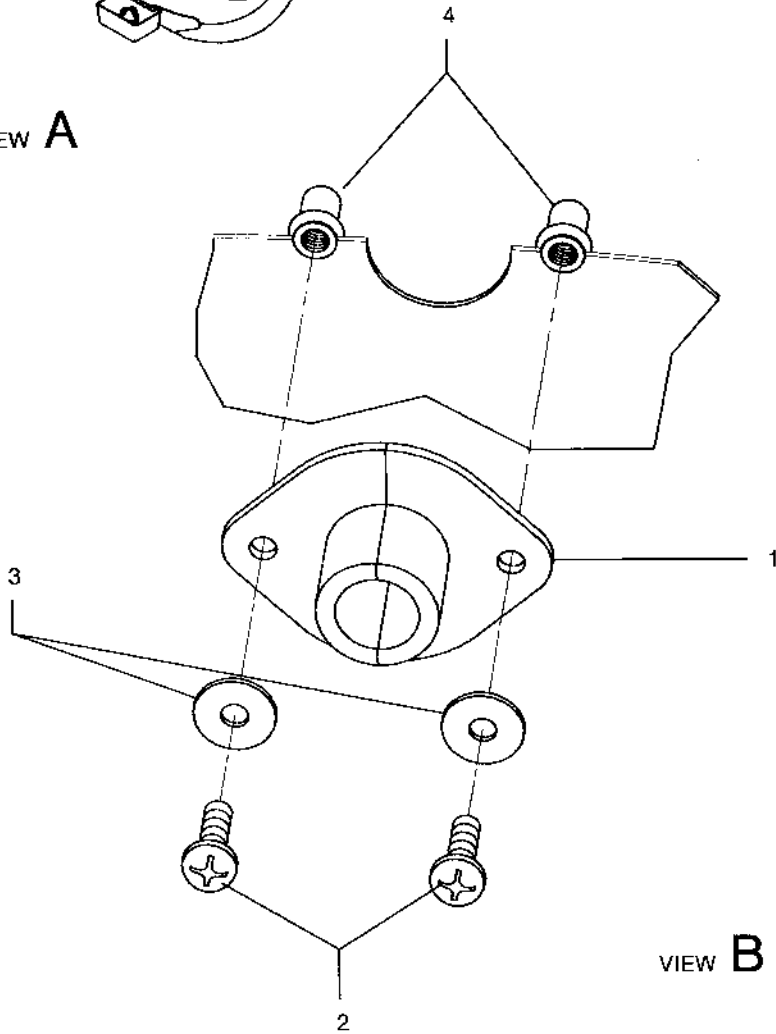
Beechcraft
STARSHIP 1
ILLUSTRATED PARTS CATALOG

53-00-01
AFT PRESSURE DOME WIRE SEAL

Beechcraft
STARSHIP 1
ILLUSTRATED PARTS CATALOG



VIEW A



VIEW B

2000-103-01

FIGURE 00-01.AFT PRESSURE DOME WIRE SEAL

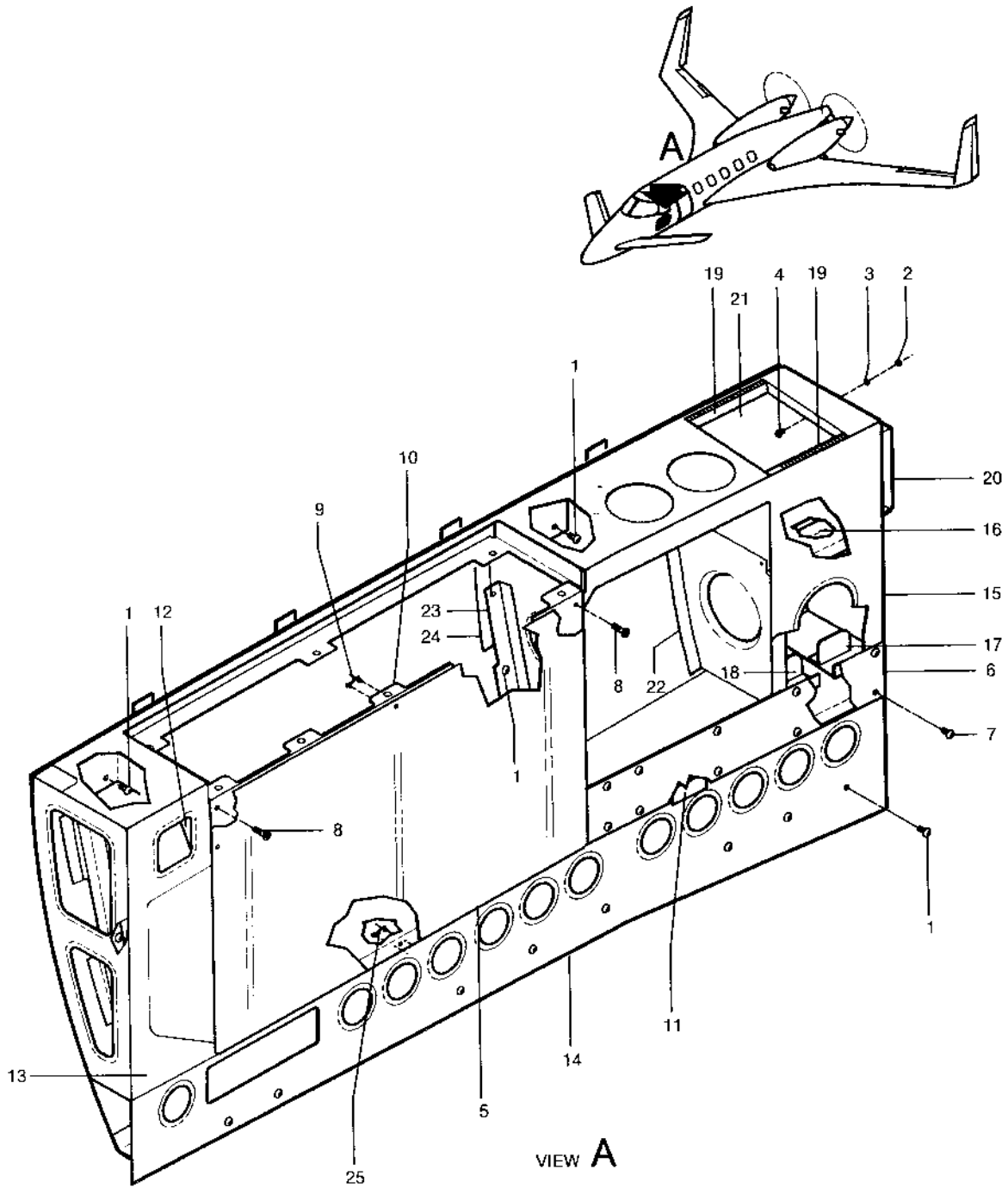

STARSHIP 1
ILLUSTRATED PARTS CATALOG

SUB-SEC UNIT & ITEM NO	PART NO.	DESCRIPTION 1 2 3 4 5 6 7	UNITS	USABLE
			PER ASSY	ON CODE
00-01	122-364081-1	AFT FUSELAGE ELECTRICAL TRAY INSTL	NP	
- 1	S45A13	. SEAL	2	
- 2	MS27039-0811	. SCREW.....	2	
- 3	AN960JD8L	. WASHER.....	2	
- 4	NAS1329A08KB160	. RIVNUT	2	

Beechcraft
STARSHIP 1
ILLUSTRATED PARTS CATALOG

53-20-00
COCKPIT LEFT SIDE CONSOLE STRUCTURE

Beechcraft
STARSHIP 1
ILLUSTRATED PARTS CATALOG



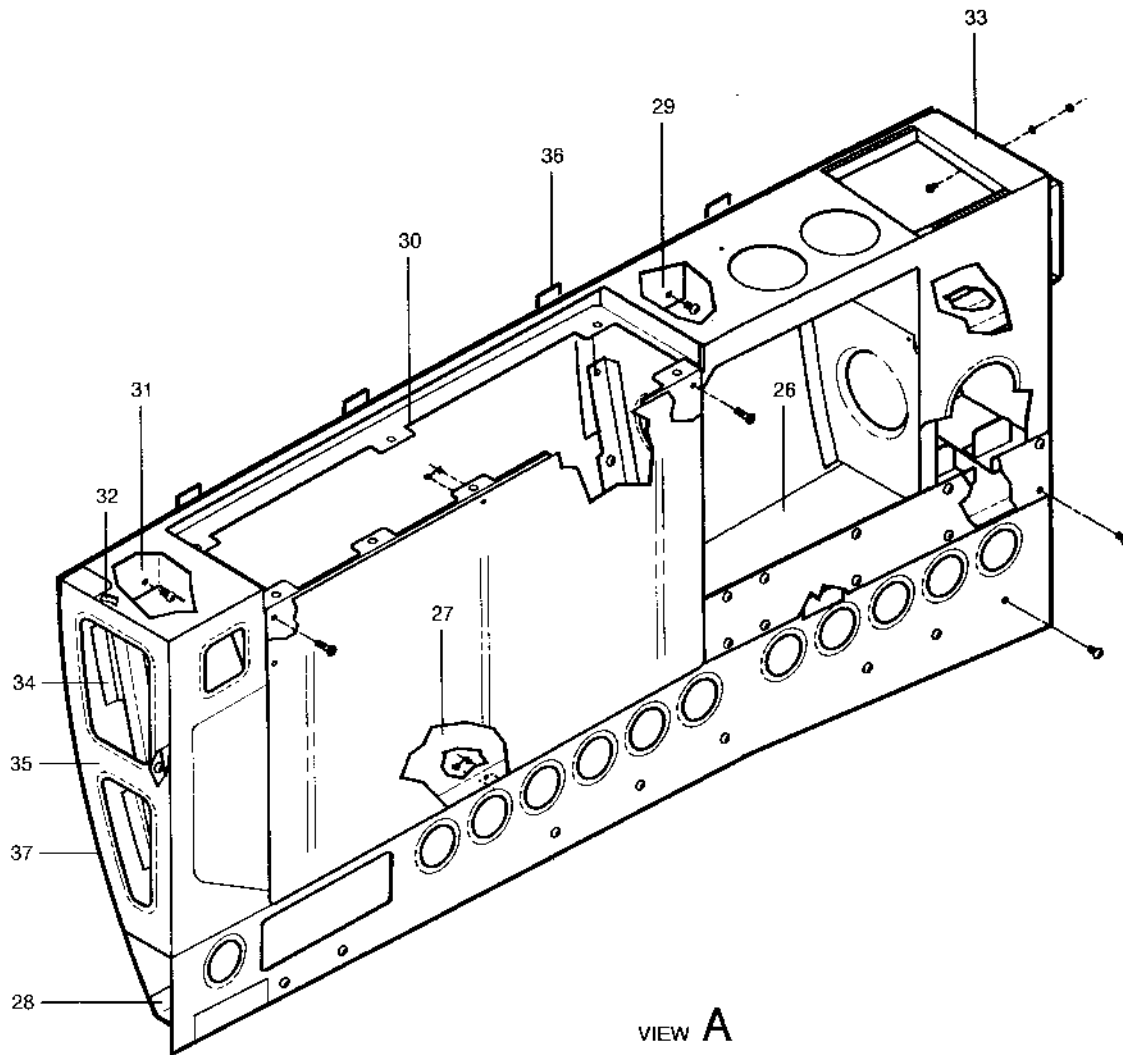
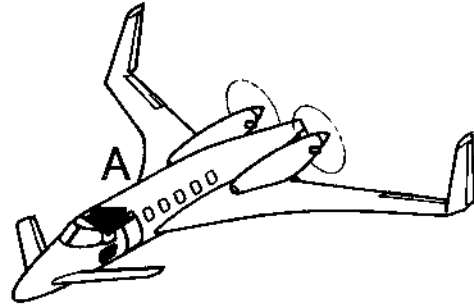
2000-157 02

FIGURE 20-00.COCKPIT LH CONSOLE STRUCTURE
/SHEET 1 OF 2 SHEETS/

Deechcraft
STARSHIP 1
ILLUSTRATED PARTS CATALOG

SUB-SEC UNIT & ITEM NO	PART NO.	DESCRIPTION 1 2 3 4 5 6 7	UNITS	USABLE
			PER ASSY	ON CODE
20-00	122-322097-9	CONSOLE INSTL, COCKPIT LEFT SIDE	NP	
	122-322097-11	.. CONSOLE ASSY	1	1
	122-322097-13	.. CONSOLE ASSY	1	2
		.. /ATTACHING PARTS/		
- 1	MS27039-1-07	.. SCREW	16	
- 2	MS21044N06	.. NUT	3	
- 3	AN960-6L	.. WASHER	3	
- 4	MS35206-229	.. SCREW	3	
		---*---		
- 5	122-322120-1	.. COVER ASSY, WIRE TRAY UPPER	1	1
	SR3	.. SNAP RING	6	
	A3-20	.. STUD	6	
- 6	122-322118-3	.. COVER, WIRE TRAY	1	
		.. /ATTACHING PARTS/		
- 7	MS27039-1-07	.. SCREW	10	
		---*---		
	122-322211-3	.. DECAL, WIRE TRAY INSTRUCTION	1	
	122-322125-5	.. SUPPORT ASSY, CIRCUIT BREAKER PANEL	1	1
	122-322125-9	.. SUPPORT ASSY, CIRCUIT BREAKER PANEL	1	2
		.. /ATTACHING PARTS/		
- 8	MS24694S49	.. SCREW	4	
		---*---		
- 9	S3-175	.. SPRING	3	1
	MS21060L06	.. NUTPLATE	AR	
- 10	122-322125-7	.. SUPPORT	1	1
	122-322125-11	.. SUPPORT	1	2
	26R6-1BB	.. RECEPTACLE	3	2
- 11	122-322211-3	.. DECAL, WIRE TRAY INSTRUCTION	1	
	122-322122-1	.. SKIN ASSY, UPPER AFT	1	1
	122-322122-7	.. SKIN ASSY, UPPER AFT	1	2
	MS21053-3	.. NUTPLATE	4	
- 12	122-322122-5	.. SUPPORT	1	1
- 13	122-322122-3	.. SKIN, UPPER AFT	1	1
	122-322119-9	.. SKIN, UPPER AFT	1	2
- 14	122-322119-5	.. SKIN, LOWER INBD	1	1
	122-322119-7	.. SKIN, LOWER INBD	1	2
- 15	122-322123-1	.. SKIN, UPPER INBD	1	
- 16	122-322182-3	.. SUPPORT ASSY, AUXILIARY CIRCUIT BREAKER	1	1
		.. PANEL UPPER		
	MS21051L3	.. NUTPLATE	2	1
- 17	122-322182-1	.. SUPPORT ASSY, AUXILIARY CIRCUIT BREAKER	1	1
		.. PANEL LOWER FWD		
	MS21051L3	.. NUTPLATE	1	1
- 18	122-322182-2	.. SUPPORT ASSY, AUXILIARY CIRCUIT BREAKER	1	1
		.. PANEL LOWER AFT		
	MS21051L3	.. NUTPLATE	1	1
- 19	122-522048-5	.. RAIL, RECEPTACLE STRIP	2	
	122-322108-1	.. BOX ASSY, OXYGEN MASK	1	
- 20	122-322108-3	.. SUPPORT	1	
- 21	122-322108-5	.. BOX	1	
- 22	122-322130-1	.. FRAME/STA 125.27/	1	
	122-322128-1	.. FRAME ASSY/STA 136.00/	1	
- 23	122-322128-5	.. SUPPORT ASSY	1	
	MS21051-3	.. NUTPLATE	4	
- 24	122-322126-3	.. FRAME	1	
- 25	S3-150	.. SPRING	3	1
	MS21047-3	.. NUTPLATE	7	
	MS21051-3	.. NUTPLATE	3	
	MS21053-3	.. NUTPLATE	2	
	MS21075L06	.. NUTPLATE	6	
	MS21075L3	.. NUTPLATE	4	2

Beechcraft
STARSHIP 1
ILLUSTRATED PARTS CATALOG



2000-157-03

FIGURE 20-00. COCKPIT LH CONSOLE STRUCTURE
/SHEET 2 OF 2 SHEETS/

Beechcraft
STARSHIP 1
ILLUSTRATED PARTS CATALOG

SUB-SEC UNIT & ITEM NO	PART NO.	DESCRIPTION 1 2 3 4 5 6 7	UNITS	USABLE
			PER ASSY	ON CODE
20-00 -26	122-322114-3	.. SUPPORT, WIRE TRAY UPPER.....	1	
-27	122-322115-3	.. SUPPORT, WIRE TRAY LOWER.....	1	1
	122-322115-5	.. SUPPORT, WIRE TRAY LOWER.....	1	2
-28	122-322117-3	.. SUPPORT, LOWER.....	1	
-29	122-322111-3	.. BRACKET, CONSOLE ATTACHMENT.....	1	
-30	122-322121-5	.. SUPPORT ASSY, CIRCUIT BREAKER PANEL.....	1	
	MS21060L06	.. NUTPLATE.....	3	
-31	122-322112-5	.. BRACKET, CONSOLE ATTACHMENT.....	1	
-32	122-322197-7	.. BRACKET.....	1	
-33	122-322113-1	.. PANEL, TOP.....	1	1
	122-322113-3	.. PANEL, TOP.....	1	2
-34	122-322128-5	.. SUPPORT ASSY, ELECTRICAL PANEL/STA 157.00/.....	1	
	MS21051-3	.. NUTPLATE.....	3	
-35	122-322127-1	.. FRAME/STA 163.50/.....	1	
-36	122-322197-1	.. BRACKET, UPHOLSTERY SUPPORT.....	4	
-37	122-322116-3	.. SKIN, OUTBD PANEL.....	1	
	122-322197-15	.. BRACKET ASSY.....	AR	2
	122-322197-19	.. SUPPORT ASSY.....	1	2

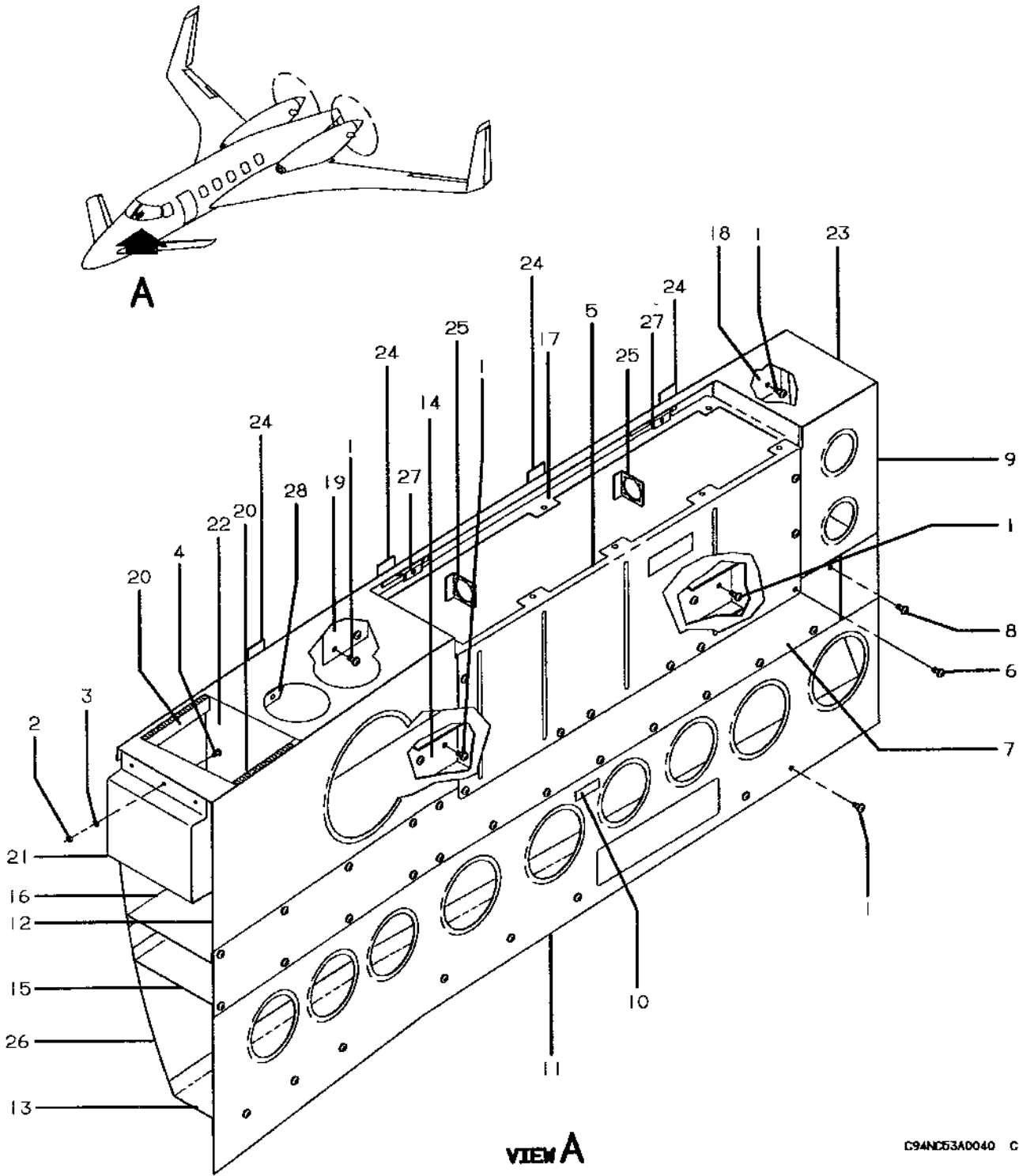
CODES OF EFFECTIVITY

1 NC-4 THRU NC-20 2 NC-21 AND AFTER

Beechcraft
STARSHIP 1
ILLUSTRATED PARTS CATALOG

53-20-10
COCKPIT RIGHT SIDE CONSOLE STRUCTURE

Beechcraft
 STARSHIP 1
 ILLUSTRATED PARTS CATALOG



C94NC53A0040 C

FIGURE 20-10. COCKPIT RH CONSOLE STRUCTURE

Beechcraft
STARSHIP 1
ILLUSTRATED PARTS CATALOG

SUB-SEC UNIT & ITEM NO	PART NO.	DESCRIPTION 1 2 3 4 5 6 7	UNITS	USABLE
			PER ASSY	ON CODE
20-10	122-322098-9	CONSOLE INSTL, COCKPIT RIGHT SIDE.....	NP	
	122-322098-11	.. CONSOLE ASSY.....	1	
		.. /ATTACHING PARTS/		
- 1	MS27039-1-07	.. SCREW.....	16	
- 2	MS21044N06	.. NUT.....	3	
- 3	AN960-6L	.. WASHER.....	3	
- 4	MS35206-229	.. SCREW.....	3	
		---★---		
- 5	122-322106-9	.. COVER ASSY, UPPER WIRE TRAY.....	1	1
	122-322106-13	.. COVER ASSY, UPPER WIRE TRAY.....	1	2
		.. /ATTACHING PARTS/		
- 6	MS27039-1-07	.. SCREW.....	10	
		---★---		
	122-322211-3	.. DECAL, WIRING TRAY INSTRUCTION.....	1	
	MS21060L06	.. NUTPLATE.....	3	
- 7	122-322104-3	.. COVER, WIRE TRAY.....	1	1
	122-322104-5	.. COVER, WIRE TRAY.....	1	2
		.. /ATTACHING PARTS/		
- 8	MS27039-1-07	.. SCREW.....	20	
		---★---		
	122-322211-3	.. DECAL, WIRING TRAY INSTRUCTION.....	1	
	26R6-1BB	.. RECEPTACLE.....	2	2
	MS21075L3	.. NUTPLATE.....	1	2
- 9	122-322109-1	.. SKIN ASSY, AFT UPPER INBD.....	1	
	MS21047-3	.. NUTPLATE.....	2	
-10	122-322211-3	.. DECAL, WIRING TRAY INSTRUCTION.....	1	
-11	122-322105-3	.. SKIN, LOWER INBD.....	1	1
	122-322105-5	.. SKIN, LOWER INBD.....	1	2
-12	122-322110-5	.. SKIN ASSY, FWD UPPER INBD.....	1	
	MS21047-3	.. NUTPLATE.....	2	
-13	122-322103-3	.. SUPPORT, LOWER.....	1	
	MS21047-3	.. NUTPLATE.....	28	
	MS21051-3	.. NUTPLATE.....	2	
-14	122-322124-1	.. BRACKET, SUPPORT.....	2	
-15	122-322101-3	.. SUPPORT, WIRE TRAY LOWER.....	1	1
	122-322101-5	.. SUPPORT, WIRE TRAY LOWER.....	1	2
-16	122-322100-3	.. SUPPORT, WIRE TRAY UPPER.....	1	
-17	122-322107-5	.. SUPPORT ASSY, CIRCUIT BREAKER PANEL.....	1	
	MS21060L06	.. NUTPLATE.....	3	
	MS21061L06	.. NUTPLATE.....	2	
-18	122-322112-1	.. BRACKET, CONSOLE ATTACHMENT.....	1	
-19	122-322111-1	.. BRACKET, CONSOLE ATTACHMENT.....	1	
-20	122-522048-5	.. RAIL, RECEPTACLE STRIP.....	2	
	122-322108-2	.. BOX ASSY, OXYGEN MASK.....	1	
-21	122-322108-4	.. SUPPORT.....	1	
-22	122-322108-6	.. BOX.....	1	
-23	122-322099-1	.. PANEL, TOP.....	1	1
	122-322099-3	.. PANEL, TOP.....	1	2
-24	122-322197-1	.. BRACKET, UPHOLSTERY SUPPORT.....	4	
-25	122-340039-135	.. BRACKET, AVIONICS CIRCUIT BREAKER PANEL.....	2	
		.. CONNECTOR SUPPORT		
-26	122-322102-3	.. SKIN, OUTBD PANEL.....	1	
-27	122-322197-15	.. BRACKET ASSY.....	2	2
-28	122-322197-19	.. BRACKET ASSY.....	1	2

CODES OF EFFECTIVITY

1 NC-4 THRU NC-20 2 NC-21 AND AFTER

Beechcraft
STARSHIP 1
ILLUSTRATED PARTS CATALOG

53-20-20
CONTROL PEDESTAL STRUCTURE

Beechcraft
STARSHIP 1
ILLUSTRATED PARTS CATALOG

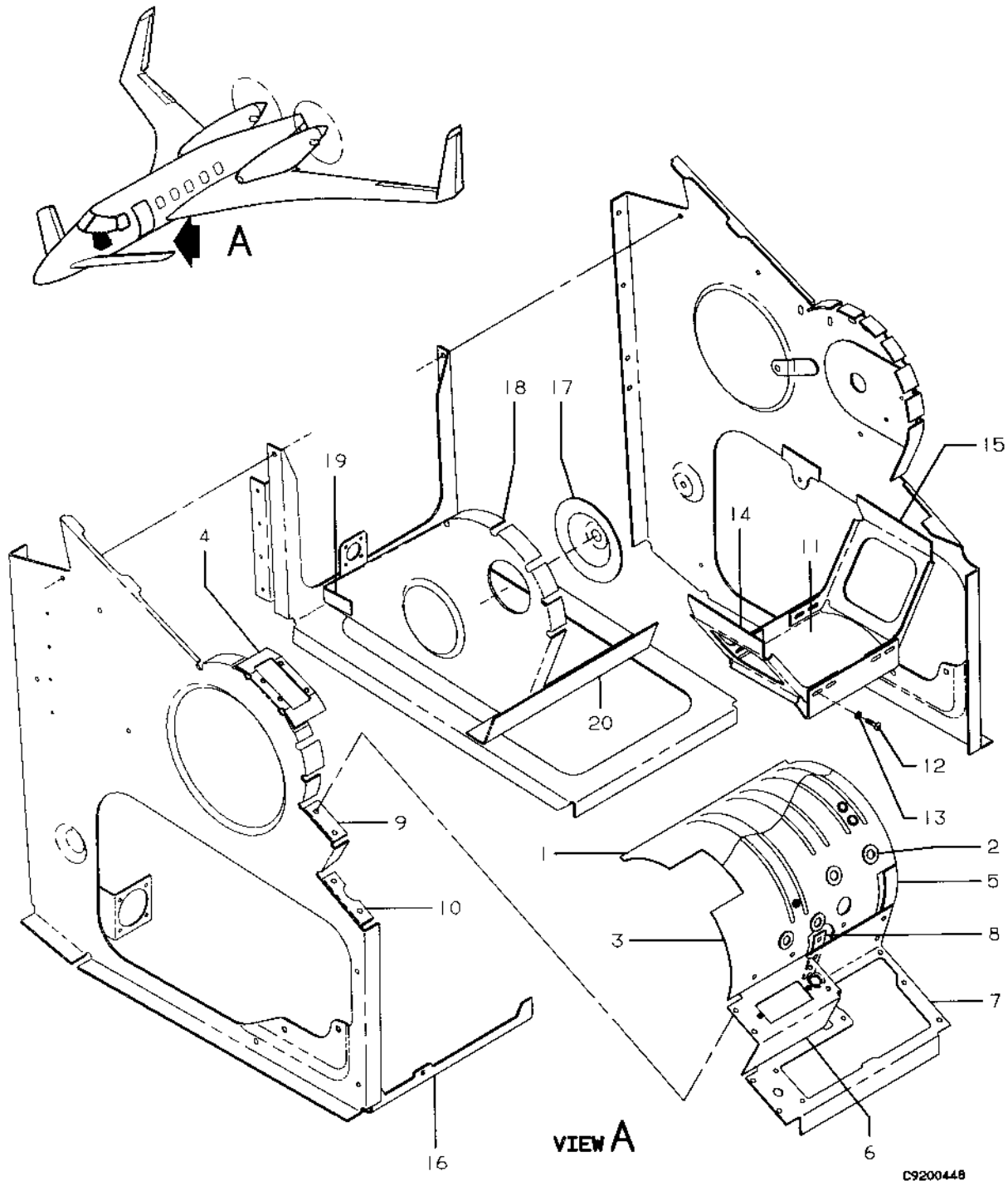
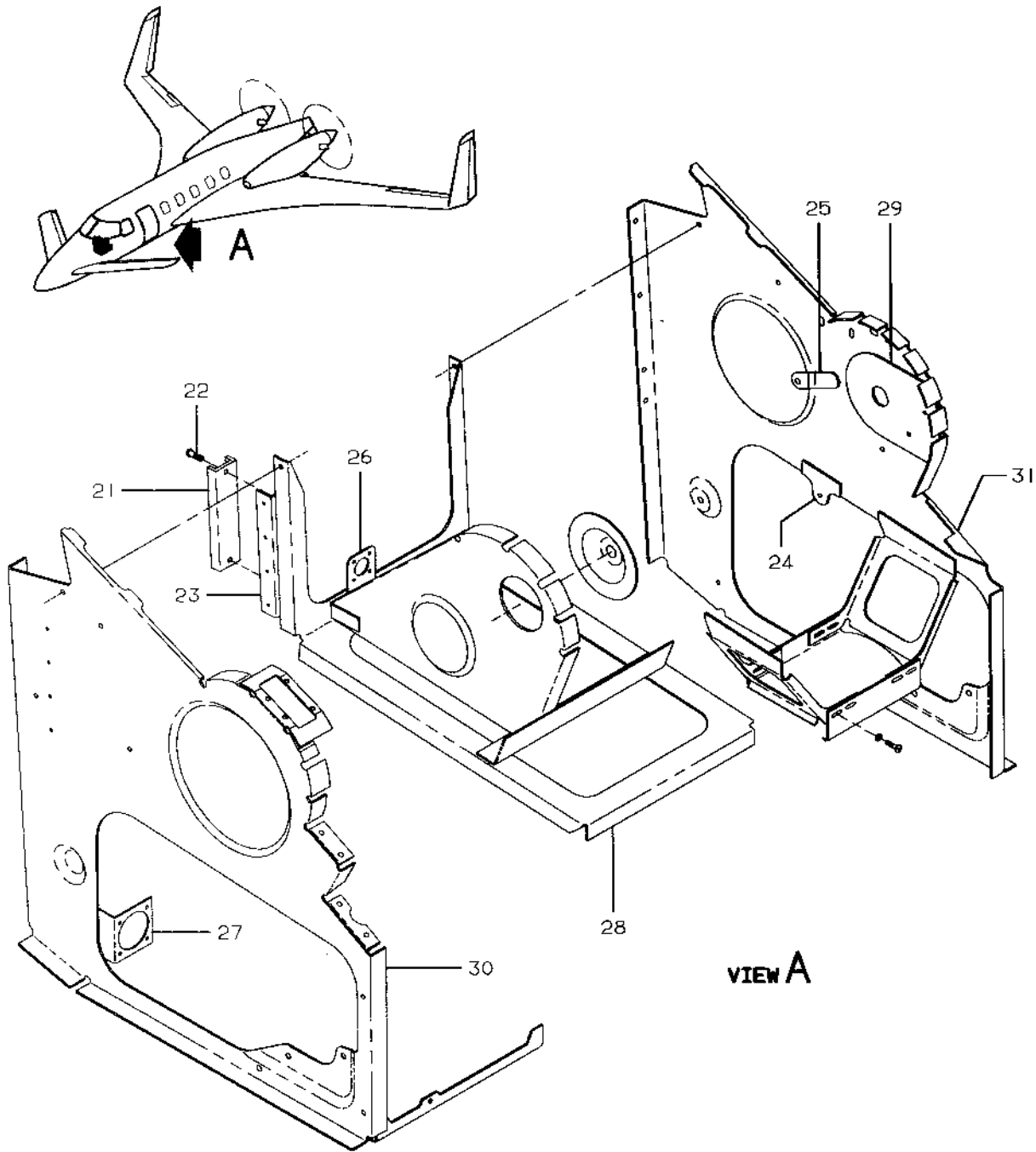


FIGURE 20-20. CONTROL PEDESTAL STRUCTURE
/SHEET 1 OF 2 SHEETS/

Boeing
STARSHIP 1
ILLUSTRATED PARTS CATALOG

SUB-SEC UNIT & ITEM NO	PART NO.	DESCRIPTION 1 2 3 4 5 6 7	UNITS	USABLE
			PER ASSY	ON CODE
20-20	122-522094-3	STRUCTURE ASSY, CONTROL PEDESTAL.....	1	
- 1	101-524315-9	. COVER, RUBBER PAD.....	1	
- 2	99-524090-1	. BUSHING, CONTROL BRAKE.....	4	
	MS21075L06	. NUTPLATE.....	10	
- 3	122-522097-1	. GUIDE, ENGINE CONTROL LEVERS.....	1	
- 4	122-522101-5	. SUPPORT, PITCH TRIM INDICATOR.....	1	
- 5	122-522103-7	. PLATE.....	1	
	MS21071L06	. NUTPLATE.....	2	
- 6	122-522107-1	. PANEL, ROLL TRIM INDICATOR SUPPORT.....	1	
- 7	122-522108-5	. FRAME, RUDDER TRIM INDICATOR & TRIM SWITCHES..... SUPPORT	1	
	122-522108-3	. FRAME.....	1	
- 8	122-522103-15	. BRACKET.....	1	
	122-522103-13	. ANGLE.....	1	
	MS24693S27	. SCREW.....	4	
	MS21061L06	. NUTPLATE.....	1	
	MS21071L06	. NUTPLATE.....	2	
	MS21075L06	. NUTPLATE.....	8	
- 9	122-522103-9	. SUPPORT.....	1	
- 10	122-522103-11	. SUPPORT.....	1	
- 11	122-522026-1	. CHANNEL, SWITCH SUPPORT..... /ATTACHING PARTS/	1	
- 12	MS35206-229	. SCREW.....	8	
- 13	AN960-6L	. WASHER.....	8	
	MS21069L06	. NUTPLATE.....	8	
- 14	122-522027-2	. BRACKET, SUPPORT.....	1	
- 15	122-522027-1	. BRACKET, SUPPORT.....	1	
- 16	122-522053-3	. BRACKET, LOWER CENTER.....	1	
- 17	115-524017-3	. MOUNT, ENGINE CONTROL PIVOT.....	1	
- 18	122-522096-1	. BULKHEAD, UPPER.....	1	
- 19	122-522103-1	. CLIP.....	1	
- 20	122-522103-3	. SUPPORT.....	1	

Beechcraft
STARSHIP 1
ILLUSTRATED PARTS CATALOG



C9200449

FIGURE 20-20. CONTROL PEDESTAL STRUCTURE
/SHEET 2 OF 2 SHEETS/

Beechcraft
STARSHIP 1
ILLUSTRATED PARTS CATALOG

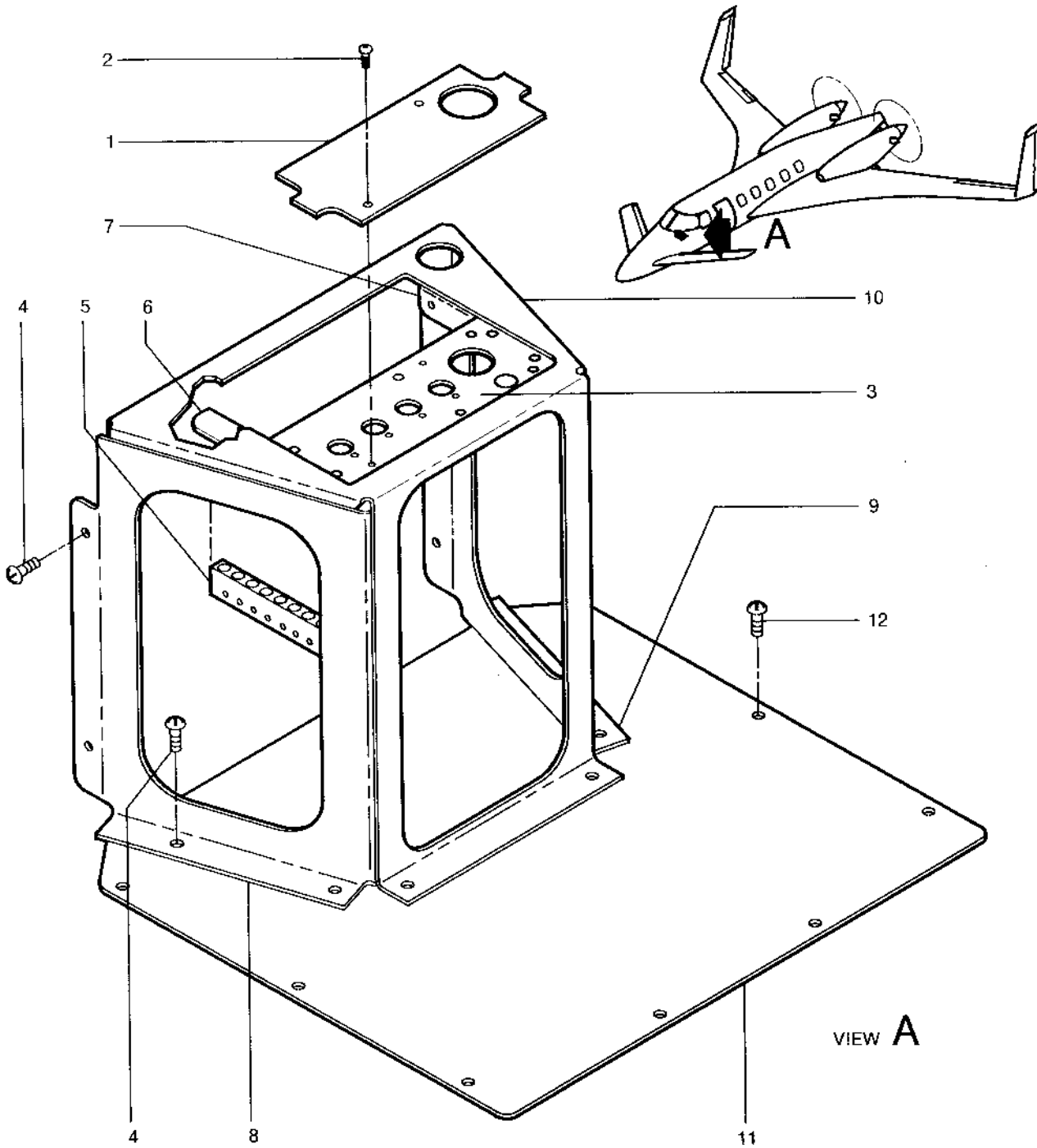
SUB-SEC UNIT & ITEM NO	PART NO.	DESCRIPTION 1 2 3 4 5 6 7	UNITS	USABLE
			PER ASSY	ON CODE
20-20	122-361057-27	. ANGLE ASSY, TERMINAL JUNCTION LH MOUNTING	1	
	122-361057-28	. ANGLE ASSY, TERMINAL JUNCTION RH MOUNTING	1	
- 21	MRTBL8	.. RAIL, TERMINAL JUNCTION MOUNTING	1	
		/ATTACHING PARTS/		
- 22	MS24693S26	.. SCREW	2	
		-----★-----		
- 23	122-361057-37	.. ANGLE ASSY	1	
	MS21061L06	.. NUTPLATE	2	
- 24	122-522087-1	. BRACKET, PRESSURIZATION COMPUTER SUPPORT	2	
- 25	122-522082-3	. BRACKET, THROTTLE GO AROUND SWITCH CORD	1	
		SUPPORT		
- 26	122-522082-5	. BRACKET, THROTTLE GO AROUND SWITCH	1	
		ELECTRICAL CONNECTOR SUPPORT		
- 27	122-522082-7	. BRACKET, PEDESTAL ELECTRICAL CONNECTOR	1	
	MS21061L3	. NUTPLATE	2	
- 28	122-522023-3	. FRAME, CENTER	1	
	130909N33	. NUTPLATE	4	
- 29	122-522055-1	. DOUBLER, RH SIDE FRAME	1	
	MS21071L06	. NUTPLATE	2	
	MS21075L06	. NUTPLATE	6	
	MS21075L08	. NUTPLATE	21	
	MS21075L3	. NUTPLATE	6	
- 30	122-522095-1	. FRAME, LH SIDE	1	
- 31	122-522022-1	. FRAME, RH SIDE	1	

-END-

Beechcraft
STARSHIP 1
ILLUSTRATED PARTS CATALOG

53-20-30
PEDESTAL EXTENSION STRUCTURE

Beechcraft
STARSHIP 1
ILLUSTRATED PARTS CATALOG



2000-157-04

FIGURE 20-30. PEDESTAL EXTENSION STRUCTURE

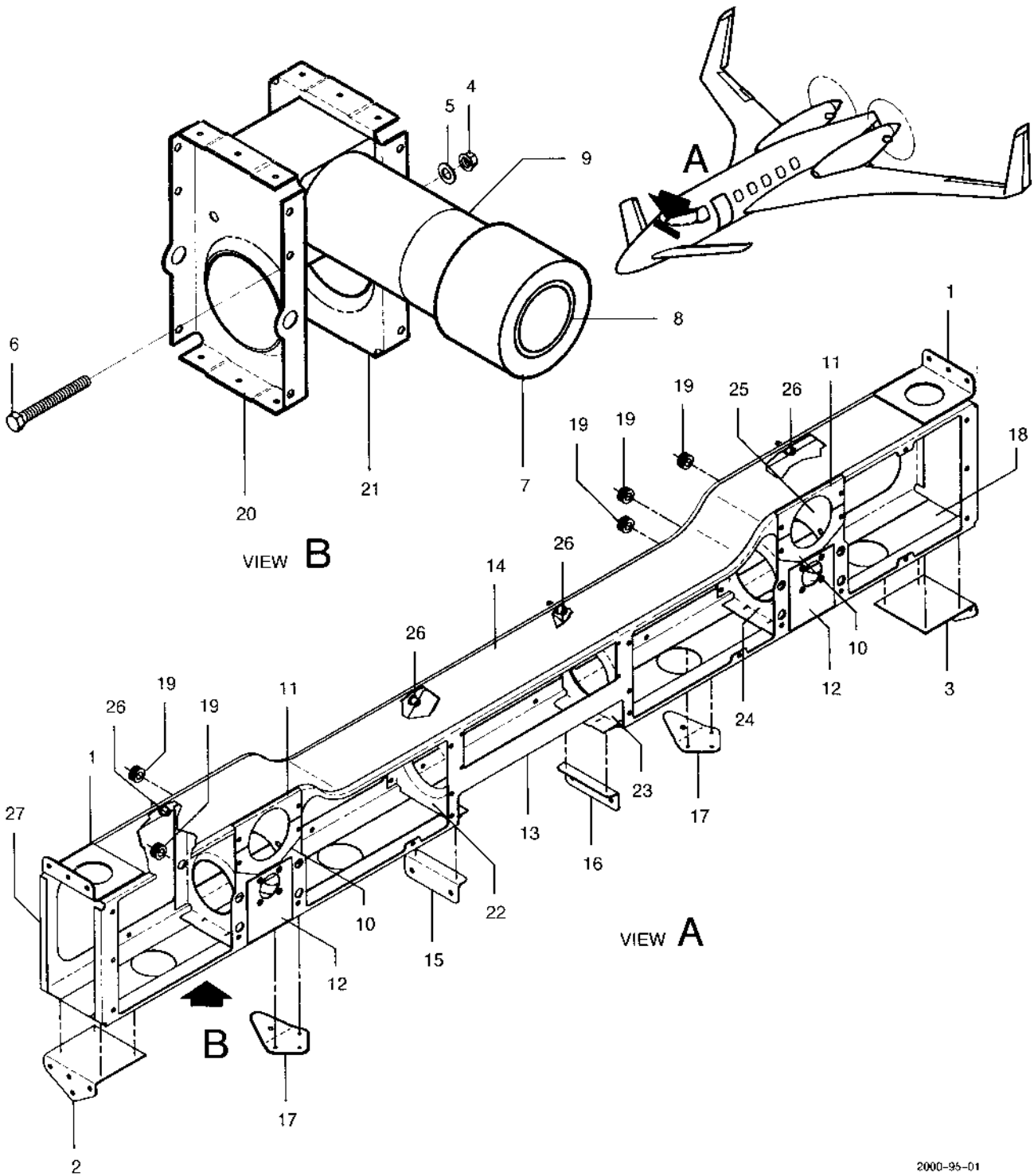
Deechcraft
STARSHIP 1
ILLUSTRATED PARTS CATALOG

SUB-SEC UNIT & ITEM NO	PART NO.	DESCRIPTION 1 2 3 4 5 6 7	UNITS	USABLE
			PER ASSY	ON CODE
20-30	122-502012-1	EXTENSION INSTL, PEDESTAL	NP	
	206482-24V-7	. CIGARETTE LIGHTER	1	
	122-502020-5	. LIGHTER BASE ASSY	1	
	622-7411-204	. APP85D AUTOPILOT ENGAGE PANEL	1	
- 1	122-502029-5	. PANEL	1	
		/ATTACHING PARTS/		
- 2	MS35214-28	. SCREW	2	
		-----★-----		
- 3	122-502021-17	. PLATE ASSY, SWITCH	1	
	PFSC 3 1/2-38A	.. FASTENER	4	
	9505-06	.. NUTSERT	2	
	122-522070-1	. EXTENSION ASSY, SINGLE WIDE	1	
		/ATTACHING PARTS/		
- 4	AN525-10R7	. SCREW	10	
		-----★-----		
- 5	122-522048-7	.. RAIL	2	
- 6	122-522077-1	.. BRACKET	1	
- 7	122-522077-2	.. BRACKET	1	
- 8	122-522075-1	.. PANEL, SIDE	1	
- 9	122-522075-2	.. PANEL, SIDE	1	
	MS21075L3	.. NUTPLATE	4	
- 10	122-522076-1	.. PANEL, TOP	1	
- 11	122-522069-1	. PANEL ASSY, FLOOR	1	
		/ATTACHING PARTS/		
- 12	AN525-10R7	. SCREW	8	
		-----★-----		
	MS21075L3	.. NUTPLATE	6	
	MS21060L08	.. NUTPLATE	3	

Beechcraft
STARSHIP 1
ILLUSTRATED PARTS CATALOG

53-20-40
SUBPANEL STRUCTURE ASSEMBLY

Beechcraft
STARSHIP 1
ILLUSTRATED PARTS CATALOG



2000-95-01

FIGURE 20-40.SUBPANEL STRUCTURE ASSEMBLY

Beechcraft
STARSHIP 1
ILLUSTRATED PARTS CATALOG

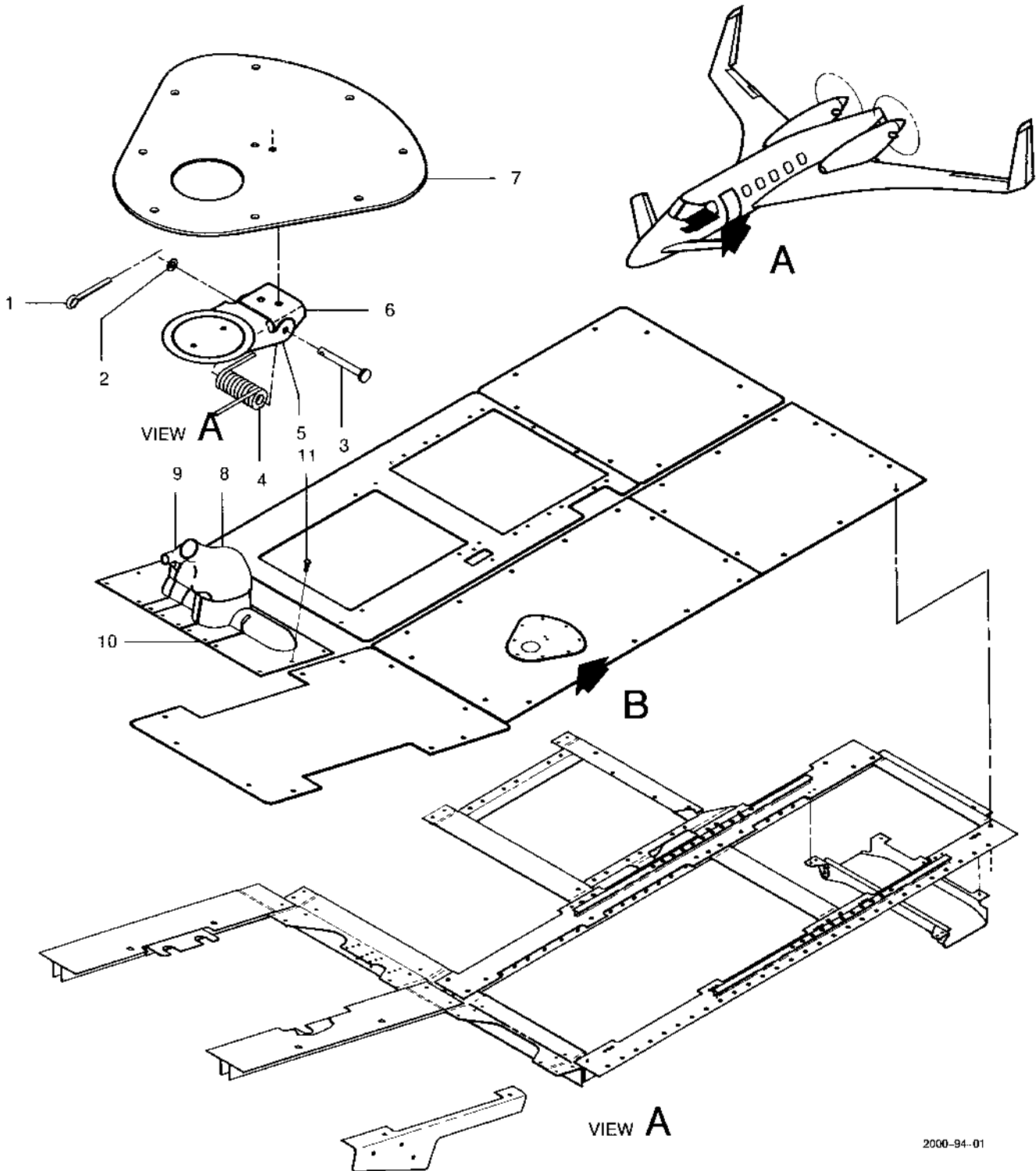
SUB-SEC UNIT & ITEM NO	PART NO.	DESCRIPTION 1 2 3 4 5 6 7	UNITS	USABLE
			PER ASSY	ON CODE
20-40	122-322020-3	STRUCTURE ASSY, SUBPANEL.....	1	
- 1	122-322074-1	. BRACKET, UPPER	2	
- 2	122-322034-1	. BRACKET, LH LOWER.....	1	
- 3	122-322034-2	. BRACKET, RH LOWER.....	1	
	50-524417-43	. SUPPORT ASSY, CONTROL COLUMN LH.....	1	
	50-524417-38	. SUPPORT ASSY, CONTROL COLUMN RH.....	1	
		/ATTACHING PARTS/		
- 4	130909N32	. NUT	2	
- 5	AN960-416	. WASHER.....	2	
- 6	130909B49	. BOLT	2	
		---*---		
- 7	50-524417-19	. . CAP	1	
- 8	50-524417-5	. . BUSHING	1	
- 9	50-524417-45	. . HOUSING, LH.....	1	
	50-524417-35	. . HOUSING, RH	1	
-10	122-322028-3	. COVER	2	
-11	122-322028-1	. COVER	2	
-12	100-324207-3	. PLATE	2	
	MS21061L06	. NUTPLATE.....	16	
	MS21071L06	. NUTPLATE.....	8	
	MS21075L06	. NUTPLATE.....	13	
-13	122-322076-3	. PANEL, FRONT.....	1	
-14	122-322023-1	. PANEL, TOP.....	1	
-15	122-322027-1	. BRACKET, PEDESTAL SUPPORT.....	1	
-16	122-322027-2	. BRACKET, PEDESTAL SUPPORT.....	1	
-17	122-322039-11	. BRACKET, WIRE HARNESS SUPPORT.....	2	
-18	122-322024-1	. PANEL, BOTTOM	1	
-19	MS35489-13	. GROMMET.....	5	
-20	122-322026-3	. BULKHEAD, CONTROL COLUMN SUPPORT.....	1	
-21	122-322026-4	. BULKHEAD, CONTROL COLUMN SUPPORT.....	1	
-22	122-322025-1	. BULKHEAD, LH INBD.....	1	
-23	122-322025-2	. BULKHEAD, RH INBD.....	1	
-24	122-322026-1	. BULKHEAD, CONTROL COLUMN SUPPORT.....	1	
-25	122-322026-2	. BULKHEAD, CONTROL COLUMN SUPPORT.....	1	
	130909N33	. NUTPLATE.....	6	
-26	131270-3	. STUD, GROUNDING.....	4	
-27	122-322022-1	. PANEL, BACK.....	1	

--END--

Beechcraft
STARSHIP 1
ILLUSTRATED PARTS CATALOG

53-20-50
COCKPIT FLOOR PANELS

Beechcraft
STARSHIP 1
ILLUSTRATED PARTS CATALOG



2000-94-01

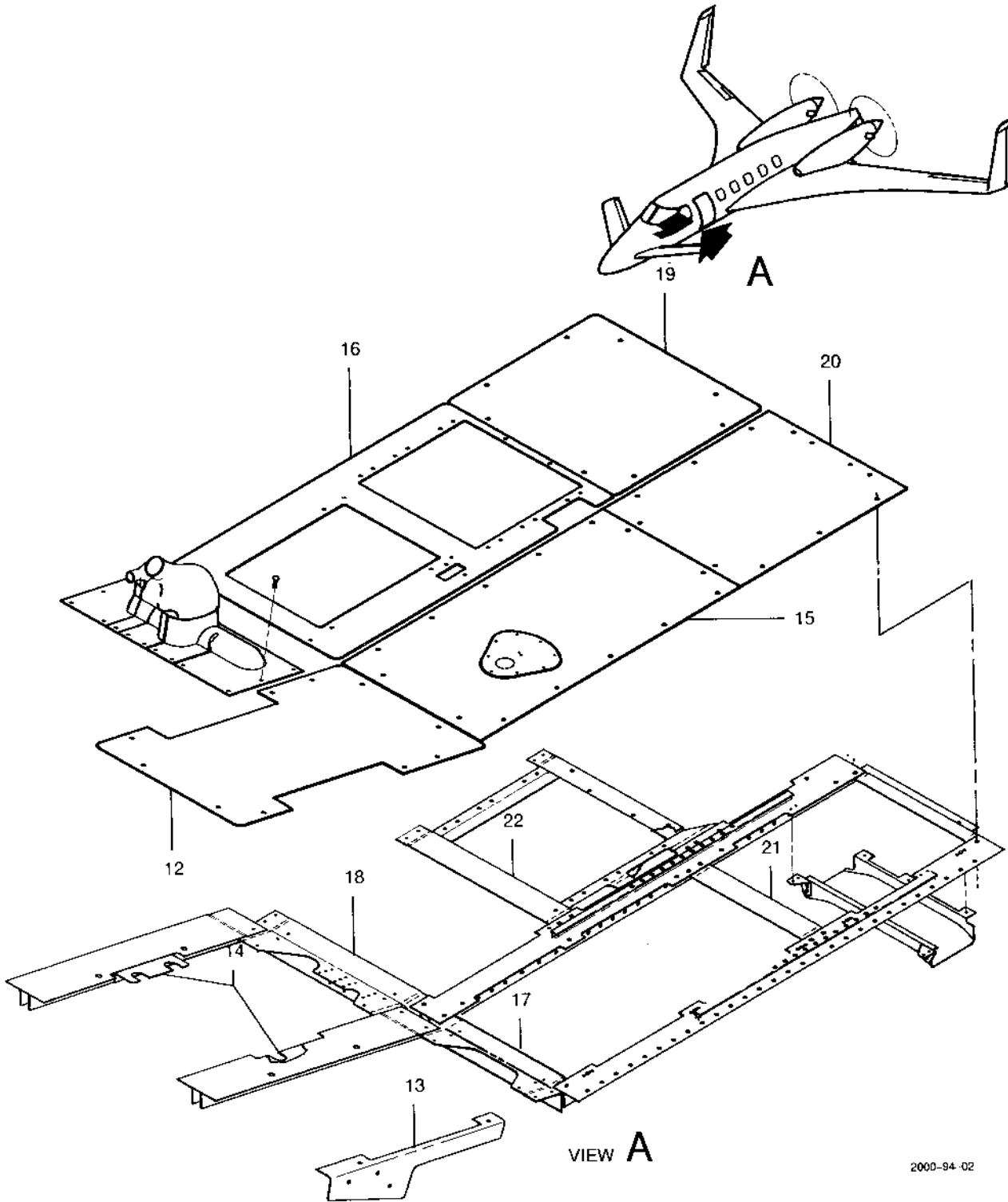
FIGURE 20-50. COCKPIT FLOOR PANELS
/SHEET 1 OF 3 SHEETS/

Beechcraft
STARSHIP 1
ILLUSTRATED PARTS CATALOG

SUB-SEC UNIT & ITEM NO	PART NO.	DESCRIPTION 1 2 3 4 5 6 7	UNITS	USABLE
			PER ASSY	ON CODE
20-50	122-524017-1	COVER INSTL, RUDDER PEDAL ADJUSTMENT.....	NP	
	122-524017-3	. COVER ASSY, RUDDER PEDAL ADJUSTMENT.....	1	
	122-524017-19	. COVER ASSY, RUDDER PEDAL ADJUSTMENT.....	1	2
	122-524017-21	. COVER ASSY, RUDDER PEDAL ADJUSTMENT.....	1	3
- 1	MS24665-132	.. PIN, COTTER.....	1	
- 2	AN960-4	.. WASHER.....	1	
- 3	MS20392-1C35	.. PIN.....	1	4
	MS20392-1C37	.. PIN.....	1	3
- 4	115150	.. SPRING.....	1	
- 5	122-524017-11	.. ARM ASSY.....	1	
- 6	122-524017-5	.. BRACKET.....	1	
- 7	122-524017-7	.. COVER.....	1	
	122-524017-17	.. COVER.....	1	5
	122-524106-1	COVER INSTL, CONTROL COLUMN FLOOR.....	NP	
- 8	122-524108-5	. BOOT ASSY, CONTROL COLUMN TEE.....	1	
	131364-6-064	. FASTENER, BOOT UPR/BONDED TO CONTROL COLUMN/..	1	
	131364-6-176	. FASTENER, BOOT LWR/BONDED TO FLOOR COVER/.....	1	
- 9	122-524108-1	. BOOT ASSY, CONTROL COLUMN ELEVATOR TUBE.....	1	
	131364-6-035	. FASTENER, BOOT/BONDED TO ELEVATOR PUSH ROD/.....	1	
	131364-6-110	. FASTENER, BOOT/BONDED TO FLOOR COVER/.....	1	
- 10	122-524107-1	. COVER, CONTROL COLUMN FLOOR.....	1	
		/ATTACHING PARTS/		
- 11	AN525-832R7	. SCREW.....	13	

---★---

Beechcraft
STARSHIP 1
ILLUSTRATED PARTS CATALOG



2000-94-02

FIGURE 20-50. COCKPIT FLOOR PANELS
/SHEET 2 OF 3 SHEETS/

Beechcraft
STARSHIP 1
ILLUSTRATED PARTS CATALOG

SUB-SEC UNIT & ITEM NO	PART NO.	DESCRIPTION 1 2 3 4 5 6 7	UNITS	USABLE
			PER ASSY	ON CODE
20-50	122-420020-1	FLOOR INSTL, COCKPIT	NP	
- 12	122-420022-59	. PANEL ASSY, LH FLOOR/STA 96.04 TO 121.00/	1	
	122-420022-67	. PANEL ASSY, RH FLOOR/STA 96.04 TO 121.00/	1	
	6201-9	.. STUD	10	
	6221	.. RETAINER, STUD	10	
- 13	122-420036-9	. SUPPORT ASSY, LH	1	
	122-420036-6	. SUPPORT ASSY, RH	1	
	6225	.. RECEPTACLE	3	
- 14	122-420035-23	. ANGLE, SUPPORT	2	
- 15	122-420022-47	. PANEL ASSY, RH FLOOR/STA 121.00 TO 147.00/	1	
	122-420022-63	. PANEL ASSY, LH FLOOR/STA 121.00 TO 147.00/	1	
	6201-9	.. STUD	10	
	6221	.. RETAINER, STUD	10	
- 16	122-420035-29	. COVER ASSY	1	
	MS21060L08	.. NUTPLATE	4	
	MS21060L3	.. NUTPLATE	1	
- 17	122-420024-45	. SUPPORT ASSY, LH	1	
	122-420024-46	. SUPPORT ASSY, RH	1	
	6225	.. RECEPTACLE	4	
- 18	122-420024-35	. SUPPORT ASSY	1	
	MS21060L3	.. NUTPLATE	6	
- 19	122-420021-11	. PANEL ASSY, CENTER FLOOR	1	
	6201-9	.. STUD	8	
	6221	.. RETAINER, STUD	8	
- 20	122-420022-49	. PANEL ASSY, LH & RH FLOOR/STA 147.00 TO	2	
		163.00/		
	6201-9	.. STUD	8	
	6221	.. RETAINER, STUD	8	
- 21	122-420024-39	SUPPORT ASSY, LH	1	
	122-420024-5	SUPPORT ASSY, RH	1	
	6225	.. RECEPTACLE	4	
- 22	122-420024-43	. SUPPORT	1	

Beechcraft
STARSHIP 1
ILLUSTRATED PARTS CATALOG

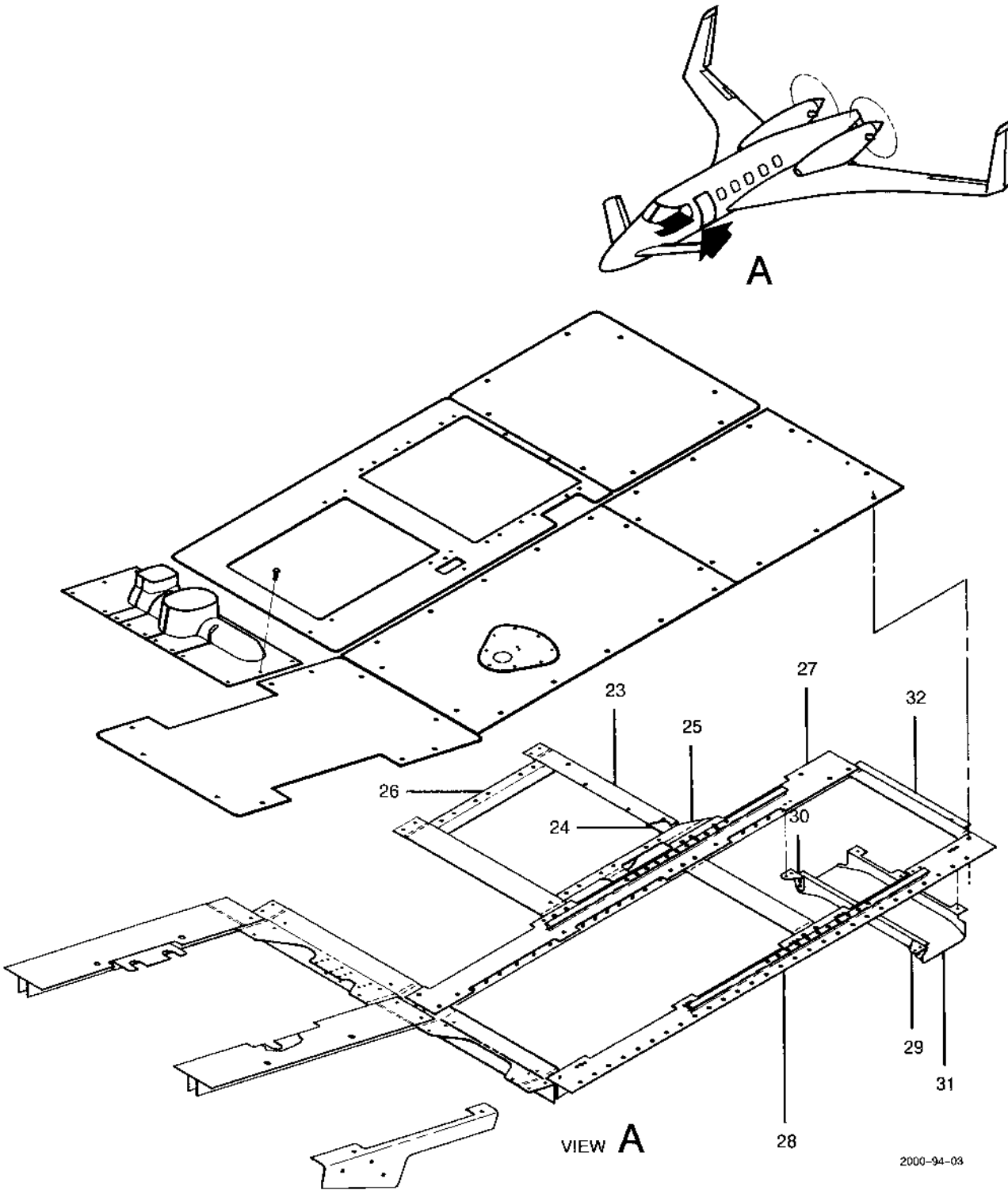


FIGURE 20-50. COCKPIT FLOOR PANELS
/SHEET 3 OF 3 SHEETS/

Beechcraft
STARSHIP 1
ILLUSTRATED PARTS CATALOG

SUB-SEC UNIT & ITEM NO	PART NO.	DESCRIPTION	UNITS	USABLE
			PER ASSY	ON CODE
20-50 -23	122-420035-39	. SUPPORT ASSY.....	1	
	6225	.. RECEPTACLE.....	1	
-24	MS21060L3	.. NUTPLATE.....	2	
	122-420035-43	. BRACKET ASSY.....	1	
-25	6225	.. RECEPTACLE.....	1	
	122-420035-47	. SUPPORT ASSY.....	1	
-26	6225	.. RECEPTACLE.....	1	
	MS21060L08	.. NUTPLATE.....	3	
	MS21060L3	.. NUTPLATE.....	3	
-27	122-420035-51	. SUPPORT ASSY.....	1	
	MS21060L08	.. NUTPLATE.....	3	
	MS21060L3	.. NUTPLATE.....	3	
-28	122-420025-5	. TRACK ASSY, LH INBD SEAT.....	1	
	122-420025-6	. TRACK ASSY, RH INBD SEAT.....	1	
-29	6225	.. RECEPTACLE.....	7	
	MS27061L3	.. NUTPLATE/RH TRACK ONLY/.....	1	
	122-420032-5	. TRACK ASSY, LH OUTBD SEAT.....	1	
-30	122-420032-6	. TRACK ASSY, RH OUTBD SEAT.....	1	
	6225	.. RECEPTACLE.....	5	
-31	122-364158-1	. TRAY ASSY, CROSSOVER ELECTRIC WIRE.....	1	
	122-361057-52	.. ANGLE, LH CLIP.....	1	
-32	122-361057-51	.. ANGLE, RH CLIP.....	1	
	122-364158-3	. TRAY, CROSSOVER ELECTRIC WIRE.....	1	
-32	122-420024-27	. SUPPORT ASSY, LH.....	1	
	122-420024-23	. SUPPORT ASSY, RH.....	1	
	6225	.. RECEPTACLE, LH SUPPORT.....	2	
	MS21060L08	.. NUTPLATE, RH SUPPORT.....	2	

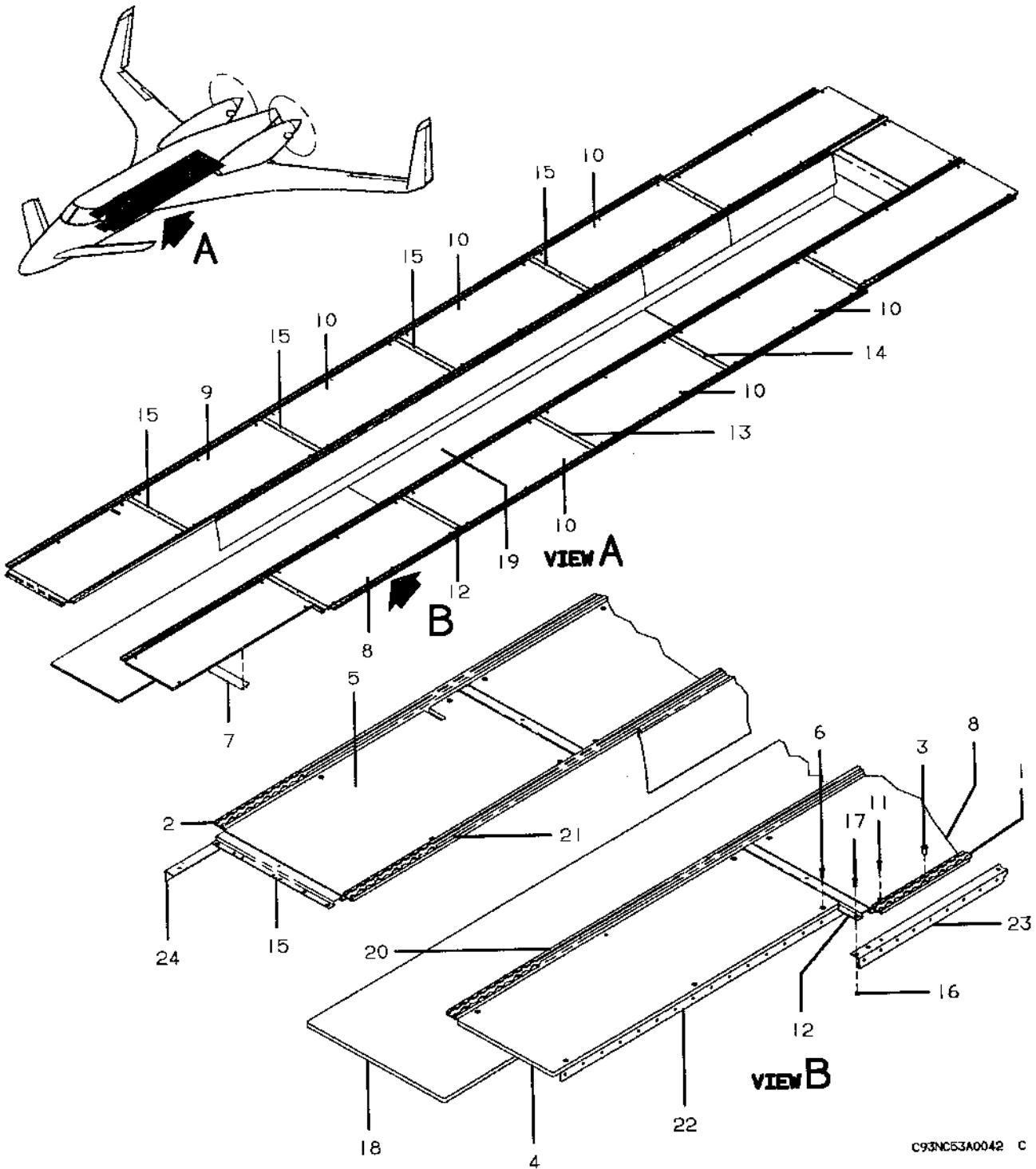
CODES OF EFFECTIVITY

1	NC-4 THRU NC-20	2	NC-21 THRU NC-26
3	NC-27 AND AFTER	4	NC-4 THRU NC-26
5	NC-21 AND AFTER		

Beechcraft
STARSHIP 1
ILLUSTRATED PARTS CATALOG

53-20-60
CABIN FLOOR AND AISLE PANELS

Beechcraft
 STARSHIP 1
 ILLUSTRATED PARTS CATALOG



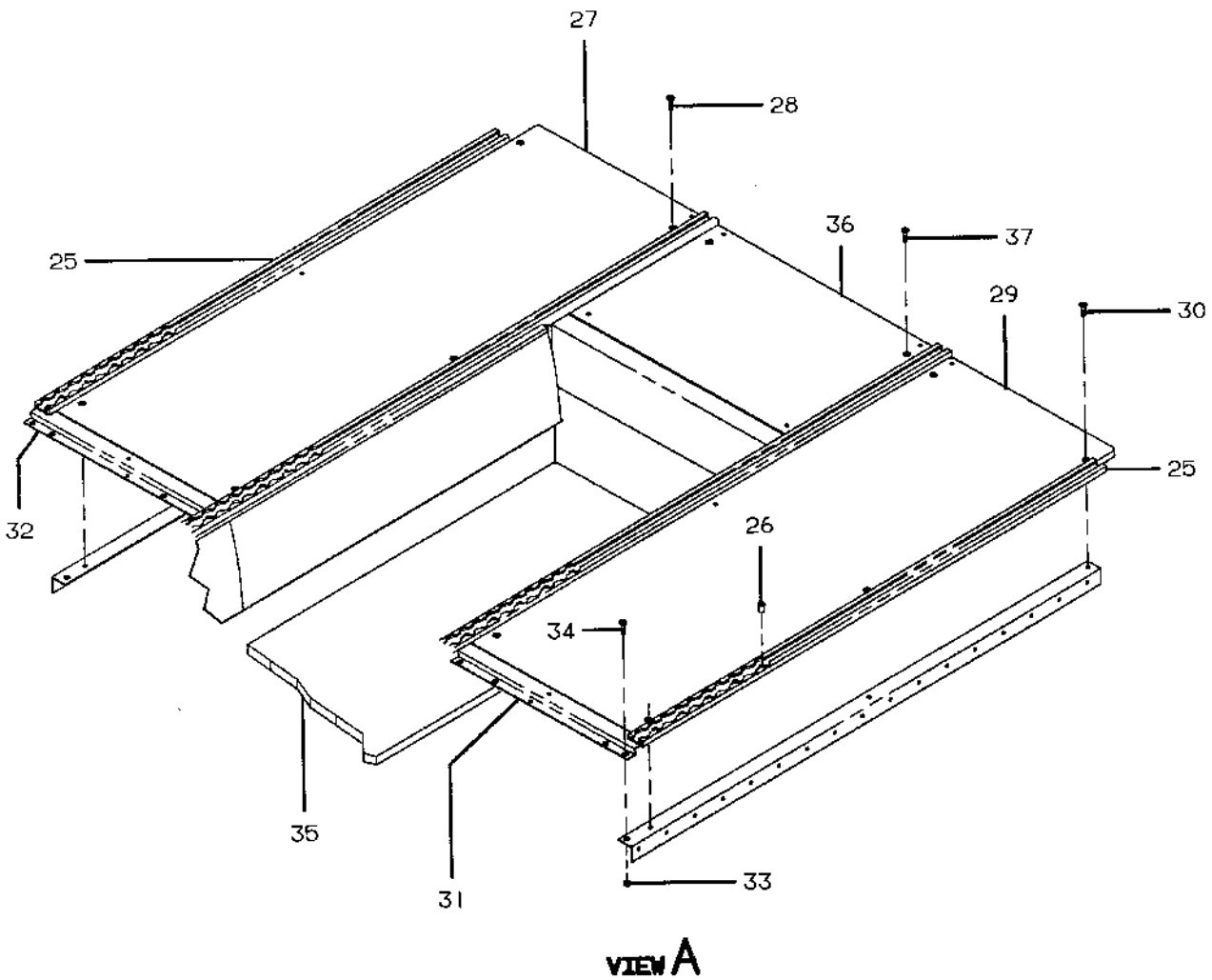
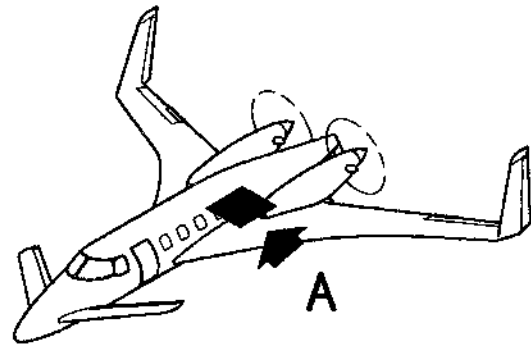
C93NC53A0042 C

FIGURE 20-60. CABIN FLOOR AND AISLE PANELS
 /SHEET 1 OF 3 SHEETS/

Beechcraft
STARSHIP 1
ILLUSTRATED PARTS CATALOG

SUB-SEC UNIT & ITEM NO	PART NO.	DESCRIPTION 1 2 3 4 5 6 7	UNITS	USABLE
			PER ASSY	ON CODE
20-60	122-430020-3	FLOOR INSTL, CABIN	NP	
- 1	122-430024-29	. TRACK, LH OUTBD FWD SEAT	1	
- 2	122-430024-31	. TRACK, RH OUTBD FWD SEAT	1	
		/ATTACHING PARTS/		
- 3	MS21140U0604	. BOLT, LOCK	34	
		---★---		
- 4	122-430022-1	. PANEL ASSY, LH FLOOR/STA 163.00 TO 196.63/	NP	1
		/ORDER 122-430022-51 FOR SPARES/		
- 5	122-430022-51	. PANEL ASSY, LH FLOOR/STA 163.00 TO 196.63/	1	2
- 5	122-430022-3	. PANEL ASSY, RH FLOOR/STA 168.95 TO 196.63/	1	
		/ATTACHING PARTS/		
- 6	MS24693S276	. SCREW	6	
		---★---		
	SL5107A3-570	. . SPACER, LH FLOOR PANEL	6	
	SL5107A3-410	. . SPACER, RH FLOOR PANEL	6	
- 7	122-430023-23	. INTERCOSTAL	1	
- 8	122-430022-37	. PANEL ASSY, LH FLOOR/STA 196.63 TO 227.47/	NP	1
		/ORDER 122-430022-57 FOR SPARES/		
- 9	122-430022-57	. PANEL ASSY, LH FLOOR/STA 196.63 TO 227.47/	1	2
- 9	122-430022-35	. PANEL ASSY, RH FLOOR/STA 196.63 TO 227.47/	1	
- 10	122-430022-33	. PANEL ASSY, LH & RH FLOOR/STA 227.47 TO	6	
		320.00/		
		/ATTACHING PARTS/		
- 11	MS24693S276	. SCREW	6	
		---★---		
	SL5107A3-410	. . SPACER, FLOOR PANEL	6	
- 12	122-430023-27	. SUPPORT, FLOOR PANEL LATERAL	2	
- 13	122-430023-25	. SUPPORT, FLOOR PANEL LATERAL	1	
- 14	122-430023-29	. SUPPORT, FLOOR PANEL LATERAL	1	
- 15	122-430023-17	. SUPPORT, FLOOR PANEL LATERAL	5	
		/ATTACHING PARTS/		
- 16	MS21044N3	. NUT	AR	
- 17	MS24693S271	. SCREW	AR	
		---★---		
- 18	122-430021-49	. PANEL ASSY, AISLE FWD FLOOR/STA 163.00 TO	1	3
		300.00/		
	122-430021-83	. PANEL ASSY, AISLE FWD FLOOR/STA 163.00 TO	1	4
		300.00/		
	122-430021-103	. PANEL ASSY, AISLE FWD FLOOR/STA 163.00 TO	1	2
		231.75/		
- 19	122-430021-107	. PANEL ASSY, AISLE CTR FLOOR/STA 231.75 TO	1	2
		300.00/		
- 20	122-430024-15	. TRACK ASSY, LH INBD FWD SEAT	1	
- 21	122-430024-17	. TRACK ASSY, RH INBD FWD SEAT	1	
	MS21060-3	. . NUTPLATE, LH & RH	15	
- 22	122-430081-1	. SUPPORT ASSY, LH FWD LONGITUDINAL	1	
	MS21060-3	. . NUTPLATE	3	
- 23	122-430081-19	. SUPPORT ASSY, LH CTR LONGITUDINAL	1	5
	122-430081-37	. SUPPORT ASSY, LH CTR LONGITUDINAL	1	6
	122-430081-49	. SUPPORT ASSY, LH CTR LONGITUDINAL	1	7
	MS21060-3	. . NUTPLATE	12	
- 24	122-430081-17	. SUPPORT ASSY, RH FWD LONGITUDINAL	1	5
	122-430081-33	. SUPPORT ASSY, RH FWD LONGITUDINAL	1	6
	122-430081-45	. SUPPORT ASSY, RH FWD LONGITUDINAL	1	7
	MS21060-3	. . NUTPLATE	15	

Beechcraft
STARSHIP 1
ILLUSTRATED PARTS CATALOG



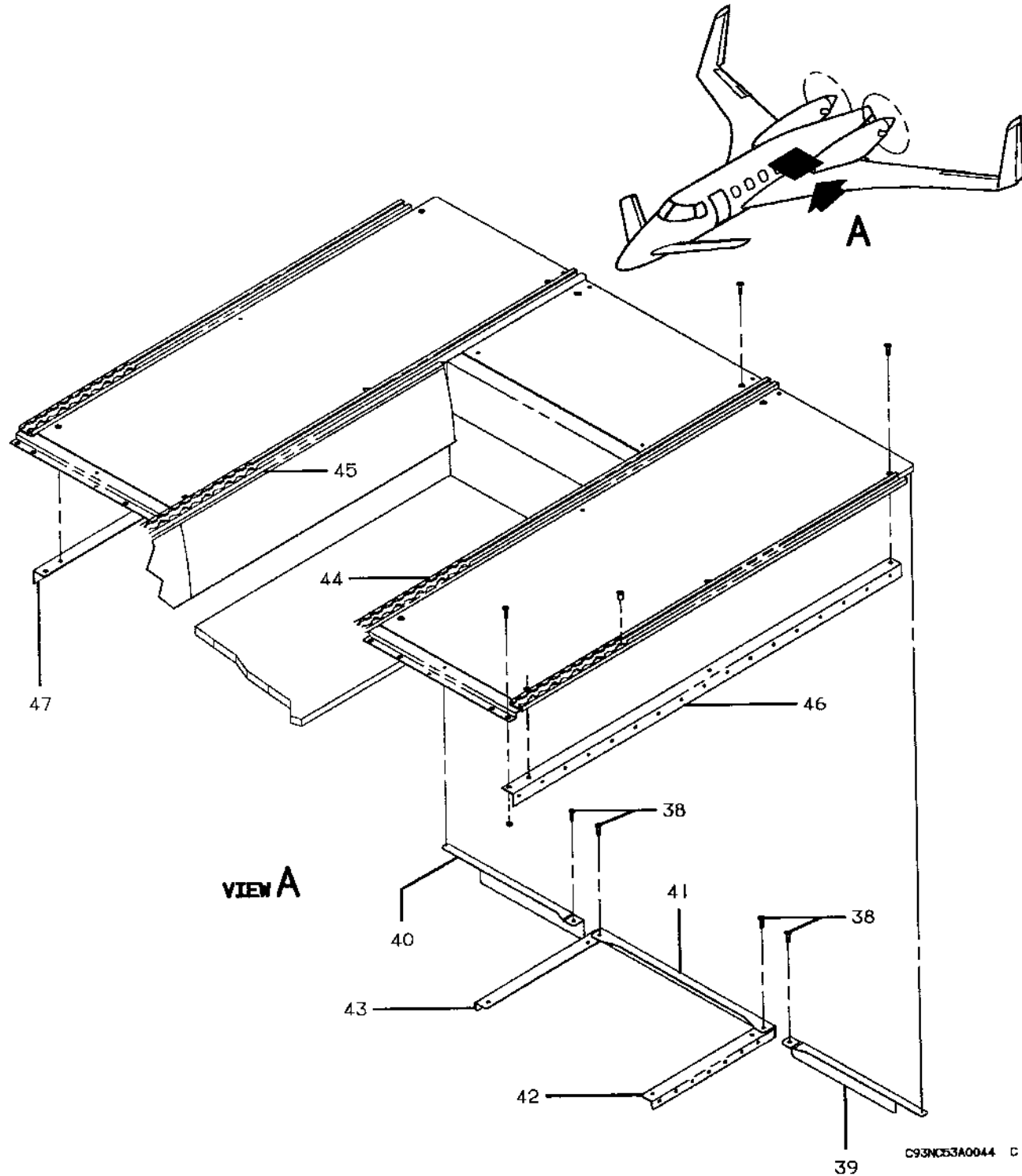
C93NC53A0043 C

FIGURE 20-60. CABIN FLOOR AND AISLE PANELS
/SHEET 2 OF 3 SHEETS/

Beechcraft
STARSHIP 1
ILLUSTRATED PARTS CATALOG

SUB-SEC UNIT & ITEM NO	PART NO.	DESCRIPTION 1 2 3 4 5 6 7	UNITS	USABLE
			PER ASSY	ON CODE
20-60 -25	122-430024-27	. TRACK,LH & RH AFT OUTBD SEAT	2	10
	122-430024-33	. TRACK,LH & RH AFT OUTBD SEAT	2	9
		/ATTACHING PARTS/		
-26	MS21140U0604	. BOLT,LOCK	25	
		---★---		
-27	122-430022-41	. PANEL ASSY, LH OUTBD FLOOR/STA 320.00 TO	1	1
		357.00/		
	122-430022-53	. PANEL ASSY, LH OUTBD FLOOR/STA 320.00 TO	1	2
		357.00/		
		/ATTACHING PARTS/		
-28	MS24693S276	. SCREW	6	
		---★---		
	SL5107A3-410	. . SPACER	6	
-29	122-430022-42	. PANEL ASSY, RH OUTBD FLOOR/STA 320.00 TO	1	1
		357.00/		
	122-430022-47	. PANEL ASSY, RH OUTBD FLOOR/STA 320.00 TO	1	2
		357.00/		
		/ATTACHING PARTS/		
-30	MS24693S276	. SCREW	6	
		---★---		
	SL5107A3-410	. . SPACER	6	
-31	122-430023-19	. SUPPORT, LH LATERAL	1	
-32	122-430023-20	. SUPPORT, RH LATERAL	1	
		/ATTACHING PARTS/		
-33	MS21044N3	. NUT	4	
-34	MS24693S271	. SCREW	4	
		---★---		
-35	122-430021-47	. PANEL ASSY, AISLE AFT FLOOR	1	3
	122-430021-81	. PANEL ASSY, AISLE AFT FLOOR	1	4
	122-430021-85	. PANEL ASSY, AISLE AFT FLOOR	1	2
-36	122-430021-7	. STEP ASSY	1	13
	122-430021-59	. STEP ASSY	1	14
	122-430021-89	. STEP ASSY	1	2
		/ATTACHING PARTS/		
-37	MS24693S276	. SCREW	4	
		---★---		
	SL5107A3-410	. . SPACER, UPPER PANEL	4	
	SL5107A3-570	. . SPACER, VERTICAL PANEL	4	

Beechcraft
STARSHIP 1
ILLUSTRATED PARTS CATALOG



C93NC63A0044 C

FIGURE 20-60. CABIN FLOOR AND AISLE PANELS
/SHEET 3 OF 3 SHEETS/

Beechcraft
STARSHIP 1
ILLUSTRATED PARTS CATALOG

SUB-SEC UNIT & ITEM NO	PART NO.	DESCRIPTION 1 2 3 4 5 6 7	UNITS	USABLE
			PER ASSY	ON CODE
20-60 -38	MS24693S271	. SCREW.....	4	
-39	122-430023-11	. SUPPORT, LH LATERAL.....	1	
-40	122-430023-12	. SUPPORT, RH LATERAL.....	1	
	MS21056-3	. . NUTPLATE.....	1	
-41	122-430023-13	. SUPPORT, STEP LATERAL.....	1	
	MS21056-3	. . NUTPLATE.....	2	
-42	122-430023-15	. SUPPORT ASSY, STEP LH.....	1	1
	122-430023-35	. SUPPORT ASSY, STEP LH.....	1	8
	122-430023-33	. SUPPORT ASSY, STEP LH.....	1	9
-43	122-430023-16	. SUPPORT ASSY, STEP RH.....	1	10
	122-430023-34	. SUPPORT ASSY, STEP RH.....	1	9
	MS21056-3	. . NUTPLATE.....	2	
-44	122-430024-23	. TRACK ASSY, LH INBD AFT SEAT.....	1	10
	122-430024-35	. TRACK ASSY, LH INBD AFT SEAT.....	1	9
-45	122-430024-24	. TRACK ASSY, RH INBD AFT SEAT.....	1	10
	122-430024-36	. TRACK ASSY, RH INBD AFT SEAT.....	1	9
	MS21060-3	. . NUTPLATE.....	3	
-46	122-430081-21	. SUPPORT ASSY, LH AFT LONGITUDINAL.....	1	10
	122-430081-29	. SUPPORT ASSY, LH AFT LONGITUDINAL.....	1	11
	122-430081-41	. SUPPORT ASSY, LH AFT LONGITUDINAL.....	1	12
-47	122-430081-22	. SUPPORT ASSY, RH AFT LONGITUDINAL.....	1	10
	122-430081-30	. SUPPORT ASSY, RH AFT LONGITUDINAL.....	1	11
	122-430081-42	. SUPPORT ASSY, RH AFT LONGITUDINAL.....	1	12
	MS21060-3	. . NUTPLATE.....	3	

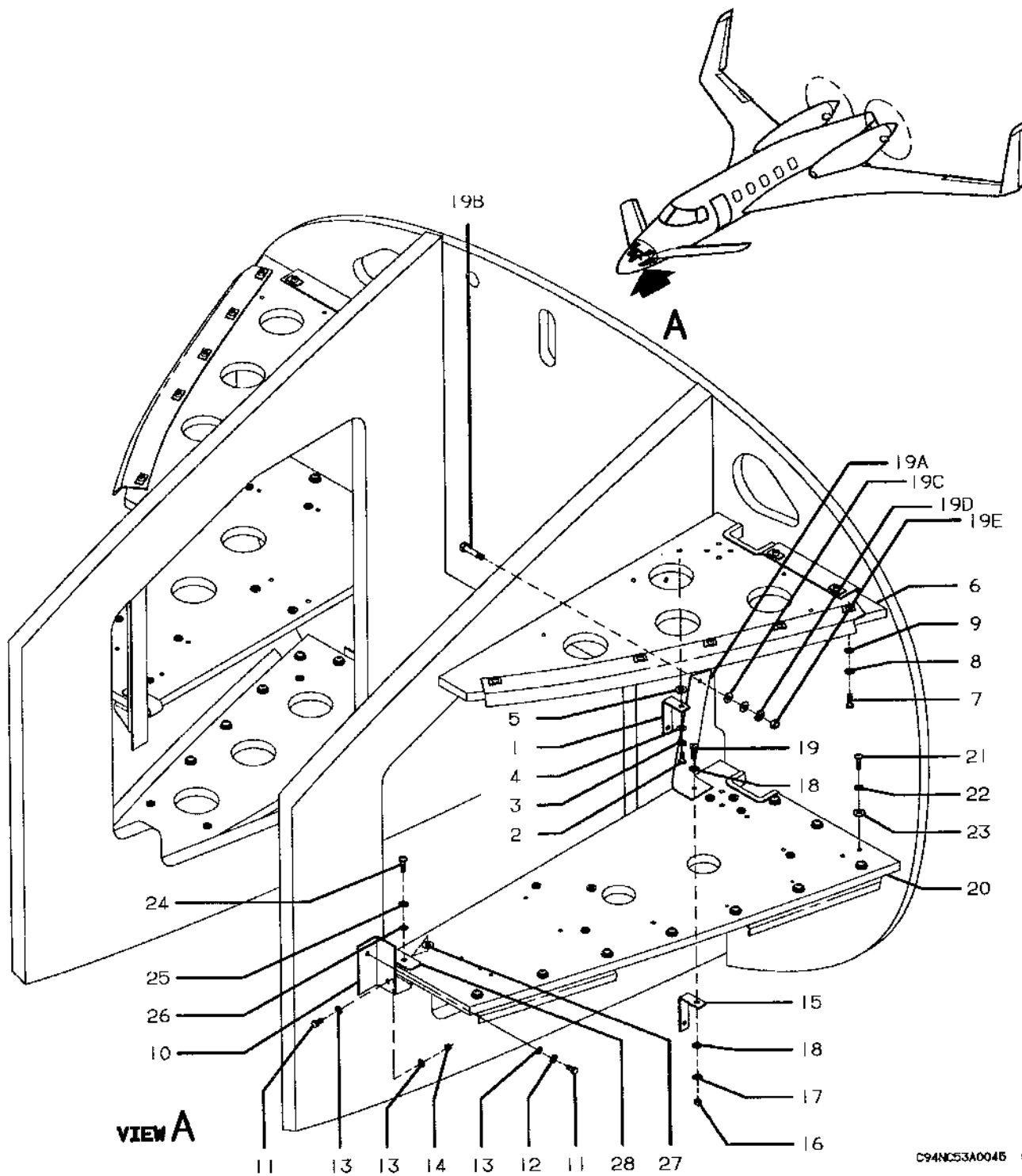
CODES OF EFFECTIVITY

1	NC-4 THRU NC-20	2	NC-21 AND AFTER
3	NC-4 THRU NC-13	4	NC-14 THRU NC-20
5	NC-4 THRU NC-40	6	NC-41 THRU NC-47
7	NC-48 AND AFTER	8	NC-21 THRU NC-39
9	NC-40 AND AFTER	10	NC-4 THRU NC-39
11	NC-40 ONLY	12	NC-41 AND AFTER
13	NC-4 THRU NC-15	14	NC-16 THRU NC-20

Beechcraft
STARSHIP 1
ILLUSTRATED PARTS CATALOG

53-20-70
NOSE AVIONICS SHELVES

Beechcraft
 STARSHIP 1
 ILLUSTRATED PARTS CATALOG



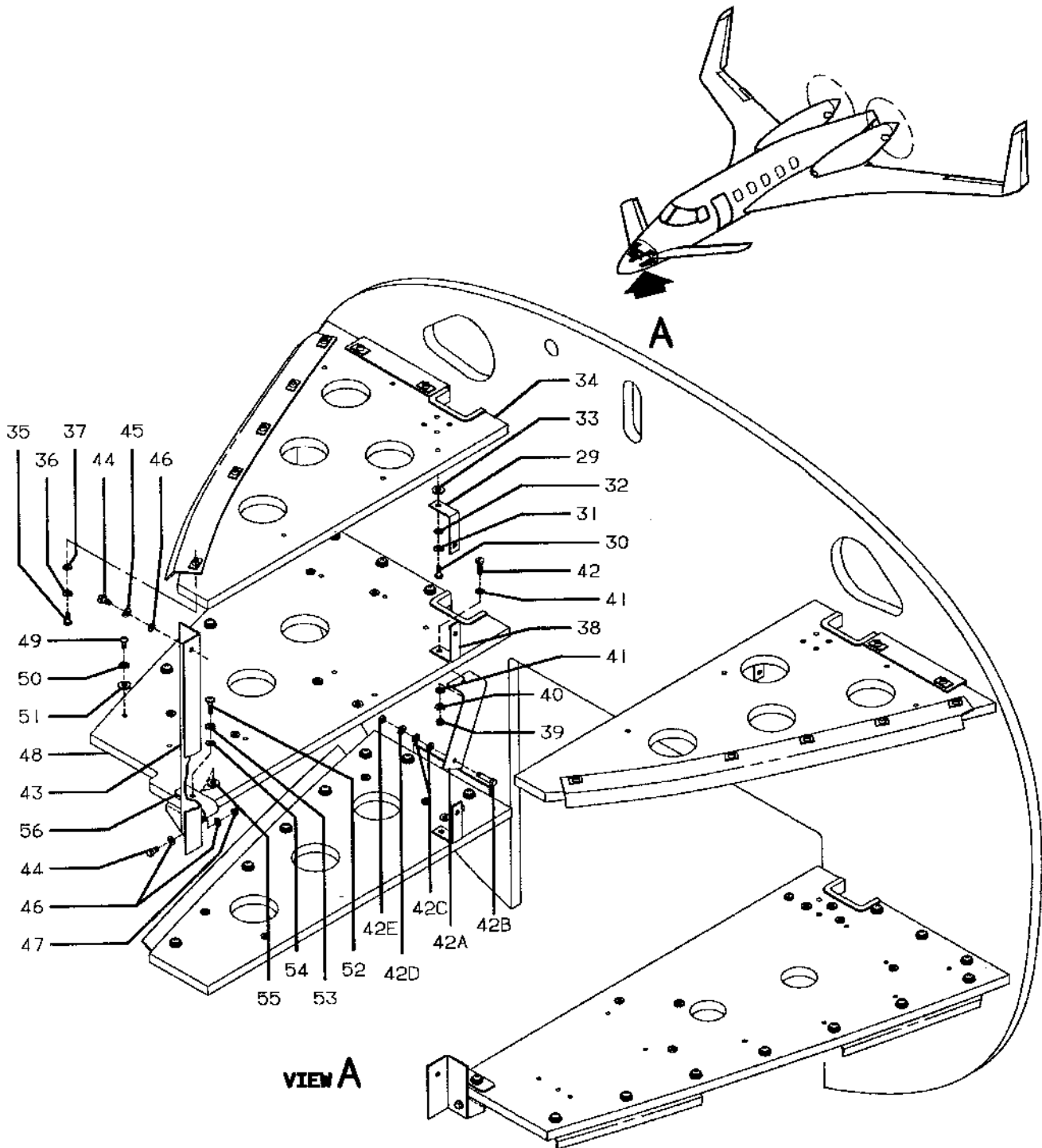
C94NC53A0045 C

FIGURE 20-70.NOSE AVIONICS SHELVES
 /SHEET 1 OF 5 SHEETS/

Beechcraft
STARSHIP 1
ILLUSTRATED PARTS CATALOG

SUB-SEC UNIT & ITEM NO	PART NO.	DESCRIPTION 1 2 3 4 5 6 7	UNITS	USABLE
			PER ASSY	ON CODE
20-70	122-342056-3	SHELF INSTL, AVIONICS/STA 18.00 TO 46.00/.....	NP	
- 1	331401-27	. BONDING STRAP	1	
		. /ATTACHING PARTS/		
- 2	MS35207-264	. SCREW	2	
- 3	MS35338-43	. WASHER, LOCK	2	
- 4	AN960JD10L	. WASHER	2	
- 5	AN960JD716	. WASHER	1	
		---*---		
- 6	122-341002-47	. SHELF ASSY	1	
		. /ATTACHING PARTS/		
- 7	MS35207-267	. SCREW	7	
- 8	MS35338-43	. WASHER, LOCK	7	
- 9	AN960-10L	. WASHER	7	
		---*---		
	122-341002-69	. GROMMET	2	
	122-341000-5	. SPACER	5	
	NAS1329A08K75	. RIVNUT	4	
	NAS1329A3K80	. RIVNUT	4	
- 10	122-410660-45	. SUPPORT	1	
		. /ATTACHING PARTS/		
- 11	130909B12	. BOLT	2	
- 12	MS35338-43	. WASHER, LOCK	1	
- 13	AN960-10L	. WASHER	3	
- 14	MS21044N3	. NUT, LOCK	1	
		---*---		
- 15	331401-27	. BONDING STRAP	1	
		. /ATTACHING PARTS/		
- 16	MS25082-3	. NUT	1	
- 17	MS35338-43	. WASHER, LOCK	1	
- 18	AN960JD10L	. WASHER	2	
- 19	8806	. SCREW	1	
		---*---		
- 19A	331401-35	. BOND STRAP	1	
		. /ATTACHING PARTS/		
- 19B	130909B12	. BOLT	1	
- 19C	AN960JD10L	. WASHER	2	
- 19D	MS35338-43	. WASHER, LOCK	1	
- 19E	MS25082-3	. NUT	1	
		---*---		
- 20	122-341002-83	. SHELF ASSY	1	
		. /ATTACHING PARTS/		
- 21	MS35207-267	. SCREW	8	
- 22	MS35338-43	. WASHER, LOCK	8	
- 23	AN960-10L	. WASHER	8	
		---*---		
- 24	MS35207-261	. SCREW	1	
- 25	MS35338-43	. WASHER, LOCK	1	
- 26	AN960JD10L	. WASHER	1	
- 27	AN960JD716	. WASHER	1	
- 28	122-340043-7	. BONDING STRAP	1	
	122-341002-69	. GROMMET	2	
	122-410660-22	. SUPPORT	1	
	NAS1329A08K75	. RIVNUT	12	
	NAS1329A3K80	. RIVNUT	7	

Beechcraft
 STARSHIP 1
 ILLUSTRATED PARTS CATALOG



C94NC53A0046 C

FIGURE 20-70.NOSE AVIONICS SHELVES
 /SHEET 2 OF 5 SHEETS/

Deechcraft
STARSHIP 1
ILLUSTRATED PARTS CATALOG

SUB-SEC UNIT & ITEM NO	PART NO.	DESCRIPTION 1 2 3 4 5 6 7	UNITS	USABLE
			PER ASSY	ON CODE
20-70 -29	331401-27	. BONDING STRAP	1	
		./ATTACHING PARTS/		
-30	MS35207-264	. SCREW	2	
-31	MS35338-43	. WASHER, LOCK	2	
-32	AN960JD10L	. WASHER	2	
-33	AN960JD716	. WASHER	1	
		---★---		
-34	122-341002-48	. SHELF ASSY	1	
		./ATTACHING PARTS/		
-35	MS35207-267	. SCREW	7	
-36	MS35338-43	. WASHER, LOCK	7	
-37	AN960-10L	. WASHER	7	
		---★---		
	122-341002-69	.. GROMMET	2	
	122-341000-5	.. SPACER	5	
	NAS1329A08K75	.. RIVNUT	4	
	NAS1329A3K80	.. RIVNUT	4	
-38	331401-25	. BONDING STRAP	1	
		./ATTACHING PARTS/		
-39	MS25082-3	. NUT	1	
-40	MS35338-43	. WASHER, LOCK	2	
-41	AN960JD10L	. WASHER	3	
-42	8806	. SCREW	1	
		---★---		
-42A	331401-17	. BOND STRAP	1	
		./ATTACHING PARTS/		
-42B	130909B12	. BOLT	1	
-42C	AN960JD10L	. WASHER	2	
-42D	MS35338-43	. WASHER, LOCK	1	
-42E	MS25082-3	. NUT	1	
		---★---		
-43	122-410660-43	. SUPPORT	1	
		./ATTACHING PARTS/		
-44	130909B12	. BOLT	2	
-45	MS35338-43	. WASHER, LOCK	1	
-46	AN960-10L	. WASHER	3	
-47	MS21044N3	. NUT, LOCK	1	
		---★---		
-48	122-341002-85	. SHELF ASSY	1	
		./ATTACHING PARTS/		
-49	MS35207-267	. SCREW	6	
-50	MS35338-43	. WASHER, LOCK	6	
-51	AN960-10L	. WASHER	6	
		---★---		
-52	MS35207-261	.. SCREW	1	
-53	MS35338-43	.. WASHER, LOCK	1	
-54	AN960JD10L	.. WASHER	1	
-55	AN960JD716	.. WASHER	1	
-56	122-340043-7	.. BONDING STRAP	1	
	122-341002-69	.. GROMMET	2	
	122-410660-21	.. SUPPORT	1	
	NAS1329A08K75	.. RIVNUT	13	
	NAS1329A3K80	.. RIVNUT	8	

Beechcraft
 STARSHIP 1
 ILLUSTRATED PARTS CATALOG

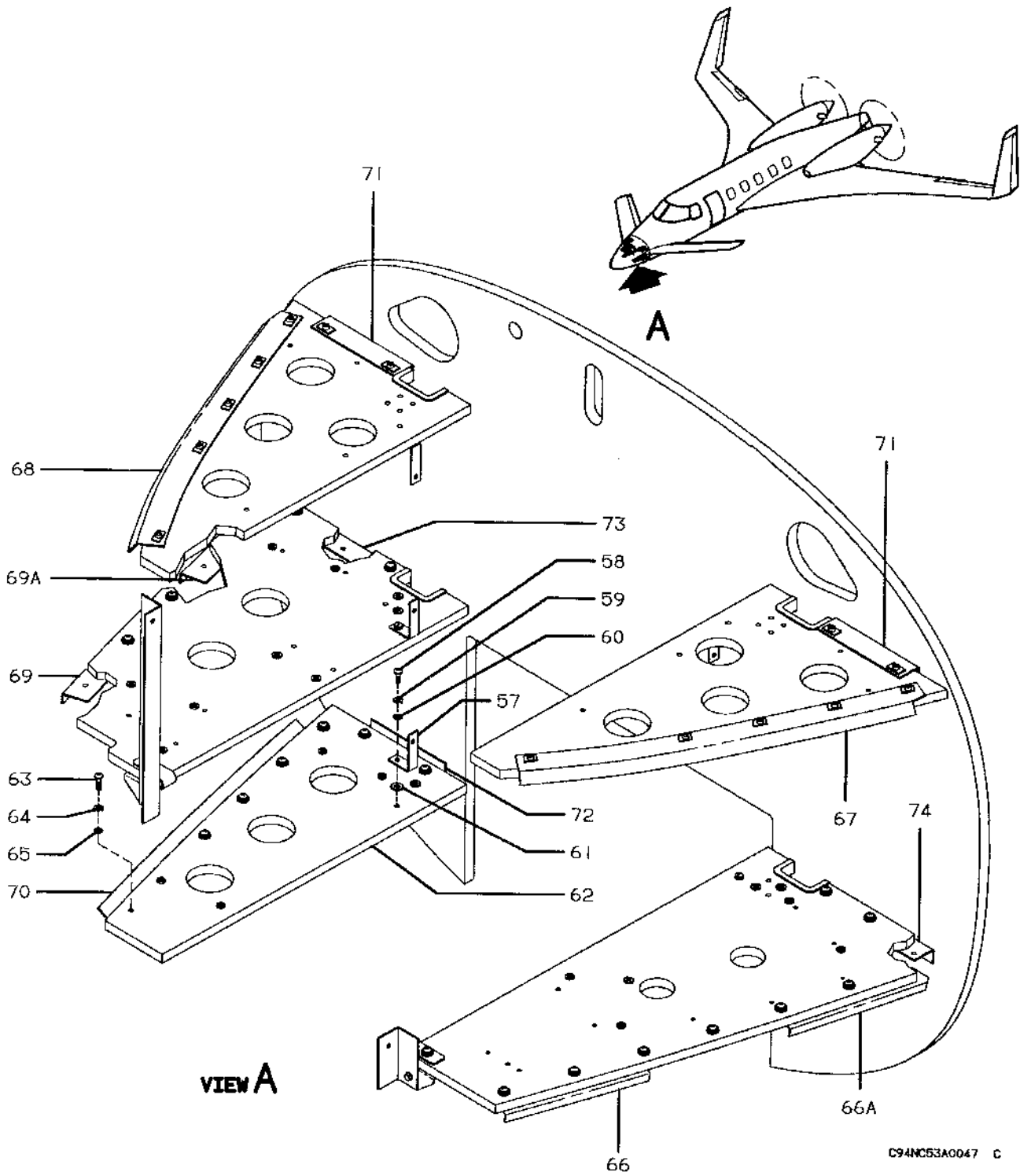
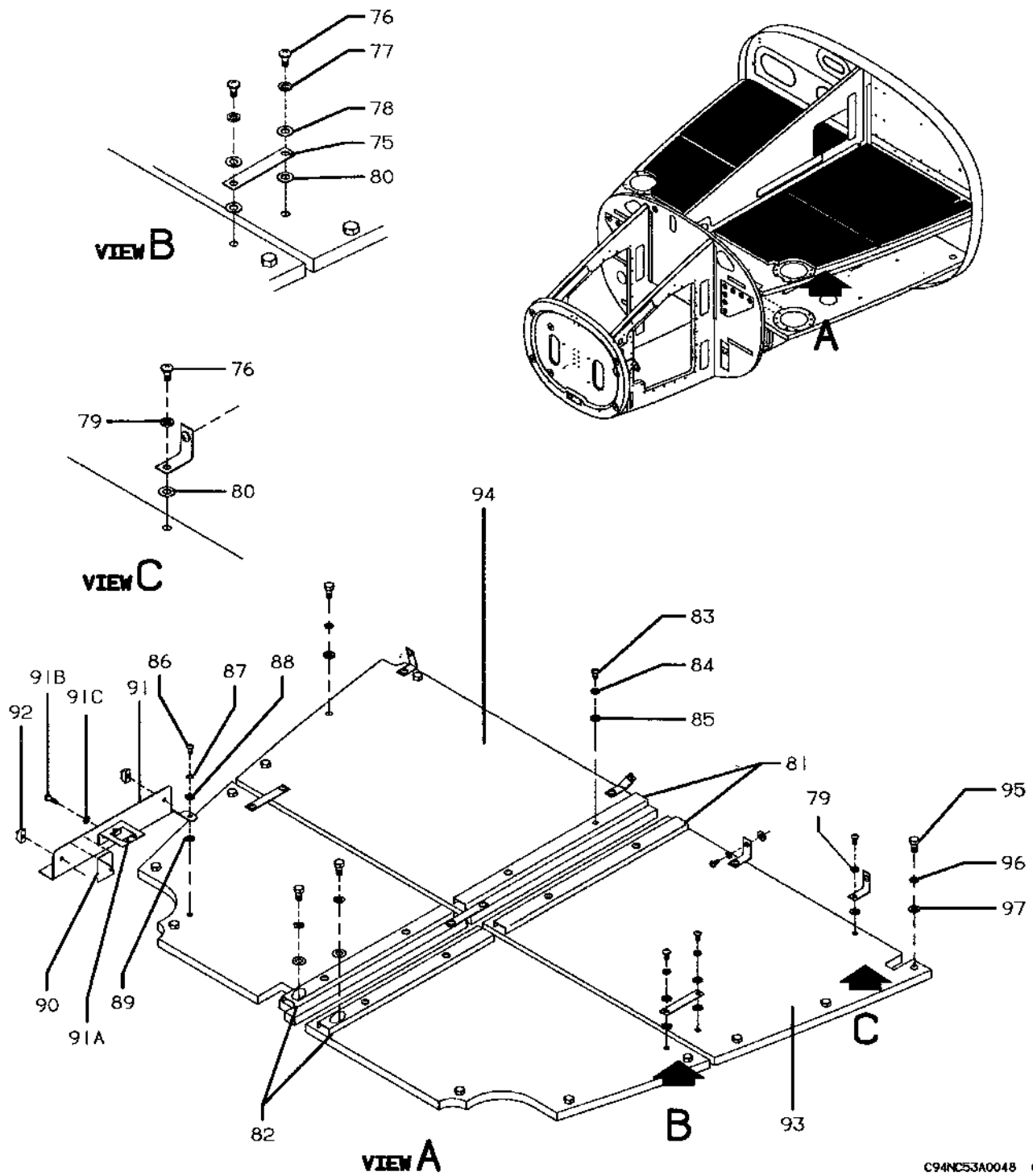


FIGURE 20-70.NOSE AVIONICS SHELVES
 /SHEET 3 OF 5 SHEETS/

Beechcraft
STARSHIP 1
ILLUSTRATED PARTS CATALOG

SUB-SEC UNIT & ITEM NO	PART NO.	DESCRIPTION 1 2 3 4 5 6 7	UNITS PER ASSY	USABLE ON CODE
20-70 -57	331401-27	. BONDING STRAP..... /ATTACHING PARTS/	1	
-58	MS35207-264	. SCREW.....	1	
-59	MS35338-43	. WASHER, LOCK.....	2	
-60	AN960JD10L	. WASHER.....	2	
-61	AN960JD716	. WASHER.....	1	
		---★---		
-62	122-341002-51	. SHELF ASSY..... /ATTACHING PARTS/	1	
-63	MS35207-267	. SCREW.....	7	
-64	MS35338-43	. WASHER, LOCK.....	7	
-65	AN960-10L	. WASHER.....	7	
		---★---		
	122-341000-5	. . SPACER.....	5	
	NAS1329A08K75	. . RIVNUT.....	4	
	NAS1329A3K80	. . RIVNUT.....	2	
	122-410000-1	NOSE ASSY.....	1	
	122-410000-3	. GUIDE ASSY,WIRE HARNESS/STA 46.00/.....	1	
-66	122-410660-73	. . SUPPORT ASSY/LH/LOWER/.....	1	
-66A	122-410660-77	. . SUPPORT ASSY/LH/LOWER/.....	1	
	2R2329	. . . PLUSNUT.....	2	
-67	122-410660-27	. . SUPPORT ASSY/LH/UPPER/.....	1	1
	122-410660-59	. . SUPPORT ASSY/LH/UPPER/.....	1	2
-68	122-410660-28	. . SUPPORT ASSY/RH/UPPER/.....	1	1
	122-410660-60	. . SUPPORT ASSY/RH/UPPER/.....	1	2
	S10P175CSI	. . SUPPORT ASSY/LH/UPPER/.....	5	
-69	122-410660-65	. . SUPPORT ASSY/RH/MIDDLE/.....	1	
	2R2329	. . . PLUSNUT.....	1	
-69A	122-410660-69	. . SUPPORT ASSY/RH/MIDDLE/.....	1	
	2R2329	. . . PLUSNUT.....	1	
-70	122-410660-31	. . SUPPORT ASSY/RH/LOWER/.....	1	1
	122-410660-61	. . SUPPORT ASSY/RH/LOWER/.....	1	2
	S10P175CSI	. . . PLUSNUT.....	5	1
	2R2329	. . . PLUSNUT.....	5	2
	122-410040-1	BULKHEAD ASSY/STA 46.00/.....	1	
-71	122-410660-33	. SUPPORT ASSY.....	2	
-72	122-410660-37	. SUPPORT ASSY.....	1	
	S10P175CSI	. . PLUSNUTS.....	2	
-73	122-410660-25	. SUPPORT ASSY.....	1	
	S10P175CSI	. . PLUSNUT.....	3	
-74	122-410660-35	. SUPPORT ASSY.....	1	1
	122-410660-79	. SUPPORT ASSY.....	1	2
	S10P175CSI	. . PLUSNUTS.....	3	1
	2R2329	. . PLUSNUT.....	5	2

Beechcraft
STARSHIP 1
ILLUSTRATED PARTS CATALOG



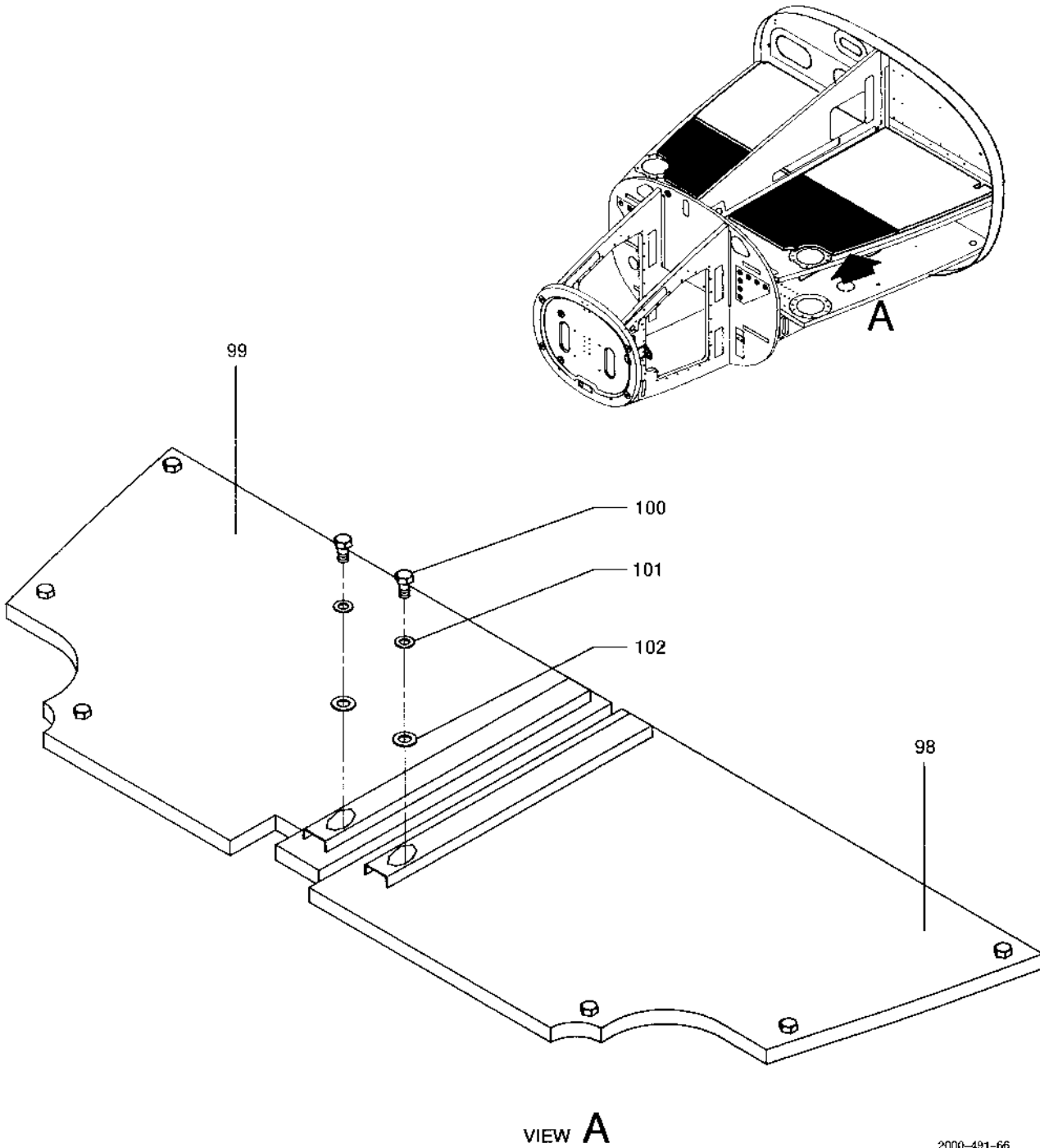
C94NC53A0048 C

**FIGURE 20-70. NOSE AVIONICS SHELVES
/SHEET 4 OF 5 SHEETS/**

Beechcraft
STARSHIP 1
ILLUSTRATED PARTS CATALOG

SUB-SEC UNIT & ITEM NO	PART NO.	DESCRIPTION 1 2 3 4 5 6 7	UNITS	USABLE
			PER ASSY	ON CODE
20-70	122-340091-1	SHELF INSTL, AVIONICS, NOSE.....	NP	5
	122-340091-3	SHELF INSTL, AVIONICS, NOSE.....	NP	6
- 75	331401-27	. BONDING STRAP.....	8	
		/ATTACHING PARTS/		
- 76	MS35207-265	. SCREW.....	2	
- 77	MS35338-43	. WASHER, LOCK.....	2	
- 78	122-340070-1	. WASHER.....	2	
- 79	AN960JD10L	. WASHER.....	2	
- 80	122-340070-9	. WASHER.....	2	
		---★---		
- 81	122-340079-1	. COVER ASSY/AFT/.....	2	
- 82	122-340079-19	. COVER ASSY/FORWARD/.....	2	
		/ATTACHING PARTS/		
- 83	MS35207-268	. SCREW.....	2	
- 84	MS35338-43	. WASHER, LOCK.....	2	
- 85	AN960-10L	. WASHER.....	2	
		---★---		
	122-341000-9	. . SPACER.....	2	
	122-344000-17	. GUIDE ASSY, WIRE HARNESS/STA 46.00/.....	1	7
	122-344000-23	. GUIDE ASSY, WIRE HARNESS/STA 46.00/.....	1	8
	122-344000-27	. GUIDE ASSY, WIRE HARNESS/STA 46.00/.....	1	6
		/ATTACHING PARTS/		
- 86	MS35206-327	. SCREW.....	1	
- 87	MS35338-41	. WASHER, LOCK.....	1	
- 88	AN960JD6	. WASHER.....	1	
- 89	AN960JD516	. WASHER.....	1	
		---★---		
- 90	122-344000-13	. . CLIP.....	1	5
- 91	122-344000-15	. . ANGLE.....	1	7
	122-344000-25	. . ANGLE.....	1	8
	122-344000-29	. . BRACKET ASSY.....	1	6
- 91A	122-344000-19	. . BRACKET ASSY.....	1	5
		/ATTACHING PARTS/		
- 91B	MS27039-0807	. . SCREW.....	1	5
- 91C	AN960L08	. . WASHER.....	1	5
		---★---		
- 92	TM2R6	. . MOUNT.....	2	
	122-344000-13	. CLIP/SEE INDEX 90 FOR LOCATION/.....	1	6
- 93	122-340160-1	. SHELF ASSY/LH/AFT/.....	1	
- 94	122-340160-3	. SHELF ASSY/RH/AFT/.....	1	5
	122-340160-37	. SHELF ASSY/RH/AFT/.....	1	6
		/ATTACHING PARTS/		
- 95	AN3C16A	. BOLT.....	6	
- 96	MS35338-43	. WASHER, LOCK.....	6	
- 97	AN960-10L	. WASHER.....	6	
		---★---		
	122-340160-9	. . SHELF, LH AFT.....	1	
	122-340160-11	. . SHELF, RH AFT.....	1	5
	122-340160-39	. . SHELF, RH AFT.....	1	6
	122-341000-1	. . SPACER, TOP.....	6	
	122-341000-13	. . SPACER, BOTTOM/4 FWD/.....	4	
	122-341000-15	. . SPACER, BOTTOM/2 AFT/.....	2	
	NAS1329A3K80	. . RIVNUT.....	18	
	NAS1329A08K75	. . RIVNUT/6 LH, 8 RH/.....	AR	
	NAS1329A08K75L	. . RIVNUT/6 LH, 4 RH/.....	AR	
	NAS1329H3K80L	. . RIVNUT.....	4	

Beechcraft
STARSHIP 1
ILLUSTRATED PARTS CATALOG



2000-491-66

FIGURE 20-70.NOSE AVIONICS SHELVES
/SHEET 5 OF 5 SHEETS/

Beechcraft
STARSHIP 1
ILLUSTRATED PARTS CATALOG

SUB-SEC UNIT & ITEM NO	PART NO.	DESCRIPTION 1 2 3 4 5 6 7	UNITS	USABLE
			PER ASSY	ON CODE
20-70 -98	122-340160-25	. SHELF ASSY/LH/FORWARD/.....	1	5
	122-340205-1	. SHELF ASSY/LH/FORWARD/.....	1	6
-99	122-340160-31	. SHELF ASSY/RH/FORWARD/.....	1	5
	122-340205-3	. SHELF ASSY/RH/FORWARD/..... /ATTACHING PARTS/	1	6
-100	AN3C16A	. BOLT.....	6	
-101	MS35338-43	. WASHER, LOCK.....	6	
-102	AN960-10L	. WASHER.....	6	
		★-----		
	122-340160-27	.. SHELF, LH FORWARD.....	1	5
	122-341000-5	.. SHELF, LH FORWARD.....	1	6
	122-340160-33	.. SHELF, RH FORWARD.....	1	5
	122-341000-7	.. SHELF, RH FORWARD.....	1	6
	122-341000-1	.. SPACER, TOP.....	6	
	122-341000-13	.. SPACER, BOTTOM.....	5	5
	122-341000-15	.. SPACER, BOTTOM.....	5	6
	122-341000-11	.. SPACER, BOTTOM/FWD OUTBD/.....	1	5
	122-341000-13	.. SPACER, BOTTOM/FWD OUTBD/.....	1	6
	NAS1329A3K80	.. RIVNUT.....	17	5
	NAS1329A3K80	.. RIVNUT/16LH, 18RH/.....	AR	6
	NAS1329A08K75	.. RIVNUT/8 LH, 20 RH/.....	AR	
	NAS1329A06K75	.. RIVNUT/6LH, 5RH/.....	AR	5
	NAS1329A06K75	.. RIVNUT/1RH/.....	1	6

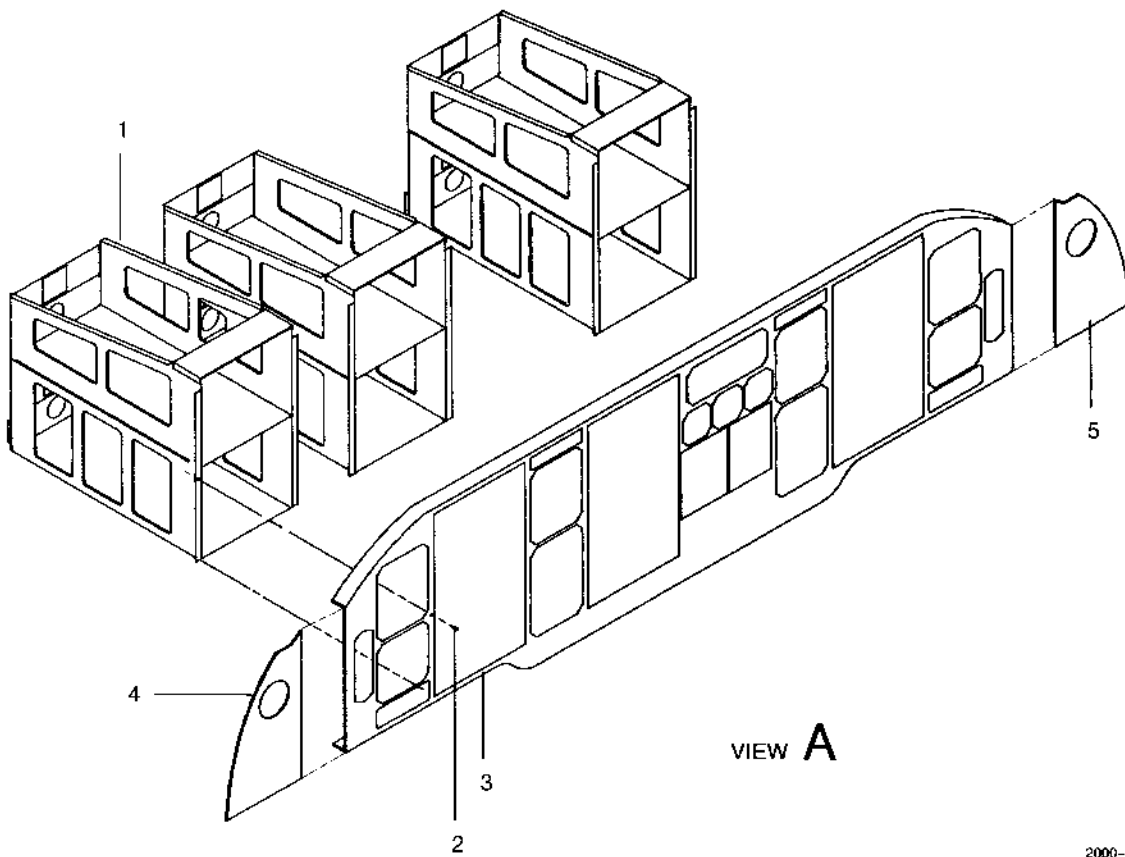
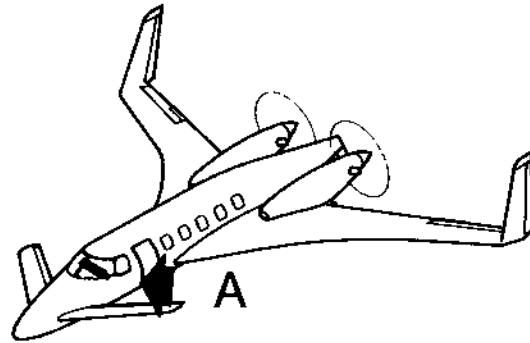
CODES OF EFFECTIVITY

1	NC-4 THRU NC-23	2	NC-24 AND AFTER
3	NC-4 THRU NC-43	4	NC-44 AND AFTER
5	NC-4 THRU NC-25	6	NC-26 AND AFTER
7	NC-4 THRU NC-20	8	NC-21 THRU NC-25

Beechcraft
STARSHIP 1
ILLUSTRATED PARTS CATALOG

53-20-80
MAIN INSTRUMENT PANEL STRUCTURE

Beechcraft
STARSHIP 1
ILLUSTRATED PARTS CATALOG



2000-96-01

FIGURE 20-80.MAIN INSTRUMENT PANEL STRUCTURE

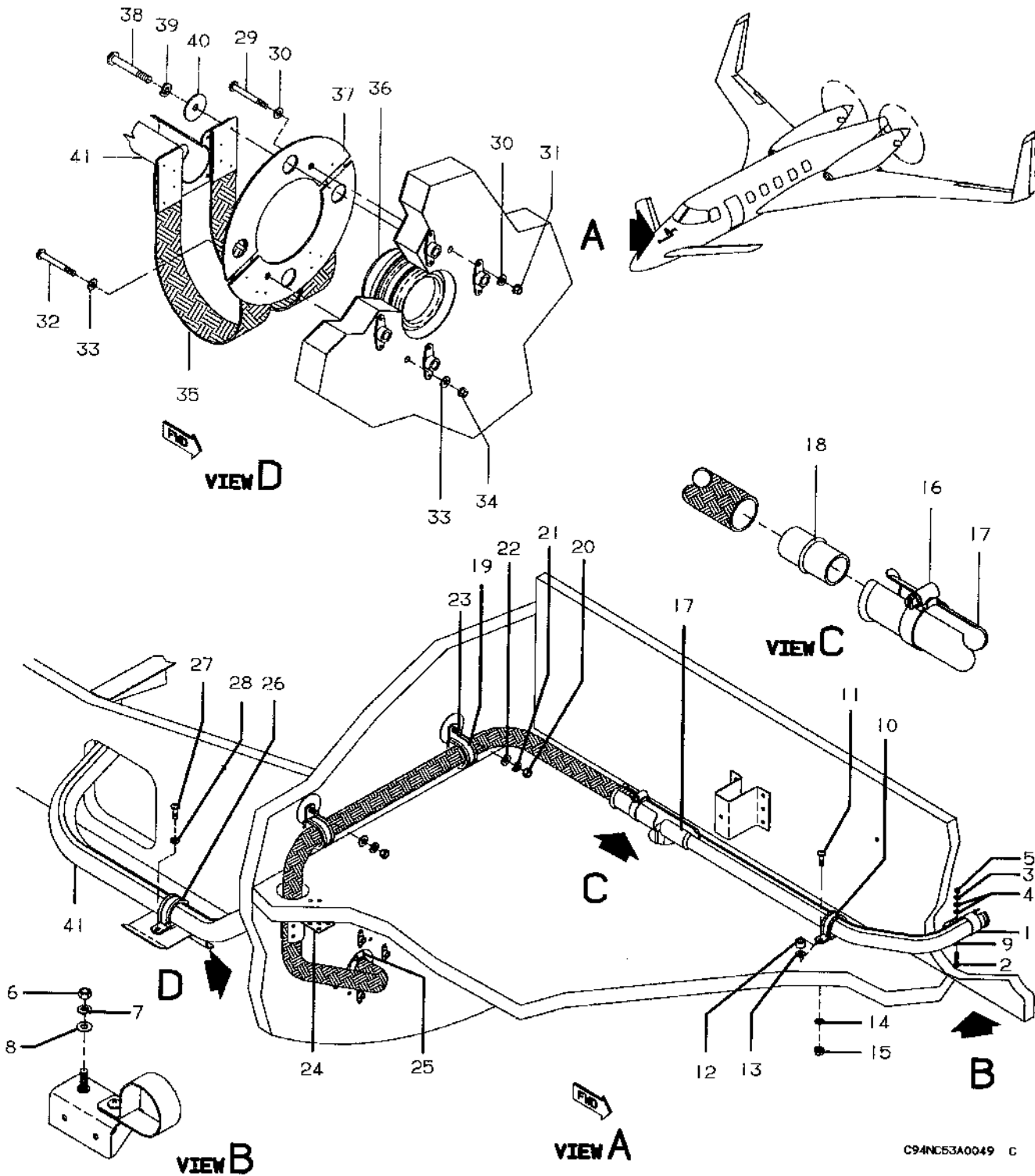
Beechcraft
STARSHIP 1
ILLUSTRATED PARTS CATALOG

SUB-SEC UNIT & ITEM NO	PART NO.	DESCRIPTION 1 2 3 4 5 6 7	UNITS	USABLE
			PER ASSY	ON CODE
20-80	122-322077-5	PANEL ASSY, MAIN INSTRUMENT.....	1	
- 1	622-7396-002	. MOUNT/IMT-870/.....	3	
		. /ATTACHING PARTS/		
- 2	MS24693S5	. SCREW.....	39	
		---★---		
	MRPN6-32SCL	. PRESS NUT.....	40	
	MS21075L06	. NUTPLATE.....	4	
	MS21060	. NUTPLATE.....	3	
- 3	122-322077-7	. PANEL.....	1	
	122-322196-1	PANEL INSTL, SIDEWALL ESCUTCHEON.....	NP	
- 4	122-322196-5	. PANEL, LH.....	1	
- 5	122-322196-4	. PANEL, RH.....	1	

Beechcraft
STARSHIP 1
ILLUSTRATED PARTS CATALOG

53-21-00
FUSELAGE ELECTRICAL WIRE CONDUIT

Beechcraft
STARSHIP 1
ILLUSTRATED PARTS CATALOG



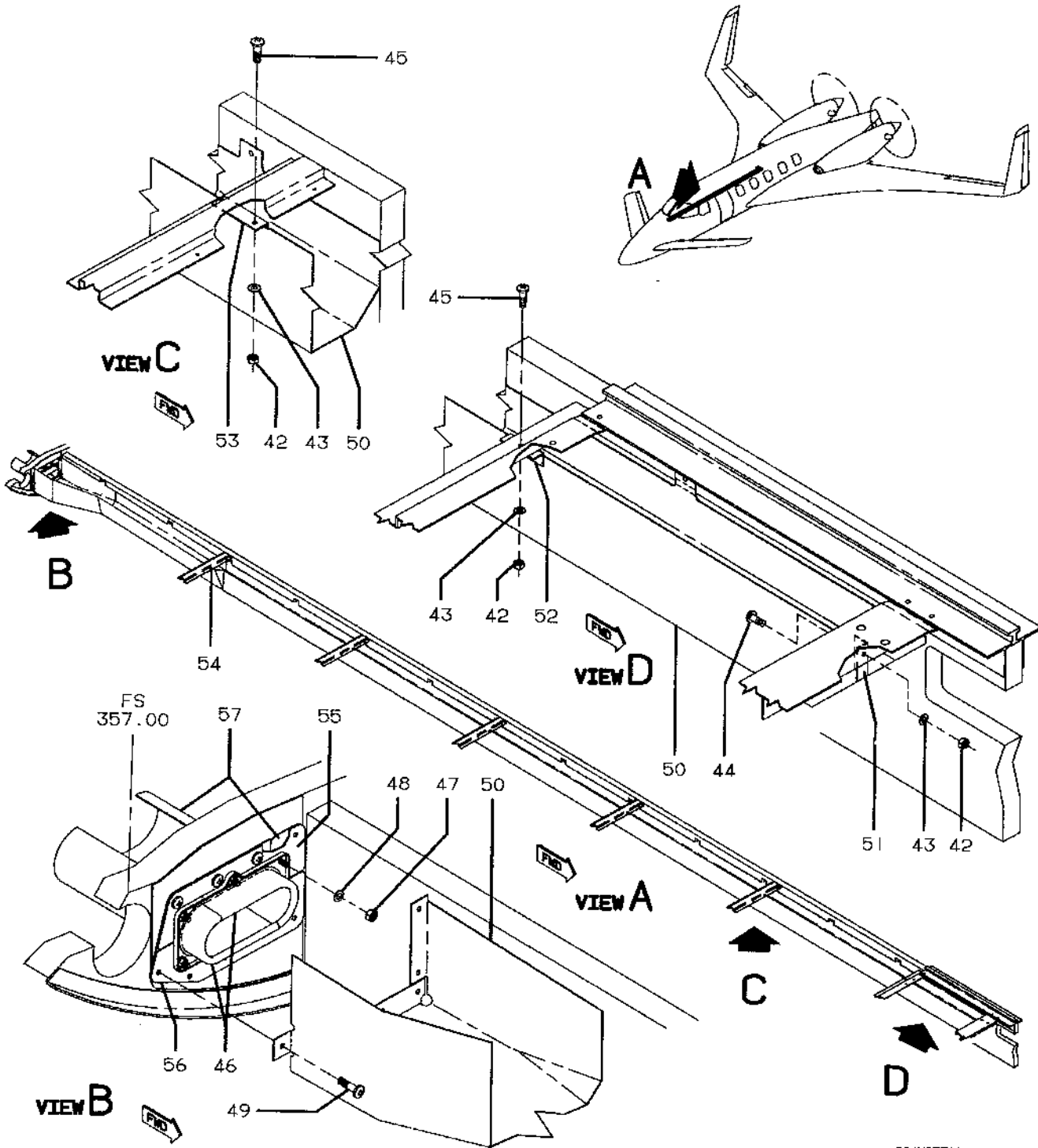
C94NC53A0049 C

FIGURE 21-00. FUSELAGE ELECTRICAL WIRE CONDUIT
/SHEET 1 OF 3 SHEETS/

Beechcraft
STARSHIP 1
ILLUSTRATED PARTS CATALOG

SUB-SEC UNIT & ITEM NO	PART NO.	DESCRIPTION 1 2 3 4 5 6 7	UNITS	USABLE
			PER ASSY	ON CODE
21-00	122-364102-5	ELECTRICAL WIRE TRAY INSTL, FORWARD	NP	
- 1	AN742D16	. CLAMP	1	1
	MS21103D16	. CLAMP	1	2
		/ATTACHING PARTS/		
- 2	MS35206-246	. SCREW	1	1
	MS35206-245	. SCREW	1	2
- 3	MS35338-42	. WASHER, LOCK	1	1
- 4	AN960-8L	. WASHER	2	1
- 5	130909N27	. NUT	1	1
		---★---		
- 6	130909N29	. NUT, LOCK	1	2
- 7	MS35338-43	. WASHER, LOCK	1	2
- 8	AN960-10L	. WASHER	1	2
- 9	122-364102-11	. BRACKET	1	1
	122-364102-13	. BRACKET ASSY	1	2
- 10	MS21919WDG16	. CLAMP	1	
		/ATTACHING PARTS/		
- 11	MS27039-1-10	. SCREW	1	
- 12	NAS43DD3-8	. SPACER	1	
- 13	NAS1515M3	. WASHER /INSTALL BETWEEN SHELF AND SPACER/	1	
- 14	AN960JD10L	. WASHER	1	
- 15	MS21043-3	. NUT	1	
		---★---		
- 16	MS35842-13	. CLAMP	1	
- 17	122-364111-23	. CONDUIT ASSY	1	
- 18	122-364111-33	. RING	1	
- 19	MS21919WG4	. CLAMP	2	
		/ATTACHING PARTS/		
- 20	130909N29	. NUT, LOCK	1	
- 21	MS35335-32	. WASHER, LOCK	1	
- 22	AN960-L3	. WASHER	1	
- 23	CB4000C3CR8	. STUD	1	
		---★---		
- 24	122-364111-17	. BRACKET ASSY	1	
- 25	MS35842-13	. CLAMP	1	
- 26	MS21919WDG20	. CLAMP	1	
		/ATTACHING PARTS/		
- 27	MS27039-1-08	. SCREW	1	
- 28	AN960JD10L	. WASHER	1	
		---★---		
- 29	8815	. SCREW	1	3
- 30	AN960JD10L	. WASHER	2	3
- 31	MS21043-3	. NUT	1	3
- 32	9091	. SCREW	1	3
- 33	AN960JD10L	. WASHER	2	3
- 34	MS21043-3	. NUT	1	3
- 35	122-361050-15	. BOND STRAP	2	
- 36	S45B-16	. SEAL	1	
- 37	122-364102-7	. ADAPTER ASSY	1	
		/ATTACHING PARTS/		
- 38	MS35206-243	. SCREW	4	
- 39	MS35338-43	. WASHER, LOCK	4	
- 40	AN970-3	. WASHER	4	
		---★---		
- 41	122-364120-5	. CONDUIT ASSY	1	

Beechcraft
STARSHIP 1
ILLUSTRATED PARTS CATALOG



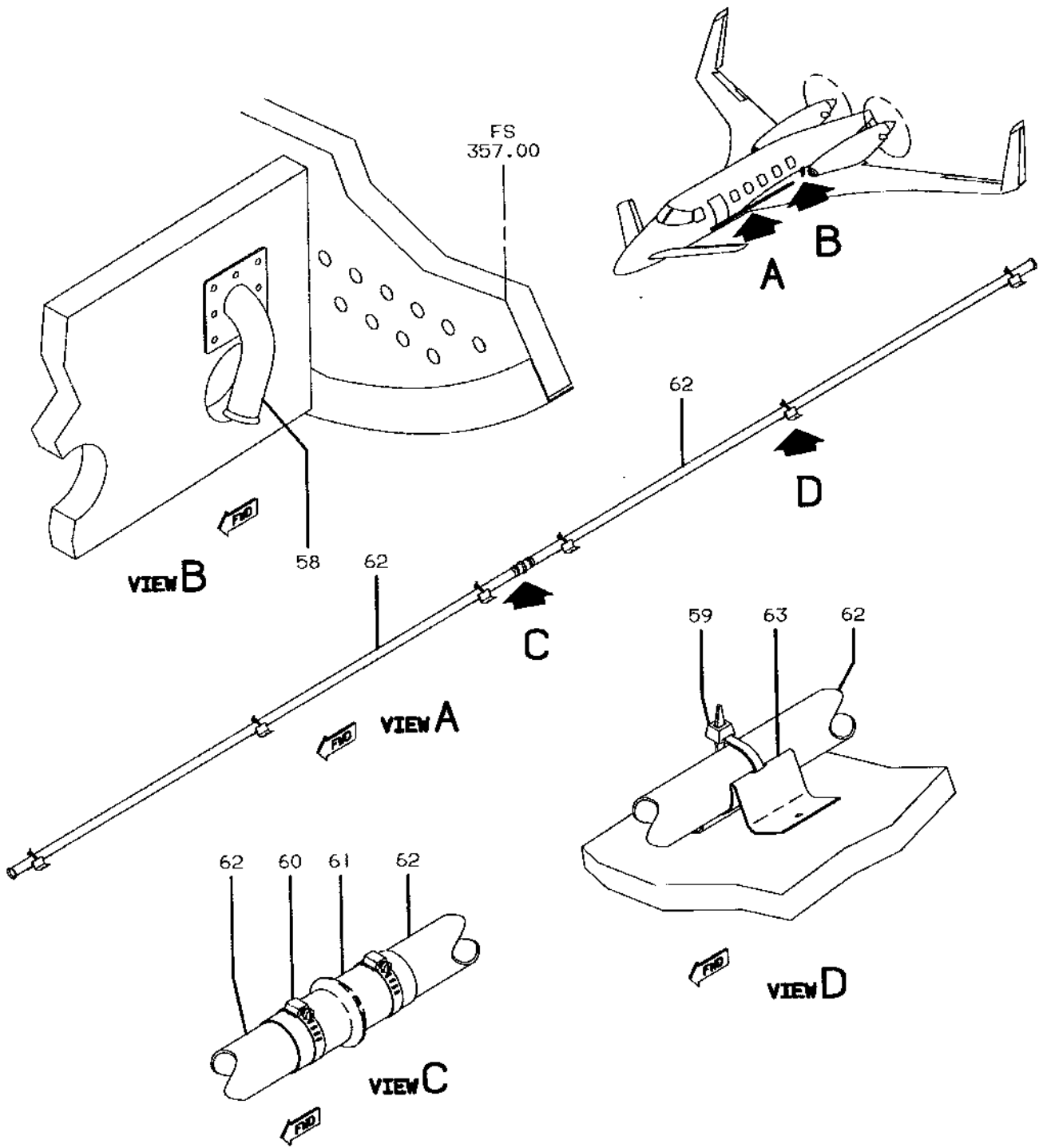
D94NC53A0050 C

**FIGURE 21-00.FUSELAGE ELECTRICAL WIRE CONDUIT
/SHEET 2 OF 3 SHEETS/**

Beechcraft
STARSHIP 1
ILLUSTRATED PARTS CATALOG

SUB-SEC UNIT & ITEM NO	PART NO.	DESCRIPTION 1 2 3 4 5 6 7	UNITS PER ASSY	USABLE ON CODE
21-00	122-364091-1	ELECTRICAL TRAY INSTL, MIDDLE FUSELAGE	NP	
- 42	130909N28	. NUT	12	
- 43	AN960JD8L	. WASHER	12	
- 44	MS27039-0808	. SCREW	1	
- 45	MS24893S51	. SCREW	11	
- 46	122-364159-1	. SEAL HALF	2	
		/ATTACHING PARTS/		
- 47	MS21045-08	. NUT	3	
- 48	AN960JD8L	. WASHER	3	
		-----★-----		
- 49	MS27039-0808	. SCREW	10	
- 50	122-364098-35	. TRAY ASSY, WIRE	1	
- 51	122-364136-3	. ANGLE, TRAY SUPPORT	1	
- 52	122-364136-5	. ANGLE, TRAY SUPPORT	1	
- 53	122-364136-1	. ANGLE, TRAY SUPPORT	4	
- 54	122-364091-11	. ANGLE, TRAY SUPPORT	1	
- 55	122-364092-27	. FLANGE ASSY	1	
- 56	122-364092-31	. FLANGE ASSY	1	
	58S(062)ST16	. . STUD	3	
- 57	122-364092-33	. SEAL ASSY, PRESSURE	1	

Beechcraft
 STARSHIP 1
 ILLUSTRATED PARTS CATALOG



C94NC83A0051 C

FIGURE 21-00. FUSELAGE ELECTRICAL WIRE CONDUIT
 /SHEET 3 OF 3 SHEETS/

Beechcraft
STARSHIP 1
ILLUSTRATED PARTS CATALOG

SUB-SEC UNIT & ITEM NO	PART NO.	DESCRIPTION 1 2 3 4 5 6 7	UNITS	USABLE
			PER ASSY	ON CODE
21-00 -58	122-361033-37	. TUBE ASSY.....	1	
-59	MS3367-5-9	. STRAP.....	6	
-60	MS35842-11	. CLAMP.....	2	
-61	2176	. SHIELD.....	1	
-62	122-361033-35	. TUBE.....	2	
-63	122-361057-39	. BRACKET, TUBE SUPPORT.....	6	

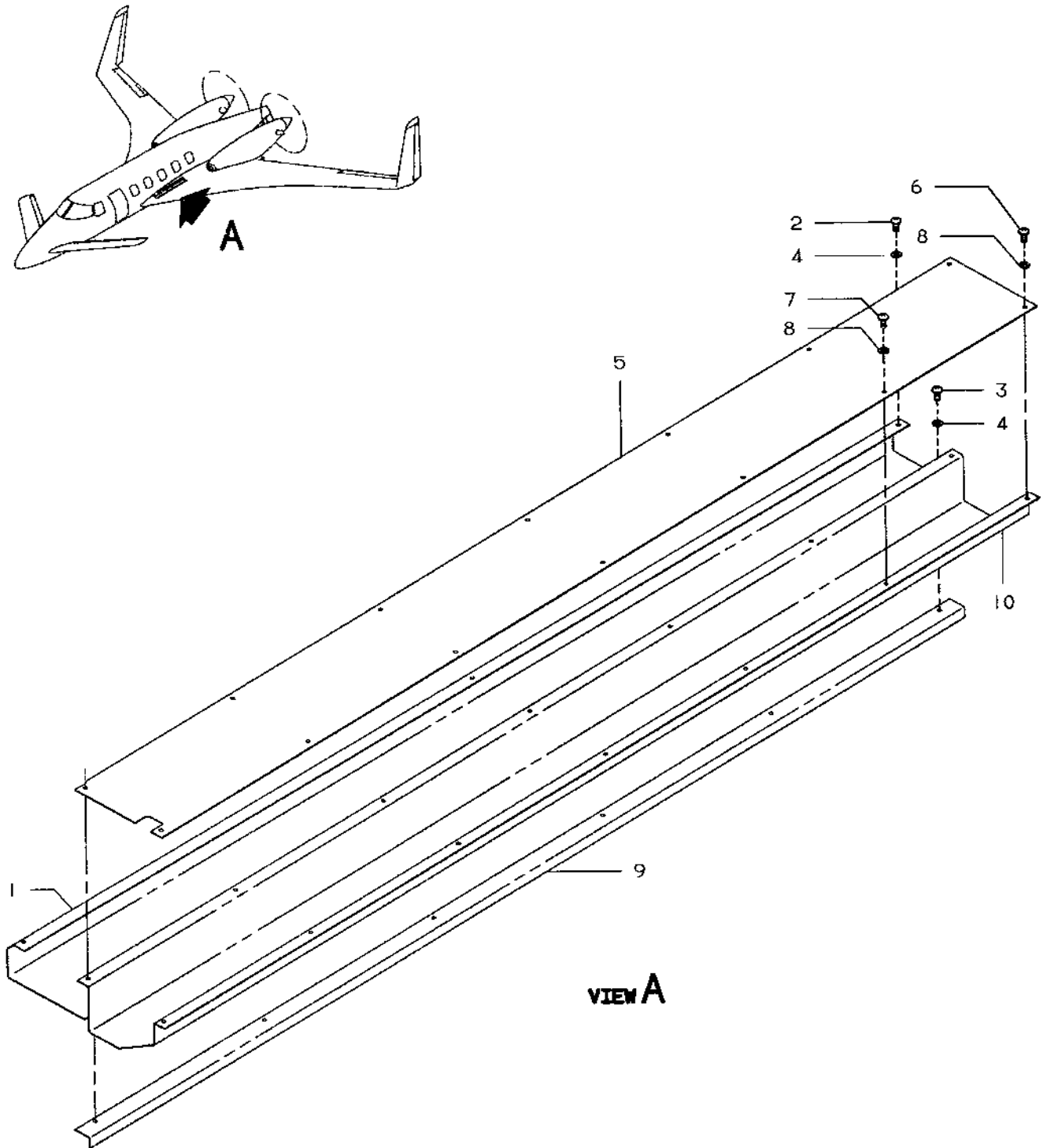
CODES OF EFFECTIVITY

1 NC-4 THRU NC-31 2 NC-32 AND AFTER
 3 NC-33 AND AFTER

Beechcraft
STARSHIP 1
ILLUSTRATED PARTS CATALOG

53-21-10
FLIGHT CONTROL CABLE TRAY

Beechcraft
STARSHIP 1
ILLUSTRATED PARTS CATALOG



C94NC53A0122 C

FIGURE 21-10. FLIGHT CONTROL CABLE TRAY

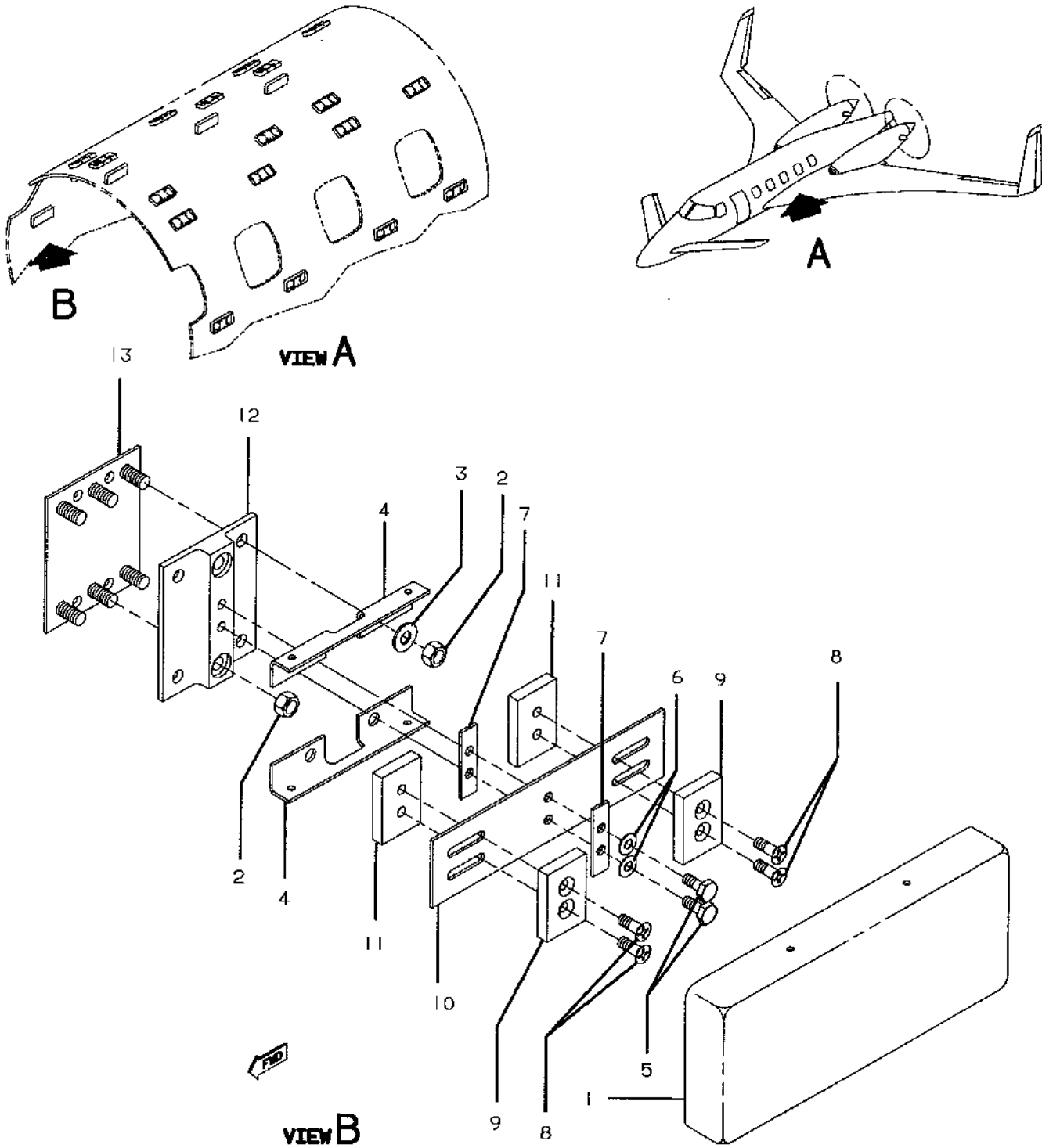
Beechcraft
STARSHIP 1
ILLUSTRATED PARTS CATALOG

SUB-SEC UNIT & ITEM NO	PART NO.	DESCRIPTION 1 2 3 4 5 6 7	UNITS	USABLE
			PER ASSY	ON CODE
21-10	122-524122-1	CABLE TRAY INSTL, FLIGHT CONTROL.....	NP	
- 1	122-524122-11	. TRAY ASSY.....	1	
		/ATTACHING PARTS/		
- 2	MS27039-1-09	. SCREW.....	3	
- 3	MS27039-1-08	. SCREW.....	6	
- 4	AN960-10L	. WASHER.....	9	
		---*---		
	MS21059L3	. . NUTPLATE.....	1	
	MS21061L3	. . NUTPLATE.....	2	
- 5	122-524122-9	. COVER.....	1	
		/ATTACHING PARTS/		
- 6	MS27039-1-09	. SCREW.....	6	
- 7	MS27039-1-08	. SCREW.....	8	
- 8	AN960-10L	. WASHER.....	14	
		---*---		
	122-524122-3	. TRAY ASSY.....	1	
	MS21059L3	. . NUTPLATE.....	16	
	MS21061L3	. . NUTPLATE.....	4	
- 9	122-524122-7	. . ANGLE.....	1	
- 10	122-524122-5	. . TRAY.....	1	

Beechcraft
STARSHIP 1
ILLUSTRATED PARTS CATALOG

53-25-00
DYNAMIC ABSORBER

Beechcraft
STARSHIP 1
ILLUSTRATED PARTS CATALOG



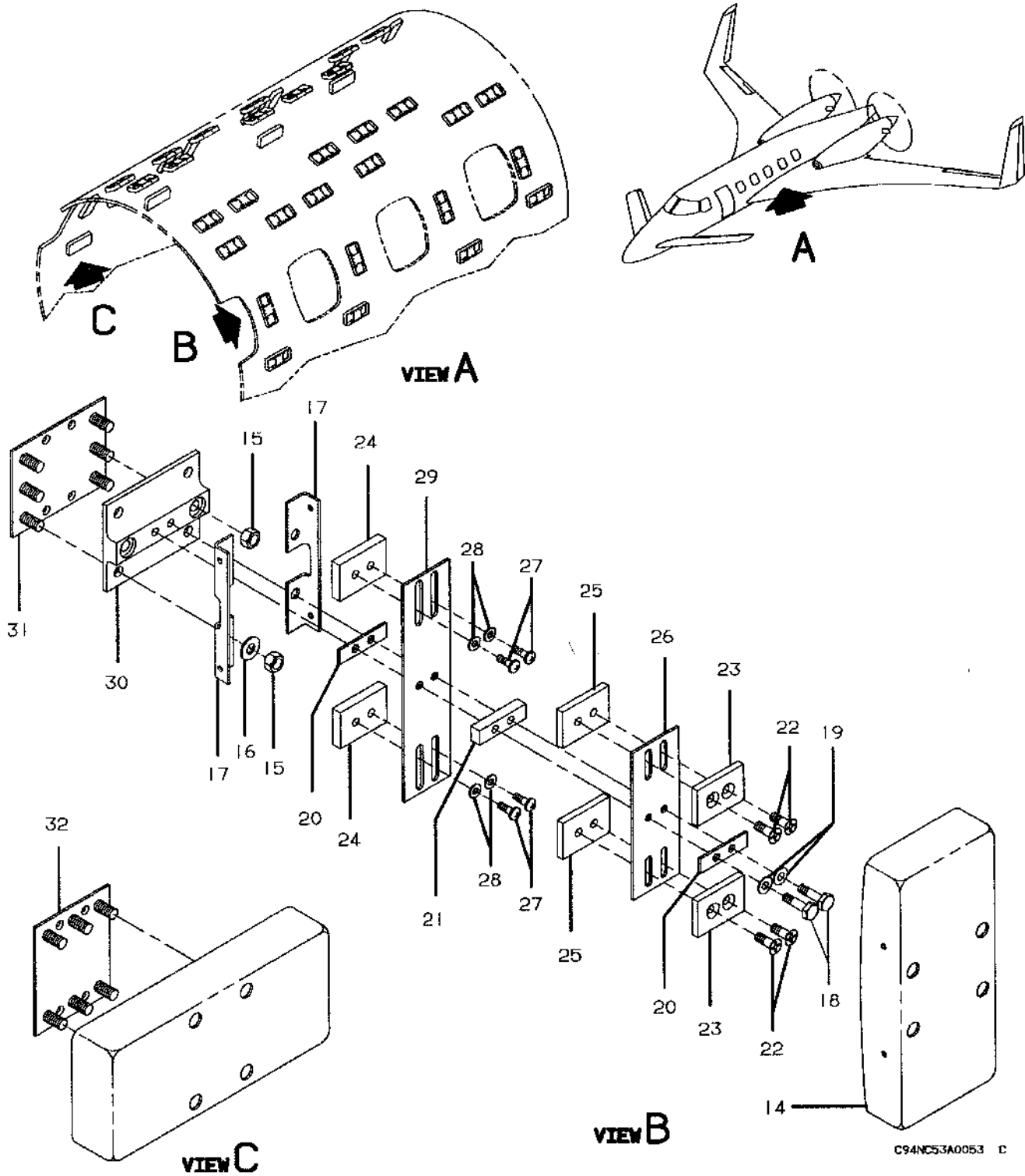
C94NC53A0052 C

FIGURE 25-00.DYNAMIC ABSORBER
/SHEET 1 OF 3 SHEETS/

Beechcraft
STARSHIP 1
ILLUSTRATED PARTS CATALOG

SUB-SEC UNIT & ITEM NO	PART NO.	DESCRIPTION 1 2 3 4 5 6 7	UNITS	USABLE
			PER ASSY	ON CODE
25-00	122-400011-1	DYNAMIC ABSORBER INSTL, CABIN.....	NP	1
	122-400011-3	DYNAMIC ABSORBER INSTL, CABIN.....	NP	2
- 1	122-400012-25	. COVER.....	22	4
- 2	130909N28	. NUT.....	132	4
- 3	AN960-8	. WASHER.....	88	4
- 4	122-400012-27	. ANGLE.....	44	4
	122-400012-15	. ABSORBER ASSY, VIBRATION.....	22	4
- 5	NAS1303-4	. . BOLT.....	44	4
- 6	AN960-10	. . WASHER.....	44	4
- 7	122-400012-13	. . SPACER.....	44	4
	122-400012-3	. . LEAF SPRING & WEIGHT ASSY.....	22	4
- 8	NAS1203-5	. . . SCREW.....	88	4
- 9	122-400012-9	. . . WEIGHT.....	44	4
- 10	101-420193-17	. . . LEAF SPRING.....	22	4
- 11	122-400012-11	. . . WEIGHT.....	44	4
- 12	122-400012-17	. . SUPPORT ASSY.....	22	4
	MS51830A201L	. . . INSERT.....	44	4
- 13	122-400012-21	. PLATE ASSY, ATTACH.....	22	4
	58S(062)-ST16	. . STUD.....	132	4

Beechcraft
 STARSHIP 1
 ILLUSTRATED PARTS CATALOG



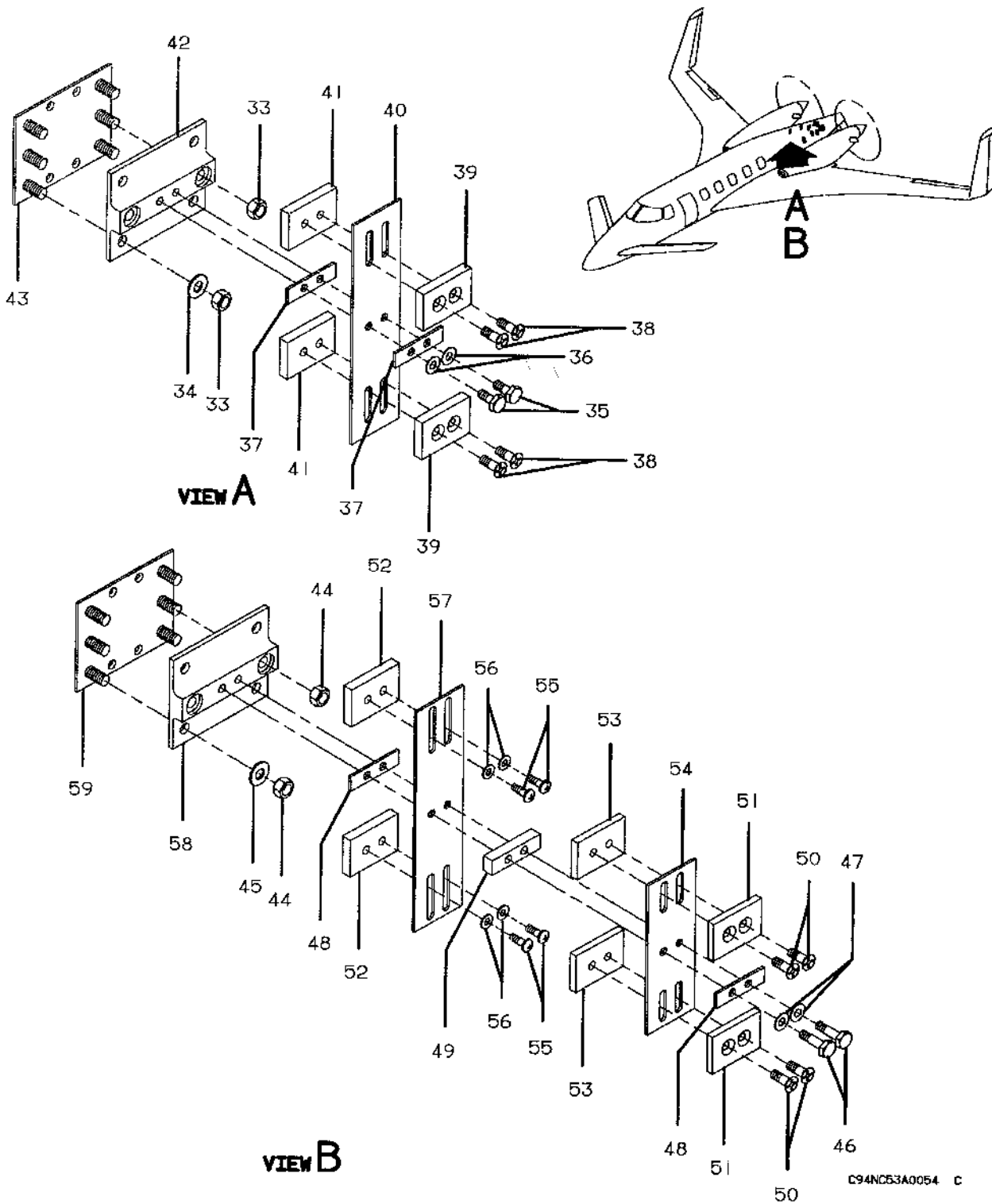
C94NCS3A0053 C

FIGURE 25-00.DYNAMIC ABSORBER
 /SHEET 2 OF 3 SHEETS/

Beechcraft
STARSHIP 1
ILLUSTRATED PARTS CATALOG

SUB-SEC UNIT & ITEM NO	PART NO.	DESCRIPTION 1 2 3 4 5 6 7	UNITS	USABLE
			PER ASSY	ON CODE
25-00	122-400022-3	VIBRATION ABSORBER INSTL. CABIN	NP	3
- 14	122-400021-17	. COVER/WL 120.25/	12	3
	122-400021-15	. COVER	30	3
- 15	130909N28	. NUT	252	3
- 16	AN960-8	. WASHER	168	3
- 17	122-400012-27	. ANGLE	84	3
	122-400021-1	. ABSORBER ASSY, VIBRATION	22	3
	122-400021-19	. ABSORBER ASSY, VIBRATION	20	3
- 18	NAS1303-8	. BOLT	84	3
- 19	AND980-10L	. WASHER	84	3
- 20	122-400012-13	. SPACER	84	3
- 21	122-400021-3	. SPACER	42	3
- 22	NAS1203-3	. SCREW	168	3
- 23	122-400021-11	. WEIGHT	48	3
- 24	122-400021-5	. WEIGHT/122-400021-1/	84	3
- 25	122-400021-9	. WEIGHT/122-400021-1/	84	3
	122-400021-9	. WEIGHT/122-400021-19/	168	3
- 26	122-400021-13	. LEAF SPRING	42	3
- 27	NAS623-3-1	. SCREW	168	3
- 28	AN960-10L	. WASHER	168	3
- 29	122-400021-7	. LEAF SPRING	42	3
- 30	122-400017-17	. SUPPORT ASSY	42	3
	MS51830A201L	. . . INSERT	84	3
- 31	122-400012-29	. PLATE ASSY, ATTACH/WL 120.25/	12	3
- 32	122-400012-21	. PLATE ASSY, ATTACH	30	3
	58S(062)-ST16	. . STUD	252	3

Beechcraft
 STARSHIP 1
 ILLUSTRATED PARTS CATALOG



C94NC53A0054 C

FIGURE 25-00.DYNAMIC ABSORBER
 /SHEET 3 OF 3 SHEETS/

Beechcraft
STARSHIP 1
ILLUSTRATED PARTS CATALOG

SUB-SEC UNIT & ITEM NO	PART NO.	DESCRIPTION 1 2 3 4 5 6 7	UNITS	USABLE
			PER ASSY	ON CODE
25-00	122-400013-1	ABSORBER INSTL, VIBRATION/AFT FUSELAGE/.....	NP	4
-33	130909N28	. NUT	60	4
-34	AN960-8	. WASHER	40	4
	122-400012-15	. ABSORBER ASSY	10	4
-35	NAS1303-4	. BOLT	20	4
-36	AN960-10	. WASHER	20	4
-37	122-400012-13	. SPACER	20	4
	122-400012-3	. LEAF SPRING & WEIGHT ASSY	10	4
-38	NAS1203-5	. SCREW	20	4
-39	122-400012-9	. WEIGHT	20	4
-40	101-420193-17	. LEAF SPRING	10	4
-41	122-400012-11	. WEIGHT	20	4
-42	122-400012-17	. SUPPORT ASSY	10	4
	MS51830A201L	. INSERT	20	4
-43	122-400012-29	. PLATE ASSY, ATTACH	10	4
	58S(062)-ST16	. STUD	60	4
	122-400013-7	ABSORBER INSTL, VIBRATION/AFT FUSELAGE/.....	NP	3
-44	130909N28	. NUT	60	3
-45	AN960-8	. WASHER	40	3
	122-400021-1	. ABSORBER ASSY	10	3
-46	NAS1308-8	. BOLT	20	3
-47	AN960-10L	. WASHER	20	3
-48	122-400012-13	. SPACER	20	3
-49	122-400021-3	. SPACER	10	3
-50	NAS1203-3	. SCREW	40	3
-51	122-400021-11	. WEIGHT	20	3
-52	122-400021-5	. WEIGHT	20	3
-53	122-400021-9	. WEIGHT	20	3
-54	122-400021-13	. LEAF SPRING	10	3
-55	NAS623-3-1	. SCREW	40	3
-56	AN960-10L	. WASHER	40	3
-57	122-400021-7	. LEAF SPRING	10	3
-58	122-400012-17	. SUPPORT ASSY	10	3
	MS51830A201L	. INSERT	20	3
-59	122-400012-29	. PLATE ASSY, ATTACH	10	3
	58S(062)-ST16	. STUD	60	3

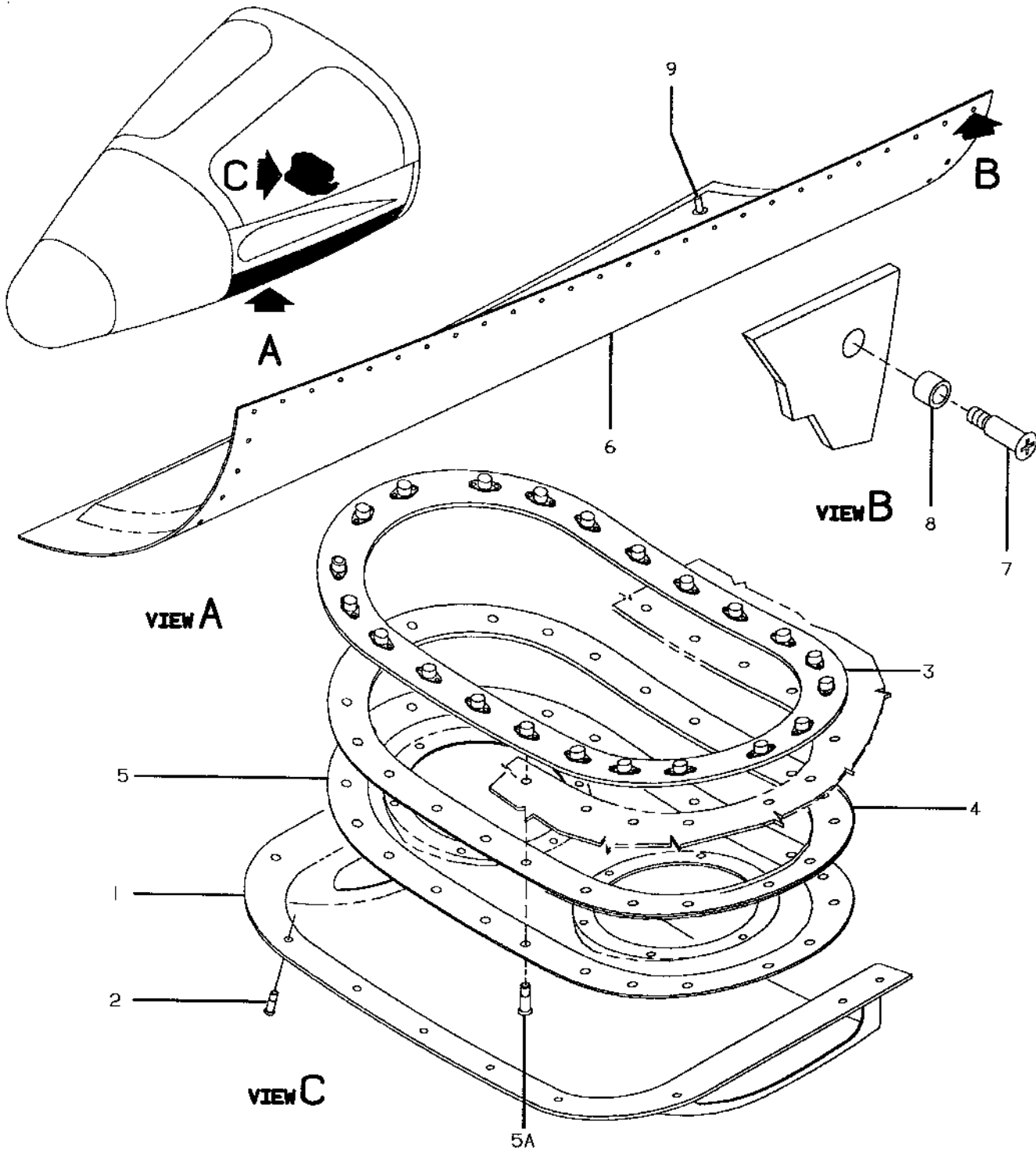
CODES OF EFFECTIVITY

1	NC-4 THRU NC-20	2	NC-21 THRU NC-28
3	NC-29 AND AFTER	4	NC-4 THRU NC-28

Beechcraft
STARSHIP 1
ILLUSTRATED PARTS CATALOG

53-30-00
NOSE SKINS AND PLATES

Beechcraft
STARSHIP 1
ILLUSTRATED PARTS CATALOG



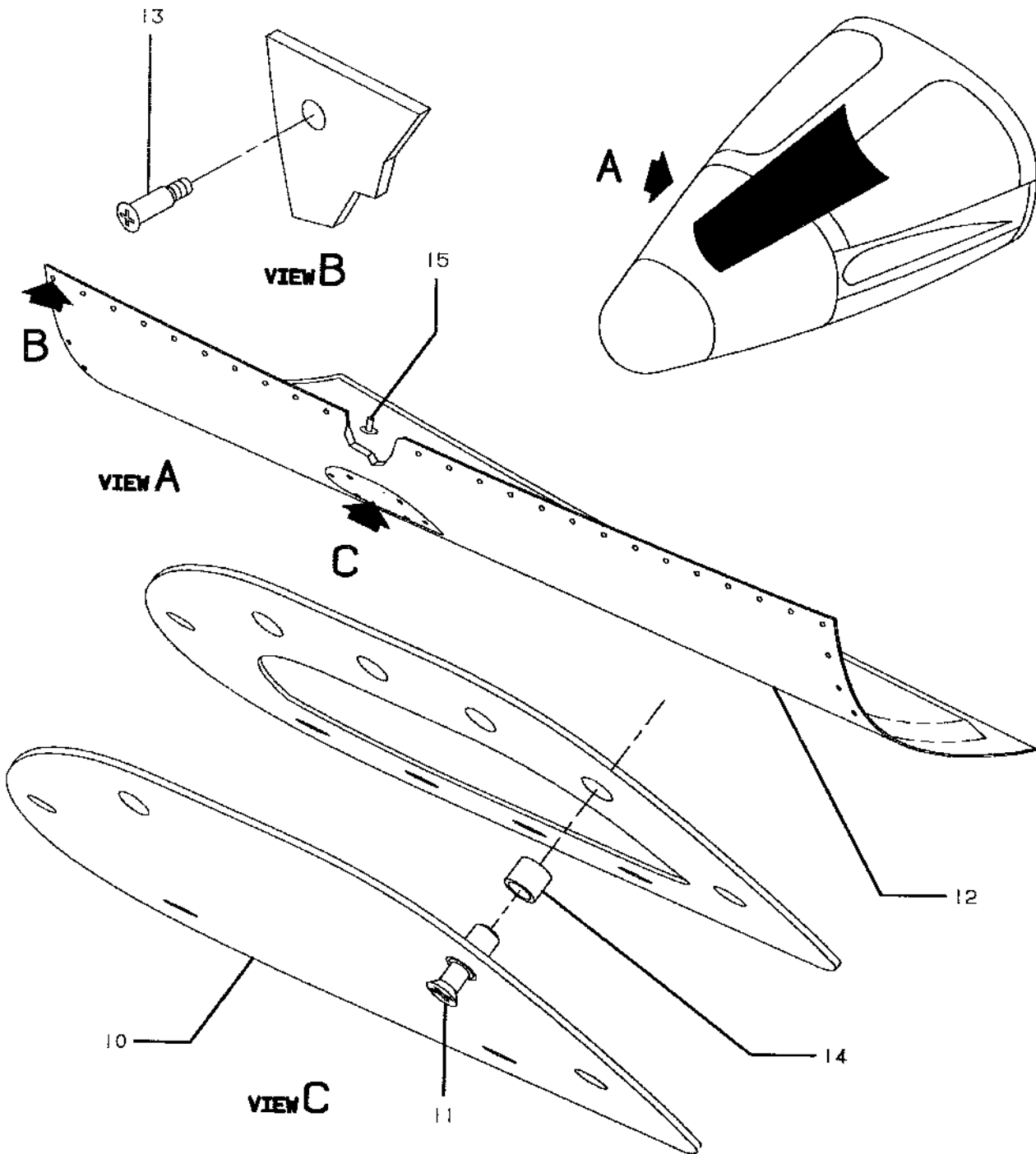
C94NC63A0055 C

FIGURE 30-00.NOSE SKINS AND PLATES
/SHEET 1 OF 2 SHEETS/

Beechcraft
STARSHIP 1
ILLUSTRATED PARTS CATALOG

SUB-SEC UNIT & ITEM NO	PART NO.	DESCRIPTION 1 2 3 4 5 6 7	UNITS	USABLE
			PER ASSY	ON CODE
30-00 - 1	122-540341-19	RAMP, CABIN PRESSURE OUTFLOW/SAFETY VALVE EXIT ...	1	1
	122-540341-13	RAMP, CABIN PRESSURE OUTFLOW/SAFETY VALVE EXIT ... /ATTACHING PARTS/	1	2
- 2	DPYS7900P10A6	. SCREW, CAPTIVE	9	1
		-----★-----		
	DPYS7900P10A3	. SCREW, CAPTIVE	9	2
	122-410501-1	ACCESS DOOR INSTL	NP	
- 3	122-410501-9	. NUT RING ASSY	1	
	122-410500-3	. ACCESS DOOR ASSY, OUTFLOW/SAFETY VALVE	NP	
		/SEE CHAPTER 21/		
- 4	122-410501-7	. SEAL	1	
- 5	122-410501-5	. ACCESS DOOR	1	
		/ATTACHING PARTS/		
- 5A	DCTC7900-10-B-3	. SCREW, CAPTIVE	16	
		-----★-----		
- 6	122-410605-31	SKIN PANEL ASSY, NOSE LH	1	
- 7	DPYS7900P-10-A-3	. SCREW, CAPTIVE	74	
- 8	D792040T-10-071	. BUSHING	AR	
- 9	122-410605-13	. TUBE, DRAIN	1	

Beechcraft
STARSHIP 1
ILLUSTRATED PARTS CATALOG



C94NC53A0173 C

Beechcraft
STARSHIP 1
ILLUSTRATED PARTS CATALOG

SUB-SEC UNIT & ITEM NO	PART NO.	DESCRIPTION 1 2 3 4 5 6 7	UNITS	USABLE
			PER ASSY	ON CODE
30-00 -10	122-410650-7	ACCESS DOOR ASSY, OXYGEN FILL PORT	1	
-11	DPYS7900P10A4 *	5DL . SCREW	6	
-12	122-410606-15	SKIN PANEL ASSY, NOSE RH.....	1	
-13	DPYS7900P-10-B-3	. SCREW, CAPTIVE	74	
-14	D792040T-10-071	. BUSHING	AR	
-15	122-410605-13	. TUBE, DRAIN	1	

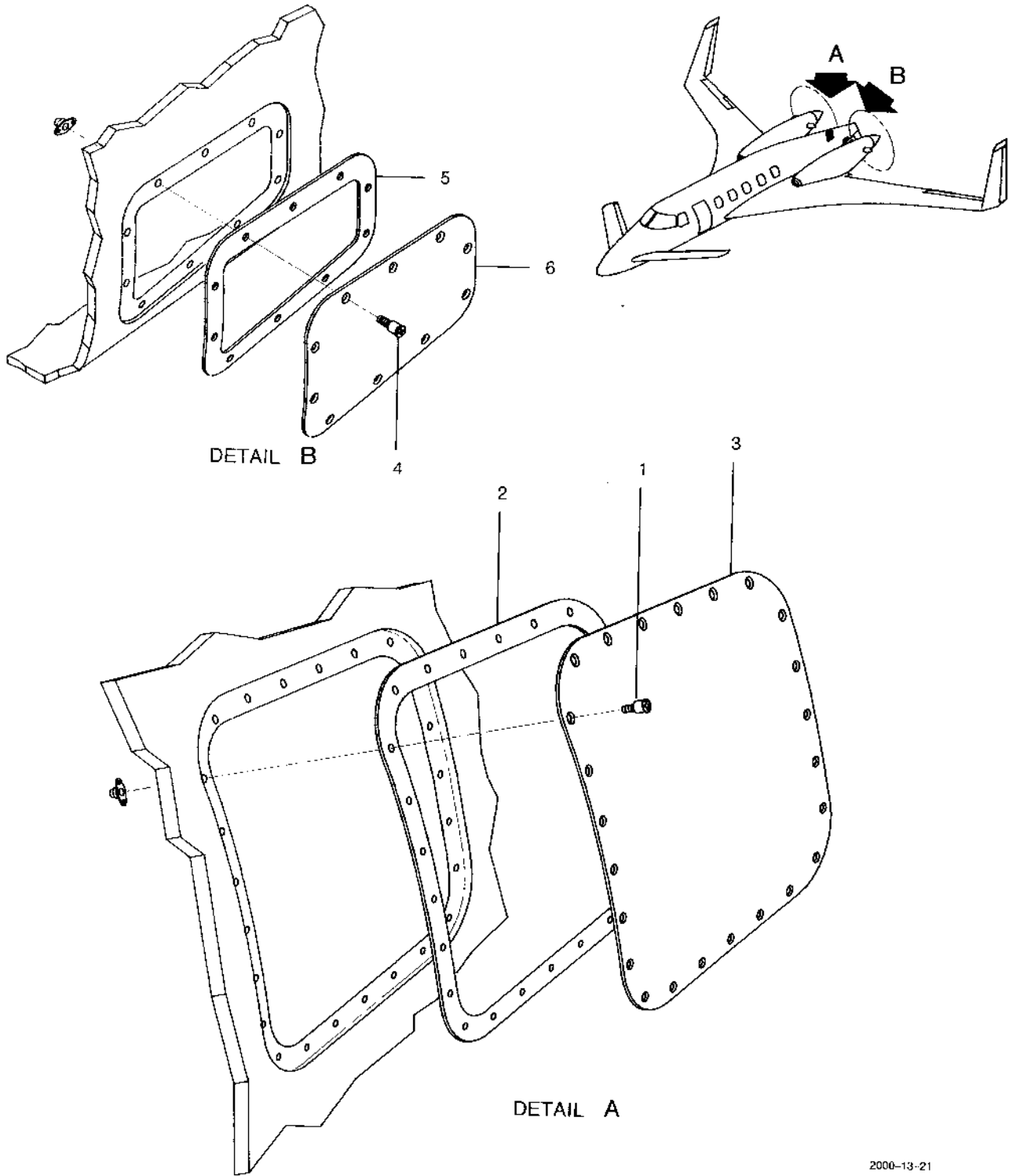
CODES OF EFFECTIVITY

1 NC-4 THRU NC-34 2 NC-35 AND AFTER

Beechcraft
STARSHIP 1
ILLUSTRATED PARTS CATALOG

53-30-10
AFT FUSELAGE ACCESS DOORS

Beechcraft
STARSHIP 1
ILLUSTRATED PARTS CATALOG



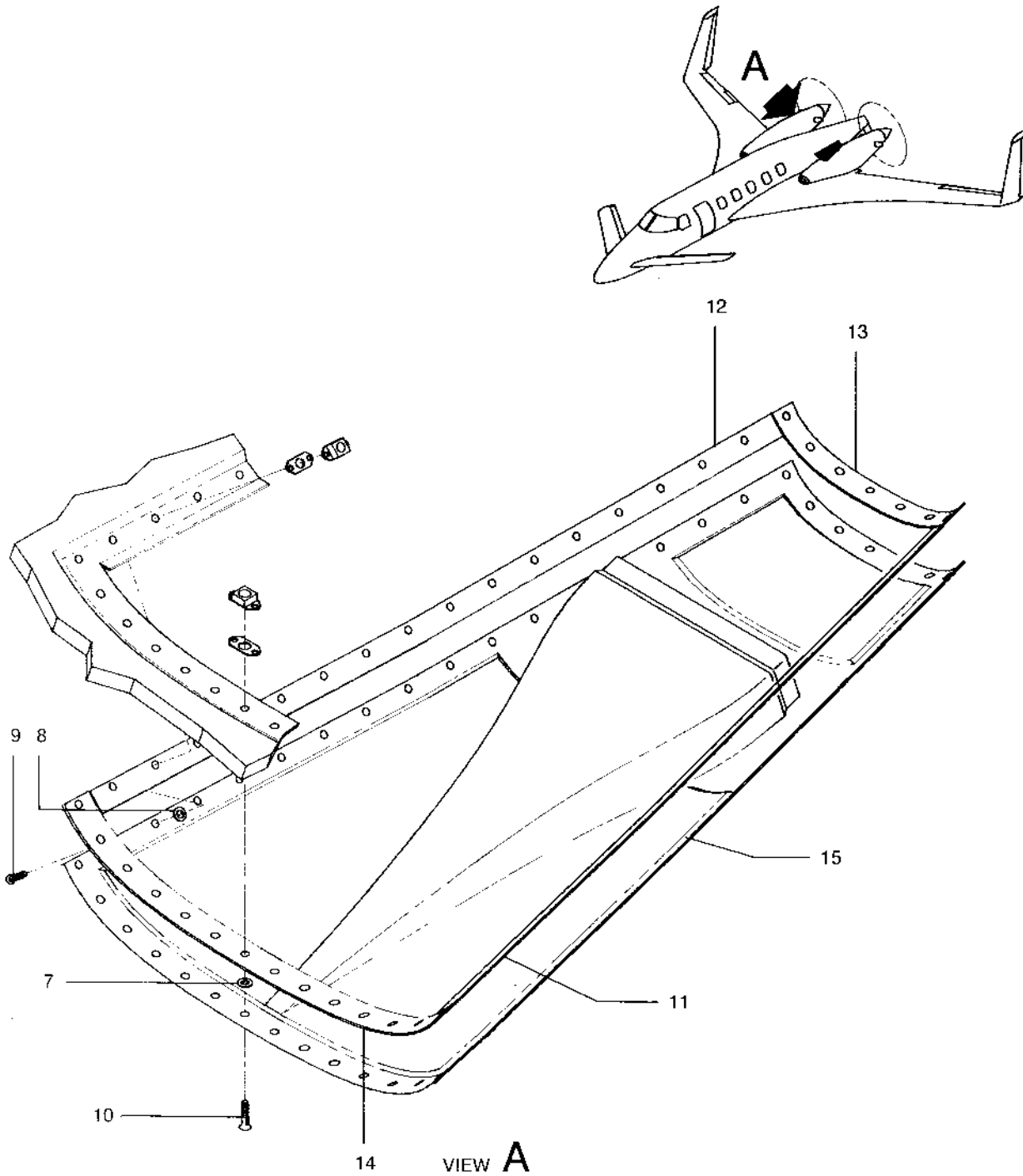
2000-13-21

FIGURE 30-10.AFT FUSELAGE ACCESS DOORS
/SHEET 1 OF 2 SHEETS/

Beechcraft
STARSHIP 1
ILLUSTRATED PARTS CATALOG

SUB-SEC UNIT & ITEM NO	PART NO.	DESCRIPTION 1 2 3 4 5 6 7	UNITS PER ASSY	USABLE ON CODE
30-10	122-440000-19	AFT FUSELAGE INSTL.....	NP	
	122-440102-3	. DOOR INSTL, AFT FUSELAGE	1	
	122-440102-21	.. DOOR ASSY.....	1	
- 1	DPYS7900P8B3	... SCREW, CAPTIVE.....	24	
- 2	122-440102-7	... SEAL.....	1	
- 3	122-440102-23	... DOOR ASSY, BONDED.....	1	
	NAS1474C08	.. NUTPLATE.....	24	
	122-440103-1	. DOOR INSTL, AFT FUSELAGE	1	
	122-440103-9	.. DOOR ASSY.....	1	
- 4	DPYS7900P8B3	... SCREW, CAPTIVE.....	10	
- 5	122-440103-5	... SEAL.....	1	
- 6	122-440103-7	... DOOR ASSY, BONDED.....	1	
	MS21060L08	.. NUTPLATE.....	10	

Beechcraft
STARSHIP 1
ILLUSTRATED PARTS CATALOG



2000-13-22

FIGURE 30-10.AFT FUSELAGE ACCESS DOORS
/SHEET 2 OF 2 SHEETS/

Raytheon Aircraft

BEECH STARSHIP 1 ILLUSTRATED PARTS CATALOG

SUB-SECT UNIT & ITEM NO.	PART NO.	1 2 3 4 5 6 7	DESCRIPTION	UNITS PER ASSY	USABLE ON CODE
30-10	122-440114-1	.	DOOR INSTL, AFT FUSELAGE	1	
	122-440114-35	..	DOOR ASSY	1	
7	CA21062-08R	...	RETAINER	14	
			/ORDER CA2210-08R FOR SPARES/		
	CA2210-08R	...	RETAINER/ORDER FOR SPARES/	14	
8	CA21061-10R	...	RETAINER	39	
			/ORDER CA2210-10R FOR SPARES/		
	CA2210-10R	...	RETAINER/ORDER FOR SPARES/	39	
9	CA21063-10-7-11	...	SCREW/ALTERNATE FOR FIT7090-3-11-7/	39	
			/ORDER CA2229-10-7-11 FOR SPARES/		
	FIT7090-3-11-7	...	SCREW/ALTERNATE FOR CA21063-10-7-11/	39	
			/ORDER CA2229-10-7-11 FOR SPARES/		
	CA2229-10-7-11	...	SCREW/ORDER FOR SPARES/	39	
10	FIT7090-08-10-7	...	SCREW	14	
			/ORDER CA2229-08-7-10 FOR SPARES/		
	CA2229-08-7-10	...	SCREW/ORDER FOR SPARES/	14	
11	122-440114-37	...	GASKET, LH	1	
12	122-440114-38	...	GASKET, RH	1	
13	122-440114-39	...	GASKET, AFT	1	
14	122-440114-41	...	GASKET, FWD	1	
15	122-440114-43	...	DOOR ASSY, BONDED	1	
	MS21060L08	..	NUTPLATE	14	
	MS21060L3	..	NUTPLATE	39	

– END –

Beechcraft
STARSHIP 1
ILLUSTRATED PARTS CATALOG

53-40-00
MAIN PANEL AND SUBPANEL SUPPORT

Beechcraft
STARSHIP 1
ILLUSTRATED PARTS CATALOG

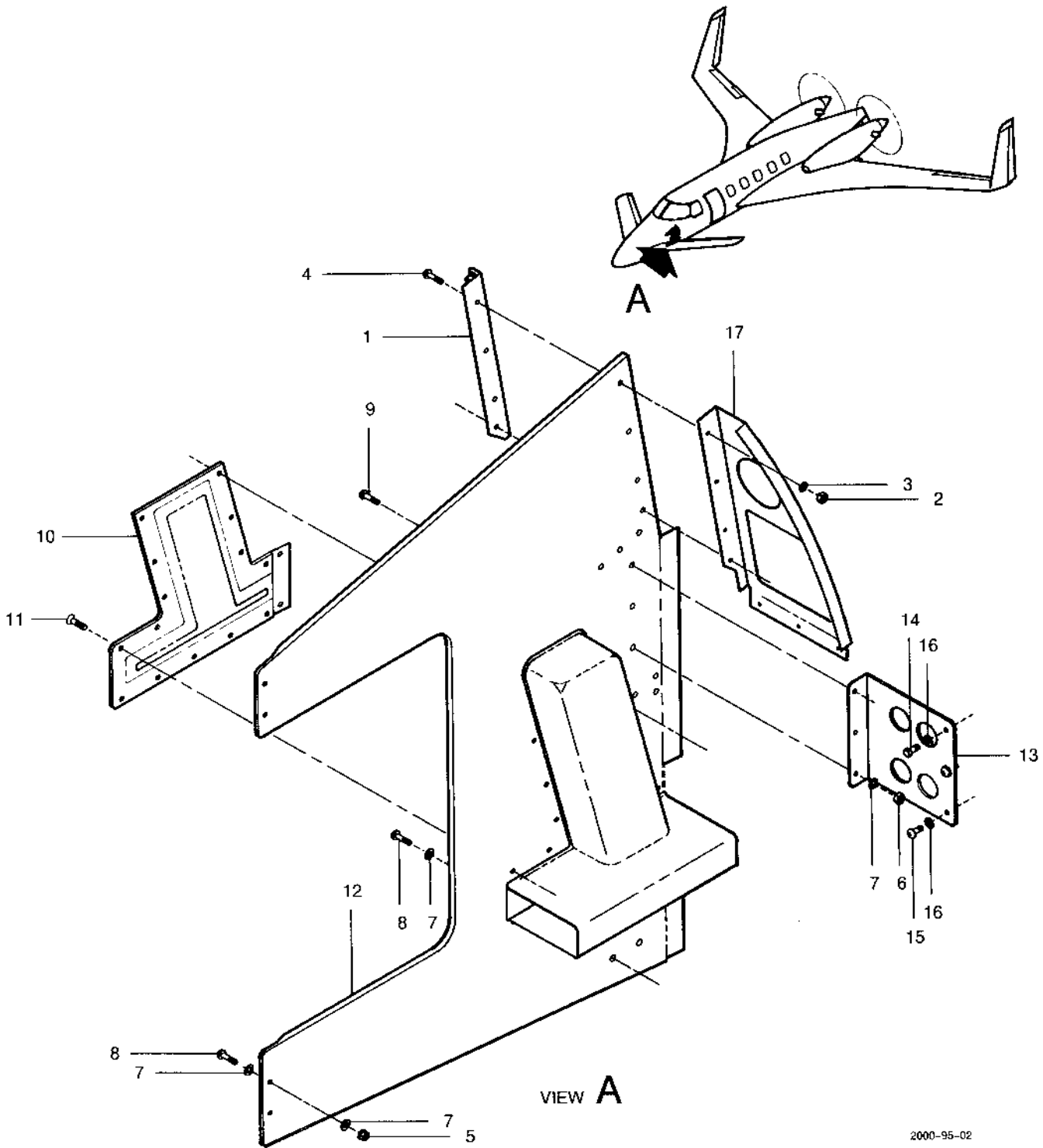
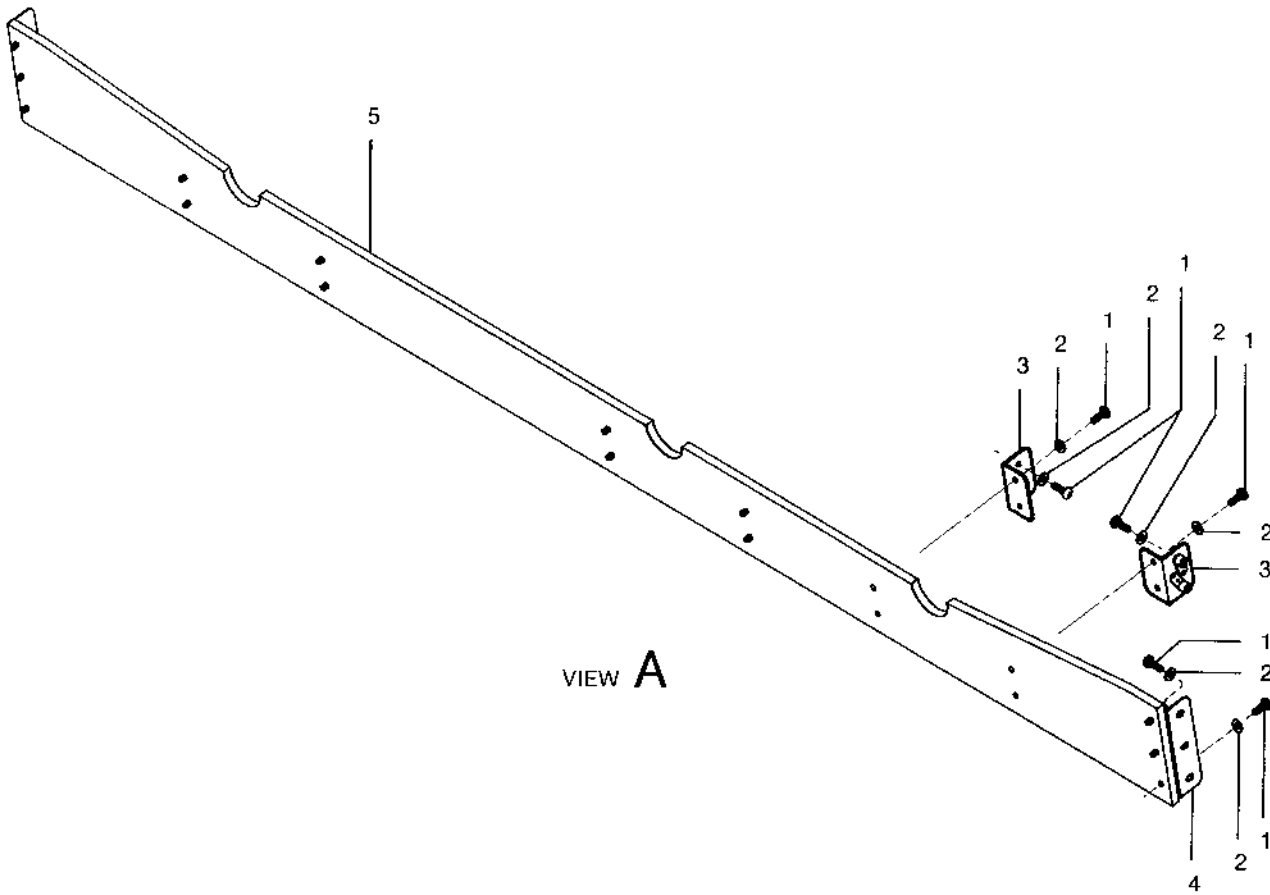
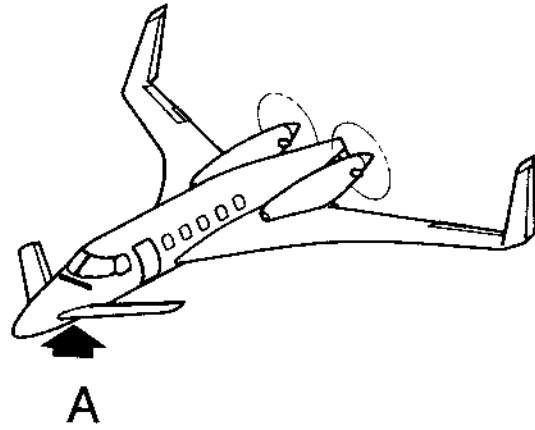


FIGURE 40-00.MAIN PANEL AND SUBPANEL SUPPORT

Beechcraft
STARSHIP 1
ILLUSTRATED PARTS CATALOG

53-40-10
ELECTRONIC FLIGHT DISPLAYS SUPPORT

Beechcraft
STARSHIP 1
ILLUSTRATED PARTS CATALOG



2000-96-03

FIGURE 40-10.ELECTRONIC FLT DISPLAYS SUPPORT

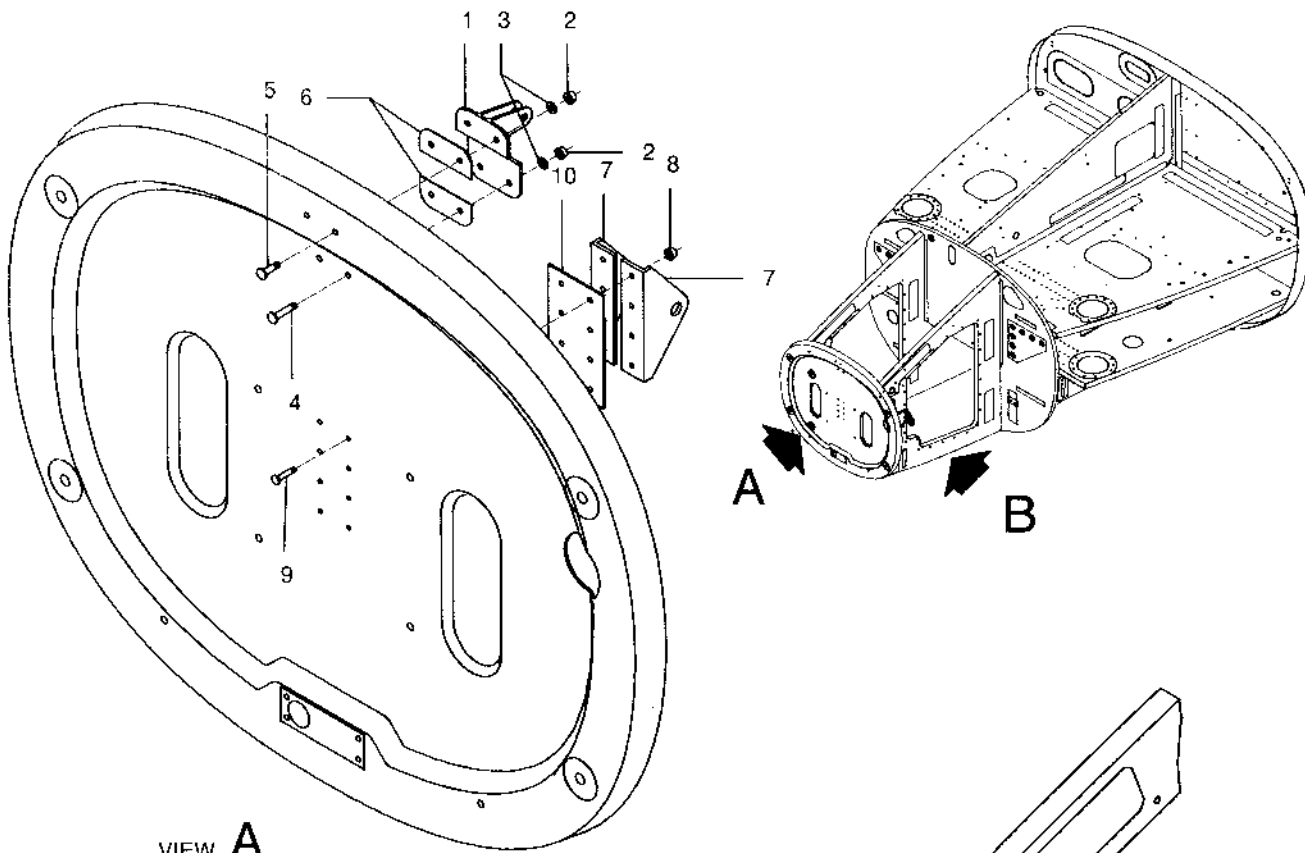
Beechcraft
STARSHIP 1
ILLUSTRATED PARTS CATALOG

SUB-SEC UNIT & ITEM NO	PART NO.	DESCRIPTION 1 2 3 4 5 6 7	UNITS	USABLE
			PER ASSY	ON CODE
40-10	122-322096-1	SUPPORT INSTL, ELECTRONIC FLIGHT DISPLAYS	NP	
- 1	MS27039-1-07	. SCREW.....	36	
- 2	AN980-10L	. WASHER	36	
- 3	122-322158-1	. BRACKET ASSY, CRT MOUNT RACK SUPPORT	6	
	MS21051L3	. . NUTPLATE	2	
- 4	122-322157-1	. BRACKET, CRT MOUNT FWD SUPPORT	2	
- 5	122-322156-1	. PANEL ASSY, CRT MOUNT FWD SUPPORT	1	
	NAS1329H08K75L	. . RIVNUT	8	
	P106D1032-04	. . PLUG	30	
	S106D10-1	. . SLEEVE	30	

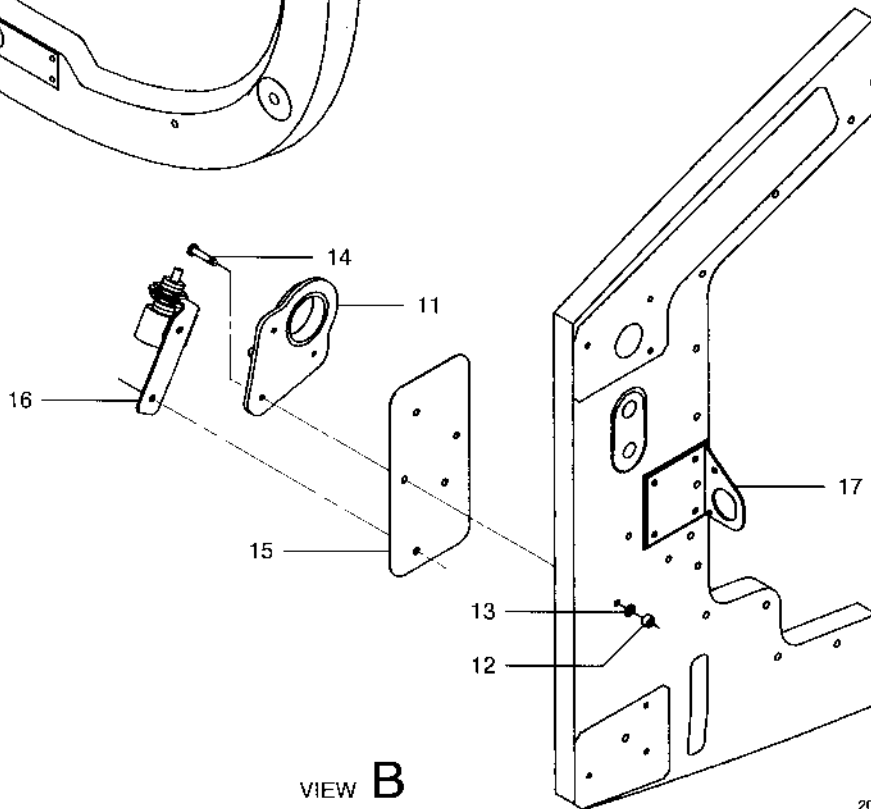
Beechcraft
STARSHIP 1
ILLUSTRATED PARTS CATALOG

53-40-20
NOSE ATTACH FITTINGS

Beechcraft
STARSHIP 1
ILLUSTRATED PARTS CATALOG



VIEW A



VIEW B

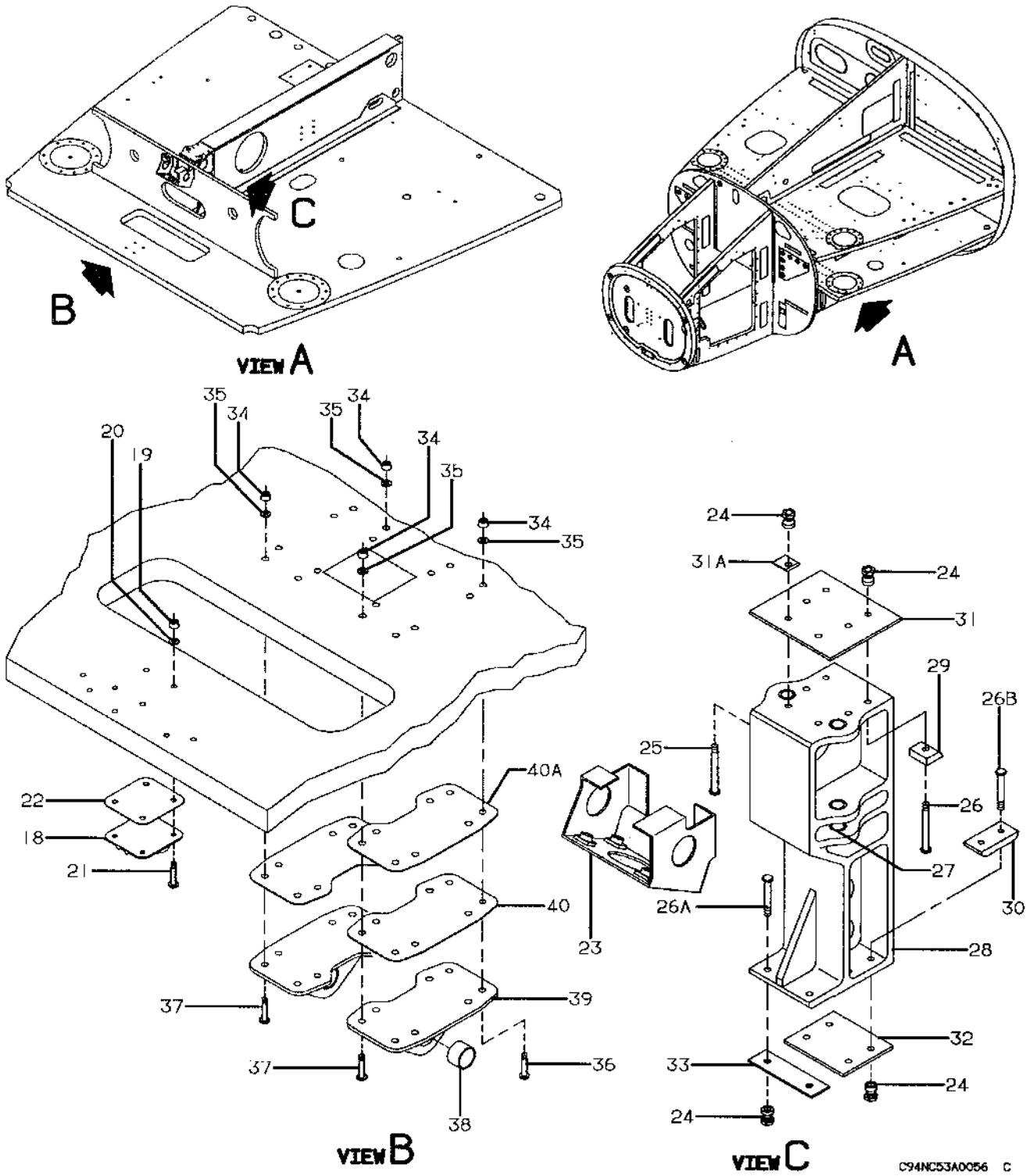
2000-091-03

FIGURE 40-20. NOSE ATTACH FITTINGS
/SHEET 1 OF 5 SHEETS/

Beechcraft
STARSHIP 1
ILLUSTRATED PARTS CATALOG

SUB-SEC UNIT & ITEM NO	PART NO.	DESCRIPTION 1 2 3 4 5 6 7	UNITS	USABLE
			PER ASSY	ON CODE
40-20	122-410000-1	NOSE ASSY	1	
- 1	122-410475-1	. BRACKET, NOSE GEAR DOOR ACTUATOR	1	
		/ATTACHING PARTS/		
- 2	HL94K6	. COLLAR	4	
- 3	AN960C10L	. WASHER	4	
- 4	HL10V6-11	. PIN	2	
- 5	HL10V6-2	. PIN	2	
		-----★-----		
- 6	122-410715-11	. SHIM/.010 THICK/	2	
- 7	122-410202-5	. BRACKET, NOSE GEAR LOCK	2	
		/ATTACHING PARTS/		
- 8	HL94K5	. COLLAR	4	
- 9	HL610-5-12	. PIN	4	
		-----★-----		
- 10	122-410715-47	. SHIM/.010 THICK/	1	
- 11	122-410445-1	. SUPPORT ASSY, NOSE LANDING GEAR TORQUE TUBE	2	
		/ATTACHING PARTS/		
- 12	HL94K6	. COLLAR	3	
- 13	AN960C10L	. WASHER	3	
- 14	HL10V6-16	. PIN	3	
		-----★-----		
	MIL-B81934/1-2 *	4A016 . BEARING	1	
- 15	122-410715-27	. SHIM/.010 THICK/	AR	
	122-410715-29	. SHIM/.030 THICK/	AR	
- 16	122-410705-5	. BRACKET, NOSE LANDING GEAR DOOR SWITCH	1	
- 17	122-340039-81	. BRACKET, LH	1	
	122-340039-82	. BRACKET, RH	1	

Beechcraft
 STARSHIP 1
 ILLUSTRATED PARTS CATALOG



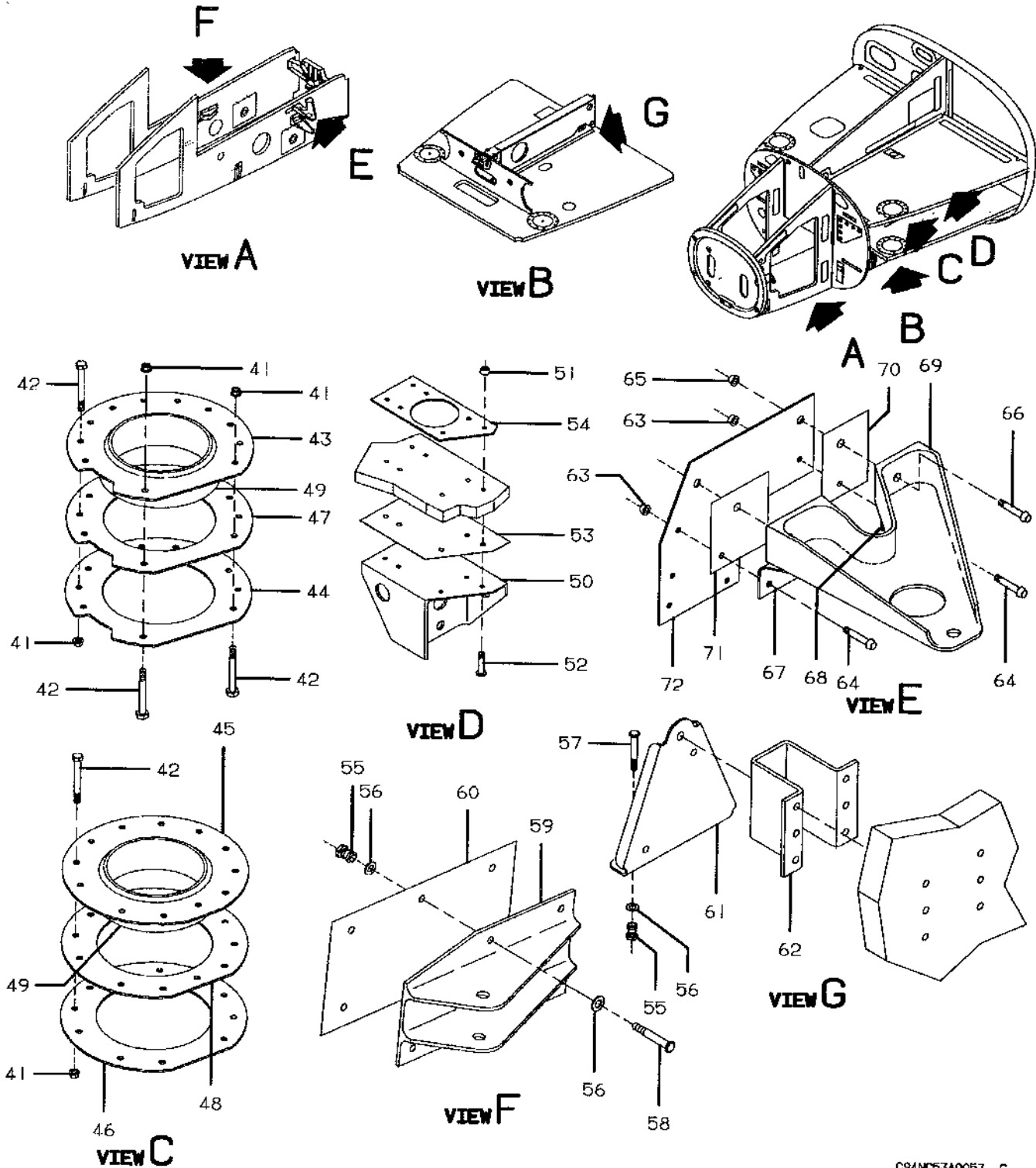
C94NC53A0056 C

FIGURE 40-20.NOSE ATTACH FITTINGS
 /SHEET 2 OF 5 SHEETS/

Beechcraft
STARSHIP 1
ILLUSTRATED PARTS CATALOG

SUB-SEC UNIT & ITEM NO	PART NO.	DESCRIPTION 1 2 3 4 5 6 7	UNITS	USABLE
			PER ASSY	ON CODE
40-20 -18	122-410420-1	. BRACKET, NOSE LANDING GEAR UPLOCK SUPPORT	1	
		./ATTACHING PARTS/		
-19	HL94K5	. COLLAR	4	
-20	AN960C8L	. WASHER	4	
-21	HL610-5-20	. PIN	4	
		---★---		
-22	122-410715-25	. SHIM/.010 THICK/	1	
-23	122-410485-5	. BRACKET ASSY, FWD WING LOCK VALVE	1	
	GFP6010L10AA	. NUTPLATE	3	
	122-410485-11	. FITTING ASSY, FWD WING HYDRAULIC LOCK	1	
	122-410485-15	. FITTING ASSY, FWD WING HYDRAULIC LOCK	1	
		./ATTACHING PARTS/		
-24	HL86-8	. COLLAR	12	
-25	HL12V6-24	. PIN	6	
	HL12V6-25	. PIN/ALTERNATE FOR HL12V6-24/	AR	
	HL12V6-26	. PIN/ALTERNATE FOR HL12V6-24/	AR	
	HL12V6-27	. PIN/ALTERNATE FOR HL12V6-24/	AR	
-26	HL12V6-28	. PIN	6	
	HL12V6-29	. PIN/ALTERNATE FOR HL12V6-28/	AR	
	HL12V6-30	. PIN/ALTERNATE FOR HL12V6-28/	AR	
	HL12V6-31	. PIN/ALTERNATE FOR HL12V6-28/	AR	
-26A	HL12V6-24	. PIN	2	
-26B	HL12V6-28	. PIN	4	
		---★---		
-27	132007-08C11 5-1	. BUSHING	2	
-28	122-410485-9	. FITTING	1	
	122-410485-13	. FITTING	1	
	HL94K8	. COLLAR	4	
	HL10V6-8	. PIN	4	
	122-410485-7	. FITTING ASSY	1	
	132007-08C11 5-1	. BUSHING	2	
-29	122-410000-15	. BLOCK, RADIUS	2	
-30	122-410000-17	. BLOCK, RADIUS	2	
-31	122-410000-11	. PLATE	1	
-31A	122-410000-29	. SHIM	2	
-32	122-410000-13	. PLATE	1	
-33	122-410000-19	. PLATE	AR	
	122-410430-15	. FITTING ASSY, NOSE GEAR BRACE ATTACH	2	
	122-410430-9	. FITTING ASSY, NOSE GEAR BRACE ATTACH	2	
		./ATTACHING PARTS/		
-34	HL94K8	. COLLAR	8	
-35	AN960C416L	. WASHER	8	
-36	HL10V8-21	. PIN	6	
-37	HL10V8-22	. PIN	2	
		---★---		
-38	MS17795-108	. BUSHING	1	
-39	122-410430-13	. FITTING, NOSE GEAR BRACE ATTACH	1	
	122-410430-11	. FITTING, NOSE GEAR BRACE ATTACH	1	
-40	122-410715-59	. SHIM/.010 THICK/	AR	
	122-410715-61	. SHIM/.030 THICK/	AR	
-40A	122-410000-27	. SHIM/.050 THICK/	2	

Beechcraft
STARSHIP 1
ILLUSTRATED PARTS CATALOG



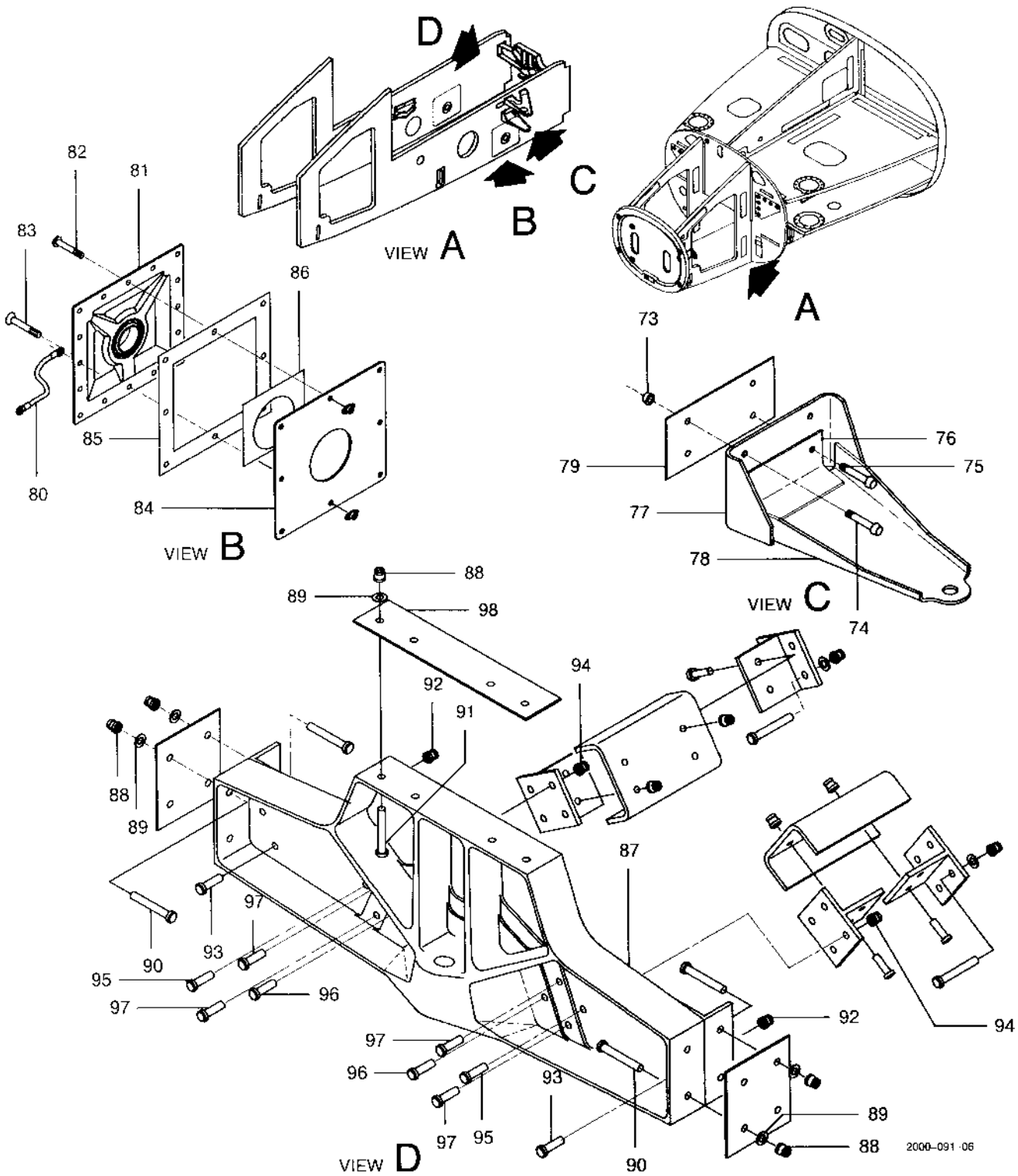
C94NC53A0057 C

FIGURE 40-20. NOSE ATTACH FITTINGS
/SHEET 3 OF 5 SHEETS/

Deechcraft
STARSHIP 1
ILLUSTRATED PARTS CATALOG

SUB-SEC UNIT & ITEM NO	PART NO.	DESCRIPTION 1 2 3 4 5 6 7	UNITS PER ASSY	USABLE ON CODE
40-20 - 41	MS21043-4	. NUT	44	
- 42	NAS654V25H	. BOLT	44	
- 43	122-410215-75	. RETAINER, UPPER SUPPORT BEARING UPPER	2	
- 44	122-410215-75	. RETAINER, LEFT AND RIGHT UPPER SUPPORT	2	
		BEARING LOWER		
- 45	122-410215-79	. RETAINER, LOWER SUPPORT BEARING UPPER	2	
- 46	122-410215-81	. RETAINER, LOWER SUPPORT BEARING LOWER	2	
- 47	122-410715-41	. SHIM/.005 THICK/	AR	
	122-410715-43	. SHIM/.010 THICK/	AR	
	122-410715-45	. SHIM/.030 THICK/	AR	
- 48	122-410215-35	. SHIM	2	
- 49	122-380041-3	. BEARING, FWD WING SUPPORT	4	
- 50	122-410490-5	. FITTING, NOSE LANDING GEAR ACTUATOR	1	1
	122-410490-7	. FITTING, NOSE LANDING GEAR ACTUATOR	1	2
		/ATTACHING PARTS/		
- 51	HL94K5	. COLLAR	7	
- 52	HL610-5-21	. PIN	7	
		---★---		
- 53	122-410715-9	. SHIM/.010 THICK/	1	
- 54	122-410490-3	. PLATE	1	
- 55	HL94K6	. COLLAR	8	
- 56	AN960C10L	. WASHER	13	
- 57	HL10V6-20	. PIN	3	
- 58	HL10V6-16	. PIN	5	
- 59	122-410440-3	. FITTING, NOSE LANDING GEAR SHIMMY DAMPER	1	
- 60	122-410715-63	. SHIM/.030 THICK/	1	
- 61	122-410202-19	. SUPPORT, PITCH TRIM	1	
- 62	122-410202-3	. SUPPORT, PITCH TRIM	1	
- 63	HL94K5	. COLLAR	2	
- 64	HL610-5-15	. PIN	2	
- 65	HL94K8	. COLLAR	2	
- 66	HL10V8-18	. PIN	2	
- 67	122-410480-17	. ANGLE, SUPPORT	1	
- 68	122-410480-19	. ANGLE, SUPPORT	1	
- 69	122-410480-25	. BRACKET, SUPPORT	1	
- 70	122-410715-51	. SHIM/.010 THICK/	1	
- 71	122-410715-53	. SHIM/.010 THICK/	1	
- 72	122-410000-25	. PLATE, DOUBLER/INBOARD, LEFT KEEL/	1	

Beechcraft
STARSHIP 1
ILLUSTRATED PARTS CATALOG



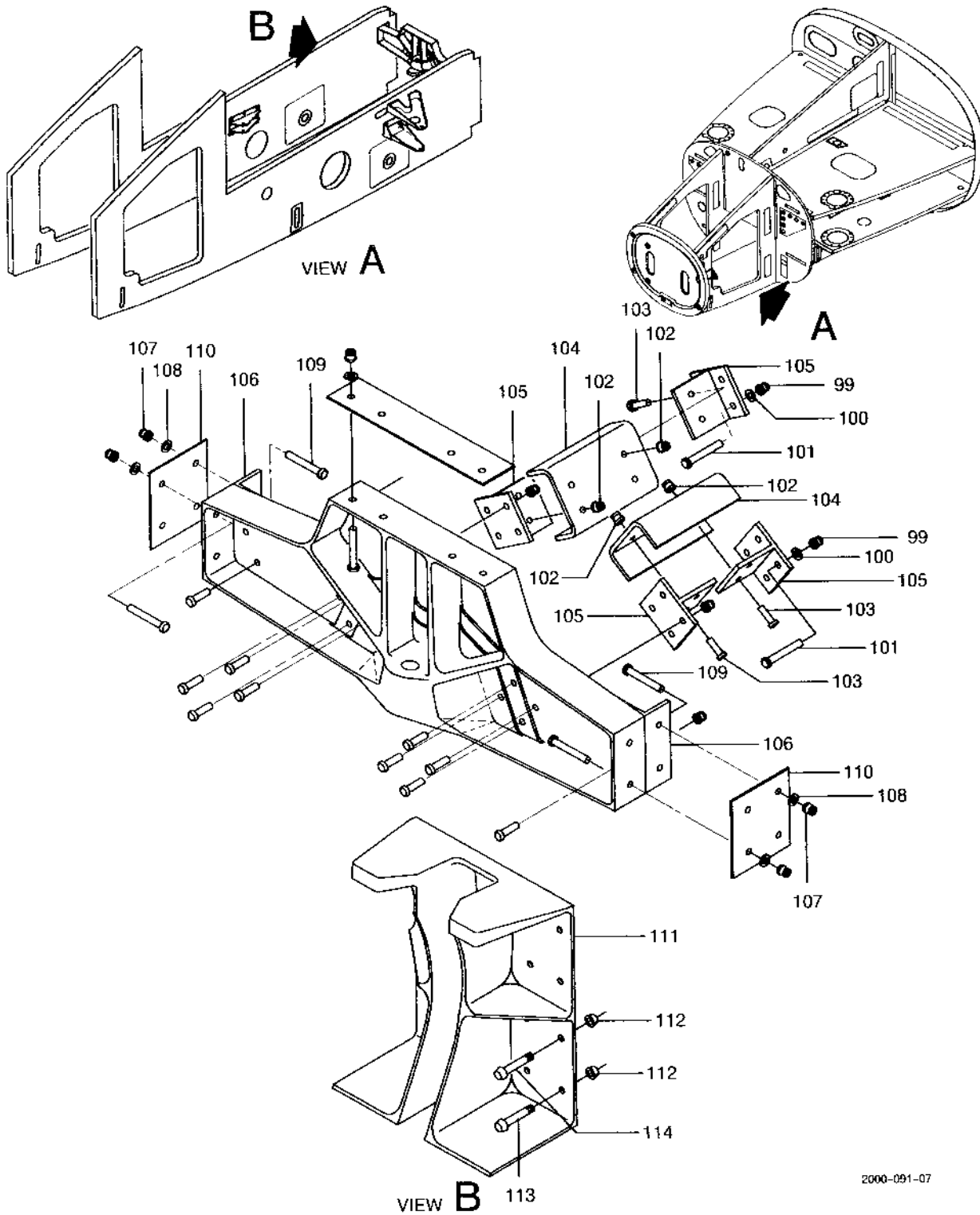
2000-091-06

FIGURE 40-20. NOSE ATTACH FITTINGS
 /SHEET 4 OF 5 SHEETS/

Beechcraft
STARSHIP 1
ILLUSTRATED PARTS CATALOG

SUB-SEC UNIT & ITEM NO	PART NO.	DESCRIPTION 1 2 3 4 5 6 7	UNITS	USABLE
			PER ASSY	ON CODE
40-20	122-410480-5	. SUPPORT ASSY, NOSE GEAR STEERING BELL CRANK /ATTACHING PARTS/	1	
-73	HL94K5	. COLLAR	4	
-74	HL610-5-15	. PIN	2	
-75	HL610-5-17	. PIN	2	
		---★---		
-76	122-410480-13	. . ANGLE, SUPPORT	1	
-77	122-410480-7	. . BRACKET, SUPPORT.....	1	
-78	122-410480-9	. . BRACKET, SUPPORT.....	1	
-79	122-410715-55	. SHIM/.010 THICK/	1	
-80	MS25083-2CC8	. STRAP, BONDING	2	
-81	122-410450-1	. TRUNNION FITTING ASSY, NOSE LANDING GEAR..... /ATTACHING PARTS/	2	
-82	NAS654V16	. BOLT	7	
-83	NAS8704U16	. BOLT	15	
		---★---		
	ABB20-103	. . BEARING/ALTERNATE FOR EL61267/	1	
	EL61267	. . BEARING/ALTERNATE FOR ABB20-103/	1	
-84	122-410450-3	. TRUNNION PLATE ASSY	2	
	MS21075L4	. . NUTPLATE	15	
-85	122-410715-13	. SHIM/.010 THICK/	AR	
	122-410715-15	. SHIM/.030 THICK/	AR	
-86	122-410715-17	. SHIM/.010 THICK/	AR	
	122-410715-19	. SHIM/.030 THICK/	AR	
-87	122-410470-3	. FITTING, NOSE LANDING GEAR STEERING PIVOT	1	
		/ATTACHING PARTS/		
-88	HL94K6	. COLLAR	8	
-89	AN960JD10L	. WASHER	8	
-90	HL10V6-17	. PIN	4	
-91	HL10V6-20	. PIN	4	
-92	HL70-6	. COLLAR	6	
-93	HL18PB6-3	. PIN	6	
-94	HL70-5	. COLLAR	8	
-95	HL18PB5-4	. PIN	2	
-96	HL18PB5-7	. PIN	2	
-97	HL18PB5-6	. PIN	4	
		---★---		
-98	122-410470-11	. SHIM.....	1	

Beechcraft
 STARSHIP 1
 ILLUSTRATED PARTS CATALOG



2000-091-07

FIGURE 40-20. NOSE ATTACH FITTINGS
 /SHEET 5 OF 5 SHEETS/

Beechcraft
STARSHIP 1
ILLUSTRATED PARTS CATALOG

SUB-SEC UNIT & ITEM NO	PART NO.	DESCRIPTION 1 2 3 4 5 6 7	UNITS	USABLE
			PER ASSY	ON CODE
40-20 -99	HL94K5	. COLLAR	8	
-100	AN960JD10L	. WASHER	8	
-101	HL10V5-11	. PIN	8	
-102	HL7D-5	. COLLAR	8	
-103	HL18PB5-3	. PIN	8	
-104	122-410470-5	. CHANNEL	2	
-105	122-410470-9	. SUPPORT	4	
-106	122-410470-7	. SUPPORT	2	
		/ATTACHING PARTS/		
-107	HL94K6	. COLLAR	2	
-108	AN960JD10L	. WASHER	2	
-109	HL10V6-17	. PIN	2	
		-----★-----		
-110	122-410470-13	. SHIM	2	
-111	122-410435-3	. BRACKET, NOSE WHEEL STRAIGHTENER	1	
		/ATTACHING PARTS/		
-112	HL94K5	. COLLAR	16	
-113	HL610-5-12	. PIN	15	
-114	HL610-5-14	. PIN	1	
		-----★-----		
	122-410025-1	. SUPPORT INSTL, EVAPORATOR/SEE CHAPTER 21/	NP	

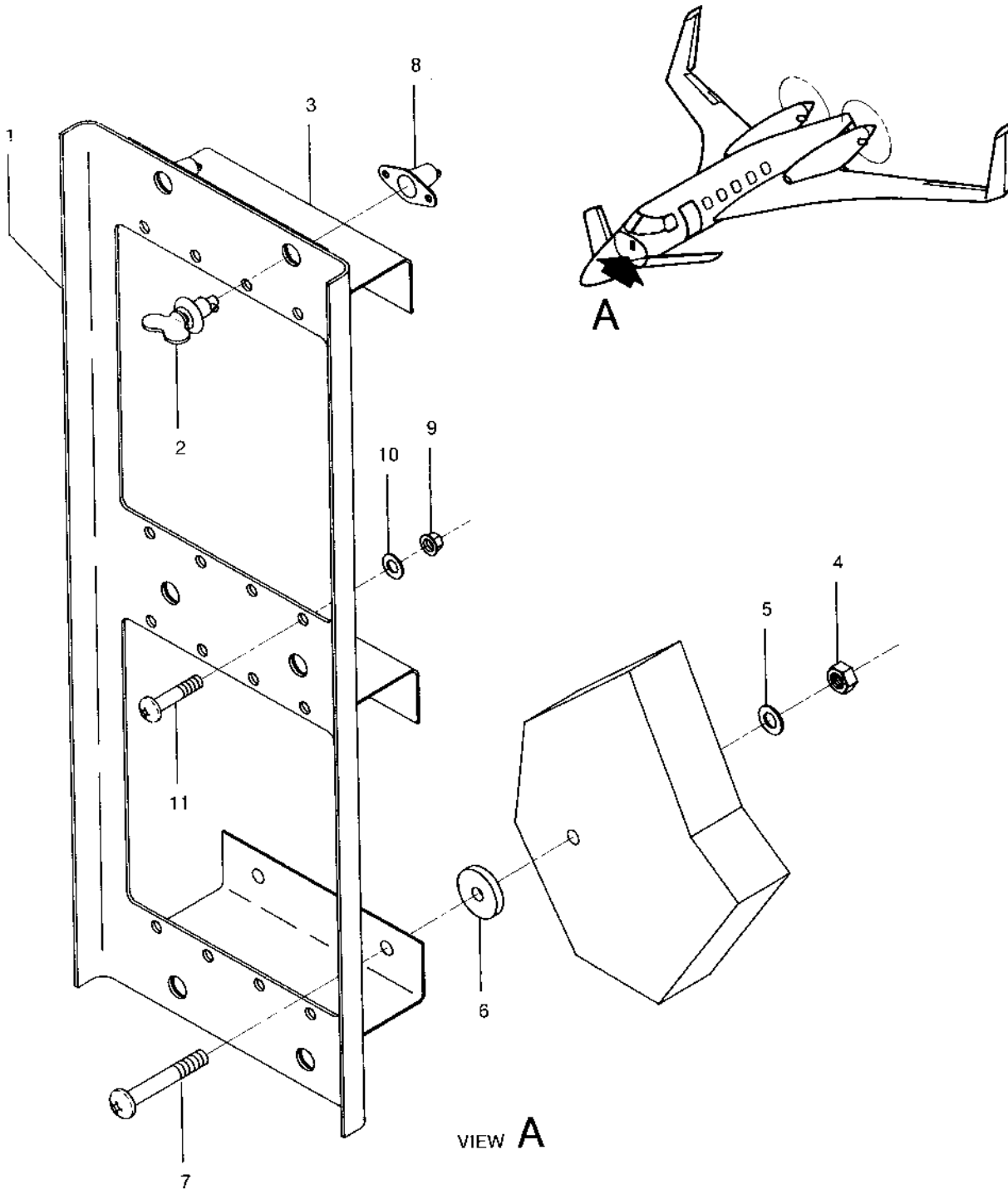
CODES OF EFFECTIVITY

1	NC-4 THRU NC-27 NC-29 THRU NC-36	2	NC-28 NC-37 AND AFTER
---	-------------------------------------	---	--------------------------

Beechcraft
STARSHIP 1
ILLUSTRATED PARTS CATALOG

53-40-30
AVIONICS INTERFACE RACK

Beechcraft
STARSHIP 1
ILLUSTRATED PARTS CATALOG



2000-491-68

FIGURE 40-30. AVIONICS INTERFACE RACK

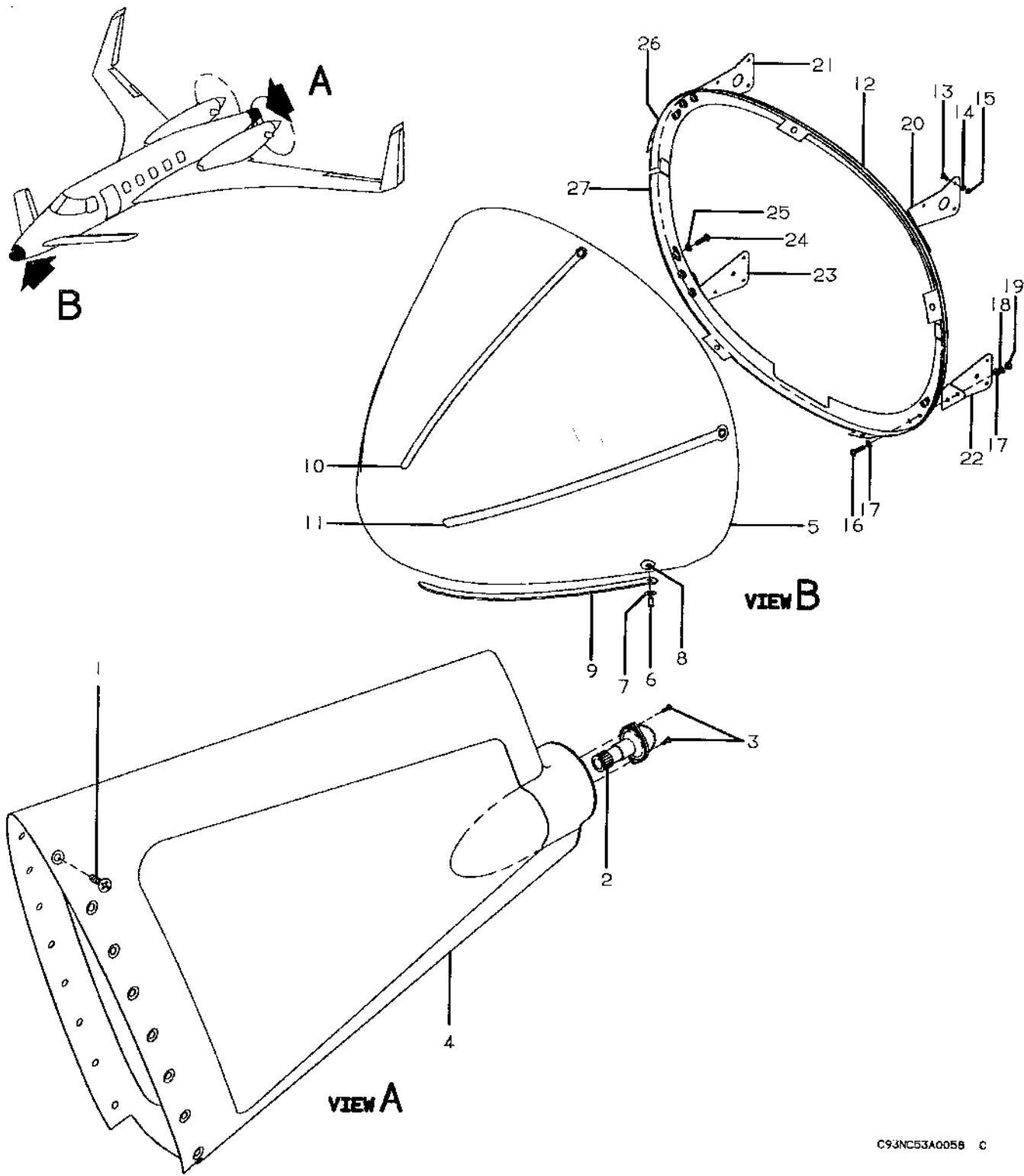
Beechcraft
STARSHIP 1
ILLUSTRATED PARTS CATALOG

SUB-SEC UNIT & ITEM NO	PART NO.	DESCRIPTION 1 2 3 4 5 6 7	UNITS PER ASSY	USABLE ON CODE
40-30	122-340081-3	AVIONICS INTERFACE RACK INSTL	NP	
- 1	122-340082-31	. RACK ASSY, INTERFACE	1	
- 2	2600-3SW	. . STUD	6	
- 3	122-340082-15	. BRACKET ASSY	3	
		/ATTACHING PARTS/		
- 4	MS21044C3	. LOCKNUT	2	
- 5	AN960-10L	. WASHER	4	
- 6	122-340070-1	. WASHER	2	
- 7	MS27039-1-24	. SCREW	2	
		★		
- 8	26R6-4BB	. . RECEPTACLE	2	
- 9	130909N28	. NUT	16	
- 10	AN960-8L	. WASHER	16	
- 11	MS35206-246	. SCREW	16	

Beechcraft
STARSHIP 1
ILLUSTRATED PARTS CATALOG

53-50-00
RADOME AND TAIL CONE

Beechcraft
STARSHIP 1
ILLUSTRATED PARTS CATALOG



C93NC53A0058 C

FIGURE 50-00.RADOME AND TAIL CONE

Raytheon Aircraft

BEECH STARSHIP 1 ILLUSTRATED PARTS CATALOG

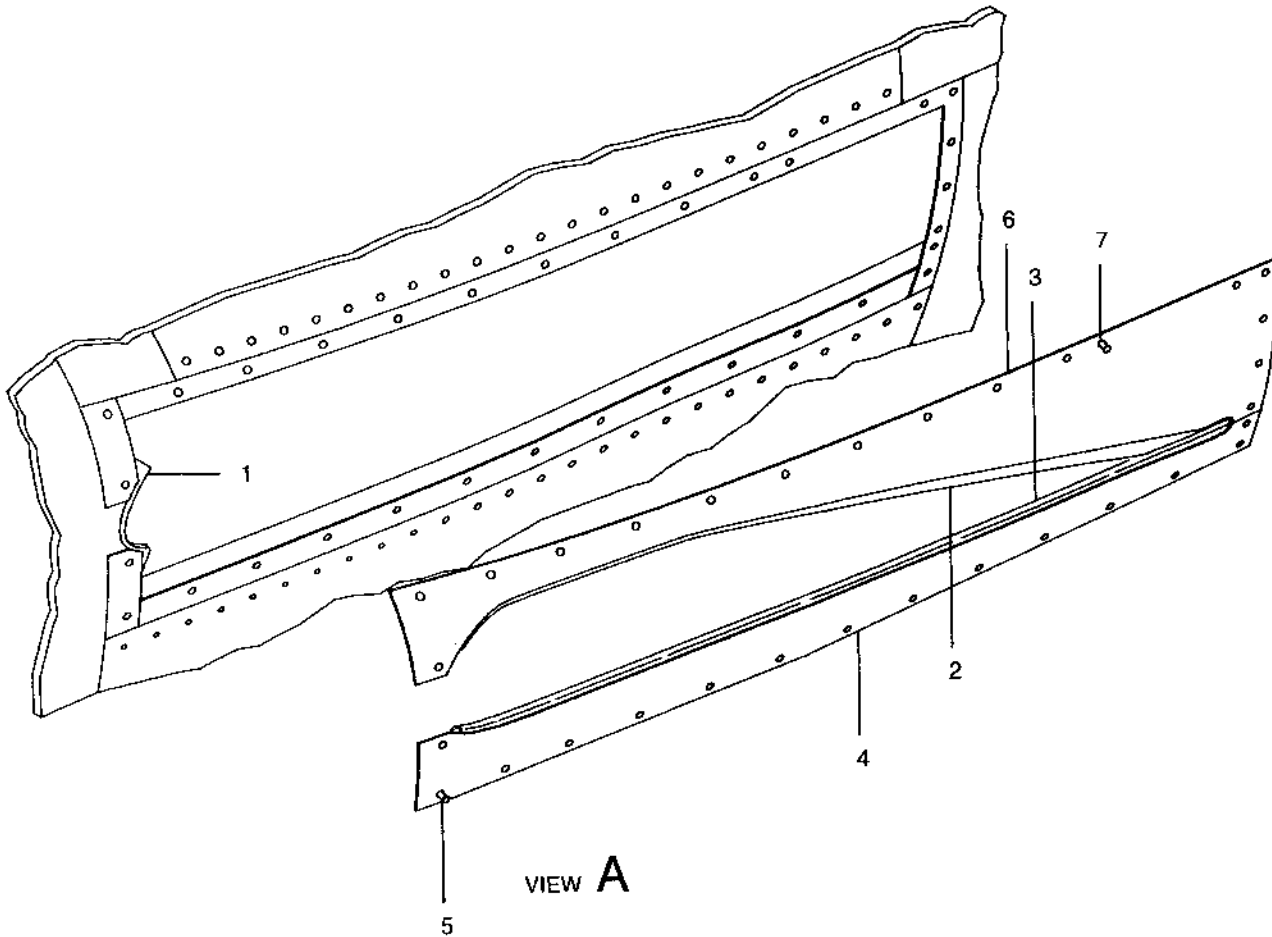
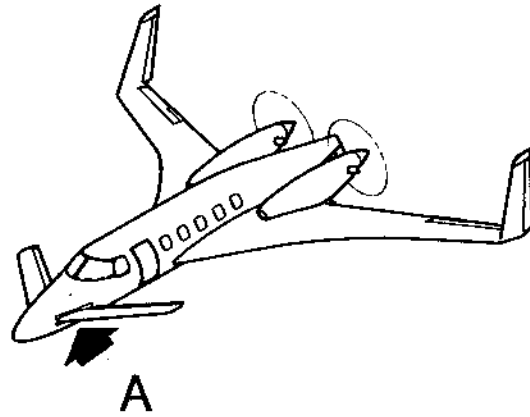
SUB-SECT UNIT & ITEM NO.	PART NO.	1 2 3 4 5 6 7	DESCRIPTION	UNITS PER ASSY	USABLE ON CODE
50-00	122-440011-49		TAIL CONE INSTL	NP	
	122-440011-651		. TAIL CONE ASSY/WITHOUT LIGHT ASSY/	1	
	122-440011-47		. TAIL CONE ASSY/WITH LIGHT ASSY/	1	
			(ATTACHING PARTS)		
1	MS24694C8		. SCREW	16	
			-----★-----		
2	101-360021-15		. LIGHT ASSY, TAIL/SEE CHAPTER 33/	1	
			(ATTACHING PARTS)		
3	MS35206-218		. SCREW	2	
	MS21069L04		. NUTPLATE	2	
			-----★-----		
4	122-440011-45		. WELD ASSY, TAIL CONE	1	
	122-410021-1		RADOME INSTL	NP	
5	122-410021-3		. RADOME ASSY	1	
6	FIT7090-3-11-5		. CAPTIVE SCREW	5	
			/ORDER CA2229-10-5-11 FOR SPARES/		
	CA2229-10-5-11		. CAPTIVE SCREW	5	
7	NAS1169C10L		. WASHER, DIMPLE	5	
8	CA21062-10-R		. RETAINING RING	5	
			/ORDER CA2210-10R FOR SPARES/		
	CA2210-10R		. RETAINING RING	5	
9	LDS10-01-36-1		. DIVERTER STRIP	2	
10	LDS10-01-36-2		. DIVERTER STRIP	1	
11	LDS10-01-36-3		. DIVERTER STRIP	2	
12	130568-07438		. SEAL	1	
13	MS27039-1-20		. SCREW	12	
14	AN960C10		. WASHER	12	
15	130909N29		. NUT	12	
16	32938		. SCREW	8	
17	AN960JD10L		. WASHER	16	
18	MS35338-43		. WASHER, LOCK	8	
19	MS25082-3		. NUT	8	
20	122-410021-19		. GROUND STRAP	1	
21	122-410021-20		. GROUND STRAP	1	
22	122-410021-21		. GROUND STRAP	1	
23	122-410021-22		. GROUND STRAP	1	
24	MS27039C1-09		. SCREW	4	
25	100951CR040ZL		. WASHER	4	
26	122-410021-11		. BRACKET ASSY, UPPER	1	
	MS21059-L3		. NUTPLATE	5	
27	122-410021-15		. BRACKET ASSY, LOWER	1	
	MS21059-L3		. NUTPLATE	4	

- END -

Beechcraft
STARSHIP 1
ILLUSTRATED PARTS CATALOG

53-50-20
FORWARD WING FAIRINGS

Beechcraft
STARSHIP 1
ILLUSTRATED PARTS CATALOG



2000-013-14

FIGURE 50-20.FORWARD WING FAIRINGS

Deechcraft
STARSHIP 1
ILLUSTRATED PARTS CATALOG

SUB-SEC UNIT & ITEM NO	PART NO.	DESCRIPTION 1 2 3 4 5 6 7	UNITS	USABLE
			PER ASSY	ON CODE
50-20	122-410620-23	SEAL INSTL, FWD WING FAIRING	NP	
- 1	122-381013-5	. SEAL, LH FWD FAIRING	1	
	122-381013-6	. SEAL, RH FWD FAIRING	1	
- 2	122-381013-3	. SEAL, LH UPR FAIRING	1	
	122-381013-4	. SEAL, RH UPR FAIRING	1	
- 3	122-381013-1	. SEAL, LH LWR FAIRING	1	
	122-381013-2	. SEAL, RH LWR FAIRING	1	
- 4	122-410615-1	PANEL ASSY, LH LWR FAIRING SKIN	1	1
	122-410615-21	PANEL ASSY, LH LWR FAIRING SKIN	1	2
	122-410615-2	PANEL ASSY, RH LWR FAIRING SKIN	1	1
	122-410615-22	PANEL ASSY, RH LWR FAIRING SKIN	1	2
- 5	DPYS7900P10B3DL	SCREW, CAPTIVE	15	
- 6	122-410615-19	PANEL ASSY, LH UPR FAIRING SKIN	1	3
	122-410615-3	PANEL ASSY, LH UPR FAIRING SKIN	1	4
	122-410615-23	PANEL ASSY, LH UPR FAIRING SKIN	1	2
	122-410615-4	PANEL ASSY, RH UPR FAIRING SKIN	1	1
	122-410615-24	PANEL ASSY, RH UPR FAIRING SKIN	1	2
- 7	DPYS7900P10B3DL	SCREW, CAPTIVE	17	

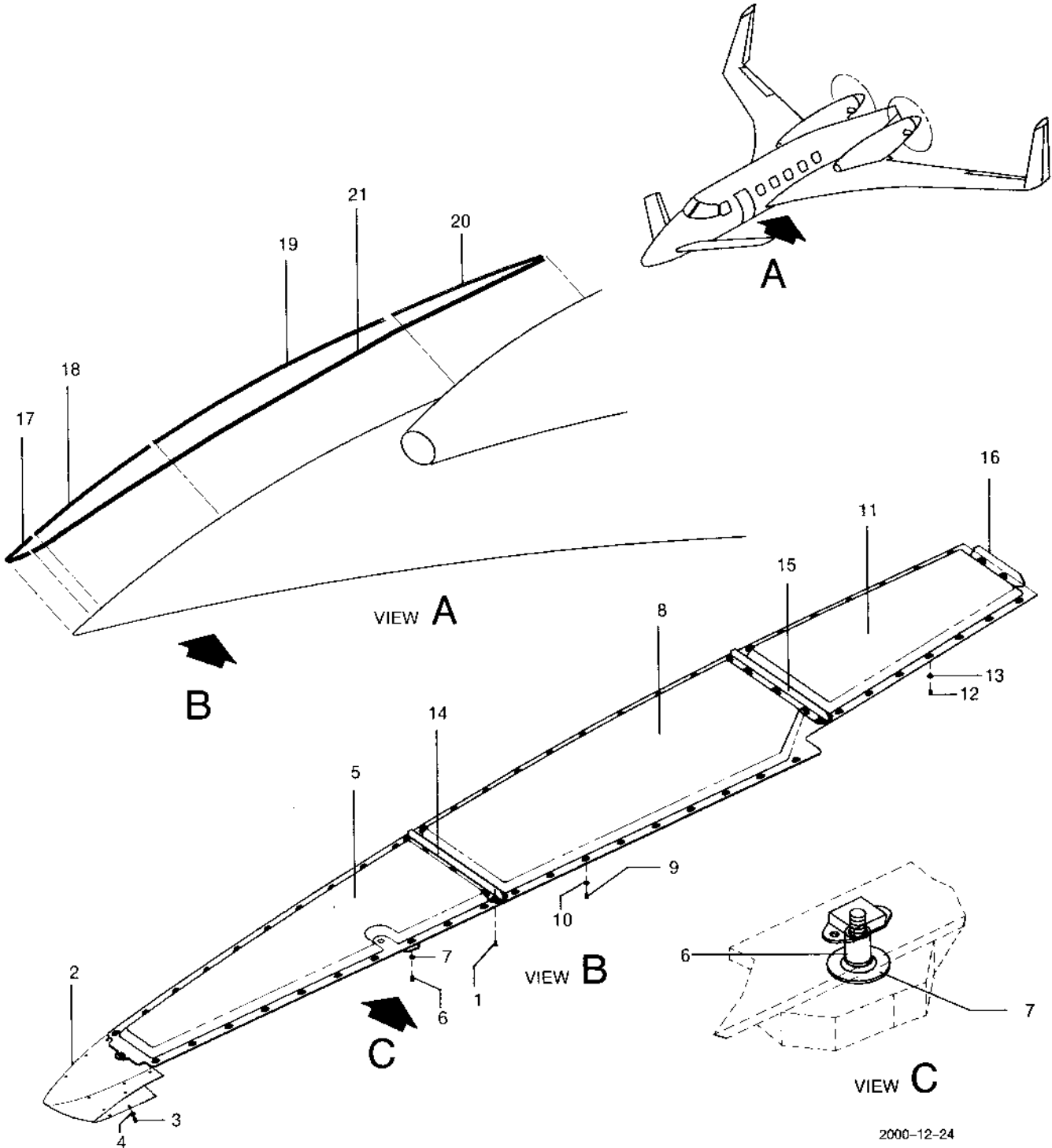
CODES OF EFFECTIVITY

1	NC-4 THRU NC-43	2	NC-44 AND AFTER
3	NC-4 THRU NC-8	4	NC-9 THRU NC-43

Beechcraft
STARSHIP 1
ILLUSTRATED PARTS CATALOG

53-50-40
AFT WING/FUSELAGE FAIRING/

Beechcraft
STARSHIP 1
ILLUSTRATED PARTS CATALOG



2000-12-24

FIGURE 50-40.AFT WING/FUSELAGE FAIRINGS/

Beechcraft
STARSHIP 1
ILLUSTRATED PARTS CATALOG

SUB-SEC UNIT & ITEM NO	PART NO.	DESCRIPTION 1 2 3 4 5 6 7	UNITS PER ASSY	USABLE ON CODE
50-40	122-100040-43	FAIRING INSTL, LH AFT WING.....	NP	
	122-100040-44	FAIRING INSTL, RH AFT WING.....	NP	
- 1	NAS8703U3	. BOLT.....	2	
- 2	122-100040-45	. COLLAR ASSY, LH LEADING EDGE.....	1	
	122-100040-46	. COLLAR ASSY, RH LEADING EDGE.....	1	
- 3	DPYS7900P10A2	. . SCREW, CAPTIVE.....	12	
- 4	132116	. . WASHER.....	12	
- 5	122-100040-71	. PANEL ASSY, LH FWD.....	1	1
	122-100040-89	. PANEL ASSY, LH FWD.....	1	2
	122-100040-91	. PANEL ASSY, LH FWD.....	1	5
	122-100040-72	. PANEL ASSY, RH FWD.....	1	1
	122-100040-90	. PANEL ASSY, RH FWD.....	1	2
	122-100040-92	. PANEL ASSY, RH FWD.....	1	5
- 6	DPYS7900P10A3	. . SCREW, CAPTIVE.....	23	
- 7	132116	. . WASHER.....	23	
- 8	122-100040-49	. PANEL ASSY, LH CENTER.....	1	1
	122-100040-87	. PANEL ASSY, LH CENTER.....	1	2
	122-100040-93	. PANEL ASSY, LH CENTER.....	1	5
	122-100040-50	. PANEL ASSY, RH CENTER.....	1	1
	122-100040-88	. PANEL ASSY, RH CENTER.....	1	2
	122-100040-93	. PANEL ASSY, LH CENTER.....	1	5
- 9	DPYS7900P10A3	. . SCREW, CAPTIVE.....	25	
- 10	132116	. . WASHER.....	25	
- 11	122-100040-51	. PANEL ASSY, LH AFT.....	1	
	122-100040-65	. PANEL ASSY, RH AFT.....	1	
- 12	DPYS7900P10A3	. . SCREW, CAPTIVE.....	19	
- 13	132116	. . WASHER.....	19	
- 14	122-100040-53	. SUPPORT ASSY, RIB.....	1	
	NAS1870CL3-2	. . NUTPLATE.....	8	
- 15	122-100040-55	. SUPPORT ASSY, RIB.....	1	
	NAS1870CL3-2	. . NUTPLATE.....	6	
- 16	122-100040-57	. SUPPORT ASSY, RIB.....	1	
	NAS1870CL3-2	. . NUTPLATE.....	2	
- 17	122-100040-35	. SEAL, LH LEADING EDGE.....	1	3
	122-100040-83	. SEAL, LH LEADING EDGE.....	1	4
	122-100040-36	. SEAL, RH LEADING EDGE.....	1	3
	122-100040-84	. SEAL, RH LEADING EDGE.....	1	4
- 18	122-100040-25	. SEAL, LH FWD UPPER.....	1	3
	122-100040-75	. SEAL, LH FWD UPPER.....	1	4
	122-100040-26	. SEAL, RH FWD UPPER.....	1	3
	122-100040-76	. SEAL, RH FWD UPPER.....	1	4
- 19	122-100040-27	. SEAL, CENTER UPPER.....	1	3
	122-100040-77	. SEAL, CENTER UPPER.....	1	4
- 20	122-100040-59	. SEAL, LH AFT UPPER.....	1	3
	122-100040-79	. SEAL, LH AFT UPPER.....	1	4
	122-100040-60	. SEAL, RH AFT UPPER.....	1	3
	122-100040-80	. SEAL, RH AFT UPPER.....	1	4
- 21	122-100040-61	. SEAL, LH AFT LOWER.....	1	3
	122-100040-81	. SEAL, LH AFT LOWER.....	1	4
	122-100040-62	. SEAL, RH AFT LOWER.....	1	3
	122-100040-82	. SEAL, RH AFT LOWER.....	1	4
	MS21060L3	. NUTPLATE.....	8	
	NAS1870CL3-2	. NUTPLATE.....	55	

CODES OF EFFECTIVITY

1	NC-4 THRU NC-16	2	NC-17 THRU NC-53
3	NC-4 THRU NC-17	4	NC-18 AND AFTER
5	NC-54 AND AFTER		

Raytheon Aircraft

BEECH STARSHIP 1 ILLUSTRATED PARTS CATALOG

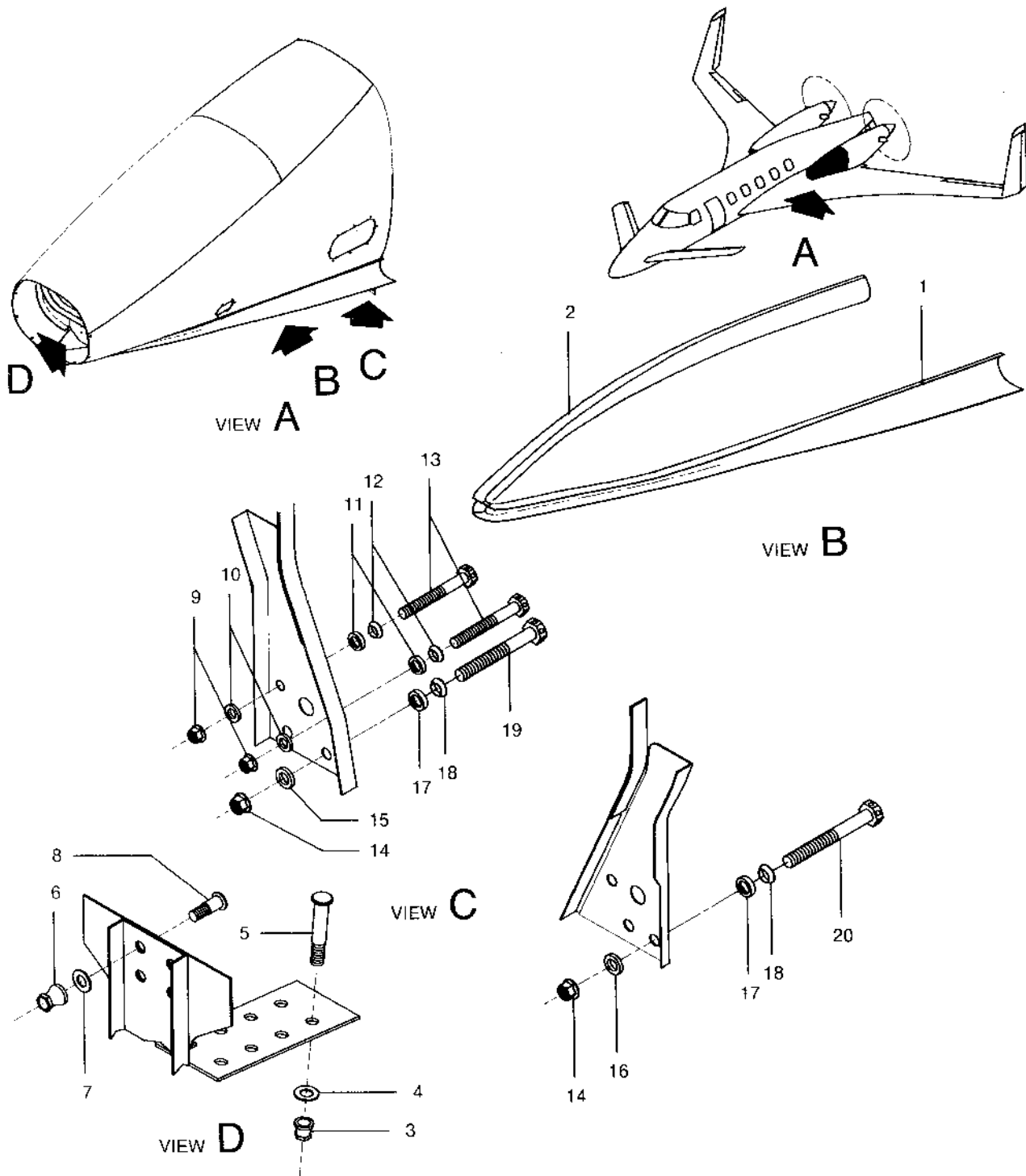
LIST OF PAGES & TABLE OF CONTENTS FOR CHAPTER 54-00-00 NACELLES

CHAP/SUB-SECT & UNIT	PAGE NUMBER	EFFECTIVE DATE	TABLE OF CONTENTS
54-00-00	1	07/31/02	LIST OF PAGES & TABLE OF CONTENTS
54-10-00	1	02/25/94	NACELLE INSTALLATION
54-10-00	2	02/25/94	
54-10-00	3	02/25/94	
54-10-10	1	02/25/94	NACELLE
54-10-10	2	02/25/94	
54-10-10	3	02/25/94	
54-10-10	4	02/25/94	
54-10-10	5	02/25/94	
54-10-10	6	02/25/94	
54-10-10	7	02/25/94	
54-10-10	8	02/25/94	
54-10-10	9	02/25/94	
54-10-20	1	02/25/94	NACELLE FIREWALL LOWER STRUCTURE
54-10-20	2	02/25/94	
54-10-20	3	02/25/94	
54-10-30	1	02/25/94	NACELLE FIREWALL
54-10-30	2	02/25/94	
54-10-30	3	02/25/94	
54-10-30	4	02/25/94	
54-10-30	5	02/25/94	
54-11-00	1	02/25/94	NACELLE FIREWALL INSULATION
54-11-00	2	02/25/94	
54-11-00	3	02/25/94	
54-11-00	4	02/25/94	
54-11-00	5	02/25/94	
54-30-00	1	02/25/94	COWLING INSTALLATION
54-30-00	2	02/25/94	
54-30-00	3	07/31/02	
54-30-00	4	02/25/94	
54-30-00	5	07/31/02	
54-30-00	6	02/25/94	
54-30-00	7	07/31/02	
54-30-00	8	02/25/94	
54-30-00	9	02/25/94	
54-30-10	1	02/25/94	UPPER AFT COWLING
54-30-10	2	02/25/94	
54-30-10	3	02/25/94	
54-30-20	1	02/25/94	LOWER AFT COWLING
54-30-20	2	02/25/94	
54-30-20	3	02/25/94	
54-30-30	1	02/25/94	UPPER FORWARD COWLING
54-30-30	2	02/25/94	
54-30-30	3	02/25/94	
54-30-40	1	02/25/94	LOWER FORWARD COWLING
54-30-40	2	02/25/94	
54-30-40	3	02/25/94	

Beechcraft
STARSHIP 1
ILLUSTRATED PARTS CATALOG

54-10-00
NACELLE INSTALLATION

Beechcraft
 STARSHIP 1
 ILLUSTRATED PARTS CATALOG



2000-064-01

FIGURE 10-00.NACELLE INSTALLATION

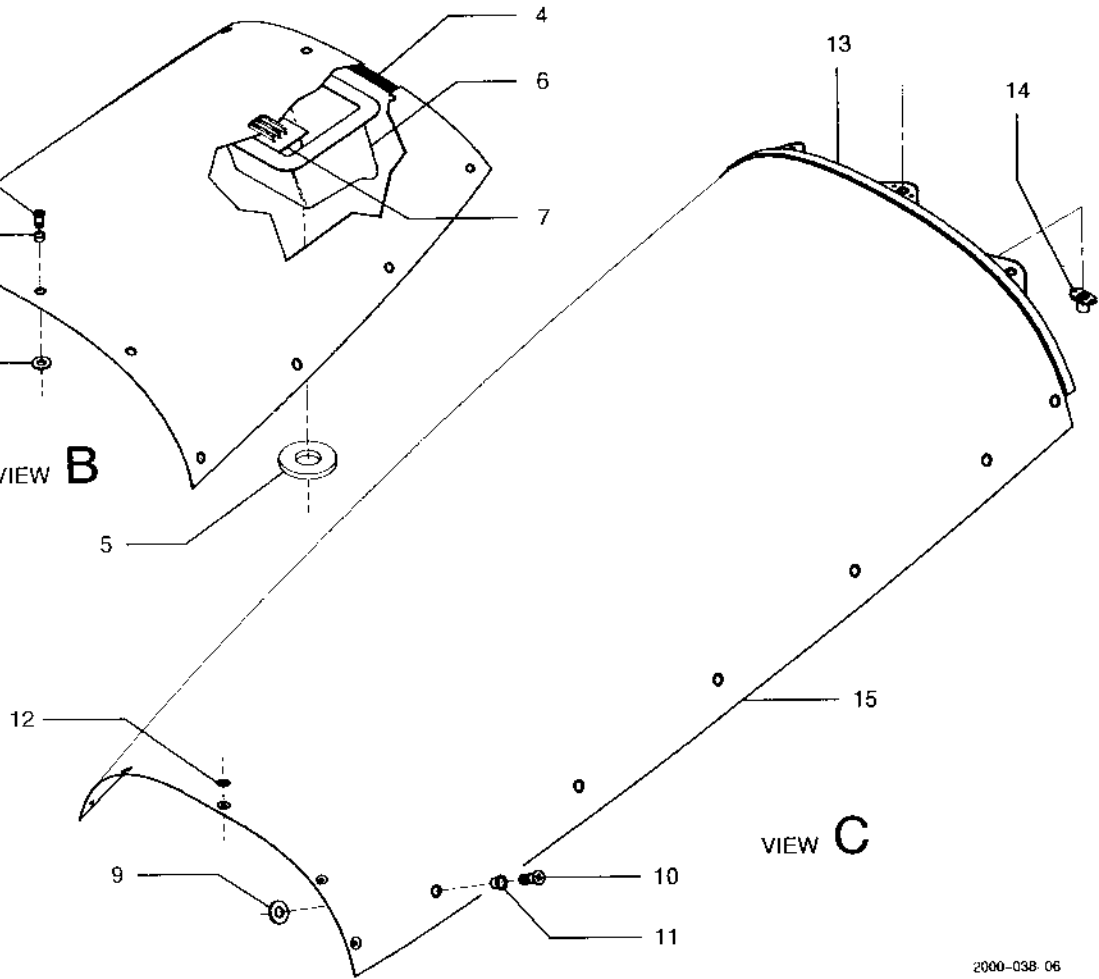
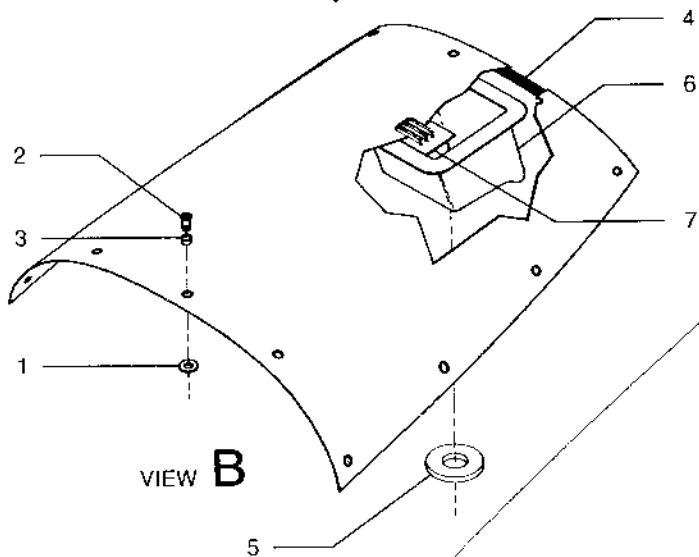
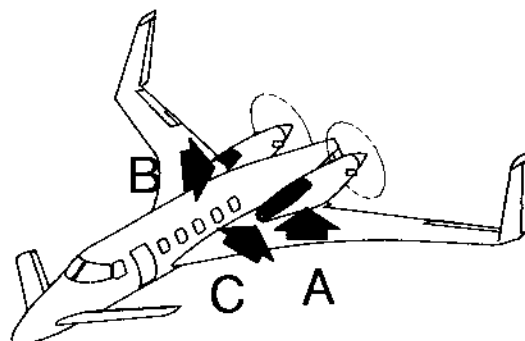
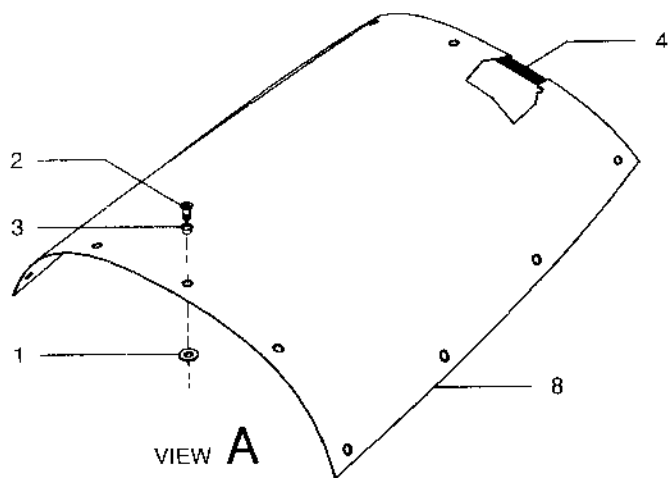
Beechcraft
STARSHIP 1
ILLUSTRATED PARTS CATALOG

SUB-SEC UNIT & ITEM NO	PART NO.	DESCRIPTION 1 2 3 4 5 6 7	UNITS	USABLE
			PER ASSY	ON CODE
10-00	122-980038-1	NACELLE INSTL, LH	NP	
	122-980038-2	NACELLE INSTL, RH	NP	
- 1	122-980058-1	. FAIRING, LH OUTBD	1	
	122-980058-2	. FAIRING, RH OUTBD	1	
- 2	122-980058-5	. FAIRING, LH INBD	1	
	122-980058-6	. FAIRING, RH INBD	1	
- 3	HL379-8	. COLLAR	8	
- 4	AN960C416	. WASHER/INSTALL ON NEAR SIDE/	AR	
- 5	HL10V8-27	. PIN/INSTALL ON FAR SIDE/	8	
- 6	HL379-8	. COLLAR	4	
- 7	AN960C416	. WASHER/MINIMUM OF ONE AND MAXIMUM OF TWO/	AR	
- 8	HL10V8-8	. PIN/ALTERNATE FOR HL10V8-9/	4	
	HL10V8-9	. PIN/ALTERNATE FOR HL10V8-8/	4	
- 9	MS21043-6	. NUT/INSTALL ON FUSELAGE SIDE/	2	
- 10	MS20002-6	. WASHER/MINIMUM OF ONE AND MAXIMUM OF FOUR/	AR	
- 11	83276-6CC	. WASHER, CONCAVE/INSTALL ON NACELLE SIDE/	2	
- 12	83276-6CVP	. WASHER, CONVEX/INSTALL ON NACELLE SIDE/	2	
- 13	NAS6806-32	. BOLT/INSTALL ON NACELLE SIDE/	2	
- 14	MS21045C7	. NUT/INSTALL ON FUSELAGE SIDE/	5	
- 15	MS20002-7	. WASHER/MINIMUM OF ONE AND MAXIMUM OF FOUR/	AR	1
	100951X063	. WASHER/MINIMUM OF ONE AND MAXIMUM OF FIVE/	AR	2
- 16	MS20002-7	. WASHER/MINIMUM OF ONE AND MAXIMUM OF THREE/	AR	
- 17	83276-7CC	. WASHER, CONCAVE/INSTALL ON NACELLE SIDE/	5	
- 18	83276-7CVP	. WASHER, CONVEX/INSTALL ON NACELLE SIDE/	5	
- 19	NAS6807-32	. BOLT/INSTALL ON NACELLE SIDE/	2	1
	NAS6807-41	. BOLT/INSTALL ON NACELLE SIDE/	2	2
		/ALTERNATE FOR BACB30LM4-41/		
	BACB30LM4-41	. BOLT/INSTALL ON NACELLE SIDE/	2	2
		/ALTERNATE FOR NAS6807-41/		
- 20	NAS6807-40	. BOLT/INSTALL ON NACELLE SIDE/	3	
	122-980038-3	. BUSHING	1	2
	122-980038-5	. WASHER, RADIUS BLOCK	1	2

Beechcraft
STARSHIP 1
ILLUSTRATED PARTS CATALOG

54-10-10
NACELLE

Beechcraft
STARSHIP 1
ILLUSTRATED PARTS CATALOG

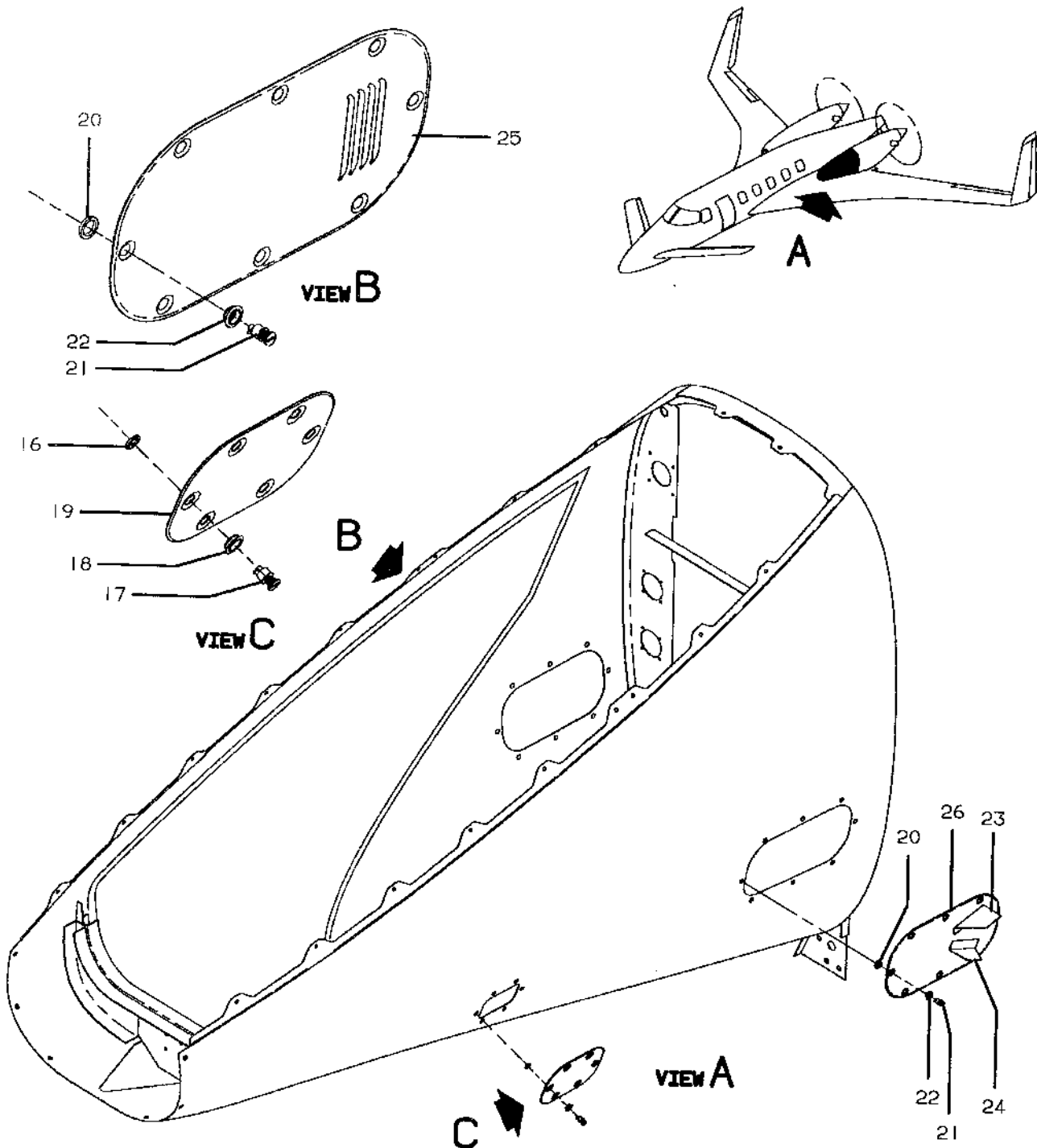


2000-038 06

Beechcraft
STARSHIP 1
ILLUSTRATED PARTS CATALOG

SUB-SEC UNIT & ITEM NO	PART NO.	DESCRIPTION 1 2 3 4 5 6 7	UNITS	USABLE
			PER ASSY	ON CODE
10-10	122-980039-1	NACELLE ASSY, LH.....	NP	
	122-980039-3	NACELLE ASSY, RH.....	NP	
	122-980044-1	. DOOR ASSY, LH.....	1	
	122-980044-3	. DOOR ASSY, RH.....	1	
- 1	122-980044-9	. . SPACER.....	13	
- 2	CA18324-1P	. . NUT, STUD.....	13	
- 3	CA18185	. . GROMMET.....	13	
- 4	122-980044-15	. . SEAL.....	1	
- 5	122-980044-13	. . GASKET/RH ONLY/.....	2	
- 6	122-980042-3	. . CUP, DRAIN/RH ONLY/.....	1	
- 7	122-980044-11	. . PLATE, LOUVER/RH ONLY/.....	1	
- 8	122-980044-5	. . DOOR.....	NP	
	122-980047-11	. DOOR ASSY.....	1	
- 9	122-980047-15	. . WASHER.....	17	
- 10	CA18324-1P	. . NUT, STUD.....	17	
- 11	CA18185	. . GROMMET.....	17	
- 12	SL3584S-B6	. . WASHER.....	5	
- 13	V514	. . SEAL.....	AR	
- 14	CA1810	. . RECEPTACLE.....	3	
- 15	122-980047-13	. . DOOR.....	1	

Beechcraft
STARSHIP 1
ILLUSTRATED PARTS CATALOG

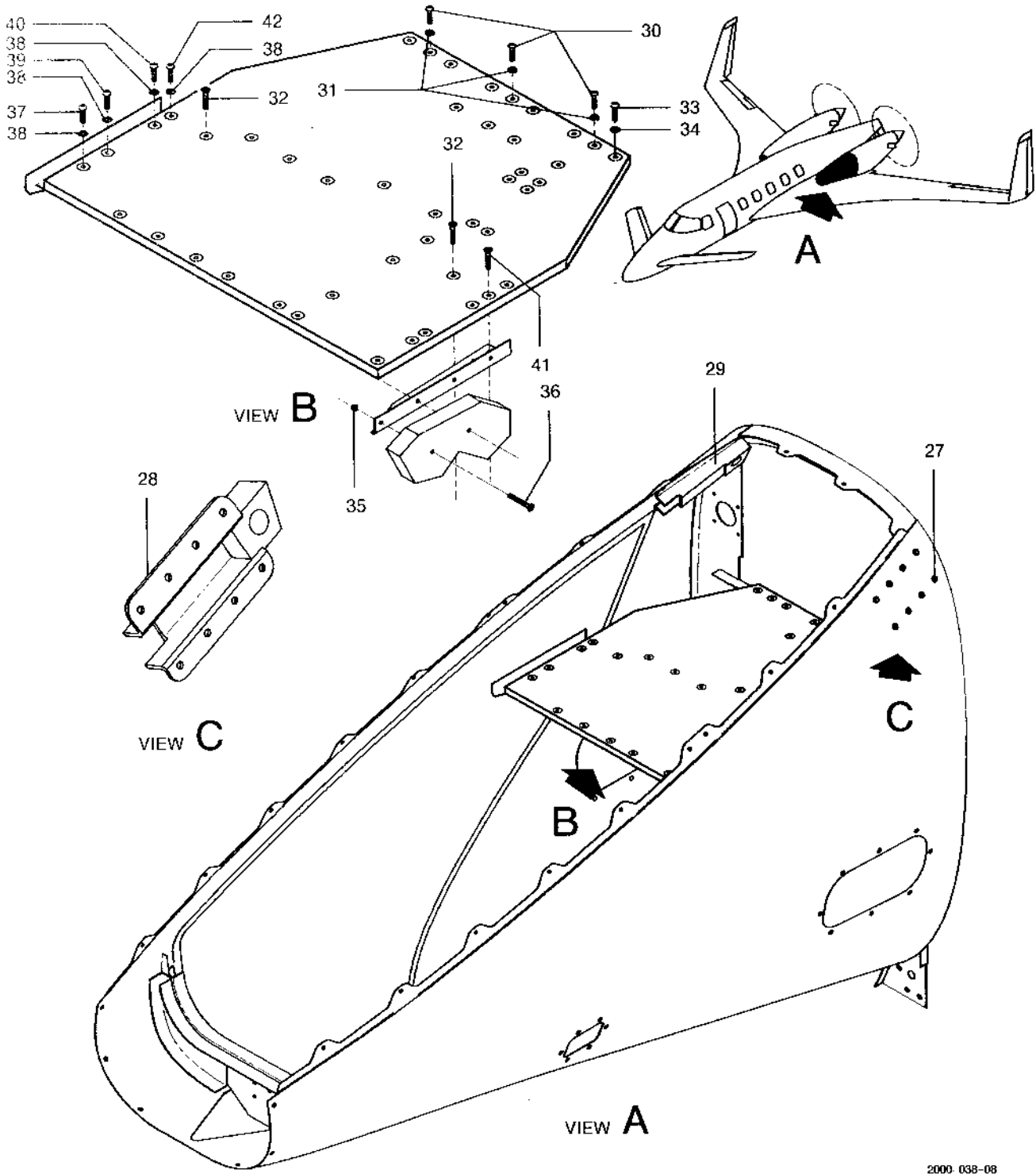


C94NC54A0059 C

Beechcraft
STARSHIP 1
ILLUSTRATED PARTS CATALOG

SUB-SEC UNIT & ITEM NO	PART NO.	DESCRIPTION 1 2 3 4 5 6 7	UNITS	USABLE
			PER ASSY	ON CODE
10-10	122-980059-1	. DOOR ASSY, LH OUTBD AND RH INBD	1	
- 16	40G26-1	.. RING, RETAINING.....	6	
- 17	4002-4S	.. STUD ASSY.....	6	
- 18	4002GS	.. GROMMET	6	
- 19	122-980059-3	.. DOOR, LH OUTBD AND RH INBD	1	
	122-980053-1	.. DOOR ASSY, LH OUTBD AND RH INBD ACTUATOR	1	
		ACCESS		
	122-980053-3	.. DOOR ASSY, LH INBD ACTUATOR ACCESS	1	
	122-980053-5	.. DOOR ASSY, RH OUTBD ACTUATOR ACCESS.....	1	
- 20	40G26-1	.. RING, RETAINING.....	8	
- 21	4002-2S	.. STUD ASSY.....	8	
- 22	4002GS	.. GROMMET	8	
- 23	122-980053-15	.. VORTILON, LH INBD AND RH OUTBD	1	
- 24	122-980053-16	.. VORTILON, LH INBD AND RH OUTBD	1	
	122-980053-13	.. INLET, RH OUTBD.....	1	
- 25	122-980053-7	.. DOOR, LH OUTBD AND RH INBD.....	1	
- 26	122-980053-9	.. DOOR, LH INBD	1	
	122-980053-11	.. DOOR, RH OUTBD	1	

Beechcraft
STARSHIP 1
ILLUSTRATED PARTS CATALOG



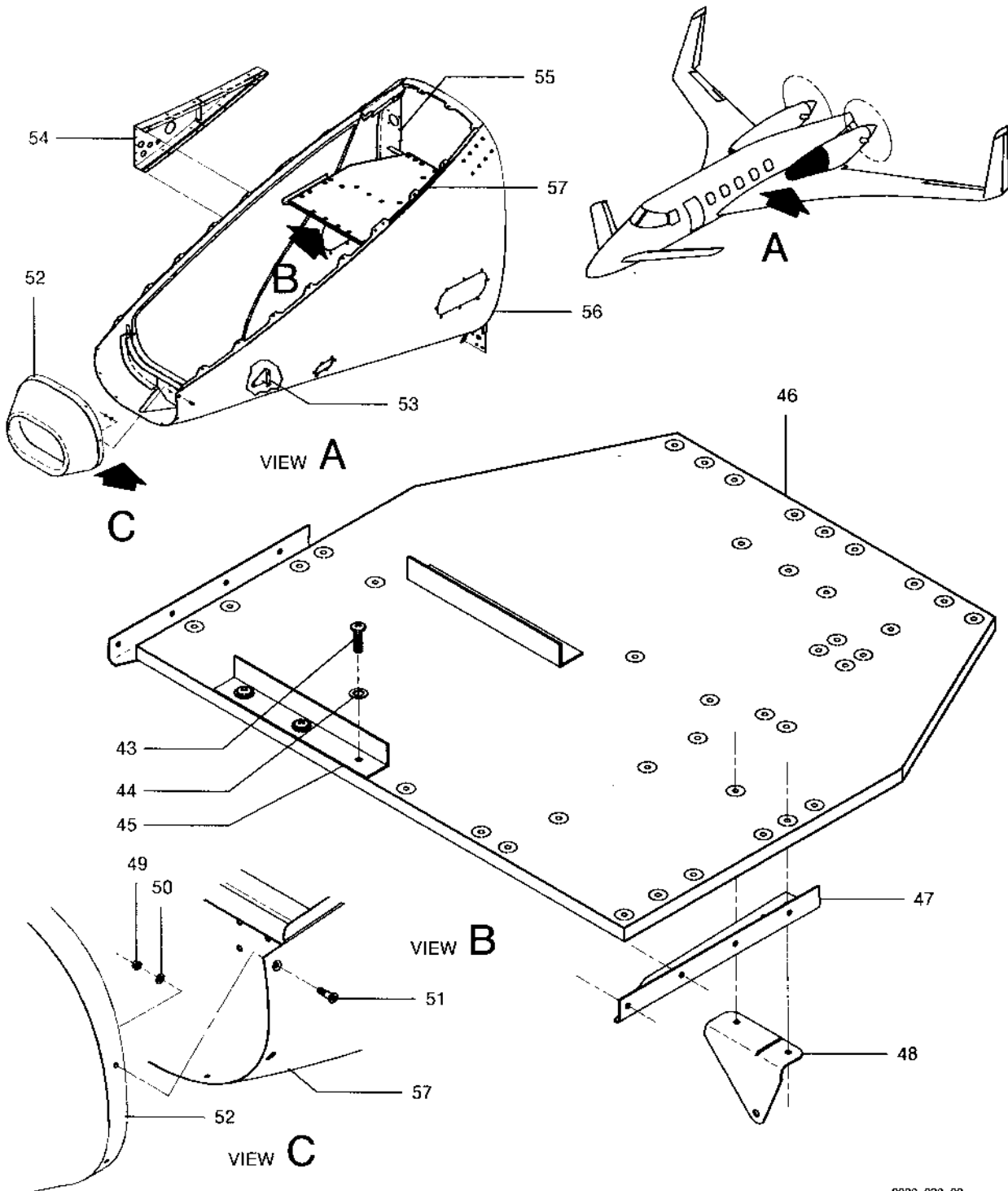
2000 038-08

FIGURE 10-10.NACELLE
/SHEET 3 OF 4 SHEETS/

Deechcraft
STARSHIP 1
ILLUSTRATED PARTS CATALOG

SUB-SEC UNIT & ITEM NO	PART NO.	DESCRIPTION 1 2 3 4 5 6 7	UNITS	USABLE
			PER ASSY	ON CODE
10-10 -27	MS21140-805	. BOLT, LH AND RH INBD AND OUTBD	8	
-28	122-980043-1	. FITTING, LH OUTBD AND RH INBD ENGINE	1	
-29	122-980043-2	. FITTING, LH INBD AND RH OUTBD ENGINE	1	
-30	8806	. SCREW	3	
-31	MS35338-43	. WASHER/UNDER SCREW HEAD/	3	
-32	MS24694S59	. SCREW	2	
-33	MS27039-1-17	. SCREW	6	
-34	AN960C10L	. WASHER	6	
-35	MS21043-3	. NUT	4	
-36	MS24694C63	. SCREW	4	
-37	MS27039-1-17	. SCREW, LH INBD	1	
-38	AN960C10L	. WASHER, LH INBD AND OUTBD	AR	
-39	MS27039-1-17	. SCREW, LH INBD AND OUTBD	1	
	MS24694S59	. SCREW, RH INBD AND OUTBD	1	
-40	MS27039-1-17	. SCREW, LH INBD	1	
	MS24694S59	. SCREW, RH INBD AND OUTBD	1	
-41	MS24694S59	. SCREW, LH OUTBD AND RH INBD AND OUTBD	1	
-42	MS27039-1-17	. SCREW, LH INBD	1	

Beechcraft
STARSHIP 1
ILLUSTRATED PARTS CATALOG



2000-038-09

Boechcraft
STARSHIP 1
ILLUSTRATED PARTS CATALOG

SUB-SEC UNIT & ITEM NO	PART NO.	DESCRIPTION 1 2 3 4 5 6 7	UNITS	USABLE
			PER ASSY	ON CODE
10-10	122-980046-23	. SHELF ASSY, LH.....	1	
	122-980046-25	. SHELF ASSY, RH.....	1	
- 43	MS27039-1-09	. . SCREW, LH.....	6	
- 44	AN960-10L	. . WASHER, LH.....	6	
- 45	122-980034-23	. . BRACKET, LH LANDING GEAR HYDRAULIC PUMP.....	1	
	122-980034-29	. . BRACKET, RH BATTERY SUPPORT.....	2	
- 46	122-980046-5	. . SHELF, LH.....	1	
	122-980046-7	. . SHELF, RH.....	1	
	SLS102F10-08	. . SLEEVE/2 LH AND 8 RH/LOWER SURFACE/.....	10	
	SLP102C10-2	. . PLUG/2 LH AND 8 RH/UPPER SURFACE/.....	10	
	SLS102F10-08	. . SLEEVE/17 LH AND 11 RH/LOWER SURFACE/.....	28	
	SLP102D10-2	. . PLUG/17 LH AND 11 RH/UPPER SURFACE/.....	28	
	SLS106F1032-08	. . SLEEVE/25 LH AND 22 RH/LOWER SURFACE/.....	47	
	SLP106D10-2	. . PLUG/25 LH AND 22 RH/UPPER SURFACE/.....	47	
	SLS106F428-10	. . SLEEVE, RH/LOWER SURFACE/.....	2	
	105090D090-6K	. . WASHER, RH/LOWER SURFACE/.....	2	
	SLP106F25-1	. . PLUG, RH/UPPER SURFACE/.....	2	
- 47	122-980034-55	. BRACKET ASSY, LH OUTBD NACELLE EQPT SHELF.....	1	
	122-980034-47	. BRACKET ASSY, RH INBD NACELLE EQPT SHELF.....	1	
	122-980034-48	. BRACKET ASSY, LH INBD AND RH OUTBD NACELLE EQUIPMENT SHELF.....	1	
	MS21075L3	. . NUTPLATE.....	3	
- 48	122-980034-51	. BRACKET ASSY, LH OUTBD AND RH INBD NACELLE EQUIPMENT SHELF.....	1	1
	122-980034-59	. BRACKET ASSY, LH OUTBD AND RH INBD NACELLE EQUIPMENT SHELF.....	1	2
	122-980034-52	. BRACKET ASSY, LH INBD AND RH OUTBD NACELLE EQUIPMENT SHELF.....	1	1
	122-980034-60	. BRACKET ASSY, LH OUTBD AND RH INBD NACELLE EQUIPMENT SHELF.....	1	2
	MS21075L3	. . NUTPLATE.....	2	
- 49	MS21043-3	. NUT, LH AND RH INBD AND OUTBD.....	3	
- 50	AN960C10L	. WASHER, LH AND RH INBD AND OUTBD.....	3	
- 51	NAS8703U2	. SCREW, LH AND RH INBD AND OUTBD.....	3	
- 52	122-910050-25	. INLET LIP, HEATED/SEE CHAPTER 30/.....	1	
- 53	122-980034-31	. SUPPORT, LH OUTBD AND RH INBD FWD DUCT.....	1	
	122-980034-32	. SUPPORT, LH INBD AND RH OUTBD FWD DUCT.....	1	
- 54	122-980052-73	. FIREWALL ASSY, LH INBD FWD/SEE CH.54-10-20/.....	1	5
	122-980052-93	. FIREWALL ASSY, LH INBD FWD/SEE 54-10-20/.....	1	6
	122-980052-74	. FIREWALL ASSY, RH INBD FWD/SEE CH.54-10-20/.....	1	5
	122-980052-94	. FIREWALL ASSY, RH INBD FWD/SEE 54-10-20/.....	1	6
- 55	122-980049-23	. FIREWALL ASSY, LH/SEE CHAPTER 54-10-30/.....	1	3
	122-980049-29	. FIREWALL ASSY, LH.....	1	4
	122-980049-25	. FIREWALL ASSY, RH/SEE CHAPTER 54-10-30/.....	1	3
	122-980049-31	. FIREWALL ASSY, RH.....	1	4
- 56	122-980040-1	. NACELLE, LH.....	1	
	122-980040-35	. NACELLE, RH.....	1	
- 57	V514	. . SEAL.....	AR	
	CA1810	. . RECEPTACLE, ACCESS DOOR.....	18	
	214-16S	. . RECEPTACLE, ACCESS DOOR.....	22	
	SL607-3-6CM	. . INSERT.....	8	

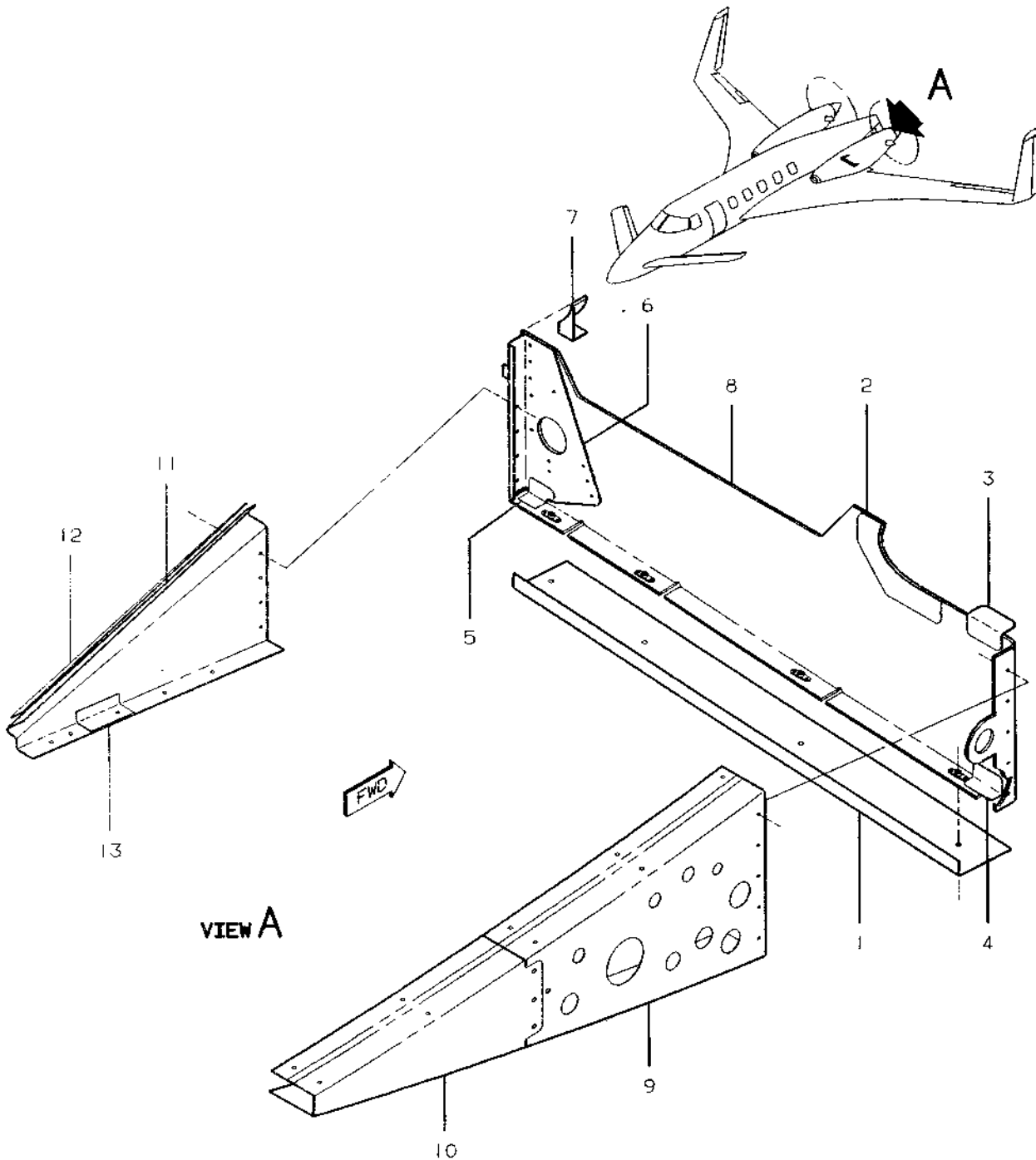
CODES OF EFFECTIVITY

1	NC-4 THRU NC-44	2	NC-45 AND AFTER
3	NC-4 THRU NC-42	4	NC-43 AND AFTER
5	NC-4 THRU NC-27	6	NC-28 AND AFTER

Beechcraft
STARSHIP 1
ILLUSTRATED PARTS CATALOG

54-10-20
NACELLE FIREWALL LOWER STRUCTURE

Beechcraft
STARSHIP 1
ILLUSTRATED PARTS CATALOG



C93NC54A0310 C

FIGURE 10-20. NACELLE FIREWALL LOWER STRUCTURE

Beechcraft
STARSHIP 1
ILLUSTRATED PARTS CATALOG

SUB-SEC UNIT & ITEM NO	PART NO.	DESCRIPTION 1 2 3 4 5 6 7	UNITS	USABLE
			PER ASSY	ON CODE
10-20	122-980052-59	LOWER STRUCTURE INSTL, LH NACELLE FIREWALL	NP	
	122-980052-60	LOWER STRUCTURE INSTL, RH NACELLE FIREWALL	NP	
- 1	122-980052-69	. ANGLE, LH	1	
	122-980052-70	. ANGLE, RH	1	
	MS21048L3K	. NUTPLATE	4	
- 2	122-980052-27	. CLIP, LH	1	
	122-980052-28	. CLIP, RH	1	
- 3	122-980052-47	. CLIP	1	
- 4	122-980052-29	. CLIP	1	
- 5	122-980052-31	. CLIP, LH	1	
	122-980052-32	. CLIP, RH	1	
- 6	122-980052-61	. DOUBLER, LH	1	
	122-980052-62	. DOUBLER, RH	1	
- 7	122-980052-67	. CLIP, LH	1	
	122-980052-68	. CLIP, RH	1	
- 8	122-980052-11	. FIREWALL STRUCTURE, LH	1	
	122-980052-12	. FIREWALL STRUCTURE, RH	1	
	122-980052-73	FIREWALL ASSY, LH INBD FWD	1	5
	122-980052-93	. FIREWALL ASSY, LH INBD FWD	1	6
	122-980052-74	FIREWALL ASSY, RH INBD FWD	1	2
	122-980052-94	. FIREWALL ASSY, RH INBD FWD	1	6
- 9	122-980052-77	. RIB, LH	1	
	122-980052-78	. RIB, RH	1	
	CA1810	. RECEPTACLE ASSY	4	
	MS21048L06	. NUTPLATE	6	
	MS21048L3	. NUTPLATE	9	
	122-980052-75	FIREWALL ASSY, LH INBD AFT/FOR SPARES ORDER	NP	1
		122-980052-81/ FIREWALL ASSY, LH INBD AFT	1	2
	122-980052-89	FIREWALL ASSY, LH INBD AFT	1	3
	122-980052-76	FIREWALL ASSY, RH INBD AFT/FOR SPARES ORDER	NP	1
		122-980052-82/ FIREWALL ASSY, RH INBD AFT	1	2
	122-980052-82	FIREWALL ASSY, RH INBD AFT	1	3
	122-980052-90	FIREWALL ASSY, RH INBD AFT	1	1
- 10	122-980052-79	. RIB, LH INBD AFT	1	2
	122-980052-83	. RIB, LH INBD AFT	1	3
	122-980052-91	. RIB, LH INBD AFT	1	1
	122-980052-80	. RIB, RH INBD AFT	1	2
	122-980052-84	. RIB, RH INBD AFT	1	3
	122-980052-92	. RIB, RH INBD AFT	1	4
	122-980052-85	. GUSSET, LH FWD	1	4
	122-980052-86	. GUSSET, RH FWD	1	4
	122-980052-87	. GUSSET, LH AFT	1	4
	122-980052-88	. GUSSET, RH AFT	1	4
	CA1810	. RECEPTACLE ASSY	4	
	MS21048L3	. NUTPLATE	2	
	MS21070L3	. NUTPLATE	3	
	MS21074L3	. NUTPLATE	4	
	122-980052-49	FIREWALL ASSY, LH OUTBD	1	
	122-980052-50	FIREWALL ASSY, RH OUTBD	1	
- 11	122-980052-51	. FIREWALL, LH OUTBD	1	
	122-980052-52	. FIREWALL, RH OUTBD	1	
	MS21060L3	. NUTPLATE	10	
- 12	122-980052-55	. STRIP	1	
- 13	122-980052-53	. CLIP, LH	1	
	122-980052-54	. CLIP, RH	1	

CODES OF EFFECTIVITY

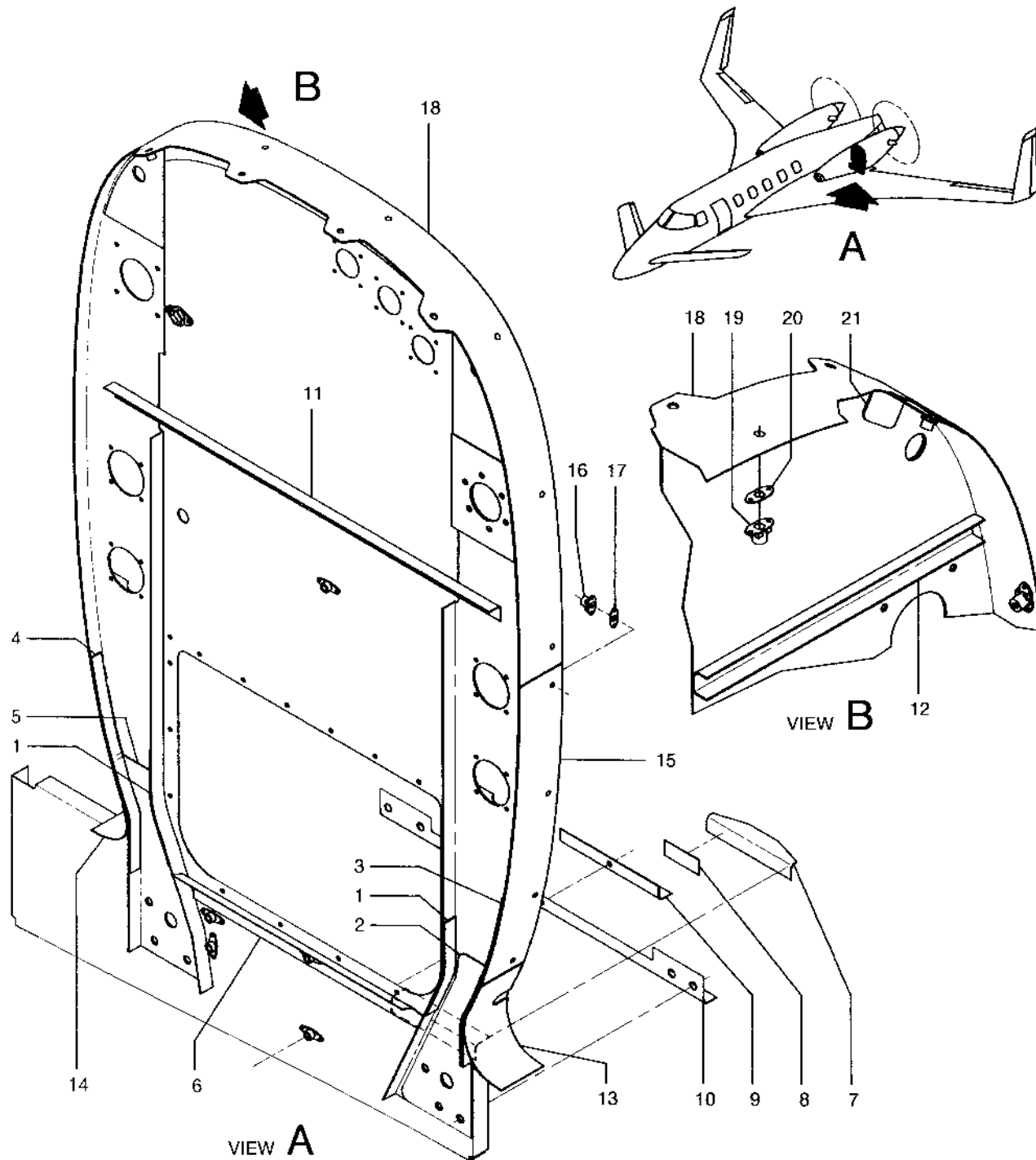
1	NC-4 THRU NC-28	2	NC-29 THRU NC-40
3	NC-41 AND AFTER	4	NC-29 AND AFTER
5	NC-4 THRU NC-27	6	NC-28 AND AFTER

-END-

Beechcraft
STARSHIP 1
ILLUSTRATED PARTS CATALOG

54-10-30
NACELLE FIREWALL

Beechcraft
STARSHIP 1
 ILLUSTRATED PARTS CATALOG



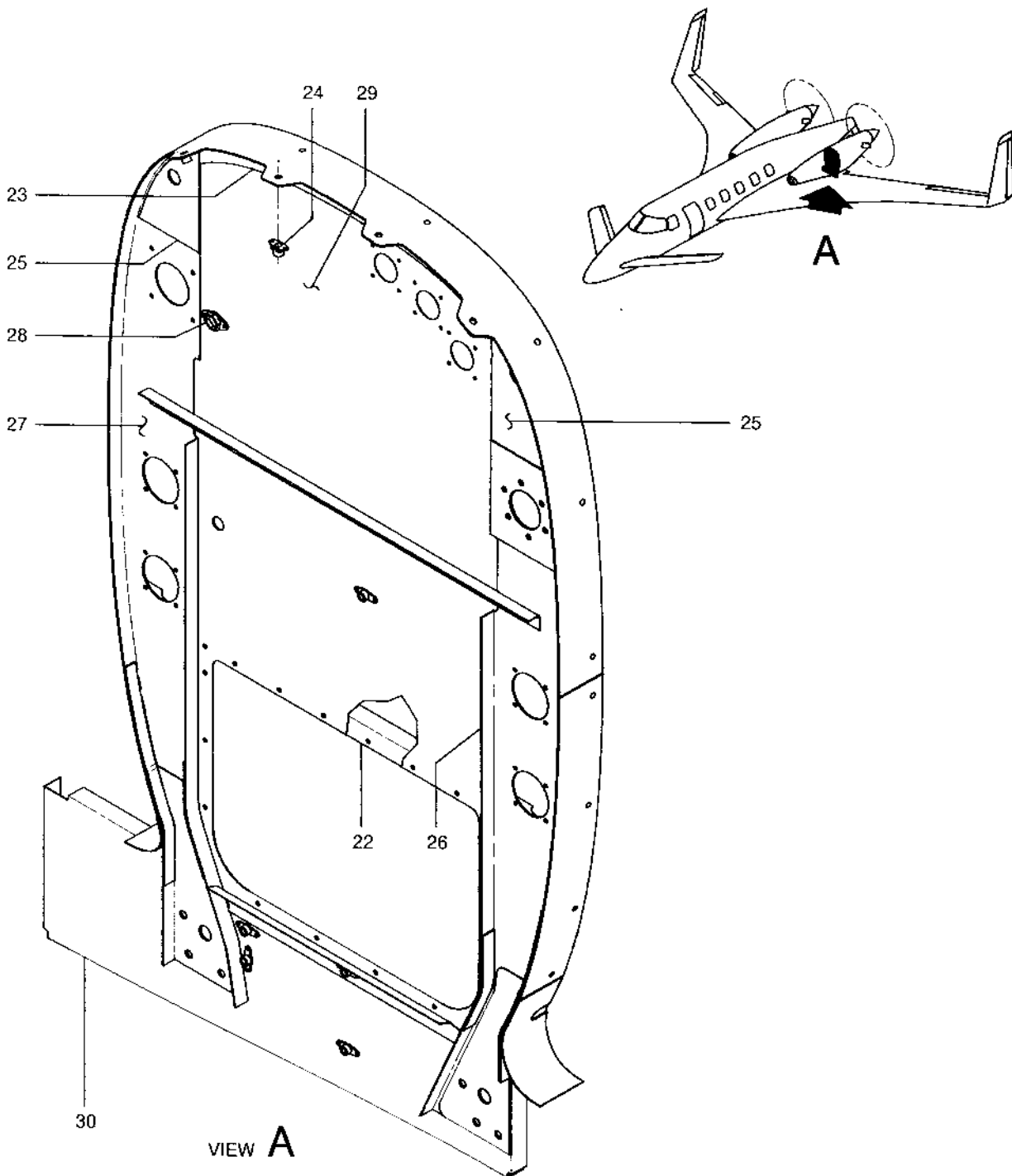
2000-038-10

FIGURE 10-30. NACELLE FIREWALL
 /SHEET 1 OF 2 SHEETS/

Beechcraft
STARSHIP 1
ILLUSTRATED PARTS CATALOG

SUB-SEC UNIT & ITEM NO	PART NO.	DESCRIPTION 1 2 3 4 5 6 7	UNITS	USABLE
			PER ASSY	ON CODE
10-30	122-980049-23	FIREWALL ASSY, LH NACELLE	1	1
	122-980049-29	FIREWALL ASSY, LH NACELLE	1	2
	122-980049-25	FIREWALL ASSY, RH NACELLE	1	1
	122-980049-31	FIREWALL ASSY, RH NACELLE	1	2
- 1	122-980051-51	. STRAP	2	
- 2	122-980051-55	. DOUBLER, LH OUTBD	1	
	122-980051-56	. DOUBLER, RH OUTBD	1	
- 3	122-980051-65	. STRAP, LH OUTBD AND RH INBD	1	
- 4	122-980051-67	. STRAP, LH INBD AND RH OUTBD	1	
- 5	122-980051-61	. DOUBLER, LH INBD	1	
	122-980051-62	. DOUBLER, RH INBD	1	
- 6	122-980051-9	. STIFFENER	1	
	MS21048L3K	. NUTPLATE	4	
- 7	122-980051-7	. ANGLE	2	
- 8	122-980049-13	. SHIM	1	
- 9	122-980051-41	. DOUBLER	1	1
	122-980051-73	. DOUBLER	1	2
- 10	122-980051-17	. ANGLE, LH	1	
	122-980051-18	. ANGLE, RH	1	
- 11	122-980051-11	. SUPPORT, SHELF	1	
- 12	122-980051-13	. CHANNEL	1	
- 13	122-980049-5	. STRAP, LH LOWER OUTBD	1	
	122-980049-6	. STRAP, RH LOWER OUTBD	1	
	MS21048L3K	. NUTPLATE	2	
- 14	122-980049-9	. STRAP, LH LOWER INBD	1	
	122-980049-10	. STRAP, RH LOWER INBD	1	
- 15	122-980049-11	. STRAP	2	
- 16	CA1810	. NUTPLATE	8	
- 17	CA1818-1	. SHIM	8	
- 18	122-980049-15	. STRAP, TOP	1	
- 19	CA1810	. NUTPLATE	8	
- 20	CA1818-1	. SHIM	8	
- 21	122-980049-27	. ANGLE, LH INBD AND RH OUTBD	1	
	122-980049-28	. ANGLE, LH OUTBD AND RH INBD	1	

Beechcraft
STARSHIP 1
ILLUSTRATED PARTS CATALOG



2000-038-11

FIGURE 10-30. NACELLE FIREWALL
/SHEET 2 OF 2 SHEETS/

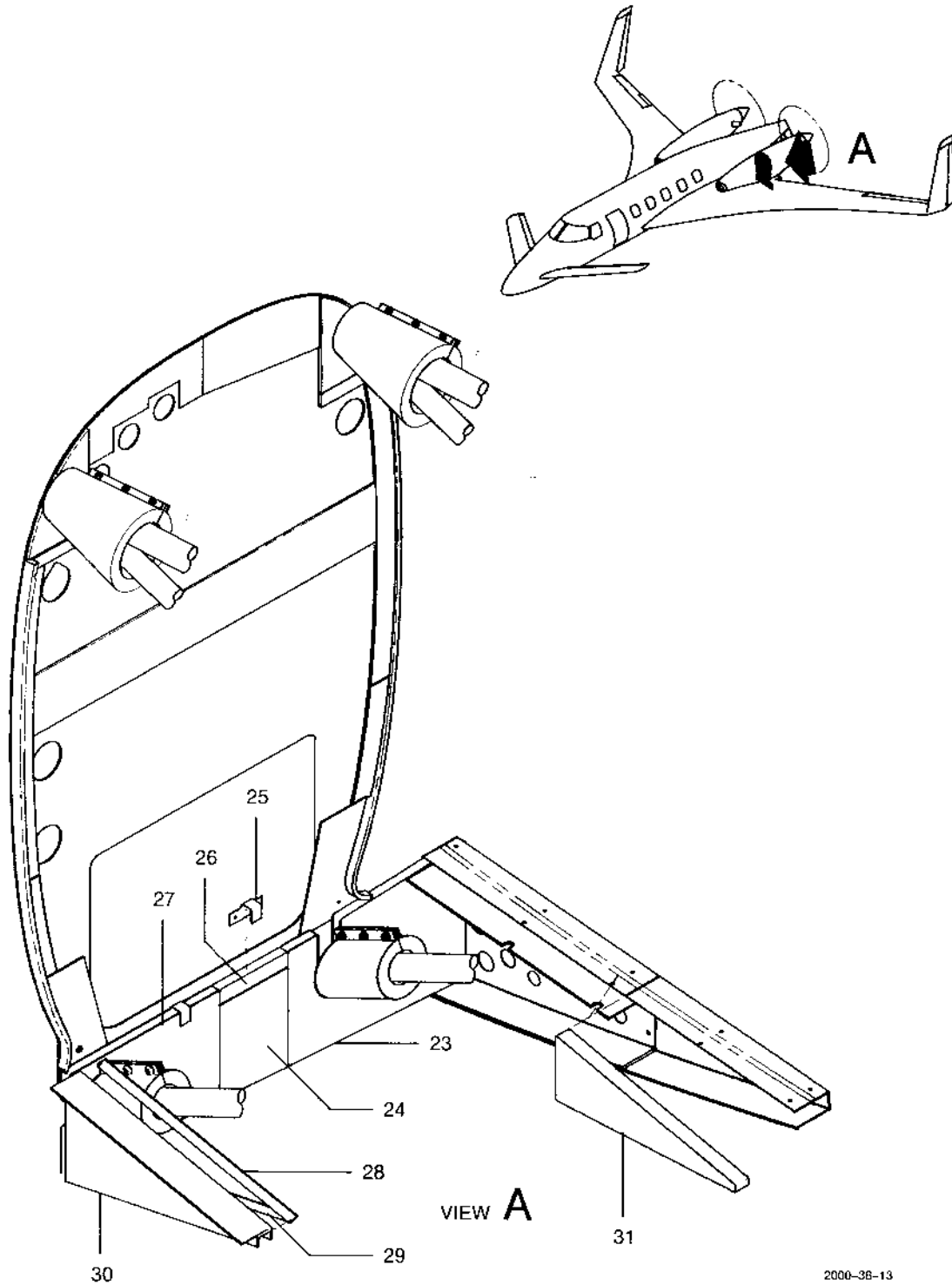
Beechcraft
STARSHIP 1
ILLUSTRATED PARTS CATALOG

54-11-00
NACELLE FIREWALL INSULATION

Beechcraft
STARSHIP 1
ILLUSTRATED PARTS CATALOG

SUB-SEC UNIT & ITEM NO	PART NO.	DESCRIPTION 1 2 3 4 5 6 7	UNITS	USABLE
			PER ASSY	ON CODE
11-00	122-980056-1	FIREWALL INSULATION INSTL, LH NACELLE.....	NP	1
	122-980056-2	FIREWALL INSULATION INSTL, RH NACELLE.....	NP	1
	122-980056-3	FIREWALL INSULATION INSTL, LH NACELLE.....	NP	2
	122-980056-4	FIREWALL INSULATION INSTL, RH NACELLE.....	NP	2
- 1	MS21043-3	. NUT.....	12	
- 2	AN960C10L	. WASHER.....	12	
- 3	NAS603-7	. SCREW.....	12	
- 4	122-980057-59	. STRAP, LOWER ENGINE TRUSS.....	4	
- 5	122-980057-61	. STRAP, UPPER ENGINE TRUSS.....	4	
- 6	AN737TW44-48	. CLAMP.....	4	
- 7	122-980057-31	. BLANKET ASSY, LOWER ENGINE TRUSS.....	2	
- 8	122-980057-115	. BLANKET ASSY, UPPER ENGINE TRUSS, LH NACELLE.....	1	
	122-980056-116	. BLANKET ASSY, UPPER ENGINE TRUSS, RH NACELLE.....	1	
- 9	NAS603-7	. SCREW.....	2	
- 10	AN960C10L	. WASHER.....	2	
	AN960C6	. WASHER/USE WITH RIVETS TO ATTACH CERAMIC.....	156	
		BLANKETS/		
- 11	122-980057-113	. BLANKET, CERAMIC/LH INBD AND RH OUTBD/.....	4	
		/2 UPPER AND 2 LOWER/		
- 12	122-980057-93	. BLANKET, CERAMIC/LH INBD AND RH OUTBD/.....	1	
- 13	122-980057-95	. BLANKET, CERAMIC/LH OUTBD AND RH INBD/.....	1	
- 14	122-980057-39	. BLANKET, CERAMIC/LH OUTBD AND RH INBD/.....	1	
- 15	122-980057-43	. BLANKET, CERAMIC/LH INBD AND RH OUTBD/.....	1	
- 16	122-980057-85	. BLANKET, CERAMIC.....	2	
- 17	122-980057-87	. BLANKET, CERAMIC.....	2	
- 18	122-980057-99	. BLANKET, CERAMIC.....	1	
- 19	122-980057-1	. BLANKET, CERAMIC/UPPER MOUNT/.....	2	
- 20	122-980057-97	. BLANKET, CERAMIC.....	2	
- 20A	122-980057-159	. BLANKET ASSY, INBD RIB.....	1	4
- 20B	122-980057-153	. BLANKET ASSY, INBD RIB.....	1	4
- 20C	122-980057-147	. BLANKET ASSY, INBD RIB.....	1	4
- 21	122-980057-89	. BLANKET, CERAMIC.....	1	
- 22	122-980057-91	. BLANKET, CERAMIC/2 LH AND 1 RH/.....	3	

Beechcraft
STARSHIP 1
ILLUSTRATED PARTS CATALOG



2000-38-13

FIGURE 11-00.NACELLE FIREWALL INSULATION
/SHEET 2 OF 2 SHEETS/

Beechcraft
STARSHIP 1
ILLUSTRATED PARTS CATALOG

SUB-SEC UNIT & ITEM NO	PART NO.	DESCRIPTION 1 2 3 4 5 6 7	UNITS	USABLE
			PER ASSY	ON CODE
11-00 -23	122-980057-5	. BLANKET ASSY, LH.....	1	
	122-980057-6	. BLANKET ASSY, RH	1	
-24	122-980057-11	. BLANKET ASSY, LH.....	1	
	122-980057-12	. BLANKET ASSY, RH	1	
-25	122-980057-83	. CLIP, INSULATION	2	
-26	122-980057-77	. BLANKET ASSY.....	1	
-27	122-980057-19	. BLANKET ASSY, LH.....	1	
	122-980057-20	. BLANKET ASSY, RH	1	
-28	122-980057-35	. STRIP, ATTACHING	1	
-29	122-980057-51	. STRIP, ATTACHING	1	
-30	122-980057-117	. BLANKET ASSY, LH OUTBD RIB	1	
	122-980057-118	. BLANKET ASSY, RH INBD RIB	1	
-31	122-980057-137	. BLANKET ASSY, INBD RIB	1	3

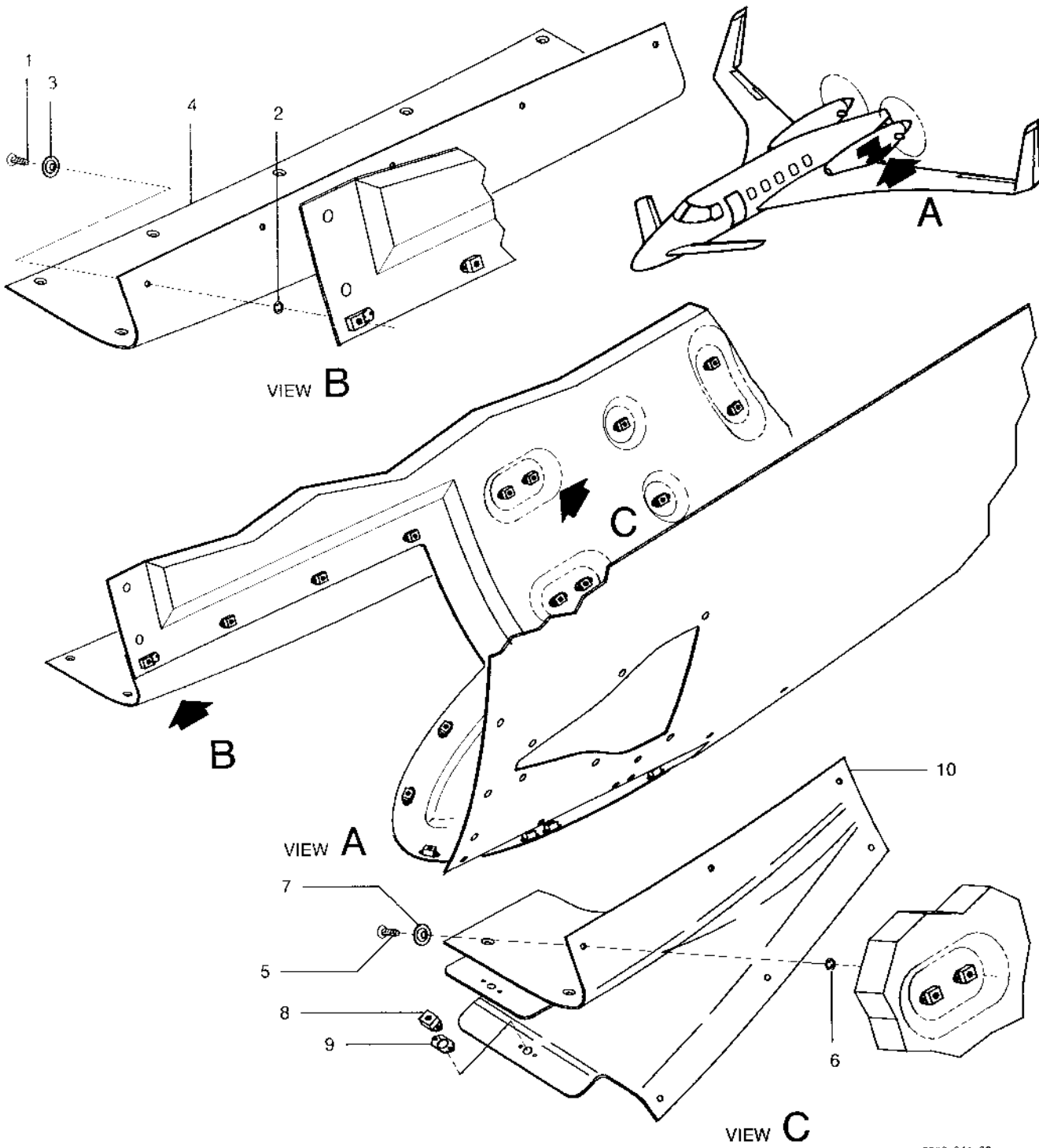
CODES OF EFFECTIVITY

1	NC-4 THRU NC-43	2	NC-44 AND AFTER
3	NC-4 THRU NC-28	4	NC-29 AND AFTER

Beechcraft
STARSHIP 1
ILLUSTRATED PARTS CATALOG

54-30-00
COWLING INSTALLATION

Beechcraft
STARSHIP 1
ILLUSTRATED PARTS CATALOG



2000-241-06

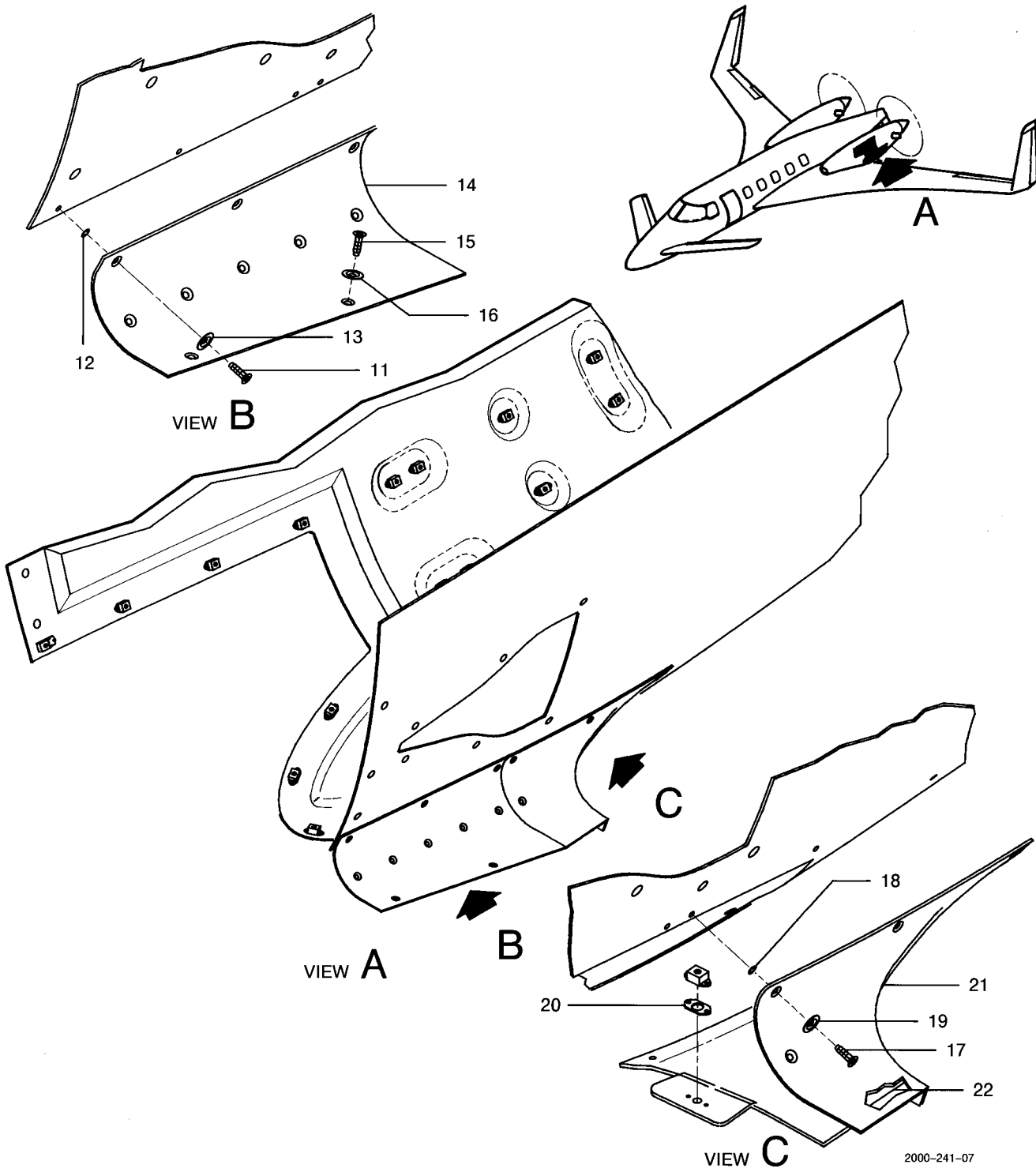
FIGURE 30-00.COWLING INSTALLATION
/SHEET 1 OF 4 SHEETS/

Raytheon Aircraft

BEECH STARSHIP 1 ILLUSTRATED PARTS CATALOG

SUB-SECT UNIT & ITEM NO.	PART NO.	1 2 3 4 5 6 7	DESCRIPTION	UNITS PER ASSY	USABLE ON CODE
30-00	122-910065-5		COWLING INSTL, LH	NP	1
	122-910065-9		COWLING INSTL, LH	NP	2
	122-910065-7		COWLING INSTL, RH	NP	1
	122-910065-11		COWLING INSTL, RH	NP	2
	122-910070-5		. FAIRING ASSY, LH INBD UPPER/ORDER 122-910070-49 FOR SPARES/	NP	1
	122-910070-49		. FAIRING ASSY, LH INBD UPPER	1	2
	122-980070-6		. FAIRING ASSY, RH INBD UPPER/ORDER 122-910070-50 FOR SPARES/	NP	1
	122-910070-50		. FAIRING ASSY, RH INBD UPPER	1	2
1	FIT7090-3-11-5		.. SCREW/ALTERNATE FOR CA21063-10-5-11/ /ORDER CA2229-10-5-11 FOR SPARES/	12	1
	CA21063-10-5-11		.. SCREW/ALTERNATE FOR FIT7090-3-11-5/ /ORDER CA2229-10-5-11 FOR SPARES/	12	2
	CA2229-10-5-11		.. SCREW	12	
	FIT7090-3-11-5		.. SCREW/ALTERNATE FOR CA21063-10-5-11/ /ORDER CA2229-10-5-11 FOR SPARES/	7	1
	CA21063-10-5-11		.. SCREW/ALTERNATE FOR FIT7090-3-11-5/ /ORDER CA2229-10-5-11 FOR SPARES/	7	2
	CA2229-10-5-11		.. SCREW	7	
	FIT7090-3-12-5		.. SCREW/ALTERNATE FOR CA21063-10-5-12/ /ORDER CA2229-10-5-12 FOR SPARES/	5	1
	CA21063-10-5-12		.. SCREW/ALTERNATE FOR FIT7090-3-12-5/ /ORDER CA2229-10-5-12 FOR SPARES/	5	2
	CA2229-10-5-12		.. SCREW	5	
2	CA21062-10R		.. RING, RETAINING	12	
	CA2210-10R		.. RING, RETAINING	12	
3	NAS1169C10L		.. WASHER	12	
4	122-910070-7		.. FAIRING, LH INBD	1	1
	122-910070-51		.. FAIRING, LH INBD	1	2
	122-910070-8		.. FAIRING, RH INBD	1	1
	122-910070-52		.. FAIRING, RH INBD	1	2
	122-910070-13		. CLOSEOUT ASSY, LH INBD/ORDER 122-910070-53 FOR SPARES/	NP	1
	122-910070-53		. CLOSEOUT ASSY, LH INBD	1	2
	122-910070-14		. CLOSEOUT ASSY, RH INBD/ORDER 122-910070-54 FOR SPARES/	NP	1
	122-910070-54		. CLOSEOUT ASSY, RH INBD	1	2
5	FIT7090-3-11-5		.. SCREW/ALTERNATE FOR CA21063-10-5-11/ /ORDER CA2229-10-5-11 FOR SPARES/	8	1
	CA21063-10-5-11		.. SCREW/ALTERNATE FOR FIT7090-3-11-5/ /ORDER CA2229-10-5-11 FOR SPARES/	6	2
	CA2229-10-5-11		.. SCREW	6	
	FIT7090-3-11-5		.. SCREW/ALTERNATE FOR CA21063-10-5-11/ /ORDER CA2229-10-5-11 FOR SPARES/	8	1
	CA21063-10-5-11		.. SCREW/ALTERNATE FOR FIT7090-3-11-5/ /ORDER CA2229-10-5-11 FOR SPARES/	8	2
	CA2229-10-5-11		.. SCREW	8	
	FIT7090-3-12-5		.. SCREW/ALTERNATE FOR CA21063-10-5-11/ /ORDER CA2229-10-5-12 FOR SPARES/	2	1
	CA21063-10-5-12		.. SCREW/ALTERNATE FOR FIT7090-3-12-5/ /ORDER CA2229-10-5-12 FOR SPARES/	2	2
	CA2229-10-5-12		.. SCREW	2	
6	CA21062-10R		.. RING, RETAINING	8	
	CA2210-10R		.. RING, RETAINING	8	
7	NAS1169C10L		.. WASHER	8	
8	MS21060L3		.. NUTPLATE	2	
9	CA21062-10S		.. SHIM/UNDER NUTPLATE/	2	
10	122-910070-15		.. CLOSEOUT, LH INBD	1	1
	122-910070-55		.. CLOSEOUT, LH INBD	1	2
	122-910070-16		.. CLOSEOUT, RH INBD	1	1
	122-910070-56		.. CLOSEOUT, RH INBD	1	2

Beechcraft
STARSHIP 1
ILLUSTRATED PARTS CATALOG



2000-241-07

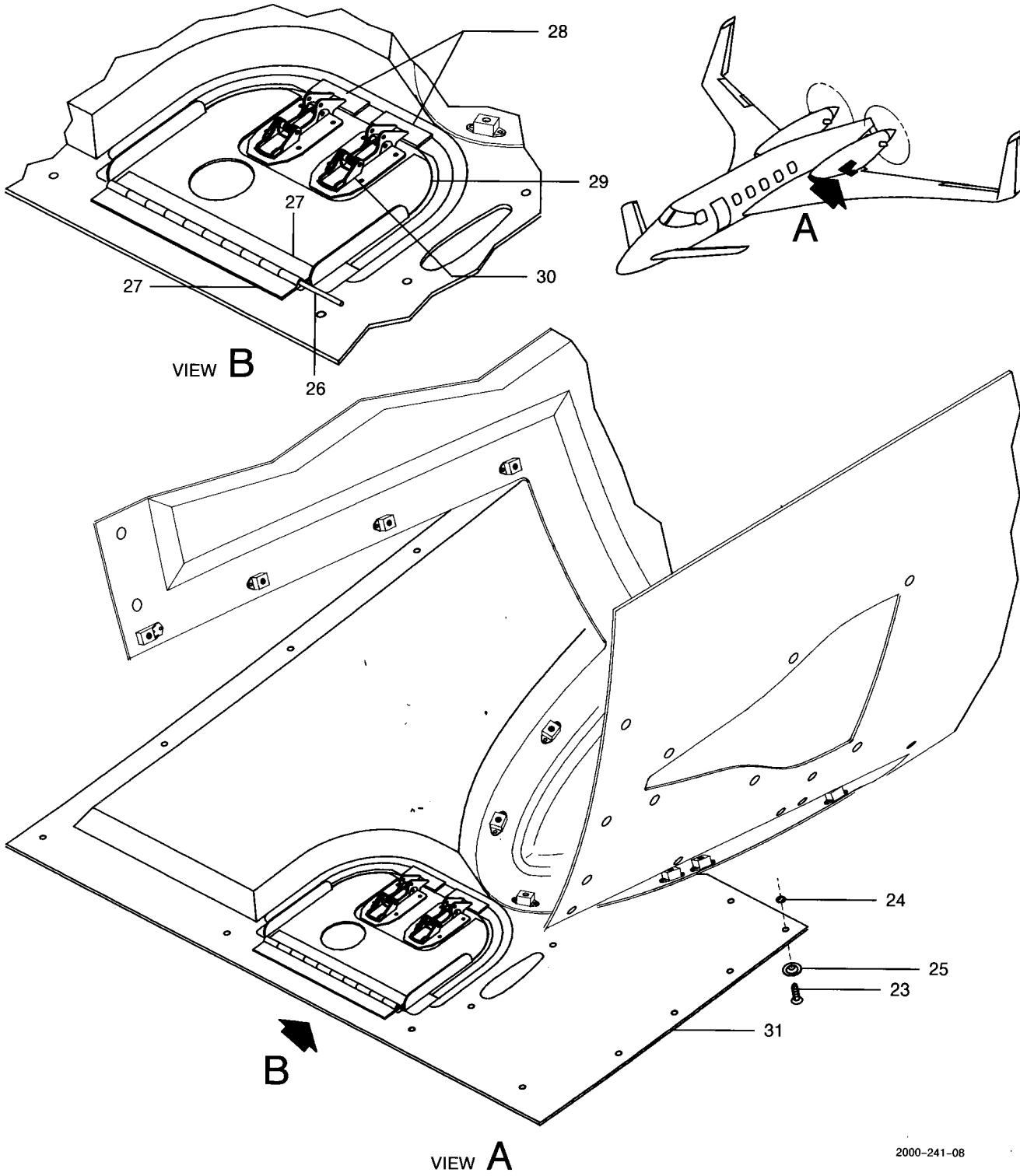
FIGURE 30-00.COWLING INSTALLATION
/SHEET 2 OF 4 SHEETS/

Raytheon Aircraft

BEECH STARSHIP 1 ILLUSTRATED PARTS CATALOG

SUB-SECT UNIT & ITEM NO.	PART NO.	DESCRIPTION	UNITS	USABLE
			PER ASSY	ON CODE
30-00	122-910070-35	. FAIRING ASSY, LH OUTBD UPPER	1	
	122-910070-36	. FAIRING ASSY, RH OUTBD UPPER	1	
11	FIT7090-3-11-5	. . SCREW/ALTERNATE FOR CA21063-10-5-11/ /ORDER CA2229-10-5-11 FOR SPARES/	9	
	CA21063-10-5-11	. . SCREW/ALTERNATE FOR FIT7090-3-11-5/ /ORDER CA2229-10-5-11 FOR SPARES/	9	
	CA2229-10-5-11	. . SCREW	9	
12	CA21062-10R	. . RING, RETAINING	9	
13	NAS1169C10L	. . WASHER	9	
14	122-910070-37	. . FAIRING, LH OUTBD	1	
	122-910070-38	. . FAIRING, RH OUTBD	1	
15	DPYS7900P10B2	. . SCREW	2	
16	132116-1	. . WASHER	2	
	122-910070-39	. CLOSEOUT ASSY, LH OUTBD	1	
	122-910070-40	. CLOSEOUT ASSY, RH OUTBD	1	
17	FIT7090-3-11-5	. . SCREW/ALTERNATE FOR CA21063-10-5-11/ /ORDER CA2229-10-5-11 FOR SPARES/	8	
	CA21063-10-5-11	. . SCREW/ALTERNATE FOR FIT7090-3-11-5/ /ORDER CA2229-10-5-11 FOR SPARES/	8	
	CA2229-10-5-11	. . SCREW	8	
18	CA21062-10R	. . RING, RETAINING	8	
	CA2210-10R	. . RING, RETAINING	8	
19	NAS1169C10L	. . WASHER	8	
	MS21060L3	. . NUTPLATE	1	
20	CA21062-10S	. . SHIM/UNDER NUTPLATE/	1	
21	122-910070-41	. . CLOSEOUT, LH	1	
	122-910070-42	. . CLOSEOUT, RH	1	
22	122-910070-43	. . CLOSEOUT, LH OUTBD	1	
	122-910070-44	. . CLOSEOUT, RH OUTBD	1	

Beechcraft
STARSHIP 1
ILLUSTRATED PARTS CATALOG



2000-241-08

FIGURE 30-00.COWLING INSTALLATION
/SHEET 3 OF 4 SHEETS/

Raytheon Aircraft

BEECH STARSHIP 1 ILLUSTRATED PARTS CATALOG

SUB-SECT UNIT & ITEM NO.	PART NO.	1 2 3 4 5 6 7	DESCRIPTION	UNITS PER ASSY	USABLE ON CODE
30-00	122-910070-17	.	FAIRING ASSY, LH LOWER/ORDER 122-910070-57 FOR SPARES/	NP	1
	122-910070-57	.	FAIRING ASSY, LH LOWER	1	2
	122-910070-45	.	FAIRING ASSY, RH LOWER/ORDER 122-910070-58 FOR SPARES/	NP	1
	122-910070-58	.	FAIRING ASSY, RH LOWER	1	2
23	FIT7090-3-11-5	..	SCREW/ALTERNATE FOR CA21063-10-5-11/ /ORDER CA2229-10-5-11 FOR SPARES/	22	1
	FIT7090-3-12-5	..	SCREW/ALTERNATE FOR CA21063-10-5-12/ /ORDER CA2229-10-5-12 FOR SPARES/	4	2
	FIT7090-3-11-5	..	SCREW/ALTERNATE FOR CA21063-10-5-11/ /ORDER CA2229-10-5-11 FOR SPARES/	18	2
	CA21063-10-5-11	..	SCREW/ALTERNATE FOR FIT7090-3-11-5/ /ORDER CA2229-10-5-11 FOR SPARES/	22	1
	CA21063-10-5-12	..	SCREW/ALTERNATE FOR FIT7090-3-12-5/ /ORDER CA2229-10-5-12 FOR SPARES/	4	2
	CA21063-10-5-11	..	SCREW/ALTERNATE FOR FIT7090-3-11-5/ /ORDER CA2229-10-5-11 FOR SPARES/	18	2
	CA2229-10-5-11	..	SCREW	AR	
	CA2229-10-5-12	..	SCREW	AR	
24	CA21062-10R	..	RING, RETAINING /ORDER CA2210-10R FOR SPARES/	22	
	CA2210-10R	..	RING, RETAINING	22	
25	NAS1169C10L	..	WASHER	22	
	122-910066-29	..	HINGE ASSY	1	
26	105774C-ZE00604	..	PIN, HINGE	1	
27	122-910066-31	..	HINGE, HALF	2	
28	122-910066-17	..	PLATE, STRIKER	2	
	122-910070-29	..	DOOR ASSY, LH	1	
	122-910070-30	..	DOOR ASSY, RH	1	
29	122-910070-31	..	DOOR, LH	1	
	122-910070-32	..	DOOR, RH	1	
30	H5000-2-040-115	..	LATCH	2	
31	122-910070-19	..	FAIRING, LH LOWER	1	1
	122-910070-59	..	FAIRING, LH LOWER	1	2
	122-910070-47	..	FAIRING, RH LOWER	1	1
	122-910070-60	..	FAIRING, RH LOWER	1	2

Beechcraft
STARSHIP 1
ILLUSTRATED PARTS CATALOG

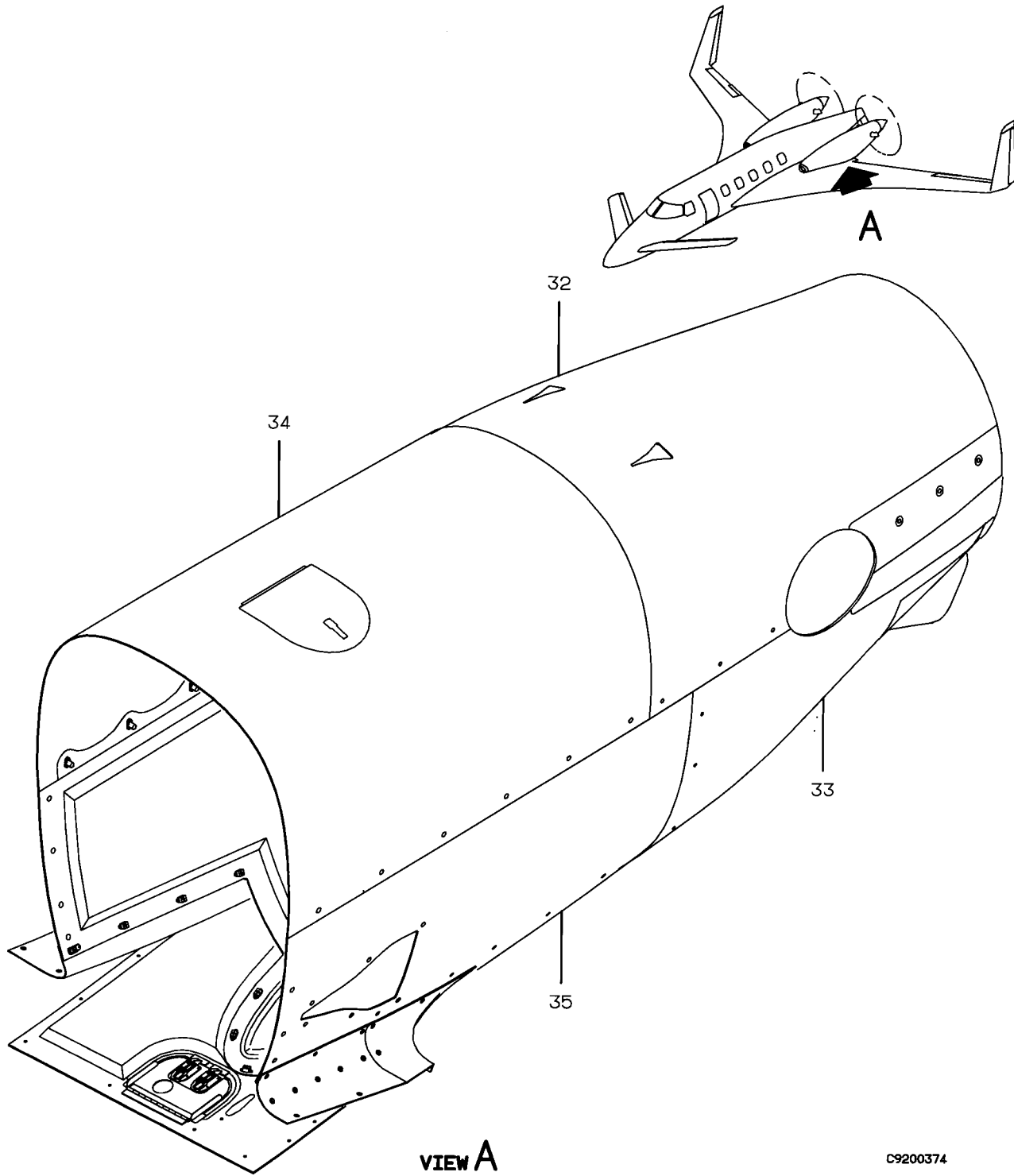
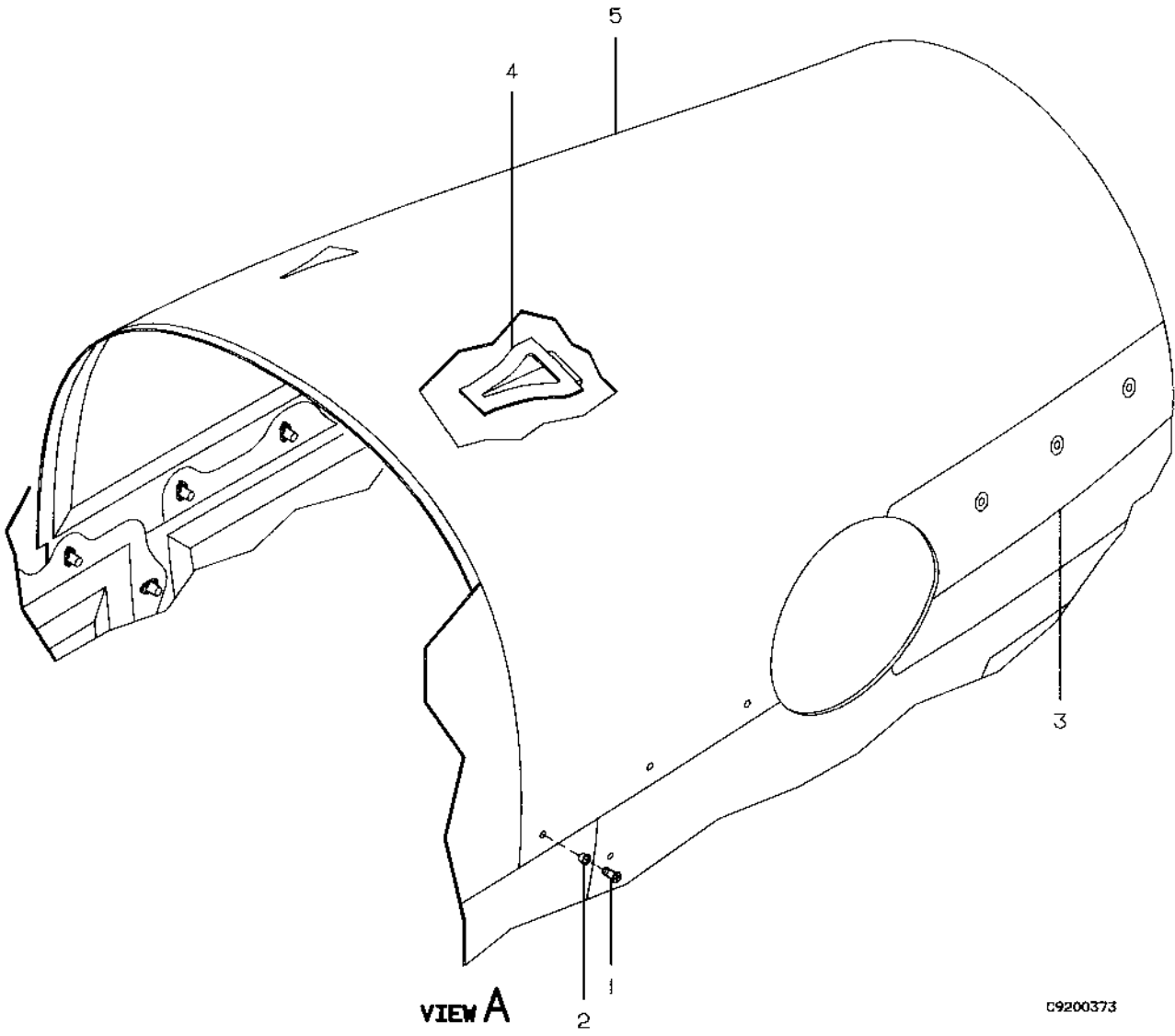
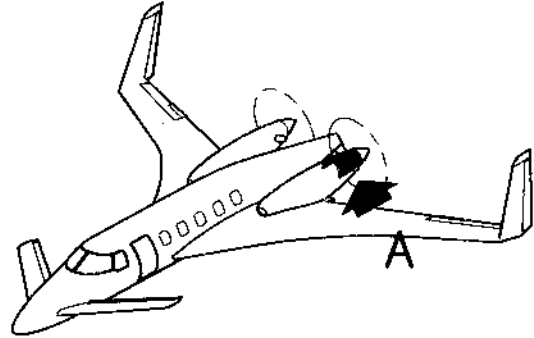


FIGURE 30-00.COWLING INSTALLATION
/SHEET 4 OF 4 SHEETS/

Beechcraft
STARSHIP 1
ILLUSTRATED PARTS CATALOG

54-30-10
UPPER AFT COWLING

Beechcraft
STARSHIP 1
ILLUSTRATED PARTS CATALOG



VIEW A

C9200373

FIGURE 30-10. UPPER AFT COWLING

Beechcraft
STARSHIP 1
ILLUSTRATED PARTS CATALOG

SUB-SEC UNIT & ITEM NO	PART NO.	DESCRIPTION 1 2 3 4 5 6 7	UNITS	USABLE
			PER ASSY	ON CODE
30-10	122-910067-19	COWLING ASSY, UPPER AFT/LH & RH/.....	2	1
	122-910067-29	COWLING ASSY, UPPER AFT/LH & RH/.....	2	2
- 1	CA18324-1P	. NUT, STUD.....	12	
- 2	CA18185	. GROMMET.....	12	
	122-910067-31	. COWLING ASSY, UPPER AFT/SECONDARY/.....	1	2
	122-910067-21	. COWLING ASSY, UPPER AFT/SECONDARY/.....	1	1
- 3	122-910067-35	. SHIELD, LH OUTBD AND RH INBD HEAT.....	1	2
	122-910067-25	. SHIELD, LH OUTBD AND RH INBD HEAT.....	1	1
	122-910067-36	. SHIELD, RH OUTBD AND LH INBD HEAT.....	1	2
	122-910067-26	. SHIELD, RH OUTBD AND LH INBD HEAT.....	1	1
- 4	122-910016-1	. SCOOP, LH OUTBD AND RH INBD.....	1	
	122-910016-2	. SCOOP, RH OUTBD AND LH INBD.....	1	
- 5	122-910067-33	. COWLING, UPPER AFT/PRIMARY/.....	1	2
	122-910067-23	. COWLING, UPPER AFT/PRIMARY/.....	1	1
	122-910067-43	. DOUBLER, UPPER LH.....	1	2
	122-910067-45	. DOUBLER, UPPER RH.....	1	2
	122-9002-1	KIT LIST, GROSS WEIGHT INCREASE.....	1	1
	122-910067-43	. DOUBLER, UPPER LH.....	2	1
	122-910067-45	. DOUBLER, UPPER RH.....	2	1

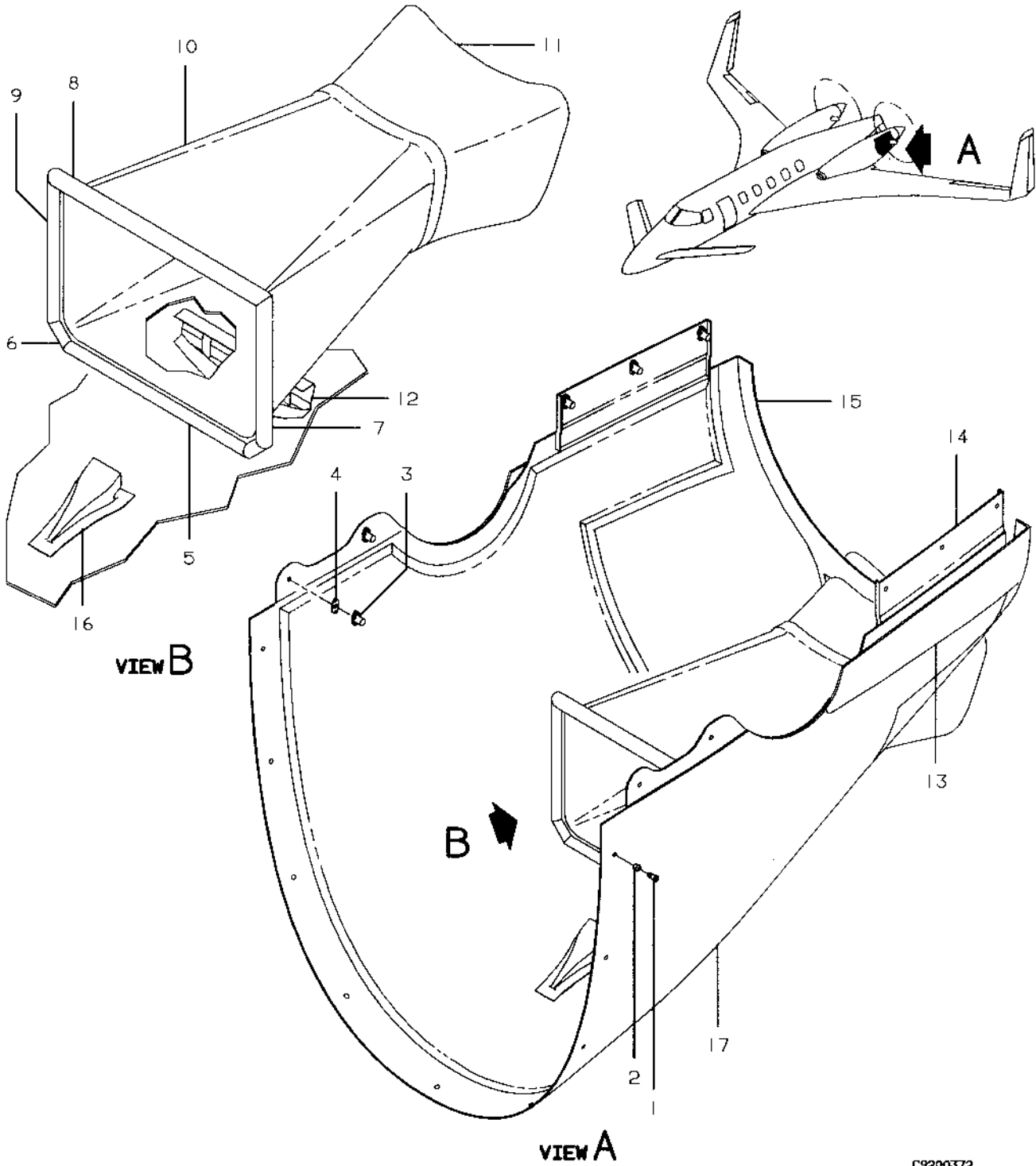
CODES OF EFFECTIVITY

1 NC-4 THRU NC-28 2 NC-29 AND AFTER

Beechcraft
STARSHIP 1
ILLUSTRATED PARTS CATALOG

54-30-20
LOWER AFT COWLING

Beechcraft
STARSHIP 1
ILLUSTRATED PARTS CATALOG



C9200372

FIGURE 30-20. LOWER AFT COWLING

Beechcraft
STARSHIP 1
ILLUSTRATED PARTS CATALOG

SUB-SEC UNIT & ITEM NO	PART NO.	DESCRIPTION 1 2 3 4 5 6 7	UNITS	USABLE
			PER ASSY	ON CODE
30-20	122-910069-19	COWLING ASSY, LOWER AFT/LH & RH/.....	2	1
	122-910069-27	COWLING ASSY, LOWER AFT/LH & RH/.....	2	2
- 1	CA18324-1P	. NUT, STUD.....	9	
- 2	CA18185	. GROMMET.....	9	
- 3	CA1810	. RECEPTACLE.....	10	
- 4	CA1818-1	. SHIM/UNDER RECEPTACLE/.....	10	
	122-910069-21	. COWLING, LOWER AFT.....	1	1
	122-910069-29	. COWLING, LOWER AFT.....	1	2
	122-910060-1	. . DUCT ASSY, OIL COOLER EXIT.....	1	
	122-910060-5	. . . SEAL ASSY.....	1	
- 5	122-910060-11	. . . SEAL.....	1	
- 6	122-910060-13	. . . SEAL.....	2	
- 7	122-910060-7	. . . SEAL.....	1	
- 8	122-910060-9	. . . SEAL.....	1	
- 9	122-910060-8	. . . SEAL.....	1	
-10	122-910060-3	. . . DUCT ASSY.....	1	
-11	122-910060-15	. . DUCT, EXIT.....	1	
-12	122-910061-1	. . SUPPORT, DUCT.....	1	
-13	122-910069-35	. . SHIELD, LH LOWER HEAT.....	1	2
	122-910069-15	. . SHIELD, LH LOWER HEAT.....	1	1
	122-910069-45	. . SHIELD, RH LOWER HEAT.....	1	2
	122-910069-16	. . SHIELD, RH LOWER HEAT.....	1	1
-14	122-910069-25	. . PLATE, LH.....	1	
	122-910069-26	. . PLATE, RH.....	1	
-15	122-910071-3	. . CLOSEOUT, LH COWLING.....	1	
	122-910071-5	. . CLOSEOUT, RH COWLING.....	1	
-16	122-910016-3	. . SCOOP, AIR VENTILATION.....	1	
-17	122-910069-23	. . COWLING, PRIMARY.....	1	1
	122-910069-31	. . COWLING, PRIMARY.....	1	2
	122-910069-41	. DOUBLER, LH LOWER.....	1	2
	122-910069-43	. DOUBLER, RH LOWER.....	1	2
	122-9002-1	KIT LIST, GROSS WEIGHT INCREASE.....	1	1
	122-910069-41	. DOUBLER, LH LOWER.....	2	1
	122-910069-43	. DOUBLER, RH LOWER.....	2	1

CODES OF EFFECTIVITY

1 NC-4 THRU NC-28 2 NC-29 AND AFTER

Beechcraft
STARSHIP 1
ILLUSTRATED PARTS CATALOG

54-30-30
UPPER FORWARD COWLING

Beechcraft
STARSHIP 1
ILLUSTRATED PARTS CATALOG

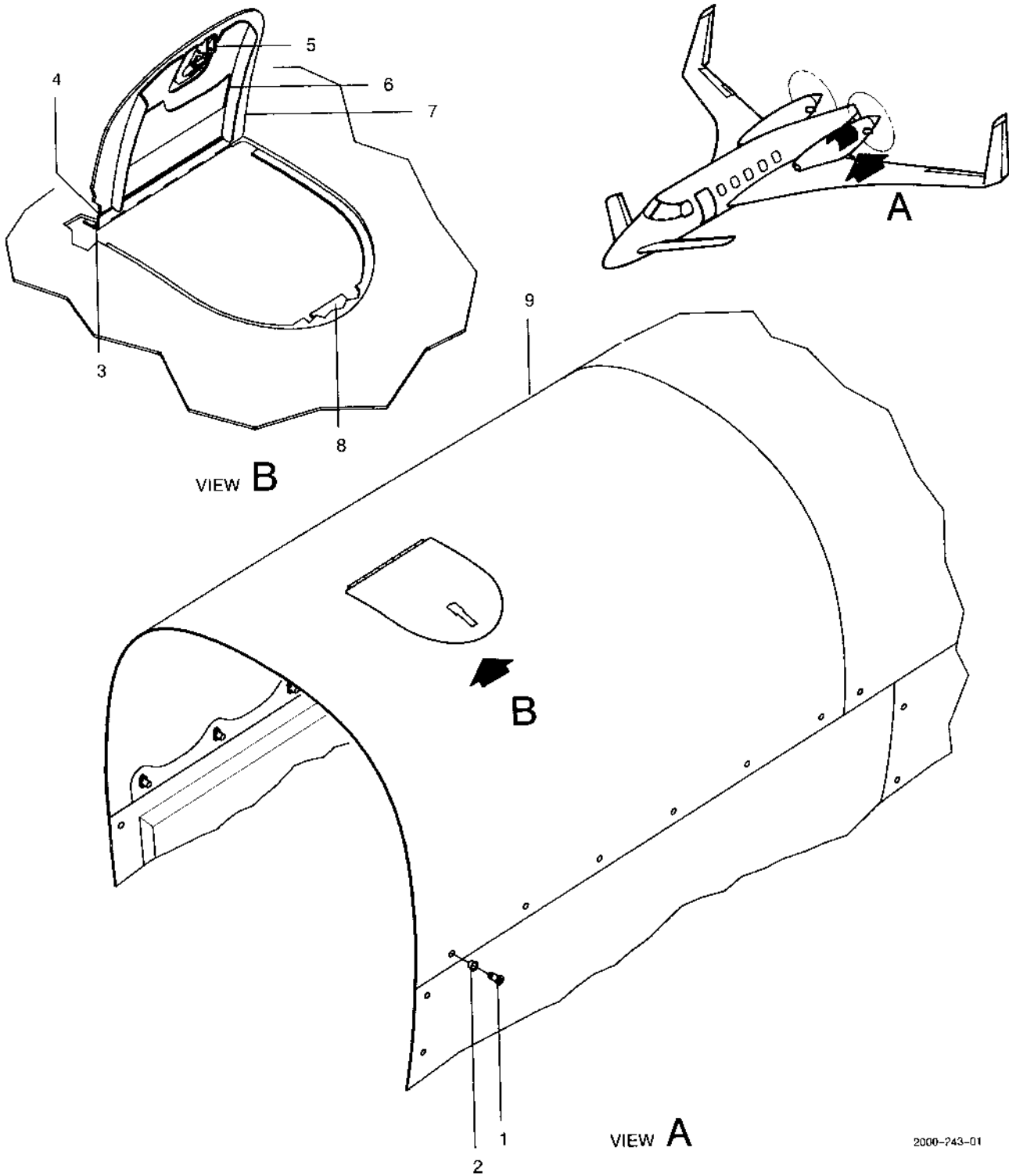


FIGURE 30-30. UPPER FORWARD COWLING

Beechcraft
STARSHIP 1
ILLUSTRATED PARTS CATALOG

SUB-SEC UNIT & ITEM NO	PART NO.	DESCRIPTION 1 2 3 4 5 6 7	UNITS	USABLE
			PER ASSY	ON CODE
30-30	122-910066-19	COWLING ASSY, LH AND RH UPPER FORWARD	2	
- 1	CA18324-1P	. NUT, STUD.....	20	
- 2	CA18185	. GROMMET.....	20	
	122-910066-29	. HINGE ASSY, DOOR	1	
- 3	105774C-ZE00604	. . PIN, HINGE.....	1	
- 4	122-910066-31	. . HINGE, HALF	2	
	122-910066-26	. DOOR ASSY, ENGINE SERVICE INSTRUCTION	1	
- 5	H5000-2-040-115	. . LATCH	1	
- 6	122-930009-3	. . PLATE, INSTRUCTION	1	
- 7	122-910066-27	. . DOOR.....	1	
- 8	122-910066-17	. PLATE, STRIKER.....	1	
- 9	122-910066-21	. COWLING ASSY, BONDED.....	1	

Beechcraft
STARSHIP 1
ILLUSTRATED PARTS CATALOG

54-30-40
LOWER FORWARD COWLING

Beechcraft
STARSHIP 1
ILLUSTRATED PARTS CATALOG

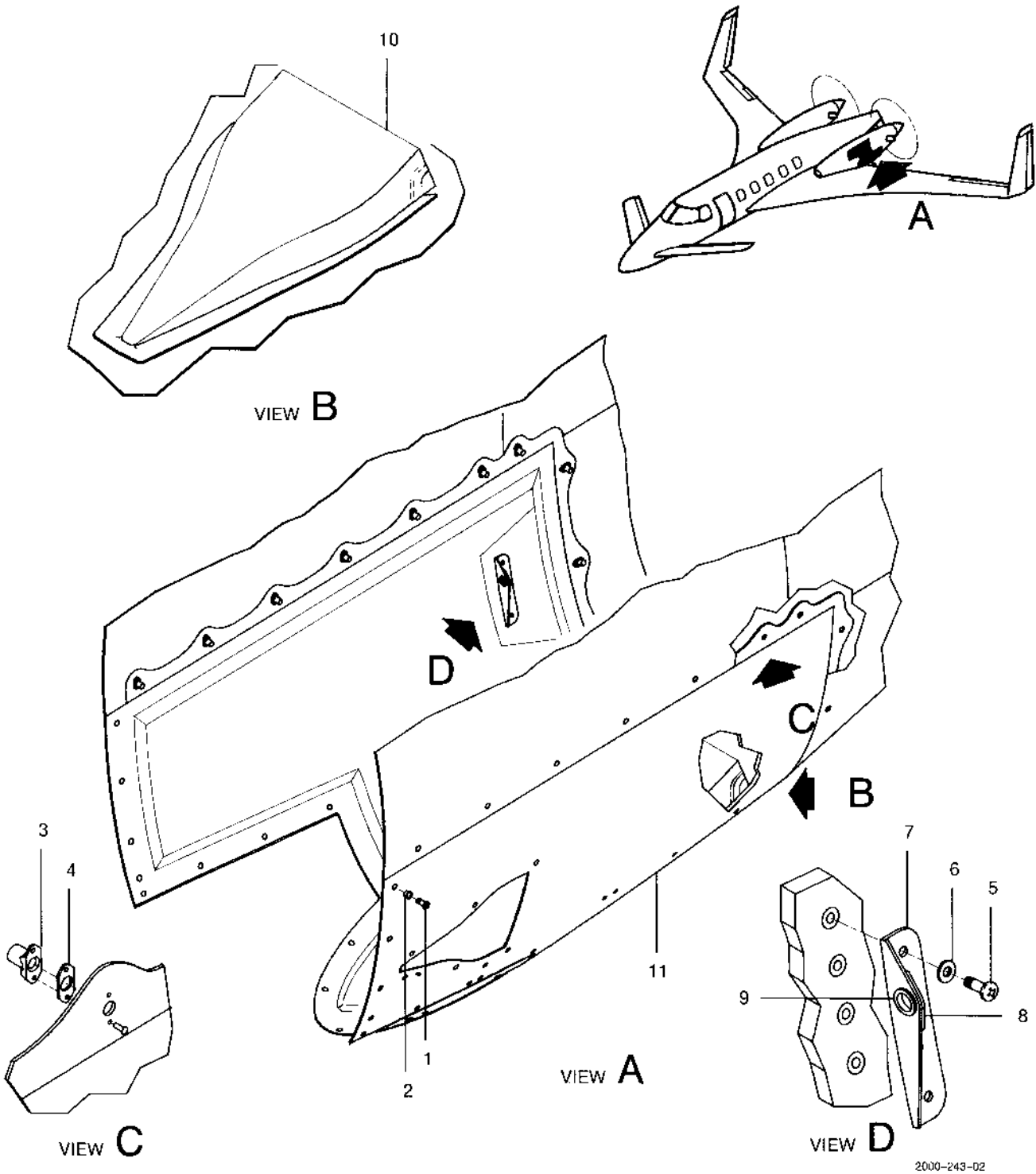


FIGURE 30-40. LOWER FORWARD COWLING

Beechcraft
STARSHIP 1
ILLUSTRATED PARTS CATALOG

SUB-SEC UNIT & ITEM NO	PART NO.	DESCRIPTION 1 2 3 4 5 6 7	UNITS	USABLE
			PER ASSY	ON CODE
30-40	122-910068-1	COWLING ASSEMBLY, LH LOWER FORWARD.....	1	
	122-910068-3	COWLING ASSEMBLY, RH LOWER FORWARD.....	1	
- 1	CA18324-1P	. NUT, STUD.....	14	
- 2	CA18185	. GROMMET.....	14	
- 3	CA1810	. RECEPTACLE.....	23	
- 4	CA1818-1	. SHIM/UNDER RECEPTACLE/.....	23	
	MS21060L3	. NUTPLATE.....	24	
	MS21062L3	. NUTPLATE.....	2	
	CA21062-10S	. SHIM/UNDER NUTPLATE/.....	25	
	122-910068-19	. BRACKET ASSY, LH.....	1	
	122-910068-20	. BRACKET ASSY, RH.....	1	
		./ATTACHING PARTS/		
- 5	MS27039-1-05	. SCREW.....	4	
- 6	AN960D10	. WASHER.....	4	
		-----★-----		
- 7	122-910068-21	. BRACKET, LH.....	1	
	122-910068-22	. BRACKET, RH.....	1	
- 8	122-910068-23	. DOUBLER.....	1	
- 9	NAS77-6-31	. BUSHING.....	1	
	SL644C3-4	. INSERT.....	8	
- 10	122-910056-13	. SCOOP ASSY, OIL COOLER.....	1	
- 11	122-910068-5	. COWLING, LH LOWER FORWARD.....	1	
	122-910068-7	. COWLING, RH LOWER FORWARD.....	1	

Raytheon Aircraft

BEECH STARSHIP 1 ILLUSTRATED PARTS CATALOG

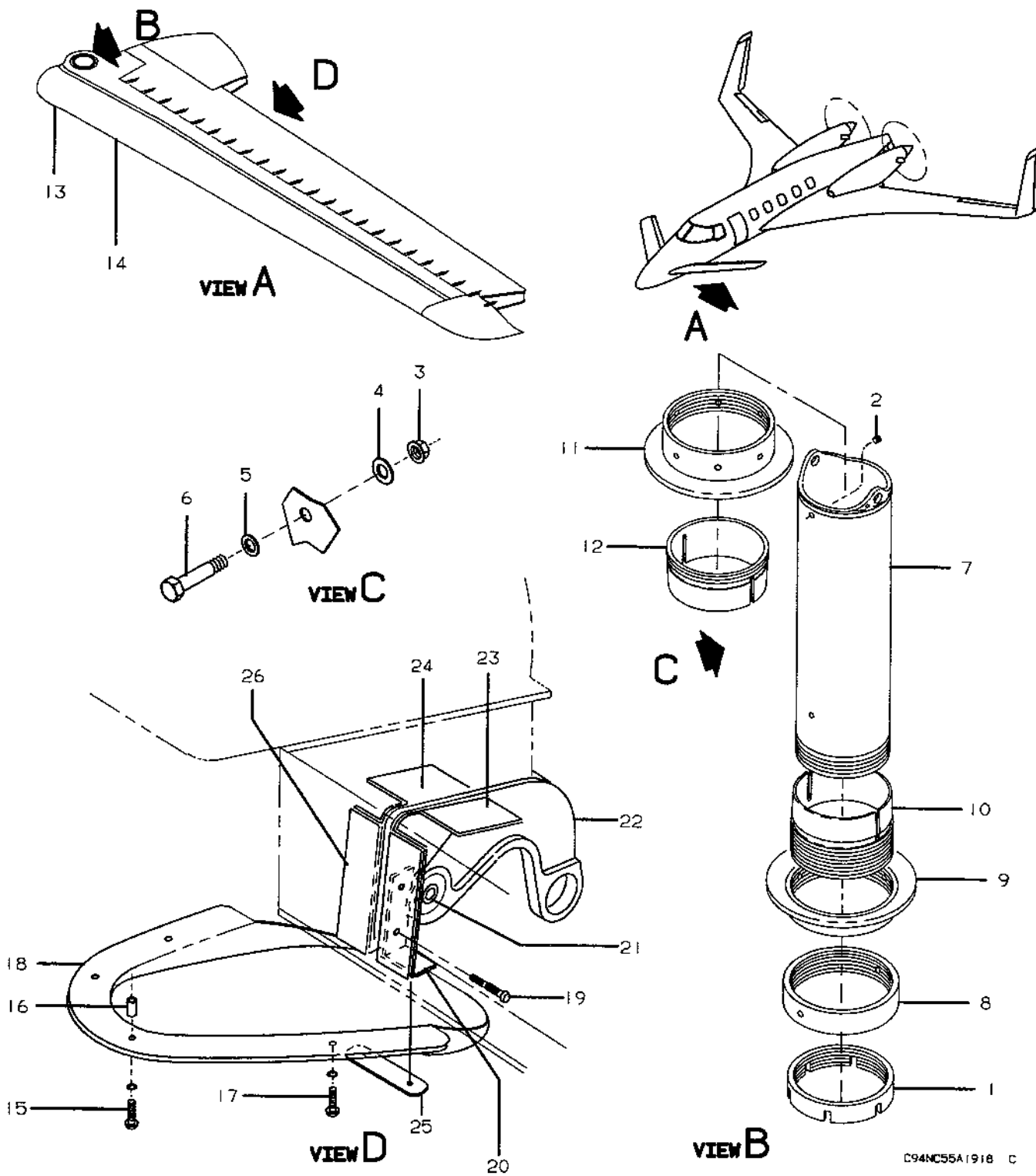
LIST OF PAGES & TABLE OF CONTENTS FOR CHAPTER 55-00-00 STABILIZERS

CHAP/SUB- SECT & UNIT	PAGE NUMBER	EFFECTIVE DATE	TABLE OF CONTENTS
55-00-00	1	07/31/02	LIST OF PAGES & TABLE OF CONTENTS
55-10-00	1	02/25/94	FORWARD WING
55-10-00	2	11/04/94	
55-10-00	3	07/31/02	
55-10-00	4	11/04/94	
55-10-00	5	07/31/02	
55-10-00	6	11/04/94	
55-10-00	7	11/04/94	
55-10-00	8	11/04/94	
55-10-00	9	11/04/94	
55-20-00	1	02/25/94	ELEVATOR
55-20-00	2	02/25/94	
55-20-00	3	07/31/02	
55-20-00	4	06/30/95	
55-20-00	5	07/31/02	
55-20-00	6	06/30/95	
55-20-00	7	07/31/02	
55-30-00	1	02/25/94	TIPSAIL
55-30-00	2	06/30/95	
55-30-00	3	06/30/95	
55-30-00	4	06/30/95	
55-30-00	5	06/30/95	
55-30-00	6	06/30/95	
55-30-00	7	06/30/95	
55-40-00	1	02/25/94	TIPSAIL RUDDER
55-40-00	2	06/30/95	
55-40-00	3	06/30/95	
55-40-00	4	06/30/95	
55-40-00	5	06/30/95	
55-40-00	6	06/30/95	
55-40-00	7	06/30/95	
55-40-00	8	06/30/95	
55-40-00	9	06/30/95	
55-60-00	1	02/25/94	VENTRAL STABILIZER
55-60-00	2	02/25/94	
55-60-00	3	06/30/95	

Beechcraft
STARSHIP 1
ILLUSTRATED PARTS CATALOG

55-10-00
FORWARD WING

Beechcraft
 STARSHIP 1
 ILLUSTRATED PARTS CATALOG



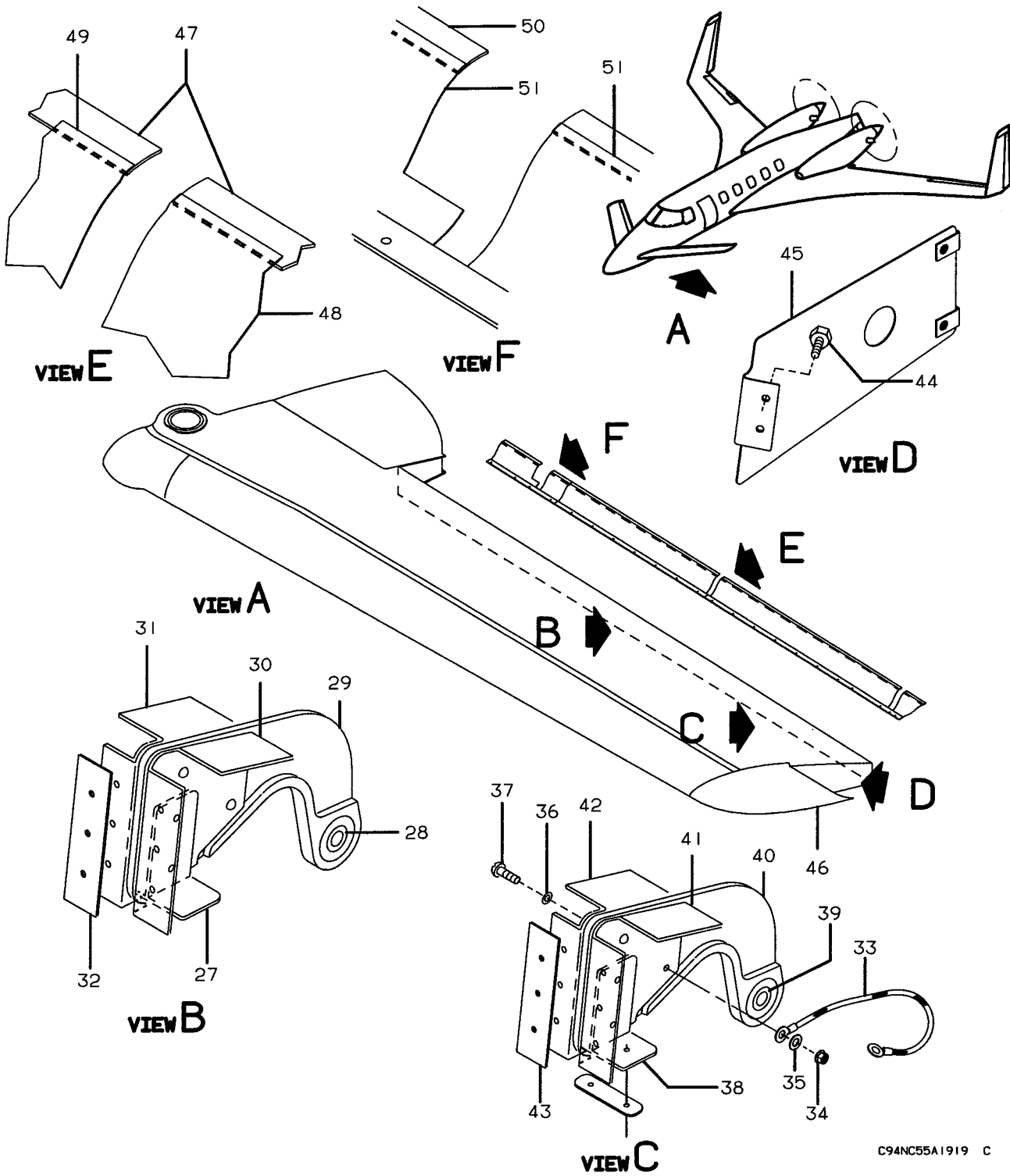
C94NC55A1918 C

Raytheon Aircraft

BEECH STARSHIP 1 ILLUSTRATED PARTS CATALOG

SUB-SECT UNIT & ITEM NO.	PART NO.	1 2 3 4 5 6 7	DESCRIPTION	UNITS PER ASSY	USABLE ON CODE
10-00	122-620000-3		WING INSTL, LH FWD	NP	
	122-620000-4		WING INSTL, RH FWD	NP	
1	122-410230-15		. NUT, CASTLE	1	
2	AN565E428H4		. SCREW, SET	2	
3	MS21043-6		. NUT	2	
4	122-410230-13		. WASHER	2	
5	AN960C616		. WASHER	2	
6	NAS1106-7		. BOLT	2	
7	122-410230-29		. PIN, LH PIVOT	1	
	122-410230-30		. PIN, RH PIVOT	1	
8	122-620152-9		. NUT	1	
9	122-620152-7		. NUT	1	
10	122-620152-13		. COLLAR	1	
11	122-620152-5		. NUT	1	
12	122-620152-11		. COLLAR	1	
	122-620010-1		. WING ASSY, LH FWD/ORDER 122-620010-13 FOR SPARES/	NP	1
	122-620010-13		. WING ASSY, LH FWD	1	2
	122-620010-2		. WING ASSY, RH FWD/ORDER 122-620010-14 FOR SPARES/	NP	1
	122-620010-14		. WING ASSY, RH FWD	1	2
	122-620065-1		. . LEADING EDGE INSTL, FWD WING	NP	5
	122-620066-1		. . LEADING EDGE INSTL, FWD WING	NP	6
	122-620065-2		. . LEADING EDGE INSTL, FWD WING	NP	5
	122-620066-2		. . LEADING EDGE INSTL, FWD WING	NP	6
13	122-620065-5		. . . LEADING EDGE ASSY, LH INDB	1	5
	122-620067-3		. . . LEADING EDGE ASSY, LH INDB	1	6
	122-620065-6		. . . LEADING EDGE ASSY, RH INDB	1	5
	122-620067-4		. . . LEADING EDGE ASSY, RH INDB	1	6
14	122-620065-3		. . . LEADING EDGE ASSY, LH OUTBD	1	5
	122-620067-1		. . . LEADING EDGE ASSY, LH OUTBD	1	6
	122-620065-4		. . . LEADING EDGE ASSY, RH OUTBD	1	5
	122-620067-2		. . . LEADING EDGE ASSY, RH OUTBD	1	6
15	MS35206-240		. . SCREW	3	3
16	SL607-08-4CM		. . INSERT	3	3
	SL602-08-400CM		. . INSERT	3	4
17	MS27039-0805		. . SCREW	1	3
	MS21071L08		. . NUTPLATE	1	3
	MS21071L08		. . NUTPLATE	1	4
18	122-620010-11		. . FAIRING, LH INBD HINGE	1	
	122-620010-12		. . FAIRING, RH INBD HINGE	1	
	FIT7090-08-7-4		. . . SCREW	4	4
	D79661A8		. . . WASHER	4	4
	CA21062-08R		. . . RETAINER	4	4
	CA2210-08R		. . . RETAINER	4	4
	122-620050-1		. . BRACKET INSTL, LH ELEVATOR INBD HINGE	NP	
	122-620050-2		. . BRACKET INSTL, RH ELEVATOR INBD HINGE	NP	
19	HL10VAP-5-7		. . . PIN	2	
	HL94W5		. . . COLLAR	2	
20	122-620050-17		. . . CLIP	1	
	122-620050-7		. . . BEARING ASSY, ELEVATOR INBD HINGE	1	
21	MS27643-4		. . . BEARING	1	
22	122-620050-13		. . . FITTING	1	
23	122-620050-15		. . . BRACKET, ELEVATOR INBD HINGE LH	1	
24	122-620050-16		. . . BRACKET, ELEVATOR INBD HINGE RH	1	
25	122-620050-29		. . . DOUBLER	1	
26	131910		. . . SHIM	AR	

Beechcraft
STARSHIP 1
ILLUSTRATED PARTS CATALOG



C94NC55A1919 C

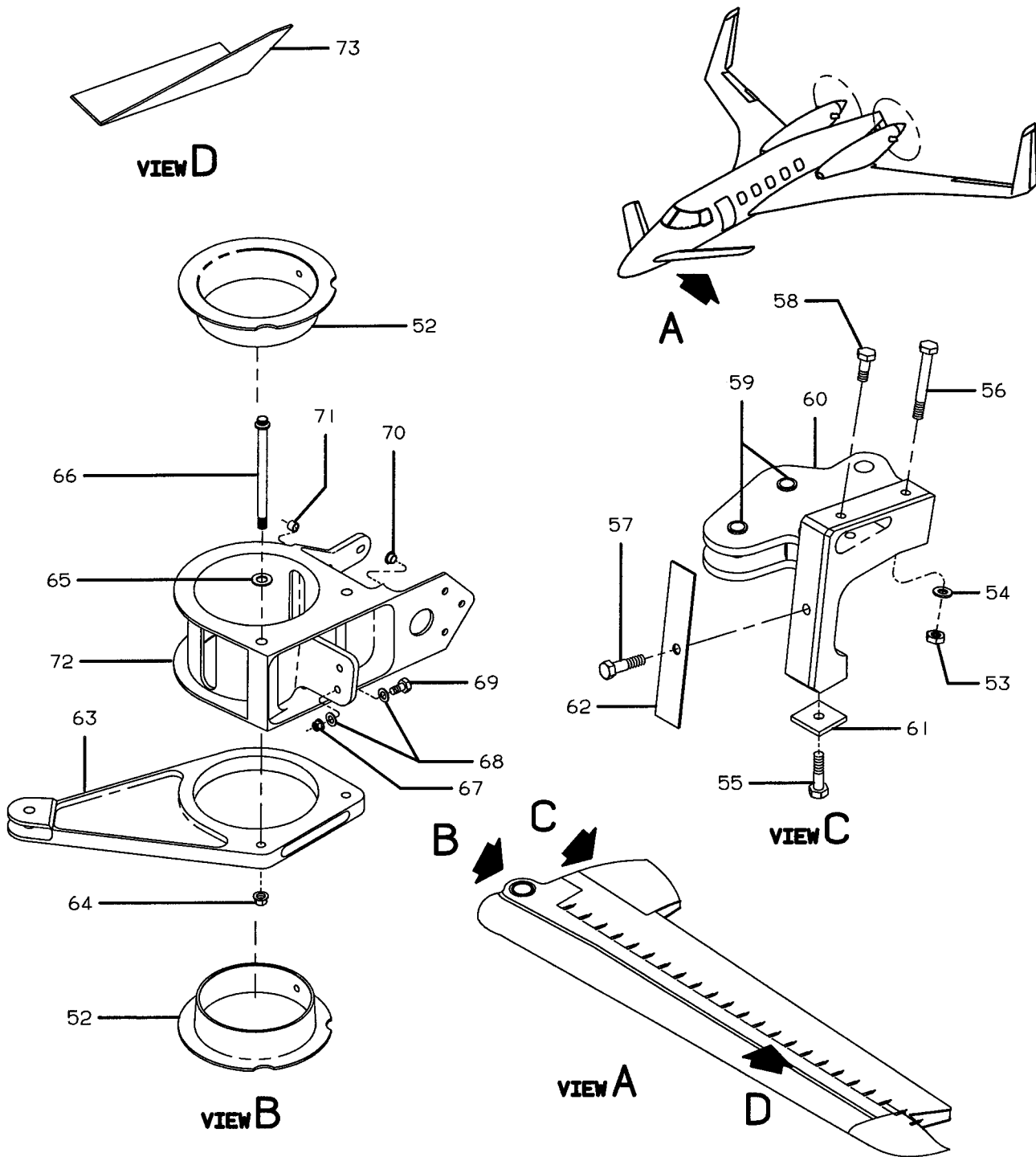
FIGURE 10-00.FORWARD WING
/SHEET 2 OF 4 SHEETS/

Raytheon Aircraft

BEECH STARSHIP 1 ILLUSTRATED PARTS CATALOG

SUB-SECT UNIT & ITEM NO.	PART NO.	1 2 3 4 5 6 7	DESCRIPTION	UNITS	USABLE	
				PER ASSY	ON CODE	
10-00	122-620050-3		.. BRACKET INSTL, LH ELEVATOR CTR HINGE	NP		
	122-620050-33		.. BRACKET INSTL, RH ELEVATOR CTR HINGE	NP		
	HL10VAP-6-8		.. PIN	2		
		HL94W6		.. COLLAR	2	
	27	122-620050-45		.. CLIP	1	
		122-620050-43		.. BEARING ASSY	1	
	28	MS27645-4A		.. BEARING	1	
	29	122-620050-41		.. FITTING	1	
	30	122-620050-49		.. BRACKET	1	
	31	122-620050-50		.. BRACKET	1	
	32	131910		.. SHIM	AR	
		122-620050-5		.. BRACKET INSTL, LH ELEVATOR OUTBD HINGE	NP	
		122-620050-6		.. BRACKET INSTL, RH ELEVATOR OUTBD HINGE	NP	
	33	MS25083-2AB5		.. JUMPER, BONDING	1	2
		MS25083-3PB2		.. JUMPER, BONDING	1	1
		MS25083-3SA		.. JUMPER, BONDING	1	1
				(ATTACHING PARTS)		
	34	MS21044N06		.. NUT	1	
	35	AN960-6		.. WASHER	1	
	36	MS35338-41		.. WASHER, LOCK/UNDER SCREW HEAD/	1	
	37	MS35206-231		.. SCREW	1	
				-----★-----		
		HL10VAP6-6		.. PIN	2	
		HL94W6		.. COLLAR	2	
	38	122-620050-31		.. CLIP	1	
		122-620050-39		.. BEARING ASSY, ELEVATOR OUTBD HINGE	1	
	39	MS27645-4A		.. BEARING	1	
	40	122-620050-37		.. FITTING	1	
	41	122-620050-47		.. BRACKET, ELEVATOR OUTBD HINGE LH	1	
	42	122-620050-48		.. BRACKET, ELEVATOR OUTBD HINGE RH	1	
	43	131910		.. SHIM	AR	
		122-620121-1		.. WING ASSY, LH FWD	1	
		122-620121-2		.. WING ASSY, RH FWD	1	
	44	NAS1096-2-6		.. SCREW	8	
		AN960C8L		.. WASHER	8	
	45	122-620121-25		.. COVER ASSY, LH	1	
		122-620121-26		.. COVER ASSY, RH	1	
		130290-1		.. CLIPNUT	2	
46	122-620052-9		.. FAIRING ASSY, LH FWD WING TIP	1		
	122-620052-10		.. FAIRING ASSY, RH FWD WING TIP	1		
	130290-1		.. CLIPNUT	2		
47	122-620121-49		.. RETAINER, LH	1		
	122-620121-50		.. RETAINER, RH	1		
48	122-620121-53		.. COVE, LH	1		
	122-620121-54		.. COVE, RH	1		
49	122-620121-51		.. COVE, LH	1		
	122-620121-52		.. COVE, RH	1		
50	122-620121-47		.. RETAINER, LH	1		
	122-620121-48		.. RETAINER, RH	1		
51	122-620121-43		.. COVE ASSY, LH	1		
	122-620121-44		.. COVE ASSY, RH	1		
	FIT7090-3-11-5		.. SCREW, CAPTIVE	3		
			(ORDER CA2229-10-5-11 FOR SPARES/			
	CA2229-10-5-11		.. SCREW, CAPTIVE	3		
	D79661A8		.. WASHER	3		
	CA21062-10R		.. RING, RETAINING	3		
			(ORDER CA2210-10R FOR SPARES/			
	CA2210-10R		.. RING, RETAINING	3		

Beechcraft
 STARSHIP 1
 ILLUSTRATED PARTS CATALOG



C94NC55A1920 C

FIGURE 10-00.FORWARD WING
 /SHEET 3 OF 4 SHEETS/

Beechcraft
STARSHIP 1
ILLUSTRATED PARTS CATALOG

SUB-SEC UNIT & ITEM NO	PART NO.	DESCRIPTION 1 2 3 4 5 6 7	UNITS	USABLE
			PER ASSY	ON CODE
10-00 -52	R 122-620152-1	... BUSHING ASSY.....	2	
	R 122-526033-5	... FITTING ASSY, LH FWD WING ACTUATOR.....	1	
	R 122-526033-6	... FITTING ASSY, RH FWD WING ACTUATOR.....	1	
		/ATTACHING PARTS/		
-53	R 130909N32	... NUT.....	4	
-54	R AN960JD416	... WASHER.....	8	
-55	R NAS6204-11	... BOLT.....	1	
-56	R NAS6204-28	... BOLT.....	1	
-57	R 130909B180	... BOLT.....	1	
-58	R 130909B179	... BOLT.....	1	
		★		
-59	R 132007-08C115-10	... BUSHING.....	2	
-60	R 122-526033-7	... FITTING, LH FWD WING ACTUATOR.....	1	
	R 122-526033-8	... FITTING, RH FWD WING ACTUATOR.....	1	
-61	R 122-620121-33	... SHIM.....	5	
-62	R 122-620121-35	... SHIM.....	1	
-63	R 122-620146-1	... FITTING, LH FWD WING CROSSOVER TUBE.....	1	
	R 122-620146-5	... FITTING, RH FWD WING CROSSOVER TUBE.....	1	
		/ATTACHING PARTS/		
-64	R AN310C4	... NUT.....	2	
-65	R AN960C416	... WASHER.....	4	
-66	R NAS6404U102DH	... BOLT.....	2	
		★		
	122-620133-9	... SPACER ASSY, LH FWD WING PIN.....	1	
	122-620133-10	... SPACER ASSY, RH FWD WING PIN.....	1	
		/ATTACHING PARTS/		
-67	R AN310C4	... NUT.....	2	
-68	R AN960C416	... WASHER.....	4	
-69	R NAS1004-10	... BOLT.....	2	
		★		
-70	R 132006-07C20R1 * MS21075L5N	9-18 ... BUSHING, FLANGED..... ... NUTPLATE.....	1 1	
-71	R 132007-07C195-12	... BUSHING.....	1	
-72	R 122-620133-7	... SPACER, LH FWD WING PIN.....	1	
	122-620133-8	... SPACER, RH FWD WING PIN.....	1	
-73	R 122-620121-31	... VORTEX GENERATOR, LH.....	23	
	R 122-620121-32	... VORTEX GENERATOR, RH.....	23	

Beechcraft
STARSHIP 1
ILLUSTRATED PARTS CATALOG

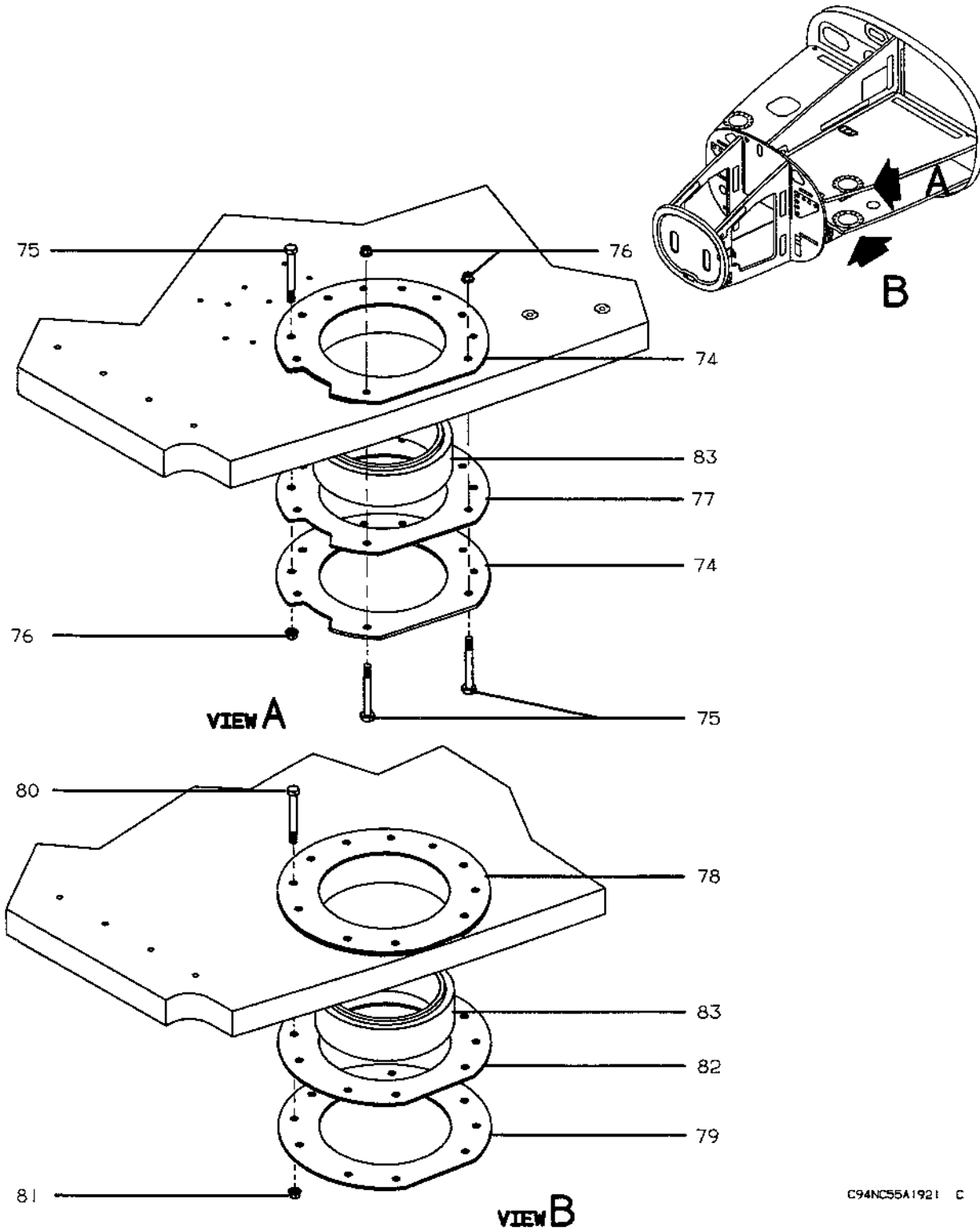


FIGURE 10-00.FORWARD WING
/SHEET 4 OF 4 SHEETS/

Beechcraft
STARSHIP 1
ILLUSTRATED PARTS CATALOG

SUB-SEC UNIT & ITEM NO	PART NO.	DESCRIPTION 1 2 3 4 5 6 7	UNITS	USABLE
			PER ASSY	ON CODE
10-00	122-410000-1	NOSE ASSY	1	
- 74	R 122-410215-75	. RETAINER/UPR AND LWR, LH AND RH/ /ATTACHING PARTS/	4	
- 75	R NAS654V25H	. BOLT	11	
- 76	R MS21043-4	. NUT	11	

- 77	R 122-410715-41	. SHIM/.005 IN. THICK/	AR	
	122-410715-43	. SHIM/.010 IN. THICK/	AR	
	122-410715-45	. SHIM/.030 IN. THICK/	AR	
NOTE SHIM BETWEEN RETAINERS & STRUCTURE WITH ABOVE SHIMS AS REQUIRED. ONE .010 THICK OR THICKER SHIM MUST BE INSTALLED.				
- 78	R 122-410215-79	. RETAINER/UPR, LH AND RH/	2	
- 79	R 122-410215-81	. RETAINER/LWR, LH AND RH/ /ATTACHING PARTS/	2	
- 80	R NAS654V25H	. BOLT	11	
- 81	R MS21043-4	. NUT	11	

- 82	R 122-410215-35	. SHIM	2	
- 83	R 122-380041-3	. BEARING, SELF LUBRICATING	4	

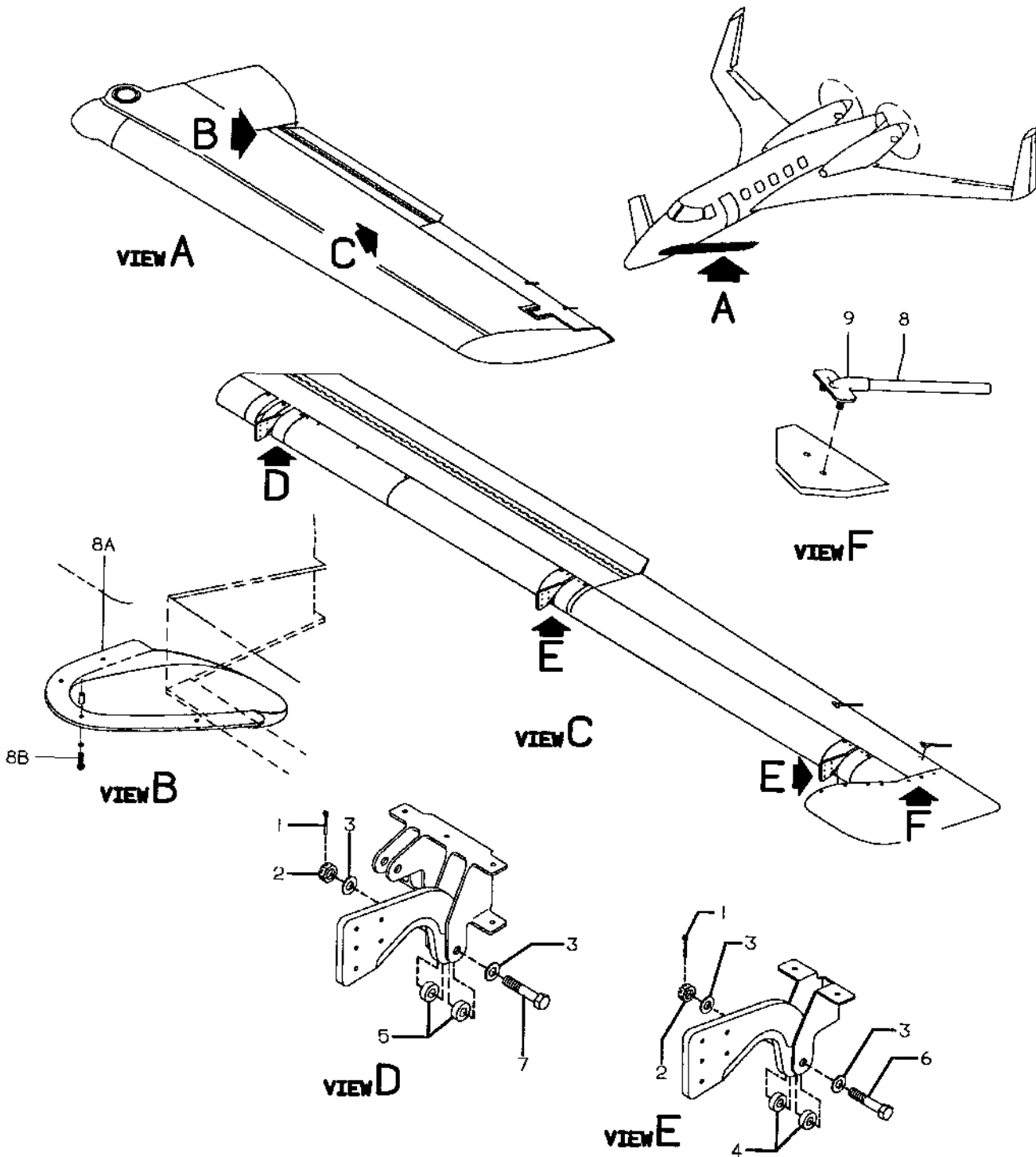
CODES OF EFFECTIVITY

1	NC-4 THRU NC-19	2	NC-20 AND AFTER
3	NC-4 THRU NC-26	4	NC-27 AND AFTER
5	NC-4 THRU NC-21	6	NC-22 AND AFTER

Beechcraft
STARSHIP 1
ILLUSTRATED PARTS CATALOG

55-20-00
ELEVATOR

Beechcraft
STARSHIP 1
ILLUSTRATED PARTS CATALOG



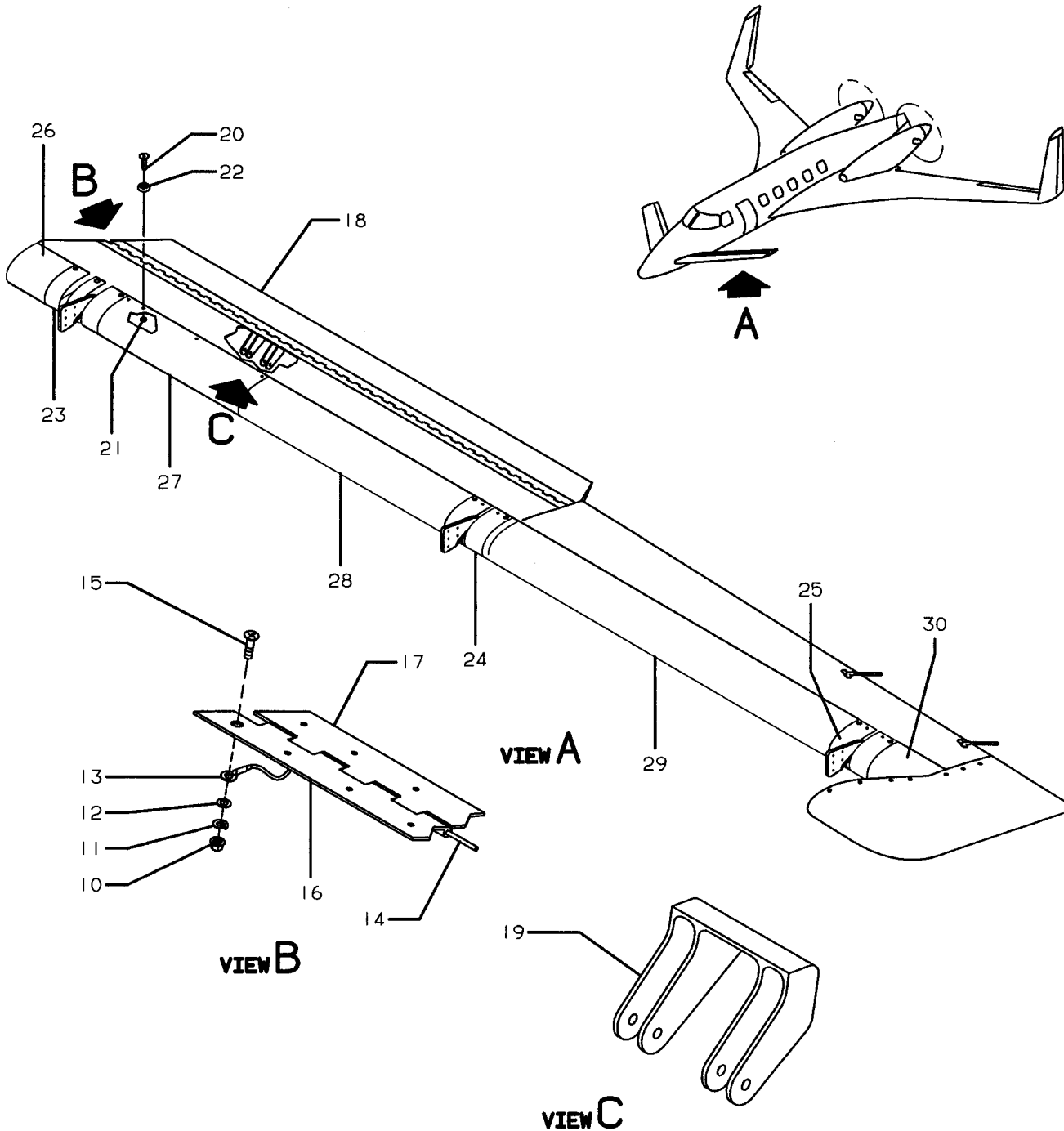
D93NC65A0323 C

Raytheon Aircraft

BEECH STARSHIP 1 ILLUSTRATED PARTS CATALOG

SUB-SECT UNIT & ITEM NO.	PART NO.	1 2 3 4 5 6 7	DESCRIPTION	UNITS PER ASSY	USABLE ON CODE
20-00	122-610000-5		ELEVATOR INSTL, LH	NP	
	122-610000-6		ELEVATOR INSTL, RH	NP	
1	MS24665-153		. PIN, COTTER	3	
2	130909N48		. NUT	3	
3	AN960C416L		. WASHER/CENTER & OUTBD HINGE UNDER NUT/ /INBD, CTR & OUTBD HINGE UNDER BOLT HEAD/	5	
	AN960C416		. WASHER/INBD HINGE UNDER NUT/	1	
4	NAS42DD8-12		. SPACER	4	
5	NAS42DD8-7		. SPACER	2	
6	NAS6204-13D		. BOLT	2	
7	NAS6204-15D		. BOLT	1	
8	101-380053-11		. WICK, STATIC/SEE CHAPTER 23/	2	
8A	122-610000-9		. FAIRING ASSY, LH	1	1
	122-610000-13		. FAIRING ASSY, LH	1	2
	122-610000-10		. FAIRING ASSY, RH	1	1
	122-610000-14		. FAIRING ASSY, RH	1	2
			(ATTACHING PARTS)		
8B	AN525-832R9		. SCREW	4	3
	FIT7090-08-8-7		. SCREW	4	4
			/ORDER CA2229-08-7-8 FOR SPARES/		
	D79661A8		. WASHER	4	
	CA21062-08R		. RETAINER	4	
	CA2210-08R		. RETAINER	4	
	MS21071L08		. NUTPLATE	4	
			-----★-----		
	122-610011-53		. ELEVATOR ASSY, LH/ORDER 122-610011-71 FOR SPARES/	NP	5
	122-610011-73		. ELEVATOR ASSY, LH/ORDER 122-610011-71 FOR SPARES/	NP	6
	122-610011-71		. ELEVATOR ASSY, LH	1	7
	122-610011-54		. ELEVATOR ASSY, RH/ORDER 122-610011-72 FOR SPARES/	NP	5
	122-610011-74		. ELEVATOR ASSY, RH/ORDER 122-610011-72 FOR SPARES/	NP	6
	122-610011-72		. ELEVATOR ASSY, RH	1	7
9	122-610011-69		. . BASE ASSY, LH DISCHARGER	2	
	122-610011-70		. . BASE ASSY, RH DISCHARGER	2	

Beechcraft
 STARSHIP 1
 ILLUSTRATED PARTS CATALOG



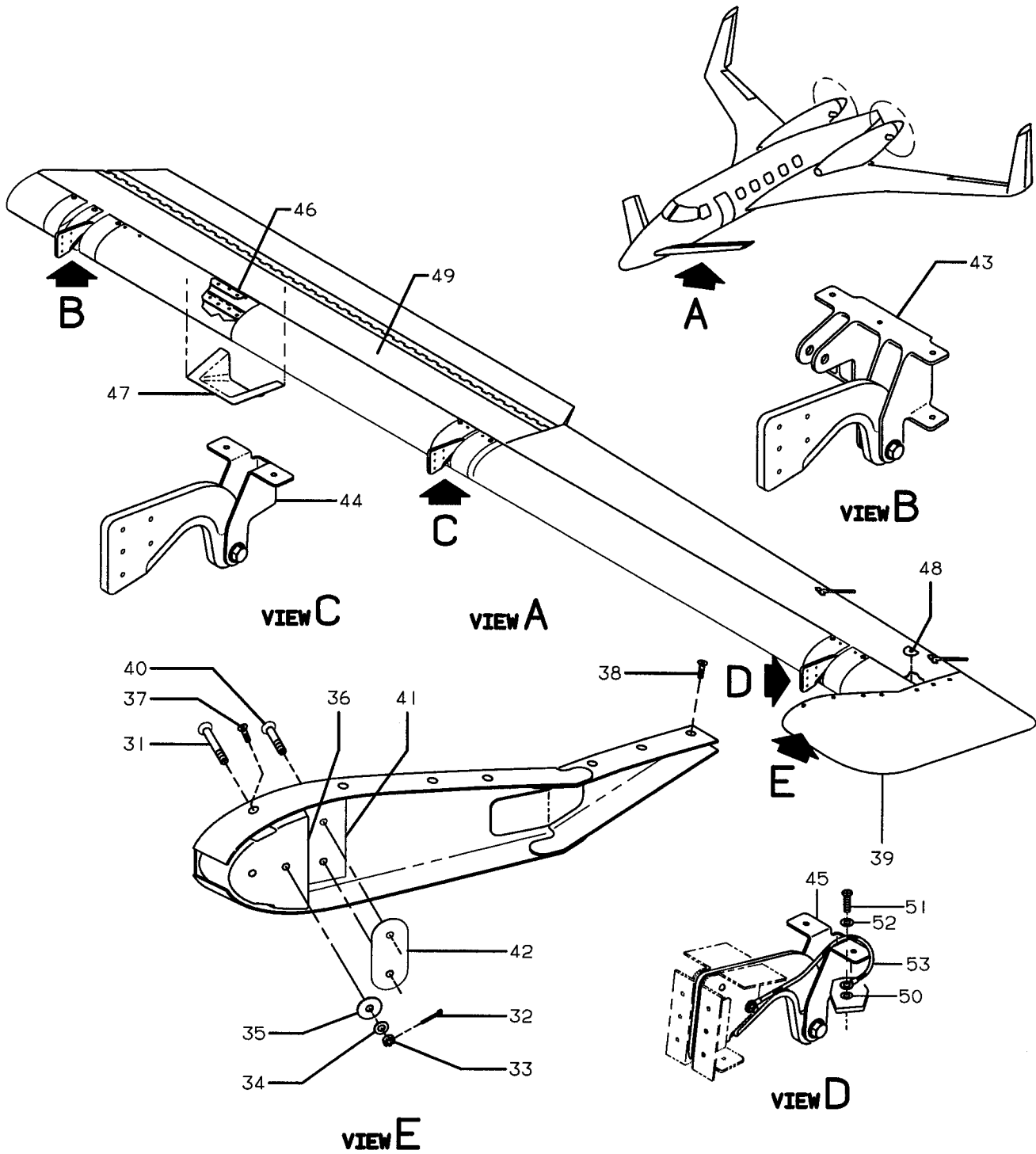
C95NC55A0035 C

Raytheon Aircraft

BEECH STARSHIP 1 ILLUSTRATED PARTS CATALOG

SUB-SECT		PART NO.	DESCRIPTION	UNITS PER ASSY	USABLE ON CODE
UNIT & ITEM NO.					
20-00	10	MS21043-08	.. NUT	1	
	11	MS35338-42	.. WASHER, LOCK	1	
	12	AN960C8	.. WASHER	1	
	13	MS25083-2AB2	.. JUMPER, BONDING	1	
	14	122-610011-51	.. PIN, ELEVATOR TAB HINGE	1	
	15	MS24694C2	.. SCREW	1	
	16	122-610011-47	.. HINGE HALF, LH ELEVATOR	1	
		122-610011-48	.. HINGE HALF, RH ELEVATOR	1	
	17	122-610011-49	.. HINGE HALF, LH ELEVATOR TAB	1	
		122-610011-50	.. HINGE HALF, RH ELEVATOR TAB	1	
		122-130044-97	.. WASHER/UNDER RIVET BUTT/	32	
NOTE					
27 ON TAB SIDE OF HINGE & 2 INBD, 3 OUTBD ON ELEVATOR SIDE OF HINGE					
	18	122-610014-35	.. TAB ASSY, LH ELEVATOR	1	
		122-610014-36	.. TAB ASSY, RH ELEVATOR	1	
	19	122-610014-15	.. FITTING	1	
	20	FIT7090-08-10-7	.. SCREW/ALTERNATE FOR CA21063-08-7-10/ /ORDER CA2229-08-7-10 FOR SPARES/	21	9
		FIT7090-08-12-7	.. SCREW/ALTERNATE FOR CA21063-08-7-12/ /ORDER CA2229-08-7-12 FOR SPARES/	2	10
		FIT7090-08-10-7	.. SCREW/ALTERNATE FOR CA21063-08-7-10/ /ORDER CA2229-08-7-10 FOR SPARES/	19	10
		CA21063-08-7-10	.. SCREW/ALTERNATE FOR FIT7090-08-10-7/ /ORDER CA2229-08-7-10 FOR SPARES/	21	9
		CA21063-08-7-12	.. SCREW/ALTERNATE FOR FIT7090-08-12-7/ /ORDER CA2229-08-7-12 FOR SPARES/	2	10
		CA21063-08-7-10	.. SCREW/ALTERNATE FOR FIT7090-08-10-7/ /ORDER CA2229-08-7-10 FOR SPARES/	19	10
		CA21063-08-7-10	.. SCREW	AR	
		CA21063-08-7-12	.. SCREW	AR	
	21	CA21062-08R	.. RETAINER	21	
		CA2210-08R	.. RETAINER	21	
		D79661A8	.. WASHER	21	
	22	131910-XXXX-080	.. SHIM/BETWEEN FITTING AND UPPER & LOWER FLANGE OF SPAR/	AR	10
	23	122-610040-25	.. COVER, INBD HINGE	1	
		122-610040-26	.. COVER, INBD HINGE	1	
	24	122-610040-13	.. COVER, CENTER HINGE	2	
	25	122-610040-15	.. COVER, OUTBD HINGE	2	
	26	122-610011-7	.. COVER ASSY, LH LEADING EDGE	1	
		122-610011-8	.. COVER ASSY, RH LEADING EDGE	1	
	27	122-610040-19	.. COVER ASSY, LH LEADING EDGE	1	
		122-610040-20	.. COVER ASSY, RH LEADING EDGE	1	
	28	122-610011-59	.. LEADING EDGE ASSY, LH	1	
		122-610011-60	.. LEADING EDGE ASSY, RH	1	
	29	122-610011-61	.. LEADING EDGE ASSY, LH	1	
		122-610011-62	.. LEADING EDGE ASSY, RH	1	
	30	122-610011-63	.. LEADING EDGE ASSY, LH	1	
		122-610011-64	.. LEADING EDGE ASSY, RH	1	

Beechcraft
STARSHIP 1
ILLUSTRATED PARTS CATALOG



C95NC55A0036 C

Raytheon Aircraft

BEECH STARSHIP 1 ILLUSTRATED PARTS CATALOG

SUB-SECT UNIT & ITEM NO.	PART NO.	1 2 3 4 5 6 7	DESCRIPTION	UNITS PER ASSY	USABLE ON CODE
20-00	122-610057-1	..	TIP INSTL, LH FWD WING	NP	8
	122-610057-55	..	TIP INSTL, LH FWD WING	NP	11
	122-610057-63	..	TIP INSTL, LH FWD WING	NP	12
	122-610057-2	..	TIP INSTL, RH FWD WING	NP	8
	122-610057-56	..	TIP INSTL, RH FWD WING	NP	11
	122-610057-64	..	TIP INSTL, RH FWD WING	NP	12
31	122-610057-29	...	SCREW	2	
32	MS24665-132	...	PIN, COTTER	2	
33	130909N45	...	NUT	2	
34	AN960-10L	...	WASHER	2	
35	105090PD050-3F	...	WASHER	2	
36	122-610057-25	...	WEIGHT, COUNTER BALANCE	1	8
	122-610057-57	...	WEIGHT, COUNTER BALANCE	1	7
	122-610057-59	...	WEIGHT, COUNTER BALANCE	1	7
37	AN525-10R7	...	SCREW	8	
38	AN525-10R8	...	SCREW	6	
39	122-610057-3	...	FAIRING ASSY, LH	1	15
	122-610057-4	...	FAIRING ASSY, RH	1	15
	122-610057-65	...	FAIRING ASSY, LH	1	12
	122-610057-66	...	FAIRING ASSY, RH	1	12
	MS21070L3	...	NUTPLATE	10	
	MS21087L3	...	NUTPLATE	4	
40	122-610057-31	...	SCREW	2	
41	122-610057-27	..	WEIGHT, TRIM/12 MAXIMUM/	AR	
42	122-610057-33	..	PLATE ASSY, TRIM WEIGHT	1	
	MS21069L3	...	NUTPLATE	2	
43	122-610042-3	..	FITTING, INBD HINGE	1	
	122-610042-4	..	FITTING, INBD HINGE	1	
44	122-610043-1	..	HINGE, CENTER	1	
	122-610043-2	..	HINGE, CENTER	1	
45	122-610043-3	..	HINGE, OUTBD	1	
	122-610043-4	..	HINGE, OUTBD	1	
	131910-XXXX-080	..	SHIM/BETWEEN HINGE AND UPPER & LOWER FLANGE OF SPAR/	AR	
46	122-610011-43	..	BRACKET, TRIM TAB ACTUATOR MOUNTING	1	
47	122-610011-45	..	FAIRING, TRIM TAB ACTUATOR	1	
48	S43	..	GROMMET, DRAIN HOLE	6	
49	122-610011-55	..	BOND ASSY, LH	1	
	122-610011-56	..	BOND ASSY, RH	1	
50	CA21062-08R	..	RETAINER	1	
			/ORDER CA2210-08R FOR SPARES/		
	CA2210-08R	..	RETAINER	1	
51	FIT7090-08-10-7	..	SCREW/ALTERNATE FOR CA21063-08-7-10/	1	
			/ORDER CA2229-08-7-10 FOR SPARES/		
	CA21063-08-7-10	..	SCREW/ALTERNATE FOR FIT7090-08-10-7/	1	
			/ORDER CA2229-08-7-10 FOR SPARES/		
	CA2229-08-7-10	..	SCREW	1	
52	D79661A8	..	WASHER	1	
	NAS1919M04S2	...	NUTPLATE	2	
53	MS25083-2AB5	...	JUMPER, BONDING	1	14
	MS25083-3SA	...	JUMPER, BONDING	1	13
	MS25083-3PB2	...	JUMPER, BONDING	1	13

CODES OF EFFECTIVITY

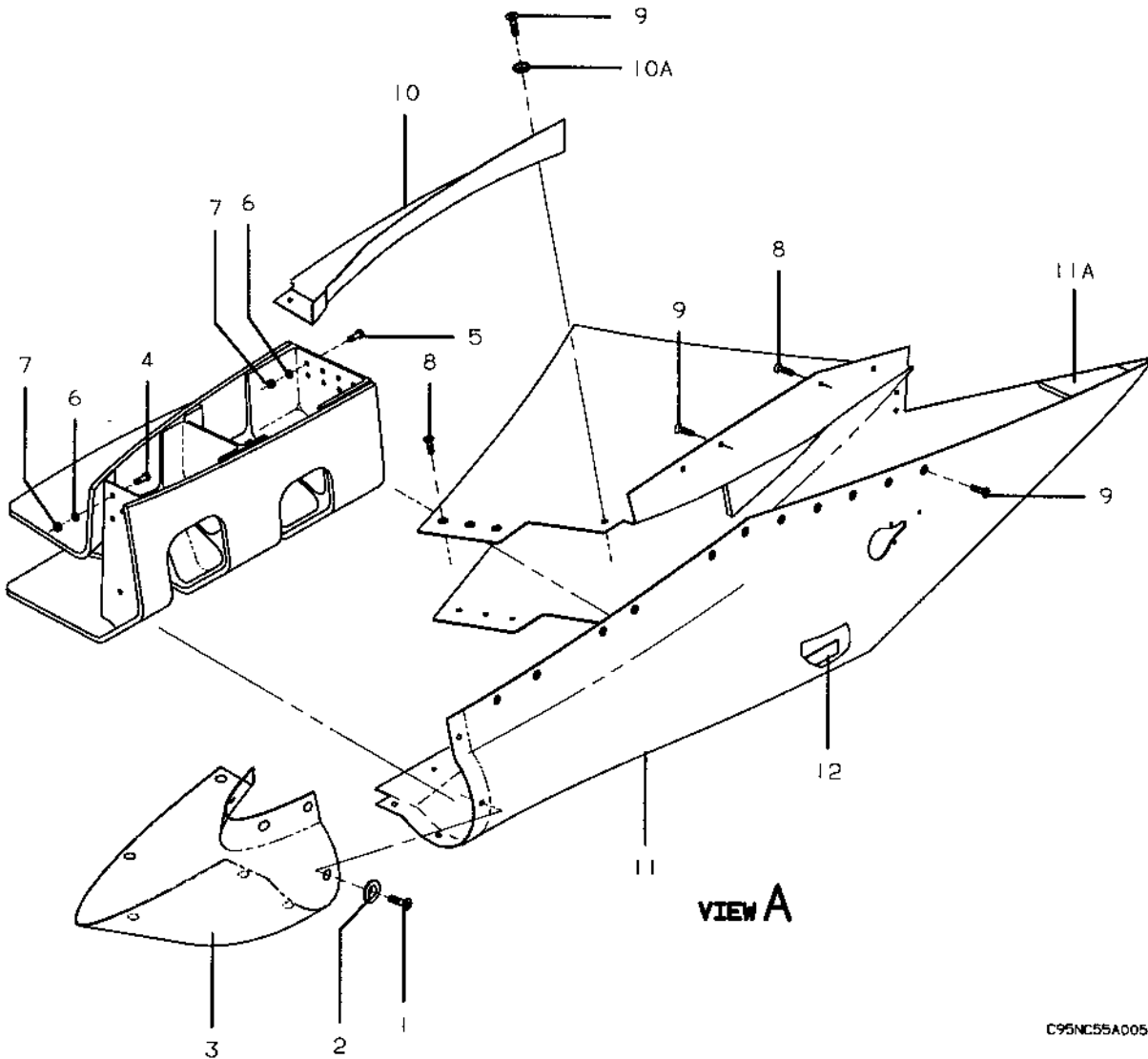
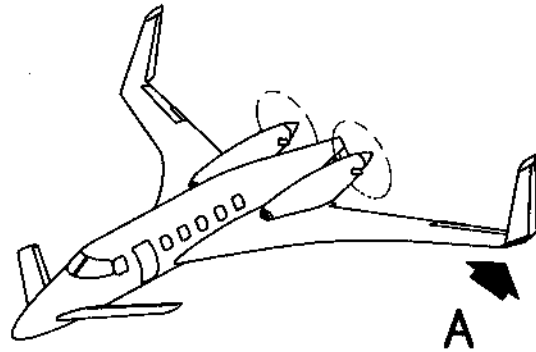
1 NC-4 ONLY	2 NC-5 AND AFTER
3 NC-4 THRU NC-26	4 NC-27 AND AFTER
5 NC-4 THRU NC-19	6 NC-20 THRU NC-23
7 NC-24 AND AFTER	8 NC-4 THRU NC-23
9 NC-4 THRU NC-37	10 NC-38 AND AFTER
11 NC-24 THRU NC-28	12 NC-29 AND AFTER
13 NC-4 THRU NC-18	14 NC-19 AND AFTER
15 NC-4 THRU NC-28	

— END —

Beechcraft
STARSHIP 1
ILLUSTRATED PARTS CATALOG

55-30-00
TIPSAIL

Deechcraft
STARSHIP 1
ILLUSTRATED PARTS CATALOG

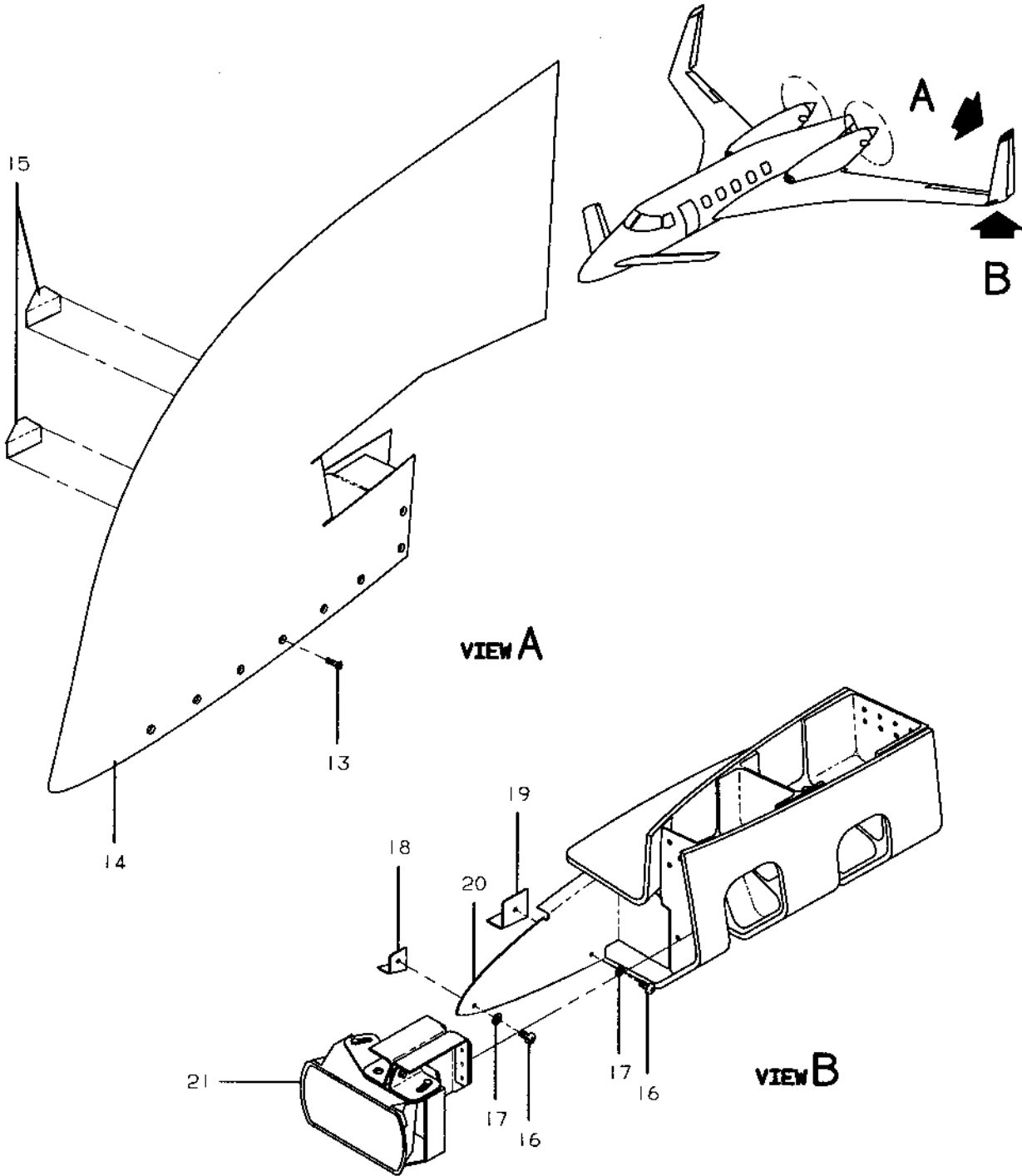


C95NC55A0057 C

Beechcraft
STARSHIP 1
ILLUSTRATED PARTS CATALOG

SUB-SEC UNIT & ITEM NO	PART NO.	DESCRIPTION 1 2 3 4 5 6 7	UNITS	USABLE
			PER ASSY	ON CODE
30-00	122-640001-1	TIPSAIL INSTL, LH WING	NP	
	122-640001-2	TIPSAIL INSTL, RH WING	NP	
- 1	R MS24693C272	. SCREW	9	1
	AN525-10R8	. SCREW	11	2
- 2	R NAS1169DD10L	. WASHER	9	1
	NAS1169DD10L	. WASHER	11	2
	MS21062L3	. NUTPLATE	1	
	R MS21076L3	. NUTPLATE	6	
- 3	122-640045-3	. LENS, LH	1	1
	122-640045-5	. LENS, LH	1	3
	122-640045-9	. LENS, LH/ORDER 122-640045-11 FOR SPARES/	NP	4
	122-640045-11	. LENS, LH	1	5
	122-640045-4	. LENS, RH	1	1
	122-640045-6	. LENS, RH	1	3
	122-640045-10	. LENS, RH/ORDER 122-640045-12 FOR SPARES/	NP	4
	122-640045-12	. LENS, RH	1	5
- 4	HL10V6-3	. PIN	4	
- 5	HL10V6-4	. PIN	8	
- 6	AN960C10L	. WASHER	12	
- 7	HL379V8	. COLLAR	12	
	122-640015-1	. FAIRING INSTL, LH	NP	
	122-640015-2	. FAIRING INSTL, RH	NP	
- 8	NAS8803-1	. BOLT	7	
	R SL607-3-6CM	. INSERT	7	
- 9	R NAS8703U2	. BOLT	21	
	MS21072L3	. NUTPLATE	2	
	MS21062L3	. NUTPLATE	2	
- 10	122-640015-19	. FAIRING ASSY, LH	1	
	122-640015-20	. FAIRING ASSY, RH	1	
- 10A	R 122-640015-23	. WASHER	1	
	R MS21060L3	. NUTPLATE	16	
- 11	122-640015-25	. FAIRING ASSY, LH	1	
	122-640015-26	. FAIRING ASSY, RH	1	
	MS21047L06	. NUTPLATE	1	
	MS21051L06	. NUTPLATE	2	
	MS21060L3	. NUTPLATE	3	
	MS21062L3	. NUTPLATE	2	
- 11A	R 122-640015-9	. RIB, LH	1	
	R 122-640015-10	. RIB, RH	1	
	MS21062L3	. NUTPLATE	2	
- 12	122-640015-33	. SHELF ASSY, LH STROBE LIGHT POWER SUPPLY	1	
	122-640015-34	. SHELF ASSY, RH STROBE LIGHT POWER SUPPLY	1	
	MS21060L08	. NUTPLATE	4	

Beechcraft
STARSHIP 1
ILLUSTRATED PARTS CATALOG

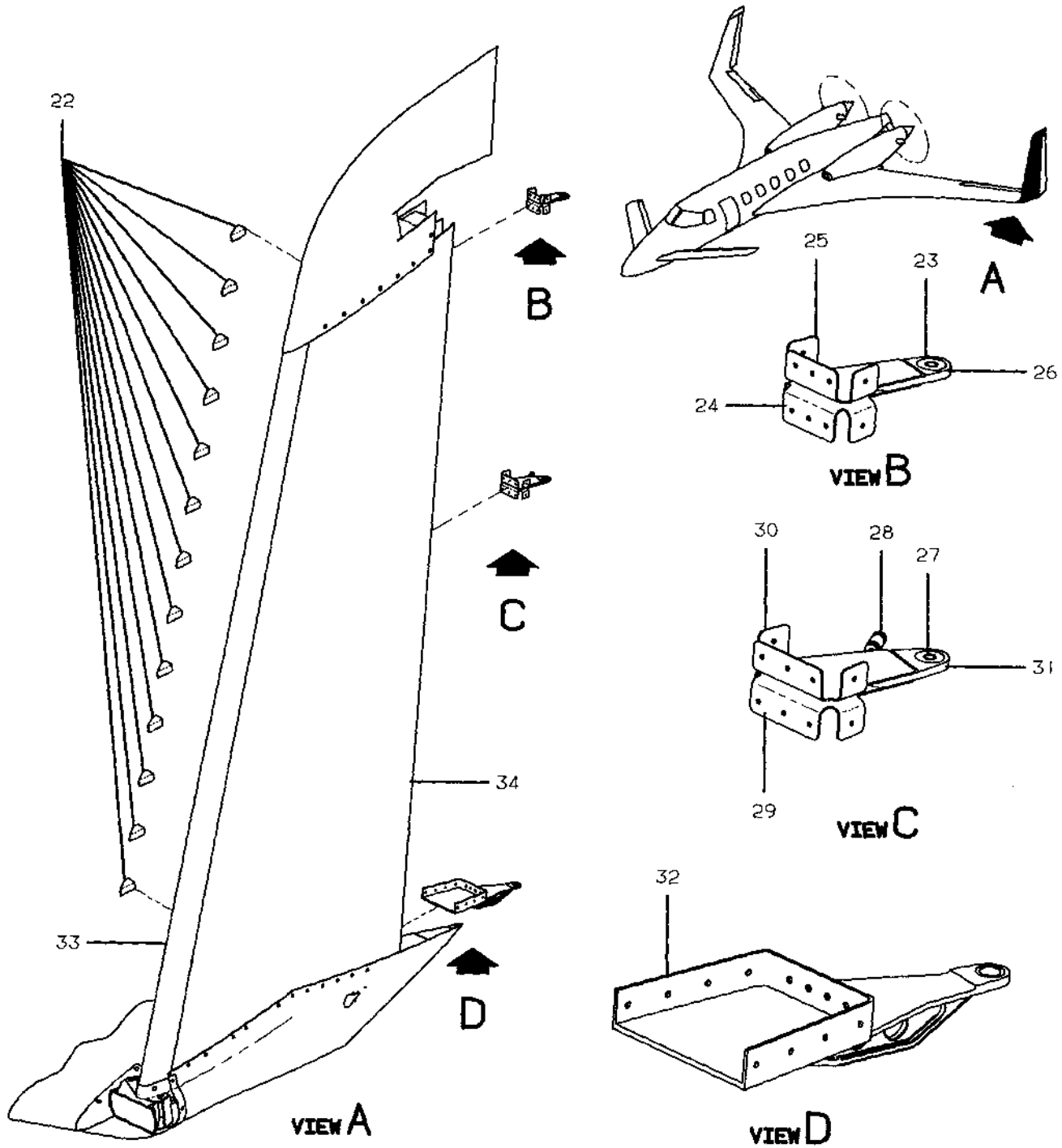


C95NC55A0058 C

Beechcraft
STARSHIP 1
ILLUSTRATED PARTS CATALOG

SUB-SEC UNIT & ITEM NO	PART NO.	DESCRIPTION 1 2 3 4 5 6 7	UNITS	USABLE
			PER ASSY	ON CODE
30-00	122-640037-3	. TIP INSTL, LH	NP	
	122-640037-4	. TIP INSTL, RH	NP	
- 13	MS24694C50	.. SCREW	16	
- 14	122-640053-1	.. TIP ASSY, LH VERTICAL STABILIZER	NP	6
		/ORDER 122-640053-15 FOR SPARES/		
	122-640053-15	.. TIP ASSY, LH VERTICAL STABILIZER	1	7
	122-640053-2	.. TIP ASSY, RH VERTICAL STABILIZER	NP	6
		/ORDER 122-640053-18 FOR SPARES/		
	122-640053-18	.. TIP ASSY, RH VERTICAL STABILIZER	1	7
- 15	122-620121-31	... GENERATOR, LH VORTEX/INBD SIDE/	2	
	122-620121-32	... GENERATOR, RH VORTEX/INBD SIDE/	2	
	122-361067-1	. PANEL INSTL, LH WING LEADING EDGE CLOSEOUT	NP	
	122-361067-2	. PANEL INSTL, RH WING LEADING EDGE CLOSEOUT	NP	
- 16	MS35206-242	.. SCREW	2	
- 17	AN960-8L	.. WASHER	2	
	122-361067-5	.. PANEL ASSY, LH	1	
	122-361067-6	.. PANEL ASSY, RH	1	
- 18	122-361067-11	... CLIP ASSY, LH	1	
	R MS21069L08	... NUTPLATE	1	
	122-361067-12	... CLIP ASSY, RH	1	
	MS21069L08	... NUTPLATE	1	
- 19	122-361067-9	... CLIP ASSY, LH	1	
	R MS21069L08	... NUTPLATE	1	
	122-361067-10	... CLIP ASSY, RH	1	
	R MS21069L08	... NUTPLATE	1	
- 20	122-361067-17	... PANEL, LH	1	
	122-361067-18	... PANEL, RH	1	
- 21	122-364210-1	. LIGHT INSTL, LH LANDING/SEE CHAPTER 33/	NP	
	122-364210-2	. LIGHT INSTL, RH LANDING/SEE CHAPTER 33/	NP	

Beechcraft
 STARSHIP 1
 ILLUSTRATED PARTS CATALOG



C95NC55A0059 C

Beechcraft
STARSHIP 1
ILLUSTRATED PARTS CATALOG

SUB-SEC UNIT & ITEM NO	PART NO.	DESCRIPTION 1 2 3 4 5 6 7	UNITS	USABLE
			PER ASSY	ON CODE
30-00	122-640002-1	. STABILIZER ASSY, LH VERTICAL	1	
	122-640002-2	. STABILIZER ASSY, RH VERTICAL	1	
	MS21060L3	.. NUTPLATE	12	
- 22	122-620121-31	.. GENERATOR, LH VORTEX	13	
	122-620121-32	.. GENERATOR, RH VORTEX	13	
	122-640022-45	.. SUPPORT ASSY, HINGE	1	
- 23	R MS27645-4A	.. BEARING	1	
- 24	122-640022-47	.. SUPPORT	1	
- 25	122-640022-48	.. SUPPORT	1	
- 26	122-640022-49	.. BLADE	1	
	122-640022-51	.. SUPPORT ASSY, HINGE	1	
- 27	R MS27645-4A	.. BEARING	1	
- 28	MS25083-3SA AN960JD4	.. JUMPER, BONDING	1	
		.. WASHER/BETWEEN CABLE BRACKET AND BETWEEN RIVET BUTT AND CABLE/	2	
- 29	122-640022-53	.. SUPPORT	1	
- 30	122-640022-54	.. SUPPORT	1	
- 31	122-640022-55	.. BLADE	1	
- 32	122-640013-7	.. HINGE ASSY, LH	1	
	122-640013-8	.. HINGE ASSY, RH	1	
- 33	122-640026-3	.. LEADING EDGE, LH	1	8
	122-640019-1	.. LEADING EDGE, LH	1	9
	122-640026-4	.. LEADING EDGE, RH	1	8
	122-640019-2	.. LEADING EDGE, RH	1	9
- 34	122-640003-1	.. BOND ASSY, LH	1	
	122-640003-2	.. BOND ASSY, RH	1	

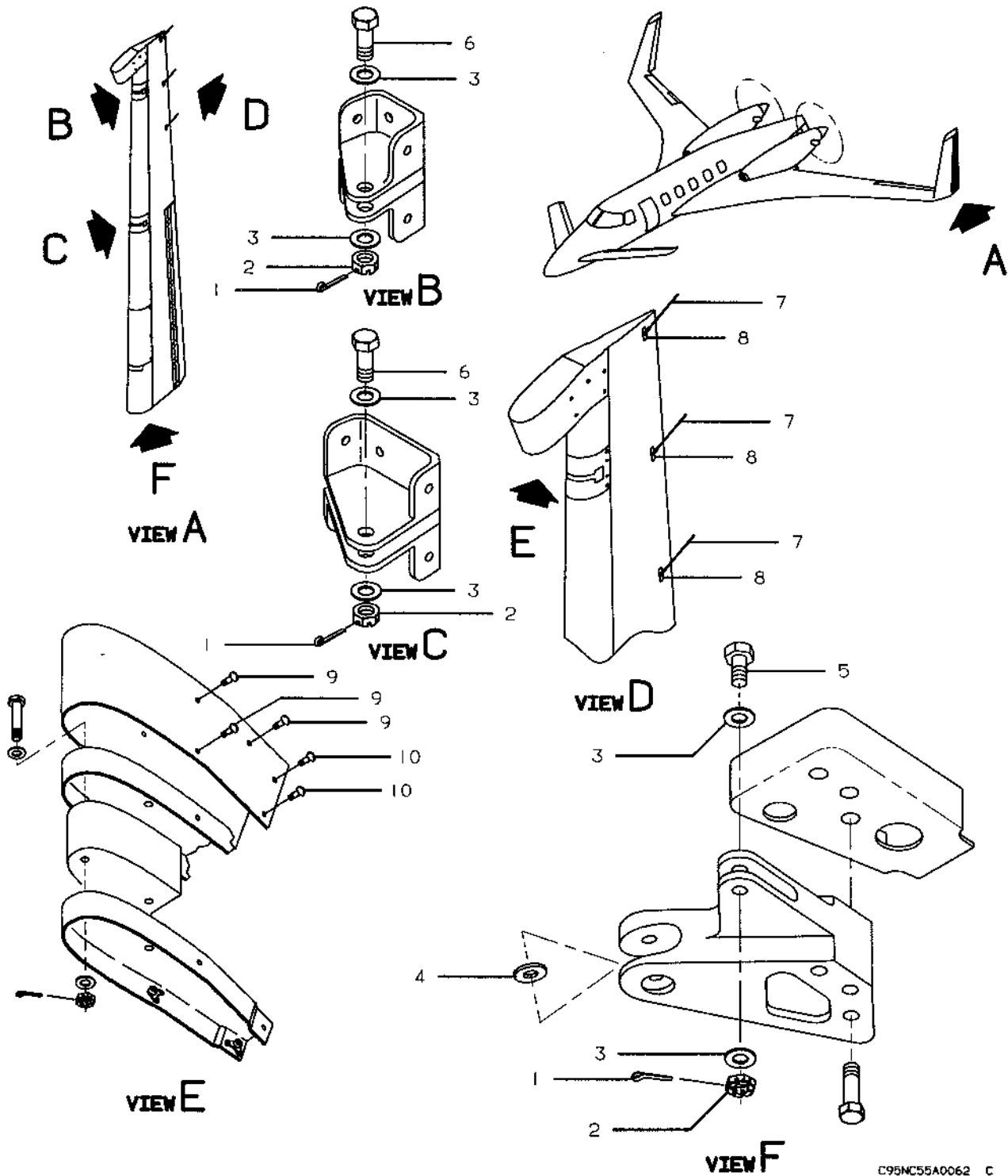
CODES OF EFFECTIVITY

1	NC-4 THRU NC-12	2	NC-13 AND AFTER
3	NC-13 THRU NC-18	4	NC-19 THRU NC-21
5	NC-22 AND AFTER	6	NC-4 THRU NC-43
7	NC-44 AND AFTER	8	NC-4 THRU NC-8
9	NC-9 AND AFTER		

Beechcraft
STARSHIP 1
ILLUSTRATED PARTS CATALOG

55-40-00
TIPSAIL RUDDER

Beechcraft
 STARSHIP 1
 ILLUSTRATED PARTS CATALOG

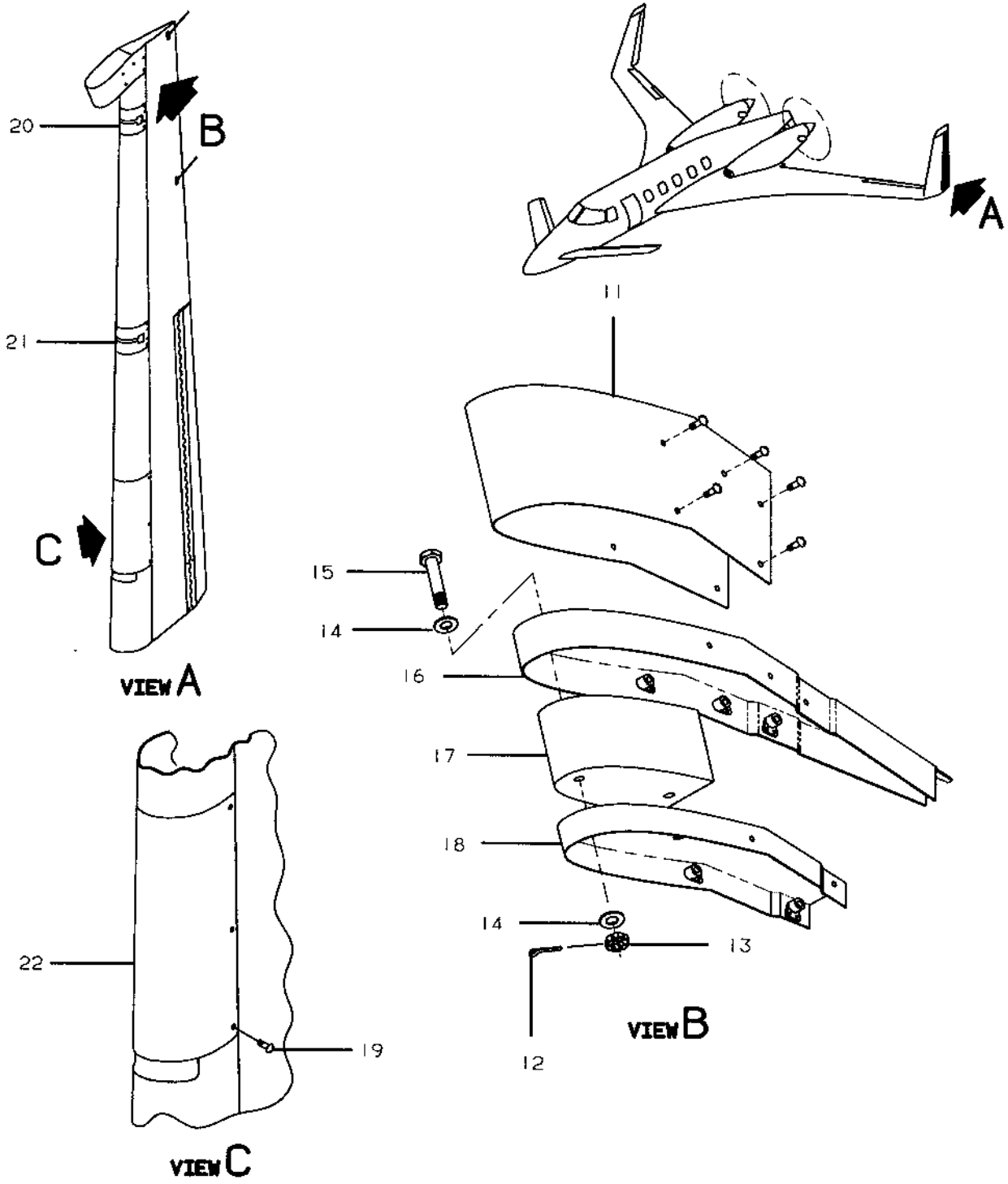


C95NC55A0062 C

Beechcraft
STARSHIP 1
ILLUSTRATED PARTS CATALOG

SUB-SEC UNIT & ITEM NO	PART NO.	DESCRIPTION 1 2 3 4 5 6 7	UNITS	USABLE
			PER ASSY	ON CODE
40-00	122-630000-3	RUDDER INSTL, LH TIPSAIL	NP	
	122-630000-4	RUDDER INSTL, RH TIPSAIL.....	NP	
- 1	MS24665-153	. PIN, COTTER	3	
- 2	R 130909N48	. NUT	3	
- 3	AN960C416L	. WASHER	6	
- 4	AN960D416L	. WASHER/BETWEEN BEARING AND RUDDER BRACKET/.....	1	
- 5	NAS6204-10D	. BOLT	1	
- 6	NAS6204-9D	. BOLT	2	
- 7	101-380053-11	. WICK, STATIC.....	3	
	122-630042-127	. RUDDER ASSY, LH/ORDER 122-630042-139 FOR	NP	1
		SPARES/		
	122-630042-149	. RUDDER ASSY, LH/ORDER 122-630042-139 FOR	NP	2
		SPARES/		
	122-630042-139	. RUDDER ASSY, LH	1	3
	122-630042-128	. RUDDER ASSY, RH/ORDER 122-630042-140 FOR	NP	1
		SPARES/		
	122-630042-150	. RUDDER ASSY, RH/ORDER 122-630042-140 FOR	NP	2
		SPARES/		
	122-630042-140	. RUDDER ASSY, RH.....	1	3
- 8	122-610011-69	. . BASE, LH DISCHARGER	3	
	122-610011-70	. . BASE, RH DISCHARGER	3	
- 9	AN525-832R7	. . SCREW/3 INBD AND 3 OUTBD/	6	
- 10	R AN525-832R9	. . SCREW/2 INBD AND 2 OUTBD/	4	
	R MS21087L08	. . NUTPLATE	10	

Beechcraft
 STARSHIP 1
 ILLUSTRATED PARTS CATALOG

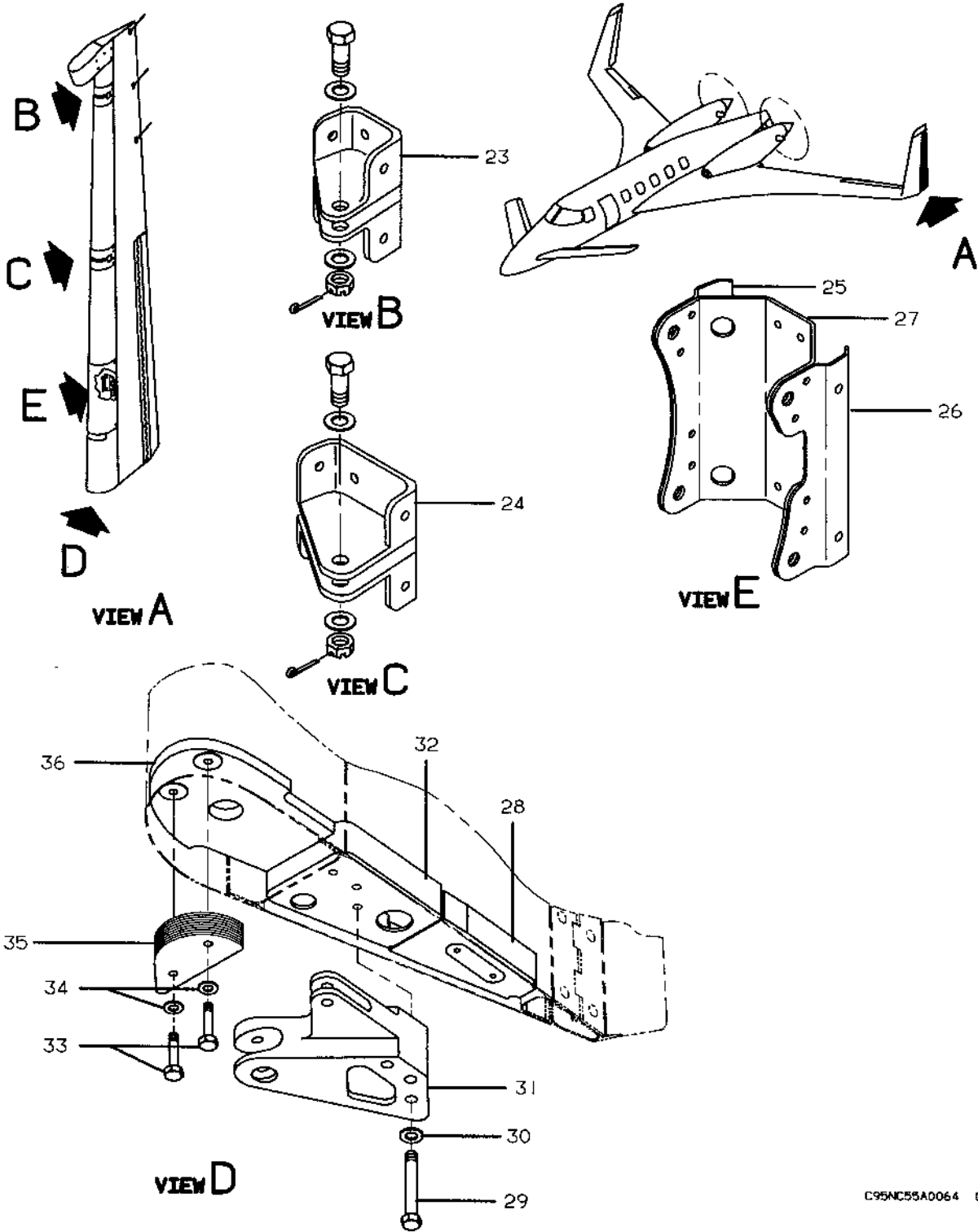


C95NC55A0063 C

Beechcraft
STARSHIP 1
ILLUSTRATED PARTS CATALOG

SUB-SEC UNIT & ITEM NO	PART NO.	DESCRIPTION 1 2 3 4 5 6 7	UNITS	USABLE
			PER ASSY	ON CODE
40-00 - 11	122-630042-105	.. FAIRING, LH UPPER.....	1	
	122-630042-106	.. FAIRING, RH UPPER.....	1	
- 12 R	MS24885-155	.. PIN, COTTER.....	2	4
- 13 R	MS17826-4	.. NUT.....	2	4
- 14 R	AN960C416L	.. WASHER.....	4	4
- 15 R	AN4C23	.. BOLT.....	2	4
- 16 R	122-630042-131	.. RIB ASSY, LH.....	1	
	122-630042-132	.. RIB ASSY, RH.....	1	
- 17 R	122-630042-135	.. WEIGHT, COUNTERBALANCE.....	1	4
- 18 R	122-630042-133	.. FAIRING, LH LOWER.....	1	
	122-630042-134	.. FAIRING, RH LOWER.....	1	
- 19 R	AN525-832R7	.. SCREW.....	14	
	MS21087L08	.. NUTPLATE.....	14	
- 20 R	122-630073-5	.. COVER, LH.....	1	
	122-630073-6	.. COVER, RH.....	1	
- 21 R	122-630073-1	.. COVER, LH.....	1	
	122-630073-2	.. COVER, RH.....	1	
- 22 R	122-630073-17	.. COVER ASSY, LH.....	1	
	122-630073-18	.. COVER ASSY, RH.....	1	

Beechcraft
 STARSHIP 1
 ILLUSTRATED PARTS CATALOG



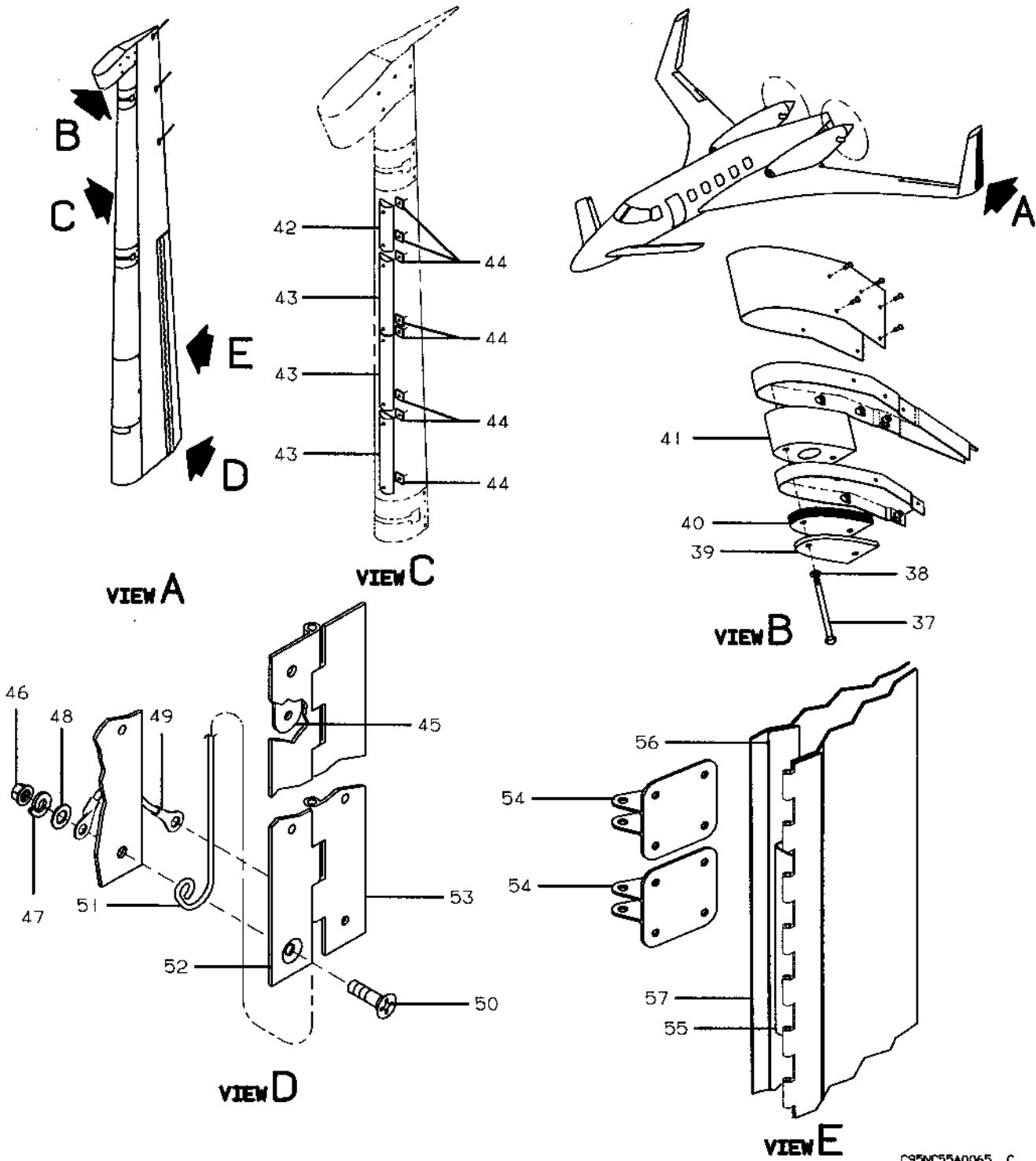
C95NC55A0064 C

FIGURE 40-00. TIPSAIL RUDDER
 /SHEET 3 OF 4 SHEETS/

Beechcraft
STARSHIP 1
ILLUSTRATED PARTS CATALOG

SUB-SEC UNIT & ITEM NO	PART NO.	DESCRIPTION 1 2 3 4 5 6 7	UNITS PER ASSY	USABLE ON CODE
40-00 -23	R 122-630058-3	.. BRACKET, LH	1	
	122-630058-4	.. BRACKET, RH	1	
-24	R 122-630057-9	.. BRACKET, LH	1	
	122-630057-10	.. BRACKET, RH	1	
	122-630072-1	.. BRACKET ASSY, LH	1	6
	122-630072-7	.. BRACKET ASSY, LH	1	5
	122-630072-2	.. BRACKET ASSY, RH	1	6
	122-630072-8	.. BRACKET ASSY, RH	1	5
-25	R 122-630072-3	.. BRACKET	1	6
	122-630072-9	.. BRACKET	1	5
	122-630072-4	.. BRACKET	1	6
	122-630072-10	.. BRACKET	1	5
-26	R 122-630072-5	.. BRACKET	1	6
	122-630072-11	.. BRACKET	1	5
	122-630072-6	.. BRACKET	1	6
	122-630072-12	.. BRACKET	1	5
-27	R 122-521092-3	.. BRACKET	1	
	122-521092-4	.. BRACKET	1	
-28	R 122-630042-137	.. RIB, LH	1	
	R 122-630042-138	.. RIB, RH	1	
	122-630057-19	.. ACTUATOR ASSY, LH RUDDER	1	
	122-630057-20	.. ACTUATOR ASSY, RH RUDDER	1	
-29	R NAS6203-14H	.. BOLT	3	
-30	R AN960C10L	.. WASHER	3	
	NAS1394-3C	.. INSERT	3	
-31	R 122-630057-17	.. BRACKET	1	
	122-630057-18	.. BRACKET	1	
-32	R 122-630057-7	.. BASE, FITTING/LH/	1	
	R 122-630057-8	.. BASE, FITTING/RH/	1	
-33	R AN3H10A	.. BOLT	2	4
-34	R AN960C10L	.. WASHER	2	
-35	R 122-630042-123	.. WEIGHT, TRIM/8 MAX/	AR	4
	R 122-630042-123	.. WEIGHT, TRIM/1 MAX/	AR	3
-36	R 122-630042-73	.. RIB ASSY, LH	1	
	R 122-630042-74	.. RIB ASSY, RH	1	
	R P104F1032-04	.. PLUG	2	
	R S104F10-1	.. SLEEVE	2	

Beechcraft
 STARSHIP 1
 ILLUSTRATED PARTS CATALOG



C95NC55A0065 C

Beechcraft
STARSHIP 1
ILLUSTRATED PARTS CATALOG

SUB-SEC UNIT & ITEM NO	PART NO.	DESCRIPTION 1 2 3 4 5 6 7	UNITS PER ASSY	USABLE ON CODE
40-00 -37	R AN4CH27A	.. BOLT	AR	
	R AN4CH29A	.. BOLT	AR	
	R AN4CH26A	.. BOLT	AR	
-38	R AN960C416	.. WASHER	AR	
	R MS21048L4	.. NUTPLATE	2	
-39	R 122-630042-147	.. WEIGHT, TRIM/1 MAX/	AR	3
-40	R 122-630042-145	.. WEIGHT, TRIM/4 MAX/	AR	3
-41	R 122-630042-143	.. WEIGHT, COUNTERBALANCE	1	3
-42	R 122-630042-115	.. WEIGHT, COUNTERBALANCE	1	3
-43	R 122-630042-89	.. WEIGHT, COUNTERBALANCE	3	3
-44	R 122-630042-91	.. WASHER	8	3
-45	R 122-630042-95	.. DOUBLER	2	
	R 122-630042-97	.. WASHER/UNDER RIVET BUTT/3 TOP, 7 BOTTOM/	10	
-46	R MS21043-08	.. NUT	1	
-47	R MS35338-42	.. WASHER, LOCK	1	
-48	R AN960C8	.. WASHER	1	
-49	R MS25083-2AB2	.. JUMPER, BOND	1	
-50	R MS24894C4	.. SCREW	1	
-51	R 122-630042-121	.. PIN, LH HINGE	1	
	R 122-630042-122	.. PIN, RH HINGE	1	
-52	R 122-630042-117	.. HINGE, LH RUDDER TAB	1	
	122-630042-118	.. HINGE, RH RUDDER TAB	1	
	122-630135-1	.. TAB ASSY, LH	1	
	122-630135-2	.. TAB ASSY, RH	1	
-53	R 122-630042-119	.. HINGE HALF	1	
-54	R 122-630135-25	.. BRACKET	2	
-55	R 122-630135-15	.. BRACE	1	
-56	R 122-130044-95	.. DOUBLER	2	
	R 122-130044-97	.. WASHER/BETWEEN RIVET BUTT AND TAB/	21	
-57	R 122-630135-21	.. BOND ASSY, LH	1	
	122-630135-22	.. BOND ASSY, RH	1	

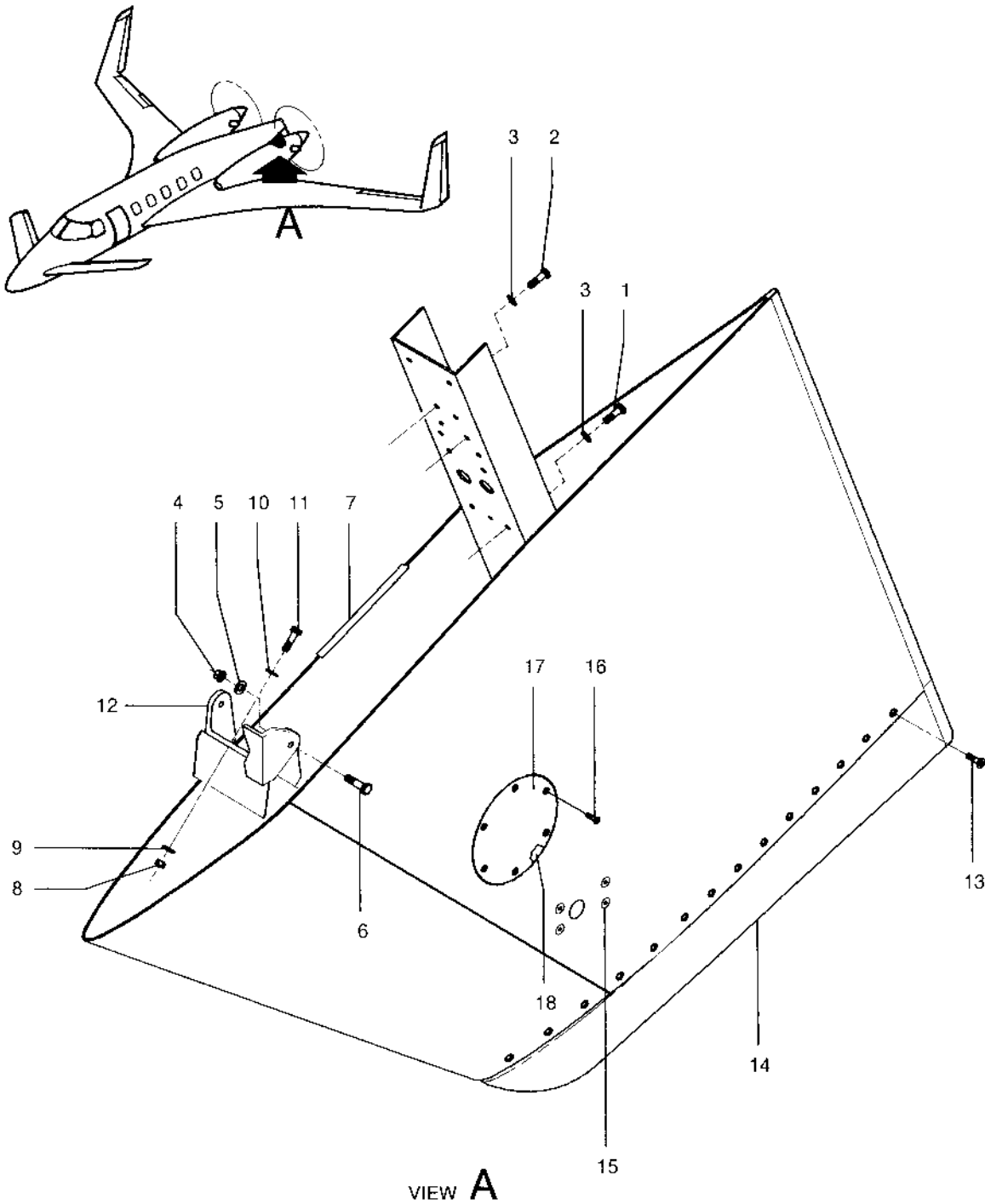
CODES OF EFFECTIVITY

1	NC-4 THRU NC-21	2	NC-22 THRU NC-25
3	NC-26 AND AFTER	4	NC-4 THRU NC-25
5	NC-14 AND AFTER	6	NC-4 THRU NC-13

Beechcraft
STARSHIP 1
ILLUSTRATED PARTS CATALOG

55-60-00
VENTRAL STABILIZER

Beechcraft
STARSHIP 1
ILLUSTRATED PARTS CATALOG



2000-134 01

FIGURE 60-00.VENTRAL STABILIZER

Beechcraft
STARSHIP 1
ILLUSTRATED PARTS CATALOG

SUB-SEC UNIT & ITEM NO	PART NO.	DESCRIPTION 1 2 3 4 5 6 7	UNITS PER ASSY	USABLE ON CODE
60-00	122-640080-1	VENTRAL STABILIZER INSTALLATION	NP	
- 1	NAS654V3	. BOLT	4	
- 2	NAS654V4	. BOLT	4	
- 3	AN960-416L	. WASHER	8	
- 4	130909N32	. NUT	2	
- 5	R AN960-416	. WASHER	2	
- 6	130909B180	. BOLT	2	
- 7	122-640080-3	. SEAL	1	
	122-640081-1	. STABILIZER ASSY, VENTRAL	1	1
	122-640081-5	. STABILIZER ASSY, VENTRAL	1	2
- 8	MS21044C4	. NUT	4	
- 9	R AN960C416	. WASHER/UNDER BOLT HEAD/	4	
-10	R AN960C416L	. WASHER	4	
-11	AN174C8A	. BOLT	4	
-12	122-640073-1	. FITTING	1	
-13	MS24694C48	. SCREW	28	
-14	122-640086-5	. TIP ASSY	1	
	MS21087L3	. . . NUTPLATE	28	
-15	SL602-3-250CM	. . INSERT/ANTENNA/	4	
-16	MS24694C48	. . SCREW	8	
-17	122-640085-11	. . DOOR	1	
-18	122-640081-3	. . SEAL	1	
	S10P175CSI	. . PLUSNUT	6	1
	2R2329	. . PLUSNUT	6	2

CODES OF EFFECTIVITY

1 NC-4 THRU NC-23 2 NC-24 AND AFTER

Raytheon Aircraft

BEECH STARSHIP 1 ILLUSTRATED PARTS CATALOG

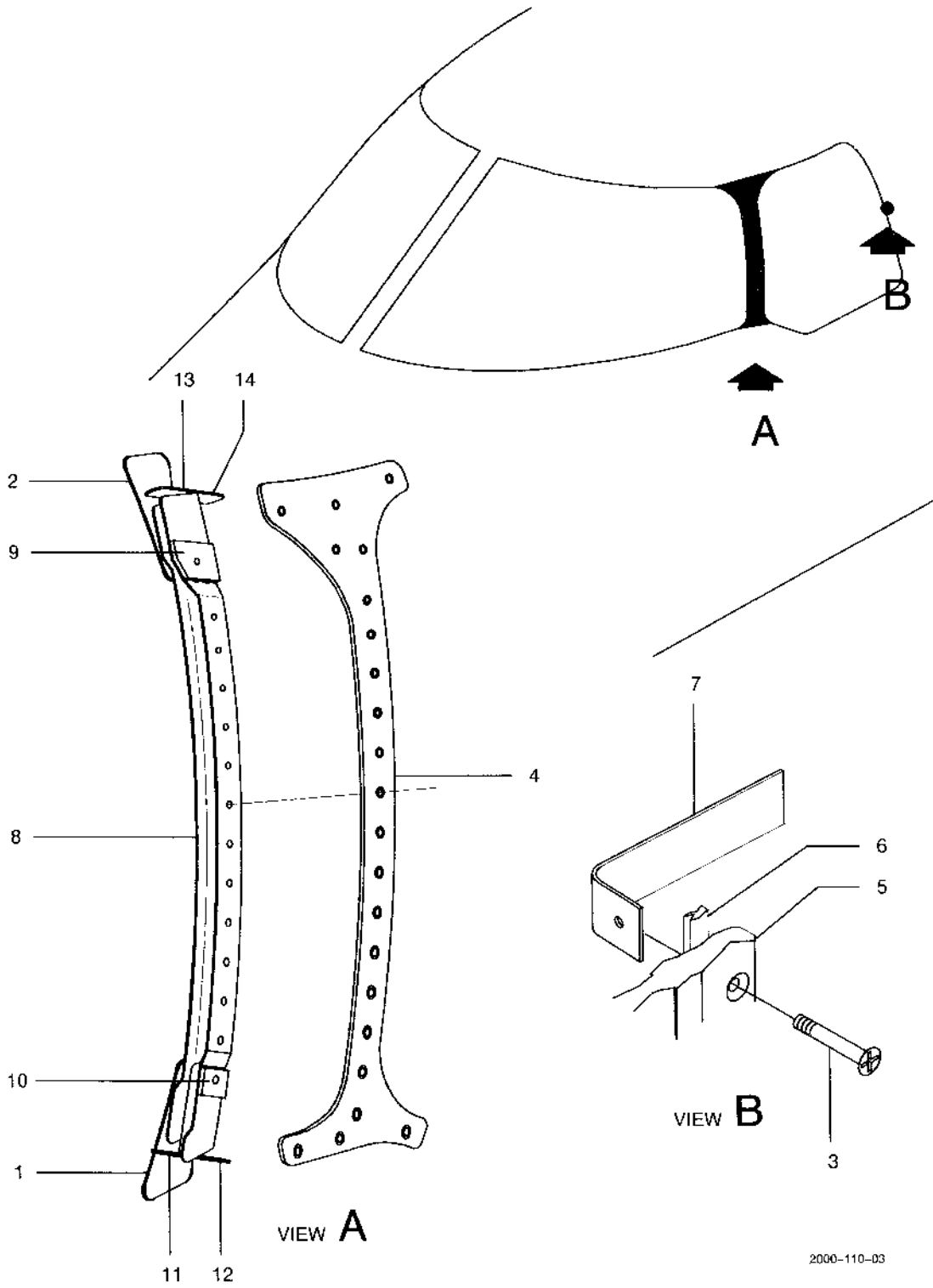
LIST OF PAGES & TABLE OF CONTENTS FOR CHAPTER 56-00-00 WINDOWS

CHAP/SUB- SECT & UNIT	PAGE NUMBER	EFFECTIVE DATE	TABLE OF CONTENTS
56-00-00	1	10/27/00	LIST OF PAGES & TABLE OF CONTENTS
56-10-00	1	02/25/94	FLIGHT COMPARTMENT WINDOWS
56-10-00	2	02/25/94	
56-10-00	3	02/25/94	
56-10-00	4	02/25/94	
56-10-00	5	02/25/94	
56-10-00	6	02/25/94	
56-10-00	7	02/25/94	
56-20-00	1	02/25/94	CABIN POLARIZED WINDOWS
56-20-00	2	02/25/94	
56-20-00	3	02/25/94	
56-20-00	4	02/25/94	
56-20-00	5	02/25/94	
56-20-10	1	10/27/00	CABIN OUTER WINDOWS
56-20-10	2	10/27/00	
56-20-10	3	10/27/00	
56-20-20	1	02/25/94	AFT TOILET WINDOW INSTALLATION
56-20-20	2	02/25/94	
56-20-20	3	02/25/94	

Beechcraft
STARSHIP 1
ILLUSTRATED PARTS CATALOG

56-10-00
FLIGHT COMPARTMENT WINDOWS

Beechcraft
STARSHIP 1
ILLUSTRATED PARTS CATALOG



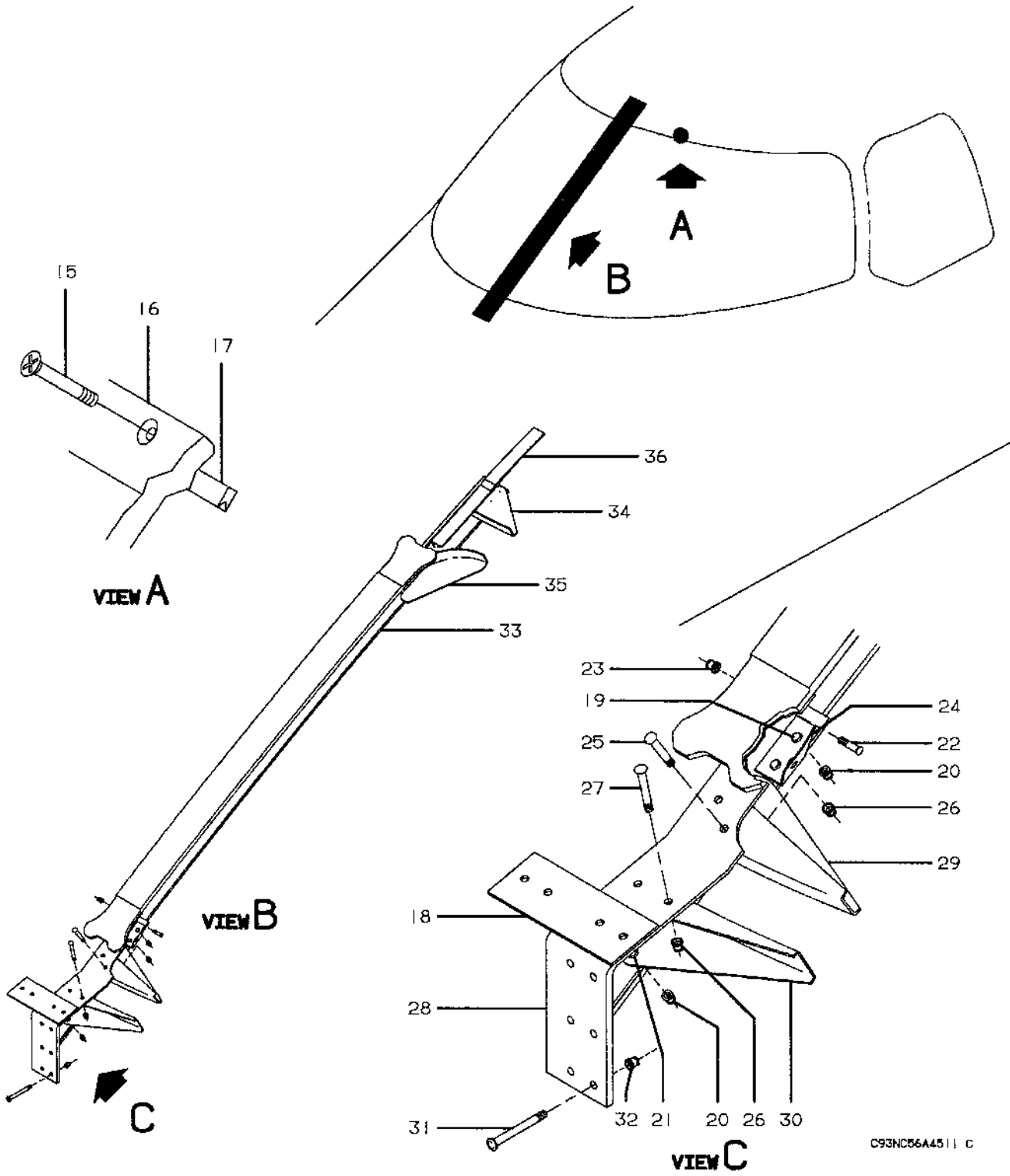
2000-110-03

FIGURE 10-00.FLIGHT COMPARTMENT WINDOWS
/SHEET 1 OF 3 SHEETS/

Beechcraft
STARSHIP 1
ILLUSTRATED PARTS CATALOG

SUB-SEC UNIT & ITEM NO	PART NO.	DESCRIPTION 1 2 3 4 5 6 7	UNITS	USABLE
			PER ASSY	ON CODE
10-00	122-420200-5	WINDSHIELD INSTL, FLIGHT COMPARTMENT	NP	3
	122-420200-7	WINDSHIELD INSTL, FLIGHT COMPARTMENT	NP	4
- 1	122-420206-1	. GUSSET, LOWER WINDSHIELD LONGERON/LH/	1	
	122-420206-2	. GUSSET, LOWER WINDSHIELD LONGERON/RH/	1	
- 2	122-420206-3	. GUSSET, UPPER WINDSHIELD LONGERON/LH/	1	
	122-420206-4	. GUSSET, UPPER WINDSHIELD LONGERON/RH/	1	
- 3	111250-15	. BOLT	86	
- 4	122-420114-1	. RETAINER, WINDSHIELD SIDE POST/LH/	1	
	122-420114-2	. RETAINER, WINDSHIELD SIDE POST/RH/	1	
- 5	122-384002-5	. SIDE WINDSHIELD ASSY/LH/HEATED/	NP	
		/ORDER 122-384002-7 FOR SPARES/		
	122-384002-7	. SIDE WINDSHIELD ASSY/LH/HEATED/	1	
	122-384002-8	. SIDE WINDSHIELD ASSY/RH/HEATED/	NP	
		/ORDER 122-384002-8 FOR SPARES/		
	122-384002-8	. SIDE WINDSHIELD ASSY/RH/HEATED/	1	
- 6	122-420122-3	. SEALANT DAM, WINDSHIELD	2	
	FCHF6011L10D4	. NUTPLATE	68	3
	FCHF6010L10H3	. NUTPLATE/LOWER AND UPPER SIDE POST/	12	3
	122-422017-5	. NUTPLATE ASSY, LWR AND UPR	46	4
	122-422017-1	. NUTPLATE ASSY, LWR AND UPR	22	4
	122-422017-13	. NUTPLATE ASSY, LH SIDE POST	1	4
	122-422017-14	. NUTPLATE ASSY, RH SIDE POST	1	4
- 7	122-420029-63	. CLIP, SIDEWALL SUPPORT	4	
	NAS1329A06-75	. RIVNUT	4	
	122-420205-23	. POST ASSY, SIDE WINDOW/PILOT/	1	
	122-420205-24	. POST ASSY, SIDE WINDOW/COPILOT/	1	
- 8	122-420205-25	. . POST, PILOT	1	
	122-420205-26	. . POST, COPILOT	1	
- 9	122-420205-29	. . SPACER	2	
- 10	122-420205-27	. . SPACER	2	
	122-420029-113	. CLIP, SIDE WINDOW SUPPORT	6	5
	122-420029-173	. CLIP ASSY	4	6
	NAS1329A06-75	. RIVNUT	6	
	FCHF6010L10C	. NUTPLATE	24	3
- 11	122-420203-11	. CLIP, LH LWR FWD	1	
	122-420203-12	. CLIP, RH LWR FWD	1	
- 12	122-420203-9	. CLIP, LH LWR AFT	1	
	122-420203-10	. CLIP, RH LWR AFT	1	
- 13	122-420203-15	. CLIP, LH UPR FWD	1	
	122-420203-16	. CLIP, RH UPR FWD	1	
- 14	122-420203-13	. CLIP, LH UPR AFT	1	
	122-420203-14	. CLIP, RH UPR AFT	1	

Beechcraft
 STARSHIP 1
 ILLUSTRATED PARTS CATALOG



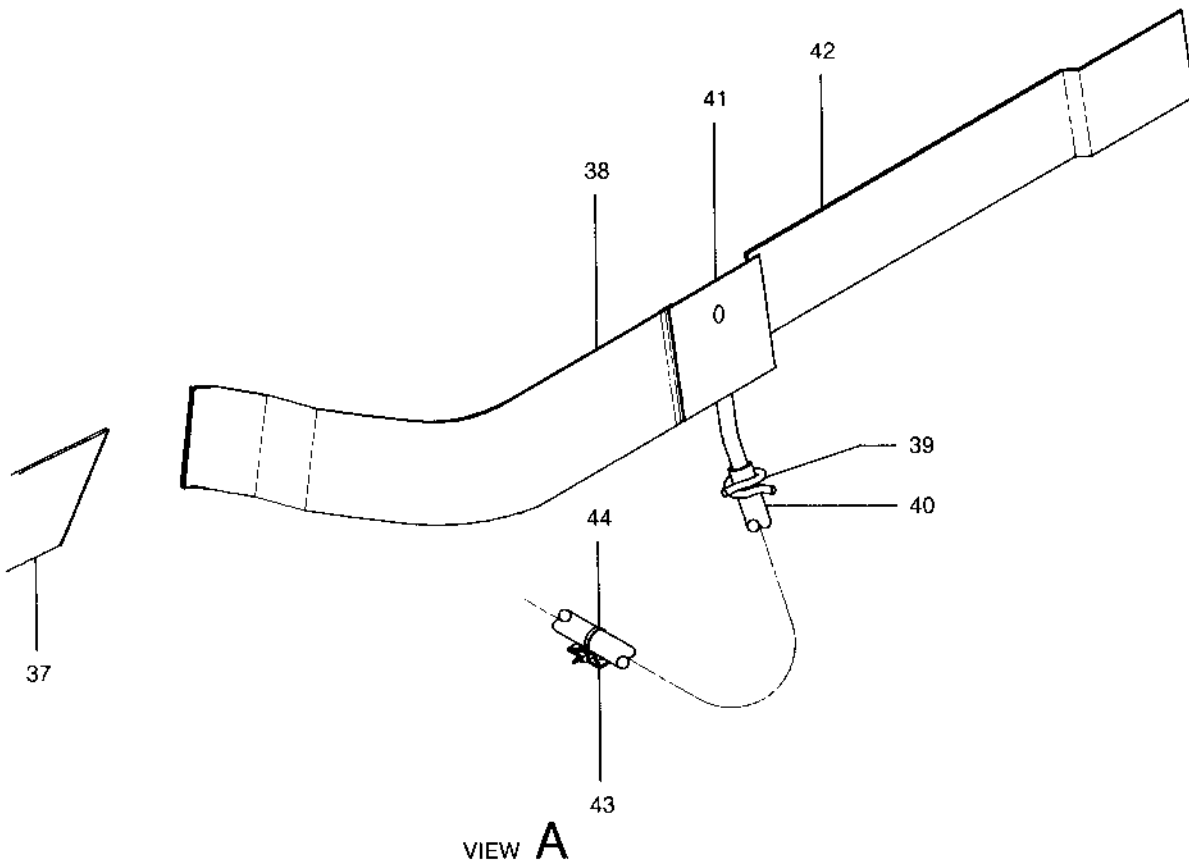
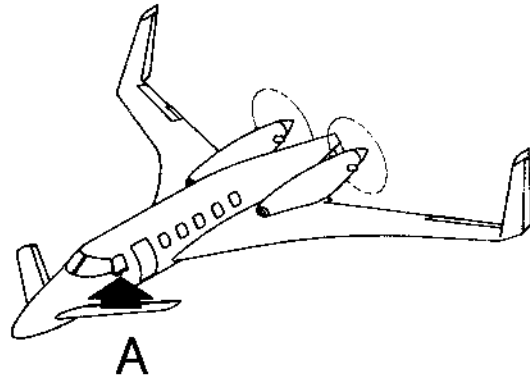
C93NC56A4511 C

FIGURE 10-00.FLIGHT COMPARTMENT WINDOWS
 /SHEET 2 OF 3 SHEETS/

Beechcraft
STARSHIP 1
ILLUSTRATED PARTS CATALOG

SUB-SEC UNIT & ITEM NO	PART NO.	DESCRIPTION 1 2 3 4 5 6 7	UNITS	USABLE
			PER ASSY	ON CODE
10-00 -15	111250-15	. BOLT	156	
-16	122-384000-7	. WINDSHIELD ASSY, LH/HEATED/	NP	7
		/ORDER 122-384000-9 FOR SPARES/		
	122-384000-9	. WINDSHIELD ASSY, LH/HEATED/	1	8
	122-384000-8	. WINDSHIELD ASSY, RH/HEATED/	NP	7
		/ORDER 122-384000-10 FOR SPARES/		
	122-384000-10	. WINDSHIELD ASSY, RH/HEATED/	1	8
-17	122-420122-1	. SEALANT DAM, WINDSHIELD	2	
	FCHF6011L10D4	. NUTPLATE/TO MATCH 122-384000 LWR WSHLD/	64	3
	122-422017-5	. NUTPLATE ASSY/TO MATCH 122-384000 LWR WSHLD/	4	4
	122-422017-1	. NUTPLATE ASSY/TO MATCH 122-384000 LWR WSHLD/	60	4
	FCHF6011L10D4	. NUTPLATE/TO MATCH 122-384000 UPR WSHLD/	36	3
	122-422017-5	. NUTPLATE ASSY/TO MATCH 122-384000 UPR WSHLD/	8	4
	122-422017-1	. NUTPLATE ASSY/TO MATCH 122-384000 UPR WSHLD/	28	4
	FCHF6010L10H2	. NUTPLATE, CENTER POST	34	3
	122-420200-9	. NUTPLATE ASSY, CENTER POST	NP	4
		/ORDER 122-420200-17 FOR SPARES/		
	122-420200-17	. NUTPLATE ASSY, CENTER POST	1	4
	122-420200-10	. NUTPLATE ASSY, CENTER POST	NP	4
		/ORDER 122-420200-18 FOR SPARES/		
	122-420200-18	. NUTPLATE ASSY, CENTER POST	1	4
-18	122-420209-1	. SHIM	1	
-19	HL10V5-4	. PIN	8	
-20	HL94K5	. COLLAR	8	
-21	HL10V5-5	. PIN	8	
-22	HL10V5-6	. PIN, CENTER POST SIDE	10	
-23	HL94K5	. COLLAR	10	
-24	122-420029-73	. BRACKET, LH	1	
	122-420029-74	. BRACKET, RH	1	
	FCHF6010L10M1	. NUTPLATE	4	3
-25	HL11V6-14	. PIN	4	
-26	HL94K6	. COLLAR	12	
-27	HL11V6-16	. PIN	8	
-28	122-420201-1	. BRACKET	1	
	122-420201-2	. BRACKET	1	
-29	122-420207-7	. BRACKET	1	
	122-420207-8	. BRACKET	1	
-30	122-420207-3	. BRACKET	1	
	122-420207-4	. BRACKET	1	
-31	HL10V6-23	. PIN	12	
-32	HL94K6	. COLLAR	12	
-33	122-420204-3	. POST ASSY	1	1
	122-420204-5	. POST ASSY	1	2
	MS21047L08	. NUTPLATE	2	
	MS21051L3	. NUTPLATE	4	
-34	122-420208-1	. BRACKET, UPPER ATTACH LONGERON/LH/	1	
	122-420208-2	. BRACKET, UPPER ATTACH LONGERON/RH/	1	
-35	122-420208-5	. BRACKET, UPPER ATTACH LONGERON/LH/	1	
	122-420208-6	. BRACKET, UPPER ATTACH LONGERON/RH/	1	
-36	122-420202-3	. ANGLE, ATTACH WINDSHIELD POST/LH/	1	9
	122-420202-4	. ANGLE, ATTACH WINDSHIELD POST/RH/	1	9
	122-420202-5	. BRACKET, ATTACH WINDSHIELD POST/LH/	1	10
	122-420202-6	. BRACKET, ATTACH WINDSHIELD POST/RH/	1	10

Beechcraft
STARSHIP 1
ILLUSTRATED PARTS CATALOG



2000-110-05

FIGURE 10-00.FLIGHT COMPARTMENT WINDOWS
/SHEET 3 OF 3 SHEETS/

Beechcraft
STARSHIP 1
ILLUSTRATED PARTS CATALOG

SUB-SEC UNIT & ITEM NO	PART NO.	DESCRIPTION 1 2 3 4 5 6 7	UNITS	USABLE
			PER ASSY	ON CODE
10-00	122-422027-1	. WATER TRAY INSTL, LEFT	1	
	122-422027-2	. WATER TRAY INSTL, RIGHT	1	
- 37	122-422028-1	.. TRAY, LEFT	1	3
	122-422028-7	.. TRAY, LEFT	1	4
	122-422028-2	.. TRAY, RIGHT	1	3
	122-422028-8	.. TRAY, RIGHT	1	4
- 38	122-422028-3	.. TRAY, LEFT	1	
	122-422028-4	.. TRAY, RIGHT	1	
- 39	130292A6	.. CLAMP	1	
- 40	131823E6-0720	.. TUBE	1	
- 41	122-422029-1	.. DRAIN, ASSY	1	
- 42	122-422028-5	.. TRAY, LEFT	1	
	122-422028-6	.. TRAY, RIGHT	1	
- 43	ASMS-A	.. SWIVEL MOUNT	1	
- 44	MS3367-5-9	.. STRAP	1	

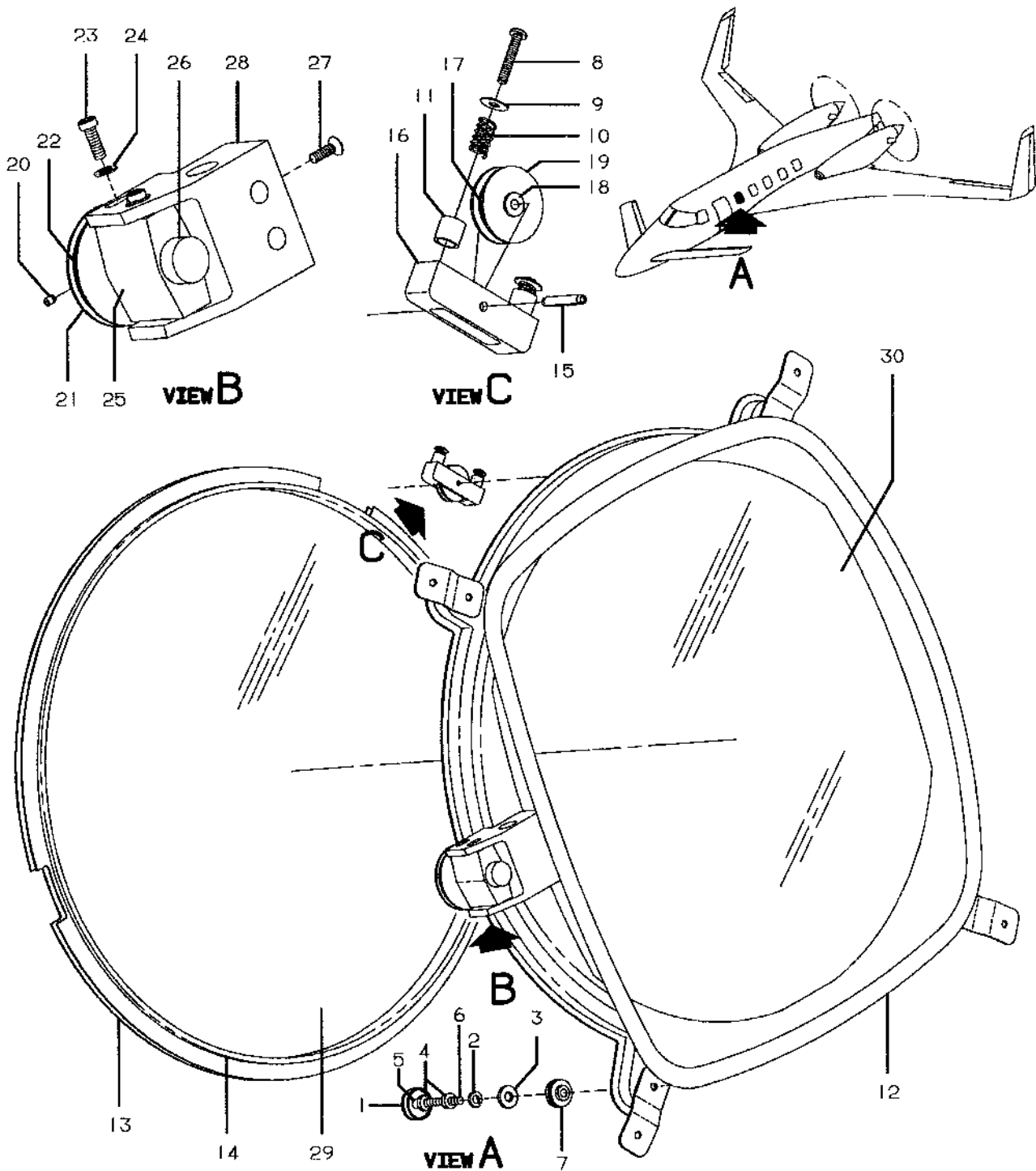
CODES OF EFFECTIVITY

1	NC-4 THRU NC-53	2	NC-54 AND AFTER
3	NC-4 THRU NC-23	4	NC-24 AND AFTER
5	NC-4 THRU NC-19	6	NC-20 AND AFTER
7	NC-4 THRU NC-25	8	NC-26 AND AFTER
9	NC-4 THRU NC-13	10	NC-14 AND AFTER

Beechcraft
STARSHIP 1
ILLUSTRATED PARTS CATALOG

56-20-00
CABIN POLARIZED WINDOWS

Beechcraft
STARSHIP 1
ILLUSTRATED PARTS CATALOG



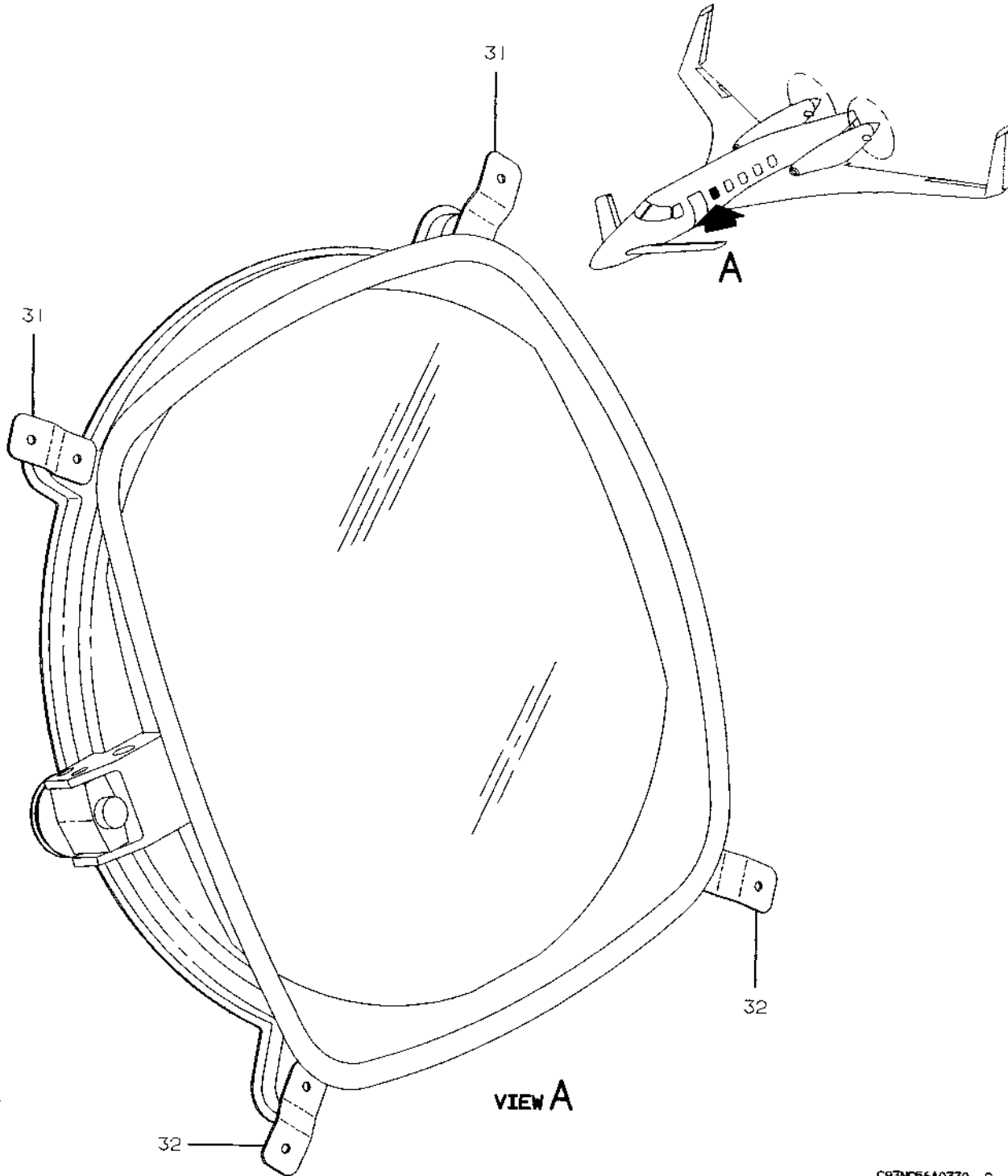
C93NC66A0329 C

FIGURE 20-00.CABIN POLARIZED WINDOWS
/SHEET 1 OF 2 SHEETS/

Beechcraft
STARSHIP 1
ILLUSTRATED PARTS CATALOG

SUB-SEC UNIT & ITEM NO	PART NO.	DESCRIPTION 1 2 3 4 5 6 7	UNITS PER ASSY	USABLE ON CODE
20-00	122-530217-1	WINDOW INSTL, POLARIZED	NP	1
	122-530217-13	WINDOW INSTL, POLARIZED/MANUAL/	NP	2
	122-530217-15	WINDOW INSTL, RH POLARIZED ESCAPE HATCH	NP	2
	122-530217-3	WINDOW INSTL, CONSTANT SECTION	NP	
		/ STA. 219.00 TO STA. 275.00/		
	122-530217-5	WINDOW INSTL/STA. 305.00/	NP	
	122-530217-7	WINDOW INSTL/STA. 335.00/	NP	1
	122-530218-1	RETAINER ASSY, WINDOW	1	1
	122-530218-7	RETAINER ASSY, WINDOW	1	2
		/ATTACHING PARTS/		
	122-530217-9	STOP ASSY, WINDOW	4	
- 1	122-530217-11	CAP	1	
- 2	MS35338-138	WASHER, LOCK	1	
- 3	100951P125ZW	WASHER	1	
- 4	AN315-3R	NUT	2	
- 5	NAS43DD3-12	SPACER	1	
- 6	132131-3-14	STUD/ALTERNATE FOR 132151-3-16/	1	
	132151-3-16	STUD/ALTERNATE FOR 132131-3-14/	1	
	SJ3551	FASTENER, DUAL LOCK	1	
		★		
- 7	J3112-12-1	SHOCK MOUNT	4	
	122-384105-1	RETAINER ASSY, WINDOW	1	3
	122-530218-5	RETAINER ASSY, WINDOW	1	4
	122-384105-37	RETAINER ASSY, WINDOW	1	2
- 8	MS35206-231	SCREW	10	1
	MS35206-232	SCREW	6	5
- 9	AN960-6L	WASHER	AR	
- 10	100943ZL016L	SPRING	AR	
- 11	NAS43DD1-21	SPACER	4	
- 12	122-384105-3	RETAINER, WINDOW	1	1
	122-384105-39	RETAINER, WINDOW/ORDER 122-384105-49	NP	6
		FOR SPARES/		
	122-384105-49	RETAINER, WINDOW	1	5
	122-384105-5	RETAINER ASSY	1	1
	122-384105-41	RETAINER ASSY	1	2
- 13	122-384105-7	RETAINER	1	
- 14	122-384105-17	SEAL, DUST	1	
	122-384105-9	BLOCK ASSY, ROLLER	2	
	122-384105-45	BLOCK ASSY, ROLLER	1	2
- 15	MS171526	PIN, ROLLER	1	
- 16	122-384105-11	BLOCK	1	
	122-384105-13	ROLLER ASSY	1	
- 17	MS29513-015	PACKING, PREFORMED	1	
- 18	SR2-52PP	BEARING	1	
- 19	122-384105-15	ROLLER	1	
	122-530287-1	ACTUATOR INSTL	NP	1
- 20	MS51021-102	SCREW, SET	1	
	122-530271-1	ROLLER ASSY	1	
- 21	122-530271-3	ROLLER, DRIVE	1	
- 22	MS29513-220	PACKING, PREFORMED	1	
- 23	MS16997-32	SCREW, CAP	4	
- 24	AN960-8	WASHER	4	
- 25	122-530286-1	BLOCK	1	
- 26	122-364188-629	MOTOR, POLARIZED WINDOW ACTUATOR	1	
		/ALTERNATE FOR 1616E018SLT 16/5/		
	1616E018SLT 16/5	MOTOR, POLARIZED WINDOW ACTUATOR	1	
		/ALTERNATE FOR 122-364188-629/		
- 27	FH8C6CPL01BK	SCREW	4	
- 28	122-530285-1	BRACKET	1	
	122-530218-13	BRACKET, ROLLER BLOCK	1	2
	122-530218-9	PANE ASSY, POLARIZED WINDOW INBD	1	2
	122-384115-5	PANE, POLARIZED WINDOW INBD	1	2
- 29	122-384115-3	PANE, POLARIZED WINDOW INBD	1	1
- 30	122-384115-1	PANE, POLARIZED WINDOW OUTBD	1	

Beechcraft
STARSHIP 1
ILLUSTRATED PARTS CATALOG



C93NC56A0330 C

FIGURE 20-00.CABIN POLARIZED WINDOWS
/SHEET 2 OF 2 SHEETS/

Beechcraft
STARSHIP 1
ILLUSTRATED PARTS CATALOG

SUB-SEC UNIT & ITEM NO	PART NO.	DESCRIPTION 1 2 3 4 5 6 7	UNITS	USABLE	
			PER ASSY	ON CODE	
20-00 -31	122-530291-1	.. CLIP ASSY, CONSTANT SECTION UPR CONNERS..... /STA. 219.00 TO STA. 275.00/PRIMED/	2		
	MS21076L08	... NUTPLATE.....	1		
	122-530291-13	.. CLIP ASSY, UPPER FWD CORNER/STA. 305.00..... & UPR FWD CORNER STA. 335/PAINTED RED/	2	1	
	122-530291-21	.. CLIP ASSY, RH UPPER AFT CORNER/STA. 305.00/..... /PAINTED GREEN/	1	2	
	MS21076L08	... NUTPLATE.....	1		
	122-530291-21	.. CLIP ASSY, UPPER AFT CORNER/STA. 305.00/..... /PAINTED GREEN/	1	1	
	122-530291-21	.. CLIP ASSY, RH UPPER FWD CORNER/STA. 305.00/..... /PAINTED GREEN/	1	2	
	MS21076L08	... NUTPLATE.....	1		
	122-530291-17	.. CLIP ASSY, UPPER AFT CORNER/ STA. 335.00/..... /PAINTED YELLOW/	1	1	
	MS21076L08	... NUTPLATE.....	1		
	-32	122-530291-5	.. CLIP ASSY, CONSTANT SECTION LOWER CORNERS..... /STA. 219.00 TO STA. 275.00/ /PAINTED WHITE/	2	
		MS21076L08	... NUTPLATE.....	1	
		122-530291-13	.. CLIP ASSY, LOWER AFT CORNER/STA. 335.00/..... /PAINTED RED/	1	1
		MS21076L08	... NUTPLATE.....	1	
122-530291-9		.. CLIP ASSY, LOWER FWD CORNER/STA. 305.00/..... /PAINTED BLUE/	1	1	
122-530291-13		.. CLIP ASSY, RH LOWER AFT CORNER/STA. 305.00/..... /PAINTED RED/	1	2	
MS21076L08		... NUTPLATE.....	1		
122-530291-17		.. CLIP ASSY, LOWER FWD CORNER/STA. 335.00/..... /PAINTED YELLOW/	1	1	
MS21076L08	... NUTPLATE.....	1			

CODES OF EFFECTIVITY

1	NC-4 THRU NC-20	2	NC-21 AND AFTER
3	NC-4 THRU NC-18	4	NC-19 AND NC-20
5	NC-32 AND AFTER	6	NC-21 THRU NC-31

Raytheon Aircraft

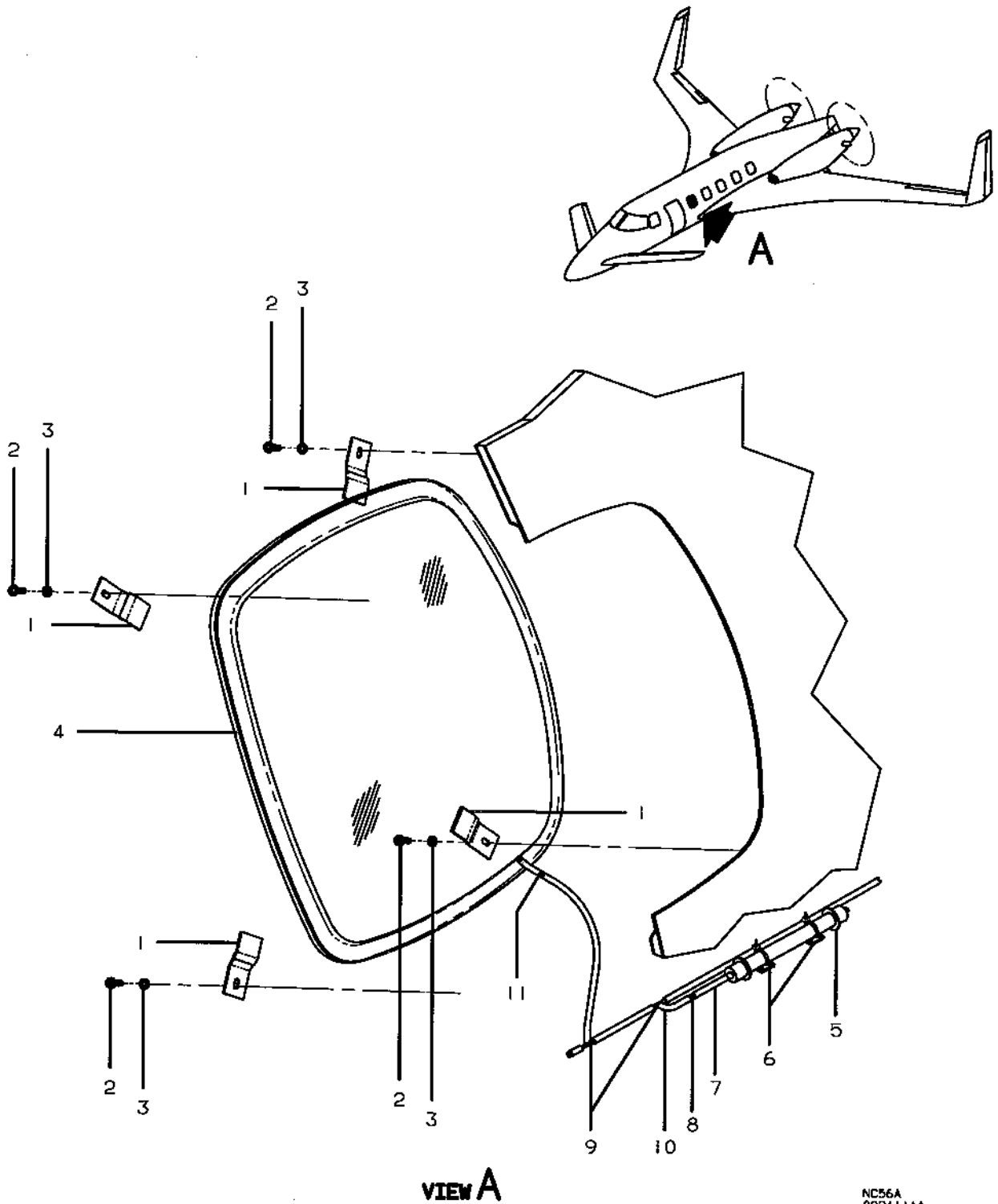
BEECH STARSHIP 1 ILLUSTRATED PARTS CATALOG

56-20-10

CABIN OUTER WINDOWS

Raytheon Aircraft

BEECH STARSHIP 1 ILLUSTRATED PARTS CATALOG



NC56A
002411AA

FIGURE 20-10 . CABIN OUTER WINDOWS

Raytheon Aircraft

BEECH STARSHIP 1 ILLUSTRATED PARTS CATALOG

SUB-SECT UNIT & ITEM NO.	PART NO.	1 2 3 4 5 6 7	DESCRIPTION	UNITS PER ASSY	USABLE ON CODE
20-10	122-430003-1		STRUCTURE INSTL,FUSELAGE	NP	1
	122-430003-3		STRUCTURE INSTL,FUSELAGE	NP	2
1	122-430032-35		. CLIP ASSY	36	
			(ATTACHING PARTS)		
2	NAS623-3-1		. SCREW	1	
3	AN960JD10L		. WASHER	1	
4	122-430030-39		. WINDOW ASSY, FWD LH AND RH SIDE	6	
			/SUPERSEDES 122-430030-1,13 & -19/		
	122-430030-41		. WINDOW ASSY, LH SIDE/STA. 303.90/	1	
			/SUPERSEDES 122-430030-3,-15 & -21/		
	122-430030-43		. WINDOW ASSY, LH SIDE/STA. 334.90/	1	
			/SUPERSEDES 122-430030-5,-17 & -23/		
	122-430030-44		. WINDOW ASSY, RH SIDE/STA. 334.90/	1	
			/SUPERSEDES 122-430030-6,-18 & -24/		
			NOTE		
			SEE CHAPTER 52 FOR THE WINDOW IN THE EMERGENCY EXIT DOOR		
5	26930		DESSICANT,WINDOW SYSTEM/RH & LH/	1	
			/WITH KIT 122-5031-3 OR -5 INSTALLED/		
6	ABMM-AT-C		MOUNT,CABLE TIE/RH & LH/	2	
			/WITH KIT 122-5031-3 OR -5 INSTALLED/		
	MS3367-5-9		STRAP,TIE/RH & LH/	2	
			/WITH KIT 122-5031-3 OR -5 INSTALLED/		
7	132239-2-X		TUBING	AR	
			/WITH KIT 122-5031-3 OR -5 INSTALLED/		
8	3060-9		FITTING/RH & LH/	2	
			/WITH KIT 122-5031-3 OR -5 INSTALLED/		
9	T230-1		TEE/LH/	6	
			/WITH KIT 122-5031-5 INSTALLED/		
	T230-1		TEE/RH/	5	
			/WITH KIT 122-5031-3 INSTALLED/		
10	132239-1-X		TUBING/RH & LH/	AR	
			/WITH KIT 122-5031-3 OR -5 INSTALLED/		
11	AC-9		FITTING/LH/	5	
			/WITH KIT 122-5031-5 INSTALLED/		
	AC-9		FITTING/RH/	4	
			/WITH KIT 122-5031-3 INSTALLED/		
			NOTE		
			122-430030-39,-41,-43 & -44 WINDOW ASSY MUST BE INSTALLED PRIOR TO 122-5031-3 OR -5 KIT MODIFICATION		

CODES OF EFFECTIVITY

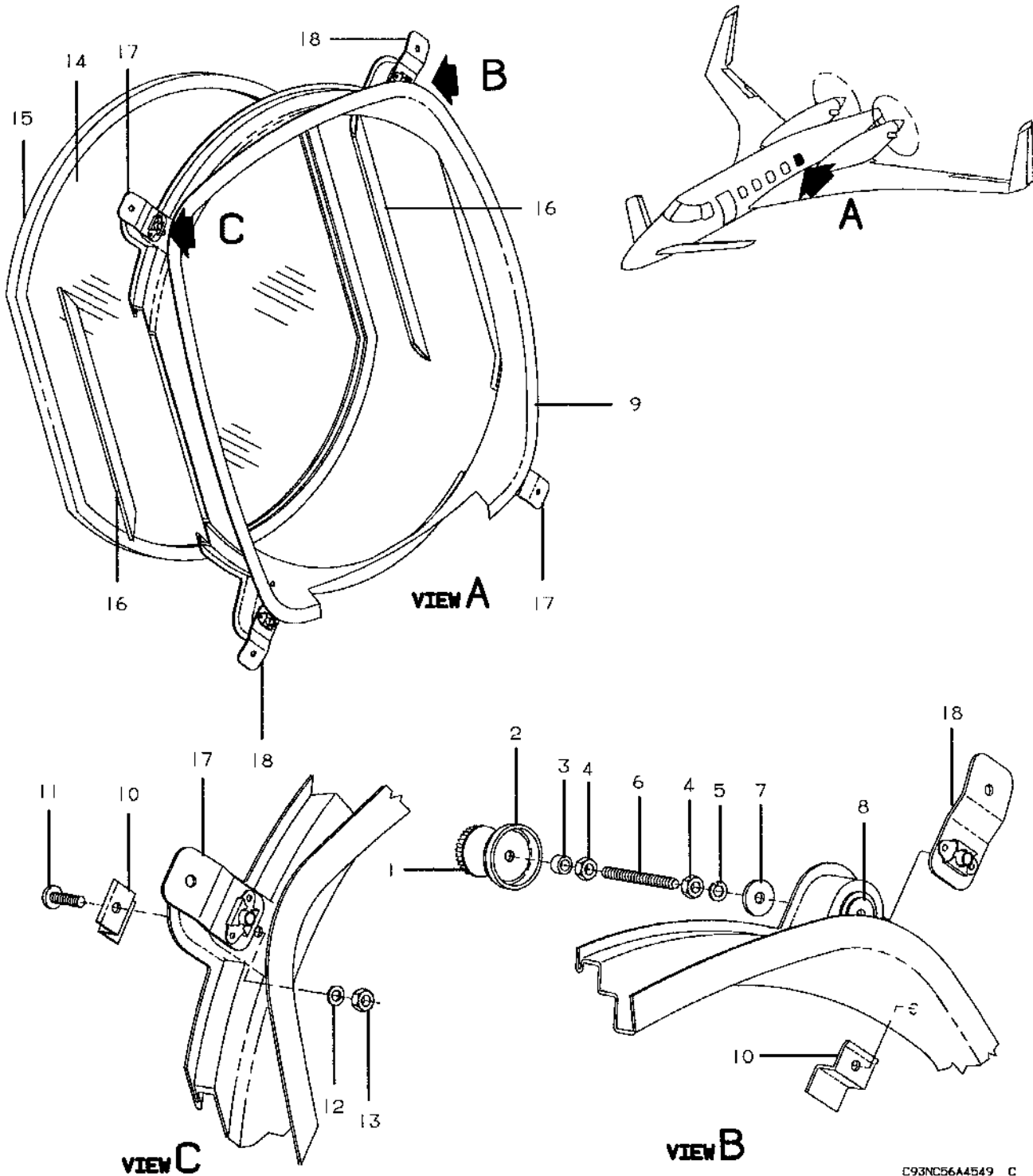
1 NC-4 THRU NC-40 2 NC-41 AND AFTER

- END -

Beechcraft
STARSHIP 1
ILLUSTRATED PARTS CATALOG

56-20-20
AFT TOILET WINDOW INSTALLATION

Beechcraft
 STARSHIP 1
 ILLUSTRATED PARTS CATALOG



C93NC56A4549 C

FIGURE 20-20.AFT TOILET WINDOW INSTALLATION

Beechcraft
STARSHIP 1
ILLUSTRATED PARTS CATALOG

SUB-SEC UNIT & ITEM NO	PART NO.	DESCRIPTION 1 2 3 4 5 6 7	UNITS	USABLE
			PER ASSY	ON CODE
20-20	122-530393-1	WINDOW INSTL, AFT TOILET/LH/	NP	1
	122-530393-2	WINDOW INSTL, AFT TOILET/RH/	NP	1
	122-530217-9	. STOP ASSY	4	
- 1	SJ3551	. LOCK, DUAL	1	
- 2	122-530217-11	. CAP	1	
- 3	NAS43DD3-12	. SPACER	1	
- 4	AN315-3R	. NUT	2	
- 5	MS35338-138	. WASHER, LOCK	1	
- 6	132131-3-14	. STUD/ALTERNATE FOR 132151-3-16/	1	
	132151-3-16	. STUD/ALTERNATE FOR 132131-3-14/	1	
- 7	100951P125ZW	. WASHER	4	
	122-530394-1	. RETAINER ASSY	1	
- 8	122-530218-3	. MOUNT, SHOCK	4	
- 9	122-530394-3	. HOUSING, WINDOW	1	
-10	122-530394-11	. BRACKET ASSY	4	
		/ATTACHING PARTS/		
-11	MS35206-245	. SCREW	1	
-12	AN960-8	. WASHER	1	
-13	MS21044N08	. NUT	1	
		★		
	122-530394-5	. WINDOW PANE ASSY	1	
-14	122-530394-7	. WINDOW PANE/TINTED/	1	
-15	122-530394-9	. MOLDING	1	
-16	122-530394-13	. SEAL	2	
-17	122-530291-13	. CLIP ASSY/RED/	2	
-18	122-530291-17	. CLIP ASSY/YELLOW/	2	

CODES OF EFFECTIVITY

1 NC-21 AND AFTER

Beechcraft
STARSHIP 1
ILLUSTRATED PARTS CATALOG

LIST OF PAGES & TABLE OF CONTENTS
FOR
CHAPTER 57-00-00 WINGS

CHAP/SUB- SECT & UNIT	PAGE NO.	EFFECTIVE DATE	TABLE OF CONTENTS
57-00-00	1	11/04/94	LIST OF PAGES & TABLE OF CONTENTS
57-00-00	2	11/04/94	
57-10-00	1	02/25/94	AFT WING INSTALLATION
57-10-00	2	02/25/94	
57-10-00	3	02/25/94	
57-10-00	4	02/25/94	
57-10-00	5	02/25/94	
57-10-00	6	02/25/94	
57-10-00	7	02/25/94	
57-10-10	1	02/25/94	AFT WING
57-10-10	2	11/04/94	
57-10-10	3	11/04/94	
57-10-10	4	11/04/94	
57-10-10	5	11/04/94	
57-10-20	1	02/25/94	AFT WING BOX ASSEMBLY
57-10-20	2	02/25/94	
57-10-20	3	02/25/94	
57-10-20	4	02/25/94	
57-10-20	5	02/25/94	
57-10-20	6	02/25/94	
57-10-20	7	02/25/94	
57-10-20	8	02/25/94	
57-10-20	9	02/25/94	
57-10-20	10	02/25/94	
57-10-20	11	02/25/94	
57-11-00	1	02/25/94	MAIN LANDING GEAR CLOSURE SUPPORT
57-11-00	2	02/25/94	
57-11-00	3	02/25/94	
57-11-10	1	02/25/94	MAIN LANDING GEAR CLOSURE SUPPORT
57-11-10	2	02/25/94	
57-11-10	3	02/25/94	
57-20-00	1	02/25/94	FLAP FAIRINGS
57-20-00	2	02/25/94	
57-20-00	3	02/25/94	
57-20-00	4	02/25/94	
57-20-00	5	02/25/94	
57-20-00	6	02/25/94	
57-20-00	7	02/25/94	
57-20-10	1	02/25/94	WING ELECTRICAL WIRE CONDUIT
57-20-10	2	02/25/94	
57-20-10	3	02/25/94	
57-20-10	4	02/25/94	
57-20-10	5	02/25/94	
57-20-10	6	02/25/94	
57-20-10	7	02/25/94	
57-20-10	8	02/25/94	
57-20-10	9	02/25/94	
57-20-10	10	02/25/94	
57-20-10	11	02/25/94	
57-20-10	12	02/25/94	
57-20-10	13	02/25/94	
57-20-10	14	02/25/94	
57-20-10	15	02/25/94	

Beechcraft
STARSHIP 1
ILLUSTRATED PARTS CATALOG

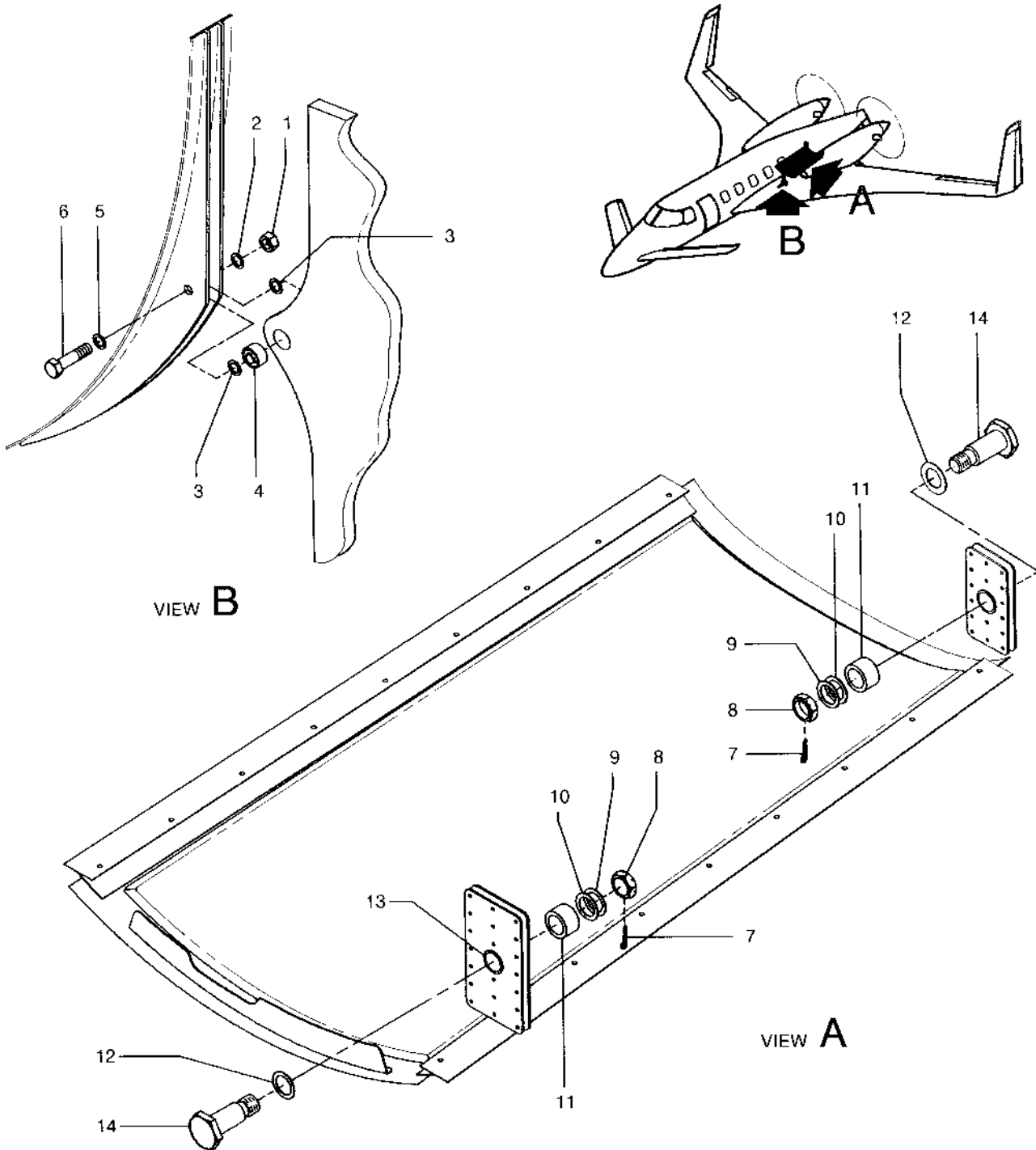
LIST OF PAGES & TABLE OF CONTENTS
FOR
CHAPTER 57-00-00 WINGS

CHAP/SUB- SECT & UNIT	PAGE NO.	EFFECTIVE DATE	TABLE OF CONTENTS
57-20-20	1	02/25/94	ELEVON FENCE.....
57-20-20	2	02/25/94	
57-20-20	3	02/25/94	
57-20-30	1	02/25/94	AFT WING FLAP COVE.....
57-20-30	2	02/25/94	
57-20-30	3	02/25/94	
57-20-40	1	02/25/94	AFT WING ACCESS DOORS.....
57-20-40	2	02/25/94	
57-20-40	3	02/25/94	
57-20-40	4	02/25/94	
57-20-40	5	02/25/94	
57-21-00	1	02/25/94	AFT WING TRAILING EDGE INBD COVE.....
57-21-00	2	02/25/94	
57-21-00	3	02/25/94	
57-40-00	1	11/04/94	LEADING EDGE.....
57-40-00	2	11/04/94	
57-40-00	3	11/04/94	
57-40-00	4	11/04/94	
57-40-00	5	11/04/94	
57-40-10	1	02/25/94	AFT WING LEADING EDGE VORTILON.....
57-40-10	2	02/25/94	
57-40-10	3	02/25/94	
57-50-00	1	02/25/94	FLAP INSTALLATION.....
57-50-00	2	02/25/94	
57-50-00	3	02/25/94	
57-50-00	4	02/25/94	
57-50-00	5	02/25/94	
57-60-00	1	02/25/94	ELEVON INSTALLATION.....
57-60-00	2	02/25/94	
57-60-00	3	02/25/94	
57-60-00	4	02/25/94	
57-60-00	5	02/25/94	

Beechcraft
STARSHIP 1
ILLUSTRATED PARTS CATALOG

57-10-00
AFT WING INSTALLATION

Beechcraft
STARSHIP 1
ILLUSTRATED PARTS CATALOG



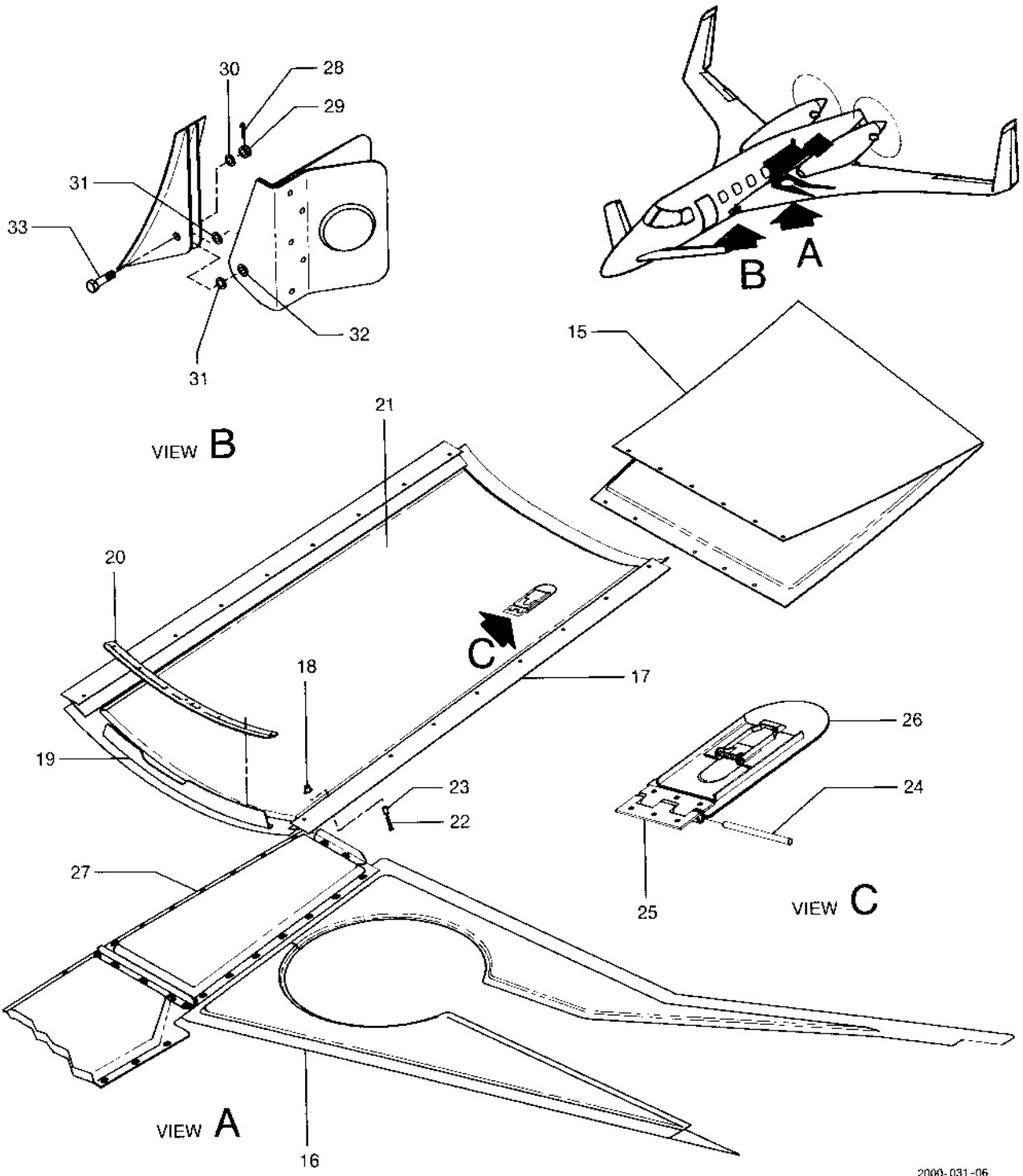
2000-031-05

FIGURE 10-00.AFT WING INSTALLATION
/SHEET 1 OF 3 SHEETS/

Beechcraft
STARSHIP 1
ILLUSTRATED PARTS CATALOG

SUB-SEC UNIT & ITEM NO	PART NO.	DESCRIPTION 1 2 3 4 5 6 7	UNITS	USABLE
			PER ASSY	ON CODE
10-00	122-100000-9	WING INSTL, AFT	NP	
	122-100010-35	. WING ASSY, AFT/SEE CHAPTER 57-10-10/	1	
- 1	NAS509-7C	. NUT	2	
- 2	AN960C716	. WASHER	2	
- 3	AN960C716LL	. WASHER/.015 MAXIMUM GAP BETWEEN MAIN LANDING GEAR FWD SPAR AND FUSELAGE/	AR	
- 4	MS21231-7	. BEARING	2	
- 5	AN960C716L	. WASHER	2	
- 6	NAS1307-15D	. BOLT	2	
- 7	MS24665-380	. PIN, COTTER	4	
- 8	AN320C20	. NUT	4	
- 9	AN960C2016L	. WASHER	AR	
- 10	AN960C2016	. WASHER	AR	
- 11	122-100137-5	. WASHER	4	
- 12	MS20002C22	. WASHER	4	
- 13	122-100130-1	. BUSHING	4	
- 14	122-100137-7	. BOLT/ALTERNATE FOR 122-100137-3 AND -9/	AR	
	122-100137-3	. BOLT/FIRST ALTERNATE FOR 122-100137-7/ /MAXIMUM OF ONE PER SPAR/	AR	
	122-100137-9	. BOLT/ALTERNATE FOR 122-100137-7/MAXIMUM OF ONE PER SPAR/	AR	

Beechcraft
STARSHIP 1
ILLUSTRATED PARTS CATALOG



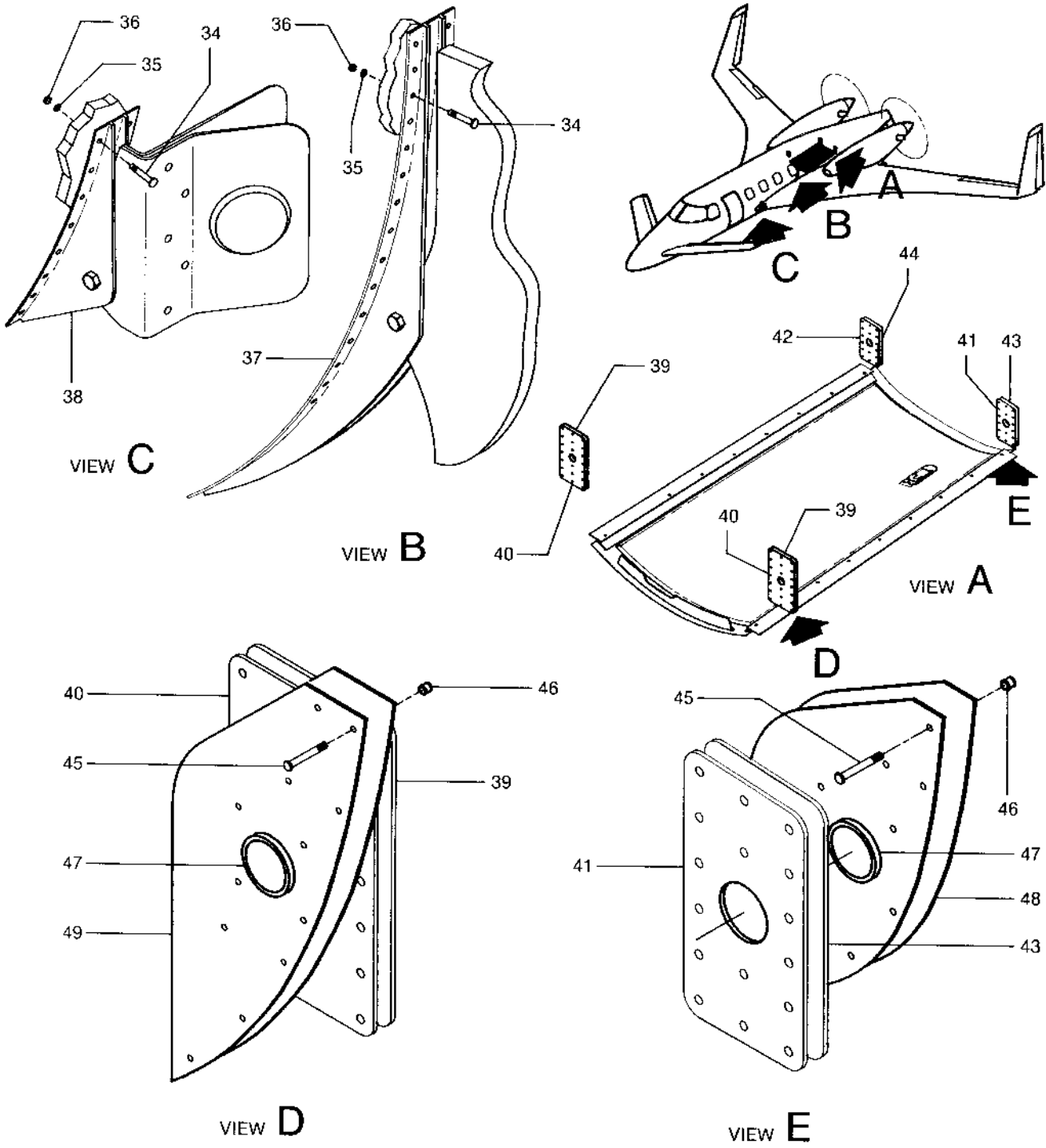
2000-031-06

FIGURE 10-00.AFT WING INSTALLATION
/SHEET 2 OF 3 SHEETS/

Beechcraft
STARSHIP 1
ILLUSTRATED PARTS CATALOG

SUB-SEC UNIT & ITEM NO	PART NO.	DESCRIPTION 1 2 3 4 5 6 7	UNITS PER ASSY	USABLE ON CODE
10-00 - 15	122-100030-1	. COVE INSTL, LH INBD TRAILING EDGE/SEE..... CHAPTER 57-21-00/	NP	
	122-100030-2	. COVE INSTL, RH INBD TRAILING EDGE/SEE..... CHAPTER 57-21-00/	NP	
- 16	122-100115-77	. SUPPORT INSTL, LH MAIN LANDING GEAR CLOSURE	NP	8
	122-100037-1	. SUPPORT INSTL, LH MAIN LANDING GEAR CLOSURE	NP	9
		/SEE CHAPTERS 57-11-00 & 57-11-10/		
	122-100115-78	. SUPPORT INSTL, RH MAIN LANDING GEAR CLOSURE.....	NP	8
	122-100037-2	. SUPPORT INSTL, RH MAIN LANDING GEAR CLOSURE.....	NP	9
		/SEE CHAPTERS 57-11-00 & 57-11-10/		
	122-100078-63	. PANEL INSTL, AFT WING BOX SHEAR.....	NP	3
	122-100078-83	. PANEL INSTL, AFT WING BOX SHEAR.....	NP	6
	122-100078-91	. PANEL INSTL, AFT WING BOX SHEAR.....	NP	5
- 17	122-100078-37	. . ANGLE ASSY, LH ATTACH PANEL.....	1	
	122-100078-79	. . ANGLE ASSY, LH ATTACH PANEL.....	1	4
	122-100078-95	. . ANGLE ASSY, LH ATTACH PANEL.....	1	5
	122-100078-38	. . ANGLE ASSY, RH ATTACH PANEL.....	1	
	122-100078-80	. . ANGLE ASSY, RH ATTACH PANEL.....	1	4
	122-100078-96	. . ANGLE ASSY, RH ATTACH PANEL.....	1	5
	122-100078-89	. . SHIM.....	2	5
- 18	26R6-1BB	. . . RECEPTACLE.....	18	4
	CA18324-1P	. . . NUT, STUD.....	18	5
	CA18185	. . . GROMMET ASSY.....	18	5
	NAS24694C49	. . . SCREW.....	5	7
	NAS1169C10L	. . . WASHER.....	5	7
	SL607-3-9CM	. . . INSERT.....	5	7
- 19	122-100078-61	. . ANGLE, FRONT ATTACH.....	1	
- 20	122-100078-41	. . STRIP, CLOSURE.....	1	
	122-580122-13	. . BRACKET.....	1	5
- 21	122-100078-65	. . PANEL, AFT WING BOX SHEAR.....	1	3
	122-100078-85	. . PANEL, AFT WING BOX SHEAR.....	1	6
- 22	2700-5S	. . . STUD.....	18	4
	AN960C416L	. . . WASHER.....	18	
- 23	2600SW	. . . RETAINER.....	18	4
	000-110134-1	. . . DOOR ASSY, EXTERNAL POWER RECEPTACLE..... ACCESS	1	4
- 24	MS20253P2-200 PIN, HINGE.....	1	4
- 25	000-110134-13 HINGE, HALF.....	1	4
- 26	000-110134-3 DOOR ASSY.....	1	4
	H7215AE LATCH.....	1	4
	000-110134-5 DOOR ASSY, WELDED.....	1	4
- 27	122-100040-43	. FAIRING INSTL, LH WING TO FUSELAGE/SEE..... CHAPTER 53/	NP	
	122-100040-44	. FAIRING INSTL, RH WING TO FUSELAGE/SEE..... CHAPTER 53/	NP	
- 28	MS24665-238	PIN, COTTER.....	2	
- 29	130909N18	NUT.....	2	
- 30	AN960-616LL	WASHER.....	AR	
- 31	AN960-616	WASHER.....	AR	
- 32	NAS77-6-12	BUSHING/PRESS FIT/.....	2	
- 33	NAS1106-12D	BOLT.....	2	

Beechcraft
STARSHIP 1
 ILLUSTRATED PARTS CATALOG



2000-031-07

FIGURE 10-00.AFT WING INSTALLATION
 /SHEET 3 OF 3 SHEETS/

Beechcraft
STARSHIP 1
ILLUSTRATED PARTS CATALOG

SUB-SEC UNIT & ITEM NO	PART NO.	DESCRIPTION 1 2 3 4 5 6 7	UNITS	USABLE
			PER ASSY	ON CODE
10-00 -34	HL10V6-14	PIN.....	AR	
-35	HL82-6CU	WASHER.....	AR	
-36	HL82-6A	COLLAR.....	AR	
-37	122-430036-3	FITTING, LH FUSELAGE ATTACH/STA. 324/.....	1	
	122-430036-4	FITTING, RH FUSELAGE ATTACH/STA. 324/.....	1	
-38	122-430035-5	FITTING, FUSELAGE ATTACH/STA. 237/.....	2	
-39	122-100070-1	FITTING, WING FRONT SPAR ATTACH/AFT SIDE/.....	2	
-40	122-100070-3	FITTING, WING FRONT SPAR ATTACH/FWD SIDE/.....	2	
-41	122-100071-2	FITTING, LH AFT SPAR/FWD SIDE/.....	1	1
	122-100071-6	FITTING, LH AFT SPAR/FWD SIDE/.....	1	2
-42	122-100071-1	FITTING, RH AFT SPAR/FWD SIDE/.....	1	1
	122-100071-5	FITTING, RH AFT SPAR/FWD SIDE/.....	1	2
-43	122-100071-3	FITTING, LH AFT SPAR/AFT SIDE/.....	1	
-44	122-100071-4	FITTING, RH AFT SPAR/AFT SIDE/.....	1	
-45	HL10V6-23	PIN, FUSELAGE TO WING ATTACH/STA. 357 AND 416/.....	AR	
-46	HL379-6	COLLAR, FUSELAGE TO WING ATTACH/STA. 357 AND STA. 416/.....	AR	
-47	122-430128-1	BUSHING, FUSELAGE/STA. 357 AND 416/.....	4	10
	122-430126-5	BUSHING, FUSELAGE/STA. 357 AND 416/.....	4	11
-48	122-430124-3	REINFORCEMENT, FUSELAGE/STA. 416/.....	4	
-49	122-430124-1	REINFORCEMENT, FUSELAGE/STA. 357/.....	4	

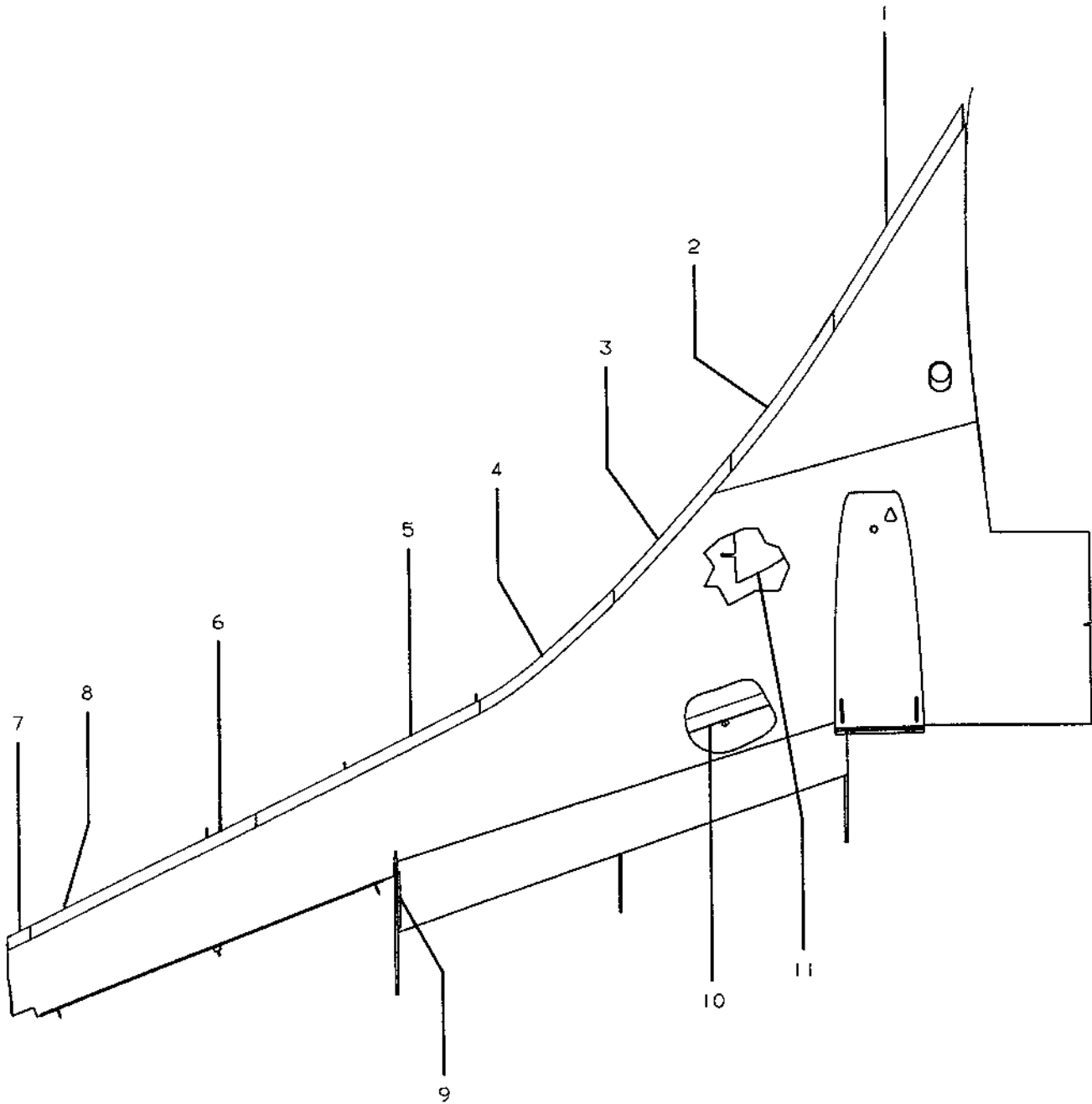
CODES OF EFFECTIVITY

1	NC-4 THRU NC-40	2	NC-41 AND AFTER
3	NC-4 THRU NC-29	4	NC-4 THRU NC-36
5	NC-37 AND AFTER	6	NC-30 THRU NC-36
7	NC-30 AND AFTER	8	NC-4 THRU NC-33
9	NC-34 AND AFTER	10	NC-4 THRU NC-37
11	NC-38 AND AFTER		

Beechcraft
STARSHIP 1
ILLUSTRATED PARTS CATALOG

57-10-10
AFT WING

Beechcraft
STARSHIP 1
ILLUSTRATED PARTS CATALOG

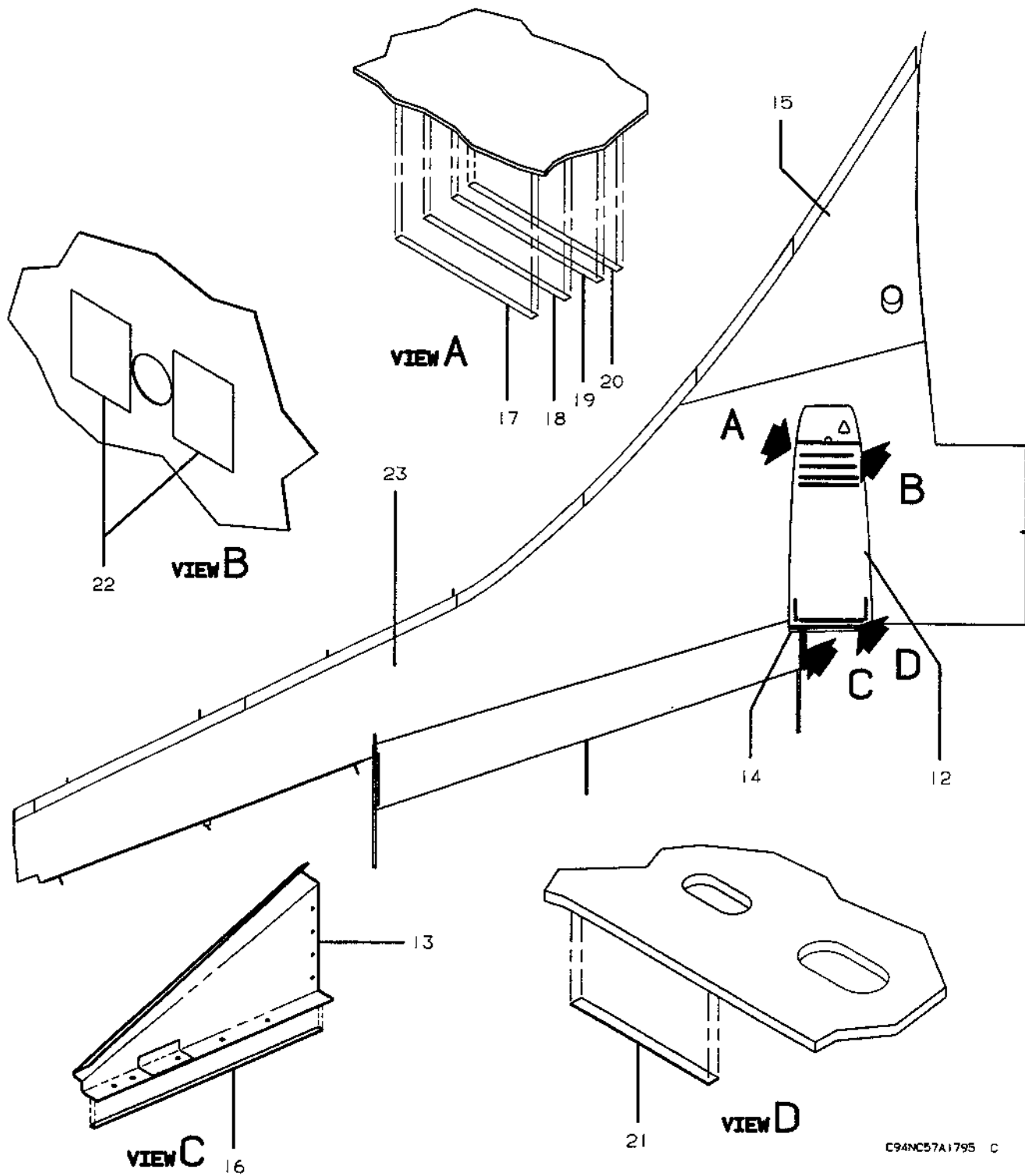


C94NC57A1794 C

Beechcraft
STARSHIP 1
ILLUSTRATED PARTS CATALOG

SUB-SEC UNIT & ITEM NO	PART NO.	DESCRIPTION 1 2 3 4 5 6 7	UNITS	USABLE
			PER ASSY	ON CODE
10-10	122-100010-35	WING ASSY, AFT/COMPLETE/	1	
- 1	R 122-100151-1	. LEADING EDGE INSTL, LH/SEE CH. 57-40-00/	NP	1
	R 122-100151-2	. LEADING EDGE INSTL, RH/SEE CH. 57-40-00/	NP	1
- 2	R 122-100152-1	. LEADING EDGE INSTL, LH/SEE CH. 57-40-00/	NP	1
	R 122-100152-2	. LEADING EDGE INSTL, RH/SEE CH. 57-40-00/	NP	1
- 3	R 122-100153-1	. LEADING EDGE INSTL, LH/SEE CH. 57-40-00/	NP	1
	R 122-100153-2	. LEADING EDGE INSTL, RH/SEE CH. 57-40-00/	NP	1
- 4	R 122-100154-1	. LEADING EDGE INSTL, LH/SEE CH. 57-40-00/	NP	1
	R 122-100154-2	. LEADING EDGE INSTL, RH/SEE CH. 57-40-00/	NP	1
- 5	R 122-100155-1	. LEADING EDGE INSTL, LH/SEE CH. 57-40-00/	NP	1
	R 122-100155-2	. LEADING EDGE INSTL, RH/SEE CH. 57-40-00/	NP	1
- 6	R 122-100156-1	. LEADING EDGE INSTL, LH/SEE CH. 57-40-00/	NP	1
	R 122-100156-2	. LEADING EDGE INSTL, RH/SEE CH. 57-40-00/	NP	1
- 7	R 122-100118-1	. SKIN INSTL, LH LEADING EDGE/SEE CH. 57-40-00/	NP	1
	R 122-100118-2	. SKIN INSTL, RH LEADING EDGE/SEE CH. 57-40-00/	NP	1
	R 122-100157-1	. LEADING EDGE INSTL, LH/SEE CH. 57-40-00/	NP	2
	R 122-100157-2	. LEADING EDGE INSTL, RH/SEE CH. 57-40-00/	NP	2
- 8	R 122-100021-1	. VORTILON INSTL, LH/SEE CHAPTER 57-40-10/	NP	
	122-100021-2	. VORTILON INSTL, RH/SEE CHAPTER 57-40-10/	NP	
- 9	R 122-100167-1	. FENCE INSTL, LH ELEVON/SEE CHAPTER 57-20-20/	NP	
	122-100167-2	. FENCE INSTL, RH ELEVON/SEE CHAPTER 57-20-20/	NP	
- 10	R 122-100149-1	. COVE INSTL, LH/SEE CHAPTER 57-20-30/	NP	5
	122-100149-51	. COVE INSTL, LH/SEE CHAPTER 57-20-30/	NP	6
	122-100149-2	. COVE INSTL, RH/SEE CHAPTER 57-20-30/	NP	5
	122-100149-52	. COVE INSTL, RH/SEE CHAPTER 57-20-30/	NP	6
- 11	R 122-100100-1	. DOOR INSTL, LH MAIN LANDING GEAR/SEE CHAPTER 52/	NP	
	122-100100-2	. DOOR INSTL, RH MAIN LANDING GEAR/SEE CHAPTER 52/	NP	

Beechcraft
 STARSHIP 1
 ILLUSTRATED PARTS CATALOG



C94NC57A1795 C

Beechcraft
STARSHIP 1
ILLUSTRATED PARTS CATALOG

SUB-SEC UNIT & ITEM NO	PART NO.	DESCRIPTION 1 2 3 4 5 6 7	UNITS	USABLE
			PER ASSY	ON CODE
10-10 - 12	R 122-980038-1	. NACELLE INSTL, LH/SEE CHAPTER 54/	NP	
	122-980038-2	. NACELLE INSTL, RH/SEE CHAPTER 54/	NP	
- 13	R 122-980052-49	. FIREWALL ASSY, LH OUTBD/SEE CHAPTER 54/	1	
	122-980052-50	. FIREWALL ASSY, RH OUTBD/SEE CHAPTER 54/	1	
	MS21048L3K	. NUTPLATE	10	
- 14	R 122-980056-1	. INSULATION INSTL, LH FIREWALL/SEE CHAPTER	NP	3
		54/		
	122-980056-3	. INSULATION INSTL, LH FIREWALL/SEE CHAPTER	NP	4
		54/		
	122-980056-2	. INSULATION INSTL, RH FIREWALL/SEE CHAPTER	NP	3
		54/		
	122-980056-4	. INSULATION INSTL, RH FIREWALL/SEE CHAPTER	NP	4
		54/		
- 15	R 122-120100-17	. TANK INSTL, LH FUEL/SEE CHAPTER 28/	NP	
	122-120100-18	. TANK INSTL, RH FUEL/SEE CHAPTER 28/	NP	
- 16	R 122-100010-23	. SHIM	2	
- 17	R 122-100010-29	. STRAP, FUEL CELL SUPPORT	2	
- 18	R 122-100010-31	. STRAP, FUEL CELL SUPPORT	2	
- 19	R 122-100010-33	. STRAP, FUEL CELL SUPPORT	2	
- 20	R 122-100010-43	. STRAP, FUEL CELL SUPPORT	2	
- 21	R 122-100010-47	. FILLER ASSY, LH	7	
	122-100010-48	. FILLER ASSY, RH	1	
- 22	R 122-100010-45	. STRAP, FUEL CELL SUPPORT	4	
- 23	R 122-100020-53	. WING BOX ASSY/SEE CHAPTER 57-10-20/	1	

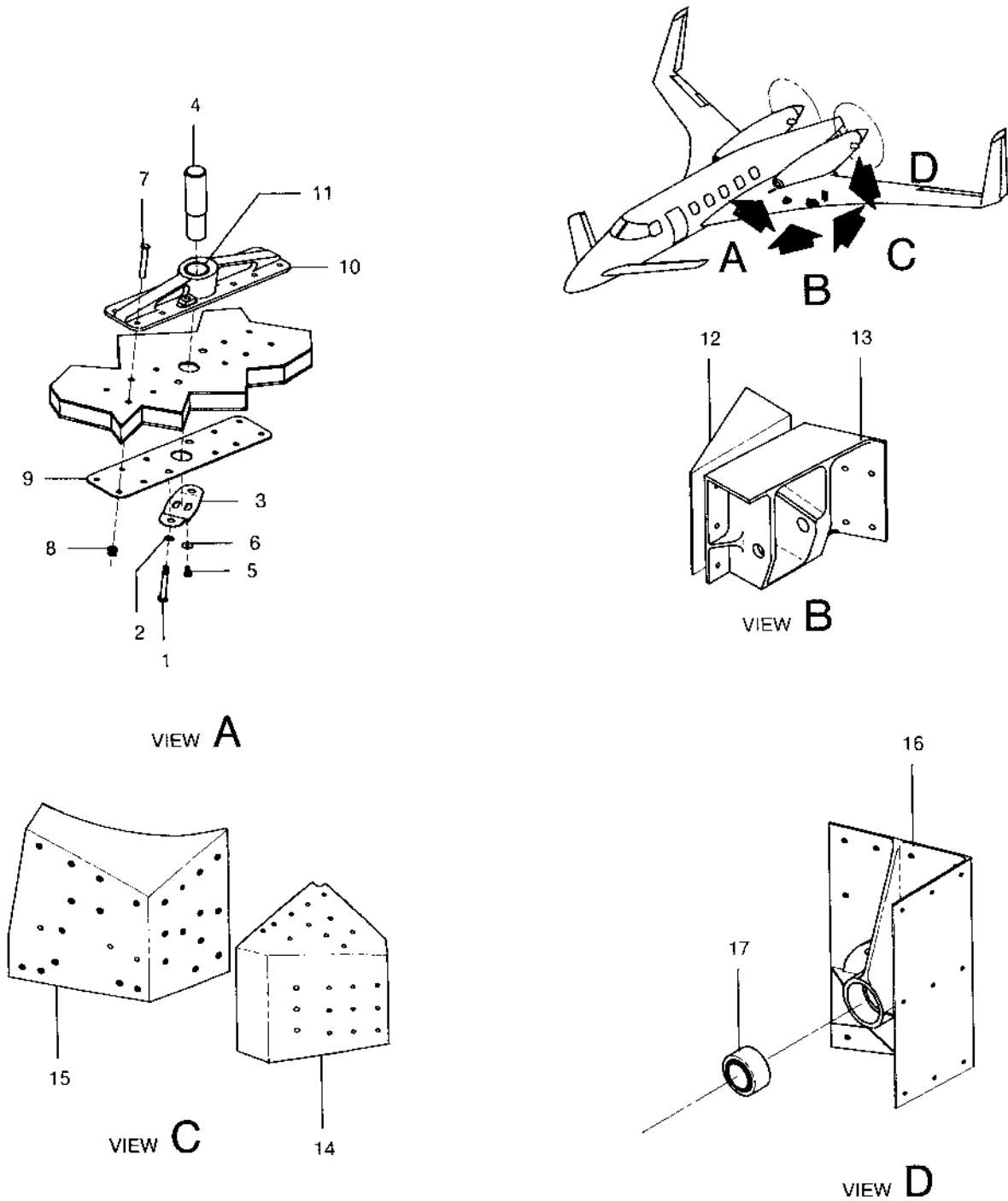
CODES OF EFFECTIVITY

1	NC-4 THRU NC-20	2	NC-21 AND AFTER
3	NC-4 THRU NC-43	4	NC-44 AND AFTER
5	NC-4 THRU NC-25	6	NC-26 AND AFTER

Beechcraft
STARSHIP 1
ILLUSTRATED PARTS CATALOG

57-10-20
AFT WING BOX ASSEMBLY

Beechcraft
STARSHIP 1
ILLUSTRATED PARTS CATALOG



2000-036-01

FIGURE 10-20. AFT WING BOX ASSEMBLY
/SHEET 1 OF 5 SHEETS/

Beechcraft
STARSHIP 1
ILLUSTRATED PARTS CATALOG

SUB-SEC UNIT & ITEM NO	PART NO.	DESCRIPTION 1 2 3 4 5 6 7	UNITS	USABLE
			PER ASSY	ON CODE
10-20	122-100020-53	BOX ASSY, AFT WING	NP	
	122-100097-1	. FITTING INSTL, LH DRAG SHEAR ATTACH	NP	
	122-100097-2	. FITTING INSTL, RH DRAG SHEAR ATTACH	NP	
- 1	AN4CH17	. . BOLT	2	
- 2	AN960C416L	. . WASHER	2	
- 3	122-100097-3	. . RETAINER	1	
- 4	122-100096-5	. . PIN	1	
- 5	AN3CH3	. . BOLT	1	
- 6	105090CR050-3F	. . WASHER	1	
- 7	HL12V8-21	. . PIN	10	
- 8	HL198V8	. . COLLAR	10	
- 9	122-100095-5	. . DOUBLER	1	
- 10	122-100095-1	. . FITTING ASSY, LH DRAG SHEAR ATTACH	1	
	122-100095-2	. . FITTING ASSY, RH DRAG SHEAR ATTACH	1	
	MS21060L4	. . . NUTPLATE	2	
- 11	NAS75-16-103	. . . BUSHING	1	
- 12	122-100114-1	. FITTING, LH MAIN LANDING GEAR RETRACT	1	
	122-100114-2	. FITTING, RH MAIN LANDING GEAR RETRACT	1	
- 13	122-100114-5	. FITTING, LH MAIN LANDING GEAR RETRACT	1	
	122-100114-6	. FITTING, RH MAIN LANDING GEAR RETRACT	1	
- 14	122-100113-3	. FITTING, LH MAIN LANDING GEAR SUPPORT	1	
	122-100113-4	. FITTING, RH MAIN LANDING GEAR SUPPORT	1	
- 15	122-100065-3	. FITTING, LH MAIN LANDING GEAR FWD TRUNNION	1	
	122-100065-4	. FITTING, RH MAIN LANDING GEAR FWD TRUNNION	1	
- 16	122-100066-3	. FITTING, LH MAIN LANDING GEAR AFT TRUNNION	1	
	122-100066-4	. FITTING, RH MAIN LANDING GEAR AFT TRUNNION	1	
- 17	ABB22-101	. BEARING, TRUNNION FITTING/FWD	2	
		AND AFT/ALTERNATE FOR EL61268/		
	EL61268	. BEARING, TRUNNION FITTING/FWD	2	
		AND AFT/ALTERNATE FOR ABB22-101/		

Beechcraft
STARSHIP 1
ILLUSTRATED PARTS CATALOG

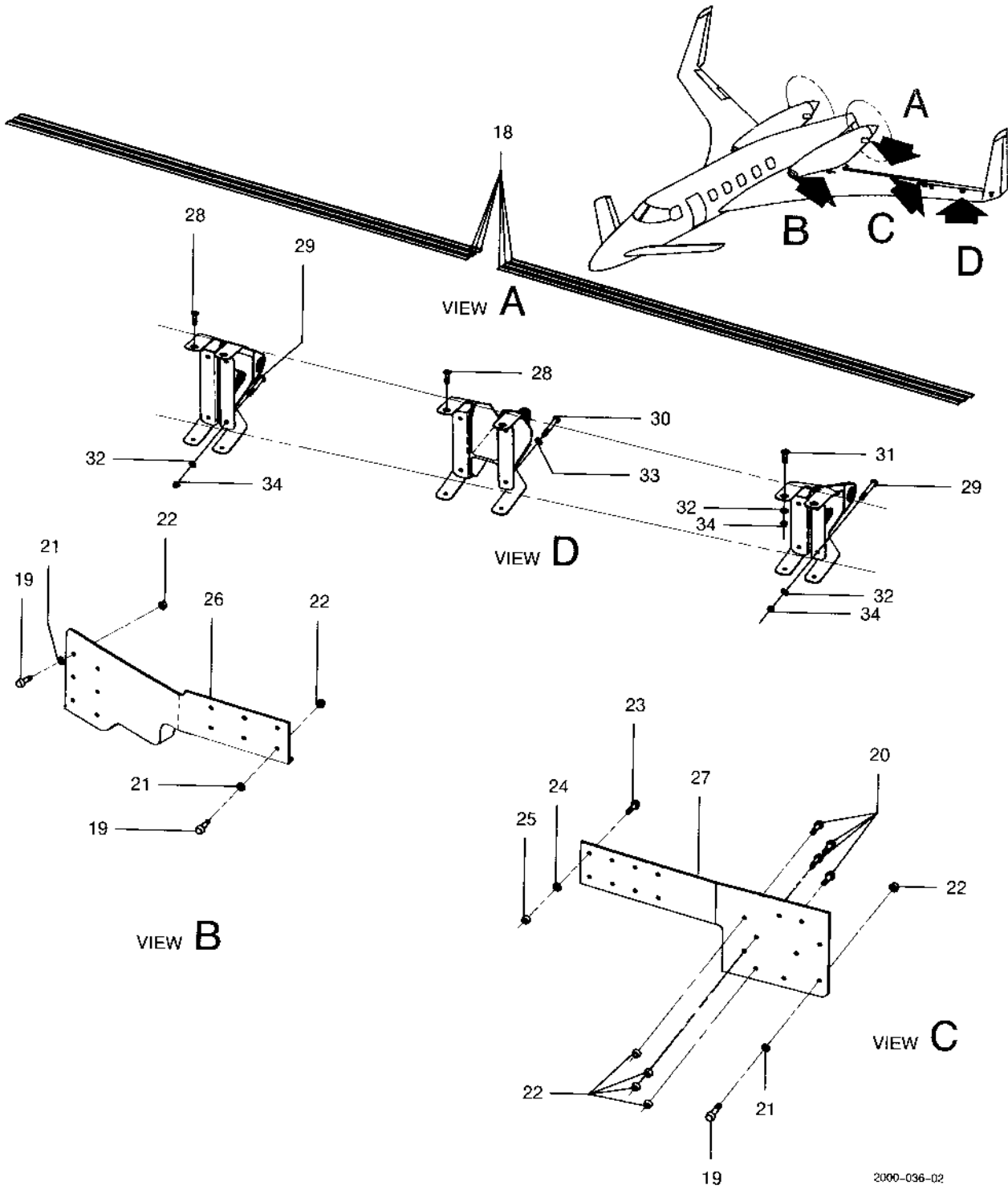
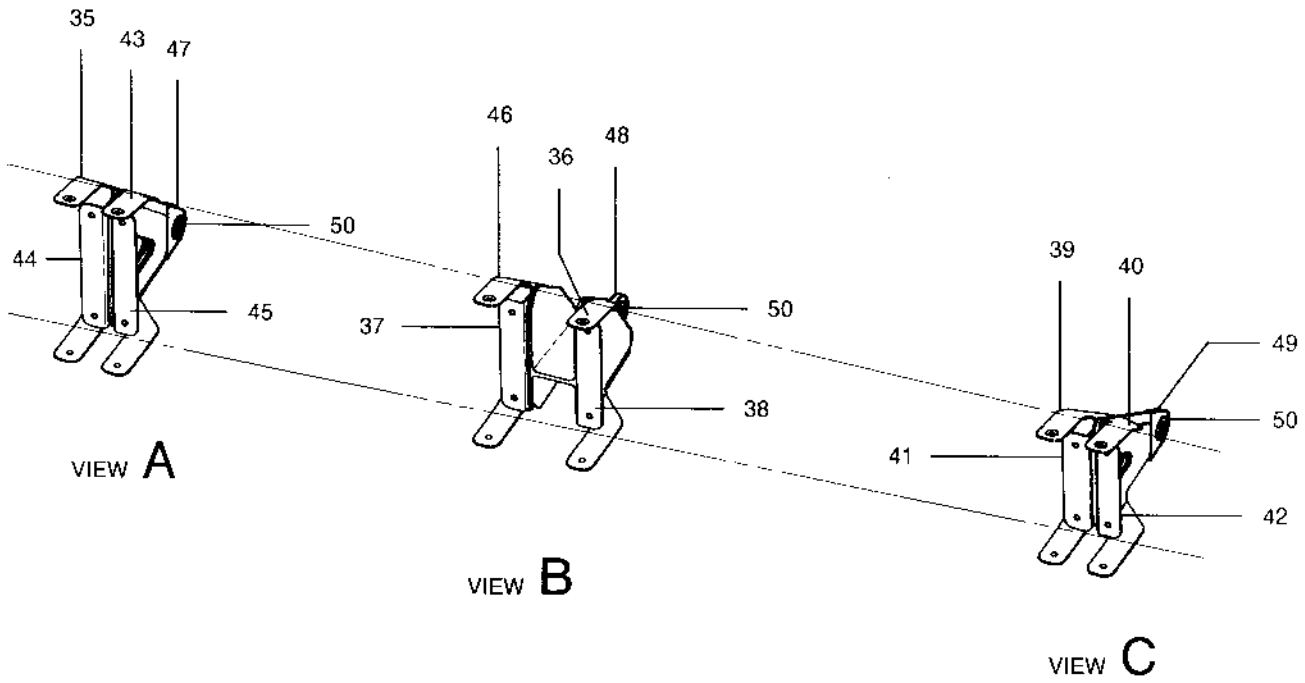
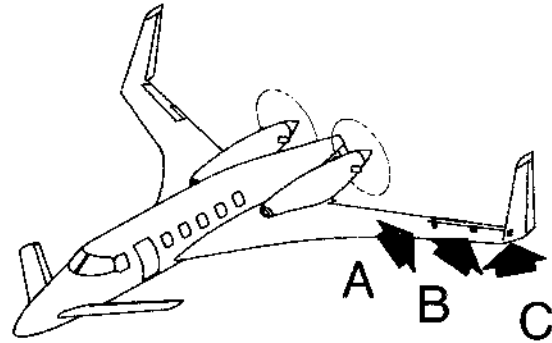


FIGURE 10-20.AFT WING BOX ASSEMBLY
/SHEET 2 OF 5 SHEETS/

Beechcraft
STARSHIP 1
ILLUSTRATED PARTS CATALOG

SUB-SEC UNIT & ITEM NO	PART NO.	DESCRIPTION 1 2 3 4 5 6 7	UNITS PER ASSY	USABLE ON CODE
10-20	122-100038-1	. SPOILER INSTL, LH FLAP COVE.....	NP	
	122-100038-2	. SPOILER INSTL, RH FLAP COVE.....	NP	
- 18	122-100038-3	. . SPOILER.....	12	
	122-100079-73	. TRAILING EDGE INSTL, LH FLAP COVE.....	NP	
	122-100079-74	. TRAILING EDGE INSTL, RH FLAP COVE.....	NP	
- 19	HL10VR6-14	. . PIN/8 OUTBD LH AND RH/.....	18	
- 20	HL10VR6-16	. . PIN.....	4	
- 21	AN960C10L	. . WASHER/FAR SIDE/.....	18	
- 22	HL379V6	. . COLLAR.....	AR	
	SL602-3-250CM	. . INSERT.....	2	
	122-100079-75	. . COVE ASSY, LH.....	1	
	122-100079-76	. . COVE ASSY, RH.....	1	
	122-100079-77	. . SPAR ASSY, LH.....	1	
	122-100079-78	. . SPAR ASSY, RH.....	1	
- 23	HL10VR6-4 PIN.....	8	
- 24	AN960C10L WASHER/FAR SIDE/.....	8	
- 25	HL379V6 COLLAR.....	8	
- 26	122-100059-5 FITTING, LH INBD.....	1	
	122-100059-6 FITTING, RH INBD.....	1	
- 27	122-100059-13 FITTING, LH OUTBD.....	1	
	122-100059-14 FITTING, RH OUTBD.....	1	
	122-100075-1	. FITTING INSTL, LH ELEVON HINGE.....	NP	
	122-100075-2	. FITTING INSTL, RH ELEVON HINGE.....	NP	
- 28	MS24694C47	. . SCREW.....	8	
	SL607-3-6CM	. . INSERT.....	12	
- 29	MS27039C1-18	. . SCREW.....	8	
- 30	MS27039C1-04	. . SCREW.....	4	
- 31	MS24694C58	. . SCREW.....	4	
- 32	AN960C10L	. . WASHER.....	12	
	SL607-3-6CM	. . INSERT.....	12	
- 33	AN960-10L	. . WASHER.....	4	
- 34	MS21043-3	. . NUT.....	8	

Beechcraft
STARSHIP 1
ILLUSTRATED PARTS CATALOG



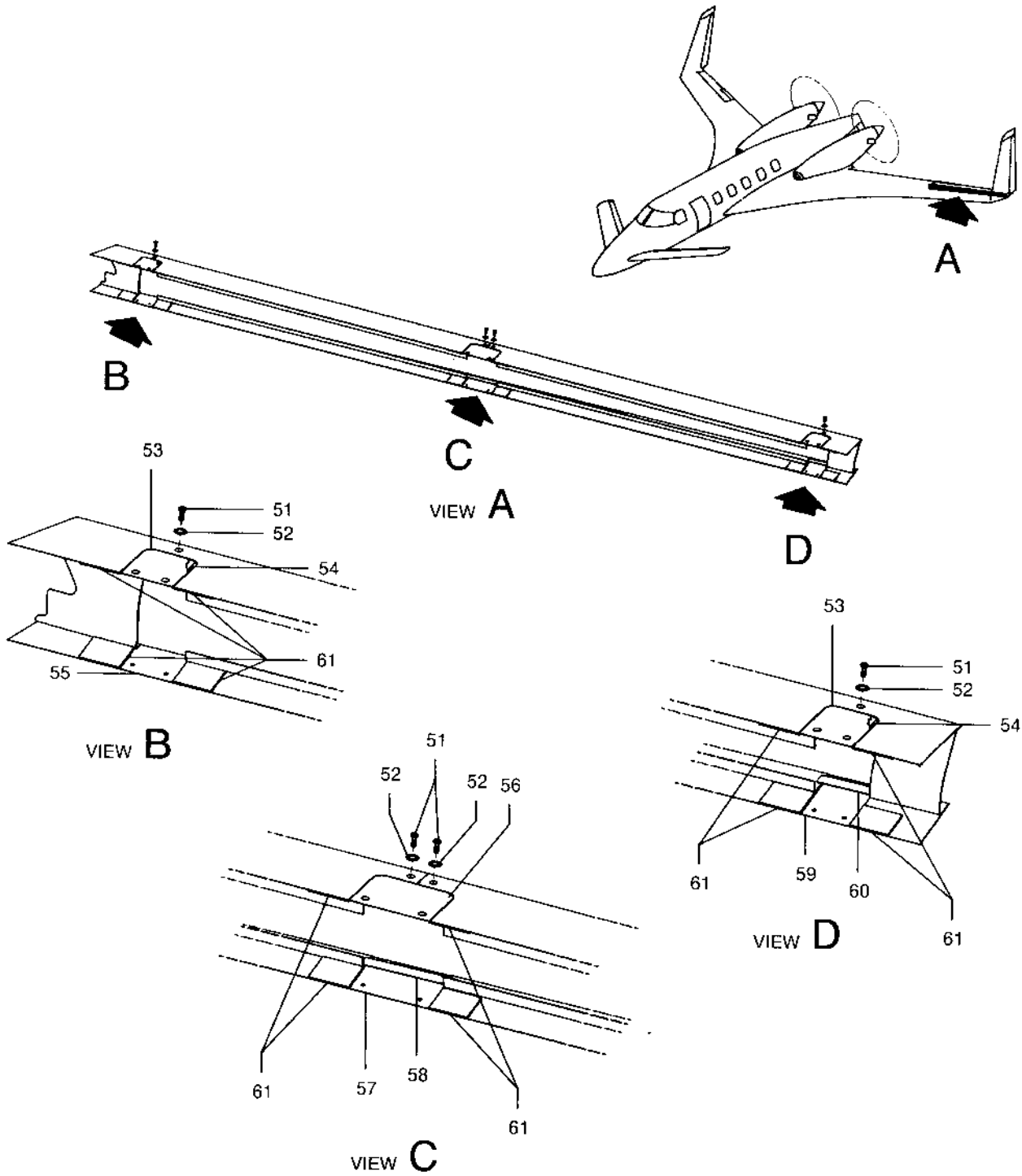
2000-036-03

FIGURE 10-20. AFT WING BOX ASSEMBLY
/SHEET 3 OF 5 SHEETS/

Beechcraft
STARSHIP 1
ILLUSTRATED PARTS CATALOG

SUB-SEC UNIT & ITEM NO	PART NO.	DESCRIPTION 1 2 3 4 5 6 7	UNITS	USABLE
			PER ASSY	ON CODE
10-20 -35	122-100073-1	.. BRACKET, LH.....	1	
	122-100073-2	.. BRACKET, RH.....	1	
-36	122-100073-11	.. BRACKET, LH.....	1	
	122-100073-12	.. BRACKET, RH.....	1	
-37	122-100073-13	.. BRACKET, LH.....	1	
	122-100073-14	.. BRACKET, RH.....	1	
-38	122-100073-15	.. BRACKET, LH.....	1	
	122-100073-16	.. BRACKET, RH.....	1	
-39	122-100073-17	.. BRACKET, LH.....	1	
	122-100073-18	.. BRACKET, RH.....	1	
-40	122-100073-19	.. BRACKET, LH.....	1	
	122-100073-20	.. BRACKET, RH.....	1	
-41	122-100073-21	.. BRACKET, LH.....	1	
	122-100073-22	.. BRACKET, RH.....	1	
-42	122-100073-23	.. BRACKET, LH.....	1	
	122-100073-24	.. BRACKET, RH.....	1	
-43	122-100073-3	.. BRACKET, LH.....	1	
	122-100073-4	.. BRACKET, RH.....	1	
-44	122-100073-5	.. BRACKET, LH.....	1	
	122-100073-6	.. BRACKET, RH.....	1	
-45	122-100073-7	.. BRACKET, LH.....	1	
	122-100073-8	.. BRACKET, RH.....	1	
-46	122-100073-9	.. BRACKET, LH.....	1	
	122-100073-10	.. BRACKET, RH.....	1	
-47	122-100074-13	.. FITTING ASSY, INBD.....	1	
-48	122-100074-15	.. FITTING ASSY, CENTER.....	1	
-49	122-100074-17	.. FITTING ASSY, OUTBD.....	1	
-50	MKP4	... BEARING/INBD, CENTER AND OUTBD/.....	1	
	122-100075-3	.. FILLER.....	12	

Beechcraft
STARSHIP 1
ILLUSTRATED PARTS CATALOG



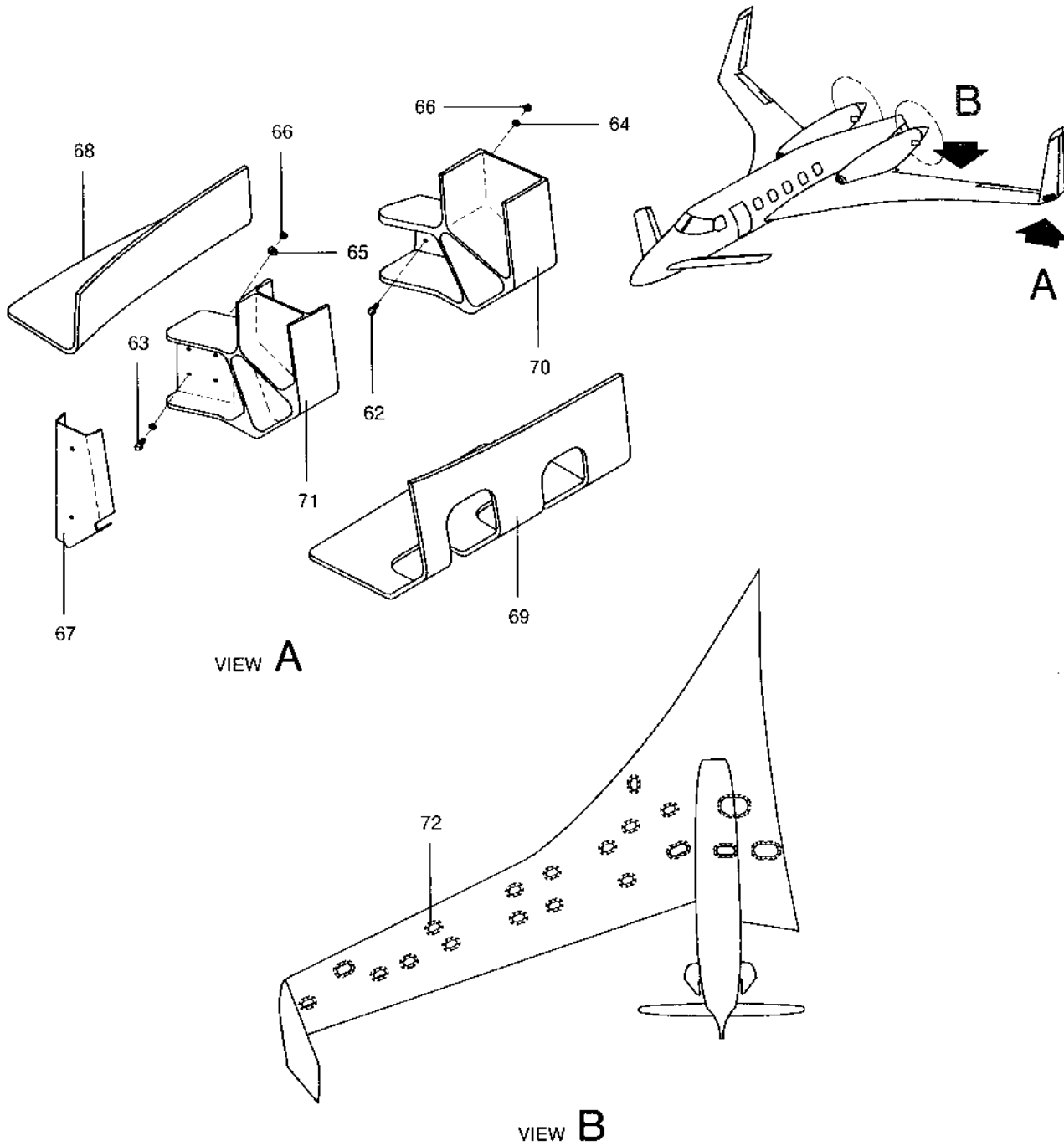
2000-036-04

FIGURE 10-20.AFT WING BOX ASSEMBLY
/SHEET 4 OF 5 SHEETS/

Beechcraft
STARSHIP 1
ILLUSTRATED PARTS CATALOG

SUB-SEC UNIT & ITEM NO	PART NO.	DESCRIPTION 1 2 3 4 5 6 7	UNITS	USABLE
			PER ASSY	ON CODE
10-20	122-100028-1	. COVE INSTL, LH ELEVON	NP	
	122-100028-2	. COVE INSTL, RH ELEVON	NP	
- 51	MS24694C48	.. SCREW	4	
- 52	NAS1169C10L	.. WASHER	4	
	122-100028-23	.. DOOR ASSY, UPPER INBD AND OUTBD HINGE	2	
	MS21050L3	... NUTPLATE	1	
- 53	122-100028-41	... DOOR	2	
- 54	122-100028-39	... SUPPORT	2	
- 55	122-100028-27	.. DOOR, LOWER INBD HINGE FITTING	1	
- 56	122-100028-25	.. DOOR ASSY, CENTER UPPER HINGE FITTING	1	
	MS21050L3	... NUTPLATE	2	
	122-100028-43	... SUPPORT	1	
	122-100028-29	.. DOOR ASSY, CENTER LOWER HINGE FITTING	1	
- 57	122-100028-53	... DOOR	1	
- 58	122-100028-51	... RETAINER	1	
	122-100028-31	.. DOOR ASSY, LOWER OUTBD HINGE FITTING	1	
- 59	122-100028-49	... DOOR	1	
- 60	122-100028-47	... RETAINER	1	
- 61	122-100028-37	.. SHIM	12	

Beechcraft
STARSHIP 1
ILLUSTRATED PARTS CATALOG



2000-036-05

FIGURE 10-20.AFT WING BOX ASSEMBLY
/SHEET 5 OF 5 SHEETS/

Beechcraft
STARSHIP 1
ILLUSTRATED PARTS CATALOG

SUB-SEC UNIT & ITEM NO	PART NO.	DESCRIPTION 1 2 3 4 5 6 7	UNITS	USABLE
			PER ASSY	ON CODE
10-20 -62	HL10V8-13	. PIN	4	
-63	HL10V8-12	. PIN	8	
-64	AN960C416L	. WASHER	10	
-65	105090CR050-4F	. WASHER/ON COLLAR SIDE/	10	
-66	HL379VB	. COLLAR	12	
	122-100011-1	. FITTING, LH VERTICAL STABILIZER ATTACH.....	1	
	122-100011-2	. FITTING, RH VERTICAL STABILIZER ATTACH.....	1	
-67	122-100011-11	.. BRACKET, FWD.....	1	
	122-100011-12	.. BRACKET, FWD.....	1	
-68	122-100011-3	.. SKIN, INBD.....	1	
	122-100011-4	.. SKIN, INBD.....	1	
-69	122-100011-5	.. SKIN, OUTBD.....	1	
	122-100011-6	.. SKIN, OUTBD.....	1	
-70	122-100011-7	.. FITTING, AFT.....	1	
	122-100011-8	.. FITTING, AFT.....	1	
-71	122-100011-9	.. FITTING, CENTER.....	1	
	122-100011-10	.. FITTING, CENTER.....	1	
-72	122-100080-1	. DOOR INSTL, AFT WING ACCESS/SEE CHAPTER.....	NP	1
		57-20-40/		
	122-100080-89	. DOOR INSTL, AFT WING ACCESS/SEE CHAPTER.....	NP	2
		57-20-40/		

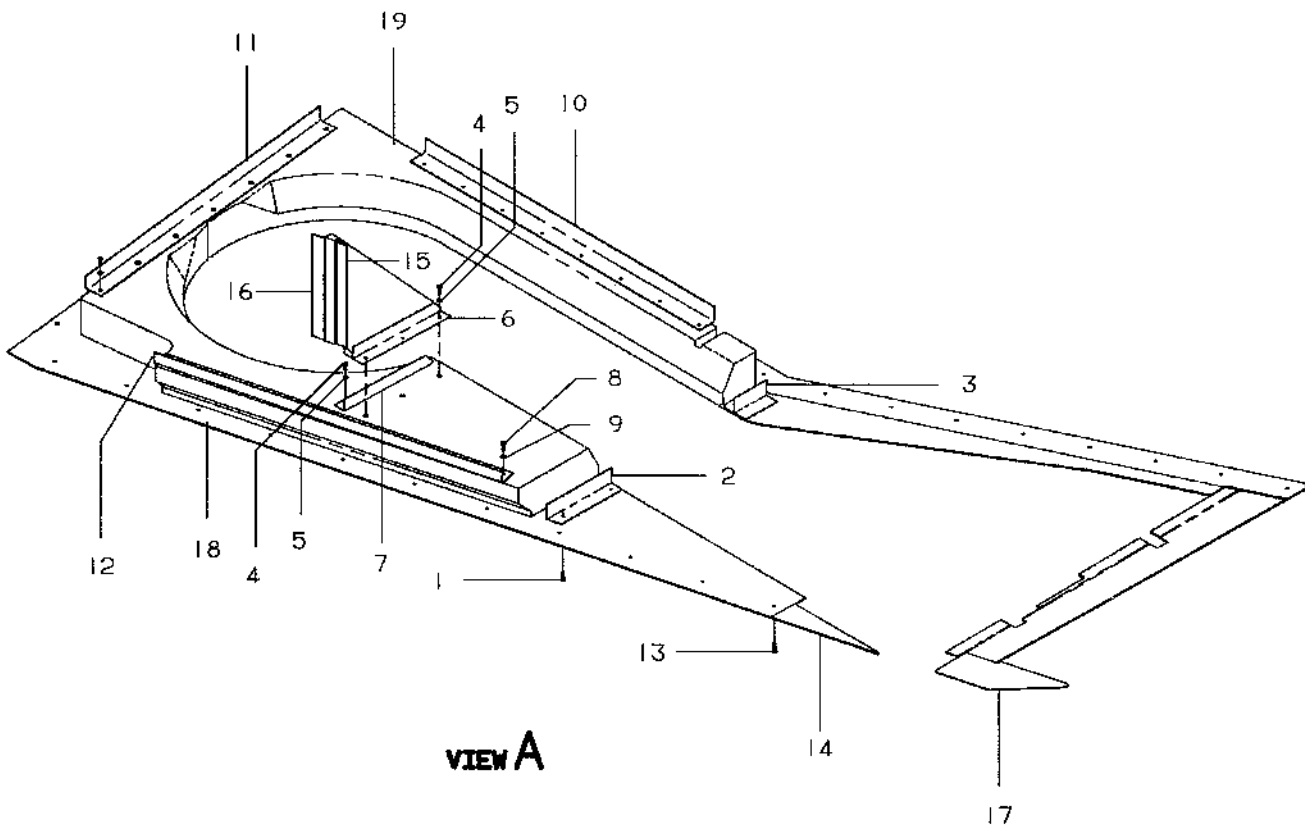
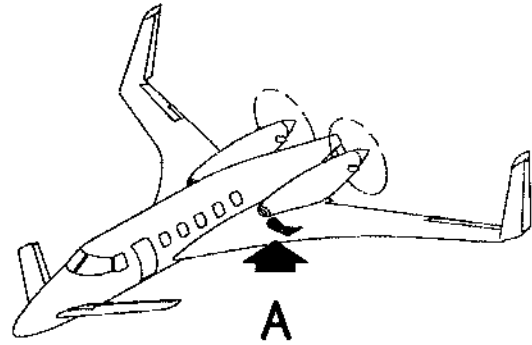
CODES OF EFFECTIVITY

1 NC-4 THRU NC-26 2 NC-27 AND AFTER

Beechcraft
STARSHIP 1
ILLUSTRATED PARTS CATALOG

57-11-00
MAIN LANDING GEAR CLOSURE SUPPORT
NC-4 THRU NC-33

Beechcraft
STARSHIP 1
ILLUSTRATED PARTS CATALOG



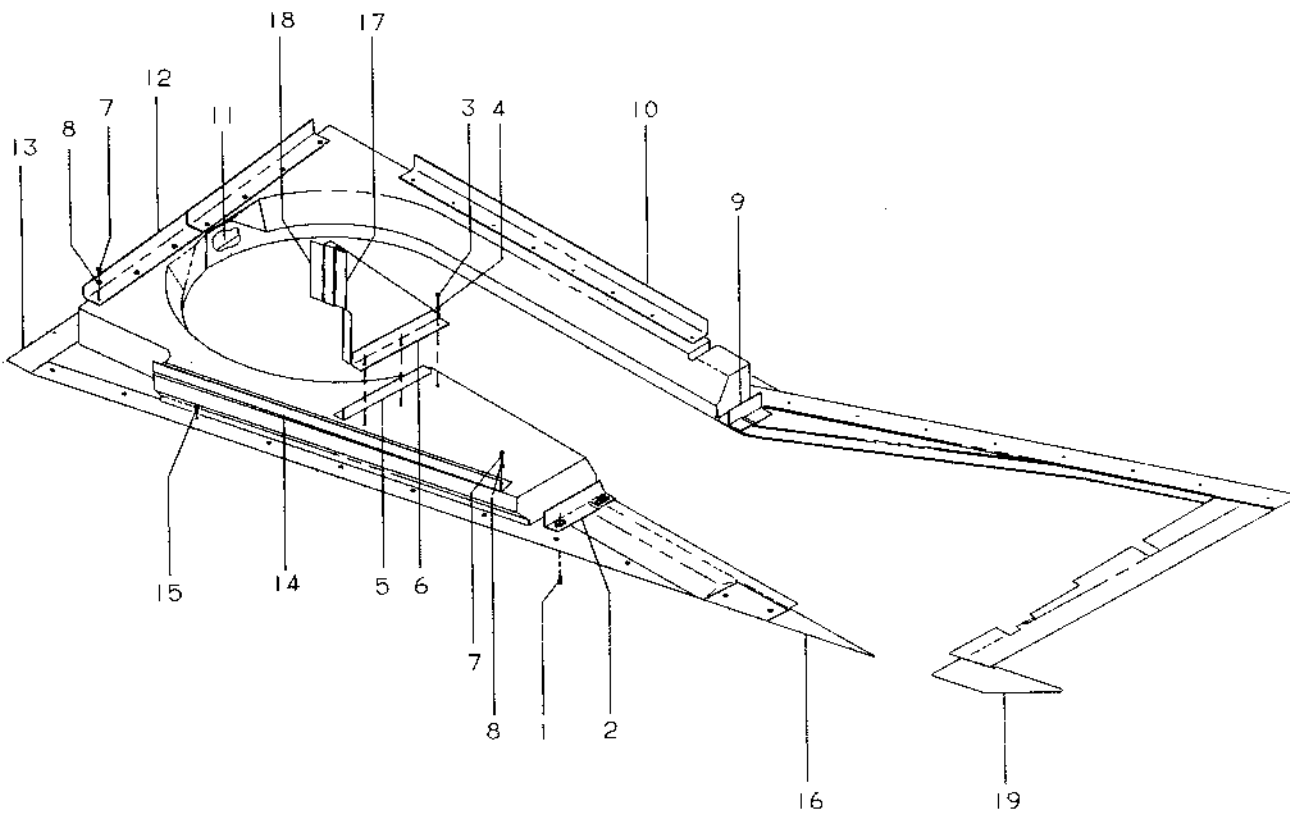
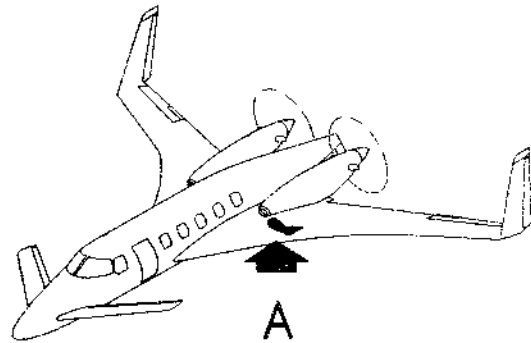
D93NC57A0299 C

FIGURE 11-00.MAIN LANDING GEAR CLOSURE SUPPORT

Beechcraft
STARSHIP 1
ILLUSTRATED PARTS CATALOG

57-11-10
MAIN LANDING GEAR CLOSURE SUPPORT
NC-34 AND AFTER

Beechcraft
STARSHIP 1
ILLUSTRATED PARTS CATALOG



VIEW A

C93NC57A0300

FIGURE 11-10. MAIN LANDING GEAR CLOSURE SUPPORT

Beechcraft
STARSHIP 1
ILLUSTRATED PARTS CATALOG

SUB-SEC UNIT & ITEM NO	PART NO.	DESCRIPTION 1 2 3 4 5 6 7	UNITS	USABLE
			PER ASSY	ON CODE
11-10	122-100037-1	CLOSURE INSTL, LH MAIN LANDING GEAR SUPPORT	NP	1
	122-100037-2	CLOSURE INSTL, RH MAIN LANDING GEAR SUPPORT	NP	1
- 1	MS24694C54	. SCREW.....	2	1
- 2	122-100037-31	. ANGLE ASSY, LH	1	1
	122-100037-32	. ANGLE ASSY, RH	1	1
	MS21060L3	. NUTPLATE	1	1
	MS21062L3	. NUTPLATE	1	1
- 3	MS27039-1-09	. SCREW.....	6	1
- 4	AN960JD10L	. WASHER.....	6	1
- 5	122-100115-103	. ANGLE, LH INBD	1	1
	122-100115-104	. ANGLE, RH INBD	1	1
- 6	122-100115-105	. ANGLE, LH OUTBD	1	1
	122-100115-106	. ANGLE, RH OUTBD	1	1
- 7	MS27039-1-09	. SCREW.....	11	1
- 8	AN960JD10L	. WASHER.....	11	1
- 9	122-100037-29	. ANGLE, LH	1	1
	122-100037-30	. ANGLE, RH	1	1
- 10	122-100115-93	. ANGLE.....	1	1
- 11	122-100037-3	. SUPPORT ASSY, LH	1	1
	122-100037-4	. SUPPORT ASSY, RH	1	1
- 12	122-100115-137	. ANGLE, LH	1	1
	122-100115-138	. ANGLE, RH	1	1
- 13	122-100037-5	. SUPPORT ASSY, LH	1	1
	122-100037-6	. SUPPORT ASSY, RH	1	1
	495HF1032-10	. INSERT.....	AR	1
- 14	122-100115-91	. ANGLE.....	1	1
- 15	MS24694C56	. SCREW.....	11	1
	MS21060L3	. NUTPLATE	11	1
- 16	122-100115-25	. SHIM.....	1	1
- 17	122-100115-111	. ANGLE, LH OUTBD	1	1
	122-100115-102	. ANGLE, RH OUTBD	1	1
- 18	122-100115-113	. ANGLE, LH INBD	1	1
	122-100115-100	. ANGLE, RH INBD	1	1
- 19	122-100115-55	. FILLER, LH	1	1
	122-100115-56	. FILLER, RH	1	1

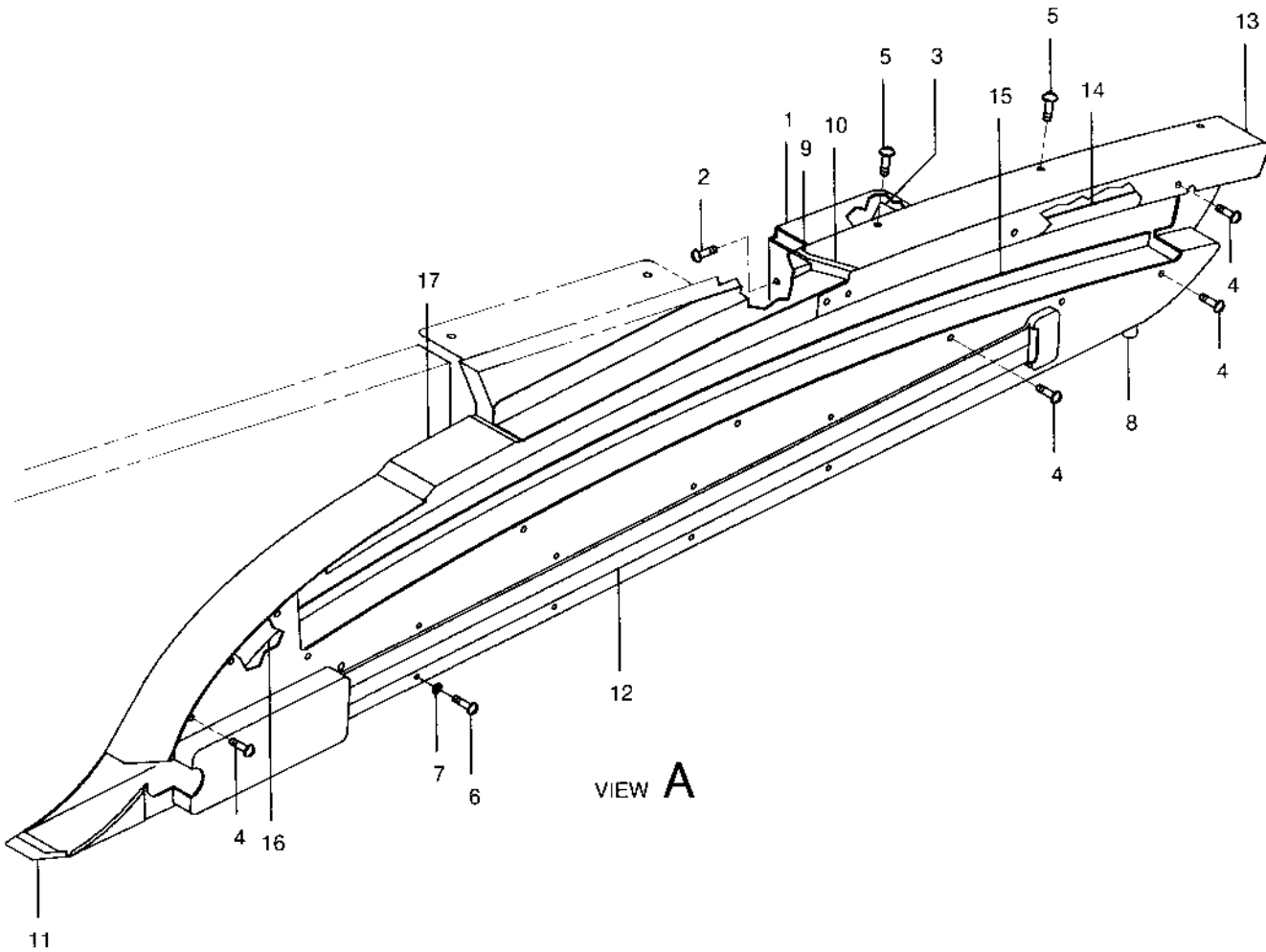
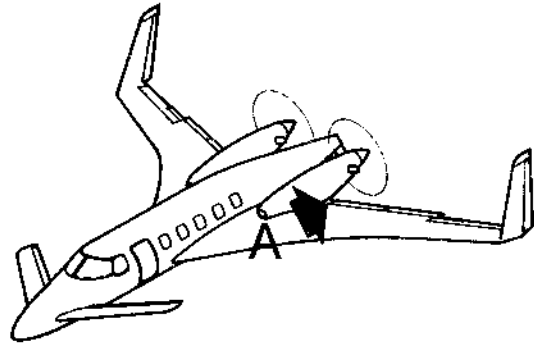
CODES OF EFFECTIVITY

1 NC-34 AND AFTER

Beechcraft
STARSHIP 1
ILLUSTRATED PARTS CATALOG

57-20-00
FLAP FAIRINGS

Beechcraft
STARSHIP 1
ILLUSTRATED PARTS CATALOG



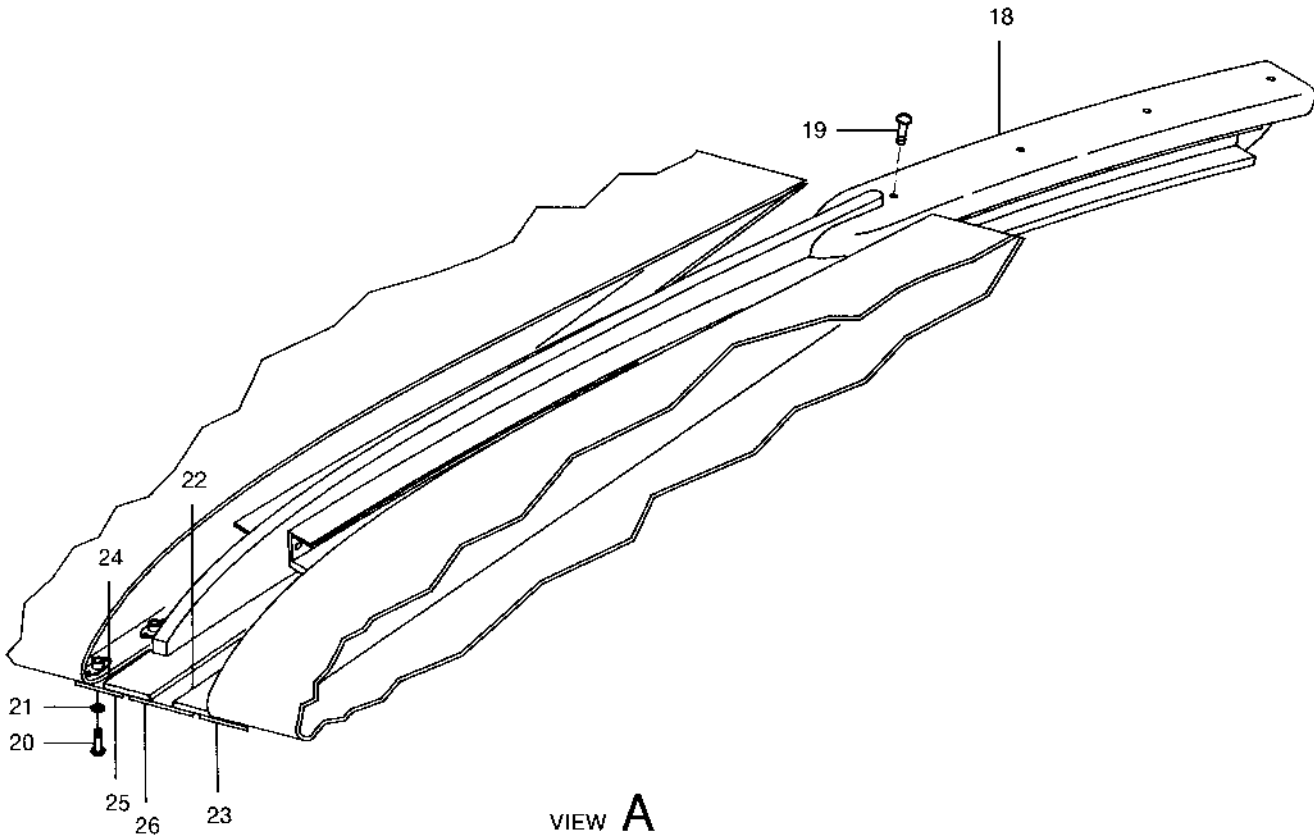
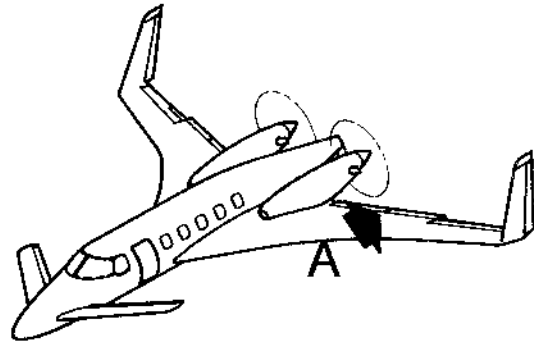
2000-40-03

FIGURE 20-00.FLAP FAIRINGS
/SHEET 1 OF 3 SHEETS/

Beechcraft
STARSHIP 1
ILLUSTRATED PARTS CATALOG

SUB-SEC UNIT & ITEM NO	PART NO.	DESCRIPTION 1 2 3 4 5 6 7	UNITS	USABLE
			PER ASSY	ON CODE
20-00	122-521130-31	FAIRING INSTL, LH INBD FLAP RIB.....	NP	3
	122-521130-69	FAIRING INSTL, LH INBD FLAP RIB.....	NP	4
	122-521130-32	FAIRING INSTL, RH INBD FLAP RIB.....	NP	3
	122-521130-70	FAIRING INSTL, RH INBD FLAP RIB.....	NP	4
- 1	122-521130-27	. FAIRING, LH.....	1	
	122-521130-28	. FAIRING, RH.....	1	
		/ATTACHING PARTS/		
- 2	AN525-10R6	. SCREW.....	3	
		-----★-----		
- 3	122-521130-55	. BRACKET ASSY, LH.....	1	
	122-521130-56	. BRACKET ASSY, RH.....	1	
	MS21059L3	. NUTPLATE.....	3	
	122-521130-33	. FAIRING ASSY, LH/ORDER 122-521130-61 FOR.....	NP	1
		SPARES/		
	122-521130-61	. FAIRING ASSY, LH.....	1	2
	122-521130-34	. FAIRING ASSY, RH/ORDER 122-521130-62 FOR.....	NP	1
		SPARES/		
	122-521130-62	. FAIRING ASSY, RH.....	1	2
		/ATTACHING PARTS/		
- 4	AN525-10R7	. SCREW.....	13	
- 5	AN525-10R6	. SCREW.....	11	
- 6	AN525-832R6	. SCREW.....	8	
- 7	AN960-8L	. WASHER.....	8	
		-----★-----		
- 8	S43	. GROMMET, DRAIN.....	1	
- 9	112416-000-27	. SEAL, RUBBER.....	1	
- 10	112416-002-18	. SEAL, RUBBER.....	1	
- 11	112416-005-12	. SEAL, RUBBER.....	1	
- 12	122-521130-29	. SEAL, RUBBER.....	2	
- 13	122-521130-35	. FAIRING, LH.....	1	1
	122-521130-63	. FAIRING, LH.....	1	2
	122-521130-36	. FAIRING, RH.....	1	1
	122-521130-64	. FAIRING, RH.....	1	2
- 14	122-521130-41	. BRACKET ASSY, LH.....	1	
	122-521130-42	. BRACKET ASSY, RH.....	1	
	MS21059L3	. NUTPLATE.....	1	
	MS21061L3	. NUTPLATE.....	2	
- 15	122-521130-37	. BRACKET ASSY, LH.....	1	
	122-521130-38	. BRACKET ASSY, RH.....	1	
	MS21059L3	. NUTPLATE.....	3	
	MS21061L3	. NUTPLATE.....	3	
- 16	122-521130-7	. BRACKET ASSY, LH.....	1	1
	122-521130-45	. BRACKET ASSY, LH.....	1	2
	122-521130-8	. BRACKET ASSY, RH.....	1	1
	122-521130-46	. BRACKET ASSY, RH.....	1	2
	MS21059L3	. NUTPLATE.....	1	
	MS21061L3	. NUTPLATE.....	2	
- 17	122-521130-9	. BRACKET ASSY, LH.....	1	1
	122-521130-65	. BRACKET ASSY, LH.....	1	2
	122-521130-10	. BRACKET ASSY, RH.....	1	1
	122-521130-66	. BRACKET ASSY, RH.....	1	2
	MS21076L3	. NUTPLATE.....	1	
	AN525-10R7	. SCREW.....	11	
	122-521130-49	. FAIRING, LH.....	1	3
	122-521130-71	. FAIRING, LH.....	1	4
	122-521130-50	. FAIRING, RH.....	1	3
	122-521130-72	. FAIRING, RH.....	1	4

Beechcraft
STARSHIP 1
ILLUSTRATED PARTS CATALOG



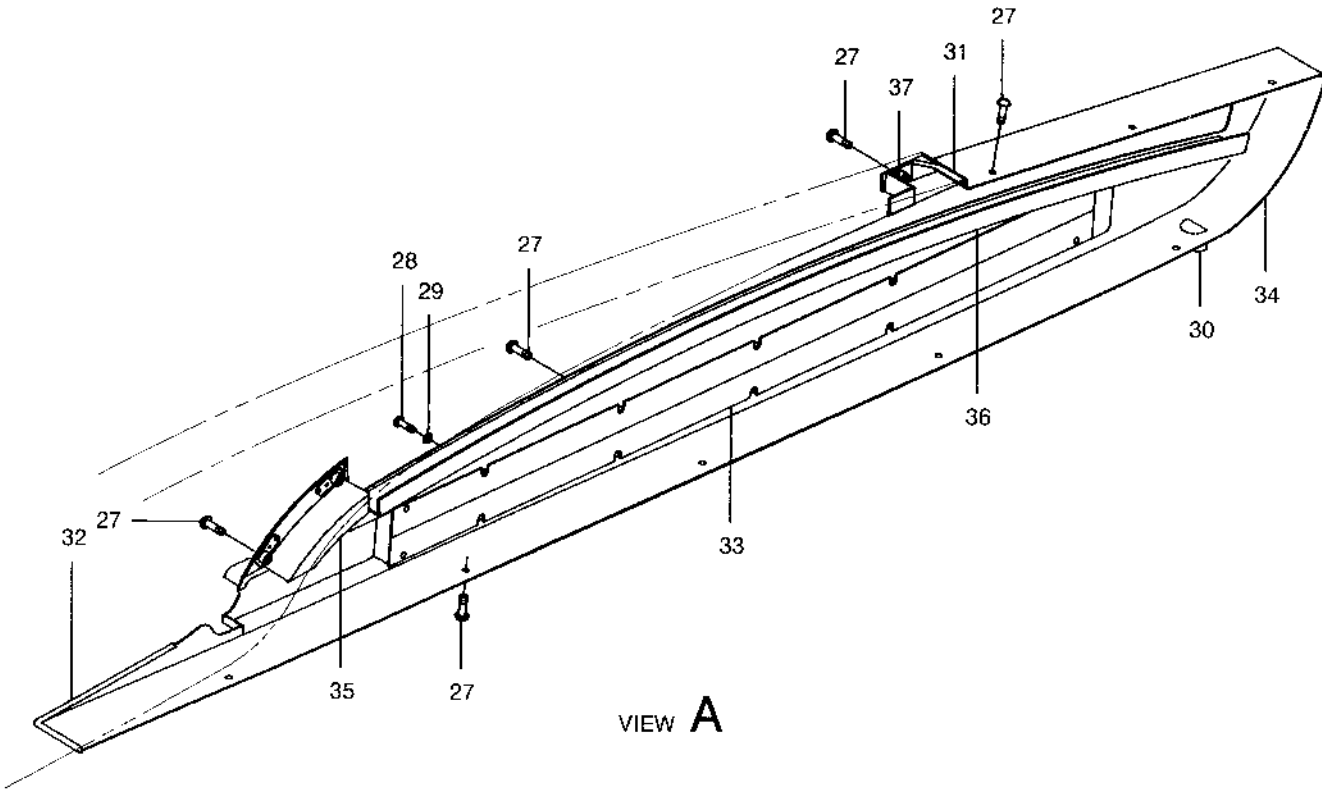
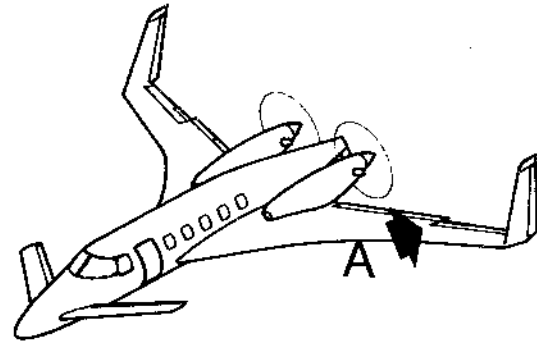
2000-40-04

FIGURE 20-00.FLAP FAIRINGS
/SHEET 2 OF 3 SHEETS/

Beechcraft
STARSHIP 1
ILLUSTRATED PARTS CATALOG

SUB-SEC UNIT & ITEM NO	PART NO.	DESCRIPTION 1 2 3 4 5 6 7	UNITS	USABLE
			PER ASSY	ON CODE
20-00	122-521131-1	FAIRING INSTL, LH CTR FLAP RIB.....	NP	
	122-521131-2	FAIRING INSTL, RH CTR FLAP RIB.....	NP	
- 18	122-521131-3	. FAIRING, LH/ORDER 122-521131-17 FOR SPARES/.....	NP	5
	122-521131-17	. FAIRING, LH.....	1	6
	122-521131-4	. FAIRING, RH/ORDER 122-521131-18 FOR SPARES/.....	NP	5
	122-521131-18	. FAIRING, RH.....	1	6
		/ATTACHING PARTS/		
- 19	AN525-10R7	. SCREW.....	4	
		---★---		
	122-521131-5	. FAIRING ASSY, LH.....	1	
	122-521131-6	. FAIRING ASSY, RH.....	1	
		/ATTACHING PARTS/		
- 20	MS27039C1-08	. SCREW.....	8	
- 21	AN960-10L	. WASHER.....	8	
		---★---		
- 22	122-521131-13	. HINGE, LH RUBBER.....	1	
	122-521131-14	. HINGE, RH RUBBER.....	1	
- 23	122-521131-7	. PLATE, LH MOUNTING.....	1	
	122-521131-8	. PLATE, RH MOUNTING.....	1	
- 24	122-521131-15	. HINGE, LH RUBBER.....	1	
	122-521131-16	. HINGE, RH RUBBER.....	1	
- 25	122-521131-11	. PLATE, LH MOUNTING.....	1	
	122-521131-12	. PLATE, RH MOUNTING.....	1	
- 26	122-521131-9	. FAIRING, LH.....	1	
	122-521131-10	. FAIRING, RH.....	1	

Beechcraft
STARSHIP 1
ILLUSTRATED PARTS CATALOG



2000-10-05

Beechcraft
STARSHIP 1
ILLUSTRATED PARTS CATALOG

SUB-SEC UNIT & ITEM NO	PART NO.	DESCRIPTION 1 2 3 4 5 6 7	UNITS	USABLE
			PER ASSY	ON CODE
20-00	122-521132-21	FAIRING INSTL, LH OUTBD FLAP RIB.....	NP	
	122-521132-22	FAIRING INSTL, RH OUTBD FLAP RIB.....	NP	
	122-521132-23	FAIRING ASSY, LH/ORDER 122-521132-37 FOR SPARES/.....	NP	1
	122-521132-37	FAIRING ASSY, LH.....	1	2
	122-521132-24	FAIRING ASSY, RH/ORDER 122-521132-38 FOR SPARES/.....	NP	1
	122-521132-38	FAIRING ASSY, RH..... /ATTACHING PARTS/.....	1	2
-27	AN525-10R7	SCREW.....	17	
-28	AN525-832R6	SCREW.....	8	
-29	AN960-8L	WASHER.....	8	
		★		
-30	S43	GROMMET, DRAIN.....	1	
-31	112416-002-12	SEAL, RUBBER.....	1	
-32	112416-008-24	SEAL, RUBBER.....	1	
-33	112416-030-22	SEAL, RUBBER.....	2	
-34	122-521132-25	FAIRING, LH.....	1	1
	122-521132-39	FAIRING, LH.....	1	2
	122-521132-26	FAIRING, RH.....	1	1
	122-521132-40	FAIRING, RH.....	1	2
-35	122-521132-11	BRACKET ASSY, LH.....	1	
	122-521132-12	BRACKET ASSY, RH.....	1	
	MS21061L3	NUTPLATE.....	2	
-36	122-521132-7	BRACKET ASSY, LH.....	1	1
	122-521132-27	BRACKET ASSY, LH.....	1	2
	122-521132-8	BRACKET ASSY, RH.....	1	1
	122-521132-28	BRACKET ASSY, RH.....	1	2
	MS21059L3	NUTPLATE.....	2	
	MS21061L3	NUTPLATE.....	4	
-37	122-521132-9	BRACKET ASSY, LH.....	1	1
	122-521132-31	BRACKET ASSY, LH.....	1	2
	122-521132-10	BRACKET ASSY, RH.....	1	1
	122-521132-32	BRACKET ASSY, RH.....	1	2
	MS21086L3	NUTPLATE.....	1	

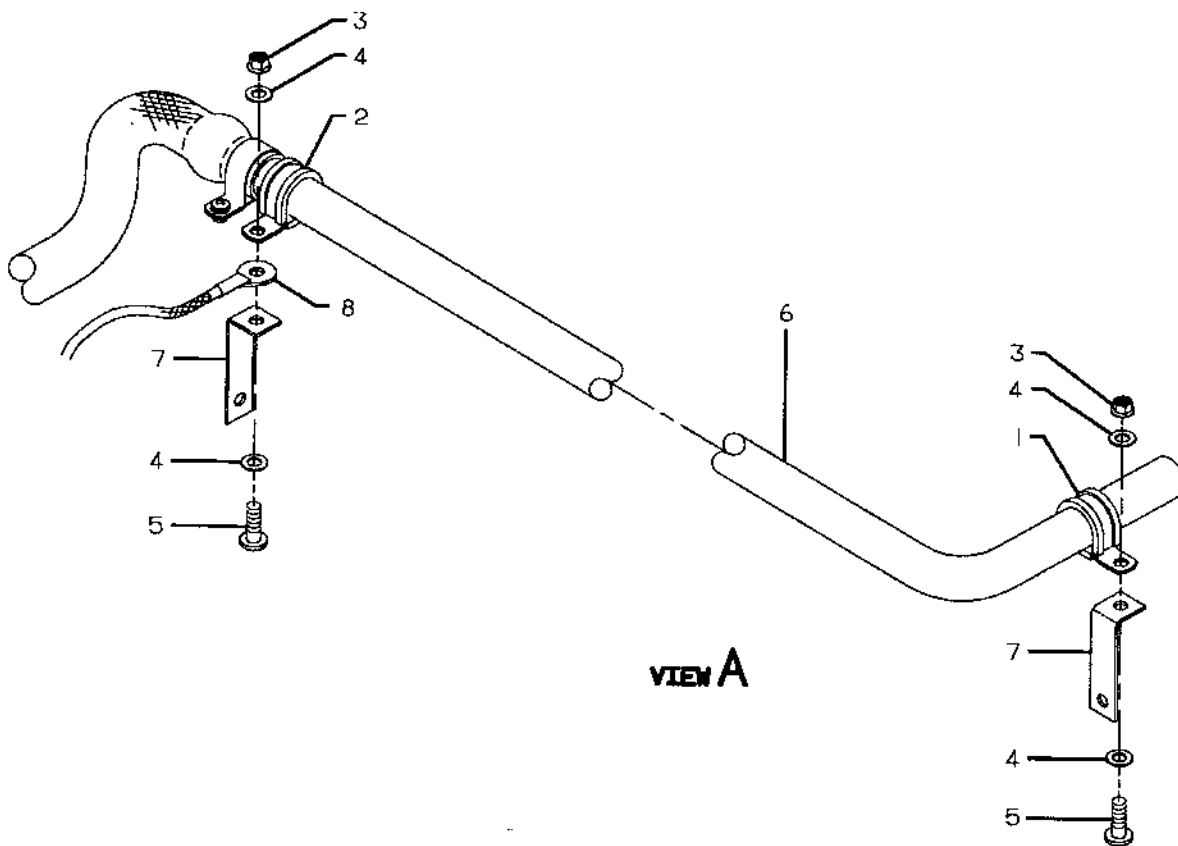
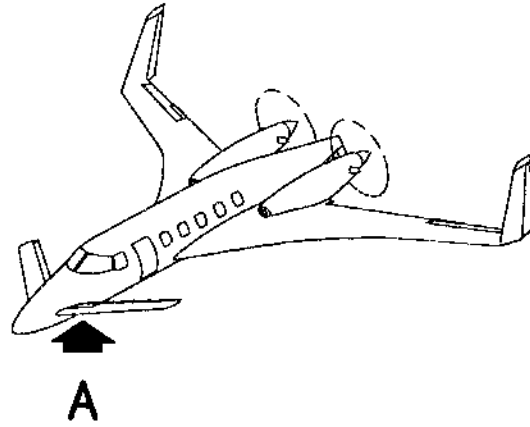
CODES OF EFFECTIVITY

1	NC-4 THRU NC-27	2	NC-28 AND AFTER
3	NC-4 THRU NC-25	4	NC-26 AND AFTER
5	NC-4 THRU NC-35	6	NC-36 AND AFTER

Beechcraft
STARSHIP 1
ILLUSTRATED PARTS CATALOG

57-20-10
WING ELECTRICAL WIRE CONDUIT

Beechcraft
STARSHIP 1
ILLUSTRATED PARTS CATALOG



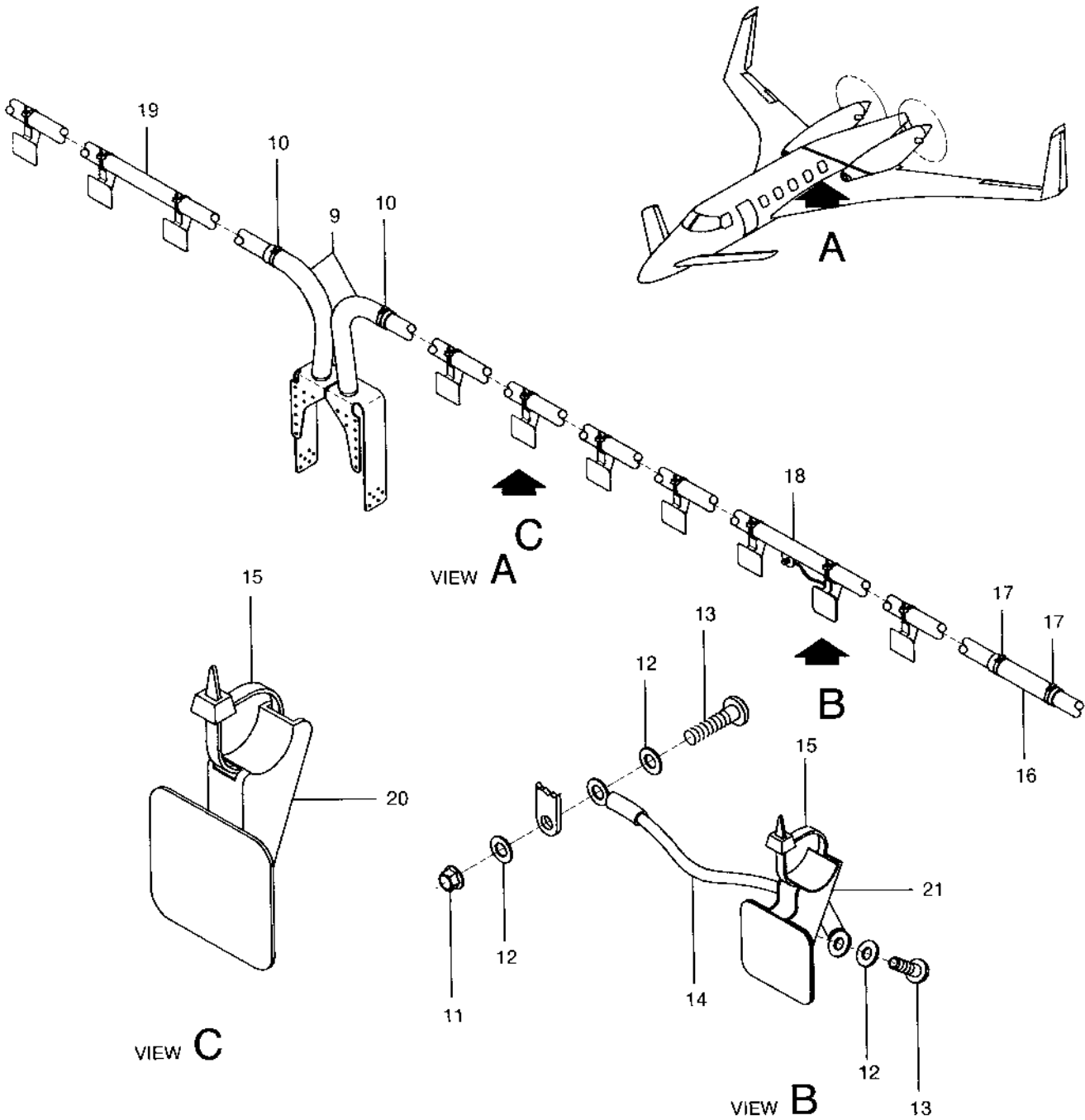
C93NC67A4692 C

FIGURE 20-10. WING ELECTRICAL WIRE CONDUIT
/SHEET 1 OF 7 SHEETS/

Deechcraft
STARSHIP 1
ILLUSTRATED PARTS CATALOG

SUB-SEC UNIT & ITEM NO	PART NO.	DESCRIPTION 1 2 3 4 5 6 7	UNITS	USABLE
			PER ASSY	ON CODE
20-10	122-361030-13	WIRE TRAY INSTL, WING ELECTRICAL.....	NP	
	122-361030-19	.. WIRE TUBE INSTL, FORWARD WING.....	NP	
- 1	MS21919WDG8	.. CLAMP/1 LH, 1 RH/.....	2	
- 2	AN742D8	.. CLAMP/1 LH, 1 RH/..... /ATTACHING PARTS/	2	
- 3	130909N29	.. NUT.....	1	
- 4	AN960-10L	.. WASHER.....	2	
- 5	MS35207-261	.. SCREW.....	1	
		---★---		
- 6	122-361033-49	.. TUBE/1 LH, 1 RH/.....	2	
- 7	50-369064-3	.. ANGLE/2 LH, 2 RH/.....	4	
- 8	MS25083-2BC6	.. JUMPER, BONDING/1 LH, 1 RH/.....	2	

Beechcraft
STARSHIP 1
ILLUSTRATED PARTS CATALOG



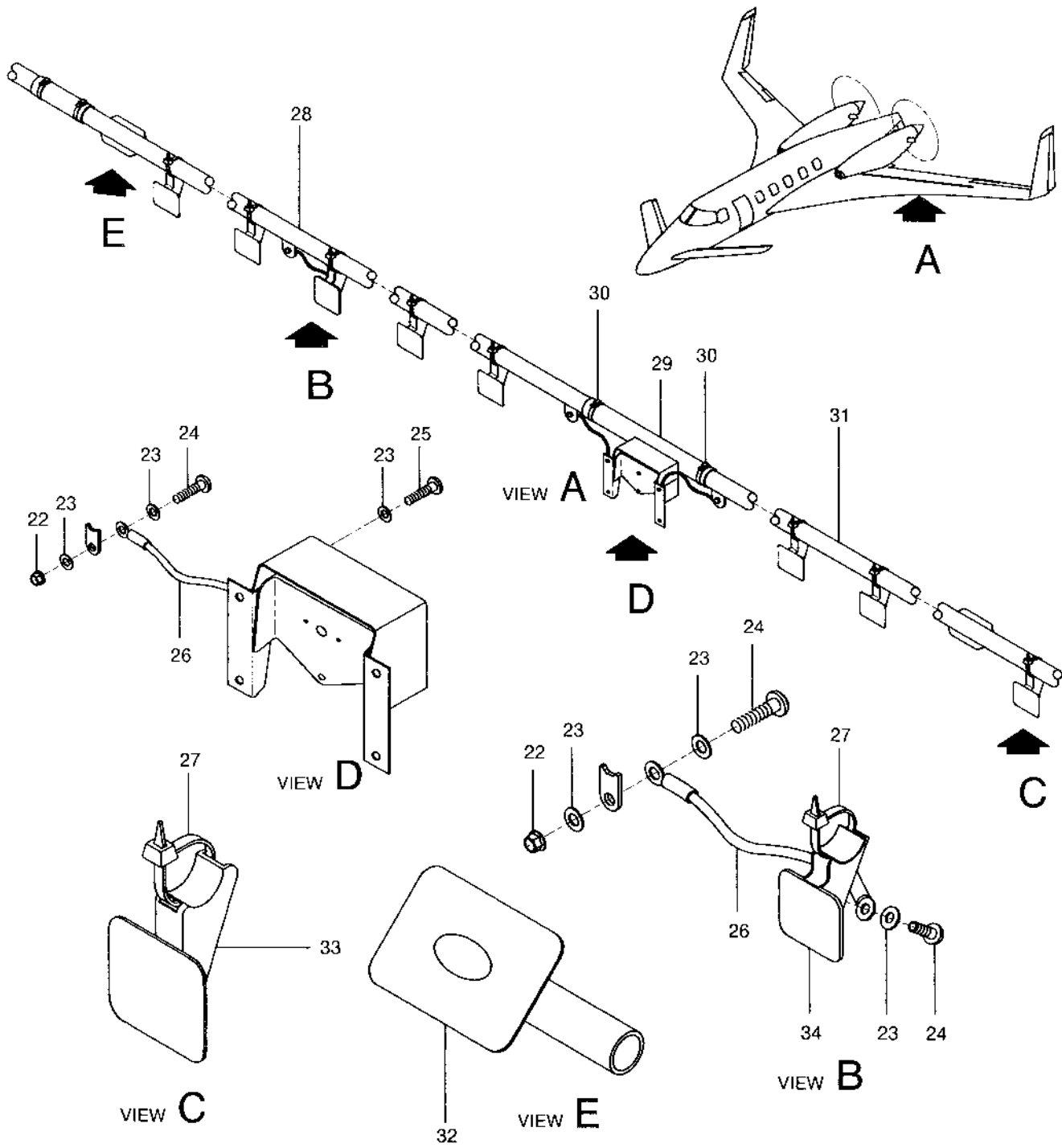
2000-032-02

FIGURE 20-10. WING ELECTRICAL WIRE CONDUIT
/SHEET 2 OF 7 SHEETS/

Beechcraft
STARSHIP 1
ILLUSTRATED PARTS CATALOG

SUB-SEC UNIT & ITEM NO	PART NO.	DESCRIPTION 1 2 3 4 5 6 7	UNITS	USABLE
			PER ASSY	ON CODE
20-10	122-361030-3	. WIRE TRAY INSTL LH, AFT WING	NP	
	122-361030-4	. WIRE TRAY INSTL RH, AFT WING	NP	
- 9	2176	.. TINNED BRAID/8.5 INCH/	1	
		.. /ATTACHING PARTS/		
- 10	MS35842-11	.. CLAMP	2	
		-----★-----		
- 11	130909N29	.. NUT	1	
- 12	AN960JD10L	.. WASHER	3	
- 13	MS35207-260	.. SCREW	2	
- 14	MS25083-6BB6	.. JUMPER, BONDING	1	
- 15	TYZ25M	.. CABLE TIE	6	
- 16	2176	.. TINNED BRAID/4.2 INCH/	1	
		.. /ATTACHING PARTS/		
- 17	MS35842-11	.. CLAMP	2	
		-----★-----		
- 18	122-361033-1	.. TUBE ASSY, LH	1	
- 19	122-361033-3	.. TUBE ASSY, RH	1	
- 20	122-361057-1	.. BRACKET	5	
- 21	122-361057-15	.. BRACKET	1	
	130909N33	.. NUTPLATE	1	

Beechcraft
STARSHIP 1
ILLUSTRATED PARTS CATALOG



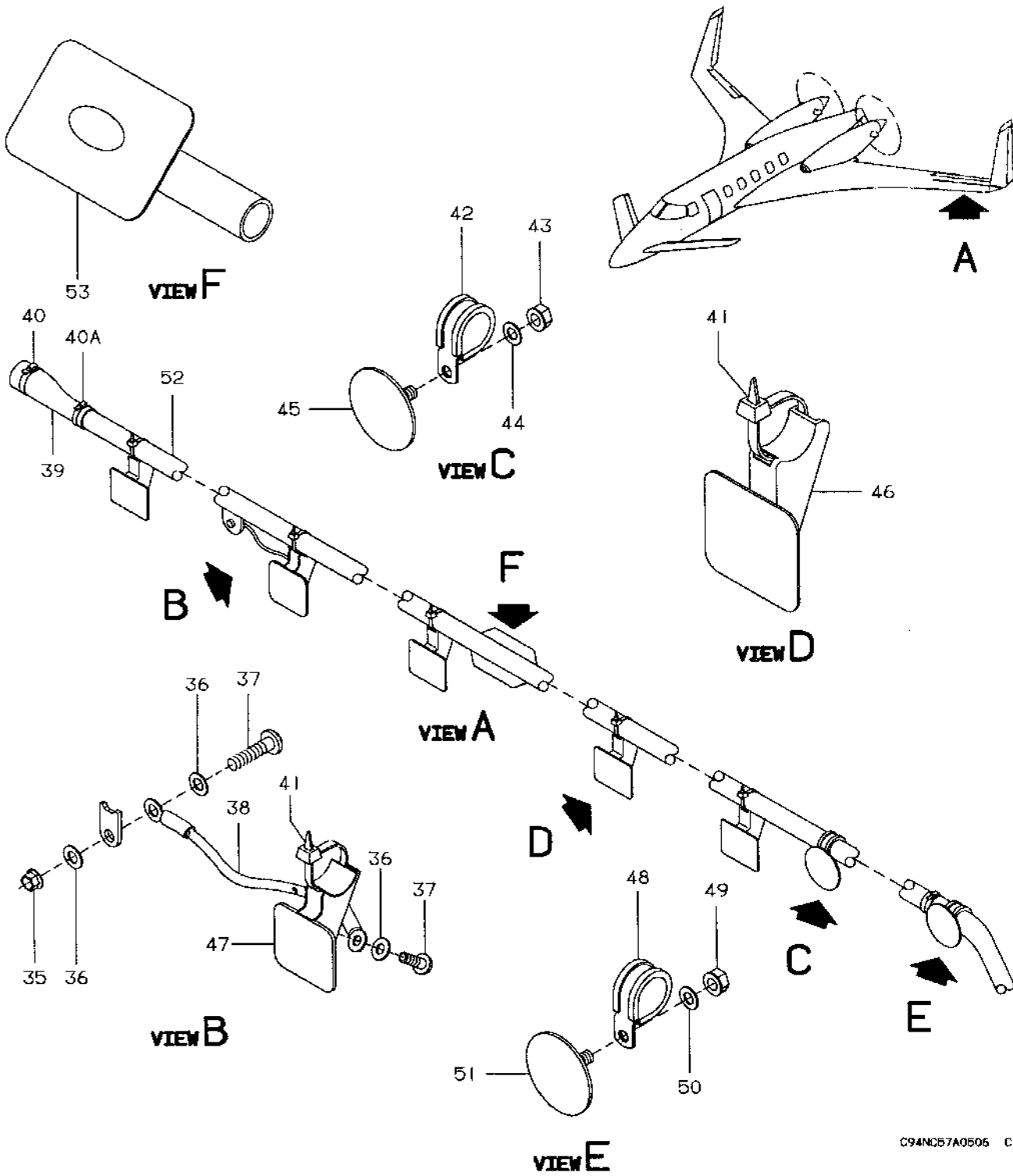
2000-032-03

FIGURE 20-10. WING ELECTRICAL WIRE CONDUIT
/SHEET 3 OF 7 SHEETS/

Beechcraft
STARSHIP 1
ILLUSTRATED PARTS CATALOG

SUB-SEC UNIT & ITEM NO	PART NO.	DESCRIPTION 1 2 3 4 5 6 7	UNITS	USABLE
			PER ASSY	ON CODE
20-10 -22	130909N29	.. NUT	3	
-23	AN960JD10L	.. WASHER	9	
-24	MS35207-260	.. SCREW	4	
-25	MS27039-1-08	.. SCREW	2	
-26	MS25083-6BB6	.. JUMPER, BONDING	3	
-27	TYZ25M	.. CABLE TIE	8	
-28	122-361033-13	.. TUBE ASSY, LH	1	
	122-361033-14	.. TUBE ASSY, RH	1	
-29	2176	.. TINNED BRAID/15.0 INCH/ /ATTACHING PARTS/	1	
-30	MS35842-11	.. CLAMP	2	
		---*---		
-31	122-361033-27	.. TUBE ASSY, LH	1	
	122-361033-28	.. TUBE ASSY, RH	1	
-32	122-361049-1	.. TUBE ASSY	3	
-33	122-361057-1	.. BRACKET	7	
-34	122-361057-15	.. BRACKET	1	
	130909N33	... NUTPLATE	1	

Beechcraft
STARSHIP 1
ILLUSTRATED PARTS CATALOG



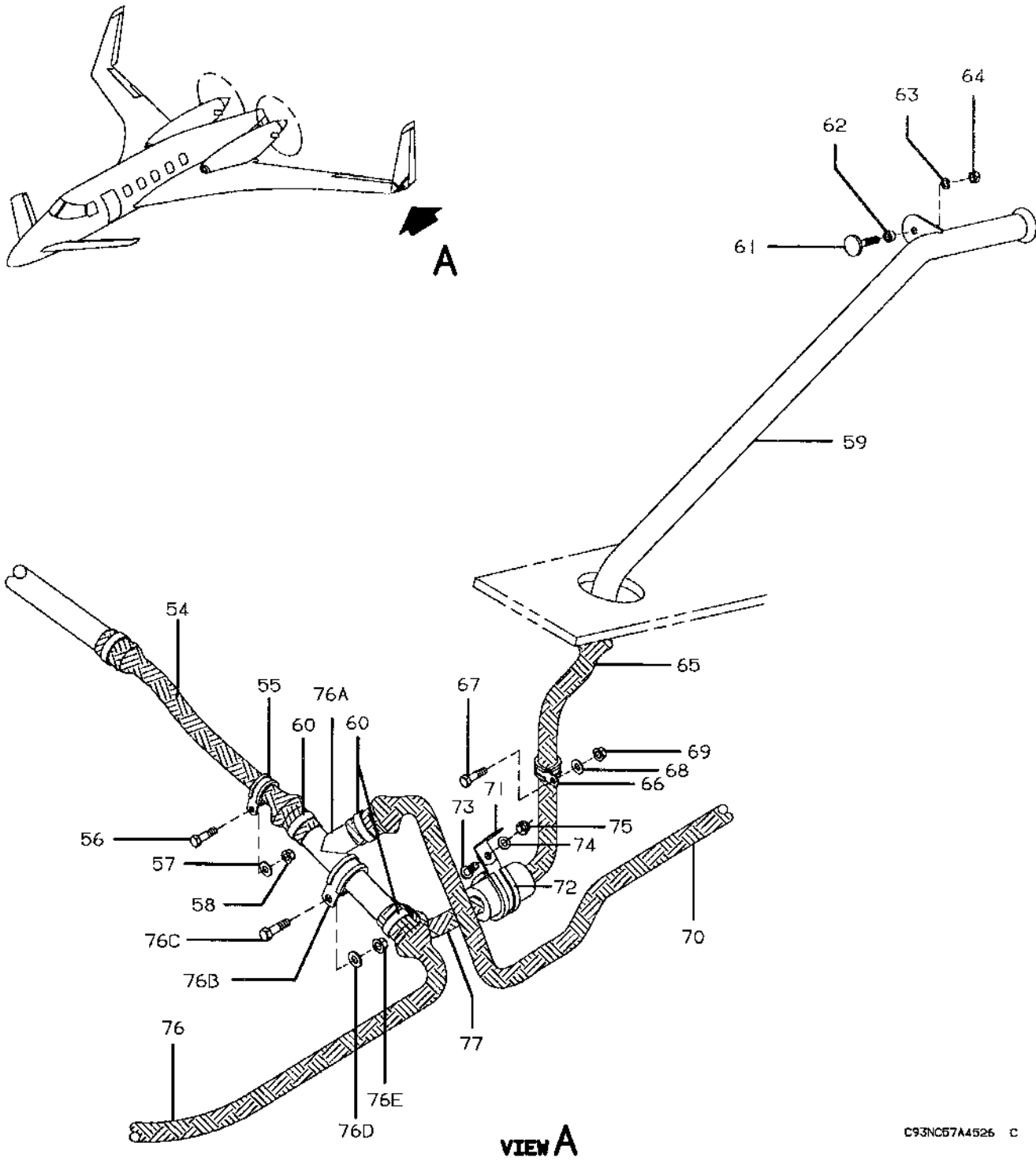
C94NC57A0505 C

FIGURE 20-10. WING ELECTRICAL WIRE CONDUIT
/SHEET 4 OF 7 SHEETS/


STARSHIP 1
ILLUSTRATED PARTS CATALOG

SUB-SEC UNIT & ITEM NO	PART NO.	DESCRIPTION 1 2 3 4 5 6 7	UNITS PER ASSY	USABLE ON CODE
20-10 -35	130909N29	.. NUT	1	
-36	AN960JD10L	.. WASHER	3	
-37	MS35207-260	.. SCREW	2	
-38	MS25083-6BB6	.. JUMPER, BONDING	1	
-39	2176	.. TINNED BRAID/4.2 INCH/ /ATTACHING PARTS/	1	
-40	MS35842-11	.. CLAMP	1	
-40A	GS5	.. CLAMP	1	
		*-----		
-41	TYZ25M	.. CABLE TIE	5	
-42	MS21919HG12	.. CLAMP	1	
		.. /ATTACHING PARTS/		
-43	MS21043L3	.. NUT	1	
-44	AN960L3	.. WASHER	1	
-45	CB4000C3CR8	.. STUD	1	
		*-----		
-46	122-361057-11	.. BRACKET	4	
-47	122-361057-15	.. BRACKET	1	
	130909N33	.. NUTPLATE	1	
-48	MS21919WCH4	.. CLAMP	1	
		.. /ATTACHING PARTS/		
-49	MS21043L3	.. NUT	1	
-50	AN960L3	.. WASHER	1	
-51	CB4000C3CR8	.. STUD	1	
		*-----		
-52	122-361066-5	.. TUBE ASSY, LH	1	
	122-361066-6	.. TUBE ASSY, RH	1	
-53	122-361049-1	.. TUBE ASSY	1	

Beechcraft
STARSHIP 1
ILLUSTRATED PARTS CATALOG



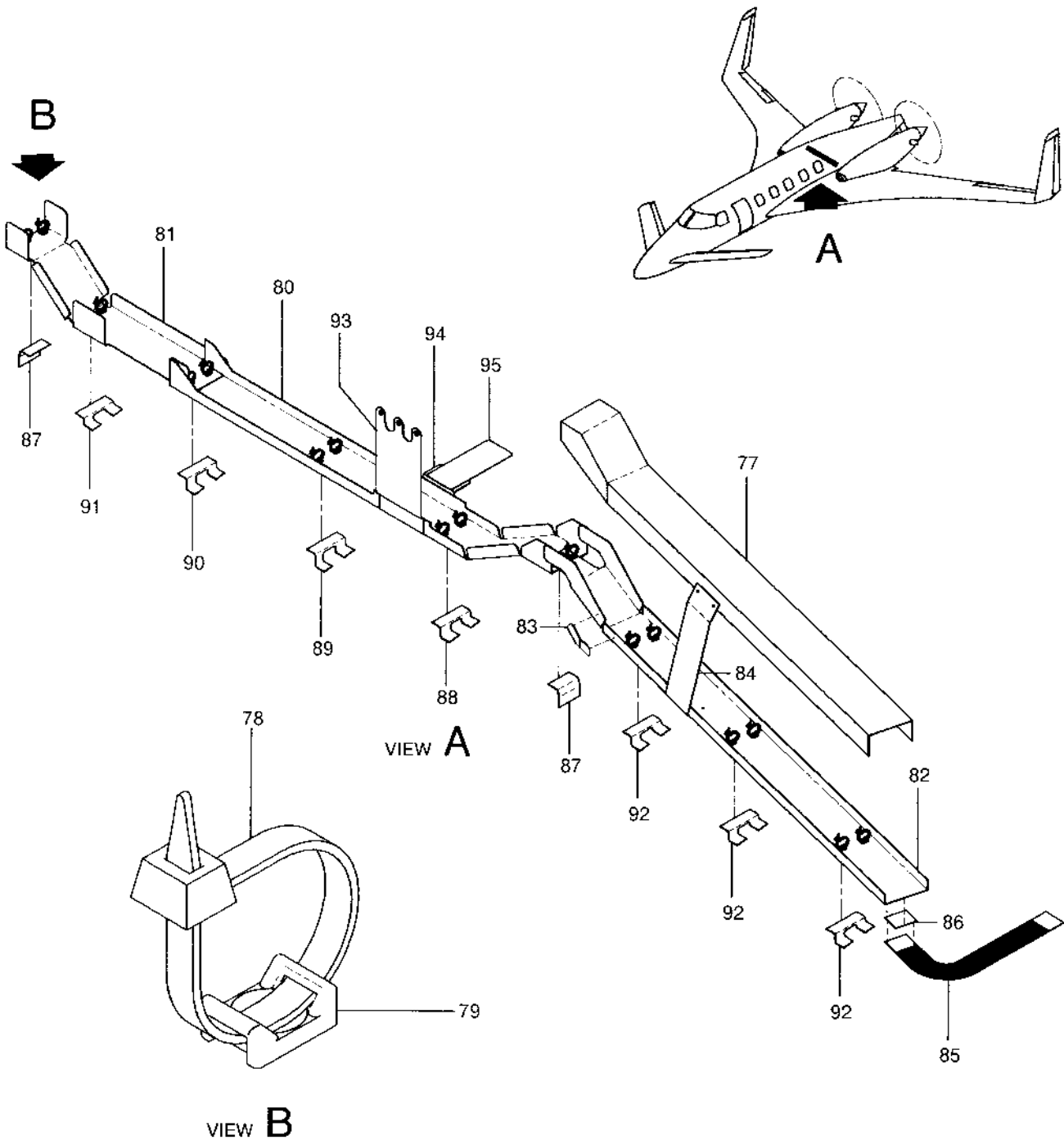
C93NC67A4526 C

FIGURE 20-10. WING ELECTRICAL WIRE CONDUIT
/SHEET 5 OF 7 SHEETS/

Beechcraft
STARSHIP 1
ILLUSTRATED PARTS CATALOG

SUB-SEC UNIT & ITEM NO	PART NO.	DESCRIPTION 1 2 3 4 5 6 7	UNITS PER ASSY	USABLE ON CODE
20-10	122-361030-11	.. WIRE TUBE INSTL, LH	NP	
	122-361030-12	.. WIRE TUBE INSTL, RH	NP	
- 54	2176	.. TINNED BRAID/14.0 INCH/	1	
- 55	MS21919WH7	.. CLAMP	1	
		/ATTACHING PARTS/		
- 56	AN3-15A	.. BOLT	1	
- 57	AN960-10L	.. WASHER	1	
- 58	130909N29	.. NUT	1	
		-----★-----		
- 59	122-361063-77	.. TUBE ASSEMBLY	1	
- 60	GS5	.. CLAMP	5	
- 61	132131-3-4	.. STUD	1	
- 62	NAS43DD3-10	.. SPACER	1	
- 63	AN960JD10	.. WASHER	1	
- 64	130909N29	.. NUT	1	
- 65	2176	.. TINNED BRAID /17.0 INCH/	1	
- 66	MS21919WH7	.. CLAMP	1	
		/ATTACHING PARTS/		
- 67	AN3-15A	.. BOLT	1	
- 68	AN960-10L	.. WASHER	1	
- 69	130909N29	.. NUT	1	
		-----★-----		
- 70	2176	.. TINNED BRAID	1	
- 71	AN743-13	.. BRACKET	1	
- 72	MS21919WDG18	.. CLAMP	1	
		/ATTACHING PARTS/		
- 73	MS35207-263	.. SCREW	1	
- 74	AN960-10L	.. WASHER	1	
- 75	130909N29	.. NUT	1	
		-----★-----		
- 76	2176	.. TINNED BRAID	1	
- 76A	122-361063-75	.. TUBE ASSY, LH	1	
	122-361063-76	.. TUBE ASSY, RH	1	
- 76B	MS21919WH12	.. CLAMP	1	
		/ATTACHING PARTS/		
- 76C	AN3-30A	.. BOLT	1	
- 76D	AN960-10L	.. WASHER	1	
- 76E	130909N29	.. NUT	1	
		-----★-----		

Beechcraft
STARSHIP 1
ILLUSTRATED PARTS CATALOG



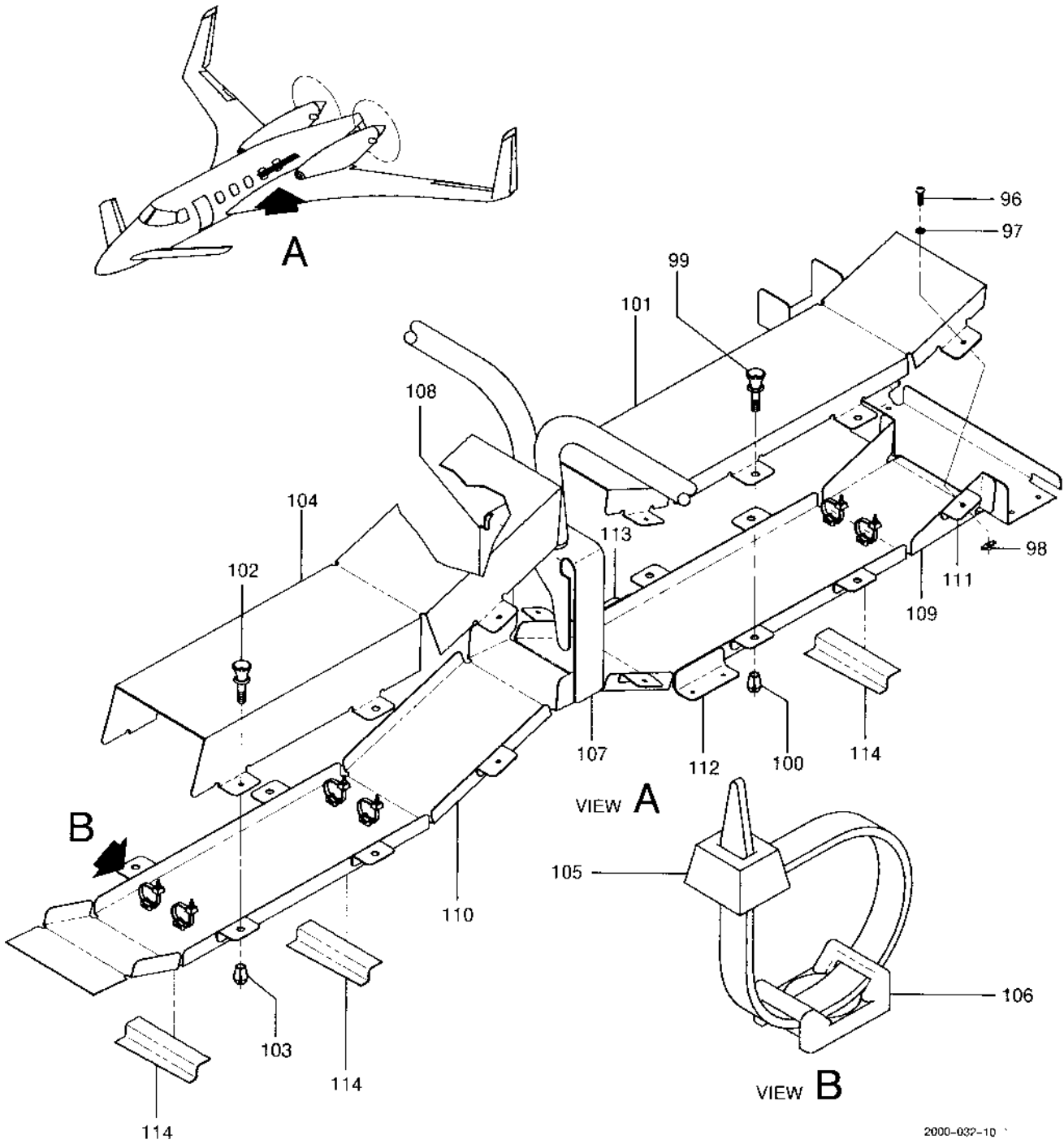
2000-032 .06

FIGURE 20-10. WING ELECTRICAL WIRE CONDUIT
/SHEET 6 OF 7 SHEETS/

Beechcraft
STARSHIP 1
ILLUSTRATED PARTS CATALOG

SUB-SEC UNIT & ITEM NO	PART NO.	DESCRIPTION 1 2 3 4 5 6 7	UNITS PER ASSY	USABLE ON CODE
20-10 - 77	122-361054-7	.. COVER/1 LH, 1 RH/.....	2	
- 78	TYZ25M	.. CABLE TIE	22	
- 79	TM2R6	.. MOUNT	12	
- 80	122-361039-3	.. TRAY	1	
- 81	122-361032-1	.. TRAY	1	
- 82	122-361054-9	.. TRAY ASSY, LH	1	
	122-361054-10	.. TRAY ASSY, RH.....	1	
- 83	122-361054-6	.. CLIP, FWD	1	
	122-361054-5	.. CLIP, AFT	1	
- 84	122-361050-3	.. BOND STRAP, LH	1	
	122-361050-4	.. BOND STRAP, RH	1	
- 85	122-361050-9	.. BOND STRAP/1 LH, 1 RH/.....	2	
- 86	122-361050-13	.. SHIM/1 LH, 1 RH/.....	2	
- 87	122-361051-1	.. SUPPORT, TRAY/1 LH, 1 RH/.....	2	
- 88	122-361051-3	.. SUPPORT, TRAY	1	
- 89	122-361051-5	.. SUPPORT, TRAY	1	
- 90	122-361051-7	.. SUPPORT, TRAY	1	
- 91	122-361051-9	.. SUPPORT, TRAY	1	
- 92	122-361051-11	.. TRAY SUPPORT, LH	3	
	122-361051-12	.. TRAY SUPPORT, RH	3	
- 93	122-361018-1	.. STRAP, ELECTRICAL BONDING	1	
- 94	122-364083-1	.. BRACKET, BONDING STRAP	1	
- 95	122-364084-1	.. BONDING STRAP	1	

Beechcraft
STARSHIP 1
ILLUSTRATED PARTS CATALOG



2000-032-10

FIGURE 20-10. WING ELECTRICAL WIRE CONDUIT
/SHEET 7 OF 7 SHEETS/


STARSHIP 1
ILLUSTRATED PARTS CATALOG

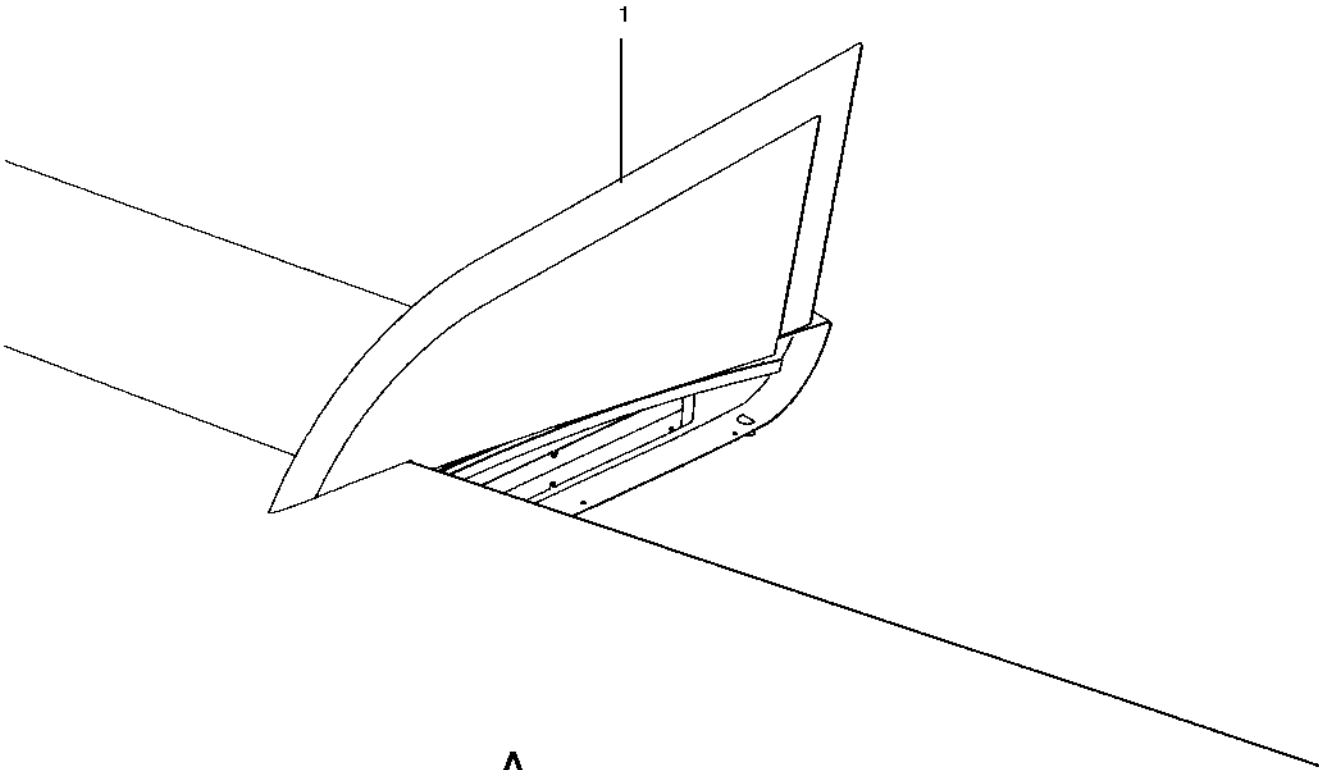
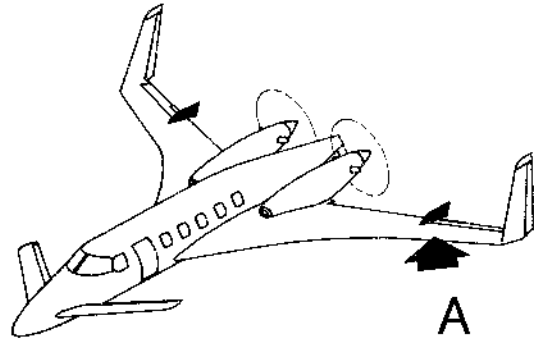
SUB-SEC UNIT & ITEM NO	PART NO.	DESCRIPTION 1 2 3 4 5 6 7	UNITS PER ASSY	USABLE ON CODE
20-10 -96	MS35206-243	. SCREW.....	8	
-97	AN960L8	. WASHER.....	8	
-98	MS21047L08	. NUTPLATE.....	8	
	122-361037-17	. COVER ASSY, AFT.....	1	
-99	HN5P52-1-1	. . PLUNGER.....	4	
-100	HN5G52-1	. . GROMMET.....	4	
-101	122-361037-19	. . COVER, AFT.....	1	
	122-361037-21	. . COVER ASSY, FWD.....	1	
-102	HN5P52-1-1	. . PLUNGER.....	2	
-103	HN5G52-1	. . GROMMET.....	2	
-104	122-361037-23	. . COVER, FWD.....	1	
-105	PLT1S	. CABLE TIE.....	8	
-106	TM2R6	. MOUNT.....	8	
-107	122-361035-1	. STRAP, LH.....	1	
-108	122-361035-2	. STRAP, RH.....	1	
-109	122-361037-1	. TRAY, WIRE/AFT/.....	1	
-110	122-361036-1	. TRAY, WIRE/FWD/.....	1	
-111	122-361037-11	. SUPPORT, COVER.....	14	
-112	122-361037-9	. SUPPORT, TRAY.....	1	
-113	122-361037-7	. SUPPORT, TRAY.....	1	
-114	122-361051-13	. SUPPORT, TRAY.....	3	

-END-

Beechcraft
STARSHIP 1
ILLUSTRATED PARTS CATALOG

57-20-20
ELEVON FENCE

Beechcraft
STARSHIP 1
ILLUSTRATED PARTS CATALOG



VIEW A

2000-030-01

FIGURE 20-20.ELEVON FENCE

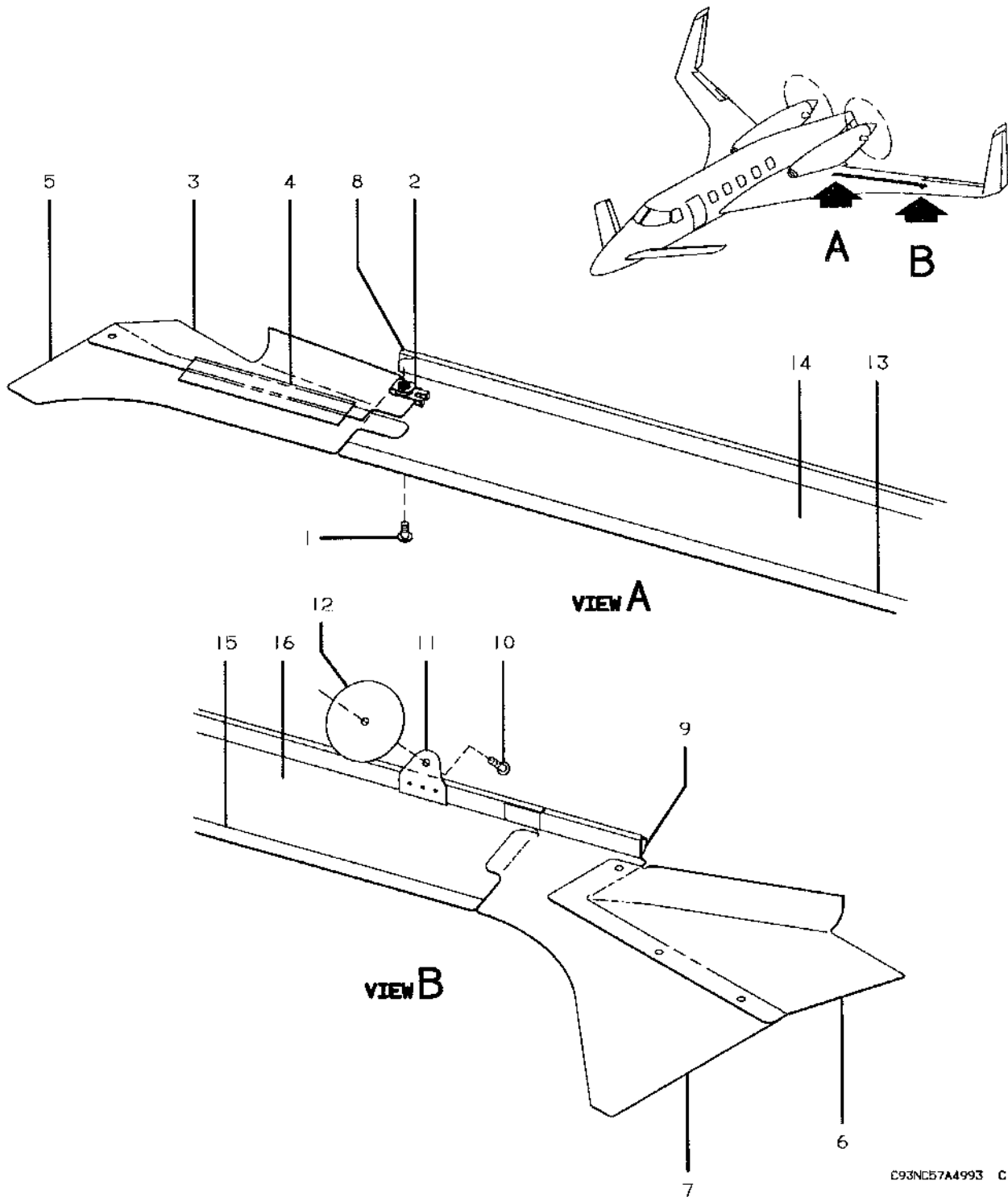
Beechcraft
STARSHIP 1
ILLUSTRATED PARTS CATALOG

SUB-SEC UNIT & ITEM NO	PART NO.	DESCRIPTION 1 2 3 4 5 6 7	UNITS PER ASSY	USABLE ON CODE
20-20	122-100167-1	ELEVON FENCE INSTL, LH.....	NP	
	122-100167-2	ELEVON FENCE INSTL, RH.....	NP	
- 1	122-100167-3	. ELEVON FENCE ASSY, LH.....	1	
	122-100167-4	. ELEVON FENCE ASSY, RH.....	1	

Beechcraft
STARSHIP 1
ILLUSTRATED PARTS CATALOG

57-20-30
AFT WING FLAP COVE

Beechcraft
 STARSHIP 1
 ILLUSTRATED PARTS CATALOG



C93NC57A4993 C

FIGURE 20-30.AFT WING FLAP COVE

Beechcraft
STARSHIP 1
ILLUSTRATED PARTS CATALOG

SUB-SEC UNIT & ITEM NO	PART NO.	DESCRIPTION 1 2 3 4 5 6 7	UNITS	USABLE
			PER ASSY	ON CODE
20-30	122-100149-1	FLAP COVE INSTL, AFT WING LH.....	NP	5
	122-100149-51	FLAP COVE INSTL, AFT WING LH.....	NP	6
	122-100149-2	FLAP COVE INSTL, AFT WING RH.....	NP	5
	122-100149-52	FLAP COVE INSTL, AFT WING RH.....	NP	6
- 1	AN525-832R6	. SCREW.....	4	
- 2	130290-1	. NUT, CLIP.....	4	
- 3	122-100149-39	. DOOR, LH.....	1	5
	122-100149-55	. DOOR, LH.....	1	6
	122-100149-40	. DOOR, RH.....	1	5
	122-100149-56	. DOOR, RH.....	1	6
	122-100149-43	. FILLET ASSY, LH.....	1	
	122-100149-44	. FILLET ASSY, RH.....	1	
- 4	122-100149-11	. CLIP.....	1	
- 5	122-100149-45	. FILLET, LH.....	1	
	122-100149-46	. FILLET, RH.....	1	
- 6	122-100149-41	. DOOR, LH.....	1	5
	122-100149-57	. DOOR, LH.....	1	6
	122-100149-42	. DOOR, RH.....	1	5
	122-100149-58	. DOOR, RH.....	1	6
- 7	122-100149-15	. FILLET, LH.....	1	5
	122-100149-53	. FILLET, LH.....	1	6
	122-100149-16	. FILLET, RH.....	1	5
	122-100149-54	. FILLET, RH.....	1	6
- 8	122-100149-29	. SEAL, INBD.....	1	
- 9	122-100149-31	. SEAL, OUTBD.....	1	
- 10	MS27039C1-06	. SCREW.....	6	
	SL607-3-6CM	. INSERT.....	6	
- 11	122-100149-25	. CLIP.....	1	3
	122-100149-59	. CLIP.....	1	4
- 12	122-100149-33	. DOUBLER.....	6	
	122-100149-3	. COVE ASSY, CENTER.....	1	
	122-100149-4	. COVE ASSY, CENTER.....	1	
	122-100149-7	. FAIRING ASSY, LH /ORDER 122-100149-47.....	NP	1
		FOR SPARES/		
	122-100149-47	. FAIRING ASSY, LH.....	1	2
	122-100149-8	. FAIRING ASSY, RH /ORDER 122-100149-48.....	NP	1
		FOR SPARES/		
	122-100149-48	. FAIRING ASSY, RH.....	1	2
- 13	122-100149-21	. DOUBLER.....	1	
- 14	122-100149-37	. FAIRING.....	1	1
	122-100149-49	. FAIRING.....	1	2
	122-100149-38	. FAIRING.....	1	1
	122-100149-50	. FAIRING.....	1	2
	122-100149-5	. FAIRING ASSY, LH.....	1	
	122-100149-6	. FAIRING ASSY, RH.....	1	
- 15	122-100149-19	. DOUBLER.....	1	
- 16	122-100149-35	. FAIRING, LH.....	1	
	122-100149-36	. FAIRING, RH.....	1	

CODES OF EFFECTIVITY

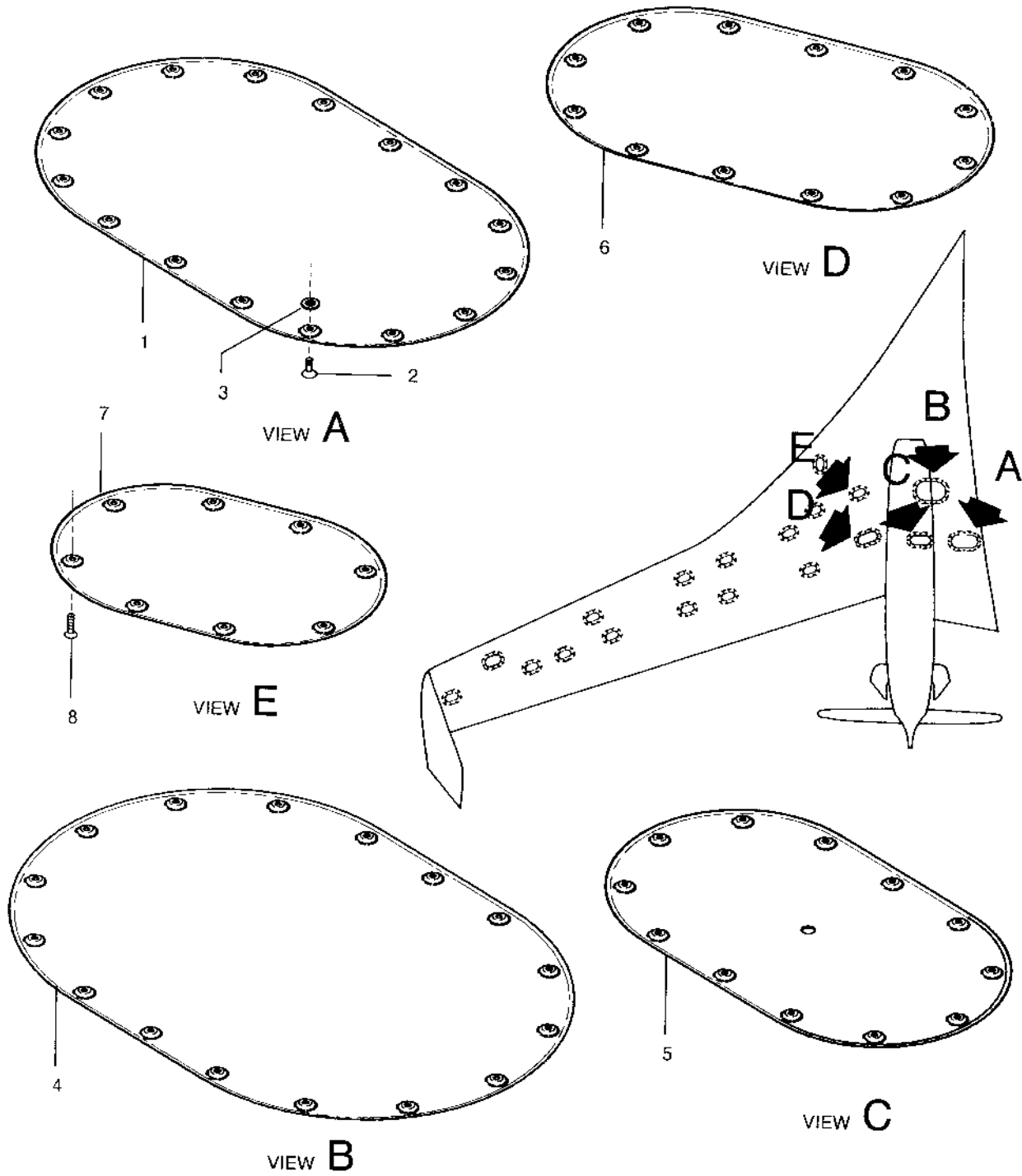
1	NC-4 THRU NC-44	2	NC-45 AND AFTER
3	NC-4 THRU NC-28	4	NC-29 AND AFTER
5	NC-4 THRU NC-25	6	NC-26 AND AFTER

-END-

Beechcraft
STARSHIP 1
ILLUSTRATED PARTS CATALOG

57-20-40
AFT WING ACCESS DOORS

Beechcraft
STARSHIP 1
ILLUSTRATED PARTS CATALOG



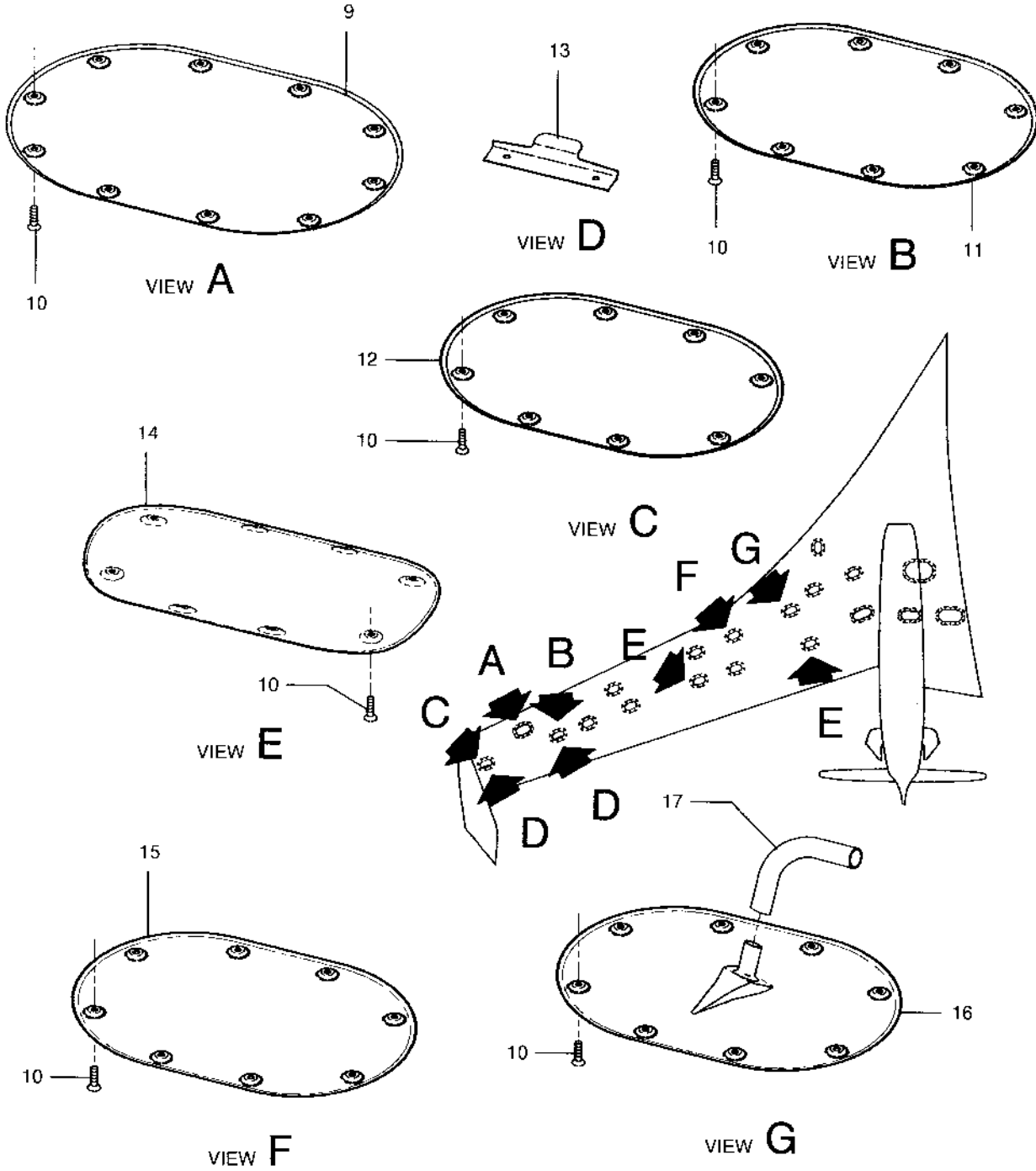
2000-36.6

FIGURE 20-40.AFT WING ACCESS DOORS
/SHEET 1 OF 2 SHEETS/

Beechcraft
STARSHIP 1
ILLUSTRATED PARTS CATALOG

SUB-SEC UNIT & ITEM NO	PART NO.	DESCRIPTION 1 2 3 4 5 6 7	UNITS	USABLE
			PER ASSY	ON CODE
20-40	122-100080-1	DOOR INSTL, AFT WING ACCESS.....	NP	1
	122-100080-89	DOOR INSTL, AFT WING ACCESS.....	NP	2
	122-100080-63	. DOOR ASSY.....	2	1
	122-100080-99	. DOOR ASSY.....	2	2
- 1	122-100080-71	. DOOR.....	2	1
- 2	DPYS7900P10A1 5	. . SCREW, CAPTIVE.....	32	
- 3	122-100080-73	. . WASHER.....	32	1
- 4	122-100080-61	. DOOR ASSY.....	2	1
	122-100080-103	. DOOR ASSY.....	2	2
	DPYS7900P10A1 5	. . SCREW, CAPTIVE.....	32	
	122-100080-73	. . WASHER.....	32	1
- 5	122-100080-75	. DOOR ASSY, LH.....	1	1
	122-100080-95	. DOOR ASSY, LH.....	1	2
	DPYS7900P10A1 5	. . SCREW, CAPTIVE.....	12	
	122-100080-73	. . WASHER.....	12	1
	122-100080-59	. DOOR ASSY, RH.....	1	1
	122-100080-93	. DOOR ASSY, RH.....	1	2
	DPYS7900P10A1 5	. . SCREW, CAPTIVE.....	12	
	122-100080-73	. . WASHER.....	12	1
- 6	122-100080-59	. DOOR ASSY.....	2	1
	122-100080-93	. DOOR ASSY.....	2	2
	DPYS7900P10A1 5	. . SCREW, CAPTIVE.....	24	
	122-100080-73	. . WASHER.....	24	1
- 7	122-100080-57	. DOOR ASSY.....	2	1
	122-100080-91	. DOOR ASSY.....	2	2
	DPYS7900P10A1 5	. . SCREW, CAPTIVE.....	16	
	122-100080-73	. . WASHER.....	16	1
- 8	MS24694C46	. SCREW.....	16	
	SL3089A3-3	. INSERT.....	AR	
	SL607-3-6CM	. INSERT.....	16	1

Beechcraft
STARSHIP 1
ILLUSTRATED PARTS CATALOG



2000-36-7

FIGURE 20-40.AFT WING ACCESS DOORS
/SHEET 2 OF 2 SHEETS/

Beechcraft
STARSHIP 1
ILLUSTRATED PARTS CATALOG

SUB-SEC UNIT & ITEM NO	PART NO.	DESCRIPTION 1 2 3 4 5 6 7	UNITS	USABLE
			PER ASSY	ON CODE
20-40 - 9	122-100080-43	. DOOR	2	1
	122-100080-81	. DOOR	2	2
- 10	MS24694C46	. SCREW	200	1
	MS27039C1-05	. SCREW	20	2
	AN961-10S	. WASHER	20	2
	AN526-1032R5	. SCREW	200	2
	SL607-3-6AM	. INSERT	AR	2
- 11	122-100080-47	. DOOR, LH	1	1
	122-100080-83	. DOOR, LH	1	2
	122-100080-48	. DOOR, RH	1	1
- 12	122-100080-84	. DOOR, RH	1	2
	122-100080-49	. DOOR, LH	1	1
	122-100080-85	. DOOR, LH	1	2
- 13	122-100080-50	. DOOR, RH	1	1
	122-100080-86	. DOOR, RH	1	2
	122-100080-55	. BRACKET ASSY	4	
	AN525-10R7	.. NUTPLATE	8	
	MS21047-3	.. NUTPLATE	2	
- 14	122-100080-51	. DOOR	6	1
	122-100080-87	. DOOR	6	2
- 15	122-100080-35	. DOOR	14	1
	122-100080-79	. DOOR	14	3
	122-100080-79	. DOOR/6 LH AND 7 RH/	13	4
- 16	122-920017-7	. SCOOP ASSY, LH FUEL VENT	1	
	122-920017-8	. SCOOP ASSY, RH FUEL VENT	1	
- 17	122-920017-11	.. TUBE	1	

CODES OF EFFECTIVITY

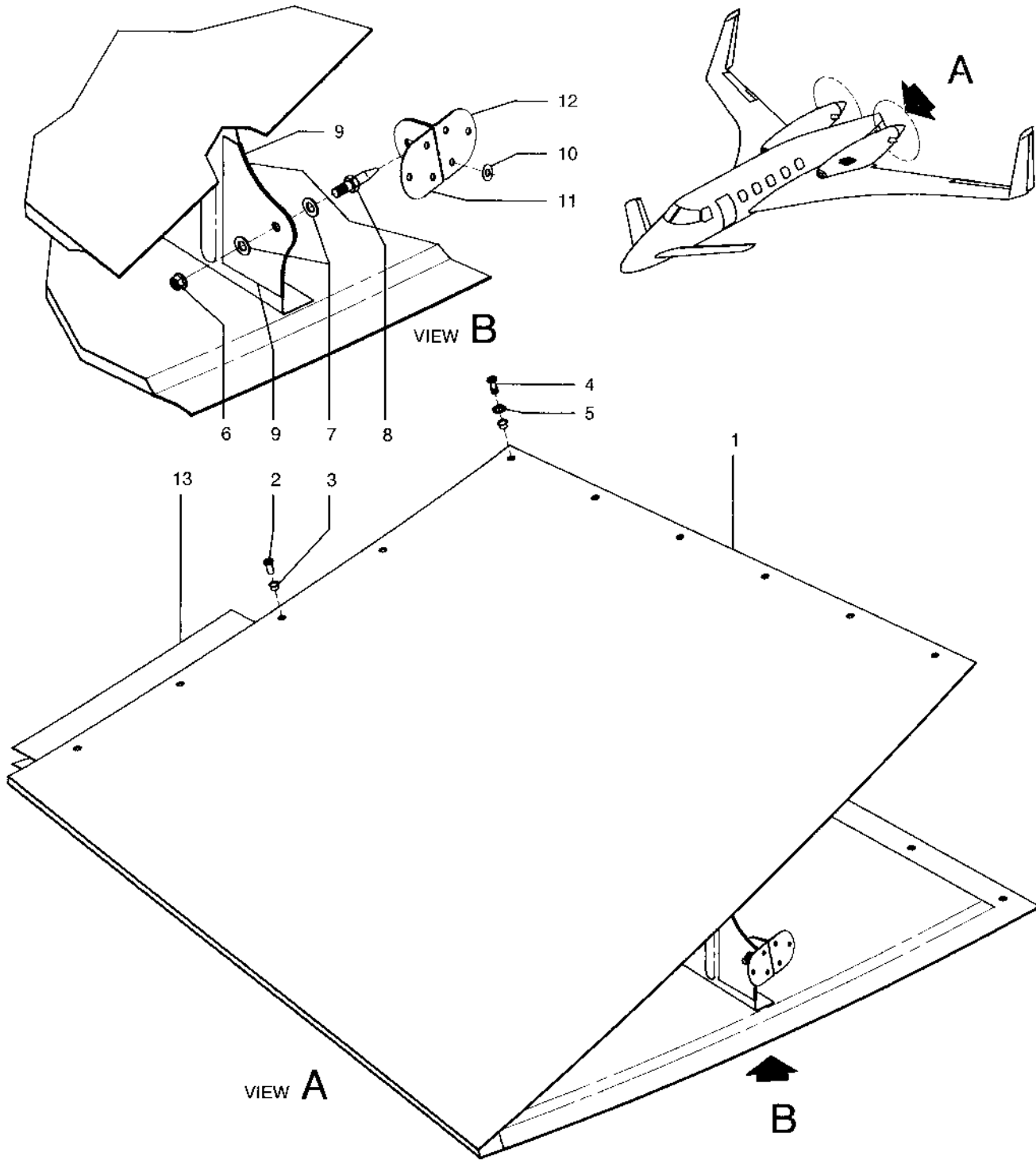
1	NC-4 THRU NC-26	2	NC-27 AND AFTER
3	NC-27 THRU NC-29	4	NC-30 AND AFTER

-END-

Beechcraft
STARSHIP 1
ILLUSTRATED PARTS CATALOG

57-21-00
AFT WING TRAILING EDGE INBD COVE

Beechcraft
STARSHIP 1
ILLUSTRATED PARTS CATALOG



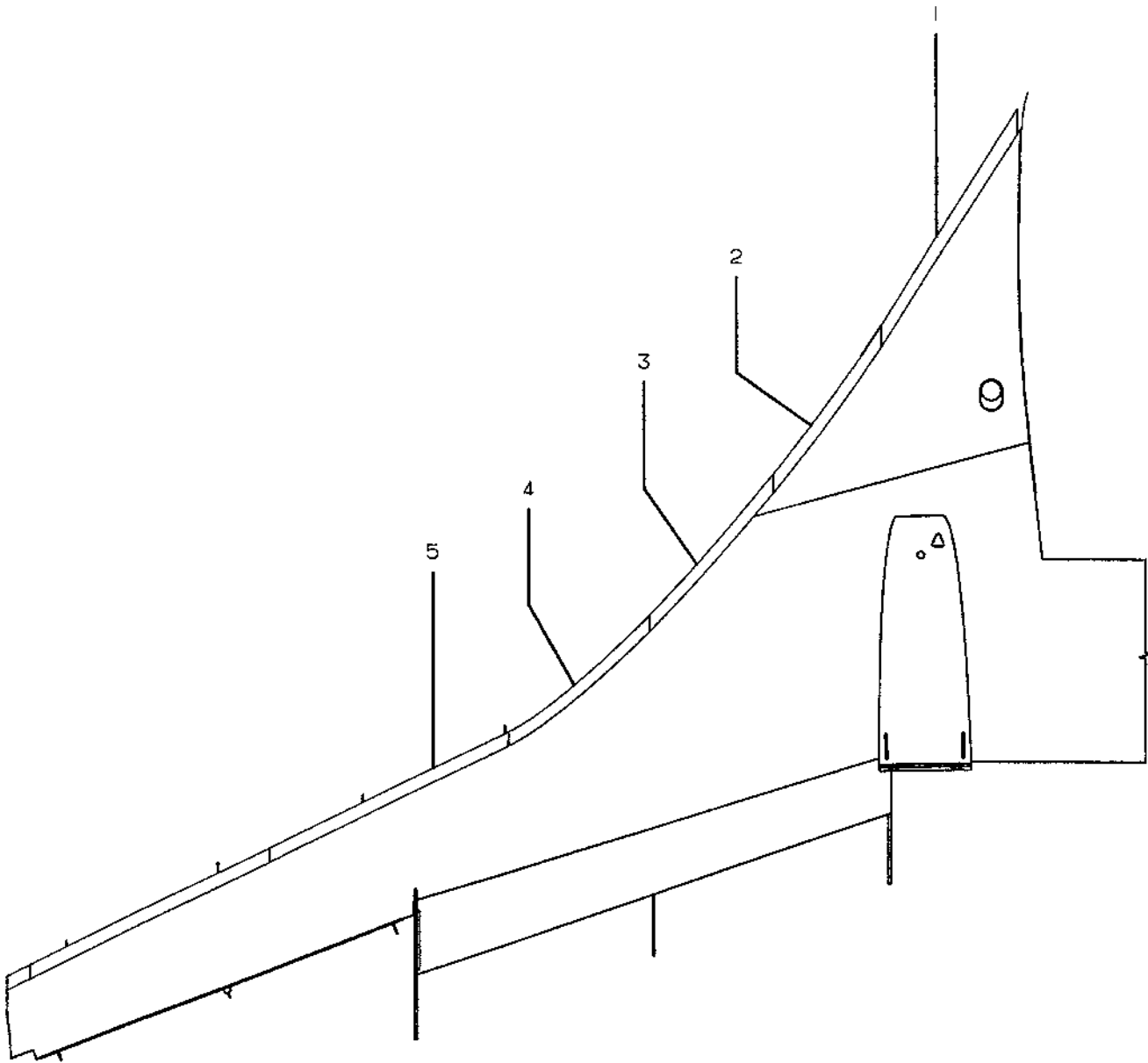
2000-037 -01

FIGURE 21-00.AFT WING TRAILING EDGE INBD COVE

Beechcraft
STARSHIP 1
ILLUSTRATED PARTS CATALOG

57-40-00
LEADING EDGE

Beechcraft
STARSHIP 1
ILLUSTRATED PARTS CATALOG

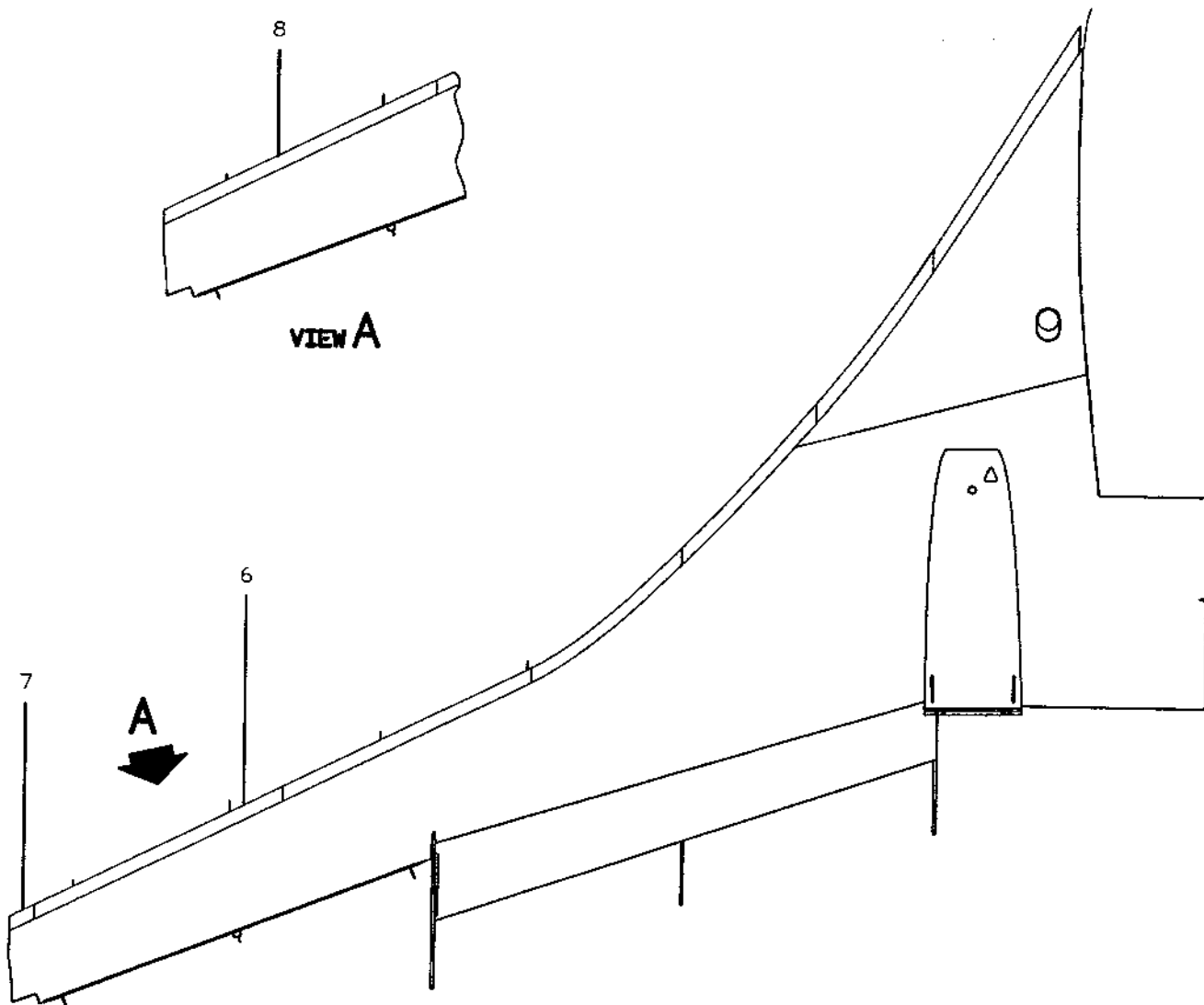


C94NC57A1796

Beechcraft
STARSHIP 1
ILLUSTRATED PARTS CATALOG

SUB-SEC UNIT & ITEM NO	PART NO.	DESCRIPTION 1 2 3 4 5 6 7	UNITS	USABLE	
			PER ASSY	ON CODE	
40-00	R 122-100151-1	LEADING EDGE INSTL, LH	NP	1	
	R 122-100151-2	LEADING EDGE INSTL, RH	NP	1	
	R 122-100152-1	LEADING EDGE INSTL, LH	NP	1	
	R 122-100152-2	LEADING EDGE INSTL, RH	NP	1	
	R 122-100153-1	LEADING EDGE INSTL, LH	NP	1	
	R 122-100153-2	LEADING EDGE INSTL, RH	NP	1	
	R 122-100154-1	LEADING EDGE INSTL, LH	NP	1	
	R 122-100154-2	LEADING EDGE INSTL, RH	NP	1	
	R 122-100155-1	LEADING EDGE INSTL, LH	NP	1	
	R 122-100155-2	LEADING EDGE INSTL, RH	NP	1	
	R 122-100156-1	LEADING EDGE INSTL, LH	NP	1	
	R 122-100156-2	LEADING EDGE INSTL, RH	NP	1	
	R 122-100118-1	SKIN INSTL, LEADING EDGE/LH/	NP	1	
	R 122-100118-2	SKIN INSTL, LEADING EDGE/RH/	NP	1	
	R 122-100157-1	LEADING EDGE INSTL, LH	NP	2	
	R 122-100157-2	LEADING EDGE INSTL, RH	NP	2	
	- 1	R 122-100151-3	. LEADING EDGE ASSY, LH	1	1
		R 122-100158-1	. LEADING EDGE ASSY, LH	1	2
		R 122-100151-4	. LEADING EDGE ASSY, RH	1	1
		R 122-100158-2	. LEADING EDGE ASSY, RH	1	2
	R MS21061L3	. . NUTPLATE/122-100158-1 & -2/	4	2	
	R MS21060L3	. NUTPLATE/INSTALLED ON 122-100151-3 & -4/	4	1	
	- 2	R 122-100152-3	. LEADING EDGE ASSY, LH	1	1
		R 122-100158-3	. LEADING EDGE ASSY, LH	1	2
		R 122-100152-4	. LEADING EDGE ASSY, RH	1	1
		R 122-100158-4	. LEADING EDGE ASSY, RH	1	2
	- 3	R 122-100153-3	. LEADING EDGE ASSY, LH	1	1
		R 122-100158-5	. LEADING EDGE ASSY, LH	1	2
		R 122-100153-4	. LEADING EDGE ASSY, RH	1	1
	- 4	R 122-100158-6	. LEADING EDGE ASSY, RH	1	2
		R 122-100154-3	. LEADING EDGE ASSY, LH	1	1
		R 122-100158-7	. LEADING EDGE ASSY, LH	1	2
R 122-100154-4	. LEADING EDGE ASSY, RH	1	1		
- 5	R 122-100158-8	. LEADING EDGE ASSY, RH	1	2	
	R 122-100155-3	. LEADING EDGE ASSY, LH	1	1	
	R 122-100158-9	. LEADING EDGE ASSY, LH	1	2	
	R 122-100155-4	. LEADING EDGE ASSY, RH	1	1	
R 122-100158-10	. LEADING EDGE ASSY, RH	1	2		

Beechcraft
STARSHIP 1
ILLUSTRATED PARTS CATALOG



C94NC57A1 797

Beechcraft
STARSHIP 1
ILLUSTRATED PARTS CATALOG

SUB-SEC UNIT & ITEM NO	PART NO.	DESCRIPTION 1 2 3 4 5 6 7	UNITS	USABLE
			PER ASSY	ON CODE
40-00 - 6	R 122-100156-3	. LEADING EDGE ASSY, LH.....	1	1
	R 122-100156-4	. LEADING EDGE ASSY, RH.....	1	1
- 7	R 122-100118-3	. SKIN, LEADING EDGE/LH/.....	1	1
	R 122-100118-4	. SKIN, LEADING EDGE/RH/.....	1	1
	R 122-100118-5	. BRACKET ASSY, LH/INSTALLED ON 122-100118-3/.....	1	1
	R 122-100118-6	. BRACKET ASSY, RH/INSTALLED ON 122-100118-4/.....	1	1
	R MS21059L3K	. . NUTPLATE.....	1	1
- 8	R GFP6010L8C	. NUTPLATE/INSTALLED ON 122-100118-3 & -4/.....	2	1
	R 122-100158-11	. LEADING EDGE ASSY, LH.....	1	2
	R 122-100158-12	. LEADING EDGE ASSY, RH.....	1	2
	R 122-100158-47	. . BRACKET ASSY/122-100158-11/.....	1	2
	R 122-100158-48	. . BRACKET ASSY/122-100158-12/.....	1	2
R MS21059L3K	. . . NUTPLATE.....	1	2	

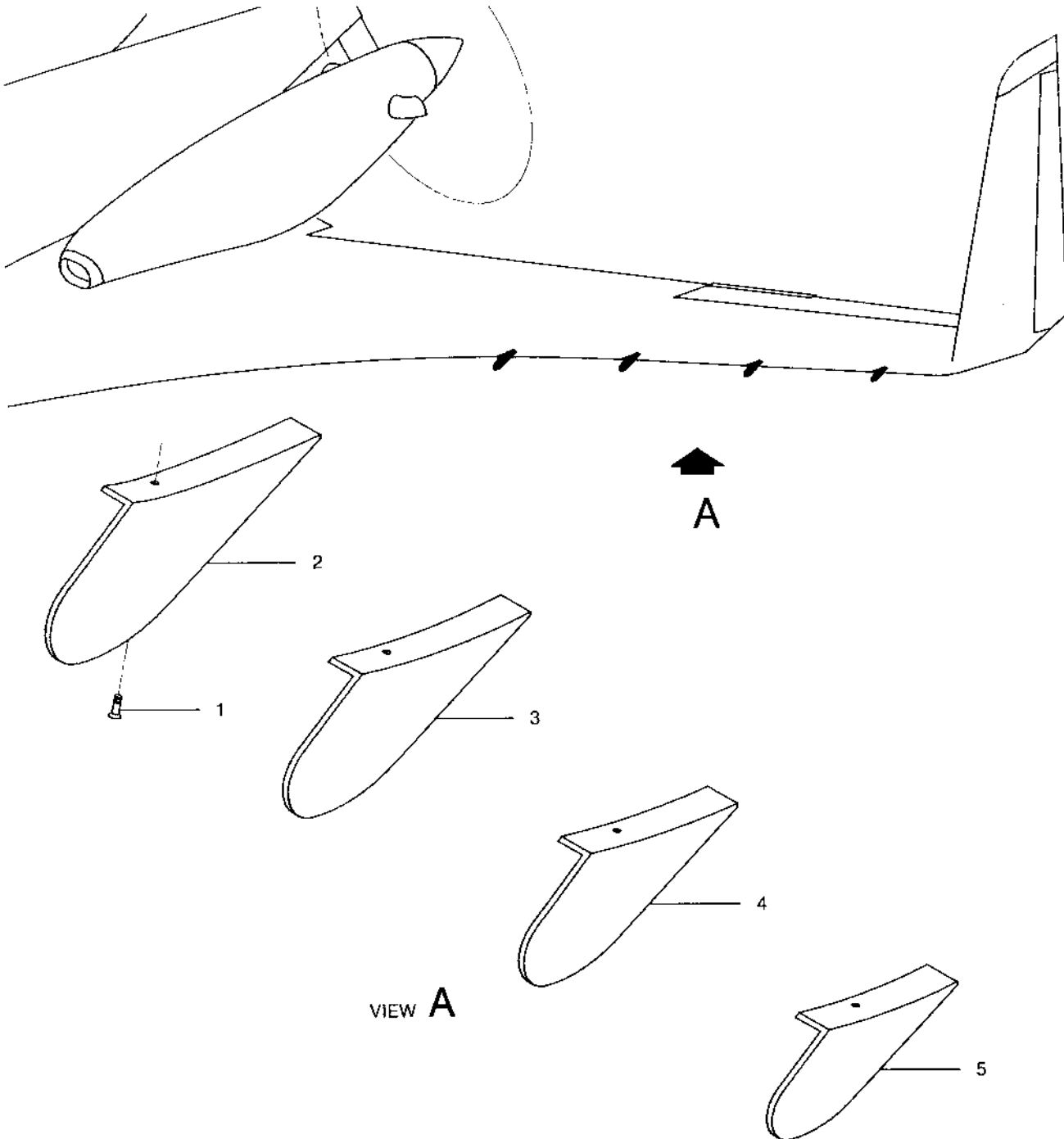
CODES OF EFFECTIVITY

1 NC-4 THRU NC-20 2 NC-21 AND AFTER

Beechcraft
STARSHIP 1
ILLUSTRATED PARTS CATALOG

57-40-10
AFT WING LEADING EDGE VORTILON

Beechcraft
STARSHIP 1
ILLUSTRATED PARTS CATALOG



2000-34-01

FIGURE 40-10.AFT WING LEADING EDGE VORTILON

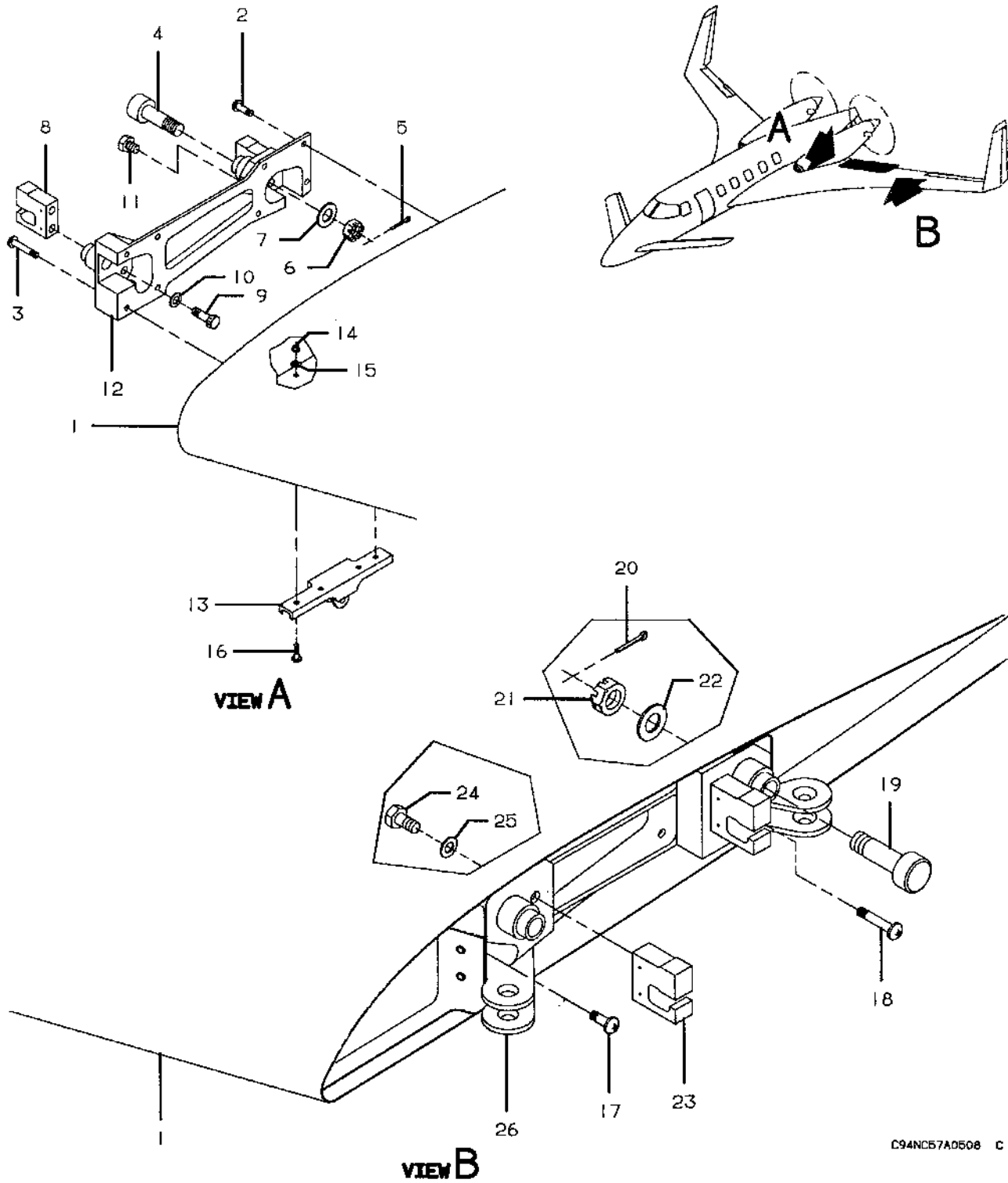
Beechcraft
STARSHIP 1
ILLUSTRATED PARTS CATALOG

SUB-SEC UNIT & ITEM NO	PART NO.	DESCRIPTION 1 2 3 4 5 6 7	UNITS PER ASSY	USABLE ON CODE
40-10	122-100021-1	VORTILON INSTL, AFT WING LEADING EDGE LH.....	NP	
	122-100021-2	VORTILON INSTL, AFT WING LEADING EDGE RH.....	NP	
- 1	NAS1921M06S06	. RIVET	4	
- 2	122-100022-9	. VORTILON, LH.....	1	
	122-100022-10	. VORTILON, RH.....	1	
- 3	122-100022-11	. VORTILON, LH.....	1	
	122-100022-12	. VORTILON, RH.....	1	
- 4	122-100022-13	. VORTILON, LH.....	1	
	122-100022-14	. VORTILON, RH.....	1	
- 5	122-100022-15	. VORTILON, LH.....	1	
	122-100022-16	. VORTILON, RH.....	1	

Beechcraft
STARSHIP 1
ILLUSTRATED PARTS CATALOG

57-50-00
FLAP INSTALLATION

Beechcraft
STARSHIP 1
ILLUSTRATED PARTS CATALOG



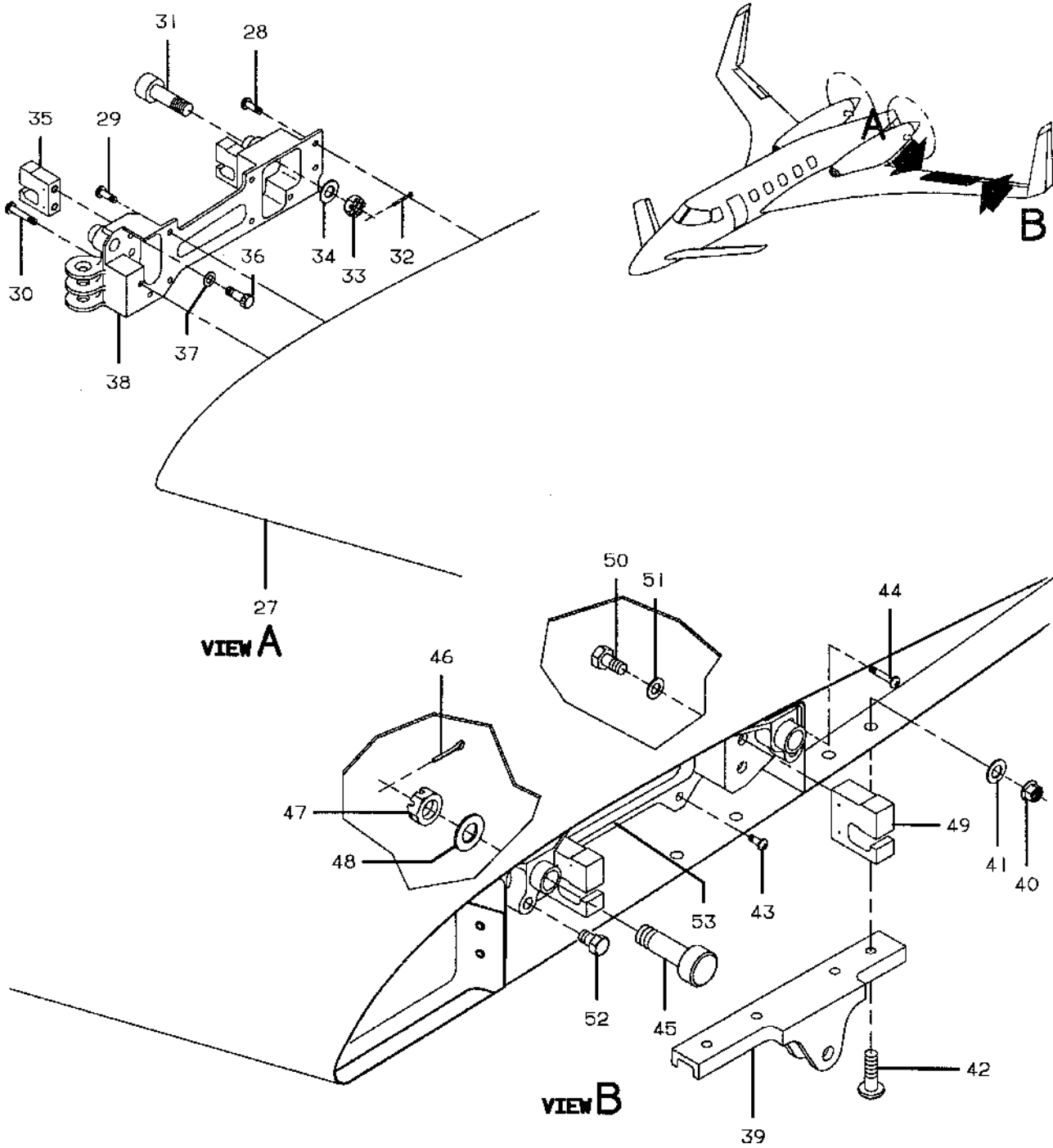
C94NC57A0508 C

FIGURE 50-00.FLAP INSTALLATION
/SHEET 1 OF 2 SHEETS/

Beechcraft
STARSHIP 1
ILLUSTRATED PARTS CATALOG

SUB-SEC UNIT & ITEM NO	PART NO.	DESCRIPTION 1 2 3 4 5 6 7	UNITS PER ASSY	USABLE ON CODE
50-00	122-160000-1	FLAP INSTL, LH WING	NP	
	122-160000-2	FLAP INSTL, RH WING	NP	
- 1	122-160022-1	. FLAP ASSY, LH INBD	1	
	122-160022-2	. FLAP ASSY, RH INBD	1	
	122-521124-5	.. SUPPORT ASSY, LH INBD FLAP INBD ROLLER	1	
	122-521124-6	.. SUPPORT ASSY, RH INBD FLAP INBD ROLLER	1	
		/ATTACHING PARTS/		
- 2	MS27039C1-10	.. SCREW	6	
- 3	MS27039C1-25	.. SCREW	2	
		★		
- 4	CC59417	... ROLLER	2	
		/ATTACHING PARTS/		
- 5	MS24665-132	... PIN, COTTER	1	
- 6	MS17826-7	... NUT	1	
- 7	AN960-716	... WASHER	1	
		★		
- 8	122-521126-9	... FITTING	2	
		/ATTACHING PARTS/		
- 9	NAS6204-2H	... BOLT	2	
- 10	AN960-416L	... WASHER	2	
		★		
- 11	122-521051-35	... BOLT, GUIDE	2	
	130077-7L01	... INSERT	2	
- 12	122-521124-3	... FITTING, LH INBD FLAP INBD ROLLER SPRT	1	
	122-521124-4	... FITTING, RH INBD FLAP INBD ROLLER SPRT	1	
- 13	122-521134-5	.. BRACKET, LH INBD FLAP DRIVE	1	
	122-521134-6	.. BRACKET, RH INBD FLAP DRIVE	1	
		/ATTACHING PARTS/		
- 14	MS21043-08	.. NUT	4	
- 15	AN960C8	.. WASHER	4	
- 16	MS27039C0811	.. SCREW	4	
		★		
	122-521125-11	.. SUPPORT ASSY, LH INBD FLAP OUTBD ROLLER	1	
	122-521125-12	.. SUPPORT ASSY, RH INBD FLAP OUTBD ROLLER	1	
		/ATTACHING PARTS/		
- 17	MS27039C1-10	.. SCREW	6	
- 18	MS27039C1-25	.. SCREW	2	
		★		
- 19	CC59417	... ROLLER	2	
		/ATTACHING PARTS/		
- 20	MS24665-132	... PIN, COTTER	1	
- 21	MS17826-7	... NUT	1	
- 22	AN960-716	... WASHER	AR	
		★		
- 23	122-521125-9	... FITTING	2	
		/ATTACHING PARTS/		
- 24	NAS6204-2H	... BOLT	2	
- 25	AN960-716	... WASHER	2	
		★		
- 26	122-521125-15	... FITTING, LH INBD FLAP OUTBD ROLLER SPRT	1	
	122-521125-16	... FITTING, RH INBD FLAP OUTBD ROLLER SPRT	1	
	MS21070L3	.. NUTPLATE, SINGLE WING/LOCATED ON THE INBD	8	
		& OUTBD RIBS TO ATTACH ROLLER SUPPORTS/		
	MS21072L3	.. NUTPLATE, DOUBLE WING/LOCATED ON THE INBD	8	
		& OUTBD RIBS TO ATTACH ROLLER SUPPORTS/		
	MS21048L3	.. NUTPLATE, DOUBLE WING/ATTACHES CENTER FLAP	4	
		FAIRING/		

Beechcraft
STARSHIP 1
ILLUSTRATED PARTS CATALOG



C94NC57A0509 C

FIGURE 50-00.FLAP INSTALLATION
/SHEET 2 OF 2 SHEETS/

Beechcraft
STARSHIP 1
ILLUSTRATED PARTS CATALOG

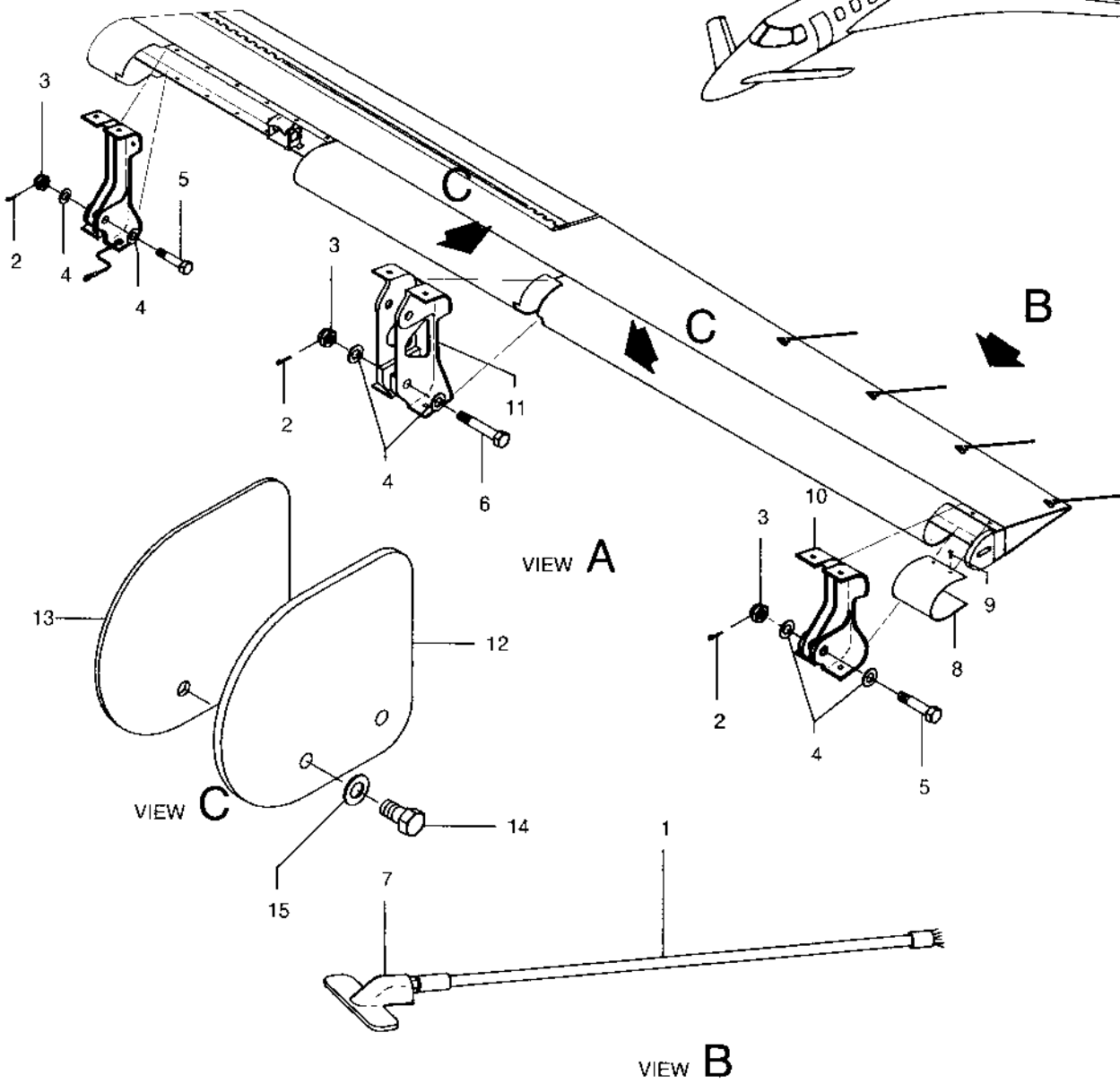
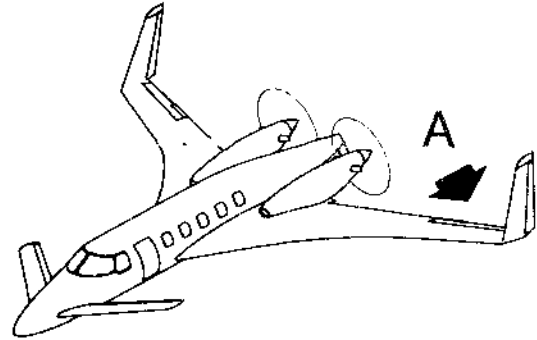
SUB-SEC UNIT & ITEM NO	PART NO.	DESCRIPTION 1 2 3 4 5 6 7	UNITS	USABLE
			PER ASSY	ON CODE
50-00 -27	122-160025-1	. FLAP ASSY, LH OUTBD	1	
	122-160025-2	. FLAP ASSY, RH OUTBD	1	
	122-521125-13	.. SUPPORT ASSY, LH OUTBD FLAP INBD ROLLER	1	
	122-521125-14	.. SUPPORT ASSY, RH OUTBD FLAP INBD ROLLER	1	
		/ATTACHING PARTS/		
-28	MS27039C1-10	.. SCREW	5	
-29	MS27039C1-12	.. SCREW	1	
-30	MS27039C1-25	.. SCREW	3	
		---★---		
-31	CC59417	... ROLLER	2	
		/ATTACHING PARTS/		
-32	MS24665-132	... PIN, COTTER	1	
-33	MS17826-7	... NUT	1	
-34	AN960-716	... WASHER	AR	
		---★---		
-35	122-521125-9	... FITTING	2	
		/ATTACHING PARTS/		
-36	NAS6204-2H	... BOLT	2	
-37	AN960-716	... WASHER	2	
		---★---		
-38	122-521125-17	... FITTING, LH OUTBD FLAP INBD ROLLER SPRT	1	
	122-521125-18	... FITTING, RH OUTBD FLAP INBD ROLLER SPRT	1	
-39	122-521134-1	.. BRACKET, OUTBD FLAP DRIVE	1	
		/ATTACHING PARTS/		
-40	MS21043-08	... NUT	4	
-41	AN960C8	... WASHER	4	
-42	MS27039C0810	... SCREW	4	
		---★---		
	122-521126-11	.. SUPPORT ASSY, LH OUTBD FLAP OUTBD ROLLER	1	
	122-521126-12	.. SUPPORT ASSY, RH OUTBD FLAP OUTBD ROLLER	1	
		/ATTACHING PARTS/		
-43	MS27039C1-10	.. SCREW	6	
-44	MS27039C1-27	.. SCREW	2	
		---★---		
-45	CC59417	... ROLLER	2	
		/ATTACHING PARTS/		
-46	MS24665-132	... PIN, COTTER	1	
-47	MS17826-7	... NUT	1	
-48	AN960-716	... WASHER	1	
		---★---		
-49	122-521126-9	... FITTING	2	
		/ATTACHING PARTS/		
-50	NAS6204-2H	... BOLT	2	
-51	AN960-716	... WASHER	2	
		---★---		
-52	122-521051-35	... BOLT, GUIDE	2	
-53	122-521126-3	... FITTING, LH OUTBD FLAP OUTBD ROLLER SPRT	1	
	122-521126-4	... FITTING, RH OUTBD FLAP OUTBD ROLLER SPRT	1	
	130077-7L01	... INSERT	2	
	MS21070L3	.. NUTPLATE, SINGLE WING/LOCATED ON THE INBD	9	
		& OUTBD RIBS TO ATTACH ROLLER SUPPORTS/		
	MS21072L3	.. NUTPLATE, DOUBLE WING/LOCATED ON THE INBD	8	
		& OUTBD RIBS TO ATTACH ROLLER SUPPORTS/		
	MS21048L3	.. NUTPLATE, DOUBLE WING/ATTACHES CENTER FLAP	4	
		FAIRING/		

-END-

Beechcraft
STARSHIP 1
ILLUSTRATED PARTS CATALOG

57-60-00
ELEVON INSTALLATION

Beechcraft
STARSHIP 1
ILLUSTRATED PARTS CATALOG



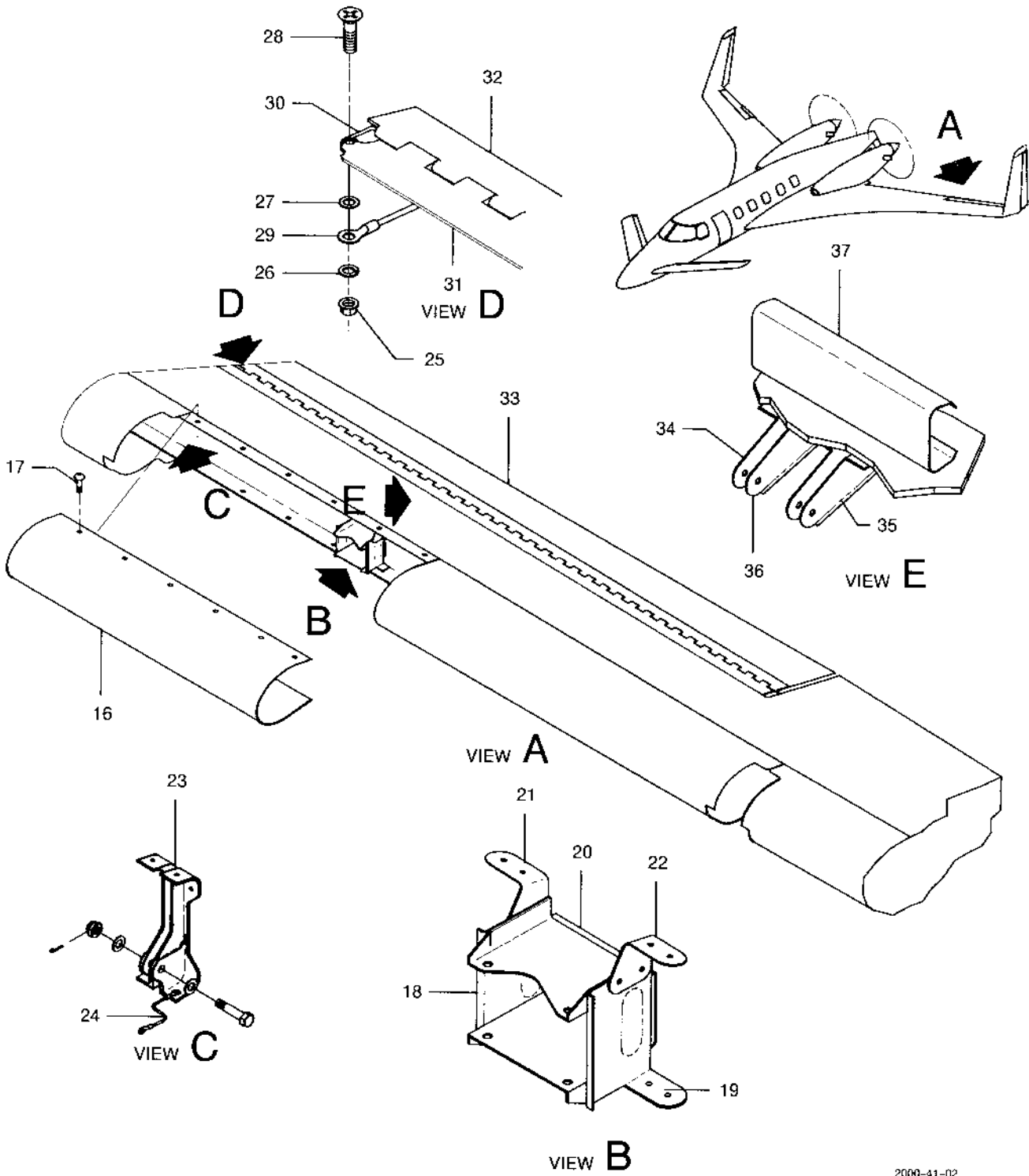
2000-41-01

FIGURE 60-00.ELEVON INSTALLATION
/SHEET 1 OF 2 SHEETS/

Beechcraft
STARSHIP 1
ILLUSTRATED PARTS CATALOG

SUB-SEC UNIT & ITEM NO	PART NO.	DESCRIPTION 1 2 3 4 5 6 7	UNITS	USABLE
			PER ASSY	ON CODE
60-00	122-130000-1	ELEVON INSTL, LH	NP	
	122-130000-2	ELEVON INSTL, RH	NP	
- 1	101-380053-11	. WICK, STATIC DISCHARGER	4	
	122-130044-123	. ELEVON ASSY, LH	1	1
	122-130044-129	. ELEVON ASSY, LH/ORDER 122-130044-133 FOR	NP	2
		SPARES/		
	122-130044-137	. ELEVON ASSY, LH/ORDER 122-130044-133 FOR	NP	3
		SPARES/		
	122-130044-133	. ELEVON ASSY, LH	1	4
	122-130044-124	. ELEVON ASSY, RH	1	1
	122-130044-130	. ELEVON ASSY, RH/ORDER 122-130044-134 FOR	NP	2
		SPARES/		
	122-130044-138	. ELEVON ASSY, RH/ORDER 122-130044-134 FOR	NP	3
		SPARES/		
	122-130044-134	. ELEVON ASSY, RH	1	4
		/ATTACHING PARTS/		
- 2	MS24665-153	. PIN, COTTER	3	
- 3	130909N48	. NUT	3	
- 4	AN960C416L	. WASHER	6	
- 5	NAS6204-10D	. BOLT, INBD & OUTBD	2	
- 6	NAS6204-12D	. BOLT, CENTER	1	
		---★---		
- 7	82B001-21	.. BASE, LH STATIC DISCHARGER WICK	4	
	122-610010-4	.. BASE, RH STATIC DISCHARGER WICK	4	
- 8	122-130047-31	.. COVER ASSY, LH	1	
	122-130047-32	.. COVER ASSY, RH	1	
		/ATTACHING PARTS/		
- 9	MS27039C0807	.. SCREW	4	
		---★---		
	MS21048L08	.. NUTPLATE	4	
- 10	122-130048-5	.. BRACKET, OUTBD HINGE	1	
- 11	122-130048-3	.. BRACKET, CENTER HINGE	1	
- 12	122-130110-7	.. WEIGHT, BALANCE/.12 THICK/	AR	
- 13	122-130110-9	.. WEIGHT, BALANCE/.06 THICK/	AR	
		/ATTACHING PARTS/		
- 14	AN3-H(A/R)A	.. BOLT/GRIP LENGTH DETERMINED BY THE NUMBER	2	
		OF BALANCE WEIGHTS/		
- 15	AN960C10L	.. WASHER	2	
		---★---		
	P104F1032-04	.. PLUG, INSERT/TO ATTACH BALANCE WEIGHTS/	4	
	S104F10-1	.. SLEEVE, INSERT/TO ATTACH BALANCE WEIGHTS/	4	

Beechcraft
STARSHIP 1
ILLUSTRATED PARTS CATALOG



2000-41-02

FIGURE 60-00.ELEVON INSTALLATION
/SHEET 2 OF 2 SHEETS/

Beechcraft
STARSHIP 1
ILLUSTRATED PARTS CATALOG

SUB-SEC UNIT & ITEM NO	PART NO.	DESCRIPTION 1 2 3 4 5 6 7	UNITS	USABLE
			PER ASSY	ON CODE
60-00 -16	122-130047-3	.. COVER ASSY, LH TAB ACTUATOR	1	
	122-130047-4	.. COVER ASSY, RH TAB ACTUATOR	1	
-17	MS27039C0807	.. SCREW	12	
	MS21048L08	.. NUTPLATE	12	
-18	122-130054-9	.. BRACKET ASSY, LH ELEVON TAB ACTUATOR	1	
	122-130054-10	.. BRACKET ASSY, RH ELEVON TAB ACTUATOR	1	
-19	122-130054-13	.. REINFORCEMENT, LH INBD & RH OUTBD	1	
-20	122-130054-14	.. REINFORCEMENT, LH OUTBD & RH INBD	1	
-21	122-130054-11	.. BRACKET, LH ELEVON TAB ACTUATOR	1	
-22	122-130054-12	.. BRACKET, RH ELEVON TAB ACTUATOR	1	
-23	122-130054-16	.. CLIP, LH INBD & RH OUTBD	1	
-24	122-130054-15	.. CLIP, LH OUTBD & RH INBD	1	
-25	122-130048-1	.. BRACKET, INBD HINGE	1	
-26	MS25083-3PA2	.. JUMPER, BONDING	1	
-27	MS21043-08	.. NUT	1	
-28	MS35338-42	.. WASHER	1	
-29	AN960C8	.. WASHER	1	
-30	MS24694C2	.. SCREW	1	
-31	MS25083-2AB2	.. JUMPER, BONDING	1	
-32	122-130044-93	.. PIN, ELEVON TAB HINGE	1	
-33	122-130044-91	.. HINGE HALF, LH ELEVON TAB	1	
-34	122-130044-92	.. HINGE HALF, RH ELEVON TAB	1	
-35	122-130044-89	.. HINGE HALF, LH ELEVON TAB	1	
-36	122-130044-90	.. HINGE HALF, RH ELEVON TAB	1	
-37	122-630044-97	.. WASHER/UNDER HINGE ATTACHING RIVET BUTT/	29	
	S43	.. GROMMET, DRAIN HOLE COVER	5	
-38	122-130044-105	.. TAB ASSY, LH	1	
-39	122-130044-106	.. TAB ASSY, RH	1	
-40	122-130044-115	.. BRACKET, LH INBD & RH OUTBD	1	
-41	122-130044-116	.. BRACKET, LH OUTBD & RH INBD	1	
-42	122-130044-117	.. BRACKET, CENTER	1	
-43	122-130044-77	.. STIFFENER	1	

CODES OF EFFECTIVITY

1	NC-4 THRU NC-18	2	NC-19 THRU NC-20
3	NC-21 THRU NC-26	4	NC-27 AND AFTER

Beechcraft
STARSHIP 1
ILLUSTRATED PARTS CATALOG

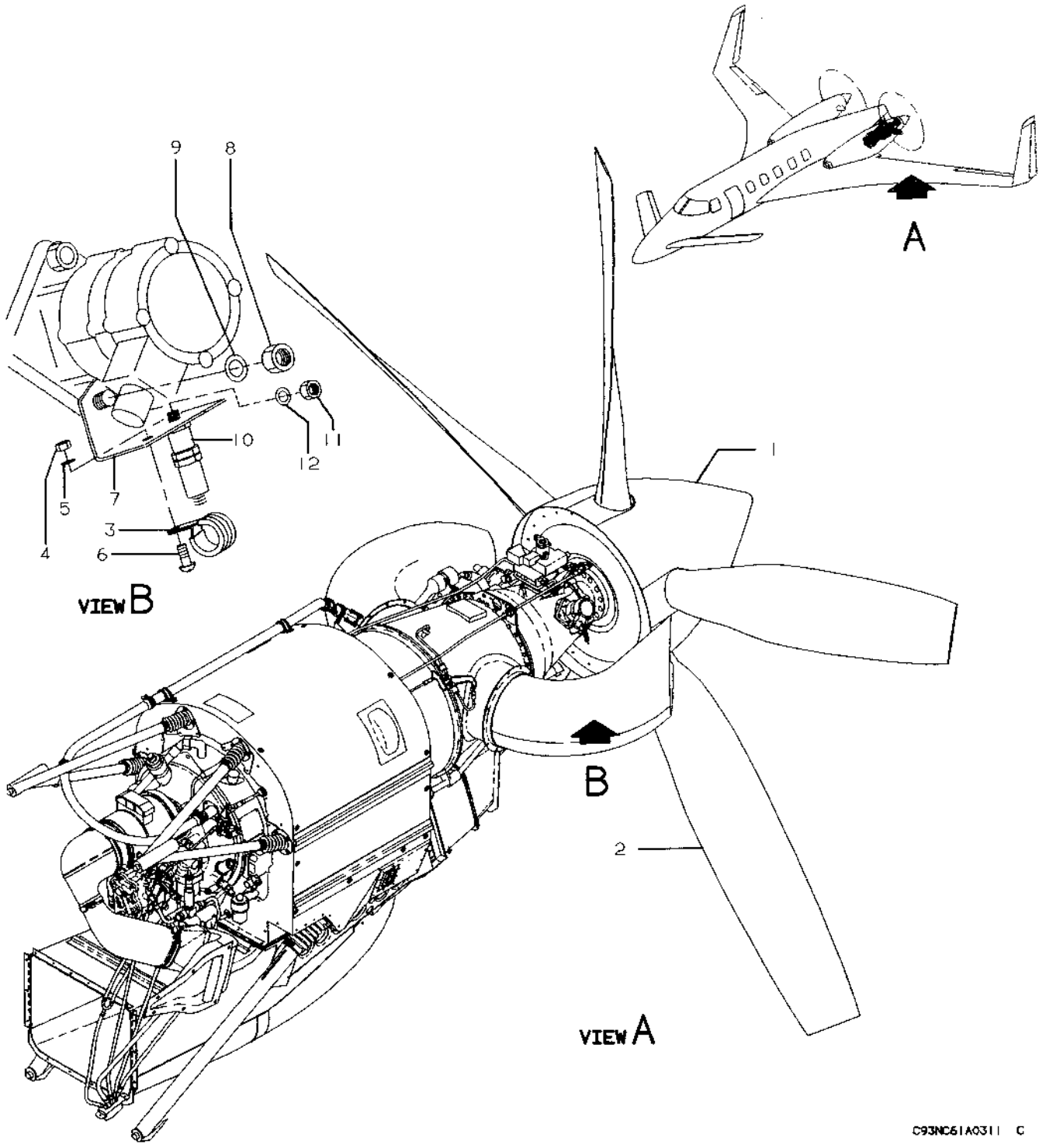
LIST OF PAGES & TABLE OF CONTENTS
FOR
CHAPTER 61-00-00 PROPELLERS

CHAP/SUB- SECT & UNIT	PAGE NO.	EFFECTIVE DATE	TABLE OF CONTENTS
61-00-00	1	06/30/95	LIST OF PAGES & TABLE OF CONTENTS
61-10-00	1	02/25/94	PROPELLER.....
61-10-00	2	02/25/94	
61-10-00	3	06/30/95	
61-20-00	1	02/25/94	PROPELLER SYNCHROPHASER
61-20-00	2	02/25/94	
61-20-00	3	02/25/94	
61-20-10	1	02/25/94	PROPELLER AUTOFEATHER
61-20-10	2	02/25/94	
61-20-10	3	06/30/95	
61-20-20	1	02/25/94	GROUND IDLE STOP SOLENOID
61-20-20	2	02/25/94	
61-20-20	3	02/25/94	
61-20-20	4	02/25/94	
61-20-20	5	06/30/95	

Beechcraft
STARSHIP 1
ILLUSTRATED PARTS CATALOG

61-10-00
PROPELLER

Beechcraft
STARSHIP 1
ILLUSTRATED PARTS CATALOG



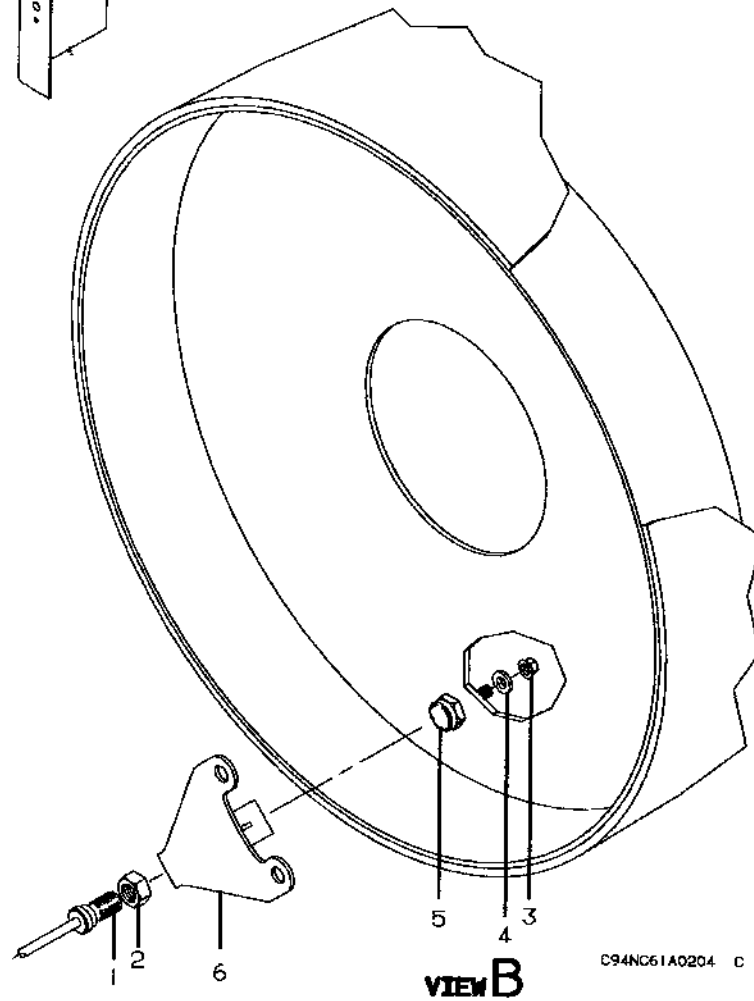
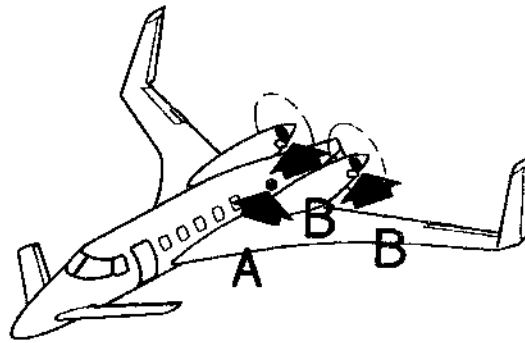
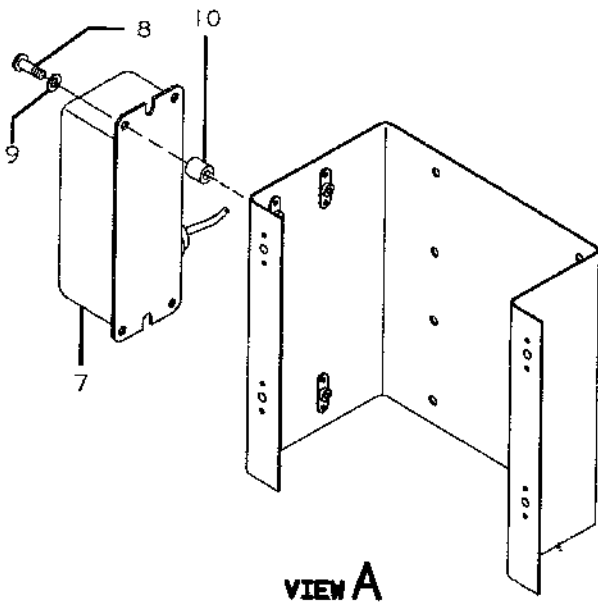
C93NC61A0311 C

FIGURE 10-00.PROPELLER

Beechcraft
STARSHIP 1
ILLUSTRATED PARTS CATALOG

61-20-00
PROPELLER SYNCHROPHASER

Beechcraft
STARSHIP 1
ILLUSTRATED PARTS CATALOG



C94NC61A0204 D

FIGURE 20-00. PROPELLER SYNCHROPHASER

Beechcraft
STARSHIP 1
ILLUSTRATED PARTS CATALOG

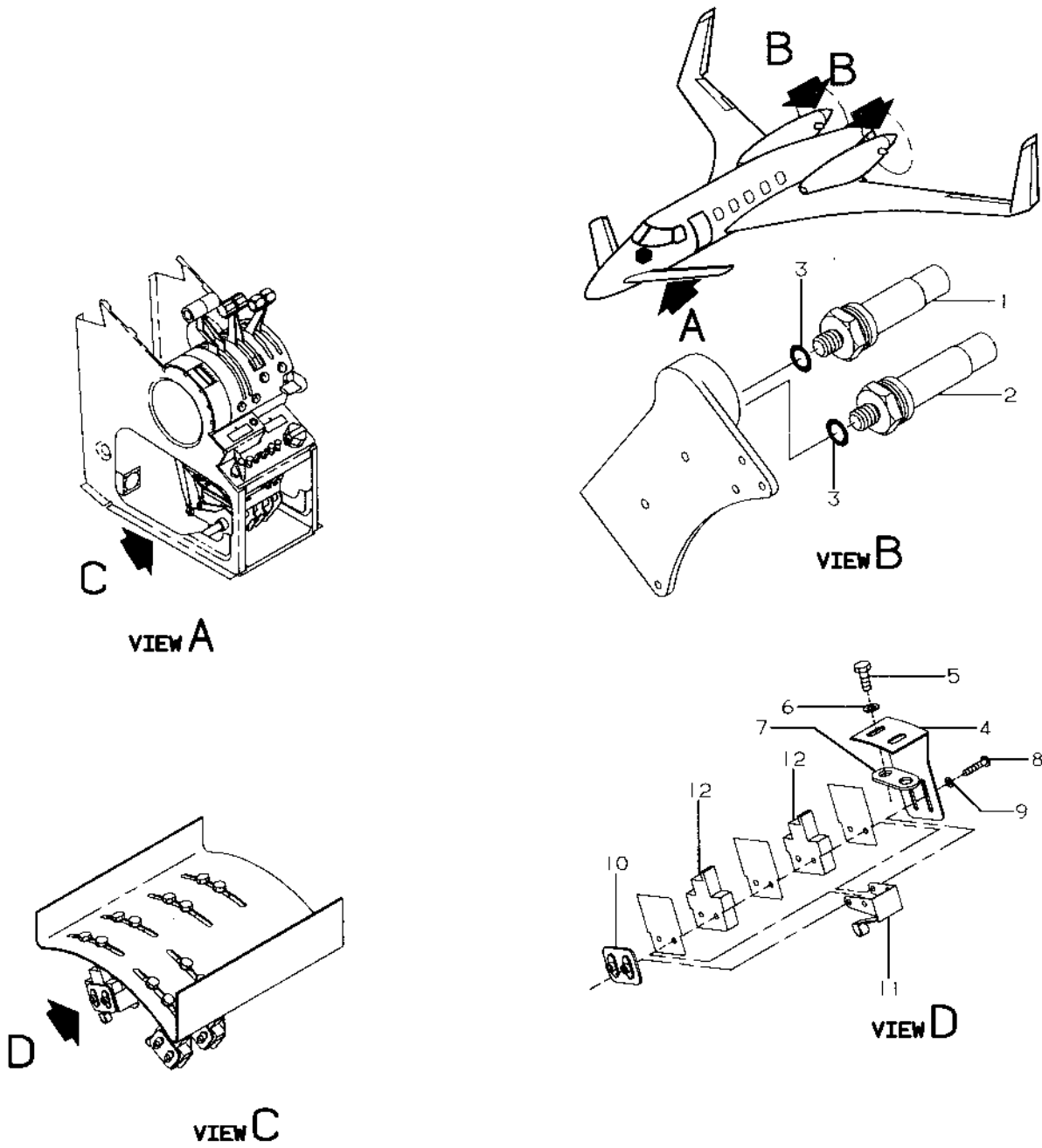
SUB-SEC UNIT & ITEM NO	PART NO.	DESCRIPTION 1 2 3 4 5 6 7	UNITS	USABLE
			PER ASSY	ON CODE
20-00	122-960010-17	SYNCHROPHASER INSTL, PROPELLER	NP	
- 1	213181	. PICKUP, MAGNETIC	2	
- 2	1133-877	. NUT, LOCK.....	2	
- 3	MS21043-06	. NUT	1	
- 4	AN960C6L	. WASHER	1	
- 5	3360-078	. TARGET, MAGNETIC	1	
- 6	122-960010-33	. BRACKET ASSY, PICKUP SUPPORT	2	
- 7	A213796	. CONTROL BOX, SYNCHROPHASER	1	
		/ATTACHING PARTS/		
- 8	MS35207-265	. SCREW.....	4	
- 9	AN960-10L	. WASHER	4	
- 10	NAS43HT3-16	. SPACER.....	4	

★
NOTE THE PROP-SYNC SWITCH AND CIRCUIT BREAKER
 ARE LISTED IN CHAPTER 39.

Beechcraft
STARSHIP 1
ILLUSTRATED PARTS CATALOG

61-20-10
PROPELLER AUTOFEATHER

Beechcraft
STARSHIP 1
ILLUSTRATED PARTS CATALOG



C9200450

FIGURE 20-10. PROPELLER AUTOFEATHER

Beechcraft
STARSHIP 1
ILLUSTRATED PARTS CATALOG

SUB-SEC UNIT & ITEM NO	PART NO.	DESCRIPTION 1 2 3 4 5 6 7	UNITS	USABLE
			PER ASSY	ON CODE
20-10	122-910064-1	POWER PLANT INSTL, LH.....	NP	1
	122-910064-15	POWER PLANT INSTL, LH.....	NP	2
	122-910064-3	POWER PLANT INSTL, RH.....	NP	1
	122-910064-17	POWER PLANT INSTL, RH.....	NP	2
- 1	50-389121-29	. SWITCH, AUTOFEATHER LOW PRESSURE.....	1	
- 2	50-389121-31	. SWITCH, AUTOFEATHER HI PRESSURE.....	1	
- 3	MS29561-012	. PACKING, PREFORMED.....	2	
	122-522035-5	QUADRANT INSTL, PEDESTAL.....	NP	
- 4	R 122-522028-19	. HANGER.....	2	
		/ATTACHING PARTS/		
- 5	NAS1096-1-6	. SCREW.....	4	
- 6	AN960-6L	. WASHER.....	4	
		-----★-----		
- 7	R 122-522063-5	. CLIP ASSY.....	2	
- 8	R MS35206-208	. SCREW.....	4	
- 9	AN960PD2L	. WASHER.....	4	
- 10	122-522063-1	. PLATE ASSY.....	2	
- 11	R JS5	. ACTUATOR, SWITCH/SEE CHAPTER 76/.....	2	
- 12	11MS3S	. SWITCH, AUTOFEATHER CONTROL/SEE CHAPTER 76/.....	4	
	AT10832	. INSULATOR.....	8	

NOTE THE AUTOFEATHER AND CIRCUIT BREAKER
SWITCH ARE LISTED IN CHAPTER 39.

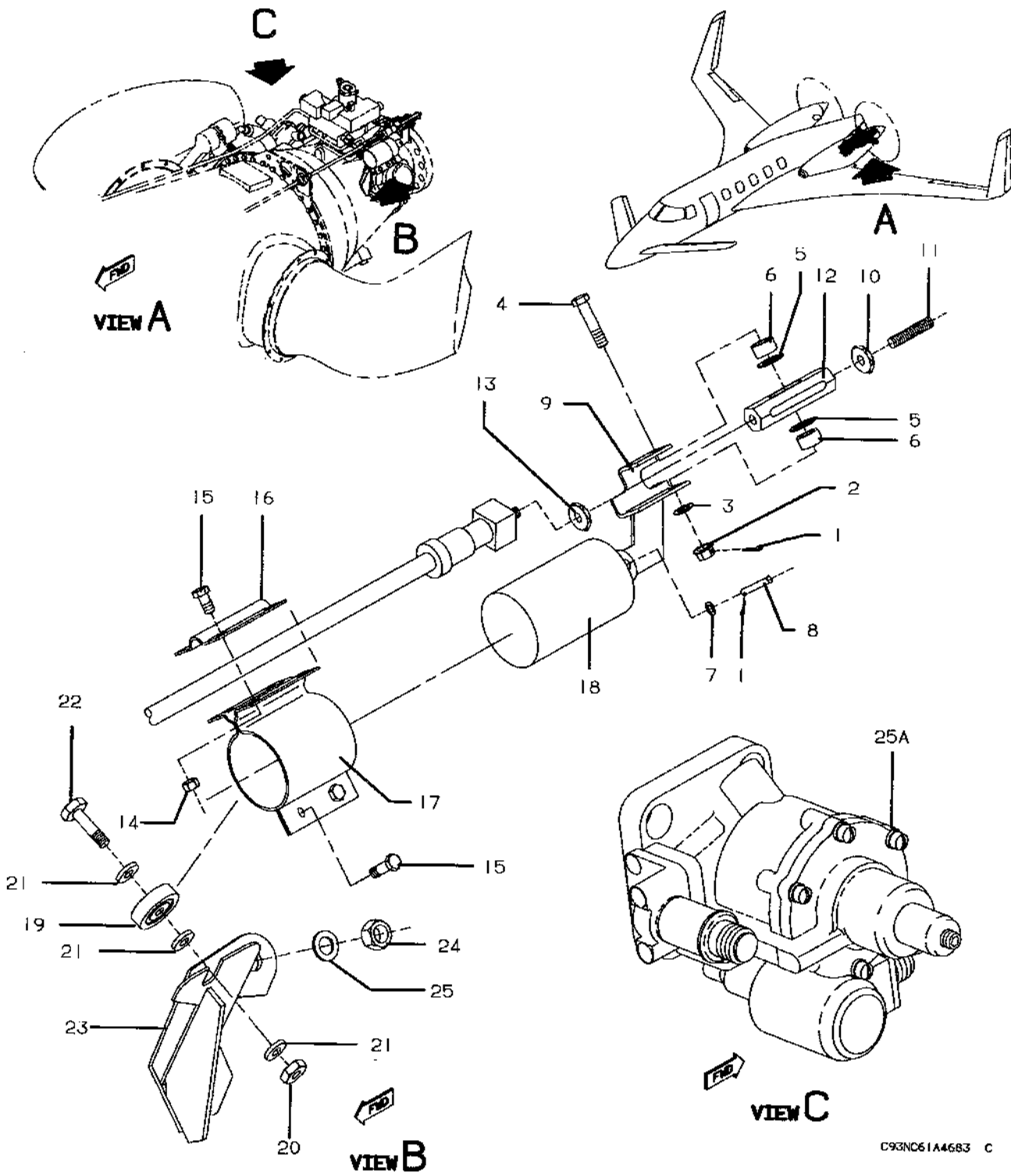
CODES OF EFFECTIVITY

1 NC-4 THRU NC-28 2 NC-29 AND AFTER

Beechcraft
STARSHIP 1
ILLUSTRATED PARTS CATALOG

61-20-20
GROUND IDLE STOP SOLENOID

Beechcraft
 STARSHIP 1
 ILLUSTRATED PARTS CATALOG



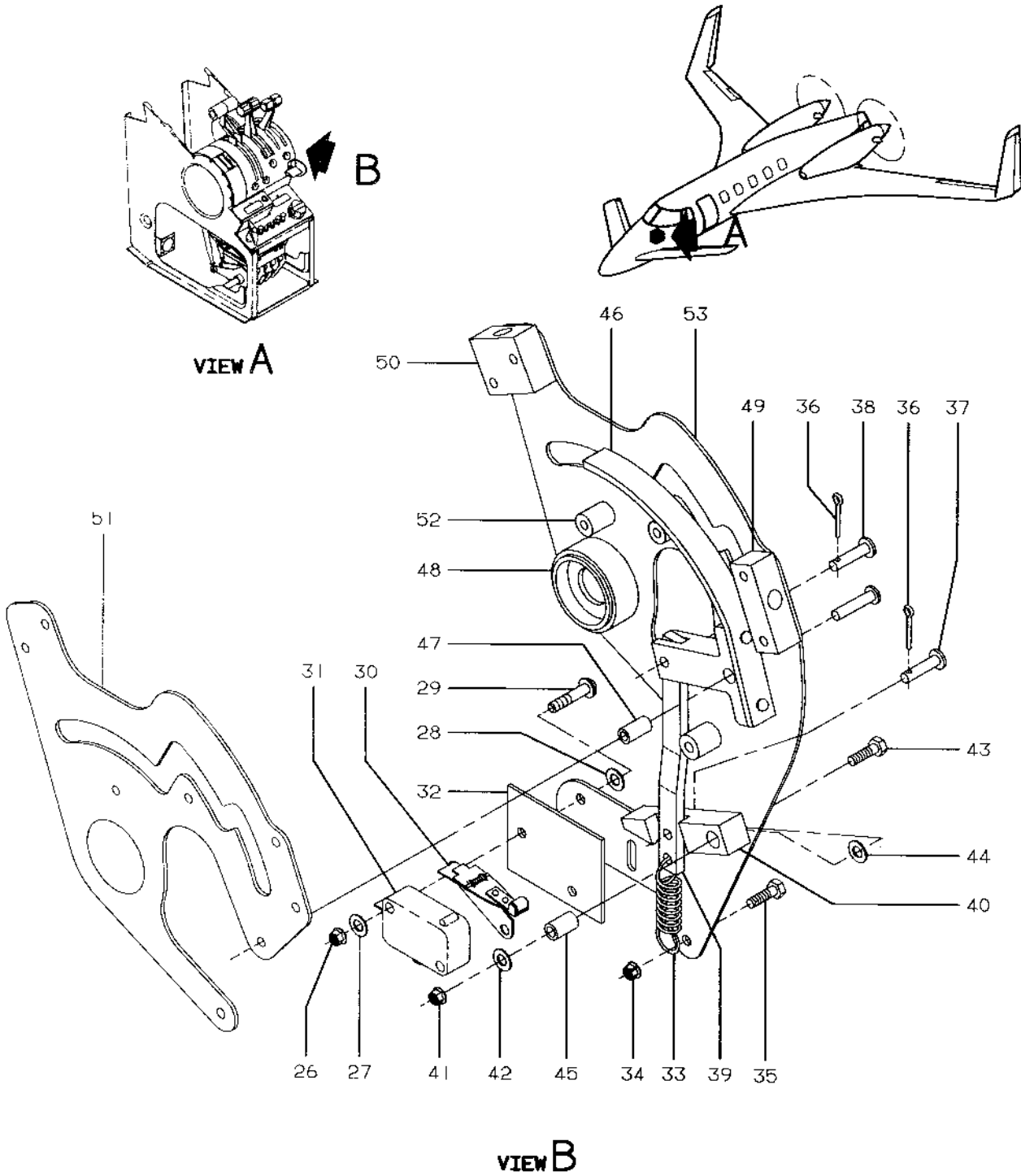
C93NC61A4683 C

FIGURE 20-20.GROUND IDLE STOP SOLENOID
 /SHEET 1 OF 2 SHEETS/

Beechcraft
STARSHIP 1
ILLUSTRATED PARTS CATALOG

SUB-SEC UNIT & ITEM NO	PART NO.	DESCRIPTION 1 2 3 4 5 6 7	UNITS	USABLE
			PER ASSY	ON CODE
20-20	101-960027-5	SOLENOID INSTL, GROUND IDLE STOP.....	NP	
- 1	MS24865-132	. PIN, COTTER	2	
- 2	130909N6	. NUT	1	
- 3	AN960-10	. WASHER	1	
- 4	130909B22	. BOLT	1	
- 5	AN960C10L	. WASHER	2	
- 6	NAS43HT3-8	. SPACER	2	
- 7	AN960-4L	. WASHER	1	
- 8	MS20392-1C21	. PIN, CLEVIS	1	
- 9	109-960028-7	. BRACKET ASSY	1	
-10	NAS509-3	. NUT, JAM	1	
-11	AN565AC1032H20	. SCREW, SET	1	
-12	109-960028-13	. CLEVIS	1	
-13	NAS509-4	. NUT, JAM	1	
-14	MS21043-3	. NUT	6	
-15	NAS1096-3-6	. SCREW	6	
-16	109-960028-11	. BRACKET	1	
-17	109-960028-7	. BRACKET ASSY	1	
-18	186641-001	. SOLENOID, GROUND IDLE STOP	1	
-19	MS27641-4	. BEARING	1	
		/ATTACHING PARTS/		
-20	MS21043-4	. NUT	1	
-21	AN960C416L	. WASHER	3	
-22	AN4C6A	. BOLT	1	
		-----*		
-23	109-960028-21	. BRACKET ASSY	1	
		/ATTACHING PARTS/		
-24	MS21043-4	. NUT	2	
-25	AN960C416L	. WASHER	2	
		-----*		
-25A	122-389037-3	GOVERNOR ASSY, OVERSPEED, PROPELLER	1	
	3010818	GASKET	1	
	AN960C516	WASHER	4	

Beechcraft
 STARSHIP 1
 ILLUSTRATED PARTS CATALOG



C9200451

FIGURE 20-20.GROUND IDLE STOP SOLENOID
 /SHEET 2 OF 2 SHEETS/

Beechcraft
STARSHIP 1
ILLUSTRATED PARTS CATALOG

SUB-SEC UNIT & ITEM NO	PART NO.	DESCRIPTION 1 2 3 4 5 6 7	UNITS PER ASSY	USABLE ON CODE
20-20	122-522083-5	DETENT ASSY, THROTTLE CONTROL	1	
- 26	MS21042L04	. NUT	2	
- 27	AN936A4	. WASHER	2	
- 28	AN960-4L	. WASHER	2	
- 29	MS35206-219	. SCREW	2	
- 30	JV20	. ACTUATOR, SWITCH	1	
- 31	V3-101D8	. SWITCH, GROUND IDLE STOP ACTUATING	1	
- 32	50-364254-7	. INSULATOR	1	
- 33	100942H0016-16	. SPRING	1	
- 34	130909N49	. NUT	1	
- 35	130909B11	. BOLT	1	
- 36	MS24665-132	. PIN, COTTER	2	
- 37	MS20392-1C9	. PIN	1	
- 38	MS20392-1C11	. PIN	1	
- 39	122-522083-13	. LINK	1	
- 40	50-524585	. LEVER ARM	1	
		/ATTACHING PARTS/		
- 41	130909N49	. NUT	1	
- 42	AN960-10L	. WASHER	1	
- 43	R 130909B18	. BOLT	1	
- 44	R AN960-10	. WASHER	2	
- 45	R 105739X-ZM0390	. BUSHING	1	
		-----★-----		
	122-522083-7	. DETENT ASSY, THROTTLE CONTROL	1	
- 46	50-524583	. LEVER ASSY	1	
- 47	50-524569-15	. SPACER	1	
- 48	99-524089-7	. BUSHING	1	
- 49	99-524168-1	. SUPPORT	1	
- 50	99-524168-3	. SUPPORT	1	
- 51	122-522083-11	. DETENT	1	
- 52	R NAS42HT4-24	. SPACER	4	
- 53	122-522083-9	. DETENT	1	

Beechcraft
STARSHIP 1
ILLUSTRATED PARTS CATALOG

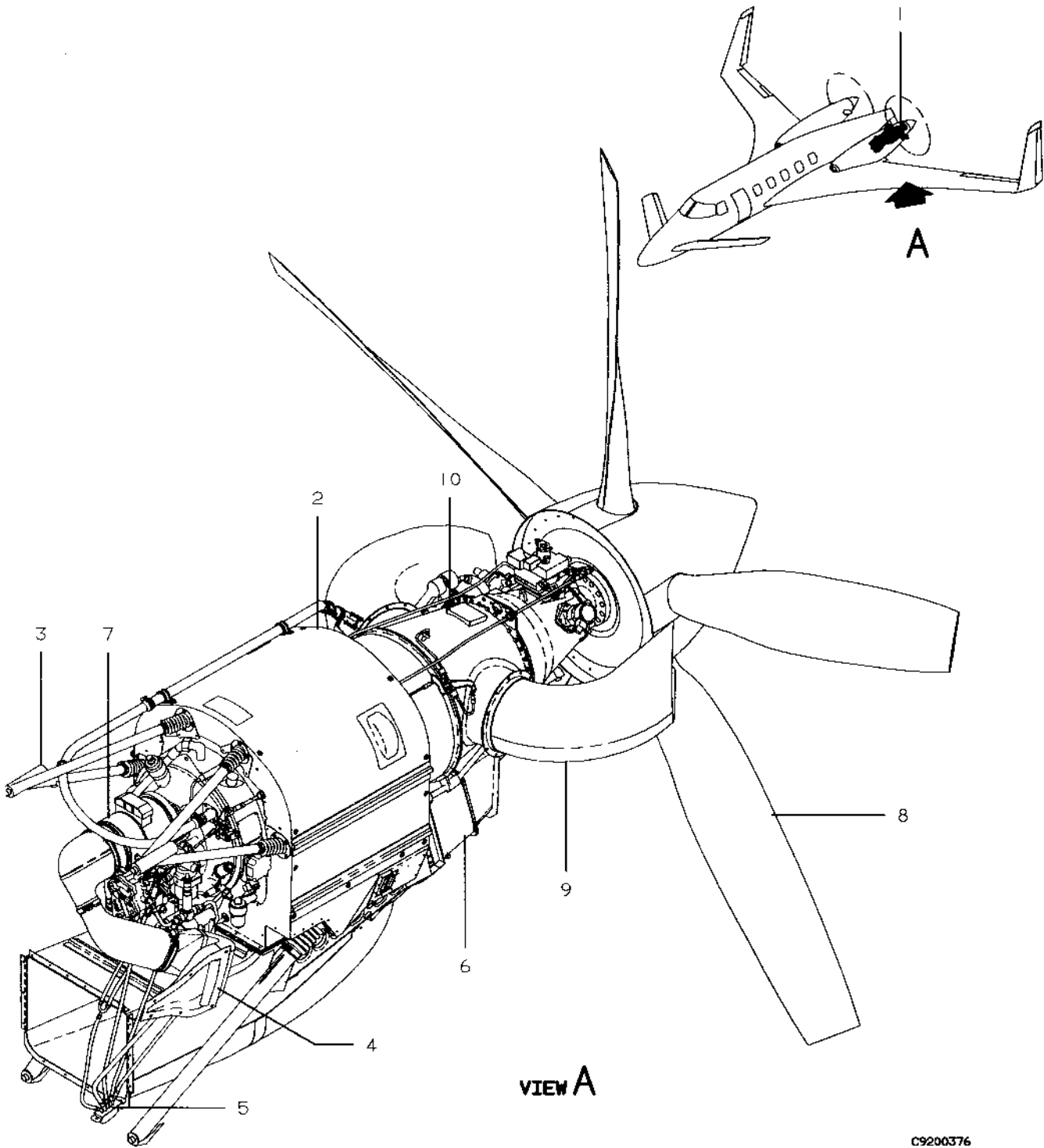
LIST OF PAGES & TABLE OF CONTENTS
FOR
CHAPTER 71-00-00 POWER PLANT

CHAP/SUB- SECT & UNIT	PAGE NO.	EFFECTIVE DATE	TABLE OF CONTENTS
71-00-00	1	06/30/95	LIST OF PAGES & TABLE OF CONTENTS
71-00-10	1	02/25/94	POWER PLANT
71-00-10	2	02/25/94	
71-00-10	3	06/30/95	
71-20-00	1	02/25/94	ENGINE MOUNT
71-20-00	2	02/25/94	
71-20-00	3	11/04/94	
71-60-00	1	02/25/94	ENGINE AIR PLENUM AND INLET DUCT
71-60-00	2	02/25/94	
71-60-00	3	02/25/94	
71-60-00	4	02/25/94	
71-60-00	5	02/25/94	
71-60-00	6	06/30/95	
71-60-00	7	06/30/95	
71-60-00	8	02/25/94	
71-60-00	9	06/30/95	
71-70-00	1	02/25/94	ENGINE DRAINS
71-70-00	2	02/25/94	
71-70-00	3	02/25/94	
71-70-00	4	02/25/94	
71-70-00	5	02/25/94	

Beechcraft
STARSHIP 1
ILLUSTRATED PARTS CATALOG

71-00-10
POWER PLANT

Beechcraft
STARSHIP 1
ILLUSTRATED PARTS CATALOG



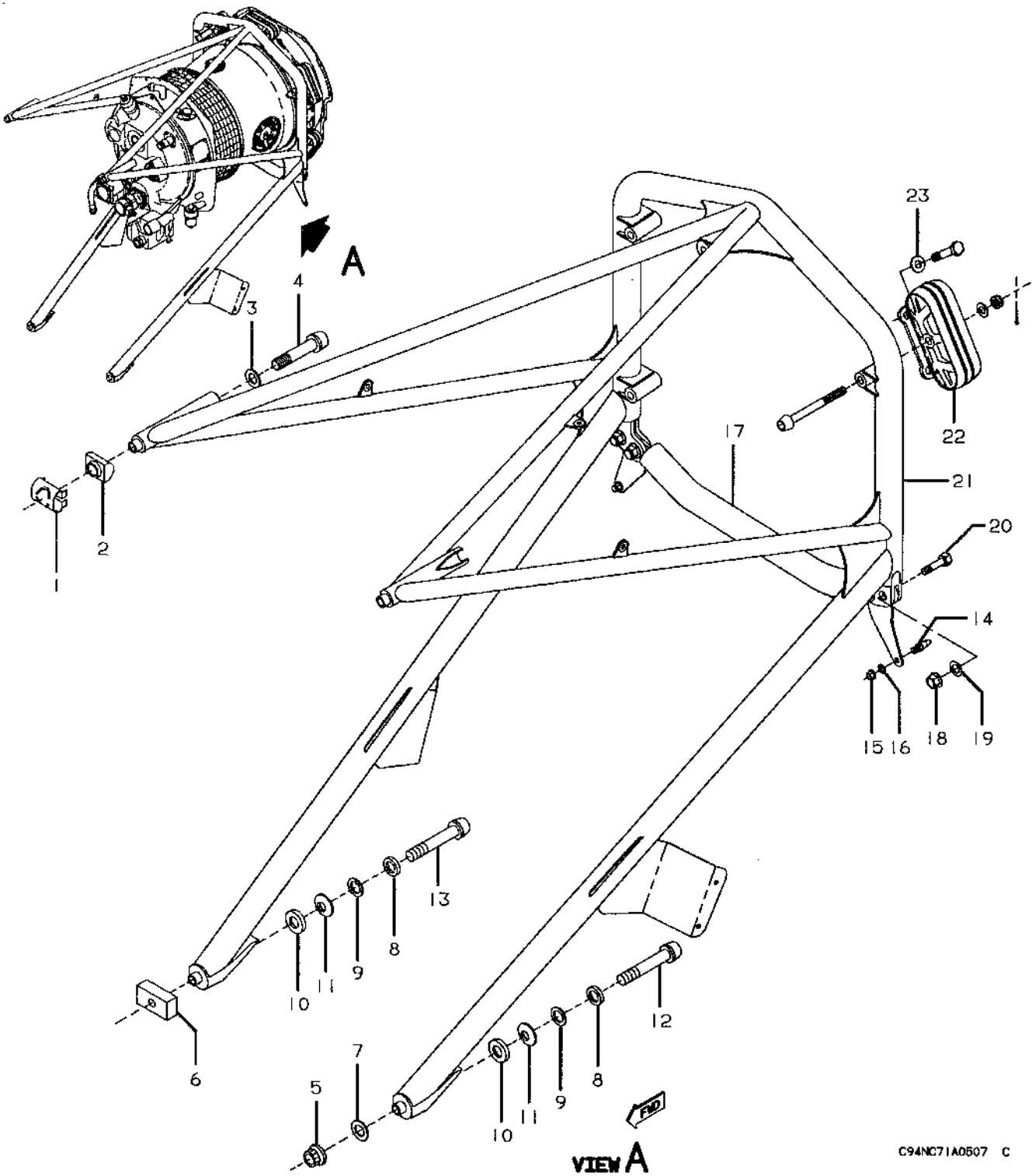
C9200376

FIGURE 00-10.POWER PLANT

Beechcraft
STARSHIP 1
ILLUSTRATED PARTS CATALOG

71-20-00
ENGINE MOUNT

Beechcraft
STARSHIP 1
ILLUSTRATED PARTS CATALOG



C94NC71A0507 C

FIGURE 20-00.ENGINE MOUNT

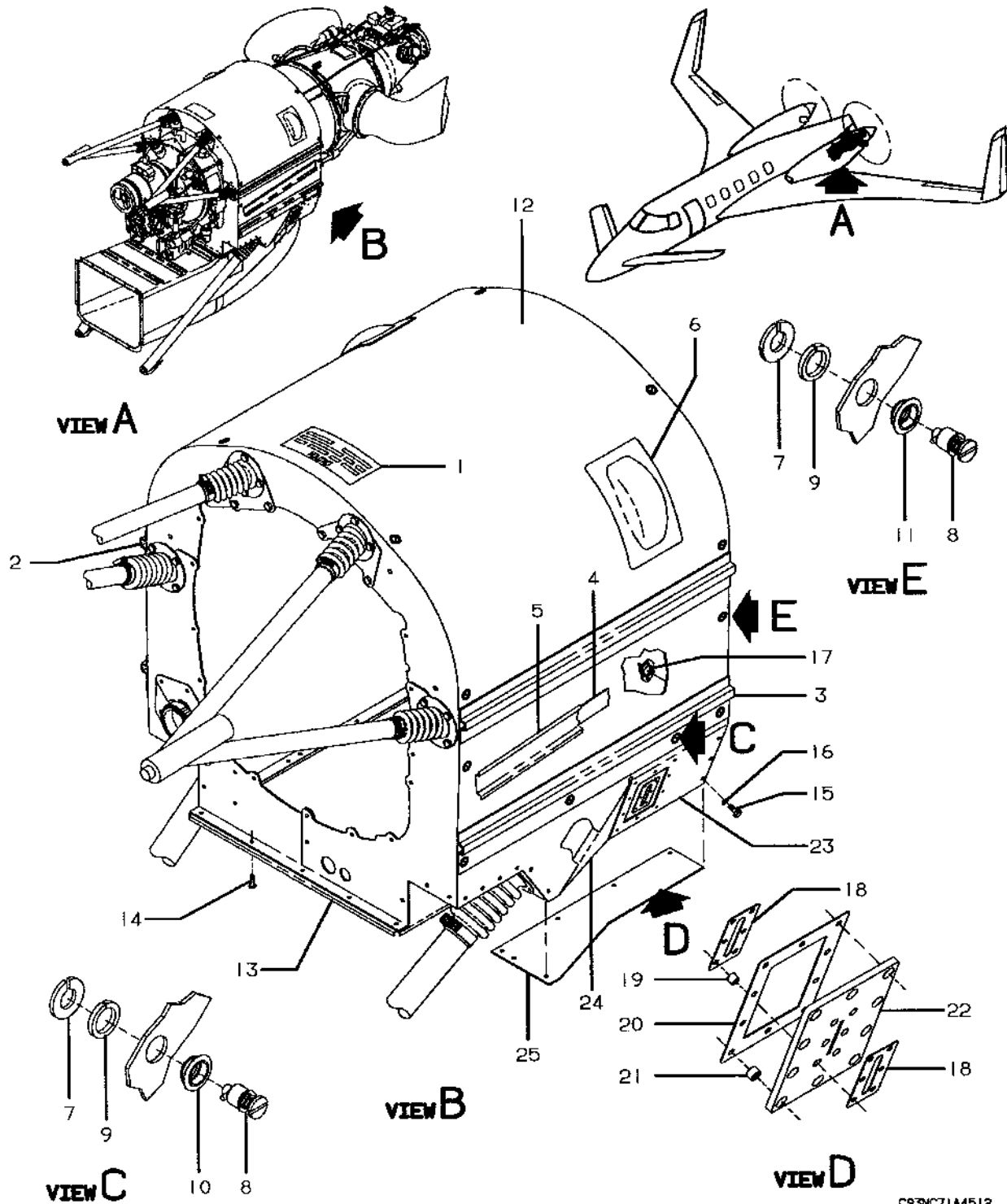
Deechcraft
STARSHIP 1
ILLUSTRATED PARTS CATALOG

SUB-SEC UNIT & ITEM NO	PART NO.	DESCRIPTION 1 2 3 4 5 6 7	UNITS PER ASSY	USABLE ON CODE
20-00	122-910063-49	MOUNT ASSY, ENGINE	2	
		/ATTACHING PARTS/		
- 1	NAS578-7A	RETAINER, BARREL NUT	2	
- 2	NAS577-7A	NUT, BARREL	2	
- 3	MS20002C7	WASHER	2	
- 4	NAS147-31	BOLT	2	
- 5	ZEB1845-070	NUT	1	
- 6	122-910078-1	NUT, BAR	1	
- 7	AN960C716	WASHER	1	
- 8	R MS20002C7	WASHER	AR	
		/IF AN960C716 REQD,QTY MAXIMUM OF 1 UNDER BOLT HEAD/		
- 9	R AN960C716	WASHER/IF REQUIRED,QTY MAXIMUM OF 2/	AR	
-10	122-910032-3	WASHER	2	
-11	122-910032-1	WASHER	2	
-12	R NAS147DH59	BOLT/ALTERNATE FOR MS21250H07046/	2	
	R MS21250H07046	BOLT/ALTERNATE FOR NAS147DH59/	2	
-13	R NAS147DH57	BOLT/ALTERNATE FOR MS21250H07044/	2	
	R MS21250H07044	BOLT/ALTERNATE FOR NAS147DH57/	2	
		★		
-14	122-910039-1	. PIN	2	
		/ATTACHING PARTS/		
-15	MS21043-5	. NUT	1	
-16	AN960-516	. WASHER	1	
		★		
-17	R 122-910063-35	. TUBE ASSY	1	
		/ATTACHING PARTS/		
-18	130909N25	. NUT	4	
-19	AN960-616	. WASHER	4	
-20	AN6-14A	. BOLT	4	
		★		
-21	R 122-910063-51	. WELD ASSY	1	
-22	114-389031-17	ISOLATOR ASSY, ENGINE	10	
		/ALTERNATE FOR 114-389031-19/		
	114-389031-19	ISOLATOR ASSY, ENGINE	10	
		/ALTERNATE FOR 114-389031-17/		
		NOTE ALL ISOLATOR ASSEMBLIES ON ONE ENGINE MUST HAVE THE SAME DASH NUMBER		
	114-389031-7	. PAD,ISOLATOR/USED ONLY WITH 114-389031-17/	2	
	114-389031-21	. PAD,ISOLATOR/USED ONLY WITH 114-389031-19/	2	
		/ALTERNATE FOR 114-389031-23/		
	114-389031-23	. PAD ISOLATOR/USED ONLY WITH 114-389031-19/	2	
		/ALTERNATE FOR 114-389031-21/		
		NOTE MOUNTING BOLTS ARE COMPONENT PARTS OF ENGINE ISOLATOR ASSY.		
-23	AN960-616	WASHER	20	

Beechcraft
STARSHIP 1
ILLUSTRATED PARTS CATALOG

71-60-00
ENGINE AIR PLENUM AND INLET DUCT

Beechcraft
STARSHIP 1
ILLUSTRATED PARTS CATALOG



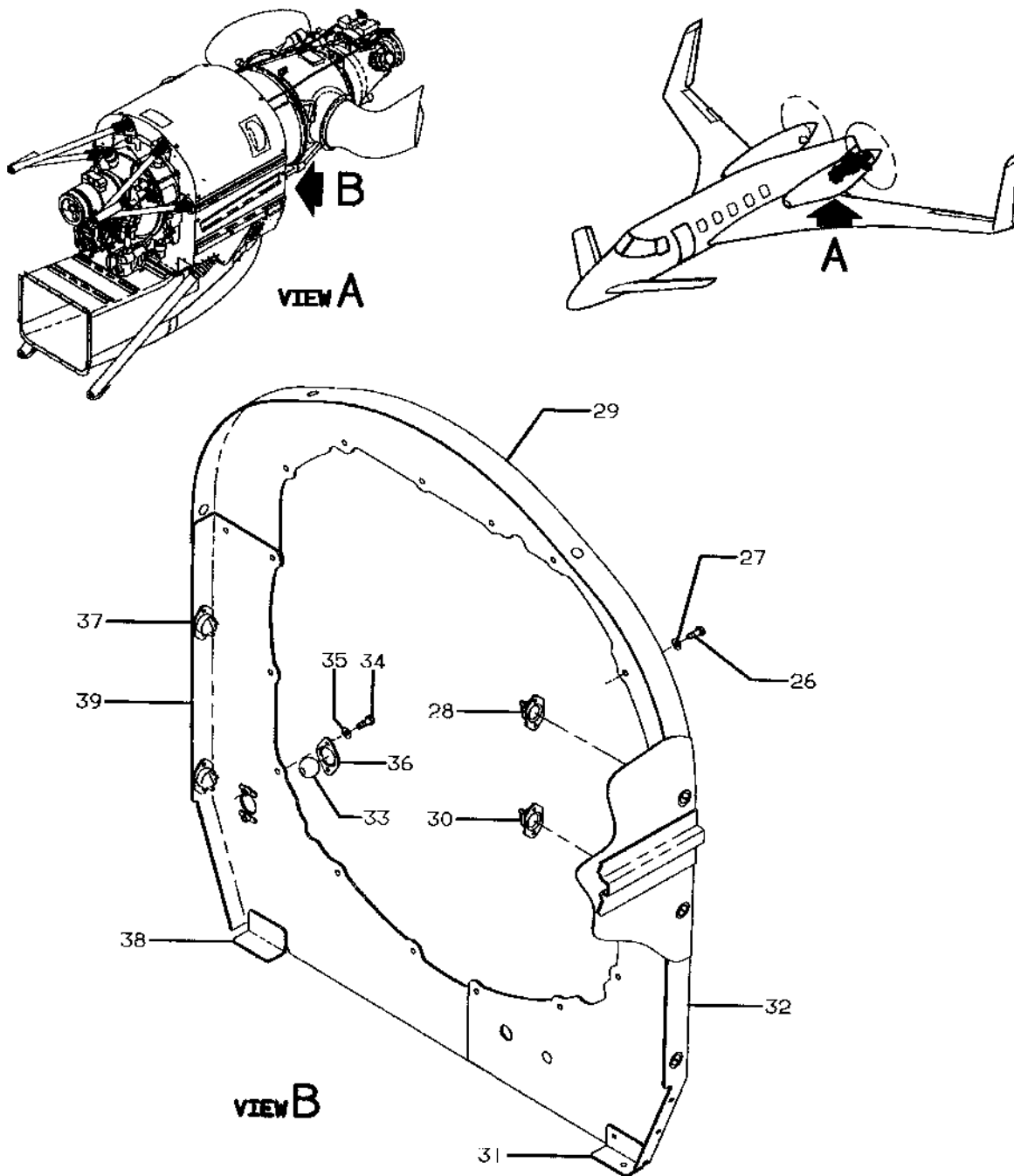
C93NC71A4512 C

FIGURE 60-00. ENGINE AIR PLENUM AND INLET DUCT
/SHEET 1 OF 4 SHEETS/

Beechcraft
STARSHIP 1
ILLUSTRATED PARTS CATALOG

SUB-SEC UNIT & ITEM NO	PART NO.	DESCRIPTION 1 2 3 4 5 6 7	UNITS	USABLE
			PER ASSY	ON CODE
60-00	122-910079-1	PLENUM INSTL, ENGINE AIR.....	NP	
	122-910079-93	. COVER ASSY.....	1	
- 1	50-910398	. PLATE, ENGINE COMPARTMENT INSTRUCTION.....	1	
- 2	122-910079-41	. CHANNEL.....	2	
- 3	122-910079-39	. CHANNEL, LH.....	1	
	122-910079-40	. CHANNEL, RH.....	1	
- 4	122-910079-97	. RUB STRIP.....	2	
- 5	122-910079-95	. CHANNEL.....	2	
- 6	122-910079-25	. CUP.....	2	
- 7	4002SW	. RING, STUD RETAINING.....	22	
- 8	4002-4	. STUD.....	22	
- 9	R4G	. RING, GROMMET RETAINING.....	22	
- 10	4002N	. GROMMET.....	8	
- 11	4002N2	. GROMMET.....	14	
	MS21059L3K	. NUTPLATE.....	2	
- 12	122-910079-83	. COVER.....	1	
- 13	122-910079-23	. FLANGE.....	1	
		/ATTACHING PARTS/		
- 14	MS24693S271	. SCREW.....	24	
		---★---		
	122-910079-71	. PANEL ASSY, LH LOWER SIDE.....	1	
	122-910079-72	. PANEL ASSY, RH LOWER SIDE.....	1	
		/ATTACHING PARTS/		
- 15	130909B12	. BOLT.....	9	
- 16	AN960PD10L	. WASHER.....	9	
		---★---		
- 17	244-16SD	. RECEPTACLE/ALTERNATE FOR 244-16D/.....	2	
	244-16D	. RECEPTACLE/ALTERNATE FOR 244-16SD/.....	2	
- 18	122-910079-55	. DOUBLER.....	2	
- 19	NAS42DD3-12A	. SPACER/ALTERNATE FOR NAS42DD3-12/.....	6	
	NAS42DD3-12	. SPACER/ALTERNATE FOR NAS42DD3-12A/.....	6	
- 20	122-910079-53	. DOUBLER.....	1	
- 21	NAS42DD4-12A	. SPACER/ALTERNATE FOR NAS42DD4-12/.....	10	
	NAS42DD4-12	. SPACER/ALTERNATE FOR NAS42DD4-12A/.....	10	
- 22	122-910079-51	. SEAL.....	1	
- 23	122-910079-69	. PANEL, LH.....	1	
	122-910079-70	. PANEL, RH.....	1	
- 24	122-910079-65	. PANEL, LH.....	1	
	122-910079-66	. PANEL, RH.....	1	
	MS21049L3K	. NUTPLATE, 2 LUG COUNTERSUNK.....	2	
	MS21053L3K	. NUTPLATE, 1 LUG COUNTERSUNK.....	2	
- 25	122-910079-79	. PANEL, LH.....	1	
	122-910079-80	. PANEL, RH.....	1	

Beechcraft
STARSHIP 1
ILLUSTRATED PARTS CATALOG



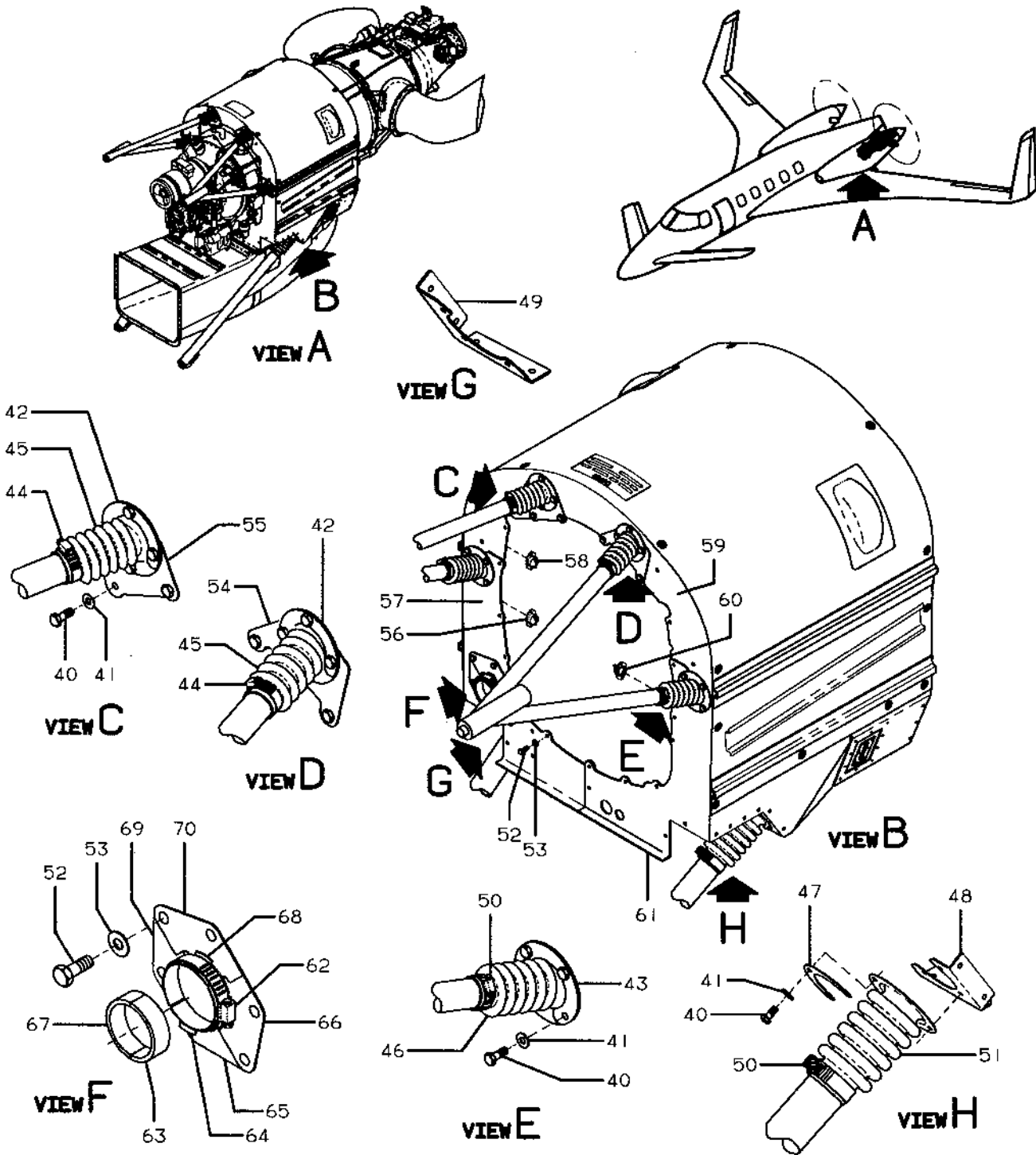
C93NC71A4513 C

FIGURE 60-00. ENGINE AIR PLENUM AND INLET DUCT
/SHEET 2 OF 4 SHEETS/

Beechcraft
STARSHIP 1
ILLUSTRATED PARTS CATALOG

SUB-SEC UNIT & ITEM NO	PART NO.	DESCRIPTION 1 2 3 4 5 6 7	UNITS	USABLE
			PER ASSY	ON CODE
60-00 -26	130909B12	. BOLT	19	
-27	AN960PD10L	. WASHER	19	
	122-910079-27	. SECTION ASSY, BULKHEAD	1	
	MS21059L3K	.. NUTPLATE	6	
	MS21062L3K	.. NUTPLATE	4	
-28	244-16SD	.. RECEPTACLE/ALTERNATE FOR 244-16D/	5	
	244-16D	.. RECEPTACLE/ALTERNATE FOR 244-16SD/	5	
-29	122-910079-29	.. SECTION, BULKHEAD	1	
	122-910079-31	.. SECTION ASSY, BULKHEAD	1	
	MS21049L3K	.. NUTPLATE	1	
	MS21053L3K	.. NUTPLATE	2	
	MS21059L3K	.. NUTPLATE	5	
	MS21062L3K	.. NUTPLATE	1	
-30	244-16SD	.. RECEPTACLE/ALTERNATE FOR 244-16D/	2	
	244-16D	.. RECEPTACLE/ALTERNATE FOR 244-16SD/	2	
-31	122-910079-62	.. ANGLE ASSY	1	
	MS21062L3K	.. NUTPLATE	1	
-32	122-910079-33	.. SECTION, BULKHEAD	1	
-33	122-910079-69	. COVER	1	
		/ATTACHING PARTS/		
-34	130909B14	. BOLT	2	
-35	AN960-10L	. WASHER	4	
		★-----		
-36	122-910079-91	. SEAL	1	
	122-910079-685	. SECTION ASSY, BULKHEAD	1	
	MS21049L3K	.. NUTPLATE	1	
	MS21053L3K	.. NUTPLATE	1	
	MS21059L3K	.. NUTPLATE	7	
	MS21062L3K	.. NUTPLATE	3	
-37	244-16SD	.. RECEPTACLE/ALTERNATE FOR 244-16D/	2	
	244-16D	.. RECEPTACLE/ALTERNATE FOR 244-16SD/	2	
-38	122-910079-61	.. ANGLE ASSY	1	
	MS21062L3K	.. NUTPLATE	1	
-39	122-910079-87	.. SECTION BULKHEAD /ORDER 122-910079-685/	NP	

Beechcraft
 STARSHIP 1
 ILLUSTRATED PARTS CATALOG



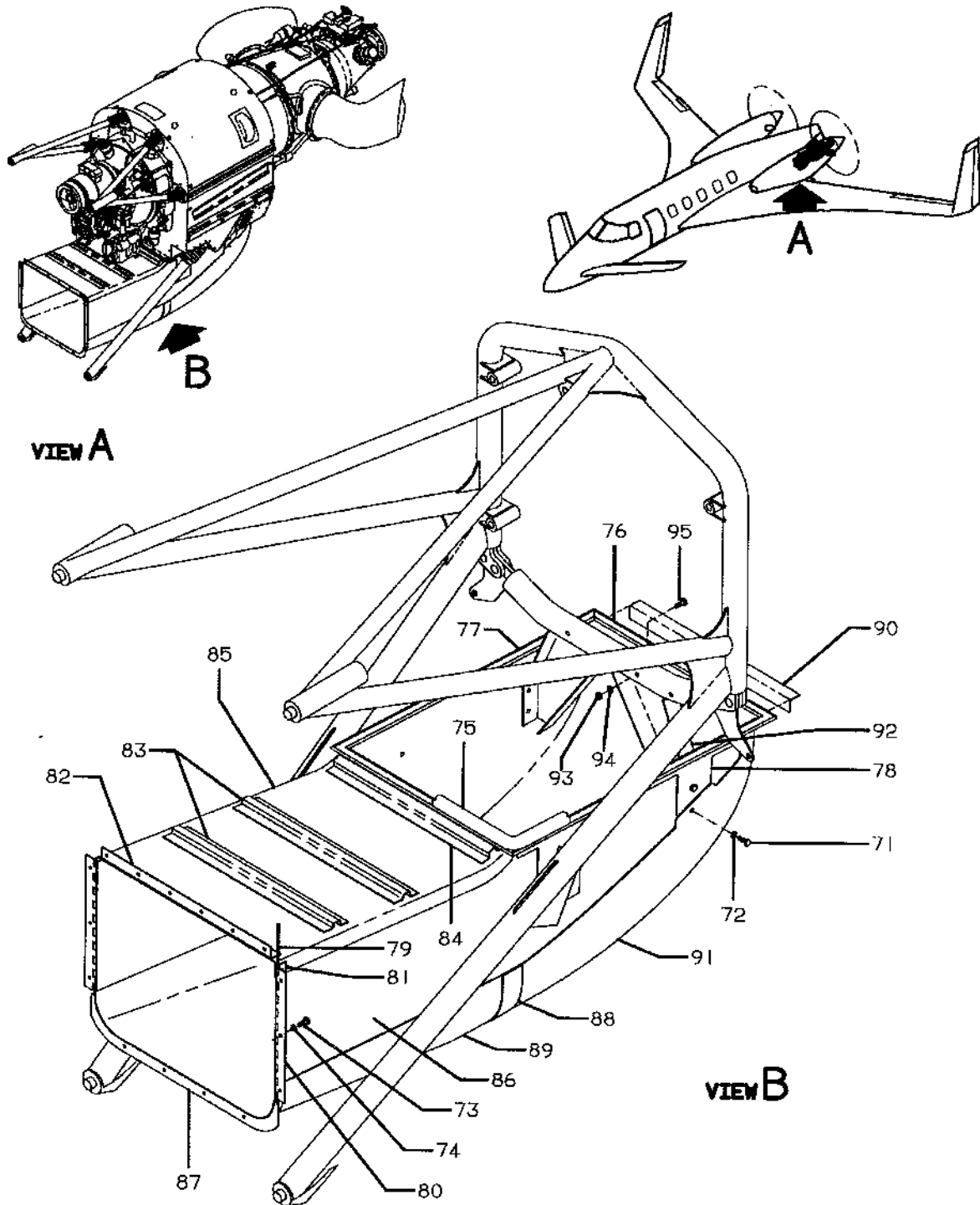
D93NC71A4514 C

FIGURE 60-00.ENGINE AIR PLENUM AND INLET DUCT
 /SHEET 3 OF 4 SHEETS/

Beechcraft
STARSHIP 1
ILLUSTRATED PARTS CATALOG

SUB-SEC UNIT & ITEM NO	PART NO.	DESCRIPTION 1 2 3 4 5 6 7	UNITS	USABLE
			PER ASSY	ON CODE
60-00 - 40	130909B12	. BOLT	24	
- 41	AN960PD10L	. WASHER	24	
- 42	122-910079-57	. RETAINER, BOOT	4	
- 43	122-910079-59	. RETAINER, BOOT	4	
- 44	R 12H	. CLAMP	2	
- 45	122-380008-1	. BOOT	2	
- 46	122-380008-3	. BOOT	2	
- 47	122-910079-67	. RETAINER, BOOT	4	
- 48	122-910079-47	. CLOSEOUT ASSY, LH	1	
- 49	122-910079-48	. CLOSEOUT ASSY, RH	1	
	MS21059L3K	. . NUTPLATE	1	
	MS21062L3K	. . NUTPLATE	4	
- 50	R 28K53	. CLAMP	4	
- 51	122-380008-5	. BOOT	2	
- 52	130909B12	. BOLT	27	
- 53	AN960PD10L	. WASHER	27	
- 54	122-910079-11	. CLOSEOUT ASSY	1	
	MS21059L3K	. . NUTPLATE	1	
	MS21062L3K	. . NUTPLATE	4	
- 55	122-910079-15	. CLOSEOUT ASSY	1	
	MS21059L3K	. . NUTPLATE	1	
	MS21062L3K	. . NUTPLATE	4	
	122-910079-19	. SECTION ASSY, BULKHEAD	1	
	R MS21049L3K	. . NUTPLATE	1	
	R MS21053L3K	. . NUTPLATE	2	
	MS21059L3K	. . NUTPLATE	10	
	R MS21062L3K	. . NUTPLATE	5	
- 56	244-16SD	. . RECEPTACLE/ALTERNATE FOR 244-16D/	2	
	244-16D	. . RECEPTACLE/ALTERNATE FOR 244-16SD/	2	
- 57	122-910079-21	. . SECTION, BULKHEAD	1	
	122-910079-3	. SECTION ASSY, BULKHEAD	1	
	MS21059L3K	. . NUTPLATE	5	
	MS21059L4K	. . NUTPLATE	3	
	MS21062L3K	. . NUTPLATE	1	
- 58	244-16SD	. . RECEPTACLE/ALTERNATE FOR 244-16D/	5	
	244-16D	. . RECEPTACLE/ALTERNATE FOR 244-16SD/	5	
- 59	122-910079-5	. . SECTION, BULKHEAD	1	
	122-910079-7	. SECTION ASSY, BULKHEAD	1	
	MS21049L3K	. . NUTPLATE	1	
	MS21053L3K	. . NUTPLATE	1	
	MS21059L3K	. . NUTPLATE	3	
	MS21062L3K	. . NUTPLATE	8	
- 60	244-16SD	. . RECEPTACLE/ALTERNATE FOR 244-16D/	2	
	244-16D	. . RECEPTACLE/ALTERNATE FOR 244-16SD/	2	
- 61	122-910079-9	. . SECTION, BULKHEAD	1	
- 62	R MS35842-13	. CLAMP	1	
	R 122-910048-1	. PANEL ASSY, CLOSEOUT	1	
- 63	122-910048-13	. SEAL	1	
- 64	122-910048-15	. CLIP	1	
- 65	122-910048-9	. PANEL, LOWER	1	
- 66	122-910048-11	. PANEL, UPPER	1	
	R 122-910048-3	. PANEL ASSY, CLOSEOUT	1	
- 67	122-910048-13	. SEAL	1	
- 68	122-910048-15	. CLIP	1	
- 69	122-910048-7	. PANEL, LOWER	1	
- 70	122-910048-5	. PANEL, UPPER	1	

Deechcraft
STARSHIP 1
ILLUSTRATED PARTS CATALOG



C93NC71A4515 C

FIGURE 60-00.ENGINE AIR PLENUM AND INLET DUCT
/SHEET 4 OF 4 SHEETS/

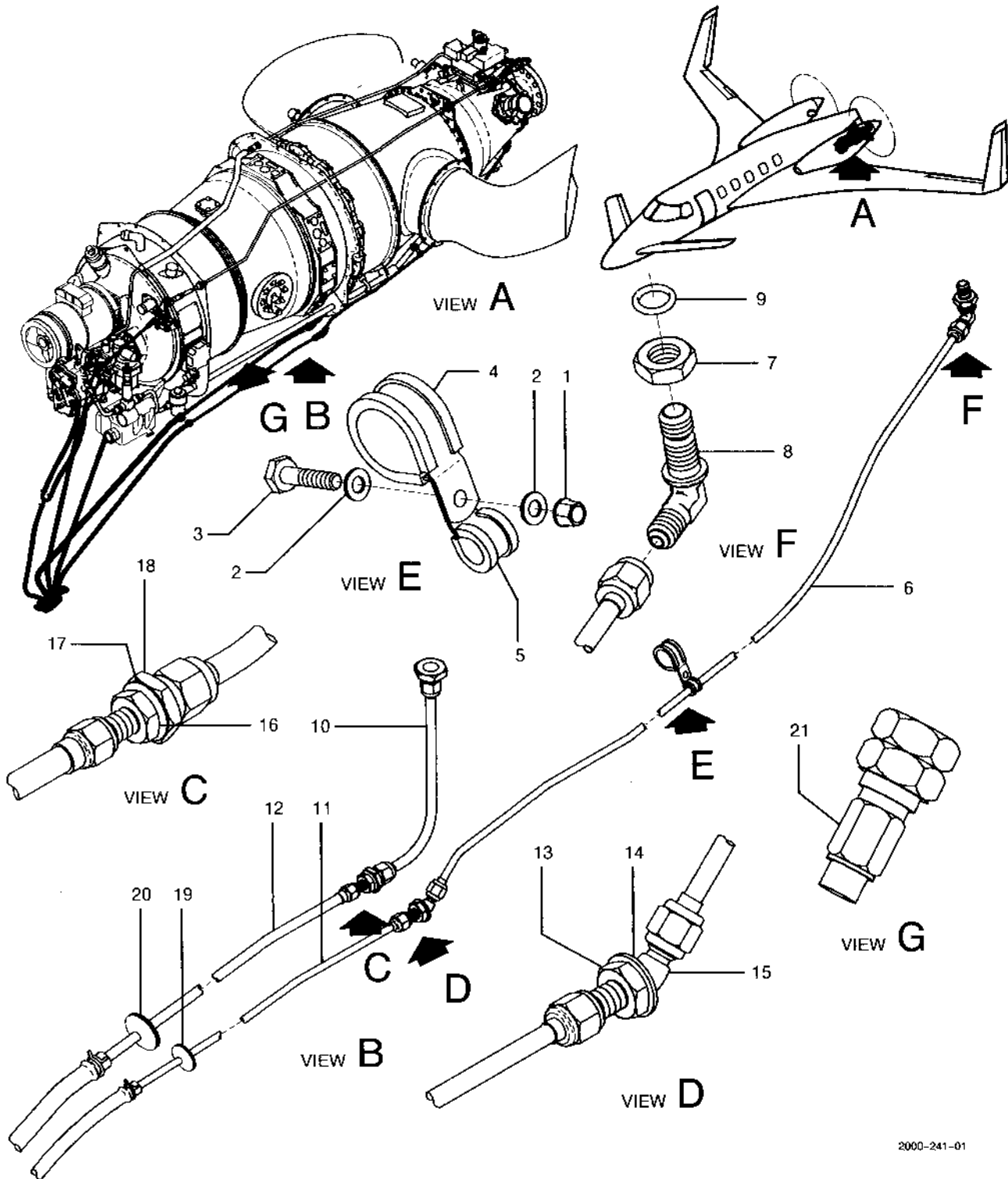
Beechcraft
STARSHIP 1
ILLUSTRATED PARTS CATALOG

SUB-SEC UNIT & ITEM NO	PART NO.	DESCRIPTION 1 2 3 4 5 6 7	UNITS	USABLE
			PER ASSY	ON CODE
60-00	R 122-910080-1	DUCT ASSY, FIREWALL TO PLENUM	1	
		/ATTACHING PARTS/		
- 71	130909B34	BOLT	8	
- 72	AN960C416L	WASHER	8	
- 73	130909B14	BOLT	16	
- 74	AN960-10L	WASHER	16	
		-----★-----		
- 75	R 122-380010-3	. SEAL	1	
- 76	122-910080-25	. RETAINER, SEAL	2	
- 77	122-910080-23	. RETAINER, SEAL	2	
- 78	122-910080-21	. FLANGE, SEAL RETAINER	1	
- 79	MS20253P3-970	. PIN, HINGE	2	
- 80	122-910080-27	. HINGE HALF	2	
- 81	122-910080-29	. HINGE HALF	2	
- 82	122-910080-11	. FLANGE	1	
- 83	122-910080-7	. CHANNEL	2	
- 84	122-910080-9	. CHANNEL	1	
- 85	R 122-910080-5	. COVER, UPPER	1	
	MS21059L4	. NUTPLATE	4	
- 86	122-910080-3	. PANEL, LH SIDE	1	
	122-910080-4	. PANEL, RH SIDE	1	
- 87	122-910080-13	. FLANGE, LOWER	1	
- 88	122-910080-17	. DOUBLER	1	
- 89	122-910080-19	. PAN, LOWER FORWARD	1	
- 90	122-910080-31	. ANGLE	1	
- 91	122-910080-15	. PAN, LOWER AFT	1	
- 92	R 122-910082-1	BRACKET ASSY, DUCT LH SUPPORT	1	
	R 122-910082-2	BRACKET ASSY, DUCT RH SUPPORT	1	
		/ATTACHING PARTS/		
- 93	MS21043-4	NUT	2	
- 94	AN960-416L	WASHER	2	
- 95	130909B33	BOLT	2	
		-----★-----		
	MS21061L4	. NUTPLATE	2	

Beechcraft
STARSHIP 1
ILLUSTRATED PARTS CATALOG

71-70-00
ENGINE DRAINS

Beechcraft
STARSHIP 1
ILLUSTRATED PARTS CATALOG



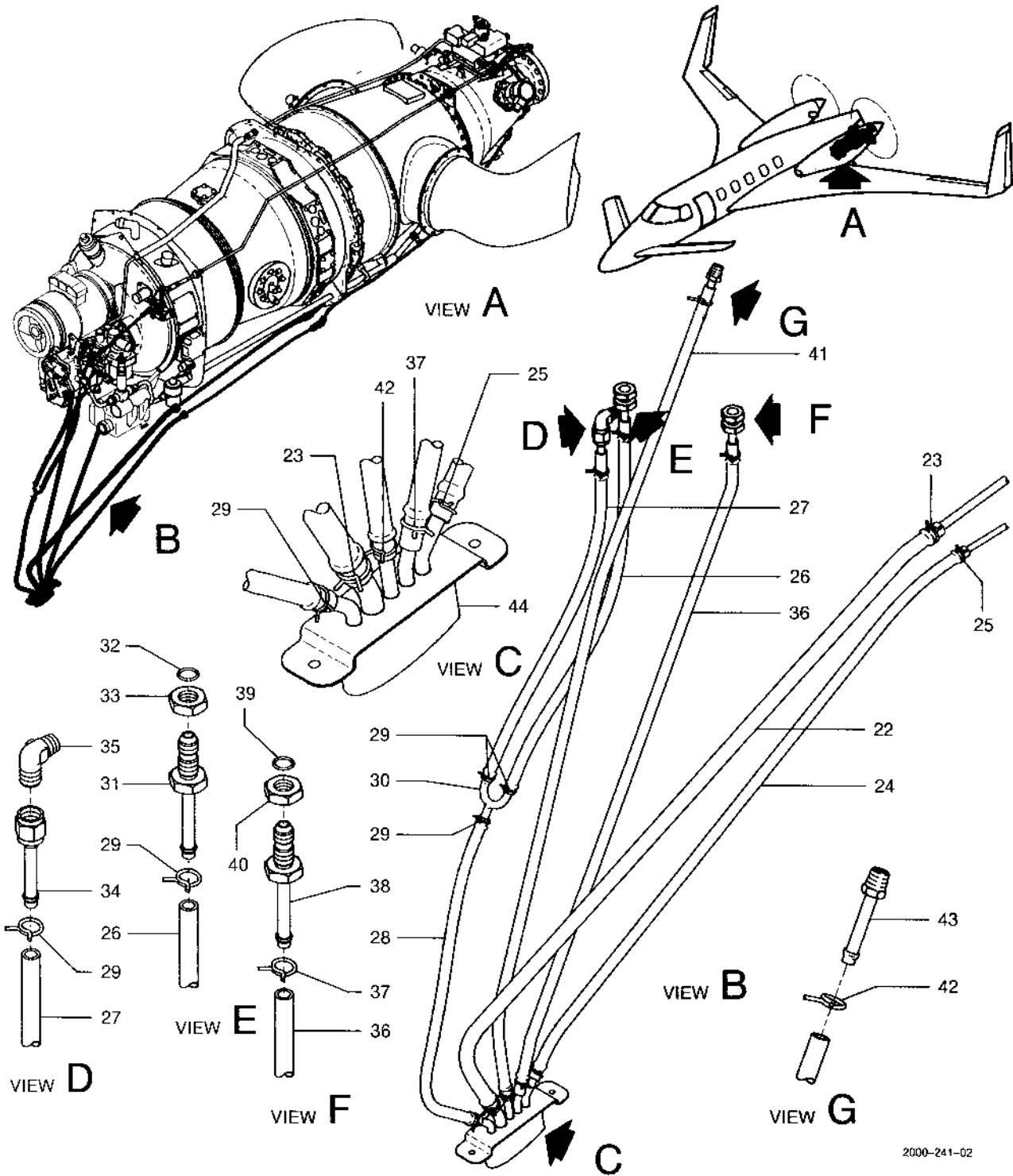
2000-241-01

FIGURE 70-00.ENGINE DRAINS
/SHEET 1 OF 2 SHEETS/

Beechcraft
STARSHIP 1
ILLUSTRATED PARTS CATALOG

SUB-SEC UNIT & ITEM NO	PART NO.	DESCRIPTION 1 2 3 4 5 6 7	UNITS	USABLE
			PER ASSY	ON CODE
70-00	122-910076-1	DRAIN INSTL, LH ENGINE.....	NP	
	122-910076-3	DRAIN INSTL, RH ENGINE.....	NP	
- 1	130909N29	. NUT.....	1	
- 2	AN960-10L	. WASHER.....	2	
- 3	130909B15	. BOLT.....	1	
- 4	MS21919WH10	. CLAMP.....	1	
- 5	MS21919WH4	. CLAMP.....	1	
- 6	122-910076-17	. TUBE ASSY, PROP SEAL DRAIN.....	1	
- 7	AN924-4D	. NUT.....	1	
- 8	AN833-4D	. ELBOW.....	1	
- 9	MS29561-012	. PACKING, PREFORMED.....	1	
- 10	122-910076-13	. TUBE ASSY, COMBUSTION CHAMBER DRAIN.....	1	
- 11	122-910076-5	. TUBE ASSY, PROP SEAL DRAIN.....	1	
- 12	122-910076-9	. TUBE ASSY, COMBUSTION CHAMBER DRAIN.....	1	
- 13	AN924-4D	. NUT.....	1	
- 14	AN960-716	. WASHER.....	1	
- 15	AN837-4D	. ELBOW.....	1	
- 16	AN924-6D	. NUT.....	1	
- 17	AN960-916	. WASHER.....	1	
- 18	AN832-6D	. UNION.....	1	
- 19	MS35489-7	. GROMMET.....	1	
- 20	MS35489-12	. GROMMET.....	1	
- 21	AN929-6J	. CAP, COMBUSTION CHAMBER FUEL DRAIN.....	1	

Beechcraft
STARSHIP 1
ILLUSTRATED PARTS CATALOG



2000-241-02

FIGURE 70-00.ENGINE DRAINS
/SHEET 2 OF 2 SHEETS/

Beechcraft
STARSHIP 1
ILLUSTRATED PARTS CATALOG

SUB-SEC UNIT & ITEM NO	PART NO.	DESCRIPTION 1 2 3 4 5 6 7	UNITS PER ASSY	USABLE ON CODE
70-00 -22	131066-4-0450	. HOSE, LH ENGINE COMBUSTION CHAMBER	1	
	131066-4-0390	. HOSE, RH ENGINE COMBUSTION CHAMBER	1	
		/ATTACHING PARTS/		
-23	130292A8	. CLAMP	2	
		---★---		
-24	131066-2-0450	. HOSE, LH ENGINE PROP SEAL DRAIN	1	
	131066-2-0390	. HOSE, RH ENGINE PROP SEAL DRAIN	1	
		/ATTACHING PARTS/		
-25	130292A6	. CLAMP	2	
		---★---		
-26	131066-2-0080	. HOSE, LH & RH ENGINE DRIVEN BOOST PUMP DRAIN	1	
-27	131066-2-0080	. HOSE, LH & RH ENGINE DRIVEN BOOST PUMP DRAIN	1	
-28	131066-2-0320	. HOSE, LH & RH ENGINE DRIVEN BOOST PUMP DRAIN	1	
		/ATTACHING PARTS/		
-29	130292A6	. CLAMP	6	
		---★---		
-30	104-920044-11	. TUBE ASSY, -Y-	1	
-31	AN807-4D	. ADAPTER, HOSE	1	
-32	MS29561-012	. PACKING, PREFORMED	1	
-33	AN924-4D	. NUT	1	
-34	122-910047-15	. TUBE ASSY	1	
-35	122-910047-13	. RESTRICTOR ASSY	1	
-36	131066-2-0410	. HOSE, LH & RH ENGINE FUEL PUMP DRAIN	1	
		/ATTACHING PARTS/		
-37	130292A6	. CLAMP	2	
		---★---		
-38	AN807-4D	. ADAPTER, HOSE	1	
-39	MS29561-012	. PACKING, PREFORMED	1	
-40	AN924-4D	. NUT	1	
-41	131066-2-0410	. HOSE, LH ENGINE STARTER-GENERATOR DRAIN	1	
	131066-2-0160	. HOSE, RH ENGINE STARTER-GENERATOR DRAIN UPR	1	
		/ATTACHING PARTS/		
-42	130292A6	. CLAMP	2	
		---★---		
-43	AN840-4D	. ADAPTER, HOSE	1	
	131066-2-0150	. HOSE, AIR CONDITIONER COMPRESSOR DRAIN	1	
		/RH ENGINE ONLY/		
	131066-2-0260	. HOSE, AIR CONDITIONER COMPRESSOR & STARTER-..... GENERATOR DRAIN LWR/RH ENGINE ONLY/	1	
		/ATTACHING PARTS/		
	130292A6	. CLAMP/RH ENGINE ONLY/	2	
		---★---		
	104-920044-11	. TUBE ASSY, AIR CONDITIONER COMPRESSOR &..... STARTER-GENERATOR DRAIN -Y-/RH ENGINE ONLY/	1	
-44	122-910085-1	. DRAIN ASSY, ENGINE	1	2
	122-910077-1	. DRAIN ASSY, ENGINE/ORDER 122-910085-1 FOR.....	NP	1
		SPARES/		
	MS21059L3	. NUTPLATE	2	

CODES OF EFFECTIVITY

1 NC-4 THRU NC-14 2 NC-15 AND AFTER

Beechcraft
STARSHIP 1
ILLUSTRATED PARTS CATALOG
LIST OF PAGES & TABLE OF CONTENTS
FOR
CHAPTER 72-00-00 ENGINE

CHAP/SUB- SECT & UNIT	PAGE NO.	EFFECTIVE DATE	TABLE OF CONTENTS
72-00-00	1	02/25/94	LIST OF PAGES & TABLE OF CONTENTS
72-00-01	1	02/25/94	ENGINE/REFERENCE/

Beechcraft
STARSHIP 1
ILLUSTRATED PARTS CATALOG

72-00-01
ENGINE/REFERENCE/
FOR THE ENGINE BREAKDOWN, REFER TO THE
PRATT AND WHITNEY AIRCRAFT OF CANADA
LTD. ILLUSTRATED PARTS CATALOG MANUAL
PART NUMBER 3036134.

Beechcraft
STARSHIP 1
ILLUSTRATED PARTS CATALOG

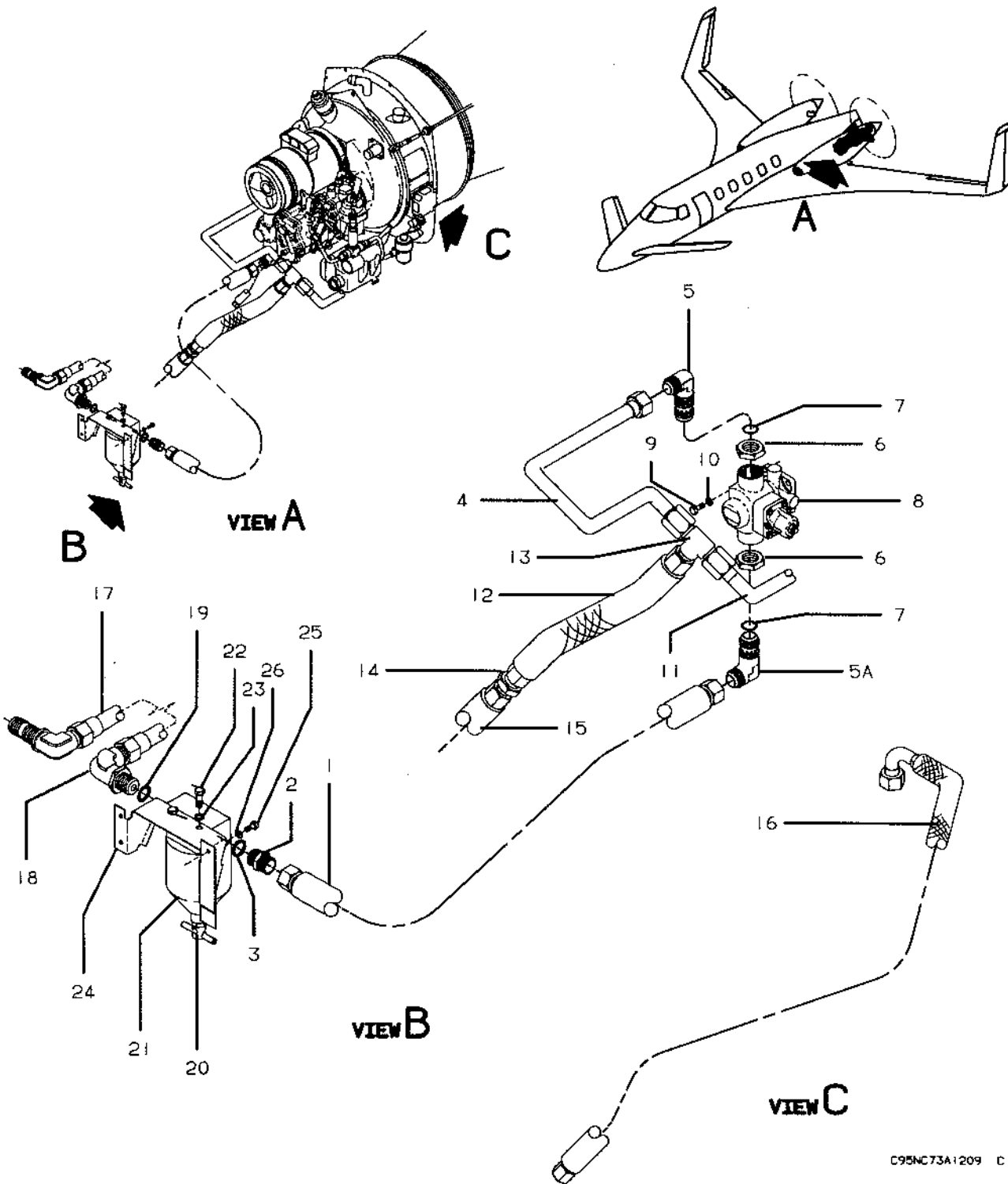
LIST OF PAGES & TABLE OF CONTENTS
FOR
CHAPTER 73-00-00 ENGINE FUEL SYSTEMS

CHAP/SUB- SECT & UNIT	PAGE NO.	EFFECTIVE DATE	TABLE OF CONTENTS
73-00-00	1	06/30/95	LIST OF PAGES & TABLE OF CONTENTS
73-10-00	1	02/25/94	ENGINE SECTION FUEL
73-10-00	2	06/30/95	
73-10-00	3	06/30/95	
73-10-05	1	02/25/94	ENGINE FUEL FILTER ASSEMBLY
73-10-05	2	02/25/94	
73-10-05	3	02/25/94	
73-10-10	1	02/25/94	FUEL PURGE TANK
73-10-10	2	02/25/94	
73-10-10	3	02/25/94	
73-20-00	1	02/25/94	CONDITION LEVER FUEL CUTOFF SWITCH
73-20-00	2	02/25/94	
73-20-00	3	02/25/94	
73-30-00	1	02/25/94	FUEL FLOWMETER TRANSMITTER
73-30-00	2	02/25/94	
73-30-00	3	02/25/94	

Beechcraft
STARSHIP 1
ILLUSTRATED PARTS CATALOG

73-10-00
ENGINE SECTION FUEL

Beechcraft
 STARSHIP 1
 ILLUSTRATED PARTS CATALOG



C95NC73A1209 C

FIGURE 10-00.ENGINE SECTION FUEL

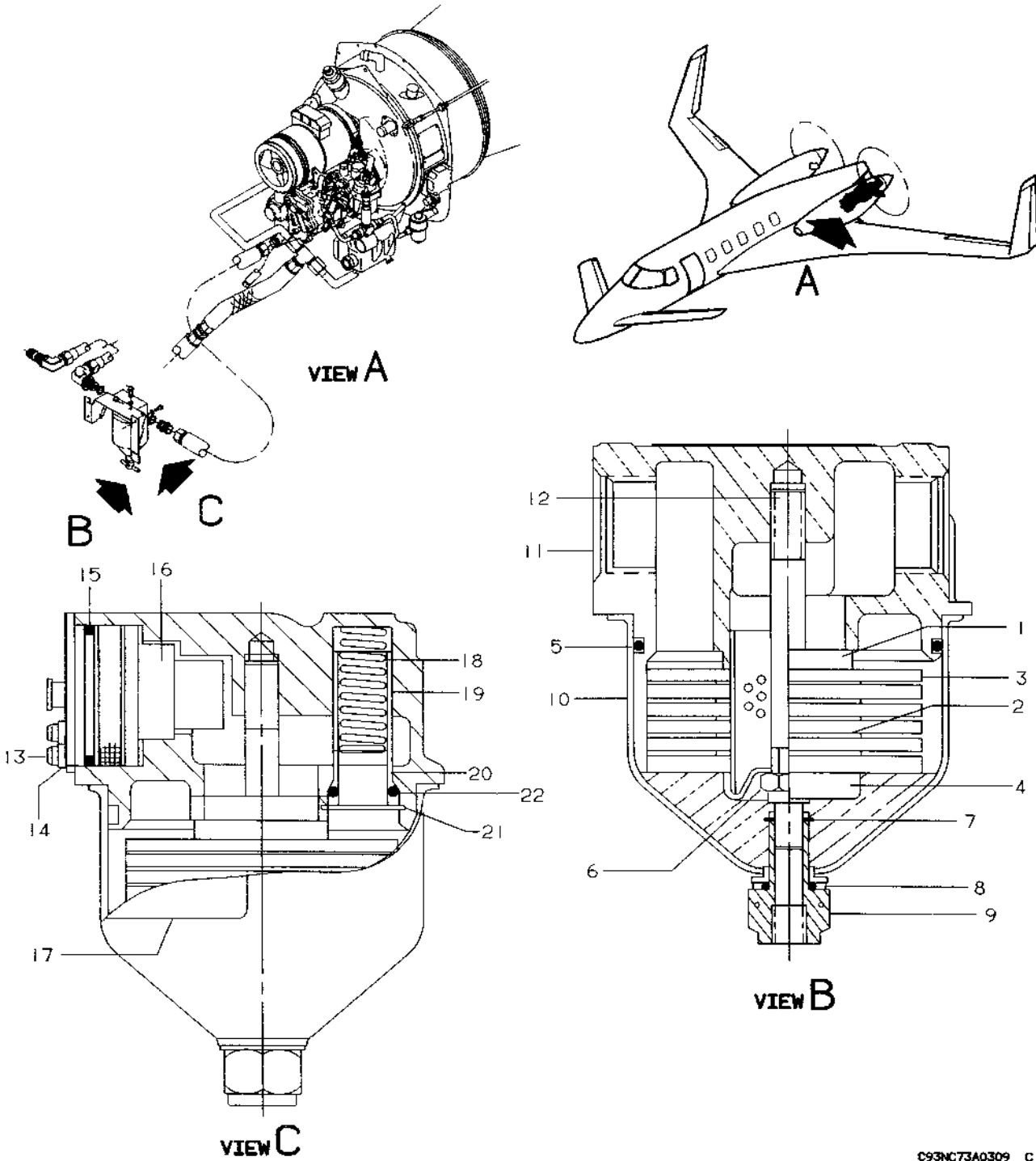
Beechcraft
STARSHIP 1
ILLUSTRATED PARTS CATALOG

34-30-00
GLIDESLOPE AND MARKER BEACON ANTENNAS

Beechcraft
STARSHIP 1
ILLUSTRATED PARTS CATALOG

73-10-05
ENGINE FUEL FILTER ASSEMBLY

Beechcraft
 STARSHIP 1
 ILLUSTRATED PARTS CATALOG



C93NC73A0309 C

FIGURE 10-05. ENGINE FUEL FILTER ASSEMBLY

Beechcraft
STARSHIP 1
ILLUSTRATED PARTS CATALOG

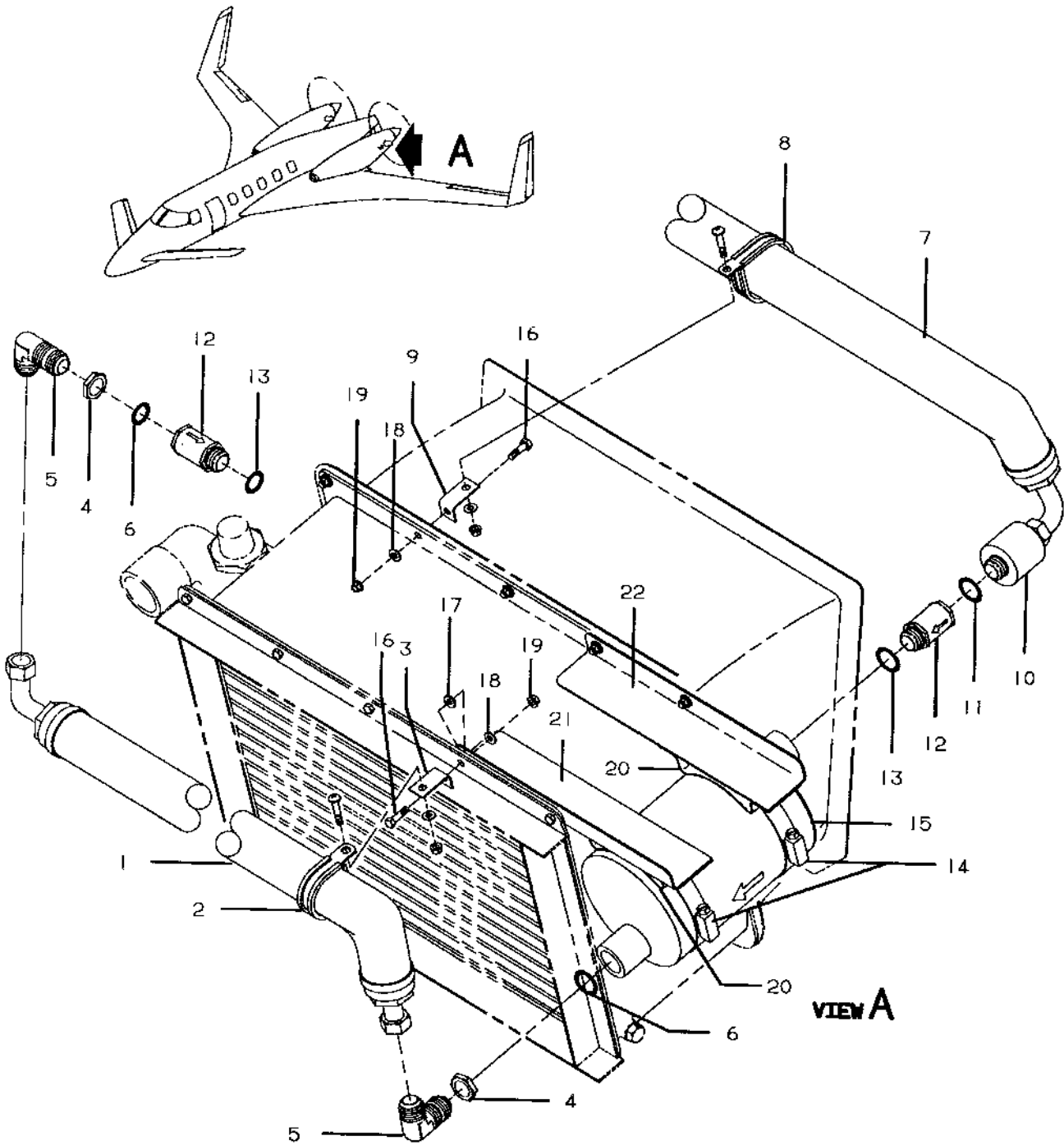
SUB-SEC UNIT & ITEM NO	PART NO.	DESCRIPTION 1 2 3 4 5 6 7	UNITS	USABLE
			PER ASSY	ON CODE
10-05	114-389032-7	FILTER ASSY, LH FUEL.....	1	
	114-389032-8	FILTER ASSY, RH FUEL.....	1	
	03W1950-231	. SUBASSEMBLY, FILTER CARTRIDGE.....	1	
- 1	03W1950-218	. . OUTLET TUBE, PERFORATED.....	1	
- 2	03S683A135	. . SPACER.....	5	
- 3	204038	. . DISC, FILTER.....	6	
- 4	03W1950-211	. . CUP, RETAINER.....	1	
- 5	MS29513-233	. PACKING, PREFORMED.....	1	
- 6	29NTE-066	. LOCKNUT.....	1	
- 7	MS16624-4050	. RING, RETAINING.....	1	
- 8	600-3142-1/2	. GASKET, WASHER SEAL /STAT-O-SEAL/.....	1	
- 9	150164-011	. NUT, BOWL RETAINING.....	1	
- 10	150158-001	. BODY, FUEL FILTER.....	1	
	03W2161-156	. SUBASSEMBLY, FILTER HEAD, LH.....	1	
	03W2187-156	. SUBASSEMBLY, FILTER HEAD, RH.....	1	
- 11	03W2161-140	. . HEAD, FILTER, LH.....	1	
	03W2187-140	. . HEAD, FILTER, RH.....	1	
- 12	03W1950-134	. . STUD, SPECIAL.....	1	
- 13	MS24678-10	. SCREW.....	2	
- 14	AN960-10	. WASHER.....	2	
- 15	MS29513-028	. PACKING, PREFORMED.....	2	
- 16	204259	. INDICATOR, DIFFERENTIAL PRESSURE.....	1	
	MS9244-01	. DECAL, RBR ASSEMBLY DATE.....	1	
- 17	02FC30	. DECAL, IDENTIFICATION & INSTRUCTION.....	1	
- 18	150110-009-02	. SPRING, HELICAL COMPRESSION.....	1	
- 19	150214-004	. VALVE, POPPET.....	1	
- 20	150213-003	. SEAT, BY-PASS VALVE.....	1	
- 21	RR75S	. RING, RETAINING.....	1	
- 22	MS29513-015	. PACKING, PREFORMED.....	1	

-END-

Beechcraft
STARSHIP 1
ILLUSTRATED PARTS CATALOG

73-10-10
FUEL PURGE TANK

Beechcraft
STARSHIP 1
ILLUSTRATED PARTS CATALOG



C93NC73A4453 C

FIGURE 10-10.FUEL PURGE TANK

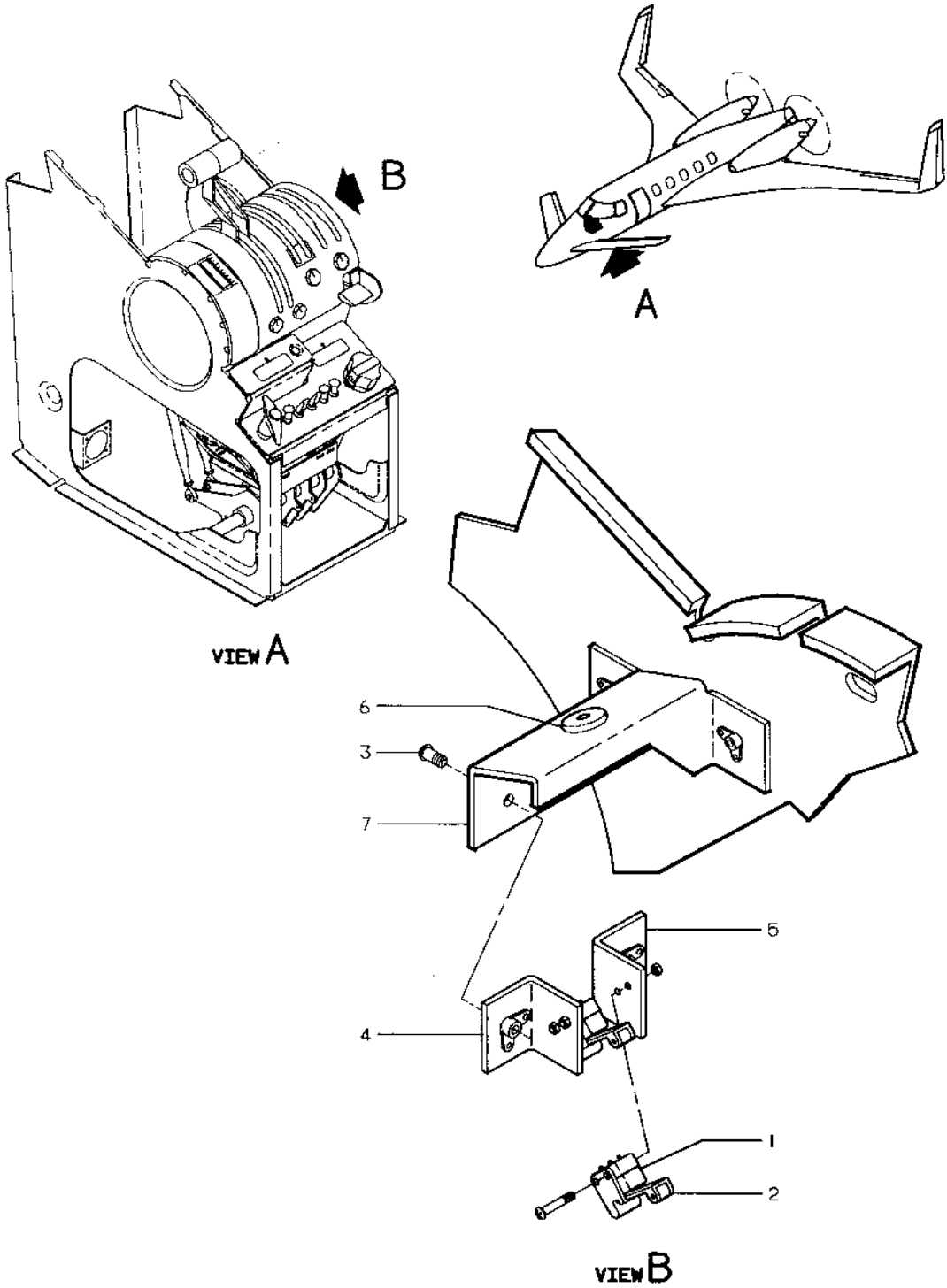
Beechcraft
STARSHIP 1
ILLUSTRATED PARTS CATALOG

SUB-SEC UNIT & ITEM NO	PART NO.	DESCRIPTION 1 2 3 4 5 6 7	UNITS	USABLE
			PER ASSY	ON CODE
10-10	122-920012-11	TANK INSTALLATION, FUEL PURGE.....	NP	
- 1	330997F4-0170	. HOSE ASSY/FUEL FLOW DIVIDER TO TANK/	1	
		. /ATTACHING PARTS/		
- 2	MS21919WH12	. CLAMP	1	
- 3	50-389064-13	. STANDOFF	1	
	MS35207-262	. SCREW	1	
	AN960-10	. WASHER	1	
	130909N29	. NUT	1	
		-----★-----		
- 4	AN924-4J	. NUT	2	
- 5	AN833-4J	. ELBOW	2	
- 6	MS29512-04	. PACKING, PREFORMED	2	
- 7	330997F4-0284	. HOSE ASSY/BLEED AIR TUBE TO TANK/	1	
		. /ATTACHING PARTS/		
- 8	MS21919WH12	. CLAMP	1	
- 9	50-389064-13	. STANDOFF	1	
	MS35207-262	. SCREW	1	
	AN-960-10L	. WASHER	1	
	130909N29	. NUT	1	
		-----★-----		
- 10	4210T4TT	. FILTER, AIR	1	
- 11	MS29512-04	. PACKING, PREFORMED	1	
- 12	101-389011-65	. VALVE, CHECK	2	
- 13	MS29512-04	. PACKING, PREFORMED	2	
- 14	MS35842-15	. CLAMP	2	
- 15	101-920082-9	. TANK ASSY, PURGE AIR PRESSURE	1	
	122-920012-19	. BRACKET ASSY, FWD SUPPORT	1	
	122-920012-20	. BRACKET ASSY, AFT SUPPORT	1	
		. /ATTACHING PARTS/		
- 16	130909B15	. BOLT	2	
- 17	NAS43HT3-8	. SPACER	2	
- 18	AN960-10L	. WASHER	2	
- 19	130909N29	. NUT	2	
		-----★-----		
- 20	122-920012-21	. BRACKET	1	
- 21	122-920012-15	. BRACKET, FWD SUPPORT	1	
- 22	122-920012-16	. BRACKET, AFT SUPPORT	1	

Beechcraft
STARSHIP 1
ILLUSTRATED PARTS CATALOG

73-20-00
CONDITION LEVER FUEL CUTOFF SWITCH

Beechcraft
STARSHIP 1
ILLUSTRATED PARTS CATALOG



C9206452

FIGURE 20-00.CONDTN LEVER FUEL CUTOFF SWITCH

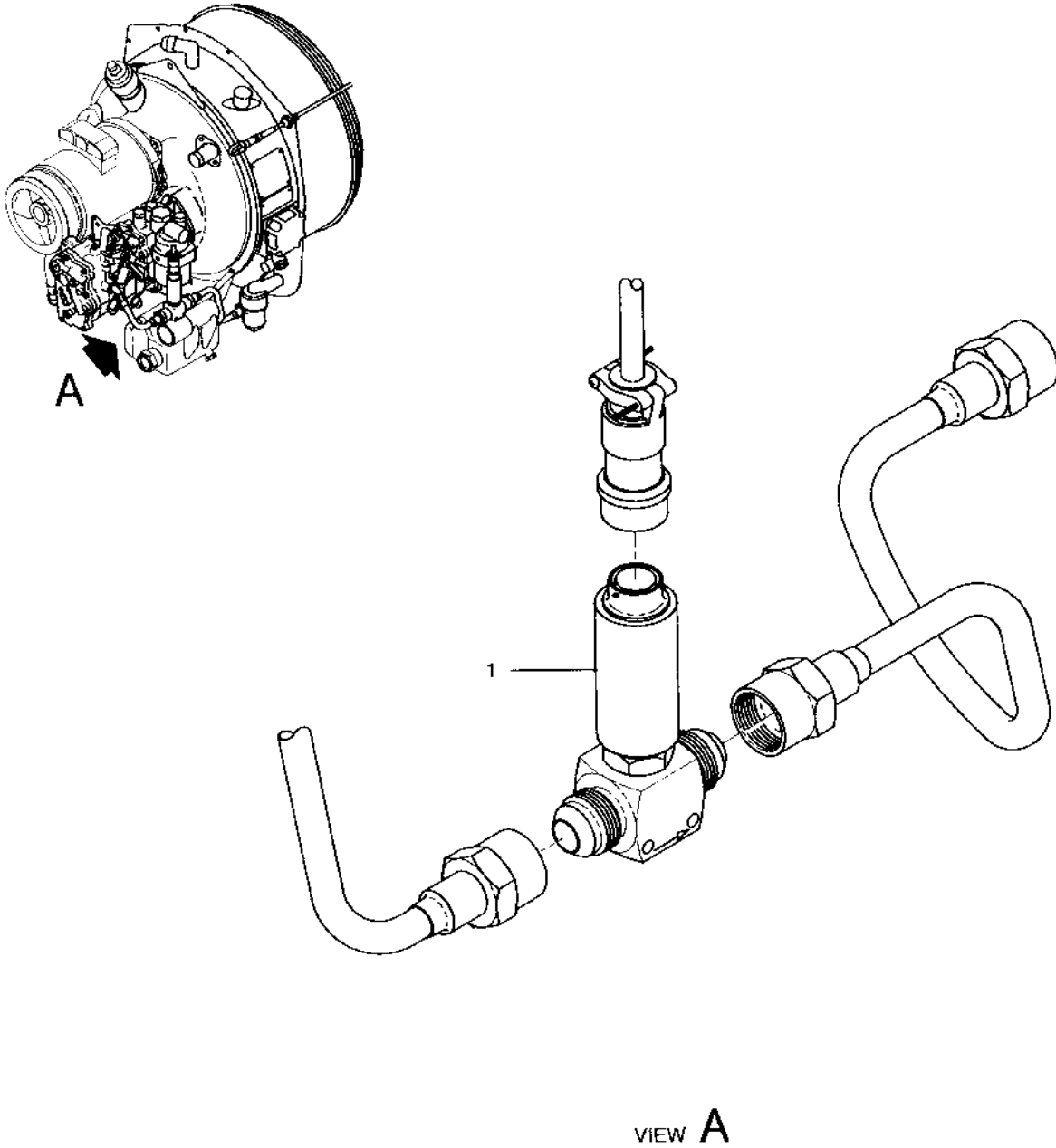
Beechcraft
STARSHIP 1
ILLUSTRATED PARTS CATALOG

SUB-SEC UNIT & ITEM NO	PART NO.	DESCRIPTION 1 2 3 4 5 6 7	UNITS	USABLE
			PER ASSY	ON CODE
20-00	99-524043	SWITCH ASSY, CONDITION LEVER FUEL CUTOFF/SEE..... CHAPTER 39 FOR ATTACHING PARTS/	1	
- 1	MS24547-1	. SWITCH.....	2	
- 2	JX25	. ACTUATOR, SWITCH.....	2	
- 3	AN515-8R6	. SCREW.....	2	
- 4	99-524043-5	. ANGLE ASSY, LH.....	1	
- 5	99-524043-6	. ANGLE ASSY, RH.....	1	
	MK3000-08	. . NUTPLATE.....	1	
- 6	AN931-3-5	. GROMMET.....	1	
- 7	99-524043-1	. BRACKET ASSY.....	1	
	MK3000-08	. . NUTPLATE.....	2	

Beechcraft
STARSHIP 1
ILLUSTRATED PARTS CATALOG

73-30-00
FUEL FLOWMETER TRANSMITTER

Beechcraft
STARSHIP 1
ILLUSTRATED PARTS CATALOG



2000-282-07

FIGURE 30-00.FUEL FLOWMETER TRANSMITTER

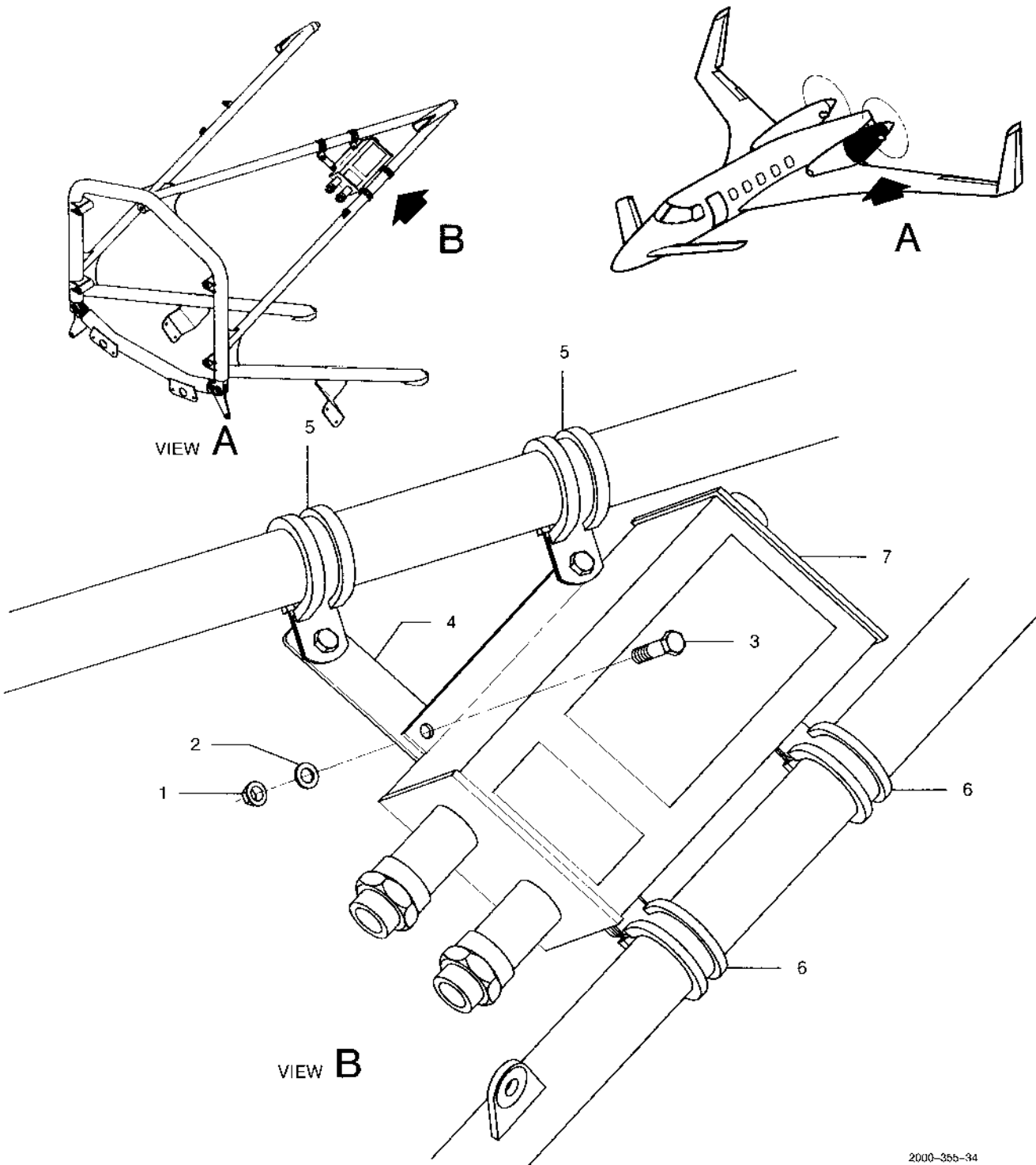
Beechcraft
STARSHIP 1
ILLUSTRATED PARTS CATALOG
LIST OF PAGES & TABLE OF CONTENTS
FOR
CHAPTER 74-00-00 IGNITION

CHAP/SUB- SECT & UNIT	PAGE NO.	EFFECTIVE DATE	TABLE OF CONTENTS
74-00-00	1	02/25/94	LIST OF PAGES & TABLE OF CONTENTS
74-10-00	1	02/25/94	IGNITION EXCITER.....
74-10-00	2	02/25/94	
74-10-00	3	02/25/94	

Beechcraft
STARSHIP 1
ILLUSTRATED PARTS CATALOG

74-10-00
IGNITION EXCITER

Beechcraft
STARSHIP 1
ILLUSTRATED PARTS CATALOG



2000-355-34

FIGURE 10-00.IGNITION EXCITER

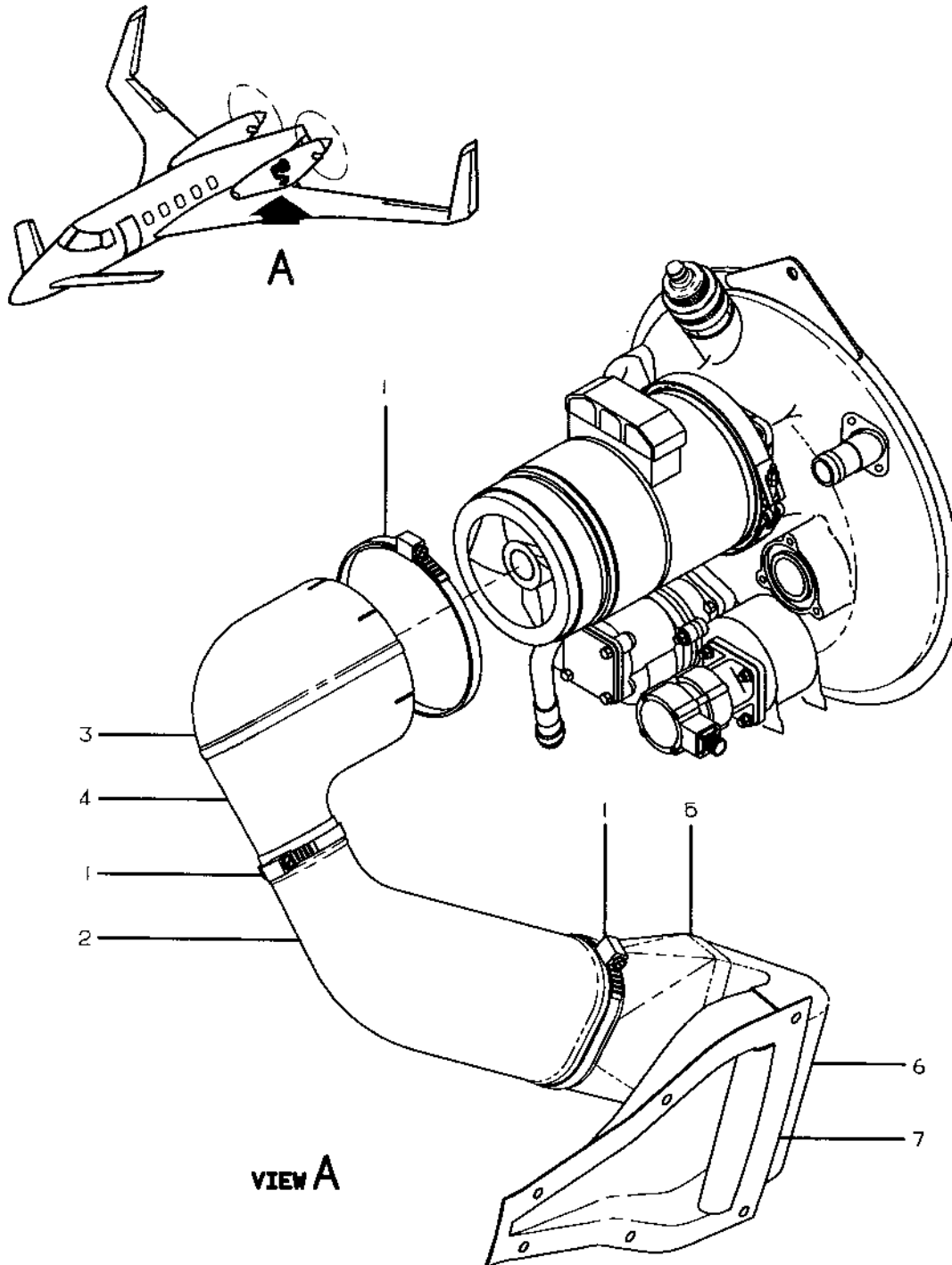
Beechcraft
STARSHIP 1
ILLUSTRATED PARTS CATALOG
LIST OF PAGES & TABLE OF CONTENTS
FOR
CHAPTER 75-00-00 AIR

CHAP/SUB- SECT & UNIT	PAGE NO.	EFFECTIVE DATE	TABLE OF CONTENTS
75-00-00	1	02/25/94	TABLE OF CONTENTS
75-20-00	1	02/25/94	LIST OF PAGES & TABLE OF CONTENTS
75-20-00	2	02/25/94	GENERATOR COOLING
75-20-00	3	02/25/94	

Beechcraft
STARSHIP 1
ILLUSTRATED PARTS CATALOG

75-20-00
GENERATOR COOLING

Beechcraft
STARSHIP 1
ILLUSTRATED PARTS CATALOG



C93NC75A4435

FIGURE 20-00.GENERATOR COOLING

Beechcraft
STARSHIP 1
ILLUSTRATED PARTS CATALOG

SUB-SEC UNIT & ITEM NO	PART NO.	DESCRIPTION 1 2 3 4 5 6 7	UNITS PER ASSY	USABLE ON CODE
20-00	122-910008-5	GENERATOR COOLING INSTL	NP	
- 1	MS35842-16	. CLAMP	3	
- 2	115167AXX190888	. HOSE	1	
- 3	122-910048-3	. CAP. ADAPTER	1	
- 4	122-910048-1	. ADAPTER	1	
	122-910074-13	. INLET ASSEMBLY	1	
- 5	122-910074-11	. . DUCT	1	
- 6	122-9100740-15	. . DUCT	1	
- 7	122-910074-3	. . RAMP ASSEMBLY	1	
	CA1810	. . . RECEPTACLE	6	
	CA1818-3	. . . SHIM	6	

Beechcraft
STARSHIP 1
ILLUSTRATED PARTS CATALOG

LIST OF PAGES & TABLE OF CONTENTS
FOR
CHAPTER 76-00-00 ENGINE CONTROLS

CHAP/SUB- SECT & UNIT	PAGE NO.	EFFECTIVE DATE	TABLE OF CONTENTS
76-00-00	1	06/30/95	LIST OF PAGES & TABLE OF CONTENTS
76-10-00	1	02/25/94	PEDESTAL ENGINE CONTROL MECHANISM
76-10-00	2	02/25/94	
76-10-00	3	06/30/95	
76-10-00	4	02/25/94	
76-10-00	5	06/30/95	
76-10-00	6	02/25/94	
76-10-00	7	02/25/94	
76-10-00	8	06/30/95	
76-10-00	9	06/30/95	
76-10-00	10	02/25/94	
76-10-00	11	06/30/95	
76-10-10	1	02/25/94	ENGINE CONTROLS.....
76-10-10	2	02/25/94	
76-10-10	3	02/25/94	
76-10-10	4	02/25/94	
76-10-10	5	06/30/95	
76-10-10	6	02/25/94	
76-10-10	7	06/30/95	
76-10-10	8	02/25/94	
76-10-10	9	06/30/95	
76-10-10	10	02/25/94	
76-10-10	11	06/30/95	
76-10-10	12	02/25/94	
76-10-10	13	06/30/95	
76-10-10	14	02/25/94	
76-10-10	15	06/30/95	
76-10-10	16	06/30/95	
76-10-10	17	06/30/95	
76-10-10	18	02/25/94	
76-10-10	19	06/30/95	
76-10-20	1	02/25/94	THROTTLE GO AROUND SWITCH
76-10-20	2	02/25/94	
76-10-20	3	02/25/94	

Beechcraft
STARSHIP 1
ILLUSTRATED PARTS CATALOG

76-10-00
PEDESTAL ENGINE CONTROL MECHANISM

Beechcraft
STARSHIP 1
ILLUSTRATED PARTS CATALOG

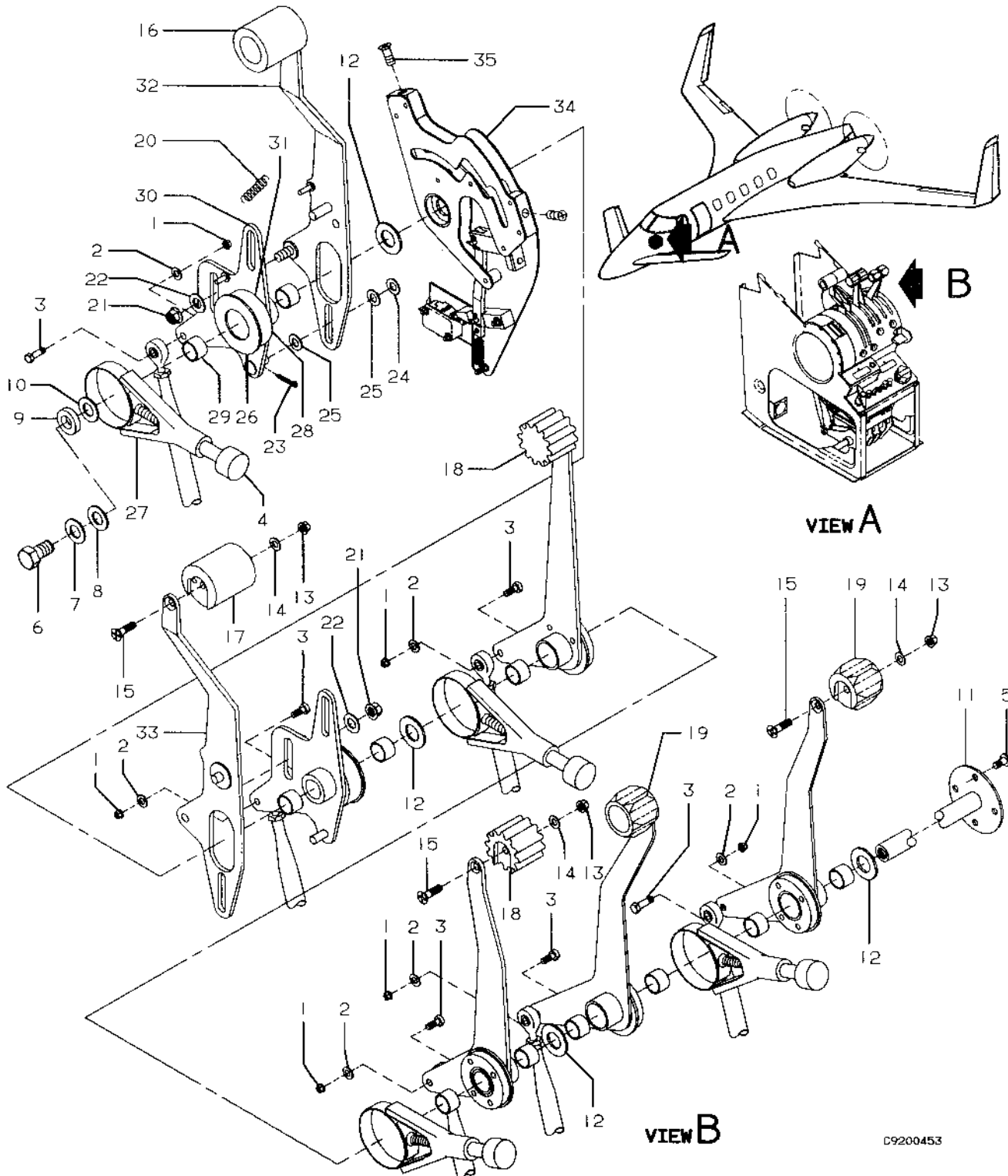


FIGURE 10-00. PEDESTAL ENGINE CONTROL MECHANISM
/SHEET 1 OF 5 SHEETS/

Beechcraft
STARSHIP 1
ILLUSTRATED PARTS CATALOG

SUB-SEC UNIT & ITEM NO	PART NO.	DESCRIPTION 1 2 3 4 5 6 7	UNITS	USABLE
			PER ASSY	ON CODE
10-00	122-522098-3	MECHANISM INSTL, PEDESTAL UPPER	NP	
- 1	130909N29	. NUT	6	
- 2	AN960-10L	. WASHER	6	
- 3	R NAS1303-6	. BOLT	6	
- 4	S747-3L	. KNOB, FRICTION BRAKE	4	
- 5	MS27039-1-08	. SCREW	4	
- 6	R AN4H4A	. BOLT	1	
- 7	AN960-416	. WASHER	1	
- 8	100951X040ZZ	. WASHER	1	
- 9	122-522102-7	. BUSHING	1	
- 10	AN960-816	. WASHER/ALTERNATE FOR AN960-816L/	AR	
	AN960-816L	. WASHER/ALTERNATE FOR AN960-816/	AR	
- 11	122-522102-1	. SHAFT ASSY, PIVOT	1	
- 12	AN960-816L	. WASHER/A MINIMUM OF ONE WASHER IS USED FOUR PLACES ON THE SHAFT TO SPACE CONTROLS/	AR	
- 13	130909N29	. NUT	6	
- 14	AN960-10L	. WASHER	6	
- 15	MS24694S53	. SCREW	6	
- 16	122-522078-3	. KNOB, LH POWER CONTROL LEVER	1	
- 17	122-522078-4	. KNOB, RH POWER CONTROL LEVER	1	
- 18	50-524506	. KNOB, PROP CONTROL LEVER	2	
- 19	50-524504	. KNOB, CONDITION CONTROL LEVER	2	
- 20	50-524512	. SPRING, POWER LEVER TENSION	2	
- 21	130909N32	. NUT	4	
- 22	AN960-416	. WASHER	4	
- 23	MS24665-132	. PIN, COTTER	2	
- 24	AN960-416L	. WASHER	2	
- 25	AN960-416	. WASHER	4	
	122-522112-1	. ARM ASSY, LH POWER CONTROL	1	
	122-522112-2	. ARM ASSY, RH POWER CONTROL	1	
- 26	100-524176-5	. PLATE	1	
- 27	100-524196-1	. BRAKE ASSY, CONTROL FRICTION	1	
- 28	R 100-524178-23	. DRUM	1	
- 29	08DU06	. BEARING	2	
- 30	122-522112-7	. BRAZE ASSY, LH POWER CONTROL	1	
	122-522112-8	. BRAZE ASSY, RH POWER CONTROL	1	
- 31	G12DU	. WASHER	2	
- 32	122-522031-1	. LEVER ASSY, LH POWER CONTROL	1	
- 33	122-522031-3	. LEVER ASSY, RH POWER CONTROL	1	
- 34	122-522083-5	. DETENT ASSY, POWER CONTROL STOP	1	
		/ATTACHING PARTS/		
- 35	MS24694S4	. SCREW	2	
	99-524168-5	. NUT, SLIDING	2	

---★---

Beechcraft
STARSHIP 1
ILLUSTRATED PARTS CATALOG

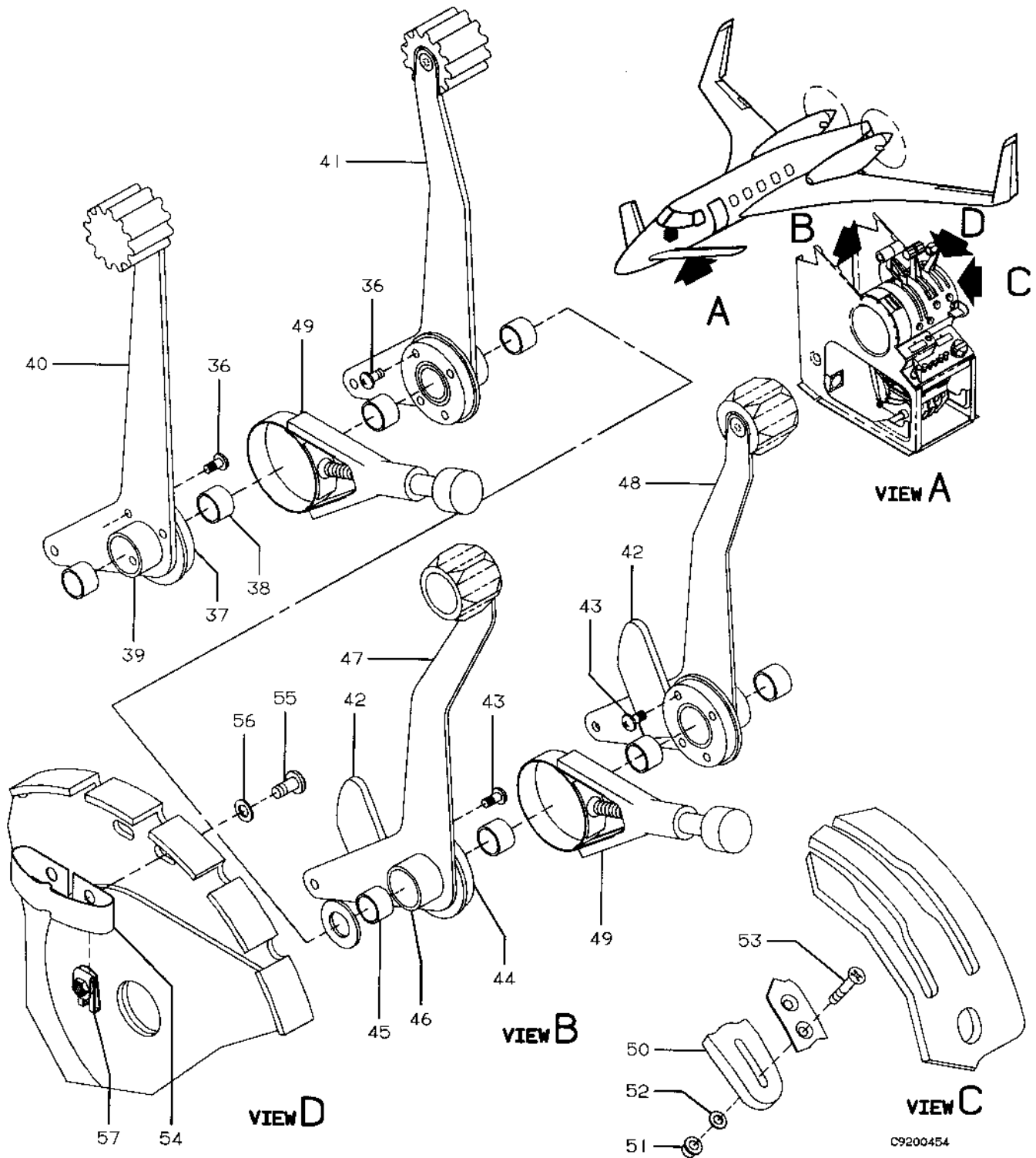
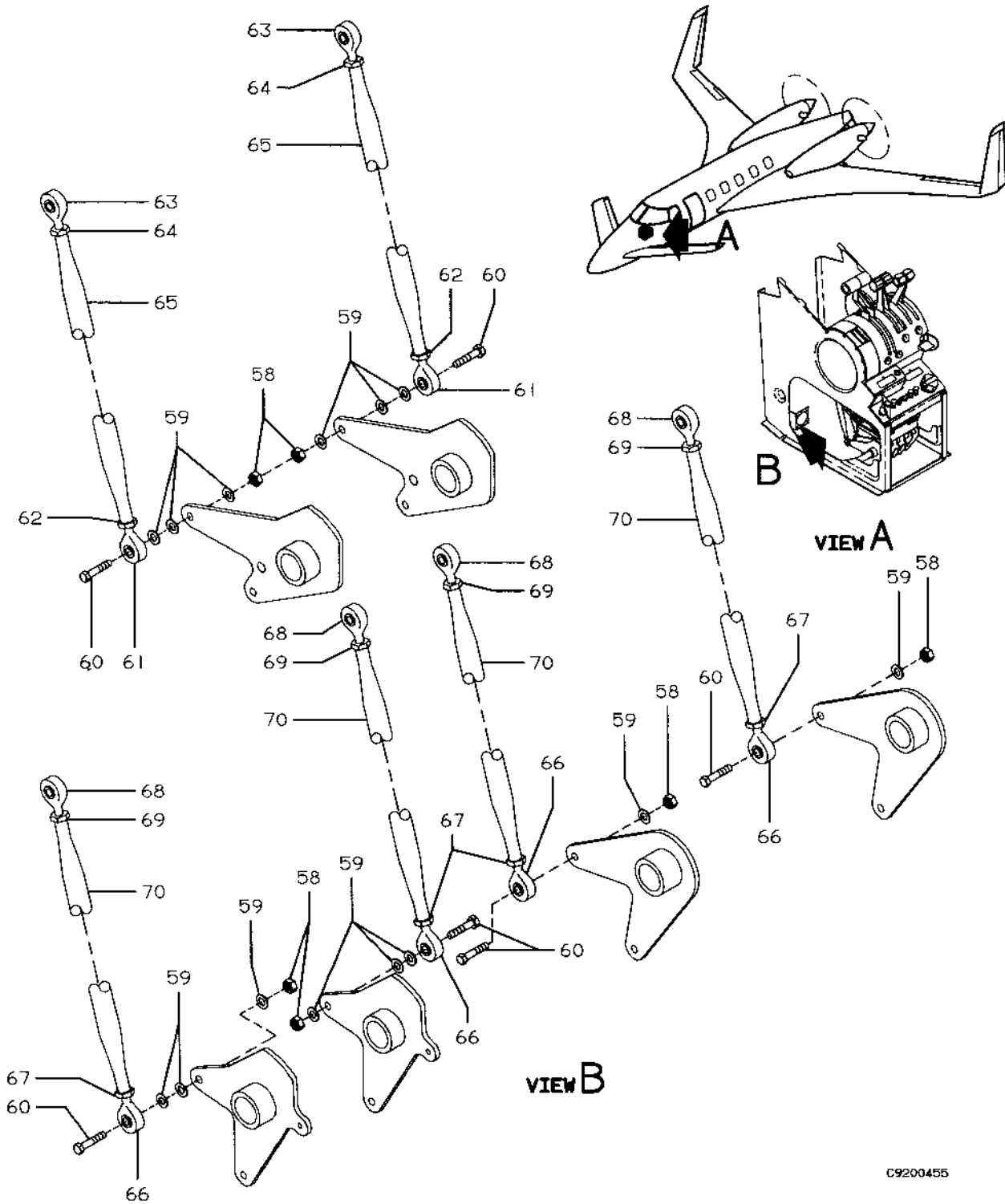


FIGURE 10-00. PEDESTAL ENGINE CONTROL MECHANISM
/SHEET 2 OF 5 SHEETS/

Beechcraft
STARSHIP 1
ILLUSTRATED PARTS CATALOG

SUB-SEC UNIT & ITEM NO	PART NO.	DESCRIPTION 1 2 3 4 5 6 7	UNITS	USABLE
			PER ASSY	ON CODE
10-00	122-522032-1	. LEVER ASSY, LH PROP CONTROL.....	1	
	122-522032-3	. LEVER ASSY, RH PROP CONTROL.....	1	
- 36	R NAS623-2-1	. . SCREW.....	3	
	100-524174-35	. . DRUM ASSY.....	1	
- 37	100-524174-33	. . DRUM.....	1	
- 38	08DU06	. . BEARING.....	2	
- 39	100-524174-9	. . HUB ASSY.....	1	
- 40	122-522032-5	. . LEVER, LH PROP CONTROL.....	1	
- 41	122-522032-7	. . LEVER, RH PROP CONTROL.....	1	
	122-522033-1	. LEVER ASSY, LH CONDITION CONTROL.....	1	
	122-522033-3	. LEVER ASSY, RH CONDITION CONTROL.....	1	
- 42	50-524568-39	. . CAM.....	1	
- 43	NAS602-5	. . SCREW.....	3	
	100-524174-35	. . DRUM ASSY.....	1	
- 44	100-524174-33	. . DRUM.....	1	
- 45	08DU06	. . BEARING.....	2	
- 46	100-524174-9	. . HUB ASSY.....	1	
- 47	122-522033-9	. . LEVER, LH CONDITION CONTROL.....	1	
- 48	122-522033-11	. . LEVER, RH CONDITION CONTROL.....	1	
- 49	100-524196-1	. BRAKE ASSY, CONTROL FRICTION.....	2	
- 50	122-522056-1	. CATCH, CONDITION LEVER.....	1	
		/ATTACHING PARTS/		
- 51	130909N28	. NUT.....	2	
- 52	AN960-8L	. WASHER.....	2	
- 53	MS24693S52	. SCREW.....	2	
		-----★-----		
- 54	122-522034-1	. DETENT, CONDITION LEVER.....	1	
		/ATTACHING PARTS/		
- 55	MS35206-245	. SCREW.....	2	
- 56	AN960-8L	. WASHER.....	AR	
- 57	130290-3	. CLIP NUT ASSY.....	2	
		-----★-----		

Beechcraft
STARSHIP 1
ILLUSTRATED PARTS CATALOG



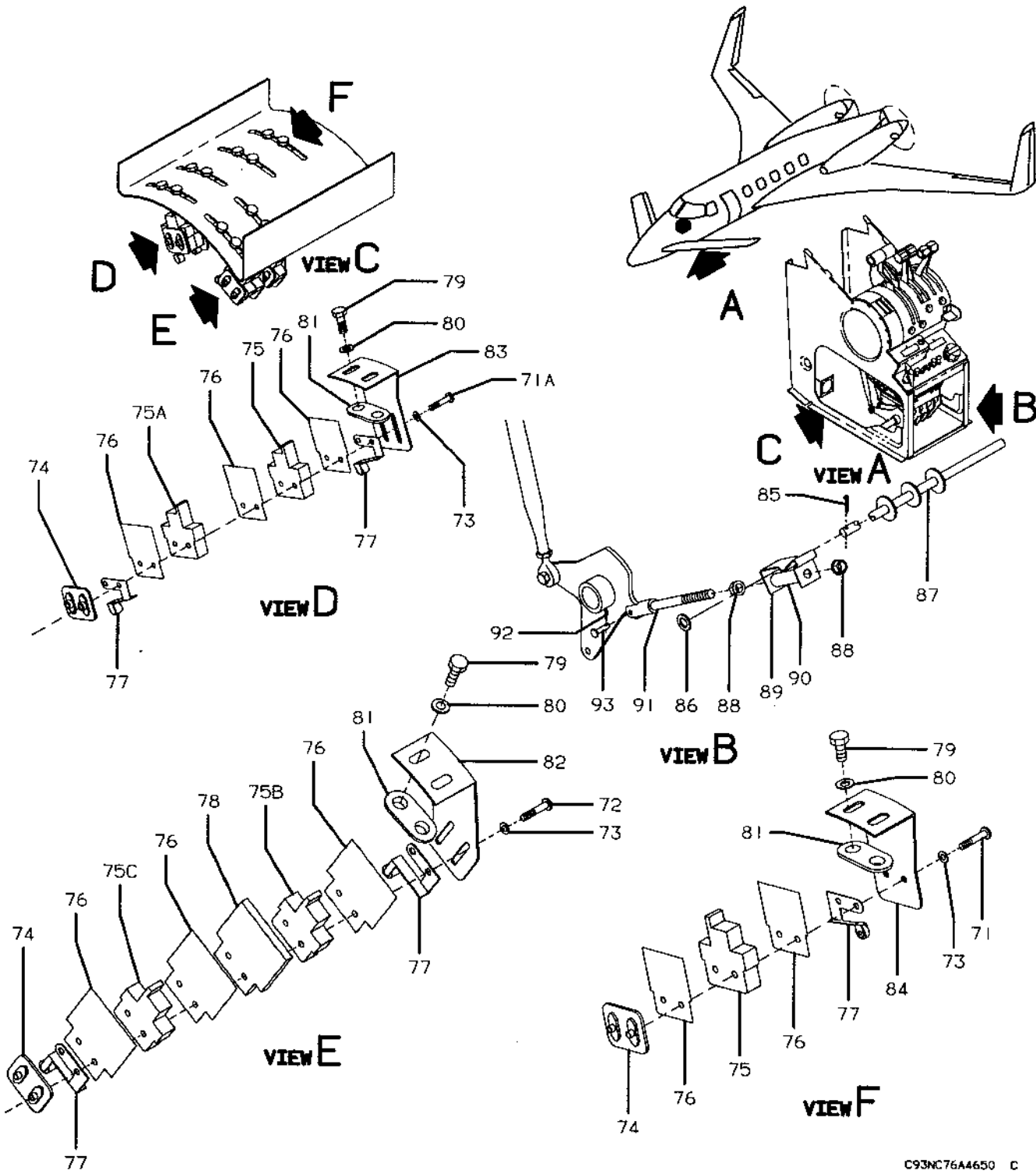
C9200455

FIGURE 10-00. PEDESTAL ENGINE CONTROL MECHANISM
/SHEET 3 OF 5 SHEETS/

Beechcraft
STARSHIP 1
ILLUSTRATED PARTS CATALOG

SUB-SEC UNIT & ITEM NO	PART NO.	DESCRIPTION 1 2 3 4 5 6 7	UNITS PER ASSY	USABLE ON CODE
10-00	122-522035-5	QUADRANT INSTL, PEDESTAL LOWER.....	NP	
- 58	130909N29	. NUT	6	
- 59	AN960-10L	. WASHER	12	
- 60	NAS1303-7	. BOLT	6	
	122-522039-21	. PUSH ROD ASSY, POWER CONTROL.....	2	
- 61	131553L3M	. . ROD END.....	1	
- 62	AN315-3L	. . NUT	1	
- 63	131553-3M	. . ROD END.....	1	
- 64	AN315-3R	. . NUT	1	
- 65	122-522039-23	. . PUSH ROD, POWER.....	1	
	122-522039-3	. . PUSH ROD ASSY, PROP & CONDITION CONTROL.....	4	
- 66	131553L3M	. . ROD END.....	1	
- 67	AN315-3L	. . NUT	1	
- 68	131553-3M	. . ROD END.....	1	
- 69	AN315-3R	. . NUT	1	
- 70	122-522039-7	. . PUSH ROD, PROP & CONDITION.....	1	

Beechcraft
STARSHIP 1
ILLUSTRATED PARTS CATALOG

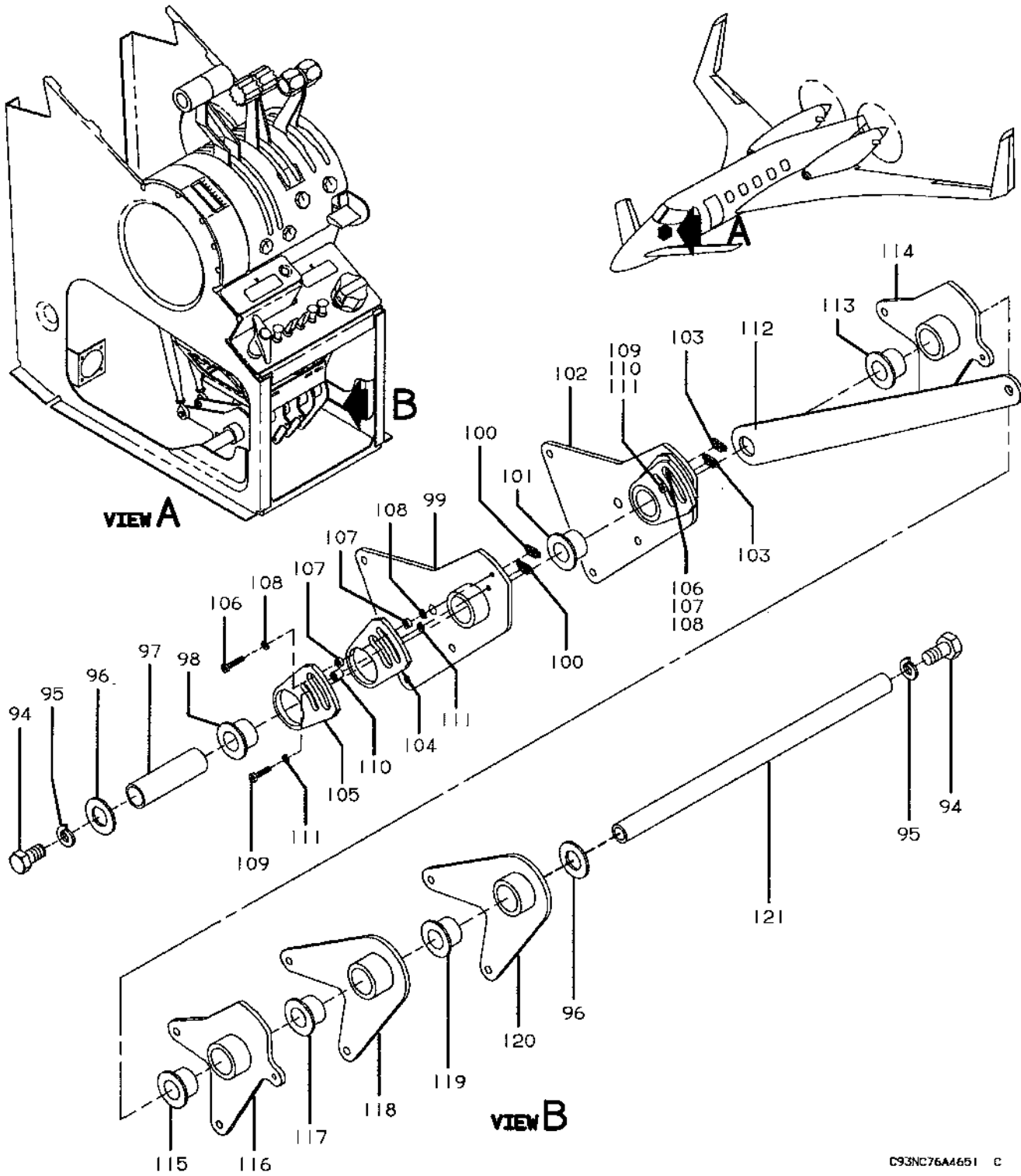


C93NC76A4650 C

Beechcraft
STARSHIP 1
ILLUSTRATED PARTS CATALOG

SUB-SEC UNIT & ITEM NO	PART NO.	DESCRIPTION 1 2 3 4 5 6 7	UNITS	USABLE
			PER ASSY	ON CODE
10-00 -71	R MS35206-208	. SCREW.....	4	
-71A	R MS35206-210	. SCREW.....	4	
-72	MS35206-321	. SCREW.....	4	
-73	AN960PD2L	. WASHER.....	12	
-74	122-522063-1	. PLATE ASSY.....	6	
	MS21069L02	. NUTPLATE.....	2	
-75	R 11SM3S	. SWITCH, 1 LH AUTO FEATHER/S213/.....	1	
	R 11SM3S	. SWITCH, 1 RH AUTO FEATHER/S215/.....	1	
-75A	R 11SM3S	. SWITCH, 3 LH AUTO FEATHER/S285/.....	1	
	R 11SM3S	. SWITCH, 3 RH AUTO FEATHER/S286/.....	1	
-75B	R 11SM3S	. SWITCH, LH LDG GR WARNING/S217/.....	1	
	R 11SM3S	. SWITCH, RH LDG GR WARNING/S218/.....	1	
-75C	R 11SM3S	. SWITCH, LH STALL WARNING/S282/.....	1	
	R 11SM3S	. SWITCH, RH STALL WARNING/S283/.....	1	
-76	AT10823	. INSULATOR, SWITCH.....	14	
-77	R JS5	. ACTUATOR, SWITCH.....	10	
-78	122-522213-1	. SPACER.....	1	
-79	NAS1096-1-6	. SCREW.....	12	
-80	AN960-6L	. WASHER.....	12	
-81	122-522063-5	. CLIP ASSY.....	6	
	46LNK(040)	. PRESSERT.....	2	
-82	122-522028-21	. HANGER, SWITCH.....	2	
-83	122-522028-17	. HANGER, SWITCH.....	2	
-84	122-522028-19	. HANGER, SWITCH.....	2	
-85	MS24665-132	. PIN, COTTER.....	1	
-86	AN960-416L	. WASHER.....	2	
-87	122-522040-1	. ROD ASSY, DETENT.....	1	
-88	MS21083N4	. NUT.....	4	
-89	50-524478-15	. SPRING, DETENT.....	2	
-90	NAS43HT4-96	. SPACER.....	2	
-91	50-524548-87	. ROD ASSY.....	2	
-92	MS24665-132	. PIN, COTTER.....	2	
-93	MS20392-1C13	. PIN.....	2	

Beechcraft
STARSHIP 1
ILLUSTRATED PARTS CATALOG



C93NC76A4651 C

FIGURE 10-00. PEDESTAL ENGINE CONTROL MECHANISM
/SHEET 5 OF 5 SHEETS/

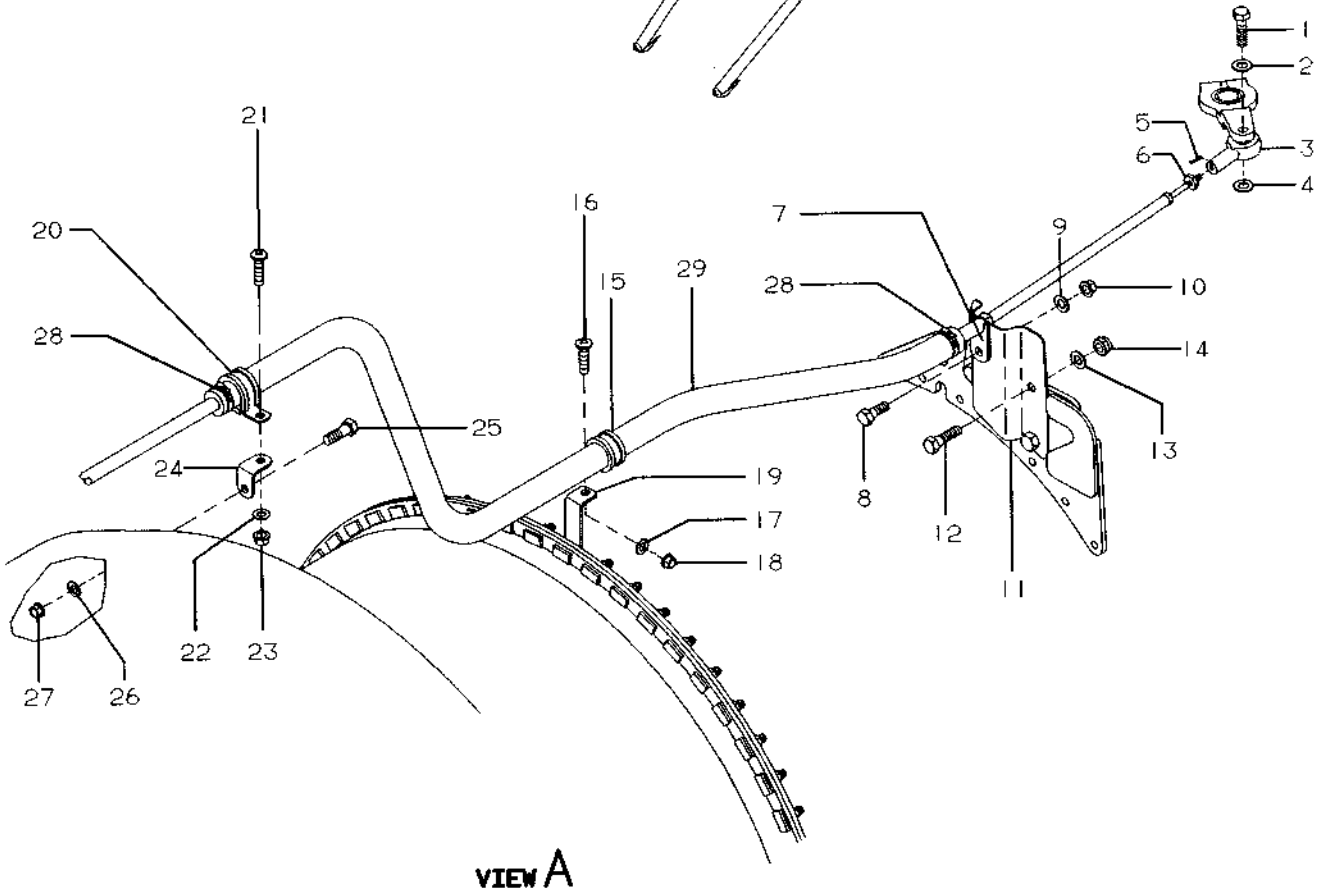
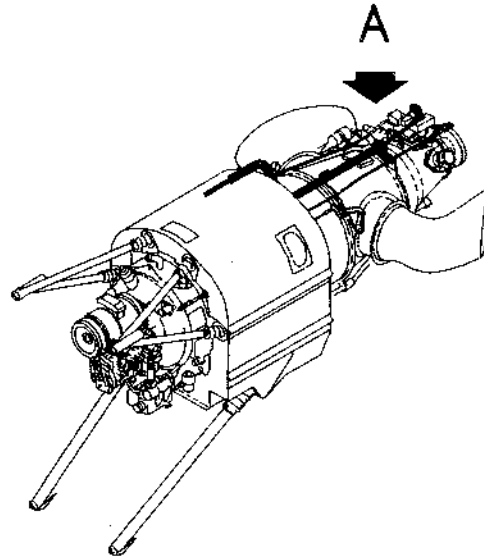
Beechcraft
STARSHIP 1
ILLUSTRATED PARTS CATALOG

SUB-SEC UNIT & ITEM NO	PART NO.	DESCRIPTION 1 2 3 4 5 6 7	UNITS	USABLE
			PER ASSY	ON CODE
10-00 -94	AN5H6A	. BOLT	2	
-95	MS35338-45	. WASHER	2	
-96	AN960-816L	. WASHER/ONE WASHER REQUIRED AT EACH END. USE ADDITIONAL WASHERS TO REDUCE END PLAY IF NECESSARY/	AR	
-97	NAS43DD8-128	. SPACER	1	
	122-522036-51	. BELLCRANK ASSY, LH POWER CONTROL	1	
-98	503-0008-012	. BUSHING	2	
-99	122-522036-41	. BRAZE ASSY	1	
-100 R	MS21075L08	. NUTPLATE	2	
	122-522036-53	. BELLCRANK ASSY, RH POWER CONTROL	1	
-101	503-0008-012	. BUSHING	2	
-102	122-522036-43	. BRAZE ASSY	1	
-103 R	MS21075L08	. NUTPLATE	2	
-104	122-522036-49	. CAM	1	
-105	122-522036-47	. CAM	1	
-106 R	NAS1096-2-13	. SCREW	1	
-107	NAS42DD5-8	. SPACER	1	
-108	MS35338-42	. WASHER	1	
-109 R	NAS1096-2-12	. SCREW	1	
-110	NAS43DD5-18	. SPACER	1	
-111	MS35338-42	. WASHER, LOCK	1	
-112	122-522081-1	. PLATE, DETENT ROD SUPPORT	1	
	122-522037-11	. CAM ASSY, LH PROP CONTROL	1	
-113	503-0008-012	. BUSHING	2	
-114	122-522037-15	. BRAZE ASSY	1	
	122-522037-13	. CAM ASSY, RH PROP CONTROL	1	
-115	503-0008-012	. BUSHING	2	
-116	122-522037-17	. BRAZE ASSY	1	
	122-522036-1	. CAM ASSY, LH CONDITION CONTROL	1	
-117	503-0008-012	. BUSHING	2	
-118	122-522036-5	. BRAZE ASSY	1	
	122-522036-3	. CAM ASSY, RH CONDITION CONTROL	1	
-119	503-0008-012	. BUSHING	2	
-120	122-522036-7	. BRAZE ASSY	1	
-121	122-522061-1	. SHAFT, QUADRANT	1	

Beechcraft
STARSHIP 1
ILLUSTRATED PARTS CATALOG

76-10-10
ENGINE CONTROLS

Beechcraft
STARSHIP 1
ILLUSTRATED PARTS CATALOG



C93NC76A0312 C

FIGURE 10-00.ENGINE CONTROLS
/SHEET 1 OF 9 SHEETS/

Beechcraft
STARSHIP 1
ILLUSTRATED PARTS CATALOG

SUB-SEC UNIT & ITEM NO	PART NO.	DESCRIPTION 1 2 3 4 5 6 7	UNITS PER ASSY	USABLE ON CODE
10-10	122-940004-1	ENGINE CONTROLS INSTL, LH & RH	NP	
- 1	AN3H6A	. BOLT/PROPELLER CABLE/	2	
- 2	100951X040ZL	. WASHER	2	
- 3	FK34-14M	. END. ROD	2	
- 4	AN960-10	. WASHER	2	
- 5	NAS559-1	. LOCK, KEY TYPE	2	
- 6	NAS509-4	. NUT	2	
- 7	RA1039C	. CLIP	2	
		/ATTACHING PARTS/		
- 8	130909B32	. BOLT	1	
- 9	AN960-416L	. WASHER	1	
- 10	130909N32	. NUT	1	
		★		
- 11	114-940023-7	. BRACKET	2	
		/ATTACHING PARTS/		
- 12	130909B15	. BOLT	3	
- 13	AN960-10L	. WASHER	3	
- 14	130909N29	. NUT	3	
		★		
- 15	MS21919WH14	. CLAMP	2	
		/ATTACHING PARTS/		
- 16	MS35207-263	. SCREW	1	
- 17	AN960-10L	. WASHER	1	
- 18	130909N29	. NUT	1	
		★		
- 19	MS9592-020	. BRACKET	2	
- 20	MS21919WH6	. CLAMP	2	
		/ATTACHING PARTS/		
- 21	MS35207-263	. SCREW	1	
- 22	AN960-10L	. WASHER	1	
- 23	130909N29	. NUT	1	
		★		
- 24	AN743-12	. BRACKET	2	
		/ATTACHING PARTS/		
- 25	130909B15	. BOLT	1	
- 26	AN960-10L	. WASHER	1	
- 27	130909N29	. NUT	1	
		★		
- 28	AN737W30	. CLAMP	4	
- 29	131545SG7-0190	. FIRESLEEVE	2	

Beechcraft
STARSHIP 1
ILLUSTRATED PARTS CATALOG

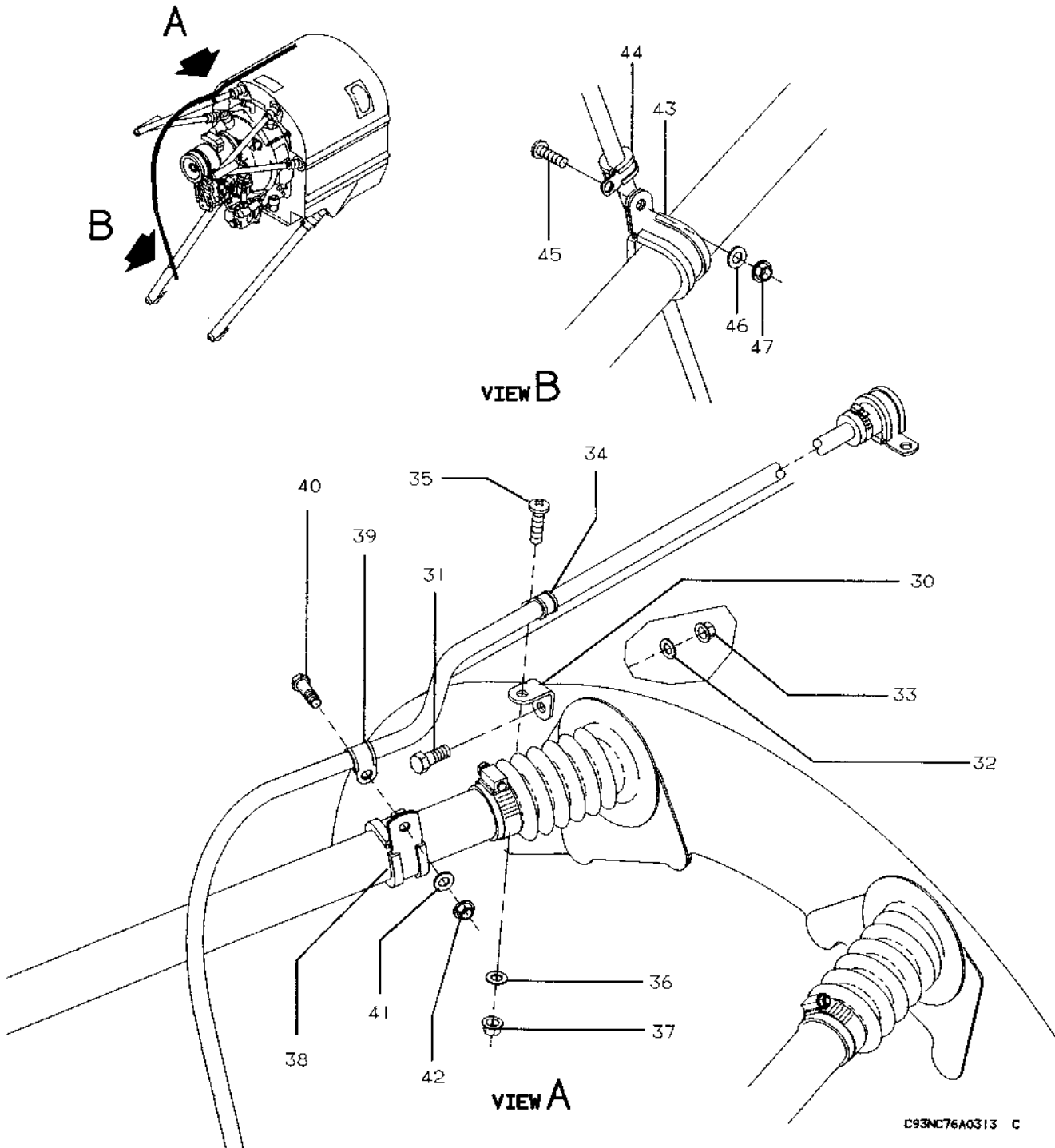
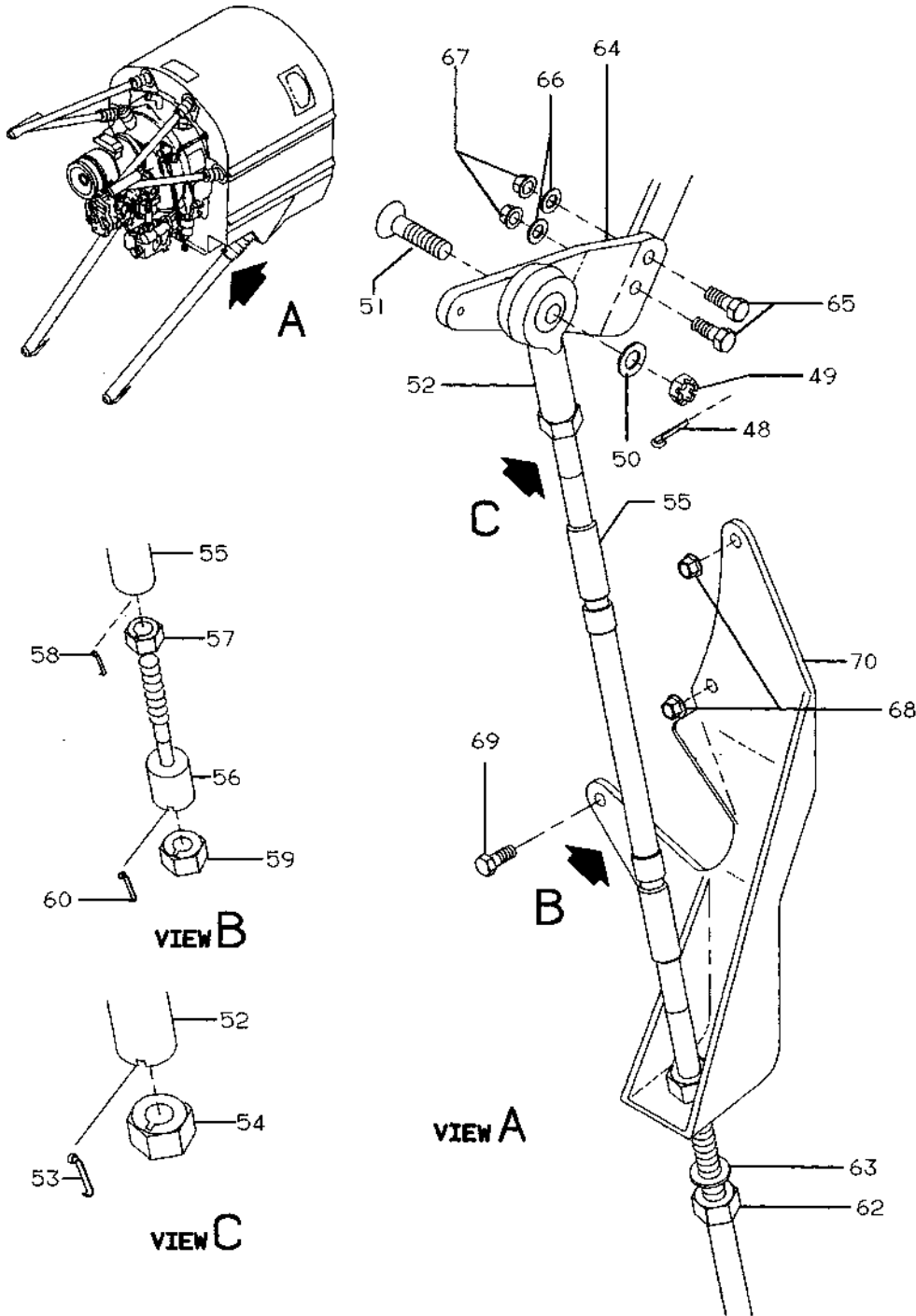


FIGURE 10-00.ENGINE CONTROLS
/SHEET 2 OF 9 SHEETS/

Beechcraft
STARSHIP 1
ILLUSTRATED PARTS CATALOG

SUB-SEC UNIT & ITEM NO	PART NO.	DESCRIPTION 1 2 3 4 5 6 7	UNITS	USABLE
			PER ASSY	ON CODE
10-10 -30	AN743-12	. BRACKET..... /ATTACHING PARTS/	2	
-31	130909B15	. BOLT.....	1	
-32	AN960-10L	. WASHER.....	1	
-33	130909N29	. NUT.....	1	
		---★---		
-34	MS21919WH7	. CLAMP..... /ATTACHING PARTS/	2	
-35	MS35207-263	. SCREW.....	1	
-36	AN960-10L	. WASHER.....	1	
-37	130909N29	. NUT.....	1	
		---★---		
-38	MS21919WH17	. CLAMP, LH.....	1	
-39	MS21919WH6	. CLAMP, LH..... /ATTACHING PARTS/	1	
		. SCREW.....	1	
-40	MS35207-263	. WASHER.....	1	
-41	AN960-10L	. WASHER.....	1	
-42	130909N29	. NUT.....	1	
		---★---		
	R MS21919WH21	. CLAMP, RH.....	1	
	MS21919WH6	. CLAMP, RH..... /ATTACHING PARTS/	1	
		. SCREW.....	1	
	MS35207-263	. WASHER.....	1	
	AN960-10L	. WASHER.....	1	
	130909N29	. NUT.....	1	
		---★---		
-43	R MS21919WH21	. CLAMP, LH.....	1	
-44	MS21919WH7	. CLAMP, LH..... /ATTACHING PARTS/	1	
		. SCREW.....	1	
-45	MS35207-263	. WASHER.....	1	
-46	AN960-10L	. WASHER.....	1	
-47	130909N29	. NUT.....	1	
		---★---		
	R MS21919WH21	. CLAMP, RH.....	2	
	R MS21919WH6	. CLAMP, RH..... /ATTACHING PARTS/	2	
		. SCREW.....	1	
	MS35207-263	. WASHER.....	1	
	AN960-10L	. WASHER.....	1	
	130909N29	. NUT.....	1	
		---★---		
	500015-2	. WRAP, SPIRAL.....	AR	

Beechcraft
STARSHIP 1
ILLUSTRATED PARTS CATALOG



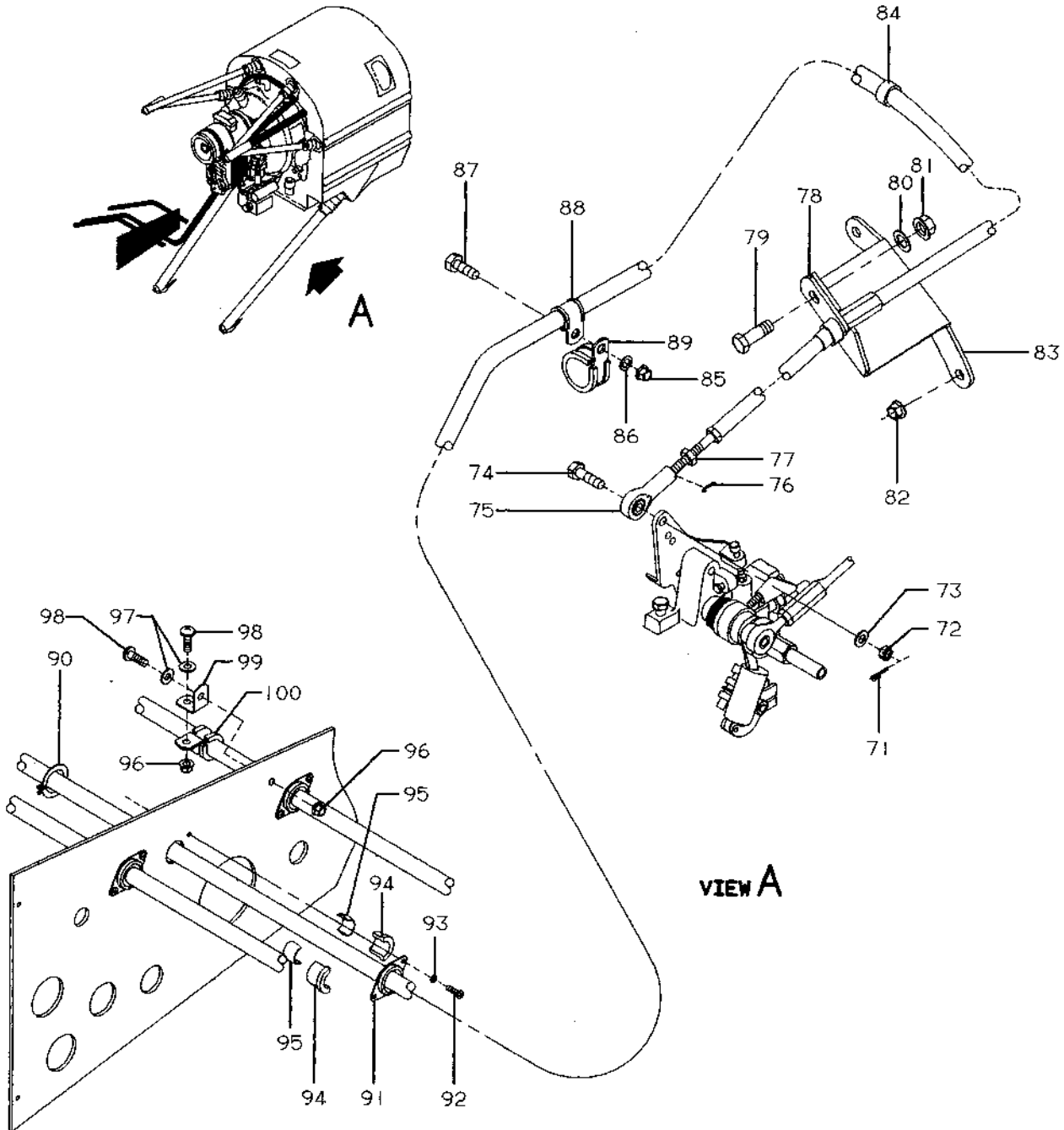
C93NC76A0314 C

FIGURE 10-00.ENGINE CONTROLS
/SHEET 3 OF 9 SHEETS/

Beechcraft
STARSHIP 1
ILLUSTRATED PARTS CATALOG

SUB-SEC UNIT & ITEM NO	PART NO.	DESCRIPTION 1 2 3 4 5 6 7	UNITS PER ASSY	USABLE ON CODE
10-10 - 48	MS24665-132	. PIN, COTTER/POWER CABLE/	2	
- 49	130909N15	. NUT	2	
- 50	100951X040ZL	. WASHER	2	
- 51	NAS1203-9D	. SCREW	2	
- 52	FK34-14M	. END, ROD	2	
- 53	NAS559-1	. LOCK, KEY TYPE	2	
- 54	NAS509-4	. NUT	2	
	122-940031-1	. ADAPTER ASSY	2	
- 55	122-940031-7	. . EXTENSION	1	
- 56	C80074-1	. . CONNECTOR, BALL JOINT	1	
- 57	NAS509-4	. . NUT	1	
- 58	NAS559-1	. . LOCK, KEY TYPE	1	
- 59	NAS509-4	. NUT	2	
- 60	NAS559-1	. LOCK, KEY TYPE	2	
- 61		. DELETED		
- 62	NAS509-7	. NUT	4	
- 63	AN960-716L	. WASHER	4	
- 64	122-940029-1	. LEVER, EXTENSION	2	
		. /ATTACHING PARTS/		
- 65	130909B15	. BOLT	2	
- 66	AN960-10L	. WASHER	2	
- 67	MS21043-3	. NUT	2	
		★		
- 68 R	130909N29	. NUT	4	
- 69 R	AN3H15A	. BOLT	2	
- 70 R	122-940028-1	. BRACKET ASSY, POWER CONTROL/WELDED/	NP	
		. /ORDER 122-940028-15 FOR SPARES/		
R	122-940028-15	. BRACKET ASSY, POWER CONTROL/WELDED/	2	

Beechcraft
STARSHIP 1
ILLUSTRATED PARTS CATALOG



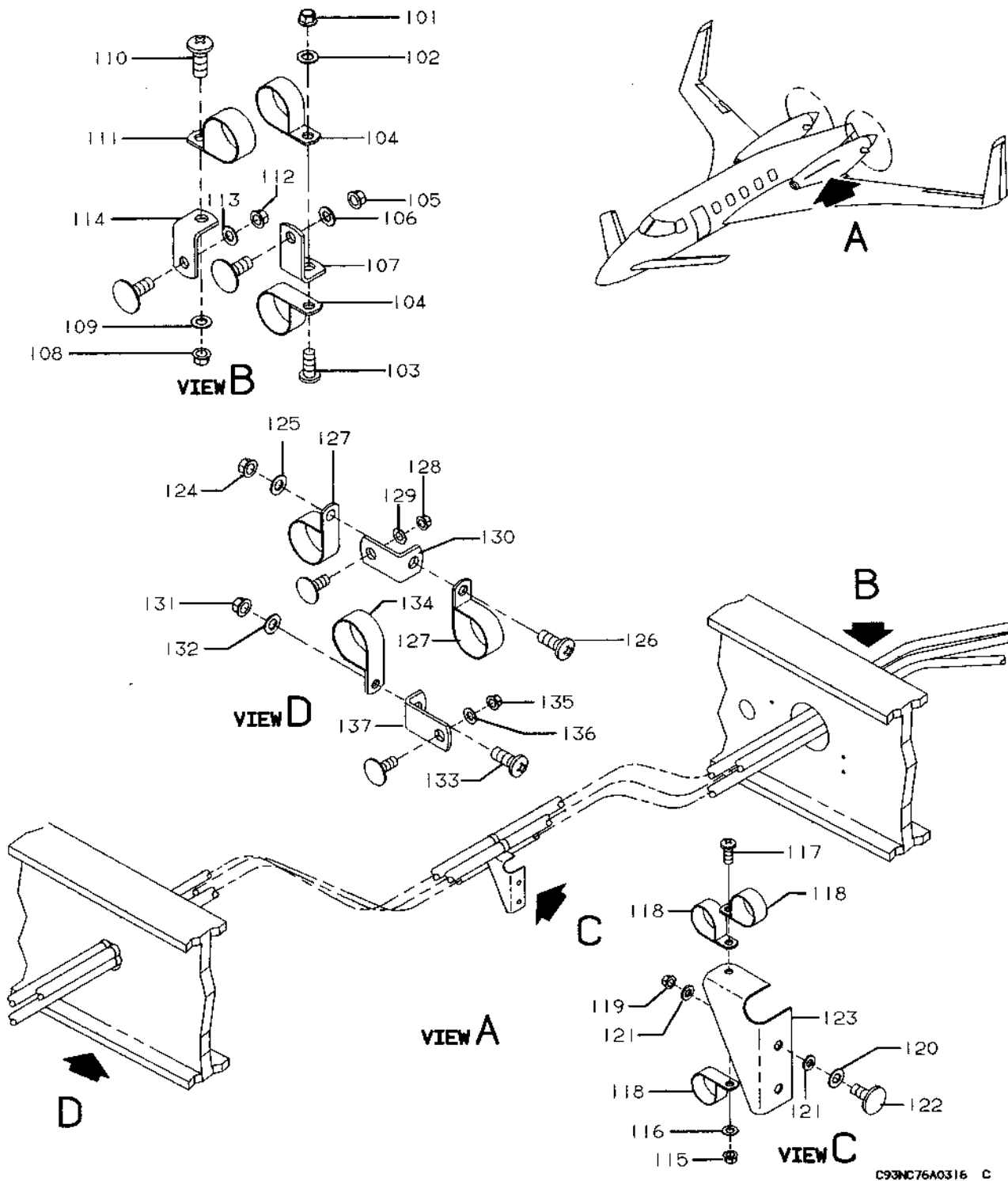
C93NC76A0315 C

FIGURE 10-00.ENGINE CONTROLS
/SHEET 4 OF 9 SHEETS/

Beechcraft
STARSHIP 1
ILLUSTRATED PARTS CATALOG

SUB-SEC UNIT & ITEM NO	PART NO.	DESCRIPTION 1 2 3 4 5 6 7	UNITS	USABLE
			PER ASSY	ON CODE
10-10 -71	MS24665-132	. PIN, COTTER/CONDITION CABLE/.....	2	
-72	130909N15	. NUT	2	
-73	100951X040ZL	. WASHER	2	
-74	130909B18	. BOLT	2	
-75	FK34-14M	. END, ROD	2	
-76	NAS559-1	. LOCK, KEY TYPE.....	2	
-77	NAS509-4	. NUT	2	
-78	RA1039C	. CLIP.....	2	
		/ATTACHING PARTS/		
-79	130909B32	. BOLT	1	
-80	AN960-416L	. WASHER	1	
-81	130909N32	. NUT	1	
		---★---		
-82	130909N29	. NUT	4	
-83	114-940024-1	. BRACKET.....	2	
-84	MS21919WH7	. CLAMP, LH	2	
	R MS21919WH4	. CLAMP, RH	1	
-85	130909N29	. NUT	4	
-86	AN960-10L	. WASHER.....	4	
-87	MS35207-263	. SCREW.....	4	
-88	MS21919WH7	. CLAMP, LH & RH PROP & CONDITION CABLES.....	4	
-89	R MS21919WH21	. CLAMP, LH & RH ENGINE MOUNT	4	
	130909N29	. NUT	1	
	AN960-10L	. WASHER	1	
	MS35207-263	. SCREW.....	1	
	MS21919WH7	. CLAMP, LH PROPELLER & CONDITION CABLES.....	2	
	MS21919WH8	. CLAMP, LH PROPELLER & CONDITION CABLES.....	1	
-90	MS16624-1087	. RING, GROMMET/PROPELLER & CONDITION CABLES/	4	
-91	112436-6	. RETAINER, GROMMET	4	
		/ATTACHING PARTS/		
-92	MS35206-228	. SCREW.....	2	
-93	AN960-6L	. WASHER	2	
		---★---		
-94	112412	. GROMMET	8	
-95	112413-4	. BALL, HALF	8	
	MS16624-1087	. RING, GROMMET/POWER CABLES/	2	
	112436-6	. RETAINER, GROMMET	2	
		/ATTACHING PARTS/		
	MS35206-228	. SCREW.....	2	
	AN960-6L	. WASHER	2	
		---★---		
	112412	. GROMMET	4	
	112413-8	. BALL, HALF	4	
-96	130909N29	. NUT	4	
-97	AN960-10L	. WASHER.....	4	
-98	MS35207-263	. SCREW.....	4	
-99	AN743-12	. BRACKET.....	2	
-100	MS21919WH7	. CLAMP, POWER CABLES/LWR NACELLE FIREWALL/.....	2	

Beechcraft
STARSHIP 1
ILLUSTRATED PARTS CATALOG



Beechcraft
STARSHIP 1
ILLUSTRATED PARTS CATALOG

SUB-SEC UNIT & ITEM NO	PART NO.	DESCRIPTION 1 2 3 4 5 6 7	UNITS	USABLE
			PER ASSY	ON CODE
10-10 -101	130909N28	. NUT	2	
-102	NAS620-8L	. WASHER	2	
-103	MS35206-243	. SCREW	2	
-104	HP7N	. CLAMP, LH & RH AFT MAIN SPAR, AFT WING	4	
-105	130909N29	. NUT	2	
-106	AN960-10L	. WASHER	2	
-107	MS9592-012	. BRACKET	2	
-108	130909N28	. NUT	2	
-109	NAS620-8L	. WASHER	2	
-110	MS35206-242	. SCREW	2	
-111	HP7N	. CLAMP, LH & RH AFT MAIN SPAR, AFT WING	2	
-112	130909N29	. NUT	2	
-113	AN960-10L	. WASHER	2	
-114	MS9592-008	. BRACKET	2	
-115	130909N28	. NUT	2	
-116	NAS620-8L	. WASHER	2	
-117	MS35206-244	. SCREW	2	
-118 R	HP7N	. CLAMP, LH & RH/FS 400.26/	6	
-119	130909N29	. NUT	4	
-120	AN960-10L	. WASHER	4	
-121	AN960-10	. WASHER/INSTALL ONE EACH AN960-10 & AN960-10L	8	
		BETWEEN BRACKET & STUD FACE/		
-122	132151-3-4	. STUD	4	
-123	122-940000-73	. BRACKET, LH	1	
	122-940000-74	. BRACKET, RH	1	
-124	130909N28	. NUT	2	
-125	NAS620-8L	. WASHER	2	
-126	MS35206-243	. SCREW	2	
-127	HP7N	. CLAMP, LH & RH CTR MAIN SPAR, AFT WING	4	
-128	130909N29	. NUT	2	
-129	AN960-10L	. WASHER	2	
-130	MS9592-012	. BRACKET	2	
-131	130909N28	. NUT	2	
-132	NAS620-8L	. WASHER	2	
-133	MS35206-242	. SCREW	2	
-134	HP7N	. CLAMP, LH & RH CTR MAIN SPAR, AFT WING	2	
-135	130909N29	. NUT	2	
-136	AN960-10L	. WASHER	2	
-137	AN743-12	. BRACKET	2	

Beechcraft
STARSHIP 1
ILLUSTRATED PARTS CATALOG

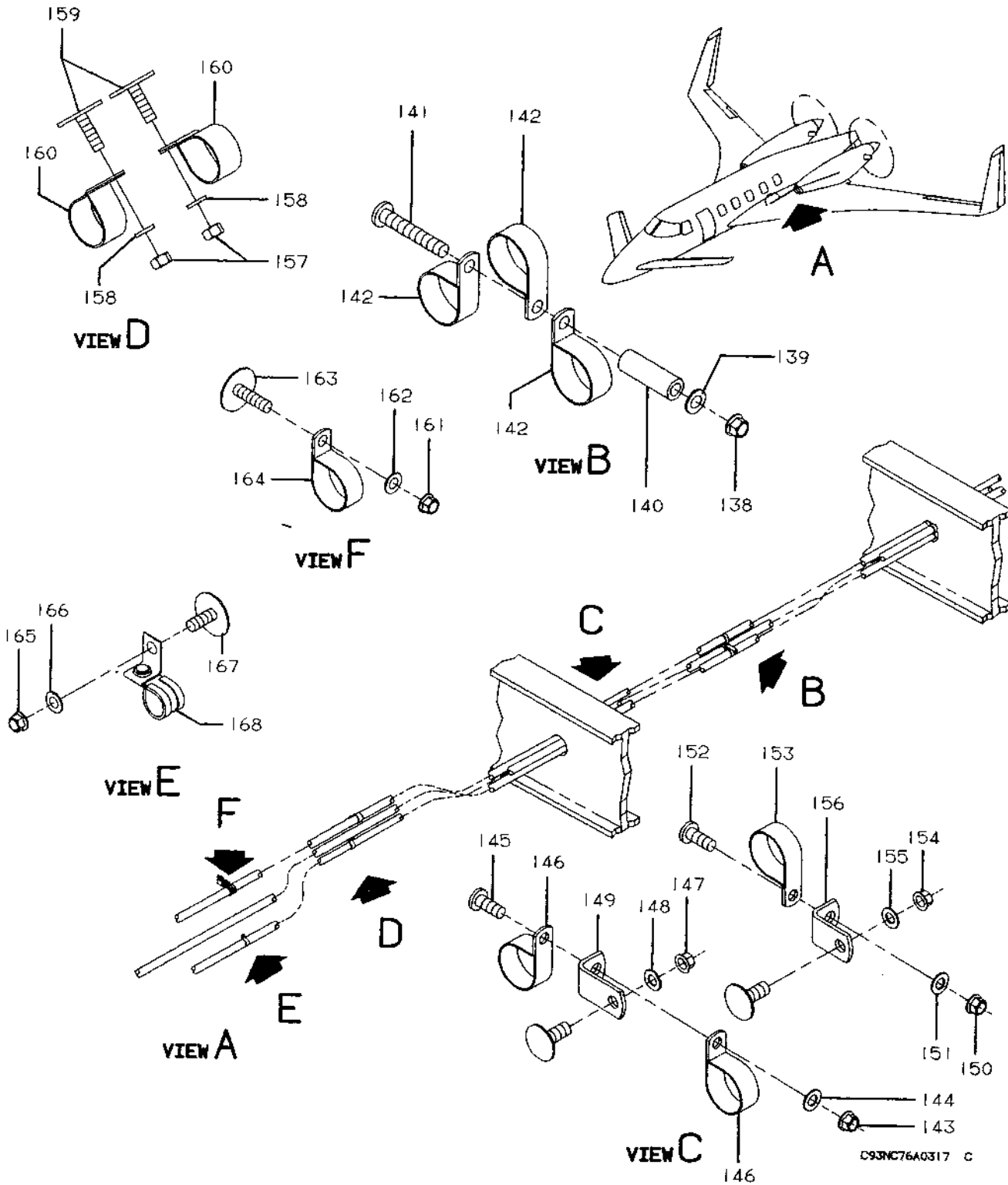
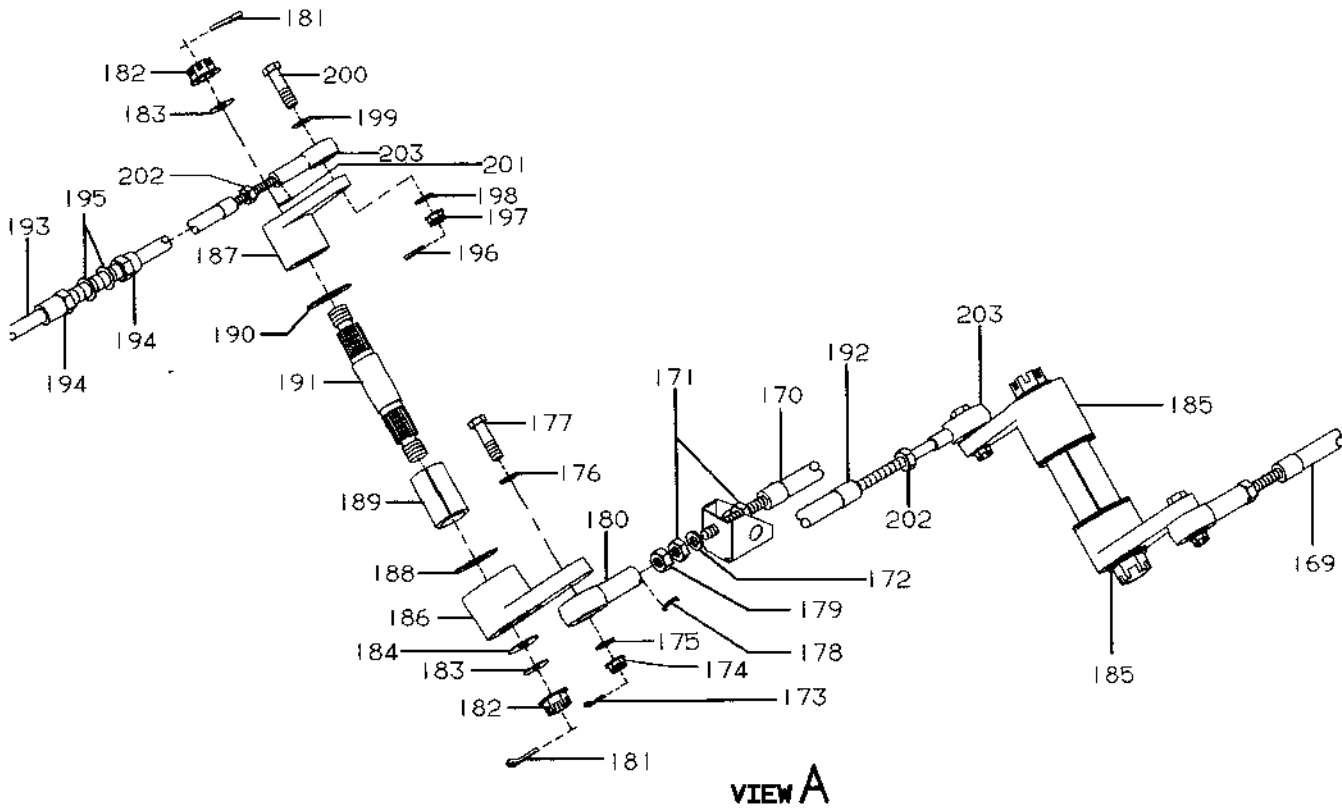
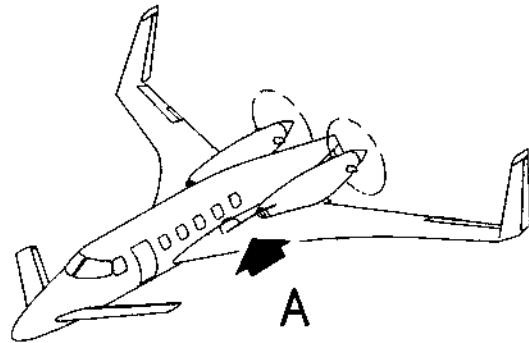


FIGURE 10-00.ENGINE CONTROLS
/SHEET 6 OF 9 SHEETS/

Beechcraft
STARSHIP 1
ILLUSTRATED PARTS CATALOG

SUB-SEC UNIT & ITEM NO	PART NO.	DESCRIPTION 1 2 3 4 5 6 7	UNITS	USABLE
			PER ASSY	ON CODE
10-10 -138	130909N28	. NUT	2	
-139	NAS620-8L	. WASHER	2	
-140	NAS43DD3-23	. SPACER	2	
-141	MS35206-250	. SCREW	2	
-142	HP7N	. CLAMP, LH & RH	6	
-143	130909N28	. NUT	2	
-144	NAS620-8L	. WASHER	2	
-145	MS35206-243	. SCREW	2	
-146	HP7N	. CLAMP, LH & RH FWD MAIN SPAR, AFT WING	4	
-147	130909N29	. NUT	2	
-148	AN960-10L	. WASHER	2	
-149	MS9592-012	. BRACKET	2	
-150	130909N28	. NUT	2	
-151	NAS620-8L	. WASHER	2	
-152	MS35206-242	. SCREW	2	
-153	HP7N	. CLAMP, LH & RH FWD MAIN SPAR, AFT WING	2	
-154	130909N29	. NUT	2	
-155	AN960-10L	. WASHER	2	
-156	MS9592-008	. BRACKET	2	
-157	130909N29	. NUT	3	
-158	AN960-10L	. WASHER	3	
-159	132151-3-4	. STUD/2 LH, 1 RH/	3	
-160	R HP7N	. CLAMP, LH & RH/FS 347.50/	4	
	130909N29	. NUT	1	
	AN960-10L	. WASHER	1	
	MS35206-263	. SCREW	1	
	HP7N	. CLAMP, LH POWER CABLE	1	
-161	130909N29	. NUT	2	
-162	AN960-10L	. WASHER	2	
-163	132151-3-4	. STUD	2	
-164	HP7N	. CLAMP, LH & RH PROPELLER CABLES/FS 338.06/	2	
-165	130909N29	. NUT	2	
-166	AN960-10L	. WASHER	2	
-167	132151-3-4	. STUD	2	
-168	782-1E8	. CLAMP, LH & RH CONDITION CABLES/FS 336.58/	2	
	130909N29	. NUT	2	
	AN960-10L	. WASHER	2	
	NAS43DD3-40	. SPACER	2	
	132131-3-8	. STUD	2	
R	HP7N	. CLAMP, LH & RH POWER CABLE/FS 336.50/	2	
R	130909N29	. NUT	2	
R	AN960-10L	. WASHER	2	
R	NAS43DD3-61	. SPACER	2	
R	132131-14	. STUD	2	
	HP7N	. CLAMP, LH & RH CONDITION CABLES/FS 309.50/	2	

Beechcraft
STARSHIP 1
ILLUSTRATED PARTS CATALOG

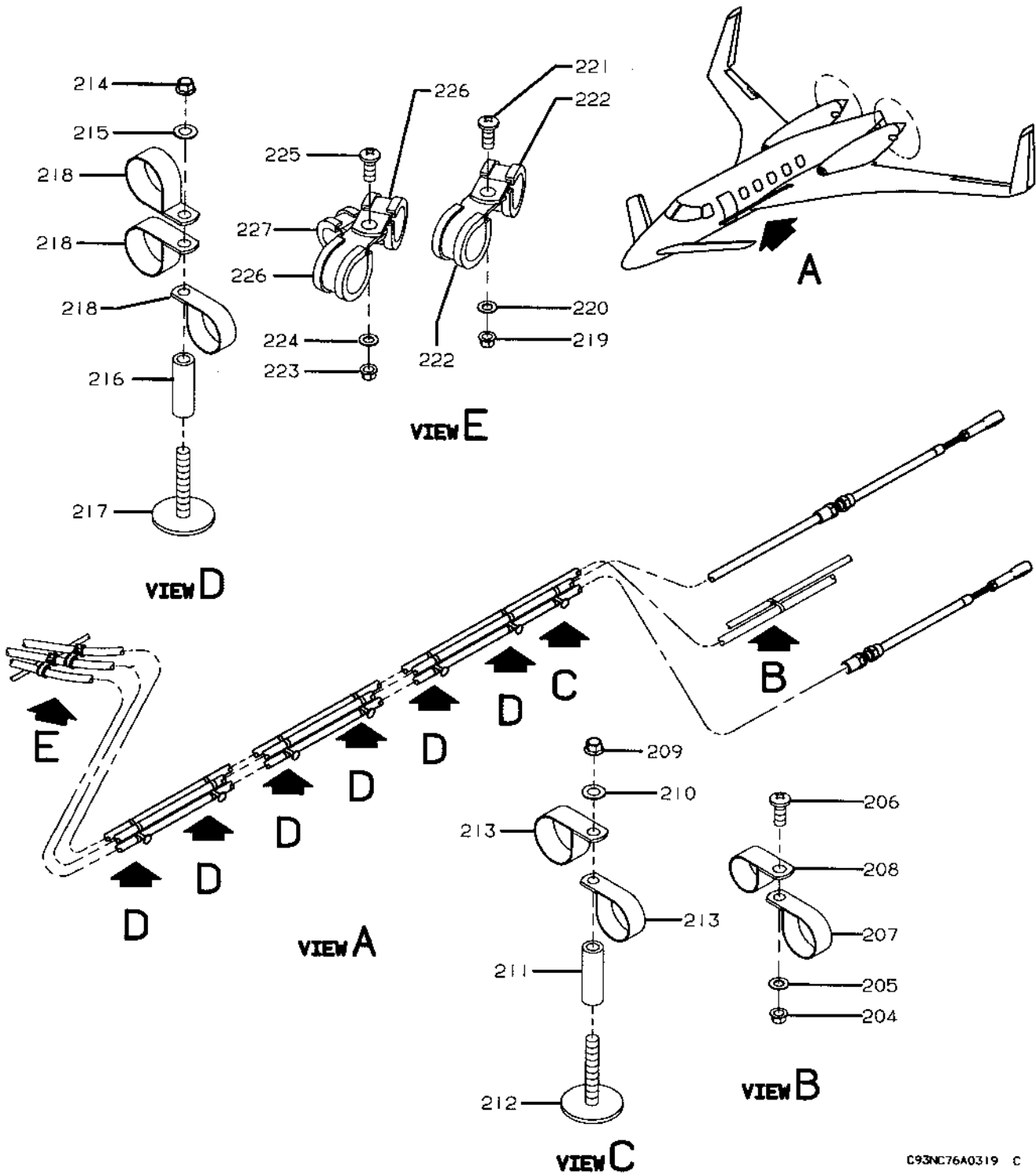


C93NC76A0318 C

Beechcraft
STARSHIP 1
ILLUSTRATED PARTS CATALOG

SUB-SEC UNIT & ITEM NO	PART NO.	DESCRIPTION 1 2 3 4 5 6 7	UNITS PER ASSY	USABLE ON CODE
10-10 -169	122-389023-33	. CABLE ASSY, LH PROPELLER, AFT.....	1	
	122-389023-35	. CABLE ASSY, RH PROPELLER, AFT.....	1	
-170	122-389023-37	. CABLE ASSY, LH & RH CONDITION, AFT.....	2	
		/ATTACHING PARTS/		
-171 R	NAS509-7	. NUT.....	2	
-172 R	AN960-716L	. WASHER.....	2	
-173	MS24665-132	. PIN, COTTER.....	1	
-174	130909N15	. NUT.....	1	
-175	AN960-10L	. WASHER.....	1	
-176	100951X040ZL	. WASHER.....	1	
-177	130909B209	. BOLT.....	1	
		★-----		
-178	NAS559-1	. LOCK, KEY TYPE.....	4	
-179	NAS509-4	. NUT.....	4	
-180	FK34-14M	. END, ROD.....	4	
-181	MS24665-134	. PIN, COTTER.....	8	
-182	AN310D5	. NUT.....	8	
-183	AN960-516	. WASHER.....	8	
-184	MS20002C7	. WASHER.....	4	
-185	122-940002-7	. LEVER, LH & RH PROPELLER CABLE.....	4	
-186	122-940002-7	. LEVER, LH & RH CONDITION CABLE.....	2	
-187	122-940002-9	. LEVER, LH & RH CONDITION CABLE.....	2	
-188	100951B010XM	. WASHER/SHIM BETWEEN LEVER & 122-430075.....	AR	
		INSERT TO MAINTAIN .005-.015 GAP/		
-189	09DU06	. BUSHING.....	8	
-190	G09DU	. WASHER/INSTALL ON INSIDE OF FUSELAGE ONLY.....	4	
		WITH TEFLON FACING AWAY FROM LEVER/		
-191	122-940003-3	. JOURNAL.....	4	
-192	122-389021-23	. CABLE ASSY, LH & RH PROPELLER, FWD.....	2	
-193	122-389022-1	. CABLE ASSY, LH & RH CONDITION, FWD.....	2	
		/ATTACHING PARTS/		
-194	NAS509-7	. NUT.....	4	
-195	AN960-716L	. WASHER.....	4	
-196	MS24665-132	. PIN, COTTER.....	1	
-197	130909N15	. NUT.....	1	
-198	AN960-10L	. WASHER.....	1	
-199	100951X040ZL	. WASHER.....	1	
-200	130909B209	. BOLT.....	1	
		★-----		
-201	NAS559-1	. LOCK, KEY TYPE.....	4	
-202	NAS509-4	. NUT.....	4	
-203	FK34-14M	. END, ROD.....	4	

Beechcraft
STARSHIP 1
ILLUSTRATED PARTS CATALOG



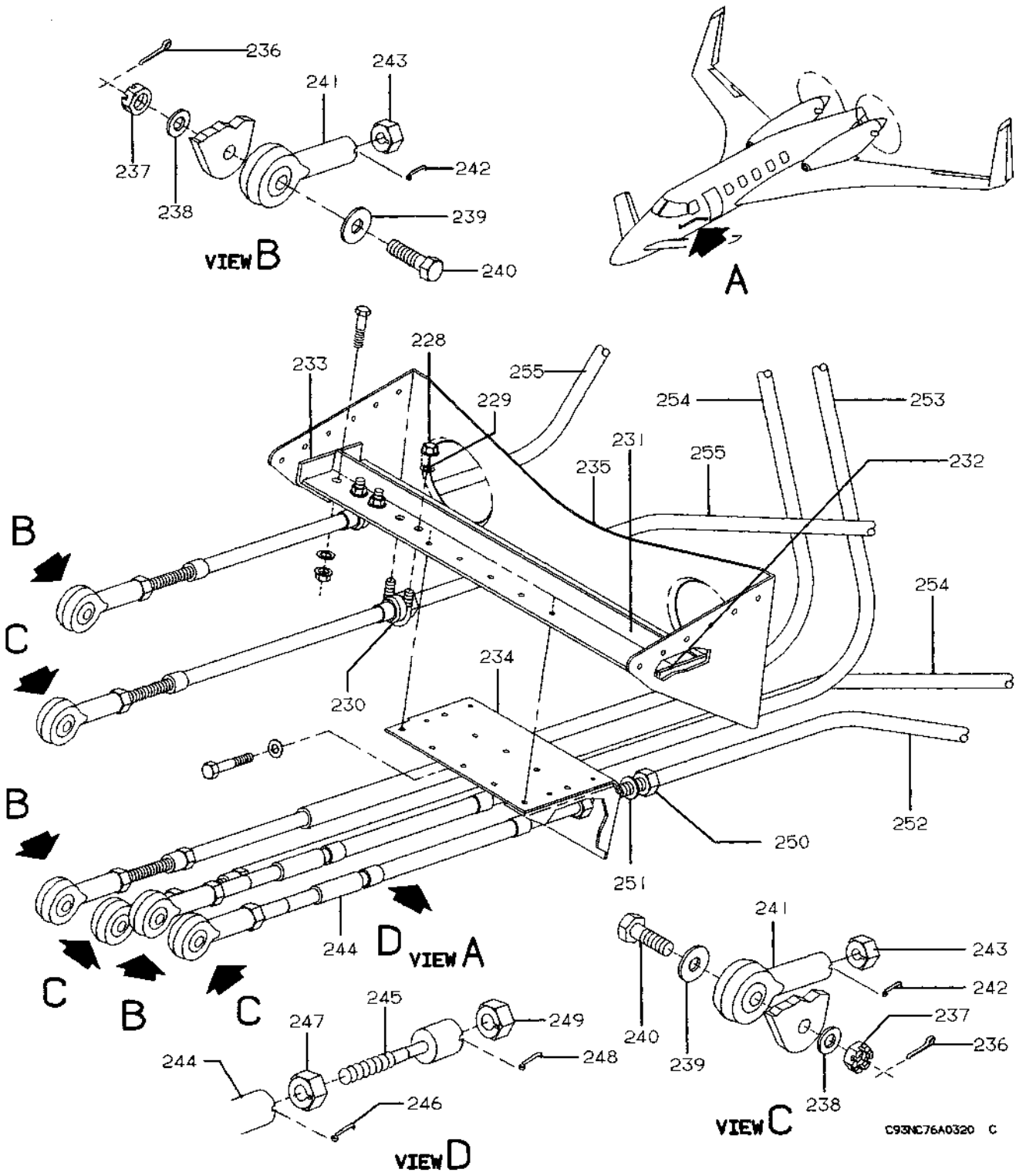
C93NC76A0319 C

FIGURE 10-00.ENGINE CONTROLS
/SHEET 8 OF 9 SHEETS/

Beechcraft
STARSHIP 1
ILLUSTRATED PARTS CATALOG

SUB-SEC UNIT & ITEM NO	PART NO.	DESCRIPTION 1 2 3 4 5 6 7	UNITS	USABLE
			PER ASSY	ON CODE
10-10 -204	130909N29	. NUT	1	
-205	AN960-10L	. WASHER	1	
-206	MS35207-263	. SCREW	1	
-207	MS21919WH8	. CLAMP, LH POWER CABLE/FS 287.00/	1	
-208	MS21919WH4	. CLAMP, LH/HYDRAULIC LINE/FS 287.00/	1	
	130909N28	. NUT	1	
	NAS620-8L	. WASHER	1	
	MS35206-242	. SCREW	1	
	HP7N	. CLAMP, RH POWER CABLE/FS 287.00/	1	
	130909N29	. NUT	1	
	AN960-10L	. WASHER	1	
	132131-3-4	. STUD	1	
	AN743-12	. BRACKET	1	
-209	130909N28	. NUT	2	
-210	NAS620-8L	. WASHER	2	
-211	NAS43DD3-61	. SPACER	2	
-212	132131-08-14	. STUD	2	
-213	HP7N	. CLAMP, PROP & CONDITION CABLES/FS 270.00/	4	
-214	130909N28	. NUT	14	
-215	NAS620-8L	. WASHER	14	
-216	NAS43DD3-61	. SPACER	14	
-217	132131-08-14	. STUD	14	
-218	HP7N	. CLAMP, LH & RH/FS 256.80 THRU FS 175.00/	42	
	130909N28	. NUT	1	
	NAS620-8L	. WASHER	1	
	MS35206-243	. SCREW	1	
R	HP7N	. CLAMP, RH PROPELLER & POWER CABLES	2	
	130909N28	. NUT	1	
	NAS620-8L	. WASHER	1	
	MS35206-242	. SCREW	1	
R	HP7N	. CLAMP, RH CONDITION CABLE	1	
R	130909N29	. NUT	2	
R	AN960-10L	. WASHER	2	
R	132131-3-4	. STUD	2	
R	AN743-12	. BRACKET	2	
-219	130909N29	. NUT	1	
-220	AN960-10L	. WASHER	1	
-221	MS35207-263	. SCREW	1	
-222	MS21919WH8	. CLAMP, LH PROPELLER & POWER CABLES	2	
-223	130909N29	. NUT	1	
-224	AN960-10L	. WASHER	1	
-225	MS35207-263	. SCREW	1	
-228	MS21919WH8	. CLAMP, LH PROPELLER & CONDITION CABLES	2	
-227	MS21919WH4	. CLAMP, LH/HYDRAULIC LINE/	1	
	130909N29	. NUT	1	
	AN960-10L	. WASHER	1	
	NAS43DD3-61	. SPACER	1	
	132131-3-14	. STUD	1	
	HP7N	. CLAMP, LH CONDITION & RH POWER CABLES	2	

Beechcraft
STARSHIP 1
ILLUSTRATED PARTS CATALOG



C93NC76A0320 C

FIGURE 10-00.ENGINE CONTROLS
/SHEET 9 OF 9 SHEETS/

Deechcraft
STARSHIP 1
ILLUSTRATED PARTS CATALOG

SUB-SEC UNIT & ITEM NO	PART NO.	DESCRIPTION 1 2 3 4 5 6 7	UNITS PER ASSY	USABLE ON CODE
10-10 -228	130909N29	. NUT	4	
-229	AN960-10L	. WASHER	4	
-230	50-944073-15	. U-BOLT, LH & RH CONDITION CABLES	2	
	122-940030-15	. BRACKET ASSY, ENGINE CONTROL	1	
-231	122-940030-13	. . SUPPORT	1	
-232	122-940030-9	. . ANGLE, LH	1	
-233	122-940030-11	. . ANGLE, RH	1	
-234	122-940030-19	. . BRACKET ASSY	1	
-235	122-940030-17	. . SUPPORT	1	
-236	MS24685-132	. PIN, COTTER	6	
-237	130909N15	. NUT	6	
-238	AN960-10L	. WASHER	6	
-239	100951X040ZL	. WASHER	6	
-240	130909B18	. BOLT	6	
-241	FK34-14M	. END, ROD	6	
-242	NAS559-1	. LOCK, KEY TYPE	6	
-243	NAS509-4	. NUT	6	
	122-940031-3	. ADAPTER ASSY, LH & RH POWER CABLES	2	
-244	122-940031-9	. . EXTENSION	1	
-245	C80074-1	. . CONNECTOR, BALL JOINT	1	
-246	NAS559-1	. . LOCK, KEY TYPE	1	
-247	NAS509-4	. . NUT	1	
-248	NAS559-1	. . LOCK, KEY TYPE	2	
-249	NAS509-4	. . NUT	2	
-250	NAS509-7	. NUT, LOCK/LH & RH POWER CABLES/	4	
-251	AN960-716L	. WASHER	4	
	122-380077-1	. CABLE HEATER ASSY, LH AFT POWER CABLE	1	
		. /ATTACHING PARTS/		
R	MS3367-1-9	. STRAP, TIE	4	
		---★---		
	122-380077-3	. CABLE HEATER ASSY, RH AFT POWER CABLE	1	
		. /ATTACHING PARTS/		
R	MS3367-1-9	. STRAP, TIE	4	
		---★---		
	122-380077-5	. CABLE HEATER ASSY, LH & RH FWD POWER CABLE	2	
		. /ATTACHING PARTS/		
R	MS3367-1-9	. STRAP, TIE	6	
		---★---		
-252	R 122-389041-1	. CABLE ASSY, LH POWER/ALTERNATE FOR	1	1
		122-389041-5/		
	R 122-389041-5	. CABLE ASSY, LH POWER/ALTERNATE FOR	1	1
		122-389041-1/		
	122-389041-9	. CABLE ASSY, LH POWER/ALTERNATE FOR	1	2
		122-389041-13/		
	122-389041-13	. CABLE ASSY, LH POWER/ALTERNATE FOR	1	2
		122-389041-9/		
-253	R 122-389041-3	. CABLE ASSY, RH POWER/ALTERNATE FOR	1	1
		122-389041-7/		
	R 122-389041-7	. CABLE ASSY, RH POWER/ALTERNATE FOR	1	1
		122-389041-3/		
	122-389041-11	. CABLE ASSY, RH POWER/ALTERNATE FOR	1	2
		122-389041-15/		
	122-389041-15	. CABLE ASSY, RH POWER/ALTERNATE FOR	1	2
		122-389041-11/		
	NAS509-10	. NUT, LOCK/LH & RH PROPELLER CABLES/	4	
	AN960-1016L	. WASHER	3	
	122-940030-23	. WASHER/RH PROPELLER CABLE ONLY, FWD SIDE/	1	
-254	R 122-389021-23	. CABLE ASSY, LH & RH PROPELLER, FWD	2	
-255	R 122-389022-1	. CABLE ASSY, LH & RH CONDITION, FWD	2	

CODES OF EFFECTIVITY

1 NC-4 THRU NC-35 2 NC-36 AND AFTER

Beechcraft
STARSHIP 1
ILLUSTRATED PARTS CATALOG

76-10-20
THROTTLE GO AROUND SWITCH


STARSHIP 1
ILLUSTRATED PARTS CATALOG

SUB-SEC UNIT & ITEM NO	PART NO.	DESCRIPTION 1 2 3 4 5 6 7	UNITS PER ASSY	USABLE ON CODE
10-20	122-522066-1	SWITCH INSTL, THROTTLE GO AROUND.....	NP	
- 1	205841-1	. RECEPTACLE.....	1	
		. /ATTACHING PARTS/		
- 2	MS35206-216	. SCREW.....	4	
- 3	AN960PD4	. WASHER.....	4	
- 4	MS21042L04	. NUT.....	4	
		-----★-----		
	205089-1	. PIN, CONTACT.....	8	
- 5	MS21122C2	. CLAMP.....	2	
		. /ATTACHING PARTS/		
- 6	MS35206-249	. SCREW.....	1	
- 7	MS35206-244	. SCREW.....	1	
- 8	AN960-8L	. WASHER.....	1	
- 9	NAS43DD3-40	. SPACER.....	1	
- 10	130909N28	. NUT.....	1	
		-----★-----		
- 11	122-382087-1	. CORD RETRACTILE.....	2	
	106242C43-00108	. TUBING, SHRINK.....	2	
- 12	P7-300014	. SWITCH, GO AROUND.....	2	
	AN565A6H3	. SCREW, SET.....	2	
- 13	122-522079-3	. ADAPTER, SWITCH.....	2	
- 14	206062-1	. BACKSHELL.....	1	

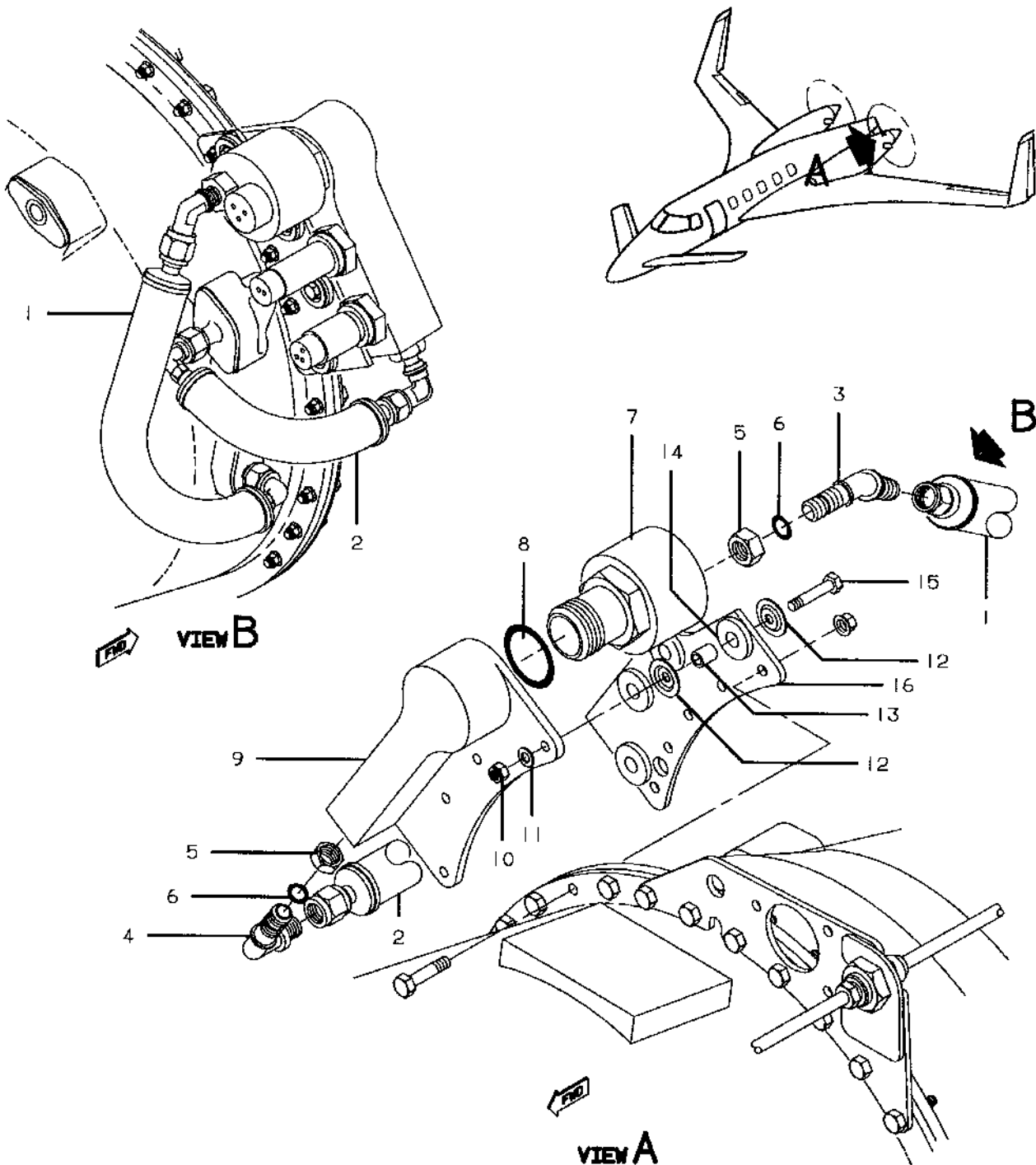
Beechcraft
STARSHIP 1
ILLUSTRATED PARTS CATALOG
LIST OF PAGES & TABLE OF CONTENTS
FOR
CHAPTER 77-00-00 ENGINE INDICATING

CHAP/SUB- SECT & UNIT	PAGE NO.	EFFECTIVE DATE	TABLE OF CONTENTS
77-00-00	1	02/25/94	LIST OF PAGES & TABLE OF CONTENTS
77-40-00	1	02/25/94	INTEGRATED ENGINE INSTRUMENT SYSTEMS.....
77-40-00	2	02/25/94	
77-40-00	3	02/25/94	
77-40-00	4	02/25/94	
77-40-00	5	02/25/94	

Beechcraft
STARSHIP 1
ILLUSTRATED PARTS CATALOG

77-40-00
INTEGRATED ENGINE INSTRUMENT SYSTEMS

Beechcraft
 STARSHIP 1
 ILLUSTRATED PARTS CATALOG



D94NC77A0060 C

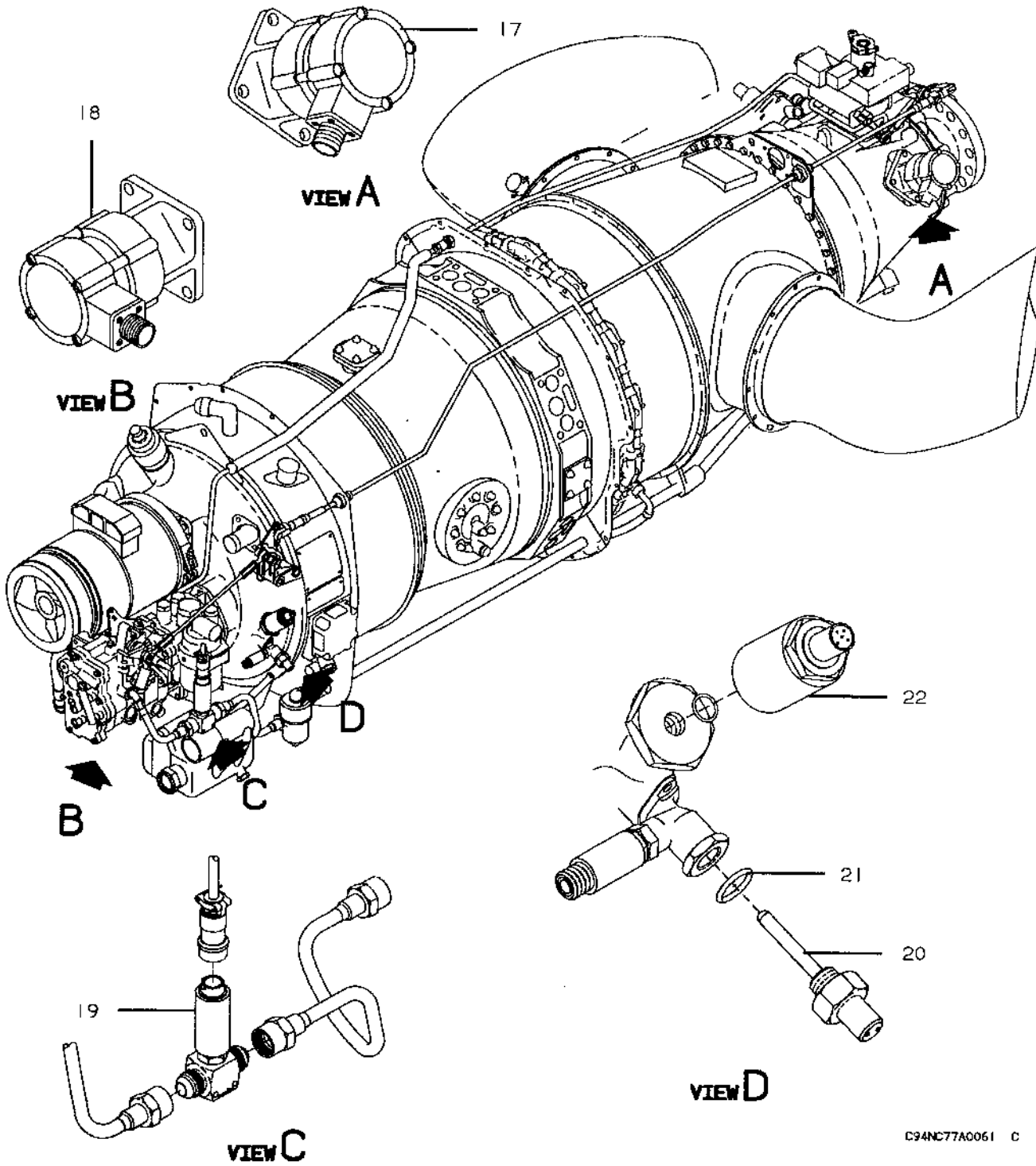
FIGURE 40-00. INTEGRATED ENGINE INSTRUMENT
 SYSTEMS/SHEET 1 OF 2 SHEETS/

Beechcraft
STARSHIP 1
ILLUSTRATED PARTS CATALOG

SUB-SEC UNIT & ITEM NO	PART NO.	DESCRIPTION 1 2 3 4 5 6 7	UNITS	USABLE
			PER ASSY	ON CODE
40-00	122-910064-1	POWER PLANT INST, LH.....	NP	1
	122-910064-15	POWER PLANT INST, LH.....	NP	2
	122-910064-3	POWER PLANT INST, RH.....	NP	1
	122-910084-17	POWER PLANT INST, RH.....	NP	2
- 1	33099F4-0094	. HOSE ASSY, REDUCTION GEAR STATIC PRESSURE.....	1	
- 2	33099F4-0062	. HOSE ASSY, TORQUEMETER PRESSURE.....	1	
- 3	AN837-4	. ELBOW /45 DEGREE/.....	1	
- 4	AN833-4	. ELBOW/90 DEGREE/.....	1	
- 5	AN924-4	. NUT, JAM.....	2	
- 6	M29561-012	. PACKING, PREFORMED.....	2	
- 7	122-389042-3	. TRANSDUCER, TORQUE/ALTERNATE FOR.....	1	
		122-389042-1/		
	122-389042-1	. TRANSDUCER, TORQUE/ALTERNATE FOR.....	1	
		122-389042-3/		
- 8	NAS1595-12	. PACKING, PREFORMED.....	1	
- 9	50-910471-3	. MANIFOLD.....	1	
		/ATTACHING PARTS/		
- 10	130909N29	. NUT.....	4	
- 11	AN960CL10L	. WASHER.....	8	
- 12	6001	. WASHER.....	8	
- 13	105740X-YY0310	. BUSHING.....	4	
- 14	50-389122	. GROMMET.....	4	
- 15	130909B19	. BOLT.....	4	
		★		
- 16	50-910489-3	. BRACKET, MANIFOLD SUPPORT/EXISTING ENGINE.....	1	
		BOLTS ARE USED TO ATTACH BRACKET/		

NOTE INDICATION OF ENGINE TORQUE IS DISPLAYED
ON A DISPLAY UNIT ON THE INSTRUMENT
PANEL AND IT IS LISTED IN CHAPTER 39.

Beechcraft
STARSHIP 1
ILLUSTRATED PARTS CATALOG



C34NC77A0061 C

Beechcraft
STARSHIP 1
ILLUSTRATED PARTS CATALOG

SUB-SEC UNIT & ITEM NO	PART NO.	DESCRIPTION 1 2 3 4 5 6 7	UNITS	USABLE
			PER ASSY	ON CODE
40-00 -17	50-389057-1 MS9134-01	. GENERATOR, PROP SHAFT TACH.....	1	
		. GASKET, PROP SHAFT TACH GENERATOR/SUPPLIED WITH ENGINE/	1	
-18	50-389057-1 MS9134-01	. GENERATOR, GAS GENERATOR TACH.....	1	
		. GASKET, GAS GENERATOR TACH GENERATOR /SUPPLIED WITH ENGINE/	1	
NOTE INDICATION OF GAS GENERATOR AND PROP RPM ARE DISPLAYED ON A DISPLAY UNIT ON THE INSTRUMENT PANEL AND IT IS LISTED IN CHAPTER 39.				
-19	122-389031-3	. TRANSMITTER, FUEL FLOWMETER.....	1	
-20	MS28034-1	. BULB, OIL TEMPERATURE	1	
-21	AN900-10	. . GASKET/SUPPLIED WITH TEMPERATURE BULB/	1	
-22	101-389023-5	. TRANSMITTER, OIL PRESSURE.....	1	

CODES OF EFFECTIVITY

1 NC-4 THRU NC-28 2 NC-29 AND AFTER

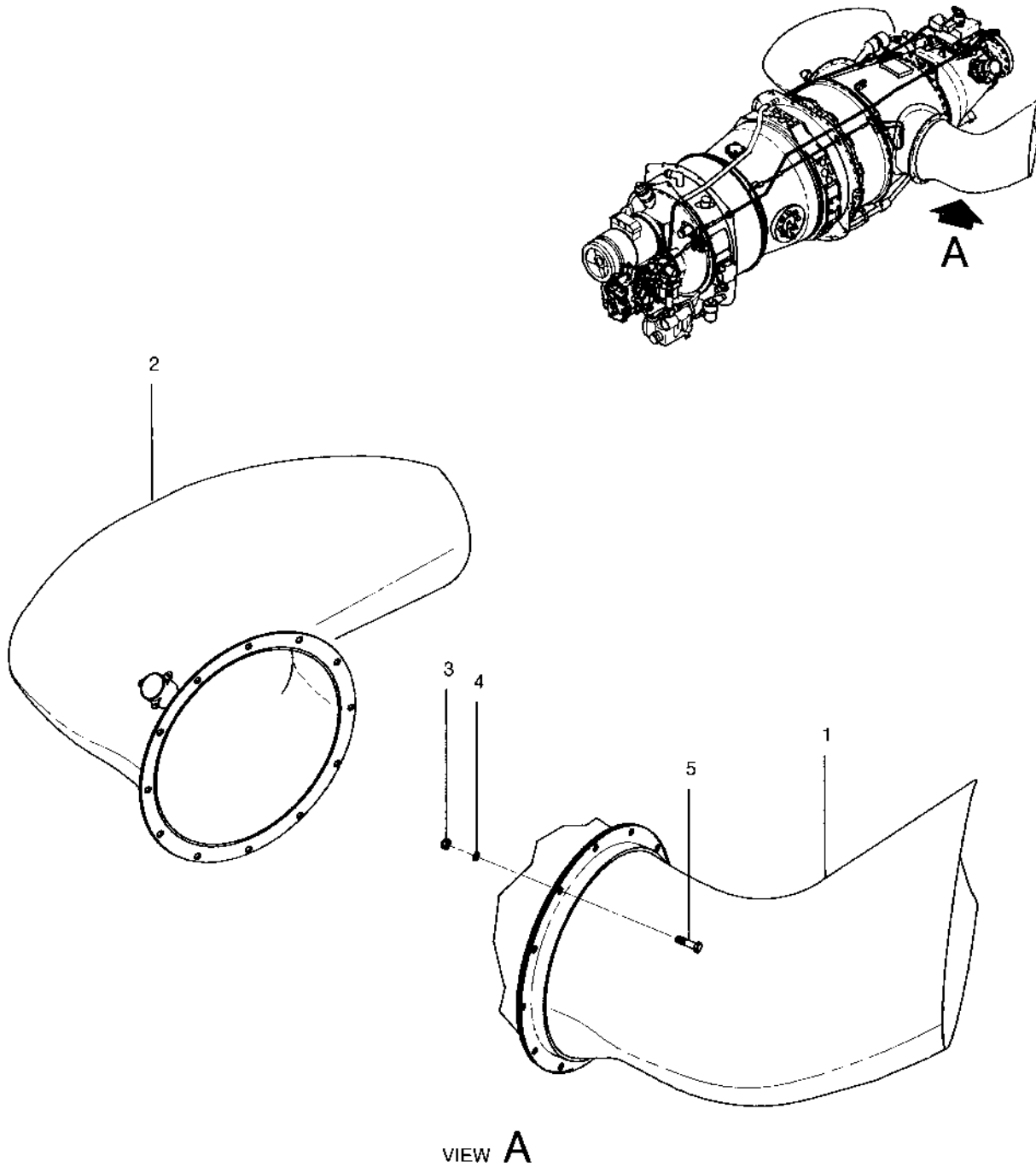
Beechcraft
STARSHIP 1
ILLUSTRATED PARTS CATALOG
LIST OF PAGES & TABLE OF CONTENTS
FOR
CHAPTER 78-00-00 EXHAUST

CHAP/SUB- SECT & UNIT	PAGE NO.	EFFECTIVE DATE	TABLE OF CONTENTS
78-00-00	1	02/25/94	LIST OF PAGES & TABLE OF CONTENTS
78-10-00	1	02/25/94	ENGINE EXHAUST STACKS.....
78-10-00	2	02/25/94	
78-10-00	3	02/25/94	

Beechcraft
STARSHIP 1
ILLUSTRATED PARTS CATALOG

78-10-00
ENGINE EXHAUST STACKS

Beechcraft
STARSHIP 1
ILLUSTRATED PARTS CATALOG



2000-245-1

FIGURE 10-00.ENGINE EXHAUST STACKS

Beechcraft
STARSHIP 1
ILLUSTRATED PARTS CATALOG

SUB-SEC UNIT & ITEM NO	PART NO.	DESCRIPTION 1 2 3 4 5 6 7	UNITS PER ASSY	USABLE ON CODE
10-00	122-910064-1	POWER PLANT INSTL, LH	NP	1
	122-910064-15	POWER PLANT INSTL, LH	NP	2
	122-910064-3	POWER PLANT INSTL, RH	NP	1
	122-910064-17	POWER PLANT INSTL, RH	NP	2
- 1	122-950004-1	. STACK ASSY, LH OUTBD AND RH INBD EXHAUST	2	
- 2	122-950004-3	. STACK ASSY, RH OUTBD AND LH INBD EXHAUST	2	
		/ATTACHING PARTS/		
- 3	MS20500-428	NUT	12	
- 4	AN960C418	WASHER	12	
- 5	MS20034-1	BOLT	12	

---★---

CODES OF EFFECTIVITY

1 NC-4 THRU NC-28 2 NC-29 AND AFTER

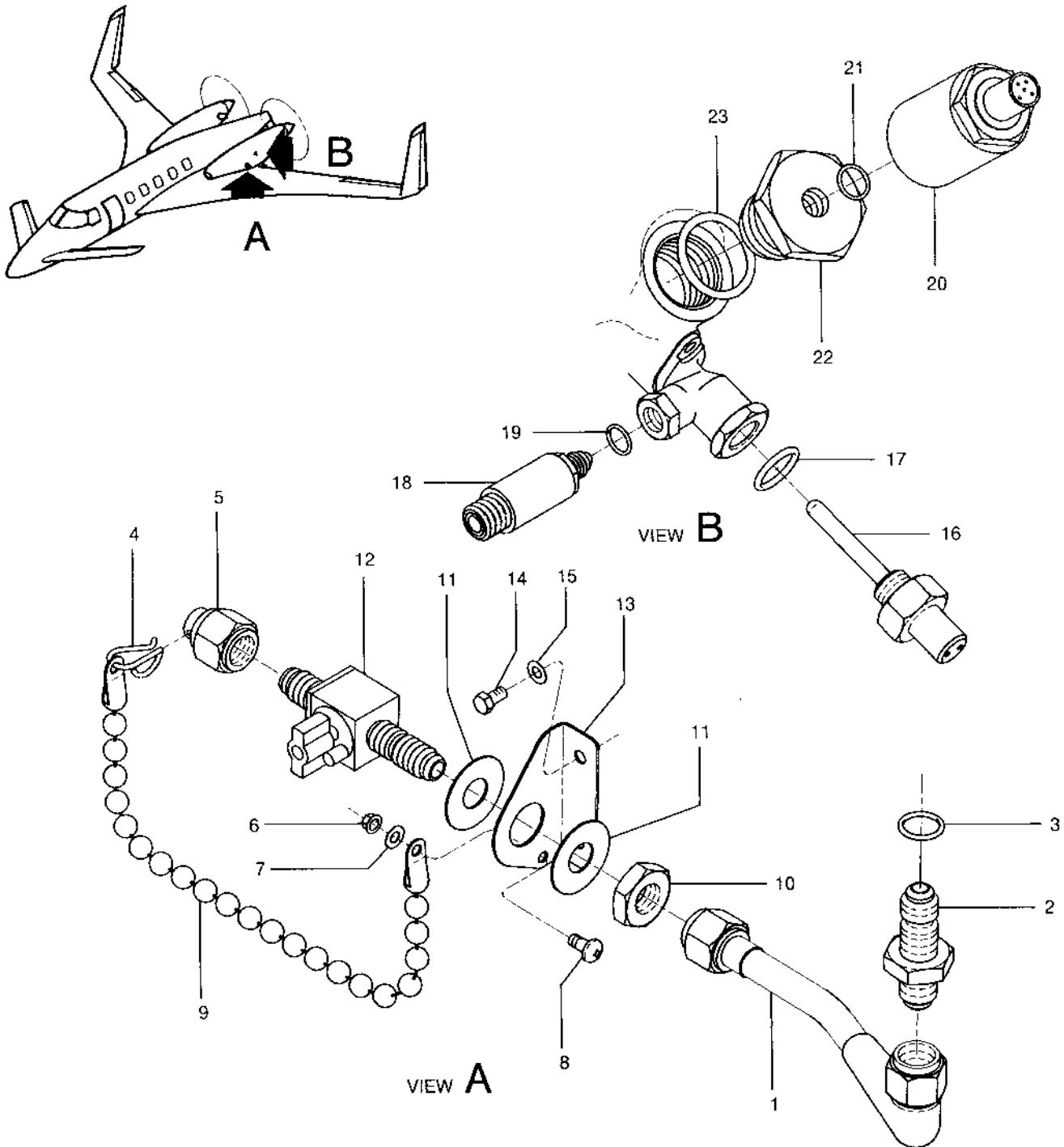
Beechcraft
STARSHIP 1
ILLUSTRATED PARTS CATALOG
LIST OF PAGES & TABLE OF CONTENTS
FOR
CHAPTER 79-00-00 OIL

CHAP/SUB- SECT & UNIT	PAGE NO.	EFFECTIVE DATE	TABLE OF CONTENTS
79-00-00	1	02/25/94	TABLE OF CONTENTS
79-00-00	1	02/25/94	LIST OF PAGES & TABLE OF CONTENTS
79-20-00	1	02/25/94	ENGINE OIL SYSTEM
79-20-00	2	02/25/94	
79-20-00	3	02/25/94	
79-20-00	4	02/25/94	
79-20-00	5	02/25/94	
79-20-10	1	02/25/94	OIL BREATHER LINE
79-20-10	2	02/25/94	
79-20-10	3	02/25/94	
79-30-00	1	02/25/94	OIL LEVEL INDICATOR.....
79-30-00	2	02/25/94	
79-30-00	3	02/25/94	

Beechcraft
STARSHIP 1
ILLUSTRATED PARTS CATALOG

79-20-00
ENGINE OIL SYSTEM

Beechcraft
STARSHIP 1
ILLUSTRATED PARTS CATALOG



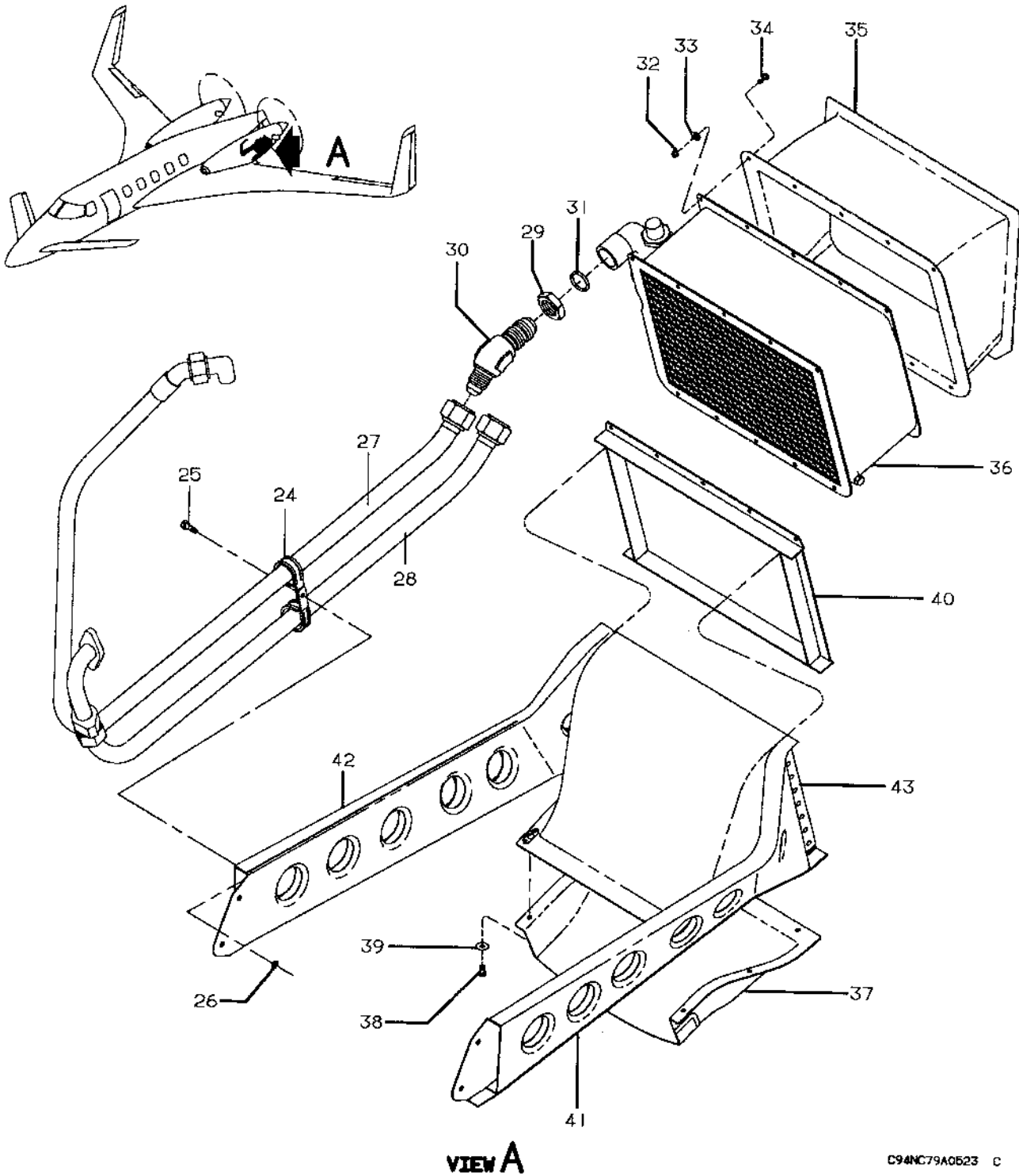
2000-257-01

FIGURE 20-00.ENGINE OIL SYSTEM
/SHEET 1 OF 2 SHEETS/

Beechcraft
STARSHIP 1
ILLUSTRATED PARTS CATALOG

SUB-SEC UNIT & ITEM NO	PART NO.	DESCRIPTION 1 2 3 4 5 6 7	UNITS	USABLE
			PER ASSY	ON CODE
20-00	122-930011-17	OIL SYSTEM INSTL, ENGINE	NP	
- 1	122-930011-13	. TUBE ASSY, OIL DRAIN	1	
- 2	AN832-8D	. UNION	1	
- 3	MS29561-114	. PACKING, PREFORMED	1	
- 4	AN415-1-2	. PIN	1	
- 5	101-930023-5	. CAP ASSY, DUST	1	
- 6	130909N29	. NUT	1	
- 7	AN960-10L	. WASHER	1	
- 8	MS35207-263	. SCREW	1	
- 9	NAS1201C10A12B	. CHAIN ASSY	1	
- 10	AN924-8D	. NUT	1	
- 11	AN960-1216	. WASHER	2	
- 12	101-389015-3	. VALVE, ENGINE OIL DRAIN	1	
- 13	122-930011-21	. BRACKET, OIL DRAIN VALVE SUPPORT	1	2
	122-930011-19	. BRACKET/ORDER 122-930011-21 FOR SPARES/	NP	1
- 14	130909B12	. BOLT	2	
- 15	AN960-10L	. WASHER	2	
- 16	MS28034-1	. BULB, OIL TEMPERATURE	1	
- 17	AN900-10	. GASKET/SUPPLIED WITH TEMPERATURE BULB/	1	
- 18	50-389121-15	. SWITCH, PRESSURE	1	
- 19	NAS617-4	. PACKING, PREFORMED	1	
- 20	101-389023-5	. TRANSMITTER, OIL PRESSURE	1	
- 21	MS28778-4	. PACKING, PREFORMED	1	
- 22	AN893-4D	. BUSHING	1	
- 23	MS9388-213	. PACKING, PREFORMED	1	

Beechcraft
STARSHIP 1
ILLUSTRATED PARTS CATALOG



C94NC79A0523 C

FIGURE 20-00.ENGINE OIL SYSTEM
/SHEET 2 OF 2 SHEETS/

Beechcraft
STARSHIP 1
ILLUSTRATED PARTS CATALOG

SUB-SEC UNIT & ITEM NO	PART NO.	DESCRIPTION 1 2 3 4 5 6 7	UNITS	USABLE
			PER ASSY	ON CODE
20-00 -24	MS21919WH20	. CLAMP /ATTACHING PARTS/	2	
-25	130909B15	. BOLT	1	
-26	AN960-10L	. WASHER	1	
		★		
-27	330996F12-0640	. HOSE ASSY	1	
-28	330998G0450145F	. HOSE ASSY	1	
-29	AN924-12D	. NUT	1	
-30	AN837-12D	. ELBOW	1	
-31	MS28778-12	. PACKING, PREFORMED	1	
-32	130909N29	. NUT	20	
-33	AN960-10L	. WASHER	20	
-34	130909B14	. BOLT	20	
-35	122-930008-1	. DUCT, OIL COOLER OUTLET	1	
-36	122-389039-1	. COOLER ASSY, OIL	1	
	L8530815	. VALVE, THERMOSTATIC CONTROL	1	
	L8600424	. PLUG, OIL COOLER DRAIN	1	
	L8534856	. PACKING, PREFORMED/DRAIN PLUG/	1	
-37	122-930007-1	. DUCT	1	
		/ATTACHING PARTS/		
-38	130909B14	. SCREW	12	
-39	AN960JD10	. WASHER	12	
		★		
	122-930006-19	. SUPPORT ASSY, OIL COOLER	1	
	MS21059L3	. NUTPLATE	4	
-40	122-930006-3	. FLANGE ASSY	1	
-41	122-930006-21	. CHANNEL ASSY	1	
	122-930007-3	. . . DUCT	1	
	122-930006-25	. . . CHANNEL, OUTBD	1	
-42	122-930006-22	. . . CHANNEL ASSY	1	
	122-930006-24	. . . CHANNEL, INBD	1	
	122-930006-26	. . . CHANNEL, OUTBD	1	
-43	122-930007-3	. . . DUCT ASSY	1	
	MS21059L3	. . . NUTPLATE	4	

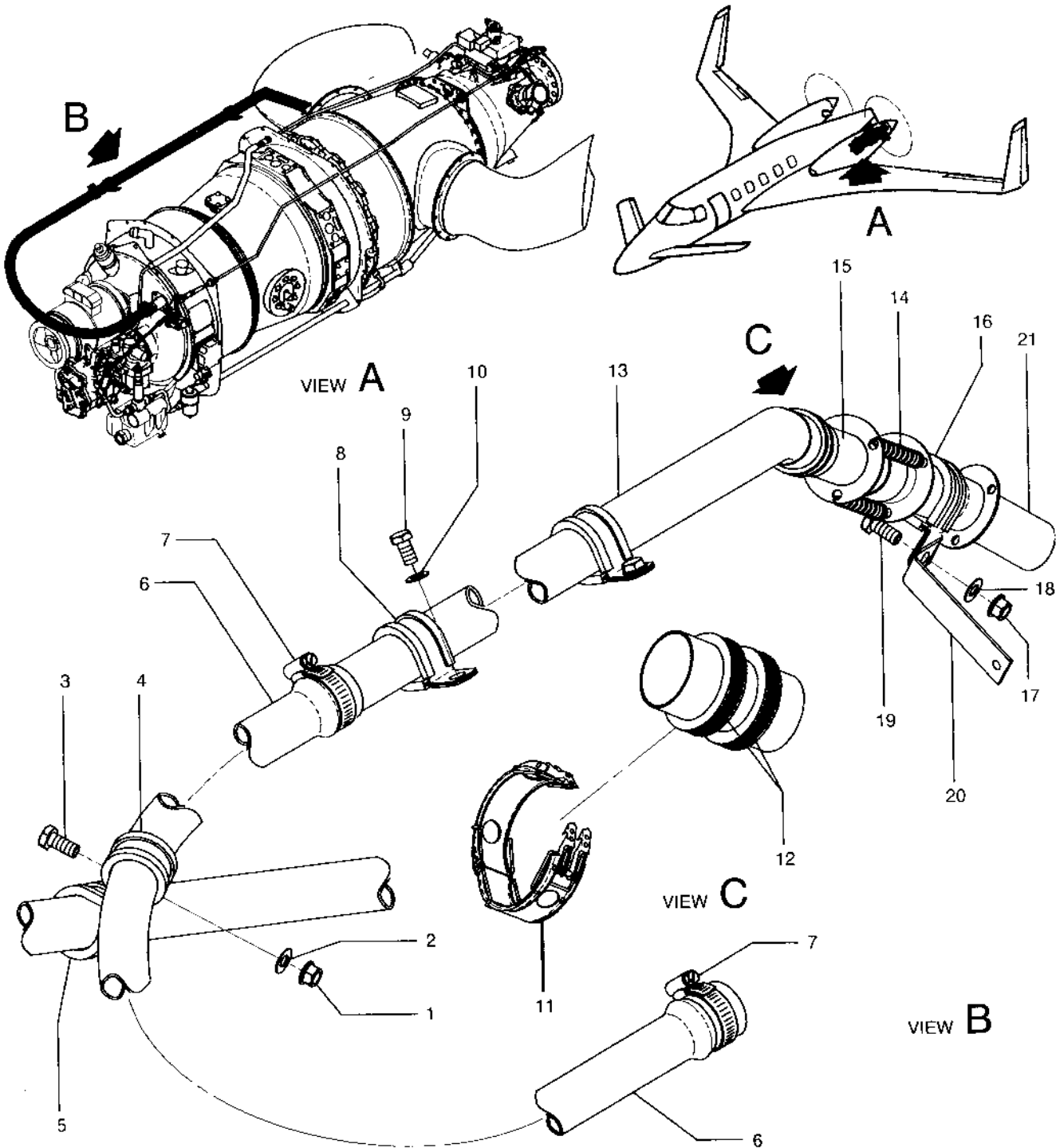
CODES OF EFFECTIVITY

1 NC-4 THRU NC-10 2 NC-11 AND AFTER

Beechcraft
STARSHIP 1
ILLUSTRATED PARTS CATALOG

79-20-10
OIL BREATHER LINE

Beechcraft
STARSHIP 1
ILLUSTRATED PARTS CATALOG



2000-257-03

FIGURE 20-10.OIL BREATHER LINE

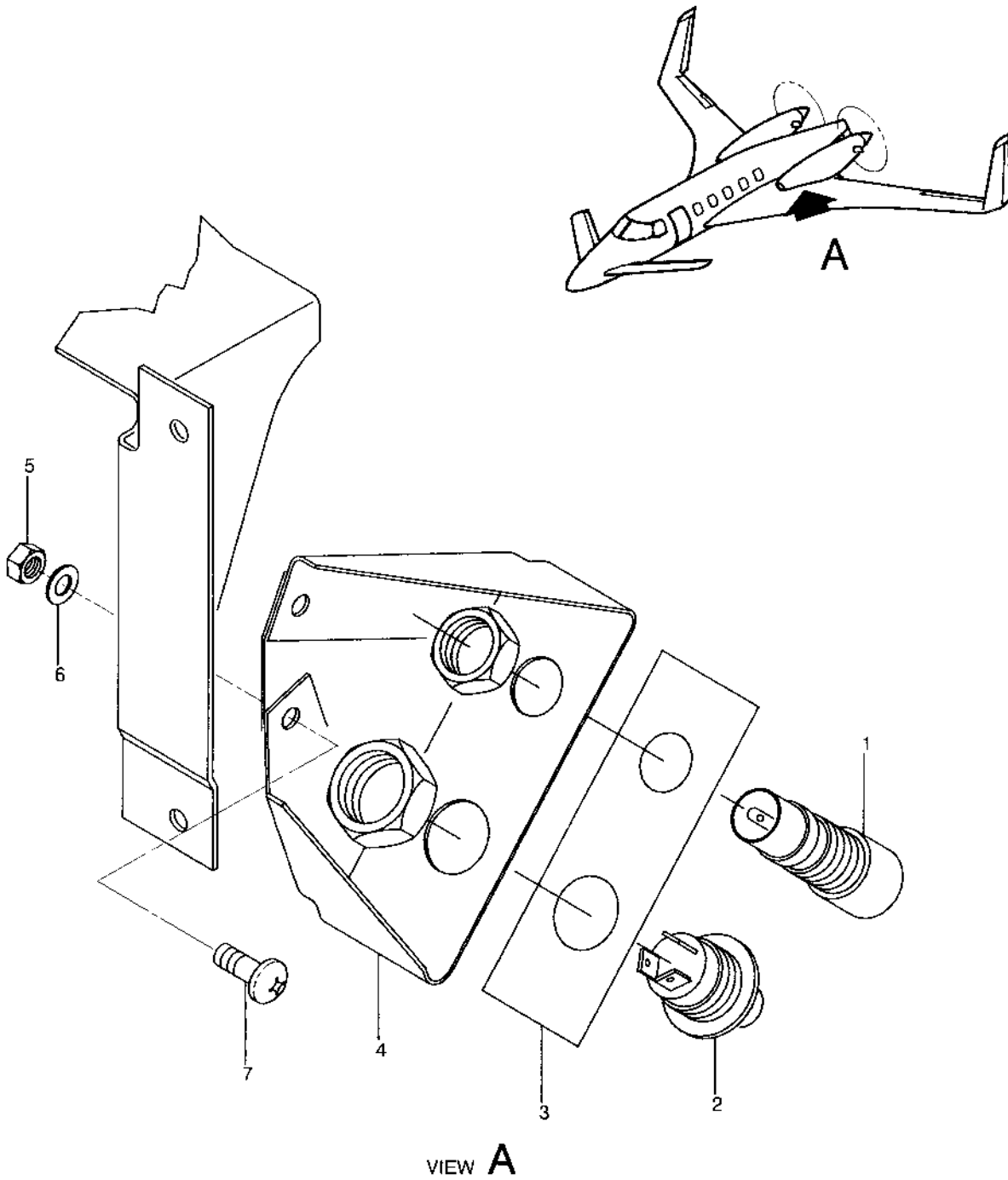
Beechcraft
STARSHIP 1
ILLUSTRATED PARTS CATALOG

SUB-SEC UNIT & ITEM NO	PART NO.	DESCRIPTION 1 2 3 4 5 6 7	UNITS	USABLE
			PER ASSY	ON CODE
20-10	122-930010-1	OIL BREATHER LINE INSTALLATION.....	NP	
- 1	130909N29	. NUT	1	
- 2	AN960-10L	. WASHER	1	
- 3	130909B15	. BOLT	1	
- 4	MS21919WDF18	. CLAMP	1	
- 5	MS21919WDF20	. CLAMP	1	
- 6	SCDEETS-4-144-6	. HOSE	1	
- 7	12KS3	. CLAMP	2	
- 8	MS21919WDF18	. CLAMP	2	
		/ATTACHING PARTS/		
- 9	130909B14	. BOLT	1	
-10	AN960-10L	. WASHER	1	
		-----★-----		
-11	14J02-16A	. COUPLING ASSY.....	1	
-12	MS9387-213	. PACKING, PREFORMED.....	1	
-13	122-930010-13	. TUBE ASSY.....	1	
-14	100942H0022-22	. SPRING	6	
-15	122-930010-27	. TUBE ASSY.....	1	
-16	MS21919WDF16	. CLAMP	1	
		/ATTACHING PARTS/		
-17	130909N29	. NUT	1	
-18	AN960-10L	. WASHER	1	
-19	130909B14	. BOLT	1	
		-----★-----		
-20	122-930010-19	. BRACKET.....	1	
-21	122-930010-21	. TUBE ASSY.....	1	

Deechcraft
STARSHIP 1
ILLUSTRATED PARTS CATALOG

79-30-00
OIL LEVEL INDICATOR

Beechcraft
STARSHIP 1
ILLUSTRATED PARTS CATALOG



2000-257-04

FIGURE 30-00.OIL LEVEL INDICATOR

Beechcraft
STARSHIP 1
ILLUSTRATED PARTS CATALOG

SUB-SEC UNIT & ITEM NO	PART NO.	DESCRIPTION 1 2 3 4 5 6 7	UNITS	USABLE
			PER ASSY	ON CODE
30-00	122-910064-1	POWER PLANT INSTL, LH.....	NP	1
	122-910064-15	POWER PLANT INSTL, LH.....	NP	2
	122-910064-3	POWER PLANT INSTL, RH.....	NP	1
	122-910064-17	POWER PLANT INSTL, RH.....	NP	2
- 1	MS25041-7-327	. LIGHT, OIL LEVEL O.K. INDICATION.....	1	
- 2	P1-32112	. SWITCH, OIL LEVEL INDICATOR LIGHT ACTUATION.....	1	
- 3	122-910055-3	. DECAL, OIL LEVEL INDICATOR IDENTIFICATION.....	1	
- 4	122-910054-1	. BRACKET, LH.....	1	
	122-910054-2	. BRACKET, RH.....	1	
		/ATTACHING PARTS/		
- 5	MS21043-3	. NUT.....	2	
- 6	AN960-10	. WASHER.....	2	
- 7	MS35207-263	. SCREW.....	2	

---★---

CODES OF EFFECTIVITY

1 NC-4 THRU NC-28 2 NC-29 AND AFTER

Beechcraft
STARSHIP 1
ILLUSTRATED PARTS CATALOG
LIST OF PAGES & TABLE OF CONTENTS
FOR
CHAPTER 80-00-00 STARTING

CHAP/SUB- SECT & UNIT	PAGE NO.	EFFECTIVE DATE	TABLE OF CONTENTS
80-00-00	1	02/25/94	LIST OF PAGES & TABLE OF CONTENTS
80-00-01	1	02/25/94	STARTER/REFERENCE/

Beechcraft
STARSHIP 1
ILLUSTRATED PARTS CATALOG

80-00-01
STARTER/REFERENCE/
THE STARTER GENERATOR IS DESIGNED TO FUNCTION
AS THE STARTER FOR THE ENGINE AND AS A DC
GENERATOR. SINCE IT SERVES AS THE PRIMARY
DC GENERATING SOURCE, IT IS COVERED IN
CHAPTER 24.