

Beech<sup>®</sup>  
Model 2000

# LIBRARY of MANUALS



..... MAINTENANCE



..... ILLUSTRATED PARTS



..... PRINTED CIRCUIT BOARD



..... STRUCTURAL REPAIR



... WIRING DIAGRAM

P/N 122-590013-11B

Volume 1 of 2

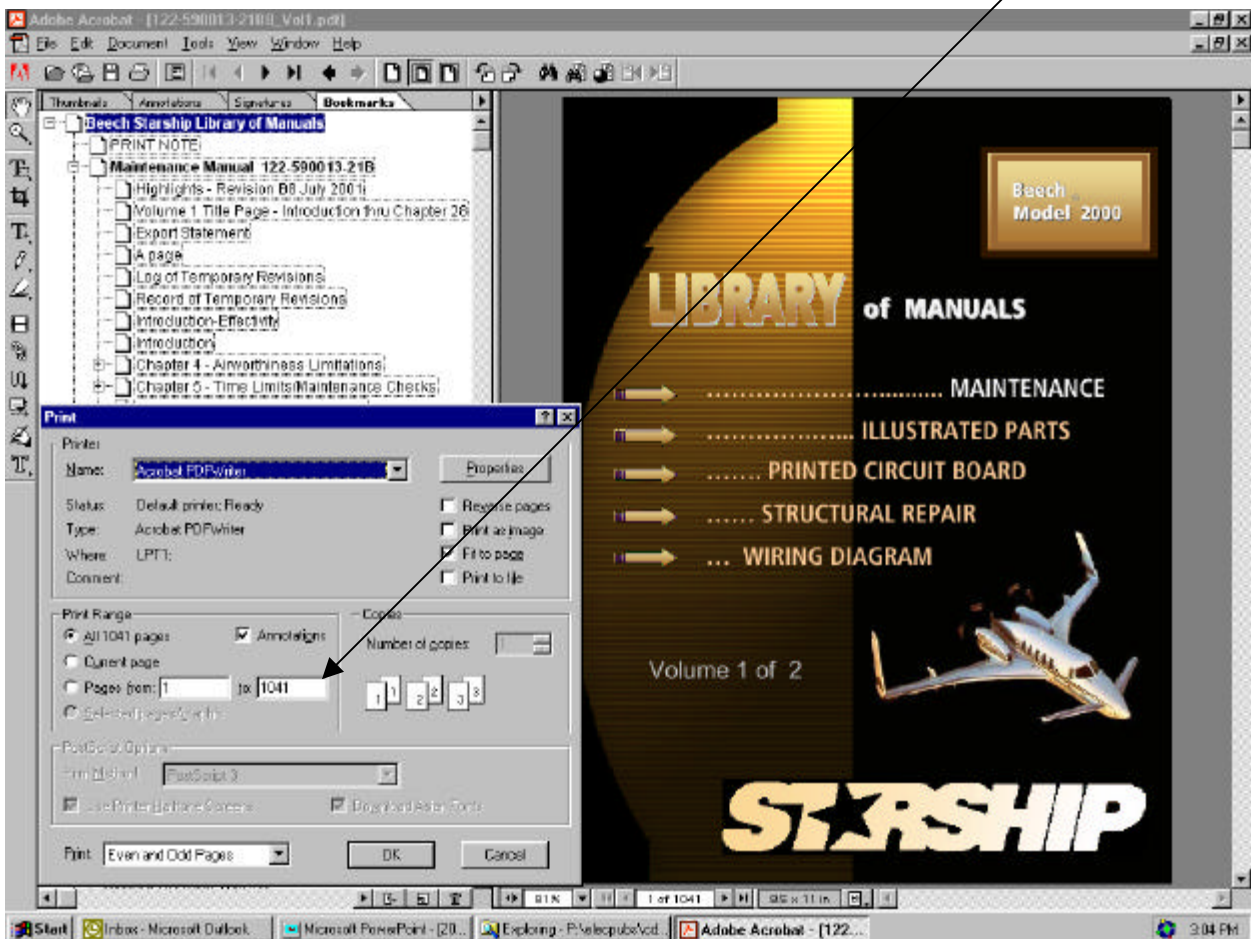


# STARSHIP

## NOTE: PRINTING

The default on most print commands from Adobe Reader is ALL - the entire CD in this case.

When wanting to print a specific page and/or section you must choose current page or pages and input page range.



# **Raytheon Aircraft**

**BEECH**

**STARSHIP 1<sup>®</sup>**

## **Model 2000**

NC-4 and after

# **Illustrated Parts Catalog**

**Volume I**  
**Chapters 11 thru 32**

**Note:** This manual was formerly called the Beechcraft Starship Illustrated Parts Catalog

### **Notice**

Refer to the applicable Wiring Diagram Manual  
for wiring diagrams and associated electrical  
components parts breakdown.

Copyright © Raytheon Aircraft Company 2002

P/N 122-590013-11B  
Reissued: February 25, 1994

P/N 122-590013-11B4  
Revised: July 31, 2002

Published By  
**RAYTHEON AIRCRAFT COMPANY**  
P.O. Box 85  
Wichita, Kansas 67201  
U.S.A.

**NOTE**

Where **Beech Aircraft Corporation** or **Beechcraft** is referred to in this publication, it will be taken to read **Raytheon Aircraft Company**.

Exported under the authority of license exception: TSU.  
"These commodities, technology or software were exported from the  
United States in accordance with Export Administration Regulations.  
Diversion contrary to U.S. law prohibited."

**Raytheon** Aircraft

**Beech**  
**Hawker**

 Member of GAMA  
General Aviation  
Manufacturers Association

# Raytheon Aircraft

BEECH STARSHIP 1 ILLUSTRATED PARTS CATALOG

## LIST OF EFFECTIVE REVISIONS

Always destroy superseded pages when you insert revised pages.

Title Page (Volume 1).....	July 31, 2002
Title Page (Volume 2).....	July 31, 2002
“A” Page .....	B4

PART NUMBER	DATE	CHAPTERS AFFECTED
122-590013-21	June 2, 1989	Original
122-590013-21B	February 25, 1994	Reissue
122-590013-21B1	November 4, 1994	Title Page, A Page, Introduction, Alpha-Numeric Index, Chapters 25,30,32,33,35,39,55,57 & 71
122-590013-21B2	June 20, 1995	Title Page, A Page, Introduction, Alpha-Numeric Index, Chapters 21,22,23,25,27,28,32,39,55,61, 71,73 & 76
122-590013-21B3	October 27, 2000	Title Page, A Page, Introduction, Alpha-Numeric Index, Chapters 27,32,52 & 56
122-590013-21B4	July 31, 2002	Title Page, A Page Alpha-Numeric Index, Chapters 11,27,28,32,33,53,54 & 55

**NOTE: A List of Effective pages will be in the front of each chapter.**

**B4**

Basic publications are assigned a part number which appears on the title page with the date of the issue. Subsequent revisions are identified by the addition of a revision code after the part number. A1 after a part number denotes the first revision to the basic publication, A2 the second, etc. Occasionally, it is necessary to completely reissue and reprint a publication for the purpose of obsoleting a previous issue and outstanding revisions thereto. As these replacement reissues are made, the code will also change to the next successive letter of the alphabet at each issue. For example, B for the first reissue, C for the second, etc.

When ordering a handbook, give the basic number, and the reissue code when applicable, if a complete up-to-date publication is desired. Should only revision pages be required, give the basic number and revision code for the particular set of revision pages you desire.

# Raytheon Aircraft

BEECH STARSHIP 1 ILLUSTRATED PARTS CATALOG

## LIST OF EFFECTIVE REVISIONS

Always destroy superseded pages when you insert revised pages.

Title Page (Volume 1).....	October 27, 2000
Logo Page .....	
"A" Page .....	B3
Title Page (Volume 2) .....	October 27, 2000
Logo Page .....	

PART NUMBER	DATE	CHAPTERS AFFECTED
122-590013-11	06/02/89	Original Issue
122-590013-11B	02/25/94	Reissue
122-590013-11B1	11/04/94	Introduction, Alpha-Numeric, Chapters 25,30,32,33,35,39, 55,57 & 71
122-590013-11B2	06/20/95	Introduction, Alpha-Numeric, Chapters 21,22,23,25,27,28 32,39,55,61,71,73 & 76
122-590013-11B3	10/27/00	Introduction, Alpha-Numeric, Chapters 27,32,52 & 56

**NOTE: A List of Effective pages will be in the front of each chapter.**

**B3**

Basic publications are assigned a part number which appears on the title page with the date of the issue. Subsequent revisions are identified by the addition of a revision code after the part number. A1 after a part number denotes the first revision to the basic publication, A2 the second, etc. Occasionally, it is necessary to completely reissue and reprint a publication for the purpose of obsoleting a previous issue and outstanding revisions thereto. As these replacement reissues are made, the code will also change to the next successive letter of the alphabet at each issue. For example, B for the first reissue, C for the second, etc. When ordering a handbook, give the basic number, and the reissue code when applicable, if a complete up-to-date publication is desired. Should only revision pages be required, give the basic number and revision code for the particular set of revision pages you desire.







**Beechcraft**  
**STARSHIP 1**  
**ILLUSTRATED PARTS CATALOG**

INTRODUCTION

LIST OF PAGE EFFECTIVITY  
(Volume 1)

SECTION	PAGE	DATE
INTRODUCTION-EFFECTIVITY	1	June 30, 1995
INTRODUCTION-TEXT	1	February 25, 1994
	thru 4	February 25, 1994
	5	June 30, 1995
	6	February 25, 1994
	7	February 25, 1994
INTRODUCTION-ATA INDEX GUIDE	8	June 30, 1995
	9	June 30, 1995
	thru 19	June 30, 1995
INTRODUCTION-ALPHABETICAL INDEX	20	June 30, 1995
	21	June 30, 1995
	thru 35	June 30, 1995

"END"

**Beechcraft**  
**STARSHIP 1**  
**ILLUSTRATED PARTS CATALOG**

## INTRODUCTION

The purpose of this catalog is to provide a method for identifying and ordering spare parts for your BEECHCRAFT STARSHIP 1.

**WARNING**

*Illustrations in this catalog are to be used only as aids in identifying parts and must not be used as a maintenance reference for reassembly.*

This parts catalog is supplemented by the following publications: The BEECHCRAFT STARSHIP 1 Maintenance Manual, P/N 122-590013-21; The BEECHCRAFT STARSHIP 1 Wiring Diagram Manual, P/N 122-590013-13; The BEECHCRAFT STARSHIP 1 Component Maintenance Manual, P/N 122-590013-9; The BEECHCRAFT STARSHIP 1 Structural Repair Manual, P/N 122-590001-17.

Refer to The BEECHCRAFT STARSHIP 1 Component Maintenance Manual for illustrated parts breakdown of some specific assemblies not illustrated in this parts catalog.

## ORGANIZATION

This illustrated parts catalog is prepared in accordance with the ATA (Air Transport Association) Specification No. 100 format.

The contents are organized at four levels as follows:

**GROUP** - identified by blue divider tabs. These are primary divisions of the manual that enable broad separation of content. Typical of this division is the separation between the Airframe Systems and the Power Plant.

**CHAPTER** - identified by yellow divider tabs. The various groups are broken down into major systems such as Air Conditioning, Electrical Power, Landing Gear, etc. The systems are arranged more or less alphabetically rather than by precedence or importance. They are assigned a number, which becomes the first element of a standardized numbering system. Thus, the element "28" of the number 28-00-00 refers to the chapter "Fuel". Everything concerning the fuel system will be covered in this chapter.

**SUB-SECTION** - The major systems of an airplane are broken down into sub-sections, and are identified

by the second element of the standardized numbering system. The number "40" of 28-40-00 identifies the indicating portion of the fuel system.

**UNIT** - The individual units within a sub-section may be identified by the third element of the standard numbering system, such as 28-40-01. The number "01" is assigned by the manufacturer and may, or may not, be used and will vary in usage.

## APPLICATION

Any publication conforming to GAMA or ATA 100 format utilizes the same basic numbering system, even though some chapters may be omitted because they are not applicable to that airplane or publication. Thus, whether the publication is a Maintenance Manual, a Parts Catalog, or a Wiring Diagram Manual, a person requiring information concerning the fuel storage or fuel indicating portion of the fuel system would refer to Chapter 28, FUEL.

### For example:

28-00	General
28-10	Storage (Tanks, cells, necks, caps, etc.)
28-20	Distribution (Fuel lines, pumps, valves, controls etc)
28-30	Dump (If in-flight dumping system is installed, it would appear in this section)
28-40	Indicating (Quantity, temperature, pressure etc., does not include engine fuel flow or pressure)

Carrying this example further, fuel indication, fuel control panel, could be assigned the number 28-41-01.

## LIST OF EFFECTIVE REVISIONS

The List of Effective Revisions following the logo page of the manual lists the revisions currently effective for the manual.

## RECORD OF REVISIONS

A Record of Revisions Page is provided following the List of Effective Revisions ("A") Page. When a revision is inserted, the revision number, the date the revision is inserted into the manual, and the initials of the person(s) inserting the revision should be recorded on this page.

Beechcraft  
STARSHIP 1  
ILLUSTRATED PARTS CATALOG  
USING THIS CATALOG

INDENTURE COLUMN

Beechcraft  
STARSHIP 1  
ILLUSTRATED PARTS CATALOG

SUB-SEC UNIT & ITEM NO.	PART NO.	DESCRIPTION							UNITS PER ASSY	USEABLE ON CODE
		1	2	3	4	5	6	7		
20-30	122-521087-5	ACTUATOR INSTL,LH RUDDER TRIM TAB,CONTROL.....							NP	
		/MUST BE USED WITH 122-521087-6/								
	122-521087-7	ACTUATOR INSTL,LH RUDDER TRIM TAB,CONTROL.....							NP	
		/MUST BE USED WITH 122-521087-8/								
	122-521087-6	ACTUATOR INSTL,LH RUDDER TRIM TAB,CONTROL.....							NP	
		/MUST BE USED WITH 122-521087-5/								
	122-521087-8	ACTUATOR INSTL,LH RUDDER TRIM TAB,CONTROL.....							NP	
		/MUST BE USED WITH 122-521087-7/								
	122-521036-27	ROD ASSY,RUDDER TRIM TAB CONTROL.....							2	
		/ATTACHING PARTS/								
- 1	MS24665-71	.PIN,COTTER.....							2	
- 2	130909N45	.NUT.....							2	
- 3	AN960-10	.WASHER.....							4	
- 4	130909B192	.BOLT.....							2	
- 5	NAS6203-9H	.BOLT.....							2	
- 6	AN960XC10L	.WASHER.....							2	
- 7	MJR34-14DU	.ROD END.....							2	
- 8	AN316-4R	.NUT,JAM.....							1	
- 9	122-521036-29	.ROD.....							1	
-10	122-380050-15	ACTUATOR ASSY,LH RUDDER TRIM TAB,CONTROL.....							1	
		/MUST BE USED WITH 122-380050-17/								
		/SEE NOTE/								
	122-380050-27	ACTUATOR ASSY,LH RUDDER TRIM TAB,CONTROL.....							1	
		/MUST BE USED WITH 122-380050-29/								
		/SEE NOTE/								
	122-380050-29	ACTUATOR ASSY,LH RUDDER TRIM TAB,CONTROL.....							1	
		/MUST BE USED WITH 122-380050-27/								
		/SEE NOTE/								
		/ATTACHING PARTS/								
-11	MS27039-1-07	.SCREW.....							4	
-12	AN960-10L	.WASHER.....							4	

**NOTE** WHEN ORDERING ACTUATOR ASSEMBLIES.  
MAKE CERTAIN YOU ORDER THE SAME PART  
NUMBER YOU REMOVED FROM THE AIRPLANE.

02/25/94

-END-

27-20-30  
PAGE 3

C93NC00A4578 C

The above example from Chapter 27 mirrors the indenture system used to indicate parts included in any given assembly. By this indenture system, parts shown in column 2 are component parts of the immediately preceding assembly in column 1. Parts shown in column 3 are component parts of the immediately preceding assembly in column 2, etc., through column 7. As an example, if the 122-521036-27 rod assembly (see checked item in the above example) is ordered, it would include items 7 through 9. Note that items 1 thru 6, (attaching parts) are not a part of the rod assembly. There may be instances when a part number consists of more than 16 characters; in that case an asterisk (\*) will appear at the end of the part number and the remainder of the number will be shown in the description field.



**Beechcraft**  
**STARSHIP 1**  
**ILLUSTRATED PARTS CATALOG**

**NOTE**

Neither Service Publications, Reissues, nor Revisions are automatically provided to the holders of this manual. For information on how to obtain "Revision Service" applicable to this manual, consult any BEECHCRAFT Authorized Outlet, or refer to the latest revision of BEECHCRAFT Service Bulletin No. 2001.

**ATA-100 SYSTEM - CHAPTER INDEX GUIDE**

The ATA-100 System-Chapter Index Guide is a listing of the Groups, Chapters, Sub-Sections and Units which are applicable to this manual. The Chapter Index Guide is located in and is part of this Introduction.

**ALPHABETICAL INDEX**

The Alphabetical Index is a listing of component items or systems and the Chapter, Sub-Section and Unit in which they can be located. The Alphabetical Index is located in and is part of this Introduction.

**ALPHA-NUMERIC INDEX**

The Alpha-Numeric Index, contained in volume one only, is a complete alpha-numerical listing in tabular form of each part number listed, except those identified as attaching parts. Parts common to more than one chapter or assembly will be listed once for each time the part appears in order to reflect the different chapters, sub-sections, etc.

The Alpha-Numeric Index follows this Introduction.

**LIST OF PAGES AND TABLE OF CONTENTS**

The List of Pages and Table of Contents following each chapter divider tab, lists the issue date of each page that is effective for that chapter, the titles and, if applicable, the serial effectivity of the unit(s) covered in that chapter.

**ILLUSTRATED PARTS LIST**

The Illustrated Parts List consists of installations broken down into assemblies, sub-assemblies, detail parts, and attaching parts. A separation symbol (---\*---) follows the listing of attaching parts to distinguish them from the assembly breakdown.

If two assemblies are made up of a majority of identical parts, or the assemblies are opposite, i.e., left and right hand, the assemblies are listed together with their detail parts listed as common for both assemblies. In this case only the left or right hand part, but not both, is indexed and illustrated, with the difference between left and right hand parts noted in the description column. The Units Per Assembly column indicates the number of detail parts required per assembly, NP indicates "Non Procurable" and AR indicates "As Required". The notation "(See Chapter)" indicates that this assembly and its detail parts are illustrated and broken down in another chapter or another sub-section and unit within the same chapter.

When a number is shown in the Usable On Code Column, refer to the Codes of Effectivity at the end of the listing of parts for that particular unit to determine airplane serial effectivity. Each unit has its own distinct coding, i.e., the code number denoting airplane serial effectivity for one unit may not be the same for another unit.

**SUPERSEDED PART NUMBERS**

Superseded Part Numbers will appear in the Alpha-Numeric Index with the letter "S" just to the left of the number. They should also appear in the description field of the parts list, for example "...BOLT/supersedes AN3-7". In this instance, AN3-7 would be the superseded number.

**REVISED LINES**

Revised Lines in the Parts List are indicated by the letter "R" appearing just to the left of the part number column. The letter "R" indicates that the line has either been revised or added.

**ATA 100 PAGE BLOCK GUIDE**

Pages are numbered consecutively for each unit beginning with page 1. The end of each unit is designated by the word "END".

**An example:**

28-10-01	Page 1	Title
28-10-01	Page 2	Illustration
28-10-01	Page 3	Text
		END

**Beechcraft**  
**STARSHIP 1**  
**ILLUSTRATED PARTS CATALOG**

*(Continued)*

**An example:**

28-10-10	Page 1	Title
28-10-10	Page 2	Illustration
28-10-10	Page 3	Text
		END

28-10-20	Page 1	Title
28-10-20	Page 2	Illustration
28-10-20	Page 3	Text
28-10-20	Page 4	Illustration
28-10-20	Page 5	Text
		END

**HOW TO LOCATE A PART WHEN THE PART NUMBER IS KNOWN**

If the part number is known and the Illustrated Parts List must be consulted for model applicability or description, refer to the Alpha-Numeric Index for the Chapter, Sub-Section, Unit, and Item Number of the required part. Refer to the example.

**IMPORTANT WHEN ORDERING PARTS**

Always use the COMPLETE manufacturer's part number listed in the Part Number column. Be sure the "Airplane Serial Number" accompanies all spare parts orders.

Delays in filling spare parts orders often occur as a result of incomplete information being furnished with the original order, i.e., lack of model designation and airplane serial number. This information is provided on the serial placard located on the underside of the aft fuselage forward of the ventral fin, and indicated by check marks on the example.

**NOTE**

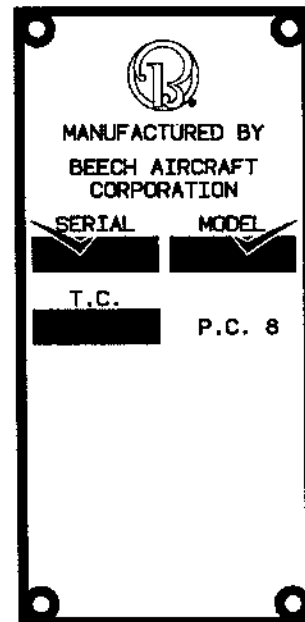
It shall be the responsibility of the owner/operator to ensure that the latest revision of publications referenced in this handbook are utilized during operation, servicing, and maintenance of the airplane.

**NOTICE**

Beech Aircraft Corporation expressly reserves the right to supersede, cancel and/or declare obsolete any part, part numbers, kits or publications that may be referenced in this manual without prior notice.

**MICROFICHE/AEROFICHE**

The General Aviation Manufacturers Association has developed a specification for microfiche and registered the name Aerofiche for use by all GAMA Members. This manual is available on Aerofiche or on paper, and either form of this manual may be obtained from any BEECHCRAFT Authorized Outlet.



C93NC00A458) C



**Beechcraft**  
**STARSHIP 1**  
**ILLUSTRATED PARTS CATALOG**

**WARNING**

*Use only genuine BEEHCRAFT or BEEHCRAFT approved parts obtained from BEEHCRAFT approved sources, in connection with the maintenance and repair of Beech airplanes.*

*Genuine BEEHCRAFT parts are produced and inspected under rigorous procedures to insure airworthiness and suitability for use in Beech airplane applications. Parts purchased from sources other than BEEHCRAFT, even though outwardly identical in appearance may not have had the required tests and inspections performed, may be different in fabrication techniques and materials, and may be dangerous when installed in an airplane.*

*Salvaged airplane parts, reworked parts obtained from non-BEEHCRAFT approved sources, or parts, components, or structural assemblies, the service history of which is unknown or cannot be authenticated, may have been subjected to unacceptable stresses or temperatures or have other hidden damage, not discernible through routine visual or usual nondestructive testing techniques. This may render the part, component or structural assembly, even though originally manufactured by BEEHCRAFT, unsuitable and unsafe for airplane use.*

*BEEHCRAFT expressly disclaims any responsibility for malfunctions, failures, damage or injury caused by use of non-BEEHCRAFT approved parts.*



**Beechcraft**  
**STARSHIP 1**  
**ILLUSTRATED PARTS CATALOG**

**ATA-100 SYSTEM - CHAPTER INDEX GUIDE**

The Following Is An ATA-100 Chapter Index Guide For Use With This Parts Catalog.

NOTE \* The Following Chapters Are Not Applicable To This Parts Catalog

49, 81, 82 & 83.

CHAPTER	SUB-SECTION	TITLE
<b>AIRCRAFT GENERAL</b>		
<b>11</b>		<b>PLACARDS &amp; MARKINGS</b>
	<b>11-00</b>	<b>GENERAL</b>
	11-00-00	LIST OF PAGES & TABLE OF CONTENTS .....
	<b>11-20</b>	<b>EXTERIOR PLACARDS &amp; MARKINGS</b>
	11-20-00	EXTERIOR PLACARDS .....
	<b>11-30</b>	<b>INTERIOR PLACARDS &amp; MARKINGS</b>
	11-30-00	INTERIOR PLACARDS .....
 <b>AIRFRAME SYSTEMS</b>		
<b>21</b>		<b>ENVIRONMENTAL SYSTEMS</b>
	<b>21-00</b>	<b>GENERAL</b>
	21-00-00	LIST OF PAGES & TABLE OF CONTENTS .....
	<b>21-20</b>	<b>DISTRIBUTION</b>
	21-20-00	AIR INFLOW AND DISTRIBUTION .....
	21-20-15	COCKPIT DUCTS .....
	21-20-20	CABIN SIDEWALL DUCTS .....
	21-20-25	CABIN OVERHEAD DUCTS .....
	21-20-30	FORWARD VENTILATION BLOWER .....
	21-20-35	AFT VENTILATION BLOWER .....
	21-20-40	AMBIENT AIR INLET .....
	21-20-60	HEAT EXCHANGER .....
	<b>21-30</b>	<b>PRESSURIZATION CONTROL</b>
	21-30-00	PRESSURIZATION CONTROL .....
	21-30-10	CABIN PRESSURIZATION MODULE .....
	<b>21-50</b>	<b>COOLING</b>
	21-50-10	AIR CONDITIONER SERVICE PROVISIONS .....
	21-50-20	COOLING CONDENSER .....
	21-50-30	AFT EVAPORATOR .....
	21-50-40	FUSELAGE REFRIGERATION PLUMBING .....
	21-50-45	WING REFRIGERATION PLUMBING .....
	21-50-50	COOLING SYSTEM COMPRESSOR .....
		NC-4 THRU NC-29
	21-50-51	COOLING SYSTEM COMPRESSOR .....
		NC-30 AND AFTER
	21-50-60	FORWARD EVAPORATOR .....
	21-55-00	AVIONICS COOLING SYSTEM .....
	21-55-10	NOSE AVIONICS COOLING .....
	<b>21-60</b>	<b>TEMPERATURE CONTROL</b>
	21-60-00	CABIN TEMPERATURE CONTROL .....

**Beechcraft**  
**STARSHIP 1**  
**ILLUSTRATED PARTS CATALOG**

**ATA-100 SYSTEM - CHAPTER INDEX GUIDE**

CHAPTER	SUB-SECTION	TITLE
<b>22</b>		<b>AUTO FLIGHT</b>
	<b>22-00</b>	<b>GENERAL</b>
	22-00-00	LIST OF PAGES & TABLE OF CONTENTS .....
	<b>22-10</b>	<b>AUTO PILOT</b>
	22-11-00	AUTOPILOT PITCH SYSTEM SERVO.....
	22-11-10	AUTOPILOT ROLL SYSTEM SERVO.....
	22-11-20	AUTOPILOT YAW SYSTEM SERVO .....
	22-11-30	AUTOMATIC TRIM COMPUTER INSTL.....
		AUTOPILOT ENGAGE PANEL
<b>23</b>		<b>COMMUNICATIONS</b>
	<b>23-00</b>	<b>GENERAL</b>
	23-00-00	LIST OF PAGES & TABLE OF CONTENTS .....
	23-00-01	GROUND WIRE TERMINATION .....
	<b>23-10</b>	<b>SPEECH COMMUNICATION</b>
	23-10-00	COMMUNICATION TRANSCEIVER AND ANTENNA .....
	23-10-10	RADIOPHONE AND ANTENNA .....
	23-10-20	FLIGHT PHONE, PEDESTAL EXTENSION .....
	23-10-25	FLIGHT PHONE, CABIN .....
	23-10-30	FLIGHT PHONE, COCKPIT-RH MAP CASE.....
	<b>23-30</b>	<b>PASSENGER ADDRESS &amp; ENTERTAINMENT</b>
	23-30-00	CABIN SPEAKER.....
	23-30-10	FM ANTENNA .....
	23-30-20	PAGING AMPLIFIER.....
	23-30-30	PAGING AMPLIFIER, CABIN.....
	23-30-40	PASSENGER BRIEFER, COCKPIT .....
	<b>23-40</b>	<b>INTERPHONE</b>
	23-40-00	INTERPHONE AMPLIFIER .....
	23-40-10	NOSE WHEEL WELL INTERPHONE EQUIPMENT .....
	<b>23-50</b>	<b>AUDIO INTEGRATING</b>
	23-50-00	COCKPIT SPEAKERS.....
	23-50-10	AUDIO CONTROL AMPLIFIER.....
	23-50-30	NOSE AVIONICS JUNCTION BOX .....
		NC-4 THRU NC-22
	23-50-32	NOSE AVIONICS JUNCTION BOX .....
		NC-23 AND AFTER
	23-50-40	HEADSET, MICROPHONE AND REEL.....
	<b>23-60</b>	<b>STATIC DISCHARGING</b>
	23-60-00	STATIC DISCHARGE WICKS .....
	23-60-10	NOSE COMPARTMENT AVIONICS TRANSZORBS.....
	<b>23-70</b>	<b>AUDIO &amp; VIDEO MONITORING</b>
	23-70-10	VOICE RECORDER, COCKPIT .....
<b>24</b>		<b>ELECTRICAL POWER</b>
	<b>24-00</b>	<b>GENERAL</b>
	24-00-00	LIST OF PAGES & TABLE OF CONTENTS .....
	<b>24-30</b>	<b>DC GENERATION</b>
	24-30-00	BATTERY AND BATTERY VENT.....
	24-30-10	ATTITUDE HEADING COMPUTER AUXILIARY POWER.....
	24-30-20	STANDBY GYRO HORIZON INDICATOR AUXILIARY POWER .....
	24-30-30	STARTER-GENERATOR .....

**Beechcraft**  
**STARSHIP 1**  
**ILLUSTRATED PARTS CATALOG**

**ATA-100 SYSTEM - CHAPTER INDEX GUIDE**

<b>CHAPTER</b>	<b>SUB-SECTION</b>	<b>TITLE</b>
<b>24</b>		<b>ELECTRICAL POWER (CONT)</b>
	<b>24-40</b>	<b>EXTERNAL POWER</b>
	24-40-00	EXTERNAL POWER RECEPTACLE AND DOOR.....
	<b>24-50</b>	<b>ELECTRICAL LOAD DISTRIBUTION</b>
	24-50-00	LEFT NACELLE ELECTRICAL EQUIPMENT.....
	24-50-10	RIGHT NACELLE ELECTRICAL EQUIPMENT.....
	24-50-20	COCKPIT ELECTROLUMINESCENT PANEL POWER SUPPLY.....
<b>25</b>		<b>EQUIPMENT/FURNISHINGS</b>
	<b>25-00</b>	<b>GENERAL</b>
	25-00-00	LIST OF PAGES & TABLE OF CONTENTS.....
	<b>25-10</b>	<b>FLIGHT COMPARTMENT</b>
	25-10-00	LOOSE TOOLS AND ACCESSORIES.....
	25-10-10	FLIGHT COMPARTMENT MISCELLANEOUS FURNISHINGS.....
	25-10-20	FLIGHT COMPARTMENT SEATS.....
	25-10-30	FLIGHT COMPARTMENT UPPER SIDEWALL UPHOLSTERY.....
	25-10-40	FLIGHT COMPARTMENT LOWER SIDEWALL UPHOLSTERY.....
		NC-4 THRU NC-20
	25-10-41	FLIGHT COMPARTMENT LOWER SIDEWALL UPHOLSTERY.....
		NC-21 AND AFTER
	25-10-50	FLIGHT COMPARTMENT OVERHEAD UPHOLSTERY.....
	25-10-70	GLARESHIELD ASSEMBLY.....
	25-10-80	PEDESTAL UPHOLSTERY.....
	25-10-90	FLIGHT COMPARTMENT CARPET.....
		NC-4 THRU NC-20
	25-10-92	FLIGHT COMPARTMENT CARPET.....
		NC-21 AND AFTER
	<b>25-20</b>	<b>PASSENGER COMPARTMENT</b>
	25-20-00	PASSENGER SEATS.....
	25-20-10	AFT TWO PLACE COUCH.....
		NC-4 THRU NC-20
	25-21-00	CABIN WINDOW PANELS.....
		NC-4 THRU NC-20
	25-21-05	CABIN WINDOW PANELS.....
		NC-21 AND AFTER
	25-21-20	CABIN LOWER SIDEWALL UPHOLSTERY.....
		NC-4 THRU NC-20
	25-21-21	CABIN LOWER SIDEWALL UPHOLSTERY.....
		NC-21 AND AFTER
	25-21-30	CABIN AIRSTAIR DOOR UPHOLSTERY.....
	25-21-40	EMERGENCY EXIT DOOR UPHOLSTERY.....
		NC-4 THRU NC-20
	25-21-45	EMERGENCY EXIT DOOR UPHOLSTERY.....
		NC-21 AND AFTER
	25-21-50	CABIN HEADLINER.....
		NC-4 THRU NC-20
	25-21-55	CABIN HEADLINER.....
		NC-21 AND AFTER
	25-21-60	VESTIBULE HEADLINER.....
	25-21-70	CABIN CARPET.....
		NC-4 THRU NC-20
	25-21-72	CABIN CARPET.....
		NC-21 AND AFTER
	25-21-90	aisle container.....
		NC-4 THRU NC-20
	25-22-00	CABIN TABLES.....
	25-22-10	LH FORWARD PARTITION.....
	25-22-20	LH FORWARD REFRESHMENT CABINET.....
	25-22-30	PYRAMID CABINETS.....
		NC-4 THRU NC-20

**Beechcraft**  
**STARSHIP 1**  
**ILLUSTRATED PARTS CATALOG**

**ATA-100 SYSTEM - CHAPTER INDEX GUIDE**

CHAPTER	SUB-SECTION	TITLE
<b>25</b>		<b>EQUIPMENT/FURNISHINGS (CONT)</b>
	<b>25-20</b>	<b>PASSENGER COMPARTMENT (CONT)</b>
	25-22-40	RH BAGGAGE/IAPS CABINET..... NC-4 THRU NC-20
	25-22-41	RH BAGGAGE/IAPS CABINET..... NC-21 AND AFTER
	25-22-50	FWD BAGGAGE COMPARTMENT WEB.....
	25-23-00	AFT TOILET CABINET..... NC-21 AND AFTER
	25-23-10	AFT TOILET HEADLINER..... NC-21 AND AFTER
	25-24-00	AFT CABIN BLEED AIR PLUMBING COVER.....
	25-25-00	AFT CABIN PARTITION..... NC-21 AND AFTER
	<b>25-50</b>	<b>CARGO COMPARTMENTS</b>
	25-50-00	AFT BULKHEAD UPHOLSTERY.....
	25-50-01	AFT COMPARTMENT UPHOLSTERY.....
	25-50-10	AFT BAGGAGE COMPARTMENT WEB.....
	25-50-30	AFT BAGGAGE COMPARTMENT PARTITION..... NC-4 THRU NC-20
	25-50-35	AFT BAGGAGE COMPARTMENT CLOSURE..... NC-21 AND AFTER
	<b>25-60</b>	<b>EMERGENCY</b>
	25-60-00	EMERGENCY LOCATOR TRANSMITTER AND ANTENNA.....
	25-60-20	SPARE FUSE AND LIMITER CONTAINER.....
<b>26</b>		<b>FIRE PROTECTION</b>
	<b>26-00</b>	<b>GENERAL</b>
	26-00-00	LIST OF PAGES & TABLE OF CONTENTS.....
	<b>26-10</b>	<b>DETECTION</b>
	26-10-00	ENGINE FIRE DETECTION.....
	26-10-10	BLEED AIR FAIL WARNING.....
	26-10-20	ANNUNCIATOR/SWITCH LIGHT ASSY.....
	<b>26-20</b>	<b>EXTINGUISHING</b>
	26-20-00	ENGINE FIRE EXTINGUISHER.....
	26-20-10	COCKPIT FIRE EXTINGUISHER.....
	26-20-20	CABIN FIRE EXTINGUISHER.....
<b>27</b>		<b>FLIGHT CONTROLS</b>
	<b>27-00</b>	<b>GENERAL</b>
	27-00-00	LIST OF PAGES & TABLE OF CONTENTS.....
	27-00-10	PULLEY BANK PLATFORM.....
	27-00-20	FORWARD WING AND FLAP MONITOR BOX.....
	27-00-30	ELECTRIC TRIM CONTROL.....
	27-00-40	ROLL AND YAW INTERCONNECT.....
	<b>27-20</b>	<b>RUDDER &amp; TAB</b>
	27-20-00	RUDDER CONTROLS.....
	27-20-10	RUDDER PEDALS.....
	27-20-20	RUDDER FORWARD CONTROL BELL CRANKS AND LINKAGE.....
	27-20-30	RUDDER TRIM TAB CONTROL ACTUATOR.....
	<b>27-30</b>	<b>ELEVATOR &amp; TAB</b>
	27-30-00	ELEVATOR CONTROLS.....
	27-30-10	FLIGHT CONTROL COLUMN.....
	27-30-20	ELEVATOR TRIM TAB CONTROL ACTUATOR.....
	27-30-30	STALL WARNING.....

**Beechcraft**  
**STARSHIP 1**  
**ILLUSTRATED PARTS CATALOG**

**ATA-100 SYSTEM - CHAPTER INDEX GUIDE**

CHAPTER	SUB-SECTION	TITLE
<b>27</b>		<b>FLIGHT CONTROLS (CONT)</b>
	<b>27-30</b>	<b>ELEVATOR &amp; TAB (CONT)</b>
	27-30-40	CONTROL COLUMN STABILIZING BOB WEIGHT .....
	27-31-00	ELEVON CONTROLS .....
	27-31-10	CONTROL WHEEL.....
	27-31-20	ELEVON CONTROL MIXER ASSEMBLY.....
	27-31-30	ELEVON TRIM TAB CONTROL ACTUATOR.....
	<b>27-40</b>	<b>HORIZONTAL STABILIZERS</b>
	27-40-00	FORWARD WING CONTROL MECHANISM.....
	27-40-10	FORWARD WING MONITOR SENSOR.....
	<b>27-50</b>	<b>FLAPS</b>
	27-50-00	FLAP ACTUATING MECHANISM .....
	27-50-10	FLAP MONITOR SYSTEM.....
	<b>27-70</b>	<b>GUST LOCK &amp; DAMPER</b>
	27-70-00	SURFACE CONTROL GUST LOCK.....
<b>28</b>		<b>FUEL</b>
	<b>28-00</b>	<b>GENERAL</b>
	28-00-00	LIST OF PAGES & TABLE OF CONTENTS.....
	<b>28-10</b>	<b>STORAGE</b>
	28-10-00	FUEL STORAGE AND INTERCONNECT .....
	28-10-01	CAP AND ADAPTER ASSY.....
	28-10-10	FUEL VENT SYSTEM .....
	<b>28-20</b>	<b>DISTRIBUTION</b>
	28-20-00	FUEL DISTRIBUTION SYSTEM .....
	<b>28-40</b>	<b>INDICATING</b>
	28-40-00	FUEL QUANTITY AND TEMPERATURE PROBES .....
<b>29</b>		<b>HYDRAULIC POWER</b>
	<b>29-00</b>	<b>GENERAL</b>
	29-00-00	LIST OF PAGES & TABLE OF CONTENTS .....
	29-00-01	HYDRAULIC SYSTEMS/REFERENCE/ .....
<b>30</b>		<b>ICE &amp; RAIN PROTECTION</b>
	<b>30-00</b>	<b>GENERAL</b>
	30-00-00	LIST OF PAGES & TABLE OF CONTENTS .....
	<b>30-10</b>	<b>AIRFOIL</b>
	30-10-00	PNEUMATIC DEICE SYSTEM .....
	<b>30-20</b>	<b>AIR INTAKES</b>
	30-20-00	AIR INLET & INERTIAL VANE ANTI-ICE .....
	<b>30-40</b>	<b>WINDOWS, WINDSHIELDS &amp; DOORS</b>
	30-40-10	WINDSHIELD WIPER.....
	<b>30-50</b>	<b>ANTENNAS &amp; RADOMES</b>
	30-50-00	SURFACE DEICE PRINTED CIRCUIT BOARD BOX.....
	<b>30-70</b>	<b>WATER LINES</b>
	30-70-00	ICE DETECTOR .....

**Beechcraft**  
**STARSHIP 1**  
**ILLUSTRATED PARTS CATALOG**

**ATA-100 SYSTEM - CHAPTER INDEX GUIDE**

CHAPTER	SUB-SECTION	TITLE
<b>31</b>		<b>INSTRUMENTS</b>
	<b>31-00</b>	<b>GENERAL</b>
	31-00-00	LIST OF PAGES & TABLE OF CONTENTS .....
	<b>31-40</b>	<b>CENTRAL COMPUTERS</b>
	31-40-00	IAPS CARD CAGE.....
	<b>31-50</b>	<b>CENTRAL WARNING SYSTEMS</b>
	31-50-00	ANNUNCIATOR WARNING LIGHT ASSY .....
	31-50-10	AURAL WARNING TONE GENERATOR .....
<b>32</b>		<b>LANDING GEAR</b>
	<b>32-00</b>	<b>GENERAL</b>
	32-00-00	LIST OF PAGES & TABLE OF CONTENTS .....
	<b>32-10</b>	<b>MAIN GEAR &amp; DOORS</b>
	32-10-00	MAIN LANDING GEAR INSTALLATION .....
	32-10-10	MAIN LANDING GEAR ASSEMBLY .....
	<b>32-20</b>	<b>NOSE GEAR &amp; DOORS</b>
	32-20-00	NOSE LANDING GEAR INSTALLATION .....
	32-20-10	NOSE LANDING GEAR ASSEMBLY .....
	<b>32-30</b>	<b>EXTENSION AND RETRACTION</b>
	32-30-00	NACELLE HYDRAULIC PLUMBING.....
		/LANDING GEAR/
	32-30-05	AFT FUSELAGE HYDRAULIC PLUMBING .....
		/LANDING GEAR/
	32-30-10	HYDRAULIC HAND PUMP .....
	32-30-15	FORWARD FUSELAGE AND NOSE HYDRAULIC PLUMBING .....
		/LANDING GEAR/
	32-30-20	POWER PACK PRESSURE REGULATOR.....
	<b>32-40</b>	<b>WHEELS &amp; BRAKES</b>
	32-40-00	BRAKE PLUMBING .....
	32-40-10	BRAKE FLUID RESERVOIR .....
	32-40-20	BRAKE ANTI SKID PALLET.....
	32-40-30	BRAKE ANTI SKID CONTROL BOX .....
	<b>32-50</b>	<b>STEERING</b>
	32-50-00	NOSE GEAR STEERING.....
	32-50-10	NOSE GEAR SHIMMY DAMPER .....
<b>33</b>		<b>LIGHTS</b>
	<b>33-00</b>	<b>GENERAL</b>
	33-00-00	LIST OF PAGES & TABLE OF CONTENTS .....
	<b>33-10</b>	<b>FLIGHT COMPARTMENT</b>
	33-10-00	COCKPIT LIGHTS .....
	<b>33-20</b>	<b>PASSENGER COMPARTMENT</b>
	33-20-00	LIGHTS-OVERHEAD ENTRY.....
	33-20-03	CABIN OVERHEAD LIGHTS.....
		NC-4 THRU NC-20
	33-20-07	LIGHTS,CABIN-AFT TOILET .....
		NC-21 AND AFTER
	33-20-10	CABIN AISLE AND AIRSTAIR DOOR LIGHTS .....
	33-20-30	CABIN LIGHTING POWER SUPPLIES .....
		NC-4 THRU NC-20
	33-20-35	CABIN LIGHTING POWER SUPPLIES .....
		NC-21 AND AFTER

**Beechcraft**  
**STARSHIP 1**  
**ILLUSTRATED PARTS CATALOG**

**ATA-100 SYSTEM - CHAPTER INDEX GUIDE**

CHAPTER	SUB-SECTION	TITLE
<b>33</b>		<b>LIGHTS (CONT)</b>
	<b>33-20</b>	<b>PASSENGER COMPARTMENT (CONT)</b>
	<b>33-30</b>	<b>CARGO &amp; SERVICE DEPARTMENTS</b>
	33-30-00	AFT BAGGAGE COMPARTMENT LIGHTS .....
	<b>33-40</b>	<b>EXTERIOR</b>
	33-40-00	NOSE LANDING AND TAXI LIGHTS .....
	33-40-10	WING LANDING LIGHT .....
	33-40-20	WING INSPECTION LIGHT .....
	33-40-50	ANTI-COLLISION LIGHTS .....
<b>34</b>		<b>NAVIGATION, PITOT/STATIC</b>
	<b>34-00</b>	<b>GENERAL</b>
	34-00-00	LIST OF PAGES & TABLE OF CONTENTS .....
	34-00-10	AVIONICS FEEDTHRU PLATE .....
	<b>34-10</b>	<b>FLIGHT ENVIRONMENT DATA</b>
	34-10-00	PITOT AND STATIC PLUMBING .....
	34-10-20	INSTRUMENT AIR PLUMBING .....
	34-11-00	AIR DATA COMPUTER AND PLUMBING .....
	<b>34-20</b>	<b>ATTITUDE &amp; DIRECTION</b>
	34-20-00	MAGNETIC COMPASS .....
	34-20-10	FLUX DETECTOR .....
	34-20-20	ATTITUDE HEADING SYSTEM .....
	<b>34-30</b>	<b>LANDING &amp; TAXIING AIDS</b>
	34-30-00	GLIDESLOPE AND MARKER BEACON ANTENNAS .....
	<b>34-40</b>	<b>INDEPENDENT POSITION DETERMINING</b>
	34-40-00	WEATHER RADAR TRANSCEIVER AND ANTENNA .....
	<b>34-50</b>	<b>DEPENDENT POSITION DETERMINING</b>
	34-50-00	NAVIGATION RECEIVER AND ANTENNA .....
	34-50-10	VLF RECEIVER AND ANTENNA .....
	34-50-20	ADF RECEIVER AND ANTENNA .....
	34-50-30	DME TRANSCEIVER AND ANTENNA .....
	34-50-40	TRANSPONDER AND ANTENNA .....
	34-50-50	RADIO ALTIMETER TRANSCEIVER AND ANTENNA .....
	34-50-60	RADIO TUNING ADAPTER .....
		NC-4 THRU NC-25
<b>35</b>		<b>OXYGEN</b>
	<b>35-00</b>	<b>GENERAL</b>
	35-00-00	LIST OF PAGES & TABLE OF CONTENTS .....
	35-00-01	OXYGEN SYSTEM INSTALLATION .....
		NC-4 THRU NC-20
	35-00-02	OXYGEN SYSTEM INSTALLATION .....
		NC-21 AND AFTER
<b>36</b>		<b>PNEUMATIC</b>
	<b>36-00</b>	<b>GENERAL</b>
	36-00-00	LIST OF PAGES & TABLE OF CONTENTS .....
	36-00-10	PRESSURIZATION SYSTEM .....
	36-00-20	WING PRESSURIZATION SYSTEM .....
	<b>36-10</b>	<b>DISTRIBUTION</b>
	36-10-00	ENGINE COMPARTMENT BLEED AIR .....

**Beechcraft**  
**STARSHIP 1**  
**ILLUSTRATED PARTS CATALOG**

**ATA-100 SYSTEM - CHAPTER INDEX GUIDE**

CHAPTER	SUB-SECTION	TITLE
<b>38</b>		<b>WATER/WASTE</b>
	<b>38-00</b>	<b>GENERAL</b>
	38-00-00	LIST OF PAGES & TABLE OF CONTENTS .....
	<b>38-30</b>	<b>WASTE DISPOSAL</b>
	38-30-00	RH FORWARD TOILET .....
		NC-4 THRU NC-20
	38-30-05	AFT TOILET AND RELIEF TUBE .....
		NC-21 AND AFTER
	38-30-10	COCKPIT RELIEF TUBE .....
		NC-4 THRU NC-20
	38-30-12	CABIN RELIEF TUBE .....
		NC-4 THRU NC-20
	38-30-15	AFT TOILET PLUMBING .....
		NC-21 AND AFTER
	38-30-30	OVERBOARD DRAIN PLUMBING .....
		NC-4 THRU NC-20
<b>39</b>		<b>ELECTRIC PANELS, PARTS &amp; INST.</b>
	<b>39-00</b>	<b>GENERAL</b>
	39-00-00	LIST OF PAGES & TABLE OF CONTENTS .....
	<b>39-10</b>	<b>INSTRUMENT &amp; CONTROL PANELS</b>
	39-10-00	OVERHEAD LIGHT CONTROL PANEL .....
	39-10-10	CONTROL PEDESTAL ASSEMBLY .....
	39-10-20	LEFT CIRCUIT BREAKER PANEL .....
	39-10-30	RIGHT CIRCUIT BREAKER PANEL .....
	39-10-40	AUXILLIARY CIRCUIT BREAKER PANEL .....
	39-10-50	AFT FUSELAGE CIRCUIT BREAKER PANEL .....
	39-10-60	MAIN INSTRUMENT PANEL .....
	39-10-70	INSTRUMENT SUBPANEL .....
		NC-4 THRU NC-28
	39-10-71	INSTRUMENT SUBPANEL .....
		NC-29 AND AFTER
	39-10-80	REVERSIONARY PANELS .....
	<b>39-20</b>	<b>ELECTRICAL &amp; ELECTRONIC EQUIPMENT RACKS</b>
	39-20-00	COCKPIT SIDEWALL ELECTRICAL EQUIPMENT .....
	39-20-10	COCKPIT LOWER ELECTRICAL EQUIPMENT .....
	39-20-20	AFT STEP ELECTRICAL EQUIPMENT .....
	39-20-30	AFT FUSELAGE ELECTRICAL EQUIPMENT .....
	39-21-00	CENTER SECTION ELECTRICAL EQUIPMENT .....
<b>STRUCTURE</b>		<b>DOORS</b>
<b>52</b>		<b>GENERAL</b>
	<b>52-00</b>	<b>GENERAL</b>
	52-00-00	LIST OF PAGES & TABLE OF CONTENTS .....
	<b>52-10</b>	<b>PASSENGER/CREW</b>
	52-10-00	CABIN AIRSTAIR DOOR .....
	52-10-10	CABIN AIRSTAIR DOOR LATCH MECHANISM .....
	52-10-20	AIRSTAIR DOOR SEAL PLUMBING .....
	<b>52-20</b>	<b>EMERGENCY EXIT</b>
	52-20-00	EMERGENCY EXIT DOOR .....
	<b>52-40</b>	<b>SERVICE</b>
	52-40-00	NOSE AVIONICS ACCESS DOORS .....



**Beechcraft**  
**STARSHIP 1**  
**ILLUSTRATED PARTS CATALOG**

**ATA-100 SYSTEM - CHAPTER INDEX GUIDE**

CHAPTER	SUB-SECTION	TITLE
52		<b>DOORS (CONT)</b>
	<b>52-70</b>	<b>DOOR WARNING</b>
	52-70-00	CABIN DOOR WARNING SWITCHES .....
	<b>52-80</b>	<b>LANDING GEAR</b>
	52-80-10	MAIN LANDING GEAR DOORS .....
	52-80-20	NOSE LANDING GEAR DOORS .....
	52-80-30	NOSE LANDING GEAR AFT DOORS .....
53		<b>FUSELAGE</b>
	<b>53-00</b>	<b>GENERAL</b>
	53-00-00	LIST OF PAGES & TABLE OF CONTENTS .....
	53-00-01	AFT PRESSURE DOME WIRE SEAL .....
	<b>53-20</b>	<b>AUXILIARY STRUCTURE</b>
	53-20-00	COCKPIT LEFT SIDE CONSOLE STRUCTURE .....
	53-20-10	COCKPIT RIGHT SIDE CONSOLE STRUCTURE .....
	53-20-20	CONTROL PEDESTAL STRUCTURE .....
	53-20-30	PEDESTAL EXTENSION STRUCTURE .....
	53-20-40	SUBPANEL STRUCTURE ASSEMBLY .....
	53-20-50	COCKPIT FLOOR PANELS .....
	53-20-60	CABIN FLOOR AND AISLE PANELS .....
	53-20-70	NOSE AVIONICS SHELVES .....
	53-20-80	MAIN INSTRUMENT PANEL STRUCTURE .....
	53-21-00	FUSELAGE ELECTRICAL WIRE CONDUIT .....
	53-21-10	FLIGHT CONTROL CABLE TRAY .....
	53-25-00	DYNAMIC ABSORBER .....
	<b>53-30</b>	<b>PLATES/SKIN</b>
	53-30-00	NOSE SKINS AND PLATES .....
	53-30-10	AFT FUSELAGE ACCESS DOORS .....
	<b>53-40</b>	<b>ATTACH FITTINGS</b>
	53-40-00	MAIN PANEL AND SUBPANEL SUPPORT .....
	53-40-10	ELECTRONIC FLIGHT DISPLAYS SUPPORT .....
53-40-20	NOSE ATTACH FITTINGS .....	
53-40-30	AVIONICS INTERFACE RACK .....	
<b>53-50</b>	<b>AERODYNAMIC FAIRINGS</b>	
53-50-00	RADOME AND TAIL CONE .....	
53-50-20	FORWARD WING FAIRINGS .....	
53-50-40	AFT WING/FUSELAGE FAIRING/ .....	
54		<b>NACELLES</b>
	<b>54-00</b>	<b>GENERAL</b>
	54-00-00	LIST OF PAGES & TABLE OF CONTENTS .....
	<b>54-10</b>	<b>MAIN FRAME</b>
	54-10-00	NACELLE INSTALLATION .....
	54-10-10	NACELLE .....
	54-10-20	NACELLE FIREWALL LOWER STRUCTURE .....
	54-10-30	NACELLE FIREWALL .....
	54-11-00	NACELLE FIREWALL INSULATION .....
	<b>54-30</b>	<b>PLATES/SKIN</b>
	54-30-00	COWLING INSTALLATION .....
	54-30-10	UPPER AFT COWLING .....
	54-30-20	LOWER AFT COWLING .....
54-30-30	UPPER FORWARD COWLING .....	
54-30-40	LOWER FORWARD COWLING .....	

**Beechcraft**  
**STARSHIP 1**  
**ILLUSTRATED PARTS CATALOG**

**ATA-100 SYSTEM - CHAPTER INDEX GUIDE**

CHAPTER	SUB-SECTION	TITLE
<b>55</b>		<b>STABILIZERS</b>
	<b>55-00</b>	<b>GENERAL</b>
	55-00-00	LIST OF PAGES & TABLE OF CONTENTS .....
	<b>55-10</b>	<b>HORIZONTAL STABILIZERS</b>
	55-10-00	FORWARD WING .....
	<b>55-20</b>	<b>ELEVATOR/ELEVON</b>
	55-20-00	ELEVATOR.....
	<b>55-30</b>	<b>VERTICAL STABILIZER</b>
	55-30-00	TIPSAIL .....
	<b>55-40</b>	<b>RUDDER</b>
	55-40-00	TIPSAIL RUDDER.....
	<b>55-50</b>	<b>ATTACH FITTINGS</b>
	55-60-00	VENTRAL STABILIZER .....
<b>56</b>		<b>WINDOWS</b>
	<b>56-00</b>	<b>GENERAL</b>
	56-00-00	LIST OF PAGES & TABLE OF CONTENTS .....
	<b>56-10</b>	<b>FLIGHT COMPARTMENT</b>
	56-10-00	FLIGHT COMPARTMENT WINDOWS.....
	<b>56-20</b>	<b>CABIN</b>
	56-20-00	CABIN POLARIZED WINDOWS .....
	56-20-10	CABIN OUTER WINDOWS .....
	56-20-20	AFT TOILET WINDOW INSTALLATION .....
<b>57</b>		<b>WINGS</b>
	<b>57-00</b>	<b>GENERAL</b>
	57-00-00	LIST OF PAGES & TABLE OF CONTENTS .....
	<b>57-10</b>	<b>MAIN FRAME</b>
	57-10-00	AFT WING INSTALLATION.....
	57-10-10	AFT WING .....
	57-10-20	AFT WING BOX ASSEMBLY .....
	57-11-00	MAIN LANDING GEAR CLOSURE SUPPORT .....
		NC-4 THRU NC-33
	57-11-10	MAIN LANDING GEAR CLOSURE SUPPORT .....
		NC-34 AND AFTER
	<b>57-20</b>	<b>AUXILIARY STRUCTURE</b>
	57-20-00	FLAP FAIRINGS .....
	57-20-10	WING ELECTRICAL WIRE CONDUIT .....
	57-20-20	ELEVON FENCE .....
	57-20-30	AFT WING FLAP COVE.....
	57-20-40	AFT WING ACCESS DOORS .....
	57-21-00	AFT WING TRAILING EDGE INBD COVE.....
	<b>57-40</b>	<b>ATTACH FITTINGS</b>
	57-40-00	LEADING EDGE .....
	57-40-10	AFT WING LEADING EDGE VORTILON.....
	<b>57-50</b>	<b>FLIGHT SURFACES</b>
	57-50-00	FLAP INSTALLATION.....
	57-60-00	ELEVON INSTALLATION.....

**Beechcraft**  
**STARSHIP 1**  
**ILLUSTRATED PARTS CATALOG**

**ATA-100 SYSTEM - CHAPTER INDEX GUIDE**

CHAPTER	SUB-SECTION	TITLE
<b>PROPELLER/ROTOR</b>		
<b>61</b>		<b>PROPELLERS</b>
	<b>61-00</b>	<b>GENERAL</b>
	61-00-00	LIST OF PAGES & TABLE OF CONTENTS .....
	<b>61-10</b>	<b>PROPELLER ASSEMBLY</b>
	61-10-00	PROPELLER .....
	<b>61-20</b>	<b>CONTROLLING</b>
	61-20-00	PROPELLER SYNCHROPHASER .....
	61-20-10	PROPELLER AUTOFEATHER .....
	61-20-20	GROUND IDLE STOP SOLENOID .....
<b>POWER PLANT</b>		
<b>71</b>		<b>POWER PLANT</b>
	<b>71-00</b>	<b>GENERAL</b>
	71-00-00	LIST OF PAGES & TABLE OF CONTENTS .....
	71-00-10	POWER PLANT .....
	<b>71-20</b>	<b>MOUNTS</b>
	71-20-00	ENGINE MOUNT .....
	<b>71-60</b>	<b>AIR INTAKES</b>
	71-60-00	ENGINE AIR PLENUM AND INLET DUCT .....
	<b>71-70</b>	<b>ENGINE DRAINS</b>
	71-70-00	ENGINE DRAINS .....
<b>72</b>		<b>ENGINE</b>
	<b>72-00</b>	<b>GENERAL</b>
	72-00-00	LIST OF PAGES & TABLE OF CONTENTS .....
	72-00-01	ENGINE/REFERENCE/ .....
<b>73</b>		<b>ENGINE FUEL &amp; CONTROL</b>
	<b>73-00</b>	<b>GENERAL</b>
	73-00-00	LIST OF PAGES & TABLE OF CONTENTS .....
	<b>73-10</b>	<b>DISTRIBUTION</b>
	73-10-00	ENGINE SECTION FUEL .....
	73-10-05	ENGINE FUEL FILTER ASSEMBLY .....
	73-10-10	FUEL PURGE TANK .....
	<b>73-20</b>	<b>CONTROLLING</b>
	73-20-00	CONDITION LEVER FUEL CUTOFF SWITCH .....
	<b>73-30</b>	<b>INDICATING</b>
	73-30-00	FUEL FLOWMETER TRANSMITTER .....
<b>74</b>		<b>IGNITION</b>
	<b>74-00</b>	<b>GENERAL</b>
	74-00-00	LIST OF PAGES & TABLE OF CONTENTS .....

**Beechcraft**  
**STARSHIP 1**  
**ILLUSTRATED PARTS CATALOG**

**ATA-100 SYSTEM - CHAPTER INDEX GUIDE**

CHAPTER	SUB-SECTION	TITLE
<b>74</b>		<b>IGNITION (CONT)</b>
	<b>74-10</b>	<b>ELECTRICAL POWER SUPPLY</b>
	74-10-00	IGNITION EXCITER.....
<b>75</b>		<b>AIR</b>
	<b>75-00</b>	<b>GENERAL</b>
	75-00-00	LIST OF PAGES & TABLE OF CONTENTS.....
	<b>75-20</b>	<b>ACCESSORY COOLING</b>
	75-20-00	GENERATOR COOLING.....
<b>76</b>		<b>ENGINE CONTROLS</b>
	<b>76-00</b>	<b>GENERAL</b>
	76-00-00	LIST OF PAGES & TABLE OF CONTENTS.....
	<b>76-10</b>	<b>POWER CONTROL</b>
	76-10-00	PEDESTAL ENGINE CONTROL MECHANISM.....
	76-10-10	ENGINE CONTROLS.....
	76-10-20	THROTTLE GO AROUND SWITCH.....
<b>77</b>		<b>ENGINE INDICATING</b>
	<b>77-00</b>	<b>GENERAL</b>
	77-00-00	LIST OF PAGES & TABLE OF CONTENTS.....
	<b>77-30</b>	<b>ANALYZERS</b>
	77-40-00	INTEGRATED ENGINE INSTRUMENT SYSTEMS.....
<b>78</b>		<b>EXHAUST</b>
	<b>78-00</b>	<b>GENERAL</b>
	78-00-00	LIST OF PAGES & TABLE OF CONTENTS.....
	<b>78-10</b>	<b>COLLECTOR/NOZZLE</b>
	78-10-00	ENGINE EXHAUST STACKS.....
<b>79</b>		<b>OIL</b>
	<b>79-00</b>	<b>GENERAL</b>
	79-00-00	LIST OF PAGES & TABLE OF CONTENTS.....
	<b>79-20</b>	<b>DISTRIBUTION</b>
	79-20-00	ENGINE OIL SYSTEM.....
	79-20-10	OIL BREATHER LINE.....
	<b>79-30</b>	<b>INDICATING</b>
	79-30-00	OIL LEVEL INDICATOR.....
<b>80</b>		<b>STARTING</b>
	<b>80-00</b>	<b>GENERAL</b>
	80-00-00	LIST OF PAGES & TABLE OF CONTENTS.....
	80-00-01	STARTER/REFERENCE/.....

**Beechcraft**  
**STARSHIP 1**  
**ILLUSTRATED PARTS CATALOG**

**ALPHABETICAL INDEX**

COMPONENT ITEM OR SYSTEM NAME	CHAPTER NAME	CHAP/SUB SECT & UNIT
<b>A</b>		
ABSORBER, DYNAMIC	FUSELAGE	53-25-00
ACCUMULATOR, HYDRAULIC	LANDING GEAR	32-40-20
ACTUATOR ASSEMBLY, FWD WING CONTROL	FLIGHT CONTROLS	27-40-00
ACTUATOR ASSEMBLY, ICE VANE	ICE & RAIN PROTECTION	30-20-00
ACTUATOR ASSEMBLY, NOSE GEAR DOOR	LANDING GEAR	32-20-00
ACTUATOR, ELEVATOR TRIM TAB CONTROL	FLIGHT CONTROLS	27-30-20
ACTUATOR, ELEVON TRIM TAB CONTROL	FLIGHT CONTROLS	27-31-30
ACTUATOR, FLAP	FLIGHT CONTROLS	27-50-00
ACTUATOR, RUDDER	STABILIZERS	55-40-00
ACTUATOR, RUDDER TRIM TAB CONTROL	FLIGHT CONTROLS	27-20-30
ADF ANTENNA	NAVIGATION	34-50-20
ADF SYSTEM	NAVIGATION	34-50-20
AEROFICHE SUBSCRIPTION CARD	EQUIPMENT/FURNISHINGS	25-10-00
AFT BAGGAGE COMPARTMENT CLOSURE	EQUIPMENT/FURNISHINGS	25-50-35
AFT BAGGAGE COMPARTMENT LIGHTS	LIGHTS	33-30-00
AFT BAGGAGE COMPARTMENT PARTITION	EQUIPMENT/FURNISHINGS	25-50-30
AFT BAGGAGE COMPARTMENT WEB	EQUIPMENT/FURNISHINGS	25-50-10
AFT BULKHEAD UPHOLSTERY	EQUIPMENT/FURNISHINGS	25-50-01
AFT CABIN BLEED AIR PLUMBING COVER	EQUIPMENT/FURNISHINGS	25-24-00
AFT CABIN PARTITION	EQUIPMENT/FURNISHINGS	25-25-00
AFT COMPARTMENT UPHOLSTERY	EQUIPMENT/FURNISHINGS	25-50-00
AFT FUSELAGE ACCESS DOORS	FUSELAGE	53-30-10
AFT FUSELAGE CIRCUIT BREAKER PANEL	ELEC PANELS, PARTS, INST.	39-10-50
AFT FUSELAGE ELECTRICAL EQUIPMENT	ELEC PANELS, PARTS, INST.	39-20-30
AFT FUSELAGE HYDRAULIC PLUMBING	LANDING GEAR	32-30-10
AFT PRESSURE DOME WIRE SEAL	FUSELAGE	53-00-01
AFT TOILET	WATER/WASTE	38-30-05
AFT TOILET CABINET	EQUIPMENT/FURNISHINGS	25-23-00
AFT TOILET HEADLINER	EQUIPMENT/FURNISHINGS	25-23-10
AFT TOILET PLUMBING	WATER/WASTE	38-30-15
AFT TOILET WINDOW	WINDOWS	56-20-20
AFT TWO PLACE COUCH	EQUIPMENT/FURNISHINGS	25-20-10
AFT WING	WINGS	57-10-10
AFT WING ACCESS DOORS	WINGS	57-20-40
AFT WING BOX ASSEMBLY	WINGS	57-10-20
AFT WING FLAP COVE	WINGS	57-20-30
AFT WING FUEL TANK	FUEL	28-10-00
AFT WING LEADING EDGE	WINGS	57 40-00
AFT WING TRAILING EDGE INBD COVE	WINGS	57-21-00
AFT WING/FUSELAGE FAIRING/	FUSELAGE	53-50-40
AHC AUXILIARY POWER SUPPLY	ELECTRICAL POWER	24-30-10
AIR DATA COMPUTER AND PLUMBING	NAVIGATION	34-11-00
AIR INFLOW AND DISTRIBUTION	ENVIRONMENTAL SYSTEMS	21-20-00
AIR INLET AND INERTIAL VANE ANTI-ICE	ICE & RAIN PROTECTION	30-20-00
AIR INLET, AMBIENT	ENVIRONMENTAL SYSTEMS	21-20-40
AIR INTAKE LIP ASSEMBLY	ICE & RAIN PROTECTION	30-20-00
AIR PLUMBING, INSTRUMENT	NAVIGATION	34-10-20
AIR SPEED INDICATOR	ELEC PANELS, PARTS, INST.	39-10-60
AIRSTAIR DOOR SEAL PLUMBING	DOORS	52-10-20
AISLE CONTAINER	EQUIPMENT/FURNISHINGS	25-21-90
ALTIMETER, STANDBY/PNEUMATIC/	ELEC PANELS, PARTS, INST.	39-10-60
ALTITUDE INDICATOR	ELEC PANELS, PARTS, INST.	39-10-60
ALTITUDE PRESSURE SWITCH, CABIN	OXYGEN	35-00-01
AMBIENT AIR INLET	ENVIRONMENTAL SYSTEMS	21-20-40
AMPLIFIER, AUDIO CONTROL	COMMUNICATIONS	23-50-10
AMPLIFIER, INTERPHONE	COMMUNICATIONS	23-40-00
AMPLIFIER, PAGING	COMMUNICATIONS	23-30-20
ANNUNCIATOR WARNING LIGHT	INSTRUMENTS	31-50-00
ANTENNA, ADF	NAVIGATION	34-50-20
ANTENNA, DME	NAVIGATION	34-50-30
ANTENNA, ELT	EQUIPMENT/FURNISHINGS	25-60-00
ANTENNA, FM RECEIVER	COMMUNICATIONS	23-30-10
ANTENNA, GLIDESLOPE	NAVIGATION	34-30-00
ANTENNA, MARKER BEACON	NAVIGATION	34-30-00
ANTENNA, RADIO ALTIMETER	NAVIGATION	34-50-50

**Beechcraft**  
**STARSHIP 1**  
**ILLUSTRATED PARTS CATALOG**

**ALPHABETICAL INDEX**

COMPONENT ITEM OR SYSTEM NAME	CHAPTER NAME	CHAP/SUB SECT & UNIT
<b>A</b>		
ANTENNA, RADIOPHONE	COMMUNICATIONS	23-10-10
ANTENNA, TRANSPONDER	NAVIGATION	34-50-40
ANTENNA, VHF COMM	COMMUNICATIONS	23-10-00
ANTENNA, VHF NAV	NAVIGATION	34-50-00
ANTENNA, VLF	NAVIGATION	34-50-10
ANTENNA, WEATHER RADAR	NAVIGATION	34-40-00
ANTI-COLLISION LIGHTS	LIGHTS	33-40-50
ANTI-SKID BRAKE PALLET	LANDING GEAR	32-40-20
ANTI-SKID BRAKE SYSTEM	LANDING GEAR	32-40-20
ANTI-SKID LOW PRESSURE WARNING SWITCH	LANDING GEAR	32-40-20
ANTI-SKID MOTOR AND PUMP ASSEMBLY	LANDING GEAR	32-40-20
ANTI-SKID PUMP OUTPUT CONTROL SWITCH	LANDING GEAR	32-40-20
ARM, NOSE GEAR STEERING	LANDING GEAR	32-20-10
ASHTRAY, CREW	EQUIPMENT/FURNISHINGS	25-10-40
AUDIO CONTROL AMPLIFIER	COMMUNICATIONS	23-50-10
AURAL WARNING TONE GENERATOR	INSTRUMENTS	31-50-10
AUTOFEATHER, PROPELLER	PROPELLERS	61-20-10
AUTOMATIC TRIM COMPUTER	AUTO FLIGHT	22-11-30
AUTOPILOT ENGAGE PANEL	AUTO FLIGHT	22-11-30
AUTOPILOT PITCH SYSTEM SERVO	AUTO FLIGHT	22-11-00
AUTOPILOT ROLL SYSTEM SERVO	AUTO FLIGHT	22-11-10
AUTOPILOT YAW SYSTEM SERVO	AUTO FLIGHT	22-11-20
AUXILIARY CIRCUIT BREAKER PANEL	ELEC PANELS, PARTS, INST.	39-10-40
AVIONICS ACCESSORIES	COMMUNICATIONS	23-50-40
AVIONICS COOLING, FUSELAGE	ENVIRONMENTAL SYSTEMS	21-55-00
AVIONICS COOLING, NOSE	ENVIRONMENTAL SYSTEMS	21-55-10
AVIONICS FEEDTHRU PLATE	NAVIGATION	34-00-10
AVIONICS HAND MICROPHONE	COMMUNICATIONS	23-50-40
AVIONICS INTERFACE RACK	FUSELAGE	53-40-30
AVIONICS JUNCTION BOX, NOSE	COMMUNICATIONS	23-50-30
<b>B</b>		
BAG, FLIGHT	EQUIPMENT/FURNISHINGS	25-10-00
BAG, MOTION SICKNESS	EQUIPMENT/FURNISHINGS	25-10-00
BAGGAGE COMPARTMENT WEB, FWD	EQUIPMENT/FURNISHINGS	25-22-50
BAR, TOW	EQUIPMENT/FURNISHINGS	25-10-00
BARREL ASSEMBLY, SHIMMY DAMPER	LANDING GEAR	32-50-10
BATTERY AND BATTERY VENT	ELECTRICAL POWER	24-30-00
BATTERY SUPPORT BRACKET	NACELLES	54-10-10
BATTERY, 34 AMP	ELECTRICAL POWER	24-30-00
BEECHCRAFT SERVICE CENTER DIRECTORY	EQUIPMENT/FURNISHINGS	25-10-00
BLEED AIR FAIL WARNING	FIRE PROTECTION	26-10-10
BLEED AIR FAIL WARNING CONTROL UNIT	FIRE PROTECTION	26-10-10
BLEED AIR INFLOW BYPASS VALVE	ENVIRONMENTAL SYSTEMS	21-20-00
BLEED AIR PLUMBING	ENVIRONMENTAL SYSTEMS	21-20-20
BLEED AIR PLUMBING COVER, AFT CABIN	EQUIPMENT/FURNISHINGS	25-24-00
BLEED AIR, ENGINE COMPARTMENT	PNEUMATIC	36-10-00
BLOWER ASSEMBLY, AFT VENTILATION	ENVIRONMENTAL SYSTEMS	21-20-35
BLOWER ASSEMBLY, FWD VENTILATION	ENVIRONMENTAL SYSTEMS	21-20-30
BLOWER ASSEMBLY, VANE AXIAL	ENVIRONMENTAL SYSTEMS	21-50-20
BOB WEIGHT, CONTROL COLUMN STABILIZING	FLIGHT CONTROLS	27-30-40
BOOKLET, SAFETY INFORMATION	EQUIPMENT/FURNISHINGS	25-10-00
BOOM MICROPHONE HEADSET	EQUIPMENT/FURNISHINGS	25-10-00
BOOT ASSEMBLY, CONTROL COLUMN TEE	FUSELAGE	53-20-50
BOTTLE, ENGINE FIRE EXTINGUISHER	FIRE PROTECTION	26-20-00
BOX ASSEMBLY, AFT WING	WINGS	57-10-20
BOX, BRAKE ANTI-SKID CONTROL	LANDING GEAR	32-40-30
BRACE ASSEMBLY, MAIN GEAR	LANDING GEAR	32-10-10
BRACE ASSEMBLY, NOSE LANDING GEAR	LANDING GEAR	32-20-10
BRACKET, BATTERY SUPPORT	NACELLES	54-10-10
BRACKET, LANDING GEAR HYDRAULIC PUMP	NACELLES	54-10-10
BRAKE ANTI-SKID CONTROL BOX	LANDING GEAR	32-40-30
BRAKE ASSEMBLY	LANDING GEAR	32-10-10
BRAKE ASSEMBLY, CONTROL FRICTION	ENGINE CONTROLS	76-10-00

**Beechcraft**  
**STARSHIP 1**  
**ILLUSTRATED PARTS CATALOG**

**ALPHABETICAL INDEX**

<b>COMPONENT ITEM OR SYSTEM NAME</b>	<b>CHAPTER NAME</b>	<b>CHAP/SUB SECT &amp; UNIT</b>
<b>B</b>		
BRAKE FLUID RESERVOIR	LANDING GEAR	32-40-10
BRAKE PALLET, ANTI-SKID	LANDING GEAR	32-40-20
BRAKE PLUMBING	LANDING GEAR	32-40-00
BRAKE SYSTEM, ANTI-SKID	LANDING GEAR	32-40-20
BRAKE VALVE, POWER	LANDING GEAR	32-40-20
BRUSH, ELECTRICAL CONTACT	ELECTRICAL POWER	24-30-30
BUCKLE ASSEMBLY, LEFT ROTARY	EQUIPMENT/FURNISHINGS	25-10-20
BULB, FUEL TEMPERATURE	FUEL	28-40-00
BULKHEAD ASSEMBLY/STA 46.00/	FUSELAGE	53-20-70
<b>C</b>		
CABIN AFT TOILET LIGHTS	LIGHTS	33-20-07
CABIN AIRSTAIR DOOR	DOORS	52-10-00
CABIN AIRSTAIR DOOR UPHOLSTERY	EQUIPMENT/FURNISHINGS	25-21-30
CABIN AISLE AND AIRSTAIR DOOR LIGHTS	LIGHTS	33-20-10
CABIN CARPET	EQUIPMENT/FURNISHINGS	25-21-70
CABIN DOOR WARNING SWITCH	DOORS	52-70-00
CABIN FLOOR AND AISLE DROP PANELS	FUSELAGE	53-20-60
CABIN FLOOR PANELS	FUSELAGE	53-20-60
CABIN HEADLINER	EQUIPMENT/FURNISHINGS	25-21-50
CABIN LIGHTING POWER SUPPLIES	LIGHTS	33-20-30
CABIN LOWER SIDEWALL UPHOLSTERY	EQUIPMENT/FURNISHINGS	25-21-20
CABIN OUTER WINDOWS	WINDOWS	56-20-10
CABIN OVERHEAD DUCTS	ENVIRONMENTAL SYSTEMS	21-20-25
CABIN OVERHEAD ENTRY	LIGHTS	33-20-00
CABIN OVERHEAD LIGHTS	LIGHTS	33-20-03
CABIN PARTITION, AFT	EQUIPMENT/FURNISHINGS	25-25-00
CABIN POLARIZED WINDOWS	WINDOWS	56-20-00
CABIN PRESSURIZATION MODULE	ENVIRONMENTAL SYSTEMS	21-30-10
CABIN SIDEWALL DUCTS	ENVIRONMENTAL SYSTEMS	21-20-20
CABIN SPEAKER	COMMUNICATIONS	23-30-00
CABIN TABLES	EQUIPMENT/FURNISHINGS	25-22-00
CABIN TEMPERATURE CONTROL	ENVIRONMENTAL SYSTEMS	21-60-00
CABIN TEMPERATURE SENSOR	ENVIRONMENTAL SYSTEMS	21-60-00
CABIN WINDOW UPHOLSTERY PANEL	EQUIPMENT/FURNISHINGS	25-21-00
CABINET, AFT TOILET	EQUIPMENT/FURNISHINGS	25-23-00
CABINET, LH FORWARD REFRESHMENT	EQUIPMENT/FURNISHINGS	25-22-20
CABINET, RH BAGGAGE/IAPS	EQUIPMENT/FURNISHINGS	25-22-40
CABINETS, PYRAMID	EQUIPMENT/FURNISHINGS	25-22-30
CABLE ASSEMBLY, ENGINE CONTROL	ENGINE CONTROLS	76-10-10
CABLE TRAY, FLIGHT CONTROL	FUSELAGE	53-21-10
CABLE, ELEVON CONTROL	FLIGHT CONTROLS	27-31-00
CARD, AEROFICHE SUBSCRIPTION	EQUIPMENT/FURNISHINGS	25-10-00
CARD, OWNERS NOTIFICATION REPLY	EQUIPMENT/FURNISHINGS	25-10-00
CARD, PASSENGER BRIEFING	EQUIPMENT/FURNISHINGS	25-10-00
CARPET, CABIN	EQUIPMENT/FURNISHINGS	25-21-70
CARPET, FLIGHT COMPARTMENT	EQUIPMENT/FURNISHINGS	25-10-90
CENTER SECTION ELECTRICAL EQUIPMENT	ELEC PANELS, PARTS, INST.	39-21-00
CHAIRS, PASSENGER	EQUIPMENT/FURNISHINGS	25-20-00
CHESS PIECES	EQUIPMENT/FURNISHINGS	25-10-00
CHESS SET STORAGE INSTRUCTIONS	EQUIPMENT/FURNISHINGS	25-10-00
CIRCUIT BREAKER PANEL, AFT FUSELAGE	ELEC PANELS, PARTS, INST.	39-10-50
CIRCUIT BREAKER PANEL, LEFT	ELEC PANELS, PARTS, INST.	39-10-20
CIRCUIT BREAKER PANEL, RIGHT	ELEC PANELS, PARTS, INST.	39-10-20
CLOCK	ELEC PANELS, PARTS, INST.	39-10-60
CLOSURE, LANDING GEAR SUPPORT	WINGS	57-11-00
COAT HANGER	EQUIPMENT/FURNISHINGS	25-10-00
COCKPIT DUCTS	ENVIRONMENTAL SYSTEMS	21-20-15
COCKPIT EL PANEL POWER SUPPLY	ELECTRICAL POWER	24-50-20
COCKPIT FLOOR PANELS	FUSELAGE	53-20-50
COCKPIT LIGHTS	LIGHTS	33-10-00
COCKPIT LOWER ELECTRICAL EQUIPMENT	ELEC PANELS, PARTS, INST.	39-20-10
COCKPIT RELIEF TUBE	WATER/WASTE	38-30-10
COCKPIT RIGHT SIDE CONSOLE STRUCTURE	FUSELAGE	53-20-10

**Beechcraft**  
**STARSHIP 1**  
**ILLUSTRATED PARTS CATALOG**

**ALPHABETICAL INDEX**

<b>COMPONENT ITEM OR SYSTEM NAME</b>	<b>CHAPTER NAME</b>	<b>CHAP/SUB SECT &amp; UNIT</b>
<b>C</b>		
COCKPIT SIDEWALL ELECTRICAL EQUIPMENT	ELEC PANELS, PARTS, INST.	39-20-00
COCKPIT SPEAKER	COMMUNICATIONS	23-50-00
COIL ASSEMBLY, FWD EVAPORATOR	ENVIRONMENTAL SYSTEMS	21-50-60
COLUMN ASSEMBLY, FLIGHT CONTROL	FLIGHT CONTROLS	27-30-10
COMPARTMENT CLOSURE, AFT BAGGAGE	EQUIPMENT/FURNISHINGS	25-50-35
COMPASS, MAGNETIC	NAVIGATION	34-20-00
COMPRESSOR, AIR CONDITIONING	ENVIRONMENTAL SYSTEMS	21-50-50
COMPUTER, STALL WARNING	FLIGHT CONTROLS	27-30-30
CONDENSER ASSEMBLY, COOLING	ENVIRONMENTAL SYSTEMS	21-50-20
CONDITION CONTROL LEVER ASSEMBLY	ENGINE CONTROLS	76-10-00
CONDITION CONTROL LEVER KNOB	ENGINE CONTROLS	76-10-00
CONDITION LEVER FUEL CUTOFF SWITCH	ENGINE FUEL & CONTROL	73-20-00
CONNECTOR ASSEMBLY, BATTERY	ELECTRICAL POWER	24-30-00
CONSOLE STRUCTURE, COCKPIT LEFT	FUSELAGE	53-20-00
CONSOLE STRUCTURE, COCKPIT RIGHT	FUSELAGE	53-20-00
CONTAINER ASSEMBLY, OXYGEN MASK	OXYGEN	35-00-01
CONTAINER, AISLE	EQUIPMENT/FURNISHINGS	25-21-90
CONTAINER, OXYGEN MASK	EQUIPMENT/FURNISHINGS	25-21-50
CONTAINER, SPARE FUSE AND LIMITER	EQUIPMENT/FURNISHINGS	25-60-20
CONTROL ASSEMBLY, DEFROST	ENVIRONMENTAL SYSTEMS	21-20-15
CONTROL BOX, ELECTRIC TRIM	FLIGHT CONTROLS	27-00-30
CONTROL COLUMN STABILIZING BOB WEIGHT	FLIGHT CONTROLS	27-30-40
CONTROL COLUMN TEE BOOT	FUSELAGE	53-20-50
CONTROL FRICTION BRAKE ASSEMBLY	ENGINE CONTROLS	76-10-00
CONTROL PEDESTAL	ELEC PANELS, PARTS, INST.	39-10-10
CONTROL PEDESTAL STRUCTURE	FUSELAGE	53-20-20
CONTROL WHEEL	FLIGHT CONTROLS	27-31-10
CONTROL WHEEL ASSEMBLY, COPILOT'S	FLIGHT CONTROLS	27-31-10
CONTROL WHEEL ASSEMBLY, PILOT'S	FLIGHT CONTROLS	27-31-10
CONTROLLER, FLAP	FLIGHT CONTROLS	27-50-00
COOLER ASSEMBLY, OIL	OIL	79-20-00
COOLING SYSTEM COMPRESSOR	ENVIRONMENTAL SYSTEMS	21-50-50
COPILOT'S CONTROL WHEEL ASSEMBLY	FLIGHT CONTROLS	27-31-10
COPILOT'S SEAT	EQUIPMENT/FURNISHINGS	25-10-20
COUCH, AFT TWO PLACE	EQUIPMENT/FURNISHINGS	25-20-10
COUPLER/GLS/	NAVIGATION	34-30-00
COUPLER/MKR BCN/	NAVIGATION	34-30-00
COUPLER, NAV ANTENNA	NAVIGATION	34-50-00
COVER ASSEMBLY, AISLE DROP	FUSELAGE	53-20-60
COVER ASSEMBLY, RUDDER PEDAL ADJUSTMENT	FUSELAGE	53-20-50
COVER, AFT CABIN BLEED AIR PLUMBING	EQUIPMENT/FURNISHINGS	25-24-00
COVER, ENGINE INLET DUST	EQUIPMENT/FURNISHINGS	25-10-00
COVER, PITOT TUBE	EQUIPMENT/FURNISHINGS	25-10-00
COWLING INSTALLATION	NACELLES	54-30-00
COWLING, LOWER AFT	NACELLES	54-30-20
COWLING, LOWER FWD	NACELLES	54-30-40
COWLING, UPPER AFT	NACELLES	54-30-10
COWLING, UPPER FWD	NACELLES	54-30-30
CUPHOLDER, CREW	EQUIPMENT/FURNISHINGS	25-10-40
CYLINDER, OXYGEN	OXYGEN	35-00-01
<b>D</b>		
DATA CONCENTRATOR, ENGINE	IND/RECORDING SYSTEMS	31-40-00
DEFROST CONTROL ASSEMBLY	ENVIRONMENTAL SYSTEMS	21-20-15
DETECTOR, FLUX	NAVIGATION	34-20-10
DETECTOR, ICE	ICE & RAIN PROTECTION	30-70-00
DIRECTORY, BEECHCRAFT SERVICE CENTER	EQUIPMENT/FURNISHINGS	25-10-00
DISPLAY UNIT, ENGINE	ELEC PANELS, PARTS, INST.	39-10-60
DISPLAY UNIT, MULTIFUNCTION	ELEC PANELS, PARTS, INST.	39-10-60
DISPLAY UNIT, NAVIGATION	ELEC PANELS, PARTS, INST.	39-10-60
DISPLAY UNIT, PRIMARY FLIGHT	ELEC PANELS, PARTS, INST.	39-10-60
DISPLAY UNIT, SENSOR	ELEC PANELS, PARTS, INST.	39-10-60
DISPLAYS SUPPORT, ELECTRONIC FLIGHT	FUSELAGE	53-40-10
DME ANTENNA	NAVIGATION	34-50-30



**Beechcraft**  
**STARSHIP 1**  
**ILLUSTRATED PARTS CATALOG**

**ALPHABETICAL INDEX**

COMPONENT ITEM OR SYSTEM NAME	CHAPTER NAME	CHAP/SUB SECT & UNIT
-------------------------------	--------------	----------------------

**D**

DME SYSTEM	NAVIGATION	34-50-30
DOOR ACTUATOR ASSEMBLY, NOSE GEAR	LANDING GEAR	32-20-00
DOOR ASSEMBLY, MAIN LANDING GEAR	DOORS	52-80-10
DOOR ASSEMBLY, NOSE LANDING GEAR	DOORS	52-80-30
DOOR ASSY, EXTERNAL POWER RECEPTACLE	WINGS	57-10-00
DOOR HANDLE, EMERGENCY EXIT	DOORS	52-20-00
DOOR HANDLE, INSIDE	DOORS	52-10-10
DOOR HANDLE, OUTSIDE FLUSH	DOORS	52-10-10
DOOR LATCHING MECHANISM, EMERGENCY EXIT	DOORS	52-20-00
DOOR PLACARD, CABIN AIRSTAIR	EQUIPMENT/FURNISHINGS	25-21-30
DOOR PUSHROD ASSEMBLY, NOSE GEAR	LANDING GEAR	32-20-00
DOOR UPHOLSTERY, CABIN AIRSTAIR	EQUIPMENT/FURNISHINGS	25-21-30
DOOR WARNING STREAMER PIN	EQUIPMENT/FURNISHINGS	25-10-00
DOOR, AFT WING ACCESS	WINGS	57-20-40
DOOR, CABIN AIRSTAIR	DOORS	52-10-00
DOOR, EMERGENCY EXIT	DOORS	52-20-00
DOORS, AFT FUSELAGE ACCESS	FUSELAGE	53-30-10
DOORS, NOSE AVIONICS ACCESS	DOORS	52-40-00
DOWNLOCK SENSOR SWITCH, MAIN GEAR	LANDING GEAR	32-10-00
DRAG BRACE, NOSE GEAR	LANDING GEAR	32-20-00
DRAIN VALVE, ENGINE OIL	OIL	79-20-00
DRAIN VALVE, FUEL	FUEL	28-10-00
DRAINS, ENGINE	POWER PLANT	71-70-00
DRIVER, SENSOR DISPLAY	NAVIGATION	34-20-20
DUCT, OIL COOLER OUTLET	OIL	79-20-00
DUCTS, CABIN OVERHEAD	ENVIRONMENTAL SYSTEMS	21-20-25
DUCTS, CABIN SIDEWALL	ENVIRONMENTAL SYSTEMS	21-20-20
DUCTS, COCKPIT	ENVIRONMENTAL SYSTEMS	21-20-15
DYNAMIC ABSORBER	FUSELAGE	53-25-00

**E**

ELECTRIC TRIM CONTROL	FLIGHT CONTROLS	27-00-30
ELECTRICAL EQUIPMENT, AFT FUSELAGE	ELEC PANELS, PARTS, INST.	39-20-30
ELECTRICAL EQUIPMENT, CENTER SECTION	ELEC PANELS, PARTS, INST.	39-21-00
ELECTRICAL EQUIPMENT, COCKPIT LOWER	ELEC PANELS, PARTS, INST.	39-20-10
ELECTRICAL EQUIPMENT, LEFT NACELLE	ELECTRICAL POWER	24-50-00
ELECTRICAL EQUIPMENT, RIGHT NACELLE	ELECTRICAL POWER	24-50-10
ELECTRICAL WIRE CONDUIT, FUSELAGE	FUSELAGE	53-21-00
ELECTROLUMINESCENT PANELS INVERTER	ELEC PANELS, PARTS, INST.	39-20-20
ELECTRONIC FLIGHT DISPLAYS SUPPORT	FUSELAGE	53-40-10
ELEVATOR	STABILIZERS	55-20-00
ELEVATOR CONTROLS	FLIGHT CONTROLS	27-30-00
ELEVATOR TAB ASSEMBLY	STABILIZERS	55-20-00
ELEVATOR TRIM TAB CONTROL ACTUATOR	FLIGHT CONTROLS	27-30-20
ELEVON ASSEMBLY	WINGS	57-60-00
ELEVON CONTROL CABLE	FLIGHT CONTROLS	27-31-00
ELEVON CONTROL MIXER ASSEMBLY	FLIGHT CONTROLS	27-31-20
ELEVON CONTROLS	FLIGHT CONTROLS	27-31-00
ELEVON FENCE	WINGS	57-20-20
ELEVON TRIM TAB CONTROL ACTUATOR	FLIGHT CONTROLS	27-31-30
EMERGENCY EXIT DOOR	DOORS	52-20-00
EMERGENCY EXIT DOOR LATCHING MECHANISM	DOORS	52-20-00
EMERGENCY EXIT DOOR UPHOLSTERY	EQUIPMENT/FURNISHINGS	25-21-40
EMERGENCY LOCATOR TRANSMITTER	EQUIPMENT/FURNISHINGS	25-60-00
ENG FIRE EXT SWITCH LIGHT ASSY	FIRE PROTECTION	26-10-20
ENGINE AIR PLENUM AND INLET DUCT	POWER PLANT	71-60-00
ENGINE COMPARTMENT BLEED AIR	PNEUMATIC	36-10-00
ENGINE CONTROL CABLE ASSEMBLY	ENGINE CONTROLS	76-10-10
ENGINE CONTROL MECHANISM, PEDESTAL	ENGINE CONTROLS	76-10-00
ENGINE CONTROLS	ENGINE CONTROLS	76-10-10
ENGINE DATA CONCENTRATOR	IND/RECORDING SYSTEMS	31-40-00
ENGINE DISPLAY UNIT	ELEC PANELS, PARTS, INST.	39-10-60
ENGINE DRAINS	POWER PLANT	71-70-00
ENGINE EXHAUST COVER	EQUIPMENT/FURNISHINGS	25-10-00

**INTRODUCTION**

**PAGE 24**

**JUNE 30, 1995**

**Beechcraft**  
**STARSHIP 1**  
**ILLUSTRATED PARTS CATALOG**

**ALPHABETICAL INDEX**

COMPONENT ITEM OR SYSTEM NAME	CHAPTER NAME	CHAP/SUB SECT & UNIT
<b>E</b>		
ENGINE EXHAUST STACKS	EXHAUST	78-10-00
ENGINE FIRE DETECTION	FIRE PROTECTION	26-10-00
ENGINE FUEL FILTER	ENGINE FUEL & CONTROL	73-10-05
ENGINE INLET DUST COVER	EQUIPMENT/FURNISHINGS	25-10-00
ENGINE MOUNT	POWER PLANT	71-20-00
ENGINE OIL SYSTEM	OIL	79-20-00
ENGINE SECTION FUEL	ENGINE FUEL & CONTROL	73-10-00
ENGINE TORQUEMETER TRANSDUCER	ENGINE INDICATING	77-40-00
ENGINE/REFERENCE/	ENGINE	72-00-01
ENTRY HEADLINER	EQUIPMENT/FURNISHINGS	25-21-60
EQUIPMENT, COCKPIT LOWER ELECTRICAL	ELEC PANELS, PARTS, INST.	39-20-10
EQUIPMENT, COCKPIT SIDEWALL ELECTRICAL	ELEC PANELS, PARTS, INST.	39-20-00
EVAPORATOR COIL ASSEMBLY, AFT	ENVIRONMENTAL SYSTEMS	21-50-30
EVAPORATOR COIL ASSEMBLY, FWD	ENVIRONMENTAL SYSTEMS	21-50-60
EXCHANGER, HEAT	ENVIRONMENTAL SYSTEMS	21-20-60
EXHAUST STACKS, ENGINE	EXHAUST	78-10-00
EXIT LIGHT, SELF ILLUMINATING	EQUIPMENT/FURNISHINGS	25-21-50
EXIT RAMP	ENVIRONMENTAL SYSTEMS	21-30-00
EXTENSION, GLARESHIELD DECK	EQUIPMENT/FURNISHINGS	25-10-70
EXTENSION, PEDESTAL	FUSELAGE	53-20-30
EXTERIOR PLACARDS	PLACARDS & MARKINGS	11-20-00
EXTERNAL POWER RECEPTACLE	ELECTRICAL POWER	24-40-00
EXTERNAL POWER RECEPTACLE DOOR	WINGS	57-10-00
EXTINGUISHER, CABIN FIRE	FIRE PROTECTION	26-20-20
EXTINGUISHER, COCKPIT FIRE	FIRE PROTECTION	26-20-10
<b>F</b>		
FAIRING, AFT WING/FUSELAGE	FUSELAGE	53-50-40
FAIRINGS, FLAP	WINGS	57-20-00
FAIRINGS, FORWARD WING	FUSELAGE	53-50-20
FENCE, ELEVON	WINGS	57-20-20
FILTER ASSEMBLY, FUEL	ENGINE FUEL & CONTROL	73-10-00
FILTER, ENGINE FUEL	ENGINE FUEL & CONTROL	73-10-05
FIRE DETECTION, ENGINE	FIRE PROTECTION	26-10-00
FIRE EXTINGUISHER, CABIN	FIRE PROTECTION	26-20-20
FIRE EXTINGUISHER, COCKPIT	FIRE PROTECTION	26-20-10
FIRE EXTINGUISHER, ENGINE	FIRE PROTECTION	26-20-00
FIREWALL ASSEMBLY, NACELLE	NACELLES	54-10-30
FIREWALL SHUTOFF VALVE	ENVIRONMENTAL SYSTEMS	21-20-20
FIREWALL VALVE SWITCH LIGHT ASSY	FIRE PROTECTION	26-10-20
FIREWALL, NACELLE	NACELLES	54-30-30
FLAP ACTUATING MECHANISM	FLIGHT CONTROLS	27-50-00
FLAP ACTUATING MOTOR	FLIGHT CONTROLS	27-50-00
FLAP ACTUATOR	FLIGHT CONTROLS	27-50-00
FLAP ACTUATOR INTERCONNECT	FLIGHT CONTROLS	27-50-00
FLAP ASSEMBLY	WINGS	57-50-00
FLAP CONTROLLER	FLIGHT CONTROLS	27-50-00
FLAP COVE, AFT WING	WINGS	57-20-30
FLAP FAIRINGS	WINGS	57-20-00
FLAP MONITOR RELAY	ELEC PANELS, PARTS, INST.	39-21-00
FLAP MONITOR SYSTEM	FLIGHT CONTROLS	27-50-10
FLAP TRACK	FLIGHT CONTROLS	27-50-00
FLIGHT BAG	EQUIPMENT/FURNISHINGS	25-10-00
FLIGHT COMPARTMENT CARPET	EQUIPMENT/FURNISHINGS	25-10-90
FLIGHT COMPARTMENT MISC FURNISHINGS	EQUIPMENT/FURNISHINGS	25-10-10
FLIGHT COMPARTMENT OVERHEAD UPHOLSTERY	EQUIPMENT/FURNISHINGS	25-10-50
FLIGHT COMPARTMENT SEATS	EQUIPMENT/FURNISHINGS	25-10-20
FLIGHT COMPARTMENT WINDOWS	WINDOWS	56-10-00
FLIGHT COMPT LWR SIDEWALL UPHOLSTERY	EQUIPMENT/FURNISHINGS	25-10-40
FLIGHT COMPT UPR SIDEWALL UPHOLSTERY	EQUIPMENT/FURNISHINGS	25-10-30
FLIGHT CONTROL CABLE TRAY	FUSELAGE	53-21-10
FLIGHT CONTROL COLUMN	FLIGHT CONTROLS	27-30-10
FLIGHT PHONE, CABIN	COMMUNICATIONS	23-10-15
FLIGHT PHONE, COCKPIT	COMMUNICATIONS	23-10-30

**Beechcraft**  
**STARSHIP 1**  
**ILLUSTRATED PARTS CATALOG**

**ALPHABETICAL INDEX**

COMPONENT ITEM OR SYSTEM NAME	CHAPTER NAME	CHAP/SUB SECT & UNIT
-------------------------------	--------------	----------------------

**F**

FLIGHT PHONE, PEDESTAL	COMMUNICATIONS	23-10-20
FLOOR PANELS, CABIN	FUSELAGE	53-20-60
FLOOR PANELS, COCKPIT	FUSELAGE	53-20-50
FLUX DETECTOR	NAVIGATION	34-20-10
FM ANTENNA	COMMUNICATIONS	23-30-10
FORWARD PARTITION, LH	EQUIPMENT/FURNISHINGS	25-22-10
FORWARD WING	STABILIZERS	55-10-00
FORWARD WING AND FLAP MONITOR BOX	FLIGHT CONTROLS	27-00-20
FORWARD WING CONTROL MECHANISM	FLIGHT CONTROLS	27-40-00
FORWARD WING FAIRINGS	FUSELAGE	53-50-20
FORWARD WING MONITOR SENSOR	FLIGHT CONTROLS	27-40-10
FRICTION BRAKE KNOB	ENGINE CONTROLS	76-10-00
FUEL BOOST PUMP/ENGINE DRIVEN/	ENGINE FUEL & CONTROL	73-10-00
FUEL CAP AND ADAPTER	FUEL	28-10-01
FUEL CELL ASSEMBLY	FUEL	28-10-00
FUEL DISTRIBUTION SYSTEM	FUEL	28-20-00
FUEL DRAIN VALVE	FUEL	28-10-00
FUEL FLOWMETER TRANSMITTER	ENGINE FUEL & CONTROL	73-30-00
FUEL JET PUMP, PRIMARY	FUEL	28-20-00
FUEL PLUMBING, ENGINE SECTION	ENGINE FUEL & CONTROL	73-10-00
FUEL PUMP ASSEMBLY/ELECTRIC SUBMERSIBLE	FUEL	28-20-00
FUEL PUMP, TRANSFER JET/AFT TANK/	FUEL	28-20-00
FUEL PURGE TANK	ENGINE FUEL & CONTROL	73-10-10
FUEL PURGE VALVE	FUEL	28-20-00
FUEL QUANTITY PROBE	FUEL	28-40-00
FUEL QUANTITY PROCESSING UNIT	FUEL	28-40-00
FUEL SENSOR, HOPPER TANK LOW	FUEL	28-40-00
FUEL STORAGE AND INTERCONNECT	FUEL	28-10-00
FUEL SUMP DRAIN WRENCH	EQUIPMENT/FURNISHINGS	25-10-00
FUEL TANK, AFT WING	FUEL	28-10-00
FUEL TEMPERATURE BULB	FUEL	28-40-00
FUEL VALVE, CROSS TRANSFER	FUEL	28-20-00
FUEL VENT CHECK VALVE	FUEL	28-10-10
FUEL VENT FLOAT VALVE	FUEL	28-10-10
FUEL VENT MANIFOLD ASSEMBLY	FUEL	28-10-10
FUEL VENT PRESSURE RELIEF VALVE	FUEL	28-10-10
FUEL VENT SCOOP	WINGS	57-20-40
FUEL VENT SYSTEM	FUEL	28-10-10
FUEL VENT, HEATED	FUEL	28-10-10
FURNISHINGS, FLIGHT COMPARTMENT MISC	EQUIPMENT/FURNISHINGS	25-10-10
FUSE, TOW TURN BREAK-AWAY	LANDING GEAR	32-20-10
FUSELAGE ELECTRICAL WIRE CONDUIT	FUSELAGE	53-21-00
FUSELAGE REFRIGERATION PLUMBING	ENVIRONMENTAL SYSTEMS	21-50-40
FWD BAGGAGE COMPARTMENT WEB	EQUIPMENT/FURNISHINGS	25-22-50
FWD VENTILATION BLOWER	ENVIRONMENTAL SYSTEMS	21-20-30

**G**

GAGE, HYDRAULIC ACCUMULATOR PRESSURE	LANDING GEAR	32-40-20
GAGE, OXYGEN PRESSURE	OXYGEN	35-00-01
GEAR ASSEMBLY, NOSE LANDING	LANDING GEAR	32-20-10
GEAR WARNING STREAMER PIN	EQUIPMENT/FURNISHINGS	25-10-00
GENERATOR	ELECTRICAL POWER	24-30-30
GENERATOR COOLING	AIR	75-20-00
GENERATOR, AURAL WARNING TONE	INSTRUMENTS	31-50-10
GENERATOR, GAS GENERATOR TACHOMETER	ENGINE INDICATING	77-10-10
GENERATOR, PROPELLER SHAFT TACHOMETER	ENGINE INDICATING	77-10-10
GENERATOR, VORTEX	STABILIZERS	55-30-00
GLARESHIELD ASSEMBLY	EQUIPMENT/FURNISHINGS	25-10-70
GLARESHIELD DECK EXTENSION	EQUIPMENT/FURNISHINGS	25-10-70
GLIDESLOPE ANTENNA	NAVIGATION	34-30-00
GO AROUND SWITCH, THROTTLE	ENGINE CONTROLS	76-10-20
GREASE NOZZLE	EQUIPMENT/FURNISHINGS	25-10-00
GROSS WEIGHT INCREASE KIT	EQUIPMENT/FURNISHINGS	25-10-00
GROUND IDLE STOP	PROPELLERS	61-20-20

**Beechcraft**  
**STARSHIP 1**  
**ILLUSTRATED PARTS CATALOG**

**ALPHABETICAL INDEX**

<b>COMPONENT ITEM OR SYSTEM NAME</b>	<b>CHAPTER NAME</b>	<b>CHAP/SUB SECT &amp; UNIT</b>
<b>G</b>		
GROUND WIRE TERMINATION	COMMUNICATIONS	23-00-01
GUIDE ASSEMBLY, WIRE HARNESS/STA 46.00/	FUSELAGE	53-20-70
GUST LOCK, SURFACE CONTROL	FLIGHT CONTROLS	27-70-00
GYRO HORIZON INDICATOR/STBY/ELECTRIC/	ELEC PANELS, PARTS, INST.	39-10-80
<b>H</b>		
HANDLE ASSEMBLY, DOOR OUTSIDE FLUSH	DOORS	52-10-10
HANDLE ASSEMBLY, EMERGENCY EXIT DOOR	DOORS	52-20-00
HANDLE, AIRSTAIR DOOR INSIDE	DOORS	52-10-10
HANGER, COAT	EQUIPMENT/FURNISHINGS	25-10-00
HEADLINER, AFT COMPARTMENT	EQUIPMENT/FURNISHINGS	25-50-00
HEADLINER, AFT TOILET	EQUIPMENT/FURNISHINGS	25-23-10
HEADLINER, CABIN	EQUIPMENT/FURNISHINGS	25-21-50
HEADLINER, ENTRY	EQUIPMENT/FURNISHINGS	25-21-80
HEADSET, BOOM MICROPHONE	EQUIPMENT/FURNISHINGS	25-10-00
HEADSET, PILOT'S AND COPILOT'S	COMMUNICATIONS	23-50-40
HEAT EXCHANGER	ENVIRONMENTAL SYSTEMS	21-20-60
HOPPER TANK MANIFOLD ASSEMBLY	FUEL	28-10-10
HOSE, AIR CONDITIONER COMPRESSOR DRAIN	POWER PLANT	71-70-00
HYDRAULIC ACCUMULATOR	LANDING GEAR	32-40-20
HYDRAULIC ACCUMULATOR PRESSURE GAGE	LANDING GEAR	32-40-20
HYDRAULIC FLUID LOW LEVEL SENSOR	LANDING GEAR	32-30-00
HYDRAULIC LOCK ASSEMBLY, FWD WING	FLIGHT CONTROLS	27-40-00
HYDRAULIC PLUMBING, AFT FUSELAGE	LANDING GEAR	32-30-05
HYDRAULIC POWER PACK	LANDING GEAR	32-30-00
HYDRAULIC PRESSURE RELIEF VALVE	LANDING GEAR	32-40-20
HYDRAULIC SYSTEM, NACELLE	LANDING GEAR	32-30-00
HYDRAULIC SYSTEMS/REFERENCE/	HYDRAULIC POWER	29-00-01
HYDRAULIC VALVE ASSEMBLY	LANDING GEAR	32-30-00
<b>I</b>		
IAPS CARD CAGE	INSTRUMENTS	31-40-00
ICE DETECTOR	ICE & RAIN PROTECTION	30-70-00
ICE VANE ACTUATOR ASSEMBLY	ICE & RAIN PROTECTION	30-20-00
IDLE STOP, GROUND	PROPELLERS	61-20-20
IGNITION EXCITER	IGNITION	74-10-00
INDICATOR, AIRSPEED	ELEC PANELS, PARTS, INST.	39-10-60
INDICATOR, ALTITUDE	ELEC PANELS, PARTS, INST.	39-10-60
INDICATOR, GYRO HORIZON/STBY/ELECTRIC/	ELEC PANELS, PARTS, INST.	39-10-60
INDICATOR, OIL LEVEL	OIL	79-30-00
INSTRUCTIONS, CHESSE SET STORAGE	EQUIPMENT/FURNISHINGS	25-10-00
INSTRUMENT AIR PLUMBING	NAVIGATION	34-10-20
INSTRUMENT PANEL STRUCTURE, MAIN	FUSELAGE	53-20-80
INSTRUMENT PANEL, MAIN	ELEC PANELS, PARTS, INST.	39-10-60
INSTRUMENT SUBPANEL	ELEC PANELS, PARTS, INST.	39-10-70
INSULATION, NACELLE FIREWALL	NACELLES	54-11-00
INTERCONNECT ASSEMBLY, FLAP ACTUATOR	FLIGHT CONTROLS	27-50-00
INTERIOR PLACARDS	PLACARDS & MARKINGS	11-30-00
INTERPHONE AMPLIFIER	COMMUNICATIONS	23-40-00
INTERPHONE EQUIPMENT, NOSE WHEEL WELL	COMMUNICATIONS	23-40-10
INVERTER, ELECTROLUMINESCENT PANELS	ELEC PANELS, PARTS, INST.	39-20-20
ISOLATOR ASSEMBLY, ENGINE MOUNT	POWER PLANT	71-20-00
<b>J</b>		
JACK POINT FITTING	EQUIPMENT/FURNISHINGS	25-10-00
JET PUMP, FUEL TRANSFER/FWD/	FUEL	28-20-00
JUNCTION BOX, NOSE AVIONICS	COMMUNICATIONS	23-50-30
<b>K</b>		
KIT LIST, SERVICE PUBLICATIONS	EQUIPMENT/FURNISHINGS	25-10-00
KIT, GROSS WEIGHT INCREASE	EQUIPMENT/FURNISHINGS	25-10-00

**Beechcraft**  
**STARSHIP 1**  
**ILLUSTRATED PARTS CATALOG**

**ALPHABETICAL INDEX**

COMPONENT ITEM OR SYSTEM NAME	CHAPTER NAME	CHAP/SUB SECT & UNIT
-------------------------------	--------------	----------------------

**K**

KIT, STARTER-GENERATOR MOUNTING	ELECTRICAL POWER	24-30-30
KNEE ASSEMBLY, MAIN GEAR	LANDING GEAR	32-10-10
KNOB, CONDITION CONTROL LEVER	ENGINE CONTROLS	76-10-00
KNOB, FRICTION BRAKE	ENGINE CONTROLS	76-10-00
KNOB, POWER CONTROL LEVER	ENGINE CONTROLS	76-10-00
KNOB, PROPELLER CONTROL LEVER	ENGINE CONTROLS	76-10-00

**L**

LANDING GEAR HYDRAULIC PLUMBING	LANDING GEAR	32-30-15
LANDING GEAR HYDRAULIC SYSTEM/NACELLE/	LANDING GEAR	32-30-00
LANDING GEAR INSTALLATION, MAIN	LANDING GEAR	32-10-00
LANDING GEAR INSTALLATION, NOSE	LANDING GEAR	32-20-00
LANDING LIGHT, WING	LIGHTS	33-40-10
LEADING EDGE, AFT WING	WINGS	57-40-00
LEFT NACELLE ELECTRICAL EQUIPMENT	ELECTRICAL POWER	24-50-00
LENS, WING LANDING LIGHT	LIGHTS	33-40-10
LEVER ASSEMBLY, CONDITION CONTROL	ENGINE CONTROLS	76-10-00
LEVER ASSEMBLY, POWER CONTROL	ENGINE CONTROLS	76-10-00
LEVER ASSEMBLY, PROPELLER CONTROL	ENGINE CONTROLS	76-10-00
LID, OXYGEN BOX	EQUIPMENT/FURNISHINGS	25-21-50
LID, OXYGEN CONTAINER	OXYGEN	35-00-01
LIGHT ASSEMBLY, WING LANDING	LIGHTS	33-40-10
LIGHT CONTROL PANEL, OVERHEAD	ELEC PANELS, PARTS, INST.	39-10-00
LIGHT LENS, WING LANDING	LIGHTS	33-40-10
LIGHT SWITCH, PASSENGER READING	EQUIPMENT/FURNISHINGS	25-21-20
LIGHT, ANNUNCIATOR WARNING	INSTRUMENTS	31-50-00
LIGHT, SELF ILLUMINATING EXIT	EQUIPMENT/FURNISHINGS	25-21-50
LIGHTS, AFT BAGGAGE COMPARTMENT	LIGHTS	33-30-00
LIGHTS, ANTI-COLLISION	LIGHTS	33-40-50
LIGHTS, CABIN AFT TOILET	LIGHTS	33-20-07
LIGHTS, CABIN AISLE AND AIRSTAIR DOOR	LIGHTS	33-20-10
LIGHTS, COCKPIT	LIGHTS	33-10-00
LIGHTS, OVERHEAD ENTRY	LIGHTS	33-20-00
LIGHTS, TAXI AND NOSE LANDING	LIGHTS	33-40-00
LIGHTS, WING INSPECTION	LIGHTS	33-40-20
LIP ASSEMBLY, AIR INTAKE	ICE & RAIN PROTECTION	30-20-00
LOCK ASSEMBLY, AIR PRESSURE ACTUATED	DOORS	52-10-10
LOCK ASSEMBLY, FWD WING HYDRAULIC	FLIGHT CONTROLS	27-40-00
LOCK, SURFACE CONTROL GUST	EQUIPMENT/FURNISHINGS	25-10-00
LOGIC RELAY PANEL	ELEC PANELS, PARTS, INST.	39-20-30
LOOSE TOOLS AND ACCESSORIES	EQUIPMENT/FURNISHINGS	25-10-00
LOW LEVEL SENSOR, HYDRAULIC FLUID	LANDING GEAR	32-30-00
LOWER AFT COWLING	NACELLES	54-30-20
LOWER FWD COWLING	NACELLES	54-30-40

**M**

MAGNETIC COMPASS	NAVIGATION	34-20-00
MAIN GEAR BRACE ASSEMBLY	LANDING GEAR	32-10-10
MAIN GEAR KNEE ASSEMBLY	LANDING GEAR	32-10-10
MAIN GEAR TIRE	LANDING GEAR	32-10-10
MAIN GEAR UPLOCK ASSEMBLY	LANDING GEAR	32-10-00
MAIN LANDING GEAR DOORS	DOORS	52-80-10
MAIN LANDING GEAR INSTALLATION	LANDING GEAR	32-10-00
MAIN LANDING GEAR SUPPORT CLOSURE	WINGS	57-11-00
MAIN PANEL AND SUBPANEL SUPPORT	FUSELAGE	53-40-00
MANIFOLD ASSEMBLY, FUEL VENT	FUEL	26-10-10
MANIFOLD ASSEMBLY, HOPPER TANK	FUEL	28-10-10
MANIFOLD, VACUUM REGULATED	ENVIRONMENTAL SYSTEMS	21-30-10
MARKER BEACON ANTENNA	NAVIGATION	34-30-00
MASK CONTAINER ASSEMBLY, OXYGEN	OXYGEN	35-00-01
MASK, CREW OXYGEN	OXYGEN	35-00-01
MECHANISM, EMERGENCY DOOR LATCHING	DOORS	52-20-00
MECHANISM, FLAP ACTUATING	FLIGHT CONTROLS	27-50-00

**Beechcraft**  
**STARSHIP 1**  
**ILLUSTRATED PARTS CATALOG**

**ALPHABETICAL INDEX**

<b>COMPONENT ITEM OR SYSTEM NAME</b>	<b>CHAPTER NAME</b>	<b>CHAP/SUB SECT &amp; UNIT</b>
<b>M</b>		
MECHANISM, FWD WING CONTROL	FLIGHT CONTROLS	27-40-00
MICROPHONE AND REEL, AVIONICS HAND	COMMUNICATIONS	23-50-40
MIXER ASSEMBLY, ELEVON CONTROL	FLIGHT CONTROLS	27-31-20
MODEL, STARSHIP AIRPLANE	EQUIPMENT/FURNISHINGS	25-10-00
MODULE ASSEMBLY, CABIN PRESSURIZATION	ENVIRONMENTAL SYSTEMS	21-30-10
MONITOR BOX, FWD WING AND FLAP	FLIGHT CONTROLS	27-00-20
MOTION SICKNESS BAG	EQUIPMENT/FURNISHINGS	25-10-00
MOTOR AND PUMP ASSEMBLY, ANTI-SKID	LANDING GEAR	32-40-20
MOTOR, FLAP ACTUATING	FLIGHT CONTROLS	27-50-00
MOTOR, WINDSHIELD WIPER	ICE & RAIN PROTECTION	30-40-10
MOUNT ASSEMBLY, ENGINE	POWER PLANT	71-20-00
MULTIFUNCTION DISPLAY UNIT	ELEC PANELS, PARTS, INST.	39-10-60
<b>N</b>		
NACELLE ASSEMBLY	NACELLES	54-10-10
NACELLE ELECTRICAL EQUIPMENT, LEFT	ELECTRICAL POWER	24-50-00
NACELLE ELECTRICAL EQUIPMENT, RIGHT	ELECTRICAL POWER	24-50-10
NACELLE FIREWALL	NACELLES	54-10-30
NACELLE FIREWALL INSULATION	NACELLES	54-11-00
NACELLE FIREWALL LOWER STRUCTURE	NACELLES	54-10-20
NACELLE INSTALLATION	NACELLES	54-10-00
NAV ANTENNA	NAVIGATION	34-50-00
NAVIGATION DISPLAY UNIT	ELEC PANELS, PARTS, INST.	39-10-60
NOSE ATTACH FITTINGS	FUSELAGE	53-40-20
NOSE AVIONICS ACCESS DOORS	DOORS	52-40-00
NOSE AVIONICS COOLING	ENVIRONMENTAL SYSTEMS	21-55-10
NOSE AVIONICS JUNCTION BOX	COMMUNICATIONS	23-50-30
NOSE AVIONICS SHELF	FUSELAGE	53-20-70
NOSE COMPARTMENT AVIONICS TRANSZORBS	COMMUNICATIONS	23-60-10
NOSE GEAR DRAG BRACE	LANDING GEAR	32-20-00
NOSE GEAR SHOCK ABSORBER ASSEMBLY	LANDING GEAR	32-20-10
NOSE GEAR STEERING	LANDING GEAR	32-50-00
NOSE GEAR STEERING DISCONNECT CRANK	FLIGHT CONTROLS	27-20-20
NOSE GEAR UPLOCK HOOK	LANDING GEAR	32-20-00
NOSE LANDING AND TAXI LIGHTS	LIGHTS	33-40-00
NOSE LANDING GEAR ASSEMBLY	LANDING GEAR	32-20-10
NOSE LANDING GEAR BRACE ASSEMBLY	LANDING GEAR	32-20-10
NOSE LANDING GEAR DOORS	DOORS	52-80-20
NOSE LANDING GEAR INSTALLATION	LANDING GEAR	32-20-00
NOSE LANDING GEAR WHEEL	LANDING GEAR	32-20-10
NOSE SKINS AND PLATES	FUSELAGE	53-30-00
NOSE WHEEL WELL INTERPHONE EQUIPMENT	COMMUNICATIONS	23-40-10
NOSE WHEEL WELL SPEAKER	COMMUNICATIONS	23-40-10
NOZZLE, GREASE	EQUIPMENT/FURNISHINGS	25-10-00
<b>O</b>		
OIL BREATHER LINE	OIL	79-20-10
OIL COOLER	OIL	79-20-00
OIL COOLER DRAIN PLUG	OIL	79-20-00
OIL COOLER OUTLET DUCT	OIL	79-20-00
OIL DRAIN VALVE, ENGINE	OIL	79-20-00
OIL LEVEL INDICATOR	OIL	79-30-00
OIL PRESSURE TRANSMITTER	OIL	79-20-00
OIL SYSTEM, ENGINE	OIL	79-20-00
OIL THERMOSTATIC CONTROL VALVE	OIL	79-20-00
ORIFICE ASSEMBLY, MAIN GEAR	LANDING GEAR	32-10-10
OVERBOARD DRAIN PLUMBING	WATER/WASTE	38-30-30
OVERHEAD LIGHT CONTROL PANEL	ELEC PANELS, PARTS, INST.	39-10-00
OVERHEAD LIGHTS, CABIN	LIGHTS	33-20-03
OWNERS NOTIFICATION REPLY CARD	EQUIPMENT/FURNISHINGS	25-10-00
OXYGEN ARM PRESSURE SWITCH	OXYGEN	35-00-01
OXYGEN CYLINDER	OXYGEN	35-00-01
OXYGEN FILL VALVE	OXYGEN	35-00-01

**Beechcraft**  
**STARSHIP 1**  
**ILLUSTRATED PARTS CATALOG**

**ALPHABETICAL INDEX**

<b>COMPONENT ITEM OR SYSTEM NAME</b>	<b>CHAPTER NAME</b>	<b>CHAP/SUB SECT &amp; UNIT</b>
<b>O</b>		
OXYGEN LOW PRESSURE SWITCH	OXYGEN	35-00-01
OXYGEN MASK CONTAINER	EQUIPMENT/FURNISHINGS	25-21-50
OXYGEN MASK CONTAINER ASSEMBLY	OXYGEN	35-00-01
OXYGEN MASK, CREW	OXYGEN	35-00-01
OXYGEN OUTLET VALVE	OXYGEN	35-00-01
OXYGEN PRESSURE GAGE	OXYGEN	35-00-01
OXYGEN PRESSURE SENSE SWITCH	OXYGEN	35-00-01
OXYGEN QUANTITY PRESSURE TRANSDUCER	OXYGEN	35-00-01
OXYGEN SYSTEM	OXYGEN	35-00-01
<b>P</b>		
PAD, ISOLATOR	POWER PLANT	71-20-00
PAGING AMPLIFIER	COMMUNICATIONS	23-30-20
PAGING AMPLIFIER, COCKPIT	COMMUNICATIONS	23-30-30
PALLET ASSEMBLY, ANTI-SKID BRAKE	LANDING GEAR	32-40-20
PANEL ASSEMBLY, CABIN FLOOR	FUSELAGE	53-20-60
PANEL ASSEMBLY, REVERSIONARY	ELEC PANELS, PARTS, INST.	39-10-80
PANEL ASSEMBLY, SUBPANEL SWITCH	ELEC PANELS, PARTS, INST.	39-10-70
PANEL STRUCTURE, MAIN INSTRUMENT	FUSELAGE	53-20-80
PANEL, AUXILIARY CIRCUIT BREAKER	ELEC PANELS, PARTS, INST.	39-10-40
PANEL, CABIN WINDOW UPHOLSTERY	EQUIPMENT/FURNISHINGS	25-21-00
PANEL, COCKPIT CONSOLE FWD UPHOLSTERY	EQUIPMENT/FURNISHINGS	25-10-40
PANEL, COCKPIT KICK	EQUIPMENT/FURNISHINGS	25-10-40
PANEL, RIGHT CIRCUIT BREAKER	ELEC PANELS, PARTS, INST.	39-10-30
PANEL, SIDEWALL ESCUTCHEON	FUSELAGE	53-20-80
PARTITION, AFT BAGGAGE COMPARTMENT	EQUIPMENT/FURNISHINGS	25-50-30
PARTITION, AFT CABIN	EQUIPMENT/FURNISHINGS	25-25-00
PARTITION, LH FORWARD	EQUIPMENT/FURNISHINGS	25-22-10
PASSENGER BRIEFER, COCKPIT	COMMUNICATIONS	23-30-40
PASSENGER BRIEFING CARD	EQUIPMENT/FURNISHINGS	25-10-00
PASSENGER CHAIRS	EQUIPMENT/FURNISHINGS	25-20-00
PASSENGER SEATS	EQUIPMENT/FURNISHINGS	25-20-00
PEDAL, RUDDER	FLIGHT CONTROLS	27-20-10
PEDESTAL ENGINE CONTROL MECHANISM	ENGINE CONTROLS	76-10-00
PEDESTAL EXTENSION STRUCTURE	FUSELAGE	53-20-30
PEDESTAL LOWER QUADRANT	ENGINE CONTROLS	76-10-00
PEDESTAL UPHOLSTERY	EQUIPMENT/FURNISHINGS	25-10-80
PEDESTAL, CONTROL	ELEC PANELS, PARTS, INST.	39-10-10
PILOT'S CONTROL WHEEL ASSEMBLY	FLIGHT CONTROLS	27-31-10
PILOT'S SEAT	EQUIPMENT/FURNISHINGS	25-10-20
PIN, NOSE LANDING GEAR TRUNNION	LANDING GEAR	32-20-10
PIN, RUDDER PEDAL ADJUSTMENT	FLIGHT CONTROLS	27-20-20
PISTON AND AXLE, MAIN GEAR	LANDING GEAR	32-10-10
PISTON ASSEMBLY, SHIMMY DAMPER	LANDING GEAR	32-50-10
PITOT AND STATIC PLUMBING	NAVIGATION	34-10-00
PITOT TUBE COVER	EQUIPMENT/FURNISHINGS	25-10-00
PLACARD, CABIN AIRSTAIR DOOR INSTR	EQUIPMENT/FURNISHINGS	25-21-30
PLACARDS, EXTERIOR	PLACARDS & MARKINGS	11-20-00
PLACARDS, INTERIOR	PLACARDS & MARKINGS	11-30-00
PLENUM, ENGINE AIR	POWER PLANT	71-60-00
PLUG, OIL COOLER DRAIN	OIL	79-20-00
PLUMB BOB SUPPORT	EQUIPMENT/FURNISHINGS	25-10-00
PLUMBING, AFT FUSELAGE HYDRAULIC	LANDING GEAR	32-30-05
PLUMBING, AFT TOILET	WATER/WASTE	38-30-15
PLUMBING, AIR DATA COMPUTER	NAVIGATION	34-11-00
PLUMBING, AIRSTAIR DOOR SEAL	DOORS	52-10-20
PLUMBING, BRAKE	LANDING GEAR	32-40-00
PLUMBING, INSTRUMENT AIR	NAVIGATION	34-10-20
PLUMBING, LANDING GEAR HYDRAULIC	LANDING GEAR	32-30-15
PLUMBING, OVERBOARD DRAIN	WATER/WASTE	38-30-30
PLUMBING, PITOT AND STATIC	NAVIGATION	34-10-00
PNEUMATIC DEICE SYSTEM	ICE & RAIN PROTECTION	30-10-00
PNEUMATIC PRESSURIZATION SYSTEM	PNEUMATIC	36-00-10
POLARIZED WINDOWS, CABIN	WINDOWS	56-20-00

**Beechcraft**  
**STARSHIP 1**  
**ILLUSTRATED PARTS CATALOG**

**ALPHABETICAL INDEX**

<b>COMPONENT ITEM OR SYSTEM NAME</b>	<b>CHAPTER NAME</b>	<b>CHAP/SUB SECT &amp; UNIT</b>
<b>P</b>		
POWER BRAKE VALVE	LANDING GEAR	32-40-20
POWER CONTROL LEVER ASSEMBLY	ENGINE CONTROLS	76-10-00
POWER CONTROL LEVER KNOB	ENGINE CONTROLS	76-10-00
POWER PACK PRESSURE REGULATOR	LANDING GEAR	32-30-20
POWER PACK, HYDRAULIC	LANDING GEAR	32-30-00
POWER PLANT	POWER PLANT	71-00-10
POWER SUPPLY, AHC AUXILIARY	ELECTRICAL POWER	24-30-10
POWER SUPPLY, CABIN LIGHTING	LIGHTS	33-20-30
POWER SUPPLY, STBY HRZN IND AUXILIARY	ELECTRICAL POWER	24-30-20
PRECONDENSER ASSEMBLY, COOLING	ENVIRONMENTAL SYSTEMS	21-50-20
PRESSURE GAGE, HYDRAULIC ACCUMULATOR	LANDING GEAR	32-40-20
PRESSURE REGULATOR	ENVIRONMENTAL SYSTEMS	21-30-10
PRESSURE WARNING SWITCH, ANTI-SKID LOW	LANDING GEAR	32-40-20
PRESSURIZATION CONTROL	ENVIRONMENTAL SYSTEMS	21-30-00
PRIMARY FLIGHT DISPLAY UNIT	ELEC PANELS, PARTS, INST.	39-10-60
PROBE, FUEL QUANTITY	FUEL	28-40-00
PROCESSING UNIT, FUEL QUANTITY	FUEL	28-40-00
PROPELLER	PROPELLERS	61-10-00
PROPELLER AUTOFEATHER	PROPELLERS	61-20-10
PROPELLER CONTROL LEVER ASSEMBLY	ENGINE CONTROLS	76-10-00
PROPELLER CONTROL LEVER KNOB	ENGINE CONTROLS	76-10-00
PROPELLER SLING	EQUIPMENT/FURNISHINGS	25-10-00
PROPELLER SYNCHROPHASER	PROPELLERS	61-20-00
PULLEY BANK PLATFORM	FLIGHT CONTROLS	27-00-10
PUMP ASSEMBLY, FUEL/ELEC SUBMERSIBLE/	FUEL	28-20-00
PUMP BRACKET, LANDING GEAR HYDRAULIC	NACELLES	54-10-10
PUMP OUTPUT CONTROL SWITCH, ANTI-SKID	LANDING GEAR	32-40-20
PUMP, ANTI-SKID	LANDING GEAR	32-40-20
PUMP, FUEL BOOST/ENGINE DRIVEN/	ENGINE FUEL & CONTROL	73-10-00
PUMP, FUEL TRANSFER JET/AFT TANK/	FUEL	28-20-00
PUMP, FUEL TRANSFER JET/FWD/	FUEL	28-20-00
PUMP, HYDRAULIC HAND	LANDING GEAR	32-30-10
PUMP, PRIMARY FUEL JET	FUEL	28-20-00
PURGE VALVE, FUEL	FUEL	28-20-00
PUSHROD ASSEMBLY, NOSE GEAR DOOR	LANDING GEAR	32-20-00
PYRAMID CABINETS	EQUIPMENT/FURNISHINGS	25-22-30
<b>Q</b>		
QUADRANT, PEDESTAL LOWER	ENGINE CONTROLS	76-10-00
QUADRANT, RUDDER CONTROL	FLIGHT CONTROLS	27-20-00
<b>R</b>		
RACK ASSY, INTERFACE	FUSELAGE	53-40-30
RADAR ANTENNA, WEATHER	NAVIGATION	34-40-00
RADAR TRANSCIEVER, WEATHER	NAVIGATION	34-40-00
RADIO ALTIMETER ANTENNA	NAVIGATION	34-50-50
RADIO ALTIMETER TRANSCIEVER	NAVIGATION	34-50-50
RADIO TUNING ADAPTER	NAVIGATION	34-50-60
RADIOPHONE ANTENNA	COMMUNICATIONS	23-10-10
RADIOPHONE TRANSCIEVER	COMMUNICATIONS	23-10-10
RADOME ASSY	FUSELAGE	53-50-00
READING LIGHT SWITCH, PASSENGER	EQUIPMENT/FURNISHINGS	25-21-20
RECEIVER DRYER, AIR CONDITIONING	ENVIRONMENTAL SYSTEMS	21-50-10
RECEIVER, VLF	NAVIGATION	34-50-10
RECEPTACLE, EXTERNAL POWER	ELECTRICAL POWER	24-40-00
REEL ASSEMBLY, LEFT AND RIGHT SAFETY	EQUIPMENT/FURNISHINGS	25-10-20
REEL, AVIONICS HAND MICROPHONE	COMMUNICATIONS	23-50-40
REFRESHMENT CABINET, LH FORWARD	EQUIPMENT/FURNISHINGS	25-22-20
REFRIGERATION PLUMBING, FUSELAGE	ENVIRONMENTAL SYSTEMS	21-50-40
REFRIGERATION PLUMBING, WING	ENVIRONMENTAL SYSTEMS	21-50-45
REGULATOR, POWER PACK PRESSURE	LANDING GEAR	32-30-20
REGULATOR, PRESSURE	ENVIRONMENTAL SYSTEMS	21-30-10
RELAY, FLAP MONITOR	ELEC PANELS, PARTS, INST.	39-21-00



**Beechcraft**  
**STARSHIP 1**  
**ILLUSTRATED PARTS CATALOG**

**ALPHABETICAL INDEX**

<b>COMPONENT ITEM OR SYSTEM NAME</b>	<b>CHAPTER NAME</b>	<b>CHAP/SUB SECT &amp; UNIT</b>
<b>R</b>		
RELAY, PNEUMATIC	ENVIRONMENTAL SYSTEMS	21-30-10
RELIEF TUBE, COCKPIT	WATER/WASTE	38-30-10
RESERVOIR, BRAKE FLUID	LANDING GEAR	32-40-10
RESTRICTOR ASSEMBLY, PRESSURE	ENVIRONMENTAL SYSTEMS	21-30-10
REVERSIONARY PANELS	ELEC PANELS, PARTS, INST.	39-10-80
RH BAGGAGE/IAPS CABINET	EQUIPMENT/FURNISHINGS	25-22-40
RIGHT CIRCUIT BREAKER PANEL	ELEC PANELS, PARTS, INST.	39-10-30
RIGHT NACELLE ELECTRICAL EQUIPMENT	ELECTRICAL POWER	24-50-10
ROLL AND YAW INTERCONNECT	FLIGHT CONTROLS	27-00-40
ROLLER, NOSE GEAR STEERING	LANDING GEAR	32-20-10
RUDDER ACTUATOR	STABILIZERS	55-40-00
RUDDER CONTROL QUADRANT	FLIGHT CONTROLS	27-20-00
RUDDER CONTROL SECTOR	FLIGHT CONTROLS	27-20-00
RUDDER CONTROLS	FLIGHT CONTROLS	27-20-00
RUDDER FWD CONTROL BELL CRANK	FLIGHT CONTROLS	27-20-20
RUDDER PEDAL ADJUSTMENT COVER	FUSELAGE	53-20-50
RUDDER PEDAL ADJUSTMENT PIN	FLIGHT CONTROLS	27-20-20
RUDDER PEDALS	FLIGHT CONTROLS	27-20-10
RUDDER TAB ASSEMBLY	STABILIZERS	55-40-00
RUDDER TAB ASSEMBLY	STABILIZERS	55-60-00
RUDDER TRIM TAB CONTROL ACTUATOR	FLIGHT CONTROLS	27-20-30
<b>S</b>		
SAFETY INFORMATION BOOKLET	EQUIPMENT/FURNISHINGS	25-10-00
SAFETY SWITCH, MAIN GEAR	LANDING GEAR	32-10-00
SCOOP ASSEMBLY, FUEL VENT	WINGS	57-20-40
SEAL, AFT PRESSURE DOME WIRE	FUSELAGE	53-00-01
SEAT TRACK, CABIN	FUSELAGE	53-20-60
SEAT TRACK, COCKPIT	FUSELAGE	53-20-50
SEAT, COPILOT'S	EQUIPMENT/FURNISHINGS	25-10-20
SEAT, PILOT'S	EQUIPMENT/FURNISHINGS	25-10-20
SEATS, PASSENGER	EQUIPMENT/FURNISHINGS	25-20-00
SECTOR, RUDDER CONTROL	FLIGHT CONTROLS	27-20-00
SENSOR DISPLAY UNIT	ELEC PANELS, PARTS, INST.	39-10-60
SENSOR, CABIN TEMPERATURE	ENVIRONMENTAL SYSTEMS	21-60-00
SENSOR, FLAP POSITION	FLIGHT CONTROLS	27-50-10
SENSOR, FWD WING MONITOR	FLIGHT CONTROLS	27-40-10
SENSOR, HOPPER TANK LOW FUEL	FUEL	28-40-00
SENSOR, HYDRAULIC FLUID LOW LEVEL	LANDING GEAR	32-30-00
SERVICE PUBLICATIONS KIT LIST	EQUIPMENT/FURNISHINGS	25-10-00
SERVO, AUTOPILOT PITCH SYSTEM	AUTO FLIGHT	22-11-00
SERVO, AUTOPILOT ROLL SYSTEM	AUTO FLIGHT	22-11-10
SERVO, AUTOPILOT YAW SYSTEM	AUTO FLIGHT	22-11-20
SHAKER, STALL WARNING CONTROL	FLIGHT CONTROLS	27-30-30
SHelf ASSEMBLY, NACELLE	NACELLES	54-10-10
SHelf, AVIONICS	FUSELAGE	53-20-70
SHelf, STROBE LIGHT POWER SUPPLY	STABILIZERS	55-30-00
SHIMMY DAMPER	LANDING GEAR	32-50-10
SHOCK ABSORBER ASSEMBLY, NOSE GEAR	LANDING GEAR	32-20-10
SIdeWALL UPHOLSTERY, FLIGHT COMPT UPR	EQUIPMENT/FURNISHINGS	25-10-30
SKINS, PLATES AND NOSE	FUSELAGE	53-30-10
SLING, PROPELLER	EQUIPMENT/FURNISHINGS	25-10-00
SOLENOID VALVE, PNEUMATIC/PRESET/	ENVIRONMENTAL SYSTEMS	21-30-10
SOLENOID, GROUND IDLE STOP	PROPELLERS	61-20-20
SPARE FUSE AND LIMITER CONTAINER	EQUIPMENT/FURNISHINGS	25-60-20
SPEAKER, CABIN	COMMUNICATIONS	23-30-00
SPEAKER, COCKPIT	COMMUNICATIONS	23-50-00
SPEAKER, NOSE WHEEL WELL	COMMUNICATIONS	23-40-10
SPOILER, FLAP COVE	WINGS	57-10-20
STABILIZER ASSEMBLY, VENTRAL	STABILIZERS	55-60-00
STABILIZER, VERTICAL	STABILIZERS	55-30-00
STALL WARNING COMPUTER	FLIGHT CONTROLS	27-30-30
STALL WARNING CONTROL SHAKER	FLIGHT CONTROLS	27-30-30
STALL WARNING TRANSMITTER	FLIGHT CONTROLS	27-30-30

**Beechcraft**  
**STARSHIP 1**  
**ILLUSTRATED PARTS CATALOG**

**ALPHABETICAL INDEX**

COMPONENT ITEM OR SYSTEM NAME	CHAPTER NAME	CHAP/SUB SECT & UNIT
<b>S</b>		
STARSHIP AIRPLANE MODEL	EQUIPMENT/FURNISHINGS	25-10-00
STARTER-GENERATOR	ELECTRICAL POWER	24-30-30
STARTER/REFERENCE/	STARTING	80-00-01
STATIC DISCHARGE WICKS	COMMUNICATIONS	23-80-00
STBY GYRO HORIZON INDICATOR AUX POWER	ELECTRICAL POWER	24-30-20
STEERING ARM, NOSE GEAR	LANDING GEAR	32-20-10
STEERING DISCONNECT CRANK	FLIGHT CONTROLS	27-20-20
STEERING ROLLER, NOSE GEAR	LANDING GEAR	32-20-10
STEERING, NOSE GEAR	LANDING GEAR	32-50-00
STREAMER PIN, DOOR WARNING	EQUIPMENT/FURNISHINGS	25-10-00
STREAMER PIN, GEAR WARNING	EQUIPMENT/FURNISHINGS	25-10-00
STRUCTURE, COCKPIT RIGHT SIDE CONSOLE	FUSELAGE	53-20-10
STRUCTURE, CONTROL PEDESTAL	FUSELAGE	53-20-20
STRUCTURE, NACELLE FIREWALL LOWER	NACELLES	54-30-20
STRUCTURE, SUBPANEL	FUSELAGE	53-20-40
SUBPANEL STRUCTURE	FUSELAGE	53-20-40
SUBPANEL SUPPORT	FUSELAGE	53-40-00
SUBPANEL, INSTRUMENT	ELEC PANELS, PARTS, INST.	39-10-70
SURFACE CONTROL GUST LOCK	FLIGHT CONTROLS	27-70-00
SURFACE DEICE PCB BOX	ICE & RAIN PROTECTION	30-50-00
SWITCH LIGHT ASSY, ENG FIRE EXT	FIRE PROTECTION	28-10-20
SWITCH LIGHT ASSY, FIREWALL VALVE	FIRE PROTECTION	28-10-20
SWITCH PANEL ASSEMBLY, SUBPANEL	ELEC PANELS, PARTS, INST.	39-10-70
SWITCH, -G-	FLIGHT CONTROLS	27-30-30
SWITCH, ANTI-SKID LOW PRESSURE WARNING	LANDING GEAR	32-40-20
SWITCH, ANTI-SKID PUMP OUTPUT CONTROL	LANDING GEAR	32-40-20
SWITCH, CABIN ALTITUDE PRESSURE	OXYGEN	35-00-01
SWITCH, CONDITION LEVER FUEL CUTOFF	ENGINE FUEL & CONTROL	73-20-00
SWITCH, MAIN GEAR DOWNLOCK SENSOR	LANDING GEAR	32-10-00
SWITCH, MAIN GEAR SAFETY	LANDING GEAR	32-10-00
SWITCH, MAIN GEAR UPLOCK SENSOR	LANDING GEAR	32-10-00
SWITCH, NOSE GEAR UPLOCK PROXIMITY	LANDING GEAR	32-20-00
SWITCH, OXYGEN ARM PRESSURE	OXYGEN	35-00-01
SWITCH, OXYGEN LOW PRESSURE	OXYGEN	35-00-01
SWITCH, OXYGEN PRESSURE SENSE	OXYGEN	35-00-01
SWITCH, PASSENGER READING LIGHT	EQUIPMENT/FURNISHINGS	25-21-20
SWITCH, THROTTLE GO AROUND	ENGINE CONTROLS	76-10-20
SWITCH, WINDOW SHADING	EQUIPMENT/FURNISHINGS	25-21-20
SWITCH, CABIN DOOR WARNING	DOORS	52-70-00
SYNCHROPHASER, PROPELLER	PROPELLERS	61-20-00
SYSTEM, ATTITUDE HEADING	NAVIGATION	34-20-20
<b>T</b>		
TAB ASSEMBLY, ELEVATOR	STABILIZERS	55-20-00
TAB ASSEMBLY, RUDDER	STABILIZERS	55-40-00
TAB ASSEMBLY, RUDDER	STABILIZERS	55-55-00
TABLE, CABIN	EQUIPMENT/FURNISHINGS	25-22-00
TACHOMETER GENERATOR, GAS GENERATOR	ENGINE INDICATING	77-10-10
TACHOMETER, GENERATOR PROPELLER SHAFT	ENGINE INDICATING	77-10-10
TAILCONE ASSY	FUSELAGE	53-50-00
TEMPERATURE CONTROL, CABIN	ENVIRONMENTAL SYSTEMS	21-60-00
THROTTLE GO AROUND SWITCH	ENGINE CONTROLS	76-10-20
TIE DOWN RING	EQUIPMENT/FURNISHINGS	25-10-00
TIPSAIL RUDDER	STABILIZERS	55-40-00
TIRE AND WHEEL ASSEMBLY, NOSE GEAR	LANDING GEAR	32-20-10
TIRE, MAIN GEAR	LANDING GEAR	32-10-10
TOILET	WATER/WASTE	38-30-00
TOILET CABINET, AFT	EQUIPMENT/FURNISHINGS	25-23-00
TOILET HEADLINER, AFT	EQUIPMENT/FURNISHINGS	25-23-10
TOILET, AFT	WATER/WASTE	38-30-05
TOW BAR	EQUIPMENT/FURNISHINGS	25-10-00
TOW TURN BREAK-AWAY FUSE	LANDING GEAR	32-20-10
TRACK ASSEMBLY, COCKPIT SEAT	FUSELAGE	53-20-50
TRACK, CABIN SEAT	FUSELAGE	53-20-60

**Beechcraft**  
**STARSHIP 1**  
**ILLUSTRATED PARTS CATALOG**

**ALPHABETICAL INDEX**

<b>COMPONENT ITEM OR SYSTEM NAME</b>	<b>CHAPTER NAME</b>	<b>CHAP/SUB SECT &amp; UNIT</b>
<b>T</b>		
TRACK, FLAP	FLIGHT CONTROLS	27-50-00
TRAILING EDGE INBD COVE, AFT WING	WINGS	57-21-00
TRANSCEIVER, RADIO ALTIMETER	NAVIGATION	34-50-50
TRANSCEIVER, RADIOPHONE	COMMUNICATIONS	23-10-10
TRANSCEIVER, VHF COMM	COMMUNICATIONS	23-10-00
TRANSCEIVER, WEATHER RADAR	NAVIGATION	34-40-00
TRANSDUCER, ENGINE TORQUEMETER	ENGINE INDICATING	77-40-00
TRANSDUCER, OXYGEN QUANTITY PRESSURE	OXYGEN	35-00-01
TRANSDUCER, WHEEL ROTATION VELOCITY	LANDING GEAR	32-10-10
TRANSMITTER, FUEL FLOWMETER	ENGINE FUEL & CONTROL	73-30-00
TRANSMITTER, OIL PRESSURE	OIL	79-20-00
TRANSMITTER, STALL WARNING	FLIGHT CONTROLS	27-30-30
TRANSPONDER	NAVIGATION	34-50-40
TRANSPONDER ANTENNA	NAVIGATION	34-50-40
TRANZORBBS, NOSE COMPARTMENT AVIONICS	COMMUNICATIONS	23-60-10
TRUNNION PIN, NOSE LANDING GEAR	LANDING GEAR	32-20-10
TRUNNION PLATE ASSEMBLY	FUSELAGE	53-40-20
TUBE, LIGHTNING BREAK	FUEL	28-20-00
<b>U</b>		
UPHOLSTERY, AFT BULKHEAD	EQUIPMENT/FURNISHINGS	25-50-01
UPHOLSTERY, AFT COMPARTMENT	EQUIPMENT/FURNISHINGS	25-50-00
UPHOLSTERY, CABIN AIRSTAIR DOOR	EQUIPMENT/FURNISHINGS	25-21-30
UPHOLSTERY, CABIN LOWER SIDEWALL	EQUIPMENT/FURNISHINGS	25-21-20
UPHOLSTERY, COCKPIT LOWER SIDEWALL	EQUIPMENT/FURNISHINGS	25-10-40
UPHOLSTERY, COCKPIT UPPER SIDEWALL	EQUIPMENT/FURNISHINGS	25-10-30
UPHOLSTERY, EMERGENCY EXIT DOOR	EQUIPMENT/FURNISHINGS	25-21-40
UPHOLSTERY, FLIGHT COMPT UPR SIDEWALL	EQUIPMENT/FURNISHINGS	25-10-30
UPHOLSTERY, PEDESTAL	EQUIPMENT/FURNISHINGS	25-10-80
UPLOCK ASSEMBLY, MAIN GEAR	LANDING GEAR	32-10-00
UPLOCK HOOK, NOSE GEAR	LANDING GEAR	32-20-00
UPLOCK PROXIMITY SWITCH, NOSE GEAR	LANDING GEAR	32-20-00
UPLOCK SENSOR SWITCH, MAIN GEAR	LANDING GEAR	32-10-00
UPPER AFT COWLING	NACELLES	54-30-10
UPPER FWD COWLING	NACELLES	54-30-30
<b>V</b>		
VALVE ASSEMBLY, BATTERY VENT AIR INLET	ELECTRICAL POWER	24-30-00
VALVE ASSEMBLY, FUEL FILTER DRAIN	ENGINE FUEL & CONTROL	73-10-00
VALVE ASSEMBLY, FWD WING LOCK	FLIGHT CONTROLS	27-40-00
VALVE ASSEMBLY, HYDRAULIC	LANDING GEAR	32-30-00
VALVE, AIR CONDITIONER SERVICE	ENVIRONMENTAL SYSTEMS	21-50-10
VALVE, BLEED AIR ALTERNATE INFLOW	ENVIRONMENTAL SYSTEMS	21-20-00
VALVE, BLEED AIR FIREWALL SHUTOFF	ENVIRONMENTAL SYSTEMS	21-20-00
VALVE, BLEED AIR INFLOW BYPASS	ENVIRONMENTAL SYSTEMS	21-20-00
VALVE, CROSS TRANSFER FUEL	FUEL	28-20-00
VALVE, ENGINE OIL DRAIN	OIL	79-20-00
VALVE, FUEL DRAIN	FUEL	28-10-00
VALVE, FUEL PURGE	FUEL	28-20-00
VALVE, FUEL VENT CHECK	FUEL	28-10-10
VALVE, FUEL VENT FLOAT	FUEL	28-10-10
VALVE, FUEL VENT PRESSURE RELIEF	FUEL	28-10-10
VALVE, HYDRAULIC PRESSURE RELIEF	LANDING GEAR	32-40-20
VALVE, OIL THERMOSTATIC CONTROL	OIL	79-20-00
VALVE, OXYGEN FILL	OXYGEN	35-00-01
VALVE, OXYGEN OUTLET	OXYGEN	35-00-01
VALVE, PNEUMATIC SOLENOID/PRESET/	ENVIRONMENTAL SYSTEMS	21-30-10
VALVE, POWER BRAKE	LANDING GEAR	32-40-20
VANE AXIAL BLOWER ASSEMBLY	ENVIRONMENTAL SYSTEMS	21-50-20
VELOCITY TRANSDUCER, WHEEL ROTATION	LANDING GEAR	32-10-10
VENT, BATTERY	ELECTRICAL POWER	24-30-00
VENT, HEATED FUEL	FUEL	28-10-10
VENTILATION BLOWER ASSEMBLY, AFT	ENVIRONMENTAL SYSTEMS	21-20-35

**Beechcraft**  
**STARSHIP 1**  
**ILLUSTRATED PARTS CATALOG**

**ALPHABETICAL INDEX**

<b>COMPONENT ITEM OR SYSTEM NAME</b>	<b>CHAPTER NAME</b>	<b>CHAP/SUB SECT &amp; UNIT</b>
<b>V</b>		
VENTILATION BLOWER ASSEMBLY, FWD	ENVIRONMENTAL SYSTEMS	21-20-30
VENTRAL STABILIZER	STABILIZERS	55-60-00
VERTICAL STABILIZER	STABILIZERS	55-30-00
VERTICAL STABILIZER FAIRING	STABILIZERS	55-30-00
VLF ANTENNA	NAVIGATION	34-50-10
VLF RECEIVER	NAVIGATION	34-50-10
VOICE RECORDER, COCKPIT	COMMUNICATIONS	23-70-10
VORTEX GENERATOR	STABILIZERS	55-30-00
VORTILON, AFT WING LEADING EDGE	WINGS	57-40-10
VORTILON, NACELLE	NACELLES	54-10-10
<b>W</b>		
WEATHER RADAR ANTENNA	NAVIGATION	34-40-00
WEATHER RADAR TRANSCIVER	NAVIGATION	34-40-00
WEB, AFT BAGGAGE COMPARTMENT	EQUIPMENT/FURNISHINGS	25-50-10
WEB, FWD BAGGAGE COMPARTMENT	EQUIPMENT/FURNISHINGS	25-22-50
WHEEL ASSEMBLY, COPILOT'S CONTROL	FLIGHT CONTROLS	27-31-10
WHEEL ASSEMBLY, PILOT'S CONTROL	FLIGHT CONTROLS	27-31-10
WHEEL, NOSE LANDING GEAR	LANDING GEAR	32-20-10
WHEEL, TIRE AND BRAKE ASSEMBLY	LANDING GEAR	32-10-10
WICK, STATIC	COMMUNICATIONS	23-60-00
WICKS, STATIC DISCHARGE	COMMUNICATIONS	23-60-00
WINDOW SHADING SWITCH	EQUIPMENT/FURNISHINGS	25-21-20
WINDOWS, CABIN OUTER	WINDOWS	56-20-10
WINDOWS, CABIN POLARIZED	WINDOWS	56-20-00
WINDOWS, FLIGHT COMPARTMENT	WINDOWS	56-10-00
WINDSHIELD DEICE RELAY	ELEC PANELS, PARTS, INST.	39-20-10
WINDSHIELD WIPER	ICE & RAIN PROTECTION	30-40-10
WINDSHIELD WIPER MOTOR CONVERTER	ICE & RAIN PROTECTION	30-40-10
WING ELECTRICAL WIRE CONDUIT	WINGS	57-20-10
WING FUEL TANK, AFT	FUEL	28-10-00
WING INSPECTION LIGHTS	LIGHTS	33-40-20
WING LANDING LIGHT	LIGHTS	33-40-10
WING LEADING EDGE VORTILON, AFT	WINGS	57-40-10
WING PRESSURIZATION SYSTEM	PNEUMATIC	36-00-20
WING REFRIGERATION PLUMBING	ENVIRONMENTAL SYSTEMS	21-50-45
WING, AFT	WINGS	57-10-00
WING, FWD	STABILIZERS	55-10-00
WIPER, WINDSHIELD	ICE & RAIN PROTECTION	30-40-10
WIRE CONDUIT, WING ELECTRICAL	WINGS	57-20-10
WRENCH, FUEL SUMP DRAIN	EQUIPMENT/FURNISHINGS	25-10-00

# Raytheon Aircraft

STARSHIP 1 ILLUSTRATED PARTS CATALOG

## ALPHA-NUMERIC INDEX LIST OF PAGE EFFECTIVITY

<b>SECTION</b>	<b>PAGE</b>	<b>DATE</b>
Alpha-Numeric Index-Effectivity	1	07/31/02
Alpha-Numeric Index	1	07/31/02
	thru	07/31/02
	64	07/31/02

# Raytheon Aircraft

## BEECH STARSHIP 1 ILLUSTRATED PARTS CATALOG

PART NUMBER	CHAP/SUB-SECT/UNIT & ITEM	PART NUMBER	CHAP/SUB-SECT/UNIT & ITEM	PART NUMBER	CHAP/SUB-SECT/UNIT & ITEM
A-615 LENS	33-40-50-010	AML54F20K-W	25-21-20-006	AN381-2-8	25-10-20-059
A-616 GASKET	33-40-50-011	AND960-10L	53-25-00-019	AN381-2-8	25-10-20-053
AA1233-8-4D	21-50-10-056	ANL-M325	24-50-00-067	AN386-1-11A	30-20-00-135
AA1282-1	34-11-00-014	ANL-M325	24-50-10-028	AN386-1-11A	30-20-00-149
AA1282-2	34-11-00-015	ANL-M325	25-60-20-013	AN386-1-6	27-30-10-022
AA307-13	27-50-10-007	ANL-M80	24-50-10-060	AN386-2-11A	27-30-00-108
AA67030-8DG	21-50-10-055	ANL-M80	24-50-00-068	AN386-2-11A	27-30-00-101
AA67113-12DG	21-50-40-036	AN174-16A	32-50-00-071	AN4-20A	32-40-20-057
ABB20-103	53-40-20	AN174C6A	55-60-00-011	AN4-67	27-31-20-077
ABB22-101	57-10-20-017	AN227-15L	25-21-70	AN4CH17	57-10-20-001
ABB22-101	32-10-00	AN227-15L	25-21-72	AN4CH23A	55-40-00
ABB22-101	32-10-00	AN227-16	25-21-72	AN4CH26A	55-40-00
ABMM-A	35-00-01-122	AN227-16	25-21-70	AN4CH27A	55-40-00-037
ABMM-A	35-00-02-122	AN227-25M10	25-21-70	AN4C10A	21-20-00-035
ABMM-A	21-30-00-055	AN227-25M10	25-21-72	AN4C12A	21-20-00-029
ABMM-A-D	33-20-35-021	AN256-8	39-20-30	AN4C23	55-40-00-015
ABMM-AT-C	56-20-10-006	AN3-12A	27-31-00	AN4C5A	39-21-00-032
ABMS-A	21-20-35-005	AN3-14	52-10-10-013	AN4H10	27-20-00
ABMS-A	21-50-30-032	AN3-14A	32-30-15-061	AN4H10A	21-20-00-076
ABMS-A-D	33-20-35-020	AN3-15A	27-31-00-126	AN4H4A	21-20-00-065
ABM1M-A	25-10-10	AN3-15A	28-20-00-081	AN4H4A	76-10-00-006
ABM2S-S6D	25-10-70	AN3-22A	32-40-20-130	AN415-1-2	79-20-00-004
AC-9	52-20-00-056	AN3-3A	25-21-40-001	AN42B5A	32-10-00-108
AC-9	56-20-10	AN3-32A	36-00-20-014	AN42B5A	32-40-00-187
AC-9	56-20-10-011	AN3-4A	30-20-00-032	AN5-4A	39-21-00-008
ACH15	39-21-00-024	AN3CH3	57-10-20-005	AN5H6A	76-10-00-094
ACH15	25-60-20-006	AN3C13A	32-30-00-107	AN502-10-8	22-11-00-007
ACH20	25-60-20-007	AN3C14A	32-30-00-106	AN502-10-8	22-11-20-001
ACH25	25-60-20-008	AN3C3A	32-30-00-109	AN508-10-6	39-21-00
ACH30	25-60-20-009	AN3C4	21-20-00	AN515-8R6	73-20-00-003
ACH35	25-60-20-010	AN3C4A	21-20-00-040	AN525-10R12	21-50-30-056
ACH50	25-60-20-011	AN3C4A	21-20-00-009	AN525-10R16	25-50-00-005
ACH60	25-60-20-012	AN3C7A	36-00-20-017	AN525-10R7	57-20-00
ADB50955	25-10-30-009	AN3H10A	55-40-00-033	AN525-10R7	55-20-00-037
AFBB6E12	32-10-10-069	AN3H14A	32-30-15	AN525-10R7	21-50-30-053
AF122-0013-11	25-10-00	AN3H15A	28-20-00-262	AN525-10R8	52-10-10-036
AF122-0013-13	25-10-00	AN3H15A	76-10-10-069	AN525-10R8	21-20-30-028
AF122-0013-21	25-10-00	AN3H6A	76-10-10-001	AN525-10R8	55-30-00
AF122-0013-7	25-10-00	AN310C8	32-10-10-027	AN525-10R8	55-20-00-038
AF5-1	25-10-00	AN310D5	76-10-10-182	AN525-832R6	23-10-20-016
AJC25A-C	21-50-30-042	AN315-3L	76-10-00-067	AN525-832R6	21-20-30-030
AML24EBA2AC01	25-21-21-045	AN315-3L	76-10-00-062	AN525-832R6	21-20-30-001
AML24EBA2AC01	25-21-21-027	AN315-3R	76-10-00-064	AN525-832R6	21-50-30-071
AML24EBA2AC01	25-21-21-008	AN315-3R	76-10-00-069	AN525-832R6	57-20-30-001
AML24EBA2AC01	25-21-20-007	AN315-3R	56-20-20-004	AN525-832R7	55-40-00-009
AML24EBA2AC05	25-21-20-005	AN315-3R	22-11-00-028	AN525-832R7	55-40-00-019
AML24FBA2CA01	33-30-00-009	AN315-5	39-21-00-005	AN525-832R7	35-00-02
AML31FBE4A	25-22-20	AN316-4	27-20-20-055	AN525-832R7	35-00-02
AML31FBE4AD	25-22-40-008	AN316-4R	27-20-00-095	AN525-832R9	55-40-00-010
AML31FBE4AD	25-22-41-018	AN316-4R	27-30-00-150	AN526-1032R5	57-20-40
AML41GBA2	25-21-21-041	AN316-4R	27-20-30-008	AN530-6R8	39-20-00-039
AML41GBA2	25-21-20-003	AN316-4R	27-31-30-008	AN535-2-3	27-30-10-047
AML41GBA2	25-21-21-023	AN316-4R	27-31-20-092	AN535-2-3	32-50-00
AML41GBA2	25-21-21-004	AN316-4R	27-31-20-086	AN535-2-3	32-20-10-049
AML51F101	25-22-41-017	AN316-4R	27-31-00-145	AN565AC1032H20	61-20-20-011
AML51F101	25-22-40	AN316-4R	30-20-00-109	AN565A6H3	76-10-20
AML51F101	25-22-20	AN316-4R	52-10-10-043	AN565E428H4	55-10-00-002
AML51F105	25-22-20	AN316-4R	32-30-10-084	AN6-15A	21-50-51-039
AML51F123	25-22-20	AN316-5R	30-20-00-007	AN6227-22	32-50-10-015
AML51F40R-FSB	25-21-21-025	AN316-6R	27-31-00-136	AN6230-15	27-30-30-007
AML51F40R-FSB	25-21-21-043	AN316-6R	27-31-00-023	AN6230-21	27-30-30-006
AML51F40R-FSB	25-21-21-006	AN316-6R	27-30-00-008	AN6235-1A	32-40-20
AML51F40R-FSB	25-21-20-001	AN316-6R	27-30-00-041	AN6289-4D	32-40-20-053
AML51F40R-SMK	25-21-21-005	AN316-6R	27-30-00-136	AN6289D4	32-40-20-069
AML51F40R-SMK	25-21-21-024	AN316-6R	27-20-00-075	AN6289D4	32-40-20-011
AML51F40R-SMK	25-21-21-042	AN316-6R	27-20-20-009	AN6289D4	32-30-15-094
AML5140R-SMK	25-21-20-002	AN316-6R	32-50-00-086	AN6289D4	32-30-00-023
AML54F10W	33-30-00	AN316-6R	32-50-10-008	AN6289D4	32-30-00-066
AML54F20K-R	25-21-21-009	AN316-6R	32-50-00-016	AN6289D4	32-30-00-047
AML54F20K-R	25-21-20-008	AN316-6R	32-50-00-036	AN6289D4	32-30-05-022
AML54F20K-R	25-21-21-046	AN316-6R	25-10-20-065	AN6289D4	32-30-00-074
AML54F20K-R	25-21-21-028	AN320C20	57-10-00-008	AN6289D6	32-30-15-076

# Raytheon Aircraft

## BEECH STARSHIP 1 ILLUSTRATED PARTS CATALOG

PART NUMBER	CHAP/SUB-SECT/UNIT & ITEM	PART NUMBER	CHAP/SUB-SECT/UNIT & ITEM	PART NUMBER	CHAP/SUB-SECT/UNIT & ITEM
AN6289D6	32-40-00-025	AN743-13	32-40-00	AN816-4-4D	21-30-00-036
AN6289D6	32-40-20-127	AN743-13	32-30-00-005	AN816-4D	21-30-00-104
AN7-17A	21-50-50	AN743-13	21-50-40-114	AN816-4D	34-10-00-083
AN7-20A	21-50-50-031	AN743-13	57-20-10-071	AN816-4D	34-10-20-021
AN735-3	35-00-02-049	AN743-13	28-20-00	AN816-6-20	34-10-00-084
AN735-4	32-30-15-124	AN743-13	25-22-20-014	AN818-10D	36-00-10-065
AN735D10	36-00-10-008	AN784-4D	34-10-00-072	AN818-10D	21-50-40-049
AN735D10	36-00-10-096	AN784-6D	34-10-00-074	AN818-12D	21-50-40-035
AN735D10	36-00-10-080	AN804-6D	32-40-20-119	AN818-6D	36-00-10-040
AN735D10	36-00-20-009	AN804-6D	34-10-00-034	AN818-6D	34-10-20-016
AN735D10	30-10-00	AN804D6	32-40-20-140	AN818-6D	32-40-20-046
AN735D10	30-10-00-137	AN804D6	32-40-00	AN818-6D	32-40-20-067
AN735D10	30-10-00-015	AN807-4D	71-70-00-031	AN818-6D	32-40-20-112
AN735D10	30-10-00-063	AN807-4D	71-70-00-038	AN818-6D	34-10-00-053
AN735D10	30-10-00-102	AN814-12D	34-00-10-019	AN818-8D	21-50-40-040
AN735D10	28-10-10-134	AN814-4D	32-10-10-014	AN818-8D	21-50-10-036
AN735D10	28-10-10-103	AN815-10D	36-00-10-082	AN821-10J	36-00-20-030
AN735D10	28-10-10-176	AN815-10D	30-10-00-139	AN822-4D	34-10-20-022
AN735D10	28-20-00-168	AN815-10J	36-00-20-021	AN822-6-2D	35-00-01-079
AN735D10	28-20-00-213	AN815-12J	73-10-00-002	AN822-6-2D	35-00-02-079
AN735D10	28-20-00-151	AN815-2D	32-30-00-012	AN824-10D	36-00-10-067
AN735D12	28-20-00-150	AN815-4	32-30-00-028	AN824-10D	30-10-00-080
AN735D12	30-10-00-036	AN815-4	32-30-00-053	AN824-10D	30-10-00-125
AN735D18	28-20-00-106	AN815-4	32-30-10-072	AN824-12D	73-10-00-013
AN735D24	28-10-00-025	AN815-4	32-30-05-159	AN824-4D	34-10-20-024
AN735D24	28-10-00-050	AN815-4	32-30-15-122	AN824-4D	34-10-00-056
AN735D24	21-20-00-126	AN815-4	27-40-00-002	AN824-4D	34-10-00-043
AN735D3	35-00-01-049	AN815-4D	28-20-00-221	AN824-5D	35-00-01-120
AN735D4	32-40-20-035	AN815-4D	32-30-15-111	AN824-5D	35-00-01-124
AN735D4	36-00-10-023	AN815-4D	32-40-00-067	AN824-5D	35-00-02-124
AN735D4	21-50-10-066	AN815-4D	32-40-20-099	AN824-5D	35-00-02-120
AN735D4	28-20-00-212	AN815-4D	32-40-20-078	AN824-6D	34-10-20-004
AN735D6	30-10-00-014	AN815-4D	32-40-20-110	AN824-6D	34-10-00-044
AN735D6	30-10-00-101	AN815-4D	34-10-00-045	AN824-6D	34-10-00-055
AN735D6	21-50-40-057	AN815-4D	32-30-00-043	AN827-10D	30-10-00-119
AN735D6	36-00-10-022	AN815-4D	32-30-00-071	AN832-10J	28-20-00-246
AN735D6	36-00-10-007	AN815-4D	32-30-00-020	AN832-4D	34-10-00-065
AN735D8	21-50-40-056	AN815-4D	34-10-20-009	AN832-4D	32-40-00-175
AN735D8	21-50-10-067	AN815-4D	36-00-10-059	AN832-4D	32-40-00-092
AN735D8	30-10-00-181	AN815-4D	21-30-10-062	AN832-4D	34-11-00-020
AN735D8	30-10-00-197	AN815-4D	21-30-10-069	AN832-4D	36-00-10-062
AN735D8	28-20-00-188	AN815-4D	21-30-10-042	AN832-4D	21-30-10-004
AN735D8	28-20-00-169	AN815-4D	21-30-10-032	AN832-4D	21-30-10-035
AN735D8	28-20-00-105	AN815-4D	21-30-10-028	AN832-4J	21-20-00-025
AN735D8	28-20-00-075	AN815-4D	21-30-10-013	AN832-4J	32-30-00
AN735D8	28-20-00-064	AN815-4D	21-30-10-076	AN832-6	32-30-05-017
AN735D8	28-20-00-063	AN815-4J	21-20-00-011	AN832-6	32-30-05-177
AN735D8	28-20-00-048	AN815-4J	28-20-00-222	AN832-6	32-30-15-089
AN735D8	28-10-10-135	AN815-5D	35-00-02-097A	AN832-6D	34-11-00-021
AN735D8	28-10-10-163	AN815-5D	35-00-02-116	AN832-6D	34-10-00-068
AN735D8	28-10-10-088	AN815-5D	35-00-01-116	AN832-6D	32-40-20-143
AN735D8	28-10-10-102	AN815-5D	35-00-01-097A	AN832-6D	21-30-10-049
AN737TW34	28-10-10-064	AN815-6	32-30-00-035	AN832-6D	71-70-00-018
AN737TW44-48	21-20-00-080	AN815-6	32-30-00-059	AN832-6J	32-30-00-095
AN737TW44-48	54-11-00-006	AN815-6	32-30-05-156	AN832-8D	32-30-00-098
AN737TW56-66	21-20-00-112	AN815-6	32-30-05-013	AN832-8D	79-20-00-002
AN737TW56-66	24-30-00-007	AN815-6	32-30-05-003	AN833-12D	73-10-00-005A
AN737W30	76-10-10-028	AN815-6	32-30-15-090	AN833-12D	73-10-00-005
AN742-36	32-40-20-037	AN815-6	32-30-05-172	AN833-12J	28-20-00-276
AN742D16	22-11-10-016	AN815-6	27-40-00-005	AN833-4	77-40-00-004
AN742D16	53-21-00-001	AN815-6D	35-00-01-055	AN833-4	32-30-05-021
AN742D8	57-20-10-002	AN815-6D	34-10-00-048	AN833-4D	32-30-00-065
AN742F3	26-10-10-033	AN815-6D	32-40-20-115	AN833-4D	34-11-00-012
AN743-12	28-10-10-165	AN815-6D	32-40-20-030	AN833-4D	32-40-20-137
AN743-12	76-10-10-024	AN815-6D	36-00-10-037	AN833-4D	34-10-00-031
AN743-12	76-10-10-030	AN815-6D	35-00-02-055	AN833-4D	32-40-00-142
AN743-12	76-10-10-099	AN815-6D	21-30-10-015	AN833-4D	32-40-00-165
AN743-12	76-10-10-137	AN815-8	32-30-10-066	AN833-4D	32-40-20-052
AN743-12	76-10-10	AN815-8D	32-30-00-082	AN833-4D	32-40-20-010
AN743-12	76-10-10	AN815-8D	32-30-00-056	AN833-4D	21-30-10-057
AN743-12	36-00-20-005	AN815-8D	32-30-00-031	AN833-4D	21-30-10-064
AN743-12	39-20-10-044	AN816-4-4D	21-30-00-105	AN833-4D	21-30-10-039

# Raytheon Aircraft

## BEECH STARSHIP 1 ILLUSTRATED PARTS CATALOG

PART NUMBER	CHAP/SUB- SECT/UNIT & ITEM	PART NUMBER	CHAP/SUB- SECT/UNIT & ITEM	PART NUMBER	CHAP/SUB- SECT/UNIT & ITEM
AN833-4D	21-30-10-019	AN924-4D	32-30-05-077	AN924-8D	79-20-00-010
AN833-4D	21-30-10-024	AN924-4D	32-30-05-133	AN924-8D	28-20-00-165
AN833-4D	71-70-00-008	AN924-4D	32-30-05-088	AN924-8D	28-20-00-046
AN833-4J	73-10-10-005	AN924-4D	32-30-00-015	AN924-8D	28-10-00
AN833-4J	28-20-00-255	AN924-4D	34-11-00-018	AN929-4	34-10-00
AN833-6D	21-30-10-010	AN924-4D	34-10-00-029	AN929-4	32-40-20-061
AN833-6D	34-11-00-013	AN924-4D	34-10-00-063	AN929-4D	21-30-10-061
AN833-8D	28-20-00-164	AN924-4D	32-40-20-138	AN929-4D	21-30-10-034
AN834-4D	32-30-00-017	AN924-4D	32-40-00-081	AN929-4D	21-30-10-018
AN834-6D	32-40-00-024	AN924-4D	32-40-00-091	AN929-5	35-00-01-127
AN834-6D	32-40-20-128	AN924-4D	32-40-00-014	AN929-5	35-00-02-127
AN837-12D	73-10-00	AN924-4D	32-40-00-140	AN929-5	35-00-02-118
AN837-12D	79-20-00-030	AN924-4D	32-40-00-129	AN929-6	32-40-20-118
AN837-4	77-40-00-003	AN924-4D	32-40-00-133	AN929-6	34-10-00
AN837-4	32-30-05-168	AN924-4D	32-40-00-191	AN929-6J	71-70-00-021
AN837-4	32-30-15-093	AN924-4D	32-40-00-163	AN929A12J	21-20-00-101
AN837-4D	71-70-00-015	AN924-4D	32-40-00-173	AN931-3-5	73-20-00-006
AN837-4J	28-20-00-237	AN924-4D	32-40-00-149	AN936A4	61-20-20-027
AN837-4J	32-30-00-092	AN924-4D	32-40-00-153	AN938-4D	36-00-10-064
AN837-6	32-30-05-165	AN924-4D	36-00-10-045	AN938-6D	35-00-02-058
AN837-6	32-30-05-018	AN924-4D	36-00-10-061	AN938-6D	35-00-01-058
AN837-6	32-30-15-075	AN924-4D	52-10-20-013	AN938D4	32-40-00-066
AN837-6J	32-30-00	AN924-4D	21-30-10-045	AN960-10	25-21-72
AN838-4D	21-30-10-065	AN924-4D	21-30-10-066	AN960-10	25-21-70
AN838-4D	21-30-00-065	AN924-4D	21-30-10-058	AN960-10	26-20-00-012
AN839-4D	21-30-10-047	AN924-4D	21-30-10-025	AN960-10	27-20-20-118
AN839-6D	30-10-00-022	AN924-4D	21-30-10-020	AN960-10	27-00-40-003
AN840-4D	71-70-00-043	AN924-4D	21-30-10-040	AN960-10	27-31-20-049
AN893-13D	21-50-45-004	AN924-4D	21-30-10-036	AN960-10	27-30-30-012
AN893-2D	35-00-01-057	AN924-4D	21-30-10-005	AN960-10	27-31-00
AN893-2D	35-00-02-057	AN924-4D	21-30-00-066	AN960-10	32-10-00-104
AN893-4D	79-20-00-022	AN924-4D	71-70-00-033	AN960-10	61-20-20-003
AN894D4-2	32-30-00-014	AN924-4D	71-70-00-040	AN960-10	73-10-05-014
AN900-10	79-20-00-017	AN924-4D	71-70-00-013	AN960-10	76-10-10-121
AN900-10	77-40-00-021	AN924-4D	71-70-00-007	AN960-10	76-10-10-004
AN916-416L	25-10-20-049	AN924-4J	73-10-10-004	AN960-10	32-40-00-186
AN919-10D	21-30-00-085	AN924-4J	28-20-00-256	AN960-10	32-10-10-040
AN919-12D	32-40-20-027	AN924-4J	21-20-00-023	AN960-10	32-10-10-036
AN919-12D	28-20-00-086	AN924-4J	32-30-00-090	AN960-10	21-55-10-012
AN919-14D	30-10-00-085	AN924-4J	32-30-15-042	AN960-10	21-20-00-069
AN919-18D	30-10-00-030	AN924-6	21-50-10-003	AN960-10	53-25-00-036
AN919-20D	73-10-00-014	AN924-6D	21-30-10-011	AN960-10	53-25-00-006
AN919-20J	36-00-20-019	AN924-6D	21-30-10-050	AN960-10L	53-25-00-028
AN919-3D	32-40-20-008	AN924-6D	32-30-15-081	AN960-10L	53-21-00-008
AN919-3D	21-30-00-088	AN924-6D	32-30-05-175	AN960-10L	53-40-10-002
AN919-6D	21-30-10-002	AN924-6D	32-30-05-163	AN960-10L	53-25-00-056
AN919-6D	21-30-10-053	AN924-6D	32-30-05-130	AN960-10L	53-25-00-047
AN919-6D	21-30-00-019	AN924-6D	32-30-05-074	AN960-10L	57-10-20-033
AN919-6D	32-40-20-063	AN924-6D	32-30-05-015	AN960-10L	54-10-10-044
AN919-6D	32-40-00-077	AN924-6D	34-11-00-019	AN960-10L	55-20-00-034
AN919-6D	36-00-10-056	AN924-6D	35-00-01-065	AN960-10L	21-30-00-073
AN919-7D	35-00-02-133	AN924-6D	35-00-01-072	AN960-10L	21-30-00-070
AN919-7D	35-00-02-100	AN924-6D	32-40-00-035	AN960-10L	21-30-00-050
AN919-7D	35-00-01-100	AN924-6D	32-40-00-096	AN960-10L	21-30-00-044
AN919-7D	34-10-20-005	AN924-6D	32-40-20-141	AN960-10L	21-20-00-116
AN924-10	26-20-00-017	AN924-6D	32-40-20-121	AN960-10L	21-20-00-103
AN924-10D	28-20-00-109	AN924-6D	32-40-20-144	AN960-10L	21-30-00-029
AN924-10D	36-00-10-001	AN924-6D	34-10-00-066	AN960-10L	21-30-00-015
AN924-10D	36-00-10-113	AN924-6D	34-10-00-032	AN960-10L	21-20-60-023
AN924-10D	21-50-45-010	AN924-6D	35-00-02-065	AN960-10L	21-20-25
AN924-10J	21-50-45-021	AN924-6D	35-00-02-072	AN960-10L	21-20-00-097
AN924-12D	73-10-00-006	AN924-6D	30-10-00-020	AN960-10L	21-20-00-051
AN924-12D	79-20-00-029	AN924-6D	71-70-00-016	AN960-10L	21-20-00-048
AN924-12D	21-50-45-007	AN924-6J	32-30-00-093	AN960-10L	21-30-10-006
AN924-12D	21-50-40-074	AN924-6J	32-30-15-045	AN960-10L	21-30-10-081
AN924-12D	34-00-10-017	AN924-8D	32-30-10-005	AN960-10L	21-30-10-073
AN924-12J	21-50-45-018	AN924-8D	32-30-00-096	AN960-10L	21-30-00-083
AN924-12J	28-20-00-274	AN924-8D	32-30-05-083	AN960-10L	21-50-40-059
AN924-4	77-40-00-005	AN924-8D	21-50-40-071	AN960-10L	21-50-40-021
AN924-4	32-30-10-069	AN924-8D	21-50-40-066	AN960-10L	21-50-40-016
AN924-4D	32-30-10-057	AN924-8D	21-50-10-043	AN960-10L	21-50-30-059
AN924-4D	32-30-05-166	AN924-8D	21-30-00-023	AN960-10L	24-50-00-008



# Raytheon Aircraft

## BEECH STARSHIP 1 ILLUSTRATED PARTS CATALOG

PART NUMBER	CHAP/SUB-SECT/UNIT & ITEM	PART NUMBER	CHAP/SUB-SECT/UNIT & ITEM	PART NUMBER	CHAP/SUB-SECT/UNIT & ITEM
AN960-10L	24-50-00-077	AN960-10L	76-10-10	AN960-10L	25-10-90-005
AN960-10L	24-50-10-079	AN960-10L	76-10-10	AN960-10L	25-10-70-026
AN960-10L	24-50-10-008	AN960-10L	76-10-10-205	AN960-10L	26-20-00-009
AN960-10L	24-50-20-005	AN960-10L	76-10-10	AN960-10L	26-20-00-003
AN960-10L	21-50-40-106	AN960-10L	76-10-10-097	AN960-10L	25-60-00
AN960-10L	21-50-40-091	AN960-10L	73-10-00	AN960-10L	25-22-00-045
AN960-10L	21-50-40-078	AN960-10L	73-10-00	AN960-10L	25-22-00
AN960-10L	21-50-45-014	AN960-10L	76-10-00-002	AN960-10L	25-21-40-002
AN960-10L	21-50-50-008	AN960-10L	74-10-00	AN960-1016L	27-31-20-079
AN960-10L	21-50-50-002	AN960-10L	76-10-00-014	AN960-1016L	76-10-10
AN960-10L	21-50-50-027	AN960-10L	71-70-00-002	AN960-1216	79-20-00-011
AN960-10L	21-50-51-011B	AN960-10L	79-20-10-002	AN960-1216L	21-30-00-024
AN960-10L	21-50-51-008	AN960-10L	79-20-00-033	AN960-1416L	26-20-00-018
AN960-10L	21-50-51-002	AN960-10L	79-20-00-007	AN960-3L	32-40-10-004
AN960-10L	22-11-20-013	AN960-10L	79-20-00-015	AN960-3L	25-10-20-076
AN960-10L	22-11-30-008	AN960-10L	76-10-10-229	AN960-4	25-10-20-083
AN960-10L	23-10-10-008	AN960-10L	76-10-10	AN960-4	25-10-20-137
AN960-10L	23-00-01-003	AN960-10L	76-10-10-224	AN960-4	27-20-20-102
AN960-10L	22-11-00-025	AN960-10L	76-10-10-220	AN960-4	27-20-20-032
AN960-10L	23-50-00-002	AN960-10L	76-10-10-238	AN960-4	52-20-00-003
AN960-10L	23-40-10	AN960-10L	32-10-00-105	AN960-4	53-20-50-002
AN960-10L	35-00-01-103	AN960-10L	30-70-00-006	AN960-4L	52-20-00-002
AN960-10L	35-00-01-090	AN960-10L	27-31-00	AN960-4L	52-10-10-015
AN960-10L	34-50-50-015	AN960-10L	27-31-00-125C	AN960-4L	39-10-70-088
AN960-10L	34-10-00-079	AN960-10L	27-30-40-006	AN960-4L	39-10-71-088
AN960-10L	34-50-10	AN960-10L	30-20-00-013	AN960-4L	39-20-00-054
AN960-10L	32-40-20-023	AN960-10L	30-20-00-009	AN960-4L	34-20-20-003
AN960-10L	32-40-20-033	AN960-10L	30-20-00-003	AN960-4L	25-10-30-011
AN960-10L	32-30-15-127	AN960-10L	30-10-00-229	AN960-4L	25-10-20-058
AN960-10L	34-10-00-045B	AN960-10L	30-10-00-225	AN960-4L	27-30-30-025
AN960-10L	52-10-10-030	AN960-10L	30-10-00-219	AN960-4L	61-20-20-028
AN960-10L	52-10-20-002	AN960-10L	30-10-00-204	AN960-4L	61-20-20-007
AN960-10L	52-20-00-017	AN960-10L	30-20-00-077	AN960-416	76-10-00-022
AN960-10L	39-21-00	AN960-10L	30-20-00-072	AN960-416	76-10-00-025
AN960-10L	39-21-00-072	AN960-10L	30-20-00-034	AN960-416	76-10-00-007
AN960-10L	39-20-10-054	AN960-10L	30-20-00-155	AN960-416	27-20-20-049
AN960-10L	35-00-02-103	AN960-10L	30-20-00-143	AN960-416	27-20-00
AN960-10L	35-00-02-085	AN960-10L	30-20-00-127	AN960-416	27-30-00-077
AN960-10L	35-00-02-090	AN960-10L	30-20-00-115	AN960-416	32-30-15-064
AN960-10L	35-00-02-086B	AN960-10L	30-20-00-107	AN960-416	32-10-10-061
AN960-10L	36-00-10-094	AN960-10L	30-20-00-104	AN960-416	32-50-00-072
AN960-10L	36-00-10-101	AN960-10L	30-10-00-135	AN960-416	52-10-10-118
AN960-10L	36-00-10-069	AN960-10L	30-10-00-130	AN960-416	52-10-10
AN960-10L	36-00-10-078	AN960-10L	30-10-00-141	AN960-416	52-10-00-003
AN960-10L	36-00-10-031	AN960-10L	30-10-00-151	AN960-416	22-11-00-018
AN960-10L	36-00-10-049	AN960-10L	30-10-00-146	AN960-416	22-11-10-005
AN960-10L	36-00-10-005	AN960-10L	30-10-00-194	AN960-416	22-11-20-007
AN960-10L	36-00-10-013	AN960-10L	30-10-00-188	AN960-416	21-50-51-030
AN960-10L	36-00-10-018	AN960-10L	30-10-00-174	AN960-416	21-50-50-040
AN960-10L	36-00-10-026	AN960-10L	30-10-00	AN960-416	55-60-00-005
AN960-10L	36-00-20-002	AN960-10L	30-10-00-163	AN960-416L	55-60-00-003
AN960-10L	36-00-20-026	AN960-10L	30-10-00-025	AN960-416L	21-50-51-042
AN960-10L	36-00-20-033	AN960-10L	30-10-00-034	AN960-416L	52-10-10-066
AN960-10L	39-20-10-032	AN960-10L	30-10-00-076	AN960-416L	52-10-10-119
AN960-10L	39-10-71-166A	AN960-10L	30-10-00-059	AN960-416L	36-00-10-105
AN960-10L	39-20-00-025	AN960-10L	30-10-00-038	AN960-416L	32-50-00-053
AN960-10L	39-10-70-166A	AN960-10L	30-10-00-056	AN960-416L	27-30-00-028
AN960-10L	76-10-00-059	AN960-10L	30-10-00-052	AN960-416L	27-20-00
AN960-10L	76-10-10-086	AN960-10L	28-20-00-259	AN960-416L	27-20-00-033
AN960-10L	76-10-10-136	AN960-10L	28-20-00-263	AN960-416L	25-10-20-054
AN960-10L	76-10-10-129	AN960-10L	30-10-00-013	AN960-416L	25-10-41
AN960-10L	76-10-10-106	AN960-10L	30-10-00-083	AN960-416L	25-10-20-090
AN960-10L	76-10-10-120	AN960-10L	30-10-00-097	AN960-416L	27-31-20-005
AN960-10L	76-10-10-113	AN960-10L	30-10-00-089	AN960-416L	27-31-00-152
AN960-10L	76-10-10	AN960-10L	30-10-00-105	AN960-416L	27-31-20-076
AN960-10L	76-10-10	AN960-10L	27-31-10-015	AN960-416L	27-31-20-098
AN960-10L	76-10-10-166	AN960-10L	27-31-10-028	AN960-416L	27-30-40-035
AN960-10L	76-10-10-162	AN960-10L	27-20-00-023	AN960-416L	30-20-00-119
AN960-10L	76-10-10	AN960-10L	25-10-20-081	AN960-416L	76-10-00-024
AN960-10L	76-10-10-158	AN960-10L	25-10-20-039	AN960-416L	76-10-00-086
AN960-10L	76-10-10-155	AN960-10L	25-10-20-010	AN960-516	76-10-10-183
AN960-10L	76-10-10-148	AN960-10L	25-10-92-007	AN960-516	27-31-00-125D

# Raytheon Aircraft

## BEECH STARSHIP 1 ILLUSTRATED PARTS CATALOG

PART NUMBER	CHAP/SUB-SECT/UNIT & ITEM	PART NUMBER	CHAP/SUB-SECT/UNIT & ITEM	PART NUMBER	CHAP/SUB-SECT/UNIT & ITEM
AN960-516	21-50-51-020	AN960-8L	27-31-20-057	AN960C1416	21-50-45-022
AN960-516	21-50-50-025	AN960-8L	30-50-00-018	AN960C1716	28-20-00-275
AN960-516L	24-50-10-003	AN960-8L	30-50-00-017	AN960C1716	21-50-45-019
AN960-516L	24-50-00-003	AN960-8L	30-50-00-043	AN960C2016	57-10-00-010
AN960-516L	32-50-00-038	AN960-8L	30-50-00-041	AN960C2016L	57-10-00-009
AN960-516L	27-30-00-075	AN960-8L	30-50-00-040	AN960C416	55-40-00-038
AN960-516L	27-31-00-125F	AN960-8L	55-30-00-017	AN960C416	55-60-00-009
AN960-6	25-10-20-063	AN960-8L	53-40-30-010	AN960C416	55-20-00
AN960-6	38-30-12-008	AN960-8L	24-50-10-118	AN960C416	54-10-00-007
AN960-6	39-10-10-034	AN960-8L	23-50-10-019	AN960C416	54-10-00-004
AN960-6L	56-20-00-009	AN960-8L	21-20-35-020	AN960C416	39-21-00-031
AN960-6L	21-55-00-018	AN960-8L	21-20-35-017	AN960C416	30-40-10-014
AN960-6L	23-60-10-002	AN960-8L	21-20-35-009	AN960C416	30-40-10-009
AN960-6L	21-30-00-097	AN960-8L	21-20-35-002	AN960C416	25-10-20-066
AN960-6L	39-21-00-045	AN960-8L	21-20-30-010	AN960C416L	57-21-00-007
AN960-6L	39-21-00-069C	AN960-8L	21-20-00-109	AN960C416L	25-10-41
AN960-6L	39-20-10-013	AN960-8L	33-20-30-002	AN960C416L	30-20-00-050
AN960-6L	39-20-00-040	AN960-8L	33-20-10-013	AN960C416L	32-10-00-162
AN960-6L	39-20-00-002	AN960-8L	33-20-30-022	AN960C416L	21-20-00-034
AN960-6L	39-10-80-025	AN960-8L	33-40-10-017	AN960C416L	21-20-00-028
AN960-6L	39-10-80-005	AN960-8L	34-50-30-009	AN960C416L	55-40-00-014
AN960-6L	39-10-80-002	AN960-8L	34-50-10-009	AN960C416L	55-20-00-003
AN960-6L	39-10-50-026	AN960-8L	34-20-20-011	AN960C416L	55-40-00-003
AN960-6L	39-10-30-036	AN960-8L	34-20-20-032	AN960C416L	55-60-00-010
AN960-6L	39-10-00-017	AN960-8L	34-30-00-002	AN960C416L	57-10-00
AN960-6L	38-30-05	AN960-8L	34-50-00-011	AN960C416L	57-10-20-002
AN960-6L	39-10-20-041	AN960-8L	38-30-30-020	AN960C416L	57-10-20-064
AN960-6L	39-10-20-036	AN960-8L	38-30-30-012	AN960C516	61-20-20
AN960-6L	39-10-20-028	AN960-8L	38-30-30-009	AN960C516L	39-21-00-007
AN960-6L	39-10-20-025	AN960-8L	36-00-10-074	AN960C6	54-11-00
AN960-6L	35-00-02-135	AN960-8L	36-00-10-090	AN960C6L	61-20-00-004
AN960-6L	34-50-10	AN960-8L	36-00-10-086	AN960C616	55-10-00-005
AN960-6L	25-10-70-020	AN960-816	76-10-00-010	AN960C616	39-21-00-004
AN960-6L	27-00-30	AN960-816	32-10-00	AN960C716	57-10-00-002
AN960-6L	30-50-00-024	AN960-816L	32-10-00	AN960C716	21-20-00-024
AN960-6L	30-50-00-023	AN960-816L	76-10-00-012	AN960C716L	26-10-10
AN960-6L	76-10-00-080	AN960-816L	76-10-00	AN960C716L	57-10-00-005
AN960-616	71-20-00-023	AN960-816L	76-10-00-096	AN960C716LL	57-10-00-003
AN960-616	27-31-20-052	AN960-916	71-70-00-017	AN960C8	55-40-00-048
AN960-616	27-30-00-135	AN960-916	32-10-00-076	AN960C8	55-20-00-012
AN960-616	39-10-00	AN960-916L	21-50-10-004	AN960C8	57-21-00-010
AN960-616	21-50-51-038	AN960B916	38-30-05-012	AN960C8	57-60-00-027
AN960-616	57-10-00-031	AN960C10	30-20-00-035	AN960C8L	25-50-00-002
AN960-616L	52-20-00-032	AN960C10	39-21-00-041	AN960C8L	55-10-00
AN960-616L	25-10-20-024	AN960C10	32-30-00-108	AN960C8L	21-20-00-087
AN960-616LL	57-10-00-030	AN960C10	32-30-00-111	AN960C816	32-10-10-029
AN960-716	21-50-51-026	AN960C10	53-50-00-014	AN960D10	22-11-00-023
AN960-716	21-50-50-036	AN960C10L	55-40-00-034	AN960D1416	21-50-45-011
AN960-716	21-50-50-032	AN960C10L	55-40-00-030	AN960D1716	21-50-45-008
AN960-716	21-30-10-021	AN960C10L	53-40-20-056	AN960D416	39-20-10-023
AN960-716	21-30-10-037	AN960C10L	55-30-00-006	AN960D416	27-20-10-020
AN960-716	21-30-10-067	AN960C10L	54-10-10-050	AN960D416L	55-40-00-004
AN960-716	21-30-10-046	AN960C10L	54-10-10-038	AN960D716L	34-10-00-030
AN960-716	71-70-00-014	AN960C10L	54-10-10-034	AN960D716L	34-10-00-064
AN960-716L	76-10-10-251	AN960C10L	54-11-00-002	AN960D8	39-10-20-029
AN960-716L	76-10-10-063	AN960C10L	54-11-00-010	AN960D8	39-10-20-038
AN960-716L	36-00-10-046	AN960C10L	57-10-20-032	AN960D8	39-10-30-034
AN960-8	24-30-20-015	AN960C10L	57-10-20-024	AN960D8	25-10-20-026
AN960-8	56-20-00-024	AN960C10L	57-10-20-021	AN960D8L	21-20-15-035
AN960-8	53-25-00-045	AN960C10L	21-20-00-041	AN960D916L	34-10-00-033
AN960-8	53-25-00-034	AN960C10L	21-20-00-038	AN960D916L	34-10-00-067
AN960-8	53-25-00-016	AN960C10L	21-20-00-008	AN960JD10	34-20-20
AN960-8	53-25-00-003	AN960C10L	32-30-00-110	AN960JD10	39-21-00
AN960-8	25-50-30-002	AN960C10L	32-30-15-002	AN960JD10	57-20-10-063
AN960-8	25-21-00-002	AN960C10L	39-20-30-027	AN960JD10L	27-20-00-131
AN960-8L	25-10-92-009	AN960C10L	26-10-00-022	AN960JD10L	31-40-00-006
AN960-8L	25-10-90-007	AN960C10L	26-10-00-019	AN960JD10L	30-70-00
AN960-8L	25-10-30	AN960C10L	26-10-00-007	AN960JD10L	28-10-00
AN960-8L	25-21-60-020	AN960C10L	25-50-00-006	AN960JD10L	28-10-00-019
AN960-8L	25-21-40-005	AN960C10L	61-20-20-005	AN960JD10L	28-10-00-017
AN960-8L	25-22-20-010	AN960C10L	74-10-00-002	AN960JD10L	28-10-10-125
AN960-8L	27-00-20-002	AN960C1016L	32-20-10-029	AN960JD10L	28-10-10-108

# Raytheon Aircraft

## BEECH STARSHIP 1 ILLUSTRATED PARTS CATALOG

PART NUMBER	CHAP/SUB- SECT/UNIT & ITEM	PART NUMBER	CHAP/SUB- SECT/UNIT & ITEM	PART NUMBER	CHAP/SUB- SECT/UNIT & ITEM
AN960JD10L	28-10-10-167	AN960KD10L	32-40-20-017	AN975-3	27-30-00-107
AN960JD10L	28-10-10-174	AN960KD10L	32-10-00-034	AN975-3	27-30-00-100
AN960JD10L	28-10-10-171	AN960KD1216	32-10-00-067	AN975-3	30-20-00-148
AN960JD10L	28-10-10-161	AN960KD1216L	32-30-10-006	AN975-3	30-20-00-134
AN960JD10L	28-10-10-157	AN960KD1216L	32-30-05-084	AN975-3	27-30-10-021
AN960JD10L	28-10-10-153	AN960KD1216L	32-30-00-097	AN996-32	32-10-10-082
AN960JD10L	28-10-10-150	AN960KD1216L	32-20-00-086	AR2713-4-122122	25-22-41-011
AN960JD10L	28-20-00-219	AN960KD1616L	32-10-00-069	ASMS-A	56-10-00-043
AN960JD10L	28-20-00-103	AN960KD1816L	32-10-00-095	AT10823	76-10-00-076
AN960JD10L	28-20-00-124	AN960KD416	32-10-00-029	AT10832	61-20-10
AN960JD10L	28-20-00-115	AN960KD516L	32-20-10-031	A042BS	38-30-05
AN960JD10L	28-20-00-094	AN960KD6L	32-10-00-078	A2064-1683	33-40-50
AN960JD10L	28-20-00-080	AN960KD716	32-40-20-139	A2108	33-40-50-021
AN960JD10L	28-20-00-078	AN960KD716L	32-30-10-058	A2109-3	33-40-50-023
AN960JD10L	28-20-00-073	AN960KD716L	32-30-10-070	A213796	61-20-00-007
AN960JD10L	28-20-00-012	AN960KD716L	32-40-00-130	A3-1227	39-10-10-044
AN960JD10L	21-50-20-029	AN960KD716L	32-40-00-134	A3-1227	39-10-10-043
AN960JD10L	53-50-00-017	AN960KD716L	32-40-00-141	A3-1228	39-10-10-039
AN960JD10L	53-40-20-100	AN960KD716L	32-40-00-090	A3-20	53-20-00
AN960JD10L	57-20-10-036	AN960KD716L	32-40-00-082	A3-202-05	27-30-30-033
AN960JD10L	57-20-10-023	AN960KD716L	32-40-00-015	A3510	33-40-50-025
AN960JD10L	57-20-10-012	AN960KD716L	32-30-00-016	A3552-1	33-30-00-006
AN960JD10L	57-11-10-008	AN960KD716L	32-30-05-167	A3657A	33-30-00
AN960JD10L	57-11-10-004	AN960KD716L	32-30-05-089	A427-4	33-40-50-009
AN960JD10L	57-11-00-009	AN960KD716L	32-30-05-134	A4513-1	33-40-50-022
AN960JD10L	57-11-00-005	AN960KD716L	32-30-05-078	A508-28	33-40-50-012
AN960JD10L	53-20-70-026	AN960KD716L	32-40-00-150	A513-4	23-30-30-001
AN960JD10L	53-20-70-054	AN960KD716L	32-40-00-154	A600PG-D28	33-40-50
AN960JD10L	53-21-00-033	AN960KD716L	32-40-00-164	A600PR-D28	33-40-50
AN960JD10L	53-21-00-030	AN960KD716L	32-40-00-174	A610	33-40-50-008
AN960JD10L	52-80-10-035	AN960KD716L	32-40-00-192	A612D	33-40-50-002
AN960JD10L	52-20-00-038	AN960KD816	32-20-00-055	BACB30LM4-41	54-10-00
AN960JD10L	39-10-50-029	AN960KD916	32-30-05-016	BLDC3-11	32-30-10-017
AN960JD10L	39-10-10	AN960KD916	32-40-20-142	BR7207-701	33-40-20-002
AN960JD10L	34-50-00-015	AN960KD916	32-40-20-145	BR7507-700	33-10-00
AN960JD10L	32-30-15-062	AN960KD916	32-30-05-176	BS272 HHHH-C	21-20-00
AN960JD10L	32-30-15-057	AN960KD916L	32-30-15-082	BXL1032	28-20-00-157
AN960JD10L	32-30-05-056	AN960KD916L	32-40-00-036	BZ2RQ1T04	32-40-10
AN960JD10L	32-30-05-036	AN960KD916L	32-40-00-097	BZ2RQ1T04	32-30-10
AN960JD10L	32-30-05-141	AN960KD916L	32-30-05-075	B130-20	32-40-20
AN960JD10M	27-20-20-006	AN960KD916L	32-30-05-131	B2001R	21-55-10-001
AN960JD1216	21-50-10-044	AN960KD916L	32-30-05-164	B4949	39-21-00-052
AN960JD1216L	21-30-00-067A	AN960L8	57-20-10-097	B52595F025	26-10-10
AN960JD1416	36-00-10-114	AN960PD10	52-10-10-035	B538DD	27-30-00-069
AN960JD1716L	34-00-10-018	AN960PD10L	71-60-00-027	B5538WZZ FS464	27-30-00
AN960JD4	55-30-00	AN960PD10L	71-60-00-053	B57	32-20-10-020
AN960JD4L	21-55-10-008	AN960PD10L	71-60-00-041	B67	32-10-10-050
AN960JD416	27-30-00-149	AN960PD10L	25-21-60-018	CAN/AC/12W	25-21-60-015
AN960JD416L	23-50-30-022	AN960PD1216L	21-50-40-072	CAN/AC/12W	25-21-55-010
AN960JD416L	23-50-32-022	AN960PD1416	36-00-10-002	CAN/AC/12W	25-21-50-010
AN960JD6	27-00-30-007	AN960PD1716L	21-50-40-075	CAN/AC/7K	52-20-00-033
AN960JD6	30-70-00	AN960PD2L	76-10-00-073	CAN/AC/7K	11-30-00-023
AN960JD716	53-20-70-055	AN960PD2L	61-20-10-009	CA1810	54-30-40-003
AN960JD716	53-20-70-027	AN960PD4	32-10-00-038	CA1810	54-30-20-003
AN960JD716L	32-30-00-091	AN960PD416	21-20-00-066	CA1810	54-10-30-024
AN960JD716L	32-30-15-043	AN960PD416	21-20-00-077	CA1810	54-10-30-019
AN960JD8	34-50-10-011	AN960PD6L	35-00-01-030	CA1810	54-10-30-016
AN960JD8	34-20-20-013	AN960PD6L	35-00-02-030	CA1810	54-10-20
AN960JD8	34-20-20-034	AN960PD8	25-21-45-002	CA1810	54-10-20
AN960JD8	34-50-30-011	AN960PD8L	21-50-30-074	CA1810	54-10-10
AN960JD8	52-10-10-060	AN960PD916	38-30-05-022	CA1810	54-10-10-014
AN960JD8	24-30-20-021	AN960PD916L	38-30-05-024	CA1810	52-40-00-008
AN960JD8L	23-50-10-018	AN960PD916L	35-00-02-066	CA1810	75-20-00
AN960JD8L	53-21-00-043	AN960PD916L	35-00-02-073	CA1818-1	54-10-30-017
AN960JD8L	53-00-01-003	AN960PD916L	35-00-01-066	CA1818-1	54-10-30-020
AN960JD8L	34-50-10-006	AN960PD916L	35-00-01-073	CA1818-1	54-30-20-004
AN960JD916L	32-30-00-094	AN960S1216L	28-10-00	CA1818-1	54-30-40-004
AN960JD916L	32-30-15-046	AN960XC8L	52-80-20	CA1818-3	75-20-00
AN960JD916L	30-10-00-021	AN961-10S	57-20-40	CA18185	57-21-00-003
AN960KD10	32-10-00-035	AN961-10T	32-30-15-004	CA18185	54-30-40-002
AN960KD10	32-40-00-042	AN970-3	30-20-00-030	CA18185	54-30-30-002
AN960KD10L	32-30-00-114	AN970-4	24-30-00-004	CA18185	54-30-20-002

# Raytheon Aircraft

## BEECH STARSHIP 1 ILLUSTRATED PARTS CATALOG

PART NUMBER	CHAP/SUB-SECT/UNIT & ITEM	PART NUMBER	CHAP/SUB-SECT/UNIT & ITEM	PART NUMBER	CHAP/SUB-SECT/UNIT & ITEM
CA18185	54-30-10-002	CCA1269	73-10-00	D10036-04	32-30-05-049
CA18185	57-10-00	CCA4850	73-10-00-020	D10036-04	32-30-05-031
CA18185	54-10-10-011	CCH62S10C	38-30-05	D10036-06	32-30-15-022
CA18185	54-10-10-003	CC59417	57-50-00-045	D10036-06	32-30-05-154
CA18324-1P	54-10-10-002	CC59417	57-50-00-031	D10036-06	32-30-05-118
CA18324-1P	54-10-10-010	CC59417	57-50-00-019	D10036-06	32-30-05-093B
CA18324-1P	57-10-00	CC59417	57-50-00-004	D10036-06	32-30-05-092B
CA18324-1P	54-30-20-001	CEC401-333-01	32-20-10-038	D10036D04	32-40-00-145
CA18324-1P	54-30-30-001	CEC401-335-01	32-10-10-064	D10036D04	32-30-00-008
CA18324-1P	54-30-40-001	CI211-1	23-10-00-007	D10036D04	32-40-00-156
CA18324-1P	54-30-10-001	CM42873	39-10-00-019	D10036D06	32-40-00-123
CA18324-1P	57-21-00-002	C04402-3	27-30-30-014	D10036D08	32-30-05-106
CA21061-10R	53-30-10-008	C100003-2	28-10-10-001	D10036D08	32-30-15-016
CA21062-08R	53-30-10-007	C100018-2	28-10-10-031	D10036D10	28-10-10-007
CA21062-08R	55-10-00	C100080-1	32-40-00-047	D10045D0604	32-40-00-126
CA21062-08R	55-20-00-021	C100080-3	32-40-00-053	D10046-04	32-30-10-068
CA21062-08R	55-20-00-050	C70339-02	25-22-41-016	D10046D08	32-30-10-004
CA21062-10-R	53-50-00-008	C70339-02	25-22-40-007	D10312-04	32-30-05-091
CA21062-10R	54-30-00-002	C8AZ6229-232A	25-10-30-005	D10312D09	32-40-00-135
CA21062-10R	54-30-00-006	C80074-1	76-10-10-245	D10312D08	32-30-05-086
CA21062-10R	54-30-00-012	C80074-1	76-10-10-056	D10313-04	32-30-05-090
CA21062-10R	54-30-00-018	DCTC7900-10A3DL	52-40-00-010	D10313-04	32-30-05-079
CA21062-10R	55-10-00	DDMM50PE	39-10-71	D10313-04	32-30-05-135
CA21062-10R	54-30-00-024	DDMM50PE	39-10-70	D10313-06	32-30-05-132
CA21062-10S	54-30-40	DF3D	23-50-32-035	D10313-06	32-30-15-083
CA21062-10S	54-30-00-020	DF3D	23-50-30-035	D10313-06	32-30-05-076
CA21062-10S	54-30-00-009	DF3H	39-21-00-050	D10313D04	32-40-00-155
CA21063-08-7-10	55-20-00	DM ELT8 13	25-60-00-004	D10313D04	32-40-00-151
CA21063-08-7-10	55-20-00	DM ELT8 3	25-60-00-006	D10313D04	32-40-00-131
CA21063-08-7-10	55-20-00	DPYS7900P-10-A-3	53-30-00-007	D10313D04	32-40-00-089
CA21063-08-7-10	55-20-00	DPYS7900P-10-B-3	53-30-00-013	D10313D08	32-30-05-085
CA21063-08-7-12	55-20-00	DPYS7900P10A1 5	57-20-40	D10317-04	32-30-05-034
CA21063-08-7-12	55-20-00	DPYS7900P10A1 5	57-20-40	D10318-04	32-30-15-044
CA21063-10-5-11	54-30-00	DPYS7900P10A1 5	57-20-40	D10318-06	32-30-15-047
CA21063-10-5-11	54-30-00	DPYS7900P10A1 5	57-20-40	D10318-06	32-40-00-098
CA21063-10-5-11	54-30-00	DPYS7900P10A1 5	57-20-40	D10319-06	32-30-15-084
CA21063-10-5-11	54-30-00	DPYS7900P10A1 5	57-20-40-002	D20418-2	34-50-40
CA21063-10-5-11	54-30-00	DPYS7900P10A2	53-50-40-003	D6200	23-30-00
CA21063-10-5-11	54-30-00	DPYS7900P10A3	53-30-00	D792040T-10-071	53-30-00-014
CA21063-10-5-11	54-30-00	DPYS7900P10A3	53-50-40-012	D792040T-10-071	53-30-00-008
CA21063-10-5-12	54-30-00	DPYS7900P10A3	53-50-40-009	D79661A8	55-20-00-052
CA21063-10-5-12	54-30-00	DPYS7900P10A3	53-50-40-006	D79661A8	55-20-00-022
CA21063-10-5-12	54-30-00	DPYS7900P10A3	21-30-00	D79661A8	55-10-00
CA21063-10-5-12	54-30-00	DPYS7900P10A4 *	53-30-00-011	D79661A8	55-10-00
CA21063-10-7-11	53-30-10-009	DPYS7900P10A6	21-30-00-006	D9855-04	32-30-15-029
CA2210-08R	53-30-10	DPYS7900P10B2	54-30-00-015	D9855-04	32-30-05-108
CA2210-08R	55-10-00	DPYS7900P10B2	57-21-00-004	D9855-06	32-30-05-054
CA2210-08R	55-20-00	DPYS7900P10B3DL	53-50-20-007	D9855-06	32-30-05-109
CA2210-08R	55-20-00	DPYS7900P10B3DL	53-50-20-005	D9855D10	28-10-10-005
CA2210-10R	54-30-00	DPYS7900P8B3	53-30-10-004	D9856D08	32-30-05-032
CA2210-10R	55-10-00	DPYS7900P8B3	53-30-10-001	EF5-1	25-10-00
CA2210-10R	54-30-00	DREM6	32-50-10-007	EL61267	53-40-20
CA2210-10R	53-30-10	DW4	27-31-00-149	EL61268	57-10-20
CA2210-10R	53-50-00	D0AZ6229-024K	25-10-30-003	EL61268	32-10-00-182
CA2210-10R	54-30-00	D10011-04	32-30-15-120	EL61268	32-10-00-164
CA2229-08-7-10	53-30-10	D10011-06	32-30-15-086	EM103	24-50-10-061
CA2229-08-7-10	55-20-00	D10027AD04	32-40-00-128	EM103	24-50-00-069
CA2229-10-5-11	54-30-00	D10027AD04	32-40-20-002	EYECOM 2100	25-10-00
CA2229-10-5-11	54-30-00	D10027AD04	32-40-20-109	E21-02-40	21-20-30-018
CA2229-10-5-11	54-30-00	D10027AD04	32-40-00-148	E22-02-40	21-50-30-061
CA2229-10-5-11	55-10-00	D10027AD06	32-40-20-029	E22-02-50	21-50-20-025
CA2229-10-5-11	53-50-00	D10027AD06	32-40-20-114	E6023	71-00-10
CA2229-10-5-11	54-30-00	D10027AD06	32-40-00-027	E6063	61-10-00-001
CA2229-10-5-11	54-30-00	D10027AD08	32-30-05-082	E632	52-10-00
CA2229-10-5-11	54-30-00	D10027A04	32-30-05-087	FCA125-14	39-20-10-028
CA2229-10-5-11	54-30-00	D10027A06	32-30-05-073	FCA125-14	39-20-10-018
CA2229-10-5-12	54-30-00	D10027A06	32-30-05-129	FCA325-45	39-10-50-005
CA2229-10-5-12	54-30-00	D10027A10	28-20-00-245	FCHF6010L10C	56-10-00
CA2229-10-5-12	54-30-00	D10036-04	32-30-05-117	FCHF6010L10H2	56-10-00
CA2229-10-7-11	53-30-10	D10036-04	32-30-05-107	FCHF6010L10H3	56-10-00
CB4000C3CR8	34-20-10-006	D10036-04	32-30-15-019	FCHF6010L10M1	56-10-00
CB4000C3CR8	21-20-25	D10036-04	32-30-15-110	FCHF6011L10D4	56-10-00

# Raytheon Aircraft

## BEECH STARSHIP 1 ILLUSTRATED PARTS CATALOG

PART NUMBER	CHAP/SUB- SECT/UNIT & ITEM	PART NUMBER	CHAP/SUB- SECT/UNIT & ITEM	PART NUMBER	CHAP/SUB- SECT/UNIT & ITEM
FCHF6011L10D4	56-10-00	HL10VAP-5-7	55-10-00-019	HL94K6	53-40-20
FCHF6011L10D4	56-10-00	HL10VAP-6-8	55-10-00	HL94K8	53-40-20-065
FCLX0504600B	32-30-05-004	HL10VAP6-6	55-10-00	HL94W5	55-10-00
FCLX0504600B	32-30-05-173	HL10VR6-14	57-10-20-019	HL94W6	55-10-00
FCLX0504650B	32-30-15-077	HL10VR6-16	57-10-20-020	HL94W6	55-10-00
FH8C6CPL01BK	56-20-00-027	HL10VR6-4	57-10-20-023	HMKR4M	27-50-00-054
FIL20	24-50-10-065	HL10V5-11	53-40-20-101	HMKR4M	27-50-00-007
FIL20	24-50-10-046	HL10V5-4	56-10-00-019	HN5G52-1	57-20-10-103
FIL20	24-50-00-040	HL10V5-5	56-10-00-021	HN5G52-1	57-20-10-100
FIL20	24-50-00-055	HL10V5-6	56-10-00-022	HN5G52-1	24-50-10
FIL20	39-21-00-026	HL10V6-14	57-10-00-034	HN5G52-1	24-50-10
FIL25	39-21-00-025	HL10V6-16	53-40-20-058	HN5G52-1	24-50-00
FIL30	24-50-00-054	HL10V6-20	53-40-20-057	HN5G52-1	24-50-00
FIL30	24-50-00-041	HL10V6-23	57-10-00-045	HN5G52-1	39-21-00
FIL30	24-50-10-047	HL10V6-23	56-10-00-031	HN5P52-1-1	39-21-00
FIL30	24-50-10-064	HL10V6-3	55-30-00-004	HN5P52-1-1	57-20-10-099
FIL35	39-21-00-027	HL10V6-4	55-30-00-005	HN5P52-1-1	57-20-10-102
FIL50	24-50-10-048	HL10V6-8	53-40-20	HP-7N	38-30-15-025
FIL50	24-50-00-042	HL10V8-12	57-10-20-063	HP-9N	38-30-15-024
FIL60	24-50-00-056	HL10V8-13	57-10-20-062	HP3N	23-50-40-004
FIL60	24-50-10-049	HL10V8-13	32-10-00-153	HP4N	21-50-30-046
FIL60	24-50-10-087	HL10V8-14	32-10-00-154	HP5N	38-30-30-024
FIL60	24-50-10-066	HL10V8-16	32-10-00-155	HP5N	25-22-20-012
FIT221-1	38-30-05	HL10V8-16	32-10-00-135	HP7N	76-10-10
FIT7090-08-10-7	55-20-00-020	HL10V8-16	32-10-00-148	HP7N	76-10-10
FIT7090-08-10-7	55-20-00-051	HL10V8-17	32-10-00-157	HP7N	76-10-10
FIT7090-08-10-7	55-20-00	HL10V8-18	53-40-20-066	HP7N	76-10-10-218
FIT7090-08-10-7	53-30-10-010	HL10V8-18	32-10-00-158	HP7N	76-10-10-213
FIT7090-08-12-7	55-20-00	HL10V8-19	32-10-00-159	HP7N	76-10-10
FIT7090-08-7-4	55-10-00	HL10V8-27	54-10-00-005	HP7N	76-10-10
FIT7090-3-11-5	55-10-00	HL10V8-4	32-10-00-160	HP7N	76-10-10
FIT7090-3-11-5	54-30-00	HL10V8-7	32-10-00-161	HP7N	76-10-10-164
FIT7090-3-11-5	53-50-00-006	HL10V8-8	54-10-00-008	HP7N	76-10-10
FIT7090-3-11-5	54-30-00	HL10V8-9	54-10-00	HP7N	76-10-10-160
FIT7090-3-11-5	54-30-00-001	HL11V6-14	56-10-00-025	HP7N	76-10-10-153
FIT7090-3-11-5	54-30-00-023	HL11V6-15	38-30-15-037	HP7N	76-10-10-146
FIT7090-3-11-5	54-30-00-017	HL11V6-15	38-30-30-029	HP7N	76-10-10-142
FIT7090-3-11-5	54-30-00-011	HL11V6-16	56-10-00-027	HP7N	76-10-10-134
FIT7090-3-11-5	54-30-00	HL12V8-21	57-10-20-007	HP7N	76-10-10-127
FIT7090-3-11-5	54-30-00-005	HL17500-52	25-10-20-093	HP7N	76-10-10-118
FIT7090-3-11-7	53-30-10	HL18PB5-3	53-40-20-103	HP7N	76-10-10-111
FIT7090-3-12-5	54-30-00	HL198V6	27-20-20-076	HP7N	76-10-10-104
FIT7090-3-12-5	54-30-00	HL198V6	27-20-20-122	HP7N	38-30-30-023
FIT7090-3-12-5	54-30-00	HL198V8	57-10-20-008	HP7N	38-30-30-015
FK34-14M	76-10-10-241	HL379-6	57-10-00-046	HP9N	38-30-30-022
FK34-14M	76-10-10-203	HL379-8	54-10-00-006	HP9N	38-30-30-014
FK34-14M	76-10-10-180	HL379-8	54-10-00-003	HP9N	38-30-30-004
FK34-14M	76-10-10-075	HL379V6	55-30-00-007	HP9N	25-22-20-013
FK34-14M	76-10-10-052	HL379V6	57-10-20-025	HS51248	32-30-10-025
FK34-14M	76-10-10-003	HL379V6	57-10-20-022	HWA-AF	30-50-00-006
FL43-12D	21-50-45-009	HL379V8	57-10-20-066	H11-1476	32-10-00-071
F22NA1K3-82	21-20-00-091	HL379V8	32-10-00-163	H11-1476	32-10-00-138
GA2G048F501UA	39-10-80-017	HL610-5-15	53-40-20-064	H11-1476	32-20-00-052
GFP6010L10AA	53-40-20	HL613-5-11	52-80-20-012	H11-1476	32-20-00-025
GFP6010L8C	57-40-00	HL613-5-12	52-80-20-013	H11-1476	32-20-00-008
GMW2A	30-50-00-005	HL70-5	53-40-20-102	H11-1627	32-10-00
GM75001A	23-60-10-014	HL70K8	32-10-00-149	H11-1627	32-10-00
GM75001A	23-60-10-008	HL70K8	32-10-00-136	H5000-2-040-115	54-30-30-005
GS4	35-00-02-053	HL82-6A	57-10-00-036	H5000-2-040-115	54-30-00-030
GS4	35-00-01-053	HL82-6A	38-30-30-027	H605-163-092-20	52-10-10
GS5	57-20-10-060	HL82-6A	38-30-15-035	H7215AE	57-10-00
G0002-0200	27-40-00	HL82-6CU	38-30-15-036	JETB1872220D	32-30-15-121
G09DU	76-10-10-190	HL82-6CU	38-30-30-028	JETE1875200D	32-30-00-070B
G12DU	76-10-00-031	HL82-6CU	57-10-00-035	JE17	52-70-00-007
G17179-1	25-10-30	HL94K5	53-40-20-063	JE17	52-70-00-001
HF3	32-10-00-109	HL94K5	56-10-00-023	JE5	30-20-00-096
HF4	25-10-00	HL94K5	56-10-00-020	JJ033	25-10-41
HLT316-6-3	27-20-20-124	HL94K5	53-40-20-099	JJ033	25-10-40
HLT316-6-4	27-20-20-077	HL94K5	52-80-20-014	JJ034	25-10-40
HLT316-6-5	27-20-20-078	HL94K6	56-10-00-026	JJ034	25-10-41
HLT316-6-5	27-20-20-123	HL94K6	56-10-00-032	JK5576C08N08	27-31-20
HLT316-6-6	27-20-20-079	HL94K6	53-40-20-055	JS5	61-20-10-011

# Raytheon Aircraft

## BEECH STARSHIP 1 ILLUSTRATED PARTS CATALOG

PART NUMBER	CHAP/SUB-SECT/UNIT & ITEM	PART NUMBER	CHAP/SUB-SECT/UNIT & ITEM	PART NUMBER	CHAP/SUB-SECT/UNIT & ITEM
JS5	76-10-00-077	MB2061SW06BK	39-10-70-046A	MST105D	39-10-70-160
JV20	61-20-20-030	MB2061SW06BK	39-10-70-046	MST105D	39-10-70-159
JX25	73-20-00-002	MB2061SW06BK	39-10-71-040A	MST105D	39-10-70-158
J20125-31	33-20-07-043	MB2061SW06BK	39-10-71-040	MST105D	39-10-70-025
J207	24-50-10-014	MB2061SW06BK	39-10-71-034	MST105D	39-10-70-023
J207	24-50-00-014	MB2061SW06BK	39-10-71-037	MST105D	39-10-70-022
J241	24-50-00-013	MB2061SW06BK	39-10-71-043	MST105D	39-10-70-021
J241	24-50-10-013	MB2061SW06BK	39-10-71-046A	MST105D	39-10-70-020
J3112-12-1	56-20-00-007	MB2061SW06BK	39-10-71-046	MST105D	39-10-70-019
KFC-HQ100	23-30-00	MB2061SW06BK	27-30-30	MST105D	39-10-70-018
KFC-HQ102	23-30-00	MB538DD-FS464	27-31-20-081	MST105E	39-10-70-027
KFCM204	23-30-00	MB538DD-FS464	27-31-20-093	MST105E	39-10-70-165
KFC1074	23-30-00	MB538DD-FS464	27-31-20-087	MST105E	39-10-71-027
KF06-04PS90	38-30-05-015	MC24-18	25-10-20-088	MST105E	39-10-71-165
KM713-16-032	25-60-00-010	MD15M59R40TX5311	39-10-71-094	MST405N	39-10-71-024
KP4A	52-10-00	MD15M59R40TX5311	39-10-70-094	MST405N	39-10-70-024
K070257	21-50-51	MIL-B81934/1-2 *	53-40-20	MS14102-4	27-50-00-041
K070257	21-50-50	MIS8C	23-40-10-020	MS14102-4	27-50-00-034
LA394B7CB	39-20-00-042	MJR34-14DU	27-20-30-007	MS14104-3	52-80-20-007
LCD100-06	38-30-12-012	MJR34-14DU	27-31-30-007	MS15570-303	33-30-00
LCD230-06	38-30-12-011	MJ11014	23-50-32-015	MS15570-303	33-20-10
LC018-12A	28-20-00	MJ11014	23-50-30-015	MS15985-8R7	25-10-70-033
LC018-8A	28-20-00	MJ11014	39-20-00-041	MS16624-1025	25-10-20-048
LC018-8A	28-20-00	MKP3A	27-20-10-015	MS16624-1078	21-50-50-057
LC047-24D	28-10-00	MKP3A-FS464	27-20-10-029	MS16624-1087	76-10-10
LC08-24A	28-10-00	MKP4	57-10-20-050	MS16624-1087	76-10-10-090
LDS10-01-36-1	53-50-00-009	MKP4A	27-20-10-016	MS16624-4050	73-10-05-007
LDS10-01-36-2	53-50-00-010	MKP4A	27-20-20-111	MS16625-1062	32-50-10-016
LDS10-01-36-3	53-50-00-011	MKP4A	27-20-20-058	MS16625-1075	21-50-50-059
LMD06RK7	23-50-32-044	MKP4A	27-30-10-032	MS16625-1075	21-50-51-054
LMD06RK7	23-50-30-044	MKP4A-FS464	27-31-00-047	MS16625-1162	32-50-10-002
LMD3001P	23-50-32-041	MKP4A-FS464	27-31-20-065	MS16625-1185	21-50-51-056
LMD3001P	23-50-30-041	MKP4A-FS464	27-20-20-051	MS16625-1185	21-50-50-061
LMD3003P	23-50-30-042	MKP4A-FS464	27-20-00-027	MS16997-32	56-20-00-023
LMD3003P	23-50-32-042	MKP4A-FS464	27-20-00-097	MS171434	28-10-01-014
LMD3005P	23-50-32-043	MKP4A-FS464	27-20-10-027	MS171437	30-40-10-010
LMD3005P	23-50-30-043	MKP4A-FS464	27-20-10-033	MS171526	56-20-00-015
LMD4016-36L	23-50-30	MKP4A-FS464	27-20-10-030	MS171538	25-10-20-060
LMD4016-36L	23-50-32	MKP4A-FS464	22-11-00-013	MS17795-108	53-40-20-038
LMD4020-36LJ	23-50-32	MKP6A	27-31-20-055	MS17825-3	52-10-10-012
LMD4020-36LJ	23-50-30	MKSP3L	27-20-10	MS17825-3	32-10-00-032
LMD4022-36LJ	23-50-30	MKSP4A-FS464	27-30-00-110	MS17826-12	32-10-00-066
LMD4022-36LJ	23-50-32	MKSP4A-FS464	27-20-10-035	MS17826-4	27-31-20-075
LS5022	21-60-00-040	MKSP4A-FS464	27-20-10-039	MS17826-4	27-20-20-048
LT1504C6L6	32-30-10-018	MKSP4A-FS464	22-11-00-011	MS17826-4	32-50-00-054
LY1961-122	25-22-41	MKSP4FS464	27-20-10-037	MS17826-4	52-10-00-002
L8530815	79-20-00	MKSP4FS464	27-20-10-041	MS17826-4	55-40-00-013
L8534856	79-20-00	MK3000-08	73-20-00	MS17826-5	27-30-00-074
L8600424	79-20-00	MK3000-08	73-20-00	MS17826-6	32-10-00-140
MB2011SW01BK	39-10-70-118	MODEL 500-31A	38-30-00-007	MS17826-8	32-20-00-054
MB2011SW01BK	39-10-71-118	MRPN6-32SCL	53-20-80	MS18028-1S9	32-40-20-085
MB2011SW06BK	39-10-71-045	MRTBL8	53-20-20-021	MS18029-1S4	39-10-50
MB2011SW06BK	39-10-71-044	MST105D	39-10-71-158	MS18029-2S15	39-21-00-038
MB2011SW06BK	39-10-71-042	MST105D	39-10-71-159	MS18029-2S6	39-20-30-024
MB2011SW06BK	39-10-71-041	MST105D	39-10-71-160	MS18029-5S5	39-21-00-001
MB2011SW06BK	39-10-71-036	MST105D	39-10-71-161	MS20001-3	25-21-90-005
MB2011SW06BK	39-10-71-035	MST105D	39-10-71-162	MS20002-6	54-10-00-010
MB2011SW06BK	39-10-71-039	MST105D	39-10-71-163	MS20002-7	54-10-00-016
MB2011SW06BK	39-10-71-038	MST105D	39-10-71-164	MS20002-7	54-10-00-015
MB2011SW06BK	39-10-70-045	MST105D	39-10-71-025	MS20002C22	57-10-00-012
MB2011SW06BK	39-10-70-044	MST105D	39-10-71	MS20002C22	28-10-00-048
MB2011SW06BK	39-10-70-042	MST105D	39-10-71	MS20002C7	76-10-10-184
MB2011SW06BK	39-10-70-041	MST105D	39-10-71-023	MS20073-03-40	28-20-00-077
MB2011SW06BK	39-10-70-036	MST105D	39-10-71-022	MS20219-2	27-30-40-031
MB2011SW06BK	39-10-70-035	MST105D	39-10-71-021	MS20220-1	27-31-00-030
MB2011SW06BK	39-10-70-039	MST105D	39-10-71-020	MS20220-1	27-20-00-005B
MB2011SW06BK	39-10-70-038	MST105D	39-10-71-019	MS20220-2	27-20-00-080
MB2061SW06BK	39-10-70-040A	MST105D	39-10-71-018	MS20220-2	27-30-10-043
MB2061SW06BK	39-10-70-040	MST105D	39-10-70-164	MS20220-2	27-31-00-113
MB2061SW06BK	39-10-70-034	MST105D	39-10-70-163	MS20220-3	27-31-00-114
MB2061SW06BK	39-10-70-037	MST105D	39-10-70-162	MS20220-3	27-31-00-011
MB2061SW06BK	39-10-70-043	MST105D	39-10-70-161	MS20220-3	27-31-00-095

# Raytheon Aircraft

## BEECH STARSHIP 1 ILLUSTRATED PARTS CATALOG

PART NUMBER	CHAP/SUB-SECT/UNIT & ITEM	PART NUMBER	CHAP/SUB-SECT/UNIT & ITEM	PART NUMBER	CHAP/SUB-SECT/UNIT & ITEM
MS20220-3	27-20-00-054	MS21042L08	34-50-00-010	MS21047L08	23-50-30
MS20220-3	27-20-00-040	MS21042L08	25-10-30	MS21047L08	23-50-32
MS20220-3	27-00-10-018	MS21042L08	30-70-00	MS21047L08	23-50-32
MS20230GB10	25-60-20-004	MS21042L3	35-00-02-086A	MS21047L08	23-50-32
MS20230WB10	25-60-20-005	MS21043-06	30-50-00-025	MS21047L08	56-10-00
MS20253P1-150	25-10-20-046	MS21043-06	61-20-00-003	MS21047L08	34-50-50
MS20253P2-1800	30-20-00-080	MS21043-08	57-60-00-025	MS21047L08	39-20-30
MS20253P2-200	57-10-00-024	MS21043-08	30-50-00-019	MS21047L08	57-20-10-098
MS20253P2-4150	25-50-30-004	MS21043-08	33-40-10-015	MS21047L3K	34-50-10
MS20253P3-970	71-60-00-079	MS21043-08	55-40-00-046	MS21047L4	21-20-00-022
MS20365-632	21-20-15-014	MS21043-08	55-20-00-010	MS21047L4	27-20-00
MS20365D1032A	27-30-30-001	MS21043-3	54-11-00-001	MS21048L06	54-10-20
MS20392-1C11	61-20-20-038	MS21043-3	54-10-10-035	MS21048L08	25-10-20-025
MS20392-1C11	52-20-00-006	MS21043-3	54-10-10-049	MS21048L08	57-60-00
MS20392-1C13	76-10-00-093	MS21043-3	53-21-00-031	MS21048L08	57-60-00
MS20392-1C15	25-10-20-084	MS21043-3	53-21-00-034	MS21048L3	57-50-00
MS20392-1C15	25-10-20-138	MS21043-3	57-10-20-034	MS21048L3	57-50-00
MS20392-1C17	25-10-30-012	MS21043-3	21-20-00-007	MS21048L3	30-20-00
MS20392-1C17	52-10-10-016	MS21043-3	34-20-10-004	MS21048L3	54-10-20
MS20392-1C21	27-20-20-103	MS21043-3	34-50-10	MS21048L3	54-10-20
MS20392-1C21	27-20-20-033	MS21043-3	30-20-00-133	MS21048L3K	54-10-20
MS20392-1C21	32-10-00-046	MS21043-3	30-20-00-147	MS21048L3K	57-10-10
MS20392-1C21	61-20-20-008	MS21043-3	30-20-00-142	MS21048L3K	54-10-30
MS20392-1C21	52-20-00-007	MS21043-3	30-20-00-114	MS21048L3K	54-10-30
MS20392-1C27	32-10-00-079	MS21043-3	30-20-00-033	MS21048L3K	54-10-30
MS20392-1C31	32-10-00-039	MS21043-3	30-20-00-029	MS21048L3K	30-20-00
MS20392-1C35	32-10-00-074	MS21043-3	30-20-00-008	MS21048L3K	30-20-00
MS20392-1C35	53-20-50-003	MS21043-3	61-20-20-014	MS21048L3K	30-20-00
MS20392-1C37	53-20-50	MS21043-3	74-10-00-001	MS21048L3K	30-20-00
MS20392-1C39	32-10-00-082	MS21043-3	73-10-00	MS21048L4	55-40-00
MS20392-1C49	25-10-20-057	MS21043-3	73-10-00	MS21049L08	39-20-20
MS20392-1C7	52-20-00-004	MS21043-4	57-21-00-006	MS21049L08K	21-50-60-004
MS20392-1C9	52-20-00-005	MS21043-4	30-20-00-049	MS21049L3K	71-60-00
MS20392-1C9	61-20-20-037	MS21043-4	21-20-00-033	MS21049L3K	71-60-00
MS20392-2-25	27-00-10-005	MS21043-4	21-20-00-027	MS21049L3K	71-60-00
MS20392-2C17	32-10-10-016	MS21043-4	53-40-20-041	MS21049L3K	71-60-00
MS20392-2C23	52-10-10-031	MS21043-6	55-10-00-003	MS21049L3K	71-60-00
MS20392-2C25	21-50-30-060	MS21043-6	54-10-00-009	MS21050L3	57-10-20
MS20392-2C29	27-31-00-094	MS21044C3	25-10-20-009	MS21050L3	57-10-20
MS20392-2C31	30-20-00-128	MS21044C4	55-60-00-008	MS21051-08	27-30-40
MS20392-2C95	27-20-00-024	MS21044N3	21-50-51-001	MS21051-3	53-40-00
MS20392-3C39	32-10-00-030	MS21044N3	21-50-50-026	MS21051-3	53-20-10
MS20392-3C49	25-10-20-055	MS21044N3	21-50-50-001	MS21051-3	53-20-00
MS20583-7BB4	28-10-10-175	MS21044N3	21-50-45-013	MS21051-3	53-20-00
MS20822-4D	32-40-00-038	MS21045C7	54-10-00-014	MS21051-3	53-20-00
MS20823-4D	32-40-00-039	MS21047-08	24-50-10	MS21051L06	52-10-00
MS20823-4D	32-40-00	MS21047-3	53-40-00	MS21051L06	55-30-00
MS20913-1D	35-00-01-080	MS21047-3	39-20-00	MS21051L06	21-50-30
MS20913-1D	35-00-02-080	MS21047-3	53-20-00	MS21051L3	21-50-40
MS21042L04	39-10-70-087	MS21047-3	53-20-10	MS21051L3	21-20-15
MS21042L04	39-10-71-087	MS21047-3	53-20-10	MS21051L3	22-11-20
MS21042L04	39-20-00-053	MS21047-3	53-20-10	MS21051L3	56-10-00
MS21042L04	27-30-30-024	MS21047-3	52-20-00	MS21051L3	53-40-10
MS21042L04	61-20-20-026	MS21047-3	32-40-00	MS21051L3	53-20-00
MS21042L06	25-10-70-019	MS21047-3	27-20-00	MS21051L3	53-20-00
MS21042L06	39-21-00-044	MS21047-3	27-30-00-023	MS21051L3	53-20-00
MS21042L06	39-10-80-024	MS21047-3	27-30-00-016	MS21051L3	34-30-00
MS21042L06	39-20-10-012	MS21047-3	57-20-40	MS21051L3	32-50-00
MS21042L06	39-10-80-004	MS21047L04	39-20-30	MS21051L3	32-40-20
MS21042L06	39-10-80-020	MS21047L04	23-60-10	MS21051L3	32-30-15
MS21042L06	39-10-80-001	MS21047L06	23-50-32	MS21051L3	27-30-40
MS21042L06	39-10-00-016	MS21047L06	23-50-30	MS21051L3	27-40-10
MS21042L06	39-10-50-025	MS21047L06	55-30-00	MS21051L3	27-31-00
MS21042L06	39-10-30-038	MS21047L06	39-20-10	MS21051L3	27-31-00
MS21042L06	39-10-20-040	MS21047L06	34-50-50	MS21051L3	30-20-00
MS21042L06	39-10-20-024	MS21047L06K	21-60-00-010	MS21051L3	30-20-00
MS21042L06	39-10-20-034	MS21047L08	21-50-51	MS21052L08	23-30-10
MS21042L06	39-10-20-027	MS21047L08	21-50-50	MS21053-3	53-20-00
MS21042L06	35-00-02-031	MS21047L08	21-20-60-034	MS21053-3	53-20-00
MS21042L06	35-00-01-031	MS21047L08	24-50-00	MS21053L3K	71-60-00
MS21042L06	21-30-00-096	MS21047L08	23-50-30	MS21053L3K	71-60-00
MS21042L08	24-50-20	MS21047L08	23-50-30	MS21053L3K	71-60-00

# Raytheon Aircraft

## BEECH STARSHIP 1 ILLUSTRATED PARTS CATALOG

PART NUMBER	CHAP/SUB-SECT/UNIT & ITEM	PART NUMBER	CHAP/SUB-SECT/UNIT & ITEM	PART NUMBER	CHAP/SUB-SECT/UNIT & ITEM
MS21053L3K	71-60-00	MS21059L3K	26-20-00	MS21061L06	39-10-00
MS21053L3K	71-60-00	MS21059L4	25-25-00	MS21061L06	39-10-00
MS21055L06	25-21-30	MS21059L4	25-25-00	MS21061L06	53-20-40
MS21055L08	21-50-51	MS21059L4	27-20-00	MS21061L06	53-20-10
MS21055L08	21-50-50-021	MS21059L4	71-60-00	MS21061L06	53-20-20
MS21055L3	21-50-20-011	MS21059L4K	71-60-00	MS21061L06	53-20-20
MS21055L3	32-40-20	MS21060	53-20-80	MS21061L06K	25-21-55
MS21056-3	53-20-60	MS21060-04	39-21-00	MS21061L06K	25-21-50
MS21056-3	53-20-60	MS21060-06	39-21-00	MS21061L06K	25-21-60
MS21056-3	53-20-60	MS21060-06	35-00-01	MS21061L08	21-50-50-017
MS21056L08	23-50-40	MS21060-08	39-21-00	MS21061L08	21-20-60-013
MS21058L08	25-21-55	MS21060-3	39-21-00	MS21061L08	21-20-60-005
MS21059-L3	21-20-40	MS21060-3	39-21-00	MS21061L3	21-20-40
MS21059-L3	53-50-00	MS21060-3	39-21-00	MS21061L3	21-20-60-037
MS21059-L3	53-50-00	MS21060-3	53-20-60	MS21061L3	57-20-00
MS21059-3	30-20-00	MS21060-3	53-20-60	MS21061L3	57-20-00
MS21059I3	25-24-00	MS21060-3	53-20-60	MS21061L3	57-20-00
MS21059L06	25-10-30	MS21060-3	53-20-60	MS21061L3	57-20-00
MS21059L06	32-40-20	MS21060-3	53-20-60	MS21061L3	57-20-00
MS21059L08	21-20-40	MS21060-3	53-20-60	MS21061L3	53-21-10
MS21059L08	21-20-40	MS21060-3	25-10-70	MS21061L3	53-21-10
MS21059L08	21-20-60-004	MS21060L06	53-20-10	MS21061L3	53-20-20
MS21059L08	21-20-40	MS21060L06	53-20-10	MS21061L3	32-40-20
MS21059L08	21-20-60-014	MS21060L06	53-20-00	MS21061L3	32-40-20
MS21059L08	25-10-20	MS21060L06	53-20-10	MS21061L3	57-40-00
MS21059L08	25-23-10	MS21060L06K	33-10-00	MS21061L3K	30-10-00
MS21059L08K	21-50-30	MS21060L08	53-20-30	MS21061L4	71-60-00
MS21059L3	21-30-10	MS21060L08	53-20-50	MS21062L3	28-40-00
MS21059L3	21-50-10-018	MS21060L08	53-20-50	MS21062L3	54-30-40
MS21059L3	21-20-60-012	MS21060L08	53-20-50	MS21062L3	55-30-00
MS21059L3	21-30-00	MS21060L08	53-20-50	MS21062L3	55-30-00
MS21059L3	21-20-15	MS21060L08	53-30-10	MS21062L3	55-30-00
MS21059L3	21-20-00	MS21060L08	55-30-00	MS21062L3	57-11-10
MS21059L3	24-50-10	MS21060L08	21-20-60	MS21062L3	57-11-00
MS21059L3	24-50-10	MS21060L08	25-10-80	MS21062L3	57-11-00
MS21059L3	24-50-00	MS21060L08	27-00-20	MS21062L3K	71-60-00
MS21059L3	53-21-10	MS21060L08	28-10-00	MS21062L3K	71-60-00
MS21059L3	53-21-10	MS21060L3	28-10-00	MS21062L3K	71-60-00
MS21059L3	57-20-00	MS21060L3	27-20-00	MS21062L3K	71-60-00
MS21059L3	57-20-00	MS21060L3	57-40-00	MS21062L3K	71-60-00
MS21059L3	57-20-00	MS21060L3	21-20-60	MS21062L3K	71-60-00
MS21059L3	57-20-00	MS21060L3	21-50-30	MS21062L3K	71-60-00
MS21059L3	57-20-00	MS21060L3	22-11-00	MS21062L3K	71-60-00
MS21059L3	32-40-30	MS21060L3	55-30-00	MS21062L3K	71-60-00
MS21059L3	33-40-00	MS21060L3	55-30-00	MS21062L3K	71-60-00
MS21059L3	25-24-00	MS21060L3	54-10-20	MS21062L3K	71-60-00
MS21059L3	25-23-10	MS21060L3	54-30-40	MS21062L4	33-40-00
MS21059L3	25-24-00	MS21060L3	54-30-00	MS21069L02	76-10-00
MS21059L3	25-24-00	MS21060L3	54-30-00-008	MS21069L04	23-60-10
MS21059L3	25-24-00	MS21060L3	55-30-00	MS21069L06	53-20-20
MS21059L3	30-40-10	MS21060L3	53-30-10	MS21069L06	39-21-00
MS21059L3	71-70-00	MS21060L3	53-40-00	MS21069L06	38-30-05
MS21059L3	79-20-00	MS21060L3	53-50-40	MS21069L06K	35-00-01
MS21059L3	79-20-00	MS21060L3	53-20-50	MS21069L06K	25-21-55
MS21059L3K	57-40-00	MS21060L3	53-20-50	MS21069L06K	25-21-50
MS21059L3K	57-40-00	MS21060L3	53-20-50	MS21069L06K4	25-23-10
MS21059L3K	71-60-00	MS21060L3	53-20-50	MS21069L08	25-10-70
MS21059L3K	71-60-00	MS21060L3	53-20-50	MS21069L08	55-30-00
MS21059L3K	71-60-00	MS21060L3	57-11-10	MS21069L08	55-30-00
MS21059L3K	71-60-00	MS21060L3	57-11-00	MS21069L08	55-30-00
MS21059L3K	71-60-00	MS21060L3	57-11-10	MS21069L08	55-30-00
MS21059L3K	71-60-00	MS21060L3	57-11-00	MS21069L3	55-20-00
MS21059L3K	71-60-00	MS21060L3	52-80-10	MS21069L3	22-11-20
MS21059L3K	71-60-00	MS21060L3	35-00-02-037	MS21069L3	23-40-10
MS21059L3K	71-60-00	MS21060L3	35-00-01-037	MS21069L3	21-30-10
MS21059L3K	71-60-00	MS21060L4	57-10-20	MS21069L3	21-30-10
MS21059L3K	30-20-00	MS21060L4	22-11-00	MS21069L3	21-30-10
MS21059L3K	30-20-00	MS21060L4	22-11-00	MS21069L3	21-30-10
MS21059L3K	30-20-00	MS21060L4	22-11-00	MS21069L3	21-30-10
MS21059L3K	30-20-00	MS21060L4	28-10-00-118	MS21069L3	32-40-20
MS21059L3K	30-10-00	MS21061-08	25-23-10	MS21069L3	52-10-00
MS21059L3K	28-10-10-061	MS21061-08	25-23-10	MS21069L3	52-10-00



# Raytheon Aircraft

## BEECH STARSHIP 1 ILLUSTRATED PARTS CATALOG

PART NUMBER	CHAP/SUB- SECT/UNIT & ITEM	PART NUMBER	CHAP/SUB- SECT/UNIT & ITEM	PART NUMBER	CHAP/SUB- SECT/UNIT & ITEM
MS21069L3	52-10-00	MS21075L08	76-10-00-100	MS21347-731	39-10-71
MS21069L3	52-20-00	MS21075L08	28-10-10	MS21347-731	39-10-71
MS21069L3	25-10-70	MS21075L3	25-10-50	MS21347-731	39-10-71
MS21069L3	27-00-30	MS21075L3	21-20-30	MS21347-731	39-10-71
MS21069L3	30-10-00	MS21075L3	24-40-00	MS21347-731	39-10-70
MS21069L3	30-10-00	MS21075L3	54-10-10	MS21347-731	39-10-70
MS21069L3	27-40-10	MS21075L3	54-10-10	MS21347-731	39-10-70
MS21069L3	27-40-10	MS21075L3	53-20-20	MS21347-731	39-10-70
MS21069L3	27-50-00	MS21075L3	53-20-30	MS21347-731	39-10-70
MS21069L3	31-40-00	MS21075L3	53-20-30	MS21347-731	39-10-70
MS21069L3K	30-20-00	MS21075L3	53-20-00	MS21347-731	39-10-70
MS21069L3K	30-20-00	MS21075L3	53-20-10	MS21347-731	39-10-70
MS21069L3K	30-20-00	MS21075L3K	30-20-00	MS21347-731	39-10-70
MS21069L4	27-50-00	MS21075L4	52-10-00	MS21347-731	39-10-71
MS21069L4	32-40-20	MS21075L4	53-40-20	MS21347-731	39-10-71
MS21070L06	39-20-30	MS21075L5N	55-10-00	MS21428-40	32-50-00-077
MS21070L3	39-20-10	MS21076L08	56-20-00	MS21428-41	32-50-00-076
MS21070L3	55-20-00	MS21076L08	56-20-00	MS21428-41	27-30-00-034
MS21070L3	54-10-20	MS21076L08	56-20-00	MS21428-42	27-30-00-033
MS21070L3	30-20-00	MS21076L08	56-20-00	MS21919DG12	25-10-20-013
MS21070L3	57-50-00	MS21076L08	56-20-00	MS21919DG13	27-31-10-030
MS21070L3	57-50-00	MS21076L08	56-20-00	MS21919DG20	21-50-30-025
MS21070L4	39-20-10	MS21076L08	56-20-00	MS21919DG3	21-20-15-023
MS21071L04	23-60-10	MS21076L08	56-20-00	MS21919DG4	34-10-00-022
MS21071L06	39-10-71	MS21076L3	55-30-00	MS21919DG4	34-10-00-076
MS21071L06	39-10-70	MS21076L3	57-20-00	MS21919DG5	27-31-10-031
MS21071L06	53-20-20	MS21077-3K	30-20-00	MS21919DG6	34-10-00-077
MS21071L06	53-20-20	MS21083N10	27-31-20-078	MS21919DG6	34-10-00-021
MS21071L06	53-20-20	MS21083N3	32-10-10-035	MS21919DG6	34-10-00-015
MS21071L06	53-20-40	MS21083N4	76-10-00-088	MS21919DG6	34-10-00-008
MS21071L06	34-50-50	MS21083N6	27-31-20-051	MS21919DG7	35-00-02-086D
MS21071L06	25-21-21	MS21086L08	34-30-00	MS21919DG7	35-00-02-104
MS21071L06	25-21-21	MS21086L3	57-20-00	MS21919HG12	57-20-10-042
MS21071L06	25-21-21	MS21086L3	21-20-15-052	MS21919WCH10	21-50-45-017
MS21071L08	25-21-40	MS21087L08	55-40-00	MS21919WCH10	36-00-20-003
MS21071L08	21-20-35	MS21087L08	55-40-00	MS21919WCH15	21-50-50-029
MS21071L08	55-10-00	MS21087L3	55-60-00	MS21919WCH4	57-20-10-048
MS21071L08	55-10-00	MS21087L3	55-20-00	MS21919WCH8	39-20-10-033
MS21071L08	55-10-00	MS21087L3	55-21-00	MS21919WCJ32	21-20-00-049
MS21071L3	21-50-10-020	MS21103D16	76-10-20-005	MS21919WDF10	28-10-10-130
MS21071L3	30-10-00	MS21122C2	54-10-10-027	MS21919WDF10	28-10-10-015
MS21071L3K	30-20-00	MS21140-805	27-31-00-134	MS21919WDF10	28-10-10-046
MS21072L3	57-50-00	MS21151-10	32-50-00-035	MS21919WDF10	28-20-00-113
MS21072L3	57-50-00	MS21151-8	27-30-00-062	MS21919WDF12	28-20-00-112
MS21072L3	55-30-00	MS21151-8C	27-30-00-155	MS21919WDF12	28-20-00-010
MS21073-3	52-10-00	MS21209F4-10	27-31-20	MS21919WDF16	28-10-10-054
MS21073L3	38-30-15	MS21209F4-20L	57-10-00-004	MS21919WDF16	79-20-10-016
MS21074L3	54-10-20	MS21231-7	27-20-20-059	MS21919WDF16	79-20-10-008
MS21075L06	53-20-80	MS21233-4	27-31-00-083	MS21919WDF18	79-20-10-004
MS21075L06	39-10-00	MS21251-B5L	22-11-10-002	MS21919WDF20	79-20-10-005
MS21075L06	39-20-10	MS21251-3BS	27-30-40-002	MS21919WDF20	28-10-10-053
MS21075L06	39-20-10	MS21251B2S	27-31-00-002	MS21919WDF20	28-10-10-131
MS21075L06	39-20-00	MS21251B5L	27-20-00-002	MS21919WDF20	28-20-00-230
MS21075L06	39-21-00	MS21251B5L	27-20-00-014	MS21919WDF24	28-10-00-029
MS21075L06	53-20-40	MS21251B5L	27-30-10-012	MS21919WDF24	28-10-00-038
MS21075L06	53-20-20	MS21251B5S	27-30-40-003	MS21919WDF4	28-10-10-132
MS21075L06	53-20-20	MS21254-2RS	27-30-40-001	MS21919WDF8	28-10-10-133
MS21075L06	53-20-00	MS21256-1	27-30-10-011	MS21919WDF8	28-20-00-019
MS21075L06	52-10-10	MS21256-1	22-11-10-001	MS21919WDF8	28-10-10-154
MS21075L08	53-20-20	MS21256-2	27-31-00-001	MS21919WDF8	28-10-10-151
MS21075L08	39-20-30	MS21256-2	27-31-00-082	MS21919WDG10	28-20-00-125
MS21075L08	33-20-30	MS21256-2	27-20-00-013	MS21919WDG10	30-10-00-077
MS21075L08	33-20-30	MS21256-2	27-20-00-001	MS21919WDG10	30-10-00-039
MS21075L08	33-20-35	MS21262-30	30-40-10-018	MS21919WDG10	30-10-00-206
MS21075L08	33-10-00	MS21262-2N	27-31-00-052	MS21919WDG10	30-10-00-195
MS21075L08	33-20-03	MS21266-2N	25-24-00-024	MS21919WDG10	30-10-00-189
MS21075L08	33-20-03	MS21266-2N	33-20-07-029	MS21919WDG10	30-10-00-176
MS21075L08	33-20-03	MS21266-3N	30-10-00-217	MS21919WDG10	30-10-00-131
MS21075L08	33-20-03	MS21318-15	32-40-10-003	MS21919WDG10	30-10-00-147
MS21075L08	21-20-30	MS21347-731	39-10-71	MS21919WDG10	30-10-00-142
MS21075L08	21-20-30	MS21347-731	39-10-71	MS21919WDG10	26-10-10-032
MS21075L08	76-10-00-103	MS21347-731	39-10-71	MS21919WDG10	21-50-40-023

# Raytheon Aircraft

## BEECH STARSHIP 1 ILLUSTRATED PARTS CATALOG

PART NUMBER	CHAP/SUB-SECT/UNIT & ITEM	PART NUMBER	CHAP/SUB-SECT/UNIT & ITEM	PART NUMBER	CHAP/SUB-SECT/UNIT & ITEM
MS21919WDG10	21-30-00-016	MS21919WDG6	21-50-10-006	MS21919WH6	61-10-00-003
MS21919WDG11	21-30-10-074	MS21919WDG6	21-50-40-003	MS21919WH6	76-10-10
MS21919WDG11	28-20-00-250	MS21919WDG6	21-50-40-008	MS21919WH6	76-10-10
MS21919WDG12	28-20-00-096	MS21919WDG6	21-50-40-013	MS21919WH6	76-10-10-039
MS21919WDG12	30-10-00-152	MS21919WDG6	21-50-40-022	MS21919WH6	76-10-10-020
MS21919WDG12	30-10-00-230	MS21919WDG6	34-10-00-045E	MS21919WH7	76-10-10-034
MS21919WDG12	28-20-00-025	MS21919WDG6	32-30-05-006	MS21919WH7	76-10-10-044
MS21919WDG12	25-60-00	MS21919WDG6	32-30-15-032	MS21919WH7	76-10-10-084
MS21919WDG12	21-30-00-031	MS21919WDG6	32-30-10-074	MS21919WH7	76-10-10-088
MS21919WDG12	21-50-51-004	MS21919WDG6	32-40-00-001	MS21919WH7	76-10-10
MS21919WDG12	21-50-40-061	MS21919WDG6	32-30-10-050	MS21919WH7	76-10-10-100
MS21919WDG12	21-50-45-016	MS21919WDG6	32-40-00-099	MS21919WH7	57-20-10-066
MS21919WDG12	21-50-50-004	MS21919WDG6	32-40-00-084	MS21919WH7	57-20-10-055
MS21919WDG12	21-50-40-081	MS21919WDG6	36-00-10-032	MS21919WH8	76-10-10-226
MS21919WDG12	21-50-40-109	MS21919WDG6	36-00-10-027	MS21919WH8	76-10-10-222
MS21919WDG12	36-00-10-050	MS21919WDG6	38-30-15-012	MS21919WH8	76-10-10-207
MS21919WDG12	34-10-20-019	MS21919WDG6	38-30-15-016	MS21919WH8	76-10-10
MS21919WDG12	32-30-15-113	MS21919WDG7	32-30-10-075	MS21919WH8	26-20-00-005
MS21919WDG13	30-10-00-175	MS21919WDG7	35-00-01-104	MS21919WH8	26-20-00-001
MS21919WDG14	30-10-00-153	MS21919WDG8	32-30-05-027	MS21946-4L	32-10-10-021
MS21919WDG14	30-10-00-040	MS21919WDG8	21-50-40-014	MS24001-1	24-50-10-090
MS21919WDG14	34-20-10-005	MS21919WDG8	21-50-40-060	MS24203-1	25-10-00
MS21919WDG15	21-50-50-005	MS21919WDG8	21-50-40-080	MS24376D2	39-21-00-020
MS21919WDG15	21-50-51-005	MS21919WDG8	21-50-40-024	MS24392D4	32-40-00-189
MS21919WDG16	21-50-40-110	MS21919WDG8	21-50-40-108	MS24396D4	32-40-00-193
MS21919WDG16	21-30-00-030	MS21919WDG8	21-50-40-004	MS24399D7	32-40-00-116
MS21919WDG16	53-21-00-010	MS21919WDG8	21-50-10-025	MS24523-23	39-10-71-117
MS21919WDG16	32-40-20-076	MS21919WDG8	21-50-10-030	MS24523-23	39-10-71-054
MS21919WDG16	27-30-30-001A	MS21919WDG8	57-20-10-001	MS24523-23	39-10-70-054
MS21919WDG18	30-10-00-106	MS21919WDG8	28-20-00-180	MS24523-23	39-10-70-117
MS21919WDG18	57-20-10-072	MS21919WDG8	30-10-00-185	MS24523-27	39-10-70-064
MS21919WDG20	27-31-10-018	MS21919WDG8	30-10-00-196	MS24523-27	39-10-70-063
MS21919WDG20	35-00-02	MS21919WDG9	32-40-20-004	MS24523-27	39-10-71-064
MS21919WDG20	35-00-01	MS21919WG4	53-21-00-019	MS24523-27	39-10-71-063
MS21919WDG20	52-10-20-008	MS21919WH10	26-20-00-013	MS24524-27	39-10-71-080
MS21919WDG20	53-21-00-026	MS21919WH10	71-70-00-004	MS24524-27	39-10-70-080
MS21919WDG20	21-50-40-111	MS21919WH10	73-10-00	MS24547-1	73-20-00-001
MS21919WDG22	30-10-00	MS21919WH12	57-20-10-076B	MS24566-4B	27-00-10-006
MS21919WDG22	30-10-00-226	MS21919WH12	21-50-50-010	MS24566-4B	27-30-10-038
MS21919WDG23	30-10-00-084	MS21919WH12	21-50-51-009	MS24566-4B	27-31-00-006
MS21919WDG24	30-10-00-220	MS21919WH14	76-10-10-015	MS24665-1011	32-10-10-015
MS21919WDG24	21-50-50-006	MS21919WH15	21-50-51-010	MS24665-132	25-10-20-082
MS21919WDG24	21-50-51-006	MS21919WH15	21-50-50-011	MS24665-132	25-10-30-010
MS21919WDG24	35-00-01-012	MS21919WH15	21-50-51-011E	MS24665-132	25-10-20-136
MS21919WDG24	35-00-02	MS21919WH16	73-10-00	MS24665-132	27-00-10-004
MS21919WDG24	35-00-02-012	MS21919WH16	73-10-00	MS24665-132	27-20-00-022
MS21919WDG4	35-00-02-002	MS21919WH16	26-10-00-004	MS24665-132	27-20-20-101
MS21919WDG4	32-30-00-001	MS21919WH17	74-10-00-005	MS24665-132	27-20-10-018
MS21919WDG4	32-40-00-136	MS21919WH17	76-10-10-038	MS24665-132	27-20-20-031
MS21919WDG4	32-40-00-168	MS21919WH18	73-10-00	MS24665-132	27-31-00
MS21919WDG4	32-40-00-157	MS21919WH18	26-10-00-009	MS24665-132	27-30-10-019
MS21919WDG4	32-40-00-106	MS21919WH19	74-10-00-006	MS24665-132	32-10-00-028
MS21919WDG4	32-30-15-103	MS21919WH20	79-20-00-024	MS24665-132	32-10-00-102
MS21919WDG4	32-30-15-099	MS21919WH20	26-10-00-005	MS24665-132	27-31-20-004
MS21919WDG4	32-30-15-097	MS21919WH20	26-10-00-013	MS24665-132	27-31-20-047
MS21919WDG4	32-30-15-031	MS21919WH20	21-50-51-011D	MS24665-132	27-31-20-074
MS21919WDG4	32-30-15-006	MS21919WH20	36-00-20-034	MS24665-132	76-10-00-023
MS21919WDG4	32-30-05-095	MS21919WH20	36-00-20-027	MS24665-132	76-10-00-092
MS21919WDG4	32-30-05-028	MS21919WH21	76-10-10-043	MS24665-132	76-10-00-085
MS21919WDG4	35-00-01-002	MS21919WH21	76-10-10	MS24665-132	61-20-20-001
MS21919WDG4	34-10-00-045F	MS21919WH21	76-10-10	MS24665-132	61-20-20-036
MS21919WDG4	33-40-00-012	MS21919WH21	76-10-10-089	MS24665-132	76-10-10-071
MS21919WDG4	52-10-20-003	MS21919WH24	73-10-00	MS24665-132	76-10-10-048
MS21919WDG4	21-30-00-002	MS21919WH24	26-20-00-006	MS24665-132	76-10-10-236
MS21919WDG4	21-30-00-045	MS21919WH24	21-20-00-123	MS24665-132	32-10-10-063
MS21919WDG4	21-50-10-028	MS21919WH3	25-10-41-014	MS24665-132	32-40-00-040
MS21919WDG4	21-20-15-001	MS21919WH3	25-10-40-012	MS24665-132	52-10-00-001
MS21919WDG42	34-10-00-059	MS21919WH4	71-70-00-005	MS24665-132	52-10-10-014
MS21919WDG44	21-50-10-046	MS21919WH4	76-10-10	MS24665-132	52-10-10-011
MS21919WDG5	21-50-20-038	MS21919WH4	76-10-10-208	MS24665-132	52-20-00-015
MS21919WDG5	27-31-10-017	MS21919WH4	76-10-10-227	MS24665-132	52-20-00-001
MS21919WDG6	30-10-00-026	MS21919WH5	74-10-00	MS24665-132	55-20-00-032

# Raytheon Aircraft

## BEECH STARSHIP 1 ILLUSTRATED PARTS CATALOG

PART NUMBER	CHAP/SUB- SECT/UNIT & ITEM	PART NUMBER	CHAP/SUB- SECT/UNIT & ITEM	PART NUMBER	CHAP/SUB- SECT/UNIT & ITEM
MS24665-132	53-20-50-001	MS24694C48	55-60-00-016	MS25083-2BB4	36-00-10-019
MS24665-134	21-50-30-058	MS24694C50	55-30-00-013	MS25083-2BB4	36-00-20-008
MS24665-134	32-50-00-055	MS24694C54	57-11-00-001	MS25083-2BB5	36-00-10-079
MS24665-134	76-10-10-181	MS24694C54	57-11-10-001	MS25083-2BB5	36-00-10-006
MS24665-134	32-10-00-031	MS24694C56	25-22-40-003	MS25083-2BB5	39-20-20-001
MS24665-134	32-10-00-139	MS24694C56	57-11-00-013	MS25083-2BB5	39-20-30-037A
MS24665-134	27-30-00-073	MS24694C56	57-11-10-015	MS25083-2BB5	39-20-30
MS24665-136	27-20-20-047	MS24694C58	57-10-20-031	MS25083-2BB5	39-21-00-073
MS24665-136	30-20-00-105	MS24694C61	30-70-00-007	MS25083-2BB5	32-30-00-099
MS24665-153	25-10-20-023	MS24694C63	54-10-10-036	MS25083-2BB5	33-20-07-035
MS24665-153	55-20-00-001	MS24694C65	27-50-10-013	MS25083-2BB5	21-50-10-062
MS24665-153	55-40-00-001	MS24694S101	21-50-51-048	MS25083-2BB6	21-50-40-052
MS24665-155	55-40-00-012	MS24694S102	25-22-40-004	MS25083-2BB6	21-20-00-125
MS24665-172	52-10-10-029	MS24694S113	27-30-00	MS25083-2BB6	22-11-30-005
MS24665-174	36-00-10-044	MS24694S114	27-30-00-078	MS25083-2BB6	32-30-05-038
MS24665-180	25-10-50-003	MS24694S18	28-10-10-075	MS25083-2BB6	32-30-05-058
MS24665-238	57-10-00-028	MS24694S5	52-10-00-008	MS25083-2BB6	32-30-05-143
MS24665-285	32-10-10-026	MS24694S50	25-50-10-001	MS25083-2BB6	32-30-15-063
MS24665-287	32-20-00-053	MS24694S50	25-22-50-001	MS25083-2BB6	32-30-15-005
MS24665-298	28-10-01-013	MS24694S51	25-21-60-036	MS25083-2BB6	39-20-30
MS24665-355	32-10-00-065	MS24694S52	25-50-10-002	MS25083-2BB6	36-00-10-095
MS24665-374	32-20-10-027	MS24694S53	25-10-20-100	MS25083-2BB6	30-10-00-205
MS24665-380	57-10-00-007	MS24694S53	76-10-00-015	MS25083-2BB6	30-10-00-099
MS24665-65	32-10-00-037	MS24694S54	22-11-20-014	MS25083-2BB6	30-10-00-061
MS24665-69	32-10-00-072	MS24694S57	25-22-00-044	MS25083-2BB8	30-10-00-062
MS24665-69	32-10-00-077	MS24694S59	54-10-10-032	MS25083-2BB8	30-10-00-100
MS24665-69	32-20-00-083	MS24694S59	54-10-10-041	MS25083-2BB8	39-10-10
MS24665-71	30-20-00-126	MS24694S59	54-10-10	MS25083-2BB8	32-40-20-034
MS24665-73	30-20-00-153	MS24694S59	54-10-10	MS25083-2BB8	34-20-20-015
MS24665-73	30-20-00-075	MS24694S61	52-10-10-006	MS25083-2BB8	24-30-20-032
MS24665-73	30-20-00-001	MS25036-102	32-40-20	MS25083-2BB8	24-30-10-005
MS24678-10	73-10-05-013	MS25036-111	22-50-00	MS25083-2BB8	22-11-10-020
MS24693BB58	25-10-20-032	MS25036-111	24-50-10	MS25083-2BB8	21-50-20-027
MS24693B364	25-10-20-033	MS25036-114	24-50-10	MS25083-2BB9	22-11-00-026
MS24693C272	55-30-00-001	MS25036-114	24-50-00	MS25083-2BB9	35-00-01-043
MS24693S25	39-20-00-045	MS25036-115	34-50-10	MS25083-2BB9	36-00-10-021
MS24693S25	39-10-00-018	MS25036-125	24-50-00	MS25083-2BB9	35-00-02-043
MS24693S26	39-10-10-033	MS25036-125	24-50-10	MS25083-2BB9	39-20-30
MS24693S26	21-30-00-102	MS25036-148	21-60-00	MS25083-2BC10	39-20-10-006
MS24693S264	25-10-41-005	MS25041-7-327	79-30-00-001	MS25083-2BC6	35-00-02-039
MS24693S27	53-20-20	MS25069-1495	33-10-00-008	MS25083-2BC6	35-00-01-039
MS24693S270	33-20-07-030	MS25081-0	27-50-10-004	MS25083-2BC6	57-20-10-008
MS24693S271	53-20-60-038	MS25082-3	21-50-20-028	MS25083-2BC7	27-20-10-040A
MS24693S272	25-10-41-001	MS25082-3	53-50-00-019	MS25083-2BC7	27-20-10-036A
MS24693S273	25-22-00-013	MS25082S12	32-30-15-056	MS25083-2CC8	53-40-20-080
MS24693S273	25-22-00-027	MS25083-1BB5	24-50-20-009	MS25083-2CD6	27-30-10-060
MS24693S273	25-22-00-041	MS25083-2AA6	39-10-20-031	MS25083-2EB6	32-10-00-120
MS24693S273	25-22-00-054	MS25083-2AB2	55-20-00-013	MS25083-3PA2	57-60-00-024
MS24693S28	21-30-00-100	MS25083-2AB2	55-40-00-049	MS25083-3PB2	55-10-00
MS24693S28	39-10-20-042	MS25083-2AB2	57-60-00-029	MS25083-3PB2	55-20-00
MS24693S28	39-10-30-033	MS25083-2AB5	55-20-00-053	MS25083-3SA	55-20-00
MS24693S28	39-10-20-030	MS25083-2AB5	55-10-00-033	MS25083-3SA	55-10-00
MS24693S28	39-10-20-039	MS25083-2AB6	39-10-30-028	MS25083-3SA	55-30-00-028
MS24693S28	25-22-40-001	MS25083-2AB6	32-30-10-092	MS25083-5BB4	24-50-10-080
MS24693S4	35-00-01-135	MS25083-2AB6	36-00-10-020	MS25083-5BB4	24-50-00-078
MS24693S42	39-10-80-007	MS25083-2BB10	30-10-00-180	MS25083-6BB6	57-20-10-014
MS24693S42	39-10-80-027	MS25083-2BB10	30-10-00	MS25083-6BB6	57-20-10-038
MS24693S50	36-00-10-076	MS25083-2BB12	35-00-02	MS25083-6BB6	57-20-10-026
MS24693S50	36-00-10-092	MS25083-2BB12	35-00-01	MS25083-6BB6	27-20-00-132
MS24693S50	36-00-10-088	MS25083-2BB13	30-10-00-018	MS25083-7BB10	23-50-10
MS24693S50	25-10-70	MS25083-2BB15	30-10-00-179	MS25083-7BB4	28-10-10-010
MS24693S51	53-21-00-045	MS25083-2BB15	39-20-30	MS25083-7BB4	28-10-00-027
MS24693S52	25-10-70-034	MS25083-2BB2	52-80-30-003	MS25083-7BB4	28-10-00-049
MS24693S58	34-50-10-002	MS25083-2BB2	32-30-15-125	MS25083-7BB4	28-10-10-084
MS24694C2	55-20-00-015	MS25083-2BB2	30-10-00	MS25083-7BB4	28-10-10-101
MS24694C2	57-60-00-028	MS25083-2BB3	30-10-00-016	MS25083-7BB4	28-10-10-136
MS24694C4	55-40-00-050	MS25083-2BB4	30-10-00-017	MS25083-7BB4	28-20-00-187
MS24694C46	57-20-40-010	MS25083-2BB4	30-10-00-060	MS25083-7BB4	28-20-00-167
MS24694C46	57-20-40-008	MS25083-2BB4	30-10-00-098	MS25083-7BB4	28-20-00-174
MS24694C47	57-10-20-028	MS25083-2BB4	30-10-00-136	MS25083-7BB4	28-20-00-145
MS24694C48	57-10-20-051	MS25083-2BB4	39-20-30	MS25083-7BB4	28-20-00-062
MS24694C48	55-60-00-013	MS25083-2BB4	39-20-30	MS25083-7BB4	28-20-00-061

# Raytheon Aircraft

## BEECH STARSHIP 1 ILLUSTRATED PARTS CATALOG

PART NUMBER	CHAP/SUB-SECT/UNIT & ITEM	PART NUMBER	CHAP/SUB-SECT/UNIT & ITEM	PART NUMBER	CHAP/SUB-SECT/UNIT & ITEM
MS25083-7BB6	28-20-00-107	MS27039C1-05	57-20-40	MS28777-4	32-30-00-075
MS25083-7BB6	28-20-00	MS27039C1-06	57-20-30-010	MS28777-4	32-30-00-024
MS25083-7BB6	28-20-00-211	MS27039C1-09	53-50-00-024	MS28777-4	32-30-00-048
MS25083-7BB6	28-10-10-162	MS27039C1-18	57-10-20-029	MS28777-4	32-30-15-095
MS25083-7BB8	28-20-00-076	MS27039C1-21	32-40-20-022	MS28777-6	32-30-15-078
MS25083-7BB8	23-60-10-048	MS27061L3	53-20-50	MS28777-6	32-40-20-129
MS25083-7BB8	24-50-10-106	MS27111-1	32-10-00-033	MS28778-10	32-40-10-007
MS25171-1S	39-20-10	MS27212-1-4	39-10-50-022	MS28778-10	30-10-00-124
MS25171-15	33-40-10-001	MS27212-1-9	32-40-20-086	MS28778-10	30-10-00-115
MS25171-2S	39-20-10	MS27212-2-15	39-21-00-042	MS28778-10	30-10-00-095
MS25181-1	32-40-20	MS27212-2-6	39-20-30-029	MS28778-12	79-20-00-031
MS25189-115	24-50-10	MS27212-5-5	39-21-00-011	MS28778-2	32-40-20-074
MS25189-115	24-50-00	MS27261KSP4A	27-30-40	MS28778-2	32-30-00-013
MS25226-4-5	39-20-30-028	MS27595-232	32-10-10	MS28778-4	32-30-00-025
MS25338-7079	33-40-20	MS27640-4	27-31-20-045	MS28778-4	32-30-00-021
MS27039-0805	55-10-00-017	MS27641-4	61-20-20-019	MS28778-4	32-30-05-160
MS27039-0806	25-21-60-019	MS27641-5	27-31-00-059	MS28778-4	32-30-00-044
MS27039-0807	25-50-30-001	MS27641-5	27-30-00-145	MS28778-4	32-30-00-054
MS27039-0808	33-40-10-018	MS27641-8	27-30-10-027	MS28778-4	32-30-00-049
MS27039-0808	53-21-00-049	MS27641KP4A	27-30-40-027	MS28778-4	32-30-00-029
MS27039-0808	53-21-00-044	MS27643-4	55-10-00-021	MS28778-4	32-30-00-072
MS27039-0808	25-50-35-001	MS27643-5	27-30-00-178	MS28778-4	32-30-00-070C
MS27039-0808	25-21-40-004	MS27644-5	27-30-10-058	MS28778-4	32-30-00-068
MS27039-0809	25-21-45-001	MS27645-4	27-30-00-137	MS28778-4	32-30-00-076
MS27039-0810	25-21-00-001	MS27645-4	27-30-00-133	MS28778-4	32-30-00-080
MS27039-0810	25-10-20-027	MS27645-4	27-30-00-071	MS28778-4	32-30-05-024
MS27039-0811	53-00-01-002	MS27645-4A	55-10-00-028	MS28778-4	32-30-10-073
MS27039-0811	34-30-00-001	MS27645-4A	55-10-00-039	MS28778-4	32-30-15-096
MS27039-0813	30-50-00-015	MS27645-4A	55-30-00-027	MS28778-4	32-30-15-123
MS27039-0821	25-50-35-002	MS27645-4A	55-30-00-023	MS28778-4	32-30-15-112
MS27039-0822	21-20-00-086	MS27645-5A	27-30-00-121	MS28778-4	32-40-00-013
MS27039-0829	27-31-20-058	MS27645-5A	27-30-00-116	MS28778-4	32-40-20-071
MS27039-1-05	25-22-00-043	MS27647-4	27-30-00-054	MS28778-4	32-40-20-079
MS27039-1-06	22-11-00-022	MS27648-21	27-30-10-052	MS28778-4	32-40-20-103
MS27039-1-06	25-21-60-017	MS27743-18	39-20-30-008	MS28778-4	32-40-00-190
MS27039-1-07	25-60-00	MS28034-1	28-40-00-027	MS28778-4	36-00-10-063
MS27039-1-07	53-40-10-001	MS28034-1	79-20-00-016	MS28778-4	36-00-10-060
MS27039-1-07	52-20-00-037	MS28034-1	77-40-00-020	MS28778-4	36-00-10-057
MS27039-1-07	32-30-05-142	MS28700-1	32-40-20-040	MS28778-4	21-30-10-014
MS27039-1-07	32-30-05-037	MS28720-4	32-40-20-059	MS28778-4	21-30-10-007
MS27039-1-07	32-30-05-057	MS28774-225	32-20-10-072	MS28778-4	21-30-00-067
MS27039-1-08	57-20-10-025	MS28774-232	32-10-10-088	MS28778-4	21-30-10-070
MS27039-1-08	21-20-00-037	MS28774-335	32-20-10-057	MS28778-4	21-30-10-063
MS27039-1-08	31-40-00-003	MS28774-337	32-10-10-067	MS28778-4	21-30-10-079
MS27039-1-08	27-20-00-130	MS28775-012	34-11-00-017	MS28778-4	21-30-10-043
MS27039-1-08	76-10-00-005	MS28775-111	32-50-10-020	MS28778-4	21-30-10-059
MS27039-1-09	22-11-00-021	MS28775-111	32-50-10-012	MS28778-4	21-30-10-041
MS27039-1-09	21-50-45-015	MS28775-112	34-11-00-016	MS28778-4	21-30-10-038
MS27039-1-09	57-11-10-007	MS28775-112	32-10-10-020	MS28778-4	21-30-10-033
MS27039-1-09	57-11-10-003	MS28775-114	30-40-10-020	MS28778-4	21-30-10-030
MS27039-1-09	57-11-00-008	MS28775-116	32-50-10-005	MS28778-4	21-30-10-026
MS27039-1-09	57-11-00-004	MS28775-134	32-20-10-068	MS28778-4	21-30-10-022
MS27039-1-09	54-10-10-043	MS28775-135	21-50-51-060	MS28778-4	79-20-00-021
MS27039-1-12	21-50-50-003	MS28775-135	21-50-50-065	MS28778-4	30-10-00-045
MS27039-1-12	21-50-50-028	MS28775-137	32-10-10-086	MS28778-4	30-10-00-043
MS27039-1-12	21-50-51-003	MS28775-203	22-11-00-014	MS28778-4	30-10-00-184
MS27039-1-15	30-10-00-162	MS28775-203	27-30-10-033	MS28778-4	30-10-00-172
MS27039-1-16	21-20-00-052	MS28775-203	27-31-00-048	MS28778-4	27-40-00-003
MS27039-1-17	54-10-10-042	MS28775-203	27-20-00-098	MS28778-4	32-40-00-117
MS27039-1-17	54-10-10-040	MS28775-203	27-20-00-028	MS28778-4	32-40-20-013
MS27039-1-17	54-10-10-039	MS28775-218	32-50-10-006	MS28778-4	32-40-20-021
MS27039-1-17	54-10-10-037	MS28775-225	32-20-10-071	MS28778-4	32-40-20-015
MS27039-1-17	54-10-10-033	MS28775-232	32-10-10-087	MS28778-4	32-40-20-049
MS27039-1-17	27-00-40-004	MS28775-335	32-20-10-056	MS28778-4	32-40-20-064
MS27039-1-20	53-50-00-013	MS28775-337	32-10-10-066	MS28778-4	32-40-20-055
MS27039-1-23	32-30-00-115	MS28775-4	32-40-20-100	MS28778-4	32-40-00-068
MS27039-1-33	27-30-30-013	MS28775-4	32-40-20-111	MS28778-4	32-10-10-018
MS27039-1-35	27-30-40-007	MS28777-4	32-40-20-070	MS28778-4	32-10-10-014A
MS27039-4-04	25-10-20-089	MS28777-4	32-40-20-054	MS28778-4	35-00-02-011
MS27039-4-06	36-00-10-104	MS28777-4	32-40-20-012	MS28778-4	35-00-01-060
MS27039C0809	52-10-10-061	MS28777-4	32-30-05-023	MS28778-4	34-10-20-010
MS27039C1-04	57-10-20-030	MS28777-4	32-30-00-067	MS28778-4	34-10-00-073

# Raytheon Aircraft

## BEECH STARSHIP 1 ILLUSTRATED PARTS CATALOG

PART NUMBER	CHAP/SUB- SECT/UNIT & ITEM	PART NUMBER	CHAP/SUB- SECT/UNIT & ITEM	PART NUMBER	CHAP/SUB- SECT/UNIT & ITEM
MS28778-4	35-00-01-011	MS29513-015	56-20-00-017	MS3367-5-9	38-30-15-003
MS28778-4	35-00-02-060	MS29513-017	28-10-10-117	MS3367-5-9	38-30-15-022
MS28778-4	52-10-20-015	MS29513-017	28-10-10-098	MS3367-5-9	38-30-30-001
MS28778-5	35-00-02-061	MS29513-017	28-10-10-083	MS3367-5-9	52-20-00
MS28778-5	35-00-02-101	MS29513-017	28-10-10-080	MS3367-7-9	21-20-15-020
MS28778-5	34-10-20-006	MS29513-017	28-10-10-040	MS33737-16	39-10-71-138B
MS28778-5	35-00-01-061	MS29513-017	28-10-10-026	MS33737-16	39-10-70-138B
MS28778-5	35-00-01-101	MS29513-017	28-20-00-207	MS33737-16	27-30-30-030
MS28778-5	32-40-20-009	MS29513-017	28-20-00-121	MS3416-10EN	33-40-20
MS28778-5	21-30-00-089	MS29513-017	28-20-00-069	MS3417-10N	32-40-20-133
MS28778-6	21-30-10-003	MS29513-020	28-10-00	MS3417-14N	32-40-20-092
MS28778-6	21-30-10-012	MS29513-020	28-10-00-010	MS3420-4D	32-40-20-134
MS28778-6	21-30-10-016	MS29513-021	28-40-00-018	MS3452L28-11P	24-50-10-101
MS28778-6	21-30-10-054	MS29513-023	28-20-00-156	MS3456L10SL4S	32-40-20-132
MS28778-6	21-30-10-051	MS29513-023	28-20-00-038	MS3470L14-12P	32-40-20-090
MS28778-6	21-30-00-020	MS29513-028	73-10-05-015	MS3470L20-41P	39-10-10-021
MS28778-6	32-40-20-031	MS29513-029	28-10-00-047	MS3470L24-61P	39-10-70-008
MS28778-6	32-40-00-078	MS29513-117	28-20-00-009	MS3470L24-61P	39-10-70-147
MS28778-6	32-40-20-120	MS29513-117	28-20-00-204	MS3470L24-61P	39-10-71-008
MS28778-6	32-40-20-116	MS29513-117	28-20-00-091	MS3470L24-61P	39-10-71-147
MS28778-6	32-40-20	MS29513-117	28-20-00-272	MS3472L14-12P	39-20-30-050
MS28778-6	32-40-00-026	MS29513-215	28-20-00-265	MS3472L22-41P	39-10-50-018
MS28778-6	32-30-15-091	MS29513-215	28-20-00-261	MS3476L12-10S	30-70-00
MS28778-6	32-30-15-079	MS29513-220	56-20-00-022	MS3506-1	24-40-00-007
MS28778-6	32-30-05-014	MS29513-222	28-10-00-045	MS35190-240	33-10-00
MS28778-6	32-30-05-005	MS29513-222	28-10-00-023	MS35206-208	61-20-10-008
MS28778-6	32-30-00-086	MS29513-222	28-10-00-063	MS35206-208	76-10-00-071
MS28778-6	32-30-00-060	MS29513-224	28-10-00-037	MS35206-210	76-10-00-071A
MS28778-6	32-30-00-036	MS29513-228	28-20-00-162	MS35206-213	34-20-20-001
MS28778-6	32-30-05-157	MS29513-232	28-20-00-055	MS35206-214	21-55-10-007
MS28778-6	32-30-05-174	MS29513-233	73-10-05-005	MS35206-219	61-20-20-029
MS28778-6	35-00-01-059	MS29513-254	28-10-10-095	MS35206-220	39-20-00-056
MS28778-6	35-00-02-018	MS29561-012	71-70-00-039	MS35206-222	39-20-00-055
MS28778-6	35-00-01-018	MS29561-012	71-70-00-032	MS35206-227	39-10-20-026
MS28778-6	34-10-00-075	MS29561-012	71-70-00-009	MS35206-228	35-00-01-136
MS28778-6	35-00-02-059	MS29561-012	61-20-10-003	MS35206-228	35-00-02-029
MS28778-6	27-40-00-006	MS29561-114	79-20-00-003	MS35206-228	35-00-01-029
MS28778-6	30-10-00-087	MS3126E14-9S	21-20-30-016	MS35206-228	27-00-30
MS28778-8	32-30-00-032	MS3126E14-9S	21-20-35-014	MS35206-228	39-21-00-069A
MS28778-8	32-30-00-038	MS3367-1	21-20-25	MS35206-228	35-00-02-134
MS28778-8	32-30-00-057	MS3367-1-0	25-10-20	MS35206-229	39-10-40-003
MS28778-8	32-30-00-062	MS3367-1-9	21-20-15-036A	MS35206-229	27-00-30-005
MS28778-8	32-30-00-088	MS3367-1-9	21-20-15-031	MS35206-229	34-50-10
MS28778-8	32-30-00-083	MS3367-1-9	21-55-00-006	MS35206-230	23-60-10-001
MS28778-8	32-30-10-067	MS3367-1-9	27-31-10-026	MS35206-230	21-20-15-013
MS28778-8	32-40-20-028	MS3367-2-9	28-40-00-001	MS35206-230	25-10-70-021
MS28778-8	32-40-10-009	MS3367-2-9	21-55-00-008	MS35206-230	25-22-20-011
MS28778-8	21-30-00-086	MS3367-4-9	21-50-60-012	MS35206-230	39-20-00-011
MS28889-2	32-40-20-014	MS3367-4-9	21-30-00-054	MS35206-231	30-50-00-021
MS28889-2	32-10-10-058	MS3367-4-9	21-30-00-021	MS35206-231	21-55-00-017
MS28889-2	32-20-10-021	MS3367-4-9	21-50-30-031	MS35206-231	56-20-00-008
MS29512-04	28-20-00-257	MS3367-4-9	34-50-20-016	MS35206-232	56-20-00
MS29512-04	28-20-00-223	MS3367-4-9	34-50-50	MS35206-238	39-20-10-014
MS29512-04	28-10-10-068	MS3367-4-9	34-50-30	MS35206-240	55-10-00-015
MS29512-04	73-10-10-013	MS3367-4-9	34-50-40	MS35206-242	55-30-00-016
MS29512-04	73-10-10-011	MS3367-5	21-20-25-009	MS35206-242	76-10-10-110
MS29512-04	73-10-10-006	MS3367-5-9	21-20-30-008	MS35206-242	76-10-10-152
MS29512-06	28-20-00-087	MS3367-5-9	21-20-35-006	MS35206-242	76-10-10-133
MS29512-08	28-20-00-166	MS3367-5-9	21-20-35-004	MS35206-242	76-10-10
MS29512-08	28-10-10-070	MS3367-5-9	21-50-30-041	MS35206-242	76-10-10
MS29512-08	28-20-00-045	MS3367-5-9	21-50-30-045	MS35206-243	76-10-10
MS29512-10	28-20-00-110	MS3367-5-9	56-10-00-044	MS35206-243	76-10-10-126
MS29512-12	73-10-00-019	MS3367-5-9	56-20-10	MS35206-243	76-10-10-145
MS29512-12	73-10-00-007	MS3367-5-9	53-21-00-059	MS35206-243	76-10-10-103
MS29512-12	73-10-00-003	MS3367-5-9	35-00-01-123	MS35206-243	57-20-10-096
MS29513-015	73-10-05-022	MS3367-5-9	35-00-01-069	MS35206-243	39-21-00
MS29513-015	28-20-00-201	MS3367-5-9	25-10-10	MS35206-243	33-20-30-024
MS29513-015	28-20-00-176	MS3367-5-9	25-10-70	MS35206-243	33-20-10-012
MS29513-015	28-20-00-057	MS3367-5-9	35-00-02-069	MS35206-243	21-20-35-001
MS29513-015	28-20-00-042	MS3367-5-9	38-30-00-001	MS35206-243	21-20-00-108
MS29513-015	28-20-00-017	MS3367-5-9	35-00-02-123	MS35206-243	21-50-30-073
MS29513-015	28-10-10-146	MS3367-5-9	38-30-15-009	MS35206-243	24-30-20-022

# Raytheon Aircraft

## BEECH STARSHIP 1 ILLUSTRATED PARTS CATALOG

PART NUMBER	CHAP/SUB-SECT/UNIT & ITEM	PART NUMBER	CHAP/SUB-SECT/UNIT & ITEM	PART NUMBER	CHAP/SUB-SECT/UNIT & ITEM
MS35206-244	25-10-30-004	MS35207-263	79-20-00-008	MS35333-44	32-40-10-012
MS35206-244	33-20-30-001	MS35207-263	52-10-20-004	MS35337-43	25-22-00
MS35206-244	33-20-30-025	MS35207-263	36-00-20-010	MS35337-43	25-22-00
MS35206-244	39-10-00-033	MS35207-263	36-00-10-097	MS35337-43	25-22-00
MS35206-244	76-10-10-117	MS35207-263	36-00-10-081	MS35337-43	25-22-00
MS35206-245	38-30-30-008	MS35207-263	36-00-10-024	MS35338-138	30-10-00-055
MS35206-245	38-30-30-021	MS35207-263	36-00-10-009	MS35338-138	39-20-30-026
MS35206-245	38-30-30-013	MS35207-263	35-00-02-086C	MS35338-138	39-21-00-040
MS35206-245	21-20-15-034	MS35207-263	28-10-10-164	MS35338-138	56-20-20-005
MS35206-245	21-20-35-007	MS35207-263	28-10-10-148	MS35338-138	23-50-30-032
MS35206-245	23-60-10-017	MS35207-263	28-10-10-155	MS35338-138	23-50-32-032
MS35206-245	23-60-10-011	MS35207-263	28-10-10-177	MS35338-139	39-21-00-030
MS35206-246	53-40-30-011	MS35207-263	28-10-10-128	MS35338-141	39-21-00-003
MS35206-246	23-50-10-020	MS35207-263	28-10-00-051	MS35338-40	34-20-20-002
MS35206-246	24-50-10-117	MS35207-263	30-10-00-178	MS35338-41	27-00-30-006
MS35206-247	34-20-20-035	MS35207-263	30-10-00-154	MS35338-41	30-50-00-022
MS35206-247	34-20-20-014	MS35207-263	30-10-00	MS35338-41	30-70-00
MS35206-247	34-50-30-012	MS35207-263	30-10-00-213	MS35338-41	39-21-00-069B
MS35206-247	34-50-10-012	MS35207-263	30-10-00-138	MS35338-41	39-10-20-035
MS35206-248	21-20-35-019	MS35207-263	30-10-00-145	MS35338-41	39-10-30-037
MS35206-248	34-50-30-013	MS35207-263	30-10-00-143	MS35338-42	57-60-00-026
MS35206-250	76-10-10-141	MS35207-263	30-10-00-104	MS35338-42	76-10-00-111
MS35206-251	34-50-10-003	MS35207-263	30-10-00-103	MS35338-42	76-10-00-108
MS35206-252	30-70-00	MS35207-263	30-10-00-088	MS35338-42	30-50-00-016
MS35206-263	76-10-10	MS35207-263	30-10-00-082	MS35338-42	30-50-00-039
MS35206-263	28-10-10-169	MS35207-263	30-10-00	MS35338-42	55-20-00-011
MS35206-264	25-10-90-006	MS35207-263	30-10-00-019	MS35338-42	55-40-00-047
MS35206-264	25-10-92-008	MS35207-263	30-10-00-035	MS35338-42	23-60-10-018
MS35206-321	76-10-00-072	MS35207-263	30-10-00-064	MS35338-42	23-60-10-012
MS35206-325	27-30-30-026	MS35207-263	30-10-00-051	MS35338-42	24-30-20-014
MS35206-326	27-30-30-027	MS35207-263	28-20-00-126	MS35338-42	21-20-30-011
MS35206-331	33-20-30-023	MS35207-263	28-20-00-104	MS35338-42	21-20-35-008
MS35206-332	30-50-00-038	MS35207-264	28-20-00-074	MS35338-42	33-40-10-016
MS35207-244	21-20-35-016	MS35207-264	28-10-10-129	MS35338-42	34-50-10-005
MS35207-259	25-10-20-011	MS35207-264	36-00-10-016	MS35338-42	34-50-10-008
MS35207-260	57-20-10-037	MS35207-264	36-00-10-071	MS35338-42	34-50-30-008
MS35207-260	57-20-10-013	MS35207-264	36-00-10-102	MS35338-42	34-20-20-010
MS35207-260	57-20-10-024	MS35207-264	39-10-10	MS35338-42	34-20-20-031
MS35207-261	53-20-70-024	MS35207-264	25-10-41	MS35338-43	34-50-10
MS35207-261	53-20-70-052	MS35207-264	32-40-20-075	MS35338-43	34-50-50-014
MS35207-261	21-30-00-069	MS35207-264	21-30-00-082	MS35338-43	24-50-10-078
MS35207-261	34-50-10	MS35207-264	21-30-00-072	MS35338-43	22-11-00-024
MS35207-261	27-31-10-027	MS35207-264	21-30-00-028	MS35338-43	24-50-00-076
MS35207-261	27-31-10-016	MS35207-264	21-50-40-107	MS35338-43	23-40-10
MS35207-261	39-20-10-031	MS35207-264	21-50-40-079	MS35338-43	22-11-30-007
MS35207-261	36-00-20-004	MS35207-264	21-20-00-047	MS35338-43	23-00-01-002
MS35207-262	34-10-00-045C	MS35207-265	21-30-10-072	MS35338-43	23-10-10-007
MS35207-262	34-10-00-078	MS35207-265	23-00-01-001	MS35338-43	53-21-00-007
MS35207-262	32-40-20-036	MS35207-265	22-11-30-006	MS35338-43	53-50-00-018
MS35207-262	21-50-40-017	MS35207-265	39-21-00	MS35338-43	54-10-10-031
MS35207-262	21-50-40-032	MS35207-265	28-10-10-127	MS35338-43	53-20-70-053
MS35207-262	24-50-20-004	MS35207-265	28-10-10-107	MS35338-43	53-20-70-025
MS35207-263	21-20-00-096	MS35207-265	28-20-00-218	MS35338-43	30-70-00
MS35207-263	21-20-00-117	MS35207-266	28-10-10-126	MS35338-43	31-40-00-005
MS35207-263	21-50-50-009	MS35207-266	21-50-40-092	MS35338-43	39-20-10-053
MS35207-263	21-50-51-011C	MS35207-268	30-10-00-075	MS35338-43	39-20-00-024
MS35207-263	21-50-51-011	MS35207-269	34-10-20-017	MS35338-43	39-10-50-028
MS35207-263	21-30-10-080	MS35207-269	35-00-02-084	MS35338-43	39-21-00-071
MS35207-263	32-30-15-003	MS35207-270	36-00-10-034	MS35338-43	39-21-00
MS35207-263	32-30-15-126	MS35207-270	21-50-40-107A	MS35338-44	39-21-00-047
MS35207-263	34-50-00-014	MS35207-273	28-20-00-097	MS35338-44	52-80-30-004
MS35207-263	26-20-00-015	MS35207-298	24-50-10-005	MS35338-44	35-00-01
MS35207-263	25-10-90-004	MS35214-28	39-10-20-001	MS35338-44	35-00-02
MS35207-263	25-10-92-006	MS35214-28	39-10-30-001	MS35338-45	24-30-00-003
MS35207-263	73-10-00	MS35214-28	39-10-40-001	MS35338-45	24-50-00-002
MS35207-263	73-10-00	MS35214-29	39-10-70-138A	MS35338-45	24-50-10-002
MS35207-263	76-10-10-206	MS35214-29	39-10-71-138A	MS35338-45	39-21-00-006
MS35207-263	76-10-10-221	MS35214-30	39-10-00-004	MS35338-45	76-10-00-095
MS35207-263	76-10-10-225	MS35214-31	27-30-30-031	MS35489-1	23-50-00-004
MS35207-263	76-10-10-098	MS35266-70	52-80-10-034	MS35489-11	21-30-10-084
MS35207-263	76-10-10-087	MS35275-243	30-40-10-003	MS35489-11	21-30-10-088
MS35207-263	76-10-10	MS35333-44	32-30-10-046A	MS35489-11	39-20-30-054

# Raytheon Aircraft

## BEECH STARSHIP 1 ILLUSTRATED PARTS CATALOG

PART NUMBER	CHAP/SUB-SECT/UNIT & ITEM	PART NUMBER	CHAP/SUB-SECT/UNIT & ITEM	PART NUMBER	CHAP/SUB-SECT/UNIT & ITEM
MS35489-12	52-10-20-011	MS51523B6	32-40-20-026	M2015LL1W01	39-10-80
MS35489-12	71-70-00-020	MS51523B6S	36-00-10	M2015PSW01	39-10-80-034
MS35489-12S	21-50-10-012	MS51524B10	36-00-10-111	M2015PS1W01	39-10-80
MS35489-13	21-50-10-022	MS51524B10S	36-00-10	M2022PSW01	39-10-80-016
MS35489-13	53-20-40-019	MS51525B4	32-30-00-079	M2022PS1W01	39-10-80
MS35489-134	23-40-10-016	MS51525B6	32-30-00-085	M2112TFW03	39-10-80
MS35489-15	21-50-10-045	MS51527B12S	73-10-00-018	M2112TFW03	39-10-80
MS35489-16	21-20-30-032	MS51830A201L	53-25-00	M2112TM-P	39-10-80-035
MS35489-16	34-10-00-014	MS51830A201L	53-25-00	M2112TM-P	39-10-80-036
MS35489-27	21-20-60-006	MS51830A201L	53-25-00	M2122TEW03-516	39-10-80
MS35489-6	32-30-00-007	MS51830A201L	53-25-00	M2122TEW03-516	39-10-80
MS35489-7	35-00-01-092	MS51858-3	39-20-00-044	M2122TEW03-516	39-10-80
MS35489-7	71-70-00-019	MS9021-267	32-10-10	M2122TEW03-516	39-10-80
MS35489-7	35-00-02-092	MS90298-2	28-10-00-120	M2122TFW03-516	39-10-80
MS35489-71S	32-30-10-011	MS90335-6	39-10-71-048	M2122TMP516	39-10-80-014
MS35489-77S	32-30-10-003	MS90335-6	39-10-71-070	M2122TYP03-516	39-10-80-031
MS35489-9	39-10-50-031	MS90335-6	39-10-70-175	M2122TYP516	39-10-80-032
MS35649-262	39-10-20-037	MS90335-6	39-10-30-087	M2122TYP516	39-10-80-015
MS35649-262	25-10-20-062	MS90335-6	39-10-40-004	M2122TYP516	39-10-80-012
MS35649-282	34-50-10-010	MS90335-6	39-10-20-033	M2123TEW03	39-10-80
MS35649-282	34-50-30-010	MS90335-6	39-10-00-025	M2123TEW03	39-10-80
MS35649-282	34-20-20-033	MS90335-6	39-10-10	M2123TYYP	39-10-80-033
MS35649-282	34-20-20-012	MS90335-6	39-10-10	M2123TYYP	39-10-80-013
MS35649-282	24-30-20-013	MS90335-6	39-10-71-175	M29561-012	77-40-00-006
MS35649-282	30-20-00	MS90335-6	39-10-71-138	M39029-1-16-20	30-70-00
MS35650-302	32-10-00-110	MS90335-6	39-10-71-099	M39029/63-368	27-31-10
MS35650-302	25-22-00-020	MS90335-6	39-10-70-138	M6106/19-014	24-30-10-015
MS35650-302	25-22-00-006	MS90335-6	39-10-70-099	M6106/19-014	23-50-30-028
MS35650-302	25-22-00-034	MS90335-6	39-10-70-070	M6106/27-023	23-50-30-008
MS35650-302	25-22-00-047	MS90335-6	39-10-70-048	M6106/27-023	23-50-32-008
MS35650-304	39-20-30-025	MS9048-004	32-40-00-017	M6106/27-023	39-20-30-010
MS35650-305T	23-50-32-031	MS9048-006	27-20-00-057	M6106/28-023	39-10-71-146
MS35650-305T	23-50-30-031	MS9048-006	27-20-00-030	M6106/28-023	39-10-71-007
MS35650-3254	39-21-00-029	MS9048-006	27-20-00-102	M6106/28-023	39-10-70-146
MS35650-3384	39-21-00-002	MS9048-006	27-31-00-146	M6106/28-023	39-10-70-007
MS35650-362	39-10-30-035	MS9048-006	27-31-00-061	M6106/28-023	23-50-32-010
MS35790-1	32-10-10-024	MS9048-006	27-31-00-003	M6106/28-023	23-50-30-010
MS35842-10	30-70-00	MS9048-006	27-31-20-089	M6106/29-023	23-50-30-012
MS35842-10	30-10-00-148	MS9048-006	27-31-20-083	M6106/29-023	23-50-32-012
MS35842-10	30-10-00-126	MS9048-006	27-31-20-095	M6106/29-023	39-21-00-056
MS35842-10	30-10-00-192	MS9134-01	77-40-00	M641/5-1	25-10-41
MS35842-10	30-10-00-234	MS9134-01	77-40-00	M641/5-1	25-10-40
MS35842-10	30-10-00-232	MS9244-01	73-10-05	M641/6-1	25-10-40
MS35842-10	30-10-00-222	MS9387-04	21-20-00-012	M641/6-1	25-10-41
MS35842-10	30-10-00	MS9387-07	21-60-00-015	M81934/1-08A012	32-10-00-019
MS35842-10	30-10-00-168	MS9387-10	36-00-20-022	M81934/1-09A012	32-10-00-009
MS35842-10	30-10-00	MS9387-12	36-00-20-020	M81934/1-12A016	32-20-00-090
MS35842-10	30-10-00	MS9387-213	79-20-10-012	M81934/1-14A036	32-10-10-091
MS35842-10	30-10-00-010	MS9388-08	21-60-00-020	M81934/2-06A006	32-20-10-082
MS35842-11	30-10-00-048	MS9388-213	79-20-00-023	M81934/2-06A010	32-20-00-093
MS35842-11	30-10-00-031	MS9592-008	76-10-10-114	M81934/2-06A012	32-20-10-083
MS35842-11	30-10-00-165	MS9592-008	76-10-10-156	M81934/2-08A010	32-10-00-145
MS35842-11	30-10-00	MS9592-008	36-00-20-035	M81934/2-08A012	32-10-10-032
MS35842-11	30-10-00-155	MS9592-012	76-10-10-107	M81934/2-08C008	32-10-00-085
MS35842-11	33-40-20	MS9592-012	76-10-10-149	M81934/2-10A012	32-50-00-030
MS35842-11	53-21-00-060	MS9592-012	76-10-10-130	M81934/2-10A020	32-10-10-090
MS35842-13	53-21-00-025	MS9592-020	76-10-10-019	M81934/2-12A016	32-20-10-084
MS35842-13	53-21-00-016	MS9592-058	28-10-10-159	M81934/2-12A016	32-20-00-092
MS35842-13	71-60-00-062	MS9600-052	26-10-00-024	M81934/2-12A016	32-20-00-080
MS35842-15	73-10-10-014	MS9601-008	26-10-00-017	M81934/2-14A018	32-10-00-097
MS35842-15	30-10-00	MS9601-008	26-20-00-014	M81934/2-14A024	32-10-10-092
MS35842-16	75-20-00-001	MTL206N	39-10-71-026	M81934/2-16A008	32-10-00-100
MS51021-102	56-20-00-020	MTL206N	39-10-70-026	M81934/2-16A040	32-10-00-101
MS51521B10	36-00-10-112	MXJKR6RD	27-40-00-020	M81934/2-18A020	32-10-00-098
MS51521B10S	36-00-10	MXP129-2	35-00-02-081	M81935/1-04K	32-20-00-004
MS51521B10S	30-10-00	MXP129-2	35-00-01-081	M81935/1-04K-L	32-20-00-002
MS51521B6	35-00-02-076	M1-030-010-272	21-60-00-012	M81935/1-3	52-10-10-095
MS51521B6	35-00-01-076	M1085076231	21-55-10-002	M81935/1-3	52-10-10-079
MS51521B6	32-30-15-080	M1170140242	21-60-00-007	M81935/1-3	52-10-10-051
MS51521B8	32-30-10-065	M1210170242	21-60-00-030	M81935/1-4	32-10-00-020
MS51523B10S	30-10-00-081	M1934/2-09A018	32-50-00-051	M81935/1-5	32-10-00
MS51523B4	32-40-20-072	M2015LLW01	39-10-80-030	M81935/1-5	32-10-00-010

# Raytheon Aircraft

## BEECH STARSHIP 1 ILLUSTRATED PARTS CATALOG

PART NUMBER	CHAP/SUB-SECT/UNIT & ITEM	PART NUMBER	CHAP/SUB-SECT/UNIT & ITEM	PART NUMBER	CHAP/SUB-SECT/UNIT & ITEM
M81935/1-5	27-50-00-035	NAS1329A3K80	53-20-70	NAS427K12	27-30-10-042
M8504926-1-12N	30-70-00	NAS1329A3K80	53-20-70	NAS427K12	27-31-00-029
NAS1068C06M	34-20-10	NAS1329A3K80	53-20-70	NAS427K12	27-31-00
NAS1081-08A10	30-20-00-136	NAS1329A3K80	53-20-70	NAS427K12	27-20-00-005A
NAS1096-1-6	39-21-00-046	NAS1329A3K80	53-20-70	NAS427K12	27-20-00
NAS1096-1-6	76-10-00-079	NAS1329A3K80	53-20-70	NAS427K14	27-20-00-039
NAS1096-2-12	76-10-00-109	NAS1329A3K80	53-20-70	NAS427K14	27-20-00-053
NAS1096-2-13	76-10-00-106	NAS1329A3K80	53-20-70	NAS427K14	27-31-00
NAS1096-2-6	55-10-00-044	NAS1329H04K60L	25-21-55	NAS427K14	27-31-00-005
NAS1096-2-8	21-20-30-009	NAS1329H04K60L	25-21-55	NAS427K15	27-31-00-138
NAS1096-2-8	27-00-20-001	NAS1329H04K60L	25-21-50	NAS427K15	27-20-00
NAS1096-2-8	25-10-70-028	NAS1329H08K75L	53-40-10	NAS427K16	27-20-00
NAS1096-3-10	21-30-00-049	NAS1329H080K75L	25-21-40	NAS427K16	27-20-00-112
NAS1096-3-6	25-10-70-025	NAS1329H3K80L	53-20-70	NAS427K16	27-31-00-112
NAS1096-3-6	61-20-20-015	NAS1351-3-28	25-10-20-038	NAS427K18	27-31-00-139
NAS1096-3-7	30-10-00-054	NAS1351C4-8	30-20-00-051	NAS427K22	27-20-00-079
NAS1096-3-8	30-20-00	NAS1394-3C	55-40-00	NAS427K24	25-10-20-078
NAS1103-1	25-10-20-080	NAS145-13	32-20-10-030	NAS427K36	27-31-00-051
NAS1103-17	32-30-00-105	NAS147A3	23-50-30	NAS427T14	27-31-00-005A
NAS1103-21	32-10-10-037	NAS1473A3	34-50-10	NAS428-3-13	22-11-00-027
NAS1106-12D	57-10-00-033	NAS1474A04-04	33-20-03	NAS428-4-10	27-20-20-054
NAS1106-7	55-10-00-006	NAS1474A04-08	33-20-03	NAS428-4-12	27-30-00-148
NAS1169-10L	25-21-60-037	NAS1474A08	33-20-07	NAS428-4-12	27-20-00-094
NAS1169-8L	25-10-70-035	NAS1474A3	34-50-50	NAS428-4-12	27-31-00-144
NAS1169C10L	54-30-00-025	NAS1474A3	34-50-20	NAS428-4-12	27-31-20-091
NAS1169C10L	54-30-00-019	NAS1474A3	34-50-20	NAS428-4-12	27-31-20-085
NAS1169C10L	54-30-00-013	NAS1474A3	34-10-00	NAS428-5-13	24-50-00-005
NAS1169C10L	54-30-00-007	NAS1474A3	23-50-32	NAS43DD1-141	39-10-80-026
NAS1169C10L	54-30-00-003	NAS1474A4	34-40-00	NAS43DD1-141	39-10-80-006
NAS1169C10L	57-10-20-052	NAS1474C08	53-30-10	NAS43DD1-21	56-20-00-011
NAS1169C10L	57-10-00	NAS1474C3	23-10-00	NAS43DD1-32	39-20-10-016
NAS1169C10L	53-50-00-007	NAS1515H04L	32-10-00-073	NAS43DD1-64	38-30-30-005
NAS1169DD10L	55-30-00	NAS1564-6-4	32-40-20-066	NAS43DD1-64	39-20-10-015
NAS1169DD10L	55-30-00-002	NAS1564-6-4	32-40-20-047	NAS43DD10-14	27-31-20-088
NAS1169D6E	39-10-80	NAS1564-6-4	32-40-20-113	NAS43DD10-14	27-31-20-082
NAS1189-06P5KH	32-10-10-023	NAS1564D10-6	36-00-10-066	NAS43DD10-14	27-31-20-094
NAS1201C10A12B	79-20-00-009	NAS1564D6-4	36-00-10-041	NAS43DD3-10	57-20-10-062
NAS1201C10A14B	32-40-10-005	NAS1564D6-4	34-10-20-020	NAS43DD3-12	35-00-01-086
NAS1201C6-10	25-60-20-002	NAS1564D6-4	34-10-00-054	NAS43DD3-12	21-50-40-095
NAS1203-3	53-25-00-050	NAS1595-12	77-40-00-008	NAS43DD3-12	56-20-20-003
NAS1203-3	53-25-00-022	NAS1870CL-3-2	53-50-40	NAS43DD3-12	36-00-10-051
NAS1203-5	53-25-00-008	NAS1870CL3-2	53-50-40	NAS43DD3-12	35-00-02-086
NAS1203-5	53-25-00-038	NAS1870CL3-2	53-50-40	NAS43DD3-125	25-10-20-035
NAS1203-64D	27-31-20-050	NAS1870CL3-2	53-50-40	NAS43DD3-132	28-20-00-095
NAS1203-9D	76-10-10-051	NAS1919M04S2	55-20-00	NAS43DD3-16	32-40-20-106
NAS1204-16D	27-20-10-023	NAS1921M06S06	57-40-10-001	NAS43DD3-16	32-30-05-029
NAS1204-50D	27-20-20-050	NAS24694C49	57-10-00	NAS43DD3-16	25-21-45
NAS1303-4	53-25-00-035	NAS313-16-0206	22-11-10	NAS43DD3-16	25-21-40
NAS1303-4	53-25-00-005	NAS313-17-0206	22-11-10-003	NAS43DD3-16	30-10-00-208
NAS1303-6	76-10-00-003	NAS333CPA4	30-20-00-028A	NAS43DD3-18	21-50-40-025
NAS1303-7	76-10-00-060	NAS367-4H1680	30-20-00-111	NAS43DD3-18	21-30-00-003
NAS1303-8	53-25-00-018	NAS388-10-10P	25-10-41-018	NAS43DD3-180	36-00-20-016
NAS1304-44DW	52-10-00	NAS391-10P	25-10-41	NAS43DD3-20	27-31-00-005B
NAS1307-15D	57-10-00-006	NAS395-13-1	32-30-10-048	NAS43DD3-23	76-10-10-140
NAS1308-8	53-25-00-046	NAS395-16-1	32-30-10-012	NAS43DD3-26	28-20-00-116
NAS1329A08K75L	25-10-90	NAS395-16-1	32-30-10-091	NAS43DD3-32	21-30-00-017
NAS1329A06-75	56-10-00	NAS395-16-1	32-30-10-007	NAS43DD3-32	21-50-40-082
NAS1329A06-75	56-10-00	NAS42DD3-12	71-60-00	NAS43DD3-32	21-50-40-027
NAS1329A06-75	23-10-20	NAS42DD3-12A	71-60-00-019	NAS43DD3-32	21-50-40-112
NAS1329A06K75	53-20-70	NAS42DD3-7	25-10-20-075	NAS43DD3-32	30-50-00-042
NAS1329A06K75	53-20-70	NAS42DD4-12	71-60-00	NAS43DD3-32	52-10-20-006
NAS1329A08KB160	53-00-01-004	NAS42DD4-12A	71-60-00-021	NAS43DD3-32	36-00-10-028
NAS1329A08K75	53-20-70	NAS42DD5-8	76-10-00-107	NAS43DD3-37	30-70-00
NAS1329A08K75	53-20-70	NAS42DD8-12	55-20-00-004	NAS43DD3-40	21-50-40-026
NAS1329A08K75	53-20-70	NAS42DD8-7	55-20-00-005	NAS43DD3-40	76-10-10
NAS1329A08K75	53-20-70	NAS42HT4-24	61-20-20-052	NAS43DD3-48	34-10-20-018
NAS1329A08K75	53-20-70	NAS42HT6-52	27-30-40-008	NAS43DD3-48	30-10-00-078
NAS1329A08K75	53-20-70	NAS42HT8-6	25-10-20-091	NAS43DD3-48	30-10-00-209
NAS1329A08K75	53-20-70	NAS424-4D	32-30-00-070D	NAS43DD3-60	25-10-20-034
NAS1329A08K75	34-00-10	NAS427-21	27-31-00-125A	NAS43DD3-61	76-10-10-216
NAS1329A08K75L	25-10-92	NAS427K10	27-30-40-030	NAS43DD3-61	76-10-10
NAS1329A08K75L	53-20-70	NAS427K10	27-30-10-037	NAS43DD3-61	76-10-10



# Raytheon Aircraft

## BEECH STARSHIP 1 ILLUSTRATED PARTS CATALOG

PART NUMBER	CHAP/SUB- SECT/UNIT & ITEM	PART NUMBER	CHAP/SUB- SECT/UNIT & ITEM	PART NUMBER	CHAP/SUB- SECT/UNIT & ITEM
NAS43DD3-61	76-10-10-211	NAS513-5	32-20-00-006	NAS77-3-16	30-20-00-020
NAS43DD3-62	28-20-00-117	NAS513-8	27-40-00-022	NAS77-3-16	30-20-00-006
NAS43DD3-64	36-00-10-033	NAS516-1A	32-10-10-034	NAS77-4-22	27-20-00-100
NAS43DD3-64	21-50-40-107B	NAS559-1	76-10-10-060	NAS77-6-12	57-10-00-032
NAS43DD3-74	36-00-20-028	NAS559-1	76-10-10-076	NAS77-6-31	54-30-40-009
NAS43DD3-8	30-20-00-031	NAS559-1	76-10-10-058	NAS77-6-38	52-80-10-012
NAS43DD4-128	27-20-20-052	NAS559-1	76-10-10-005	NAS77A10-18	52-10-10-008
NAS43DD4-13	32-40-20-058	NAS559-1	76-10-10-053	NAS77A12-18	52-10-10-131
NAS43DD4-148	22-11-00-015	NAS559-1	76-10-10-248	NAS77A12-18	52-10-10-128
NAS43DD4-20	26-10-10-030	NAS559-1	76-10-10-242	NAS77A12-21	52-10-10-010
NAS43DD4-265	27-31-20-066	NAS559-1	76-10-10-246	NAS77A12-25	52-10-00-053
NAS43DD4-32	21-20-00-078	NAS559-1	76-10-10-178	NAS77A12-25	52-10-00-040
NAS43DD4-38	52-10-00-007	NAS559-1	76-10-10-201	NAS77A12-42	32-10-10-033
NAS43DD4-56	27-31-00-153	NAS559-2	27-30-00-063	NAS77A5-19	21-50-51-051
NAS43DD4-78	27-20-00-029	NAS561-4-8	32-30-10-029	NAS77A5-19	21-50-50-052
NAS43DD4-98	27-20-00-099	NAS602-14	38-30-12-009	NAS77A5-19	21-50-50
NAS43DD5-14	25-21-55	NAS602-5	76-10-00-043	NAS77B6-13	52-20-00
NAS43DD5-14	25-21-55-003	NAS603-7	54-11-00-009	NAS77B6-13	52-20-00
NAS43DD5-14	25-21-50-003	NAS603-7	54-11-00-003	NAS8703U2	54-10-10-051
NAS43DD5-14	35-00-02-138	NAS617-4	79-20-00-019	NAS8703U2	55-30-00-009
NAS43DD5-18	76-10-00-110	NAS620-8L	76-10-10	NAS8703U3	53-50-40-001
NAS43DD8-10	25-10-41	NAS620-8L	76-10-10	NAS8803-1	55-30-00-008
NAS43DD8-128	76-10-00-097	NAS620-8L	76-10-10-215	NH102300-0100	30-10-00-159
NAS43DD8-16	21-30-10-075	NAS620-8L	76-10-10-210	NO NUMBER	25-10-00
NAS43HT3-8	61-20-20-006	NAS620-8L	76-10-10	NO NUMBER	25-10-00
NAS43HT4-211	27-31-00-049	NAS620-8L	76-10-10-139	NO NUMBER	25-10-00-015
NAS43HT4-4	52-10-10-067	NAS620-8L	76-10-10-151	NTA1828	32-20-10-075
NAS43HT4-85	27-30-10-034	NAS620-8L	76-10-10-144	NTA1828	32-20-10-034
NAS43HT4-96	76-10-00-090	NAS620-8L	76-10-10-132	N112A	23-40-10-009
NAS451-11	39-10-50	NAS620-8L	76-10-10-125	PFSC 3 1/2-38A	53-20-30
NAS451-43	39-10-30	NAS620-8L	76-10-10-116	PINT 1	25-10-00
NAS451-51	27-30-00-015	NAS620-8L	76-10-10-109	PINT 2	25-10-00
NAS460-816	32-10-10-028	NAS620-8L	76-10-10-102	PINT 3	25-10-00
NAS464P4A26	27-30-00-029	NAS620A5	32-10-00-045	PLT1S	57-20-10-105
NAS47N08B125	25-50-00-003	NAS6203-11D	32-40-00-046	PLT2I	33-40-00-011
NAS47PO8B025	25-10-70-030	NAS6203-12	27-20-20-007	PLT2I	33-20-35-019
NAS509-10	27-30-00-065	NAS6203-13D	32-40-00-045	PLT2S	35-00-01-029
NAS509-10	76-10-10	NAS6203-14H	55-40-00-029	PLT2S	35-00-02-129
NAS509-3	61-20-20-010	NAS6203-17	32-10-10-041	PLT5S	21-20-25
NAS509-3	32-30-15	NAS6203LC26D	32-10-00-036	PLT7S	21-20-25
NAS509-4	32-10-10-071	NAS6204-10D	55-40-00-005	PSF100A1 5	21-60-00-021
NAS509-4	61-20-20-013	NAS6204-11D	27-20-10-021	PS1208-44	30-40-10-024
NAS509-4	76-10-10-006	NAS6204-13D	27-20-10-022	PS24117-6	30-40-10-006
NAS509-4	76-10-10-059	NAS6204-13D	32-50-00-052	PS24118-2	30-40-10-007
NAS509-4	76-10-10-057	NAS6204-13D	55-20-00-006	PS8C6CP-L09BG	33-20-07-023A
NAS509-4	76-10-10-054	NAS6204-15D	55-20-00-007	PS8C6CP-L09BG	33-20-03-016
NAS509-4	76-10-10-077	NAS6204-16D	27-20-10-024	PT6A-67A	71-00-10-010
NAS509-4	76-10-10-249	NAS6204-17D	27-20-10-026	P1-32112	79-30-00-002
NAS509-4	76-10-10-247	NAS6204-20D	27-20-10-025	P102D10AL1	53-40-00
NAS509-4	76-10-10-243	NAS6204-70D	32-10-10-060	P104D1032AL04	53-40-00
NAS509-4	76-10-10-179	NAS6204-9D	55-40-00-006	P104D832AL04	53-40-00
NAS509-4	76-10-10-202	NAS6205-22	32-50-00-037	P104F1032-04	55-40-00
NAS509-4	27-50-00-008	NAS6206-31D	32-10-00-142	P104F1032-04	57-60-00
NAS509-4	27-50-10-002	NAS6212-66D	32-10-00-068	P106D1032-04	53-40-10
NAS509-4	27-50-00-055	NAS623-2-1	76-10-00-036	P4K-FS464	27-20-00-115
NAS509-5	21-50-50-024	NAS623-3-1	53-25-00-027	P6EUB6	38-30-05-007
NAS509-5	21-50-51-019	NAS623-3-1	53-25-00-055	P6EUB6	38-30-05-019
NAS509-5	32-20-00-005	NAS623-4-2	32-30-10-028	P6TUB6	38-30-30-017
NAS509-6	32-20-00-033	NAS654V25H	53-40-20-042	P6TUB6	38-30-30-007
NAS509-6	27-30-00-064	NAS654V3	55-60-00-001	P6TUB6	38-30-15-023
NAS509-7	21-50-51-027	NAS654V4	55-60-00-002	P6UCB6	38-30-15-005
NAS509-7	21-50-50-037	NAS6806-32	54-10-00-013	P7-300014	76-10-20-012
NAS509-7	76-10-10-250	NAS6807-32	54-10-00-019	RAD4125	27-00-30-010
NAS509-7	76-10-10-062	NAS6807-40	54-10-00-020	RA1039C	76-10-10-078
NAS509-7C	57-10-00-001	NAS6807-41	54-10-00	RA1039C	76-10-10-007
NAS509-8	27-40-00-021	NAS72-12E212	32-10-00-070	RBSS300-1	25-10-10-009
NAS509-8C	21-30-00-091	NAS72-3E004	32-40-00-043	RBSS300-2	25-10-10
NAS509L5	32-20-00-003	NAS72-3E006	32-40-00-044	RBSS300-30	25-10-10
NAS513-10	27-30-00-066	NAS75-16-103	57-10-20-011	RBSS300-40M	25-10-10
NAS513-4	32-30-10-085	NAS75-4-007	25-10-20-056	RCD125-1 3K-J	39-10-80
NAS513-4	27-50-00-009	NAS75-4-22	27-20-00-101	RCD125-1 3K-J	39-10-80
NAS513-4	27-50-00-056	NAS75-6-012	27-31-20-053	RCR20G392JS	39-10-80

# Raytheon Aircraft

## BEECH STARSHIP 1 ILLUSTRATED PARTS CATALOG

PART NUMBER	CHAP/SUB-SECT/UNIT & ITEM	PART NUMBER	CHAP/SUB-SECT/UNIT & ITEM	PART NUMBER	CHAP/SUB-SECT/UNIT & ITEM
RCR42G202JS	27-00-20	SJ3551	21-20-25	SL6172-3-8	21-50-40-083
RD239A1B1	27-31-10-035	SJ3551	21-20-25	SL6207C1-1	38-30-30-002
RD25M100V30	39-10-80	SJ3551	56-20-20-001	SL6207C1-1	38-30-15-021
RD25M1100V30	39-10-80-022	SJ3552	21-20-25-013	SL6207C1-1	38-30-15-008
RD37M100V30	39-10-80	SJ3552	25-50-00	SL6207C1-1	38-30-15-002
RD37M1100V30	39-10-80-009	SJ3552	25-50-35	SL6207C1-1	38-30-00-002
RE4M6	27-31-00-135	SJ3552	25-50-01	SL644-08-4	25-50-00
RE4M6	27-31-00-041	SJ3552	25-50-01-005	SL644C3-4	25-10-70
RE4M6	27-31-00-021	SJ3552	25-50-01	SL644C3-4	54-30-40
RE4M6	27-30-00-040	SJ3552	25-50-01	SMCC75001A	23-60-10
RE4M6	27-30-00-007	SJ3552	25-21-60-013	SMCC75001A	23-60-10-035
RE4M6	27-20-20-008	SJ3552	25-21-60-023	SMCC75001A	23-60-10
RE4M6	27-20-00-074	SJ3552	25-21-60-022	SMS-A15	35-00-01-130
RE4S10	27-30-00-006	SJ3552	25-21-60-006	SMS-A15	35-00-02-130
RE4S10	27-20-20-013	SJ3552	25-21-60-009	SM150D5	39-20-10-019
RE4S10	27-30-00-050	SJ3552	25-10-40-002	SM200D21	24-50-00-021
RE4S10	27-30-00-042	SJ3552	25-21-05	SM600BA5N1	24-30-20-004
RE4S10	27-20-00-011	SJ3552	25-21-05	SNP6	38-30-00-003
RE4S10	27-31-00-022	SJ3552	25-21-05	SNP6	38-30-12-001
RE75G24R9	39-20-30-014	SJ3552	25-21-05	SNP6	38-30-10-001
RE75G4R87	30-50-00-027	SJ3552	25-21-60-001	SNP8	38-30-15-001
RE75G4R87	23-50-32-048	SJ3552	25-21-60-003	SNP8	38-30-30-016
RE75G4R87	23-50-30-048	SJ3552	25-21-40	SNP8	38-30-30-003
RLR20C3901GS	39-10-80	SJ3552	25-21-45-012	SNP8	25-22-20-015
RME2R67P26P5002	39-20-30-017	SLP102C10-2	54-10-10	SR2-52PP	56-20-00-018
RME2R67P67P5001	39-20-30-018	SLP102D10-2	54-10-10	SR3	53-20-00
RM50	52-20-00	SLP102F10-3	27-20-00	SS58308K2915	23-10-30
RR1071L	52-10-00-005	SLP102F25-3	27-20-00	STD824-10	27-31-10-012
RR1071R	52-10-00-006	SLP106D10-2	54-10-10	STD946-18	27-31-10
RR75S	73-10-05-021	SLP106F25-1	54-10-10	STD946-33	27-31-10
R1615PSSD-N	25-10-00-012	SLS102D25-06	27-20-00	STD959-60	27-31-10-006
R305	23-50-00-003	SLS102F10-06	27-20-00	STL20	27-30-30
R4G	71-60-00-009	SLS102F10-08	54-10-10	STL20	39-20-10-034
SA4-16A	27-31-20	SLS102F10-08	54-10-10	SWDRMS6-260	27-40-00
SA4-16A	27-31-20	SLS102F25-06	27-20-00	SWRMS6-100	27-40-00
SA4-16A	27-31-20	SLS106F1032-08	54-10-10	S10P175	52-20-00
SA4-16A	27-31-20	SLS106F428-10	54-10-10	S10P175CSI	52-80-30
SCDEETS-4-144-6	79-20-10-006	SLZ7306	27-30-30-009	S10P175CSI	52-40-00
SCEETS6-56-6	24-30-00-008	SLZ7886	27-30-30-016	S10P175CSI	55-60-00
SCEETS6-76-6	24-30-00-012	SL3089A3-3	57-20-40	S10P175CSI	53-20-70
SD5089283	21-50-51-036	SL3584S-B6	54-10-10-012	S10P175CSI	53-20-70
SD5089283	21-50-50	SL5107A3-410	53-20-60	S10P175CSI	53-20-70
SFH22-4A20	52-10-10-068	SL5107A3-410	53-20-60	S10P175CSI	53-20-70
SFH22-4A20	52-10-10-120	SL5107A3-410	53-20-60	S10P175CSI	53-20-70
SFH22-4A21	52-10-10-069	SL5107A3-410	53-20-60	S1014-8-12.0	38-30-05-003
SFH22-4A21	52-10-10-121	SL5107A3-410	53-20-60	S1014-8-2.0	38-30-05-020
SG111R	21-50-10-013	SL5107A3-570	53-20-60	S1014-8-3.8	38-30-05-008
SIC-SAC	25-10-00-013	SL5107A3-570	53-20-60	S1014-8-31.5	38-30-05-016
SJ3402	25-20-10	SL602-08-400CM	55-10-00	S102D10AL04	53-40-00
SJ3408	25-20-10	SL602-3-250CM	55-60-00-015	S1023-1	38-30-05
SJ3509	25-20-10	SL602-3-250CM	57-10-20	S1023-1	38-30-05
SJ3536	25-21-21	SL602-3-300CM	21-50-60	S104D10AL1	53-40-00
SJ3536	25-21-21	SL607-06-8CM	52-10-00	S104D8AL1	53-40-00
SJ3536	25-21-21	SL607-08-4CM	55-10-00-016	S104F10-1	55-40-00
SJ3537	25-21-21	SL607-08-6CM	52-10-00	S104F10-1	57-60-00
SJ3537	25-21-21	SL607-3-6AM	57-20-40	S1050-1	38-30-12-013
SJ3537	25-21-21	SL607-3-6CM	57-20-40	S106D10-1	53-40-10
SJ3551	25-21-40	SL607-3-6CM	57-20-30	S1087-1	38-30-05-021
SJ3551	25-21-60-005	SL607-3-6CM	55-30-00	S29S7D5220-09	30-10-00-002
SJ3551	25-21-60-002	SL607-3-6CM	54-10-10	S29S7D5220-10	30-10-00-003
SJ3551	25-21-20	SL607-3-6CM	57-10-20	S29S7D5220-11	30-10-00-004
SJ3551	25-21-20	SL607-3-6CM	57-10-20	S29S7D5220-12	30-10-00-005
SJ3551	25-21-20	SL607-3-8SM	52-20-00	S29S7D5220-13	30-10-00-006
SJ3551	25-21-20	SL607-3-9CM	57-21-00	S29S7D5220-14	30-10-00-007
SJ3551	25-10-40-001	SL607-3-9CM	57-10-00	S29S7D5220-15	30-10-00-008
SJ3551	25-21-60-010	SL6172-08-4	25-22-20-018	S29S7D5220-16	30-10-00-009
SJ3551	25-21-60-007	SL6172-3-11	21-50-40-031	S3-150	53-20-00-025
SJ3551	25-21-60-012	SL6172-3-4	21-50-40-028	S3-175	53-20-00-009
SJ3551	25-50-35	SL6172-3-4	21-50-40-062	S33824-3013	32-10-10-076
SJ3551	25-50-01-001	SL6172-3-6	21-50-40-030	S43	55-20-00-048
SJ3551	25-21-60-033	SL6172-3-8	21-50-40-029	S43	57-20-00-030
SJ3551	25-21-60-032	SL6172-3-8	21-50-40-113	S43	57-20-00-008

# Raytheon Aircraft

## BEECH STARSHIP 1 ILLUSTRATED PARTS CATALOG

PART NUMBER	CHAP/SUB-SECT/UNIT & ITEM	PART NUMBER	CHAP/SUB-SECT/UNIT & ITEM	PART NUMBER	CHAP/SUB-SECT/UNIT & ITEM
S43	21-50-30-052	W21583	30-40-10-015	09DU06	76-10-10-189
S43	57-60-00	W21584-3	30-40-10-013	0956	21-50-50-030
S45A13	53-00-01-001	W21585-1	30-40-10-016	1 1/2 DIA	21-50-60-019
S45B-16	53-21-00-036	W24023-3	30-40-10-012	1 15/16 DOC	32-20-10-069
S50HL	38-30-12-006	W24024-3	30-40-10-019	1-480319-0	27-31-10
S53HA	32-40-10-008	W24027-1	30-40-10-008	1-480699-0	21-60-00-013
S65-5366-10L	34-50-40-007	W24542-1	30-40-10-004	1-480703-0	21-30-10-051A
S65-5366-10L	34-50-30-014	W901J10DE	28-20-00-206	1-531580-8	39-10-00-010
S67-2002-14	34-50-50-016	W901J10DE	28-20-00-120	1" DIA	21-50-30-037
S747-3L	76-10-00-004	W901J10DE	28-20-00-068	1N3673	23-50-30-036
S8P150CFI	25-21-00-003	W901J10DE	28-10-10-116	1N3673	23-50-32-036
S8P150CSI	25-21-05-004	W901J10DE	28-10-10-097	1N4007	23-50-32
TM2R6	33-20-07-031	W901J10DE	28-10-10-082	1N4007	23-50-32
TM2R6	33-20-00-012	W901J10DE	28-10-10-079	1N4007	24-40-00
TM2R6	53-20-70-092	W901J10DE	28-10-10-039	1N4007	24-30-10
TM2R6	57-20-10-106	W901J10DE	28-10-10-025	1N4007	23-60-10
TM2R6	57-20-10-079	W901J12CE	28-20-00-271	1N4007	23-60-10
TM2S6	35-00-02-070	W901J12DE	28-20-00-203	1N4007	23-50-30
TM2S6	22-11-20	W901J12DE	28-20-00-090	1N4007	23-50-30
TM2S6	35-00-01-070	W901J12DE	28-20-00-008	1N4007	33-20-07
TRC1828	32-20-10-076	W901J24DE	28-10-00-062	1N4007	32-40-20
TRC1828	32-20-10-035	W901J24DE	28-10-00-044	1N4007	39-20-30
TR992	33-20-30-004	W901J24DE	28-10-00-022	1N4007	39-20-30
TR992-12	33-20-35-016	W901J28DE	28-10-00-036	1N4007	39-20-10
TYZ25M	57-20-10-041	W901J8DE	28-20-00-016	1N4007	39-10-50
TYZ25M	57-20-10-027	W901J8DE	28-20-00-041	1N4007	39-10-00
TYZ25M	57-20-10-015	W901J8DE	28-10-10-145	1N4007	30-70-00
TYZ25M	57-20-10-078	W901J8DE	28-20-00-175	1N4007	27-30-30
TYZ28M	26-10-10-031	W901J8DE	28-20-00-056	1SE1	30-20-00-097
T22AB3	21-60-00-004	W901J8DE	28-20-00-200	1SE1	52-70-00-008
T230-1	56-20-10	W951-12DE	28-20-00-024	1SE1	52-70-00-002
T230-1	56-20-10-009	W951-24DE	28-10-00-024	10-10001	26-10-00-028
UG30/U	34-00-10-012	W951-8DE	28-20-00-043	10-10001	26-10-00-002
'U62D10D10-5-28	21-20-30-007	W951-8DE	28-20-00-177	10-32	25-10-10
U62D10D10-5-41	21-20-35-003	W951A8DE	28-20-00-044	10-332001	32-30-10-046
U62F-F11-10	21-55-00-002	W954A24D	28-10-00-064	10-3320010	32-40-10-011
U62F-F11-11	21-55-00-003	X6074-13-2A-A	21-20-15-019A	10C6X-SS	36-00-10
U62F-F11-16	21-55-00-001	X6074-15-2A-A	21-20-15-019	10C6X-SS	30-10-00-117
U62F-F11-17	21-55-00-004	0-6091	52-20-00	10E534	26-10-20
U62F-F11-21	21-20-15-036	0W5A2G 12V	21-50-50	10E534	25-10-70
U62F-F11-30	21-20-15-029	0W5A2G 12V	21-50-50	10E534	25-10-70
U62F-F11-33	21-20-15-030	0W5A2G 24V	21-50-50-046	10R6X-SS	30-10-00
U62F-F5-24	21-20-25-010	000-110134-1	24-40-00-003	10S6X-SS	36-00-10
U62F-F5-80	21-55-00-005	000-110134-1	57-10-00	100-324207-3	53-20-40-012
U62G10G10-5-28	21-20-30	000-110134-13	57-10-00-025	100-361045-1	39-21-00
U62G10G10-5-41	21-20-35	000-110134-3	57-10-00-026	100-361045-1	39-21-00
VD83-3188-1	28-10-00	000-110134-5	57-10-00	100-361045-1	39-20-30
V130LA10A	24-30-20-023	002-430013-31	25-10-20-001	100-361045-1	39-20-10
V3-101D8	61-20-20-031	002-430013-31	26-20-10-004	100-361045-1	39-20-10
V514	54-10-10-057	01-0770347-00	33-40-50-017	100-361045-1	24-50-10
V514	54-10-10-013	010832B125	25-50-30-011	100-361045-1	24-50-00
WH10-114	23-10-30-009	010832P175	25-50-00-001	100-380007-3	24-50-10-108
WH10-114	23-10-30-001	011089	21-55-10-010	100-380007-5	24-50-10-034
WH10-114	23-10-25-003	02-0250069-00	33-40-50-016	100-380007-5	24-50-00-072
WH10-114	23-10-25-002	02FC30	73-10-05-017	100-384126	25-60-00-011
WH10-114	23-10-25-001	03S683A135	73-10-05-002	100-384128	34-30-00-003
WH10-114	23-10-20-013	03W1950-134	73-10-05-012	100-389018-21	28-20-00-253
WM203	25-23-00-013	03W1950-211	73-10-05-004	100-389020-1	30-10-00-086
WM203	38-30-12-003	03W1950-218	73-10-05-001	100-389020-1	28-20-00-088
WM203	38-30-05-002	03W1950-231	73-10-05	100-524174-33	76-10-00-037
WWD22	28-20-00-193	03W2161-140	73-10-05-011	100-524174-33	76-10-00-044
WWD44	28-20-00-186	03W2161-156	73-10-05	100-524174-35	76-10-00
WWD44	28-10-10-144	03W2187-140	73-10-05	100-524174-35	76-10-00
WWD66	28-10-00-020	03W2187-156	73-10-05	100-524174-9	76-10-00-039
W102L5	32-40-10	04DU06	52-20-00	100-524174-9	76-10-00-046
W1283	33-40-50-007	08DU06	76-10-00-045	100-524176-23	76-10-00-028
W1284G	33-40-50-005	08DU06	76-10-00-038	100-524176-5	76-10-00-026
W1284R	33-40-50	08DU06	76-10-00-029	100-524196-1	76-10-00-027
W1290-28	33-40-50-006	08DU14	52-10-10-125	100-524196-1	76-10-00-049
W20362-1	30-40-10-017	08DU14	52-10-10-072	100-920066-1	28-10-10-065
W21515-1	30-40-10-005	0871CT1	30-70-00-008	1001-920013	11-20-00-016
W21582	30-40-10-011	0871CT1	30-70-00-001	100801D4-0218	35-00-01-089

# Raytheon Aircraft

## BEECH STARSHIP 1 ILLUSTRATED PARTS CATALOG

PART NUMBER	CHAP/SUB-SECT/UNIT & ITEM	PART NUMBER	CHAP/SUB-SECT/UNIT & ITEM	PART NUMBER	CHAP/SUB-SECT/UNIT & ITEM
100801D4-0218	35-00-02-089	101-380053-11	57-60-00-001	101-389023-5	79-20-00-020
100942AF0405-52	25-10-20-079	101-381008-7	24-30-00-005	101-389023-5	77-40-00-022
100942C0020-31	25-10-20-044	101-384028-1	35-00-01-112	101-420193-17	53-25-00-040
100942H0016-16	61-20-20-033	101-384028-1	35-00-02-112	101-420193-17	53-25-00-010
100942H0022-22	79-20-10-014	101-384028-7	39-20-10-024	101-524112-1	27-30-40-011
100942H022-22	27-50-10-001	101-384032-7	35-00-02-099	101-524135-1	27-30-40-004
100942L0200-48	52-10-10-019	101-384032-7	35-00-01-099	101-524315-9	53-20-20-001
100942N0028-14	32-40-00-180	101-384034-1	35-00-01-056	101-530192-3	25-10-20
100942S1025-150	27-00-40-001	101-384034-1	35-00-01-128	101-530228-3	25-21-20
100943ZF110G	21-50-50-067	101-384034-1	35-00-02-128	101-531000-5	25-10-20-043
100943ZF110G	21-50-51-062	101-384034-1	35-00-02-056	101-531002-11	25-10-20-041
100943ZL016L	56-20-00-010	101-384034-3	35-00-02-017	101-531003-7	25-10-20-052
100951B010XM	76-10-10-188	101-384034-3	35-00-01-017	101-531004-1	25-10-20-047
100951CR025XZ	32-10-00-118	101-384079-1	21-50-10-051	101-531005-1	25-10-20-051
100951CR040ZL	53-50-00-025	101-384083-1	25-20-10-004	101-531016-1	25-10-20-050
100951CR063YN	32-10-00-141	101-384083-1	25-20-00-007	101-531020-7	25-10-20-067
100951DD032-002*	32-50-10-017	101-384111-3	34-10-00-062	101-531089-13	25-10-20
100951DD125ZW	25-50-35	101-384179	34-30-00-012	101-531089-15	25-10-20-074
100951NB050WX	32-30-10-059	101-384184-1	34-11-00-011	101-531089-3	25-10-20-077
100951NY032ZA	25-10-70-029	101-384184-3	34-10-00-085	101-531089-7	25-10-20-071
100951N125ZG	25-21-40-003	101-384207-5	35-00-01-005	101-531106-1	25-20-00-012
100951P125ZW	26-10-10-029	101-384207-5	35-00-02-005	101-550123-5	21-20-25-010A
100951P125ZW	56-20-20-007	101-384207-7	35-00-02	101-555086-1	21-50-60-020
100951P200-07-*	25-10-50	101-384207-7	35-00-01	101-555087-1	21-50-60-018
100951S016ZZ	39-21-00-048	101-384212-3	35-00-01-022	101-560096-7	35-00-01-051
100951X016WZ	27-50-10-003A	101-384212-3	35-00-02-022	101-560096-7	35-00-02-051
100951X020WZ	27-50-10-003	101-384220-7	35-00-01-082	101-580235-3	11-20-00-018
100951X040ZH	23-50-32-033	101-384220-9	35-00-02-082	101-810056-7	32-30-10-015
100951X040ZH	23-50-30-033	101-384226-1	35-00-02-078	101-810160-3	32-10-10-070
100951X040ZL	76-10-10-073	101-384226-1	35-00-01-078	101-810160-3	23-60-00-003
100951X040ZL	76-10-10-050	101-384248-1	21-20-15-018	101-810161-5	32-10-10-072
100951X040ZL	76-10-10-002	101-384252-1	23-30-00-001	101-920082-9	73-10-10-015
100951X040ZL	76-10-10-239	101-388015-21	32-30-00-027	101-930023-5	79-20-00-005
100951X040ZZ	76-10-00-008	101-388015-23	32-30-05-020	101-960027-5	61-20-20
100951X063	54-10-00	101-388015-25	32-30-00-078	101A073-4	32-30-10-024
100951X063YN	32-10-00-003	101-388015-25	32-30-00-050	102-430284-7	52-10-10-046
101-320234-11	34-10-20-001	101-388015-25	32-30-05-158	102-920010-9	28-10-10-181
101-320234-11	34-11-00-008	101-388015-25	32-30-15-092	102466-11	21-30-00-087
101-320234-13	34-10-20-013	101-388015-27	32-30-00-051	102809-125-107	32-50-10-013
101-320234-5	34-11-00-002	101-388015-27	32-30-00-077	102933S6ZS1566	27-30-40-028
101-320234-7	34-11-00-006	101-388015-29	32-30-00-058	103	39-21-00-055
101-320234-7	34-10-20-007	101-388015-29	32-30-15-088	103570-26	21-30-00-093
101-320234-9	34-11-00-004	101-388015-31	32-30-00-084	103637	28-10-00-124
101-341965-13	23-40-10-005	101-388015-33	32-30-15-087	103727-1	39-10-00-007
101-341965-13	11-30-00-020	101-388015-37	32-30-00-033	104-920044-11	71-70-00
101-341965-15	11-30-00-021	101-388015-37	32-30-15-074	104-920044-11	71-70-00-030
101-341965-15	23-40-10-006	101-388015-37	27-40-00-004	105-0303-001	25-60-00-005
101-344084-17	34-50-40	101-388015-39	32-30-00-026	105090CR050-3F	57-10-20-006
101-360021-15	33-40-50	101-388015-5	32-30-00-052	105090CR050-4F	57-10-20-065
101-360021-15	53-50-00-002	101-388015-5	32-40-20-003	105090CR050-4F	32-10-00-137
101-361055-9	11-20-00-017	101-388015-7	32-30-00-034	105090CR050-4F	32-10-00-150
101-364179-1	39-10-00-023	101-388015-7	32-30-05-001	105090CR050-4G	32-10-00-156
101-380012-7	39-20-00-034	101-388015-7	32-30-05-155	105090D090-6K	54-10-10
101-380018-3	52-10-20	101-388015-7	32-30-05-012	105090PD050-3F	55-20-00-035
101-380018-7	52-10-20-012	101-388015-7	32-30-15-073	105739X-YR1000	32-10-00-143
101-380019-3	21-50-40-122	101-388015-7	32-30-05-170	105739X-YT0400	32-10-00-004
101-380019-3	21-50-30-029	101-388016-49	32-30-15-117	105739X-ZW1230	27-31-00-125H
101-380021-1	21-30-10-077	101-388016-51	32-30-15-118	105740X-YM0750	27-30-10-024
101-380021-1	21-30-10-031	101-388016-53	32-30-15-119	105774C-ZE00428	39-10-00-035
101-380021-5	21-30-10	101-388016-55	32-30-05-171	105774C-ZE00516	39-10-00-036
101-380021-5	21-30-10	101-388016-55	32-30-05-002	105774C-ZE00604	54-30-30-003
101-380042	34-50-00-016	101-388017-15	27-40-00-001	105774C-ZE00604	54-30-00-026
101-380042	34-30-00-016	101-389011-23	28-10-10-143	105774CZE02116	25-10-40-006
101-380043	34-30-00-006	101-389011-27	28-10-10-067	105774M-ZE00301	39-10-71-102
101-380049-13	35-00-01-118	101-389011-31	28-10-10-069	105774M-ZE00301	39-10-70-102
101-380049-15	35-00-01-126	101-389011-39	28-20-00-240	105933-10	36-00-10-014
101-380049-15	35-00-02-126	101-389011-65	36-00-10-058	105933-10	38-30-10-007
101-380051-3	35-00-02-016	101-389011-65	73-10-10-012	105933-10	36-00-10-103
101-380051-3	35-00-01-016	101-389011-81	30-10-00-114	105933-10	36-00-10-091
101-380053-11	23-60-00-001	101-389011-81	30-10-00-094	105933-10	36-00-10-087
101-380053-11	55-40-00-007	101-389011-81	30-10-00-123	105933-10	36-00-10-075
101-380053-11	55-20-00-008	101-389015-3	79-20-00-012	105933-10	36-00-10-070

# Raytheon Aircraft

## BEECH STARSHIP 1 ILLUSTRATED PARTS CATALOG

PART NUMBER	CHAP/SUB-SECT/UNIT & ITEM	PART NUMBER	CHAP/SUB-SECT/UNIT & ITEM	PART NUMBER	CHAP/SUB-SECT/UNIT & ITEM
105933-10	30-10-00-207	112TW91-3	39-10-71-106	114-8001-21	32-20-10-014
105933-12	21-50-40-094	112TW91-3	39-10-71-100	114-8001-23	32-20-10
105933-8	21-50-40-093	112TW91-3	39-10-71-079	114-8001-33	32-20-10
106200H10-6	28-10-10-063	112TW91-3	39-10-70-114	114-8001-9	32-20-10-013
106200H8-11	28-10-10-179	112TW91-3	39-10-70-111	114-810065-1	32-40-20-104
10624C31-00600	39-10-30	112TW91-3	39-10-71-053	114-820052-7	32-50-10
106242C1900100	39-20-00	112TW91-3	39-10-71-114	114-820052-7	32-50-00-001
106242C31-00600	39-10-20-032	112TW91-3	39-10-71-111	114-820053-1	32-50-10-001
106242C43-00108	76-10-20	112TW91-3	39-10-71-110	114-820054-15	32-50-10-009
106242G44-0900	27-70-00-001	112TW91-3	39-10-71-109	114-820054-21	32-50-10-014
109	35-00-02-028	112TW91-3	39-10-71-108	114-820054-23	32-50-10
109	35-00-01-028	112TW91-3	39-10-70-079	114-820054-7	32-50-10-009A
109-361022-29	24-50-00	112TW91-3	39-10-70-106	114-820055-1	32-50-10-004
109-361022-31	24-50-00	112TW91-3	39-10-70-100	114-820061-3	32-20-10-022
109-361022-41	24-50-10	112TW91-3	39-10-70-108	114-820062-3	32-20-10-023
109-361022-43	24-50-10	112TW91-3	39-10-70-110	114-820097-1	27-30-00-094
109-361022-49	24-50-00	112TW91-3	39-10-70-109	114-820111-1	32-50-10-011
109-361022-51	24-50-10	112TW91-3	39-10-70-053	114-820111-1	32-50-10-019
109-361023-1	24-50-10-020	112TW91-7	39-10-71-135	114-920028-1	28-20-00-260
109-361023-1	24-50-00-020	112TW91-7	39-10-70-135	114-940023-7	76-10-10-011
109-381002-1	24-50-00-022	112TW91-8	39-10-71-065A	114-940024-1	76-10-10-083
109-381002-1	24-50-10-042	112TW91-8	39-10-70-065A	114675A1-9	32-40-20-089
109-381002-1	32-40-20-093	112TW91-8	30-70-00	114693-11-00200	30-10-00-032
109-381002-1	39-21-00-015	112412	76-10-10	114693-11-00200	30-10-00-166
109-389002-3	28-20-00-264	112412	76-10-10-094	114693-11-00200	30-10-00
109-389002-7	28-20-00	112413-4	76-10-10-095	114693-11-00200	30-10-00-160
109-580074	11-20-00-020	112413-8	76-10-10	114693-11-00400	30-10-00
109-960026-7	61-20-20-009	112416-000-27	57-20-00-009	114693-3-04800	38-30-12-002
109-960028-11	61-20-20-016	112416-002-12	57-20-00-031	114693-4-00600	30-10-00
109-960028-13	61-20-20-012	112416-002-18	57-20-00-010	114693-4-00600	30-10-00
109-960028-21	61-20-20-023	112416-005-12	57-20-00-011	114693-6-00200	30-10-00
109-960028-7	61-20-20-017	112416-008-24	57-20-00-032	114693-6-00400	30-10-00
11-2764-1	33-30-00-004	112416-030-22	57-20-00-033	115-524017-3	53-20-20-017
11MS3S	61-20-10-012	112436-6	76-10-10	115-555018-9	21-50-51-058
11SM3S	76-10-00	112436-6	76-10-10-091	115-555018-9	21-50-50-063
11SM3S	76-10-00-075C	112733	11-20-00-023	115005-3	27-20-00
11SM3S	76-10-00	112738	11-20-00-025	115093-00916	21-20-60-015
11SM3S	76-10-00-075B	1133-877	61-20-00-002	115110D8	24-30-20-016
11SM3S	76-10-00	114-364073-7	25-60-20-003	115110E10	23-50-32
11SM3S	76-10-00-075A	114-364074-3	25-60-20-001	115110E10	23-50-30
11SM3S	76-10-00	114-364074-7	25-60-20	115150	53-20-50-004
11SM3S	76-10-00-075	114-364074-7	25-10-00-002	115167AXX190888	75-20-00-002
110-4-002	25-60-00	114-380050-5	32-40-20-020	11693	39-20-00-046
1107586-01	25-10-20-015	114-388001-1	32-40-00-012	11693	23-50-32-019
1111067-01	25-10-20	114-388001-1	21-30-10-078	11693	23-50-30-019
1111067-02	25-10-20	114-388006-3	32-40-20-102	1173T0508	21-60-00-014
111190-22	32-50-10-003	114-388006-5	32-40-20-101	118-369021-3	61-10-00-007
111250-15	56-10-00-015	114-388010-1	32-40-20-048	12H	24-50-00-017
111250-15	56-10-00-003	114-388011-1	32-40-00-076	12H	24-50-10-017
111504WA0800-5 5	32-50-10-018	114-388011-1	32-40-20-131	12H	71-60-00-044
111504WA0800-5 5	32-50-10-010	114-388017-3	32-40-20-077	12KS3	79-20-10-007
111504WF0030-7	25-10-20-140	114-389031-17	71-20-00-022	12006-13	38-30-05
111504WF0104-8	25-10-20-086	114-389031-19	71-20-00	12006-15	38-30-05-006A
111504YZ0200-1*	52-10-10-044	114-389031-21	71-20-00	12006-5	38-30-05-014
111504ZS0028-6	27-20-20-108	114-389031-23	71-20-00	12006-9	38-30-05-010
111504ZS0028-6	27-20-20-037	114-389031-7	71-20-00	1202-022	11-30-00-036
112TW59-10A	39-10-71-107	114-389032-7	73-10-00-021	1202-022	25-25-00-021
112TW59-10A	39-10-70-107	114-389032-7	73-10-05	1202-022	25-22-40-002
112TW59-10N	39-10-70-056	114-389032-8	73-10-00	121-014378-01	23-30-10-003
112TW59-10N	39-10-71-056	114-389032-8	73-10-05	121-014378-01	23-10-10-009
112TW59-3D	39-10-71-065	114-389039-23	30-20-00-011	12131-1	38-30-05
112TW59-3D	39-10-71-030	114-389042-5	73-10-00-008	12131-11	38-30-05-025
112TW59-3D	39-10-71-077	114-555062-3	21-50-10-024	12131-3	38-30-05-031
112TW59-3D	39-10-71-069	114-555067-3	21-50-10-023	12131-9	38-30-05-030
112TW59-3D	39-10-71-066	114-580228-1	32-30-10	122-000050-11	11-20-00-012
112TW59-3D	39-10-70-065	114-580228-3	32-30-10-082	122-000050-29	11-20-00-014
112TW59-3D	39-10-70-030	114-580228-5	32-30-10-083	122-000050-3	11-20-00
112TW59-3D	39-10-70-077	114-590024-7	25-10-00-003	122-000050-3	25-60-00-009
112TW59-3D	39-10-70-069	114-590024-8	25-10-00	122-000050-31	11-20-00-024
112TW59-3D	39-10-70-066	114-590025-1	25-10-00-004	122-000050-33	11-20-00-019
112TW59-5M	39-10-70-081	114-590025-3	25-10-00	122-000050-37	11-20-00-005
112TW59-5M	39-10-71-081	114-590025-5	25-10-00	122-000050-41	11-20-00

# Raytheon Aircraft

## BEECH STARSHIP 1 ILLUSTRATED PARTS CATALOG

PART NUMBER	CHAP/SUB-SECT/UNIT & ITEM	PART NUMBER	CHAP/SUB-SECT/UNIT & ITEM	PART NUMBER	CHAP/SUB-SECT/UNIT & ITEM
122-000050-43	11-20-00-015	122-100030-32	57-21-00	122-100071-2	57-10-00-041
122-000050-45	24-40-00-015	122-100037-1	57-10-00	122-100071-3	57-10-00-043
122-000050-47	11-20-00-010A	122-100037-1	57-11-10	122-100071-4	57-10-00-044
122-000050-9	11-20-00-010	122-100037-2	57-11-10	122-100071-5	57-10-00
122-000051-27	11-30-00-037	122-100037-2	57-10-00	122-100071-6	57-10-00
122-100000-9	57-10-00	122-100037-29	57-11-10-009	122-100072-21	25-10-00-005
122-100010-23	57-10-10-016	122-100037-3	57-11-10-011	122-100072-7	25-10-00
122-100010-29	57-10-10-017	122-100037-30	57-11-10	122-100073-1	57-10-20-035
122-100010-31	57-10-10-018	122-100037-31	57-11-10-002	122-100073-10	57-10-20
122-100010-33	57-10-10-019	122-100037-32	57-11-10	122-100073-11	57-10-20-036
122-100010-35	57-10-10	122-100037-4	57-11-10	122-100073-12	57-10-20
122-100010-35	57-10-00	122-100037-5	57-11-10-013	122-100073-13	57-10-20-037
122-100010-35	28-10-00	122-100037-6	57-11-10	122-100073-14	57-10-20
122-100010-43	57-10-10-020	122-100038-1	57-10-20	122-100073-15	57-10-20-038
122-100010-45	57-10-10-022	122-100038-2	57-10-20	122-100073-16	57-10-20
122-100010-47	57-10-10-021	122-100038-3	57-10-20-018	122-100073-17	57-10-20-039
122-100010-48	57-10-10	122-100040-25	53-50-40-018	122-100073-18	57-10-20
122-100011-1	57-10-20	122-100040-26	53-50-40	122-100073-19	57-10-20-040
122-100011-10	57-10-20	122-100040-27	53-50-40-019	122-100073-2	57-10-20
122-100011-11	57-10-20-067	122-100040-35	53-50-40-017	122-100073-20	57-10-20
122-100011-12	57-10-20	122-100040-36	53-50-40	122-100073-21	57-10-20-041
122-100011-2	57-10-20	122-100040-43	53-50-40	122-100073-22	57-10-20
122-100011-3	57-10-20-068	122-100040-43	57-10-00-027	122-100073-23	57-10-20-042
122-100011-4	57-10-20	122-100040-44	57-10-00	122-100073-24	57-10-20
122-100011-5	57-10-20-069	122-100040-44	53-50-40	122-100073-3	57-10-20-043
122-100011-6	57-10-20	122-100040-45	53-50-40-002	122-100073-4	57-10-20
122-100011-7	57-10-20-070	122-100040-46	53-50-40	122-100073-5	57-10-20-044
122-100011-8	57-10-20	122-100040-49	53-50-40-008	122-100073-6	57-10-20
122-100011-9	57-10-20-071	122-100040-50	53-50-40	122-100073-7	57-10-20-045
122-100020-53	57-10-10-023	122-100040-51	53-50-40-011	122-100073-8	57-10-20
122-100020-53	57-10-20	122-100040-53	53-50-40-014	122-100073-9	57-10-20-046
122-100020-53	32-10-00	122-100040-55	53-50-40-015	122-100074-13	57-10-20-047
122-100021-1	57-40-10	122-100040-57	53-50-40-016	122-100074-15	57-10-20-048
122-100021-1	57-10-10-008	122-100040-59	53-50-40-020	122-100074-17	57-10-20-049
122-100021-2	57-10-10	122-100040-60	53-50-40	122-100075-1	57-10-20
122-100021-2	57-40-10	122-100040-61	53-50-40-021	122-100075-2	57-10-20
122-100022-10	57-40-10	122-100040-62	53-50-40	122-100075-3	57-10-20
122-100022-11	57-40-10-003	122-100040-65	53-50-40	122-100078-37	57-10-00-017
122-100022-12	57-40-10	122-100040-71	53-50-40-005	122-100078-38	57-10-00
122-100022-13	57-40-10-004	122-100040-72	53-50-40	122-100078-41	57-10-00-020
122-100022-14	57-40-10	122-100040-75	53-50-40	122-100078-61	57-10-00-019
122-100022-15	57-40-10-005	122-100040-76	53-50-40	122-100078-63	57-10-00
122-100022-16	57-40-10	122-100040-77	53-50-40	122-100078-65	57-10-00-021
122-100022-9	57-40-10-002	122-100040-79	53-50-40	122-100078-79	57-10-00
122-100028-1	57-10-20	122-100040-80	53-50-40	122-100078-80	57-10-00
122-100028-2	57-10-20	122-100040-81	53-50-40	122-100078-83	57-10-00
122-100028-23	57-10-20	122-100040-82	53-50-40	122-100078-85	57-10-00
122-100028-25	57-10-20-056	122-100040-83	53-50-40	122-100078-89	57-10-00
122-100028-27	57-10-20-055	122-100040-84	53-50-40	122-100078-91	57-10-00
122-100028-29	57-10-20	122-100040-87	53-50-40	122-100078-95	57-10-00
122-100028-31	57-10-20	122-100040-88	53-50-40	122-100078-96	57-10-00
122-100028-37	57-10-20-061	122-100040-89	53-50-40	122-100079-73	57-10-20
122-100028-39	57-10-20-054	122-100040-90	53-50-40	122-100079-74	57-10-20
122-100028-41	57-10-20-053	122-100040-91	53-50-40	122-100079-75	57-10-20
122-100028-43	57-10-20	122-100040-92	53-50-40	122-100079-76	57-10-20
122-100028-47	57-10-20-060	122-100040-93	53-50-40	122-100079-77	57-10-20
122-100028-49	57-10-20-059	122-100040-93	53-50-40	122-100079-78	57-10-20
122-100028-51	57-10-20-058	122-100059-13	57-10-20-027	122-100080-1	57-10-20-072
122-100028-53	57-10-20-057	122-100059-14	57-10-20	122-100080-1	57-20-40
122-100030-1	57-10-00-015	122-100059-5	57-10-20-026	122-100080-103	57-20-40
122-100030-1	57-21-00	122-100059-6	57-10-20	122-100080-35	57-20-40-015
122-100030-13	57-21-00-008	122-100065-3	57-10-20-015	122-100080-43	57-20-40-009
122-100030-19	57-21-00	122-100065-3	32-10-00-152	122-100080-47	57-20-40-011
122-100030-2	57-21-00	122-100065-4	32-10-00	122-100080-48	57-20-40
122-100030-2	57-10-00	122-100065-4	57-10-20	122-100080-49	57-20-40-012
122-100030-20	57-21-00	122-100066-3	57-10-20-016	122-100080-50	57-20-40
122-100030-21	57-21-00-011	122-100066-3	32-10-00-165	122-100080-51	57-20-40-014
122-100030-22	57-21-00	122-100066-4	32-10-00	122-100080-55	57-20-40-013
122-100030-23	57-21-00-012	122-100066-4	57-10-20	122-100080-57	57-20-40-007
122-100030-24	57-21-00	122-100070-1	57-10-00-039	122-100080-59	57-20-40-006
122-100030-29	57-21-00-009	122-100070-3	57-10-00-040	122-100080-59	57-20-40
122-100030-31	57-21-00-001	122-100071-1	57-10-00-042	122-100080-61	57-20-40-004

# Raytheon Aircraft

## BEECH STARSHIP 1 ILLUSTRATED PARTS CATALOG

PART NUMBER	CHAP/SUB- SECT/UNIT & ITEM	PART NUMBER	CHAP/SUB- SECT/UNIT & ITEM	PART NUMBER	CHAP/SUB- SECT/UNIT & ITEM
122-100080-63	57-20-40	122-100115-10	57-11-00	122-100149-35	57-20-30-016
122-100080-71	57-20-40-001	122-100115-100	57-11-00	122-100149-36	57-20-30
122-100080-73	57-20-40-003	122-100115-100	57-11-10	122-100149-37	57-20-30-014
122-100080-73	57-20-40	122-100115-102	57-11-10	122-100149-38	57-20-30
122-100080-73	57-20-40	122-100115-102	57-11-00	122-100149-39	57-20-30-003
122-100080-73	57-20-40	122-100115-103	57-11-10-005	122-100149-4	57-20-30
122-100080-73	57-20-40	122-100115-103	57-11-00-007	122-100149-40	57-20-30
122-100080-73	57-20-40	122-100115-104	57-11-00	122-100149-41	57-20-30-006
122-100080-75	57-20-40-005	122-100115-104	57-11-10	122-100149-42	57-20-30
122-100080-79	57-20-40	122-100115-105	57-11-00-006	122-100149-43	57-20-30
122-100080-79	57-20-40	122-100115-105	57-11-10-006	122-100149-44	57-20-30
122-100080-81	57-20-40	122-100115-106	57-11-10	122-100149-45	57-20-30-005
122-100080-83	57-20-40	122-100115-106	57-11-00	122-100149-46	57-20-30
122-100080-84	57-20-40	122-100115-111	57-11-00-015	122-100149-47	57-20-30
122-100080-85	57-20-40	122-100115-111	57-11-10-017	122-100149-48	57-20-30
122-100080-86	57-20-40	122-100115-113	57-11-10-018	122-100149-49	57-20-30
122-100080-87	57-20-40	122-100115-113	57-11-00-016	122-100149-5	57-20-30
122-100080-89	57-20-40	122-100115-137	57-11-00	122-100149-50	57-20-30
122-100080-89	57-10-20	122-100115-137	57-11-10-012	122-100149-51	57-20-30
122-100080-91	57-20-40	122-100115-138	57-11-10	122-100149-51	57-10-10
122-100080-93	57-20-40	122-100115-138	57-11-00	122-100149-52	57-10-10
122-100080-93	57-20-40	122-100115-23	57-11-00	122-100149-52	57-20-30
122-100080-95	57-20-40	122-100115-24	57-11-00	122-100149-53	57-20-30
122-100080-99	57-20-40	122-100115-25	57-11-00-014	122-100149-54	57-20-30
122-100085-1	52-80-10	122-100115-25	57-11-10-016	122-100149-55	57-20-30
122-100085-2	52-80-10	122-100115-47	57-11-00-003	122-100149-56	57-20-30
122-100085-27	52-80-10-019	122-100115-48	57-11-00	122-100149-57	57-20-30
122-100085-28	52-80-10-020	122-100115-55	57-11-00-017	122-100149-58	57-20-30
122-100085-35	52-80-10-025	122-100115-55	57-11-10-019	122-100149-59	57-20-30
122-100085-36	52-80-10	122-100115-56	57-11-10	122-100149-6	57-20-30
122-100085-37	52-80-10-026	122-100115-56	57-11-00	122-100149-7	57-20-30
122-100085-39	52-80-10-027	122-100115-77	57-11-00	122-100149-8	57-20-30
122-100085-41	52-80-10-028	122-100115-77	57-10-00-016	122-100151-1	57-40-00
122-100085-43	52-80-10-029	122-100115-78	57-10-00	122-100151-1	57-10-10-001
122-100085-45	52-80-10	122-100115-78	57-11-00	122-100151-2	57-10-10
122-100085-47	52-80-10-030	122-100115-79	57-11-00-018	122-100151-2	57-40-00
122-100085-49	52-80-10-031	122-100115-80	57-11-00	122-100151-3	57-40-00-001
122-100095-1	57-10-20-010	122-100115-81	57-11-00-019	122-100151-4	57-40-00
122-100095-2	57-10-20	122-100115-82	57-11-00	122-100152-1	57-40-00
122-100095-5	57-10-20-009	122-100115-9	57-11-00-002	122-100152-1	57-10-10-002
122-100096-5	57-10-20-004	122-100115-91	57-11-00-012	122-100152-2	57-10-10
122-100097-1	57-10-20	122-100115-91	57-11-10-014	122-100152-2	57-40-00
122-100097-2	57-10-20	122-100115-93	57-11-10-010	122-100152-3	57-40-00-002
122-100097-3	57-10-20-003	122-100115-93	57-11-00-010	122-100152-4	57-40-00
122-100100-1	57-10-10-011	122-100115-95	57-11-00-011	122-100153-1	57-40-00
122-100100-1	52-80-10	122-100118-1	57-10-10-007	122-100153-1	57-10-10-003
122-100100-2	52-80-10	122-100118-1	57-40-00	122-100153-2	57-10-10
122-100100-2	57-10-10	122-100118-2	57-40-00	122-100153-2	57-40-00
122-100110-13	32-10-00	122-100118-2	57-10-10	122-100153-3	57-40-00-003
122-100110-13	52-80-10-001	122-100118-3	57-40-00-007	122-100153-4	57-40-00
122-100110-14	52-80-10	122-100118-4	57-40-00	122-100154-1	57-40-00
122-100110-14	32-10-00	122-100118-5	57-40-00	122-100154-1	57-10-10-004
122-100111-1	52-80-10-007	122-100118-6	57-40-00	122-100154-2	57-10-10
122-100111-10	52-80-10	122-100130-1	57-10-00-013	122-100154-2	57-40-00
122-100111-2	52-80-10	122-100137-3	57-10-00	122-100154-3	57-40-00-004
122-100111-9	52-80-10-008	122-100137-5	57-10-00-011	122-100154-4	57-40-00
122-100112-1	52-80-10-013	122-100137-7	57-10-00-014	122-100155-1	57-40-00
122-100112-1	32-10-00-196	122-100137-9	57-10-00	122-100155-1	57-10-10-005
122-100112-3	32-10-00-197	122-100149-1	57-10-10-010	122-100155-2	57-10-10
122-100112-3	52-80-10-014	122-100149-1	57-20-30	122-100155-2	57-40-00
122-100112-5	52-80-10	122-100149-11	57-20-30-004	122-100155-3	57-40-00-005
122-100112-5	32-10-00	122-100149-15	57-20-30-007	122-100155-4	57-40-00
122-100113-3	57-10-20-014	122-100149-16	57-20-30	122-100156-1	57-40-00
122-100113-4	57-10-20	122-100149-19	57-20-30-015	122-100156-1	57-10-10-006
122-100114-1	57-10-20-012	122-100149-2	57-20-30	122-100156-2	57-10-10
122-100114-1	32-10-00-183	122-100149-2	57-10-10	122-100156-2	57-40-00
122-100114-2	32-10-00	122-100149-21	57-20-30-013	122-100156-3	57-40-00-006
122-100114-2	57-10-20	122-100149-25	57-20-30-011	122-100156-4	57-40-00
122-100114-5	57-10-20-013	122-100149-29	57-20-30-008	122-100157-1	57-40-00
122-100114-5	32-10-00-184	122-100149-3	57-20-30	122-100157-1	57-10-10
122-100114-6	32-10-00	122-100149-31	57-20-30-009	122-100157-2	57-10-10
122-100114-6	57-10-20	122-100149-33	57-20-30-012	122-100157-2	57-40-00

# Raytheon Aircraft

## BEECH STARSHIP 1 ILLUSTRATED PARTS CATALOG

PART NUMBER	CHAP/SUB-SECT/UNIT & ITEM	PART NUMBER	CHAP/SUB-SECT/UNIT & ITEM	PART NUMBER	CHAP/SUB-SECT/UNIT & ITEM
122-100158-1	57-40-00	122-120189-9	28-10-00-116	122-322020-3	39-10-71-177
122-100158-10	57-40-00	122-130000-1	57-60-00	122-322020-3	53-20-40
122-100158-11	57-40-00-008	122-130000-2	57-60-00	122-322022-1	53-20-40-027
122-100158-12	57-40-00	122-130044-105	57-60-00-033	122-322023-1	53-20-40-014
122-100158-2	57-40-00	122-130044-106	57-60-00	122-322024-1	53-20-40-018
122-100158-3	57-40-00	122-130044-115	57-60-00-034	122-322025-1	53-20-40-022
122-100158-4	57-40-00	122-130044-116	57-60-00-035	122-322025-2	53-20-40-023
122-100158-47	57-40-00	122-130044-117	57-60-00-036	122-322026-1	53-20-40-024
122-100158-48	57-40-00	122-130044-123	57-60-00	122-322026-2	53-20-40-025
122-100158-5	57-40-00	122-130044-124	57-60-00	122-322026-3	53-20-40-020
122-100158-6	57-40-00	122-130044-129	57-60-00	122-322026-4	53-20-40-021
122-100158-7	57-40-00	122-130044-130	57-60-00	122-322027-1	53-20-40-015
122-100158-8	57-40-00	122-130044-133	57-60-00	122-322027-2	53-20-40-016
122-100158-9	57-40-00	122-130044-134	57-60-00	122-322028-1	53-20-40-011
122-100167-1	57-20-20	122-130044-137	57-60-00	122-322028-3	53-20-40-010
122-100167-1	57-10-10-009	122-130044-138	57-60-00	122-322032-1	53-40-00
122-100167-2	57-10-10	122-130044-77	57-60-00-037	122-322033-1	53-40-00-001
122-100167-2	57-20-20	122-130044-89	57-60-00-032	122-322033-2	53-40-00
122-100167-3	57-20-20-001	122-130044-90	57-60-00	122-322033-5	53-40-00
122-100167-4	57-20-20	122-130044-91	57-60-00-031	122-322033-6	53-40-00
122-110021-1	24-40-00	122-130044-92	57-60-00	122-322034-1	53-20-40-002
122-110021-3	24-40-00	122-130044-93	57-60-00-030	122-322034-2	53-20-40-003
122-110021-5	24-40-00-001	122-130044-95	55-40-00-056	122-322035-1	53-40-00
122-110021-9	24-40-00-013	122-130044-97	55-40-00	122-322035-3	53-40-00-012
122-120069-1	28-10-00-107	122-130044-97	55-20-00	122-322036-1	53-40-00
122-120069-11	28-10-01	122-130047-3	57-60-00-016	122-322036-3	53-40-00
122-120069-12	28-10-01	122-130047-31	57-60-00-008	122-322039-11	53-20-40-017
122-120069-2	28-10-00	122-130047-32	57-60-00	122-322039-15	39-10-10-030
122-120070-1	28-10-00-092	122-130047-4	57-60-00	122-322039-17	33-10-00-007
122-120070-3	28-10-00-096	122-130048-1	57-60-00-023	122-322039-3	39-10-80-028
122-120070-3	28-10-00	122-130048-3	57-60-00-011	122-322039-5	39-10-80-008
122-120070-7	28-10-00-100	122-130048-5	57-60-00-010	122-322039-7	39-10-71-090
122-120077-1	28-10-01	122-130054-10	57-60-00	122-322039-7	39-10-70-090
122-120077-11	28-10-00	122-130054-11	57-60-00-020	122-322039-9	39-10-70-151
122-120077-12	28-10-00	122-130054-12	57-60-00	122-322039-9	39-10-70-012
122-120077-2	28-10-01	122-130054-13	57-60-00-018	122-322039-9	39-10-71-012
122-120100-17	28-10-00	122-130054-14	57-60-00-019	122-322039-9	39-10-71-151
122-120100-17	57-10-10-015	122-130054-15	57-60-00-022	122-322041-13	39-10-71-049
122-120100-18	57-10-10	122-130054-16	57-60-00-021	122-322041-13	39-10-70-049
122-120100-18	28-10-00	122-130054-9	57-60-00	122-322041-25	39-10-71
122-120160-1	28-10-00-084	122-130110-7	57-60-00-012	122-322053-7	39-10-71-176
122-120160-2	28-10-00	122-130110-9	57-60-00-013	122-322053-7	39-10-70-176
122-120160-3	28-10-00-083	122-160000-1	57-50-00	122-322057-1	39-10-00
122-120160-4	28-10-00	122-160000-2	57-50-00	122-322057-3	39-10-00-037
122-120162-5	28-10-00-086	122-160022-1	57-50-00-001	122-322057-5	39-10-00-038
122-120162-6	28-10-00	122-160022-2	57-50-00	122-322057-7	39-10-00-039
122-120162-7	28-10-00-087	122-160025-1	57-50-00-027	122-322057-9	39-10-00-040
122-120163-1	28-10-00-081	122-160025-2	57-50-00	122-322060-43	39-10-20-101
122-120163-3	28-10-00	122-320000-3	34-10-00	122-322060-45	39-10-30-088
122-120182-11	28-10-00-123	122-320020-1	34-10-00-012	122-322060-47	39-10-30
122-120182-15	28-10-00-072	122-320021-5	34-10-00-052	122-322063-11	25-10-70
122-120182-16	28-10-00	122-320022-1	34-10-00-039	122-322063-7	25-10-70-038
122-120182-17	28-10-00	122-320023-1	34-10-00-013	122-322064-5	39-10-20
122-120182-18	28-10-00	122-320027-1	34-10-00-041	122-322066-5	34-20-00-004
122-120182-19	28-10-00	122-320029-5	34-10-00-051	122-322067-9	25-10-70-004
122-120182-20	28-10-00	122-320034-5	34-10-00-069	122-322067-9	31-50-00
122-120182-3	28-10-00-121	122-320034-7	34-10-00-080	122-322069-1	53-40-00
122-120182-5	28-10-00-090	122-320035-1	34-10-00-058	122-322070-1	53-40-00-010
122-120182-7	28-10-00-091	122-320036-1	34-10-00-057	122-322072-3	53-40-00
122-120182-9	28-10-00-122	122-320039-1	34-10-00-050	122-322073-1	53-40-00-013
122-120185-11	28-10-00	122-320040-1	34-10-00-042	122-322074-1	53-20-40-001
122-120185-12	28-10-00	122-320041-1	34-10-00-049	122-322076-3	53-20-40-013
122-120185-15	28-10-00-113	122-320042-1	34-10-00-047	122-322077-5	39-10-60-020
122-120185-17	28-10-00-115	122-320043-1	34-10-00-046	122-322077-5	53-20-80
122-120185-19	28-10-00	122-320044-1	34-10-00-040	122-322077-7	53-20-80-003
122-120186-1	28-10-00-110	122-320045-1	34-10-00-081	122-322090-3	39-10-70
122-120186-5	28-10-00	122-320046-1	34-10-00-082	122-322090-3	39-10-71
122-120187-10	28-10-00	122-322015-3	34-20-00	122-322094-603	39-10-00
122-120187-11	28-10-00	122-322016-5	39-10-00	122-322095-3	39-10-00-032
122-120187-12	28-10-00	122-322018-5	39-10-70	122-322095-5	39-10-00
122-120187-9	28-10-00	122-322018-5	39-10-71	122-322096-1	53-40-10
122-120189-1	28-10-00	122-322020-3	39-10-70-177	122-322097-11	53-20-00



# Raytheon Aircraft

## BEECH STARSHIP 1 ILLUSTRATED PARTS CATALOG

PART NUMBER	CHAP/SUB-SECT/UNIT & ITEM	PART NUMBER	CHAP/SUB-SECT/UNIT & ITEM	PART NUMBER	CHAP/SUB-SECT/UNIT & ITEM
122-322097-13	53-20-00	122-322142-33	39-10-00	122-322197-19	53-20-10-028
122-322097-9	53-20-00	122-322145-1	39-10-00	122-322197-19	53-20-00
122-322098-11	53-20-10	122-322145-3	39-10-00-041	122-322197-23	33-10-00
122-322098-9	53-20-10	122-322146-1	39-10-00-031	122-322197-7	53-20-00-032
122-322099-1	53-20-10-023	122-322147-1	39-10-00	122-322197-9	33-10-00-004
122-322099-3	53-20-10	122-322147-9	39-10-00-015	122-322199-3	33-10-00
122-322100-3	53-20-10-016	122-322156-1	53-40-10-005	122-322199-5	33-10-00
122-322101-3	53-20-10-015	122-322157-1	53-40-10-004	122-322203-1	25-10-30
122-322101-5	53-20-10	122-322158-1	53-40-10-003	122-322203-3	25-10-30-014
122-322102-3	53-20-10-026	122-322162-1	33-10-00	122-322203-5	25-10-30-015
122-322103-3	53-20-10-013	122-322162-3	33-10-00-009	122-322203-7	25-10-30-016
122-322104-3	53-20-10-007	122-322163-3	39-10-00	122-322203-9	25-10-30-013
122-322104-5	53-20-10	122-322169-1	39-10-70	122-322204-1	39-10-70
122-322105-3	53-20-10-011	122-322169-1	39-10-71	122-322204-1	39-10-71
122-322105-5	53-20-10	122-322170-1	39-10-71-098	122-322205-1	39-10-71-122
122-322106-13	53-20-10	122-322170-1	39-10-70-098	122-322205-1	39-10-70-122
122-322106-9	53-20-10-005	122-322171-1	39-10-70-119	122-322207-9	39-10-70
122-322107-5	53-20-10-017	122-322171-1	39-10-71-119	122-322207-9	39-10-71
122-322108-1	53-20-00	122-322172-5	39-10-71-133	122-322208-37	39-10-71-047
122-322108-2	53-20-10	122-322172-5	39-10-70-133	122-322208-37	39-10-70-047
122-322108-3	53-20-00-020	122-322173-1	39-10-70-136	122-322209-5	39-10-70
122-322108-4	53-20-10-021	122-322173-1	39-10-71-136	122-322209-5	39-10-71
122-322108-5	53-20-00-021	122-322173-9	39-10-71-134	122-322209-9	39-10-71
122-322108-6	53-20-10-022	122-322173-9	39-10-70-134	122-322211-3	53-20-10
122-322109-1	53-20-10-009	122-322174-1	39-10-70-137	122-322211-3	53-20-10-010
122-322110-5	53-20-10-012	122-322174-1	39-10-71-137	122-322211-3	53-20-10
122-322111-1	53-20-10-019	122-322175-1	34-10-20	122-322211-3	53-20-00-011
122-322111-3	53-20-00-029	122-322180-15	39-10-40-017	122-322211-3	53-20-00
122-322112-1	53-20-10-018	122-322181-15	39-10-40	122-322211-3	53-40-00
122-322112-5	53-20-00-031	122-322182-1	53-20-00-017	122-322211-3	53-40-00
122-322113-1	53-20-00-033	122-322182-2	53-20-00-018	122-322211-3	11-30-00-033
122-322113-3	53-20-00	122-322182-3	53-20-00-016	122-322212-5	25-10-70
122-322114-3	53-20-00-026	122-322184-1	39-10-30-020	122-322212-7	25-10-70
122-322115-3	53-20-00-027	122-322184-1	23-30-40	122-322212-7	26-10-20
122-322115-5	53-20-00	122-322184-113	39-10-20-013	122-322213-1	25-10-70-032
122-322116-3	53-20-00-037	122-322184-115	39-10-20-016	122-322213-3	25-10-70
122-322117-3	53-20-00-028	122-322184-115	39-10-20-020	122-322214-1	25-10-70-002
122-322118-3	53-20-00-006	122-322184-119	39-10-20-017	122-322214-2	25-10-70
122-322119-5	53-20-00-014	122-322184-121	39-10-20-010	122-322214-3	25-10-70
122-322119-7	53-20-00	122-322184-123	39-10-20-006	122-322214-4	25-10-70
122-322119-9	53-20-00	122-322184-125	39-10-20-007	122-322217-3	25-10-70-016
122-322120-1	53-20-00-005	122-322184-127	39-10-20-015	122-322217-5	25-10-70-037
122-322121-5	53-20-00-030	122-322184-129	39-10-20-014	122-322217-6	25-10-70
122-322122-1	53-20-00	122-322184-131	39-10-20-022	122-322219-1	39-10-10
122-322122-3	53-20-00-013	122-322184-133	39-10-30-013	122-322220-1	39-10-71-073A
122-322122-5	53-20-00-012	122-322184-135	39-10-20-021	122-322220-1	39-10-70-073A
122-322122-7	53-20-00	122-322184-137	23-10-10	122-322226-1	39-10-70
122-322123-1	53-20-00-015	122-322184-139	39-10-30-011	122-322226-1	39-10-71
122-322124-1	53-20-10-014	122-322184-19	39-10-30-015	122-322227-1	39-10-71-071
122-322125-11	53-20-00	122-322184-25	39-10-20-012	122-322227-1	39-10-70-071
122-322125-5	53-20-00	122-322184-27	39-10-20-023	122-322229-1	39-10-60
122-322125-7	53-20-00-010	122-322184-29	39-10-30-019	122-322229-1	21-30-00
122-322125-9	53-20-00	122-322184-31	39-10-20-008	122-322229-3	21-30-00
122-322126-1	53-20-00	122-322184-33	39-10-20-009	122-322229-3	39-10-60
122-322126-3	53-20-00-024	122-322184-43	39-10-20-005	122-322230-1	33-10-00
122-322126-5	53-20-00-023	122-322184-43	39-10-40-013	122-322231-1	33-10-00-005
122-322127-1	53-20-00-035	122-322184-61	39-10-30-003	122-322232-1	25-10-70-036
122-322128-5	53-20-00-034	122-322184-69	39-10-40-014	122-322232-5	25-10-70
122-322129-1	39-10-71	122-322184-73	39-10-20-018	122-322234-3	23-50-00
122-322129-1	39-10-70	122-322184-83	39-10-30-014	122-322235-1	23-50-00
122-322129-3	39-10-70-104	122-322184-87	39-10-30-012	122-322235-5	23-50-00-005
122-322129-3	39-10-71-104	122-322184-89	39-10-30-007	122-322239-1	39-10-20
122-322129-5	39-10-71-105	122-322184-91	39-10-30-009	122-322240-1	39-10-70
122-322129-5	39-10-70-105	122-322184-97	39-10-30-017	122-322240-1	39-10-71
122-322130-1	53-20-00-022	122-322185-1	39-10-00-034	122-322241-1	39-10-71-139
122-322131-1	27-31-10	122-322196-1	53-20-80	122-322241-1	39-10-70-139
122-322131-3	27-31-10-024	122-322196-4	53-20-80-005	122-322242-1	39-10-60-019
122-322136-9	39-20-00-052	122-322196-5	53-20-80-004	122-322242-1	21-30-00
122-322140-1	39-10-00	122-322197-1	53-20-10-024	122-322242-3	21-30-00
122-322140-5	39-10-00	122-322197-1	53-20-00-036	122-322242-3	39-10-60
122-322141-29	39-10-00-030	122-322197-15	53-20-00	122-322243-1	21-30-00-099
122-322142-13	39-10-00-014	122-322197-15	53-20-10-027	122-322243-3	21-30-00

# Raytheon Aircraft

## BEECH STARSHIP 1 ILLUSTRATED PARTS CATALOG

PART NUMBER	CHAP/SUB-SECT/UNIT & ITEM	PART NUMBER	CHAP/SUB-SECT/UNIT & ITEM	PART NUMBER	CHAP/SUB-SECT/UNIT & ITEM
122-322244-1	39-10-40	122-340043-7	53-20-70-028	122-340165-69	23-60-10-047
122-322245-5	39-10-40	122-340069-1	23-50-10	122-340169-1	39-10-10-025
122-322245-7	39-10-40	122-340069-1	24-30-10	122-340179-5	27-00-30-009
122-322247-1	53-40-00-017	122-340069-1	23-00-01	122-340181-1	23-10-10
122-322253-1	36-00-10-047	122-340069-1	22-11-30	122-340181-3	23-10-10
122-340039-101	23-50-32-001	122-340069-1	23-10-00	122-340182-1	23-60-10
122-340039-101	23-50-30-001	122-340069-1	23-30-20	122-340182-3	23-60-10
122-340039-109	34-20-20-029	122-340069-1	23-40-00	122-340182-5	23-60-10
122-340039-121	23-30-10-002	122-340069-1	24-30-20	122-340182-7	23-60-10
122-340039-123	25-60-00-012	122-340069-1	34-50-40	122-340184-1	23-10-25
122-340039-135	53-20-10-025	122-340069-1	34-50-60	122-340184-3	23-10-25
122-340039-137	24-30-10-012	122-340069-1	34-50-30	122-340184-5	23-10-25
122-340039-165	34-50-10-017	122-340069-1	34-50-20	122-340187-1	23-30-00
122-340039-185	23-60-10-019	122-340069-1	34-20-20	122-340187-13	23-30-00
122-340039-189	23-60-10-013	122-340069-1	34-20-20	122-340187-19	23-30-00
122-340039-189	23-60-10-007	122-340069-1	34-50-00	122-340187-21	23-30-00
122-340039-191	23-60-10-003	122-340069-1	34-50-10	122-340187-7	23-30-00
122-340039-203	34-50-30-016	122-340069-1	27-00-30	122-340188-5	27-00-30-008
122-340039-203	34-50-40-009	122-340069-1	31-50-10	122-340188-7	27-00-30
122-340039-207	34-50-50-018	122-340070-1	28-40-00-031	122-340188-9	27-00-30
122-340039-211	23-10-00-010	122-340070-11	34-50-50	122-340190-1	22-11-30
122-340039-215	34-30-00-015	122-340070-23	34-50-50	122-340193-1	23-30-30
122-340039-219	23-10-10-011	122-340070-27	34-50-10-004	122-340194-1	23-10-10
122-340039-227	23-30-10-001	122-340070-9	23-00-01-004	122-340194-3	23-30-10
122-340039-231	23-10-00-009	122-340071-1	34-50-00	122-340196-1	23-70-10-010
122-340039-233	34-50-00	122-340071-1	34-30-00	122-340196-15	23-70-10-015
122-340039-247	34-50-00	122-340071-3	34-30-00	122-340196-17	23-70-10-019
122-340039-41	24-30-20-001	122-340073-3	34-20-20	122-340196-19	23-70-10-023
122-340039-45	24-30-20	122-340079-1	53-20-70-081	122-340196-5	23-70-10-014
122-340039-45	24-30-10	122-340079-19	53-20-70-082	122-340196-9	23-70-10-030
122-340039-46	24-30-10	122-340079-9	22-11-30-009	122-340205-1	53-20-70
122-340039-46	24-30-20	122-340081-3	53-40-30	122-340205-3	53-20-70
122-340039-47	34-40-00-005	122-340082-15	53-40-30-003	122-340210-1	27-00-30
122-340039-48	34-40-00	122-340082-31	53-40-30-001	122-340210-3	27-00-30
122-340039-77	24-30-20-009	122-340084-1	23-30-20	122-340212-1	27-00-30
122-340039-81	53-40-20-017	122-340085-1	31-50-10	122-341000-1	53-20-70
122-340039-82	53-40-20	122-340091-1	53-20-70	122-341000-1	53-20-70
122-340039-97	22-11-00	122-340091-3	53-20-70	122-341000-11	53-20-70
122-340039-99	22-11-00-031	122-340093-1	23-10-10	122-341000-13	53-20-70
122-340040-11	34-50-20-014	122-340099-1	34-50-50	122-341000-13	53-20-70
122-340040-13	34-50-20-013	122-340135-13	34-50-20-012	122-341000-13	53-20-70
122-340040-43	34-40-00-004	122-340135-9	34-00-10-006	122-341000-15	53-20-70
122-340040-45	34-50-20-018	122-340160-1	53-20-70-093	122-341000-15	53-20-70
122-340040-49	34-50-20-015	122-340160-11	53-20-70	122-341000-5	53-20-70
122-340040-53	34-50-10-018	122-340160-25	53-20-70-098	122-341000-5	53-20-70
122-340041-123	23-50-30	122-340160-27	53-20-70	122-341000-5	53-20-70
122-340041-123	23-50-32	122-340160-3	53-20-70-094	122-341000-5	53-20-70
122-340041-159	23-50-32	122-340160-31	53-20-70-099	122-341000-5	21-55-00-014
122-340041-159	23-50-30	122-340160-33	53-20-70	122-341000-7	53-20-70
122-340041-173	23-50-30	122-340160-37	53-20-70	122-341000-9	53-20-70
122-340041-173	23-50-32	122-340160-39	53-20-70	122-341001-43	34-50-40-002
122-340041-177	23-50-32	122-340160-9	53-20-70	122-341001-49	34-50-30-002
122-340041-187	23-60-10	122-340161-1	23-10-10-012	122-341001-49	34-11-00
122-340041-19	34-11-00	122-340161-1	34-50-50-012	122-341001-51	34-50-50-002
122-340041-191	23-50-32	122-340163-3	27-00-30	122-341001-57	34-50-20-002
122-340041-193	23-50-32	122-340164-3	27-00-30	122-341001-59	23-10-00-002
122-340041-23	34-11-00	122-340164-7	27-00-30-008A	122-341001-61	34-20-20-024
122-340041-29	24-30-20	122-340164-9	27-00-30	122-341001-63	34-50-00-002
122-340041-39	23-50-30	122-340165-15	27-00-30-013	122-341001-67	23-50-10-002
122-340041-39	23-50-32	122-340165-19	27-00-30-011	122-341001-71	34-20-20-006
122-340041-45	23-50-30	122-340165-27	27-00-30-015	122-341001-75	24-30-10
122-340041-45	23-50-32	122-340165-3	27-00-30-016	122-341001-75	24-30-20
122-340041-47	23-50-30	122-340165-31	27-00-30	122-341001-77	34-50-10
122-340041-59	24-30-10	122-340165-33	27-00-30	122-341001-79	34-20-20
122-340041-97	23-50-30	122-340165-39	27-00-30	122-341002-47	53-20-70-006
122-340041-97	23-50-32	122-340165-41	27-00-30	122-341002-48	53-20-70-034
122-340043-11	31-40-00-007	122-340165-43	27-00-30	122-341002-51	53-20-70-062
122-340043-19	34-50-50-011	122-340165-45	27-00-30	122-341002-69	53-20-70
122-340043-23	31-40-00-002	122-340165-5	27-00-30-012	122-341002-69	53-20-70
122-340043-27	31-40-00	122-340165-59	23-60-10-030	122-341002-69	53-20-70
122-340043-31	31-40-00	122-340165-61	23-60-10	122-341002-69	53-20-70
122-340043-7	53-20-70-056	122-340165-65	23-60-10-046	122-341002-83	53-20-70-020

# Raytheon Aircraft

## BEECH STARSHIP 1 ILLUSTRATED PARTS CATALOG

<b>PART NUMBER</b>	<b>CHAP/SUB-SECT/UNIT &amp; ITEM</b>	<b>PART NUMBER</b>	<b>CHAP/SUB-SECT/UNIT &amp; ITEM</b>	<b>PART NUMBER</b>	<b>CHAP/SUB-SECT/UNIT &amp; ITEM</b>
122-341002-85	53-20-70-048	122-342047-59	23-50-30-060	122-361003-11	24-30-00
122-341006-5	34-20-10-007	122-342047-59	23-50-32-060	122-361013-17	24-50-00-027
122-341006-6	34-20-10	122-342047-61	23-50-30-053	122-361013-36	24-50-10-027
122-341010-3	23-30-10	122-342047-61	23-50-32-053	122-361013-37	24-50-10
122-341010-5	23-30-10	122-342047-71	23-50-32-023	122-361013-41	24-50-00
122-341012-1	34-30-00	122-342047-71	23-50-30-023	122-361013-43	24-50-00-091
122-341013-1	25-10-00	122-342047-73	23-50-30	122-361013-53	24-50-10-105
122-341044-1	34-00-10-013	122-342047-75	23-50-32	122-361013-55	39-10-50
122-341044-3	34-00-10-002	122-342047-81	23-50-32	122-361013-55	39-20-30-060
122-341045-1	34-00-10	122-342049-5	23-50-32	122-361013-57	39-10-50-032
122-341046-1	23-40-10	122-342049-5	23-50-30	122-361013-59	24-50-10
122-341047-5	23-40-10	122-342050-1	24-30-10	122-361013-61	24-50-10-086
122-341047-7	23-40-10-018	122-342050-3	24-30-20	122-361013-7	24-50-10-094
122-342004-11	25-60-00	122-342051-1	34-11-00	122-361013-77	24-50-10
122-342004-5	25-60-00	122-342051-11	34-11-00	122-361013-79	39-10-50
122-342004-7	25-60-00-008	122-342051-3	34-11-00	122-361013-79	39-20-30
122-342004-9	25-60-00	122-342051-5	34-11-00-009	122-361014-21	39-10-50-012
122-342005-7	34-50-20	122-342051-7	34-11-00-010	122-361014-21	24-50-00-082
122-342006-11	34-50-50	122-342051-9	34-11-00	122-361014-35	39-10-50-010
122-342006-13	34-50-50	122-342052-11	23-50-10-021	122-361014-43	24-50-10-107
122-342008-5	34-50-00	122-342052-13	23-50-10	122-361014-45	24-50-00-071
122-342008-7	34-50-00-012	122-342052-7	23-50-10	122-361014-45	24-50-10-029
122-342009-11	34-50-40	122-342052-9	23-50-10	122-361014-47	24-50-10-030
122-342009-9	34-50-40	122-342053-1	23-40-00	122-361014-53	24-50-10-053
122-342010-11	34-50-30	122-342056-3	53-20-70	122-361014-53	24-50-10-070
122-342010-9	34-50-30	122-342060-3	25-60-00	122-361014-53	24-50-00-046
122-342012-13	34-30-00	122-342061-1	23-50-40	122-361014-53	24-50-00-060
122-342012-3	34-30-00-004	122-342061-3	23-50-40	122-361014-55	39-21-00-010
122-342012-9	34-30-00-005	122-342062-1	23-50-40-003	122-361014-57	39-21-00-009
122-342019-1	34-20-20	122-342062-5	23-10-25	122-361014-63	39-20-10-001
122-342019-1	34-20-10	122-342062-9	23-10-25	122-361014-65	24-50-10-098
122-342019-2	34-20-10	122-342063-17	23-40-10	122-361014-69	39-10-30-006
122-342019-2	34-20-20	122-342063-19	23-40-10	122-361014-73	39-10-50-011
122-342021-17	39-10-60-016	122-342063-21	23-40-10-015	122-361014-75	39-10-50-009
122-342021-17	39-10-80	122-342063-23	23-40-10	122-361014-79	24-50-00-035
122-342021-19	39-10-80	122-342063-25	23-40-10-017	122-361014-83	39-21-00-034
122-342021-21	39-10-80	122-342069-1	39-10-80-037	122-361014-85	39-21-00-033
122-342021-21	39-10-60	122-342069-3	39-10-80	122-361014-87	24-30-10-025
122-342021-23	39-10-80	122-342070-3	39-10-80-019	122-361015-1	24-30-00-001
122-342023-11	39-10-80	122-342070-5	39-10-80	122-361016-11	39-21-00-018
122-342023-13	39-10-80	122-342072-13	39-10-30	122-361016-13	39-21-00
122-342023-13	39-10-60	122-342072-17	39-10-30	122-361016-15	39-21-00
122-342023-15	39-10-80	122-342084-5	39-10-30	122-361016-19	39-21-00-023
122-342023-9	39-10-80	122-342084-7	39-10-30	122-361016-21	39-21-00
122-342023-9	39-10-60-017	122-342085-11	39-10-80-011	122-361016-31	39-21-00-013
122-342024-29	39-10-80-029	122-342094-1	25-10-41	122-361016-35	39-21-00-014
122-342026-3	39-10-30	122-342094-1	25-10-40	122-361018-1	57-20-10-093
122-342029-1	23-50-40	122-342095-11	23-10-00	122-361019-11	39-21-00
122-342031-1	23-10-00	122-342095-9	23-10-00	122-361019-13	39-21-00-080
122-342032-1	34-50-00	122-342097-1	23-10-30	122-361019-7	39-21-00-057
122-342033-1	34-50-20	122-342097-3	23-10-30	122-361019-9	39-21-00
122-342034-5	34-50-30	122-342098-1	23-30-40	122-361021-3	24-30-00
122-342035-1	34-50-40	122-342099-1	23-70-10	122-361026-1	24-30-00-002
122-342035-9	34-50-40	122-342101-1	27-31-10-025	122-361026-5	24-30-00
122-342036-3	34-20-20	122-342659-127	11-20-00-021	122-361030-11	57-20-10
122-342037-5	34-11-00	122-344000-13	53-20-70-090	122-361030-12	57-20-10
122-342040-3	34-50-10	122-344000-13	53-20-70	122-361030-13	57-20-10
122-342042-3	34-40-00	122-344000-15	53-20-70-091	122-361030-19	57-20-10
122-342043-3	31-40-00	122-344000-17	53-20-70	122-361030-3	57-20-10
122-342044-3	34-50-10	122-344000-19	53-20-70-091A	122-361030-4	57-20-10
122-342046-1	34-50-60	122-344000-23	53-20-70	122-361032-1	57-20-10-081
122-342047-13	23-50-30-005	122-344000-25	53-20-70	122-361033-1	57-20-10-018
122-342047-13	23-50-32-005	122-344000-27	53-20-70	122-361033-13	57-20-10-028
122-342047-45	23-50-30-056	122-344000-29	53-20-70	122-361033-14	57-20-10
122-342047-45	23-50-32-056	122-360011-1	34-50-10	122-361033-27	57-20-10-031
122-342047-49	23-50-32-059	122-360023-1	39-10-30	122-361033-28	57-20-10
122-342047-49	23-50-30-059	122-360026-1	25-10-00	122-361033-3	57-20-10-019
122-342047-49	27-00-30-014	122-361000-11	28-40-00	122-361033-35	53-21-00-062
122-342047-53	23-50-30-037	122-361001-1	24-50-00	122-361033-37	53-21-00-058
122-342047-53	23-50-32-037	122-361001-13	24-50-00	122-361033-49	57-20-10-006
122-342047-57	23-50-32	122-361001-5	24-50-10	122-361033-51	39-21-00-028
122-342047-57	23-50-30	122-361001-5	24-30-00	122-361035-1	57-20-10-107

# Raytheon Aircraft

## BEECH STARSHIP 1 ILLUSTRATED PARTS CATALOG

PART NUMBER	CHAP/SUB-SECT/UNIT & ITEM	PART NUMBER	CHAP/SUB-SECT/UNIT & ITEM	PART NUMBER	CHAP/SUB-SECT/UNIT & ITEM
122-361035-2	57-20-10-108	122-361066-6	57-20-10	122-364111-23	53-21-00-017
122-361036-1	57-20-10-110	122-361067-1	55-30-00	122-364111-33	53-21-00-018
122-361037-1	57-20-10-109	122-361067-10	55-30-00	122-364120-5	53-21-00-041
122-361037-11	57-20-10-111	122-361067-11	55-30-00-018	122-364131-11	39-20-30-003
122-361037-17	57-20-10	122-361067-12	55-30-00	122-364131-15	39-20-30-013
122-361037-19	57-20-10-101	122-361067-17	55-30-00-020	122-364131-19	39-20-30
122-361037-21	57-20-10	122-361067-18	55-30-00	122-364131-21	39-20-30
122-361037-23	57-20-10-104	122-361067-2	55-30-00	122-364131-23	39-20-30-022
122-361037-7	57-20-10-113	122-361067-5	55-30-00	122-364131-5	39-20-30-023
122-361037-9	57-20-10-112	122-361067-6	55-30-00	122-364131-7	39-20-30
122-361039-3	57-20-10-080	122-361067-9	55-30-00-019	122-364131-9	39-20-30-012
122-361040-1	24-40-00-006	122-361069-1	24-50-10	122-364132-7	39-20-30
122-361049-1	57-20-10-032	122-361069-1	24-50-00	122-364133-11	39-20-30-035
122-361049-1	57-20-10-053	122-361069-13	24-50-00	122-364133-11	39-21-00-064
122-361050-13	57-20-10-086	122-361069-15	24-50-00-052	122-364133-23	39-20-10-048
122-361050-15	53-21-00-035	122-361069-3	24-50-10	122-364133-45	39-20-10-056
122-361050-3	57-20-10-084	122-361069-5	24-50-10-076	122-364133-57	39-20-10-041
122-361050-4	57-20-10	122-361069-5	24-50-00-066	122-364133-59	39-20-10-042
122-361050-9	57-20-10-085	122-361069-7	24-50-10-059	122-364133-61	39-20-10-043
122-361051-1	57-20-10-087	122-361073-1	24-30-00-013	122-364133-67	39-20-10-050
122-361051-11	57-20-10-092	122-364000-11	33-20-30-007	122-364133-68	39-20-10-051
122-361051-12	57-20-10	122-364000-19	33-20-30-015	122-364133-71	39-20-10-049
122-361051-13	57-20-10-114	122-364000-25	27-30-30	122-364133-73	39-20-10
122-361051-3	57-20-10-088	122-364000-27	27-30-30-029	122-364133-75	39-20-10
122-361051-5	57-20-10-089	122-364000-35	33-20-30	122-364136-1	53-21-00-053
122-361051-7	57-20-10-090	122-364000-37	33-20-30-010	122-364136-3	53-21-00-051
122-361051-9	57-20-10-091	122-364000-47	33-20-30	122-364136-5	53-21-00-052
122-361054-10	57-20-10	122-364000-5	33-20-30	122-364139-5	39-20-00-013
122-361054-5	57-20-10	122-364000-5	23-60-10	122-364144-13	39-20-20
122-361054-6	57-20-10-083	122-364000-5	27-30-30	122-364144-15	39-20-20-014
122-361054-7	57-20-10-077	122-364000-7	33-20-30	122-364145-7	24-50-20
122-361054-9	57-20-10-082	122-364005-1	39-20-10	122-364146-1	24-50-20-013
122-361057-1	57-20-10-033	122-364006-19	52-70-00-006	122-364146-10	24-50-20-015
122-361057-1	57-20-10-020	122-364006-25	52-70-00	122-364146-9	24-50-20-014
122-361057-11	57-20-10-046	122-364006-27	52-70-00-010	122-364148-3	39-20-00
122-361057-15	57-20-10-047	122-364007-3	39-20-20	122-364149-5	39-20-00-047
122-361057-15	57-20-10-021	122-364020-1	33-40-20	122-364151-3	39-20-00
122-361057-15	57-20-10-034	122-364020-5	33-40-20	122-364154-85	39-20-00-005
122-361057-27	53-20-20	122-364022-17	24-50-00-001	122-364155-3	39-20-00
122-361057-28	53-20-20	122-364022-17	24-50-00	122-364156-1	39-20-00-017
122-361057-37	53-20-20-023	122-364022-17	24-50-10	122-364158-1	53-20-50
122-361057-39	53-21-00-063	122-364022-19	24-50-10-006	122-364158-3	53-20-50-031
122-361057-51	53-20-50-030	122-364022-19	24-50-00-006	122-364159-1	53-21-00-046
122-361057-52	53-20-50-029	122-364028-11	39-20-00-008	122-364165-11	27-00-20-026
122-361057-57	39-21-00-079	122-364028-21	39-20-00-010	122-364165-13	27-00-20-025
122-361058-27	24-50-00-092	122-364028-27	39-20-00	122-364165-17	27-00-20-012
122-361058-29	24-50-10-038	122-364030-5	39-20-00-007	122-364165-21	27-00-20-008
122-361058-31	24-50-10-112	122-364038-5	39-20-00-012	122-364165-23	27-00-20-005
122-361058-47	24-50-00-039	122-364054-13	39-20-00	122-364165-25	27-00-20
122-361058-49	24-50-10-045	122-364054-9	39-20-00-015	122-364165-25	39-20-20-006
122-361058-51	24-50-00-053	122-364060-9	39-20-00-009	122-364165-27	27-00-20-018
122-361058-53	24-50-10-063	122-364064-13	39-20-30	122-364165-3	27-00-20
122-361058-55	39-21-00-023A	122-364064-15	39-20-30	122-364165-5	27-00-20-027
122-361058-9	24-50-10	122-364064-17	39-20-30-056	122-364165-7	27-00-20
122-361058-9	24-50-10	122-364064-7	39-20-30-040	122-364165-9	27-00-20-009
122-361058-9	24-50-00	122-364064-9	39-20-30-055	122-364166-15	39-20-00
122-361058-9	24-50-00	122-364066-1	33-20-35	122-364166-19	39-20-00
122-361059-1	24-50-00	122-364066-3	33-20-35-015	122-364166-9	39-20-00-004
122-361059-15	24-50-10	122-364081-1	53-00-01	122-364168-17	39-20-00-003
122-361059-29	39-21-00	122-364083-1	57-20-10-094	122-364173-17	39-20-00-006
122-361059-35	24-50-10	122-364084-1	57-20-10-095	122-364173-21	39-20-00
122-361059-37	24-50-10	122-364091-1	53-21-00	122-364176-1	39-20-00-014
122-361059-9	24-50-00	122-364091-11	53-21-00-054	122-364179-1	33-40-50
122-361060-25	39-10-50	122-364092-27	53-21-00-055	122-364179-2	33-40-50
122-361060-29	39-10-50	122-364092-31	53-21-00-056	122-364180-1	39-20-00-011
122-361060-3	24-50-10	122-364092-33	53-21-00-057	122-364182-5	39-20-00-016
122-361060-7	24-50-00	122-364098-35	53-21-00-050	122-364182-7	39-20-00
122-361060-9	24-50-10	122-364102-11	53-21-00-009	122-364184-1	39-20-00
122-361063-75	57-20-10-076A	122-364102-13	53-21-00	122-364184-13	39-20-00-031
122-361063-76	57-20-10	122-364102-5	53-21-00	122-364184-17	39-20-00-027
122-361063-77	57-20-10-059	122-364102-7	53-21-00-037	122-364184-3	39-20-00-033
122-361066-5	57-20-10-052	122-364111-17	53-21-00-024	122-364184-5	39-20-00-032

REVISED  
07/31/02

ALPHA-NUMERIC INDEX  
Page 31

# Raytheon Aircraft

## BEECH STARSHIP 1 ILLUSTRATED PARTS CATALOG

PART NUMBER	CHAP/SUB-SECT/UNIT & ITEM	PART NUMBER	CHAP/SUB-SECT/UNIT & ITEM	PART NUMBER	CHAP/SUB-SECT/UNIT & ITEM
122-364184-7	39-20-00-030	122-380008-3	71-60-00-046	122-380071-1	25-21-50-004
122-364184-9	39-20-00-028	122-380008-5	71-60-00-051	122-380071-1	25-21-55-004
122-364188-1	33-20-03	122-380010-3	71-60-00-075	122-380071-1	35-00-01-134
122-364188-1	33-20-07	122-380011-7	27-40-00-025	122-380071-1	35-00-02-136
122-364188-1	33-20-00	122-380012-11	32-10-00	122-380071-3	35-00-02
122-364188-629	56-20-00-026	122-380012-13	32-20-00	122-380071-3	35-00-02
122-364189-1	33-40-20-001	122-380012-15	32-10-00	122-380071-3	25-21-55
122-364190-1	24-50-20	122-380012-7	32-10-00-125	122-380075-3	36-00-20-023
122-364191-1	27-30-30	122-380012-9	32-20-00-017	122-380077-1	76-10-10
122-364191-2	27-30-30	122-380014-1	32-30-00-039	122-380077-3	76-10-10
122-364191-3	27-30-30-010	122-380014-11	32-30-00-089	122-380077-5	76-10-10
122-364191-4	27-30-30	122-380014-3	32-30-00-063	122-380084-1	28-40-00
122-364191-5	27-30-30	122-380018-3	21-50-45-001	122-380085-1	28-40-00
122-364195-1	25-10-70-031	122-380020-11	21-50-20-021	122-380085-3	28-40-00
122-364203-11	30-50-00	122-380020-13	21-50-20	122-380085-5	28-40-00
122-364203-15	30-50-00-032	122-380020-15	21-50-20	122-380085-7	28-40-00
122-364203-17	30-50-00-009	122-380020-7	21-50-20-035	122-380087-3	34-50-50
122-364203-23	30-50-00	122-380021-1	21-50-30-003	122-380087-3	34-50-40
122-364203-33	30-50-00	122-380021-3	21-50-30	122-380087-3	34-50-30
122-364204-1	27-30-00-091	122-380022-5	52-10-10-074	122-380087-3	34-50-20-017
122-364205-1	30-50-00	122-380023-1	52-10-00-015	122-381009-5	32-50-00-043
122-364206-1	33-40-00	122-380023-3	52-10-00	122-381011-1	24-30-00-009
122-364206-15	33-40-00-010	122-380024-5	21-55-00-009	122-381013-1	53-50-20-003
122-364206-16	33-40-00	122-380026-1	21-50-60-015	122-381013-2	53-50-20
122-364206-3	33-40-00-021	122-380026-3	21-50-60	122-381013-3	53-50-20-002
122-364206-5	33-40-00-019	122-380033-3	32-20-00-012	122-381013-4	53-50-20
122-364206-6	33-40-00	122-380033-5	32-20-00	122-381013-5	53-50-20-001
122-364206-7	33-40-00-020	122-380034-1	27-20-20-039	122-381013-6	53-50-20
122-364206-8	33-40-00	122-380034-3	27-20-20	122-381014-19	27-50-00-001
122-364207-1	33-40-00	122-380034-5	27-20-20	122-381014-21	27-50-00-077
122-364207-1	23-40-10	122-380035-5	21-20-35-010	122-381014-23	27-50-00-076
122-364208-1	30-50-00-008	122-380035-5	21-20-30-012	122-381014-25	27-50-00-079
122-364208-19	30-50-00	122-380036-11	21-20-30-022	122-381014-31	27-50-00-058
122-364208-29	30-50-00	122-380036-11	21-20-35-023	122-381014-32	27-50-00
122-364210-1	55-30-00-021	122-380036-13	21-20-35	122-381014-33	27-50-00-011
122-364210-1	33-40-10	122-380036-15	32-30-15-037	122-381014-34	27-50-00
122-364210-10	33-40-10	122-380036-7	21-20-30-025	122-381014-39	27-50-00
122-364210-11	33-40-10-019	122-380036-7	21-20-35-018	122-381016-3	27-30-20-001
122-364210-12	33-40-10	122-380037-13	31-40-00	122-381016-4	27-30-20
122-364210-13	33-40-10-011	122-380040-5	32-10-00-146	122-381031-3	27-40-00-010
122-364210-14	33-40-10	122-380040-6	32-10-00	122-381031-5	27-40-00
122-364210-15	33-40-10-012	122-380041-3	55-10-00-083	122-381032-1	27-40-00-007
122-364210-16	33-40-10	122-380041-3	53-40-20-049	122-382000-11	27-31-10
122-364210-17	33-40-10-014	122-380046-1	34-10-00-020	122-382000-12	27-31-10
122-364210-18	33-40-10	122-380047-3	32-10-00-041	122-382005-9	39-10-10-037
122-364210-2	33-40-10	122-380048-3	32-10-00-042	122-382005-9	39-10-10-016
122-364210-2	55-30-00	122-380050-15	27-31-30	122-382008-3	35-00-01-010
122-364210-3	33-40-10	122-380050-15	27-20-30-010	122-382008-3	35-00-02
122-364210-4	33-40-10	122-380050-17	27-20-30	122-382008-3	35-00-02-010
122-364210-5	33-40-10	122-380050-17	27-31-30-010	122-382008-5	35-00-02
122-364210-6	33-40-10	122-380050-27	27-31-30	122-382009-7	39-10-70-115
122-364210-7	33-40-10-013	122-380050-27	27-20-30	122-382009-7	39-10-71-115
122-364210-9	33-40-10-020	122-380050-29	27-20-30	122-382011-11	39-10-60-003
122-364211-1	33-40-10-002	122-380050-29	27-31-30	122-382011-15	39-10-60
122-364217-1	33-20-35-010	122-380051-3	21-50-20-014	122-382015-9	39-10-60-014
122-364217-2	33-20-35	122-380051-5	21-50-20	122-382031-1	31-50-00-016
122-364217-5	33-20-35-018	122-380057-5	21-20-60-007	122-382033-1	25-10-70-013
122-364217-9	33-20-35-004	122-380059-7	28-40-00-028	122-382033-1	26-10-20-001
122-364218-1	21-50-10	122-380060-1	28-40-00-010	122-382033-3	26-10-20-002
122-366001-1	39-20-30	122-380060-3	28-40-00-020	122-382033-3	25-10-70-012
122-374121-2	25-22-00	122-380060-5	28-40-00-004	122-382034-11	39-10-70-059
122-380004-3	21-50-20-001	122-380060-7	28-40-00-009	122-382034-11	39-10-71-059
122-380004-5	21-50-20	122-380062-1	39-10-50-001	122-382034-13	39-10-71-060
122-380005-3	32-10-00-086	122-380062-1	39-10-30-024	122-382034-13	39-10-70-060
122-380005-5	32-10-00	122-380062-1	39-10-20-043	122-382034-15	39-10-70
122-380005-7	32-10-00	122-380062-5	39-21-00-074	122-382034-15	39-10-71
122-380006-3	32-20-00-070	122-380062-5	30-50-00-044	122-382034-17	39-10-71
122-380006-5	32-20-00	122-380062-5	23-60-10-026	122-382034-17	39-10-70
122-380007-3	32-30-00-022	122-380062-5	24-50-10-082	122-382035-1	39-10-00-008
122-380007-3	32-30-00-046	122-380062-5	24-50-00-087	122-382035-5	39-10-00-009
122-380007-3	32-30-00-073	122-380067-1	52-10-00-067	122-382035-7	33-20-10
122-380008-1	71-60-00-045	122-380069-1	26-20-00-020	122-382036-11	39-10-70-126

# Raytheon Aircraft

## BEECH STARSHIP 1 ILLUSTRATED PARTS CATALOG

PART NUMBER	CHAP/SUB-SECT/UNIT & ITEM	PART NUMBER	CHAP/SUB-SECT/UNIT & ITEM	PART NUMBER	CHAP/SUB-SECT/UNIT & ITEM
122-382036-11	39-10-70-123	122-382074-11	23-10-30-002	122-382137-13	39-10-71
122-382036-11	39-10-71-123	122-382074-13	23-10-25	122-382137-13	30-70-00
122-382036-11	39-10-71-126	122-382074-13	23-10-25	122-382137-15	39-10-71
122-382036-13	39-10-00-002	122-382074-13	23-10-25	122-382137-15	39-10-70
122-382036-15	39-10-71-141	122-382075-1	27-31-10-032	122-382137-9	39-10-70-050
122-382036-15	39-10-70-141	122-382076-1	39-10-70-157	122-382137-9	39-10-71-050
122-382036-15	39-10-71-001	122-382076-1	39-10-70-028	122-382139-3	39-10-60-013
122-382036-15	39-10-70-001	122-382076-1	39-10-71-157	122-382139-5	39-10-60
122-382036-17	39-10-70-124	122-382076-1	39-10-71-028	122-382142-5	39-10-60-012
122-382036-17	39-10-71-124	122-382076-13	39-10-71-029	122-382142-5	34-10-20-026
122-382036-19	39-10-71-142	122-382076-13	39-10-71-170	122-382143-1	34-10-20-027
122-382036-19	39-10-70-142	122-382076-13	39-10-70-029	122-382143-1	39-10-70-061
122-382036-19	39-10-71-002	122-382076-13	39-10-70-170	122-382143-1	39-10-71-061
122-382036-19	39-10-70-002	122-382076-19	39-10-00-022	122-382145-1	39-10-10-041
122-382036-21	39-10-70-125	122-382076-25	39-10-71	122-382146-7	39-10-71-138D
122-382036-21	39-10-71-125	122-382076-7	39-10-00-021	122-382146-7	39-10-70-138D
122-382036-23	39-10-00-001	122-382083-1	39-10-00-028	122-382146-7	34-10-20-028
122-382036-29	39-10-71-074	122-382083-3	39-10-00-029	122-382147-3	39-10-70-138C
122-382036-29	39-10-70-074	122-382083-7	39-10-00-029A	122-382147-3	39-10-71-138C
122-382036-3	39-10-80-018	122-382084-1	39-10-71-093	122-382148-11	39-10-40
122-382036-35	21-30-00-095	122-382084-1	39-10-70-093	122-382148-13	39-10-40-002
122-382036-9	39-10-71-140	122-382085-1	39-10-70-112	122-382148-15	39-10-40
122-382036-9	39-10-71-003	122-382085-1	39-10-71-112	122-382148-15	30-70-00
122-382036-9	39-10-70-140	122-382085-3	39-10-71-113	122-382148-17	39-10-40
122-382036-9	39-10-70-003	122-382085-3	39-10-70-113	122-382148-9	39-10-40
122-382036-9	39-10-00-003	122-382086-1	25-10-70-014	122-382149-1	39-10-71-127
122-382037-1	39-10-10-003	122-382087-1	76-10-20-011	122-382149-1	39-10-70-127
122-382038-1	39-10-70-057	122-382088-5	31-50-00-018	122-382150-3	21-30-00-098
122-382038-1	39-10-71-057	122-382088-5	25-10-70-010	122-382153-1	27-30-30-032
122-382045-11	39-10-71	122-382088-7	25-10-70-011	122-382157-1	30-10-00-118
122-382045-11	39-10-70	122-382088-7	31-50-00-019	122-382157-1	30-10-00-079
122-382045-9	39-10-70-082	122-382089-1	39-10-70-171	122-382158-11	31-50-00-014
122-382045-9	39-10-71-082	122-382089-1	39-10-71-171	122-382158-13	31-50-00-009
122-382047-7	39-10-71-083	122-382090-1	27-31-10-033	122-382158-15	31-50-00-015
122-382047-7	39-10-70-083	122-382091-11	39-10-80-021	122-382158-17	31-50-00-002
122-382050-3	34-20-00-001	122-382092-5	39-10-80-003	122-382158-19	31-50-00-008
122-382051-13	35-00-01-131	122-382100-7	39-10-71-120	122-382158-21	31-50-00-003
122-382053-15	39-10-70-004	122-382100-7	39-10-70-120	122-382158-23	31-50-00-007
122-382053-17	39-10-70	122-382104-1	34-10-20-025	122-382158-25	31-50-00-004
122-382053-17	39-10-71-004	122-382105-11	39-10-20-002	122-382158-27	31-50-00-005
122-382057-5	39-10-71-143	122-382105-9	39-10-20	122-382158-29	31-50-00-006
122-382057-5	39-10-70-143	122-382106-11	39-10-30	122-382158-3	31-50-00-011
122-382058-13	39-10-00	122-382106-13	39-10-30	122-382158-5	31-50-00-013
122-382058-17	39-10-00	122-382106-15	39-10-30	122-382158-7	31-50-00-012
122-382058-21	39-10-00	122-382106-17	39-10-30	122-382158-9	31-50-00-010
122-382058-23	39-10-00	122-382106-19	39-10-30	122-382160-1	23-30-40-001
122-382058-25	39-10-00	122-382106-21	39-10-30	122-382160-3	23-30-40-002
122-382058-27	39-10-00	122-382106-23	39-10-30	122-382170-1	25-10-70
122-382058-5	39-10-00-005	122-382106-25	39-10-30	122-382170-3	25-10-70
122-382058-9	39-10-00	122-382106-27	39-10-30	122-382171-1	21-20-00
122-382060-1	32-40-00-118	122-382106-7	39-10-30	122-382171-1	21-20-00
122-382061-9	21-20-00-017	122-382106-9	39-10-30-002	122-384000-10	56-10-00
122-382063-5	21-20-00-067	122-382107-5	39-10-70-075	122-384000-7	56-10-00-016
122-382063-7	21-20-00	122-382107-9	39-10-71-075	122-384000-8	56-10-00
122-382064-3	21-20-00-075	122-382108-5	39-10-10-006	122-384000-9	56-10-00
122-382064-7	21-20-00	122-382110-3	39-10-10-010	122-384001-3	34-10-00-005
122-382065-3	21-20-00-094	122-382111-7	39-10-10-018	122-384001-4	34-10-00-006
122-382065-5	21-20-00	122-382112-5	39-10-10-014	122-384002-5	56-10-00-005
122-382066-11	21-20-00-036	122-382113-3	39-10-10-008	122-384002-6	56-10-00
122-382066-19	21-20-00-039	122-382118-1	30-40-10-021	122-384002-7	56-10-00
122-382066-21	21-20-00	122-382118-2	30-40-10	122-384002-8	56-10-00
122-382066-25	21-20-00	122-382120-1	30-40-10-002	122-384006-1	21-55-00-016
122-382066-25	21-20-00	122-382120-2	30-40-10	122-384014-1	21-20-25-024
122-382067-3	32-30-10-086	122-382121-3	30-40-10-001	122-384015-1	35-00-01-071
122-382068-5	32-20-00-087	122-382129-1	30-40-10-025	122-384015-1	35-00-02-071
122-382069-1	21-20-00-088	122-382133-1	39-10-71-131	122-384017-1	35-00-02-064
122-382069-7	21-20-00-089	122-382133-1	39-10-70-131	122-384017-1	35-00-01-064
122-382070-3	52-10-00-022	122-382134-1	39-10-70-130	122-384018-1	21-20-25-006
122-382070-5	52-10-00	122-382134-1	39-10-71-130	122-384032-3	25-22-10-001
122-382073-1	23-50-40-001	122-382137-11	39-10-71	122-384032-5	25-22-10
122-382074-1	23-50-40-008	122-382137-11	39-10-70	122-384032-7	25-22-10-004
122-382074-11	23-10-20-010	122-382137-13	39-10-70	122-384037-1	21-20-25-023

# Raytheon Aircraft

## BEECH STARSHIP 1 ILLUSTRATED PARTS CATALOG

PART NUMBER	CHAP/SUB- SECT/UNIT & ITEM	PART NUMBER	CHAP/SUB- SECT/UNIT & ITEM	PART NUMBER	CHAP/SUB- SECT/UNIT & ITEM
122-384046-1	21-20-25-025	122-384107-8	25-20-00	122-384122-7	25-21-90-003
122-384047-1	21-20-25-003	122-384107-9	25-20-00	122-384122-9	25-21-90-002
122-384052-1	25-22-00-055	122-384108-23	25-22-20-003	122-384123-1	25-21-20-013
122-384052-1	25-22-00-042	122-384108-25	25-22-20	122-384123-1	25-21-20-018
122-384052-1	25-21-21-069	122-384108-27	25-22-20	122-384123-1	25-21-21-010
122-384052-1	25-22-00-014	122-384108-29	25-22-20	122-384123-1	25-21-21
122-384052-1	25-22-00-028	122-384108-31	25-22-20	122-384123-1	25-21-21
122-384052-1	25-21-20-040	122-384108-33	25-22-20	122-384123-1	25-21-20-032
122-384052-1	25-21-20-021	122-384108-35	25-22-20	122-384123-2	25-21-20
122-384052-1	33-20-00-008	122-384108-37	25-22-20	122-384123-2	25-21-21-047
122-384055-1	21-20-20-021	122-384108-39	25-22-20	122-384123-2	25-21-21-029
122-384061-1	35-00-02-001	122-384108-41	25-22-20	122-384123-2	25-21-21
122-384061-1	35-00-01-001	122-384108-43	25-22-20	122-384123-2	25-21-20
122-384061-5	21-20-15-002	122-384108-45	25-22-20	122-384123-2	25-21-20
122-384061-7	21-20-15-026	122-384108-47	25-22-20	122-384123-3	25-21-20-037
122-384061-9	35-00-01-087	122-384109-19	25-22-30	122-384125-21	25-22-40-011
122-384061-9	35-00-02-087	122-384109-21	25-22-30	122-384125-23	25-22-40
122-384068-11	33-20-10-005	122-384109-23	25-22-30-007	122-384125-25	25-22-40-018
122-384068-13	33-20-10-003	122-384109-25	25-22-30-005	122-384125-27	25-22-40-017
122-384068-15	33-20-10-001	122-384109-27	25-22-30-006	122-384125-29	25-22-40-016
122-384068-9	33-20-10-007	122-384109-29	25-22-30-004	122-384125-31	25-22-40-015
122-384070-3	38-30-30-026	122-384109-31	25-22-30	122-384125-33	25-22-40-014
122-384070-3	38-30-15-034	122-384109-33	25-22-30	122-384125-35	25-22-40-012
122-384071-3	32-40-00-111	122-384109-35	25-22-30	122-384125-37	25-22-40-013
122-384072-1	35-00-02-006	122-384113-1	33-20-03-001	122-384125-37	38-30-12
122-384072-1	35-00-01-006	122-384113-1	33-20-07-004	122-384125-39	25-22-40-009
122-384072-3	35-00-01	122-384113-3	33-20-03-003	122-384125-41	25-22-40-010
122-384072-3	35-00-02	122-384113-4	33-20-03	122-384125-43	25-22-41-001
122-384077-3	33-10-00-006	122-384114-1	33-20-07-009	122-384125-47	25-22-41-019
122-384078-1	33-40-20	122-384114-1	33-20-03-007	122-384125-49	25-22-41-013
122-384078-2	33-40-20	122-384115-1	56-20-00-030	122-384125-51	25-22-41-006
122-384080-1	33-20-10-011	122-384115-3	56-20-00-029	122-384125-53	25-22-41-009
122-384080-1	25-21-30-012	122-384115-5	56-20-00	122-384125-55	25-22-41-014
122-384080-3	25-21-30	122-384116-1	21-20-00-064	122-384125-57	25-22-41-020
122-384080-3	33-20-10	122-384116-3	21-20-00-074	122-384125-59	25-22-41-012
122-384081-1	33-20-10-014	122-384117-1	11-30-00-038	122-384126-1	52-70-00-009
122-384081-3	33-20-10	122-384117-1	25-21-30-029	122-384127-1	25-25-00-015
122-384083-3	33-10-00-001	122-384118-1	25-50-30	122-384127-11	25-25-00
122-384086-3	21-55-00-007	122-384118-11	25-50-30-008	122-384127-11	25-25-00
122-384089-1	25-10-10-001	122-384118-13	25-50-30-009	122-384127-13	25-25-00-022
122-384089-2	25-10-10	122-384118-15	25-50-30-010	122-384127-15	25-25-00-023
122-384101-1	24-50-20-006	122-384118-17	25-50-30-003	122-384127-17	25-25-00-006
122-384101-1	39-20-20-010	122-384118-3	25-50-30-005	122-384127-19	25-25-00-007
122-384102-1	24-50-20-001	122-384118-5	25-50-30-006	122-384127-21	25-25-00-008
122-384104-1	25-20-10	122-384118-9	25-50-30-007	122-384127-23	25-25-00-009
122-384104-3	25-20-10-024	122-384120-1	25-22-00	122-384127-25	25-25-00-025
122-384105-1	56-20-00	122-384120-11	25-22-00	122-384127-27	25-25-00
122-384105-11	56-20-00-016	122-384120-2	25-22-00	122-384127-29	25-25-00
122-384105-13	56-20-00	122-384121-1	25-22-00	122-384127-3	25-25-00-001
122-384105-15	56-20-00-019	122-384121-17	25-22-00	122-384127-31	25-25-00
122-384105-17	56-20-00-014	122-384121-18	25-22-00	122-384127-33	25-25-00
122-384105-3	56-20-00-012	122-384121-3	25-22-00-049	122-384127-5	25-25-00-020
122-384105-37	56-20-00	122-384121-3	25-22-00-036	122-384127-7	25-25-00-024
122-384105-39	56-20-00	122-384121-3	25-22-00-008	122-384127-9	25-25-00
122-384105-41	56-20-00	122-384121-3	25-22-00-022	122-384127-9	25-25-00
122-384105-45	56-20-00	122-384121-4	25-22-00-023	122-384128-1	25-23-00-001
122-384105-49	56-20-00	122-384121-4	25-22-00-009	122-384128-1	38-30-05
122-384105-5	56-20-00	122-384121-4	25-22-00-037	122-384128-11	25-23-00-007
122-384105-7	56-20-00-013	122-384121-4	25-22-00-050	122-384128-13	25-23-00-009
122-384105-9	56-20-00	122-384121-5	25-22-00-051	122-384128-15	25-23-00-010
122-384107-1	25-20-00-022	122-384121-5	25-22-00-038	122-384128-15	38-30-05-005
122-384107-10	25-20-00	122-384121-5	25-22-00-010	122-384128-17	25-23-00-012
122-384107-11	25-20-00	122-384121-5	25-22-00-024	122-384128-19	25-23-00
122-384107-12	25-20-00	122-384121-6	25-22-00-025	122-384128-19	38-30-05
122-384107-13	25-20-00	122-384121-6	25-22-00-011	122-384128-5	25-23-00-011
122-384107-14	25-20-00	122-384121-6	25-22-00-039	122-384128-7	25-23-00-006
122-384107-15	25-20-00	122-384121-6	25-22-00-052	122-384128-9	25-23-00-008
122-384107-16	25-20-00	122-384121-7	25-22-00-053	122-384129-1	25-50-35
122-384107-2	25-20-00	122-384121-7	25-22-00-040	122-384129-11	25-50-35-010
122-384107-3	25-20-00	122-384121-7	25-22-00-012	122-384129-13	25-50-35-011
122-384107-4	25-20-00	122-384121-7	25-22-00-026	122-384129-15	25-50-35-009
122-384107-7	25-20-00	122-384122-13	25-21-90-004	122-384129-19	25-50-35

# Raytheon Aircraft

## BEECH STARSHIP 1 ILLUSTRATED PARTS CATALOG

<b>PART NUMBER</b>	<b>CHAP/SUB- SECT/UNIT &amp; ITEM</b>	<b>PART NUMBER</b>	<b>CHAP/SUB- SECT/UNIT &amp; ITEM</b>	<b>PART NUMBER</b>	<b>CHAP/SUB- SECT/UNIT &amp; ITEM</b>
122-384129-3	25-50-35-008	122-400012-17	53-25-00-042	122-410105-27	52-40-00-005
122-384129-5	25-50-35-006	122-400012-17	53-25-00-058	122-410105-28	52-40-00
122-384129-6	25-50-35	122-400012-17	53-25-00-012	122-410202-19	53-40-20-061
122-384129-7	25-50-35-007	122-400012-21	53-25-00-013	122-410202-3	53-40-20-062
122-388000-3	32-20-00-047	122-400012-21	53-25-00-032	122-410202-5	53-40-20-007
122-388001-3	32-30-00-061	122-400012-25	53-25-00-001	122-410215-35	53-40-20-048
122-388001-3	32-30-00-087	122-400012-27	53-25-00-004	122-410215-35	55-10-00-082
122-388001-3	32-30-00-037	122-400012-27	53-25-00-017	122-410215-75	55-10-00-074
122-388002-1	32-40-00-034	122-400012-29	53-25-00-031	122-410215-75	53-40-20-043
122-388002-1	32-40-00-030	122-400012-29	53-25-00-043	122-410215-75	53-40-20-044
122-388002-11	32-40-00-188	122-400012-29	53-25-00-059	122-410215-79	53-40-20-045
122-388002-3	32-40-00-031	122-400012-3	53-25-00	122-410215-79	55-10-00-078
122-388002-5	32-40-00-033	122-400012-3	53-25-00	122-410215-81	55-10-00-079
122-388002-5	32-40-00-029	122-400012-9	53-25-00-009	122-410215-81	53-40-20-046
122-388002-7	32-40-00-032	122-400012-9	53-25-00-039	122-410230-13	55-10-00-004
122-388002-9	32-40-00-167	122-400013-1	53-25-00	122-410230-15	55-10-00-001
122-388003-3	32-40-00-028	122-400013-7	53-25-00	122-410230-29	55-10-00-007
122-388003-5	32-30-10	122-400017-17	53-25-00-030	122-410230-30	55-10-00
122-388004-1	32-30-15-116	122-400021-1	53-25-00	122-410330-1	52-40-00-009
122-388006-3	32-40-00	122-400021-1	53-25-00	122-410330-2	52-40-00
122-388007-1	32-40-20-083	122-400021-11	53-25-00-023	122-410330-5	52-40-00
122-388008-1	32-20-00	122-400021-11	53-25-00-051	122-410400-1	52-80-20
122-388009-1	32-40-20-126	122-400021-13	53-25-00-054	122-410401-1	52-80-30
122-389001-5	28-20-00-006	122-400021-13	53-25-00-026	122-410401-11	52-80-30-014
122-389003-7	28-20-00-032	122-400021-15	53-25-00	122-410401-13	52-80-30-007
122-389004-3	28-20-00-035	122-400021-17	53-25-00-014	122-410401-14	52-80-30-008
122-389004-3	28-20-00-153	122-400021-19	53-25-00	122-410401-19	52-80-30-010
122-389008-11	36-10-00-003	122-400021-3	53-25-00-021	122-410401-21	52-80-30-006
122-389008-13	36-10-00	122-400021-3	53-25-00-049	122-410401-25	52-80-30-015
122-389012-1	28-10-10-073	122-400021-5	53-25-00-052	122-410401-3	52-80-30
122-389014-1	28-10-00-035	122-400021-5	53-25-00-024	122-410401-31	52-80-30-011
122-389020-3	24-50-10-111	122-400021-7	53-25-00-057	122-410401-32	52-80-30-012
122-389020-3	24-50-10-037	122-400021-7	53-25-00-029	122-410401-33	52-80-30-013
122-389020-3	24-50-00-093	122-400021-9	53-25-00	122-410401-35	52-80-30-016
122-389021-23	76-10-10-254	122-400021-9	53-25-00-025	122-410401-37	52-80-30-017
122-389021-23	76-10-10-192	122-400021-9	53-25-00-053	122-410401-39	52-80-30
122-389022-1	76-10-10-193	122-400022-3	53-25-00	122-410401-4	52-80-30
122-389022-1	76-10-10-255	122-410000-1	53-40-20	122-410401-7	52-80-30-005
122-389023-33	76-10-10-169	122-410000-1	53-20-70	122-410402-1	52-40-00-003
122-389023-35	76-10-10	122-410000-1	55-10-00	122-410402-2	52-40-00
122-389023-37	76-10-10-170	122-410000-1	52-40-00	122-410402-3	52-40-00-004
122-389025-5	28-10-10-076	122-410000-11	53-40-20-031	122-410402-4	52-40-00
122-389027-1	28-20-00-224	122-410000-13	53-40-20-032	122-410415-1	52-80-20
122-389031-3	73-30-00-001	122-410000-15	53-40-20-029	122-410415-11	52-80-20-011
122-389031-3	77-40-00-019	122-410000-17	53-40-20-030	122-410415-12	52-80-20
122-389033-3	28-20-00-052	122-410000-19	53-40-20-033	122-410415-19	52-80-20-021
122-389034-3	28-40-00-015	122-410000-25	53-40-20-072	122-410415-2	52-80-20
122-389035-1	30-20-00-160	122-410000-27	53-40-20-040A	122-410415-27	52-80-20-010
122-389037-3	61-20-20-025A	122-410000-29	53-40-20-031A	122-410415-28	52-80-20
122-389038-1	28-10-00-008	122-410000-3	53-20-70	122-410415-29	52-80-20-008
122-389038-2	28-10-00	122-410021-1	53-50-00	122-410415-30	52-80-20
122-389039-1	79-20-00-036	122-410021-11	53-50-00-026	122-410415-31	52-80-20-009
122-389041-1	76-10-10-252	122-410021-15	53-50-00-027	122-410415-32	52-80-20
122-389041-11	76-10-10	122-410021-19	53-50-00-020	122-410415-33	52-80-20-015
122-389041-13	76-10-10	122-410021-20	53-50-00-021	122-410415-37	52-80-20-016
122-389041-15	76-10-10	122-410021-21	53-50-00-022	122-410415-38	52-80-20
122-389041-3	76-10-10-253	122-410021-22	53-50-00-023	122-410415-39	52-80-20-017
122-389041-5	76-10-10	122-410021-3	53-50-00-005	122-410415-40	52-80-20
122-389041-7	76-10-10	122-410025-1	53-40-20	122-410415-41	52-80-20-019
122-389041-9	76-10-10	122-410025-1	21-50-60	122-410415-42	52-80-20-020
122-389042-1	77-40-00	122-410025-13	21-50-60-026	122-410415-43	52-80-20-018
122-389042-3	77-40-00-007	122-410025-14	21-50-60	122-410415-5	52-80-20-005
122-400011-1	53-25-00	122-410025-15	21-50-60-027	122-410420-1	53-40-20-018
122-400011-3	53-25-00	122-410025-16	21-50-60	122-410430-11	53-40-20
122-400012-11	53-25-00-011	122-410025-17	21-50-60-025	122-410430-13	53-40-20-039
122-400012-11	53-25-00-041	122-410040-1	53-20-70	122-410430-15	53-40-20
122-400012-13	53-25-00-037	122-410100-19	52-40-00	122-410430-9	53-40-20
122-400012-13	53-25-00-048	122-410100-20	52-40-00	122-410435-3	53-40-20-111
122-400012-13	53-25-00-020	122-410100-21	52-40-00-006	122-410440-3	53-40-20-059
122-400012-13	53-25-00-007	122-410100-23	52-40-00-007	122-410445-1	53-40-20-011
122-400012-15	53-25-00	122-410105-25	52-40-00	122-410450-1	53-40-20-081
122-400012-15	53-25-00	122-410105-26	52-40-00	122-410450-3	53-40-20-084



# Raytheon Aircraft

## BEECH STARSHIP 1 ILLUSTRATED PARTS CATALOG

PART NUMBER	CHAP/SUB- SECT/UNIT & ITEM	PART NUMBER	CHAP/SUB- SECT/UNIT & ITEM	PART NUMBER	CHAP/SUB- SECT/UNIT & ITEM
122-410470-11	53-40-20-098	122-410710-1	52-40-00-011	122-420203-10	56-10-00
122-410470-13	53-40-20-110	122-410715-11	53-40-20-006	122-420203-11	56-10-00-011
122-410470-3	53-40-20-087	122-410715-13	53-40-20-085	122-420203-12	56-10-00
122-410470-5	53-40-20-104	122-410715-15	53-40-20	122-420203-13	56-10-00-014
122-410470-7	53-40-20-106	122-410715-17	53-40-20-086	122-420203-14	56-10-00
122-410470-9	53-40-20-105	122-410715-19	53-40-20	122-420203-15	56-10-00-013
122-410475-1	53-40-20-001	122-410715-25	53-40-20-022	122-420203-16	56-10-00
122-410480-13	53-40-20-076	122-410715-27	53-40-20-015	122-420203-9	56-10-00-012
122-410480-17	53-40-20-067	122-410715-29	53-40-20	122-420204-3	56-10-00-033
122-410480-19	53-40-20-068	122-410715-41	53-40-20-047	122-420204-5	56-10-00
122-410480-25	53-40-20-069	122-410715-41	55-10-00-077	122-420205-23	56-10-00
122-410480-5	53-40-20	122-410715-43	55-10-00	122-420205-24	56-10-00
122-410480-7	53-40-20-077	122-410715-43	53-40-20	122-420205-25	56-10-00-008
122-410480-9	53-40-20-078	122-410715-45	53-40-20	122-420205-26	56-10-00
122-410485-11	53-40-20	122-410715-45	55-10-00	122-420205-27	56-10-00-010
122-410485-13	53-40-20	122-410715-47	53-40-20-010	122-420205-29	56-10-00-009
122-410485-15	53-40-20	122-410715-51	53-40-20-070	122-420206-1	56-10-00-001
122-410485-5	53-40-20-023	122-410715-53	53-40-20-071	122-420206-2	56-10-00
122-410485-7	53-40-20	122-410715-55	53-40-20-079	122-420206-3	56-10-00-002
122-410485-9	53-40-20-028	122-410715-59	53-40-20-040	122-420206-4	56-10-00
122-410490-3	53-40-20-054	122-410715-61	53-40-20	122-420207-3	56-10-00-030
122-410490-5	53-40-20-050	122-410715-63	53-40-20-060	122-420207-4	56-10-00
122-410490-7	53-40-20	122-410715-9	53-40-20-053	122-420207-7	56-10-00-029
122-410490-7	32-20-00	122-420020-1	53-20-50	122-420207-8	56-10-00
122-410500-3	53-30-00	122-420021-11	53-20-50-019	122-420208-1	56-10-00-034
122-410501-1	53-30-00	122-420022-47	53-20-50-015	122-420208-2	56-10-00
122-410501-5	53-30-00-005	122-420022-49	53-20-50-020	122-420208-5	56-10-00-035
122-410501-7	53-30-00-004	122-420022-59	53-20-50-012	122-420208-6	56-10-00
122-410501-9	53-30-00-003	122-420022-63	53-20-50	122-420209-1	56-10-00-018
122-410601-13	52-40-00-012	122-420022-67	53-20-50	122-422011-1	30-40-10
122-410601-15	52-40-00-013	122-420024-23	53-20-50	122-422017-1	56-10-00
122-410601-7	52-40-00	122-420024-27	53-20-50-032	122-422017-1	56-10-00
122-410601-8	52-40-00	122-420024-35	53-20-50-018	122-422017-1	56-10-00
122-410602-25	52-40-00-014	122-420024-39	53-20-50-021	122-422017-13	56-10-00
122-410602-26	52-40-00	122-420024-43	53-20-50-022	122-422017-14	56-10-00
122-410605-13	53-30-00-015	122-420024-45	53-20-50-017	122-422017-5	56-10-00
122-410605-13	53-30-00-009	122-420024-46	53-20-50	122-422017-5	56-10-00
122-410605-31	53-30-00-006	122-420024-5	53-20-50	122-422017-5	56-10-00
122-410606-15	53-30-00-012	122-420025-5	53-20-50-027	122-422027-1	56-10-00
122-410610-57	30-70-00	122-420025-6	53-20-50	122-422027-2	56-10-00
122-410615-1	53-50-20-004	122-420029-113	56-10-00	122-422028-1	56-10-00-037
122-410615-19	53-50-20-006	122-420029-173	56-10-00	122-422028-2	56-10-00
122-410615-2	53-50-20	122-420029-63	56-10-00-007	122-422028-3	56-10-00-038
122-410615-21	53-50-20	122-420029-71	35-00-02-086E	122-422028-4	56-10-00
122-410615-22	53-50-20	122-420029-73	56-10-00-024	122-422028-5	56-10-00-042
122-410615-23	53-50-20	122-420029-74	56-10-00	122-422028-6	56-10-00
122-410615-24	53-50-20	122-420032-5	53-20-50-028	122-422028-7	56-10-00
122-410615-3	53-50-20	122-420032-6	53-20-50	122-422028-8	56-10-00
122-410615-4	53-50-20	122-420035-23	53-20-50-014	122-422029-1	56-10-00-041
122-410620-23	53-50-20	122-420035-29	53-20-50-016	122-430003-1	56-20-10
122-410650-7	53-30-00-010	122-420035-39	53-20-50-023	122-430003-3	56-20-10
122-410660-21	53-20-70	122-420035-43	53-20-50-024	122-430011-3	25-21-21
122-410660-22	53-20-70	122-420035-47	53-20-50-025	122-430011-5	25-21-21-070
122-410660-25	53-20-70-073	122-420035-51	53-20-50-026	122-430012-1	25-21-21-066
122-410660-27	53-20-70-067	122-420036-6	53-20-50	122-430012-1	25-22-00
122-410660-28	53-20-70-068	122-420036-9	53-20-50-013	122-430012-1	25-22-00
122-410660-31	53-20-70-070	122-420114-1	56-10-00-004	122-430012-1	25-22-00
122-410660-33	53-20-70-071	122-420114-2	56-10-00	122-430012-1	25-22-00
122-410660-35	53-20-70-074	122-420122-1	56-10-00-017	122-430012-1	25-21-20-039
122-410660-37	53-20-70-072	122-420122-3	56-10-00-006	122-430012-1	25-21-20-020
122-410660-43	53-20-70-043	122-420200-10	56-10-00	122-430012-13	25-21-21-068
122-410660-45	53-20-70-010	122-420200-17	56-10-00	122-430012-7	25-21-21-067
122-410660-59	53-20-70	122-420200-18	56-10-00	122-430013-1	11-30-00-035
122-410660-60	53-20-70	122-420200-5	56-10-00	122-430020-3	53-20-60
122-410660-61	53-20-70	122-420200-7	56-10-00	122-430021-103	53-20-60
122-410660-65	53-20-70-069	122-420200-9	56-10-00	122-430021-107	53-20-60-019
122-410660-69	53-20-70-069A	122-420201-1	56-10-00-028	122-430021-47	53-20-60-035
122-410660-73	53-20-70-066	122-420201-2	56-10-00	122-430021-49	53-20-60-018
122-410660-77	53-20-70-066A	122-420202-3	56-10-00-036	122-430021-59	53-20-60
122-410660-79	53-20-70	122-420202-4	56-10-00	122-430021-7	53-20-60-036
122-410700-13	25-10-00	122-420202-5	56-10-00	122-430021-81	53-20-60
122-410705-5	53-40-20-016	122-420202-6	56-10-00	122-430021-83	53-20-60

# Raytheon Aircraft

## BEECH STARSHIP 1 ILLUSTRATED PARTS CATALOG

PART NUMBER	CHAP/SUB-SECT/UNIT & ITEM	PART NUMBER	CHAP/SUB-SECT/UNIT & ITEM	PART NUMBER	CHAP/SUB-SECT/UNIT & ITEM
122-430021-85	53-20-60	122-430043-15	52-10-00-043	122-430057-5	52-10-10-116
122-430021-89	53-20-60	122-430043-17	52-10-00-036	122-430057-7	52-10-10
122-430022-1	53-20-60-004	122-430043-29	52-10-00-041	122-430057-7	52-10-10
122-430022-3	53-20-60-005	122-430043-29	52-10-00-054	122-430058-1	52-10-00-025
122-430022-33	53-20-60-010	122-430043-33	52-10-00-049	122-430058-2	52-10-00
122-430022-35	53-20-60-009	122-430043-37	52-10-00-050	122-430059-1	52-10-00-011
122-430022-37	53-20-60-008	122-430043-39	52-10-00	122-430059-2	52-10-00-012
122-430022-41	53-20-60-027	122-430043-43	52-10-00-046	122-430060-45	52-10-00-033
122-430022-42	53-20-60-029	122-430043-5	52-10-00-044	122-430060-47	52-10-00-029
122-430022-47	53-20-60	122-430043-55	52-10-00	122-430060-49	52-10-00-031
122-430022-51	53-20-60	122-430043-57	52-10-00-055	122-430062-1	52-10-10-126
122-430022-53	53-20-60	122-430043-59	52-10-00	122-430062-3	52-10-10-009
122-430022-57	53-20-60	122-430043-601	52-10-00	122-430062-5	52-10-10-007
122-430023-11	53-20-60-039	122-430043-61	52-10-00-042	122-430062-7	52-10-10-129
122-430023-12	53-20-60-040	122-430044-13	52-10-10-040	122-430063-19	52-10-10-123
122-430023-13	53-20-60-041	122-430044-17	52-10-10-032	122-430063-19	52-10-10-071
122-430023-15	53-20-60-042	122-430044-19	52-10-10-063	122-430063-21	52-10-10
122-430023-16	53-20-60-043	122-430044-21	52-10-10	122-430063-21	52-10-10
122-430023-17	53-20-60-015	122-430044-23	52-10-10-038	122-430064-19	52-10-10-124
122-430023-19	53-20-60-031	122-430044-3	52-10-10-047	122-430065-13	52-10-10
122-430023-20	53-20-60-032	122-430044-5	52-10-10-045	122-430065-15	52-10-10-024
122-430023-21	39-20-20-015	122-430044-621	52-10-00	122-430065-25	52-10-10-018
122-430023-23	53-20-60-007	122-430045-15	52-10-00-013	122-430065-9	52-10-10-023
122-430023-25	53-20-60-013	122-430045-16	52-10-00-014	122-430066-7	52-10-10-028
122-430023-27	53-20-60-012	122-430046-11	30-40-10	122-430067-7	52-10-10-086
122-430023-29	53-20-60-014	122-430046-12	30-40-10	122-430081-1	53-20-60-022
122-430023-33	53-20-60	122-430046-21	30-40-10	122-430081-17	53-20-60-024
122-430023-34	53-20-60	122-430046-22	30-40-10	122-430081-19	53-20-60-023
122-430023-35	53-20-60	122-430046-27	30-40-10-031	122-430081-21	53-20-60-046
122-430024-15	53-20-60-020	122-430046-31	30-40-10	122-430081-22	53-20-60-047
122-430024-17	53-20-60-021	122-430046-32	30-40-10	122-430081-29	53-20-60
122-430024-23	53-20-60-044	122-430046-33	30-40-10-032	122-430081-30	53-20-60
122-430024-24	53-20-60-045	122-430046-34	30-40-10	122-430081-33	53-20-60
122-430024-27	53-20-60-025	122-430046-35	30-40-10-028	122-430081-37	53-20-60
122-430024-29	53-20-60-001	122-430046-37	30-40-10	122-430081-41	53-20-60
122-430024-31	53-20-60-002	122-430046-38	30-40-10	122-430081-42	53-20-60
122-430024-33	53-20-60	122-430046-39	30-40-10	122-430081-45	53-20-60
122-430024-35	53-20-60	122-430046-40	30-40-10	122-430081-49	53-20-60
122-430024-36	53-20-60	122-430046-41	30-40-10-030	122-430084-13	11-20-00-007A
S 122-430030-1	56-20-10-004	122-430046-42	30-40-10	122-430084-5	11-20-00-007
S 122-430030-13	56-20-10-004	122-430046-43	30-40-10-029	122-430085-13	11-20-00-027
S 122-430030-15	56-20-10	122-430046-44	30-40-10	122-430085-5	11-20-00-026
S 122-430030-16	52-20-00	122-430046-45	30-40-10-033	122-430100-1	52-10-00
S 122-430030-17	56-20-10	122-430050-1	52-10-00	122-430100-13	52-10-00-019
S 122-430030-18	56-20-10	122-430050-21	52-10-10	122-430100-15	52-10-00
S 122-430030-19	56-20-10-004	122-430050-23	52-10-10-001	122-430100-21	52-10-00-004
S 122-430030-21	56-20-10	122-430050-29	52-10-10-017	122-430100-3	52-10-00-027
S 122-430030-22	52-20-00-040	122-430050-3	52-10-10-099	122-430100-5	52-10-00-009
S 122-430030-23	56-20-10	122-430050-31	52-10-10-062	122-430100-6	52-10-00-010
S 122-430030-24	56-20-10	122-430050-5	52-10-10-070	122-430100-601	52-10-00
S 122-430030-3	56-20-10	122-430051-5	52-10-10-073	122-430110-1	52-10-00
122-430030-39	56-20-10-004	122-430052-5	52-10-10-082	122-430110-25	52-10-00
S 122-430030-4	52-20-00	122-430053-1	52-10-10-098	122-430112-17	52-10-00-066
122-430030-41	56-20-10	122-430054-1	52-10-10-114	122-430112-31	52-10-00-061
122-430030-42	52-20-00-040	122-430055-1	52-10-10	122-430112-35	52-10-00-062
122-430030-43	56-20-10	122-430055-11	52-10-10-081	122-430112-37	52-10-00
122-430030-44	56-20-10	122-430055-13	52-10-10-097	122-430112-43	52-10-00-064
S 122-430030-5	56-20-10	122-430055-3	52-10-10	122-430112-45	52-10-00-065
S 122-430030-6	56-20-10	122-430055-5	52-10-10	122-430112-55	52-10-00
S 122-430032-3	52-20-00	122-430055-7	52-10-10-094	122-430112-57	52-10-00
122-430032-35	56-20-10-001	122-430055-7	52-10-10-107	122-430112-59	52-10-00
122-430032-39	52-20-00-039	122-430055-7	52-10-10-112	122-430112-61	52-10-00
S 122-430032-6	52-20-00	122-430055-7	52-10-10-057	122-430113-3	52-10-00-071
122-430035-5	57-10-00-038	122-430055-9	52-10-10-053	122-430113-5	52-10-00-028
122-430036-3	57-10-00-037	122-430056-1	52-10-10	122-430113-7	52-10-00
122-430036-4	57-10-00	122-430056-11	52-10-10-113	122-430113-9	52-10-00
122-430039-1	52-10-10-122	122-430056-3	52-10-10	122-430115-11	52-10-00-069
122-430040-1	52-10-00	122-430056-5	52-10-10	122-430115-7	52-10-00-068
122-430041-17	52-10-00-060	122-430056-7	52-10-10-108	122-430115-9	52-10-00-070
122-430042-1	52-10-00-059	122-430056-9	52-10-10-058	122-430123-13	21-50-30-066
122-430043-13	52-10-00-057	122-430057-1	52-10-10-064	122-430123-14	21-50-30
122-430043-15	52-10-00-056	122-430057-1	52-10-10-115	122-430123-19	21-50-30-055

REVISED  
07/31/02

ALPHA-NUMERIC INDEX  
Page 37

# Raytheon Aircraft

## BEECH STARSHIP 1 ILLUSTRATED PARTS CATALOG

PART NUMBER	CHAP/SUB- SECT/UNIT & ITEM	PART NUMBER	CHAP/SUB- SECT/UNIT & ITEM	PART NUMBER	CHAP/SUB- SECT/UNIT & ITEM
122-430123-25	21-50-30-067	122-440114-35	53-30-10	122-521021-1	27-50-00
122-430123-31	21-50-30-069	122-440114-37	53-30-10-011	122-521021-3	27-50-00-042
122-430123-33	21-50-30-068	122-440114-38	53-30-10-012	122-521022-5	27-20-00-096
122-430123-35	21-50-30	122-440114-39	53-30-10-013	122-521026-1	27-31-20
122-430123-37	21-50-30-070	122-440114-41	53-30-10-014	122-521026-1	27-31-00-093
122-430123-39	21-50-30	122-440114-43	53-30-10-015	122-521027-11	27-31-20-054
122-430123-41	21-50-30-065	122-440115-3	21-20-60-039	122-521027-13	27-31-20
122-430124-1	57-10-00-049	122-440115-7	21-20-60-040	122-521027-3	27-31-20-006
122-430124-3	57-10-00-048	122-501001-11	22-11-10	122-521027-5	27-31-20-007
122-430126-1	57-10-00-047	122-501001-13	22-11-10-014	122-521027-7	27-31-20-080
122-430126-5	57-10-00	122-501001-15	22-11-10-013	122-521028-1	27-31-20
122-430200-11	52-20-00	122-501001-17	22-11-10-015	122-521028-3	27-31-20-096
122-430200-13	52-20-00	122-501001-9	22-11-10	122-521029-33	27-31-20-015
122-430200-4	52-20-00	122-501003-21	22-11-20-021	122-521029-35	27-31-20-008
122-430210-17	52-20-00-042	122-501003-23	22-11-20-017	122-521029-37	27-31-20-020
122-430210-31	52-20-00	122-501003-25	22-11-20-016	122-521029-39	27-31-20-026
122-430210-33	52-20-00-044	122-501003-27	22-11-20-015	122-521036-27	27-20-30
122-430210-5	52-20-00-043	122-501003-29	22-11-20	122-521036-29	27-20-30-009
122-430210-51	52-20-00-045	122-501003-31	22-11-20-005	122-521036-31	27-31-30
122-430210-54	52-20-00	122-501003-35	22-11-20-004	122-521036-33	27-31-30-009
122-430210-56	52-20-00	122-501003-5	22-11-20-018	122-521036-35	27-31-30
122-430210-62	52-20-00-046	122-501003-9	22-11-20-003	122-521036-37	27-31-30
122-430210-67	52-20-00	122-502012-1	53-20-30	122-521036-39	27-31-30
122-430210-7	52-20-00-041	122-502020-5	53-20-30	122-521036-41	27-31-30
122-430220-1	52-20-00	122-502021-17	53-20-30-003	122-521037-1	27-31-20
122-430220-3	52-20-00-014A	122-502023-1	23-10-20	122-521037-3	27-31-20-090
122-430220-5	52-20-00-027A	122-502024-1	23-10-20-001	122-521038-1	27-31-20
122-430220-9	52-20-00	122-502027-1	23-10-20-004	122-521038-3	27-31-20-084
122-430221-21	52-20-00-029	122-502029-5	53-20-30-001	122-521040-1	27-31-20
122-430221-23	52-20-00	122-5024-1	30-70-00	122-521040-3	27-31-20-059
122-430221-25	52-20-00-033A	122-504001-11	22-11-00-036	122-521040-5	27-31-20-060
122-430221-27	52-20-00	122-504001-21	22-11-00-032	122-521041-15	27-31-20-100
122-430221-29	52-20-00	122-504001-27	22-11-00	122-521041-17	27-31-20
122-430221-3	52-20-00-036	122-504001-29	22-11-00	122-521041-19	27-31-20-101
122-430221-31	52-20-00-036A	122-504001-31	22-11-00-029	122-521041-20	27-31-20-102
122-430221-7	52-20-00-030	122-504001-35	22-11-00-037	122-521041-21	27-31-20-110
122-430221-8	52-20-00-031	122-504001-41	22-11-00	122-521041-5	27-31-20-106
122-430222-1	52-20-00-012	122-504001-43	22-11-00	122-521042-1	27-31-20
122-430222-3	52-20-00	122-504001-5	22-11-00-033	122-521042-3	27-31-20-125
122-430223-1	52-20-00-026	122-504001-7	22-11-00-034	122-521042-5	27-31-20-121
122-430224-1	52-20-00-024	122-504001-9	22-11-00-035	122-521042-7	27-31-20-119
122-430224-11	52-20-00-009	122-504011-5	22-11-00-001	122-521042-8	27-31-20-120
122-430224-2	52-20-00-023	122-504012-13	22-11-00	122-521043-1	27-31-20-111
122-430224-29	52-20-00-022	122-504012-15	22-11-00-012	122-521043-19	27-31-20-115
122-430224-3	52-20-00-011	122-504012-19	22-11-00	122-521044-1	27-31-20
122-430224-30	52-20-00-025	122-504012-9	22-11-00	122-521044-3	27-31-20-067
122-430224-33	52-20-00-019	122-504013-5	22-11-00	122-521047-1	27-50-00
122-430224-34	52-20-00-020	122-504013-7	22-11-00-016	122-521047-1	27-50-00
122-430224-5	52-20-00-010	122-506008-17	22-11-00-008	122-521047-3	27-50-00-010
122-430224-7	52-20-00-008	122-506008-21	22-11-00-006	122-521047-3	27-50-00-057
122-430224-9	52-20-00-021	122-506008-25	22-11-00	122-521048-1	27-50-00
122-430225-7	52-20-00-013	122-506008-29	22-11-00	122-521048-3	27-50-00-037
122-430226-1	52-20-00-014	122-506008-33	22-11-00	122-521051-35	57-50-00-052
122-430227-3	52-20-00-047	122-506008-37	22-11-00	122-521051-35	57-50-00-011
122-430227-5	52-20-00	122-521000-11	27-20-00	122-521059-1	27-31-00-088
122-430228-3	52-20-00-048	122-521000-11	27-31-00	122-521059-101	27-20-00-015
122-430229-7	52-20-00-049	122-521000-13	27-31-00	122-521059-105	27-20-00-016
122-440000-19	53-30-10	122-521000-13	27-20-00	122-521059-109	27-31-00-084
122-440011-45	53-50-00-004	122-521001-11	27-50-10	122-521059-115	27-31-00-085
122-440011-47	53-50-00	122-521001-11	27-50-00	122-521059-121	27-20-00-019
122-440011-47	33-40-50	122-521001-3	27-50-00	122-521059-125	27-20-00-020
122-440011-49	53-50-00	122-521001-3	27-50-00-066	122-521059-129	27-20-00
122-440011-651	53-50-00	122-521001-4	27-50-00	122-521059-13	27-31-00-091
122-440102-21	53-30-10	122-521001-4	27-50-00-019	122-521059-133	27-20-00
122-440102-23	53-30-10-003	122-521001-5	27-50-00-043	122-521059-137	27-31-00
122-440102-3	53-30-10	122-521001-7	27-50-00-081	122-521059-17	27-20-00-017
122-440102-7	53-30-10-002	122-521011-1	27-50-00-070	122-521059-25	27-20-00-018
122-440103-1	53-30-10	122-521011-1	27-50-00-047	122-521059-33	27-31-00
122-440103-5	53-30-10-005	122-521011-1	27-50-00	122-521059-37	27-31-00
122-440103-7	53-30-10-006	122-521011-2	27-50-00-023	122-521059-41	27-31-00
122-440103-9	53-30-10	122-521011-2	27-50-00-048	122-521059-45	27-31-00
122-440114-1	53-30-10	122-521011-2	27-50-00	122-521059-49	27-20-00

# Raytheon Aircraft

## BEECH STARSHIP 1 ILLUSTRATED PARTS CATALOG

PART NUMBER	CHAP/SUB-SECT/UNIT & ITEM	PART NUMBER	CHAP/SUB-SECT/UNIT & ITEM	PART NUMBER	CHAP/SUB-SECT/UNIT & ITEM
122-521059-5	27-31-00-089	122-521074-29	27-31-00	122-521115-16	27-31-00
122-521059-57	27-20-00	122-521074-9	27-31-00	122-521115-19	27-31-00-161
122-521059-65	27-31-00-004	122-521075-1	27-20-00	122-521115-2	27-31-00
122-521059-77	27-31-00-026	122-521075-3	27-20-00-038	122-521115-20	27-31-00
122-521059-81	27-31-00-027	122-521079-100	27-00-10	122-521115-25	27-31-00-160
122-521059-85	27-31-00-086	122-521079-11	27-00-10	122-521115-3	27-31-00
122-521059-89	27-31-00-087	122-521079-13	27-00-10	122-521115-4	27-31-00
122-521059-9	27-31-00-090	122-521079-23	27-00-10-051	122-521115-7	27-31-00-163
122-521059-93	27-20-00-004	122-521079-25	27-00-10-052	122-521115-8	27-31-00
122-521059-97	27-20-00-003	122-521079-31	27-00-10-032	122-521115-9	27-31-00-164
122-521064-15	27-20-00	122-521079-33	27-00-10-028	122-521116-11	27-31-00
122-521064-17	27-20-00-078	122-521079-35	27-00-10-016	122-521116-13	27-31-00
122-521064-19	27-20-00-076	122-521079-41	27-00-10-050	122-521116-15	27-31-00-137
122-521064-5	27-20-00-077	122-521079-45	27-00-10-044	122-521116-9	27-31-00
122-521066-15	27-20-00-052	122-521079-5	27-00-10	122-521118-1	27-20-00
122-521066-15	27-20-00-048	122-521079-59	27-00-10-035	122-521118-13	27-20-00
122-521066-17	27-20-00-045	122-521079-60	27-00-10-036	122-521118-15	27-20-00-116
122-521066-19	27-20-00	122-521079-61	27-00-10-037	122-521118-2	27-20-00
122-521066-3	27-20-00-049	122-521079-62	27-00-10-038	122-521118-27	27-20-00-127
122-521068-1	27-20-00	122-521079-7	27-00-10	122-521118-31	27-20-00
122-521068-11	27-20-00	122-521079-71	27-00-10-033	122-521118-33	27-20-00
122-521068-33	27-20-00	122-521079-72	27-00-10-034	122-521118-35	27-20-00-126
122-521068-35	27-20-00	122-521079-73	27-00-10-043	122-521118-37	27-20-00
122-521068-37	27-20-00	122-521079-75	27-00-10-049	122-521118-39	27-20-00
122-521068-41	27-20-00	122-521079-75	27-00-10-027	122-521118-41	27-20-00
122-521068-43	27-20-00	122-521079-81	27-00-10-053	122-521118-43	27-20-00
122-521068-5	27-20-00	122-521079-83	27-00-10	122-521118-5	27-20-00-128
122-521071-11	27-20-00	122-521079-85	27-00-10-017	122-521118-9	27-20-00-129
122-521071-17	27-31-00-109	122-521079-87	27-00-10-015	122-521124-3	57-50-00-012
122-521071-19	27-31-00-110	122-521079-89	27-00-10	122-521124-4	57-50-00
122-521071-19	27-31-00-104	122-521079-89	27-20-00	122-521124-5	57-50-00
122-521071-19	27-20-00-062	122-521079-89	27-31-00-129	122-521124-6	57-50-00
122-521071-19	27-20-00-068	122-521079-91	27-00-10	122-521125-11	57-50-00
122-521071-23	27-31-00-105	122-521079-93	27-00-10	122-521125-12	57-50-00
122-521071-25	27-31-00-103	122-521079-95	27-00-10	122-521125-13	57-50-00
122-521071-27	27-20-00-069	122-521079-96	27-00-10	122-521125-14	57-50-00
122-521071-29	27-20-00-064	122-521079-97	27-00-10-034A	122-521125-15	57-50-00-026
122-521071-3	27-31-00	122-521079-99	27-00-10	122-521125-16	57-50-00
122-521071-35	27-20-00-063	122-521085-1	27-20-00	122-521125-17	57-50-00-038
122-521071-37	27-20-00	122-521086-3	27-20-00	122-521125-18	57-50-00
122-521071-37	27-31-00	122-521086-4	27-20-00	122-521125-9	57-50-00-035
122-521071-43	27-31-00	122-521087-5	27-20-30	122-521125-9	57-50-00-023
122-521071-45	27-31-00-111	122-521087-6	27-20-30	122-521126-11	57-50-00
122-521071-9	27-20-00	122-521087-7	27-20-30	122-521126-12	57-50-00
122-521072-15	27-31-00	122-521087-8	27-20-30	122-521126-3	57-50-00-053
122-521072-19	27-31-00	122-521092-3	55-40-00-027	122-521126-4	57-50-00
122-521072-21	27-20-00	122-521092-4	55-40-00	122-521126-9	57-50-00-049
122-521072-31	27-20-00	122-521097-5	27-20-00-036	122-521126-9	57-50-00-008
122-521072-33	27-20-00	122-521098-1	27-20-00-034	122-521128-13	27-50-10-006
122-521072-35	27-20-00	122-521098-3	27-20-00-035	122-521128-14	27-50-10
122-521072-37	27-20-00	122-521098-5	27-20-00	122-521128-9	27-50-10-005
122-521072-39	27-31-00	122-521101-1	27-31-20-068	122-521129-10	27-50-10
122-521072-41	27-31-00	122-521105-5	22-11-20-002	122-521129-11	27-50-10-015
122-521072-43	27-31-00	122-521106-10	27-31-00	122-521129-12	27-50-10
122-521072-43	27-20-00	122-521106-11	27-31-00-150	122-521129-9	27-50-10-014
122-521072-5	27-31-00	122-521106-12	27-31-00	122-521130-10	57-20-00
122-521072-7	27-20-00	122-521106-9	27-31-00	122-521130-27	57-20-00-001
122-521073-13	27-31-00-121	122-521109-1	27-20-00-106	122-521130-28	57-20-00
122-521073-39	27-31-00	122-521109-2	27-20-00	122-521130-29	57-20-00-012
122-521073-41	27-31-00-122	122-521111-1	27-31-20	122-521130-31	57-20-00
122-521073-49	27-31-00-128	122-521111-3	27-31-20-046	122-521130-31	27-50-00
122-521073-53	27-31-00-122A	122-521112-1	27-20-00	122-521130-32	27-50-00
122-521073-55	27-31-00	122-521112-3	27-20-00-031	122-521130-32	57-20-00
122-521073-57	27-31-00	122-521113-1	27-31-00	122-521130-33	57-20-00
122-521073-59	27-31-00-127	122-521113-2	27-31-00	122-521130-34	57-20-00
122-521073-61	27-31-00-125G	122-521114-1	27-31-00	122-521130-35	57-20-00-013
122-521073-63	27-31-00-125K	122-521114-2	27-31-00	122-521130-36	57-20-00
122-521073-65	27-31-00-125E	122-521115-1	27-31-00	122-521130-37	57-20-00-015
122-521074-15	27-31-00	122-521115-10	27-31-00	122-521130-38	57-20-00
122-521074-17	27-31-00	122-521115-13	27-31-00-165	122-521130-41	57-20-00-014
122-521074-25	27-31-00	122-521115-14	27-31-00	122-521130-42	57-20-00
122-521074-27	27-31-00	122-521115-15	27-31-00-162	122-521130-45	57-20-00

# Raytheon Aircraft

## BEECH STARSHIP 1 ILLUSTRATED PARTS CATALOG

PART NUMBER	CHAP/SUB-SECT/UNIT & ITEM	PART NUMBER	CHAP/SUB-SECT/UNIT & ITEM	PART NUMBER	CHAP/SUB-SECT/UNIT & ITEM
122-521130-46	57-20-00	122-521135-2	27-50-10	122-522053-3	53-20-20-016
122-521130-49	57-20-00	122-521135-3	27-50-10-019	122-522055-1	53-20-20-029
122-521130-50	57-20-00	122-521135-4	27-50-10	122-522056-1	76-10-00-050
122-521130-55	57-20-00-003	122-521135-5	27-50-10-017	122-522061-1	76-10-00-121
122-521130-56	57-20-00	122-521135-7	27-50-10-018	122-522063-1	76-10-00-074
122-521130-61	57-20-00	122-521136-10	27-20-00	122-522063-1	61-20-10-010
122-521130-62	57-20-00	122-521136-11	27-20-00-105	122-522063-5	61-20-10-007
122-521130-63	57-20-00	122-521136-12	27-20-00	122-522063-5	76-10-00-081
122-521130-64	57-20-00	122-521136-7	27-20-00	122-522066-1	76-10-20
122-521130-65	57-20-00	122-521136-8	27-20-00	122-522066-1	39-10-10
122-521130-66	57-20-00	122-521136-9	27-20-00	122-522069-1	53-20-30-011
122-521130-69	57-20-00	122-521137-1	27-20-00	122-522070-1	53-20-30
122-521130-69	27-50-00	122-521137-2	27-20-00	122-522074-1	27-31-10
122-521130-7	57-20-00-016	122-521137-3	27-20-00	122-522075-1	53-20-30-008
122-521130-70	57-20-00	122-521137-4	27-20-00	122-522075-2	53-20-30-009
122-521130-70	27-50-00	122-521137-5	27-20-00-087	122-522076-1	53-20-30-010
122-521130-71	57-20-00	122-521137-6	27-20-00	122-522077-1	53-20-30-006
122-521130-72	57-20-00	122-521137-7	27-20-00-088	122-522077-2	53-20-30-007
122-521130-8	57-20-00	122-521137-8	27-20-00	122-522078-3	76-10-00-016
122-521130-9	57-20-00-017	122-521138-11	27-20-00-124	122-522078-4	76-10-00-017
122-521131-1	57-20-00	122-521138-13	27-20-00-125	122-522079-3	76-10-20-013
122-521131-1	27-50-00	122-521138-15	27-20-00	122-522081-1	76-10-00-112
122-521131-10	57-20-00	122-521138-17	27-20-00-119	122-522082-3	53-20-20-025
122-521131-11	57-20-00-025	122-522011-3	27-31-10	122-522082-5	53-20-20-026
122-521131-12	57-20-00	122-522011-4	27-31-10	122-522082-7	53-20-20-027
122-521131-13	57-20-00-022	122-522012-5	39-10-10	122-522083-11	61-20-20-051
122-521131-14	57-20-00	122-522022-1	53-20-20-031	122-522083-13	61-20-20-039
122-521131-15	57-20-00-024	122-522023-3	53-20-20-028	122-522083-5	61-20-20
122-521131-16	57-20-00	122-522026-1	53-20-20-011	122-522083-5	76-10-00-034
122-521131-17	57-20-00	122-522027-1	53-20-20-015	122-522083-7	61-20-20
122-521131-18	57-20-00	122-522027-2	53-20-20-014	122-522083-9	61-20-20-053
122-521131-2	57-20-00	122-522028-17	76-10-00-083	122-522085-1	27-31-10
122-521131-2	27-50-00	122-522028-19	76-10-00-084	122-522085-3	27-31-10-037
122-521131-3	57-20-00-018	122-522028-19	61-20-10-004	122-522086-1	39-10-10-001
122-521131-4	57-20-00	122-522028-21	76-10-00-082	122-522087-1	53-20-20-024
122-521131-5	57-20-00	122-522031-1	76-10-00-032	122-522094-3	53-20-20
122-521131-6	57-20-00	122-522031-3	76-10-00-033	122-522094-3	39-10-10-046
122-521131-7	57-20-00-023	122-522032-1	76-10-00	122-522095-1	53-20-20-030
122-521131-8	57-20-00	122-522032-3	76-10-00	122-522096-1	53-20-20-018
122-521131-9	57-20-00-026	122-522032-5	76-10-00-040	122-522097-1	53-20-20-003
122-521132-10	57-20-00	122-522032-7	76-10-00-041	122-522098-3	39-10-10
122-521132-11	57-20-00-035	122-522033-1	76-10-00	122-522098-3	76-10-00
122-521132-12	57-20-00	122-522033-11	76-10-00-048	122-522101-5	53-20-20-004
122-521132-21	57-20-00	122-522033-3	76-10-00	122-522102-1	76-10-00-011
122-521132-21	27-50-00	122-522033-9	76-10-00-047	122-522102-7	76-10-00-009
122-521132-22	27-50-00	122-522034-1	76-10-00-054	122-522103-1	53-20-20-019
122-521132-22	57-20-00	122-522034-3	25-10-41-010	122-522103-11	53-20-20-010
122-521132-23	57-20-00	122-522035-5	76-10-00	122-522103-13	53-20-20
122-521132-24	57-20-00	122-522035-5	61-20-20-10	122-522103-15	53-20-20-008
122-521132-25	57-20-00-034	122-522035-5	39-10-10	122-522103-3	53-20-20-020
122-521132-26	57-20-00	122-522036-41	76-10-00-099	122-522103-7	53-20-20-005
122-521132-27	57-20-00	122-522036-43	76-10-00-102	122-522103-9	53-20-20-009
122-521132-28	57-20-00	122-522036-47	76-10-00-105	122-522104-3	39-10-10
122-521132-31	57-20-00	122-522036-49	76-10-00-104	122-522105-9	39-10-10-045
122-521132-32	57-20-00	122-522036-51	76-10-00	122-522107-1	53-20-20-006
122-521132-37	57-20-00	122-522036-53	76-10-00	122-522108-3	53-20-20
122-521132-38	57-20-00	122-522037-11	76-10-00	122-522108-5	53-20-20-007
122-521132-39	57-20-00	122-522037-13	76-10-00	122-522112-1	76-10-00
122-521132-40	57-20-00	122-522037-15	76-10-00-114	122-522112-2	76-10-00
122-521132-41	27-50-00	122-522037-17	76-10-00-116	122-522112-7	76-10-00-030
122-521132-42	27-50-00	122-522038-1	76-10-00	122-522112-8	76-10-00
122-521132-7	57-20-00-036	122-522038-3	76-10-00	122-522213-1	76-10-00-078
122-521132-8	57-20-00	122-522038-5	76-10-00-118	122-524000-1	32-50-00
122-521132-9	57-20-00-037	122-522038-7	76-10-00-120	122-524000-3	27-30-00
122-521133-3	27-31-30	122-522039-21	76-10-00	122-524000-3	27-20-00
122-521133-4	27-31-30	122-522039-23	76-10-00-065	122-524000-3	27-31-00
122-521133-5	27-31-30	122-522039-3	76-10-00	122-524000-3	27-30-30
122-521133-6	27-31-30	122-522039-7	76-10-00-070	122-524000-5	27-30-30-015
122-521134-1	57-50-00-039	122-522040-1	76-10-00-087	122-524000-7	32-50-00-079
122-521134-5	57-50-00-013	122-522048-5	53-20-10-020	122-524011-5	27-31-00-058
122-521134-6	57-50-00	122-522048-5	53-20-00-019	122-524012-1	27-31-00
122-521135-1	27-50-10	122-522048-7	53-20-30-005	122-524012-3	27-31-00-079

# Raytheon Aircraft

## BEECH STARSHIP 1 ILLUSTRATED PARTS CATALOG

PART NUMBER	CHAP/SUB-SECT/UNIT & ITEM	PART NUMBER	CHAP/SUB-SECT/UNIT & ITEM	PART NUMBER	CHAP/SUB-SECT/UNIT & ITEM
122-524012-5	27-31-00-080	122-524053-5	27-20-10-050	122-524093-3	27-20-10-028
122-524012-7	27-31-00-078	122-524053-7	27-20-10-048	122-524093-4	27-20-10
122-524013-1	27-31-00	122-524056-3	27-20-10-032	122-524094-1	27-20-10
122-524013-1	27-30-10	122-524056-5	27-20-10	122-524094-2	27-20-10
122-524014-1	27-30-10	122-524056-6	27-20-10	122-524094-3	27-20-10-031
122-524014-21	27-30-10-023	122-524058-15	27-20-10	122-524094-4	27-20-10
122-524014-23	27-30-10	122-524058-17	27-20-10	122-524095-1	27-20-10
122-524014-3	27-30-10-048	122-524058-19	27-20-10	122-524095-2	27-20-10
122-524015-11	27-30-00	122-524058-21	27-20-10	122-524095-3	27-20-10-034
122-524015-13	27-30-00-032	122-524058-23	27-20-10	122-524095-4	27-20-10
122-524015-15	27-30-00-031	122-524058-5	27-20-10-017	122-524096-1	27-31-00
122-524015-17	27-30-00-030	122-524058-7	27-20-10	122-524096-3	27-31-00-050
122-524015-9	27-30-00	122-524058-9	27-20-10-017A	122-524097-1	27-20-20-046
122-524016-1	27-20-20-081	122-524060-1	32-40-00-057	122-524097-1	27-20-20-110
122-524016-2	27-20-20-125	122-524061-1	32-50-00	122-524098-5	27-20-20
122-524017-1	53-20-50	122-524061-11	32-50-00	122-524098-7	27-20-20-053
122-524017-11	53-20-50-005	122-524061-21	32-50-00	122-524101-5	27-31-00
122-524017-17	53-20-50	122-524061-23	32-50-00	122-524101-7	27-31-00-062
122-524017-19	53-20-50	122-524061-3	32-50-00-060	122-524106-1	27-30-10
122-524017-21	53-20-50	122-524061-5	32-50-00-058	122-524106-1	53-20-50
122-524017-3	53-20-50	122-524061-7	32-50-00-059	122-524107-1	53-20-50-010
122-524017-5	53-20-50-006	122-524062-15	27-30-00	122-524108-1	53-20-50-009
122-524017-7	53-20-50-007	122-524062-17	27-30-00-022	122-524108-5	53-20-50-008
122-524018-1	27-20-20-082	122-524062-21	27-30-00	122-524110-1	27-20-10
122-524018-1	27-31-00-081	122-524062-23	27-30-00-020	122-524110-2	27-20-10
122-524018-3	27-20-20-082A	122-524062-25	27-30-00-019	122-524110-3	27-20-10
122-524018-7	27-20-20-082B	122-524062-27	27-30-00-021	122-524110-4	27-20-10
122-524019-1	27-20-20-064	122-524064-3	27-20-20-091	122-524111-1	27-20-10
122-524019-1	27-20-20-116	122-524064-3	27-20-20-023	122-524111-1	27-20-10
122-524019-3	27-20-20-120	122-524067-1	27-30-10-002	122-524111-2	27-20-10
122-524019-3	27-20-20-068	122-524067-15	27-30-10-001	122-524111-2	27-20-10
122-524020-1	27-20-00	122-524071-1	27-30-10	122-524111-3	27-20-10-036
122-524020-1	27-31-00	122-524071-3	27-30-10-053	122-524111-3	27-20-10
122-524020-19	27-31-00	122-524071-5	27-30-10	122-524111-4	27-20-10
122-524020-5	27-20-00-005G	122-524071-7	27-30-10-059	122-524111-4	27-20-10-040
122-524020-9	27-31-00-035	122-524073-3	27-30-10-035	122-524112-1	27-20-10
122-524021-5	27-30-00	122-524073-7	27-30-10	122-524112-2	27-20-10
122-524022-1	27-30-10	122-524073-9	27-30-10-036	122-524112-3	27-20-10-038
122-524022-3	27-30-10	122-524074-1	27-30-10-025	122-524112-4	27-20-10
122-524022-5	27-30-10	122-524074-3	27-30-10-026	122-524112-5	27-20-10
122-524025-1	27-20-20-034	122-524075-1	27-31-00	122-524112-6	27-20-10
122-524025-1	27-20-20	122-524077-1	27-31-00-070	122-524112-7	27-20-10-042
122-524025-1	27-20-00	122-524078-1	27-31-00	122-524112-8	27-20-10
122-524025-11	27-20-20-075	122-524078-3	27-31-00-042	122-524113-1	27-20-10-001
122-524025-12	27-20-20-121	122-524080-1	27-31-00-060	122-524113-3	27-20-10-002
122-524025-13	27-20-20-070	122-524081-3	32-50-00-065	122-524115-1	27-30-40
122-524025-15	27-20-20-115	122-524081-5	32-50-00-069	122-524115-11	27-30-40-039
122-524025-17	27-20-20-072	122-524084-11	27-20-20-038	122-524115-15	27-30-40-041
122-524025-3	27-20-20-069	122-524084-11	27-20-20-109	122-524115-19	27-30-40-049
122-524025-4	27-20-20-114	122-524084-13	27-20-20-028	122-524115-21	27-30-40-036
122-524025-7	27-20-20-071	122-524084-15	27-20-20-096	122-524115-23	27-30-40
122-524025-9	27-20-20-080	122-524084-3	27-20-20-104	122-524115-25	27-30-40-047
122-524028-1	27-20-10-043	122-524084-5	27-20-20-019	122-524115-27	27-30-40-043
122-524028-2	27-20-10	122-524084-5	27-20-20-087	122-524115-29	27-30-40-048
122-524030-3	27-20-20	122-524084-7	27-20-20-024	122-524115-3	27-30-40
122-524031-3	27-20-20	122-524084-7	27-20-20-092	122-524115-31	27-30-40
122-524032-1	27-20-20	122-524085-1	27-31-00	122-524115-33	27-30-40
122-524032-11	27-20-20-014	122-524085-11	27-31-00	122-524115-5	27-30-40-040
122-524032-3	27-20-20	122-524085-3	27-31-00-069	122-524115-6	27-30-40-042
122-524032-5	27-20-20	122-524085-5	27-31-00-067	122-524115-7	27-30-40-050
122-524032-7	27-20-20-011	122-524085-7	27-31-00-068	122-524115-9	27-30-40-051
122-524032-9	27-20-20-012	122-524085-9	27-31-00	122-524116-1	27-30-40
122-524034-1	32-50-00	122-524087-1	27-20-20	122-524116-3	27-30-40-029
122-524038-11	32-50-00-075	122-524087-3	27-20-20-063	122-524117-1	27-30-40-019
122-524038-15	32-50-00-070	122-524087-5	27-20-20-060	122-524117-3	27-30-40
122-524038-17	32-50-00-074	122-524087-5	27-20-20-112	122-524118-1	27-30-40-009
122-524038-9	32-50-00	122-524091-1	27-20-20	122-524118-7	27-30-40-010
122-524053-1	27-20-10	122-524091-3	27-20-20-113	122-524120-1	27-20-20
122-524053-1	27-20-00	122-524092-1	27-20-20	122-524120-1	27-20-20
122-524053-2	27-20-00	122-524092-2	27-20-20	122-524121-1	27-00-40
122-524053-2	27-20-10	122-524093-1	27-20-10	122-524121-3	27-00-40-006
122-524053-3	27-20-10-049	122-524093-2	27-20-10	122-524121-5	27-00-40-005

REVISED  
07/31/02

ALPHA-NUMERIC INDEX  
Page 41

# Raytheon Aircraft

## BEECH STARSHIP 1 ILLUSTRATED PARTS CATALOG

PART NUMBER	CHAP/SUB-SECT/UNIT & ITEM	PART NUMBER	CHAP/SUB-SECT/UNIT & ITEM	PART NUMBER	CHAP/SUB-SECT/UNIT & ITEM
122-524122-1	53-21-10	122-526052-147	27-30-00-179	122-530070-1	25-21-60-014
122-524122-11	53-21-10-001	122-526052-149	27-30-00	122-530070-1	33-20-00-001
122-524122-3	53-21-10	122-526052-150	27-30-00	122-530071-3	38-30-15
122-524122-5	53-21-10-010	122-526053-11	27-30-00-105	122-530071-3	38-30-30
122-524122-7	53-21-10-009	122-526053-17	27-30-00	122-530073-51	25-10-20
122-524122-9	53-21-10-005	122-526053-19	27-30-00	122-530073-52	25-10-20
122-524123-1	27-20-00	122-526053-21	27-30-00	122-530073-55	25-10-20-006
122-524123-3	27-20-00	122-526054-1	27-30-00	122-530073-57	25-10-20-014
122-524123-5	27-20-00	122-526054-3	27-30-00-104	122-530073-63	25-10-20-004
122-526009-3	27-30-00	122-526054-5	27-30-00	122-530073-7	25-10-20-007
122-526009-5	27-40-00	122-526054-7	27-30-00	122-530073-8	25-10-20-008
122-526024-27	27-30-00-112	122-526055-3	27-30-00-102	122-530075-1	25-10-10
122-526024-9	27-30-00-103	122-526055-4	27-30-00-111	122-530075-2	25-10-10
122-526025-1	27-30-00	122-526056-5	27-30-00	122-530078-7	25-10-20-012
122-526025-11	27-30-00-122	122-526056-7	27-30-00-109	122-530078-8	25-10-20
122-526025-5	27-30-00-117	122-526057-3	27-30-20	122-530083-39	21-20-60
122-526025-9	27-30-00	122-526057-4	27-30-20	122-530103-1	25-50-00-004
122-526026-1	27-30-00	122-526061-1	27-30-00	122-530105-1	25-22-40
122-526026-11	27-30-00	122-526061-11	27-30-00-079	122-530105-1	38-30-00
122-526026-3	27-30-00-067	122-526062-1	27-30-00-095	122-530105-5	38-30-00-006
122-526026-5	27-30-00-068	122-526063-1	27-30-00-088	122-530105-7	38-30-00-004
122-526026-7	27-30-00-072	122-526064-1	27-40-10	122-530107-3	35-00-01-133
122-526026-9	27-30-00-070	122-526064-3	27-40-10-003	122-530107-7	35-00-01
122-526030-1	27-40-00	122-526065-1	27-40-10-006	122-530107-7	25-22-40
122-526030-3	27-40-00-024	122-526066-1	27-40-10	122-530121-5	25-22-10-006
122-526030-5	27-40-00-023	122-526067-1	27-40-10-002	122-530121-7	25-22-10
122-526033-5	55-10-00	122-530014-5	33-20-10	122-530127-11	25-21-60-008
122-526033-6	55-10-00	122-530018-11	35-00-02-038	122-530127-11	25-21-60-034
122-526033-7	55-10-00-060	122-530024-13	25-10-30-017	122-530127-21	25-21-60-004
122-526033-8	55-10-00	122-530025-63	25-10-41	122-530127-25	25-21-60-011
122-526037-1	27-30-00	122-530025-71	25-10-40-003	122-530128-5	25-21-60
122-526037-15	27-31-00	122-530025-73	25-10-40	122-530128-7	25-21-60
122-526037-17	27-31-00-025	122-530025-75	25-10-40-016	122-530138-22	35-00-01
122-526037-19	27-30-00	122-530025-77	25-10-40	122-530145-1	25-50-00-007
122-526037-21	27-30-00-010	122-530026-3	25-10-40	122-530154-1	38-30-15-039
122-526037-51	27-30-00-156	122-530026-5	25-10-40	122-530154-1	38-30-30-031
122-526037-55	27-20-00	122-530026-7	25-10-41	122-530154-15	38-30-30-030
122-526037-57	27-20-00-012	122-530026-9	25-10-41	122-530154-15	38-30-15-038
122-526037-63	32-50-00	122-530027-1	25-10-40	122-530158-21	25-10-41-020
122-526037-65	32-50-00-087	122-530027-11	25-10-40	122-530158-21	25-10-40-017
122-526037-7	27-30-00-009	122-530027-13	25-10-41	122-530158-23	25-10-40
122-526037-7	27-30-00-043	122-530029-1	25-10-41	122-530158-23	25-10-41
122-526037-7	27-20-20-010	122-530029-1	25-10-40	122-530159-9	25-10-41-012
122-526037-7	27-31-00-024	122-530029-3	25-10-40	122-530159-9	25-10-40-010
122-526037-83	27-31-00	122-530029-3	25-10-41	122-530163-15	25-10-50
122-526037-85	27-31-00	122-530030-23	25-10-40-004	122-530163-17	25-10-50
122-526037-9	27-30-00-044	122-530030-24	25-10-40	122-530163-3	25-10-50
122-526038-1	27-30-00	122-530030-27	25-10-40	122-530163-4	25-10-50-007
122-526038-3	27-30-00-051	122-530030-28	25-10-40	122-530164-13	25-10-50-004
122-526042-1	27-30-00	122-530030-29	25-10-40-007	122-530164-17	25-10-50-006
122-526042-3	27-30-00-055	122-530030-30	25-10-40	122-530164-18	25-10-50
122-526051-101	27-30-00	122-530030-31	25-10-40-008	122-530164-19	25-10-50
122-526051-102	27-30-00	122-530030-39	25-10-41	122-530164-21	25-10-50
122-526052-105	27-30-00	122-530030-45	25-10-41	122-530164-23	25-10-50
122-526052-107	27-30-00	122-530030-55	25-10-41-008	122-530164-24	25-10-50
122-526052-109	27-30-00-138	122-530030-57	25-10-41-009	122-530164-9	25-10-50-005
122-526052-111	27-30-00	122-530030-59	25-10-41-007	122-530171-1	25-21-70-001
122-526052-113	27-30-00-134	122-530041-1	35-00-02-067	122-530171-1	25-21-72-001
122-526052-115	27-30-00-170	122-530042-1	35-00-02-068	122-530171-9	25-21-72
122-526052-121	27-30-00-173	122-530051-1	25-21-30-004	122-530180-1	38-30-10
122-526052-123	27-30-00-167	122-530051-7	33-20-10-009	122-530180-11	38-30-10-003
122-526052-127	27-30-00	122-530051-7	33-20-10-010	122-530180-3	38-30-10-013
122-526052-129	27-30-00-128	122-530051-7	25-21-30-007	122-530180-5	38-30-10
122-526052-131	27-30-00	122-530062-33	25-10-92-010	122-530180-7	38-30-10-011
122-526052-132	27-30-00	122-530062-33	25-10-90-008	122-530180-9	38-30-10-012
122-526052-133	27-30-00-147	122-530062-34	25-10-90-009	122-530184-1	25-10-90
122-526052-134	27-30-00	122-530062-34	25-10-92-011	122-530184-1	25-10-92
122-526052-135	27-30-00-151	122-530062-41	25-10-92-012	122-530186-1	25-50-01-004
122-526052-141	27-30-00	122-530062-41	25-10-90-010	122-530186-10	25-50-01
122-526052-144	27-30-00	122-530062-42	25-10-90-011	122-530186-2	25-50-01
122-526052-145	27-30-00	122-530062-42	25-10-92-013	122-530186-9	25-50-01
122-526052-146	27-30-00	122-530066-1	25-10-20	122-530187-10	25-10-20

# Raytheon Aircraft

## BEECH STARSHIP 1 ILLUSTRATED PARTS CATALOG

PART NUMBER	CHAP/SUB-SECT/UNIT & ITEM	PART NUMBER	CHAP/SUB-SECT/UNIT & ITEM	PART NUMBER	CHAP/SUB-SECT/UNIT & ITEM
S 122-530187-5	25-10-20	122-530217-11	56-20-20-002	122-530229-5	25-21-20-033
S 122-530187-6	25-10-20	122-530217-13	56-20-00	122-530229-6	25-21-20
S 122-530187-7	25-10-20	122-530217-15	56-20-00	122-530229-7	25-21-20-014
S 122-530187-8	25-10-20	122-530217-3	56-20-00	122-530229-8	25-21-20
122-530187-9	25-10-20	122-530217-5	56-20-00	122-530229-9	25-21-20
122-530188-1	25-10-20	122-530217-7	56-20-00	122-530235-1	25-22-00
122-530188-15	25-10-20-132	122-530217-9	56-20-20	122-530235-2	25-22-00
122-530188-2	25-10-20	122-530218-1	56-20-00	122-530235-3	25-22-00-001
122-530188-35	25-10-20-125	122-530218-13	56-20-00	122-530235-4	25-22-00
122-530188-36	25-10-20	122-530218-18	25-10-30	122-530235-5	25-22-00
122-530188-47	25-10-20-139	122-530218-3	56-20-20-008	122-530235-6	25-22-00
122-530188-63	25-10-20	122-530218-5	56-20-00	122-530235-7	25-22-00-015
122-530188-64	25-10-20	122-530218-7	56-20-00	122-530235-8	25-22-00
122-530188-77	25-10-20	122-530218-9	56-20-00	122-530235-9	25-22-00
122-530188-78	25-10-20	122-530219-1	25-21-50	122-530236-1	25-22-00
122-530188-79	25-10-20-141	122-530220-1	25-21-50	122-530236-2	25-22-00
122-530188-80	25-10-20	122-530220-3	25-21-50	122-530236-3	25-22-00-029
122-530189-101	25-10-20-115	122-530221-1	25-21-50-012	122-530236-4	25-22-00
122-530189-113	25-10-20	122-530221-13	25-21-50-014	122-530236-5	25-22-00
122-530189-114	25-10-20	122-530221-23	25-21-55-012	122-530236-6	25-22-00
122-530189-115	25-10-20-095	122-530221-33	25-21-50	122-530236-7	25-22-00
122-530189-119	25-10-20-102	122-530221-5	25-21-50-013	122-530236-8	25-22-00
122-530189-123	25-10-20-087	122-530221-51	25-21-55	122-530240-1	25-21-20
122-530189-133	25-10-20-120	122-530221-57	25-21-55	122-530240-1	25-21-20
122-530189-135	25-10-20-104	122-530221-59	25-21-55	122-530240-10	25-21-21
122-530189-147	25-10-20-101	122-530221-7	25-21-55-013	122-530240-11	25-21-21-065
122-530189-149	25-10-20	122-530221-7	25-21-50-015	122-530240-12	25-21-21
122-530189-150	25-10-20	122-530221-9	25-21-60-029	122-530240-3	25-21-20-019
122-530189-151	25-10-20-108	122-530221-9	25-21-50-016	122-530240-4	25-21-20
122-530189-29	25-10-20-092	122-530221-9	25-21-55-014	122-530240-5	25-21-20-038
122-530189-79	25-10-20	122-530222-1	33-20-03	122-530240-6	25-21-20
122-530189-93	25-10-20-116	122-530222-3	25-21-05	122-530240-7	25-21-21
122-530189-95	25-10-20-117	122-530224-1	25-21-00	122-530240-9	25-21-21-064
122-530189-97	25-10-20-118	122-530225-1	25-21-00-004	122-530241-1	25-21-70
122-530189-99	25-10-20-119	122-530225-10	25-21-05	122-530241-1	25-10-90
122-530192-1	25-10-80-003	122-530225-10	25-21-00	122-530241-11	25-10-90-002
122-530192-107	25-10-80-007	122-530225-13	25-21-00-006	122-530241-15	25-21-70-009
122-530192-109	25-10-80	122-530225-13	25-21-00-008	122-530241-19	25-21-70-007
122-530192-25	25-10-80-001	122-530225-13	25-21-05-006	122-530241-23	25-21-70-008
122-530192-35	25-10-80	122-530225-13	25-21-00-011	122-530241-27	25-21-70-005
122-530192-45	25-10-80-002	122-530225-13	25-21-05-018	122-530241-3	25-10-90-001
122-530192-85	25-10-80-009	122-530225-13	25-21-05-011	122-530241-31	25-21-70-006
122-530192-91	25-10-80-011	122-530225-13	25-21-05	122-530241-35	25-21-70-003
122-530192-99	25-10-80	122-530225-2	25-21-00	122-530241-39	25-21-70-004
122-530193-1	25-10-80	122-530225-23	25-21-00	122-530241-43	25-21-70
122-530197-3	25-10-30	122-530225-24	25-21-00	122-530241-43	25-10-90
122-530199-15	26-20-10	122-530225-25	25-21-00	122-530241-45	25-21-70
122-530199-5	26-20-10	122-530225-3	25-21-00-007	122-530241-49	25-21-70
122-530206-23	25-10-50-011	122-530225-9	25-21-00-005	122-530241-53	25-21-70
122-530206-9	25-10-50	122-530225-9	25-21-05-005	122-530241-7	25-10-90-003
122-530207-21	25-10-10-003	122-530226-11	25-21-40-007	122-530246-1	25-21-55
122-530207-22	25-10-10	122-530226-15	25-21-40-006	122-530246-1	25-21-50
122-530207-23	25-10-10-008	122-530226-81	25-21-40	122-530246-1	35-00-01
122-530207-25	25-10-10-007	122-530226-83	25-21-40	122-530246-11	35-00-01-137
122-530207-27	25-10-10-006	122-530226-85	25-21-40	122-530246-11	25-21-50-006
122-530207-3	25-10-10	122-530226-87	25-21-40	122-530246-11	25-21-55-006
122-530211-1	25-20-10	122-530227-1	25-21-00-009	122-530246-19	25-21-55-001
122-530211-13	25-20-10-002	122-530227-11	25-21-00	122-530246-19	25-21-50
122-530211-15	25-20-10-025	122-530227-12	25-21-00	122-530246-19	35-00-01
122-530211-25	25-20-10	122-530227-2	25-21-00	122-530246-19	35-00-02-137
122-530211-3	25-20-10-014	122-530227-5	25-21-00-010	122-530246-21	35-00-02
122-530211-4	25-20-10	122-530227-6	25-21-00	122-530246-21	25-23-10-002
122-530211-5	25-20-10-003	122-530227-6	25-21-05-012	122-530246-3	25-21-50-001
122-530211-6	25-20-10	122-530227-9	25-21-00-012	122-530246-3	35-00-01-138
122-530211-7	25-20-10-001	122-530228-1	25-21-20	122-530246-31	25-21-55
122-530211-8	25-20-10	122-530228-1	25-21-20	122-530246-31	35-00-02
122-530213-1	25-10-30-001	122-530228-3	25-21-20	122-530246-33	35-00-02
122-530213-17	25-10-30	122-530229-1	25-21-20-009	122-530246-33	25-23-10
122-530213-2	25-10-30	122-530229-10	25-21-20	122-530247-1	25-50-00
122-530214-1	25-10-30	122-530229-2	25-21-20	122-530248-1	25-50-01
122-530214-2	25-10-30	122-530229-3	25-21-20-028	122-530248-3	25-50-01-002
122-530217-1	56-20-00	122-530229-4	25-21-20	122-530249-1	25-50-01-003



# Raytheon Aircraft

## BEECH STARSHIP 1 ILLUSTRATED PARTS CATALOG

PART NUMBER	CHAP/SUB- SECT/UNIT & ITEM	PART NUMBER	CHAP/SUB- SECT/UNIT & ITEM	PART NUMBER	CHAP/SUB- SECT/UNIT & ITEM
122-530249-9	25-50-01	122-530277-5	25-50-30-019	122-530295-1	25-21-70-012
122-530250-1	33-30-00	122-530277-7	25-50-30-020	122-530295-11	25-21-70-015
122-530250-3	33-30-00-007	122-530277-9	25-50-30-021	122-530295-11	25-21-72-014
122-530250-5	33-30-00	122-530278-1	25-50-01	122-530295-2	25-21-70
122-530251-1	25-21-60	122-530278-3	25-50-01-006	122-530295-23	25-21-70-013
122-530252-1	25-21-60	122-530279-1	25-21-20	122-530295-23	25-21-72-011
122-530252-10	25-21-60-028	122-530281-1	25-21-21-035	122-530295-24	25-21-72
122-530252-13	25-21-60-026	122-530281-13	25-22-00-019	122-530295-24	25-21-70
122-530252-15	25-21-60-025	122-530281-3	25-22-00-005	122-530295-3	25-21-70-011
122-530252-17	25-21-60-031	122-530281-4	25-22-00	122-530295-3	25-21-72-009
122-530252-19	25-21-60-035	122-530281-7	25-22-00-033	122-530295-31	25-21-70-014
122-530252-21	25-21-60	122-530281-7	25-22-00-046	122-530295-31	25-21-72-013
122-530252-23	25-21-60	122-530281-8	25-22-00	122-530295-32	25-21-72
122-530252-3	25-21-60-030	122-530281-8	25-22-00	122-530295-32	25-21-70
122-530252-7	25-21-60-024	122-530284-17	25-21-45-008	122-530295-35	25-21-72-012
122-530252-9	25-21-60-027	122-530284-17	25-21-40-009	122-530295-36	25-21-72
122-530254-1	25-21-90	122-530285-1	56-20-00-028	122-530295-43	25-21-72
122-530254-3	25-21-90	122-530286-1	56-20-00-025	122-530295-47	25-21-72-010
122-530255-1	25-50-30	122-530287-1	56-20-00	122-530295-5	25-21-72
122-530255-3	25-50-30-016	122-530288-31	25-21-30	122-530295-5	25-21-70
122-530256-1	25-50-30	122-530288-47	25-21-30-038	122-530295-51	25-21-72
122-530256-3	25-50-30-012	122-530288-48	25-21-30-037	122-530295-7	25-21-70-010
122-530257-1	25-50-10	122-530288-51	25-21-30-034	122-530295-7	25-21-72-008
122-530258-5	25-50-10-003	122-530288-53	25-21-30-013	122-530295-9	25-21-72
122-530263-1	25-20-00	122-530288-55	25-21-30-014	122-530295-9	25-21-70
122-530264-1	25-20-00	122-530288-57	25-21-30-020	122-530297-1	25-22-40-006
122-530264-1	25-20-00	122-530288-59	25-21-30-033	122-530297-1	36-00-10-108
122-530264-11	25-20-00	122-530288-61	25-21-30-021	122-530297-15	25-24-00
122-530264-12	25-20-00	122-530288-647	25-21-30	122-530297-3	25-22-40-005
122-530264-19	25-20-00-001	122-530288-648	25-21-30	122-530297-3	36-00-10-106
122-530264-2	25-20-00	122-530288-65	25-21-30-031	122-530297-3	38-30-15-011
122-530264-2	25-20-00	122-530288-67	25-21-30-026	122-530297-5	25-24-00-008
122-530264-21	25-20-00-017	122-530288-71	25-21-30-001	122-530297-9	25-24-00-018
122-530264-23	25-20-00-016	122-530289-1	25-21-30	122-530298-1	26-20-20
122-530264-24	25-20-00	122-530289-3	25-21-30-019	122-530298-3	26-20-20
122-530264-25	25-20-00	122-530289-5	25-21-30-018	122-530299-1	25-21-70
122-530264-26	25-20-00	122-530289-7	25-21-30-017	122-530299-11	25-21-70
122-530264-27	25-20-00-018	122-530289-9	25-21-30-016	122-530299-17	25-21-72
122-530264-28	25-20-00	122-530291-1	56-20-00-031	122-530299-19	25-21-72-015
122-530264-3	25-20-00	122-530291-13	56-20-20-017	122-530299-3	25-21-70-016
122-530264-31	25-20-00	122-530291-13	56-20-00	122-530299-7	25-21-72
122-530264-32	25-20-00	122-530291-13	56-20-00	122-530299-9	25-21-70
122-530264-4	25-20-00	122-530291-13	56-20-00	122-530301-1	25-20-00
122-530264-5	25-20-00-014	122-530291-17	56-20-00	122-530301-5	25-20-00-004
122-530264-7	25-20-00-006	122-530291-17	56-20-00	122-530302-1	25-20-00-013
122-530265-1	25-22-20	122-530291-17	56-20-20-018	122-530303-1	25-10-20
122-530265-3	25-22-20-017	122-530291-21	56-20-00	122-530303-2	25-10-20
122-530265-7	25-22-20-016	122-530291-21	56-20-00	122-530303-3	25-10-20-040
122-530266-1	25-22-30	122-530291-21	56-20-00	122-530304-3	25-10-20-045
122-530266-3	25-22-30	122-530291-5	56-20-00-032	122-530304-7	25-10-20
122-530267-1	11-30-00	122-530291-9	56-20-00	122-530305-5	25-10-20
122-530271-1	56-20-00	122-530292-1	25-21-60	122-530305-7	25-10-20-061
122-530271-3	56-20-00-021	122-530292-1	33-20-00	122-530306-1	25-10-20
122-530273-1	33-20-03	122-530292-11	33-20-00-006	122-530307-1	25-10-20-042
122-530273-3	33-20-07-006	122-530292-13	33-20-00-007	122-530308-1	25-10-20-036
122-530274-1	33-20-03-012	122-530292-15	33-20-00	122-530308-2	25-10-20
122-530274-2	33-20-03	122-530292-15	25-21-60	122-530310-1	25-10-20-037
122-530274-3	33-20-03-013	122-530292-17	33-20-00	122-530311-1	25-22-10
122-530274-4	33-20-03	122-530292-19	33-20-00-011	122-530311-1	33-20-10
122-530274-5	33-20-03-014	122-530292-21	33-20-00	122-530311-3	33-20-10
122-530274-6	33-20-03	122-530292-21	25-21-60	122-530311-5	33-20-10-015
122-530274-7	33-20-03-015	122-530292-3	33-20-00	122-530318-1	25-10-10
122-530274-8	33-20-03	122-530292-5	33-20-00	122-530318-3	25-10-10
122-530275-1	33-20-03	122-530292-7	33-20-00	122-530318-5	25-10-10
122-530275-2	33-20-03	122-530292-9	33-20-00-005	122-530319-1	25-10-10-010
122-530275-3	33-20-03-019	122-530293-1	25-22-40	122-530319-3	25-10-10
122-530275-4	33-20-03	122-530293-1	38-30-12	122-530320-1	38-30-30
122-530275-5	33-20-03-020	122-530294-1	25-22-40	122-530320-11	38-30-30-006
122-530275-6	33-20-03	122-530294-1	25-22-50	122-530320-3	38-30-30-010
122-530276-1	25-50-30	122-530294-3	25-22-50-003	122-530320-7	38-30-30-025
122-530277-1	25-50-30-017	122-530294-5	25-22-50	122-530320-9	38-30-30-018
122-530277-3	25-50-30-018	122-530294-7	25-22-50	122-530322-1	25-10-50-010

# Raytheon Aircraft

## BEECH STARSHIP 1 ILLUSTRATED PARTS CATALOG

PART NUMBER	CHAP/SUB-SECT/UNIT & ITEM	PART NUMBER	CHAP/SUB-SECT/UNIT & ITEM	PART NUMBER	CHAP/SUB-SECT/UNIT & ITEM
122-530323-1	25-10-20-005	122-530364-4	25-23-10-008	122-530389-1	11-30-00
122-530325-1	25-22-40	122-530364-5	25-23-10-010	122-530390-1	25-10-10
122-530327-1	33-30-00	122-530364-6	25-23-10-011	122-530390-3	25-10-10
122-530327-3	33-30-00-010	122-530364-7	25-23-10-012	122-530390-4	25-10-10
122-530327-5	33-30-00-008	122-530364-8	25-23-10-013	122-530390-5	25-10-10
122-530329-1	25-20-10	122-530365-1	25-23-10-001	122-530390-6	25-10-10
122-530329-3	25-20-10-021	122-530366-1	25-50-01	122-530393-1	56-20-20
122-530330-1	25-20-10-016	122-530366-3	25-50-01	122-530393-2	56-20-20
122-530332-1	25-20-10-019	122-530368-1	25-21-21	122-530394-1	56-20-20
122-530333-1	25-20-10-010	122-530369-1	25-21-21-056	122-530394-11	56-20-20-010
122-530334-1	25-20-10-009	122-530369-17	25-21-21-061	122-530394-13	56-20-20-016
122-530335-1	25-20-10-022	122-530371-1	25-23-10	122-530394-3	56-20-20-009
122-530335-2	25-20-10	122-530371-1	33-20-07-041	122-530394-5	56-20-20
122-530336-1	25-20-10-023	122-530372-1	33-20-07-042	122-530394-7	56-20-20-014
122-530338-1	25-10-50	122-530372-1	25-23-10	122-530394-9	56-20-20-015
122-530344-1	25-50-01	122-530372-11	25-23-10-027	122-530395-1	25-10-50
122-530347-1	25-10-10	122-530372-12	25-23-10-016	122-530396-1	25-10-50
122-530348-1	25-21-20	122-530372-19	25-23-10-023	122-530396-1	33-10-00
122-530348-11	25-21-20-042	122-530372-23	25-23-10-024	122-530397-1	25-10-30
122-530348-13	25-21-20-043	122-530372-25	25-23-10-025	122-530397-2	25-10-30
122-530348-13	25-21-20-024	122-530372-3	25-23-10	122-530398-1	25-10-30
122-530348-15	25-21-20	122-530372-4	25-23-10-004	122-530398-2	25-10-30
122-530348-17	25-21-20-022	122-530372-5	25-23-10-021	122-530408-1	25-50-01
122-530348-19	25-21-20-041	122-530372-6	25-23-10-017	122-530410-1	25-21-55-015
122-530348-3	25-21-20	122-530372-7	25-23-10-022	122-530410-1	23-30-00
122-530348-5	25-21-20	122-530373-1	38-30-15	122-530411-11	23-30-00
122-530348-7	25-21-20	122-530373-11	38-30-15-015	122-530411-15	23-30-00
122-530348-9	25-21-20-023	122-530373-13	38-30-15-007	122-530411-21	23-30-00
122-530352-1	25-25-00	122-530373-15	38-30-15-004	122-530411-21	25-21-55-017
122-530352-5	25-25-00-010	122-530373-17	38-30-15-031	122-530411-7	23-30-00
122-530352-6	25-25-00-026	122-530373-19	38-30-15-032	122-530412-1	25-21-55-018
122-530352-7	25-25-00	122-530373-21	38-30-15-030	122-530412-5	25-23-10-009
122-530353-1	25-50-35	122-530373-23	38-30-15-033	122-530412-9	25-21-55
122-530353-3	25-50-35-004	122-530373-3	38-30-15-020	122-530537-13	33-20-07-013
122-530353-5	25-50-35-003	122-530373-5	38-30-15-019	122-530537-15	33-20-07-014
122-530353-7	25-50-35-005	122-530373-9	38-30-15-029	122-530537-16	33-20-07-015
122-530355-1	33-20-07	122-530374-1	25-21-05	122-530537-17	33-20-07-016
122-530355-3	33-20-07-001	122-530375-1	25-21-05-001	122-534004-1	25-23-00
122-530355-5	33-20-07-002	122-530375-3	25-21-05	122-534294-5	25-22-41
122-530355-7	33-20-07-003	122-530375-5	25-21-05-007	122-540027-3	21-30-10-027
122-530356-15	33-20-07-024	122-530375-7	25-21-05	122-540028-1	21-30-10-048
122-530356-17	33-20-07-025	122-530376-1	25-21-05-013	122-540029-1	21-30-10-071
122-530356-25	33-20-07	122-530376-2	25-21-05	122-540034-1	21-30-10-052
122-530356-27	33-20-07	122-530376-7	25-21-05	122-540035-1	21-30-10-001
122-530358-1	25-21-21	122-530376-7	25-21-05-017	122-540036-1	21-30-10-023
122-530359-1	25-21-21-001	122-530377-1	25-21-45	122-540037-1	21-30-10-009
122-530359-101	25-21-21-020	122-530377-11	25-21-45-004	122-540042-13	21-30-00-040
122-530359-102	25-21-21	122-530377-25	25-21-45-013	122-540042-17	21-30-00-060
122-530359-103	25-21-21-030	122-530377-3	25-21-45-011	122-540042-19	21-30-00-063
122-530359-107	25-21-21-034	122-530378-1	25-50-35	122-540042-21	21-30-00-057
122-530359-25	25-21-21-017	122-530378-3	25-50-35-012	122-540042-23	21-30-00-058
122-530359-3	25-21-21	122-530378-9	25-50-35	122-540042-25	21-30-00-059
122-530359-31	25-21-21-011	122-530379-1	25-21-72	122-540042-27	21-30-00-080
122-530359-35	25-21-21-016	122-530379-1	25-10-92	122-540042-29	21-30-00-011
122-530359-39	25-21-21	122-530379-11	25-10-92-005	122-540042-31	21-30-00-047
122-530359-49	25-21-21	122-530379-15	25-21-72-004	122-540042-33	21-30-00-077
122-530359-5	25-21-21-038	122-530379-19	25-21-72-003	122-540042-35	21-30-00-078
122-530359-53	25-21-21	122-530379-23	25-21-72-005	122-540042-37	21-30-00-090
122-530359-6	25-21-21	122-530379-3	25-10-92-003	122-540042-39	21-30-00-041
122-530359-67	25-21-21-053	122-530379-35	25-21-72-006	122-540042-41	21-30-00-042
122-530359-68	25-21-21	122-530379-39	25-21-72-007	122-540042-47	21-30-00-022
122-530359-69	25-21-21-048	122-530379-43	25-10-92-001	122-540042-49	21-30-00-092
122-530359-73	25-21-21-052	122-530379-7	25-10-92-004	122-540042-5	21-30-00-081
122-530359-99	25-21-21-015	122-530381-1	25-20-00	122-540042-5	21-30-00-062
122-530360-1	25-21-55	122-530384-1	25-22-41	122-540042-5	21-30-00-025
122-530361-1	25-21-55	122-530384-3	25-22-41	122-540042-51	21-30-00
122-530361-5	25-21-55	122-530388-1	25-10-41-002	122-540042-53	21-30-00-038
122-530361-7	25-21-55	122-530388-1	33-10-00	122-540042-55	21-30-00-039
122-530363-1	25-21-40-008	122-530388-1	25-10-41	122-540042-57	21-30-00-071
122-530363-3	25-21-40-011	122-530388-13	25-10-41	122-540042-9	21-30-00-079
122-530364-1	25-23-10	122-530388-19	25-10-41-019	122-540042-9	21-30-00-061
122-530364-3	25-23-10-007	122-530388-25	25-10-41-003	122-540042-9	21-30-00-009
		122-530388-7	25-10-41		

# Raytheon Aircraft

## BEECH STARSHIP 1 ILLUSTRATED PARTS CATALOG

PART NUMBER	CHAP/SUB- SECT/UNIT & ITEM	PART NUMBER	CHAP/SUB- SECT/UNIT & ITEM	PART NUMBER	CHAP/SUB- SECT/UNIT & ITEM
122-540042-9	52-10-20-010	122-540116-9	25-24-00-010	122-550114-1	21-60-00-046
122-540043-11	21-30-10-029	122-540117-1	36-00-20-018	122-550114-11	21-60-00-028
122-540043-13	21-30-10	122-540117-5	36-00-20-015	122-550114-3	21-60-00
122-540043-15	52-10-20-014	122-540118-1	36-00-10-038	122-550114-3	21-60-00-044
122-540046-1	21-30-00-012	122-540119-1	36-00-10-039	122-550114-7	21-60-00-029
122-540048-1	21-30-00-026	122-540120-1	36-00-10-109	122-550114-7	21-60-00-032
122-540049-1	21-30-00-048	122-540121-1	36-00-10-110	122-550114-9	21-60-00-033
122-540052-1	21-30-00-052	122-540341-13	21-30-00	122-550127-1	21-20-00-122
122-540053-1	21-30-00-053	122-540341-13	53-30-00	122-550128-1	21-20-00-130
122-540054-3	21-30-00	122-540341-15	21-30-00	122-550128-3	21-20-00-131
122-540054-5	21-30-00	122-540341-17	21-30-00-007	122-550132-11	30-20-00-042A
122-540055-1	21-30-00-034	122-540341-19	21-30-00	122-550132-13	30-20-00-042
122-540070-1	36-00-10-098	122-540341-19	53-30-00-001	122-550132-9	30-20-00-042B
122-540071-1	36-00-10-083	122-540341-21	21-30-00-008	122-550133-5	21-60-00-034
122-540072-1	36-00-10-036	122-550003-1	21-20-60-085	122-550133-5	21-60-00-027
122-540073-1	36-00-10-011	122-550006-1	21-20-00-090A	122-550133-5	21-60-00
122-540075-1	21-30-00-084	122-550007-3	21-20-00	122-550133-5	21-60-00-043
122-540076-1	21-30-00	122-550009-9	21-20-00-090	122-550133-7	21-60-00
122-540077-1	52-10-20	122-550010-3	21-20-00	122-550133-7	21-60-00
122-540080-1	21-30-10	122-550014-5	21-20-00-053	122-550133-7	21-60-00
122-540080-11	21-30-10-082	122-550017-7	21-20-00-099	122-550133-7	21-60-00
122-540080-15	21-30-10-083	122-550019-1	21-20-00-119	122-550133-9	21-60-00
122-540080-31	21-30-10-086	122-550019-3	21-20-00-124	122-550133-9	21-60-00
122-540080-33	21-30-10-085	122-550030-7	21-20-60	122-550133-9	21-60-00
122-540080-7	21-30-10-087	122-550034-1	21-20-00-128	122-550133-9	21-60-00
122-540081-1	21-30-10	122-550038-1	21-20-00-121	122-550134-1	21-60-00-045
122-540081-1	21-30-00-051	122-550039-1	21-20-00-127	122-550134-1	21-60-00
122-540082-1	21-30-10-068	122-550040-5	21-20-60-024	122-550134-3	21-60-00
122-540083-1	21-30-10-017	122-550040-7	21-20-60-020	122-550135-1	21-60-00
122-540084-1	21-30-10-060	122-550044-9	21-20-00-129	122-550141-1	32-30-20-005
122-540085-1	21-30-10-044	122-550048-1	21-20-00-110	122-550141-1	30-20-00-044
122-540097-1	36-00-10-099	122-550048-3	21-20-00-104	122-550150-13	21-20-00-021
122-540098-1	36-00-10-084	122-550048-3	21-20-00-098	122-550150-14	21-20-00
122-540099-1	36-00-10-035	122-550050-1	21-60-00	122-550154-10	21-20-00
122-540101-1	36-00-10-010	122-550050-11	21-60-00-024	122-550154-15	21-20-00
122-540105-1	30-10-00	122-550050-13	21-60-00-025	122-550154-16	21-20-00
122-540105-3	30-10-00-090	122-550050-5	21-60-00-037	122-550154-9	21-20-00-015
122-540107-1	21-30-00-005	122-550050-7	21-60-00-042	122-550155-10	21-20-00
122-540109-1	52-10-20-005	122-550050-9	21-60-00-026	122-550155-9	21-20-00-003
122-540111-13	36-00-10-043	122-550068-1	21-20-40-007	122-550157-13	21-20-00
122-540111-13	34-10-20-014	122-550068-11	21-20-60-016	122-550157-13	36-10-00
122-540111-5	36-00-10-042	122-550068-15	21-20-60-017	122-550157-13	71-00-10
122-540112-1	21-30-10-055	122-550068-17	21-20-60-019	122-550157-17	71-00-10
122-540112-3	21-30-10-056	122-550068-5	21-20-40-009	122-550157-17	36-10-00-007
122-540113-1	36-00-10-115	122-550068-7	21-20-60	122-550157-17	21-20-00-030
122-540114-1	36-00-10	122-550068-9	21-20-60-018	122-550160-1	21-20-00
122-540114-3	36-00-10-107	122-550070-1	21-20-40-001	122-550160-15	21-20-00-016
122-540115-1	36-00-10	122-550070-13	21-20-40-005	122-550160-19	21-20-00
122-540115-1	36-00-20	122-550070-17	21-20-40-006	122-550160-23	21-20-00-031
122-540115-13	36-00-20-024	122-550070-9	21-20-40-004	122-550160-25	21-20-00-032
122-540115-17	36-00-20	122-550071-15	21-20-40-019	122-550160-27	21-20-00-026
122-540115-21	36-00-20-031	122-550071-17	21-20-40-020	122-550160-7	21-20-00-010
122-540115-25	36-00-20	122-550071-35	21-20-40-012	122-550161-1	21-20-00-056
122-540115-29	36-00-20	122-550071-39	21-20-60-001	122-550162-1	21-20-00-058
122-540115-3	36-00-10	122-550071-43	21-20-40-021	122-550163-11	21-20-00-057
122-540115-3	36-00-20	122-550071-45	21-20-40-022	122-550164-1	21-20-00-055
122-540115-33	36-00-20	122-550071-5	21-50-20-019	122-550165-11	21-20-00-079
122-540115-5	36-00-20-012	122-550071-9	21-50-20	122-550166-7	21-20-00-059
122-540115-9	36-00-20	122-550083-11	21-20-60-033	122-550167-1	21-20-00-070
122-540116-1	25-24-00	122-550083-17	21-20-60-029	122-550167-5	21-20-00
122-540116-13	25-24-00-009	122-550083-21	21-20-60-031	122-550169-1	21-20-00-095
122-540116-15	25-24-00	122-550083-23	21-20-60	122-550170-1	21-20-00-100
122-540116-17	25-24-00-011	122-550083-25	21-20-60-025	122-550171-1	21-20-00-105
122-540116-19	25-24-00-019	122-550083-29	21-20-60-035	122-550172-1	21-20-00-111
122-540116-23	25-24-00-014	122-550083-33	21-20-60-032	122-550173-1	21-20-00-114
122-540116-27	25-24-00-026	122-550083-35	21-20-60-030	122-550174-1	21-20-00-120
122-540116-31	25-24-00-020	122-550083-37	21-20-60-036	122-550175-5	21-20-00-039A
122-540116-35	25-24-00	122-550083-41	21-20-60-026	122-550176-1	21-20-00-004
122-540116-37	25-24-00-025	122-550087-3	32-30-20	122-550177-1	21-20-00
122-540116-5	25-24-00-006	122-550090-3	26-10-10-028	122-550178-1	21-20-00-084
122-540116-603	25-24-00	122-550090-7	26-10-10	122-550230-3	21-20-40
122-540116-7	25-24-00-007	122-550114-1	21-60-00	122-550250-9	21-60-00-009

# Raytheon Aircraft

## BEECH STARSHIP 1 ILLUSTRATED PARTS CATALOG

PART NUMBER	CHAP/SUB- SECT/UNIT & ITEM	PART NUMBER	CHAP/SUB- SECT/UNIT & ITEM	PART NUMBER	CHAP/SUB- SECT/UNIT & ITEM
122-554009-1	21-20-15-033	122-554056-1	21-20-25	122-555015-43	21-50-51-034
122-554011-3	21-20-25-015	122-554063-1	21-20-15	122-555015-43	21-50-50-044
122-554011-5	21-20-25-014	122-554063-11	21-20-15-051	122-555015-47	21-50-50-038
122-554014-1	21-20-25-004	122-554063-13	21-20-15-049	122-555015-47	21-50-51-028
122-554015-17	21-20-15	122-554063-15	21-20-15-050	122-555015-49	21-50-51-031
122-554015-25	21-20-15-022	122-554063-17	21-20-15-047	122-555015-49	21-50-50-041
122-554015-9	21-20-15-021	122-554063-3	21-20-15	122-555016-5	21-50-50-023
122-554020-5	21-20-20	122-554063-5	21-20-15-048	122-555016-5	21-50-51-018
122-554020-9	21-20-20	122-554063-7	21-20-15	122-555020-1	21-50-20
122-554022-1	21-20-20	122-554066-3	21-20-35	122-555025-1	21-50-51-055
122-554022-1	21-20-25-016	122-554066-9	21-20-35-022	122-555025-1	21-50-50-060
122-554022-13	21-20-20	122-554071-1	21-20-20-027	122-555025-5	21-50-50
122-554022-21	21-20-25	122-554068-1	21-55-10-015	122-555025-5	21-50-51
122-554022-5	21-20-20-024	122-554069-1	21-50-60-013	122-555027-19	21-50-50-064
122-554022-7	21-20-20-025	122-554070-1	21-20-20-001	122-555027-25	21-50-50
122-554022-9	21-20-20	122-554071-1	21-20-20-002	122-555029-3	21-50-50-051
122-554023-1	21-20-20-008	122-554072-1	21-20-15-037	122-555029-3	21-50-50
122-554023-13	21-20-20-023	122-554073-1	21-20-20-020	122-555029-3	21-50-51-050
122-554023-13	21-20-20	122-554074-33	21-20-20-013	122-555030-3	21-50-30
122-554023-13	21-20-25-017	122-554074-34	21-20-20-014	122-555031-1	21-20-35-015
122-554023-3	21-20-20-005	122-554074-67	21-20-20	122-555033-1	21-50-30-034
122-554023-5	21-20-20-017	122-554074-68	21-20-20	122-555035-1	21-50-30
122-554024-2	21-55-10	122-554075-35	21-20-20-015	122-555035-3	21-50-30-038
122-554024-3	21-55-10	122-554075-36	21-20-20-016	122-555036-1	21-50-30-009
122-554025-11	21-55-10	122-554075-61	21-20-20	122-555037-1	21-50-30-035
122-554025-7	21-55-10-013	122-554075-62	21-20-20	122-555038-1	21-50-60-024
122-554028-1	21-20-25-005	122-554076-1	21-20-20-003	122-555039-1	21-50-60-001
122-554029-1	21-55-10-005	122-554076-27	21-20-20	122-555040-1	21-50-60
122-554030-1	21-20-20-018	122-554077-27	21-20-20-004	122-555041-1	21-20-30-017
122-554030-2	21-20-20-019	122-554077-57	21-20-20	122-555043-1	21-50-60-021
122-554031-1	21-20-25-008	122-554078-39	21-20-20-006	122-555044-1	21-20-30
122-554031-3	21-20-25	122-554078-40	21-20-20-007	122-555044-5	21-20-30-005
122-554033-1	21-20-20-022	122-554078-71	21-20-20	122-555044-7	21-20-30-004
122-554034-1	21-20-25-018	122-554078-72	21-20-20	122-555044-9	21-20-30-003
122-554034-10	21-20-25	122-554079-1	21-20-25	122-555047-1	21-50-30-001
122-554034-11	21-20-25	122-554079-23	21-20-25	122-555048-1	21-50-60-007
122-554034-13	21-20-25-021	122-554080-i	21-20-25-022	122-555049-1	21-50-30-036
122-554034-3	21-20-25-019	122-554081-1	21-20-15-053	122-555050-1	21-50-40
122-554034-4	21-20-25-020	122-554081-103	21-20-15	122-555050-1	21-50-45
122-554034-5	21-20-25	122-554090-1	21-55-00	122-555051-1	21-50-30-039
122-554034-7	21-20-25	122-554091-11	21-55-00	122-555051-3	21-50-30-051
122-554034-9	21-20-25	122-554091-5	21-55-00-012	122-555052-1	21-50-20-007
122-554035-1	21-20-20-009	122-554091-7	21-55-00-013	122-555053-1	21-50-30-043
122-554035-13	21-20-20	122-554091-9	21-55-00-015	122-555054-13	21-50-40
122-554035-15	21-20-20	122-554106-25	21-20-15-039	122-555054-15	21-50-40
122-554035-45	21-20-20	122-554106-39	21-20-25	122-555054-5	21-50-40-119
122-554035-7	21-20-20-010	122-554106-41	21-20-15-038	122-555055-1	21-50-30
122-554036-1	21-20-20	122-554106-55	21-20-25-026	122-555055-11	21-50-30-076
122-554036-5	21-20-20	122-554108-1	21-55-00-019	122-555055-15	21-50-30-077
122-554037-3	21-20-25-007	122-554114-1	21-20-25-002	122-555055-19	21-50-30
122-554039-1	21-20-20-011	122-555010-1	21-50-50	122-555055-23	21-50-30
122-554039-11	21-20-20-012	122-555010-15	21-50-50-012	122-555055-3	21-50-30-072
122-554039-37	21-20-20	122-555010-17	21-50-50-013	122-555055-7	21-50-30-075
122-554039-47	21-20-20	122-555010-23	21-50-50	122-555056-1	21-50-40-044
122-554039-5	21-20-20	122-555010-25	21-50-50	122-555057-1	21-50-40-102
122-554039-51	21-20-20	122-555010-3	21-50-50-033	122-555059-1	21-50-40-103
122-554040-3	21-20-15	122-555010-5	21-50-50-049	122-555060-1	21-50-40
122-554041-11	21-20-15	122-555011-15	21-50-50	122-555060-1	21-50-45
122-554041-9	21-20-15	122-555011-17	21-50-50-045	122-555061-1	21-50-45-006
122-554046-11	21-20-15-012	122-555011-19	21-50-50	122-555062-1	21-50-45-005
122-554046-9	21-20-15-007	122-555011-3	21-50-50	122-555064-1	21-50-40-018
122-554051-1	21-20-25-011	122-555011-5	21-50-50-047	122-555067-5	21-50-40-007
122-554051-25	21-20-25	122-555011-7	21-50-50-048	122-555067-9	21-50-40-068
122-554052-1	21-20-25	122-555012-13	21-50-50-058	122-555068-1	21-50-40-096
122-554052-15	21-20-25-012	122-555013-5	21-50-50	122-555068-3	21-50-40-084
122-554052-3	21-20-25	122-555015-35	21-50-50	122-555068-5	36-00-10-072
122-554053-1	21-20-30	122-555015-37	21-50-50	122-555068-5	36-00-10-015
122-554053-1	21-50-60-028	122-555015-37	21-50-51	122-555069-1	21-50-40-104
122-554053-3	21-20-30-006	122-555015-39	21-50-51-032	122-555080-3	21-50-10
122-554054-1	33-20-07-010	122-555015-39	21-50-50-042	122-555081-9	21-50-10-052
122-554054-3	25-23-10-018	122-555015-41	21-50-50-043	122-555082-1	21-50-10-068
122-554055-7	21-20-25	122-555015-41	21-50-51-033	122-555083-11	21-50-10-019

# Raytheon Aircraft

## BEECH STARSHIP 1 ILLUSTRATED PARTS CATALOG

PART NUMBER	CHAP/SUB-SECT/UNIT & ITEM	PART NUMBER	CHAP/SUB-SECT/UNIT & ITEM	PART NUMBER	CHAP/SUB-SECT/UNIT & ITEM
122-555083-3	21-50-10-021	122-555156-7	21-50-50	122-560046-1	35-00-02-121
122-555083-9	21-50-10	122-555156-7	21-50-51-040	122-560046-1	35-00-02-119
122-555085-1	21-50-10-011	122-555156-9	21-50-51-012	122-560046-1	35-00-01-121
122-555087-1	21-50-10-010	122-555156-9	21-50-50	122-560046-1	35-00-01-119
122-555088-1	21-50-10-014	122-560000-3	35-00-02	122-560046-19	35-00-01-117
122-555088-3	21-50-10-005	122-560000-3	35-00-01	122-560046-19	35-00-02-117
122-555088-5	21-55-10-006	122-560009-11	35-00-01	122-560046-21	35-00-02-125
122-555088-6	21-55-10	122-560009-11	35-00-02	122-560046-5	35-00-01-125
122-555088-7	21-50-10-059	122-560009-5	35-00-01-063	122-560046-9	35-00-02-131
122-555096-1	21-50-50-053	122-560009-5	35-00-02-063	122-560047-1	35-00-02-075
122-555096-3	21-50-50	122-560009-7	35-00-02-053A	122-560047-1	35-00-01-075
122-555096-3	21-50-51-044	122-560009-7	35-00-01-053A	122-560048-1	35-00-01-077
122-555097-1	21-50-40-070	122-560009-9	35-00-01	122-560048-1	35-00-02-077
122-555098-1	21-50-40-069	122-560009-9	35-00-02	122-570002-1	26-20-00
122-555099-1	21-50-51-053	122-560013-1	35-00-01	122-570002-11	26-20-00
122-555099-1	21-50-50	122-560013-1	35-00-02	122-570002-3	26-20-00
122-555117-1	21-50-40-085	122-560013-5	35-00-02-050	122-570002-31	26-20-00-010
122-555118-1	21-50-40-086	122-560013-5	35-00-01-050	122-570002-43	26-20-00-019
122-555119-1	21-50-40-087	122-560014-1	35-00-01-054	122-570002-5	26-20-00-022
122-555120-1	21-50-50-014	122-560014-1	35-00-02-054	122-570002-51	26-20-00-007
122-555121-11	21-50-50	122-560015-1	35-00-02-015	122-570002-9	26-20-00-016
122-555121-11	21-50-51-014	122-560015-1	35-00-01-015	122-580000-1	32-30-15
122-555121-7	21-50-50-018	122-560016-1	35-00-01-062	122-580000-1	32-30-05
122-555122-1	21-50-40-123	122-560016-1	35-00-02-062	122-580003-1	32-30-00-042
122-555123-1	21-50-20-030	122-560018-1	35-00-02	122-580004-1	32-30-00-070
122-555123-3	21-50-20-031	122-560018-1	35-00-01	122-580004-5	32-30-00-070A
122-555123-5	21-50-20-033	122-560018-11	35-00-01-038	122-580005-1	32-30-00-045
122-555123-7	21-50-20-032	122-560018-5	35-00-01-032	122-580006-1	32-30-00-069
122-555124-1	21-50-20-013	122-560018-5	35-00-02-032	122-580007-1	32-30-00-041
122-555125-1	21-50-30-007	122-560018-9	35-00-01-036	122-580008-1	32-30-00-064
122-555126-1	21-50-30-010	122-560018-9	35-00-02-036	122-580009-3	32-30-05-152
122-555127-1	21-50-30-030	122-560020-10	35-00-02	122-580010-1	32-30-05
122-555129-1	21-50-40-042	122-560020-7	35-00-02-094	122-580013-1	32-30-00
122-555130-1	21-50-40-043	122-560020-7	35-00-01-094	122-580013-3	32-30-00
122-555131-1	21-50-40-115	122-560020-8	35-00-01	122-580013-5	32-30-00
122-555133-1	21-50-40-037	122-560020-8	35-00-02	122-580014-1	32-30-15
122-555135-1	21-50-40-019	122-560020-9	35-00-02	122-580015-1	32-30-15
122-555136-1	21-50-40-116	122-560024-1	35-00-02-009	122-580017-1	32-30-10
122-555137-1	21-50-40-047	122-560024-1	35-00-01-009	122-580018-1	32-30-15-040
122-555138-1	21-50-40-048	122-560024-5	35-00-01	122-580018-5	32-30-15
122-555140-1	21-50-40-117	122-560024-5	35-00-02	122-580020-1	32-30-10-090
122-555141-1	21-50-40-038	122-560026-1	35-00-01	122-580021-1	32-40-00-037
122-555142-1	21-50-40-046	122-560026-1	35-00-02	122-580022-1	32-30-10-061
122-555146-1	21-50-10-039	122-560027-1	35-00-02	122-580023-1	32-30-10
122-555147-1	21-50-10-038	122-560027-1	35-00-01	122-580023-3	32-30-10-049
122-555148-1	21-50-10-032	122-560030-1	35-00-01	122-580024-1	32-30-00-019
122-555149-1	21-50-10-033	122-560030-5	35-00-01-093	122-580025-1	32-30-00-010
122-555150-1	21-50-10-034	122-560030-5	35-00-02-093	122-580027-1	32-30-00-011
122-555151-1	21-50-40-099	122-560030-7	35-00-02	122-580029-1	32-30-05-070
122-555152-1	21-50-40-098	122-560031-5	35-00-02-106	122-580031-27	32-40-10-006
122-555153-1	21-50-40-097	122-560031-5	35-00-01-106	122-580031-29	32-40-10
122-555154-1	21-20-30-029	122-560032-3	35-00-01-083	122-580031-29	32-40-00-019
122-555154-13	21-20-30-036	122-560032-3	35-00-02-083	122-580031-31	32-40-10-013
122-555154-17	21-20-30-034	122-560034-1	35-00-02	122-580031-35	32-40-10
122-555154-21	21-20-30-037	122-560034-1	35-00-01	122-580031-35	32-40-00
122-555154-5	21-20-30-031	122-560035-1	35-00-01	122-580031-37	32-40-10
122-555154-9	21-20-30-035	122-560035-1	35-00-02	122-580033-1	32-40-00-016
122-555155-1	21-50-50	122-560036-1	35-00-02-132	122-580033-11	32-40-00
122-555155-1	21-50-51	122-560038-1	35-00-02-019	122-580036-15	32-30-15-048
122-555155-17	21-50-51	122-560038-1	35-00-01-019	122-580036-15	32-30-15-067
122-555155-17	21-50-50	122-560039-1	35-00-01	122-580036-15	32-30-15-051
122-555155-19	21-50-51-049	122-560039-1	35-00-02	122-580036-15	32-30-05-097
122-555155-21	21-50-51-052	122-560040-1	35-00-02-053B	122-580036-17	34-10-00-035
122-555155-21	21-50-50	122-560040-1	35-00-01-053B	122-580036-19	32-30-05-096
122-555155-3	21-50-51-059	122-560041-1	35-00-01-067	122-580036-21	32-30-05-061
122-555155-5	21-50-50	122-560042-1	35-00-01-068	122-580036-21	32-30-05-052
122-555156-1	21-50-51	122-560043-1	35-00-01-097	122-580036-21	32-30-05-147
122-555156-13	21-50-51-013	122-560043-1	35-00-02-097	122-580036-21	32-30-05-138
122-555156-13	21-50-50	122-560044-1	35-00-02-096	122-580036-23	32-30-05-042
122-555156-3	21-50-51	122-560044-1	35-00-01-096	122-580036-23	32-30-05-044
122-555156-5	21-50-51	122-560045-1	35-00-01-098	122-580036-25	32-30-05-098
122-555156-5	21-50-50	122-560045-1	35-00-02-098	122-580036-27	32-30-05-099

# Raytheon Aircraft

## BEECH STARSHIP 1 ILLUSTRATED PARTS CATALOG

PART NUMBER	CHAP/SUB-SECT/UNIT & ITEM	PART NUMBER	CHAP/SUB-SECT/UNIT & ITEM	PART NUMBER	CHAP/SUB-SECT/UNIT & ITEM
122-580036-31	32-30-00-112	122-580149-5	32-30-15-109	122-580208-1	32-40-20
122-580036-33	32-30-15-007	122-580150-3	32-30-15-027	122-580209-1	32-40-00
122-580036-33	32-30-05-096A	122-580151-3	32-30-15-028	122-580209-41	32-40-00-072
122-580036-35	32-30-05-098A	122-580152-1	32-30-15-026	122-580209-43	32-40-00-079
122-580036-35	32-30-15-010	122-580155-3	32-30-15-025	122-580209-47	32-40-00-069
122-580036-5	32-30-15-050	122-580156-3	32-30-15-024	122-580209-51	32-40-00-063
122-580036-7	32-30-05-137	122-580157-1	32-30-10-060	122-580209-55	32-40-00-064
122-580036-7	32-30-05-146	122-580160-1	32-40-00-009	122-580209-59	32-40-00-070
122-580036-7	32-30-05-051	122-580161-3	32-40-00	122-580209-63	32-40-00-080
122-580036-7	32-30-05-119	122-580161-3	32-40-20	122-580210-1	32-40-00
122-580036-7	32-30-05-110	122-580162-1	32-40-00-152	122-580211-1	32-40-00-125
122-580036-9	32-30-05-040	122-580163-1	32-40-00-146	122-580212-1	32-40-00-124
122-580037-1	32-40-00-176	122-580164-1	32-40-00-162	122-580213-1	32-40-20-146
122-580037-3	32-40-00	122-580165-1	32-40-00-139	122-580213-13	32-40-20-041
122-580044-1	32-30-05-128	122-580166-1	32-40-00-144	122-580213-19	32-40-00-024
122-580045-1	32-30-05-081	122-580167-1	32-40-00-127	122-580213-21	32-40-20-095
122-580045-3	32-30-05	122-580168-1	32-40-00-132	122-580213-23	32-40-20-148
122-580048-1	32-30-05-072	122-580170-1	32-40-00-172	122-580213-27	32-40-20
122-580049-1	32-40-00-147	122-580171-1	32-40-00	122-580213-5	32-40-20-147
122-580080-5	32-30-05-047	122-580176-1	32-40-00-093	122-580213-9	32-40-20-044
122-580090-5	32-30-05-161	122-580176-3	32-40-00-110	122-580214-1	32-40-20-019
122-580091-5	32-30-05-153	122-580176-5	32-40-30-004	122-580215-1	32-40-20-082
122-580092-5	32-30-05-151	122-580177-1	32-40-00-010	122-580215-3	32-40-20-073
122-580093-5	32-30-05-010	122-580180-1	32-30-10	122-580215-5	32-40-20-068
122-580094-5	32-30-05-162	122-580180-11	32-30-10	122-580216-1	32-40-00-104
122-580095-5	32-30-05-069	122-580180-13	32-30-10	122-580217-1	32-40-00-094
122-580098-5	32-30-05-071	122-580180-15	32-30-10	122-580218-1	32-40-00-085
122-580100-5	32-30-05-080	122-580180-3	32-30-10-013	122-580219-1	32-40-00-087
122-580101-3	32-30-05-115	122-580180-5	32-30-10	122-580221-1	32-40-00-105
122-580102-3	32-30-05-116	122-580180-7	32-30-10-008	122-580222-1	32-40-00-095
122-580103-3	32-30-05-114	122-580180-9	32-30-10	122-580223-1	32-40-00-086
122-580104-3	32-30-05-123	122-580181-1	32-30-10-009	122-580224-1	32-40-00-088
122-580105-3	32-30-05-125	122-580181-3	32-30-10-001	122-580226-1	32-40-00-083
122-580106-3	32-30-05-124	122-580182-3	32-30-10-044	122-580227-1	32-40-00-017
122-580107-3	32-30-05-092	122-580182-7	32-30-10-045	122-580229-1	32-40-20-107
122-580108-3	32-30-05-093	122-580182-9	32-30-10-041	122-580230-1	32-40-20-108
122-580109-3	32-30-05-102	122-580184-1	32-30-15-066	122-580233-1	32-40-20-122
122-580110-3	32-30-05-103	122-580184-13	32-30-05-043	122-580236-1	32-40-20-135
122-580111-3	32-30-05-104	122-580184-15	32-30-05-060	122-580237-1	32-40-20-136
122-580112-1	32-30-05-105	122-580184-15	32-30-05-145	122-580238-1	32-40-20-098
122-580113-3	32-30-15-017	122-580184-21	32-30-15-009	122-580241-1	32-40-20-001
122-580114-3	32-30-15-014	122-580184-23	32-30-15-008	122-580242-1	32-30-15-072
122-580115-3	32-30-15-018	122-580184-5	32-30-05-041	122-580243-3	32-40-20-050
122-580119-1	32-30-15-015	122-580184-7	32-30-05-059	122-580244-1	32-30-15-023
122-580120-3	32-30-15-021	122-580184-7	32-30-05-144	122-580245-1	32-30-15-030
122-580121-3	32-30-15-020	122-580184-9	32-30-15-065	122-580246-1	32-30-15-041
122-580122-1	32-30-05-178	122-580189-1	32-30-15-085	122-580247-1	32-40-20-060
122-580122-1	32-30-05-019	122-580190-1	32-30-05-048	122-580250-1	32-40-20-051
122-580122-11	32-40-00-194	122-580190-3	32-30-05	122-580251-1	32-40-10-010
122-580122-13	32-30-05-150	122-580191-1	32-30-05-033	122-580251-1	11-30-00-032
122-580122-13	32-30-05-039	122-580192-1	32-30-05-067	122-580252-1	32-30-05-093C
122-580122-13	32-30-05-064	122-580193-1	32-30-05-065	122-580253-1	32-30-05-093A
122-580122-13	57-10-00	122-580194-1	32-30-05-066	122-580254-1	32-30-05-092C
122-580122-13	32-10-00-124	122-580195-1	32-30-05-011	122-580255-1	32-30-05-092A
122-580122-15	32-30-00-116	122-580196-1	32-30-05-068	122-580256-1	32-40-20-025
122-580122-17	32-30-05	122-580197-1	32-30-05-009	122-580257-1	32-40-20-045
122-580122-17	32-30-05	122-580198-1	32-30-00-120	122-580258-1	32-40-20-062
122-580122-3	32-30-05-169	122-580199-1	32-30-00-118	122-580259-1	32-40-20-125
122-580122-5	32-30-05-122	122-580200-1	32-30-00-119	122-580260-1	32-40-20-117
122-580122-5	32-30-05-113	122-580201-1	32-30-00-117	122-580261-1	32-40-20-065
122-580122-9	32-40-00-166	122-580202-1	32-30-00-121	122-580262-1	32-40-00-023
122-580122-9	32-40-00-143	122-580203-1	32-30-00-006	122-580263-1	32-40-00-022
122-580122-9	32-30-00-018	122-580204-1	32-30-00-122	122-580263-5	32-40-00
122-580129-9	32-30-00-103	122-580205-1	32-30-00-009	122-580264-1	32-40-00-065
122-580138-5	32-30-05-127	122-580206-1	32-30-10	122-580266-1	32-40-00
122-580140-5	32-30-05-126	122-580206-15	32-30-10-022	122-580267-1	32-40-00
122-580142-5	32-30-15-071	122-580206-3	32-30-10-027	122-580268-1	32-40-00
122-580144-5	32-30-15-068	122-580206-7	32-30-10-026	122-580269-1	32-40-00
122-580145-5	32-30-15-069	122-580207-1	32-30-10-014	122-590000-1	25-10-00
122-580146-5	32-30-15-070	122-580207-1	11-30-00-034	122-590000-3	25-10-00
122-580147-3	32-30-15-108	122-580208-1	32-40-00	122-590011-17	25-10-00-006
122-580148-3	32-30-15-107	122-580208-1	32-40-30	122-590011-17	27-70-00-0NPO

REVISED  
07/31/02

ALPHA-NUMERIC INDEX  
Page 49

# Raytheon Aircraft

## BEECH STARSHIP 1 ILLUSTRATED PARTS CATALOG

PART NUMBER	CHAP/SUB- SECT/UNIT & ITEM	PART NUMBER	CHAP/SUB- SECT/UNIT & ITEM	PART NUMBER	CHAP/SUB- SECT/UNIT & ITEM
122-590011-19	27-70-00-003	122-610040-25	55-20-00-023	122-620121-26	55-10-00
122-590011-21	27-70-00	122-610040-26	55-20-00	122-620121-31	55-10-00-073
122-590011-21	25-10-00	122-610042-3	55-20-00-043	122-620121-31	55-30-00-015
122-590011-23	27-70-00	122-610042-4	55-20-00	122-620121-31	55-30-00-022
122-590012-3	27-70-00-002	122-610043-1	55-20-00-044	122-620121-32	55-30-00
122-590012-3	11-30-00-019	122-610043-2	55-20-00	122-620121-32	55-30-00
122-590013-1	25-10-00	122-610043-3	55-20-00-045	122-620121-32	55-10-00
122-590013-11	25-10-00	122-610043-4	55-20-00	122-620121-33	55-10-00-061
122-590013-13	25-10-00	122-610057-1	55-20-00	122-620121-35	55-10-00-062
122-590013-15	25-10-00	122-610057-2	55-20-00	122-620121-43	55-10-00-051
122-590013-17	25-10-00	122-610057-25	55-20-00-036	122-620121-44	55-10-00
122-590013-21	25-10-00	122-610057-27	55-20-00-041	122-620121-47	55-10-00-050
122-590013-27	25-10-00	122-610057-29	55-20-00-031	122-620121-48	55-10-00
122-590013-31	25-10-00	122-610057-3	55-20-00-039	122-620121-49	55-10-00-047
122-590013-33	25-10-00	122-610057-31	55-20-00-040	122-620121-50	55-10-00
122-590013-35	25-10-00	122-610057-33	55-20-00-042	122-620121-51	55-10-00-049
122-590013-37	25-10-00	122-610057-4	55-20-00	122-620121-52	55-10-00
122-590013-39	25-10-00	122-610057-55	55-20-00	122-620121-53	55-10-00-048
122-590013-41	25-10-00	122-610057-56	55-20-00	122-620121-54	55-10-00
122-590013-45	25-10-00	122-610057-57	55-20-00	122-620133-10	55-10-00
122-590013-7	25-10-00	122-610057-59	55-20-00	122-620133-7	55-10-00-072
122-590013-9	25-10-00	122-610057-63	55-20-00	122-620133-8	55-10-00
122-590014-1	25-10-00-007	122-610057-64	55-20-00	122-620133-9	55-10-00
122-590015-1	25-10-00-008	122-610057-65	55-20-00	122-620146-1	55-10-00-063
122-590016-1	25-10-00	122-610057-66	55-20-00	122-620146-5	55-10-00
122-590016-19	25-10-00-010	122-620000-3	55-10-00	122-620152-1	55-10-00-052
122-590016-3	25-10-00-009	122-620000-4	55-10-00	122-620152-11	55-10-00-012
122-590017-1	25-10-00-011	122-620010-1	55-10-00	122-620152-13	55-10-00-010
122-590017-3	25-10-00	122-620010-11	55-10-00-018	122-620152-5	55-10-00-011
122-610000-10	55-20-00	122-620010-12	55-10-00	122-620152-7	55-10-00-009
122-610000-13	55-20-00	122-620010-13	55-10-00	122-620152-9	55-10-00-008
122-610000-14	55-20-00	122-620010-14	55-10-00	122-630000-3	55-40-00
122-610000-5	55-20-00	122-620010-2	55-10-00	122-630000-4	55-40-00
122-610000-6	55-20-00	122-620050-1	55-10-00	122-630042-105	55-40-00-011
122-610000-9	55-20-00-008A	122-620050-13	55-10-00-022	122-630042-106	55-40-00
122-610010-4	57-60-00	122-620050-15	55-10-00-023	122-630042-115	55-40-00-042
122-610011-43	55-20-00-046	122-620050-16	55-10-00-024	122-630042-117	55-40-00-052
122-610011-45	55-20-00-047	122-620050-17	55-10-00-020	122-630042-118	55-40-00
122-610011-47	55-20-00-016	122-620050-2	55-10-00	122-630042-119	55-40-00-053
122-610011-48	55-20-00	122-620050-29	55-10-00-025	122-630042-121	55-40-00-051
122-610011-49	55-20-00-017	122-620050-3	55-10-00	122-630042-122	55-40-00
122-610011-50	55-20-00	122-620050-31	55-10-00-038	122-630042-123	55-40-00
122-610011-51	55-20-00-014	122-620050-33	55-10-00	122-630042-123	55-40-00-035
122-610011-53	55-20-00	122-620050-37	55-10-00-040	122-630042-127	55-40-00
122-610011-54	55-20-00	122-620050-39	55-10-00	122-630042-128	55-40-00
122-610011-55	55-20-00-049	122-620050-41	55-10-00-029	122-630042-131	55-40-00-016
122-610011-56	55-20-00	122-620050-43	55-10-00	122-630042-132	55-40-00
122-610011-59	55-20-00-028	122-620050-45	55-10-00-027	122-630042-133	55-40-00-018
122-610011-60	55-20-00	122-620050-47	55-10-00-041	122-630042-134	55-40-00
122-610011-61	55-20-00-029	122-620050-48	55-10-00-042	122-630042-135	55-40-00-017
122-610011-62	55-20-00	122-620050-49	55-10-00-030	122-630042-137	55-40-00-028
122-610011-63	55-20-00-030	122-620050-5	55-10-00	122-630042-138	55-40-00
122-610011-64	55-20-00	122-620050-50	55-10-00-031	122-630042-139	55-40-00
122-610011-69	55-20-00-009	122-620050-6	55-10-00	122-630042-140	55-40-00
122-610011-69	55-40-00-008	122-620050-7	55-10-00	122-630042-143	55-40-00-041
122-610011-69	23-60-00-002	122-620052-10	55-10-00	122-630042-145	55-40-00-040
122-610011-7	55-20-00-026	122-620052-9	55-10-00-046	122-630042-147	55-40-00-039
122-610011-70	55-20-00	122-620065-1	55-10-00	122-630042-149	55-40-00
122-610011-70	55-40-00	122-620065-2	55-10-00	122-630042-150	55-40-00
122-610011-70	23-60-00	122-620065-3	55-10-00-014	122-630042-73	55-40-00-036
122-610011-71	55-20-00	122-620065-4	55-10-00	122-630042-74	55-40-00
122-610011-72	55-20-00	122-620065-5	55-10-00-013	122-630042-89	55-40-00-043
122-610011-73	55-20-00	122-620065-6	55-10-00	122-630042-91	55-40-00-044
122-610011-74	55-20-00	122-620066-1	55-10-00	122-630042-95	55-40-00-045
122-610011-8	55-20-00	122-620066-2	55-10-00	122-630042-97	55-40-00
122-610014-15	55-20-00-019	122-620067-1	55-10-00	122-630044-97	57-60-00
122-610014-35	55-20-00-018	122-620067-2	55-10-00	122-630057-10	55-40-00
122-610014-36	55-20-00	122-620067-3	55-10-00	122-630057-17	55-40-00-031
122-610040-13	55-20-00-024	122-620067-4	55-10-00	122-630057-18	55-40-00
122-610040-15	55-20-00-025	122-620121-1	55-10-00	122-630057-19	55-40-00
122-610040-19	55-20-00-027	122-620121-2	55-10-00	122-630057-20	55-40-00
122-610040-20	55-20-00	122-620121-25	55-10-00-045	122-630057-7	55-40-00-032

# Raytheon Aircraft

## BEECH STARSHIP 1 ILLUSTRATED PARTS CATALOG

PART NUMBER	CHAP/SUB-SECT/UNIT & ITEM	PART NUMBER	CHAP/SUB-SECT/UNIT & ITEM	PART NUMBER	CHAP/SUB-SECT/UNIT & ITEM
122-630057-8	55-40-00	122-640045-5	55-30-00	122-810054-1	32-10-00-080
122-630057-9	55-40-00-024	122-640045-6	55-30-00	122-810055-7	32-10-10
122-630058-3	55-40-00-023	122-640045-6	33-40-10	122-810055-9	32-10-10
122-630058-4	55-40-00	122-640045-9	33-40-10	122-810060-3	32-10-10-074
122-630072-1	55-40-00	122-640045-9	55-30-00	122-810061-1	32-10-10
122-630072-10	55-40-00	122-640053-1	55-30-00-014	122-810061-13	32-10-10
122-630072-11	55-40-00	122-640053-15	55-30-00	122-810061-15	32-10-10
122-630072-12	55-40-00	122-640053-16	55-30-00	122-810061-3	32-10-10-078
122-630072-2	55-40-00	122-640053-2	55-30-00	122-810061-9	32-10-10-077
122-630072-3	55-40-00-025	122-640073-1	55-60-00-012	122-810062-11	32-10-00-022
122-630072-4	55-40-00	122-640080-1	55-60-00	122-810062-13	32-10-00
122-630072-5	55-40-00-026	122-640080-3	55-60-00-007	122-810062-15	32-10-00
122-630072-6	55-40-00	122-640081-1	55-60-00	122-810062-17	32-10-00
122-630072-7	55-40-00	122-640081-3	55-60-00-018	122-810062-9	32-10-00-011
122-630072-8	55-40-00	122-640081-5	55-60-00	122-810065-1	32-10-10
122-630072-9	55-40-00	122-640085-11	55-60-00-017	122-810065-3	32-10-10-095
122-630073-1	55-40-00-021	122-640086-5	55-60-00-014	122-810065-5	32-10-10-089
122-630073-17	55-40-00-022	122-750001-1	26-10-00	122-810065-7	32-10-10-093
122-630073-18	55-40-00	122-750001-1	71-00-10	122-810065-9	32-10-10-094
122-630073-2	55-40-00	122-810000-5	32-10-00	122-810066-1	32-10-10-031
122-630073-5	55-40-00-020	122-810000-6	32-10-00	122-810066-3	32-10-10
122-630073-6	55-40-00	122-810001-11	32-10-10	122-810069-5	32-10-00
122-630135-1	55-40-00	122-810001-15	32-10-10	122-810069-6	32-10-00
122-630135-15	55-40-00-055	122-810001-15	32-10-00	122-810069-7	32-10-00-099
122-630135-2	55-40-00	122-810001-9	32-10-00-119	122-810069-8	32-10-00
122-630135-21	55-40-00-057	122-810001-9	32-10-10	122-810070-1	32-10-00
122-630135-22	55-40-00	122-810005-13	32-10-00-144	122-810070-3	32-10-00-096
122-630135-25	55-40-00-054	122-810005-14	32-10-00	122-810071-1	32-10-00
122-640001-1	55-30-00	122-810006-11	32-10-00-151	122-810071-3	32-10-00-087
122-640001-2	55-30-00	122-810006-9	32-10-00-147	122-810071-5	32-10-00-088
122-640002-1	55-30-00	122-810008-1	32-10-10-051	122-810075-3	32-10-10-096
122-640002-2	55-30-00	122-810008-3	32-10-00-005	122-810075-3	11-20-00-002
122-640003-1	55-30-00-034	122-810011-3	32-10-00-084	122-810076-1	32-10-10-065
122-640003-2	55-30-00	122-810011-5	32-10-00	122-810077-1	32-10-10-081
122-640013-7	55-30-00-032	122-810014-5	32-10-10	122-810078-145	32-10-10
122-640013-8	55-30-00	122-810016-3	32-10-00	122-810078-3	32-10-10
122-640015-1	55-30-00	122-810016-4	32-10-00	122-810078-5	32-10-10-013
122-640015-10	55-30-00	122-810016-5	32-10-00-094	122-810078-87	32-10-10
122-640015-19	55-30-00-010	122-810016-7	32-10-00-089	122-810078-89	32-10-10-019
122-640015-2	55-30-00	122-810016-8	32-10-00	122-810078-91	32-10-10-017
122-640015-20	55-30-00	122-810018-3	32-10-10-030	122-810078-95	32-10-10
122-640015-23	55-30-00-010A	122-810020-5	32-10-10-084	122-810079-1	32-10-10-073
122-640015-25	55-30-00-011	122-810021-5	32-10-10-083	122-810079-49	32-10-10-012B
122-640015-26	55-30-00	122-810023-1	32-10-00-055	122-810080-1	32-10-10
122-640015-33	55-30-00-012	122-810024-1	32-10-00-060	122-810080-3	32-10-10-004
122-640015-34	55-30-00	122-810025-1	32-10-00-075	122-810080-5	32-10-10-001
122-640015-9	55-30-00-011A	122-810028-1	32-10-00-050	122-810085-1	32-10-10-006
122-640019-1	55-30-00	122-810029-1	32-10-00-091	122-810085-1	32-10-10
122-640019-2	55-30-00	122-810030-3	32-10-00	122-810086-1	32-10-10
122-640022-45	55-30-00	122-810032-1	32-10-10-022	122-810086-1	32-10-10-005
122-640022-47	55-30-00-024	122-810033-1	32-10-10-059	122-820000-3	32-20-00
122-640022-48	55-30-00-025	122-810034-1	32-10-10-044	122-820000-5	32-20-00-009
122-640022-49	55-30-00-026	122-810035-1	32-10-00-134	122-820000-9	32-20-00
122-640022-51	55-30-00	122-810035-2	32-10-00	122-820000-9	32-50-00
122-640022-53	55-30-00-029	122-810038-1	32-10-10-080	122-820001-11	32-20-10
122-640022-54	55-30-00-030	122-810039-1	32-10-10-079	122-820001-13	32-20-10
122-640022-55	55-30-00-031	122-810040-1	32-10-00-112	122-820001-13	32-20-00
122-640026-3	55-30-00-033	122-810041-1	32-10-00-023	122-820001-5	32-20-10-033
122-640026-4	55-30-00	122-810042-1	32-10-10-042	122-820001-7	32-20-10
122-640037-3	55-30-00	122-810043-1	32-10-10-038	122-820001-7	32-20-00
122-640037-4	55-30-00	122-810044-1	32-10-10-043	122-820001-9	32-20-00-094
122-640045-10	55-30-00	122-810045-1	32-10-00-093	122-820001-9	32-20-10
122-640045-11	33-40-10	122-810046-1	32-10-00-092	122-820002-3	32-20-00-058
122-640045-11	55-30-00	122-810047-1	32-10-00	122-820004-1	32-50-00
122-640045-12	55-30-00	122-810047-2	32-10-00-048	122-820004-13	32-50-00
122-640045-12	55-30-00	122-810047-3	32-10-00-049	122-820004-7	32-50-00-017
122-640045-12	33-40-10	122-810048-1	32-10-00-047	122-820004-9	32-50-00
122-640045-3	33-40-10-021	122-810049-1	32-10-00-044	122-820022-3	32-20-00
122-640045-3	55-30-00-003	122-810050-1	32-10-00-040	122-820022-5	32-20-00-084
122-640045-4	55-30-00	122-810051-1	32-10-00-043	122-820022-7	32-20-00-060
122-640045-4	33-40-10	122-810052-1	32-10-00-083	122-820023-19	32-20-00
122-640045-5	33-40-10	122-810053-1	32-10-00-081	122-820023-21	32-20-00-011



# Raytheon Aircraft

## BEECH STARSHIP 1 ILLUSTRATED PARTS CATALOG

PART NUMBER	CHAP/SUB- SECT/UNIT & ITEM	PART NUMBER	CHAP/SUB- SECT/UNIT & ITEM	PART NUMBER	CHAP/SUB- SECT/UNIT & ITEM
122-820023-9	32-20-00-010	122-910016-3	54-30-20-016	122-910028-24	30-20-00
122-820024-1	32-20-10-040	122-910020-3	30-20-00-005	122-910028-25	30-20-00-070
122-820029-3	32-20-10-077	122-910020-7	30-20-00-014	122-910028-29	30-20-00-066
122-820029-5	32-20-10	122-910020-9	30-20-00	122-910028-3	30-20-00
122-820029-7	32-20-10	122-910022-10	30-20-00-162	122-910028-31	30-20-00-065
122-820030-3	32-20-10-078	122-910022-17	30-20-00-166	122-910028-32	30-20-00
122-820031-17	32-50-00-044	122-910022-19	30-20-00-168	122-910028-33	30-20-00-068
122-820031-21	32-50-00-042	122-910022-21	30-20-00-165	122-910028-35	30-20-00-040
122-820031-23	32-50-00-040	122-910022-23	30-20-00-167	122-910028-39	30-20-00
122-820031-25	32-50-00-041	122-910022-7	30-20-00-163	122-910028-41	30-20-00-061
122-820031-31	32-50-00	122-910022-9	30-20-00-161	122-910028-45	30-20-00
122-820032-1	32-20-00-089	122-910023-23	30-20-00-026	122-910028-5	30-20-00-046
122-820032-15	32-20-00-088	122-910023-5	30-20-00-028B	122-910028-51	30-20-00-043
122-820040-17	32-50-00-045	122-910023-6	30-20-00	122-910028-52	30-20-00
122-820041-1	32-50-00-018	122-910024-3	30-20-00	122-910028-53	30-20-00-062
122-820042-5	32-50-00-023	122-910025-105	30-20-00-117	122-910028-54	30-20-00
122-820049-3	32-20-10	122-910025-107	30-20-00	122-910028-55	30-20-00-069
122-820053-1	32-20-10-037	122-910025-108	30-20-00	122-910028-57	30-20-00-067
122-820055-3	32-20-10-070	122-910025-109	30-20-00-122	122-910028-59	30-20-00-056
122-820057-3	32-20-10-055	122-910025-109	30-20-00-132	122-910028-61	30-20-00-054
122-820058-3	32-20-10-066	122-910025-109	30-20-00-139	122-910028-63	30-20-00-063
122-820059-1	32-20-10-061	122-910025-109	30-20-00-151	122-910028-64	30-20-00
122-820060-1	32-20-10-060	122-910025-111	30-20-00-113	122-910028-67	30-20-00
122-820061-3	32-20-10-065	122-910025-111	30-20-00-158	122-910028-69	30-20-00
122-820061-5	32-20-10	122-910025-113	30-20-00-157	122-910028-7	30-20-00-059
122-820062-3	32-20-10-059	122-910025-115	30-20-00-125	122-910028-71	30-20-00-064
122-820063-1	32-20-10-063	122-910025-117	30-20-00-141	122-910028-73	30-20-00-058
122-820064-5	32-20-10-062	122-910025-119	30-20-00-145	122-910028-75	30-20-00-052
122-820065-1	32-20-10-064	122-910025-12	30-20-00	122-910028-9	30-20-00-053
122-820066-3	32-20-10-032	122-910025-12	30-20-00-138	122-910030-1	30-20-00-073
122-820067-1	32-20-10-036	122-910025-121	30-20-00-146	122-910030-29	30-20-00
122-820068-1	32-20-10-039	122-910025-15	30-20-00-140	122-910030-3	30-20-00-074
122-820070-1	32-20-00-081	122-910025-17	30-20-00-123	122-910039-1	71-20-00-014
122-820073-3	32-20-10	122-910025-18	30-20-00-124	122-910046-1	75-20-00-004
122-820073-5	32-20-10-073	122-910025-19	30-20-00-112	122-910046-3	75-20-00-003
122-820075-1	32-20-00-069	122-910025-21	30-20-00	122-910047-13	71-70-00-035
122-820077-1	32-20-00-056	122-910025-3	30-20-00	122-910047-15	71-70-00-034
122-820079-1	32-20-00-073	122-910025-31	30-20-00-152	122-910048-1	71-60-00
122-820080-1	32-20-00-074	122-910025-53	30-20-00-159	122-910048-11	71-60-00-066
122-820081-1	32-20-00-057	122-910025-67	30-20-00-137	122-910048-13	71-60-00-063
122-820082-1	32-20-00-085	122-910025-7	30-20-00-150	122-910048-13	71-60-00-067
122-820083-1	32-20-00-059	122-910025-71	30-20-00-110	122-910048-15	71-60-00-068
122-820088-1	32-20-00-095	122-910025-87	30-20-00	122-910048-15	71-60-00-064
122-820090-1	32-20-10	122-910025-89	30-20-00-131	122-910048-3	71-60-00
122-820091-1	32-20-10-019	122-910025-94	30-20-00-121	122-910048-5	71-60-00-070
122-820094-1	32-20-00	122-910025-95	30-20-00-130	122-910048-7	71-60-00-069
122-820094-3	32-20-00-007	122-910025-99	30-20-00-129	122-910048-9	71-60-00-065
122-820096-1	32-20-00-075	122-910026-1	30-20-00	122-910050-25	30-20-00
122-820098-1	32-20-00-091	122-910026-10	30-20-00-094	122-910050-25	54-10-10-052
122-820099-1	32-20-10-044	122-910026-13	30-20-00-090	122-910050-29	30-20-00-172
122-820100-3	32-20-10-050	122-910026-3	30-20-00-095	122-910050-3	30-20-00-173
122-820101-1	32-20-10-080	122-910026-5	30-20-00-092	122-910051-1	30-20-00-171
122-820101-5	32-20-10-081	122-910026-7	30-20-00-091	122-910051-1	30-20-00-164
122-820101-9	32-20-10	122-910026-9	30-20-00-093	122-910054-1	79-30-00-004
122-820102-1	32-20-00-041	122-910027-1	30-20-00	122-910054-2	79-30-00
122-820102-2	32-20-00-042	122-910027-10	30-20-00-087	122-910055-3	79-30-00-003
122-820103-1	32-20-00	122-910027-11	30-20-00-083	122-910056-13	54-30-40-010
122-820103-3	32-20-00-040	122-910027-15	30-20-00-082	122-910060-1	54-30-20
122-820103-5	32-20-00-032	122-910027-17	30-20-00-081	122-910060-11	54-30-20-005
122-820103-7	32-20-00-034	122-910027-3	30-20-00-088	122-910060-13	54-30-20-006
122-820111-5	11-20-00-001	122-910027-5	30-20-00-085	122-910060-15	54-30-20-011
122-820111-7	32-10-00-090	122-910027-7	30-20-00-084	122-910060-3	54-30-20-010
122-820112-1	11-20-00-008	122-910027-9	30-20-00-086	122-910060-5	54-30-20
122-820112-5	11-20-00-009	122-910028-10	30-20-00	122-910060-7	54-30-20-007
122-900002-183	28-10-10-090	122-910028-11	30-20-00	122-910060-8	54-30-20-009
122-9002-1	54-30-20	122-910028-13	30-20-00-045	122-910060-9	54-30-20-008
122-9002-1	54-30-10	122-910028-15	30-20-00	122-910061-1	54-30-20-012
122-9002-1	25-10-00	122-910028-17	30-20-00-057	122-910063-35	71-20-00-017
122-910008-5	71-00-10-004	122-910028-17	30-20-00-055	122-910063-49	71-00-10-003
122-910008-5	75-20-00	122-910028-19	30-20-00-041	122-910063-49	71-20-00
122-910016-1	54-30-10-004	122-910028-21	30-20-00-060	122-910063-51	71-20-00-021
122-910016-2	54-30-10	122-910028-23	30-20-00	122-910064-1	71-00-10

# Raytheon Aircraft

## BEECH STARSHIP 1 ILLUSTRATED PARTS CATALOG

PART NUMBER	CHAP/SUB-SECT/UNIT & ITEM	PART NUMBER	CHAP/SUB-SECT/UNIT & ITEM	PART NUMBER	CHAP/SUB-SECT/UNIT & ITEM
122-910064-1	79-30-00	122-910067-29	54-30-00-032	122-910070-60	54-30-00
122-910064-1	77-40-00	122-910067-31	54-30-10	122-910070-7	54-30-00-004
122-910064-1	78-10-00	122-910067-33	54-30-10-005	122-910070-8	54-30-00
122-910064-1	61-10-00	122-910067-35	54-30-10-003	122-910071-3	54-30-20-015
122-910064-1	61-20-10	122-910067-36	54-30-10	122-910071-5	54-30-20
122-910064-1	73-10-00	122-910067-43	54-30-10	122-910074-11	75-20-00-005
122-910064-1	74-10-00	122-910067-43	54-30-10	122-910074-13	75-20-00
122-910064-1	73-30-00	122-910067-45	54-30-10	122-910074-3	75-20-00-007
122-910064-1	36-10-00	122-910067-45	54-30-10	122-9100740-15	75-20-00-006
122-910064-1	24-30-30	122-910068-1	54-30-40	122-910076-1	71-70-00
122-910064-11	73-10-00-011	122-910068-1	54-30-00-035	122-910076-1	71-00-10-005
122-910064-15	73-30-00	122-910068-19	54-30-40	122-910076-13	71-70-00-010
122-910064-15	74-10-00	122-910068-20	54-30-40	122-910076-17	71-70-00-006
122-910064-15	73-10-00	122-910068-21	54-30-40-007	122-910076-3	71-70-00
122-910064-15	61-20-10	122-910068-22	54-30-40	122-910076-3	71-00-10
122-910064-15	61-10-00	122-910068-23	54-30-40-008	122-910076-5	71-70-00-011
122-910064-15	78-10-00	122-910068-3	54-30-00	122-910076-9	71-70-00-012
122-910064-15	77-40-00	122-910068-3	54-30-40	122-910077-1	71-70-00
122-910064-15	79-30-00	122-910068-5	54-30-40-011	122-910079-1	71-00-10-002
122-910064-15	71-00-10	122-910068-7	54-30-40	122-910079-1	71-60-00
122-910064-15	36-10-00	122-910069-15	54-30-20	122-910079-11	71-60-00-054
122-910064-15	24-30-30	122-910069-16	54-30-20	122-910079-15	71-60-00-055
122-910064-17	24-30-30	122-910069-19	54-30-20	122-910079-19	71-60-00
122-910064-17	36-10-00	122-910069-19	54-30-00	122-910079-21	71-60-00-057
122-910064-17	71-00-10	122-910069-21	54-30-20	122-910079-23	71-60-00-013
122-910064-17	79-30-00	122-910069-23	54-30-20-017	122-910079-25	71-60-00-006
122-910064-17	78-10-00	122-910069-25	54-30-20-014	122-910079-27	71-60-00
122-910064-17	77-40-00	122-910069-26	54-30-20	122-910079-29	71-60-00-029
122-910064-17	61-10-00	122-910069-27	54-30-20	122-910079-3	71-60-00
122-910064-17	61-20-10	122-910069-27	54-30-00-033	122-910079-31	71-60-00
122-910064-17	73-10-00	122-910069-29	54-30-20	122-910079-33	71-60-00-032
122-910064-17	74-10-00	122-910069-31	54-30-20	122-910079-39	71-60-00-003
122-910064-17	73-30-00	122-910069-35	54-30-20-013	122-910079-40	71-60-00
122-910064-3	73-30-00	122-910069-41	54-30-20	122-910079-41	71-60-00-002
122-910064-3	74-10-00	122-910069-41	54-30-20	122-910079-47	71-60-00-048
122-910064-3	73-10-00	122-910069-43	54-30-20	122-910079-48	71-60-00-049
122-910064-3	61-20-10	122-910069-43	54-30-20	122-910079-5	71-60-00-059
122-910064-3	61-10-00	122-910069-45	54-30-20	122-910079-51	71-60-00-022
122-910064-3	77-40-00	122-910070-13	54-30-00	122-910079-53	71-60-00-020
122-910064-3	78-10-00	122-910070-14	54-30-00	122-910079-55	71-60-00-018
122-910064-3	79-30-00	122-910070-15	54-30-00-010	122-910079-57	71-60-00-042
122-910064-3	71-00-10	122-910070-16	54-30-00	122-910079-59	71-60-00-043
122-910064-3	36-10-00	122-910070-17	54-30-00	122-910079-61	71-60-00-038
122-910064-3	24-30-30	122-910070-19	54-30-00-031	122-910079-62	71-60-00-031
122-910064-5	74-10-00-004	122-910070-29	54-30-00	122-910079-65	71-60-00-024
122-910064-7	73-10-00-004	122-910070-30	54-30-00	122-910079-66	71-60-00
122-910065-11	71-00-10	122-910070-31	54-30-00-029	122-910079-67	71-60-00-047
122-910065-11	54-30-00	122-910070-32	54-30-00	122-910079-685	71-60-00
122-910065-5	54-30-00	122-910070-35	54-30-00	122-910079-69	71-60-00-023
122-910065-5	71-00-10-001	122-910070-36	54-30-00	122-910079-7	71-60-00
122-910065-7	71-00-10	122-910070-37	54-30-00-014	122-910079-70	71-60-00
122-910065-7	54-30-00	122-910070-38	54-30-00	122-910079-71	71-60-00
122-910065-9	54-30-00	122-910070-39	54-30-00	122-910079-72	71-60-00
122-910065-9	71-00-10	122-910070-40	54-30-00	122-910079-79	71-60-00-025
122-910066-17	54-30-30-008	122-910070-41	54-30-00-021	122-910079-80	71-60-00
122-910066-17	54-30-00-028	122-910070-42	54-30-00	122-910079-83	71-60-00-012
122-910066-19	54-30-00-034	122-910070-43	54-30-00-022	122-910079-87	71-60-00-039
122-910066-19	54-30-30	122-910070-44	54-30-00	122-910079-89	71-60-00-033
122-910066-21	54-30-30-009	122-910070-45	54-30-00	122-910079-9	71-60-00-061
122-910066-25	54-30-30	122-910070-47	54-30-00	122-910079-91	71-60-00-036
122-910066-27	54-30-30-007	122-910070-49	54-30-00	122-910079-93	71-60-00
122-910066-29	54-30-30	122-910070-5	54-30-00	122-910079-95	71-60-00-005
122-910066-29	54-30-00	122-910070-50	54-30-00	122-910079-97	71-60-00-004
122-910066-31	54-30-00-027	122-910070-51	54-30-00	122-910080-1	71-60-00
122-910066-31	54-30-30-004	122-910070-52	54-30-00	122-910080-11	71-60-00-082
122-910067-19	54-30-10	122-910070-53	54-30-00	122-910080-13	71-60-00-087
122-910067-19	54-30-00	122-910070-54	54-30-00	122-910080-15	71-60-00-091
122-910067-21	54-30-10	122-910070-55	54-30-00	122-910080-17	71-60-00-088
122-910067-23	54-30-10	122-910070-56	54-30-00	122-910080-19	71-60-00-089
122-910067-25	54-30-10	122-910070-57	54-30-00	122-910080-21	71-60-00-078
122-910067-26	54-30-10	122-910070-58	54-30-00	122-910080-23	71-60-00-077
122-910067-29	54-30-10	122-910070-59	54-30-00	122-910080-25	71-60-00-076

# Raytheon Aircraft

## BEECH STARSHIP 1 ILLUSTRATED PARTS CATALOG

PART NUMBER	CHAP/SUB- SECT/UNIT & ITEM	PART NUMBER	CHAP/SUB- SECT/UNIT & ITEM	PART NUMBER	CHAP/SUB- SECT/UNIT & ITEM
122-910080-27	71-60-00-080	122-920002-139	28-20-00-018	122-920012-21	73-10-10-020
122-910080-29	71-60-00-081	122-920002-140	28-20-00	122-920016-1	28-20-00-266
122-910080-3	71-60-00-086	122-920002-141	28-10-00-070	122-920017-11	57-20-40-017
122-910080-31	71-60-00-090	122-920002-143	28-10-10-182	122-920017-7	57-20-40-016
122-910080-4	71-60-00	122-920002-144	28-10-10	122-920017-7	28-10-10-183
122-910080-5	71-60-00-085	122-920002-145	28-10-10-178	122-920017-8	28-10-10
122-910080-7	71-60-00-083	122-920002-146	28-10-10	122-920017-8	57-20-40
122-910080-9	71-60-00-084	122-920002-15	28-20-00-029	122-920018-3	28-10-00-013
122-910081-1	30-20-00	122-920002-151	28-20-00-092	122-920019-1	28-10-00-011
122-910081-3	30-20-00-169	122-920002-152	28-20-00	122-920023-9	28-10-00-001
122-910081-5	30-20-00-170	122-920002-155	28-20-00-184	122-920025-1	28-10-10
122-910082-1	71-60-00-092	122-920002-157	28-20-00-185	122-920025-2	28-10-10
122-910082-2	71-60-00	122-920002-163	28-20-00-083	122-920025-25	28-10-10-062
122-910083-1	30-20-00	122-920002-165	28-20-00	122-920025-3	28-10-10-071
122-910083-11	30-20-00-027	122-920002-165	28-10-10	122-920025-41	28-10-10-066
122-910083-15	30-20-00	122-920002-165	28-10-00	122-920025-42	28-10-10
122-910083-17	30-20-00-019	122-920002-165	28-40-00	122-920026-1	28-10-10-058
122-910083-19	30-20-00-021	122-920002-165	73-10-00	122-920027-7	28-40-00-024
122-910083-21	30-20-00-023	122-920002-169	28-20-00-084	122-920030-10	28-20-00
122-910083-23	30-20-00-022	122-920002-171	28-10-00-033	122-920030-9	28-20-00-231
122-910083-25	30-20-00-024	122-920002-173	28-10-00	122-920032-1	28-10-10-138
122-910083-27	30-20-00-025	122-920002-179	28-20-00-210	122-920032-2	28-10-10
122-910083-31	30-20-00-018	122-920002-181	28-10-10-089	122-920034-1	28-20-00-059
122-910083-7	30-20-00	122-920002-21	28-10-10-096	122-920034-1	28-20-00-202
122-910083-9	30-20-00-028	122-920002-23	28-10-10-100	122-920034-13	28-10-10-142
122-910085-1	71-70-00-044	122-920002-24	28-10-10	122-920034-3	28-20-00-070
122-920001-117	28-10-00-007	122-920002-27	28-20-00	122-920034-3	28-20-00-208
122-920001-123	28-20-00-034	122-920002-29	28-20-00	122-920034-3	28-20-00-122
122-920001-123	28-20-00-007	122-920002-3	28-10-00-043	122-920034-3	28-10-10-041
122-920001-151	28-10-00-071	122-920002-35	28-20-00-047	122-920034-3	28-10-10-099
122-920001-153	28-10-00	122-920002-36	28-20-00	122-920034-5	28-20-00-205
122-920001-175	28-10-00-028	122-920002-37	28-20-00-058	122-920034-5	28-20-00-100
122-920001-21	28-10-10-051	122-920002-38	28-20-00	122-920034-9	28-20-00-179
122-920001-23	28-10-00-059	122-920002-39	28-20-00-101	122-920036-1	28-40-00-021
122-920001-25	28-10-10-052	122-920002-40	28-20-00	122-920036-1	28-40-00-011
122-920001-26	28-10-10	122-920002-41	28-10-10-004	122-920036-1	28-40-00-005
122-920001-5	28-10-10-072	122-920002-43	28-10-10-006	122-920036-13	28-40-00
122-920001-53	28-20-00-249	122-920002-45	28-10-10-029	122-920036-14	28-40-00
122-920001-54	28-20-00	122-920002-47	28-10-10-009	122-920036-15	28-40-00
122-920001-67	28-20-00-209	122-920002-48	28-10-10	122-920036-15	28-40-00
122-920001-73	28-10-10-042	122-920002-49	28-10-00-061	122-920037-25	28-20-00-158
122-920001-74	28-10-10	122-920002-5	28-20-00-060	122-920037-26	28-20-00
122-920001-75	28-10-10-038	122-920002-50	28-10-00	122-920037-31	28-20-00
122-920001-77	28-10-00-015	122-920002-51	28-10-10-030	122-920037-32	28-20-00
122-920001-79	28-20-00-254	122-920002-53	28-10-10-028	122-920037-33	28-20-00-159
122-920001-80	28-20-00	122-920002-54	28-10-10	122-920038-15	28-10-10
122-920001-81	28-10-10-078	122-920002-55	28-10-10-027	122-920038-16	28-10-10
122-920001-91	28-20-00-244	122-920002-57	28-10-10-034	122-920038-5	28-10-10-118
122-920001-93	28-20-00-236	122-920002-58	28-10-10	122-920038-6	28-10-10
122-920001-94	28-20-00	122-920002-6	28-20-00	122-920039-1	28-10-10-091
122-920001-95	73-10-00-017	122-920002-65	28-20-00-111	122-920039-2	28-10-10
122-920001-96	73-10-00	122-920002-66	28-20-00	122-920040-19	28-20-00-039
122-920001-96	21-50-51-011F	122-920002-7	28-20-00-071	122-920041-1	28-10-00-052
122-920002-101	28-20-00-037	122-920002-71	28-20-00-273	122-920041-2	28-10-00
122-920002-103	28-10-00-042	122-920002-77	28-20-00-192	122-920041-5	28-10-00-057
122-920002-107	28-20-00-098	122-920002-79	28-20-00-178	122-920044-1	28-10-10-113
122-920002-109	28-20-00-099	122-920002-8	28-20-00	122-920044-3	28-10-10-112
122-920002-111	28-20-00-199	122-920002-83	28-10-00-021	122-920044-5	28-10-10-111
122-920002-115	28-10-00-034	122-920002-87	28-10-10-008	122-920049-7	28-20-00
122-920002-117	28-10-10-141	122-920002-89	28-10-00-060	122-920050-1	28-20-00-015
122-920002-123	28-10-10-137	122-920002-91	28-10-10-024	122-920050-11	28-20-00
122-920002-125	28-20-00-144	122-920002-99	28-10-10-094	122-920051-51	28-20-00
122-920002-126	28-20-00	122-920002-99	28-40-00-019	122-920051-53	28-20-00-003
122-920002-127	28-20-00-127	122-920010-5	28-20-00-267	122-920052-1	28-10-00-103
122-920002-128	28-20-00	122-920011-10	73-10-00	122-920053-1	28-10-10-035
122-920002-13	28-20-00-089	122-920011-9	73-10-00-024	122-920053-3	28-20-00-108
122-920002-133	28-20-00-152	122-920012-11	73-10-10	122-920054-1	28-40-00-002
122-920002-133	28-20-00-217	122-920012-11	71-00-10	122-920055-5	28-10-10-077
122-920002-133	28-10-10-110	122-920012-15	73-10-10-021	122-920057-1	28-20-00-085
122-920002-133	36-00-20-011	122-920012-16	73-10-10-022	122-920059-1	28-20-00-082
122-920002-135	28-10-10-081	122-920012-19	73-10-10	122-920060-1	28-20-00-163
122-920002-137	28-20-00-014	122-920012-20	73-10-10	122-920061-1	28-20-00-040

# Raytheon Aircraft

## BEECH STARSHIP 1 ILLUSTRATED PARTS CATALOG

PART NUMBER	CHAP/SUB-SECT/UNIT & ITEM	PART NUMBER	CHAP/SUB-SECT/UNIT & ITEM	PART NUMBER	CHAP/SUB-SECT/UNIT & ITEM
122-920062-1	28-20-00-033	122-970081-2	30-10-00	122-980038-1	54-10-00
122-930006-19	79-20-00	122-970082-1	30-10-00-216	122-980038-1	57-10-10-012
122-930006-21	79-20-00-041	122-970082-2	30-10-00	122-980038-2	57-10-10
122-930006-22	79-20-00-042	122-970083-1	30-10-00	122-980038-2	54-10-00
122-930006-24	79-20-00	122-970083-1	30-10-00	122-980038-3	54-10-00
122-930006-25	79-20-00	122-970084-5	30-10-00-122	122-980038-5	54-10-00
122-930006-26	79-20-00	122-970084-5	30-10-00-113	122-980039-1	54-10-10
122-930006-3	79-20-00-040	122-970084-7	36-00-10-003	122-980039-3	54-10-10
122-930007-1	79-20-00-037	122-970085-1	30-10-00	122-980040-1	54-10-10-056
122-930007-3	79-20-00	122-970085-109	30-10-00	122-980040-35	54-10-10
122-930007-3	79-20-00-043	122-970085-11	30-10-00	122-980042-3	54-10-10-006
122-930008-1	79-20-00-035	122-970085-13	30-10-00	122-980043-1	54-10-10-028
122-930009-3	54-30-30-006	122-970085-15	30-10-00-046	122-980043-2	54-10-10-029
122-930010-1	79-20-10	122-970085-25	30-10-00-047	122-980044-1	54-10-10
122-930010-1	71-00-10	122-970085-3	30-10-00-011	122-980044-11	54-10-10-007
122-930010-13	79-20-10-013	122-970085-33	30-10-00	122-980044-13	54-10-10-005
122-930010-19	79-20-10-020	122-970085-39	30-10-00	122-980044-15	54-10-10-004
122-930010-21	79-20-10-021	122-970085-41	30-10-00	122-980044-3	54-10-10
122-930010-27	79-20-10-015	122-970085-49	30-10-00	122-980044-5	54-10-10-008
122-930011-13	79-20-00-001	122-970085-5	30-10-00-057	122-980044-9	54-10-10-001
122-930011-17	79-20-00	122-970085-55	30-10-00-128	122-980046-23	54-10-10
122-930011-17	71-00-10-006	122-970085-69	30-10-00	122-980046-25	54-10-10
122-930011-19	79-20-00	122-970085-71	30-10-00	122-980046-5	54-10-10-046
122-930011-21	79-20-00-013	122-970085-73	30-10-00-186	122-980046-7	54-10-10
122-940000-73	76-10-10-123	122-970085-79	30-10-00-157	122-980047-11	54-10-10
122-940000-74	76-10-10	122-970085-81	30-10-00-167	122-980047-13	54-10-10-015
122-940002-7	76-10-10-186	122-970085-83	30-10-00	122-980047-15	54-10-10-009
122-940002-7	76-10-10-185	122-970085-84	30-10-00	122-980049-10	54-10-30
122-940002-9	76-10-10-187	122-970085-85	30-10-00-107	122-980049-11	54-10-30-015
122-940003-3	76-10-10-191	122-970085-86	30-10-00	122-980049-13	54-10-30-008
122-940004-1	76-10-10	122-970085-87	30-10-00-108	122-980049-15	54-10-30-018
122-940028-1	76-10-10-070	122-970085-89	30-10-00-109	122-980049-23	54-10-30
122-940028-15	76-10-10	122-970085-93	30-10-00-164	122-980049-23	54-10-10-055
122-940029-1	76-10-10-064	122-970085-99	30-10-00-161	122-980049-25	54-10-10
122-940030-11	76-10-10-233	122-970086-1	30-10-00-158	122-980049-25	54-10-30
122-940030-13	76-10-10-231	122-970087-1	30-10-00-028	122-980049-27	54-10-30-021
122-940030-15	76-10-10	122-970088-1	30-10-00-029	122-980049-28	54-10-30
122-940030-17	76-10-10-235	122-970089-1	30-10-00-091	122-980049-29	54-10-30
122-940030-19	76-10-10-234	122-970091-1	30-10-00	122-980049-29	54-10-10
122-940030-23	76-10-10	122-970091-9	30-10-00-066	122-980049-31	54-10-10
122-940030-9	76-10-10-232	122-970092-1	30-10-00-092	122-980049-31	54-10-30
122-940031-1	76-10-10	122-970093-1	30-10-00-110	122-980049-5	54-10-30-013
122-940031-3	76-10-10	122-970094-1	30-10-00-121	122-980049-6	54-10-30
122-940031-7	76-10-10-055	122-970095-1	30-10-00-120	122-980049-9	54-10-30-014
122-940031-9	76-10-10-244	122-970096-1	30-10-00-116	122-980051-11	54-10-30-011
122-950004-1	78-10-00-001	122-970097-1	30-10-00-112	122-980051-13	54-10-30-012
122-950004-1	71-00-10-009	122-970098-1	30-10-00	122-980051-17	54-10-30-010
122-950004-3	71-00-10	122-970099-1	30-10-00	122-980051-18	54-10-30
122-950004-3	78-10-00-002	122-970100-1	30-10-00	122-980051-27	54-10-30-025
122-960010-17	61-20-00	122-970101-1	30-10-00	122-980051-41	54-10-30-009
122-960010-33	61-20-00-006	122-970102-1	30-10-00	122-980051-43	54-10-30-029
122-970017-21	71-00-10	122-970103-1	30-10-00-133	122-980051-45	54-10-30
122-970017-21	36-10-00-004	122-970105-1	30-10-00-202	122-980051-51	54-10-30-001
122-970023-7	30-10-00-065	122-970105-1	30-10-00-053	122-980051-53	54-10-30-022
122-970024-7	30-10-00-067	122-970107-1	30-10-00-042	122-980051-55	54-10-30-002
122-970038-25	21-20-00-054	122-970107-1	30-10-00-171	122-980051-56	54-10-30
122-970038-27	21-20-00	122-970108-1	30-10-00-183	122-980051-57	54-10-30-023
122-970052-1	30-10-00-144	122-970108-1	30-10-00-044	122-980051-61	54-10-30-005
122-970059-7	30-10-00-073	122-970109-7	30-10-00-072	122-980051-62	54-10-30
122-970061-1	30-70-00	122-970110-11	30-10-00-093	122-980051-65	54-10-30-003
122-970061-2	30-70-00	122-980034-23	54-10-10-045	122-980051-67	54-10-30-004
122-970061-3	30-70-00	122-980034-25	24-30-00-006	122-980051-69	54-10-30-026
122-970061-5	30-70-00-010	122-980034-29	54-10-10	122-980051-7	54-10-30-007
122-970061-7	30-70-00-009	122-980034-31	54-10-10-053	122-980051-70	54-10-30
122-970062-17	30-10-00-023	122-980034-32	54-10-10	122-980051-71	54-10-30-027
122-970062-23	30-10-00-201	122-980034-47	54-10-10	122-980051-72	54-10-30
122-970062-27	30-10-00	122-980034-48	54-10-10	122-980051-73	54-10-30
122-970062-29	30-10-00-074	122-980034-51	54-10-10-048	122-980051-9	54-10-30-006
122-970074-27	30-10-00-191	122-980034-52	54-10-10	122-980052-11	54-10-20-008
122-970079-1	30-10-00-214	122-980034-55	54-10-10-047	122-980052-12	54-10-20
122-970079-2	30-10-00	122-980034-59	54-10-10	122-980052-27	54-10-20-002
122-970081-1	30-10-00-215	122-980034-60	54-10-10	122-980052-28	54-10-20

# Raytheon Aircraft

## BEECH STARSHIP 1 ILLUSTRATED PARTS CATALOG

PART NUMBER	CHAP/SUB- SECT/UNIT & ITEM	PART NUMBER	CHAP/SUB- SECT/UNIT & ITEM	PART NUMBER	CHAP/SUB- SECT/UNIT & ITEM
122-980052-29	54-10-20-004	122-980056-4	57-10-10	130290-1	57-20-30-002
122-980052-31	54-10-20-005	122-980057-1	54-11-00-019	130290-1	38-30-30
122-980052-32	54-10-20	122-980057-11	54-11-00-024	130292A14	28-10-10-074
122-980052-47	54-10-20-003	122-980057-113	54-11-00-011	130292A16	28-10-10-180
122-980052-49	54-10-20	122-980057-115	54-11-00-008	130292A6	56-10-00-039
122-980052-49	57-10-10-013	122-980057-117	54-11-00-030	130292A6	32-40-20-080
122-980052-50	57-10-10	122-980057-118	54-11-00	130292A6	32-40-00-006
122-980052-50	54-10-20	122-980057-12	54-11-00	130292A6	32-30-10-055
122-980052-51	54-10-20-011	122-980057-137	54-11-00-031	130356-17MOD1	21-30-00-103
122-980052-52	54-10-20	122-980057-147	54-11-00-020C	130356-18	21-30-00
122-980052-53	54-10-20-013	122-980057-153	54-11-00-020B	130568-07438	53-50-00-012
122-980052-54	54-10-20	122-980057-159	54-11-00-020A	130569	25-20-00
122-980052-55	54-10-20-012	122-980057-19	54-11-00-027	130685-13545	52-20-00-051
122-980052-59	54-10-30-030	122-980057-20	54-11-00	1308	33-10-00
122-980052-59	54-10-20	122-980057-31	54-11-00-007	130810	25-10-00-014
122-980052-60	54-10-20	122-980057-35	54-11-00-028	130864-1	34-10-00-045D
122-980052-60	54-10-30	122-980057-39	54-11-00-014	130909B11	61-20-20-035
122-980052-61	54-10-20-006	122-980057-43	54-11-00-015	130909B12	71-60-00-052
122-980052-62	54-10-20	122-980057-5	54-11-00-023	130909B12	71-60-00-040
122-980052-67	54-10-20-007	122-980057-51	54-11-00-029	130909B12	71-60-00-026
122-980052-68	54-10-20	122-980057-59	54-11-00-004	130909B12	74-10-00
122-980052-69	54-10-20-001	122-980057-6	54-11-00	130909B12	79-20-00-014
122-980052-70	54-10-20	122-980057-61	54-11-00-005	130909B12	36-00-20-013
122-980052-73	54-10-20	122-980057-77	54-11-00-026	130909B12	36-00-20-036
122-980052-73	54-10-10-054	122-980057-83	54-11-00-025	130909B12	28-20-00-011
122-980052-74	54-10-10	122-980057-85	54-11-00-016	130909B12	28-10-00-016
122-980052-74	54-10-20	122-980057-87	54-11-00-017	130909B12	30-20-00-047
122-980052-75	54-10-20	122-980057-89	54-11-00-021	130909B12	30-20-00-012
122-980052-75	57-21-00-013	122-980057-91	54-11-00-022	130909B12	26-10-00-018
122-980052-76	57-21-00	122-980057-93	54-11-00-012	130909B12	26-10-00-021
122-980052-76	54-10-20	122-980057-95	54-11-00-013	130909B12	26-20-00-008
122-980052-77	54-10-20-009	122-980057-97	54-11-00-020	130909B12	21-20-60-022
122-980052-78	54-10-20	122-980057-99	54-11-00-018	130909B12	21-20-00-068
122-980052-79	54-10-20-010	122-980058-1	54-10-00-001	130909B14	24-50-10-009
122-980052-80	54-10-20	122-980058-2	54-10-00	130909B14	24-50-00-009
122-980052-81	54-10-20	122-980058-5	54-10-00-002	130909B14	26-20-00-004
122-980052-81	57-21-00	122-980058-6	54-10-00	130909B14	26-10-00-006
122-980052-82	57-21-00	122-980059-1	54-10-10	130909B14	32-30-05-026
122-980052-82	54-10-20	122-980059-3	54-10-10-019	130909B14	30-20-00-036
122-980052-83	54-10-20	122-980070-6	54-30-00	130909B14	30-20-00-071
122-980052-84	54-10-20	123-389006-3	28-20-00	130909B14	30-20-00-103
122-980052-85	54-10-20	1268-28	23-60-10-041	130909B14	79-20-00-034
122-980052-86	54-10-20	129-340055-1	34-50-40	130909B14	74-10-00-003
122-980052-87	54-10-20	13AT236S-N	39-10-71-055	130909B15	71-70-00-003
122-980052-88	54-10-20	13AT236S-N	39-10-70-055	130909B15	79-20-10-003
122-980052-89	54-10-20	130-530082-10	25-20-00	130909B15	30-20-00-102
122-980052-89	57-21-00	130-530082-9	25-20-00-021	130909B15	27-20-20-119
122-980052-90	57-21-00	130010-1	25-10-20-031	130909B16	30-20-00-108
122-980052-90	54-10-20	130010-3	25-20-00-003	130909B16	32-10-00-106
122-980052-91	54-10-20	130010-5	25-20-00	130909B172	30-20-00-078
122-980052-92	54-10-20	130077-4L01	27-20-20-061	130909B172	30-20-00-156
122-980052-93	54-10-20	130077-4L01	27-20-20	130909B172	52-20-00-018
122-980052-93	54-10-10	130077-5L01	27-20-20-062	130909B18	76-10-10-074
122-980052-94	54-10-10	130077-5L01	27-20-00	130909B18	76-10-10-240
122-980052-94	54-10-20	130077-5L01	27-20-00-103	130909B18	30-20-00-004
122-980053-1	54-10-10	130077-5L01	22-11-00	130909B180	55-60-00-006
122-980053-11	54-10-10	130077-5L01	27-31-20	130909B19	21-20-60-021
122-980053-13	54-10-10	130077-5L01	27-31-20	130909B21	30-20-00-144
122-980053-15	54-10-10-023	130077-5L01	27-31-20	130909B22	61-20-20-004
122-980053-16	54-10-10-024	130077-5L01	27-31-00-147	130909B23	30-20-00-120
122-980053-3	54-10-10	130077-5L01	27-31-00	130909B23	30-20-00-116
122-980053-5	54-10-10	130077-7L01	57-50-00	130909B23	32-40-20-018
122-980053-7	54-10-10-025	130077-7L01	57-50-00	130909B24	30-20-00-010
122-980053-9	54-10-10-026	130077-7L01	27-20-20-056	130909B30	28-20-00-258
122-980056-1	54-11-00	130077-7L02	27-20-00-104	130909B31	28-10-00-018
122-980056-1	57-10-10-014	130077-7L02	27-31-00-148	130909B34	21-50-51-043
122-980056-116	54-11-00	130077-7L02	27-31-20	130909B35	39-20-10-022
122-980056-2	54-11-00	130106ASM15S	25-10-70	130909B36	22-11-00-017
122-980056-2	57-10-10	130290-1	25-21-45-003	130909B36	22-11-20-009
122-980056-3	57-10-10	130290-1	25-21-60-021	130909B38	22-11-10-006
122-980056-3	54-11-00	130290-1	55-10-00	130909B38	27-31-20-099
122-980056-4	54-11-00	130290-1	55-10-00	130909B40	22-11-20-008

# Raytheon Aircraft

## BEECH STARSHIP 1 ILLUSTRATED PARTS CATALOG

PART NUMBER	CHAP/SUB-SECT/UNIT & ITEM	PART NUMBER	CHAP/SUB-SECT/UNIT & ITEM	PART NUMBER	CHAP/SUB-SECT/UNIT & ITEM
130909B45	27-31-00-154	130909N29	30-10-00-037	130909N29	76-10-00-058
130909N14	24-50-00-004	130909N29	30-10-00-033	130909N29	76-10-10
130909N14	24-50-10-004	130909N29	30-10-00-096	130909N29	76-10-10-219
130909N14	27-50-00-036	130909N29	30-10-00-058	130909N29	76-10-10-228
130909N14	32-10-00-010A	130909N29	30-10-00	130909N29	76-10-10
130909N14	32-10-00-021	130909N29	30-10-00-173	130909N29	76-10-10-223
130909N14	52-10-10-080	130909N29	30-10-00-193	130909N29	76-10-10
130909N14	52-10-10-096	130909N29	30-10-00-187	130909N29	79-20-00-006
130909N14	52-10-10-052	130909N29	30-10-00-129	130909N29	79-20-00-032
130909N15	76-10-10-237	130909N29	30-10-00-140	130909N29	79-20-10-001
130909N15	76-10-10-049	130909N29	30-10-00-134	130909N29	76-10-00-013
130909N15	76-10-10-072	130909N29	30-10-00-150	130909N29	76-10-00-001
130909N15	30-20-00-002	130909N29	28-20-00-013	130909N29	74-10-00
130909N15	30-20-00-106	130909N29	28-20-00-123	130909N29	71-70-00-001
130909N15	30-20-00-154	130909N29	28-20-00-114	130909N29	57-20-10-064
130909N15	30-20-00-076	130909N29	28-20-00-102	130909N29	27-20-20-117
130909N18	57-10-00-029	130909N29	28-20-00-093	130909N29	27-20-20-005
130909N20	32-20-10-028	130909N29	28-20-00-079	130909N29	27-30-00-106
130909N23	38-30-12-007	130909N29	28-20-00-072	130909N29	27-30-00-099
130909N24	32-10-00-008	130909N29	28-20-00-220	130909N29	26-20-00-002
130909N24	32-50-00-039	130909N29	28-10-10-152	130909N29	26-20-00-011
130909N24	24-50-10-001	130909N29	28-10-10-149	130909N29	27-00-40-002
130909N25	21-50-51-037	130909N29	28-10-10-124	130909N29	34-10-00-045A
130909N28	53-25-00-044	130909N29	28-10-10-109	130909N29	34-50-50-013
130909N28	53-25-00-033	130909N29	28-10-10-173	130909N29	35-00-01-102
130909N28	53-25-00-015	130909N29	28-10-10-170	130909N29	35-00-01-091
130909N28	53-25-00-002	130909N29	28-10-10-156	130909N29	32-40-00-185
130909N28	53-21-00-042	130909N29	28-10-10-166	130909N29	32-30-15-128
130909N28	53-40-30-009	130909N29	28-10-10-160	130909N29	32-40-20-032
130909N28	23-50-10-017	130909N29	52-10-10-034	130909N29	32-40-20-016
130909N28	24-30-20-020	130909N29	39-21-00	130909N29	32-30-15-059
130909N28	21-20-35-021	130909N29	52-10-20-001	130909N29	32-30-15-001
130909N28	33-20-30-021	130909N29	39-21-00-039	130909N29	32-30-00-113
130909N28	34-50-30-007	130909N29	52-80-10-036	130909N29	32-30-00-104
130909N28	34-50-10-007	130909N29	39-10-10	130909N29	32-30-05-025
130909N28	34-20-20-030	130909N29	36-00-10-077	130909N29	32-30-05-050
130909N28	34-20-20-009	130909N29	36-00-10-068	130909N29	32-30-05-055
130909N28	25-22-20-009	130909N29	36-00-10-048	130909N29	32-30-05-035
130909N28	76-10-10	130909N29	36-00-10-030	130909N29	32-30-05-094
130909N28	76-10-10-214	130909N29	36-00-10-025	130909N29	32-30-05-136
130909N28	76-10-10	130909N29	36-00-10-017	130909N29	32-30-05-140
130909N28	76-10-10-209	130909N29	36-00-10-012	130909N29	21-20-25
130909N28	76-10-10	130909N29	36-00-10-004	130909N29	21-30-00-001
130909N28	76-10-10-138	130909N29	36-00-10-100	130909N29	21-30-00-027
130909N28	76-10-10-131	130909N29	36-00-10-093	130909N29	21-30-00-043
130909N28	76-10-10-143	130909N29	36-00-20-007	130909N29	21-30-00-014
130909N28	76-10-10-150	130909N29	36-00-20-001	130909N29	21-20-00-102
130909N28	76-10-10-115	130909N29	36-00-20-032	130909N29	21-20-00-115
130909N28	76-10-10-124	130909N29	36-00-20-025	130909N29	21-20-00-050
130909N28	76-10-10-101	130909N29	35-00-02-102	130909N29	24-50-00-007
130909N28	76-10-10-108	130909N29	35-00-02-091	130909N29	24-50-10-007
130909N28	36-00-10-089	130909N29	39-20-10-052	130909N29	24-50-00-075
130909N28	36-00-10-085	130909N29	39-10-50-027	130909N29	24-50-10-077
130909N28	36-00-10-073	130909N29	76-10-10-105	130909N29	21-50-40-020
130909N28	38-30-30-011	130909N29	76-10-10-112	130909N29	21-50-40-015
130909N28	38-30-30-019	130909N29	76-10-10-119	130909N29	21-50-40-105
130909N28	27-31-20-056	130909N29	76-10-10-147	130909N29	21-50-40-077
130909N29	27-31-10-029	130909N29	76-10-10-154	130909N29	21-50-40-090
130909N29	28-10-00	130909N29	76-10-10-128	130909N29	21-50-40-058
130909N29	27-50-10-012	130909N29	76-10-10-135	130909N29	21-50-50-007
130909N29	27-31-00-125B	130909N29	76-10-10	130909N29	22-11-20-012
130909N29	27-30-30-011	130909N29	76-10-10-204	130909N29	23-10-10-006
130909N29	27-30-40-005	130909N29	76-10-10	130909N29	21-55-10-011
130909N29	31-40-00-004	130909N29	76-10-10-165	130909N29	23-40-10
130909N29	30-70-00-005	130909N29	76-10-10-157	130909N29	21-50-51-011A
130909N29	30-10-00-228	130909N29	76-10-10-161	130909N29	21-50-51-007
130909N29	32-10-00-107	130909N29	76-10-10	130909N29	53-50-00-015
130909N29	30-10-00-224	130909N29	76-10-10-068	130909N29	53-21-00-006
130909N29	30-10-00-218	130909N29	76-10-10-096	130909N29	57-20-10-011
130909N29	30-10-00-203	130909N29	76-10-10	130909N29	57-20-10-035
130909N29	30-10-00-024	130909N29	76-10-10-085	130909N29	57-20-10-022
130909N29	30-10-00-012	130909N29	76-10-10-082	130909N30	52-10-10-117

# Raytheon Aircraft

## BEECH STARSHIP 1 ILLUSTRATED PARTS CATALOG

PART NUMBER	CHAP/SUB- SECT/UNIT & ITEM	PART NUMBER	CHAP/SUB- SECT/UNIT & ITEM	PART NUMBER	CHAP/SUB- SECT/UNIT & ITEM
130909N30	52-10-10-065	131052-1	32-20-10-079	131533-815-8D	21-50-40-100
130909N32	32-50-00-073	131052-1	32-10-10	131533-815-8D	21-50-40-088
130909N32	32-40-20-056	131053CB288	30-70-00	131533-815-8D	21-50-10-040
130909N32	27-20-00	131053K516	30-70-00	131533-824-8D	21-50-40-039
130909N32	27-20-00-032	131053K517	30-70-00	131533-827-10D	21-50-40-051
130909N32	27-30-00-027	131053K518	30-70-00	131533-827-8D	21-50-10-037
130909N32	27-30-00-076	131053S327	30-70-00	131533-832-10D	21-50-45-012
130909N32	55-60-00-004	131066-1-0040	21-50-60	131533-832-10J	21-50-45-023
130909N32	21-50-51-029	131066-2-0030	32-40-00-008	131533-832-12J	21-50-45-020
130909N32	21-50-51-041	131066-2-0080	71-70-00-027	131533-832-8D	21-50-10-041
130909N32	21-50-51-047	131066-2-0080	71-70-00-026	131533-833-6D	21-50-30-020
130909N32	22-11-10-004	131066-2-0120	32-30-10-056	131533-833-8D	21-50-30-017
130909N32	22-11-20-006	131066-2-0150	71-70-00	131533-919-10D	21-50-10
130909N32	21-50-50-039	131066-2-0160	71-70-00	131533-919-12D	21-50-40-001
130909N32	27-31-00-151	131066-2-0260	71-70-00	131533-919-15D	21-50-30-011
130909N32	27-31-20-097	131066-2-0300	32-40-20-081	131545G6-016-0	35-00-02-095
130909N32	30-20-00-118	131066-2-0320	71-70-00-028	131545SG14-0100	24-50-10-019
130909N32	76-10-00-021	131066-2-0390	71-70-00	131545SG14-0100	24-50-00-019
130909N33	57-20-10	131066-2-0400	32-40-00-005	131545SG20-0060	24-50-00-018
130909N33	53-20-20	131066-2-0410	71-70-00-041	131545SG20-0060	24-50-00-015
130909N33	39-20-10	131066-2-0410	71-70-00-036	131545SG20-0060	24-50-10-018
130909N33	39-20-20	131066-2-0450	71-70-00-024	131545SG20-0060	24-50-10-015
130909N33	35-00-02-110	131066-4-0390	71-70-00	131545SG6-016-0	35-00-01-095
130909N33	27-31-00	131066-4-0450	71-70-00-022	131545SG7-0190	76-10-10-029
130909N33	21-50-20-010	131270-3	39-20-10-055	131553-3M	76-10-00-068
130909N33	24-50-20	131270-3	39-21-00	131553-3M	76-10-00-063
130909N33	24-50-20	131270-3	39-20-00-026	131553-6M	32-50-00-015
130909N33	21-20-00	131270-3	39-10-50-030	131553-6M	32-50-00-034
130909N33	21-50-10-017	131270-3	31-40-00-008	131553L3M	76-10-00-061
130909N33	21-20-60-038	131270-3	30-50-00-031	131553L3M	76-10-00-066
130909N33	57-20-10	131270-3	30-50-00-007	131765-3M	32-50-00-085
130909N33	57-20-10	131270-3	34-50-50	131765-6M	32-20-00-031
130909N33	53-20-40	131270-3	22-11-00-030	131823E10D0140	30-10-00-170
130909N33	25-10-20-103	131270-3	23-40-10	131823E10D0180	30-10-00-169
130909N33	32-50-00	131270-3	23-50-32-052	131823E10D0205	30-10-00-200
130909N33	35-00-02	131270-3	23-50-30-052	131823E10D0245	30-10-00-199
130909N33	35-00-01-110	131270-3	53-20-40-026	131823E10D0460	30-10-00-149
130909N33	35-00-01	131345	25-20-00-002	131823E10D0570	30-10-00
130909N36	21-50-50-035	131358-7	21-30-00-074	131823E10D0960	30-10-00-223
130909N36	21-50-50-034	131364-5	21-20-20	131823E10D2000	30-10-00-233
130909N36	21-50-51-025	131364-6	21-20-20	131823E10D2400	30-10-00-235
130909N45	27-31-20-048	131364-6-035	53-20-50	131823E4	21-50-30-044
130909N45	27-30-10-020	131364-6-064	53-20-50	131823E4	21-50-30-040
130909N45	52-20-00-016	131364-6-110	53-20-50	131823E4	21-50-30-033
130909N45	32-40-00-041	131364-6-176	53-20-50	131823E4-0008	21-50-60
130909N45	55-20-00-033	131378-35-37	27-30-10-018	131823E4-0010	21-50-60-009
130909N47	27-00-30	131378-35-39	27-30-10-015	131823E4-0050	21-50-60
130909N48	27-20-10-019	131378-35CL	27-30-10-013	131823E4-0055	21-50-60-008
130909N48	55-40-00-002	131378-35CL	27-30-10-016	131823E4-0077	21-50-60-010
130909N48	55-20-00-002	131410-1	21-30-00-013	131823E4A0480	34-10-20-012
130909N49	61-20-20-034	131412-8	21-30-00-101	131823E4M0380	36-00-10-054
130909N49	39-21-00-070	131466B1	34-10-20-011	131823E6-0720	56-10-00-040
130909N49	52-10-10-005	131466B1	36-00-10-053	131823E8-0020	30-10-00-069
130909N49	39-20-00-023	131466SNP2	52-10-20-009	131823E8D0055	30-10-00-070
130909N49	27-31-10-014	131466SNP6	30-10-00-068	131823E8D0060	30-10-00-111
130909N49	23-50-00-001	131466SNP6	21-30-00-075	131823E8D0065	30-10-00-071
130909N49	21-50-30-057	131466SNP6	21-30-00-056	131823E8D0080	30-10-00-127
130909N49	21-50-30-054	131466SNP6	21-30-00-010	131823H14D0090	30-10-00-156
130909N49	26-10-00-020	131466SNP6	21-30-00-037	131860-10-08D	28-10-10-043
130909N49	26-10-00-023	131533-1564-10 *	21-50-40-050	131903A0021-0004	21-55-00-021
130909N49	26-10-00-008	131533-1564-12 *	21-50-40-033	131903A0050-0003	21-55-00-020
130909N49	32-10-10-039	131533-1564-12 *	21-50-40-034	131904A0010-0008	21-20-20
130909N6	32-10-00-103	131533-1564-8-4D	21-50-10-035	131904A0010-0010	21-20-20-028
130909N6	61-20-20-002	131533-1564-8-6D	21-50-40-041	131904A0010-0010	21-20-25
130909N7	32-10-10-062	131533-815-10D	21-50-40-045	131904A0010-0010	21-20-25
130909N9	32-10-00-002	131533-815-10D	21-50-20-012	131904A0010-0010	21-20-20-026
1310120-3	21-20-00-107	131533-815-12D	21-50-40-089	131910	55-10-00-043
1310120-3	21-20-00-061	131533-815-12D	21-50-40-118	131910	55-10-00-032
1310120-5	21-20-00-045	131533-815-12D	21-50-40-101	131910	55-10-00-026
1310140-1	21-20-00-072	131533-815-6D	21-50-40-002	131910-XXXX-080	55-20-00
131033R1-15	39-21-00	131533-815-6D	21-50-40-120	131910-XXXX-080	55-20-00
131033R1-6	39-20-30	131533-815-6D	21-50-30-023	131948-59A08D20	21-50-40-073

# Raytheon Aircraft

## BEECH STARSHIP 1 ILLUSTRATED PARTS CATALOG

PART NUMBER	CHAP/SUB-SECT/UNIT & ITEM	PART NUMBER	CHAP/SUB-SECT/UNIT & ITEM	PART NUMBER	CHAP/SUB-SECT/UNIT & ITEM
131948-59A08D20	21-50-40-067	131984-5	39-10-20-090	131984-7	39-10-20-082
131948-59A12D20	21-50-40-076	131984-5	39-10-30-065	131984-7	39-10-40-008
131948-60A04D20	32-40-00	131984-5	39-10-30-064	131984-7	39-10-30-086
131948-60A12D20	21-50-40-063	131984-5	39-10-30-063	131984-7	39-10-30-049
131972-08C106M	25-10-10-013	131984-5	39-10-30-062	131984-7	39-10-30-048
131972-08F105M	25-10-10	131984-5	39-10-30-045	131984-7 1/2	39-10-50-013
131972-08F105M	25-10-10	131984-5	39-10-30-044	131984-7 1/2	39-10-50-017
131972-12F105M	25-21-30-036	131984-5	39-10-30-052	132001D4-065180	34-10-00-001
131972-12F106M	25-21-30	131984-5	39-10-30-054	132001D5-074100	34-10-00-004
131981A050-076	21-50-30-002	131984-5	39-10-30-085	132001D5-074260	34-10-00-003
131981A100-112	21-50-60-006	131984-5	39-10-30-084	132001D6-077180	34-10-00-002
131984-05	39-10-30-078	131984-5	39-10-30	132002-6-7BN	21-30-00-094
131984-05	39-10-30-077	131984-5	39-10-30	132006-06C15R1 *	27-30-00-126
131984-1	39-10-30-060	131984-5	39-10-30	132006-06C15R1 *	27-30-00-143
131984-1	24-50-10-100	131984-5	39-10-30	132006-06C15R1 *	27-30-00-168
131984-10	24-50-10-025	131984-5	39-10-30	132006-06C15R1 *	27-30-00-171
131984-10	24-50-00-085	131984-5	39-10-50-014	132006-07C20R1 *	55-10-00-070
131984-10	39-10-30-061	131984-5	39-10-50-016	132007-06C7 5-10	27-30-00-169
131984-10	39-10-30-058	131984-5	39-10-40-010	132007-06C7 5-10	27-30-00-172
131984-10	39-10-30-069	131984-5	39-10-40-009	132007-06C7 5-10	27-30-00-144
131984-10	39-10-30-067	131984-5	39-10-20-088	132007-06C7 5-10	27-30-00-127
131984-10	39-10-30-070	131984-5	39-10-20-087	132007-07C195-12	55-10-00-071
131984-10	39-10-30-073	131984-5	39-10-20-077	132007-08C11 5-1	53-40-20-027
131984-10	39-10-30-072	131984-5	39-10-20-075	132007-08C11 5-1	53-40-20
131984-10	39-10-30-041	131984-5	39-10-20-074	132007-08C115-10	55-10-00-059
131984-10	39-10-30-043	131984-5	39-10-20-081	132008S164	27-30-00-146
131984-10	39-10-30-042	131984-5	39-10-20-080	132015-9	39-10-60-018
131984-10	39-10-30-083	131984-5	39-10-20-079	132109	11-20-00-013
131984-10	39-10-40-007	131984-5	39-10-20-057	132116	53-50-40-013
131984-10	39-10-20-058	131984-5	39-10-20-056	132116	53-50-40-010
131984-15	39-10-20-076	131984-5	39-10-20-055	132116	53-50-40-007
131984-15	39-10-20-086	131984-5	39-10-20-054	132116	53-50-40-004
131984-15	39-10-20-089	131984-5	39-10-20-053	132116-1	54-30-00-016
131984-15	39-10-20-085	131984-5	39-10-20-052	132116-1	57-21-00-005
131984-15	39-10-40-006	131984-5	39-10-20-073	132131-08-14	76-10-10-212
131984-15	39-10-40-005	131984-5	39-10-20-072	132131-08-14	76-10-10-217
131984-15	39-10-50-015	131984-5	39-10-20-071	132131-08-4	34-50-00-013
131984-15	39-20-10-027	131984-5	39-10-20-070	132131-14	76-10-10
131984-15	39-10-30-076	131984-5	39-10-20-069	132131-3-11	30-10-00-212
131984-15	39-10-30-074	131984-5	39-10-20-068	132131-3-11	34-10-00-045G
131984-15	30-70-00	131984-5	39-10-20-067	132131-3-11	32-30-15-060
131984-15	24-50-00-084	131984-5	39-10-20-066	132131-3-11	32-30-15-011
131984-15	24-50-10-026	131984-5	39-10-20-065	132131-3-11	32-30-05-139
131984-2	39-10-30-080	131984-5	39-10-20-064	132131-3-11	32-30-05-148
131984-2	39-10-30-053	131984-5	39-10-20-063	132131-3-11	32-30-05-063
131984-2	39-10-30-051	131984-5	39-10-20-062	132131-3-11	32-30-05-100
131984-2	39-10-30-057	131984-5	39-10-20-061	132131-3-11	32-30-05-045
131984-2	39-10-30-082	131984-5	39-10-20-060	132131-3-11	32-30-05-053
131984-25	39-10-30-075	131984-5	39-10-20-059	132131-3-12	32-30-05-062
131984-3	39-10-30-079	131984-5	39-10-20-050	132131-3-12	32-30-05-046
131984-3	39-10-30-071	131984-5	39-10-20-049	132131-3-12	32-30-05-149
131984-3	39-10-30-066	131984-5	39-10-20-048	132131-3-12	28-20-00-119
131984-3	39-10-30-068	131984-5	39-10-20-047	132131-3-13	36-00-20-029
131984-3	39-10-30-059	131984-5	39-10-20-046	132131-3-14	76-10-10
131984-3	39-10-30-056	131984-5	39-10-20-045	132131-3-14	56-20-20-006
131984-3	39-10-30-055	131984-5	39-10-20-044	132131-3-3	36-00-20-006
131984-3	39-10-30-050	131984-5	39-21-00-078	132131-3-4	30-10-00-211
131984-3	39-10-30-047	131984-5	27-30-30	132131-3-4	30-10-00-198
131984-3	39-10-30-046	131984-5	23-70-10	132131-3-4	30-10-00-177
131984-3	24-30-10-019	131984-5	24-40-00-004	132131-3-4	30-10-00-190
131984-4	39-10-30-081	131984-5	24-50-10-099	132131-3-4	30-10-00-041
131984-5	39-10-30-040	131984-5	24-50-10-081	132131-3-4	35-00-02-105
131984-5	39-10-20-100	131984-5	24-50-00-083	132131-3-4	76-10-10
131984-5	39-10-20-099	131984-5	23-10-10	132131-3-4	76-10-10
131984-5	39-10-20-098	131984-5	23-30-40	132131-3-4	57-20-10-061
131984-5	39-10-20-097	131984-7	24-50-00-086	132131-3-4	21-55-10-014
131984-5	39-10-20-096	131984-7	24-50-10-024	132131-3-4	35-00-01-105
131984-5	39-10-20-095	131984-7	24-40-00-005	132131-3-6	32-30-05-030
131984-5	39-10-20-094	131984-7	39-10-20-051	132131-3-6	21-30-00-046
131984-5	39-10-20-093	131984-7	39-10-20-078	132131-3-6	21-30-00-032
131984-5	39-10-20-092	131984-7	39-10-20-084	132131-3-6	21-30-00-004
131984-5	39-10-20-091	131984-7	39-10-20-083	132131-3-8	21-30-00-018



# Raytheon Aircraft

## BEECH STARSHIP 1 ILLUSTRATED PARTS CATALOG

PART NUMBER	CHAP/SUB- SECT/UNIT & ITEM	PART NUMBER	CHAP/SUB- SECT/UNIT & ITEM	PART NUMBER	CHAP/SUB- SECT/UNIT & ITEM
132131-3-8	76-10-10	150214-004	73-10-05-019	2000B1	11-30-00-005
132131-3-8	36-00-10-029	15795-1002-5	25-10-20-030	2000C1	11-30-00-006
132131-3-8	36-00-10-052	15795-2008-1	25-10-20	2000C2	11-30-00-007
132131-3-8	52-10-20-007	15795-3006-7	25-10-20-085	2000C3	11-30-00-008
132131-3-8	30-10-00-027	15795-3018-1	25-10-20-121	2000C4	11-30-00-009
132131-3-8	30-10-00-132	15795-3038-1	25-10-20-028	2000C5	11-30-00-039
132131-3-8	30-10-00-210	15795-3039-1	25-10-20-029	2000C6	11-30-00-040
132131-3-8	30-10-00-231	15795-4002-3	25-10-20-064	2000E1	11-30-00-030
132131-3-8	30-10-00-221	16C112-3	28-10-10-122	2000E2	11-30-00-010
132131-3-8	30-10-00-227	160-012-60	24-50-00-026	2000E3	11-30-00-028
132131-3-8	28-20-00-118	1616E018SLT 16/5	56-20-00	2000F1	11-30-00-011
132151-3-11	32-30-15-013	1683	33-40-50-024	2000F3	11-30-00-013
132151-3-11	32-30-05-101	169-380021-9	25-10-70-027	2000F4	11-30-00-012
132151-3-12	32-30-15-012	169-380021-9	27-30-30	2000G1	11-30-00-014
132151-3-16	56-20-20	1711-632A0	39-10-10-035	2000G2	11-30-00-015
132151-3-3	28-10-10-158	1718-632A0	39-10-10-036	2000H1	11-30-00-016
132151-3-4	28-10-10-172	18-1024-2	33-20-35-007	2000H2	11-30-00-029
132151-3-4	76-10-10-159	18-32	25-22-00-048	2000J1	11-30-00-017
132151-3-4	76-10-10-163	18-944	33-20-35-011	2000K1	11-30-00-018
132151-3-4	76-10-10-167	18-944	33-20-35-001	2000T1	11-30-00-041
132151-3-4	76-10-10-122	18-944-2	33-20-35	2000T2	11-30-00-042
132151-3-8	25-21-40	18-944-2	33-20-35	2000U1	11-30-00-031
132151-3-8	25-21-45	18-95D	33-20-30-020	200192S	21-50-20-034
132214PN12FF060	21-20-25	18-95D	33-20-30-005	200336-1	24-50-10
132214PN12FF070	21-20-25	18-996C	33-20-30-003	200336-1	24-50-00
132214PN12FF080	21-20-25	18276-100	21-20-00-082	200874-1	39-10-00
132214PN12FF080	21-20-25	18276-100	21-20-00-071	200875-1	39-10-00
132214PN12FF100	21-20-25	18276-125	21-20-00-042	2010	33-20-03-008
132239-1-X	56-20-10-010	18276-125	21-20-00-062	201301-3	39-10-00-020
132239-1-X	52-20-00-055	18276-125	21-20-00-013	201330-1	23-40-10
132239-2-X	52-20-00-053	18276-125	21-20-00-005	202-102	21-50-10-060
132239-2-X	56-20-10-007	18276-125	21-20-00-001	202-103	21-50-10-061
132268-10WS	33-20-35	18276-125	36-10-00-001	2020-0/0	25-10-40-015
132268-5W	33-20-35	18276-150	21-20-00-060	2020-0/0	25-10-41-017
132282-4-1	21-30-10-008	18276-150	21-20-00-044	203	23-40-10-008
135157-4	21-30-00-068	18276-150	21-20-00-106	203Z101	25-10-00
1360	38-30-05	18276-150	21-20-00-092	203Z102	25-10-00
137847-1	21-30-00	186641-001	61-20-20-018	203102-6-6S	35-00-01-074
13889	32-10-10-012A	1939X	33-10-00	203102-6-6S	35-00-02-074
14J02-10A	28-10-10	196K08A	32-20-10	203669-6	25-10-70
14J02-10A	28-10-10	197K86-1	32-10-10-011	204	23-40-00-001
14J02-10A	28-10-10	199	25-10-00	204038	73-10-05-003
14J02-10A	28-10-10	2-10	26-20-20-001	204228-3	25-10-70-024
14J02-10A	28-10-10	2-10	26-20-10-001	20425L97-840-759	21-50-30-016
14J02-10A	28-10-10	2R230	52-10-00	20425L97-840-759	21-50-60-005
14J02-10A	28-20-00	2R23209	52-80-30	204259	73-10-05-016
14J02-10A	28-20-00	2R2329	52-10-00	204814-1	39-21-00-060
14J02-10A	28-20-00	2R2329	52-20-00	204814-1	39-20-30-031
14J02-12A	28-20-00	2R2329	52-10-00	204814-1	39-20-10-009
14J02-12A	28-20-00	2R2329	52-10-00	204814-1	39-20-00-018
14J02-12A	28-20-00	2R2329	52-10-00	204814-1	30-50-00-001
14J02-12C	28-20-00	2R2329	52-10-00	204814-1	24-50-00-030
14J02-16A	79-20-10-011	2R2329	53-20-70	204814-1	23-50-10-007
14J02-24A	28-10-00	2R2329	53-20-70	204814-1	24-50-10-116
14J02-24A	28-10-00	2R2329	53-20-70	205089-1	31-50-00
14J02-24A	28-10-00	2R2329	53-20-70	205089-1	27-31-10
14J02-28A	28-10-00	2R2329	53-20-70	205089-1	76-10-20
14J02-8A	28-20-00	2R2329	55-60-00	205560-2	27-00-20-004
14J02-8A	28-20-00	2R2330	52-10-00	205817-1	27-00-20-003
14J02-8A	28-20-00	2R2330	52-10-00	205840-3	27-31-10-019
14J02-8A	28-20-00	2R2330	52-10-10-059	205840-3	31-50-00-017
14J02-8A	28-20-00	2TL119-7A02	39-10-10-040	205841-1	76-10-20-001
14J02-8A	28-10-10	20-032-1	30-10-00-182	205980-1	25-10-70
140-04715	32-10-10-025	20-4049	21-50-51-017	206062-1	76-10-20-014
140-04721	32-10-10-003	20PS001BA300K2 *	21-50-10-058	206070-1	31-50-00
140-14515	32-10-10	20TS	24-50-00-016	206070-1	27-31-10-023
1417	23-40-10-011	20TS	24-50-10-016	206151-1	25-10-70-022
1495X	33-10-00	200B8	11-30-00-001	206482-24V-7	53-20-30
150110-009-02	73-10-05-018	200C1	11-30-00-002	20666-4-10	32-40-00-071
150158-001	73-10-05-010	200D4	11-30-00-003	206838-1	25-10-70-023
150164-011	73-10-05-009	200G1	11-30-00-004	207W256-3-01	34-00-10-001
150213-003	73-10-05-020	2000-24	25-23-10	207016-1	33-40-50

# Raytheon Aircraft

## BEECH STARSHIP 1 ILLUSTRATED PARTS CATALOG

PART NUMBER	CHAP/SUB-SECT/UNIT & ITEM	PART NUMBER	CHAP/SUB-SECT/UNIT & ITEM	PART NUMBER	CHAP/SUB-SECT/UNIT & ITEM
207017-1	30-70-00	24346-125C	21-20-00-014	3001-149-1100/5*	26-10-00-001
207018-1	30-70-00	24346-125C	21-20-00-006	3010818	61-20-20
207018-1	33-20-10	24346-125C	21-20-00-002	3014365K	74-10-00-007
207018-1	24-50-10	24346-125C	36-10-00-002	30300-1410	24-30-30
207018-1	24-50-00	24346-150C	21-20-00-046	3059J1-103M	39-10-71-169
207047-2	23-40-10	24346-150C	21-20-00-093	3059J1-103M	39-10-71-168
207153-1	25-22-00	243468	26-10-10-023	3059J1-103M	39-10-71-167
207153-1	25-22-00	244-16D	71-60-00	3059J1-103M	39-10-71-166
207153-1	25-22-00	244-16D	71-60-00	3059J1-103M	39-10-70-031
207359-1	33-20-07	244-16D	71-60-00	3059J1-103M	39-10-70-033
207359-1	21-60-00-008	244-16D	71-60-00	3059J1-103M	39-10-70-032
207359-1	21-60-00-041	244-16D	71-60-00	3059J1-103M	39-10-71-033
207359-1	21-60-00-018	244-16D	71-60-00	3059J1-103M	39-10-71-032
207359-1	39-20-30	244-16D	71-60-00	3059J1-103M	39-10-71-031
207360-1	21-60-00-031	244-16SD	71-60-00-060	3059J1-103M	39-10-70-169
207360-1	24-40-00	244-16SD	71-60-00-037	3059J1-103M	39-10-70-168
207376-1	25-10-40	244-16SD	71-60-00-056	3059J1-103M	39-10-70-167
207376-1	25-10-41	244-16SD	71-60-00-058	3059J1-103M	39-10-70-166
207443-1	25-21-21	244-16SD	71-60-00-028	3060-05	21-20-25-001
207443-1	25-21-21	244-16SD	71-60-00-030	3060-05	21-20-15-032
207443-1	25-21-21	244-16SD	71-60-00-017	3060-05	25-10-50-008
207443-1	25-21-20	2500-38	27-00-20-011	3060-9	56-20-10-008
207443-1	39-20-00	2500-38-4	39-20-00-029	3060-9	52-20-00-054
207719-1	39-10-00-027	2520-10	33-20-07-044	3089-01	25-10-50-009
207807-1	23-40-10-019	26R1BB	21-20-30-033	3089-01	33-10-00-014
207829-3	39-10-00-026	26R6-1BB	57-10-00-018	31 85 1 A	33-20-07-040
207865	26-10-10-009	26R6-1BB	53-20-10	31 85 1 A	33-20-00-016
208101	54-10-30-028	26R6-1BB	53-20-00	31 85 1 A	33-20-03-021
2100E1	11-30-00-044	26R6-4BB	53-40-30-008	31 87	33-20-03-010
212	23-40-10-007	26S38-14	25-10-41-004	31 87	33-20-00-014
21200C	25-10-40-014	26S38-14	25-10-41	31 87	33-20-00-003
21200C	25-10-41-016	26S38-17	25-10-41	31AT46S	39-10-71-101
212400	38-30-05	26S38-17	25-10-41	31AT46S	39-10-70-101
213181	61-20-00-001	2600-3SW	53-40-30-002	3106	26-10-00-029
214-16S	54-10-10	2600-4	21-20-30-002	3106	26-10-00-003
2157	23-40-10	2600SW	57-10-00-023	311SM5T	25-22-00
21649TI0109	39-10-71	2600SW2	21-20-30	311SM5T	25-22-00
21649TI0109	39-10-70	2602	24-30-20-018	311SM5T	25-22-00
21649TI0109	39-10-71	261D1389-001	25-60-00-001	3121202-1	21-50-51-061
21649TI0109	39-10-70	2617T100-29	21-60-00-001	3121202-1	21-50-50
2174	33-40-00	2617T100-31	21-60-00	3121202D	21-50-50-066
2174	34-50-10	2618T100-5	21-60-00-019	3130-1	21-20-25
2176	53-21-00-061	262121	26-10-10-027	314150	25-10-00-017
2176	57-20-10-039	269-0FS04X02	34-10-20-023	3187-11	33-20-00
2176	57-20-10-029	26930	56-20-10-005	3187-11	33-20-07-018
2176	57-20-10-016	26930	52-20-00-052	322010	24-30-00
2176	57-20-10-009	27S5-1	25-10-41	322011	24-30-00
2176	57-20-10-076	27S51	25-10-41	324-2604-000	23-10-00
2176	57-20-10-070	270-1306-010	34-50-10-001	324-2604-000	34-50-40
2176	57-20-10-065	270-1306-030	34-50-10-013	324-2604-000	34-50-50
2176	57-20-10-054	270-1306-050	34-50-10-014	324-2604-000	34-50-20
218	23-30-20-001	270-1306-060	34-50-10	324-2604-000	34-50-00
218-002	23-30-20	2700-5S	57-10-00-022	324-2604-000	34-20-20
219822	25-22-20-001	2702-5	32-30-20-001	324-2604-000	34-50-30
219822	38-30-00-005	271166	21-55-10-009	324-2605-000	34-20-20
219822	38-30-15-006	28DCL1Z250	23-70-10-006	3241-3	38-30-05-004
22-311A	33-20-30-019	28KS3	71-60-00-050	32545	33-40-00
22-311A	33-20-30-006	29NTE-066	73-10-05-006	32938	32-30-15-058
22NA5K3-02	23-10-10	294618L	25-21-60-038	32938	53-50-00-016
22NK13-048	28-10-00-119	3-904C147-70	21-50-10-057	33-07250060-0	33-40-50-013
2229	25-10-00	3-906C147-70	21-50-30-024	33099F4-0062	77-40-00-002
23072-1128	24-30-30-003	3-906C147-70	21-50-45-002	33099F4-0094	77-40-00-001
23085-001	24-30-30-001	3-906C147-70	21-50-40-121	330995F10-0150	73-10-00
23085-001	71-00-10-007	3-908C147-70	21-50-10-042	330995F10-0244	73-10-00-015
23085-1020	24-30-30-004	3-912C147-70	21-50-45-003	330995F12-0240	73-10-00-012
23400X4	38-30-05-009	3D3066	30-10-00-001	330996F12-0640	79-20-00-027
24C112-16	28-10-00-067	3J1484	23-40-10-010	330997F12-0306	73-10-00
24C112-3	28-10-00-055	3X50SH08G28	38-30-05-027	330997F12-0324	73-10-00
24346-100C	21-20-00-083	3X50SH08G28	38-30-05-011	330997F12-0340	73-10-00-001
24346-100C	21-20-00-073	300-2202-000	23-10-10-001	330997F4-0170	73-10-10-001
24346-125C	21-20-00-063	300-8-2	35-00-02-027	330997F4-0284	73-10-10-007
24346-125C	21-20-00-043	300-8-2	35-00-01-027	330997F4-0570	73-10-00-016

# Raytheon Aircraft

## BEECH STARSHIP 1 ILLUSTRATED PARTS CATALOG

PART NUMBER	CHAP/SUB- SECT/UNIT & ITEM	PART NUMBER	CHAP/SUB- SECT/UNIT & ITEM	PART NUMBER	CHAP/SUB- SECT/UNIT & ITEM
330998G0450145F	79-20-00-028	4002GS	54-10-10-018	495HF1032-10	57-11-00
331401-17	53-20-70-042A	4002N	71-60-00-010	5-1044	32-10-10-075
331401-25	53-20-70-038	4002N2	71-60-00-011	5JFR36C1003FDL *	61-10-00-002
331401-27	53-20-70-029	4002SW	71-60-00-007	5JFR36C1003FDL *	61-10-00
331401-27	53-20-70-075	405FW504B	27-00-20-010	5JFR36C1003FDL *	71-00-10
331401-27	53-20-70-057	407-4341	27-31-10-005	5JFR36C1003FDL *	71-00-10-008
331401-27	53-20-70-015	4071T100-1	21-60-00	5R2-1	23-60-10
331401-27	53-20-70-001	408-7	28-10-01-008	5R2-1	23-60-10
331401-35	53-20-70-019A	418(MOD A)	23-50-10-001	50-000016	11-20-00-022
33178	25-10-00	4182271	33-40-10	50-000016	11-20-00-004
332101C2N5-14-42	25-20-10-015	42-871-1	32-40-30-001	50-000016	11-20-00-003
332101C5N5-14-42	25-20-00-015	4210T4TT	73-10-10-010	50-000148	11-20-00-011
333-0368-000	34-50-30	431-368	28-10-01-005	50-10-102-10	25-10-40-009
333-0381-000	34-50-30	438	23-50-10	50-11-101-10	25-10-41-011
334-2117-010	34-50-30	444-6-2-8	35-00-01-111	50-320139-1	11-30-00-022
334-2117-010	34-50-20	444-6-2-8	35-00-02-111	50-320139-1	39-10-70
334-2117-010	34-20-20	444EN49-6	32-10-00-111	50-320139-1	39-10-71
334-2117-010	34-50-00	4480K11	38-30-05-013	50-320140	39-10-71-103
334-2117-010	34-50-40	4480K11	38-30-05-023	50-320140	39-10-70-103
334-2117-010	34-50-40	45-324043	11-20-00-006	50-364254-7	61-20-20-032
334-2117-010	34-50-50	451116-162	39-20-30-009	50-369064-3	57-20-10-007
334-2117-010	23-10-00	451116-371	23-50-30-013	50-369101-205	39-10-40-015
3360-078	61-20-00-005	451116-371	23-50-32-013	50-369101-205	39-10-30-010
342-1350-170	34-50-30	451120-051	23-50-32-009	50-369101-205	39-10-40-011
343-0187-000	34-50-30	451120-051	23-50-30-009	50-369101-205	39-10-20-003
35-550520-3	35-00-01-088	451120-051	39-20-30-011	50-369101-205	30-70-00
35-550520-3	35-00-02-088	451120-061	39-10-71	50-369101-207	39-10-20-011
350690-1	21-30-10	451120-061	39-10-71	50-369101-207	39-10-30-005
350690-1	21-60-00	451120-061	39-10-70	50-369101-207	39-10-40-012
352TS	26-20-20	451120-061	39-10-70	50-369101-225	39-10-40-016
352TS	26-20-10	451120-061	23-50-30-011	50-369101-225	39-10-30-018
36-340464-1	25-60-00	451120-061	23-50-32-011	50-369101-225	39-10-20-004
36001-4-0100	34-10-20-015	452-0130	25-60-00	50-369101-227	39-10-30-008
36001-4-0200	34-11-00-003	452-16-6	28-10-01-012	50-369101-231	39-10-30-016
36001-4-0220	34-11-00-005	457-1023-1	28-10-01-002	50-369101-233	39-10-30-004
36001-4-0250	34-10-20-008	457-1076	28-10-01-003	50-369101-235	39-10-20-019
36001-6-0080	34-10-20-002	457-1165	28-10-01-010	50-369101-31	23-70-10
36001-6-0150	34-10-20-003	457-373	28-10-01-004	50-380048-1	24-30-10-020
36001-6-0200	34-11-00-001	457-526	28-10-01	50-380048-1	24-40-00-009
36001-6-0220	34-11-00-007	457-527	28-10-01-001	50-380048-1	23-60-10-031
38-755-2	32-40-20-123	457-542	28-10-01	50-380048-1	23-50-32-028
3818-01	33-20-07-012	457-627	28-10-01-006	50-380048-1	32-40-00
390FW05-06	27-50-10-008	4571-440S1	39-10-70-089	50-380048-1	39-10-00
390FW05-06	27-40-10-001	4571-440S1	39-10-71-089	50-380048-1	39-20-10-017
3967	39-21-00-035	4587	33-40-00-002	50-380048-1	39-20-30-047
3967	24-50-10-056	4596	33-40-00-001	50-380048-1	30-70-00
3967	24-50-10-074	46LNK( 040)	76-10-00	50-380048-1	30-50-00-026
3967	24-50-00-049	463-29-1	28-10-01-007	50-380048-1	27-30-30-019
3967	24-50-00-064	463-42	28-10-01-009	50-384088	25-10-00-001
3968	24-50-00-063	465HE1032-07	52-10-00	50-389057-1	77-40-00-018
3968	24-50-00-050	4660H62	34-50-40	50-389057-1	77-40-00-017
3968	24-50-10-073	4660H62	34-50-30	50-389121-15	79-20-00-018
3968	24-50-10-057	472184-04	26-10-10-001	50-389121-29	61-20-10-001
3968	39-21-00-036	472184-04	39-20-30-057	50-389121-31	61-20-10-002
397-126	27-30-30-004	472189	26-10-10-020	50-430024-7	52-10-10-039
397-127	27-30-30-002	472195	26-10-10-012	50-430024-9	52-10-10-042
397-146	27-30-30-008	472196	26-10-10-008	50-430026-3	52-10-10-041
397-288	27-30-30-003	472196	26-10-10-007	50-430168-13	52-10-10-037
397-291	27-30-30-005	472196	26-10-10-005	50-524417-19	53-20-40-007
40G26-1	54-10-10-020	472196	26-10-10-019	50-524417-35	53-20-40
40G26-1	54-10-10-016	472196	26-10-10-021	50-524417-38	53-20-40
400-0125-000	23-10-10-005	472197	26-10-10-018	50-524417-43	53-20-40
400-0125-2000	23-10-10	472197	26-10-10-017	50-524417-45	53-20-40-009
400S1	11-30-00-024	472197	26-10-10-016	50-524417-5	53-20-40-008
400S2	11-30-00-026	472197	26-10-10-015	50-524478-15	76-10-00-089
400S3	11-30-00-025	472197	26-10-10-013	50-524504	76-10-00-019
400S4	11-30-00-027	472197	26-10-10-006	50-524506	76-10-00-018
400S5	11-30-00-043	472197	26-10-10-011	50-524512	76-10-00-020
4002-2S	54-10-10-021	49-2661	39-21-00-019	50-524548-87	76-10-00-091
4002-4	71-60-00-008	495HF1032-10	57-11-10	50-524568-39	76-10-00-042
4002-4S	54-10-10-017	495HF1032-10	57-11-00	50-524569-15	61-20-20-047
4002GS	54-10-10-022	495HF1032-10	57-11-00	50-524583	61-20-20-046

# Raytheon Aircraft

## BEECH STARSHIP 1 ILLUSTRATED PARTS CATALOG

PART NUMBER	CHAP/SUB-SECT/UNIT & ITEM	PART NUMBER	CHAP/SUB-SECT/UNIT & ITEM	PART NUMBER	CHAP/SUB-SECT/UNIT & ITEM
50-524585	61-20-20-040	6041H80A	39-20-10-002	622-8364-001	31-40-00-001
50-534325-21	21-20-15-015	60618-5	27-31-10	622-8365-001	31-40-00
50-534325-27	21-20-15-016	60939-2	35-00-02-115	622-8440-001	34-40-00
50-534325-75	21-20-15-017	60939-2	35-00-01-115	622-8440-003	34-40-00-003
50-534643-5	25-50-10-004	62AT46-3	39-10-71-068	622-8526-002	39-10-60-004
50-560022-3	35-00-01-052	62AT46-3	39-10-70-068	622-8526-003	39-10-60
50-560022-3	35-00-02-052	62AT59-3D	39-10-10	622-8527-002	39-10-60-005
50-580041-1	32-40-00-018	62AT59-3D	39-10-10	622-8527-003	39-10-60
50-590001	25-10-00-016	6201-9	53-20-50	622-8528-005	39-10-60-007
50-810225-10	32-10-10-054	6201-9	53-20-50	622-8528-014	39-10-60
50-810226	32-40-00	6201-9	53-20-50	622-8528-015	39-10-60
50-810276-3	32-30-10-030	6201-9	53-20-50	622-8529-005	39-10-60-006
50-810276-7	32-30-10	62065	21-50-60-011	622-8529-014	39-10-60
50-910398	71-60-00-001	622-1270-001	34-50-40-001	622-8529-015	39-10-60
50-910471-3	77-40-00-009	622-2855-001	34-50-50-001	622-8681-003	31-40-00
50-910489-3	77-40-00-016	622-4404-001	22-11-10-007	622-8682-003	31-40-00
50-944073-15	76-10-10-230	622-5027-002	22-11-20-010	622-86873-003	31-40-00
500-31A	38-30-05-001	622-5028-101	22-11-10-008	622-9346-012	39-10-60
500-31A	25-23-00-014	622-5028-201	22-11-10	622-9346-022	39-10-60
500-31A-1	25-23-00	622-5029-101	22-11-20-011	622-9347-001	34-20-20
500-31A-1	38-30-05	622-5029-201	22-11-20	622-9352-002	34-50-40
500015-2	76-10-10	622-5211-003	34-50-40	622-9352-003	34-50-40
5007574-2	32-10-10-012	622-5211-003	34-20-20	622-9575-001	22-11-30-001
50097-3	21-50-30-015	622-5212-003	34-50-20	622-9672-003	34-50-40
501-1228-04	24-30-20-028	622-5212-003	34-50-00	622-9735-001	39-10-60
501-1228-04	24-30-10-001	622-5212-003	34-50-50	6221	53-20-50
502098-401-1028	25-10-20	622-5212-003	23-10-00	6221	53-20-50
502098-401-3192	25-10-20	622-5213-001	34-50-30	6221	53-20-50
502098-401-3192	25-10-20	622-5213-003	34-50-30	6221	53-20-50
503-0008-012	76-10-00-119	622-5812-001	34-20-10-001	6225	53-20-50
503-0008-012	76-10-00-117	622-6189-001	34-20-20-005	6225	53-20-50
503-0008-012	76-10-00-115	622-6717-004	22-11-00-020	6225	53-20-50
503-0008-012	76-10-00-113	622-6718-101	22-11-00-019	6225	53-20-50
503-0008-012	76-10-00-101	622-6718-201	22-11-00	6225	53-20-50
503-0008-012	76-10-00-098	622-7194-001	34-50-00-001	6225	53-20-50
512	23-40-10-004	622-7207-002	34-20-20-023	6225	53-20-50
5125	25-22-41-010	622-7208-001	34-11-00-023	6225	53-20-50
5125	25-22-41-007	622-7209-001	34-50-50-006	6225	53-20-50
51538-001B	39-21-00-067	622-7209-002	34-50-50	6225	53-20-50
51861-1	33-20-35-014	622-7292-001	23-10-00-001	626-134	21-50-30-008
52-31685	25-10-00	622-7309-001	34-50-30-001	626-230	21-50-60-014
5204MFF	21-50-51-057	622-7346-001	34-50-60-001	628-8205-001	34-50-40
5204MFF	21-50-50-062	622-7356-001	39-10-60-015	628-8205-002	34-50-20
523077407600111A	25-10-00	622-7382-001	34-50-20-001	628-8205-003	34-50-50
557-017	28-10-01-011	622-7383-001	34-50-20-007	628-8205-004	34-50-00
572-1424-01	24-30-10-011	622-7386-001	34-20-20-004	628-8205-004	23-10-00
572-1424-01	24-30-20-038	622-7396-002	53-20-80-001	628-8205-005	34-50-30
5734A2	21-50-10-001	622-7397-001	39-10-60-011	628-8205-006	34-20-20
58-380071-1	25-20-10-005	622-7397-002	39-10-60	628-8436-001	24-30-20-024
58-380071-1	25-20-00-008	622-7398-001	39-10-60-008	628-8657-002	34-50-40
58-380114	34-50-00-007	622-7398-002	39-10-60	6335-430	33-20-35-022
58S(062)ST16	53-21-00	622-7405-002	31-40-00	6335-560	33-20-35-024
58S(062)ST16	53-25-00	622-7410-201SBN	31-40-00	6335-750	33-20-35-025
58S(062)ST16	53-25-00	622-7411-204	53-20-30	6335-750S	33-20-00
58S(062)ST16	53-25-00	622-7411-204SB3*	22-11-30-010	634-1077-004	34-50-30
58S(062)ST16	53-25-00	622-7414-002	39-20-10-035	634-1094-002	34-50-30
582553-1	27-00-20-013	622-7737-001	34-11-00-022	634-1103-004	34-50-30
583487-1	27-00-20	622-7737-006	34-11-00	634-1116-001	34-50-30
6-2WGTX-S	21-50-10-002	622-8304-002	34-20-20	634-1116-001	34-50-50
6-32 X 3/16	21-30-00	622-8330-002	39-10-70-072	634-1116-001	34-50-40
6R6X-S	36-00-10-055	622-8330-005	39-10-70	634-1116-001	34-20-20
6R6X-SS	36-00-10	622-8330-005	39-10-71-072	634-1116-001	34-20-20
60-384016-13	32-20-10-067	622-8334-001	39-10-60-009	634-1116-001	34-50-00
60-384016-15	32-10-10-085	622-8334-002	39-10-60	634-1116-001	34-50-20
60-8002-33	32-20-10	622-8335-010	39-10-60-001	634-1116-001	23-10-00
60HQ100	24-50-10-097	622-8335-011	39-10-60	634-1117-001	23-10-00
600	31-50-10-001	622-8335-031	39-10-60	634-1117-001	34-50-00
600-3142-1/2	73-10-05-008	622-8336-001	34-20-20	634-1117-001	34-20-20
601-4312	27-31-10-004	622-8336-010	39-10-60-002	634-1117-001	34-20-20
60145-1	38-30-05	622-8336-011	39-10-60	634-1117-001	34-50-40
60145-5	38-30-05	622-8363-002	39-10-60	634-1117-001	34-50-40
6041H220	39-20-30-043	622-8363-004	39-10-60-010	634-1117-001	34-50-50

# Raytheon Aircraft

## BEECH STARSHIP 1 ILLUSTRATED PARTS CATALOG

PART NUMBER	CHAP/SUB-SECT/UNIT & ITEM	PART NUMBER	CHAP/SUB-SECT/UNIT & ITEM	PART NUMBER	CHAP/SUB-SECT/UNIT & ITEM
634-1117-001	34-50-30	6800-02	30-20-00-048	824A4TT	21-30-00-033
634-1117-001	34-50-20	6839	27-31-10-036	8303	24-30-20-017
634-1120-001	34-50-20	687-9728-001	34-40-00	83276-6CC	54-10-00-011
634-1120-001	34-50-30	700-001-50	39-10-30-039	83276-6CVP	54-10-00-012
634-1120-001	34-50-50	7003	24-30-00	83276-7CC	54-10-00-017
634-1120-001	34-50-40	704-15K36	23-60-10-038	83276-7CVP	54-10-00-018
634-1120-001	34-20-20	704-15K36	23-60-10-022	83616420	21-50-50
634-1120-001	34-50-00	704-15K36	23-60-10-004	83616420	21-50-51
634-1120-001	23-10-00	704-15K36	27-00-20-021	85	25-21-21-044
634-1128-001	34-20-20	704-15K36	39-20-00-057	85	25-21-21-026
634-3020-001	34-20-20	704-15K36	27-30-30-028	85	25-21-21-007
634-3020-002	34-20-20	7107	25-60-00-007	85	25-21-20-004
634-3020-003	34-20-20	720-036-2	27-31-10-007	85	33-30-00
634-3020-004	34-20-20	720-042-217	27-31-10-013	85HF100	39-21-00-051
634-3020-005	34-20-20	720-042-218	27-31-10	8527-6041	21-50-50
634-3020-006	34-20-20	7216FT160N	32-20-10-074	8527-6041	21-50-51-035
634-3021-001	34-20-20	7333FT160N	32-20-10-058	8567K2M27	39-10-10
634-3021-002	34-20-20	7335FT160N	32-10-10-068	872248	26-10-10-010
634-3021-003	34-20-20	735-24-2-8HT	21-20-00-118	878492	26-20-00
634-3021-005	34-20-20	7403-09FR-04	23-50-30-018	878583-01	26-10-10-022
634-3021-006	34-20-20	7403-09FR04	23-50-32-018	878583-01	26-10-10-014
63800-000	23-50-40-011	7403-09FR04	39-20-00-043	8806	54-10-10-030
63800-000	25-10-00	7403-09FR22	23-50-30-034	8815	53-21-00-029
64AT46-3	39-10-70-067	7403-09FR22	23-50-32-034	8906K3914	39-10-70
64AT46-3	39-10-71-067	7403-09FR25	39-21-00-049	8906K3914	39-10-71
64AT59-1A	39-10-10	758-8	32-40-00-181	8906K3916	39-10-71
64AT59-514P	39-10-70-078	76251-10	30-50-00-020	8906K3916	39-10-70
64AT59-514P	39-10-71-078	76659	21-30-00-068A	8906K3928	39-10-70
640-8M30K	21-50-50-022	7666	26-10-00	8906K3928	39-10-71
64032	21-30-00-076	782-1-10	28-20-00-133	90-31121	25-10-00
64032	21-30-00-064	782-1E10AF	28-20-00-139	90-364112-3	23-60-10
64032	32-40-00-007	782-1E10AF	28-20-00-241	90-364123-5	21-60-00
6411BNP	25-50-10-005	782-1E10AF	28-20-00-195	90-384040-1	33-40-00-003
6411BNP	25-22-50-002	782-1E10AF	28-10-10-019	90-389000-9	24-30-30
64300-000	25-10-00	782-1E10AF	28-20-00-128	90-389000-9	71-00-10
64300-000	23-50-40	782-1E12	28-20-00-129	90-530029-7	38-30-15-010
653-9015-001	34-50-50-0C7	782-1E12AF	28-10-10-147	90-530034-3	38-30-10-002
653-9015-002	34-50-60-002	782-1E12AF	28-20-00-140	906-8452A	61-10-00-010
6564A04F-D04-0 *	32-30-10-071	782-1E4	28-20-00-194	9091	53-21-00-032
6565A08J-D08-0 *	32-30-10-064	782-1E4	28-20-00-232	93A055-67-00	23-70-10-027
6565A08J-D08-0*	32-30-00-081	782-1E8	28-10-10-168	93A100-83	23-70-10-001
6565A08J-D08-0*	32-30-00-055	782-1E8	76-10-10-168	93A151-30	23-70-10-026
6565A08J-D08-0*	32-30-00-030	79C10	28-10-00-009	9300-343	23-70-10-002
66099-1	25-10-70	79C20A	28-10-00	95J1R0	23-60-10
66099-4	39-20-30	79C20A	28-10-00	9505-06	53-20-30
66103-1	25-21-20	79100	34-00-10-011	9539B2PP	21-30-00-035
66103-1	25-10-70	8-32	33-40-20-003	967B12	28-10-00-046
66103-4	25-22-00	8-32	25-22-00-035	97-364064-7	34-00-10-007
66103-4	25-22-00	8-32	25-22-00-021	97-380001-1	21-20-00-113
66103-4	25-22-00	8-32	25-22-00-007	97-380001-13	30-10-00-049
66103-4	25-21-21	800CT20	25-10-70	97-380001-15	21-20-00-081
66103-4	25-21-21	80037-123	25-22-20	97-380001-17	30-10-00-050
66103-4	25-21-21	81015-15	25-22-41-008	98-30305	25-10-00
66103-4	33-20-07	81015-19-5.00	25-22-41	98-31453	25-10-00
66103-4	21-60-00	81015-19-9.90	25-22-41	98-31453	25-10-00
66103-4	21-60-00	81015-53	25-22-41	98-39009	25-10-00
66103-4	21-60-00	81015-63	25-22-41	99-340087-1	23-50-32-027
66103-4	39-10-00	81015-65	25-22-41	99-340087-1	23-50-30-027
66103-4	30-70-00	81015-95	25-22-41	99-384042-1	35-00-02-026
66105-4	30-70-00	81028-1	38-30-12	99-384042-1	35-00-01-026
66105-4	21-60-00	81028-11	38-30-12-015	99-524039-11	27-30-10-014
66105-4	24-40-00	81028-13	38-30-12-010	99-524039-13	27-30-10-017
66144-2	27-00-20	81028-17	38-30-12-005	99-524043	39-10-10-012
6635-360 2S	33-20-00-002	81028-3	38-30-12-014	99-524043	73-20-00
6635-360 2S	33-20-07-039	81028-5	38-30-12-004	99-524043-1	73-20-00-007
6635-360 2S	33-20-03-009	81029-9	38-30-12-016	99-524043-5	73-20-00-004
6635-510	33-20-35-023	81084-1	25-22-41-015	99-524043-6	73-20-00-005
6635-750 25	33-20-00-009	81084-35	25-22-41	99-524089-7	61-20-20-048
66400-4	33-20-10	81084-37	25-22-41	99-524090-1	53-20-20-002
66400-4	33-40-50	82B001-21	57-60-00-007	99-524168-1	61-20-20-049
66400-4	25-10-41	82E1AE20A13	23-50-30-014	99-524168-3	61-20-20-050
66400-4	25-10-40	82E1A20A13	23-50-32-014	99-555017	21-50-30-012

# Raytheon Aircraft

## BEECH STARSHIP 1 ILLUSTRATED PARTS CATALOG

### LIST OF PAGES & TABLE OF CONTENTS FOR CHAPTER 11-00-00 REQ. PLACARDS

CHAP/SUB- SECT & UNIT	PAGE NUMBER	EFFECTIVE DATE	TABLE OF CONTENTS
11-00-00	1	07/31/02	LIST OF PAGES & TABLE OF CONTENTS
11-20-00	1	02/25/94	EXTERIOR PLACARDS
11-20-00	2	02/25/94	
11-20-00	3	02/25/94	
11-20-00	4	07/31/02	
11-20-00	5	07/31/02	
11-20-00	6	02/25/94	
11-20-00	7	02/25/94	
11-20-00	8	02/25/94	
11-20-00	9	02/25/94	
11-20-00	10	02/25/94	
11-20-00	11	02/25/94	
11-20-00	12	07/31/02	
11-20-00	13	07/31/02	
11-30-00	1	02/25/94	INTERIOR PLACARDS
11-30-00	2	02/25/94	
11-30-00	3	02/25/94	
11-30-00	4	02/25/94	
11-30-00	5	02/25/94	
11-30-00	6	02/25/94	
11-30-00	7	02/25/94	
11-30-00	8	02/25/94	
11-30-00	9	02/25/94	
11-30-00	10	02/25/94	
11-30-00	11	02/25/94	

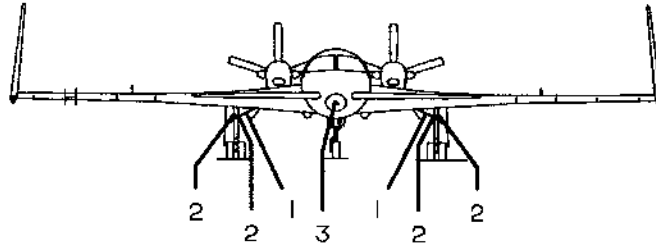


**Beechcraft**  
**STARSHIP 1**  
**ILLUSTRATED PARTS CATALOG**

**11-20-00**  
**EXTERIOR PLACARDS**



**Beechcraft**  
**STARSHIP 1**  
**ILLUSTRATED PARTS CATALOG**



NO  
PUSH

3

WARNING  
DO NOT PUSH

1

**Beechcraft**  
**OIL AIR STRUT**  
 PART NO. 122-810001  
 BEECH AIRCRAFT CORPORATION  
 MICHITA, KANSAS USA  
**INSTRUCTIONS**  
 FILL WITH  
 MIL-H-8606 HYDRAULIC FLUID  
 TO CHECK FLUID AND FILL  
 REMOVE VALVE CAP, OPEN VALVE AND  
 ALLOW STRUT TO FULLY COMPRESS.  
 CONNECT ONE END OF A 1/4 INCH  
 HOSE TO VALVE STEM AND SUBMERGE  
 OTHER END IN HYDRAULIC FLUID.  
 SLOWLY EXTEND STRUT TO FILL, THEN  
 COMPRESS STRUT TO EXPELL EXCESS  
 FLUID. RECYCLE AS NECESSARY TO  
 EXPEL ALL AIR. REMOVE HOSE END  
 FROM FLUID AND EXTEND GEAR ONE  
 FINAL TIME, THEN SLOWLY COMPRESS  
 GEAR FULLY TO EXPELL EXCESS FLUID.  
 WITH STRUT COMPRESSED, CLOSE  
 VALVE AND RELACE VALVE CAP.  
 WITH AIRCRAFT EMPTY EXCEPT FOR  
 FULL FUEL AND OIL KEEP STRUT IN-  
 FLATED TO 4.00 TO 4.50 INCHES OF  
 PISTON SHOWING.

**WARNING**  
 RELEASE AIR IN STRUT BEFORE DISASSEMBLING

2

C94NC11A0014 C

**FIGURE 11-20. EXTERIOR PLACARDS**  
**/SHEET 1 OF 6 SHEETS/**

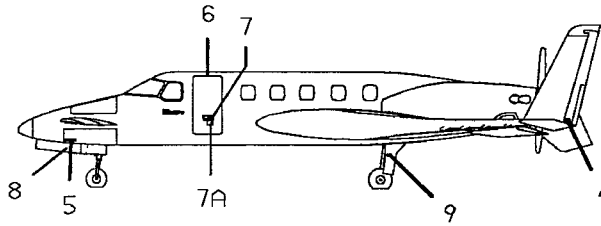
# Raytheon Aircraft

## BEECH STARSHIP 1 ILLUSTRATED PARTS CATALOG

SUB-SECT UNIT & ITEM NO.	PART NO.	1 2 3 4 5 6 7	DESCRIPTION	UNITS	USABLE
				PER ASSY	ON CODE
20-00	1	122-820111-5	PLACARD, DO NOT PUSH .....	1	
	2	122-810075-3	PLACARD, MAIN LANDING GEAR .....	4	
		122-000050-41	EXTERIOR PLACARDS INSTL .....	NP	
	3	50-000016	. PLACARD, NO PUSH .....	1	

# Raytheon Aircraft


## BEECH STARSHIP 1 ILLUSTRATED PARTS CATALOG



**NO  
PUSH**

**AIRCRAFT NOT TO BE  
TOWED OR TAXIED  
UNLESS SKIN PANEL  
IS INSTALLED**

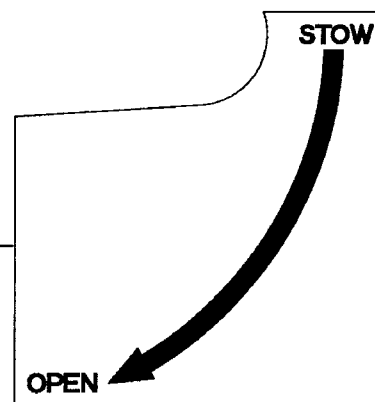
**LEVEL  
POINT**

 **PUSH BUTTON FIRMLY AND HOLD**

**THEN PULL AND TURN HANDLE  
FIRMLY TO OPEN**

**WARNING:**  
GROUND LOCK PINS MUST BE INSERTED  
IN SIDE BRACE AND LANDING GEAR  
CIRCUIT BREAKER PULLED BEFORE  
ENTERING GEAR WELL AREA

**WARNING:**  
GROUND LOCK PINS MUST BE INSERTED  
IN DRAG BRACE AND DOOR MECHANISM,  
AND LANDING GEAR CIRCUIT BREAKER  
PULLED BEFORE ENTERING GEAR WELL



NC11A  
022407AA

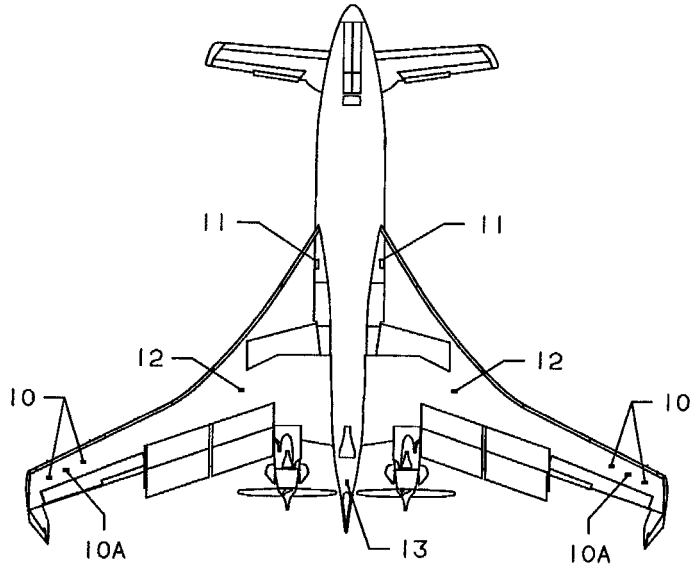
**FIGURE 20-00 . EXTERIOR PLACARDS  
/SHEET 2 OF 6 SHEETS/**

# Raytheon Aircraft

## BEECH STARSHIP 1 ILLUSTRATED PARTS CATALOG

SUB-SECT UNIT & ITEM NO.	PART NO.	DESCRIPTION	1 2 3 4 5 6 7							UNITS PER ASSY	USABLE ON CODE		
20-00	4	50-000016	. PLACARD, NO PUSH .....								1		
	5	122-000050-37	. PLACARD, TOWING .....								2		
	6	45-324043	. PLACARD, LEVELING POINT .....								1		
	7	122-430084-5	. PLACARD, PUSH BUTTON .....								1		
	7A	122-430084-13	. PLACARD, STOW/OPEN .....								1		
	8	122-820112-1	. PLACARD, WARNING/GROUND LOCK PINS MUST BE INSERTED IN SIDE BRACE AND LANDING GEAR CIRCUIT BREAKER PULLED BEFORE ENTERING GEAR WELL AREA/ .....									2	
	9	122-820112-5	. PLACARD, WARNING/GROUND LOCK PINS MUST BE INSERTED IN DRAG BRACE AND DOOR MECHANISM, AND LANDING GEAR CIRCUIT BREAKER PULLED BEFORE ENTERING GEAR WELL AREA/ .....									2	

**Beechcraft**  
**STARSHIP 1**  
**ILLUSTRATED PARTS CATALOG**



DO NOT USE FERROUS SCREWS  
 OR MAGNETIC TOOLS  
 SEE MAINTENANCE MANUAL

**JACK POINT  
 & TIE DOWN**

USE ONLY NONMAGNETIC  
 HARDWARE IN PROXIMITY  
 OF FLUX VALVE

⊕ MANUFACTURED BY ⊕  
 BEECH AIRCRAFT CORP.  
 WICHITA, KS. USA  
 SERIAL NO. [REDACTED]  
 MODEL NO. [REDACTED]  
 ⊕ T.C. [REDACTED] P.C. 8 ⊕



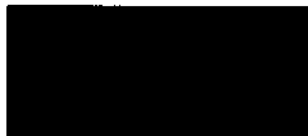
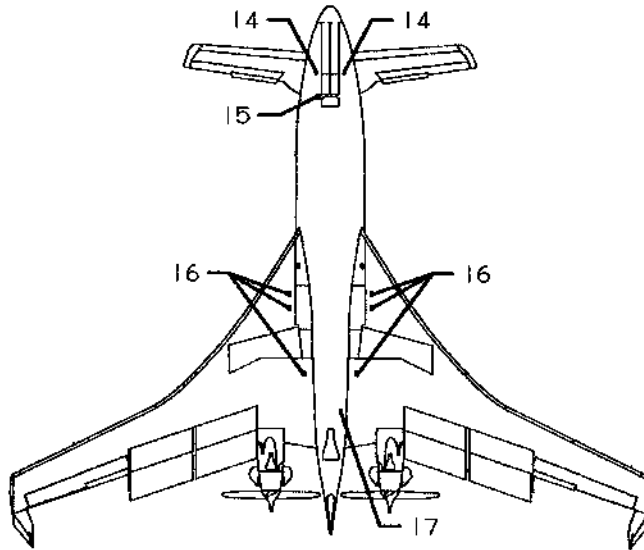
C94NC11A0016 C

**FIGURE 11-20. EXTERIOR PLACARDS**  
**/SHEET 3 OF 6 SHEETS/**

**Beechcraft**  
**STARSHIP 1**  
**ILLUSTRATED PARTS CATALOG**

SUB-SEC UNIT & ITEM NO	PART NO.	DESCRIPTION 1 2 3 4 5 6 7	UNITS	USABLE
			PER ASSY	ON CODE
20-00 -10	122-000050-9	. PLACARD/DO NOT USE FERROUS SCREWS OR ..... MAGNETIC TOOLS/	4	
- 10A	122-000050-47	. PLACARD/USE ONLY NONMAGNETIC HARDWARE IN ..... PROXIMITY OF FLUX VALVE/	2	
- 11	50-000148	. PLACARD, GROUND POINT IDENTIFICATION.....	2	
- 12	122-000050-11	. PLACARD, JACK POINT AND TIE DOWN.....	2	
- 13	132109	. PLACARD, MODEL DESIGNATION .....	1	

Beechcraft  
STARSHIP 1  
ILLUSTRATED PARTS CATALOG



14

FUEL DRAIN

16

JACK POINT  
& TIE  
DOWN

15

EXTERNAL POWER  
RECEPTACLE  
28 VDC

17

C94NC11A0017 C

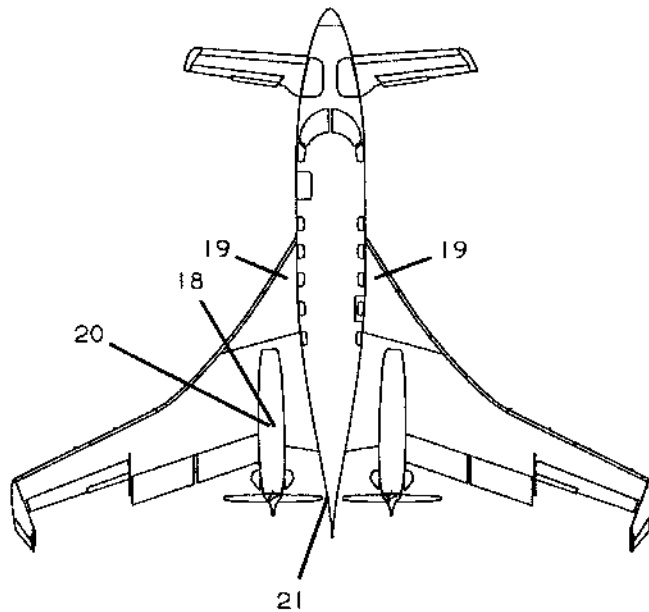
FIGURE 11-20. EXTERIOR PLACARDS  
/SHEET 4 OF 6 SHEETS/

  
**STARSHIP 1**  
**ILLUSTRATED PARTS CATALOG**

SUB-SEC UNIT & ITEM NO	PART NO.	DESCRIPTION 1 2 3 4 5 6 7	UNITS PER ASSY	USABLE ON CODE
20-00 - 14	122-000050-29	. PLACARD, TOW LIMIT MARK.....	2	
- 15	122-000050-43	. PLACARD, JACK POINT AND TIE DOWN.....	1	
- 16	1001-920013	. PLACARD, FUEL DRAIN .....	6	
- 17	101-361055-9	. PLACARD, EXTERNAL POWER RECEPTACLE.....	1	



**Beechcraft**  
**STARSHIP 1**  
**ILLUSTRATED PARTS CATALOG**



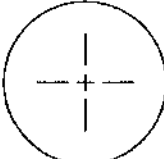
- FOR GROUND OPERATION -  
 APPLY 18-20 PSIG AIR PRESSURE TO THE HY-  
 DRAULIC POWER PACK - SEE SERVICE MANUAL

**GROUND POINT  
 LOCATED LOWER  
 WING SURFACE**

**HYDRAULIC  
 LANDING GEAR  
 FILL**  
 MAINTAIN OIL AT  
 INDICATED OIL  
 TEMPERATURE MARK  
 ON DIP STICK  
 USE MIL-H-5606  
 HYDRAULIC FLUID

EMERGENCY LOCATOR TRANSMITTER  
 SWITCH

ARMED/  
 RESET                      ON



FOR AVIATION EMERGENCY USE ONLY  
 UNLICENSED OPERATION UNLAWFUL  
 OPERATION IN VIOLATION OF FCC  
 RULES SUBJECT TO FINE OR LICENSE  
 REVOCATION

**FIGURE 11-20. EXTERIOR PLACARDS  
 /SHEET 5 OF 6 SHEETS/**

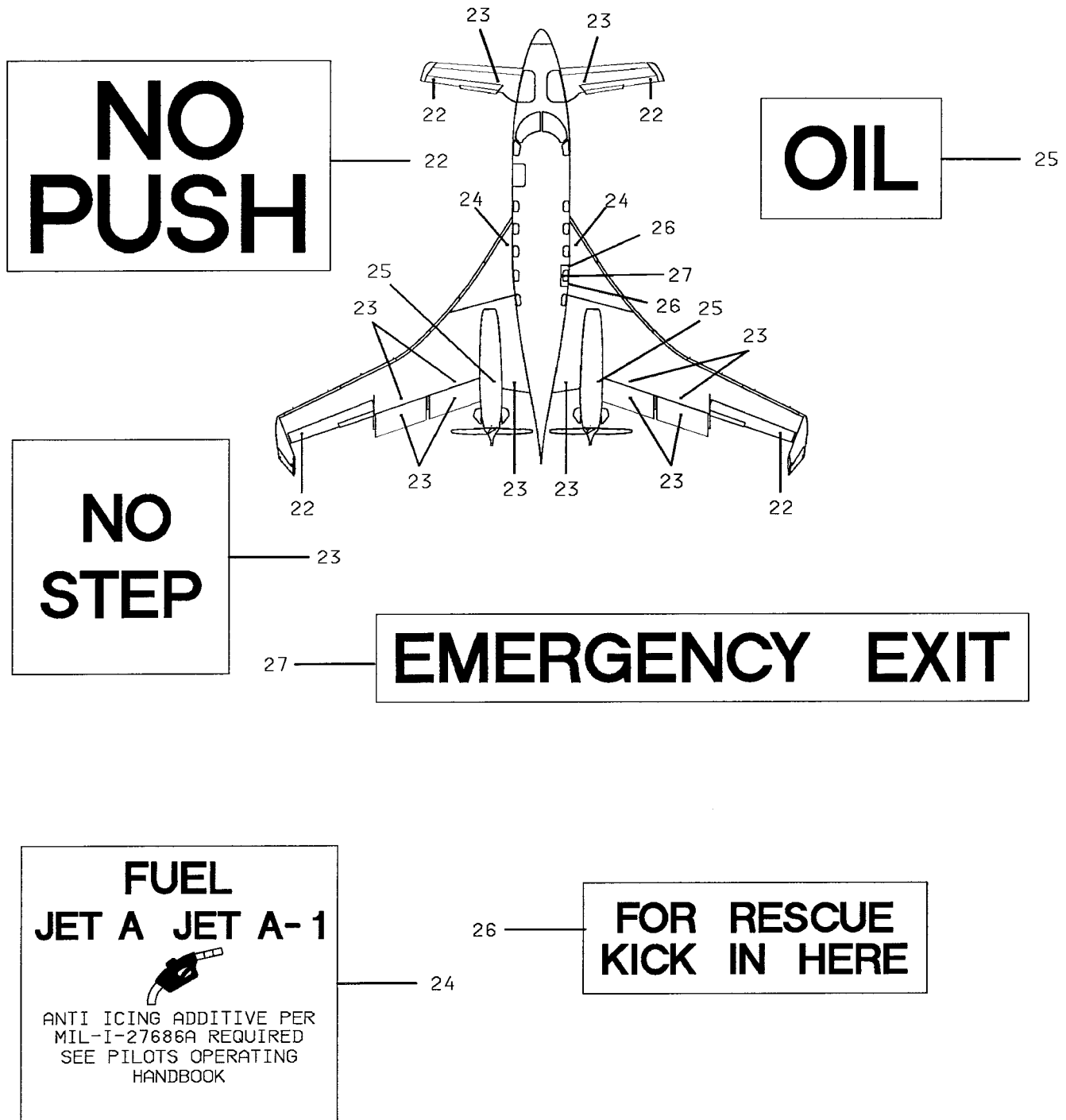
# Raytheon Aircraft

## BEECH STARSHIP 1 ILLUSTRATED PARTS CATALOG

SUB-SECT UNIT & ITEM NO.	PART NO.	DESCRIPTION	1 2 3 4 5 6 7							UNITS PER ASSY	USABLE ON CODE	
20-00	18	101-580235-3	. PLACARD, INSTRUCTIONS FOR GROUND OPERATION .....								1	
	19	122-000050-33	. PLACARD, GROUND POINT .....								2	
	20	109-580074	. PLACARD, HYDRAULIC LANDING GEAR FILL/LH/ .....								1	
		122-000050-3	. PLACARD, ELT SWITCH .....								1	1
	21	122-342659-127	. PLACARD, ELT SWITCH .....								1	2

# Raytheon Aircraft

## BEECH STARSHIP 1 ILLUSTRATED PARTS CATALOG



NC11A  
022408AA

FIGURE 20-00 . EXTERIOR PLACARDS  
/SHEET 6 OF 6 SHEETS/

# Raytheon Aircraft

## BEECH STARSHIP 1 ILLUSTRATED PARTS CATALOG

SUB-SECT		PART NO.	DESCRIPTION	UNITS	USABLE
UNIT & ITEM NO.	1 2 3 4 5 6 7			PER ASSY	ON CODE
20-00	22	50-000016	. PLACARD, NO PUSH .....	4	
	23	112733	. PLACARD, NO STEP .....	12	
	24	122-000050-31	. PLACARD, FUEL .....	2	
	25	112738	. PLACARD, OIL .....	2	
	26	122-430085-5	. PLACARD, FOR RESCUE .....	2	
	27	122-430085-13	. PLACARD, EMERGENCY EXIT .....	1	

### CODES OF EFFECTIVITY

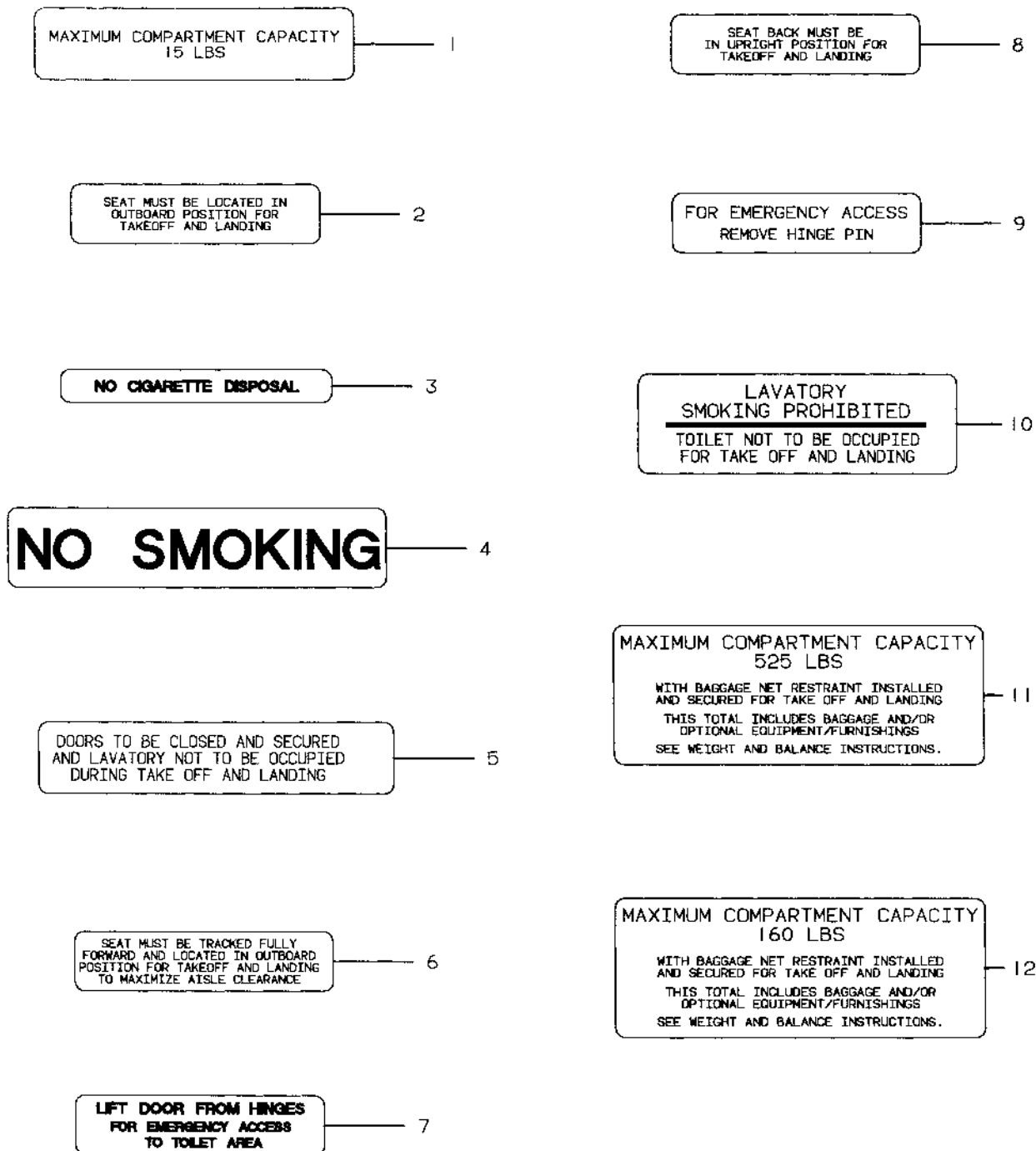
1 NC-4 THRU NC-13                      2 NC-14 AND AFTER

- END -

**Beechcraft**  
**STARSHIP 1**  
**ILLUSTRATED PARTS CATALOG**

**11-30-00**  
**INTERIOR PLACARDS**

Beechcraft  
STARSHIP 1  
ILLUSTRATED PARTS CATALOG



C9100106

FIGURE 30-00.INTERIOR PLACARDS  
/SHEET 1 OF 5 SHEETS/

**Beechcraft**  
**STARSHIP 1**  
**ILLUSTRATED PARTS CATALOG**

SUB-SEC UNIT & ITEM NO	PART NO.	DESCRIPTION 1 2 3 4 5 6 7	UNITS PER ASSY	USABLE ON CODE
30-00	122-530267-1	INTERIOR PLACARD INSTL .....	NP	
- 1	200B8	. PLACARD, BAGGAGE CAPACITY .....	2	
- 2	200C1	. PLACARD, CABIN SEAT POSITION .....	AR	
		/SHIP SERIALS NC-1 THRU NC-20 4 EA, SHIP SERIALS NC-21 AND AFTER 5 EA/		
- 3	200D4	. PLACARD/NO CIGARETTE DISPOSAL/ .....	1	
- 4	200G1	. PLACARD/NO SMOKING/ .....	1	
- 5	2000B1	. PLACARD, FWD BAGGAGE DOOR INSTRUCTION .....	1	
- 6	2000C1	. PLACARD, CABIN SEAT POSITION .....	2	
- 7	2000C2	. PLACARD, TOILET ACCESS.....	1	
- 8	2000C3	. PLACARD, COCKPIT SEAT POSITION.....	2	
- 9	2000C4	. PLACARD, EMERGENCY ACCESS HINGE PIN .....	AR	
		/SHIP SERIALS NC-1 THRU NC-20 1 EA, SHIP SERIALS NC-21 AND AFTER 2 EA/		
- 10	2000E2	. PLACARD, LAVATORY INSTRUCTION .....	1	
- 11	2000F1	. PLACARD, AFT BAGGAGE CAPACITY .....	1	
- 12	2000F4	. PLACARD, FWD BAGGAGE CAPACITY .....	1	

**Beechcraft**  
**STARSHIP 1**  
**ILLUSTRATED PARTS CATALOG**

MAXIMUM BAGGAGE CAPACITY  
 250 LBS

USE BAGGAGE WEB TO SECURE  
 BAGGAGE

13

PUSH

14

LATCH


15

RELEASE SLIDE LATCH  
 TO CLOSE DRAWER



16

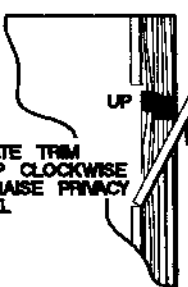
ROTATE FOR PRIVACY



STOW PRIVACY PANELS  
 BEFORE CLOSING DOOR

17

ROTATE TRIM  
 STRIP CLOCKWISE  
 TO RAISE PRIVACY  
 PANEL



UP

DOWN

18

**CONTROL LOCK**

1. INSTALL LOCK ASSEMBY AROUND ALL LEVERS ON TOP OF PEDestal
2. LOCK CONTROL WHEEL IN NEUTRAL POSITION WITH PIN
3. SECURE LOCK WITH PIN THROUGH PEDestal

REMOVE IN REVERSE SEQUENCE

19

PHONE

20

MIC

21

MASTER SWITCH

22

EXIT - PULL

23

C9100107

**FIGURE 30-00.INTERIOR PLACARDS**  
**/SHEET 2 OF 5 SHEETS/**



**Beechcraft**  
**STARSHIP 1**  
**ILLUSTRATED PARTS CATALOG**

SUB-SEC UNIT & ITEM NO	PART NO.	DESCRIPTION 1 2 3 4 5 6 7	UNITS PER ASSY	USABLE ON CODE
30-00 -13	2000F3	. PLACARD, BAGGAGE CAPACITY .....	1	
-14	2000G1	. PLACARD/PUSH/ .....	AR	
		. /SHIP SERIALS NC-1 THRU NC-20 2 EA, SHIP SERIALS NC-21 AND AFTER 1 EA/		
-15	2000G2	. PLACARD/LATCH/ .....	1	
-16	2000H1	. PLACARD, TOILET DRAWER RELEASE .....	1	
-17	2000J1	. PLACARD, PRIVACY PANEL .....	1	
-18	2000K1	. PLACARD, PRIVACY PANEL INSTRUCTION .....	1	
-19	122-590012-3	. PLACARD, SURFACE CONTROL LOCK .....	1	
-20	101-341965-13	. DECAL, PHONE .....	1	
-21	101-341965-15	. DECAL, MIC .....	1	
-22	50-320139-1	. DECAL, MASTER SWITCH IDENTIFICATION .....	1	
-23	CAN/AC/7K	. MARKER/EXIT-PULL/ .....	1	

Beechcraft  
STARSHIP 1  
ILLUSTRATED PARTS CATALOG

MAX CAPACITY 2 LBS

24

COUCH BACK RELEASE  
← PUSH LEVER TO  
FOLD COUCH

28

MAX CAPACITY 5 LBS

25

TRACK CHAIRS AWAY  
FROM CABINET  
TO REMOVE ICE CHEST.

29

MAX CAPACITY 8 LBS

26

TOILET NOT TO BE OCCUPIED  
FOR TAKE OFF AND LANDING

30

MAX CAPACITY 10 LBS

27

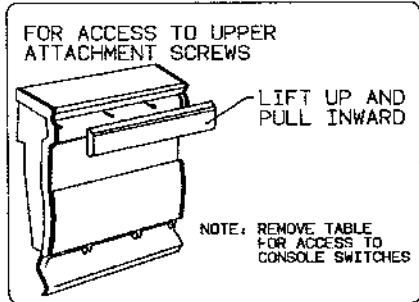
C94NC1/A0029 C

FIGURE 30-00.INTERIOR PLACARDS  
/SHEET 3 OF 5 SHEETS/

  
**STARSHIP 1**  
**ILLUSTRATED PARTS CATALOG**

SUB-SEC UNIT & ITEM NO	PART NO.	DESCRIPTION 1 2 3 4 5 6 7	UNITS PER ASSY	USABLE ON CODE
30-00 -24	400S1	. PLACARD, GENERAL STORAGE .....	2	
-25	400S3	. PLACARD, TELEPHONE CABINET STORAGE .....	1	
-26	400S2	. PLACARD, STEREO CABINET STORAGE .....	2	
-27	400S4	. PLACARD, GENERAL STORAGE .....	1	
-28	2000E3	. PLACARD, COUCH BACK RELEASE .....	1	
-29	2000H2	. PLACARD, ICE CHEST REMOVAL .....	1	
-30	2000E1	. PLACARD, TOILET .....	1	1

**Beechcraft**  
**STARSHIP 1**  
**ILLUSTRATED PARTS CATALOG**



31

**Beechcraft**  
**POWER BRAKE RESERVOIR**  
**BEECH AIRCRAFT CORP.**  
 WICHITA KANSAS USA  
**SERVICE INSTRUCTIONS**

1. REMOVE FORWARD WING UPPER FAIRING
2. MASTER SWITCH "DN"
3. ANTI-SKID CIRCUIT BREAKER PULLED
4. PARKING BRAKE "OFF"
5. DEPRESS BRAKE PEDALS 15-20 TIMES TO DEplete BRAKE ACCUMULATOR
6. FILL TO LOWER EDGE OF FILLER NECK WITH MIL-H-5605 HYD FLUID

**FLUID SUPPLY IS ADEQUATE IF VISIBLE IN SIGHT GAGE**

32

33

**WARNING**  
 WIRE TRAY DOOR  
 MUST BE SECURED WHILE  
 AIRCRAFT IS IN FLIGHT

35

**LANDING GEAR  
 ALTERNATE  
 EXTENSION**

1. REMOVE PIN FROM SECURING CLIP.
2. LIFT HANDLE FROM CLIP AND PULL TO EXTEND.
3. SWIVEL HANDLE AS REQUIRED AND PUMP UNTIL ALL THREE GREEN INDICATOR LIGHTS ARE ILLUMINATED AND FURTHER RESISTANCE IS FELT.
4. SECURE HANDLE IN CLIP AND REINSTALL PIN.

34

**INSTALL  
 122-430010 FLOOR GUARD PANELS  
 BEFORE LOADING**

<b>NO SMOKING</b>	<b>RETURN TO SEAT</b>
-----------------------	---------------------------

36

**LAVATORY  
 SMOKING PROHIBITED**  
 DOORS TO BE CLOSED AND SECURED  
 AND LAVATORY NOT TO BE OCCUPIED  
 DURING TAKE OFF AND LANDING

37

**DOOR IS LOCKED  
 WHEN BUTTON MOVES  
 TOWARDS OPERATOR**

**LOCK**

**OPEN**

**PUSH AND HOLD  
 BUTTON TURN  
 HANDLE TO  
 OPEN DOOR**

**CAUTION**  
 DO NOT OPEN DOOR  
 WHEN CABIN IS  
 PRESSURIZED

38

094HC11A0030 C

**FIGURE 30-00.INTERIOR PLACARDS  
 /SHEET 4 OF 5 SHEETS/**

**Beechcraft**  
**STARSHIP 1**  
**ILLUSTRATED PARTS CATALOG**

SUB-SEC UNIT & ITEM NO	PART NO.	DESCRIPTION 1 2 3 4 5 6 7	UNITS PER ASSY	USABLE ON CODE
30-00 -31	2000U1	. PLACARD, TABLE .....	AR	
		/SHIP SERIALS NC-1 THRU NC-20 4 EA, SHIP SERIALS NC-21 AND AFTER 2 EA/		
- 32	122-580251-1	PLACARD, BRAKE FLUID RESERVOIR INSTRUCTION .....	1	
- 33	122-322211-3	PLACARD, WIRE TRAY COVER .....	AR	
- 34	122-580207-1	PLACARD, LANDING GEAR ALTERNATE EXTENSION .....	1	
- 35	122-430013-1	PLACARD, FLOOR GUARD PANEL .....	1	
- 36	1202-022	SIGN, NO SMOKING-RETURN TO SEAT .....	1	
- 37	122-000051-27	PLACARD, LAVATORY SMOKING PROHIBITED .....	2	
- 38	122-384117-1	PLACARD, DOOR INSTRUCTION .....	1	

Beechcraft  
STARSHIP 1  
ILLUSTRATED PARTS CATALOG

TRACK SEAT AFT TO  
ACCESS CIRCUIT BREAKER  
PANEL AND STORAGE

39

SEAT MUST BE LOCATED IN FULL  
AFT AND FULL OUTBD POSITION  
FOR TAKE OFF AND LANDING

40

RETURN AIR DUCT  
DO NOT BLOCK  
AIR FLOW

41

DOORS TO BE CLOSED  
AND SECURED DURING  
TAKEOFF AND LANDING

42

COAT HANGER  
MAX WEIGHT CAPACITY 25 LBS

43

**NO SMOKING**  
IN LAVATORY

44

C94NC11A0288 C

**Beechcraft**  
**STARSHIP 1**  
**ILLUSTRATED PARTS CATALOG**

SUB-SEC UNIT & ITEM NO	PART NO.	DESCRIPTION 1 2 3 4 5 6 7	UNITS	USABLE
			PER ASSY	ON CODE
30-00	122-530389-1	INTERIOR PLACARD INSTL .....	NP	1
- 39	2000C5	. PLACARD, ACCESS/CIRCUIT BREAKER PANEL AND .....	1	1
		STORAGE/		
- 40	2000C6	. PLACARD, CABIN SEAT POSITION .....	1	1
- 41	2000T1	. PLACARD, DO NOT BLOCK AIR FLOW.....	4	1
- 42	2000T2	. PLACARD, FWD BAGGAGE CABINET DOOR INSTRUCTION .	1	1
- 43	400S5	. PLACARD, COAT HANGER WEIGHT CAPACITY .....	1	1
- 44	2100E1	. PLACARD, NO SMOKING IN LAVATORY.....	1	1

**CODES OF EFFECTIVITY**

1 NC-21 AND AFTER

**Beechcraft**  
**STARSHIP 1**  
**ILLUSTRATED PARTS CATALOG**

**LIST OF PAGES & TABLE OF CONTENTS**  
**FOR**  
**CHAPTER 21-00-00 ENVIRONMENTAL SYSTEMS**

CHAP/SUB- SECT & UNIT	PAGE NO.	EFFECTIVE DATE	TABLE OF CONTENTS
21-00-00	1	06/30/95	LIST OF PAGES & TABLE OF CONTENTS .....
21-00-00	2	06/30/95	
21-00-00	3	06/30/95	
21-20-00	1	02/25/94	AIR INFLOW AND DISTRIBUTION .....
21-20-00	2	02/25/94	
21-20-00	3	06/30/95	
21-20-00	4	06/30/95	
21-20-00	5	06/30/95	
21-20-00	6	06/30/95	
21-20-00	7	06/30/95	
21-20-00	8	06/30/95	
21-20-00	9	06/30/95	
21-20-00	10	06/30/95	
21-20-00	11	06/30/95	
21-20-15	1	02/25/94	COCKPIT DUCTS .....
21-20-15	2	06/30/95	
21-20-15	3	06/30/95	
21-20-15	4	06/30/95	
21-20-15	5	06/30/95	
21-20-20	1	02/25/94	CABIN SIDEWALL DUCTS.....
21-20-20	2	02/25/94	
21-20-20	3	06/30/95	
21-20-25	1	02/25/94	CABIN OVERHEAD DUCTS .....
21-20-25	2	06/30/95	
21-20-25	3	06/30/95	
21-20-30	1	02/25/94	FORWARD VENTILATION BLOWER.....
21-20-30	2	06/30/95	
21-20-30	3	06/30/95	
21-20-35	1	02/25/94	AFT VENTILATION BLOWER .....
21-20-35	2	06/30/95	
21-20-35	3	06/30/95	
21-20-40	1	02/25/94	AMBIENT AIR INLET .....
21-20-40	2	06/30/95	
21-20-40	3	06/30/95	
21-20-60	1	02/25/94	HEAT EXCHANGER .....
21-20-60	2	02/25/94	
21-20-60	3	02/25/94	
21-20-60	4	02/25/94	
21-20-60	5	06/30/95	
21-30-00	1	02/25/94	PRESSURIZATION CONTROL .....
21-30-00	2	02/25/94	
21-30-00	3	06/30/95	
21-30-00	4	02/25/94	
21-30-00	5	06/30/95	
21-30-00	6	06/30/95	
21-30-00	7	02/25/94	
21-30-00	8	06/30/95	
21-30-00	9	06/30/95	
21-30-00	10	06/30/95	
21-30-00	11	06/30/95	
21-30-00	12	06/30/95	
21-30-00	13	06/30/95	
21-30-00	14	06/30/95	
21-30-00	15	06/30/95	
21-30-00	16	06/30/95	
21-30-00	17	06/30/95	



**Beechcraft**  
**STARSHIP 1**  
**ILLUSTRATED PARTS CATALOG**

**LIST OF PAGES & TABLE OF CONTENTS**  
**FOR**  
**CHAPTER 21-00-00 ENVIRONMENTAL SYSTEMS**

CHAP/SUB- SECT & UNIT	PAGE NO.	EFFECTIVE DATE	TABLE OF CONTENTS
21-30-10	1	02/25/94	CABIN PRESSURIZATION MODULE .....
21-30-10	2	02/25/94	
21-30-10	3	06/30/95	
21-30-10	4	02/25/94	
21-30-10	5	06/30/95	
21-30-10	6	06/30/95	
21-30-10	7	02/25/94	
21-30-10	8	06/30/95	
21-30-10	9	06/30/95	
21-50-10	1	02/25/94	AIR CONDITIONER SERVICE PROVISIONS .....
21-50-10	2	02/25/94	
21-50-10	3	02/25/94	
21-50-10	4	06/30/95	
21-50-10	5	06/30/95	
21-50-20	1	02/25/94	COOLING CONDENSER .....
21-50-20	2	06/30/95	
21-50-20	3	06/30/95	
21-50-30	1	02/25/94	AFT EVAPORATOR .....
21-50-30	2	06/30/95	
21-50-30	3	06/30/95	
21-50-30	4	06/30/95	
21-50-30	5	06/30/95	
21-50-30	6	06/30/95	
21-50-30	7	06/30/95	
21-50-40	1	02/25/94	FUSELAGE REFRIGERATION PLUMBING .....
21-50-40	2	06/30/95	
21-50-40	3	06/30/95	
21-50-40	4	06/30/95	
21-50-40	5	06/30/95	
21-50-40	6	02/25/94	
21-50-40	7	02/25/94	
21-50-40	8	02/25/94	
21-50-40	9	06/30/95	
21-50-40	10	02/25/94	
21-50-40	11	06/30/95	
21-50-45	1	02/25/94	WING REFRIGERATION PLUMBING .....
21-50-45	2	02/25/94	
21-50-45	3	02/25/94	
21-50-50	1	06/30/95	COOLING SYSTEM COMPRESSOR .....
21-50-50	2	06/30/95	NC-4 THRU NC-29
21-50-50	3	06/30/95	
21-50-50	4	06/30/95	
21-50-50	5	06/30/95	
21-50-50	6	06/30/95	
21-50-50	7	06/30/95	
21-50-51	1	06/30/95	COOLING SYSTEM COMPRESSOR .....
21-50-51	2	06/30/95	NC-30 AND AFTER
21-50-51	3	06/30/95	
21-50-51	4	02/25/94	
21-50-51	5	06/30/95	
21-50-60	1	02/25/94	FORWARD EVAPORATOR .....
21-50-60	2	06/30/95	
21-50-60	3	06/30/95	

**Beechcraft**  
**STARSHIP 1**  
**ILLUSTRATED PARTS CATALOG**

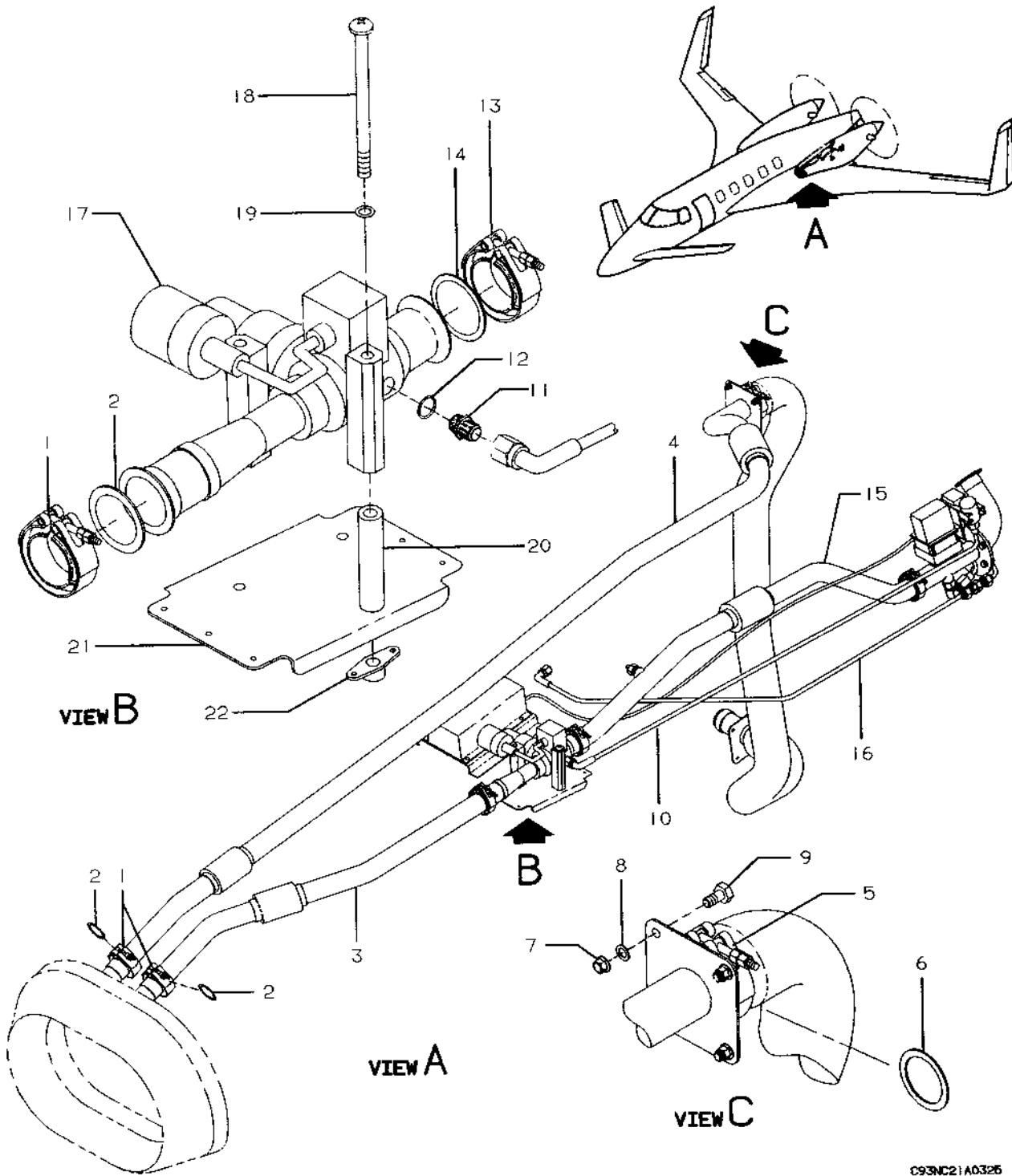
**LIST OF PAGES & TABLE OF CONTENTS**  
**FOR**  
**CHAPTER 21-00-00 ENVIRONMENTAL SYSTEMS**

CHAP/SUB- SECT & UNIT	PAGE NO.	EFFECTIVE DATE	TABLE OF CONTENTS
21-55-00	1	02/25/94	AVIONICS COOLING SYSTEM .....
21-55-00	2	02/25/94	
21-55-00	3	02/25/94	
21-55-10	1	02/25/94	NOSE AVIONICS COOLING .....
21-55-10	2	02/25/94	
21-55-10	3	06/30/95	
21-60-00	1	02/25/94	CABIN TEMPERATURE CONTROL .....
21-60-00	2	02/25/94	
21-60-00	3	06/30/95	
21-60-00	4	02/25/94	
21-60-00	5	02/25/94	
21-60-00	6	02/25/94	
21-60-00	7	06/30/95	

**Beechcraft**  
**STARSHIP 1**  
**ILLUSTRATED PARTS CATALOG**

**21-20-00**  
**AIR INFLOW AND DISTRIBUTION**

**Beechcraft**  
**STARSHIP 1**  
**ILLUSTRATED PARTS CATALOG**



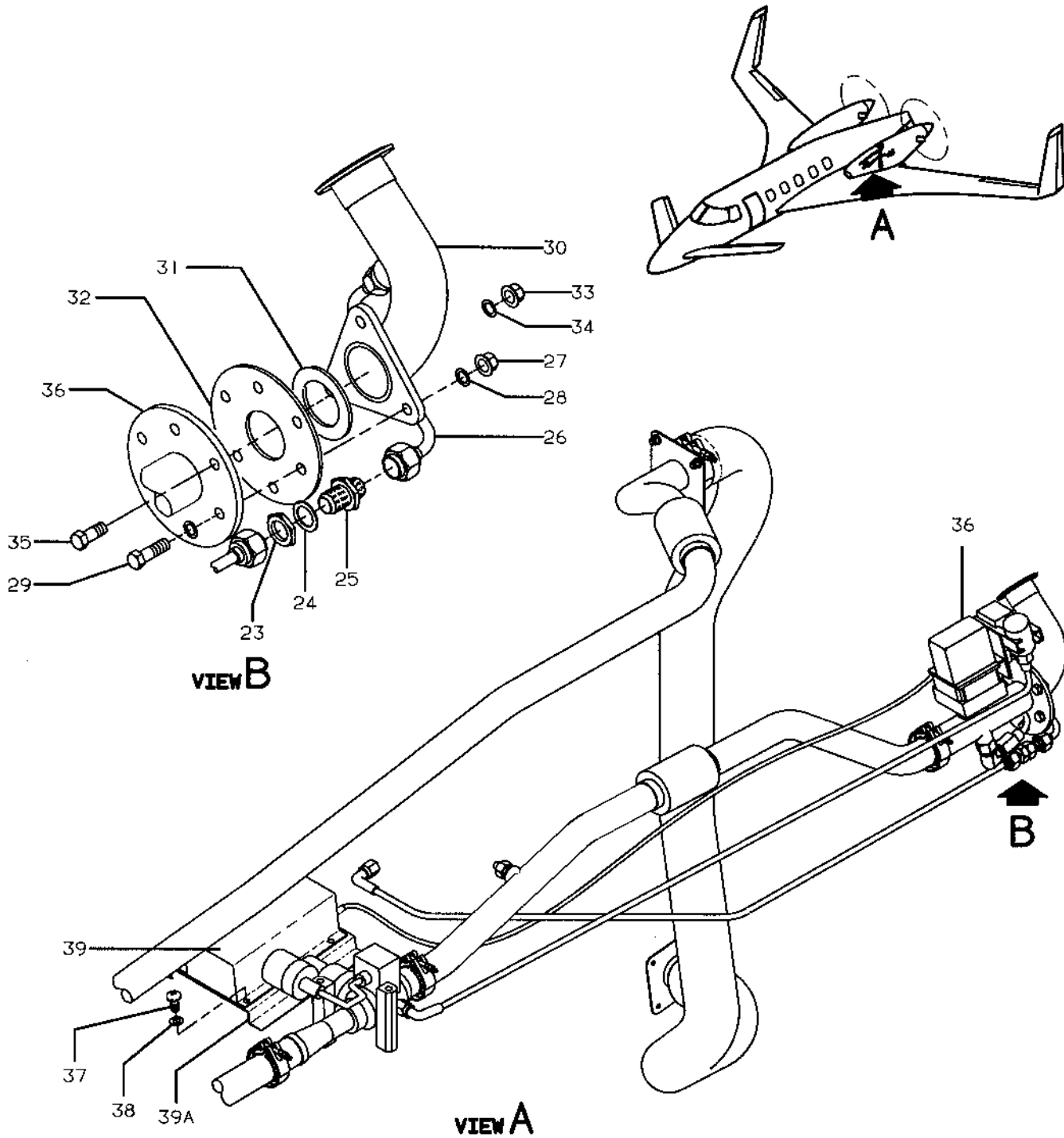
C93NC21 A0326

**FIGURE 20-00. AIR INFLOW AND DISTRIBUTION**  
**/SHEET 1 OF 5 SHEETS/**

**Beechcraft**  
**STARSHIP 1**  
**ILLUSTRATED PARTS CATALOG**

SUB-SEC UNIT & ITEM NO	PART NO.	DESCRIPTION 1 2 3 4 5 6 7	UNITS	USABLE
			PER ASSY	ON CODE
20-00	R 122-550010-3	HEAT/VENT/INFLOW SYSTEM INSTL.....	NP	
	122-550160-1	.. PLUMBING INSTL, BLEED AIR.....	NP	
- 1	18276-125	.. COUPLING.....	10	
- 2	24346-125C	.. GASKET.....	10	
- 3	122-550155-9	.. TUBE ASSY, LH.....	1	
	122-550155-10	.. TUBE ASSY, RH.....	1	
- 4	122-550176-1	.. TUBE ASSY, LH.....	1	
	122-550177-1	.. TUBE ASSY, RH.....	1	
- 5	18276-125	.. COUPLING.....	2	
- 6	24346-125C	.. GASKET.....	2	
- 7	MS21043-3	.. NUT.....	8	
- 8	AN960C10L	.. WASHER.....	8	
- 9	AN3C4A	.. BOLT.....	8	
- 10	122-550160-7	.. TUBE ASSY, LH/FLOW CONTROL VALVE TO SHUTOFF VALVE/	1	7
	122-550160-19	.. TUBE ASSY, RH/FLOW CONTROL VALVE TO SHUTOFF VALVE/	1	7
- 11	AN815-4J	.. UNION.....	2	
- 12	MS9387-04	.. PACKING.....	2	
- 13	18276-125	.. COUPLING.....	2	
- 14	24346-125C	.. GASKET.....	2	
- 15	R 122-550154-9	.. TUBE ASSY, LH.....	1	7
	R 122-550154-10	.. TUBE ASSY, RH.....	1	7
	R 122-550154-15	.. TUBE ASSY, LH.....	1	8
	R 122-550154-16	.. TUBE ASSY, RH.....	1	8
- 16	122-550160-15	.. TUBE ASSY, LH.....	1	
- 17	122-382061-9	.. VALVE, FLOW CONTROL..... /ATTACHING PARTS/	2	
- 18	MS27039-4-47	.. SCREW.....	3	
- 19	AN960C416L	.. WASHER.....	3	
- 20	NAS43HT4-156	.. SPACER.....	3	
		★-----		
- 21	122-550150-13	.. BRACKET ASSY, LH.....	1	
	122-550150-14	.. BRACKET ASSY, RH.....	1	
- 22	MS21047L4	.. NUTPLATE.....	3	

Beechcraft  
STARSHIP 1  
ILLUSTRATED PARTS CATALOG

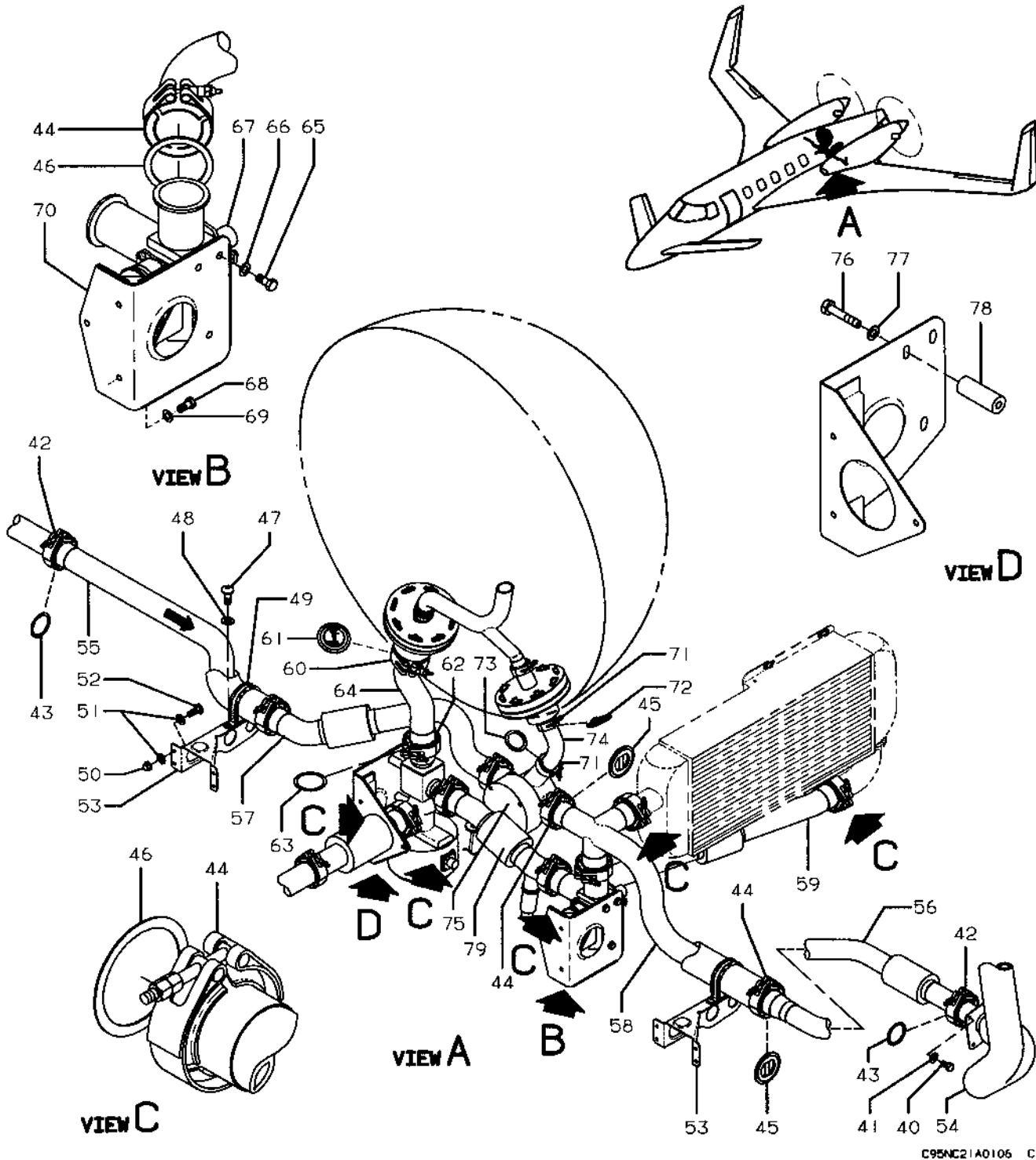


C95NC21A0105 C

**Beechcraft**  
**STARSHIP 1**  
**ILLUSTRATED PARTS CATALOG**

SUB-SEC UNIT & ITEM NO	PART NO.	DESCRIPTION 1 2 3 4 5 6 7	UNITS	USABLE
			PER ASSY	ON CODE
20-00 -23	AN924-4J	.. NUT .....	1	
-24	AN960C716	.. WASHER .....	1	
-25	AN832-4J	.. UNION, BHD .....	1	
-26	122-550160-27	.. TUBE ASSY, LH .....	1	
-27	MS21043-4	.. NUT .....	6	
-28	AN960C416L	.. WASHER .....	6	
-29	AN4C12A	.. BOLT .....	6	
-30	122-550157-17	.. TUBE ASSY, LH .....	1	
	122-550157-13	.. TUBE ASSY, RH .....	1	
-31	122-550160-23	.. GASKET .....	2	
-32	122-550160-25	.. SPACER .....	2	
-33	MS21043-4	.. NUT .....	6	
-34	AN960C416L	.. WASHER .....	6	
-35	AN4C10A	.. BOLT .....	6	
-36	R 122-382066-11	.. VALVE ASSY, SHUTOFF/FIREWALL/ .....	NP	1
		/ORDER 122-382171-1 FOR SPARES/		
	R 122-382066-25	.. VALVE & CONTROLLER ASSY, SHUTOFF/FIREWALL/ .....	NP	2
		/ORDER 122-382171-1 FOR SPARES/		
	R 122-382171-1	.. VALVE ASSY, SHUTOFF/FIREWALL/ .....	2	8
-37	R MS27039-1-08	.. SCREW .....	8	7
-38	R AN960C10L	.. WASHER .....	8	7
-39	R 122-382066-19	.. CONTROLLER, SHUTOFF VALVE/FIREWALL/ .....	NP	1
		/ALTERNATE FOR 122-382066-21/		
		/ORDER 122-382171-1 FOR SPARES/		
	R 122-382066-21	.. CONTROLLER, SHUTOFF VALVE/FIREWALL/ .....	NP	1
		/ALTERNATE FOR 122-382066-19/		
		/ORDER 122-382171-1 FOR SPARES/		
	R 122-382066-25	.. VALVE & CONTROLLER ASSY, SHUTOFF/FIREWALL/ .....	NP	2
		/ORDER 122-382171-1 FOR SPARES/		
	R 122-382171-1	.. VALVE ASSY, SHUTOFF/FIREWALL/ .....	4	8
-39A	R 122-550175-5	.. BRACKET ASSY, CONTROLLER .....	2	7
	MS21059L3	.. NUTPLATE .....	4	7

Beechcraft  
STARSHIP 1  
ILLUSTRATED PARTS CATALOG



C95NC21A0106 C

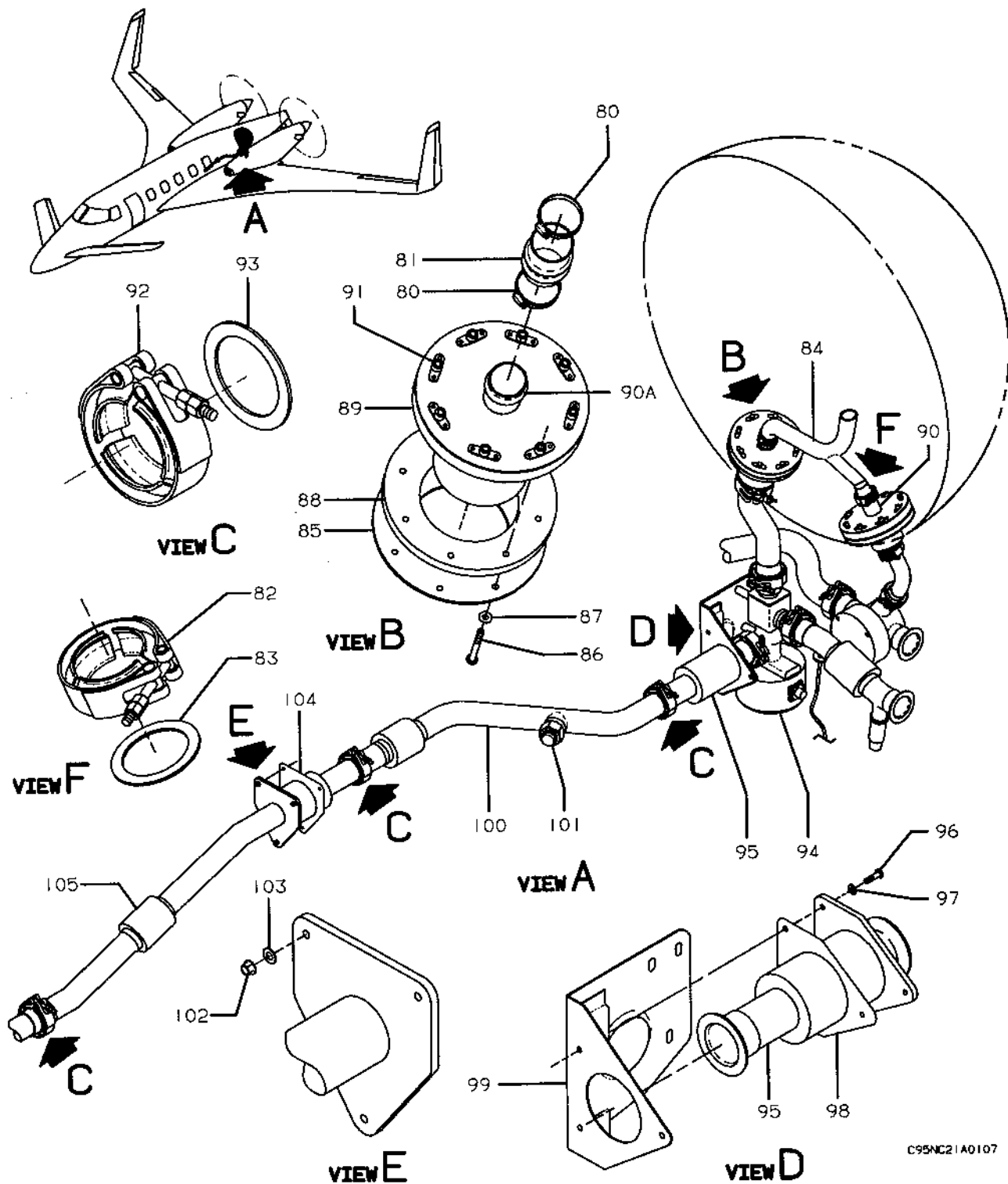
**FIGURE 20-00. AIR INFLOW AND DISTRIBUTION  
/SHEET 3 OF 5 SHEETS/**



**Beechcraft**  
**STARSHIP 1**  
**ILLUSTRATED PARTS CATALOG**

SUB-SEC	UNIT & ITEM NO	PART NO.	DESCRIPTION 1 2 3 4 5 6 7	UNITS PER ASSY	USABLE ON CODE
20-00	- 40	R AN3C4A	.. BOLT .....	6	
		R AN3C4	.. BOLT .....	2	
	- 41	AN960C10L	.. WASHER .....	8	
	- 42	18276-125	.. COUPLING .....	4	
	- 43	24346-125C	.. GASKET .....	4	
	- 44	18276-150	.. COUPLING .....	8	
	- 45	1310120-5	.. VALVE, CHECK .....	2	
	- 46	24346-150C	.. GASKET .....	6	
	- 47	MS35207-284	.. SCREW .....	2	
	- 48	AN960-10L	.. WASHER .....	2	
	- 49	MS21919WCJ32	.. CLAMP .....	2	
	- 50	130909N29	.. NUT .....	8	
	- 51	AN960-10L	.. WASHER .....	16	
	- 52	MS27039-1-16	.. SCREW .....	8	
	- 53	122-550014-5	.. BRACKET ASSY .....	2	
		130909N33	.. NUTPLATE .....	1	
	- 54	122-970038-25	.. TUBE ASSY, LH .....	1	
		122-970038-27	.. TUBE ASSY, RH .....	1	
	- 55	122-550164-1	.. TUBE ASSY, LH/NACELLE TO FUSELAGE/ .....	1	
	- 56	122-550161-1	.. TUBE ASSY, RH/NACELLE TO FUSELAGE/ .....	1	
	- 57	122-550163-11	.. TUBE ASSY, LH/NACELLE TO ALTERNATE AIR .....	1	
	- 58	122-550162-1	.. TUBE ASSY, RH/NACELLE TO ALTERNATE AIR .....	1	
	- 59	R 122-550166-7	.. TUBE ASSY, BLEED AIR .....	1	
	- 60	18276-150	.. COUPLING .....	1	
	- 61	1310120-3	.. VALVE, CHECK .....	1	
	- 62	18276-125	.. COUPLING .....	1	
	- 63	24346-125C	.. GASKET .....	1	
	- 64	122-384116-1	.. HOSE ASSY .....	1	
	- 65	AN4H4A	.. BOLT .....	3	
	- 66	AN960PD416	.. WASHER .....	3	
	- 67	122-382063-5	.. VALVE, INFLOW BYPASS/FOR SPARES ORDER .....	NP	3
		122-382063-7	.. VALVE, INFLOW BYPASS .....	1	4
	- 68	130909B12	.. BOLT .....	3	
	- 69	AN960-10	.. WASHER .....	3	
	- 70	122-550167-1	.. BRACKET ASSY, BYPASS VALVE/FOR SPARES .....	NP	9
		122-550167-5	.. BRACKET ASSY, BYPASS VALVE .....	1	10
	- 71	18276-100	.. COUPLING .....	2	
	- 72	1310140-1	.. VALVE, CHECK .....	1	
	- 73	24346-100C	.. GASKET .....	1	
	- 74	122-384116-3	.. HOSE ASSY .....	1	
	- 75	122-382064-3	.. VALVE, ALTERNATE INFLOW/FOR SPARES ORDER .....	NP	3
		122-382064-7	.. VALVE, ALTERNATE INFLOW .....	1	4
	- 78	AN4H10A	.. BOLT .....	3	
	- 77	AN960PD416	.. WASHER .....	3	
	- 78	NAS43DD4-32	.. SPACER .....	3	
	- 79	122-550165-11	.. TUBE ASSY, BLEED AIR .....	1	

**Beechcraft**  
**STARSHIP 1**  
**ILLUSTRATED PARTS CATALOG**



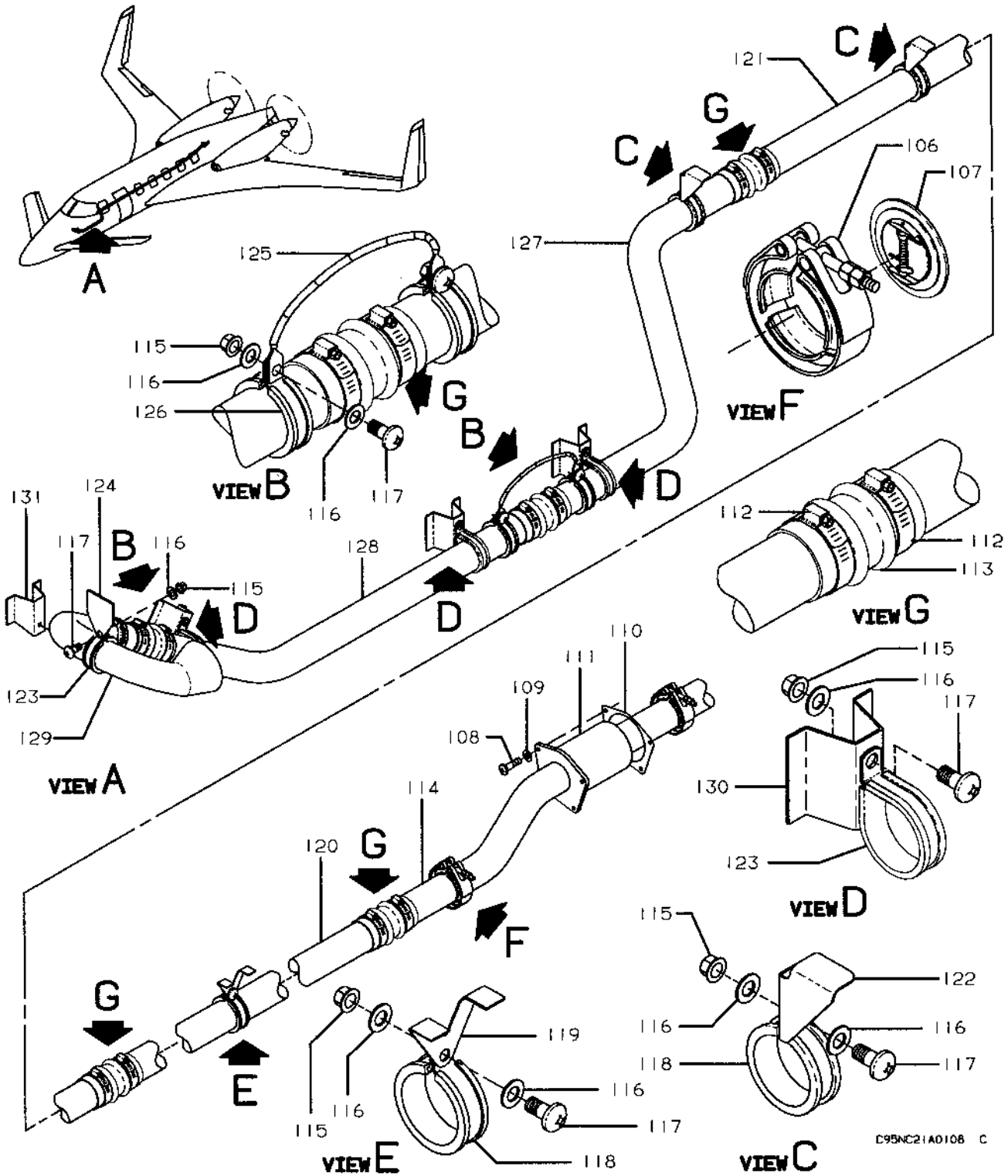
C95NC21A0107 C

**FIGURE 20-00. AIR INFLOW AND DISTRIBUTION**  
**/SHEET 4 OF 5 SHEETS/**

**Beechcraft**  
**STARSHIP 1**  
**ILLUSTRATED PARTS CATALOG**

SUB-SEC UNIT & ITEM NO	PART NO.	DESCRIPTION 1 2 3 4 5 6 7	UNITS PER ASSY	USABLE ON CODE
20-00 -80	AN737TW44-48	.. CLAMP .....	2	
-81	97-380001-15	.. SLEEVE .....	1	
-82	18276-100	.. COUPLING .....	1	
-83	24346-100C	.. GASKET .....	1	
-84	122-550178-1	.. TUBE ASSY .....	1	
	122-550007-3	.. THERMAL ISOLATION INSTL/PRESS DOME/ .....	NP	
-85	122-550003-1	.. PLATE, OUTER SEAL .....	2	
-86	MS27039-0822	.. SCREW .....	16	
-87	AN960C8L	.. WASHER .....	16	
-88	122-382069-1	.. OUTER SEAL .....	2	
	BS272 HHHH-C	.. INSULATION .....	AR	
-89	122-382069-7	.. INNER SEAL ASSY .....	2	
-90 R	122-550009-9	.. ISOLATION ASSY, ALTERNATE AIR .....	1	
-90A R	122-550006-1	.. ISOLATION ASSY, ALTERNATE AIR .....	1	
-91	F22NA1K3-82	.. NUTPLATE .....	8	
-92	18276-150	.. COUPLING .....	4	
-93	24346-150C	.. GASKET .....	4	
-94	122-382065-3	.. DIVERTER VALVE-INFLOW, CAB/CKPT/FOR SPARES..... ORDER 122-382065-5/	NP	5
	122-382065-5	.. DIVERTER VALVE-INFLOW, CAB/CKPT .....	1	6
-95	122-550169-1	.. ISOLATOR ASSY .....	1	
-96	MS35207-263	.. SCREW .....	3	
-97	AN960-10L	.. WASHER .....	3	
-98	122-550048-3	.. GASKET .....	1	
-99	122-550017-7	.. BRACKET ASSY, DIVERTER VALVE .....	1	
-100	122-550170-1	.. TUBE ASSY .....	1	
-101 R	AN929A12J	.. CAP ASSY .....	1	
-102	130909N29	.. NUT .....	3	
-103	AN960-10L	.. WASHER .....	3	
-104	122-550048-3	.. GASKET .....	1	
-105	122-550171-1	.. ISOLATOR ASSY .....	1	

Beechcraft  
 STARSHIP 1  
 ILLUSTRATED PARTS CATALOG



C95NC21A0108 C

FIGURE 20-00. AIR INFLOW AND DISTRIBUTION  
 /SHEET 5 OF 5 SHEETS/

**Beechcraft**  
**STARSHIP 1**  
**ILLUSTRATED PARTS CATALOG**

SUB-SEC UNIT & ITEM NO	PART NO.	DESCRIPTION 1 2 3 4 5 6 7	UNITS	USABLE
			PER ASSY	ON CODE
20-00 -106	18278-150	.. COUPLING .....	1	
-107	1310120-3	.. VALVE, CHECK .....	1	
-108	MS35206-243	.. SCREW .....	3	
-109	AN960-8L	.. WASHER .....	3	
-110	122-550048-1	.. GASKET .....	1	
-111	122-550172-1	.. ISOLATOR ASSY .....	1	
-112 R	AN737TW56-66	.. CLAMP .....	10	
-113 R	97-380001-1	.. SLEEVE .....	5	
-114	122-550173-1	.. TUBE ASSY .....	1	
-115 R	130909N29	.. NUT .....	16	
-116 R	AN960-10L	.. WASHER .....	27	
-117 R	MS35207-263	.. SCREW .....	16	
-118	735-24-2-8HT	.. CLAMP .....	7	
-119	122-550019-1	.. BRACKET .....	5	
-120 R	122-550174-1	.. TUBE .....	1	
-121 R	122-550038-1	.. TUBE .....	1	
-122 R	122-550127-1	.. BRACKET .....	2	
-123 R	MS21919WH24	.. CLAMP .....	5	
-124 R	122-550019-3	.. BRACKET .....	1	
-125 R	MS25083-2BB6	.. JUMPER ASSY, BONDING .....	2	
-126 R	AN735D24	.. CLAMP .....	4	
-127 R	122-550039-1	.. TUBE .....	1	
-128 R	122-550034-1	.. TUBE .....	1	
-129 R	122-550044-9	.. TUBE ASSY .....	1	
-130 R	122-550128-1	.. BRACKET .....	3	
-131 R	122-550128-3	.. BRACKET .....	1	

**CODES OF EFFECTIVITY**

1	NC-4 THRU NC-11	2	NC-12 THRU NC-29
3	NC-4 THRU NC-12	4	NC-13 AND AFTER
5	NC-4 THRU NC-13	6	NC-14 AND AFTER
7	NC-4 THRU NC-29	8	NC-30 AND AFTER
9	NC-4 THRU NC-42	10	NC-43 AND AFTER
11	NC-4 THRU NC-43	12	NC-44 AND AFTER

**Beechcraft**  
**STARSHIP 1**  
**ILLUSTRATED PARTS CATALOG**

**21-20-15**  
**COCKPIT DUCTS**

Beechcraft  
 STARSHIP 1  
 ILLUSTRATED PARTS CATALOG

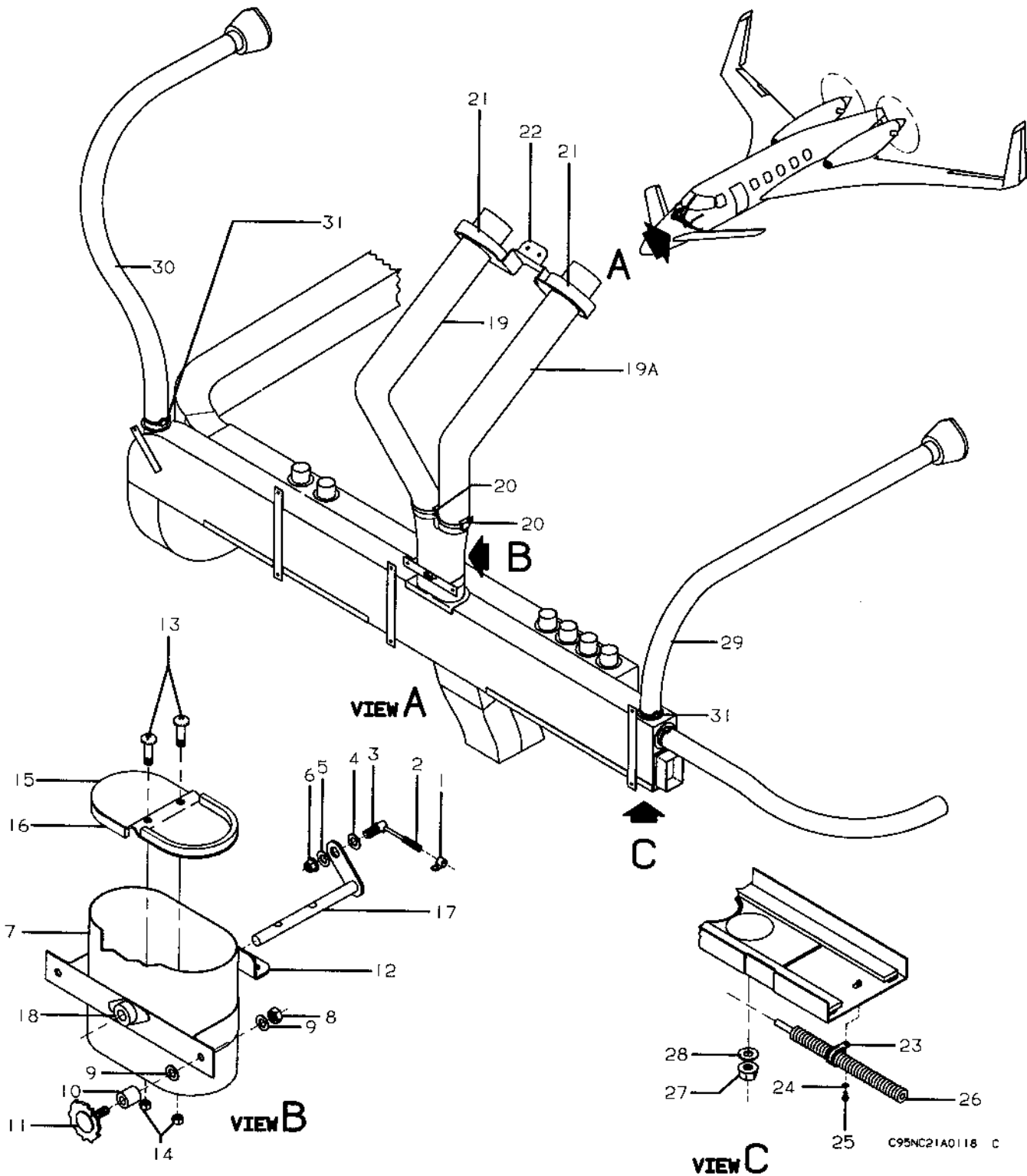


FIGURE 20-15. COCKPIT DUCTS  
 /SHEET 1 OF 2 SHEETS/

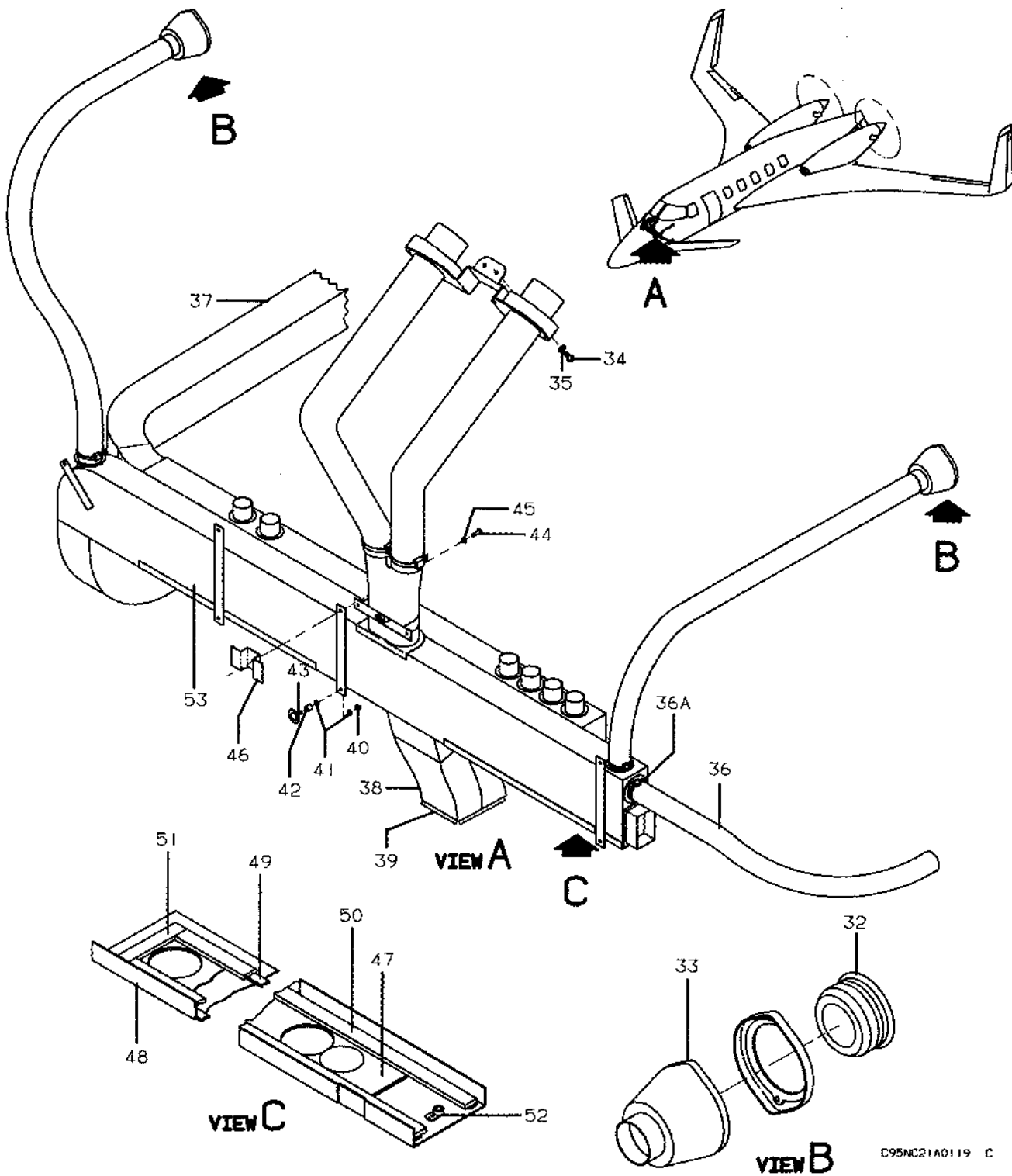
C95NC21A0118 C

**Beechcraft**  
**STARSHIP 1**  
**ILLUSTRATED PARTS CATALOG**

SUB-SEC UNIT & ITEM NO	PART NO.	DESCRIPTION 1 2 3 4 5 6 7	UNITS	USABLE
			PER ASSY	ON CODE
20-15	122-554040-3	DUCT INSTL, COCKPIT.....	NP	
- 1	MS21919WDG4	. CLAMP, CONTROL SUPPORT .....	1	
	MS35207-261	. /ATTACHING PARTS/		
	AN960-10	. SCREW.....	1	
		. WASHER.....	1	
		-----★-----		
- 2	122-384061-5	. CONTROL ASSY, DEFROST .....	1	
		. /ATTACHING PARTS/		
- 3	35-550520	. PIN.....	1	
- 4	100801D4-0093	. SPACER.....	1	
- 5	AN960-10	. WASHER.....	1	
- 6	130909N29	. NUT.....	1	
		-----★-----		
- 7	122-554046-9	. DUCT ASSY, DEFROST CONTROL.....	1	
		. /ATTACHING PARTS/		
- 8	MS21044N08	. NUT.....	2	
- 9	AN960D8L	. WASHER.....	4	
- 10	NAS43DD3-47	. SPACER.....	2	
- 11	SL6172-08-9	. STUD.....	2	
		-----★-----		
- 12	R 122-554046-11	. BRACKET ASSY, CONTROL.....	1	
	MS21051L3	. . NUTPLATE .....	1	
- 13	R MS35208-230	. . SCREW.....	2	
- 14	MS20365-632	. . NUT .....	2	
- 15	50-534325-21	. . VANE.....	1	
- 16	R 50-534325-27	. . SEAL.....	2	
- 17	R 50-534325-75	. . SHAFT ASSY.....	1	
- 18	R 101-384248-1	. . BUSHING, PILOT ANCHOR.....	2	
- 19	X6074-15-2A-A	. DUCT, FLEX.....	1	
- 19A	X6074-13-2A-A	. DUCT, FLEX.....	1	
- 20	MS3367-7-9	. STRAP.....	4	
	R 122-554015-17	. DUCT ASSY .....	1	
- 21	R 122-554015-9	. . SEAL.....	2	
- 22	R 122-554015-25	. . ANGLE.....	1	
		. /ATTACHING PARTS/		
	130909B14	. . BOLT .....	2	
	AN960-10L	. . WASHER.....	2	
		-----★-----		
	MS21059L3	. . NUTPLATE .....	2	
- 23	MS21919DG3	. CLAMP .....	2	
		. /ATTACHING PARTS/		
- 24	AN960-10	. WASHER.....	1	
- 25	MS35207-261	. SCREW.....	1	
		-----★-----		
- 26	122-384061-7	. CONTROL ASSY.....	2	
		. /ATTACHING PARTS/		
- 27	AN364-1032	. NUT .....	1	
- 28	AN960-10	. WASHER.....	1	
		-----★-----		
- 29	U62F-F11-30	. DUCT, FLEX.....	1	
- 30	U62F-F11-33	. DUCT, FLEX.....	1	
- 31	MS3367-1-9	. STRAP.....	4	



Beechcraft  
 STARSHIP 1  
 ILLUSTRATED PARTS CATALOG



C95NC21A0119 C

FIGURE 20-15. COCKPIT DUCTS  
 /SHEET 2 OF 2 SHEETS/

**Beechcraft**  
**STARSHIP 1**  
**ILLUSTRATED PARTS CATALOG**

SUB-SEC UNIT & ITEM NO	PART NO.	DESCRIPTION 1 2 3 4 5 6 7	UNITS	USABLE
			PER ASSY	ON CODE
20-15 - 32	3060-05	. VALVE, AIR .....	2	
- 33	122-554009-1	. PLENUM ASSY .....	2	
	NAS1738B4-4	. /ATTACHING PARTS/ . RIVET .....	2	
		-----★-----		
- 34	MS35206-245	. SCREW .....	2	
- 35	AN960D8L	. WASHER .....	2	
- 36 R	U62F-F11-21	. DUCT, COCKPIT LH FLEX .....	1	
- 36A R	MS3367-1-9	. STRAP .....	2	
- 37 R	122-554072-1	. DUCT, COCKPIT RH .....	1	
- 38	122-554106-41	. DUCT ASSY, BLOWER ATTACH .....	1	
- 39	122-554106-25	. . SEAL .....	2	
	122-554041-9	. DUCT ASSY, CROSSOVER .....	1	1
	122-554041-11	. DUCT ASSY, CROSSOVER .....	1	2
		. /ATTACHING PARTS/		
- 40	MS21044N08	. NUT .....	1	
- 41	AN960D8L	. WASHER .....	2	
- 42	NAS43DD3-29	. SPACER .....	1	
- 43	SL6170-08-B	. STUD .....	1	
- 44	MS35207-261	. SCREW .....	6	
- 45	AN960D8L	. WASHER .....	6	
- 46	122-555086-1	. BRACKET ASSY .....	6	
	130909N33	. . NUTPLATE .....	1	
		-----★-----		
	122-554063-1	. . VALVE ASSY, LH CONTROL .....	1	
	122-554063-3	. . VALVE ASSY, RH CONTROL .....	1	
- 47	122-554063-17	. . . PLATE ASSY, SLIDE .....	1	
- 48	122-554063-5	. . . PLATE, LH .....	1	
	122-554063-7	. . . PLATE, RH .....	1	
- 49	122-554063-13	. . . GUIDE .....	2	
- 50	122-554063-15	. . . CAP, GUIDE .....	2	
- 51	122-554063-11	. . . BLOCK .....	1	
- 52	MS21086L3	. . . NUTPLATE .....	1	
- 53	122-554081-1	. . DUCT ASSY, CROSSOVER .....	1	1
R	122-554081-103	. . DUCT ASSY, CROSSOVER .....	1	2

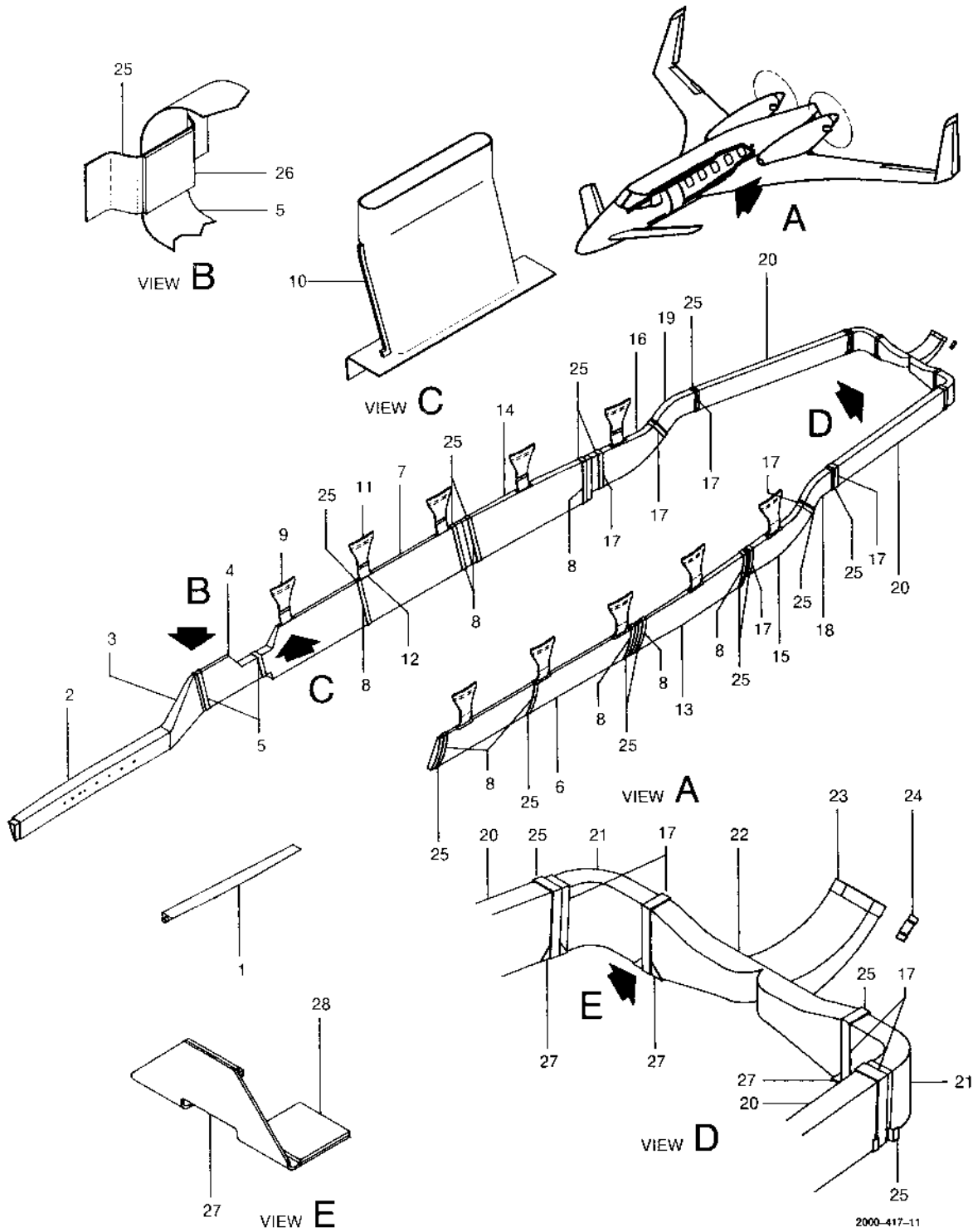
**CODES OF EFFECTIVITY**

1 NC-4 THRU NC-53                      2 NC-54 AND AFTER

**Beechcraft**  
**STARSHIP 1**  
**ILLUSTRATED PARTS CATALOG**

**21-20-20**  
**CABIN SIDEWALL DUCTS**

**Beechcraft**  
**STARSHIP 1**  
**ILLUSTRATED PARTS CATALOG**



**FIGURE 20-20.CABIN SIDEWALL DUCTS**

**Beechcraft**  
**STARSHIP 1**  
**ILLUSTRATED PARTS CATALOG**

SUB-SEC UNIT & ITEM NO	PART NO.	DESCRIPTION 1 2 3 4 5 6 7	UNITS	USABLE
			PER ASSY	ON CODE
20-20	122-554020-5	DUCT INSTL, CABIN SIDEWALL .....	NP	1
	122-554020-9	DUCT INSTL, CABIN SIDEWALL .....	NP	2
- 1	122-554070-1	DUCT, COCKPIT LH .....	1	
	R 131364-5	FASTENER/BOND TO LH DUCT F.S. 122.81 & F.S. 153.44/ .....	2	
	R 131364-6	FASTENER/BOND TO LH CONSOLE SKIN .....	2	
- 2	122-554071-1	DUCT, COCKPIT RH LOWER .....	1	
- 3	122-554076-1	DUCT, COCKPIT-CABIN TRANSITION/ORDER..... 122-554076-27 FOR SPARES/ .....	NP	1
	122-554076-27	DUCT, COCKPIT-CABIN TRANSITION .....	1	2
- 4	122-554077-27	DUCT, CABIN SIDEWALL CONNECT/ORDER .....	NP	1
	122-554077-57	122-554077-57 FOR SPARES/ .....		
	122-554077-57	DUCT, CABIN SIDEWALL CONNECT .....	1	2
- 5	R 122-554023-3	STRAP ASSY .....	4	1
	R 122-554023-13	STRAP ASSY/ORDER WITH 122-554077-57/ .....	3	2
- 6	122-554078-39	DUCT, CABIN LH .....	1	1
	122-554078-71	DUCT, CABIN LH .....	1	2
- 7	122-554078-40	DUCT, CABIN RH .....	1	1
	122-554078-72	DUCT, CABIN RH .....	1	2
- 8	R 122-554023-1	STRAP ASSY .....	10	
	122-554036-1	DUCT INSTL, CABIN WINDOW DEFOG .....	NP	1
	122-554036-5	DUCT INSTL, CABIN WINDOW DEFOG .....	NP	2
- 9	122-554035-1	DUCT ASSY, CABIN WINDOW DEFOG/ORDER .....	NP	1
	122-554035-45	122-554035-45 FOR SPARES/ .....		
	122-554035-5	DUCT ASSY .....	9	2
- 10	122-554035-7	CUFF .....	9	3
	122-554035-13	CUFF ASSY .....	9	4
	122-554035-15	CUFF ASSY .....	9	2
- 11	122-554039-1	DUCT ASSY, ESCAPE HATCH WINDOW DEFOG .....	1	1
	122-554039-37	DUCT ASSY .....	1	2
	122-554039-5	CUFF ASSY .....	1	3
- 12	122-554039-11	CUFF .....	1	4
	122-554039-47	DUCT ASSY/ORDER 122-554039-51 FOR SPARES/ .....	NP	5
	122-554039-51	DUCT ASSY .....	1	6
- 13	122-554074-33	DUCT, CABIN LH TRANSITION .....	1	1
	122-554074-67	DUCT, CABIN LH TRANSITION .....	1	2
- 14	122-554074-34	DUCT, CABIN RH TRANSITION .....	1	1
	122-554074-68	DUCT, CABIN RH TRANSITION .....	1	2
- 15	122-554075-35	DUCT, LH SIDEWALL ELBOW .....	1	1
	122-554075-61	DUCT, LH SIDEWALL ELBOW .....	1	2
- 16	122-554075-36	DUCT, RH SIDEWALL ELBOW .....	1	1
	122-554075-62	DUCT, RH SIDEWALL ELBOW .....	1	2
- 17	R 122-554023-5	STRAP ASSY .....	6	
- 18	122-554030-1	DUCT, LOWER BAGGAGE WALL/LH/ .....	1	
- 19	122-554030-2	DUCT, LOWER BAGGAGE WALL/RH/ .....	1	
- 20	122-554073-1	DUCT, BAGGAGE AREA .....	2	
- 21	122-384055-1	DUCT, LOWER BAGGAGE AREA/FLEXIBLE/ .....	2	
- 22	122-554033-1	DUCT, LOWER DOME SPLITTER .....	1	
- 23	122-554023-13	STRAP ASSY .....	AR	
- 24	R 122-554022-5	STANDOFF ASSY .....	1	
	122-554022-1	STANDOFF ASSY .....	8	
	122-554022-13	BRACKET ASSY .....	4	2
- 25	122-554022-7	STANDOFF ASSY .....	AR	
	122-554022-9	BRACKET ASSY .....	10	2
- 26	131904A0010-0010	RUBBER SHEET .....	1	
	131904A0010-0008	RUBBER SHEET .....	1	
- 27	122-554067-1	ANGLE ASSY .....	4	
- 28	131904A0010-0010	RUBBER SHEET .....	3	

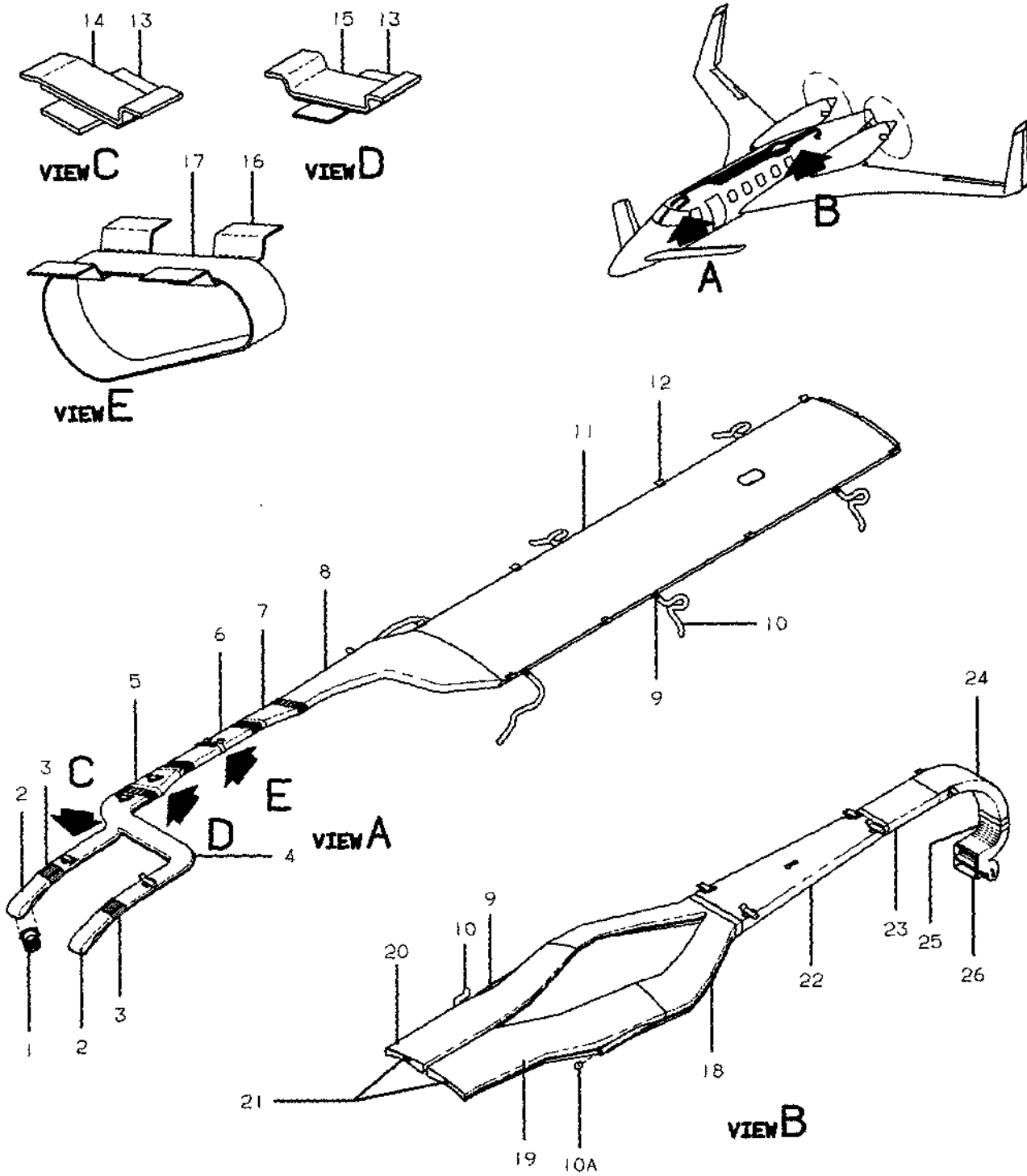
**CODES OF EFFECTIVITY**

1	NC-4 THRU NC-20	2	NC-21 AND AFTER
3	NC-4 THRU NC-11	4	NC-12 THRU NC-20
5	NC-21 THRU NC-27	6	NC-28 AND AFTER

**Beechcraft**  
**STARSHIP 1**  
**ILLUSTRATED PARTS CATALOG**

**21-20-25**  
**CABIN OVERHEAD DUCTS**

**Beechcraft**  
**STARSHIP 1**  
**ILLUSTRATED PARTS CATALOG**



C95NC21A0142 C

**FIGURE 20-25. CABIN OVERHEAD DUCTS**

**Beechcraft**  
**STARSHIP 1**  
**ILLUSTRATED PARTS CATALOG**

SUB-SEC UNIT & ITEM NO	PART NO.	DESCRIPTION 1 2 3 4 5 6 7	UNITS	USABLE
			PER ASSY	ON CODE
20-25	122-554052-1	DUCT INSTL, CABIN OVERHEAD.....	NP	1
	122-554052-3	DUCT INSTL, CABIN OVERHEAD.....	NP	2
- 1	3060-05	. VALVE, AIR .....	2	
- 2	122-554114-1	. DUCT ASSY, COCKPIT OUTLET .....	2	
	3130-1	. . NUT, AIR VALVE SECURING .....	1	
- 3	122-384047-1	. DUCT, OVERHEAD/FLEXIBLE/ .....	2	3
- 4	122-554014-1	. DUCT, OVERHEAD SPLITTER .....	1	
- 5	122-554028-1	. DUCT .....	1	
- 6	122-384018-1	. DUCT .....	1	
- 7	122-554037-3	. DUCT .....	1	
- 8	122-554031-1	. DUCT ASSY .....	1	1
	122-554031-3	. DUCT ASSY .....	1	2
- 9	MS3367-5	. CLAMP .....	16	1
	R MS3367-1	. STRAP, TIE .....	14	2
- 10	R U62F-F5-24	. DUCT, FLEX .....	8	1
	R 132214PN12FF060	. DUCT .....	4	5
	R 132214PN12FF080	. DUCT .....	3	5
	R 132214PN12FF080	. DUCT .....	1	2
	R 132214PN12FF070	. DUCT .....	4	4
	R 132214PN12FF100	. DUCT .....	2	4
- 10A	R 101-550123-5	. CAP .....	1	2
- 11	122-554051-1	. DUCT ASSY, OVERHEAD .....	1	1
	122-554051-25	. DUCT ASSY, OVERHEAD .....	1	2
- 12	122-554052-15	. . BRACKET, OVERHEAD MOUNTING .....	8	
	R 130909N29	. NUT .....	8	
	R AN960-10L	. WASHER .....	8	
	R CB4000C3CR8	. STUD .....	8	
- 13	SJ3552	. STRIP, DUAL LOCK .....	10	1
- 14	122-554011-5	. STANDOFF ASSY .....	6	1
	SJ3551	. . STRIP, DUAL LOCK .....	1	1
- 15	R 122-554011-3	. STANDOFF ASSY .....	4	1
	R SJ3551	. . STRIP, DUAL LOCK .....	1	
- 16	122-554022-1	. STANDOFF ASSY .....	2	1
	R 131904A0010-0010	. . RUBBER SHEET .....	1	
	122-554022-21	. STANDOFF ASSY .....	18	2
	R 131904A0010-0010	. . RUBBER SHEET .....	1	2
- 17	R 122-554023-13	. STRAP ASSY .....	2	1
	R PLT7S	. STRAP, CABLE TIE .....	10	2
	R PLT5S	. STRAP, CABLE TIE .....	2	2
	122-554034-5	. DUCT ASSY, AFT BAGGAGE .....	1	1
	122-554034-7	. DUCT ASSY, AFT BAGGAGE .....	1	2
- 18	122-554034-1	. . DUCT .....	1	1
	122-554034-11	. . DUCT .....	1	2
- 19	122-554034-3	. . DUCT .....	1	1
	122-554034-9	. . DUCT .....	1	2
- 20	122-554034-4	. . DUCT .....	1	1
	122-554034-10	. . DUCT .....	1	2
- 21	R 122-554034-13	. . SPACER .....	2	2
- 22	R 122-554080-1	. DUCT, BAGGAGE OVERHEAD .....	1	
- 23	R 122-384037-1	. DUCT, BAGGAGE DOME .....	1	1
	122-554056-1	. DUCT, BAGGAGE DOME .....	1	2
- 24	R 122-384014-1	. DUCT, UPPER DOME .....	1	8
	R 122-554079-1	. DUCT, UPPER DOME .....	1	7
	R 122-554079-23	. DUCT, UPPER DOME .....	1	2
	122-554106-39	. DUCT ASSY, AFT BLOWER ATTACH .....	1	
- 25	122-384046-1	. . DUCT .....	1	
- 26	R 122-554106-55	. . SLEEVE ASSY .....	1	
	122-554055-7	AIR DUCT, FWD LH AND RH .....	1	
		/WITH KIT 122-3009 INSTALLED ORDER FOR SPARES/		

**CODES OF EFFECTIVITY**

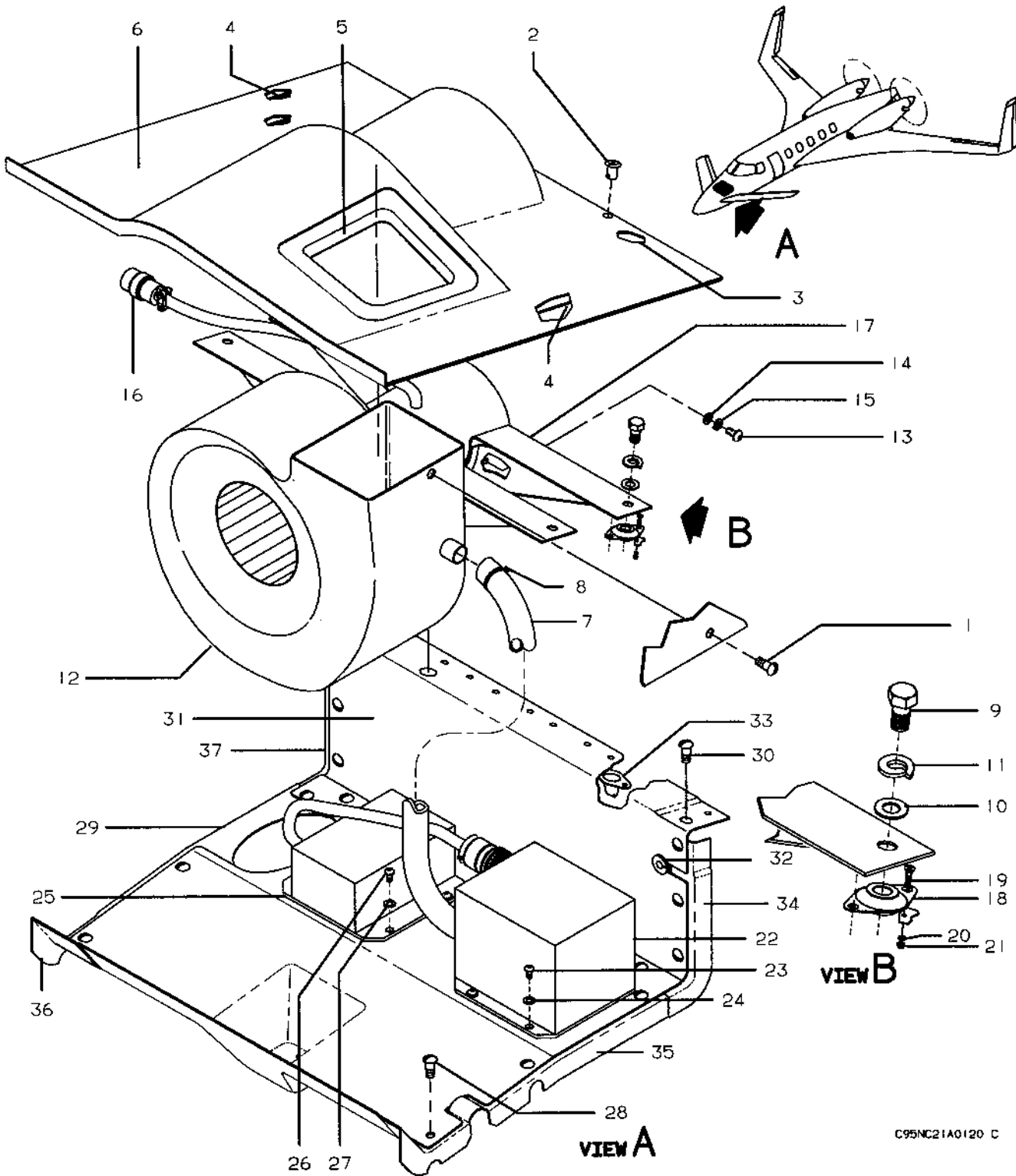
1	NC-4 THRU NC-20	2	NC-21 AND AFTER
3	NC-4 THRU NC-21	4	NC-22 AND AFTER
5	NC-21 ONLY		
7	NC-10 THRU NC-20		



**Beechcraft**  
**STARSHIP 1**  
**ILLUSTRATED PARTS CATALOG**

**21-20-30**  
**FORWARD VENTILATION BLOWER**

Beechcraft  
 STARSHIP 1  
 ILLUSTRATED PARTS CATALOG



C95NC21A0120 C

FIGURE 20-30.FORWARD VENTILATION BLOWER

**Beechcraft**  
**STARSHIP 1**  
**ILLUSTRATED PARTS CATALOG**

SUB-SEC UNIT & ITEM NO	PART NO.	DESCRIPTION 1 2 3 4 5 6 7	UNITS PER ASSY	USABLE ON CODE
20-30	122-554053-1	BLOWER INSTL, FWD VENTILATION .....	NP	
- 1	AN525-832R6	. SCREW .....	3	
	122-555044-1	. SHROUD ASSY .....	1	
- 2	2600-4	. . STUD ASSY .....	4	
	2600SW2	. . RETAINER .....	4	
- 3	122-555044-9	. . GASKET .....	1	
- 4	122-555044-7	. . GASKET .....	2	
- 5	122-555044-5	. . DAMPENER, SOUND .....	1	
- 6	122-554053-3	. . SHROUD .....	1	
- 7	U62D10D10-5-28	. TUBE, FLEX/ORDER U62G10G10-5-28 FOR SPARES/.....	NP	1
	U62G10G10-5-28	. TUBE, FLEX .....	1	2
- 8	MS3367-5-9	. STRAP .....	2	
- 9	NAS1096-2-8	. SCREW .....	4	
-10	AN960-8L	. WASHER .....	4	
-11	MS35338-42	. WASHER, LOCK .....	4	
-12	122-380035-5	. BLOWER ASSY, FWD VENTILATION .....	1	
		/ATTACHING PARTS/		
-13	MS35207-261	. SCREW .....	4	
-14	AN960-10L	. WASHER .....	4	
-15	MS35338-43	. WASHER, LOCK .....	4	
		★		
-16	MS3126E14-9S	. . CONNECTOR .....	1	
-17	122-555041-1	. MOUNT ASSY .....	1	
-18	E21-02-40	. ISOLATOR .....	4	
		/ATTACHING PARTS/		
-19	MS35190-254	. SCREW .....	2	
-20	AN960-8L	. WASHER .....	2	
-21	MS21042-08	. NUT .....	2	
		★		
-22	122-380036-11	. CONTROLLER .....	1	
		/ATTACHING PARTS/		
-23	MS35206-244	. SCREW .....	4	
-24	AN960-8L	. WASHER .....	4	
		★		
-25	122-380036-7	. FILTER .....	1	
		/ATTACHING PARTS/		
-26	MS35206-244	. SCREW .....	4	
-27	AN960-8L	. WASHER .....	4	
		★		
-28	AN525-10RB	. SCREW .....	17	
-29	122-555154-1	. PANEL ASSY .....	1	
	R MS21075L08	. . NUTPLATE .....	8	
-30	R AN525-832R6	. SCREW .....	2	
-31	R 122-555154-5	. PANEL ASSY .....	1	
	R MS21075L08	. . NUTPLATE .....	11	
	R MS21075L3	. . NUTPLATE .....	3	
-32	R MS35489-16	. . GROMMET .....	1	
-33	R 26R1BB	. . RECEPTACLE .....	2	
-34	R 122-555154-17	. ANGLE ASSY .....	1	
-35	R 122-555154-9	. ANGLE ASSY .....	1	
-36	R 122-555154-13	. ANGLE ASSY .....	1	
-37	R 122-555154-21	. ANGLE ASSY .....	1	

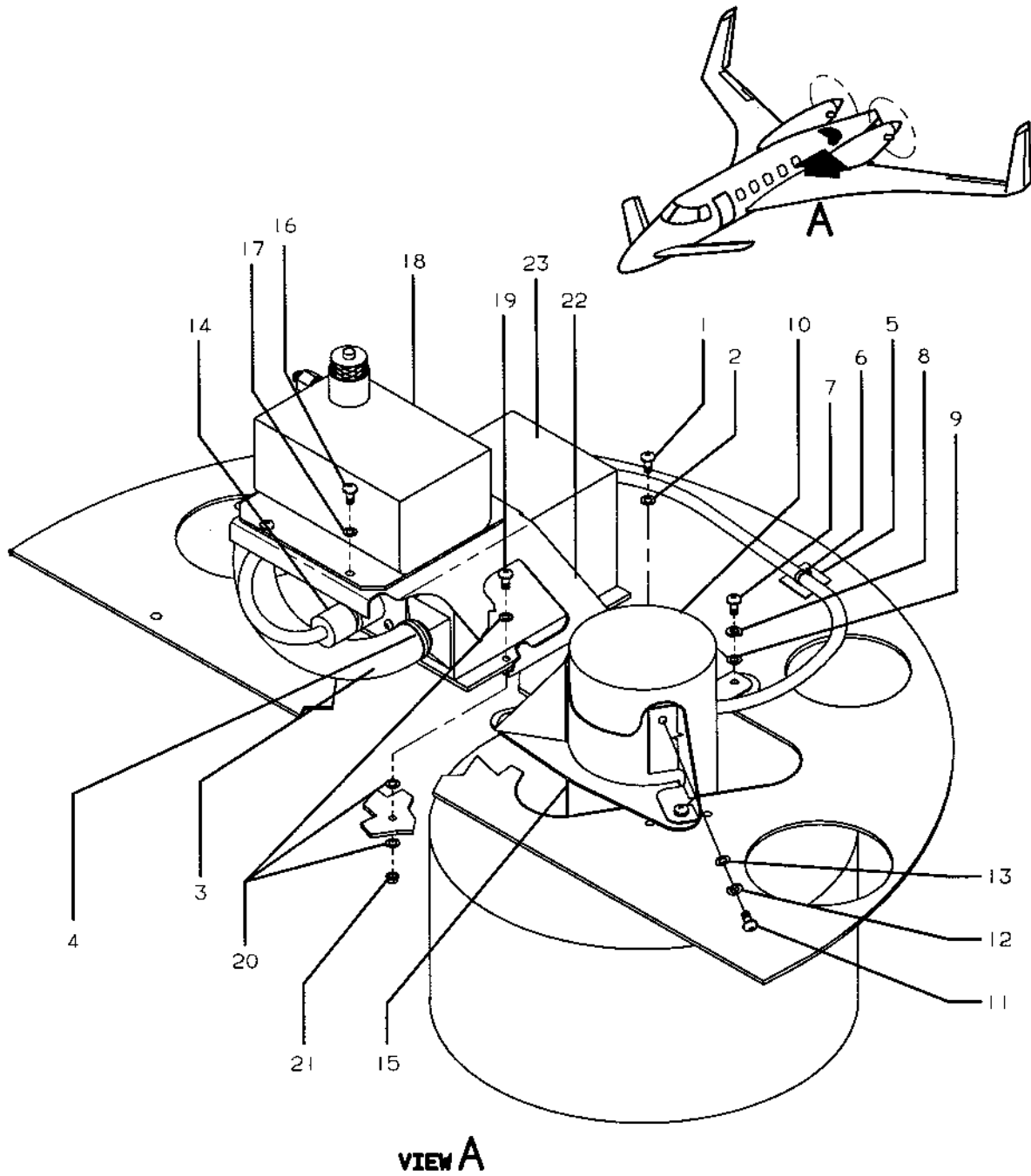
**CODES OF EFFECTIVITY**

1 NC-4 THRU NC-35                      2 NC-36 AND AFTER

**Beechcraft**  
**STARSHIP 1**  
**ILLUSTRATED PARTS CATALOG**

**21-20-35**  
**AFT VENTILATION BLOWER**

Beechcraft  
STARSHIP 1  
ILLUSTRATED PARTS CATALOG



C95NC21A0137 C

FIGURE 20-35.AFT VENTILATION BLOWER

**Beechcraft**  
**STARSHIP 1**  
**ILLUSTRATED PARTS CATALOG**

SUB-SEC UNIT & ITEM NO	PART NO.	DESCRIPTION 1 2 3 4 5 6 7	UNITS	USABLE
			PER ASSY	ON CODE
20-35	122-554066-3	BLOWER INSTL, AFT VENTILATION.....	NP	
- 1	MS35206-243	. SCREW.....	4	
- 2	R AN960-8L	. WASHER.....	4	
- 3	R U62D10D10-5-41	. TUBE, CONTROLLER COOLING.....	1	
		/ALTERNATE FOR U62G10G10-5-41/		
	R U62G10G10-5-41	. TUBE, CONTROLLER COOLING.....	1	
		/ALTERNATE FOR U62D10D10-5-41/		
- 4	MS3367-5-9	. STRAP.....	2	
- 5	ABMS-A	. MOUNT, POWER CABLE.....	2	
- 6	MS3367-5-9	. STRAP.....	2	
- 7	MS35206-245	. SCREW.....	3	
- 8	R MS35338-42	. WASHER, LOCK.....	3	
- 9	R AN960-8L	. WASHER.....	3	
- 10	122-380035-5	. BLOWER ASSY, AFT VENTILATION.....	1	
		/ATTACHING PARTS/		
- 11	MS35207-261	. SCREW.....	6	
- 12	R MS35338-43	. WASHER, LOCK.....	6	
- 13	R AN960-10L	. WASHER.....	8	
		★-----		
- 14	MS3126E14-9S	. . CONNECTOR.....	1	
- 15	122-555031-1	. MOUNT ASSY.....	1	
- 16	MS35207-244	. SCREW.....	4	
- 17	AN960-8L	. WASHER.....	4	
- 18	122-380036-7	. FILTER/ORDER 122-380036-13 FOR SPARES/.....	NP	1
	122-380036-13	. FILTER.....	1	2
- 19	R MS35206-248	. SCREW.....	4	
- 20	R AN960-8L	. WASHER.....	8	
- 21	R 130909N28	. NUT.....	4	
- 22	122-554066-9	. BRACKET ASSY, FILTER MOUNTING.....	1	
	MS21071L08	. . NUTPLATE.....	4	
- 23	122-380036-11	. CONTROLLER, SPEED.....	1	

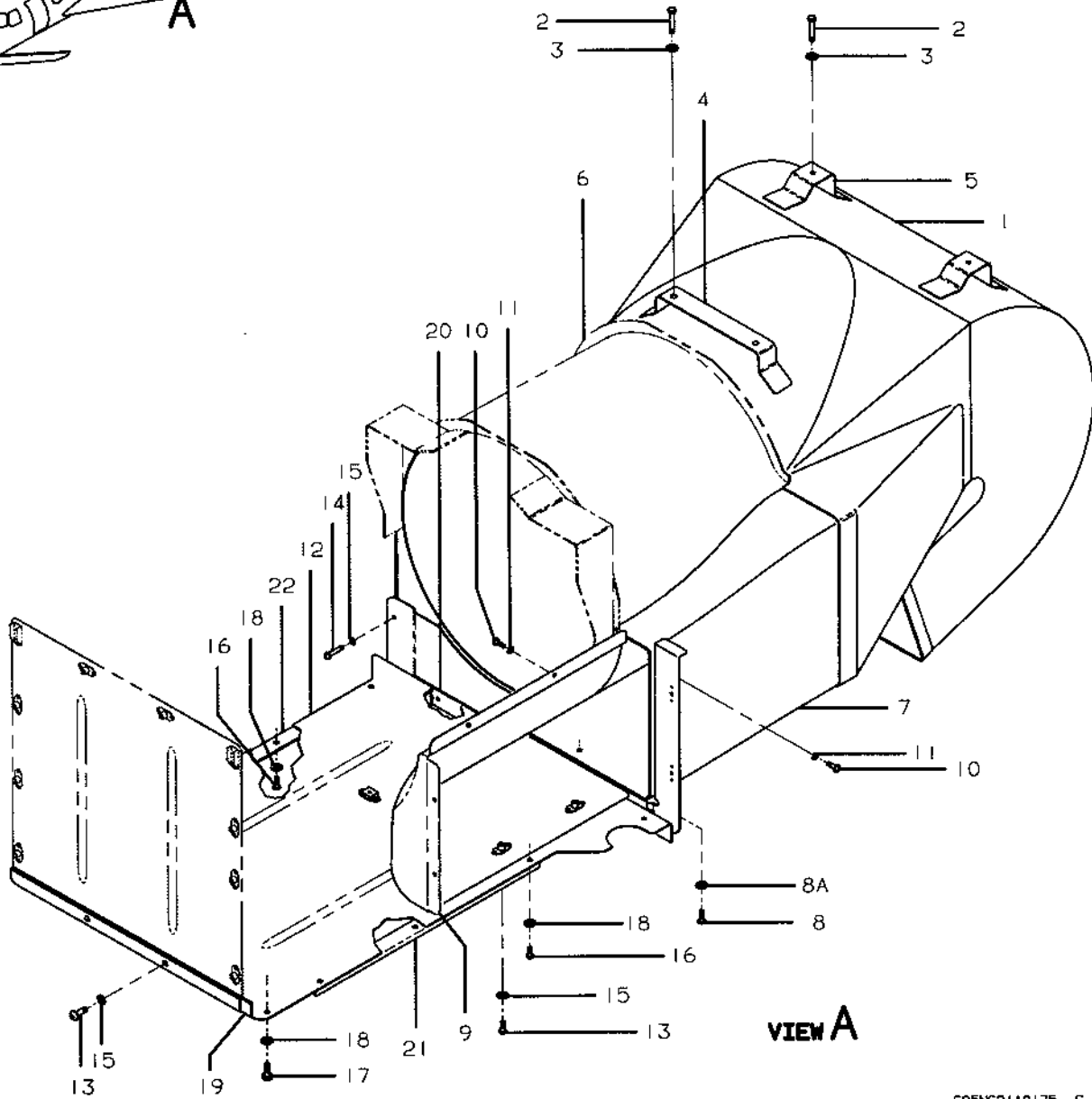
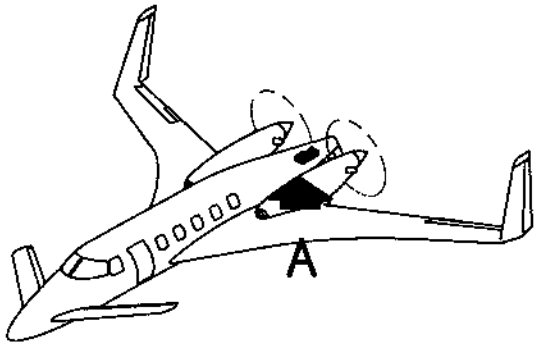
**CODES OF EFFECTIVITY**

1 NC-4 THRU NC-35                      2 NC-36 AND AFTER

**Beechcraft**  
**STARSHIP 1**  
**ILLUSTRATED PARTS CATALOG**

**21-20-40**  
**AMBIENT AIR INLET**

Beechcraft  
 STARSHIP 1  
 ILLUSTRATED PARTS CATALOG



C95NC21A0175 C

FIGURE 20-40.AMBIENT AIR INLET



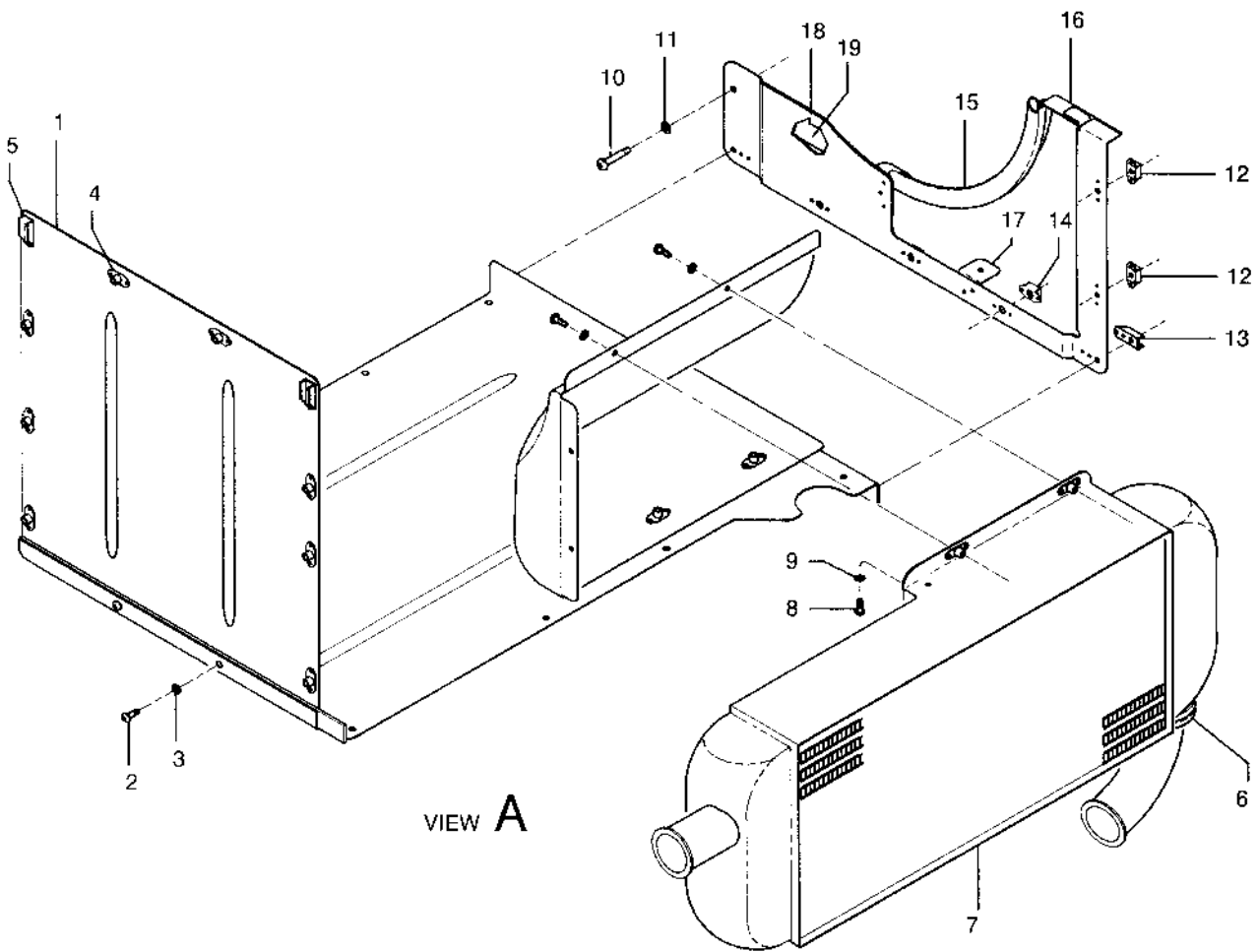
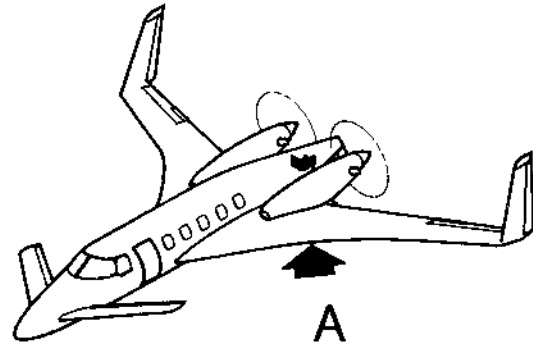
**Beechcraft**  
**STARSHIP 1**  
**ILLUSTRATED PARTS CATALOG**

SUB-SEC UNIT & ITEM NO	PART NO.	DESCRIPTION 1 2 3 4 5 6 7	UNITS	USABLE
			PER ASSY	ON CODE
20-40	122-550230-3	INLET INSTL, AMBIENT AIR .....	NP	
- 1	122-550070-1	. DUCT, AFT TURNING .....	1	
		/ATTACHING PARTS/		
- 2	130909B20	. BOLT .....	4	
- 3	AN960-10L	. WASHER .....	4	
		★-----		
- 4	122-550070-9	.. STRAP ASSY .....	1	
	R MS21061L3	.. NUTPLATE .....	2	
- 5	122-550070-13	.. BRACKET ASSY .....	2	
	MS21059-L3	.. NUTPLATE .....	1	
- 6	122-550070-17	.. SEAL, BLOWER .....	1	
- 7	122-550068-1	. DUCT ASSY, BY-PASS .....	1	
		/ATTACHING PARTS/		
- 8	MS35206-245	. SCREW .....	1	
- 8A	R AN960-8L	. WASHER .....	1	
		★-----		
	MS21059L08	.. NUTPLATE .....	1	
- 9	122-550068-5	. DUCT ASSY, EXCHANGER .....	1	
		/ATTACHING PARTS/		
- 10	MS35206-245	. SCREW .....	6	
- 11	AN960-8L	. WASHER .....	6	
		★-----		
	MS21059L08	.. NUTPLATE .....	2	
- 12	122-550071-35	. CLOSEOUT ASSY, LOWER .....	1	
		/ATTACHING PARTS/		
- 13	MS35206-245	. SCREW .....	7	
- 14	MS35206-247	. SCREW .....	3	
- 15	AN960-8L	. WASHER .....	10	
- 16	130909B15	. BOLT .....	3	
- 17	130909B14	. BOLT .....	4	
- 18	R AN960-10L	. WASHER .....	7	
		★-----		
- 19	122-550071-16	.. SEAL, LOWER .....	1	
- 20	122-550071-17	.. SEAL, CLOSURE .....	1	
- 21	122-550071-43	.. STIFFENER .....	1	
- 22	122-550071-45	.. STIFFENER .....	1	
	MS21059L08	.. NUTPLATE/CONTROLLER MOUNTING/ .....	4	

**Beechcraft**  
**STARSHIP 1**  
**ILLUSTRATED PARTS CATALOG**

**21-20-60**  
**HEAT EXCHANGER**

Beechcraft  
STARSHIP 1  
ILLUSTRATED PARTS CATALOG



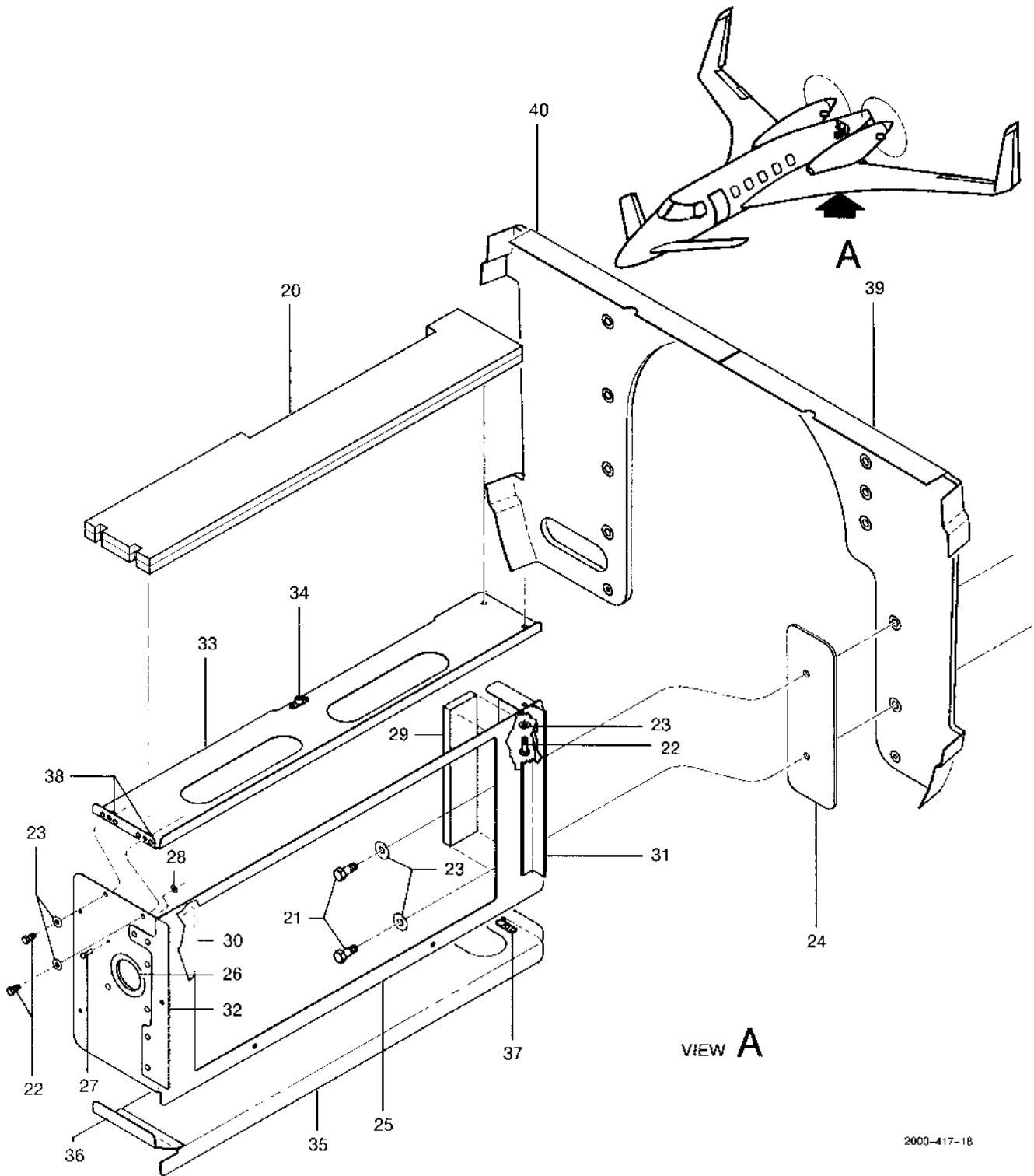
2000 417 16

FIGURE 20-60. HEAT EXCHANGER  
/SHEET 1 OF 2 SHEETS/

**Beechcraft**  
**STARSHIP 1**  
**ILLUSTRATED PARTS CATALOG**

SUB-SEC UNIT & ITEM NO	PART NO.	DESCRIPTION 1 2 3 4 5 6 7	UNITS	USABLE
			PER ASSY	ON CODE
20-60	122-550030-7	HEAT EXCHANGER INSTL .....	1	
- 1	122-550071-39	. CLOSEOUT ASSY, FWD.....	1	
		/ATTACHING PARTS/		
- 2	MS35206-244	. SCREW.....	10	
- 3	AN960-8L	. WASHER.....	10	
		*-----		
- 4	MS21059L08	.. NUTPLATE .....	10	
- 5	MS21081L08	.. NUTPLATE .....	2	
- 6	MS35489-27	. GROMMET.....	1	
- 7	122-380057-5	. HEAT EXCHANGER ASSY .....	1	
		/ATTACHING PARTS/		
- 8	MS35206-244	. SCREW.....	4	
- 9	AN960-8L	. WASHER.....	4	
		*-----		
	MS21060L08	.. NUTPLATE .....	1	
	MS21060L3	.. NUTPLATE .....	2	
	122-550068-7	. PLATE ASSY, CLOSURE.....	1	
		/ATTACHING PARTS/		
- 10	130909B19	. BOLT.....	1	
- 11	AN960-10L	. WASHER.....	1	
		*-----		
- 12	MS21059L3	.. NUTPLATE .....	2	
- 13	MS21061L08	.. NUTPLATE .....	2	
- 14	MS21059L08	.. NUTPLATE .....	3	
- 15	115093-00916	.. EXTRUSION, RUBBER.....	1	
- 16	122-550068-11	.. STRAP, BLOWER .....	1	
- 17	122-550068-15	.. CLIP.....	1	
- 18	122-550068-9	.. PLATE, CLOSURE .....	1	
- 19	122-550068-17	.. SEAL.....	1	

Beechcraft  
STARSHIP 1  
ILLUSTRATED PARTS CATALOG



2000-417-18

FIGURE 20-60. HEAT EXCHANGER  
/SHEET 2 OF 2 SHEETS/

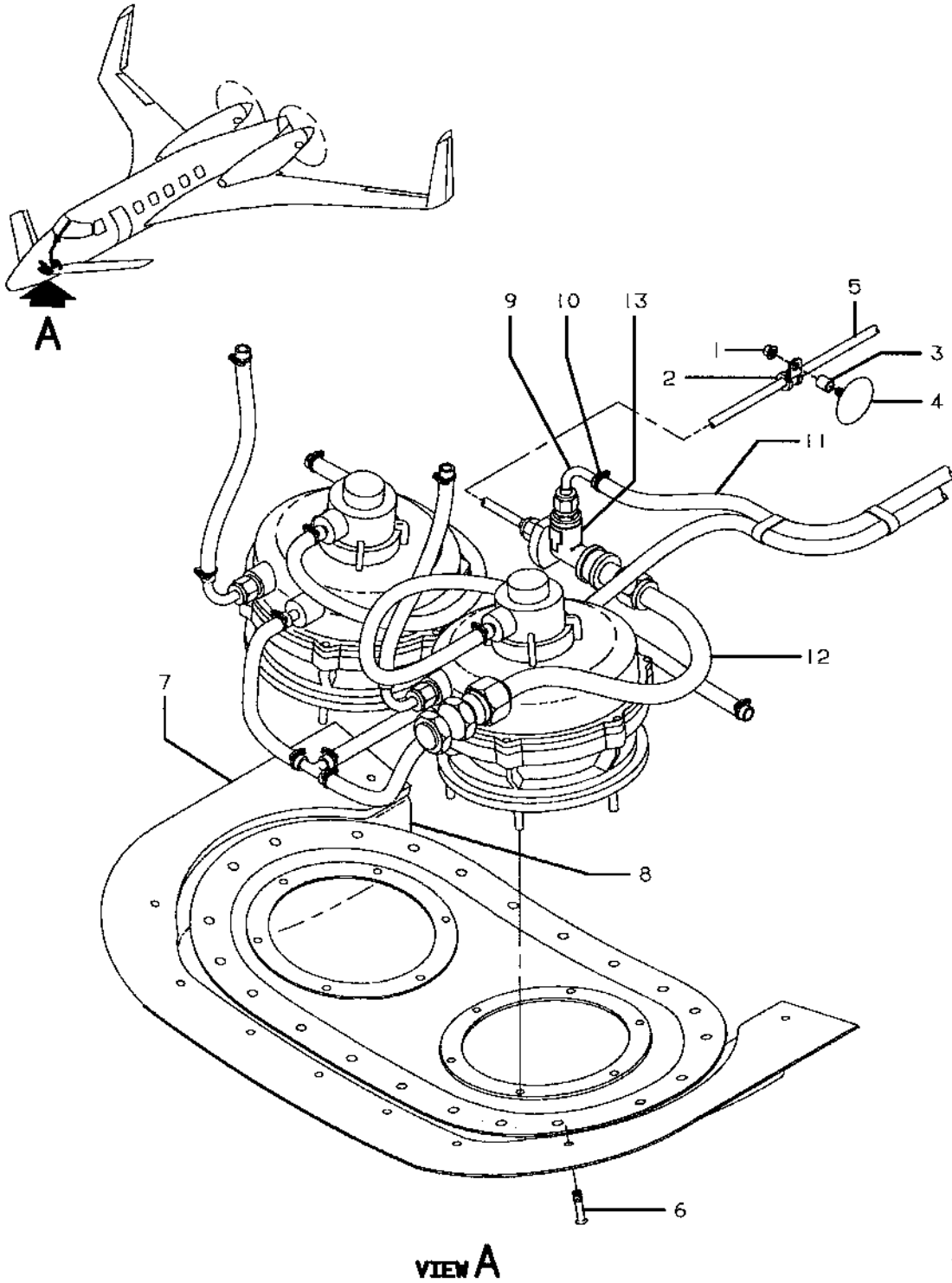
Beechcraft  
STARSHIP 1  
ILLUSTRATED PARTS CATALOG

SUB-SEC UNIT & ITEM NO	PART NO.	DESCRIPTION 1 2 3 4 5 6 7	UNITS	USABLE
			PER ASSY	ON CODE
20-60 -20	122-550040-7	. INSULATION ASSY.....	1	
-21	130909B19	. BOLT.....	2	
-22	130909B12	. BOLT.....	4	
-23	AN960-10L	. WASHER.....	6	
-24	122-550040-5	. GASKET.....	1	
	122-550083-23	. FRAME ASSY.....	1	
-25	122-550083-25	. PLATE ASSY, FACE.....	1	
-26	122-550083-41	. SEAL.....	1	
		.. /ATTACHING PARTS/		
-27	NAS1398D4-4	... RIVET.....	4	
-28	AN960-4L	... WASHER.....	4	
		★-----		
-29	122-550083-17	.. GASKET.....	2	
-30	122-550083-35	.. GASKET/USED ON EXIT PLATE END/.....	1	
-31	122-550083-21	.. ANGLE, EXIT.....	1	
-32	122-550083-33	.. PLATE, EXIT.....	1	
	122-530083-39	.. GASKET.....	1	
-33	122-550083-11	.. PLATE ASSY, TOP.....	1	
-34	MS21047L08	... NUTPLATE.....	1	
-35	122-550083-29	.. PLATE ASSY, LOWER.....	1	
-36	122-550083-37	... BRACKET.....	2	
-37	R MS21061L3	... NUTPLATE.....	1	
-38	130909N33	.. NUTPLATE.....	2	
-39	122-440115-3	CLOSURE, BONDED.....	1	
-40	122-440115-7	CLOSURE, BONDED.....	1	

**Beechcraft**  
**STARSHIP 1**  
**ILLUSTRATED PARTS CATALOG**

**21-30-00**  
**PRESSURIZATION CONTROL**

Beechcraft  
STARSHIP 1  
ILLUSTRATED PARTS CATALOG



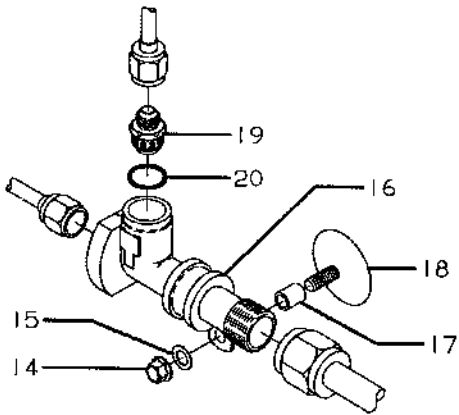
C94NC21A0416 C



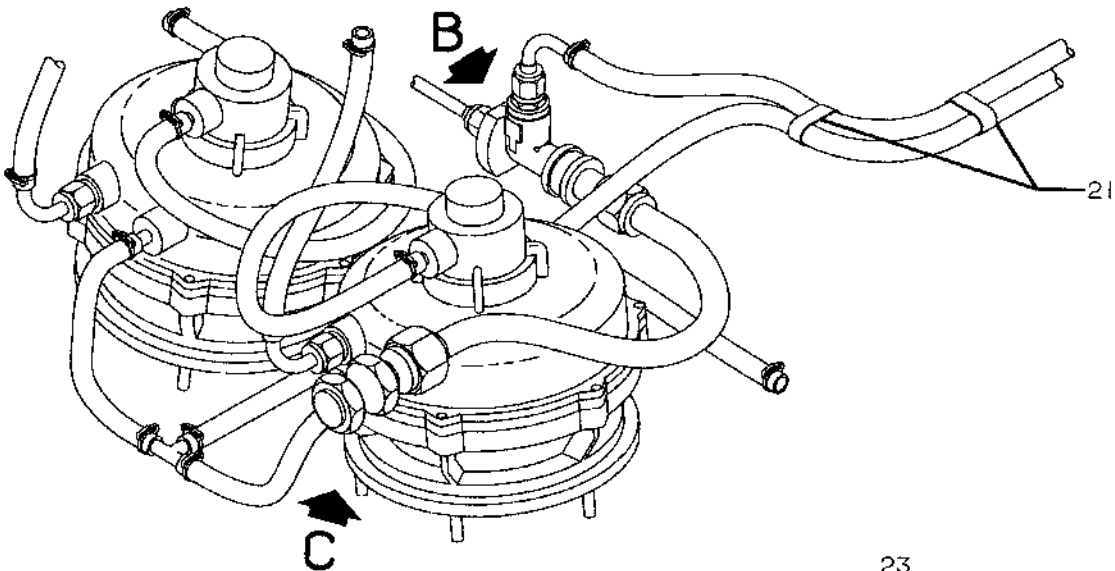
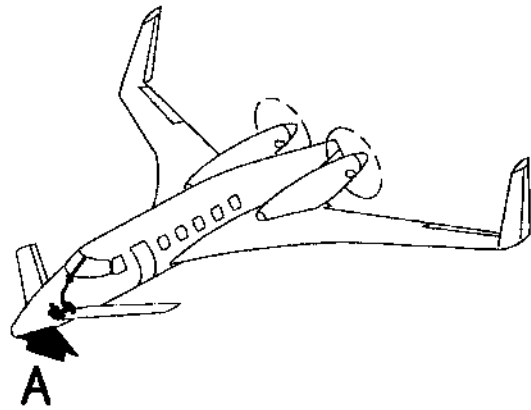
**Beechcraft**  
**STARSHIP 1**  
**ILLUSTRATED PARTS CATALOG**

SUB-SEC UNIT & ITEM NO	PART NO.	DESCRIPTION 1 2 3 4 5 6 7	UNITS	USABLE
			PER ASSY	ON CODE
30-00	122-540042-51	PLUMBING INSTL, PRESSURIZATION CONTROL .....	NP	
- 1	130909N29	. NUT .....	1	
- 2	MS21919WDG4	. CLAMP .....	1	
- 3	NAS43DD3-18	. SPACER .....	1	
- 4	132131-3-6	. STUD .....	1	
- 5	122-540107-1	. TUBE ASSY/PRESSURE PLUMBING TO EJECTOR/ .....	1	
	R 122-540054-5	. DECAL .....	1	
	122-540341-19	. RAMP ASSY, EXIT .....	1	1
	122-540341-13	. RAMP ASSY, EXIT .....	1	2
- 6	DPYS7900P10A6	. . SCREW, CAPTIVE .....	9	1
	R DPYS7900P10A3	. . SCREW, CAPTIVE .....	8	2
- 7	122-540341-17	. . SPACER, MOLDED .....	1	1
- 8	122-540341-21	. . BOND ASSY, EXIT RAMP .....	1	1
	122-540341-15	. . BOND ASSY, EXIT RAMP .....	1	2
- 9	122-540042-9	. TUBE ASSY/TO CHECK VALVE/ .....	1	
- 10	131466SNP6	. CLAMP .....	2	
- 11	122-540042-29	. HOSE/EJECTOR TO CHECK VALVE/ .....	1	
- 12	122-540046-1	. TUBE ASSY/TO EJECTOR EXHAUST/ .....	1	
- 13	131410-1	. EJECTOR .....	1	

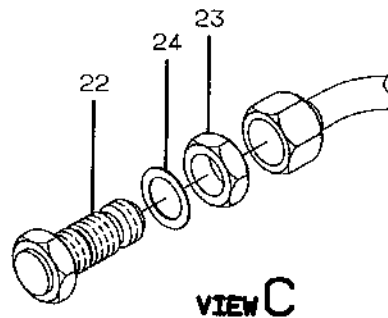
Beechcraft  
 STARSHIP 1  
 ILLUSTRATED PARTS CATALOG



**VIEW B**



**VIEW A**



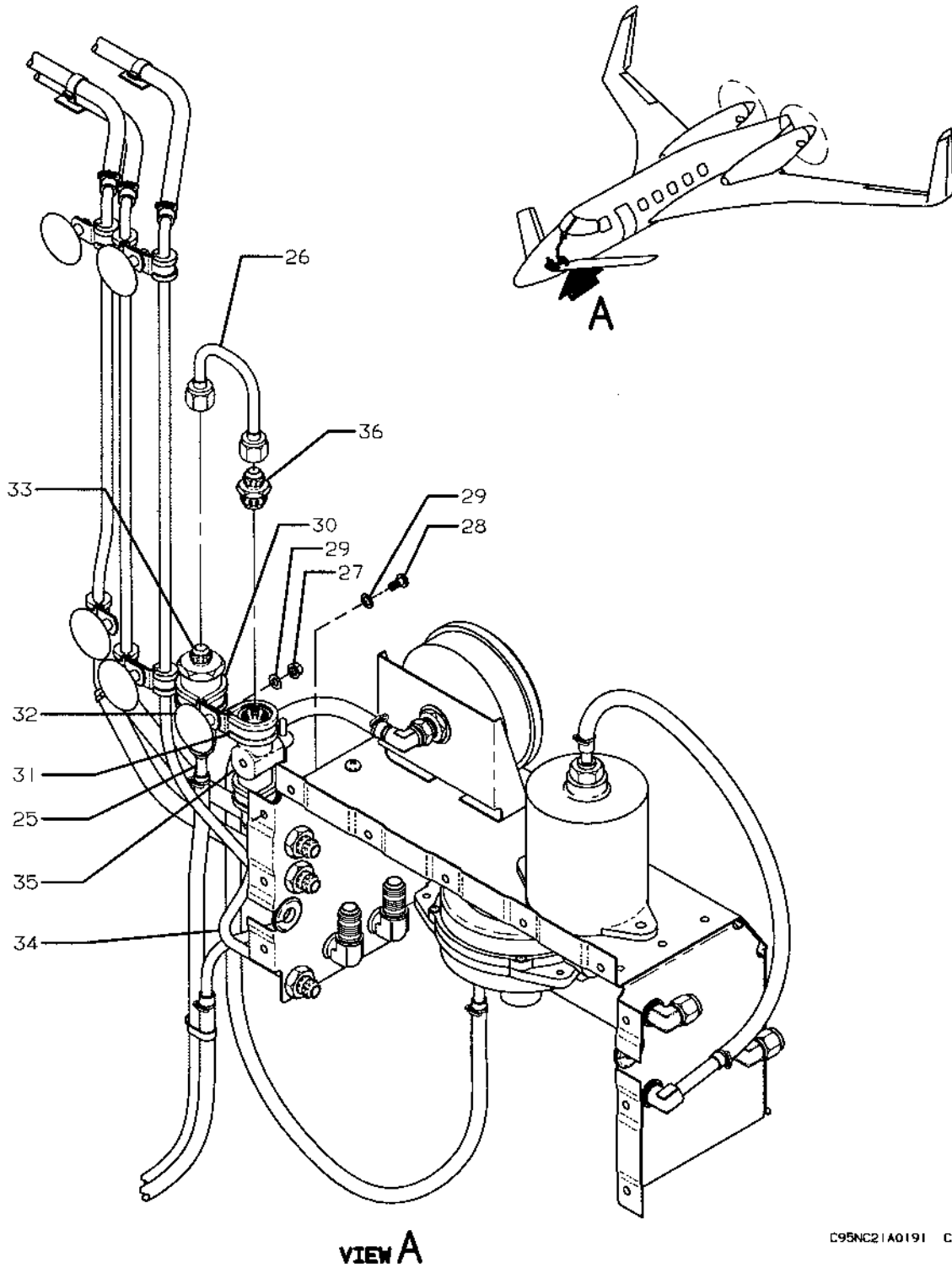
**VIEW C**

C94NC21A0417 C

**Beechcraft**  
**STARSHIP 1**  
**ILLUSTRATED PARTS CATALOG**

SUB-SEC UNIT & ITEM NO	PART NO.	DESCRIPTION 1 2 3 4 5 6 7	UNITS PER ASSY	USABLE ON CODE
30-00 -14	130909N29	. NUT .....	1	
-15	AN960-10L	. WASHER .....	1	
-16	MS21919WDG10	. CLAMP .....	1	
-17	NAS43DD3-32	. SPACER .....	1	
-18	132131-3-8	. STUD .....	1	
-19	AN919-6D	. REDUCER .....	1	
-20	MS28778-6	. PACKING, PREFORMED .....	1	
-21	MS3367-4-9	. STRAP .....	AR	
-22	122-540042-47	. FITTING/ALTERNATE FOR 122-540076-1/ .....	1	
	122-540076-1	. FITTING/ALTERNATE FOR 122-540042-47/ .....	1	
-23	AN924-8D	. NUT .....	1	
-24	AN960-1216L	. WASHER .....	1	
	R 122-540054-3	. DECAL .....	1	

Beechcraft  
STARSHIP 1  
ILLUSTRATED PARTS CATALOG



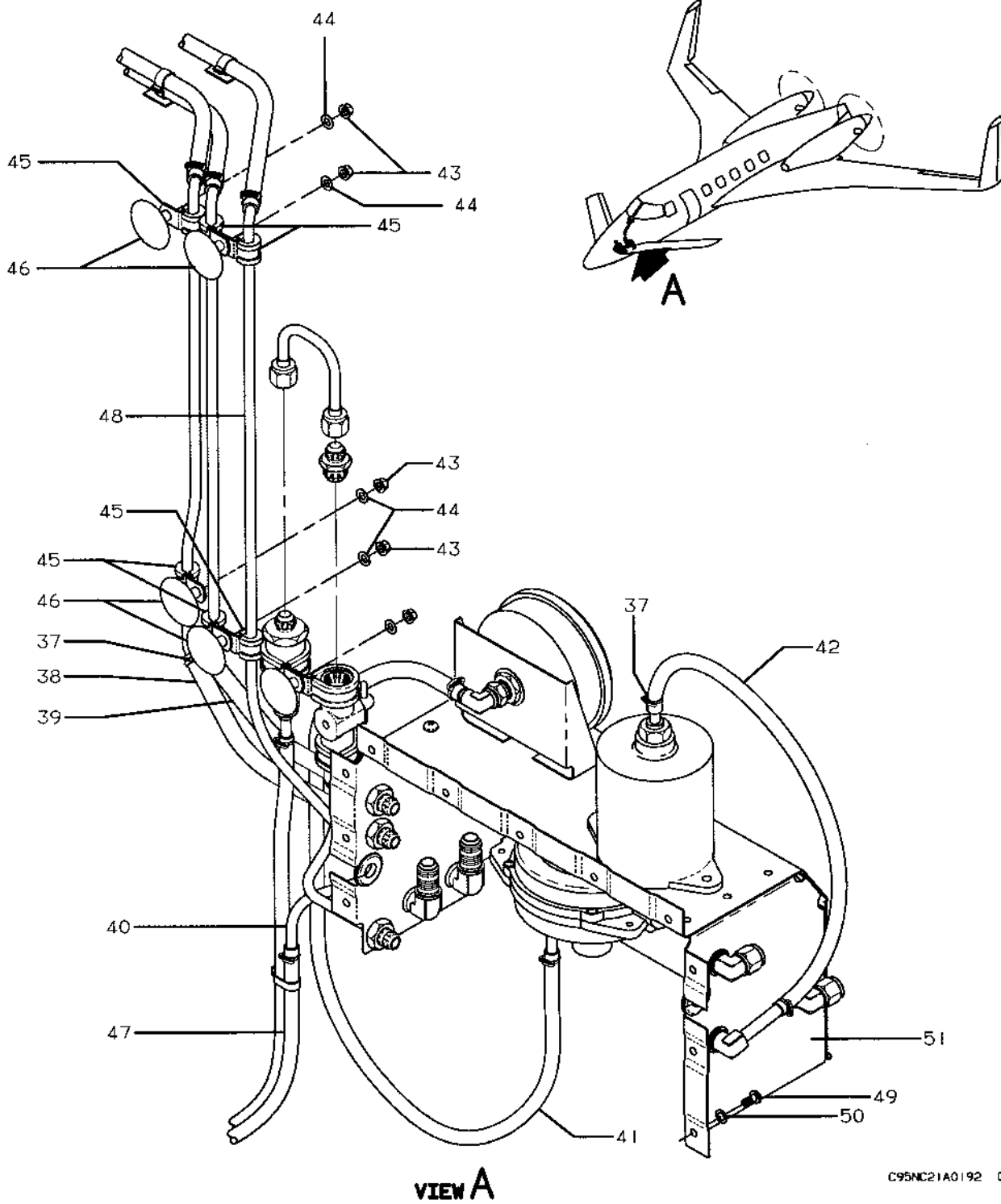
C95NC21A0191 C

FIGURE 30-00.PRESSURIZATION CONTROL  
/SHEET 3 OF 8 SHEETS/

**Beechcraft**  
**STARSHIP 1**  
**ILLUSTRATED PARTS CATALOG**

SUB-SEC UNIT & ITEM NO	PART NO.	DESCRIPTION 1 2 3 4 5 6 7	UNITS	USABLE
			PER ASSY	ON CODE
30-00 -25	122-540042-5	. TUBE ASSY/CHECK VALVE TO EJECTOR/.....	1	
-26	122-540048-1	. TUBE ASSY/SHUTOFF VALVE TO CHECK VALVE/.....	1	
-27	130909N29	. NUT.....	1	
-28	MS35207-264	. SCREW.....	1	
-29	AN960-10L	. WASHER.....	1	
-30	MS21919WDG16	. CLAMP.....	1	
-31	MS21919WDG12	. CLAMP.....	2	
-32	132131-3-6	. STUD.....	1	
-33	824A4TT	. VALVE, CHECK.....	1	
-34	122-540055-1	. TUBE ASSY/SHUTOFF VALVE TO MODULE/.....	1	
-35	9539B2PP	. VALVE, SHUTOFF.....	1	
-36	AN816-4-4D	. ADAPTER.....	2	

Beechcraft  
**STARSHIP 1**  
 ILLUSTRATED PARTS CATALOG



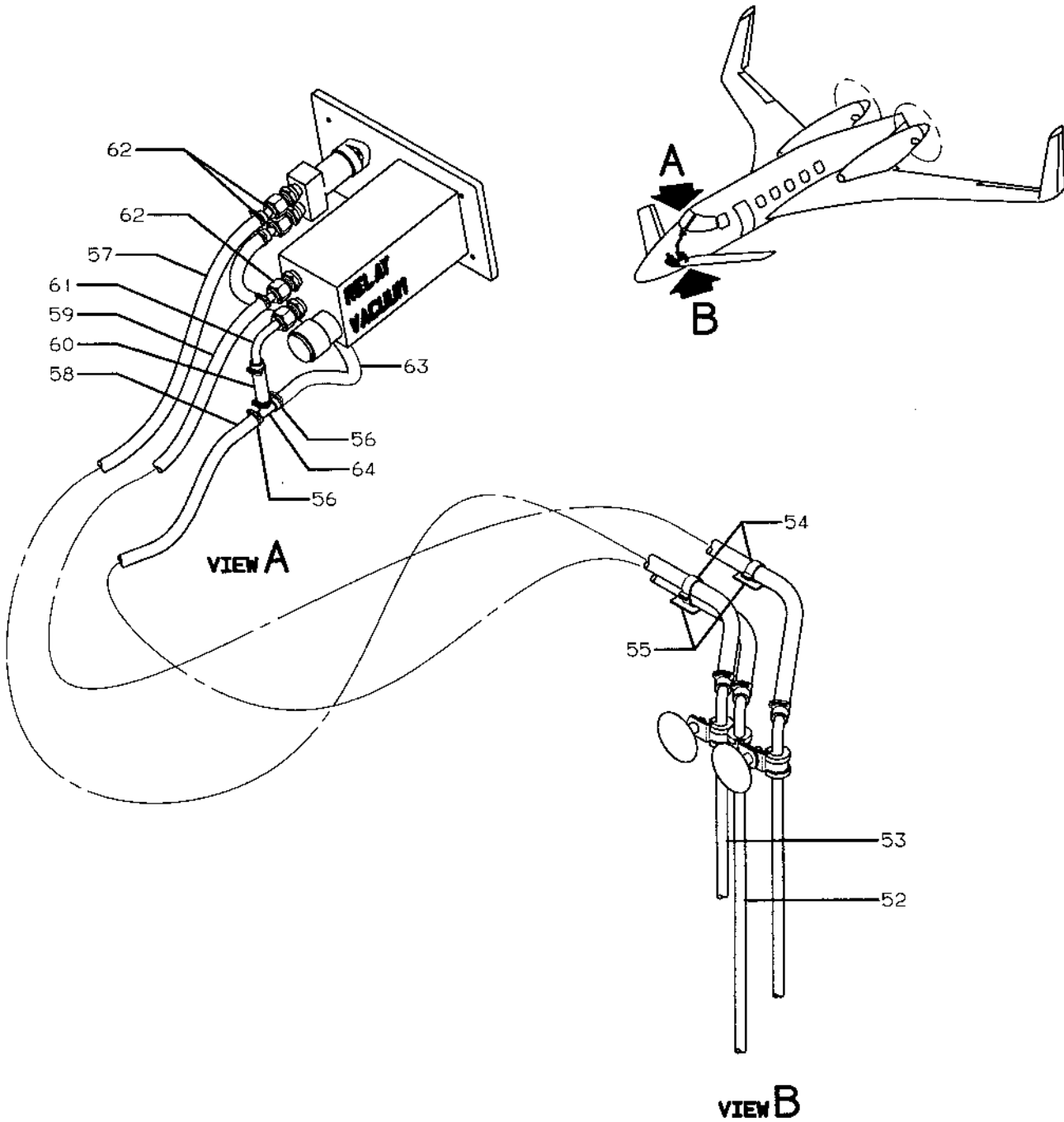
C95NC21A0192 C

**FIGURE 30-00.PRESSURIZATION CONTROL**  
 /SHEET 4 OF 8 SHEETS/

**Beechcraft**  
**STARSHIP 1**  
**ILLUSTRATED PARTS CATALOG**

SUB-SEC UNIT & ITEM NO	PART NO.	DESCRIPTION 1 2 3 4 5 6 7	UNITS PER ASSY	USABLE ON CODE
30-00 - 37	131466SNP6	. CLAMP .....	AR	
- 38	122-540042-53	. HOSE/MODULE TO CABIN PRESSURE CONTROLLER ..... RELAY/	1	
- 39	122-540042-55	. HOSE/MODULE TO MANUAL CONTROLLER/ .....	1	
- 40	122-540042-13	. TUBE ASSY/MODULE TO OUTFLOW SAFETY VALVES/ .....	2	
- 41	122-540042-39	. HOSE/MODULE TO FILTER/ .....	1	
- 42	122-540042-41	. HOSE/MODULE TO VOLUME TANK/ .....	1	
- 43	R 130909N29	. NUT .....	4	
- 44	R AN960-10L	. WASHER .....	4	
- 45	R MS21919WDG4	. CLAMP .....	6	
- 46	R 132131-3-6	. STUD .....	4	
- 47	122-540042-31	. HOSE/MODULE TO OUTFLOW SAFETY VALVES/ .....	1	
- 48	122-540049-1	. TUBE ASSY/MODULE TO MANUAL CONTROL INLET ..... PORT/	1	
- 49	NAS1096-3-10	. SCREW .....	10	
- 50	AN960-10L	. WASHER .....	10	
- 51	122-540081-1	. MODULE ASSY, PRESSURIZATION ..... /SEE CHAPTER 21-30-10/	1	

Beechcraft  
STARSHIP 1  
ILLUSTRATED PARTS CATALOG



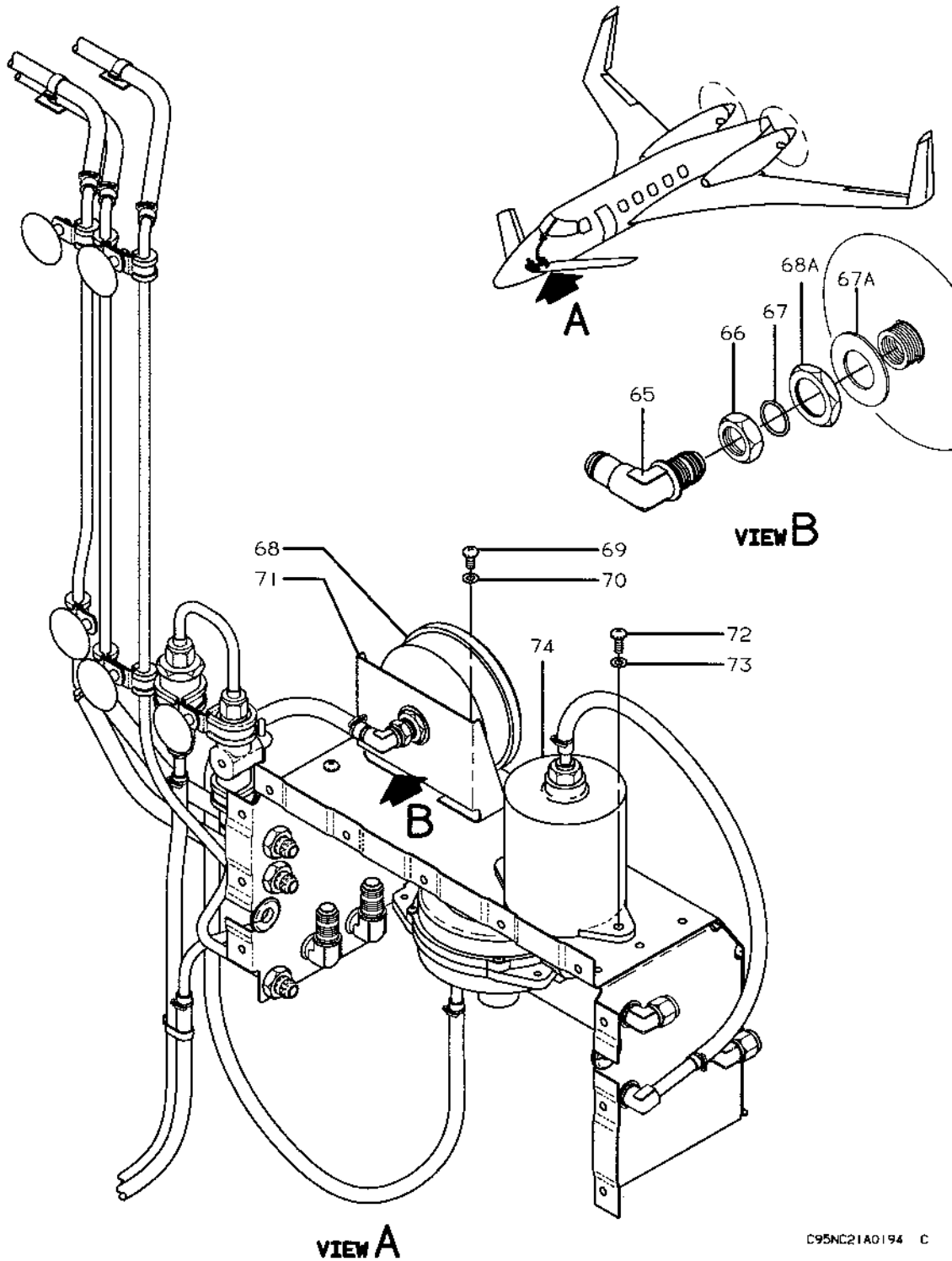
C95NC21A0193 C



**Beechcraft**  
**STARSHIP 1**  
**ILLUSTRATED PARTS CATALOG**

SUB-SEC UNIT & ITEM NO	PART NO.	DESCRIPTION 1 2 3 4 5 6 7	UNITS	USABLE
			PER ASSY	ON CODE
30-00 - 52	122-540052-1	. TUBE ASSY/MODULE TO CABIN PRESSURE ..... CONTROLLER/	1	
- 53	122-540053-1	. TUBE ASSY/MODULE TO CABIN PRESSURE ..... CONTROLLER/	1	
- 54	MS3367-4-9	. STRAP.....	AR	
- 55	R ABMM-A	. MOUNT.....	2	
- 56	131466SNP6	. CLAMP.....	AR	
- 57	122-540042-21	. HOSE/TO CONTROL PORT MANUAL CONTROLLER/.....	1	
- 58	R 122-540042-23	. HOSE/TO MANUAL CONTROL ATMOSPHERE/.....	1	
- 59	122-540042-25	. HOSE/MODULE TO CABIN PRESSURE CONTROLLER/.....	1	
- 60	122-540042-17	. HOSE.....	1	
- 61	122-540042-9	. TUBE ASSY.....	1	
- 62	R 122-540042-5	. TUBE ASSY.....	3	
- 63	122-540042-19	. HOSE.....	1	
- 64	64032	. TEE.....	1	

Beechcraft  
STARSHIP 1  
ILLUSTRATED PARTS CATALOG



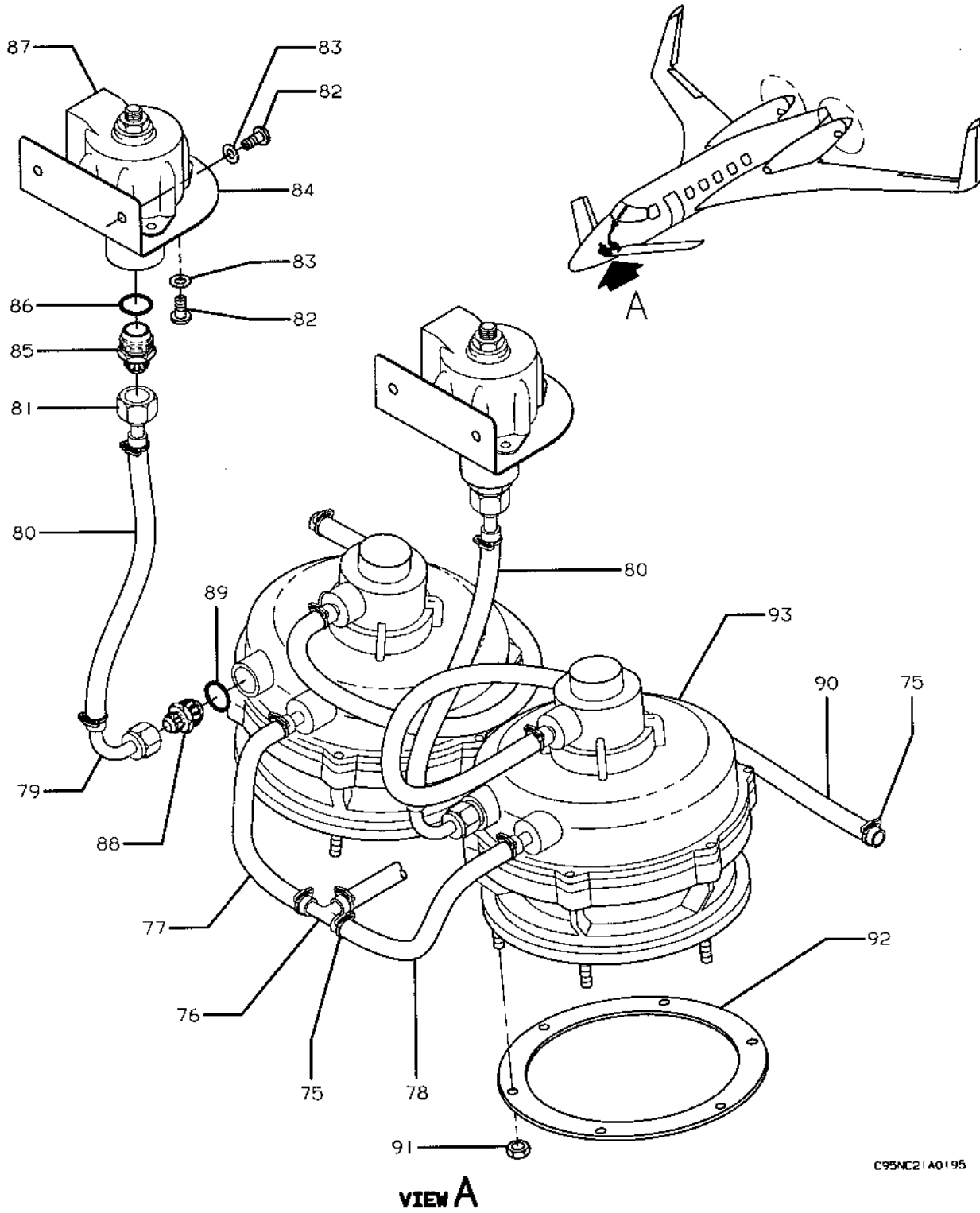
C95NC21A0194 C

FIGURE 30-00.PRESSURIZATION CONTROL  
/SHEET 6 OF 8 SHEETS/

**Beechcraft**  
**STARSHIP 1**  
**ILLUSTRATED PARTS CATALOG**

SUB-SEC UNIT & ITEM NO	PART NO.	DESCRIPTION 1 2 3 4 5 6 7	UNITS PER ASSY	USABLE ON CODE
30-00 -65	AN838-4D	. ELBOW.....	1	
-66	AN924-4D	. NUT.....	1	
-67	MS28778-4	. PACKING, PREFORMED.....	1	
-67A	AN960JD1216L	. WASHER.....	1	
-68 R	135157-4	. FILTER ASSY.....	1	
	137847-1	. . CARTRIDGE, FILTER.....	1	
-68A R	76659	. . NUT, JAM.....	1	
-69	MS35207-261	. SCREW.....	2	
-70	AN960-10L	. WASHER.....	2	
-71	122-540042-57	. BRACKET.....	1	
-72	MS35207-264	. SCREW.....	2	
-73	AN960-10L	. WASHER.....	2	
-74	131358-7	. TANK, VOLUME.....	1	

Beechcraft  
 STARSHIP 1  
 ILLUSTRATED PARTS CATALOG



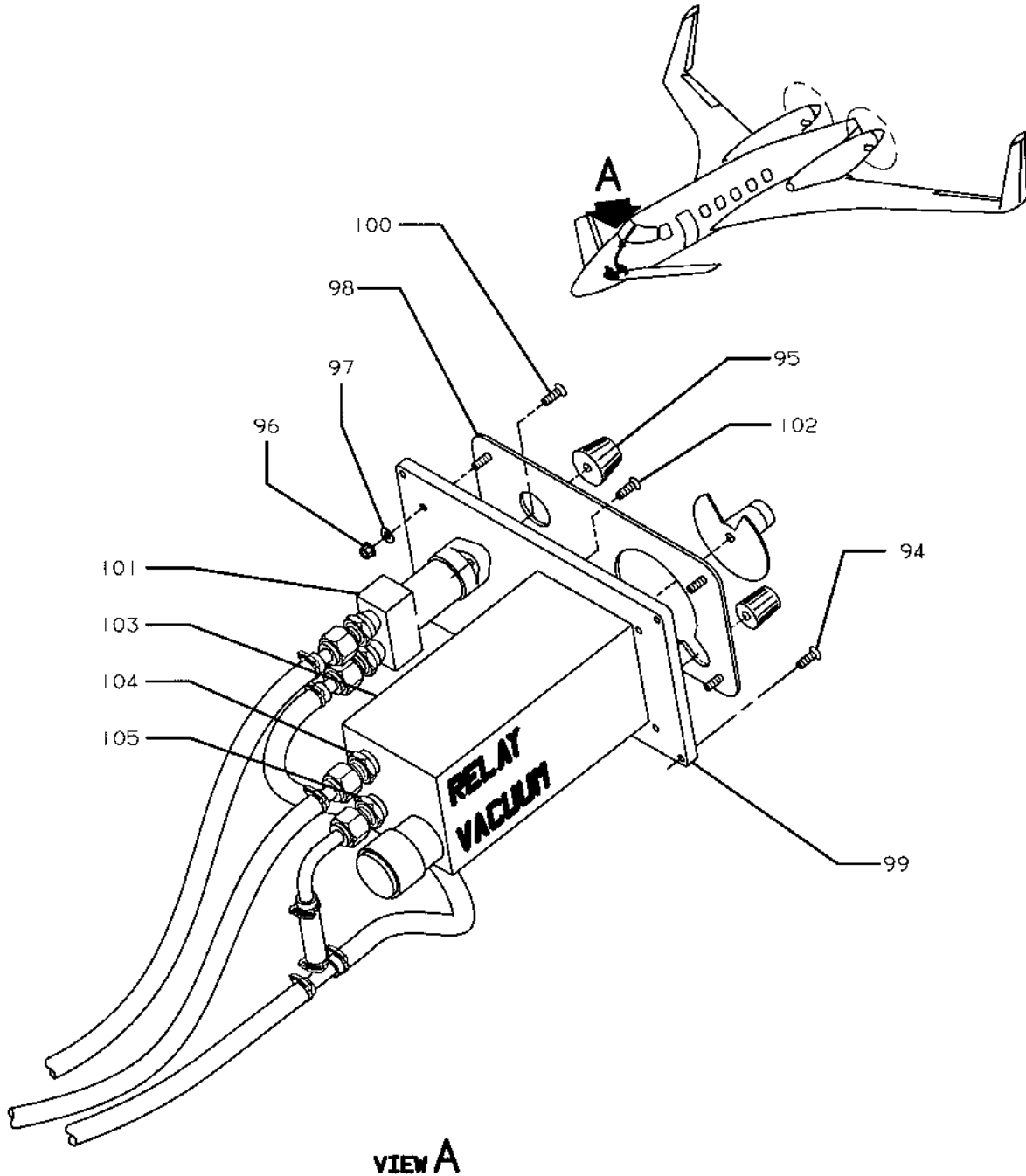
C95NC21A0195 C

FIGURE 30-00.PRESSURIZATION CONTROL  
 /SHEET 7 OF 8 SHEETS/

**Beechcraft**  
**STARSHIP 1**  
**ILLUSTRATED PARTS CATALOG**

SUB-SEC UNIT & ITEM NO	PART NO.	DESCRIPTION 1 2 3 4 5 6 7	UNITS	USABLE
			PER ASSY	ON CODE
30-00 -75	131466SNP6	. CLAMP .....	AR	
-76	64032	. TEE .....	1	
-77	122-540042-33	. HOSE .....	1	
-78	122-540042-35	. HOSE .....	1	
-79	122-540042-9	. TUBE ASSY .....	2	
-80	122-540042-27	. HOSE .....	2	
-81	122-540042-5	. TUBE ASSY .....	2	
-82	MS35207-264	. SCREW .....	10	
-83	AN960-10L	. WASHER .....	10	
-84	122-540075-1	. BRACKET ASSY .....	2	
	R MS21059L3	. . NUTPLATE .....	3	
-85	AN919-10D	. REDUCER .....	2	
-86	MS28778-8	. PACKING, PREFORMED .....	2	
-87	102466-11	. REGULATOR/ALTITUDE LIMIT/ .....	2	
-88	AN919-3D	. REDUCER .....	2	
-89	MS28778-5	. PACKING, PREFORMED .....	2	
-90	122-540042-37	. HOSE .....	2	
-91	R NAS509-8C	. NUT .....	12	
-92	122-540042-49	. SEAL .....	2	
-93	103570-26	. VALVE, OUTFLOW SAFETY .....	2	

Beechcraft  
STARSHIP 1  
ILLUSTRATED PARTS CATALOG



C95NC21A0196 C

FIGURE 30-00. PRESSURIZATION CONTROL  
/SHEET 8 OF 8 SHEETS/

**Beechcraft**  
**STARSHIP 1**  
**ILLUSTRATED PARTS CATALOG**

SUB-SEC UNIT & ITEM NO	PART NO.	DESCRIPTION 1 2 3 4 5 6 7	UNITS	USABLE
			PER ASSY	ON CODE
30-00	122-322229-1	INSTRUMENT PANEL INSTL, MAIN/BROWN/ .....	NP	3
	122-322229-3	INSTRUMENT PANEL INSTL, MAIN/BLACK/ .....	NP	4
- 94	132002-6-7BN	. SCREW .....	4	
	122-322242-1	. PANEL ASSY, PRESSURIZATION CONTROL/BROWN/ .....	1	3
	122-322242-3	. PANEL ASSY, PRESSURIZATION CONTROL/BLACK/ .....	1	4
- 95	122-382036-35	.. KNOB, MANUAL CONTROL VALVE .....	1	
	6-32 X 3/16	.. . SCREW, SET .....	2	
- 96	MS21042L06	.. NUT .....	4	
- 97	AN980-6L	.. WASHER .....	4	
- 98	122-382150-3	.. PANEL, ELECTROLUMINESCENT .....	1	
- 99	122-322243-1	.. BEZEL/BROWN/ .....	1	3
	122-322243-3	.. BEZEL/BLACK/ .....	1	4
-100	MS24693S28	.. SCREW .....	2	
-101	131412-8	.. VALVE, MANUAL RATE .....	1	
-102	MS24693S26	.. SCREW .....	3	
-103 R	130356-17MOD1	.. CONTROLLER, PRESSURE/ORDER 130356-18 FOR .....	NP	
		SPARES/		
	130356-18	.. CONTROLLER, PRESSURE .....	1	
-104	AN816-4D	.. ADAPTER/2 RELAY AND 1 VACUUM/ .....	3	
-105	AN816-4-4D	.. ADAPTER, VACUUM .....	1	

**CODES OF EFFECTIVITY**

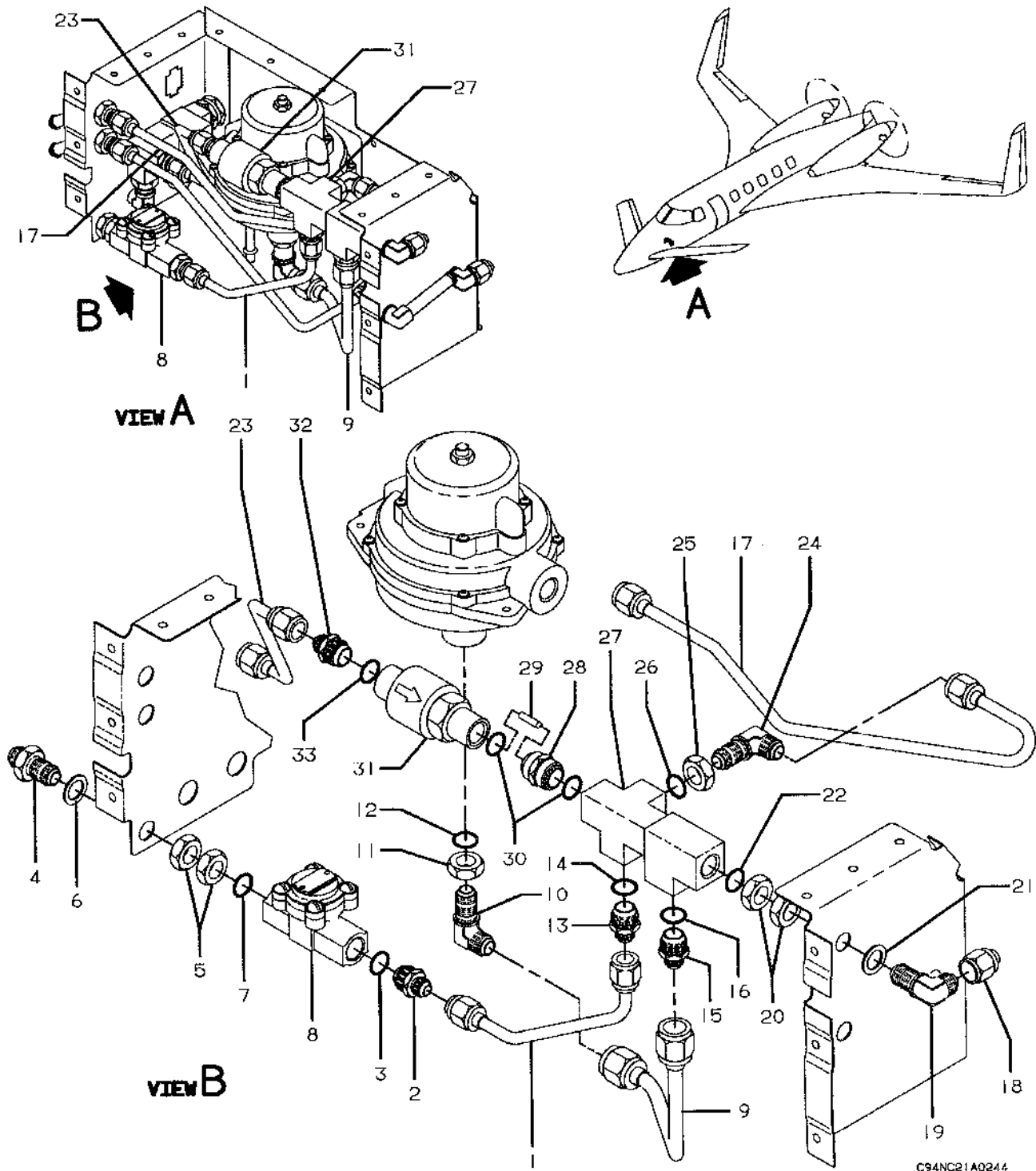
1	NC-4 THRU NC-34	2	NC-35 AND AFTER
3	NC-4 THRU NC-27	4	NC-28 AND AFTER

**Beechcraft**  
**STARSHIP 1**  
**ILLUSTRATED PARTS CATALOG**

**21-30-10**  
**CABIN PRESSURIZATION MODULE**



**Beechcraft**  
**STARSHIP 1**  
**ILLUSTRATED PARTS CATALOG**

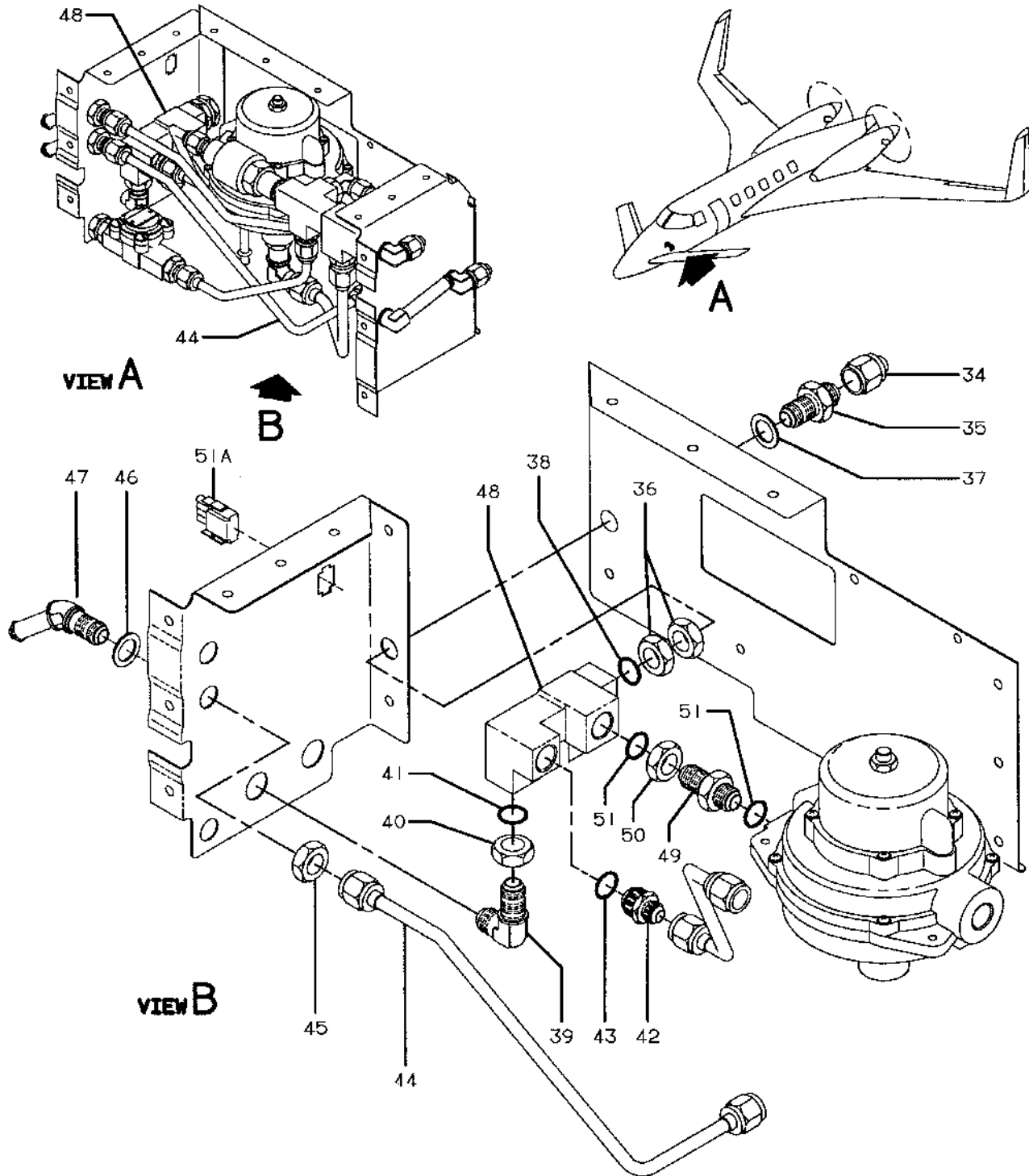


**FIGURE 30-10. CABIN PRESSURIZATION MODULE**  
**/SHEET 1 OF 4 SHEETS/**

**Beechcraft**  
**STARSHIP 1**  
**ILLUSTRATED PARTS CATALOG**

SUB-SEC UNIT & ITEM NO	PART NO.	DESCRIPTION 1 2 3 4 5 6 7	UNITS PER ASSY	USABLE ON CODE
30-10	122-540081-1	MODULE ASSY, CABIN PRESSURIZATION .....	1	
		<b>NOTE</b> USE MS25083- BONDING JUMPER WITH SHORTEST LEAD POSSIBLE. SECURE AN735- CLAMP WITH MS35207- SCREW, AN960-10L WASHER AND 130909N29 NUT.		
- 1	122-540035-1	. TUBE ASSY.....	1	
- 2	AN919-6D	. REDUCER .....	1	
- 3	MS28778-6	. PACKING, PREFORMED.....	1	
- 4	AN832-4D	. UNION, BULKHEAD.....	1	
- 5	AN924-4D	. NUT .....	2	
- 6	AN960-10L	. WASHER .....	1	
- 7	MS28778-4	. PACKING, PREFORMED.....	1	
- 8	132282-4-1	. REGULATOR, PRESSURE.....	1	
- 9	122-540037-1	. TUBE .....	1	
- 10	AN833-6D	. ELBOW.....	1	
- 11	AN924-6D	. NUT .....	1	
- 12	MS28778-6	. PACKING, PREFORMED.....	1	
- 13	AN815-4D	. UNION .....	1	
- 14	MS28778-4	. PACKING, PREFORMED.....	1	
- 15	AN815-6D	. UNION .....	1	
- 16	MS28778-6	. PACKING, PREFORMED.....	1	
- 17	122-540083-1	. TUBE ASSY.....	1	
- 18	AN929-4D	. CAP ASSY.....	1	
- 19	AN833-4D	. ELBOW.....	1	
- 20	AN924-4D	. NUT .....	2	
- 21	AN960-716	. WASHER .....	1	
- 22	MS28778-4	. PACKING, PREFORMED.....	1	
- 23	122-540036-1	. TUBE ASSY.....	1	
- 24	AN833-4D	. ELBOW.....	1	
- 25	AN924-4D	. NUT .....	1	
- 26	MS28778-4	. PACKING, PREFORMED.....	1	
- 27	R 122-540027-3	. MANIFOLD, REGULATED VACUUM.....	1	
	122-540043-13	. RESTRICTOR ASSY, PRESSURE .....	1	
- 28	AN815-4D	. UNION .....	1	
- 29	122-540043-11	. PLUG .....	1	
- 30	MS28778-4	. PACKING, PREFORMED.....	2	
- 31	R 101-380021-1	. VALVE, PNEUMATIC SOLENOID/DUMP/ .....	1	
		/ALTERNATE FOR 101-380021-5/		
	R 101-380021-5	. VALVE, PNEUMATIC SOLENOID/DUMP/ .....	1	
		/ALTERNATE FOR 101-380021-1/		
- 32	AN815-4D	. UNION .....	1	
- 33	MS28778-4	. PACKING, PREFORMED.....	1	

**Beechcraft**  
**STARSHIP 1**  
**ILLUSTRATED PARTS CATALOG**



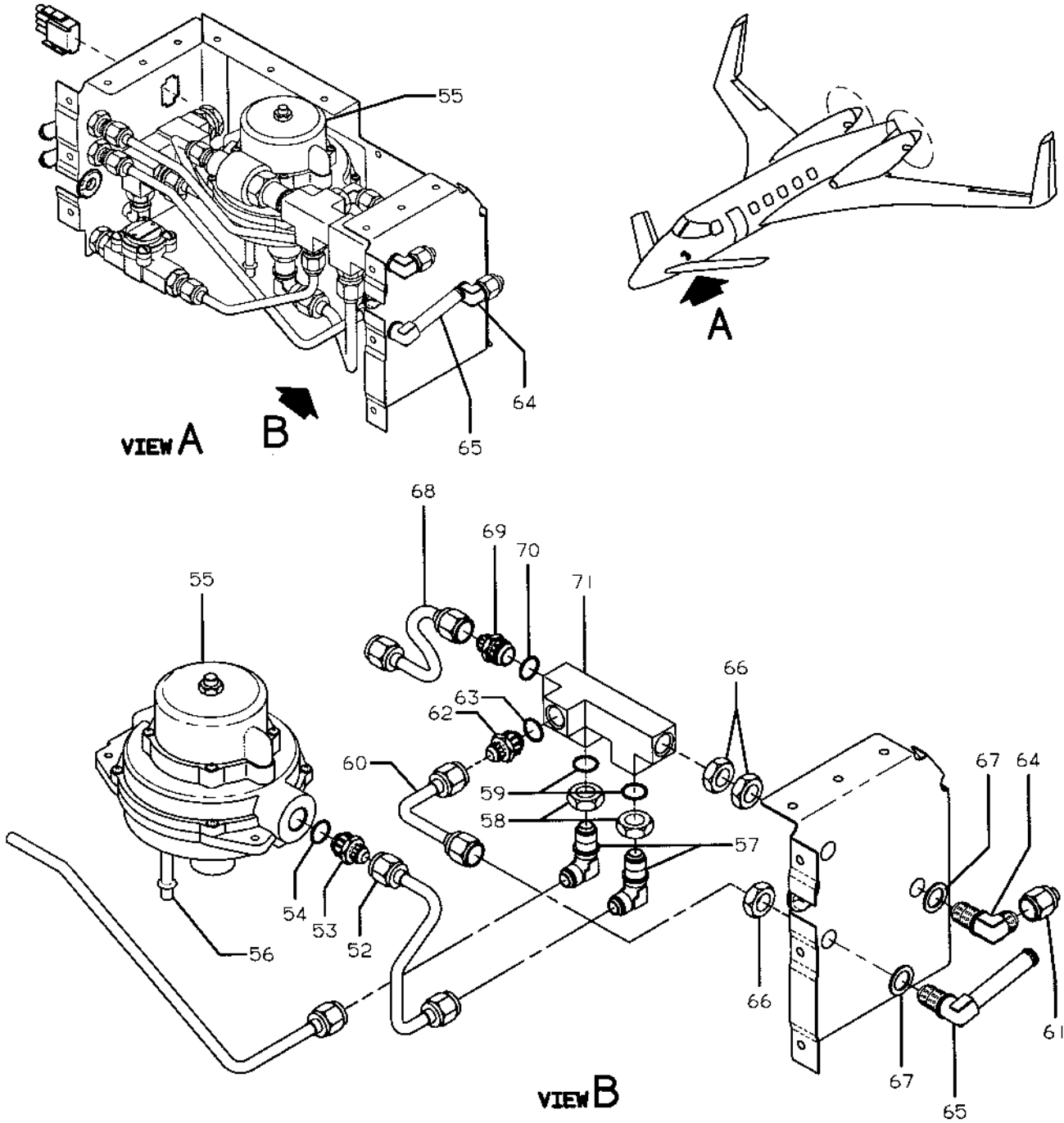
C94NC21A0245 C

**FIGURE 30-10.CABIN PRESSURIZATION MODULE**  
**/SHEET 2 OF 4 SHEETS/**

Beechcraft  
STARSHIP 1  
ILLUSTRATED PARTS CATALOG

SUB-SEC UNIT & ITEM NO	PART NO.	DESCRIPTION 1 2 3 4 5 6 7	UNITS	USABLE
			PER ASSY	ON CODE
30-10 -34	AN929-4D	. CAP ASSY .....	1	
-35	AN832-4D	. UNION .....	1	
-36	AN924-4D	. NUT .....	2	
-37 R	AN960-716	. WASHER .....	1	
-38	MS28778-4	. PACKING, PREFORMED .....	1	
-39	AN833-4D	. ELBOW .....	2	
-40	AN924-4D	. NUT .....	2	
-41	MS28778-4	. PACKING, PREFORMED .....	2	
-42	AN815-4D	. UNION .....	1	
-43	MS28778-4	. PACKING, PREFORMED .....	1	
-44	122-540085-1	. TUBE ASSY .....	1	
-45	AN924-4D	. NUT .....	2	
-46	AN960-716	. WASHER .....	2	
-47	AN839-4D	. ELBOW .....	2	
-48	122-540028-1	. MANIFOLD, REFERENCE PRESSURE .....	1	
-49	AN832-6D	. UNION, BULKHEAD .....	1	
-50 R	AN924-6D	. NUT .....	1	
-51	MS28778-6	. PACKING, PREFORMED .....	2	
-51A	1-480703-0	. CAP .....	1	
	350690-1	. PIN .....	4	

Beechcraft  
**STARSHIP 1**  
**ILLUSTRATED PARTS CATALOG**



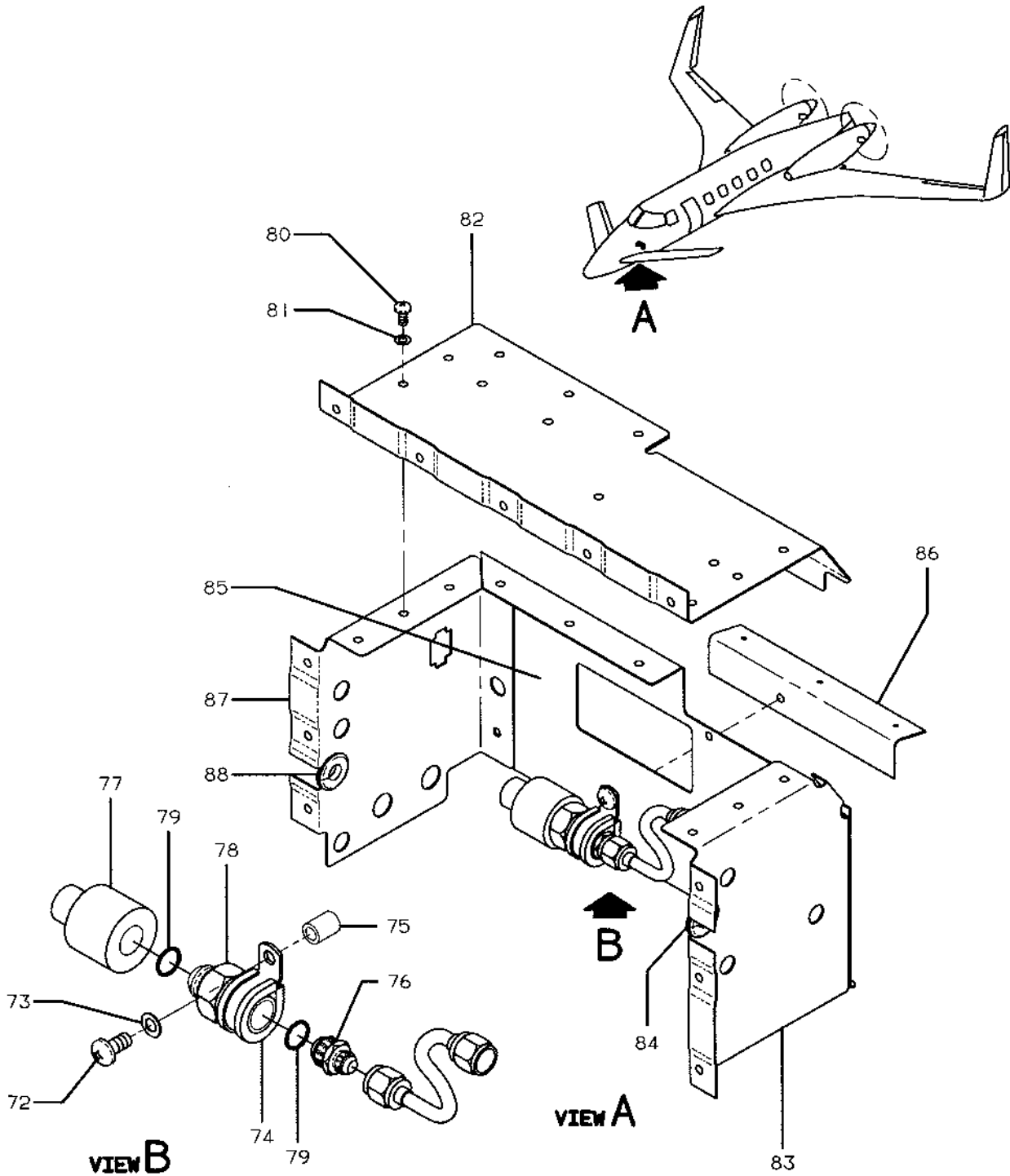
C95NC21A0204 C

**FIGURE 30-10. CABIN PRESSURIZATION MODULE**  
**/SHEET 3 OF 4 SHEETS/**

**Beechcraft**  
**STARSHIP 1**  
**ILLUSTRATED PARTS CATALOG**

SUB-SEC UNIT & ITEM NO	PART NO.	DESCRIPTION 1 2 3 4 5 6 7	UNITS	USABLE
			PER ASSY	ON CODE
30-10 - 52	122-540034-1	. TUBE ASSY.....	1	
- 53	AN919-6D	. REDUCER.....	1	
- 54	MS28778-8	. PACKING, PREFORMED.....	1	
- 55	122-540112-1	. RELAY, PNEUMATIC.....	1	
- 56	122-540112-3	. FITTING.....	1	
- 57	AN833-4D	. ELBOW.....	2	
- 58	AN924-4D	. NUT.....	2	
- 59	MS28778-4	. PACKING, PREFORMED.....	2	
- 60	122-540084-1	. TUBE ASSY.....	1	
- 61	AN929-4D	. CAP ASSY.....	1	
- 62	AN815-4D	. UNION.....	1	
- 63	MS28778-4	. PACKING, PREFORMED.....	1	
- 64	AN833-4D	. ELBOW.....	1	
- 65	AN838-4D	. ELBOW.....	1	
- 66	AN924-4D	. NUT.....	3	
- 67	AN960-716	. WASHER.....	2	
- 68	122-540082-1	. TUBE ASSY.....	1	
- 69	AN815-4D	. UNION.....	1	
- 70	MS28778-4	. PACKING, PREFORMED.....	1	
- 71	122-540029-1	. MANIFOLD, PRESSURE CONTROL.....	1	

Beechcraft  
 STARSHIP 1  
 ILLUSTRATED PARTS CATALOG



C95NC21A0205 C

FIGURE 30-10. CABIN PRESSURIZATION MODULE  
 /SHEET 4 OF 4 SHEETS/

**Beechcraft**  
**STARSHIP 1**  
**ILLUSTRATED PARTS CATALOG**

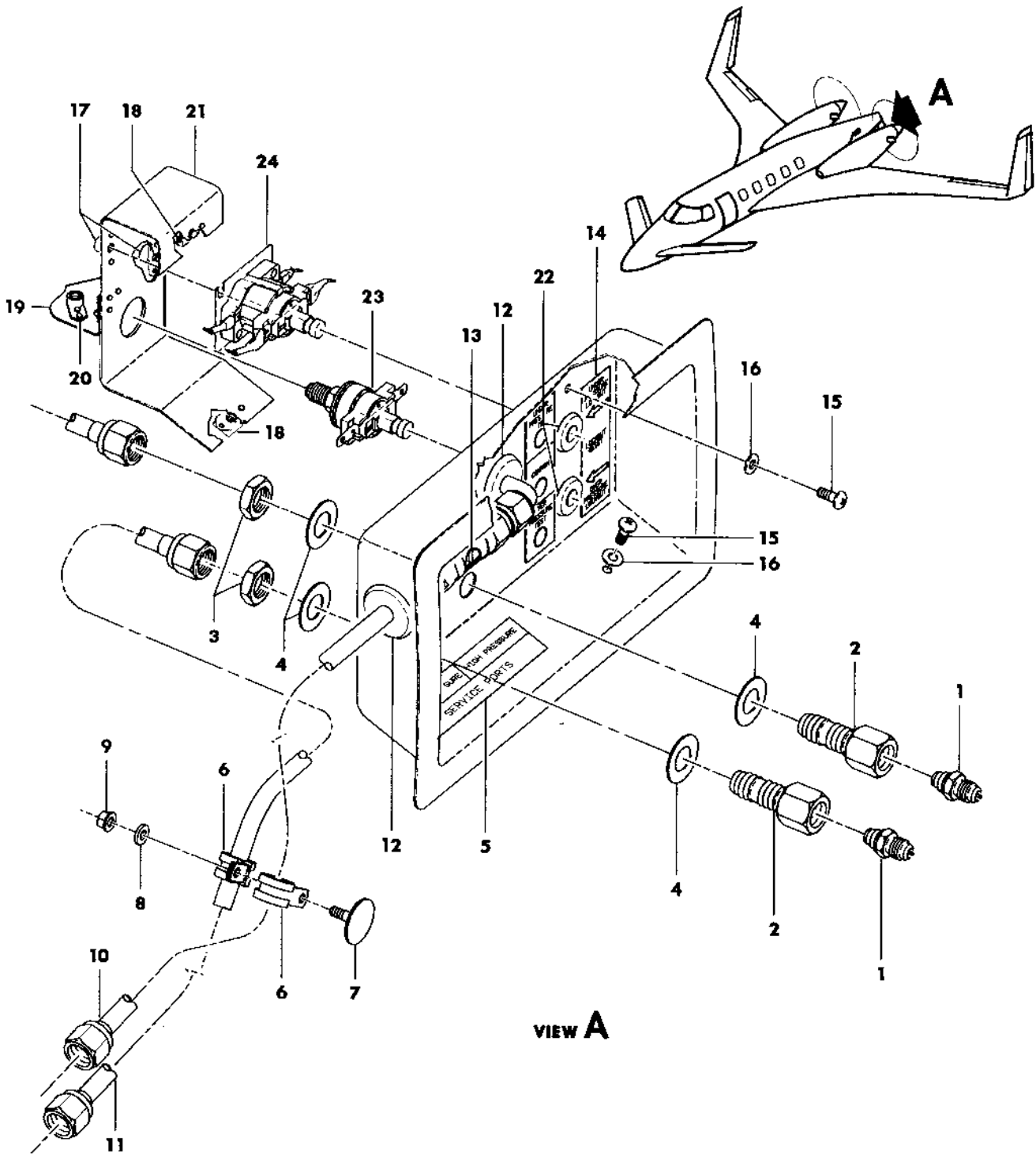
SUB-SEC UNIT & ITEM NO	PART NO.	DESCRIPTION 1 2 3 4 5 6 7	UNITS	USABLE
			PER ASSY	ON CODE
30-10 -72	MS35207-265	. SCREW.....	1	
-73	AN960-10L	. WASHER.....	1	
-74	MS21919WDG11	. CLAMP.....	1	
-75	NAS43DD8-16	. SPACER.....	1	
-76	AN815-4D	. UNION.....	1	
-77 R	101-380021-1	. VALVE, PNEUMATIC SOLENOID/PRESET/.....	1	
		/ALTERNATE FOR 101-380021-5/.....		
	R 101-380021-5	. VALVE, PNEUMATIC SOLENOID/PRESET/.....	1	
		/ALTERNATE FOR 101-380021-1/.....		
-78	114-388001-1	. FILTER, PNEUMATIC.....	1	
-79	MS28778-4	. PACKING, PREFORMED.....	2	
	122-540080-1	. BOX ASSY, PRESSURIZATION MODULE.....	1	
-80	MS35207-263	. . SCREW.....	16	
-81	AN960-10L	. . WASHER.....	16	
-82	122-540080-11	. . PANEL ASSY, TOP.....	1	
	MS21069L3	. . . NUTPLATE.....	4	
-83	122-540080-15	. . PANEL ASSY, OUTBD.....	1	
	MS21069L3	. . . NUTPLATE.....	6	
-84 R	MS35489-11	. . . GROMMET.....	1	
-85 R	122-540080-33	. . PANEL ASSY, REAR.....	1	
	MS21069L3	. . . NUTPLATE.....	5	
-86 R	122-540080-31	. . . SUPPORT ASSY.....	1	
	R MS21059L3	. . . . NUTPLATE.....	4	
-87	122-540080-7	. . PANEL ASSY, INBD.....	1	
	MS21069L3	. . . NUTPLATE.....	5	
-88 R	MS35489-11	. . . GROMMET.....	1	



**Beechcraft**  
**STARSHIP 1**  
**ILLUSTRATED PARTS CATALOG**

**21-50-10**  
**AIR CONDITIONER SERVICE PROVISIONS**

Beechcraft  
 STARSHIP 1  
 ILLUSTRATED PARTS CATALOG



VIEW A

2000-428-02

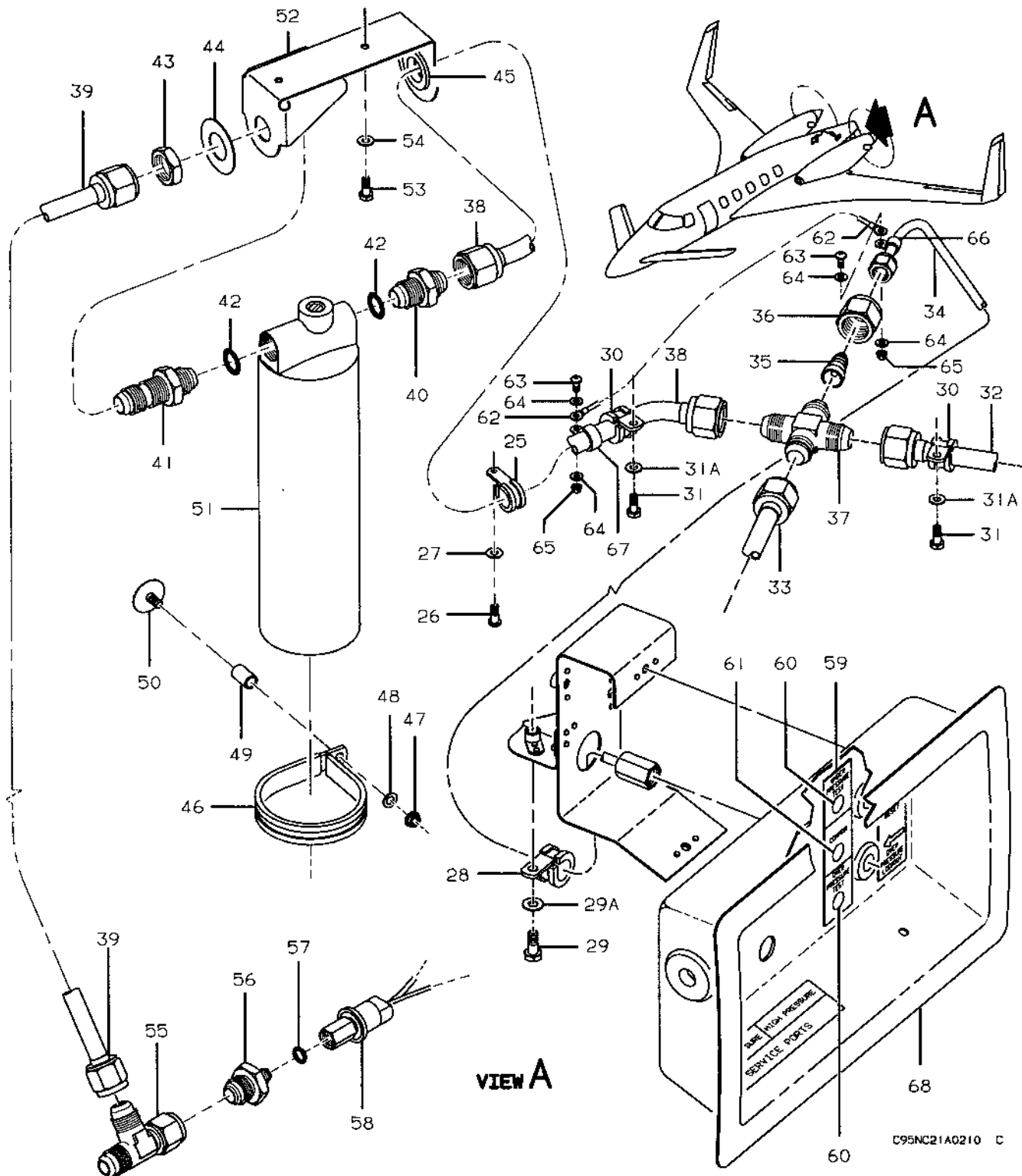
FIGURE 50-10. AIR CONDITIONER SERV. PROVISIONS  
 /SHEET 1 OF 2 SHEETS/

**Beechcraft**  
**STARSHIP 1**  
**ILLUSTRATED PARTS CATALOG**

SUB-SEC UNIT & ITEM NO	PART NO.	DESCRIPTION 1 2 3 4 5 6 7	UNITS	USABLE
			PER ASSY	ON CODE
50-10	122-555080-3	SERVICE INSTL, AIR CONDITIONING .....	NP	
- 1	5734A2	. VALVE, AIR CONDITIONER SERVICE .....	2	
- 2	6-2WGTX-S	. UNION, BULKHEAD .....	2	
- 3	AN924-6	. NUT .....	2	
- 4	AN960-916L	. WASHER .....	4	
- 6	122-555088-3	. PLACARD .....	1	
- 6	MS21919WDG6	. CLAMP, TUBE SUPPORT .....	2	
		/ATTACHING PARTS/		
- 7	SL6172-3-5	. STUD .....	1	
- 8	AN960-10L	. WASHER .....	1	
- 9	130909N29	. NUT .....	1	
		★		
- 10	122-555087-1	. TUBE ASSY, AC SERVICE/LIQUID/ .....	1	
- 11	122-555085-1	. TUBE ASSY .....	1	
- 12	MS35489-12S	. GROMMET .....	2	
- 13	SG111R	. GLASS, SIGHT .....	1	
- 14	122-555088-1	. PLACARD .....	1	
	122-555083-9	. BRACKET ASSY, RESET SWITCH .....	1	
		/ATTACHING PARTS/		
- 15	MS35207-263	. SCREW .....	4	
- 16	AN960-10L	. WASHER .....	4	
		★		
- 17	130909N33	. . NUTPLATE .....	2	
- 18	MS21059L3	. . NUTPLATE .....	2	
- 19	122-555083-11	. . CLIP ASSY .....	1	
- 20	MS21071L3	. . NUTPLATE .....	1	
- 21	122-555083-3	. . BRACKET .....	1	
- 22	MS35489-13	. GROMMET .....	2	
- 23	114-555067-3	. SWITCH ASSY, OVER-PRESSURE .....	1	
- 24	114-555062-3	. SWITCH ASSY, THERMAL/REFR. OVERHEAT/ORDER .....	NP	3
		122-364218-1 FOR SPARES/		
	122-364218-1	. ELECTRICAL COMPONENT ASSY, AIR CONDITIONER .....	1	4

**NOTE** USE MS25083- BONDING JUMPER  
WITH SHORTEST LEAD POSSIBLE.  
SECURE AN735- CLAMP WITH  
MS35207-263 SCREW, AN960-10L  
WASHER AND 130909N29 NUT.

**Beechcraft**  
**STARSHIP 1**  
**ILLUSTRATED PARTS CATALOG**



**FIGURE 50-10. AIR CONDITIONER SERV. PROVISIONS**  
**/SHEET 2 OF 2 SHEETS/**

**Beechcraft**  
**STARSHIP 1**  
**ILLUSTRATED PARTS CATALOG**

SUB-SEC UNIT & ITEM NO	PART NO.	DESCRIPTION 1 2 3 4 5 6 7	UNITS PER ASSY	USABLE ON CODE
50-10 -25	MS21919WDG8	. CLAMP..... /ATTACHING PARTS/	1	
-26	MS35207-263	. SCREW.....	1	
-27	AN960-10L	. WASHER.....	1	
		---★---		
-28	MS21919WDG4	. CLAMP..... /ATTACHING PARTS/	1	
-29	130909B14	. BOLT.....	1	
-29A R	AN960-10L	. WASHER.....	1	
		---★---		
-30	MS21919WDG8	. CLAMP..... /ATTACHING PARTS/	2	
-31	130909B14	. BOLT.....	1	
-31A R	AN960-10L	. WASHER.....	1	
		---★---		
-32	122-555148-1	. TUBE ASSY.....	1	
-33	122-555149-1	. TUBE ASSY.....	1	
-34	122-555150-1	. TUBE ASSY.....	1	
-35	131533-1564-8-4D	. REDUCER.....	1	
-36	AN818-8D	. NUT.....	1	
-37	131533-827-8D	. CROSS.....	1	
-38	122-555147-1	. TUBE ASSY.....	1	
-39	122-555146-1	. TUBE ASSY.....	1	
-40	131533-815-8D	. UNION.....	1	
-41	131533-832-8D	. UNION.....	1	
-42	3-908C147-70	. PACKING, PREFORMED.....	2	
-43	AN924-8D	. NUT.....	1	
-44	AN960JD1216	. WASHER.....	1	
-45	MS35489-15	. GROMMET.....	1	
-46	MS21919WDG44	. CLAMP..... /ATTACHING PARTS/	1	
-47	130909N29	. NUT.....	1	
-48	AN960-10L	. WASHER.....	1	
-49	NAS43DD3-32	. SPACER.....	1	
-50	SL6172-3-8	. STUD.....	1	
		---★---		
-51	101-384079-1	. RECEIVER DRYER.....	1	
-52	122-555081-9	. MOUNT ASSY, RECEIVER DRYER..... /ATTACHING PARTS/	1	
-53	130909B14	. BOLT.....	2	
-54	AN960-10L	. WASHER.....	2	
		---★---		
-55	AA67030-8DG	. TEE.....	1	
-56 R	AA1233-8-4D	. REDUCER/ORDER 131533-919-10D FOR SPARES/	NP	1
	131533-919-10D	. REDUCER.....	1	2
-57	3-904C147-70	. PACKING, PREFORMED.....	1	1
-58	20PS001BA300K2 *	20K. SWITCH, PRESSURE.....	1	
-59	122-555088-7	. PLACARD.....	1	
-60	202-102	. TEST JACK.....	2	
-61	202-103	. TEST JACK.....	1	
-62	MS25083-2BB5	. JUMPER, BONDING..... /ATTACHING PARTS/	1	
-63	MS35207-263	. SCREW.....	2	
-64	AN960-10L	. WASHER.....	4	
-65	130909N29	. NUT.....	2	
		---★---		
-66	AN735D4	. CLAMP.....	1	
-67	AN735D8	. CLAMP.....	1	
-68	122-555082-1	BOX ASSY.....	1	

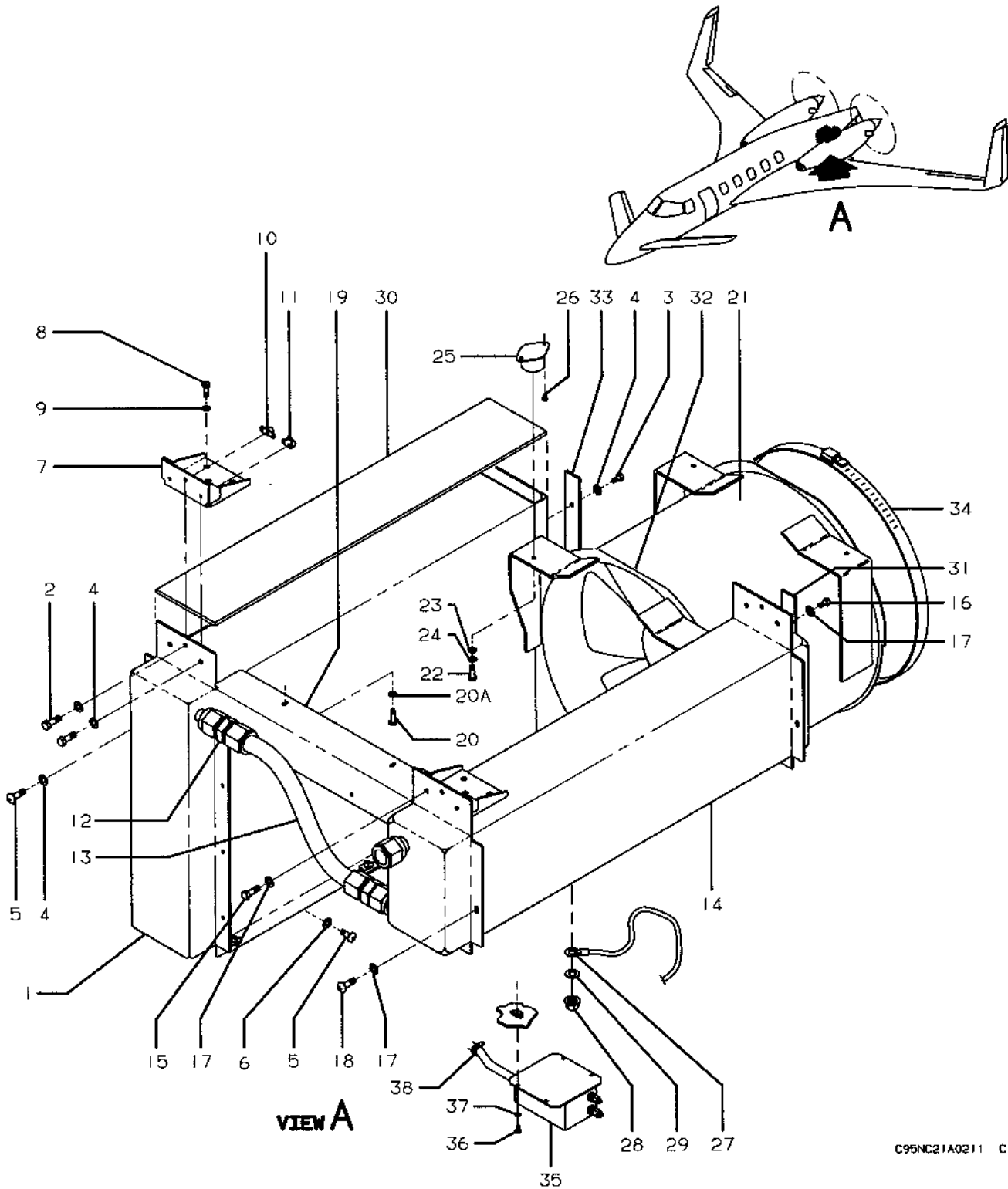
**CODES OF EFFECTIVITY**

1	NC-4 THRU NC-27	2	NC-28 AND AFTER
3	NC-4 THRU NC-40	4	NC-41 AND AFTER

**Beechcraft**  
**STARSHIP 1**  
**ILLUSTRATED PARTS CATALOG**

**21-50-20**  
**COOLING CONDENSER**

Beechcraft  
 STARSHIP 1  
 ILLUSTRATED PARTS CATALOG



VIEW A

C95NC21A0211 C

FIGURE 50-20.COOLING CONDENSER

**Beechcraft**  
**STARSHIP 1**  
**ILLUSTRATED PARTS CATALOG**

SUB-SEC UNIT & ITEM NO	PART NO.	DESCRIPTION 1 2 3 4 5 6 7	UNITS	USABLE
			PER ASSY	ON CODE
50-20	122-555020-1	CONDENSER INSTL.....	NP	
- 1	122-380004-3	. CONDENSER ASSY, COOLING/ORDER 122-380004-5.....	NP	1
	122-380004-5	. CONDENSER ASSY, COOLING..... /ATTACHING PARTS/	1	2
- 2	130909B12	. BOLT.....	3	
- 3	130909B17	. BOLT.....	3	
- 4	R AN960-10L	. WASHER.....	6	
- 5	R MS35206-244	. SCREW.....	2	
- 6	AN960-8L	. WASHER.....	2	
		---★---		
- 7	122-555052-1	. BRACKET ASSY, CONDENSER MOUNT..... /ATTACHING PARTS/	2	
- 8	130909B12	. BOLT.....	3	
- 9	AN960-10L	. WASHER.....	3	
		---★---		
-10	130909N33	. NUTPLATE.....	1	
-11	MS21055L3	. NUTPLATE.....	2	
-12	131533-815-10D	. UNION.....	2	
-13	R 122-555124-1	. TUBE ASSY.....	1	
-14	122-380051-3	. PRECONDENSER ASSY, COOLING/ORDER..... 122-380051-5 FOR SPARES/	NP	3
	122-380051-5	. PRECONDENSER ASSY, COOLING..... /ATTACHING PARTS/	1	4
-15	130909B12	. BOLT.....	3	
-16	130909B17	. BOLT.....	3	
-17	AN960-10L	. WASHER.....	7	
-18	MS35206-244	. SCREW.....	1	
		---★---		
-19	122-550071-5	. PLATE, SHELF..... /ATTACHING PARTS/	1	
-20	MS35206-243	. SCREW.....	2	
-20A	R AN960-8L	. WASHER.....	2	
		---★---		
	122-550071-9	. SEAL, PLATE.....	1	
-21	R 122-380020-11	. BLOWER ASSY, VANE AXIAL/ORDER 122-380020-15..... FOR SPARES/	NP	
	R 122-380020-13	. BLOWER ASSY, VANE AXIAL/ORDER 122-380020-15..... FOR SPARES/	NP	
	R 122-380020-15	. BLOWER ASSY, VANE AXIAL..... /ATTACHING PARTS/	1	
-22	MS27039-0807	. SCREW.....	4	
-23	AN960-8L	. WASHER.....	4	
-24	MS35338-42	. WASHER, LOCK.....	4	
		---★---		
-25	E22-02-50	. MOUNT, SHOCK..... /ATTACHING PARTS/	4	
-26	R MS35206-243	. SCREW.....	2	
		---★---		
-27	R MS25083-2BB8	. JUMPER, BONDING.....	1	
-28	MS25082-3	. NUT.....	1	
-29	AN960JD10L	. WASHER.....	1	
-30	122-555123-1	. SEAL, CONDENSER BLOWER.....	2	
-31	122-555123-3	. SEAL, CONDENSER BLOWER.....	1	
-32	122-555123-7	. SEAL, CONDENSER BLOWER.....	1	
-33	122-555123-5	. SEAL, CONDENSER BLOWER.....	1	
-34	200192S	. CLAMP, BLOWER TO DUCT.....	1	
-35	122-380020-7	. FILTER..... /ATTACHING PARTS/	1	
-36	MS35206-244	. SCREW.....	4	
-37	AN960-8L	. WASHER.....	4	
		---★---		
-38	MS21919WDG5	. CLAMP.....	2	

**CODES OF EFFECTIVITY**

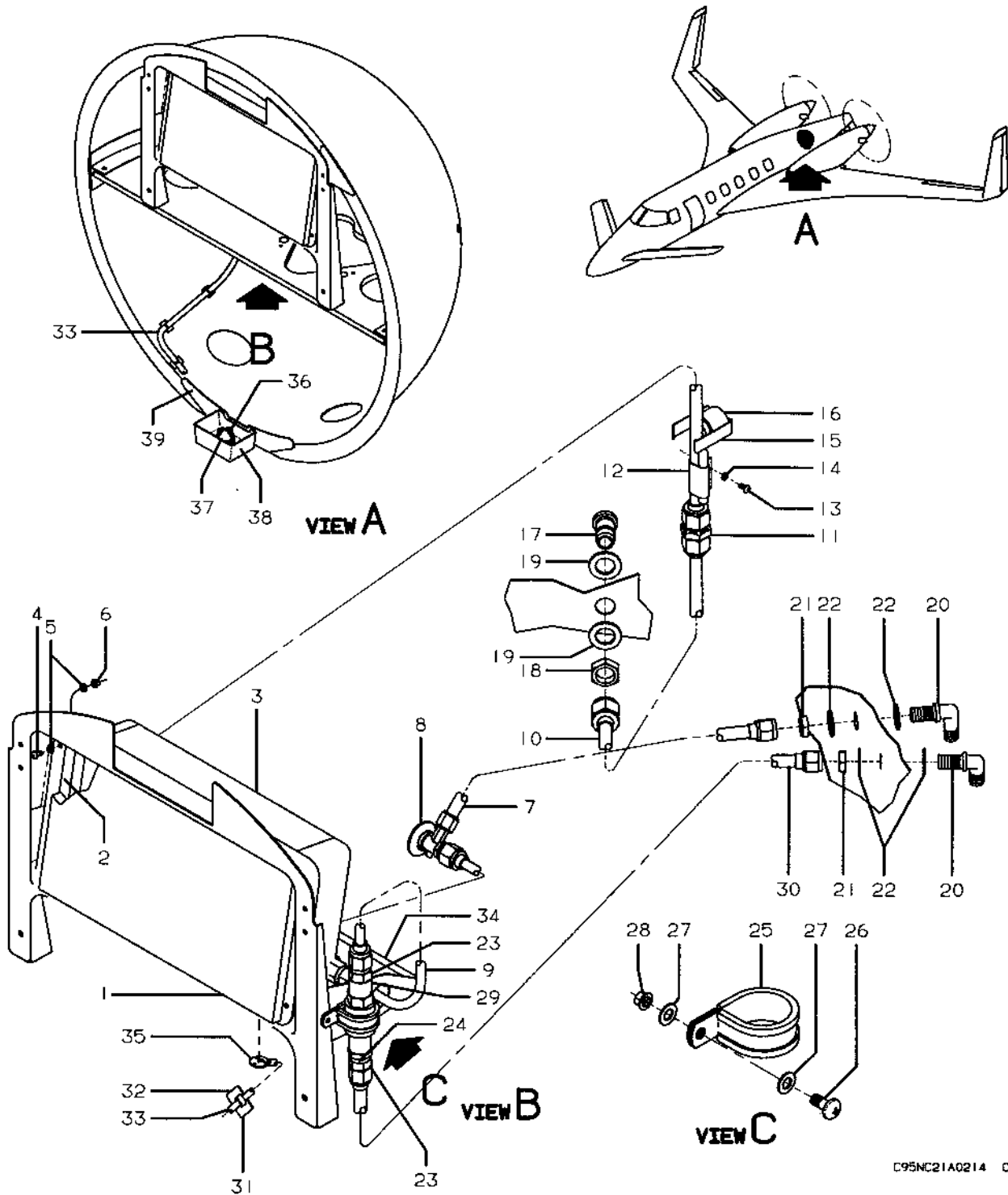
1	NC-4 THRU NC-14	2	NC-15 AND AFTER
3	NC-4 THRU NC-24	4	NC-25 AND AFTER



**Beechcraft**  
**STARSHIP 1**  
**ILLUSTRATED PARTS CATALOG**

**21-50-30**  
**AFT EVAPORATOR**

Beechcraft  
 STARSHIP 1  
 ILLUSTRATED PARTS CATALOG



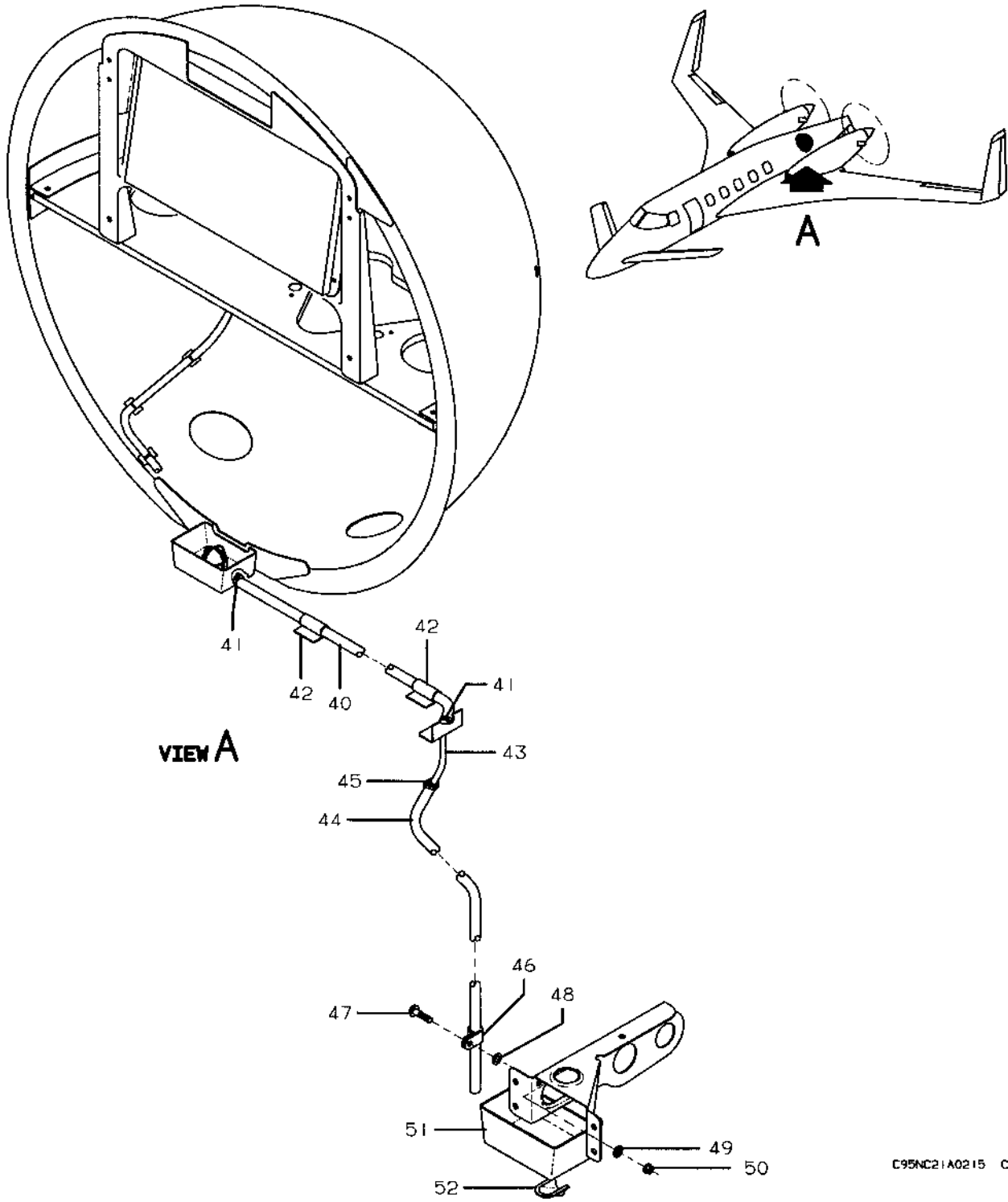
C95NC21A0214 C

FIGURE 50-30.AFT EVAPORATOR  
 /SHEET 1 OF 3 SHEETS/

**Beechcraft**  
**STARSHIP 1**  
**ILLUSTRATED PARTS CATALOG**

SUB-SEC UNIT & ITEM NO	PART NO.	DESCRIPTION 1 2 3 4 5 6 7	UNITS	USABLE
			PER ASSY	ON CODE
50-30	122-555030-3	EVAPORATOR INSTL, AFT .....	NP	
- 1	122-555047-1	. FILTER .....	1	
- 2	131981A050-076	. FASTENER .....	2	
- 3	R 122-380021-1	. COIL ASSY, AFT EVAPORATOR/ORDER 122-380021-3 .....	NP	1
		FOR SPARES/		
	R 122-380021-3	. COIL ASSY, AFT EVAPORATOR .....	1	2
		/ATTACHING PARTS/		
- 4	MS27039-1-07	. SCREW .....	4	
- 5	AN960PD10L	. WASHER .....	8	
- 6	130909N29	. NUT .....	4	
		-----★-----		
- 7	122-555125-1	. TUBE ASSY .....	1	
- 8	626-134	. VALVE, EXPANSION .....	1	
- 9	122-555036-1	. TUBE ASSY, HOT GAS BY-PASS .....	1	
-10	122-555126-1	. TUBE ASSY .....	1	
-11	131533-919-15D	. REDUCER .....	1	
-12	99-555017	. CLAMP ASSY .....	1	
		/ATTACHING PARTS/		
-13	MS35206-245	. SCREW .....	1	
-14	AN960-8L	. WASHER .....	1	
		-----★-----		
-15	50097-3	. CLIP .....	1	
-16	20425L97-840-759	. SWITCH, THERMOSTAT .....	1	
-17	131533-833-8D	. ELBOW .....	1	
		/ATTACHING PARTS/		
-18	AN924-8D	. NUT .....	1	
-19	AN960PD1216L	. WASHER .....	2	
		-----★-----		
-20	131533-833-6D	. ELBOW .....	2	
		/ATTACHING PARTS/		
-21	AN924-6D	. NUT .....	2	
-22	AN960PD916L	. WASHER .....	4	
		-----★-----		
-23	131533-815-6D	. UNION .....	2	
-24	3-906C147-70	. SEAL .....	2	
-25	MS21919DG20	. CLAMP .....	1	
		/ATTACHING PARTS/		
-26	MS35207-264	. SCREW .....	1	
-27	AN960PD10L	. WASHER .....	2	
-28	130909N29	. NUT .....	1	
		-----★-----		
-29	101-380019-3	. VALVE ASSY .....	1	
-30	122-555127-1	. TUBE ASSY .....	1	
-31	MS3387-4-9	. STRAP, TUBE SECURING .....	3	
-32	ABMS-A	. MOUNT, TUBE SUPPORT .....	3	
-33	131823E4	. TUBE .....	1	
-34	122-555033-1	. TRAY ASSY, CONDENSATION .....	1	
-35	122-555037-1	. TUBE ASSY .....	1	
	122-555035-1	. VALVE ASSY, RELIEF .....	1	
-36	122-555049-1	. SPRING .....	2	
-37	1- DIA	. POLYPROPYLENE BALL .....	1	
-38	122-555035-3	. VALVE HOUSING WELD ASSY .....	1	
-39	122-555051-1	. TRAY ASSY, CONDENSATION .....	1	

Beechcraft  
STARSHIP 1  
ILLUSTRATED PARTS CATALOG



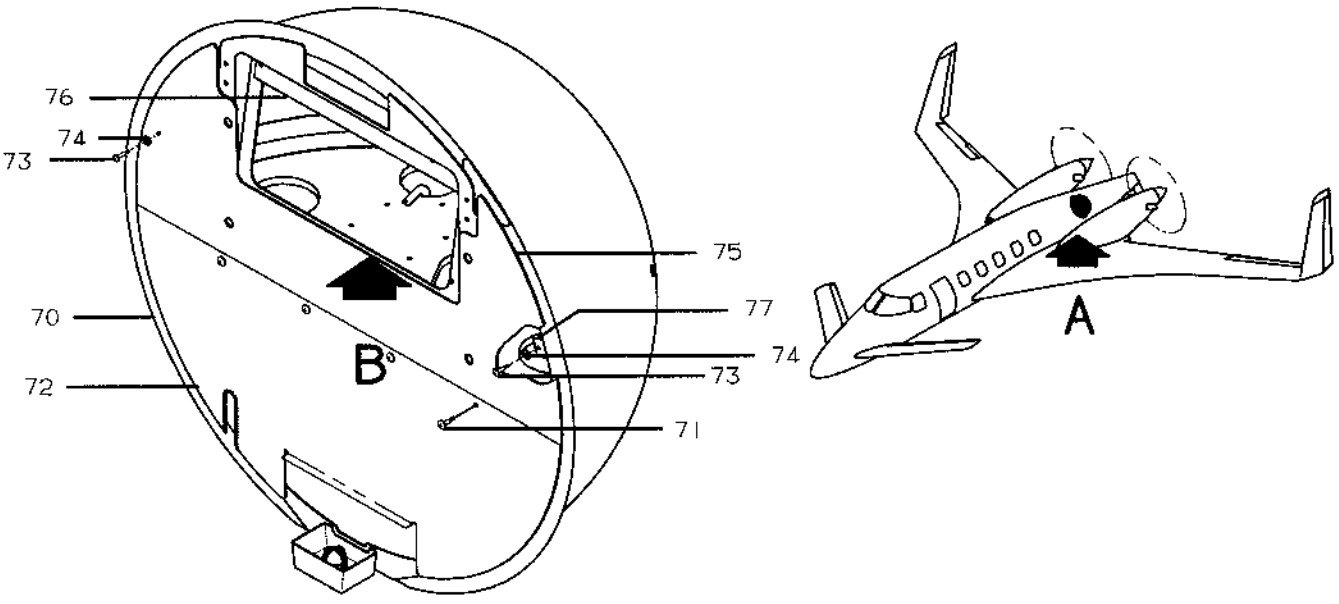
C95NC21A0215 C

FIGURE 50-30.AFT EVAPORATOR  
/SHEET 2 OF 3 SHEETS/

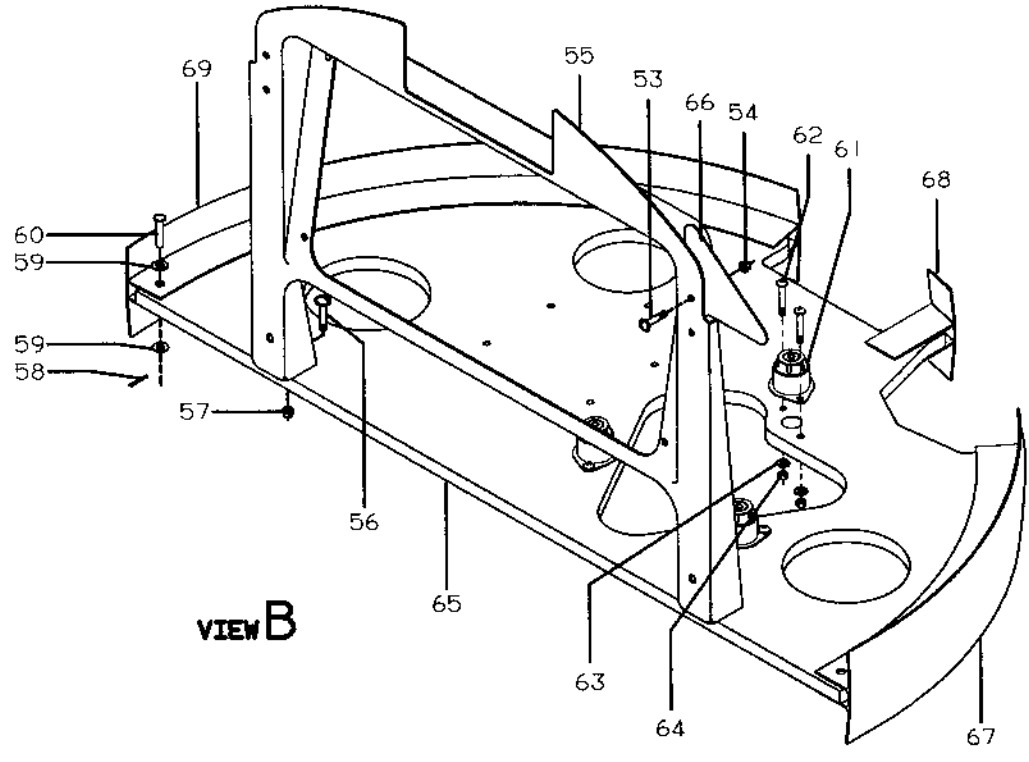
  
**STARSHIP 1**  
**ILLUSTRATED PARTS CATALOG**

SUB-SEC UNIT & ITEM NO	PART NO.	DESCRIPTION 1 2 3 4 5 6 7	UNITS PER ASSY	USABLE ON CODE
50-30 -40	131823E4	. TUBE .....	1	
-41	MS3367-5-9	. STRAP .....	2	
-42	AJC25A-C	. MOUNT .....	2	
-43	122-555053-1	. TUBE ASSY.....	1	
-44 R	131823E4	. TUBE .....	1	
-45	MS3367-5-9	. STRAP .....	1	
-46	HP4N	. CLAMP, TUBE SUPPORT .....	1	
		/ATTACHING PARTS/		
-47	MS35206-245	. SCREW.....	1	
-48 R	AN960-B	. WASHER/UNDER CLAMP/ .....	1	
-49 R	AN960-8L	. WASHER/UNDER NUT/ .....	1	
-50	130909N28	. NUT .....	1	
		-----★-----		
-51	122-555051-3	. TRAY .....	1	
-52	S43	. GROMMET .....	1	

**Beechcraft**  
**STARSHIP 1**  
**ILLUSTRATED PARTS CATALOG**



**VIEW A**



**VIEW B**

C95NC21A0216 C

**FIGURE 50-30.AFT EVAPORATOR**  
**/SHEET 3 OF 3 SHEETS/**

**Beechcraft**  
**STARSHIP 1**  
**ILLUSTRATED PARTS CATALOG**

SUB-SEC UNIT & ITEM NO	PART NO.	DESCRIPTION 1 2 3 4 5 6 7	UNITS	USABLE
			PER ASSY	ON CODE
50-30	122-430123-35	.. DOME ASSY .....	1	
- 53	R AN525-10R7	.. SCREW .....	4	
- 54	R 130909N49	.. NUT .....	4	
- 55	R 122-430123-19	.. SUPPORT, EVAPORATOR ASSY .....	1	
	R MS21060L3	.. NUTPLATE .....	4	
	R MS21051L06	.. NUTPLATE .....	2	
- 56	R AN525-10R12	.. SCREW .....	2	
- 57	R 130909N49	.. NUT .....	2	
- 58	R MS24665-134	.. PIN, COTTER .....	2	
- 59	R AN960-10L	.. WASHER .....	4	
- 60	R MS20392-2C25	.. PIN .....	2	
	R 122-430123-39	.. SHELF ASSY .....	1	
- 61	R E22-02-40	.. ISOLATOR .....	3	
		.. /ATTACHING PARTS/ .....		
- 62	R AN515-8R16	.. SCREW .....	2	
- 63	R AN960-8	.. WASHER .....	2	
- 64	R MS21044N08	.. NUT .....	2	
		---*---		
- 65	R 122-430123-41	.. SHELF ASSY, BONDED .....	1	
- 66	R 122-430123-13	.. CLIP, LH .....	1	
	R 122-430123-14	.. CLIP, RH .....	1	
- 67	R 122-430123-25	.. SUPPORT .....	1	
- 68	R 122-430123-33	.. SUPPORT .....	1	
- 69	R 122-430123-31	.. SUPPORT .....	1	
- 70	R 122-430123-37	.. DOME ASSY .....	1	
	R 122-555055-1	.. CLOSURE INSTL, ENVIRONMENTAL DOME .....	NP	3
- 71	R AN525-832R6	.. SCREW .....	4	3
- 72	R 122-555055-3	.. CLOSURE ASSY .....	1	1
	122-555055-23	.. CLOSURE ASSY .....	1	2
- 73	R MS35206-243	.. SCREW .....	2	3
- 74	R AN960PD8L	.. WASHER .....	2	3
- 75	R 122-555055-7	.. CLOSURE ASSY .....	1	1
	122-555055-19	.. CLOSURE ASSY .....	1	2
- 76	R 122-555055-11	.. BAFFLE ASSY .....	1	1
- 77	R 122-555055-15	.. CLIP ASSY .....	1	3
	R MS21059L08K	.. NUTPLATE .....	2	

**CODES OF EFFECTIVITY**

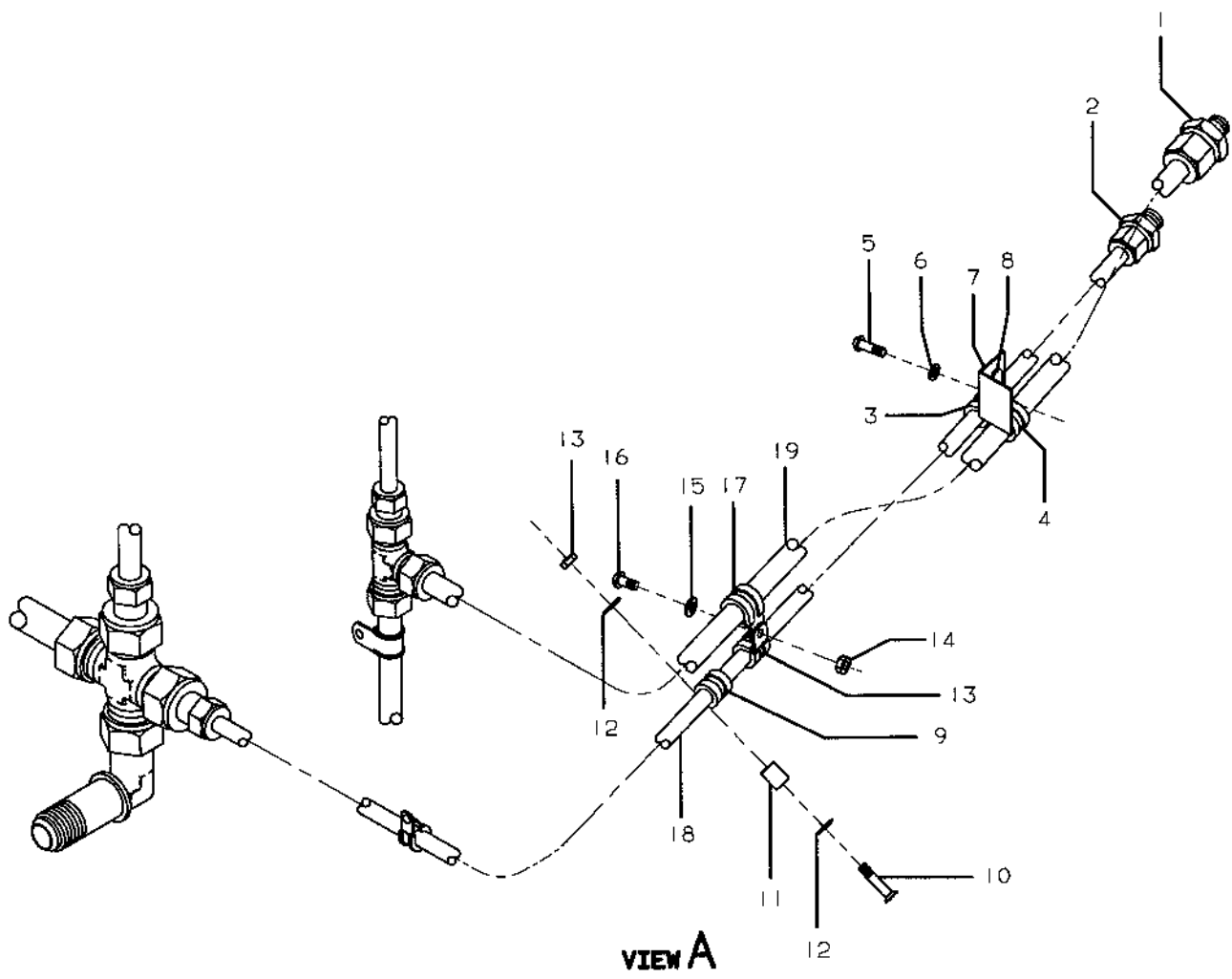
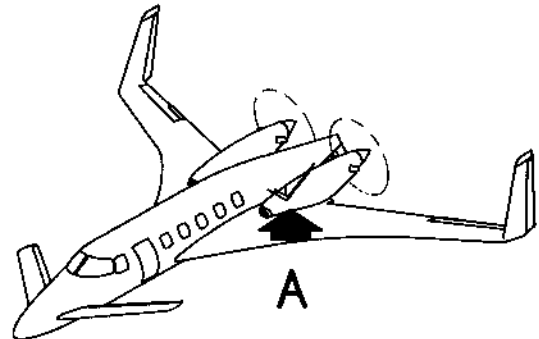
1 NC-17 THRU NC-20                      2 NC-21 AND AFTER  
3 NC-17 AND AFTER

**Beechcraft**  
**STARSHIP 1**  
**ILLUSTRATED PARTS CATALOG**

**21-50-40**  
**FUSELAGE REFRIGERATION PLUMBING**



Beechcraft  
STARSHIP 1  
ILLUSTRATED PARTS CATALOG



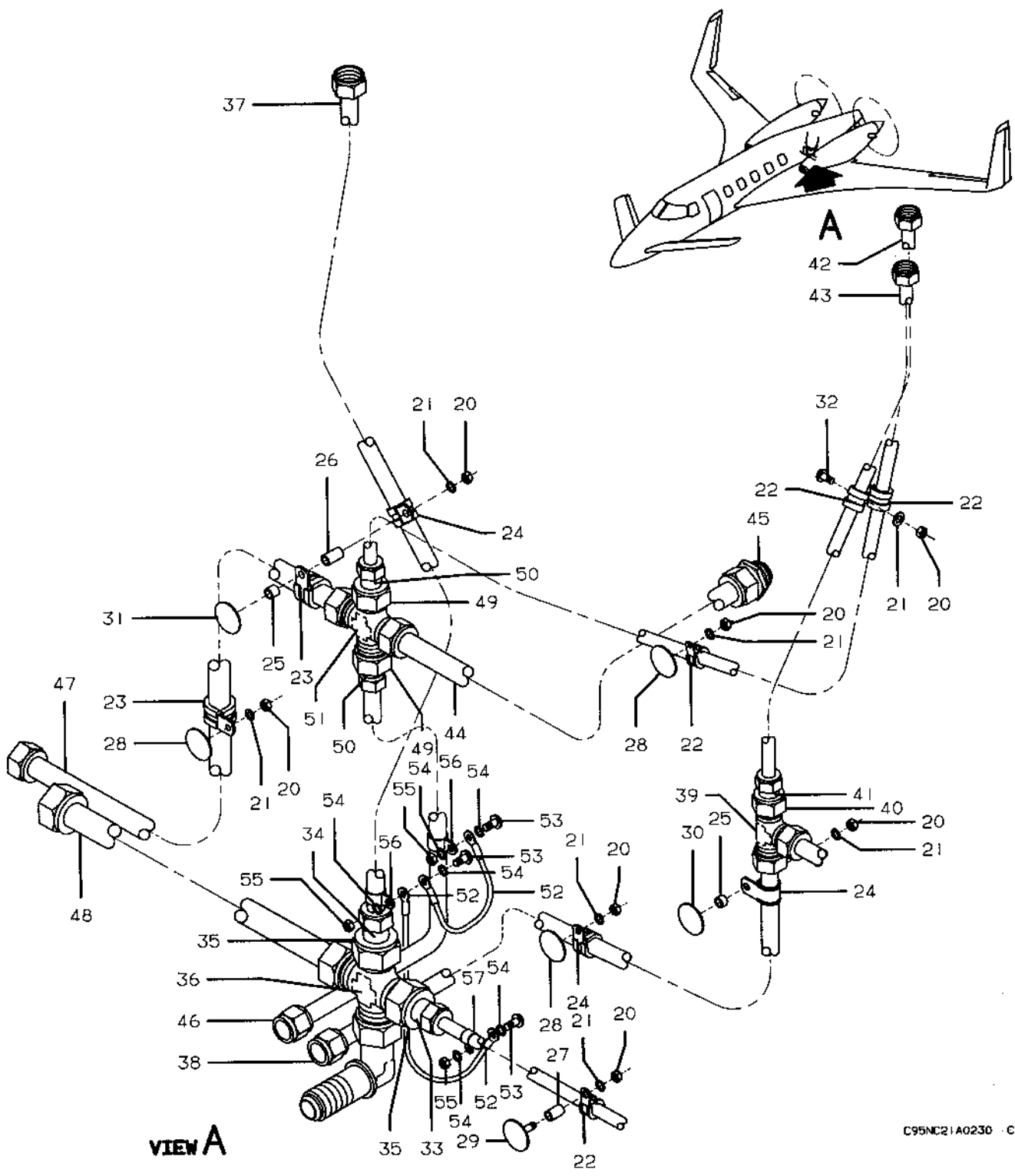
C95NC21A0229 C

FIGURE 50-40.FUSELAGE REFRIGERATION PLUMBING  
/SHEET 1 OF 5 SHEETS/

**Beechcraft**  
**STARSHIP 1**  
**ILLUSTRATED PARTS CATALOG**

SUB-SEC UNIT & ITEM NO	PART NO.	DESCRIPTION 1 2 3 4 5 6 7	UNITS	USABLE
			PER ASSY	ON CODE
50-40	122-555050-1	REFRIGERANT PLUMBING SYSTEM .....	NP	
		<b>NOTE</b> USE MS25083- BONDING JUMPER WITH SHORTEST LEAD POSSIBLE. SECURE AN735- CLAMP WITH MS35207- SCREW, AN960-10L WASHER, MS35338-43 LOCK WASHER AND 130909N29 NUT.		
	122-555054-13	.. PLUMBING INSTL, REFRIGERATION .....	NP	
- 1	131533-919-12D	.. REDUCER .....	1	
- 2	131533-815-6D	.. UNION .....	1	
- 3	MS21919WDG6	.. CLAMP .....	1	
- 4	MS21919WDG8	.. CLAMP .....	1	
		.. /ATTACHING PARTS/		
- 5	MS35207-264	.. SCREW .....	1	
- 6	AN960-10L	.. WASHER .....	1	
		-----★-----		
- 7	122-555067-5	.. BRACKET ASSY .....	1	
	R MS21051L3	.. NUTPLATE .....	1	
- 8	R MS21919WDG6	.. CLAMP .....	1	
		.. /ATTACHING PARTS/		
- 9	R MS24894C58	.. SCREW .....	1	
- 10	R NAS43DD3-32	.. SPACER .....	1	
- 11	R AN960-10L	.. WASHER .....	2	
- 12	R 130909N29	.. NUT .....	1	
		-----★-----		
- 13	R MS21919WDG6	.. CLAMP .....	1	
- 14	R MS21919WDG8	.. CLAMP .....	1	
- 15	R 130909N29	.. NUT .....	1	
- 16	R AN960-10L	.. WASHER .....	1	
- 17	R MS35207-262	.. SCREW .....	1	
- 18	122-555064-1	.. TUBE ASSY /LOW PRESS TEST/ .....	1	
- 19	122-555135-1	.. TUBE ASSY /HIGH PRESS LIQUID/ .....	1	

**Beechcraft**  
**STARSHIP 1**  
**ILLUSTRATED PARTS CATALOG**



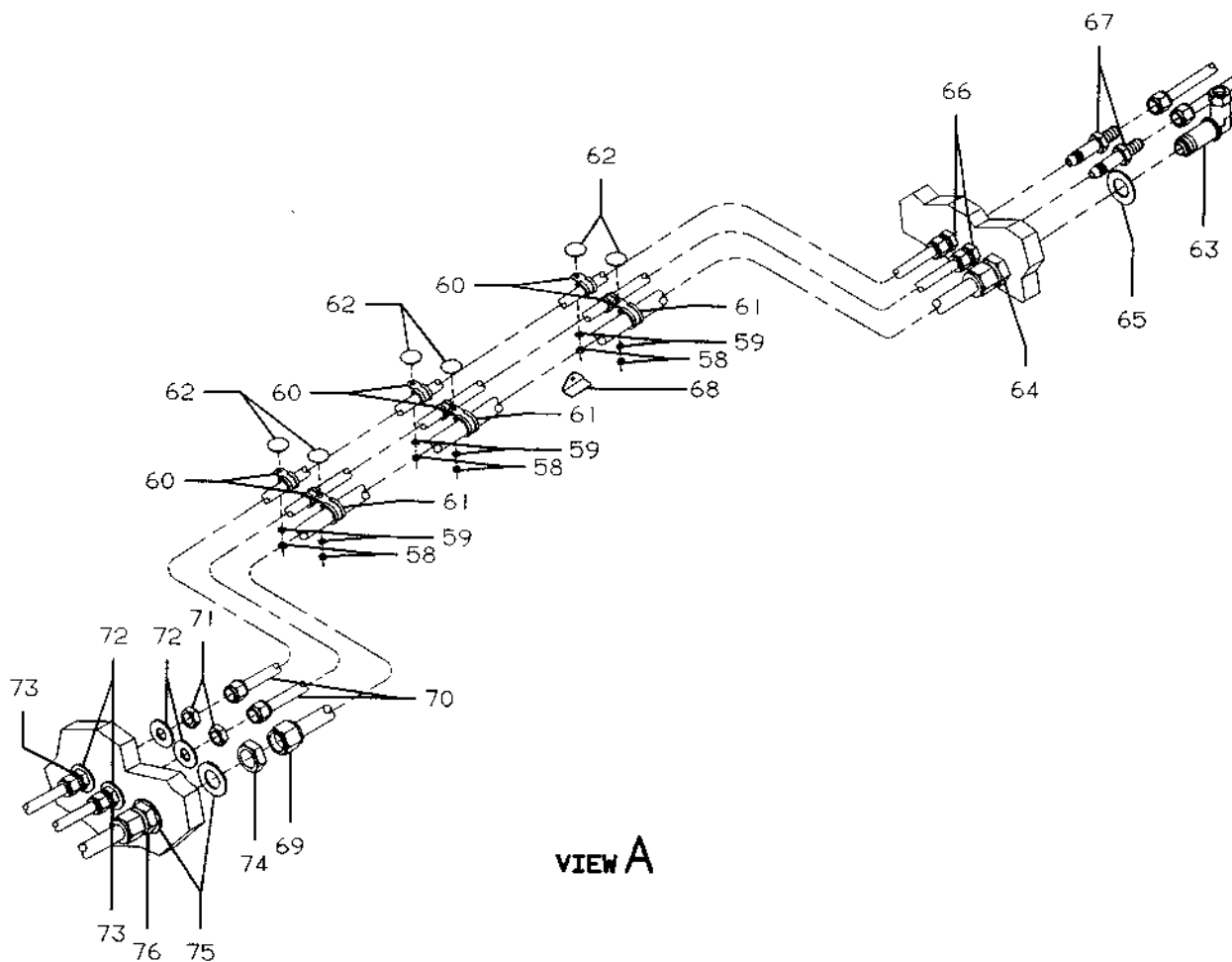
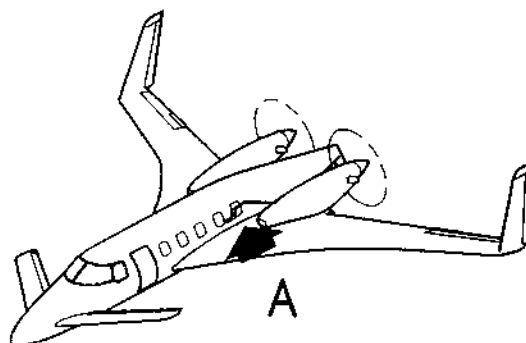
C95NC21A0230 - C

**FIGURE 50-40. FUSELAGE REFRIGERATION PLUMBING**  
**/SHEET 2 OF 5 SHEETS/**

**Beechcraft**  
**STARSHIP 1**  
**ILLUSTRATED PARTS CATALOG**

SUB-SEC UNIT & ITEM NO	PART NO.	DESCRIPTION 1 2 3 4 5 6 7	UNITS	USABLE
			PER ASSY	ON CODE
50-40 -20	130909N29	.. NUT .....	7	
-21	AN960-10L	.. WASHER .....	7	
-22	MS21919WDG8	.. CLAMP .....	4	
-23	MS21919WDG10	.. CLAMP .....	2	
-24	MS21919WDG8	.. CLAMP .....	3	
-25	NAS43DD3-18	.. SPACER .....	2	
-26	NAS43DD3-40	.. SPACER .....	1	
-27	NAS43DD3-32	.. SPACER .....	1	
-28	SL6172-3-4	.. STUD .....	3	
-29	SL6172-3-8	.. STUD .....	1	
-30	SL6172-3-6	.. STUD .....	1	
-31	SL6172-3-11	.. STUD .....	1	
-32	MS35207-262	.. SCREW .....	1	
-33	131533-1564-12 *	-6D .. REDUCER .....	1	
-34	131533-1564-12 *	-8D .. REDUCER .....	1	
-35	AN818-12D	.. NUT .....	2	
-36	AA67113-12DG	.. CROSS .....	1	
-37	122-555133-1	.. TUBE ASSY/SUCTION, AFT/ .....	1	
-38	122-555141-1	.. TUBE ASSY/HIGH PRESS LIQ, FWD/ .....	1	
-39	131533-824-8D	.. TEE .....	1	
-40	AN818-8D	.. NUT .....	1	
-41	131533-1564-8-6D	.. REDUCER .....	1	
-42	122-555129-1	.. TUBE ASSY/HIGH PRESS LIQ, AFT/ .....	1	
-43	122-555130-1	.. TUBE ASSY/HGB AFT/ .....	1	
-44	122-555056-1	.. TUBE ASSY/HIGH PRESS GAS/ .....	1	
-45	131533-815-10D	.. UNION .....	1	
-46	122-555142-1	.. TUBE ASSY/HGB, FWD/ .....	1	
-47	122-555137-1	.. TUBE ASSY/HIGH PRESS GAS/ .....	1	
-48	122-555138-1	.. TUBE ASSY/SUCTION/ .....	1	
-49	R AN818-10D	.. NUT .....	2	
-50	R 131533-1564-10 *	-6D .. REDUCER .....	2	
-51	131533-827-10D	.. CROSS .....	1	
-52	MS25083-2BB6	.. JUMPER, BONDING .....	2	
		/ATTACHING PARTS/		
-53	MS35207-264	.. SCREW .....	3	
-54	AN960-10L	.. WASHER .....	6	
-55	130909N29	.. NUT .....	3	
		---★---		
-56	AN735D8	.. CLAMP .....	2	
-57	AN735D6	.. CLAMP .....	1	

Beechcraft  
STARSHIP 1  
ILLUSTRATED PARTS CATALOG



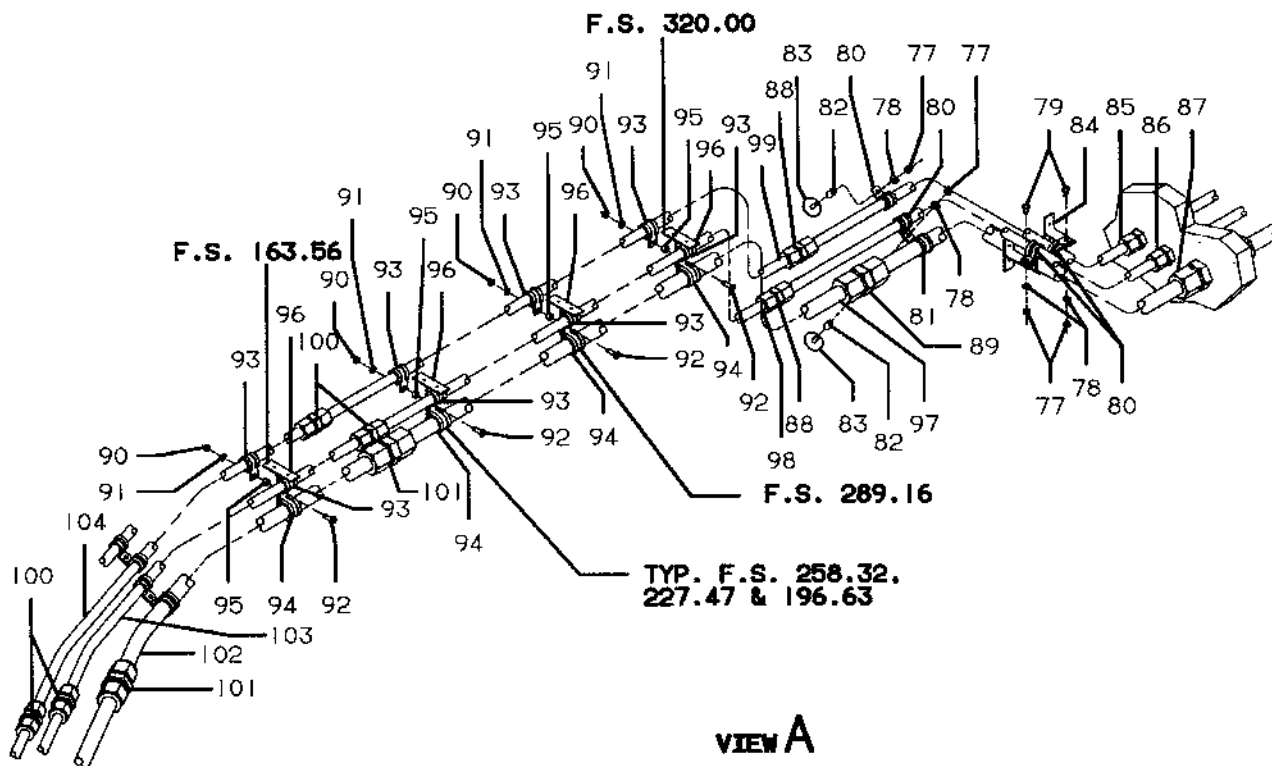
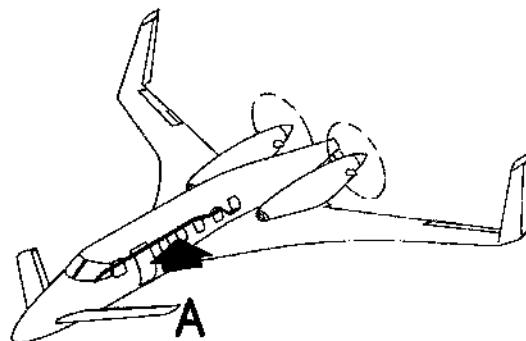
C93NC21A0433 C

FIGURE 50-40. FUSELAGE REFRIGERATION PLUMBING  
/SHEET 3 OF 5 SHEETS/

  
**STARSHIP 1**  
**ILLUSTRATED PARTS CATALOG**

SUB-SEC UNIT & ITEM NO	PART NO.	DESCRIPTION 1 2 3 4 5 6 7	UNITS PER ASSY	USABLE ON CODE
50-40 -58	130909N29	.. NUT .....	6	
-59	AN960-10L	.. WASHER .....	6	
-60	MS21919WDG6	.. CLAMP .....	6	
-61	MS21919WDG12	.. CLAMP .....	3	
-62	SL6172-3-4	.. STUD .....	6	
-63	131948-60A12D20	.. ELBOW .....	1	
		/ATTACHING PARTS/		
-64	AN924-12D	.. NUT .....	1	
-65	AN960PD1716	.. WASHER .....	1	
		*-----		
-66	AN924-8D	.. NUT .....	2	
-67	131948-59A08D20	.. UNION .....	2	
-68	122-555067-9	.. BRACKET, BONDING JUMPER .....	2	
-69	122-555098-1	.. TUBE ASSY/FWD SUCTION/ .....	1	
-70	122-555097-1	.. TUBE ASSY/HGB,HIGH PRESS LIQ-FWD/ .....	2	
-71	AN924-8D	.. NUT .....	2	
-72	AN960PD1216L	.. WASHER .....	4	
-73	131948-59A08D20	.. UNION .....	2	
-74	AN924-12D	.. NUT .....	1	
-75	AN960PD1716L	.. WASHER .....	2	
-76	131948-59A12D20	.. UNION .....	1	

**Beechcraft**  
**STARSHIP 1**  
**ILLUSTRATED PARTS CATALOG**



C94NC21A0420 C

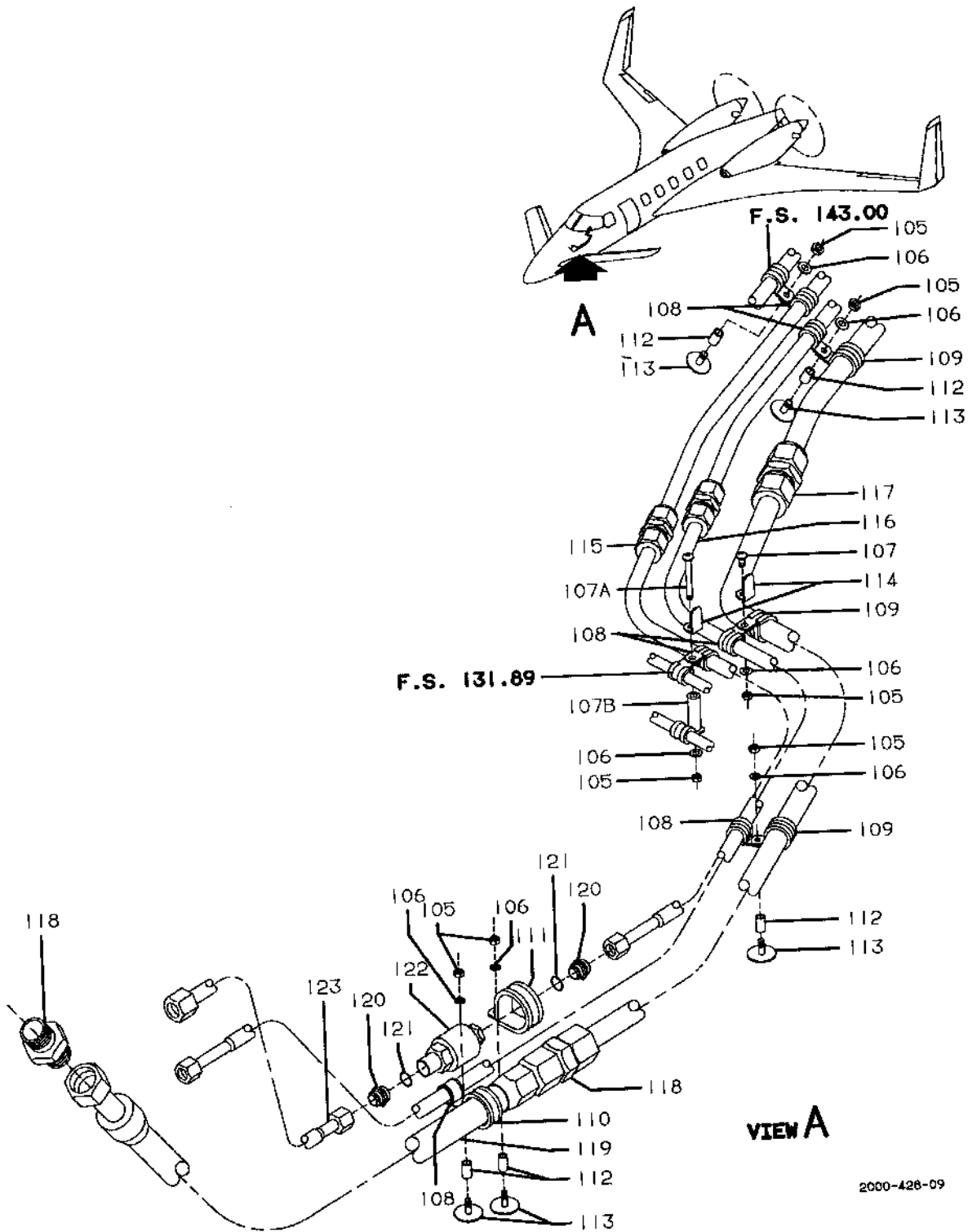
**FIGURE 50-40.FUSELAGE REFRIGERATION PLUMBING**  
**/SHEET 4 OF 5 SHEETS/**

**Beechcraft**  
**STARSHIP 1**  
**ILLUSTRATED PARTS CATALOG**

SUB-SEC UNIT & ITEM NO	PART NO.	DESCRIPTION 1 2 3 4 5 6 7	UNITS	USABLE
			PER ASSY	ON CODE
50-40 -77	130909N29	.. NUT .....	4	
-78	AN960-10L	.. WASHER .....	4	
-79	MS35207-284	.. SCREW .....	2	
-80	MS21919WDG8	.. CLAMP .....	4	
-81	MS21919WDG12	.. CLAMP .....	2	
-82	NAS43DD3-32	.. SPACER .....	2	
-83	SL6172-3-8	.. STUD .....	2	
-84	122-555068-3	.. BRACKET .....	2	
-85	122-555117-1	.. TUBE ASSY/HGB, FWD/ .....	1	
-86	122-555118-1	.. TUBE ASSY/HIGH PRESS LIQUID/ .....	1	
-87	122-555119-1	.. TUBE ASSY/SUCTION, FWD/ .....	1	
-88	131533-815-8D	.. UNION .....	2	
-89	131533-815-12D	.. UNION .....	1	
-90 R	130909N29	.. NUT .....	4	
-91 R	AN960-10L	.. WASHER .....	4	
-92 R	MS35207-286	.. SCREW .....	4	
-93 R	105933-8	.. CLAMP .....	8	
-94 R	105933-12	.. CLAMP .....	4	
-95 R	NAS43DD3-12	.. SPACER .....	4	
-96 R	122-555068-1	.. BRACKET .....	4	
-97	122-555153-1	.. TUBE ASSY/TUBE,SUCTION/ .....	1	
-98	122-555152-1	.. TUBE ASSY/LIQUID/ .....	1	
-99	122-555151-1	.. TUBE ASSY/BYPASS/ .....	1	
-100	131533-815-8D	.. UNION .....	4	
-101	131533-815-12D	.. UNION .....	2	
-102	122-555057-1	.. TUBE ASSY/SUCTION/ .....	1	
-103	122-555059-1	.. TUBE ASSY/LIQUID/ .....	1	
-104	122-555069-1	.. TUBE ASSY/BYPASS/ .....	1	



**Beechcraft**  
**STARSHIP 1**  
**ILLUSTRATED PARTS CATALOG**



**FIGURE 50-40.FUSELAGE REFRIGERATION PLUMBING**  
**/SHEET 5 OF 5 SHEETS/**

**Beechcraft**  
**STARSHIP 1**  
**ILLUSTRATED PARTS CATALOG**

SUB-SEC UNIT & ITEM NO	PART NO.	DESCRIPTION 1 2 3 4 5 6 7	UNITS	USABLE
			PER ASSY	ON CODE
50-40 -105	130909N29	.. NUT .....	7	
-106	AN960-10L	.. WASHER .....	7	
-107	MS35207-264	.. SCREW .....	1	
-107A	MS35207-270	.. SCREW .....	1	
-107B	NAS43DD3-64	.. SPACER .....	1	
-108	MS21919WDG8	.. CLAMP .....	6	
-109	MS21919WDG12	.. CLAMP .....	3	
-110	MS21919WDG16	.. CLAMP .....	1	
-111	MS21919WDG20	.. CLAMP .....	1	
-112	NAS43DD3-32	.. SPACER .....	5	
-113	SL6172-3-8	.. STUD .....	5	
-114	AN749-13	.. BRACKET .....	2	
-115	122-555131-1	.. TUBE ASSY/HGB, FWD/ .....	1	
-116	122-555136-1	.. TUBE ASSY/HIGH PRESS LIQUID, FWD/ .....	1	
-117	122-555140-1	.. TUBE ASSY/SUCTION, FWD/ .....	1	
-118	131533-815-12D	.. UNION .....	2	
-119	122-555054-5	.. HOSE ASSY/SUCTION/ .....	1	1
	122-555054-15	.. HOSE ASSY/SUCTION/ .....	1	2
-120	131533-815-6D	.. UNION .....	2	
-121	3-906C147-70	.. PACKING, PREFORMED .....	2	
-122	101-380019-3	.. VALVE, SOLENOID .....	1	
-123	122-555122-1	.. TUBE ASSY .....	1	
	122-555060-1	.. PLUMBING SYSTEM, WING REFRIGERANT/SEE .....	NP	
		CHAPTER 21-50-45/		

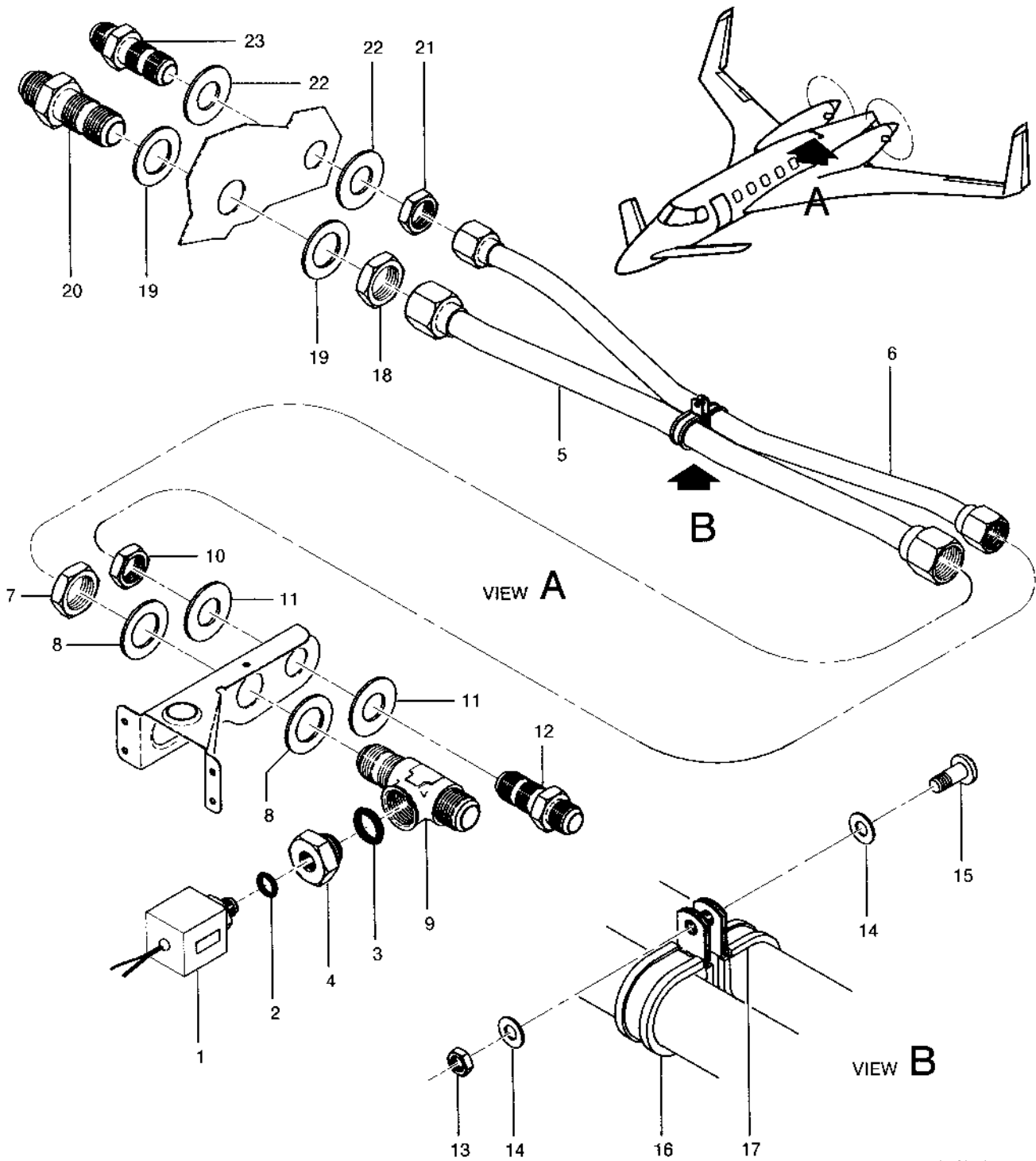
**CODES OF EFFECTIVITY**

1 NC-4 THRU NC-25                      2 NC-26 AND AFTER

**Beechcraft**  
**STARSHIP 1**  
**ILLUSTRATED PARTS CATALOG**

**21-50-45**  
**WING REFRIGERATION PLUMBING**

**Beechcraft**  
**STARSHIP 1**  
**ILLUSTRATED PARTS CATALOG**



2000-428-10

**FIGURE 50-45. WING REFRIGERATION PLUMBING**

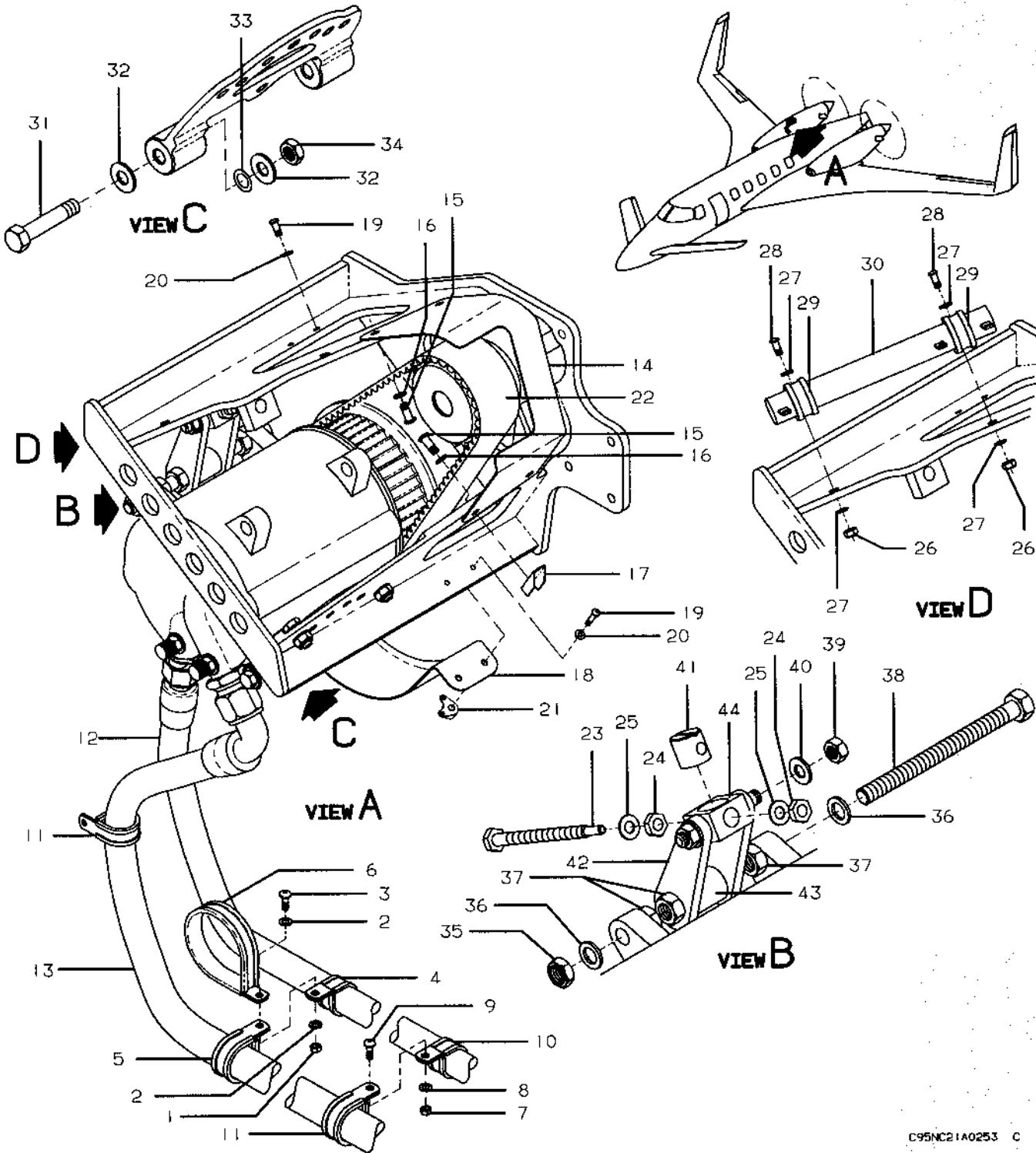
**Beechcraft**  
**STARSHIP 1**  
**ILLUSTRATED PARTS CATALOG**

SUB-SEC UNIT & ITEM NO	PART NO.	DESCRIPTION 1 2 3 4 5 6 7	UNITS	USABLE
			PER ASSY	ON CODE
50-45	122-555050-1	REFRIGERANT PLUMBING SYSTEM .....	NP	
	122-555060-1	. PLUMBING INSTL, WING .....	NP	
- 1	122-380018-3	.. SWITCH, PRESSURE .....	1	
- 2	3-906C147-70	.. PACKING, PREFORMED .....	1	
- 3	3-912C147-70	.. PACKING, PREFORMED .....	1	
- 4	AN893-13D	.. REDUCER .....	1	
- 5	122-555062-1	.. TUBE ASSY .....	1	
- 6	122-555061-1	.. TUBE ASSY .....	1	
- 7	AN924-12D	.. NUT .....	1	
- 8	AN960D1716	.. WASHER .....	2	
- 9	FL43-12D	.. TEE .....	1	
- 10	AN924-10D	.. NUT .....	1	
- 11	AN960D1416	.. WASHER .....	2	
- 12	131533-832-10D	.. UNION .....	1	
- 13	MS21044N3	.. NUT .....	1	
- 14	AN960-10L	.. WASHER .....	2	
- 15	MS27039-1-09	.. SCREW .....	1	
- 16	MS21919WDG12	.. CLAMP .....	1	
- 17	MS21919WCH10	.. CLAMP .....	1	
- 18	AN924-12J	.. NUT .....	1	
- 19	AN960C1716	.. WASHER .....	2	
- 20	131533-832-12J	.. FITTING .....	1	
- 21	AN924-10J	.. NUT .....	1	
- 22	AN960C1416	.. WASHER .....	2	
- 23	131533-832-10J	.. FITTING .....	1	

**Beechcraft**  
**STARSHIP 1**  
**ILLUSTRATED PARTS CATALOG**

**21-50-50**  
**COOLING SYSTEM COMPRESSOR**  
**NC-4 THRU NC-29**

Beechcraft  
 STARSHIP 1  
 ILLUSTRATED PARTS CATALOG



C95NC21A0253 C

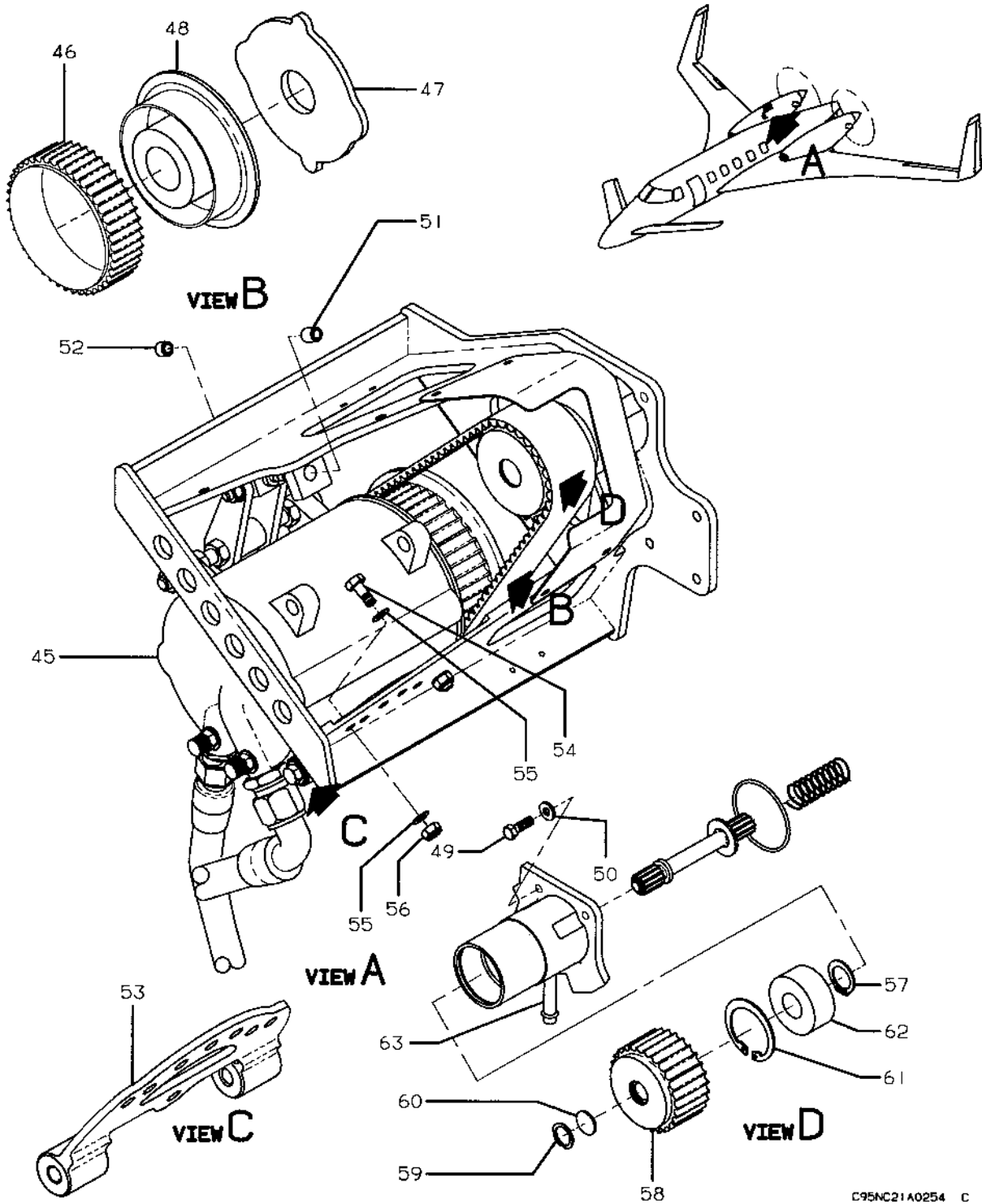
FIGURE 50-50.COOLING SYSTEM COMPRESSOR  
 /SHEET 1 OF 3 SHEETS/

**Beechcraft**  
**STARSHIP 1**  
**ILLUSTRATED PARTS CATALOG**

SUB-SEC UNIT & ITEM NO	PART NO.	DESCRIPTION 1 2 3 4 5 6 7	UNITS	USABLE
			PER ASSY	ON CODE
50-50	122-555010-1	COMPRESSOR INSTL .....	NP	1
- 1	MS21044N3	. NUT .....	1	1
- 2	AN960-10L	. WASHER .....	2	1
- 3	MS27039-1-12	. SCREW .....	1	1
- 4	MS21919WDG12	. CLAMP .....	1	1
- 5	MS21919WDG15	. CLAMP .....	1	1
- 6	MS21919WDG24	. CLAMP .....	1	1
- 7	R 130909N29	. NUT .....	1	1
- 8	R AN960-10L	. WASHER .....	1	1
- 9	R MS35207-263	. SCREW .....	1	1
-10	R MS21919WH12	. CLAMP .....	1	1
-11	R MS21919WH15	. CLAMP .....	2	1
-12	R 122-555010-15	. HOSE ASSY/WITHOUT KIT 122-5018-1 INSTALLED/ /ORDER 122-555010-23 FOR SPARES/	NP	1
	R 122-555010-23	. HOSE ASSY/WITHOUT KIT 122-5018-1 INSTALLED/	1	1
	R 122-555156-13	. HOSE ASSY/WITH KIT 122-5018-1 INSTALLED/	1	1
-13	R 122-555010-17	. HOSE ASSY/WITHOUT KIT 122-5018-1 INSTALLED/ /ORDER 122-555010-25 FOR SPARES/	NP	1
	R 122-555010-25	. HOSE ASSY/WITHOUT KIT 122-5018-1 INSTALLED/	1	1
	R 122-555156-9	. HOSE ASSY/WITH KIT 122-5018-1 INSTALLED/	1	1
-14	R 122-555120-1	. GUARD ASSY, BELT /ATTACHING PARTS/	1	1
-15	R MS27039-0810	. SCREW .....	4	
-16	R AN960-8	. WASHER .....	4	
		-----★-----		
-17	R MS21061L08	. NUTPLATE .....	4	1
-18	R 122-555121-7	. GUARD ASSY, BELT/WITHOUT KIT 122-5018-1 INSTALLED/	1	1
	R 122-555121-11	. GUARD ASSY, BELT/WITH KIT 122-5018-1 INSTALLED/ /ATTACHING PARTS/	1	1
-19	R MS27039-0810	. SCREW .....	4	
-20	R AN960-8	. WASHER .....	4	
		-----★-----		
-21	R MS21055L08	. NUTPLATE .....	2	1
-22	R 640-8M30K	. BELT/WITHOUT KIT 122-5018-1 INSTALLED/	1	1
	R K070257	. BELT/WITH KIT 122-5018-1 INSTALLED/	1	1
-23	R 122-555018-5	. ROD, THREADED .....	1	1
-24	R NAS509-5	. NUT .....	2	1
-25	R AN960-516	. WASHER .....	2	1
-26	R MS21044N3	. NUT .....	2	3
-27	R AN960-10L	. WASHER .....	4	3
-28	R MS27039-1-12	. SCREW .....	2	3
-29	R MS21919WCH15	. CLAMP .....	2	3
-30	R 0958	. RESISTOR/FOR 12 VOLT CLUTCH/	1	3
-31	R AN7-20A	. BOLT/WITHOUT KIT 122-5018-1 INSTALLED/	2	
	R AN7-17A	. BOLT/WITH KIT 122-5018-1 INSTALLED/	2	
-32	R AN960-716	. WASHER .....	4	
-33	R 122-555010-3	. SHIM .....	AR	
-34	R 130909N36	. NUT .....	2	
	R 122-555015-35	. COMPRESSOR/LINKAGE ASSY .....	1	1
-35	R 130909N36	. NUT .....	1	1
-36	R AN960-716	. WASHER .....	2	1
-37	R NAS509-7	. NUT .....	3	1
-38	R 122-555015-47	. ROD, PIVOT .....	1	1
-39	R 130909N32	. NUT .....	2	1
-40	R AN960-416	. WASHER .....	2	1
-41	R 122-555015-49	. NUT, BARREL .....	1	1
	122-555015-37	. LINKAGE ASSY .....	1	1
-42	R 122-555015-39	. PLATE, LINK .....	2	1
-43	R 122-555015-41	. CYLINDER .....	1	1
-44	R 122-555015-43	. BLOCK, PIVOT .....	1	1



Beechcraft  
 STARSHIP 1  
 ILLUSTRATED PARTS CATALOG



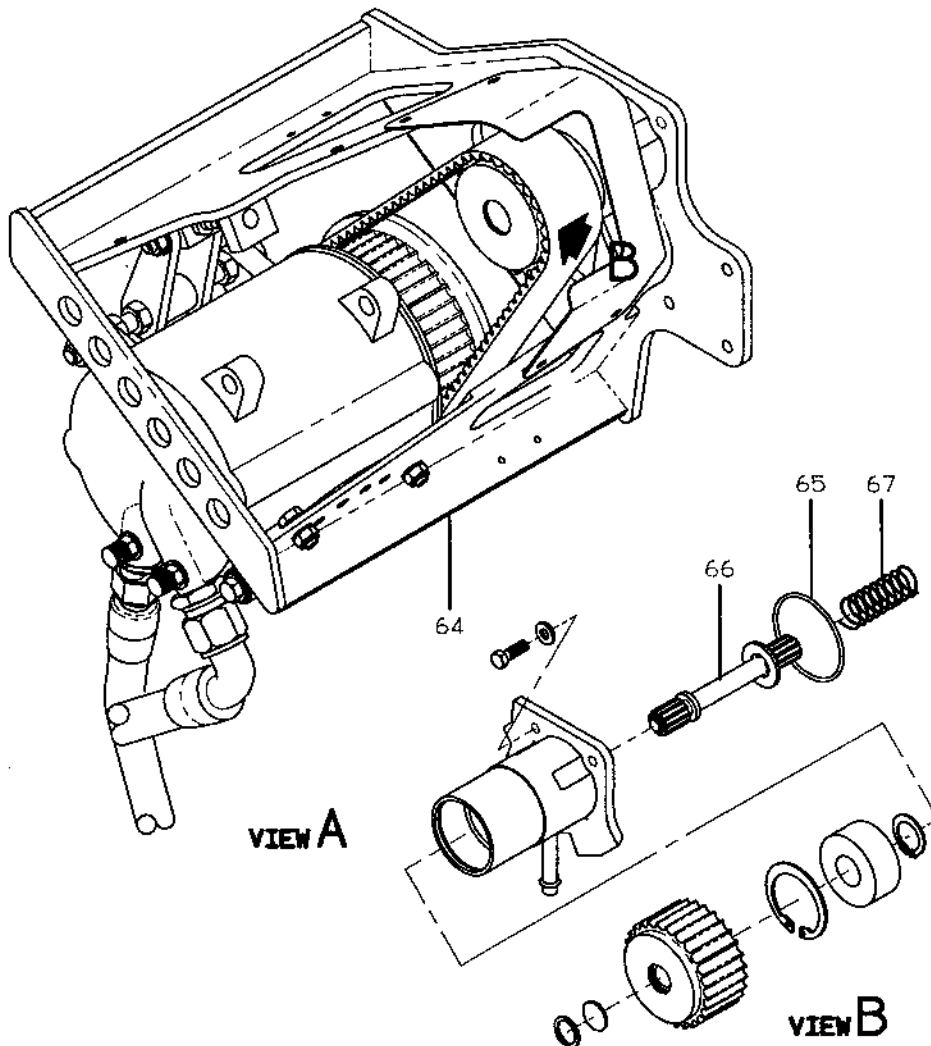
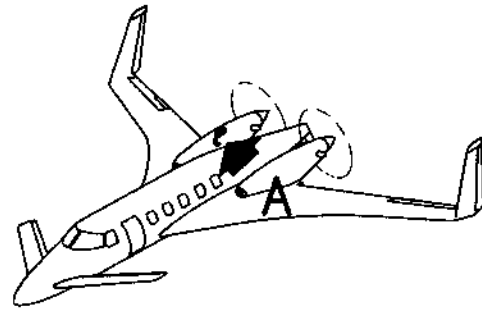
C95NC21A0254 C

FIGURE 50-50.COOLING SYSTEM COMPRESSOR  
 /SHEET 2 OF 3 SHEETS/

**Beechcraft**  
**STARSHIP 1**  
**ILLUSTRATED PARTS CATALOG**

SUB-SEC UNIT & ITEM NO	PART NO.	DESCRIPTION 1 2 3 4 5 6 7	UNITS	USABLE
			PER ASSY	ON CODE
50-50	122-555011-15	.. COMPRESSOR ASSY/ORDER KIT 122-5018-1 FOR.....	NP	1
		REPLACEMENT PARTS/		
- 45	R 122-555011-17	.. COMPRESSOR .....	1	4
	R 122-555011-19	.. COMPRESSOR .....	1	5
	R 122-555156-5	.. COMPRESSOR ASSY/WITH KIT 122-5018-1 .....	1	1
		INSTALLED/		
	R 83616420	.. PLUG ASSY, OIL .....	1	1
	R 8527-6041	.. COIL, FIELD .....	1	1
	R SD5089283	.. COMPRESSOR .....	1	1
	R 122-555156-7	.. SUPPORT .....	2	1
		/ATTACHING PARTS/		
	R 130909N32	.. NUT .....	4	
	R AN960-416L	.. WASHER .....	8	
	R 130909B34	.. BOLT .....	4	
		-----★-----		
- 46	R 0W5A2G 24V	.. CLUTCH ASSY/24 VOLT/ORDER KIT 122-5013-1 .....	NP	2
		FOR REPLACEMENT PARTS/		
	R 0W5A2G 12V	.. CLUTCH ASSY/12 VOLT/WITHOUT KIT .....	1	3
		122-5018-1 INSTALLED/		
	R 0W5A2G 12V	.. CLUTCH ASSY/12 VOLT/WITH KIT 122-5013-1 .....	1	1
		INSTALLED/		
	122-555011-3	.. SPROCKET ASSY .....	1	1
- 47	R 122-555011-5	.. SPROCKET .....	1	1
- 48	R 122-555011-7	.. HUB .....	1	1
	R 122-555013-5	.. MOUNT ASSY, COMPRESSOR/WITHOUT KIT .....	1	1
		122-5018-1 INSTALLED/		
	R 122-555155-1	.. MOUNT ASSY, COMPRESSOR/WITH KIT 122-5018-1 .....	1	1
		INSTALLED/		
		/ATTACHING PARTS/		
- 49	R 122-555010-5	.. BOLT .....	6	
- 50	R AN960JD416	.. WASHER .....	6	
		-----★-----		
	R 122-555155-17	.. BLOCK ASSY, BEARING/WITH KIT 122-5018-1 .....	1	1
		INSTALLED/		
		/ATTACHING PARTS/		
	R MS130909N32	.. NUT .....	2	
	R MS24694S101	.. SCREW .....	2	
		-----★-----		
	R 122-555029-3	.. BUSHING .....	1	1
	R NAS77A5-19	.. BUSHING .....	1	1
	MS21047L08	.. NUTPLATE .....	2	1
- 51	R 122-555029-3	.. BUSHING/WITHOUT KIT 122-5018-1 INSTALLED/ .....	1	1
- 52	R NAS77A5-19	.. BUSHING/WITHOUT KIT 122-5018-1 INSTALLED/ .....	1	1
- 53	R 122-555096-1	.. PLATE ASSY/ORDER 122-555096-3 FOR SPARES/ .....	NP	4
	122-555096-3	.. PLATE ASSY .....	1	5
		/ATTACHING PARTS/		
- 54	R 130909B34	.. BOLT .....	4	
- 55	R AN960-416L	.. WASHER .....	8	
- 56	R 130909N32	.. NUT .....	4	
		-----★-----		
- 57	R MS16624-1078	.. RING, SNAP/WITHOUT KIT 122-5018-1 .....	1	1
		INSTALLED/		
	R 122-555155-21	.. RING, SNAP/WITH KIT 122-5018-1 INSTALLED/ .....	1	1
- 58	R 122-555012-13	.. SPROCKET ASSY, DRIVE/WITHOUT KIT .....	1	1
		122-5018-1 INSTALLED/		
	R 122-555099-1	.. PULLEY, DRIVE/WITH KIT 122-5018-1 .....	1	1
		INSTALLED/		
- 59	R MS16625-1075	.. RING, SNAP .....	1	1
- 60	R 122-555025-1	.. PLUG ASSY .....	1	1
	122-555025-5	.. GASKET .....	1	1
- 61	R MS16625-1185	.. RING, SNAP .....	1	1
- 62	R 5204MFF	.. BEARING .....	1	1
- 63	R 115-555018-9	.. TUBE END, OIL DRAIN .....	1	1

Beechcraft  
STARSHIP 1  
ILLUSTRATED PARTS CATALOG



C95NC21A0378 C

**Beechcraft**  
**STARSHIP 1**  
**ILLUSTRATED PARTS CATALOG**

SUB-SEC UNIT & ITEM NO	PART NO.	DESCRIPTION 1 2 3 4 5 6 7	UNITS	USABLE
			PER ASSY	ON CODE
50-50 - 64	R 122-555027-19	.. WELDMENT/WITHOUT KIT 122-5018-1 INSTALLED/ ..... /ORDER 122-555027-25 FOR SPARES/	NP	6
	R 122-555027-25	.. WELDMENT/WITHOUT KIT 122-5018-1 INSTALLED/ ..... .. WELDMENT/WITH KIT 122-5018-1 INSTALLED/ .....	1	7
	R 122-555155-5	.. WELDMENT/WITH KIT 122-5018-1 INSTALLED/ .....	1	1
- 65	R MS28775-135	. PACKING, PREFORMED .....	2	1
- 66	R 3121202D	. SHAFT ASSY, QUILL/WITHOUT KIT 122-5018-1 ..... INSTALLED/	1	1
	R 3121202-1	... SHAFT ASSY, QUILL/WITH KIT 122-5018-1 ..... INSTALLED/	1	1
- 67	R 100943ZF110G	. SPRING .....	1	1

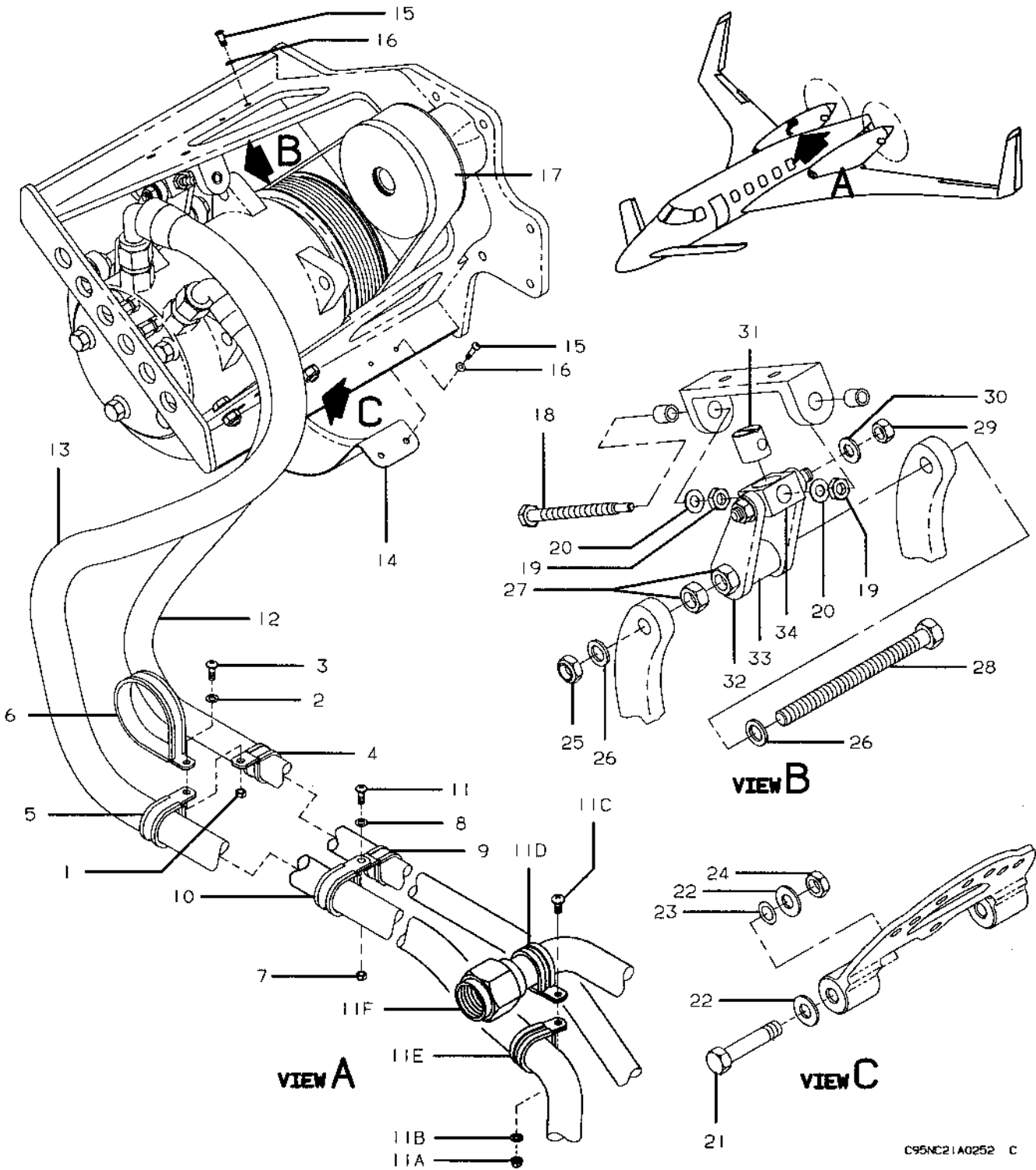
**CODES OF EFFECTIVITY**

1	NC-4 THRU NC-29	2	NC-4 THRU NC-16
3	NC-17 THRU NC-29	4	NC-4 THRU NC-13
5	NC-14 THRU NC-29	6	NC-4 THRU NC-20
7	NC-21 THRU NC-29		

**Beechcraft**  
**STARSHIP 1**  
**ILLUSTRATED PARTS CATALOG**

**21-50-51**  
**COOLING SYSTEM COMPRESSOR**  
**NC-30 AND AFTER**

**Beechcraft**  
**STARSHIP 1**  
**ILLUSTRATED PARTS CATALOG**



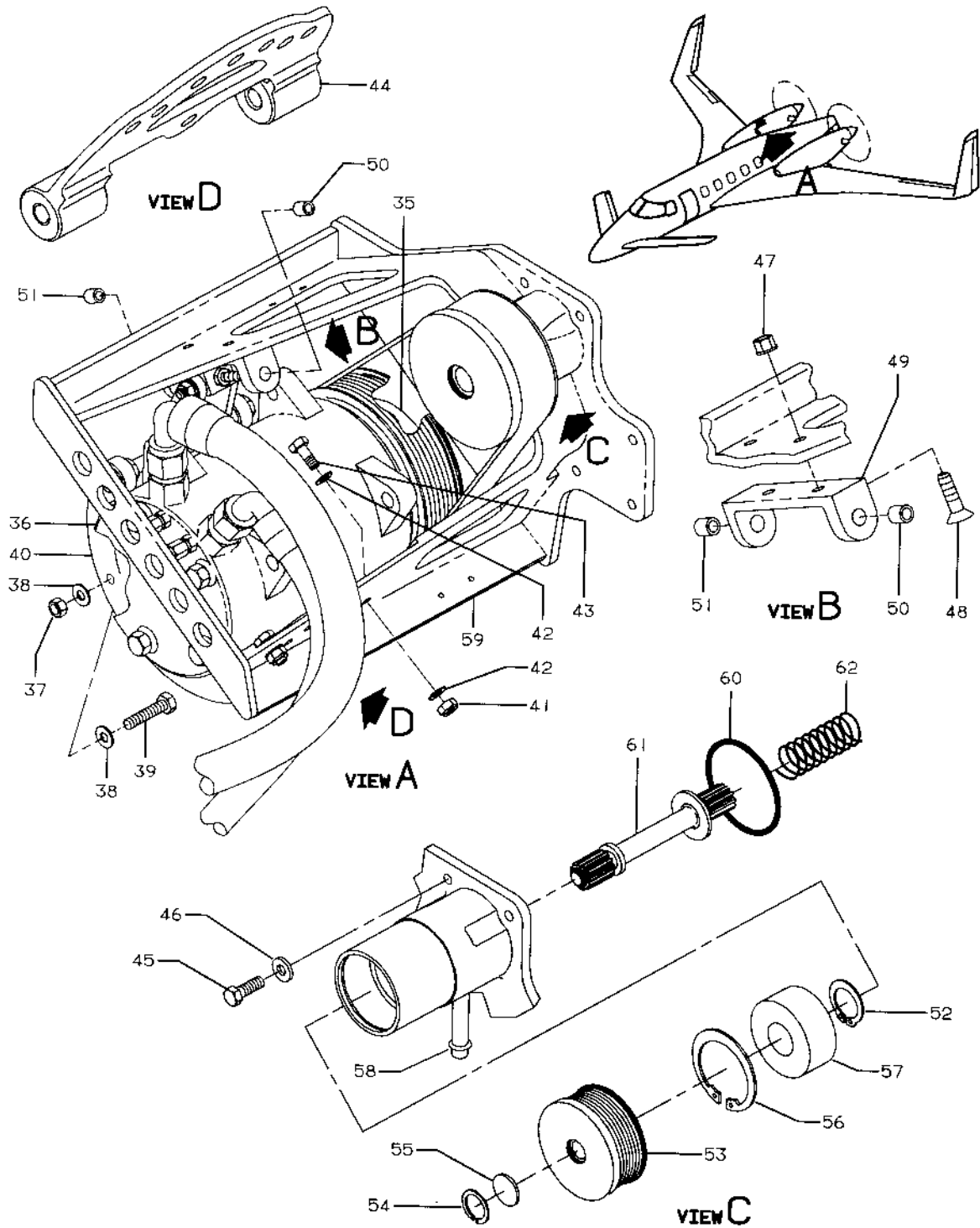
**FIGURE 50-51.COOLING SYSTEM COMPRESSOR**  
**/SHEET 1 OF 2 SHEETS/**

C95NC21A0252 C

**Beechcraft**  
**STARSHIP 1**  
**ILLUSTRATED PARTS CATALOG**

SUB-SEC UNIT & ITEM NO	PART NO.	DESCRIPTION 1 2 3 4 5 6 7	UNITS	USABLE
			PER ASSY	ON CODE
50-51	122-555156-1	COMPRESSOR INSTL .....	NP	1
- 1	MS21044N3	. NUT .....	1	1
- 2	AN960-10L	. WASHER .....	2	1
- 3	MS27039-1-12	. SCREW .....	1	1
- 4	MS21919WDG12	. CLAMP .....	1	1
- 5	MS21919WDG15	. CLAMP .....	1	1
- 6	MS21919WDG24	. CLAMP .....	1	1
- 7	130909N29	. NUT .....	1	1
- 8	AN960-10L	. WASHER .....	1	1
- 9	MS21919WH12	. CLAMP .....	1	1
- 10	MS21919WH15	. CLAMP .....	1	1
- 11	MS35207-263	. SCREW .....	1	1
- 11A	130909N29	. NUT .....	1	1
- 11B	AN960-10L	. WASHER .....	1	1
- 11C	MS35207-263	. SCREW .....	1	1
- 11D	MS21919WH20	. CLAMP .....	1	1
- 11E	MS21919WH15	. CLAMP .....	1	1
- 11F	122-920001-96	. HOSE ASSY .....	1	1
- 12	122-555156-9	. HOSE ASSY .....	1	1
- 13	122-555156-13	. HOSE ASSY .....	1	1
- 14	122-555121-11	. GUARD ASSY, BELT .....	1	1
		/ATTACHING PARTS/		
- 15	MS27039-0810	. SCREW .....	4	
- 16	AN960-8	. WASHER .....	4	
		-----★-----		
- 17	R MS21055L08	. . NUTPLATE .....	4	1
	R 20-4049	. BELT/ORDER K070257 FOR SPARES/ .....	NP	2
	R K070257	. BELT .....	1	3
- 18	122-555016-5	. ROD, THREADED .....	1	1
- 19	NAS509-5	. NUT .....	2	1
- 20	AN960-516	. WASHER .....	2	1
	122-555156-3	. COMPRESSOR/LINKAGE ASSY .....	1	1
		/ATTACHING PARTS/		
- 21	AN7-17A	. BOLT .....	2	
- 22	AN960-716	. WASHER .....	4	
- 23	122-555010-3	. SHIM .....	AR	
- 24	130909N36	. NUT .....	2	
		-----★-----		
- 25	130909N36	. . NUT .....	1	1
- 26	AN960-716	. . WASHER .....	2	1
- 27	NAS509-7	. . NUT .....	2	1
- 28	122-555015-47	. . ROD, PIVOT .....	1	1
- 29	130909N32	. . NUT .....	2	1
- 30	AN960-416	. . WASHER .....	2	1
- 31	122-555015-49	. . NUT, BARREL .....	1	1
	122-555015-37	. . LINKAGE ASSY .....	1	1
- 32	122-555015-39	. . . PLATE, LINK .....	2	1
- 33	122-555015-41	. . . CYLINDER .....	1	1
- 34	122-555015-43	. . . BLOCK, PIVOT .....	1	1

**Beechcraft**  
**STARSHIP 1**  
**ILLUSTRATED PARTS CATALOG**



C9200658

**FIGURE 50-51.COOLING SYSTEM COMPRESSOR**  
**/SHEET 2 OF 2 SHEETS/**

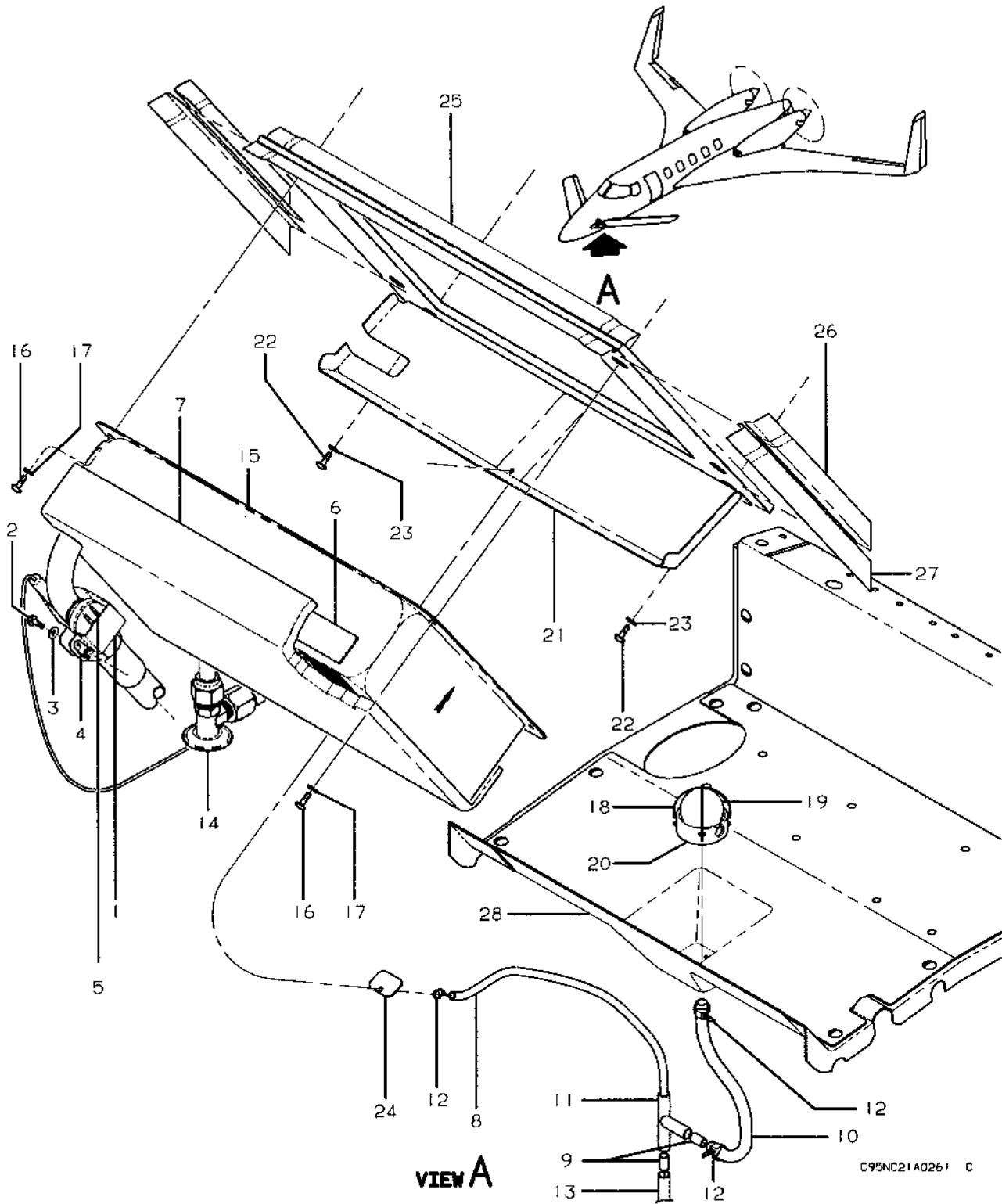




**Beechcraft**  
**STARSHIP 1**  
**ILLUSTRATED PARTS CATALOG**

**21-50-60**  
**FORWARD EVAPORATOR**

**Beechcraft**  
**STARSHIP 1**  
**ILLUSTRATED PARTS CATALOG**



**FIGURE 50-60.FORWARD EVAPORATOR**

**Beechcraft**  
**STARSHIP 1**  
**ILLUSTRATED PARTS CATALOG**

SUB-SEC UNIT & ITEM NO	PART NO.	DESCRIPTION 1 2 3 4 5 6 7	UNITS PER ASSY	USABLE ON CODE
50-80	122-555040-1	EVAPORATOR INSTL, FWD.....	NP	
- 1	122-555039-1	. CLAMP ASSY.....	1	
		/ATTACHING PARTS/		
- 2	MS35206-245	. SCREW.....	1	
- 3	AN960-8L	. WASHER.....	1	
		-----★-----		
- 4	MS21049L08K	. NUTPLATE.....	1	
- 5	20425L97-840-759	. SWITCH, LOW TEMPERATURE.....	1	
- 6	131981A100-112	. FASTENER.....	2	
- 7	122-555048-1	. FILTER.....	1	
- 8	R 131823E4-0055	. TUBE.....	1	1
	R 131823E4-0050	. TUBE.....	1	2
- 9	R 131823E4-0010	. TUBE.....	2	1
	R 131823E4-0008	. TUBE.....	2	2
- 10	131823E4-0077	. TUBE.....	1	1
	131066-1-0040	. TUBE.....	1	2
- 11	62065	. TEE.....	1	
- 12	MS3387-4-9	. STRAP.....	3	
- 13	122-554069-1	. TUBE, DRAIN.....	1	
- 14	626-230	. VALVE, EXPANSION.....	1	
- 15	122-380026-1	. COIL ASSY, FWD EVAPORATOR.....	NP	3
		/ORDER 122-380026-3 FOR SPARES/		
	122-380026-3	. COIL ASSY, FWD EVAPORATOR.....	1	4
		/ATTACHING PARTS/		
- 16	130909B12	. BOLT.....	4	
- 17	AN960PD10L	. WASHER.....	4	
		-----★-----		
- 18	101-555087-1	. SPRING, VALVE.....	2	
- 19	R 1 1/2 DIA	. BALL, VALVE.....	1	
- 20	101-555086-1	. VALVE.....	1	
- 21	122-555043-1	. TRAY ASSY.....	1	
		/ATTACHING PARTS/		
- 22	MS27039-1-07	. SCREW.....	2	
- 23	AN960PD10L	. WASHER.....	2	
		-----★-----		
- 24	122-555038-1	. TUBE ASSY.....	1	
	122-410025-1	SUPPORT INSTL, EVAPORATOR.....	NP	
- 25	122-410025-17	. SUPPORT ASSY, FWD EVAPORATOR.....	1	
	SL602-3-300CM	. INSERT.....	8	
- 26	122-410025-13	. ANGLE, LH SUPPORT.....	1	
	122-410025-14	. ANGLE, RH SUPPORT.....	1	
- 27	122-410025-15	. ANGLE, LH SUPPORT.....	1	
	122-410025-16	. ANGLE, RH SUPPORT.....	1	
- 28	122-554053-1	BLOWER INSTL, FWD VENTILATION/PAN ASSY.....	NP	
		SHOWN FOR RELATIONSHIP/SEE 21-20-30/		

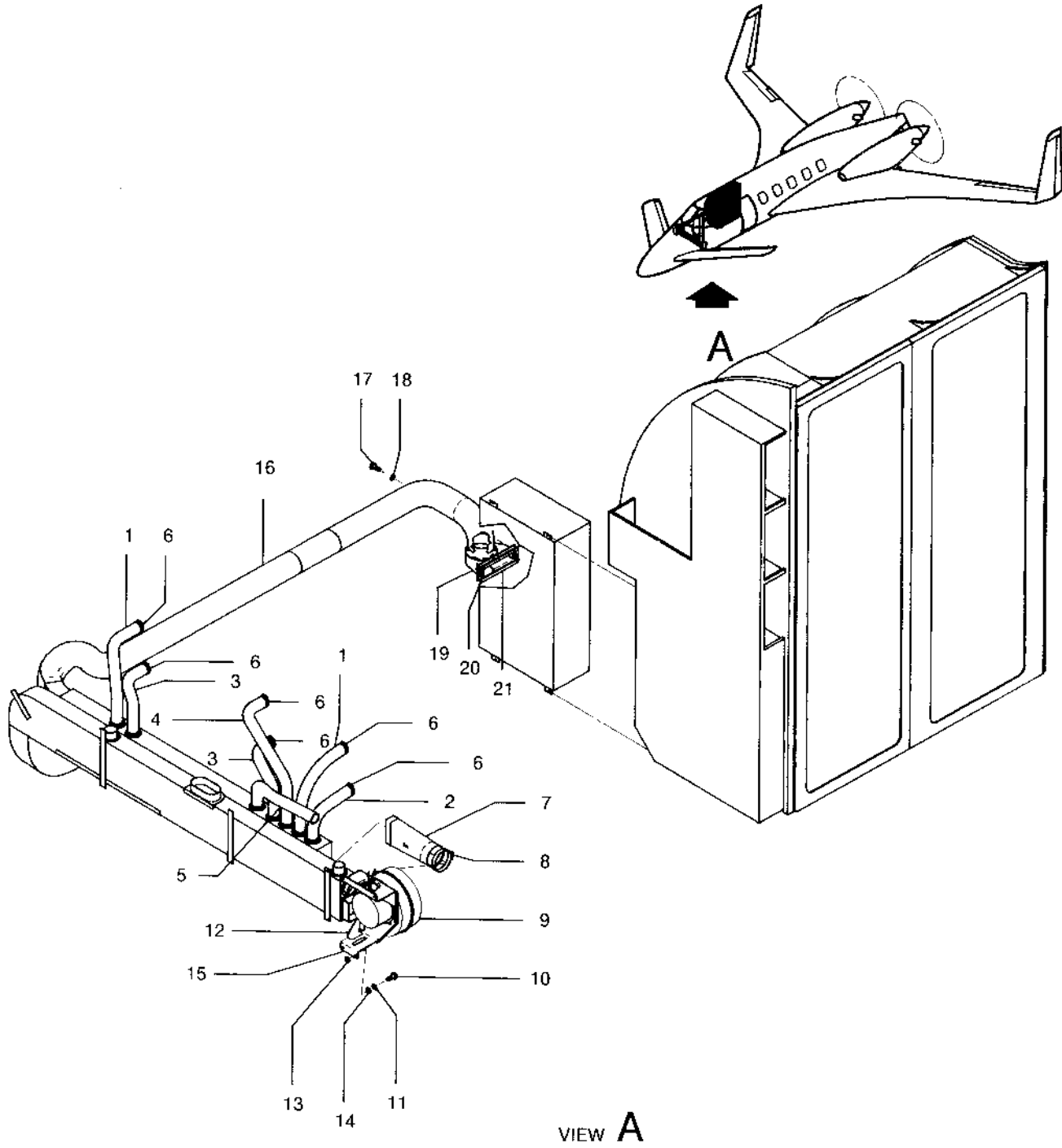
**CODES OF EFFECTIVITY**

1	NC-4 THRU NC-42	2	NC-43 AND AFTER
3	NC-4 THRU NC-20	4	NC-21 AND AFTER

**Beechcraft**  
**STARSHIP 1**  
**ILLUSTRATED PARTS CATALOG**

**21-55-00**  
**AVIONICS COOLING SYSTEM**

Beechcraft  
STARSHIP 1  
ILLUSTRATED PARTS CATALOG



2000-490-01

FIGURE 55-00.AVIONICS COOLING SYSTEM

  
**STARSHIP 1**  
**ILLUSTRATED PARTS CATALOG**

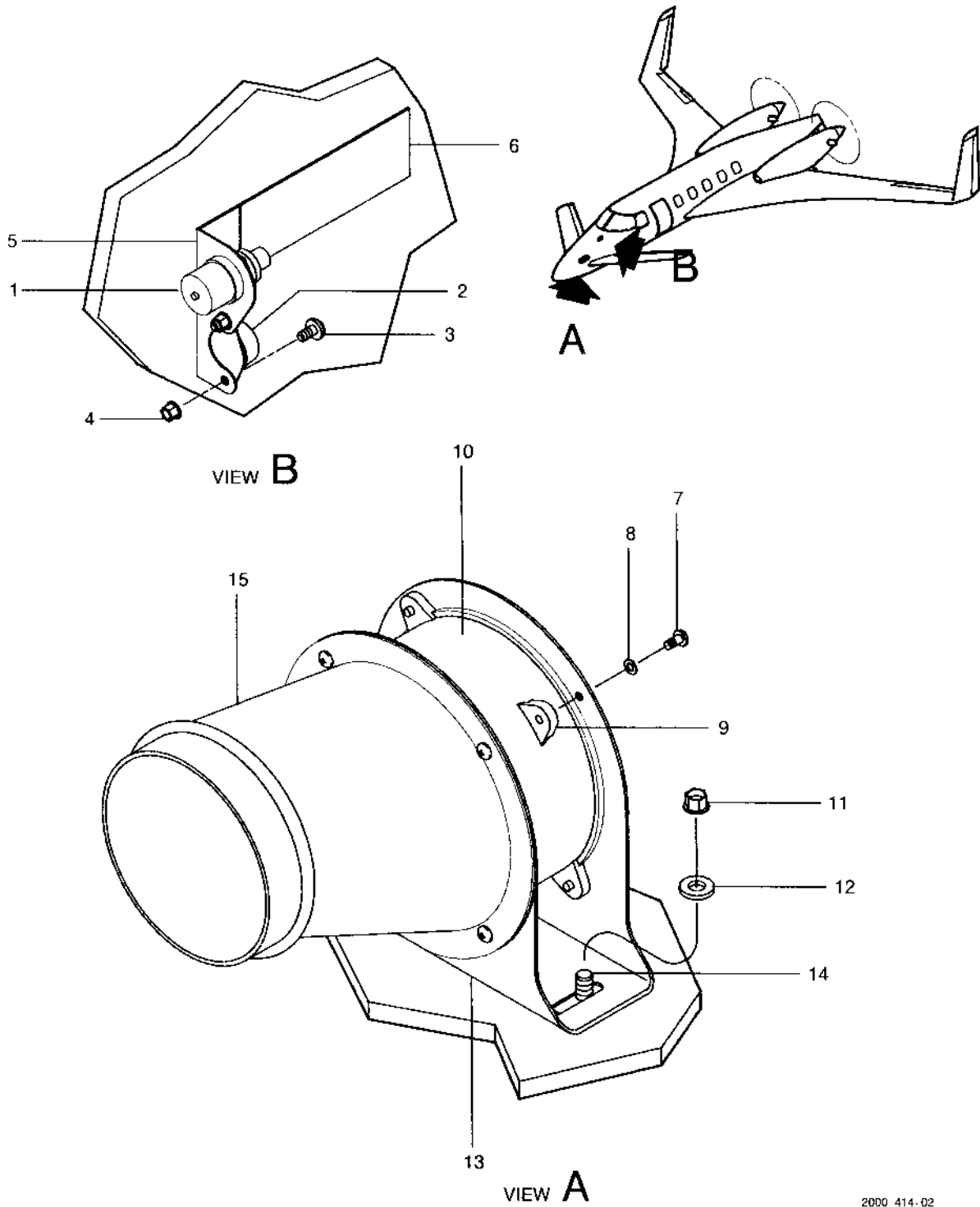
SUB-SEC UNIT & ITEM NO	PART NO.	DESCRIPTION 1 2 3 4 5 6 7	UNITS PER ASSY	USABLE ON CODE
55-00	122-554090-1	COOLING INSTL, AVIONICS .....	NP	
- 1	U62F-F11-16	. DUCT, FLEX .....	2	
- 2	U62F-F11-10	. DUCT, FLEX .....	1	
- 3	U62F-F11-11	. DUCT, FLEX .....	2	
- 4	U62F-F11-17	. DUCT, FLEX .....	1	
- 5	U62F-F5-80	. DUCT, FLEX .....	1	
- 6	MS3367-1-9	. STRAP .....	7	
- 7	122-384086-3	. DUCT ASSY, AVIONICS COOLING .....	1	
- 8	MS3367-2-9	. STRAP, DUCT TO BLOWER .....	1	
- 9	122-380024-5	. BLOWER ASSY .....	1	
	122-554091-11	. BRACKET ASSY .....	1	
		/ATTACHING PARTS/		
- 10	MS35207-287	. SCREW .....	4	
- 11	AN960-10L	. WASHER .....	4	
		*-----*		
- 12	122-554091-5	.. GUSSET .....	2	
- 13	122-554091-7	.. SPACER .....	4	
- 14	122-341000-5	.. SPACER .....	4	
- 15	122-554091-9	.. BRACKET .....	1	
- 16	122-384006-1	. DUCT ASSY .....	1	
- 17	MS35206-231	. SCREW .....	1	
- 18	AN960-6L	. WASHER .....	1	
- 19	122-554108-1	. PLENUM ASSY .....	1	
- 20	131903A0050-0003	.. SEAL .....	2	
- 21	131903A0021-0004	.. SEAL .....	1	

**Beechcraft**  
**STARSHIP 1**  
**ILLUSTRATED PARTS CATALOG**

**21-55-10**  
**NOSE AVIONICS COOLING**



Beechcraft  
STARSHIP 1  
ILLUSTRATED PARTS CATALOG



2000 414-02

FIGURE 55-10.NOSE AVIONICS COOLING

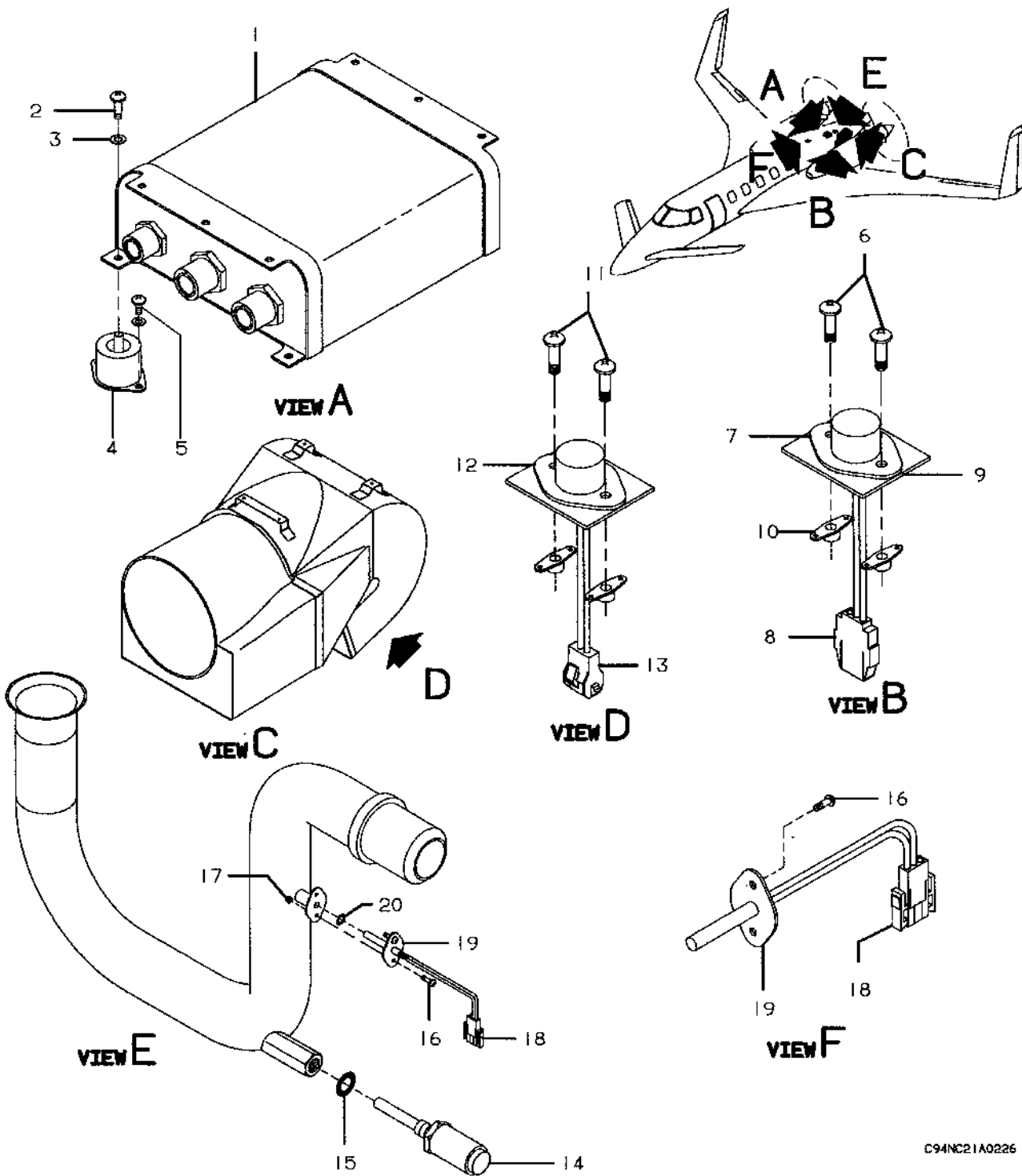
**Beechcraft**  
**STARSHIP 1**  
**ILLUSTRATED PARTS CATALOG**

SUB-SEC UNIT & ITEM NO	PART NO.	DESCRIPTION 1 2 3 4 5 6 7	UNITS	USABLE
			PER ASSY	ON CODE
55-10	122-554024-3	COOLING INSTL, NOSE AVIONICS LH .....	NP	
	122-554024-2	COOLING INSTL, NOSE AVIONICS RH .....	NP	
- 1	B2001R	. SWITCH, BLOWER TEST .....	1	
- 2	M1085076231	. THERMOSTAT .....	1	
		/ATTACHING PARTS/		
- 3	MS35206-226	. SCREW .....	2	
- 4	130909N25	. NUT .....	2	
		★		
- 5	122-554029-1	. BRACKET, SWITCH & THERMOSTAT MTG .....	1	
- 6	122-555088-5	. PLACARD, LH .....	1	
	122-555088-6	. PLACARD, RH .....	1	
- 7	MS35206-214	. SCREW .....	8	
- 8	AN960JD4L	. WASHER .....	8	
- 9	271186	. CLAMP .....	8	
- 10	011089	. BLOWER, PROPIMAX 3B .....	1	
- 11	130909N29	. NUT .....	2	
- 12	AN960-10	. WASHER .....	2	
- 13	122-554025-7	. BRACKET ASSY, BLOWER .....	1	
	R 122-554025-11	. . PAD, RUBBER BASE .....	1	
- 14	132131-3-4	. STUD .....	2	
- 15	122-554068-1	. PLENUM .....	1	

**Beechcraft**  
**STARSHIP 1**  
**ILLUSTRATED PARTS CATALOG**

**21-60-00**  
**CABIN TEMPERATURE CONTROL**

Beechcraft  
**STARSHIP 1**  
 ILLUSTRATED PARTS CATALOG



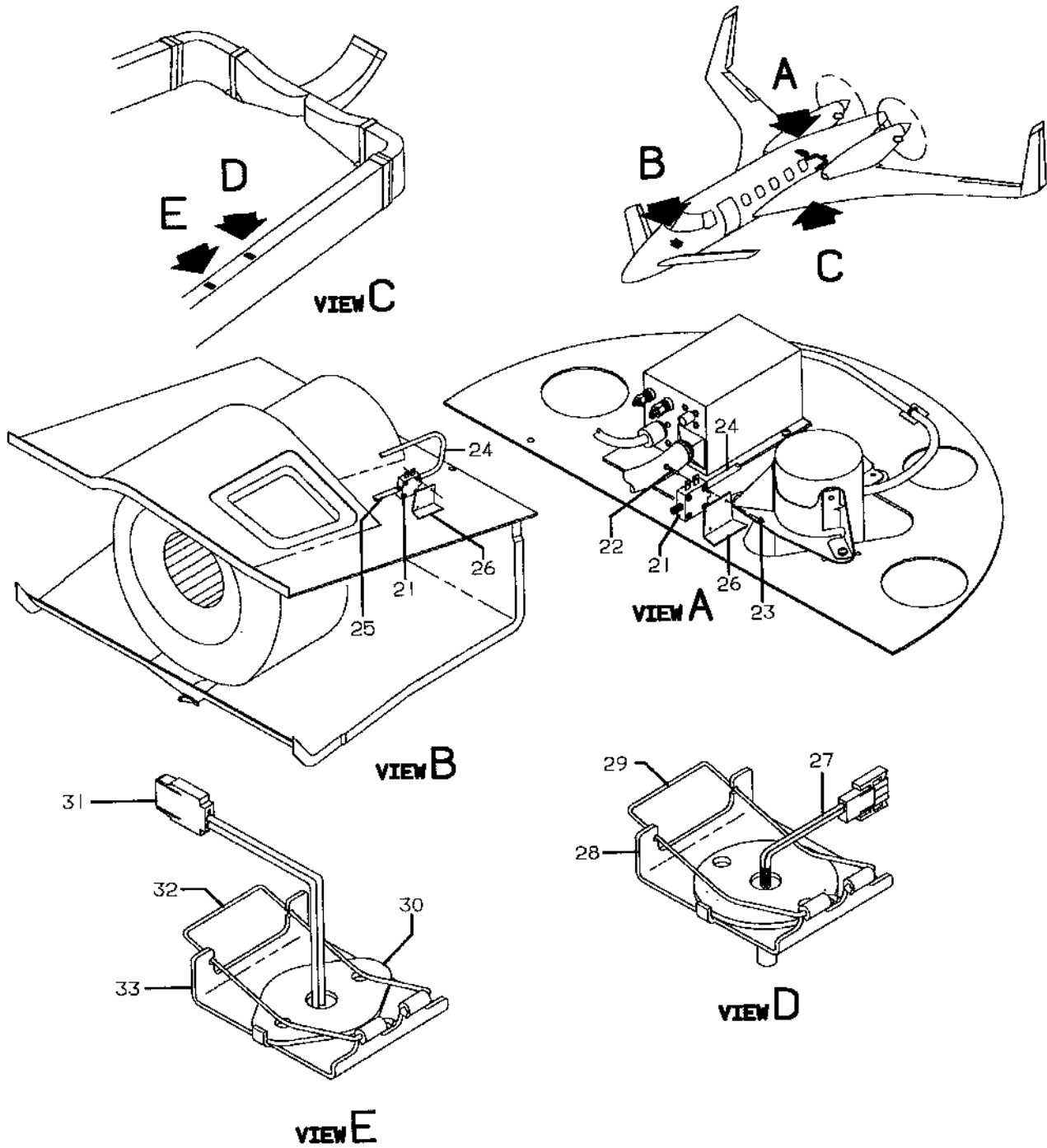
C94NC21A0226 C

**FIGURE 60-00.CABIN TEMPERATURE CONTROL**  
 /SHEET 1 OF 3 SHEETS/

**Beechcraft**  
**STARSHIP 1**  
**ILLUSTRATED PARTS CATALOG**

SUB-SEC UNIT & ITEM NO	PART NO.	DESCRIPTION 1 2 3 4 5 6 7	UNITS	USABLE
			PER ASSY	ON CODE
60-00	122-550050-1	CABIN TEMPERATURE CONTROL INSTL.....	NP	
- 1	2617T100-29	. BOX, ENVIRONMENTAL CONTROL/ORDER 2617T100-31 ....	NP	5
	2617T100-31	. BOX, ENVIRONMENTAL CONTROL.....	1	6
		FOR SPARES/ /ATTACHING PARTS/		
- 2	MS35206-244	. SCREW.....	4	
- 3	MS35335-31	. WASHER.....	4	
		-----★-----		
- 4	R T22AB3	. MOUNT, T.....	4	
		/ATTACHING PARTS/		
- 5	MS35206-229	. SCREW.....	2	
	AN960-8L	. WASHER.....	2	
		-----★-----		
	122-550134-3	. SWITCH ASSY, TEMPERATURE.....	1	
		/ATTACHING PARTS/		
- 6	MS35206-228	. SCREW.....	2	
		-----★-----		
- 7	M1170140242	. . SWITCH.....	1	
- 8	207359-1	. . CONNECTOR.....	1	
	66103-4	. . PIN.....	2	
- 9	122-550250-9	. PLATE ASSY.....	2	
- 10	MS21047L06K	. . NUTPLATE.....	2	
	90-364123-5	. SENSOR, TEMPERATURE.....	1	
		/ATTACHING PARTS/		
- 11	MS35206-228	. SCREW.....	2	
		-----★-----		
- 12	M1-030-010-272	. . SWITCH, THERMAL.....	1	
- 13	1-480699-0	. . CAP.....	1	
	350690-1	. . PIN.....	2	
- 14	1173T0508	. SWITCH, THERMAL.....	1	
- 15	MS9387-07	. PACKING, PREFORMED.....	1	
	122-550133-5	. TRANSDUCER ASSY.....	1	1
	122-550133-7	. TRANSDUCER ASSY.....	1	2
	122-550133-9	. TRANSDUCER ASSY.....	1	3
		/ATTACHING PARTS/		
- 16	AN503-6-6	. SCREW.....	2	
- 17	MS21042L08	. NUT.....	2	
		-----★-----		
- 18	207359-1	. . CONNECTOR.....	1	
- 19	2618T100-5	. . TRANSDUCER, TEMPERATURE.....	1	1
	4071T100-1	. . TRANSDUCER, TEMPERATURE.....	1	4
	66103-4	. . PIN.....	2	
	MS25036-148	. . TERMINAL, RING.....	2	4
- 20	R MS9388-08	. PACKING, PREFORMED.....	1	

Beechcraft  
STARSHIP 1  
ILLUSTRATED PARTS CATALOG



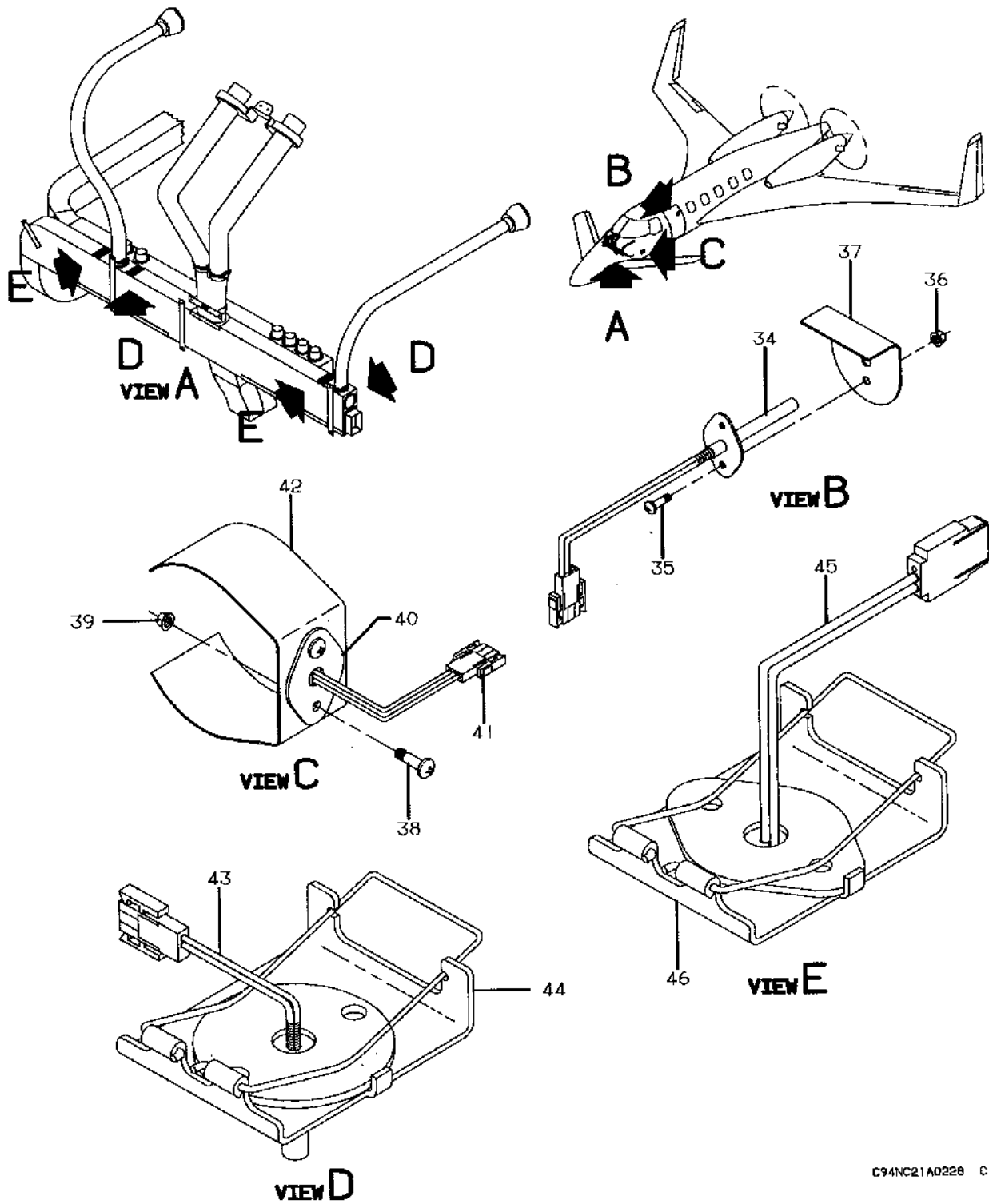
C94NC21A0227 C

FIGURE 60-00.CABIN TEMPERATURE CONTROL  
/SHEET 2 OF 3 SHEETS/

**Beechcraft**  
**STARSHIP 1**  
**ILLUSTRATED PARTS CATALOG**

SUB-SEC UNIT & ITEM NO	PART NO.	DESCRIPTION 1 2 3 4 5 6 7	UNITS	USABLE
			PER ASSY	ON CODE
60-00 -21	PSF100A1 5	. SWITCH, PRESSURE.....	2	
		./ATTACHING PARTS/		
-22	MS35206-208	. SCREW.....	2	
-23	MS21042L02	. NUT.....	2	
		---★---		
-24	122-550050-11	. TUBE.....	2	
-25	122-550050-13	. TUBE.....	2	
-26	122-550050-9	. CLIP.....	2	
-27	122-550133-5	. TRANSDUCER ASSY.....	1	1
	122-550133-7	. TRANSDUCER ASSY.....	1	2
	122-550133-9	. TRANSDUCER ASSY.....	1	3
	122-550114-3	. RETAINER ASSY, SWITCH.....	1	
-28	122-550114-11	.. BASE.....	1	
-29	122-550114-7	.. SPRING.....	1	
	122-550134-1	. SENSOR ASSY, TEMPERATURE.....	1	
-30	M1210170242	.. SWITCH.....	1	
-31	207360-1	.. CONNECTOR.....	1	
	66105-4	.. SOCKET.....	2	
	122-550114-1	. RETAINER ASSY-SWITCH.....	4	
-32	122-550114-7	.. SPRING.....	1	
-33	122-550114-9	.. BASE.....	1	

Beechcraft  
**STARSHIP 1**  
 ILLUSTRATED PARTS CATALOG



C94NC21A0228 C

**FIGURE 60-00.CABIN TEMPERATURE CONTROL**  
 /SHEET 3 OF 3 SHEETS/



**Beechcraft**  
**STARSHIP 1**  
**ILLUSTRATED PARTS CATALOG**

SUB-SEC UNIT & ITEM NO	PART NO.	DESCRIPTION 1 2 3 4 5 6 7	UNITS	USABLE
			PER ASSY	ON CODE
60-00 - 34	122-550133-5	. TRANSDUCER ASSY .....	1	1
	122-550133-7	. TRANSDUCER ASSY .....	1	2
	122-550133-9	. TRANSDUCER ASSY .....	1	3
- 35	AN503-6-8	. /ATTACHING PARTS/ . SCREW .....	2	
- 36	MS21042L06	. NUT .....	2	
★				
- 37	122-550050-5	. CLIP .....	1	
	R 122-550135-1	. SENSOR, AIR FLOW .....	1	
. /ATTACHING PARTS/				
- 38	R MS35206-227	. SCREW .....	2	
- 39	MS21042L06	. NUT .....	2	
★				
- 40	LS5022	. . SENSOR .....	1	
- 41	R 207359-1	. . CONNECTOR .....	1	
	R 66103-4	. . PIN .....	3	
- 42	122-550050-7	. CLAMP .....	1	
- 43	122-550133-5	. TRANSDUCER ASSY .....	1	1
	122-550133-7	. TRANSDUCER ASSY .....	1	2
	122-550133-9	. TRANSDUCER ASSY .....	1	3
- 44	122-550114-3	. RETAINER ASSY, SWITCH .....	2	
- 45	122-550134-1	. SENSOR, TEMPERATURE .....	2	
- 46	122-550114-1	. RETAINER ASSY, SWITCH .....	2	

**NOTE** SEE CHAPTER 39 FOR CONTROLS ON SUBPANEL

**CODES OF EFFECTIVITY**

1	NC-4 THRU NC-12	2	NC-13 THRU NC-28
3	NC-29 AND AFTER	4	NC-13 AND AFTER
5	NC-4 THRU NC-17	6	NC-18 AND AFTER

**Beechcraft**  
**STARSHIP 1**  
**ILLUSTRATED PARTS CATALOG**

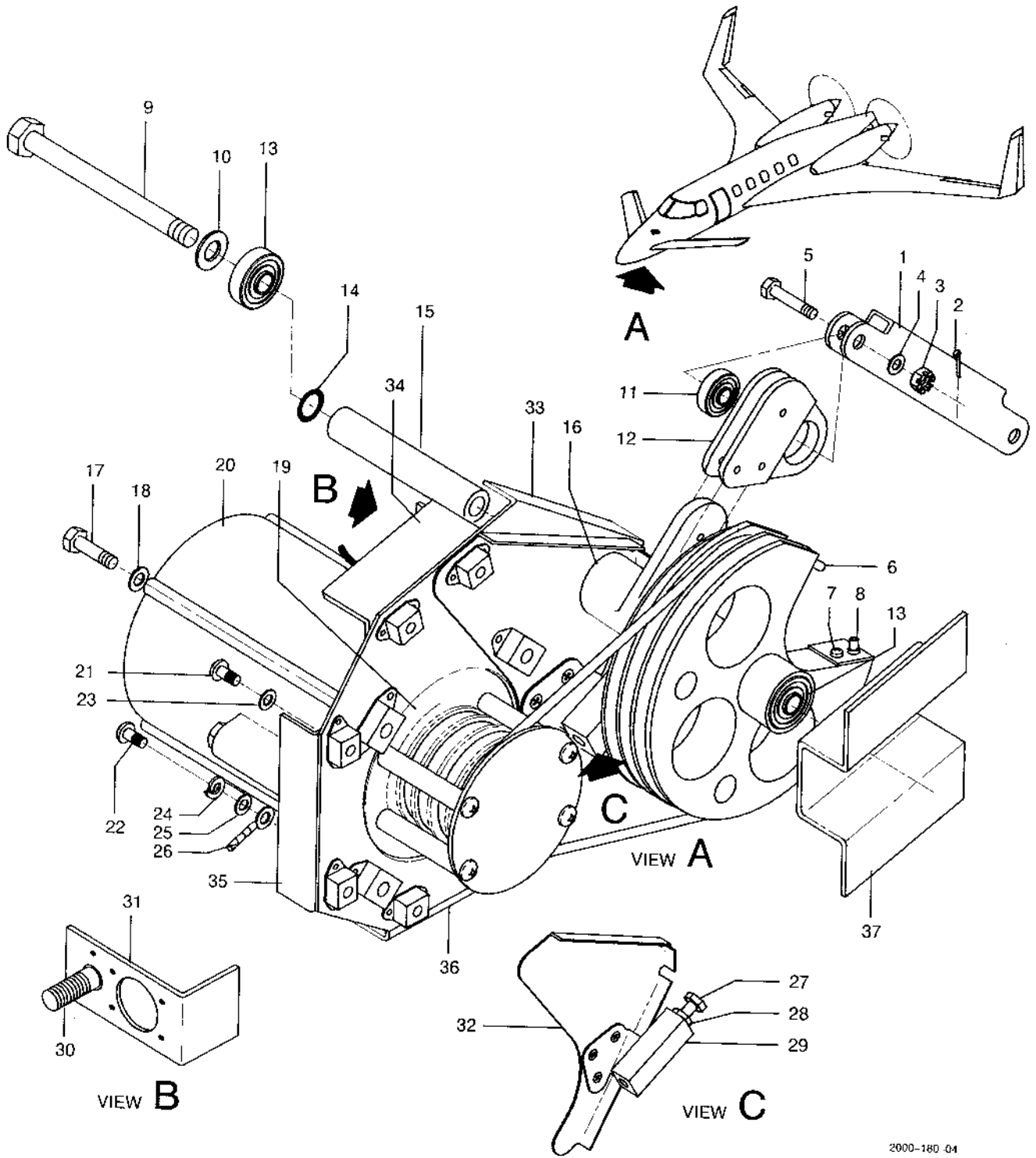
**LIST OF PAGES & TABLE OF CONTENTS**  
**FOR**  
**CHAPTER 22-00-00 AUTOFLIGHT**

CHAP/SUB- SECT & UNIT	PAGE NO.	EFFECTIVE DATE	TABLE OF CONTENTS
22-00-00	1	06/30/95	LIST OF PAGES & TABLE OF CONTENTS .....
22-11-00	1	02/25/94	AUTOPILOT PITCH SYSTEM SERVO .....
22-11-00	2	02/25/94	
22-11-00	3	06/30/95	
22-11-10	1	02/25/94	AUTOPILOT ROLL SYSTEM SERVO .....
22-11-10	2	02/25/94	
22-11-10	3	02/25/94	
22-11-20	1	02/25/94	AUTOPILOT YAW SYSTEM SERVO.....
22-11-20	2	02/25/94	
22-11-20	3	02/25/94	
22-11-30	1	02/25/94	AUTOMATIC TRIM COMPUTER INSTL..... AUTOPILOT ENGAGE PANEL
22-11-30	2	02/25/94	
22-11-30	3	06/30/95	

**Beechcraft**  
**STARSHIP 1**  
**ILLUSTRATED PARTS CATALOG**

**22-11-00**  
**AUTOPILOT PITCH SYSTEM SERVO**

**Beechcraft**  
**STARSHIP 1**  
**ILLUSTRATED PARTS CATALOG**



2000-180 04

**FIGURE 11-00.AUTOPILOT PITCH SYSTEM SERVO**

**Beechcraft**  
**STARSHIP 1**  
**ILLUSTRATED PARTS CATALOG**

SUB-SEC UNIT & ITEM NO	PART NO.	DESCRIPTION 1 2 3 4 5 6 7	UNITS PER ASSY	USABLE ON CODE
11-00	122-504001-27	SERVO INSTL, AUTOPILOT PITCH SYSTEM .....	NP	1
	122-504001-41	SERVO INSTL, AUTOPILOT PITCH SYSTEM .....	NP	2
- 1	122-504011-5	. PUSH ROD .....	1	
		.. /ATTACHING PARTS/		
- 2	MS24665-132	. PIN, COTTER .....	2	
- 3	MS17826-4	. NUT .....	2	
- 4	R AN960-416	. WASHER .....	2	
- 5	AN4-7	. BOLT .....	2	
		---★---		
- 6	122-506008-21	. CABLE ASSY .....	1	3
	122-506008-29	. CABLE ASSY .....	1	4
	122-506008-33	. CABLE ASSY .....	1	2
- 7	AN502-10-8	. SCREW .....	1	
- 8	R 122-506008-17	. CABLE ASSY .....	1	3
	122-506008-25	. CABLE ASSY .....	1	4
	122-506008-37	. CABLE ASSY .....	1	2
	122-504012-9	. SECTOR ASSY, AUTOPILOT PITCH SYSTEM .....	NP	1
		.. /ORDER 122-504013-5 FOR SPARES/		
	122-504012-19	. SECTOR ASSY, AUTOPILOT PITCH SYSTEM .....	NP	2
		.. /ORDER 122-504013-5 FOR SPARES/		
	122-504013-5	. SECTOR ASSY, AUTOPILOT PITCH SYSTEM .....	1	
		.. /ATTACHING PARTS/		
- 9	AN4H34A	. BOLT .....	1	
- 10	R AN960-416	. WASHER .....	1	
		---★---		
	122-504012-13	.. FITTING ASSY .....	1	
- 11	MKSP4A-FS464	.. BEARING .....	1	
- 12	122-504012-15	.. FITTING .....	1	
- 13	MKP4A-FS464	.. BEARING .....	2	
- 14	MS28775-203	.. PACKING, PREFORMED .....	2	
- 15	NAS43DD4-148	.. SPACER .....	1	
	130077-5L01	.. INSERT .....	1	
- 16	122-504013-7	.. SECTOR .....	1	
- 17	130909B36	. BOLT .....	4	
- 18	R AN960-416	. WASHER .....	4	
- 19	622-6718-101	. MOUNT, SERVO/ALTERNATE FOR 622-6718-201/ .....	1	
	622-6718-201	. MOUNT, SERVO/ALTERNATE FOR 622-6718-101/ .....	1	
- 20	622-6717-004	. SERVO .....	1	
- 21	MS27039-1-09	. SCREW .....	5	
- 22	R MS27039-1-06	. SCREW .....	1	
- 23	AN960D10	. WASHER .....	5	
- 24	MS35338-43	. WASHER, LOCK .....	1	
- 25	AN960-10L	. WASHER .....	1	
- 26	MS25083-2BB9	. JUMPER, ELECTRICAL BOND .....	1	
	122-504001-29	. BRACKET ASSY .....	1	
- 27	NAS428-3-13	.. BOLT, STOP .....	1	
- 28	AN315-3R	.. NUT .....	1	
- 29	122-504001-31	.. FITTING ASSY, STOP .....	1	
	122-340039-97	.. BRACKET ASSY .....	1	
- 30	131270-3	.. STUD, ELECTRICAL GROUND .....	1	
- 31	122-340039-99	.. BRACKET .....	1	
	MS21060L3	.. NUTPLATE .....	6	
	MS21060L4	.. NUTPLATE .....	4	
- 32	122-504001-21	.. STIFFENER .....	1	
- 33	122-504001-5	.. BRACKET .....	1	
- 34	122-504001-7	. ANGLE .....	1	
- 35	122-504001-9	. ANGLE .....	1	
- 36	122-504001-11	. ANGLE .....	1	
- 37	122-504001-35	. BRACKET ASSY .....	1	1
	122-504001-43	. BRACKET ASSY .....	1	2
	MS21060L4	.. NUTPLATE .....	1	

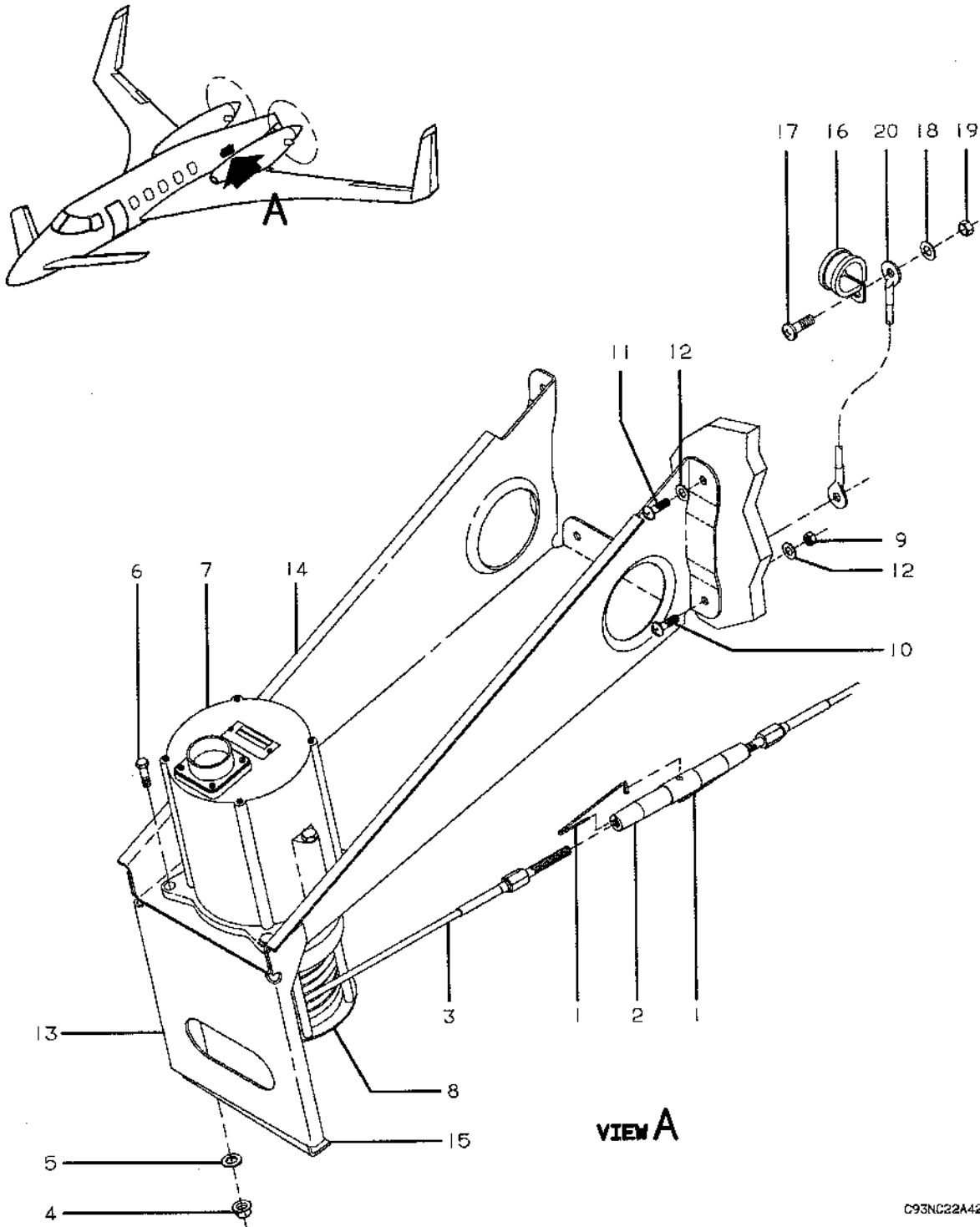
**CODES OF EFFECTIVITY**

1	NC-4 THRU NC-21	2	NC-22 AND AFTER
3	NC-4 THRU NC-12	4	NC-13 THRU NC-21

**Beechcraft**  
**STARSHIP 1**  
**ILLUSTRATED PARTS CATALOG**

**22-11-10**  
**AUTOPILOT ROLL SYSTEM SERVO**

Beechcraft  
 STARSHIP 1  
 ILLUSTRATED PARTS CATALOG



VIEW A

C93NC22A4236 C

FIGURE 11-10. AUTOPILOT ROLL SYSTEM SERVO

**Beechcraft**  
**STARSHIP 1**  
**ILLUSTRATED PARTS CATALOG**

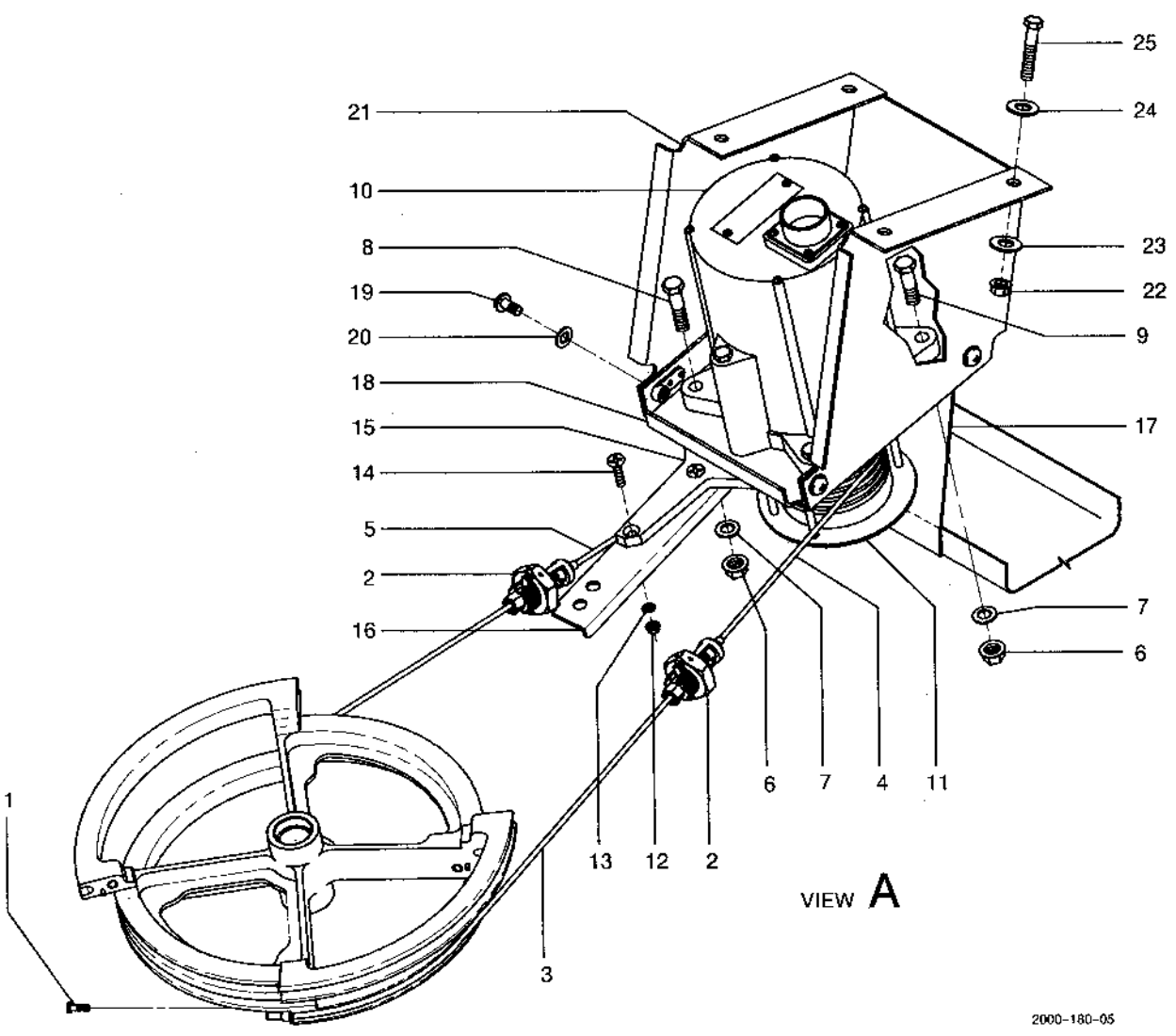
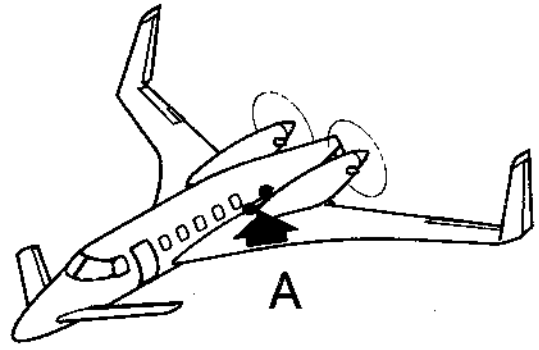
SUB-SEC UNIT & ITEM NO	PART NO.	DESCRIPTION 1 2 3 4 5 6 7	UNITS PER ASSY	USABLE ON CODE
11-30	122-340190-1	AUTOMATIC TRIM COMPUTER INSTL.....	NP	
- 1	622-9575-001	. COMPUTER, AUTOMATIC TRIM.....	1	
		/ATTACHING PARTS/		
- 2	MS35206-245	. SCREW.....	4	
- 3	MS35338-42	. WASHER, LOCK.....	4	
- 4	AN960-8L	. WASHER.....	4	
		*-----		
- 5	MS25083-2BB6	. JUMPER ASSY.....	1	
	122-340069-1	. GROUND WIRE TERMINATION INSTL.....	NP	
- 6	MS35207-265	. SCREW.....	1	
- 7	MS35338-43	. WASHER, LOCK.....	1	
- 8	AN960-10L	. WASHER.....	1	
- 9	R 122-340079-9	. WASHER.....	1	
- 10	622-7411-204SB3*	/3/4/5 AUTOPILOT ENGAGE PANEL/APP85D/.....	1	



**Beechcraft**  
**STARSHIP 1**  
**ILLUSTRATED PARTS CATALOG**

**22-11-20**  
**AUTOPILOT YAW SYSTEM SERVO**

Beechcraft  
 STARSHIP 1  
 ILLUSTRATED PARTS CATALOG



2000-180-05

FIGURE 11-20. AUTOPILOT YAW SYSTEM SERVO

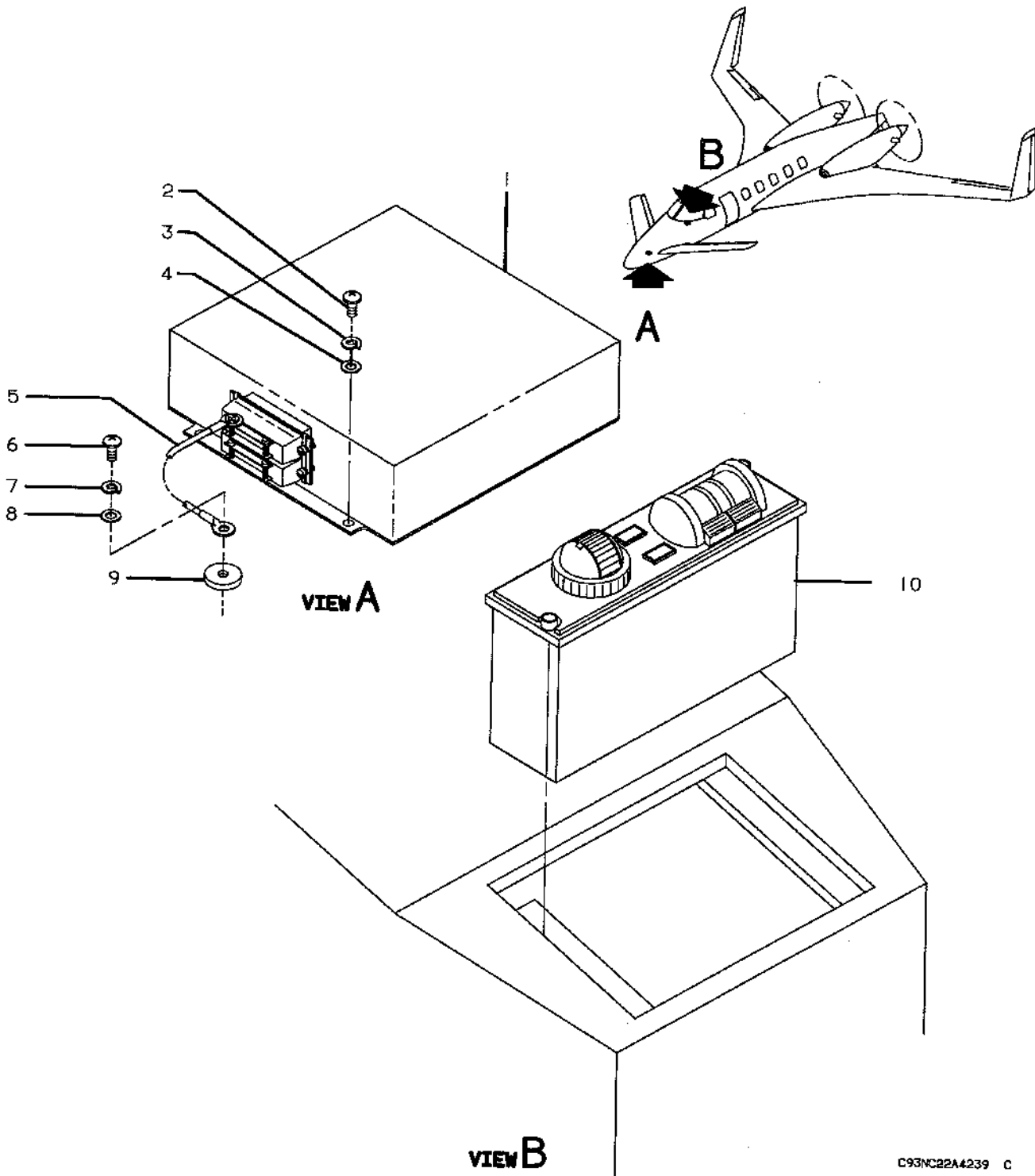
**Beechcraft**  
**STARSHIP 1**  
**ILLUSTRATED PARTS CATALOG**

SUB-SEC UNIT & ITEM NO	PART NO.	DESCRIPTION 1 2 3 4 5 6 7	UNITS	USABLE
			PER ASSY	ON CODE
11-20	122-501003-29	SERVO INSTL, AUTOPILOT YAW SYSTEM .....	NP	
- 1	AN502-10-8	. SCREW .....	2	
- 2	122-521105-5	. NUT .....	2	
- 3	122-501003-9	. CABLE ASSY, FWD .....	2	
- 4	122-501003-35	. CABLE ASSY, LH AFT .....	1	
- 5	122-501003-31	. CABLE ASSY, RH AFT .....	1	
- 6	130909N32	. NUT .....	4	
- 7	AN960-416	. WASHER .....	4	
- 8	130909B40	. BOLT .....	2	
- 9	130909B36	. BOLT .....	2	
-10	622-5027-002	. SERVO, YAW .....	1	
-11	622-5029-101	. MOUNT, SERVO/ALTERNATE FOR 622-5029-201/ .....	1	
	622-5029-201	. MOUNT, SERVO/ALTERNATE FOR 622-5029-101/ .....	1	
-12	130909N29	. NUT .....	2	
-13	AN960-10L	. WASHER .....	2	
-14	MS24694S54	. SCREW .....	2	
-15	122-501003-27	. STRAP .....	1	
-16	122-501003-25	. SUPPORT .....	1	
-17	122-501003-23	. STRAP, BONDING .....	1	
-18	122-501003-5	. BRACKET ASSY .....	1	
		/ATTACHING PARTS/		
-19	MS27039-1-10	. SCREW .....	4	
-20	AN960-10	. WASHER .....	4	
		---★---		
	MS21051L3	. . NUTPLATE .....	2	
	MS21069L3	. . NUTPLATE .....	2	
-21	122-501003-21	. BRACKET ASSY .....	1	
		/ATTACHING PARTS/		
-22	130909N32	. NUT .....	4	
-23	AN960C416	. WASHER .....	4	
-24	100951CR015-22	. WASHER .....	4	
-25	AN4C15A	. BOLT .....	4	
		---★---		
	TM2S6	. . CLAMP .....	1	

**Beechcraft**  
**STARSHIP 1**  
**ILLUSTRATED PARTS CATALOG**

**22-11-30**  
**AUTOMATIC TRIM COMPUTER INSTL**  
**AUTOPILOT ENGAGE PANEL**

Beechcraft  
STARSHIP 1  
ILLUSTRATED PARTS CATALOG



C93NC22A4239 C

FIGURE 11-30.AUTO TRIM CMPTR,AUTOPILOT PNL

**Beechcraft**  
**STARSHIP 1**  
**ILLUSTRATED PARTS CATALOG**

SUB-SEC UNIT & ITEM NO	PART NO.	DESCRIPTION 1 2 3 4 5 6 7	UNITS PER ASSY	USABLE ON CODE
11-30	122-340190-1	AUTOMATIC TRIM COMPUTER INSTL.....	NP	
- 1	622-9575-001	. COMPUTER, AUTOMATIC TRIM.....	1	
		./ATTACHING PARTS/		
- 2	MS35206-245	. SCREW.....	4	
- 3	MS35338-42	. WASHER, LOCK.....	4	
- 4	AN960-8L	. WASHER.....	4	
		★		
- 5	MS25083-2BB6	. JUMPER ASSY.....	1	
	122-340089-1	. GROUND WIRE TERMINATION INSTL.....	NP	
- 6	MS35207-265	. SCREW.....	1	
- 7	MS35338-43	. WASHER, LOCK.....	1	
- 8	AN960-10L	. WASHER.....	1	
- 9	AN960JD716	. WASHER.....	1	
- 10	622-7411-204SB3*	/3/4/5 AUTOPILOT ENGAGE PANEL/APP85D/.....	1	

**Beechcraft**  
**STARSHIP 1**  
**ILLUSTRATED PARTS CATALOG**

**LIST OF PAGES & TABLE OF CONTENTS**  
**FOR**  
**CHAPTER 23-00-00 COMMUNICATIONS**

CHAP/SUB- SECT & UNIT	PAGE NO.	EFFECTIVE DATE	TABLE OF CONTENTS
23-00-00	1	06/30/95	LIST OF PAGES & TABLE OF CONTENTS .....
23-00-00	2	06/30/95	
23-00-01	1	02/25/94	GROUND WIRE TERMINATION .....
23-00-01	2	02/25/94	
23-00-01	3	02/25/94	
23-10-00	1	02/25/94	COMMUNICATION TRANSCEIVER AND ANTENNA .....
23-10-00	2	02/25/94	
23-10-00	3	02/25/94	
23-10-10	1	02/25/94	RADIOPHONE AND ANTENNA .....
23-10-10	2	02/25/94	
23-10-10	3	02/25/94	
23-10-20	1	02/25/94	FLIGHT PHONE, PEDESTAL EXTENSION .....
23-10-20	2	02/25/94	
23-10-20	3	02/25/94	
23-10-25	1	02/25/94	FLIGHT PHONE, CABIN .....
23-10-25	2	02/25/94	
23-10-25	3	02/25/94	
23-10-30	1	02/25/94	FLIGHT PHONE, COCKPIT-RH MAP CASE .....
23-10-30	2	02/25/94	
23-10-30	3	02/25/94	
23-30-00	1	02/25/94	CABIN SPEAKER .....
23-30-00	2	02/25/94	
23-30-00	3	06/30/95	
23-30-10	1	02/25/94	FM ANTENNA .....
23-30-10	2	02/25/94	
23-30-10	3	02/25/94	
23-30-20	1	02/25/94	PAGING AMPLIFIER .....
23-30-20	2	02/25/94	
23-30-20	3	02/25/94	
23-30-30	1	02/25/94	PAGING AMPLIFIER, CABIN .....
23-30-30	2	02/25/94	
23-30-30	3	02/25/94	
23-30-40	1	02/25/94	PASSENGER BRIEFER, COCKPIT .....
23-30-40	2	02/25/94	
23-30-40	3	02/25/94	
23-40-00	1	02/25/94	INTERPHONE AMPLIFIER .....
23-40-00	2	02/25/94	
23-40-00	3	02/25/94	
23-40-10	1	02/25/94	NOSE WHEEL WELL INTERPHONE EQUIPMENT .....
23-40-10	2	02/25/94	
23-40-10	3	02/25/94	
23-50-00	1	02/25/94	COCKPIT SPEAKERS .....
23-50-00	2	02/25/94	
23-50-00	3	02/25/94	
23-50-10	1	02/25/94	AUDIO CONTROL AMPLIFIER .....
23-50-10	2	02/25/94	
23-50-10	3	02/25/94	

**Beechcraft**  
**STARSHIP 1**  
**ILLUSTRATED PARTS CATALOG**

**LIST OF PAGES & TABLE OF CONTENTS**  
**FOR**  
**CHAPTER 23-00-00 COMMUNICATIONS**

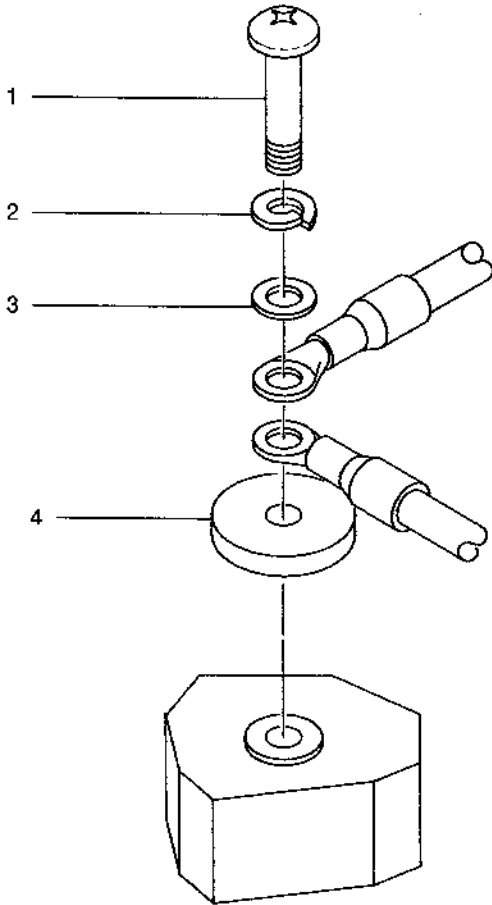
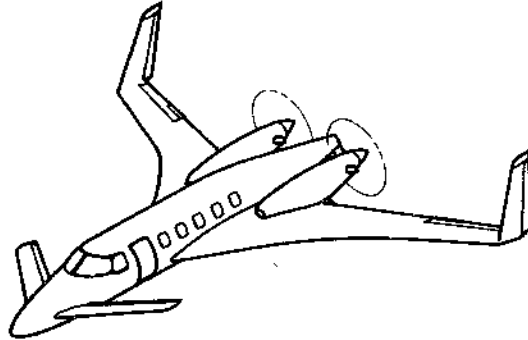
CHAP/SUB- SECT & UNIT	PAGE NO.	EFFECTIVE DATE	TABLE OF CONTENTS
23-50-30	1	02/25/94	NOSE AVIONICS JUNCTION BOX .....
23-50-30	2	02/25/94	
23-50-30	3	06/30/95	
23-50-30	4	02/25/94	
23-50-30	5	02/25/94	
23-50-30	6	02/25/94	
23-50-30	7	02/25/94	
23-50-32	1	02/25/94	NOSE AVIONICS JUNCTION BOX .....
23-50-32	2	02/25/94	
23-50-32	3	06/30/95	
23-50-32	4	02/25/94	
23-50-32	5	06/30/95	
23-50-32	6	02/25/94	
23-50-32	7	02/25/94	
23-50-40	1	02/25/94	HEADSET, MICROPHONE AND REEL.....
23-50-40	2	02/25/94	
23-50-40	3	02/25/94	
23-60-00	1	02/25/94	STATIC DISCHARGE WICKS.....
23-60-00	2	02/25/94	
23-60-00	3	06/30/95	
23-60-10	1	02/25/94	NOSE COMPARTMENT AVIONICS TRANSZORBBS .....
23-60-10	2	02/25/94	
23-60-10	3	06/30/95	
23-60-10	4	02/25/94	
23-60-10	5	06/30/95	
23-70-10	1	02/25/94	VOICE RECORDER, COCKPIT .....
23-70-10	2	02/25/94	
23-70-10	3	02/25/94	
23-70-10	4	02/25/94	
23-70-10	5	02/25/94	



**Beechcraft**  
**STARSHIP 1**  
**ILLUSTRATED PARTS CATALOG**

**23-00-01**  
**GROUND WIRE TERMINATION**

**Beechcraft**  
**STARSHIP 1**  
**ILLUSTRATED PARTS CATALOG**



2000-491-20

**FIGURE 00-01.GROUND WIRE TERMINATION**

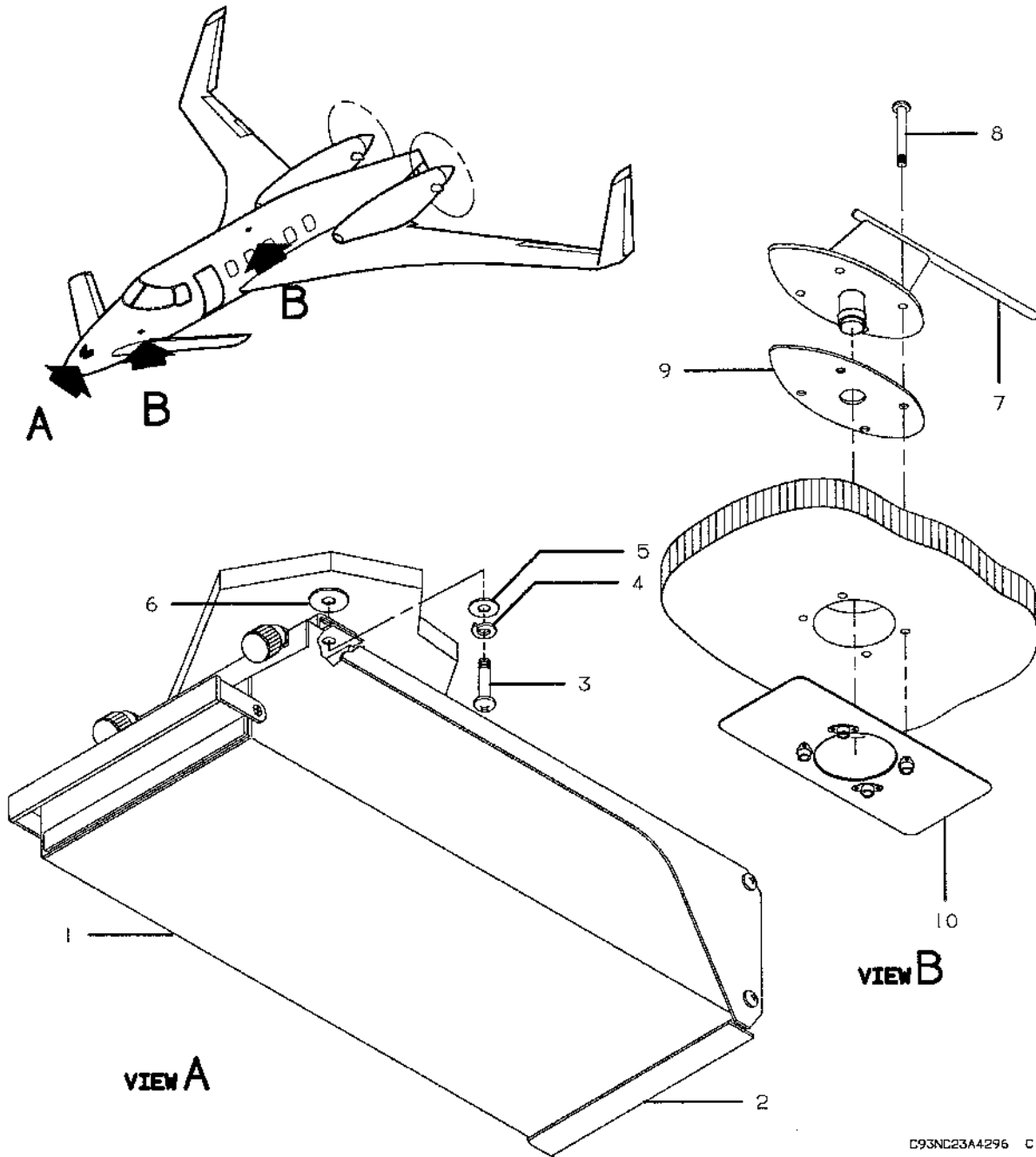
**Beechcraft**  
**STARSHIP 1**  
**ILLUSTRATED PARTS CATALOG**

SUB-SEC UNIT & ITEM NO	PART NO.	DESCRIPTION 1 2 3 4 5 6 7	UNITS PER ASSY	USABLE ON CODE
00-01	122-340069-1	GROUND WIRE TERMINATION INSTL.....	NP	
- 1	MS35207-265	. SCREW.....	1	
- 2	MS35338-43	. WASHER, LOCK.....	1	
- 3	AN960-10L	. WASHER.....	1	
- 4	122-340070-9	. WASHER.....	1	

**Beechcraft**  
**STARSHIP 1**  
**ILLUSTRATED PARTS CATALOG**

**23-10-00**  
**COMMUNICATION TRANSCEIVER AND ANTENNA**

Beechcraft  
STARSHIP 1  
ILLUSTRATED PARTS CATALOG



C93NC23A4296 C

FIGURE 10-00.COMM TRANSCEIVER AND ANTENNA

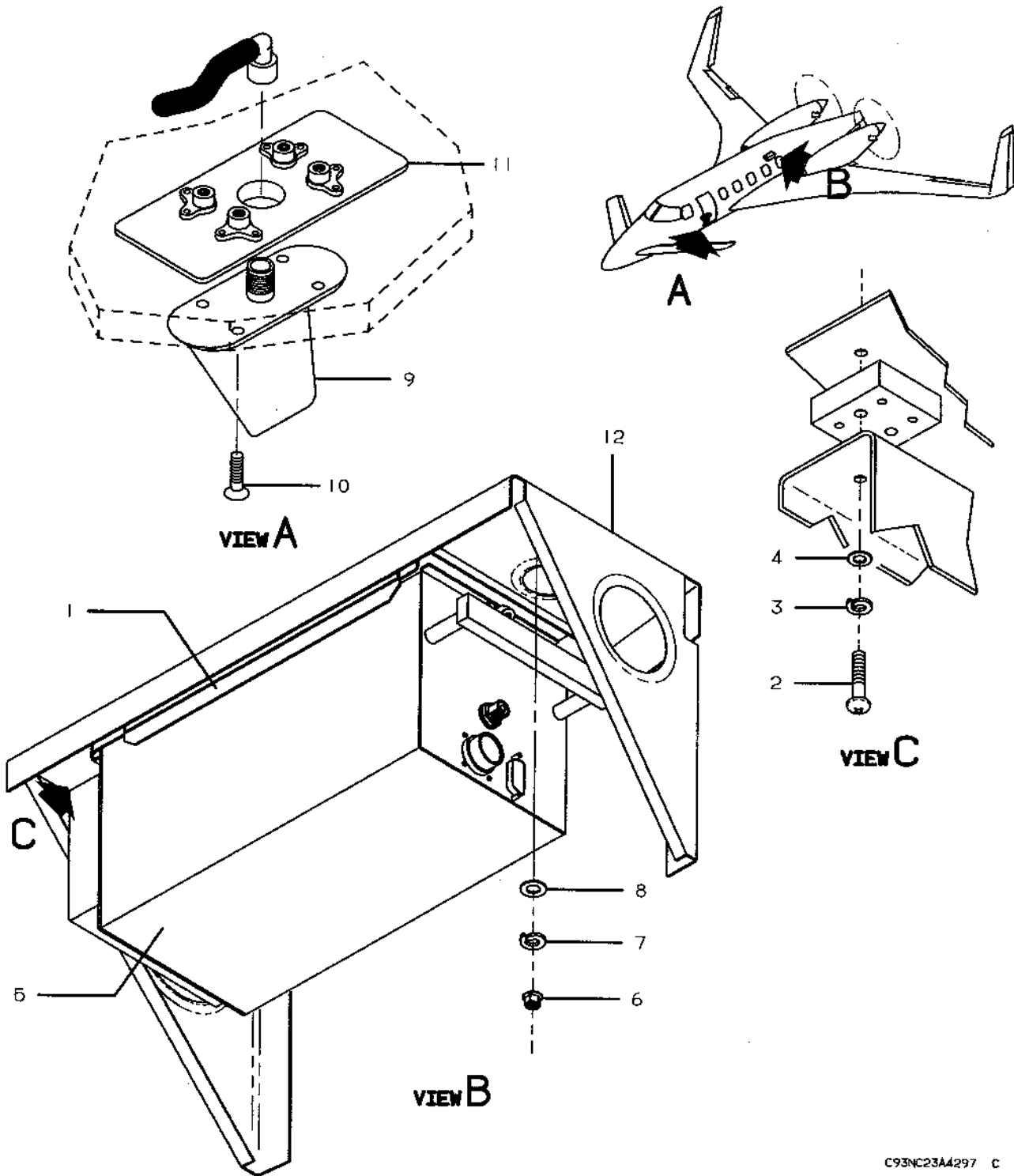
**Beechcraft**  
**STARSHIP 1**  
**ILLUSTRATED PARTS CATALOG**

SUB-SEC UNIT & ITEM NO	PART NO.	DESCRIPTION 1 2 3 4 5 6 7	UNITS PER ASSY	USABLE ON CODE
10-00	122-342031-1	TRANSCIEVER INSTL, COMM .....	NP	
- 1	622-7292-001	. TRANSCIEVER/VHF-422A/ .....	1	
- 2	122-341001-59	. RACK ASSY .....	1	
		/ATTACHING PARTS/		
- 3	MS35206-246	. SCREW .....	4	
- 4	MS35336-42	. WASHER, LOCK .....	4	
- 5	AN960JD8L	. WASHER .....	4	
- 6	AN960JD616	. WASHER .....	4	
		-----★-----		
	628-8205-004	. . PLATE ASSY .....	1	
	634-1116-001	. . KEYWAY .....	2	
	634-1117-001	. . RING, CAPTIVE .....	2	
	324-2604-000	. . SCREW .....	2	
	334-2117-010	. . FASTENER .....	2	
	634-1120-001	. . FLAT SPRING, GROUND .....	2	
	622-5212-003	. . RACK .....	1	
	122-340069-1	. GROUND WIRE TERMINATION INSTL .....	NP	
		/SEE CHAPTER 23-00-01/		
	122-342095-9	ANTENNA INSTL, VHF COMM 1 .....	NP	
	122-342095-11	ANTENNA INSTL, VHF COMM 2 .....	NP	
- 7	CI211-1	. ANTENNA .....	1	
		/ATTACHING PARTS/		
- 8	MS24694C74	. SCREW .....	4	
		-----★-----		
- 9	122-340039-231	. SPACER .....	1	
- 10	122-340039-211	. REINFORCEMENT ASSY .....	1	
	NAS1474C3	. . NUTPLATE .....	4	

**Beechcraft**  
**STARSHIP 1**  
**ILLUSTRATED PARTS CATALOG**

**23-10-10**  
**RADIOPHONE AND ANTENNA**

Beechcraft  
STARSHIP 1  
ILLUSTRATED PARTS CATALOG



C93NC23A4297 C

FIGURE 10-10. RADIOPHONE AND ANTENNA



**Beechcraft**  
**STARSHIP 1**  
**ILLUSTRATED PARTS CATALOG**

SUB-SEC UNIT & ITEM NO	PART NO.	DESCRIPTION 1 2 3 4 5 6 7	UNITS	USABLE
			PER ASSY	ON CODE
10-10	122-340093-1	RADIOPHONE INSTL .....	NP	
- 1	300-2202-000	. TRAY, RIGID MOUNT/MT-28A/ .....	1	
		. /ATTACHING PARTS/ .....		
- 2	MS35206-231	. SCREW .....	6	
	MS35206-229	. SCREW .....	2	
- 3	MS35338-41	. WASHER, LOCK .....	8	
- 4	AN980JD6	. WASHER .....	8	
		-----*		
- 5	400-0125-000	. TRANSCIVER, RADIOPHONE/RT-18D/ .....	NP	1
		. /ORDER 400-0125-2000 FOR SPARES/ .....		
	400-0125-2000	. TRANSCIVER, RADIOPHONE/RT18DVP/ .....	1	2
- 6	130909N29	. NUT/GROUND STUD/ .....	1	
- 7	MS35338-43	. WASHER, LOCK/GROUND STUD/ .....	1	
- 8	AN960-10L	. WASHER/GROUND STUD/ .....	1	
	131984-5	. CIRCUIT BREAKER .....	1	
	122-322184-137	. BUS BAR .....	1	
	122-340181-3	. ANTENNA INSTL, RADIOPHONE .....	NP	
- 9	121-014378-01	. . ANTENNA/AT462/ .....	1	
		. /ATTACHING PARTS/ .....		
- 10	MS24693C280	. . SCREW .....	4	
		-----*		
	122-340181-1	. . ANTENNA PROVISIONS INSTL .....	NP	
	122-340194-1	. . COVER PLATE/USED WITHOUT ANTENNA INSTL/ .....	1	
- 11	122-340039-219	. . REINFORCEMENT ASSY .....	1	
	22NA5K3-02	. . . NUTPLATE .....	4	
- 12	122-340161-1	BRACKET ASSY/SEE CHAPTER 34/ .....	1	

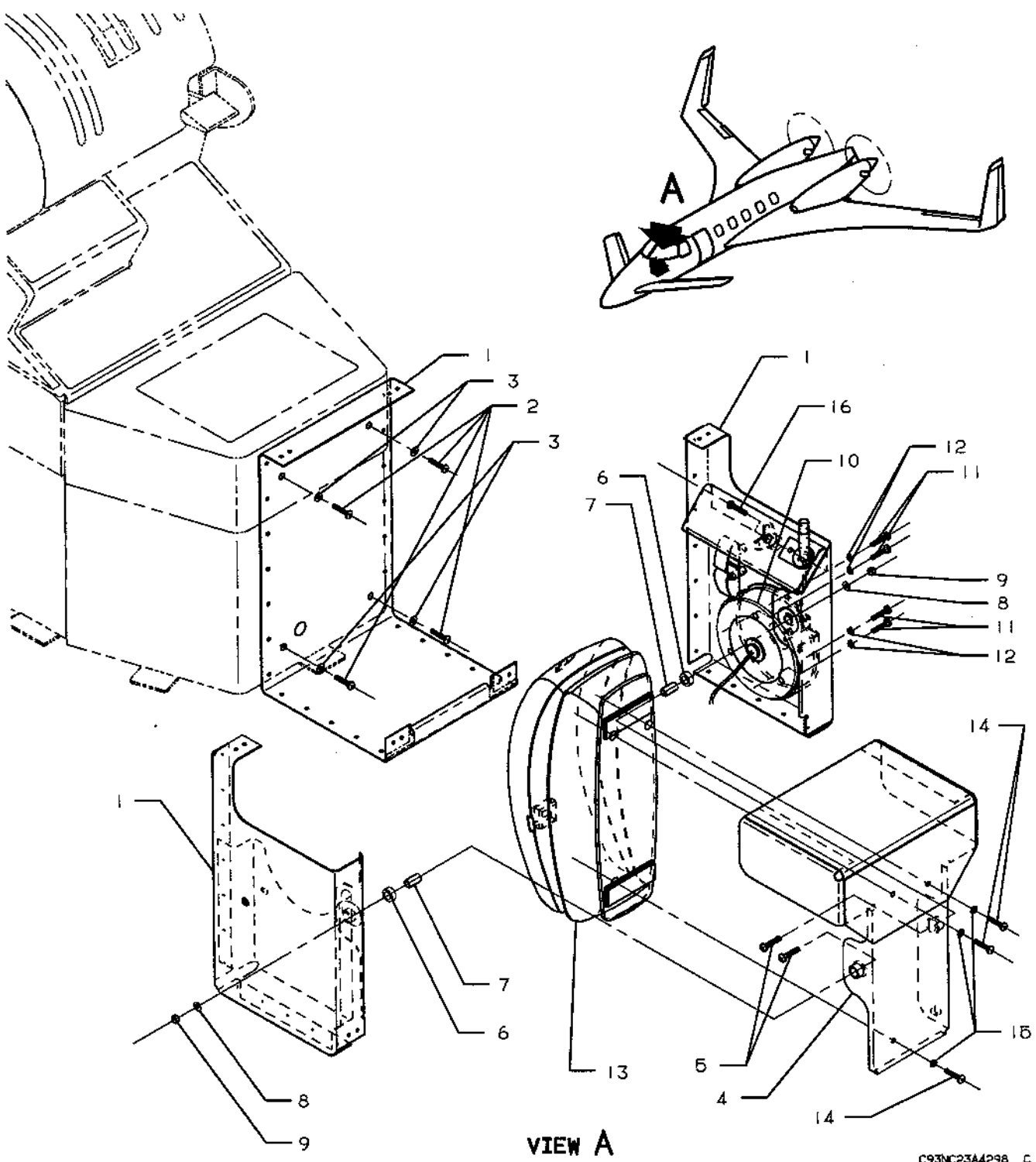
**CODES OF EFFECTIVITY**

1 NC-4 THRU NC-20                      2 NC-21 AND AFTER

**Beechcraft**  
**STARSHIP 1**  
**ILLUSTRATED PARTS CATALOG**

**23-10-20**  
**FLIGHT PHONE, PEDESTAL EXTENSION**

Beechcraft  
STARSHIP 1  
ILLUSTRATED PARTS CATALOG



C93NC23A4298 C

FIGURE 10-20. FLIGHT PHONE, PEDESTAL EXTENSION

**Deechcraft**  
**STARSHIP 1**  
**ILLUSTRATED PARTS CATALOG**

SUB-SEC UNIT & ITEM NO	PART NO.	DESCRIPTION 1 2 3 4 5 6 7	UNITS	USABLE
			PER ASSY	ON CODE
10-20	122-502023-1	FLIGHT PHONE INSTL, PEDESTAL EXTENSION .....	NP	1
- 1	122-502024-1	. MOUNT ASSY, FLIGHT PHONE.....	1	1
		/ATTACHING PARTS/		
- 2	MS35207-263	. SCREW.....	4	
- 3	AN960-10L	. WASHER .....	4	
		-----★-----		
- 4	122-502027-1	. DOOR ASSY.....	1	1
		/ATTACHING PARTS/		
- 5	AN525-10R8	. SCREW.....	2	
- 6	100951DD063ZL	. SPACER .....	2	
- 7	NAS43DD3-4	. SPACER .....	2	
- 8	AN960-10L	. WASHER .....	2	
- 9	130909N29	. NUT .....	2	
		-----★-----		
- 10	122-382074-11	. REEL ASSY.....	1	1
		/ATTACHING PARTS/		
- 11	MS35206-212	. SCREW.....	4	
- 12	MS35333-36	. WASHER, LOCK.....	4	
		-----★-----		
- 13	WH10-114	. FLIGHT PHONE .....	1	1
		/ATTACHING PARTS/		
- 14	MS35206-230	. SCREW.....	3	
- 15	MS35333-36	. WASHER, LOCK.....	3	
		-----★-----		
	NAS1329A06-75	. RIVNUT .....	3	1
- 16	AN525-832R6	. SCREW.....	1	1

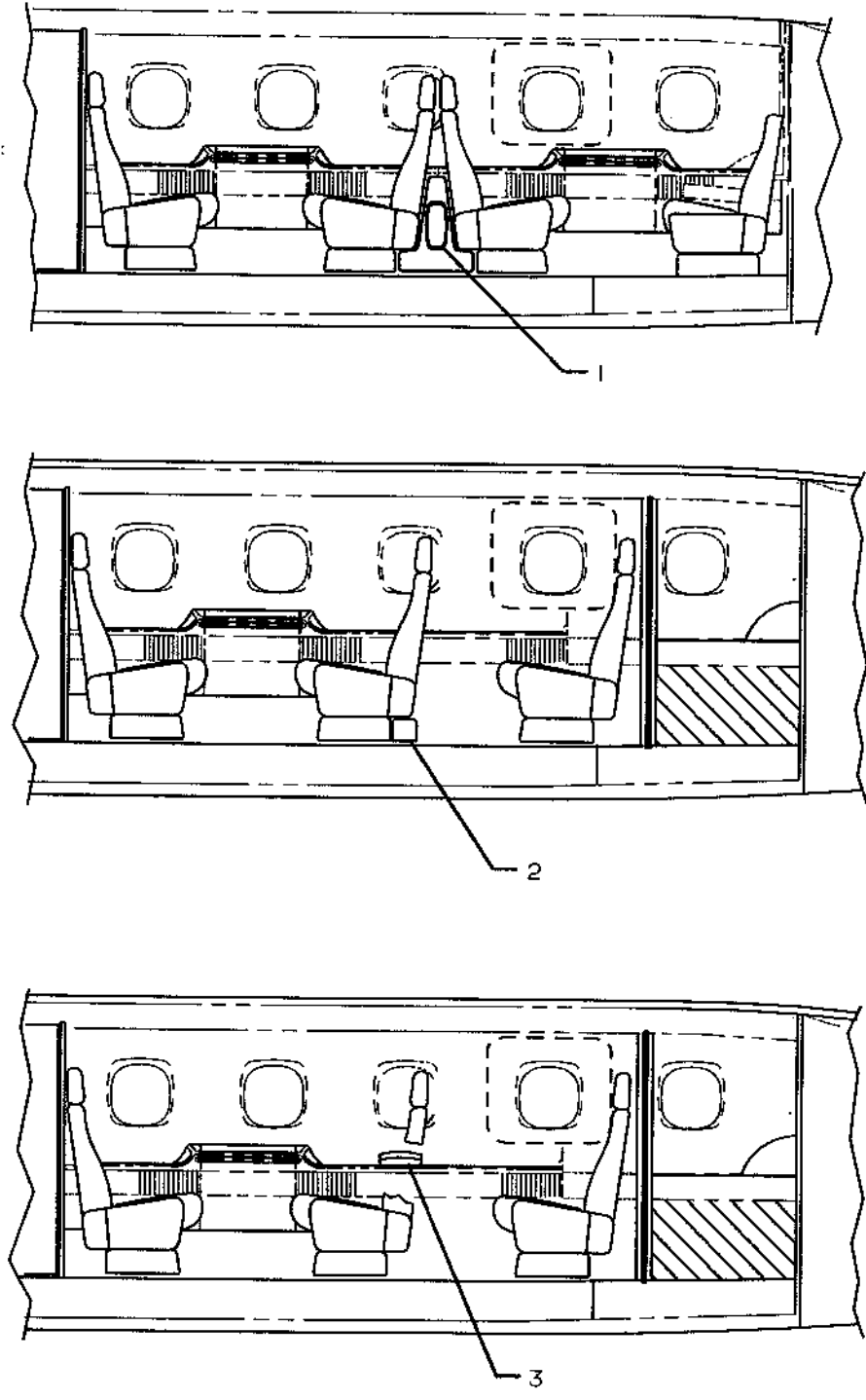
**CODES OF EFFECTIVITY**

1 NC-4 THRU NC-20

**Beechcraft**  
**STARSHIP 1**  
**ILLUSTRATED PARTS CATALOG**

**23-10-25**  
**FLIGHT PHONE, CABIN**

Beechcraft  
STARSHIP 1  
ILLUSTRATED PARTS CATALOG



C93NC23A4306 C

FIGURE 10-25.FLIGHT PHONE, CABIN

**Beechcraft**  
**STARSHIP 1**  
**ILLUSTRATED PARTS CATALOG**

SUB-SEC UNIT & ITEM NO	PART NO.	DESCRIPTION 1 2 3 4 5 6 7	UNITS	USABLE
			PER ASSY	ON CODE
10-25 - 1	122-340184-1	FLIGHT PHONE INSTL, CABIN .....	NP	1
	WH10-114	. FLIGHT PHONE, CABIN .....	1	1
		/ATTACHING PARTS/		
	MS35206-261	. SCREW .....	4	
		-----★-----		
	122-382074-13	. REEL ASSY .....	1	1
		/ATTACHING PARTS/		
	MS35206-216	. SCREW .....	4	
	MS35333-36	. WASHER, LOCK .....	4	
		-----★-----		
- 2	122-340184-3	FLIGHT PHONE INSTL, CABIN .....	NP	2
	WH10-114	. FLIGHT PHONE, CABIN .....	1	2
		/ATTACHING PARTS/		
	MS35206-231	. SCREW .....	3	
	MS35333-37	. WASHER .....	3	
	AN960L06	. WASHER .....	3	
	MS35021L06	. NUT .....	3	
		-----★-----		
	122-382074-13	. REEL ASSY .....	1	2
		/ATTACHING PARTS/		
MS35206-218	. SCREW .....	4		
AN960-04	. WASHER .....	4		
MS35333-36	. WASHER, LOCK .....	4		
	-----★-----			
- 3	122-340184-5	FLIGHT PHONE INSTL, CABIN .....	NP	2
	WH10-114	. FLIGHT PHONE, CABIN .....	1	2
		/ATTACHING PARTS/		
	MS35206-231	. SCREW .....	3	
	MS35333-37	. WASHER .....	3	
	AN960L06	. WASHER .....	3	
	MS35021L06	. NUT .....	3	
		-----★-----		
	122-382074-13	. REEL ASSY .....	1	2
		/ATTACHING PARTS/		
MS35206-214	. SCREW .....	4		
AN960-04	. WASHER .....	4		
MS35333-36	. WASHER, LOCK .....	4		
	-----★-----			
122-342062-5	. SUPPORT ASSY .....	1	2	
	/ATTACHING PARTS/			
AN525-8R12	. SCREW .....	4		
	-----★-----			
122-342062-9	. SUPPORT ASSY .....	1	2	

**CODES OF EFFECTIVITY**

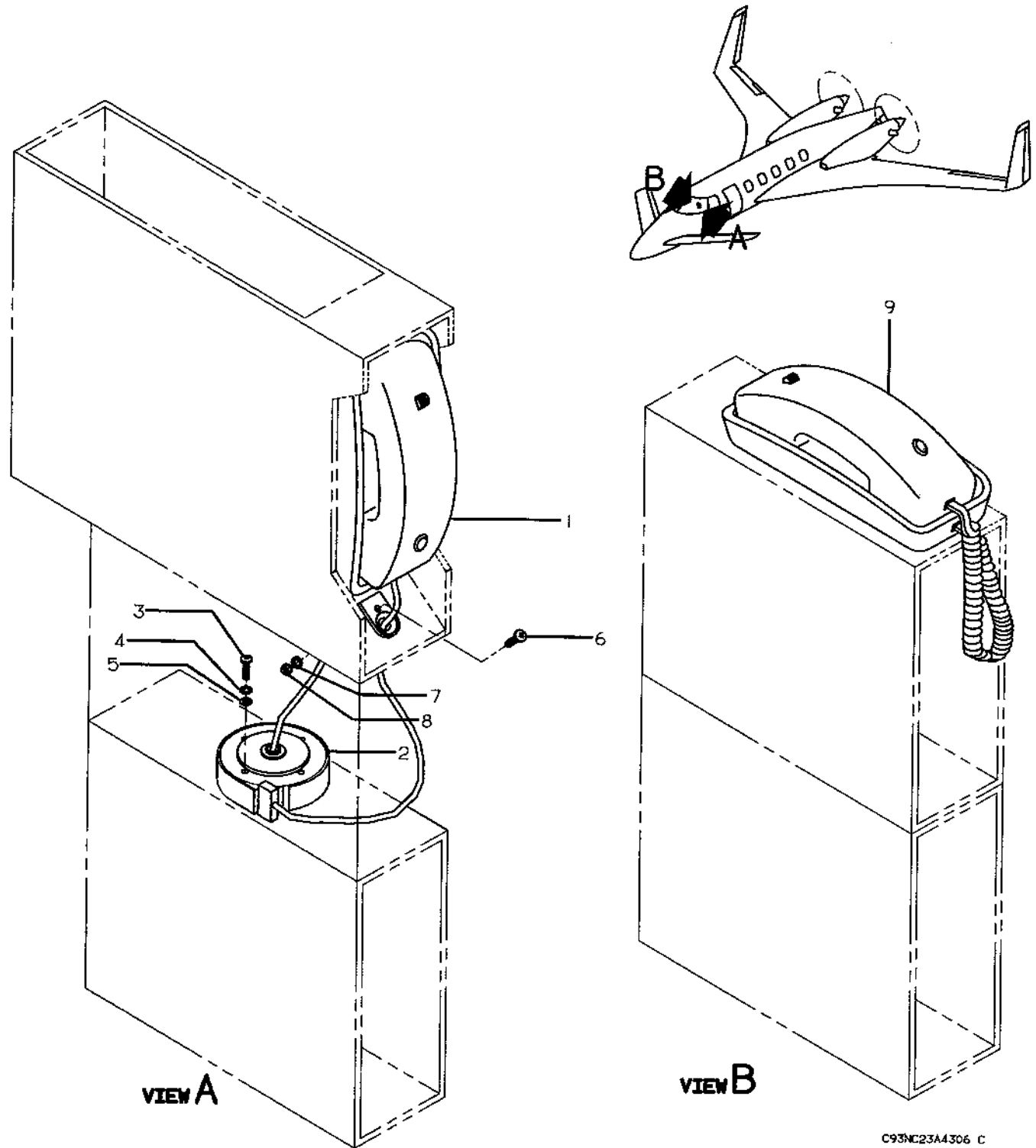
1 NC-4 THRU NC-20                      2 NC-21 AND AFTER

**Beechcraft**  
**STARSHIP 1**  
**ILLUSTRATED PARTS CATALOG**

**23-10-30**  
**FLIGHT PHONE, COCKPIT-RH MAP CASE**



Beechcraft  
STARSHIP 1  
ILLUSTRATED PARTS CATALOG



C93NC23A4306 C

FIGURE 10-30.FLIGHT PHONE, COCKPIT-RH MAP CASE

**Beechcraft**  
**STARSHIP 1**  
**ILLUSTRATED PARTS CATALOG**

SUB-SEC UNIT & ITEM NO	PART NO.	DESCRIPTION 1 2 3 4 5 6 7	UNITS	USABLE	
			PER ASSY	ON CODE	
10-30 - 1	122-342097-1 WH10-114	FLIGHT PHONE INSTL, COCKPIT-RH MAP CASE .....	NP	1	
		FLIGHT PHONE, COCKPIT-RH MAP CASE .....	1	1	
	/ATTACHING PARTS/				
	MS35206-231	SCREW.....	3		
	MS35333-37	WASHER, LOCK.....	3		
	AN960L06	WASHER.....	3		
	MS35021L06	NUT.....	3		
	-----★-----				
	- 2	122-362074-11	REEL ASSY.....	1	1
	/ATTACHING PARTS/				
	- 3	MS35206-218	SCREW.....	4	
	- 4	MS35333-36	WASHER, LOCK.....	4	
	- 5	AN960-04	WASHER.....	4	
	- 6	AN525-832R8	SCREW.....	1	
- 7	AN960L08	WASHER.....	1		
- 8	130909N28	NUT.....	1		
-----★-----					
- 9	122-342097-3 WH10-114	FLIGHT PHONE INSTL, COCKPIT-RH MAP CASE .....	NP	1	
		FLIGHT PHONE, COCKPIT-RH MAP CASE .....	1	1	
	/ATTACHING PARTS/				
	MS35206-231	SCREW.....	3		
	MS35333-27	WASHER, LOCK.....	3		
	AN960L06	WASHER.....	3		
	-----★-----				
	SS58308K2915	TEE NUT.....	1	1	

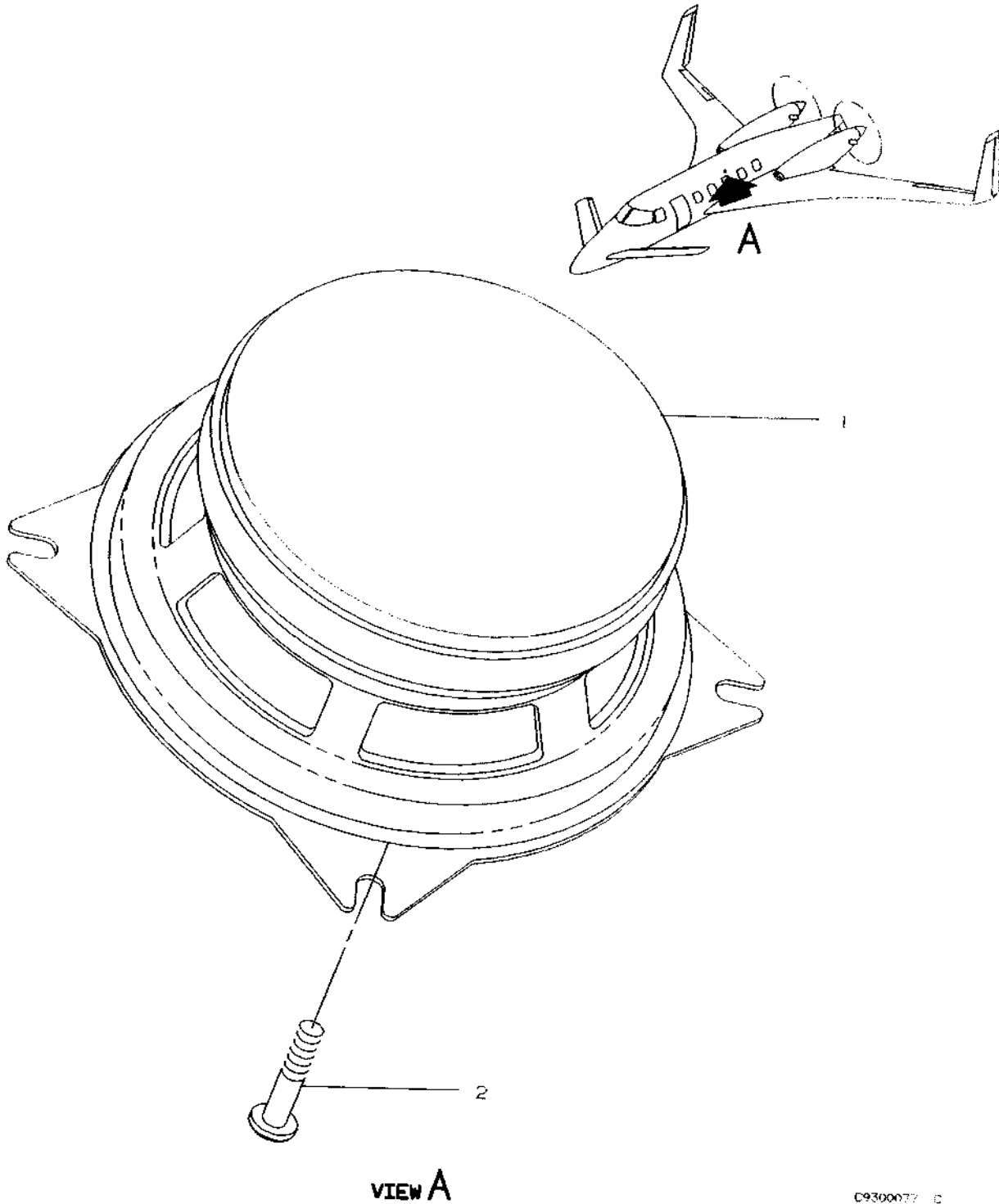
**CODES OF EFFECTIVITY**

1 NC-21 AND AFTER

**Beechcraft**  
**STARSHIP 1**  
**ILLUSTRATED PARTS CATALOG**

**23-30-00**  
**CABIN SPEAKER**

Beechcraft  
STARSHIP 1  
ILLUSTRATED PARTS CATALOG



C9300077 0

FIGURE 30-00.CABIN SPEAKER

**Beechcraft**  
**STARSHIP 1**  
**ILLUSTRATED PARTS CATALOG**

SUB-SEC UNIT & ITEM NO	PART NO.	DESCRIPTION 1 2 3 4 5 6 7	UNITS PER ASSY	USABLE ON CODE
30-00	122-340187-1	SPEAKER INSTL, CABIN .....	NP	1
	122-340187-13	SPEAKER INSTL, CABIN .....	NP	2
	122-340187-7	SPEAKER INSTL, CABIN .....	NP	3
	122-340187-19	SPEAKER INSTL, CABIN .....	NP	4
	122-340187-21	SPEAKER INSTL, CABIN/OPTIONAL/ .....	NP	7
	D8200	. SPEAKER/ORDER KIT 122-5016-1S FOR IN SERVICE .....	NP	5
		AIRPLANES, NC-4 THRU NC-26/ /ATTACHING PARTS/		
	MS35206-248	. SCREW .....	4	5
		★		
- 1	101-384252-1	. SPEAKER ASSY .....	1	6
		/ATTACHING PARTS/		
- 2	MS35206-244	. SCREW .....	4	6
		★		
	KFCM204	. . SPEAKER .....	1	6
R	KFC-HQ100	. SPEAKER/ALTERNATE FOR KFC-HQ102 & KFC1074/ .....	AR	7
		/DO NOT INTERMIX SPEAKER TYPES/SEE NOTE/		
R	KFC-HQ102	. SPEAKER/ALTERNATE FOR KFC-HQ100 & KFC1074/ .....	AR	7
		/DO NOT INTERMIX SPEAKER TYPES/SEE NOTE/		
R	KFC1074	. SPEAKER/ALTERNATE FOR KFC-HQ100 & KFC-HQ102/ .....	AR	7
		/DO NOT INTERMIX SPEAKER TYPES/SEE NOTE/		
R	122-530410-1	GRILL, OPEN MESH/SEE NOTE/ .....	AR	7
		/ATTACHING PARTS/		
R	AN525-832R7	SCREW/SEE NOTE/ .....	AR	
R	AN960-8L	WASHER/SEE NOTE/ .....	AR	
R	130909N28	NUT/SEE NOTE/ .....	AR	
		★		
R	122-530411-7	SUPPORT ASSY/USED WITH KENWOOD SPEAKERS/ .....	AR	7
		/SEE NOTE/ /ATTACHING PARTS/		
R	MS35206-245	SCREW/SEE NOTE/ .....	AR	
		★		
R	122-530411-11	SUPPORT ASSY/USED WITH ALPHASONIC SPEAKERS/ .....	AR	7
		/SEE NOTE/ /ATTACHING PARTS/		
R	MS35206-245	SCREW/SEE NOTE/ .....	AR	
		★		
R	122-530411-15	ENCLOSURE ASSY/SEE NOTE/ .....	AR	7
R	122-530411-21	BRACKET ASSY/SEE NOTE/ .....	AR	7

**NOTE** QUANTITIES DETERMINED BY  
SPEAKER KIT INSTALLATION  
122-3009-1, -3, -5, OR -7

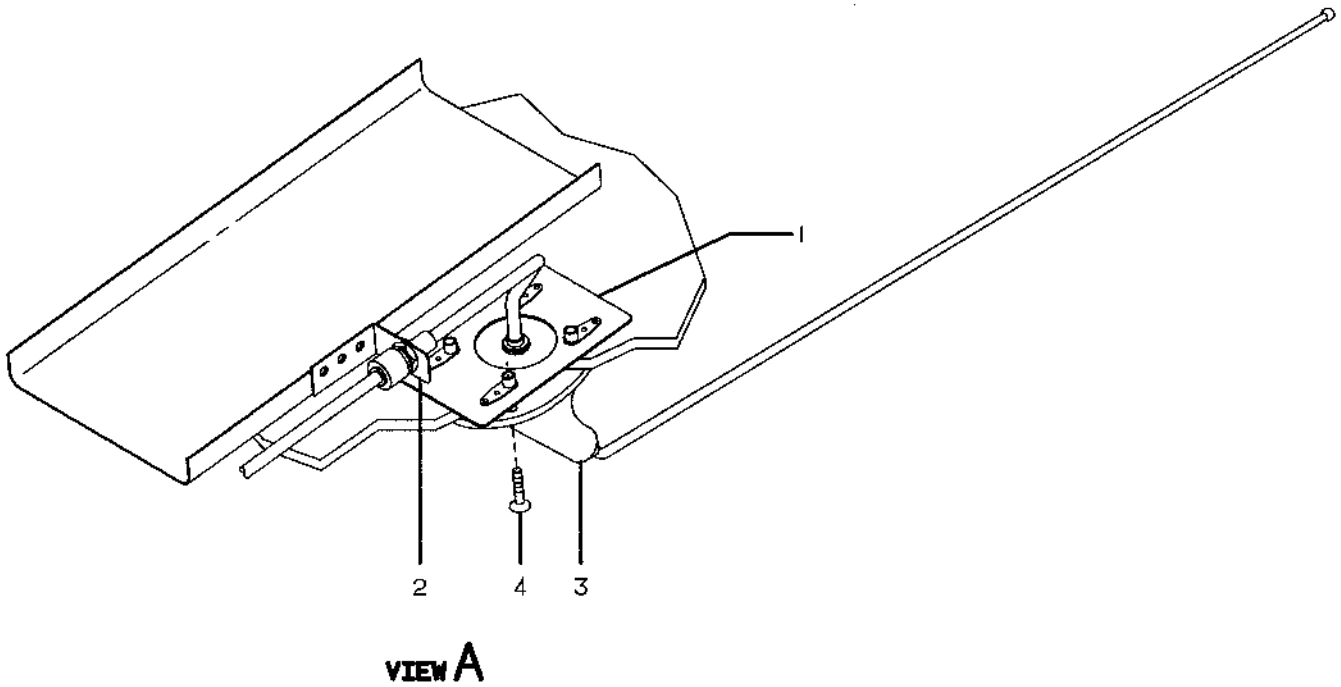
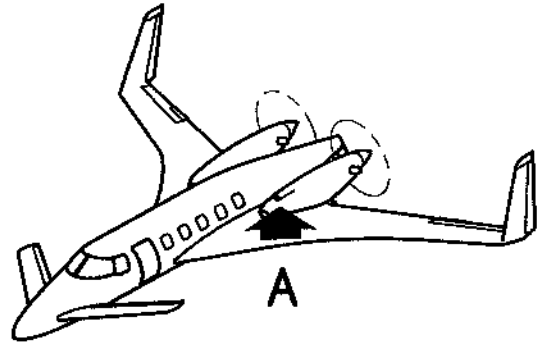
**CODES OF EFFECTIVITY**

1	NC-4 THRU NC-20	2	NC-21 THRU NC-26
3	NC-27 THRU NC-34	4	NC-35 AND AFTER
5	NC-4 THRU NC-26	6	NC-27 AND AFTER
7	NC-4 AND AFTER		

**Beechcraft**  
**STARSHIP 1**  
**ILLUSTRATED PARTS CATALOG**

**23-30-10**  
**FM ANTENNA**

Beechcraft  
STARSHIP 1  
ILLUSTRATED PARTS CATALOG



C93NC23A4324 C

FIGURE 30-10.FM ANTENNA

**Beechcraft**  
**STARSHIP 1**  
**ILLUSTRATED PARTS CATALOG**

SUB-SEC UNIT & ITEM NO	PART NO.	DESCRIPTION 1 2 3 4 5 6 7	UNITS	USABLE
			PER ASSY	ON CODE
30-10	122-341010-3	ANTENNA PROVISION INSTL, FM RECEIVER .....	NP	
- 1	122-340039-227	. DOUBLER ASSY .....	1	
	MS21052L08	. . NUTPLATE .....	4	
- 2	122-340039-121	. BRACKET .....	1	
	122-340194-3	. COVER PLATE/USED WITHOUT ANTENNA INSTL/ .....	1	
	122-341010-5	. ANTENNA INSTL, FM RECEIVER .....	NP	
- 3	121-014378-01	. . ANTENNA/AT462/ .....	1	
		. /ATTACHING PARTS/ .....		
- 4	MS24694C15	. . SCREW .....	4	
		---★---		



**Beechcraft**  
**STARSHIP 1**  
**ILLUSTRATED PARTS CATALOG**

**23-30-20**  
**PAGING AMPLIFIER**

Beechcraft  
STARSHIP 1  
ILLUSTRATED PARTS CATALOG

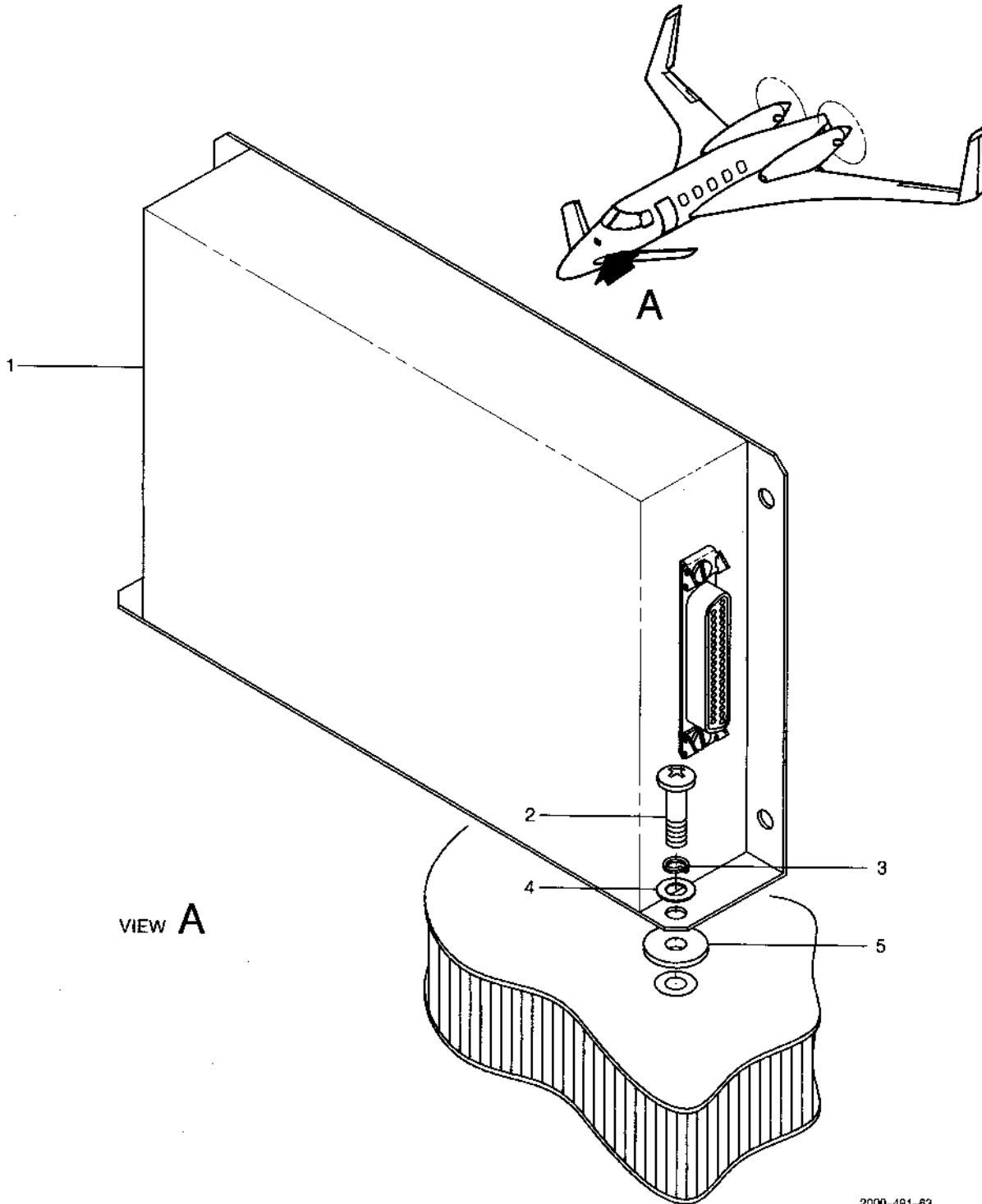


FIGURE 30-20.PAGING AMPLIFIER

**Beechcraft**  
**STARSHIP 1**  
**ILLUSTRATED PARTS CATALOG**

SUB-SEC UNIT & ITEM NO	PART NO.	DESCRIPTION 1 2 3 4 5 6 7	UNITS	USABLE
			PER ASSY	ON CODE
30-20	122-340084-1	AMPLIFIER INSTL, PAGING.....	NP	
- 1	218	AMPLIFIER, PAGING/ORDER 218-002 FOR SPARES/.....	NP	1
	218-002	AMPLIFIER, PAGING..... /ATTACHING PARTS/	1	2
- 2	MS35207-264	SCREW.....	2	
- 3	MS35338-43	WASHER, LOCK.....	2	
- 4	AN960JD10L	WASHER.....	2	
- 5	AN960JD716	WASHER.....	2	
	122-340089-1	*----- GROUND WIRE TERMINATION INSTL..... /SEE CHAPTER 23-00-01/	NP	

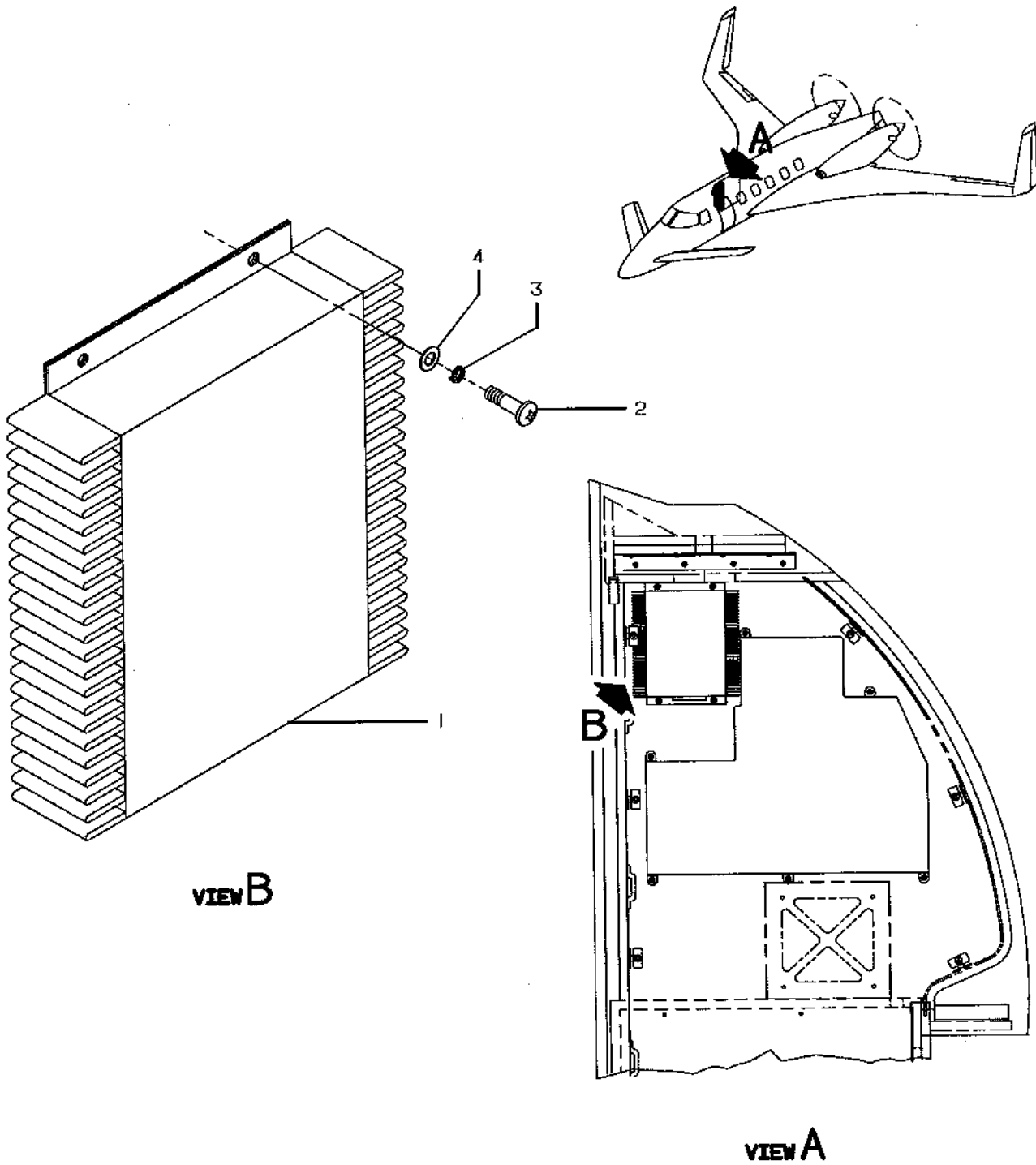
**CODES OF EFFECTIVITY**

1 NC-4 THRU NC-46                      2 NC-47 AND AFTER

**Beechcraft**  
**STARSHIP 1**  
**ILLUSTRATED PARTS CATALOG**

**23-30-30**  
**PAGING AMPLIFIER, CABIN**

Beechcraft  
STARSHIP 1  
ILLUSTRATED PARTS CATALOG



C93NC23A4325 C

FIGURE 30-30.PAGING AMPLIFIER, CABIN

Beechcraft  
**STARSHIP 1**  
**ILLUSTRATED PARTS CATALOG**

SUB-SEC UNIT & ITEM NO	PART NO.	DESCRIPTION 1 2 3 4 5 6 7	UNITS	USABLE
			PER ASSY	ON CODE
30-30	122-340193-1	AMPLIFIER INSTL, PAGING-CABIN .....	NP	1
- 1	A513-4	. AMPLIFIER, PAGING .....	1	1
		/ATTACHING PARTS/		
- 2	MS35207-261	. SCREW .....	4	
- 3	MS35338-43	. WASHER, LOCK .....	4	
- 4	AN960JD10L	. WASHER .....	4	

★

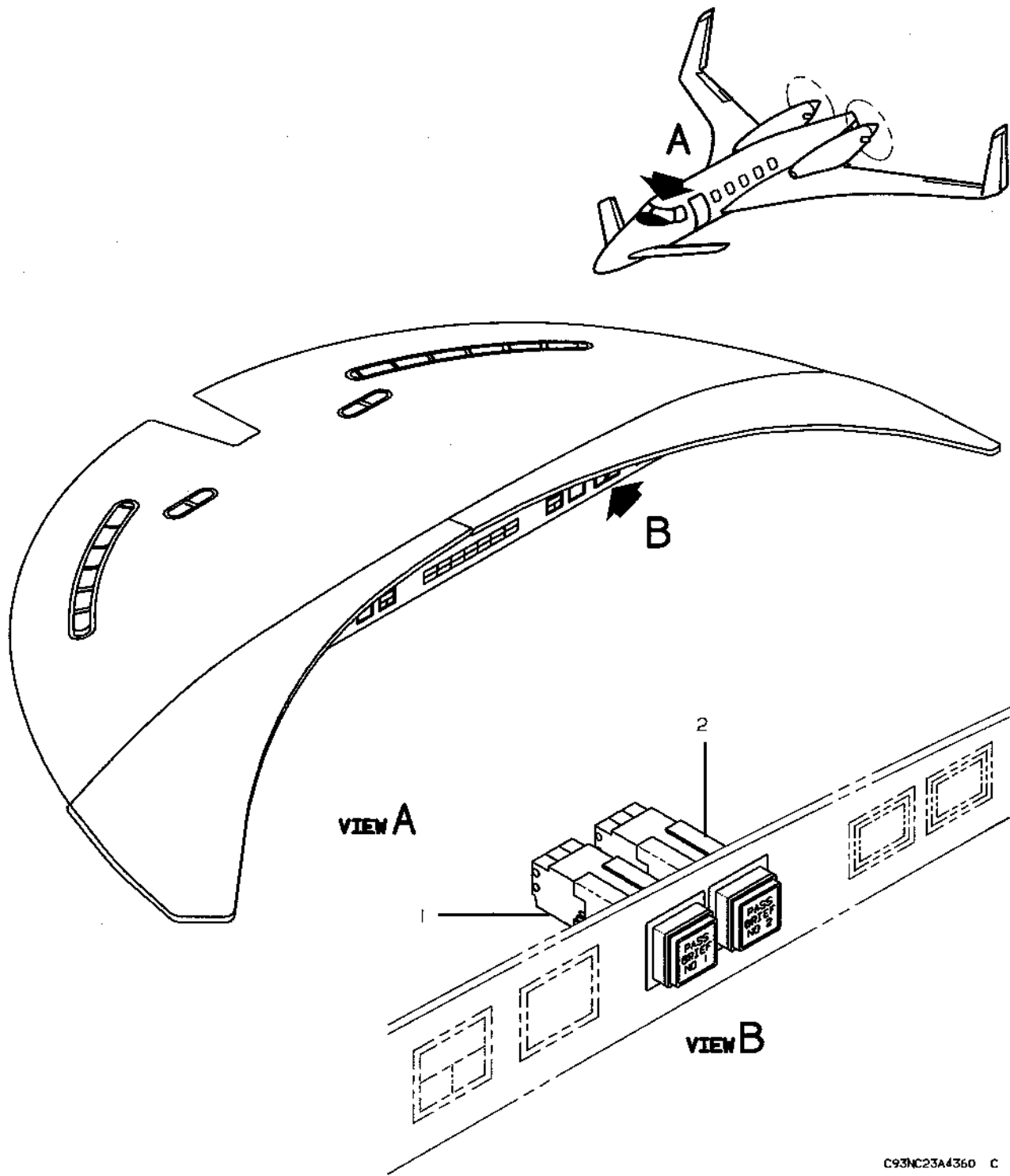
**CODES OF EFFECTIVITY**

1 NC-14 AND AFTER

**Beechcraft**  
**STARSHIP 1**  
**ILLUSTRATED PARTS CATALOG**

**23-30-40**  
**PASSENGER BRIEFER, COCKPIT**

Beechcraft  
STARSHIP 1  
ILLUSTRATED PARTS CATALOG



C93NC23A4360 C

FIGURE 30-40.PASSENGER BRIEFER, COCKPIT



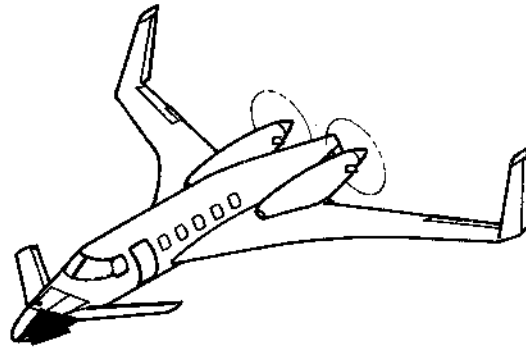
**Beechcraft**  
**STARSHIP 1**  
**ILLUSTRATED PARTS CATALOG**

SUB-SEC UNIT & ITEM NO	PART NO.	DESCRIPTION 1 2 3 4 5 6 7	UNITS PER ASSY	USABLE ON CODE
30-40	122-342098-1	PASSENGER BRIEFER INSTL, COCKPIT .....	NP	
- 1	122-382160-1	. SWITCH LIGHT ASSY, ANNUNCIATOR .....	1	
		/PASS BRIEF NO 1/ .....		
- 2	122-382160-3	. SWITCH LIGHT ASSY, ANNUNCIATOR .....	1	
		/PASS BRIEF NO 2/ .....		
	131984-5	. CIRCUIT BREAKER, CABIN BRIEF .....	1	
	122-322184-1	. BUS BAR.....	1	

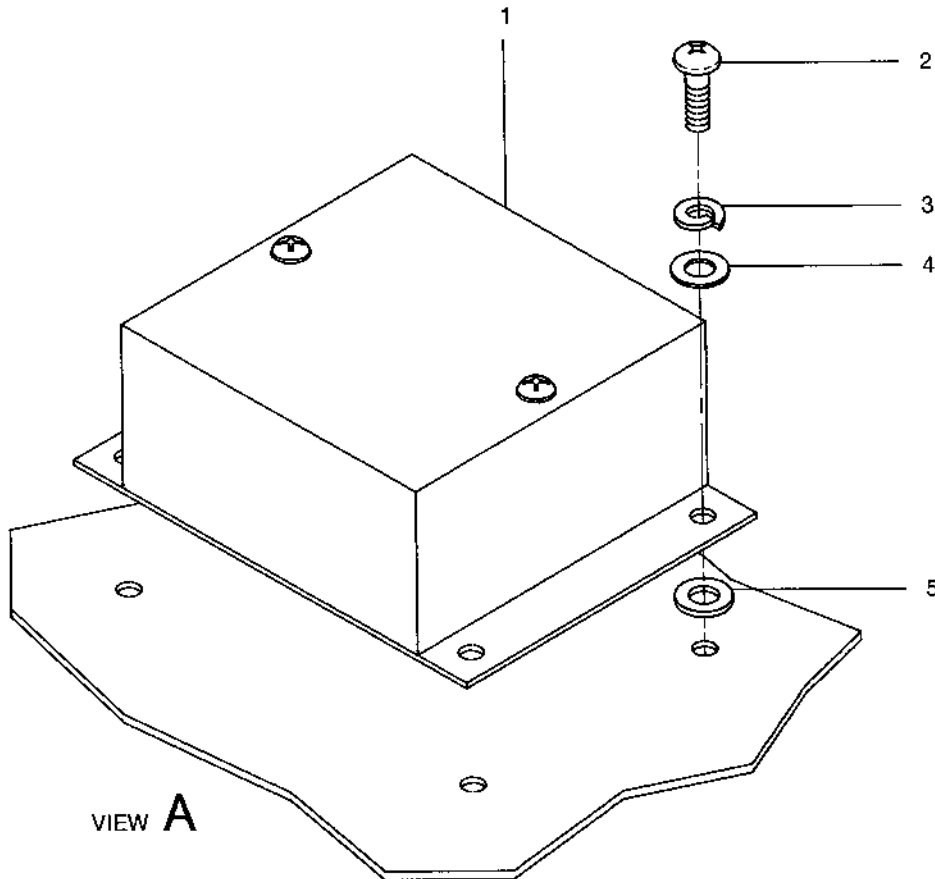
**Beechcraft**  
**STARSHIP 1**  
**ILLUSTRATED PARTS CATALOG**

**23-40-00**  
**INTERPHONE AMPLIFIER**

Beechcraft  
STARSHIP 1  
ILLUSTRATED PARTS CATALOG



A



VIEW A

2000-491-40

FIGURE 40-00.INTERPHONE AMPLIFIER

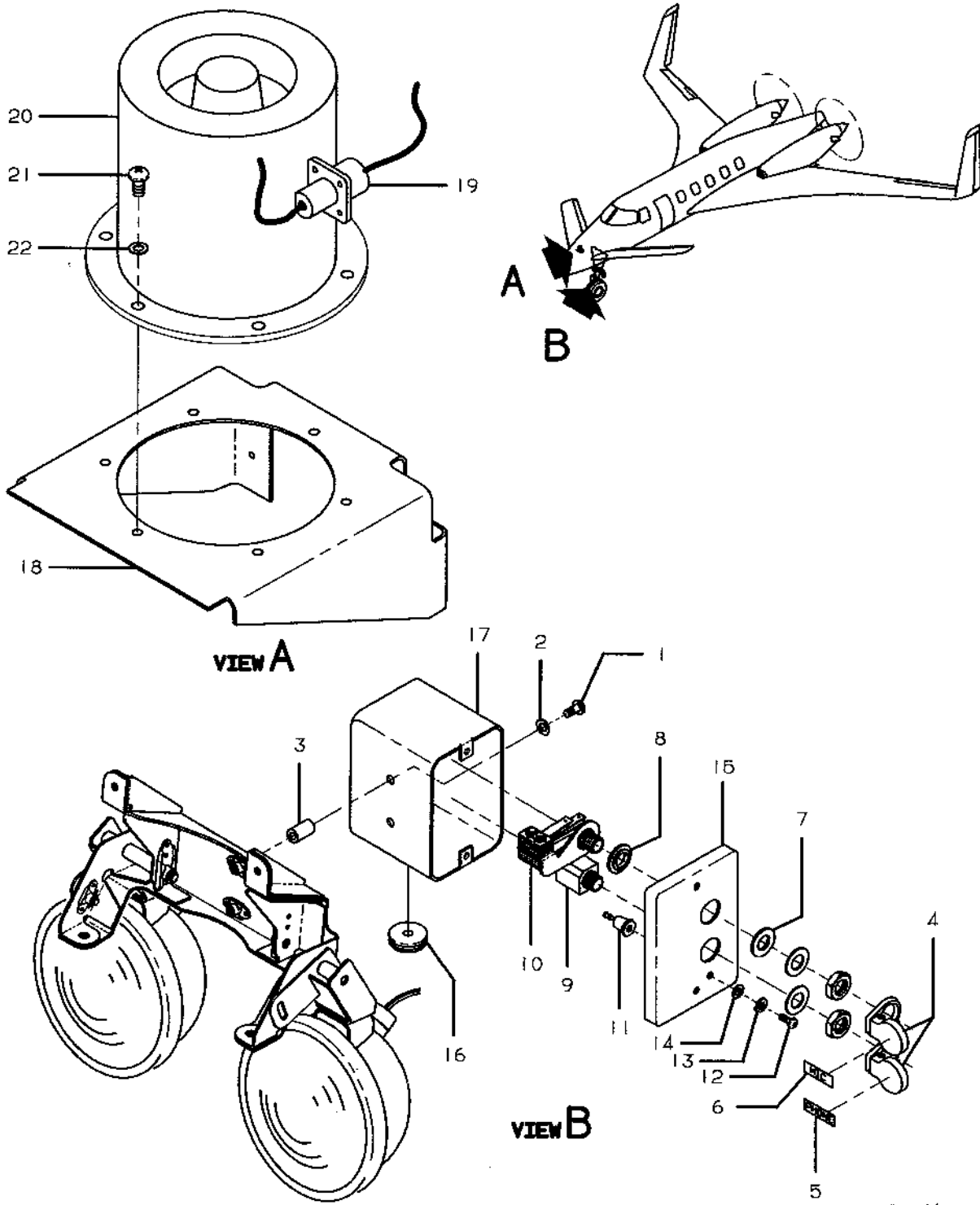
**Deechcraft**  
**STARSHIP 1**  
**ILLUSTRATED PARTS CATALOG**

SUB-SEC UNIT & ITEM NO	PART NO.	DESCRIPTION 1 2 3 4 5 6 7	UNITS	USABLE
			PER ASSY	ON CODE
40-00	122-342053-1	INTERPHONE SYSTEM INSTL.....	NP	
- 1	204	. AMPLIFIER, INTERPHONE.....	1	
		/ATTACHING PARTS/		
- 2	MS35206-241	. SCREW.....	4	
- 3	MS35338-42	. WASHER, LOCK.....	4	
- 4	AN960JD8	. WASHER.....	4	
- 5	AN960JD616	. WASHER.....	4	
		-----*		
	122-340069-1	. GROUND WIRE TERMINATION INSTL.....	NP	
		/SEE CHAPTER 23-00-01/		

**Beechcraft**  
**STARSHIP 1**  
**ILLUSTRATED PARTS CATALOG**

**23-40-10**  
**NOSE WHEEL WELL INTERPHONE EQUIPMENT**

**Beechcraft**  
**STARSHIP 1**  
**ILLUSTRATED PARTS CATALOG**



C93NC23A4333 C

**FIGURE 40-10. NOSE WHEEL WELL INTERPHONE EQPT**

**Beechcraft**  
**STARSHIP 1**  
**ILLUSTRATED PARTS CATALOG**

SUB-SEC UNIT & ITEM NO	PART NO.	DESCRIPTION 1 2 3 4 5 6 7	UNITS	USABLE
			PER ASSY	ON CODE
40-10	122-364207-1	INTERPHONE INSTL, NOSE WHEEL WELL.....	NP	
	122-342063-17	. JACK ASSY, INTERPHONE.....	1	
		/ATTACHING PARTS/		
- 1	130909B15	. BOLT.....	2	
- 2	AN960C10	. WASHER.....	2	
- 3	NAS43HT3-13	. SPACER.....	2	
		-----*		
	122-342063-19	.. COVER ASSY.....	1	
- 4	512	.. COVER, JACK.....	2	
- 5	101-341965-13	.. DECAL, PHONE.....	1	
- 6	101-341965-15	.. DECAL, MIC.....	1	
- 7	212	.. WASHER, INSULATING.....	1	
- 8	203	.. WASHER, INSULATING/ORDER 2157 FOR .....	NP	1
		SPARES/		
	2157	.. WASHER, INSULATING.....	1	2
- 9	N112A	.. JACK, PHONE.....	1	
- 10	3J1484	.. JACK, MIC.....	1	
- 11	1417	.. STANDOFF.....	1	
		/ATTACHING PARTS/		
- 12	MS35206-226	.. SCREW.....	1	
- 13	MS35338-41	.. WASHER, LOCK.....	1	
- 14	AN960-6	.. WASHER.....	1	
		-----*		
- 15	122-342063-21	.. COVER.....	1	
	130909N29	.. NUT/GROUND STUD/.....	1	
	MS35338-43	.. WASHER, LOCK/GROUND STUD/.....	1	
	AN960-10L	.. WASHER/GROUND STUD/.....	1	
	131270-3	.. STUD, GROUND.....	1	
	122-342063-23	.. BOX ASSY.....	1	
- 16	MS35489-134	.. GROMMET.....	1	
- 17	122-342063-25	.. BOX.....	1	
	122-341046-1	SPEAKER INSTL, NOSE WHEEL WELL.....	NP	
	122-341047-5	. BRACKET ASSY, SPEAKER.....	1	
- 18	122-341047-7	.. BRACKET.....	1	
	MS21069L3	.. NUTPLATE.....	6	
- 19	207807-1	. RECEPTACLE.....	1	
	201330-1	. PIN.....	2	
	207047-2	. PLUG, SEALING.....	1	
- 20	MIS5C	. SPEAKER.....	1	
		/ATTACHING PARTS/		
- 21	MS35207-264	. SCREW.....	6	
- 22	AN960-10L	. WASHER.....	6	
		-----*		

**CODES OF EFFECTIVITY**

1 NC-4 THRU NC-34

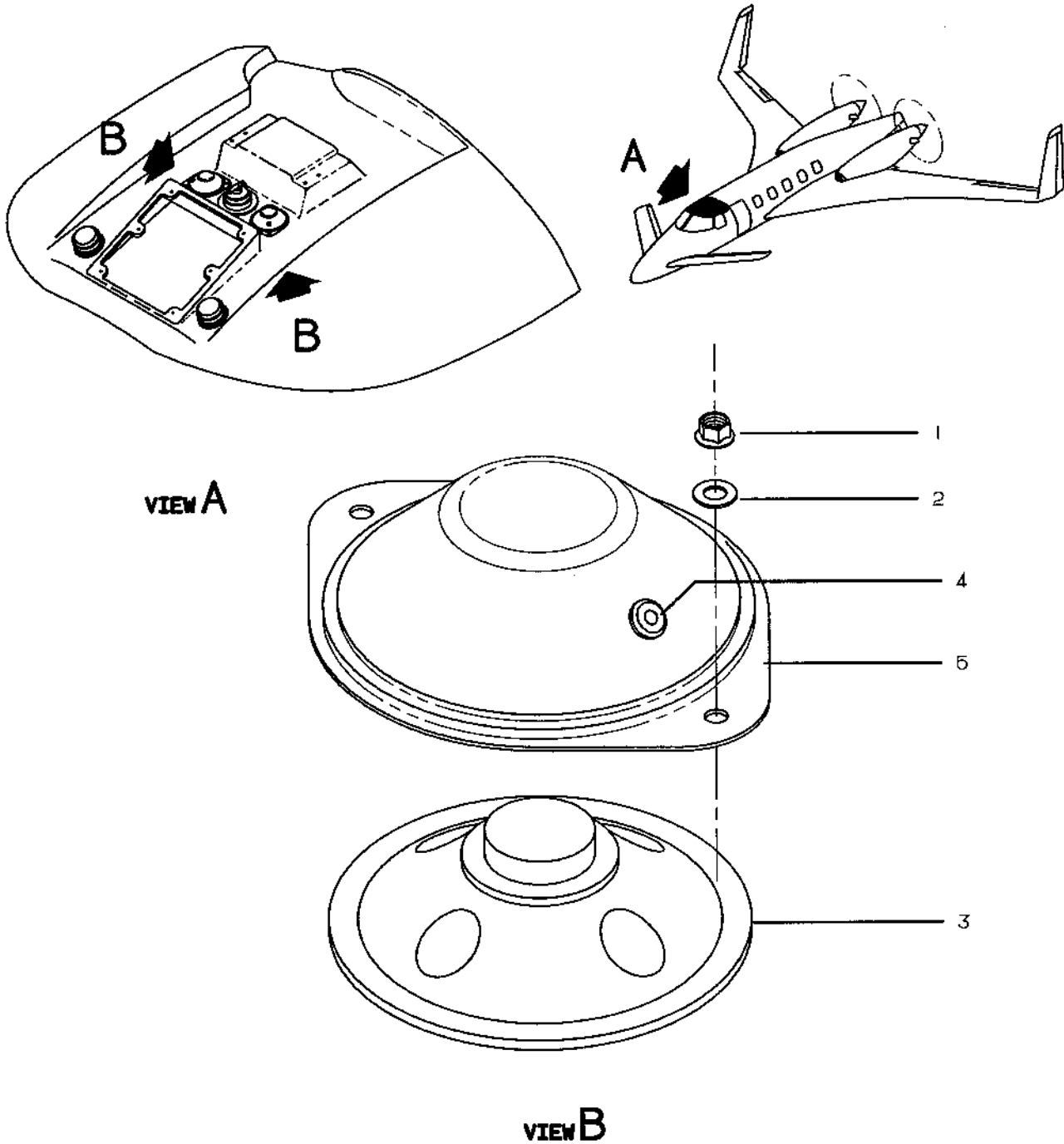
2 NC-35 AND AFTER

**Beechcraft**  
**STARSHIP 1**  
**ILLUSTRATED PARTS CATALOG**

**23-50-00**  
**COCKPIT SPEAKERS**



Beechcraft  
STARSHIP 1  
ILLUSTRATED PARTS CATALOG



C93NC23A4334 C

FIGURE 50-00.COCKPIT SPEAKERS

**Beechcraft**  
**STARSHIP 1**  
**ILLUSTRATED PARTS CATALOG**

SUB-SEC UNIT & ITEM NO	PART NO.	DESCRIPTION 1 2 3 4 5 6 7	UNITS	USABLE
			PER ASSY	ON CODE
50-00	122-322234-3	SPEAKER INSTL, COCKPIT .....	NP	
- 1	130909N49	. NUT .....	4	
- 2	AN960-10L	. WASHER .....	4	
- 3	R305	. SPEAKER .....	2	
	122-322235-1	. BRACKET ASSY .....	2	
- 4	MS35489-1	. GROMMET .....	1	
- 5	122-322235-5	. BAFFLE, SPEAKER .....	1	

**Beechcraft**  
**STARSHIP 1**  
**ILLUSTRATED PARTS CATALOG**

**23-50-10**  
**AUDIO CONTROL AMPLIFIER**

Beechcraft  
STARSHIP 1  
ILLUSTRATED PARTS CATALOG

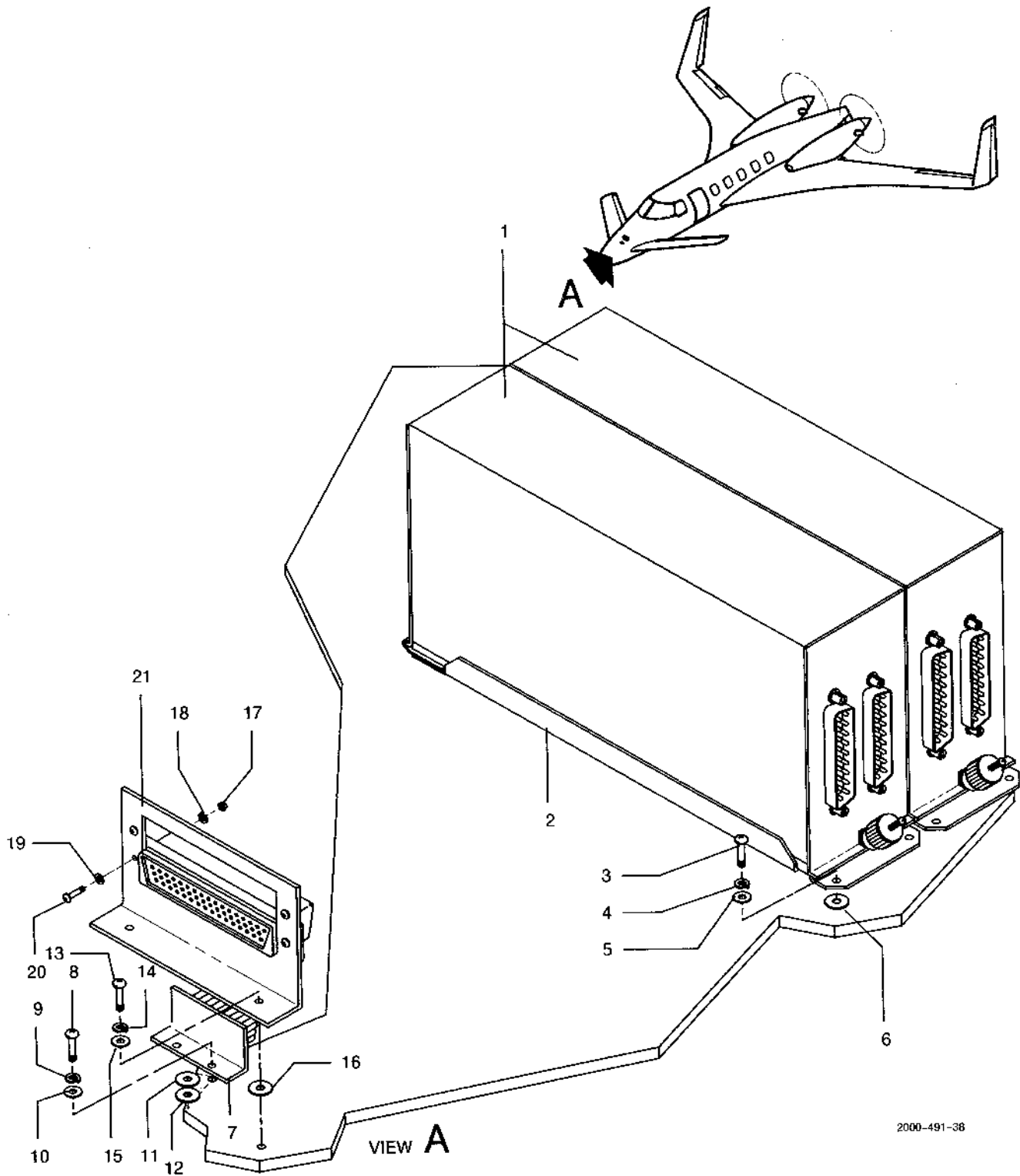


FIGURE 50-10.AUDIO CONTROL AMPLIFIER

**Beechcraft**  
**STARSHIP 1**  
**ILLUSTRATED PARTS CATALOG**

SUB-SEC UNIT & ITEM NO	PART NO.	DESCRIPTION 1 2 3 4 5 6 7	UNITS	USABLE
			PER ASSY	ON CODE
50-10	122-342052-7	AMPLIFIER INSTL, AUDIO CONTROL.....	NP	1
	122-342052-13	AMPLIFIER INSTL, AUDIO CONTROL.....	NP	2
- 1	418(MOD A)	. AMPLIFIER, AUDIO CONTROL.....	2	
	438	. AMPLIFIER, AUDIO CONTROL/USED WHEN COCKPIT VOICE RECORDER IS INSTALLED/	2	
- 2	122-341001-67	. RACK.....	2	
		/ATTACHING PARTS/		
- 3	MS35206-248	. SCREW.....	4	
- 4	MS35338-42	. WASHER, LOCK.....	4	
- 5	AN960JD8L	. WASHER.....	4	
- 6	AN960JD616	. WASHER.....	4	
		★		
- 7	204814-1	. CONNECTOR ASSY, GROUND.....	2	
		/ATTACHING PARTS/		
- 8	MS35206-246	. SCREW.....	1	
- 9	MS35338-42	. WASHER, LOCK.....	1	
- 10	AN960JD8L	. WASHER.....	1	
- 11	122-340070-7	. WASHER.....	1	
- 12	AN960JD616	. WASHER.....	1	
		★		
	MS25083-7BB10	. JUMPER, BONDING.....	1	2
	122-342052-9	. SUPPORT ASSY.....	1	
		/ATTACHING PARTS/		
- 13	MS35206-246	. SCREW.....	2	
- 14	MS35338-42	. WASHER, LOCK.....	2	
- 15	AN960JD8L	. WASHER.....	2	
- 16	AN960JD616	. WASHER.....	2	
		★		
- 17	130909N28	. NUT.....	2	
- 18	AN960JD8L	. WASHER.....	2	
- 19	AN960-8L	. WASHER.....	2	
- 20	MS35206-246	. SCREW.....	2	
- 21	122-342052-11	. SUPPORT.....	1	
	122-340069-1	. GROUND WIRE TERMINATION INSTL.....	NP	
		/SEE CHAPTER 23-00-01/		

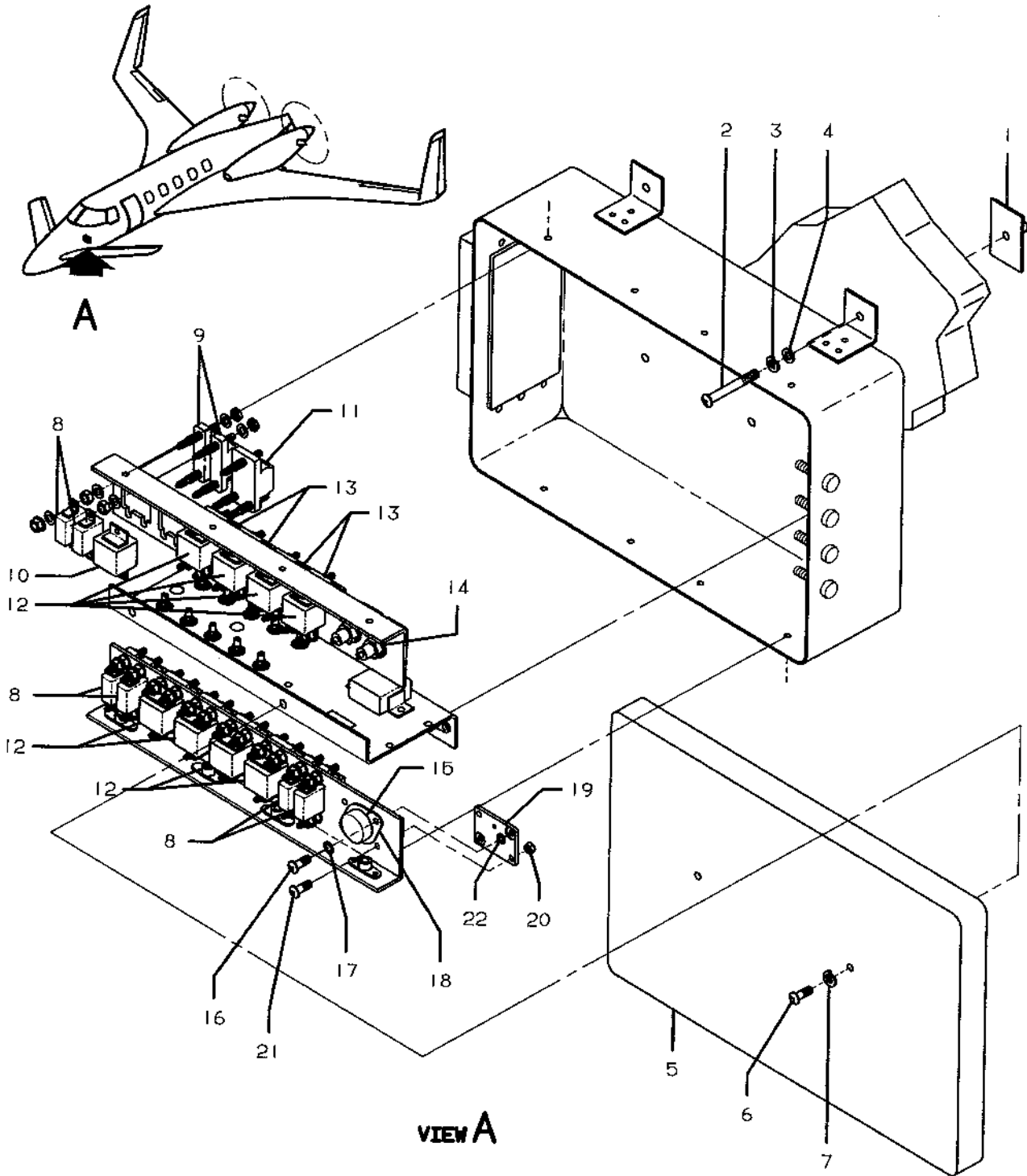
**CODES OF EFFECTIVITY**

1 NC-4 THRU NC-25                      2 NC-26 AND AFTER

**Beechcraft**  
**STARSHIP 1**  
**ILLUSTRATED PARTS CATALOG**

**23-50-30**  
**NOSE AVIONICS JUNCTION BOX**  
**NC-4 THRU NC-22**

Beechcraft  
STARSHIP 1  
ILLUSTRATED PARTS CATALOG



C93AC23A4338 C

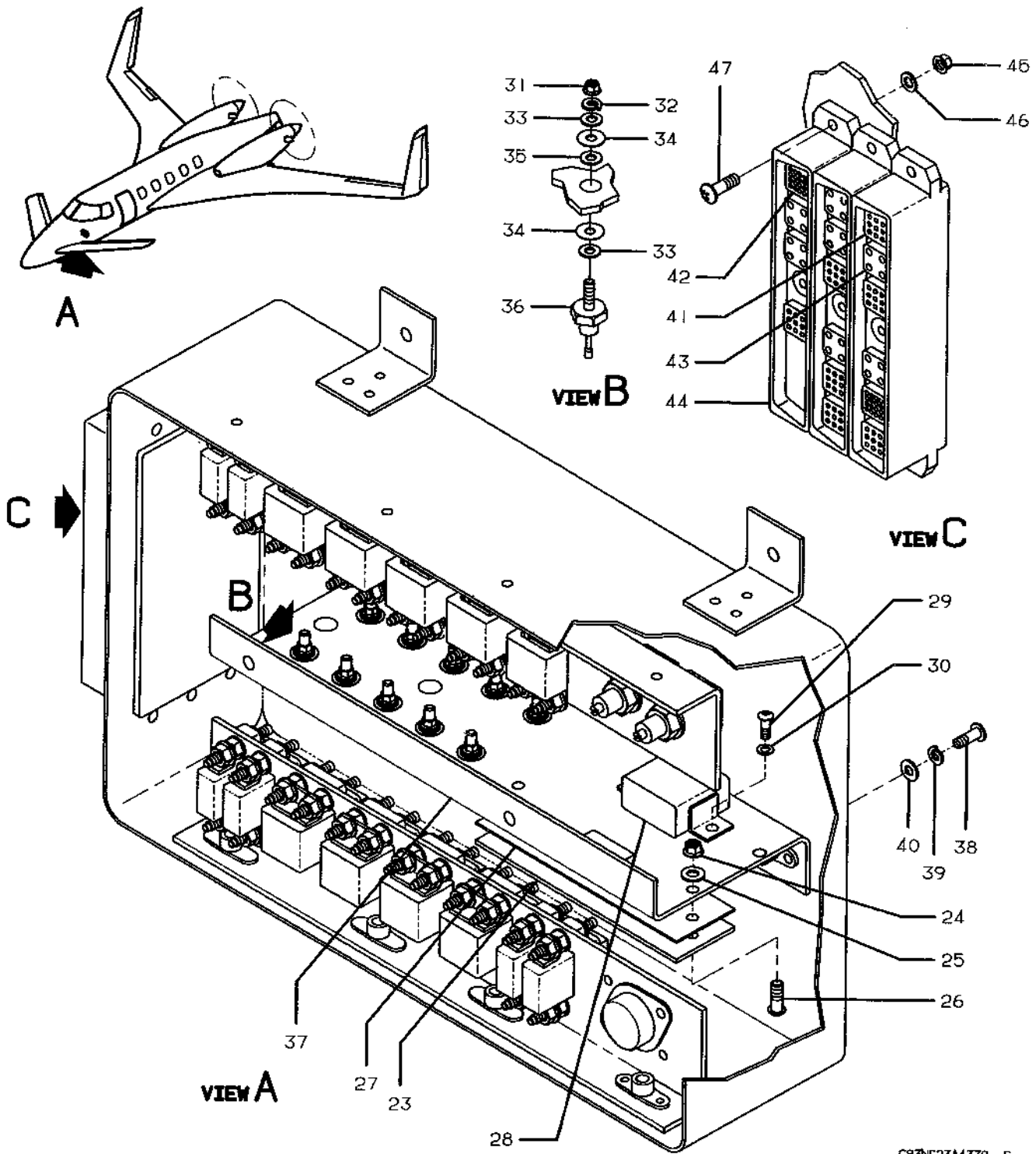
FIGURE 50-30.NOSE AVIONICS JUNCTION BOX  
/SHEET 1 OF 3 SHEETS/

**Beechcraft**  
**STARSHIP 1**  
**ILLUSTRATED PARTS CATALOG**

SUB-SEC UNIT & ITEM NO	PART NO.	DESCRIPTION 1 2 3 4 5 6 7	UNITS PER ASSY	USABLE ON CODE
50-30	122-342049-5	JUNCTION BOX INSTL, NOSE AVIONICS .....	NP	1
- 1	122-340039-101	DOUBLER ASSY .....	4	1
	NAS147A3	NUTPLATE .....	1	1
	122-342047-73	JUNCTION BOX ASSY, NOSE AVIONICS .....	1	1
		/ATTACHING PARTS/		
- 2	MS35207-269	SCREW .....	4	
- 3	MS35338-43	WASHER, LOCK .....	4	
- 4	AN960JD10L	WASHER .....	4	
		-----*		
- 5	122-342047-13	COVER, JUNCTION BOX .....	1	1
		/ATTACHING PARTS/		
- 6	MS35206-247	SCREW .....	2	
- 7	MS35338-42	WASHER, LOCK .....	2	
		-----*		
- 8	M6106/27-023	RELAY .....	6	1
- 9	451120-051	SOCKET, RELAY .....	6	1
-10	M6106/28-023	RELAY .....	1	1
-11	451120-061	SOCKET, RELAY .....	1	1
-12	M6106/29-023	RELAY .....	8	1
-13	451116-371	SOCKET, RELAY .....	8	1
		<b>NOTE</b> MOUNTING HARDWARE IS SUPPLIED WITH THE RELAY SOCKET & THE GASKET IS SUPPLIED WITH THE RELAY.		
-14	82E1AE20A13	POTENTIOMETER .....	2	1
	122-340041-173	DECAL, LOWER RELAYS .....	1	1
	122-340041-123	DECAL, UPPER RELAYS & POTENTIOMETER .....	1	1
-15	MJ11014	TRANSISTOR .....	1	1
		/ATTACHING PARTS/		
-16	AN530-6R8	SCREW .....	2	
-17	AN960JD6L	WASHER .....	2	
		-----*		
-18	7403-09FR-04	INSULATOR, TRANSISTOR .....	1	1
-19	11693	SOCKET, TRANSISTOR .....	1	1
		/ATTACHING PARTS/		
-20	MS51858-3	NUT .....	2	
-21	MS18212-30	SCREW .....	2	
		-----*		
-22	AN960JD416L	WASHER .....	4	1
	122-340041-45	DECAL, TRANSISTOR .....	1	1



Beechcraft  
 STARSHIP 1  
 ILLUSTRATED PARTS CATALOG



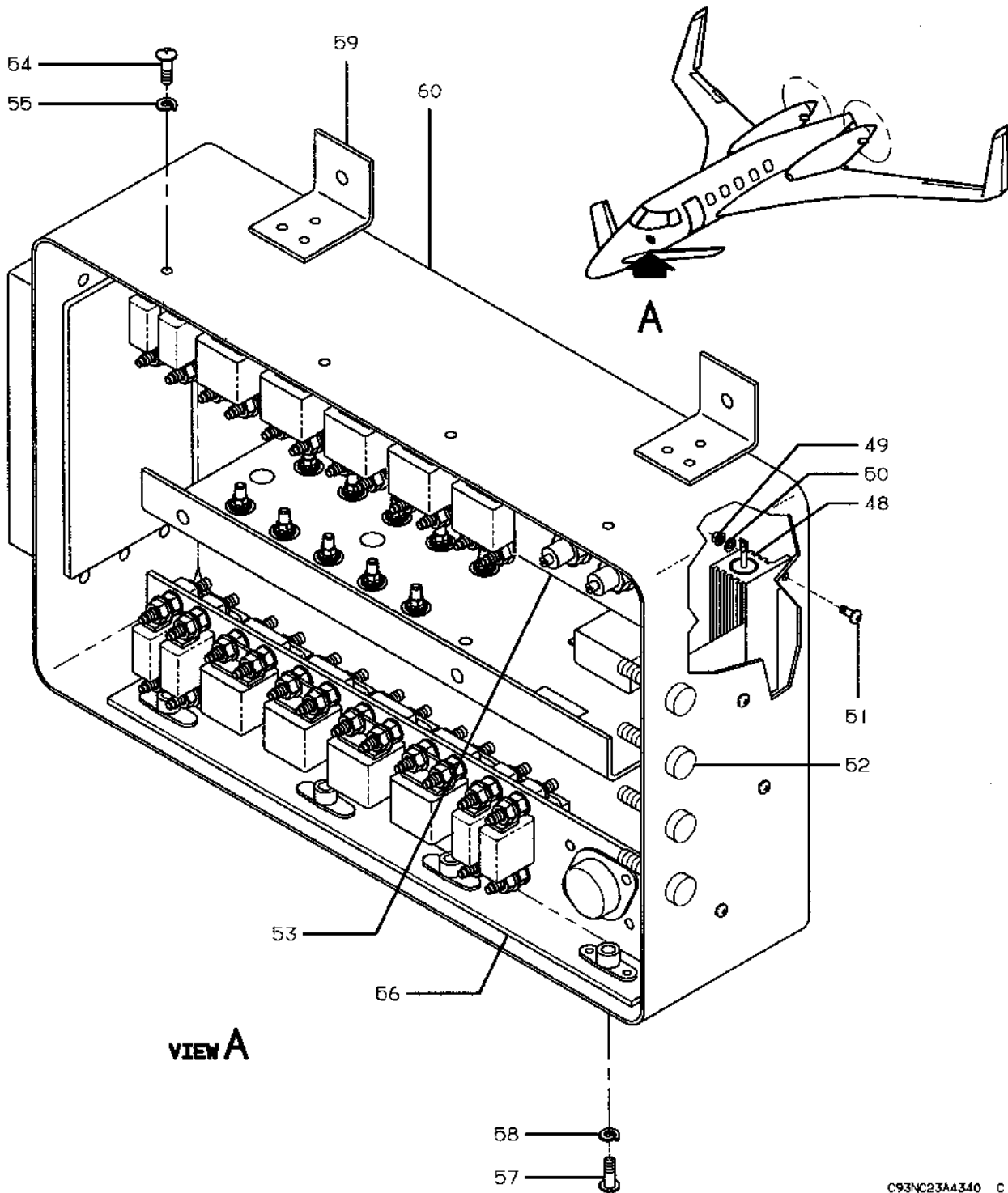
C93NC23A4339 C

FIGURE 50-30. NOSE AVIONICS JUNCTION BOX  
 /SHEET 2 OF 3 SHEETS/

**Beechcraft**  
**STARSHIP 1**  
**ILLUSTRATED PARTS CATALOG**

SUB-SEC UNIT & ITEM NO	PART NO.	DESCRIPTION 1 2 3 4 5 6 7	UNITS	USABLE
			PER ASSY	ON CODE
50-30 -23	122-342047-71	.. TERMINAL BOARD ASSY .....	1	1
		.. /ATTACHING PARTS/ .....		
-24	MS21044N06	.. NUT .....	2	
-25	AN960-6L	.. WASHER .....	2	
-26	MS35206-228	.. SCREW .....	2	
		---★---		
	1N4007	.. DIODE .....	7	1
	122-340041-159	.. DECAL, DIODE .....	1	1
-27	99-340087-1	.. INSULATOR, TERMINAL BOARD .....	1	1
-28	M6106/19-014	.. RELAY .....	1	
		.. /ATTACHING PARTS/ .....		
-29	MS35206-228	.. SCREW .....	2	
-30	AN960-6L	.. WASHER .....	2	
		---★---		
	1N4007	.. DIODE .....	1	1
	122-340041-47	.. DECAL, RELAY .....	1	1
-31	MS35650-305T	.. NUT .....	10	1
-32	MS35338-138	.. WASHER, LOCK .....	10	1
	115110E10	.. TERMINAL .....	10	1
-33	100951X040ZH	.. WASHER .....	20	1
-34	7403-09FR22	.. INSULATOR .....	20	1
-35	DF3D	.. INSULATOR .....	10	1
-36	1N3673	.. DIODE .....	10	1
	122-340041-39	.. DECAL, DIODE .....	1	1
-37	122-342047-53	.. BRACKET ASSY, DIODE MOUNTING .....	1	1
		.. /ATTACHING PARTS/ .....		
-38	MS35206-244	.. SCREW .....	3	
-39	MS35338-42	.. WASHER, LOCK .....	3	
-40	AN960JDBL	.. WASHER .....	3	
		---★---		
	MS21047L06	.. NUTPLATE .....	2	1
	MS21047L08	.. NUTPLATE .....	5	1
	LMD4020-36LJ	.. PIN, CONTACT/LMD3001P MODULE/ .....	63	1
-41	LMD3001P	.. MODULE, CONTACT PIN .....	7	1
	LMD4022-36LJ	.. PIN, CONTACT/LMD3003P MODULE/ .....	32	1
-42	LMD3003P	.. MODULE, CONTACT PIN .....	2	1
	LMD4016-36L	.. PIN, CONTACT/LMD3005P MODULE/ .....	28	1
-43	LMD3005P	.. MODULE, CONTACT PIN .....	7	1
-44	LMD06RK7	.. HOUSING, MODULE RECEPTACLE .....	3	1
		.. /ATTACHING PARTS/ .....		
-45	MS21043-08	.. NUT .....	2	
-46	AN960-6L	.. WASHER .....	2	
-47	MS35206-246	.. SCREW .....	2	
		---★---		

Beechcraft  
 STARSHIP 1  
 ILLUSTRATED PARTS CATALOG



C93NC23A4340 C

FIGURE 50-30.NOSE AVIONICS JUNCTION BOX  
 /SHEET 3 OF 3 SHEETS/

**Beechcraft**  
**STARSHIP 1**  
**ILLUSTRATED PARTS CATALOG**

SUB-SEC UNIT & ITEM NO	PART NO.	DESCRIPTION 1 2 3 4 5 6 7	UNITS PER ASSY	USABLE ON CODE
50-30 -48	RE75G4R87	.. RESISTOR.....	2	1
		/ATTACHING PARTS/		
-49	MS21042L04	.. NUT .....	2	
-50	AN960-4	.. WASHER .....	2	
-51	MS35206-215	.. SCREW .....	2	
		---★---		
-52	131270-3	.. STUD, GROUND .....	4	1
	122-340041-97	.. DECAL, GROUND STUD & RESISTOR .....	1	1
	122-342047-57	.. BOX ASSY .....	1	1
-53	122-342047-61	.. BRACKET ASSY, RELAY MOUNTING .....	1	1
		/ATTACHING PARTS/		
-54	MS35206-244	.. SCREW .....	4	
-55	MS35338-42	.. WASHER, LOCK .....	4	
		---★---		
	MS21047L08	.. NUTPLATE .....	4	1
-56	122-342047-45	.. BRACKET ASSY, RELAY MOUNTING .....	1	1
		/ATTACHING PARTS/		
-57	MS35206-244	.. SCREW .....	4	
-58	MS35338-42	.. WASHER, LOCK .....	4	
		---★---		
	MS21047L08	.. NUTPLATE .....	4	1
-59	122-342047-49	.. BRACKET, BOX MOUNTING .....	4	1
-60	122-342047-59	.. BOX .....	1	1

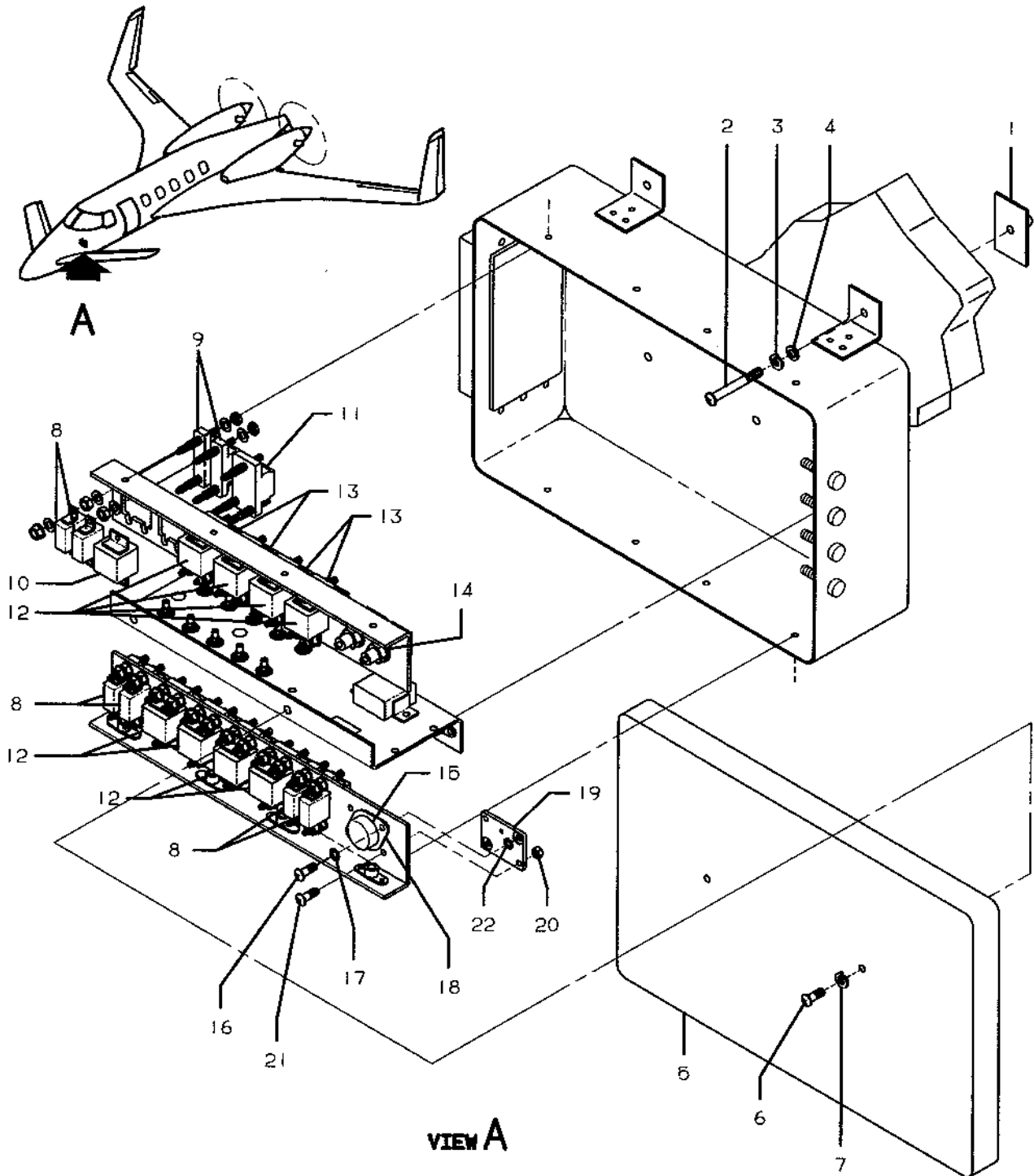
**CODES OF EFFECTIVITY**

1 NC-4 THRU NC-22

**Beechcraft**  
**STARSHIP 1**  
**ILLUSTRATED PARTS CATALOG**

**23-50-32**  
**NOSE AVIONICS JUNCTION BOX**  
**NC-23 AND AFTER**

Beechcraft  
STARSHIP 1  
ILLUSTRATED PARTS CATALOG



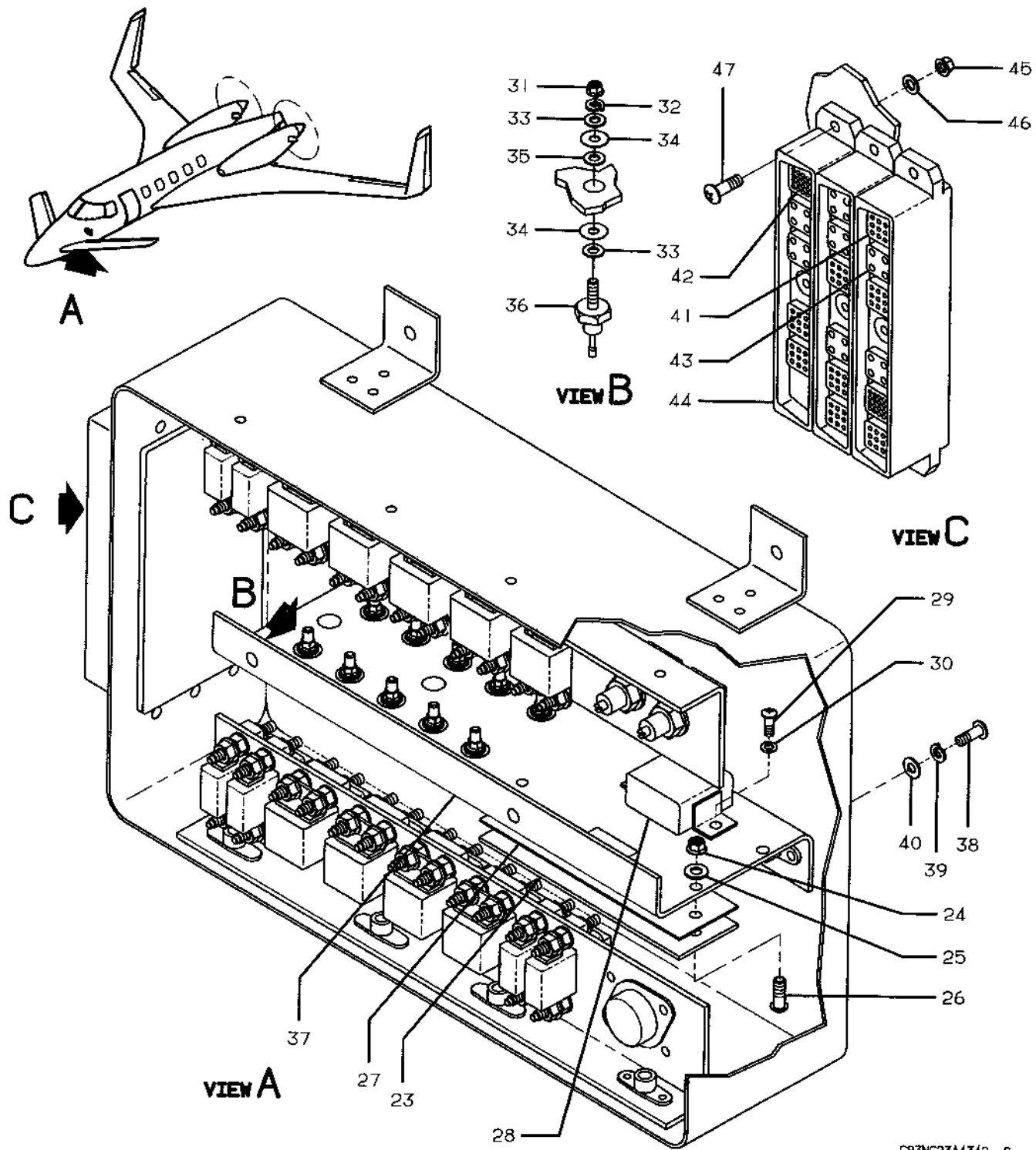
C93NC23A43A1 C

**FIGURE 50-32. NOSE AVIONICS JUNCTION BOX  
/SHEET 1 OF 3 SHEETS/**

**Beechcraft**  
**STARSHIP 1**  
**ILLUSTRATED PARTS CATALOG**

SUB-SEC UNIT & ITEM NO	PART NO.	DESCRIPTION 1 2 3 4 5 6 7	UNITS	USABLE
			PER ASSY	ON CODE
50-32	122-342049-5	JUNCTION BOX INSTL, NOSE AVIONICS.....	NP	1
- 1	122-340039-101	.. DOUBLER ASSY.....	4	1
	NAS1474A3	.. NUTPLATE.....	1	1
	122-342047-75	.. JUNCTION BOX ASSY, NOSE AVIONICS.....	1	1
		.. /ATTACHING PARTS/		
- 2	MS35207-269	.. SCREW.....	4	
- 3	MS35338-43	.. WASHER, LOCK.....	4	
- 4	R AN960-10	.. WASHER.....	4	
		-----★-----		
- 5	122-342047-13	.. COVER, JUNCTION BOX.....	1	1
		.. /ATTACHING PARTS/		
- 6	MS35206-247	.. SCREW.....	2	
- 7	MS35338-42	.. WASHER, LOCK.....	2	
		-----★-----		
- 8	M6106/27-023	.. RELAY.....	6	1
- 9	451120-051	.. SOCKET, RELAY.....	6	1
- 10	M6106/28-023	.. RELAY.....	1	1
- 11	451120-061	.. SOCKET, RELAY.....	1	1
- 12	M6106/29-023	.. RELAY.....	6	1
- 13	451116-371	.. SOCKET, RELAY.....	6	1
		<b>NOTE</b> MOUNTING HARDWARE IS SUPPLIED WITH THE RELAY SOCKET & THE GASKET IS SUPPLIED WITH THE RELAY.		
- 14	82E1A20A13	.. POTENTIOMETER.....	2	1
	122-340041-173	.. DECAL, LOWER RELAYS.....	1	2
	R 122-340041-191	.. DECAL, LOWER RELAYS/ORDER 122-340041-193.....	NP	3
		.. FOR SPARES/		
	R 122-340041-193	.. DECAL, LOWER RELAYS.....	1	3
	122-340041-123	.. DECAL, UPPER RELAYS & POTENTIOMETER.....	1	1
- 15	MJ11014	.. TRANSISTOR.....	1	1
		.. /ATTACHING PARTS/		
- 16	AN530-6R8	.. SCREW.....	2	
- 17	AN960JD6L	.. WASHER.....	2	
		-----★-----		
- 18	7403-09FR04	.. INSULATOR, TRANSISTOR.....	1	1
- 19	11693	.. SOCKET, TRANSISTOR.....	1	1
		.. /ATTACHING PARTS/		
- 20	MS51858-3	.. NUT.....	2	
- 21	MS18212-30	.. SCREW.....	2	
		-----★-----		
- 22	AN960JD416L	.. WASHER.....	4	1
	122-340041-45	.. DECAL, TRANSISTOR.....	1	2

Beechcraft  
 STARSHIP 1  
 ILLUSTRATED PARTS CATALOG



C93NC23A4342 C

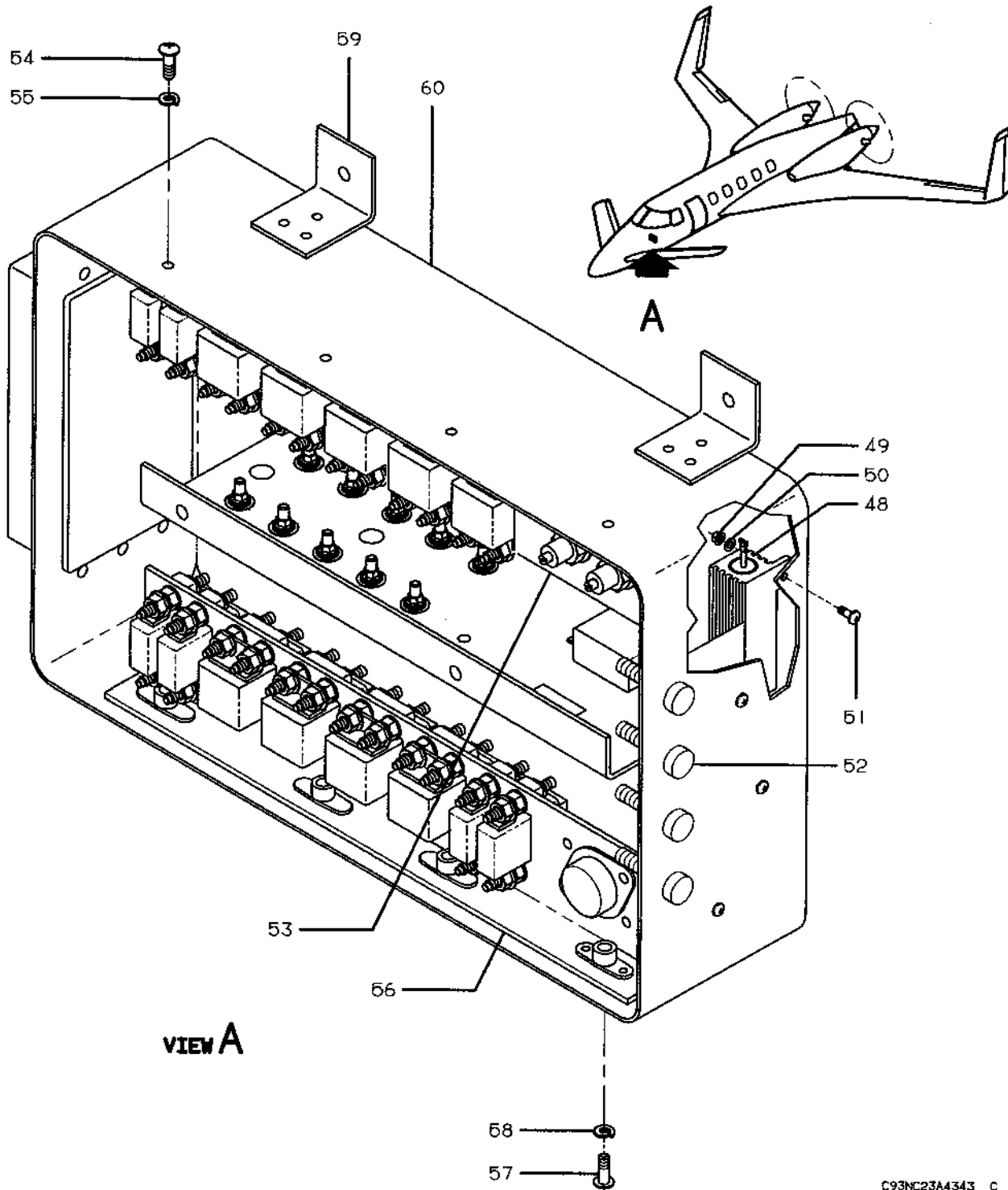
FIGURE 50-32.NOSE AVIONICS JUNCTION BOX  
 /SHEET 2 OF 3 SHEETS/



**Beechcraft**  
**STARSHIP 1**  
**ILLUSTRATED PARTS CATALOG**

SUB-SEC UNIT & ITEM NO	PART NO.	DESCRIPTION 1 2 3 4 5 6 7	UNITS	USABLE
			PER ASSY	ON CODE
50-32 -23	122-342047-71	.. TERMINAL BOARD ASSY .....	1	1
		.. /ATTACHING PARTS/ .....		
-24	MS21044N06	.. NUT .....	2	
-25	AN960-6L	.. WASHER .....	2	
-26	MS35206-22B	.. SCREW .....	2	
		---*---		
	1N4007	... DIODE .....	7	1
	122-340041-159	... DECAL, DIODE .....	1	1
-27	99-340087-1	.. INSULATOR, TERMINAL BOARD .....	1	1
-28	50-380048-1	.. RELAY .....	1	1
		.. /ATTACHING PARTS/ .....		
-29 R	MS35206-234	.. SCREW .....	2	
-30	AN960-6L	.. WASHER .....	2	
	R NAS43DD1-36	.. SPACER .....	2	
		---*---		
	1N4007	... DIODE .....	3	1
	122-340041-177	... DECAL, RELAY .....	1	1
-31	MS35650-305T	.. NUT .....	10	1
-32	MS35338-138	.. WASHER .....	10	1
	115110E10	.. TERMINAL .....	10	1
-33	100951X040ZH	.. WASHER .....	20	1
-34	7403-09FR22	.. INSULATOR .....	20	1
-35	DF3D	.. INSULATOR .....	10	1
-36	1N3873	.. DIODE .....	10	1
	122-340041-39	.. DECAL, DIODE .....	1	1
-37	122-342047-53	.. BRACKET ASSY, DIODE MOUNTING .....	1	1
		.. /ATTACHING PARTS/ .....		
-38	MS35206-244	.. SCREW .....	3	
-39	MS35338-42	.. WASHER, LOCK .....	3	
-40	AN960JD8L	.. WASHER .....	3	
		---*---		
	MS21047L06	... NUTPLATE .....	2	1
	MS21047L08	... NUTPLATE .....	5	1
	LMD4020-36LJ	.. PIN, CONTACT/LMD3001P MODULE/ .....	72	1
-41	LMD3001P	.. MODULE, CONTACT PIN .....	8	1
	LMD4022-36LJ	.. PIN, CONTACT/LMD3003P MODULE/ .....	32	1
-42	LMD3003P	.. MODULE, CONTACT PIN .....	2	1
	LMD4018-36L	.. PIN, CONTACT/LMD3005P MODULE/ .....	28	1
-43	LMD3005P	.. MODULE, CONTACT PIN .....	7	1
-44	LMD06RK7	.. HOUSING, MODULE RECEPTACLE .....	3	1
		.. /ATTACHING PARTS/ .....		
-45	MS21043-08	.. NUT .....	2	
-46	AN960-8L	.. WASHER .....	2	
-47	MS35206-246	.. SCREW .....	2	
		---*---		

Beechcraft  
 STARSHIP 1  
 ILLUSTRATED PARTS CATALOG



C93NC23A4343 C

FIGURE 50-32.NOSE AVIONICS JUNCTION BOX  
 /SHEET 3 OF 3 SHEETS/

**Beechcraft**  
**STARSHIP 1**  
**ILLUSTRATED PARTS CATALOG**

SUB-SEC UNIT & ITEM NO	PART NO.	DESCRIPTION 1 2 3 4 5 6 7	UNITS	USABLE
			PER ASSY	ON CODE
50-32 -48	RE75G4R87	.. RESISTOR..... /ATTACHING PARTS/	2	1
-49	MS21042L04	.. NUT.....	2	
-50	AN960-4	.. WASHER.....	2	
-51	MS35206-215	.. SCREW.....	2	
		---★---		
-52	131270-3	.. STUD, GROUND.....	4	1
	122-340041-97	.. DECAL, GROUND STUD & RESISTOR.....	1	1
	122-342047-57	.. BOX ASSY.....	1	1
-53	122-342047-61	.. BRACKET ASSY, RELAY MOUNTING.....	1	4
	122-342047-81	.. BRACKET ASSY, RELAY MOUNTING..... /ATTACHING PARTS/	1	5
-54	MS35206-244	.. SCREW.....	4	
-55	MS35338-42	.. WASHER, LOCK.....	4	
		---★---		
	MS21047L08	.. NUTPLATE.....	4	1
-56	122-342047-45	.. BRACKET ASSY, RELAY MOUNTING..... /ATTACHING PARTS/	1	1
-57	MS35206-244	.. SCREW.....	4	
-58	MS35338-42	.. WASHER, LOCK.....	4	
		---★---		
	MS21047L08	.. NUTPLATE.....	4	1
-59	122-342047-49	.. BRACKET, BOX MOUNTING.....	4	1
-60	122-342047-59	.. BOX.....	1	1

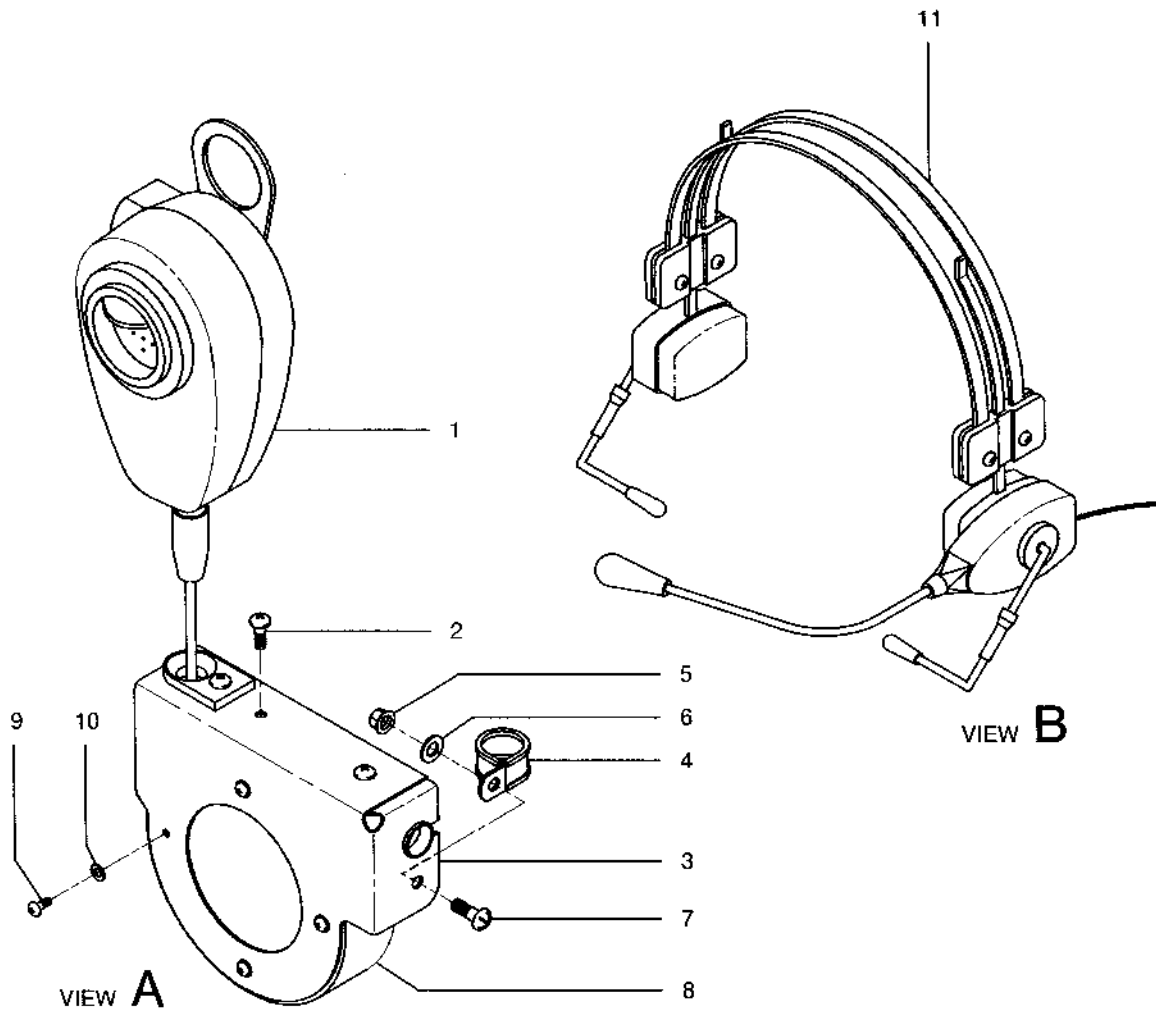
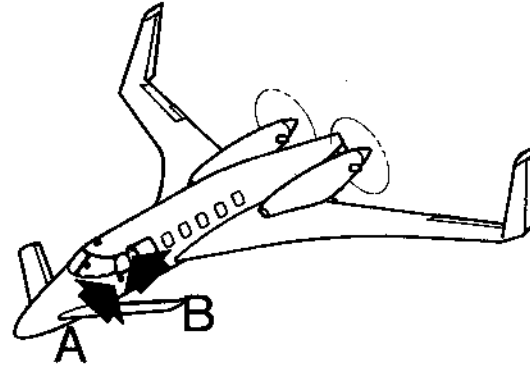
**CODES OF EFFECTIVITY**

1	NC-23 AND AFTER	2	NC-23 THRU NC-39
3	NC-40 AND AFTER	4	NC-23 THRU NC-25
5	NC-26 AND AFTER		

**Beechcraft**  
**STARSHIP 1**  
**ILLUSTRATED PARTS CATALOG**

**23-50-40**  
**HEADSET, MICROPHONE AND REEL**

Beechcraft  
STARSHIP 1  
ILLUSTRATED PARTS CATALOG



2000-491-41

FIGURE 50-40. HEADSET, MICROPHONE AND REEL

**Beechcraft**  
**STARSHIP 1**  
**ILLUSTRATED PARTS CATALOG**

SUB-SEC UNIT & ITEM NO	PART NO.	DESCRIPTION 1 2 3 4 5 6 7	UNITS PER ASSY	USABLE ON CODE
50-40	122-342061-1	MICROPHONE AND REEL INSTL, AVIONICS HAND HELD .....	NP	
- 1	122-382073-1	. MICROPHONE .....	2	
	122-342061-3	. REEL ASSY .....	2	
		.. /ATTACHING PARTS/		
- 2	AN525-832R6	. SCREW .....	3	
		---★---		
- 3	122-342062-1	.. SUPPORT ASSY .....	1	
	MS21056L08	... NUTPLATE .....	3	
- 4	HP3N	.. CLAMP .....	1	
		.. /ATTACHING PARTS/		
- 5	130909N28	.. NUT .....	1	
- 6	AN960-8L	.. WASHER .....	1	
- 7	AN525-832R6	.. SCREW .....	1	
		---★---		
- 8	122-382074-1	.. REEL ASSY .....	1	
		.. /ATTACHING PARTS/		
- 9	MS35206-212	.. SCREW .....	4	
- 10	MS35333-36	.. WASHER, LOCK .....	4	
		---★---		
	122-342029-1	AVIONICS ACCESSORIES INSTL .....	NP	
- 11	63800-000	. HEADSET, BOOM MIC/PRO 1 R/ .....	2	1
	64300-000	. HEADSET, BOOM MIC .....	2	2

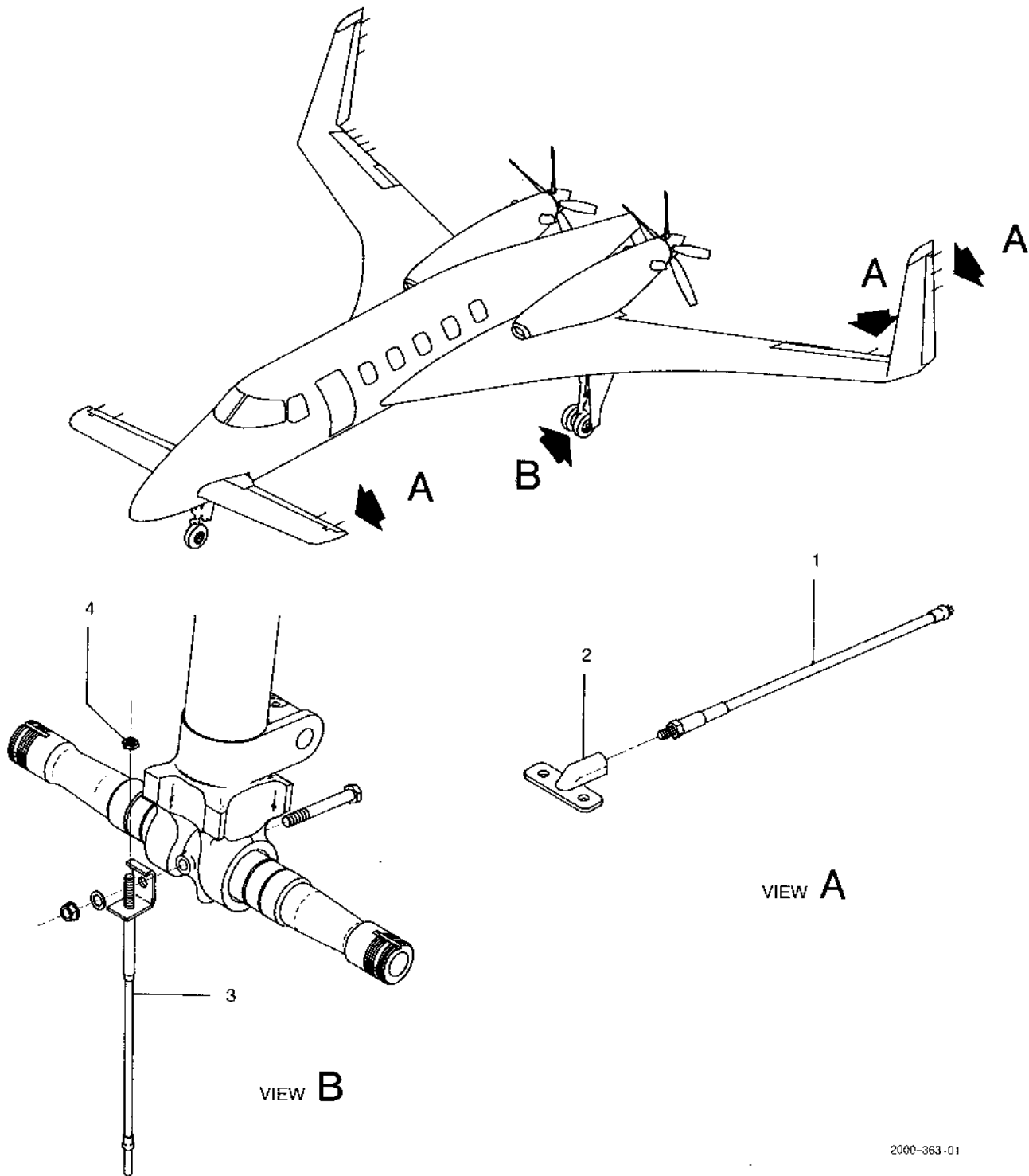
**CODES OF EFFECTIVITY**

1 NC-4 THRU NC-22                      2 NC-23 AND AFTER

**Beechcraft**  
**STARSHIP 1**  
**ILLUSTRATED PARTS CATALOG**

**23-60-00**  
**STATIC DISCHARGE WICKS**

Beechcraft  
STARSHIP 1  
ILLUSTRATED PARTS CATALOG



2000-363-01

FIGURE 60-00.STATIC DISCHARGE WICKS



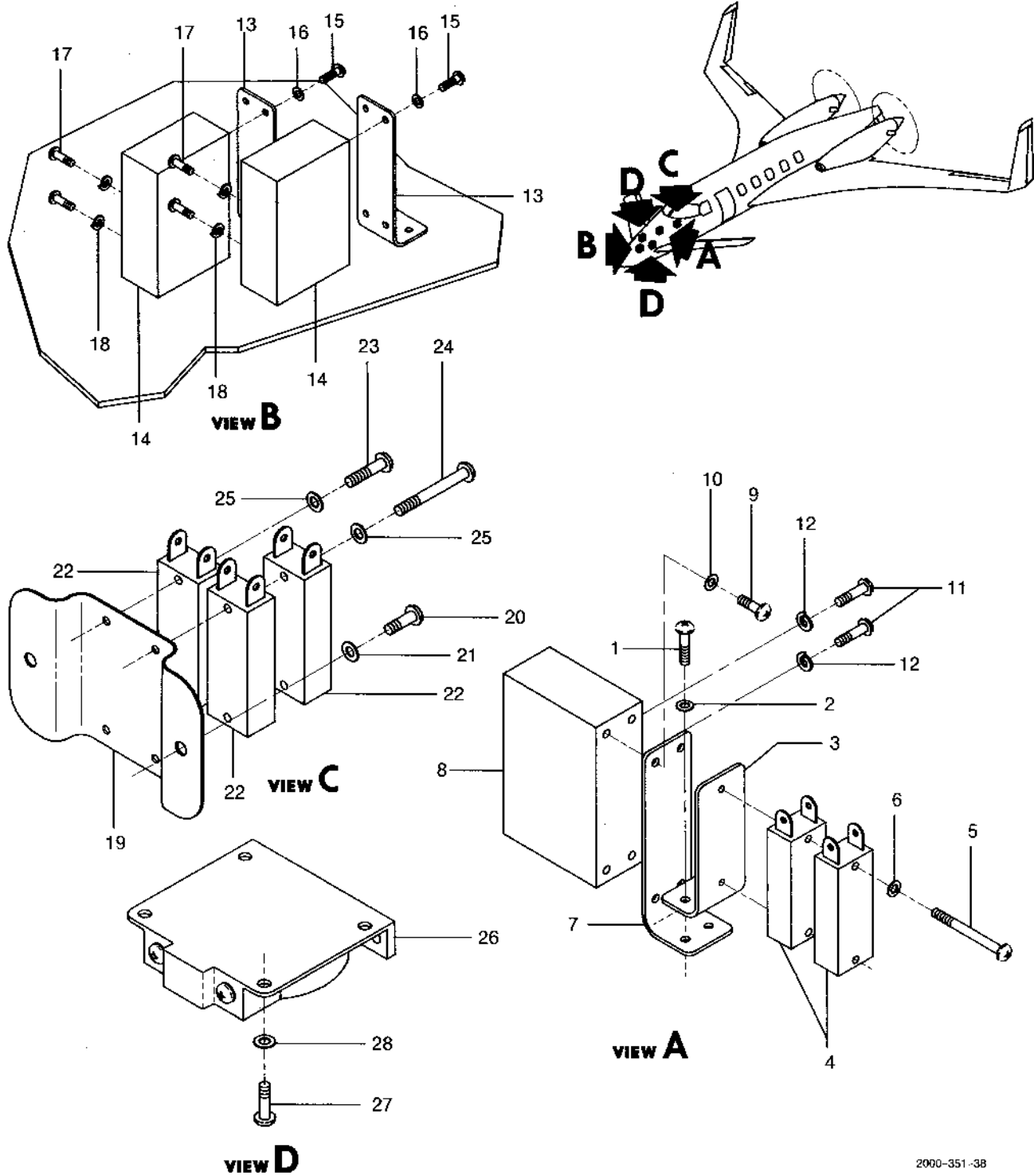
**Beechcraft**  
**STARSHIP 1**  
**ILLUSTRATED PARTS CATALOG**

SUB-SEC UNIT & ITEM NO	PART NO.	DESCRIPTION 1 2 3 4 5 6 7	UNITS	USABLE
			PER ASSY	ON CODE
60-00 - 1	101-380053-11	WICK, MICRO POINT STATIC DISCHARGE/ELEVATOR, .....	18	
		RUDDER AND ELEVON/		
- 2	122-610011-69	BASE ASSY, LH STATIC DISCHARGE/ELEVATOR,.....	9	
		RUDDER AND ELEVON/		
	122-610011-70	BASE ASSY, RH STATIC DISCHARGE/ELEVATOR, .....	9	
		RUDDER AND ELEVON/		
- 3 R	101-810160-3	WICK ASSY, STATIC DISCHARGE/MAIN LANDING GEAR/ .....	2	
		/ATTACHING PARTS/		
- 4 R	NAS509-4	NUT .....	2	
		---★---		

**Beechcraft**  
**STARSHIP 1**  
**ILLUSTRATED PARTS CATALOG**

**23-60-10**  
**NOSE COMPARTMENT AVIONICS TRANSZORBS**

**Beechcraft**  
**STARSHIP 1**  
**ILLUSTRATED PARTS CATALOG**



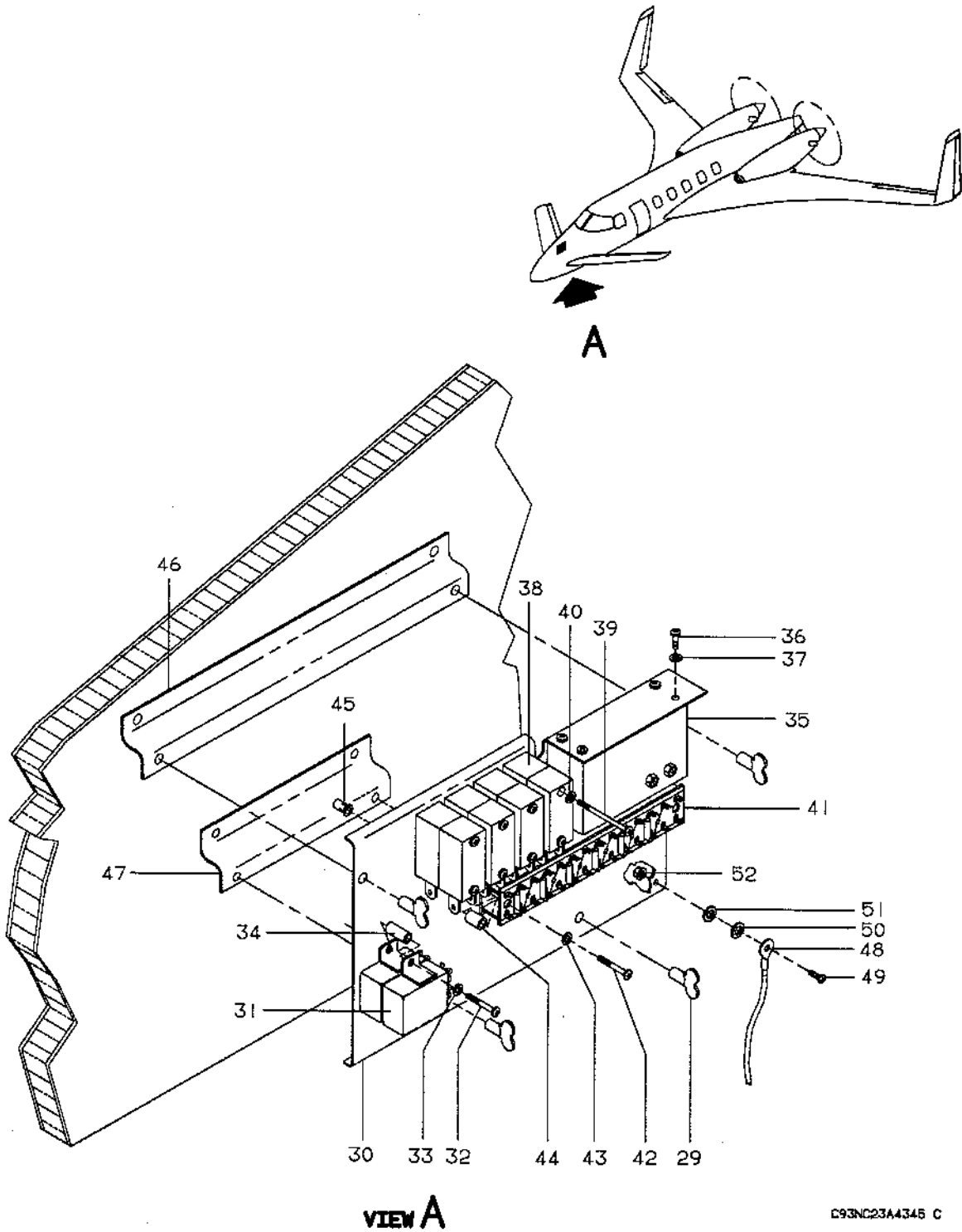
2000-351-38

**FIGURE 60-10. NOSE COMPT AVIONICS TRANSZORBBS**  
**/SHEET 1 OF 2 SHEETS/**

**Beechcraft**  
**STARSHIP 1**  
**ILLUSTRATED PARTS CATALOG**

SUB-SEC UNIT & ITEM NO	PART NO.	DESCRIPTION 1 2 3 4 5 6 7	UNITS	USABLE
			PER ASSY	ON CODE
60-10	122-340182-1	AVIONICS TRANSZORB INSTL.....	NP	1
- 1	MS35206-230	. SCREW.....	2	1
- 2	AN960-6L	. WASHER.....	2	1
- 3	122-340039-191	. BRACKET ASSY.....	1	1
	MS21047L04	. NUTPLATE.....	2	1
- 4	704-15K36	. TRANSZORB/SENSOR DISPLAY DRIVER & BATTERY PACK/ /ATTACHING PARTS/.....	2	1
- 5	MS35206-325	. SCREW.....	2	
- 6	NAS620-4L	. WASHER.....	2	
		---★---		
- 7	122-340039-189	. BRACKET.....	1	1
- 8	GM75001A	. TRANSZORB/AHRS 2/.....	1	2
	SMCC75001A	. TRANSZORB..... /ATTACHING PARTS/.....	1	3
- 9	MS35206-226	. SCREW.....	4	
- 10	AN960-6L	. WASHER.....	4	
		---★---		
- 11	MS35206-245	. SCREW.....	2	1
- 12	MS35338-42	. WASHER, LOCK.....	2	1
	122-340182-3	AVIONICS TRANSZORB INSTALLATION.....	NP	4
- 13	122-340039-189	. BRACKET.....	2	4
- 14	GM75001A	. TRANSZORB/COMM 1 & NAV 1/.....	2	2
	SMCC75001A	. TRANSZORB/COMM 1 & NAV 1/..... /ATTACHING PARTS/.....	2	3
- 15	R MS35206-226	. SCREW.....	4	
- 16	R AN960-6L	. WASHER.....	4	
		---★---		
- 17	MS35206-245	. SCREW.....	4	4
- 18	MS35338-42	. WASHER, LOCK.....	4	4
	122-340182-5	AVIONICS TRANSZORB INSTALLATION.....	NP	4
- 19	122-340039-185	. BRACKET ASSY..... /ATTACHING PARTS/.....	1	4
- 20	MS35207-260	. SCREW.....	2	
- 21	AN960-10L	. WASHER.....	2	
		---★---		
	R MS21071L04	. NUTPLATE.....	4	4
- 22	704-15K36	. TRANSZORB/SDU-640, RTU-870 1 & 2/ /ATTACHING PARTS/.....	3	4
- 23	MS35206-219	. SCREW.....	2	
- 24	MS35206-222	. SCREW.....	2	
- 25	NAS620-4L	. WASHER.....	4	
		---★---		
	122-364000-5	FUSELAGE ELECTRICAL EQUIPMENT INSTALLATION.....	NP	4
- 26	122-380062-5	. METAL OXIDE VARISTOR/PITOT LIGHTNING STRIKE PROTECTION/ /ATTACHING PARTS/.....	2	4
- 27	MS35206-245	. SCREW.....	3	
- 28	AN960-8L	. WASHER.....	3	
		---★---		

**Beechcraft**  
**STARSHIP 1**  
**ILLUSTRATED PARTS CATALOG**



D93NC23A4345 C

**FIGURE 60-10. NOSE COMP AVIONICS TRANSZORBS**  
**/SHEET 2 OF 2 SHEETS/**

**Beechcraft**  
**STARSHIP 1**  
**ILLUSTRATED PARTS CATALOG**

SUB-SEC UNIT & ITEM NO	PART NO.	DESCRIPTION 1 2 3 4 5 6 7	UNITS	USABLE
			PER ASSY	ON CODE
60-10	122-340182-7	AVIONICS TRANSZORB INSTL.....	NP	5
	122-340165-61	. COMPONENT BOARD ASSY.....	1	5
		/ATTACHING PARTS/		
-29	5S10-5	. STUD.....	4	
		-----★-----		
-30	122-340165-59	.. BOARD ASSY.....	1	5
	MS21069L04	.. NUTPLATE.....	10	5
-31	50-380048-1	.. RELAY.....	2	5
		/ATTACHING PARTS/		
-32	MS35206-219	.. SCREW.....	2	
-33	AN960-4L	.. WASHER.....	4	
-34	NAS43DD1-32	.. SPACER.....	2	
		-----★-----		
	1N4007	.. DIODE.....	2	5
-35	SMCC75001A	.. TRANSZORB.....	1	5
		/ATTACHING PARTS/		
-36	MS35206-226	.. SCREW.....	4	
-37	MS35338-41	.. WASHER, LOCK.....	4	
		-----★-----		
-38	R 704-15K36	.. TRANSZORB.....	8	5
		/ATTACHING PARTS/		
-39	R MS35206-222	.. SCREW.....	2	
-40	R AN960-4L	.. WASHER.....	2	
		-----★-----		
-41	R 1268-28	.. TERMINAL BOARD.....	1	5
		/ATTACHING PARTS/		
-42	R MS35206-233	.. SCREW.....	2	
-43	R AN960-6L	.. WASHER.....	2	
-44	R NAS43DD1-25	.. SPACER.....	2	
-45	R S6P150CSI	.. PLUSNUT.....	2	
		-----★-----		
	R 90-364112-3	.. INSULATOR.....	2	5
	R 95J1R0	.. RESISTOR.....	6	5
	R 1N4007	.. DIODE.....	6	5
	R 122-340041-187	.. DECAL.....	1	5
-46	122-340165-65	. BRACKET ASSY.....	1	5
	5R2-1	.. RECEPTACLE.....	2	5
-47	122-340165-69	. BRACKET ASSY.....	1	5
	5R2-1	.. RECEPTACLE.....	2	5
-48	MS25083-7BB8	. JUMPER, BONDING.....	1	5
		/ATTACHING PARTS/		
-49	MS27039-0808	. SCREW.....	1	
-50	AN960JD8L	. WASHER.....	2	
-51	MS35338-43	. WASHER.....	1	
-52	130909N28	. NUT.....	1	
		-----★-----		

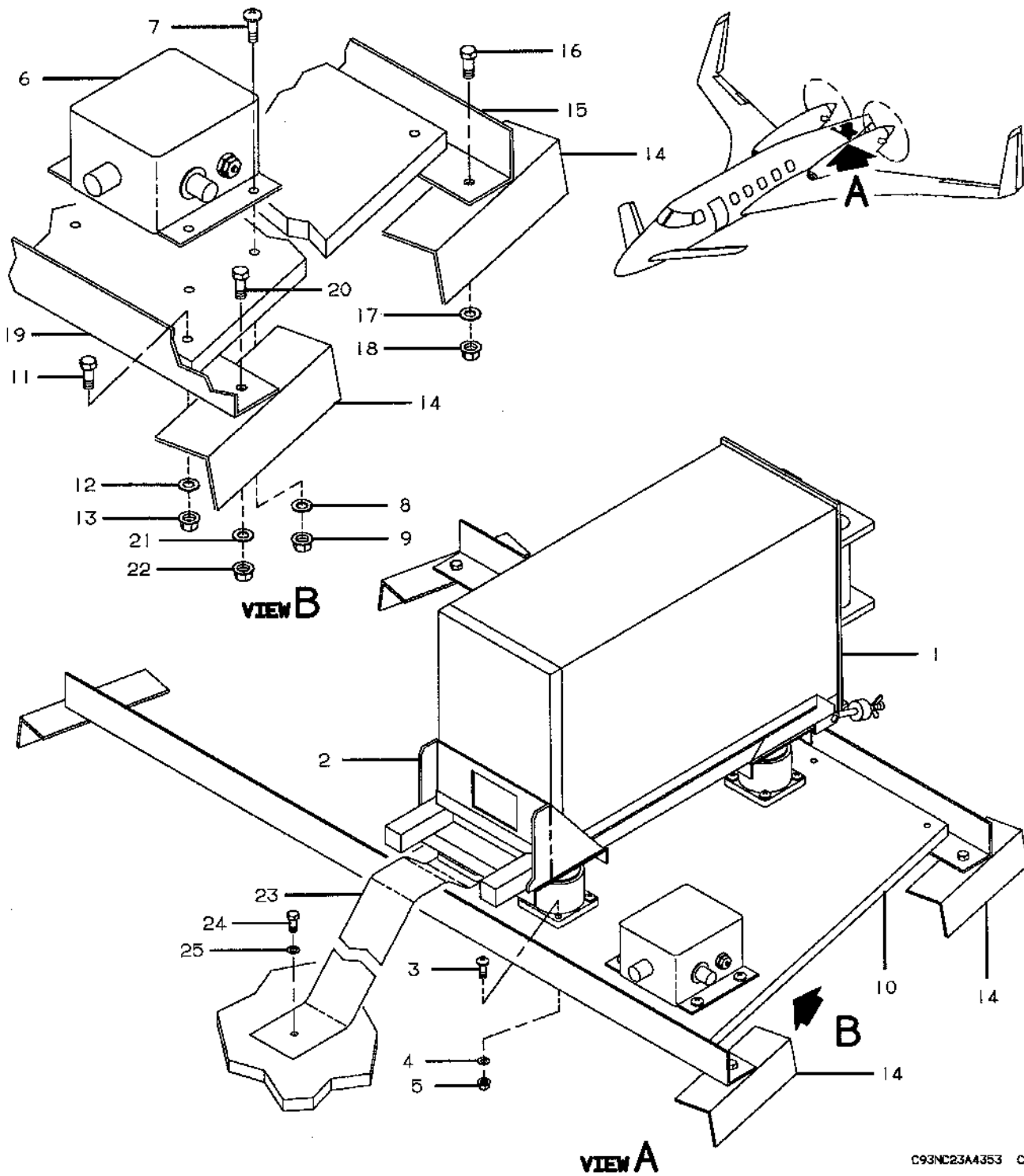
**CODES OF EFFECTIVITY**

1	NC-4 THRU NC-25	2	NC-4 THRU NC-28
3	NC-29 AND AFTER	4	NC-4 AND AFTER
5	NC-26 AND AFTER		

**Beechcraft**  
**STARSHIP 1**  
**ILLUSTRATED PARTS CATALOG**

**23-70-10**  
**VOICE RECORDER, COCKPIT**

**Beechcraft**  
**STARSHIP 1**  
**ILLUSTRATED PARTS CATALOG**



C93NC23A4353 C

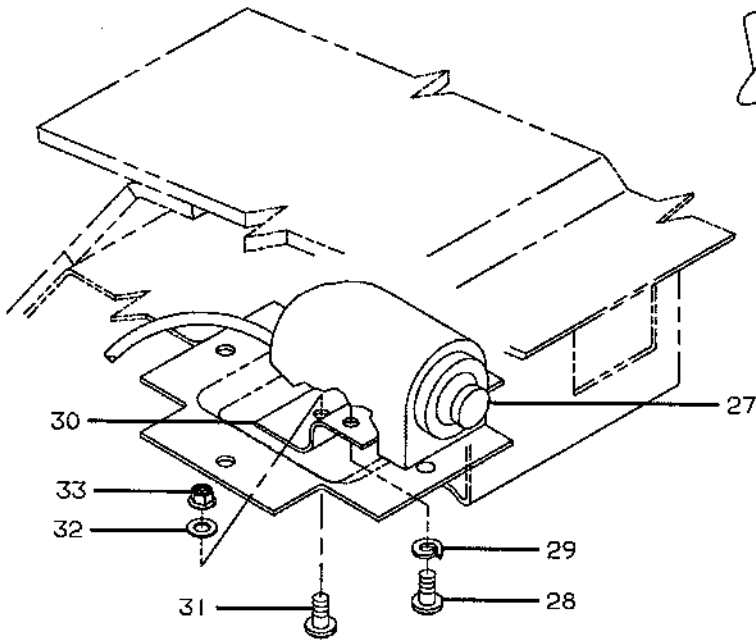
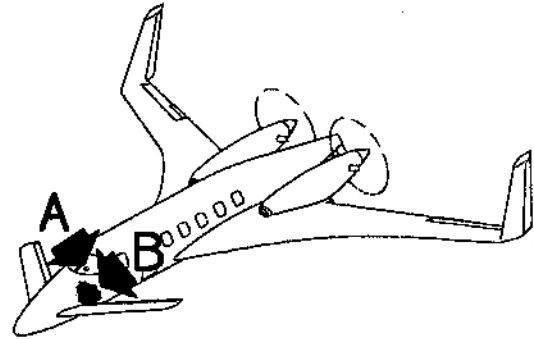
**FIGURE 70-10.VOICE RECORDER, COCKPIT**  
**/SHEET 1 OF 2 SHEETS/**



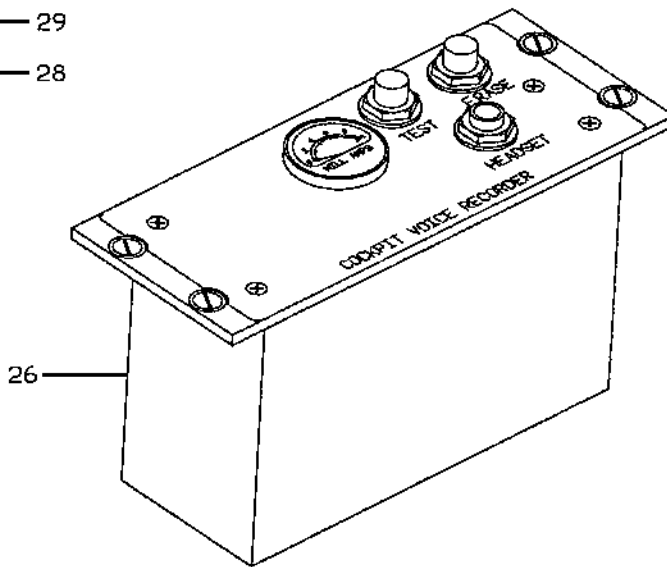
**Beechcraft**  
**STARSHIP 1**  
**ILLUSTRATED PARTS CATALOG**

SUB-SEC UNIT & ITEM NO	PART NO.	DESCRIPTION 1 2 3 4 5 6 7	UNITS	USABLE
			PER ASSY	ON CODE
70-10	122-342099-1	VOICE RECORDER INSTL, COCKPIT .....	NP	
- 1	93A100-83	. RECORDER, VOICE.....	1	
- 2	9300-343	. MOUNT, VIBRATION .....	1	
		/ATTACHING PARTS/		
- 3	MS27039-1-19	. SCREW.....	16	
- 4	AN960-10L	. WASHER.....	16	
- 5	130909N29	. NUT.....	16	
		-----★-----		
- 6	28DCL1Z250	. SWITCH, IMPACT.....	1	
		/ATTACHING PARTS/		
- 7	MS27039-1-17	. SCREW.....	4	
- 8	AN960-10L	. WASHER.....	4	
- 9	130909N29	. NUT.....	4	
		-----★-----		
- 10	122-340196-1	. SHELF ASSY.....	1	
		/ATTACHING PARTS/		
- 11	130909B19	. BOLT.....	6	
- 12	AN960-10L	. WASHER.....	6	
- 13	130909N29	. NUT.....	6	
		-----★-----		
- 14	122-340196-6	. ANGLE.....	4	
- 15	122-340196-15	. ANGLE.....	1	
		/ATTACHING PARTS/		
- 16	130909B14	. BOLT.....	2	
- 17	AN960-10L	. WASHER.....	2	
- 18	130909N29	. NUT.....	2	
		-----★-----		
- 19	122-340196-17	. ANGLE.....	1	
		/ATTACHING PARTS/		
- 20	130909B14	. BOLT.....	2	
- 21	AN960-10L	. WASHER.....	2	
- 22	130909N29	. NUT.....	2	
		-----★-----		
- 23	122-340196-19	. STRAP, GROUND.....	1	
		/ATTACHING PARTS/		
- 24	AN3-8A	. BOLT.....	1	
- 25	100951DD032-2W	. WASHER.....	1	
		-----★-----		

Beechcraft  
STARSHIP 1  
ILLUSTRATED PARTS CATALOG



VIEW A



VIEW B

C93NC23A4364 C

**Beechcraft**  
**STARSHIP 1**  
**ILLUSTRATED PARTS CATALOG**

SUB-SEC UNIT & ITEM NO	PART NO.	DESCRIPTION 1 2 3 4 5 6 7	UNITS	USABLE
			PER ASSY	ON CODE
70-10 -26	93A151-30	. CONTROL PANEL, VOICE RECORDER .....	1	
-27	93A055-67-00	. MIC MODULE.....	1	
		/ATTACHING PARTS/		
-28	MS35206-228	. SCREW.....	2	
-29	MS35338-41	. WASHER, LOCK.....	2	
		*.....		
-30	122-340196-9	. BRACKET.....	1	
		/ATTACHING PARTS/		
-31	MS35206-230	. SCREW.....	1	
-32	AN960-6L	. WASHER.....	1	
-33	MS21042L06	. NUT.....	1	
		*.....		
	131984-5	. CIRCUIT BREAKER.....	1	
	50-369101-31	. BUS BAR.....	1	

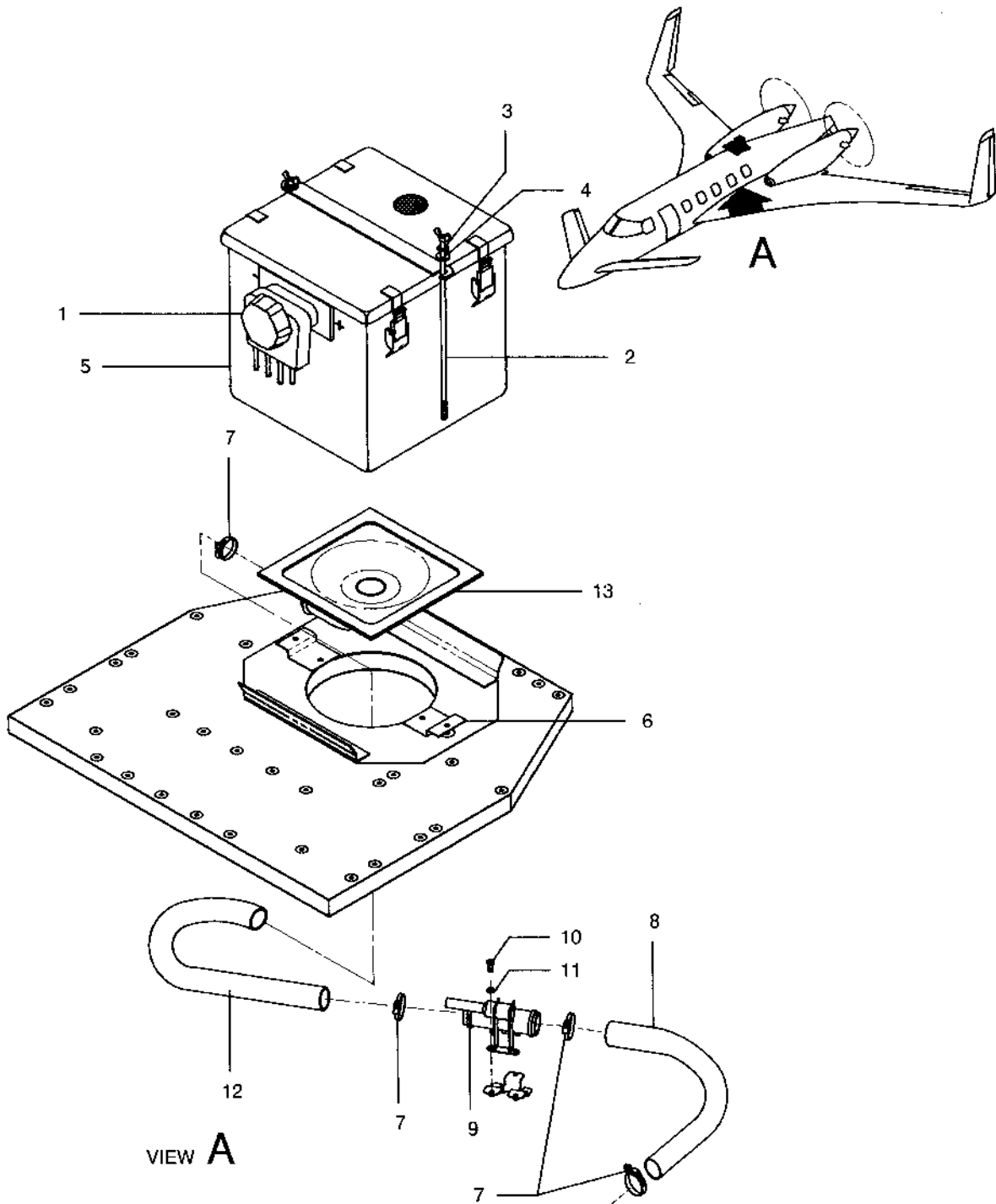
**Beechcraft**  
**STARSHIP 1**  
**ILLUSTRATED PARTS CATALOG**  
**LIST OF PAGES & TABLE OF CONTENTS**  
**FOR**  
**CHAPTER 24-00-00 ELECTRICAL POWER**

CHAP/SUB- SECT & UNIT	PAGE NO.	EFFECTIVE DATE	TABLE OF CONTENTS
24-00-00	1	02/25/94	LIST OF PAGES & TABLE OF CONTENTS .....
24-30-00	1	02/25/94	BATTERY AND BATTERY VENT .....
24-30-00	2	02/25/94	
24-30-00	3	02/25/94	
24-30-10	1	02/25/94	ATTITUDE HEADING COMPUTER AUXILIARY POWER .....
24-30-10	2	02/25/94	
24-30-10	3	02/25/94	
24-30-20	1	02/25/94	STANDBY GYRO HORIZON INDICATOR AUXILIARY POWER.....
24-30-20	2	02/25/94	
24-30-20	3	02/25/94	
24-30-20	4	02/25/94	
24-30-20	5	02/25/94	
24-30-30	1	02/25/94	STARTER-GENERATOR.....
24-30-30	2	02/25/94	
24-30-30	3	02/25/94	
24-40-00	1	02/25/94	EXTERNAL POWER RECEPTACLE AND DOOR .....
24-40-00	2	02/25/94	
24-40-00	3	02/25/94	
24-50-00	1	02/25/94	LEFT NACELLE ELECTRICAL EQUIPMENT.....
24-50-00	2	02/25/94	
24-50-00	3	02/25/94	
24-50-00	4	02/25/94	
24-50-00	5	02/25/94	
24-50-00	6	02/25/94	
24-50-00	7	02/25/94	
24-50-00	8	02/25/94	
24-50-00	9	02/25/94	
24-50-10	1	02/25/94	RIGHT NACELLE ELECTRICAL EQUIPMENT .....
24-50-10	2	02/25/94	
24-50-10	3	02/25/94	
24-50-10	4	02/25/94	
24-50-10	5	02/25/94	
24-50-10	6	02/25/94	
24-50-10	7	02/25/94	
24-50-10	8	02/25/94	
24-50-10	9	02/25/94	
24-50-10	10	02/25/94	
24-50-10	11	02/25/94	
24-50-20	1	02/25/94	COCKPIT ELECTROLUMINESCENT PANEL POWER SUPPLY.....
24-50-20	2	02/25/94	
24-50-20	3	02/25/94	

**Beechcraft**  
**STARSHIP 1**  
**ILLUSTRATED PARTS CATALOG**

**24-30-00**  
**BATTERY AND BATTERY VENT**

Beechcraft  
STARSHIP 1  
ILLUSTRATED PARTS CATALOG



2000-356-01

FIGURE 30-00.BATTERY AND BATTERY VENT

**Beechcraft**  
**STARSHIP 1**  
**ILLUSTRATED PARTS CATALOG**

SUB-SEC UNIT & ITEM NO	PART NO.	DESCRIPTION 1 2 3 4 5 6 7	UNITS	USABLE
			PER ASSY	ON CODE
30-00	122-361001-5	ELECTRICAL EQUIPMENT INSTL, RIGHT NAGELLE.....	NP	
- 1	122-361015-1	. CONNECTOR ASSY, BATTERY.....	1	
	322010	.. TERMINAL.....	6	
	322011	.. TERMINAL.....	2	
	7003	.. CONNECTOR, BATTERY QUICK DISCONNECT.....	1	
- 2	122-361026-1	. BOLT ASSY.....	2	1
	122-361026-5	. BOLT ASSY.....	2	2
- 3	MS35338-45	. WASHER, LOCK.....	2	
- 4	AN970-4	. WASHER.....	2	
- 5	101-381008-7	. BATTERY, 34 AMP.....	1	
- 6	122-980034-25	. SUPPORT, BATTERY.....	2	
	122-361003-11	. VENT INSTL, BATTERY.....	NP	
- 7	AN737TW56-66	.. CLAMP.....	4	
- 8	SCEETS6-56-6	.. DUCT.....	1	
- 9	122-381011-1	.. VALVE ASSY, BATTERY VENT AIR INLET.....	1	
		/ATTACHING PARTS/		
- 10	AN3C3A	.. BOLT.....	3	
- 11	AN960-10	.. WASHER.....	3	
		-----*		
- 12	SCEETS6-76-6	.. DUCT.....	1	
- 13	122-361079-1	.. PLENUM ASSY.....	1	
	122-361021-3	... GASKET.....	1	

**CODES OF EFFECTIVITY**

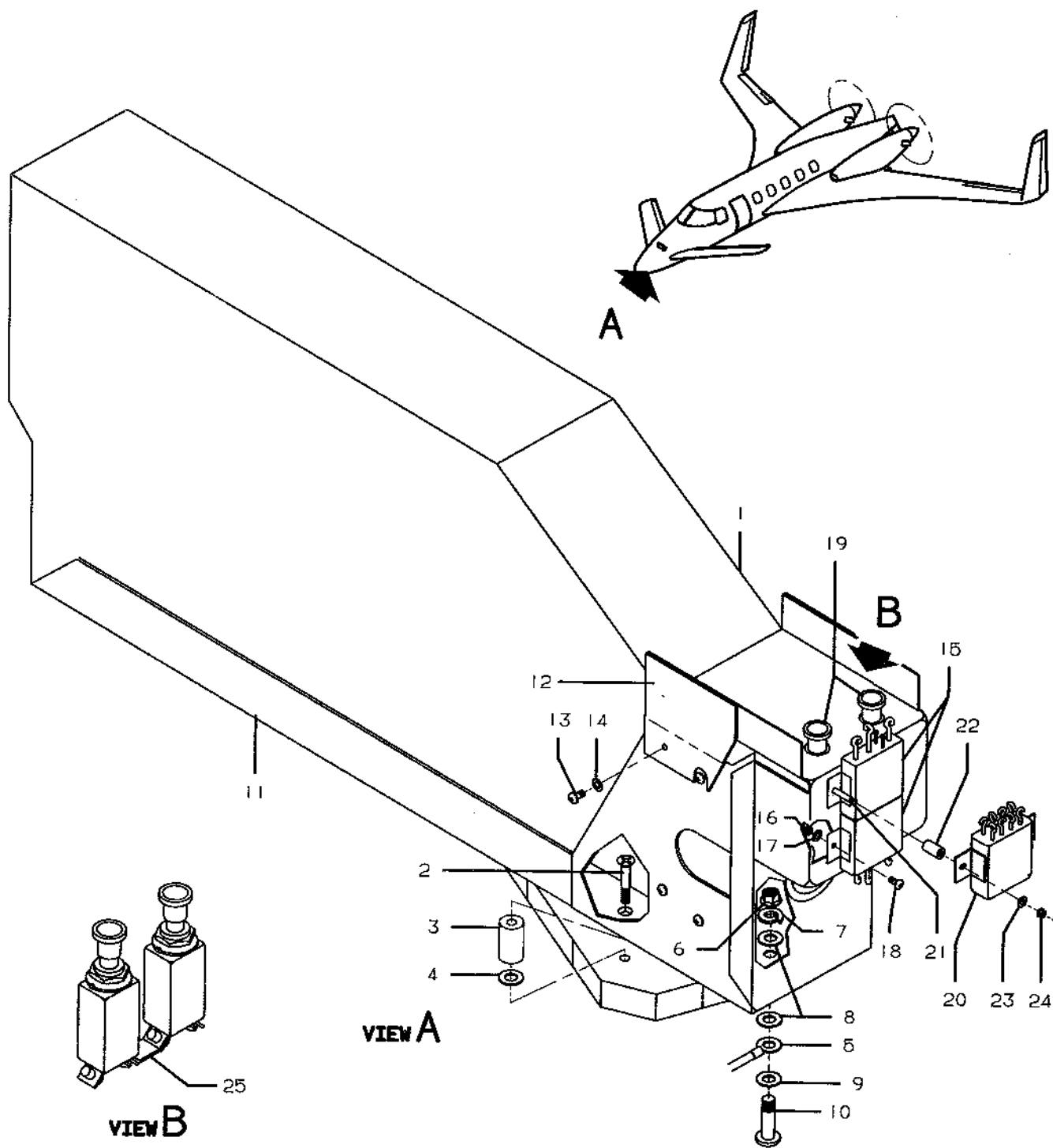
1 NC-4 THRU NC-20                      2 NC-21 AND AFTER

**Beechcraft**  
**STARSHIP 1**  
**ILLUSTRATED PARTS CATALOG**

**24-30-10**  
**ATTITUDE HEADING COMPUTER AUXILIARY POWER**



**Beechcraft**  
**STARSHIP 1**  
**ILLUSTRATED PARTS CATALOG**



C93NC24A4286 C

**FIGURE 30-10.AHC AUXILIARY POWER**

**Beechcraft**  
**STARSHIP 1**  
**ILLUSTRATED PARTS CATALOG**

SUB-SEC UNIT & ITEM NO	PART NO.	DESCRIPTION 1 2 3 4 5 6 7	UNITS	USABLE
			PER ASSY	ON CODE
30-10	122-342050-1	POWER SUPPLY INSTL, AUX.....	NP	
- 1	501-1228-04	. POWER SUPPLY/PS-835D/.....	1	
	122-341001-75	. RACK ASSY.....	1	
		./ATTACHING PARTS/		
- 2	MS24693S56	. SCREW.....	4	
- 3	122-340070-3	. SPACER.....	4	
- 4	AN960JD616	. WASHER.....	4	
		-----★-----		
- 5	MS25083-2BB8	.. JUMPER, BONDING.....	1	
		./ATTACHING PARTS/		
- 6	130909N29	.. NUT.....	1	
- 7	MS35338-43	.. WASHER, LOCK.....	1	
- 8	AN960JD10L	.. WASHER.....	2	
- 9	AN960-10L	.. WASHER.....	1	
- 10	MS35207-264	.. SCREW.....	1	
		-----★-----		
- 11	572-1424-01	.. RACK.....	1	
- 12	122-340039-137	. SUPPORT ASSY.....	1	
		./ATTACHING PARTS/		
- 13	MS35206-231	. SCREW.....	4	
- 14	AN960-6L	. WASHER.....	4	
		-----★-----		
	122-340039-45	.. SUPPORT, LH.....	1	
	122-340039-46	.. SUPPORT, RH.....	1	
- 15	M6106/19-014	. RELAY.....	2	
		./ATTACHING PARTS/		
- 16	MS21042L06	. NUT.....	2	
- 17	AN960-6	. WASHER.....	2	
- 18	MS35206-230	. SCREW.....	2	
		-----★-----		
- 19	131984-3	. CIRCUIT BREAKER.....	2	
	122-340041-59	. DECAL.....	1	
	122-340069-1	. GROUND WIRE TERMINAL INSTL/SEE CHAPTER 23/.....	NP	
- 20	50-380048-1	. RELAY.....	1	1
		./ATTACHING PARTS/		
- 21	MS35206-233	. SCREW.....	2	1
- 22	NAS43DD1-37	. SPACER.....	2	1
- 23	AN960-6	. WASHER.....	2	1
- 24	MS21042L06	. NUT.....	2	1
		-----★-----		
	1N4007	. DIODE.....	1	1
- 25	122-361014-87	. BAR, BUS.....	1	

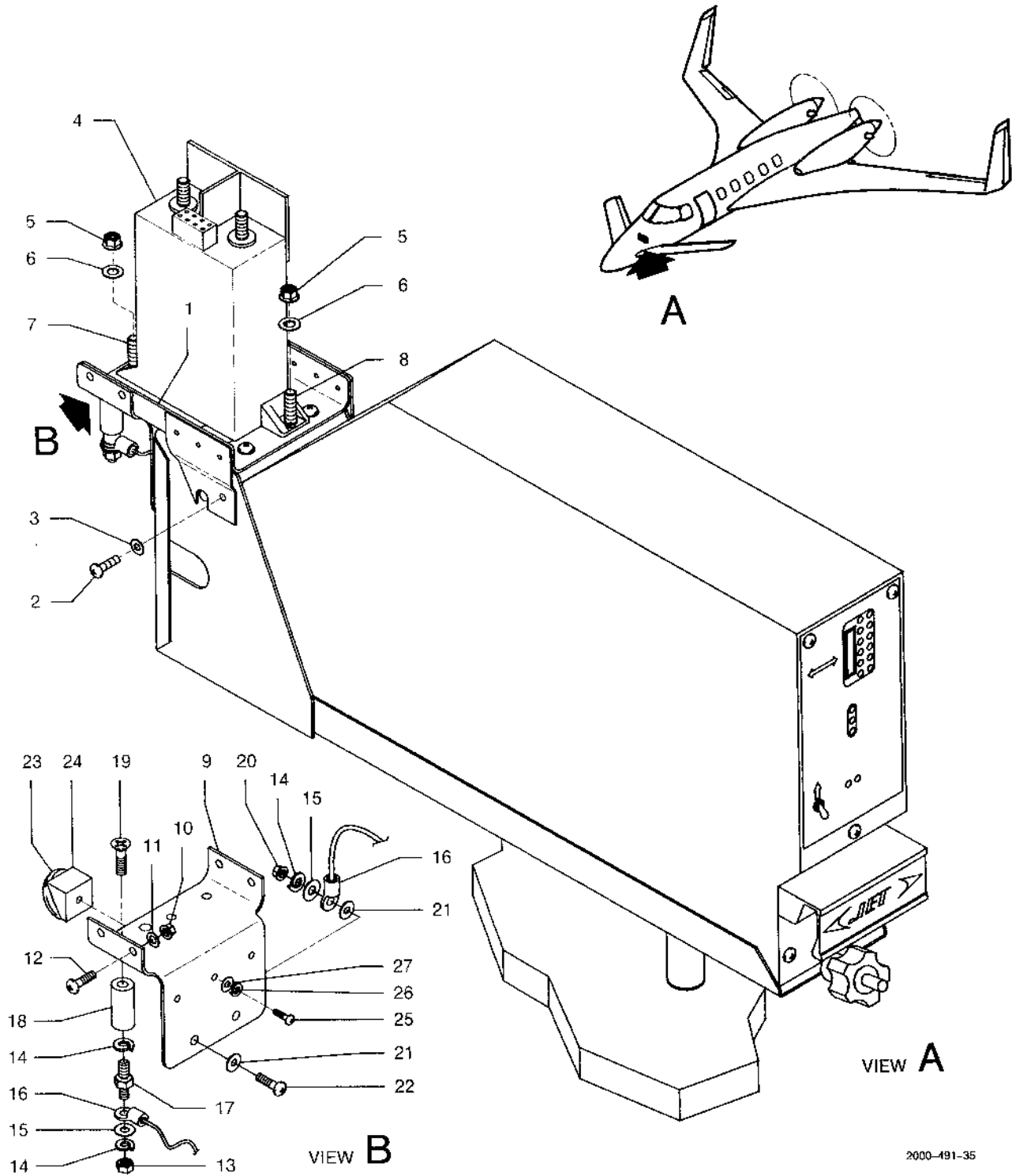
**CODES OF EFFECTIVITY**

1 NC-54 AND AFTER

**Deechcraft**  
**STARSHIP 1**  
**ILLUSTRATED PARTS CATALOG**

**24-30-20**  
**STANDBY GYRO HORIZON INDICATOR AUXILIARY POWER**

**Beechcraft**  
**STARSHIP 1**  
**ILLUSTRATED PARTS CATALOG**



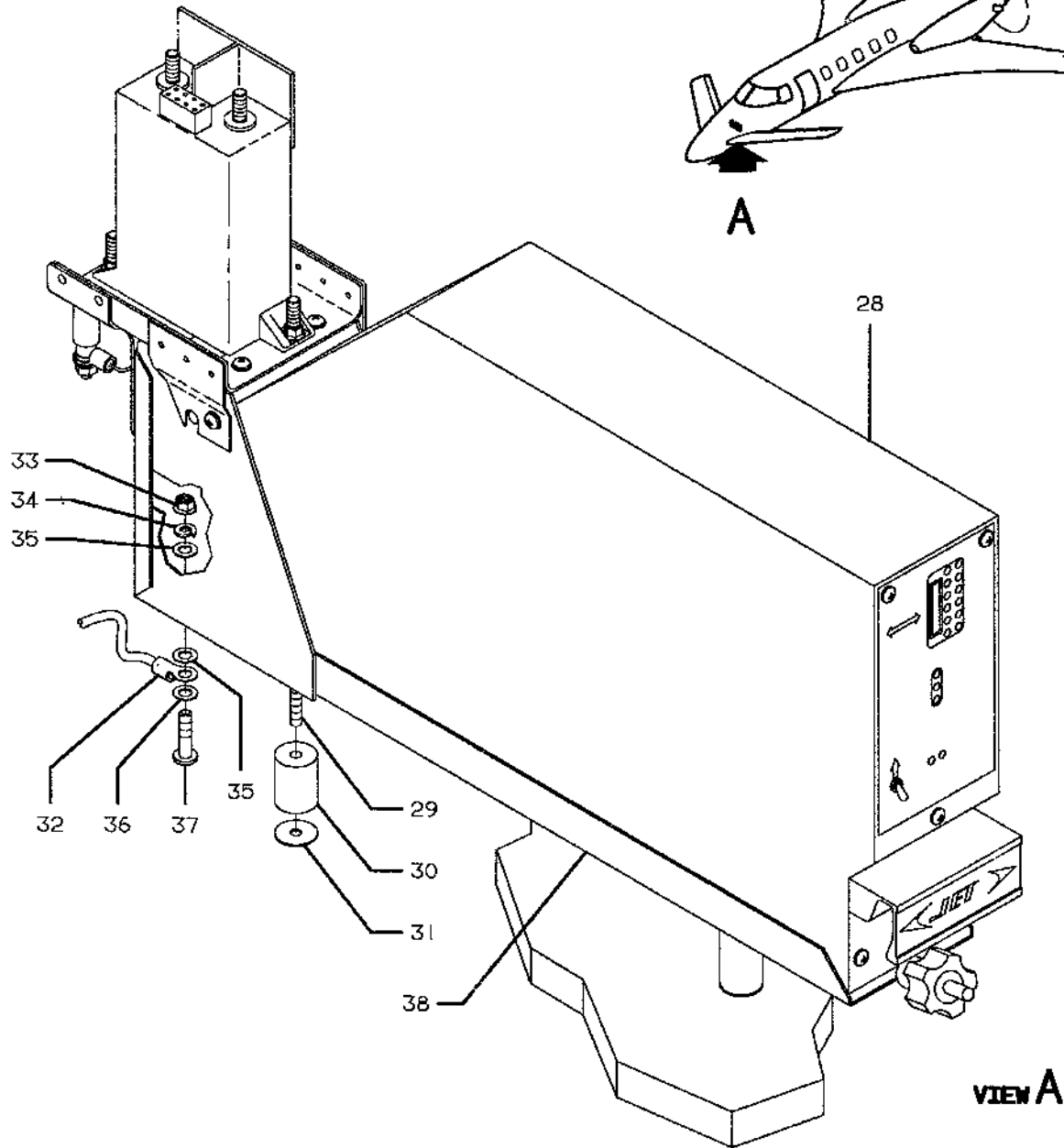
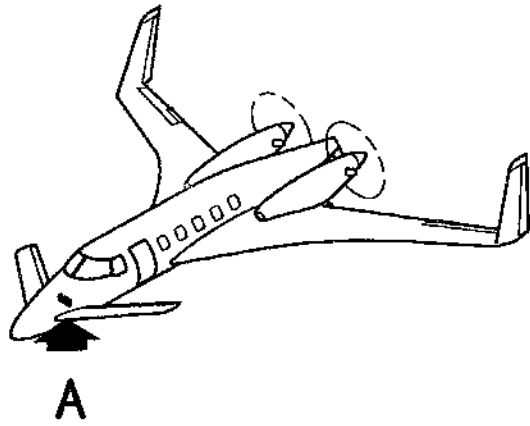
2000-491-35

**FIGURE 30-20. STBY GYRO HORIZON IND AUX POWER**  
**/SHEET 1 OF 2 SHEETS/**

**Beechcraft**  
**STARSHIP 1**  
**ILLUSTRATED PARTS CATALOG**

SUB-SEC UNIT & ITEM NO	PART NO.	DESCRIPTION 1 2 3 4 5 6 7	UNITS	USABLE
			PER ASSY	ON CODE
30-20	122-342050-3	POWER SUPPLY INSTL, AUX.....	NP	
- 1	122-340039-41	. SUPPORT ASSY .....	1	
		/ATTACHING PARTS/		
- 2	MS35206-231	. SCREW.....	4	
- 3	AN960-8L	. WASHER .....	4	
		★		
	122-340039-45	.. SUPPORT, LH.....	1	
	122-340039-46	.. SUPPORT, RH.....	1	
- 4	SM800BA5N1	. CIRCUIT BREAKER.....	1	
		/ATTACHING PARTS/		
- 5	130909N28	. NUT.....	2	
- 6	AN960-8L	. WASHER .....	2	
- 7	MS35206-246	. SCREW.....	1	
- 8	MS24693S51	. SCREW.....	1	
		★		
	122-340041-29	. DECAL/REF DESIGNATOR IDENTIFICATION/.....	1	
- 9	122-340039-77	. SUPPORT .....	1	
		/ATTACHING PARTS/		
- 10	MS21042L06	. NUT.....	4	
- 11	AN960-8	. WASHER .....	4	
- 12	MS35206-227	. SCREW.....	4	
		★		
- 13	MS35649-282	. NUT.....	3	
- 14	MS35338-42	. WASHER, LOCK .....	8	
- 15	AN960-8	. WASHER .....	5	
- 16	115110D8	. TERMINAL .....	6	
- 17	8303	. ADAPTER, SPACER .....	3	
- 18	2602	. STANDOFF, CERAMIC.....	3	
		/ATTACHING PARTS/		
- 19	MS24693-24	. SCREW.....	1	
		★		
- 20	130909N28	. NUT.....	2	
- 21	AN960JD8	. WASHER .....	4	
- 22	MS35206-243	. SCREW.....	2	
- 23	V130LA10A	. VARISTOR, METAL OXIDE .....	3	
- 24	628-8436-001	. BLOCK, MOUNTING.....	3	
		/ATTACHING PARTS/		
- 25	MS35206-213	. SCREW.....	1	
- 26	MS35338-40	. WASHER, LOCK .....	1	
- 27	AN960-4L	. WASHER .....	1	
		★		

Beechcraft  
STARSHIP 1  
ILLUSTRATED PARTS CATALOG



2000-491-36

FIGURE 30-20. STBY GYRO HORIZON IND AUX POWER  
/SHEET 2 OF 2 SHEETS/

**Beechcraft**  
**STARSHIP 1**  
**ILLUSTRATED PARTS CATALOG**

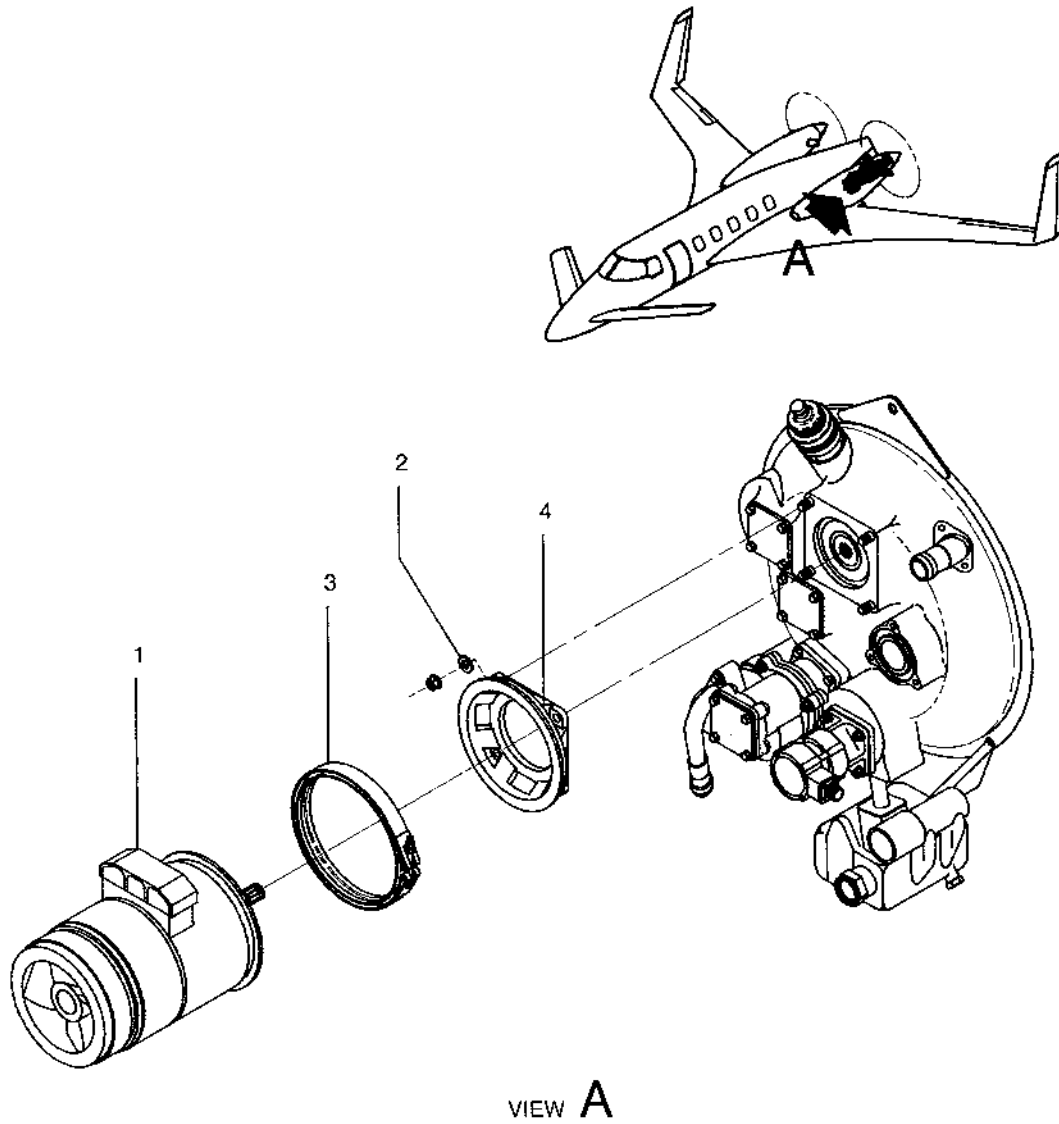
SUB-SEC UNIT & ITEM NO	PART NO.	DESCRIPTION 1 2 3 4 5 6 7	UNITS	USABLE
			PER ASSY	ON CODE
30-20 -28	501-1228-04	. POWER SUPPLY/PS-835D/.....	1	
	122-341001-75	. RACK ASSY .....	1	
		/ATTACHING PARTS/		
-29	MS24693S56	. SCREW.....	4	
-30	122-340070-3	. SPACER.....	4	
-31	AN960JD616	. WASHER.....	4	
		★-----		
-32	MS25083-2BB8	. JUMPER, BONDING.....	1	
		/ATTACHING PARTS/		
-33	130909N29	. NUT.....	1	
-34	MS35338-43	. WASHER, LOCK.....	1	
-35	AN960JD10L	. WASHER.....	2	
-36	AN960-10L	. WASHER.....	1	
-37	MS35207-284	. SCREW.....	1	
		★-----		
-38	572-1424-01	. RACK.....	1	
	122-340069-1	. GROUND WIRE TERMINAL INSTL/SEE CHAPTER 23/.....	NP	

**Beechcraft**  
**STARSHIP 1**  
**ILLUSTRATED PARTS CATALOG**

**24-30-30**  
**STARTER-GENERATOR**



Beechcraft  
STARSHIP 1  
ILLUSTRATED PARTS CATALOG



2000-357-1

FIGURE 30-30.STARTER-GENERATOR

**Deechcraft**  
**STARSHIP 1**  
**ILLUSTRATED PARTS CATALOG**

SUB-SEC UNIT & ITEM NO	PART NO.	DESCRIPTION 1 2 3 4 5 6 7	UNITS	USABLE	
			PER ASSY	ON CODE	
30-30	122-910064-1	POWER PLANT INSTL, LH.....	NP	1	
	122-910064-15	POWER PLANT INSTL, LH.....	NP	2	
	122-910064-3	POWER PLANT INSTL, RH.....	NP	1	
	122-910064-17	POWER PLANT INSTL, RH.....	NP	2	
	- 1	23085-001	. STARTER-GENERATOR.....	1	
		30300-1410	.. BRUSH, ELECTRICAL CONTACT.....	4	
		90-389000-9	. KIT, STARTER-GENERATOR MOUNTING.....	1	
			/ATTACHING PARTS/		
	- 2	AN960-516	. WASHER.....	4	
			<b>NOTE</b> KIT IS INSTALLED USING NUTS FURNISHED WITH ENGINE. SEE PRATT & WHITNEY MANUAL FOR PART NUMBER OF NUT.		
		---★---			
- 3	23072-1128	.. COUPLING, V-RETAINER.....	1		
- 4	23085-1020	.. ADAPTER, MOUNTING.....	1		

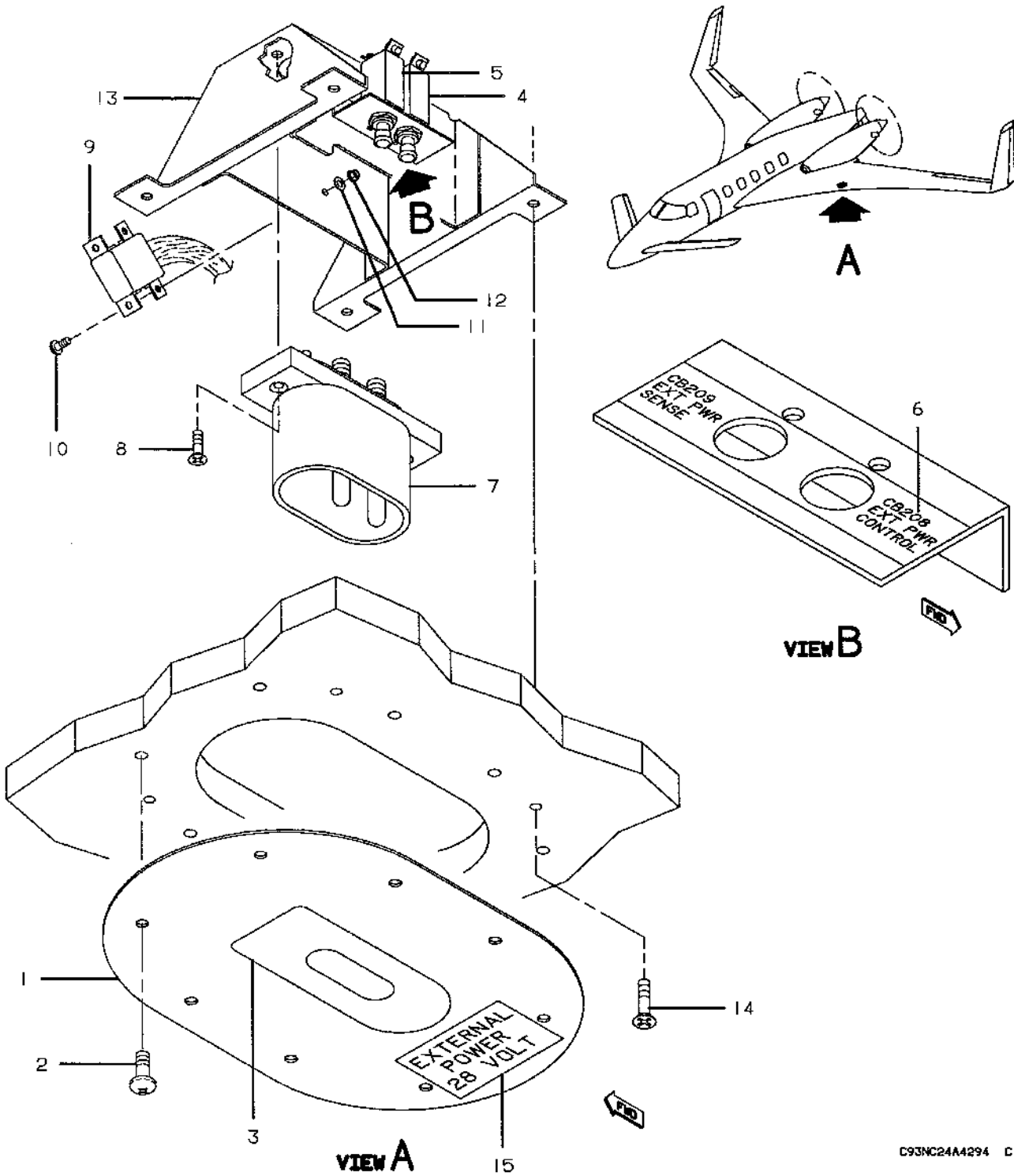
**CODES OF EFFECTIVITY**

1 NC-4 THRU NC-28                      2 NC-29 AND AFTER

**Beechcraft**  
**STARSHIP 1**  
**ILLUSTRATED PARTS CATALOG**

**24-40-00**  
**EXTERNAL POWER RECEPTACLE AND DOOR**

Beechcraft  
**STARSHIP 1**  
**ILLUSTRATED PARTS CATALOG**



C93NC24A4294 C

**FIGURE 40-00 EXTERNAL POWER RECEPTACLE AND DOOR**

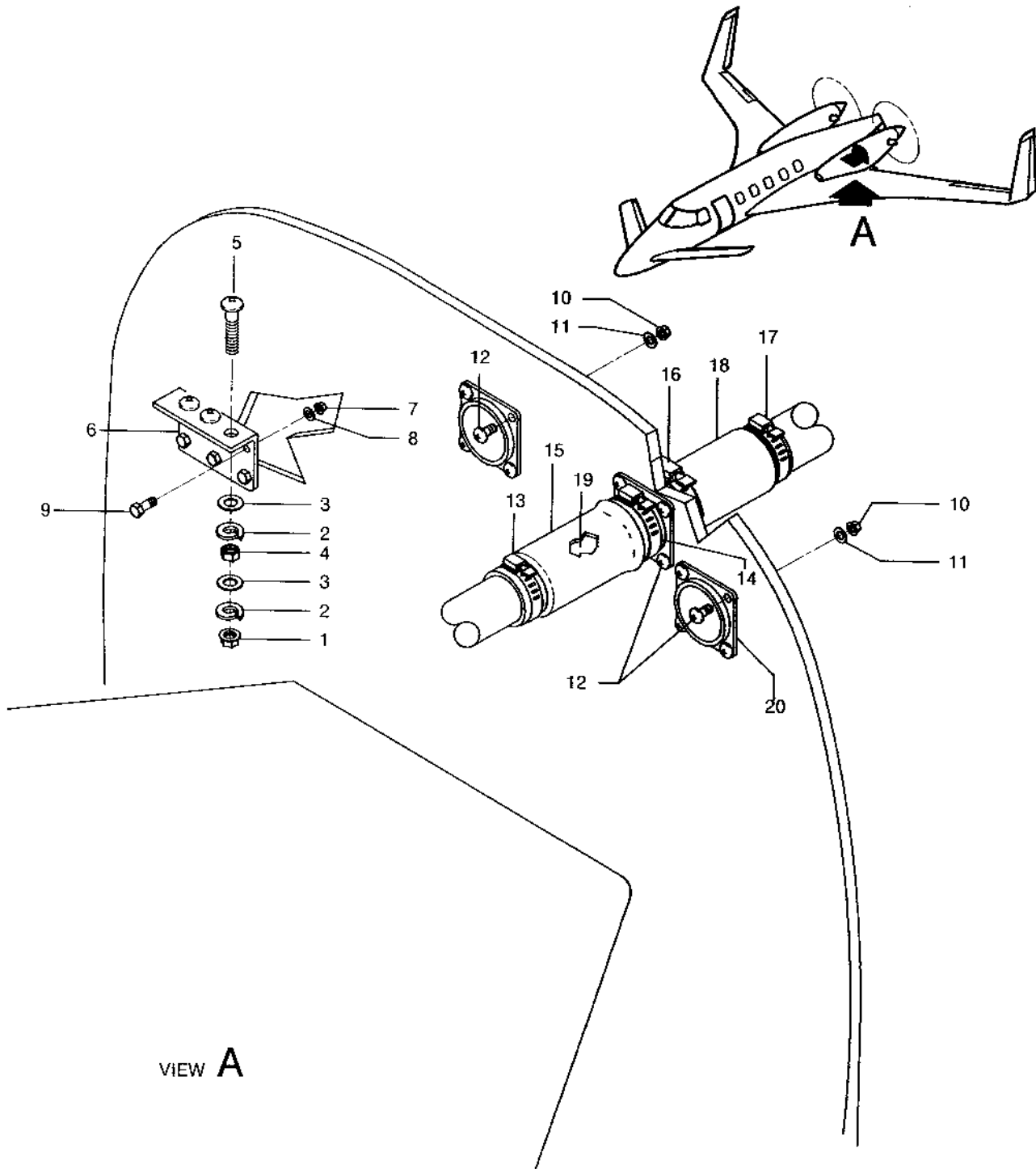
**Beechcraft**  
**STARSHIP 1**  
**ILLUSTRATED PARTS CATALOG**

SUB-SEC UNIT & ITEM NO	PART NO.	DESCRIPTION 1 2 3 4 5 6 7	UNITS	USABLE
			PER ASSY	ON CODE
40-00	122-110021-1	DOOR AND RECEPTACLE INSTL-POWER, EXTERNAL.....	NP	
	122-110021-3	.. DOOR ASSY.....	1	
- 1	122-110021-5	.. DOOR.....	1	
		.. /ATTACHING PARTS/		
- 2	AN526-1032R5	.. SCREW.....	8	
		-----★-----		
- 3	000-110134-1	.. DOOR ASSY.....	1	
- 4	131984-5	.. CIRCUIT BREAKER/EXT PWR SENSE/.....	1	
- 5	131984-7	.. CIRCUIT BREAKER/EXT PWR CONTROL/.....	1	
- 6	122-361040-1	.. DECAL.....	1	
- 7	MS3508-1	.. RECEPTACLE.....	1	
		.. /ATTACHING PARTS/		
- 8	MS24693S275	.. SCREW.....	2	
		-----★-----		
- 9	50-380048-1	.. RELAY.....	1	
		.. /ATTACHING PARTS/		
- 10	MS35206-230	.. SCREW.....	2	
- 11	AN960-6L	.. WASHER.....	2	
- 12	MS21042L08	.. NUT.....	2	
		-----★-----		
	1N4007	.. DIODE.....	1	
	207360-1	.. CONNECTOR.....	1	
	66105-4	.. SOCKET.....	3	
- 13	122-110021-9	.. BRACKET ASSY.....	1	
		.. /ATTACHING PARTS/		
- 14	MS24694C62	.. SCREW.....	4	
		-----★-----		
- 15	MS21075L3	.. NUTPLATE.....	6	
	122-000050-45	PLACARD.....	1	

**Beechcraft**  
**STARSHIP 1**  
**ILLUSTRATED PARTS CATALOG**

**24-50-00**  
**LEFT NACELLE ELECTRICAL EQUIPMENT**

Beechcraft  
STARSHIP 1  
ILLUSTRATED PARTS CATALOG



2000-385-01

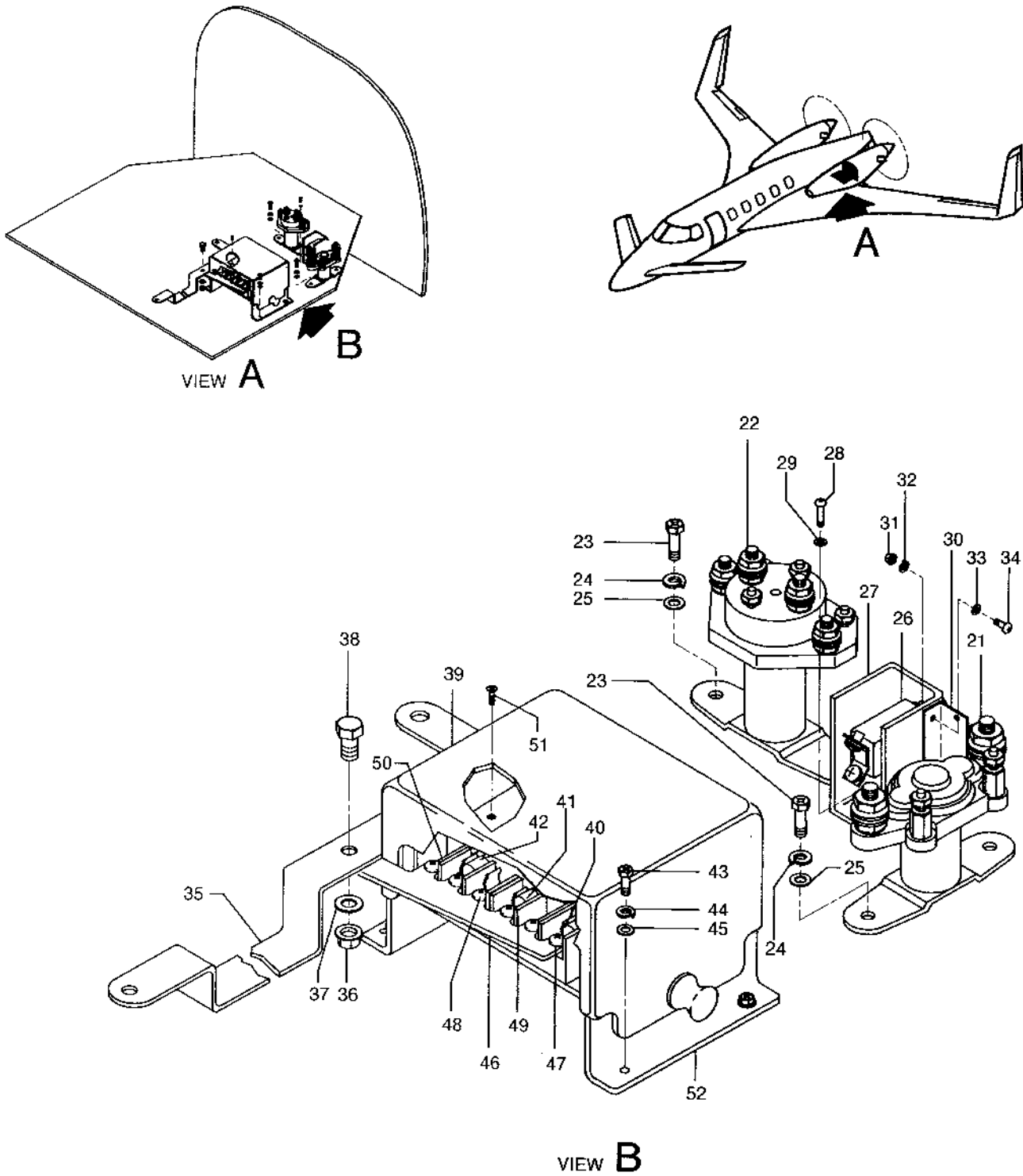
FIGURE 50-00.LEFT NACELLE ELECTRICAL EQUIPMENT  
/SHEET 1 OF 4 SHEETS/

  
**STARSHIP 1**  
**ILLUSTRATED PARTS CATALOG**

SUB-SEC UNIT & ITEM NO	PART NO.	DESCRIPTION 1 2 3 4 5 6 7	UNITS	USABLE
			PER ASSY	ON CODE
60-00	122-361001-1	ELECTRICAL EQUIPMENT INSTL, LEFT NACELLE .....	NP	1
	122-361001-13	ELECTRICAL EQUIPMENT INSTL, LEFT NACELLE .....	NP	2
	122-364022-17	. BUS ASSY, GROUND RETURN .....	1	
- 1	122-364022-17	. . NUT .....	1	
- 2	MS35338-45	. . WASHER, LOCK .....	6	
- 3	AN960-516L	. . WASHER .....	6	
- 4	130909N14	. . NUT .....	3	
- 5	NAS428-5-13	. . SCREW .....	3	
- 6	122-364022-19	. . BRACKET .....	1	
- 7	130909N29	. NUT .....	6	
- 8	AN960-10L	. WASHER .....	6	
- 9	130909B14	. BOLT .....	6	
	109-361022-29	. FEED THRU ASSY/FIREWALL UPR OUTBD WIRE/ .....	1	
	109-361022-31	. FEED THRU ASSY/FIREWALL LWR OUTBD WIRE/ .....	1	
	109-361022-49	. FEED THRU ASSY/FIREWALL INBD WIRE/ .....	1	
		. /ATTACHING PARTS/ .....		
- 10	130909N28	. NUT .....	4	
- 11	AN960-8L	. WASHER .....	4	
- 12	MS35208-245	. SCREW .....	4	
		★		
- 13	J241	. . CLAMP .....	1	
- 14	J207	. . CLAMP .....	1	
- 15	131545SG20-0060	. . FIRESLEEVE .....	1	
- 16	20TS	. . CLAMP .....	1	
- 17	12H	. . CLAMP .....	1	
- 18	131545SG20-0080	. . FIRESLEEVE .....	1	
- 19	131545SG14-0100	. . FIRESLEEVE .....	1	
	MS25036-125	. . TERMINAL/5 EA OUTBD AND 6 EA INBD/ .....	AR	
	MS25189-115	. . TERMINAL, FLAG/OUTBD/ .....	1	
	MS25036-114	. . TERMINAL/INBD/ .....	1	
	MS25036-111	. . TERMINAL/INBD/ .....	1	
- 20	109-361023-1	. . TUBE ASSY .....	1	



**Beechcraft**  
**STARSHIP 1**  
**ILLUSTRATED PARTS CATALOG**



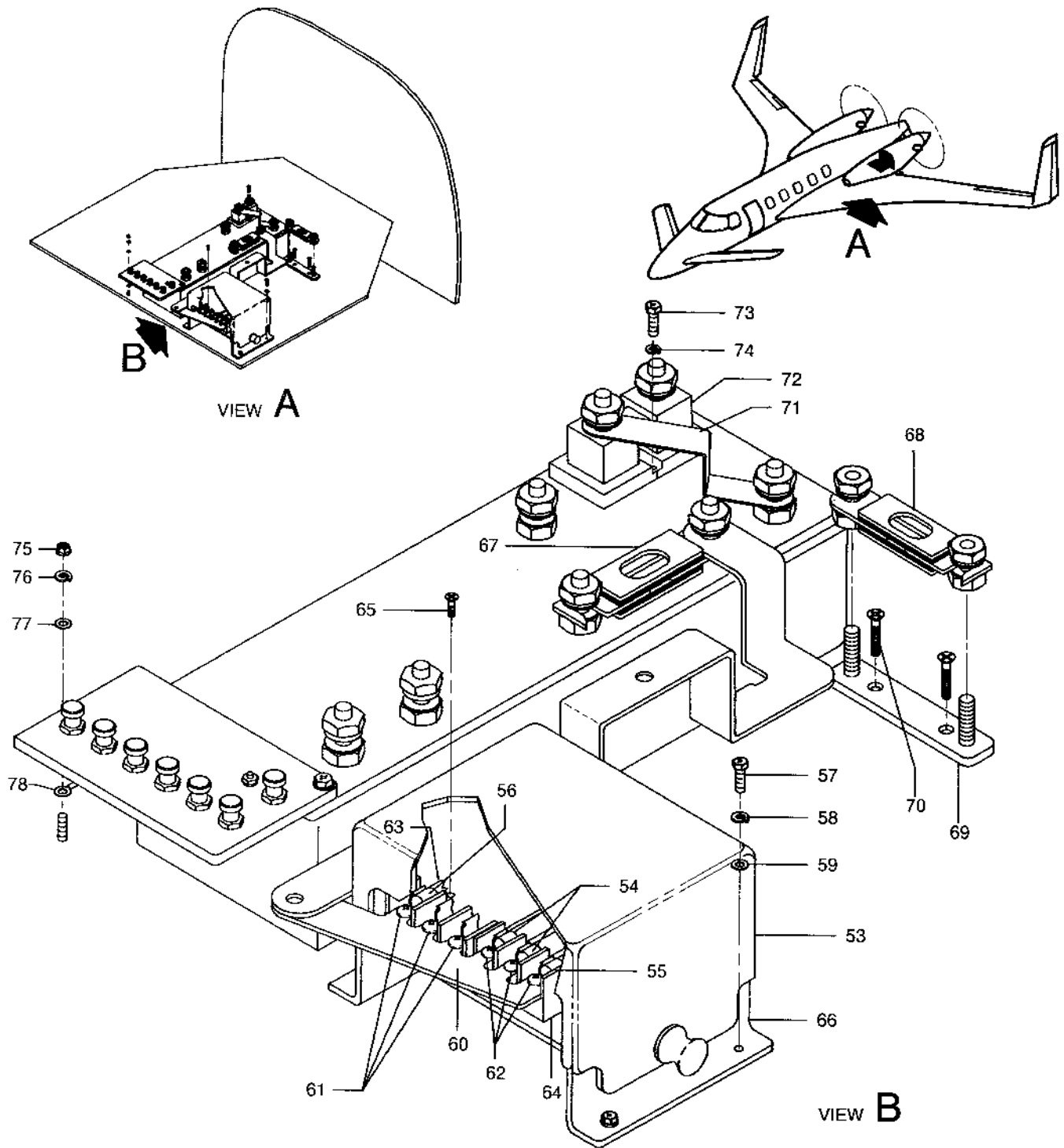
2000-355-02

**FIGURE 50-00.LEFT NACELLE ELECTRICAL EQUIPMENT**  
**/SHEET 2 OF 4 SHEETS/**

**Beechcraft**  
**STARSHIP 1**  
**ILLUSTRATED PARTS CATALOG**

SUB-SEC UNIT & ITEM NO	PART NO.	DESCRIPTION 1 2 3 4 5 6 7	UNITS	USABLE
			PER ASSY	ON CODE
50-00 -21	SM200D21	. RELAY, LANDING GEAR.....	1	
-22	109-381002-1	. RELAY, FWD VENT FAN..... /ATTACHING PARTS/	1	
-23	NAS1096-3-15	. SCREW.....	2	
-24	MS35338-43	. WASHER, LOCK.....	2	
-25	AN960-10L	. WASHER.....	2	
		★-----		
-26	100-361045-1	. TRANZORB, LDG GR & FWD VENT FAN RELAY.....	2	
-27	160-012-60	. CIRCUIT BREAKER, LDG GR PWR.....	1	
-27	122-361013-17	. BRACKET..... /ATTACHING PARTS/	1	
-28	MS35207-263	. SCREW.....	4	
-29	AN960-10L	. WASHER.....	4	
		★-----		
-30	204814-1	. CONNECTOR..... /ATTACHING PARTS/	1	
-31	MS21042-08	. NUT.....	2	
-32	MS35338-42	. WASHER, LOCK.....	2	
-33	AN960-8L	. WASHER.....	2	
-34	MS35206-246	. SCREW.....	2	
		★-----		
-35	122-361014-79	. BUS BAR..... /ATTACHING PARTS/	1	
-36	130909N24	. NUT.....	2	
-37	AN960-516L	. WASHER.....	4	
-38	AN5-5A	. BOLT.....	2	
		★-----		
-39	122-361058-47	. COVER ASSY, LIMITER PANEL.....	1	
	122-361059-9	. . DECAL, ELECTRICAL EQUIPMENT IDENTIFICATION.....	1	
	HN5G52-1	. . GROMMET.....	2	
	122-361058-9	. . COVER.....	1	
-40	FIL20	. LIMITER, L REFRESH BAR.....	1	
-41	FIL30	. LIMITER, FWD EVAPORATOR BLOWER.....	1	
-42	FIL50	. LIMITER, NO. 2 AVIONICS BUS.....	1	
	122-361069-13	. PANEL ASSY, LIMITER..... /ATTACHING PARTS/	1	
-43	NAS1096-3-10	. SCREW.....	4	
-44	MS35338-43	. WASHER, LOCK.....	4	
-45	AN960-10L	. WASHER.....	4	
		★-----		
-46	122-361014-53	. . BUS BAR..... /ATTACHING PARTS/	1	
-47	MS35206-242	. . SCREW.....	3	
-48	MS35207-260	. . SCREW.....	3	
		★-----		
-49	3967	. . HOLDER, LIMITER.....	1	
-50	3968	. . HOLDER, LIMITER..... /ATTACHING PARTS/	1	
-51	MS24693S273	. . SCREW.....	2	
		★-----		
-52	122-361069-15	. . PANEL ASSY.....	1	
	MS21059L3	. . . NUTPLATE.....	4	

**Beechcraft**  
**STARSHIP 1**  
**ILLUSTRATED PARTS CATALOG**



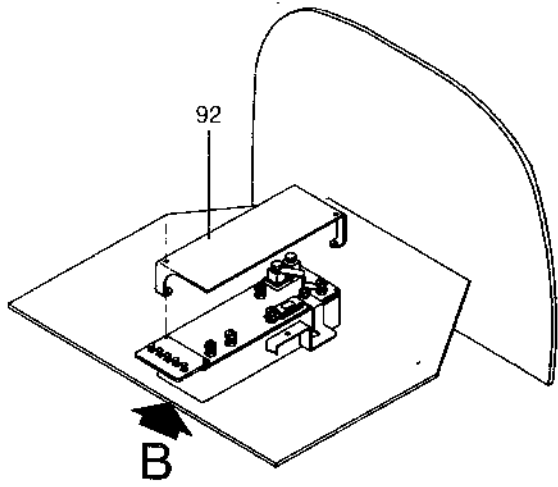
2000-355-03 C

**FIGURE 50-00.LEFT NACELLE ELECTRICAL EQUIPMENT**  
**/SHEET 3 OF 4 SHEETS/**

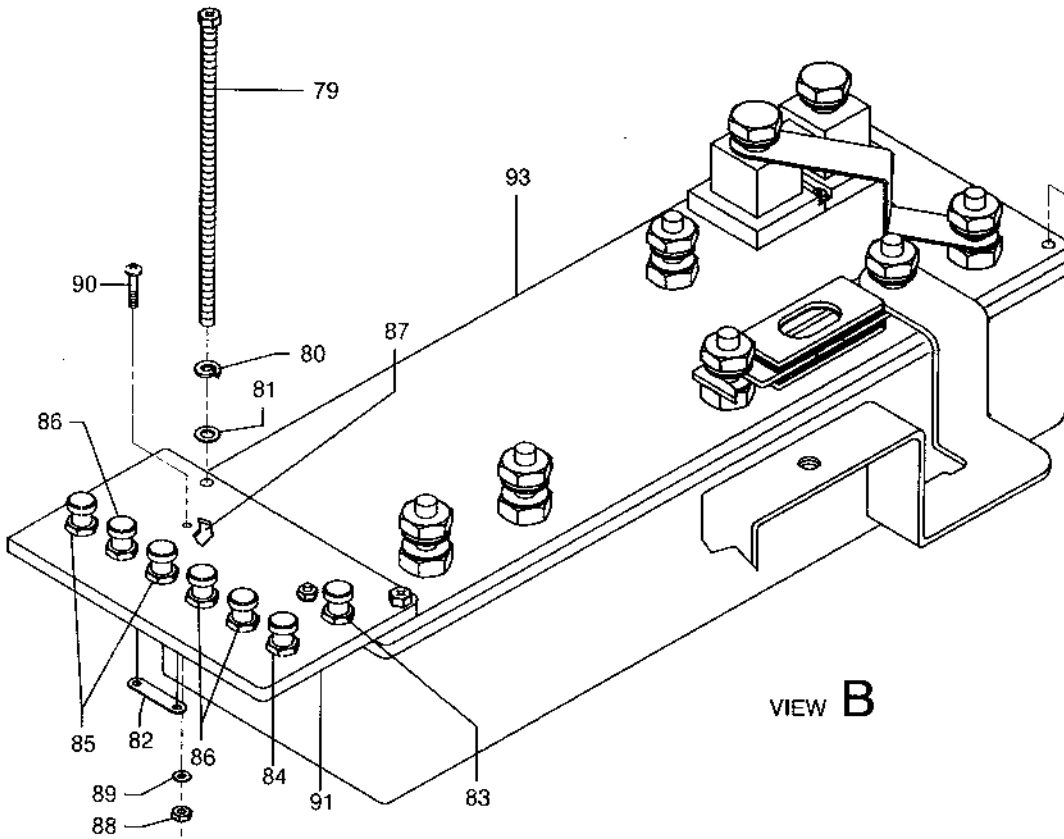
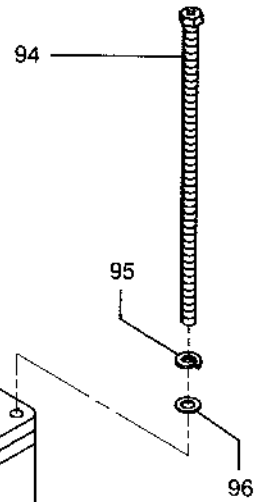
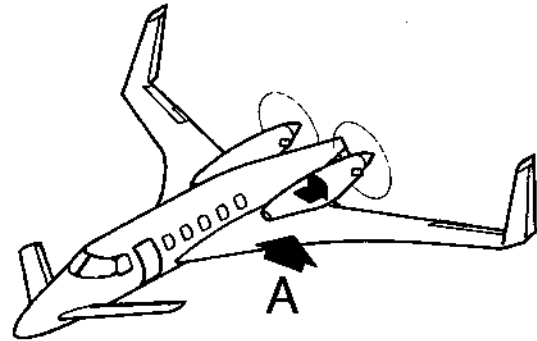
**Beechcraft**  
**STARSHIP 1**  
**ILLUSTRATED PARTS CATALOG**

SUB-SEC UNIT & ITEM NO	PART NO.	DESCRIPTION 1 2 3 4 5 6 7	UNITS	USABLE
			PER ASSY	ON CODE
50-00 -53	122-361058-51	. COVER ASSY, LIMITER PANEL.....	1	
	122-361059-1	. . DECAL, ELECTRICAL EQUIPMENT IDENTIFICATION .....	1	
	HN5G52-1	. . GROMMET.....	2	
	122-361058-9	. . COVER.....	1	
-54	FIL30	. LIMITER, NO. 1 & 2 SUB BUS FEEDER.....	2	
-55	FIL20	. LIMITER, NO. 3 SUB BUS FEEDER.....	1	
-56	FIL60	. LIMITER, TRIPLE BUS FEEDER.....	1	
	122-361069-1	. PANEL ASSY, LIMITER.....	1	
		/ATTACHING PARTS/		
-57	NAS1096-3-10	. SCREW.....	4	
-58	MS35338-43	. WASHER, LOCK.....	4	
-59	AN960-10L	. WASHER.....	4	
		★		
-60	122-361014-53	. . BUS BAR.....	1	
		/ATTACHING PARTS/		
-61	MS35207-260	. . SCREW.....	3	
-62	MS35206-242	. . SCREW.....	3	
		★		
-63	3968	. . HOLDER, LIMITER.....	1	
-64	3967	. . HOLDER, LIMITER.....	1	
		/ATTACHING PARTS/		
-65	MS24693S273	. . SCREW.....	2	
		★		
-66	122-361069-5	. . PANEL ASSY.....	1	
	MS21059L3	. . NUTPLATE.....	4	
-67	ANL-M325	. LIMITER.....	1	
-68	ANL-M80	. LIMITER.....	1	
-69	EM103	. BASE, MOUNTING.....	1	
		/ATTACHING PARTS/		
-70	MS24693S279	. SCREW.....	2	
		★		
-71	122-361014-45	. . BUS BAR.....	1	
-72	100-380007-5	. SHUNT.....	1	
		/ATTACHING PARTS/		
-73	NAS1096-3-11	. SCREW.....	2	
-74	MS35338-43	. WASHER, LOCK.....	2	
		★		
-75	130909N29	. NUT.....	1	
-76	MS35338-43	. WASHER, LOCK.....	1	
-77	AN960-10L	. WASHER.....	1	
-78	MS25083-5BB4	. JUMPER, BONDING.....	1	

Beechcraft  
 STARSHIP 1  
 ILLUSTRATED PARTS CATALOG



VIEW A



VIEW B

2000-355-16

FIGURE 50-00.LEFT NACELLE ELECTRICAL EQUIPMENT  
 /SHEET 4 OF 4 SHEETS/

**Beechcraft**  
**STARSHIP 1**  
**ILLUSTRATED PARTS CATALOG**

SUB-SEC UNIT & ITEM NO	PART NO.	DESCRIPTION 1 2 3 4 5 6 7	UNITS	USABLE
			PER ASSY	ON CODE
50-00	122-361013-41	. PANEL ASSY, CIRCUIT BREAKER..... /ATTACHING PARTS/	1	
- 79	NAS1096-3-69	. SCREW.....	2	
- 80	MS35338-43	. WASHER, LOCK.....	2	
- 81	AN960-10L	. WASHER.....	2	
		---*---		
- 82	122-361014-21	. . BUS BAR.....	1	
- 83	131984-5	. . CIRCUIT BREAKER.....	1	
- 84	131984-15	. . CIRCUIT BREAKER.....	1	
- 85	131984-10	. . CIRCUIT BREAKER.....	2	
- 86	131984-7	. . CIRCUIT BREAKER.....	3	
	122-361060-7	. . DECAL, CIRCUIT BREAKER.....	1	
- 87	122-380062-5	. . VARISTOR, METAL OXIDE..... /ATTACHING PARTS/	1	
- 88	MS21044-08	. . NUT.....	2	
- 89	AN960-8L	. . WASHER.....	2	
- 90	MS35206-244	. . SCREW.....	2	
		---*---		
	200336-1	. . PIN.....	9	
	207018-1	. . RECEPTACLE.....	1	
- 91	122-361013-43	. . PANEL.....	1	
- 92	122-361058-27	. SHIELD ASSY.....	1	
- 93	122-389020-3	. PANEL ASSY, DC POWER..... /ATTACHING PARTS/	1	
- 94	NAS1096-3-69	. SCREW.....	2	
- 95	MS35338-43	. WASHER, LOCK.....	2	
- 96	AN960-10L	. WASHER.....	2	
		---*---		

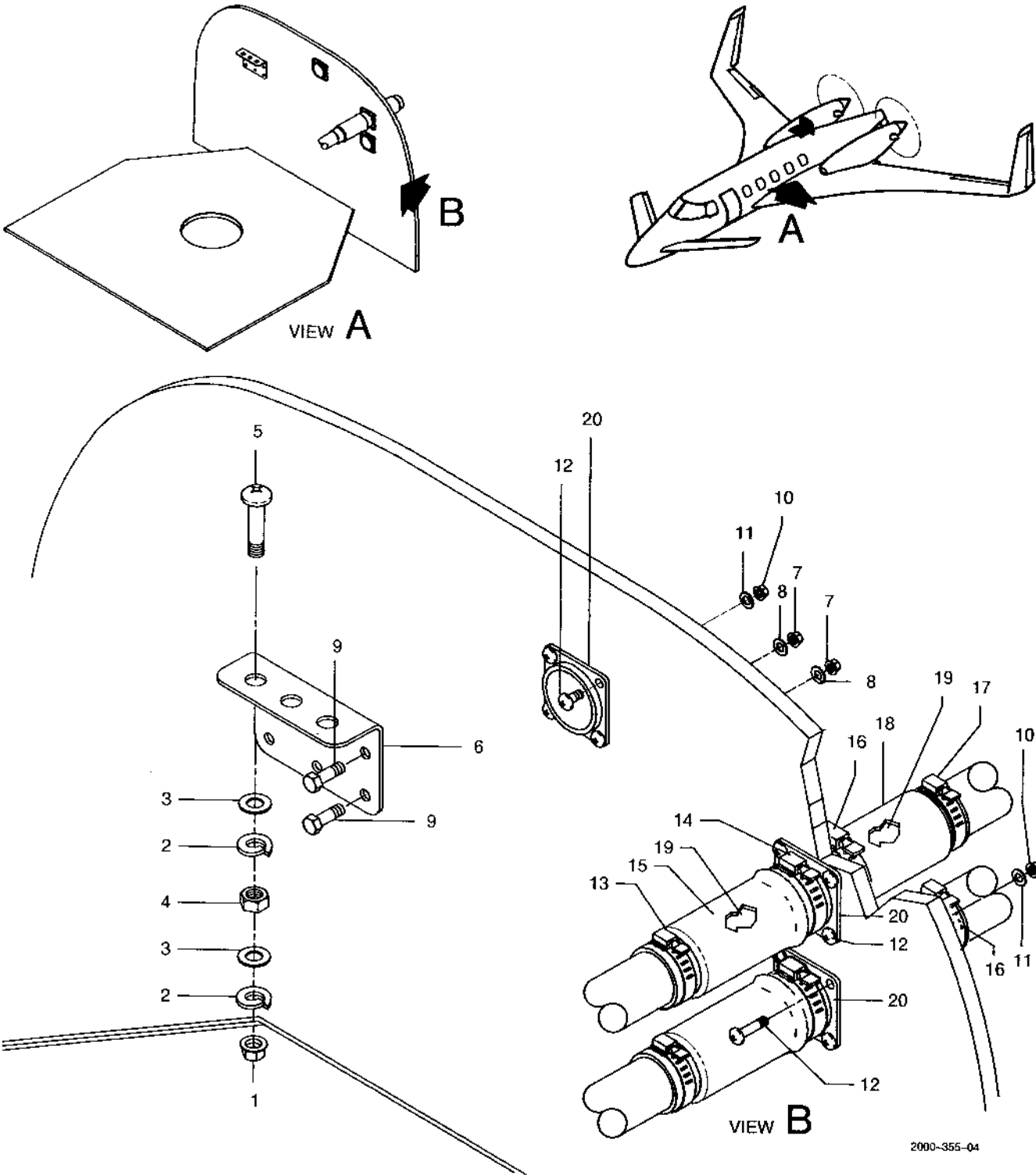
**CODES OF EFFECTIVITY**

1 NC-4 THRU NC-29                      2 NC-30 AND AFTER

**Beechcraft**  
**STARSHIP 1**  
**ILLUSTRATED PARTS CATALOG**

**24-50-10**  
**RIGHT NACELLE ELECTRICAL EQUIPMENT**

**Beechcraft**  
**STARSHIP 1**  
**ILLUSTRATED PARTS CATALOG**



2000-355-04

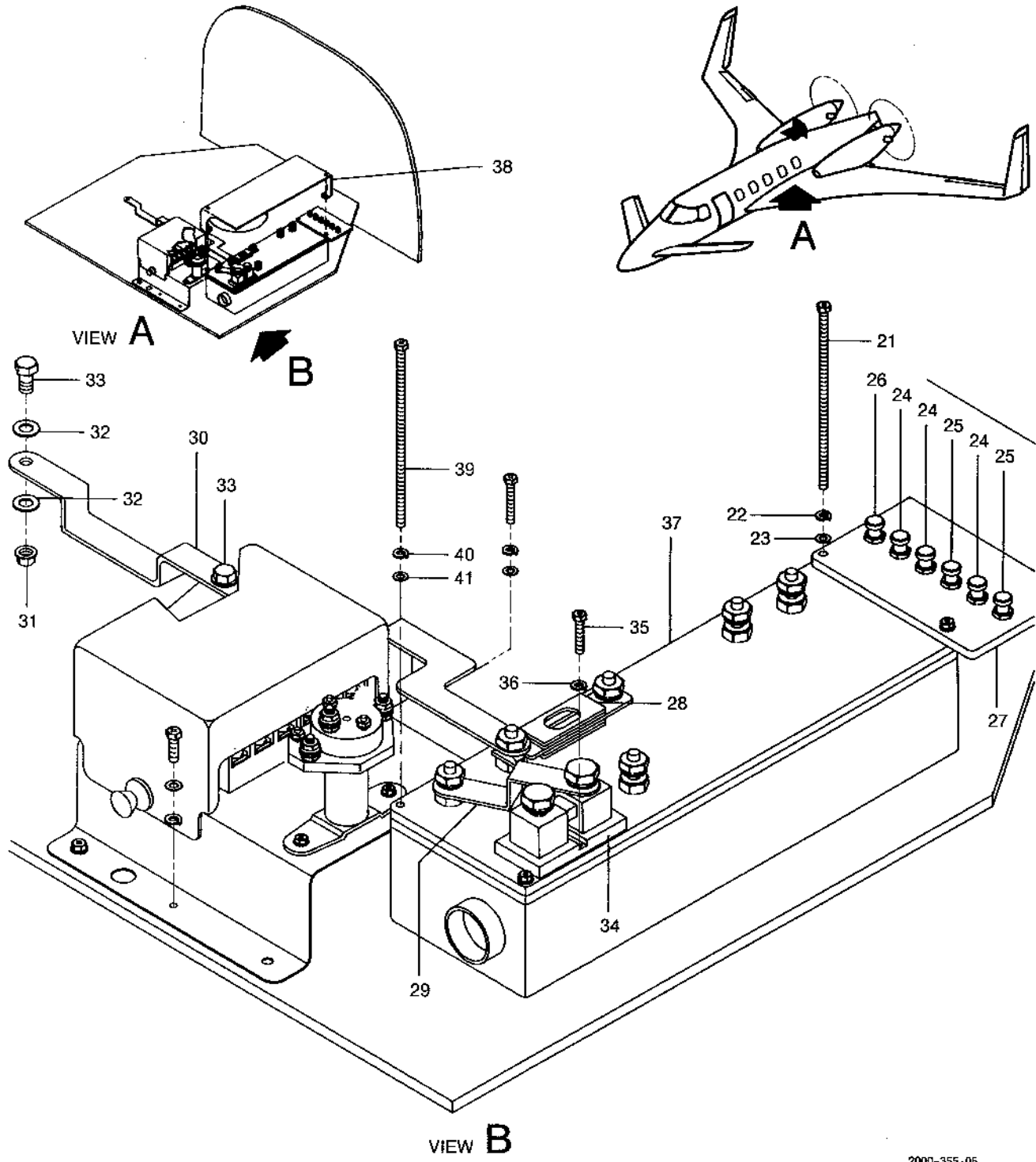
**FIGURE 50-10. RIGHT NACELLE ELECTRICAL EQUIP**  
**/SHEET 1 OF 5 SHEETS/**



**Deechcraft**  
**STARSHIP 1**  
**ILLUSTRATED PARTS CATALOG**

SUB-SEC UNIT & ITEM NO	PART NO.	DESCRIPTION 1 2 3 4 5 6 7	UNITS	USABLE
			PER ASSY	ON CODE
50-10	122-361001-5	ELECTRICAL EQUIPMENT INSTL, RIGHT NACELLE.....	NP	
	122-364022-17	. BUS ASSY, GROUND RETURN .....	1	
- 1	130909N24	. . NUT .....	3	
- 2	MS35338-45	. . WASHER, LOCK .....	6	
- 3	AN960-516L	. . WASHER .....	6	
- 4	130909N14	. . NUT .....	3	
- 5	MS35207-298	. . SCREW.....	3	
- 6	122-364022-19	. . BRACKET.....	1	
- 7	130909N29	. . NUT .....	6	
- 8	AN960-10L	. . WASHER .....	6	
- 9	130909B14	. . BOLT .....	6	
	109-361022-41	. FEED-THRU ASSY/FIREWALL UPR INBD WIRE/.....	1	
	109-361022-43	. FEED-THRU ASSY/FIREWALL LWR INBD WIRE/ .....	1	
	109-361022-51	. FEED-THRU ASSY/FIREWALL OUTBD WIRE/ .....	1	
		. /ATTACHING PARTS/ .....		
- 10	130909N28	. . NUT .....	4	
- 11	AN960-8L	. . WASHER .....	4	
- 12	MS35206-245	. . SCREW.....	4	
		★-----		
- 13	J241	. . CLAMP .....	1	
- 14	J207	. . CLAMP .....	1	
- 15	131545SG20-0060	. . FIRESLEEVE .....	1	
- 16	20TS	. . CLAMP .....	1	
- 17	12H	. . CLAMP .....	1	
- 18	131545SG20-0060	. . FIRESLEEVE .....	1	
- 19	131545SG14-0100	. . FIRESLEEVE .....	1	
	MS25036-125	. . TERMINAL/5 EA OUTBD AND 6 EA INBD/ .....	AR	
	MS25189-115	. . TERMINAL, FLAG/INBD/ .....	1	
	MS25036-114	. . TERMINAL/OUTBD/ .....	1	
	MS25036-111	. . TERMINAL/OUTBD/ .....	1	
- 20	109-361023-1	. . TUBE ASSY.....	1	

**Beechcraft**  
**STARSHIP 1**  
**ILLUSTRATED PARTS CATALOG**



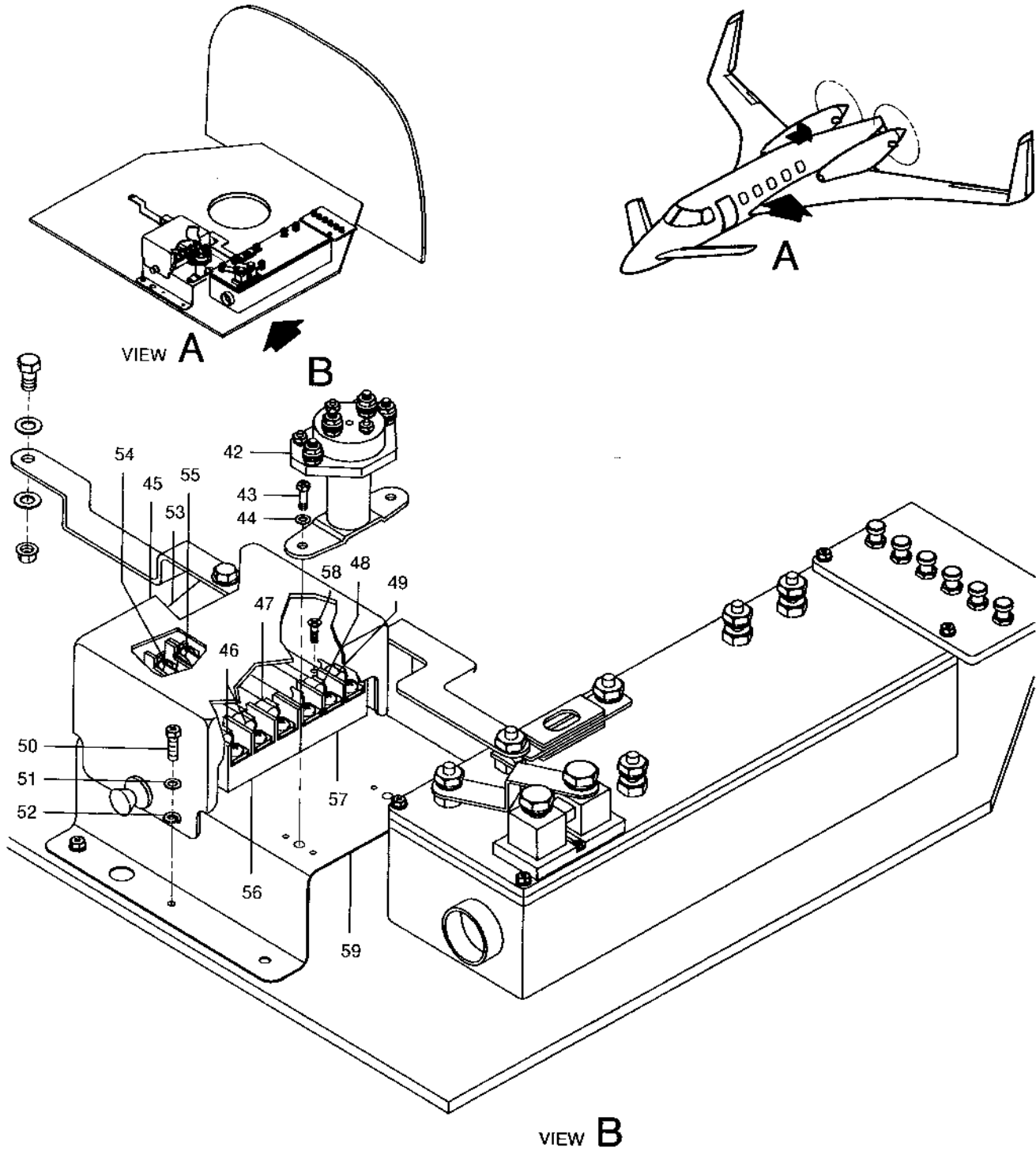
2000-355-05

**FIGURE 50-10. RIGHT NACELLE ELECTRICAL EQUIP**  
**/SHEET 2 OF 5 SHEETS/**

**Deechcraft**  
**STARSHIP 1**  
**ILLUSTRATED PARTS CATALOG**

SUB-SEC UNIT & ITEM NO	PART NO.	DESCRIPTION 1 2 3 4 5 6 7	UNITS	USABLE
			PER ASSY	ON CODE
50-10	122-361013-77	. PANEL ASSY, CIRCUIT BREAKER..... /ATTACHING PARTS/	1	
-21	NAS1096-3-69	. SCREW.....	2	
-22	MS35338-43	. WASHER, LOCK.....	2	
-23	AN960-10L	. WASHER.....	2	
		-----★-----		
-24	131984-7	. . CIRCUIT BREAKER.....	3	
-25	131984-10	. . CIRCUIT BREAKER.....	2	
-26	131984-15	. . CIRCUIT BREAKER.....	1	
	122-361060-3	. . DECAL, CIRCUIT BREAKER.....	1	
	200336-1	. . PIN.....	9	
	207018-1	. . RECEPTACLE.....	1	
-27	122-361013-36	. . PANEL.....	1	
-28	ANL-M325	. LIMITER.....	1	
-29	122-361014-45	. BUS BAR.....	1	
-30	122-361014-47	. BUS BAR..... /ATTACHING PARTS/	1	
-31	130909N24	. NUT.....	2	
-32	AN960-516L	. WASHER.....	4	
-33	AN5-5A	. BOLT.....	2	
		-----★-----		
-34	100-380007-5	. SHUNT..... /ATTACHING PARTS/	1	
-35	NAS1096-3-11	. SCREW.....	2	
-36	MS35338-43	. WASHER, LOCK.....	2	
		-----★-----		
-37	122-389020-3	. PANEL ASSY, DC POWER.....	1	
-38	122-361058-29	. SHIELD ASSY..... /ATTACHING PARTS/	1	
-39	NAS1096-3-69	. SCREW.....	4	
-40	MS35338-43	. WASHER, LOCK.....	4	
-41	AN960-10L	. WASHER.....	4	
		-----★-----		

Beechcraft  
STARSHIP 1  
ILLUSTRATED PARTS CATALOG



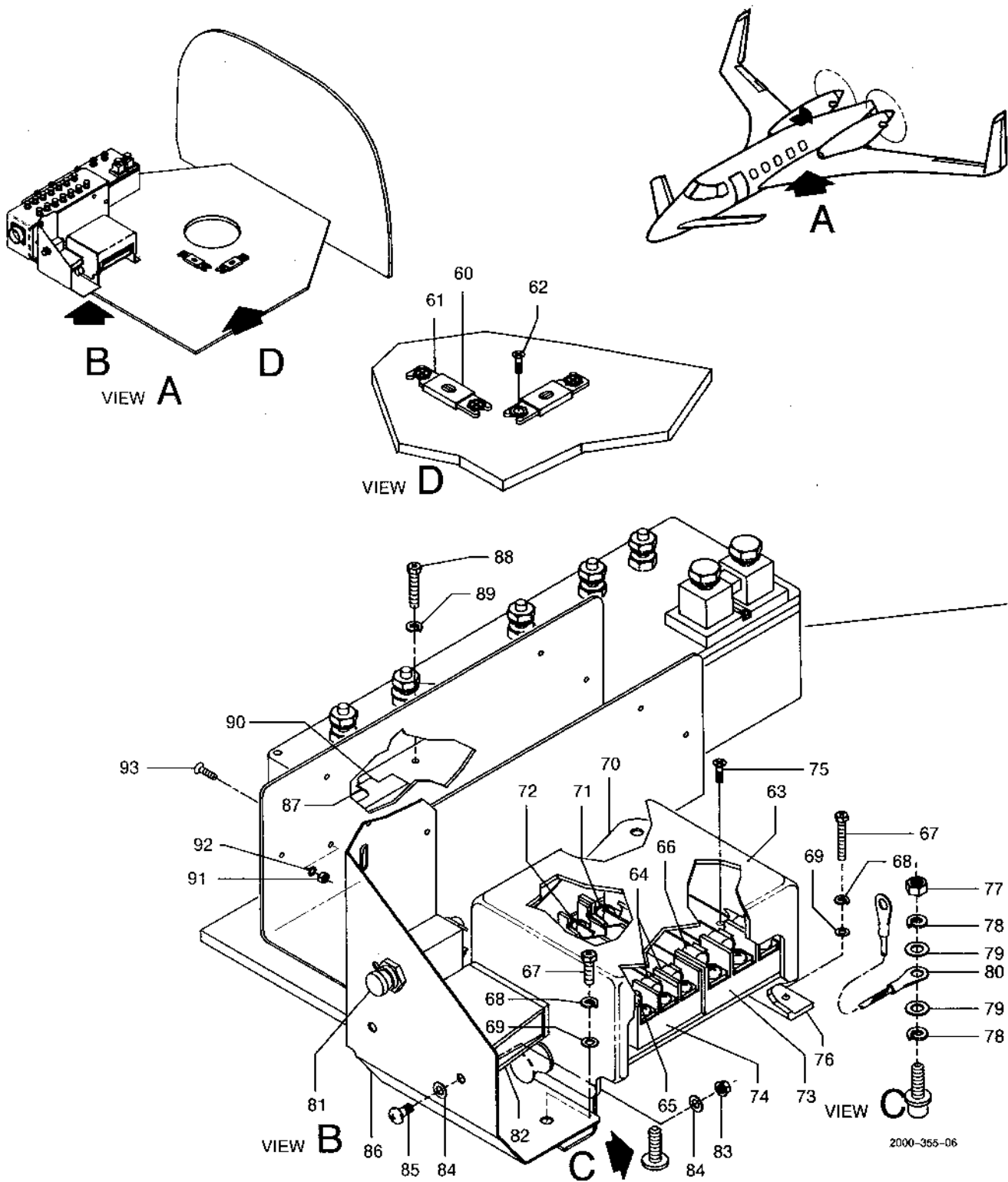
2000-355-22

FIGURE 50-10. RIGHT NACELLE ELECTRICAL EQUIP  
/SHEET 3 OF 5 SHEETS/

**Beechcraft**  
**STARSHIP 1**  
**ILLUSTRATED PARTS CATALOG**

SUB-SEC UNIT & ITEM NO	PART NO.	DESCRIPTION 1 2 3 4 5 6 7	UNITS	USABLE
			PER ASSY	ON CODE
50-10 - 42	109-381002-1	. RELAY, AFT VENT FAN .....	1	
		/ATTACHING PARTS/		
- 43	NAS1096-3-7	. SCREW.....	2	
- 44	AN960-10L	. WASHER .....	2	
		---★---		
	100-361045-1	. TRANZORB, AFT VENT FAN RELAY .....	1	
- 45	122-361058-49	. COVER ASSY.....	1	
	122-361059-35	. DECAL .....	1	
	HN5G52-1	. GROMMET .....	2	
	122-361058-9	. COVER .....	1	
- 46	FIL20	. LIMITER, R REFRESH BAR, ANTISKID PUMP .....	2	
- 47	FIL30	. LIMITER, AFT EVAPORATOR BLOWER .....	1	
- 48	FIL50	. LIMITER, NO. 3 AVIONICS BUS.....	1	
- 49	FIL60	. LIMITER, CONDENSER BLOWER .....	1	
	122-361069-3	. LIMITER PANEL ASSY .....	1	
		/ATTACHING PARTS/		
- 50	NAS1096-3-10	. SCREW.....	4	
- 51	MS35338-43	. WASHER, LOCK.....	4	
- 52	AN960-10L	. WASHER .....	4	
		---★---		
- 53	122-361014-53	. . BUS BAR.....	1	
		/ATTACHING PARTS/		
- 54	MS35206-242	. . SCREW.....	3	
- 55	MS35207-260	. . SCREW.....	3	
		---★---		
- 56	3967	. . HOLDER, LIMITER.....	1	
- 57	3968	. . HOLDER, LIMITER.....	1	
		/ATTACHING PARTS/		
- 58	MS24693S273	. . SCREW.....	2	
		---★---		
- 59	122-361069-7	. . PANEL ASSY.....	1	
	MS21059L3	. . NUTPLATE.....	6	

**Beechcraft**  
**STARSHIP 1**  
**ILLUSTRATED PARTS CATALOG**

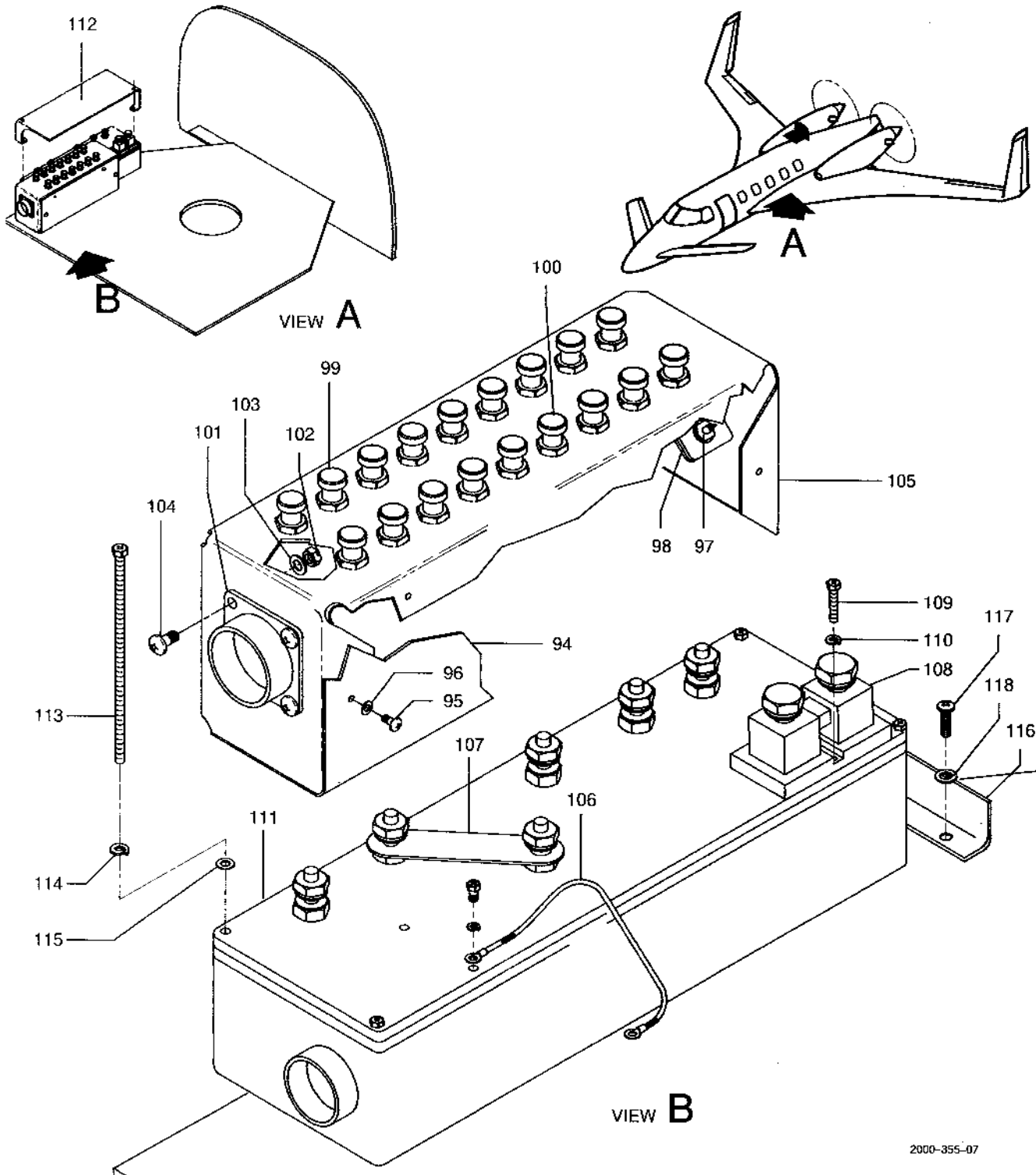


**FIGURE 50-10. RIGHT NACELLE ELECTRICAL EQUIP  
 /SHEET 4 OF 5 SHEETS/**

**Deechcraft**  
**STARSHIP 1**  
**ILLUSTRATED PARTS CATALOG**

SUB-SEC UNIT & ITEM NO	PART NO.	DESCRIPTION 1 2 3 4 5 6 7	UNITS PER ASSY	USABLE ON CODE
50-10 -60	ANL-M80	. LIMITER .....	2	
-61	EM103	. BASE, MOUNTING .....	2	
		./ATTACHING PARTS/		
-62	MS24693S279	. SCREW.....	2	
		---★---		
-63	122-361058-53	. COVER ASSY.....	1	
	122-361059-15	.. DECAL, ELECTRICAL EQUIPMENT IDENTIFICATION .....	1	
	HN5G52-1	.. GROMMET .....	2	
	122-361058-9	.. COVER .....	1	
-64	FIL30	. LIMITER, NO. 1 & 2 SUB BUS FEEDER.....	2	
-65	FIL20	. LIMITER, NO. 3 SUB BUS FEEDER .....	1	
-66	FIL60	. LIMITER, TRIPLE BUS FEEDER .....	1	
	122-361069-1	. LIMITER PANEL ASSY.....	1	
		./ATTACHING PARTS/		
-67	NAS1096-3-10	. SCREW.....	4	
-68	MS35338-43	. WASHER, LOCK.....	4	
-69	AN960-10L	. WASHER.....	4	
		---★---		
-70	122-361014-53	.. BUS BAR.....	1	
		./ATTACHING PARTS/		
-71	MS35207-260	.. SCREW.....	3	
-72	MS35206-242	.. SCREW.....	3	
		---★---		
-73	3968	.. HOLDER, LIMITER.....	1	
-74	3967	.. HOLDER, LIMITER.....	1	
		./ATTACHING PARTS/		
-75	MS24693S273	.. SCREW.....	2	
		---★---		
-76	122-361069-5	.. PANEL ASSY.....	1	
	MS21059L3	.. NUTPLATE.....	4	
-77	130909N29	.. NUT.....	1	
-78	MS35338-43	.. WASHER.....	2	
-79	AN960-10L	.. WASHER.....	2	
-80	MS25083-5BB4	.. JUMPER, BONDING.....	1	
	122-361013-59	.. BRACKET ASSY, CIRCUIT BREAKER .....	1	
-81	131984-5	.. CIRCUIT BREAKER.....	1	
-82	122-380062-5	.. VARISTOR, METAL OXIDE.....	1	
		./ATTACHING PARTS/		
-83	MS21044-08	.. NUT.....	2	
-84	AN960-8L	.. WASHER.....	4	
-85	MS35206-244	.. SCREW.....	2	
		---★---		
-86	122-361013-61	.. BRACKET.....	1	
-87	FIL60	. LIMITER, TRIPLE BUS BATTERY FEEDER.....	1	
	122-361013-37	. PANEL ASSY, CIRCUIT BREAKER.....	1	
		./ATTACHING PARTS/		
-88	NAS1096-3-7	. SCREW.....	2	
-89	MS35338-43	. WASHER, LOCK.....	4	
		---★---		
-90	MS24001-1	.. BASE, LIMITER.....	1	
		./ATTACHING PARTS/		
-91	130909N29	.. NUT.....	2	
-92	AN960-10L	.. WASHER.....	2	
-93	MS24693S271	.. SCREW.....	2	
		---★---		

**Beechcraft**  
**STARSHIP 1**  
**ILLUSTRATED PARTS CATALOG**



2000-355-07

**FIGURE 50-10. RIGHT NACELLE ELECTRICAL EQUIP**  
**/SHEET 5 OF 5 SHEETS/**



**Beechcraft**  
**STARSHIP 1**  
**ILLUSTRATED PARTS CATALOG**

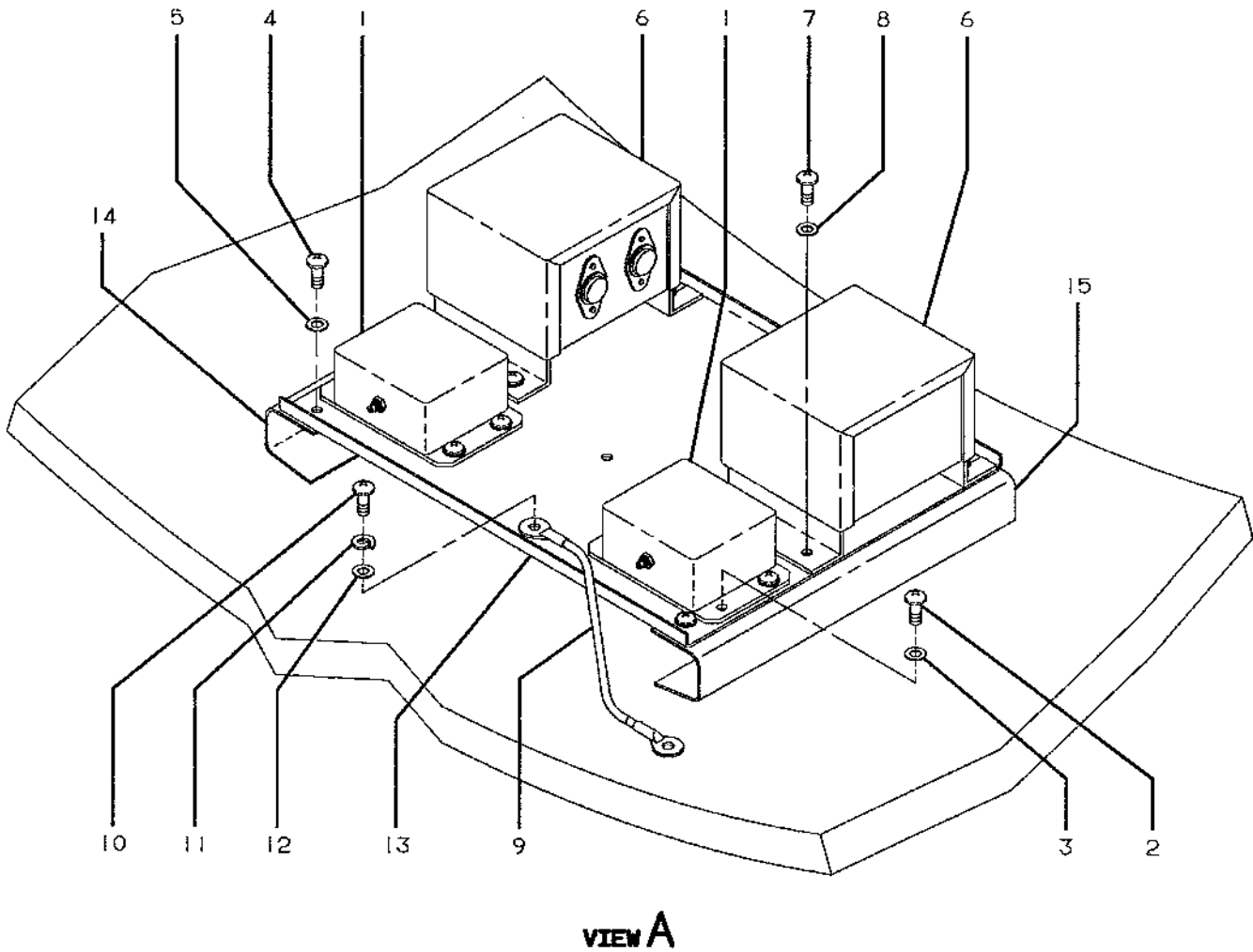
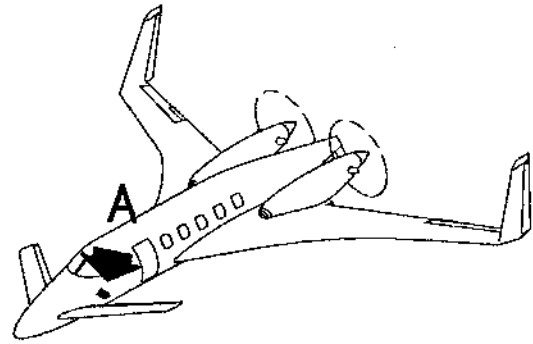
SUB-SEC UNIT & ITEM NO	PART NO.	DESCRIPTION 1 2 3 4 5 6 7	UNITS PER ASSY	USABLE ON CODE
50-10 -94	122-361013-7	.. COVER ASSY.....	1	
		.. /ATTACHING PARTS/		
-95	MS35206-244	.. SCREW.....	10	
-96	AN960-8L	.. WASHER.....	10	
		---★---		
-97	60HQ100	.. DIODE.....	2	
-98	122-361014-65	.. BUS BAR.....	1	
-99	131984-5	.. CIRCUIT BREAKER.....	17	
-100	131984-1	.. CIRCUIT BREAKER.....	1	
	122-361060-9	.. DECAL, CIRCUIT BREAKER.....	1	
	122-361059-37	.. DECAL, CURRENT LIMITER IDENTIFICATION.....	1	
-101	MS3452L26-11P	.. CONNECTOR.....	1	
		.. /ATTACHING PARTS/		
-102	MS21042-06	.. NUT.....	4	
-103	AN960-6L	.. WASHER.....	4	
-104	MS35206-229	.. SCREW.....	4	
		---★---		
-105	122-361013-53	.. PANEL ASSY.....	1	
	MS21047-08	.. NUTPLATE.....	10	
-106	MS25083-7BB8	.. JUMPER, BONDING.....	1	
-107	122-361014-43	.. BUS BAR.....	1	
-108	100-380007-3	.. SHUNT.....	1	
		.. /ATTACHING PARTS/		
-109	NAS1096-3-11	.. SCREW.....	2	
-110	MS35338-43	.. WASHER, LOCK.....	2	
		---★---		
-111	122-389020-3	.. PANEL ASSY, DC POWER.....	1	
-112	122-361058-31	.. SHIELD ASSY.....	1	
		.. /ATTACHING PARTS/		
-113	NAS1096-3-69	.. SCREW.....	4	
-114	MS35338-43	.. WASHER, LOCK.....	4	
-115	AN960-10L	.. WASHER.....	4	
		---★---		
-116	204814-1	.. CONNECTOR.....	1	
-117	MS35206-246	.. SCREW.....	2	
-118	AN960-8L	.. WASHER.....	2	

-END-

**Beechcraft**  
**STARSHIP 1**  
**ILLUSTRATED PARTS CATALOG**

**24-50-20**  
**COCKPIT ELECTROLUMINESCENT PANEL POWER SUPPLY**

**Beechcraft**  
**STARSHIP 1**  
**ILLUSTRATED PARTS CATALOG**



C93NC24A4312 C

**FIGURE 50-10. COCKPIT EL PANEL POWER SUPPLY**

**Beechcraft**  
**STARSHIP 1**  
**ILLUSTRATED PARTS CATALOG**

SUB-SEC UNIT & ITEM NO	PART NO.	DESCRIPTION 1 2 3 4 5 6 7	UNITS	USABLE
			PER ASSY	ON CODE
50-20	122-364145-7	POWER SUPPLY INSTL, COCKPIT .....	NP	
		ELECTROLUMINESCENT PANEL		
- 1	122-384102-1	. INVERTER ASSY, ELECTROLUMINESCENT POWER .....	2	
		/ALTERNATE FOR 122-364190-1/		
	122-364190-1	. INVERTER ASSY, ELECTROLUMINESCENT POWER .....	2	
		/ALTERNATE FOR 122-384102-1/		
		/ATTACHING PARTS/		
- 2	MS35206-242	. SCREW.....	4	
- 3	99-51500-005	. WASHER.....	4	
		★-----		
- 4	MS35207-262	. SCREW.....	2	
- 5	AN960-10L	. WASHER.....	2	
- 6	122-384101-1	. INVERTER ASSY, ELECTROLUMINESCENT POWER .....	2	
		/ATTACHING PARTS/		
- 7	MS35207-264	. SCREW.....	8	
- 8	AN960-10L	. WASHER.....	8	
		★-----		
- 9	MS25083-1BB5	. JUMPER, BONDING .....	1	
		/ATTACHING PARTS/		
- 10	MS27039-1-10	. SCREW.....	1	
- 11	MS35338-43	. WASHER, LOCK.....	1	
- 12	AN960JD10	. WASHER.....	1	
		★-----		
- 13	122-364146-1	. PANEL ASSY, ELECTROLUMINESCENT POWER SUPPLY ....	1	
	MS21042L08	.. NUTPLATE.....	4	
	130909N33	.. NUTPLATE.....	7	
- 14	122-364146-9	ANGLE ASSY, LH.....	1	
- 15	122-364146-10	ANGLE ASSY,RH.....	1	
	MS21047L08	. NUTPLATE.....	2	
	130909N33	. NUTPLATE.....	3	

**Beechcraft**  
**STARSHIP 1**  
**ILLUSTRATED PARTS CATALOG**

**LIST OF PAGES & TABLE OF CONTENTS**  
**FOR**  
**CHAPTER 25-00-00 EQUIPMENT**

CHAP/SUB- SECT & UNIT	PAGE NO.	EFFECTIVE DATE	TABLE OF CONTENTS
25-00-00	1	06/30/95	LIST OF PAGES & TABLE OF CONTENTS .....
25-00-00	2	06/30/95	
25-00-00	3	06/30/95	
25-00-00	4	06/30/95	
25-10-00	1	02/25/94	LOOSE TOOLS AND ACCESSORIES.....
25-10-00	2	02/25/94	
25-10-00	3	02/25/94	
25-10-00	4	02/25/94	
25-10-00	5	02/25/94	
25-10-00	6	02/25/94	
25-10-00	7	02/25/94	
25-10-10	1	02/25/94	FLIGHT COMPARTMENT MISCELLANEOUS FURNISHINGS.....
25-10-10	2	02/25/94	
25-10-10	3	02/25/94	
25-10-20	1	02/25/94	FLIGHT COMPARTMENT SEATS .....
25-10-20	2	02/25/94	
25-10-20	3	02/25/94	
25-10-20	4	02/25/94	
25-10-20	5	02/25/94	
25-10-20	6	02/25/94	
25-10-20	7	02/25/94	
25-10-20	8	02/25/94	
25-10-20	9	02/25/94	
25-10-20	10	02/25/94	
25-10-20	11	02/25/94	
25-10-30	1	02/25/94	FLIGHT COMPARTMENT UPPER SIDEWALL UPHOLSTERY.....
25-10-30	2	02/25/94	
25-10-30	3	02/25/94	
25-10-40	1	02/25/94	FLIGHT COMPARTMENT LOWER SIDEWALL UPHOLSTERY..... NC-4 THRU NC-20
25-10-40	2	02/25/94	
25-10-40	3	02/25/94	
25-10-40	4	02/25/94	
25-10-40	5	02/25/94	
25-10-41	1	02/25/94	FLIGHT COMPARTMENT LOWER SIDEWALL UPHOLSTERY..... NC-21 AND AFTER
25-10-41	2	02/25/94	
25-10-41	3	02/25/94	
25-10-41	4	02/25/94	
25-10-41	5	02/25/94	
25-10-41	6	02/25/94	
25-10-41	7	02/25/94	
25-10-50	1	02/25/94	FLIGHT COMPARTMENT OVERHEAD UPHOLSTERY .....
25-10-50	2	02/25/94	
25-10-50	3	02/25/94	
25-10-70	1	02/25/94	GLARESHIELD ASSEMBLY .....
25-10-70	2	02/25/94	
25-10-70	3	02/25/94	
25-10-70	4	02/25/94	
25-10-70	5	02/25/94	
25-10-70	6	02/25/94	
25-10-70	7	02/25/94	
25-10-80	1	02/25/94	PEDESTAL UPHOLSTERY .....
25-10-80	2	02/25/94	
25-10-80	3	02/25/94	

**Beechcraft**  
**STARSHIP 1**  
**ILLUSTRATED PARTS CATALOG**

**LIST OF PAGES & TABLE OF CONTENTS**  
**FOR**  
**CHAPTER 25-00-00 EQUIPMENT**

CHAP/SUB-SECT & UNIT	PAGE NO.	EFFECTIVE DATE	TABLE OF CONTENTS
25-10-90	1	02/25/94	FLIGHT COMPARTMENT CARPET..... NC-4 THRU NC-20
25-10-90	2	02/25/94	
25-10-90	3	02/25/94	
25-10-92	1	02/25/94	FLIGHT COMPARTMENT CARPET..... NC-21 AND AFTER
25-10-92	2	02/25/94	
25-10-92	3	02/25/94	
25-20-00	1	02/25/94	PASSENGER SEATS .....
25-20-00	2	02/25/94	
25-20-00	3	02/25/94	
25-20-00	4	02/25/94	
25-20-00	5	02/25/94	
25-20-10	1	02/25/94	AFT TWO PLACE COUCH .....
25-20-10	2	02/25/94	
25-20-10	3	02/25/94	
25-20-10	4	02/25/94	
25-20-10	5	02/25/94	
25-21-00	1	02/25/94	CABIN WINDOW PANELS .....
25-21-00	2	02/25/94	
25-21-00	3	02/25/94	
25-21-05	1	02/25/94	CABIN WINDOW PANELS .....
25-21-05	2	02/25/94	
25-21-05	3	02/25/94	
25-21-20	1	02/25/94	CABIN LOWER SIDEWALL UPHOLSTERY..... NC-4 THRU NC-20
25-21-20	2	02/25/94	
25-21-20	3	02/25/94	
25-21-20	4	02/25/94	
25-21-20	5	02/25/94	
25-21-21	1	02/25/94	CABIN LOWER SIDEWALL UPHOLSTERY..... NC-21 AND AFTER
25-21-21	2	02/25/94	
25-21-21	3	02/25/94	
25-21-21	4	02/25/94	
25-21-21	5	02/25/94	
25-21-21	6	02/25/94	
25-21-21	7	02/25/94	
25-21-21	8	02/25/94	
25-21-21	9	02/25/94	
25-21-30	1	02/25/94	CABIN AIRSTAIR DOOR UPHOLSTERY.....
25-21-30	2	02/25/94	
25-21-30	3	02/25/94	
25-21-30	4	02/25/94	
25-21-30	5	02/25/94	
25-21-40	1	02/25/94	EMERGENCY EXIT DOOR UPHOLSTERY..... NC-4 THRU NC-20
25-21-40	2	02/25/94	
25-21-40	3	02/25/94	
25-21-45	1	02/25/94	EMERGENCY EXIT DOOR UPHOLSTERY..... NC-21 AND AFTER
25-21-45	2	02/25/94	
25-21-45	3	02/25/94	
25-21-50	1	02/25/94	CABIN HEADLINER..... NC-4 THRU NC-20
25-21-50	2	02/25/94	
25-21-50	3	02/25/94	

**Beechcraft**  
**STARSHIP 1**  
**ILLUSTRATED PARTS CATALOG**

**LIST OF PAGES & TABLE OF CONTENTS**  
**FOR**  
**CHAPTER 25-00-00 EQUIPMENT**

CHAP/SUB- SECT & UNIT	PAGE NO.	EFFECTIVE DATE	TABLE OF CONTENTS
25-21-55	1	02/25/94	CABIN HEADLINER..... NC-21 AND AFTER
25-21-55	2	02/25/94	
25-21-55	3	11/04/94	
25-21-60	1	02/25/94	VESTIBULE HEADLINER.....
25-21-60	2	02/25/94	
25-21-60	3	02/25/94	
25-21-70	1	02/25/94	CABIN CARPET..... NC-4 THRU NC-20
25-21-70	2	02/25/94	
25-21-70	3	02/25/94	
25-21-70	4	02/25/94	
25-21-70	5	02/25/94	
25-21-72	1	02/25/94	CABIN CARPET..... NC-21 AND AFTER
25-21-72	2	02/25/94	
25-21-72	3	02/25/94	
25-21-72	4	02/25/94	
25-21-72	5	02/25/94	
25-21-90	1	02/25/94	AISLE CONTAINER..... NC-4 THRU NC-20
25-21-90	2	02/25/94	
25-21-90	3	02/25/94	
25-22-00	1	02/25/94	CABIN TABLES.....
25-22-00	2	02/25/94	
25-22-00	3	02/25/94	
25-22-00	4	02/25/94	
25-22-00	5	02/25/94	
25-22-00	6	02/25/94	
25-22-00	7	02/25/94	
25-22-00	8	02/25/94	
25-22-00	9	02/25/94	
25-22-10	1	02/25/94	LH FORWARD PARTITION.....
25-22-10	2	02/25/94	
25-22-10	3	02/25/94	
25-22-20	1	02/25/94	LH FORWARD REFRESHMENT CABINET.....
25-22-20	2	02/25/94	
25-22-20	3	02/25/94	
25-22-30	1	02/25/94	PYRAMID CABINETS..... NC-4 THRU NC-20
25-22-30	2	02/25/94	
25-22-30	3	02/25/94	
25-22-40	1	02/25/94	RH BAGGAGE/IAPS CABINET..... NC-4 THRU NC-20
25-22-40	2	02/25/94	
25-22-40	3	02/25/94	
25-22-40	4	02/25/94	
25-22-40	5	02/25/94	
25-22-41	1	02/25/94	RH BAGGAGE/IAPS CABINET..... NC-21 AND AFTER
25-22-41	2	02/25/94	
25-22-41	3	02/25/94	
25-22-50	1	02/25/94	FWD BAGGAGE COMPARTMENT WEB.....
25-22-50	2	02/25/94	
25-22-50	3	02/25/94	

**Beechcraft**  
**STARSHIP 1**  
**ILLUSTRATED PARTS CATALOG**

**LIST OF PAGES & TABLE OF CONTENTS**  
**FOR**  
**CHAPTER 25-00-00 EQUIPMENT**

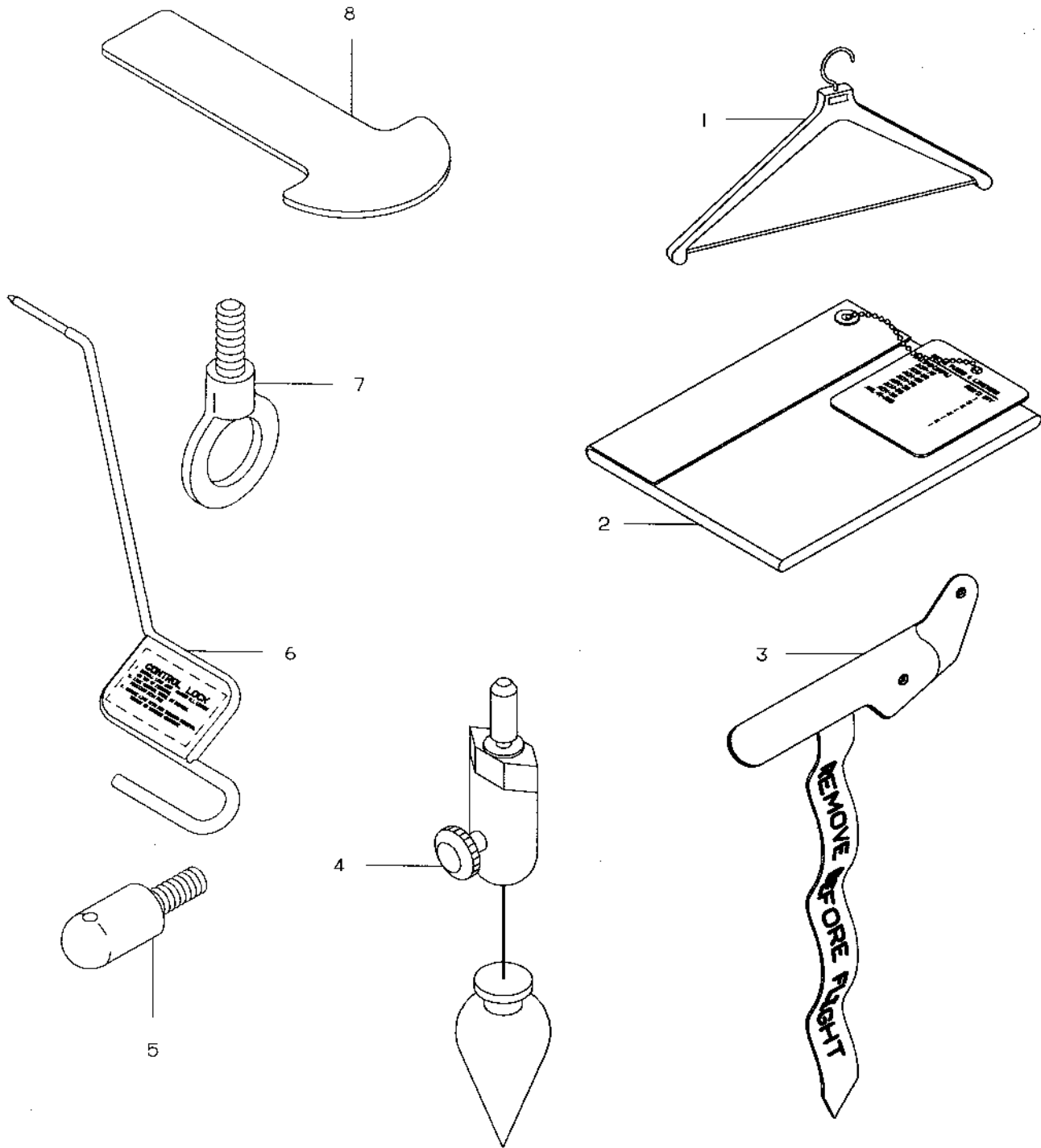
CHAP/SUB- SECT & UNIT	PAGE NO.	EFFECTIVE DATE	TABLE OF CONTENTS
25-23-00	1	02/25/94	AFT TOILET CABINET .....
25-23-00	2	02/25/94	NC-21 AND AFTER
25-23-00	3	02/25/94	
25-23-10	1	02/25/94	AFT TOILET HEADLINER .....
25-23-10	2	02/25/94	NC-21 AND AFTER
25-23-10	3	02/25/94	
25-24-00	1	02/25/94	AFT CABIN BLEED AIR PLUMBING COVER .....
25-24-00	2	02/25/94	
25-24-00	3	02/25/94	
25-24-00	4	02/25/94	
25-24-00	5	02/25/94	
25-25-00	1	02/25/94	AFT CABIN PARTITION .....
25-25-00	2	02/25/94	NC-21 AND AFTER
25-25-00	3	02/25/94	
25-25-00	4	02/25/94	
25-25-00	5	02/25/94	
25-50-00	1	02/25/94	AFT BULKHEAD UPHOLSTERY .....
25-50-00	2	02/25/94	
25-50-00	3	02/25/94	
25-50-01	1	02/25/94	AFT COMPARTMENT UPHOLSTERY .....
25-50-01	2	02/25/94	
25-50-01	3	02/25/94	
25-50-10	1	02/25/94	AFT BAGGAGE COMPARTMENT WEB .....
25-50-10	2	02/25/94	
25-50-10	3	02/25/94	
25-50-30	1	02/25/94	AFT BAGGAGE COMPARTMENT PARTITION .....
25-50-30	2	02/25/94	NC-4 THRU NC-20
25-50-30	3	02/25/94	
25-50-35	1	02/25/94	AFT BAGGAGE COMPARTMENT CLOSURE .....
25-50-35	2	02/25/94	NC-21 AND AFTER
25-50-35	3	02/25/94	
25-60-00	1	02/25/94	EMERGENCY LOCATOR TRANSMITTER AND ANTENNA .....
25-60-00	2	02/25/94	
25-60-00	3	06/30/95	
25-60-20	1	02/25/94	SPARE FUSE AND LIMITER CONTAINER .....
25-60-20	2	02/25/94	
25-60-20	3	02/25/94	



**Beechcraft**  
**STARSHIP 1**  
**ILLUSTRATED PARTS CATALOG**

**25-10-00**  
**LOOSE TOOLS AND ACCESSORIES**

Beechcraft  
STARSHIP 1  
ILLUSTRATED PARTS CATALOG



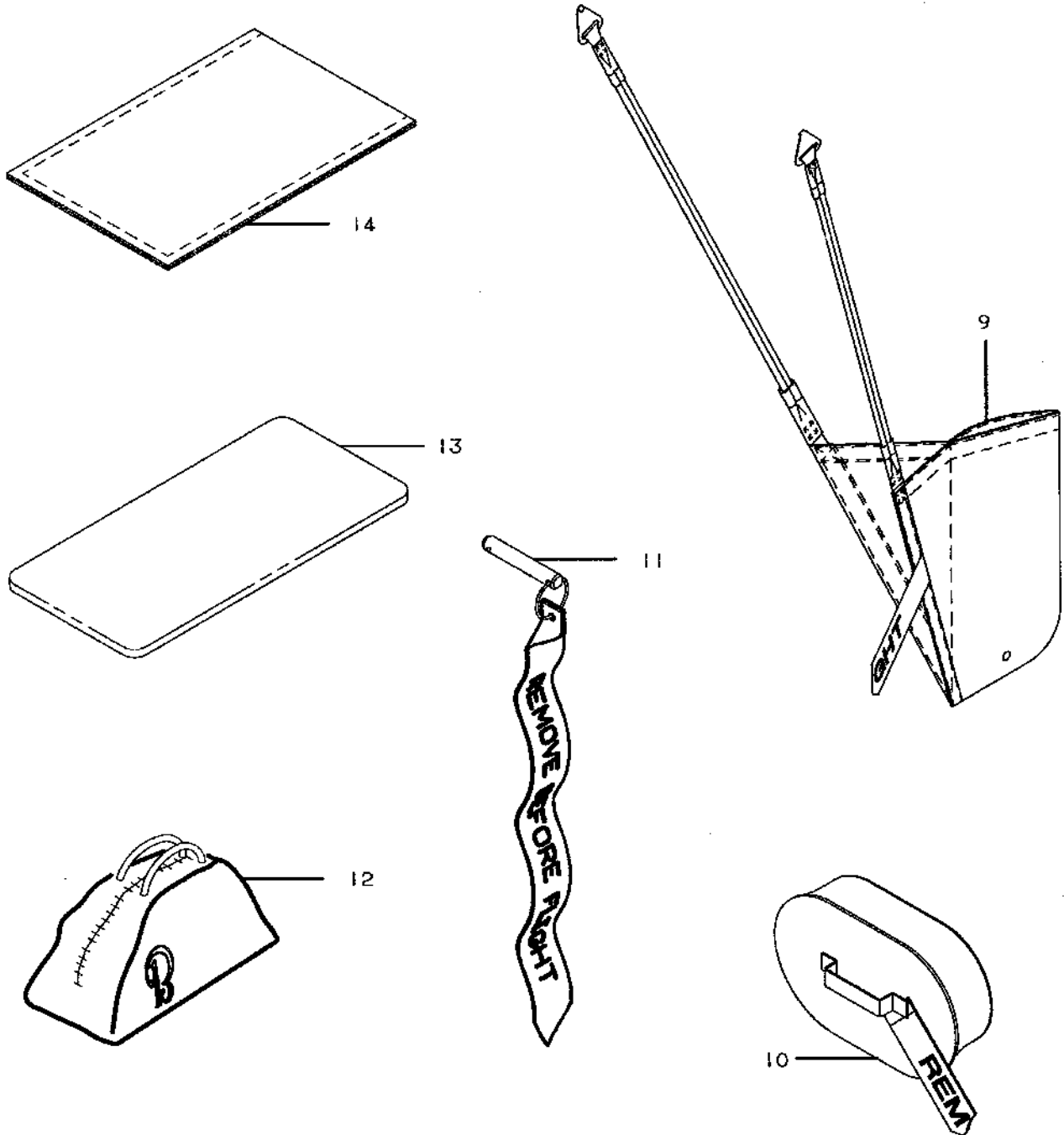
C9200121 C

FIGURE 10-00.LOOSE TOOLS AND ACCESSORIES  
/SHEET 1 OF 3 SHEETS/

**Deechcraft**  
**STARSHIP 1**  
**ILLUSTRATED PARTS CATALOG**

SUB-SEC UNIT & ITEM NO	PART NO.	DESCRIPTION 1 2 3 4 5 6 7	UNITS	USABLE
			PER ASSY	ON CODE
10-00	122-590000-3	LOOSE TOOLS AND ACCESSORIES .....	NP	14
	122-590000-1	LOOSE TOOLS AND ACCESSORIES .....	NP	13
- 1	50-384088	. HANGER ASSY, COAT .....	6	
	90-31121	. INSTRUCTIONS, CHESS SET STORAGE .....	1	
	98-31453	. PASSENGER BRIEFING CARD .....	AR	
- 2	114-364074-7	. CONTAINER ASSY, SPARE FUSE AND LIMITER .....	1	
- 3	114-590024-7	. COVER ASSY, PITOT TUBE .....	1	
	114-590024-8	. COVER ASSY, PITOT TUBE .....	1	
- 4	114-590025-1	. SUPPORT ASSY, PLUMB BOB/WEIGHT AND BALANCE/ .....	1	
	114-590025-3	. . SUPPORT .....	1	
	114-590025-5	. . KNOB .....	1	
	HF4	. PLUG, JACK POINT FITTING .....	3	
- 5	122-100072-21	. FITTING ASSY, JACK POINT .....	3	4
	122-100072-7	. FITTING ASSY, JACK POINT .....	3	3
	122-410700-13	. ROD ASSY, RIG PIN/FWD WING/ .....	2	
- 6	122-590011-17	. LOCK ASSY, SURFACE CONTROL GUST .....	NP	8
		/ORDER 122-590011-21 FOR SPARES/		
	122-590011-21	. LOCK ASSY, SURFACE CONTROL GUST .....	1	9
- 7	122-590014-1	. RING ASSY, TIE DOWN .....	3	
- 8	122-590015-1	. WRENCH, FUEL SUMP DRAIN .....	1	

Beechcraft  
STARSHIP 1  
ILLUSTRATED PARTS CATALOG



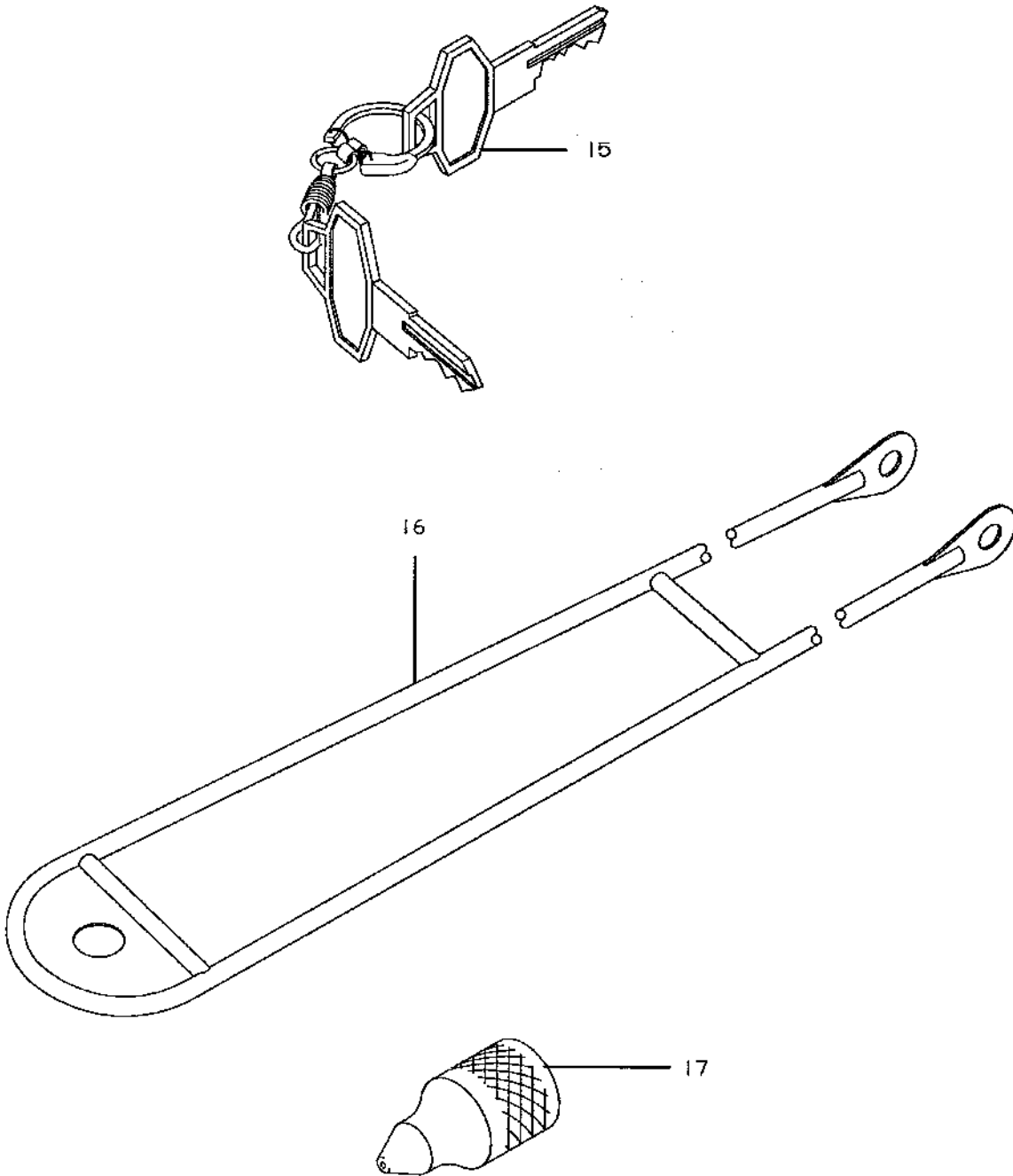
CS94NC25A0011 C

FIGURE 10-00.LOOSE TOOLS AND ACCESSORIES  
/SHEET 2 OF 3 SHEETS/

**Beechcraft**  
**STARSHIP 1**  
**ILLUSTRATED PARTS CATALOG**

SUB-SEC UNIT & ITEM NO	PART NO.	DESCRIPTION 1 2 3 4 5 6 7	UNITS	USABLE
			PER ASSY	ON CODE
10-00	122-590016-1	. PROPELLER SLING AND DUST COVERS INSTL .....	NP	
- 9	122-590016-3	.. SLING, PROPELLER.....	2	
-10	122-590016-19	.. DUST COVERS, ENGINE INLET.....	2	
-11	122-590017-1	. PIN ASSY, GEAR WARNING STREAMER .....	3	
	122-590017-3	. PIN ASSY, DOOR WARNING STREAMER.....	1	
	AF5-1	. BOOK, AIRPLANE LOG .....	1	
	EF5-1	. BOOK, ENGINE LOG .....	2	
	NO NUMBER	. BOOK, MCCAULEY PROPELLER LOG .....	2	
	PINT 1	. LACQUER, INTERIOR TRIM .....	1	
	PINT 2	. ENAMEL, EXTERIOR TRIM URETHANE .....	1	
	PINT 3	. CATALYST, URETHANE .....	1	
-12	R1615PSSD-N	. BAG, FLIGHT .....	1	
	NO NUMBER	. AIRPLANE MODEL, STARSHIP/SCALE/.....	1	
-13	SIC-SAC	. BAG, MOTION SICKNESS.....	9	
-14	130810	. CONTAINER ASSY, PLASTIC BAG.....	1	
	203Z101	. CHESS PIECES, IVORY.....	1	
	203Z102	. CHESS PIECES, BLACK.....	1	
	2229	. BACKGAMMON, MAGNETIC .....	1	10
	199	. BACKGAMMON, MAGNETIC/SPARES FOR 0101/.....	1	11
	64300-000	. HEADSET, BOOM MIC/ALTERNATE FOR 63800-000/.....	2	2
	63800-000	. HEADSET, BOOM MIC/ALTERNATE FOR 64300-000/.....	2	1
	122-590013-1	. KIT LIST, SERVICE PUBLICATIONS.....	1	13
	122-590013-35	. KIT LIST, SERVICE PUBLICATIONS.....	1	14
<b>NOTE</b> ORDER KIT P122-9002-1 TO UPDATE IN SERVICE AIRPLANES.				
	EYECOM 2100	.. VIEWER, PORTABLE MICROFICHE .....	1	
	122-590013-37	.. MANUAL, FAA APPROVED FLIGHT .....	1	14
	122-590013-31	.. SUPPLEMENT, FAA APPROVED FLIGHT MANUAL .....	1	
		.. /FAIRCHILD VOICE RECORDER/		
	122-590013-33	.. SUPPLEMENT, FAA APPROVED FLIGHT MANUAL .....	1	
		.. /FAIRCHILD DATA RECORDER/		
	122-590013-45	.. SUPPLEMENT, FLIGHT MANUAL/GROUND ICE .....	1	
		.. DETECTOR/		
	122-590013-39	.. MANUAL, PILOT OPERATING .....	1	
	AF122-0013-21	.. MANUAL, MAINTENANCE/AEROFICHE/.....	1	
	122-590013-21	.. MANUAL, MAINTENANCE/HARD COPY/.....	1	
	AF122-0013-7	.. MANUAL, STRUCTURE REPAIR/AEROFICHE/.....	1	
	122-590013-7	.. MANUAL, STRUCTURE REPAIR/HARD COPY/.....	1	
	122-590013-9	.. MANUAL, COMPONENT MAINTENANCE.....	1	
	AF122-0013-11	.. CATALOG, ILLUSTRATED PARTS/AEROFICHE/.....	1	
	122-590013-11	.. CATALOG, ILLUSTRATED PARTS/HARD COPY/.....	1	

Beechcraft  
STARSHIP 1  
ILLUSTRATED PARTS CATALOG



C94NC25A0012 C

**Beechcraft**  
**STARSHIP 1**  
**ILLUSTRATED PARTS CATALOG**

SUB-SEC UNIT & ITEM NO	PART NO.	DESCRIPTION 1 2 3 4 5 6 7	UNITS	USABLE
			PER ASSY	ON CODE
10-00	AF122-0013-13	.. MANUAL, WIRING DIAGRAM/AEROFICHE/.....	1	
	122-360026-1	.. MANUAL, WIRING DIAGRAM/HARD COPY/.....	1	5
	122-590013-13	.. MANUAL, WIRING DIAGRAM/HARD COPY/.....	1	7
	122-341013-1	.. DIAGRAM, AVIONICS WIRING.....	1	16
	122-590013-15	.. DIAGRAM, INTEGRATED AVIONICS WIRING.....	1	12
	122-590013-17	.. LIST, PILOT CHECK.....	1	6
	122-590013-27	.. LIST, PILOT CHECK.....	1	15
	122-590013-41	.. LIST, PILOT CHECK.....	1	14
	33178	.. MANUAL, WOODWARD PROPELLER SYNCHROPHASER ...	1	
	523077407600111A	.. MANUAL, STARSHIP 1 COLLINS AVIONICS SYSTEM.....	1	
	98-39009	.. AEROFICHE SUBSCRIPTION CARD.....	1	
	98-31453	.. PASSENGER BRIEFING CARD.....	AR	
	98-30305	.. SAFETY INFORMATION BOOKLET.....	1	
	52-31685	.. DIRECTORY, BEECHCRAFT QUALITY SERVICE.....	1	
		CENTER		
-15	NO NUMBER	.. KEYS.....	2	
-16	50-590001	.. BAR ASSY, TOW.....	1	
-17	314150	.. NOZZLE, GREASE/ALTERNATE FOR MS24203-1/.....	1	
	MS24203-1	.. NOZZLE, GREASE/ALTERNATE FOR 314150/.....	1	
	122-9002-1	KIT LIST, GROSS WEIGHT INCREASE.....	1	13

**CODES OF EFFECTIVITY**

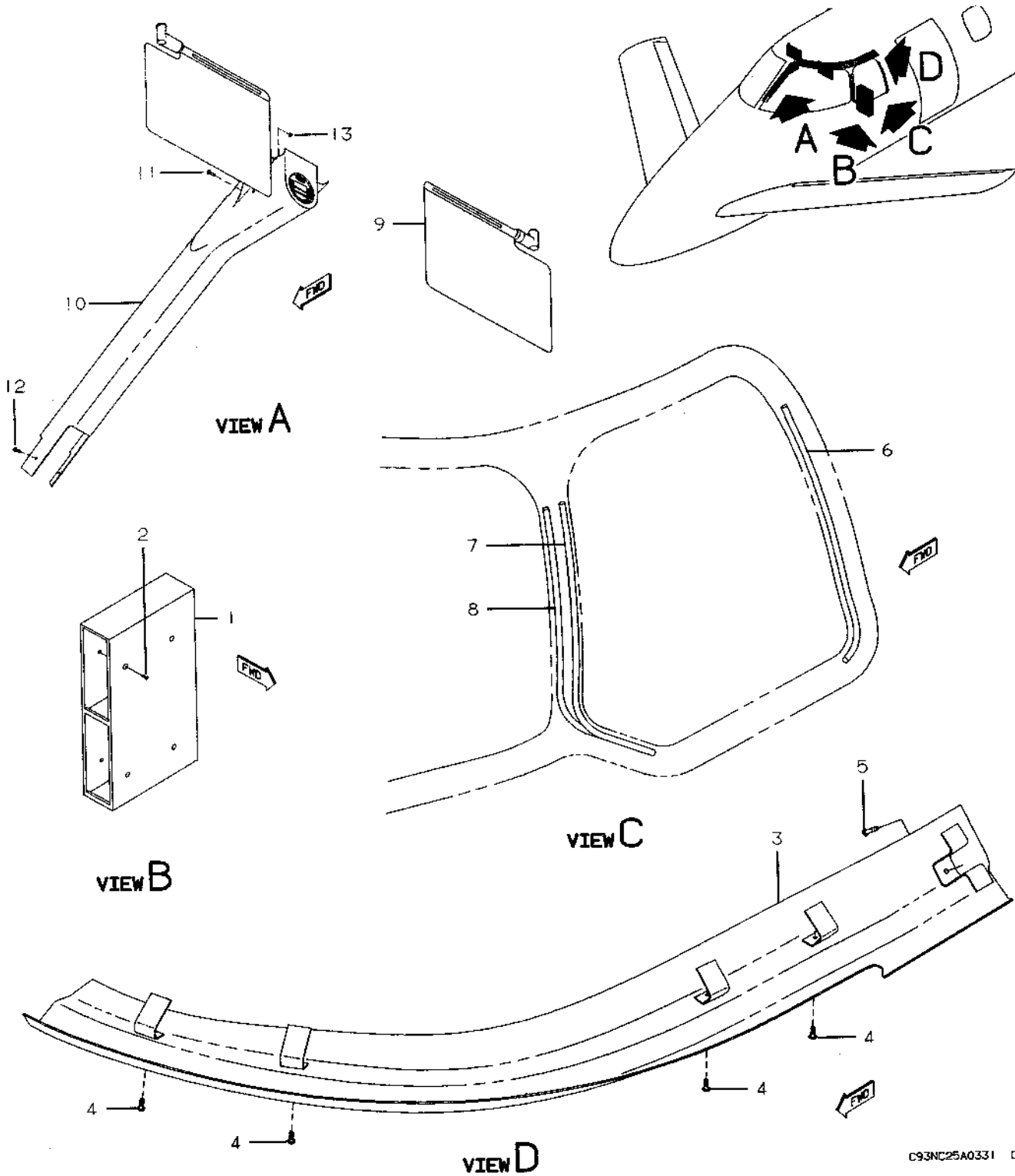
1	NC-4 THRU NC-22	2	NC-23 AND AFTER
3	NC-4 THRU NC-23	4	NC-24 AND AFTER
5	NC-4 THRU NC-10	6	NC-4 THRU NC-20
7	NC-11 AND AFTER	8	NC-4 THRU NC-33
9	NC-34 AND AFTER	10	NC-4 THRU NC-27
11	NC-28 AND AFTER	12	NC-51 AND AFTER
13	NC-4 THRU NC-28	14	NC-29 AND AFTER
15	NC-21 THRU NC-28	16	NC-4 THRU NC-50

**Beechcraft**  
**STARSHIP 1**  
**ILLUSTRATED PARTS CATALOG**

**25-10-10**  
**FLIGHT COMPARTMENT MISCELLANEOUS FURNISHINGS**



Beechcraft  
**STARSHIP 1**  
**ILLUSTRATED PARTS CATALOG**



C93NC25A0331 C

**FIGURE 10-10.FLIGHT COMPT MISC FURNISHINGS**

**Deechcraft**  
**STARSHIP 1**  
**ILLUSTRATED PARTS CATALOG**

SUB-SEC UNIT & ITEM NO	PART NO.	DESCRIPTION 1 2 3 4 5 6 7	UNITS	USABLE
			PER ASSY	ON CODE
10-10	122-530075-1	CABINET INSTL, LH MAP CASE.....	NP	
	122-530075-2	CABINET INSTL, RH MAP CASE.....	NP	
- 1	122-384089-1	. CABINET ASSY, LH MAP CASE.....	1	
	122-384089-2	. CABINET ASSY, RH MAP CASE.....	1	
		/ATTACHING PARTS/		
- 2	MS24694C3	. SCREW.....	4	
		★-----		
	10-32	.. INSERT, FIRE EXTINGUISHER, RH MAP CASE.....	6	9
	122-530207-3	COVER INSTL, FLIGHT COMPARTMENT WINDOWS UPPER...	NP	2
	122-530390-1	COVER INSTL, FLIGHT COMPARTMENT WINDOWS UPPER...	NP	6
- 3	122-530207-21	. COVER ASSY, LH.....	1	2
	122-530390-3	. COVER, LH.....	1	5
	122-530390-5	. COVER, LH.....	1	7
	122-530207-22	. COVER ASSY, RH.....	1	2
	122-530390-4	. COVER, RH.....	1	5
	122-530390-6	. COVER, RH.....	1	7
		/ATTACHING PARTS/		
- 4	MS35206-243	. SCREW.....	4	2
- 5	MS35206-247	. SCREW/AFT ATTACHMENT/.....	1	2
	MS35206-243	. SCREW.....	2	6
		★-----		
	131972-08F105M	. SNAP-CAP.....	4	7
- 6	122-530207-27	. TUBE, DRAIN.....	2	2
- 7	122-530207-25	. TUBE, DRAIN.....	2	2
- 8	122-530207-23	. TUBE, DRAIN.....	2	2
	ABM1M-A	. MOUNT, TIE STRAP.....	12	2
	MS3367-5-9	. STRAP, TIE.....	12	2
	122-530347-1	SUNVISOR INSTALLATION.....	NP	
- 9	RBSS300-1	. VISOR SET, PILOT & COPILOT/FOR SPARES ORDER.....	NP	1
		RBSS300-30/		
	RBSS300-2	. VISOR SET, PILOT & COPILOT/FOR SPARES ORDER.....	NP	4
		RBSS300-30/		
	RBSS300-30	. VISOR SET, PILOT & COPILOT.....	1	8
	RBSS300-40M	.. LENS, VISOR/LH OR RH/.....	2	8
	122-530318-1	COVER INSTL, COMPASS.....	NP	3
	122-530318-3	COVER INSTL, COMPASS.....	NP	7
- 10	122-530319-1	. COVER, COMPASS.....	1	3
	122-530319-3	. COVER, COMPASS.....	1	7
		/ATTACHING PARTS/		
- 11	MS24693S54	. SCREW, UPPER.....	2	3
	MS35206-247	. SCREW, UPPER.....	2	7
- 12	MS35206-327	. SCREW, LOWER.....	2	3
	MS35206-231	. SCREW, LOWER.....	2	7
	NAS43HT1-10	. SPACER.....	2	7
	AN960-4	. WASHER.....	2	7
		★-----		
- 13	131972-08C106M	. SNAP-CAP, UPPER.....	2	3
	131972-08F105M	. SNAP-CAP, UPPER.....	2	7
	122-530318-5	. BLOCK/BONDED TO WINDSHIELD CENTER POST/.....	2	7

**CODES OF EFFECTIVITY**

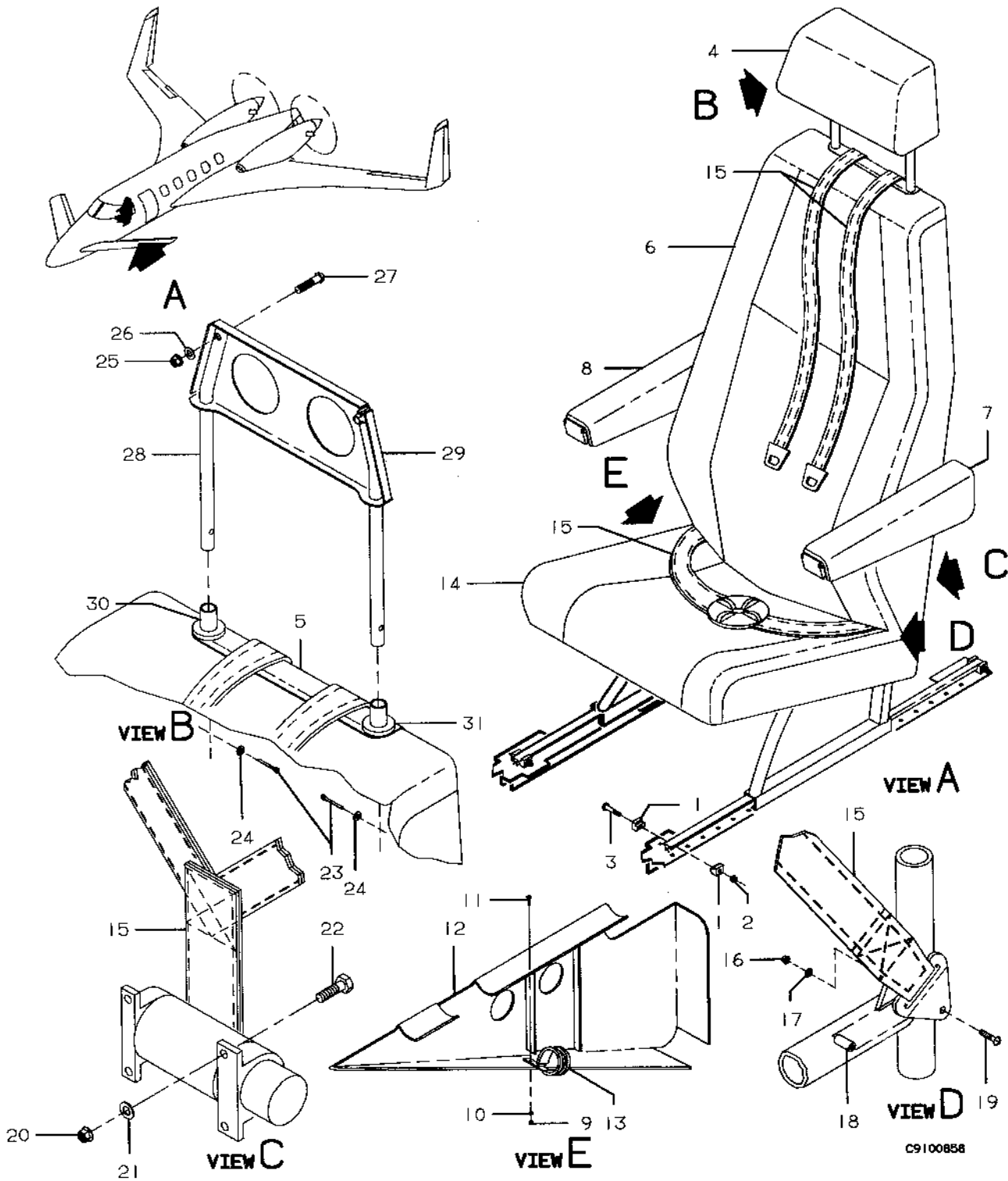
1	NC-4 THRU NC-11	2	NC-4 THRU NC-14
3	NC-4 THRU NC-19	4	NC-12 THRU NC-20
5	NC-15 THRU NC-19	6	NC-15 AND AFTER
7	NC-20 AND AFTER	8	NC-21 AND AFTER
9	NC-4 THRU NC-7		

-END-

**Beechcraft**  
**STARSHIP 1**  
**ILLUSTRATED PARTS CATALOG**

**25-10-20**  
**FLIGHT COMPARTMENT SEATS**

**Beechcraft**  
**STARSHIP 1**  
**ILLUSTRATED PARTS CATALOG**

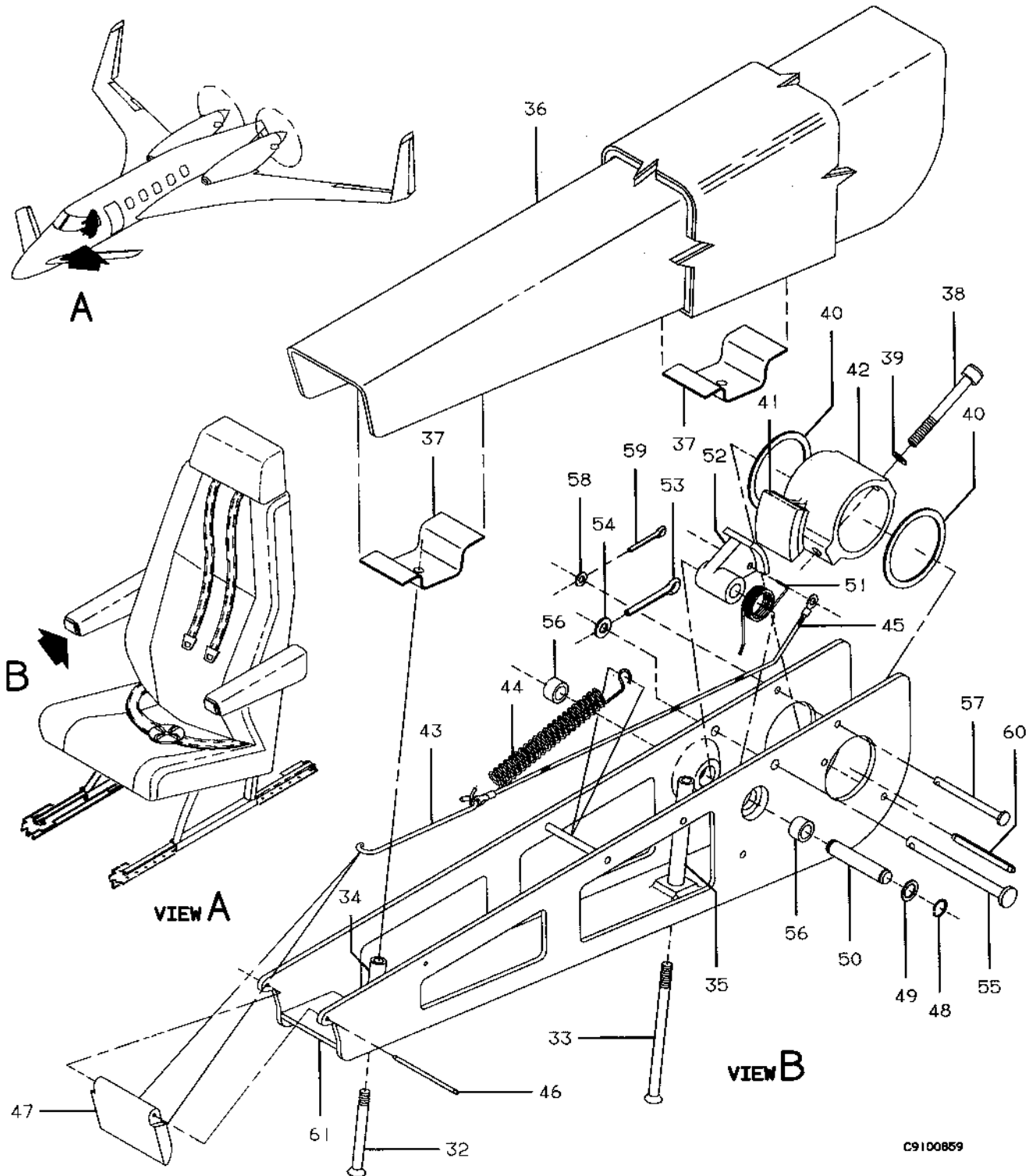


**FIGURE 10-20. FLIGHT COMPARTMENT SEATS**  
**/SHEET 1 OF 5 SHEETS/**

**Beechcraft**  
**STARSHIP 1**  
**ILLUSTRATED PARTS CATALOG**

SUB-SEC UNIT & ITEM NO	PART NO.	DESCRIPTION 1 2 3 4 5 6 7	UNITS PER ASSY	USABLE ON CODE
10-20	122-530066-1	SEAT INSTL, PILOT & COPILOT.....	NP	
- 1	002-430013-31	. STOP.....	16	
		/ATTACHING PARTS/		
- 2	130909N29	. NUT.....	1	
- 3	MS27039-1-21	. SCREW.....	1	
		★		
	122-530073-51	. SEAT ASSY, PILOT'S UPHOLSTERED.....	1	
	122-530073-52	. SEAT ASSY, COPILOT'S UPHOLSTERED.....	1	
- 4	122-530073-63	. COVER ASSY, HEADREST PADDED.....	1	
- 5	122-530323-1	. GUARD.....	1	
- 6	122-530073-55	. COVER ASSY, SEAT BACK PADDED.....	1	
- 7	122-530073-7	. COVER ASSY, LH ARMREST PADDED.....	1	
- 8	122-530073-8	. COVER ASSY, RH ARMREST PADDED.....	1	
- 9	MS21044C3	. NUT.....	1	
-10	AN960-10L	. WASHER.....	1	
-11	MS35207-259	. SCREW.....	1	
-12	122-530078-7	. COVER, PILOT'S SEAT MECHANICAL CONTROL.....	1	
	122-530078-8	. COVER, COPILOT'S SEAT MECHANICAL CONTROL.....	1	
-13	MS21919DG12	. CLAMP.....	1	
-14	122-530073-57	. COVER ASSY, SEAT BOTTOM.....	1	
-15	1107586-01	. REEL ASSY, LEFT AND RIGHT SAFETY.....	1	
	502098-401-1028	. REEL ASSY, LEFT AND RIGHT INERTIA.....	1	6
	502098-401-3192	. REEL ASSY, LEFT INERTIA/502098-401-3192.....	1	5
		AND 1111067-02 ARE ALTERNATES FOR 1107586-01/		
	1111067-02	. BUCKLE ASSY, LEFT ROTARY.....	1	
	502098-401-3192	. REEL ASSY, RIGHT INERTIA/502098-401-3192.....	1	5
		AND 1111067-02 ARE ALTERNATES FOR 1107586-01/		
	1111067-01	. BUCKLE ASSY, RIGHT ROTARY.....	1	
		/ATTACHING PARTS/		
- 16	130909N32	. NUT.....	2	
- 17	AN960-418	. WASHER.....	4	
- 18	102933D5ZM0190	. SPACER.....	2	
- 19	AN525-416R12	. SCREW.....	2	
- 20	MS21044C3	. NUT.....	4	
- 21	AN960-616	. WASHER.....	4	
- 22	AN6-7A	. BOLT.....	4	
		★		
- 23	MS24665-153	. PIN, COTTER.....	2	
- 24	AN960-616L	. WASHER.....	2	
	101-530192-3	. CUSHION ASSY, HEADREST.....	1	
	15795-2008-1	. FRAME ASSY, HEADREST.....	1	
- 25	MS21048L08	. NUT.....	2	
- 26	AN960D8	. WASHER.....	2	
- 27	MS27039-0810	. BOLT.....	2	
- 28	15795-3038-1	. SUPPORT, HEADREST.....	2	
- 29	15795-3039-1	. FRAME, HEADREST.....	1	
- 30	15795-1002-5	. SPACER.....	2	
- 31	130010-1	. MOLDING.....	2	

**Beechcraft**  
**STARSHIP 1**  
**ILLUSTRATED PARTS CATALOG**



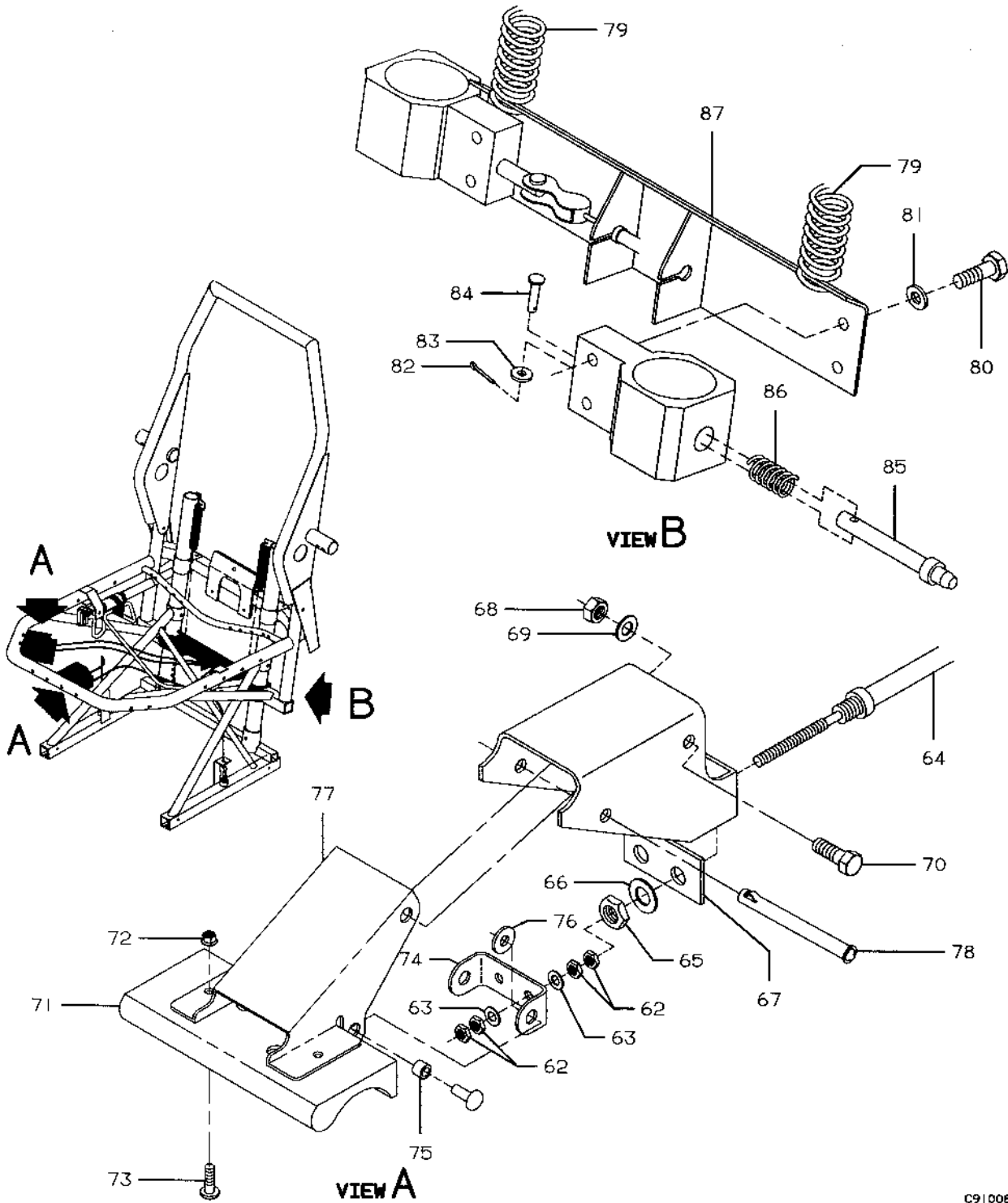
C9100859

**FIGURE 10-20. FLIGHT COMPARTMENT SEATS**  
**/SHEET 2 OF 5 SHEETS/**

  
**STARSHIP 1**  
**ILLUSTRATED PARTS CATALOG**

SUB-SEC UNIT & ITEM NO	PART NO.	DESCRIPTION 1 2 3 4 5 6 7	UNITS	USABLE
			PER ASSY	ON CODE
10-20	122-530303-1	.. ARMREST INSTL, PILOT CHAIR .....	NP	
	122-530303-2	.. ARMREST INSTL, COPILOT CHAIR .....	NP	
-32	MS24693BB58	... SCREW .....	1	
-33	MS24693BB64	... SCREW .....	1	
-34	NAS43DD3-60	... SPACER .....	1	
-35	NAS43DD3-125	... SPACER .....	1	
-36	122-530308-1	... COVER ASSY, PILOT ARMREST .....	1	
	122-530308-2	... COVER ASSY, COPILOT ARMREST .....	1	
-37	122-530310-1	... BRACKET ASSY .....	1	
	MS21059L08	... NUTPLATE .....	1	
-38	NAS1351-3-28	... SCREW .....	2	
-39	AN960-10L	... WASHER .....	2	
-40	122-530303-3	... WASHER .....	AR	
	122-530306-1	... CAM ASSY, ARMREST .....	1	
-41	101-531002-11	... SHOE .....	1	
-42	122-530307-1	... SUPPORT, CAM .....	1	
	122-530304-7	... ARMREST ASSY, CREW CHAIR .....	1	
-43	101-531000-5	... HOOK .....	1	
-44	100942C0020-31	... SPRING, TENSION .....	1	
-45	122-530304-3	... CABLE ASSY .....	1	
-46	MS20253P1-150	... PIN .....	1	
-47	101-531004-1	... LEVER .....	1	
-48	MS18624-1025	... RING, RETAINER .....	2	
-49	AN916-416L	... WASHER .....	AR	
-50	101-531016-1	... PIN .....	1	
-51	101-531005-1	... SPRING .....	1	
-52	101-531003-7	... CAM .....	1	
	122-530305-5	... FRAME ASSY, ARMREST .....	1	
-53	AN381-2-8	... PIN, COTTER .....	1	
-54	AN960-416L	... WASHER .....	1	
-55	MS20392-3C49	... PIN .....	1	
-56	NAS75-4-007	... BUSHING .....	2	
-57	MS20392-1C49	... PIN .....	1	
-58	AN960-4L	... WASHER .....	1	
-59	AN381-2-8	... PIN, COTTER .....	1	
-60	MS171538	... PIN, SPRING .....	3	
-61	122-530305-7	... FRAME, ARMREST .....	1	

**Beechcraft**  
**STARSHIP 1**  
**ILLUSTRATED PARTS CATALOG**



C9100860

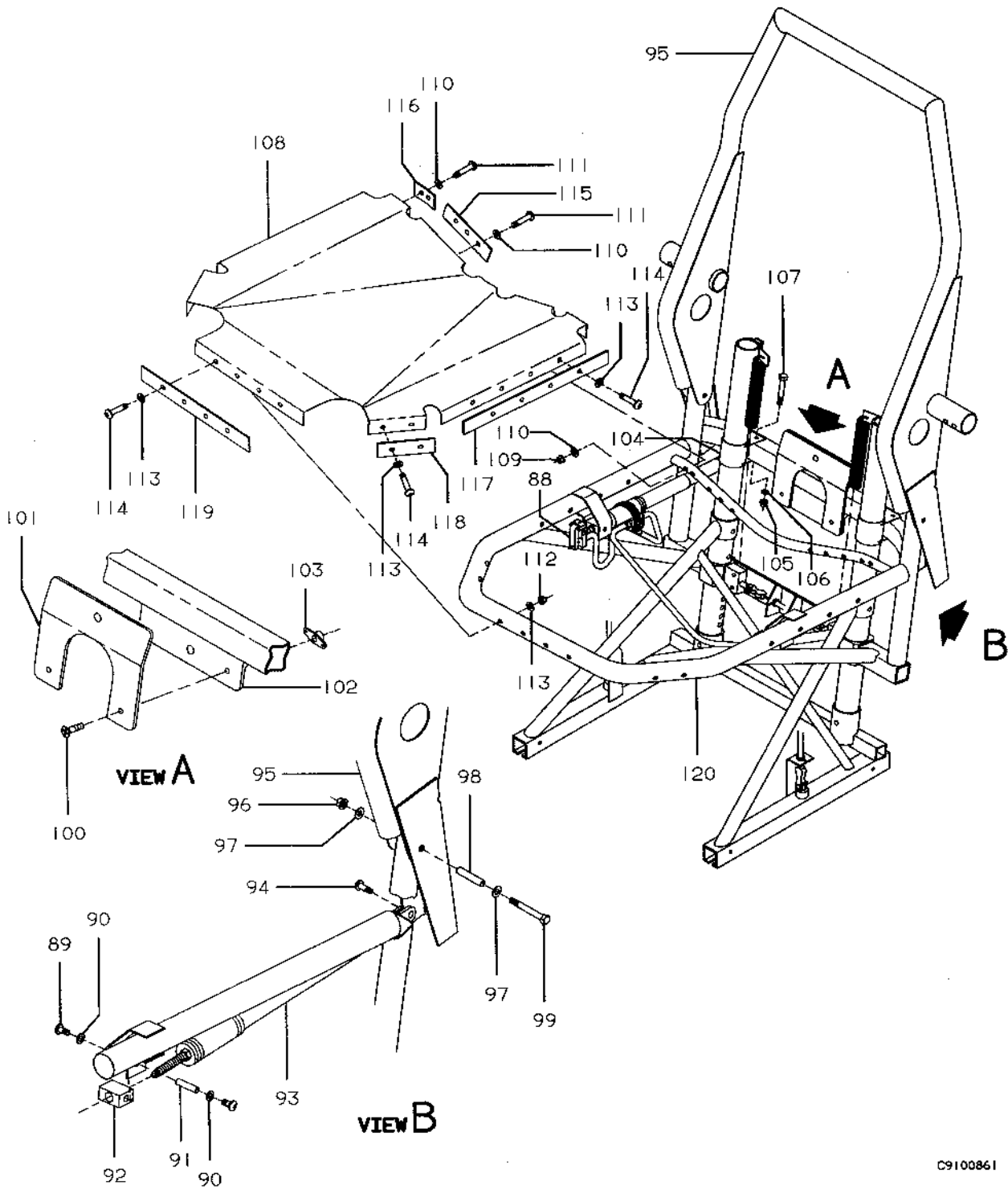
**FIGURE 10-20.FLIGHT COMPARTMENT SEATS**  
**/SHEET 3 OF 5 SHEETS/**



**Beechcraft**  
**STARSHIP 1**  
**ILLUSTRATED PARTS CATALOG**

SUB-SEC UNIT & ITEM NO	PART NO.	DESCRIPTION 1 2 3 4 5 6 7	UNITS PER ASSY	USABLE ON CODE
	122-530187-9	.. SEAT ASSY/SUPERSEDES 122-530187-5 AND 122-530187-7/	1	
	122-530187-10	.. SEAT ASSY/SUPERSEDES 122-530187-6 AND 122-530187-8/	1	
-62	MS35649-262	... NUT.....	8	
-63	AN960-6	... WASHER.....	4	
-64	15795-4002-3	... CABLE ASSY.....	4	
-65	AN316C4R	... NUT, JAM.....	1	
-66	AN960C416	... WASHER.....	1	
-67	101-531020-7	... DOUBLER.....	2	
	101-531089-13	... HANDLE ASSY..... /ATTACHING PARTS/	2	
-68	130909N29	... NUT.....	1	
-69	AN960-10	... WASHER.....	1	
-70	AN3-17A	... BOLT.....	1	
		★		
-71	101-531089-7	... GRIP ASSY..... /ATTACHING PARTS/	1	
-72	MS21042L04	... NUT.....	2	
-73	MS35208-214	... SCREW.....	2	
		★		
-74	101-531089-15	... MOUNT.....	1	
-75	NAS42DD3-7	... SPACER.....	2	
-76	AN960-3L	... WASHER.....	2	
-77	101-531089-3	... FRAME.....	1	
-78	NAS427K24	... PIN, HANDLE STOP.....	2	
-79	100942AF0405-52	... SPRING.....	2	
	122-530189-149	... BACK ASSY, LH SEAT.....	1	2
	122-530189-150	... BACK ASSY, RH SEAT.....	1	2
	122-530189-113	... BACK ASSY, LH SEAT.....	1	1
	122-530189-114	... BACK ASSY, RH SEAT.....	1	1
-80	NAS1103-1	... BOLT.....	4	
-81	AN960-10L	... WASHER.....	4	
-82	MS24665-132	... PIN, COTTER.....	2	
-83	AN960-4	... WASHER.....	2	
-84	MS20392-1C15	... PIN.....	2	
-85	15795-3006-7	... PIN, SEAT POSITION LOCK.....	2	
-86	111504WF0104-8	... SPRING.....	2	
-87	122-530189-123	... BRACKET ASSY.....	1	

**Beechcraft**  
**STARSHIP 1**  
**ILLUSTRATED PARTS CATALOG**



C9100861

**FIGURE 10-20. FLIGHT COMPARTMENT SEATS**  
**/SHEET 4 OF 5 SHEETS/**

**Beechcraft**  
**STARSHIP 1**  
**ILLUSTRATED PARTS CATALOG**

SUB-SEC UNIT & ITEM NO	PART NO.	DESCRIPTION 1 2 3 4 5 6 7	UNITS	USABLE
			PER ASSY	ON CODE
10-20	MS3367-1-0	... STRAP .....	1	
-88	MC24-18	... CONTROL, HYDROLOCK MECH CABLE .....	1	
-89	MS27039-4-04	... SCREW .....	4	
-90	AN960-416L	... WASHER .....	4	
-91	NAS42HT8-6	... SPACER .....	4	
-92	122-530189-29	... SWIVEL, HYDROLOCK .....	2	
-93	HL17500-52	... HYDROLOCK .....	2	
		/ATTACHING PARTS/		
-94	MS27039-4-16	... SCREW .....	1	
		-----★-----		
-95	122-530189-115	... BACK ASSY, WELDED .....	1	
		/ATTACHING PARTS/		
-96	130909N30	... NUT .....	2	
-97	AN960-416L	... WASHER .....	2	
-98	122-530189-131	... SPACER .....	2	
-99	NAS464-4A18	... BOLT .....	2	
		-----★-----		
-100	MS24694S53	... SCREW .....	2	
-101	122-530189-147	... PLATE .....	1	
-102	122-530189-119	... BRACKET ASSY, LOWER .....	1	
-103	130909N33	... NUTPLATE .....	2	
-104	122-530189-135	... SLIDE ASSY .....	2	
		/ATTACHING PARTS/		
-105	130909N29	... NUT .....	2	
-106	AN960-10L	... WASHER .....	2	
-107	NAS464-3A17	... BOLT .....	2	
		-----★-----		
-108	122-530189-151	... PAN ASSY, SEAT .....	1	2
	122-530189-79	... PAN, SEAT .....	1	1
		/ATTACHING PARTS/		
-109	MS21042-06	... NUT .....	12	
-110	AN960-6L	... WASHER .....	24	
-111	MS35206-233	... SCREW .....	12	
-112	MS21042-08	... NUT .....	16	
-113	AN960-8L	... WASHER .....	32	
-114	MS27039-0821	... SCREW .....	16	
		-----★-----		
-115	122-530189-101	... DOUBLER .....	2	
-116	122-530189-93	... DOUBLER .....	3	
-117	122-530189-95	... DOUBLER .....	2	
-118	122-530189-97	... DOUBLER .....	2	
-119	122-530189-99	... DOUBLER .....	1	
-120	122-530189-133	... SEAT ASSY, WELDED .....	1	

Beechcraft  
STARSHIP 1  
ILLUSTRATED PARTS CATALOG

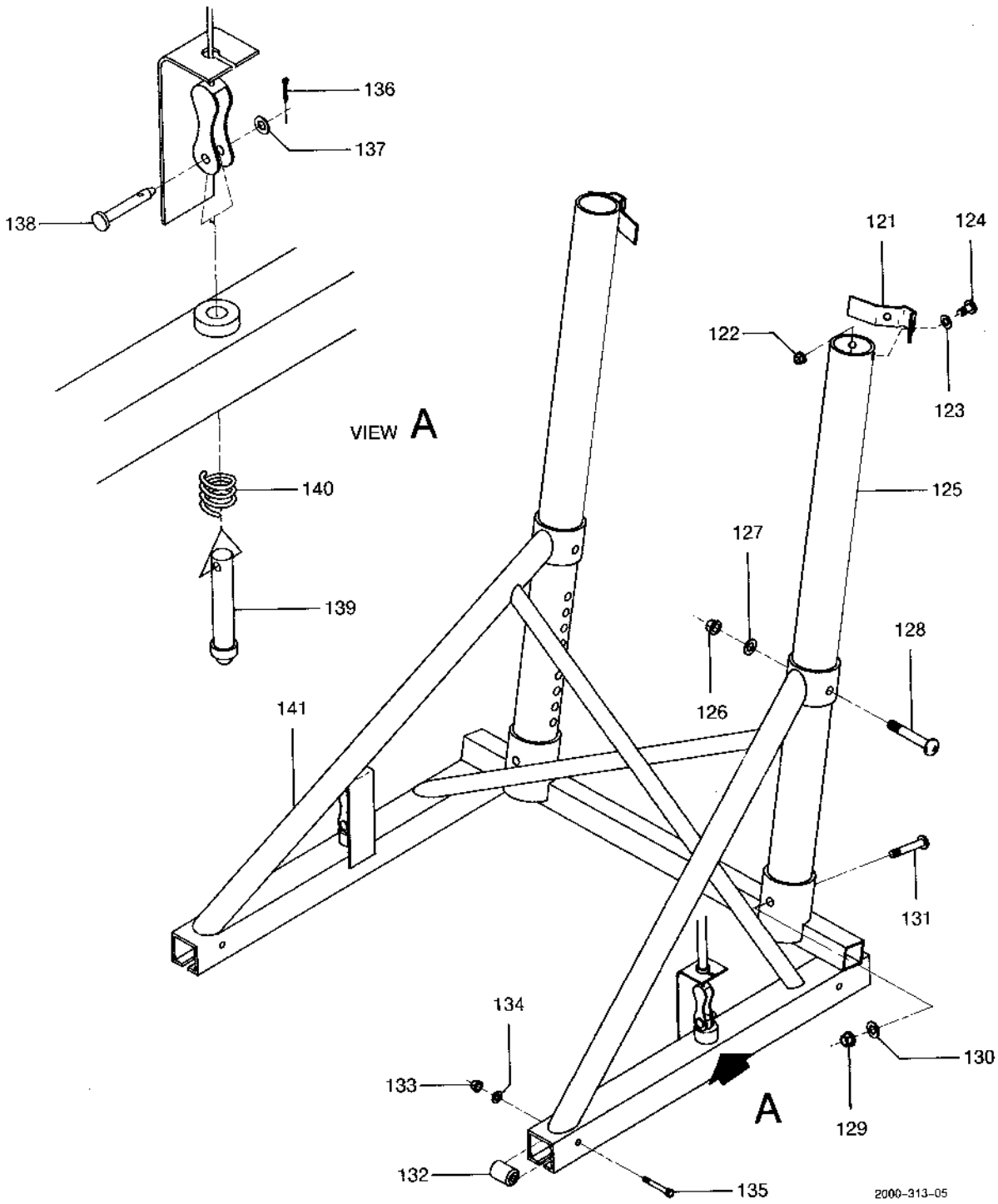


FIGURE 10-20. FLIGHT COMPARTMENT SEATS  
/SHEET 5 OF 5 SHEETS/

**Beechcraft**  
**STARSHIP 1**  
**ILLUSTRATED PARTS CATALOG**

SUB-SEC UNIT & ITEM NO	PART NO.	DESCRIPTION 1 2 3 4 5 6 7	UNITS	USABLE
			PER ASSY	ON CODE
10-20	122-530188-1	... BASE ASSY, PILOT SEAT .....	1	3
	122-530188-77	... BASE ASSY, PILOT SEAT .....	1	4
	122-530188-2	... BASE ASSY, COPILOT SEAT .....	1	3
	122-530188-78	... BASE ASSY, COPILOT SEAT .....	1	4
-121	15795-3018-1	... CLIP .....	2	
		/ATTACHING PARTS/		
-122	130909N28	... NUT .....	2	
-123	AN960-8	... WASHER .....	2	
-124	MS27039-0808	... SCREW .....	2	
		★		
-125	122-530188-35	... TUBE, GUIDE .....	1	
	122-530188-36	... TUBE, GUIDE .....	1	
		/ATTACHING PARTS/		
-126	MS21042-08	... NUT .....	1	
-127	AN960-8	... WASHER .....	1	
-128	MS27039-0828	... SCREW .....	1	
-129	130909N30	... NUT .....	1	
-130	AN960-418L	... WASHER .....	1	
-131	AN4-17A	... BOLT .....	1	
		★		
-132	122-530188-15	... ROLLER .....	4	
		/ATTACHING PARTS/		
-133	130909N49	... NUT .....	1	
-134	AN960-10L	... WASHER .....	1	
-135	130909B24	... BOLT .....	1	
		★		
-136	MS24665-132	... PIN, COTTER .....	2	
-137	AN960-4	... WASHER .....	2	
-138	MS20392-1C15	... PIN .....	2	
-139	122-530188-47	... PIN, SEAT POSITION LOCK .....	2	
-140	111504WF0030-7	... SPRING .....	2	
-141	122-530188-79	... FRAME ASSY, PILOT WELDED .....	1	4
	122-530188-80	... FRAME ASSY, COPILOT WELDED .....	1	4
	122-530188-63	... FRAME ASSY, PILOT WELDED .....	1	3
	122-530188-64	... FRAME ASSY, COPILOT WELDED .....	1	3

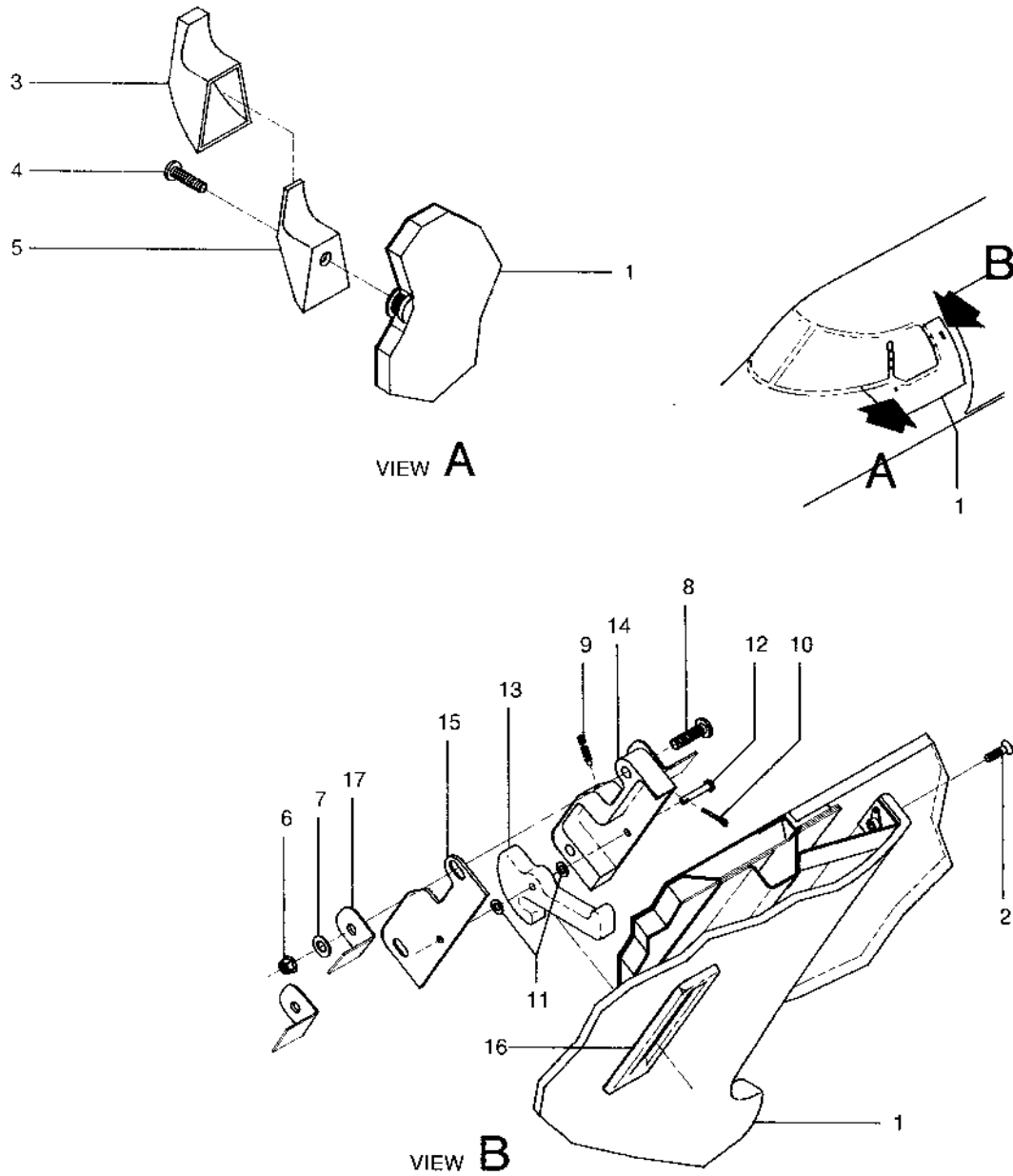
**CODES OF EFFECTIVITY**

1	NC-4 THRU NC-20	2	NC-21 AND AFTER
3	NC-4 THRU NC-12	4	NC-13 AND AFTER
5	NC-4 THRU NC-18	6	NC-19 AND AFTER

**Beechcraft**  
**STARSHIP 1**  
**ILLUSTRATED PARTS CATALOG**

**25-10-30**  
**FLIGHT COMPARTMENT UPPER SIDEWALL UPHOLSTERY**

Beechcraft  
STARSHIP 1  
ILLUSTRATED PARTS CATALOG



2000-318-02

FIGURE 10-30.FLIGHT COMPT UPPER SIDEWALL UPHOL.

**Beechcraft**  
**STARSHIP 1**  
**ILLUSTRATED PARTS CATALOG**

SUB-SEC UNIT & ITEM NO	PART NO.	DESCRIPTION 1 2 3 4 5 6 7	UNITS	USABLE
			PER ASSY	ON CODE
10-30	122-530214-1	PANEL INSTL, LH UPHOLSTERY/UPPER/.....	NP	1
	122-530398-1	PANEL INSTL, LH FLIGHT COMPT WINDOW .....	NP	2
	122-530214-2	PANEL INSTL, RH UPHOLSTERY/UPPER/.....	NP	1
	122-530398-2	PANEL INSTL, RH FLIGHT COMPT WINDOW .....	NP	2
- 1	122-530213-1	. PANEL ASSY, LH.....	1	3
	122-530213-17	. PANEL ASSY, LH UPHOLSTERY.....	1	4
	122-530397-1	. PANEL ASSY, LH FLIGHT COMPT WINDOW.....	1	2
	122-530213-2	. PANEL ASSY, RH .....	1	3
	122-530218-18	. PANEL ASSY, RH UPHOLSTERY.....	1	4
	122-530397-2	. PANEL ASSY, RH FLIGHT COMPT WINDOW .....	1	2
		/ATTACHING PARTS/		
- 2	NAS387-632-12	. SCREW.....	5	3
	MS24693S32	. SCREW/2 LH & 3 RH/.....	2	4
	MS35206-245	. SCREW.....	2	2
	MS35206-230	. SCREW.....	1	2
	131972-08C106M	. SNAPCAP & WASHER/2 LH & 3 RH/.....	2	4
	131972-08F105M	. SNAPCAP & WASHER.....	3	2
		★		
	G17179-1	. BRACKET.....	1	6
	MS21059L06	. NUTPLATE.....	1	6
- 3	DOAZ8229-024K	. HOOK, MICROPHONE.....	1	5
- 4	MS35206-244	. SCREW.....	1	5
	AN960-8L	. WASHER.....	1	5
	MS21042L08	. NUT.....	1	5
- 5	C8AZ6229-232A	. RETAINER, HOOK.....	1	5
	122-322203-1	. SUPPORT ASSY.....	1	5
		/ATTACHING PARTS/		
- 6	130909N28	. NUT.....	4	
- 7	AN960-8L	. WASHER.....	4	
- 8	MS35206-247	. SCREW.....	4	
		★		
- 9	ADB50955	. PLUNGER.....	1	5
- 10	MS24665-132	. PIN, COTTER.....	1	5
- 11	AN960-4L	. WASHER.....	2	5
- 12	MS20392-1C17	. PIN.....	1	5
- 13	122-322203-9	. HOOK.....	1	5
- 14	122-322203-3	. SUPPORT.....	1	5
- 15	122-322203-5	. PLATE.....	1	5
- 16	122-322203-7	. ESCUTCHEON.....	1	5
- 17	122-530024-13	. BRACKET.....	1	1
	122-530197-3	. BRACKET.....	4	2

**CODES OF EFFECTIVITY**

1	NC-4 THRU NC-19	2	NC-20 AND AFTER
3	NC-4 THRU NC-14	4	NC-15 THRU NC-19
5	NC-4 AND AFTER	6	NC-15 THRU NC-17



**Beechcraft**  
**STARSHIP 1**  
**ILLUSTRATED PARTS CATALOG**

**25-10-40**  
**FLIGHT COMPARTMENT LOWER SIDEWALL UPHOLSTERY**  
**NC-4 THRU NC-20**

Beechcraft  
STARSHIP 1  
ILLUSTRATED PARTS CATALOG

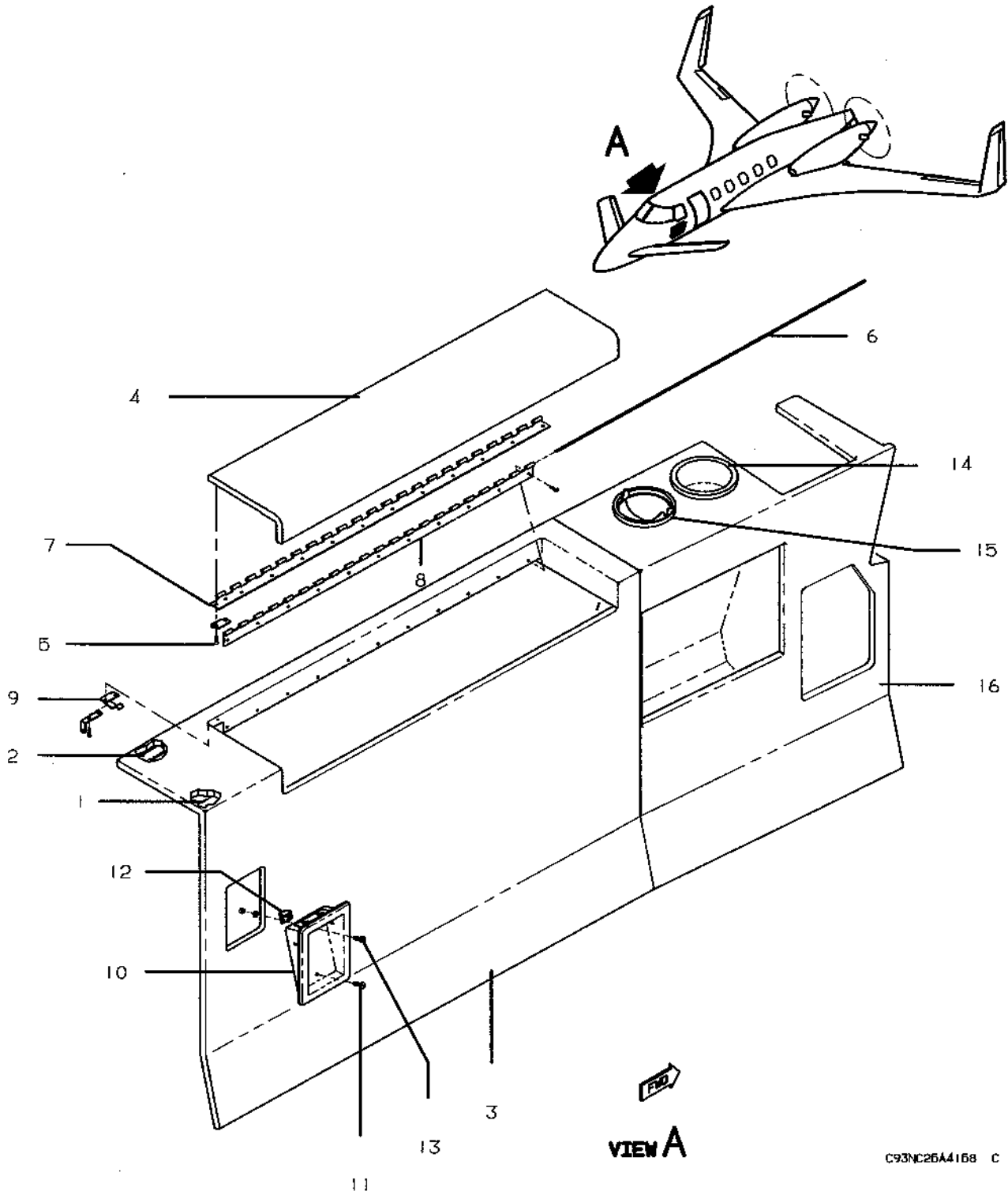
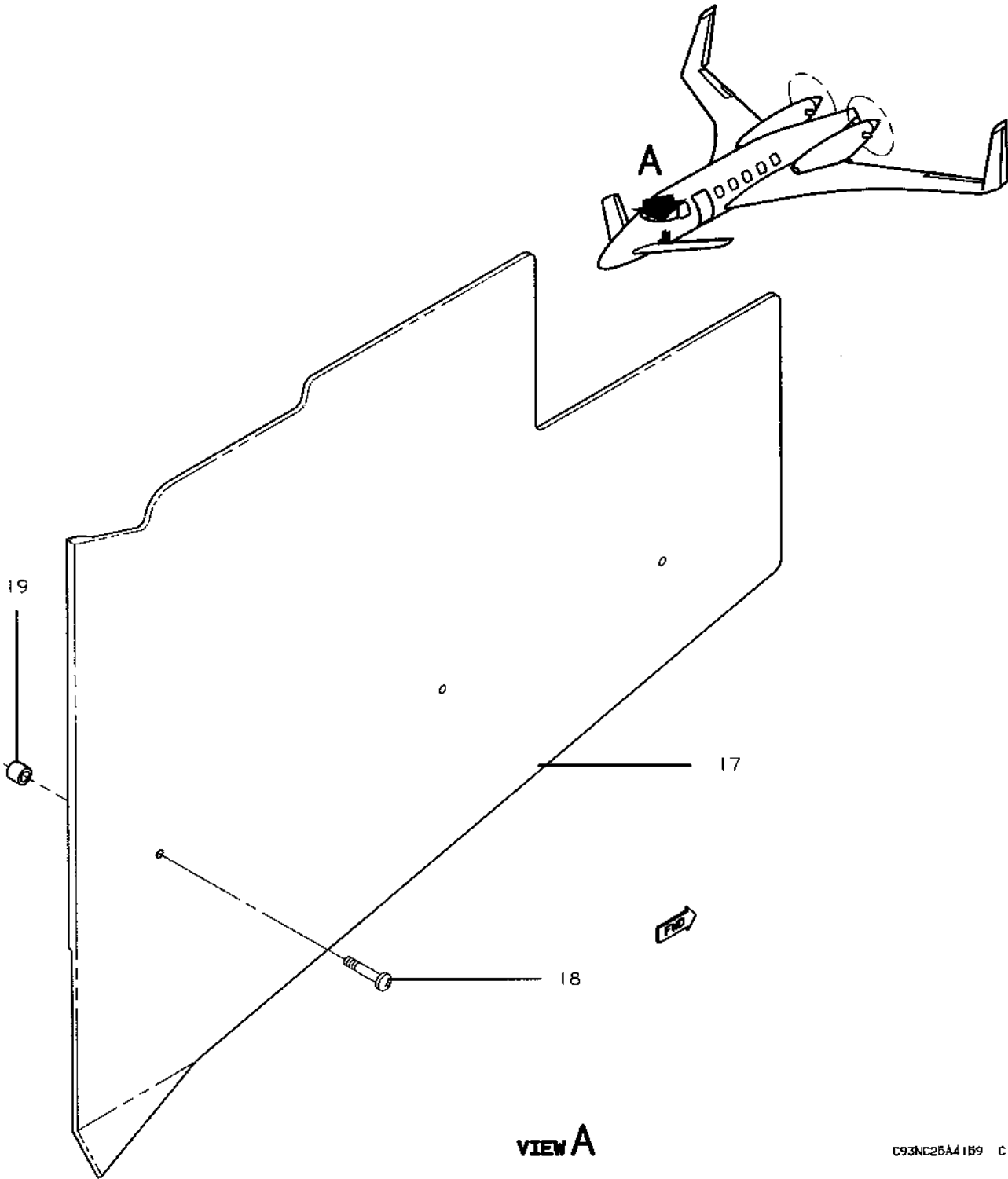


FIGURE 10-40. FLIGHT COMPT LWR SIDEWALL UPHOL  
/SHEET 1 OF 2 SHEETS/

**Beechcraft**  
**STARSHIP 1**  
**ILLUSTRATED PARTS CATALOG**

SUB-SEC UNIT & ITEM NO	PART NO.	DESCRIPTION 1 2 3 4 5 6 7	UNITS PER ASSY	USABLE ON CODE
10-40	122-530026-3	UPHOLSTERY INSTL, COCKPIT LH CONSOLE .....	NP	1
	122-530026-5	UPHOLSTERY INSTL, COCKPIT RH CONSOLE .....	NP	1
- 1	SJ3551	.. FASTENER .....	AR	1
- 2	SJ3552	.. FASTENER .....	AR	1
- 3	122-530025-71	.. PANEL ASSY, COCKPIT LH CONSOLE AFT UPHOLSTERY ...	1	1
	122-530025-73	.. PANEL ASSY, COCKPIT RH CONSOLE AFT UPHOLSTERY ...	1	1
- 4	122-530030-23	.. DOOR ASSY, HINGED CONSOLE LH .....	1	1
	122-530030-24	.. DOOR ASSY, HINGED CONSOLE RH .....	1	1
		.. ATTACHING PARTS/		
	AN530-4R4	.. SCREW .....	11	
		---★---		
	122-530030-27	.. HINGE ASSY, LH .....	1	1
	122-530030-28	.. HINGE ASSY, RH .....	1	1
		.. ATTACHING PARTS/		
- 5	AN530-4R4	.. SCREW .....	11	
		---★---		
- 6	105774CZE02116	... PIN, HINGE .....	1	1
- 7	122-530030-29	... HINGE HALF, DOOR LH .....	1	1
	122-530030-30	... HINGE HALF, DOOR RH .....	1	1
- 8	122-530030-31	... HINGE HALF, OUTBD .....	1	1
- 9	50-10-102-10	.. SPRING, DOOR RETAINING .....	1	1
		.. ATTACHING PARTS/		
	AN530-4R4	.. SCREW .....	2	
		---★---		
- 10	122-530159-9	.. ENCLOSURE ASSY, MIC PHONE .....	1	1
		.. ATTACHING PARTS/		
- 11	MS35206-229	.. SCREW .....	3	
		---★---		
	122-342094-1	.. PLACARD, MIC PHONE .....	1	1
- 12	MS21919WH3	.. CLAMP .....	1	1
		.. ATTACHING PARTS/		
- 13	MS35214-27	.. SCREW .....	1	
	AN960-6L	.. WASHER .....	1	
	MS21042L06	.. NUT .....	1	
		---★---		
	JJ034	.. JACK, PHONE/ALTERNATE FOR M641/6-1/ .....	1	1
	M641/6-1	.. JACK, PHONE/ALTERNATE FOR JJ034/ .....	1	1
	JJ033	.. JACK, MIC/ALTERNATE FOR M641/5-1/ .....	1	1
	M641/5-1	.. JACK, MIC/ALTERNATE FOR JJ033/ .....	1	1
	207376-1	.. RECEPTACLE, CONNECTOR .....	1	1
	66400-4	.. CONTACT, PIN .....	6	1
- 14	21200C	.. CUPHOLDER .....	1	1
- 15	2020-0/0	.. ASHTRAY .....	1	1
- 16	122-530025-75	.. PANEL ASSY, FLT COMPT LH CONSOLE FWD UPHOL .....	1	1
	122-530025-77	.. PANEL ASSY, FLT COMPT RH CONSOLE FWD UPHOL .....	1	1
	122-530027-1	.. POCKET ASSY, MAPCASE .....	NP	2
		.. (ORDER 122-530027-11 FOR SPARES/		
	122-530027-11	.. POCKET ASSY, MAPCASE .....	1	3

Beechcraft  
STARSHIP 1  
ILLUSTRATED PARTS CATALOG



C93NC25A4 1B9 C

FIGURE 10-40. FLIGHT COMPT LWR SIDEWALL UPHOL  
/SHEET 2 OF 2 SHEETS/

**Beechcraft**  
**STARSHIP 1**  
**ILLUSTRATED PARTS CATALOG**

SUB-SEC UNIT & ITEM NO	PART NO.	DESCRIPTION 1 2 3 4 5 6 7	UNITS PER ASSY	USABLE ON CODE
10-40	122-530029-1	PANEL INSTL, LH KICK.....	NP	1
	122-530029-3	PANEL INSTL, RH KICK.....	NP	1
-17	122-530158-21	PANEL ASSY, LH KICK.....	1	1
	122-530158-23	PANEL ASSY, RH KICK.....	1	1
		/ATTACHING PARTS/		
-18	MS27039-0814	SCREW/3 LH & 4 RH/.....	3	1
-19	NAS43DD3-10	SPACER/3 LH & 4 RH/.....	3	1

★  
**CODES OF EFFECTIVITY**

- |                   |                   |
|-------------------|-------------------|
| 1 NC-4 THRU NC-20 | 2 NC-4 THRU NC-19 |
| 3 NC-20           |                   |

**Beechcraft**  
**STARSHIP 1**  
**ILLUSTRATED PARTS CATALOG**

**25-10-41**  
**FLIGHT COMPARTMENT LOWER SIDEWALL UPHOLSTERY**  
**NC-21 AND AFTER**

Beechcraft  
STARSHIP 1  
ILLUSTRATED PARTS CATALOG

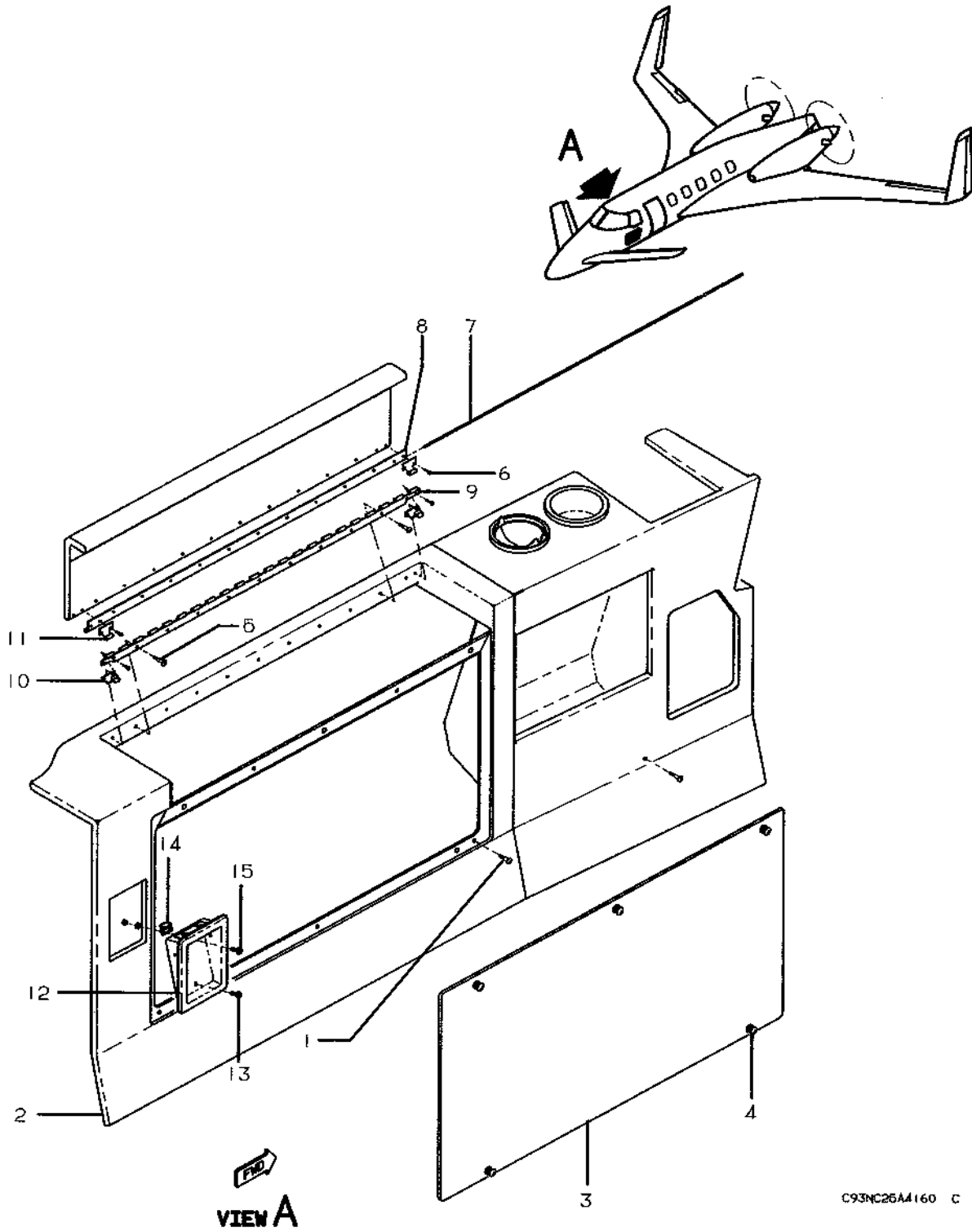


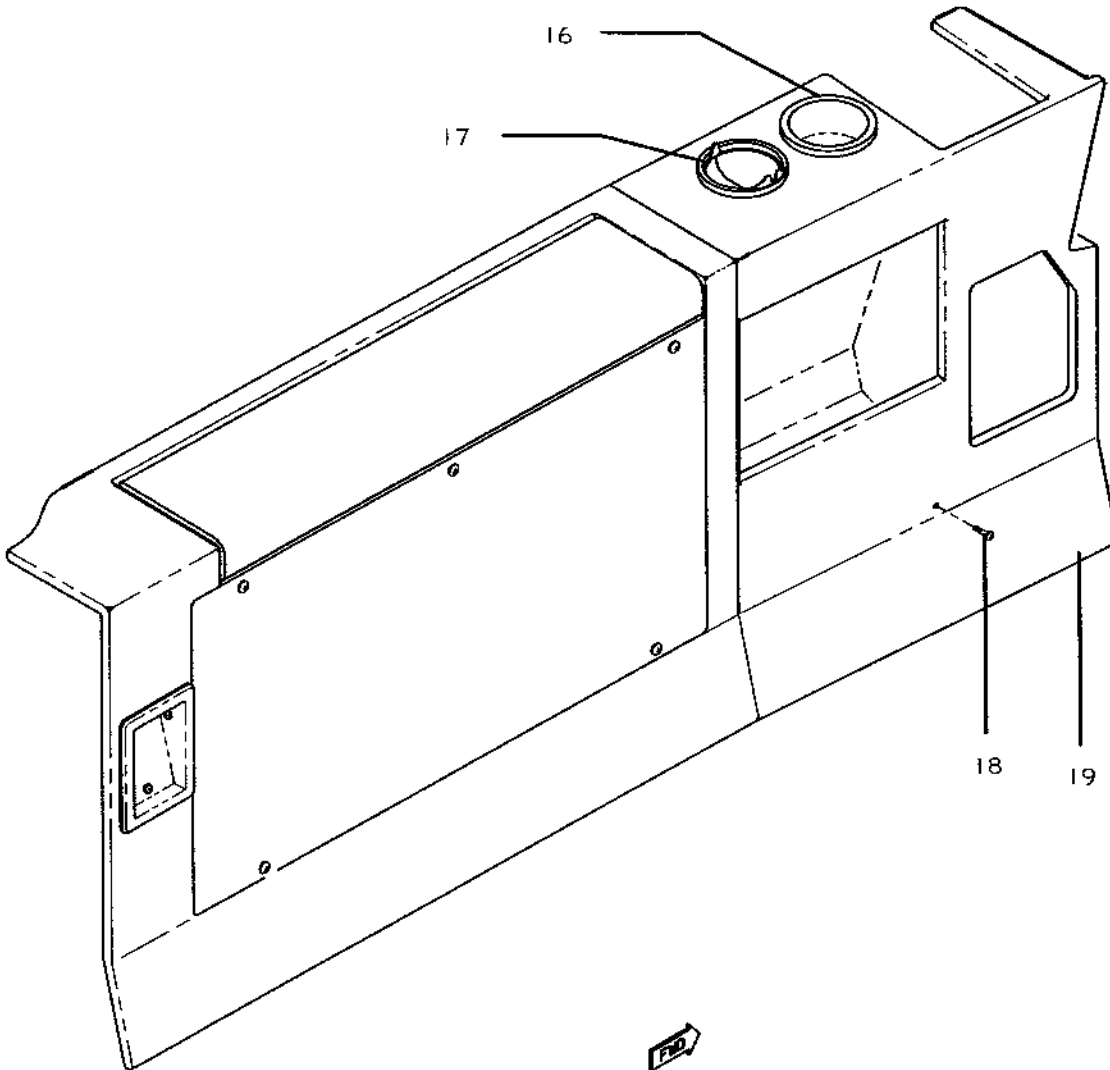
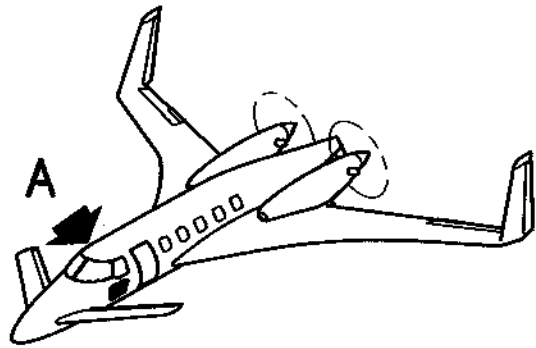
FIGURE 10-41. FLIGHT COMPT LWR SIDEWALL UPHOL  
/SHEET 1 OF 3 SHEETS/

**Beechcraft**  
**STARSHIP 1**  
**ILLUSTRATED PARTS CATALOG**

SUB-SEC UNIT & ITEM NO	PART NO.	DESCRIPTION 1 2 3 4 5 6 7	UNITS	USABLE
			PER ASSY	ON CODE
10-41	122-530026-7	UPHOLSTERY INSTL,FLIGHT COMPT,LH CONSOLE .....	NP	1
	122-530026-9	UPHOLSTERY INSTL,FLIGHT COMPT,RH CONSOLE .....	NP	1
- 1	MS24693S272	. SCREW .....	5	1
- 2	122-530388-1	. PANEL ASSY,FLT COMPT LH CONSOLE AFT UPHOL .....	1	1
- 3	122-530388-25	. PANEL ASSY,FLT COMPT LH CONSOLE AFT UPHOL .....	1	1
	AN960C416L	.. WASHER .....	5	1
- 4	26S38-14	.. STUD ASSY .....	1	1
	26S38-17	.. STUD ASSY .....	4	1
	27S5-1	.. RING,RETAINING .....	5	1
	122-530388-7	. PANEL ASSY,FLT COMPT RH CONSOLE AFT UPHOL .....	1	1
	AN960-416L	.. WASHER .....	3	1
	26S38-14	.. STUD ASSY .....	1	1
	26S38-17	.. STUD ASSY .....	2	1
	27S51	.. RING,RETAINING .....	3	1
- 5	MS24693S264	. SCREW .....	2	1
	122-530030-39	. DOOR ASSY,HINGED CONSOLE .....	1	1
	122-530030-45	.. HINGE ASSY .....	1	1
		/ATTACHING PARTS/		
- 6	AN530-4R4	.. SCREW .....	15	
		★-----		
- 7	122-530030-59	... PIN,HINGE .....	1	1
- 8	122-530030-55	... HINGE HALF .....	1	1
- 9	122-530030-57	... HINGE HALF,OUTBD .....	1	1
- 10	122-522034-3	... SPRING,DETENT .....	2	1
- 11	50-11-101-10	... CAM ASSY,ROLLER .....	2	1
- 12	122-530159-9	. ENCLOSURE ASSY,MIC JACK .....	1	1
		/ATTACHING PARTS/		
- 13	MS35208-229	. SCREW .....	3	
		★-----		
	122-342094-1	.. PLACARD,MIC PHONE .....	1	1
- 14	MS21919WH3	.. CLAMP .....	1	1
		/ATTACHING PARTS/		
- 15	MS35214-27	.. SCREW .....	1	
	AN960-6L	.. WASHER .....	1	
	MS21042L06	.. NUT .....	1	
		★-----		



Beechcraft  
STARSHIP 1  
ILLUSTRATED PARTS CATALOG



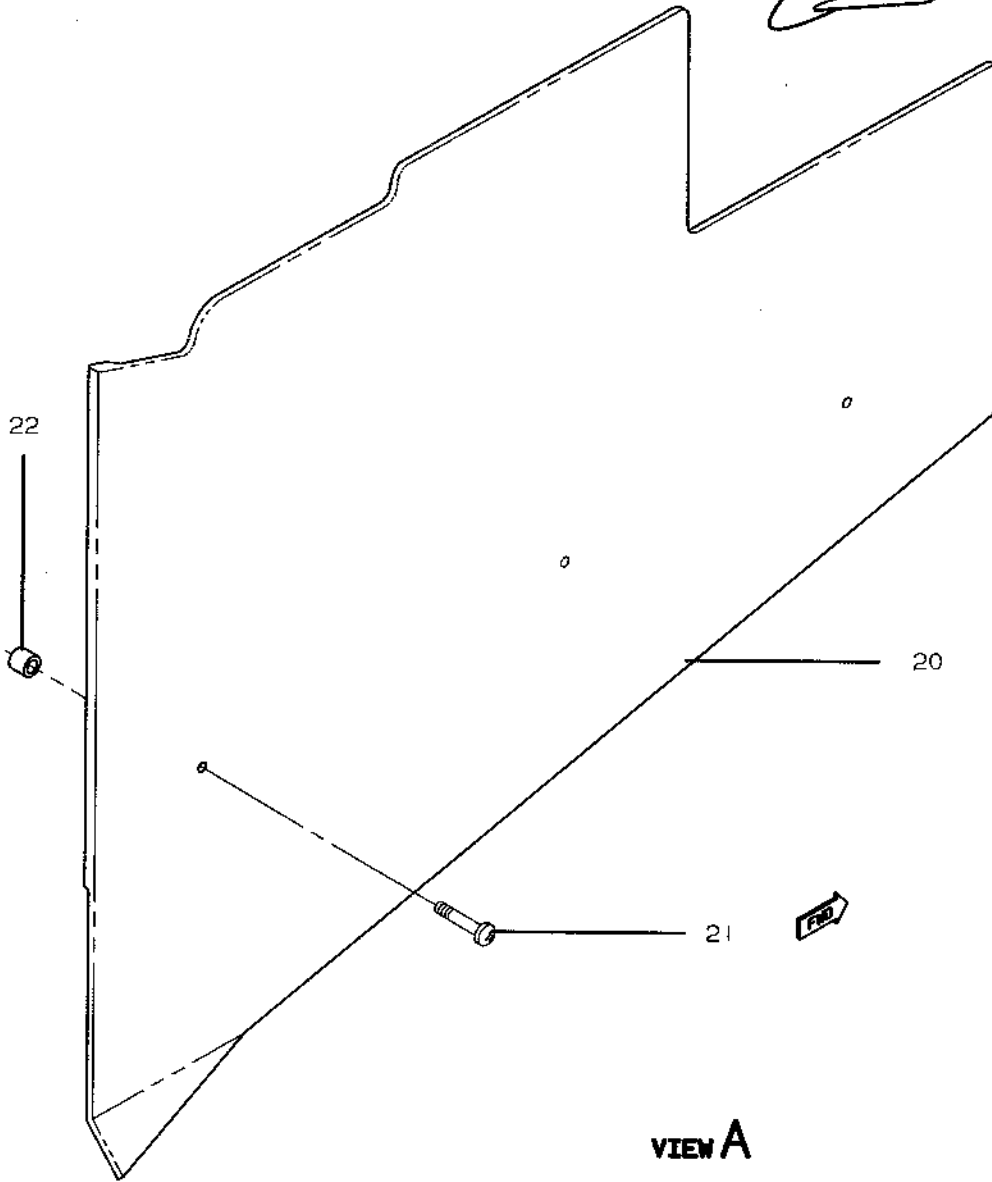
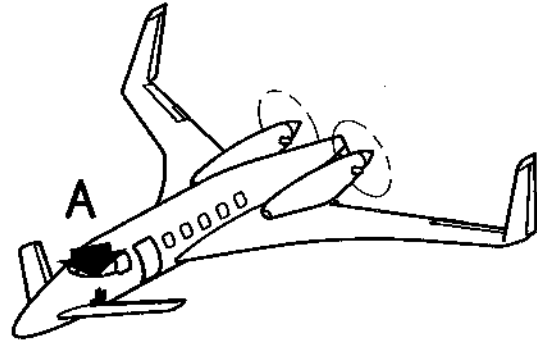
  
VIEW A

C93NC254161 C

**Beechcraft**  
**STARSHIP 1**  
**ILLUSTRATED PARTS CATALOG**

SUB-SEC UNIT & ITEM NO	PART NO.	DESCRIPTION 1 2 3 4 5 6 7	UNITS	USABLE
			PER ASSY	ON CODE
10-41	JJ034	.. JACK,PHONE/ALTERNATE FOR M641/6-1/.....	1	1
	M641/6-1	.. JACK,PHONE/ALTERNATE FOR JJ034/.....	1	1
	JJ033	.. JACK,MIC/ALTERNATE FOR M641/5-1/.....	1	1
	M641/5-1	.. JACK,MIC/ALTERNATE FOR JJ033/.....	1	1
	207376-1	.. RECEPTACLE,CONNECTOR.....	1	1
	66400-4	.. CONTACT,PIN.....	6	1
	MS35207-264	.. SCREW/CUP HOLDER/.....	1	1
-16	21200C	.. CUPHOLDER.....	1	1
-17	2020-0/0	.. ASHTRAY.....	1	1
-18	NAS388-10-10P	.. SCREW.....	1	1
	NAS391-10P	.. WASHER.....	1	1
-19	122-530388-19	.. PANEL ASSY,FLT COMPT LH CONSOLE FWD UPHOL.....	1	1
	122-530388-13	.. PANEL ASSY,FLT COMPT RH CONSOLE FWD UPHOL.....	1	1
	122-530027-13	.. POCKET ASSY,MAP CASE/122-530388-19/.....	1	1
	122-530025-63	.. GROMMET.....	1	1
	NAS43DD8-10	.. SPACER.....	1	1

Beechcraft  
STARSHIP 1  
ILLUSTRATED PARTS CATALOG



C93NC25A4162 C

**Beechcraft**  
**STARSHIP 1**  
**ILLUSTRATED PARTS CATALOG**

SUB-SEC UNIT & ITEM NO	PART NO.	DESCRIPTION 1 2 3 4 5 6 7	UNITS	USABLE
			PER ASSY	ON CODE
10-41	122-530029-1	PANEL INSTL,LH KICK .....	NP	1
	122-530029-3	PANEL INSTL,RH KICK .....	NP	1
-20	122-530158-21	PANEL ASSY,LH KICK .....	1	1
	122-530158-23	PANEL ASSY,RH KICK .....	1	1
		/ATTACHING PARTS/		
-21	MS27039-0814	SCREW/3 LH & 4 RH/ .....	3	
-22	NAS43DD3-10	SPACER /3 LH & 4 RH/ .....	3	

\*---

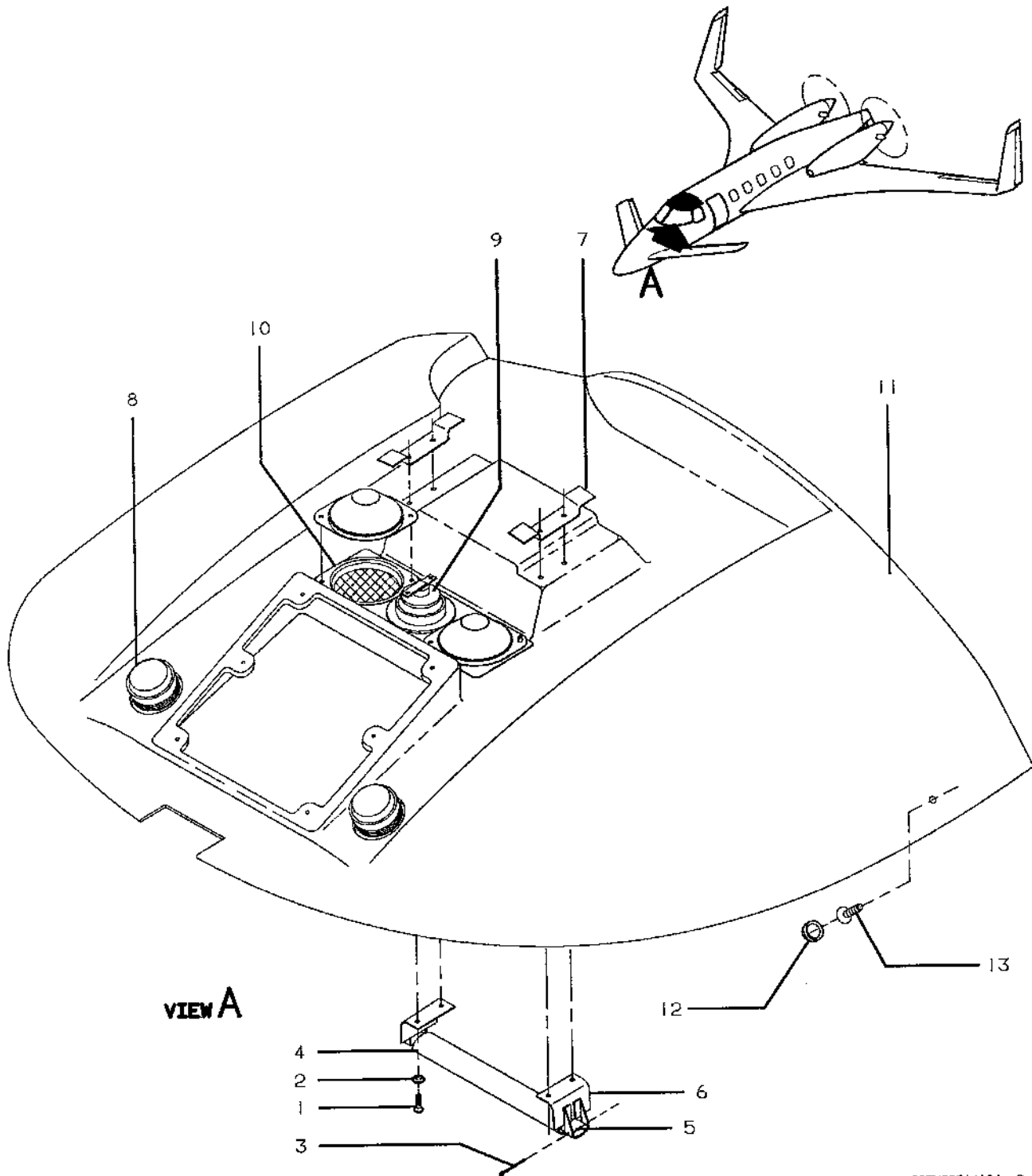
**CODES OF EFFECTIVITY**

1 NC-21 AND AFTER

**Beechcraft**  
**STARSHIP 1**  
**ILLUSTRATED PARTS CATALOG**

**25-10-50**  
**FLIGHT COMPARTMENT OVERHEAD UPHOLSTERY**

Beechcraft  
STARSHIP 1  
ILLUSTRATED PARTS CATALOG



C93NC25A4104 C

FIGURE 10-50.FLIGHT COMPT OVERHEAD UPHOLSTERY

**Beechcraft**  
**STARSHIP 1**  
**ILLUSTRATED PARTS CATALOG**

SUB-SEC UNIT & ITEM NO	PART NO.	DESCRIPTION 1 2 3 4 5 6 7	UNITS PER ASSY	USABLE ON CODE
	122-530163-15	HANDLE INSTL, FLIGHT COMPARTMENT ASSIST .....	NP	1
	122-530163-17	HANDLE INSTL, FLIGHT COMPARTMENT ASSIST .....	NP	2
	122-530164-19	HANDLE ASSY, FLIGHT COMPARTMENT ASSIST .....	1	1
	122-530164-21	HANDLE ASSY, FLIGHT COMPARTMENT ASSIST .....	1	2
		/ATTACHING PARTS/		
- 1	NAS388-10-10P	SCREW .....	4	
- 2	NAS391S10P	WASHER .....	4	
		★-----		
- 3	MS24665-180	PIN, COTTER .....	2	
- 4	122-530164-13	COVER, VINYL .....	1	
- 5	122-530164-9	TUBE .....	1	
- 6	122-530164-17	BRACKET ASSY, LH .....	1	1
	122-530164-23	BRACKET ASSY, LH .....	1	2
	122-530164-18	BRACKET ASSY, RH .....	1	1
	122-530164-24	BRACKET ASSY, RH .....	1	2
- 7	122-530163-4	BRACKET ASSY .....	1	
	122-530163-3	BRACKET ASSY .....	1	
	MS21075L3	NUTPLATE .....	2	
	122-530338-1	HEADLINER INSTL, FLIGHT COMPARTMENT .....	NP	1
	122-530396-1	HEADLINER INSTL, FLIGHT COMPARTMENT .....	1	2
- 8	3080-05	VALVE ASSY, OVERHEAD AIR OUTLET .....	2	
- 9	3089-01	LIGHT ASSY, OVERHEAD/SEE CHAPTER 33/ .....	1	
- 10	122-530322-1	COVER, SPEAKER .....	2	
	100951P200-07-*	024 WASHER .....	4	2
	122-530206-9	HEADLINER ASSY, FLIGHT COMPARTMENT .....	1	3
- 11	122-530206-23	HEADLINER ASSY, FLIGHT COMPARTMENT .....	1	4
	122-530395-1	HEADLINER ASSY, FLIGHT COMPARTMENT .....	1	2
		/ATTACHING PARTS/		
	SJ3551	FASTENER, DUAL LOCK/ON HEADLINER ASSY/ .....	6	
	SJ3552	FASTENER, DUAL LOCK .....	6	
- 12	131972-08C106M	CAP, SNAP .....	2	1
	131972-08F105M	CAP, SNAP .....	2	2
- 13	MS24693S32	SCREW .....	2	1
	MS35206-230	SCREW .....	2	2
		★-----		

**CODES OF EFFECTIVITY**

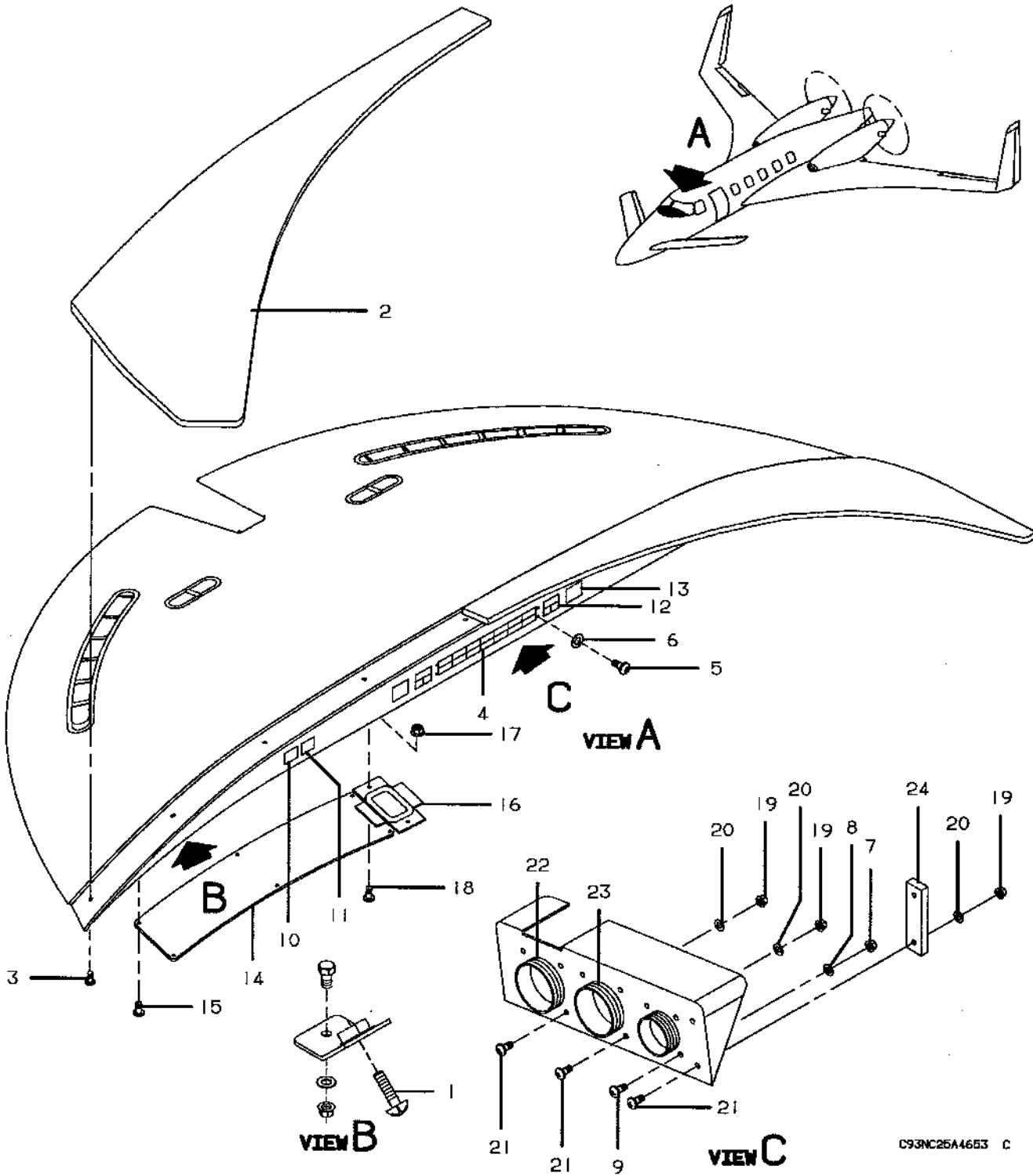
1	NC-4 THRU NC-19	2	NC-20 AND AFTER
3	NC-4 THRU NC-14	4	NC-15 THRU NC-19

**Beechcraft**  
**STARSHIP 1**  
**ILLUSTRATED PARTS CATALOG**

**25-10-70**  
**GLARESHIELD ASSEMBLY**



**Beechcraft**  
**STARSHIP 1**  
**ILLUSTRATED PARTS CATALOG**



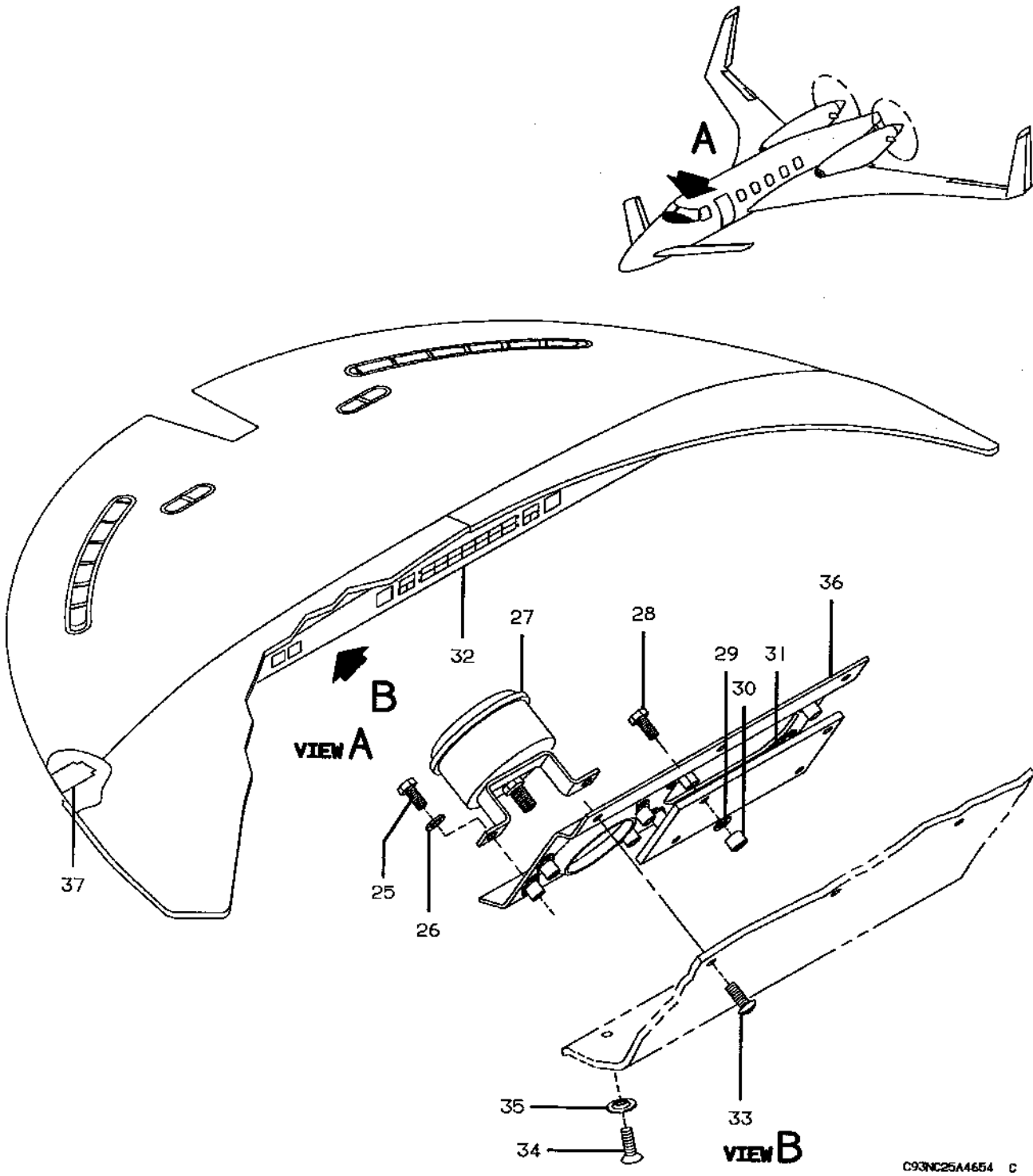
C93NC25A4653 C

**FIGURE 10-70. GLARESHIELD ASSEMBLY**  
**/SHEET 1 OF 3 SHEETS/**

**Beechcraft**  
**STARSHIP 1**  
**ILLUSTRATED PARTS CATALOG**

SUB-SEC UNIT & ITEM NO	PART NO.	DESCRIPTION 1 2 3 4 5 6 7	UNITS	USABLE	
			PER ASSY	ON CODE	
10-70	122-322212-5	GLARESHIELD INSTL .....	NP		
	122-322212-7	GLARESHIELD ASSY .....	1		
	- 1	132093-10-10BK	/ATTACHING PARTS/ SCREW .....	3	
			★		
	- 2	122-322214-1	EXTENSION, GLARESHIELD LH DECK .....	1	
		122-322214-2	EXTENSION, GLARESHIELD RH DECK .....	1	
	- 3	132093-10-6BK	/ATTACHING PARTS/ SCREW .....	5	
			★		
	- 4	122-322214-3	COVER, LH EXTENSION VINYL .....	1	
		122-322214-4	COVER, RH EXTENSION VINYL .....	1	
		SL644C3-4	INSERT .....	5	
		122-322067-9	LIGHT ASSY, WARNING ANNUNCIATOR .....	1	
	- 5	132093-4-7BK	/SEE CHAPTER 33/ ATTACHING PARTS/ SCREW .....	4	
			★		
	- 6	AN960-4L	WASHER .....	4	
	- 7	MS21042L06	NUT .....	4	
	- 8	AN960-6L	WASHER .....	4	
	- 9	MS35206-230	SCREW .....	4	
	- 10	122-382088-5	LIGHT SWITCH ASSY, MASTER WARNING .....	2	
			LIGHT SWITCH ASSY, MASTER CAUTION .....	2	
	- 11	122-382088-7 800CT20	SOCKET, CONTACT .....	80	
			★		
	- 12	122-382033-3	SWITCH LIGHT ASSY, ENG FIRE EXTINGUISHER .....	2	4
		122-382170-3 10E534	SWITCH LIGHT ASSY, ENG FIRE EXTINGUISHER .....	2	5
- 13	122-382033-1	GUARD, CLEAR .....	2		
	122-382170-1 10E534	SWITCH LIGHT ASSY, FIREWALL VALVE .....	2	4	
- 14	122-382086-1	SWITCH LIGHT ASSY, FIREWALL VALVE .....	2	5	
		GUARD, CLEAR .....	2		
- 15	132093-6-6BK SL211-06-1	LIGHT PANEL, INDIRECT ELECTROLUMINESCENT .....	3		
		/ATTACHING PARTS/ SCREW/6 LH, 7 CENTER AND 6 RH/ .....	19		
- 16	122-322217-3	CLIPNUT/6 LH, 7 CENTER AND 6 RH/ .....	19		
		★			
- 17	MS21042L06	BRACKET .....	2		
- 18	132093-6-6BK	/ATTACHING PARTS/ NUT .....	2		
		SCREW .....	2		
- 19	MS21042L06	★			
		NUT .....	10		
- 20	AN960-6L	WASHER .....	10		
- 21	MS35206-230	SCREW .....	10		
- 22	206151-1	RECEPTACLE .....	1		
- 23	206838-1	RECEPTACLE .....	1		
	66103-1	PIN, CONTACT/24 FWD RECEPTACLE, 13 AFT/ .....	37		
- 24	66099-1	PIN, CONTACT/2 FWD RECEPTACLE, 5 AFT/ .....	7		
	204228-3 203669-6	TERMINAL BLOCK .....	1		
		PIN, TERMINAL BLOCK CONTACT .....	10		

Beechcraft  
STARSHIP 1  
ILLUSTRATED PARTS CATALOG



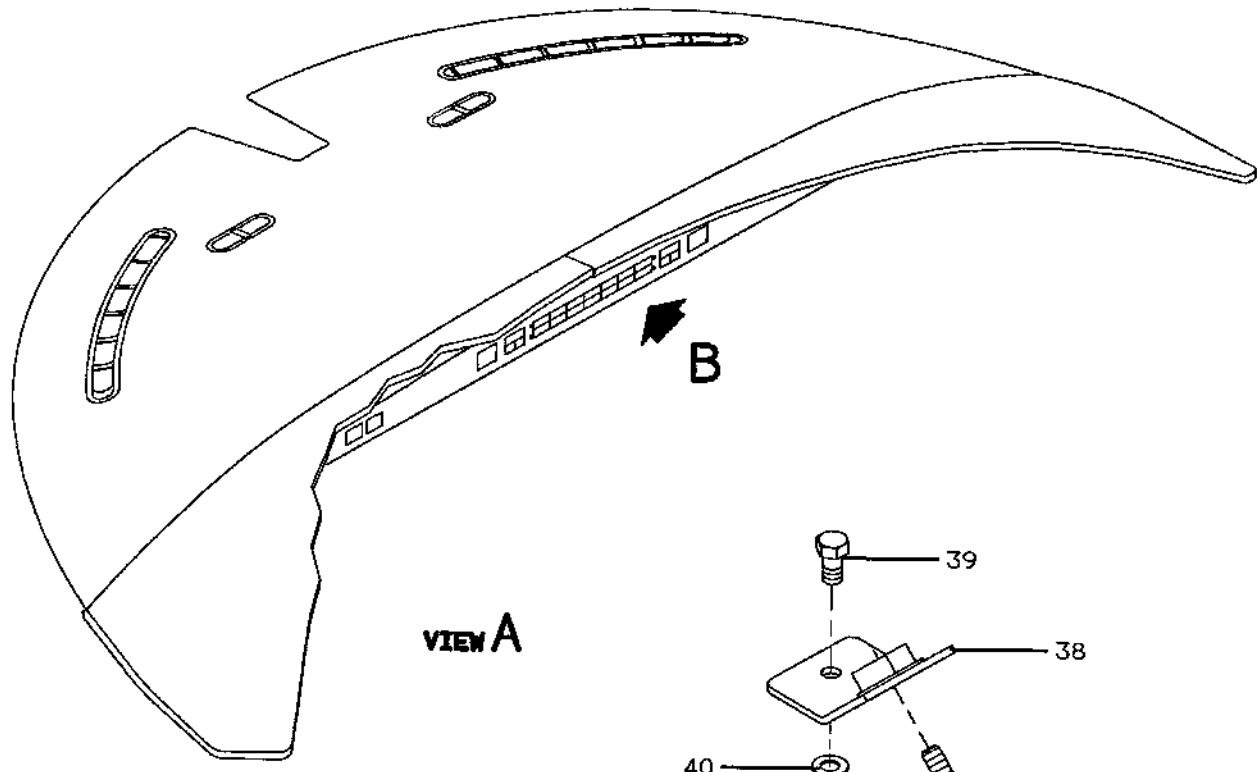
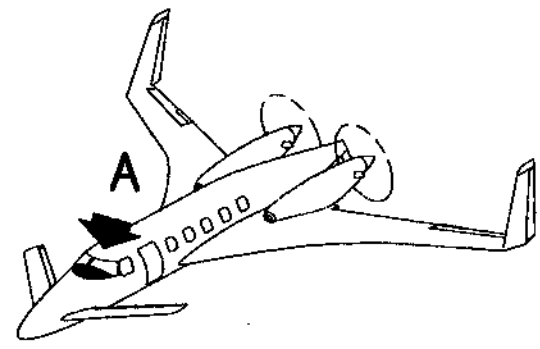
C93NC25A4654 C

FIGURE 10-70. GLARESHIELD ASSEMBLY  
/SHEET 2 OF 3 SHEETS/

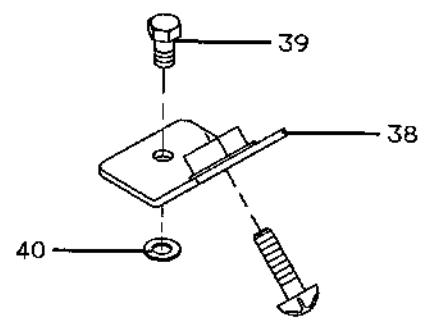
**Beechcraft**  
**STARSHIP 1**  
**ILLUSTRATED PARTS CATALOG**

SUB-SEC UNIT & ITEM NO	PART NO.	DESCRIPTION 1 2 3 4 5 6 7	UNITS	USABLE
			PER ASSY	ON CODE
10-70	MS9367-5-9	.. STRAP, WIRE BUNDLE TIE DOWN .....	3	
-25	NAS1096-3-6	.. SCREW .....	4	
-26	AN960-10L	.. WASHER .....	4	
-27	169-380021-9	.. HORN, STALL WARNING .....	2	
	130106ASM15S	.. CONNECTOR .....	1	
	205980-1	.. KIT, RETAINER .....	1	
-28	NAS1096-2-8	.. SCREW .....	4	
-29	100951NY032ZA	.. WASHER, NYLON .....	4	
-30	NAS47PO8B025	.. SPACER .....	4	
-31	122-364195-1	.. PRINTED CIRCUIT BOARD ASSY, STICK PUSHER .....	1	
		TIME DELAY		
-32	122-322213-1	.. GLARESHIELD ASSY .....	1	
	122-322213-3	.. COVER, GLARESHIELD VINYL .....	1	
	ABM2S-S6D	.. MOUNT .....	5	
-33	MS15985-8R7	.. SCREW .....	5	
-34	MS24693S52	.. SCREW .....	5	
	MS24693S5C	.. SCREW .....	5	
-35	NAS1169-8L	.. WASHER .....	10	
-36	122-322232-1	.. BRACKET ASSY, LH STICK PUSHER TIME .....	1	
		DELAY PRINTED CIRCUIT BOARD		
	122-322232-5	.. BRACKET ASSY, RH STICK PUSHER TIME .....	1	
		DELAY PRINTED CIRCUIT BOARD		
	MS21069L08	... NUTPLATE/4 ON 122-322232-5/ .....	10	
	MS21069L3	... NUTPLATE/2 ON 122-322232-5/ .....	4	
-37	122-322217-5	.. BRACKET, LH .....	1	3
	122-322217-6	.. BRACKET, RH .....	1	3

Beechcraft  
STARSHIP 1  
ILLUSTRATED PARTS CATALOG



VIEW A



VIEW B

C93NC25A465B C

**Beechcraft**  
**STARSHIP 1**  
**ILLUSTRATED PARTS CATALOG**

SUB-SEC UNIT & ITEM NO	PART NO.	DESCRIPTION 1 2 3 4 5 6 7	UNITS PER ASSY	USABLE ON CODE
10-70 -38	122-322063-7	. BRACKET ASSY .....	3	1
	122-322063-11	. BRACKET ASSY .....	3	2
		/ATTACHING PARTS/		
- 39	MS27039C1-11	. SCREW.....	1	
- 40	AN960-10L	. WASHER.....	1	
		—★—		
	MS21060-3	.. NUTPLATE.....	1	

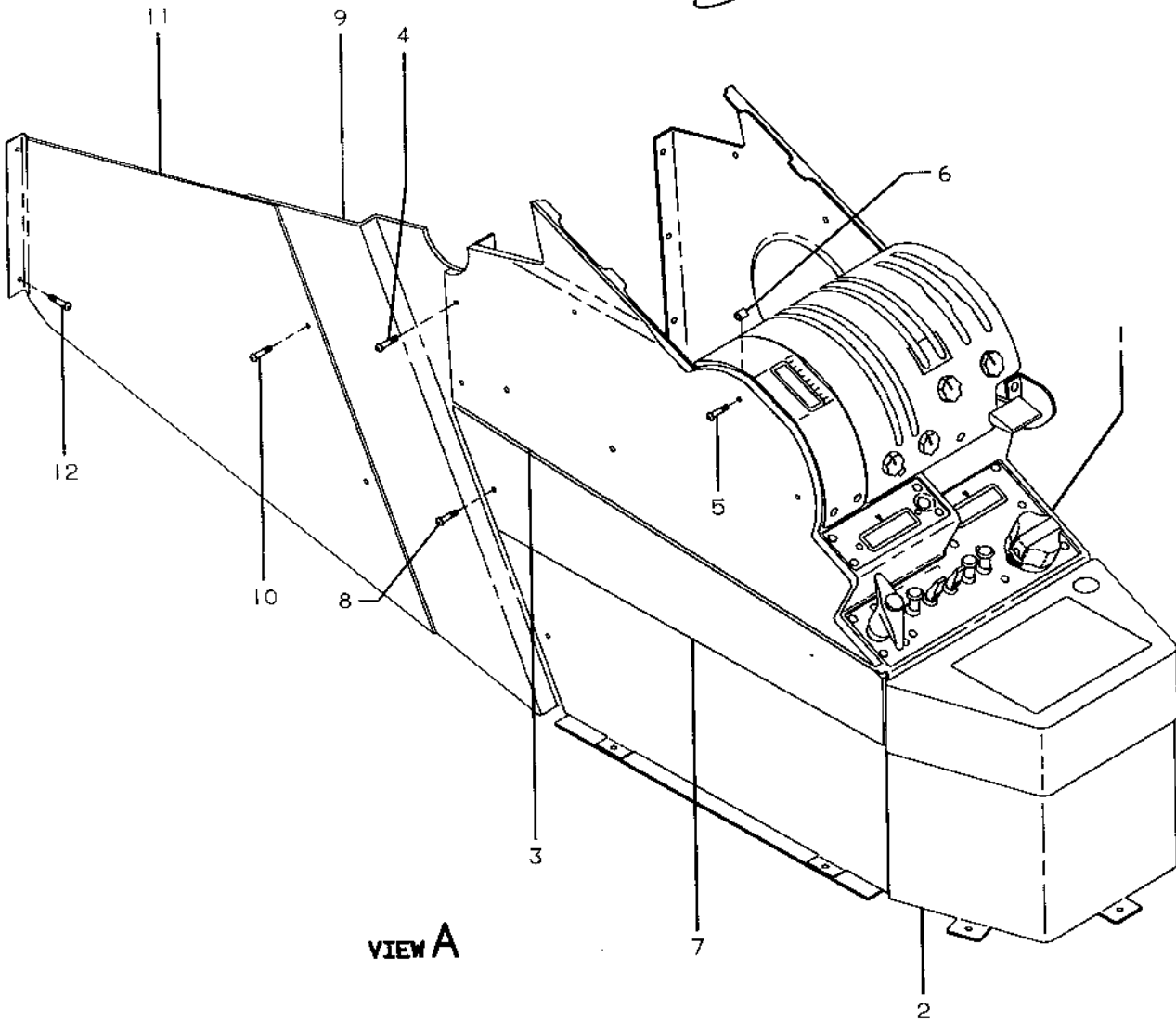
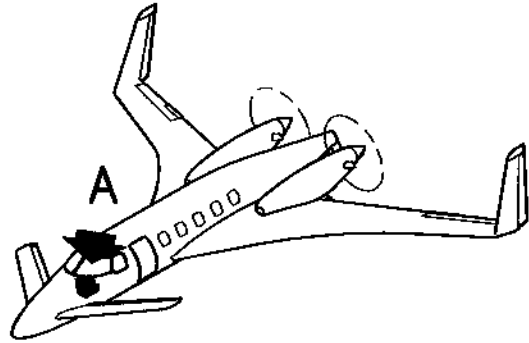
**CODES OF EFFECTIVITY**

1	NC-4 AND NC-5 NC-24 AND AFTER	2	NC-6 THRU NC-23
3	NC-21 AND AFTER	4	NC-4 THRU NC-53
5	NC-54 AND AFTER		

**Beechcraft**  
**STARSHIP 1**  
**ILLUSTRATED PARTS CATALOG**

**25-10-80**  
**PEDESTAL UPHOLSTERY**

Beechcraft  
STARSHIP 1  
ILLUSTRATED PARTS CATALOG



C9200444

FIGURE 10-80. PEDESTAL UPHOLSTERY



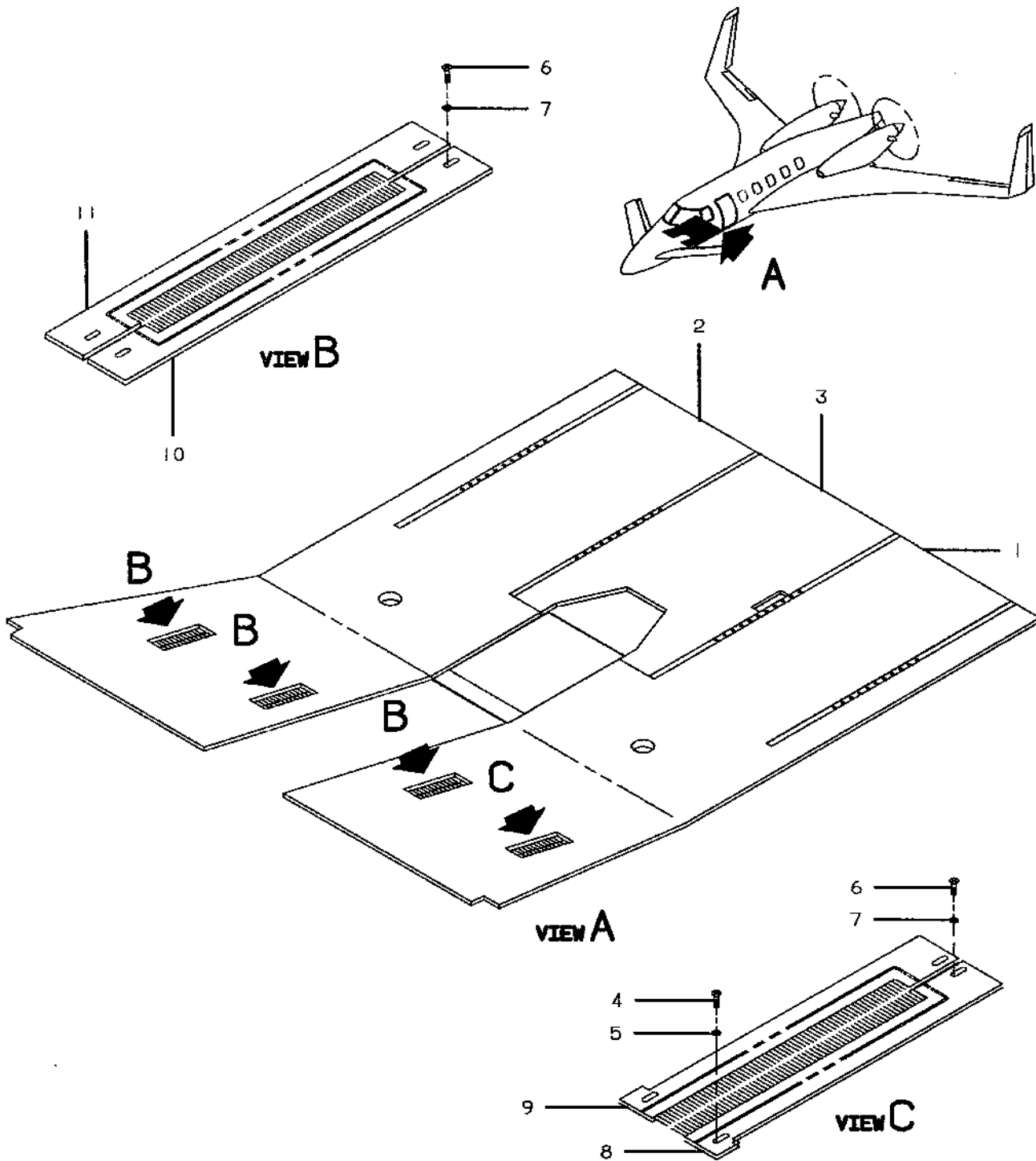
**Beechcraft**  
**STARSHIP 1**  
**ILLUSTRATED PARTS CATALOG**

SUB-SEC UNIT & ITEM NO	PART NO.	DESCRIPTION 1 2 3 4 5 6 7	UNITS PER ASSY	USABLE ON CODE
10-80	122-530193-1	UPHOLSTERY INSTL, PEDESTAL .....	NP	
- 1	122-530192-25	. COVER, TRIM SWITCHES PANEL TRIM .....	1	
- 2	122-530192-45	. PANEL ASSY, EXTENSION UPHOLSTERED .....	1	
- 3	122-530192-1	. PANEL ASSY, LH UPPER UPHOLSTERED SIDE .....	1	
	122-530192-35	. PANEL ASSY, RH UPPER UPHOLSTERED SIDE .....	1	
		/ATTACHING PARTS/		
- 4	MS27039-0808	. SCREW .....	2	
- 5	MS27039-0611	. SCREW .....	4	
- 6	NAS43DD3-7	. SPACER .....	4	
		-----★-----		
- 7	122-530192-107	. PANEL ASSY, LH LOWER UPHOLSTERED SIDE .....	1	
	122-530192-109	. PANEL ASSY, RH LOWER UPHOLSTERED SIDE .....	1	
		/ATTACHING PARTS/		
- B	MS27039-0808	. SCREW .....	2	
		-----★-----		
- 9	122-530192-85	. PANEL ASSY, LH UPHOLSTERED SIDE .....	1	
		/ATTACHING PARTS/		
-10	MS27039-0808	. SCREW .....	2	
		-----★-----		
-11	122-530192-91	. PANEL ASSY, LH UPHOLSTERED KICK .....	1	
	122-530192-99	. PANEL ASSY, RH UPHOLSTERED KICK .....	1	
		/ATTACHING PARTS/		
-12	MS27039-0805	. SCREW .....	2	
		-----★-----		
	MS21060L08	. NUTPLATE/RH ONLY/ .....	3	

**Beechcraft**  
**STARSHIP 1**  
**ILLUSTRATED PARTS CATALOG**

**25-10-90**  
**FLIGHT COMPARTMENT CARPET**  
**NC-4 THRU NC-20**

Beechcraft  
STARSHIP 1  
ILLUSTRATED PARTS CATALOG



C93NC25A4694 C

FIGURE 10-90.FLIGHT COMPARTMENT CARPET

**Beechcraft**  
**STARSHIP 1**  
**ILLUSTRATED PARTS CATALOG**

SUB-SEC UNIT & ITEM NO	PART NO.	DESCRIPTION 1 2 3 4 5 6 7	UNITS	USABLE
			PER ASSY	ON CODE
10-90	122-530241-1	CARPET INSTALLATION/WITH AISLE CONTAINER/ .....	NP	1
	122-530241-43	CARPET INSTALLATION/WITHOUT AISLE CONTAINER/ .....	NP	2
- 1	122-530241-3	. CARPET ASSY .....	1	1
- 2	122-530241-11	. CARPET ASSY .....	1	1
- 3	122-530241-7	. CARPET ASSY .....	1	1
- 4	MS35207-263	. SCREW .....	1	1
- 5	AN960-10L	. WASHER .....	1	1
- 6	MS35208-264	. SCREW .....	15	1
- 7	AN960-8L	. WASHER .....	15	1
- 8	122-530062-33	. BRUSH ASSY .....	1	1
- 9	122-530062-34	. BRUSH ASSY .....	1	1
- 10	122-530062-41	. BRUSH ASSY .....	3	1
- 11	122-530062-42	. BRUSH ASSY .....	3	1
	NAS1329A0BK75L	. RIVNUT .....	15	1
	122-530184-1	. FLOORMAT .....	2	1

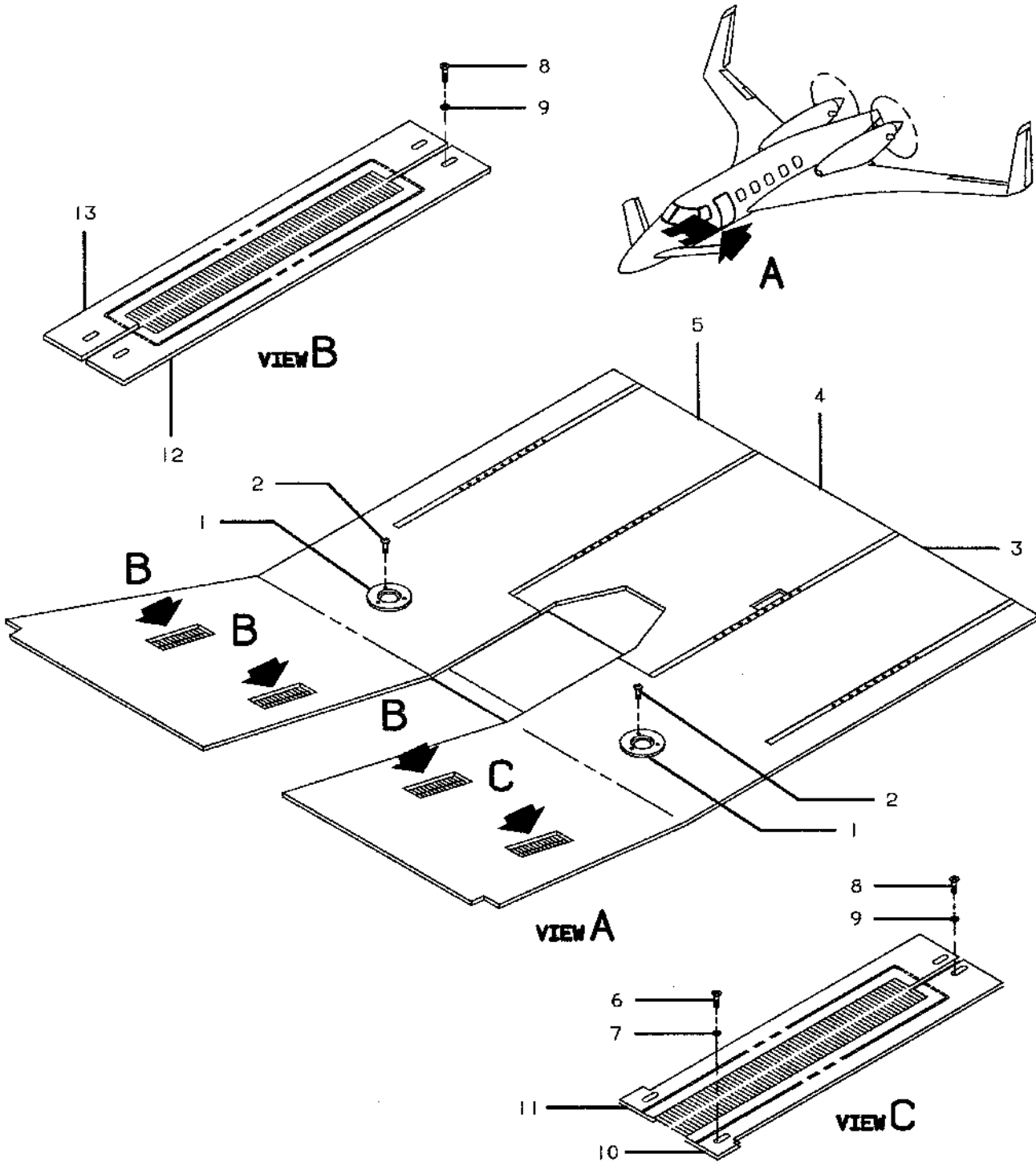
**CODES OF EFFECTIVITY**

1 NC-4 THRU NC-20                      2 NC-14 THRU NC-20

**Beechcraft**  
**STARSHIP 1**  
**ILLUSTRATED PARTS CATALOG**

**25-10-92**  
**FLIGHT COMPARTMENT CARPET**  
**NC-21 AND AFTER**

Beechcraft  
 STARSHIP 1  
 ILLUSTRATED PARTS CATALOG



C93NC25A4546 C

FIGURE 10-92.FLIGHT COMPARTMENT CARPET

**Beechcraft**  
**STARSHIP 1**  
**ILLUSTRATED PARTS CATALOG**

SUB-SEC UNIT & ITEM NO	PART NO.	DESCRIPTION 1 2 3 4 5 6 7	UNITS	USABLE
			PER ASSY	ON CODE
10-92	122-530379-1	CARPET INSTL, FLIGHT COMPARTMENT.....	NP	1
- 1	122-530379-43	. COVER.....	2	1
		/ATTACHING PARTS/		
- 2	NAS387-632-12	. SCREW.....	3	
		★		
- 3	122-530379-3	. CARPET ASSY.....	1	1
- 4	122-530379-7	. CARPET ASSY.....	1	1
- 5	122-530379-11	. CARPET ASSY.....	1	1
- 6	MS35207-263	. SCREW.....	1	1
- 7	AN960-10L	. WASHER.....	1	1
- 8	MS35206-264	. SCREW.....	15	1
- 9	AN960-8L	. WASHER.....	15	1
- 10	122-530062-33	. BRUSH ASSY.....	1	1
- 11	122-530062-34	. BRUSH ASSY.....	1	1
- 12	122-530062-41	. BRUSH ASSY.....	3	1
- 13	122-530062-42	. BRUSH ASSY.....	3	1
	122-530184-1	. FLOOR MAT.....	2	1
	NAS1329A08K75L	. RIVNUT.....	15	1

**CODES OF EFFECTIVITY**

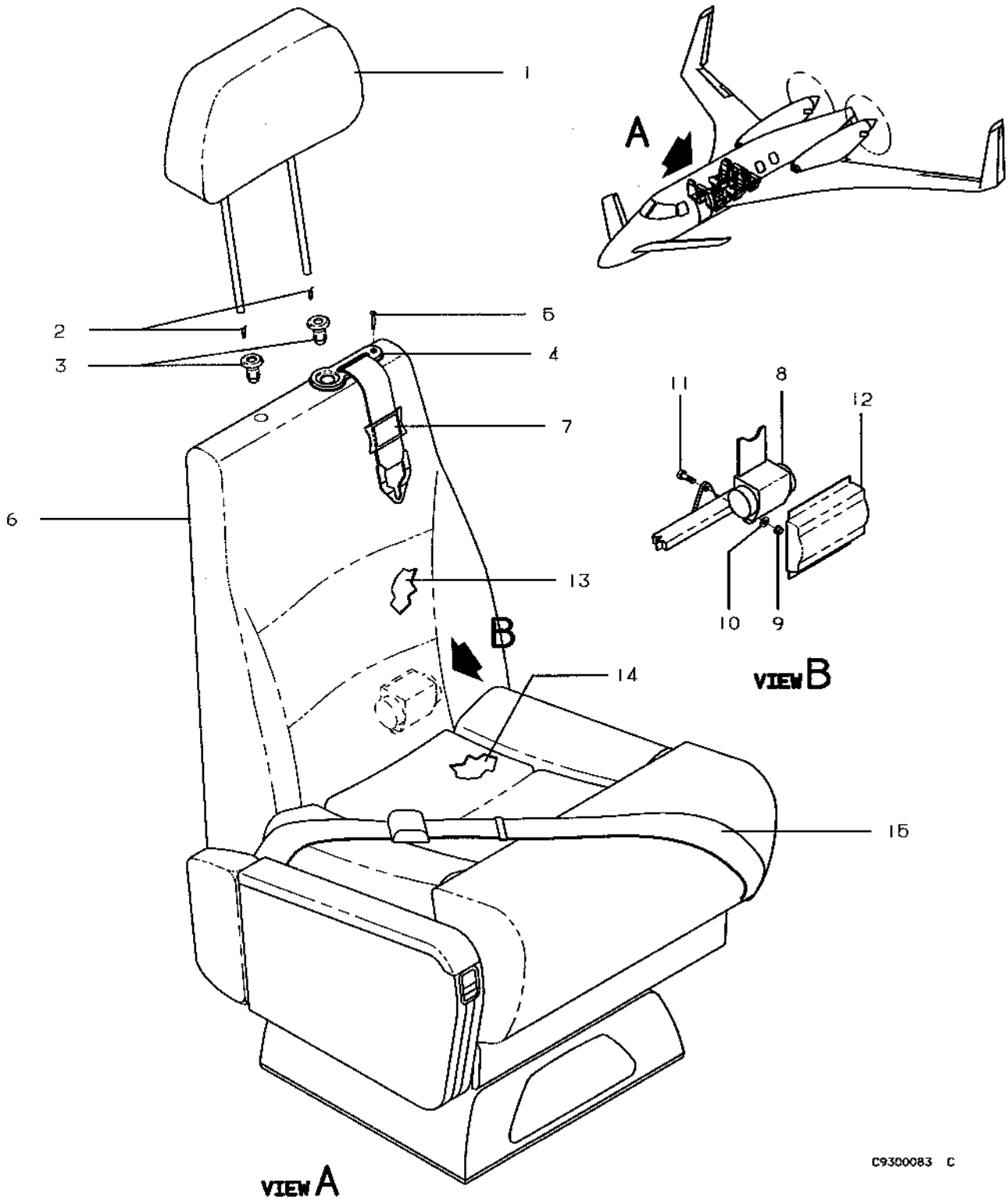
1 NC-21 AND AFTER

**Beechcraft**  
**STARSHIP 1**  
**ILLUSTRATED PARTS CATALOG**

**25-20-00**  
**PASSENGER SEATS**



Beechcraft  
STARSHIP 1  
ILLUSTRATED PARTS CATALOG



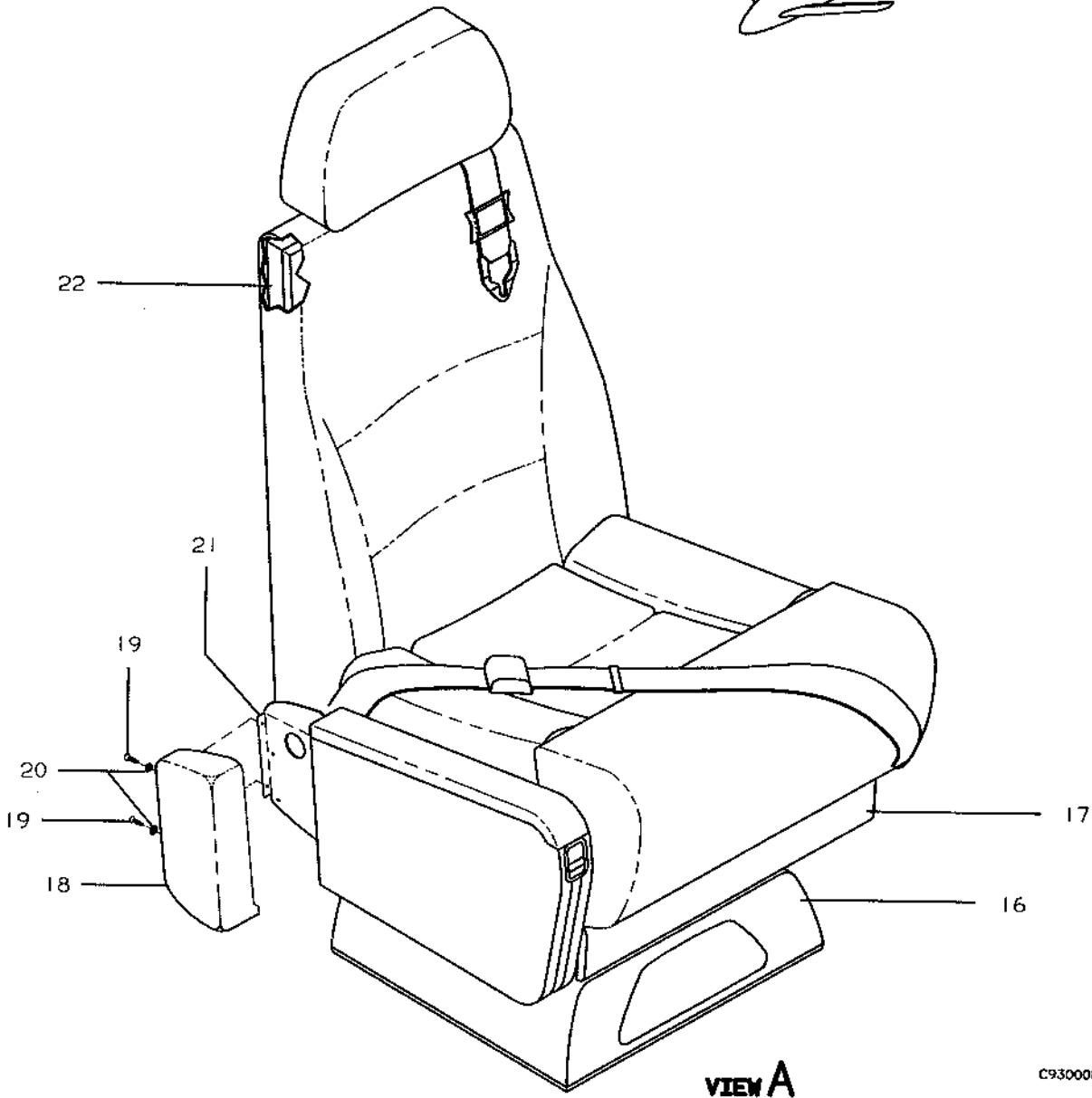
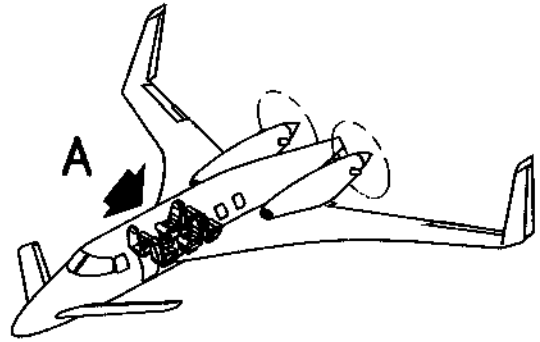
C9300083 C

FIGURE 20-00.PASSENGER SEATS  
/SHEET 1 OF 2 SHEETS/

**Beechcraft**  
**STARSHIP 1**  
**ILLUSTRATED PARTS CATALOG**

SUB-SEC UNIT & ITEM NO	PART NO.	DESCRIPTION 1 2 3 4 5 6 7	UNITS	USABLE
			PER ASSY	ON CODE
20-00	122-530263-1	SEAT INSTL, PASSENGER .....	NP	8
	122-530381-1	SEAT INSTL, PASSENGER .....	NP	5
	122-530264-2	SEAT ASSY/LH FWD, RH CTR/ .....	2	
	122-530264-1	SEAT ASSY/LH CTR, RH FWD/ .....	2	
	122-530264-4	SEAT ASSY/LH AFT/ .....	1	8
	122-530264-31	SEAT ASSY/LH AFT/ .....	1	9
	122-530264-1	SEAT ASSY/LH AFT/ .....	1	10
	122-530264-3	SEAT ASSY/RH AFT/ .....	1	8
	122-530264-32	SEAT ASSY/RH AFT/ .....	1	9
	122-530264-2	SEAT ASSY/RH AFT/ .....	1	10
	130569	PLACARD/SEAT IDENTIFICATION/ /ATTACHING PARTS/ .....	1	
	AN535-4-6	SCREW .....	2	
		★-----		
- 1	122-530264-19	HEADREST ASSY, UPHOLSTERED .....	1	
- 2	131345	SPRING .....	1	
- 3	130010-3	MOULDING, BLACK/ALTERNATE FOR 130010-5/ .....	2	
	130010-5	MOULDING, WHITE/ALTERNATE FOR 130010-3/ .....	2	
- 4	122-530301-5	COVER .....	1	7
	122-530301-1	COVER/ORDER 122-530301-5 FOR SPARES/ /ATTACHING PARTS/ .....	NP	6
- 5	NAS388-8-18	SCREW .....	1	
		★-----		
- 6	122-530264-7	COVER ASSY, SEAT BACK .....	1	
- 7	101-384083-1	PLATE, CHAIR & SHOULDER HARNESS INSTRUCTION .....	1	
- 8	58-380071-1	INERTIA REEL .....	1	
		/ATTACHING PARTS/ .....		
- 9	130909N43	NUT .....	1	
- 10	AN960-516	WASHER .....	1	
- 11	AN5-5A	BOLT .....	1	
		★-----		
- 12	101-531106-1	CUP .....	1	
- 13	122-530302-1	BACK CUSHION .....	1	
- 14	122-530264-5	CUSHION ASSY, BOTTOM UPHOLSTERED .....	1	
		/122-530264-1 & -2/ .....		
	122-530264-11	CUSHION ASSY, BOTTOM UPHOLSTERED .....	1	11
		/122-530264-3 & -31/ .....		
	122-530264-12	CUSHION ASSY, BOTTOM UPHOLSTERED .....	1	11
		/122-530264-4 & -32/ .....		
- 15	332101C5N5-14-42	BELT ASSY, SEAT .....	1	
		/ATTACHING PARTS/ .....		
	MS24665-130	PIN, COTTER .....	2	
		★-----		

Beechcraft  
STARSHIP 1  
ILLUSTRATED PARTS CATALOG



C9300084 C

FIGURE 20-00.PASSENGER SEATS  
/SHEET 2 OF 2 SHEETS/

**Beechcraft**  
**STARSHIP 1**  
**ILLUSTRATED PARTS CATALOG**

SUB-SEC UNIT & ITEM NO	PART NO.	DESCRIPTION 1 2 3 4 5 6 7	UNITS	USABLE
			PER ASSY	ON CODE
20-00 - 16	122-530264-23	.. SHROUD, FRONT BASE..... /122-530264-1,-3 & -31/	1	
	122-530264-24	.. SHROUD, FRONT BASE..... /122-530264-2,-4 & -32/	1	
	122-530264-25	.. SHROUD, REAR BASE..... /122-530264-1,-3 & -31/	1	
	122-530264-26	.. SHROUD, REAR BASE..... /122-530264-2,-4 & -32/	1	
- 17	122-530264-21	.. COVER ASSY, BASE.....	1	
- 18	122-530264-27	.. COVER ASSY, UPHOLSTERED PIVOT..... /122-530264-1,-3 & -31/	1	
	122-530264-28	.. COVER ASSY, UPHOLSTERED PIVOT..... /122-530264-2,-4 & -32/ /ATTACHING PARTS/	1	
- 19	NAS384-6-B	.. SCREW.....	2	
- 20	NAS390-6P	.. WASHER.....	2	
	131364-1	.. LOOP/1- WIDE/.....	1	
	131364-2	.. HOOK, -B -/1- WIDE/.....	1	
		*-----		
- 21	130-530082-9	.. BRACKET, PIVOT COVER ASSY..... /122-530264-1,-3 & -31/	1	
	130-530082-10	.. BRACKET, PIVOT COVER ASSY..... /122-530264-2,-4 & -32/	1	
- 22	122-384107-1	.. CHAIR ASSY, UNUPHOL/122-530264-1/..... /ORDER 122-384107-11 FOR SPARES/	NP	1
	122-384107-7	.. CHAIR ASSY, UNUPHOL/122-530264-1/..... /ORDER 122-384107-11 FOR SPARES/	NP	3
	122-384107-11	.. CHAIR ASSY, UNUPHOL/122-530264-1/.....	1	2
	122-384107-2	.. CHAIR ASSY, UNUPHOL/122-530264-2/..... /ORDER 122-384107-12 FOR SPARES/	NP	1
	122-384107-8	.. CHAIR ASSY, UNUPHOL/122-530264-2/..... /ORDER 122-384107-12 FOR SPARES/	NP	3
	122-384107-12	.. CHAIR ASSY, UNUPHOL/122-530264-2/.....	1	2
	122-384107-3	.. CHAIR ASSY, UNUPHOL/122-530264-3/..... /ORDER 122-384107-13 FOR SPARES/	NP	1
	122-384107-9	.. CHAIR ASSY, UNUPHOL/122-530264-3/..... /ORDER 122-384107-13 FOR SPARES/	NP	3
	122-384107-13	.. CHAIR ASSY, UNUPHOL/122-530264-3/.....	1	4
	122-384107-4	.. CHAIR ASSY, UNUPHOL/122-530264-4/..... /ORDER 122-384107-14 FOR SPARES/	NP	1
	122-384107-10	.. CHAIR ASSY, UNUPHOL/122-530264-4/..... /ORDER 122-384107-14 FOR SPARES/	NP	3
	122-384107-14	.. CHAIR ASSY, UNUPHOL/122-530264-4/.....	1	4
	122-384107-15	.. CHAIR ASSY, UNUPHOL/122-530264-31/.....	1	9
	122-384107-16	.. CHAIR ASSY, UNUPHOL/122-530264-32/.....	1	9

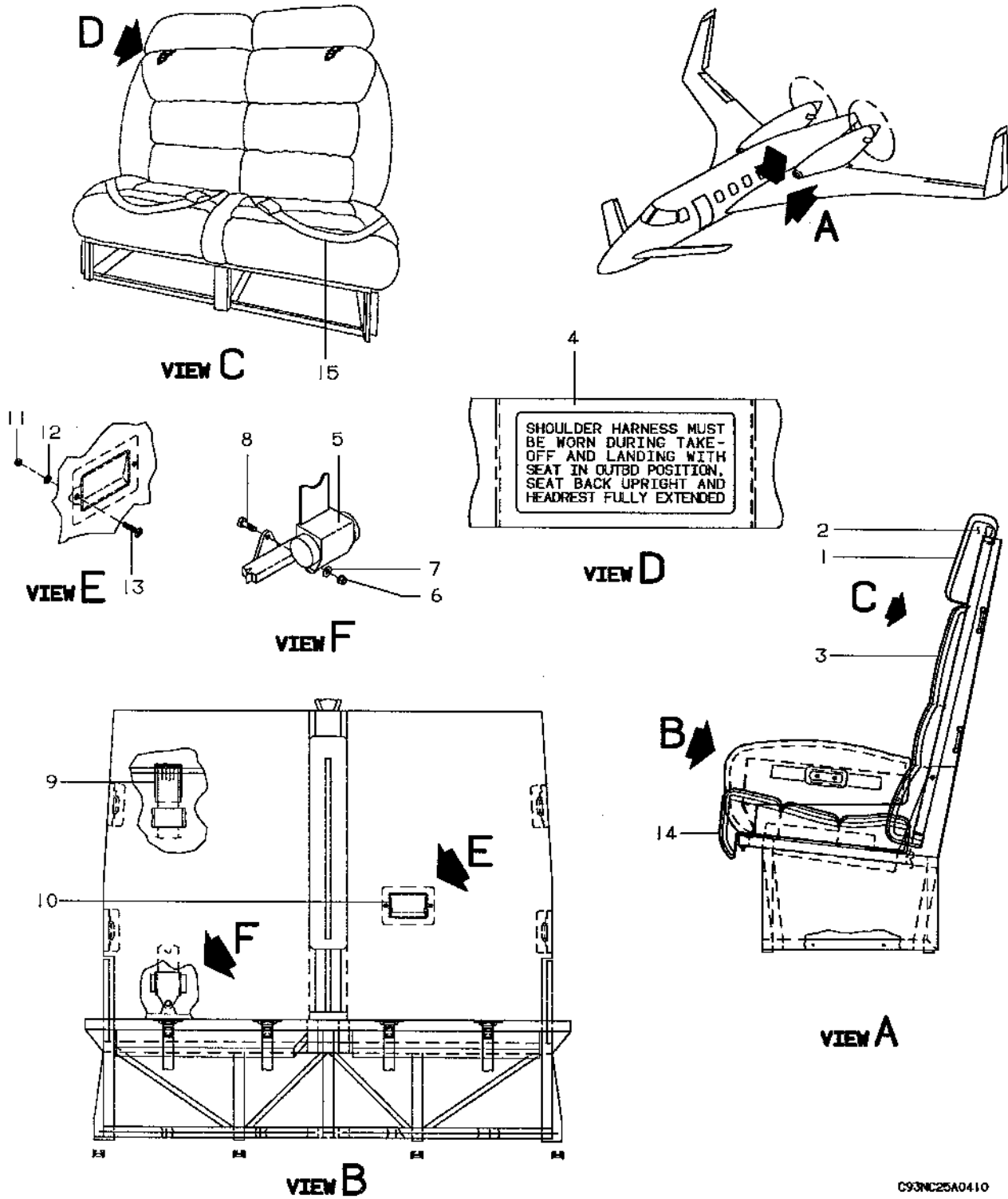
**CODES OF EFFECTIVITY**

1	NC-4 AND NC-5	2	NC-13 AND AFTER
3	NC-6 THRU NC-12	4	NC-13 THRU NC-20
5	NC-21 AND AFTER	6	NC-4 THRU NC-40
7	NC-41 AND AFTER	8	NC-4 THRU NC-20
9	NC-21 THRU NC-25	10	NC-26 AND AFTER
11	NC-4 THRU NC-25		

**Beechcraft**  
**STARSHIP 1**  
**ILLUSTRATED PARTS CATALOG**

**25-20-10**  
**AFT TWO PLACE COUCH**  
**NC-4 THRU NC-20**

**Beechcraft**  
**STARSHIP 1**  
**ILLUSTRATED PARTS CATALOG**



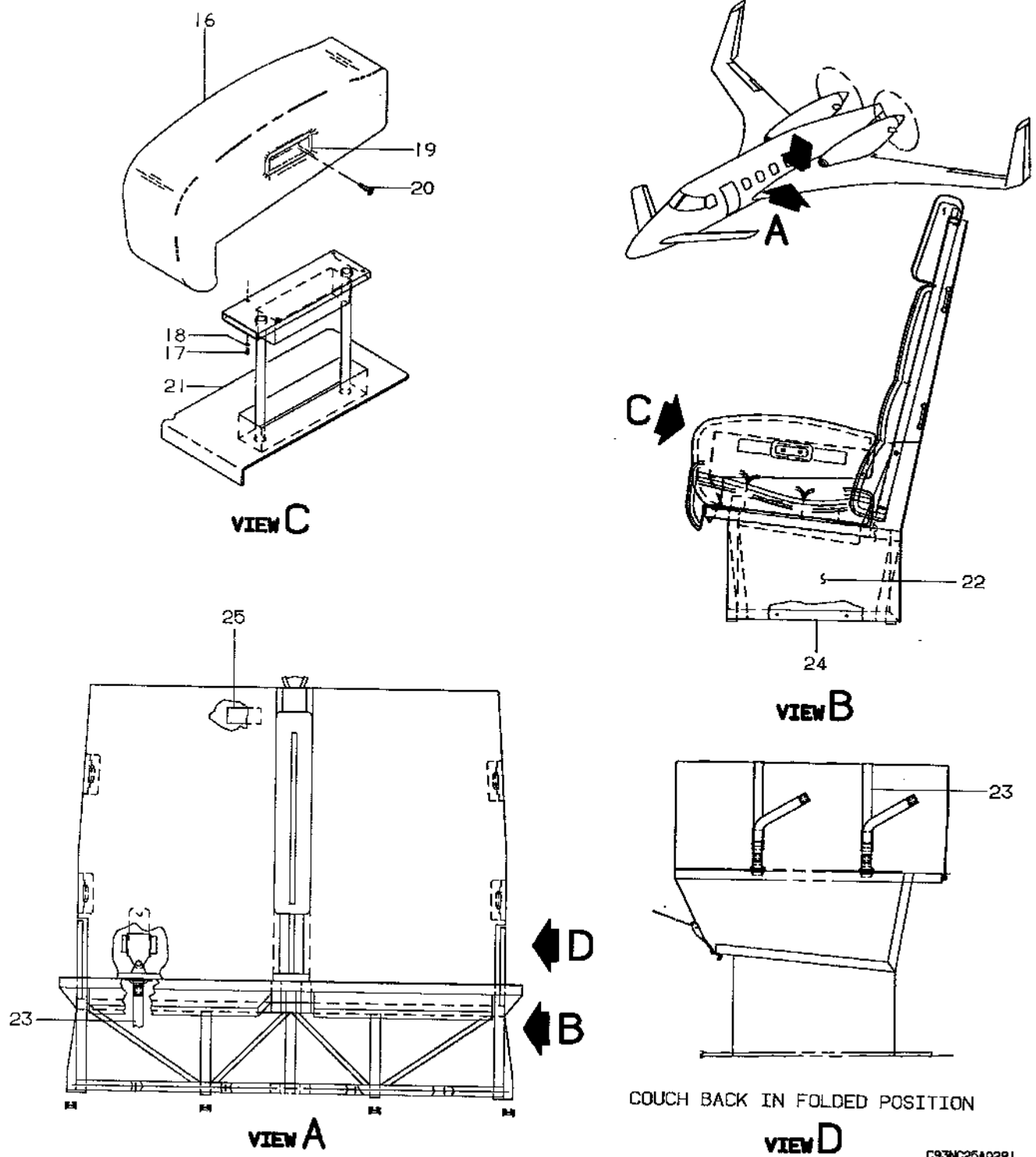
C93NC25A0410

**FIGURE 20-10.AFT TWO PLACE COUCH**  
**/SHEET 1 OF 2 SHEETS/**

**Beechcraft**  
**STARSHIP 1**  
**ILLUSTRATED PARTS CATALOG**

SUB-SEC UNIT & ITEM NO	PART NO.	DESCRIPTION 1 2 3 4 5 6 7	UNITS	USABLE
			PER ASSY	ON CODE
20-10	122-530211-1	COUCH ASSY, AFT TWO PLACE.....	1	1
	122-530211-25	COUCH ASSY, AFT TWO PLACE.....	1	2
- 1	122-530211-7	. COVER, LH HEADREST .....	1	3
	122-530211-8	. COVER, RH HEADREST .....	1	3
- 2	122-530211-13	. CUSHION, HEADREST .....	2	3
- 3	122-530211-5	. COVER ASSY, LH UPHOLSTERED BACK .....	1	3
	122-530211-6	. COVER ASSY, RH UPHOLSTERED BACK .....	1	3
- 4	101-384083-1	. PLATE, CHAIR & SHOULDER HARNESS INSTRUCTION .....	2	3
- 5	58-380071-1	. INERTIA REEL, SHOULDER HARNESS .....	2	3
		/ATTACHING PARTS/		
- 6	130909N24	. NUT .....	1	
- 7	AN960-516L	. WASHER .....	1	
- 8	AN5-5A	. BOLT .....	1	
		-----*		
- 9	122-530334-1	. SHEATH, SHOULDER HARNESS .....	2	3
- 10	122-530333-1	. CUP, COUCH BACK .....	1	3
		/ATTACHING PARTS/		
- 11	130909N28	. NUT .....	2	
- 12	AN960-8L	. WASHER .....	2	
- 13	MS24693S51	. SCREW .....	2	
		-----*		
- 14	122-530211-3	. CUSHION ASSY, LH UPHOLSTERED BOTTOM .....	1	3
	122-530211-4	. CUSHION ASSY, RH UPHOLSTERED BOTTOM .....	1	3
- 15	332101C2N5-14-42	. SEAT BELT ASSY .....	2	3
		/ATTACHING PARTS/		
	MS24665-130	. PIN, COTTER .....	2	
		-----*		

**Beechcraft**  
**STARSHIP 1**  
**ILLUSTRATED PARTS CATALOG**



C93MC25A0291

**FIGURE 20-10.AFT TWO PLACE COUCH**  
**/SHEET 2 OF 2 SHEETS/**



**Beechcraft**  
**STARSHIP 1**  
**ILLUSTRATED PARTS CATALOG**

SUB-SEC UNIT & ITEM NO	PART NO.	DESCRIPTION 1 2 3 4 5 6 7	UNITS	USABLE
			PER ASSY	ON CODE
20-10	122-530329-1	. ARMREST INSTL, COUCH.....	NP	3
- 16	122-530330-1	. . ARMREST ASSY, COUCH UPHOLSTERED..... /ATTACHING PARTS/	1	3
- 17	MS35207-264	. . SCREW.....	4	
- 18	AN960-10L	. . WASHER.....	4	
		---★---		
- 19	122-530332-1	. . . HANDLE, ARMREST..... /ATTACHING PARTS/	2	3
- 20	AN525-832R8	. . . SCREW.....	2	
		---★---		
- 21	122-530329-3	. . COVER ASSY.....	1	3
- 22	122-530335-1	. COVER, COUCH FRAME LH END.....	1	3
	122-530335-2	. COVER, COUCH FRAME RH END.....	1	3
- 23	122-530336-1	. BAGGAGE WEB, AFT COUCH.....	1	3
	SJ3402	. HOOK, -B-/1- WIDE/.....	AR	3
	SJ3408	. LOOP, /2- WIDE/.....	AR	3
	SJ3509	. HOOK, -B-/2- WIDE/.....	AR	3
- 24	122-384104-3	. FRAME ASSY, COUCH.....	1	2
	122-384104-1	. FRAME ASSY, COUCH.....	1	1
- 25	122-530211-15	. PLATE.....	1	3

**CODES OF EFFECTIVITY**

- |   |                 |   |                  |
|---|-----------------|---|------------------|
| 1 | NC-4 THRU NC-9  | 2 | NC-10 THRU NC-20 |
| 3 | NC-4 THRU NC-20 |   |                  |

**Beechcraft**  
**STARSHIP 1**  
**ILLUSTRATED PARTS CATALOG**

**25-21-00**  
**CABIN WINDOW PANELS**  
**NC-4 THRU NC-20**

Beechcraft  
STARSHIP 1  
ILLUSTRATED PARTS CATALOG

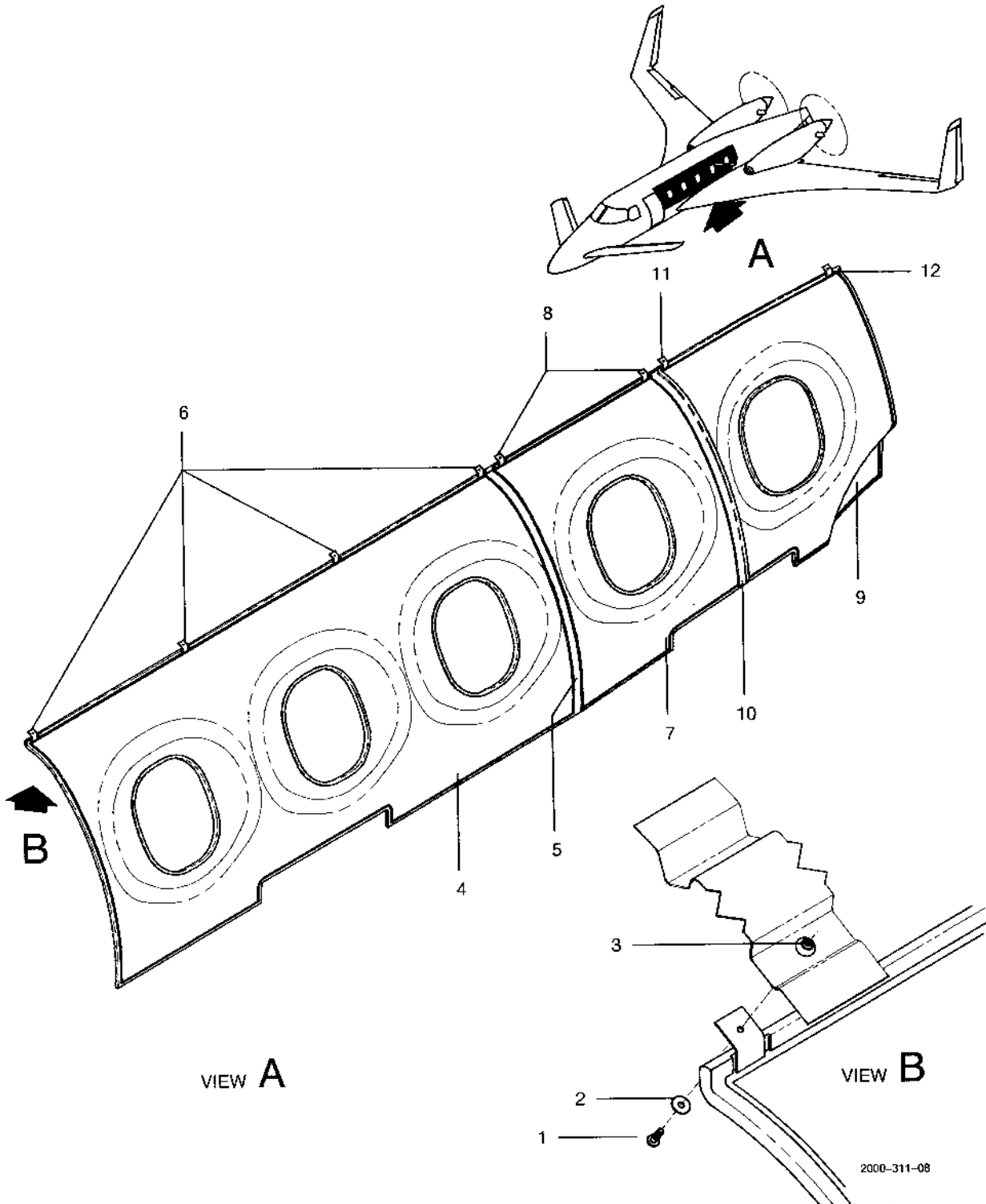


FIGURE 21-00. CABIN WINDOW PANELS

**Beechcraft**  
**STARSHIP 1**  
**ILLUSTRATED PARTS CATALOG**

SUB-SEC UNIT & ITEM NO	PART NO.	DESCRIPTION 1 2 3 4 5 6 7	UNITS	USABLE
			PER ASSY	ON CODE
21-00	122-530224-1	PANEL INSTL, CABIN WINDOW UPHOLSTERY .....	NP	1
- 1	MS27039-0810	. SCREW .....	14	1
- 2	AN960-8	. WASHER .....	14	1
- 3	S8P150CFI	. WELLNUT .....	14	1
- 4	122-530225-1	. PANEL ASSY, LH/STA 203.50 TO STA 288.00/ .....	1	2
	122-530225-23	. PANEL ASSY, LH/STA 203.50 TO STA 288.00/ .....	1	3
	122-530225-2	. PANEL ASSY, RH/STA 203.50 TO STA 288.00/ .....	1	2
	122-530225-24	. PANEL ASSY, RH/STA 203.50 TO STA 288.00/ .....	1	3
- 5	122-530225-9	. BRACKET ASSY, LH/STA 288.60/ .....	1	1
	122-530225-10	. BRACKET ASSY, RH/STA 288.60/ .....	1	1
- 6	122-530225-13	. BRACKET, LH AND RH .....	4	1
- 7	122-530225-3	. PANEL ASSY, LH/STA 290.49 TO STA 318.30/ .....	1	2
	122-530225-25	. PANEL ASSY, LH/STA 290.49 TO STA 318.30/ .....	1	3
- 8	122-530225-13	. BRACKET .....	2	1
- 9	122-530227-1	. PANEL ASSY, LH/STA 321.30 TO STA 355.50/ .....	1	2
	122-530227-11	. PANEL ASSY, LH/STA 321.30 TO STA 355.50/ .....	1	3
	122-530227-2	. PANEL ASSY, RH/STA 321.30 TO STA 355.50/ .....	1	1
	122-530227-12	. PANEL ASSY, RH/STA 321.30 TO STA 355.50/ .....	1	3
- 10	122-530227-5	. SUPPORT ASSY .....	1	1
	122-530227-6	. SUPPORT ASSY, RH .....	1	1
- 11	122-530225-13	. BRACKET/STA 321.84/ .....	1	1
- 12	122-530227-9	. BRACKET/STA 354.00/ .....	1	1

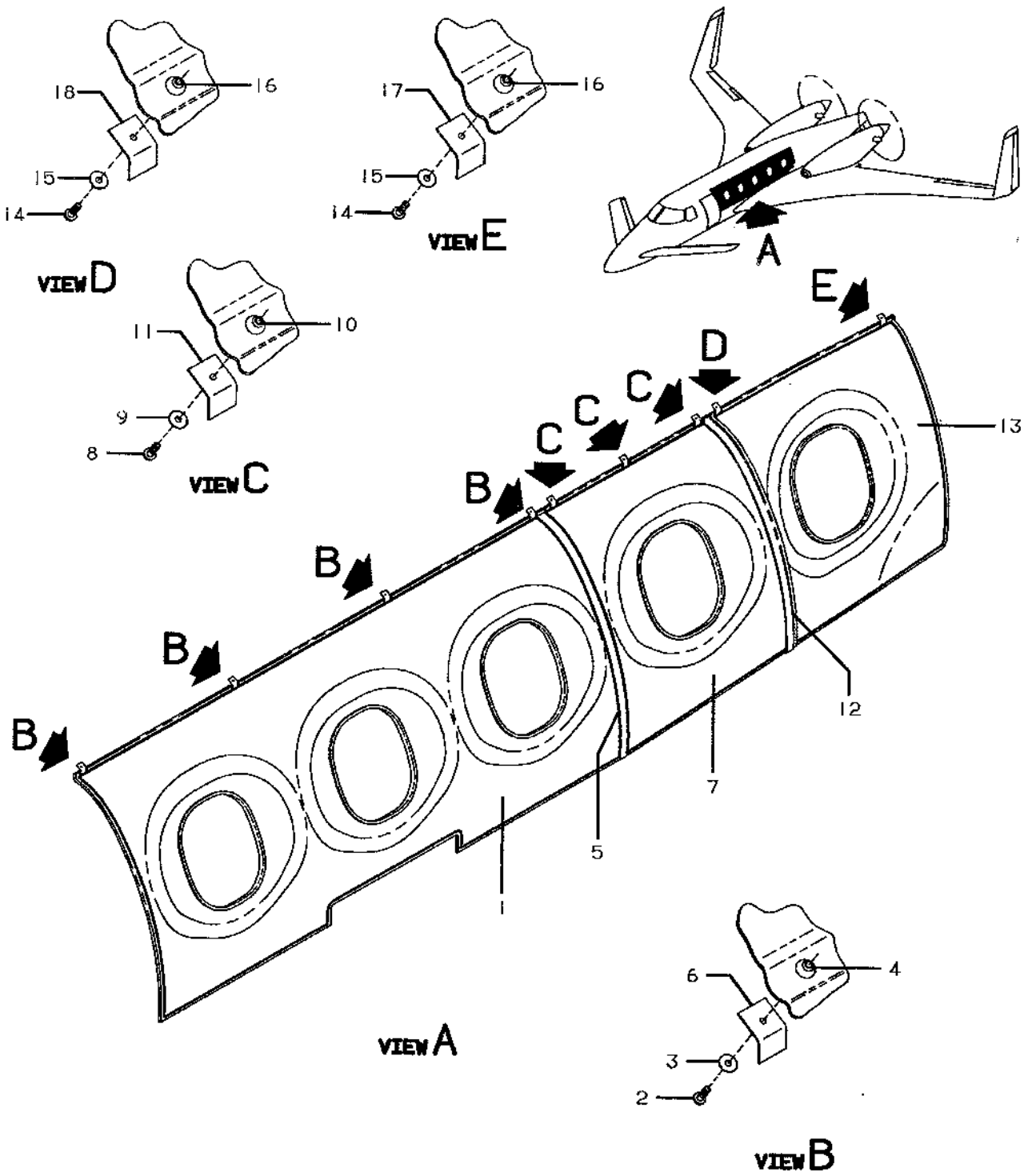
**CODES OF EFFECTIVITY**

- |                    |                   |
|--------------------|-------------------|
| 1 NC-4 THRU NC-20  | 2 NC-4 THRU NC-14 |
| 3 NC-15 THRU NC-20 |                   |

**Beechcraft**  
**STARSHIP 1**  
**ILLUSTRATED PARTS CATALOG**

**25-21-05**  
**CABIN WINDOW PANELS**  
**NC-21 AND AFTER**

Beechcraft  
STARSHIP 1  
ILLUSTRATED PARTS CATALOG



C93NC26A4627 C

FIGURE 21-05.CABIN WINDOW PANELS

**Beechcraft**  
**STARSHIP 1**  
**ILLUSTRATED PARTS CATALOG**

SUB-SEC UNIT & ITEM NO	PART NO.	DESCRIPTION 1 2 3 4 5 6 7	UNITS PER ASSY	USABLE ON CODE
21-05	122-530374-1	PANEL INSTL, CABIN WINDOW .....	NP	1
- 1	122-530375-1	. PANEL ASSY, LH FWD .....	1	1
	122-530375-3	. PANEL ASSY, RH FWD .....	1	1
		/ATTACHING PARTS/		
- 2	MS27039-0810	. SCREW .....	4	
- 3	AN960-8	. WASHER .....	4	
		---★---		
- 4	S8P150CSI	. PLUSNUT .....	4	
	SJ3552	. FASTENER, DUAL LOCK .....	4	2
- 5	122-530225-9	. BRACKET ASSY, LH PANEL .....	1	1
	122-530225-10	. BRACKET ASSY, RH PANEL .....	1	1
- 6	122-530225-13	. BRACKET .....	4	1
- 7	122-530375-5	. PANEL ASSY, LH CENTER .....	1	1
	122-530375-7	. PANEL ASSY, RH CENTER .....	1	1
		/ATTACHING PARTS/		
- 8	MS27039-0810	. SCREW/2 EACH FOR 122-530375-7/ .....	3	
- 9	AN960-8	. WASHER/2 EACH FOR 122-530375-7/ .....	3	
- 10	S8P150CSI	. PLUSNUT/2 EACH FOR 122-530375-7/ .....	3	
		---★---		
- 11	122-530225-13	. BRACKET/2 EACH FOR 122-530375-7/ .....	3	1
- 12	122-530227-6	. SUPPORT ASSY/122-530375-7/ .....	1	1
	SJ3552	. FASTENER, DUAL LOCK/122-530375-5/ .....	4	2
- 13	122-530376-1	. PANEL ASSY, LH AFT .....	1	1
		/ATTACHING PARTS/		
- 14	MS27039-0810	. SCREW .....	2	3
	MS27039-1-07	. SCREW .....	2	
- 15	AN960-8	. WASHER .....	2	3
	AN960-10L	. WASHER .....	2	2
- 16	S8P150CSI	. PLUSNUT .....	2	3
		---★---		
- 17	122-530222-3	. SPACER .....	AR	2
	122-530376-7	. BRACKET, AFT ATTACH POINT .....	1	1
- 18	122-530225-13	. BRACKET, FWD ATTACH POINT .....	1	1
	SJ3552	. FASTENER, DUAL LOCK .....	4	2
	122-530376-2	. PANEL ASSY, RH AFT .....	1	1
		/ATTACHING PARTS/		
	MS27039-0810	. SCREW .....	2	3
	MS27039-1-07	. SCREW, AFT ATTACH POINT .....	1	2
	MS27039-1-13	. SCREW, FWD ATTACH POINT .....	1	2
	AN960-8	. WASHER .....	2	3
	AN960-10L	. WASHER .....	2	2
	100951P250ZW	. SPACER, FWD ATTACH POINT .....	AR	2
	100951P125ZW	. SPACER, FWD ATTACH POINT .....	AR	2
	100951P062ZW	. SPACER, FWD ATTACH POINT .....	AR	2
	122-530222-3	. SPACER, AFT ATTACH POINT .....	1	2
		---★---		
	122-530376-7	. BRACKET, AFT ATTACH POINT .....	1	1
	122-530225-13	. BRACKET, FWD ATTACH POINT .....	1	1
	SJ3552	. FASTENER, DUAL LOCK .....	4	2

**CODES OF EFFECTIVITY**

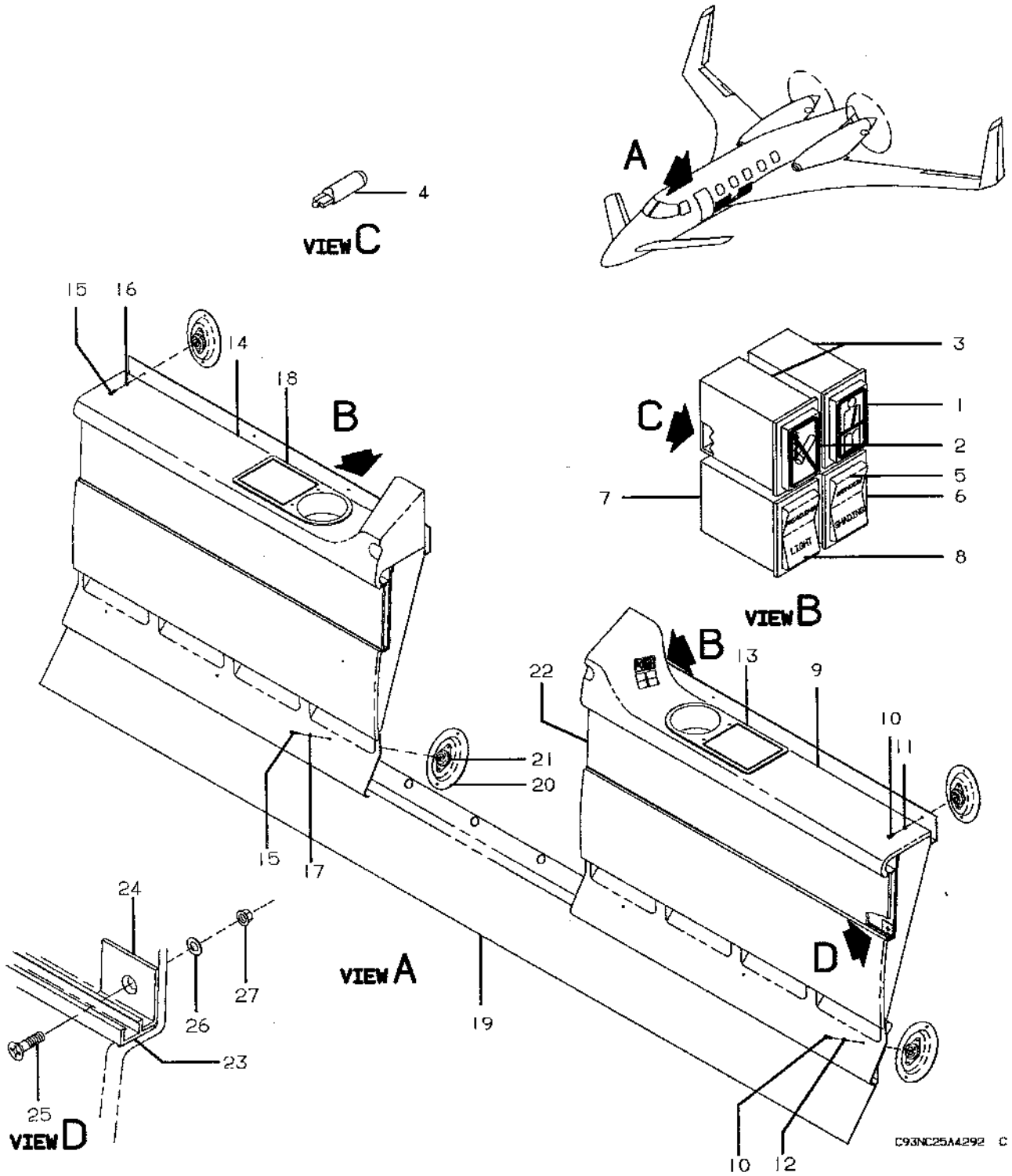
1 NC-21 AND AFTER                      2 NC-22 AND AFTER  
3 NC-21 ONLY

**Beechcraft**  
**STARSHIP 1**  
**ILLUSTRATED PARTS CATALOG**

**25-21-20**  
**CABIN LOWER SIDEWALL UPHOLSTERY**  
**NC-4 THRU NC-20**



**Beechcraft**  
**STARSHIP 1**  
**ILLUSTRATED PARTS CATALOG**



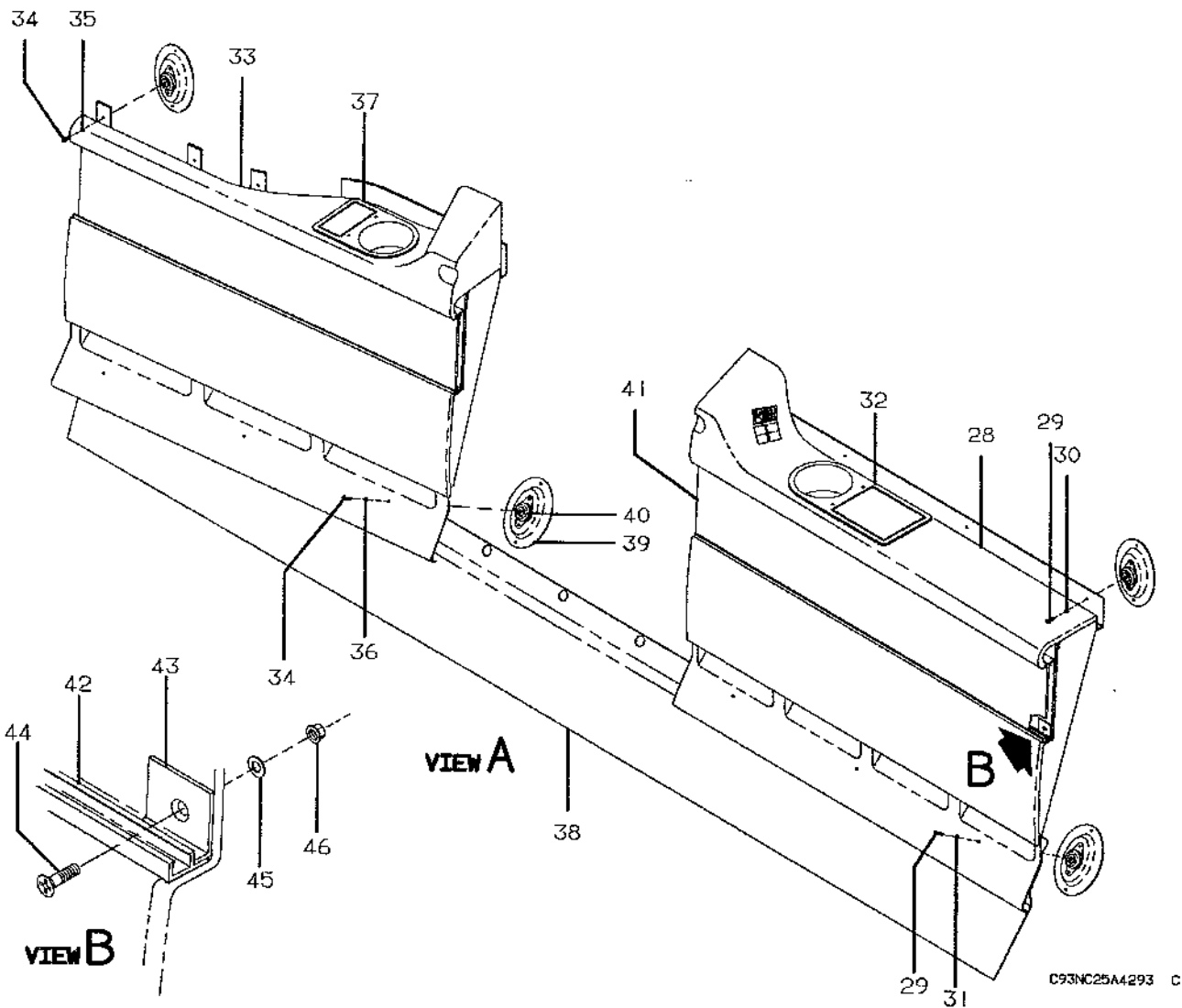
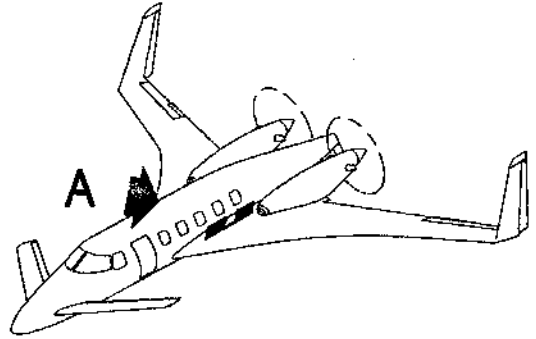
C93NC25A4.292 C

**FIGURE 21-20. CABIN LWR SIDEWALL UPHOLSTERY**  
**/SHEET 1 OF 2 SHEETS/**

**Beechcraft**  
**STARSHIP 1**  
**ILLUSTRATED PARTS CATALOG**

SUB-SEC UNIT & ITEM NO	PART NO.	DESCRIPTION 1 2 3 4 5 6 7	UNITS PER ASSY	USABLE ON CODE
21-20	122-530228-1	CABIN CONSOLE INSTL WITH AFT TABLE/.....	NP	1
	122-530228-3	CABIN CONSOLE INSTL WITHOUT AFT TABLE/.....	NP	2
	122-530279-1	. SWITCH INSTL, CONSOLE.....	NP	1
- 1	AML51F40R-FSB	.. CAP, INDICATOR/FASTEN SEAT BELTS/.....	8	1
- 2	AML5140R-SMK	.. CAP, INDICATOR/NO SMOKING/.....	8	1
- 3	AML41GBA2	.. INDICATOR, LIGHTED.....	16	1
- 4	85	.. LAMP, INDICATOR.....	16	1
- 5	AML24EBA2AC05	.. SWITCH, WINDOW SHADING.....	8	1
- 6	AML54F20K-W	.. BUTTON, ROCKER SWITCH.....	8	1
- 7	AML24EBA2AC01	.. SWITCH, READING LIGHT.....	8	1
- 8	AML54F20K-R	.. SWITCH BUTTON, ROCKER.....	8	1
	207443-1	.. CONNECTOR.....	4	1
	66103-1	.. CONTACT, PIN.....	64	1
- 9	122-530229-1	. CONSOLE ASSY, LH UPHOLSTERED/STA 203.25 TO.....	1	1
		STA 231.82/		
	122-530229-2	. CONSOLE ASSY, RH UPHOLSTERED/STA 203.25 TO.....	1	1
		STA 231.82/		
		/ATTACHING PARTS/		
- 10	MS27039-1-05	. SCREW.....	6	
- 11	100951CR040ZL	. WASHER.....	2	
- 12	AN960-10L	. WASHER.....	3	
	100951P123ZW	. WASHER.....	AR	
	100951P062ZW	. WASHER.....	AR	
		-----★-----		
- 13	122-384123-1	.. ASHTRAY/CUPHOLDER ASSY, LH.....	1	1
	122-384123-2	.. ASHTRAY/CUPHOLDER ASSY, RH.....	1	1
	SJ3551	.. FASTENER.....	AR	1
- 14	122-530229-7	. CONSOLE ASSY, LH UPHOLSTERY/STA 251.94 TO.....	1	1
		STA 280.26/		
	122-530229-8	. CONSOLE ASSY, RH UPHOLSTERY/STA 251.94 TO.....	1	1
		STA 280.26/		
		/ATTACHING PARTS/		
- 15	MS27039-1-05	. SCREW.....	6	
- 16	100951CR040ZL	. WASHER.....	3	
- 17	AN960-10L	. WASHER.....	3	
	100951P123ZW	. WASHER.....	AR	
	100951P062ZW	. WASHER.....	AR	
		-----★-----		
- 18	122-384123-1	.. ASHTRAY/CUPHOLDER ASSY, LH.....	1	1
	122-384123-2	.. ASHTRAY/CUPHOLDER ASSY, RH.....	1	1
	SJ3551	.. FASTENER.....	AR	1
	122-530240-1	SIDEWALL INSTL, CABIN LOWER.....	NP	1
- 19	122-530240-3	. PANEL, LH LOWER SIDEWALL.....	1	1
	122-530240-4	. PANEL, RH LOWER SIDEWALL.....	1	1
- 20	122-430012-1	SUPPORT ASSY, UPHOLSTERED MOUNTING.....	12	1
- 21	122-384052-1	. ISOLATOR, VIBRATION.....	12	1
	122-530348-3	PANEL INSTL, FIXED.....	NP	1
	122-530348-1	PANEL INSTL, FIXED/RH FWD/.....	NP	1
- 22	122-530348-17	. PANEL ASSY/122-530348-3/.....	3	1
	122-530348-15	. PANEL ASSY/122-530348-1/.....	1	1
- 23	122-530348-9	. TRACK/122-530348-3/.....	2	1
	122-530348-7	. TRACK/122-530348-1/.....	2	1
- 24	122-530348-13	. BRACKET.....	6	1
		/ATTACHING PARTS/		
- 25	MS35206-230	. SCREW.....	6	
- 26	AN960-6L	. WASHER.....	6	
- 27	MS21042L06	. NUT.....	6	
		-----★-----		

**Beechcraft**  
**STARSHIP 1**  
**ILLUSTRATED PARTS CATALOG**



**FIGURE 21-20. CABIN LWR SIDEWALL UPHOLSTERY**  
**/SHEET 2 OF 2 SHEETS/**

**Beechcraft**  
**STARSHIP 1**  
**ILLUSTRATED PARTS CATALOG**

SUB-SEC UNIT & ITEM NO	PART NO.	DESCRIPTION 1 2 3 4 5 6 7	UNITS	USABLE
			PER ASSY	ON CODE
21-20	122-530228-1	CABIN CONSOLE INSTL/WITH AFT TABLE/.....	NP	1
	101-530228-3	CABIN CONSOLE INSTL/WITHOUT AFT TABLE/.....	NP	2
-28	122-530229-3	. CONSOLE ASSY, LH UPHOLSTERED/WITH AFT TABLE/..... /STA 280.26 TO STA 307.87/	1	1
	122-530229-9	. CONSOLE ASSY, LH UPHOLSTERED/WITHOUT AFT..... TABLE/STA 280.26 TO 307.87/	1	2
	122-530229-4	. CONSOLE ASSY, RH UPHOLSTERED/WITH AFT TABLE/..... /STA 280.26 TO STA 307.87	1	1
	122-530229-10	. CONSOLE ASSY, RH UPHOLSTERED/WITHOUT AFT..... TABLE/STA 280.26 TO STA 307.87/ /ATTACHING PARTS/	1	2
-29	MS27039-1-05	. SCREW.....	6	
-30	100951CR040ZL	. WASHER.....	3	
-31	AN960-10L	. WASHER.....	3	
	100951P125ZW	. WASHER.....	AR	
	100951P062ZW	. WASHER.....	AR	
		-----★-----		
-32	122-384123-1	.. ASHTRAY/CUPHOLDER ASSY LH.....	1	1
	122-384123-2	.. ASHTRAY/CUPHOLDER ASSY RH.....	1	1
	SJ3551	.. FASTENER.....	AR	1
-33	122-530229-5	. CONSOLE ASSY, LH UPHOLSTERED/STA 327.99 TO..... STA 357.00/	1	1
	122-530229-6	. CONSOLE ASSY, RH UPHOLSTERED/STA 327.99 TO..... STA 357.00/ /ATTACHING PARTS/	1	1
-34	MS27039-1-05	. SCREW.....	5	
-35	100951CR040ZL	. WASHER.....	2	
-36	AN960-10L	. WASHER.....	3	
	100951P125ZW	. WASHER.....	AR	
	100951P062ZW	. WASHER.....	AR	
		-----★-----		
-37	122-384123-3	.. ASHTRAY/CUPHOLDER ASSY/LH & RH/.....	1	1
	SJ3551	.. FASTENER.....	AR	1
	122-530240-1	SIDEWALL INSTL, CABIN LOWER.....	NP	1
-38	122-530240-5	. PANEL, LH LOWER SIDEWALL.....	1	1
	122-530240-6	. PANEL, RH LOWER SIDEWALL.....	1	1
-39	122-430012-1	SUPPORT ASSY.....	11	1
-40	122-384052-1	. ISOLATOR, VIBRATION.....	11	1
	122-530348-5	PANEL INSTL, FIXED.....	NP	1
-41	122-530348-19	. PANEL ASSY.....	1	1
-42	122-530348-11	. TRACK.....	2	1
-43	122-530348-13	. BRACKET..... /ATTACHING PARTS/	6	1
-44	MS35206-230	. SCREW.....	6	
-45	AN960-6L	. WASHER.....	6	
-46	MS21042L06	. NUT.....	6	
		-----★-----		

**CODES OF EFFECTIVITY**

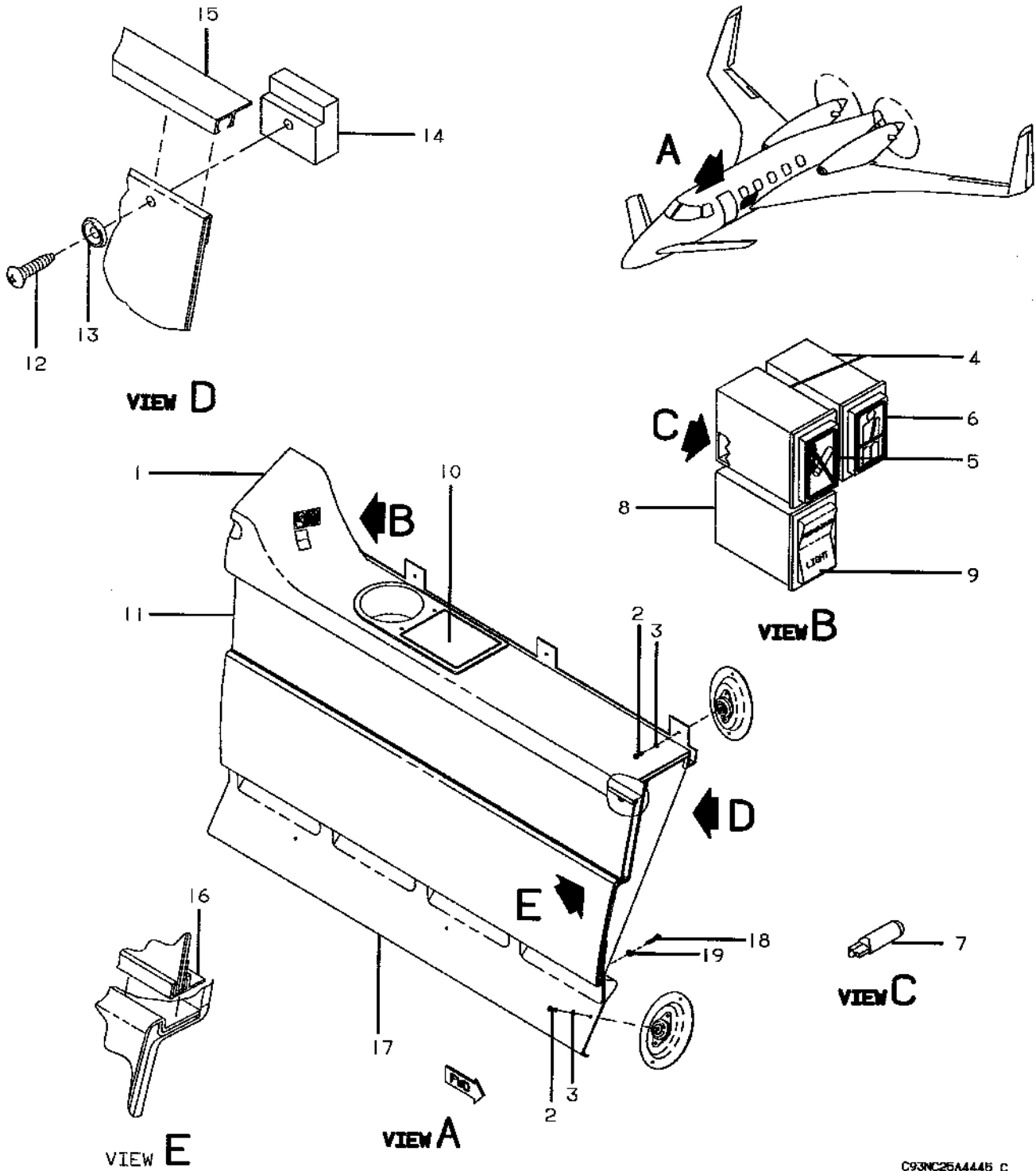
1 NC-4 THRU NC-20

2 NC-14 THRU NC-20

**Beechcraft**  
**STARSHIP 1**  
**ILLUSTRATED PARTS CATALOG**

**25-21-21**  
**CABIN LOWER SIDEWALL UPHOLSTERY**  
**NC-21 AND AFTER**

**Beechcraft**  
**STARSHIP 1**  
**ILLUSTRATED PARTS CATALOG**



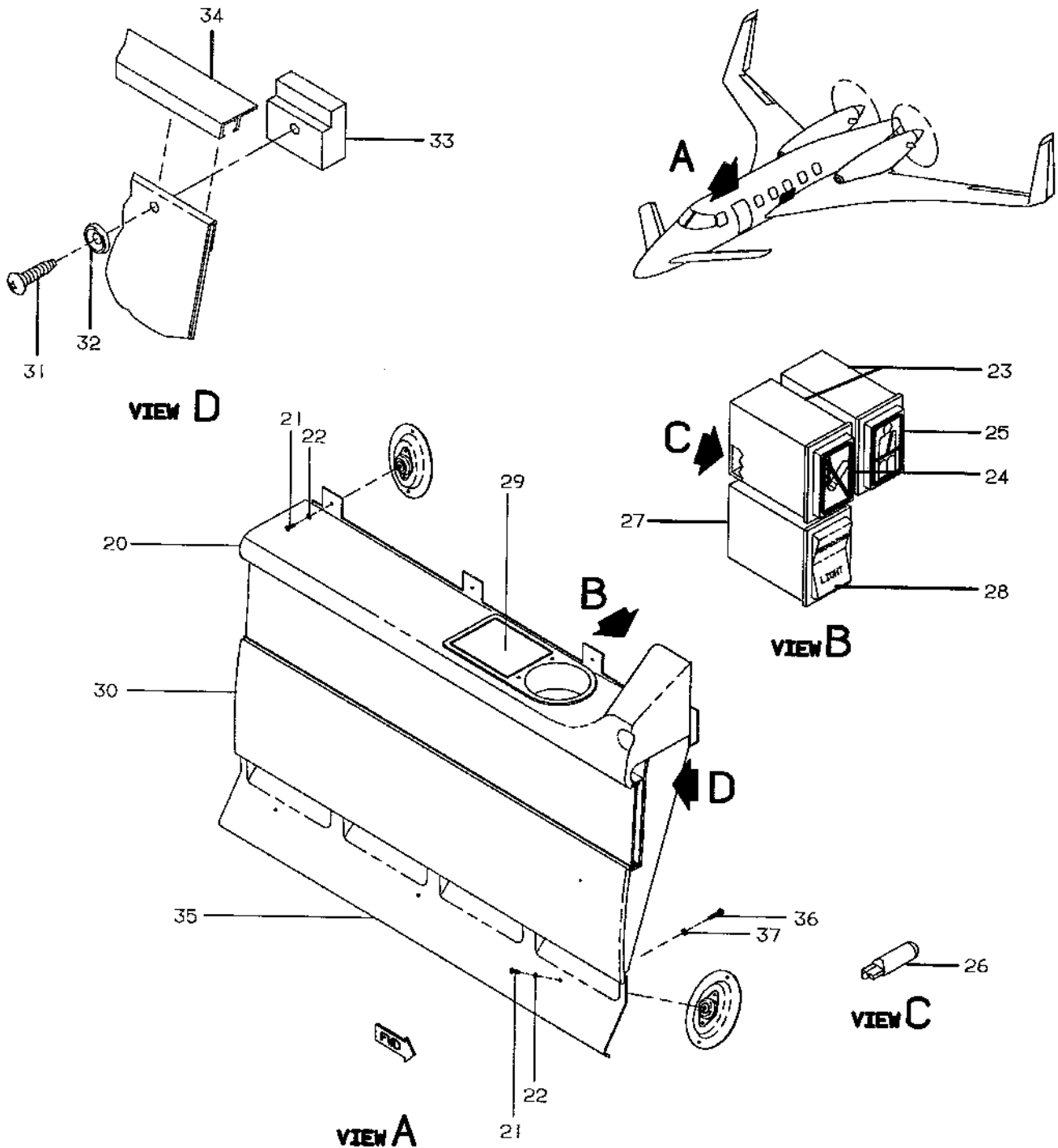
C93NC25A4445 C

**FIGURE 21-21. CABIN LWR SIDEWALL UPHOLSTERY**  
**/SHEET 1 OF 4 SHEETS/**

**Beechcraft**  
**STARSHIP 1**  
**ILLUSTRATED PARTS CATALOG**

SUB-SEC UNIT & ITEM NO	PART NO.	DESCRIPTION 1 2 3 4 5 6 7	UNITS PER ASSY	USABLE ON CODE
21-21	122-530358-1	CONSOLE INSTL, CABIN .....	NP	1
- 1	122-530359-1	. CONSOLE ASSY, CABIN LH FWD .....	1	1
	122-530359-3	. CONSOLE ASSY, CABIN RH FWD .....	1	1
		/ATTACHING PARTS/		
- 2	MS27039-1-05	. SCREW/7 EA ON RH CONSOLE/ .....	6	
- 3	AN960-10L	. WASHER/7 EA ON RH CONSOLE/ .....	6	
	100951P125ZW	. WASHER .....	AR	
	100951P062ZW	. WASHER .....	AR	
		-----★-----		
- 4	AML41GBA2	.. INDICATOR, LIGHTED .....	2	1
- 5	AML51F40R-SMK	.. CAP, INDICATOR/NO SMOKING/ .....	1	1
- 6	AML51F40R-FSB	.. CAP, INDICATOR/FASTEN SEAT BELTS/ .....	1	1
- 7	85	.. LAMP .....	2	1
- 8	AML24EBA2AC01	.. SWITCH, READING LIGHT .....	1	1
- 9	AML54F20K-R	.. BUTTON, ROCKER SWITCH .....	1	1
	207443-1	.. CONNECTOR .....	1	1
	66103-4	.. PIN, CONNECTOR .....	12	1
-10	122-384123-1	.. ASHTRAY/CUPHOLDER ASSY, LH CONSOLE .....	1	1
	122-384123-2	.. ASHTRAY/CUPHOLDER ASSY, RH CONSOLE .....	1	1
	SJ3536	.. FASTENER .....	AR	1
	SJ3537	.. FASTENER .....	AR	1
-11	122-530359-31	.. PANEL ASSY, LH CONSOLE .....	1	1
	122-530359-49	.. PANEL ASSY, RH CONSOLE .....	1	1
		/ATTACHING PARTS/		
-12	NAS387-632-16P	.. SCREW .....	3	
-13	NAS390-6P	.. WASHER .....	3	
-14	122-530359-127	.. SPACER .....	3	
		-----★-----		
	MS21071L06	.. NUTPLATE .....	6	1
-15	122-530359-99	.. TRACK, UPPER-LH CONSOLE .....	1	1
-16	122-530359-35	.. TRACK, LOWER-LH CONSOLE .....	1	1
	122-530359-53	.. TRACK, UPR AND LWR-RH CONSOLE .....	2	1
-17	122-530359-25	.. SUPPORT, LH CONSOLE .....	1	1
	122-530359-39	.. SUPPORT, RH CONSOLE .....	1	1
		/ATTACHING PARTS/		
-18	MS35206-240	.. SCREW .....	4	
-19	AN960-08L	.. WASHER .....	4	
		-----★-----		

**Beechcraft**  
**STARSHIP 1**  
**ILLUSTRATED PARTS CATALOG**



C93NC25A4446 C

**FIGURE 21-21.CABIN LWR SIDEWALL UPHOLSTERY**  
**/SHEET 2 OF 4 SHEETS/**



**Beechcraft**  
**STARSHIP 1**  
**ILLUSTRATED PARTS CATALOG**

SUB-SEC UNIT & ITEM NO	PART NO.	DESCRIPTION 1 2 3 4 5 6 7	UNITS	USABLE
			PER ASSY	ON CODE
21-21 -20	122-530359-101	. CONSOLE ASSY, LH CENTER.....	1	1
	122-530359-102	. CONSOLE ASSY, RH CENTER.....	1	1
		/ATTACHING PARTS/		
-21	MS27039-1-05	. SCREW.....	7	
-22	AN960-10L	. WASHER.....	7	
	100951P125ZW	. WASHER.....	AR	
	100951P062ZW	. WASHER.....	AR	
		★		
-23	AML41GBA2	. INDICATOR, LIGHTED.....	2	1
-24	AML51F40R-SMK	. CAP, INDICATOR/NO SMOKING/.....	1	1
-25	AML51F40R-FSB	. CAP, INDICATOR/FASTEN SEAT BELTS/.....	1	1
-26	85	. LAMP.....	2	1
-27	AML24EBA2AC01	. SWITCH, READING LIGHT.....	1	1
-28	AML54F20K-R	. BUTTON, ROCKER SWITCH.....	1	1
	207443-1	. CONNECTOR.....	1	1
	66103-4	. PIN, CONNECTOR.....	12	1
-29	122-384123-2	. ASHTRAY/CUPHOLDER ASSY, LH CONSOLE.....	1	1
	122-384123-1	. ASHTRAY/CUPHOLDER ASSY, RH CONSOLE.....	1	1
	SJ3536	. FASTENER.....	AR	1
	SJ3537	. FASTENER.....	AR	1
-30	122-530359-103	. PANEL ASSY, LH & RH CONSOLE.....	2	1
		/ATTACHING PARTS/		
-31	NAS387-632-16P	. SCREW.....	3	
-32	NAS390-6P	. WASHER.....	3	
-33	122-530359-127	. SPACER.....	3	
		★		
-34	MS21071L06	. NUTPLATE.....	6	1
	122-530359-107	. TRACK, UPPER AND LOWER.....	2	1
-35	122-530281-1	. SUPPORT, LH AND RH CONSOLE.....	2	1
		/ATTACHING PARTS/		
-36	MS35206-240	. SCREW.....	4	
-37	AN960-08L	. WASHER.....	4	
		★		

Beechcraft  
 STARSHIP 1  
 ILLUSTRATED PARTS CATALOG

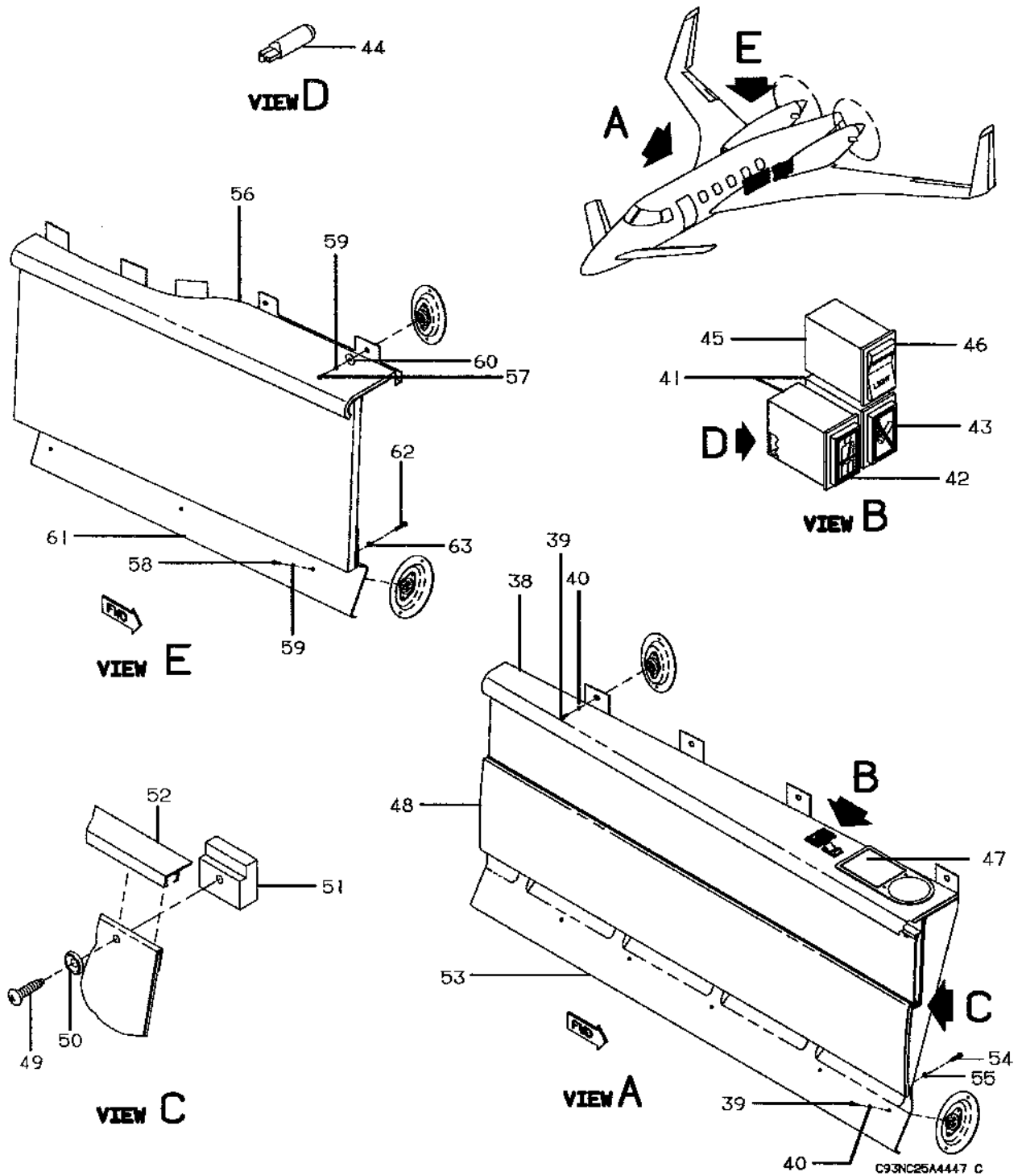
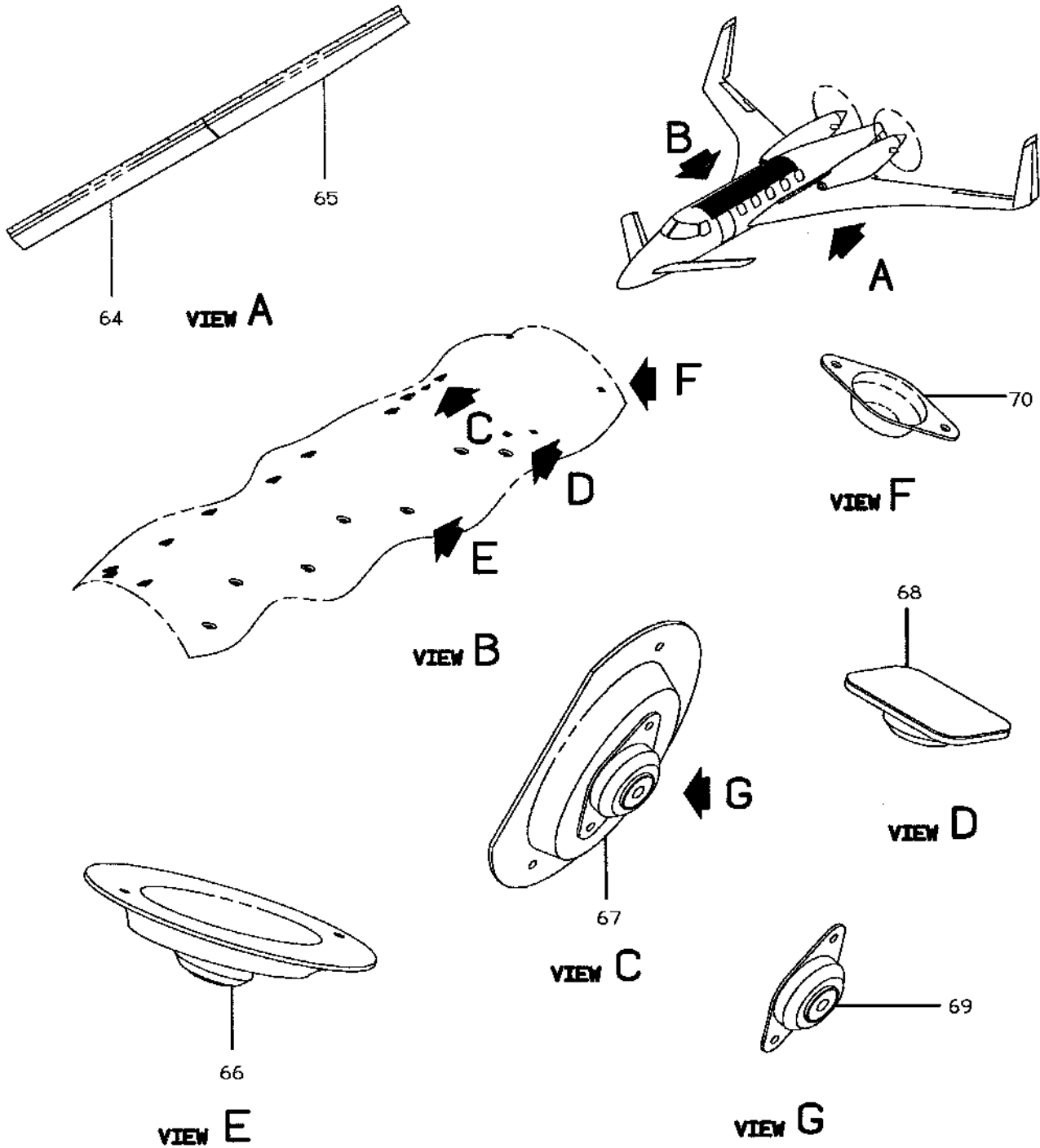


FIGURE 21-21.CABIN LWR SIDEWALL UPHOLSTERY  
 /SHEET 3 OF 4 SHEETS/

**Beechcraft**  
**STARSHIP 1**  
**ILLUSTRATED PARTS CATALOG**

SUB-SEC UNIT & ITEM NO	PART NO.	DESCRIPTION 1 2 3 4 5 6 7	UNITS	USABLE
			PER ASSY	ON CODE
21-21 -38	122-530359-5	. CONSOLE ASSY, LH AFT .....	1	1
	122-530359-6	. CONSOLE ASSY, RH AFT .....	1	1
		/ATTACHING PARTS/		
-39	MS27039-1-05	. SCREW .....	9	
-40	AN960-10L	. WASHER .....	9	
	100951P125ZW	. WASHER .....	AR	
	100951P062ZW	. WASHER .....	AR	
		★		
-41	AML41GBA2	. INDICATOR, LIGHTED .....	2	1
-42	AML51F40R-SMK	. CAP, INDICATOR/NO SMOKING/ .....	1	1
-43	AML51F40R-FSB	. CAP, INDICATOR/FASTEN SEAT BELTS/ .....	1	1
-44	85	. LAMP .....	2	1
-45	AML24EBA2AC01	. SWITCH, READING LIGHT .....	1	1
-46	AML54F20K-R	. BUTTON, ROCKER SWITCH .....	1	1
	207443-1	. CONNECTOR .....	1	1
	66103-4	. PIN, CONNECTOR .....	12	1
-47	122-384123-2	. ASHTRAY/CUPHOLDER ASSY, LH CONSOLE .....	1	1
	122-384123-1	. ASHTRAY/CUPHOLDER ASSY, RH CONSOLE .....	1	1
	SJ3536	. FASTENER .....	AR	1
	SJ3537	. FASTENER .....	AR	1
-48	122-530359-69	. PANEL ASSY, LH & RH CONSOLE .....	2	1
		/ATTACHING PARTS/		
-49	NAS387-632-16P	. SCREW .....	3	
-50	NAS390-6P	. WASHER .....	3	
-51	122-530359-127	. SPACER .....	3	
		★		
	MS21071L06	. NUTPLATE .....	6	1
-52	122-530359-73	. TRACK, UPPER & LOWER .....	2	1
-53	122-530359-67	. SUPPORT, LH CONSOLE .....	1	1
	122-530359-68	. SUPPORT, RH CONSOLE .....	1	1
		/ATTACHING PARTS/		
-54	MS35206-240	. SCREW .....	5	
-55	AN960-08L	. WASHER .....	5	
		★		
	122-530368-1	. CONSOLE INSTL, AFT CABIN .....	NP	1
-56	122-530369-1	. CONSOLE ASSY, AFT CABIN .....	1	1
		/ATTACHING PARTS/		
-57	MS27039-1-06	. SCREW .....	2	
-58	MS27039-1-05	. SCREW .....	3	
-59	AN960-10L	. WASHER .....	5	
-60	100951CR040ZL	. WASHER .....	2	
		★		
-61	122-530369-17	. SUPPORT .....	1	1
		/ATTACHING PARTS/		
-62	MS35206-240	. SCREW .....	3	
-63	AN960-8L	. WASHER .....	3	
		★		

Beechcraft  
 STARSHIP 1  
 ILLUSTRATED PARTS CATALOG



C93NC25A4448 C

FIGURE 21-21. CABIN LWR SIDEWALL UPHOLSTERY  
 /SHEET 4 OF 4 SHEETS/

**Beechcraft**  
**STARSHIP 1**  
**ILLUSTRATED PARTS CATALOG**

SUB-SEC UNIT & ITEM NO	PART NO.	DESCRIPTION 1 2 3 4 5 6 7	UNITS	USABLE
			PER ASSY	ON CODE
21-21	122-530240-7	SIDEWALL INSTL, CABIN LOWER .....	NP	1
-64	122-530240-9	. PANEL, LH FWD .....	1	1
	122-530240-10	. PANEL, RH FWD .....	1	1
-65	122-530240-11	. PANEL, LH AFT .....	1	1
	122-530240-12	. PANEL, RH AFT .....	1	1
	122-430011-3	SUPPORT INSTL, UPHOLSTERY .....	NP	1
-66	122-430012-1	. SUPPORT ASSY, UPHOLSTERY MOUNTING .....	80	1
-67	122-430012-7	. SUPPORT ASSY, UPHOLSTERY MOUNTING .....	1	1
-68	122-430012-13	. SUPPORT ASSY, UPHOLSTERY MOUNTING .....	3	2
-69	122-384052-1	. ISOLATOR, VIBRATION .....	1	1
-70	122-430011-5	. ISOLATOR, VIBRATION .....	3	1

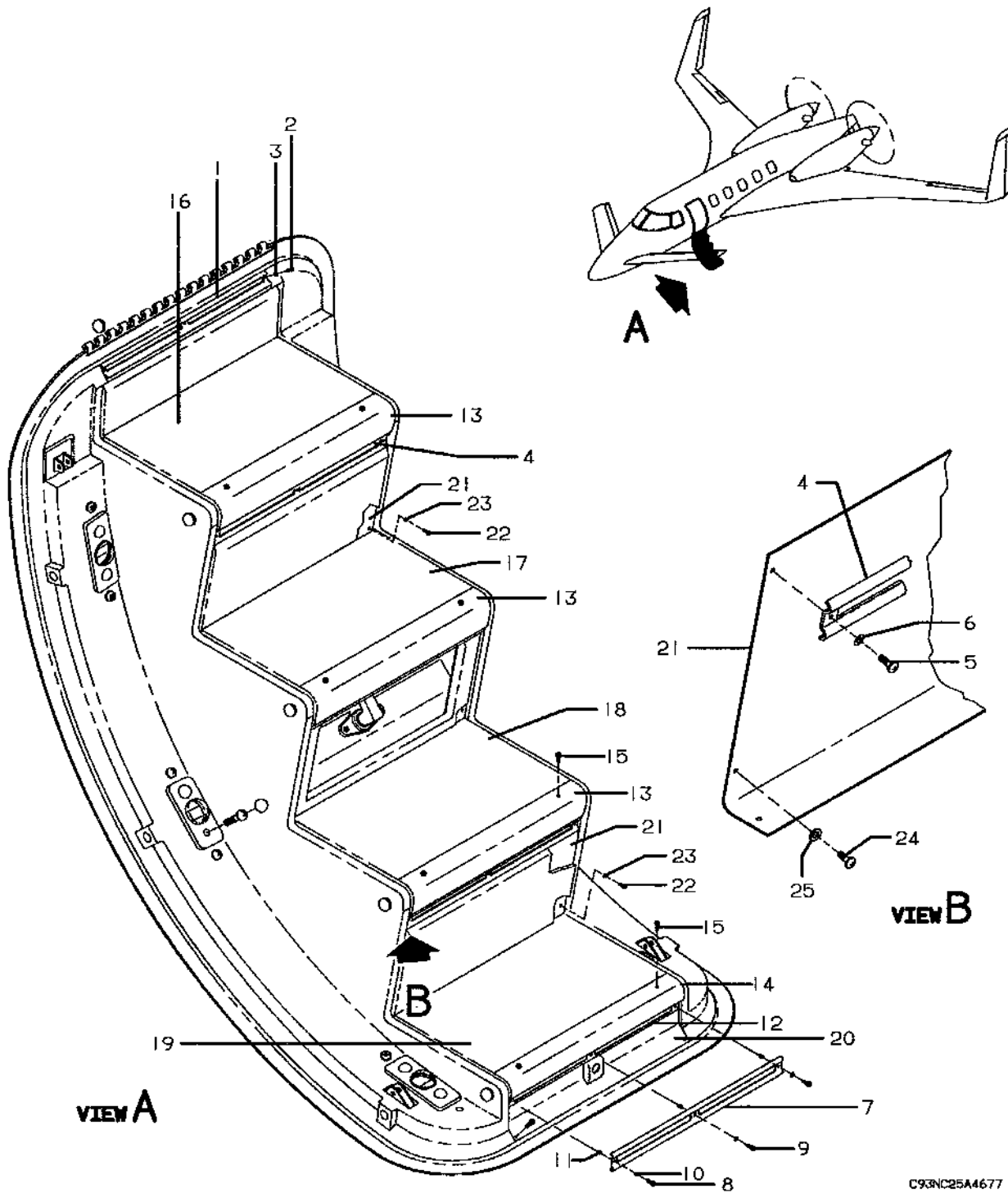
**CODES OF EFFECTIVITY**

1 NC-21 AND AFTER                      2 NC-31 AND AFTER

**Beechcraft**  
**STARSHIP 1**  
**ILLUSTRATED PARTS CATALOG**

**25-21-30**  
**CABIN AIRSTAIR DOOR UPHOLSTERY**

**Beechcraft**  
**STARSHIP 1**  
**ILLUSTRATED PARTS CATALOG**



C93NC25A4677 C

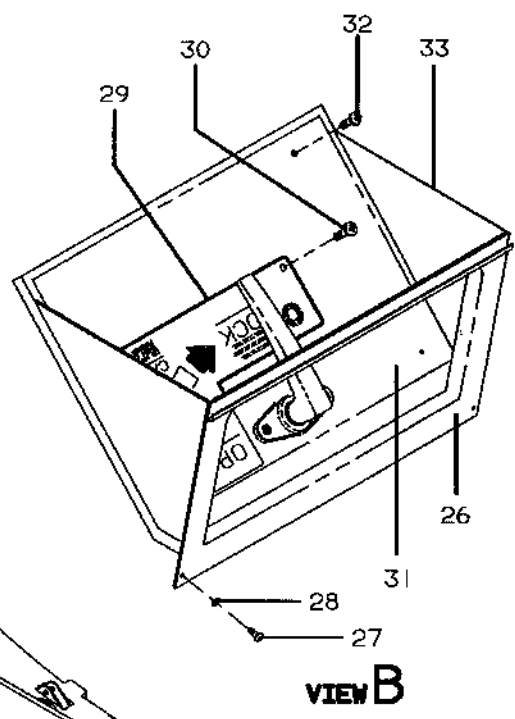
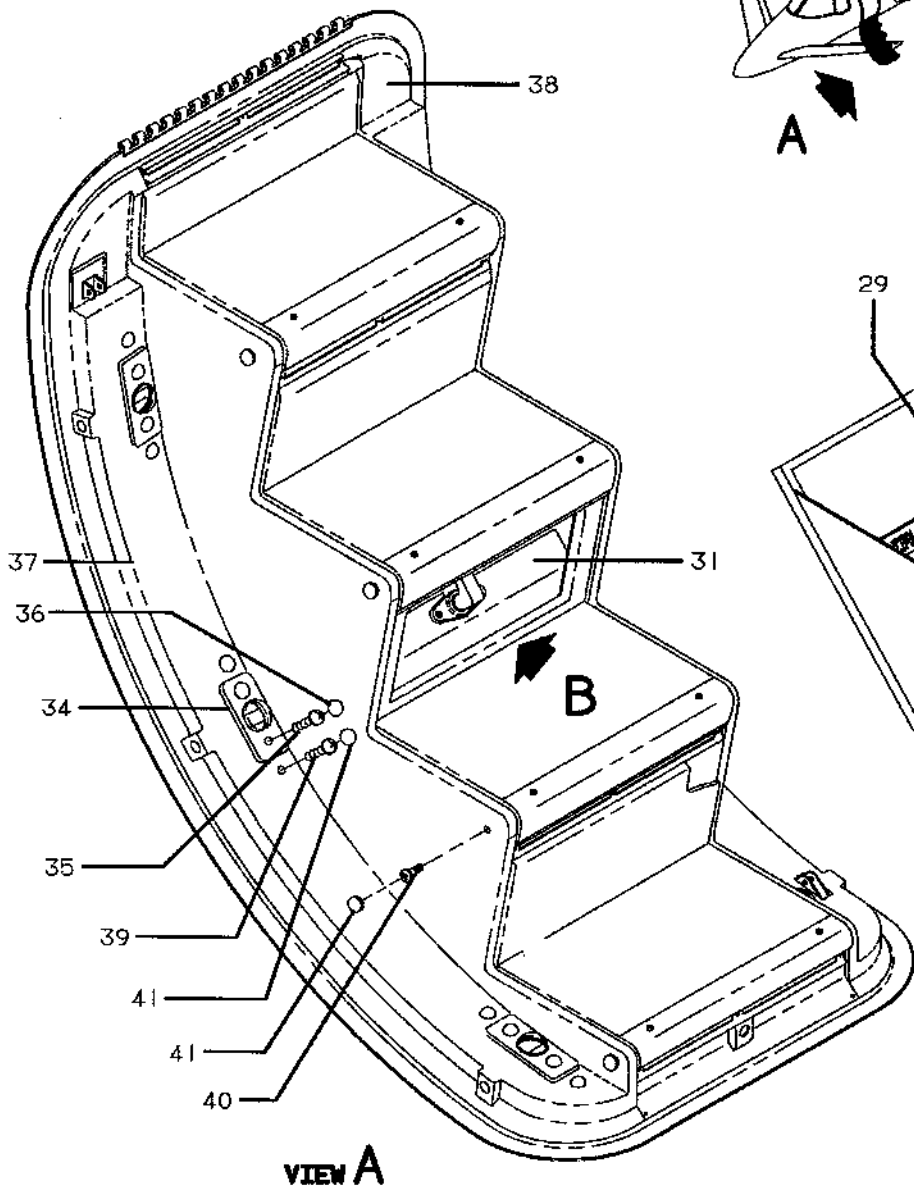
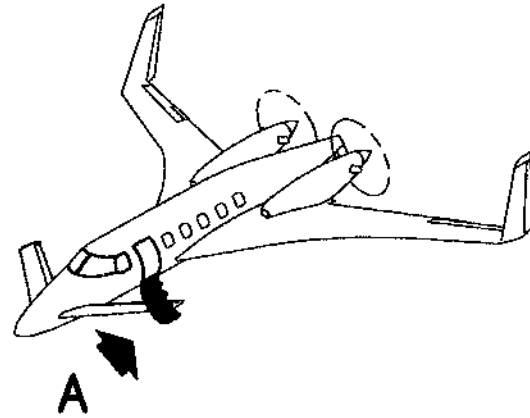
**FIGURE 21-30. CABIN AIRSTAIR DOOR UPHOLSTERY**  
**/SHEET 1 OF 2 SHEETS/**

**Beechcraft**  
**STARSHIP 1**  
**ILLUSTRATED PARTS CATALOG**

SUB-SEC UNIT & ITEM NO	PART NO.	DESCRIPTION 1 2 3 4 5 6 7	UNITS	USABLE
			PER ASSY	ON CODE
21-30	122-530289-1	UPHOLSTERY INSTL, CABIN AIRSTAIR DOOR.....	NP	
- 1	122-530288-71	. RETAINER.....	1	
		/ATTACHING PARTS/		
- 2	NAS387-10P	. SCREW.....	3	
- 3	NAS391SBP	. WASHER.....	3	
		★		
- 4	122-530051-1	. RETAINER.....	2	
		/ATTACHING PARTS/		
- 5	NAS387-632-10P	. SCREW.....	3	
- 6	NAS391-6P	. WASHER.....	3	
		★		
- 7	122-530051-7	. RETAINER, CARPET AND LIGHT .....	1	
		/ATTACHING PARTS/		
- 8	NAS387-632-16P	. SCREW/FWD AND AFT/.....	2	
- 9	NAS387-632-10P	. SCREW, CENTER.....	1	
- 10	NAS391-6P	. WASHER.....	3	
- 11	NAS43DD1-28	. SPACER/FWD AND AFT/.....	2	
		★		
- 12	122-384080-1	. LIGHT PANEL, STEP .....	3	1
	122-384080-3	. LIGHT PANEL, STEP .....	3	2
		<b>NOTE DO NOT INTERMIX STEP LIGHT PANELS.</b>		
- 13	122-530288-53	. TRIM, STEP.....	3	
- 14	122-530288-55	. TRIM, STEP.....	1	
		/ATTACHING PARTS/		
- 15	NAS387-1032-8P	. SCREW.....	3	
		★		
- 16	122-530289-9	. COVER.....	1	
- 17	122-530289-7	. COVER.....	1	
- 18	122-530289-5	. COVER.....	1	
- 19	122-530289-3	. COVER.....	1	
- 20	122-530288-57	. COVER.....	1	
- 21	122-530288-61	. COVER ASSY.....	2	
		/ATTACHING PARTS/		
- 22	MS35206-230	. SCREW.....	2	
- 23	AN960-6L	. WASHER.....	2	
- 24	MS24693S50	. SCREW/SECOND AND FOURTH STEPS ONLY/.....	2	
- 25	NAS1169C8L	. WASHER.....	2	
		★		
	MS21055L06	. NUTPLATE.....	2	



Beechcraft  
 STARSHIP 1  
 ILLUSTRATED PARTS CATALOG



C93NC25A4678 C

FIGURE 21-30. CABIN AIRSTAIR DOOR UPHOLSTERY  
 /SHEET 2 OF 2 SHEETS/

**Beechcraft**  
**STARSHIP 1**  
**ILLUSTRATED PARTS CATALOG**

SUB-SEC UNIT & ITEM NO	PART NO.	DESCRIPTION 1 2 3 4 5 6 7	UNITS	USABLE
			PER ASSY	ON CODE
21-30 -26	122-530288-67	. COVER ASSY.....	1	
		/ATTACHING PARTS/		
-27	MS35206-230	. SCREW.....	2	
-28	AN980-6L	. WASHER.....	2	
		★		
-29	122-384117-1	. PLACARD, DOOR INSTRUCTION.....	1	
		/ATTACHING PARTS/		
-30	NAS387-832-14P	. SCREW.....	4	
		★		
-31	122-530288-65	. COVER.....	1	
		/ATTACHING PARTS/		
-32	MS35207-263	. SCREW.....	2	
		★		
-33	122-530288-59	. PANEL.....	1	
-34	122-530288-51	. COVER.....	6	
		/ATTACHING PARTS/		
-35	MS27039-1-09	. SCREW.....	12	
		★		
-36	131972-12F105M	. SNAP-CAP.....	12	2
	131972-12F106M	. SNAP-CAP.....	12	1
-37	122-530288-48	. PANEL ASSY, FWD.....	1	3
	122-530288-648	. PANEL ASSY, FWD.....	1	4
-38	122-530288-47	. PANEL ASSY, AFT.....	1	3
	122-530288-647	. PANEL ASSY, AFT.....	1	4
		/ATTACHING PARTS/		
-39	MS27039-1-32	. SCREW.....	6	
-40	MS27039-1-19	. SCREW.....	4	
-41	131972-12F105M	. SNAP-CAP.....	10	2
	131972-12F106M	. SNAP-CAP.....	10	1
		★		
	122-530288-31	. . SPACER.....	6	

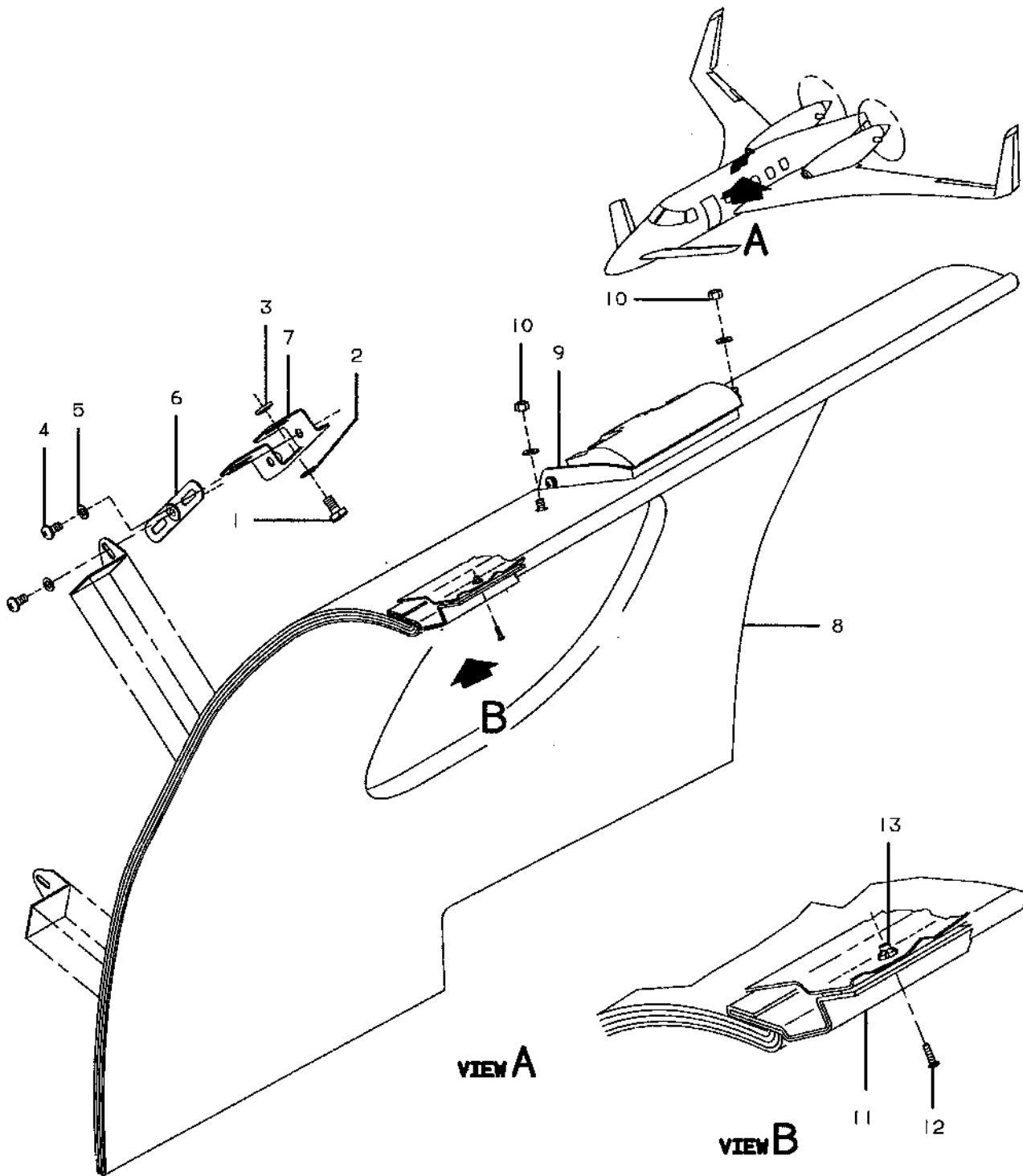
**CODES OF EFFECTIVITY**

1	NC-4 THRU NC-30	2	NC-31 AND AFTER
3	NC-4 THRU NC-37	4	NC-38 AND AFTER

**Beechcraft**  
**STARSHIP 1**  
**ILLUSTRATED PARTS CATALOG**

**25-21-40**  
**EMERGENCY EXIT DOOR UPHOLSTERY**  
**NC-4 THRU NC-20**

Beechcraft  
STARSHIP 1  
ILLUSTRATED PARTS CATALOG



C93NC25A4628 C

FIGURE 21-40. EMERGENCY EXIT DOOR UPHOLSTERY

**Beechcraft**  
**STARSHIP 1**  
**ILLUSTRATED PARTS CATALOG**

SUB-SEC UNIT & ITEM NO	PART NO.	DESCRIPTION 1 2 3 4 5 6 7	UNITS	USABLE
			PER ASSY	ON CODE
21-40	122-530226-81	PANEL INSTL, EMERGENCY EXIT DOOR .....	NP	1
	122-530226-83	PANEL INSTL, EMERGENCY EXIT DOOR .....	NP	2
- 1	AN3-3A	. BOLT .....	8	3
- 2	AN960-10L	. WASHER .....	8	3
- 3	100951N125ZG	. WASHER .....	8	3
- 4	MS27039-0808	. SCREW .....	12	3
- 5	AN960-8L	. WASHER .....	12	3
- 6	122-530226-15	. BRACKET ASSY .....	4	3
	NAS1329H080K75L	. RIVNUT .....	1	3
- 7	122-530226-11	. BRACKET ASSY .....	4	3
	MS21071L08	. NUTPLATE .....	2	3
- 8	122-530363-1	. PANEL ASSY, MAIN/ORDER 122-530226-85 FOR SPARES/	NP	1
	122-530226-85	. PANEL ASSY, MAIN .....	1	2
	SJ3552	. FASTENER, DUAL LOCK .....	AR	3
	SJ3551	. FASTENER, DUAL LOCK .....	AR	3
- 9	122-530284-17	. ESCUTCHEON ASSY, EMERGENCY EXIT .....	1	3
		/ATTACHING PARTS/		
- 10	AN315-3R	. NUT .....	2	
	100951DD032YH	. WASHER .....	2	
		★		
	132151-3-8	. STUD .....	2	3
	NAS43DD3-16	. SPACER .....	2	3
- 11	122-530363-3	. PANEL ASSY, UPPER/ORDER 122-530226-87 FOR SPARES/	NP	1
	122-530226-87	. PANEL ASSY, UPPER .....	1	2
		/ATTACHING PARTS/		
- 12	MS27039-0810	. SCREW .....	3	3
- 13	S8P150CSI	. PLUSNUT .....	3	3
		★		

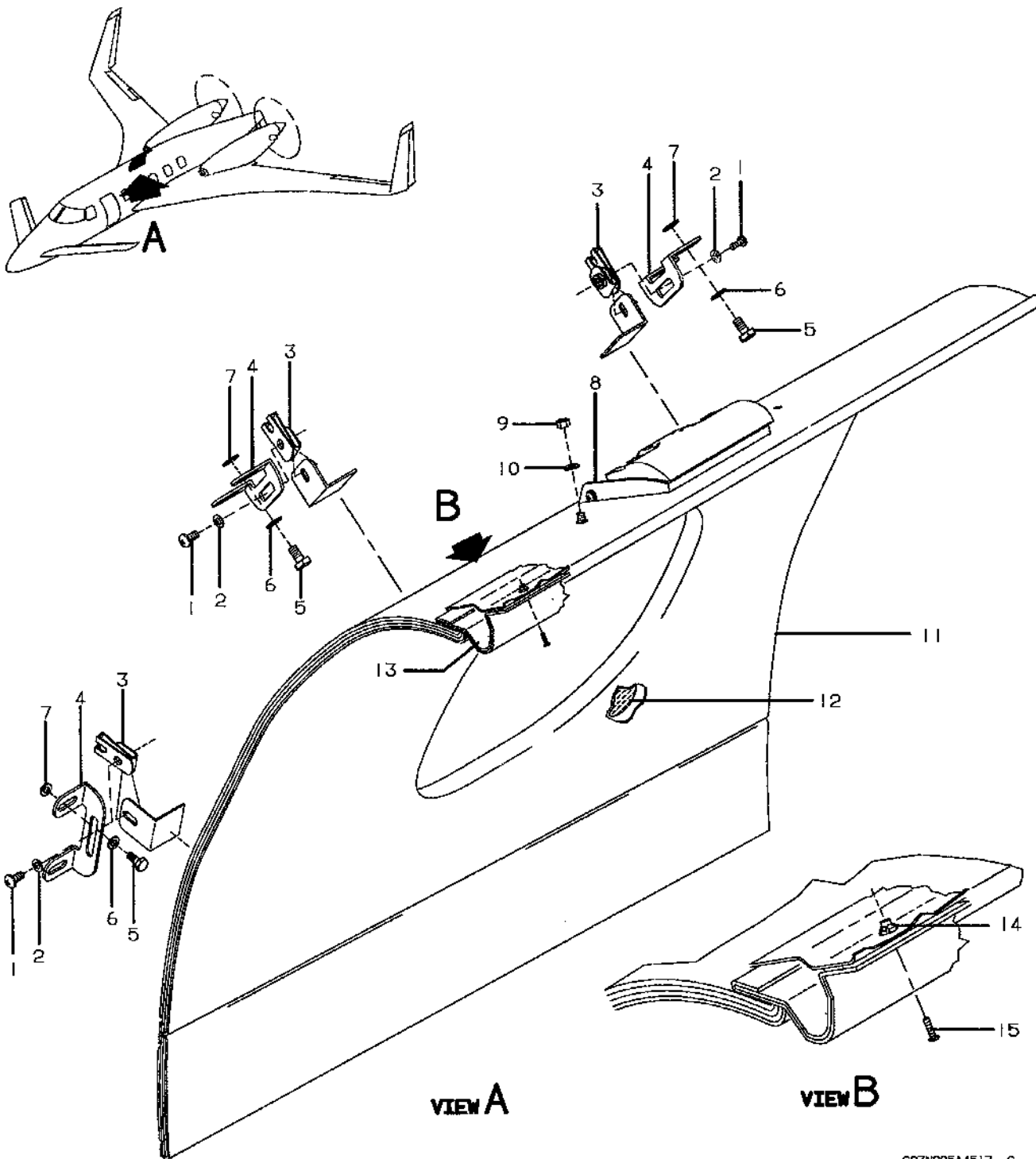
**CODES OF EFFECTIVITY**

1	NC-5, NC-11 THRU NC-14	2	NC-4, NC-6 THRU NC-10, NC-15 THRU NC-20
3	NC-4 THRU NC-20		

**Beechcraft**  
**STARSHIP 1**  
**ILLUSTRATED PARTS CATALOG**

**25-21-45**  
**EMERGENCY EXIT DOOR UPHOLSTERY**  
**NC-21 AND AFTER**

Beechcraft  
STARSHIP 1  
ILLUSTRATED PARTS CATALOG



C93NC25M4517 C

FIGURE 21-45. EMERGENCY EXIT DOOR UPHOLSTERY

**Beechcraft**  
**STARSHIP 1**  
**ILLUSTRATED PARTS CATALOG**

SUB-SEC UNIT & ITEM NO	PART NO.	DESCRIPTION 1 2 3 4 5 6 7	UNITS PER ASSY	USABLE ON CODE
21-45	122-530377-1	PANEL INSTL, EMERGENCY EXIT .....	NP	1
- 1	MS27039-0809	. SCREW .....	6	1
- 2	AN960PD8	. WASHER .....	6	1
- 3	130290-1	. CLIPNUT .....	6	1
- 4	122-530377-11	. BRACKET .....	4	1
		/ATTACHING PARTS/		
- 5	AN3-3A	. BOLT .....	2	
- 6	AN960PD10L	. WASHER .....	2	
- 7	100951N125ZG	. WASHER .....	2	
		---★---		
- 8	122-530284-17	. ESCUTCHEON .....	1	1
		/ATTACHING PARTS/		
- 9	MS21044N3	. NUT .....	2	
- 10	100951DD032VH	. WASHER .....	2	
		---★---		
	132151-3-8	. . STUD .....	2	1
	NAS43DD3-16	. . SPACER .....	2	1
- 11	122-530377-3	. PANEL ASSY, UPHOLSTERED/MAIN/ .....	1	1
- 12	SJ3552	. . FASTENER .....	AR	1
- 13	122-530377-25	. PANEL ASSY, UPHOLSTERED/UPPER/ .....	1	1
		/ATTACHING PARTS/		
- 14	MS27039-0809	. SCREW .....	3	
- 15	S8P150CSI	. PLUSNUT .....	3	
		---★---		

**CODES OF EFFECTIVITY**

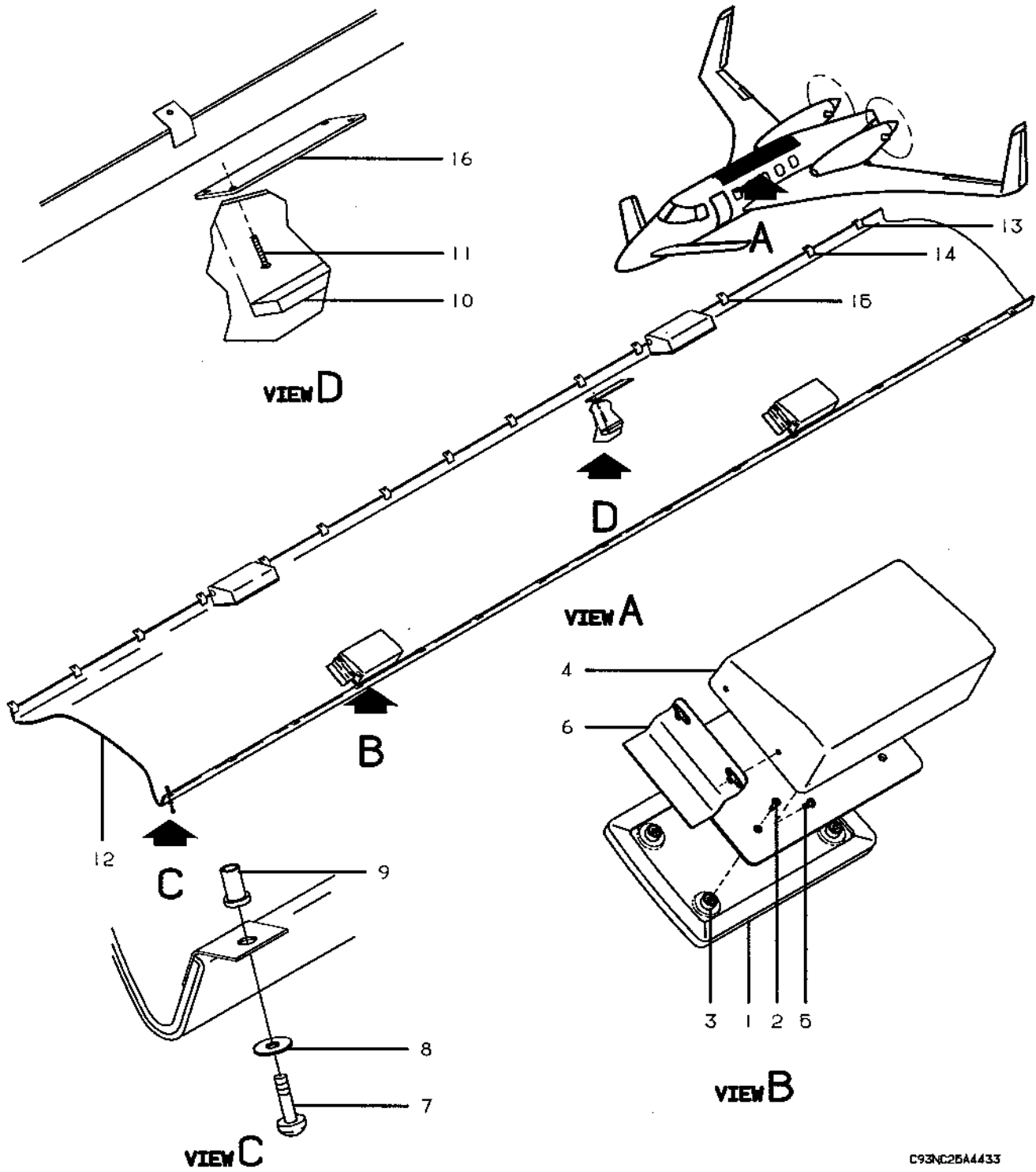
1 NC-21 AND AFTER



**Beechcraft**  
**STARSHIP 1**  
**ILLUSTRATED PARTS CATALOG**

**25-21-50**  
**CABIN HEADLINER**  
**NC-4 THRU NC-20**

Beechcraft  
 STARSHIP 1  
 ILLUSTRATED PARTS CATALOG



C93/C25A4433

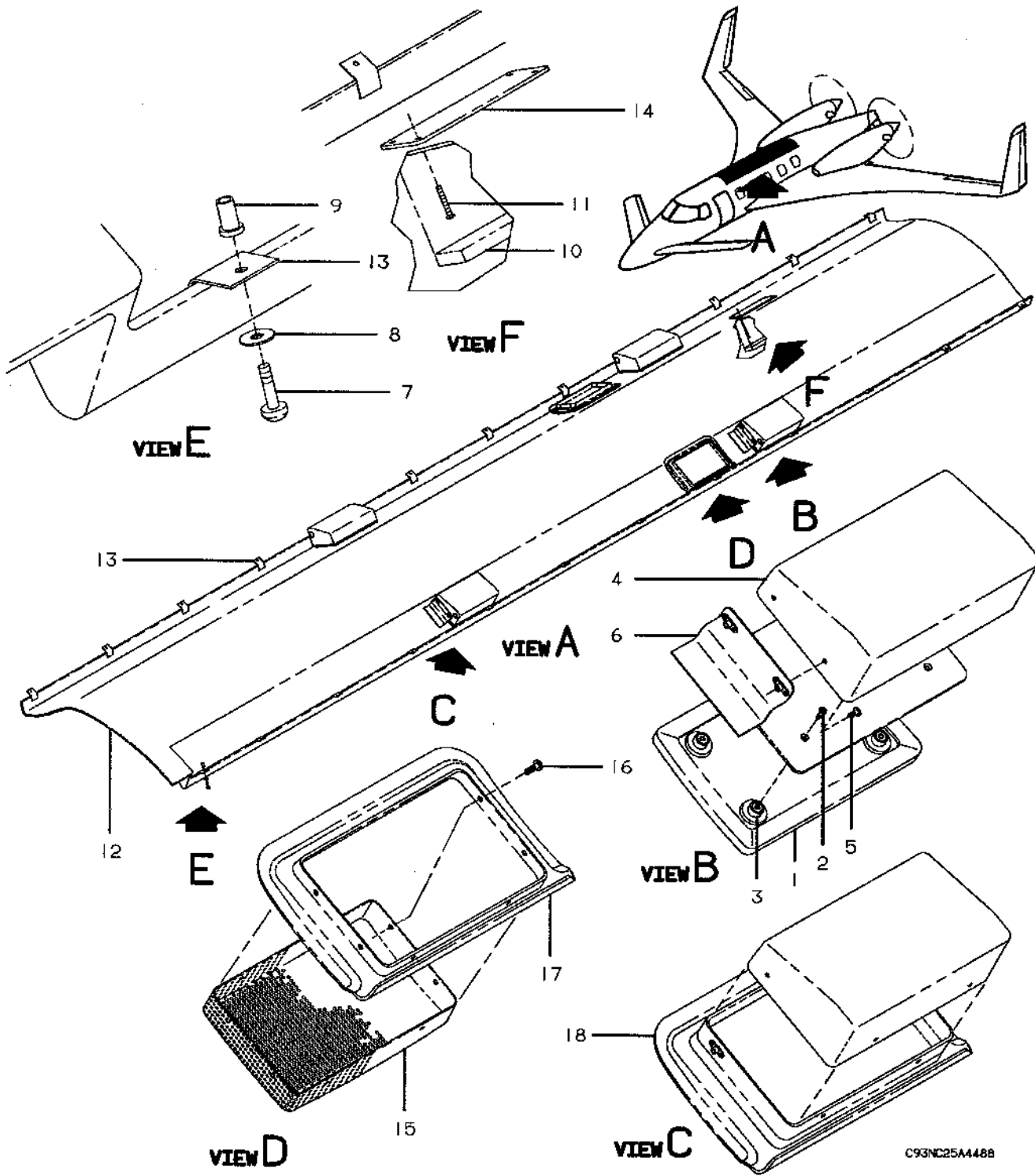
FIGURE 21-50. CABIN HEADLINER



**Beechcraft**  
**STARSHIP 1**  
**ILLUSTRATED PARTS CATALOG**

**25-21-55**  
**CABIN HEADLINER**  
**NC-21 AND AFTER**

Beechcraft  
 STARSHIP 1  
 ILLUSTRATED PARTS CATALOG



C93NC25A448B

FIGURE 21-55.CABIN HEADLINER

**Deechcraft**  
**STARSHIP 1**  
**ILLUSTRATED PARTS CATALOG**

SUB-SEC UNIT & ITEM NO	PART NO.	DESCRIPTION 1 2 3 4 5 6 7	UNITS	USABLE
			PER ASSY	ON CODE
21-55	122-530360-1	HEADLINER INSTL, CABIN .....	NP	1
	122-530246-1	.. LID INSTL, OXYGEN BOX .....	NP	2
- 1	R 122-530246-19	.. LID ASSY, UPHOLSTERED .....	4	2
		.. /ATTACHING PARTS/ .....		
- 2	MS24693S4	.. SCREW .....	4	
		-----*		
- 3	NAS43DD5-14	.. SPACER .....	4	2
	R NAS1329H04K60L	.. RIVNUT .....	4	2
- 4	122-380071-1	.. CONTAINER ASSY, OXYGEN .....	4	2
		.. /WITHOUT 122-5025-3 KIT INSTALLED/ .....		
	R 122-380071-3	.. CONTAINER ASSY, OXYGEN .....	4	2
		.. /WITH 122-5025-3 KIT INSTALLED/ .....		
		.. /ATTACHING PARTS/ .....		
- 5	MS35206-228	.. SCREW/WITHOUT 122-5025-3 KIT INSTALLED/ .....	4	
	AN525-832R7	.. SCREW/WITH 122-5025-3 KIT INSTALLED/ .....	5	
	AN960-8L	.. WASHER/WITHOUT 122-5025-3 KIT INSTALLED/ .....	4	
		-----*		
<b>NOTE SEE CHAPTER 35 FOR OXYGEN CONTAINER FOR NC-41 AND AFTER.</b>				
- 6	R 122-530246-11	.. SUPPORT ASSY .....	8	2
	MS21069L06K	.. NUTPLATE .....	2	2
	122-530246-31	.. LID ASSY, UPHOLSTERED .....	4	5
		.. /ATTACHING PARTS/ .....		
	MS24693S4	.. SCREW .....	4	
		-----*		
	NAS43DD5-14	.. SPACER .....	4	5
	R NAS1329H04K60L	.. RIVNUT .....	4	5
	122-530412-9	.. COVER .....	4	5
	122-530361-1	.. HEADLINER ASSY, UPHOLSTERED .....	1	3
	122-530361-5	.. HEADLINER ASSY, UPHOLSTERED .....	1	4
	122-530361-7	.. HEADLINER ASSY, UPHOLSTERED .....	1	5
		.. /ATTACHING PARTS/ .....		
- 7	MS27039-0810	.. SCREW .....	24	
- 8	AN960-8	.. WASHER .....	24	
- 9	S8P150CFI	.. PLUSNUT .....	24	
		-----*		
- 10	CAN/AC/12W	.. EXIT LIGHT, SELF ILLUMINATING .....	1	1
		.. /ATTACHING PARTS/ .....		
- 11	NAS387-632-18P	.. SCREW .....	4	
		-----*		
- 12	122-530221-23	.. PANEL ASSY, HEADLINER .....	1	3
	122-530221-51	.. PANEL ASSY, HEADLINER .....	1	4
	122-530221-59	.. PANEL ASSY, HEADLINER .....	1	5
- 13	122-530221-7	.. CLIP .....	24	3
	122-530221-57	.. CLIP .....	25	6
- 14	122-530221-9	.. PLATE ASSY .....	1	1
	MS21061L06K	.. NUTPLATE .....	4	1
- 15	122-530410-1	.. GRILL ASSY/SPEAKER/ .....	2	6
		.. /ATTACHING PARTS/ .....		
- 16	MS35206-244	.. SCREW .....	4	
	AN960-8L	.. WASHER .....	4	
	MS21042L08	.. NUT .....	4	
		-----*		
- 17	122-530411-21	.. BRACKET, SUPPORT/SPEAKER/ .....	2	6
- 18	122-530412-1	.. BRACKET, SUPPORT/OXYGEN/ .....	4	5
	MS21058L08	.. NUTPLATE .....	5	5

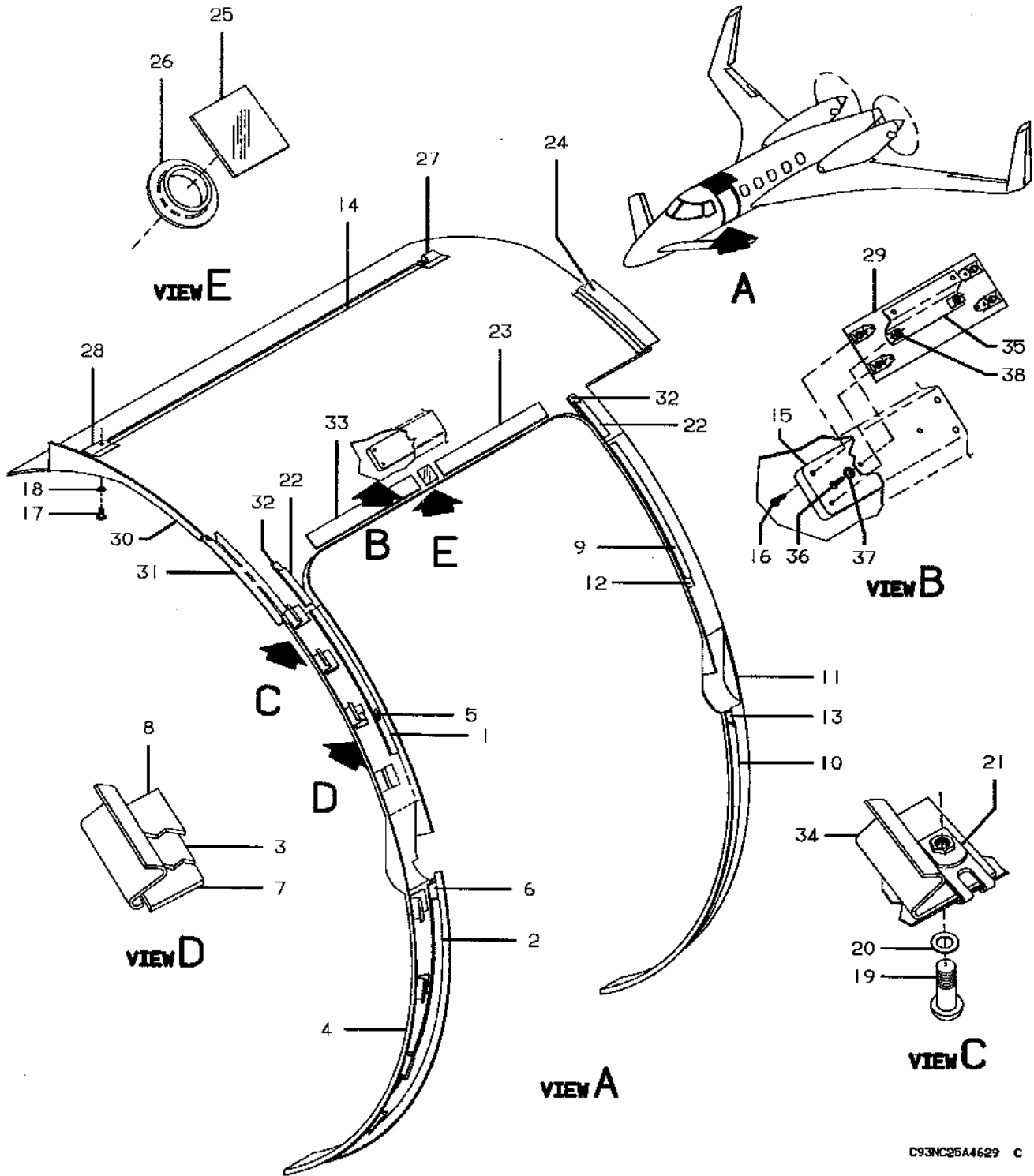
**CODES OF EFFECTIVITY**

1	NC-21 AND AFTER	2	NC-21 THRU NC-40
3	NC-21 THRU NC-34	4	NC-35 THRU NC-40
5	NC-41 AND AFTER	6	NC-35 AND AFTER

**Beechcraft**  
**STARSHIP 1**  
**ILLUSTRATED PARTS CATALOG**

**25-21-60**  
**VESTIBULE HEADLINER**

Beechcraft  
 STARSHIP 1  
 ILLUSTRATED PARTS CATALOG



C93NC25A4629 C

FIGURE 21-60.VESTIBULE HEADLINER



**Beechcraft**  
**STARSHIP 1**  
**ILLUSTRATED PARTS CATALOG**

SUB-SEC UNIT & ITEM NO	PART NO.	DESCRIPTION 1 2 3 4 5 6 7	UNITS PER ASSY	USABLE ON CODE
21-60	122-530251-1	HEADLINER INSTL, ENTRY.....	NP	
	122-530128-5	.. TRIM INSTL, FWD DOOR POST .....	NP	
- 1	SJ3552	.. FASTENER/.5W X 11.5L/.....	1	
- 2	SJ3551	.. FASTENER/.5W X 33.0L/.....	1	
- 3	SJ3552	.. FASTENER/1.0W X 1.0L/.....	9	
- 4	122-530127-21	.. TRIM ASSY, FWD DOOR POST .....	1	
- 5	SJ3551	.. FASTENER/.5W X 11.5L/.....	1	
- 6	SJ3552	.. FASTENER/.5W X 33.0L/.....	1	
- 7	SJ3551	.. FASTENER/1.0W X 1.0L/.....	9	
- 8	122-530127-11	.. SUPPORT.....	9	
	122-530128-7	.. TRIM INSTL, AFT DOOR POST .....	NP	
- 9	SJ3552	.. FASTENER/.5W X 11.5L/.....	1	
-10	SJ3551	.. FASTENER/.5W X 33.0L/.....	1	
-11	122-530127-25	.. TRIM ASSY, AFT DOOR POST .....	1	
-12	SJ3551	.. FASTENER/.5W X 33.0L/.....	1	
-13	SJ3552	.. FASTENER/.5W X 33.0L/.....	1	
-14	122-530070-1	.. LENS, ENTRY OVERHEAD LIGHT .....	1	
	122-530292-1	.. LIGHT INSTL, ENTRY OVERHEAD/SEE CHAPTER 33/ .....	NP	1
	122-530292-15	.. LIGHT INSTL, ENTRY OVERHEAD/SEE CHAPTER 33/ .....	NP	2
	122-530292-21	.. LIGHT INSTL, ENTRY OVERHEAD/SEE CHAPTER 33/ .....	NP	3
-15	CAN/AC/12W	.. SIGN, EXIT .....	1	
		.. /ATTACHING PARTS/		
-16	NAS387-632-18P	.. SCREW.....	4	
		.. *-----		
-17	MS27039-1-06	.. SCREW.....	2	
-18	AN960PD10L	.. WASHER .....	2	
-19	MS27039-0806	.. SCREW.....	2	
-20	AN960-8L	.. WASHER .....	2	
-21	130290-1	.. CLIP-NUT .....	2	
-22	SJ3552	.. FASTENER/.5W X 4.0L/.....	2	
-23	SJ3552	.. FASTENER/.5W X 9.0L/.....	2	
	122-530252-1	.. HEADLINER ASSY, VESTIBULE .....	1	
-24	122-530252-7	.. PANEL, AFT .....	1	
-25	122-530252-15	.. SIGHT WINDOW, CABIN AIRSTAIR DOOR LATCH .....	1	
		.. PIN		
-26	122-530252-13	.. ESCUTCHEON.....	1	
-27	122-530252-9	.. BRACKET .....	1	
-28	122-530252-10	.. BRACKET .....	1	
-29	122-530221-9	.. PLATE ASSY .....	1	
	MS21061L06K	.. NUTPLATE .....	4	
-30	122-530252-3	.. PANEL ASSY,UPHOLSTERED.....	NP	4
		.. /ORDER 122-530252-21 FOR SPARES/		
	122-530252-21	.. PANEL ASSY,UPHOLSTERED.....	1	3
-31	122-530252-17	.. PANEL, FWD CLOSEOUT .....	1	4
	122-530252-23	.. PANEL, FWD CLOSEOUT .....	1	3
-32	SJ3551	.. FASTENER/.5W X 4.0L/.....	2	
-33	SJ3551	.. FASTENER/.5W X 9.0L/.....	2	
-34	122-530127-11	.. BRACKET, SUPPORT .....	2	
-35	122-530252-19	.. BRACKET.....	1	3
-36	MS24694S51	.. SCREW.....	2	3
-37	NAS1169-10L	.. WASHER .....	2	3
-38	294618L	.. CLIPNUT .....	2	3

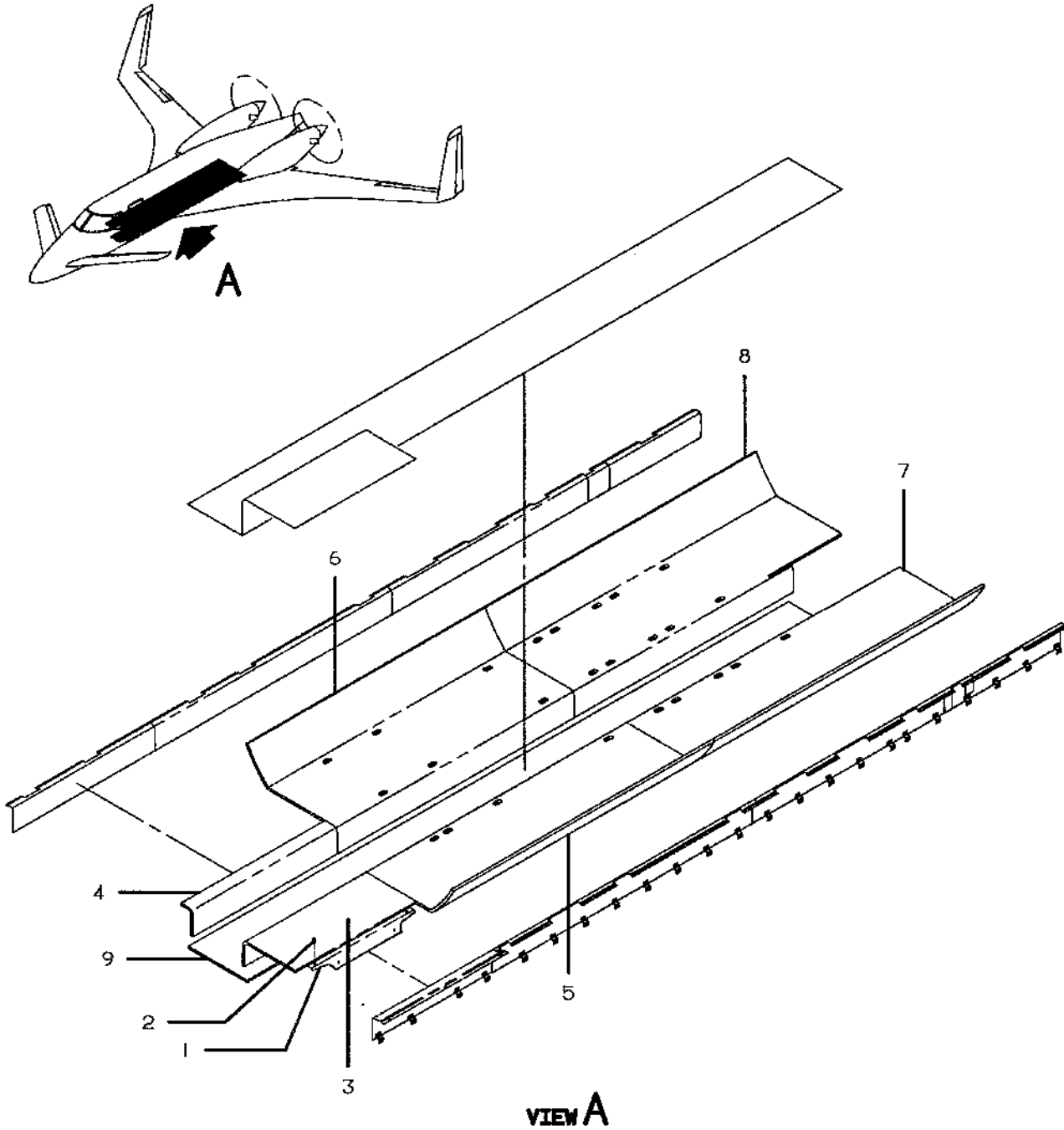
**CODES OF EFFECTIVITY**

1	NC-4 THRU NC-14	2	NC-15 THRU NC-20
3	NC-21 AND AFTER	4	NC-4 THRU NC-20

**Beechcraft**  
**STARSHIP 1**  
**ILLUSTRATED PARTS CATALOG**

**25-21-70**  
**CABIN CARPET**  
**NC-4 THRU NC-20**

Beechcraft  
STARSHIP 1  
ILLUSTRATED PARTS CATALOG

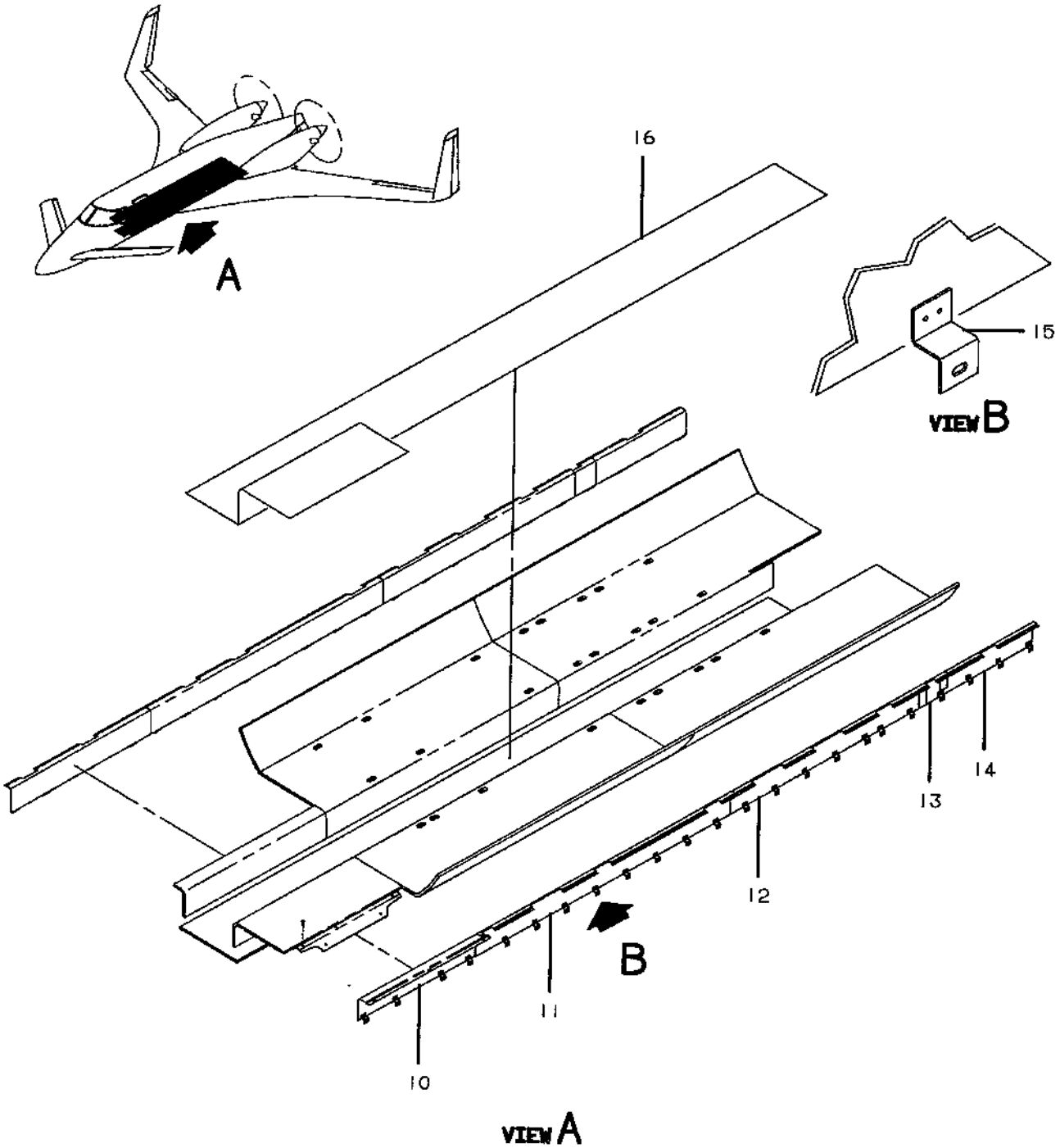


C94NC25A0062 C

**Beechcraft**  
**STARSHIP 1**  
**ILLUSTRATED PARTS CATALOG**

SUB-SEC UNIT & ITEM NO	PART NO.	DESCRIPTION 1 2 3 4 5 6 7	UNITS	USABLE
			PER ASSY	ON CODE
21-70	122-530241-1	CARPET INSTALLATION/WITH AISLE CONTAINER/ .....	NP	1
	122-530241-43	CARPET INSTALLATION/WITHOUT AISLE CONTAINER/ .....	NP	2
- 1	122-530171-1	. SCUFF PLATE.....	1	1
		. /ATTACHING PARTS/		
- 2	MS24693C273	. SCREW.....	5	
	NAS1329A3-80	. RIVNUT .....	4	
		★		
- 3	122-530241-35	. CARPET ASSY/WITH AISLE CONTAINER/ .....	1	1
- 4	122-530241-39	. CARPET ASSY/WITH AISLE CONTAINER/ .....	1	1
- 5	122-530241-27	. CARPET ASSY/WITH AISLE CONTAINER/ .....	1	1
- 6	122-530241-31	. CARPET ASSY/WITH AISLE CONTAINER/ .....	1	1
- 7	122-530241-19	. CARPET ASSY/WITH AISLE CONTAINER .....	1	1
	122-530241-53	. CARPET ASSY/WITHOUT AISLE CONTAINER/ .....	1	2
- 8	122-530241-23	. CARPET ASSY/WITH AISLE CONTAINER/ .....	1	1
	122-530241-45	. CARPET ASSY/WITHOUT AISLE CONTAINER/ .....	1	2
- 9	122-530241-15	. CARPET ASSY/WITH AISLE CONTAINER/ .....	1	1
	122-530241-49	. CARPET ASSY/WITHOUT AISLE CONTAINER/ .....	1	2

Beechcraft  
STARSHIP 1  
ILLUSTRATED PARTS CATALOG



C94NC25A0063 C

**Beechcraft**  
**STARSHIP 1**  
**ILLUSTRATED PARTS CATALOG**

SUB-SEC UNIT & ITEM NO	PART NO.	DESCRIPTION 1 2 3 4 5 6 7	UNITS	USABLE
			PER ASSY	ON CODE
21-70 -10	122-530295-7	. COVER ASSY.....	1	1
	122-530295-9	. COVER ASSY.....	1	1
-11	122-530295-3	. COVER ASSY.....	1	1
	122-530295-5	. COVER ASSY.....	1	1
-12	122-530295-1	. COVER ASSY.....	1	1
	122-530295-2	. COVER ASSY.....	1	1
-13	122-530295-23	. COVER ASSY.....	1	2
	122-530295-24	. COVER ASSY.....	1	2
-14	122-530295-31	. COVER ASSY.....	1	2
	122-530295-32	. COVER ASSY.....	1	2
-15	122-530295-11	.. SUPPORT.....	AR	1
	AN960-10	.. WASHER.....	30	1
	122-530299-1	PROTECTOR INSTL, CARPET/WITH AISLE CONTAINER/.....	NP	1
	122-530299-9	PROTECTOR INSTL, CARPET/WITHOUT AISLE CONTAINER/.....	NP	2
-16	122-530299-3	. PROTECTOR ASSY, CARPET/WITH AISLE CONTAINER/.....	1	1
	122-530299-11	. PROTECTOR ASSY, CARPET/WITHOUT AISLE CONTAINER/.....	1	2
	AN227-15L	.. SOCKET.....	10	1
	AN227-16	.. PLATE.....	10	1
	AN227-25M10	.. STUD.....	10	1

**CODES OF EFFECTIVITY**

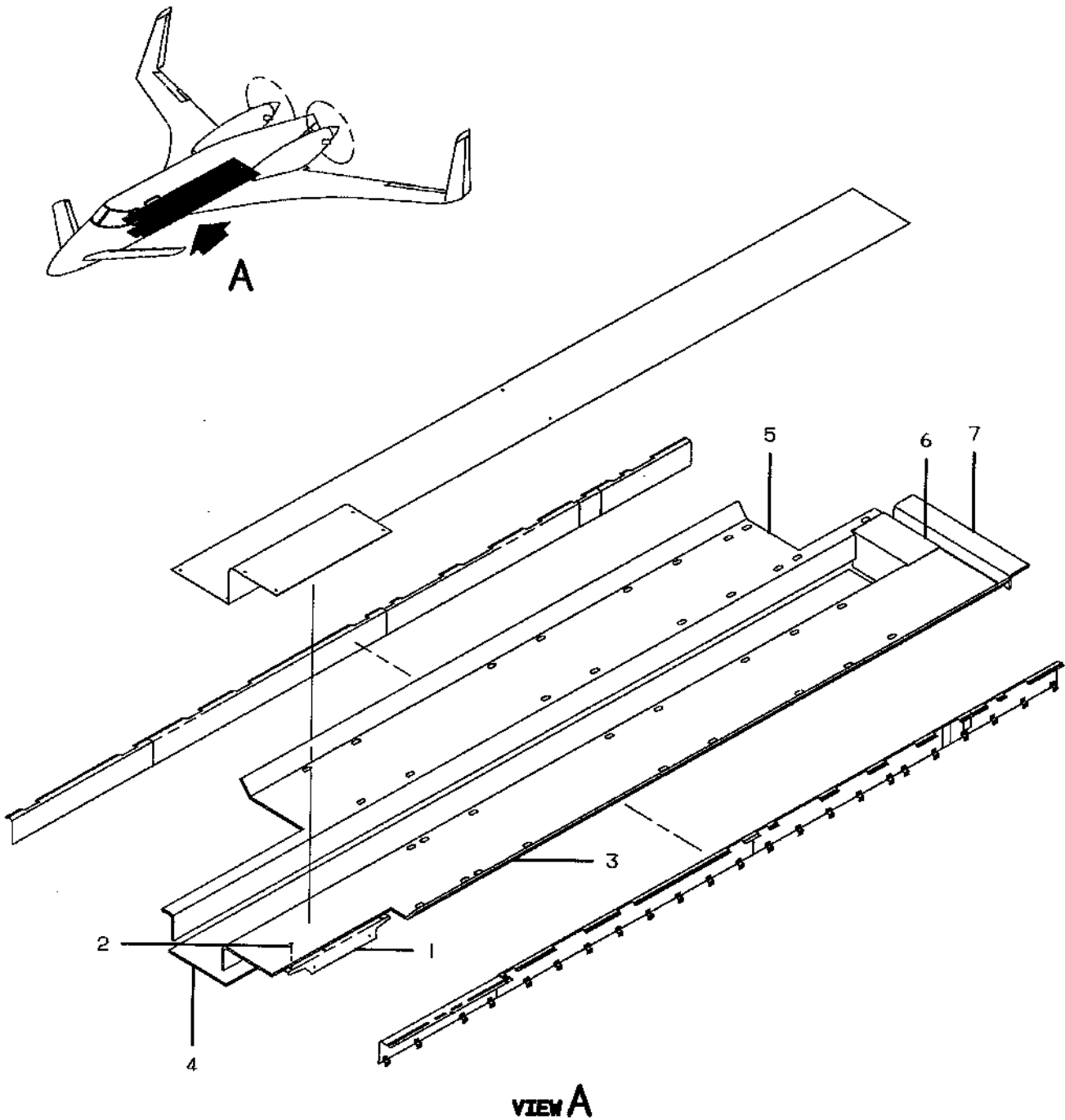
1 NC-4 THRU NC-20

2 NC-14 THRU NC-20

**Beechcraft**  
**STARSHIP 1**  
**ILLUSTRATED PARTS CATALOG**

**25-21-72**  
**CABIN CARPET**  
**NC-21 AND AFTER**

Beechcraft  
STARSHIP 1  
ILLUSTRATED PARTS CATALOG



VIEW A

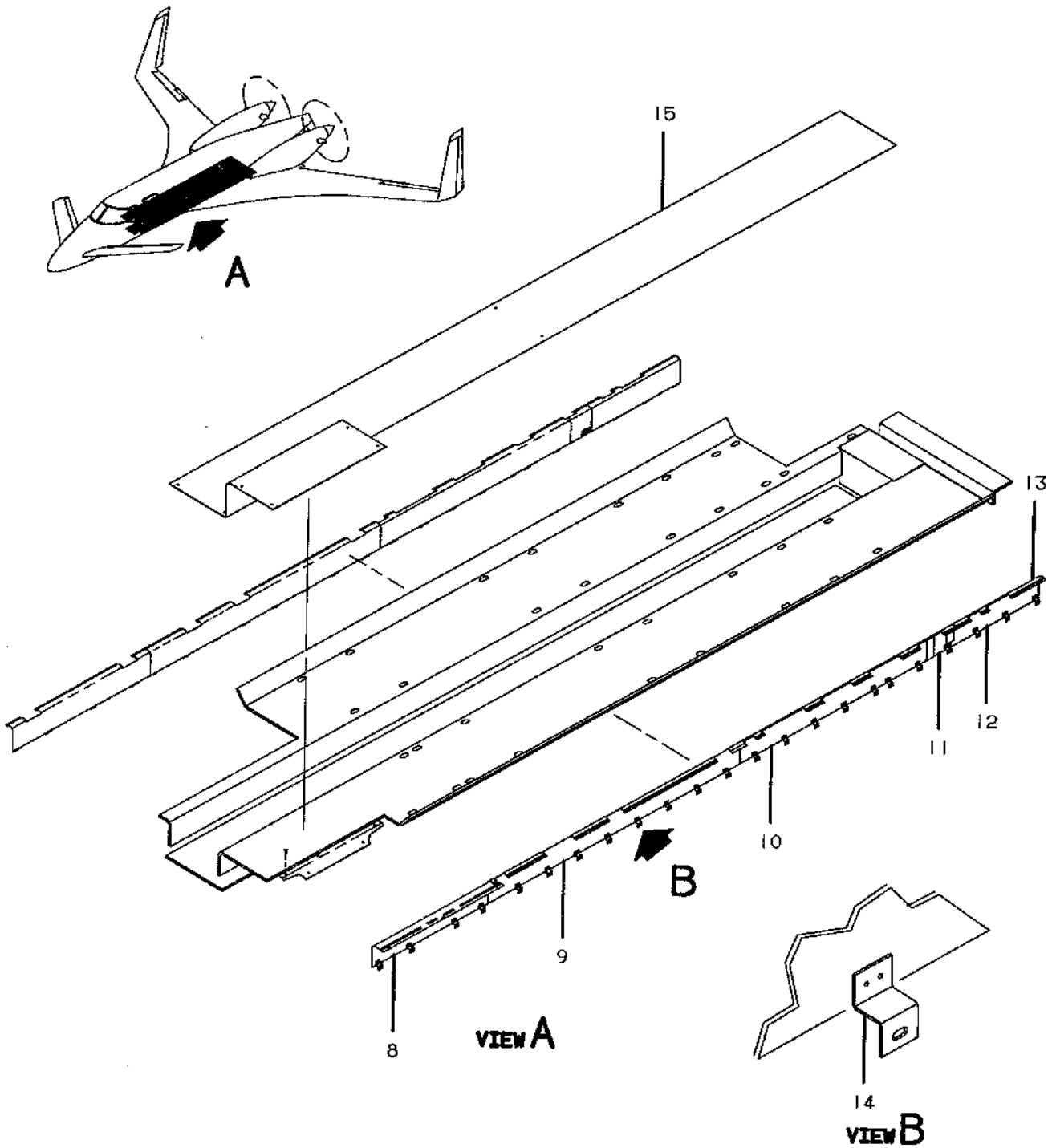
C93NC26A4547 C



**Beechcraft**  
**STARSHIP 1**  
**ILLUSTRATED PARTS CATALOG**

SUB-SEC UNIT & ITEM NO	PART NO.	DESCRIPTION 1 2 3 4 5 6 7	UNITS	USABLE
			PER ASSY	ON CODE
21-72	122-530379-1	CARPET INSTL, CABIN.....	NP	1
- 1	122-530171-1	. SCUFF PLATE.....	1	2
	122-530171-9	. SCUFF PLATE.....	1	3
		/ATTACHING PARTS/		
- 2	MS24693C273	. SCREW.....	5	
	NAS1329A3-80	. RIVNUT.....	4	
		---★---		
- 3	122-530379-19	. CARPET ASSY.....	1	1
- 4	122-530379-15	. CARPET ASSY.....	1	1
- 5	122-530379-23	. CARPET ASSY.....	1	1
- 6	122-530379-35	. CARPET ASSY.....	1	1
- 7	122-530379-39	. CARPET ASSY.....	1	1

Beechcraft  
STARSHIP 1  
ILLUSTRATED PARTS CATALOG



C93NC25A4548 C

**Beechcraft**  
**STARSHIP 1**  
**ILLUSTRATED PARTS CATALOG**

SUB-SEC UNIT & ITEM NO	PART NO.	DESCRIPTION 1 2 3 4 5 6 7	UNITS	USABLE
			PER ASSY	ON CODE
21-72 - 8	122-530295-7	. COVER ASSY, LH.....	1	1
	122-530295-9	. COVER ASSY, RH/ORDER 122-530295-43 FOR..... SPARES/	NP	4
- 9	122-530295-43	. COVER ASSY, RH.....	1	5
	122-530295-3	. COVER ASSY, LH.....	1	1
-10	122-530295-5	. COVER ASSY, RH.....	1	1
	122-530295-47	. COVER ASSY, LH.....	1	1
-11	122-530295-51	. COVER ASSY, RH.....	1	1
	122-530295-23	. COVER ASSY, LH.....	1	1
-12	122-530295-24	. COVER ASSY, RH.....	1	1
	122-530295-35	. COVER ASSY, LH.....	1	1
-13	122-530295-36	. COVER ASSY, RH.....	1	1
	122-530295-31	. COVER ASSY, LH.....	1	1
-14	122-530295-32	. COVER ASSY, RH.....	1	1
	122-530295-11	. SUPPORT.....	AR	1
-15	AN960-10	. WASHER.....	30	1
	122-530299-17	. PROTECTOR INSTL, CARPET.....	NP	1
-15	122-530299-19	. PROTECTOR ASSY, CARPET.....	1	1
	AN227-15L	. SOCKET.....	10	1
	AN227-16	. PLATE.....	10	1
	AN227-25M10	. STUD.....	10	1
	122-530299-7	. PLATE.....	1	1

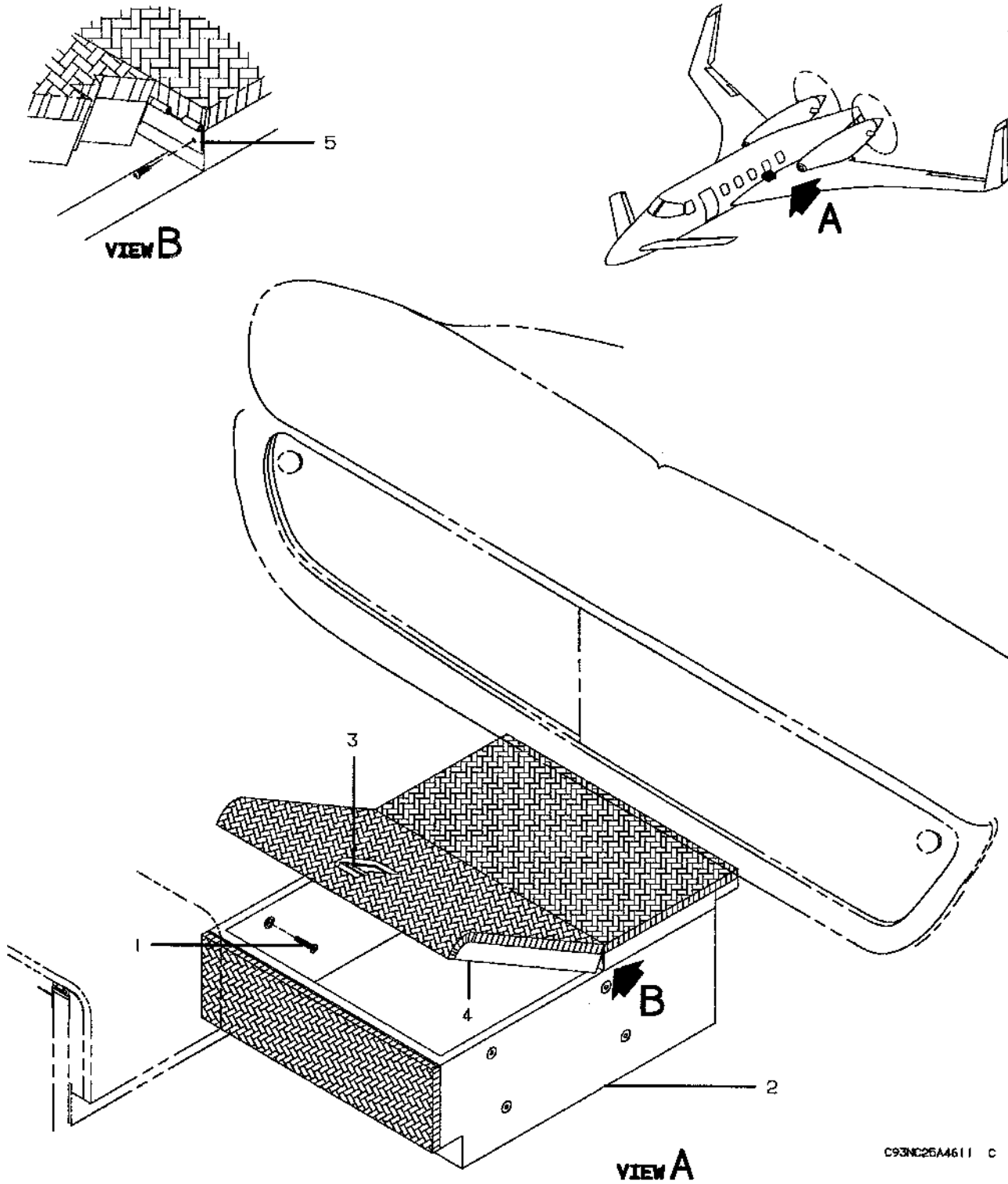
**CODES OF EFFECTIVITY**

- |   |                 |   |                  |
|---|-----------------|---|------------------|
| 1 | NC-21 AND AFTER | 2 | NC-21 THRU NC-34 |
| 3 | NC-35 AND AFTER | 4 | NC-21 THRU NC-30 |
| 5 | NC-31 AND AFTER |   |                  |

**Beechcraft**  
**STARSHIP 1**  
**ILLUSTRATED PARTS CATALOG**

**25-21-90**  
**AISLE CONTAINER**  
**NC-4 THRU NC-20**

Beechcraft  
STARSHIP 1  
ILLUSTRATED PARTS CATALOG



C93NC26A4611 C

FIGURE 21-90.AISLE CONTAINER

**Beechcraft**  
**STARSHIP 1**  
**ILLUSTRATED PARTS CATALOG**

SUB-SEC UNIT & ITEM NO	PART NO.	DESCRIPTION 1 2 3 4 5 6 7	UNITS	USABLE
			PER ASSY	ON CODE
21-90	122-530254-1	CONTAINER INSTL, AISLE .....	NP	1
	122-530254-3	CONTAINER ASSY, AISLE .....	1	1
- 1	MS24694S58	/ATTACHING PARTS/ SCREW.....	8	
		★-----		
- 2	122-384122-9	CONTAINER ASSY .....	1	1
- 3	122-384122-7	LATCH ASSY.....	1	1
- 4	122-384122-13	COVER .....	1	1
- 5	MS20001-3	HINGE.....	1	1
	NAS514P632-5	/ATTACHING PARTS/ SCREW.....	10	
		★-----		

**CODES OF EFFECTIVITY**

1 NC-4 THRU NC-20

**Beechcraft**  
**STARSHIP 1**  
**ILLUSTRATED PARTS CATALOG**

**25-22-00**  
**CABIN TABLES**

Beechcraft  
STARSHIP 1  
ILLUSTRATED PARTS CATALOG

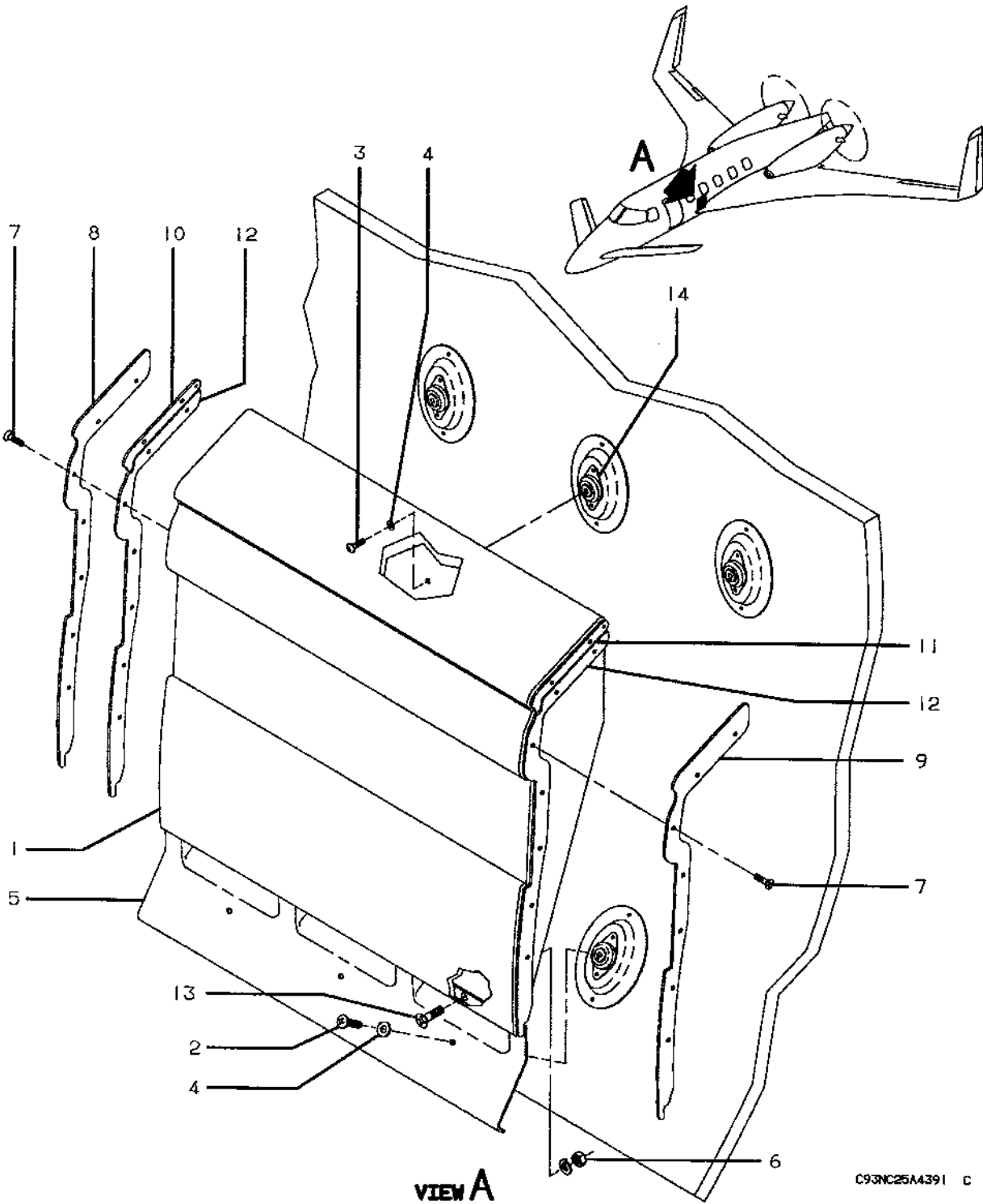


FIGURE 22-00. CABIN TABLES  
/SHEET 1 OF 4 SHEETS/



**Beechcraft**  
**STARSHIP 1**  
**ILLUSTRATED PARTS CATALOG**

SUB-SEC UNIT & ITEM NO	PART NO.	DESCRIPTION 1 2 3 4 5 6 7	UNITS	USABLE
			PER ASSY	ON CODE
22-00	122-530235-1	TABLE INSTL, LH FWD .....	NP	1
	122-530235-2	TABLE INSTL, RH FWD .....	NP	1
- 1	122-530235-3	TABLE ASSY, LH FWD .....	1	1
	122-530235-4	TABLE ASSY, RH FWD .....	1	1
		/ATTACHING PARTS/		
- 2	MS27039-1-05	SCREW .....	3	1
- 3	MS24694S57	SCREW .....	3	
- 4	AN980-10L	WASHER .....	6	
		★		
- 5	122-530281-3	SUPPORT .....	1	1
	122-530281-4	SUPPORT .....	1	1
- 6	MS35650-302	NUT .....	3	1
	MS35337-43	WASHER, LOCK .....	3	1
	122-384120-1	TABLE ASSY, LH FWD .....	1	1
	122-384120-2	TABLE ASSY, RH FWD .....	1	1
- 7	8-32	SCREW .....	18	1
- 8	122-384121-3	TRIM, OUTER/STA 251.67/ .....	1	1
- 9	122-384121-4	TRIM, OUTER/STA 232.08/ .....	1	1
- 10	122-384121-5	TRIM, DOOR/STA 251.67/ .....	1	1
- 11	122-384121-6	TRIM, DOOR/STA 232.08/ .....	1	1
- 12	122-384121-7	TRIM, INNER/STA 232.08 & STA 251.67/ .....	2	1
- 13	MS24693S273	SCREW .....	3	1
	311SM5T	SWITCH .....	1	1
	207153-1	CONNECTOR .....	1	1
	66103-4	PIN .....	6	1
	122-430012-1	SUPPORT ASSY, UPHOLSTERY MOUNTING .....	6	1
- 14	122-384052-1	ISOLATOR, VIBRATION .....	6	1

Beechcraft  
STARSHIP 1  
ILLUSTRATED PARTS CATALOG

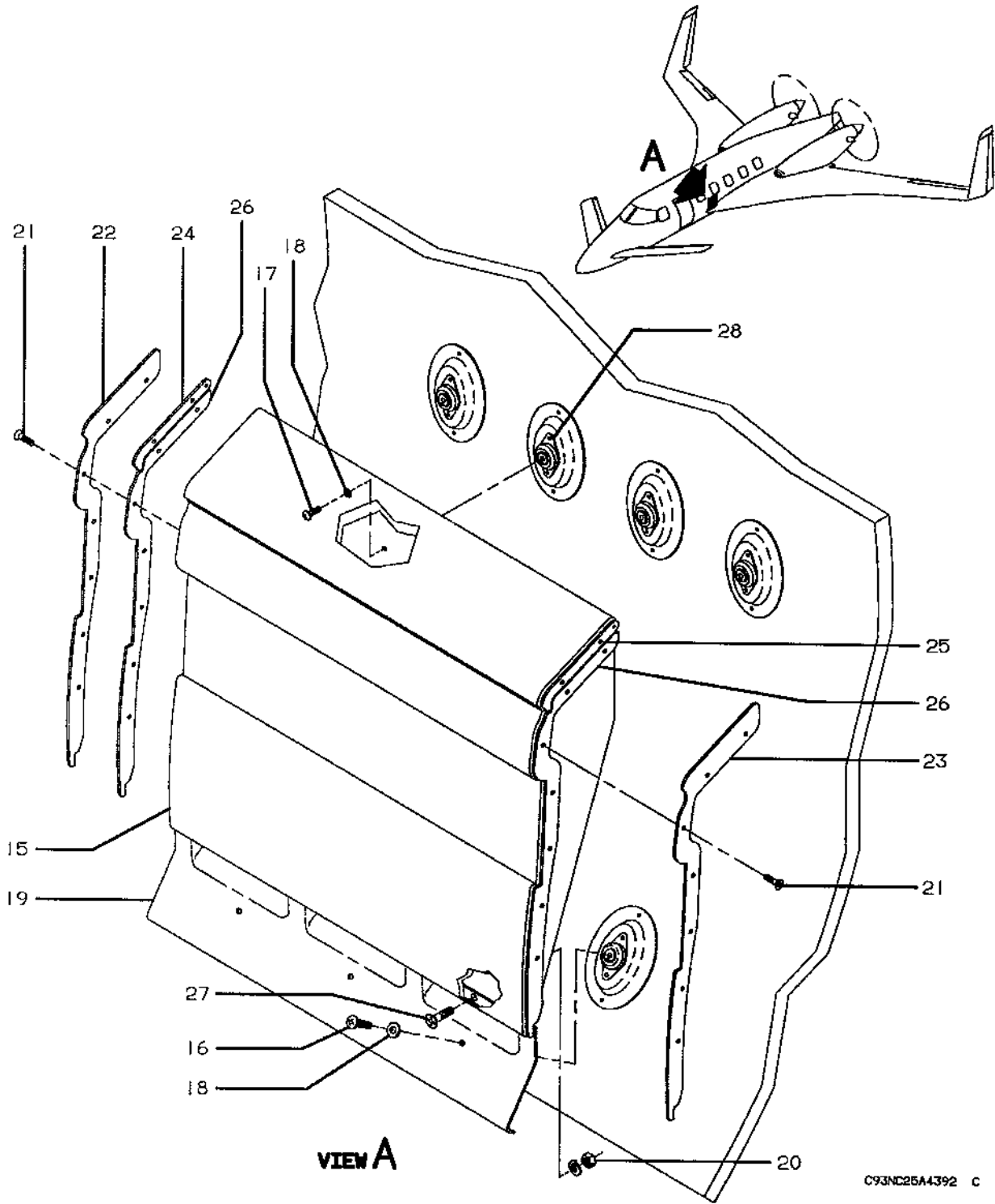


FIGURE 22-00. CABIN TABLES  
/SHEET 2 OF 4 SHEETS/

**Beechcraft**  
**STARSHIP 1**  
**ILLUSTRATED PARTS CATALOG**

SUB-SEC UNIT & ITEM NO	PART NO.	DESCRIPTION 1 2 3 4 5 6 7	UNITS	USABLE
			PER ASSY	ON CODE
22-00	122-530235-5	TABLE INSTL, LH FWD .....	NP	2
	122-530235-6	TABLE INSTL, RH FWD .....	NP	2
-15	122-530235-7	TABLE ASSY, LH .....	1	2
	122-530235-8	TABLE ASSY, RH .....	1	2
		/ATTACHING PARTS/		
-16	MS27039-1-05	SCREW .....	3	
-17	MS24694S57	SCREW .....	4	
-18	AN960-10L	WASHER .....	7	
		★		
	122-530235-9	DAMPER, SOUND .....	2	2
-19	122-530281-13	SUPPORT, FWD TABLE .....	1	2
-20	MS35650-302	NUT .....	3	2
	AN960-10L	WASHER .....	3	2
	MS35337-43	WASHER, LOCK .....	3	2
	122-384120-11	TABLE ASSY .....	1	2
-21	8-32	SCREW .....	18	2
-22	122-384121-3	TRIM, OUTER/STA.256.80/ .....	1	2
-23	122-384121-4	TRIM, OUTER/STA.237.20/ .....	1	2
-24	122-384121-5	TRIM, DOOR/STA.256.80/ .....	1	2
-25	122-384121-6	TRIM, DOOR/STA.237.20/ .....	1	2
-26	122-384121-7	TRIM, INNER/STA.237.20 & STA.256.80/ .....	2	2
-27	MS24693S273	SCREW .....	3	2
	311SM5T	SWITCH .....	1	2
	207153-1	CONNECTOR .....	1	2
	66103-4	PIN .....	6	2
	122-430012-1	SUPPORT ASSY, UPHOLSTERY MOUNTING .....	7	2
-28	122-384052-1	ISOLATOR, VIBRATION .....	7	2

Beechcraft  
STARSHIP 1  
ILLUSTRATED PARTS CATALOG

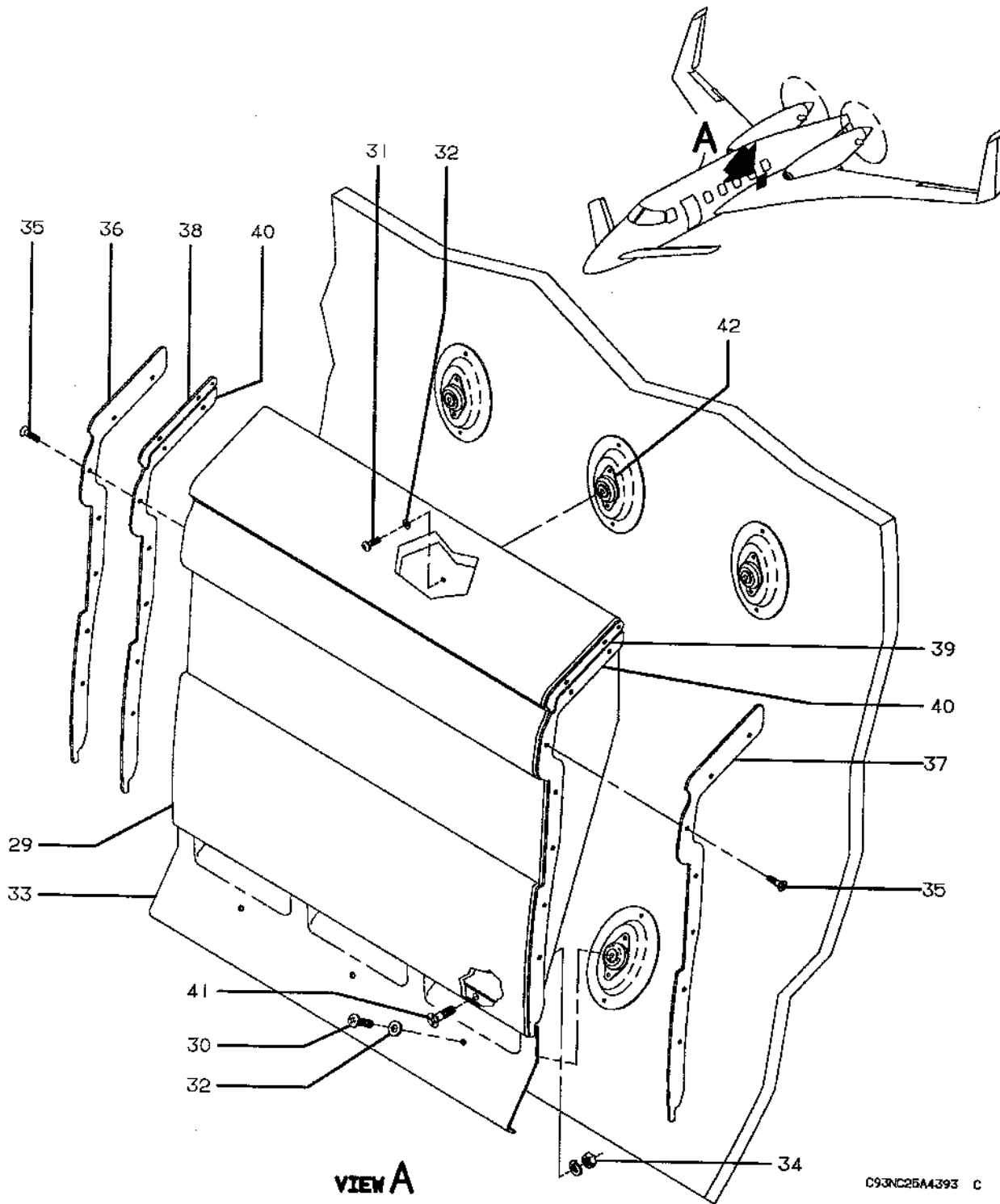


FIGURE 22-00.CABIN TABLES  
/SHEET 3 OF 4 SHEETS/

**Beechcraft**  
**STARSHIP 1**  
**ILLUSTRATED PARTS CATALOG**

SUB-SEC UNIT & ITEM NO	PART NO.	DESCRIPTION 1 2 3 4 5 6 7	UNITS	USABLE
			PER ASSY	ON CODE
22-00	122-530236-1	TABLE INSTL, LH AFT.....	NP	1
	122-530236-2	TABLE INSTL, RH AFT.....	NP	1
-29	122-530236-3	TABLE ASSY, LH.....	1	1
	122-530236-4	TABLE ASSY, RH.....	1	1
		/ATTACHING PARTS/		
-90	MS27039-1-05	SCREW.....	3	
-31	MS24694S57	SCREW.....	3	
-32	AN960-10L	WASHER.....	6	
		★		
-33	122-530281-7	SUPPORT, LH.....	1	1
	122-530281-8	SUPPORT, RH.....	1	1
-34	MS35650-302	NUT.....	3	1
	MS35337-43	WASHER, LOCK.....	3	1
	122-384121-1	TABLE ASSY, LH AFT.....	1	1
	122-374121-2	TABLE ASSY, RH AFT.....	1	1
-35	8-32	SCREW.....	18	1
-36	122-384121-3	TRIM, OUTER/STA.327.99/.....	1	1
-37	122-384121-4	TRIM, OUTER/STA.307.87/.....	1	1
-38	122-384121-5	TRIM, DOOR/STA.327.99/.....	1	1
-39	122-384121-6	TRIM, DOOR/STA.307.87/.....	1	1
-40	122-384121-7	TRIM, INNER/STA.307.87 & STA.327.99/.....	2	1
-41	MS24693S273	SCREW.....	3	1
	311SM5T	SWITCH.....	1	1
	207153-1	CONNECTOR.....	1	1
	66103-4	PIN.....	6	1
	122-430012-1	SUPPORT ASSY, UPHOLSTERY MOUNTING.....	6	1
-42	122-384052-1	ISOLATOR, VIBRATION.....	6	1

Beechcraft  
STARSHIP 1  
ILLUSTRATED PARTS CATALOG

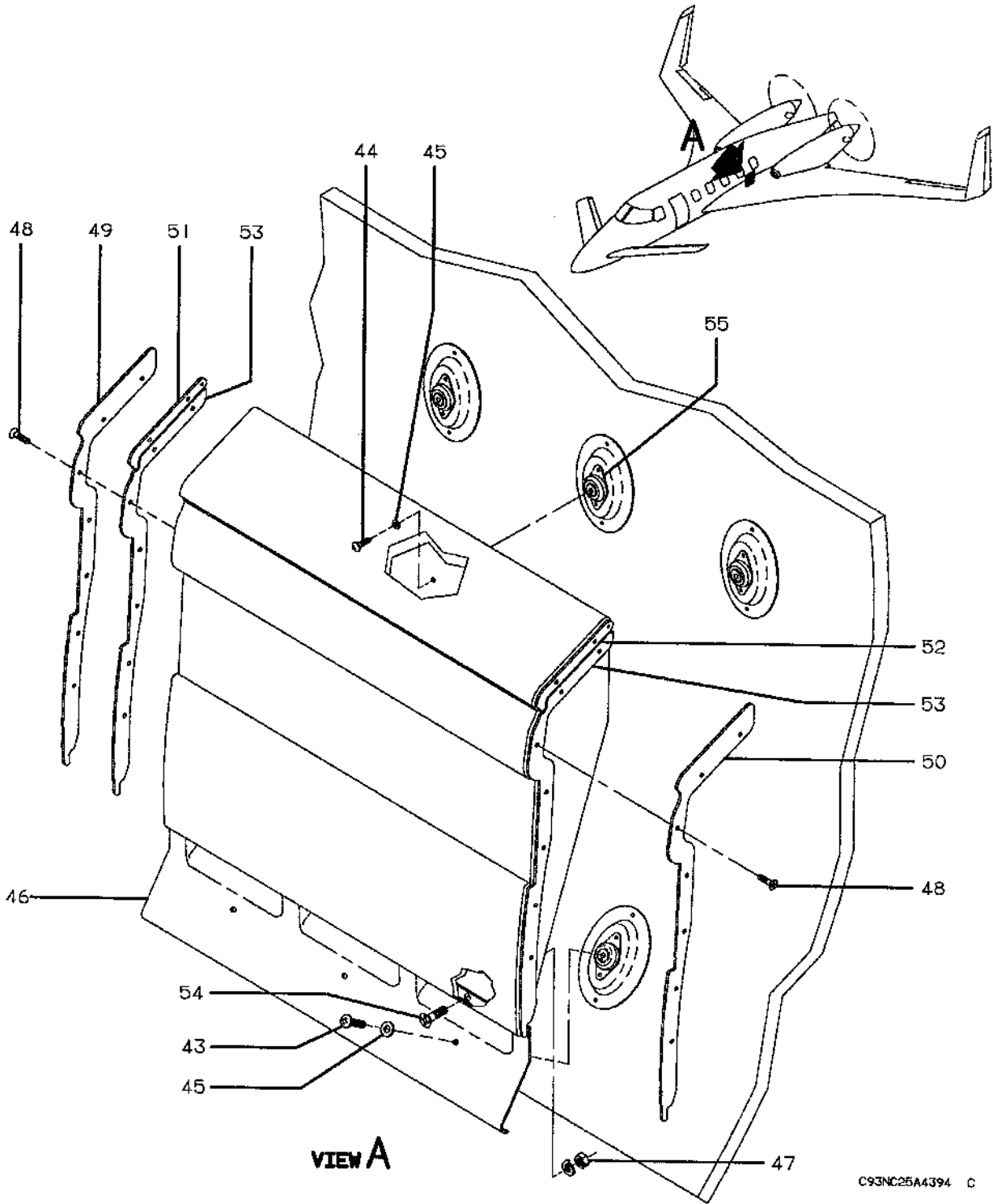


FIGURE 22-00.CABIN TABLES  
/SHEET 4 OF 4 SHEETS/



**Beechcraft**  
**STARSHIP 1**  
**ILLUSTRATED PARTS CATALOG**

**25-22-10**  
**LH FORWARD PARTITION**



Beechcraft  
STARSHIP 1  
ILLUSTRATED PARTS CATALOG

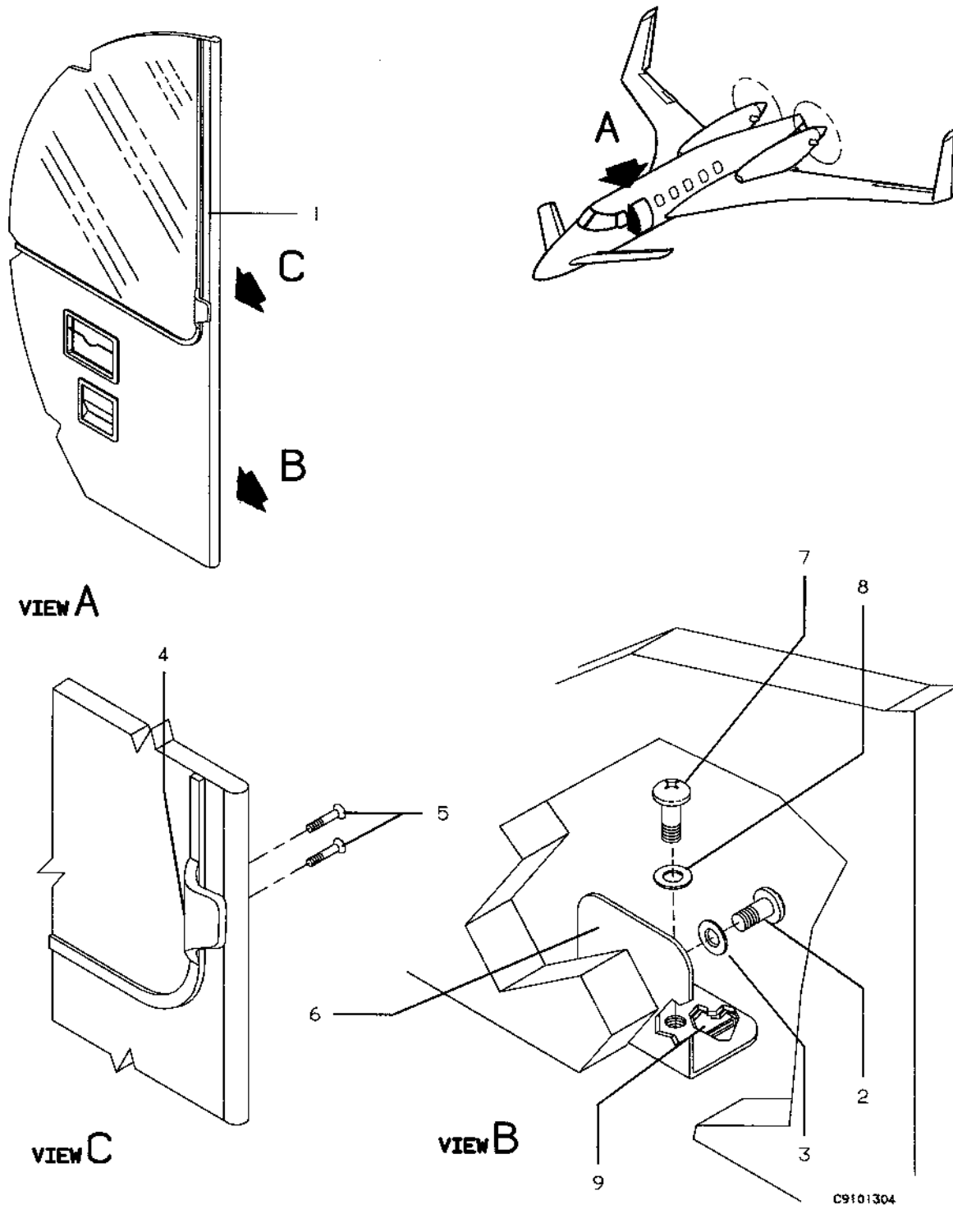


FIGURE 22-10.LH FORWARD PARTITION

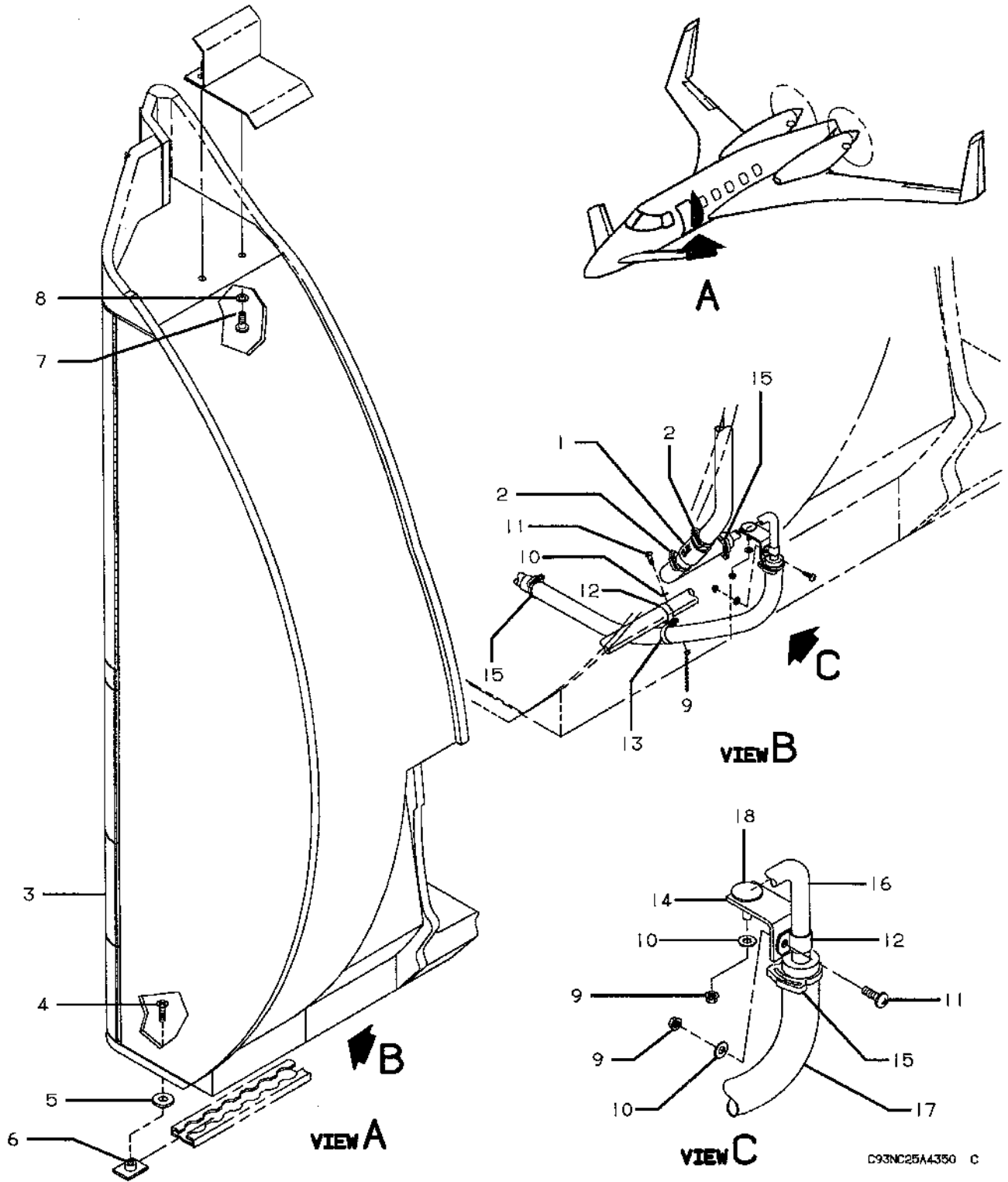
**Beechcraft**  
**STARSHIP 1**  
**ILLUSTRATED PARTS CATALOG**

SUB-SEC UNIT & ITEM NO	PART NO.	DESCRIPTION 1 2 3 4 5 6 7	UNITS PER ASSY	USABLE ON CODE
22-10	122-530121-7	PARTITION INSTL, LH FWD/MAPCASE/ .....	NP	
	122-530311-1	. SWITCH & LIGHT INSTL, ENTRY/SEE CHAPTER 33/ .....	NP	
- 1	122-384032-3	. PARTITION ASSY, LH FWD/WITH MAPCASE/ .....	1	
		/ATTACHING PARTS/		
- 2	MS27039-1-07	. SCREW.....	4	
- 3	AN960PD10L	. WASHER.....	4	
		-----★-----		
- 4	122-384032-7	. . CATCH, DOOR.....	1	
		/ATTACHING PARTS/		
- 5	MS24693S54	. . SCREW.....	2	
		-----★-----		
	122-384032-5	. . HOLDER, AIRWORTHINESS CERTIFICATE .....	1	
- 6	122-530121-5	. BRACKET, SUPPORT .....	2	
		/ATTACHING PARTS/		
- 7	MS27039-1-09	. SCREW.....	2	
- 8	AN960PD10L	. WASHER.....	2	
- 9	294618L	. CLIPNUT .....	2	
		-----★-----		

**Beechcraft**  
**STARSHIP 1**  
**ILLUSTRATED PARTS CATALOG**

**25-22-20**  
**LH FORWARD REFRESHMENT CABINET**

**Beechcraft**  
**STARSHIP 1**  
**ILLUSTRATED PARTS CATALOG**



C93NC25A4350 C

**FIGURE 22-20.LH FORWARD REFRESHMENT CABINET**

**Beechcraft**  
**STARSHIP 1**  
**ILLUSTRATED PARTS CATALOG**

SUB-SEC UNIT & ITEM NO	PART NO.	DESCRIPTION 1 2 3 4 5 6 7	UNITS	USABLE
			PER ASSY	ON CODE
- 1	122-530265-1 219822	CABINET INSTL, LH FWD REFRESHMENT .....	NP	
		. CHECK VALVE.....	1	
- 2	SNP8	. /ATTACHING PARTS/ . CLAMP .....	2	
		-----*		
- 3	122-384108-23	. REFRESHMENT CABINET ASSY .....	1	1
	122-384108-45	. REFRESHMENT CABINET ASSY .....	1	2
		. /ATTACHING PARTS/		
- 4	MS24694S101	. SCREW.....	3	
- 5	122-530297-7	. SPACER .....	3	
- 6	122-530297-5	. RETAINER.....	3	3
	122-530297-13	. RETAINER.....	3	4
- 7	MS27039-4-14	. SCREW.....	2	
- 8	AN960-416L	. WASHER.....	2	
		-----*		
	122-384108-27	. DRAWER ASSY, ICE CONTAINER.....	1	
	122-384108-43	. DRAWER ASSY, STORAGE/LOWER/ .....	1	
	122-384108-25	. DRAWER ASSY, STORAGE/UPPER/ .....	1	
	122-384108-29	. DRAWER ASSY/WITH CUTTING BOARD/ .....	1	
	122-384108-31	. DOOR ASSY/HOT LIQUID DISPENSER/ .....	1	
	122-384108-39	. DRAWER ASSY/REMOVABLE CONDIMENT TRAY/ .....	1	
	122-384108-35	. DRAWER ASSY/TRASH & STORAGE PROVISIONS/ .....	1	
	122-384108-37	. DRAWER ASSY/DECANTERS/ .....	1	
	122-384108-41	. DRAWER ASSY/WITH REMOVABLE CONTAINER/ .....	1	
	122-384108-33	. SHELL .....	1	1
	122-384108-47	. SHELL .....	1	2
	AML31FBE4A	. SWITCH/COFFEE,DRAIN,LIGHT/ .....	3	
	AML51F101	. DECAL/COFFEE/ .....	1	
	AML51F105	. DECAL/DRAIN/ .....	1	
	AML51F123	. DECAL/LIGHT/ .....	1	
	80037-123	. PREPCO UNIT .....	1	
- 9	130909N28	. NUT .....	3	
- 10	AN960-8L	. WASHER .....	3	
- 11	MS35206-230	. SCREW.....	2	
- 12	HP5N	. CLAMP .....	2	
- 13	HP9N	. CLAMP .....	1	
- 14	AN743-13	. BRACKET.....	1	
- 15	SNP8	. CLAMP .....	3	
- 16	122-530265-7	. TUBE.....	1	
- 17	122-530265-3	. TUBE.....	1	
- 18	SL6172-08-4	. STUD.....	1	

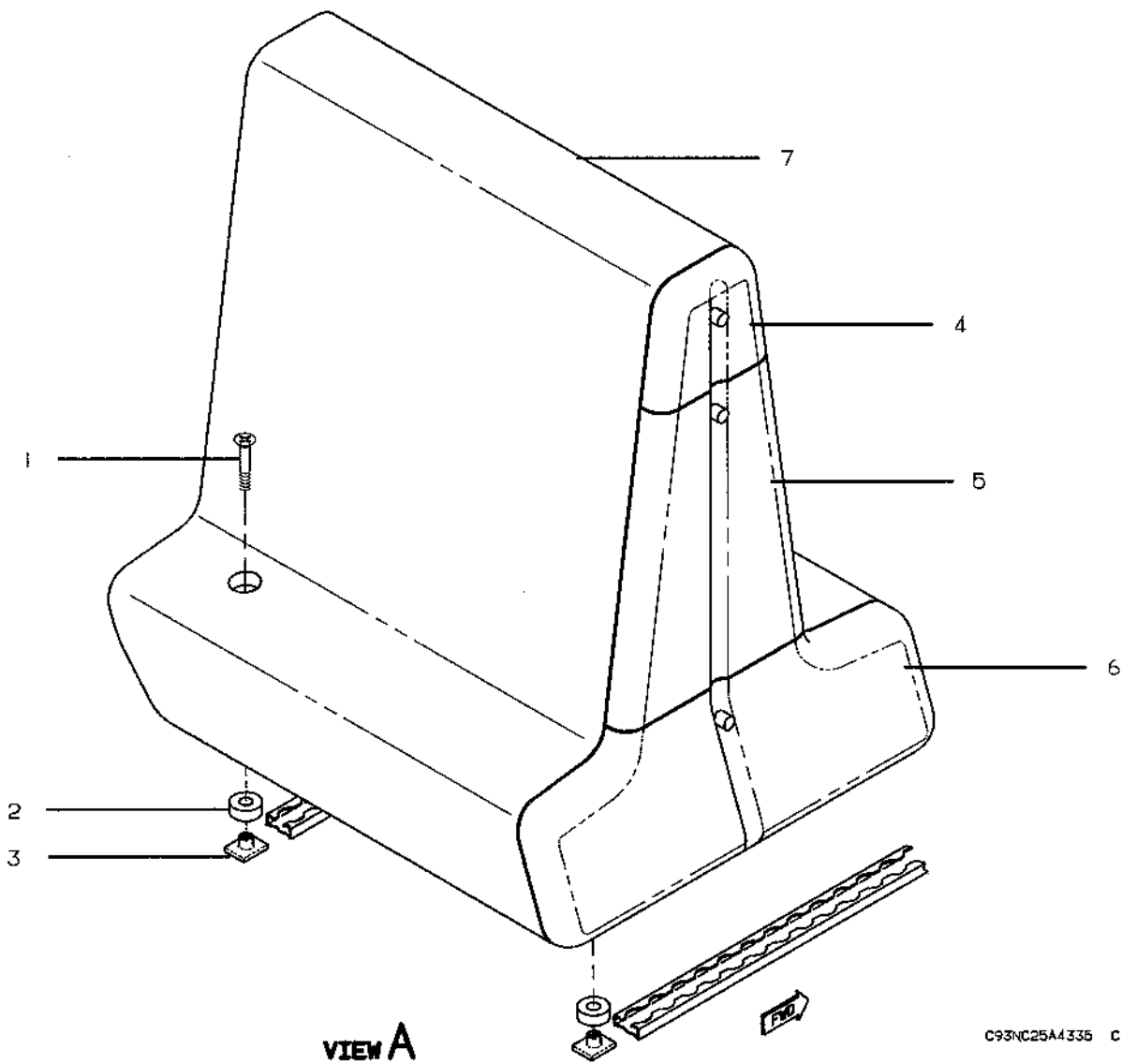
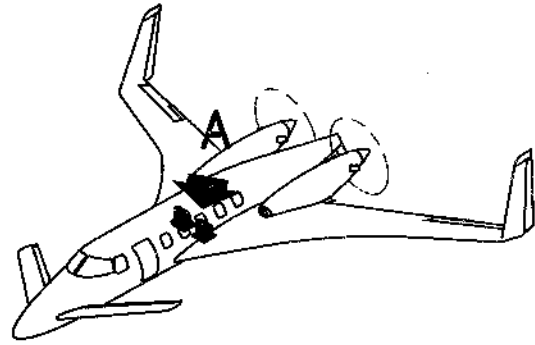
**CODES OF EFFECTIVITY**

1	NC-4 THRU NC-20	2	NC-21 AND AFTER
3	NC-4 THRU NC-53	4	NC-54 AND AFTER

**Beechcraft**  
**STARSHIP 1**  
**ILLUSTRATED PARTS CATALOG**

**25-22-30**  
**PYRAMID CABINETS**  
**NC-4 THRU NC-20**

Beechcraft  
STARSHIP 1  
ILLUSTRATED PARTS CATALOG



C93NC25A4335 C

FIGURE 22-30.PYRAMID CABINETS

**Deechcraft**  
**STARSHIP 1**  
**ILLUSTRATED PARTS CATALOG**

SUB-SEC UNIT & ITEM NO	PART NO.	DESCRIPTION 1 2 3 4 5 6 7	UNITS PER ASSY	USABLE ON CODE
	122-530266-1	CABINET INSTL, LH PYRAMID.....	NP	1
	122-530266-3	CABINET INSTL, RH PYRAMID.....	NP	1
	122-384109-19	. CABINET ASSY, LH PYRAMID.....	1	1
	122-384109-21	. CABINET ASSY, RH PYRAMID.....	1	1
		/ATTACHING PARTS/		
- 1	MS24694C101	. SCREW.....	4	
- 2	122-530297-7	. SPACER.....	4	
- 3	122-530297-5	. RETAINER.....	4	
		★		
- 4	122-384109-29	.. DRAWER ASSY, LH UPPER.....	1	1
	122-384109-35	.. DRAWER ASSY, RH UPPER.....	1	1
- 5	122-384109-25	.. DRAWER ASSY, LH MIDDLE.....	1	1
	122-384109-33	.. DRAWER ASSY, RH MIDDLE.....	1	1
- 6	122-384109-27	.. DRAWER ASSY, LH LOWER.....	1	1
	122-384109-31	.. DRAWER ASSY, RH LOWER.....	1	1
- 7	122-384109-23	.. CABINET SHELL.....	1	1

**CODES OF EFFECTIVITY**

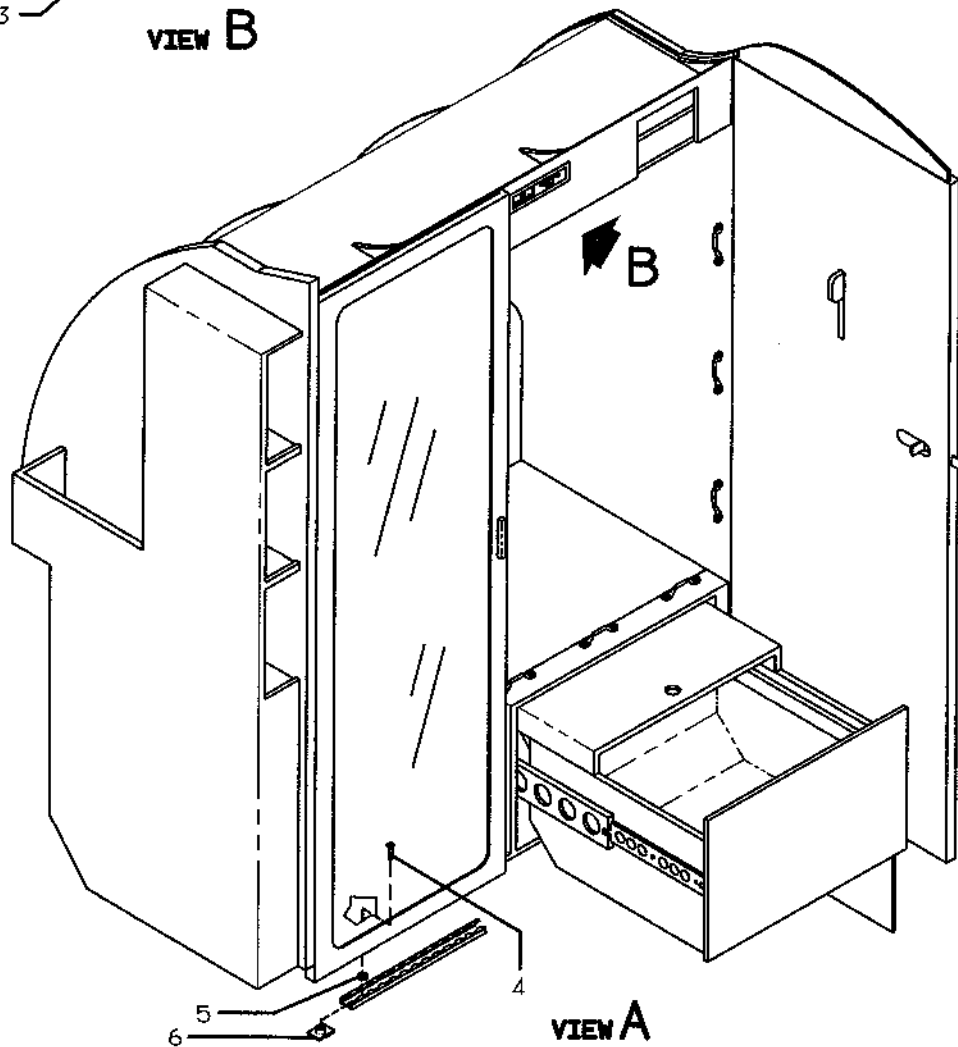
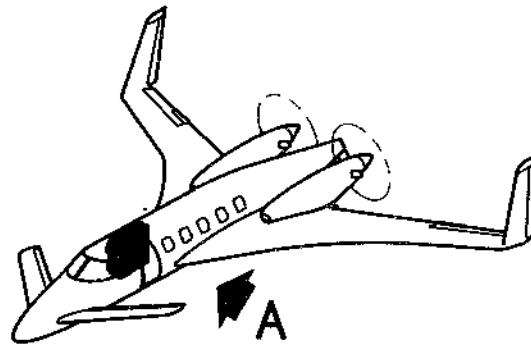
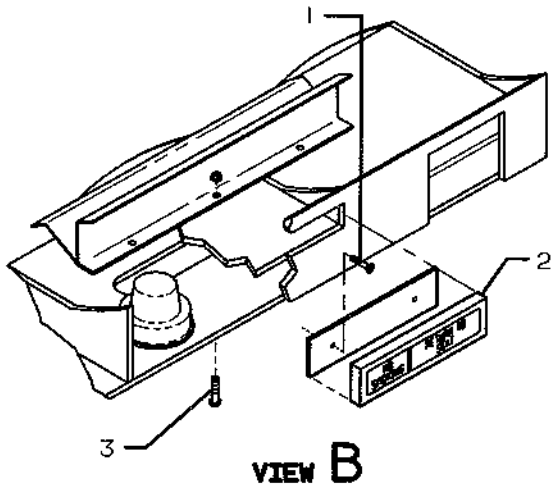
1 NC-4 THRU NC-20



**Beechcraft**  
**STARSHIP 1**  
**ILLUSTRATED PARTS CATALOG**

**25-22-40**  
**RH BAGGAGE/IAPS CABINET**  
**NC-4 THRU NC-20**

Beechcraft  
STARSHIP 1  
ILLUSTRATED PARTS CATALOG



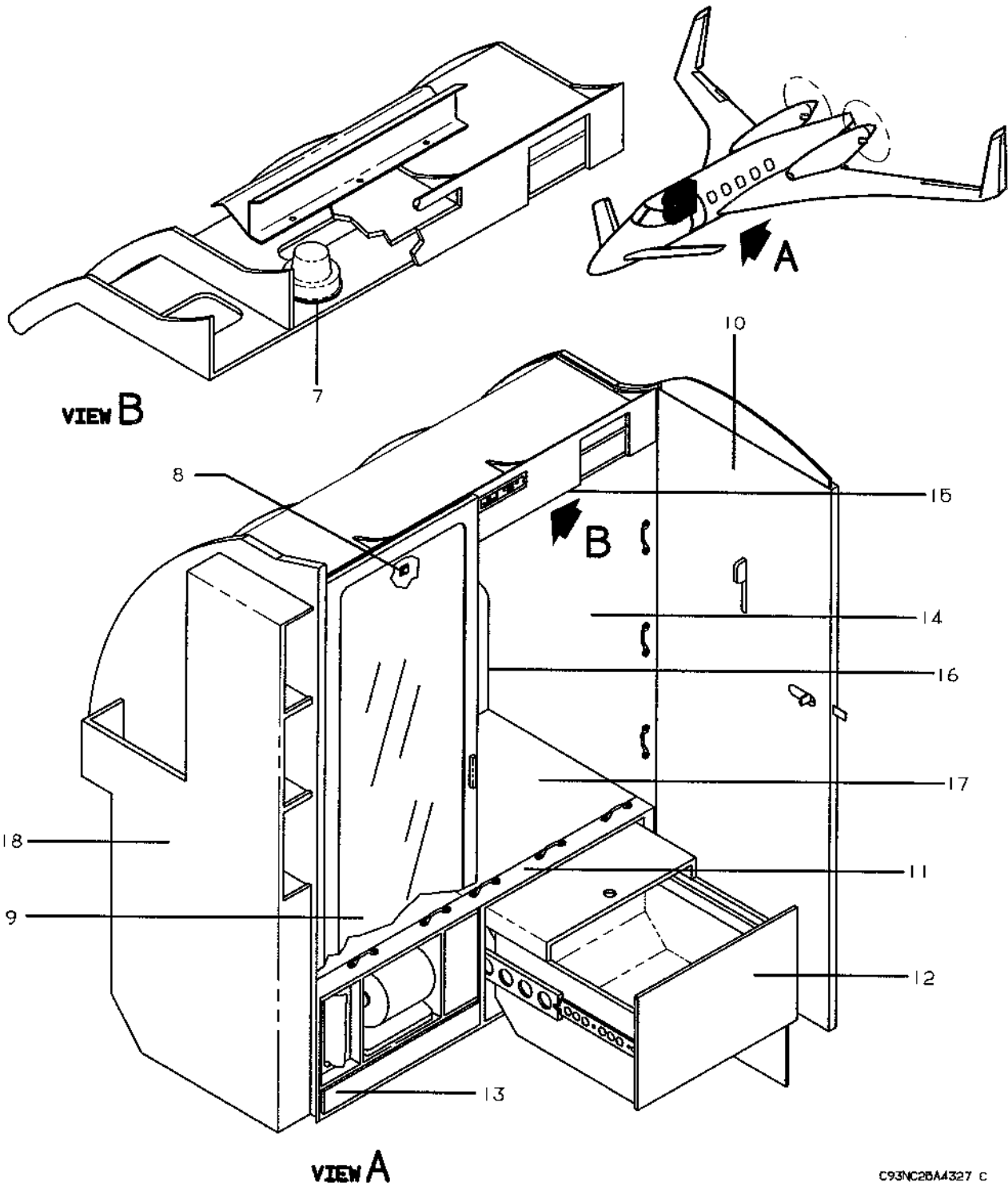
C93NC2BA4326 C

FIGURE 22-40.RH BAGGAGE/IAPS CABINET  
/SHEET 1 OF 2 SHEETS/

**Beechcraft**  
**STARSHIP 1**  
**ILLUSTRATED PARTS CATALOG**

SUB-SEC UNIT & ITEM NO	PART NO.	DESCRIPTION 1 2 3 4 5 6 7	UNITS	USABLE
			PER ASSY	ON CODE
	122-530325-1	CABINET INSTL, BAGGAGE/IAPS/ .....	NP	1
- 1	MS24693S28	. SCREW.....	2	1
- 2	1202-022	. SIGN, NO SMOKING-RETURN TO SEAT .....	1	1
	122-530293-1	. PLUMBING INSTL, RELIEF TUBE/SEE CHAPTER .....	NP	1
		38/		
	122-530105-1	. TOILET INSTL/SEE CHAPTER 38/ .....	NP	1
	122-530107-7	. OXYGEN PROVISIONS/SEE CHAPTER 35/ .....	NP	1
	122-530294-1	. WEB INSTL, FWD CABINET BAGGAGE/SEE CHAPTER.....	NP	1
		25-22-50/		
- 3	MS24694C56	. SCREW.....	3	1
- 4	MS24694S102	. SCREW.....	4	1
- 5	122-530297-3	. SPACER.....	4	1
- 6	122-530297-1	. RETAINER.....	4	1

**Beechcraft**  
**STARSHIP 1**  
**ILLUSTRATED PARTS CATALOG**



C93NC2BA4327 C

**FIGURE 22-40.RH BAGGAGE/IAPS CABINET**  
**/SHEET 2 OF 2 SHEETS/**

**Beechcraft**  
**STARSHIP 1**  
**ILLUSTRATED PARTS CATALOG**

SUB-SEC UNIT & ITEM NO	PART NO.	DESCRIPTION 1 2 3 4 5 6 7	UNITS	USABLE
			PER ASSY	ON CODE
22-40	122-384125-23	. CABINET ASSY, BAGGAGE/IAPS .....	1	1
- 7	C70339-02	.. LIGHT ASSY, CABINET .....	1	1
- 8	AML31FBE4AD	.. SWITCH.....	1	1
	AML51F101	.. LENS, SWITCH .....	1	1
- 9	122-384125-39	.. DOOR ASSY, FWD.....	1	1
-10	122-384125-41	.. DOOR ASSY, AFT.....	1	1
-11	122-384125-21	.. CAP, TRIM.....	1	1
-12	122-384125-35	.. DRAWER, TOILET .....	1	1
-13	122-384125-37	.. MODULE, TOILETRIES .....	1	1
-14	122-384125-33	.. DIVIDER, AFT.....	1	1
-15	122-384125-31	.. HEADER.....	1	1
-16	122-384125-29	.. PANEL, BACK.....	1	1
-17	122-384125-27	.. BODY, CENTER.....	1	1
-18	122-384125-25	.. DIVIDER ASSY, FWD.....	1	1

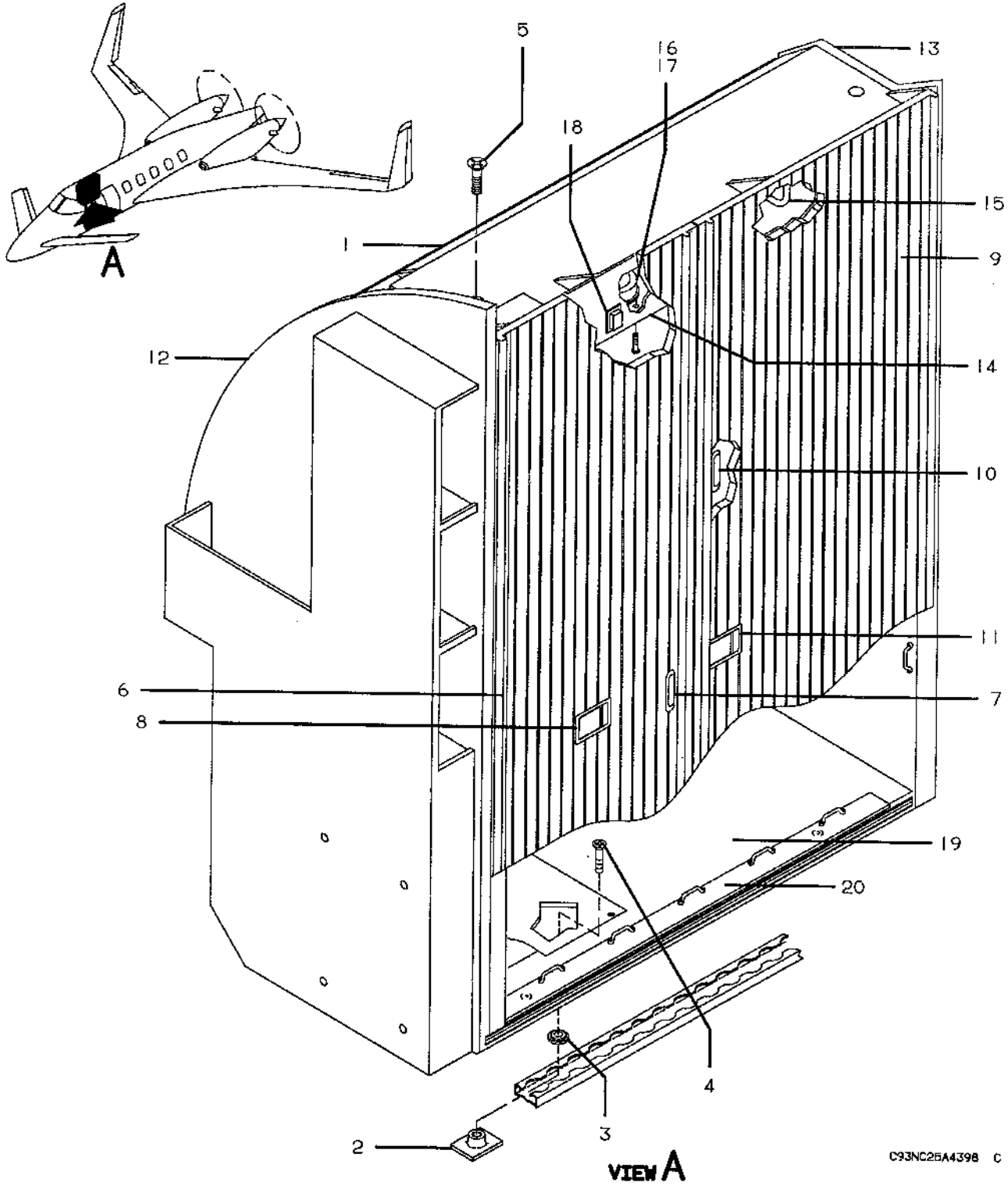
**CODES OF EFFECTIVITY**

1 NC-4 THRU NC-20

**Beechcraft**  
**STARSHIP 1**  
**ILLUSTRATED PARTS CATALOG**

**25-22-41**  
**RH BAGGAGE/IAPS CABINET**  
**NC-21 AND AFTER**

**Beechcraft**  
**STARSHIP 1**  
**ILLUSTRATED PARTS CATALOG**



C93NC25A4398 C

**FIGURE 22-41.RH BAGGAGE/IAPS CABINET**

**Beechcraft**  
**STARSHIP 1**  
**ILLUSTRATED PARTS CATALOG**

SUB-SEC UNIT & ITEM NO	PART NO.	DESCRIPTION 1 2 3 4 5 6 7	UNITS	USABLE
			PER ASSY	ON CODE
22-41	122-530384-1	CABINET INSTL, RH FWD BAGGAGE.....	NP	1
- 1	122-384125-43	. CABINET ASSY, RH FWD BAGGAGE.....	1	1
		/ATTACHING PARTS/		
- 2	122-530297-1	. RETAINER.....	4	
- 3	122-530297-3	. SPACER.....	4	
- 4	MS24694S102	. SCREW.....	4	
- 5	MS24694C56	. SCREW.....	3	
		★-----		
- 6	122-384125-51	.. DOOR ASSY, FWD.....	1	1
- 7	5125	... HANDLE.....	1	1
	81015-95	... HANDLE.....	1	1
	81015-53	... ARM ASSY, LEVER.....	1	1
- 8	81015-15	... LATCH.....	1	1
	81015-19-9.90	... ROD.....	1	1
	81015-19-5.00	... ROD.....	1	1
	LY1961-122	... ROD END AND GUIDE.....	1	1
	81084-35	... PLATE, EDGE.....	1	1
		/ATTACHING PARTS/		
	NAS514P1032-5	... SCREW.....	2	
		★-----		
- 9	122-384125-53	.. DOOR ASSY, AFT.....	1	1
- 10	5125	... HANDLE.....	1	1
- 11	AR2713-4-122122	... LATCH.....	1	1
	81084-37	... STRIKER.....	1	1
		/ATTACHING PARTS/		
	NAS514P1032-5	... SCREW.....	2	
		★-----		
- 12	122-384125-59	.. DIVIDER ASSY, FWD.....	1	1
	81015-63	... STRIKER.....	1	1
		/ATTACHING PARTS/		
	NAS514P632-5	... SCREW.....	2	
		★-----		
	81015-65	... STRIKER.....	1	1
		/ATTACHING PARTS/		
	NAS514P832-5	... SCREW.....	2	
		★-----		
- 13	122-384125-49	.. DIVIDER, AFT.....	1	1
- 14	122-384125-55	.. HEADER.....	1	1
- 15	81084-1	... ROD ASSY, COAT.....	1	1
		/ATTACHING PARTS/		
	NAS603-5	... SCREW.....	4	
		★-----		
- 16	C70339-02	... LIGHT ASSY.....	1	1
		/ATTACHING PARTS/		
	NAS514P632-5	... SCREW.....	3	
		★-----		
- 17	AML51F101	... LENS, LIGHT.....	1	1
- 18	AML31FBE4AD	... SWITCH.....	1	1
- 19	122-384125-47	.. BODY, CENTER.....	1	1
- 20	122-384125-57	.. TRIM CAP.....	1	1
	122-530384-3	. CARPET ASSY, CABINET FLOOR.....	1	1
	122-534294-5	. WEB INSTL, BAGGAGE/SEE CHAPTER 25-22-50/.....	NP	1

**CODES OF EFFECTIVITY**

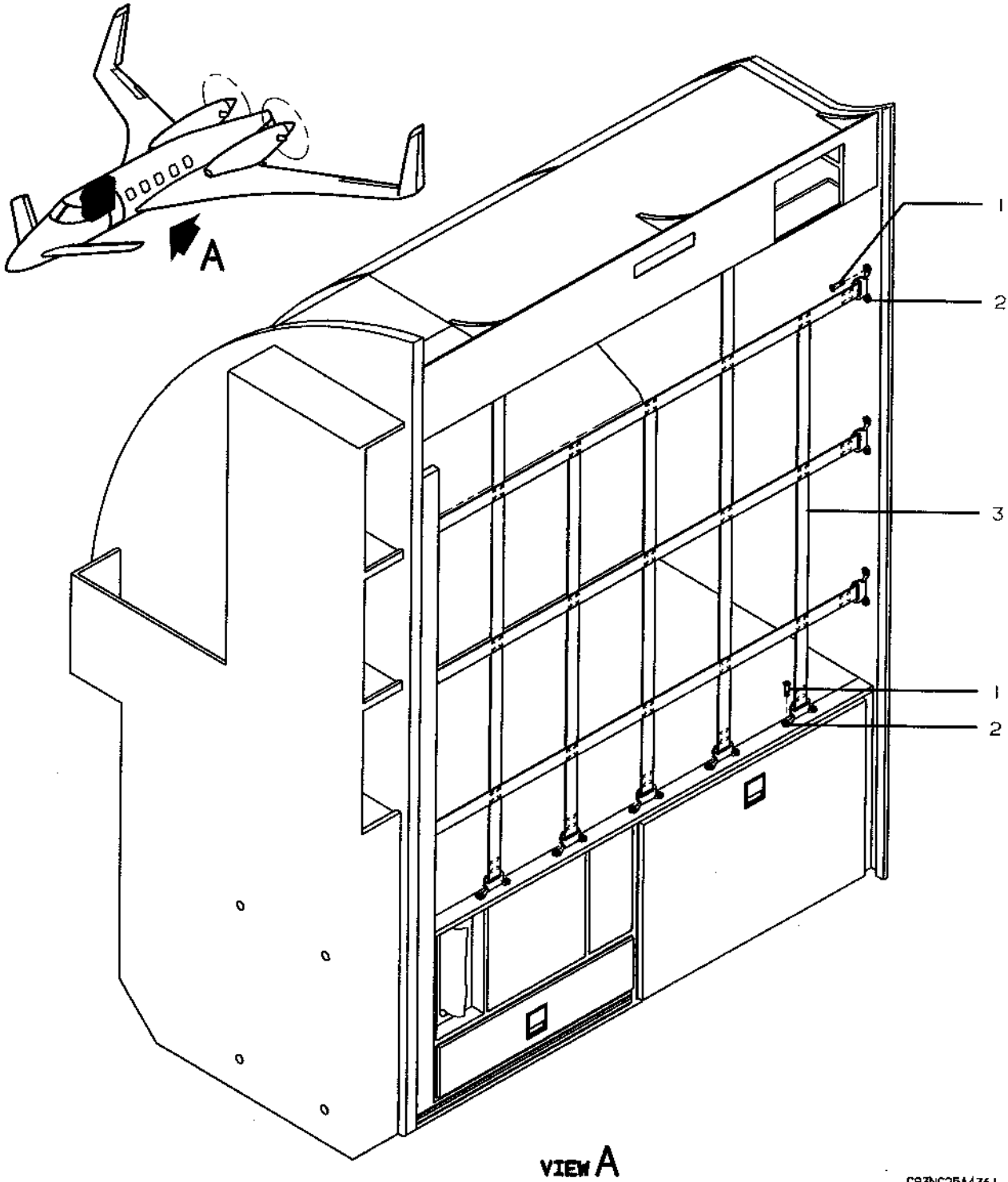
1 NC-21 AND AFTER



**Beechcraft**  
**STARSHIP 1**  
**ILLUSTRATED PARTS CATALOG**

**25-22-50**  
**FWD BAGGAGE COMPARTMENT WEB**

Beechcraft  
STARSHIP 1  
ILLUSTRATED PARTS CATALOG



C93NC25A4361 C

FIGURE 22-50.FWD BAGGAGE COMPARTMENT WEB

**Beechcraft**  
**STARSHIP 1**  
**ILLUSTRATED PARTS CATALOG**

SUB-SEC UNIT & ITEM NO	PART NO.	DESCRIPTION 1 2 3 4 5 6 7	UNITS PER ASSY	USABLE ON CODE
22-50	122-530294-1	WEB INSTL, FWD BAGGAGE.....	NP	1
	122-530294-5	WEB INSTL, FWD BAGGAGE.....	NP	2
- 1	MS24694S50	. SCREW.....	AR	
- 2	8411BNP	. LOOP, FOOTMAN.....	AR	
- 3	122-530294-3	. WEB ASSY, BAGGAGE.....	1	1
	122-530294-7	. WEB ASSY, BAGGAGE.....	1	2

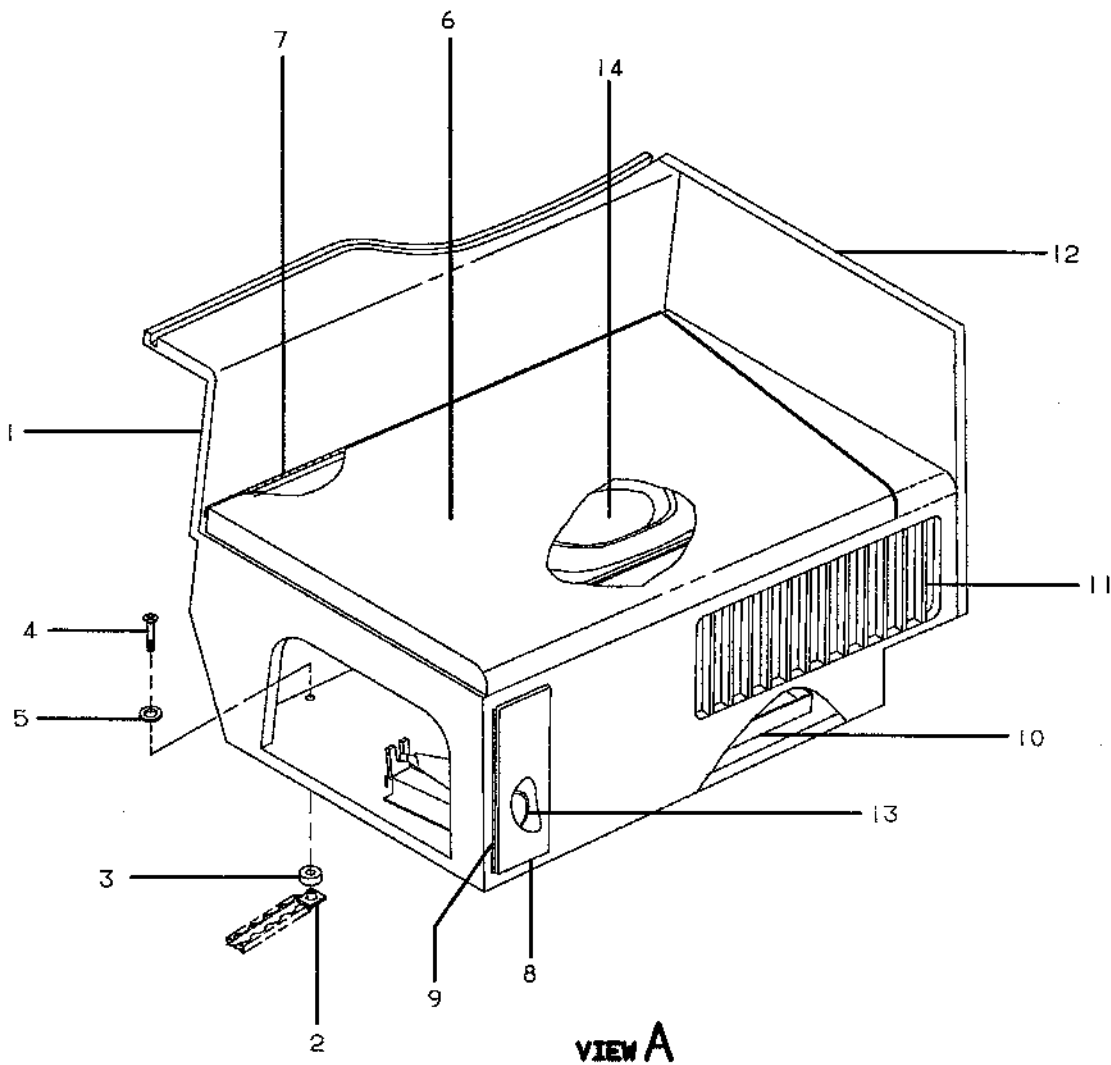
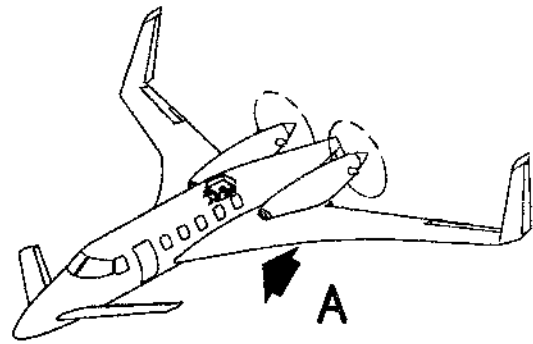
**CODES OF EFFECTIVITY**

1 NC-4 THRU NC-20                      2 NC-21 AND AFTER

**Beechcraft**  
**STARSHIP 1**  
**ILLUSTRATED PARTS CATALOG**

**25-23-00**  
**AFT TOILET CABINET**  
**NC-21 AND AFTER**

Beechcraft  
STARSHIP 1  
ILLUSTRATED PARTS CATALOG



C93NC25A4386 C

FIGURE 23-00.AFT TOILET CABINET

**Beechcraft**  
**STARSHIP 1**  
**ILLUSTRATED PARTS CATALOG**

SUB-SEC UNIT & ITEM NO	PART NO.	DESCRIPTION 1 2 3 4 5 6 7	UNITS	USABLE
			PER ASSY	ON CODE
23-00	122-534004-1	CABINET INSTL, AFT TOILET.....	NP	1
- 1	122-384128-1	. CABINET ASSY, AFT TOILET .....	1	2
	122-384128-19	. CABINET ASSY, AFT TOILET .....	1	3
		/ATTACHING PARTS/		
- 2	122-530297-1	. RETAINER.....	4	
- 3	122-530297-3	. SPACER.....	4	
- 4	130909B36	. BOLT.....	4	
- 5	AN970-4	. WASHER.....	4	
		-----*		
- 6	122-384128-7	.. LID ASSY.....	1	1
- 7	122-384128-11	.. HINGE ASSY, LID.....	1	1
- 8	122-384128-9	.. DOOR ASSY, RELIEF TUBE ACCESS .....	1	1
- 9	122-384128-13	.. HINGE ASSY, RELIEF TUBE DOOR.....	1	1
- 10	122-384128-15	.. TRAY, DRIP.....	1	1
- 11	122-384128-5	.. LOUVER ASSY.....	1	1
- 12	122-384128-17	.. SIDE, REMOVABLE .....	1	1
- 13	WM203	.. HORN, RELIEF TUBE/SEE CHAPTER 38/ .....	1	1
- 14	500-31A	.. TOILET/ORDER 500-31A-1 FOR SPARES/ .....	NP	4
		/SEE CHAPTER 38/		
	500-31A-1	.. TOILET/SEE CHAPTER 38/.....	1	5

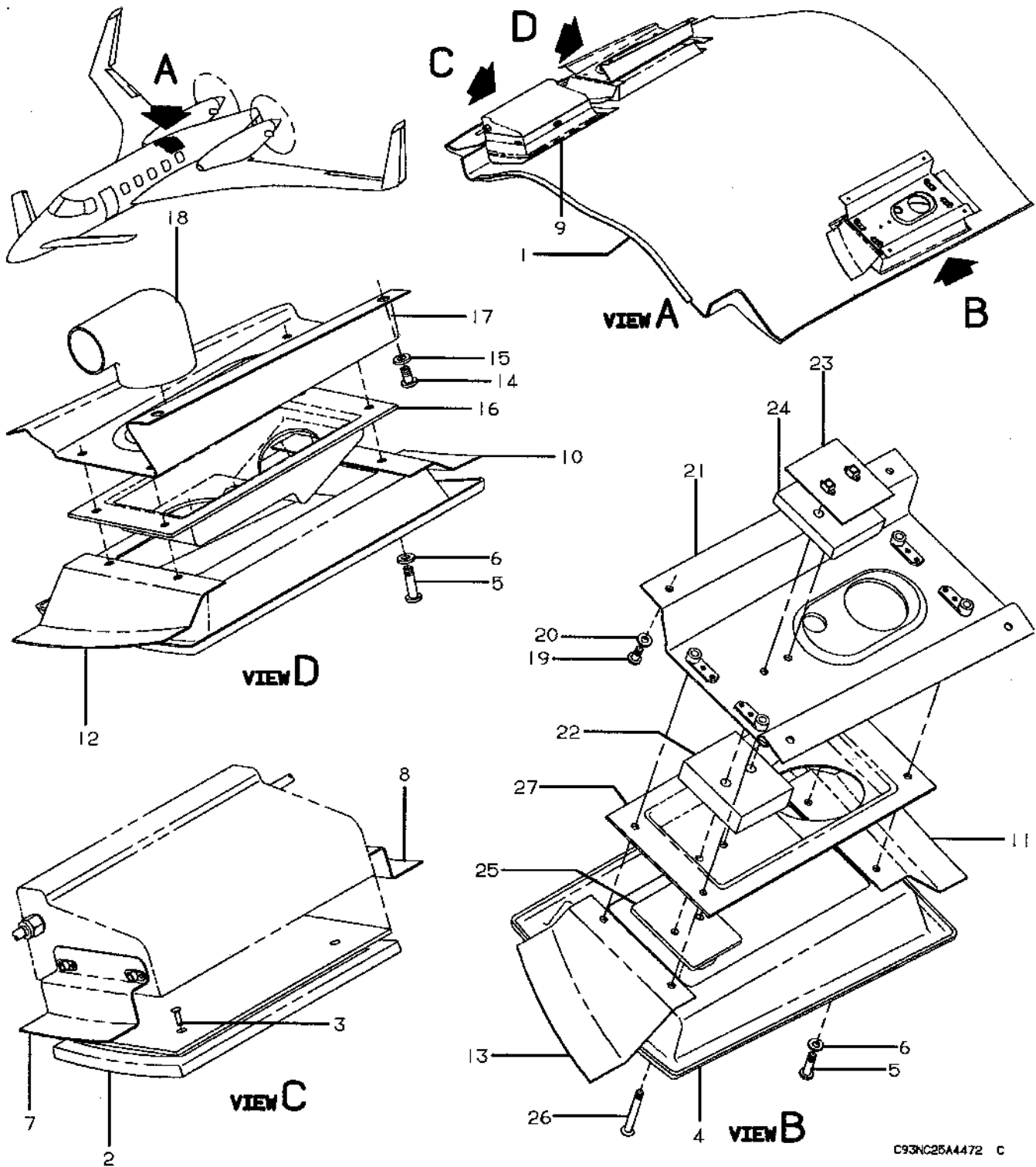
**CODES OF EFFECTIVITY**

1	NC-21 AND AFTER	2	NC-21 THRU NC-26
3	NC-27 AND AFTER	4	NC-21 THRU NC-25
5	NC-26 AND AFTER		

**Beechcraft**  
**STARSHIP 1**  
**ILLUSTRATED PARTS CATALOG**

**25-23-10**  
**AFT TOILET HEADLINER**  
**NC-21 AND AFTER**

**Beechcraft**  
**STARSHIP 1**  
**ILLUSTRATED PARTS CATALOG**



C93NC25A4472 C

**FIGURE 23-10.AFT TOILET HEADLINER**

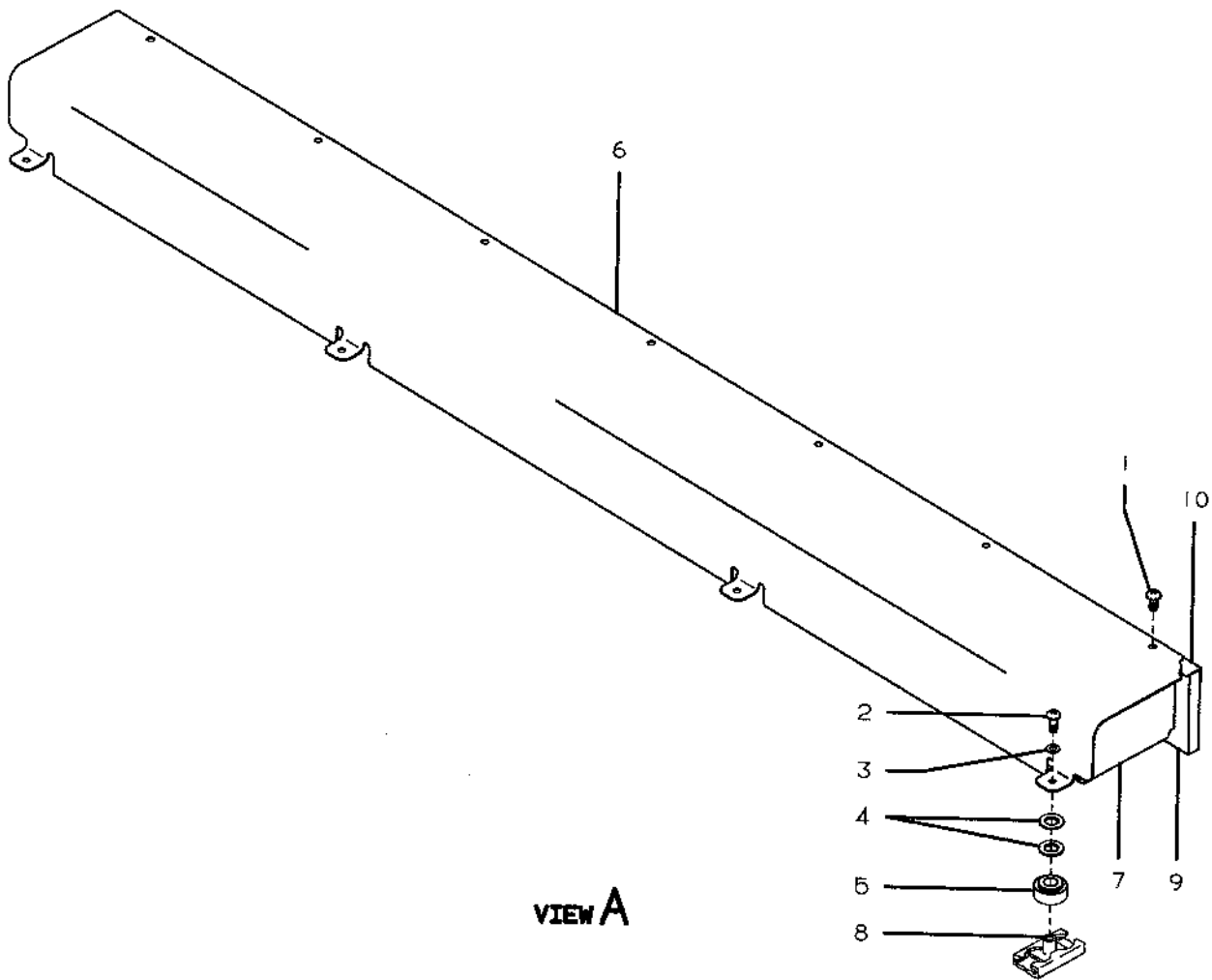
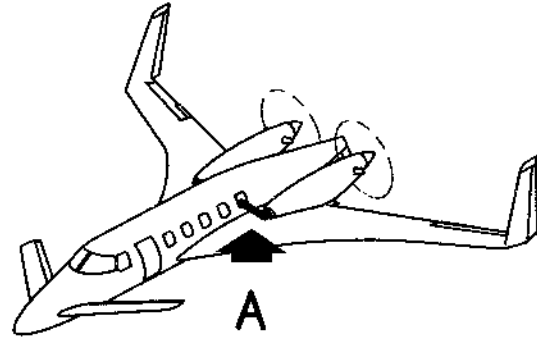




**Beechcraft**  
**STARSHIP 1**  
**ILLUSTRATED PARTS CATALOG**

**25-24-00**  
**AFT CABIN BLEED AIR PLUMBING COVER**

Beechcraft  
STARSHIP 1  
ILLUSTRATED PARTS CATALOG



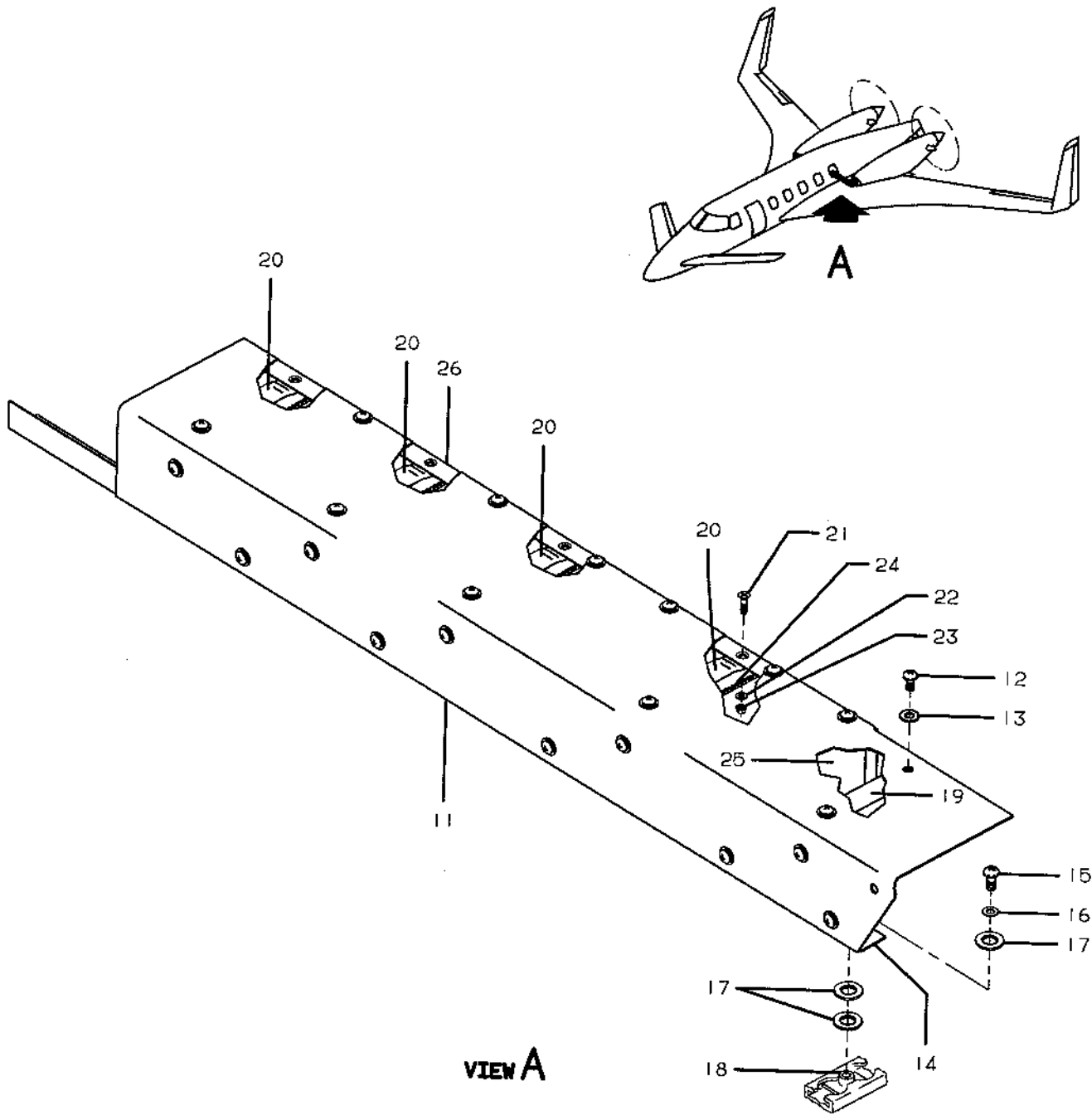
C93NC25A4399 C

FIGURE 24-00.AFT CABIN BLEED AIR PLUMBING COVER  
/SHEET 1 OF 2 SHEETS/

**Deechcraft**  
**STARSHIP 1**  
**ILLUSTRATED PARTS CATALOG**

SUB-SEC UNIT & ITEM NO	PART NO.	DESCRIPTION 1 2 3 4 5 6 7	UNITS PER ASSY	USABLE ON CODE
24-00	122-540116-1	COVER INSTL, BLEED AIR .....	NP	1
	122-540116-603	. COVER ASSY .....	1	1
		/ATTACHING PARTS/		
- 1	AN525-10-8	. SCREW .....	7	
- 2	MS27039-4-06	. SCREW .....	4	
- 3	AN960-416	. WASHER .....	4	
- 4	AN960-716	. WASHER .....	8	
- 5	122-530297-7	. SPACER .....	4	
		★		
- 6	122-540116-5	. COVER .....	1	1
- 7	122-540116-7	. BULKHEAD, END .....	2	1
- 8	122-530297-5	. RETAINER .....	4	1
- 9	122-540116-13	. INSULATION .....	1	1
- 10	122-540116-9	. ANGLE ASSY .....	1	1
	MS21059L3	. NUTPLATE .....	7	1

Beechcraft  
STARSHIP 1  
ILLUSTRATED PARTS CATALOG



C93NC25A4400 C

FIGURE 24-00.AFT CABIN BLEED AIR PLUMBING COVER  
/SHEET 2 OF 2 SHEETS/

**Beechcraft**  
**STARSHIP 1**  
**ILLUSTRATED PARTS CATALOG**

SUB-SEC UNIT & ITEM NO	PART NO.	DESCRIPTION 1 2 3 4 5 6 7	UNITS	USABLE
			PER ASSY	ON CODE
24-00	122-540116-15	COVER INSTL, BLEED AIR .....	NP	2
-11	122-540116-17	. COVER .....	1	2
		./ATTACHING PARTS/		
-12	MS27039-1-7	. SCREW .....	26	
-13	AN960-10L	. WASHER .....	26	
		★		
-14	122-540116-23	. ANGLE ASSY, FORWARD .....	1	2
		./ATTACHING PARTS/		
-15	MS27039-4-06	. SCREW .....	3	
-16	AN960-416	. WASHER .....	3	
-17	AN960-716	. WASHER/TWO UNDER ANGLE, ONE ABOVE ANGLE/ .....	9	
		★		
	MS21059L3	.. NUTPLATE .....	5	2
-18	122-530297-9	. RETAINER .....	3	3
	122-530297-15	. RETAINER .....	3	4
-19	122-540116-19	. RIB ASSY, LH OUTBD .....	1	2
	MS21059I3	.. NUTPLATE .....	3	2
-20	122-540116-31	. RIB ASSY .....	4	2
		./ATTACHING PARTS/		
-21	MS24694S2	. SCREW .....	1	
-22	AN960-8L	. WASHER .....	1	
-23	130909N28	. NUT .....	1	
		★		
	MS21059L3	.. NUTPLATE .....	3	2
-24	MS21266-2N	.. GROMMET .....	AR	2
-25	122-540116-37	. INSULATION .....	1	2
-26	122-540116-27	. ANGLE ASSY, AFT .....	1	2
	122-540116-35	.. DOUBLER .....	4	2
	MS21059L3	.. NUTPLATE .....	6	2

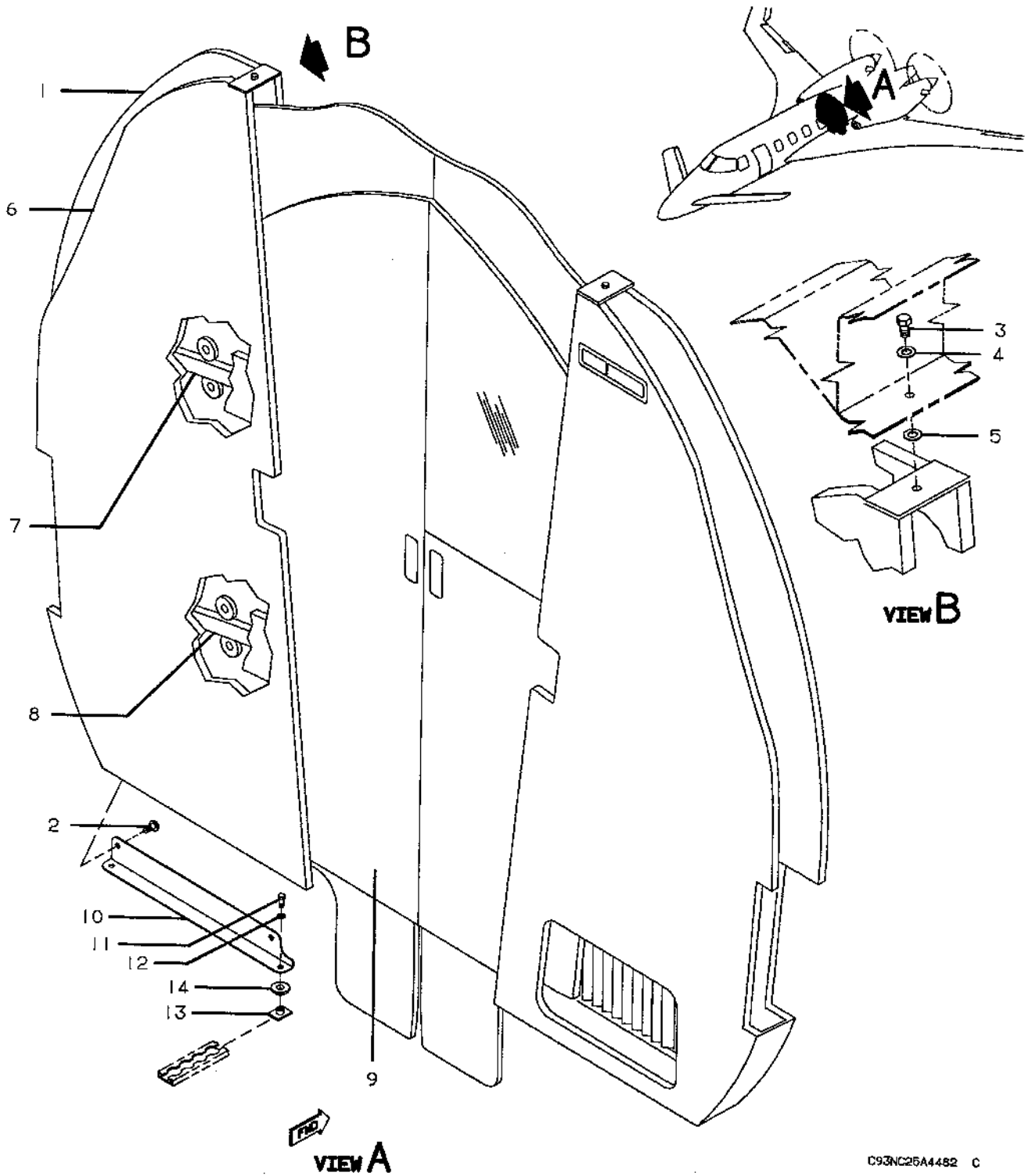
**CODES OF EFFECTIVITY**

1	NC-4 THRU NC-20	2	NC-21 AND AFTER
3	NC-21 THRU NC-53	4	NC-54 AND AFTER

**Beechcraft**  
**STARSHIP 1**  
**ILLUSTRATED PARTS CATALOG**

**25-25-00**  
**AFT CABIN PARTITION**  
**NC-21 AND AFTER**

Beechcraft  
STARSHIP 1  
ILLUSTRATED PARTS CATALOG



C93NC25A4482 C

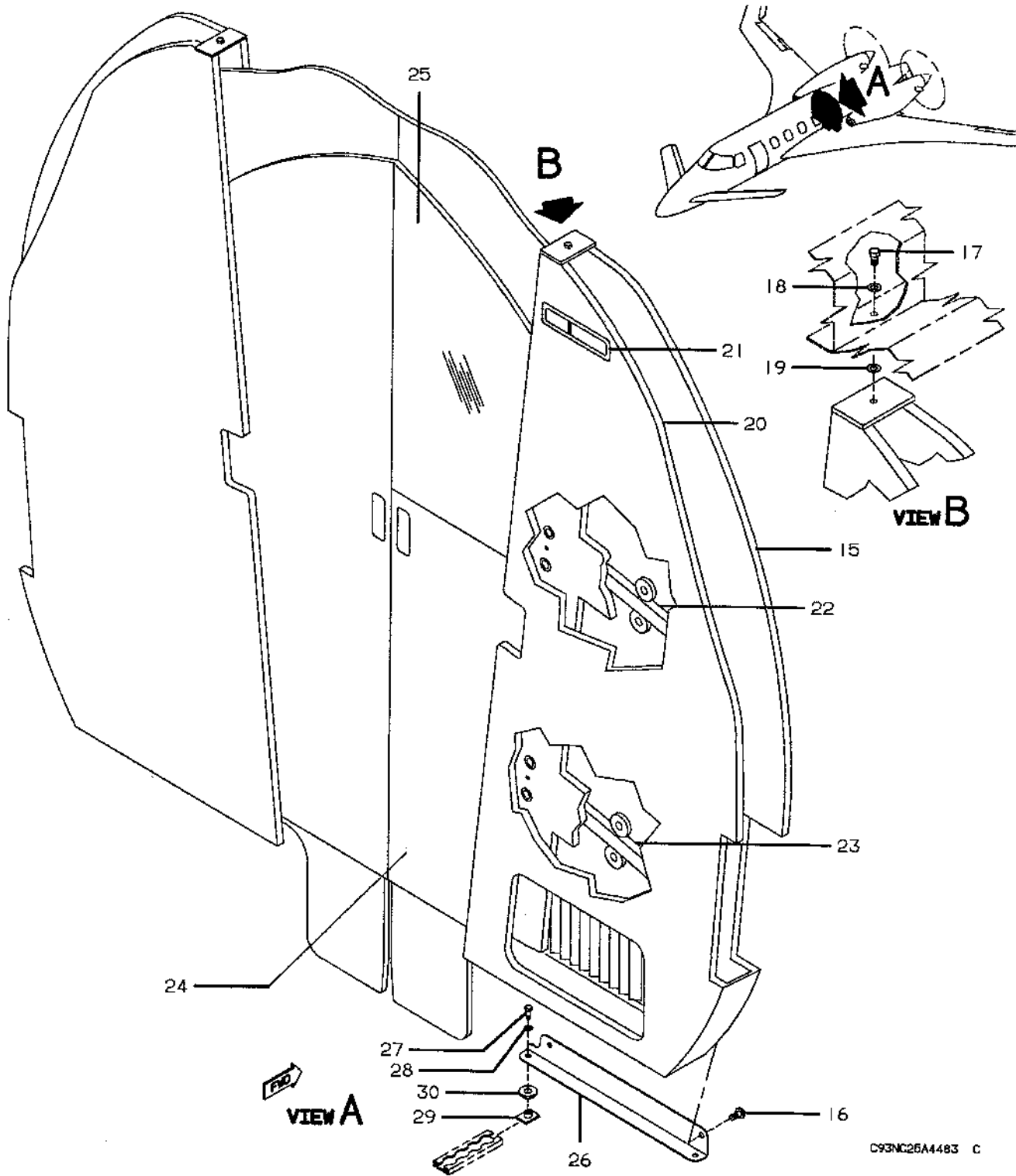
FIGURE 25-00 AFT CABIN PARTITION  
/SHEET 1 OF 2 SHEETS/



**Beechcraft**  
**STARSHIP 1**  
**ILLUSTRATED PARTS CATALOG**

SUB-SEC UNIT & ITEM NO	PART NO.	DESCRIPTION 1 2 3 4 5 6 7	UNITS	USABLE
			PER ASSY	ON CODE
25-00	122-530352-1	PARTITION INSTL, AFT CABIN.....	NP	1
	122-530352-7	PARTITION INSTL, AFT CABIN..... /OPTIONAL-FULL LAMINATE/	NP	2
- 1	122-384127-3	. PARTITION ASSY, LH .....	1	3
	122-384127-29	. PARTITION ASSY, LH .....	1	4
	122-384127-33	. PARTITION ASSY, LH .....	1	2
		/ATTACHING PARTS/		
- 2	MS27039C4-05	. SCREW.....	2	
- 3	130909B34	. BOLT .....	1	
- 4	AN960PD416	. WASHER/UNDER BOLT HEAD/.....	1	
- 5	AN960PD416	. WASHER/BETWEEN BRACKET AND PANEL/.....	AR	
		---*---		
- 6	122-384127-17	.. PANEL ASSY, FIXED .....	1	1
- 7	122-384127-19	.. TRACK ASSY, UPPER.....	1	1
- 8	122-384127-21	.. TRACK ASSY, LOWER.....	1	1
- 9	122-384127-23	.. DOOR ASSY.....	1	1
	122-384127-11	.. CLOSEOUT ASSY, UPPER.....	1	1
	122-384127-9	.. CLOSEOUT ASSY, LOWER.....	1	1
	MS21059L4	.. NUTPLATE.....	1	1
- 10	122-530352-5	. BRACKET, LH.....	1	1
		/ATTACHING PARTS/		
- 11	130909B33	. BOLT .....	2	
- 12	AN960PD416	. WASHER .....	2	
- 13	122-530297-1	. RETAINER.....	2	
- 14	122-530297-3	. SPACER.....	2	
		---*---		

Beechcraft  
 STARSHIP 1  
 ILLUSTRATED PARTS CATALOG



C93NC26A4483 C

FIGURE 25-00.AFT CABIN PARTITION  
 /SHEET 2 OF 2 SHEETS/

**Beechcraft**  
**STARSHIP 1**  
**ILLUSTRATED PARTS CATALOG**

SUB-SEC UNIT & ITEM NO	PART NO.	DESCRIPTION 1 2 3 4 5 6 7	UNITS	USABLE
			PER ASSY	ON CODE
25-00 - 15	122-384127-1	. PARTITION ASSY, RH.....	1	3
	122-384127-27	. PARTITION ASSY, RH.....	1	4
	122-384127-31	. PARTITION ASSY, RH..... /OPTIONAL-FULL LAMINATE/ /ATTACHING PARTS/	1	2
- 16	MS27039C4-05	. SCREW.....	2	
- 17	130909B34	. BOLT.....	1	
- 18	AN960PD416	. WASHER/UNDER BOLT HEAD/.....	1	
- 19	AN960PD416	. WASHER/BETWEEN BRACKET AND PANEL/.....	AR	
*---				
- 20	122-384127-5	.. PANEL ASSY, FIXED.....	1	1
- 21	1202-022	.. SIGN/NO SMOKING-RETURN TO SEAT/ /ATTACHING PARTS/	1	1
	NAS514P632-5	.. SCREW.....	2	
*---				
- 22	122-384127-13	.. TRACK ASSY, UPPER.....	1	1
- 23	122-384127-15	.. TRACK ASSY, LOWER.....	1	1
- 24	122-384127-7	.. DOOR ASSY.....	1	1
- 25	122-384127-25	.. MIRROR ASSY.....	1	1
	122-384127-11	.. CLOSEOUT ASSY, UPPER.....	1	1
	122-384127-9	.. CLOSEOUT ASSY, LOWER.....	1	1
	MS21059L4	.. NUTPLATE.....	1	1
- 26	122-530352-6	. BRACKET, RH..... /ATTACHING PARTS/	1	1
- 27	130909B33	. BOLT.....	2	
- 28	AN960PD416	. WASHER.....	2	
- 29	122-530297-1	. RETAINER.....	2	
- 30	122-530297-3	. SPACER.....	2	
*---				

**CODES OF EFFECTIVITY**

1	NC-21 AND AFTER	2	NC-28 AND AFTER
3	NC-21 THRU NC-26	4	NC-27 AND AFTER

**Beechcraft**  
**STARSHIP 1**  
**ILLUSTRATED PARTS CATALOG**

**25-50-00**  
**AFT BULKHEAD UPHOLSTERY**

Beechcraft  
STARSHIP 1  
ILLUSTRATED PARTS CATALOG

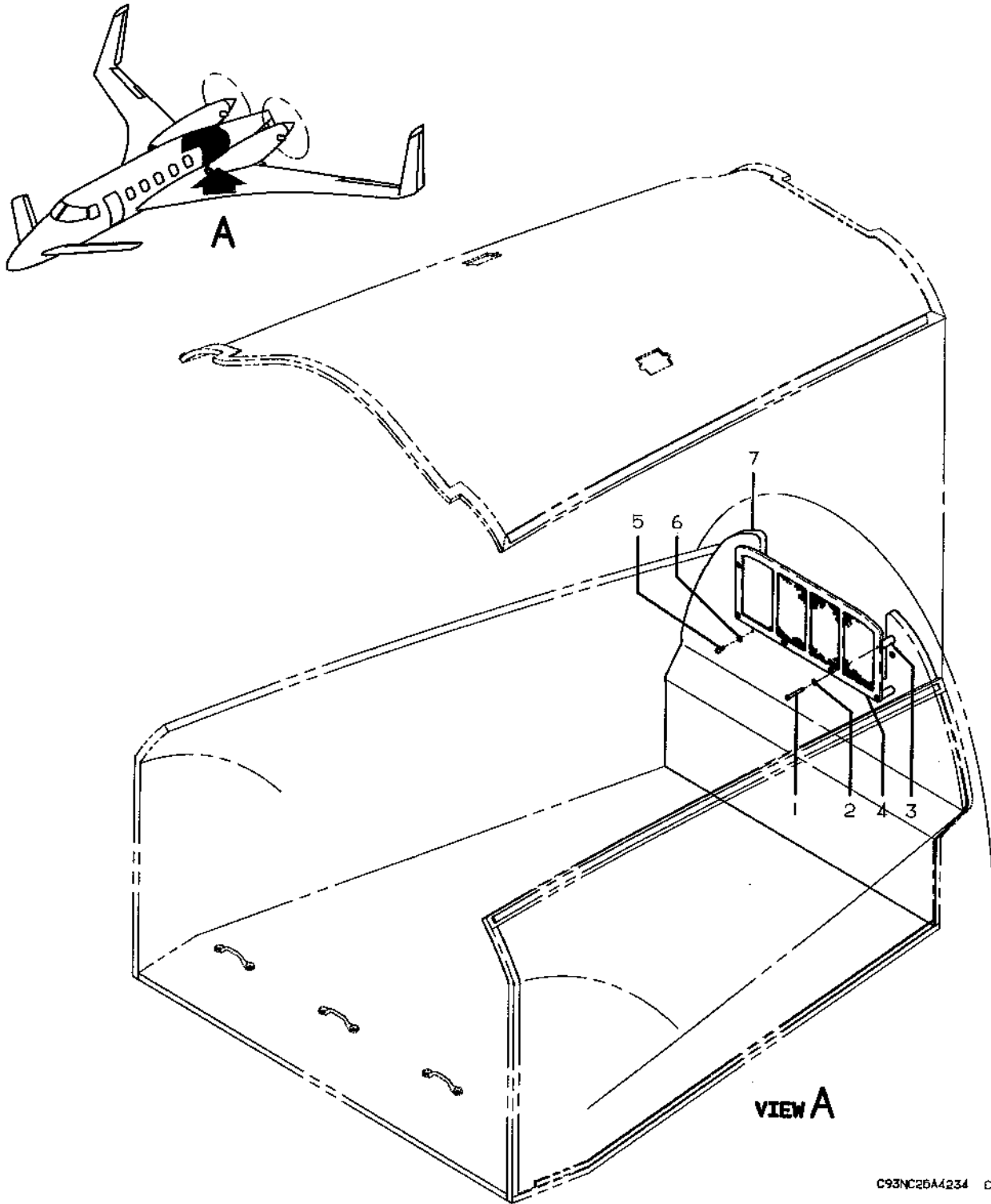


FIGURE 50-00.AFT BULKHEAD UPHOLSTERY

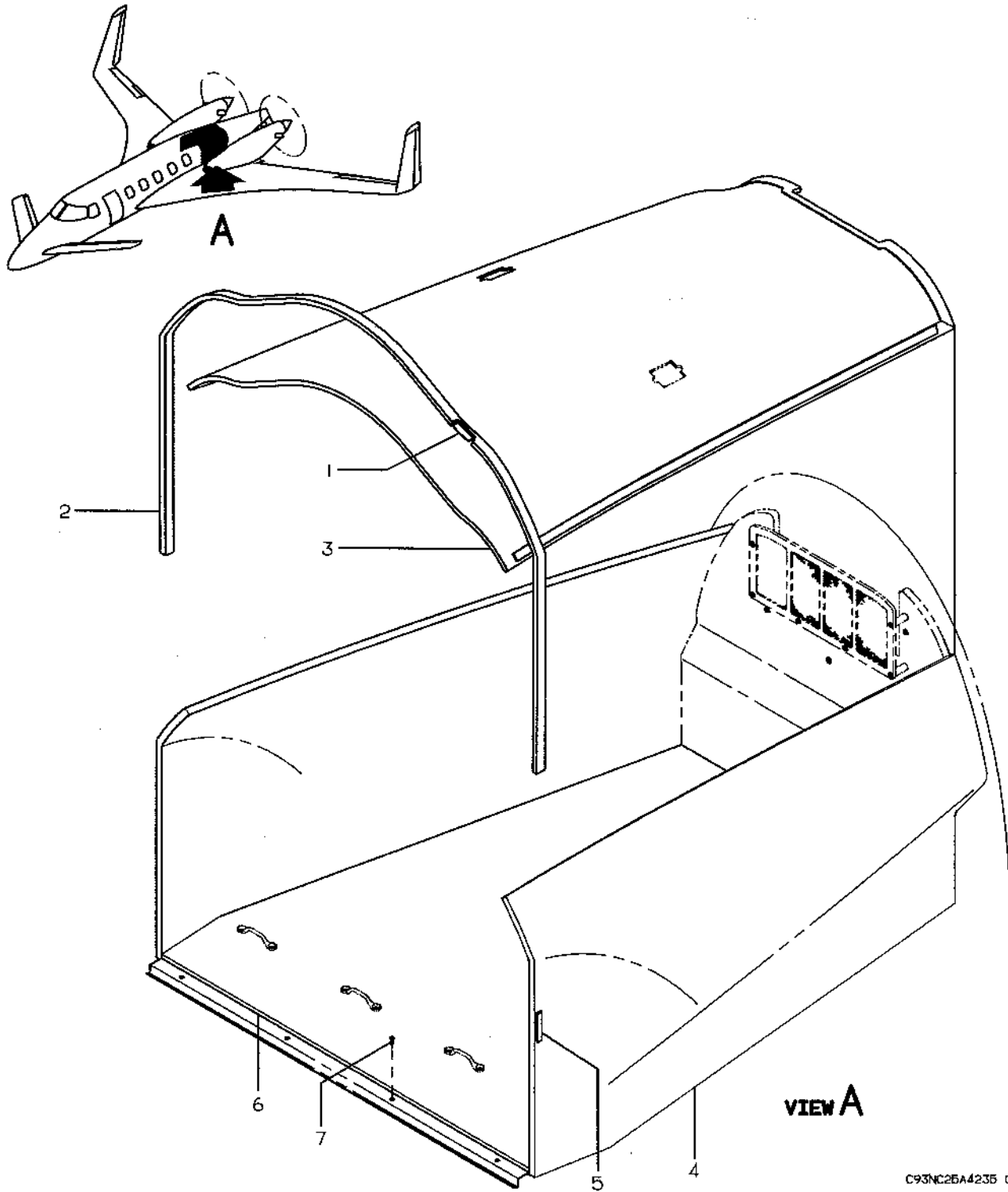
**Deechcraft**  
**STARSHIP 1**  
**ILLUSTRATED PARTS CATALOG**

SUB-SEC UNIT & ITEM NO	PART NO.	DESCRIPTION 1 2 3 4 5 6 7	UNITS	USABLE
			PER ASSY	ON CODE
50-00	122-530247-1	UPHOLSTERY INSTL, AFT COMPARTMENT .....	NP	
- 1	010832P175	. SCREW.....	6	
- 2	AN960C8L	. WASHER.....	6	
- 3	NAS47N08B125	. SPACER.....	6	
- 4	122-530103-1	. COVER, FALSE BULKHEAD .....	1	
- 5	AN525-10R16	. SCREW.....	4	
- 6	AN960C10L	. WASHER.....	4	
- 7	122-530145-1	. BULKHEAD ASSY, FALSE .....	1	
	SL644-08-4	. . INSERT.....	6	
	SJ3552	. . FASTENER.....	4	

**Beechcraft**  
**STARSHIP 1**  
**ILLUSTRATED PARTS CATALOG**

**25-50-01**  
**AFT COMPARTMENT UPHOLSTERY**

Beechcraft  
STARSHIP 1  
ILLUSTRATED PARTS CATALOG





**Beechcraft**  
**STARSHIP 1**  
**ILLUSTRATED PARTS CATALOG**

SUB-SEC UNIT & ITEM NO	PART NO.	DESCRIPTION 1 2 3 4 5 6 7	UNITS	USABLE
			PER ASSY	ON CODE
50-01	122-530248-1	HEADLINER INSTL,AFT COMPARTMENT.....	NP	1
	122-530366-1	HEADLINER INSTL,AFT COMPARTMENT.....	NP	2
- 1	SJ3551	. FASTENER.....	AR	3
- 2	122-530248-3	. PANEL ASSY,CLOSEOUT.....	1	1
	122-530366-3	. PANEL ASSY,CLOSEOUT.....	1	2
	SJ3552	. FASTENER.....	AR	3
- 3	122-530249-1	. HEADLINER ASSY,AFT.....	1	1
	122-530249-9	. HEADLINER ASSY,AFT.....	1	2
	SJ3552	. FASTENER.....	2	3
- 4	122-530186-1	. UPHOLSTERY ASSY,SIDEWALL AFT LH.....	1	1
	122-530186-9	. UPHOLSTERY ASSY,SIDEWALL AFT LH.....	1	2
	122-530186-2	. UPHOLSTERY ASSY,SIDEWALL AFT RH.....	1	1
	122-530186-10	. UPHOLSTERY ASSY,SIDEWALL AFT RH.....	1	2
- 5	SJ3552	. FASTENER.....	1	1
	SJ3552	. FASTENER.....	2	2
	122-530278-1	CARPET INSTL,AFT COMPARTMENT.....	NP	3
- 6	122-530278-3	. CARPET ASSY.....	1	3
	122-530344-1	. PLATE,SCUFF.....	1	4
	122-530408-1	. PLATE,SCUFF.....	1	5
		/ATTACHING PARTS/ . SCREW.....	4	3

\*  
**NOTE** SEE CHAPTER 33 FOR BAGGAGE COMPT LIGHT

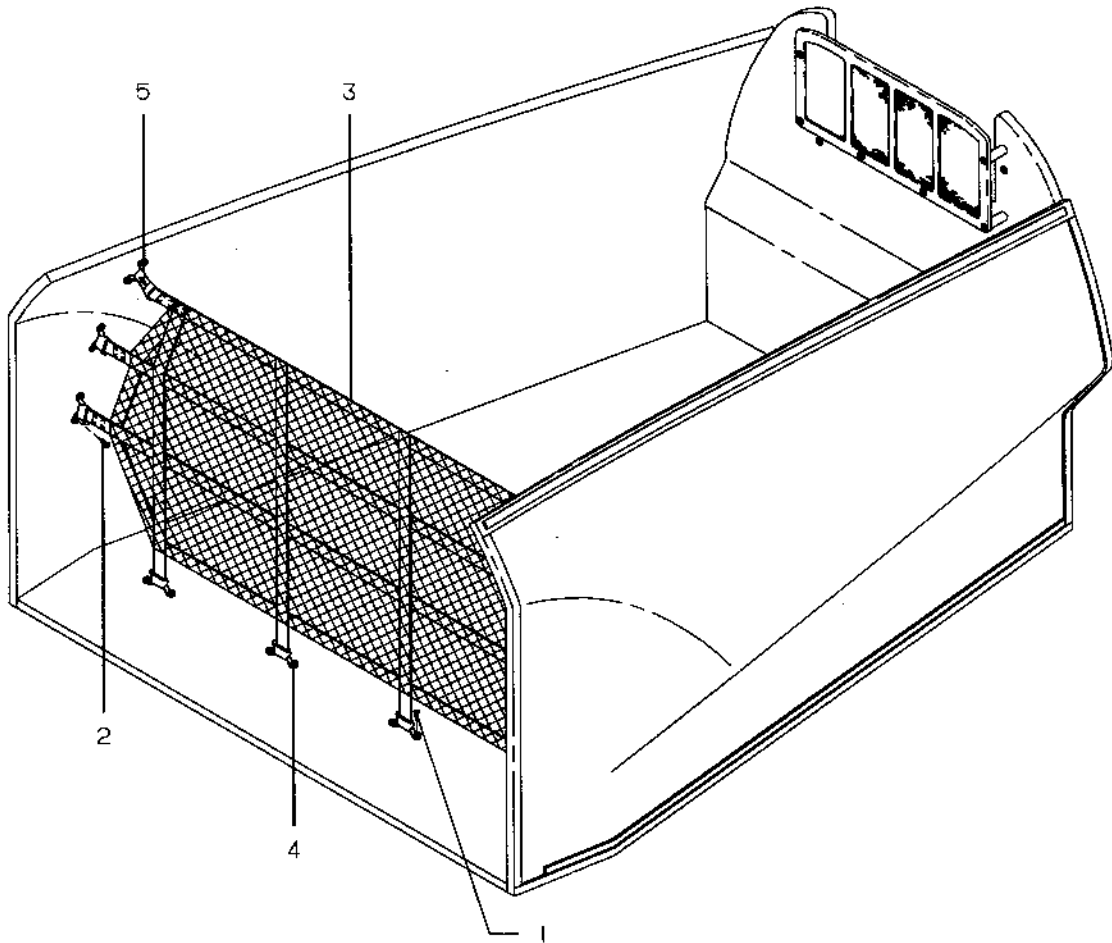
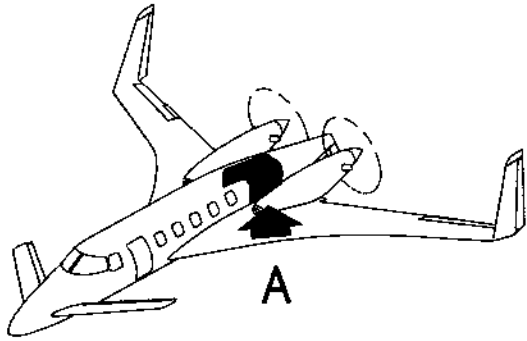
**CODES OF EFFECTIVITY**

1	NC-4 THRU NC-20	2	NC-21 AND AFTER
3	NC-4 AND AFTER	4	NC-4 THRU NC-32
5	NC-33 AND AFTER		

**Beechcraft**  
**STARSHIP 1**  
**ILLUSTRATED PARTS CATALOG**

**25-50-10**  
**AFT BAGGAGE COMPARTMENT WEB**

Beechcraft  
STARSHIP 1  
ILLUSTRATED PARTS CATALOG



VIEW A

C9100961

FIGURE 50-10.AFT BAGGAGE COMPARTMENT WEB

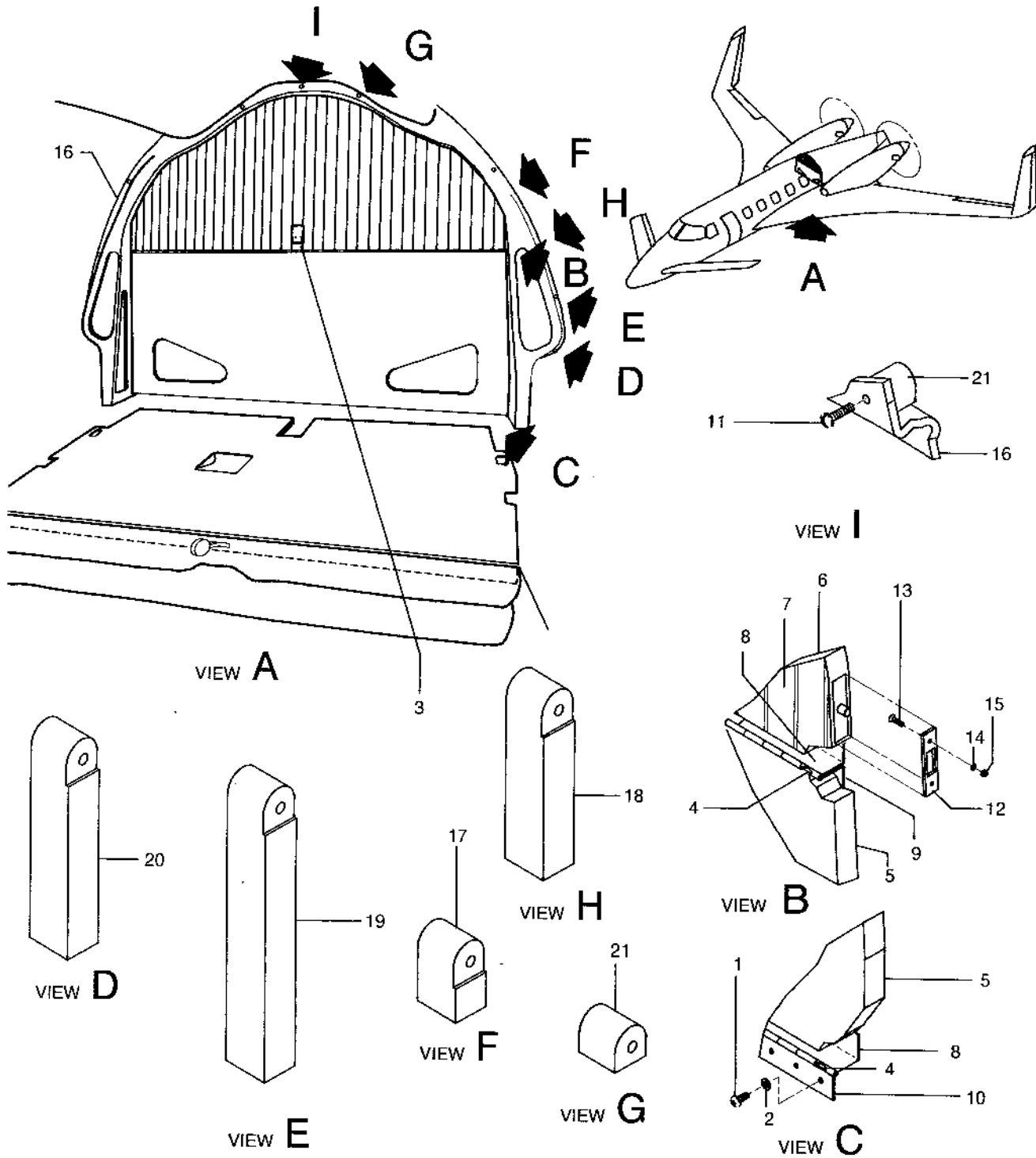
**Beechcraft**  
**STARSHIP 1**  
**ILLUSTRATED PARTS CATALOG**

SUB-SEC UNIT & ITEM NO	PART NO.	DESCRIPTION 1 2 3 4 5 6 7	UNITS	USABLE
			PER ASSY	ON CODE
50-10	122-530257-1	WEB INSTL, AFT BAGGAGE COMPARTMENT .....	NP	
- 1	MS24694S50	. SCREW.....	8	
- 2	MS24694S52	. SCREW.....	12	
- 3	122-530258-5	. WEB ASSY .....	1	
- 4	50-534643-5	. PLATE/UNDER FOOTMAN LOOP/ .....	4	
- 5	6411BNP	. LOOP, FOOTMAN.....	10	

**Beechcraft**  
**STARSHIP 1**  
**ILLUSTRATED PARTS CATALOG**

**25-50-30**  
**AFT BAGGAGE COMPARTMENT PARTITION**  
**NC-4 THRU NC-20**

**Beechcraft**  
**STARSHIP 1**  
**ILLUSTRATED PARTS CATALOG**



2000-319-01

**FIGURE 50-30.AFT BAGGAGE COMPARTMENT PARTITION**

**Beechcraft**  
**STARSHIP 1**  
**ILLUSTRATED PARTS CATALOG**

SUB-SEC UNIT & ITEM NO	PART NO.	DESCRIPTION 1 2 3 4 5 6 7	UNITS	USABLE
			PER ASSY	ON CODE
50-30	122-530256-1	UPHOLSTERY INSTL, AFT SUPPORT .....	NP	1
- 1	MS27039-0807	. SCREW.....	16	1
- 2	AN960-8	. WASHER.....	16	1
	122-530276-1	. PANEL ASSY, UPHOLSTERED.....	1	1
	122-384118-1	.. PANEL ASSY, UPHOLSTERED.....	1	1
- 3	122-384118-17	... LATCH ASSY.....	2	1
- 4	MS20253P2-4150	... HINGE PIN.....	2	1
- 5	122-384118-3	... PANEL, LOWER.....	1	1
- 6	122-384118-5	... PANEL ASSY, UPPER.....	1	1
- 7	122-384118-9	... MIRROR.....	1	1
- 8	122-384118-11	... HINGE HALF.....	2	1
- 9	122-384118-13	... HINGE HALF.....	1	1
- 10	122-384118-15	... HINGE HALF.....	1	1
- 11	010832B125	. SCREW.....	11	1
- 12	122-530256-3	. STRIKER.....	3	1
		/ATTACHING PARTS/		
- 13	MS24693S28	. SCREW.....	2	
- 14	AN960-6	. WASHER.....	2	
- 15	MS21042L06	. NUT.....	2	
	122-530255-1	. VENT ASSY.....	1	1
- 16	122-530255-3	.. VENT ASSY.....	1	1
- 17	122-530277-1	.. SPACER.....	2	1
- 18	122-530277-3	.. SPACER.....	2	1
- 19	122-530277-5	.. SPACER.....	2	1
- 20	122-530277-7	.. SPACER.....	2	1
- 21	122-530277-9	.. SPACER.....	3	1

**CODES OF EFFECTIVITY**

1 NC-4 THRU NC-20

**Beechcraft**  
**STARSHIP 1**  
**ILLUSTRATED PARTS CATALOG**

**25-50-35**  
**AFT BAGGAGE COMPARTMENT CLOSURE**  
**NC-21 AND AFTER**



Beechcraft  
STARSHIP 1  
ILLUSTRATED PARTS CATALOG

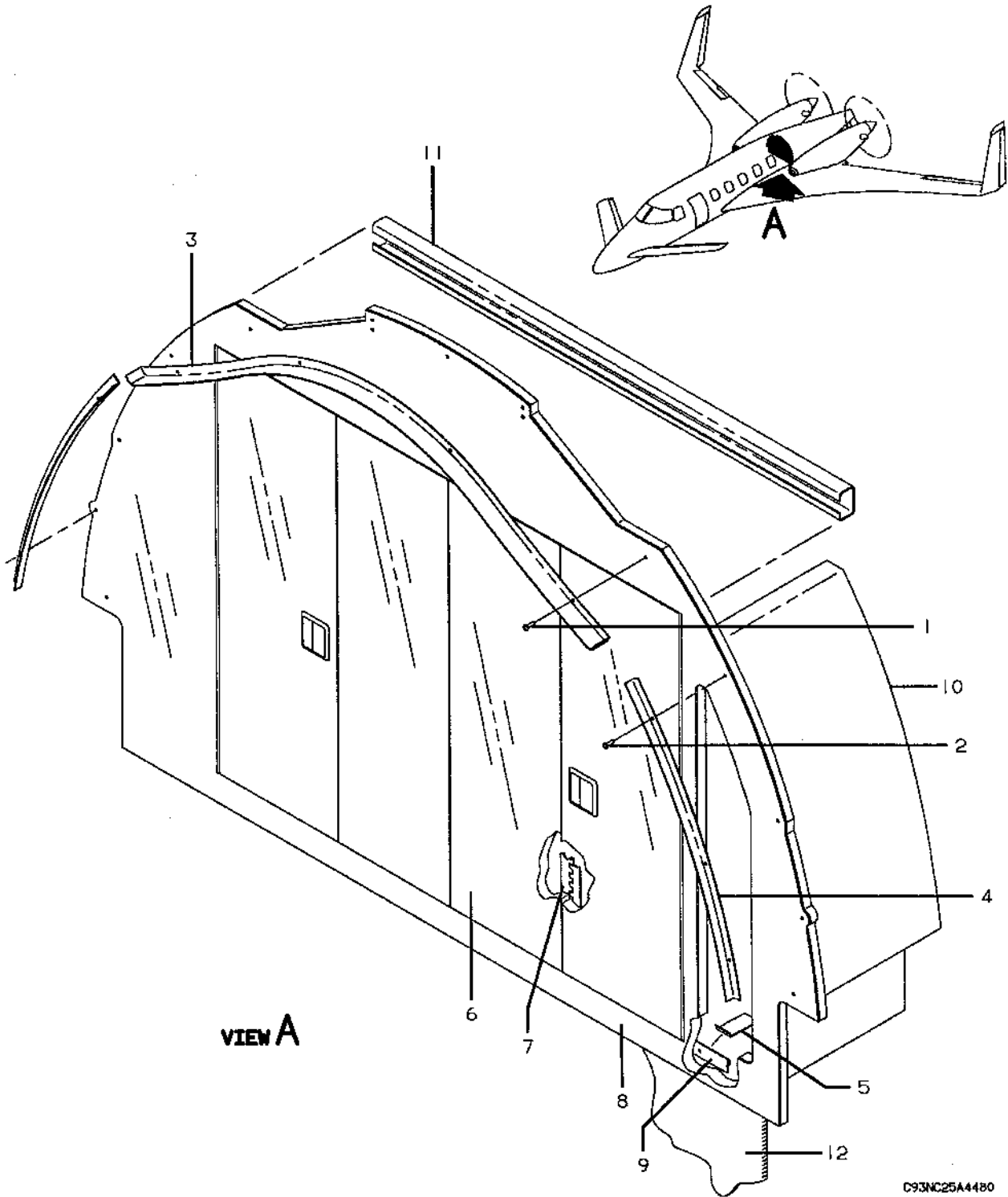


FIGURE 50-35.AFT BAGGAGE COMPT CLOSURE

**Beechcraft**  
**STARSHIP 1**  
**ILLUSTRATED PARTS CATALOG**

SUB-SEC UNIT & ITEM NO	PART NO.	DESCRIPTION 1 2 3 4 5 6 7	UNITS	USABLE
			PER ASSY	ON CODE
50-35	122-530353-1	AFT CLOSURE INSTL .....	NP	1
- 1	MS27039-0808	. SCREW .....	AR	1
- 2	MS27039-0821	. SCREW .....	AR	1
	100951DD125ZW	. WASHER .....	AR	1
- 3	122-530353-5	. CLOSEOUT .....	1	1
- 4	122-530353-3	. RETAINER .....	2	1
- 5	122-530353-7	. CLIP .....	3	1
	122-384129-1	. CLOSURE ASSY .....	1	2
	122-384129-19	. CLOSURE ASSY .....	1	3
- 6	122-384129-5	. DOOR ASSY, LH/WITH MIRRORS/ .....	1	1
	122-384129-6	. DOOR ASSY, RH/WITH MIRRORS/ .....	1	1
- 7	122-384129-7	. HINGE ASSY .....	2	1
- 8	122-384129-3	. PANEL ASSY/WITH MIRROR/ .....	1	1
- 9	122-384129-15	. RETAINER .....	1	1
- 10	122-384129-11	. AIR SHROUD ASSY .....	1	1
- 11	122-384129-13	. PAD ASSY .....	1	1
	122-530378-1	PANEL INSTL/STA 357.00/ .....	NP	1
- 12	122-530378-3	. PANEL ASSY, UPHOLSTERED .....	1	1
	122-530378-9	. CARPET .....	1	1
	SJ3552	. FASTENER .....	2	1
	SJ3551	. FASTENER .....	2	1

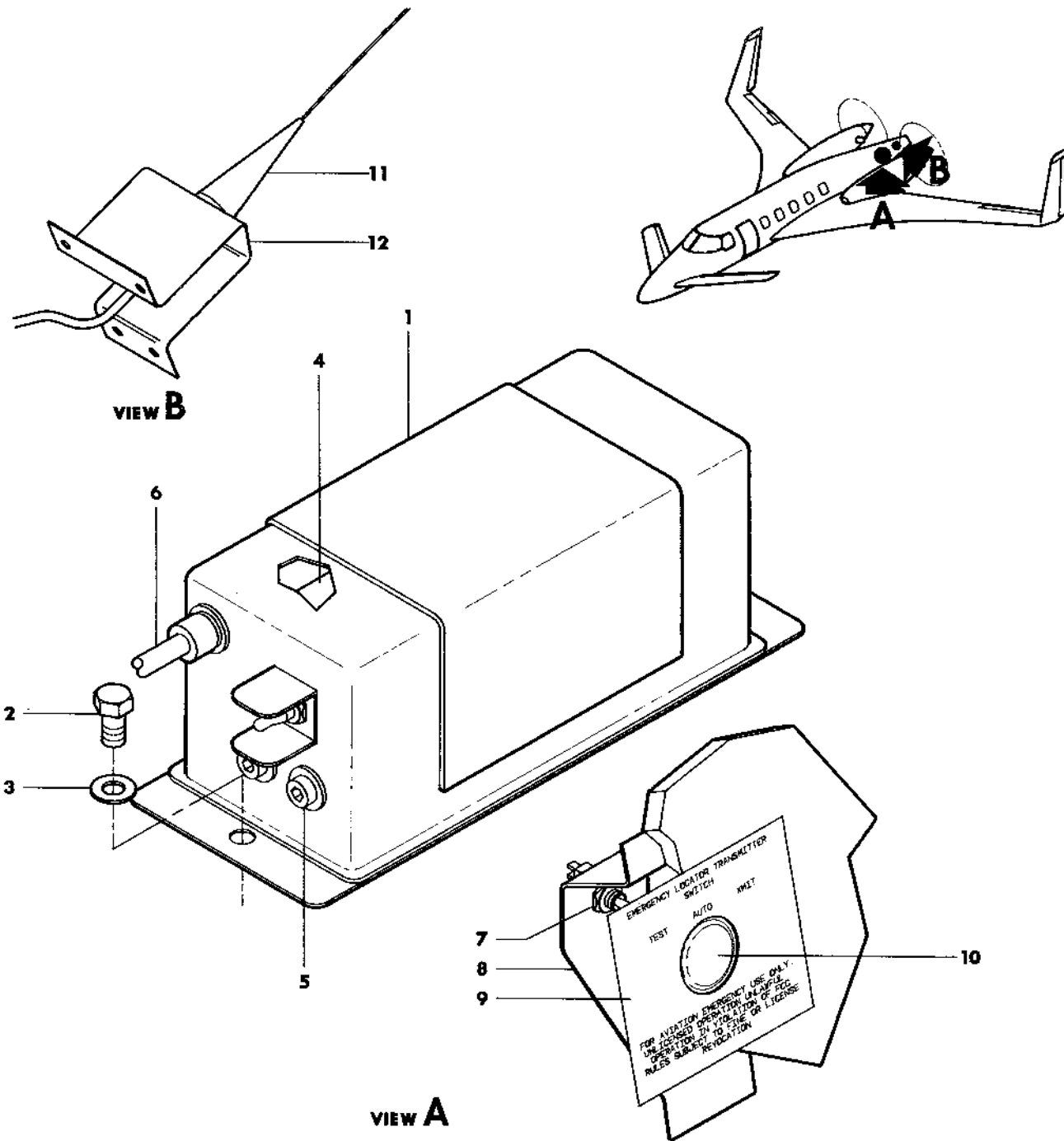
**CODES OF EFFECTIVITY**

- |                   |                    |
|-------------------|--------------------|
| 1 NC-21 AND AFTER | 2 NC-21 THRU NC-26 |
| 3 NC-27 AND AFTER |                    |

**Beechcraft**  
**STARSHIP 1**  
**ILLUSTRATED PARTS CATALOG**

**25-60-00**  
**EMERGENCY LOCATOR TRANSMITTER AND ANTENNA**

**Beechcraft**  
**STARSHIP 1**  
**ILLUSTRATED PARTS CATALOG**



2000-490-03

**FIGURE 60-00.ELT AND ANTENNA**

**Beechcraft**  
**STARSHIP 1**  
**ILLUSTRATED PARTS CATALOG**

SUB-SEC UNIT & ITEM NO	PART NO.	DESCRIPTION 1 2 3 4 5 6 7	UNITS	USABLE
			PER ASSY	ON CODE
60-00	122-342004-5	EMERGENCY LOCATOR TRANSMITTER INSTL .....	NP	1
	122-342004-9	EMERGENCY LOCATOR TRANSMITTER INSTL .....	NP	2
- 1	261D1389-001	. EMERGENCY LOCATOR TRANSMITTER .....	1	1
	110-4-002	. EMERGENCY LOCATOR TRANSMITTER .....	1	2
		/SEE SERVICE BULLETIN NUMBER 2599/ /ATTACHING PARTS/		
- 2	130909B12	. BOLT .....	2	1
	MS27039C1-08	. SCREW .....	4	2
- 3	AN980-10L	. WASHER .....	2	1
	AN980C10L	. WASHER .....	4	2
		★-----		
- 4	DM ELT8 13	. . BATTERY PACK .....	1	1
	452-0130	. . BATTERY PACK .....	1	2
- 5	105-0303-001	. TIP PLUG .....	2	1
	MS27039-1-07	. SCREW .....	1	2
	AN960-10L	. WASHER .....	1	2
	MS21919WDG12	. CLAMP .....	1	2
	36-340464-1	. WIRE HARNESS/REPLACES 105-0303-001 TIP PLUG .....	1	2
		AND 7107 REMOTE SWITCH/		
- 6	DM ELT8 3	. CABLE .....	1	
- 7	7107	. SWITCH .....	1	1
- 8	122-342004-7	. BRACKET .....	1	1
	122-342004-11	. BRACKET .....	1	2
- 9	122-000050-3	PLACARD .....	1	
- 10	KM713-16-032	DOOR, ACCESS .....	1	
	122-342060-3	ANTENNA INSTL, ELT .....	NP	
- 11	100-384126	. ANTENNA .....	1	1
- 12	122-340039-123	. BRACKET .....	1	

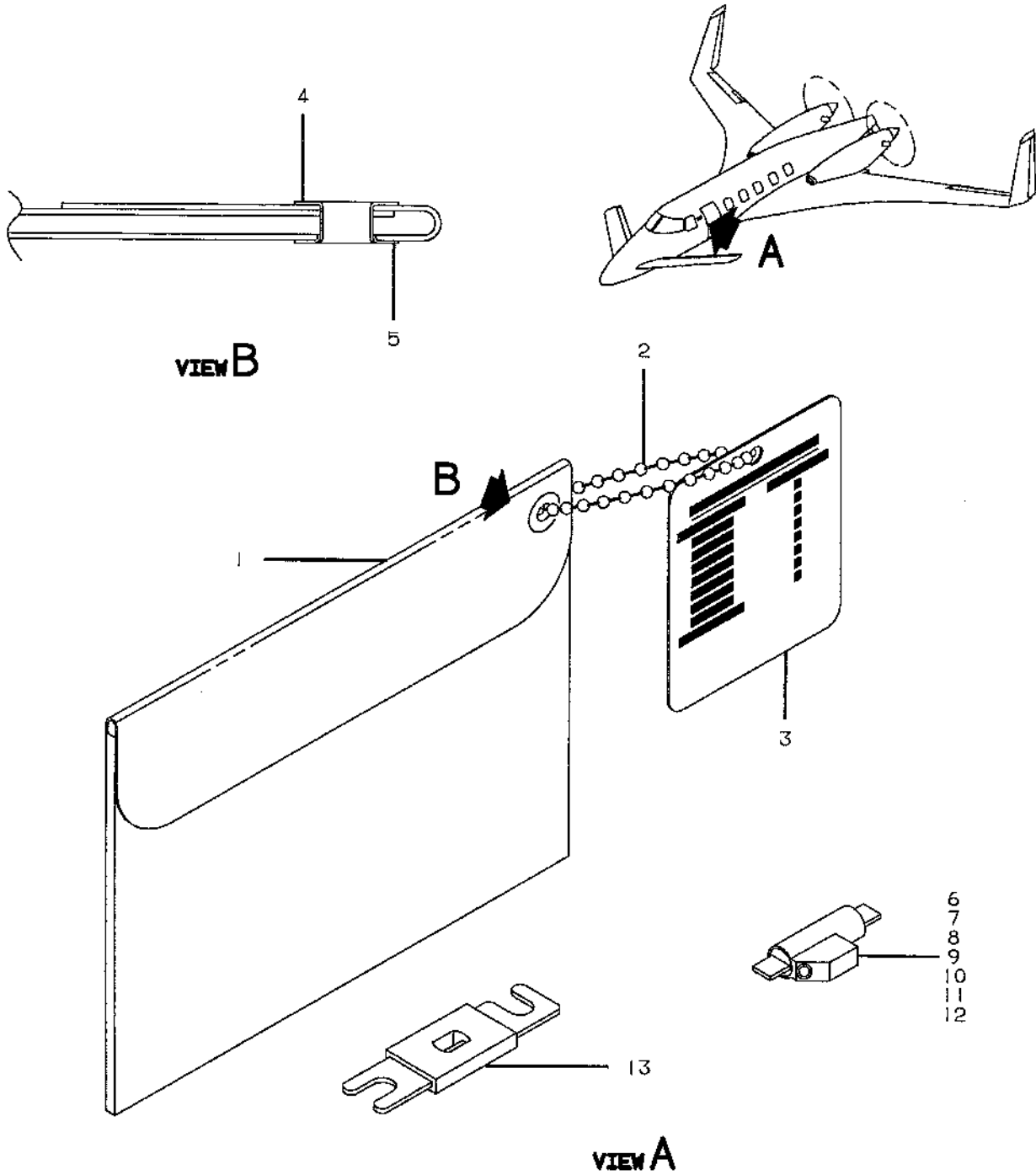
**CODES OF EFFECTIVITY**

1 NC-4 THRU NC-13                      2 NC-14 AND AFTER

**Beechcraft**  
**STARSHIP 1**  
**ILLUSTRATED PARTS CATALOG**

**25-60-20**  
**SPARE FUSE AND LIMITER CONTAINER**

Beechcraft  
STARSHIP 1  
ILLUSTRATED PARTS CATALOG



C93NC25A4625 C

FIGURE 60-20.SPARE FUSE AND LIMITER CONTAINER

**Beechcraft**  
**STARSHIP 1**  
**ILLUSTRATED PARTS CATALOG**

SUB-SEC UNIT & ITEM NO	PART NO.	DESCRIPTION 1 2 3 4 5 6 7	UNITS PER ASSY	USABLE ON CODE
60-20	114-364074-7	CONTAINER ASSY, SPARE FUSE AND LIMITER .....	1	
- 1	114-364074-3	. CONTAINER.....	1	
- 2	NAS1201C6-10	.. CHAIN, BEAD.....	1	
- 3	114-364073-7	.. PLATE .....	1	
- 4	MS20230GB10	.. GROMMET.....	1	
- 5	MS20230WB10	.. WASHER.....	1	
- 6	ACH15	.. LIMITER .....	1	
- 7	ACH20	.. LIMITER .....	3	
- 8	ACH25	.. LIMITER .....	3	
- 9	ACH30	.. LIMITER .....	3	
-10	ACH35	.. LIMITER .....	1	
-11	ACH50	.. LIMITER .....	1	
-12	ACH60	.. LIMITER .....	3	
-13	ANL-M325	.. LIMITER .....	1	



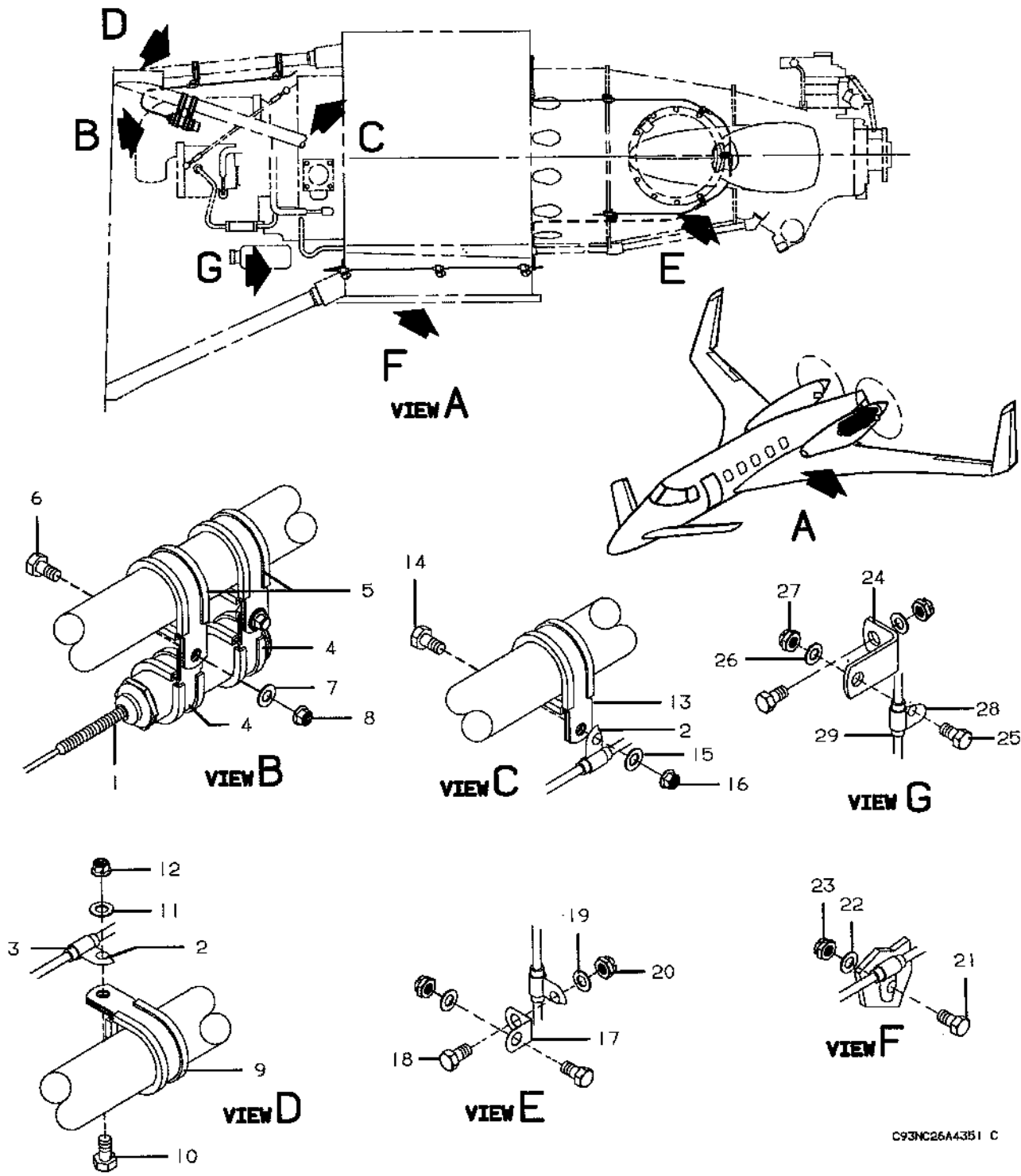
**Beechcraft**  
**STARSHIP 1**  
**ILLUSTRATED PARTS CATALOG**  
**LIST OF PAGES & TABLE OF CONTENTS**  
**FOR**  
**CHAPTER 26-00-00 FIRE PROTECTION**

CHAP/SUB- SECT & UNIT	PAGE NO.	EFFECTIVE DATE	TABLE OF CONTENTS
26-00-00	1	02/25/94	LIST OF PAGES & TABLE OF CONTENTS .....
26-10-00	1	02/25/94	ENGINE FIRE DETECTION .....
26-10-00	2	02/25/94	
26-10-00	3	02/25/94	
26-10-10	1	02/25/94	BLEED AIR FAIL WARNING.....
26-10-10	2	02/25/94	
26-10-10	3	02/25/94	
26-10-10	4	02/25/94	
26-10-10	5	02/25/94	
26-10-20	1	02/25/94	GLARESHIELD ASSEMBLY .....
26-10-20	2	02/25/94	
26-10-20	3	02/25/94	
26-20-00	1	02/25/94	ENGINE FIRE EXTINGUISHER .....
26-20-00	2	02/25/94	
26-20-00	3	02/25/94	
26-20-10	1	02/25/94	COCKPIT FIRE EXTINGUISHER.....
26-20-10	2	02/25/94	
26-20-10	3	02/25/94	
26-20-20	1	02/25/94	CABIN FIRE EXTINGUISHER.....
26-20-20	2	02/25/94	
26-20-20	3	02/25/94	

**Beechcraft**  
**STARSHIP 1**  
**ILLUSTRATED PARTS CATALOG**

**26-10-00**  
**ENGINE FIRE DETECTION**

**Beechcraft**  
**STARSHIP 1**  
**ILLUSTRATED PARTS CATALOG**



C93NC26A4351 C

**FIGURE 10-00. ENGINE FIRE DETECTION**

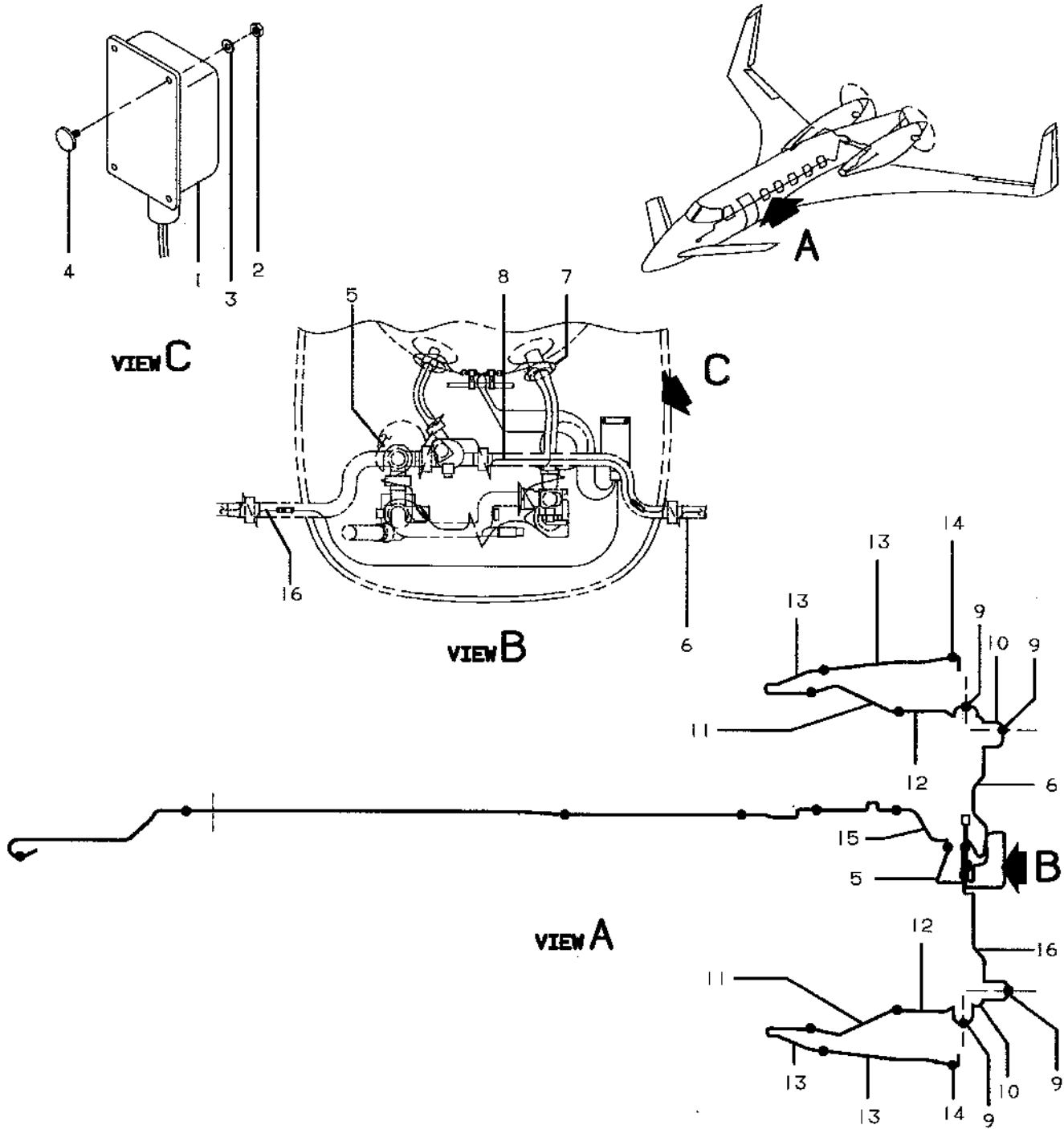
**Beechcraft**  
**STARSHIP 1**  
**ILLUSTRATED PARTS CATALOG**

SUB-SEC UNIT & ITEM NO	PART NO.	DESCRIPTION 1 2 3 4 5 6 7	UNITS PER ASSY	USABLE ON CODE
10-00	122-750001-1	FIRE DETECTION INSTL.....	NP	
	7666	. FIRE DETECTION KIT.....	1	
- 1	3001-149-1100/5*	50-20 . . RESPONDER.....	1	
- 2	10-10001	. . CLAMP.....	27	
- 3	3106	. . BUSHING, INSULATING.....	27	
- 4	MS21919WH16	. CLAMP.....	2	
- 5	MS21919WH20	. CLAMP.....	2	
- 6	130909B14	. BOLT.....	2	
- 7	AN960C10L	. WASHER.....	4	
- 8	130909N49	. NUT.....	2	
- 9	MS21919WH18	. CLAMP.....	4	
		/ATTACHING PARTS/		
- 10	130909B14	. BOLT.....	1	
- 11	AN960C10L	. WASHER.....	2	
- 12	130909N49	. NUT.....	1	
		---★---		
- 13	MS21919WH20	. CLAMP.....	2	
		/ATTACHING PARTS/		
- 14	130909B14	. BOLT.....	1	
- 15	AN960C10L	. WASHER.....	2	
- 16	130909N49	. NUT.....	1	
		---★---		
- 17	MS9601-008	. BRACKET.....	10	
- 18	130909B12	. BOLT.....	10	
- 19	AN960C10L	. WASHER.....	20	
- 20	130909N49	. NUT.....	10	
- 21	130909B12	. BOLT.....	1	
- 22	AN960C10L	. WASHER.....	2	
- 23	130909N49	. NUT.....	1	
- 24	MS9600-052	. BRACKET.....	1	
		/ATTACHING PARTS/		
- 25	130909B12	. BOLT.....	1	
- 26	AN960C10L	. WASHER.....	1	
- 27	MS21043	. NUT.....	1	
		---★---		
- 28	10-10001	. CLAMP.....	1	
- 29	3106	. BUSHING, INSULATING.....	1	

**Beechcraft**  
**STARSHIP 1**  
**ILLUSTRATED PARTS CATALOG**

**26-10-10**  
**BLEED AIR FAIL WARNING**

**Beechcraft**  
**STARSHIP 1**  
**ILLUSTRATED PARTS CATALOG**



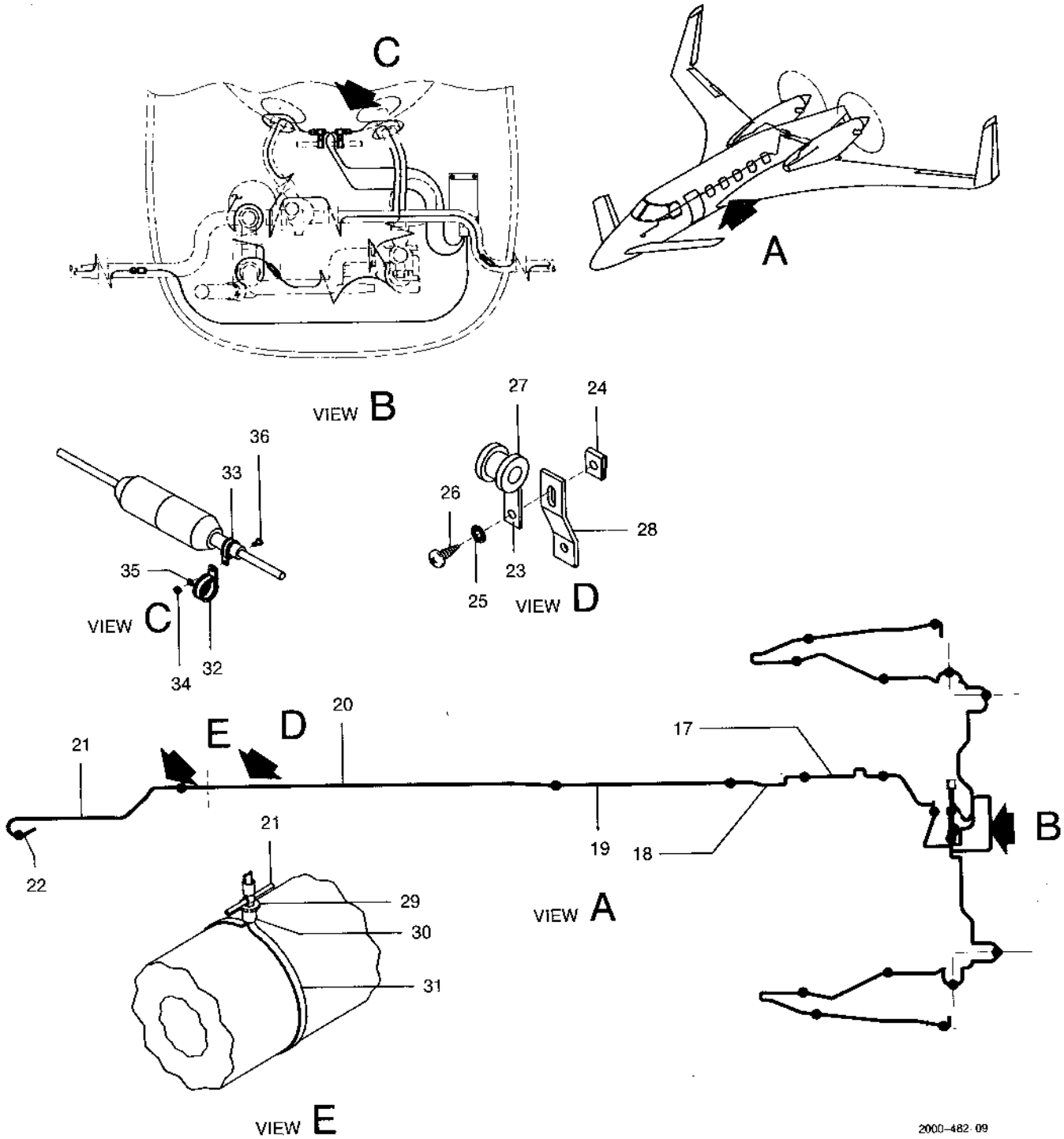
C93NC26A4352 C

**FIGURE 10-10. BLEED AIR FAIL WARNING**  
**/SHEET 1 OF 2 SHEETS/**

**Deechcraft**  
**STARSHIP 1**  
**ILLUSTRATED PARTS CATALOG**

SUB-SEC UNIT & ITEM NO	PART NO.	DESCRIPTION 1 2 3 4 5 6 7	UNITS PER ASSY	USABLE ON CODE
10-10	122-550090-7	WARNING INSTL, BLEED AIR FAIL .....	NP	
- 1	472184-04	. CONTROL UNIT, BLEED AIR WARNING .....	1	
		./ATTACHING PARTS/		
- 2	MS21044C3	. NUT .....	4	
- 3	AN960-10L	. WASHER .....	4	
- 4	SL6172-3-3	. STUD .....	4	
		★		
- 5	472196	. ELEMENT .....	1	
- 6	472197	. ELEMENT .....	1	
- 7	472196	. ELEMENT .....	1	
- 8	472196	. ELEMENT .....	1	
- 9	207865	. NUT .....	6	
	AN960C716L	. WASHER .....	4	
	B52595F025	. CLIP .....	2	
- 10	872248	. JUMPER .....	2	
- 11	472197	. ELEMENT .....	2	
- 12	472195	. ELEMENT .....	2	
- 13	472197	. ELEMENT .....	4	
- 14	878583-01	. FITTING, CONNECTOR .....	2	
- 15	472197	. ELEMENT .....	1	
- 16	472197	. ELEMENT .....	1	

**Beechcraft**  
**STARSHIP 1**  
**ILLUSTRATED PARTS CATALOG**



2000-482-09

**FIGURE 10-10. BLEED AIR FAIL WARNING**  
**/SHEET 2 OF 2 SHEETS/**



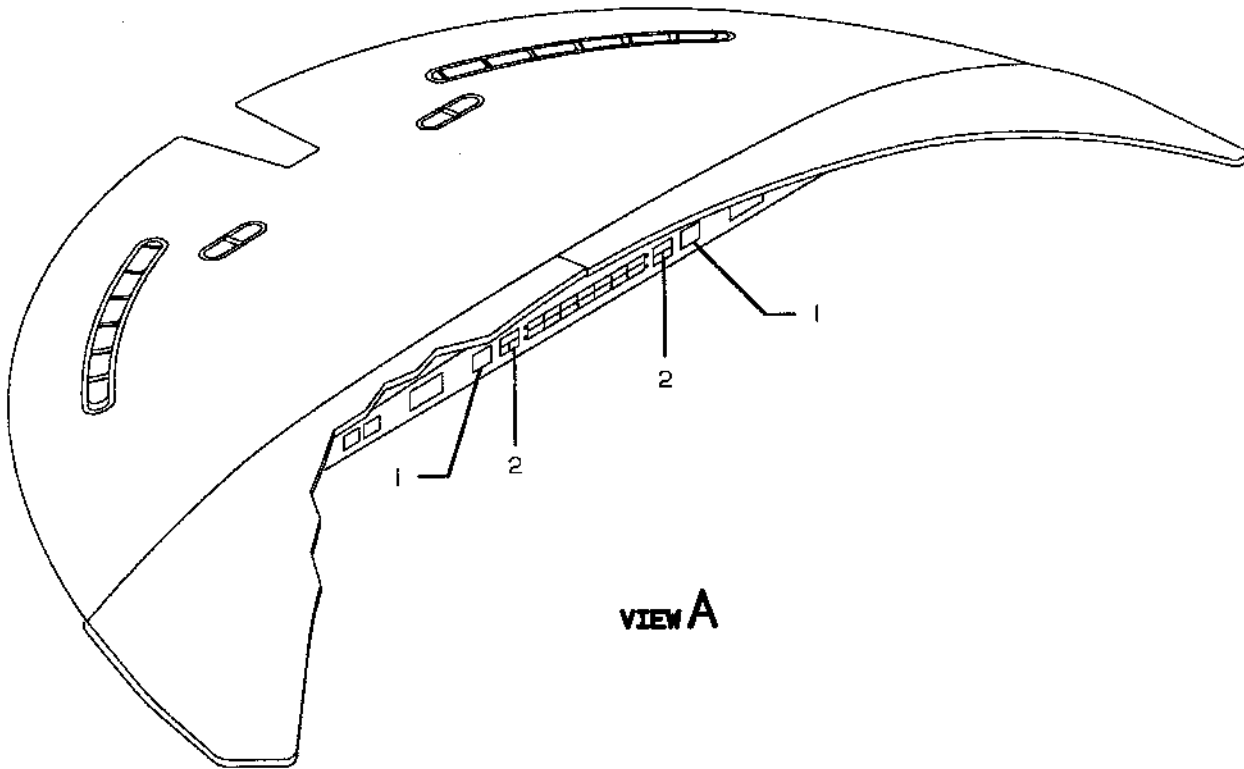
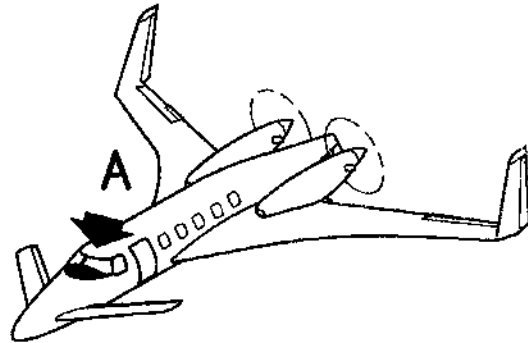
**Beechcraft**  
**STARSHIP 1**  
**ILLUSTRATED PARTS CATALOG**

SUB-SEC UNIT & ITEM NO	PART NO.	DESCRIPTION 1 2 3 4 5 6 7	UNITS	USABLE
			PER ASSY	ON CODE
10-10 - 17	472197	. ELEMENT.....	1	
- 18	472197	. ELEMENT.....	1	
- 19	472196	. ELEMENT.....	1	
- 20	472189	. ELEMENT.....	1	
- 21	472196	. ELEMENT.....	1	
- 22	878583-01	. FITTING, CONNECTOR.....	1	
- 23	243468	. CLAMP.....	7	
		/ATTACHING PARTS/		
- 24	NAS395-25-3	. NUT.....	1	
- 25	MS35333-39	. WASHER.....	1	
- 26	AN530-10R8	. SCREW.....	1	
		---★---		
- 27	262121	. GROMMET.....	7	
- 28	122-550090-3	. BRACKET.....	7	
- 29	100951P125ZW	. WASHER.....	AR	
- 30	NAS43DD4-20	. SPACER.....	AR	
- 31	TYZ28M	. TY-RAP/STANDOFF, ELEMENT/.....	AR	
- 32	MS21919WDG10	. CLAMP.....	2	
- 33	AN742F3	. CLAMP, GROUNDING.....	3	
		/ATTACHING PARTS/		
- 34	130909N29	. NUT.....	1	
- 35	AN980-10L	. WASHER.....	1	
- 36	MS35207-263	. SCREW.....	1	
		---★---		

**Beechcraft**  
**STARSHIP 1**  
**ILLUSTRATED PARTS CATALOG**

**26-10-20**  
**ANNUNCIATOR/SWITCH LIGHT ASSY**

Beechcraft  
STARSHIP 1  
ILLUSTRATED PARTS CATALOG



VIEW A

C93NC26A4372 C

**Beechcraft**  
**STARSHIP 1**  
**ILLUSTRATED PARTS CATALOG**

SUB-SEC UNIT & ITEM NO	PART NO.	DESCRIPTION 1 2 3 4 5 6 7	UNITS PER ASSY	USABLE ON CODE
	122-322212-7	GLARESHIELD ASSY.....	1	
- 1	122-382033-1	. SWITCH LIGHT ASSY, FIREWALL VALVE CLOSED.....	2	1
- 2	122-382033-3	. SWITCH LIGHT ASSY, ENG FIRE EXTINGUISHER.....	2	1
	10E534	. GUARD, CLEAR.....	4	1

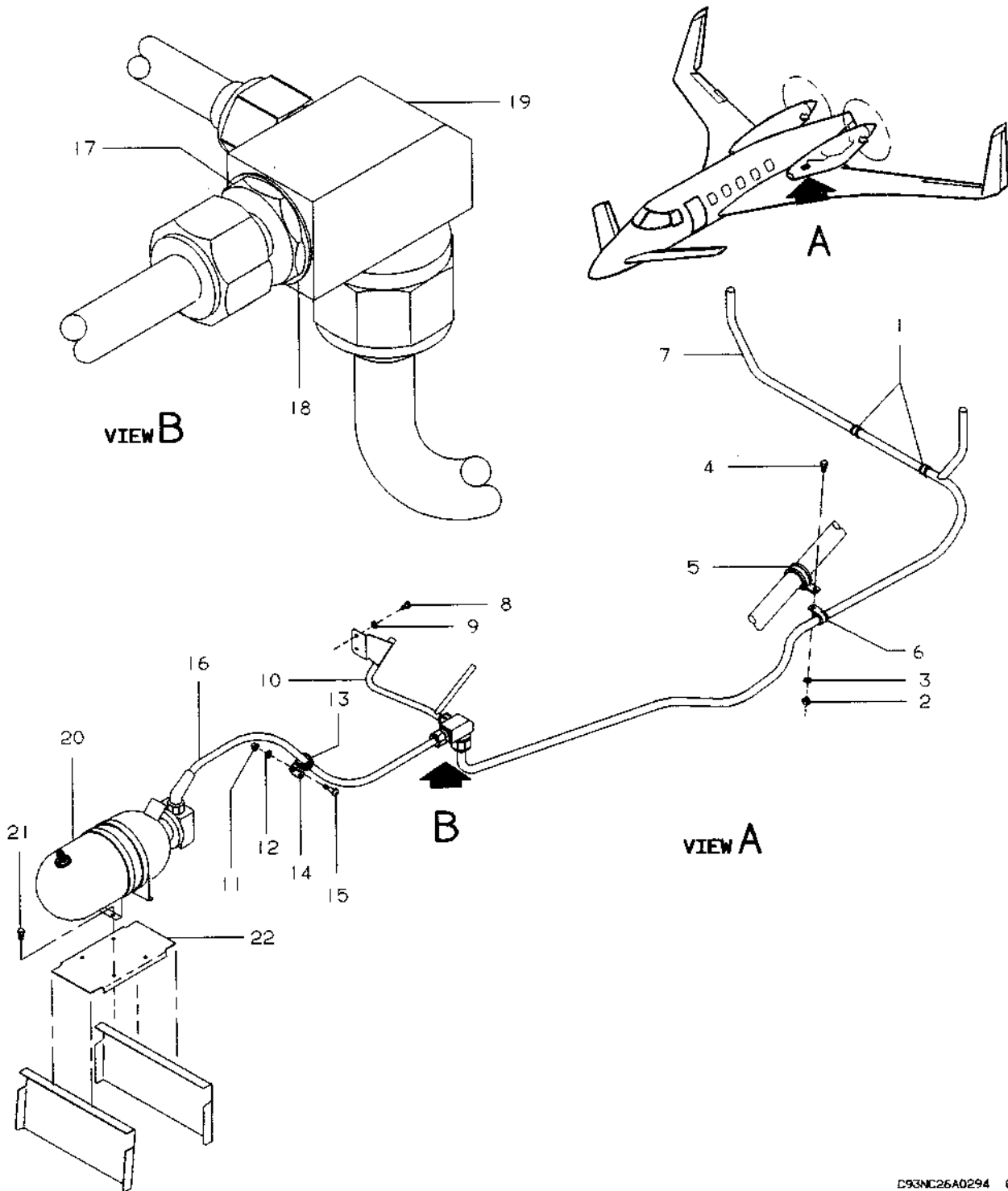
**CODES OF EFFECTIVITY**

1 NC-4 THRU NC-53

**Beechcraft**  
**STARSHIP 1**  
**ILLUSTRATED PARTS CATALOG**

**26-20-00**  
**ENGINE FIRE EXTINGUISHER**

Beechcraft  
STARSHIP 1  
ILLUSTRATED PARTS CATALOG



D93NC26A0294 C

FIGURE 20-00.ENGINE FIRE EXTINGUISHER

**Beechcraft**  
**STARSHIP 1**  
**ILLUSTRATED PARTS CATALOG**

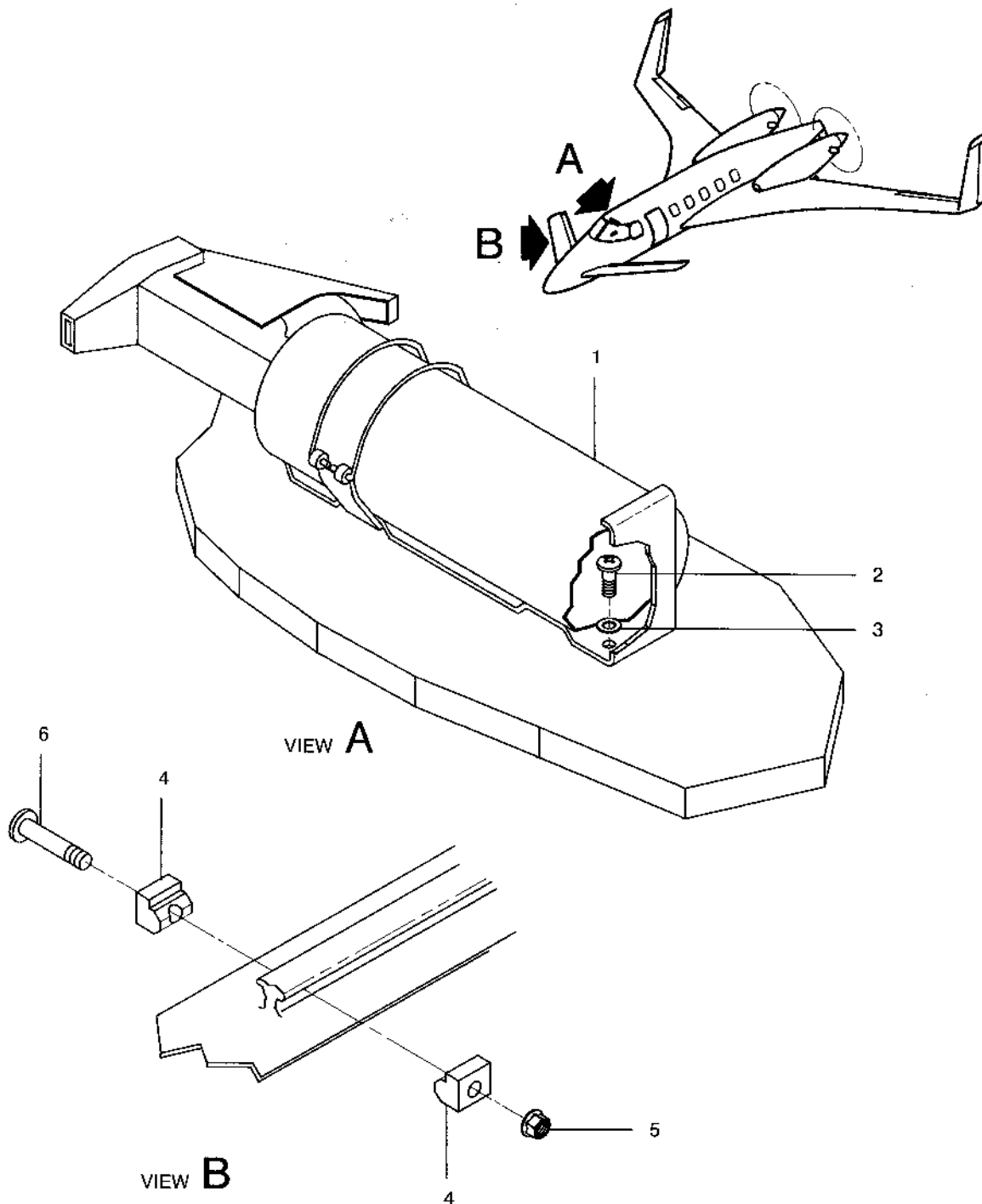
SUB-SEC UNIT & ITEM NO	PART NO.	DESCRIPTION 1 2 3 4 5 6 7	UNITS	USABLE
			PER ASSY	ON CODE
20-00	122-570002-1	EXTINGUISHER INSTL, LH ENGINE FIRE.....	NP	
	122-570002-3	EXTINGUISHER INSTL, RH ENGINE FIRE.....	NP	
- 1	MS21919WH8	. CLAMP.....	2	
- 2	130909N29	. NUT.....	1	
- 3	AN960-10L	. WASHER.....	1	
- 4	130909B14	. BOLT.....	1	
- 5	MS21919WH8	. CLAMP.....	1	
- 6	MS21919WH24	. CLAMP.....	1	
- 7	122-570002-51	. TUBE ASSY.....	1	
- 8	130909B12	. BOLT.....	2	
- 9	AN960-10L	. WASHER.....	2	
- 10	122-570002-31	. TUBE ASSY.....	1	
- 11	130909N29	. NUT.....	1	
- 12	AN960-10	. WASHER.....	1	
- 13	MS21919WH10	. CLAMP.....	1	
- 14	MS9601-008	. BRACKET.....	1	
- 15	MS35207-263	. SCREW.....	1	
- 16	122-570002-9	. TUBE ASSY, LH.....	1	
	122-570002-11	. TUBE ASSY, RH.....	1	
- 17	AN924-10	. NUT.....	1	
- 18	AN960-1416L	. WASHER.....	1	
- 19	122-570002-43	. FITTING.....	1	
- 20	122-380069-1	. BOTTLE, EXTINGUISHER.....	1	
		/ATTACHING PARTS/		
- 21	130909B14	. BOLT.....	4	
		---★---		
	878492	.. SQUIB.....	1	
- 22	122-570002-5	.. SUPPORT ASSY, EXTINGUISHER BOTTLE.....	1	
	MS21059L3K	.. NUTPLATE.....	4	

**Beechcraft**  
**STARSHIP 1**  
**ILLUSTRATED PARTS CATALOG**

**26-20-10**  
**COCKPIT FIRE EXTINGUISHER**



Beechcraft  
STARSHIP 1  
ILLUSTRATED PARTS CATALOG



2000-480-1

FIGURE 20-10. COCKPIT FIRE EXTINGUISHER

**Beechcraft**  
**STARSHIP 1**  
**ILLUSTRATED PARTS CATALOG**

SUB-SEC UNIT & ITEM NO	PART NO.	DESCRIPTION 1 2 3 4 5 6 7	UNITS	USABLE
			PER ASSY	ON CODE
20-10	122-530199-5	EXTINGUISHER INSTL, COCKPIT FIRE.....	NP	1
	122-530199-15	EXTINGUISHER INSTL, COCKPIT FIRE.....	NP	2
- 1	2-10	. EXTINGUISHER, COCKPIT FIRE .....	1	1
	352TS	. EXTINGUISHER, COCKPIT FIRE .....	1	2
		/ATTACHING PARTS/		
- 2	MS27039-1-06	. SCREW.....	6	1
	MS27039-1-09	. SCREW.....	4	2
- 3	AN960-10L	. WASHER .....	6	1
	AN960-10L	. WASHER .....	4	2
		★		
- 4	002-430013-31	. STOP/COPILOT SEAT TRACK ONLY/ .....	4	1
		/ATTACHING PARTS/		
- 5	130909N29	. NUT .....	1	1
- 6	MS27039-1-21	. SCREW.....	1	1
		★		

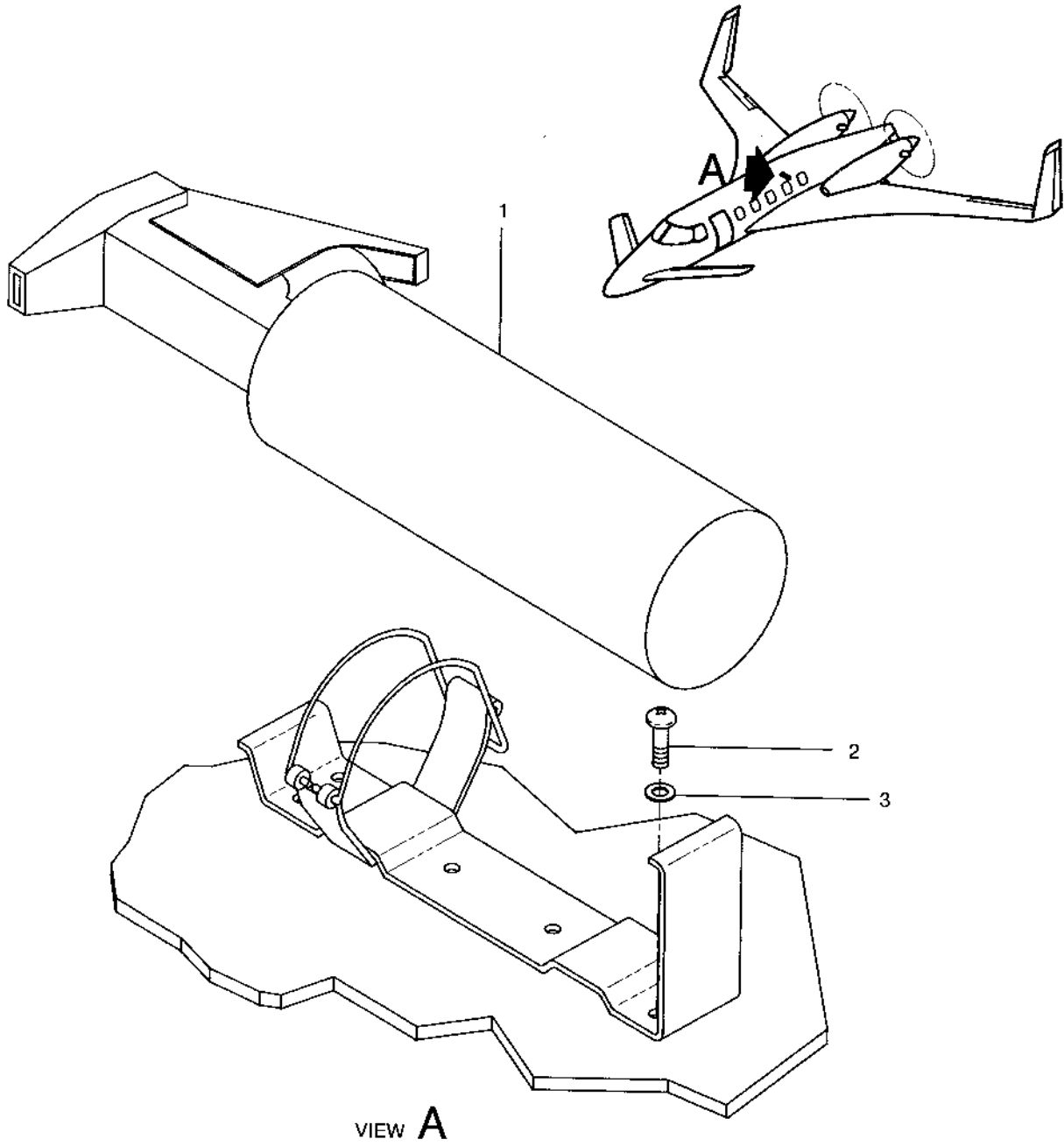
**CODES OF EFFECTIVITY**

1 NC-4 THRU NC-7                      2 NC-8 AND AFTER

**Beechcraft**  
**STARSHIP 1**  
**ILLUSTRATED PARTS CATALOG**

**26-20-20**  
**CABIN FIRE EXTINGUISHER**

Beechcraft  
STARSHIP 1  
ILLUSTRATED PARTS CATALOG



2000-480-2

FIGURE 20-20.CABIN FIRE EXTINGUISHER

**Beechcraft**  
**STARSHIP 1**  
**ILLUSTRATED PARTS CATALOG**

SUB-SEC UNIT & ITEM NO	PART NO.	DESCRIPTION 1 2 3 4 5 6 7	UNITS	USABLE
			PER ASSY	ON CODE
20-20	122-530298-1	EXTINGUISHER INSTL, CABIN FIRE.....	NP	1
	122-530298-3	EXTINGUISHER INSTL, CABIN FIRE.....	NP	2
- 1	2-10	. EXTINGUISHER, CABIN FIRE .....	1	1
	352TS	. EXTINGUISHER, CABIN FIRE .....	1	2
		/ATTACHING PARTS/		
- 2	MS27039-1-13	. SCREW.....	6	1
	MS27039-1-09	. SCREW.....	4	2
- 3	AN960-10	. WASHER .....	6	1
	AN960-10L	. WASHER .....	4	2

--★--

**CODES OF EFFECTIVITY**

1 NC-4 THRU NC-7                      2 NC-8 AND AFTER

# Raytheon Aircraft

## BEECH STARSHIP 1 ILLUSTRATED PARTS CATALOG

### LIST OF PAGES & TABLE OF CONTENTS FOR CHAPTER 27-00-00 FLIGHT CONTROLS

CHAP/SUB-SECT & UNIT	PAGE NUMBER	EFFECTIVE DATE	TABLE OF CONTENTS
27-00-00	1	07/31/02	LIST OF PAGES & TABLE OF CONTENTS
27-00-00	2	07/31/02	
27-00-00	3	07/31/02	
27-00-10	1	02/25/94	PULLEY BANK PLATFORM
27-00-10	2	02/25/94	
27-00-10	3	06/30/95	
27-00-10	4	02/25/94	
27-00-10	5	06/30/95	
27-00-20	1	02/25/94	FORWARD WING AND FLAP MONITOR BOX
27-00-20	2	02/25/94	
27-00-20	3	06/30/95	
27-00-30	1	02/25/94	ELECTRIC TRIM CONTROL
27-00-30	2	06/30/95	
27-00-30	3	06/30/95	
27-00-40	1	02/25/94	ROLL AND YAW INTERCONNECT
27-00-40	2	02/25/94	
27-00-40	3	02/25/94	
27-20-00	1	02/25/94	RUDDER CONTROLS
27-20-00	2	06/30/95	
27-20-00	3	06/30/95	
27-20-00	4	06/30/95	
27-20-00	5	06/30/95	
27-20-00	6	06/30/95	
27-20-00	7	06/30/95	
27-20-00	8	06/30/95	
27-20-00	9	06/30/95	
27-20-00	10	06/30/95	
27-20-00	11	06/30/95	
27-20-00	12	06/30/95	
27-20-00	13	06/30/95	
27-20-10	1	02/25/94	RUDDER PEDALS
27-20-10	2	06/30/95	
27-20-10	3	06/30/95	
27-20-10	4	06/30/95	
27-20-10	5	06/30/95	
27-20-10	6	06/30/95	
27-20-10	7	06/30/95	
27-20-20	1	02/25/94	RUDDER FORWARD CONTROL BELL CRANKS AND LINKAGE
27-20-20	2	02/25/94	
27-20-20	3	06/30/95	
27-20-20	4	06/30/95	
27-20-20	5	06/30/95	
27-20-20	6	02/25/94	
27-20-20	7	06/30/95	
27-20-30	1	02/25/94	RUDDER TRIM TAB CONTROL ACTUATOR
27-20-30	2	02/25/94	
27-20-30	3	06/30/95	
27-30-00	1	02/25/94	ELEVATOR CONTROLS
27-30-00	2	02/25/94	
27-30-00	3	06/30/95	
27-30-00	4	06/30/95	
27-30-00	5	06/30/95	
27-30-00	6	02/25/94	
27-30-00	7	06/30/95	
27-30-00	8	02/25/94	

# Raytheon Aircraft

## BEECH STARSHIP 1 ILLUSTRATED PARTS CATALOG

### LIST OF PAGES & TABLE OF CONTENTS FOR CHAPTER 27-00-00 FLIGHT CONTROLS *(Continued)*

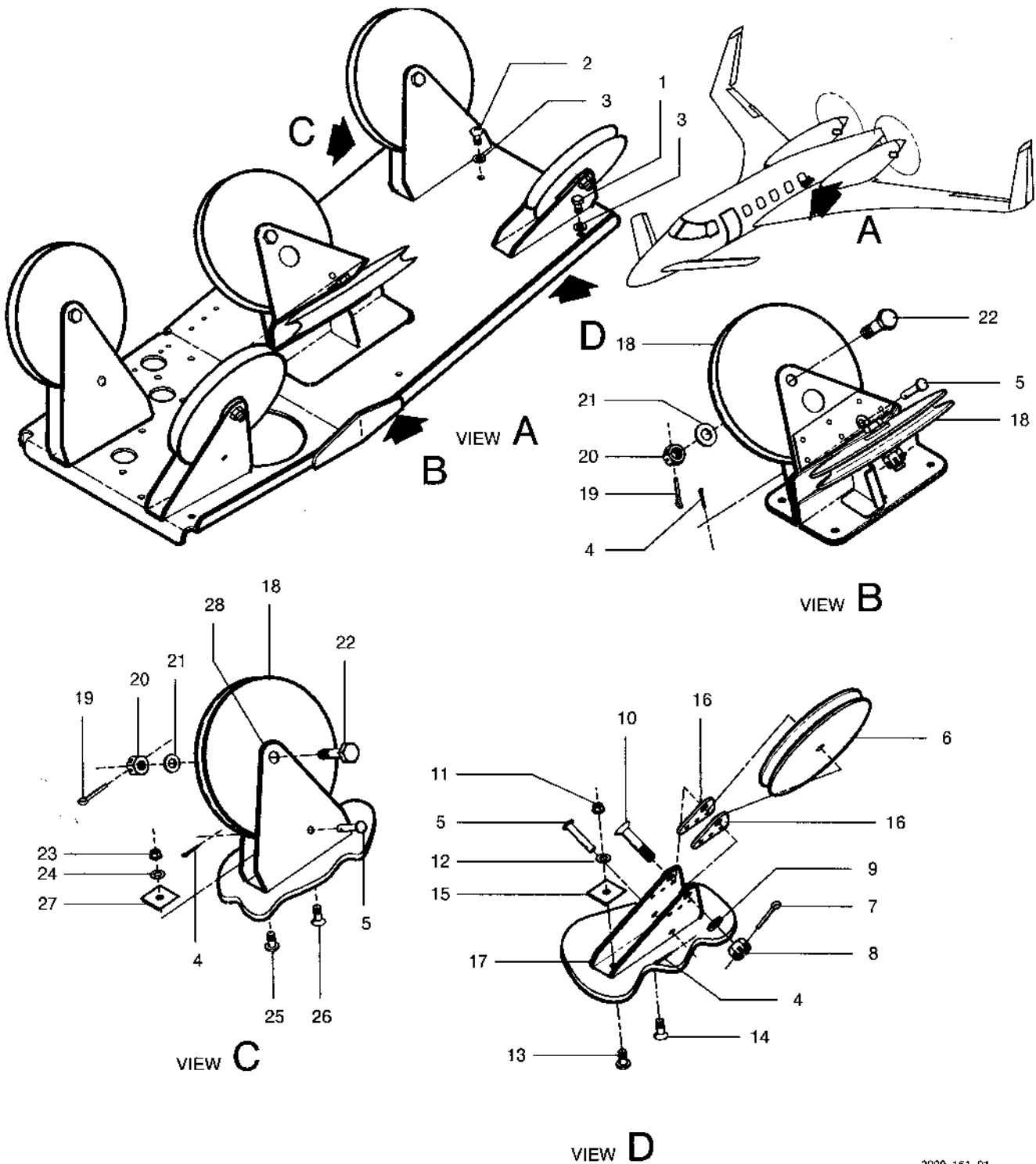
CHAP/SUB-SECT & UNIT	PAGE NUMBER	EFFECTIVE DATE	TABLE OF CONTENTS
27-30-00	9	06/30/95	
27-30-00	10	06/30/95	
27-30-00	11	06/30/95	
27-30-00	12	06/30/95	
27-30-00	13	06/30/95	
27-30-10	1	02/25/94	FLIGHT CONTROL COLUMN
27-30-10	2	02/25/94	
27-30-10	3	06/30/95	
27-30-10	4	02/25/94	
27-30-10	5	06/30/95	
27-30-20	1	02/25/94	ELEVATOR TRIM TAB CONTROL ACTUATOR
27-30-20	2	02/25/94	
27-30-20	3	02/25/94	
27-30-30	1	02/25/94	STALL WARNING
27-30-30	2	02/25/94	
27-30-30	3	06/30/95	
27-30-30	4	02/25/94	
27-30-30	5	06/30/95	
27-30-40	1	02/25/94	CONTROL COLUMN STABILIZING BOB WEIGHT
27-30-40	2	06/30/95	
27-30-40	3	06/30/95	
27-30-40	4	06/30/95	
27-30-40	5	06/30/95	
27-31-00	1	02/25/94	ELEVON CONTROLS
27-31-00	2	02/25/94	
27-31-00	3	06/30/95	
27-31-00	4	02/25/94	
27-31-00	5	06/30/95	
27-31-00	6	06/30/95	
27-31-00	7	06/30/95	
27-31-00	8	02/25/94	
27-31-00	9	06/30/95	
27-31-00	10	06/30/95	
27-31-00	11	06/30/95	
27-31-00	12	02/25/94	
27-31-00	13	06/30/95	
27-31-10	1	06/30/95	CONTROL WHEEL
27-31-10	2	06/30/95	
27-31-10	3	06/30/95	
27-31-20	1	02/25/94	ELEVON CONTROL MIXER ASSEMBLY
27-31-20	2	06/30/95	
27-31-20	3	06/30/95	
27-31-20	4	02/25/94	
27-31-20	5	06/30/95	
27-31-20	6	06/30/95	
27-31-20	7	02/25/94	
27-31-20	8	02/25/94	
27-31-20	9	06/30/95	
27-31-30	1	02/25/94	ELEVON TRIM TAB CONTROL ACTUATOR
27-31-30	2	06/30/95	
27-31-30	3	07/31/02	
27-40-00	1	02/25/94	FORWARD WING CONTROL MECHANISM
27-40-00	2	02/25/94	
27-40-00	3	10/27/00	
27-40-10	1	02/25/94	FORWARD WING MONITOR SENSOR

**Beechcraft**  
**STARSHIP 1**  
**ILLUSTRATED PARTS CATALOG**

**27-00-10**  
**PULLEY BANK PLATFORM**



**Beechcraft**  
**STARSHIP 1**  
**ILLUSTRATED PARTS CATALOG**



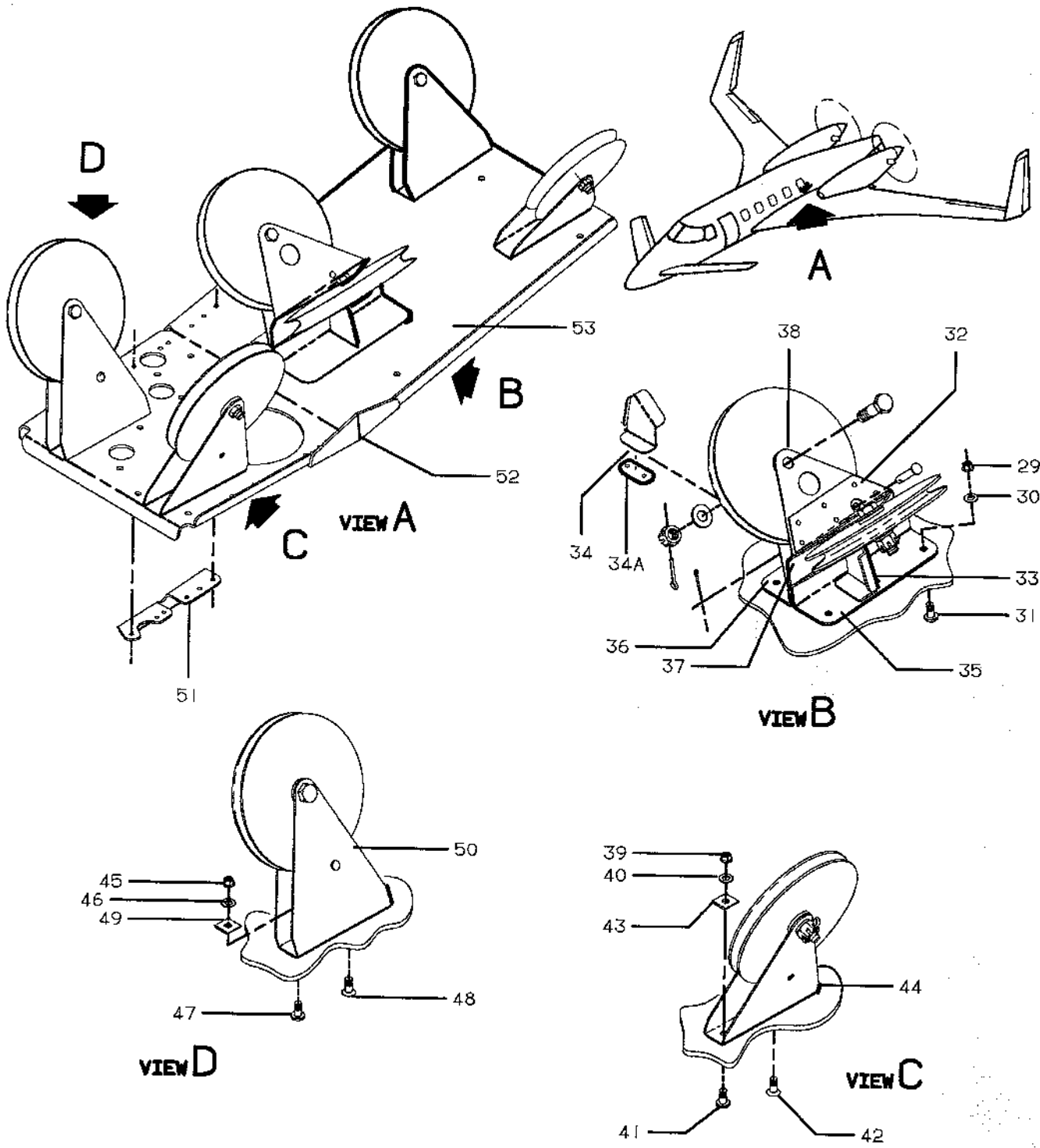
2000-151-01

**FIGURE 00-10.PULLEY BANK PLATFORM**  
**/SHEET 1 OF 2 SHEETS/**

**Beechcraft**  
**STARSHIP 1**  
**ILLUSTRATED PARTS CATALOG**

SUB-SEC UNIT & ITEM NO	PART NO.	DESCRIPTION 1 2 3 4 5 6 7	UNITS	USABLE
			PER ASSY	ON CODE
00-10	122-521079-89	PLATFORM INSTL, PULLEY BANK.....	NP	
	122-521079-91	. PLATFORM ASSY, PULLEY BANK.....	1	
		/ATTACHING PARTS/		
- 1	130909B12	. BOLT.....	6	
- 2	MS27039-1-09	. SCREW.....	9	
- 3	AN960-10L	. WASHER.....	15	
		---★---		
- 4	MS24665-132	.. PIN, COTTER.....	6	
- 5	MS20392-2-25	.. PIN, CABLE GUARD.....	6	
- 6	MS24566-4B	.. PULLEY, RUDDER RIGHT CABLE.....	1	
		/ATTACHING PARTS/		
- 7	MS24665-136	.. PIN, COTTER.....	1	
- 8	MS17826-4	.. NUT.....	1	
- 9	AN960-416	.. WASHER.....	1	
- 10	NAS1204-12D	.. SCREW.....	1	
		---★---		
	122-521079-83	.. BRACKET ASSY, RUDDER RIGHT CABLE PULLEY.....	1	
		/ATTACHING PARTS/		
- 11	130909N29	.. NUT.....	3	
- 12	AN960-10	.. WASHER.....	2	
- 13	MS27039-1-10	.. SCREW.....	2	
- 14	MS24694S52	.. SCREW.....	1	
		---★---		
- 15	122-521079-87	... FILLER.....	3	
- 16	122-521079-35	... BLOCK.....	2	
- 17	122-521079-85	... BRACKET.....	1	
- 18	R MS20220-3	.. PULLEY/RUDDER LEFT, ROLL LEFT & RIGHT, AND NOSE UP & DOWN CABLE/ /ATTACHING PARTS/	5	
- 19	MS24665-136	.. PIN, COTTER.....	1	
- 20	MS17825-5	.. NUT.....	1	
- 21	AN960-516L	.. WASHER.....	1	
- 22	NAS6205-12D	.. BOLT.....	1	
		---★---		
	122-521079-7	.. BRACKET ASSY, RUDDER LEFT CABLE PULLEY.....	1	
		/ATTACHING PARTS/		
- 23	130909N29	.. NUT.....	3	
- 24	AN960-10	.. WASHER.....	2	
- 25	MS27039-1-10	.. SCREW.....	2	
- 26	MS24694S52	.. SCREW.....	1	
		---★---		
- 27	122-521079-75	... BLOCK.....	3	
- 28	122-521079-33	... BRACKET.....	1	

Beechcraft  
 STARSHIP 1  
 ILLUSTRATED PARTS CATALOG



C93NC27A4291 C

FIGURE 00-10. PULLEY BANK PLATFORM  
 /SHEET 2 OF 2 SHEETS/

**Beechcraft**  
**STARSHIP 1**  
**ILLUSTRATED PARTS CATALOG**

SUB-SEC UNIT & ITEM NO	PART NO.	DESCRIPTION 1 2 3 4 5 6 7	UNITS PER ASSY	USABLE ON CODE
00-10	R 122-521079-5	.. BRACKET ASSY, NOSE UP & DOWN CABLE PULLEY .....	NP	1
	122-521079-93	.. BRACKET ASSY, NOSE UP & DOWN CABLE PULLEY .....	1	2
		/ORDER 122-521079-93 FOR SPARES/ /ATTACHING PARTS/		
-29	130909N29	.. NUT .....	4	
-30	AN960-10	.. WASHER .....	4	
-31	MS27039-1-10	.. SCREW .....	4	
		-----★-----		
-32	122-521079-31	.. CLIP .....	1	
-33	122-521079-71	.. GUSSET, LH .....	1	
-34	122-521079-72	.. GUSSET, RH .....	1	
-34A	R 122-521079-97	.. SPACER .....	2	2
-35	122-521079-59	.. BRACKET, LH .....	1	1
	122-521079-95	.. BRACKET, LH .....	1	2
-36	122-521079-60	.. BRACKET, RH .....	1	1
	122-521079-96	.. BRACKET, RH .....	1	2
-37	122-521079-61	.. BRACKET, LH .....	1	1
	122-521079-99	.. BRACKET, LH .....	1	2
-38	122-521079-62	.. BRACKET, RH .....	1	1
	122-521079-100	.. BRACKET, RH .....	1	2
	122-521079-13	.. BRACKET ASSY, ROLL RIGHT CABLE PULLEY .....	1	
		/ATTACHING PARTS/		
-39	130909N29	.. NUT .....	3	
-40	AN960-10	.. WASHER .....	1	
-41	MS27039-1-10	.. SCREW .....	1	
-42	MS24694S52	.. SCREW .....	2	
		-----★-----		
-43	122-521079-73	.. BLOCK .....	3	
-44	122-521079-45	.. BRACKET .....	1	
	122-521079-11	.. BRACKET ASSY, ROLL LEFT CABLE PULLEY .....	1	
		/ATTACHING PARTS/		
-45	130909N29	.. NUT .....	3	
-46	AN960-10	.. WASHER .....	1	
-47	MS27039-1-10	.. SCREW .....	1	
-48	MS24694S52	.. SCREW .....	2	
		-----★-----		
-49	122-521079-75	.. BLOCK .....	3	
-50	122-521079-41	.. BRACKET .....	1	
-51	122-521079-23	.. CLIP .....	1	
-52	122-521079-25	.. CLIP .....	1	
-53	122-521079-81	.. PLATFORM .....	1	

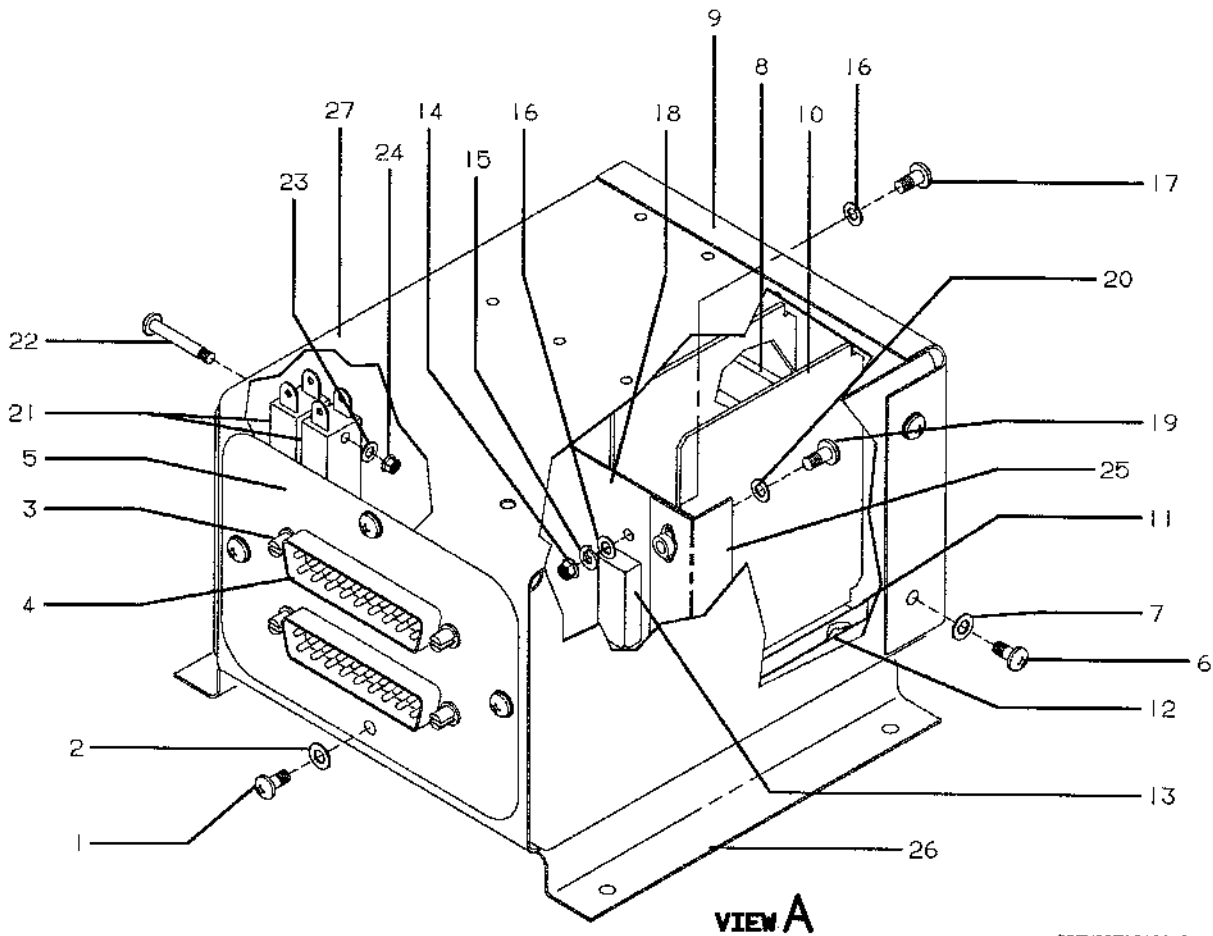
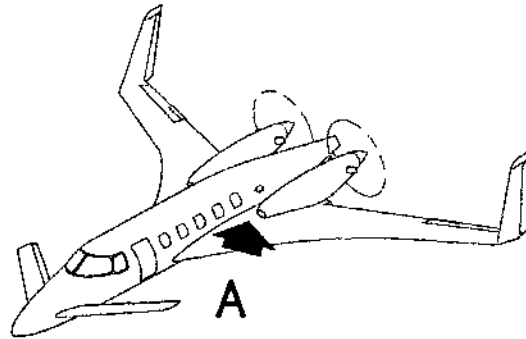
**CODES OF EFFECTIVITY**

1 NC-4 THRU NC-45                      2 NC-46 AND AFTER

**Beechcraft**  
**STARSHIP 1**  
**ILLUSTRATED PARTS CATALOG**

**27-00-20**  
**FORWARD WING AND FLAP MONITOR BOX**

Beechcraft  
STARSHIP 1  
ILLUSTRATED PARTS CATALOG



C93NC27A2499 C

FIGURE 00-20.FORWARD WING & FLAP MONITOR BOX

**Beechcraft**  
**STARSHIP 1**  
**ILLUSTRATED PARTS CATALOG**

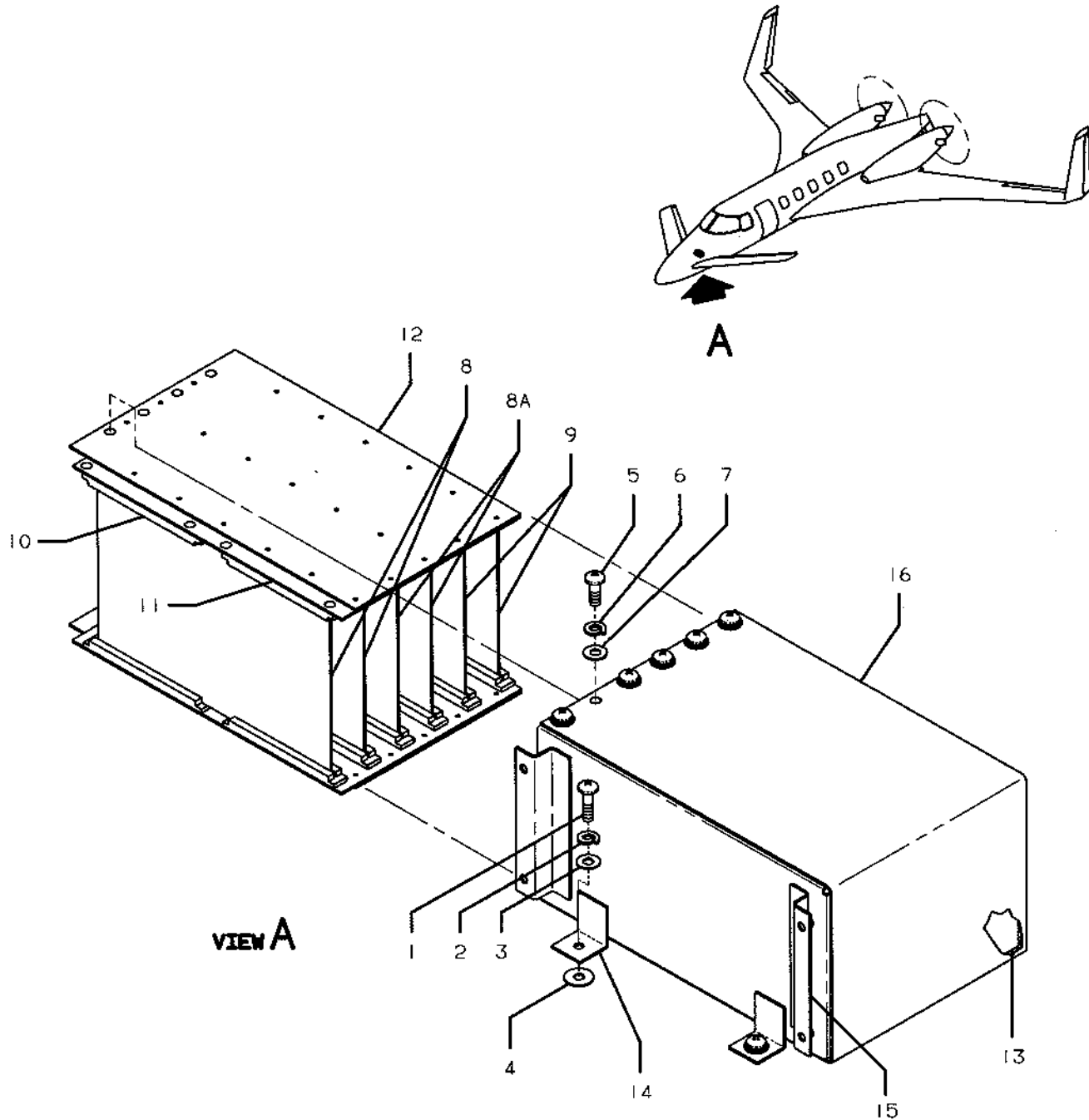
SUB-SEC UNIT & ITEM NO	PART NO.	DESCRIPTION 1 2 3 4 5 6 7	UNITS	USABLE
			PER ASSY	ON CODE
00-20	122-364165-25	MONITOR BOX ASSY, FWD WING & FLAP .....	1	
- 1	NAS1096-2-8	. SCREW .....	4	
- 2	AN960-8L	. WASHER .....	4	
- 3	205817-1	. JACKSCREW .....	4	
- 4	205560-2	. CONNECTOR .....	2	
- 5	122-364165-23	. COVER .....	1	
	122-364165-7	. COVER ASSY .....	1	
		/ATTACHING PARTS/		
- 6	NAS1096-2-8	. SCREW .....	4	
- 7	AN960-8L	. WASHER .....	4	
		---*---		
- 8	122-364165-21	. . PAD .....	1	
- 9	122-364165-9	. . COVER .....	1	
-10	405FW504B	. PRINTED CIRCUIT BOARD ASSY, MONITOR BOX .....	4	
-11	R 2500-38	. GUIDE, CARD .....	8	
-12	122-364165-17	. SHIM .....	8	
	R RCR42G202JS	. RESISTOR .....	4	
	583487-1	. KEY PLUG .....	4	
	66144-2	. CONTACT .....	40	
-13	582553-1	. CONNECTOR .....	4	
		/ATTACHING PARTS/		
-14	MS35649-262	. NUT .....	2	
-15	MS35338-136	. WASHER, LOCK .....	2	
-16	AN960-6	. WASHER .....	4	
-17	MS35206-231	. SCREW .....	2	
		---*---		
-18	122-364165-27	. PLATE .....	1	
		/ATTACHING PARTS/		
-19	NAS1096-2-8	. SCREW .....	4	
-20	AN960-8L	. WASHER .....	4	
		---*---		
-21	704-15K36	. TRANSORB .....	4	
		/ATTACHING PARTS/		
-22	MS35206-325	. SCREW .....	2	
-23	AN960-4L	. WASHER .....	2	
-24	R MS21042L04	. NUT .....	2	
		---*---		
	122-364165-3	. BOX ASSY .....	1	
-25	122-364165-13	. . ANGLE ASSY .....	2	
	MS21060L08	. . . NUTPLATE .....	2	
-26	122-364165-11	. . ZEE .....	2	
-27	122-364165-5	. . BOX .....	1	

**Beechcraft**  
**STARSHIP 1**  
**ILLUSTRATED PARTS CATALOG**

**27-00-30**  
**ELECTRIC TRIM CONTROL**



Beechcraft  
STARSHIP 1  
ILLUSTRATED PARTS CATALOG



C93NC27A4300 C

FIGURE 00-30.ELECTRIC TRIM CONTROL

**Beechcraft**  
**STARSHIP 1**  
**ILLUSTRATED PARTS CATALOG**

SUB-SEC UNIT & ITEM NO	PART NO.	DESCRIPTION 1 2 3 4 5 6 7	UNITS PER ASSY	USABLE ON CODE
00-30	122-340163-3	CONTROL INSTL, ELECTRIC TRIM .....	NP	
	122-340164-3	. CONTROL ASSY, ELECTRIC TRIM .....	1	
		/ATTACHING PARTS/		
- 1	MS35207-264	. SCREW .....	4	
- 2	MS35338-43	. WASHER, LOCK .....	4	
- 3	AN960JD10	. WASHER .....	4	
- 4	AN960JD716	. WASHER .....	4	
		★		
- 5	MS35206-229	.. SCREW .....	12	
- 6	MS35338-41	.. WASHER, LOCK .....	12	
- 7	AN960JD8	.. WASHER .....	12	
- 8	R 122-340188-5	.. PRINTED CIRCUIT BOARD ASSY, ELECTRIC .....	NP	1
		YAW TRIM/ORDER 122-340210-3 FOR SPARES/		
	R 122-340188-7	.. PRINTED CIRCUIT BOARD ASSY, ELECTRIC .....	NP	2
		YAW TRIM/ORDER 122-340210-3 FOR SPARES/		
	122-340210-3	.. PRINTED CIRCUIT BOARD ASSY, ELECTRIC .....	2	3
		YAW TRIM		
- 8A	R 122-340164-7	.. PRINTED CIRCUIT BOARD ASSY, ELECTRIC .....	NP	1
		ROLL TRIM/ORDER 122-340210-1 FOR SPARES/		
	R 122-340164-9	.. PRINTED CIRCUIT BOARD ASSY, ELECTRIC .....	NP	4
		ROLL TRIM/ORDER 122-340210-1 FOR SPARES/		
	R 122-340188-9	.. PRINTED CIRCUIT BOARD ASSY, ELECTRIC .....	NP	5
		ROLL TRIM/ORDER 122-340210-1 FOR SPARES/		
	122-340210-1	.. PRINTED CIRCUIT BOARD ASSY, ELECTRIC .....	2	3
		ROLL TRIM		
- 9	R 122-340179-5	.. PRINTED CIRCUIT BOARD ASSY, ELECTRIC .....	NP	11
		PITCH TRIM/ORDER 122-340212-1 FOR SPARES/		
	R 122-340212-1	.. PRINTED CIRCUIT BOARD ASSY, ELECTRIC .....	2	3
		PITCH TRIM		
	122-340185-31	.. BOX ASSY, CONTROL .....	1	6
	122-340165-39	.. BOX ASSY, CONTROL .....	1	7
	122-340165-41	.. BOX ASSY, CONTROL .....	1	8
	122-340165-43	.. BOX ASSY, CONTROL .....	1	9
- 10	RAD4125	... CARD GUIDE .....	24	
- 11	122-340165-19	... PLATE .....	2	10
	R 122-340165-45	... PLATE .....	2	12
- 12	122-340165-5	... PLATE .....	2	
- 13	122-340165-15	... PAD .....	1	
- 14	122-342047-49	... BRACKET, MOUNTING .....	4	
- 15	R 122-340165-27	... ANGLE ASSY .....	2	6
	R 122-340165-33	... ANGLE ASSY .....	2	13
	R MS21069L3	... NUTPLATE .....	2	
- 16	R 122-340165-3	... BOX .....	1	
	MS35206-228	.. SCREW/USED WITH AUTOPILOT RELAYS/ .....	4	
	AN960-6L	.. WASHER/USED WITH AUTOPILOT RELAYS/ .....	4	
	130909N47	.. NUT/USED WITH AUTOPILOT RELAYS/ .....	4	
	122-340069-1	. GROUND WIRE TERMINATION INSTL/SEE CHAPTER 23/ .....	NP	

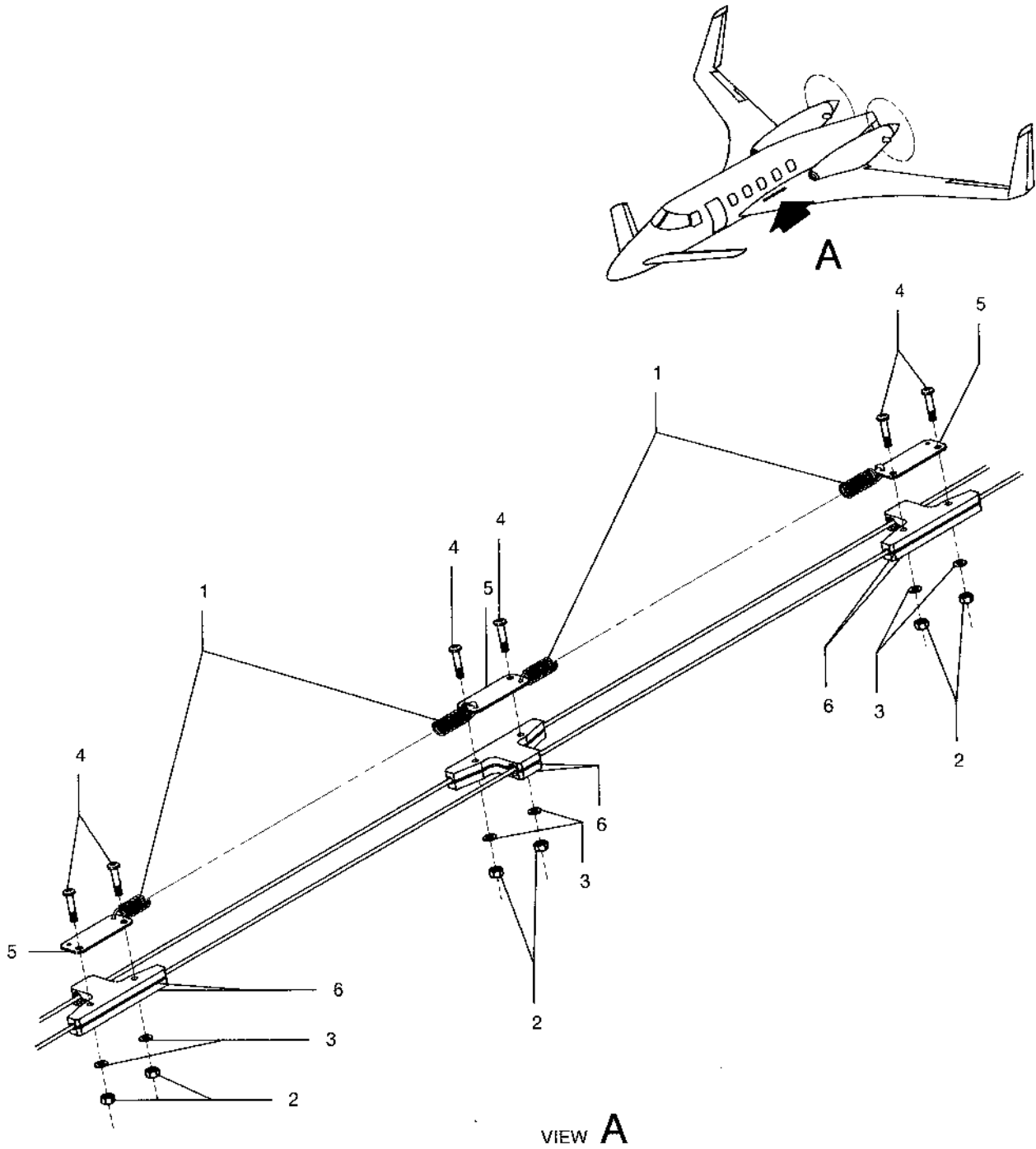
**CODES OF EFFECTIVITY**

1	NC-4 THRU NC-9	2	NC-10 THRU NC-52
3	NC-53 AND AFTER	4	NC-10 THRU NC-18
5	NC-19 THRU NC-52	6	NC-4 THRU NC-6
7	NC-7 THRU NC-13	8	NC-14 THRU NC-25
9	NC-26 AND AFTER	10	NC-4 THRU NC-13
11	NC-4 THRU NC-52	12	NC-14 AND AFTER
13	NC-7 THRU NC-25		

**Beechcraft**  
**STARSHIP 1**  
**ILLUSTRATED PARTS CATALOG**

**27-00-40**  
**ROLL AND YAW INTERCONNECT**

Beechcraft  
STARSHIP 1  
ILLUSTRATED PARTS CATALOG



2000-150-17

FIGURE 00-40.ROLL AND YAW INTERCONNECT

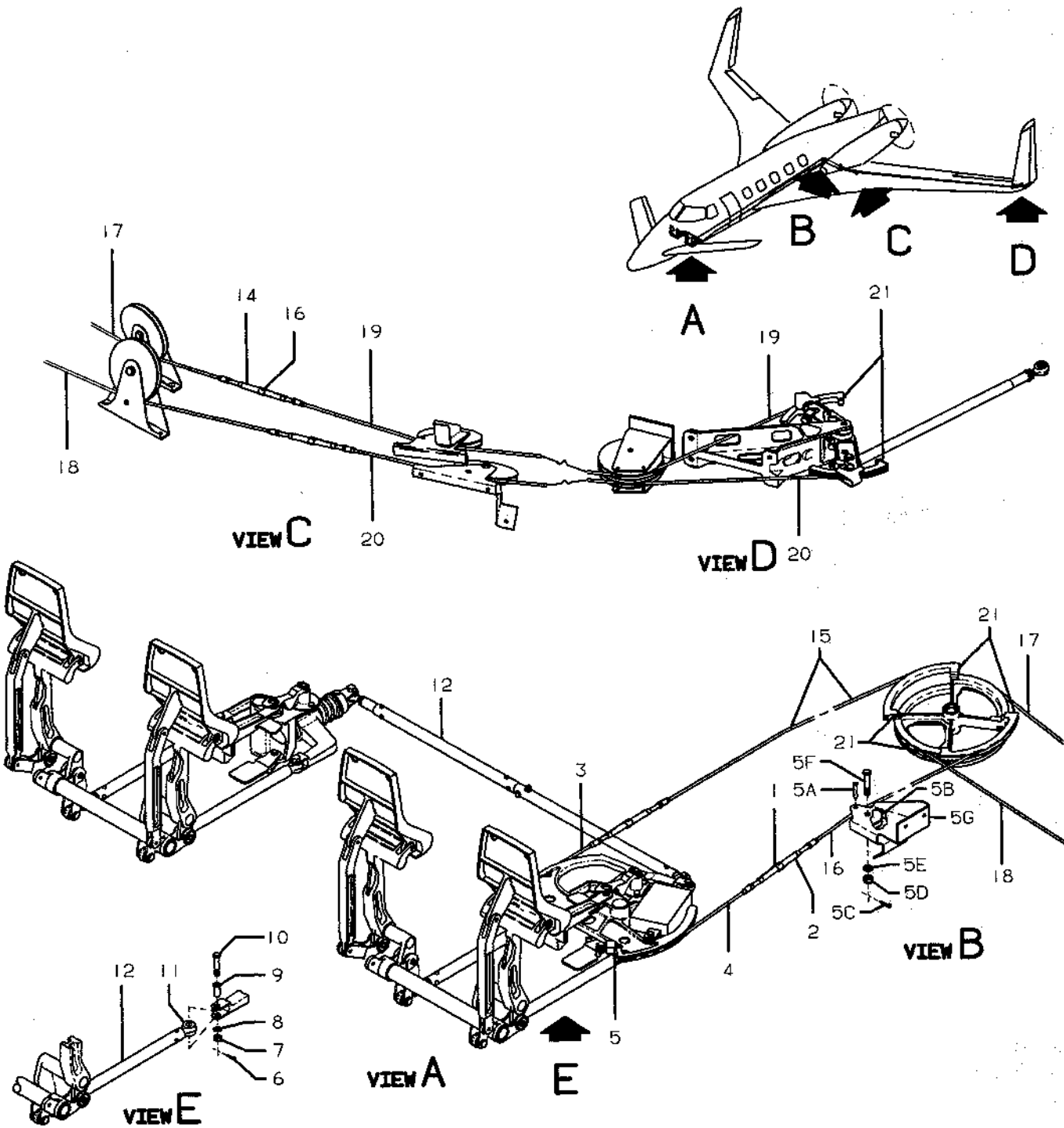
**Beechcraft**  
**STARSHIP 1**  
**ILLUSTRATED PARTS CATALOG**

SUB-SEC UNIT & ITEM NO	PART NO.	DESCRIPTION 1 2 3 4 5 6 7	UNITS PER ASSY	USABLE ON CODE
00-40	122-524121-1	INTERCONNECT INSTL, ROLL & YAW .....	NP	
- 1	100942S1025-150	. SPRING .....	2	
- 2	130909N29	. NUT .....	6	
- 3	AN960-10	. WASHER .....	6	
- 4	MS27039-1-17	. SCREW .....	6	
- 5	122-524121-5	. PLATE .....	3	
- 6	122-524121-3	. BLOCK HALF .....	6	

**Beechcraft**  
**STARSHIP 1**  
**ILLUSTRATED PARTS CATALOG**

**27-20-00**  
**RUDDER CONTROLS**

Beechcraft  
 STARSHIP 1  
 ILLUSTRATED PARTS CATALOG



C95NC27A0447 C

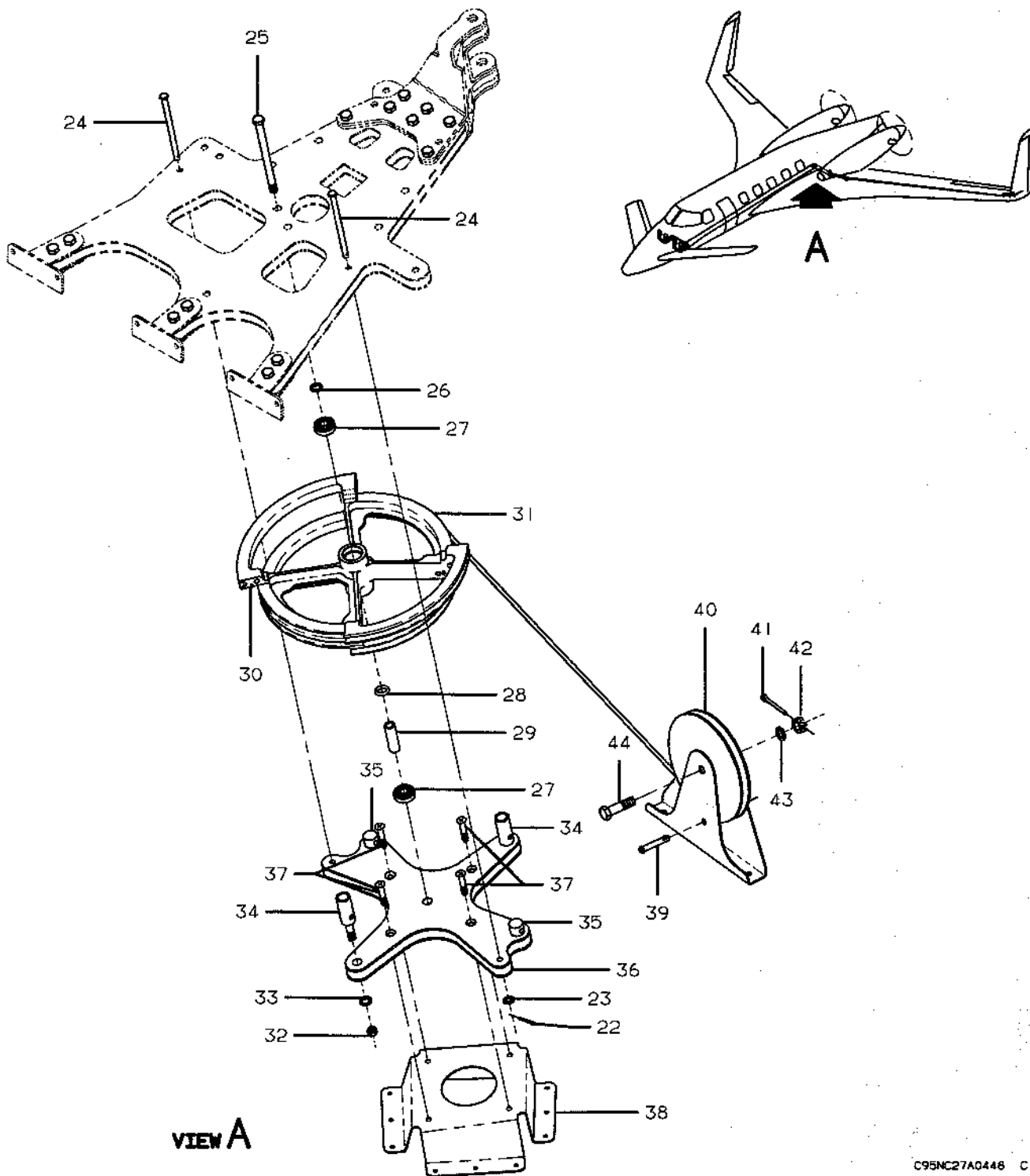
FIGURE 20-00.RUDDER CONTROLS  
 /SHEET 1 OF 6 SHEETS/

**Beechcraft**  
**STARSHIP 1**  
**ILLUSTRATED PARTS CATALOG**

SUB-SEC UNIT & ITEM NO	PART NO.	DESCRIPTION 1 2 3 4 5 6 7	UNITS	USABLE
			PER ASSY	ON CODE
20-00	122-524000-3	FLIGHT CONTROL INSTL, FUSELAGE .....	NP	
- 1	MS21256-2	. CLIP .....	4	
- 2	MS21251B5L	. TURNBUCKLE .....	2	
- 3	R 122-521059-97	. CABLE ASSY, RUDDER LEFT .....	1	
- 4	R 122-521059-93	. CABLE ASSY, RUDDER RIGHT .....	1	
		/ATTACHING PARTS/		
- 5	AN502-10-8	. SCREW .....	1	
		-----★-----		
	R 122-524020-1	. BRACKET INSTL, RUDDER CONTROL CABLE PULLEY .....	NP	
- 5A	R NAS427K12	. PIN, GUARD .....	1	
- 5B	R MS20220-1	. PULLEY, RUDDER RIGHT CONTROL CABLE .....	1	
		/ATTACHING PARTS/		
- 5C	R MS24665-134	. PIN, COTTER .....	1	
- 5D	R MS17826-5	. NUT .....	1	
- 5E	R AN960-516L	. WASHER .....	1	
- 5F	R NAS6205-11D	. BOLT .....	1	
		-----★-----		
- 5G	R 122-524020-5	. BRACKET, RUDDER RIGHT CONTROL CABLE .....	1	
		PULLEY		
	122-524053-1	. RUDDER PEDAL INSTL, LH/SEE CHAPTER 27-20-10/ .....	1	
	122-524053-2	. RUDDER PEDAL INSTL, RH/SEE CHAPTER 27-20-10/ .....	1	
	R 122-526037-55	. ROD ASSY, CONTROL PUSH .....	4	
		/ATTACHING PARTS/		
- 6	MS24665-134	. PIN, COTTER .....	1	
- 7	MS17826-4	. NUT .....	1	
- 8	AN960-416	. WASHER .....	1	
- 9	NAS77-4-15	. BUSHING .....	1	
- 10	R NAS6204-15D	. BOLT .....	1	
		-----★-----		
- 11	R RE4S10	. ROD END .....	2	
- 12	R 122-526037-57	. TUBE .....	1	
	122-524025-1	. CONTROL INSTL, RUDDER/SEE CHAPTER 27-20-20/ .....	NP	
	122-524123-1	. FAIRLEAD INSTL .....	NP	1
	122-524123-3	. BRACKET/SEE NOTE/ .....	1	1
	122-524123-5	. SUPPORT/SEE NOTE/ .....	1	1
	115005-3	. GROMMET/SEE NOTE/ .....	1	1
		-----★-----		
		<b>NOTE ON AIRCRAFT, NC-4 THRU NC-47, THAT HAVE INSTALLED KIT 122-5026-1 ORDER PARTS EFFECTIVITY CODE 1.</b>		
	122-521000-11	FLIGHT CONTROL INSTL, WING .....	NP	
	122-521000-13	FLIGHT CONTROL INSTL, WING .....	NP	
- 13	R MS21256-2	. CLIP .....	4	
- 14	R MS21251B5L	. TURNBUCKLE .....	4	
- 15	R 122-521059-101	. CABLE ASSY, FUSELAGE RUDDER LEFT .....	1	
- 16	R 122-521059-105	. CABLE ASSY, FUSELAGE RUDDER RIGHT .....	1	
- 17	R 122-521059-17	. CABLE ASSY, LH WING RUDDER LEFT .....	1	
	122-521059-49	. CABLE ASSY, RH WING RUDDER RIGHT .....	1	
- 18	R 122-521059-25	. CABLE ASSY, LH WING RUDDER RIGHT .....	1	
	122-521059-57	. CABLE ASSY, RH WING RUDDER LEFT .....	1	
- 19	R 122-521059-121	. CABLE ASSY, LH WING RUDDER LEFT .....	1	
	R 122-521059-129	. CABLE ASSY, RH WING RUDDER RIGHT .....	1	
- 20	R 122-521059-125	. CABLE ASSY, LH WING RUDDER RIGHT .....	1	
	R 122-521059-133	. CABLE ASSY, RH WING RUDDER LEFT .....	1	
		/ATTACHING PARTS/		
- 21	R AN502-10-8	. SCREW .....	1	
		-----★-----		
	122-521079-89	. PLATFORM INSTL, PULLEY BANK/SEE CHAPTER .....	NP	
		27-00-10/		



Beechcraft  
STARSHIP 1  
ILLUSTRATED PARTS CATALOG

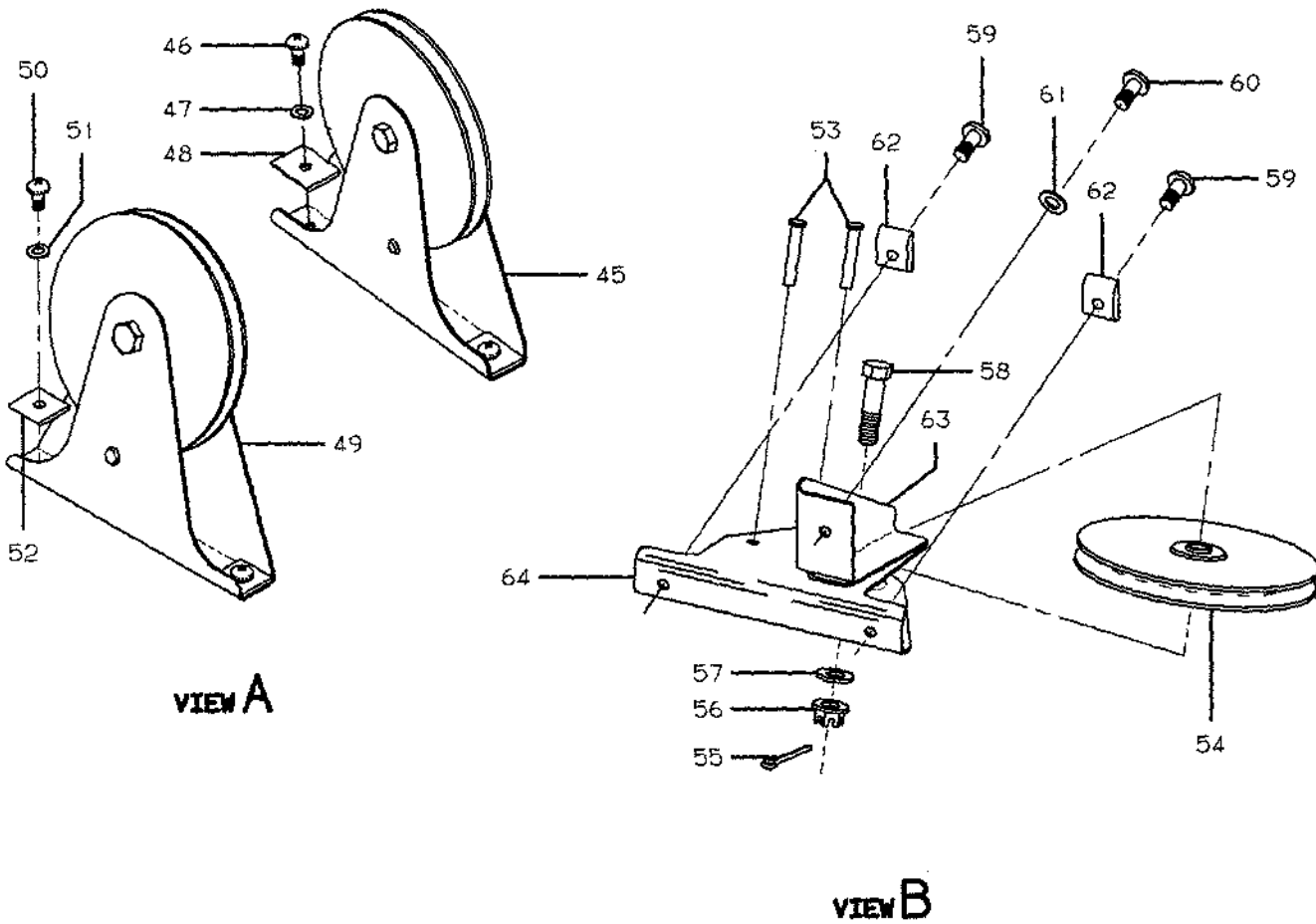
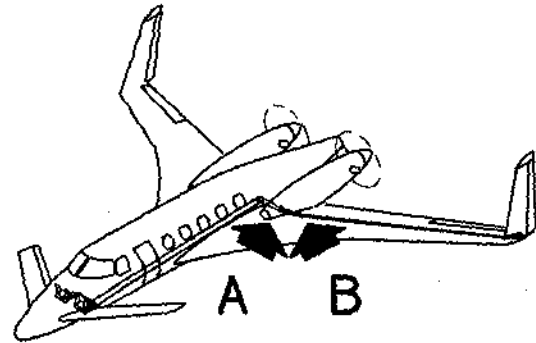


C95NC27A0448 C

**Beechcraft**  
**STARSHIP 1**  
**ILLUSTRATED PARTS CATALOG**

SUB-SEC UNIT & ITEM NO	PART NO.	DESCRIPTION 1 2 3 4 5 6 7	UNITS	USABLE
			PER ASSY	ON CODE
20-00	122-521085-1	. QUADRANT INSTL, RUDDER .....	NP	
-22	R MS24665-132	.. PIN, COTTER .....	2	
-23	R AN960-10L	.. WASHER .....	2	
-24	R MS20392-2C95 122-521112-1	.. PIN .....	2	
		.. QUADRANT ASSY .....	1	
		/ATTACHING PARTS/		
-25	R NAS6204-48H	.. BOLT .....	1	
-26	R AN960-416L	.. WASHER .....	1	
		---★---		
-27	R MKP4A-FS464	.. BEARING .....	2	
-28	R MS28775-203	.. PACKING, PREFORMED .....	1	
-29	R NAS43DD4-78	.. SPACER .....	1	
-30	R MS9048-006 130077-5L01	.. PIN, SPRING .....	8	
		.. INSERT .....	8	
-31	R 122-521112-3	.. QUADRANT .....	1	
-32	R 130909N32	.. NUT .....	4	2
	130909N32	.. NUT .....	2	3
	AN4H10	.. BOLT .....	2	3
-33	R AN960-416L	.. WASHER .....	4	2
	AN960-416L	.. WASHER .....	2	3
	AN960-416	.. WASHER .....	2	3
-34	R 122-521098-1	.. STUD, CABLE GUARD .....	2	2
	122-521098-5	.. STUD, CABLE GUARD .....	2	3
-35	R 122-521098-3	.. STUD, CABLE GUARD .....	2	
-36	R 122-521097-5	.. MOUNT ASSY, CABLE GUARD .....	1	
		/ATTACHING PARTS/		
-37	R MS27039-1-16	.. SCREW .....	4	
		---★---		
	MS21047L4	.. NUTPLATE .....	1	
	SLP102F10-3	.. PLUG .....	4	
	SLP102F25-3	.. PLUG .....	5	
	SLS102D25-06	.. SLEEVE .....	1	
	SLS102F10-08	.. SLEEVE .....	4	
	SLS102F25-06	.. SLEEVE .....	4	
	122-521075-1	.. SUPPORT INSTL, RUDDER QUADRANT .....	NP	
-38	R 122-521075-3	.. SUPPORT ASSY .....	1	
	MS21060L3	.. NUTPLATE .....	4	
	122-521068-19	.. BRACKET INSTL, LH WING RUDDER PULLEY .....	NP	
	122-521068-1	.. BRACKET INSTL, RH WING RUDDER PULLEY .....	NP	
-39	R NAS427K14	.. PIN, LH WING CABLE GUARD .....	2	
	NAS427K12	.. PIN, RH WING CABLE GUARD .....	1	
	NAS427K15	.. PIN, RH WING CABLE GUARD .....	1	
-40	R MS20220-3	.. PULLEY .....	4	
		/ATTACHING PARTS/		
-41	R MS24665-134	.. PIN, COTTER .....	1	
-42	R MS17825-5	.. NUT/LH WING/ .....	1	
	R MS17825-5	.. NUT/RH WING/ .....	1	
-43	R AN960PD516L	.. WASHER/LH WING/ .....	1	
	AN960-516L	.. WASHER/RH WING/ .....	1	
-44	R NAS6205-12D	.. BOLT .....	1	
		---★---		

Beechcraft  
STARSHIP 1  
ILLUSTRATED PARTS CATALOG

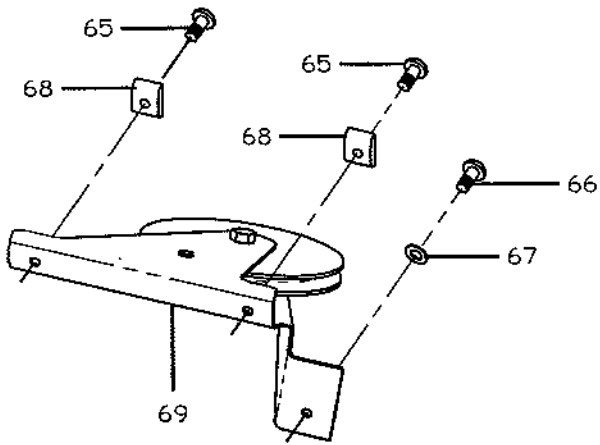
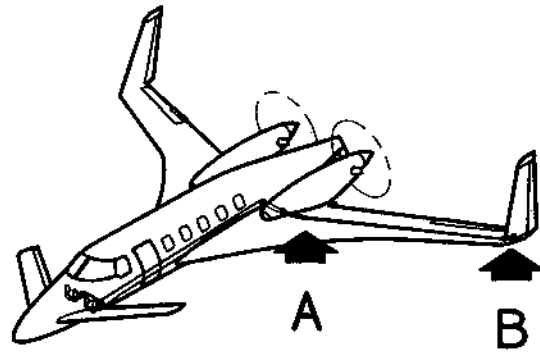


C95NC27A0449 C

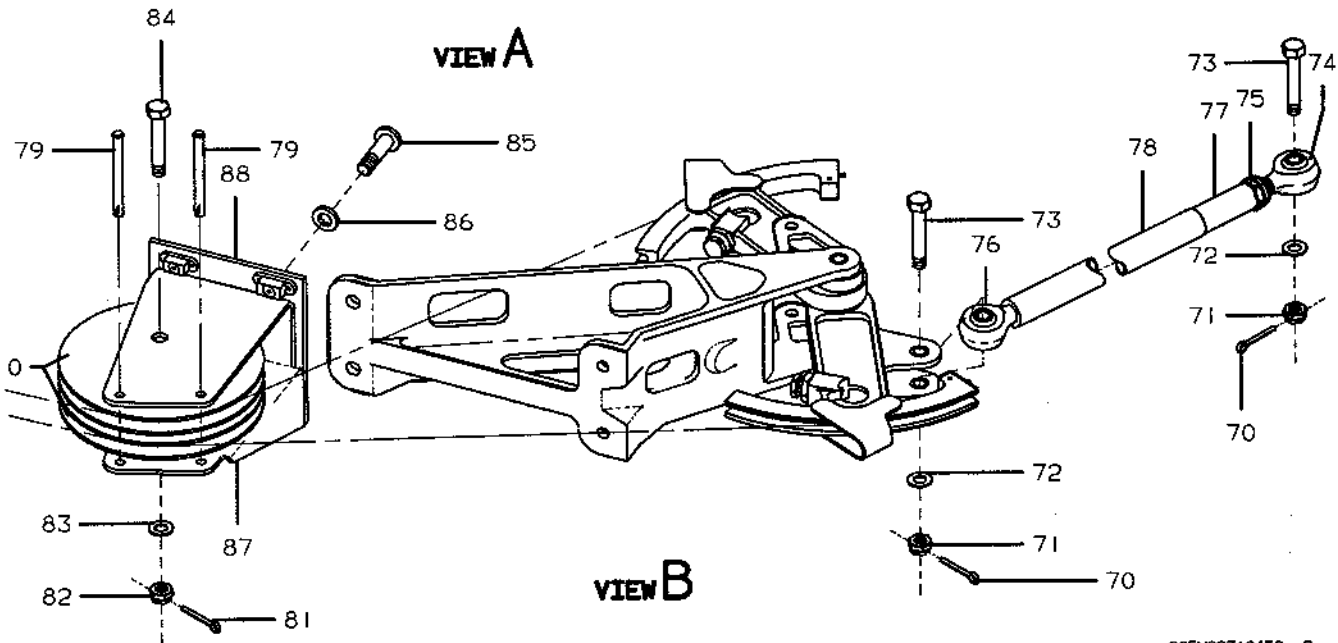
**Beechcraft**  
**STARSHIP 1**  
**ILLUSTRATED PARTS CATALOG**

SUB-SEC UNIT & ITEM NO	PART NO.	DESCRIPTION 1 2 3 4 5 6 7	UNITS	USABLE
			PER ASSY	ON CODE
20-00 -45	R 122-521066-17	.. BRACKET, LH WING PULLEY.....	1	
	122-521068-41	.. BRACKET ASSY, RH WING PULLEY.....	1	
		/ATTACHING PARTS/		
-46	R MS27039-1-07	.. SCREW/LH PULLEY BRACKET/.....	3	
	MS27039-1-09	.. SCREW/RH PULLEY BRACKET/.....	2	
	MS27039C1-08	.. SCREW/RH PULLEY BRACKET/.....	1	
-47	R AN960PD10L	.. WASHER/LH PULLEY BRACKET/.....	3	
	AN960C10	.. WASHER/RH PULLEY BRACKET/.....	1	
		-----★-----		
	122-521068-43	... SUPPORT, RH WING PULLEY BRACKET.....	1	
	122-521068-5	... BRACKET, RH WING PULLEY.....	1	
-48	R 122-521066-15	.. BLOCK, LH WING PULLEY BRACKET FILLER.....	3	
	122-521068-11	.. BLOCK, RH WING PULLEY BRACKET FILLER.....	2	
-49	R 122-521066-3	.. BRACKET, LH WING PULLEY.....	1	
	122-521068-37	.. BRACKET ASSY, RH WING PULLEY.....	1	
		/ATTACHING PARTS/		
-50	R MS27039-1-07	.. SCREW/3 LH, 4 RH/.....	3	
-51	R AN960PD10L	.. WASHER/LH PULLEY BRACKET/.....	3	
	AN960-10L	.. WASHER/RH PULLEY BRACKET/.....	4	
		-----★-----		
	122-521068-33	... BRACKET, RH WING INNER.....	1	
	122-521068-35	... BRACKET, RH WING OUTER.....	1	
-52	R 122-521066-15	.. BLOCK, LH WING PULLEY BRACKET FILLER.....	3	
	122-521071-37	.. BRACKET INSTL, LH WING PULLEY.....	NP	
	122-521072-43	.. BRACKET INSTL, RH WING PULLEY.....	NP	
-53	R NAS427K14	.. PIN, CABLE GUARD/3 LH, 2 RH/.....	3	
	NAS427K16	.. PIN, CABLE GUARD/RH/.....	1	
-54	R MS20220-3	.. PULLEY.....	2	
		/ATTACHING PARTS/		
-55	R MS24665-134	.. PIN, COTTER.....	1	
-56	R MS17825-5	.. NUT.....	1	
-57	R AN960-516	.. WASHER.....	1	
-58	R NAS6205-12D	.. BOLT.....	1	
		-----★-----		
	122-521071-11	.. BRACKET ASSY, LH WING PULLEY.....	1	
	122-521072-31	.. BRACKET ASSY, RH WING PULLEY.....	1	
		/ATTACHING PARTS/		
-59	R MS27039-1-09	.. SCREW.....	2	
-60	R MS27039-1-05	.. SCREW.....	1	
-61	R AN960-10L	.. WASHER.....	1	
		-----★-----		
-62	R 122-521071-19	... FILLER, LH BRACKET RADIUS.....	2	
	122-521072-37	... FILLER, RH BRACKET RADIUS.....	2	
-63	R 122-521071-35	... SUPPORT, LH PULLEY BRACKET.....	1	
	122-521072-35	... SUPPORT, RH PULLEY BRACKET.....	1	
-64	R 122-521071-29	... BRACKET, LH PULLEY.....	1	
	122-521072-33	... BRACKET, RH PULLEY.....	1	

Beechcraft  
 STARSHIP 1  
 ILLUSTRATED PARTS CATALOG



VIEW A



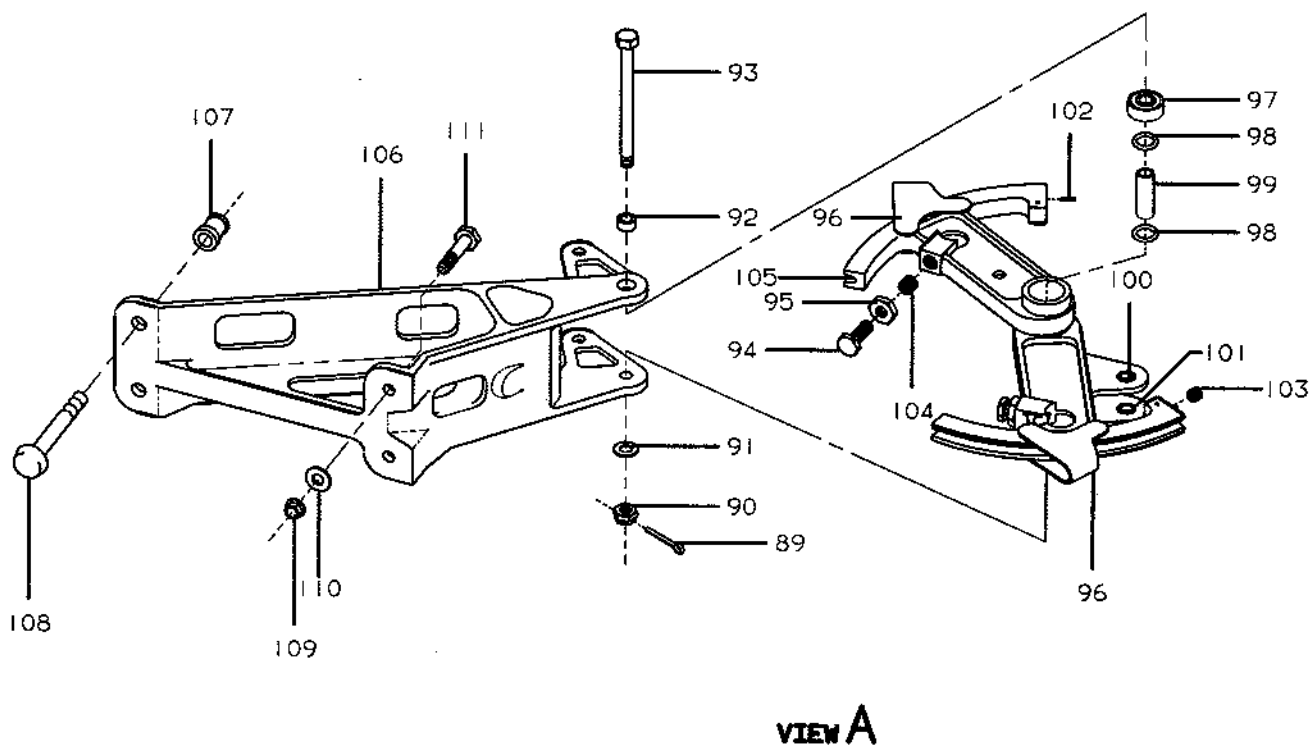
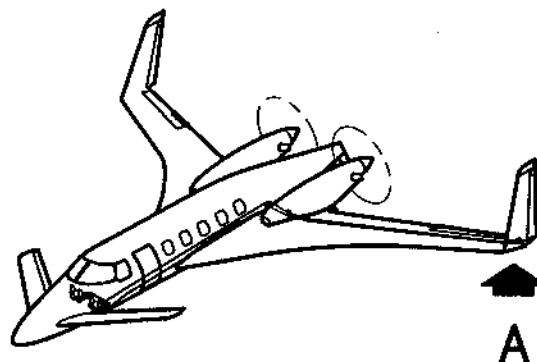
VIEW B

C95NC27A0450 C

**Beechcraft**  
**STARSHIP 1**  
**ILLUSTRATED PARTS CATALOG**

SUB-SEC	UNIT & ITEM NO	PART NO.	DESCRIPTION 1 2 3 4 5 6 7	UNITS PER ASSY	USABLE ON CODE
20-00		122-521071-9	.. BRACKET ASSY, LH WING PULLEY .....	1	
		122-521072-7	.. BRACKET ASSY, RH WING PULLEY .....	1	
			/ATTACHING PARTS/		
	- 65	R MS27039-1-09	.. SCREW .....	2	
	- 66	R MS27039-1-05	.. SCREW .....	1	
	- 67	R AN960-10L	.. WASHER .....	1	
			-----★-----		
	- 68	R 122-521071-19	... FILLER, BRACKET RADIUS .....	4	
	- 69	R 122-521071-27	... BRACKET, LH PULLEY .....	1	
		122-521072-21	... BRACKET, RH PULLEY .....	1	
		122-521086-3	.. SECTOR INSTL, LH WING RUDDER .....	NP	
		122-521086-4	.. SECTOR INSTL, RH WING RUDDER .....	NP	
	R	122-521084-15	.. PUSH ROD ASSY .....	1	
			/ATTACHING PARTS/		
	- 70	R MS24665-153	.. PIN, COTTER .....	2	
	- 71	R MS17826-4	.. NUT .....	2	
	- 72	R AN960D416	.. WASHER .....	2	
	- 73	R NAS6204-18D	.. BOLT .....	2	
			-----★-----		
	- 74	R RE4M6	... ROD END .....	1	
	- 75	R AN316-6R	... NUT, JAM .....	1	
	- 76	R 122-521064-19	... ROD END .....	1	
	- 77	R 122-521064-5	... INSERT .....	1	
	- 78	R 122-521064-17	... TUBE .....	1	
		122-521137-1	.. BRACKET INSTL, LH RUDDER PULLEY .....	NP	
		122-521137-2	.. BRACKET INSTL, RH RUDDER PULLEY .....	NP	
	- 79	R NAS427K22	... PIN, CABLE GUARD .....	2	
	- 80	R MS20220-2	... PULLEY .....	2	
			/ATTACHING PARTS/		
	- 81	R MS24665-132	... PIN, COTTER .....	1	
	- 82	R MS17826-5	... NUT .....	1	
	- 83	R AN960-516	... WASHER .....	1	
	- 84	R NAS6205-22D	... BOLT .....	1	
			-----★-----		
		122-521137-3	... BRACKET ASSY, LH RUDDER PULLEY .....	1	
		122-521137-4	... BRACKET ASSY, RH RUDDER PULLEY .....	1	
			/ATTACHING PARTS/		
	- 85	R MS27039-1-18	... SCREW .....	4	
	- 86	R 105090CR050-3G	... WASHER .....	4	
			-----★-----		
	- 87	R 122-521137-5	... BRACKET, LH RUDDER PULLEY .....	1	
		122-521137-6	... BRACKET, RH RUDDER PULLEY .....	1	
	R	MS21047-3	... NUTPLATE .....	4	
	- 88	R 122-521137-7	... PLATE, LH .....	1	
	R	122-521137-8	... PLATE, RH .....	1	

Beechcraft  
 STARSHIP 1  
 ILLUSTRATED PARTS CATALOG



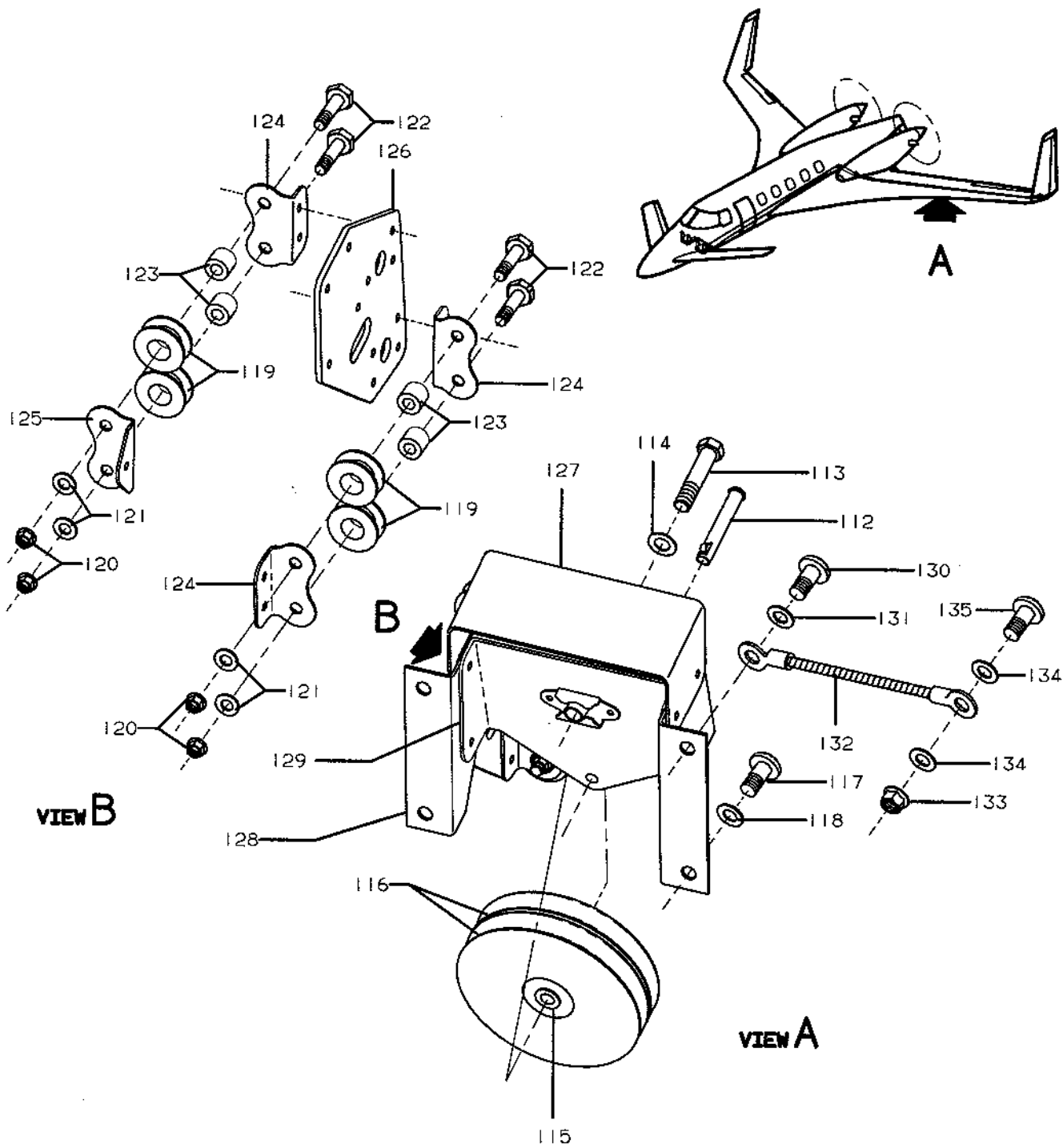
C95NC27A0451 C

**Beechcraft**  
**STARSHIP 1**  
**ILLUSTRATED PARTS CATALOG**

SUB-SEC UNIT & ITEM NO	PART NO.	DESCRIPTION 1 2 3 4 5 6 7	UNITS	USABLE
			PER ASSY	ON CODE
20-00	R 122-521136-7	.. SECTOR ASSY, LH .....	1	
	R 122-521136-8	.. SECTOR ASSY, RH .....	1	
		/ATTACHING PARTS/		
-89	R MS24665-153	.. PIN, COTTER .....	1	
-90	R MS17826-4	.. NUT .....	1	
-91	R AN960-416L	.. WASHER .....	1	
-92	R NAS75-4-8	.. BUSHING .....	1	
-93	R NAS6204-40D	.. BOLT .....	1	
		-----★-----		
-94	R NAS428-4-12	... BOLT, STOP .....	2	
-95	R AN316-4R	... NUT, STOP BOLT JAM .....	2	
-96	R 122-521022-5	... GUARD .....	2	
-97	R MKP4A-FS464	... BEARING .....	2	
-98	R MS28775-203	... PACKING, PREFORMED .....	2	
-99	R NAS43DD4-98	... SPACER .....	1	
-100	R NAS77-4-22	... BUSHING .....	1	
-101	R NAS75-4-22	... BUSHING .....	1	
	R 122-521136-9	... SECTOR ASSY, LH .....	1	
	R 122-521136-10	... SECTOR ASSY, RH .....	1	
-102	R MS9048-008	... PIN, SPRING .....	2	
-103	R 130077-5L01	... INSERT .....	2	
-104	R 130077-7L02	... INSERT .....	2	
-105	R 122-521136-11	... SECTOR, LH .....	1	
	R 122-521136-12	... SECTOR, RH .....	1	
-106	R 122-521109-1	.. BRACKET, LH .....	1	
	122-521109-2	.. BRACKET, RH .....	1	
		/ATTACHING PARTS/		
-107	R HL70K10	.. COLLAR .....	2	
-108	R HL10VR10-14	.. PIN .....	2	
-109	R MS21043-4	.. NUT .....	2	
-110	R 105090CR050-4E	.. WASHER .....	2	
-111	R NAS6404-16	.. BOLT .....	2	
		-----★-----		



**Beechcraft**  
**STARSHIP 1**  
**ILLUSTRATED PARTS CATALOG**



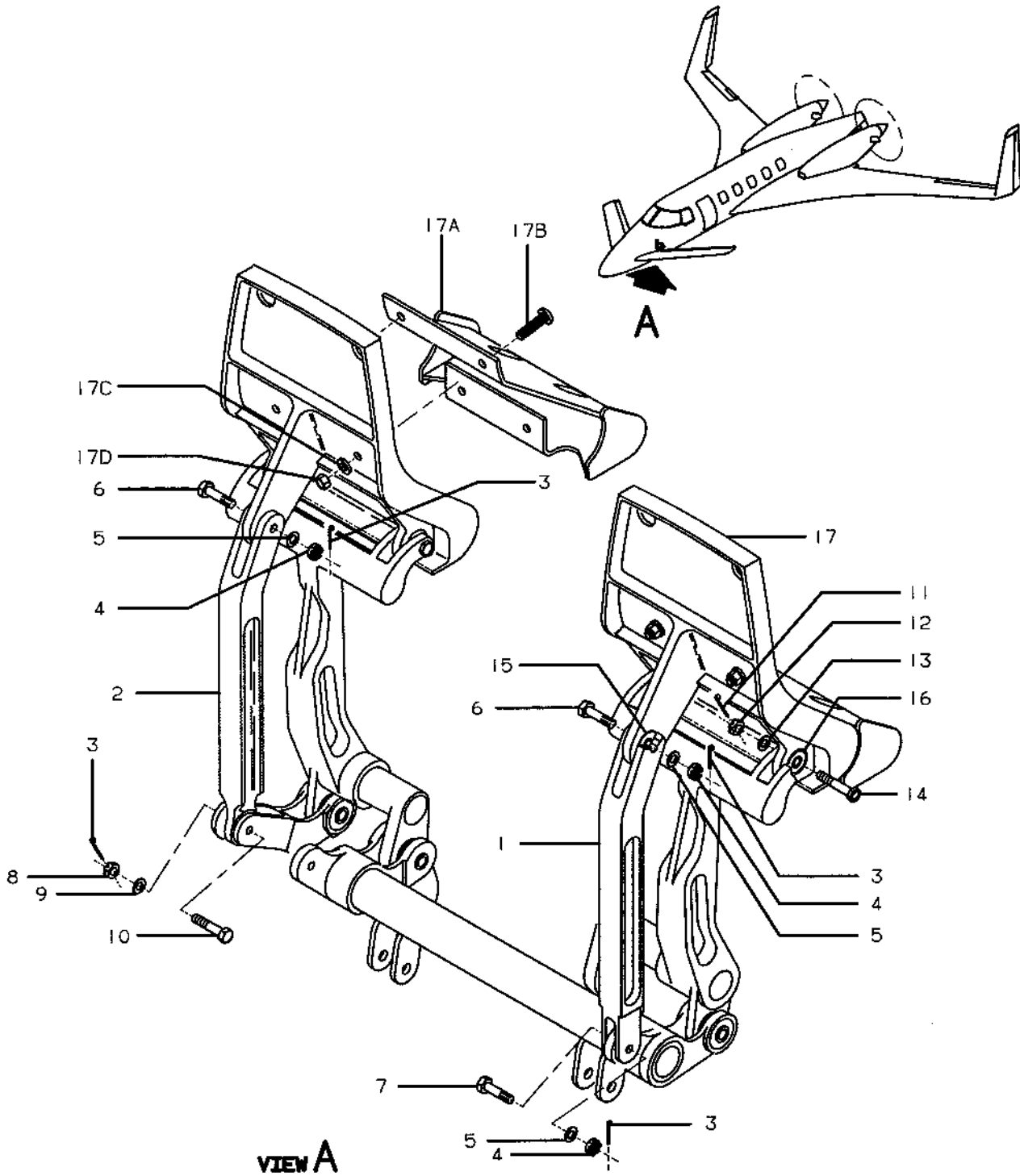
C95NC27A0452 C



**Beechcraft**  
**STARSHIP 1**  
**ILLUSTRATED PARTS CATALOG**

**27-20-10**  
**RUDDER PEDALS**

Beechcraft  
STARSHIP 1  
ILLUSTRATED PARTS CATALOG



C95NC27A0453 C

**Beechcraft**  
**STARSHIP 1**  
**ILLUSTRATED PARTS CATALOG**

SUB-SEC UNIT & ITEM NO	PART NO.	DESCRIPTION 1 2 3 4 5 6 7	UNITS	USABLE
			PER ASSY	ON CODE
20-10	122-524053-1	PEDAL INSTL, PILOT'S RUDDER.....	NP	
	122-524053-2	PEDAL INSTL, COPILOT'S RUDDER .....	NP	
- 1	122-524113-1	. PUSHROD, OUTBD BRAKE .....	1	
- 2	R 122-524113-3	. PUSHROD ASSY, INBD BRAKE..... /ATTACHING PARTS/	1	
- 3	R MS24665-132	. PIN, COTTER .....	4	
- 4	R MS17825-3	. NUT .....	3	
- 5	R AN960D10	. WASHER .....	3	
- 6	R NAS6203-11D	. BOLT .....	2	
- 7	R NAS6203-8D	. BOLT .....	1	
- 8	R 130909N45	. NUT .....	1	
- 9	R AN960KD10	. WASHER .....	1	
-10	R NAS6203-15D	. BOLT .....	1	
		*-----*		
	MKSP3L	.. BEARING.....	1	
	122-524058-15	.. PEDAL ASSY, RUDDER .....	2	1
	R 122-524058-21	.. PEDAL ASSY, RUDDER .....	2	2
		/ATTACHING PARTS/		
-11	MS24665-132	. PIN, COTTER .....	2	
-12	MS17826-4	. NUT .....	2	
-13	AN960-416	. WASHER .....	2	
-14	NAS6204-12D	. BOLT .....	2	
		*-----*		
	R 122-524058-7	.. PEDAL ASSY, RUDDER .....	1	1
	R 122-524058-17	.. PEDAL, RUDDER.....	1	2
-15	R MKP3A	... BEARING.....	1	
-16	R MKP4A	... BEARING.....	2	
-17	122-524058-5	... PEDAL, RUDDER.....	1	1
-17A	122-524058-9	.. WELD ASSY .....	1	1
	R 122-524058-19	.. WELD ASSY .....	1	2
		/ATTACHING PARTS/		
-17B	MS27039-1-10	.. SCREW.....	2	1
	MS27039-1-12	.. SCREW.....	2	1
	R 122-524058-23	.. SCREW.....	4	2
-17C	R AN960-10L	.. WASHER.....	4	
-17D	R MS21043-3	.. NUT .....	4	
		*-----*		

Beechcraft  
 STARSHIP 1  
 ILLUSTRATED PARTS CATALOG

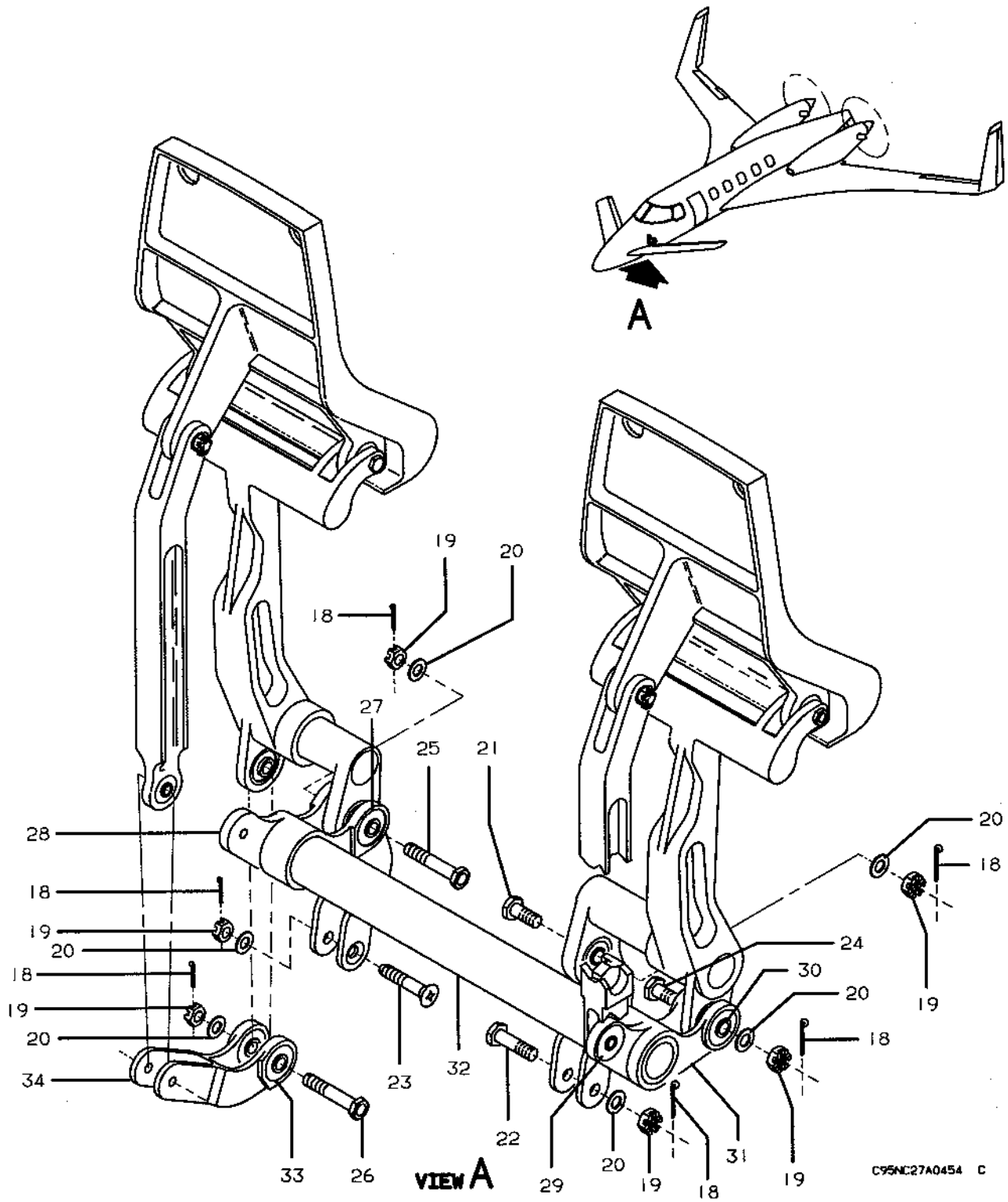


FIGURE 20-10. RUDDER PEDALS  
 /SHEET 2 OF 3 SHEETS/

**Beechcraft**  
**STARSHIP 1**  
**ILLUSTRATED PARTS CATALOG**

SUB-SEC UNIT & ITEM NO	PART NO.	DESCRIPTION 1 2 3 4 5 6 7	UNITS	USABLE
			PER ASSY	ON CODE
20-10 -18	MS24665-132	. PIN, COTTER .....	6	
-19	130909N48	. NUT .....	6	
-20	AN960D418	. WASHER .....	6	
-21	NAS6204-11D	. BOLT .....	1	
-22	NAS6204-13D	. BOLT .....	1	
-23 R	NAS1204-16D	. BOLT .....	1	
-24	NAS6204-16D	. BOLT .....	1	
-25	NAS6204-20D	. BOLT .....	1	
-26	NAS6204-17D	. BOLT .....	1	
	122-524056-5	. TORQUE TUBE ASSY, PILOT'S BRAKE .....	1	
	122-524056-6	. TORQUE TUBE ASSY, COPILOT'S BRAKE .....	1	
	122-524093-1	. . ARM ASSY, PILOT'S INBD .....	1	
	122-524093-2	. . ARM ASSY, COPILOT'S INBD .....	1	
-27	MKP4A-FS464	. . . BEARING .....	2	
-28	122-524093-3	. . . ARM, PILOT'S INBD .....	1	
	122-524093-4	. . . ARM, COPILOT'S INBD .....	1	
	122-524094-1	. . ARM ASSY, PILOT'S OUTBD .....	1	
	122-524094-2	. . ARM ASSY, COPILOT'S OUTBD .....	1	
-29	MKP3A-FS464	. . . BEARING .....	1	
-30	MKP4A-FS464	. . . BEARING .....	2	
-31	122-524094-3	. . . ARM, PILOT'S OUTBD .....	1	
	122-524094-4	. . . ARM, COPILOT'S OUTBD .....	1	
-32	122-524056-3	. . TUBE, TORQUE .....	1	
	122-524095-1	. ARM ASSY, PILOT'S BRAKE IDLER .....	1	
	122-524095-2	. ARM ASSY, COPILOT'S BRAKE IDLER .....	1	
-33	MKP4A-FS464	. . BEARING .....	2	
-34	122-524095-3	. . ARM, PILOT'S BRAKE IDLER .....	1	
	122-524095-4	. . ARM, COPILOT'S BRAKE IDLER .....	1	

Beechcraft  
STARSHIP 1  
ILLUSTRATED PARTS CATALOG

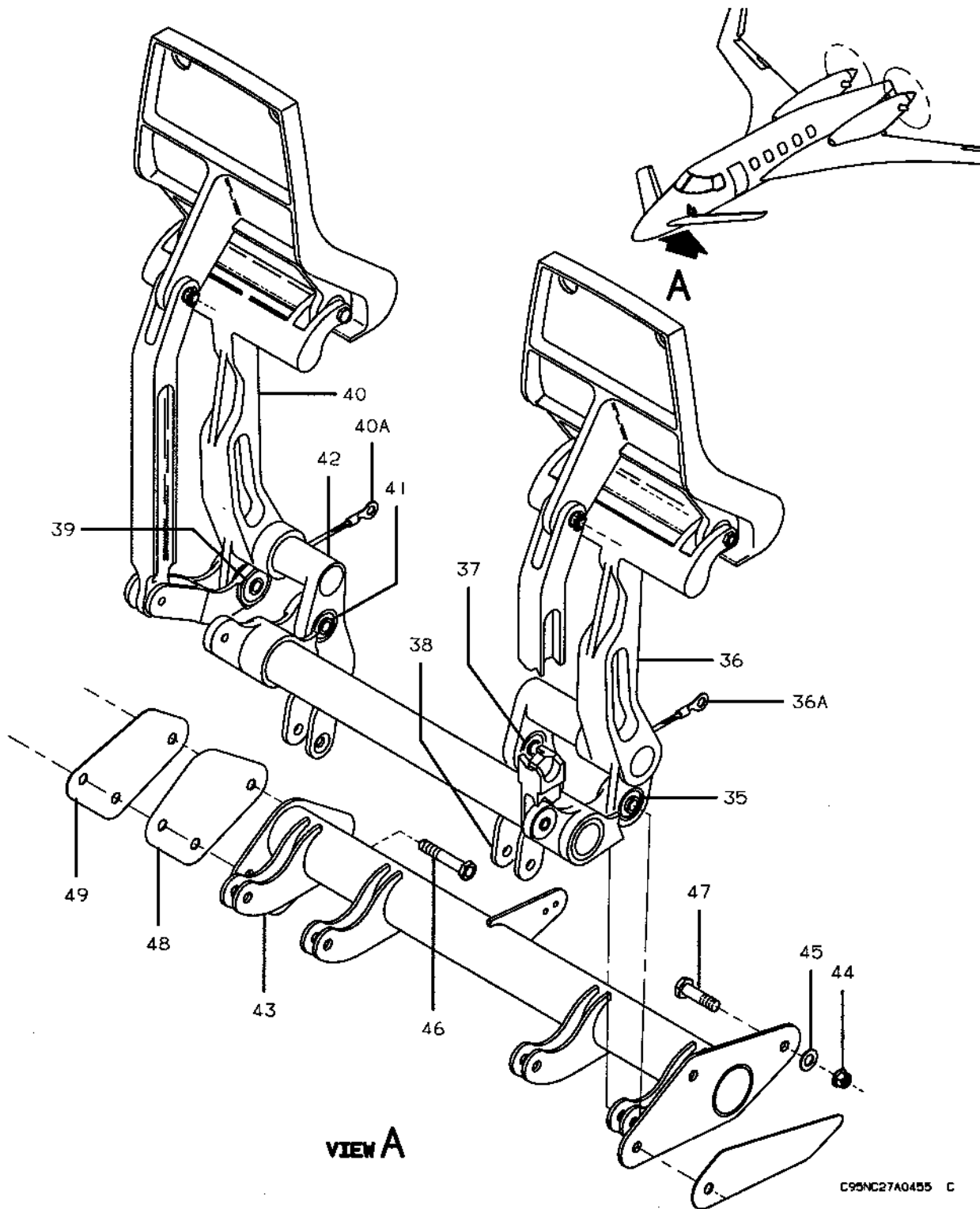


FIGURE 20-10. RUDDER PEDALS  
/SHEET 3 OF 3 SHEETS/



**Beechcraft**  
**STARSHIP 1**  
**ILLUSTRATED PARTS CATALOG**

SUB-SEC UNIT & ITEM NO	PART NO.	DESCRIPTION 1 2 3 4 5 6 7	UNITS	USABLE
			PER ASSY	ON CODE
20-10	R 122-524110-1	. ARM ASSY, PILOT'S OUTBD PEDAL .....	1	
	R 122-524110-2	. ARM ASSY, COPILOT'S OUTBD PEDAL .....	1	
	R 122-524111-1	. . ARM ASSY, PILOT'S OUTBD PEDAL UPPER .....	1	
	R 122-524111-2	. . ARM ASSY, COPILOT'S OUTBD PEDAL UPPER .....	1	
-35	MKSP4A-FS464	. . . BEARING .....	1	
-36	122-524111-3	. . . ARM, PILOT'S OUTBD PEDAL UPPER .....	1	
	122-524111-4	. . . ARM, COPILOT'S OUTBD PEDAL UPPER .....	1	
-36A	R MS25083-2BC7	. . JUMPER, BONDING .....	1	
	122-524112-1	. . CRANK ASSY, PILOT'S OUTBD PEDAL .....	1	
	122-524112-2	. . CRANK ASSY, COPILOT'S OUTBD PEDAL .....	1	
-37	MKSP4FS464	. . . BEARING .....	1	
-38	122-524112-3	. . . CRANK, PILOT'S OUTBD PEDAL .....	1	
	122-524112-4	. . . CRANK, COPILOT'S OUTBD PEDAL .....	1	
	R 122-524110-3	. ARM ASSY, PILOT'S INBD PEDAL .....	1	
	R 122-524110-4	. ARM ASSY, COPILOT'S INBD PEDAL .....	1	
	R 122-524111-2	. . ARM ASSY, PILOT'S INBD PEDAL UPPER .....	1	
	R 122-524111-1	. . ARM ASSY, COPILOT'S INBD PEDAL UPPER .....	1	
-39	MKSP4A-FS464	. . . BEARING .....	1	
-40	122-524111-4	. . . ARM, PILOT'S INBD PEDAL UPPER .....	3	
	122-524111-3	. . . ARM, COPILOT'S INBD PEDAL UPPER .....	3	
-40A	R MS25083-2BC7	. . JUMPER, BONDING .....	1	
	122-524112-5	. . CRANK ASSY, PILOT'S INBD PEDAL .....	1	
	122-524112-6	. . CRANK ASSY, COPILOT'S INBD PEDAL .....	1	
-41	MKSP4FS464	. . . BEARING .....	1	
-42	122-524112-7	. . . CRANK, PILOT'S INBD PEDAL .....	1	
	122-524112-8	. . . CRANK, COPILOT'S INBD PEDAL .....	1	
-43	122-524028-1	. TUBE ASSY, PILOT'S INBD PEDAL .....	1	
	122-524028-2	. TUBE ASSY, COPILOT'S INBD PEDAL .....	1	
		/ATTACHING PARTS/		
-44	130909N30	. NUT .....	6	
-45	AN960D416	. WASHER .....	6	
-46	130909B182	. BOLT .....	3	
-47	NAS6204-4	. BOLT .....	3	
		---★---		
-48	122-524053-7	. SHIM .....	1	
-49	122-524053-3	. SHIM .....	AR	
-50	122-524053-5	. SHIM .....	AR	

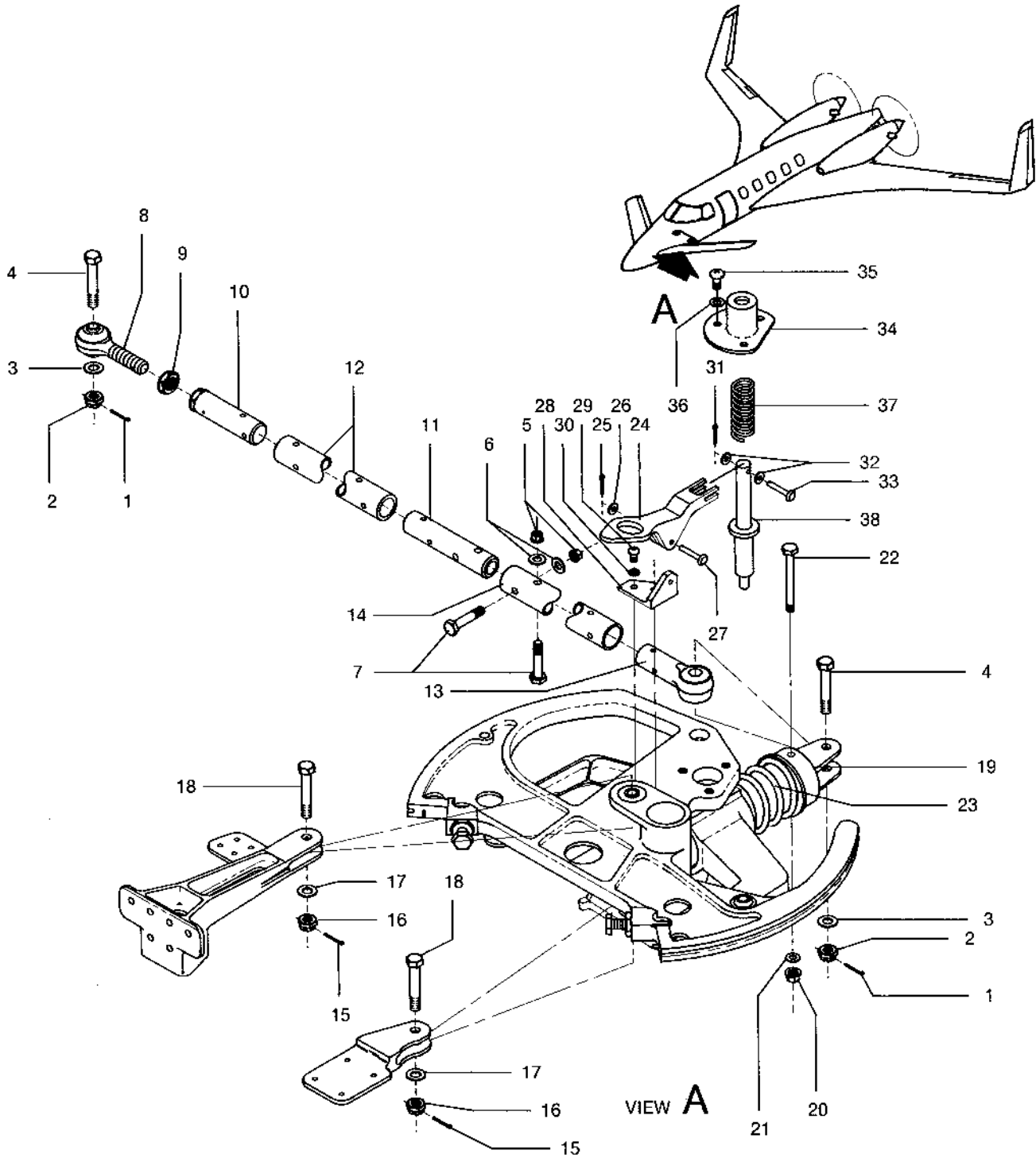
**CODES OF EFFECTIVITY**

1 NC-4 THRU NC-28                      2 NC-29 AND AFTER

**Beechcraft**  
**STARSHIP 1**  
**ILLUSTRATED PARTS CATALOG**

**27-20-20**  
**RUDDER FORWARD CONTROL BELL CRANKS AND LINKAGE**

**Beechcraft**  
**STARSHIP 1**  
**ILLUSTRATED PARTS CATALOG**



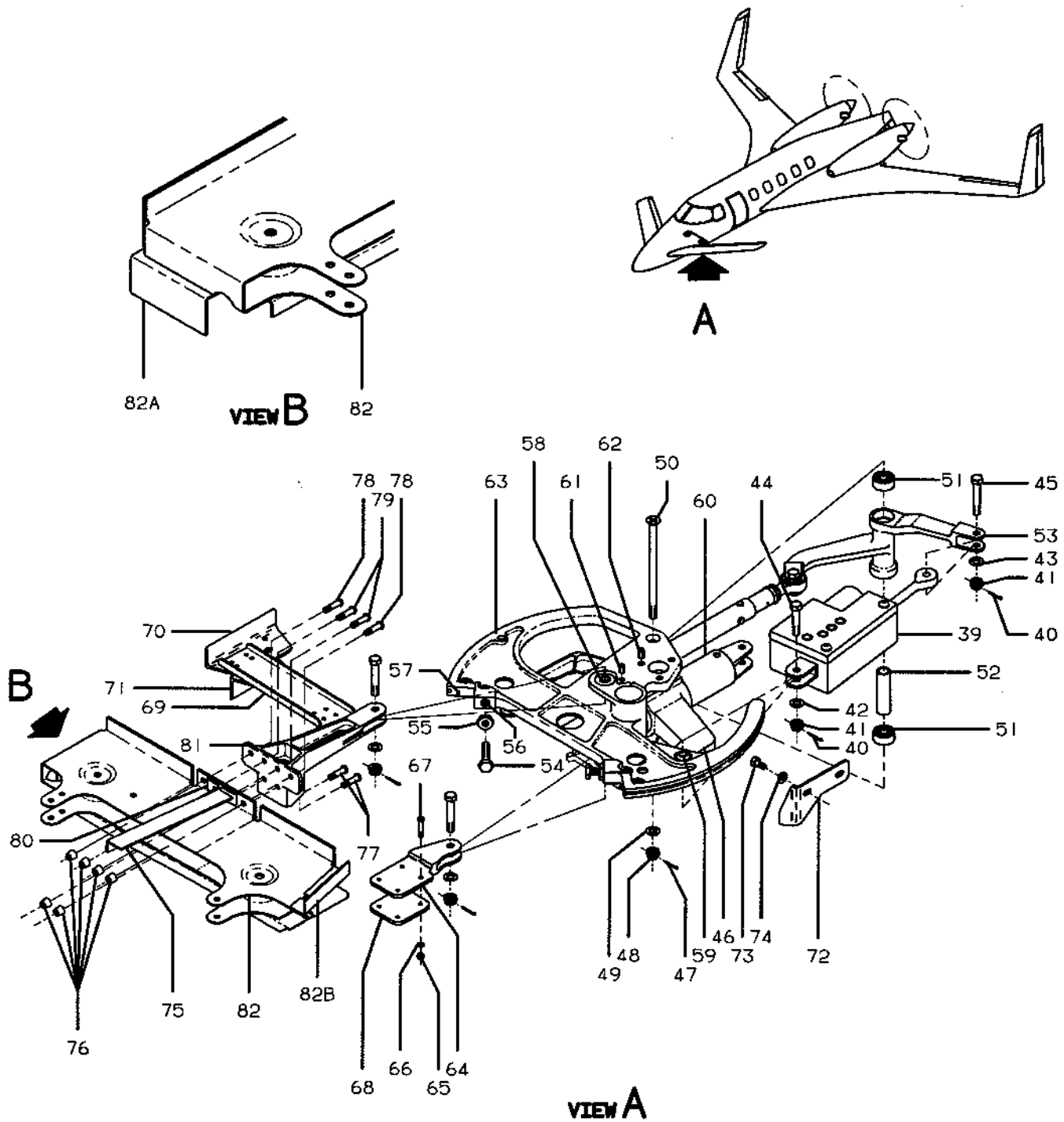
2000-154-04

**FIGURE 20-20. RUDDER FWD BELL CRANKS & LINKAGE**  
**/SHEET 1 OF 3 SHEETS/**

**Beechcraft**  
**STARSHIP 1**  
**ILLUSTRATED PARTS CATALOG**

SUB-SEC UNIT & ITEM NO	PART NO.	DESCRIPTION 1 2 3 4 5 6 7	UNITS	USABLE
			PER ASSY	ON CODE
20-20	122-524025-1	CONTROL INSTL, RUDDER & ROLL FWD .....	NP	
	122-524032-1	. PUSHROD ASSY, RUDDER INTERCONNECT .....	1	
		/ATTACHING PARTS/		
- 1	MS24665-136	. PIN, COTTER .....	2	
- 2	MS17826-4	. NUT .....	2	
- 3	AN960-416L	. WASHER .....	2	
- 4	NAS6204-13D	. BOLT .....	2	
		---★---		
- 5	130909N29	.. NUT .....	2	
- 6	AN960JD10M	.. WASHER .....	2	
- 7	NAS6203-12	.. BOLT .....	2	
	122-524032-3	.. TUBE ASSY .....	1	
- 8	RE4M6	.. ROD END .....	1	
- 9	AN316-6R	.. NUT .....	1	
-10	122-526037-7	.. INSERT .....	1	
-11	122-524032-7	.. SPLICE .....	1	
-12	122-524032-9	.. TUBE .....	1	
	122-524032-5	.. TUBE ASSY .....	1	
-13	RE4S10	.. ROD END .....	1	
-14	122-524032-11	.. TUBE .....	1	
	122-524031-3	. SECTOR ASSY, RUDDER LH CONTROL .....	1	
		/ATTACHING PARTS/		
-15	MS24665-136	. PIN, COTTER .....	2	
-16	MS17826-4	. NUT .....	2	
-17	AN960-416L	. WASHER .....	2	
-18	130909B190	. BOLT .....	2	
		---★---		
-19	122-524084-5	.. RETAINER, RUDDER PEDAL ADJUSTMENT SPRING .....	1	
		/ATTACHING PARTS/		
-20	130909N29	.. NUT .....	1	
-21	AN960D10	.. WASHER .....	1	
-22	AN3-17A	.. BOLT .....	1	
		---★---		
-23	122-524084-3	.. SPRING, RUDDER PEDAL ADJUSTMENT .....	1	
-24	R 122-524084-7	.. LEVER, RUDDER PEDAL ADJUSTMENT .....	NP	6
		/ORDER 122-524120-1 FOR SPARES/		
	R 122-524120-1	.. LEVER, RUDDER PEDAL ADJUSTMENT .....	1	7
		/ATTACHING PARTS/		
-25	MS24665-132	.. PIN, COTTER .....	1	
-26	AN960-4	.. WASHER .....	1	
-27	MS20392-1C19	.. PIN .....	1	
		---★---		
-28	122-524084-13	.. BRACKET, LEVER SUPPORT .....	1	
		/ATTACHING PARTS/		
-29	MS27039-0808	.. SCREW .....	2	
-30	AN960D8	.. WASHER .....	2	
		---★---		
-31	MS24665-132	.. PIN, COTTER .....	1	
-32	AN960-4	.. WASHER .....	2	
-33	MS20392-1C21	.. PIN .....	1	
-34	R 122-524025-1	.. RETAINER, SPRING/RUDDER PEDAL ADJUSTMENT .....	1	
		PIN/		
		/ATTACHING PARTS/		
-35	MS27039-1-08	.. SCREW .....	3	
-36	AN960D10	.. WASHER .....	3	
		---★---		
-37	111504ZS0028-6	.. SPRING, RUDDER PEDAL ADJUSTMENT PIN .....	1	
-38	R 122-524084-11	.. PIN ASSY, RUDDER PEDAL ADJUSTMENT .....	1	

**Beechcraft**  
**STARSHIP 1**  
**ILLUSTRATED PARTS CATALOG**



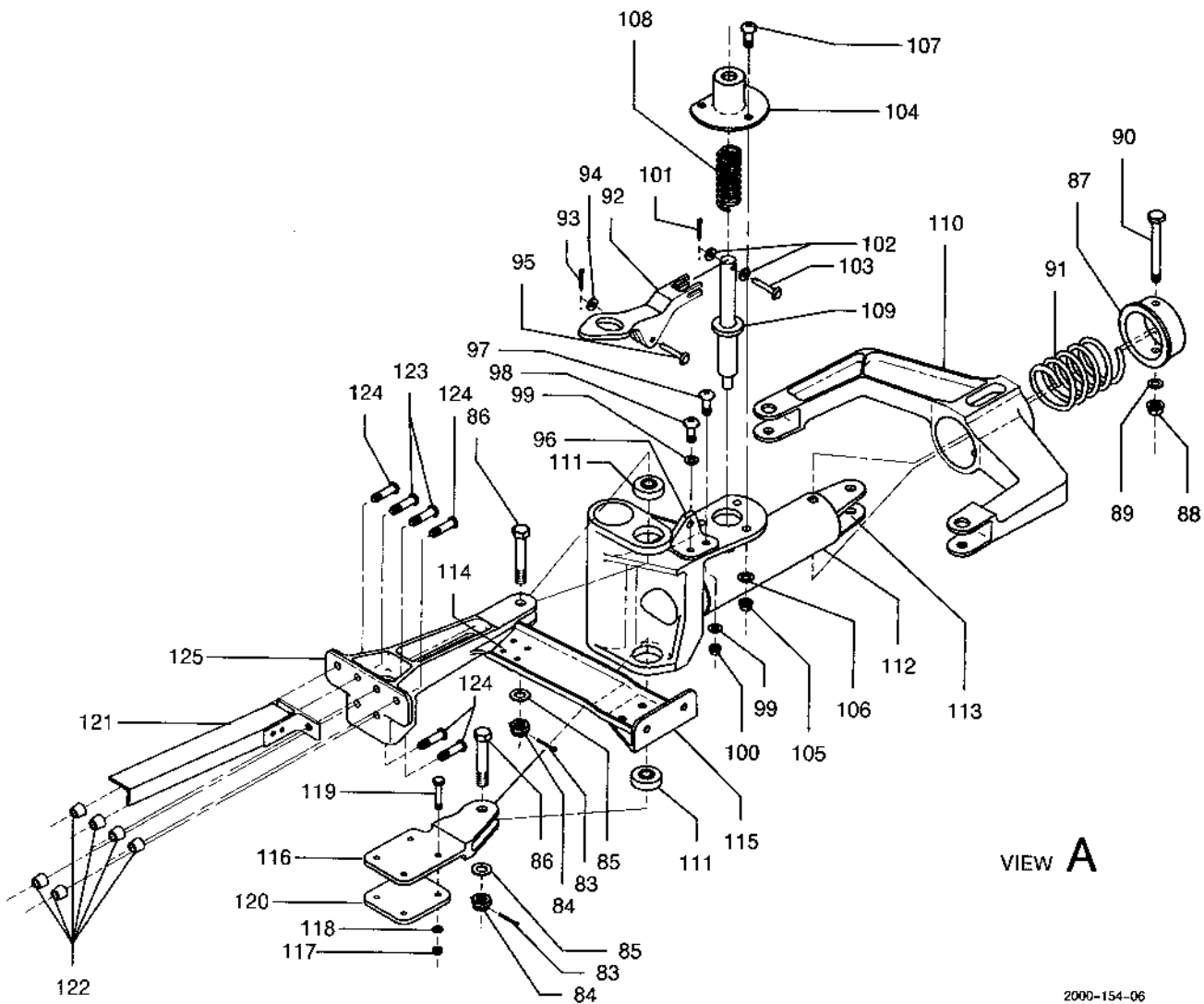
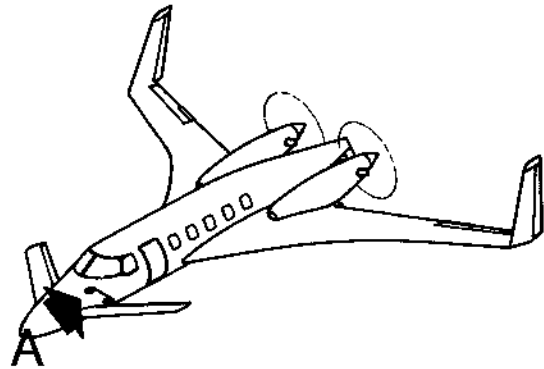
C95NC27A0500 C

**FIGURE 20-20. RUDDER FWD BELL CRANKS & LINKAGE**  
**/SHEET 2 OF 3 SHEETS/**

**Beechcraft**  
**STARSHIP 1**  
**ILLUSTRATED PARTS CATALOG**

SUB-SEC UNIT & ITEM NO	PART NO.	DESCRIPTION 1 2 3 4 5 6 7	UNITS PER ASSY	USABLE ON CODE
20-20 -39	122-380034-1	.. ACTUATOR, NOSE GEAR STEERING DISCONNECT..... /ORDER 122-380034-5 FOR SPARES/	NP	1
	122-380034-3	.. ACTUATOR, NOSE GEAR STEERING DISCONNECT..... /ORDER 122-380034-5 FOR SPARES/	NP	2
	122-380034-5	.. ACTUATOR, NOSE GEAR STEERING DISCONNECT..... /ATTACHING PARTS/	1	3
-40	MS24665-136	.. PIN, COTTER .....	2	
-41	MS17826-4	.. NUT .....	2	
-42	AN960-416	.. WASHER .....	1	
-43	AN960-416L	.. WASHER .....	1	
-44	R NAS6204-10D	.. BOLT .....	1	
-45	R NAS6204-11D	.. BOLT .....	1	
---★---				
-46	122-524097-1	.. BELL CRANK ASSY, RUDDER.....	1	
-47	MS24665-136	.. PIN, COTTER .....	1	
-48	MS17826-4	.. NUT .....	1	
-49	AN960-416	.. WASHER .....	1	
-50	NAS1204-50D	.. BOLT .....	1	
	122-524098-5	.. CRANK ASSY, NOSE GEAR STEERING DISCONNECT.....	1	
-51	MKP4A-FS464	... BEARING.....	2	
-52	NAS43DD4-12B	... SPACER .....	1	
-53	122-524098-7	... CRANK, NOSE GEAR STEERING DISCONNECT.....	1	
	122-524087-1	.. SECTOR ASSY, RUDDER LH.....	1	
-54	R NAS42B-4-10	... BOLT, SECTOR STOP.....	2	
-55	AN316-4	... NUT, STOP BOLT JAM.....	2	
-56	130077-7L01	... INSERT.....	2	
-57	MS9048-006	... PIN, SPRING.....	2	
-58	MKP4A	... BEARING.....	2	
-59	MS21233-4	... BEARING.....	1	
-60	122-524087-5	... SLEEVE.....	1	
-61	130077-4L01	... INSERT.....	2	
-62	R 130077-5L01	... INSERT.....	3	
-63	122-524087-3	... SECTOR.....	1	
-64	122-524019-1	.. SUPPORT, SECTOR LOWER..... /ATTACHING PARTS/	1	
-65	130909N29	.. NUT .....	4	
-66	AN960-10	.. WASHER.....	4	
-67	130909B15	.. BOLT .....	4	
---★---				
-68	122-524019-3	.. SHIM/MAXIMUM OF 2/.....	AR	
-69	122-524025-3	.. BRACKET.....	1	
-70	122-524025-13	.. ANGLE.....	1	
-71	122-524025-7	.. ANGLE.....	1	
-72	122-524025-17	.. GUARD..... /ATTACHING PARTS/	1	
-73	MS20073-03-05	.. BOLT.....	2	
-74	AN960-10	.. WASHER.....	2	
	R NAS1329C3K280	.. RIVNUT.....	2	
---★---				
-75	122-524025-11	.. ANGLE.....	1	
-76	R HL198V6	.. COLLAR.....	6	
-77	HLT316-6-4	.. PIN.....	2	
-78	HLT316-6-5	.. PIN.....	2	
-79	HLT316-6-8	.. PIN.....	2	
-80	122-524025-9	.. TEE.....	2	
-81	R 122-524016-1	.. SUPPORT, RUDDER LH SECTOR UPPER..... /ORDER 122-524092-1 FOR SPARES/	NP	4
	R 122-524092-1	.. SUPPORT, RUDDER LH SECTOR UPPER.....	1	5
-82	122-524018-1	.. BRACKET ASSY, ROLL CABLE PULLEY.....	1	
-82A	R 122-524018-3	.. ANGLE.....	1	
-82B	R 122-524018-7	.. ANGLE.....	1	

Beechcraft  
STARSHIP 1  
ILLUSTRATED PARTS CATALOG



2000-154-06

FIGURE 20-20. RUDDER FWD BELL CRANKS & LINKAGE  
/SHEET 3 OF 3 SHEETS/

**Beechcraft**  
**STARSHIP 1**  
**ILLUSTRATED PARTS CATALOG**

SUB-SEC UNIT & ITEM NO	PART NO.	DESCRIPTION 1 2 3 4 5 6 7	UNITS	USABLE
			PER ASSY	ON CODE
20-20	122-524030-3	. BELL CRANK ASSY, RUDDER RH FWD .....	1	
		.. /ATTACHING PARTS/		
- 83	MS24665-136	.. PIN, COTTER .....	2	
- 84	MS17826-4	.. NUT .....	2	
- 85	AN960-416L	.. WASHER .....	2	
- 86	130909B190	.. BOLT .....	2	
		-----*		
- 87	122-524084-5	.. RETAINER, RUDDER PEDAL ADJUSTMENT SPRING .....	1	
		.. /ATTACHING PARTS/		
- 88	130909N29	.. NUT .....	1	
- 89	AN960JD10	.. WASHER .....	1	
- 90	AN3-17A	.. BOLT .....	1	
		-----*		
- 91	122-524084-3	.. SPRING, RUDDER PEDAL ADJUSTMENT .....	1	
- 92	R 122-524084-7	.. LEVER, RUDDER PEDAL ADJUSTMENT .....	NP	6
		.. /ORDER 122-524120-1 FOR SPARES/		
	R 122-524120-1	.. LEVER, RUDDER PEDAL ADJUSTMENT .....	1	7
		.. /ATTACHING PARTS/		
- 93	MS24665-132	.. PIN, COTTER .....	1	
- 94	AN960-4	.. WASHER .....	1	
- 95	MS20392-1C19	.. PIN .....	1	
		-----*		
- 96	122-524084-15	.. BRACKET, LEVER SUPPORT .....	1	
		.. /ATTACHING PARTS/		
- 97	NAS623-2-4	.. SCREW .....	1	
- 98	NAS623-2-2	.. SCREW .....	1	
- 99	AN960-8L	.. WASHER .....	2	
- 100	130909N28	.. NUT .....	1	
		-----*		
- 101	MS24665-132	.. PIN, COTTER .....	1	
- 102	AN960-4	.. WASHER .....	2	
- 103	MS20392-1C21	.. PIN .....	1	
- 104	R 122-524084-3	.. RETAINER, SPRING/RUDDER PEDAL ADJ PIN/ .....	1	
		.. /ATTACHING PARTS/		
- 105	130909N29	.. NUT .....	3	
- 106	AN960-10L	.. WASHER .....	3	
- 107	NAS623-9-4	.. SCREW .....	3	
		-----*		
- 108	R 111504ZS0028-6	.. SPRING, RUDDER PEDAL ADJUSTMENT PIN .....	2	
- 109	R 122-524084-11	.. PIN ASSY, RUDDER PEDAL ADJUSTMENT .....	1	
- 110	122-524097-1	.. BELL CRANK, RUDDER RH FWD .....	1	
	122-524091-1	.. SECTOR ASSY, RUDDER RH FWD .....	1	
- 111	MKP4A	.. BEARING .....	2	
- 112	122-524087-5	.. SLEEVE .....	1	
	R 130077-4L01	.. INSERT .....	1	
- 113	122-524091-3	.. SECTOR .....	1	
- 114	122-524025-4	.. BRACKET .....	1	
- 115	122-524025-15	.. ANGLE .....	1	
- 116	122-524019-1	.. SUPPORT, RH SECTOR LOWER .....	1	
- 117	R 130909N29	.. NUT .....	4	
- 118	R AN960-10	.. WASHER .....	4	
- 119	R 130909B15	.. BOLT .....	4	
- 120	122-524019-3	.. SHIM/MAXIMUM OF 2/ .....	AR	
- 121	122-524025-12	.. ANGLE .....	1	
- 122	R HL198V6	.. COLLAR .....	6	
- 123	HLT316-6-5	.. PIN .....	2	
- 124	HLT316-6-3	.. PIN .....	4	
- 125	R 122-524016-2	.. SUPPORT, RH SECTOR UPPER .....	NP	4
		.. /ORDER 122-524092-2 FOR SPARES/		
	R 122-524082-2	.. SUPPORT, RH SECTOR UPPER .....	1	5

**CODES OF EFFECTIVITY**

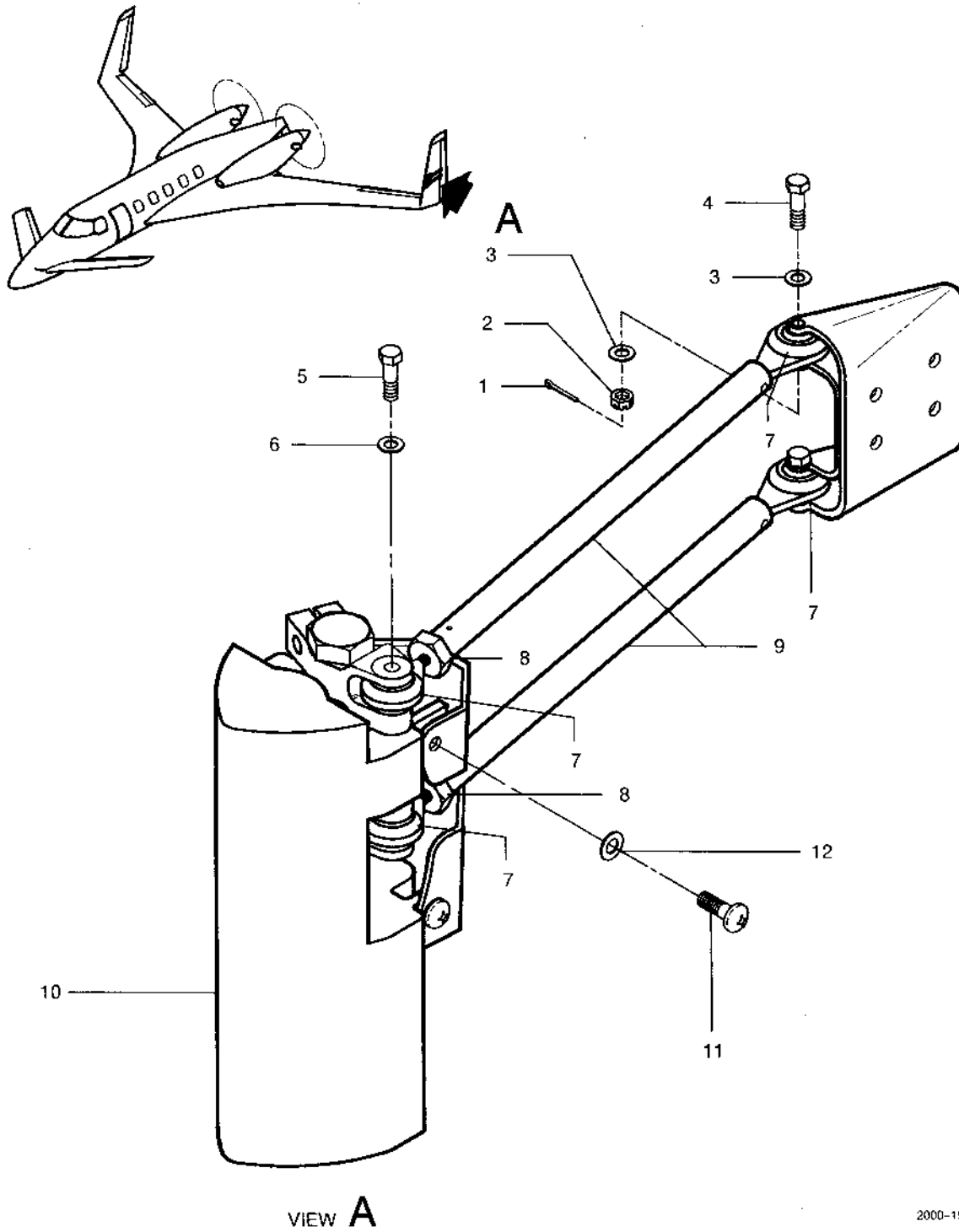
1	NC-4 ONLY	2	NC-5 THRU NC-28
3	NC-29 AND AFTER	4	NC-4 THRU NC-6
5	NC-7 AND AFTER	6	NC-4 THRU NC-53
7	NC-54 AND AFTER		



**Beechcraft**  
**STARSHIP 1**  
**ILLUSTRATED PARTS CATALOG**

**27-20-30**  
**RUDDER TRIM TAB CONTROL ACTUATOR**

Beechcraft  
STARSHIP 1  
ILLUSTRATED PARTS CATALOG



2000-153-01

FIGURE 20-30. RUDDER TRIM TAB CONTROL ACTUATOR

**Beechcraft**  
**STARSHIP 1**  
**ILLUSTRATED PARTS CATALOG**

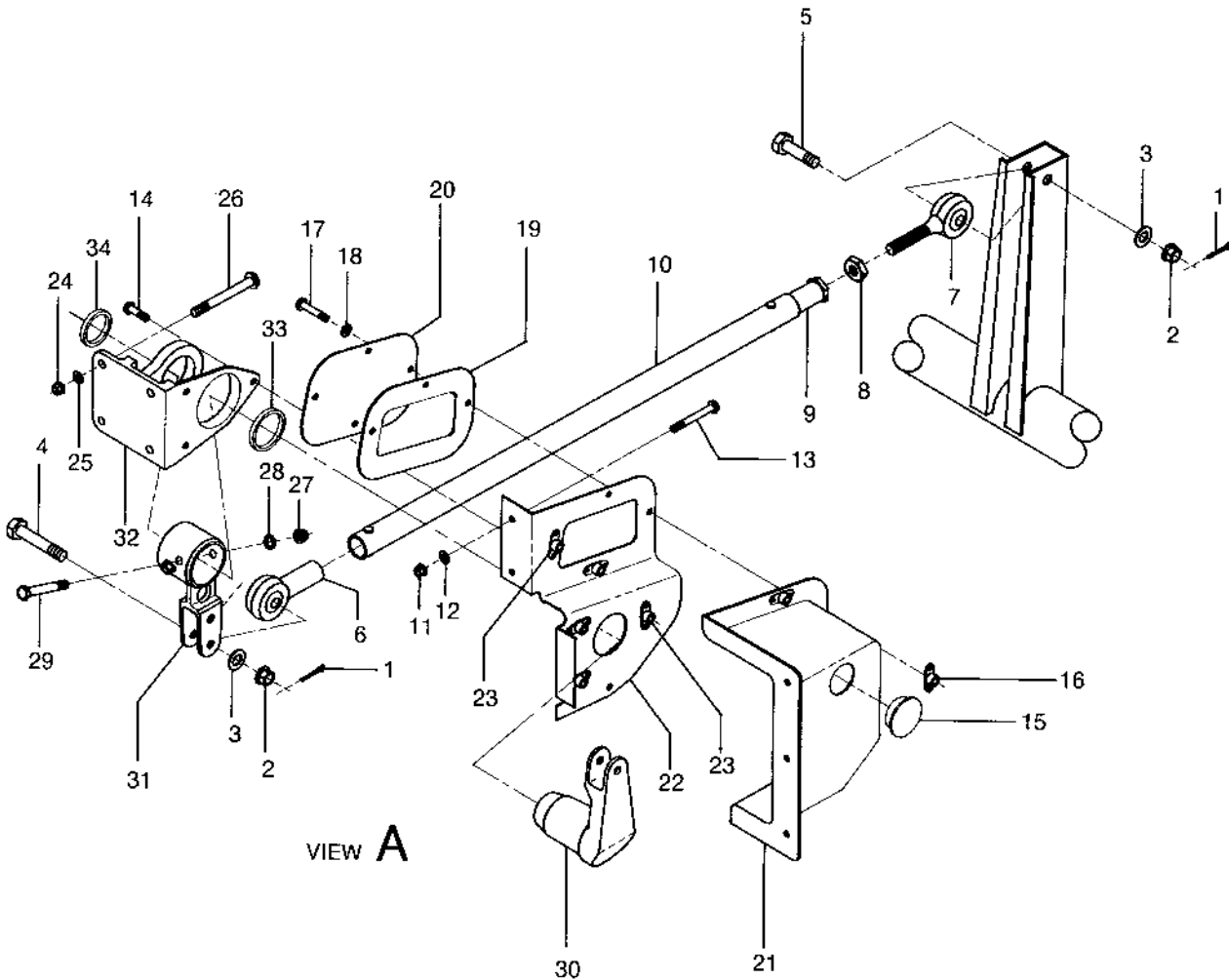
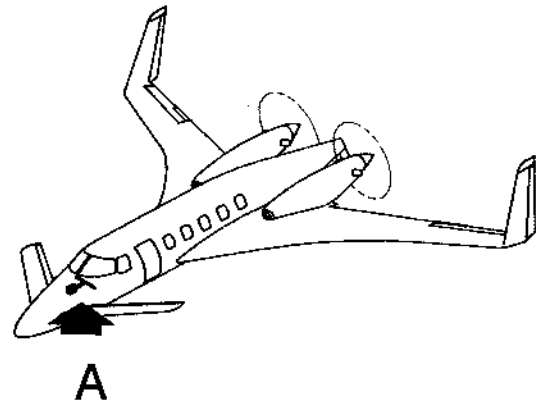
SUB-SEC UNIT & ITEM NO	PART NO.	DESCRIPTION 1 2 3 4 5 6 7	UNITS	USABLE
			PER ASSY	ON CODE
20-30	122-521087-5	ACTUATOR INSTL, LH RUDDER TRIM TAB CONTROL .....	NP	
		/MUST BE USED WITH 122-521087-6/		
	122-521087-7	ACTUATOR INSTL, LH RUDDER TRIM TAB CONTROL .....	NP	
		/MUST BE USED WITH 122-521087-8/		
	122-521087-6	ACTUATOR INSTL, RH RUDDER TRIM TAB CONTROL.....	NP	
		/MUST BE USED WITH 122-521087-5/		
	122-521087-8	ACTUATOR INSTL, RH RUDDER TRIM TAB CONTROL.....	NP	
		/MUST BE USED WITH 122-521087-7/		
	122-521036-27	. ROD ASSY, RUDDER TRIM TAB CONTROL.....	2	
		/ATTACHING PARTS/		
- 1	MS24665-71	. PIN, COTTER .....	2	
- 2	130909N45	. NUT .....	2	
- 3	AN960-10	. WASHER .....	4	
- 4	130909B192	. BOLT .....	2	
- 5	NAS6203-9H	. BOLT .....	2	
- 6	AN960XC10L	. WASHER .....	2	
		-----★-----		
- 7	MJR34-14DU	. . ROD END.....	2	
- 8	AN316-4R	. . NUT, JAM .....	1	
- 9	R 122-521036-29	. . TUBE .....	1	
- 10	122-380050-15	. ACTUATOR ASSY, LH RUDDER TRIM TAB CONTROL .....	1	
		/MUST BE USED WITH 122-380050-17/		
		/SEE NOTE/		
	122-380050-27	. ACTUATOR ASSY, LH RUDDER TRIM TAB CONTROL .....	1	
		/MUST BE USED WITH 122-380050-29/		
		/SEE NOTE/		
	122-380050-17	. ACTUATOR ASSY, RH RUDDER TRIM TAB CONTROL.....	1	
		/MUST BE USED WITH 122-380050-15/		
		/SEE NOTE/		
	122-380050-29	. ACTUATOR ASSY, RH RUDDER TRIM TAB CONTROL.....	1	
		/MUST BE USED WITH 122-380050-27/		
		/SEE NOTE/		
		/ATTACHING PARTS/		
- 11	MS27039-1-07	. SCREW.....	4	
- 12	AN960-10L	. WASHER .....	4	
		-----★-----		

**NOTE** WHEN ORDERING ACTUATOR ASSEMBLIES,  
MAKE CERTAIN TO ORDER THE SAME PART  
NUMBER THAT WAS REMOVED FROM THE AIRPLANE

**Beechcraft**  
**STARSHIP 1**  
**ILLUSTRATED PARTS CATALOG**

**27-30-00**  
**ELEVATOR CONTROLS**

**Beechcraft**  
**STARSHIP 1**  
**ILLUSTRATED PARTS CATALOG**



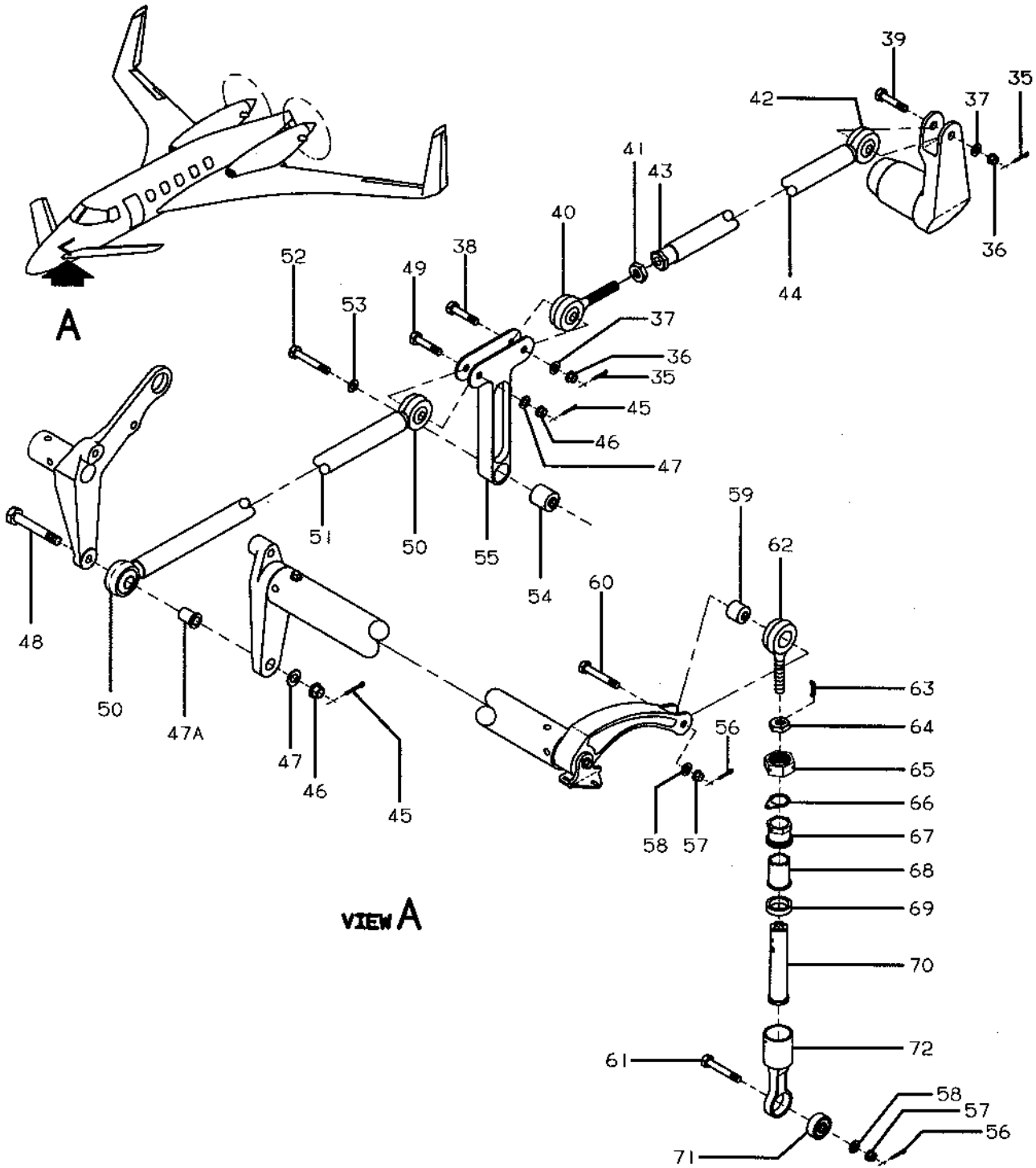
2000-152-3

**FIGURE 30-00. ELEVATOR CONTROLS**  
**/SHEET 1 OF 6 SHEETS/**

**Beechcraft**  
**STARSHIP 1**  
**ILLUSTRATED PARTS CATALOG**

SUB-SEC UNIT & ITEM NO	PART NO.	DESCRIPTION 1 2 3 4 5 6 7	UNITS	USABLE
			PER ASSY	ON CODE
30-00	122-524000-3	FLIGHT CONTROL INSTL, FUSELAGE .....	NP	
	122-526037-19	.. ROD ASSY .....	1	
		.. /ATTACHING PARTS/		
- 1	MS24685-134	.. PIN, COTTER .....	2	
- 2	MS17826-4	.. NUT .....	2	
- 3	AN960-416L	.. WASHER .....	2	
- 4	R NAS6204-13D	.. BOLT .....	1	
- 5	NAS6204-11D	.. BOLT .....	1	
		---★---		
- 6	RE4S10	.. ROD END .....	1	
- 7	RE4M6	.. ROD END .....	1	
- 8	AN316-6R	.. NUT .....	1	
- 9	122-526037-7	.. INSERT .....	1	
- 10	122-526037-21	.. TUBE .....	1	
	122-524021-5	.. SEAL INSTL, FWD PRESSURE BHD ELEVATOR .....	NP	
		.. CONTROL		
	122-524062-15	.. SEAL BOX ASSY .....	1	
		.. /ATTACHING PARTS/		
- 11	MS21043-3	.. NUT .....	5	
- 12	AN960C10	.. WASHER .....	5	
- 13	MS27039C1-24	.. SCREW .....	5	
- 14	MS27039-1-10	.. SCREW .....	3	
		---★---		
- 15	NAS451-51	... PLUG BUTTON .....	1	
- 16	MS21047-3	... NUTPLATE .....	2	
	122-524062-21	... COVER ASSY .....	1	
		.. /ATTACHING PARTS/		
- 17	MS27039-1-10	... SCREW .....	4	
- 18	AN960-10L	... WASHER .....	4	
		---★---		
- 19	122-524062-25	... SEAL, RUBBER .....	1	
- 20	122-524062-23	... COVER .....	1	
- 21	122-524062-27	... BOX ASSY .....	1	
- 22	122-524062-17	... BACK ASSY .....	1	
- 23	MS21047-3	... NUTPLATE .....	5	
	122-524015-9	.. BELLCRANK ASSY, FWD PRESSURE BHD .....	1	
		.. ELEVATOR CONTROL		
		.. /ATTACHING PARTS/		
- 24	MS21043-4	.. NUT .....	4	
- 25	AN960C416	.. WASHER .....	4	
- 26	MS27039C4-27	.. SCREW .....	4	
		---★---		
- 27	R 130909N32	... NUT .....	2	
- 28	R AN960-416L	... WASHER .....	2	
- 29	R NAS464P4A26	... BOLT .....	2	
- 30	122-524015-17	... CRANK .....	1	
- 31	122-524015-15	... CRANK .....	1	
	122-524015-11	... HOUSING ASSY .....	1	
- 32	122-524015-13	... HOUSING .....	1	
- 33	MS21428-42	... BEARING .....	1	
- 34	MS21428-41	... BEARING .....	1	

**Beechcraft**  
**STARSHIP 1**  
**ILLUSTRATED PARTS CATALOG**



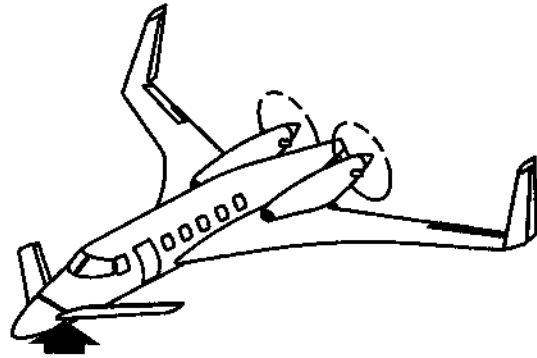
C95NC27A0608 C

**Beechcraft**  
**STARSHIP 1**  
**ILLUSTRATED PARTS CATALOG**

SUB-SEC UNIT & ITEM NO	PART NO.	DESCRIPTION 1 2 3 4 5 6 7	UNITS	USABLE
			PER ASSY	ON CODE
30-00	122-526009-3	. FLIGHT CONTROL INSTL, FWD WING.....	NP	
	122-526037-1	. . ROD ASSY .....	1	
		/ATTACHING PARTS/		
- 35	MS24665-134	. . PIN, COTTER .....	2	
- 36	MS17826-4	. . NUT .....	2	
- 37	AN960-416L	. . WASHER .....	2	
- 38	NAS6204-12D	. . BOLT .....	1	
- 39	NAS6204-13D	. . BOLT .....	1	
		---★---		
- 40	RE4M6	. . . ROD END.....	1	
- 41	AN316-6R	. . . NUT.....	1	
- 42	RE4S10	. . . ROD END.....	1	
- 43	122-526037-7	. . . INSERT.....	1	
- 44	122-526037-9	. . . TUBE.....	1	
	122-526038-1	. . ROD ASSY .....	1	
		/ATTACHING PARTS/		
- 45	MS24665-134	. . PIN, COTTER .....	2	
- 46	MS17826-4	. . NUT .....	2	
- 47	AN960-416L	. . WASHER .....	2	
- 47A R	NAS77-4-41	. . BUSHING .....	1	
- 48 R	NAS6204-23D	. . BOLT .....	1	
- 49	NAS6204-12D	. . BOLT .....	1	
		---★---		
- 50	RE4S10	. . . ROD END.....	2	
- 51	122-526038-3	. . . TUBE.....	1	
	122-526042-1	. . CRANK ASSY, ELEVATOR IDLER .....	1	
		/ATTACHING PARTS/		
- 52	NAS6204-16H	. . BOLT .....	1	
- 53	AN960-416	. . WASHER .....	1	
		---★---		
- 54	MS27647-4	. . . BEARING.....	1	
- 55	122-526042-3	. . . CRANK.....	1	
	R 122-526026-1	. . ROD ASSY, ELEVATOR .....	NP	3
		/ORDER 122-526026-11 FOR SPARES/		
	122-526026-11	. . ROD ASSY, ELEVATOR .....	2	4
		/ATTACHING PARTS/		
- 56	MS24665-134	. . PIN, COTTER .....	2	
- 57	MS17826-4	. . NUT .....	2	
- 58	AN960-416L	. . WASHER .....	2	
- 59	NAS77-4-15	. . BUSHING .....	1	
- 60	130909B210	. . BOLT .....	1	
- 61	NAS6204-17D	. . BOLT .....	1	
		---★---		
- 62	MS21151-8C	. . . ROD END.....	1	
- 63	NAS559-2	. . . KEY.....	1	
- 64	NAS509-6	. . . NUT.....	1	
- 65	NAS509-10	. . . NUT.....	1	
- 66	NAS513-10	. . . WASHER.....	1	
- 67	122-526026-3	. . . RETAINER.....	1	
- 68	122-526026-5	. . . SPACER.....	1	
- 69 R	B538DD	. . . BEARING.....	2	3
	R B5538WZZ FS464	. . . BEARING.....	1	4
- 70	122-526026-9	. . . SHAFT.....	1	
- 71	MS27645-4	. . . BEARING.....	1	
- 72	122-526026-7	. . . HOUSING .....	1	



Beechcraft  
STARSHIP 1  
ILLUSTRATED PARTS CATALOG



A

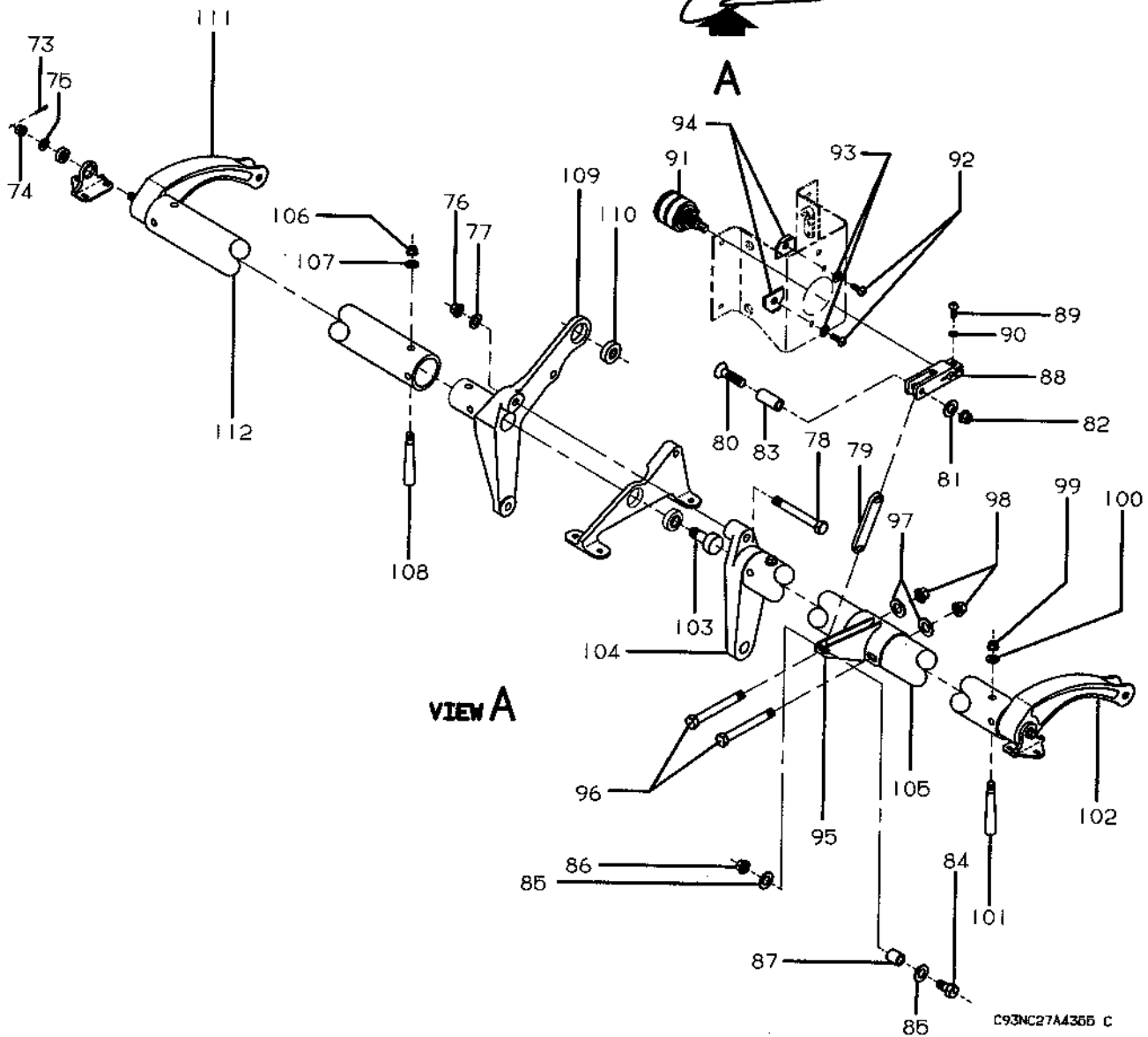
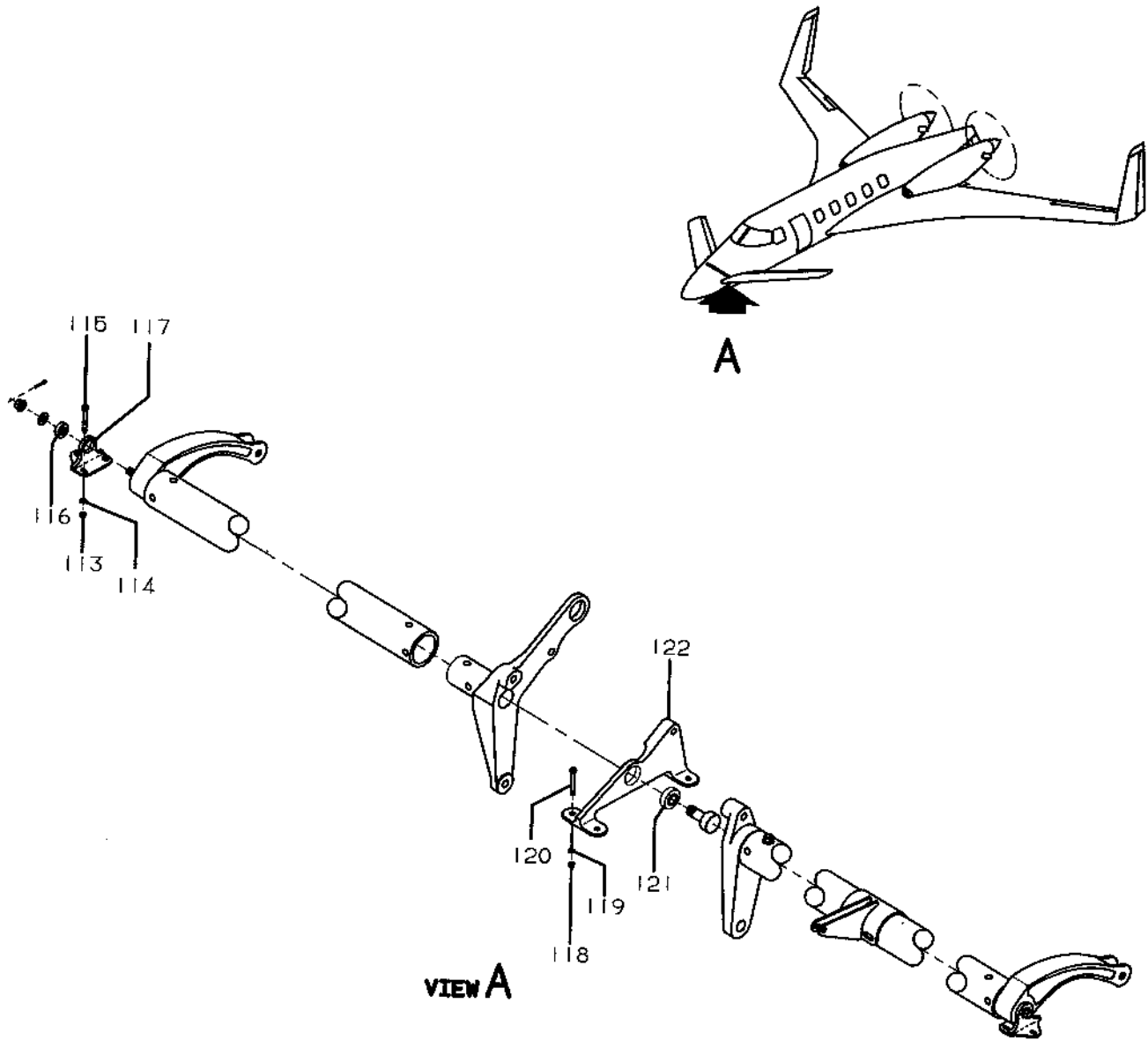


FIGURE 30-00.ELEVATOR CONTROLS  
/SHEET 3 OF 6 SHEETS/

**Beechcraft**  
**STARSHIP 1**  
**ILLUSTRATED PARTS CATALOG**

SUB-SEC UNIT & ITEM NO	PART NO.	DESCRIPTION 1 2 3 4 5 6 7	UNITS PER ASSY	USABLE ON CODE
30-00 -73	MS24665-134	.. PIN, COTTER .....	3	
-74	MS17826-5	.. NUT .....	3	
-75	AN960-516L	.. WASHER .....	3	
-76	130909N32	.. NUT .....	1	
-77	AN960-416	.. WASHER .....	1	
-78	MS24694S114	.. BOLT .....	1	1
	MS24694S113	.. BOLT .....	1	2
	122-526061-1	.. POTENTIOMETER INSTL,ELEVATOR STALL WARNING .....	NP	
-79	122-526061-11	.. LINK .....	1	
		/ATTACHING PARTS/		
-80	NAS517-2-6	.. SCREW .....	1	
-81	AN960-08	.. WASHER .....	1	
-82	130909N28	.. NUT .....	1	
-83	105739X-ZC0250	.. BUSHING .....	1	
-84	AN503-8-12	.. SCREW .....	1	
-85	R AN960-08L	.. WASHER .....	2	
-86	130909N28	.. NUT .....	1	
-87	105739X-ZC0375	.. BUSHING .....	1	
		-----*		
-88	122-526063-1	.. ARM .....	1	
		/ATTACHING PARTS/		
-89	NAS1351C08LE8P	.. SCREW .....	1	
-90	AN960-08	.. WASHER .....	1	
		-----*		
-91	122-364204-1	.. POTENTIOMETER ASSY .....	1	
		/ATTACHING PARTS/		
-92	MS27039-1-09	.. SCREW .....	2	
-93	AN960-10L	.. WASHER .....	2	
-94	114-820097-1	.. CLAMP .....	2	
		-----*		
-95	122-526062-1	.. ARM ASSY .....	1	
		/ATTACHING PARTS/		
-96	130909B25	.. BOLT .....	2	
-97	AN960-10	.. WASHER .....	2	
-98	130909N29	.. NUT .....	2	
		-----*		
	122-526053-17	.. TUBE ASSY, LH/ORDER 122-526053-21 FOR SPARES/ .....	NP	1
	122-526053-21	.. TUBE ASSY, LH .....	1	2
-99	130909N29	.. NUT .....	4	
-100	AN975-3	.. WASHER .....	4	
-101	AN386-2-11A	.. PIN, TAPER .....	4	
-102	122-526055-3	.. ARM .....	1	
	122-526054-1	.. ARM ASSY/ORDER 122-526054-5 FOR SPARES/ .....	NP	1
	122-526054-5	.. ARM ASSY .....	1	2
-103	122-526024-9	.. STUD .....	1	
-104	122-526054-3	.. ARM/ORDER 122-526054-7 FOR SPARES/ .....	NP	1
	122-526054-7	.. ARM .....	1	2
-105	122-526053-11	.. TUBE .....	1	
	122-526053-19	.. TUBE ASSY, RH .....	1	
-106	130909N29	.. NUT .....	4	
-107	AN975-3	.. WASHER .....	4	
-108	AN386-2-11A	.. PIN, TAPER .....	4	
	122-526056-5	.. ARM ASSY .....	1	
-109	122-526056-7	.. ARM .....	1	
-110	MKSP4A-FS464	.. BEARING .....	1	
-111	122-526055-4	.. ARM .....	1	
-112	122-526024-27	.. TUBE .....	1	

Beechcraft  
STARSHIP 1  
ILLUSTRATED PARTS CATALOG

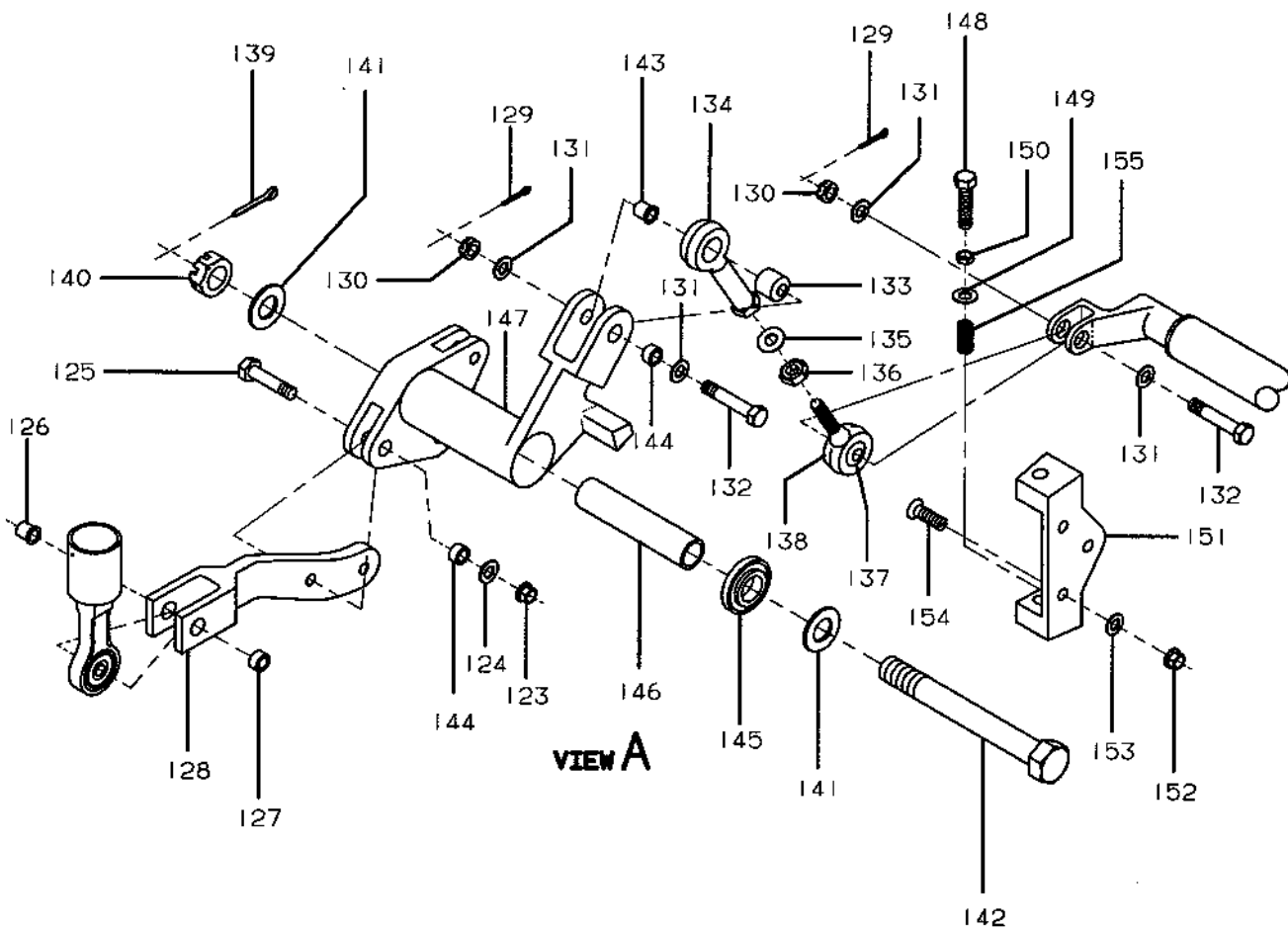
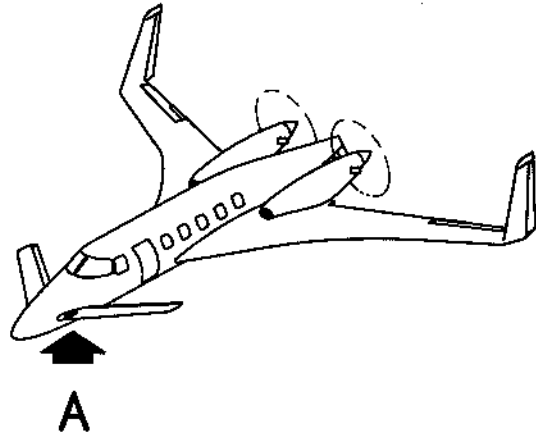


C93NC27A4356 C

**Beechcraft**  
**STARSHIP 1**  
**ILLUSTRATED PARTS CATALOG**

SUB-SEC UNIT & ITEM NO	PART NO.	DESCRIPTION 1 2 3 4 5 6 7	UNITS	USABLE
			PER ASSY	ON CODE
30-00	122-526025-1	.. BRACKET ASSY, TORQUE TUBE OUTBD SUPPORT .....	2	
		/ATTACHING PARTS/		
-113	130909N49	.. NUT .....	3	
-114	AN960C10	.. WASHER .....	3	
-115	AN3-15A	.. BOLT .....	3	
		---★---		
-118 R	MS27645-5A	... BEARING .....	1	
-117	122-526025-5	... BRACKET .....	1	
	122-526025-9	.. BRACKET ASSY, TORQUE TUBE INBD SUPPORT .....	2	
		/ATTACHING PARTS/		
-118	130909N49	.. NUT .....	4	
-119	AN960C10	.. WASHER .....	4	
-120	AN3-15A	.. BOLT .....	4	
		---★---		
-121	MS27645-5A	... BEARING .....	1	
-122	122-526025-11	... BRACKET .....	1	

Beechcraft  
STARSHIP 1  
ILLUSTRATED PARTS CATALOG

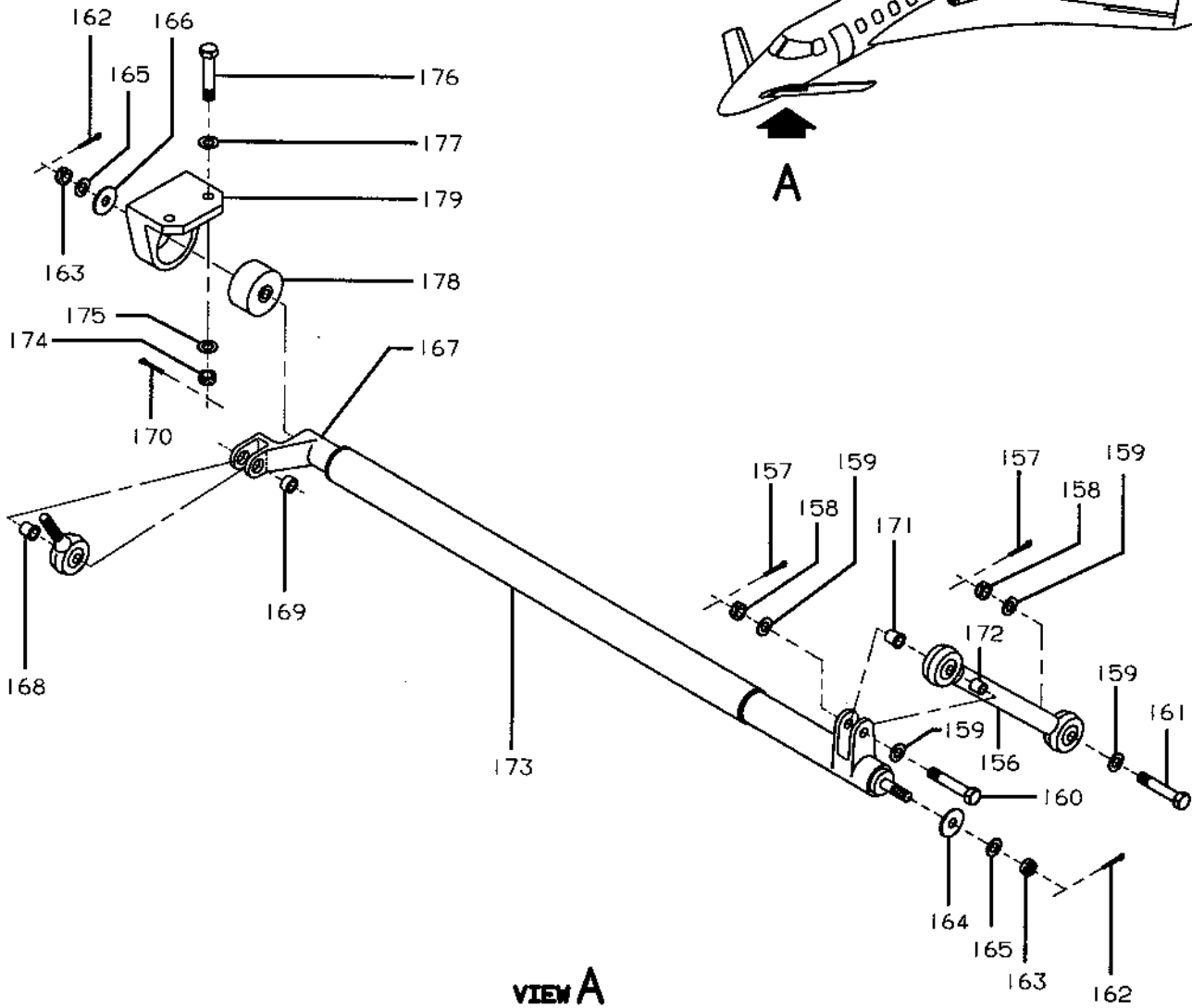
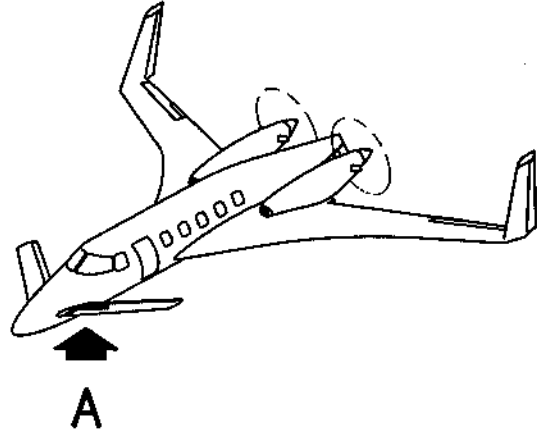


C93NC27A4357 C

**Beechcraft**  
**STARSHIP 1**  
**ILLUSTRATED PARTS CATALOG**

SUB-SEC UNIT & ITEM NO	PART NO.	DESCRIPTION 1 2 3 4 5 6 7	UNITS	USABLE
			PER ASSY	ON CODE
30-00	122-526051-101	. CONTROL INSTL, LH ELEVATOR .....	1	
	122-526051-102	. CONTROL INSTL, RH ELEVATOR .....	1	
	122-526052-127	.. ARM ASSY .....	1	
		/ATTACHING PARTS/		
-123	130909N32	.. NUT .....	2	
-124	AN960JD416	.. WASHER .....	2	
-125	130909B182	.. BOLT .....	2	
		-----*		
-126	132006-06C15R1 *	6X15 ... BUSHING, FLANGED .....	1	
-127	132007-06C7 5-10	... BUSHING .....	1	
-128	122-526052-129	.. ARM .....	1	
	122-526052-105	.. LINK ASSY .....	1	
		/ATTACHING PARTS/		
-129	MS24665-151	.. PIN, COTTER .....	2	
-130	MS14145L4	.. NUT .....	2	
-131	AN960JD416	.. WASHER .....	4	
-132	NAS6204-18D	.. BOLT .....	2	
		-----*		
	122-526052-111	... BEARING ASSY .....	1	
-133	MS27645-4	... BEARING .....	1	
-134	122-526052-113	... HOUSING .....	1	
-135	AN960-616	... WASHER .....	1	
-136	AN316-6R	... NUT, JAM .....	1	
	122-526052-107	... BEARING ASSY .....	1	
-137	MS27645-4	... BEARING .....	1	
-138	122-526052-109	... ROD END .....	1	
	122-526052-131	.. BELLCRANK ASSY, LH .....	1	
	122-526052-132	.. BELLCRANK ASSY, RH .....	1	
		/ATTACHING PARTS/		
-139	MS24665-151	.. PIN, COTTER .....	1	
-140	MS14145L5	.. NUT .....	1	
-141	AN960JD516	.. WASHER .....	2	
-142 R	NAS6205-62H	.. BOLT .....	1	
		-----*		
-143	132006-06C15R1 *	6X15 ... BUSHING, FLANGED .....	1	
-144	132007-06C7 5-10	... BUSHING .....	3	
-145	MS27641-5	... BEARING .....	2	
-146	132008S164	... SPACER .....	1	
-147	122-526052-133	... BELLCRANK, LH .....	1	
	122-526052-134	... BELLCRANK, RH .....	1	
-148	NAS428-4-12	.. BOLT, STOP .....	2	
-149	AN960JD416	.. WASHER .....	2	
-150	AN316-4R	.. NUT, JAM .....	2	
-151	122-526052-135	.. STOP ASSY .....	1	
		/ATTACHING PARTS/		
-152	130909N32	.. NUT .....	3	
-153	AN960JD416	.. WASHER .....	3	
-154	NAS334CPA7	.. BOLT .....	3	
		-----*		
-155	MS21209F4-10	... INSERT .....	2	

Beechcraft  
 STARSHIP 1  
 ILLUSTRATED PARTS CATALOG



C93NC27A4358 C

**Deechcraft**  
**STARSHIP 1**  
**ILLUSTRATED PARTS CATALOG**

SUB-SEC	UNIT & ITEM NO	PART NO.	DESCRIPTION	UNITS PER ASSY	USABLE ON CODE
			1 2 3 4 5 6 7		
30-00	-156	122-526037-51	.. PUSHROD ASSY .....	1	
			/ATTACHING PARTS/		
	-157	MS24665-151	.. PIN, COTTER .....	2	
	-158	MS14145L4	.. NUT .....	2	
	-159	AN960JD416	.. WASHER .....	4	
	-160	NAS6204-18D	.. BOLT .....	1	
	-161	NAS6204-12D	.. BOLT .....	1	
			-----*		
	R	122-526052-149	.. TUBE ASSY, LH TORQUE .....	1	
		122-526052-150	.. TUBE ASSY, RH TORQUE .....	1	
			/ATTACHING PARTS/		
	-162 R	MS24665-151	.. PIN, COTTER .....	2	
	-163 R	MS14145L4	.. NUT .....	2	
	-164 R	AN970-4	.. WASHER .....	1	
	-165 R	AN960-416	.. WASHER .....	2	
	-166 R	100951CR063UF-NC	.. WASHER .....	1	
			-----*		
	-167 R	122-526052-123	... LEVER ASSY .....	1	
	-168 R	132006-06C15R1 *	6X15 ... BUSHING, FLANGED .....	1	
	-169 R	132007-06C7 5-10	... BUSHING .....	1	
		R 122-526052-141	... TUBE ASSY .....	1	
	-170 R	122-526052-115	... LEVER ASSY .....	1	
	-171 R	132006-06C15R1 *	6X15 ... BUSHING, FLANGED .....	1	
	-172 R	132007-06C7 5-10	... BUSHING .....	1	
	-173 R	122-526052-121	... TUBE .....	1	
		122-526052-145	.. SUPPORT ASSY, LH TORQUE TUBE INBD .....	1	
		122-526052-144	.. SUPPORT ASSY, RH TORQUE TUBE INBD .....	1	
			/ATTACHING PARTS/		
	-174 R	130909N32	.. NUT .....	2	
	-175 R	AN960-416L	.. WASHER .....	2	
	-176 R	NAS1104-21	.. BOLT .....	2	
	-177 R	AN960JD416	.. WASHER .....	2	
			-----*		
	-178 R	MS27643-5	... BEARING .....	1	
	-179 R	122-526052-147	... SUPPORT, LH .....	1	
		122-526052-146	... SUPPORT, RH .....	1	

**CODES OF EFFECTIVITY**

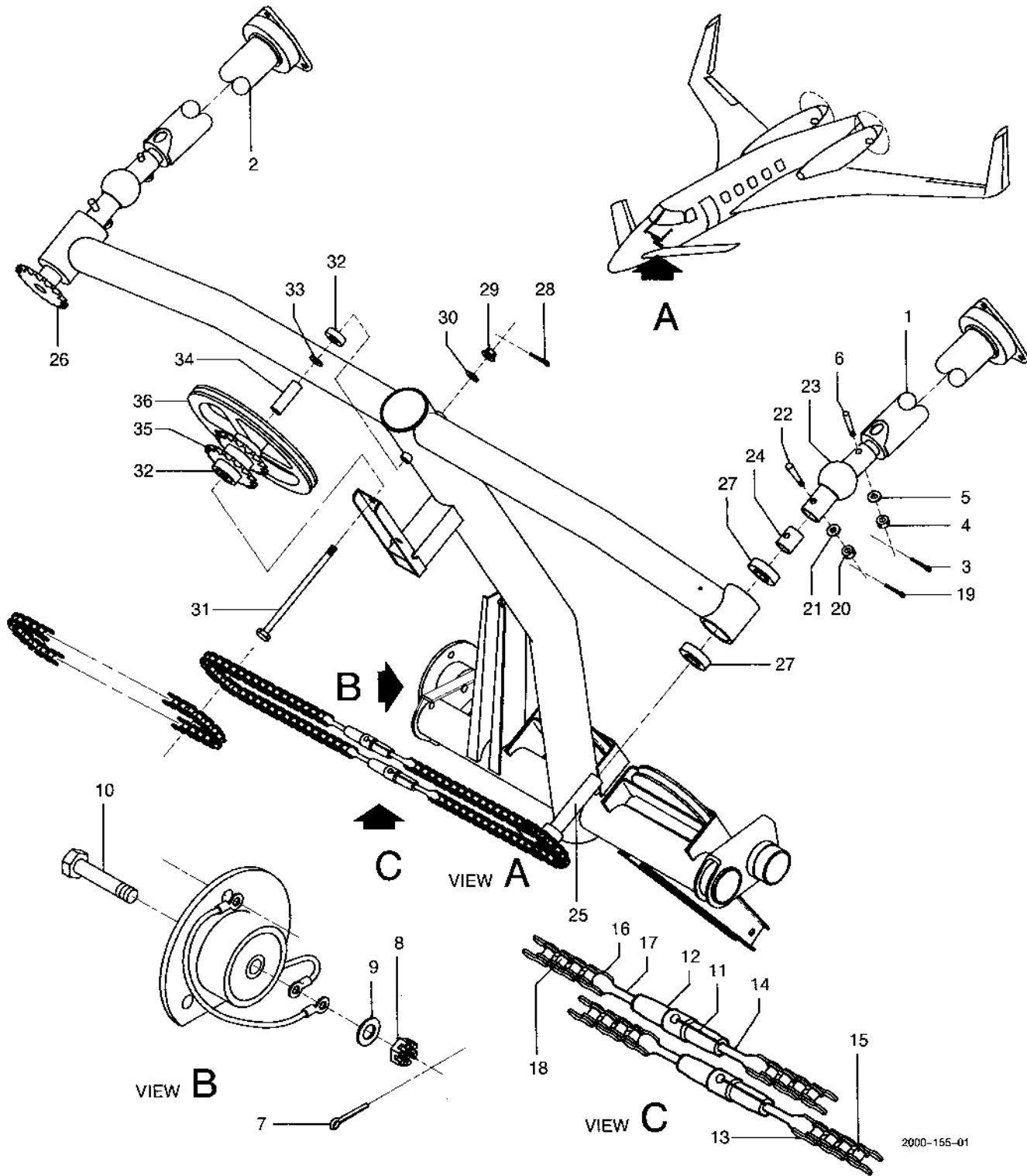
1	NC-4 THRU NC-21	2	NC-22 AND AFTER
3	NC-4 THRU NC-42	4	NC-43 AND AFTER
5	NC-4 THRU NC-16	6	NC-17 AND AFTER



**Beechcraft**  
**STARSHIP 1**  
**ILLUSTRATED PARTS CATALOG**

**27-30-10**  
**FLIGHT CONTROL COLUMN**

**Beechcraft**  
**STARSHIP 1**  
**ILLUSTRATED PARTS CATALOG**



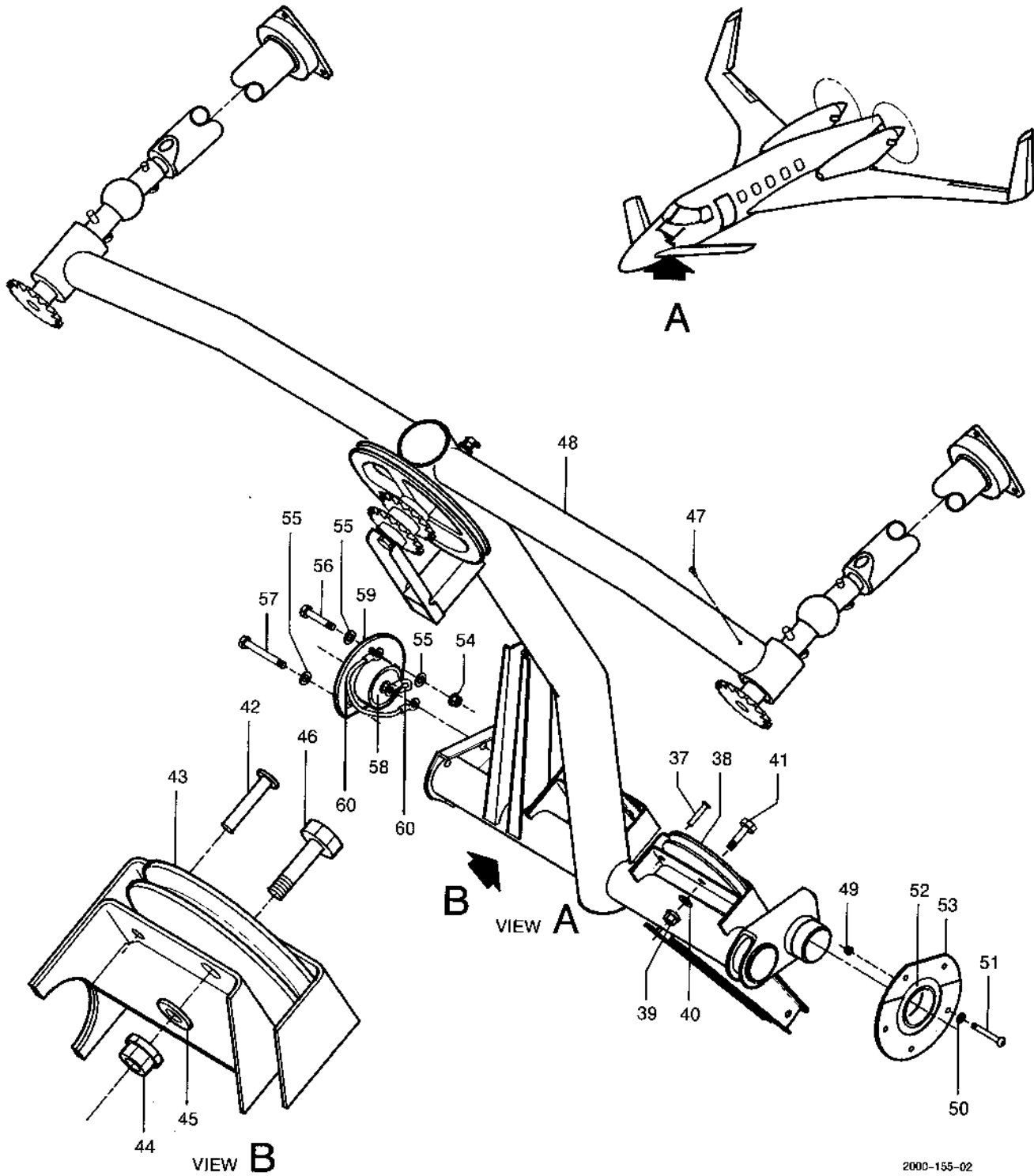
2000-155-01

**FIGURE 30-10.FLIGHT CONTROL COLUMN**  
**/SHEET 1 OF 2 SHEETS/**

**Beechcraft**  
**STARSHIP 1**  
**ILLUSTRATED PARTS CATALOG**

SUB-SEC UNIT & ITEM NO	PART NO.	DESCRIPTION 1 2 3 4 5 6 7	UNITS	USABLE
			PER ASSY	ON CODE
30-10	122-524013-1	COLUMN INSTL, FLIGHT CONTROL .....	NP	
- 1	122-524067-15	. TUBE ASSY, PILOT'S CONTROL WHEEL .....	1	
- 2	122-524067-1	. TUBE ASSY, COPILOT'S CONTROL WHEEL .....	1	
		/ATTACHING PARTS/		
- 3	MS24665-132	. PIN, COTTER .....	1	
- 4	130909N45	. NUT .....	1	
- 5	AN975-3	. WASHER .....	1	
- 6	AN386-1-6	. PIN, TAPERED .....	1	
		---★---		
	122-524014-1	. COLUMN ASSY, FLIGHT CONTROL .....	1	
		/ATTACHING PARTS/		
- 7	MS24665-134	. PIN, COTTER .....	1	
- 8	MS17826-5	. NUT .....	1	
- 9	AN960-516L	. WASHER .....	2	
- 10	R NAS6204-16D	. BOLT .....	1	
		---★---		
	122-524022-1	.. CHAIN INSTL, CONTROL COLUMN .....	1	
- 11	MS21256-1	... CLIP .....	8	
- 12	MS21251B5S	... TURNBUCKLE .....	4	
	122-524022-3	... CHAIN ASSY, OUTBD .....	2	
- 13	131378-35CL	... LINK .....	2	
- 14	99-524039-11	... TERMINAL .....	2	
- 15	131378-35-39	... CHAIN, ROLLER .....	1	
	122-524022-5	... CHAIN ASSY, INBD .....	2	
- 16	131378-35CL	... LINK .....	2	
- 17	99-524039-13	... TERMINAL .....	2	
- 18	131378-35-37	... CHAIN, ROLLER .....	1	
- 19	MS24665-132	. PIN, COTTER .....	2	
- 20	130909N45	. NUT .....	2	
- 21	AN975-3	. WASHER .....	2	
- 22	AN386-1-6	. PIN, TAPERED .....	2	
- 23	R 122-524014-21	.. JOINT, UNIVERSAL/ORDER 122-524014-23 .....	NP	
		FOR SPARES/		
	R 122-524014-23	.. JOINT, UNIVERSAL .....	2	
- 24	105740X-YM0750	.. SPACER .....	2	
- 25	122-524074-1	.. SPROCKET ASSY, LH .....	1	
- 26	122-524074-3	.. SPROCKET ASSY, RH .....	1	
- 27	MS27641-8	.. BEARING .....	4	
	122-524073-7	.. SECTOR ASSY .....	1	
		/ATTACHING PARTS/		
- 28	MS24665-172	. PIN, COTTER .....	1	
- 29	MS17826-4	. NUT .....	1	
- 30	AN960-416L	. WASHER .....	1	
- 31	NAS6204-64D	. BOLT .....	1	
		---★---		
- 32	MKP4A	... BEARING .....	2	
- 33	MS28775-203	... PACKING, PREFORMED .....	1	
- 34	NAS43HT4-85	... SPACER .....	1	
- 35	122-524073-3	... SPROCKET .....	1	
- 36	122-524073-9	... QUADRANT .....	1	

Beechcraft  
 STARSHIP 1  
 ILLUSTRATED PARTS CATALOG



2000-155-02

FIGURE 30-10. FLIGHT CONTROL COLUMN  
 /SHEET 2 OF 2 SHEETS/

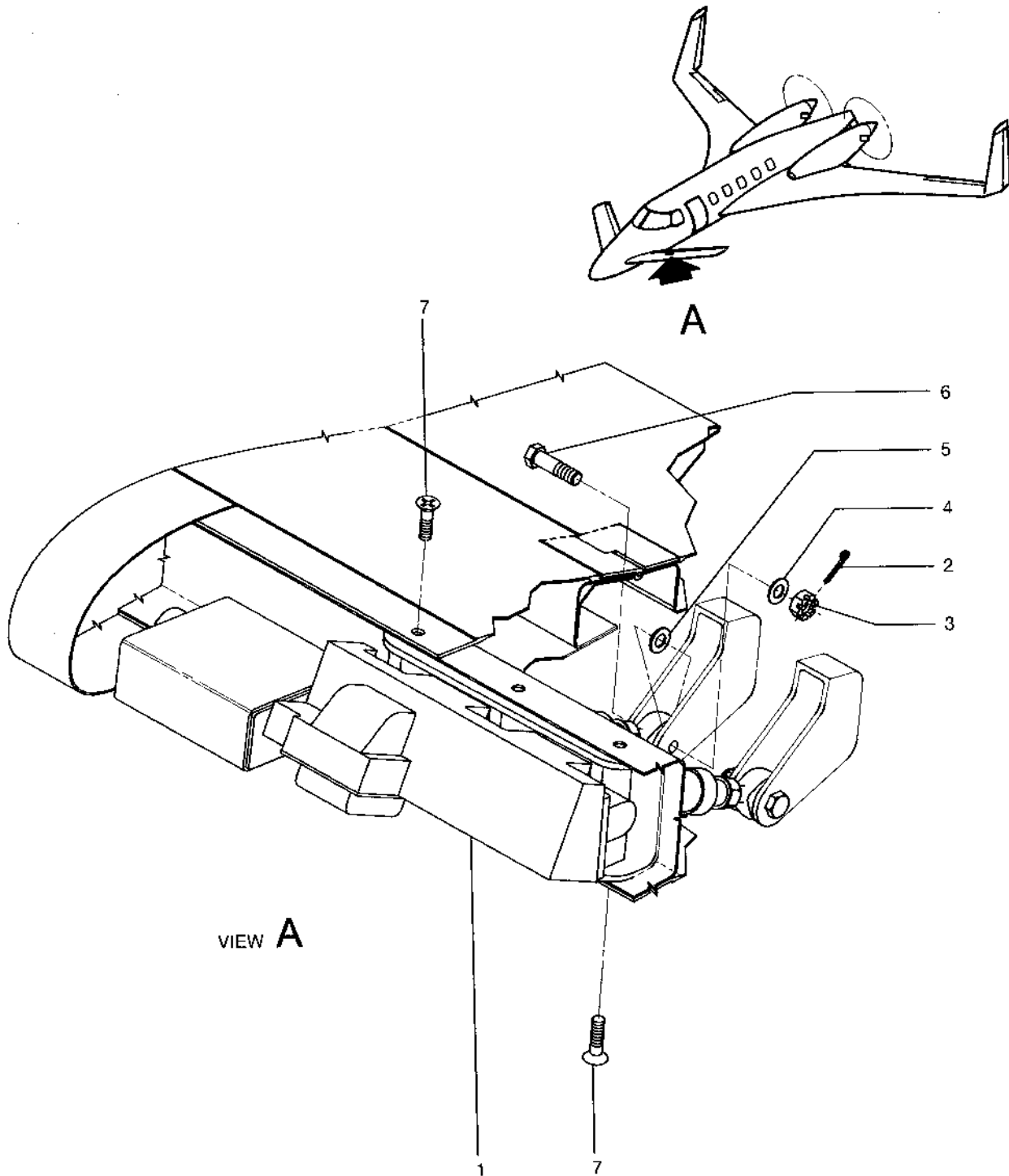
  
**STARSHIP 1**  
**ILLUSTRATED PARTS CATALOG**

SUB-SEC UNIT & ITEM NO	PART NO.	DESCRIPTION 1 2 3 4 5 6 7	UNITS	USABLE ON CODE
			PER ASSY	
30-10 -37	NAS427K10	.. PIN, CABLE RETAINING.....	2	
-38	MS24566-4B	.. PULLEY..... /ATTACHING PARTS/	1	
-39	130909N32	.. NUT.....	1	
-40	AN960-416L	.. WASHER.....	1	
-41	130909B38	.. BOLT.....	1	
		---★---		
-42	NAS427K12	.. PIN, CABLE RETAINING.....	2	
-43	MS20220-2	.. PULLEY..... /ATTACHING PARTS/	1	
-44	130909N24	.. NUT.....	1	
-45	AN960-516L	.. WASHER.....	1	
-46	130909B59	.. BOLT.....	1	
		---★---		
-47	AN535-2-3	.. SCREW.....	2	
-48	122-524014-3	.. TUBE ASSY, WELDED.....	1	
	122-524071-1	.. FITTING ASSY..... /ATTACHING PARTS/	1	
-49	130909N29	.. NUT.....	5	
-50	AN960C10L	.. WASHER.....	5	
-51	MS27039C1-21	.. SCREW.....	5	
		---★---		
-52	MS27648-21	.. BEARING.....	1	
-53	122-524071-3	.. FITTING.....	1	
	122-524071-5	.. FITTING ASSY..... /ATTACHING PARTS/	1	
-54	130909N32	.. NUT.....	3	
-55	AN960C416L	.. WASHER.....	5	
-56	AN4C14A	.. BOLT.....	2	
-57	AN4C13A	.. BOLT.....	1	
		---★---		
-58	MS27644-5	.. BEARING.....	1	
-59	122-524071-7	.. FITTING.....	1	
-60	MS25083-2CD6	.. JUMPER, BONDING.....	2	
R	122-524106-1	.. COVER INSTL, FLOOR/SEE CHAPTER 53/.....	NP	

**Beechcraft**  
**STARSHIP 1**  
**ILLUSTRATED PARTS CATALOG**

**27-30-20**  
**ELEVATOR TRIM TAB CONTROL ACTUATOR**

**Beechcraft**  
**STARSHIP 1**  
**ILLUSTRATED PARTS CATALOG**



2000-164-01

**FIGURE 30-20.ELEVATOR TRIM CONTROL ACTUATOR**

  
**STARSHIP 1**  
**ILLUSTRATED PARTS CATALOG**

SUB-SEC UNIT & ITEM NO	PART NO.	DESCRIPTION 1 2 3 4 5 6 7	UNITS	USABLE
			PER ASSY	ON CODE
30-20	122-526057-3	ACTUATOR INSTL, LH ELEVATOR TRIM TAB CONTROL.....	NP	
	122-526057-4	ACTUATOR INSTL, RH ELEVATOR TRIM TAB CONTROL.....	NP	
- 1	122-381016-3	. ACTUATOR ASSY, LH ELEVATOR TRIM TAB CONTROL .....	1	
	122-381016-4	. ACTUATOR ASSY, RH ELEVATOR TRIM TAB CONTROL .....	1	
		/ATTACHING PARTS/		
- 2	MS24665-71	. PIN, COTTER .....	2	
- 3	130909N45	. NUT .....	2	
- 4	AN960-10L	. WASHER/USE ONE UNDER EACH NUT & AS REQUIRED .....	AR	
		BETWEEN ROD END AND TAB HORN FOR PROPER ALIGNMENT/		
- 5	AN960JD416L	. WASHER/USE AS REQUIRED BETWEEN ROD END AND.....	AR	
		TAB HORN FOR PROPER ALIGNMENT/		
- 6	NAS6203-11D	. BOLT .....	2	
- 7	NAS1203-3	. BOLT .....	6	

-----★-----



**Beechcraft**  
**STARSHIP 1**  
**ILLUSTRATED PARTS CATALOG**

**27-30-30**  
**STALL WARNING**

Beechcraft  
STARSHIP 1  
ILLUSTRATED PARTS CATALOG

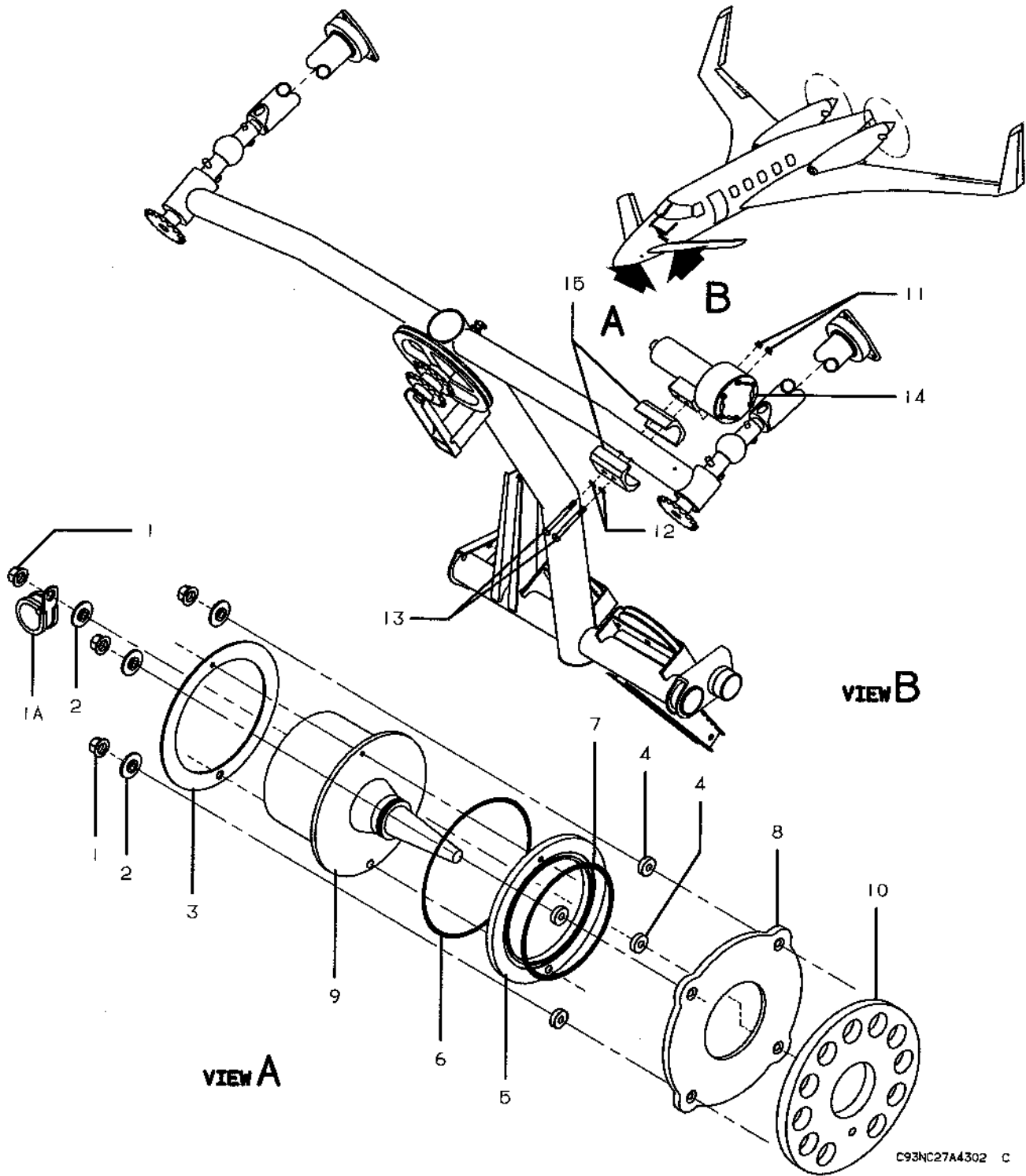
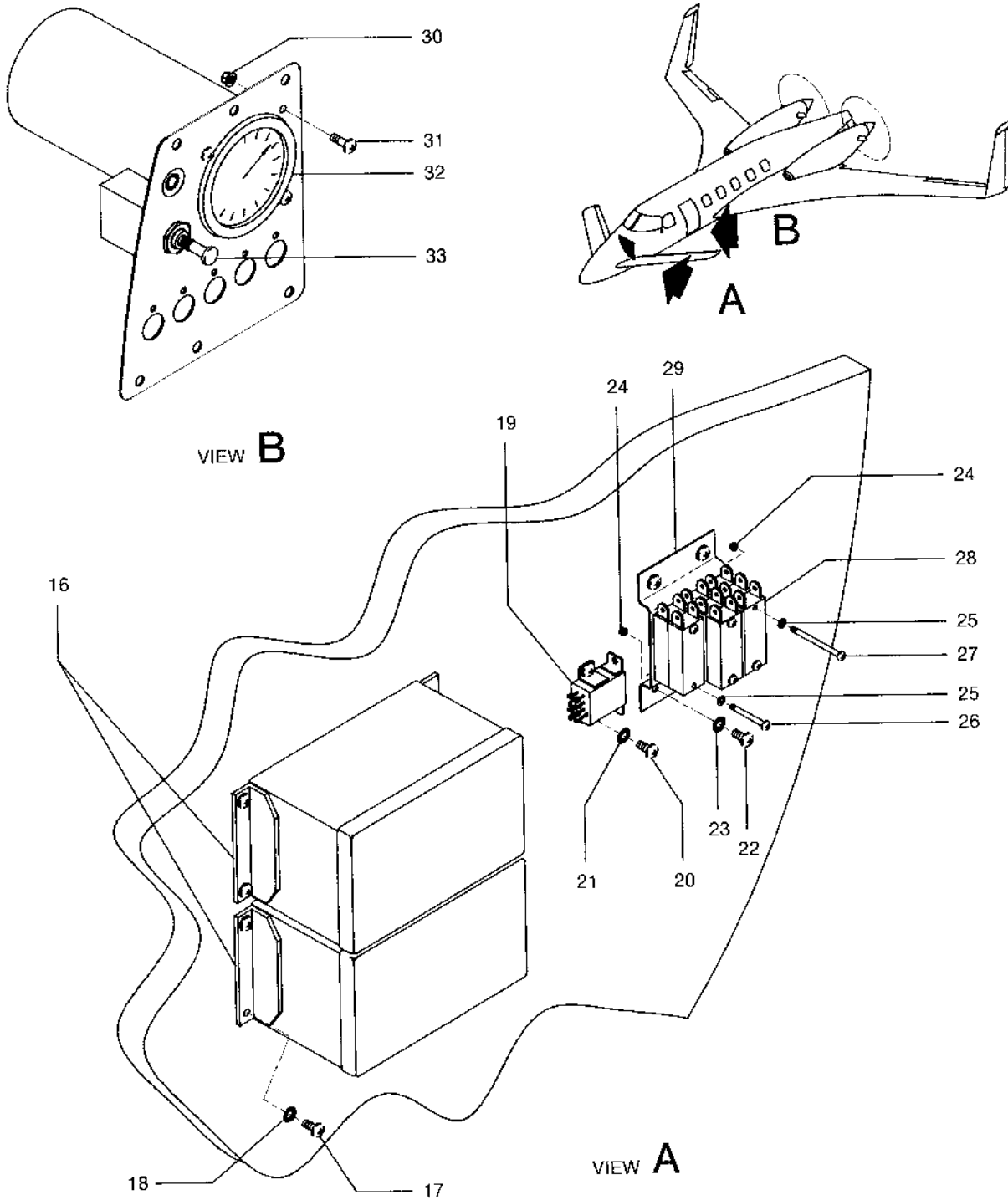


FIGURE 30-30. STALL WARNING  
/SHEET 1 OF 2 SHEETS/

**Beechcraft**  
**STARSHIP 1**  
**ILLUSTRATED PARTS CATALOG**

SUB-SEC UNIT & ITEM NO	PART NO.	DESCRIPTION 1 2 3 4 5 6 7	UNITS PER ASSY	USABLE ON CODE
30-30	122-364191-1	TRANSMITTER INSTL, ANGLE OF ATTACK NOSE LH .....	NP	
	122-364191-2	TRANSMITTER INSTL, ANGLE OF ATTACK NOSE RH .....	NP	
	122-364191-5	. PLATE ASSY, MOUNTING .....	1	
- 1	MS20365D1032A	.. NUT .....	4	
- 1A	MS21919WDG16	.. CLAMP .....	1	
- 2	397-127	.. CLAMP .....	4	
- 3	397-288	.. RING, INDEXING .....	1	
- 4	397-126	.. NUT, SPANNER .....	4	
- 5	397-291	.. RING, ADAPTER .....	1	
- 6	AN6230-21	.. PACKING, PREFORMED .....	1	
- 7	AN6230-15	.. PACKING, PREFORMED .....	1	
- 8	397-146	.. PLATE & STUD ASSY, MOUNTING .....	1	
- 9	SLZ7306	. TRANSMITTER .....	1	
- 10	122-364191-3	. PLATE, LH ADAPTER .....	1	
	122-364191-4	. PLATE, RH ADAPTER .....	1	
	122-524000-3	FLIGHT CONTROL SYSTEM INSTL, FUSELAGE .....	NP	
- 11	MS27042L3	. NUT .....	2	
- 12	AN960-10	. WASHER .....	2	
- 13	MS27039-1-33	. SCREW .....	2	
- 14	C04402-3	. SHAKER, CONTROL .....	1	
- 15	122-524000-5	. BLOCK .....	1	
	131984-5	CIRCUIT BREAKER, STALL WARNING/SEE CHAPTER .....	1	
		39/		
	MB2D11SW06BK	TEST SWITCH, STALL WARNING/SEE CHAPTER .....	1	
		39/		
	169-380021-9	HORN, STALL WARNING/SEE CHAPTER 25/ .....	1	
	122-382144-1	LIGHT ASSY, STALL WARNING/SEE CHAPTER 25/ .....	1	
	STL20	G SWITCH/SEE CHAPTER 39/ .....	1	

**Beechcraft**  
**STARSHIP 1**  
**ILLUSTRATED PARTS CATALOG**



2000 155-06

**FIGURE 30-30. STALL WARNING**  
**/SHEET 2 OF 2 SHEETS/**

**Beechcraft**  
**STARSHIP 1**  
**ILLUSTRATED PARTS CATALOG**

SUB-SEC UNIT & ITEM NO	PART NO.	DESCRIPTION 1 2 3 4 5 6 7	UNITS	USABLE
			PER ASSY	ON CODE
30-30	122-364000-5	ELECTRICAL EQUIPMENT INSTL, FUSELAGE .....	NP	
-16	SLZ7886	. COMPUTER, STALL WARNING .....	2	
		/ATTACHING PARTS/		
-17	MS27039-1-09	. SCREW .....	4	
-18	MS35333-39	. WASHER, LOCK .....	4	
		---*---		
-19	50-380048-1	. RELAY, STICK PUSHER DISCONNECT .....	1	
		/ATTACHING PARTS/		
-20	MS35206-22B	. SCREW .....	2	
-21	MS35333-37	. WASHER, LOCK .....	2	
		---*---		
	1N4007	. DIODE .....	1	
	122-364000-25	. BRACKET ASSY .....	1	
		/ATTACHING PARTS/		
-22	MS27039-1-09	. SCREW .....	4	
-23	MS35333-39	. WASHER, LOCK .....	4	
		---*---		
-24	MS21042L04	. . NUT .....	6	
-25	AN960-4L	. . WASHER .....	6	
-26	MS35206-325	. . SCREW .....	2	
-27	MS35206-326	. . SCREW .....	4	
-28	704-15K36	. . TRANSZORB .....	8	
-29	122-364000-27	. . BRACKET .....	1	
-30	MS33737-16	NUT .....	3	
-31	R MS35214-31	SCREW .....	3	
-32	122-382153-1	INDICATOR, ANGLE OF ATTACK .....	1	
-33	A3-202-05	SWITCH, ANGLE OF ATTACK .....	1	

**Beechcraft**  
**STARSHIP 1**  
**ILLUSTRATED PARTS CATALOG**

**27-30-40**  
**CONTROL COLUMN STABILIZING BOB WEIGHT**

Beechcraft  
STARSHIP 1  
ILLUSTRATED PARTS CATALOG

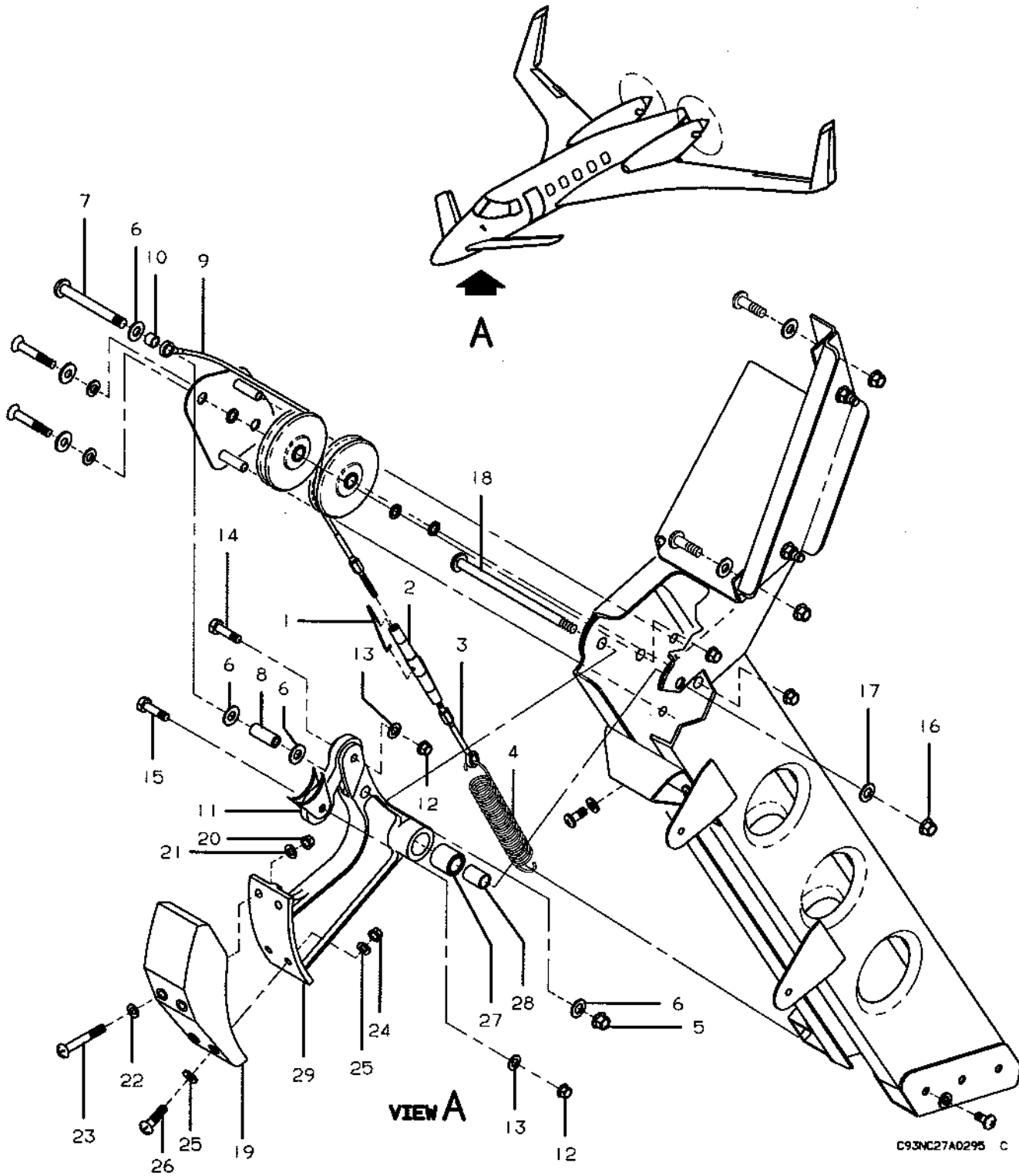


FIGURE 30-40. STABILIZING BOB WEIGHT  
/SHEET 1 OF 2 SHEETS/

**Beechcraft**  
**STARSHIP 1**  
**ILLUSTRATED PARTS CATALOG**

SUB-SEC UNIT & ITEM NO	PART NO.	DESCRIPTION 1 2 3 4 5 6 7	UNITS	USABLE
			PER ASSY	ON CODE
30-40	R 122-524115-1	STABILIZING WEIGHT AND SPRING INSTL.....	NP	1
		CONTROL COLUMN		
	R 122-524115-31	STABILIZING WEIGHT AND SPRING INSTL.....	NP	2
		CONTROL COLUMN		
- 1	MS21256-1	. CLIP, TURNBUCKLE LOCKING .....	2	
- 2	MS21251B2S	. TURNBUCKLE .....	1	
- 3	MS21254-2RS	. EYE .....	1	
- 4	101-524135-1	. SPRING .....	1	
- 5	130909N29	. NUT .....	1	
- 6	AN960-10L	. WASHER .....	4	
- 7	MS27039-1-35	. SCREW .....	1	
- 8	NAS42HT6-52	. BUSHING .....	1	
- 9	122-524118-1	. CABLE ASSY .....	1	
- 10	122-524118-7	. BUSHING .....	1	
- 11	101-524112-1	. LINK ASSY .....	1	
		/ATTACHING PARTS/		
- 12	130909N32	. NUT .....	2	
- 13	R AN960-416L	. WASHER/USE ONE UNDER EACH NUT & AS REQUIRED .....	AR	
		BETWEEN THE LINK ASSY AND THE CONTROL COLUMN TO ALIGN WEIGHT ASSY/		
- 14	130909B38	. BOLT .....	1	
- 15	130909B36	. BOLT .....	1	
		---*---		
	MS27261KSP4A	. . BEARING.....	2	
	122-524115-23	. WEIGHT ASSY, STABILIZING .....	1	1
	122-524115-33	. WEIGHT ASSY, STABILIZING .....	1	2
		/ATTACHING PARTS/		
- 16	130909N32	. NUT .....	1	
- 17	AN960-416L	. WASHER .....	1	
- 18	AN24-42A	. BOLT/HEAD TO INBD SIDE/ .....	1	
		---*---		
- 19	122-524117-1	. . WEIGHT, STABILIZING .....	1	1
	122-524117-3	. . WEIGHT, STABILIZING .....	1	2
		/ATTACHING PARTS/		
- 20	130909N32	. . NUT .....	2	
- 21	AN960-416L	. . WASHER .....	2	
- 22	100951X032WG	. . WASHER .....	2	
- 23	MS27039-4-33	. . SCREW.....	2	1
	MS27039-4-30	. . SCREW.....	2	2
- 24	130909N29	. . NUT .....	2	
- 25	R AN960-10L	. . WASHER .....	4	
- 26	MS27039-1-18	. . SCREW.....	2	
		---*---		
	R 122-524116-1	. . BELLCRANK ASSY .....	1	
- 27	MS27641KP4A	. . BEARING.....	2	
- 28	102933S6ZS1566	. . SPACER .....	1	
- 29	122-524116-3	. . BELLCRANK .....	1	



Beechcraft  
STARSHIP 1  
ILLUSTRATED PARTS CATALOG

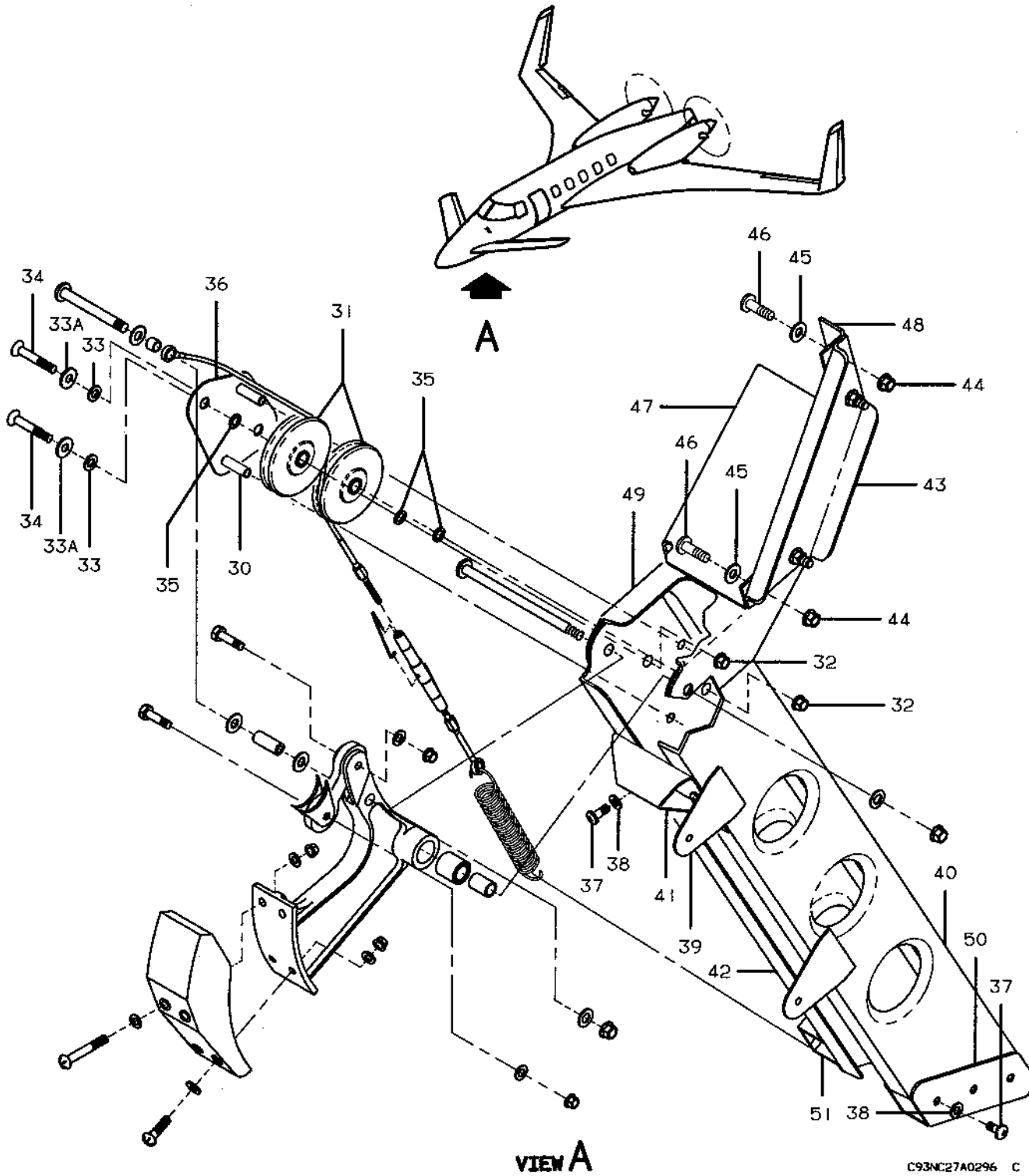


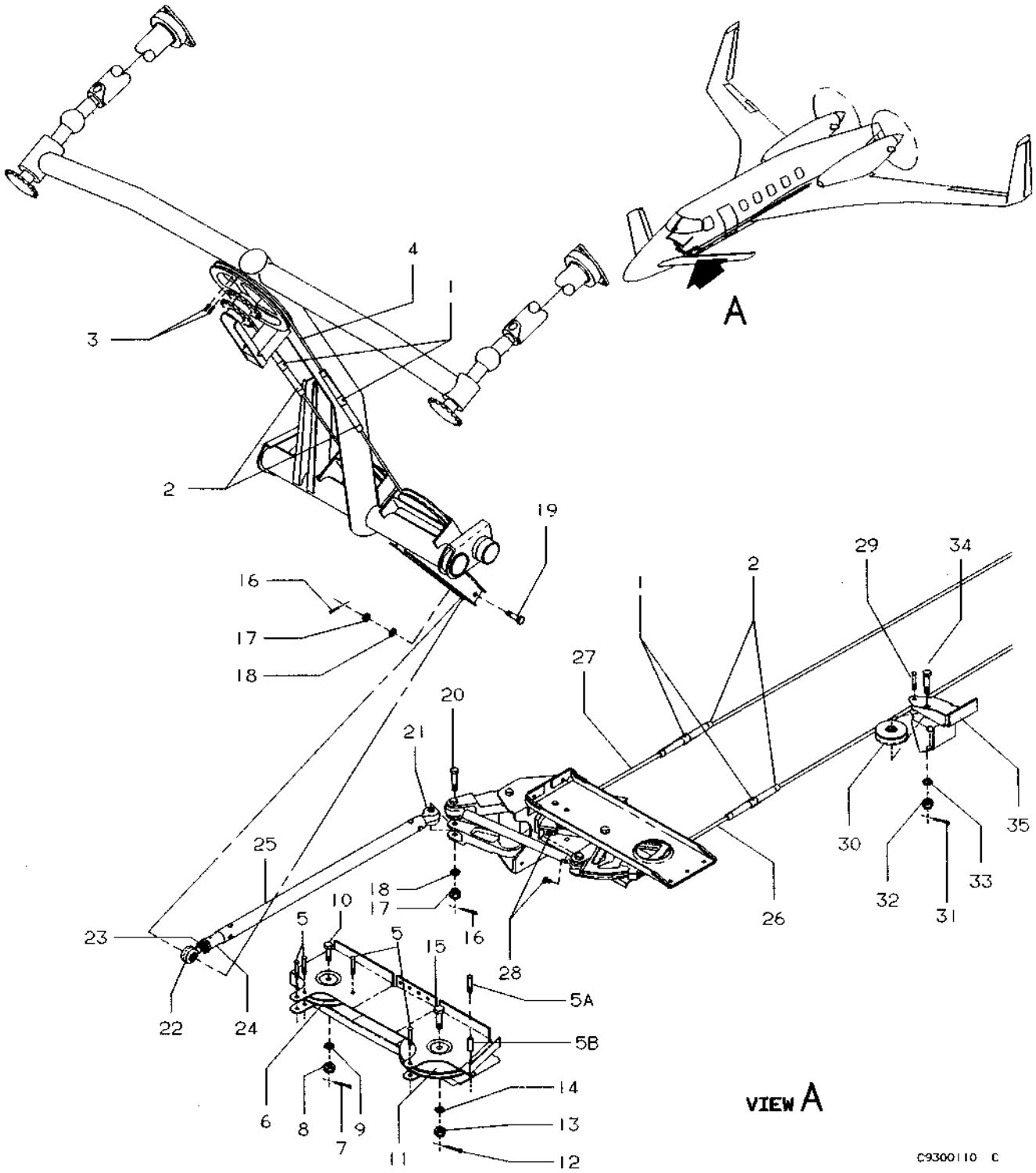
FIGURE 30-40. STABILIZING BOB WEIGHT  
/SHEET 2 OF 2 SHEETS/



**Beechcraft**  
**STARSHIP 1**  
**ILLUSTRATED PARTS CATALOG**

**27-31-00**  
**ELEVON CONTROLS**

**Beechcraft**  
**STARSHIP 1**  
**ILLUSTRATED PARTS CATALOG**

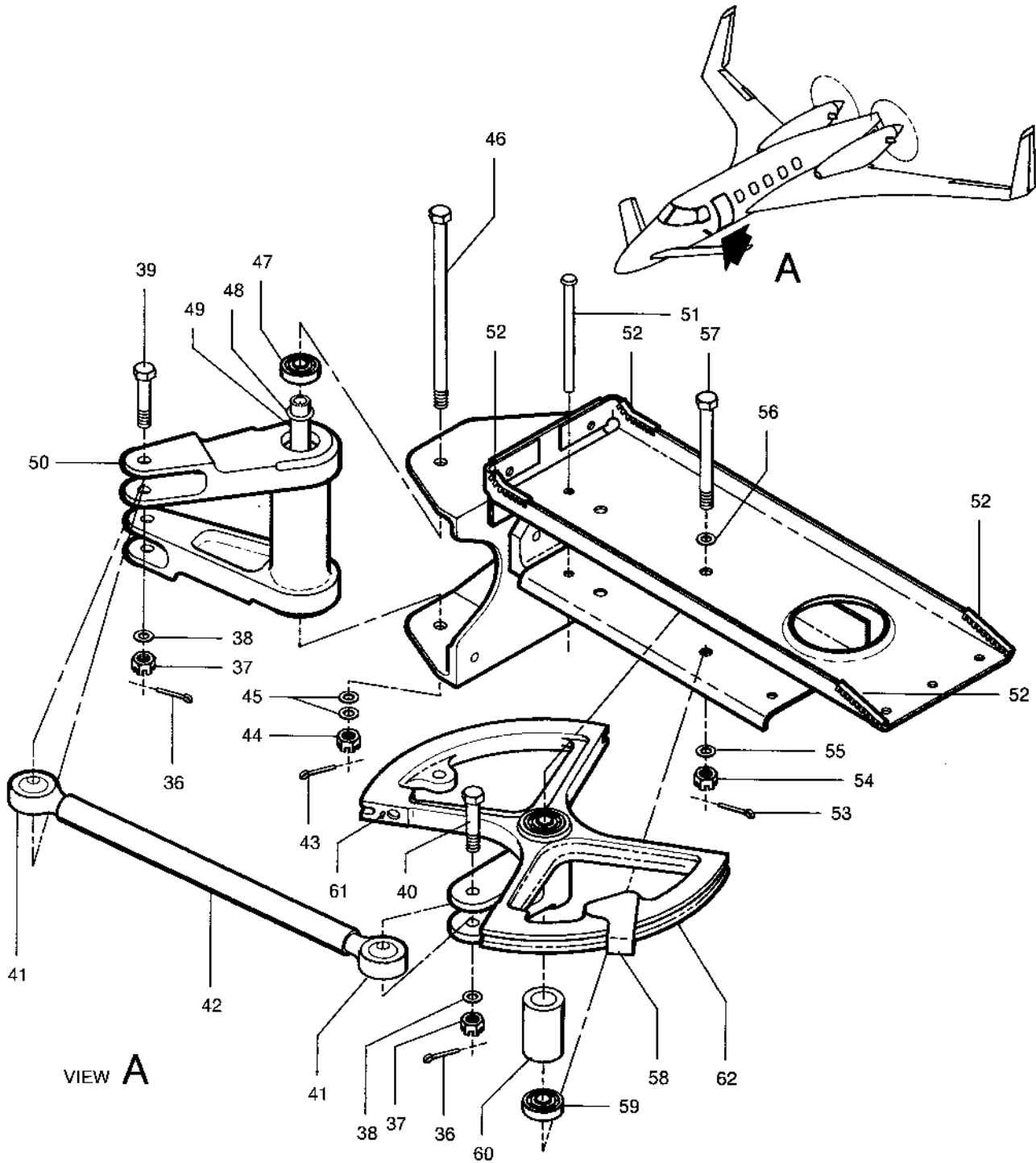


**FIGURE 31-00.ELEVON CONTROLS**  
**/SHEET 1 OF 6 SHEETS/**

**Beechcraft**  
**STARSHIP 1**  
**ILLUSTRATED PARTS CATALOG**

SUB-SEC UNIT & ITEM NO	PART NO.	DESCRIPTION 1 2 3 4 5 6 7	UNITS	USABLE
			PER ASSY	ON CODE
31-00	122-524000-3	FLIGHT CONTROL SYSTEM INSTL, FUSELAGE .....	NP	
- 1	MS21256-2	. CLIP .....	8	
- 2	MS21251B5L	. TURNBUCKLE .....	4	
- 3	MS9048-006	. PIN .....	2	
- 4	122-521059-65	. CABLE ASSY, ROLL CONTROL .....	1	
- 5	NAS427K14	. PIN, CABLE GUARD .....	4	
- 5A	NAS427T14	. PIN, CABLE GUARD .....	1	
- 5B	NAS43DD3-20	. SPACER/UNDER PIN HEAD/ .....	1	
- 6	MS24566-4B	. PULLEY .....	1	
		/ATTACHING PARTS/		
- 7	MS24665-134	. PIN, COTTER .....	1	
- 8	MS17826-4	. NUT .....	1	
- 9	AN960-416L	. WASHER .....	1	
- 10	NAS6204-12D	. BOLT .....	1	
		-----★-----		
- 11	MS20220-3	. PULLEY .....	1	
		/ATTACHING PARTS/		
- 12	MS24665-134	. PIN, COTTER .....	1	
- 13	MS17826-5	. NUT .....	1	
- 14	AN960-516L	. WASHER .....	1	
- 15	NAS6205-12D	. BOLT .....	1	
		-----★-----		
	122-526037-15	. ROD ASSY, PITCH CONTROL/ORDER 122-526037-85.....	NP	1
		FOR SPARES/		
	122-526037-85	. ROD ASSY, PITCH CONTROL .....	1	2
		/ATTACHING PARTS/		
- 16	MS24665-134	. PIN, COTTER .....	1	
- 17	MS17826-4	. NUT .....	1	
- 18	AN960-416L	. WASHER .....	1	
- 19	NAS6204-11D	. BOLT .....	1	
- 20	NAS6204-13D	. BOLT .....	1	
		-----★-----		
- 21	R RE4M6	. . ROD END.....	1	
- 22	R RE4S10	. . ROD END.....	1	
- 23	AN316-6R	. . NUT .....	1	
- 24	122-526037-7	. . INSERT .....	1	
- 25	122-526037-17	. . TUBE .....	1	1
	122-526037-83	. . TUBE .....	1	2
- 26	122-521059-77	. CABLE ASSY, PITCH NOSE DOWN CONTROL .....	1	
- 27	122-521059-81	. CABLE ASSY, PITCH NOSE UP CONTROL .....	1	
		/ATTACHING PARTS/		
- 28	AN502-10-8	. SCREW.....	1	
		-----★-----		
	122-524013-1	. CONTROL COLUMN INSTL/SEE CHAPTER 27-30-10/ .....	1	
	122-524020-1	. BRACKET INSTL, ROLL CONTROL CABLE PULLEY .....	NP	
- 29	NAS427K12	. . PIN, GUARD .....	1	
- 30	MS20220-1	. . PULLEY, ROLL CONTROL CABLE .....	1	
		/ATTACHING PARTS/		
- 31	MS24665-134	. . PIN, COTTER .....	1	
- 32	MS17826-5	. . NUT .....	1	
- 33	AN960-516L	. . WASHER .....	1	
- 34	NAS6205-11D	. . BOLT .....	1	
		-----★-----		
- 35	122-524020-9	. . BRACKET ASSY, ROLL CONTROL CABLE PULLEY.....	1	3
	122-524020-19	. . BRACKET ASSY, ROLL CONTROL CABLE PULLEY.....	1	4

Beechcraft  
**STARSHIP 1**  
 ILLUSTRATED PARTS CATALOG



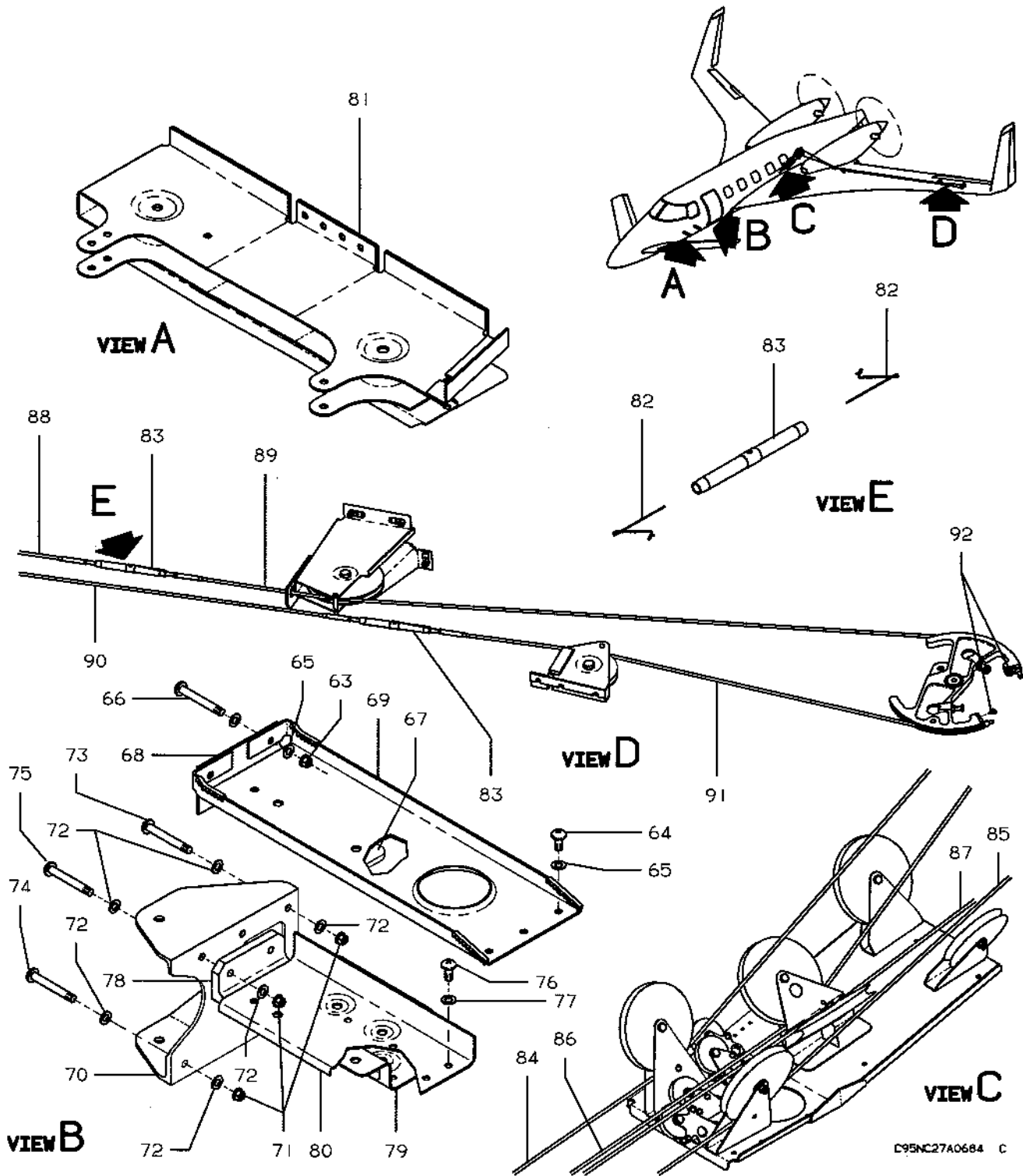
2000-150-09

**FIGURE 31-00.ELEVON CONTROLS**  
 /SHEET 2 OF 6 SHEETS/

**Beechcraft**  
**STARSHIP 1**  
**ILLUSTRATED PARTS CATALOG**

SUB-SEC UNIT & ITEM NO	PART NO.	DESCRIPTION 1 2 3 4 5 6 7	UNITS	USABLE
			PER ASSY	ON CODE
31-00	122-524075-1	. SECTOR INSTL, PITCH CONTROL.....	NP	
	122-524078-1	.. ROD ASSY .....	1	
		/ATTACHING PARTS/		
-36	MS24665-134	.. PIN, COTTER .....	2	
-37	MS17826-4	.. NUT .....	2	
-38	AN960PD416	.. WASHER .....	2	
-39	130909B210	.. BOLT .....	1	
-40	NAS6204-15D	.. BOLT .....	1	
		-----★-----		
-41	RE4M6	... ROD END.....	2	
-42	122-524078-3	... ROD .....	1	
	122-524096-1	.. BELL CRANK ASSY, PITCH IDLER.....	1	
		/ATTACHING PARTS/		
-43	MS24665-134	.. PIN, COTTER .....	1	
-44	MS17826-4	.. NUT .....	1	
-45	R AN960PD416	.. WASHER .....	2	
-46	NAS6204-66D	.. BOLT .....	1	
		-----★-----		
-47	MKP4A-FS464	... BEARING .....	2	
-48	MS28775-203	... PACKING, PREFORMED .....	2	
-49	NAS43HT4-211	... SPACER .....	1	
-50	122-524096-3	... BELL CRANK .....	1	
-51	NAS427K36	.. PIN, CABLE GUARD .....	1	
-52	MS21268-2N	.. GROMMET/1.2 INCHES LONG/.....	4	
	122-524101-5	.. SECTOR ASSY, PITCH.....	1	
		/ATTACHING PARTS/		
-53	MS24665-134	.. PIN, COTTER .....	1	
-54	MS17826-5	.. NUT .....	1	
-55	AN960PD516	.. WASHER .....	1	
-56	AN960PD516L	.. WASHER .....	1	
-57	NAS6205-36D	.. BOLT .....	1	
		-----★-----		
-58	122-524011-5	... GUARD .....	1	
-59	MS27641-5	... BEARING .....	2	
-60	122-524080-1	... SPACER, BEARING .....	1	
-61	MS9048-006	... PIN, SPRING .....	2	
	130077-5L01	... INSERT .....	2	
-62	122-524101-7	... SECTOR .....	1	

Beechcraft  
 STARSHIP 1  
 ILLUSTRATED PARTS CATALOG



D95NC27A0684 C

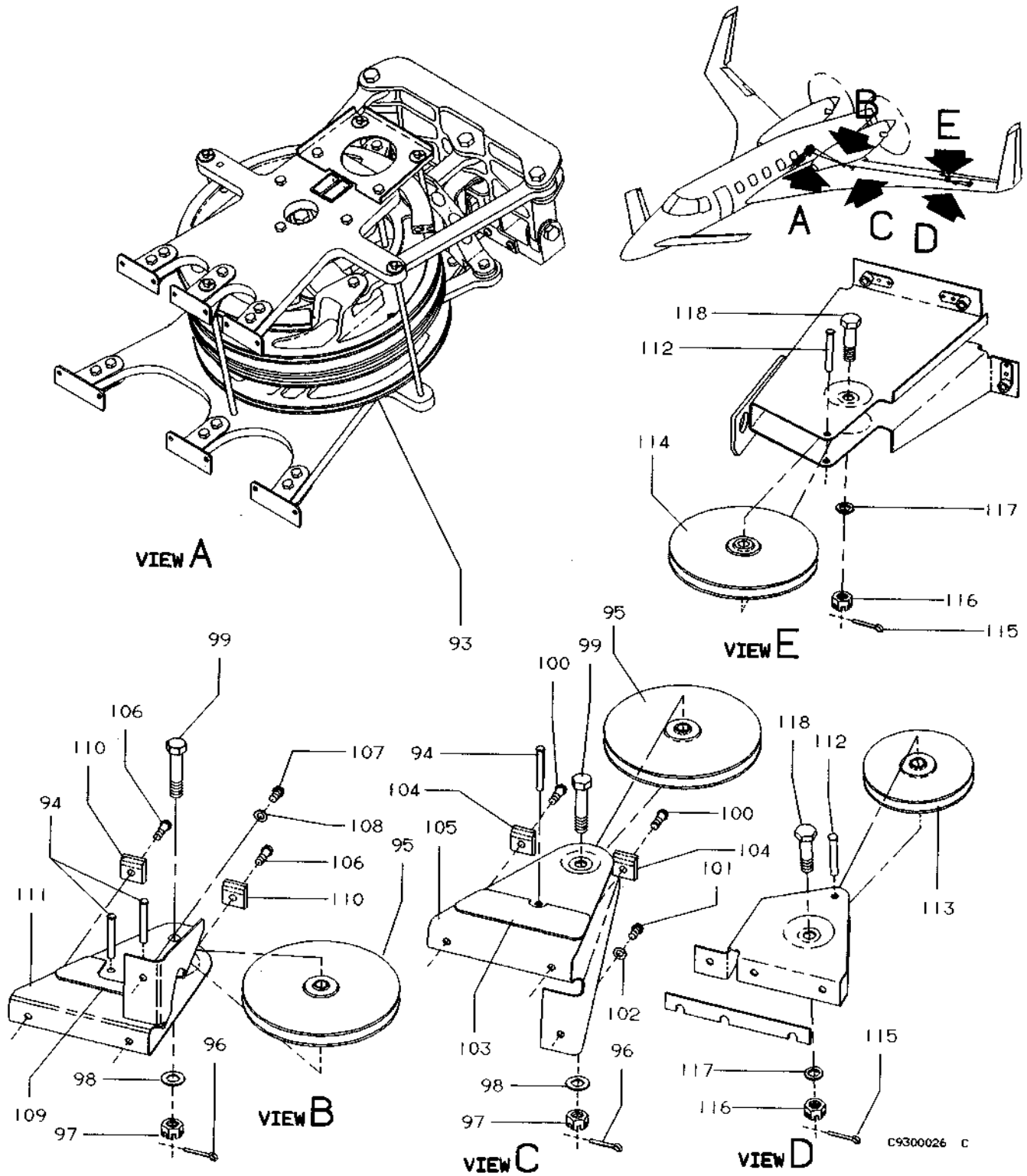
FIGURE 31-00.ELEVON CONTROLS  
 /SHEET 3 OF 6 SHEETS/



**Beechcraft**  
**STARSHIP 1**  
**ILLUSTRATED PARTS CATALOG**

SUB-SEC UNIT & ITEM NO	PART NO.	DESCRIPTION 1 2 3 4 5 6 7	UNITS	USABLE
			PER ASSY	ON CODE
31-00	122-524085-1	.. SUPPORT ASSY, PITCH SECTOR UPPER.....	1	5
	122-524085-11	.. SUPPORT ASSY, PITCH SECTOR UPPER.....	1	6
		/ATTACHING PARTS/		
-63	130909N29	.. NUT .....	4	
-64	MS27039-1-08	.. SCREW.....	3	
-65	AN960PD10L	.. WASHER.....	11	
-66	MS27039-1-22	.. SCREW.....	4	
		-----*		
-67	122-524085-5	.. PLATE.....	1	
-68	R 122-524085-7	.. SUPPORT, TEE.....	1	
-69	122-524085-3	.. SUPPORT.....	1	5
	122-524085-9	.. SUPPORT.....	1	6
-70	122-524077-1	.. BRACKET, PITCH IDLER BELLCRANK.....	1	
		/ATTACHING PARTS/		
-71	130909N29	.. NUT .....	5	
-72	AN960PD10L	.. WASHER.....	14	
-73	MS27039-1-21	.. SCREW.....	2	
-74	MS27039-1-23	.. SCREW.....	1	
-75	MS27039-1-25	.. SCREW.....	2	
		-----*		
	122-524012-1	.. SUPPORT ASSY, SECTOR LOWER .....	1	
		/ATTACHING PARTS/		
-76	MS27039-1-08	.. SCREW.....	3	
-77	AN960PD10L	.. WASHER.....	3	
		-----*		
-78	122-524012-7	.. ANGLE, CLIP.....	1	
-79	122-524012-3	.. BRACKET .....	1	
-80	122-524012-5	.. BRACKET.....	1	
-81	122-524018-1	. BRACKET ASSY, ROLL CONTROL CABLE PULLEY.....	1	
	122-521000-11	FLIGHT CONTROL INSTL, AFT WING .....	NP	
	122-521000-13	FLIGHT CONTROL INSTL, AFT WING .....	NP	
-82	MS21256-2	. CLIP.....	8	
-83	MS21251-B5L	. TURNBUCKLE .....	4	
-84	122-521059-109	. CABLE ASSY, ELEVON ROLL LEFT.....	1	
-85	122-521059-115	. CABLE ASSY, ELEVON ROLL RIGHT .....	1	
-86	122-521059-85	. CABLE ASSY, PITCH NOSE UP.....	1	
-87	122-521059-89	. CABLE ASSY, PITCH NOSE DOWN.....	1	
-88	122-521059-1	. CABLE ASSY, LH ELEVON NOSE UP & ROLL LEFT .....	1	
	122-521059-33	. CABLE ASSY, RH ELEVON NOSE UP & ROLL RIGHT .....	1	
-89	122-521059-5	. CABLE ASSY, LH ELEVON NOSE UP & ROLL LEFT .....	1	
	122-521059-37	. CABLE ASSY, RH ELEVON NOSE UP & ROLL RIGHT .....	1	
-90	122-521059-9	. CABLE ASSY, LH ELEVON NOSE DOWN & ROLL RIGHT .....	1	
	122-521059-41	. CABLE ASSY, RH ELEVON NOSE DOWN & ROLL LEFT .....	1	
-91	122-521059-13	. CABLE ASSY, LH ELEVON NOSE DOWN & ROLL RIGHT .....	1	1
	122-521059-137	. CABLE ASSY, LH ELEVON NOSE DOWN & ROLL RIGHT .....	1	2
	122-521059-45	. CABLE ASSY, RH ELEVON NOSE DOWN & ROLL LEFT .....	1	
		/ATTACHING PARTS/		
-92	AN502-10-8	. SCREW.....	1	
		-----*		

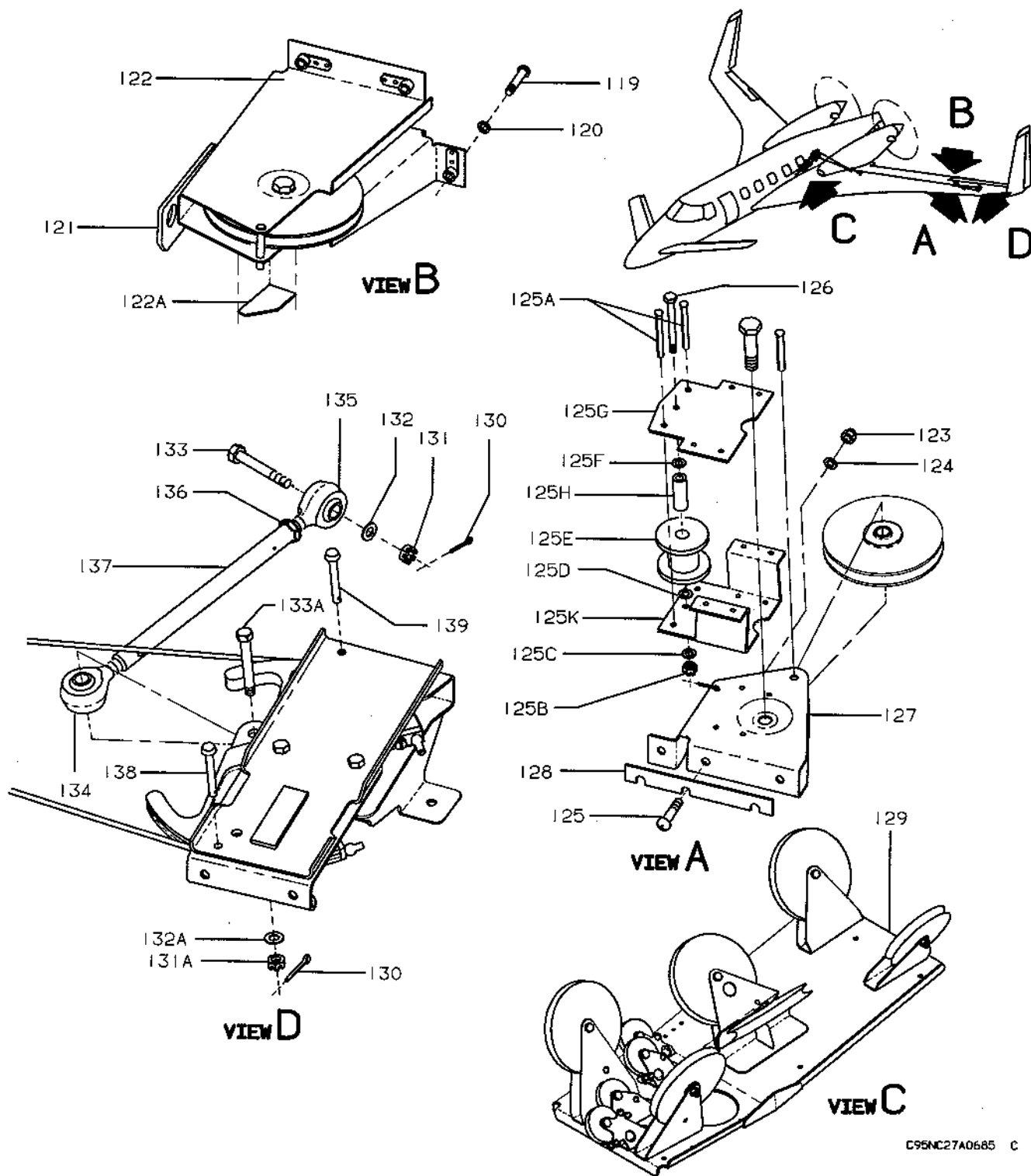
Beechcraft  
 STARSHIP 1  
 ILLUSTRATED PARTS CATALOG



**Beechcraft**  
**STARSHIP 1**  
**ILLUSTRATED PARTS CATALOG**

SUB-SEC UNIT & ITEM NO	PART NO.	DESCRIPTION 1 2 3 4 5 6 7	UNITS PER ASSY	USABLE ON CODE
31-00 -93	122-521026-1	. MIXER INSTL, ELEVON CONTROL/SEE CHAPTER..... 27-31-20/	NP	
	122-521071-37	. BRACKET INSTL, LH ELEVON CABLE PULLEY.....	NP	
	122-521072-43	. BRACKET INSTL, RH ELEVON CABLE PULLEY.....	NP	
-94 R	MS20392-2C29	.. PIN, PULLEY CABLE GUARD/LH ONLY/.....	2	
R	NAS427K14	.. PIN, PULLEY CABLE GUARD/1 LH, 3 RH/.....	4	
	AN960-10L	.. WASHER.....	AR	
	AN960-10	.. WASHER.....	AR	
	MS24665-132	.. PIN, COTTER.....	2	
-95	MS20220-3	.. PULLEY.....	2	
		/ATTACHING PARTS/		
-96	MS24665-134	.. PIN, COTTER.....	1	
-97	MS17825-5	.. NUT.....	1	
-98	AN960-516	.. WASHER.....	1	
-99	NAS6205-12D	.. BOLT.....	1	
		-----★-----		
R	122-521071-3	.. BRACKET ASSY, LH.....	1	
R	122-521072-41	.. BRACKET ASSY, RH.....	1	
		/ATTACHING PARTS/		
-100	MS27039-1-09	.. SCREW.....	2	
-101	MS27039-1-05	.. SCREW.....	1	
-102	AN960-10L	.. WASHER.....	1	
		-----★-----		
-103	122-521071-25	... RUB STRIP, LH PULLEY PHENOLIC LAMINATE.....	1	
-104 R	122-521071-19	... FILLER, RADIUS.....	1	
-105	122-521071-23	... BRACKET, LH.....	1	
R	122-521072-39	... BRACKET, RH.....	1	
R	122-521071-43	.. BRACKET ASSY, LH.....	1	
R	122-521072-5	.. BRACKET ASSY, RH.....	1	
		/ATTACHING PARTS/		
-106	MS27039-1-09	.. SCREW.....	2	
-107	MS27039-1-05	.. SCREW.....	1	
-108	AN960-10L	.. WASHER.....	1	
		-----★-----		
-109 R	122-521071-17	... RUB STRIP, LH PULLEY PHENOLIC.....	1	
	122-521072-15	... GROMMET, RH PULLEY.....	1	
-110	122-521071-19	... FILLER, RADIUS.....	2	
-111 R	122-521071-45	... BRACKET, LH.....	1	
R	122-521072-19	... BRACKET, RH.....	1	
	122-521073-55	. BRACKET INSTL, LH ELEVON PULLEY.....	NP	
R	122-521074-25	. BRACKET INSTL, RH ELEVON PULLEY.....	NP	
-112	NAS427K16	.. PIN, LH PULLEY CABLE GUARD.....	2	
	NAS427K12	.. PIN, RH PULLEY CABLE GUARD.....	2	
-113	MS20220-2	.. PULLEY.....	1	
-114	MS20220-3	.. PULLEY.....	1	
		/ATTACHING PARTS/		
-115	MS24665-134	.. PIN, COTTER.....	1	
-116	MS17825-5	.. NUT.....	1	
-117	AN960-516	.. WASHER, LH.....	1	
	AN960D516L	.. WASHER, RH.....	1	
-118	NAS6205-12D	.. BOLT.....	1	
		-----★-----		

**Beechcraft**  
**STARSHIP 1**  
**ILLUSTRATED PARTS CATALOG**



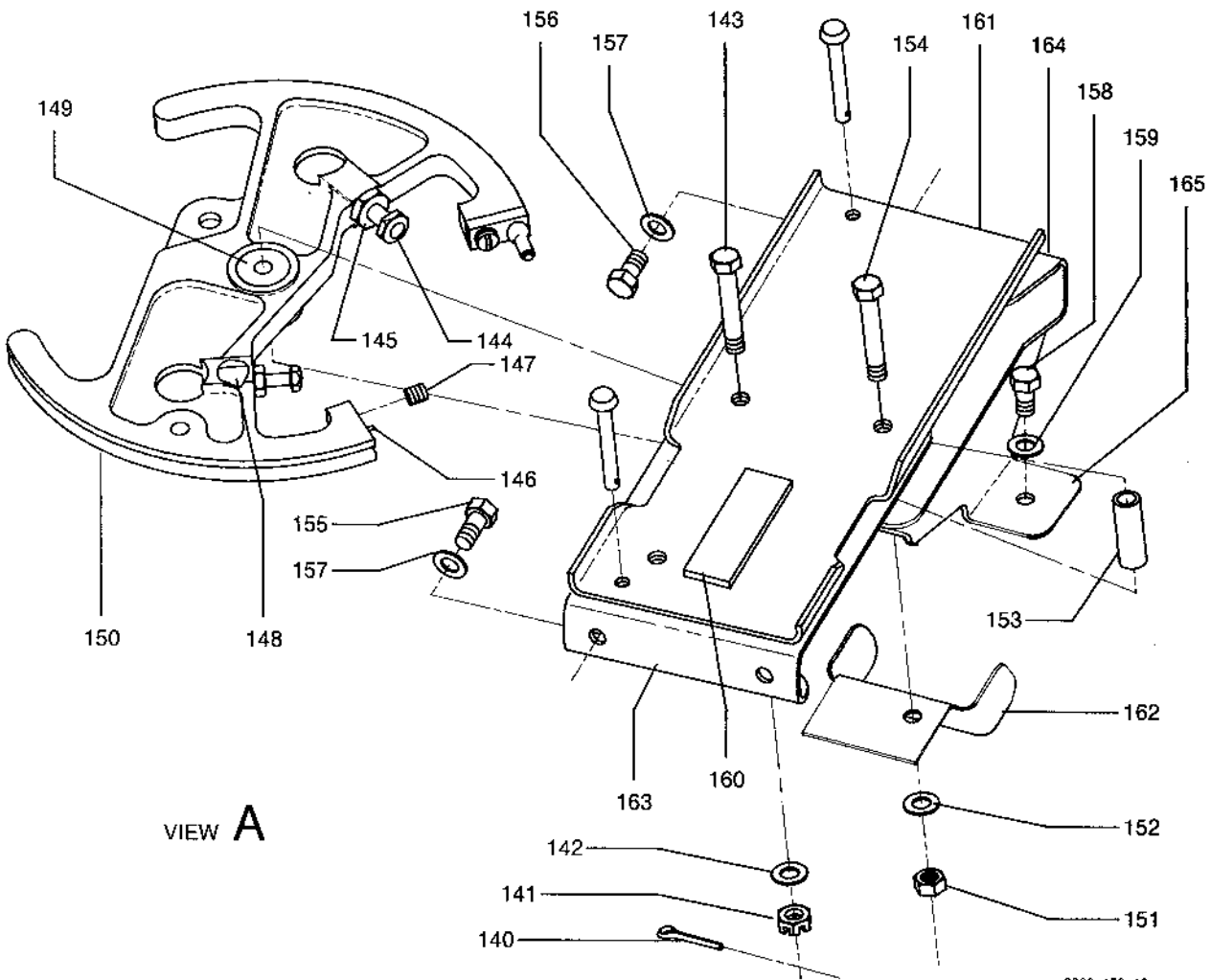
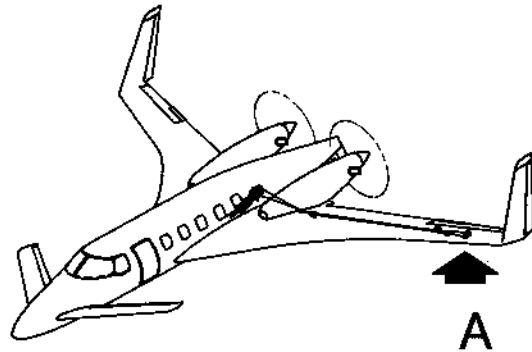
C95NC27A0685 C

**FIGURE 31-00.ELEVON CONTROLS**  
**/SHEET 5 OF 6 SHEETS/**

**Beechcraft**  
**STARSHIP 1**  
**ILLUSTRATED PARTS CATALOG**

SUB-SEC UNIT & ITEM NO	PART NO.	DESCRIPTION 1 2 3 4 5 6 7	UNITS PER ASSY	USABLE ON CODE
31-00	122-521073-39	.. BRACKET ASSY, LH.....	1	
	122-521074-15	.. BRACKET ASSY, RH.....	1	
		/ATTACHING PARTS/		
-119	MS27039C1-18	.. SCREW, LH.....	5	
	MS27039C1-17	.. SCREW, RH.....	5	
-120	R AN960C10L	.. WASHER, LH.....	5	
	R AN960C10	.. WASHER, RH.....	5	
		★-----		
-121	122-521073-13	... RUB STRIP, LH BRACKET PHENOLIC.....	1	
	122-521074-9	... RUB STRIP, RH BRACKET PHENOLIC.....	1	
	R MS21051L3	... NUTPLATE, LH.....	5	
	R 130909N33	... NUTPLATE, RH.....	1	
	R MS21051L3	... NUTPLATE, RH.....	4	
-122	122-521073-41	... BRACKET, LH.....	1	
	R 122-521074-17	... BRACKET, RH.....	1	
-122A	122-521073-53	... RUB STRIP, LH BRACKET PHENOLIC.....	1	
	122-521073-57	.. BRACKET ASSY, LH.....	1	
	R 122-521074-27	.. BRACKET ASSY, RH.....	1	
		/ATTACHING PARTS/		
-123	130909N29	.. NUT/3 LH, 4 RH/.....	3	
-124	R AN960C10L	.. WASHER, LH.....	3	
	R AN960C10	.. WASHER, RH.....	4	
-125	MS27039C1-18	.. SCREW, LH.....	3	
	MS27039C1-17	.. SCREW, RH.....	4	
		★-----		
-125A	R NAS427-21	... PIN.....	2	
-125B	R 130909N29	... NUT.....	1	
-125C	R AN960-10L	... WASHER.....	1	
-125D	R AN960-516	... WASHER.....	1	
-125E	R 122-521073-85	... FAIRLEAD.....	1	
-125F	R AN960-516L	... WASHER.....	1	
-125G	R 122-521073-61	... BRACKET.....	1	
-125H	105739X-ZW1230	... BEARING.....	1	
-125K	R 122-521073-63	... BRACKET.....	1	
-126	R AN3-15A	... BOLT, LH.....	1	
	R AN3-12A	... BOLT, RH.....	1	
-127	122-521073-59	... BRACKET, LH.....	1	
	R 122-521074-29	... BRACKET, RH.....	1	
-128	R 122-521073-49	... SHIM, LH.....	AR	
-129	122-521079-89	.. PLATFORM INSTL, PULLEY BANK/SEE CHAPTER.....	NP	
		27-00-10/		
	122-521113-1	.. SECTOR INSTL, LH ELEVON.....	NP	
	122-521113-2	.. SECTOR INSTL, RH ELEVON.....	NP	
	R 122-521116-13	.. ROD ASSY, ELEVON PUSH/PULL.....	NP	3
		/ORDER 122-521116-9 FOR SPARES/		
	R 122-521116-9	.. ROD ASSY, ELEVON PUSH/PULL.....	1	4
		/ATTACHING PARTS/		
-130	MS24665-134	.. PIN, COTTER.....	2	
-131	MS17826-5	.. NUT.....	2	
-131A	R MS17826-5	.. NUT.....	1	3
	R MS17826-4	.. NUT.....	1	4
-132	R AN960-416	.. WASHER.....	2	4
-132A	R AN960-516	.. WASHER.....	1	3
	R AN960-416	.. WASHER.....	1	4
-133	R NAS6205-14D	.. BOLT.....	1	
-133A	R NAS6205-19D	.. BOLT.....	1	3
	R NAS6204-17D	.. BOLT.....	1	4
		★-----		
-134	MS21151-10	... ROD END.....	1	
-135	RE4M6	... ROD END.....	1	
-136	AN316-6R	... NUT, JAM.....	1	
-137	R 122-521116-15	... TUBE.....	1	3
	R 122-521116-11	... TUBE.....	1	4
-138	NAS427K15	.. PIN, CABLE GUARD.....	1	
-139	NAS427K18	.. PIN, CABLE GUARD.....	1	

Beechcraft  
 STARSHIP 1  
 ILLUSTRATED PARTS CATALOG



2000-150-13

FIGURE 31-00.ELEVON CONTROLS  
 /SHEET 6 OF 6 SHEETS/

**Beechcraft**  
**STARSHIP 1**  
**ILLUSTRATED PARTS CATALOG**

SUB-SEC UNIT & ITEM NO	PART NO.	DESCRIPTION 1 2 3 4 5 6 7	UNITS	USABLE
			PER ASSY	ON CODE
31-00	R 122-521114-1	.. SECTOR ASSY, LH/ORDER 122-521106-9 .....	NP	3
		FOR SPARES/		
	R 122-521106-9	.. SECTOR ASSY, LH .....	1	4
	R 122-521114-2	.. SECTOR ASSY, RH/ORDER 122-521106-10 .....	NP	3
		FOR SPARES/		
	R 122-521106-10	.. SECTOR ASSY, RH .....	1	4
		/ATTACHING PARTS/		
-140	MS24665-134	.. PIN, COTTER .....	1	
-141	MS17826-4	.. NUT .....	1	
-142	AN960-416L	.. WASHER .....	1	
-143	NAS6204-18D	.. BOLT .....	1	
*-----*				
-144	NAS428-4-12	... BOLT, STOP .....	2	
-145	AN316-4R	... NUT .....	2	
-146	MS9048-006	... PIN .....	2	
-147	130077-5L01	... INSERT .....	2	
-148	130077-7L02	... INSERT .....	2	
-149	DW4	... BEARING .....	1	
-150	R 122-521106-11	... SECTOR, LH .....	1	
	R 122-521106-12	... SECTOR, RH .....	1	
-151	130909N32	.. NUT .....	1	
-152	AN960-416L	.. WASHER .....	2	
-153	NAS43DD4-56	.. SPACER .....	1	
-154	130909B45	.. BOLT .....	1	
	122-521115-1	.. BRACKET INSTL, LH ELEVON OUTBD SECTOR .....	NP	
	122-521115-2	.. BRACKET INSTL, RH ELEVON OUTBD SECTOR .....	NP	
	122-521115-3	.. BRACKET ASSY, LH .....	1	
	122-521115-4	.. BRACKET ASSY, RH .....	1	
		/ATTACHING PARTS/		
-155	130909B33	... BOLT .....	3	
-156	130909B32	... BOLT .....	1	
-157	AN960D416L	... WASHER .....	4	
-158	130909B12	... BOLT .....	2	
-159	R AN960-10	... WASHER/2 UNDER EACH BOLT HEAD/ .....	4	
*-----*				
-160	122-521115-25	... PLATE, PHENOLIC .....	1	
-161	122-521115-19	... BRACKET, LH .....	1	
	122-521115-20	... BRACKET, RH .....	1	
-162	122-521115-15	... BRACKET .....	1	
	R 122-521115-16	... BRACKET .....	1	
-163	R 122-521115-7	... CLIP, LH .....	1	
	122-521115-8	... CLIP, RH .....	1	
-164	R 122-521115-9	... CLIP, LH .....	1	
	122-521115-10	... CLIP, RH .....	1	
-165	R 122-521115-13	... BRACKET, LH .....	1	
	122-521115-14	... BRACKET, RH .....	1	

**CODES OF EFFECTIVITY**

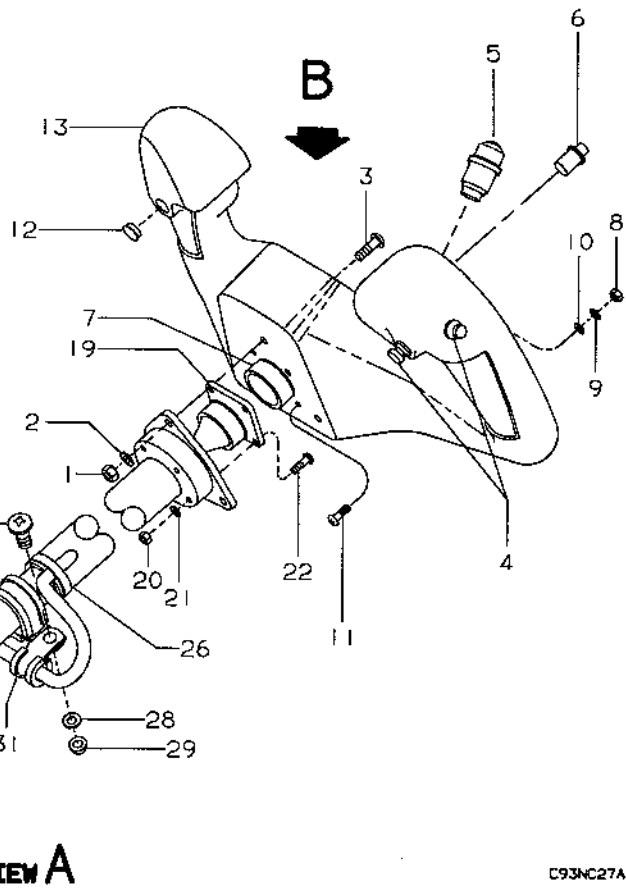
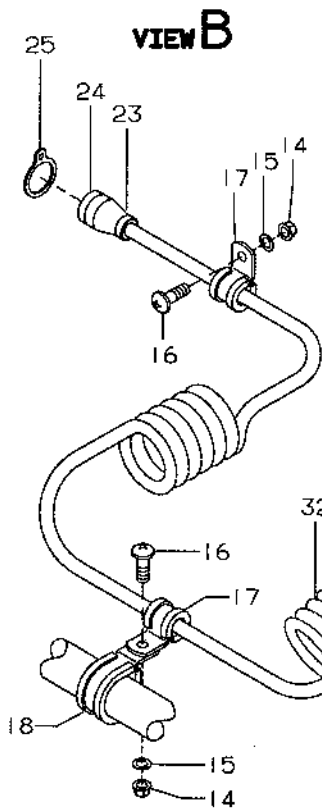
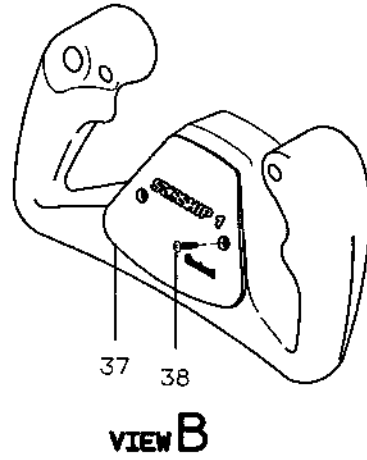
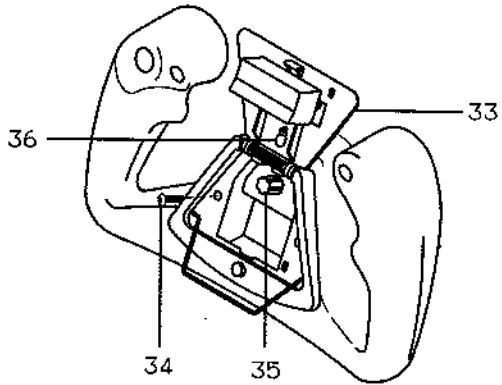
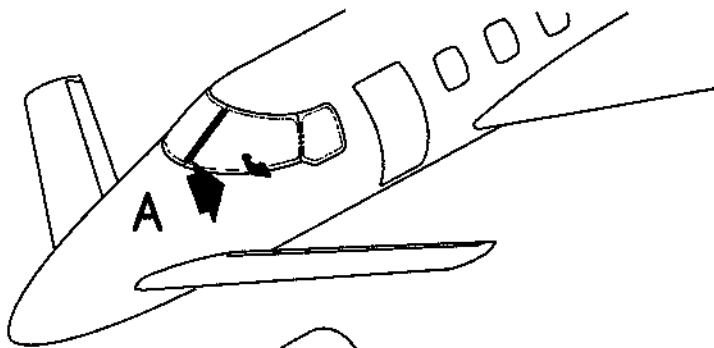
1	NC-4 THRU NC-21	2	NC-22 AND AFTER
3	NC-4 THRU NC-53	4	NC-54 AND AFTER
5	NC-4 THRU NC-30	6	NC-31 AND AFTER

**Beechcraft**  
**STARSHIP 1**  
**ILLUSTRATED PARTS CATALOG**

**27-31-10**  
**CONTROL WHEEL**



**Beechcraft**  
**STARSHIP 1**  
**ILLUSTRATED PARTS CATALOG**



C93NC27A4303 C

**FIGURE 31-10. CONTROL WHEEL**

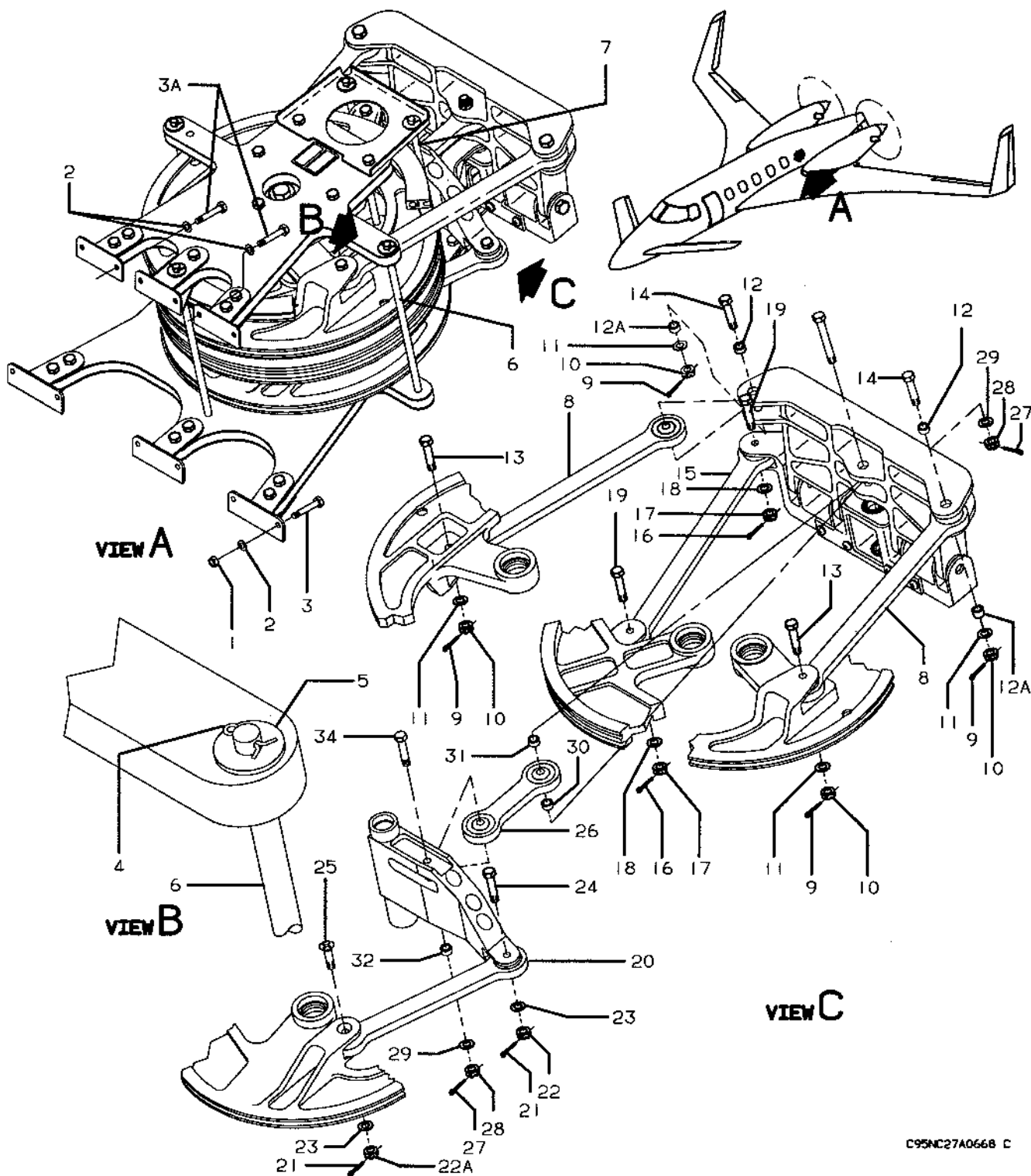
**Beechcraft**  
**STARSHIP 1**  
**ILLUSTRATED PARTS CATALOG**

SUB-SEC UNIT & ITEM NO	PART NO.	DESCRIPTION 1 2 3 4 5 6 7	UNITS	USABLE
			PER ASSY	ON CODE
31-10	122-522011-3	WHEEL INSTL, PILOT'S CONTROL.....	NP	
	122-522011-4	WHEEL INSTL, COPILOT'S CONTROL.....	NP	
	122-382000-11	. WHEEL ASSY, PILOT'S CONTROL .....	1	
	122-382000-12	. WHEEL ASSY, COPILOT'S CONTROL.....	1	
		/ATTACHING PARTS/		
- 1	130909N29	. NUT .....	3	
- 2	AN960-10L	. WASHER .....	3	
- 3	AN23-10A	. BOLT .....	3	
		-----*		
- 4	601-4312	.. SWITCH/VERT SYNC, LINE ADV, MIC KEY, .....	5	
		IDENT & PAGE ADV/		
- 5	407-4341	.. SWITCH, PITCH/TRIM.....	1	
- 6	STD959-80	.. SWITCH, FLAP TRIM INTER, A/P DISC .....	1	
	STD946-1B	.. PIN, CONNECTOR CONTACT.....	2	
	STD946-33	.. HOUSING, CONNECTOR .....	1	
	M39029/63-368	.. SOCKET, CONTROL WHEEL CONNECTOR .....	22	
- 7	720-036-2	.. CONNECTOR ASSY, CONTROL WHEEL .....	1	
		/ATTACHING PARTS/		
- 8	MS51957-264B	.. NUT .....	4	
- 9	MS35338-136B	.. WASHER, LOCK .....	4	
-10	MS15795-805B	.. WASHER.....	8	
-11	MS51957-32B	.. SCREW.....	4	
		-----*		
-12	STD824-10	.. PLUG .....	1	
-13	720-042-217	.. WHEEL, PILOT'S MACHINED CONTROL.....	1	
	720-042-218	.. WHEEL, COPILOT'S MACHINED CONTROL .....	1	
	122-322131-1	CORD INSTL, CONTROL WHEEL COILED.....	NP	
-14	130909N49	. NUT .....	4	
-15	AN960-10L	. WASHER.....	4	
-16	MS35207-261	. SCREW.....	4	
-17	MS21919WDG5	. CLAMP .....	4	
-18	MS21919WDG20	. CLAMP .....	2	
	205089-1	. PIN, CONNECTOR CONTACT.....	112	
-19	205840-3	. CONNECTOR, RECEPTACLE.....	2	
		/ATTACHING PARTS/		
-20	MS21042-06	. NUT .....	4	
-21	AN960-6L	. WASHER.....	4	
-22	MS35208-229	. SCREW.....	4	
		-----*		
-23	206070-1	. CLAMP, CABLE .....	2	
-24	122-322131-3	. CONNECTOR, FREE HANGING RECEPTACLE .....	2	
-25	122-342101-1	. WASHER, SAFETY /BETWEEN BACKSHELL AND.....	2	
		CONNECTOR/		
-26	MS3367-1-9	. STRAP, TIE .....	2	
-27	MS35207-261	. SCREW.....	2	
-28	AN960-10L	. WASHER.....	2	
-29	130909N29	. NUT .....	2	
-30	MS21919DG13	. CLAMP .....	2	
-31	MS21919DG5	. CLAMP .....	2	
-32	122-382075-1	. CORD, CONTROL WHEEL RETRACTILE(COILED) .....	2	
	R 122-522074-1	HOLDER INSTL, APPROACH PLATE.....	NP	
		/PILOT & COPILOT/		
-33	R 122-382090-1	. HOLDER, APPROACH PLATE/PILOT & COPILOT/ .....	2	
		/ATTACHING PARTS/		
-34	R NAS384-6-8P	. SCREW.....	2	
		-----*		
	R 60618-5	.. PIN, CONTACT.....	2	
	R 1-480319-0	.. HOUSING, PIN .....	2	
-35	R RD239A1B1	.. KNOB/AEROSPACE/.....	1	
-36	R 6839	.. LAMP, REPLACEMENT.....	5	
	R 122-522085-1	COVERPLATE INSTL, CONTROL WHEEL .....	NP	
		/PILOT & COPILOT/		
-37	R 122-522085-3	. COVERPLATE, PILOT & COPILOT .....	2	
		/ATTACHING PARTS/		
-38	R AN530-8R8	. SCREW.....	2	
		-----*		

**Beechcraft**  
**STARSHIP 1**  
**ILLUSTRATED PARTS CATALOG**

**27-31-20**  
**ELEVON CONTROL MIXER ASSEMBLY**

**Beechcraft**  
**STARSHIP 1**  
**ILLUSTRATED PARTS CATALOG**



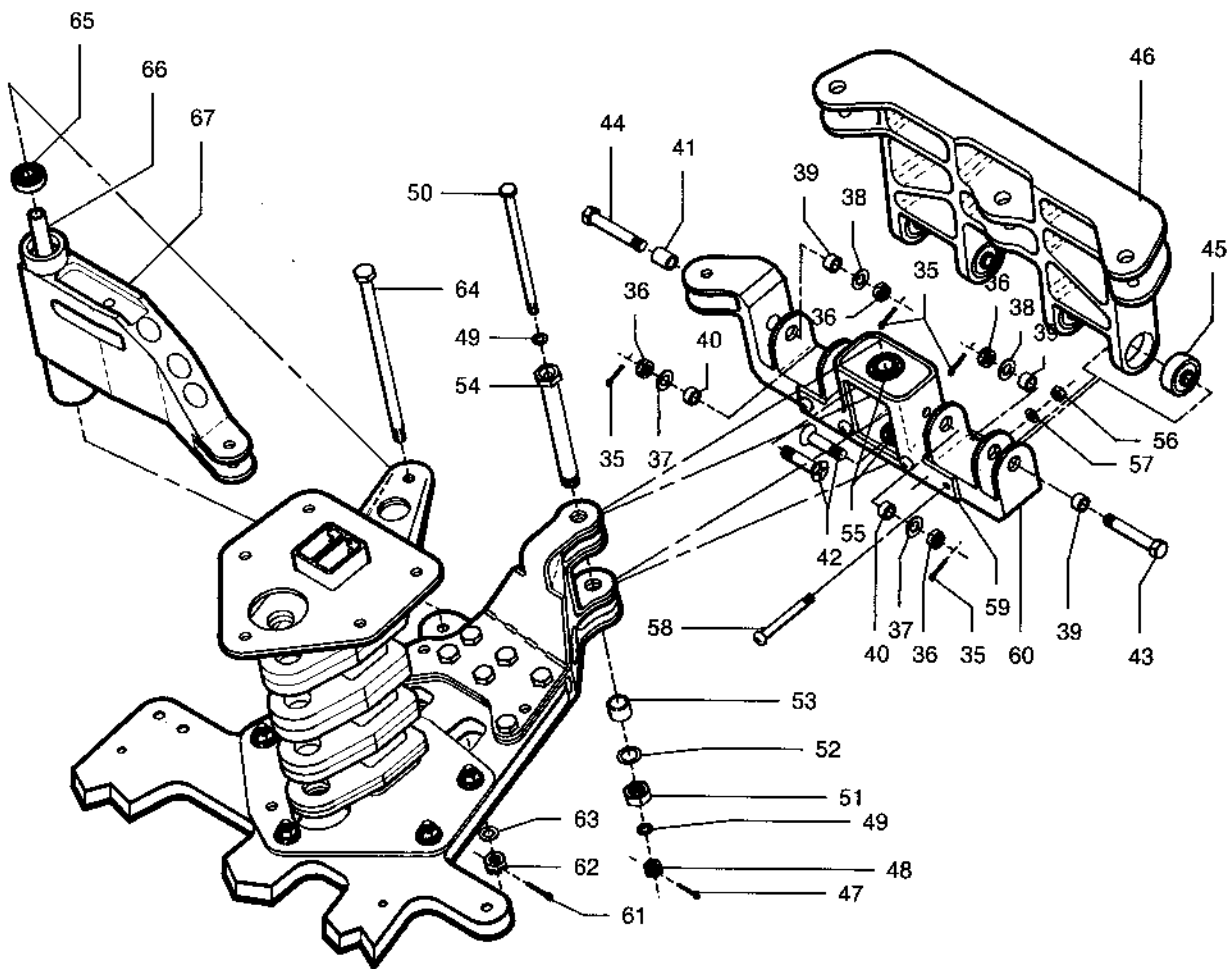
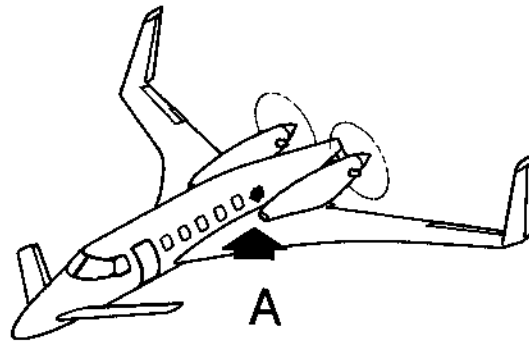
C95NC27A0668 C

**FIGURE 31-20. ELEVON CONTROL MIXER ASSEMBLY**  
**/SHEET 1 OF 4 SHEETS/**

**Beechcraft**  
**STARSHIP 1**  
**ILLUSTRATED PARTS CATALOG**

SUB-SEC UNIT & ITEM NO	PART NO.	DESCRIPTION 1 2 3 4 5 6 7	UNITS	USABLE ON CODE
			PER ASSY	
31-20	122-521026-1	MIXER INSTL, ELEVON CONTROL .....	NP	
	122-521027-13	MIXER ASSY, ELEVON CONTROL .....	1	
		/ATTACHING PARTS/		
- 1	130909N29	NUT .....	10	
- 2	105090CR050-3F	WASHER .....	12	
- 3	AN3C10A	BOLT .....	10	
- 3A	AN3C3A	BOLT .....	2	
		★		
- 4	MS24665-132	PIN, COTTER .....	10	
- 5	AN960-416L	WASHER .....	10	
- 6	122-521027-3	PIN, CABLE GUARD .....	3	
- 7	122-521027-5	PIN, CABLE GUARD .....	2	
- 8	122-521029-35	ROD ASSY, PRIMARY MIXER CONTROL .....	2	
		/ATTACHING PARTS/		
- 9	MS24665-132	PIN, COTTER .....	2	
- 10	MS17826-4	NUT .....	2	
- 11	AN960-416L	WASHER .....	2	
- 12	NAS75-4-011	BUSHING .....	1	
- 12A R	NAS43DD4-7	SPACER .....	2	
- 13 R	NAS6204-13D	BOLT .....	1	
- 14 R	NAS6204-18D	BOLT .....	1	
		★		
	SA4-16A	BEARING, SELF ALIGNING PRECISION .....	2	
- 15	122-521029-33	ROD ASSY, PRIMARY MIXER CONTROL .....	1	
		/ATTACHING PARTS/		
- 16	MS24665-132	PIN, COTTER .....	2	
- 17	MS17826-4	NUT .....	2	
- 18	AN960-416L	WASHER .....	2	
- 19 R	NAS6204-13D	BOLT .....	2	
		★		
	SA4-16A	BEARING, SELF ALIGNING PRECISION .....	2	
- 20	122-521029-37	ROD ASSY, PRIMARY MIXER CONTROL .....	1	
		/ATTACHING PARTS/		
- 21	MS24665-132	PIN, COTTER .....	2	
- 22 R	MS17826-4	NUT .....	1	
- 22A R	MS17826-4	NUT .....	1	
- 23	AN960-416L	WASHER .....	2	
- 24	NAS6204-12D	BOLT .....	1	
- 25	NAS334CP12	BOLT .....	1	
		★		
	SA4-16A	BEARING, SELF ALIGNING PRECISION .....	2	
- 26	122-521029-39	ROD ASSY, PRIMARY MIXER CONTROL .....	1	
		/ATTACHING PARTS/		
- 27	MS24665-132	PIN, COTTER .....	2	
- 28	MS17826-4	NUT .....	2	
- 29	AN960-416L	WASHER .....	2	
- 30	NAS43DD4-7	SPACER .....	1	
- 31	NAS75-4-011	BUSHING .....	1	
- 32	NAS75-4-10	SPACER .....	1	
- 33 R	NAS6204-13D	BOLT .....	1	
- 34	NAS6204-17D	BOLT .....	1	
		★		
	SA4-16A	BEARING, SELF ALIGNING PRECISION .....	2	

Beechcraft  
STARSHIP 1  
ILLUSTRATED PARTS CATALOG



VIEW A

2000-751-05

FIGURE 31-20.ELEVON CONTROL MIXER ASSEMBLY  
/SHEET 2 OF 4 SHEETS/

**Beechcraft**  
**STARSHIP 1**  
**ILLUSTRATED PARTS CATALOG**

SUB-SEC UNIT & ITEM NO	PART NO.	DESCRIPTION 1 2 3 4 5 6 7	UNITS	USABLE
			PER ASSY	ON CODE
31-20	122-521111-1	.. CRANK ASSY, UPPER PRIMARY MIXER .....	1	
		/ATTACHING PARTS/		
- 35	MS24665-132	.. PIN, COTTER .....	4	
- 36	MS17826-4	.. NUT .....	4	
- 37	AN960-416L	.. WASHER .....	2	
- 38	AN960-416	.. WASHER .....	2	
- 39	NAS75-4-007	.. BUSHING .....	3	
- 40	NAS75-4-006	.. BUSHING .....	2	
- 41	NAS75-4-015	.. BUSHING .....	1	
- 42	NAS1204-18D	.. BOLT .....	2	
- 43	R NAS6204-21D	.. BOLT .....	1	
- 44	NAS6204-19D	.. BOLT .....	1	
		*-----*		
- 45	MS27640-4	... BEARING .....	4	
- 46	122-521111-3	.. CRANK, UPPER PRIMARY MIXER .....	1	
- 47	MS24665-132	.. PIN, COTTER .....	1	
- 48	130909N45	.. NUT .....	1	
- 49	AN960-10	.. WASHER .....	2	
- 50	NAS1203-64D	.. BOLT .....	1	
- 51	MS21083N6	.. NUT .....	1	
- 52	AN960-616	.. WASHER .....	1	
- 53	NAS75-6-012	.. BUSHING .....	1	
- 54	122-521027-11	.. BOLT .....	1	
	122-521040-1	.. CRANK ASSY, LOWER PRIMARY MIXER .....	1	
- 55	MKP6A	... BEARING .....	2	
- 56	130909N28	.. NUT .....	4	
- 57	AN960-8L	.. WASHER .....	4	
- 58	MS27039-0829	... SCREW .....	4	
- 59	122-521040-3	... FRAME .....	1	
- 60	122-521040-5	... FRAME .....	1	
	122-521044-1	.. CRANK ASSY, PRIMARY MIXER INTERMEDIATE .....	1	
		/ATTACHING PARTS/		
- 61	MS24665-132	.. PIN, COTTER .....	1	
- 62	MS17826-4	.. NUT .....	1	
- 63	AN960-416L	.. WASHER .....	1	
- 64	NAS6204-9DD	.. BOLT .....	1	
		*-----*		
- 65	MKP4A-FS464	... BEARING, PRECISION .....	2	
- 66	NAS43DD4-265	... SPACER .....	1	
- 67	122-521044-3	... CRANK .....	1	

Beechcraft  
 STARSHIP 1  
 ILLUSTRATED PARTS CATALOG

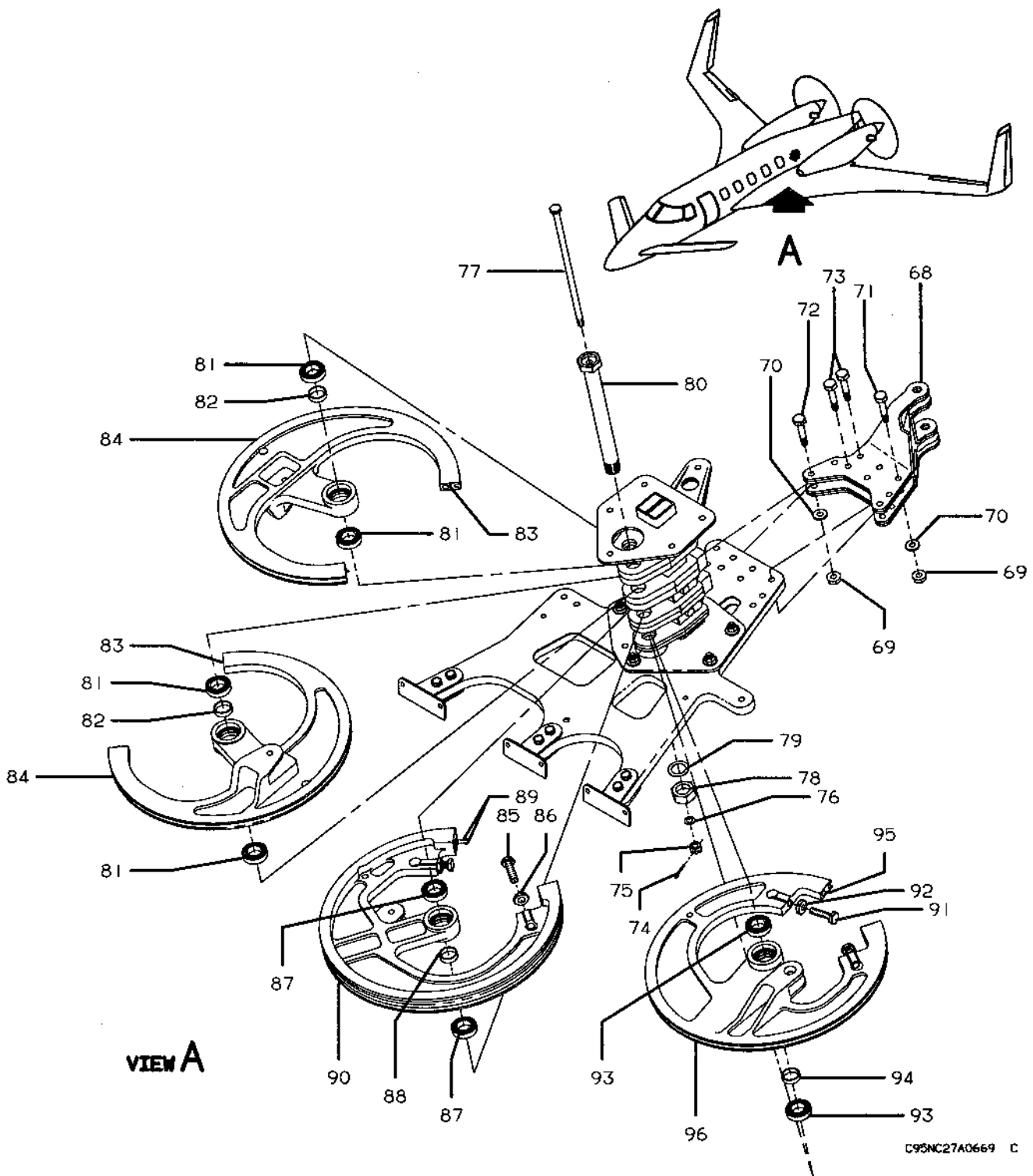


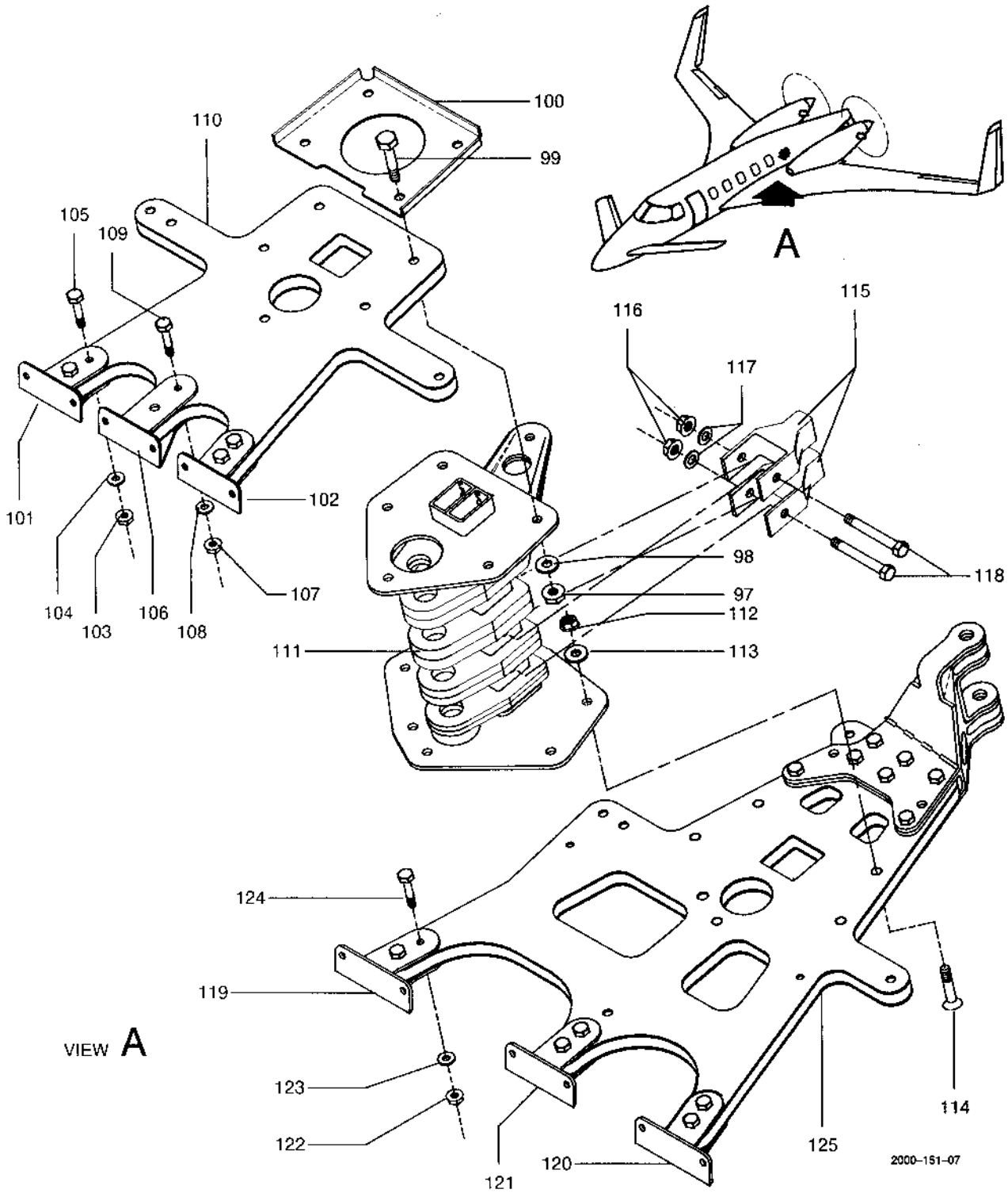
FIGURE 31-20. ELEVON CONTROL MIXER ASSEMBLY  
 /SHEET 3 OF 4 SHEETS/



**Beechcraft**  
**STARSHIP 1**  
**ILLUSTRATED PARTS CATALOG**

SUB-SEC UNIT & ITEM NO	PART NO.	DESCRIPTION 1 2 3 4 5 6 7	UNITS PER ASSY	USABLE ON CODE
31-20 -68	122-521101-1	.. SUPPORT ASSY, AFT MIXER CRANK.....	1	
		/ATTACHING PARTS/		
-69	130909N32	.. NUT .....	7	
-70	AN960-416L	.. WASHER .....	7	
-71	NAS6204-16	.. BOLT .....	4	
-72	NAS6204-16H	.. BOLT .....	1	
-73	NAS6204-17	.. BOLT .....	2	
		*-----*		
-74	MS24665-132	.. PIN, COTTER .....	1	
-75	MS17826-4	.. NUT .....	1	
-76	AN960-416L	.. WASHER .....	1	
-77	AN4-67	.. BOLT .....	1	
-78	MS21083N10	.. NUT .....	1	
-79	AN960-1016L	.. WASHER .....	1	
-80	122-521027-7	.. BOLT .....	1	
	122-521038-1	.. SECTOR ASSY, ELEVON MIXER OUTPUT .....	2	
-81	MB538DD-FS464	.. BEARING, PRECISION RADIAL .....	2	
-82	NAS43DD10-14	.. SPACER .....	1	
-83	MS9048-006	.. PIN, SPRING .....	2	
	130077-5L01	.. INSERT, THREADED .....	2	
-84	122-521038-3	.. SECTOR .....	1	
	122-521037-1	.. SECTOR ASSY, ELEVON MIXER ROLL INPUT .....	1	
-85	NAS428-4-12	.. BOLT, STOP .....	2	
-86	AN316-4R	.. NUT, STOP BOLT JAM .....	2	
	130077-7L02	.. INSERT, THREADED .....	2	
-87	MB538DD-FS464	.. BEARING, PRECISION RADIAL .....	2	
-88	NAS43DD10-14	.. SPACER .....	1	
-89	MS9048-006	.. PIN, SPRING .....	4	
	130077-5L01	.. INSERT, THREADED .....	2	
-90	122-521037-3	.. SECTOR .....	1	
	122-521028-1	.. SECTOR ASSY, ELEVON MIXER PITCH INPUT .....	1	
-91	NAS428-4-12	.. BOLT, STOP .....	2	
-92	AN316-4R	.. NUT, STOP BOLT JAM .....	2	
	MS21209F4-20L	.. INSERT, THREADED .....	2	
-93	MB538DD-FS464	.. BEARING, PRECISION RADIAL .....	2	
-94	NAS43DD10-14	.. SPACER .....	1	
-95	MS9048-006	.. PIN, SPRING .....	2	
	130077-5L01	.. INSERT, THREADED .....	2	
-96	122-521028-3	.. SECTOR .....	1	

**Beechcraft**  
**STARSHIP 1**  
**ILLUSTRATED PARTS CATALOG**



**FIGURE 31-20. ELEVON CONTROL MIXER ASSEMBLY**  
**/SHEET 4 OF 4 SHEETS/**

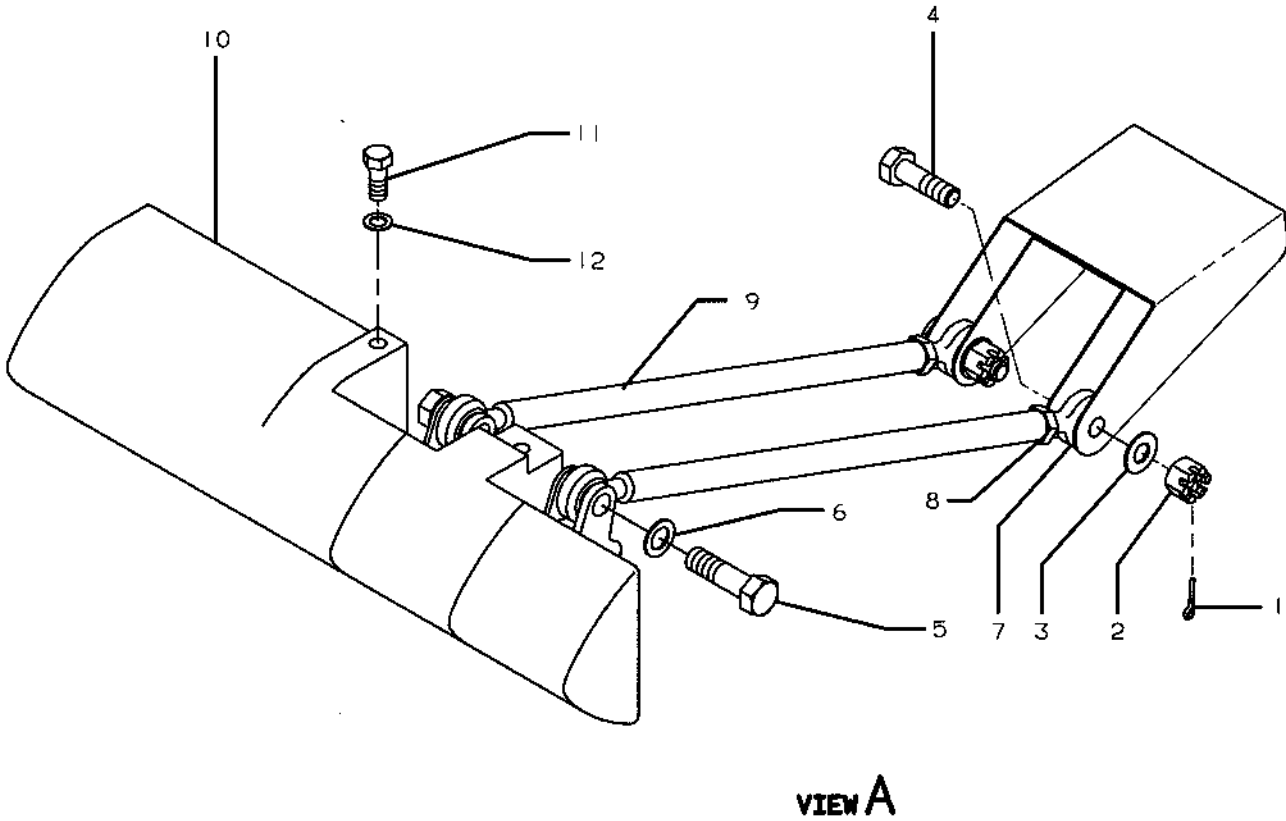
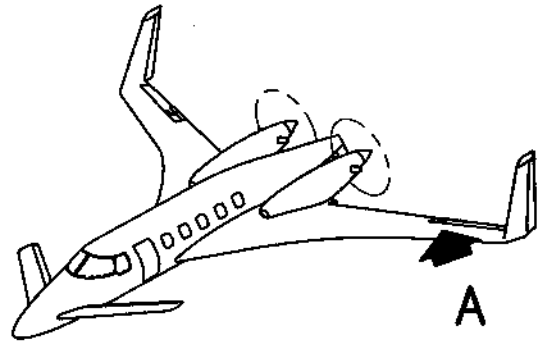
**Beechcraft**  
**STARSHIP 1**  
**ILLUSTRATED PARTS CATALOG**

SUB-SEC UNIT & ITEM NO	PART NO.	DESCRIPTION 1 2 3 4 5 6 7	UNITS	USABLE
			PER ASSY	ON CODE
31-20 -97	130909N32	.. NUT .....	5	
-98	AN960-416L	.. WASHER .....	5	
-99	130909B38	.. BOLT .....	5	
-100	122-521041-15	.. SUPPORT .....	1	
	122-521041-17	.. FRAME ASSY, PRIMARY MIXER UPPER SUPPORT .....	1	
-101	122-521041-19	.. BRACKET .....	1	
-102	122-521041-20	.. BRACKET .....	1	
		/ATTACHING PARTS/		
-103	130909N29	.. NUT .....	2	
-104	R AN960PD10L	.. WASHER .....	2	
-105	130909B21	.. BOLT .....	2	
		---★---		
-106	122-521041-5	.. BRACKET .....	1	
		/ATTACHING PARTS/		
-107	130909N29	.. NUT .....	1	
-108	R AN960PD10L	.. WASHER .....	1	
-109	130909B21	.. BOLT .....	1	
		---★---		
-110	122-521041-21	.. PANEL .....	1	
-111	122-521043-1	.. SUPPORT ASSY, PRIMARY MIXER .....	1	
		/ATTACHING PARTS/		
-112	130909N32	.. NUT .....	5	
-113	AN960-416L	.. WASHER .....	5	
-114	NAS1204-10	.. SCREW .....	5	
		---★---		
-115	122-521043-19	.. STOP .....	2	
		/ATTACHING PARTS/		
-116	MS21043-4	.. NUT .....	1	
-117	AN960PD10L	.. WASHER .....	1	
-118	AN4C17A	.. BOLT .....	1	
		---★---		
	122-521042-1	.. FRAME ASSY, PRIMARY MIXER LOWER SUPPORT .....	1	
-119	122-521042-7	.. BRACKET .....	1	
-120	122-521042-8	.. BRACKET .....	1	
-121	122-521042-5	.. BRACKET .....	1	
		/ATTACHING PARTS/		
-122	130909N29	.. NUT .....	2	
-123	R AN960PD10L	.. WASHER .....	2	
-124	130909B21	.. BOLT .....	2	
		---★---		
-125	122-521042-3	.. PANEL .....	1	
	JK5576C08N08	.. SLEEVE .....	5	

**Beechcraft**  
**STARSHIP 1**  
**ILLUSTRATED PARTS CATALOG**

**27-31-30**  
**ELEVON TRIM TAB CONTROL ACTUATOR**

Beechcraft  
STARSHIP 1  
ILLUSTRATED PARTS CATALOG



C93NC27A4304 C

FIGURE 31-30.ELEVON TRIM TAB CONTROL ACTUATOR

# Raytheon Aircraft

## BEECH STARSHIP 1 ILLUSTRATED PARTS CATALOG

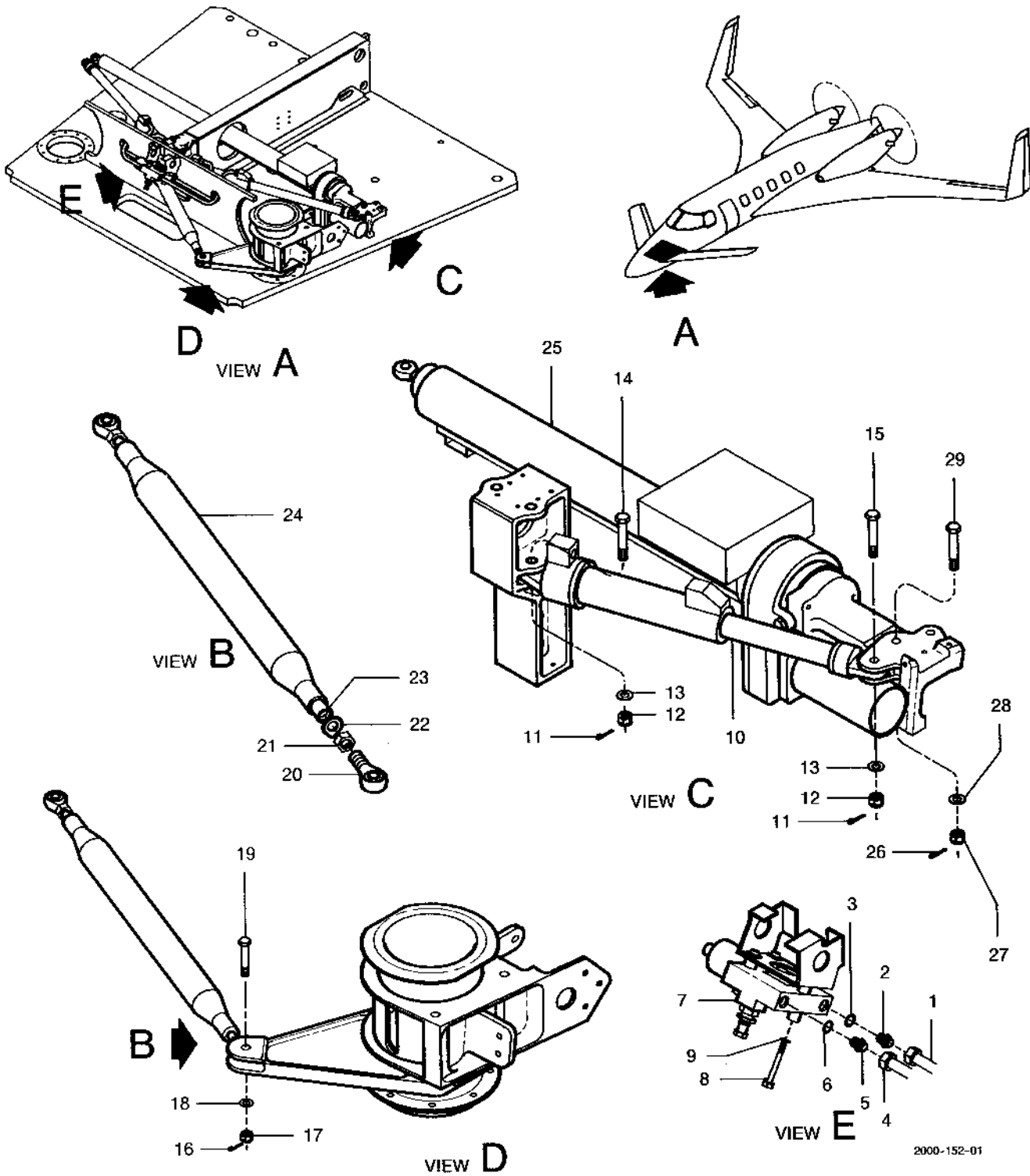
SUB-SECT UNIT & ITEM NO.	PART NO.	1 2 3 4 5 6 7	DESCRIPTION	UNITS PER ASSY	USABLE ON CODE
31-30	122-521133-3		ACTUATOR INSTL, LH ELEVON TRIM TAB CONTROL ..... /MUST BE USED WITH 122-521133-4/	NP	
	122-521133-5		ACTUATOR INSTL, LH ELEVON TRIM TAB CONTROL ..... /MUST BE USED WITH 122-521133-6/	NP	
	122-521133-4		ACTUATOR INSTL, RH ELEVON TRIM TAB CONTROL ..... /MUST BE USED WITH 122-521133-3/	NP	
	122-521133-6		ACTUATOR INSTL, RH ELEVON TRIM TAB CONTROL ..... /MUST BE USED WITH 122-521133-5/	NP	
	122-521036-31		. ROD ASSY, ELEVON TRIM TAB CONTROL ..... /NOMINAL LENGTH 8.88 INCHES/SEE NOTE/	2	
	122-521036-35		. ROD ASSY, ELEVON TRIM TAB CONTROL ..... /NOMINAL LENGTH 8.62 INCHES/SEE NOTE/	2	
	122-521036-39		. ROD ASSY, ELEVON TRIM TAB CONTROL ..... /NOMINAL LENGTH 9.14 INCHES/SEE NOTE/	2	
			<b>NOTE</b> VARIOUS LENGTH ROD ASSEMBLIES ARE AVAILABLE FOR POPER ADJUSTMENT OF ELEVON TRIM TABS. SELECT APPLICABLE ROD DURING RIGGING PROCEDURE. (ATTACHING PARTS)		
1	MS24665-71		. PIN, COTTER .....	1	
2	130909N45		. NUT .....	1	
3	AN960-10		. WASHER .....	1	
4	NAS6203-10D		. BOLT .....	1	
5	NAS6203-9H		. BOLT .....	1	
6	AN960XC10L		. WASHER .....	1	
			- - - - ★ - - - -		
7	MJR34-14DU		. . ROD END .....	2	
8	AN316-4R		. . NUT, JAM .....	1	
9	122-521036-33		. . TUBE/FOR 122-521036-31/ .....	1	
	122-521036-37		. . TUBE/FOR 122-521036-35/ .....	1	
	122-521036-41		. . TUBE/FOR 122-521036-39/ .....	1	
10	122-380050-17		. ACTUATOR ASSY, LH ELEVON TRIM TAB CONTROL ..... /MUST BE USED WITH 122-380050-15/ /SEE NOTE/	1	
	122-380050-29		. ACTUATOR ASSY, LH ELEVON TRIM TAB CONTROL ..... /MUST BE USED WITH 122-380050-27/ /SEE NOTE/	1	
	122-380050-15		. ACTUATOR ASSY, RH ELEVON TRIM TAB CONTROL ..... /MUST BE USED WITH 122-380050-17/ /SEE NOTE/	1	
	122-380050-27		. ACTUATOR ASSY, RH ELEVON TRIM TAB CONTROL ..... /MUST BE USED WITH 122-380050-29/ /SEE NOTE/	1	
			<b>NOTE</b> WHEN ORDERING ACTUATOR ASSEMBLIES, MAKE CERTAIN TO ORDER THE SAME PART NUMBER THAT WAS REMOVED FROM THE AIRCRAFT (ATTACHING PARTS)		
11	NAS6203-2H		. BOLT .....	4	
12	AN960-10		. WASHER .....	4	
			- - - - ★ - - - -		

- END -

**Beechcraft**  
**STARSHIP 1**  
**ILLUSTRATED PARTS CATALOG**

**27-40-00**  
**FORWARD WING CONTROL MECHANISM**

Beechcraft  
 STARSHIP 1  
 ILLUSTRATED PARTS CATALOG



2000-152-01

FIGURE 40-00. FORWARD WING CONTROL MECHANISM



# Raytheon Aircraft

## BEECH STARSHIP 1 ILLUSTRATED PARTS CATALOG

SUB-SECT UNIT & ITEM NO.	PART NO.	DESCRIPTION	UNITS PER ASSY	USABLE ON CODE
40-00	122-526009-5	FLIGHT CONTROL INSTL, FWD WING .....	NP	
1	101-388017-15	. HOSE ASSY .....	2	
2	AN815-4	. UNION .....	4	
3	MS28778-4	. PACKING, PREFORMED .....	4	
4	101-388015-37	. HOSE ASSY .....	2	
5	AN815-6	. UNION .....	4	
6	MS28778-6	. PACKING, PREFORMED .....	4	
7	122-381032-1	. VALVE ASSY, FWD WING LOCK .....	1	
		(ATTACHING PARTS)		
8	MS27039-1-24	. SCREW .....	3	
9	AN960-10	. WASHER .....	3	
		-----★-----		
10	122-381031-3	. HYDRAULIC LOCK ASSY, FWD WING/ALTERNATE FOR .....	2	
		122-381031-5/		
	122-381031-5	. HYDRAULIC LOCK ASSY, FWD WING/ALTERNATE FOR .....	2	
		122-381031-3/		
		(ATTACHING PARTS)		
11	MS24665-283	. PIN, COTTER .....	2	
12	MS17826-6	. NUT .....	2	
13	AN960-616L	. WASHER .....	2	
14	NAS6206-16D	. BOLT .....	1	
15	NAS6206-17D	. BOLT .....	1	
		-----★-----		
	122-526030-1	. PUSHROD ASSY, FWD WING INTERCONNECT .....	1	
		(ATTACHING PARTS)		
16	MS24665-283	. PIN, COTTER .....	2	
17	MS17826-6	. NUT .....	2	
18	AN960-616L	. WASHER .....	2	
19	NAS6206-13D	. BOLT .....	2	
		-----★-----		
20	MXJKR6RD	. . BEARING, ROD END/ALTERNATE FOR SWRMS6-100 .....	2	
		AND SWDRMS6-260/		
	SWRMS6-100	. . BEARING, ROD END/ALTERNATE FOR SWDRMS6-260 .....	2	
		AND MXJK6RD/		
	SWDRMS6-260	. . BEARING, ROD END/ALTERNATE FOR MXJK6RD .....	2	
		AND SWRMS6-100/		
21	NAS509-8	. . NUT, JAM .....	2	
22	NAS513-8	. . WASHER, ROD END LOCKING .....	2	
23	122-526030-5	. . INSERT .....	2	
24	122-526030-3	. . TUBE .....	1	
25	122-380011-7	. ACTUATOR ASSY, FWD WING CONTROL .....	1	
		(ATTACHING PARTS)		
26	MS24665-283	. PIN, COTTER .....	2	
27	MS17826-6	. NUT .....	2	
28	AN960-616L	. WASHER .....	2	
29	NAS6206-17D	. BOLT .....	2	
		-----★-----		
	G0002-0200	. . BUSHING .....	1	

- END -

**Beechcraft**  
**STARSHIP 1**  
**ILLUSTRATED PARTS CATALOG**

**27-40-10**  
**FORWARD WING MONITOR SENSOR**

Beechcraft  
STARSHIP 1  
ILLUSTRATED PARTS CATALOG

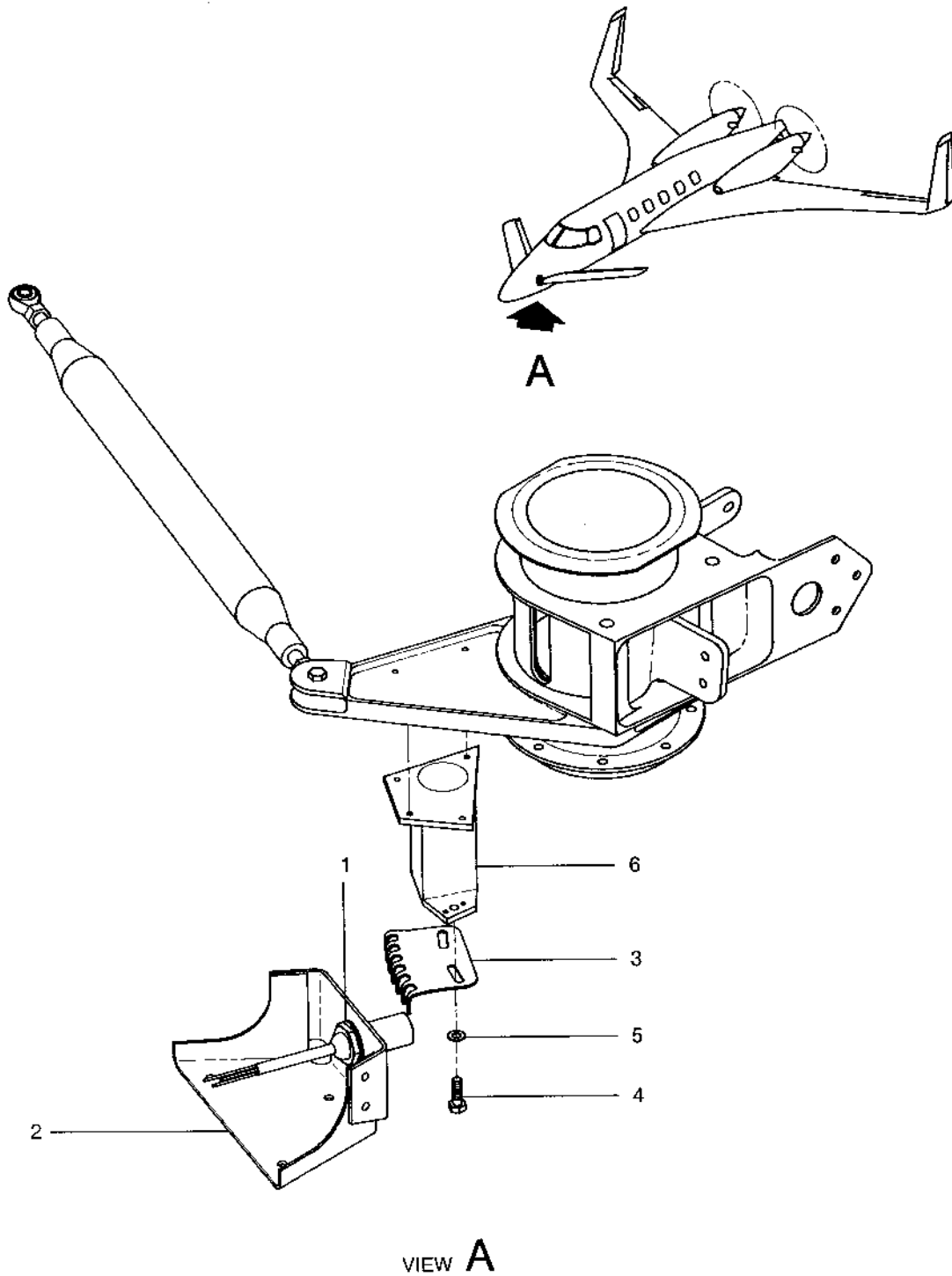


FIGURE 40-10.FORWARD WING MONITOR SENSOR

# Raytheon Aircraft

## BEECH STARSHIP 1 ILLUSTRATED PARTS CATALOG

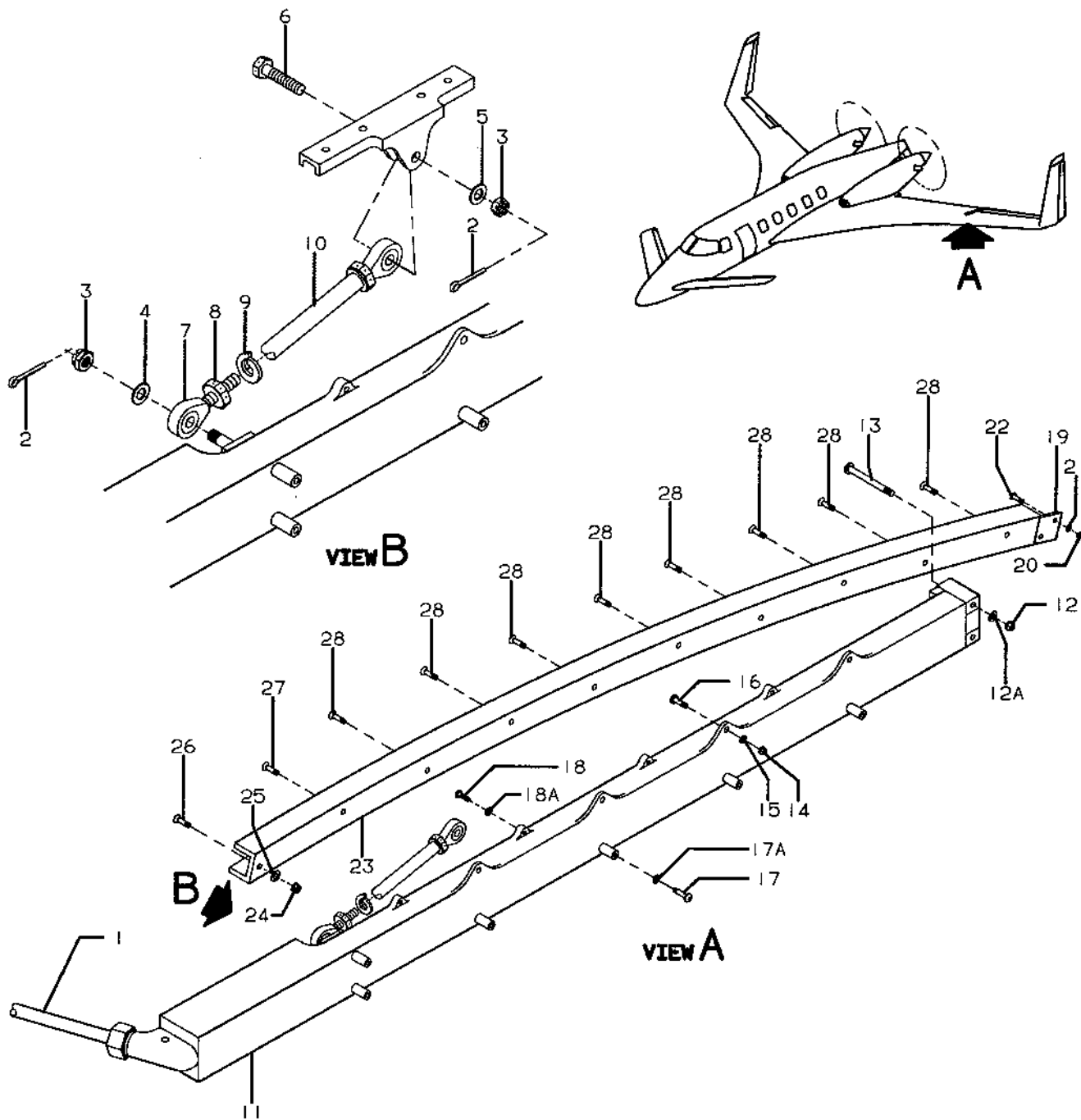
SUB-SECT UNIT & ITEM NO.	PART NO.	1 2 3 4 5 6 7	DESCRIPTION	UNITS PER ASSY	USABLE ON CODE
40-10	122-526064-1		SENSOR INSTL, FWD WING MONITOR .....	NP	
1	390FW05-06		. SENSOR, POSITION .....	2	
2	122-526067-1		. BRACKET ASSY, POSITION SENSOR .....	2	
3	122-526064-3		. TARGET, POSITION SENSOR .....	2	
			(ATTACHING PARTS)		
4	AN3H4A		. BOLT .....	2	
5	AN960-10		. WASHER .....	2	
			-----★-----		
6	122-526065-1		. BRACKET ASSY, LH TARGET SUPPORT .....	1	
	MS21051L3		. . NUTPLATE .....	1	
	MS21069L3		. . NUTPLATE .....	1	
	122-526066-1		. BRACKET ASSY, RH TARGET SUPPORT .....	1	
	MS21069L3		. . NUTPLATE .....	2	

- END -

**Beechcraft**  
**STARSHIP 1**  
**ILLUSTRATED PARTS CATALOG**

**27-50-00**  
**FLAP ACTUATING MECHANISM**

**Beechcraft**  
**STARSHIP 1**  
**ILLUSTRATED PARTS CATALOG**

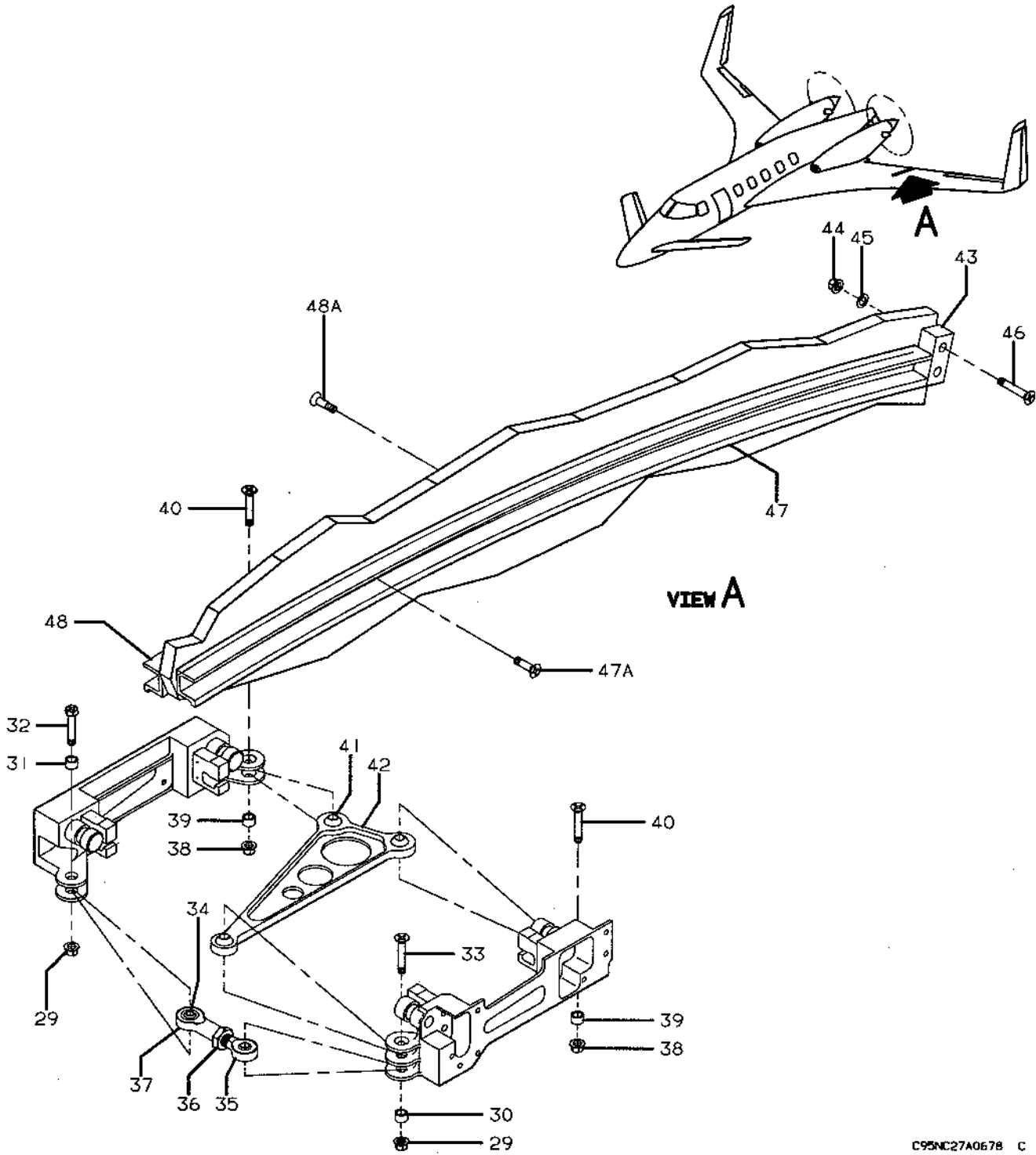


C95NC27A0677 C

**Beechcraft**  
**STARSHIP 1**  
**ILLUSTRATED PARTS CATALOG**

SUB-SEC UNIT & ITEM NO	PART NO.	DESCRIPTION 1 2 3 4 5 6 7	UNITS	USABLE
			PER ASSY	ON CODE
50-00	122-521001-11	FLAP SYSTEM INSTL.....	NP	
- 1	R 122-381014-19	. INTERCONNECT ASSY, LH & RH FLAP ACTUATORS.....	2	
	R 122-521132-21	. FAIRING INSTL, LH OUTBD FLAP RIB/SEE CHAPTER.....	NP	5
		57/		
	R 122-521132-41	. FAIRING INSTL, LH OUTBD FLAP RIB/SEE CHAPTER.....	NP	6
		57/		
	R 122-521132-22	. FAIRING INSTL, RH OUTBD FLAP RIB/SEE CHAPTER.....	NP	5
		57/		
	R 122-521132-42	. FAIRING INSTL, RH OUTBD FLAP RIB/SEE CHAPTER.....	NP	6
		57/		
	122-521047-1	. LINK ASSY.....	2	
		/ATTACHING PARTS/		
- 2	MS24665-132	. PIN.....	2	
- 3	R MS17826-4	. NUT.....	2	
- 4	R 100951X062WB	. WASHER.....	1	
- 5	R AN960-416	. WASHER.....	1	
- 6	R NAS1204-100	. BOLT.....	1	
		★		
- 7	R HMKR4M	. ROD END.....	2	
- 8	R NAS509-4	. NUT.....	2	
- 9	R NAS513-4	. WASHER, LOCK.....	2	
-10	R 122-521047-3	. TUBE.....	1	
-11	R 122-381014-33	. ACTUATOR, LH OUTBD.....	1	
	122-381014-34	. ACTUATOR, RH OUTBD.....	1	
		/ATTACHING PARTS/		
-12	R 26CL02	. NUT.....	6	1
	R 130909N29	. NUT.....	6	2
-12A	R AN960-10	. WASHER.....	6	1
	AN960C10	. WASHER.....	6	2
-13	R MS24694S82	. SCREW.....	2	
-14	R 130909N32	. NUT.....	4	
-15	R AN960-416	. WASHER.....	4	
-16	MS27039-4-22	. SCREW.....	4	
-17	R AN525-10R9	. SCREW.....	10	
-17A	R AN960-10	. WASHER.....	10	
-18	R AN525-832R6	. SCREW.....	8	
-18A	R AN960-8L	. WASHER.....	8	
		★		
-19	122-521001-4	. STOP, LH OUTBD.....	1	
	122-521001-3	. STOP, RH OUTBD.....	1	
		/ATTACHING PARTS/		
-20	R 130909N29	. NUT.....	2	
-21	R AN960C10L	. WASHER.....	2	
-22	MS27039C1-20	. SCREW.....	2	
		★		
-23	R 122-521011-2	. TRACK, LH OUTBD FLAP OUTBD.....	1	
	R 122-521011-1	. TRACK, RH OUTBD FLAP OUTBD.....	1	
		/ATTACHING PARTS/		
-24	130909N29	. NUT.....	1	
-25	AN960-10L	. WASHER.....	1	
-26	MS24694C66	. SCREW.....	1	
-27	MS24694C48	. SCREW.....	1	
-28	MS24694C49	. SCREW.....	8	
		★		

**Beechcraft**  
**STARSHIP 1**  
**ILLUSTRATED PARTS CATALOG**



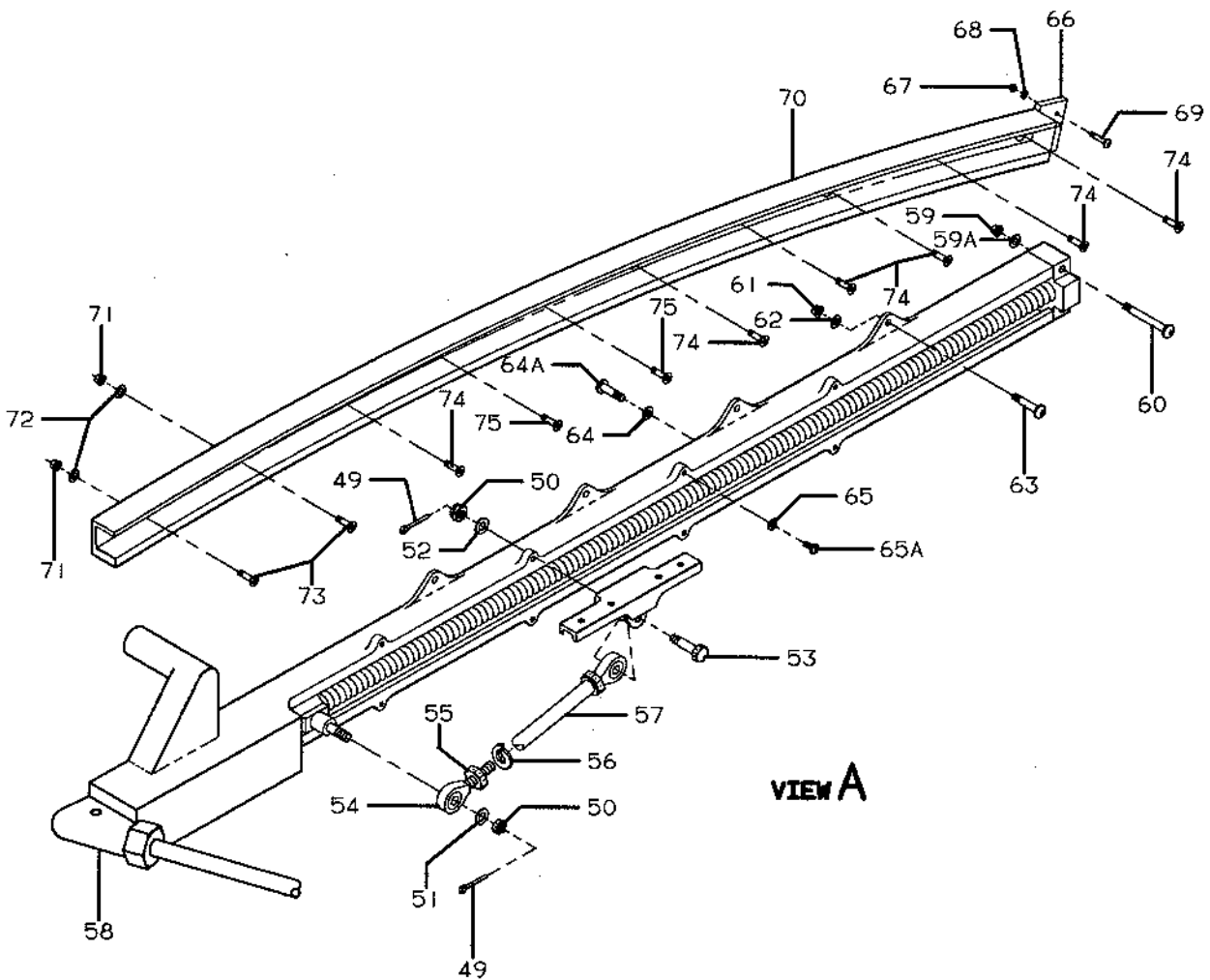
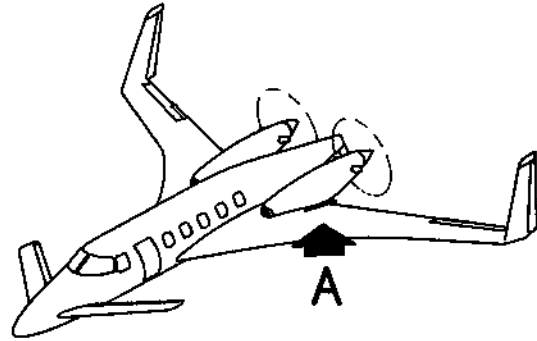
C95NC27A0678 C



**Beechcraft**  
**STARSHIP 1**  
**ILLUSTRATED PARTS CATALOG**

SUB-SEC UNIT & ITEM NO	PART NO.	DESCRIPTION 1 2 3 4 5 6 7	UNITS	USABLE
			PER ASSY	ON CODE
50-00	122-521131-1	. FAIRING INSTL, LH CTR FLAP RIB/SEE CHAPTER.....	NP	
		57/		
	122-521131-2	. FAIRING INSTL, RH CTR FLAP RIB/SEE CHAPTER.....	NP	
		57/		
	122-521048-1	. LINK ASSY.....	2	
		/ATTACHING PARTS/		
-29	130909N24	. NUT.....	2	
-30	NAS75-4-005	. SPACER.....	1	
-31	R NAS77-4-007	. SPACER.....	1	3
	R NAS77-5-17	. SPACER.....	1	4
-32	NAS6205-12	. BOLT.....	1	
-33	NAS1204-22	. BOLT.....	1	
		-----★-----		
-34	MS14102-4	. BEARING.....	1	
-35	M81935/1-5	. ROD END.....	1	
-36	130909N14	. NUT.....	1	
-37	122-521048-3	. ROD END.....	1	
	122-521021-1	. INTERCONNECT ASSY.....	2	
		/ATTACHING PARTS/		
-38	130909N32	. NUT.....	2	
-39	R NAS75-5-007	. SPACER.....	1	3
	R NAS75-5-17	. SPACER.....	1	4
-40	NAS1204-12	. BOLT.....	2	
		-----★-----		
-41	MS14102-4	. BEARING.....	3	
-42	122-521021-3	. PLATE, INTERCONNECT.....	1	
-43	122-521001-5	. BLOCK, LH & RH CENTER STOP.....	2	
		/ATTACHING PARTS/		
-44	130909N29	. NUT.....	2	1
	26CL02	. NUT.....	2	2
-45	R AN960-10L	. WASHER.....	2	
-46	R MS24694C68	. SCREW.....	2	
		-----★-----		
-47	R 122-521011-1	. TRACK, LH OUTBD FLAP INBD & RH INBD FLAP.....	2	
		OUTBD		
		/ATTACHING PARTS/		
-47A	R MS24694C52	. SCREW.....	10	
		-----★-----		
-48	R 122-521011-2	. TRACK, LH INBD FLAP OUTBD & RH OUTBD FLAP.....	2	
		INBD		
		/ATTACHING PARTS/		
-48A	R MS24694C52	. SCREW.....	10	
		-----★-----		

**Beechcraft**  
**STARSHIP 1**  
**ILLUSTRATED PARTS CATALOG**

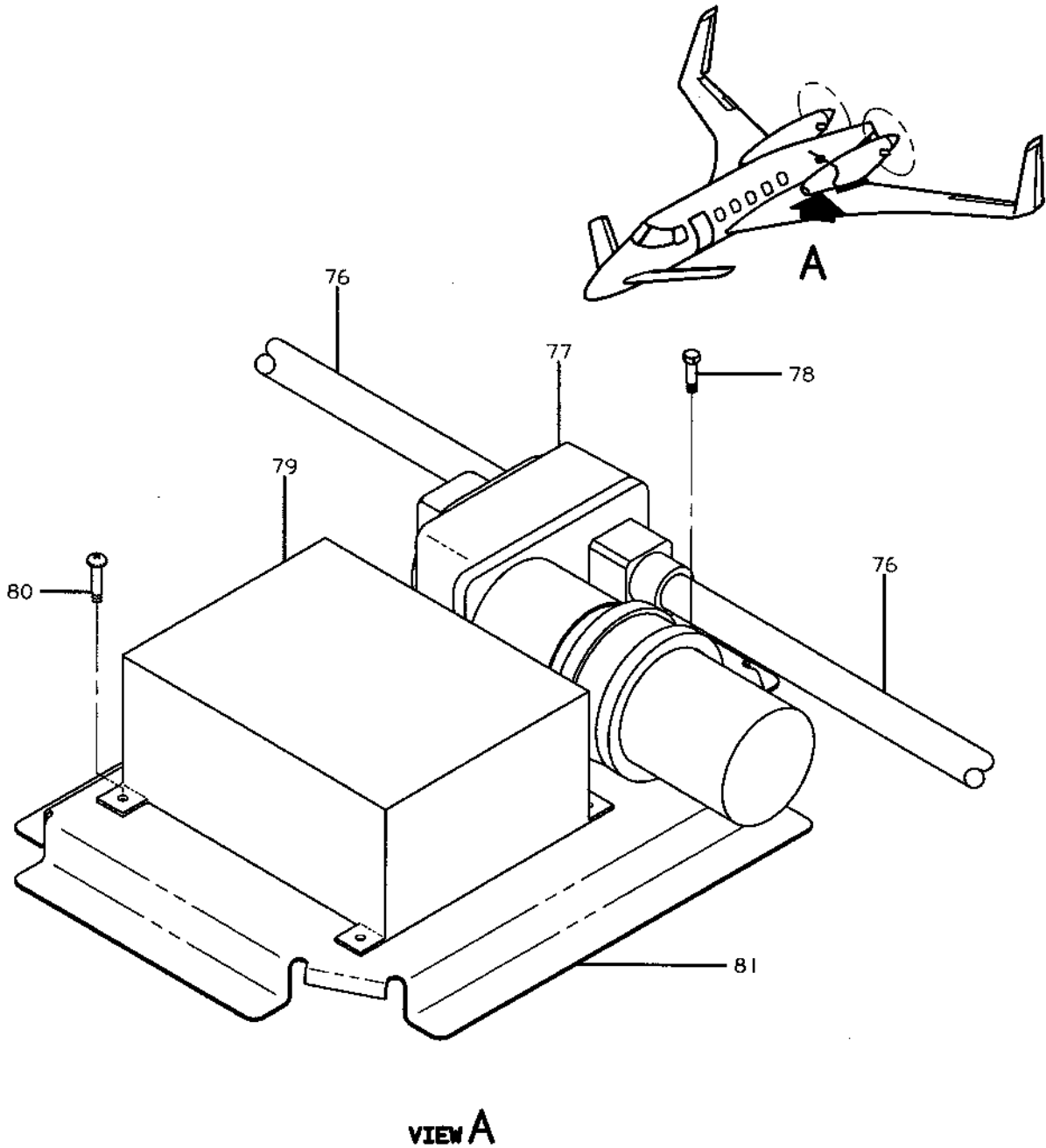


C95NC27A0679 C

**Beechcraft**  
**STARSHIP 1**  
**ILLUSTRATED PARTS CATALOG**

SUB-SEC UNIT & ITEM NO	PART NO.	DESCRIPTION 1 2 3 4 5 6 7	UNITS	USABLE
			PER ASSY	ON CODE
50-00	R 122-521130-31	. FAIRING INSTL, LH INBD FLAP RIB/SEE CHAPTER ..... 57/	NP	5
	R 122-521130-69	. FAIRING INSTL, LH INBD FLAP RIB/SEE CHAPTER ..... 57/	NP	6
	R 122-521130-32	. FAIRING INSTL, RH INBD FLAP RIB/SEE CHAPTER ..... 57/	NP	5
	R 122-521130-70	. FAIRING INSTL, RH INBD FLAP RIB/SEE CHAPTER ..... 57/	NP	6
	122-521047-1	. LINK ASSY ..... /ATTACHING PARTS/	2	
-49	MS24665-132	. PIN .....	2	
-50	R MS17826-4	. NUT .....	2	
-51	R 100951X062WB	. WASHER .....	1	
-52	R AN960-416	. WASHER .....	1	
-53	R NAS1204-10D	. BOLT .....	1	
		---★---		
-54	R HMKR4M	. . ROD END.....	2	
-55	R NAS509-4	. . NUT .....	2	
-56	R NAS513-4	. . WASHER, LOCKING .....	2	
-57	R 122-521047-3	. . TUBE .....	1	
-58	R 122-381014-31	. ACTUATOR, LH INBD.....	1	
	122-381014-32	. ACTUATOR, RH INBD .....	1	
		./ATTACHING PARTS/		
-59	R 26CL02	. NUT .....	2	1
	R 130909N29	. NUT .....	2	2
-59A	R AN960-10L	. WASHER .....	2	1
-60	R MS24694S82	. SCREW.....	2	
-61	R 130909N32	. NUT .....	4	
-62	R AN960-416L	. WASHER .....	4	
-63	MS27039-4-22	. SCREW.....	4	
-64	R AN525-10R9	. SCREW.....	10	
-64A	R AN960-10L	. WASHER .....	10	
-65	R AN525-832R6	. SCREW.....	8	
-65A	R AN960-8L	. WASHER .....	8	
		---★---		
-66	122-521001-3	. STOP, LH INBD.....	1	
	122-521001-4	. STOP, RH INBD .....	1	
		./ATTACHING PARTS/		
-67	130909N29	. NUT .....	2	
-68	AN960C10	. WASHER .....	2	
-69	MS27039C1-20	. SCREW.....	2	
		---★---		
-70	122-521011-1	. TRACK, LH INBD FLAP INBD.....	1	
	122-521011-2	. TRACK, RH INBD FLAP INBD .....	1	
		./ATTACHING PARTS/		
-71	130909N29	. NUT .....	2	
-72	AN960-10L	. WASHER .....	2	
-73	MS24694C68	. SCREW.....	2	
-74	MS24694C49	. SCREW.....	6	
-75	MS24694C48	. SCREW.....	2	
		---★---		

Beechcraft  
STARSHIP 1  
ILLUSTRATED PARTS CATALOG



2000-160-04

FIGURE 50-00.FLAP ACTUATING MECHANISM  
/SHEET 4 OF 4 SHEETS/

**Beechcraft**  
**STARSHIP 1**  
**ILLUSTRATED PARTS CATALOG**

SUB-SEC UNIT & ITEM NO	PART NO.	DESCRIPTION 1 2 3 4 5 6 7	UNITS	USABLE
			PER ASSY	ON CODE
50-00 -76	R 122-381014-23	. FLEX SHAFT/MOTOR TO INBD ACTUATOR .....	2	
-77	R 122-381014-21	. MOTOR, FLAP ACTUATING .....	1	
		. /ATTACHING PARTS/		
-78	130909B35	. BOLT .....	3	
		-----*		
-79	R 122-381014-25	. CONTROLLER, FLAP/ORDER 122-381014-39 FOR .....	NP	1
		. SPARES/		
	122-381014-39	. CONTROLLER, FLAP .....	1	2
		. /ATTACHING PARTS/		
-80	MS27039-1-10	. SCREW .....	4	
		-----*		
-81	122-521001-7	. BRACKET ASSY, MOTOR & CONTROLLER SUPPORT .....	1	
	MS21069L3	. . NUTPLATE .....	4	
	MS21069L4	. . NUTPLATE .....	3	

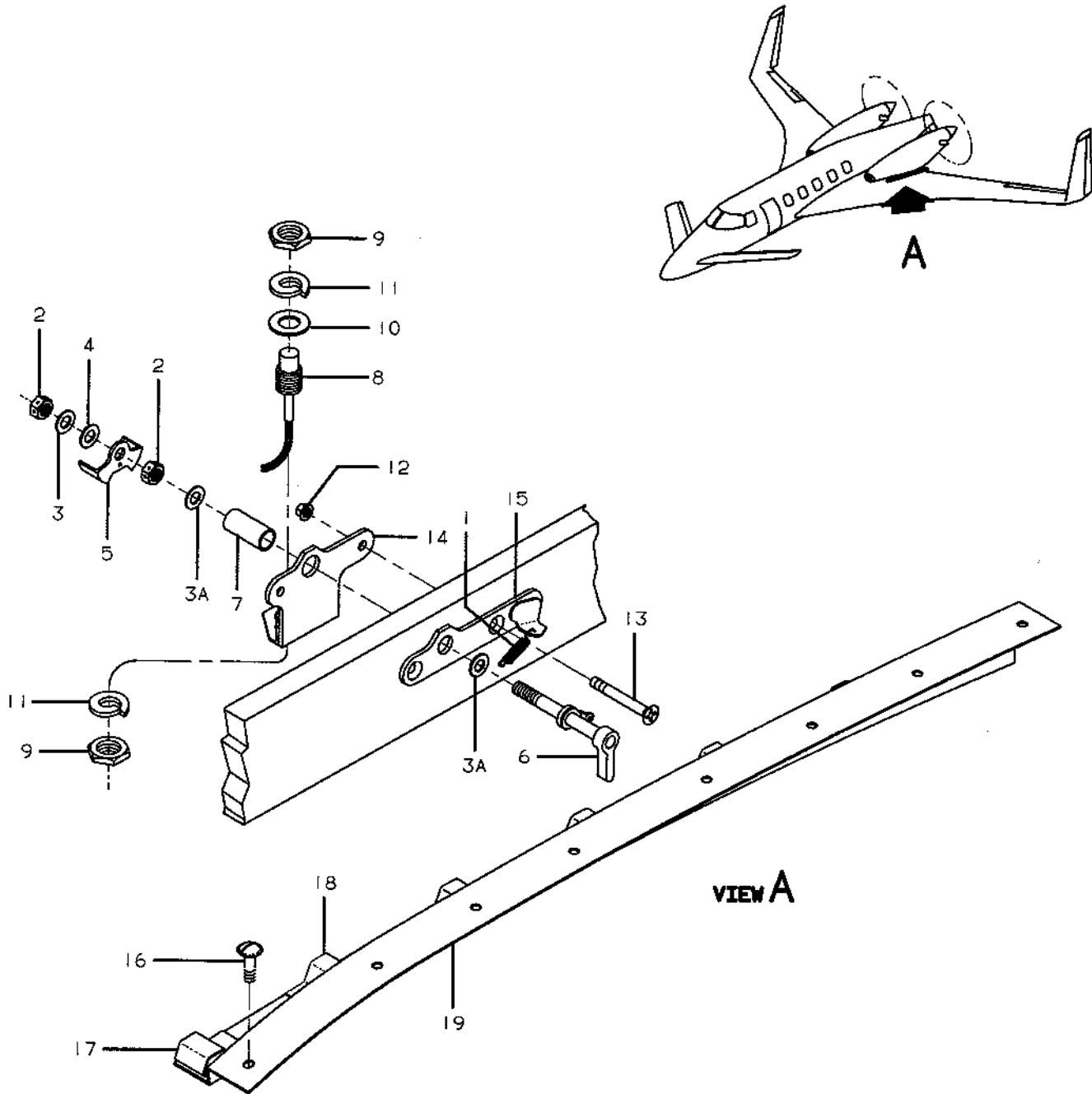
**CODES OF EFFECTIVITY**

1	NC-4 THRU NC-11	2	NC-12 AND AFTER
3	NC-4 THRU NC-23	4	NC-24 AND AFTER
5	NC-4 THRU NC-25	6	NC-26 AND AFTER

**Beechcraft**  
**STARSHIP 1**  
**ILLUSTRATED PARTS CATALOG**

**27-50-10**  
**FLAP MONITOR SYSTEM**

Beechcraft  
STARSHIP 1  
ILLUSTRATED PARTS CATALOG



C95NC27A0686 C

FIGURE 50-10. FLAP MONITOR SYSTEM

**Beechcraft**  
**STARSHIP 1**  
**ILLUSTRATED PARTS CATALOG**

SUB-SEC UNIT & ITEM NO	PART NO.	DESCRIPTION 1 2 3 4 5 6 7	UNITS	USABLE
			PER ASSY	ON CODE
50-10	122-521001-11	FLAP SYSTEM INSTL/SEE NOTE/ .....	NP	
- 1	100942H022-22	. SPRING .....	2	
- 2	NAS509-4	. NUT .....	4	
- 3	R 100951X020WZ	. WASHER .....	2	
- 3A	R 100951X016WZ	. WASHER .....	4	
- 4	MS25081-0	. WASHER .....	2	
- 5	122-521128-9	. TARGET .....	2	
- 6	122-521128-13	. ARM ASSY, LH .....	1	
	122-521128-14	. ARM ASSY, RH .....	1	
- 7	AA307-13	. BEARING .....	2	
- 8	390FW05-06	. SENSOR, POSITION .....	2	
		/ATTACHING PARTS/		
- 9	MS21340-04	. NUT .....	2	
- 10	MS25081C4	. WASHER .....	1	
- 11	MS35333-136	. WASHER, LOCK .....	2	
		-----*		
- 12	130909N29	. NUT .....	4	
- 13	MS24694C65	. SCREW .....	4	
- 14	122-521129-9	. BRACKET ASSY, LH .....	1	
	122-521129-10	. BRACKET ASSY, RH .....	1	
- 15	122-521129-11	. BRACKET ASSY, LH .....	1	
	122-521129-12	. BRACKET ASSY, RH .....	1	
	122-521135-1	. DETENT ASSY, LH FLAP MONITOR .....	1	
	122-521135-2	. DETENT ASSY, RH FLAP MONITOR .....	1	
		/ATTACHING PARTS/		
- 16	AN525-10R7	. SCREW .....	8	
		-----*		
- 17	122-521135-5	.. DETENT, FLAP MONITOR .....	5	
- 18	122-521135-7	.. DETENT, FLAP MONITOR .....	2	
- 19	122-521135-3	.. BRACKET, LH .....	1	
	122-521135-4	.. BRACKET, RH .....	1	

**NOTE** THE FLAPS/FWD WING TRANS-EXTEND LIGHT ASSY, A COMPONENT PART OF THE SUB-PANEL, IS LISTED IN CHAPTER 39. THE FLAP/FWD WING MONITOR PRINTED CIRCUIT BOARD, A COMPONENT PART OF THE COCKPIT LH ELECTRICAL EQUIPMENT, IS LISTED IN CHAPTER 39. THE FLAP/FWD WING MONITOR BOX ASSY IS LISTED IN CHAPTER 27-00-20. THE FLAP MONITOR CIRCUIT BREAKERS, COMPONENT PARTS OF THE LH CIRCUIT BREAKER PANEL, ARE LISTED IN CHAPTER 39. THE FLAP MONITOR RELAYS ARE LISTED IN CHAPTER 39.



**Beechcraft**  
**STARSHIP 1**  
**ILLUSTRATED PARTS CATALOG**

**27-70-00**  
**SURFACE CONTROL GUST LOCK**

Beechcraft  
STARSHIP 1  
ILLUSTRATED PARTS CATALOG

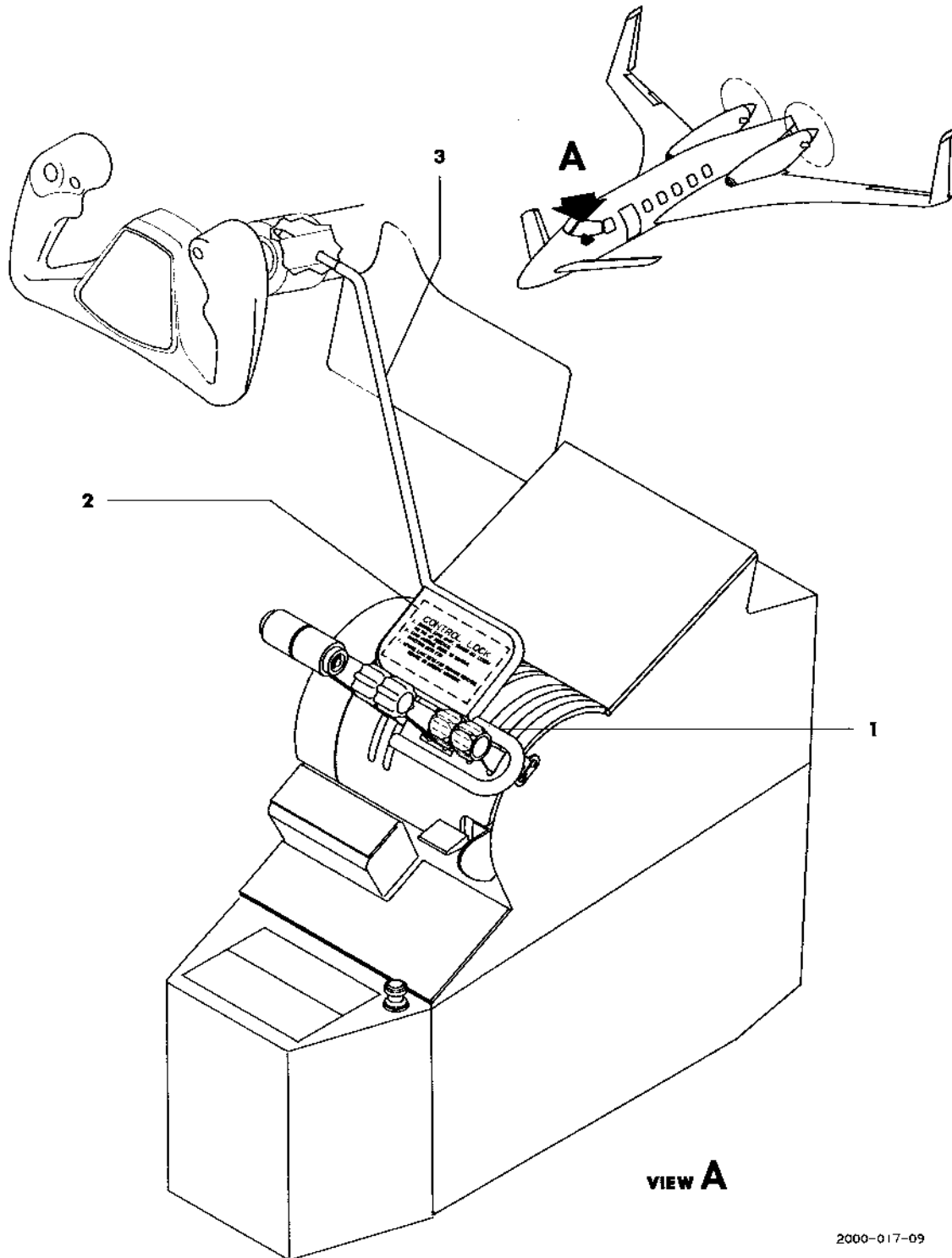


FIGURE 70-00.SURFACE CONTROL GUST LOCK

**Beechcraft**  
**STARSHIP 1**  
**ILLUSTRATED PARTS CATALOG**

SUB-SEC UNIT & ITEM NO	PART NO.	DESCRIPTION 1 2 3 4 5 6 7	UNITS	USABLE
			PER ASSY	ON CODE
70-00	122-590011-17	GUST LOCK ASSY, SURFACE CONTROL /ORDER..... 122-590011-21 FOR SPARES/	NP	1
	122-590011-21	GUST LOCK ASSY, SURFACE CONTROL.....	1	2
- 1	108242G44-0900	. TUBE.....	1	
- 2	122-590012-3	. PLACARD, CONTROL LOCK INSTRUCTION.....	1	
- 3	122-590011-19	. WELD ASSY.....	1	1
	122-590011-23	. WELD ASSY.....	1	2

**CODES OF EFFECTIVITY**

1 NC-4 THRU NC-33                      2 NC-34 AND AFTER

# Raytheon Aircraft

## BEECH STARSHIP 1 ILLUSTRATED PARTS CATALOG

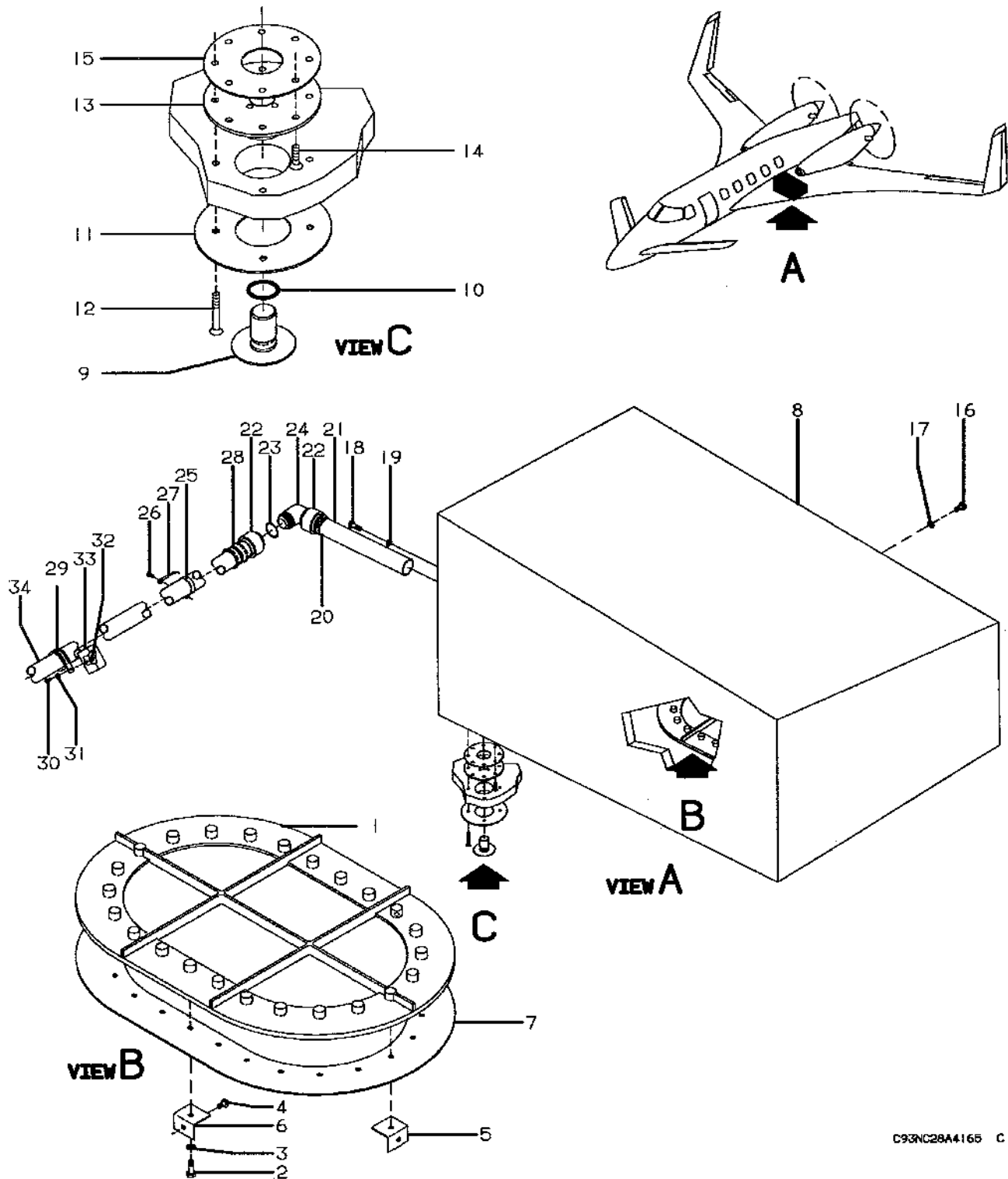
### LIST OF PAGES & TABLE OF CONTENTS FOR CHAPTER 28-00-00 FUEL

CHAP/SUB-SECT & UNIT	PAGE NUMBER	EFFECTIVE DATE	TABLE OF CONTENTS
28-00-00	1	07/31/02	LIST OF PAGES & TABLE OF CONTENTS
28-10-00	1	02/25/94	FUEL STORAGE AND INTERCONNECT
28-10-00	2	02/25/94	
28-10-00	3	06/30/95	
28-10-00	4	02/25/94	
28-10-00	5	06/30/95	
28-10-00	6	02/25/94	
28-10-00	7	06/30/95	
28-10-00	8	06/30/95	
28-10-00	9	06/30/95	
28-10-00	10	06/30/95	
28-10-00	11	06/30/95	
28-10-01	1	02/25/94	CAP AND ADAPTER ASSY
28-10-01	2	02/25/94	
28-10-01	3	02/25/94	
28-10-10	1	02/25/94	FUEL VENT SYSTEM
28-10-10	2	02/25/94	
28-10-10	3	06/30/95	
28-10-10	4	02/25/94	
28-10-10	5	07/31/02	
28-10-10	6	02/25/94	
28-10-10	7	06/30/95	
28-10-10	8	06/30/95	
28-10-10	9	06/30/95	
28-10-10	10	06/30/95	
28-10-10	11	06/30/95	
28-20-00	1	02/25/94	FUEL DISTRIBUTION SYSTEM
28-20-00	2	06/30/95	
28-20-00	3	06/30/95	
28-20-00	4	02/25/94	
28-20-00	5	06/30/95	
28-20-00	6	02/25/94	
28-20-00	7	06/30/95	
28-20-00	8	06/30/95	
28-20-00	9	06/30/95	
28-20-00	10	06/30/95	
28-20-00	11	06/30/95	
28-20-00	12	02/25/94	
28-20-00	13	06/30/95	
28-20-00	14	06/30/95	
28-20-00	15	06/30/95	
28-20-00	16	02/25/94	
28-20-00	17	06/30/95	
28-40-00	1	02/25/94	FUEL QUANTITY AND TEMPERATURE PROBES
28-40-00	2	06/30/95	
28-40-00	3	06/30/95	
28-40-00	4	02/25/94	
28-40-00	5	06/30/95	

**Beechcraft**  
**STARSHIP 1**  
**ILLUSTRATED PARTS CATALOG**

**28-10-00**  
**FUEL STORAGE AND INTERCONNECT**

**Beechcraft**  
**STARSHIP 1**  
**ILLUSTRATED PARTS CATALOG**



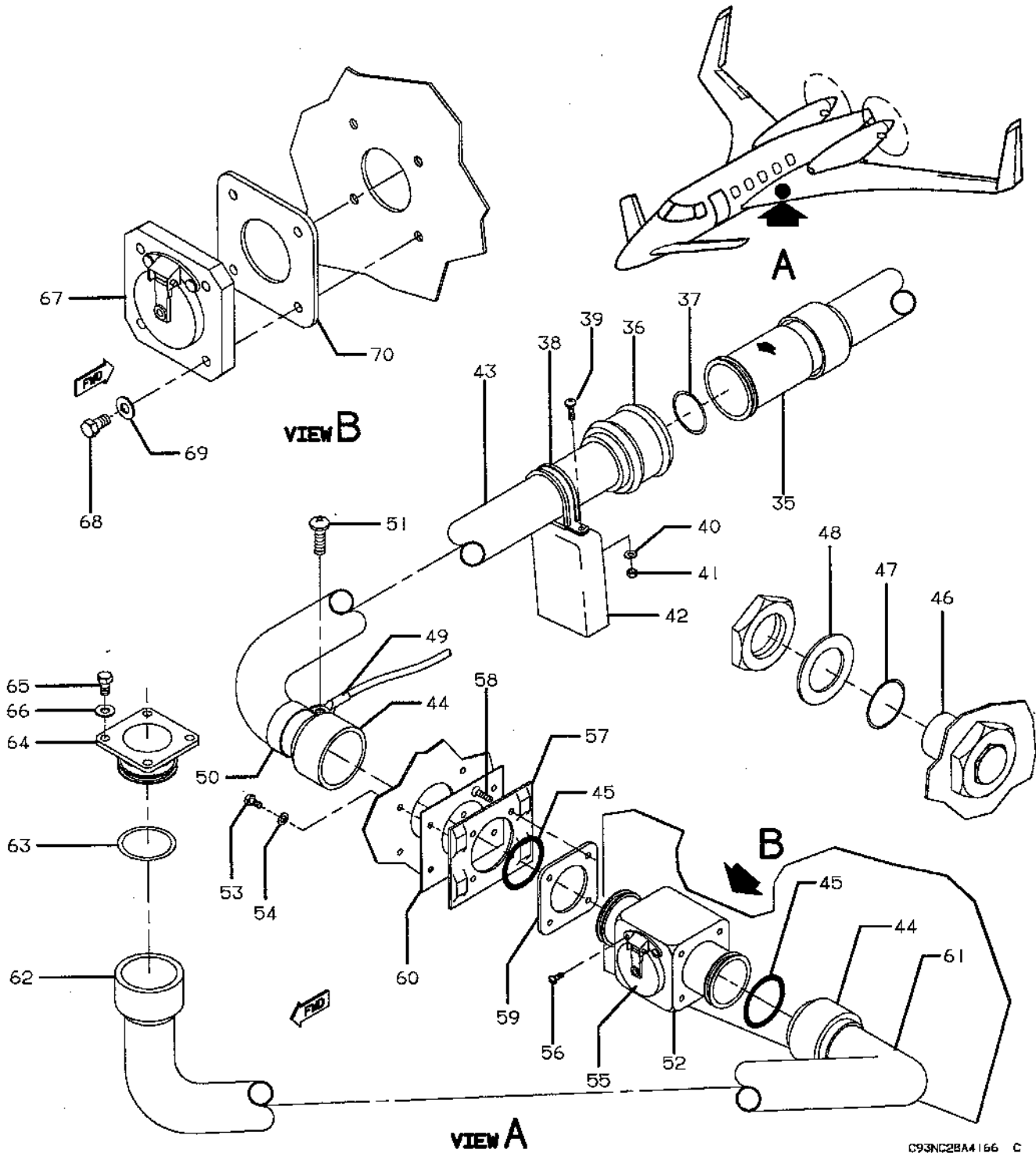
C93NC28A4165 C

**FIGURE 10-00.FUEL STORAGE AND INTERCONNECT**  
**/SHEET 1 OF 5 SHEETS/**

**Beechcraft**  
**STARSHIP 1**  
**ILLUSTRATED PARTS CATALOG**

SUB-SEC UNIT & ITEM NO	PART NO.	DESCRIPTION 1 2 3 4 5 6 7	UNITS	USABLE
			PER ASSY	ON CODE
10-00	122-920002-165	FUEL SYSTEM INSTALLATION .....	NP	
- 1	R 122-920023-9	. DOOR ASSY, FUEL BLADDER ACCESS .....	2	
		/LOWER SURFACE, F.S. 374.01/ /ATTACHING PARTS/		
- 2	130909B12	. BOLT .....	24	
- 3	AN960JD10L	. WASHER .....	24	
- 4	MS35207-259	. SCREW .....	4	
- 5	122-920023-13	. CLIP .....	2	
- 6	122-920023-11	. CLIP .....	2	
		-----★-----		
- 7	122-920001-117	. GASKET, DOOR .....	2	
- 8	122-389038-1	. FUEL CELL ASSY, LH .....	1	
	122-389038-2	. FUEL CELL ASSY, RH .....	1	
- 9	79C10	. VALVE ASSY, FUEL DRAIN .....	NP	1
		/ORDER 79C20A FOR SPARES/		
	VD83-3188-1	. VALVE ASSY, FUEL DRAIN .....	NP	1
		/ORDER 79C20A FOR SPARES/		
	79C20A	. VALVE ASSY, FUEL DRAIN .....	2	2
-10	MS29513-020	. PACKING, PREFORMED .....	2	
-11	122-920019-1	. PLATE, FUEL DRAIN .....	2	
		/ATTACHING PARTS/		
-12	MS24694S62	. SCREW .....	4	
		-----★-----		
-13	122-920018-3	. INSERT, DRAIN VALVE TO FUEL BLADDER .....	2	
		/ATTACHING PARTS/		
-14	MS24694S49	. SCREW .....	4	
		-----★-----		
-15	R 122-920001-77	. GASKET .....	2	
-16	R 130909B12	. BOLT, OUTSIDE MOUNT/FUEL CELL/ .....	4	
-17	R AN960JD10L	. WASHER .....	4	
-18	R 130909B31	. BOLT, OUTSIDE MOUNT/FUEL CELL/ .....	4	
		PROBE BRACKET SUPPORT/		
-19	R AN960JD10L	. WASHER .....	4	
-20	R WWD66	. CLAMP .....	2	
-21	122-920002-83	. TUBE ASSY, GRAVITY FEED .....	2	
-22	W901J24DE	. CONNECTOR/ALTERNATE FOR 14J02-24A/ .....	6	
	14J02-24A	. CONNECTOR/ALTERNATE FOR W901J24DE/ .....	6	
-23	MS29513-222	. PACKING, PREFORMED .....	12	
-24	W951-24DE	. ELBOW/ALTERNATE FOR LC08-24A/ .....	2	
	LC08-24A	. ELBOW/ALTERNATE FOR W951-24DE/ .....	2	
-25	AN735D24	. CLAMP .....	2	
		/ATTACHING PARTS/		
-26	MS35207-263	. SCREW .....	1	
	AN960JD10L	. WASHER .....	1	
	130909N29	. NUT .....	1	
		-----★-----		
-27	MS25083-7BB4	. JUMPER, BONDING .....	2	
-28	122-920001-175	. GROMMET .....	AR	
-29	MS21919WDF24	. CLAMP .....	2	
		/ATTACHING PARTS/		
-30	MS35207-263	. SCREW .....	1	
-31	AN960JD10L	. WASHER .....	1	
-32	130909N29	. NUT .....	1	
		-----★-----		
-33	122-920002-171	. BRACKET, CLAMP SUPPORT .....	2	
-34	122-920002-115	. TUBE ASSY, GRAVITY FEED .....	2	

**Beechcraft**  
**STARSHIP 1**  
**ILLUSTRATED PARTS CATALOG**



C93NC2BA4166 C

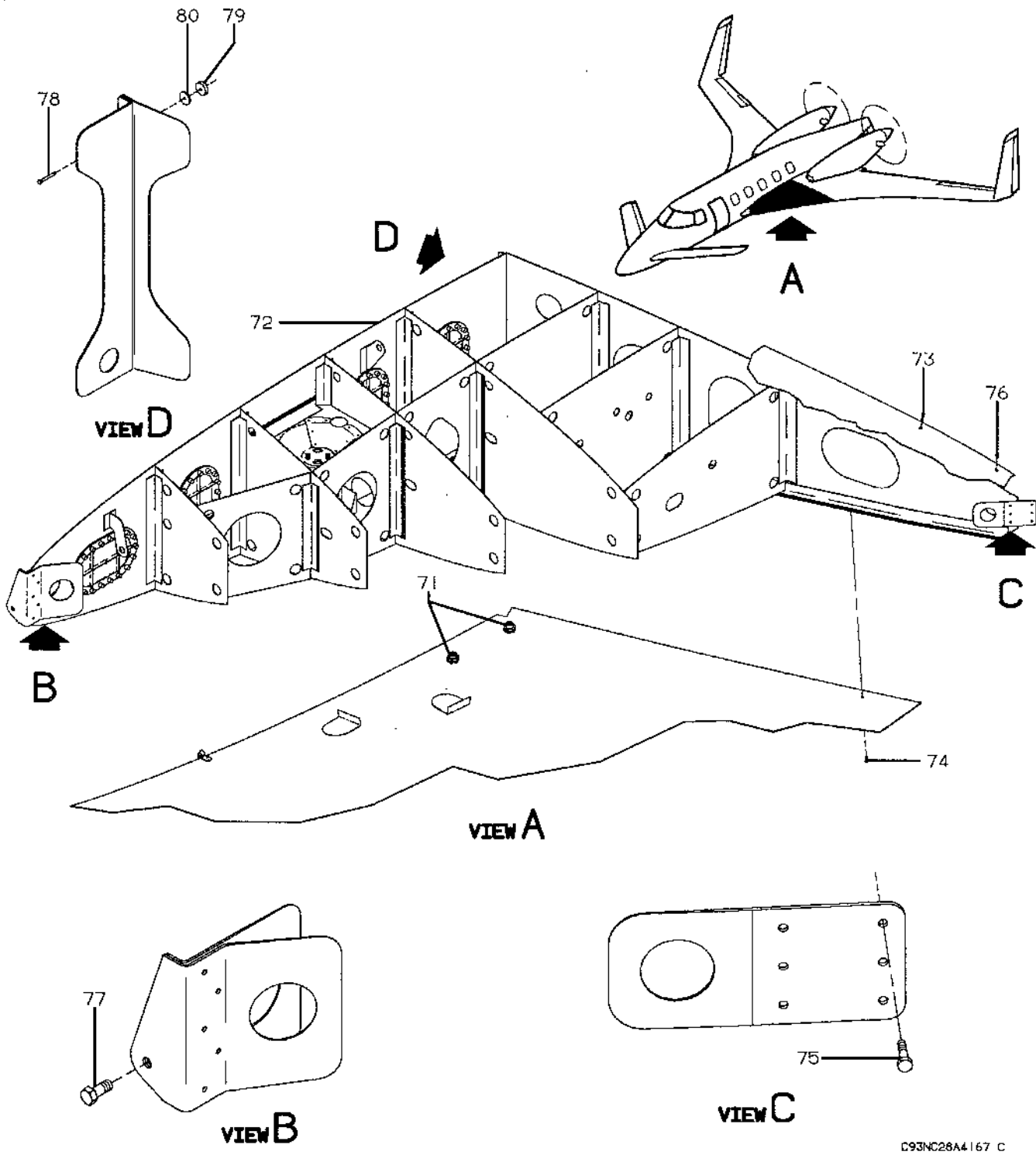
**FIGURE 10-00. FUEL STORAGE AND INTERCONNECT**  
**/SHEET 2 OF 5 SHEETS/**



**Beechcraft**  
**STARSHIP 1**  
**ILLUSTRATED PARTS CATALOG**

SUB-SEC UNIT & ITEM NO	PART NO.	DESCRIPTION 1 2 3 4 5 6 7	UNITS PER ASSY	USABLE ON CODE
10-00 -35	122-389014-1	. VALVE, CHECK.....	2	
-36	W901J28DE	. CONNECTOR/ALTERNATE FOR 14J02-28A/.....	2	
	14J02-28A	. CONNECTOR/ALTERNATE FOR W901J28DE/.....	2	
-37	MS29513-224	. PACKING, PREFORMED.....	2	
-38	MS21919WDF24	. CLAMP.....	2	
		/ATTACHING PARTS/		
-39	MS35207-263	. SCREW.....	1	
-40	AN960JD10L	. WASHER.....	1	
-41	130909N29	. NUT.....	1	
		---★---		
-42	122-920002-103	. BRACKET.....	2	
-43	122-920002-3	. TUBE ASSY, GRAVITY FEED.....	2	
-44	W901J24DE	. CONNECTOR/ALTERNATE FOR 14J02-24A/.....	4	
	14J02-24A	. CONNECTOR/ALTERNATE FOR W901J24DE/.....	4	
-45	MS29513-222	. PACKING, PREFORMED.....	8	
-46	967B12	. VALVE, DRAIN.....	2	
-47	MS29513-029	. PACKING, PREFORMED.....	2	
-48	R MS20002C22	. WASHER.....	2	
-49	MS25083-7BB4	. JUMPER, BONDING.....	2	
-50	AN735D24	. CLAMP.....	2	
-51	MS35207-263	. SCREW.....	2	
	AN960JD10L	. WASHER.....	2	
	130909N29	. NUT.....	2	
-52	122-920041-1	. ADAPTER ASSY, GRAVITY FEED LINE/LH/.....	1	
	122-920041-2	. ADAPTER ASSY, GRAVITY FEED LINE/RH/.....	1	
		/ATTACHING PARTS/		
-53	MS20073-03-03	. BOLT.....	4	
-54	AN960C10L	. WASHER.....	4	
		---★---		
-55	24C112-3	. VALVE, FLAPPER.....	1	
		/ATTACHING PARTS/		
-56	MS35265-26	. SCREW.....	2	
		---★---		
-57	122-920041-5	. PLATE.....	2	
		/ATTACHING PARTS/		
-58	MS24694S51	. SCREW.....	4	
		---★---		
-59	R 122-920001-23	. GASKET.....	2	
-60	122-920002-89	. GASKET.....	2	
-61	122-920002-49	. TUBE ASSY, LH GRAVITY FEED.....	1	
	122-920002-50	. TUBE ASSY, RH GRAVITY FEED.....	1	
-62	W901J24DE	. CONNECTOR/ALTERNATE FOR 14J02-24A/.....	2	
	14J02-24A	. CONNECTOR/ALTERNATE FOR W901J24DE/.....	2	
-63	MS29513-222	. PACKING, PREFORMED.....	4	
-64	W954A24D	. FLANGE/ALTERNATE FOR LC047-24D/.....	2	
	LC047-24D	. FLANGE/ALTERNATE FOR W954A24D/.....	2	
		/ATTACHING PARTS/		
-65	AN4-4	. BOLT.....	4	
-66	AN960JD416L	. WASHER.....	4	
		---★---		
-67	24C112-16	. VALVE, FLAPPER.....	2	
		/ATTACHING PARTS/		
-68	R AN4-4A	. BOLT.....	4	
-69	AN960JD416L	. WASHER.....	4	
		---★---		
-70	R 122-920002-141	. GASKET.....	2	

Beechcraft  
STARSHIP 1  
ILLUSTRATED PARTS CATALOG



D93NC28A4 167 C

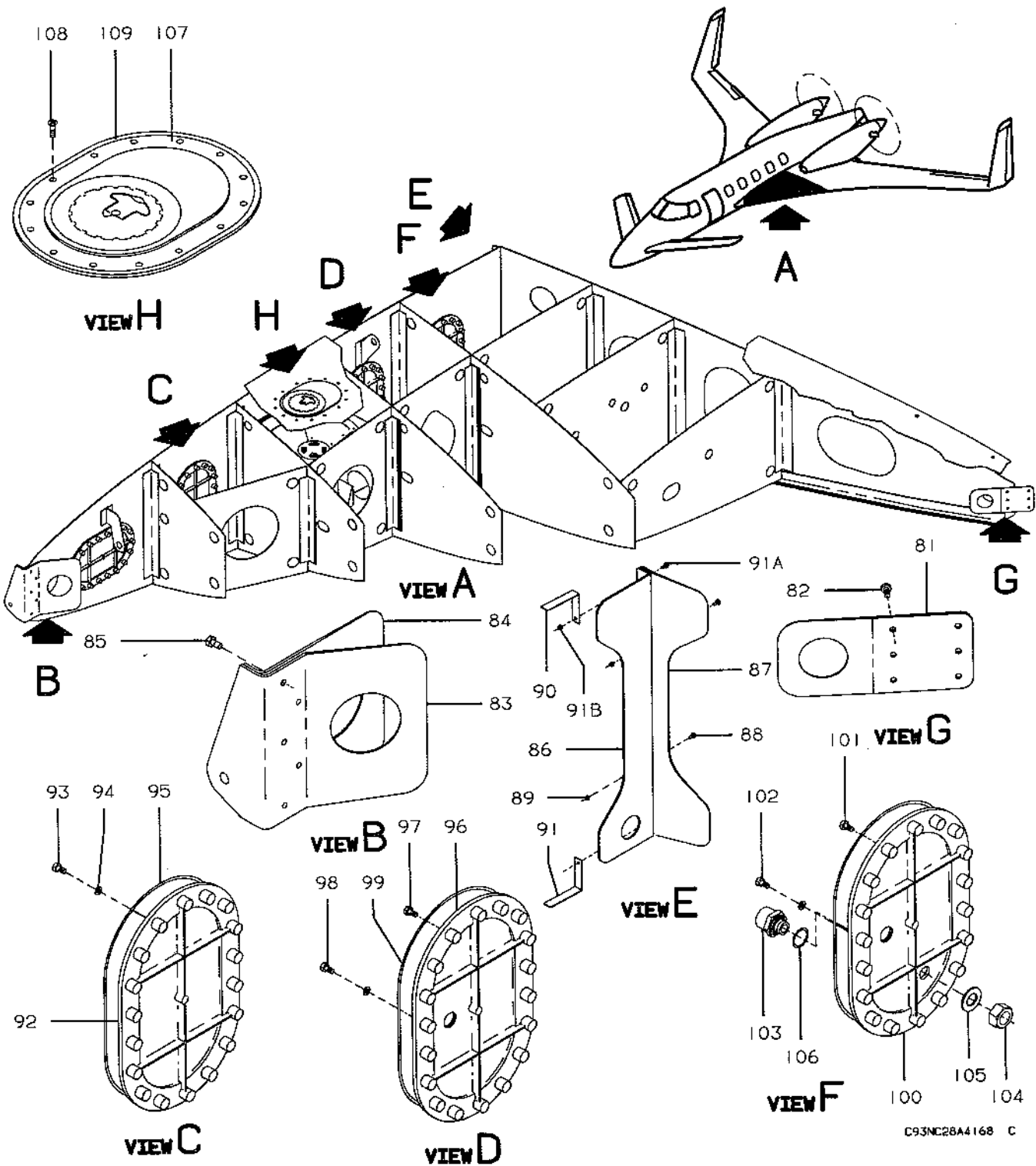
FIGURE 10-00. FUEL STORAGE AND INTERCONNECT  
/SHEET 3 OF 5 SHEETS/

**Beechcraft**  
**STARSHIP 1**  
**ILLUSTRATED PARTS CATALOG**

SUB-SEC UNIT & ITEM NO	PART NO.	DESCRIPTION 1 2 3 4 5 6 7	UNITS	USABLE	
			PER ASSY	ON CODE	
10-00 -71	122-920001-151	. DRAIN ASSY/ALTERNATE FOR 122-920001-153/ .....	4	1	
	122-920001-153	. DRAIN ASSY/ALTERNATE FOR 122-920001-151/ .....	4	1	
	79C20A	. VALVE ASSY, FUEL DRAIN.....	4	2	
	MS29513-020	. PACKING, PREFORMED .....	4	2	
	122-920002-173	. SPACER .....	4	2	
	AN960S1216L	. WASHER .....	4	2	
	AN924-8D	. NUT .....	4	2	
	122-100010-35	WING ASSY, COMPLETE AFT .....	1		
	122-120100-17	. FUEL TANK INSTALLATION, AFT WING/LH/.....	NP		
	122-120100-18	. FUEL TANK INSTALLATION, AFT WING/RH/ .....	NP		
	-72 R	122-120182-15	. TANK ASSY, LH FUEL .....	1	1
		122-120182-17	. TANK ASSY, LH FUEL .....	1	5
		122-120182-19	. TANK ASSY, LH FUEL .....	1	6
		122-120182-16	. TANK ASSY, RH FUEL .....	1	1
122-120182-18		. TANK ASSY, RH FUEL .....	1	5	
R	122-120182-20	. TANK ASSY, RH FUEL .....	1	6	
		/ATTACHING PARTS/			
-73 R	MS24694C54	. SCREW, UPPER/TO MLG CLOSURE/.....	19		
	SL3149C3-12	. INSERT .....	19		
-74	MS24694C56	. SCREW, LOWER/TO MLG CLOSURE/.....	11		
	MS21060L3	. NUTPLATE .....	11		
-75	AN4C12A	. BOLT/OUTBD/.....	3		
	AN960-416	. WASHER .....	3		
	130909N30	. NUT .....	3		
-76	MS24694C49	. SCREW, UPPER OUTBD .....	2		
	SL607-11CM	. INSERT .....	2		
	MS24694C52	. SCREW, LOWER OUTBD .....	2		
	MS21048L3	. NUTPLATE, LOWER OUTBD .....	2		
-77	NAS1106-12D	. BOLT .....	1		
	AN960-616	. WASHER .....	AR		
	AN960-616LL	. WASHER/TO MATE FUSELAGE FITTING/ONE UNDER NUT/ .....	AR		
-78	NAS77-6-12	. BUSHING/PRESS FIT/ .....	1		
	130909N18	. NUT .....	1		
	MS24665-238	. PIN, COTTER .....	1		
	AN3C16A	. BOLT, INBD AFT/UPPER AND LOWER/.....	2		
	AN5C16A	. BOLT, INBD AFT/CENTER/.....	2		
	AN980C10	. WASHER, INBD AFT/UPPER AND LOWER/ .....	4		
	AN960C516	. WASHER, INBD AFT/CENTER/.....	2		
-79	130909N49	. NUT, INBD AFT/UPPER AND LOWER/.....	2		
	130909N43	. NUT, INBD AFT/CENTER/.....	2		
-80	122-120100-19	. SHIM, INBD AFT/UPPER AND LOWER/ .....	2		
	122-120100-21	. SHIM, INBD AFT/CENTER/ .....	2		
-80	122-120100-9	. SHIM, INBD AFT/UPPER AND LOWER/ .....	2		
	122-120100-15	. SHIM, INBD AFT/CENTER/ .....	2		

---★---

**Beechcraft**  
**STARSHIP 1**  
**ILLUSTRATED PARTS CATALOG**

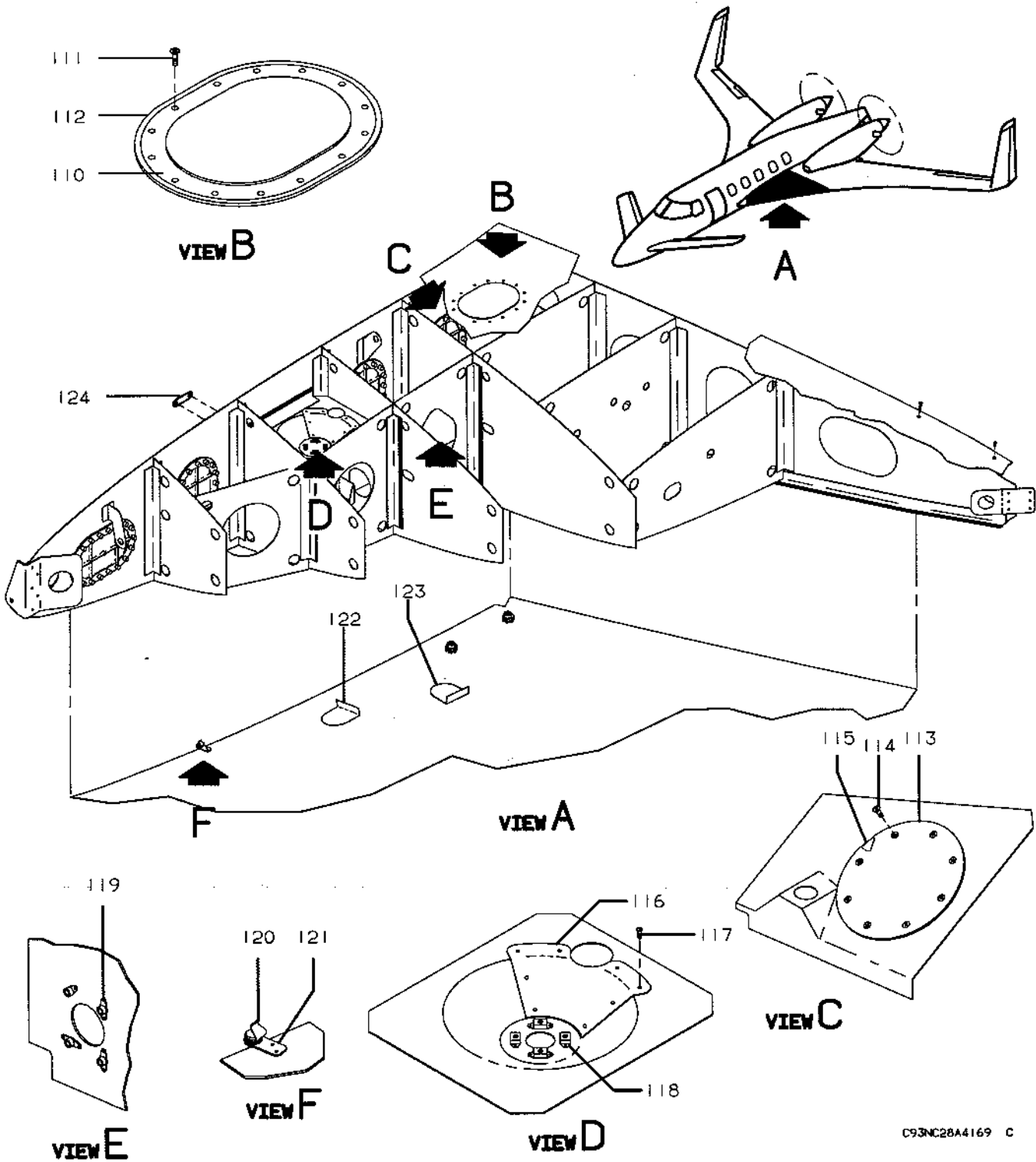


**FIGURE 10-00. FUEL STORAGE AND INTERCONNECT**  
**/SHEET 4 OF 5 SHEETS/**

**Beechcraft**  
**STARSHIP 1**  
**ILLUSTRATED PARTS CATALOG**

SUB-SEC UNIT & ITEM NO	PART NO.	DESCRIPTION 1 2 3 4 5 6 7	UNITS PER ASSY	USABLE ON CODE
10-00 -81	122-120163-1	... FITTING, OUTBD .....	1	
	122-120163-3	... FITTING, OUTBD .....	1	
		/ATTACHING PARTS/		
-82	R AN4C7A	... BOLT .....	3	
	R AN960-416	... WASHER .....	AR	
	R 130909N29	... NUT .....	3	
		-----★-----		
-83	122-120160-3	... FITTING, INBD FWD/LH/ .....	1	
	122-120160-4	... FITTING, INBD FWD/RH/ .....	1	
-84	122-120160-1	... FITTING, INBD FWD/LH/ .....	1	
	122-120160-2	... FITTING, INBD FWD/RH/ .....	1	
		/ATTACHING PARTS/		
-85	R AN4C7A	... BOLT .....	5	
	R AN960-416	... WASHER .....	5	
	R 130909N29	... NUT .....	5	
		-----★-----		
-86	122-120162-5	... FITTING, INBD AFT/LH/ .....	1	
	122-120162-6	... FITTING, INBD AFT/RH/ .....	1	
-87	122-120162-7	... FITTING, INBD AFT .....	1	
		/ATTACHING PARTS/		
-88	R AN3C6A	... BOLT .....	4	
	AN960C10	... WASHER .....	4	
-89	MS21043-3	... NUT .....	4	
		-----★-----		
-90	122-120182-5	... STRAP, GROUND .....	1	
-91	122-120182-7	... STRAP, GROUND .....	1	
		/ATTACHING PARTS/		
-91A	R AN37A	... BOLT .....	4	
	R AN960C10	... WASHER .....	4	
-91B	R 130909N29	... NUT .....	4	
		-----★-----		
-92	122-120070-1	... DOOR, ACCESS .....	5	
		/ATTACHING PARTS/		
-93	R AN3C3A	... BOLT .....	18	
-94	R 100951CR063ZM	... WASHER .....	18	
-95	AN124029	... PACKING, PREFORMED .....	1	
		-----★-----		
-96	R 122-120070-3	... DOOR, ACCESS/FOR ELECTRICAL PLUG/ .....	2	
		/ATTACHING PARTS/		
-97	R AN3C3A	... BOLT .....	17	
-98	R AN3CH3A	... BOLT/ELECT PLUG SAFETY WIRE/ .....	1	
	R 100951CR063ZM	... WASHER .....	18	
-99	AN124029	... PACKING, PREFORMED .....	1	
		-----★-----		
-100	122-120070-7	... DOOR, LH ACCESS/FUEL TEMP PROBE/ .....	1	
	122-120070-3	... DOOR, RH ACCESS .....	1	
		/ATTACHING PARTS/		
-101	R AN3C3A	... BOLT .....	17	
-102	R AN3CH3A	... BOLT/ELECT PLUG SAFETY WIRE/ .....	1	
	R 100951CR063ZM	... WASHER .....	18	
	AN124029	... PACKING, PREFORMED .....	1	
		-----★-----		
-103	122-920052-1	... FITTING, FUEL TEMP PROBE/LH ONLY/ .....	1	
		/ATTACHING PARTS/		
-104	AN924-6D	... NUT .....	1	
-105	AN960KD916	... WASHER .....	1	
-106	MS29513-018	... PACKING .....	1	
		-----★-----		
-107	R 122-120069-1	... FILLER CAP ASSY, LH/SEE 28-10-01/ .....	1	7
	R 122-120077-11	... FILLER CAP ASSY, LH/SEE 28-10-01/ .....	1	6
	R 122-120069-2	... FILLER CAP ASSY, RH/SEE 28-10-01/ .....	1	7
	R 122-120077-12	... FILLER CAP ASSY, RH/SEE 28-10-01/ .....	1	6
		/ATTACHING PARTS/		
-108	MS24694C47	... SCREW .....	14	
-109	AN124033	... PACKING, PREFORMED .....	1	
		-----★-----		

**Beechcraft**  
**STARSHIP 1**  
**ILLUSTRATED PARTS CATALOG**



C93NC28A4169 C

**FIGURE 10-00.FUEL STORAGE AND INTERCONNECT**  
**/SHEET 5 OF 5 SHEETS/**

**Beechcraft**  
**STARSHIP 1**  
**ILLUSTRATED PARTS CATALOG**

SUB-SEC UNIT & ITEM NO	PART NO.	DESCRIPTION 1 2 3 4 5 6 7	UNITS	USABLE
			PER ASSY	ON CODE
10-00 -110	R 122-120186-1	... DOOR ASSY, ACCESS .....	1	8
	R 122-120186-5	... DOOR ASSY, ACCESS .....	1	9
		/ATTACHING PARTS/		
-111	R MS24694C47	... SCREW .....	14	
-112	R AN124033	... PACKING, PREFORMED .....	1	
		★		
	122-120185-11	... BAFFLE ASSY, HOPPER/LH/ .....	NP	
	122-120185-12	... BAFFLE ASSY, HOPPER/RH/ .....	NP	
-113	122-120185-15	... DOOR .....	1	
		/ATTACHING PARTS/		
-114	MS35207-264	... SCREW .....	8	
	100951CR083ZM	... WASHER .....	8	
		★		
	R MS21060L3	... NUTPLATE .....	10	
-115	R 122-120185-17	... GASKET .....	1	3
	R 122-120185-19	... GASKET .....	1	4
	122-120189-1	... BAFFLE ASSY, HORIZONTAL .....	NP	
-116	122-120189-9	... COVER .....	1	
		/ATTACHING PARTS/		
-117	AN525-B32R7	... SCREW .....	8	
		★		
	R MS21060L08	... NUTPLATE .....	8	
-118	MS21060L4	... NUTPLATE/FOR GRAVITY LINE FLANGE/ .....	4	
	R 122-120187-9	... BAFFLE ASSY, AFT FUEL TANK/LH/ .....	NP	10
	R 122-120187-11	... BAFFLE ASSY, AFT FUEL TANK/LH/ .....	NP	11
		/F.S. 304.80/		
	122-120187-10	... BAFFLE ASSY, AFT FUEL TANK/RH/ .....	NP	10
	R 122-120187-12	... BAFFLE ASSY, AFT FUEL TANK/RH/ .....	NP	11
-119	R 22NK13-048	... NUTPLATE/FLAPPER VALVE MOUNTING/ .....	4	
-120	MS90298-2	... CONNECTOR, GROUNDING RECEPTACLE .....	1	
-121	122-120182-3	... PLATE, CONNECTOR MOUNTING .....	1	
-122	R 122-120182-9	... SHIELD, FUEL PROBE/LIGHTNING PROTECTION/ .....	2	
-123	R 122-120182-11	... SHIELD, FUEL PROBE/LIGHTNING PROTECTION/ .....	1	
-124	R 103837	... PLACARD, AIRPLANE SERIAL/WL 82 & FS 290/ .....	1	

**CODES OF EFFECTIVITY**

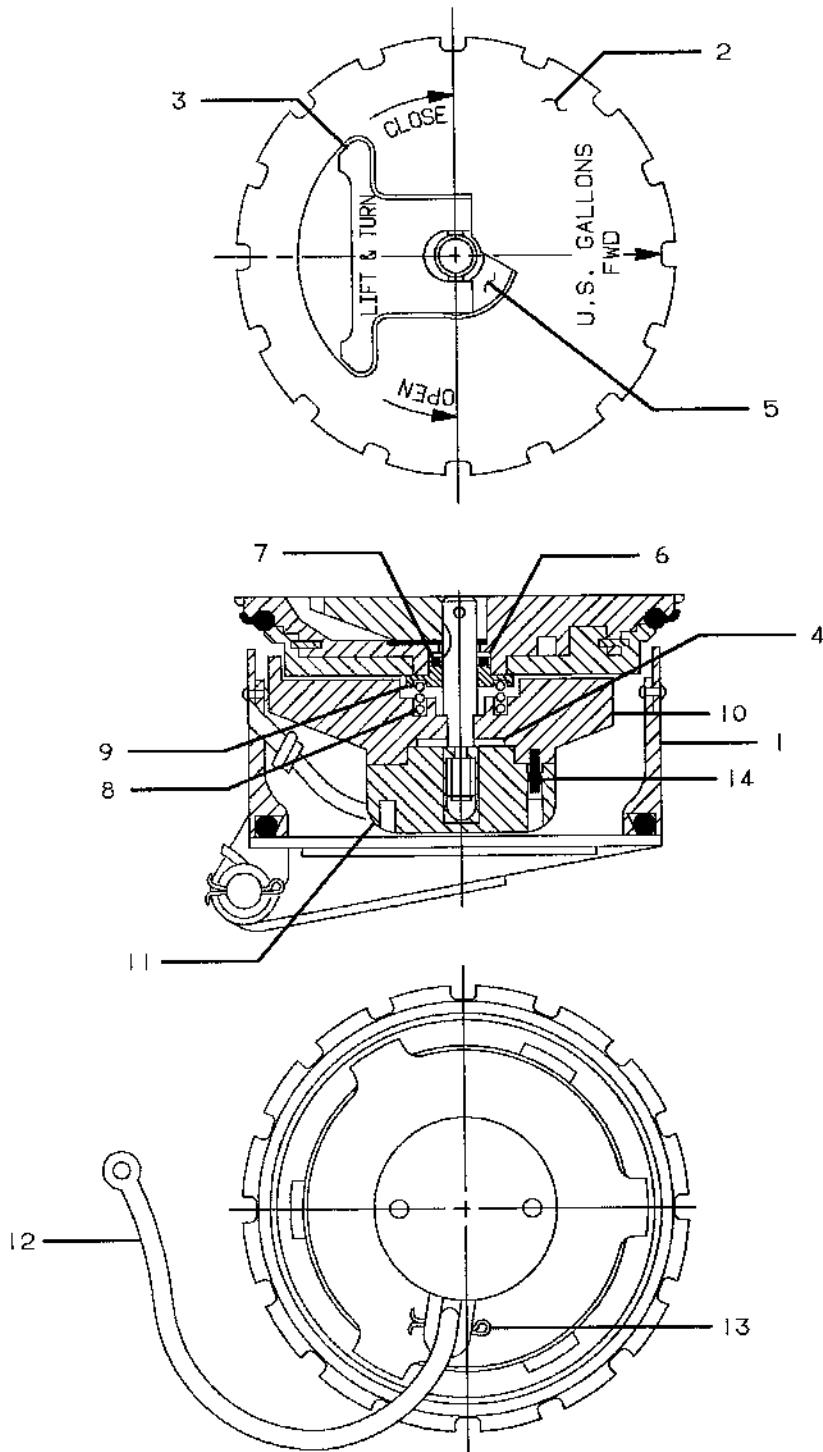
1	NC-4 THRU NC-25	2	NC-26 AND AFTER
3	NC-4 ONLY	4	NC-5 AND AFTER
5	NC-26 THRU NC-28	6	NC-29 AND AFTER
7	NC-4 THRU NC-28	8	NC-4 THRU NC-40
9	NC-41 AND AFTER	10	NC-4 THRU NC53
11	NC-54 AND AFTER		

**Beechcraft**  
**STARSHIP 1**  
**ILLUSTRATED PARTS CATALOG**

**28-10-01**  
**CAP AND ADAPTER ASSY**



Beechcraft  
STARSHIP 1  
ILLUSTRATED PARTS CATALOG



C93NC28A4 190

FIGURE 10-01.CAP AND ADAPTER ASSY

**Beechcraft**  
**STARSHIP 1**  
**ILLUSTRATED PARTS CATALOG**

SUB-SEC UNIT & ITEM NO	PART NO.	DESCRIPTION 1 2 3 4 5 6 7	UNITS	USABLE
			PER ASSY	ON CODE
10-01	122-120077-1	FILLER CAP ASSY, LH.....	1	1
	122-120069-11	FILLER CAP ASSY, LH.....	1	2
	122-120077-2	FILLER CAP ASSY, RH.....	1	1
	122-120069-12	FILLER CAP ASSY, RH.....	1	2
	457-526	. CAP AND ADAPTER ASSY.....	1	
- 1	457-527	.. ADAPTER ASSY .....	1	
	457-542	.. CAP ASSY .....	1	
- 2	457-1023-1	... BASE ASSY.....	1	
- 3	457-1076	... HANDLE ASSY.....	1	
- 4	457-373	... WASHER .....	1	
- 5	431-368	... PLATE, BEARING .....	1	
- 6	457-627	... INSULATOR, AXEL.....	1	
- 7	463-29-1	... PACKING, PREFORMED.....	1	
- 8	408-7	... SPRING .....	1	
- 9	463-42	... INSULATOR, SPRING.....	1	
- 10	457-1165	... PAWL.....	1	
- 11	557-017	... NUT ASSY.....	1	
- 12	452-16-6	... LANYARD.....	1	
- 13	MS24665-298	... PIN, COTTER .....	1	
- 14	MS171434	... PIN, ROLL.....	1	

**CODES OF EFFECTIVITY**

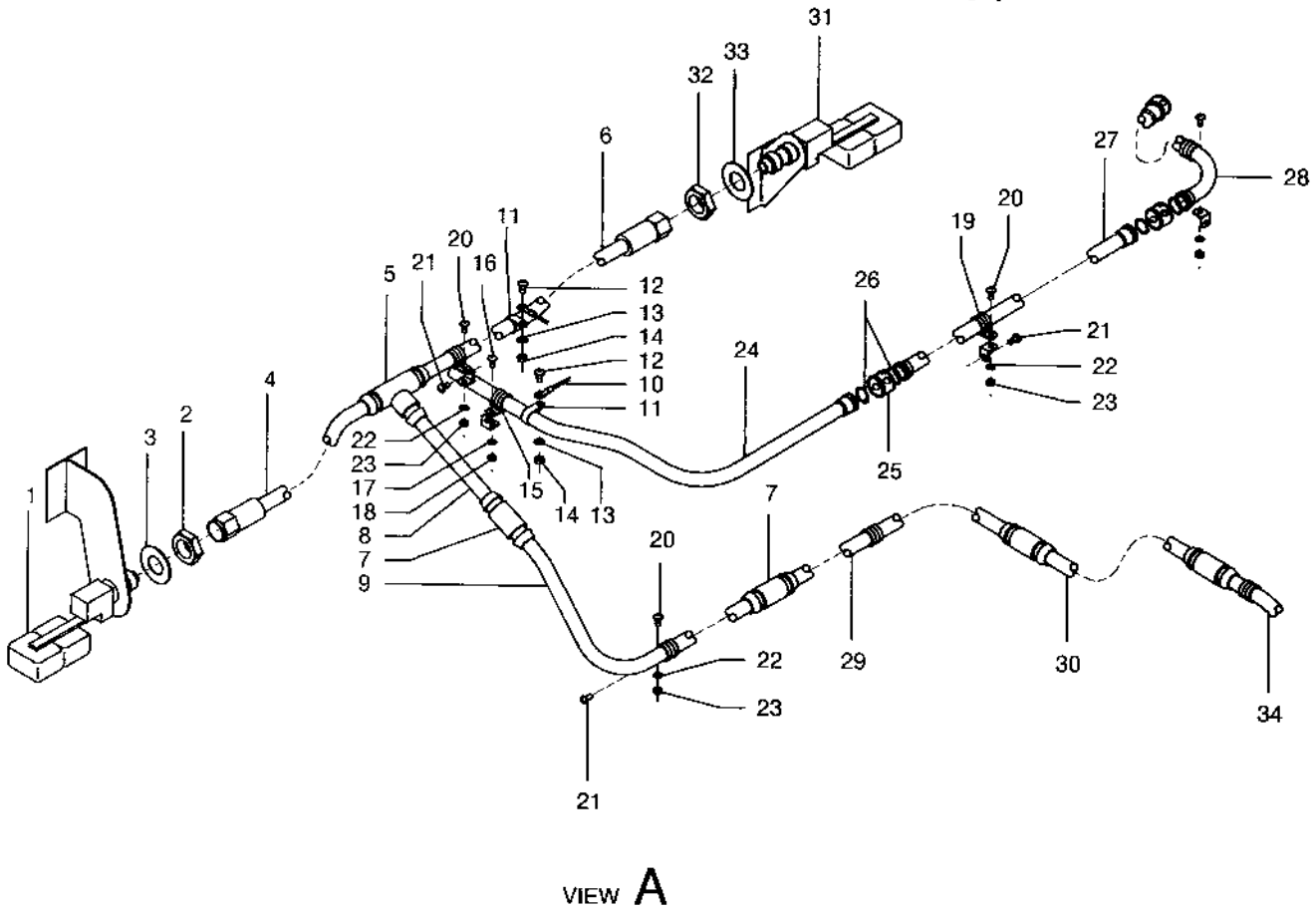
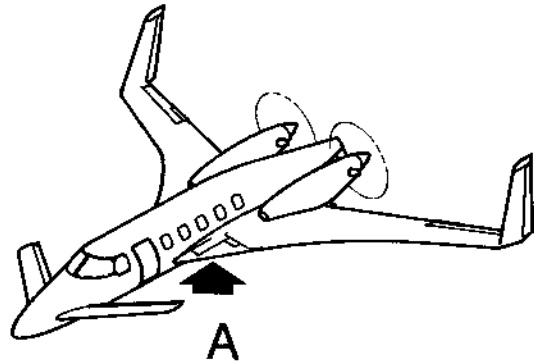
1 NC-4 THRU NC-28

2 NC-29 AND AFTER

**Beechcraft**  
**STARSHIP 1**  
**ILLUSTRATED PARTS CATALOG**

**28-10-10**  
**FUEL VENT SYSTEM**

**Beechcraft**  
**STARSHIP 1**  
**ILLUSTRATED PARTS CATALOG**



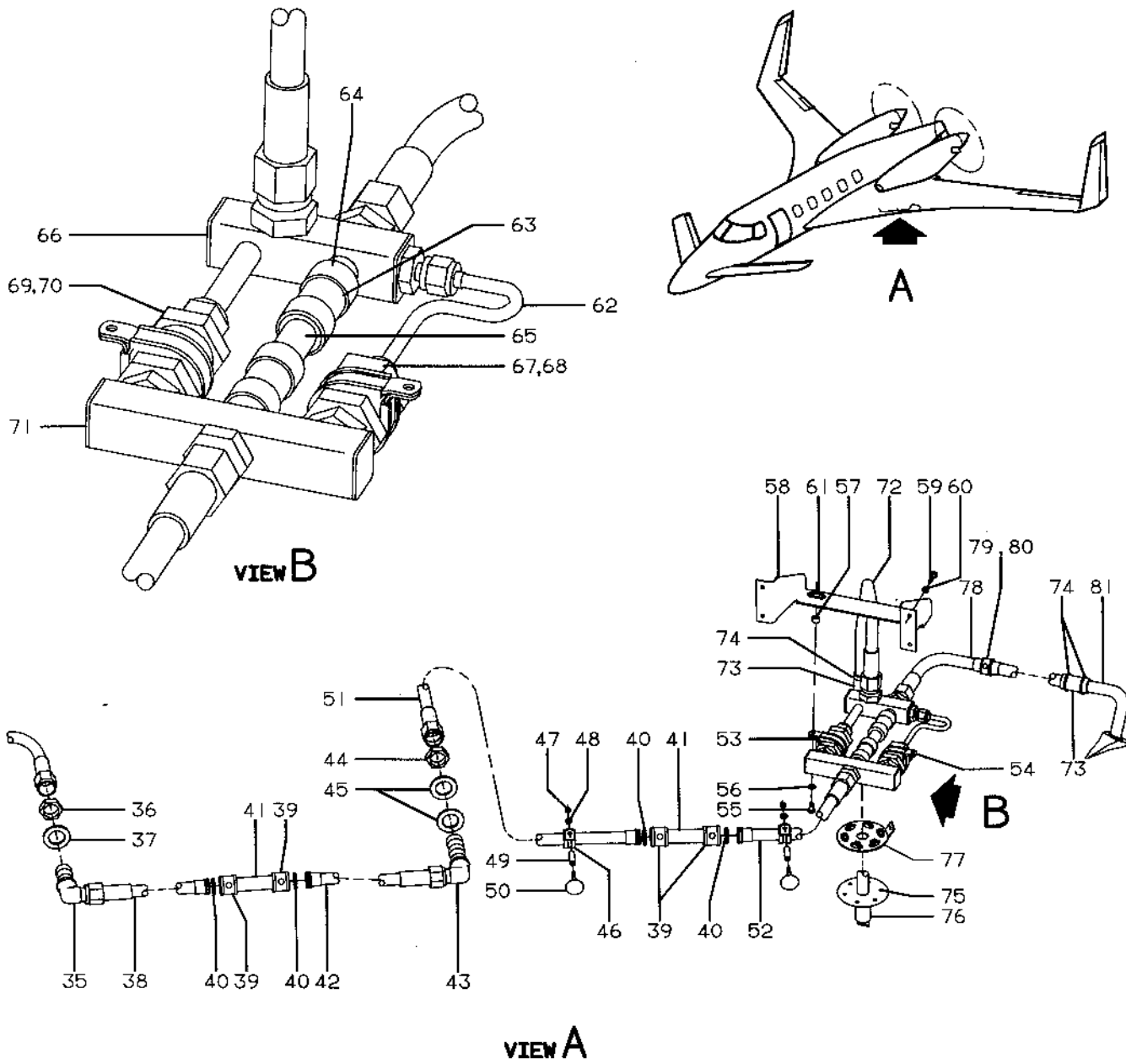
2000-281-07

**FIGURE 10-10.FUEL VENT SYSTEM**  
**/SHEET 1 OF 5 SHEETS/**

**Beechcraft**  
**STARSHIP 1**  
**ILLUSTRATED PARTS CATALOG**

SUB-SEC UNIT & ITEM NO	PART NO.	DESCRIPTION 1 2 3 4 5 6 7	UNITS PER ASSY	USABLE ON CODE
10-10	122-920002-165	FUEL SYSTEM INSTALLATION .....	NP	
		<b>NOTE</b> BEECHCRAFT CUSTOMER SUPPORT SHOULD BE CONTACTED PRIOR TO ORDERING REPLACEMENT TUBE ASSEMBLY AND/OR PERMASWAGE FITTING.		
- 1	C100003-2	. VALVE, FLOAT .....	2	
		. /ATTACHING PARTS/		
- 2	AN924-10D	. NUT .....	1	
- 3	AN960C1416L	. WASHER .....	1	
		---*---		
- 4	122-920002-41	. TUBE ASSY, VENT .....	2	
- 5	D9855D10	. TEE .....	2	
- 6	122-920002-43	. TUBE ASSY, LH & RH VENT .....	2	
- 7	R D10036D10	. UNION .....	8	
- 8	122-920002-87	. TUBE ASSY, VENT .....	2	
- 9	122-920002-47	. TUBE ASSY, VENT- LH .....	1	
	122-920002-48	. TUBE ASSY, VENT- RH .....	1	
- 10	MS25083-7BB4	. JUMPER, BONDING .....	2	
		. /ATTACHING PARTS/		
- 11	AN735D10	. CLAMP .....	2	
- 12	MS35207-263	. SCREW .....	2	
- 13	AN960JD10L	. WASHER .....	2	
- 14	130909N29	. NUT .....	2	
		---*---		
- 15	MS21919WDF10	. CLAMP .....	2	
		. /ATTACHING PARTS/		
- 16	MS35207-264	. SCREW .....	1	
- 17	AN960JD10L	. WASHER .....	1	
- 18	130909N29	. NUT .....	1	
		---*---		
- 19	782-1E10AF	. CLAMP .....	10	
		. /ATTACHING PARTS/		
- 20	MS35207-264	. SCREW .....	1	
- 21	MS35207-263	. SCREW .....	1	
- 22	AN960JD10L	. WASHER .....	1	
- 23	130909N29	. NUT .....	1	
		---*---		
- 24	122-920002-91	. TUBE ASSY, VENT .....	2	
- 25	W901J10DE	. CONNECTOR/ALTERNATE FOR 14J02-10A/ .....	4	
	14J02-10A	. CONNECTOR/ALTERNATE FOR W901J10DE/ .....	4	
- 26	MS29513-017	. PACKING, PREFORMED .....	8	
- 27	122-920002-55	. TUBE ASSY, VENT .....	2	
- 28	122-920002-53	. TUBE ASSY, LH VENT .....	1	
	122-920002-54	. TUBE ASSY, RH VENT .....	1	
- 29	122-920002-45	. TUBE, VENT .....	2	
- 30	122-920002-51	. TUBE ASSY, VENT .....	2	
- 31	C100018-2	. VALVE ASSY, VENT/PRESSURE RELIEF/ .....	2	
		. /ATTACHING PARTS/		
- 32	AN924-10D	. NUT .....	1	
- 33	R AN960JD1416L	. WASHER .....	2	
		---*---		
- 34	122-920002-57	. TUBE ASSY, LH VENT .....	1	
	122-920002-58	. TUBE ASSY, RH VENT .....	1	

**Beechcraft**  
**STARSHIP 1**  
**ILLUSTRATED PARTS CATALOG**



C9101138

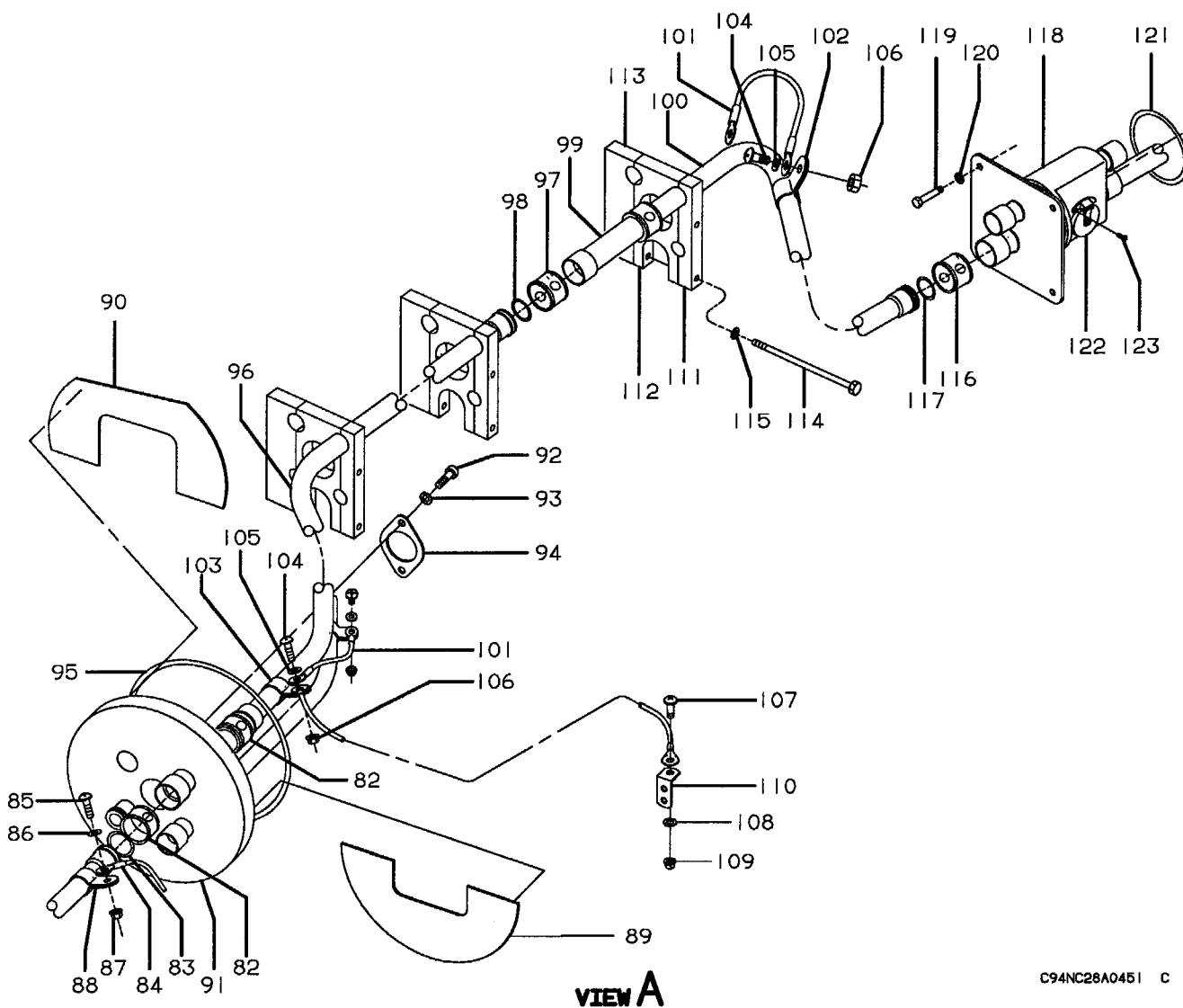
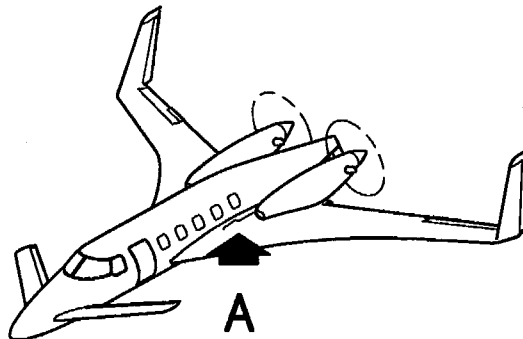
**FIGURE 10-10.FUEL VENT SYSTEM**  
**/SHEET 2 OF 5 SHEETS/**

# Raytheon Aircraft

## BEECH STARSHIP 1 ILLUSTRATED PARTS CATALOG

SUB-SECT	UNIT & ITEM NO.	PART NO.	1 2 3 4 5 6 7	DESCRIPTION	UNITS PER ASSY	USABLE ON CODE
10-10	35	122-920053-1	.	ELBOW, BULKHEAD ..... (ATTACHING PARTS)	2	
	36	AN924-10D	.	NUT .....	1	
	37	AN960JD1416L	.	WASHER .....	2	
				-----★-----		
	38	122-920001-75	.	TUBE ASSY .....	2	
	39	W901J10DE	.	CONNECTOR/ALTERNATE FOR 14J02-10A/ .....	8	
		14J02-10A	.	CONNECTOR/ALTERNATE FOR W901J10DE/ .....	8	
	40	MS29513-017	.	PACKING, PREFORMED .....	8	
	41	122-920034-3	.	TUBE, LIGHTNING BREAK .....	4	
	42	122-920001-73	.	TUBE ASSY, LH VENT .....	1	
		122-920001-74	.	TUBE ASSY, RH VENT .....	1	
	43	131860-10-08D	.	ELBOW ..... (ATTACHING PARTS)	2	
	44	AN924-10D	.	NUT .....	1	
	45	AN960JD1416L	.	WASHER .....	2	
				-----★-----		
	46	MS21919WDF10	.	CLAMP ..... (ATTACHING PARTS)	4	
	47	130909N29	.	NUT .....	1	
	48	AN960JD10L	.	WASHER .....	1	
	49	NAS43DD3-64	.	SPACER .....	1	
	50	132151-3-11	.	STUD .....	1	
				-----★-----		
	51	122-920001-21	.	TUBE ASSY, VENT .....	2	
	52	122-920001-25	.	TUBE ASSY, LH VENT .....	1	
		122-920001-26	.	TUBE ASSY, RH VENT .....	1	
	53	MS21919WDF20	.	CLAMP .....	2	
	54	MS21919WDF16	.	CLAMP ..... (ATTACHING PARTS)	2	
	55	MS35207-265	.	SCREW .....	1	
	56	AN960JD10L	.	WASHER .....	1	
	57	NAS43DD3-13	.	SPACER .....	1	
				-----★-----		
	58	122-920026-1	.	BRACKET ASSY, VENT ..... (ATTACHING PARTS)	2	
	59	130909B29	.	BOLT .....	8	
	60	AN960JD10L	.	WASHER .....	8	
				-----★-----		
	61	MS21059L3K	.	NUTPLATE .....	2	
		122-920025-1	.	VENT ASSY, LH OVERBOARD .....	1	
		122-920025-2	.	VENT ASSY, RH OVERBOARD .....	1	
	62	122-920025-25	.	TUBE ASSY, LH & RH .....	1	
	63	106200H10-6	.	HOSE .....	2	
	64	AN737TW34	.	CLAMP .....	4	
	65	100-920066-1	.	FLAME ARRESTER ASSY .....	1	
	66	122-920025-41	.	MANIFOLD ASSY, LH .....	1	
		122-920025-42	.	MANIFOLD ASSY, RH .....	1	
	67	101-389011-27	.	VALVE, CHECK/FUEL VENT/ .....	1	
	68	MS29512-04	.	PACKING .....	1	
	69	101-389011-31	.	VALVE, CHECK .....	1	
	70	MS29512-08	.	PACKING .....	1	
	71	122-920025-3	.	MANIFOLD ASSY, FUEL VENT .....	1	
	72	122-920001-5	.	TUBE ASSY .....	2	
	73	122-389012-1	.	CONNECTOR .....	4	
	74	130292A14	.	CLAMP .....	8	
	75	MS24694S18	.	SCREW .....	12	
	76	122-389025-5	.	VENT, HEATED/FUEL/PER SB 28-3256/ .....	2	
	77	122-920055-5	.	REINFORCEMENT ASSY .....	2	
		MS21075L08	.	NUTPLATE .....	6	
	78	122-920001-81	.	TUBE ASSY, VENT .....	2	
	79	W901J10DE	.	CONNECTOR/ALTERNATE FOR 14J02-10A/ .....	2	
		14J02-10A	.	CONNECTOR/ALTERNATE FOR W901J10DE/ .....	2	
	80	MS29513-017	.	PACKING, PREFORMED .....	50	
	81	122-920002-135	.	TUBE ASSY .....	2	

**Beechcraft**  
**STARSHIP 1**  
**ILLUSTRATED PARTS CATALOG**



C94NC28A0451 C

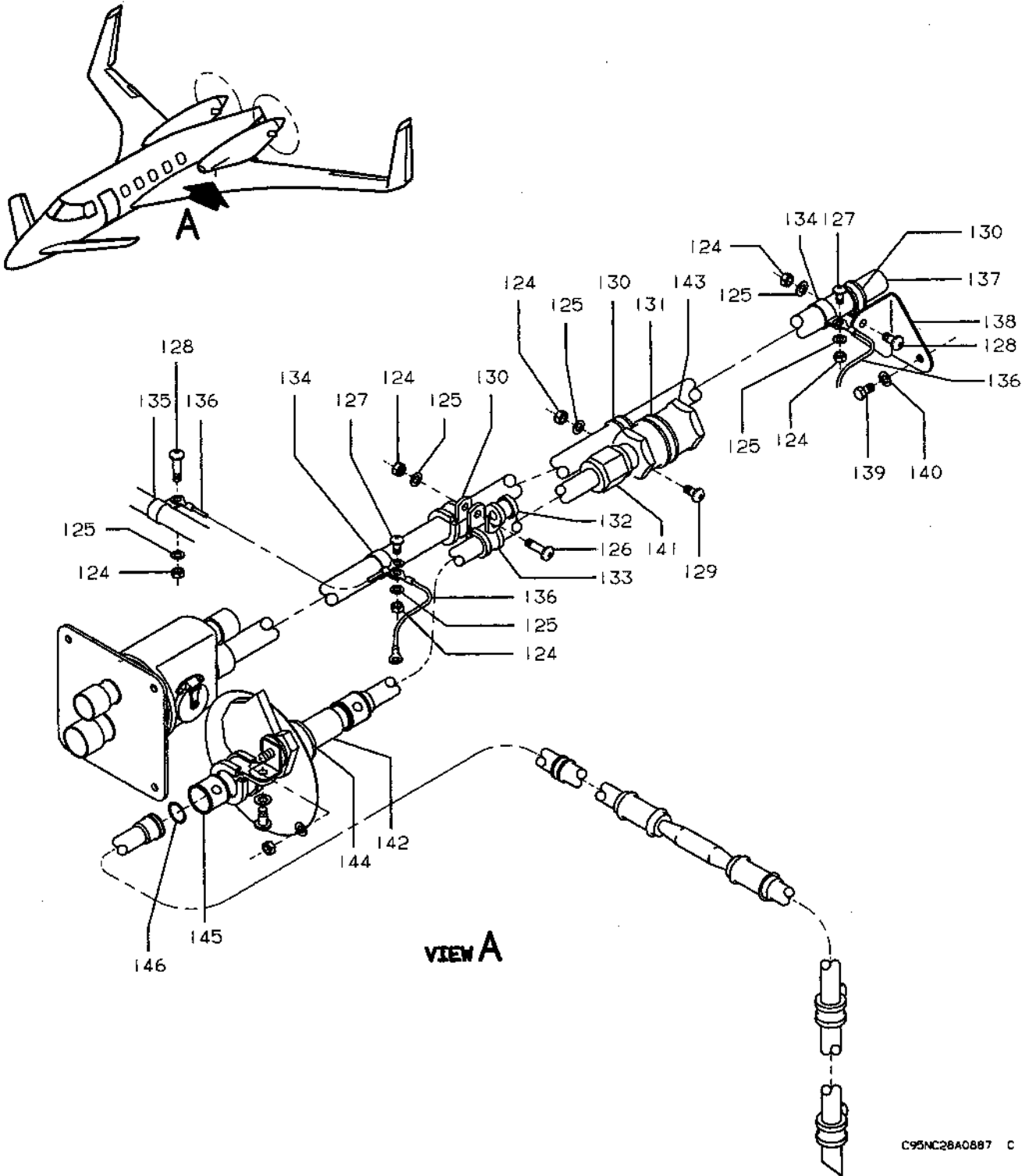
**FIGURE 10-10. FUEL VENT SYSTEM**  
**/SHEET 3 OF 5 SHEETS/**



**Beechcraft**  
**STARSHIP 1**  
**ILLUSTRATED PARTS CATALOG**

SUB-SEC UNIT & ITEM NO	PART NO.	DESCRIPTION 1 2 3 4 5 6 7	UNITS PER ASSY	USABLE ON CODE
10-10 -82	W901J10DE	. CONNECTOR/ALTERNATE FOR 14J02-10A/ .....	4	
	14J02-10A	. CONNECTOR/ALTERNATE FOR W901J10DE/ .....	4	
-83	MS29513-017	. PACKING, PREFORMED .....	4	
-84	MS25083-7BB4	. JUMPER, BONDING .....	2	
		/ATTACHING PARTS/		
-85	MS35207-263	. SCREW .....	1	
-86	AN960JD10L	. WASHER .....	1	
-87	130909N29	. NUT .....	1	
		-----★-----		
-88	AN735D8	. CLAMP .....	1	
-89	122-920002-181	. CLOSEOUT .....	1	
-90	122-900002-183	. CLOSEOUT .....	1	
-91	122-920039-1	. MANIFOLD ASSY, LH HOPPER TANK .....	1	
	122-920039-2	. MANIFOLD ASSY, RH HOPPER TANK .....	1	
		/ATTACHING PARTS/		
-92	AN502-10-8	. SCREW .....	2	
-93	AN960JD10L	. WASHER .....	2	
		-----★-----		
-94	122-920002-99	. GASKET .....	1	
-95	MS29513-254	. PACKING, PREFORMED .....	2	
-96	122-920002-21	. TUBE ASSY, VENT .....	2	
-97	W901J10DE	. CONNECTOR/ALTERNATE FOR 14J02-10A/ .....	4	
	14J02-10A	. CONNECTOR/ALTERNATE FOR W901J10DE/ .....	4	
-98	MS29513-017	. PACKING, PREFORMED .....	4	
-99	122-920034-3	. TUBE, LIGHTNING BREAK .....	2	
-100	122-920002-23	. TUBE ASSY, LH VENT .....	1	
	122-920002-24	. TUBE ASSY, RH VENT .....	1	
-101	MS25083-7BB4	. JUMPER, BONDING .....	6	
-102	AN735D8	. CLAMP .....	1	
-103	AN735D10	. CLAMP .....	4	
		/ATTACHING PARTS/		
-104	MS35207-264	. SCREW .....	1	
-105	AN960JD10L	. WASHER .....	1	
-106	130909N29	. NUT .....	1	
		-----★-----		
-107	MS35207-265	. SCREW .....	2	
-108	AN960JD10L	. WASHER .....	2	
-109	130909N29	. NUT .....	2	
-110	122-920002-133	. BRACKET .....	2	
-111	122-920044-5	. BRACKET, TUBE SUPPORT/3 LH AND 2 RH/ .....	5	
-112	122-920044-3	. BRACKET, TUBE SUPPORT/3 LH AND 2 RH/ .....	5	
-113	122-920044-1	. BRACKET, TUBE SUPPORT/3 LH AND 2 RH/ .....	5	
		/ATTACHING PARTS/		
-114	MS20073-03-45	. BOLT .....	2	
-115	AN960JD10L	. WASHER .....	2	
		-----★-----		
-116	W901J10DE	. CONNECTOR/ALTERNATE FOR 14J02-10A/ .....	4	
	14J02-10A	. CONNECTOR/ALTERNATE FOR W901J10DE/ .....	4	
-117	MS29513-017	. PACKING, PREFORMED .....	4	
-118 R	122-920038-5	. ADAPTER ASSY, RH AFT FUEL TANK VENT .....	NP	1
		/ORDER 122-920038-15 FOR SPARES/		
	R 122-920038-15	. ADAPTER ASSY, RH AFT FUEL TANK VENT .....	1	2
	R 122-920038-6	. ADAPTER ASSY, RH AFT FUEL TANK VENT .....	NP	1
		/ORDER 122-920038-16 FOR SPARES/		
	R 122-920038-16	. ADAPTER ASSY, RH AFT FUEL TANK VENT .....	1	2
		/ATTACHING PARTS/		
-119 R	NAS6203-13H	. BOLT .....	4	
-120	AN960C10L	. WASHER .....	4	
-121	MS29513-228	. PACKING, PREFORMED .....	1	
		-----★-----		
-122	18C112-3	. VALVE, CHECK .....	1	
		/ATTACHING PARTS/		
-123	MS35265-26	. SCREW .....	2	
		-----★-----		

**Beechcraft**  
**STARSHIP 1**  
**ILLUSTRATED PARTS CATALOG**



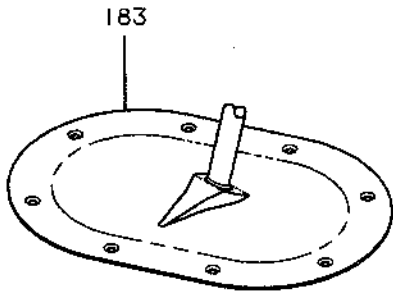
C95NC28A0887 C

**FIGURE 10-10. FUEL VENT SYSTEM**  
**/SHEET 4 OF 5 SHEETS/**

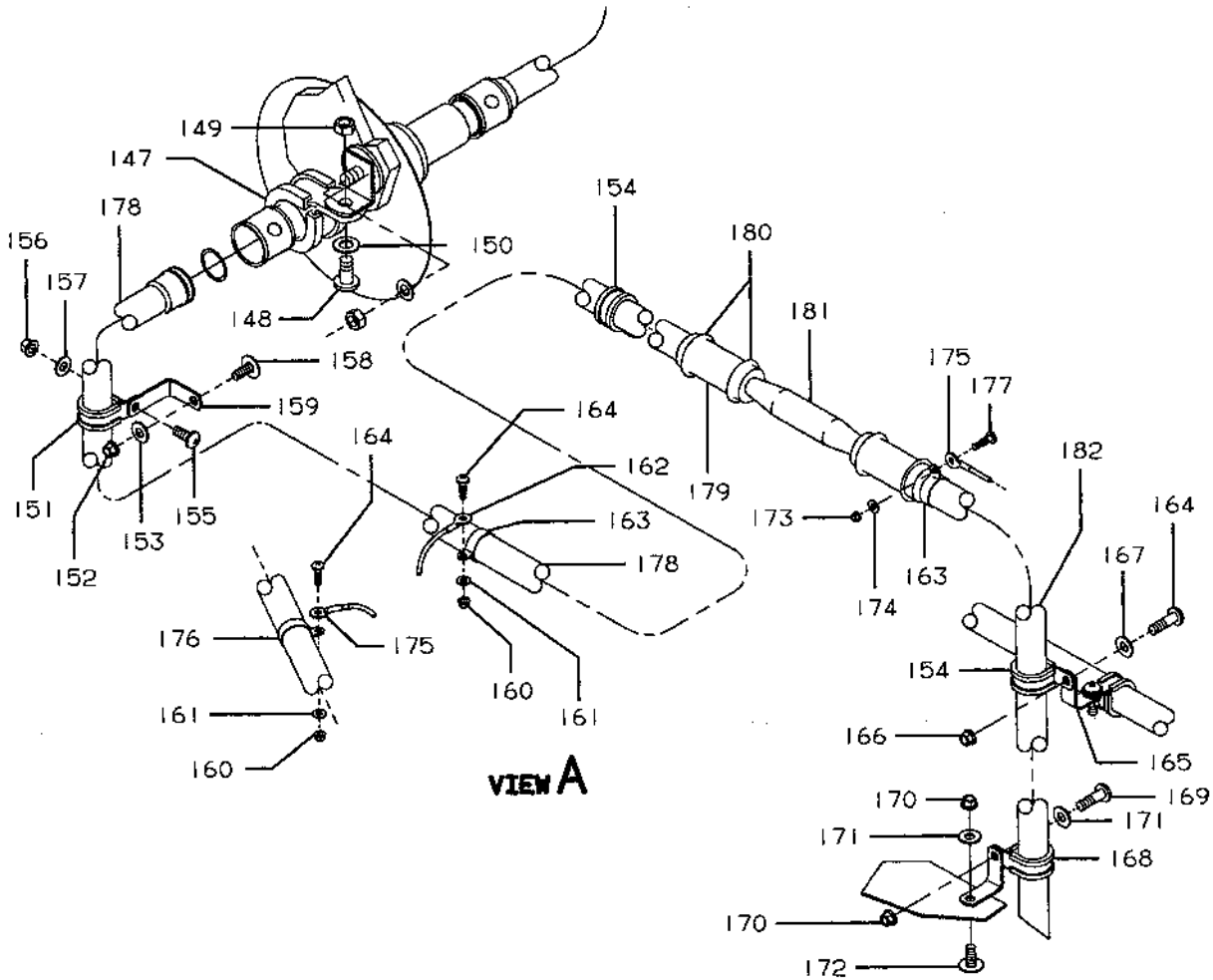
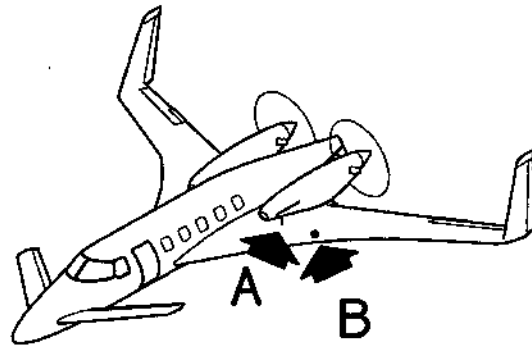
**Beechcraft**  
**STARSHIP 1**  
**ILLUSTRATED PARTS CATALOG**

SUB-SEC UNIT & ITEM NO	PART NO.	DESCRIPTION 1 2 3 4 5 6 7	UNITS	USABLE
			PER ASSY	ON CODE
10-10 -124	R 130909N29	. NUT .....	12	
-125	R AN960JD10L	. WASHER .....	12	
-126	R MS35207-266	. SCREW .....	2	
-127	MS35207-265	. SCREW .....	2	
-128	R MS35207-263	. SCREW .....	6	
-129	R MS35207-264	. SCREW .....	4	
-130	R MS21919WDF10	. CLAMP .....	6	
-131	R MS21919WDF20	. CLAMP .....	2	
-132	R MS21919WDF4	. CLAMP .....	2	
-133	R MS21919WDF8	. CLAMP .....	2	
-134	AN735D10	. CLAMP .....	2	
-135	R AN735D8	. CLAMP .....	2	
-136	MS25083-7BB4	. JUMPER, BONDING .....	6	
-137	122-920002-123	. TUBE ASSY .....	2	
-138	122-920032-1	. BRACKET, LH FUEL VENT .....	1	
	122-920032-2	. BRACKET, RH FUEL VENT .....	1	
		/ATTACHING PARTS/		
-139	MS20073-03-02	. BOLT .....	1	
-140	AN960JD10L	. WASHER .....	1	
		-----★-----		
-141	122-920002-117	. TUBE ASSY .....	2	
-142	R 122-920034-13	. TUBE ASSY .....	2	
-143	101-389011-23	. VALVE, CHECK .....	2	
-144	WWD44	. CLAMP .....	2	
-145	R W901J8DE	. CONNECTOR/ALTERNATE FOR 14J02-8A/ .....	2	
	R 14J02-8A	. CONNECTOR/ALTERNATE FOR W901J8DE/ .....	2	
-146	R MS29513-015	. PACKING, PREFORMED .....	2	

**Beechcraft**  
**STARSHIP 1**  
**ILLUSTRATED PARTS CATALOG**



**VIEW B**



**VIEW A**

C95NC28A0888 C

**FIGURE 10-10. FUEL VENT SYSTEM**  
**/SHEET 5 OF 5 SHEETS/**

**Beechcraft**  
**STARSHIP 1**  
**ILLUSTRATED PARTS CATALOG**

SUB-SEC UNIT & ITEM NO	PART NO.	DESCRIPTION 1 2 3 4 5 6 7	UNITS PER ASSY	USABLE ON CODE
10-10 -147	R 782-1E12AF	. CLAMP .....	2	
-148	R MS35207-263	. SCREW .....	2	
-149	R 130909N29	. NUT .....	2	
-150	R AN960JD10L	. WASHER .....	2	
-151	R MS21919WDF8	. CLAMP .....	2	
-152	R 130909N29	. NUT .....	4	
-153	R AN960JD10L	. WASHER .....	4	
-154	R MS21919WDF8	. CLAMP .....	6	
-155	R MS35207-263	. SCREW .....	2	
-156	R 130909N29	. NUT .....	2	
-157	R AN960JD10L	. WASHER .....	2	
-158	R 132151-3-3	. STUD .....	4	
-159	R MS9592-058	. BRACKET .....	2	
-160	R 130909N29	. NUT .....	4	
-161	R AN960JD10L	. WASHER .....	4	
-162	R MS25083-7BB6	. JUMPER, BONDING .....	3	
-163	R AN735D8	. CLAMP .....	4	
-164	R MS35207-263	. SCREW .....	7	
-165	R AN743-12	. BRACKET .....	2	
-166	R 130909N29	. NUT .....	4	
-167	R AN960JD10L	. WASHER .....	4	
-168	R 782-1E8	. CLAMP .....	2	
-169	R MS35206-263	. SCREW .....	2	
-170	R 130909N29	. NUT .....	4	
-171	R AN960JD10L	. WASHER .....	4	
-172	R 132151-3-4	. STUD .....	2	
-173	R 130909N29	. NUT .....	2	
-174	R AN960JD10L	. WASHER .....	2	
-175	R MS20583-7BB4	. JUMPER, BONDING .....	3	
-176	R AN735D10	. CLAMP .....	2	
-177	R MS35207-263	. SCREW .....	2	
-178	122-920002-145	. TUBE ASSY, LH .....	1	
	122-920002-146	. TUBE ASSY, RH .....	1	
-179	106200H8-11	. HOSE .....	4	
-180	R 130292A16	. CLAMP .....	8	
-181	102-920010-9	. FLAME ARRESTER ASSY, FUEL VENT .....	2	
-182	122-920002-143	. TUBE, LH .....	1	
	122-920002-144	. TUBE, RH .....	1	
-183	122-920017-7	. SCOOP ASSY, FUEL VENT/LH/ .....	1	
	122-920017-8	. SCOOP ASSY, FUEL VENT/RH/ .....	1	

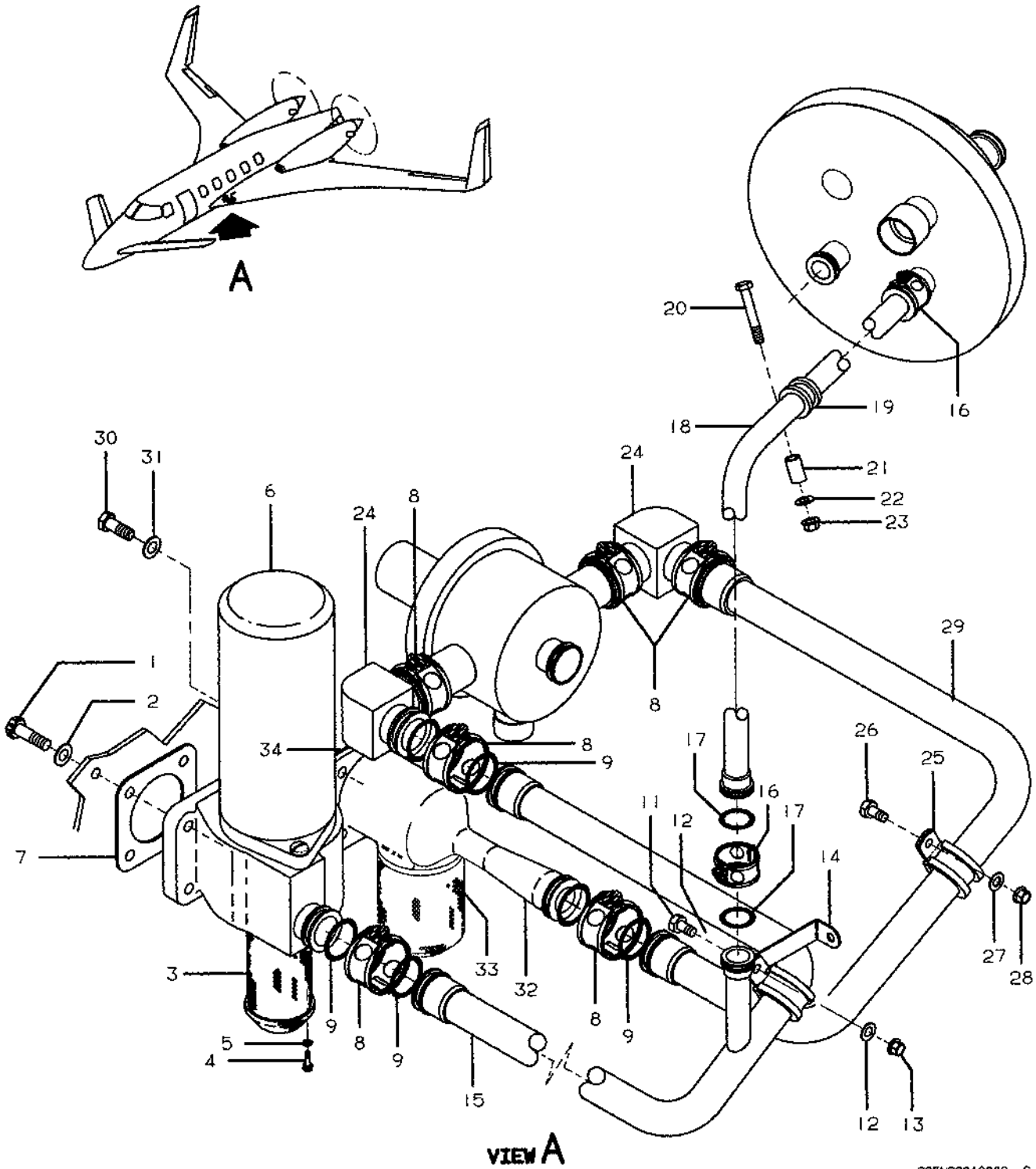
**CODES OF EFFECTIVITY**

1 NC-4 THRU NC-26                      2 NC-27 AND AFTER

**Beechcraft**  
**STARSHIP 1**  
**ILLUSTRATED PARTS CATALOG**

**28-20-00**  
**FUEL DISTRIBUTION SYSTEM**

**Beechcraft**  
**STARSHIP 1**  
**ILLUSTRATED PARTS CATALOG**



C95NC28A0889 C

**FIGURE 20-00.FUEL DISTRIBUTION**  
**/SHEET 1 OF 8 SHEETS/**

**Beechcraft**  
**STARSHIP 1**  
**ILLUSTRATED PARTS CATALOG**

SUB-SEC UNIT & ITEM NO	PART NO.	DESCRIPTION 1 2 3 4 5 6 7	UNITS PER ASSY	USABLE ON CODE
20-00	122-920002-165	FUEL SYSTEM INSTL .....	NP	
		<b>NOTE</b> BEECHCRAFT CUSTOMER SUPPORT SHOULD BE CONTACTED PRIOR TO ORDERING REPLACEMENT TUBE ASSEMBLY AND/OR PERMASWAGE FITTING.		
	122-920051-51	. PUMP ASSY, FUEL/ELECTRIC SUBMERSIBLE/ /SPARES FOR 122-920051-43/ /ATTACHING PARTS/ .....	2	
- 1	MS20073-03-03	. BOLT .....	4	
- 2	AN960C10L	. WASHER .....	4	
		-----★-----		
- 3	R 122-920051-53	. SCREEN ASSY..... /ATTACHING PARTS/ .....	1	
- 4	AN503-8-6	. SCREW.....	2	
- 5	AN960-8L	. WASHER .....	2	
		-----★-----		
- 6	122-389001-5	. PUMP, ELECTRIC SUBMERSIBLE.....	1	
- 7	122-920001-123	. GASKET .....	2	
- 8	W901J12DE	. CONNECTOR/ALTERNATE FOR 14J02-12A/ .....	12	
	14J02-12A	. CONNECTOR/ALTERNATE FOR W901J12DE/ .....	12	
- 9	MS29513-117	. PACKING, PREFORMED.....	24	
- 10	MS21919WDF12	. CLAMP, FUEL TRANSFER LINE SUPPORT.....	2	
- 11	R 130909B12	. BOLT .....	2	
- 12	R AN960JD10L	. WASHER.....	2	
- 13	R 130909N29	. NUT .....	2	
- 14	122-920002-137	. BRACKET, CLAMP SUPPORT .....	2	
- 15	122-920050-1	. TUBE ASSY, LH/FUEL PUMP MANIFOLD/ .....	1	
	122-920050-11	. TUBE ASSY, RH/FUEL PUMP MANIFOLD/.....	1	
- 16	W901J8DE	. CONNECTOR/ALTERNATE FOR 14J02-8A/ .....	4	
	14J02-8A	. CONNECTOR/ALTERNATE FOR W901J8DE/ .....	4	
- 17	MS29513-015	. PACKING, PREFORMED.....	8	
- 18	122-920002-139	. TUBE ASSY, LH/CROSS TRANSFER/ .....	1	
	122-920002-140	. TUBE ASSY, RH/CROSS TRANSFER/.....	1	
- 19	MS21919WDF8	. CLAMP .....	2	
		. /ATTACHING PARTS/ .....		
- 20	R 130909B12	. BOLT .....	1	
- 21	NAS43DD3-32	. SPACER .....	1	
- 22	R AN960JD10L	. WASHER.....	1	
- 23	130909N29	. NUT .....	1	
		-----★-----		
- 24	W951-12DE	. ELBOW/ALTERNATE FOR LC018-12A/ .....	4	
	LC018-12A	. ELBOW/ALTERNATE FOR W951-12DE/ .....	4	
- 25	MS21919WDG12	. CLAMP .....	2	
		. /ATTACHING PARTS/ .....		
- 26	130909B12	. BOLT .....	1	
- 27	R AN960JD10L	. WASHER.....	1	
- 28	130909N29	. NUT .....	1	
		-----★-----		
	R AN743-13	. BRACKET.....	2	
- 29	R 122-920002-15	. TUBE ASSY/PRIMARY JET PUMP DISCHARGE/.....	2	
	122-920049-7	. PUMP ASSY, FUEL/PRIMARY JET/ .....	2	
		. /ATTACHING PARTS/ .....		
- 30	MS20073-03-03	. BOLT .....	4	
- 31	AN960C10L	. WASHER .....	4	
		-----★-----		
- 32	122-389003-7	. PUMP, PRIMARY JET.....	1	
- 33	122-920062-1	. SCREEN/SPARES FOR 122-920048-19/ .....	1	
- 34	122-920001-123	. GASKET .....	2	



Beechcraft  
STARSHIP 1  
ILLUSTRATED PARTS CATALOG

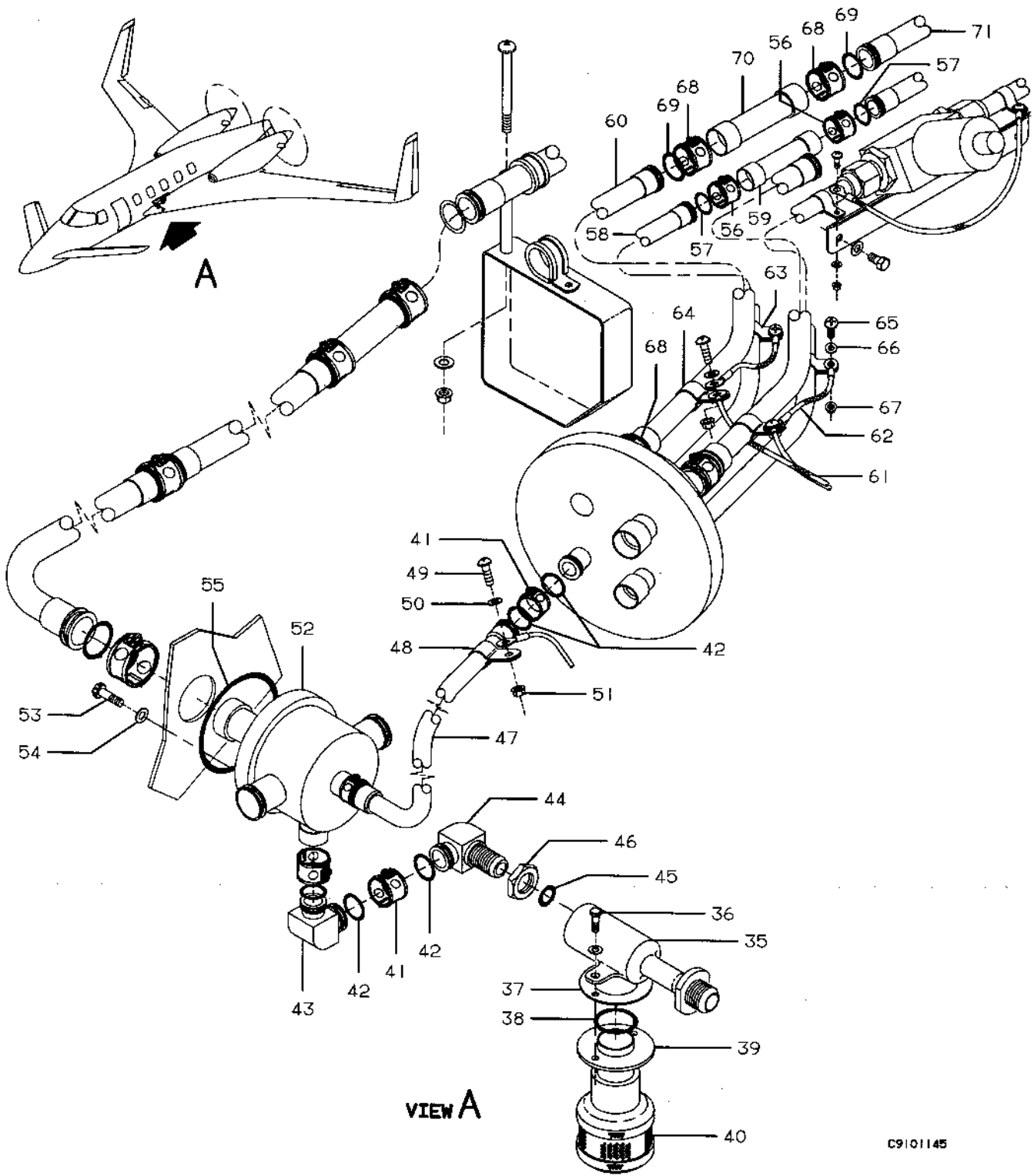
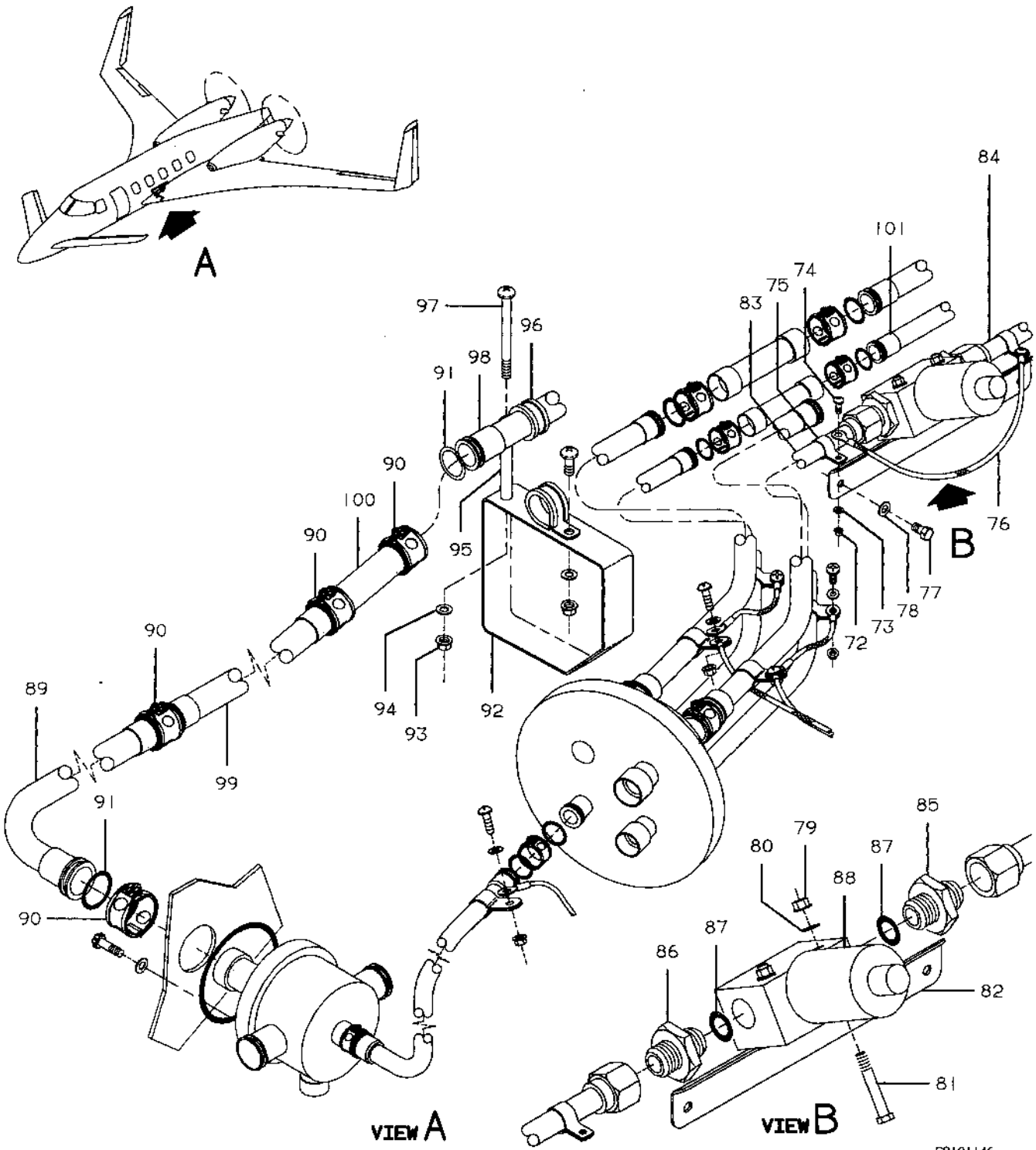


FIGURE 20-00.FUEL DISTRIBUTION  
/SHEET 2 OF 8 SHEETS/

**Beechcraft**  
**STARSHIP 1**  
**ILLUSTRATED PARTS CATALOG**

SUB-SEC UNIT & ITEM NO	PART NO.	DESCRIPTION 1 2 3 4 5 6 7	UNITS	USABLE
			PER ASSY	ON CODE
20-00 -35	122-389004-3	. PUMP, TRANSFER JET/FWD/ ..... /ATTACHING PARTS/	2	
-36	MS20073-03-06 AN960JD10L	. BOLT ..... . WASHER .....	2 2	
		---★---		
-37	122-920002-101	. GASKET .....	2	
-38	MS29513-023	. PACKING, PREFORMED .....	2	
-39	122-920040-19	. ADAPTER .....	2	
-40	122-920061-1	. SCREEN/SPARES FOR 122-920048-9 AND -23/ .....	2	
-41	R W901J8DE	. CONNECTOR/ALTERNATE FOR 14J02-8A/ .....	10	
	R 14J02-8A	. CONNECTOR/ALTERNATE FOR W901J8DE/ .....	10	
-42	R MS29513-015	. PACKING, PREFORMED .....	12	
-43	W951-8DE	. ELBOW/ALTERNATE FOR LC018-8A/ .....	2	
	LC018-8A	. ELBOW/ALTERNATE FOR W951-8DE/ .....	2	
-44	W951A8DE	. ELBOW .....	2	
-45	MS29512-08	. PACKING, PREFORMED .....	2	
-46	AN924-8D	. NUT .....	2	
-47	122-920002-35	. TUBE ASSY, LH/MOTIVE FLOW/ .....	1	
	122-920002-36	. TUBE ASSY, RH/MOTIVE FLOW/ .....	1	
-48	AN735D8	. CLAMP/SEE 28-10-00 FOR ELECTRICAL GROUND/..... /ATTACHING PARTS/	2	
-49	MS35207-263	. SCREW .....	1	
-50	AN960JD10L	. WASHER .....	1	
-51	130909N29	. NUT .....	1	
		---★---		
-52	122-389033-3	. MANIFOLD, FUEL CHECK VALVE ..... /ATTACHING PARTS/	2	
-53	130909B30	. BOLT .....	4	
-54	AN960C10L	. WASHER .....	4	
		---★---		
-55	MS29513-232	. PACKING, PREFORMED .....	2	
-56	R W901J8DE	. CONNECTOR/ALTERNATE FOR 14J02-8A/ .....	4	
	R 14J02-8A	. CONNECTOR/ALTERNATE FOR W901J8DE/ .....	4	
-57	R MS29513-015	. PACKING, PREFORMED .....	4	
-58	122-920002-37	. TUBE ASSY, LH/MOTIVE FLOW/ .....	1	
	122-920002-38	. TUBE ASSY, RH/MOTIVE FLOW/ .....	1	
-59	122-920034-1	. TUBE, LIGHTNING BREAK .....	3	
-60	122-920002-5	. TUBE ASSY, LH/AFT TANK TRANSFER/ .....	1	
	122-920002-6	. TUBE ASSY, RH/AFT TANK TRANSFER/ .....	1	
-61	R MS25083-7BB4	. JUMPER, BONDING .....	4	
-62	R MS25083-7BB4	. JUMPER, BONDING/RH ONLY/.....	1	
-63	R AN735D8	. CLAMP/RH ONLY/.....	1	
-64	R AN735D8	. CLAMP .....	4	
		---★---		
-65	MS35207-264	. SCREW .....	1	
-66	AN960JD10L	. WASHER .....	1	
-67	130909N29	. NUT .....	1	
		---★---		
-68	W901J10DE	. CONNECTOR/ALTERNATE FOR 14J02-10A/ .....	8	
	14J02-10A	. CONNECTOR/ALTERNATE FOR W901J10DE/ .....	8	
-69	MS29513-017	. PACKING, PREFORMED .....	8	
-70	122-920034-3	. TUBE, LIGHTNING BREAK .....	2	
-71	122-920002-7	. TUBE ASSY, LH/AFT TANK TRANSFER/ .....	1	
	122-920002-8	. TUBE ASSY, RH/AFT TANK TRANSFER/ .....	1	

**Beechcraft**  
**STARSHIP 1**  
**ILLUSTRATED PARTS CATALOG**



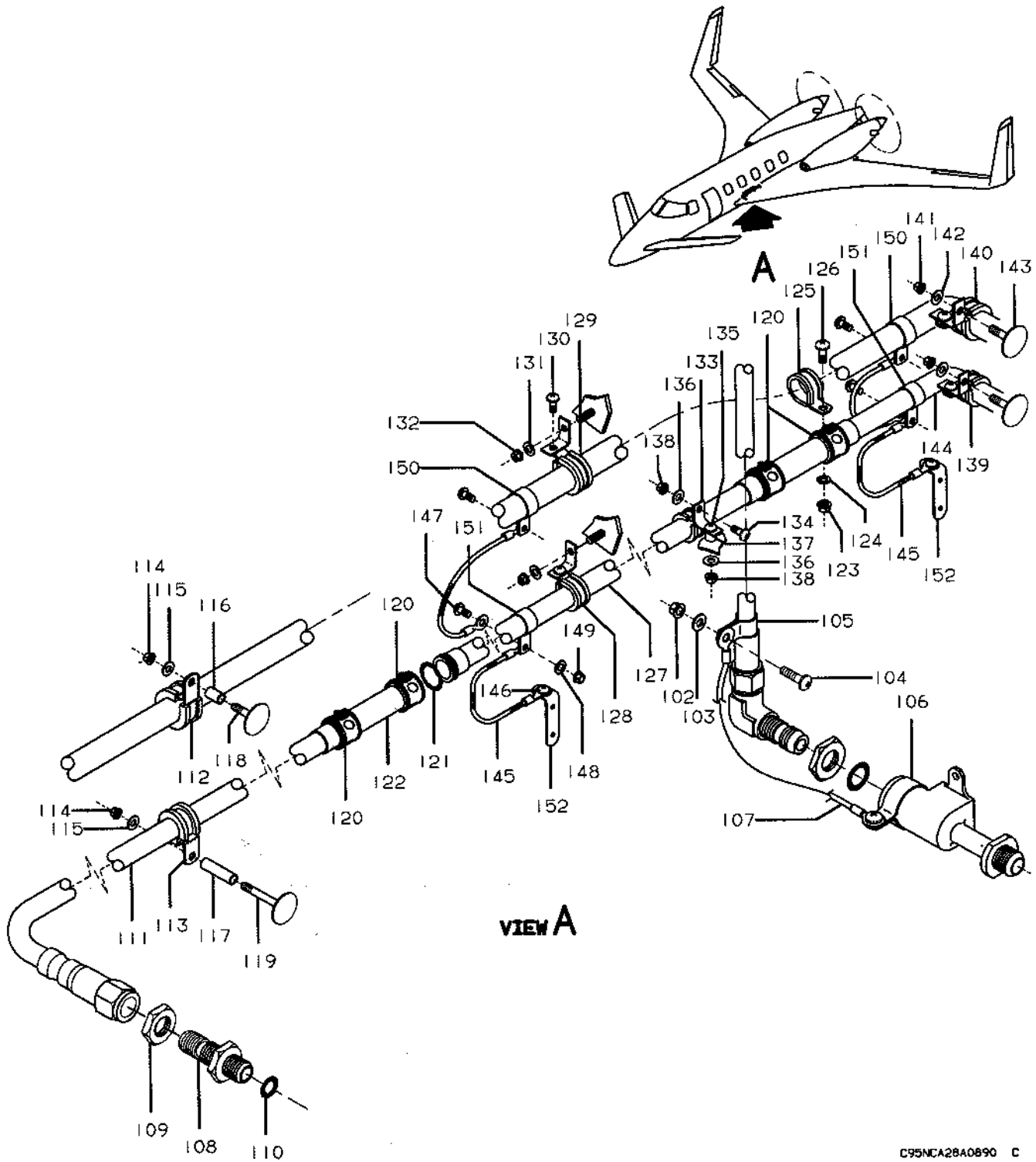
C9101146

**FIGURE 20-00.FUEL DISTRIBUTION**  
**/SHEET 3 OF 8 SHEETS/**

**Beechcraft**  
**STARSHIP 1**  
**ILLUSTRATED PARTS CATALOG**

SUB-SEC UNIT & ITEM NO	PART NO.	DESCRIPTION 1 2 3 4 5 6 7	UNITS	USABLE
			PER ASSY	ON CODE
20-00 -72	130909N29	. NUT, LH .....	2	
-73	AN960JD10L	. WASHER, LH .....	2	
-74	MS35207-264	. SCREW, LH .....	2	
-75	AN735D8	. CLAMP, LH .....	2	
-76	MS25083-7BB8	. JUMPER, BONDING .....	1	
-77	MS20073-03-40	. BOLT/6 LH AND 4 RH/ .....	10	
-78	AN960JD10L	. WASHER/6 LH AND 4 RH/ .....	10	
-79	130909N29	. NUT, LH .....	2	
-80	AN960JD10L	. WASHER, LH .....	2	
-81	AN3-15A	. BOLT .....	2	
-82	122-920059-1	. BRACKET, LH .....	1	
-83	122-920002-163	. TUBE ASSY, LH/CROSSFEED/ .....	1	
	122-920002-29	. TUBE ASSY, RH/CROSSFEED/ .....	1	
-84	122-920002-169	. TUBE ASSY, LH/CROSSFEED/ .....	1	
	122-920002-27	. TUBE ASSY, RH/CROSSFEED/ .....	1	
-85	122-920057-1	. RESTRICTOR, LH .....	1	
-86	AN919-12D	. REDUCER, LH .....	1	
-87	MS29512-06	. PACKING, PREFORMED .....	2	
-88	100-389020-1	. VALVE, LH CROSS TRANSFER .....	1	
-89	122-920002-13	. TUBE ASSY, ENGINE FUEL SUPPLY .....	2	
-90	R W901J12DE	. CONNECTOR/ALTERNATE FOR 14J02-12A/ .....	8	
	R 14J02-12A	. CONNECTOR/ALTERNATE FOR W901J12DE/ .....	8	
-91	R MS29513-117	. PACKING, PREFORMED .....	8	
-92	122-920002-151	. BRACKET, LH .....	1	
	122-920002-152	. BRACKET, RH .....	1	
-93	R 130909N29	. NUT .....	2	
-94	R AN960JD10L	. WASHER .....	2	
-95	R NAS43DD3-132	. SPACER .....	2	
-96	R MS21919WDG12	. CLAMP .....	2	
-97	R MS35207-273	. SCREW .....	2	
-98	122-920002-107	. TUBE ASSY, ENGINE FUEL SUPPLY/ADD HEAT .....	2	
		SHRINK TUBING 7362-63-00-12/		
-99	122-920002-109	. TUBE ASSY, ENGINE FUEL SUPPLY/ADD HEAT .....	2	
		SHRINK TUBING 7362-63-00-12/		
-100	122-920034-5	. TUBE ASSY, ELECTRICAL BREAK .....	2	
-101	122-920002-39	. TUBE ASSY, LH/MOTIVE FUEL FLOW/ .....	1	
	122-920002-40	. TUBE ASSY, RH/MOTIVE FUEL FLOW/ .....	1	

Beechcraft  
STARSHIP 1  
ILLUSTRATED PARTS CATALOG



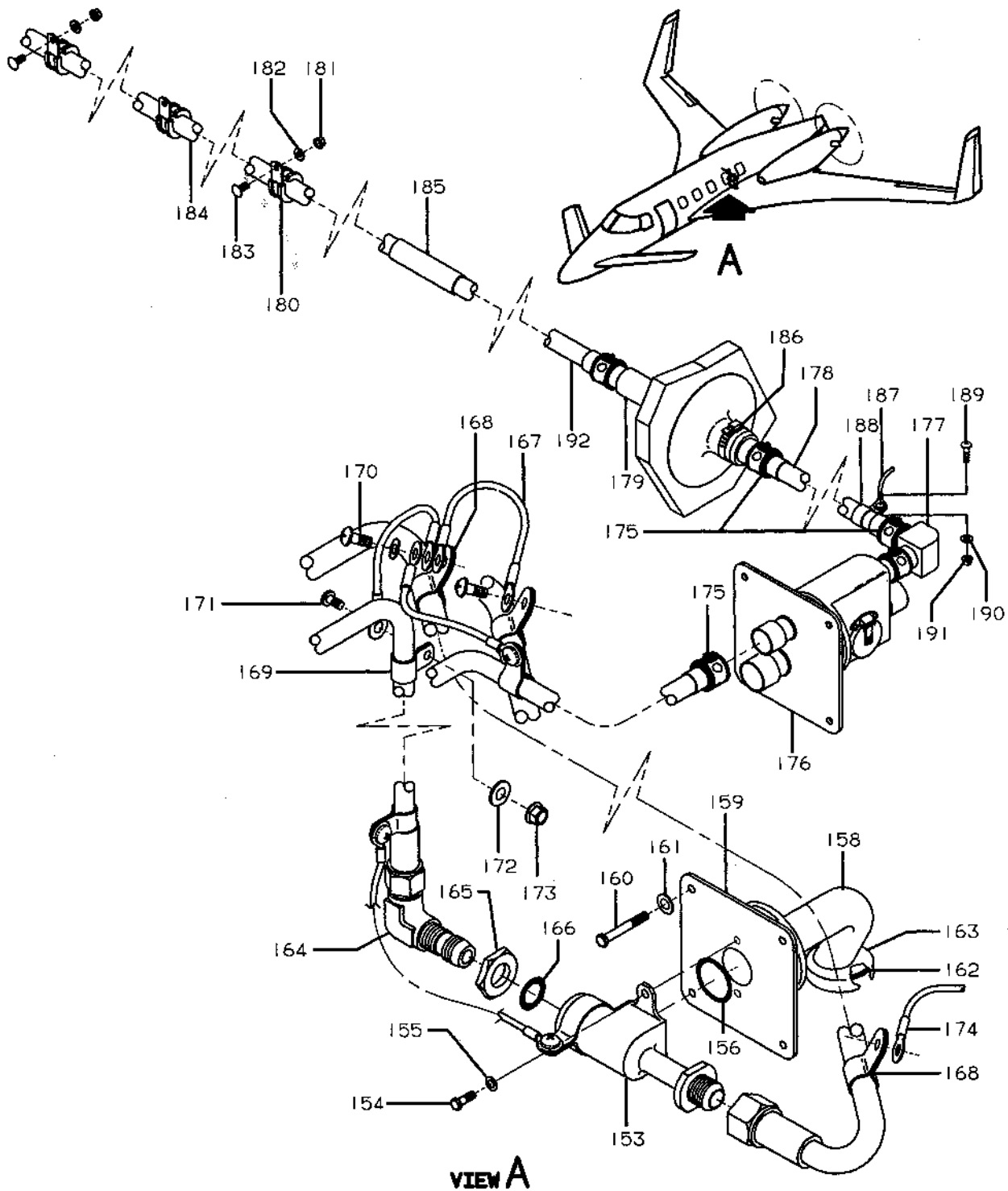
C95NCA28A0890 C

FIGURE 20-00.FUEL DISTRIBUTION  
/SHEET 4 OF 8 SHEETS/

**Beechcraft**  
**STARSHIP 1**  
**ILLUSTRATED PARTS CATALOG**

SUB-SEC	UNIT &	PART	DESCRIPTION	UNITS	USABLE
ITEM NO	ITEM NO	NO.	1 2 3 4 5 6 7	PER	ON
				ASSY	CODE
20-00	-102	130909N29	. NUT .....	4	
	-103	AN960JD10L	. WASHER .....	4	
	-104	MS35207-263	. SCREW .....	4	
	-105	AN735DB	. CLAMP .....	2	
	-106	AN735D18	. CLAMP .....	2	
	-107	MS25083-7BB6	. JUMPER, BONDING .....	2	
	-108	122-920053-3	. UNION, BULKHEAD .....	2	
	-109	AN924-10D	. NUT .....	2	
	-110	MS29512-10	. PACKING, PREFORMED .....	2	
	-111	122-920002-65	. TUBE ASSY, LH MOTIVE FUEL .....	1	
		122-920002-66	. TUBE ASSY, RH MOTIVE FUEL .....	1	
	-112	MS21919WDF12	. CLAMP .....	2	
	-113	MS21919WDF10	. CLAMP .....	2	
	-114	R 130909N29	. NUT .....	4	
	-115	R AN960JD10L	. WASHER .....	4	
	-116	R NAS43DD3-26	. SPACER .....	2	
	-117	R NAS43DD3-62	. SPACER .....	2	
	-118	R 132131-3-8	. STUD .....	2	
	-119	R 132131-3-12	. STUD .....	2	
	-120	W901J10DE	. CONNECTOR/ALTERNATE FOR 14J02-10A/ .....	8	
		14J02-10A	. CONNECTOR/ALTERNATE FOR W901J10DE/ .....	8	
	-121	MS29513-017	. PACKING, PREFORMED .....	8	
	-122	122-920034-3	. TUBE, LIGHTNING BREAK .....	4	
	-123	R 130909N29	. NUT .....	2	
	-124	R AN960JD10L	. WASHER .....	2	
	-125	R MS21919WDG10	. CLAMP .....	2	
	-126	R MS35207-263	. SCREW .....	2	
	-127	122-920002-127	. TUBE ASSY, LH MOTIVE FUEL .....	1	
		122-920002-128	. TUBE ASSY, RH MOTIVE FUEL .....	1	
	-128	782-1E10AF	. CLAMP, FUEL RETURN TUBE SUPPORT .....	2	
	-129	782-1E12	. CLAMP, ENGINE FUEL TUBE SUPPORT .....	2	
			/ATTACHING PARTS/		
	-130	MS35207-263	. SCREW .....	1	
	-131	AN960JD10L	. WASHER .....	1	
	-132	130909N29	. NUT .....	1	
			---★---		
	-133	782-1-10	. CLAMP .....	2	
			/ATTACHING PARTS/		
	-134	MS35207-265	. SCREW .....	1	
	-135	MS35207-267	. SCREW .....	1	
	-136	AN960JD10L	. WASHER .....	2	
	-137	NAS43DD3-18	. SPACER .....	1	
	-138	130909N29	. NUT .....	2	
			---★---		
	-139	782-1E10AF	. CLAMP, MOTIVE FUEL LINE .....	2	
	-140	782-1E12AF	. CLAMP, ENGINE FUEL LINE .....	2	
			/ATTACHING PARTS/		
	-141	130909N29	. NUT .....	1	
	-142	AN960JD10L	. WASHER .....	1	
	-143	132150-3-3	. STUD .....	1	
			---★---		
	-144	122-920002-125	. TUBE ASSY, LH MOTIVE FUEL .....	1	
		122-920002-126	. TUBE ASSY, RH MOTIVE FUEL .....	1	
	-145	R MS25083-7BB4	. JUMPER, BONDING .....	8	
			/ATTACHING PARTS/		
	-146	MS35207-265	. SCREW .....	1	
	-147	R MS35207-263	. SCREW .....	1	
	-148	R AN960JD10L	. WASHER .....	1	
	-149	R 130909N29	. NUT .....	1	
			---★---		
	-150	R AN735D12	. CLAMP, ENGINE FUEL LINE GROUND .....	4	
	-151	R AN735D10	. CLAMP, FUEL RETURN LINE GROUND .....	4	
	-152	122-920002-133	. BRACKET, ELECTRICAL BOND .....	4	

**Beechcraft**  
**STARSHIP 1**  
**ILLUSTRATED PARTS CATALOG**



C95NC28A0891 C

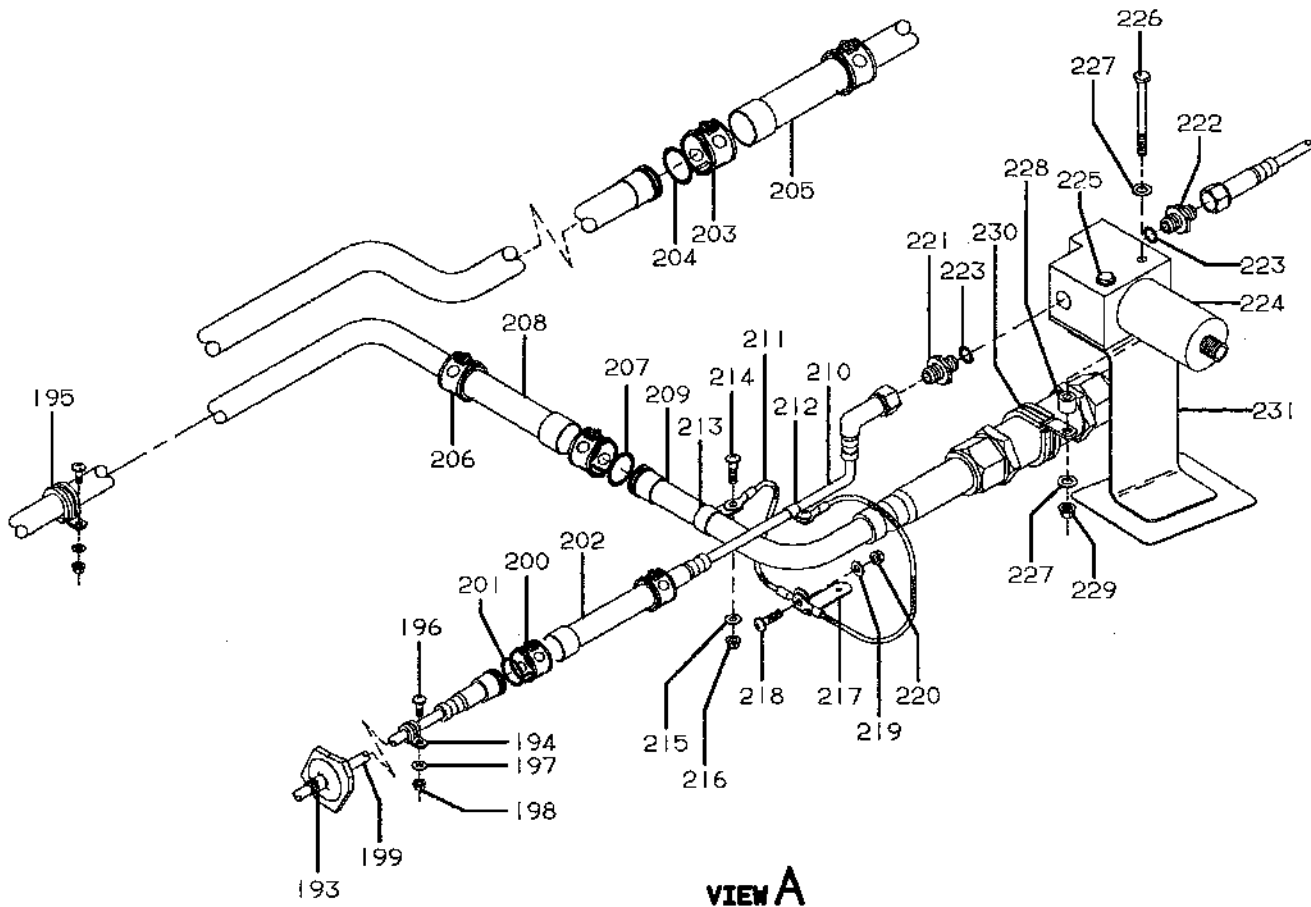
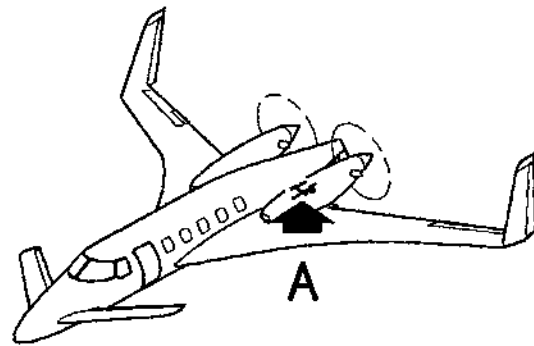
**FIGURE 20-00.FUEL DISTRIBUTION**  
**/SHEET 5 OF 8 SHEETS/**

**Beechcraft**  
**STARSHIP 1**  
**ILLUSTRATED PARTS CATALOG**

SUB-SEC UNIT & ITEM NO	PART NO.	DESCRIPTION 1 2 3 4 5 6 7	UNITS PER ASSY	USABLE ON CODE
20-00 -153	122-389004-3	. PUMP, JET TRANSFER/AFT TANK/..... /ATTACHING PARTS/	2	
-154 R	AN502-10-8	. SCREW.....	2	
-155	AN960JD10L	. WASHER.....	2	
		---★---		
-156	MS29513-023	. PACKING, PREFORMED.....	2	
R	122-920037-31	. ADAPTER ASSY, TRANSFER JET PUMP/LH/..... /SPARES FOR 122-920037-21 AND -23/	1	
R	122-920037-32	. ADAPTER ASSY, TRANSFER JET PUMP/RH/..... /SPARES FOR 122-920037-22 AND -24/	1	
-157 R	BXL1032	. INSERT.....	2	
-158 R	122-920037-25	. TUBE ASSY, LH.....	1	
R	122-920037-26	. TUBE ASSY, RH.....	1	
-159 R	122-920037-33	. ADAPTER/SPARES FOR 122-920037-3/..... /ATTACHING PARTS/	1	
-160 R	NAS6203-13H	. BOLT.....	4	
-161 R	AN960C10L	. WASHER.....	4	
		---★---		
-162 R	MS29513-228	. PACKING, PREFORMED.....	2	
-163 R	122-920060-1	. SCREEN, JET PUMP INLET.....	2	
-164 R	AN833-8D	. ELBOW.....	2	
-165 R	AN924-8D	. NUT.....	2	
-166 R	MS29512-08	. PACKING, PREFORMED.....	2	
-167 R	MS25083-7BB4	. JUMPER, BONDING.....	6	
-168 R	AN735D10	. CLAMP.....	6	
-169 R	AN735D8	. CLAMP..... /ATTACHING PARTS/	4	
-170 R	MS35207-265	. SCREW.....	1	
-171 R	MS35207-263	. SCREW.....	1	
-172 R	AN960JD10L	. WASHER.....	1	
-173 R	130909N29	. NUT.....	1	
		---★---		
-174 R	MS25083-7BB4	. JUMPER, BONDING/LH/.....	1	
	MS25083-7BB6	. JUMPER, BONDING/RH/.....	1	
-175 R	W901J8DE	. CONNECTOR/ALTERNATE FOR 14J02-8A/.....	10	
	14J02-8A	. CONNECTOR/ALTERNATE FOR W901J8DE/.....	10	
-176 R	MS29513-015	. PACKING, PREFORMED.....	10	
-177 R	W951-8DE	. ELBOW/ALTERNATE FOR LC018-8A/.....	2	
	LC018-8A	. ELBOW/ALTERNATE FOR W951-8DE/.....	2	
-178 R	122-920002-79	. TUBE ASSY, CROSS TRANSFER.....	2	
-179 R	122-920034-9	. TUBE, LIGHTNING BREAK.....	2	
-180 R	MS21919WDG8	. TUBE ASSY, CROSS TRANSFER..... /ATTACHING PARTS/	6	
-181 R	130909N29	. NUT.....	1	
-182 R	AN960JD10L	. WASHER.....	1	
-183 R	132131-3-3	. STUD.....	1	
		---★---		
-184 R	122-920002-155	. TUBE.....	2	
-185 R	122-920002-157	. TUBE ASSY.....	2	
-186 R	WWD44	. CLAMP.....	2	
-187 R	MS25083-7BB4	. JUMPER, BONDING.....	2	
-188 R	AN735D8	. CLAMP..... /ATTACHING PARTS/	2	
-189 R	MS35207-263	. SCREW.....	1	
-190 R	AN960JD10L	. WASHER.....	1	
-191 R	130909N29	. NUT.....	1	
		---★---		
-192 R	122-920002-77	. TUBE ASSY, CROSS TRANSFER/LH/.....	1	



Beechcraft  
STARSHIP 1  
ILLUSTRATED PARTS CATALOG



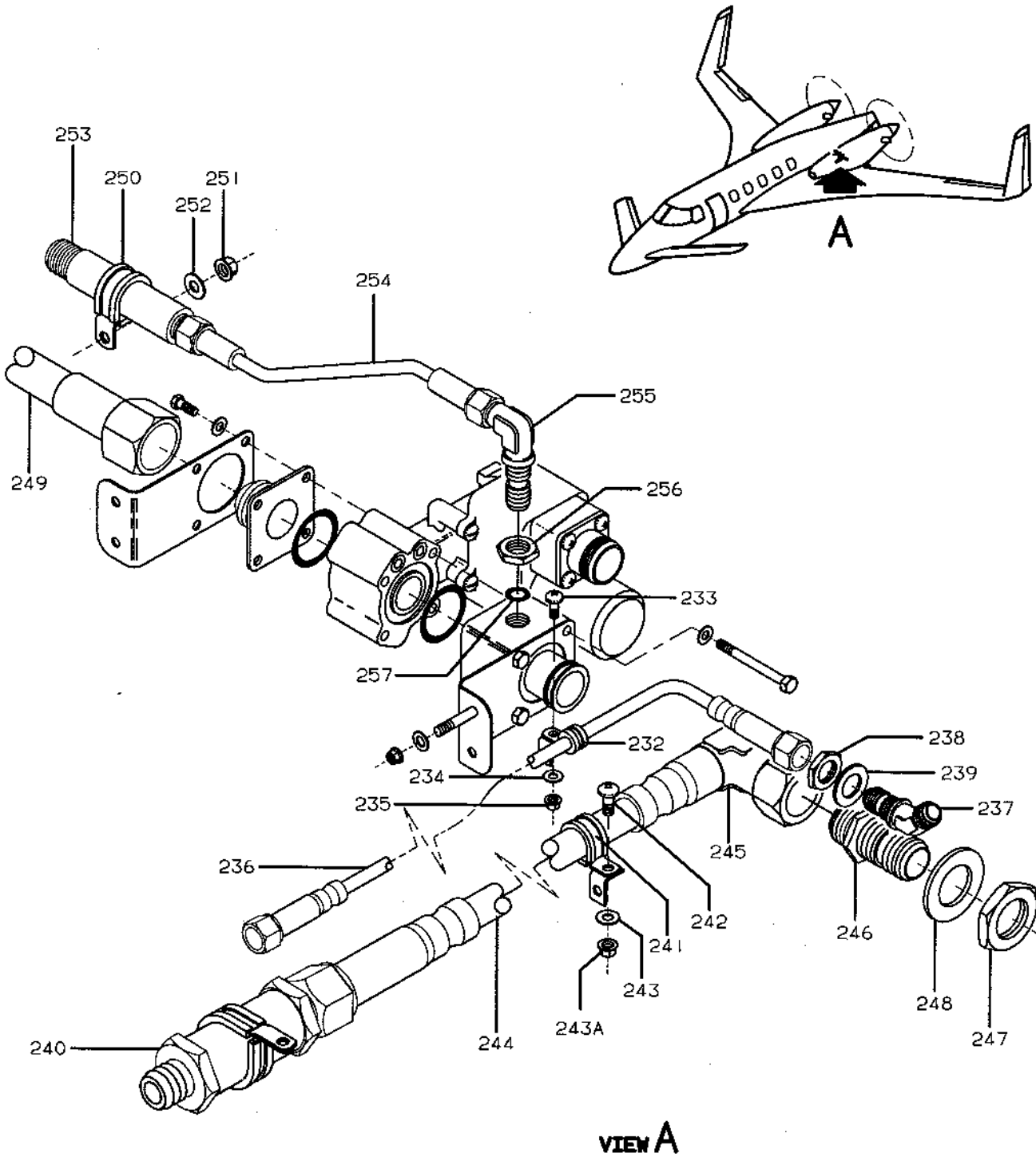
C93NC28A4231 C

FIGURE 20-00.FUEL DISTRIBUTION  
/SHEET 6 OF 8 SHEETS/

**Beechcraft**  
**STARSHIP 1**  
**ILLUSTRATED PARTS CATALOG**

SUB-SEC UNIT & ITEM NO	PART NO.	DESCRIPTION 1 2 3 4 5 6 7	UNITS	USABLE
			PER ASSY	ON CODE
20-00 -193	WWD22	. CLAMP/ENGINE PURGE LINE TO FUEL CELL/.....	2	
-194	782-1E4	. CLAMP, ENGINE PURGE LINE SUPPORT .....	2	
-195 R	782-1E10AF	. CLAMP, ENGINE SUPPLY LINE SUPPORT .....	2	
		/ATTACHING PARTS/		
-196	MS35207-263	. SCREW.....	1	
-197	AN960JD10L	. WASHER .....	1	
-198	130909N29	. NUT .....	1	
		-----★-----		
-199	122-920002-111	. TUBE ASSY, ENGINE FUEL PURGE.....	2	
-200	W901J8DE	. CONNECTOR/ALTERNATE FOR 14J02-8A/.....	4	
	14J02-8A	. CONNECTOR/ALTERNATE FOR W901J8DE/ .....	4	
-201	MS29513-015	. PACKING, PREFORMED.....	4	
-202	122-920034-1	. TUBE, LIGHTNING BREAK.....	2	
-203	W901J12DE	. CONNECTOR/ALTERNATE FOR 14J02-12A/.....	4	
	14J02-12A	. CONNECTOR/ALTERNATE FOR W901J12DE/ .....	4	
-204	MS29513-117	. PACKING, PREFORMED.....	4	
-205	122-920034-5	. TUBE, LIGHTNING BREAK.....	2	
-206	W901J10DE	. CONNECTOR/ALTERNATE FOR 14J02-10A/.....	4	
	14J02-10A	. CONNECTOR/ALTERNATE FOR W901J10DE/ .....	4	
-207	MS29513-017	. PACKING, PREFORMED.....	4	
-208	122-920034-3	. TUBE, LIGHTNING BREAK.....	2	
-209	122-920001-67	. TUBE ASSY, FUEL RETURN.....	2	
-210	122-920002-179	. TUBE ASSY, ENGINE FUEL PURGE.....	2	
-211	MS25083-7BB6	. JUMPER, BONDING.....	4	
-212	AN735D4	. CLAMP/PURGE LINE GROUND/.....	2	
-213	AN735D10	. CLAMP/RETURN LINE GROUND/.....	2	
		/ATTACHING PARTS/		
-214	MS35207-263	. SCREW.....	1	
-215	AN960JD10L	. WASHER.....	1	
-216	130909N29	. NUT .....	1	
		-----★-----		
-217	122-920002-133	. BRACKET.....	2	
-218 R	MS35207-265	. SCREW.....	2	
-219 R	AN960JD10L	. WASHER.....	2	
-220 R	130909N29	. NUT .....	2	
-221	AN815-4D	. UNION .....	2	
-222	AN815-4J	. UNION .....	2	
-223	MS29512-04	. PACKING, PREFORMED.....	4	
-224	122-389027-1	. VALVE, PURGE.....	2	
		/ATTACHING PARTS/		
-225	130909B24	. BOLT .....	1	
-226	130909B26	. BOLT .....	1	
-227	AN960JD10L	. WASHER.....	4	
-228	NAS43DD3-32	. SPACER.....	1	
-229	130909N29	. NUT .....	2	
		-----★-----		
-230	MS21919WDF20	. CLAMP.....	2	
-231	122-920030-9	. BRACKET ASSY, FUEL PURGE VALVE/LH/.....	1	
	122-920030-10	. BRACKET ASSY, FUEL PURGE VALVE/RH/ .....	1	

Beechcraft  
STARSHIP 1  
ILLUSTRATED PARTS CATALOG

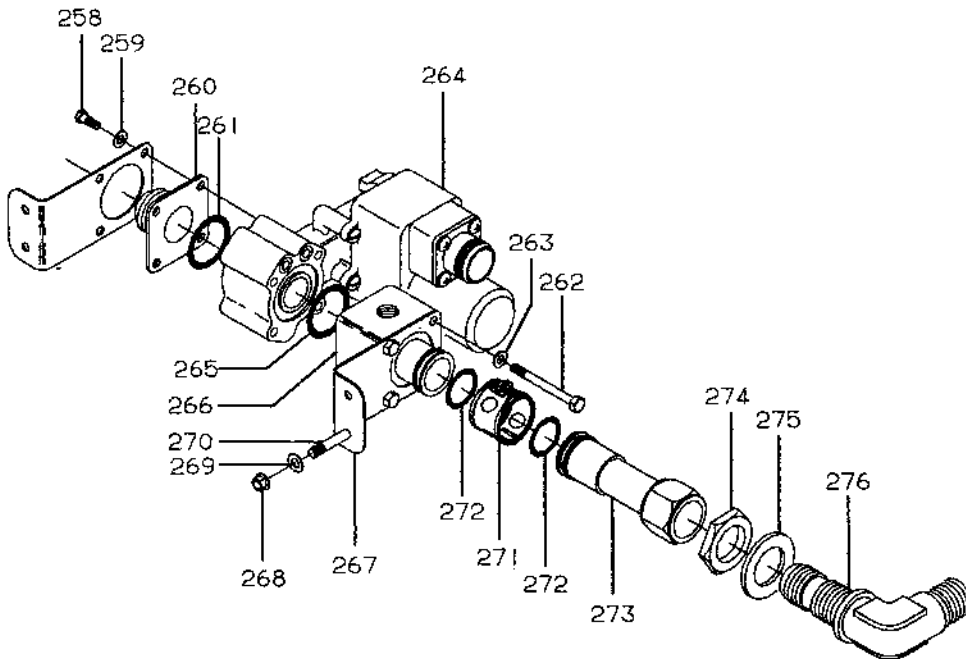
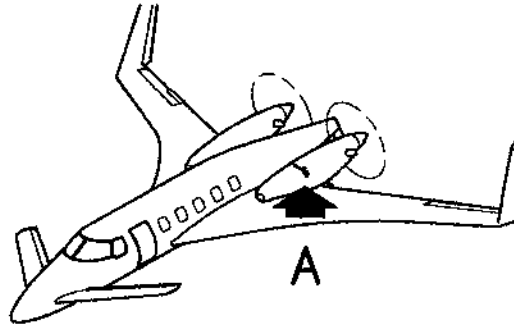


C95NC28A0892 C

**Beechcraft**  
**STARSHIP 1**  
**ILLUSTRATED PARTS CATALOG**

SUB-SEC UNIT & ITEM NO	PART NO.	DESCRIPTION 1 2 3 4 5 6 7	UNITS PER ASSY	USABLE ON CODE
20-00 -232	782-1E4	. CLAMP .....	2	
		/ATTACHING PARTS/		
-233	MS35207-263	. SCREW .....	1	
-234	AN960JD10L	. WASHER .....	1	
-235 R	130909N29	. NUT .....	1	
		---★---		
-236	122-920001-93	. TUBE ASSY, LH FUEL PURGE .....	1	
	122-920001-94	. TUBE ASSY, RH FUEL PURGE .....	1	
-237	AN837-4J	. ELBOW, BULKHEAD .....	2	
		/ATTACHING PARTS/		
-238	AN924-4J	. NUT .....	1	
-239	AN960C716L	. WASHER .....	2	
		---★---		
-240	101-389011-39	. VALVE, CHECK .....	2	
-241	782-1E10AF	. CLAMP .....	2	
		/ATTACHING PARTS/		
-242	MS35207-263	. SCREW .....	1	
-243	AN960JD10L	. WASHER .....	1	
-243A R	130909N29	. NUT .....	1	
		---★---		
-244	122-920001-91	. TUBE ASSY, FUEL RETURN .....	2	
-245	D10027A10	. ELBOW .....	2	
-246	AN832-10J	. UNION .....	2	
		/ATTACHING PARTS/		
-247	AN924-10J	. NUT .....	1	
-248	AN960C1416L	. WASHER .....	2	
		---★---		
-249	122-920001-53	. TUBE, ENGINE FUEL SUPPLY/LH/ .....	1	
	122-920001-54	. TUBE, ENGINE FUEL SUPPLY/RH/ .....	1	
-250	MS21919WDG11	. CLAMP .....	2	
		/ATTACHING PARTS/		
-251	130909N29	. NUT .....	1	
-252	AN960JD10L	. WASHER .....	1	
		---★---		
-253	100-389018-21	. SWITCH, FUEL PRESSURE .....	2	
-254	122-920001-79	. TUBE ASSY, LH FUEL PRESSURE .....	1	
	122-920001-80	. TUBE ASSY, RH FUEL PRESSURE .....	1	
-255	AN833-4J	. ELBOW .....	2	
-256	AN924-4J	. NUT .....	2	
-257	MS29512-04	. PACKING, PREFORMED .....	2	

Beechcraft  
STARSHIP 1  
ILLUSTRATED PARTS CATALOG



VIEW A

C9101181

FIGURE 20-00.FUEL DISTRIBUTION  
/SHEET 8 OF 8 SHEETS/

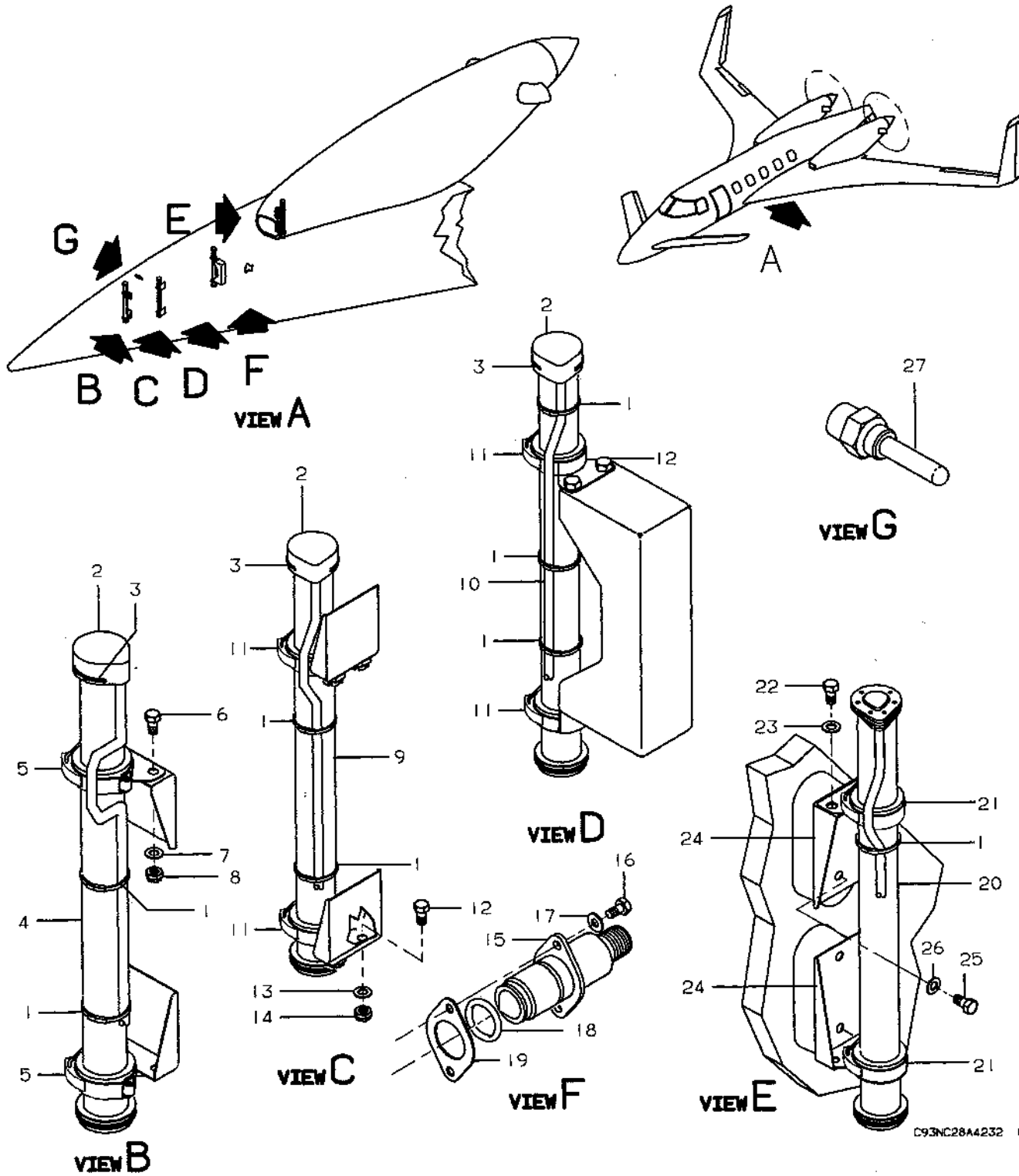
**Beechcraft**  
**STARSHIP 1**  
**ILLUSTRATED PARTS CATALOG**

SUB-SEC UNIT & ITEM NO	PART NO.	DESCRIPTION 1 2 3 4 5 6 7	UNITS	USABLE
			PER ASSY	ON CODE
20-00 -258	130909B30	. BOLT .....	8	
-259	AN960-10L	. WASHER .....	8	
-260	114-920028-1	. CONNECTOR .....	2	
-261	MS29513-215	. PACKING, PREFORMED .....	2	
-262	AN3H15A	. BOLT .....	8	
-263	AN960-10L	. WASHER .....	8	
-264	109-389002-3	. VALVE, FIREWALL SHUTOFF .....	2	
		ALTERNATE FOR 109-389002-7 & 123-389006-3		
	109-389002-7	. VALVE, FIREWALL SHUTOFF .....	2	
		ALTERNATE FOR 109-389002-3 & 123-389006-3		
	123-389006-3	. VALVE, FIREWALL SHUTOFF .....	2	
		ALTERNATE FOR 109-389002-3 & 109-389002-7		
-265	MS29513-215	. PACKING, PREFORMED .....	2	
-266	122-920016-1	. ADAPTER, FIREWALL SHUTOFF VALVE .....	2	
-267	122-920010-5	. BRACKET, FIREWALL SHUTOFF VALVE .....	4	
		/ATTACHING PARTS/		
-268 R	130909N29	. NUT .....	2	
-269 R	AN960JD10L	. WASHER .....	2	
-270 R	130909B19	. BOLT .....	2	
		—★—		
-271	W901J12CE	. CONNECTOR/ALTERNATE FOR 14J02-12C/ .....	2	
	14J02-12C	. CONNECTOR/ALTERNATE FOR W901J12CE/ .....	2	
-272	MS29513-117	. PACKING, PREFORMED .....	4	
-273	122-920002-71	. TUBE ASSY, ENGINE FUEL SUPPLY .....	2	
-274	AN924-12J	. NUT .....	2	
-275 R	AN960C1716	. WASHER .....	4	
-276	AN833-12J	. ELBOW .....	2	

**Beechcraft**  
**STARSHIP 1**  
**ILLUSTRATED PARTS CATALOG**

**28-40-00**  
**FUEL QUANTITY AND TEMPERATURE PROBES**

**Beechcraft**  
**STARSHIP 1**  
**ILLUSTRATED PARTS CATALOG**



C93NC28A4232 C

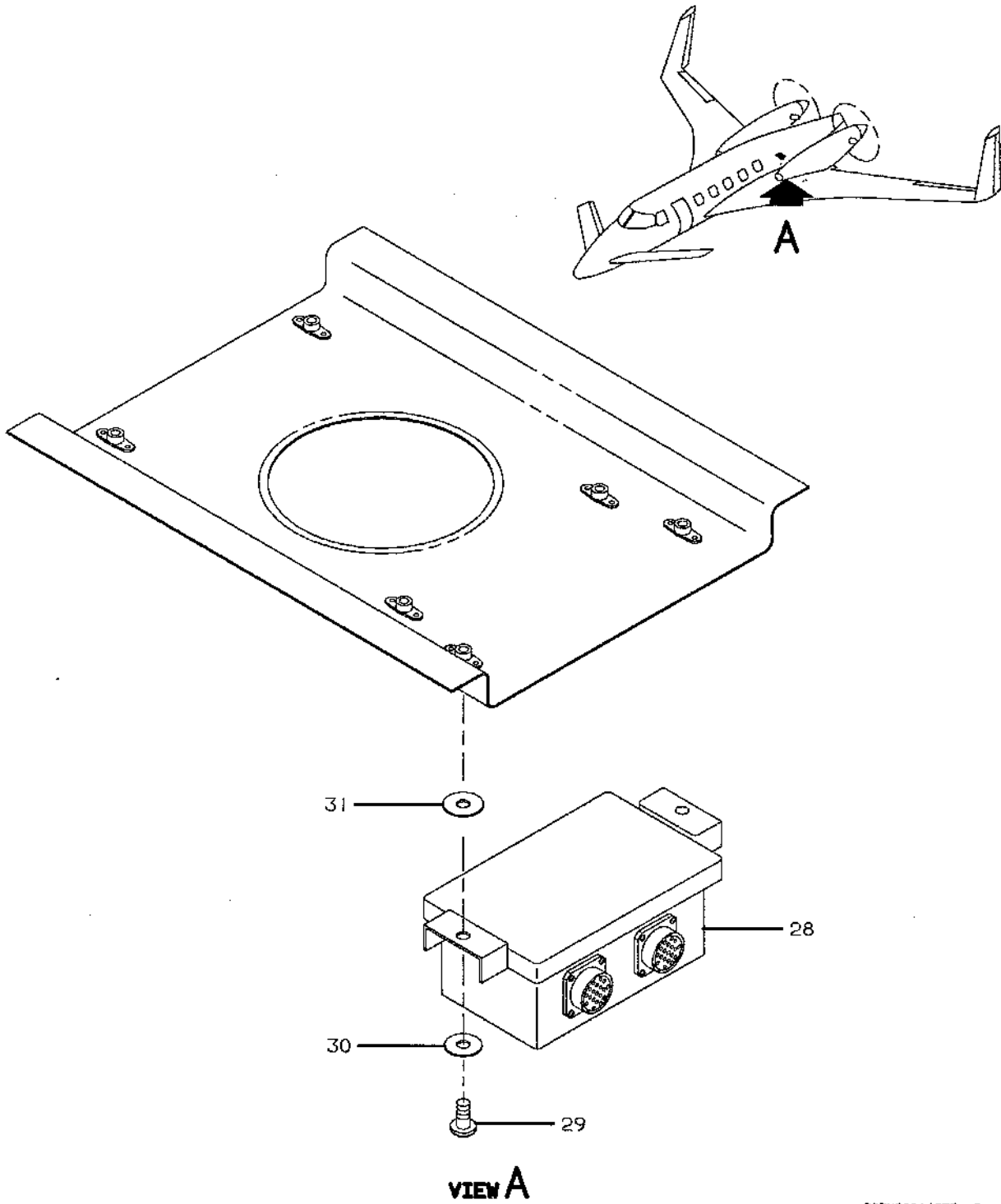
**FIGURE 40-00.FUEL QUANTITY & TEMPERATURE PROBES**  
**/SHEET 1 OF 2 SHEETS/**



**Beechcraft**  
**STARSHIP 1**  
**ILLUSTRATED PARTS CATALOG**

SUB-SEC UNIT & ITEM NO	PART NO.	DESCRIPTION 1 2 3 4 5 6 7	UNITS	USABLE
			PER ASSY	ON CODE
40-00	122-920002-165	FUEL SYSTEM INSTALLATION .....	NP	
- 1	MS3367-2-9	. TIE WRAP .....	8	
- 2	122-920054-1	. CAP, FUEL QUANTITY PROBE .....	6	
		/ATTACHING PARTS/		
- 3	MS3367-4-9	. TIE WRAP .....	2	
		---★---		
- 4	122-380060-5	. PROBE, MAIN TANK FWD FUEL QUANTITY .....	2	1
	122-380085-7	. PROBE, MAIN TANK FWD FUEL QUANTITY .....	2	2
- 5	R 122-920036-1	. BRACKET ASSY, FUEL PROBE .....	4	3
	R 122-920036-13	. BRACKET ASSY, FUEL PROBE .....	2	4
	R 122-920036-14	. BRACKET ASSY, FUEL PROBE .....	2	4
		/ATTACHING PARTS/		
- 6	130909B12	. BOLT .....	2	
- 7	AN960JD10L	. WASHER .....	2	
- 8	130909N29	. NUT .....	2	
		---★---		
- 9	122-380060-7	. PROBE, MAIN TANK AFT FUEL QUANTITY .....	2	1
	122-380085-5	. PROBE, MAIN TANK AFT FUEL QUANTITY .....	2	2
- 10	122-380060-1	. PROBE, HOPPER TANK FUEL QUANTITY .....	2	1
	122-380085-3	. PROBE, HOPPER TANK FUEL QUANTITY .....	2	2
- 11	R 122-920036-1	. BRACKET ASSY, FUEL PROBE .....	4	3
	R 122-920036-15	. BRACKET ASSY, FUEL PROBE .....	4	4
		/ATTACHING PARTS/		
- 12	130909B12	. BOLT .....	2	
- 13	AN960JD10L	. WASHER .....	2	
- 14	130909N29	. NUT .....	2	
		---★---		
- 15	122-389034-3	. SENSOR, HOPPER TANK LOW FUEL .....	2	
		/ATTACHING PARTS/		
- 16	R AN502-10-8	. SCREW .....	2	
- 17	R AN960JD10L	. WASHER .....	2	
		---★---		
- 18	R MS29513-021	. . PACKING, PREFORMED .....	1	
- 19	122-920002-99	. GASKET, LOW FUEL .....	2	
- 20	122-380060-3	. PROBE, AUXILIARY AFT TANK FUEL QUANTITY .....	2	1
	122-380085-1	. PROBE, AUXILIARY AFT TANK FUEL QUANTITY .....	2	2
- 21	122-920036-1	. BRACKET ASSY, FUEL PROBE .....	4	3
	122-920036-15	. BRACKET ASSY, FUEL PROBE .....	4	4
		/ATTACHING PARTS/		
- 22	130909B12	. BOLT .....	2	
- 23	AN960JD10L	. WASHER .....	2	
		---★---		
- 24	122-920027-7	. BRACKET .....	4	
	MS21062L3	. . NUTPLATE .....	2	
		/ATTACHING PARTS/		
- 25	MS20073-03-02	. BOLT .....	2	
- 26	AN960JD10L	. WASHER .....	2	
		---★---		
- 27	MS28034-1	. BULB, FUEL TEMPERATURE .....	1	

Beechcraft  
STARSHIP 1  
ILLUSTRATED PARTS CATALOG



C93NC28A4233 C

**Beechcraft**  
**STARSHIP 1**  
**ILLUSTRATED PARTS CATALOG**

SUB-SEC UNIT & ITEM NO	PART NO.	DESCRIPTION 1 2 3 4 5 6 7	UNITS	USABLE
			PER ASSY	ON CODE
40-00	R 122-381000-11	ELECTRICAL EQUIP INSTL, WING.....	NP	
-28	122-380059-7	. PROCESSING UNIT, FUEL QUANTITY.....	2	1
	122-380084-1	. PROCESSING UNIT, FUEL QUANTITY..... /ATTACHING PARTS/	2	2
-29	MS27039-1-08	. SCREW.....	2	
-30	AN960JD10L	. WASHER.....	2	
-31	122-340070-1	. WASHER.....	2	

---★---

**NOTE** DO NOT INTERMIX FUEL QUANTITY SYSTEMS  
FOR SPARES, MUST USE 122-380059 AND  
122-380080 OR 122-380084 AND 122-380085.  
THEY WILL NOT MIX.

SEE CHAPTER 73 FOR FUEL FLOW TRANSMITTER.  
SEE CHAPTER 39 FOR INDICATORS AND  
FUEL CONTROL SWITCHES.

**CODES OF EFFECTIVITY**

- |                   |                   |
|-------------------|-------------------|
| 1 NC-4 THRU NC-53 | 2 NC-54 AND AFTER |
| 3 NC-4 THRU NC-40 | 4 NC-41 AND AFTER |

**Beechcraft**  
**STARSHIP 1**  
**ILLUSTRATED PARTS CATALOG**  
**LIST OF PAGES & TABLE OF CONTENTS**  
**FOR**  
**CHAPTER 29-00-00 HYDRAULIC POWER**

CHAP/SUB- SECT & UNIT	PAGE NO.	EFFECTIVE DATE	TABLE OF CONTENTS
29-00-00	1	02/25/94	LIST OF PAGES & TABLE OF CONTENTS .....
29-00-01	1	02/25/94	HYDRAULIC SYSTEMS/REFERENCE/.....

**Beechcraft**  
**STARSHIP 1**  
**ILLUSTRATED PARTS CATALOG**

**29-00-01**  
**HYDRAULIC SYSTEMS/REFERENCE/  
THE HYDRAULIC SYSTEMS CAN BE FOUND IN  
THE LANDING GEAR SECTION. THE HYDRAULIC  
RETRACT SYSTEM IS LISTED IN CHAPTER  
32-30. THE BRAKE SYSTEM IS LISTED IN  
CHAPTER 32-40.**

**Beechcraft**  
**STARSHIP 1**  
**ILLUSTRATED PARTS CATALOG**

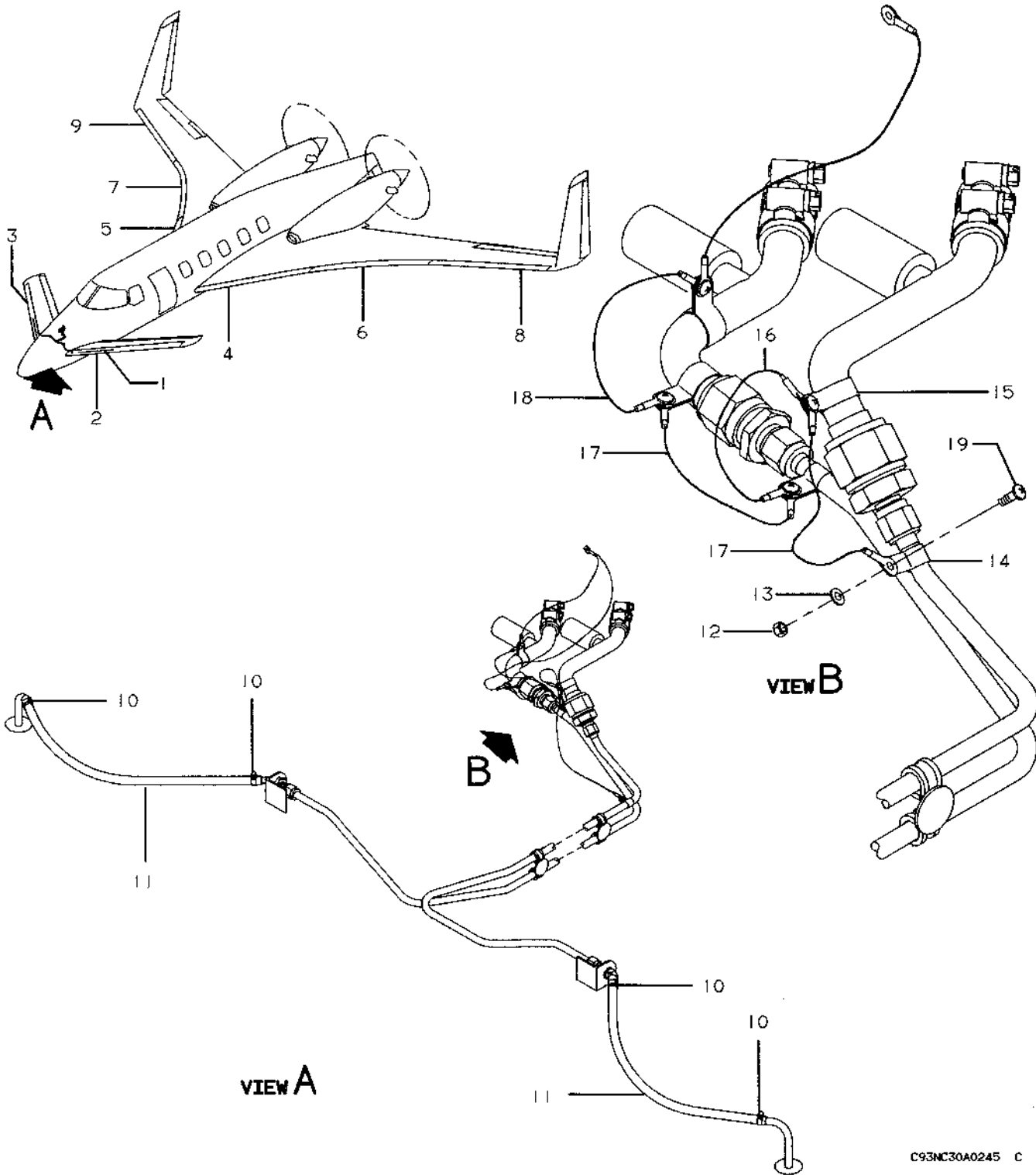
**LIST OF PAGES & TABLE OF CONTENTS**  
**FOR**  
**CHAPTER 30-00-00 ICE AND RAIN PROTECTION**

CHAP/SUB- SECT & UNIT	PAGE NO.	EFFECTIVE DATE	TABLE OF CONTENTS
30-00-00	1	11/04/94	LIST OF PAGES & TABLE OF CONTENTS .....
30-10-00	1	02/25/94	PNEUMATIC DEICE SYSTEM .....
30-10-00	2	02/25/94	
30-10-00	3	02/25/94	
30-10-00	4	02/25/94	
30-10-00	5	02/25/94	
30-10-00	6	02/25/94	
30-10-00	7	02/25/94	
30-10-00	8	02/25/94	
30-10-00	9	02/25/94	
30-10-00	10	02/25/94	
30-10-00	11	02/25/94	
30-10-00	12	02/25/94	
30-10-00	13	02/25/94	
30-10-00	14	02/25/94	
30-10-00	15	02/25/94	
30-10-00	16	02/25/94	
30-10-00	17	02/25/94	
30-10-00	18	02/25/94	
30-10-00	19	02/25/94	
30-10-00	20	02/25/94	
30-10-00	21	02/25/94	
30-20-00	1	02/25/94	AIR INLET & INERTIAL VANE ANTI-ICE.....
30-20-00	2	02/25/94	
30-20-00	3	02/25/94	
30-20-00	4	02/25/94	
30-20-00	5	02/25/94	
30-20-00	6	02/25/94	
30-20-00	7	02/25/94	
30-20-00	8	02/25/94	
30-20-00	9	02/25/94	
30-20-00	10	02/25/94	
30-20-00	11	02/25/94	
30-20-00	12	02/25/94	
30-20-00	13	02/25/94	
30-20-00	14	02/25/94	
30-20-00	15	02/25/94	
30-40-10	1	02/25/94	WINDSHIELD WIPER .....
30-40-10	2	02/25/94	
30-40-10	3	02/25/94	
30-50-00	1	11/04/94	SURFACE DEICE PRINTED CIRCUIT BOARD BOX.....
30-50-00	2	11/04/94	
30-50-00	3	02/25/94	
30-50-00	4	11/04/94	
30-50-00	5	02/25/94	
30-70-00	1	02/25/94	ICE DETECTOR.....
30-70-00	2	02/25/94	
30-70-00	3	02/25/94	

**Beechcraft**  
**STARSHIP 1**  
**ILLUSTRATED PARTS CATALOG**

**30-10-00**  
**PNEUMATIC DEICE SYSTEM**

**Beechcraft**  
**STARSHIP 1**  
**ILLUSTRATED PARTS CATALOG**



C93NC30A0245 C

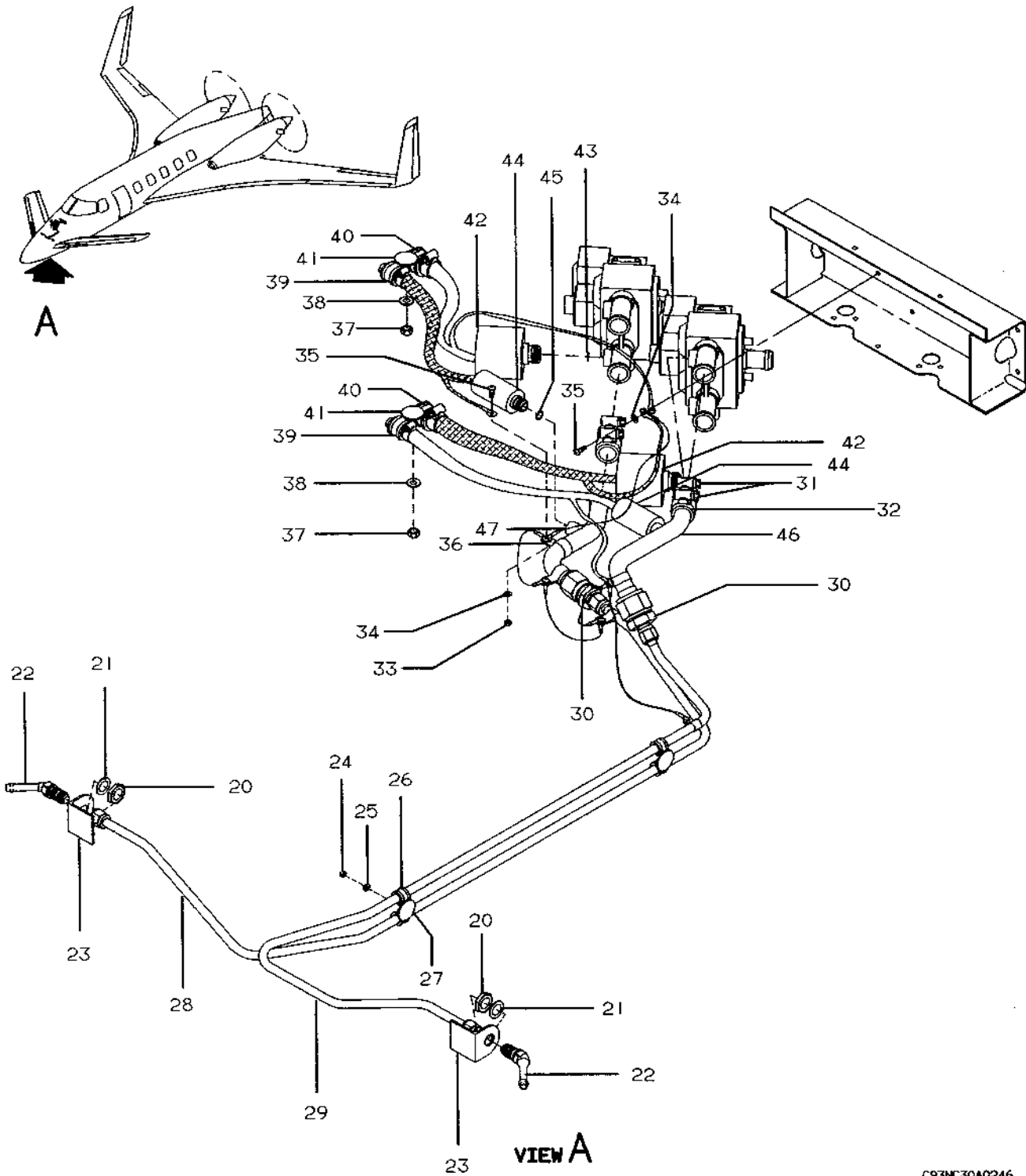
**FIGURE 10-00. PNEUMATIC DEICE SYSTEM**  
**/SHEET 1 OF 10 SHEETS/**



**Beechcraft**  
**STARSHIP 1**  
**ILLUSTRATED PARTS CATALOG**

SUB-SEC UNIT & ITEM NO	PART NO.	DESCRIPTION 1 2 3 4 5 6 7	UNITS	USABLE
			PER ASSY	ON CODE
10-00	122-970085-1	PNEUMATIC DEICE SYSTEM .....	NP	
- 1	3D3066	. STRIP, STALL .....	1	3
- 2	S29S7D5220-09	. BOOT, LH DEICE/FWD WING/ .....	1	
- 3	S29S7D5220-10	. BOOT, RH DEICE/FWD WING/ .....	1	
- 4	S29S7D5220-11	. BOOT, LH DEICE/AFT WING INBD/ .....	1	
- 5	S29S7D5220-12	. BOOT, RH DEICE/AFT WING INBD/ .....	1	
- 6	S29S7D5220-13	. BOOT, LH DEICE/AFT WING CENTER/ .....	1	
- 7	S29S7D5220-14	. BOOT, RH DEICE/AFT WING CENTER/ .....	1	
- 8	S29S7D5220-15	. BOOT, LH DEICE/AFT WING OUTBD/ .....	1	
- 9	S29S7D5220-16	. BOOT, RH DEICE/AFT WING OUTBD/ .....	1	
-10	MS35842-10	. CLAMP .....	2	
-11	122-970085-3	. HOSE .....	1	
-12	130909N29	. NUT .....	4	
-13	AN960-10L	. WASHER .....	5	
-14	AN735D6	. CLAMP .....	2	
-15	AN735D10	. CLAMP .....	2	
-16	MS25083-2BB3	. JUMPER, BONDING .....	1	
-17	MS25083-2BB4	. JUMPER, BONDING .....	2	
-18	MS25083-2BB13	. JUMPER, BONDING .....	1	
-19	MS35207-263	. SCREW .....	5	

**Beechcraft**  
**STARSHIP 1**  
**ILLUSTRATED PARTS CATALOG**



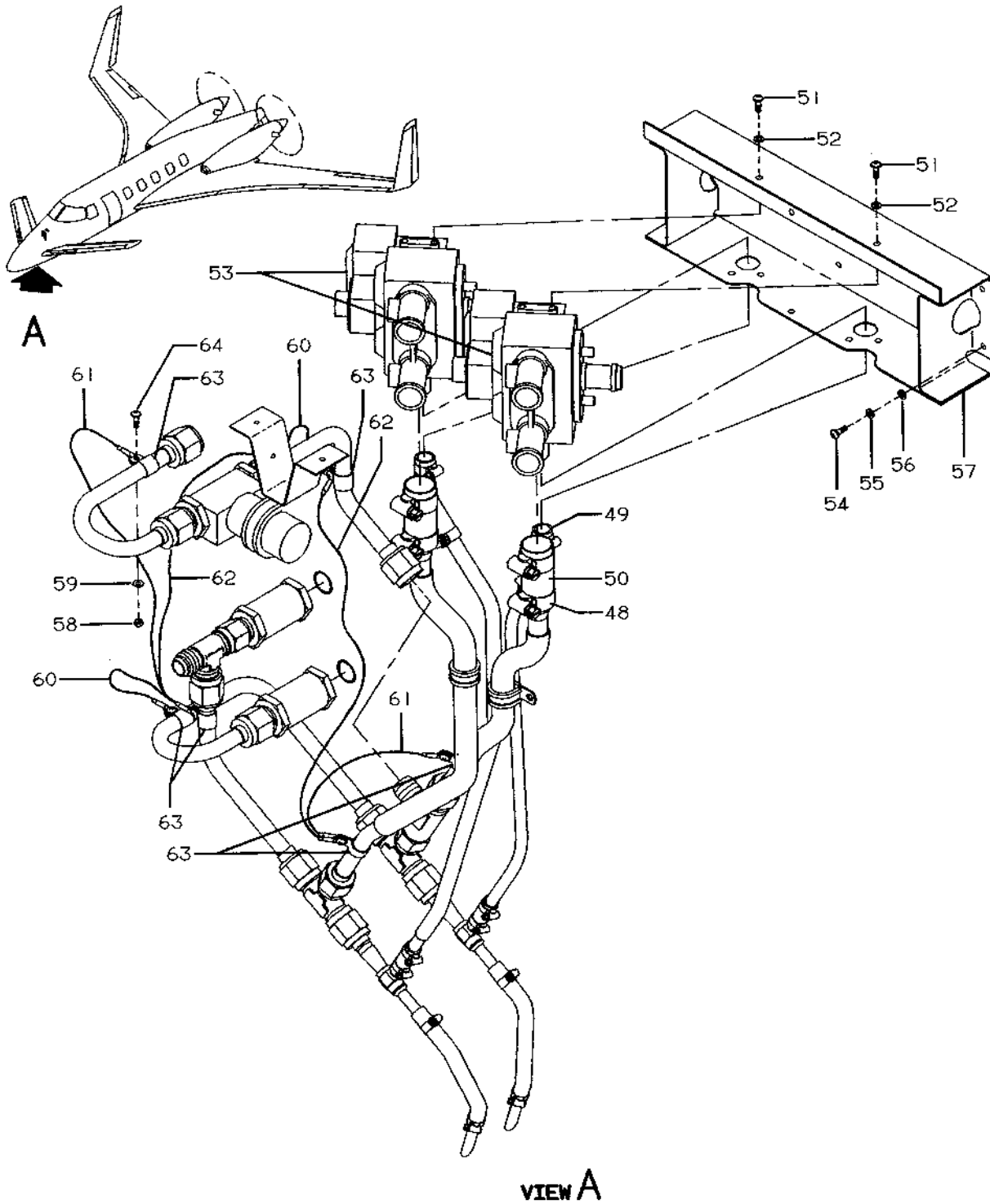
C93NC30A0246 C

**FIGURE 10-00.PNEUMATIC DEICE SYSTEM**  
**/SHEET 2 OF 10 SHEETS/**

**Deechcraft**  
**STARSHIP 1**  
**ILLUSTRATED PARTS CATALOG**

SUB-SEC UNIT & ITEM NO	PART NO.	DESCRIPTION 1 2 3 4 5 6 7	UNITS PER ASSY	USABLE ON CODE
10-00 -20	AN924-6D	. NUT .....	1	
-21	AN960JD916L	. WASHER .....	1	
-22	AN839-6D	. ELBOW .....	1	
-23	122-970062-17	. BRACKET .....	1	
-24	130909N29	. NUT .....	2	
-25	AN960-10L	. WASHER .....	2	
-26	MS21919WDG6	. CLAMP .....	4	
-27	132131-3-8	. STUD .....	2	
-28	122-970087-1	. TUBE ASSY .....	1	
-29	122-970088-1	. TUBE ASSY .....	1	
-30	AN919-18D	. REDUCER .....	2	
-31	MS35842-11	. CLAMP .....	2	
-32	114693-11-00200	. TUBE .....	2	
-33	130909N29	. NUT .....	3	
-34	AN960-10L	. WASHER .....	3	
-35	MS35207-263	. SCREW .....	3	
-36	AN735D12	. CLAMP .....	2	
-37	130909N29	. NUT .....	2	
-38	AN960-10L	. WASHER .....	2	
-39	MS21919WDG10	. CLAMP .....	2	
-40	MS21919WDG14	. CLAMP .....	2	
-41	132131-3-4	. STUD .....	2	
-42	122-970107-1	. SWITCH, VACUUM .....	2	
-43	MS28778-4	. PACKING, PREFORMED .....	2	
-44	122-970108-1	. SWITCH, PRESSURE .....	2	
-45	MS28778-4	. PACKING, PREFORMED .....	2	
-46	122-970085-15	. TUBE ASSY .....	1	
-47	122-970085-25	. TUBE ASSY .....	1	

Beechcraft  
STARSHIP 1  
ILLUSTRATED PARTS CATALOG



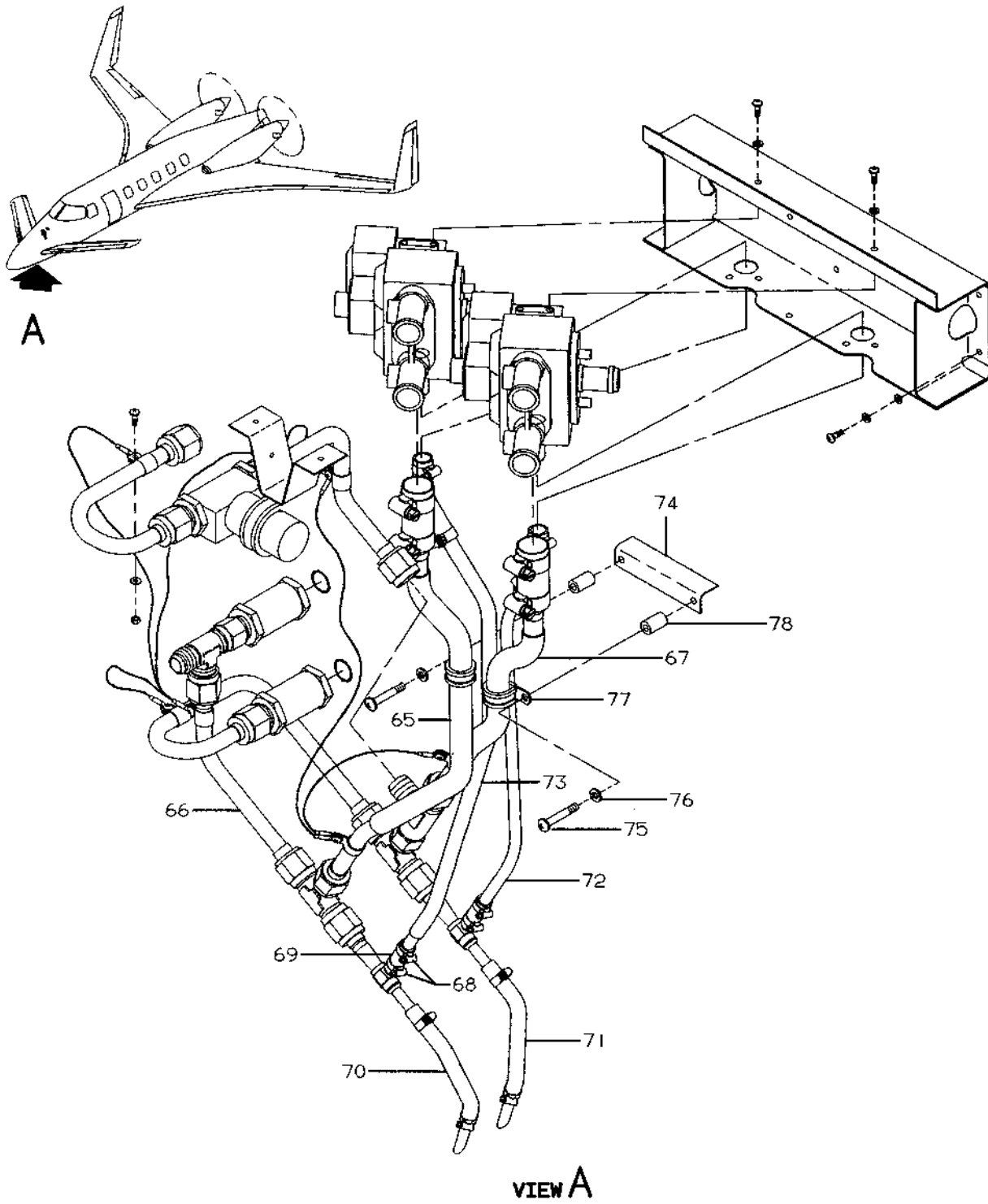
C93NC30A0527 C

FIGURE 10-00. PNEUMATIC DEICE SYSTEM  
/SHEET 3 OF 10 SHEETS/

**Deechcraft**  
**STARSHIP 1**  
**ILLUSTRATED PARTS CATALOG**

SUB-SEC UNIT & ITEM NO	PART NO.	DESCRIPTION 1 2 3 4 5 6 7	UNITS	USABLE
			PER ASSY	ON CODE
10-00 -48	MS35842-11	. CLAMP .....	2	2
	MS35842-10	. CLAMP .....	2	1
-49	97-380001-13	. SLEEVE .....	2	2
	114693-6-00400	. TUBE/ORDER 97-380001-13 FOR SPARES/ .....	NP	1
-50	97-380001-17	. SLEEVE .....	2	2
	114693-11-00400	. TUBE/ORDER 97-380001-17 FOR SPARES/ .....	NP	1
-51	MS35207-263	. SCREW .....	8	
-52	AN960-10L	. WASHER .....	8	
-53	122-970105-1	. VALVE, DISTRIBUTOR .....	2	
-54	NAS1096-3-7	. SCREW .....	6	
-55	MS35338-138	. WASHER, LOCK .....	6	
-56	AN960-10L	. WASHER .....	6	
-57	122-970085-5	. BRACKET ASSY .....	1	
	MS21069L3	. NUTPLATE .....	1	
-58	130909N29	. NUT .....	7	
-59	AN960-10L	. WASHER .....	7	
-60	MS25083-2BB4	. JUMPER, BONDING .....	2	
-61	MS25083-2BB6	. JUMPER, BONDING .....	2	
-62	MS25083-2BB8	. JUMPER, BONDING .....	2	
-63	AN735D10	. CLAMP .....	6	
-64	MS35207-263	. SCREW .....	7	

Beechcraft  
STARSHIP 1  
ILLUSTRATED PARTS CATALOG



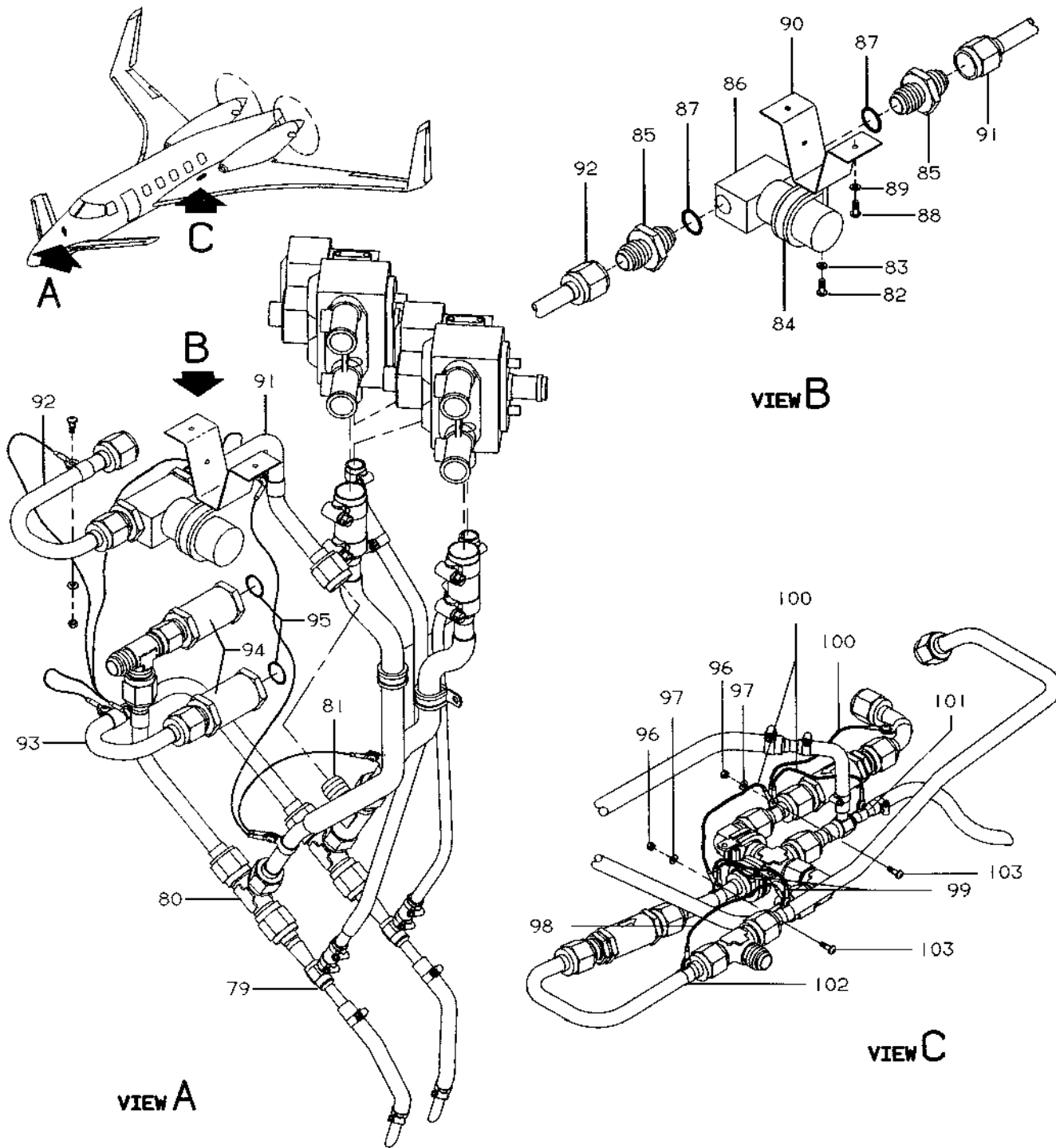
VIEW A

C93NC30A0248 C

**Beechcraft**  
**STARSHIP 1**  
**ILLUSTRATED PARTS CATALOG**

SUB-SEC UNIT & ITEM NO	PART NO.	DESCRIPTION 1 2 3 4 5 6 7	UNITS	USABLE
			PER ASSY	ON CODE
10-00 -85	122-970023-7	. TUBE ASSY.....	1	2
	122-970085-41	. TUBE ASSY/ORDER 122-970023-7 FOR SPARES/ ..... /ORDER KIT 122-5002-1 S FOR AIRPLANES NC-4 THRU NC-15/	NP	1
-86	122-970091-9	. TUBE ASSY.....	1	2
	122-970091-1	. TUBE ASSY/ORDER 122-970091-9 FOR SPARES/.....	NP	1
-67	122-970024-7	. TUBE ASSY.....	1	2
	122-970085-49	. TUBE ASSY/ORDER 122-970024-7 FOR SPARES/.....	NP	1
-68	131466SNP6	. CLAMP.....	8	
-69	131823E8-0020	. TUBE.....	2	2
	114693-6-00200	. TUBE/ORDER 131823E8-0020 FOR SPARES/.....	NP	1
-70	131823E8D0055	. TUBE.....	1	2
	114693-4-00600	. TUBE/ORDER 131823E8D0055 FOR SPARES/.....	NP	1
-71	131823E8D0065	. TUBE.....	1	2
	114693-4-00600	. TUBE/ORDER 131823E8D0065 FOR SPARES/.....	NP	1
-72	122-970109-7	. TUBE ASSY.....	1	2
	122-970085-33	. TUBE ASSY/ORDER 122-970109-7 FOR SPARES/.....	NP	1
-73	122-970059-7	. TUBE ASSY.....	1	2
	122-970085-39	. TUBE ASSY/ORDER 122-970059-7 FOR SPARES/.....	NP	1
	122-970062-27	. BRACKET ASSY.....	1	2
	122-970085-11	. BRACKET ASSY.....	1	1
-74	122-970062-29	. BRACKET.....	1	2
	122-970085-13	. BRACKET.....	1	1
	MS21071L3	. NUTPLATE.....	2	2
	MS21069L3	. NUTPLATE.....	1	1
-75	MS35207-268	. SCREW.....	2	2
	MS35207-263	. SCREW.....	1	1
-76	AN980-10L	. WASHER.....	2	
-77	MS21919WDG10	. CLAMP.....	2	2
	MS21919WDG22	. CLAMP.....	1	1
-78	NAS43DD3-48	. SPACER.....	2	2

**Beechcraft**  
**STARSHIP 1**  
**ILLUSTRATED PARTS CATALOG**



C93NC30A0249 C

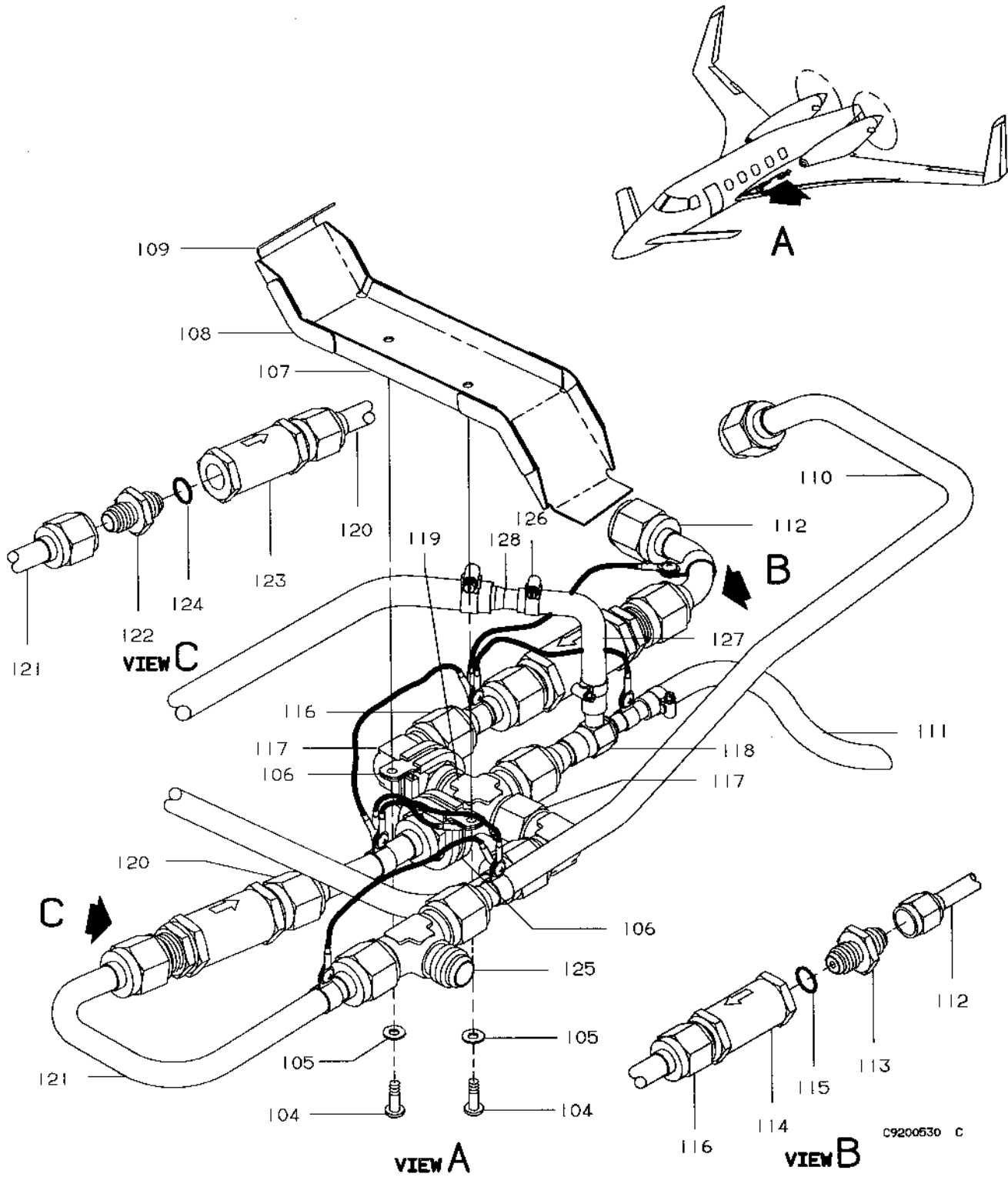
**FIGURE 10-00. PNEUMATIC DEICE SYSTEM**  
**/SHEET 5 OF 10 SHEETS/**



**Deechcraft**  
**STARSHIP 1**  
**ILLUSTRATED PARTS CATALOG**

SUB-SEC UNIT & ITEM NO	PART NO.	DESCRIPTION 1 2 3 4 5 6 7	UNITS	USABLE
			PER ASSY	ON CODE
10-00 -79	122-382157-1	. EJECTOR ASSY/ALTERNATE FOR 122-970083-1/ .....	2	
	122-970083-1	. EJECTOR ASSY/ALTERNATE FOR 122-382157-1/ .....	2	
-80	AN824-10D	. TEE .....	2	
	10R6X-SS	. TEE/ORDER MS51523B10S FOR SPARES/ .....	NP	
-81	MS51523B10S	. TEE .....	1	
-82	MS35207-263	. SCREW .....	1	
-83	AN960-10L	. WASHER .....	1	
-84	MS21919WDG23	. CLAMP .....	1	
-85	AN919-14D	. REDUCER .....	2	
-86	100-389020-1	. VALVE, CROSS FEED .....	1	
-87	MS28778-6	. PACKING, PREFORMED .....	2	
-88	MS35207-263	. SCREW .....	2	
-89	AN960-10L	. WASHER .....	2	
	122-540105-1	. BRACKET ASSY, HEAT EXCHANGER COIL .....	1	
-90	122-540105-3	. BRACKET .....	1	
	MS21061L3K	. NUTPLATE .....	1	
-91	122-970089-1	. TUBE ASSY .....	1	
-92	122-970092-1	. TUBE ASSY .....	1	
-93	122-970110-11	. TUBE ASSY .....	1	2
	122-970085-109	. TUBE ASSY .....	1	1
-94	101-389011-81	. VALVE, CHECK .....	2	
-95	MS28778-10	. PACKING, PREFORMED .....	2	
-96	130909N29	. NUT/6 LH AND 7 RH/ .....	13	
-97	AN960-10L	. WASHER/6 LH AND 7 RH/ .....	13	
-98	MS25083-2BB4	. JUMPER, BONDING .....	2	
-99	MS25083-2BB6	. JUMPER, BONDING/2 LH AND 1 RH/ .....	3	
-100	MS25083-2BB8	. JUMPER, BONDING/3 LH AND 1 RH/ .....	4	
	MS25083-2BB10	. JUMPER, BONDING/RH/ .....	2	
-101	AN735D6	. CLAMP .....	1	
-102	AN735D10	. CLAMP/5 LH AND 6 RH/ .....	11	
-103	MS35207-263	. SCREW/6 LH AND 7 RH/ .....	13	

**Beechcraft**  
**STARSHIP 1**  
**ILLUSTRATED PARTS CATALOG**

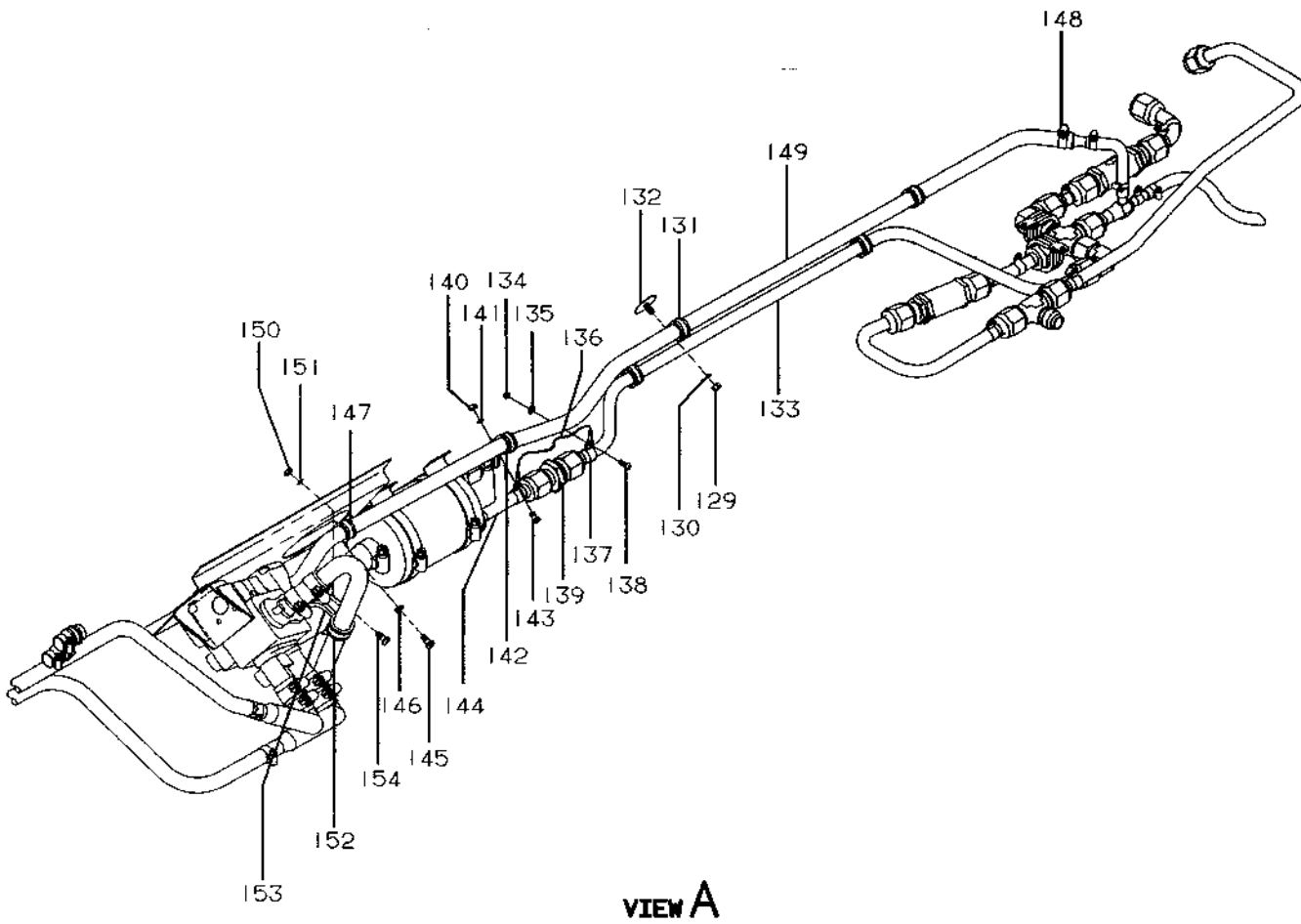
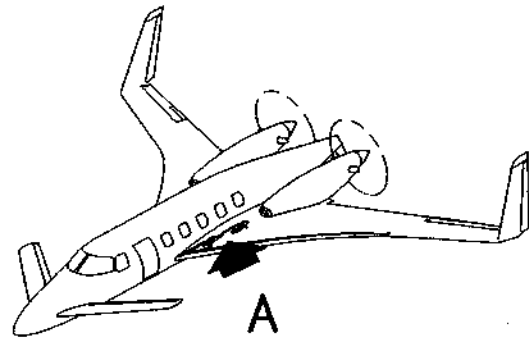


**FIGURE 10-00. PNEUMATIC DEICE SYSTEM**  
**/SHEET 6 OF 10 SHEETS/**

**Beechcraft**  
**STARSHIP 1**  
**ILLUSTRATED PARTS CATALOG**

SUB-SEC UNIT & ITEM NO	PART NO.	DESCRIPTION 1 2 3 4 5 6 7	UNITS	USABLE
			PER ASSY	ON CODE
10-00	-104	MS35207-263 . SCREW.....	2	
	-105	AN960-10L . WASHER.....	2	
	-106	MS21919WDG18 . CLAMP.....	2	
		122-970085-83 . BRACKET ASSY, LH.....	1	
		122-970085-84 . BRACKET ASSY, RH.....	1	
	-107	122-970085-85 . BRACKET, LH.....	1	
		122-970085-86 . BRACKET, RH.....	1	
	-108	122-970085-87 . SUPPORT.....	4	
		MS21059L3K . NUTPLATE.....	2	
	-109	122-970085-89 . BRACKET.....	1	
	-110	122-970093-1 . TUBE ASSY, LH.....	1	
		122-970101-1 . TUBE ASSY, RH.....	1	
		MS35842-10 . CLAMP.....	2	
	-111	131823E8D0060 . TUBE.....	1	
	-112	122-970087-1 . TUBE ASSY.....	1	
	-113	122-970084-5 . ORIFICE ASSY.....	1	
	-114	101-389011-81 . VALVE, CHECK.....	1	
	-115	MS28778-10 . PACKING, PREFORMED.....	1	
	-116	122-970096-1 . TUBE ASSY.....	1	
	-117	10C6X-SS . ELBOW/2 LH, 1 RH/ /ORDER MS51521B10S.....	NP	
		FOR SPARES/ MS51521B10S . ELBOW/2 LH, 1 RH/.....	3	
		122-970098-1 . TUBE ASSY, RH.....	1	
	-118	122-382157-1 . EJECTOR ASSY/ALTERNATE FOR 122-970083-1/.....	2	
		122-970083-1 . EJECTOR ASSY/ALTERNATE FOR 122-382157-1/.....	2	
	-119	AN827-10D . CROSS.....	1	
	-120	122-970095-1 . TUBE ASSY, LH.....	1	
		122-970099-1 . TUBE ASSY, RH.....	1	
	-121	122-970094-1 . TUBE ASSY, LH.....	1	
		122-970100-1 . TUBE ASSY, RH.....	1	
	-122	122-970084-5 . ORIFICE ASSY.....	1	
	-123	101-389011-81 . VALVE, CHECK.....	2	
	-124	MS28778-10 . PACKING, PREFORMED.....	1	
	-125	AN824-10D . TEE.....	1	
	-126	MS35842-10 . CLAMP.....	2	
	-127	131823E8D0080 . TUBE.....	1	
	-128	122-970085-55 . TUBE.....	1	

Beechcraft  
STARSHIP 1  
ILLUSTRATED PARTS CATALOG



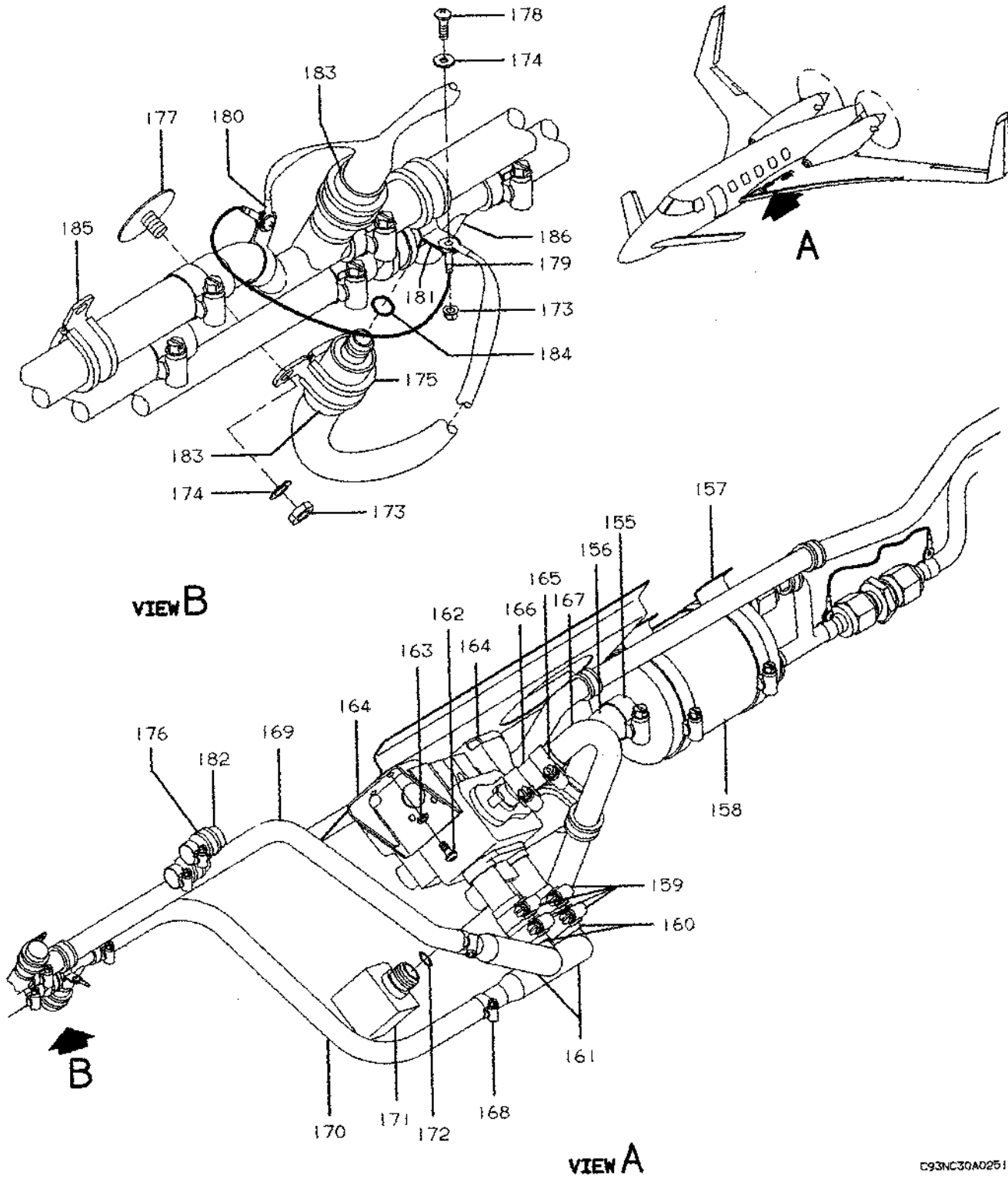
C93NC30AA0250 C

FIGURE 10-00.PNEUMATIC DEICE SYSTEM  
/SHEET 7 OF 10 SHEETS/

**Beechcraft**  
**STARSHIP 1**  
**ILLUSTRATED PARTS CATALOG**

SUB-SEC UNIT & ITEM NO	PART NO.	DESCRIPTION 1 2 3 4 5 6 7	UNITS	USABLE
			PER ASSY	ON CODE
10-00 -129	130909N29	. NUT .....	4	
-130	AN960-10L	. WASHER .....	4	
-131	MS21919WDG10	. CLAMP .....	4	
-132	132131-3-8	. STUD .....	4	
-133	122-970103-1	. TUBE ASSY, LH .....	1	
	122-970102-1	. TUBE ASSY, RH .....	1	
-134	130909N29	. NUT .....	2	
-135	AN960-10L	. WASHER .....	2	
-136	MS25083-2EB4	. JUMPER, BONDING .....	1	
-137	AN735D10	. CLAMP .....	2	
-138	MS35207-263	. SCREW .....	2	
-139	AN815-10D	. UNION .....	1	
-140	130909N29	. NUT .....	1	
-141	AN960-10L	. WASHER .....	1	
-142	MS21919WDG10	. CLAMP .....	2	
-143	MS35207-263	. SCREW .....	1	
-144	122-970052-1	. TUBE ASSY .....	1	
-145	MS35207-263	. SCREW .....	1	
-146	AN960-10L	. WASHER .....	1	
-147	MS21919WDG10	. CLAMP .....	1	
-148	MS35842-10	. CLAMP .....	2	
-149	131823E10D0460	. TUBE, LH .....	1	
	131823E10D0570	. TUBE, RH .....	1	
-150	130909N29	. NUT .....	1	
-151	AN960-10L	. WASHER .....	1	
-152	MS21919WDG12	. CLAMP .....	1	
-153	MS21919WDG14	. CLAMP .....	1	
-154	MS35207-263	. SCREW .....	1	

**Beechcraft**  
**STARSHIP 1**  
**ILLUSTRATED PARTS CATALOG**



**FIGURE 10-00.PNEUMATIC DEICE SYSTEM**  
**/SHEET 8 OF 10 SHEETS/**

**Beechcraft**  
**STARSHIP 1**  
**ILLUSTRATED PARTS CATALOG**

SUB-SEC UNIT & ITEM NO	PART NO.	DESCRIPTION 1 2 3 4 5 6 7	UNITS	USABLE
			PER ASSY	ON CODE
10-00	-155	MS35842-11 . CLAMP .....	6	
	-156	131823H14D0090 . TUBE, LH .....	1	
		MS35842-15 . CLAMP .....	2	
	-157	122-970085-79 . BRACKET .....	2	
	-158	122-970086-1 . SEPARATOR ASSY .....	1	
	-159	NH102300-0100 . CLAMP .....	4	
	-160	114693-11-00200 . TUBE .....	2	
	-161	122-970085-99 . TUBE ASSY .....	2	
	-162	MS27039-1-15 . SCREW .....	4	
	-163	AN960-10L . WASHER .....	4	
	-164	122-970085-93 . BRACKET ASSY .....	2	
		130909N29 . NUT, RH .....	1	
		AN960-10L . WASHER, RH .....	2	
		MS25083-2BB2 . JUMPER, BONDING RH .....	1	
		AN735D10 . CLAMP, RH .....	1	
		MS35842-10 . CLAMP, RH .....	2	
		MS35842-11 . CLAMP, RH .....	2	
		MS35207-263 . SCREW, RH .....	1	
		114693-11-00200 . TUBE, RH .....	3	
		122-970085-71 . TUBE, RH .....	1	
		122-970085-69 . TUBE, RH .....	1	
	-165	MS35842-11 . CLAMP .....	2	
	-166	114693-11-00200 . TUBE .....	1	
	-167	122-970085-81 . TUBE .....	1	
	-168	MS35842-10 . CLAMP .....	4	
	-169	131823E10D0180 . TUBE .....	1	
	-170	131823E10D0140 . TUBE .....	1	
	-171	122-970107-1 . SWITCH, VACUUM .....	2	
	-172	MS28778-4 . PACKING, PREFORMED .....	1	
	-173	130909N29 . NUT .....	6	
	-174	AN960-10L . WASHER .....	8	
	-175	MS21919WDG13 . CLAMP .....	4	
	-176	MS21919WDG10 . CLAMP .....	6	
	-177	132131-3-4 . STUD .....	4	
	-178	MS35207-263 . SCREW .....	4	
	-179	MS25083-2BB15 . JUMPER, BONDING .....	1	
	-180	MS25083-2BB10 . JUMPER, BONDING .....	1	
	-181	AN735D8 . CLAMP .....	2	
	-182	20-032-1 . BRACKET .....	2	
	-183	122-970108-1 . SWITCH, PRESSURE .....	2	
	-184	MS28778-4 . PACKING, PREFORMED .....	2	
	-185	MS21919WDG8 . CLAMP .....	1	
	-186	122-970085-73 . TUBE ASSY .....	1	

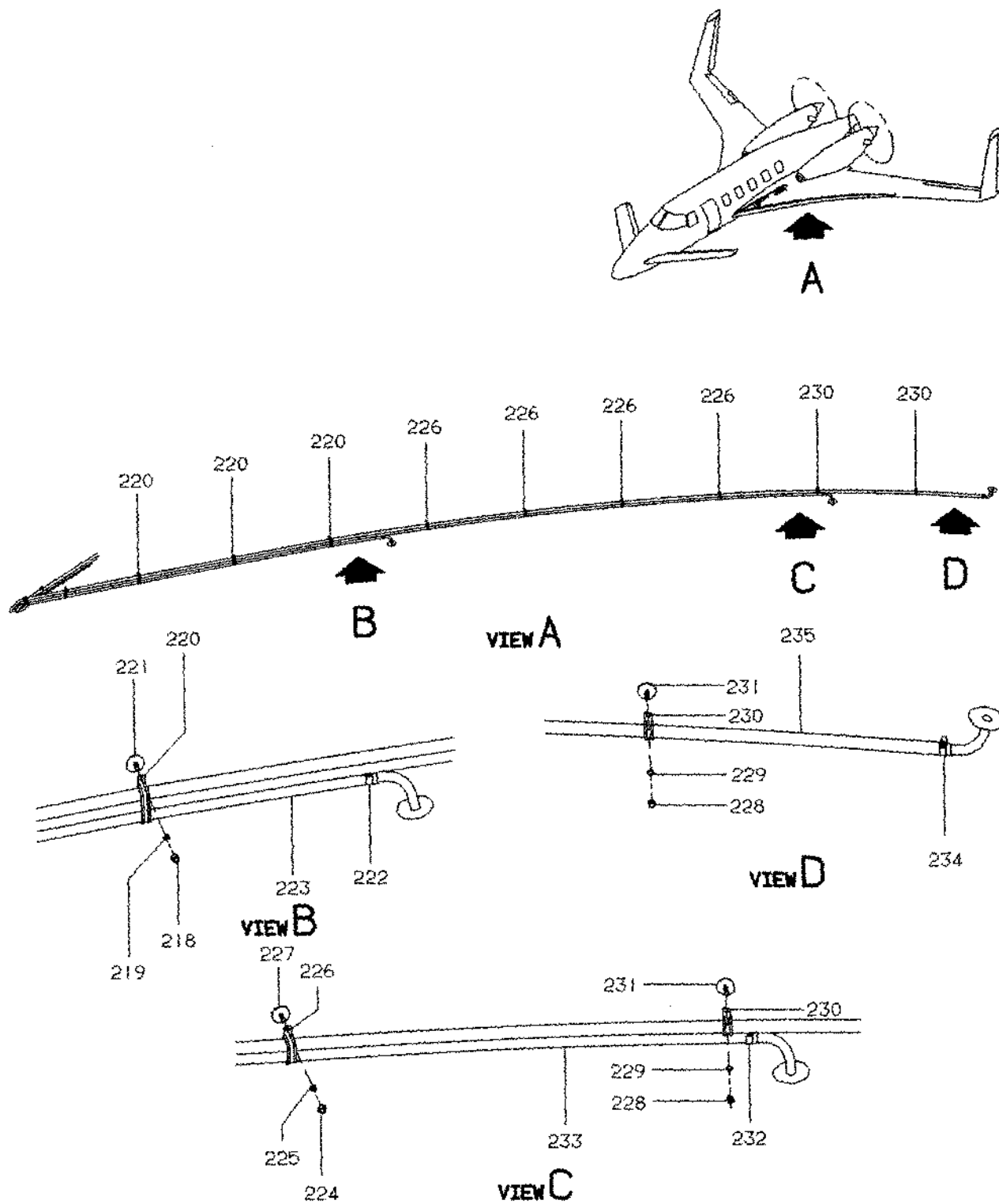




**Beechcraft**  
**STARSHIP 1**  
**ILLUSTRATED PARTS CATALOG**

SUB-SEC UNIT & ITEM NO	PART NO.	DESCRIPTION 1 2 3 4 5 6 7	UNITS	USABLE
			PER ASSY	ON CODE
10-00 -187	130909N29	. NUT .....	4	
-188	AN960-10L	. WASHER .....	4	
-189	MS21919WDG10	. CLAMP .....	5	
-190	132131-3-4	. STUD .....	4	
-191	122-970074-27	. TUBE ASSY .....	1	
-192	MS35842-10	. CLAMP .....	2	
-193	130909N29	. NUT .....	4	
-194	AN960-10L	. WASHER .....	4	
-195	MS21919WDG10	. CLAMP .....	5	
-196	MS21919WDG8	. CLAMP .....	1	
-197	AN735D8	. CLAMP .....	2	
-198	132131-3-4	. STUD .....	4	
-199	131823E10D0245	. TUBE .....	1	
-200	131823E10D0205	. TUBE .....	2	
-201	122-970062-23	. BRACKET ASSY .....	1	
-202	122-970105-1	. VALVE, DISTRIBUTOR .....	2	
-203	130909N29	. NUT .....	5	
-204	AN960-10L	. WASHER .....	5	
-205	MS25083-2BB6	. CLAMP .....	1	
-206	MS21919WDG10	. CLAMP .....	1	
-207	105933-10	. CLAMP .....	3	
-208	NAS43DD3-16	. SPACER .....	1	
-209	NAS43DD3-48	. SPACER .....	1	
-210	132131-3-8	. STUD .....	1	
-211	132131-3-4	. STUD .....	1	
-212	132131-3-11	. STUD .....	1	
-213	MS35207-263	. SCREW .....	2	
-214	122-970079-1	. TUBE, LH .....	1	
	122-970079-2	. TUBE, RH .....	1	
-215	122-970081-1	. TUBE, LH .....	1	
	122-970081-2	. TUBE, RH .....	1	
-216	122-970082-1	. TUBE, LH .....	1	
	122-970082-2	. TUBE, RH .....	1	
-217	MS21266-3N	. GROMMET .....	2	

**Deechcraft**  
**STARSHIP 1**  
**ILLUSTRATED PARTS CATALOG**



C93HC30A0253 C

**FIGURE 10-00. PNEUMATIC DEICE SYSTEM**  
**/SHEET 10 OF 10 SHEETS/**

**Beechcraft**  
**STARSHIP 1**  
**ILLUSTRATED PARTS CATALOG**

SUB-SEC UNIT & ITEM NO	PART NO.	DESCRIPTION 1 2 3 4 5 6 7	UNITS PER ASSY	USABLE ON CODE
10-00 -218	130909N29	. NUT .....	3	
-219	AN960-10L	. WASHER .....	3	
-220	MS21919WDG24	. CLAMP .....	3	
-221	132131-3-8	. STUD .....	3	
-222	MS35842-10	. CLAMP .....	1	
-223	131823E10D0960	. TUBE .....	1	
-224	130909N29	. NUT .....	4	
-225	AN960-10L	. WASHER .....	4	
-226	MS21919WDG22	. CLAMP .....	4	
-227	132131-3-8	. STUD .....	4	
-228	130909N29	. NUT .....	2	
-229	AN960-10L	. WASHER .....	2	
-230	MS21919WDG12	. CLAMP .....	2	
-231	132131-3-8	. STUD .....	2	
-232	MS35842-10	. CLAMP .....	1	
-233	131823E10D2000	. TUBE .....	1	
-234	MS35842-10	. CLAMP .....	1	
-235	131823E10D2400	. TUBE .....	1	

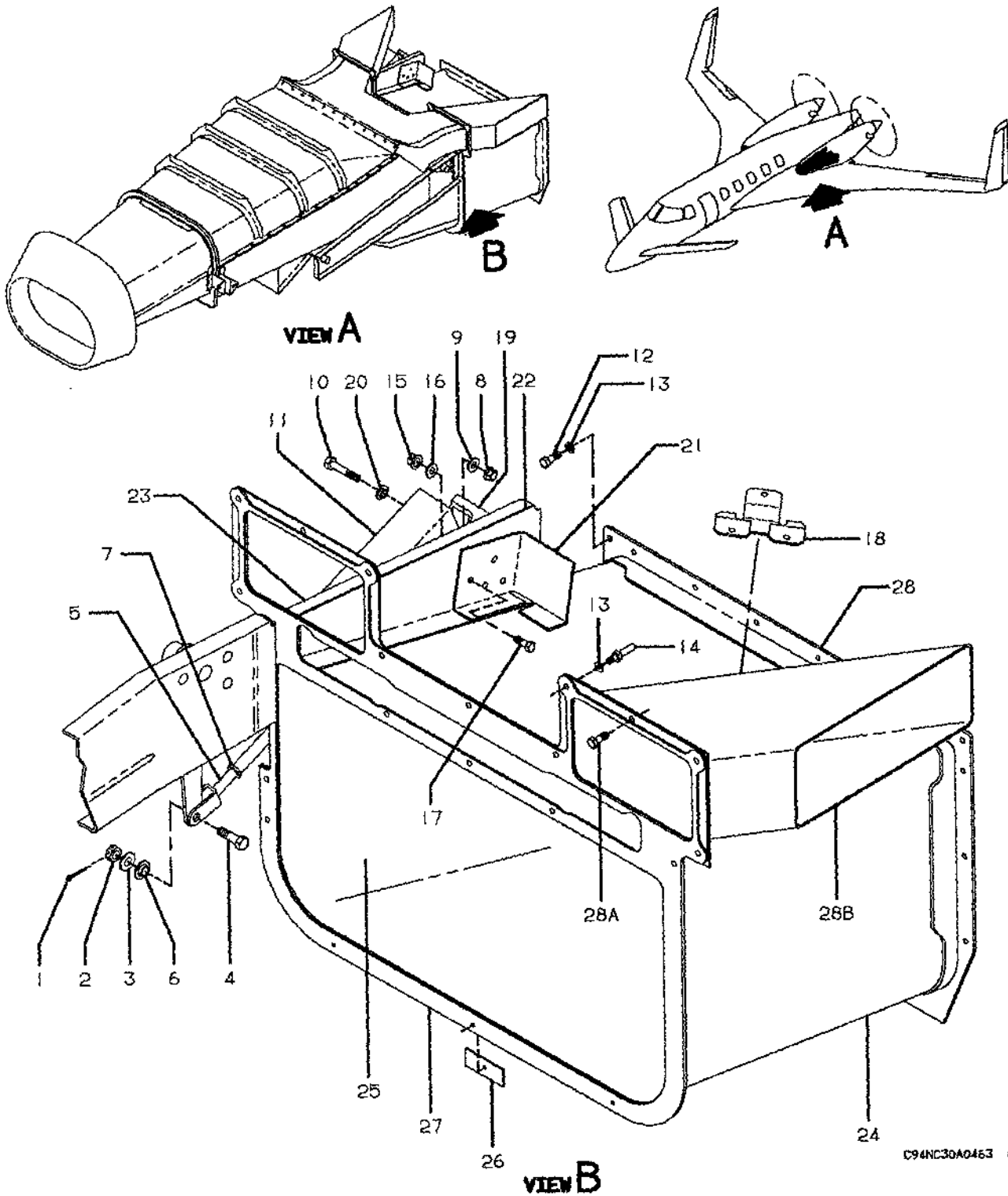
**CODES OF EFFECTIVITY**

1	NC-4 THRU NC-15	2	NC-16 AND AFTER
3	NC-4 THRU NC-28		

**Beechcraft**  
**STARSHIP 1**  
**ILLUSTRATED PARTS CATALOG**

**30-20-00**  
**AIR INLET & INERTIAL VANE ANTI-ICE**

**Beechcraft**  
**STARSHIP 1**  
**ILLUSTRATED PARTS CATALOG**

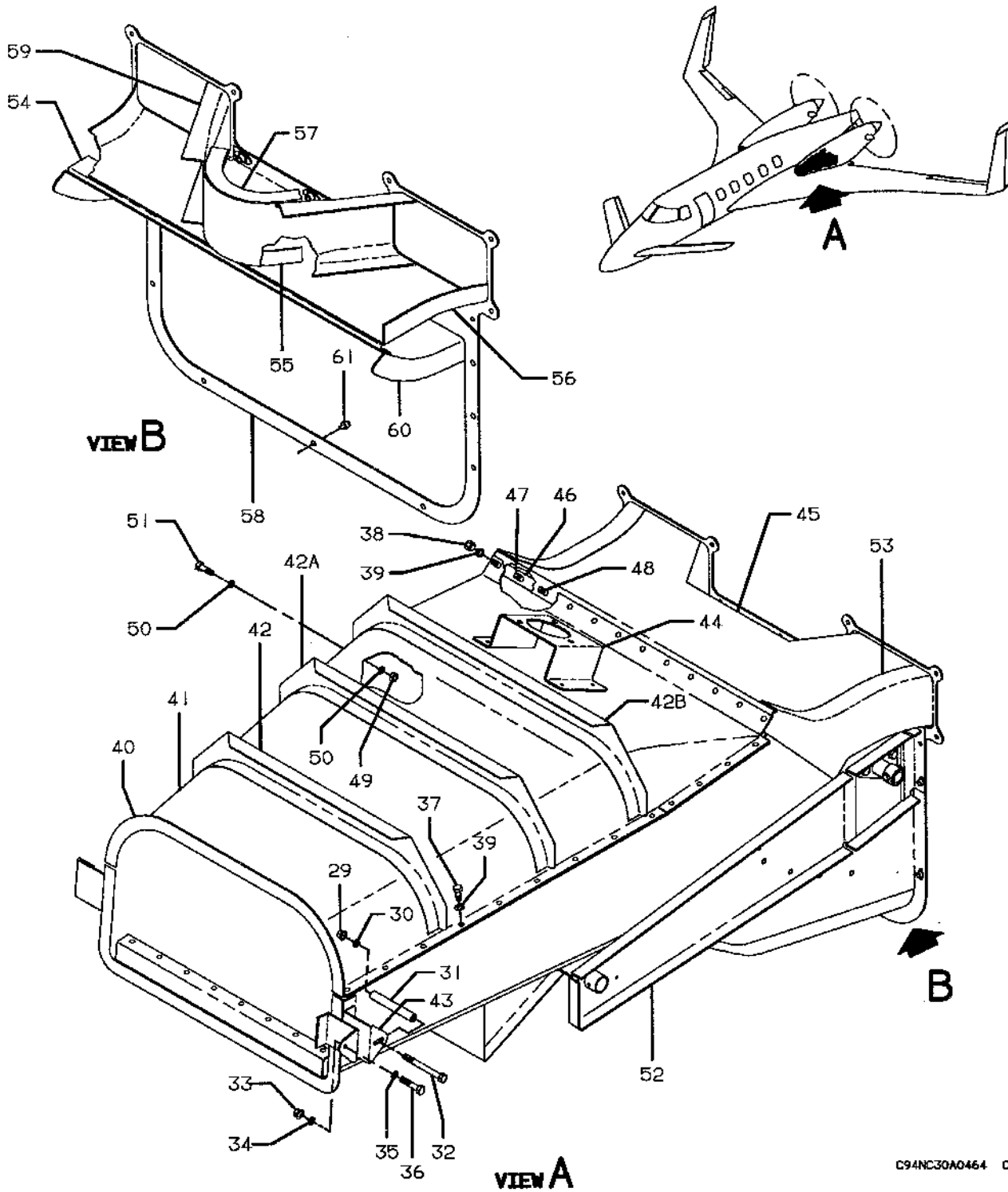


**FIGURE 20-00. AIR INLET, INCL VANE ANTI-ICE**  
**/SHEET 1 OF 7 SHEETS/**

  
**STARSHIP 1**  
**ILLUSTRATED PARTS CATALOG**

SUB-SEC UNIT & ITEM NO	PART NO.	DESCRIPTION 1 2 3 4 5 6 7	UNITS PER ASSY	USABLE ON CODE
20-00	122-910020-9	DUCT INSTL, LH AND RH ENGINE.....	NP	
- 1	MS24665-73	. PIN, COTTER .....	1	
- 2	130909N15	. NUT .....	1	
- 3	AN960-10L	. WASHER .....	1	
- 4	130909B18	. BOLT .....	1	
- 5	122-910020-3	. FORK END ASSY .....	1	
- 6	NAS77-3-16	. BUSHING .....	2	
- 7	AN316-5R	. NUT, CHECK .....	1	
- 8	MS21043-3	. NUT .....	1	
- 9	AN960-10L	. WASHER .....	1	
- 10	130909B24	. BOLT .....	1	
- 11	114-389039-23	. ACTUATOR ASSY, ICE VANE .....	1	
- 12	130909B12	. BOLT/ALTERNATE FOR NAS1096-3-8/ .....	19	
	NAS1096-3-8	. BOLT/ALTERNATE FOR 130909B12/ .....	19	
- 13	AN960-10L	. WASHER .....	21	
- 14	122-910020-7	. STUD .....	2	
	122-910083-1	. DUCT ASSY, AFT .....	1	
		/ATTACHING PARTS/		
- 15	130909N29	.. NUT .....	4	
- 16	AN960-10	.. WASHER .....	4	
- 17	130909B17	.. BOLT .....	4	
		★		
- 18	122-910083-31	.. BRACKET ASSY .....	1	
	MS21059L3K	.. NUTPLATE .....	3	
	122-910083-15	.. SUPPORT ASSY .....	1	
- 19	122-910083-17	.. SUPPORT .....	1	
- 20	NAS77-3-16	.. BUSHING .....	2	
- 21	122-910083-19	.. BRACKET .....	1	
- 22	122-910083-23	.. DOUBLER .....	1	
- 23	122-910083-21	.. DOUBLER .....	1	
- 24	122-910083-25	.. DUCT, HALF .....	1	
- 25	122-910083-27	.. DUCT, HALF .....	1	
	122-910083-7	.. PLATE ASSY, FWD END .....	1	
- 26	122-910023-23	.. PLATE .....	3	
- 27	122-910083-11	.. FLANGE .....	1	
- 28	122-910083-9	.. PLATE ASSY, AFT END .....	1	
- 28A	NAS333CPA4	. BOLT .....	6	
- 28B	122-910023-5	. DUCT ASSY, LH .....	1	
	122-910023-6	. DUCT ASSY, RH .....	1	
	MS21077-3K	. NUTPLATE .....	3	
	MS21059L3K	. NUTPLATE .....	16	

**Beechcraft**  
**STARSHIP 1**  
**ILLUSTRATED PARTS CATALOG**



C94NC30A0464 C

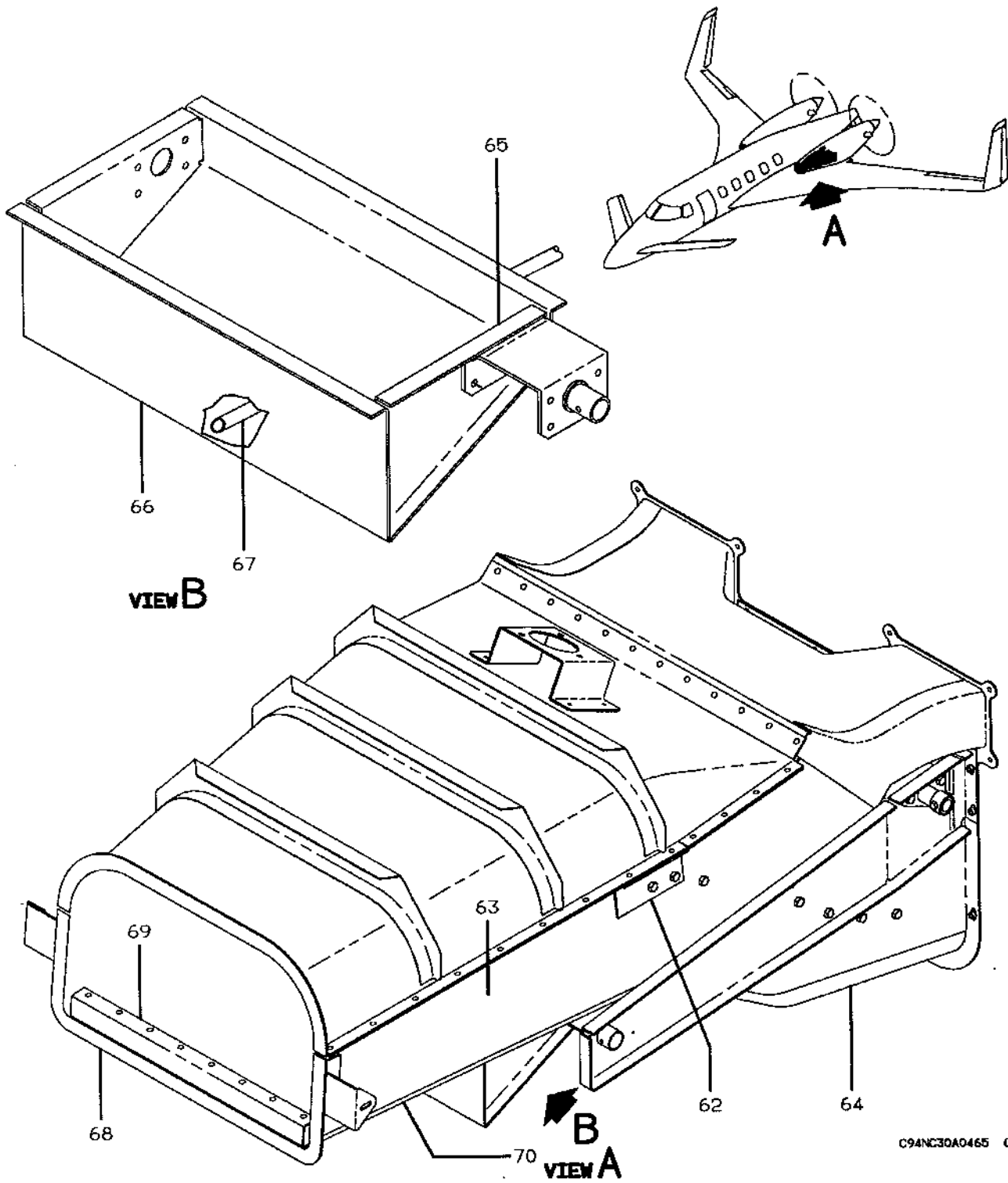
**FIGURE 20-00.AIR INLET, INL VANE ANTI-ICE**  
**/SHEET 2 OF 7 SHEETS/**

**Deechcraft**  
**STARSHIP 1**  
**ILLUSTRATED PARTS CATALOG**

SUB-SEC	UNIT & ITEM NO	PART NO.	DESCRIPTION 1 2 3 4 5 6 7	UNITS PER ASSY	USABLE ON CODE
20-00	- 29	MS21043-3	. NUT .....	2	
	- 30	AN970-3	. WASHER .....	2	
	- 31	NAS43DD3-8	. SPACER .....	2	
	- 32	AN3-4A	. BOLT .....	2	
	- 33	MS21043-3	. NUT .....	2	
	- 34	AN960-10L	. WASHER .....	2	
	- 35	AN960C10	. WASHER .....	1	
	- 36	130909B14	. BOLT .....	2	
		122-910024-3	. DUCT ASSY, CENTER .....	1	
		122-910026-69	. DUCT ASSY, LH AND RH .....	1	
		MS21048L3K	. . . NUTPLATE .....	1	
		MS21071L3K	. . . NUTPLATE .....	2	
		122-910028-67	. . . TOP ASSY, DUCT .....	1	
			/ATTACHING PARTS/		
	- 37	130909B12	. . . BOLT .....	26	
	- 38	MS21043-3	. . . NUT .....	14	
	- 39	AN960-10L	. . . WASHER .....	40	
			-----*		
	- 40	122-910028-36	. . . FLANGE, TOP FWD .....	1	
	- 41	122-910028-19	. . . TOP, FWD DUCT .....	1	
	- 42	122-550132-13	. . . BRACKET .....	1	
	- 42A	122-550132-11	. . . BRACKET .....	1	
	- 42B	122-550132-9	. . . BRACKET .....	1	
	- 43	122-910028-51	. . . BRACKET, LH FWD SUPPORT .....	1	
		122-910028-52	. . . BRACKET, RH FWD SUPPORT .....	1	
	- 44	122-550141-1	. . . BRACKET, POWER PACK PRESS. REG. ....	1	
	- 45	122-910028-13	. . . TOP, SPLITTER .....	1	
	- 46	122-910028-5	. . . PLATE ASSY, STUD .....	1	
	- 47	130909B12	. . . BOLT .....	12	
	- 48	6800-02	. . . NUT, RETAINER .....	12	
	- 49	MS21043-4	. . . NUT .....	2	
	- 50	AN960C416L	. . . WASHER .....	4	
	- 51	NAS1351C4-8	. . . SCREW, CAP .....	2	
		122-910028-45	. . . PLATE ASSY, LH SUPPORT .....	1	
	- 52	122-910028-75	. . . PLATE ASSY, RH SUPPORT .....	2	
		MS21069L3K	. . . NUTPLATE .....	9	
	- 53	122-910028-9	. . . SIDE, SPLITTER LH .....	1	
		122-910028-10	. . . SIDE, SPLITTER RH .....	1	
		122-910028-11	. . . BOTTOM ASSY, SPLITTER .....	1	
		MS21048L3K	. . . NUTPLATE .....	3	
		122-910028-15	. . . ANGLE ASSY, SPLITTER .....	1	
		MS21070L3	. . . NUTPLATE .....	10	
	- 54	122-910028-61	. . . ANGLE, SPLITTER .....	1	
	- 55	122-910028-17	. . . ANGLE, SPLITTER SUPPORT .....	1	
	- 56	122-910028-59	. . . BOTTOM, SPLITTER .....	1	
	- 57	122-910028-17	. . . ANGLE, SPLITTER SUPPORT .....	1	
	- 58	122-910028-73	. . . FLANGE, RH DUCT AFT .....	1	
		MS21069L3K	. . . NUTPLATE .....	2	
		MS21075L3K	. . . NUTPLATE .....	3	
		MS21059L3K	. . . NUTPLATE .....	2	
	- 59	122-910028-7	. . . SPLITTER .....	1	
	- 60	122-910028-21	. . . DUCT, TOP AFT .....	1	
		MS21048L3K	. . . NUTPLATE .....	4	
	- 61	122-910028-41	. . . PIN, GUIDE .....	3	



Beechcraft  
STARSHIP 1  
ILLUSTRATED PARTS CATALOG



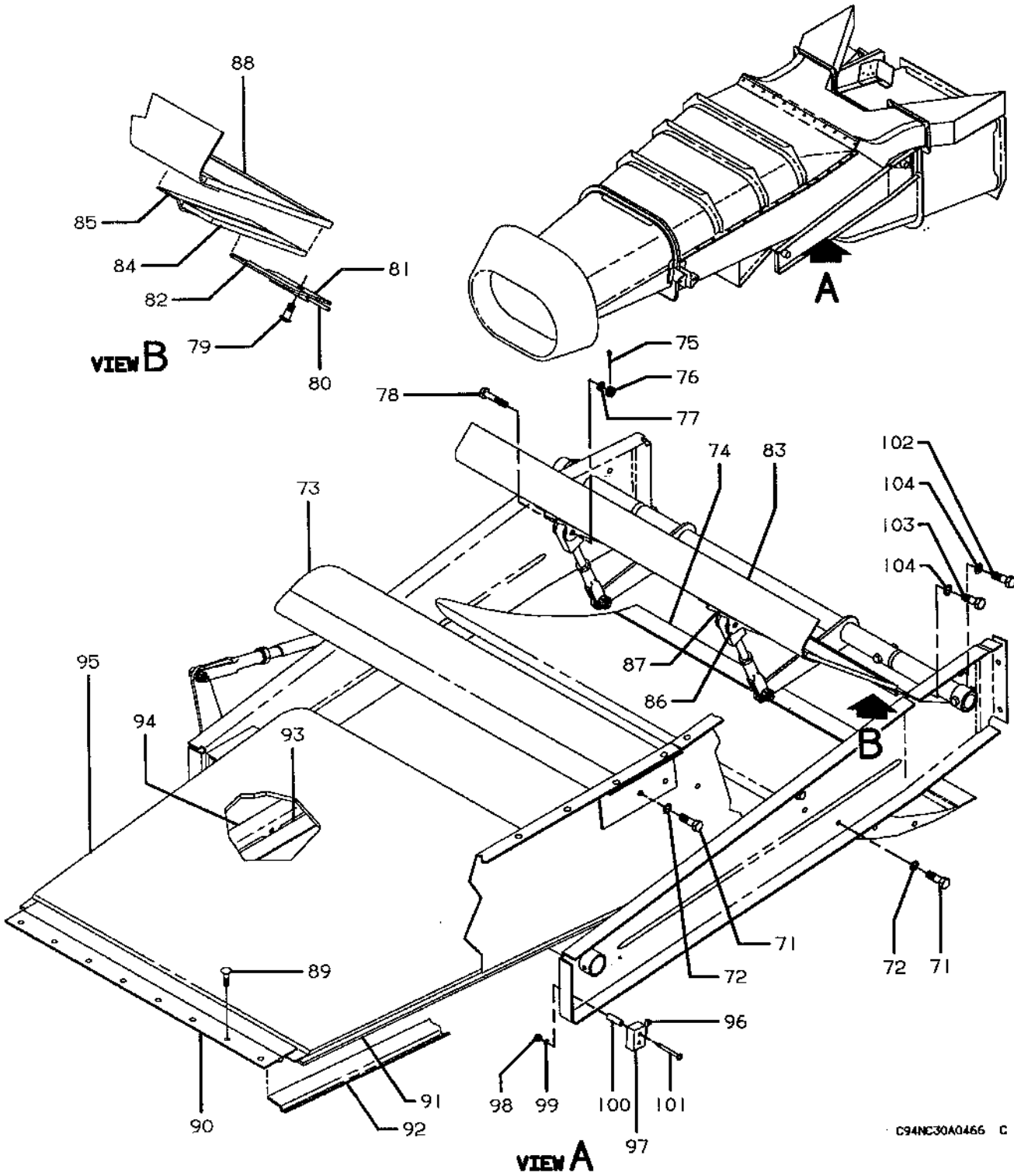
C94NC30A0465 C

FIGURE 20-00.AIR INLET, INL VANE ANTI-ICE  
/SHEET 3 OF 7 SHEETS/

  
**STARSHIP 1**  
**ILLUSTRATED PARTS CATALOG**

SUB-SEC UNIT & ITEM NO	PART NO.	DESCRIPTION 1 2 3 4 5 6 7	UNITS PER ASSY	USABLE ON CODE
20-00	122-910028-23	... DUCT SIDE ASSY, LH.....	1	
	122-910028-24	... DUCT SIDE ASSY, RH.....	1	
	MS21048L3K	... NUTPLATE.....	13	
- 62	122-910028-53	... DOUBLER, LH.....	1	
	122-910028-54	... DOUBLER, RH.....	1	
- 63	122-910028-63	... DUCT SIDE/LH/.....	1	
	122-910028-64	... DUCT SIDE/RH/.....	1	
- 64	122-910028-71	... DUCT BOTTOM AFT.....	1	
	122-910028-3	... CAN ASSY.....	1	
	MS21069L3K	... NUTPLATE.....	8	
- 65	122-910028-31	... CAN END/LH/.....	1	
	122-910028-32	... CAN END/RH/.....	1	
- 66	122-910028-29	... CAN BOTTOM.....	1	
- 67	122-910028-57	... TUBE, DRAIN.....	1	
- 68	122-910028-33	... FWD FLANGE BOTTOM.....	1	
	122-910028-39	... HINGE CHANNEL ASSY.....	1	
	MS21048L3	... NUTPLATE.....	8	
- 69	122-910028-55	... HINGE CHANNEL.....	1	
- 70	122-910028-25	... DUCT BOTTOM FWD.....	1	

Beechcraft  
 STARSHIP 1  
 ILLUSTRATED PARTS CATALOG



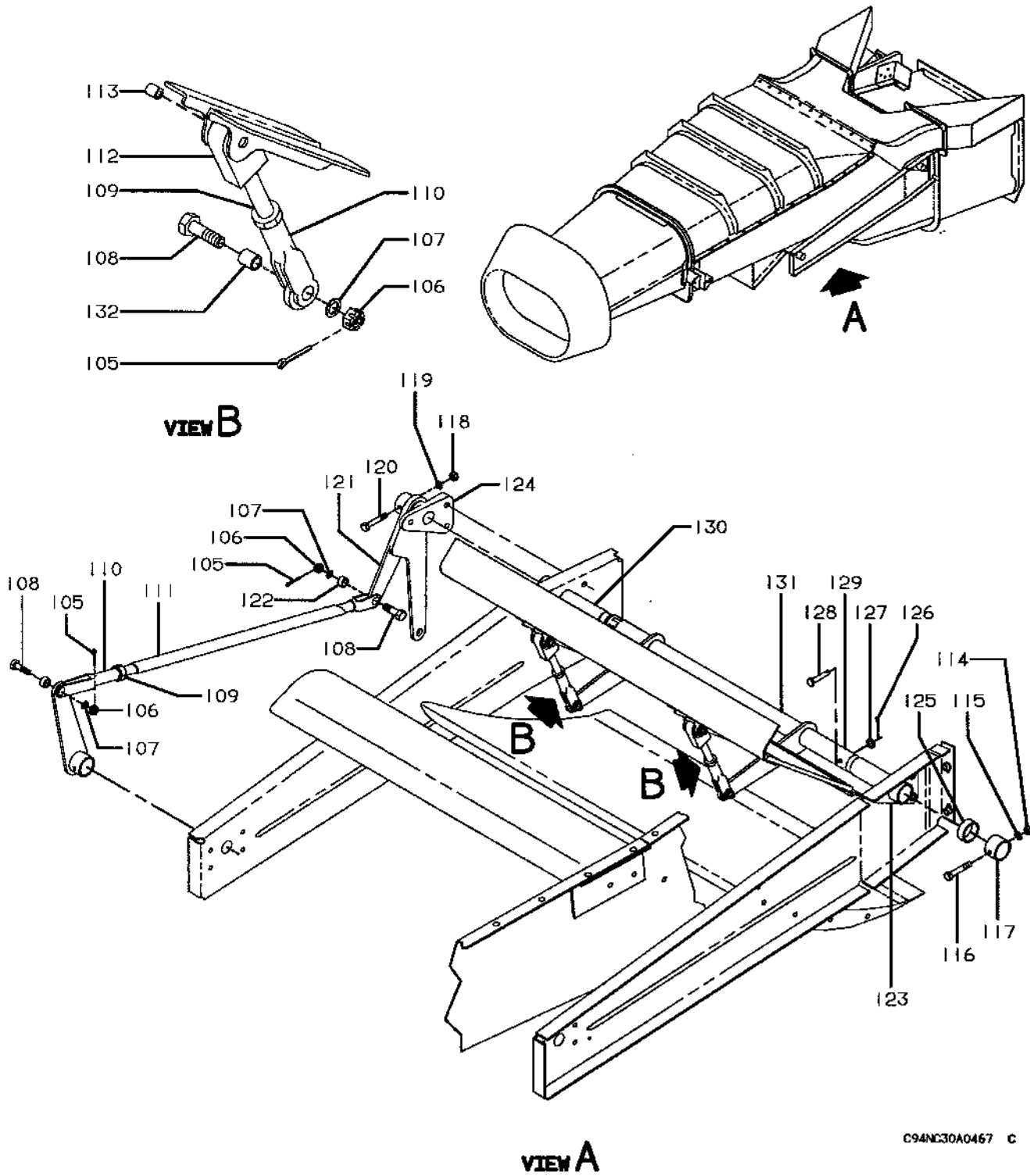
C94NC30A0466 C

FIGURE 20-00.AIR INLET, INL VANE ANTI-ICE  
 /SHEET 4 OF 7 SHEETS/

**Beechcraft**  
**STARSHIP 1**  
**ILLUSTRATED PARTS CATALOG**

SUB-SEC UNIT & ITEM NO	PART NO.	DESCRIPTION 1 2 3 4 5 6 7	UNITS	USABLE
			PER ASSY	ON CODE
20-00 -71	130909B14	.. BOLT .....	14	
-72	AN960-10L	.. WASHER .....	14	
-73	122-910030-1	.. VANE ASSY, NO. 1 .....	1	
	MS21051L3	.. NUTPLATE .....	3	
-74	122-910030-3	.. VANE ASSY, NO. 2 .....	1	
	MS21051L3	.. NUTPLATE .....	8	
	122-910030-29	.. BULKHEAD .....	1	
-75	MS24665-73	.. PIN, COTTER .....	4	
-76	130909N15	.. NUT .....	4	
-77	AN960-10L	.. WASHER .....	4	
-78	130909B172	.. BOLT .....	4	
	122-910027-1	.. VANE ASSY, OUTLET .....	1	
-79	AN525-10R7	.. SCREW .....	10	
		★-----		
-80	MS20253P2-1800	.. PIN, HINGE .....	1	
-81	122-910027-17	.. HINGE, HALF .....	1	
-82	122-910027-15	.. HINGE, HALF .....	1	
-83	122-910027-11	.. SHEDDER, ICE .....	1	
-84	122-910027-7	.. BRUSH .....	2	
-85	122-910027-5	.. RETAINER .....	2	
-86	122-910027-9	.. ANGLE .....	2	
-87	122-910027-10	.. ANGLE .....	2	
-88	122-910027-3	.. VANE ASSY, BONDED .....	1	
	122-910026-1	.. VANE ASSY, INLET .....	1	
		.. /ATTACHING PARTS/ .....		
-89	NAS333CPA4	.. BOLT .....	8	
		★-----		
-90	122-910026-13	.. HINGE .....	1	
-91	122-910026-7	.. BRUSH .....	2	
-92	122-910026-5	.. RETAINER .....	2	
-93	122-910026-9	.. ANGLE .....	2	
-94	122-910026-10	.. ANGLE .....	2	
-95	122-910026-3	.. VANE ASSY, BONDED .....	1	
-96	JE5	.. ACTUATOR, SWITCH .....	2	
-97	1SE1	.. SWITCH .....	2	
		.. /ATTACHING PARTS/ .....		
-98	MS35649-222	.. NUT .....	2	
-99	MS35333-69	.. WASHER .....	2	
-100	NAS43DD0-12	.. SPACER .....	2	
-101	MS35275-210	.. SCREW .....	2	
		★-----		
-102	130909B15	.. BOLT/CONTROL ATTACH/ .....	20	
-103	130909B14	.. BOLT/CONTROL ATTACH/ .....	2	
-104	AN960-10L	.. WASHER .....	22	

**Beechcraft**  
**STARSHIP 1**  
**ILLUSTRATED PARTS CATALOG**



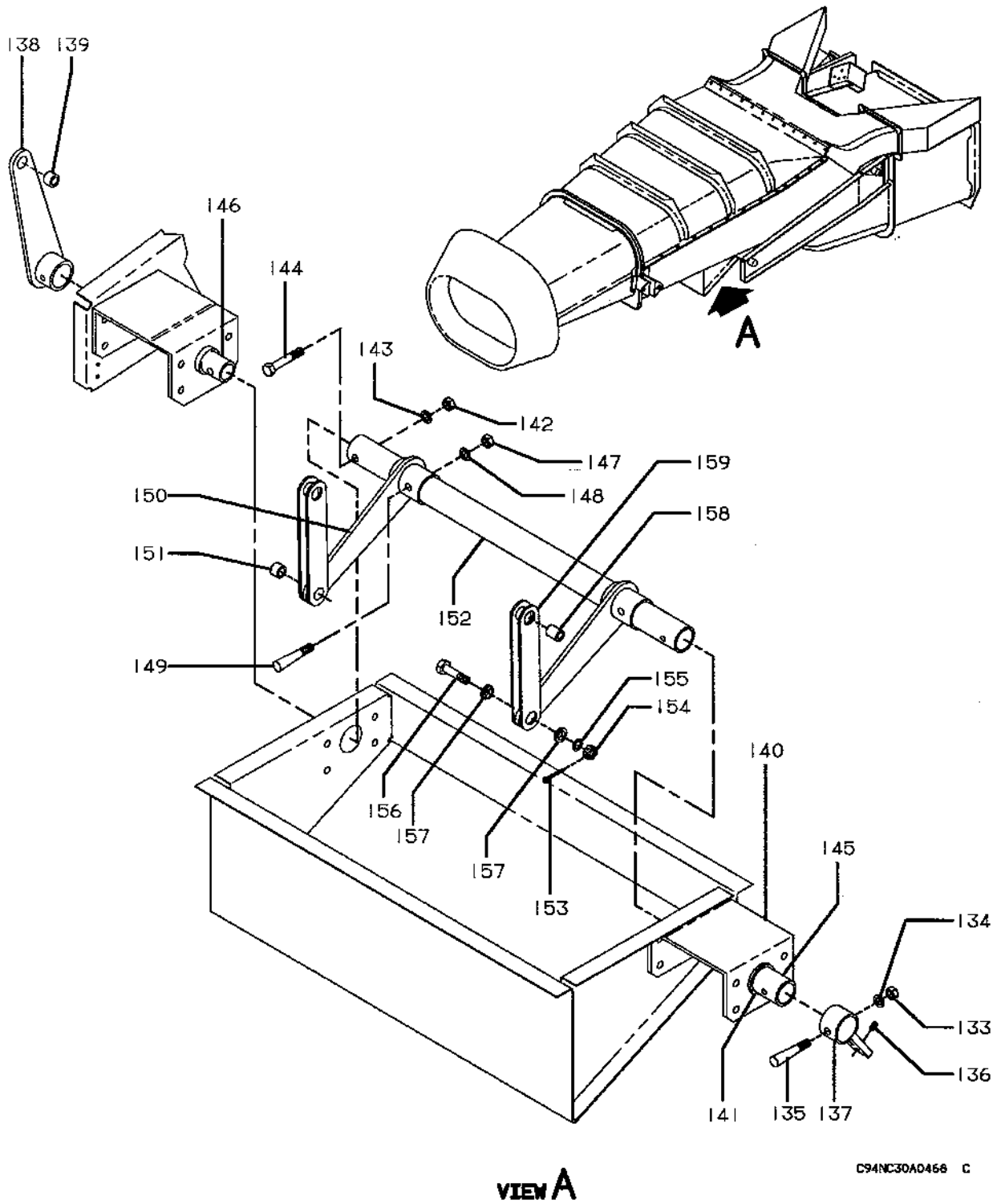
C94NC30A0467 C

**FIGURE 20-00. AIR INLET, INL VANE ANTI-ICE**  
**/SHEET 5 OF 7 SHEETS/**

**Beechcraft**  
**STARSHIP 1**  
**ILLUSTRATED PARTS CATALOG**

SUB-SEC UNIT & ITEM NO	PART NO.	DESCRIPTION 1 2 3 4 5 6 7	UNITS PER ASSY	USABLE ON CODE
20-00	122-910025-107	.. CONTROL ASSY, LH VANE.....	1	
	122-910025-108	.. CONTROL ASSY, RH VANE.....	1	
-105	MS24665-136	... PIN, COTTER.....	4	
-108	130909N15	... NUT.....	4	
-107	AN960-10L	... WASHER.....	4	
-108	130909B16	... BOLT.....	4	
-109	AN316-4R	... NUT, CHECK.....	3	
-110	122-910025-71	... CLEVIS.....	3	
-111	NAS367-4H1680	... ROD ASSY, CONTROL.....	1	
-112	122-910025-19	... ROD END ASSY.....	2	
-113	122-910025-111	... BUSHING.....	1	
-114	MS21043-3	... NUT.....	1	
-115	AN960-10L	... WASHER.....	1	
-116	130909B23	... BOLT.....	1	
-117	122-910025-105	... HUB.....	1	
-118	130909N32	... NUT.....	1	
-119	AN960-416L	... WASHER.....	1	
-120	130909B23	... BOLT.....	1	
-121	122-910025-94	... LEVER ASSY, RH.....	1	
-122	122-910025-109	... BUSHING.....	2	
-123	122-910025-17	... BEARING ASSY, AFT.....	1	
-124	122-910025-18	... BEARING ASSY, AFT.....	1	
-125	122-910025-115	... BUSHING.....	1	
	122-910025-87	... SHAFT ASSY, RH AFT.....	1	
-126	MS24665-71	... PIN, COTTER.....	1	
-127	AN960-10L	... WASHER.....	1	
-128	MS20392-2C31	... PIN.....	1	
-129	122-910025-99	... JOURNAL.....	1	
-130	122-910025-95	... SHAFT, TORQUE.....	1	
-131	122-910025-89	... SHAFT ASSY.....	1	
-132	122-910025-109	... BUSHING.....	2	

Beechcraft  
STARSHIP 1  
ILLUSTRATED PARTS CATALOG



C94NC30A0468 C

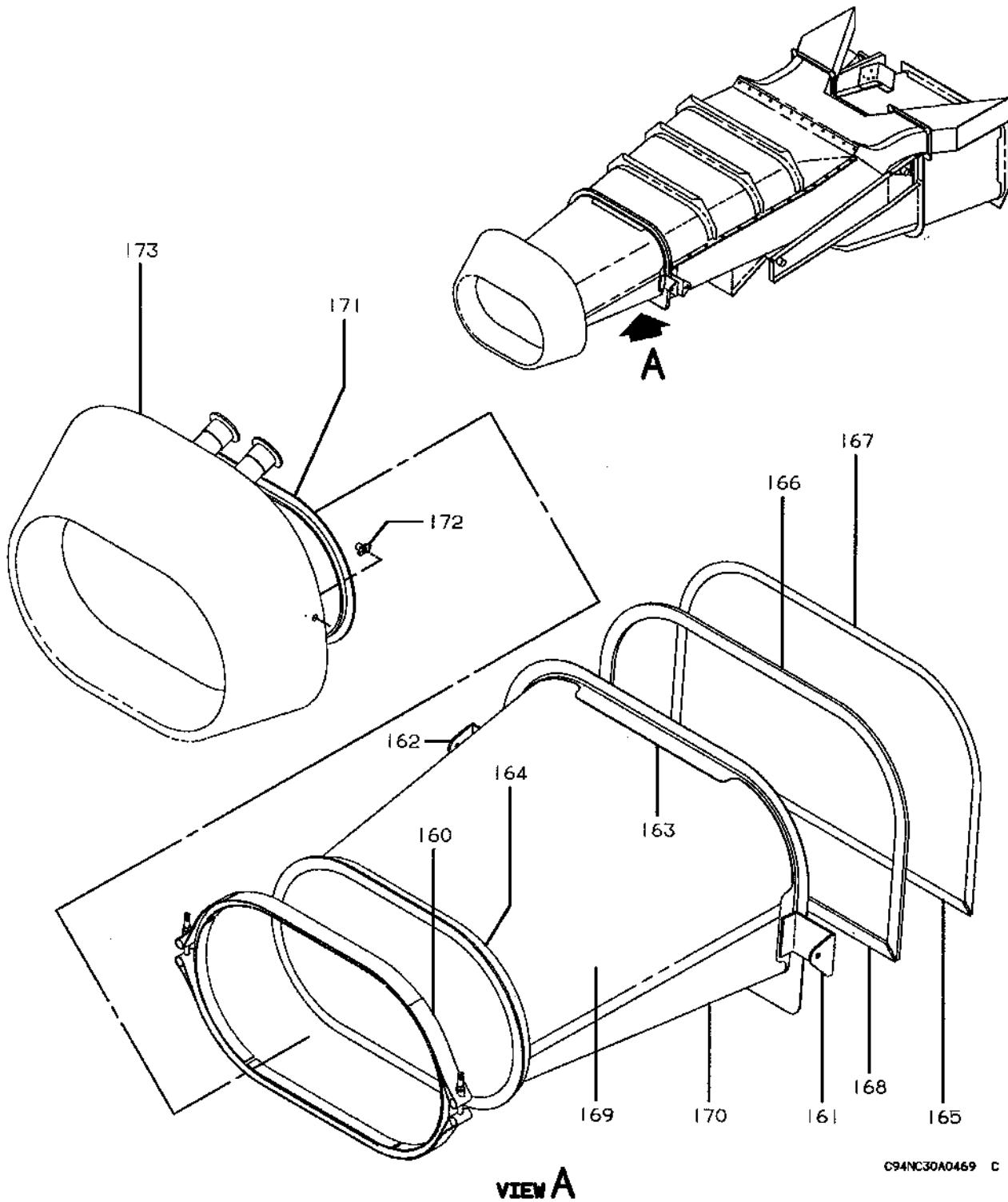
FIGURE 20-00.AIR INLET, INL VANE ANTI-ICE  
/SHEET 6 OF 7 SHEETS/

**Beechcraft**  
**STARSHIP 1**  
**ILLUSTRATED PARTS CATALOG**

SUB-SEC UNIT & ITEM NO	PART NO.	DESCRIPTION 1 2 3 4 5 6 7	UNITS PER ASSY	USABLE ON CODE
20-00 -133	MS21043-3	... NUT.....	2	
-134	AN975-3	... WASHER.....	2	
-135	AN386-1-11A	... PIN.....	2	
-136	NAS10B1-0BA10	... SCREW, SET.....	2	
	MS35649-282	... NUT, CHECK.....	2	
-137	122-910025-67	... LEVER ASSY, SWITCH.....	1	
-138	122-910025-12	... LEVER ASSY, ENGINE.....	1	
	122-910025-12	... LEVER ASSY, RH ENGINE.....	1	
-139	122-910025-109	... BUSHING.....	1	
-140	122-910025-15	... BEARING ASSY, FWD.....	2	
-141	122-910025-117	... BUSHING.....	2	
-142	MS21043-3	... NUT.....	2	
-143	AN960-10L	... WASHER.....	2	
-144	130909B21	... BOLT.....	2	
-145	122-910025-119	... JOURNAL, FWD SHAFT.....	1	
-146	122-910025-121	... JOURNAL, FWD SHAFT.....	1	
	122-910025-3	... SHAFT ASSY, FWD.....	1	
-147	MS21043-3	... NUT.....	2	
-148	AN975-3	... WASHER.....	2	
-149	AN386-1-11A	... PIN.....	2	
-150	122-910025-7	... LEVER ASSY.....	2	
-151	122-910025-109	... BUSHING.....	1	
-152	122-910025-31	... SHAFT, FWD.....	1	
-153	MS24665-73	... PIN, COTTER.....	2	
-154	130909N15	... NUT.....	2	
-155	AN960-10L	... WASHER.....	2	
-156	130909B172	... BOLT.....	2	
	122-910025-21	... LINK ASSY.....	2	
-157	122-910025-113	... BUSHING.....	2	
-158	122-910025-111	... BUSHING.....	1	
-159	122-910025-53	... LINK.....	2	



Beechcraft  
STARSHIP 1  
ILLUSTRATED PARTS CATALOG



C94NC30A0469 C

FIGURE 20-00.AIR INLET, INL VANE ANTI-ICE  
/SHEET 7 OF 7 SHEETS/

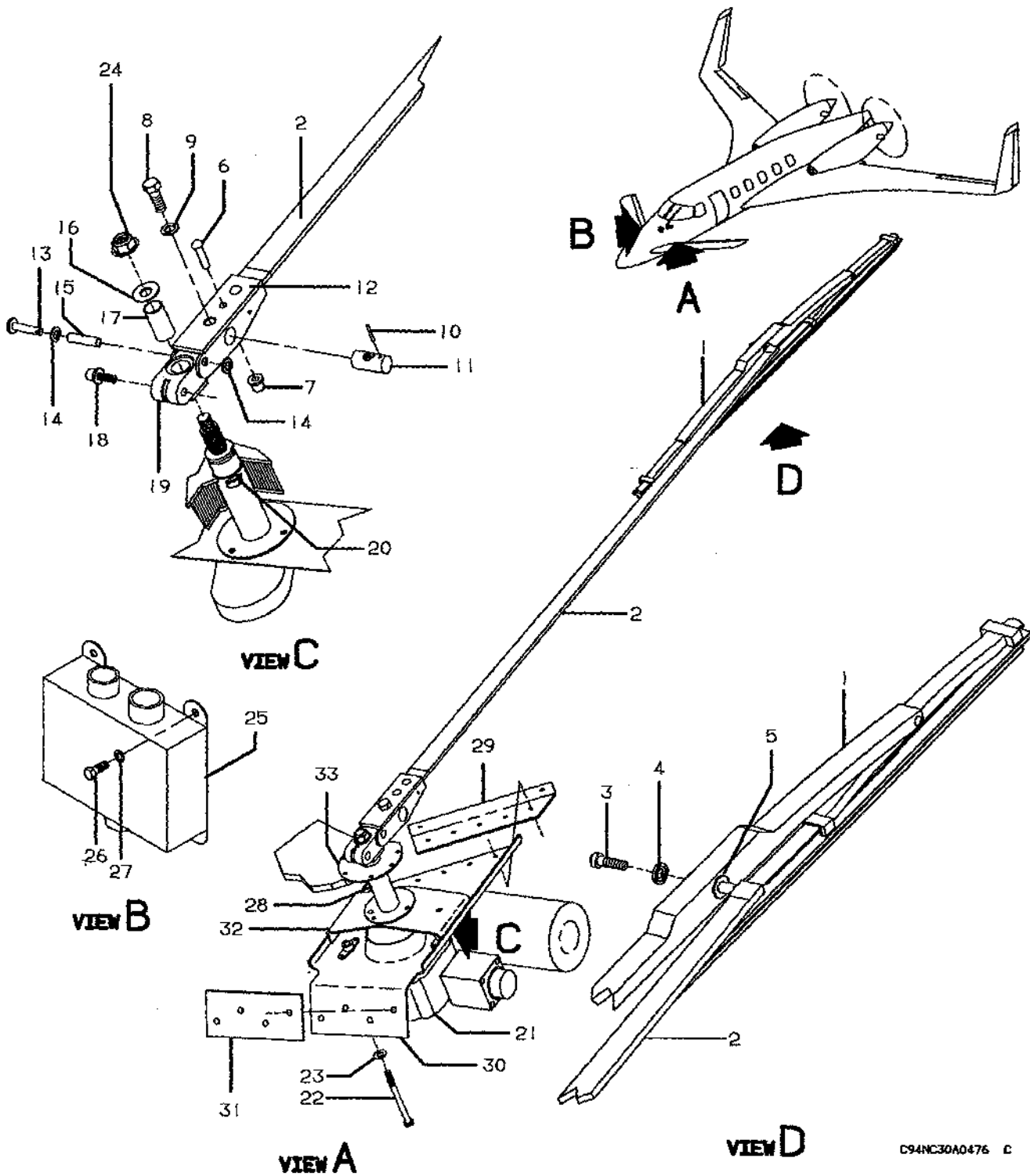
**Beechcraft**  
**STARSHIP 1**  
**ILLUSTRATED PARTS CATALOG**

SUB-SEC UNIT & ITEM NO	PART NO.	DESCRIPTION 1 2 3 4 5 6 7	UNITS PER ASSY	USABLE ON CODE
20-00 -160	122-389035-1	. CLAMP ASSY, INLET DUCT.....	1	
	122-910081-1	. DUCT ASSY, FWD .....	1	
-161	122-910022-9	.. BRACKET, LH SUPPORT .....	1	
-162	122-910022-10	.. BRACKET, RH SUPPORT .....	1	
-163	122-910022-7	.. PLATE, END .....	1	
-164	122-910051-1	.. FLANGE .....	1	
-165	122-910022-21	.. SEAL .....	1	
-166	122-910022-17	.. RETAINER .....	1	
-167	122-910022-23	.. SEAL .....	1	
-168	122-910022-19	.. RETAINER .....	1	
-169	122-910081-3	.. DUCT, HALF .....	1	
-170	122-910081-5	.. DUCT, HALF .....	1	
	122-910050-25	LIP ASSY, AIR INTAKE..... /SEE CHAPTER 21 FOR THE BLEED AIR SUPPLY TUBES/	1	
-171	122-910051-1	. FLANGE .....	1	
	MS21059-3	. NUTPLATE .....	13	
-172	122-910050-29	. RECEPTACLE ASSY, STUD NUT .....	5	
-173	122-910050-3	. LIP ASSY, WELDED .....	2	

**Beechcraft**  
**STARSHIP 1**  
**ILLUSTRATED PARTS CATALOG**

**30-40-10**  
**WINDSHIELD WIPER**

Beechcraft  
 STARSHIP 1  
 ILLUSTRATED PARTS CATALOG



C94NC30A0476 C

FIGURE 40-10. WINDSHIELD WIPER

**Beechcraft**  
**STARSHIP 1**  
**ILLUSTRATED PARTS CATALOG**

SUB-SEC UNIT & ITEM NO	PART NO.	DESCRIPTION 1 2 3 4 5 6 7	UNITS PER ASSY	USABLE ON CODE
40-10	122-422011-1	WIPER INSTL, WINDSHIELD .....	NP	
- 1	122-382121-3	. BLADE ASSY, WINDSHIELD WIPER .....	2	
- 2	122-382120-1	. ARM ASSY, LH .....	1	
	122-382120-2	. ARM ASSY, RH .....	1	
- 3	MS35275-243	.. SCREW .....	1	
- 4	W24542-1	.. WASHER .....	1	
- 5	W21515-1	.. WASHER .....	1	
- 6	PS24117-8	.. FASTENER, HUCK .....	2	
- 7	PS24118-2	.. COLLAR, HUCK .....	2	
- 8	W24027-1	.. BOLT, ADJUSTMENT .....	1	
- 9	AN960C416	.. WASHER .....	1	
-10	MS171437	.. PIN, ROLL .....	1	
-11	W21582	.. NUT, BARREL .....	1	
-12	W24023-3	.. CHANNEL .....	1	
-13	W21584-3	.. RIVET, PIVOT .....	1	
-14	AN960C416	.. WASHER .....	2	
-15	W21583	.. SLEEVE, PIVOT RIVET .....	1	
-16	W21585-1	.. WASHER, HUB .....	1	
-17	W20362-1	.. SLEEVE, ADJUSTMENT .....	1	
-18	MS21262-30	.. BOLT, HUB .....	1	
-19	W24024-3	.. HUB .....	1	
-20	MS28775-114	. PACKING, PREFORMED .....	2	
-21	122-382118-1	. CONVERTER ASSY, LH MOTOR .....	1	
	122-382118-2	. CONVERTER ASSY, RH MOTOR .....	1	
		/ATTACHING PARTS/		
-22	MS27039-1-34	. SCREW .....	4	
-23	AN960-10L	. WASHER .....	4	
		★		
-24	PS1208-44	.. LOCKNUT/MAY USE 130909N30 AS ALTERNATE/ .....	2	
-25	122-382129-1	. CONTROL, SPEED .....	1	
		/ATTACHING PARTS/		
-26	130909B14	. BOLT .....	4	
-27	AN960-10L	. WASHER .....	4	
		★		
	122-430046-39	BRACKET ASSY, LH WINDSHIELD WIPER .....	1	2
	122-430046-37	BRACKET ASSY, LH WINDSHIELD WIPER .....	1	1
	122-430046-40	BRACKET ASSY, RH WINDSHIELD WIPER .....	1	2
	122-430046-38	BRACKET ASSY, RH WINDSHIELD WIPER .....	1	1
-28	122-430046-35	. COLLAR .....	1	
-29	122-430046-43	. BRACKET, LH .....	1	2
	122-430046-21	. BRACKET, LH .....	1	1
	122-430046-44	. BRACKET, RH .....	1	2
	122-430046-22	. BRACKET, RH .....	1	1
-30	122-430046-41	. BRACKET, LH .....	1	2
	122-430046-31	. BRACKET, LH .....	1	1
	122-430046-42	. BRACKET, RH .....	1	2
	122-430046-32	. BRACKET, RH .....	1	1
-31	122-430046-27	. SHIM .....	1	
	MS21059L3	. NUTPLATE .....	4	
-32	122-430046-33	. BRACKET, LH .....	1	
	122-430046-34	. BRACKET, RH .....	1	
-33	122-430046-45	. SHROUD .....	1	4
	122-430046-11	. SHROUD, LH .....	1	3
	122-430046-12	. SHROUD, RH .....	1	3

**CODES OF EFFECTIVITY**

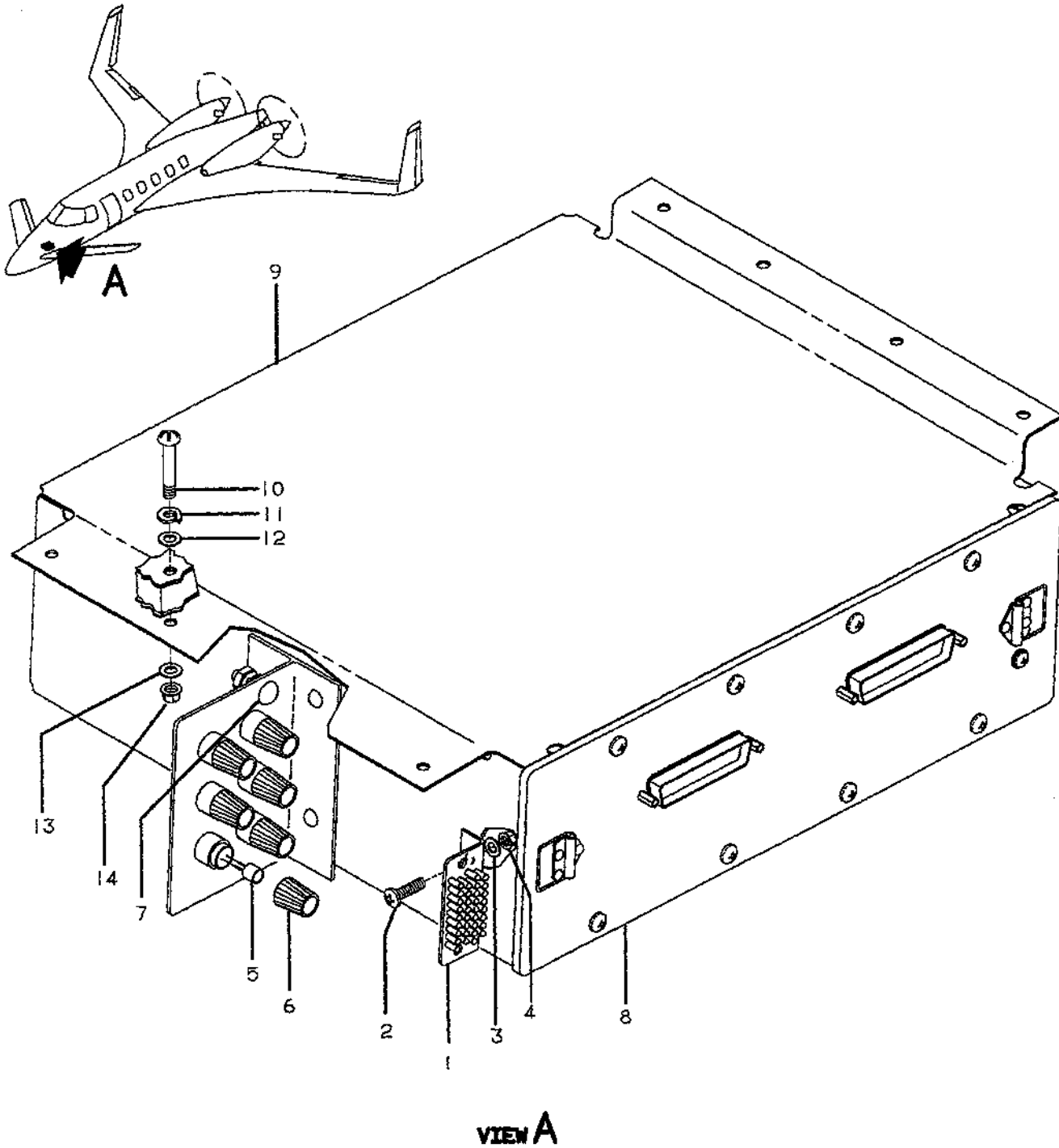
1	NC-4 THRU NC-23	2	NC-24 AND AFTER
3	NC-4 THRU NC-9	4	NC-10 AND AFTER

-END-

**Beechcraft**  
**STARSHIP 1**  
**ILLUSTRATED PARTS CATALOG**

**30-50-00**  
**SURFACE DEICE PRINTED CIRCUIT BOARD BOX**

Beechcraft  
STARSHIP 1  
ILLUSTRATED PARTS CATALOG



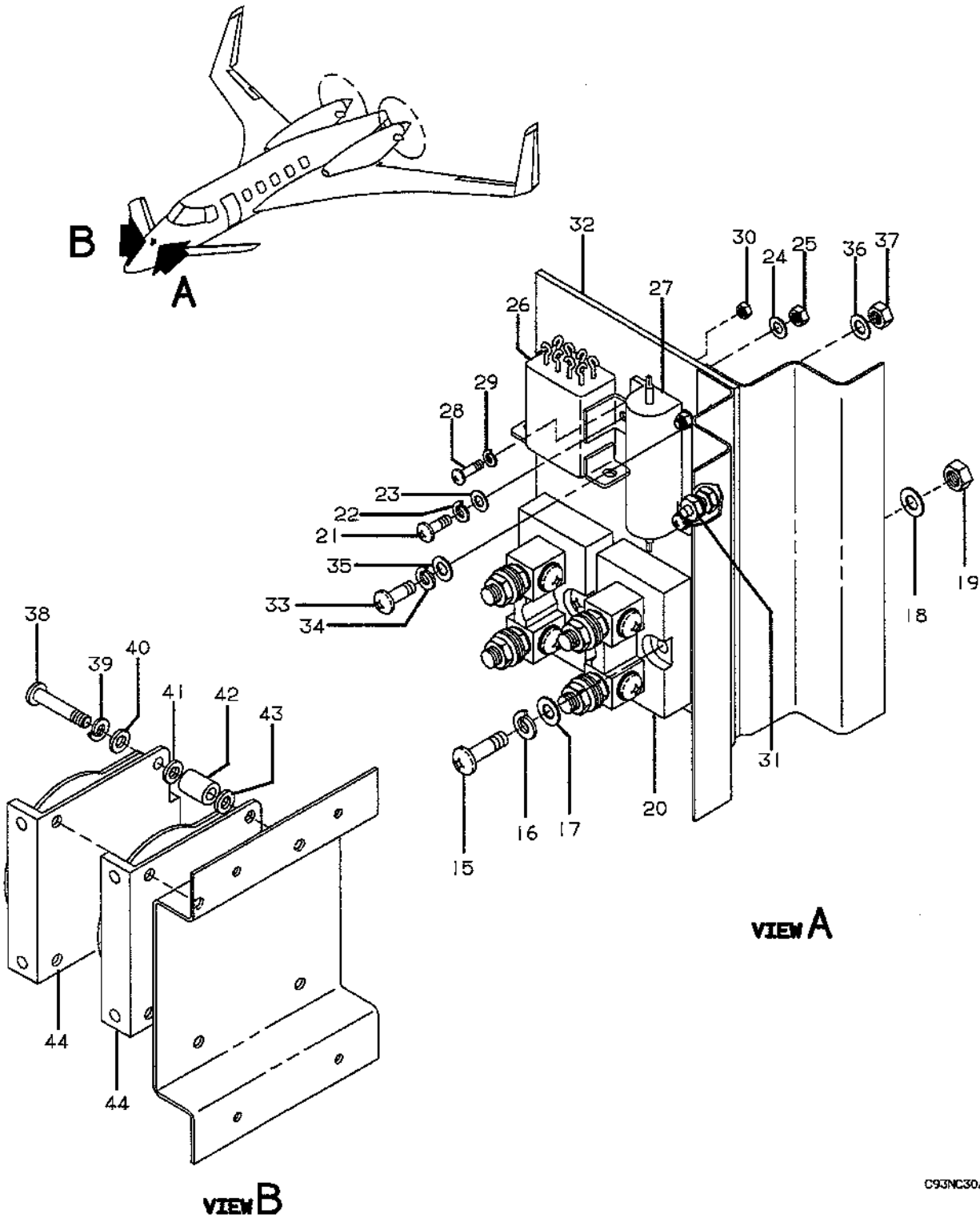
CS3NC30A4401 C

**Beechcraft**  
**STARSHIP 1**  
**ILLUSTRATED PARTS CATALOG**

SUB-SEC UNIT & ITEM NO	PART NO.	DESCRIPTION 1 2 3 4 5 6 7	UNITS	USABLE
			PER ASSY	ON CODE
50-00	122-364205-1	BOX INSTL, SURFACE DEICE PCB.....	NP	
- 1	204814-1	. CONNECTOR.....	1	
		/ATTACHING PARTS/		
- 2	MS35208-205	. SCREW.....	2	
- 3	AN960-8L	. WASHER.....	2	
- 4	MS21042-42	. NUT.....	2	
		★-----		
	122-364203-23	. BRACKET ASSY.....	1	
- 5	GMW2A	. . FUSE.....	6	
- 6	HWA-AF	. . FUSE HOLDER.....	6	
- 7	131270-3	. . GROUND STUD.....	1	
- 8	122-364208-1	. MODULE ASSY/ORDER 122-364208-29 FOR SPARES/.....	NP	1
	122-364208-19	. MODULE ASSY/ORDER 122-364208-29 FOR SPARES/.....	NP	2
	122-364208-29	. MODULE ASSY.....	1	3
- 9	122-364203-17	. BOX ASSY, SURFACE DEICE.....	1	
		/ATTACHING PARTS/		
- 10	8815	. SCREW.....	8	
- 11	MS35338-43	. WASHER, LOCK/UNDER SCREW/.....	8	
- 12	AN960-8L	. WASHER/UNDER LOCKWASHER/.....	8	
- 13	AN960-8L	. WASHER/UNDER NUT/.....	8	
- 14	MS21042-42	. NUT.....	8	
		★-----		



**Beechcraft**  
**STARSHIP 1**  
**ILLUSTRATED PARTS CATALOG**



C93NC30A4402 C

**Beechcraft**  
**STARSHIP 1**  
**ILLUSTRATED PARTS CATALOG**

SUB-SEC UNIT & ITEM NO	PART NO.	DESCRIPTION 1 2 3 4 5 6 7	UNITS PER ASSY	USABLE ON CODE
50-00	122-364203-11	. BOARD ASSY, SHUNT .....	1	
- 15	MS27039-0813	.. SCREW .....	4	
- 16	MS35338-42	.. WASHER, LOCK/UNDER SCREW/ .....	4	
- 17	AN960-8L	.. WASHER/UNDER LOCKWASHER/ .....	4	
- 18	AN960-8L	.. WASHER/UNDER NUT/ .....	4	
- 19	MS21043-08	.. NUT .....	4	
- 20	76251-10	.. SHUNT .....	4	
- 21	MS35206-231	.. SCREW .....	2	
- 22	MS35338-41	.. WASHER, LOCK/UNDER SCREW/ .....	2	
- 23	AN960-6L	.. WASHER/UNDER LOCKWASHER/ .....	2	
- 24	AN960-6L	.. WASHER/UNDER NUT/ .....	2	
- 25	MS21043-06	.. NUT .....	2	
- 26	50-380048-1	.. RELAY .....	2	
- 27	RE75G4R87	.. RESISTOR .....	2	
		/ATTACHING PARTS/		
- 28	MS35206-218	.. SCREW .....	2	
- 29	MS35338-40	.. WASHER, LOCK/UNDER SCREW/ .....	2	
- 30	MS21043-04	.. NUT .....	2	
		★		
- 31	131270-3	.. GROUND STUD .....	1	
- 32	122-364203-15	.. PLATE .....	1	
		/ATTACHING PARTS/		
- 33	MS27039-0810	.. SCREW .....	3	
- 34	MS35338-42	.. WASHER, LOCK/UNDER SCREW/ .....	3	
- 35	AN960-8L	.. WASHER/UNDER LOCKWASHER/ .....	3	
- 36	AN960-8L	.. WASHER/UNDER NUT/ .....	3	
- 37	MS21043-08	.. NUT .....	3	
		★		
	122-364203-33	. VARISTOR ASSY .....	1	
- 38	MS35206-332	.. SCREW .....	4	
- 39	MS35338-42	.. WASHER, LOCK/UNDER SCREW/ .....	4	
- 40	AN960-8L	.. WASHER/UNDER LOCKWASHER/ .....	4	
- 41	AN960-8L	.. WASHER/ABOVE SPACER/ .....	4	
- 42	NAS43DD3-32	.. SPACER .....	4	
- 43	AN960-8L	.. WASHER/UNDER SPACER/ .....	4	
- 44	122-380062-5	.. VARISTOR ASSY .....	2	

**CODES OF EFFECTIVITY**

1 NC-4 THRU NC-14                      2 NC-15 THRU NC-46  
3 NC-47 AND AFTER

**Beechcraft**  
**STARSHIP 1**  
**ILLUSTRATED PARTS CATALOG**

**30-70-00**  
**ICE DETECTOR**

Beechcraft  
STARSHIP 1  
ILLUSTRATED PARTS CATALOG

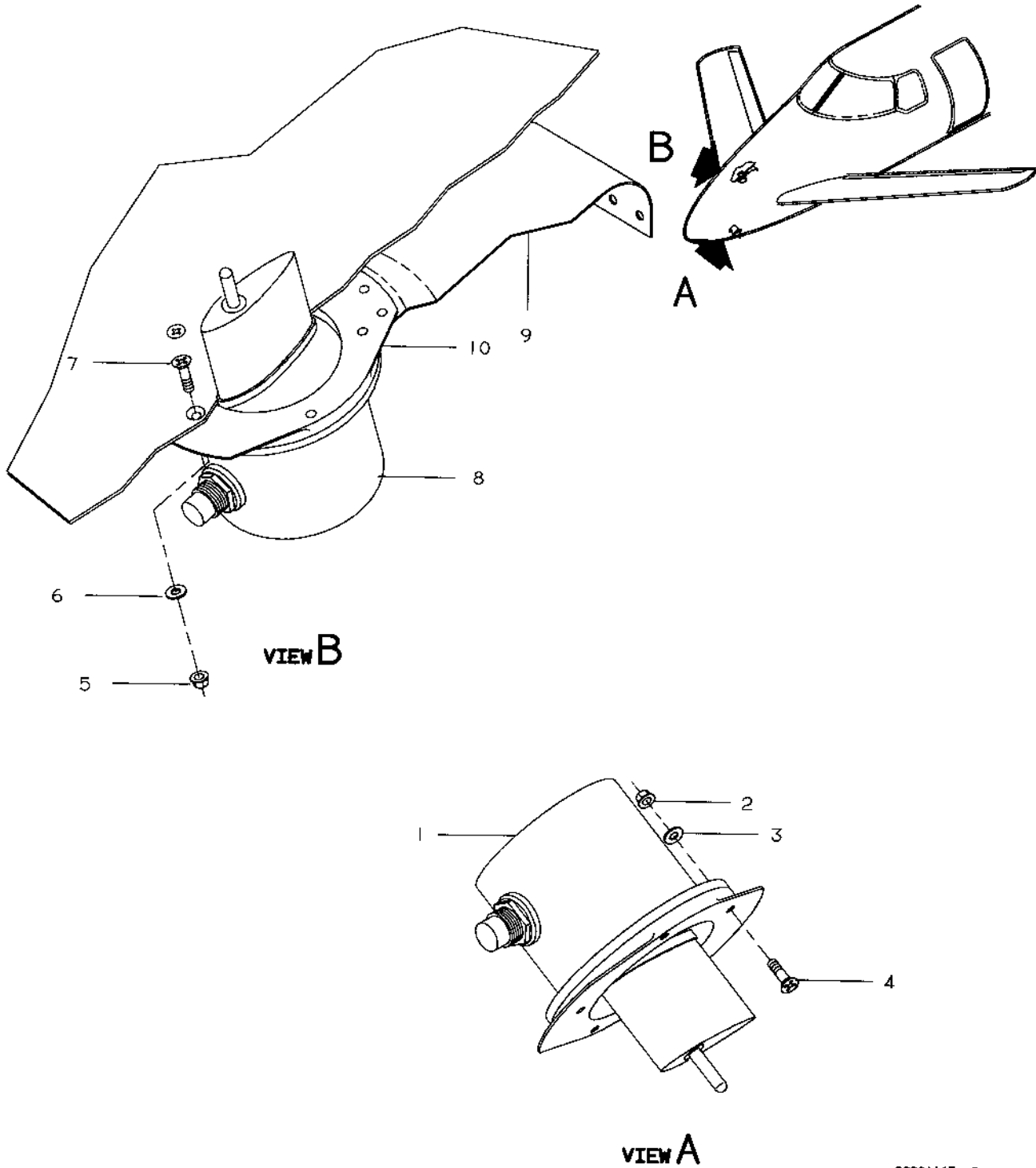


FIGURE 70-00.ICE DETECTOR

**Beechcraft**  
**STARSHIP 1**  
**ILLUSTRATED PARTS CATALOG**

SUB-SEC UNIT & ITEM NO	PART NO.	DESCRIPTION 1 2 3 4 5 6 7	UNITS	USABLE
			PER ASSY	ON CODE
70-00	122-970061-1	DETECTOR INSTL, LH ICE .....	NP	
	122-970061-2	DETECTOR INSTL, RH ICE .....	NP	
	122-970061-3	DETECTOR INSTL,GROUND ICE/UPPER/USE IF KIT .....	NP	2
		122-5024-1 IS INSTALLED/		
- 1	0871CT1	. DETECTOR, ICE .....	1	
		/ATTACHING PARTS/		
- 2	130909N29	. NUT .....	5	
- 3	AN960-10L	. WASHER .....	5	
- 4	MS24694C61	. SCREW .....	5	
		★		
	122-5024-1	KIT, GROUND ICE DETECTOR .....	1	1
	MS35842-10	. CLAMP .....	1	1
	M8504928-1-12N	. BACKSHELL .....	1	1
	MS3476L12-10S	. CONNECTOR .....	1	1
- 5	130909N29	. NUT .....	5	1
- 6	AN960-10L	. WASHER .....	5	1
- 7	MS24694C61	. SCREW .....	5	1
- 8	0871CT1	. DETECTOR .....	1	1
- 9	122-970061-7	. STRAP .....	1	1
	AN960JD6	. WASHER .....	8	1
	MS35338-41	. WASHER/INSTALL BETWEEN AN960JD6 WASHERS/ .....	4	1
	AN960JD10L	. WASHER .....	4	1
	MS35338-43	. WASHER .....	4	1
- 10	122-970061-5	. PLATE .....	1	1
	122-382137-13	. SUBPANEL, LEFT INBD ELECTROLUMINESCENT .....	1	1
	122-382148-15	. PANEL, AUXILIARY CIRCUIT BREAKER .....	1	1
		/ELECTROLUMINESCENT/		
	MS21042L08	. NUT, RELAY .....	2	1
	NAS43DD3-37	. SPACER, RELAY .....	4	1
	MS35206-252	. SCREW, RELAY .....	2	1
	50-380048-1	. RELAY .....	3	1
	131053K516	. DECAL, RELAY .....	1	1
	131053K517	. DECAL, RELAY .....	1	1
	131053K518	. DECAL, RELAY .....	1	1
	207018-1	. RECEPTACLE, RELAY .....	1	1
	66103-4	. PIN, RELAY CONTACT .....	10	1
	207017-1	. PLUG, RELAY .....	1	1
	66105-4	. CONTACT, RELAY SOCKET .....	10	1
	50-369101-205	. BUS BAR, AUXILIARY CIRCUIT BREAKER .....	1	1
	1N4007	. DIODE .....	6	1
	131984-15	. CIRCUIT BREAKER .....	1	1
	131053CB288	. DECAL, CIRCUIT BREAKER .....	1	1
	M39029-1-16-20	. CONTACT PIN, SWITCH .....	4	1
	112TW91-8	. SWITCH .....	1	1
	131053S327	. DECAL, SWITCH .....	1	1
	122-410610-57	. CLOSEOUT PATCH .....	1	1

**CODES OF EFFECTIVITY**

<p>1 NC-4 THRU NC-9 NC-11 THRU NC-43</p>	<p>2 NC-10, NC-44 AND AFTER</p>
--	-------------------------------------

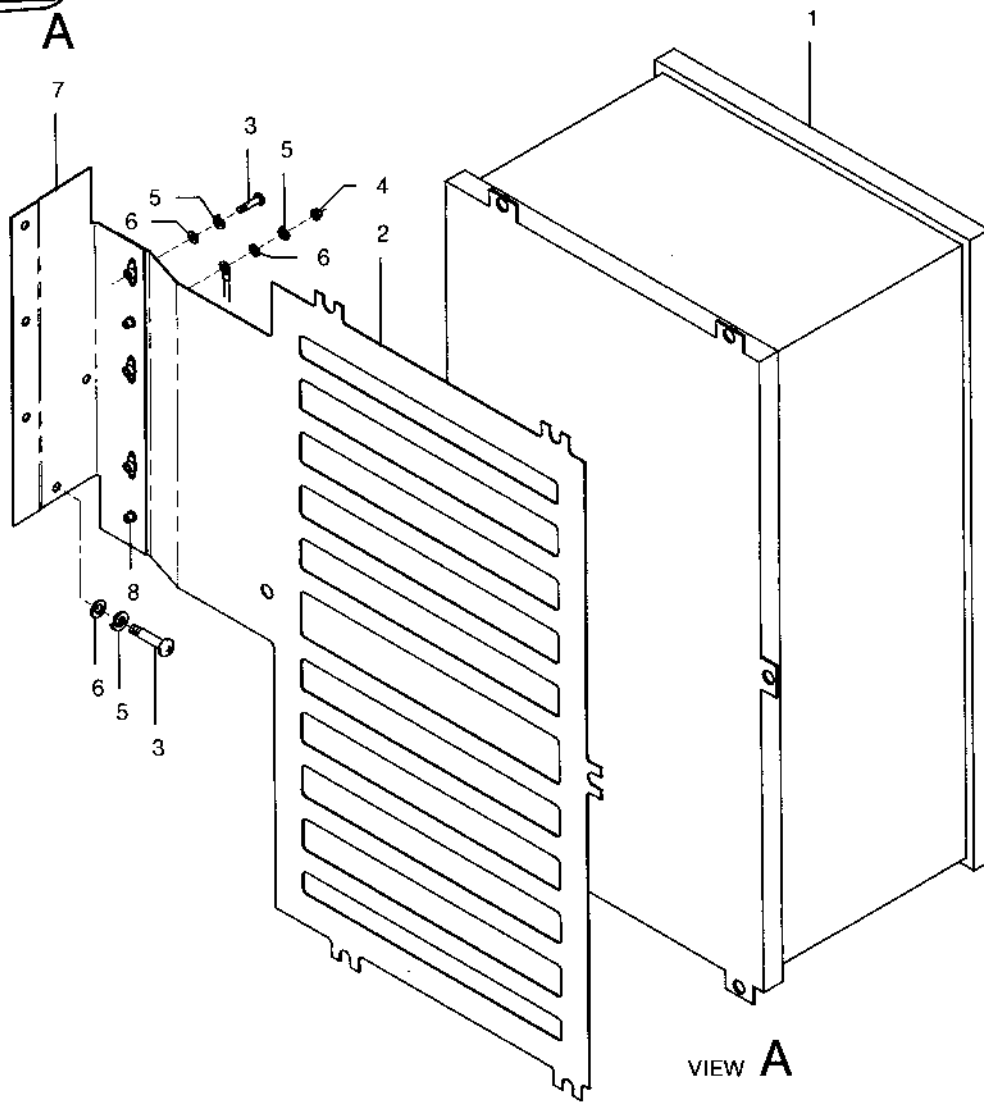
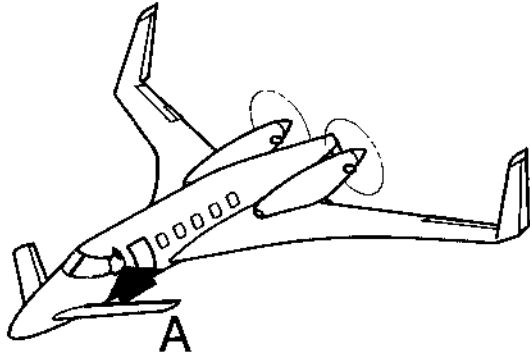
**Beechcraft**  
**STARSHIP 1**  
**ILLUSTRATED PARTS CATALOG**  
**LIST OF PAGES & TABLE OF CONTENTS**  
**FOR**  
**CHAPTER 31-00-00 IND/RECORDING SYSTEMS**

CHAP/SUB- SECT & UNIT	PAGE NO.	EFFECTIVE DATE	TABLE OF CONTENTS
31-00-00	1	02/25/94	LIST OF PAGES & TABLE OF CONTENTS .....
31-40-00	1	02/25/94	IAPS CARD CAGE .....
31-40-00	2	02/25/94	
31-40-00	3	02/25/94	
31-50-00	1	02/25/94	ANNUNCIATOR WARNING LIGHT ASSY.....
31-50-00	2	02/25/94	
31-50-00	3	02/25/94	
31-50-10	1	02/25/94	AURAL WARNING TONE GENERATOR.....
31-50-10	2	02/25/94	
31-50-10	3	02/25/94	

**Beechcraft**  
**STARSHIP 1**  
**ILLUSTRATED PARTS CATALOG**

**31-40-00**  
**IAPS CARD CAGE**

Beechcraft  
STARSHIP 1  
ILLUSTRATED PARTS CATALOG



2000-491-37

FIGURE 40-00.IAPS CARD CAGE



**Deechcraft**  
**STARSHIP 1**  
**ILLUSTRATED PARTS CATALOG**

SUB-SEC UNIT & ITEM NO	PART NO.	DESCRIPTION 1 2 3 4 5 6 7	UNITS	USABLE
			PER ASSY	ON CODE
40-00	122-342043-3	CARD CAGE INSTL, IAPS .....	NP	
- 1	822-8364-001	. CARD CAGE/ICC-850A/ .....	1	
	822-8365-001	. CARD ASSY/PWR-851A/ .....	4	
	822-7405-002	. CARD ASSY/IOC-851/ .....	4	
	622-8682-003	. CARD ASSY/FMC-851A/ .....	1	
	622-8681-003	. CARD ASSY/CDC-850A/ .....	1	
	622-86873-003	. CARD ASSY/FMC-852A/ .....	1	
	822-7410-201SBN	. CARD ASSY/FCC-850/ .....	2	
- 2	122-340043-23	. BONDING PLATE .....	1	1
	122-340043-31	. BONDING PLATE .....	1	2
- 3	MS27039-1-08	. SCREW .....	8	
- 4	130909N29	. NUT, LOCK .....	2	
- 5	MS35338-43	. WASHER, LOCK .....	10	
- 6	AN960JD10L	. WASHER .....	10	
- 7	122-340043-11	. BONDING PLATE ASSY .....	1	1
	122-340043-27	. BONDING PLATE ASSY .....	1	2
- 8	131270-3	. . GROUNDING STUD .....	2	
	MS21069L3	. . NUTPLATE .....	3	
	122-380037-13	ENGINE DATA CONCENTRATOR .....	2	
		/ATTACHING PARTS/		
	MS27039-1-07	SCREW .....	6	
	AN960JD10L	WASHER .....	6	

\*---

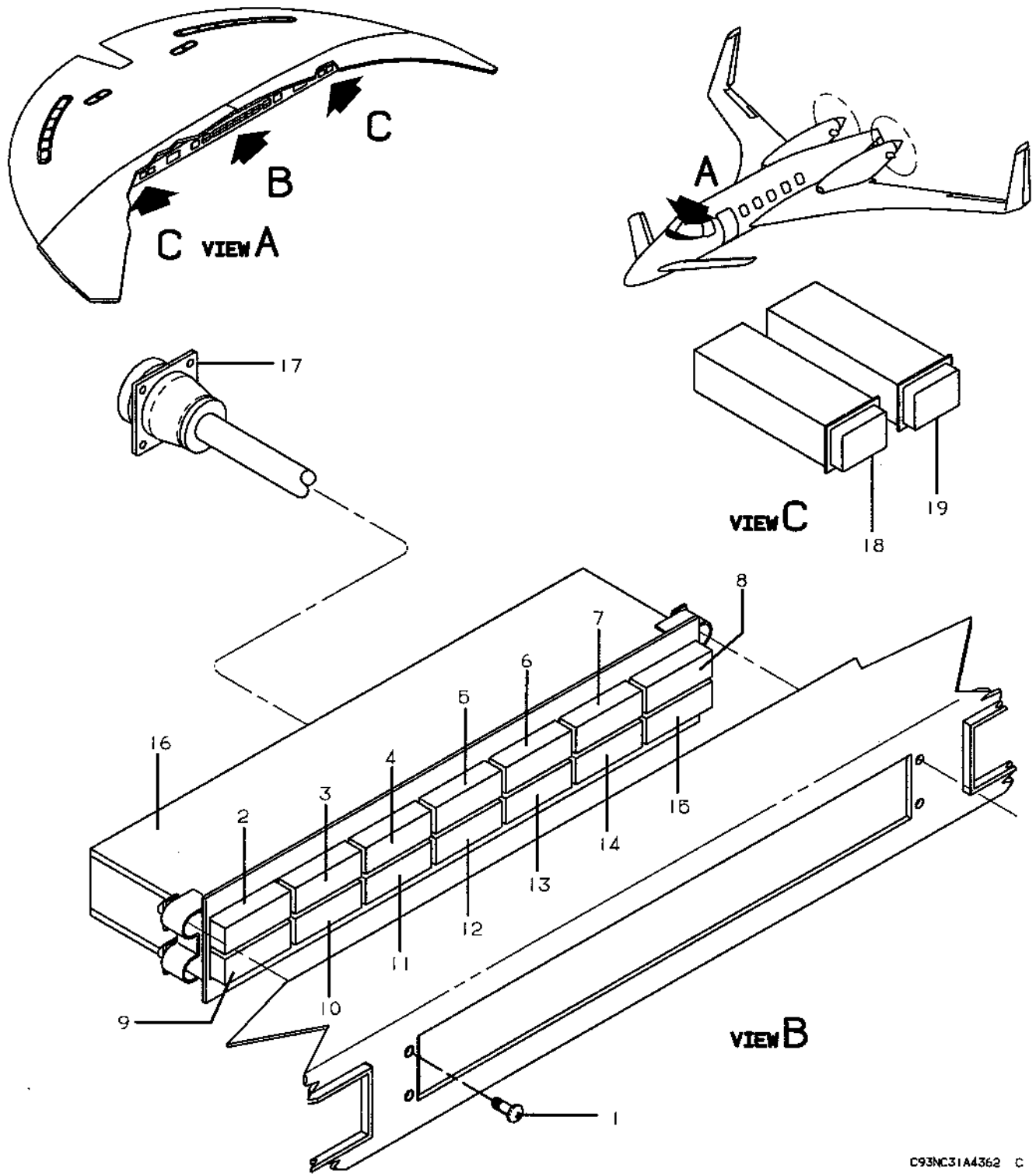
**CODES OF EFFECTIVITY**

1 NC-4 THRU NC-53                      2 NC-54 AND AFTER

**Deechcraft**  
**STARSHIP 1**  
**ILLUSTRATED PARTS CATALOG**

**31-50-00**  
**ANNUNCIATOR WARNING LIGHT ASSY**

**Beechcraft**  
**STARSHIP 1**  
**ILLUSTRATED PARTS CATALOG**



C93NC31A4362 C

**FIGURE 50-00.ANNUNCIATOR WARNING LIGHT ASSY**

**Beechcraft**  
**STARSHIP 1**  
**ILLUSTRATED PARTS CATALOG**

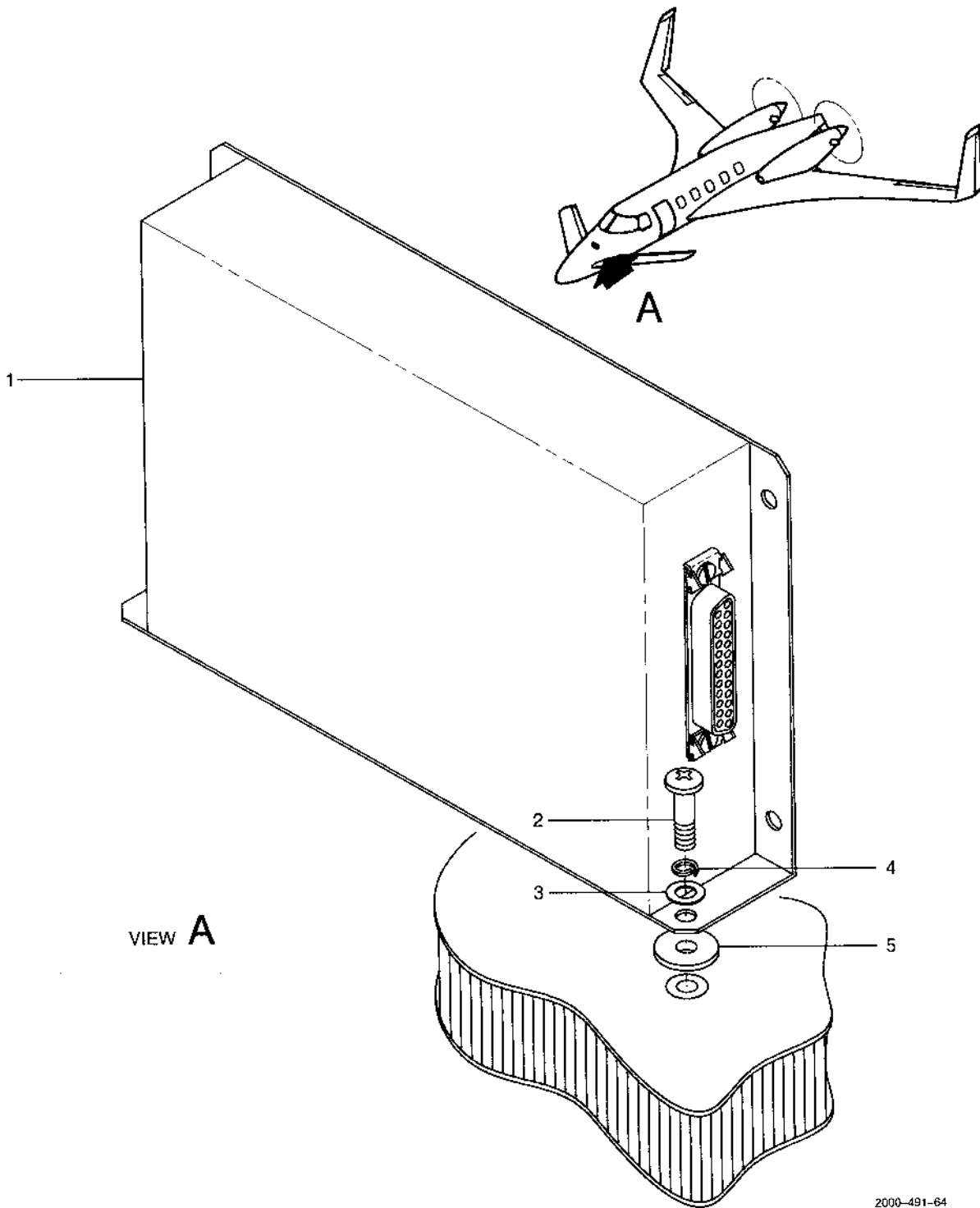
SUB-SEC UNIT & ITEM NO	PART NO.	DESCRIPTION 1 2 3 4 5 6 7	UNITS	USABLE
			PER ASSY	ON CODE
50-00	122-322067-9	LIGHT ASSY, ANNUNCIATOR WARNING .....	1	
- 1	MS35206-221	/ATTACHING PARTS/ SCREW .....	4	
		★---		
- 2	122-382158-17	. LEGEND, L FUEL PRES LO .....	1	
- 3	122-382158-21	. LEGEND, DOOR UNLOCKED .....	1	
- 4	122-382158-25	. LEGEND, ROLL TRIM FAIL .....	1	
- 5	122-382158-27	. LEGEND, PITCH TRIM FAIL .....	1	
- 6	122-382158-29	. LEGEND, RUD TRIM FAIL .....	1	
- 7	122-382158-23	. LEGEND, BATT CHG RATE .....	1	
- 8	122-382158-19	. LEGEND, R FUEL PRES LO .....	1	
- 9	122-382158-13	. LEGEND, L OIL PRES LO .....	1	
- 10	122-382158-9	. LEGEND, CABIN ALT HI .....	1	
- 11	122-382158-3	. LEGEND, L BLEED FAIL .....	1	
- 12	122-382158-7	. LEGEND, FUS BLEED FAIL .....	1	
- 13	122-382158-5	. LEGEND, R BLEED FAIL .....	1	
- 14	122-382158-11	. LEGEND, CABIN DIFF HI .....	1	
- 15	122-382158-15	. LEGEND, R OIL PRES LO .....	1	
- 16	122-382031-1	. BOX ASSY, ANNUNCIATOR .....	1	
- 17	205840-3	. . RECEPTACLE, ANNUNCIATOR BOX ASSY .....	1	
	205089-1	. . PIN, CONTACT .....	AR	
	206070-1	. . CLAMP, CABLE .....	1	
- 18	122-382088-5	LIGHT SWITCH ASSY, MASTER WARNING .....	2	
- 19	122-382088-7	LIGHT SWITCH ASSY, MASTER CAUTION .....	2	

-END-

**Beechcraft**  
**STARSHIP 1**  
**ILLUSTRATED PARTS CATALOG**

**31-50-10**  
**AURAL WARNING TONE GENERATOR**

Beechcraft  
STARSHIP 1  
ILLUSTRATED PARTS CATALOG



2000-491-64

FIGURE 50-10.AURAL WARNING TONE GENERATOR

**Beechcraft**  
**STARSHIP 1**  
**ILLUSTRATED PARTS CATALOG**

SUB-SEC UNIT & ITEM NO	PART NO.	DESCRIPTION 1 2 3 4 5 6 7	UNITS PER ASSY	USABLE ON CODE
50-10	122-340085-1	GENERATOR INSTL, AURAL WARNING TONE.....	NP	
- 1	600	. GENERATOR, AURAL WARNING TONE .....	1	
		/ATTACHING PARTS/		
- 2	MS35207-264	. SCREW.....	2	
- 3	AN960JD10L	. WASHER.....	2	
- 4	MS35338-43	. WASHER, LOCK .....	2	
- 5	AN960JD716	. WASHER.....	2	
		-----*		
	122-340069-1	. TERMINAL INSTL, GROUND/SEE CHAPTER 23/.....	NP	

# Raytheon Aircraft

## BEECH STARSHIP 1 ILLUSTRATED PARTS CATALOG

### LIST OF PAGES & TABLE OF CONTENTS FOR CHAPTER 32-00-00 LANDING GEAR

CHAP/SUB- SECT & UNIT	PAGE NUMBER	EFFECTIVE DATE	TABLE OF CONTENTS
32-00-00	1	07/31/02	LIST OF PAGES & TABLE OF CONTENTS
32-00-00	2	07/31/02	
32-00-00	3	07/31/02	
32-10-00	1	02/25/94	MAIN LANDING GEAR INSTALLATION
32-10-00	2	02/25/94	
32-10-00	3	06/30/95	
32-10-00	4	02/25/94	
32-10-00	5	06/30/95	
32-10-00	6	02/25/94	
32-10-00	7	11/04/94	
32-10-00	8	02/25/94	
32-10-00	9	06/30/95	
32-10-00	10	06/30/95	
32-10-00	11	06/30/95	
32-10-10	1	02/25/94	MAIN LANDING GEAR ASSEMBLY
32-10-10	2	10/27/00	
32-10-10	3	07/31/02	
32-10-10	4	02/25/94	
32-10-10	5	02/25/94	
32-10-10	6	02/25/94	
32-10-10	7	02/25/94	
32-10-10	8	02/25/94	
32-10-10	9	11/04/94	
32-20-00	1	02/25/94	NOSE LANDING GEAR INSTALLATION
32-20-00	2	06/30/95	
32-20-00	3	06/30/95	
32-20-00	4	06/30/95	
32-20-00	5	07/31/02	
32-20-00	6	06/30/95	
32-20-00	7	06/30/95	
32-20-00	8	02/25/94	
32-20-00	9	06/30/95	
32-20-10	1	02/25/94	NOSE LANDING GEAR ASSEMBLY
32-20-10	2	02/25/94	
32-20-10	3	07/31/02	
32-20-10	4	02/25/94	
32-20-10	5	06/30/95	
32-20-10	6	02/25/94	
32-20-10	7	11/04/94	
32-30-00	1	06/30/95	NACELLE HYDRAULIC PLUMBING /LANDING GEAR/
32-30-00	2	06/30/95	
32-30-00	3	02/25/94	
32-30-00	4	06/30/95	
32-30-00	5	06/30/95	
32-30-00	6	10/27/00	
32-30-00	7	10/27/00	
32-30-00	8	06/30/95	
32-30-00	9	02/25/94	
32-30-05	1	06/30/95	AFT FUSELAGE HYDRAULIC PLUMBING /LANDING GEAR/
32-30-05	2	02/25/94	
32-30-05	3	02/25/94	
32-30-05	4	06/30/95	
32-30-05	5	06/30/95	
32-30-05	6	02/25/94	
32-30-05	7	06/30/95	
32-30-05	8	02/25/94	
32-30-05	9	06/30/95	
32-30-05	10	02/25/94	



# Raytheon Aircraft

## BEECH STARSHIP 1 ILLUSTRATED PARTS CATALOG

### LIST OF PAGES & TABLE OF CONTENTS FOR CHAPTER 32-00-00 LANDING GEAR *(Continued)*

CHAP/SUB-SECT & UNIT	PAGE NUMBER	EFFECTIVE DATE	TABLE OF CONTENTS
32-30-05	11	02/25/94	
32-30-05	12	02/25/94	
32-30-05	13	02/25/94	
32-30-05	14	02/25/94	
32-30-05	15	06/30/95	
32-30-10	1	02/25/94	HYDRAULIC HAND PUMP
32-30-10	2	06/30/95	
32-30-10	3	06/30/95	
32-30-10	4	06/30/95	
32-30-10	5	06/30/95	
32-30-10	6	06/30/95	
32-30-10	7	02/25/94	
32-30-10	8	06/30/95	
32-30-10	9	02/25/94	
32-30-15	1	06/30/95	FORWARD FUSELAGE AND NOSE HYDRAULIC PLUMBING /LANDING GEAR/
32-30-15	2	02/25/94	
32-30-15	3	02/25/94	
32-30-15	4	02/25/94	
32-30-15	5	02/25/94	
32-30-15	6	02/25/94	
32-30-15	7	02/25/94	
32-30-15	8	02/25/94	
32-30-15	9	06/30/95	
32-30-20	1	02/25/94	POWER PACK PRESSURE REGULATOR
32-30-20	2	02/25/94	
32-30-20	3	02/25/94	
32-40-00	1	02/25/94	BRAKE PLUMBING
32-40-00	2	02/25/94	
32-40-00	3	06/30/95	
32-40-00	4	06/30/95	
32-40-00	5	06/30/95	
32-40-00	6	06/30/95	
32-40-00	7	06/30/95	
32-40-00	8	02/25/94	
32-40-00	9	06/30/95	
32-40-00	10	02/25/94	
32-40-00	11	06/30/95	
32-40-00	12	02/25/94	
32-40-00	13	06/30/95	
32-40-00	14	02/25/94	
32-40-00	15	06/30/95	
32-40-10	1	02/25/94	BRAKE FLUID RESERVOIR
32-40-10	2	06/30/95	
32-40-10	3	06/30/95	
32-40-20	1	02/25/94	BRAKE ANTI SKID PALLET
32-40-20	2	02/25/94	
32-40-20	3	06/30/95	
32-40-20	4	06/30/95	
32-40-20	5	06/30/95	
32-40-20	6	02/25/94	
32-40-20	7	06/30/95	
32-40-20	8	02/25/94	
32-40-20	9	06/30/95	
32-40-20	10	02/25/94	
32-40-20	11	06/30/95	
32-40-20	12	06/30/95	
32-40-20	13	06/30/95	

# Raytheon Aircraft

## BEECH STARSHIP 1 ILLUSTRATED PARTS CATALOG

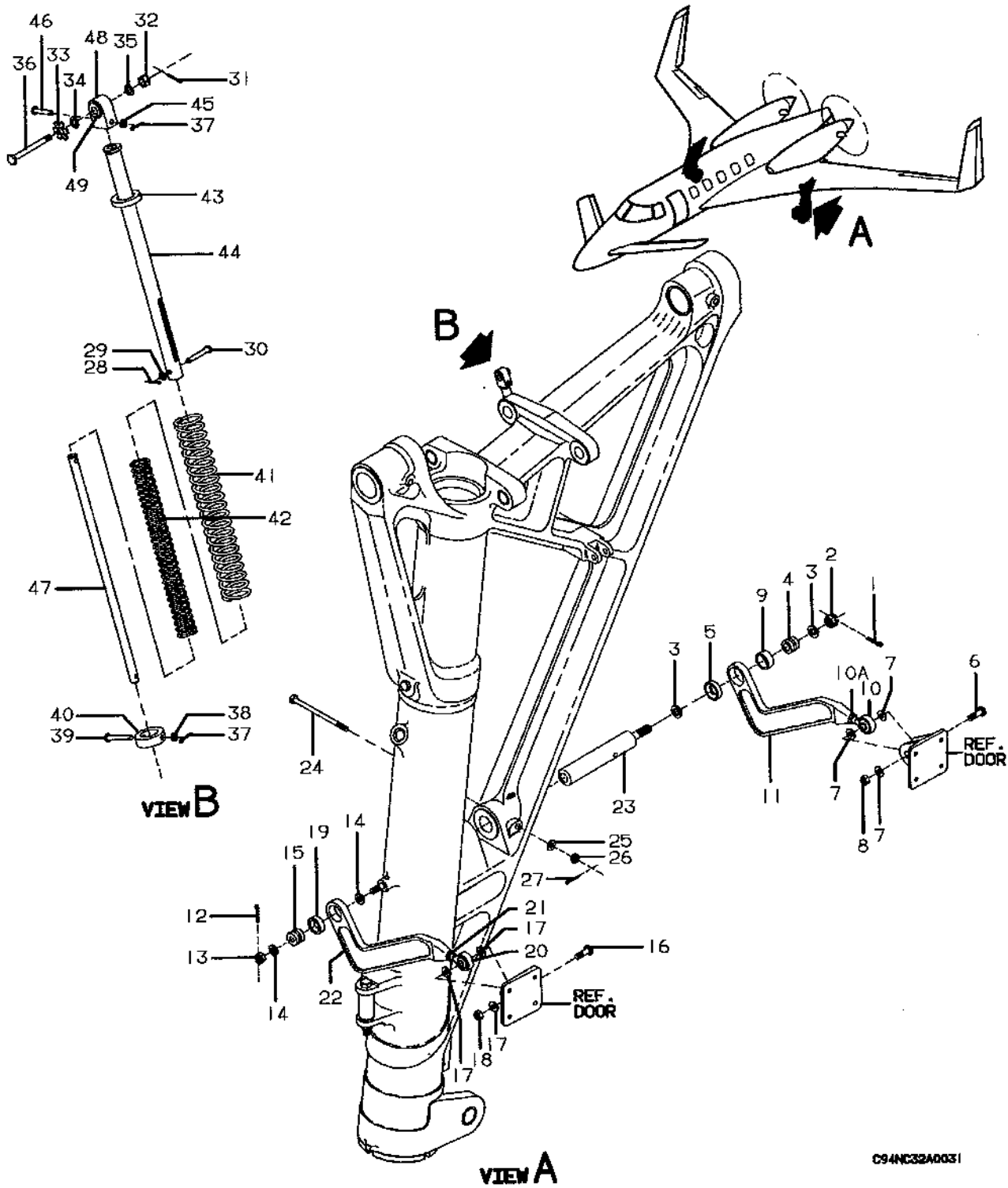
### LIST OF PAGES & TABLE OF CONTENTS FOR CHAPTER 32-00-00 LANDING GEAR *(Continued)*

CHAP/SUB- SECT & UNIT	PAGE NUMBER	EFFECTIVE DATE	TABLE OF CONTENTS
32-40-30	1	02/25/94	BRAKE ANTI SKID CONTROL BOX
32-40-30	2	02/25/94	
32-40-30	3	02/25/94	
32-50-00	1	02/25/94	NOSE GEAR STEERING
32-50-00	2	02/25/94	
32-50-00	3	06/30/95	
32-50-00	4	02/25/94	
32-50-00	5	06/30/95	
32-50-00	6	02/25/94	
32-50-00	7	02/25/94	
32-50-00	8	02/25/94	
32-50-00	9	02/25/94	
32-50-10	1	02/25/94	NOSE GEAR SHIMMY DAMPER
32-50-10	2	02/25/94	
32-50-10	3	06/30/95	

**Beechcraft**  
**STARSHIP 1**  
**ILLUSTRATED PARTS CATALOG**

**32-10-00**  
**MAIN LANDING GEAR INSTALLATION**

**Beechcraft**  
**STARSHIP 1**  
**ILLUSTRATED PARTS CATALOG**



C94NC32A0031

**FIGURE 10-00.MAIN LANDING GEAR INSTL**  
**/SHEET 1 OF 5 SHEETS/**

# Raytheon Aircraft

## BEECH STARSHIP 1 ILLUSTRATED PARTS CATALOG

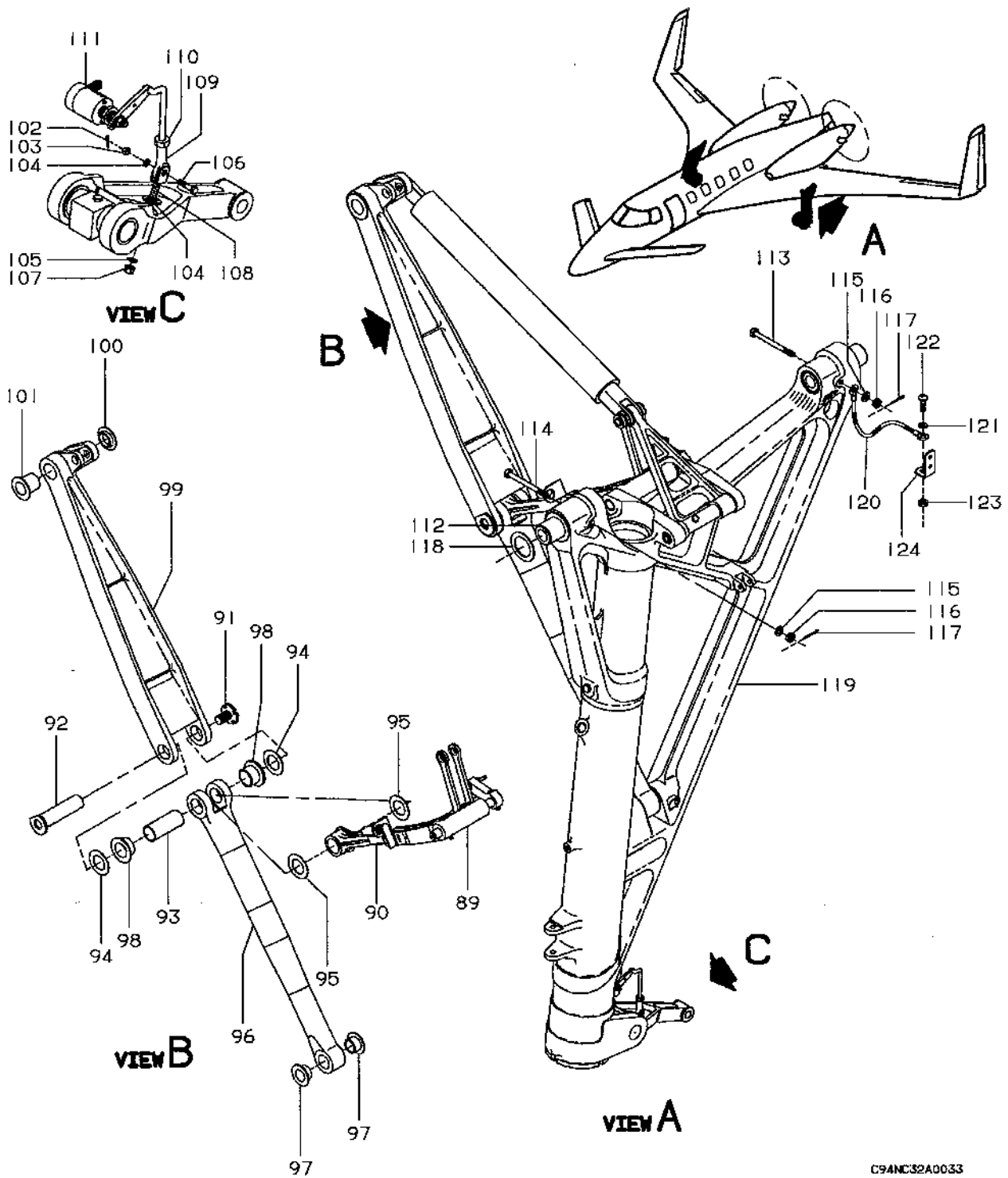
SUB-SECT UNIT & ITEM NO.	PART NO.	1 2 3 4 5 6 7	DESCRIPTION	UNITS PER ASSY	USABLE ON CODE
10-10	122-810001-9		LANDING GEAR ASSY, MAIN ..... /ORDER 122-810001-15 FOR SPARES/	NP	5
	122-810001-15		LANDING GEAR ASSY, MAIN .....	1	6
	122-810001-11		LANDING GEAR SUBASSEMBLY, MAIN/LESS WHEEL AND ..... TIRE ASSY, BRAKE ASSY, SWIVEL FITTING KIT, HUBCAP ASSY, AND TRANSDUCER/	1	
1	122-810080-5		. HUBCAP ASSY, WHEEL .....	2	2
	122-810080-1		. HUBCAP ASSY, WHEEL ..... (ATTACHING PARTS)	2	1
2	MS35207-260		. SCREW .....	3	
3	140-04721		. . COUPLING, DRIVE .....	1	
4	122-810080-3		. . SPACER .....	1	1
5	122-810086-1		. GASKET, HUBCAP/WITH KIT 122-8001-1 INSTALLED/ .....	1	5
	122-810086-1		. GASKET, HUBCAP/122-810001-15/ .....	1	6
6	122-810085-1		. GUARD, SPLASH/WITH KIT 122-8001-1 INSTALLED/ .....	1	5
	122-810085-1		. GUARD, SPLASH/122-810001-15/ .....	1	6
	122-810078-3		. WHEEL AND TIRE ASSY, BALANCED ..... (ATTACHING PARTS)	2	
7	NAS1352C08H6		. SCREW .....	2	
8	AN960-8L		. WASHER .....	2	
9	114-810066-1		. RING, LOCK .....	1	
10	114-810062-1		. NUT .....	1	
10A	MS21258C24		. WASHER .....	1	
10B	100951X100WL		. WASHER .....	1	
11	197K86-1		. . TIRE .....	1	
12	5007574-2		. . WHEEL ASSY .....	1	
	MS9021-267		. . . PACKING, PREFORMED .....	1	
12A	13889		. . . BEARING, WHEEL .....	2	
12B	122-810079-49		. . . SEAL, WHEEL .....	2	
13	122-810078-5		. BRAKE ASSY .....	NP	3
			/ORDER 122-810078-145 FOR SPARES/		
	122-810078-95		. BRAKE ASSY .....	NP	4
			/ORDER 122-810078-145 FOR SPARES/		
	122-810078-145		. BRAKE ASSY .....	2	
<b>NOTE</b>					
REPLACE ALL AT SAME TIME.					
14	AN814-4D		. PLUG .....	1	
14A	MS28778-4		. PACKING, PREFORMED .....	1	
	122-810078-87		. KIT, SWIVEL FITTING .....	2	
15	MS24665-1011		. . PIN, COTTER .....	4	
16	MS20392-2C17		. . PIN .....	4	
17	122-810078-91		. . COUPLER, BRAKE .....	2	
18	MS28778-4		. . PACKING, PREFORMED .....	2	
19	122-810078-89		. . ADAPTER, INLET .....	2	
20	MS28775-112		. . PACKING, PREFORMED .....	2	
21	MS21946-4L		. . BODY, SWIVEL FITTING .....	1	
22	122-810032-1		. SPACER, BRAKE .....	2	
23	NAS1189-06P5KH		. SCREW .....	2	
24	MS35790-1		. WASHER .....	AR	
25	140-04715		. TRANSDUCER, ROTATION VELOCITY .....	NP	1
			/ORDER 140-14515 FOR SPARES/		
	140-14515		. TRANSDUCER, ROTATIONAL VELOCITY .....	2	2



**Beechcraft**  
**STARSHIP 1**  
**ILLUSTRATED PARTS CATALOG**

SUB-SEC UNIT & ITEM NO	PART NO.	DESCRIPTION 1 2 3 4 5 6 7	UNITS PER ASSY	USABLE ON CODE
10-00 - 50	122-810028-1	. CRANK, SPRING ..... /ATTACHING PARTS/	1	
- 51	NAS6203L-19D	. BOLT .....	1	
- 52	AN960KD10	. WASHER/ALTERNATE FOR AN960KD10L/.....	1	
	AN960KD10L	. WASHER/ALTERNATE FOR AN960KD10/.....	1	
- 53	MS17825-3	. NUT .....	1	
- 54	MS24665-134	. PIN, COTTER .....	1	
		-----*		
- 55	122-810023-1	. PIN, UPPER LOCK LINK..... /ATTACHING PARTS/	1	
- 56	NAS6203-23D	. BOLT .....	1	
- 57	AN960KD10	. WASHER/ALTERNATE FOR AN960KD10L/.....	1	
	AN960KD10L	. WASHER/ALTERNATE FOR AN960KD10/.....	1	
- 58	MS17825-3	. NUT .....	1	
- 59	MS24665-134	. PIN, COTTER .....	1	
		-----*		
- 60	122-810024-1	. PIN, RETRACT LINK..... /ATTACHING PARTS/	1	
- 61	NAS6203L19D	. BOLT .....	1	
- 62	AN960KD10	. WASHER/ALTERNATE FOR AN960KD10L/.....	1	
	AN960KD10L	. WASHER/ALTERNATE FOR AN960KD10/.....	1	
- 63	MS17825-3	. NUT .....	1	
- 64	MS24665-134	. PIN, COTTER .....	1	
		-----*		
- 65	MS24665-355	. PIN, COTTER .....	1	
- 66	MS17826-12	. NUT .....	1	
- 67	AN960KD1216	. WASHER .....	1	
- 68	NAS6212-66D	. BOLT .....	1	
- 69	AN960KD1616L	. WASHER .....	AR	
- 70	NAS72-12E212	. BUSHING .....	1	
- 71	H11-1476	. SWITCH, DOWNLOCK SENSOR.....	1	3
	H11-1627	. SWITCH, DOWNLOCK SENSOR.....	1	4
	122-810016-3	. SIDE BRACE ASSY, LH .....	1	
	122-810016-4	. SIDE BRACE ASSY, RH.....	1	
- 72	MS24665-69	. PIN, COTTER .....	1	
- 73	R NAS1515H04L	. WASHER .....	1	
- 74	MS20392-1C35	. PIN .....	1	
- 75	122-810025-1	. PIN, ACTUATOR .....	1	
- 76	AN960-916	. WASHER .....	AR	
- 77	MS24665-89	. PIN, COTTER .....	3	
- 78	AN960KD6L	. WASHER .....	3	
- 79	MS20392-1C27	. PIN .....	2	
- 80	122-810054-1	. SLEEVE .....	2	
- 81	122-810053-1	. PIN, DRIVE LINK LOWER.....	1	
- 82	MS20392-1C39	. PIN .....	1	
- 83	122-810052-1	. PIN, DRIVE LINK UPPER.....	1	
	122-810011-5	. LINK ASSY, DRIVE .....	2	
- 84	R 122-810011-3	. LINK, DRIVE .....	1	
- 85	M81934/2-08C008	. BUSHING .....	2	
- 86	122-380005-3	. ACTUATOR ASSY, HYDRAULIC/FOR SPARES..... ORDER 122-380005-7/	NP	
	122-380005-5	. ACTUATOR ASSY, HYDRAULIC/ALTERNATE FOR..... 122-380005-7/	1	
	122-380005-7	. ACTUATOR ASSY, HYDRAULIC/ALTERNATE FOR..... 122-380005-5/	1	
		<b>NOTE DO NOT MIX ACTUATOR ASSY PART NUMBERS ON ANY ONE AIRPLANE.</b>		
	122-810071-1	. LINK ASSY, JURY BRACE RETRACT.....	1	
- 87	122-810071-3	. LINK, JURY BRACE RETRACT .....	1	
- 88	122-810071-5	. BUSHING .....	2	

**Beechcraft**  
**STARSHIP 1**  
**ILLUSTRATED PARTS CATALOG**



C94NC32A0033

**FIGURE 10-00. MAIN LANDING GEAR INSTL**  
**/SHEET 3 OF 5 SHEETS/**



**Beechcraft**  
**STARSHIP 1**  
**ILLUSTRATED PARTS CATALOG**

SUB-SEC UNIT & ITEM NO	PART NO.	DESCRIPTION 1 2 3 4 5 6 7	UNITS PER ASSY	USABLE ON CODE
10-00 -89	122-810016-7	.. LOCK LINK ASSY, LH/BUY AS A SET/.....	1	
	122-810016-8	.. LOCK LINK ASSY, RH/BUY AS A SET/.....	1	
-90	122-820111-7	.. PLACARD/WARNING DO NOT PUSH/.....	2	
-91	122-810029-1	.. NUT, INTERNAL WRENCHING.....	1	
-92	122-810046-1	.. PIN, APEX.....	1	
-93	122-810045-1	.. SLEEVE, APEX.....	1	
-94	122-810016-5	.. WASHER, SHIM.....	AR	
-95	AN960KD1816L	.. WASHER.....	2	
	122-810070-1	.. SIDE BRACE ASSY, LOWER.....	1	
-96	122-810070-3	.. SIDE BRACE, LOWER.....	1	
-97	M81934/2-14A018	.. BUSHING.....	2	
-98	M81934/2-18A020	.. BUSHING.....	2	
	122-810069-5	.. SIDE BRACE ASSY, LH UPPER.....	1	
	122-810069-6	.. SIDE BRACE ASSY, RH UPPER.....	1	
-99	122-810069-7	.. SIDE BRACE, LH UPPER.....	1	
	122-810069-8	.. SIDE BRACE, RH UPPER.....	1	
-100	M81934/2-16A008	.. BUSHING.....	1	
-101	M81934/2-16A040	.. BUSHING.....	1	
-102	MS24665-132	.. PIN, COTTER.....	1	
-103	130909N6	.. NUT.....	1	
-104	AN960-10	.. WASHER.....	4	
-105	AN960-10L	.. WASHER.....	1	
-106	130909B16	.. BOLT.....	1	
-107	130909N29	.. NUT.....	1	
-108	AN42B5A	.. BOLT.....	1	
-109	HF3	.. ROD END.....	1	
-110	MS35650-302	.. NUT, LOCK.....	1	
-111	444EN49-6	.. SWITCH, MAIN LANDING GEAR SAFETY.....	1	
-112	122-810040-1	.. PIN, GEAR PIVOT.....	2	
		.. /ATTACHING PARTS/.....		
-113	AN5-30	.. BOLT, AFT.....	1	
-114	AN5-27	.. BOLT, FWD.....	1	
-115	AN960-516	.. WASHER.....	2	
-116	MS172826-5	.. NUT.....	2	
-117	MS24665-132	.. PIN, COTTER.....	2	
		.. *.....		
-118	100951CR025XZ	.. WASHER.....	AR	
-119	R 122-810001-9	.. LANDING GEAR ASSY, MAIN.....	NP	5
		.. /ORDER 122-810001-15 FOR SPARES/ .. /SEE CHAPTER 32-10-10/.....		
	R 122-810001-15	.. LANDING GEAR ASSY, MAIN/SEE CH. 32-10-10/.....	1	6
-120	MS25083-2EB6	.. JUMPER, BONDING.....	1	
		.. /ATTACHING PARTS/.....		
-121	AN960KD10L	.. WASHER/ALTERNATE FOR AN960KD10/.....	1	
	AN960KD10	.. WASHER/ALTERNATE FOR AN960KD10L/.....	1	
-122	MS27039-1-07	.. SCREW.....	1	
-123	130909N29	.. NUT.....	1	
		.. *.....		
-124	122-580122-13	.. BRACKET.....	1	



**Beechcraft**  
**STARSHIP 1**  
**ILLUSTRATED PARTS CATALOG**

SUB-SEC UNIT & ITEM NO	PART NO.	DESCRIPTION 1 2 3 4 5 6 7	UNITS PER ASSY	USABLE ON CODE
10-00 -125	R 122-380012-7	. ACTUATOR ASSY, UPLOCK/ALTERNATE FOR..... 122-380012-11 & -15/SEE NOTE/	1	
	R 122-380012-11	. ACTUATOR ASSY, UPLOCK/ALTERNATE FOR..... 122-380012-7 & -15/SEE NOTE/	1	
	R 122-380012-15	. ACTUATOR ASSY, UPLOCK/ALTERNATE FOR..... 122-380012-11 & -15/SEE NOTE/ /ATTACHING PARTS/	1	
-126	122-810058-1	. PIN/ACTUATOR TO SUPPORT/ .....	1	
-127	105739A-ZZ0330	. BUSHING .....	1	
-128	AN960KD416	. WASHER .....	1	
-129	MS17826-4	. NUT .....	1	
	MS24665-134	. PIN, COTTER .....	1	
-130	130909B190	. BOLT .....	1	
-131	105739X-YA0375	. BUSHING .....	1	
-132	AN960-416	. WASHER .....	1	
-133	MS17826-4	. NUT .....	1	
	MS24665-132	. PIN, COTTER .....	1	
*-----*				
<b>NOTE</b> DO NOT MIX ACTUATOR ASSY PART NUMBERS ON ANY ONE AIRPLANE.				
-134	122-810035-1	. SUPPORT, LH ACTUATOR .....	1	
	122-810035-2	. SUPPORT, RH ACTUATOR.....	1	
-135	HL10V8-16	. PIN .....	3	
-136	HL70K8	. COLLAR .....	3	
-137	105090CR050-4F	. WASHER .....	3	
-138	H11-1476	. SWITCH, MAIN LANDING GEAR UPLOCK SENSOR .....	1	3
	H11-1627	. SWITCH, MAIN LANDING GEAR UPLOCK SENSOR .....	1	4
-139	MS24665-134	. PIN, COTTER .....	1	
-140	MS17826-6	. NUT .....	1	
-141	100951CR063YN	. WASHER .....	1	
	AN960-816L	. WASHER/ADD TO AN960-816 AS NEEDED/ .....	1	
	AN960-816	. WASHER .....	1	
-142	NAS6206-31D	. BOLT .....	1	
-143	105739X-YR1000	. BUSHING .....	1	
-144	122-810005-13	. UPLOCK ASSY, LH MAIN LANDING GEAR.....	1	
	122-810005-14	. UPLOCK ASSY, RH MAIN LANDING GEAR .....	1	
-145	R M81934/2-08A010	. BUSHING/LH & RH/.....	2	
-146	122-380040-5	. SPRING, LH UPLOCK.....	1	
	122-380040-6	. SPRING, RH UPLOCK .....	1	
-147	122-810006-9	. BRACKET, UPLOCK HOOK .....	1	
-148	HL10V8-16	. PIN.....	4	
-149	HL70K8	. COLLAR .....	4	
-150	105090CR050-4F	. WASHER .....	4	
-151	122-810006-11	. GUIDE, UPLOCK SPRING .....	1	
	122-100020-53	WING BOX ASSY/SEE CHAPTER 57/ .....	1	
-152	122-100065-3	. FITTING, LH MLG FWD TRUNNION.....	1	
	122-100065-4	. FITTING, RH MLG FWD TRUNNION .....	1	
-153	HL10V8-13	. PIN .....	7	
-154	HL10V8-14	. PIN .....	1	
-155	HL10V8-16	. PIN.....	7	
-156	105090CR050-4G	. WASHER.....	15	
-157	HL10V8-17	. PIN.....	6	
-158	HL10V8-18	. PIN.....	4	
-159	HL10V8-19	. PIN.....	2	
-160	HL10V8-4	. PIN.....	1	
-161	HL10V8-7	. PIN.....	4	
-162	AN960C416L	. WASHER .....	32	
-163	HL379V8	. COLLAR .....	32	



**Beechcraft**  
**STARSHIP 1**  
**ILLUSTRATED PARTS CATALOG**

SUB-SEC UNIT & ITEM NO	PART NO.	DESCRIPTION 1 2 3 4 5 6 7	UNITS PER ASSY	USABLE ON CODE
10-00 -164	EL61268	. BEARING, FWD TRUNNION FITTING .....	1	
	ABB22-101	. BEARING, FWD TRUNNION FITTING .....	1	
		. /ALTERNATE FOR ABB22-101/		
		. /ALTERNATE FOR EL61268/		
-165	122-100066-3	. FITTING, LH MLG AFT TRUNNION .....	1	
	122-100066-4	. FITTING, RH MLG AFT TRUNNION .....	1	
		. /ATTACHING PARTS/		
-166	HL10V10-16	. PIN .....	4	
-167	105090CR050-5G	. WASHER .....	4	
-168	AN960C516L	. WASHER .....	4	
-169	HL379V10	. COLLAR .....	4	
-170	HL10V8-13	. PIN .....	4	
-171	HL10V8-14	. PIN .....	8	
-172	105090CR050-4G	. WASHER .....	12	
-173	HL10V6-13	. PIN .....	2	
-174	AN960C416L	. WASHER .....	12	
-175	HL379V8	. COLLAR .....	12	
-176	HL10V6-15	. PIN .....	2	
-177	HL10V6-16	. PIN .....	5	
-178	HL10V6-17	. PIN .....	2	
-179	105090CR050-3F	. WASHER .....	7	
-180 R	AN960C10L	. WASHER .....	11	
-181 R	HL379V6	. COLLAR .....	11	
		-----★-----		
-182	EL61268	. BEARING, AFT TRUNNION FITTING .....	1	
	ABB22-101	. BEARING, AFT TRUNNION FITTING .....	1	
		. /ALTERNATE FOR ABB22-101/		
		. /ALTERNATE FOR EL61268/		
-183	122-100114-1	. FITTING, LH MLG RETRACT .....	1	
	122-100114-2	. FITTING, RH MLG RETRACT .....	1	
-184	122-100114-5	. FITTING, LH MLG RETRACT .....	1	
	122-100114-6	. FITTING, RH MLG RETRACT .....	1	
		. /ATTACHING PARTS/		
-185	HL10V8-20	. PIN .....	9	
-186	HL10V8-15	. PIN .....	1	
-187	HL10V8-16	. PIN .....	3	
-188	HL10V8-17	. PIN .....	1	
-189	HL10V8-18	. PIN .....	2	
	HL10V8-19	. PIN .....	1	
-190	105090CR050-4G	. WASHER .....	8	
-191	HL11V8-23	. PIN .....	1	
	HL11V8-24	. PIN .....	1	
-192	HL11V8-25	. PIN .....	2	
-193	HL11V8-26	. PIN .....	4	
-194	AN960-416L	. WASHER .....	25	
-195	HL379V8	. COLLAR .....	25	
		-----★-----		
	122-100110-13	DOOR ASSY, LH MAIN LANDING GEAR .....	1	
		. /SEE CHAPTER 52/		
	122-100110-14	DOOR ASSY, RH MAIN LANDING GEAR .....	1	
		. /SEE CHAPTER 52/		
-196	122-100112-1	. FITTING, FWD RETRACT ROD .....	1	1
	122-100112-5	. FITTING, FWD RETRACT ROD .....	1	2
-197	122-100112-3	. FITTING, AFT RETRACT ROD .....	1	
		. /ATTACHING PARTS/		
-198	MS21043-3	. NUT .....	4	
-199	AN960C10	. WASHER .....	4	
-200	MS24694C61	. SCREW .....	4	
		-----★-----		

**CODES OF EFFECTIVITY**

1	NC-4 THRU NC-40	2	NC-41 AND AFTER
3	NC-4 THRU NC-22	4	NC-23 AND AFTER
5	NC-4 THRU NC-53	6	NC-54 AND AFTER

**Beechcraft**  
**STARSHIP 1**  
**ILLUSTRATED PARTS CATALOG**

**32-10-10**  
**MAIN LANDING GEAR ASSEMBLY**

# Raytheon Aircraft

## BEECH STARSHIP 1 ILLUSTRATED PARTS CATALOG

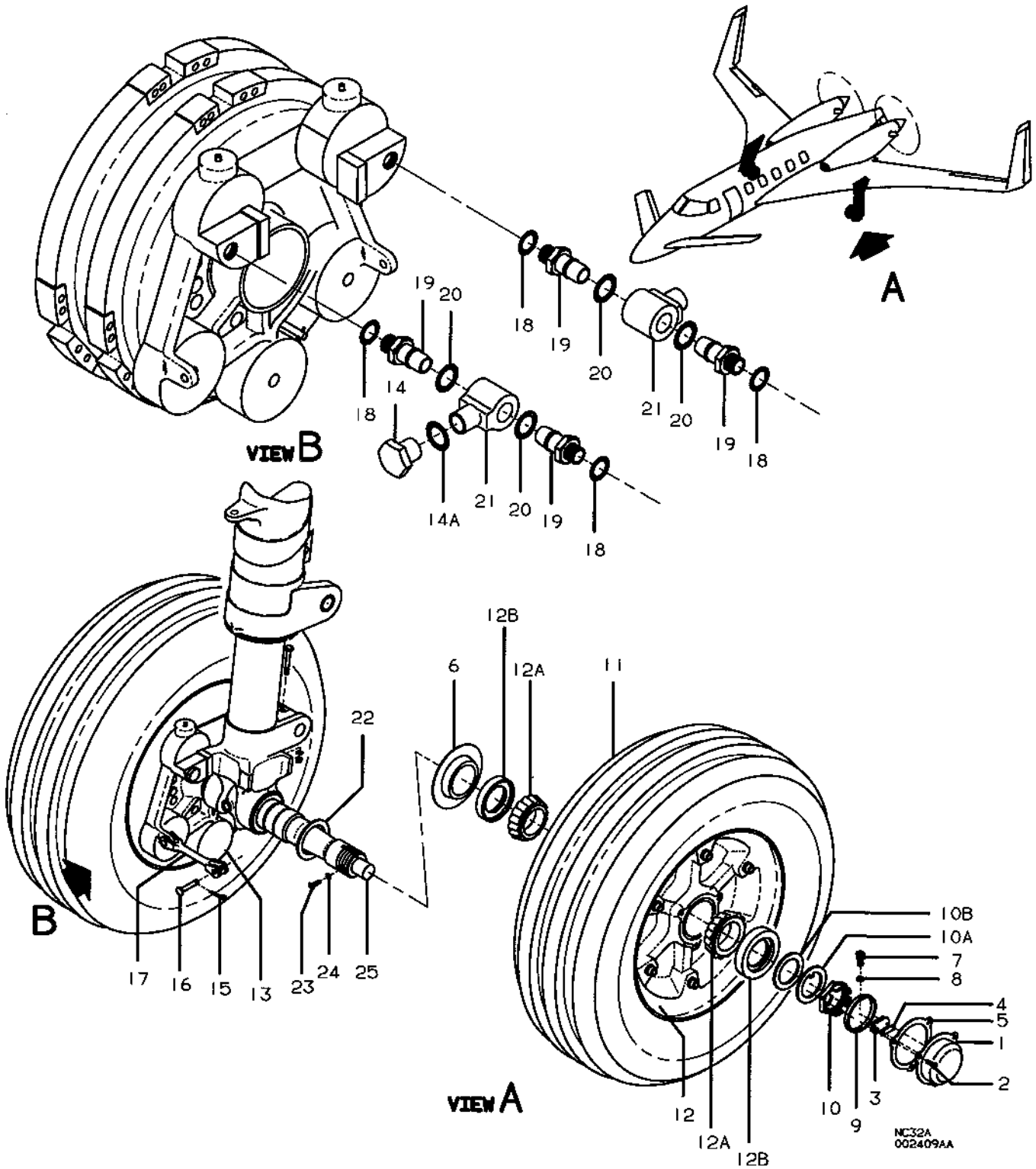


FIGURE 10-10 . MAIN LANDING GEAR ASSEMBLY  
/SHEET 1 OF 4 SHEETS/

# Raytheon Aircraft

## BEECH STARSHIP 1 ILLUSTRATED PARTS CATALOG

SUB-SECT UNIT & ITEM NO.	PART NO.	1 2 3 4 5 6 7	DESCRIPTION	UNITS PER ASSY	USABLE ON CODE
10-10	122-810001-9		LANDING GEAR ASSY, MAIN ..... /ORDER 122-810001-15 FOR SPARES/	NP	5
	122-810001-15		LANDING GEAR ASSY, MAIN .....	1	6
	122-810001-11		LANDING GEAR SUBASSEMBLY, MAIN/LESS WHEEL AND ..... TIRE ASSY, BRAKE ASSY, SWIVEL FITTING KIT, HUBCAP ASSY, AND TRANSDUCER/	1	
1	122-810080-5		. HUBCAP ASSY, WHEEL .....	2	2
	122-810080-1		. HUBCAP ASSY, WHEEL ..... (ATTACHING PARTS)	2	1
2	MS35207-260		. SCREW .....	3	
3	140-04721		. . COUPLING, DRIVE .....	1	
4	122-810080-3		. . SPACER .....	1	1
5	122-810086-1		. GASKET, HUBCAP/WITH KIT 122-8001-1 INSTALLED/ .....	1	5
	122-810086-1		. GASKET, HUBCAP/122-810001-15/ .....	1	6
6	122-810085-1		. GUARD, SPLASH/WITH KIT 122-8001-1 INSTALLED/ .....	1	5
	122-810085-1		. GUARD, SPLASH/122-810001-15/ .....	1	6
	122-810078-3		. WHEEL AND TIRE ASSY, BALANCED ..... (ATTACHING PARTS)	2	
7	NAS1352C08H6		. SCREW .....	2	
8	AN960-8L		. WASHER .....	2	
9	114-810066-1		. RING, LOCK .....	1	
10	114-810062-1		. NUT .....	1	
10A	MS21258C24		. WASHER .....	1	
10B	100951X100WL		. WASHER .....	1	
11	197K86-1		. . TIRE .....	1	
12	5007574-2		. . WHEEL ASSY .....	1	
	MS9021-267		. . . PACKING, PREFORMED .....	1	
12A	13889		. . . BEARING, WHEEL .....	2	
12B	122-810079-49		. . . SEAL, WHEEL .....	2	
13	122-810078-5		. BRAKE ASSY .....	NP	3
			/ORDER 122-810078-145 FOR SPARES/		
	122-810078-95		. BRAKE ASSY .....	NP	4
			/ORDER 122-810078-145 FOR SPARES/		
	122-810078-145		. BRAKE ASSY .....	2	
<b>NOTE</b>					
REPLACE ALL AT SAME TIME.					
14	AN814-4D		. PLUG .....	1	
14A	MS28778-4		. PACKING, PREFORMED .....	1	
	122-810078-87		. KIT, SWIVEL FITTING .....	2	
15	MS24665-1011		. . PIN, COTTER .....	4	
16	MS20392-2C17		. . PIN .....	4	
17	122-810078-91		. . COUPLER, BRAKE .....	2	
18	MS28778-4		. . PACKING, PREFORMED .....	2	
19	122-810078-89		. . ADAPTER, INLET .....	2	
20	MS28775-112		. . PACKING, PREFORMED .....	2	
21	MS21946-4L		. . BODY, SWIVEL FITTING .....	1	
22	122-810032-1		. SPACER, BRAKE .....	2	
23	NAS1189-06P5KH		. SCREW .....	2	
24	MS35790-1		. WASHER .....	AR	
25	140-04715		. TRANSDUCER, ROTATION VELOCITY .....	NP	1
			/ORDER 140-14515 FOR SPARES/		
	140-14515		. TRANSDUCER, ROTATIONAL VELOCITY .....	2	2

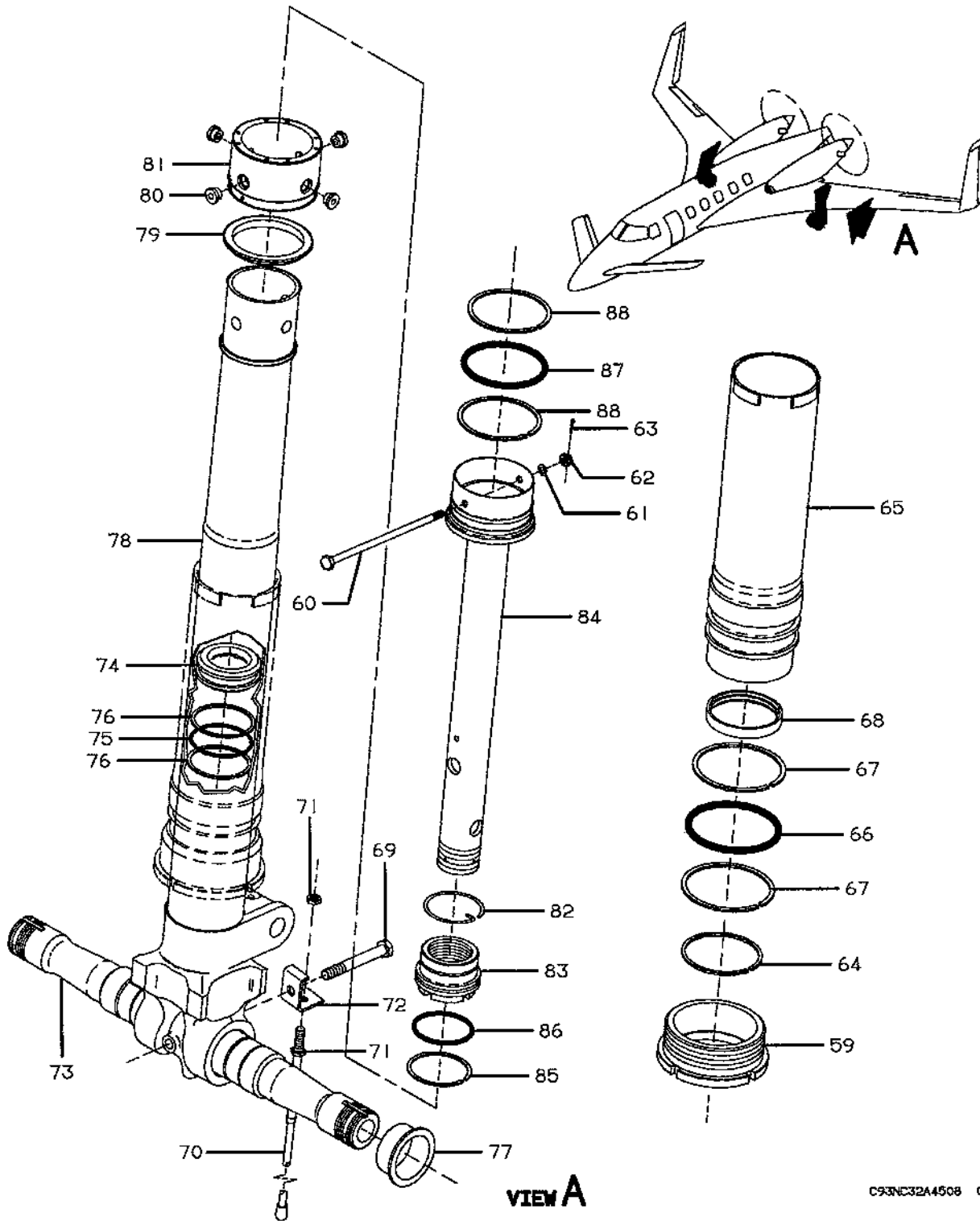




**Beechcraft**  
**STARSHIP 1**  
**ILLUSTRATED PARTS CATALOG**

SUB-SEC UNIT & ITEM NO	PART NO.	DESCRIPTION 1 2 3 4 5 6 7	UNITS	USABLE
			PER ASSY	ON CODE
10-10 -26	MS24665-285	. PIN, COTTER .....	1	
-27	AN310C8	. NUT .....	1	
-28	NAS460-816	. WASHER .....	1	
-29	AN960C816	. WASHER .....	1	
-30	122-810018-3	. PIN, TORQUE KNEE APEX .....	1	
-31	122-810066-1	. KNEE ASSY, MAIN LANDING GEAR .....	2	
-32	M81934/2-08A012	. BUSHING .....	2	
-33	NAS77A12-42	. BUSHING .....	2	
-34	NAS516-1A	. FITTING, LUBRICATION .....	2	
	122-810066-3	. KNEE, TORQUE .....	1	
-35	MS21083N3	. NUT .....	1	
-36	AN960-10	. WASHER .....	1	
-37	NAS1103-21	. BOLT .....	1	
-38	122-810043-1	. PIN, LOWER TORQUE KNEE ATTACH .....	1	
-39	130909N49	. NUT .....	1	
-40	AN960-10	. WASHER .....	1	
-41	NAS6203-17	. BOLT .....	1	
-42	122-810042-1	. PIN, UPPER TORQUE KNEE ATTACH .....	1	
-43	122-810044-1	. SPACER, UPPER TORQUE KNEE .....	1	
-44	122-810034-1	. ROLLER ASSY .....	1	
		/ATTACHING PARTS/		
-45	NAS6206-4D	. BOLT .....	1	
-46	AN960-616	. WASHER .....	1	
-47	100951R160YM	. WASHER .....	2	
-48	AN960JD616L	. WASHER .....	2	
-49	130909N25	. NUT .....	1	
		★		
-50	B67	. BEARING, ROLLER .....	2	
-51	122-810008-1	. PIN, FWD DOOR ROD .....	1	
		/ATTACHING PARTS/		
-52	MS24665-132	. PIN, COTTER .....	1	
-53	MS20392-1C27	. PIN .....	1	
		★		
-54	50-810225-10	. CLAMP .....	1	
		/ATTACHING PARTS/		
-55	130909B45	. BOLT .....	1	
-56	AN960-416	. WASHER .....	1	
-57	130909N32	. NUT .....	1	
		★		
-58	MS28889-2	. VALVE, AIR CHARGE .....	1	

**Beechcraft**  
**STARSHIP 1**  
**ILLUSTRATED PARTS CATALOG**



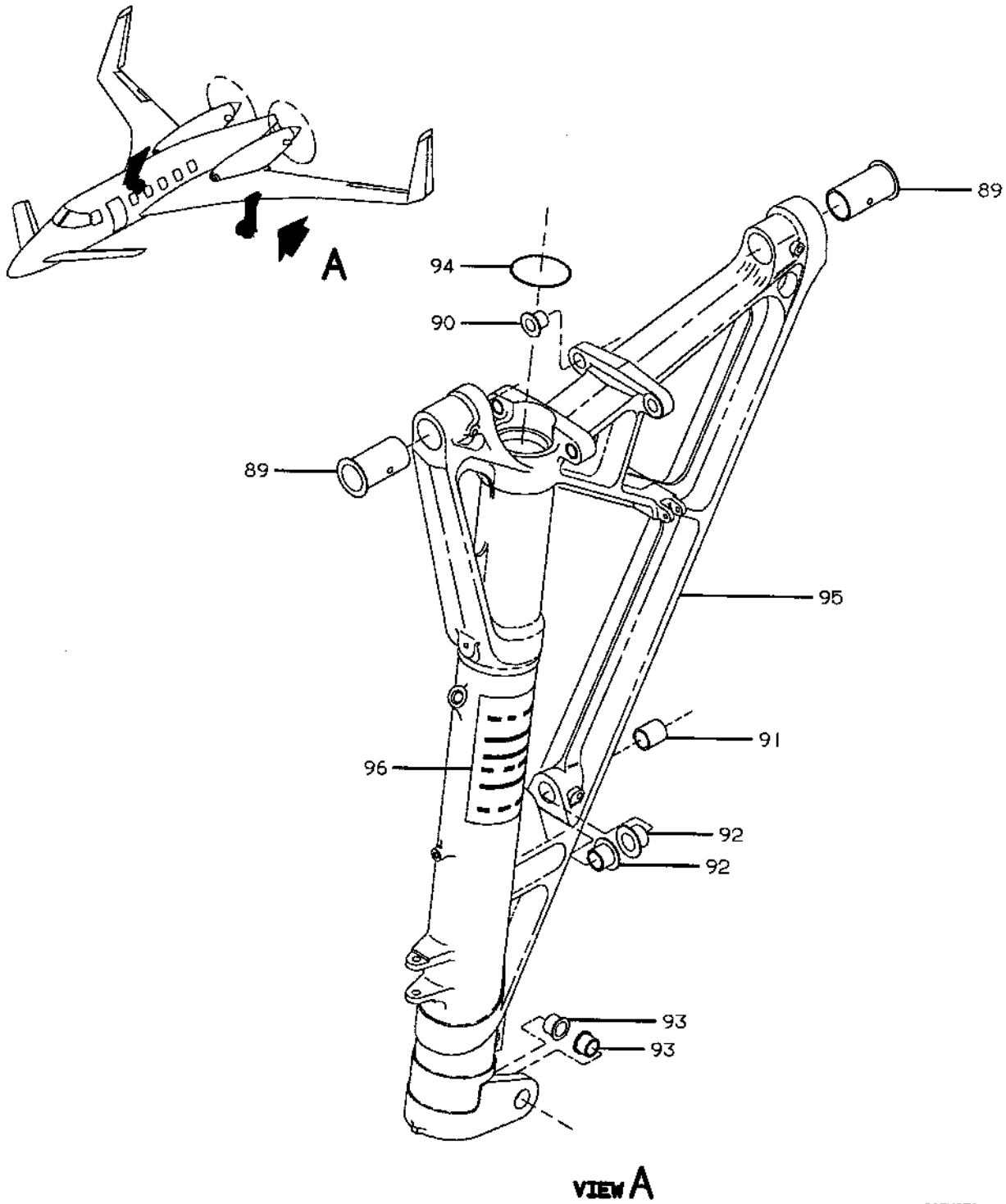
C93NC32A4508 C

**FIGURE 10-10. MAIN LANDING GEAR ASSEMBLY**  
**/SHEET 3 OF 4 SHEETS/**

**Beechcraft**  
**STARSHIP 1**  
**ILLUSTRATED PARTS CATALOG**

SUB-SEC UNIT & ITEM NO	PART NO.	DESCRIPTION 1 2 3 4 5 6 7	UNITS	USABLE
			PER ASSY	ON CODE
10-10 -59	122-810033-1	. NUT, GLAND .....	1	
-60	NAS6204-70D	. BOLT, ORIFICE SUPPORT .....	1	
-61	AN960-416	. WASHER .....	2	
-62	130909N7	. NUT .....	1	
-63	MS24685-132	. PIN, COTTER .....	1	
-64	CEC401-335-01	. RING, SCRAPER .....	1	
-65	122-810076-1	. BEARING, LOWER .....	1	
-66	MS28775-337	. PACKING, PREFORMED .....	1	
-67	MS28774-337	. RETAINER .....	2	
-68	7335FT160N	. SEAL ASSY .....	1	
	122-810055-7	. PISTON AND AXLE, MAIN LANDING GEAR .....	NP	3
		/ FOR SPARES ORDER 112-810055-9/		
	122-810055-9	. PISTON AND AXLE, MAIN LANDING GEAR .....	1	4
-69	AFBB6E12	.. BOLT, BLIND .....	1	
-70	101-810160-3	.. STATIC DISCHARGER .....	1	
-71	NAS509-4	.. NUT, LOCKING .....	2	
-72	101-810161-5	.. BRACKET .....	1	
-73	122-810079-1	.. AXLE .....	1	
-74	122-810060-3	.. PLUG, PISTON SEAL .....	1	
-75	5-1044	.. PACKING, PREFORMED .....	2	
-76	S33824-3013	.. RETAINER, PREFORMED PACKING .....	2	
	122-810061-1	.. PISTON AND SOCKET ASSY .....	1	3
	122-810061-15	.. PISTON AND SOCKET ASSY .....	1	4
-77	122-810061-9	... BUSHING .....	2	
-78	122-810061-3	... WELD ASSY .....	1	3
	122-810061-13	... WELD ASSY .....	1	4
-79	122-810039-1	. VALVE, RECOIL .....	1	
-80	122-810038-1	. PIN .....	4	
-81	122-810077-1	. BEARING .....	1	
	122-810014-5	. ORIFICE ASSY, MAIN LANDING GEAR .....	1	
-82	AN996-32	.. RING, LOCK .....	1	
-83	122-810021-5	.. HEAD, ORIFICE .....	1	
-84	122-810020-5	.. TUBE, ORIFICE SUPPORT .....	1	
-85	60-384016-15	. RING, PISTON .....	1	
-86	MS28775-137	. PACKING, PREFORMED .....	1	
-87	MS28775-232	. PACKING, PREFORMED .....	1	
-88	MS28774-232	. RETAINER .....	2	2
	MS27595-232	. RETAINER .....	2	1

Beechcraft  
STARSHIP 1  
ILLUSTRATED PARTS CATALOG



C93NC32A4509 C

FIGURE 10-10.MAIN LANDING GEAR ASSEMBLY  
/SHEET 4 OF 4 SHEETS/

**Beechcraft**  
**STARSHIP 1**  
**ILLUSTRATED PARTS CATALOG**

SUB-SEC UNIT & ITEM NO	PART NO.	DESCRIPTION 1 2 3 4 5 6 7	UNITS	USABLE
			PER ASSY	ON CODE
10-10	122-810065-1	. BRACE ASSY, MAIN LG .....	1	
- 89	122-810065-5	.. BUSHING .....	2	
- 90	M81934/2-10A020	.. BUSHING .....	4	
- 91	M81934/1-14A036	.. BUSHING .....	1	
- 92	M81934/2-14A024	.. BUSHING .....	2	
- 93	122-810065-7	.. BUSHING .....	2	
- 94	122-810065-9	.. PLUG, UPPER BRACE.....	1	
- 95	122-810065-3	.. BRACE .....	1	
- 96	122-810075-3	. PLACARD, INSTRUCTION .....	2	
	131052-1	. PLACARD, GEAR ASSY SERIAL .....	1	

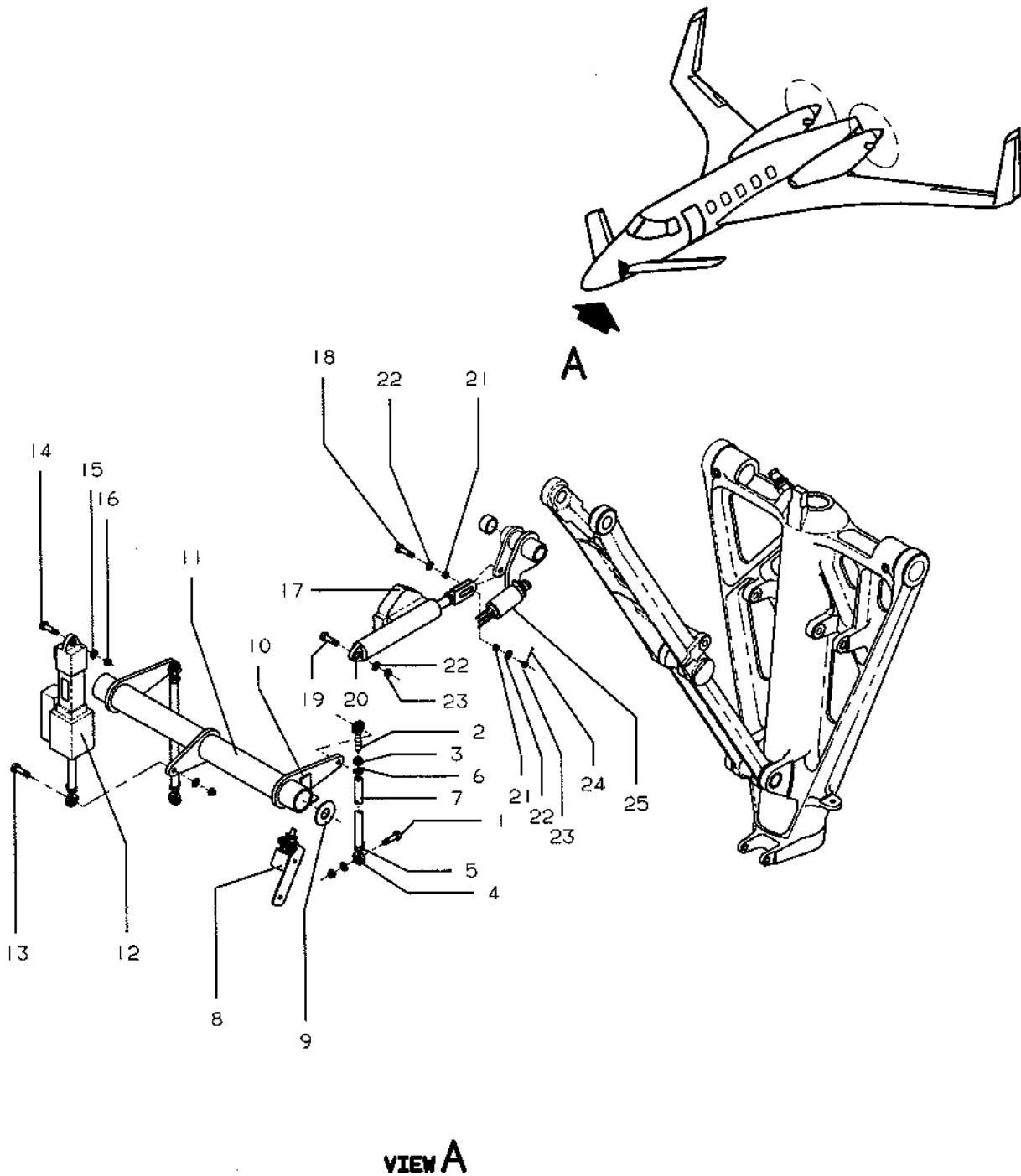
**CODES OF EFFECTIVITY**

1	NC-4 THRU NC-23	2	NC-24 AND AFTER
3	NC-4 THRU NC-45	4	NC-46 AND AFTER
5	NC-4 THRU NC-53	6	NC-54 AND AFTER

**Beechcraft**  
**STARSHIP 1**  
**ILLUSTRATED PARTS CATALOG**

**32-20-00**  
**NOSE LANDING GEAR INSTALLATION**

Beechcraft  
STARSHIP 1  
ILLUSTRATED PARTS CATALOG



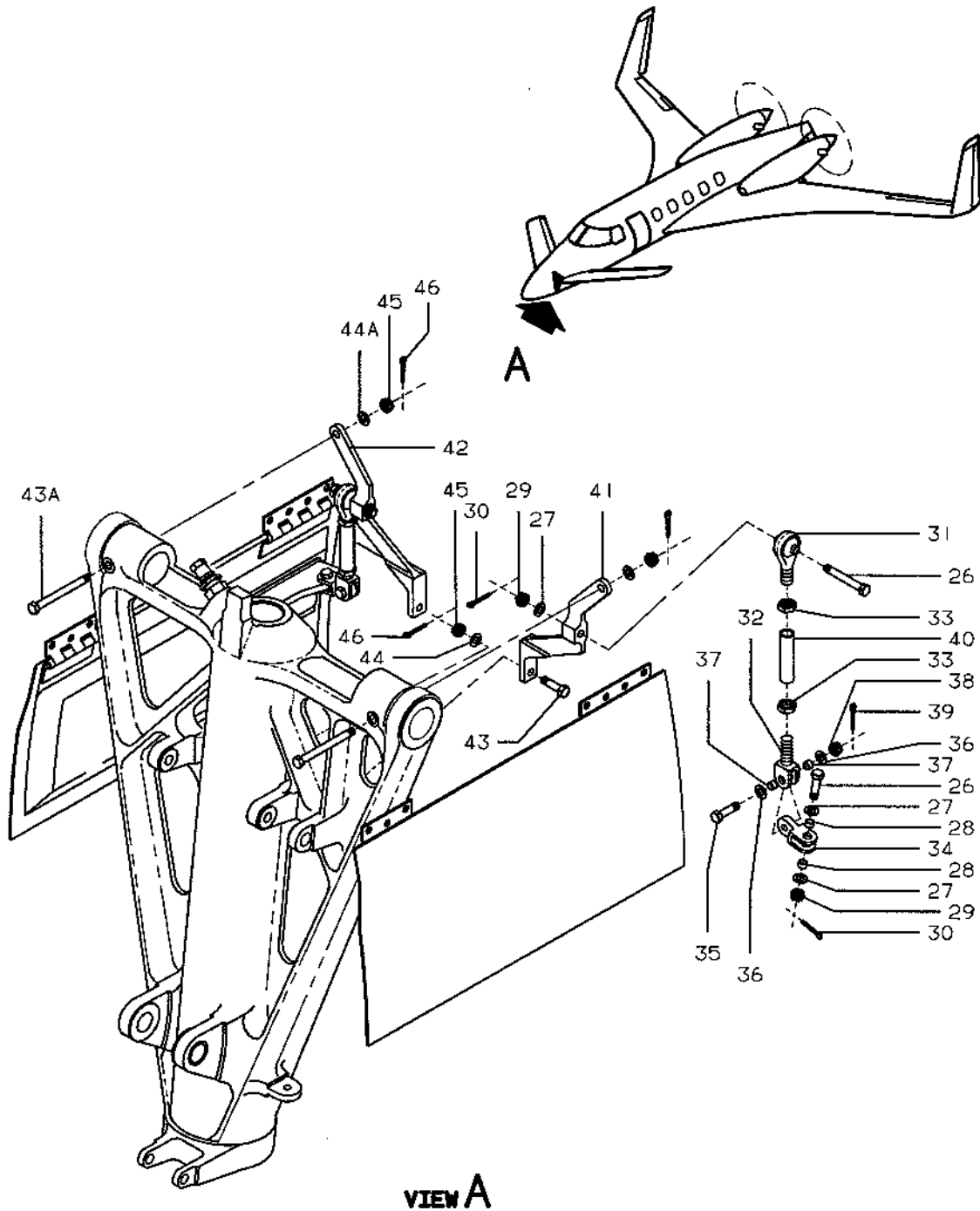
C95NC32A0699 C



**Beechcraft**  
**STARSHIP 1**  
**ILLUSTRATED PARTS CATALOG**

SUB-SEC UNIT & ITEM NO	PART NO.	DESCRIPTION 1 2 3 4 5 6 7	UNITS	USABLE
			PER ASSY	ON CODE
20-00	122-820000-9	LANDING GEAR INSTL, NOSE .....	NP	3
	122-820000-3	LANDING GEAR INSTL, NOSE .....	NP	4
	122-820094-1	. PUSHROD ASSY, FWD NOSE GEAR DOOR..... /ATTACHING PARTS/	2	
- 1	NAS6204-10D	. BOLT .....	2	
	R AN960-416	. WASHER .....	2	
	MS17826-4	. NUT .....	2	
	MS24665-136	. PIN, COTTER .....	2	
		-----★-----		
- 2	M81935/1-04K-L	. . ROD END, LH THREAD .....	1	
- 3	NAS509L5	. . NUT, LH THREAD .....	1	
- 4	M81935/1-04K	. . ROD END, RH THREAD .....	1	
- 5	NAS509-5	. . NUT, RH THREAD .....	1	
- 6	NAS513-5	. . WASHER/BOTH ENDS/ .....	2	
- 7	122-820094-3	. TUBE .....	1	
- 8	H11-1476	. SWITCH .....	1	
- 9	122-820000-5	. SHIM .....	AR	
	122-820023-19	. BELLCRANK ASSY .....	1	
-10	122-820023-9	. BRACKET, SWITCH ACTUATOR .....	1	
-11	122-820023-21	. WELD ASSY .....	1	
-12	122-380033-3	. ACTUATOR ASSY, NOSE LANDING GEAR DOOR .....	1	
	122-380033-5	. ACTUATOR ASSY, NOSE LANDING GEAR DOOR .....	1	
		/ALTERNATE FOR 122-380033-5/ /ALTERNATE FOR 122-380033-3/ /ATTACHING PARTS/		
-13	NAS6204-11D	. BOLT .....	1	
-14	130909B190	. BOLT .....	1	
-15	AN960-416L	. WASHER .....	2	
-16	MS17826-4	. NUT .....	2	
	R MS24665-136	. PIN, COTTER .....	2	
		-----★-----		
-17	122-380012-9	. ACTUATOR ASSY, NOSE GEAR UPLOCK .....	1	
	122-380012-13	. ACTUATOR ASSY, NOSE GEAR UPLOCK .....	1	
		/ALTERNATE FOR 122-380012-13/ /ALTERNATE FOR 122-380012-9/ /ATTACHING PARTS/		
-18	NAS6204-7D	. BOLT/UPLOCK HOOK END/ .....	1	
-19	130909B190	. BOLT/BRACKET END/ .....	1	
-20	105739X-ZZ0350	. BUSHING/BRACKET END/ .....	1	
-21	122-820000-7	. BUSHING/UPLOCK HOOK END/ .....	2	
-22	AN960-416L	. WASHER/TWO REQ ON UPLOCK HOOK END/ .....	3	
-23	MS17826-4	. NUT .....	2	
-24	R MS24665-136	. PIN, COTTER .....	2	
		-----★-----		
-25	R H11-1476	. SWITCH, NOSE GEAR UPLOCK PROXIMITY .....	1	

Beechcraft  
STARSHIP 1  
ILLUSTRATED PARTS CATALOG



C94NC32A0422 C

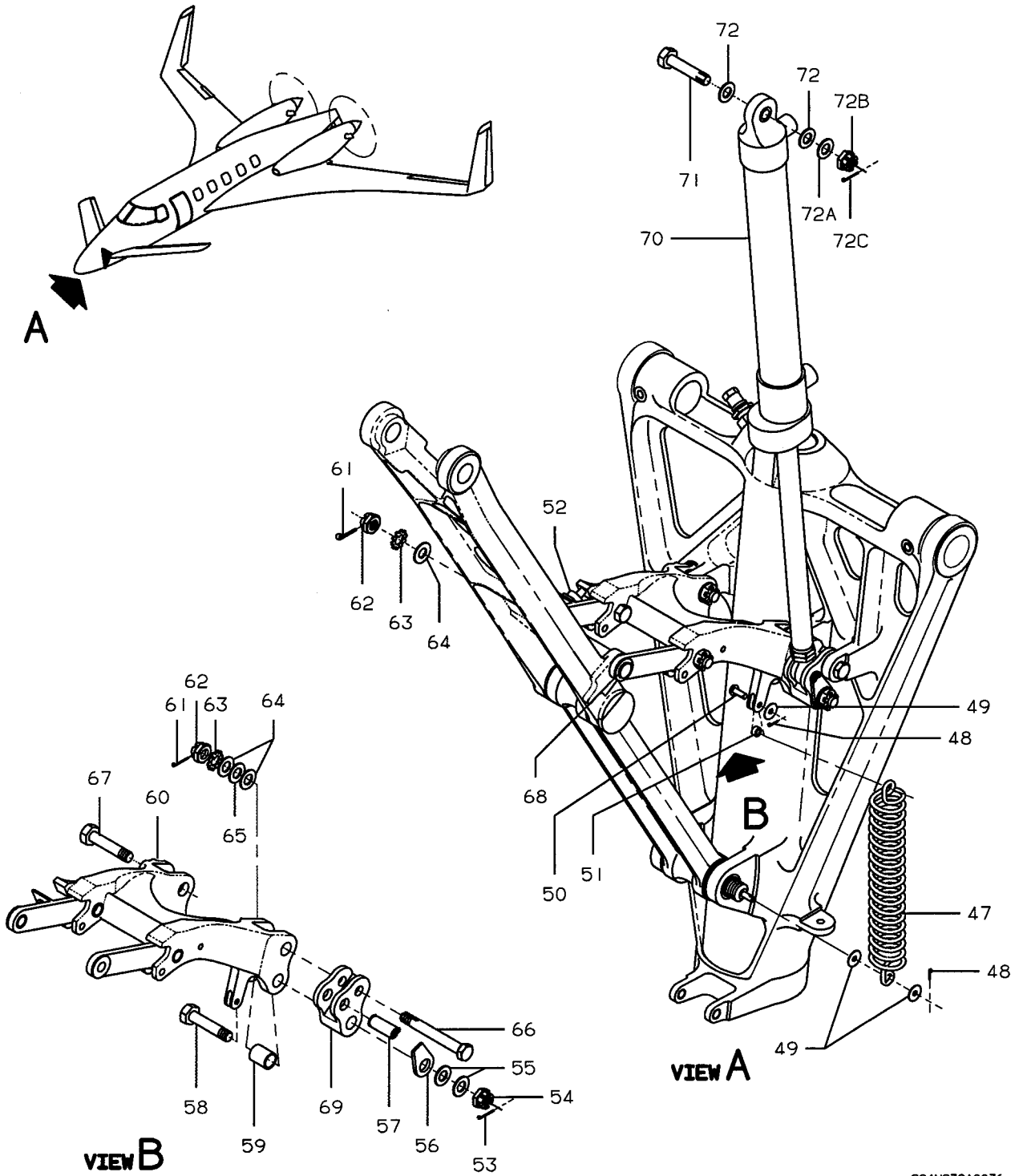
FIGURE 20-00. NOSE LANDING GEAR INSTALLATION  
/SHEET 2 OF 4 SHEETS/

# Raytheon Aircraft

## BEECH STARSHIP 1 ILLUSTRATED PARTS CATALOG

SUB-SECT UNIT & ITEM NO.	PART NO.	DESCRIPTION	1 2 3 4 5 6 7							UNITS PER ASSY	USABLE ON CODE
			1	2	3	4	5	6	7		
20-00	122-820103-1	. PUSHROD ASSY, AFT DOORS .....								2	
		(ATTACHING PARTS)									
26	NAS6204-9D	. BOLT/DOOR ASSY END/ .....								2	
27	AN960-416L	. WASHER .....								4	
28	105739X-ZZ0150	. BUSHING .....								4	
29	MS17826-4	. NUT .....								2	
30	MS24665-136	. PIN, COTTER .....								2	
		-----★-----									
31	131765-6M	. . ROD END .....								1	
32	122-820103-5	. . ROD END .....								1	
33	NAS509-6	. . NUT, LOCK .....								2	
34	122-820103-7	. . CLEVIS .....								1	
		(ATTACHING PARTS)									
35	NAS6204-9D	. . BOLT .....								1	
36	AN960-416L	. . WASHER .....								2	
37	105739X-ZZ0150	. . BUSHING .....								2	
38	MS17826-4	. . NUT .....								1	
39	MS24665-136	. . PIN, COTTER .....								1	
		-----★-----									
40	122-820103-3	. . TUBE .....								1	
41	122-820102-1	. LINK, ATTACH/LH/ .....								1	
42	122-820102-2	. LINK, ATTACH/RH/ .....								1	
		(ATTACHING PARTS)									
43	NAS6204-10D	. BOLT .....								1	
43A	NAS6204-42D	. BOLT .....								1	
44	AN960-416L	. WASHER .....								1	
44A	AN960-416	. WASHER .....								1	
45	MS17826-4	. NUT .....								2	
46	MS24665-136	. PIN, COTTER .....								2	
		-----★-----									

**Beechcraft**  
**STARSHIP 1**  
**ILLUSTRATED PARTS CATALOG**



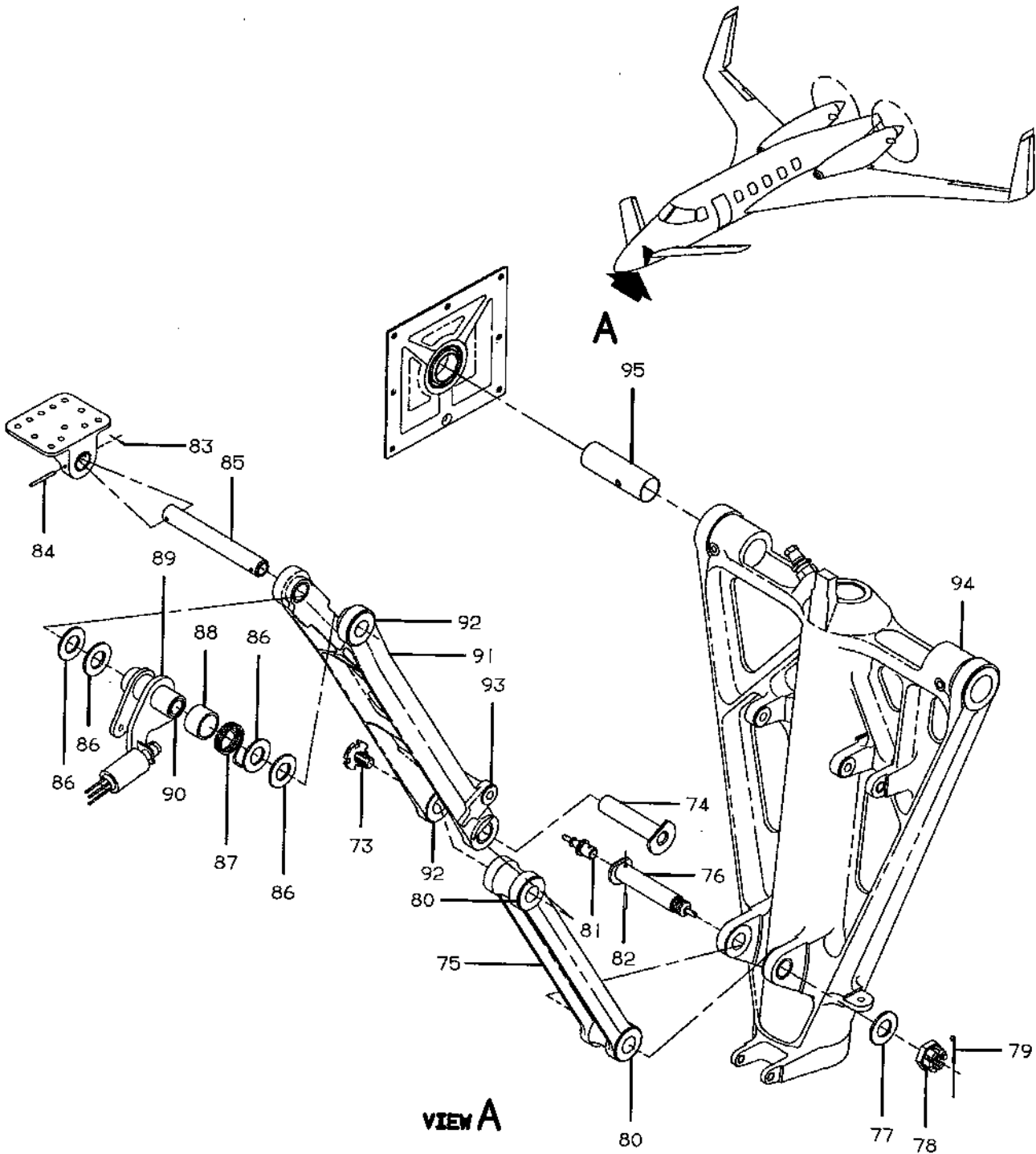
C94NC32A0036 C

**FIGURE 20-00.NOSE LANDING GEAR INSTALLATION**  
**/SHEET 3 OF 4 SHEETS/**

**Beechcraft**  
**STARSHIP 1**  
**ILLUSTRATED PARTS CATALOG**

SUB-SEC UNIT & ITEM NO	PART NO.	DESCRIPTION 1 2 3 4 5 6 7	UNITS PER ASSY	USABLE ON CODE
20-00	122-820022-3	.. DRAG BRACE INSTL, NOSE GEAR .....	NP	
- 47	122-388000-3	.. SPRING, NOSE GEAR DOWNLOCK .....	2	
		/ATTACHING PARTS/		
- 48	R MS24665-132	.. PIN, COTTER .....	2	
- 49	AN960KD10	.. WASHER .....	AR	
	AN960KD10L	.. WASHER .....	AR	
- 50	R MS20392-2C13	.. PIN .....	1	
- 51	R 122-820005-1	.. BUSHING-SPRING SLEEVE, NLG .....	2	
		---★---		
- 52	H11-1476	.. SWITCH/DOWNLOCK/ .....	1	
- 53	MS24665-287	.. PIN, COTTER .....	1	
- 54	MS17826-8	.. NUT .....	1	
- 55	AN960KD816	.. WASHER .....	2	
- 56	122-820077-1	.. LOCK PLATE, ACTUATOR PIN .....	1	
- 57	122-820081-1	.. PIN, ACTUATOR .....	1	
- 58	122-820002-3	.. BOLT/ACT BRKT TO AFT LOCK LINK/ .....	1	
- 59	122-820083-1	.. SPACER, ACTUATOR BRACKET .....	1	
- 60	122-820022-7	.. LOCK LINK ASSY .....	1	
		/ORDER ASA MATCHED SET/ /ATTACHING PARTS/		
- 61	MS24665-285	.. PIN, COTTER .....	3	
- 62	MS17826-6	.. NUT .....	3	
- 63	NAS460-616	.. WASHER/LH ONLY/ .....	2	
- 64	R AN960KD616	.. WASHER/TWO FOR LH BOLT/ .....	4	
- 65	AN960KD616L	.. WASHER/LH BOLT/ .....	1	
- 66	R 122-820002-1	.. BOLT, LH .....	1	
- 67	R NAS6206-20D	.. BOLT, RH .....	1	
- 68	R 122-820051-1	.. BOLT/FWD LOCK LINK TO UPR DRAG BRACE/ .....	1	
		---★---		
- 69	R 122-820075-1	.. ACTUATOR BRACKET .....	1	1
	R 122-410490-7	.. ACTUATOR BRACKET .....	1	2
- 70	R 122-380006-3	.. ACTUATOR, NOSE LANDING GEAR/ALTERNATE FOR .....	NP	1
		122-380006-5/ORDER 122-388008-1 AND 122-410490-7 FOR SPARES/		
	R 122-380006-5	.. ACTUATOR, NOSE LANDING GEAR/ALTERNATE FOR .....	NP	1
		122-380006-3/ORDER 122-388008-1 AND 122-410490-7 FOR SPARES/		
	122-388008-1	.. ACTUATOR, NOSE LANDING GEAR .....	1	2
		/ATTACHING PARTS/		
- 71	R NAS6206-15D	.. BOLT .....	1	
- 72	R AN960JD616L	.. WASHER .....	AR	
- 72A	R AN960KD616	.. WASHER .....	1	
- 72B	R MS17826-6	.. NUT .....	1	
- 72C	R MS24665-285	.. PIN, COTTER .....	1	
		---★---		

**Beechcraft**  
**STARSHIP 1**  
**ILLUSTRATED PARTS CATALOG**



C94NC32A0037 C

**FIGURE 20-00. NOSE LANDING GEAR INSTALLATION**  
**/SHEET 4 OF 4 SHEETS/**

**Beechcraft**  
**STARSHIP 1**  
**ILLUSTRATED PARTS CATALOG**

SUB-SEC UNIT & ITEM NO	PART NO.	DESCRIPTION 1 2 3 4 5 6 7	UNITS	USABLE
			PER ASSY	ON CODE
20-00 - 73	122-820079-1	.. INTERNAL NUT, APEX PIN .....	1	
- 74	122-820080-1	.. APEX PIN, DRAG BRACE .....	1	
- 75	122-820096-1	.. DRAG BRACE ASSY, LOWER .....	1	
		/ATTACHING PARTS/		
- 76	122-820071-1	.. PIN, DRAG BRACE .....	1	
- 77	R AN960D1016	.. WASHER .....	1	
- 78	MS17826-10	.. NUT .....	1	
- 79	MS24665-355	.. PIN, COTTER .....	1	
		---*---		
- 80	M81934/2-12A016	.. BUSHING .....	4	
- 81	122-820070-1	.. ADAPTER, SPRING ATTACH .....	1	
		/ATTACHING PARTS/		
- 82	MS16555-828	.. PIN, DOWEL .....	1	
		---*---		
- 83	MS24665-69	.. PIN, COTTER .....	1	
- 84	122-820022-5	.. PIN, PIVOT PIN RETAINING .....	1	
- 85	122-820082-1	.. UPPER DRAG BRACE PIVOT PIN .....	1	
- 86	R AN960KD1216L	.. WASHER .....	AR	
- 87	122-382068-5	.. SPRING .....	1	
- 88	122-820032-15	.. BUSHING .....	1	
- 89	122-820032-1	.. UPLOCK HOOK, NOSE GEAR .....	1	
- 90	M81934/1-12A016	.. BUSHING .....	2	
- 91	122-820096-1	.. DRAG BRACE ASSY, UPPER .....	1	
- 92	M81934/2-12A016	.. BUSHING .....	4	
- 93	M81934/2-06A010	.. BUSHING .....	2	
- 94	122-820001-9	.. LANDING GEAR ASSY, NOSE .....	NP	3
		/ORDER 122-820001-13 FOR SPARES/		
		/SEE CHAPTER 32-20-10/		
	122-820001-7	.. LANDING GEAR ASSY, NOSE .....	NP	5
		/ORDER 122-820001-13 FOR SPARES/		
		/SEE CHAPTER 32-20-10/		
	122-820001-13	.. LANDING GEAR ASSY, NOSE .....	1	6
		/SEE CHAPTER 32-20-10/		
- 95	122-820088-1	.. PIN, TRUNNION .....	2	

**CODES OF EFFECTIVITY**

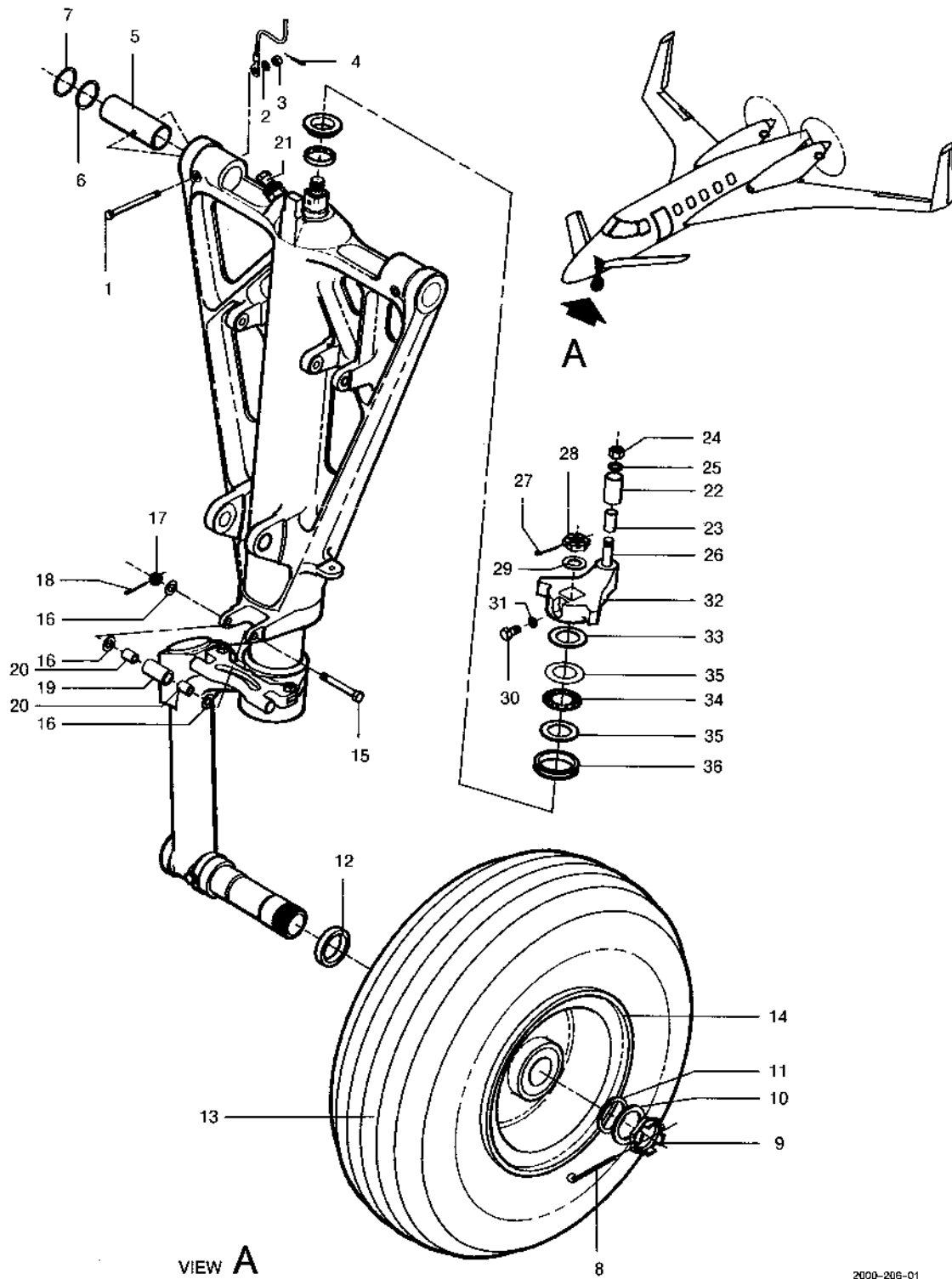
1	NC-4 THRU NC-27	2	NC-28,
	NC-29 THRU NC-36		NC-37 AND AFTER
3	NC-4	4	NC-5 AND AFTER
5	NC-5 THRU NC-53	6	NC-54 AND AFTER

**Beechcraft**  
**STARSHIP 1**  
**ILLUSTRATED PARTS CATALOG**

**32-20-10**  
**NOSE LANDING GEAR ASSEMBLY**



**Beechcraft**  
**STARSHIP 1**  
**ILLUSTRATED PARTS CATALOG**



VIEW A

2000-206-01

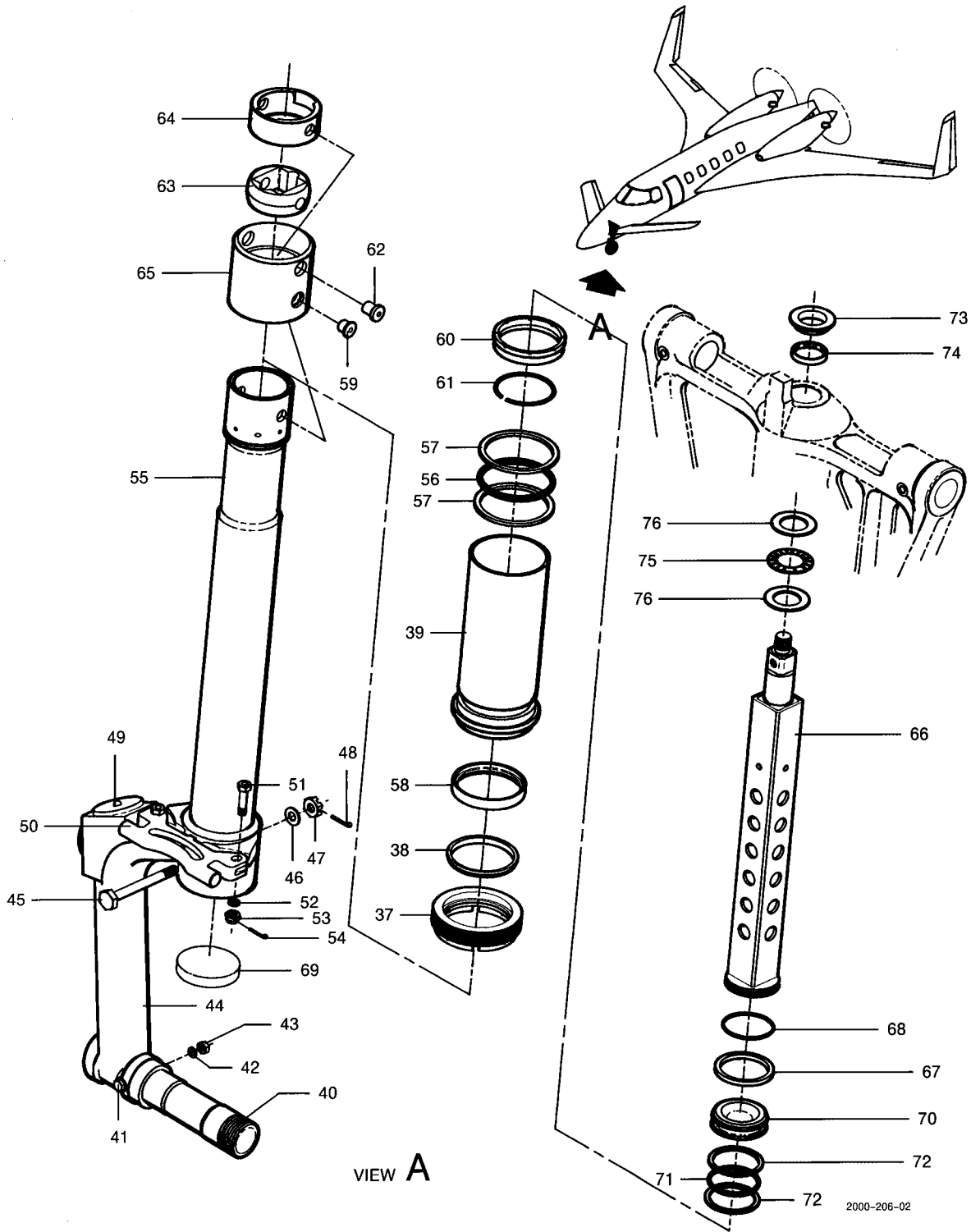
**FIGURE 20-10. NOSE LANDING GEAR ASSY**  
**/SHEET 1 OF 3 SHEETS/**

# Raytheon Aircraft

## BEECH STARSHIP 1 ILLUSTRATED PARTS CATALOG

SUB-SECT UNIT & ITEM NO.	PART NO.	1 2 3 4 5 6 7	DESCRIPTION	UNITS PER ASSY	USABLE ON CODE
20-10	122-820001-9		LANDING GEAR ASSY, NOSE ..... /ORDER 122-820001-13 FOR SPARES/	NP	3
	122-820001-7		LANDING GEAR ASSY, NOSE ..... /ORDER 122-820001-13 FOR SPARES/	NP	4
	122-820001-13		LANDING GEAR ASSY, NOSE ..... (ATTACHING PARTS)	1	5
1	NAS6204-42D		BOLT .....	2	
2	AN960-416L		WASHER .....	2	
3	MS17826-4		NUT .....	2	
4	MS24665-136		PIN, COTTER .....	2	
5	122-820088-1		PIN, NOSE LANDING GEAR TRUNNION .....	2	
6	100951X100WL		WASHER .....	AR	
7	100951X016XY		WASHER .....	AR	
			-----★-----		
	114-8001-23		. TIRE & WHEEL ASSY ..... /ORDER 114-8001-33 FOR SPARES/	NP	6
	114-8001-33		. TIRE & WHEEL ASSY ..... (ATTACHING PARTS)	1	5
8	MS24665-428		. PIN, COTTER .....	1	
9	MS21025-24		. NUT .....	1	
10	MS21258C24		. WASHER .....	1	
11	100951X100WZ		. WASHER .....	1	
12	122-820052-1		. SPACER .....	1	
			-----★-----		
13	114-8001-9		. . TIRE/ORDER 196K08A FOR SPARES/ .....	NP	6
	196K08A		. . TIRE .....	1	5
14	114-8001-21		. . WHEEL ASSY .....	1	
	60-8002-33		. . . PACKING, PREFORMED .....	1	
	122-820001-11		. LANDING GEAR ASSY, NOSE ..... /LESS TIRE & WHEEL ASSY/	1	
	122-820090-1		. . ROLLER ASSY ..... (ATTACHING PARTS)	1	
15	NAS6205C-31D		. . BOLT .....	3	
16	AN960C516		. . WASHER .....	3	
17	130909N17		. . NUT .....	1	
18	MS24665-153		. . PIN, COTTER .....	1	
			-----★-----		
19	122-820091-1		. . . ROLLER .....	1	
20	B57		. . . BEARING .....	2	
21	MS28889-2		. . VALVE, AIR .....	1	
22	114-820061-3		. . ROLLER, NOSE GEAR STEERING .....	1	
23	114-820062-3		. . BUSHING, ROLLER .....	1	
			(ATTACHING PARTS)		
24	130909N25		. . NUT .....	1	
25	AN960-616L		. . WASHER .....	1	
26	NAS336CA26		. . BOLT .....	1	
			-----★-----		
27	MS24665-374		. . PIN, COTTER .....	1	
28	130909N20		. . NUT .....	1	
29	AN960C1016L		. . WASHER .....	1	
30	NAS145-13		. . BOLT .....	1	
31	AN960KD516L		. . WASHER .....	1	
32	122-820066-3		. . ARM, NOSE GEAR STEERING .....	1	
33	122-820001-5		. . SHIM .....	AR	
34	NTA1828		. . BEARING, THRUST .....	1	
35	TRC1828		. . WASHER .....	2	
36	122-820067-1		. . SHIELD .....	1	

**Beechcraft**  
**STARSHIP 1**  
**ILLUSTRATED PARTS CATALOG**



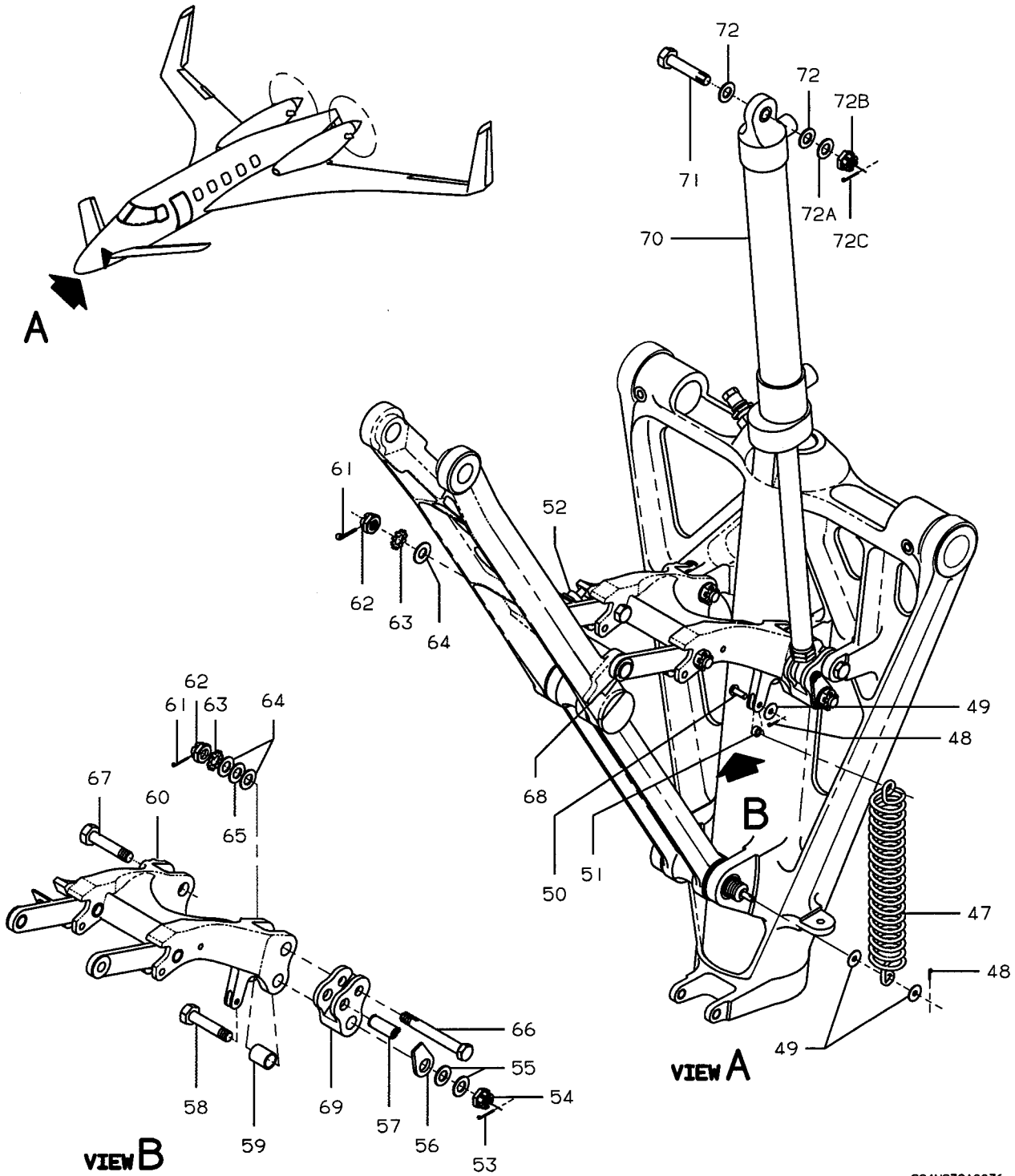
**FIGURE 20-10.NOSE LANDING GEAR ASSY**  
**/SHEET 2 OF 3 SHEETS/**

# Raytheon Aircraft

## BEECH STARSHIP 1 ILLUSTRATED PARTS CATALOG

SUB-SECT UNIT & ITEM NO.	PART NO.	DESCRIPTION	1 2 3 4 5 6 7							UNITS	USABLE	
										PER ASSY	ON CODE	
20-00	122-820103-1	. PUSHROD ASSY, AFT DOORS .....									2	
		(ATTACHING PARTS)										
26	NAS6204-9D	. BOLT/DOOR ASSY END/ .....									2	
27	AN960-416L	. WASHER .....									4	
28	105739X-ZZ0150	. BUSHING .....									4	
29	MS17826-4	. NUT .....									2	
30	MS24665-136	. PIN, COTTER .....									2	
		-----★-----										
31	131765-6M	. . ROD END .....									1	
32	122-820103-5	. . ROD END .....									1	
33	NAS509-6	. . NUT, LOCK .....									2	
34	122-820103-7	. . CLEVIS .....									1	
		(ATTACHING PARTS)										
35	NAS6204-9D	. . BOLT .....									1	
36	AN960-416L	. . WASHER .....									2	
37	105739X-ZZ0150	. . BUSHING .....									2	
38	MS17826-4	. . NUT .....									1	
39	MS24665-136	. . PIN, COTTER .....									1	
		-----★-----										
40	122-820103-3	. . TUBE .....									1	
41	122-820102-1	. LINK, ATTACH/LH/ .....									1	
42	122-820102-2	. LINK, ATTACH/RH/ .....									1	
		(ATTACHING PARTS)										
43	NAS6204-10D	. BOLT .....									1	
43A	NAS6204-42D	. BOLT .....									1	
44	AN960-416L	. WASHER .....									1	
44A	AN960-416	. WASHER .....									1	
45	MS17826-4	. NUT .....									2	
46	MS24665-136	. PIN, COTTER .....									2	
		-----★-----										

**Beechcraft**  
**STARSHIP 1**  
**ILLUSTRATED PARTS CATALOG**



C94NC32A0036 C

**FIGURE 20-00.NOSE LANDING GEAR INSTALLATION**  
**/SHEET 3 OF 4 SHEETS/**

**Beechcraft**  
**STARSHIP 1**  
**ILLUSTRATED PARTS CATALOG**

SUB-SEC UNIT & ITEM NO	PART NO.	DESCRIPTION 1 2 3 4 5 6 7	UNITS	USABLE
			PER ASSY	ON CODE
20-10 - 77	R 122-820029-3	.. PLACARD..... /ORDER 122-820029-5 & -7 FOR SPARES/	NP	1
	R 122-820029-5	.. PLACARD, TOW TURN LIMITS.....	1	2
	R 122-820029-7	.. PLACARD..... /DO NOT TOW WITH STEERING DISENGAGED/	1	2
- 78	R 122-820030-3	.. PLACARD, STRUT SERVICE INSTRUCTIONS.....	1	
- 79	R 131052-1	.. PLACARD, SERIAL ID.....	1	
- 80	R 122-820101-1	.. BRACE ASSY..... /ORDER 122-820101-9 BRACE ASSY AND 122-820073-3 SPACER FOR SPARES/	NP	3
	R 122-820101-9	.. BRACE ASSY.....	1	7
- 81	R 122-820101-5	.. BUSHING, NOSE GEAR TRUNNION.....	2	
- 82	R M81934/2-06A006	.. BUSHING.....	4	
- 83	R M81934/2-06A012	.. BUSHING.....	1	
- 84	R M81934/2-12A016	.. BUSHING.....	2	

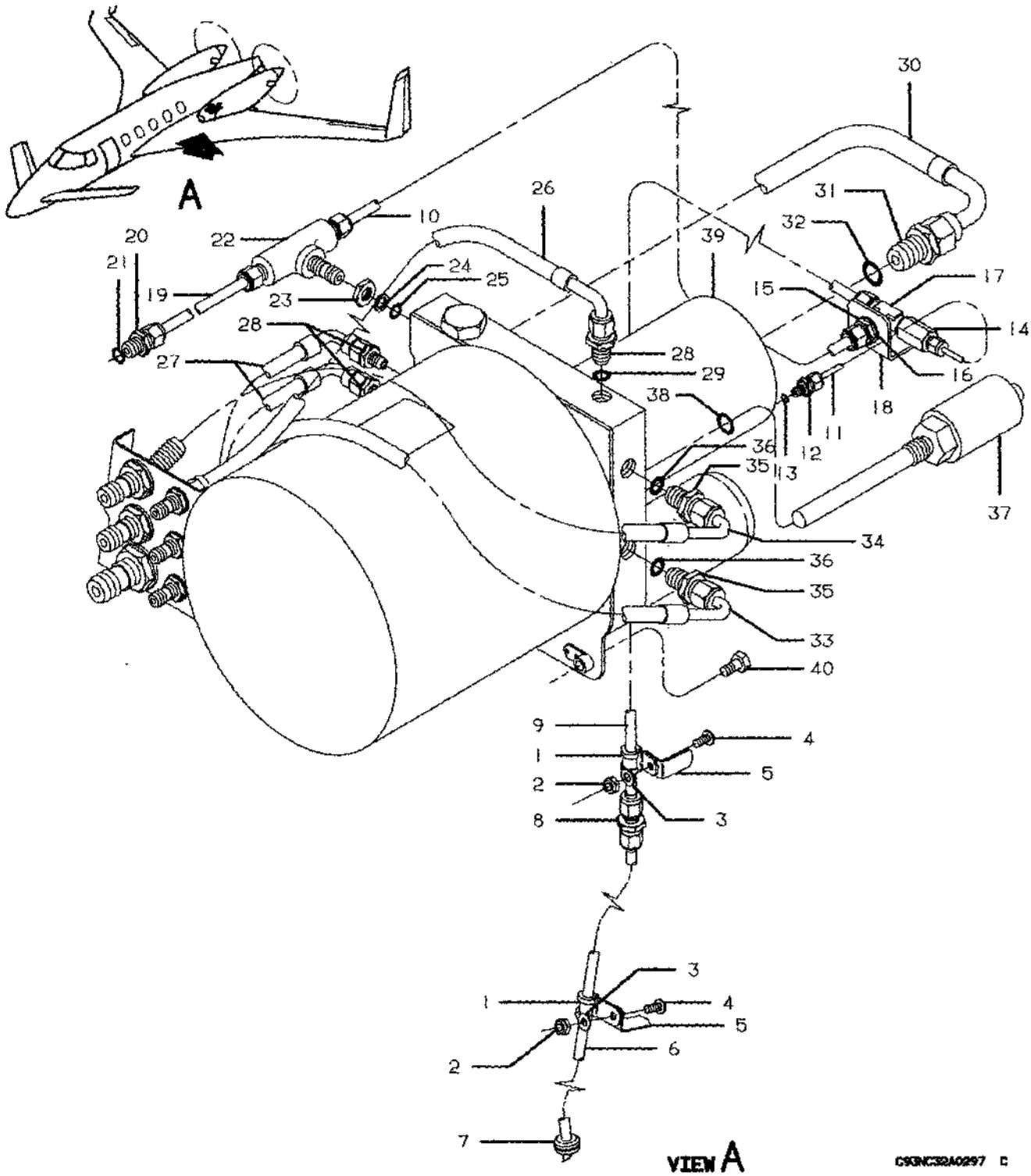
**CODES OF EFFECTIVITY**

1	NC-4 THRU NC-27	2	NC-28 AND AFTER
3	NC-4	4	NC-5 THRU NC-53
5	NC-54 AND AFTER	6	NC-4 THRU NC-53
7	NC-5 AND AFTER		

**Beechcraft**  
**STARSHIP 1**  
**ILLUSTRATED PARTS CATALOG**

**32-30-00**  
**NACELLE HYDRAULIC PLUMBING**  
**/LANDING GEAR/**

Beechcraft  
 STARSHIP 1  
 ILLUSTRATED PARTS CATALOG



C93NC32A0297 C

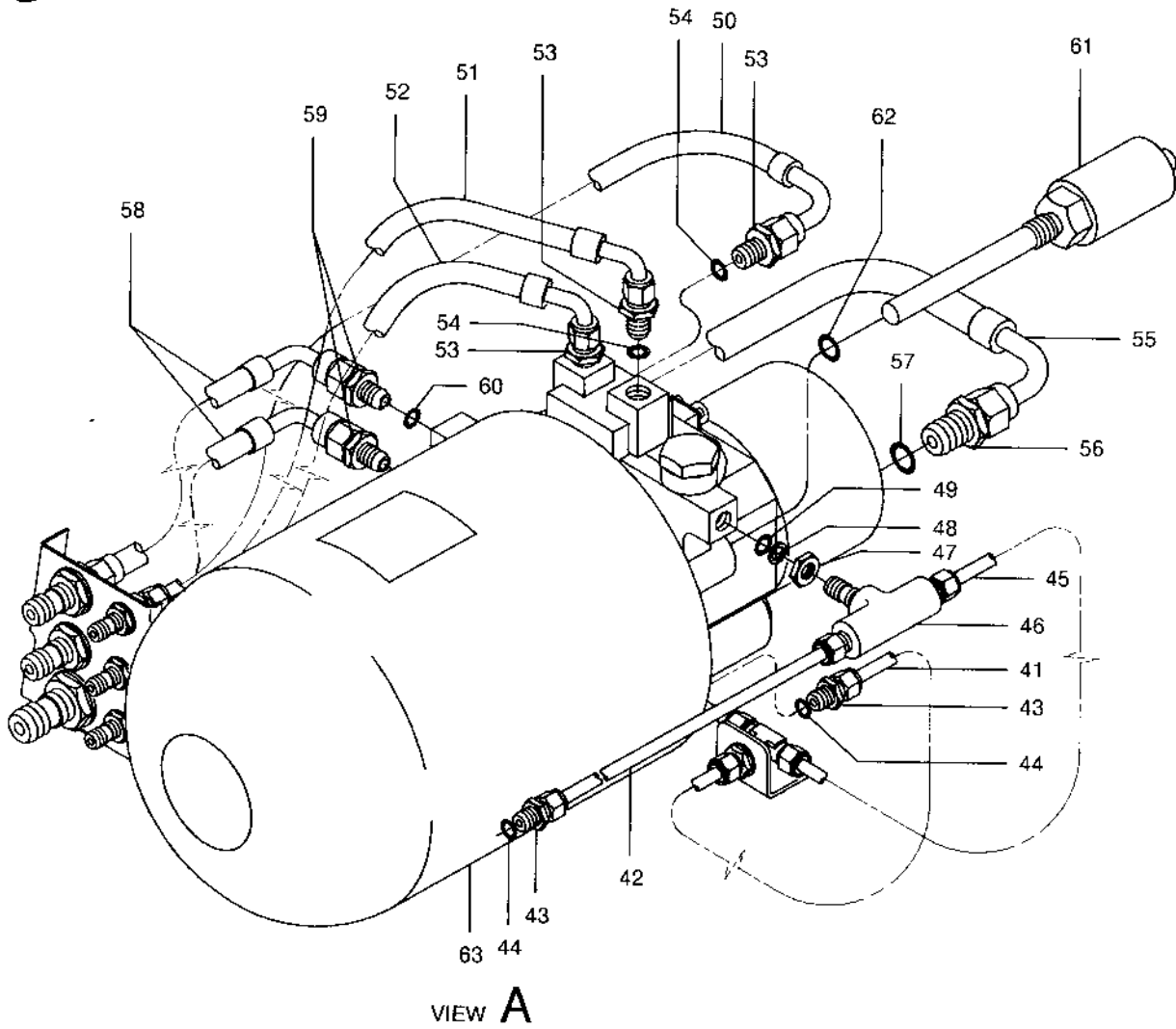
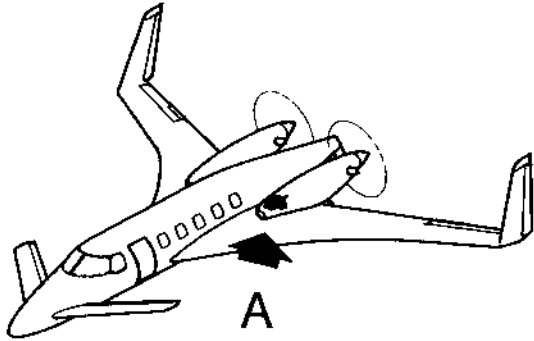
FIGURE 30-00. NACELLE HYDRAULIC PLUMBING  
 /SHEET 1 OF 4 SHEETS/



**Beechcraft**  
**STARSHIP 1**  
**ILLUSTRATED PARTS CATALOG**

SUB-SEC UNIT & ITEM NO	PART NO.	DESCRIPTION 1 2 3 4 5 6 7	UNITS PER ASSY	USABLE ON CODE
30-00	122-580013-1	PLUMBING INSTL, NACELLE HYDRAULIC/ALTERNATE..... FOR 122-580013-3 AND 122-580013-5/	NP	
	122-580013-3	PLUMBING INSTL, NACELLE HYDRAULIC/ALTERNATE..... FOR 122-580013-1 AND 122-580013-5/	NP	
	122-580013-5	PLUMBING INSTL, NACELLE HYDRAULIC/ALTERNATE..... FOR 122-580013-1 AND 122-580013-3/	NP	
- 1	MS21919WDG4	. CLAMP..... /ATTACHING PARTS/	2	
- 2	130909N29	. NUT.....	1	
- 3	AN960KD10L	. WASHER.....	1	
- 4	MS35207-262	. SCREW..... ★	1	
- 5	AN743-13	. BRACKET.....	2	
- 6	122-580203-1	. TUBE, OVERBOARD DRAIN.....	1	
- 7	MS35489-6	. GROMMET.....	1	
- 8	D10036D04	. UNION.....	1	
- 9	122-580205-1	. TUBE ASSY, OVERBOARD DRAIN.....	1	
- 10	122-580025-1	. TUBE ASSY, OVERBOARD DRAIN/-1 INSTL/.....	1	
- 11	122-580027-1	. TUBE ASSY, CASE DRAIN/-1 INSTL/.....	1	
- 12	AN815-2D	. UNION/-1 INSTL/.....	1	
- 13	MS28778-2	. PACKING, PREFORMED/-1 INSTL/.....	1	
- 14	AN894D4-2	. BUSHING/-1 INSTL/.....	1	
- 15	AN924-4D	. NUT.....	1	
- 16	AN960KD716L	. WASHER.....	1	
- 17	AN834-4D	. TEE.....	1	
- 18	122-580122-9	. BRACKET.....	1	
- 19	122-580024-1	. TUBE ASSY, BLEED AIR PRESSURE/-1 INSTL/.....	1	
- 20	AN815-4D	. UNION/-1 INSTL/.....	1	
- 21	MS28778-4	. PACKING, PREFORMED/-1 INSTL/.....	1	
- 22	122-380007-3	. VALVE ASSY/-1 INSTL/.....	1	
- 23	AN6289D4	. NUT/-1 INSTL/.....	1	
- 24	MS28777-4	. RING, PACKING BACK-UP/-1 INSTL/.....	1	
- 25	MS28778-4	. PACKING, PREFORMED/-1 INSTL/.....	1	
- 26	101-388015-39	. TUBE ASSY, HAND PUMP PRESSURE/-1 INSTL/.....	1	
- 27	101-388015-21	. TUBE ASSY, NLG DOOR OPEN AND CLOSE/-1 INSTL/.....	2	
- 28	AN815-4	. UNION/-1 INSTL/.....	3	
- 29	MS28778-4	. PACKING, PREFORMED/-1 INSTL/.....	3	
- 30	6565A08J-D08-0*	120 . HOSE ASSY, HAND PUMP SUCTION/-1 INSTL/.....	1	
- 31	AN815-8D	. UNION/-1 INSTL/.....	1	
- 32	MS28778-8	. PACKING, PREFORMED/-1 INSTL/.....	1	
- 33	101-388015-37	. TUBE ASSY, LANDING GEAR EXTEND/-1 INSTL/.....	1	
- 34	101-388015-7	. TUBE ASSY, LANDING GEAR RETRACT/-1 INSTL/.....	1	
- 35	AN815-6	. UNION/-1 INSTL/.....	2	
- 36	MS28778-6	. PACKING, PREFORMED/-1 INSTL/.....	2	
- 37	122-388001-3	. SENSOR, LOW LIQUID LEVEL/-1 INSTL/.....	1	
- 38	MS28778-8	. PACKING, PREFORMED/-1 INSTL/.....	1	
- 39	122-380014-1	. POWER PACK/-1 INSTL/..... /ATTACHING PARTS/	1	
- 40	130909B34	. BOLT..... ★	4	

Beechcraft  
STARSHIP 1  
ILLUSTRATED PARTS CATALOG



2000-231-06

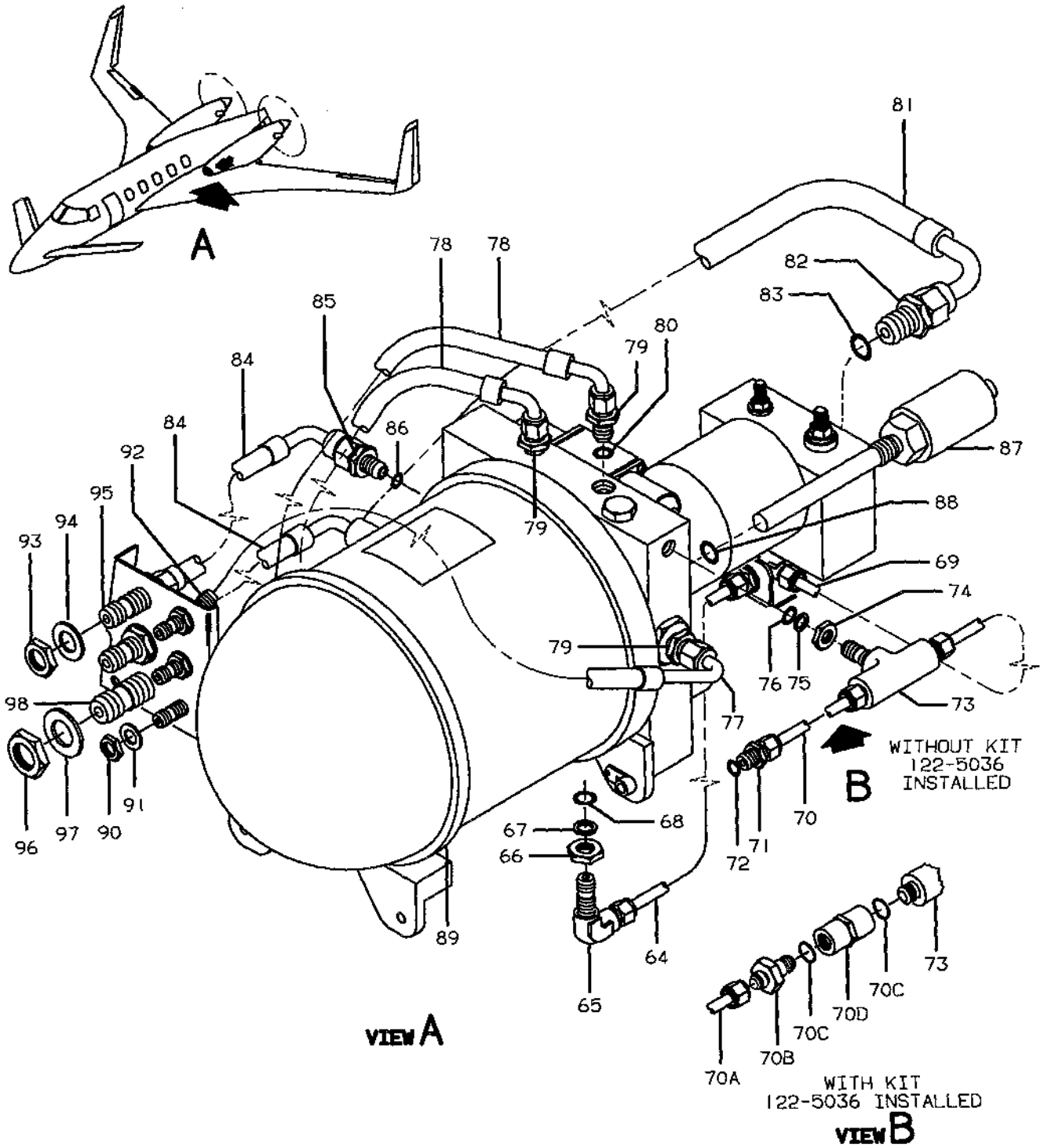
**Beechcraft**  
**STARSHIP 1**  
**ILLUSTRATED PARTS CATALOG**

SUB-SEC UNIT & ITEM NO	PART NO.	DESCRIPTION 1 2 3 4 5 6 7	UNITS	USABLE
			PER ASSY	ON CODE
30-00 -41	122-580007-1	. TUBE ASSY, CASE DRAIN/-3 INSTL/.....	1	
-42	122-580003-1	. TUBE ASSY, BLEED AIR PRESSURE/-3 INSTL/ .....	1	
-43	AN815-4D	. UNION/-3 INSTL/ .....	2	
-44	MS28778-4	. PACKING, PREFORMED/-3 INSTL/.....	2	
-45	122-580005-1	. TUBE ASSY, OVERBOARD DRAIN/-3 INSTL/.....	1	
-46	122-380007-3	. VALVE ASSY/-3 INSTL/.....	1	
-47	AN6289D4	. NUT/-3 INSTL/.....	1	
-48	MS28777-4	. RING, PACKING BACK-UP/-3 INSTL/.....	1	
-49	MS28778-4	. PACKING, PREFORMED/-3 INSTL/.....	1	
-50	101-388015-25	. TUBE ASSY/HAND PUMP PRESSURE/-3 INSTL/ .....	1	
-51	R 101-388015-27	. TUBE ASSY, NOSE GEAR DOOR OPEN/-3 INSTL/ .....	1	
-52	R 101-388015-5	. TUBE ASSY, NOSE GEAR DOOR CLOSE/-3 INSTL/ .....	1	
-53	AN815-4	. UNION/-3 INSTL/ .....	3	
-54	MS28778-4	. PACKING, PREFORMED/-3 INSTL/.....	3	
-55	6565A08J-D08-0*	120 . HOSE ASSY, HAND PUMP SUCTION/-3 INSTL/.....	1	
-56	AN815-8D	. UNION/-3 INSTL/ .....	1	
-57	MS28778-8	. PACKING, PREFORMED/-3 INSTL/ .....	1	
-58	101-388015-29	. TUBE ASSY, LG EXTEND AND RETRACT/-3 INSTL/ .....	2	
-59	AN815-6	. UNION/-3 INSTL/ .....	2	
-60	MS28778-6	. PACKING, PREFORMED/-3 INSTL/.....	2	
-61	122-388001-3	. SENSOR, LOW LIQUID LEVEL/-3 INSTL/ .....	1	
-62	MS28778-8	. PACKING, PREFORMED/-3 INSTL/.....	1	
-63	122-380014-3	. POWER PACK/-3 INSTL/.....	1	
		/ATTACHING PARTS/		
	130909834	. BOLT.....	4	

---★---

# Raytheon Aircraft

## BEECH STARSHIP 1 ILLUSTRATED PARTS CATALOG



NC32A  
002410AA

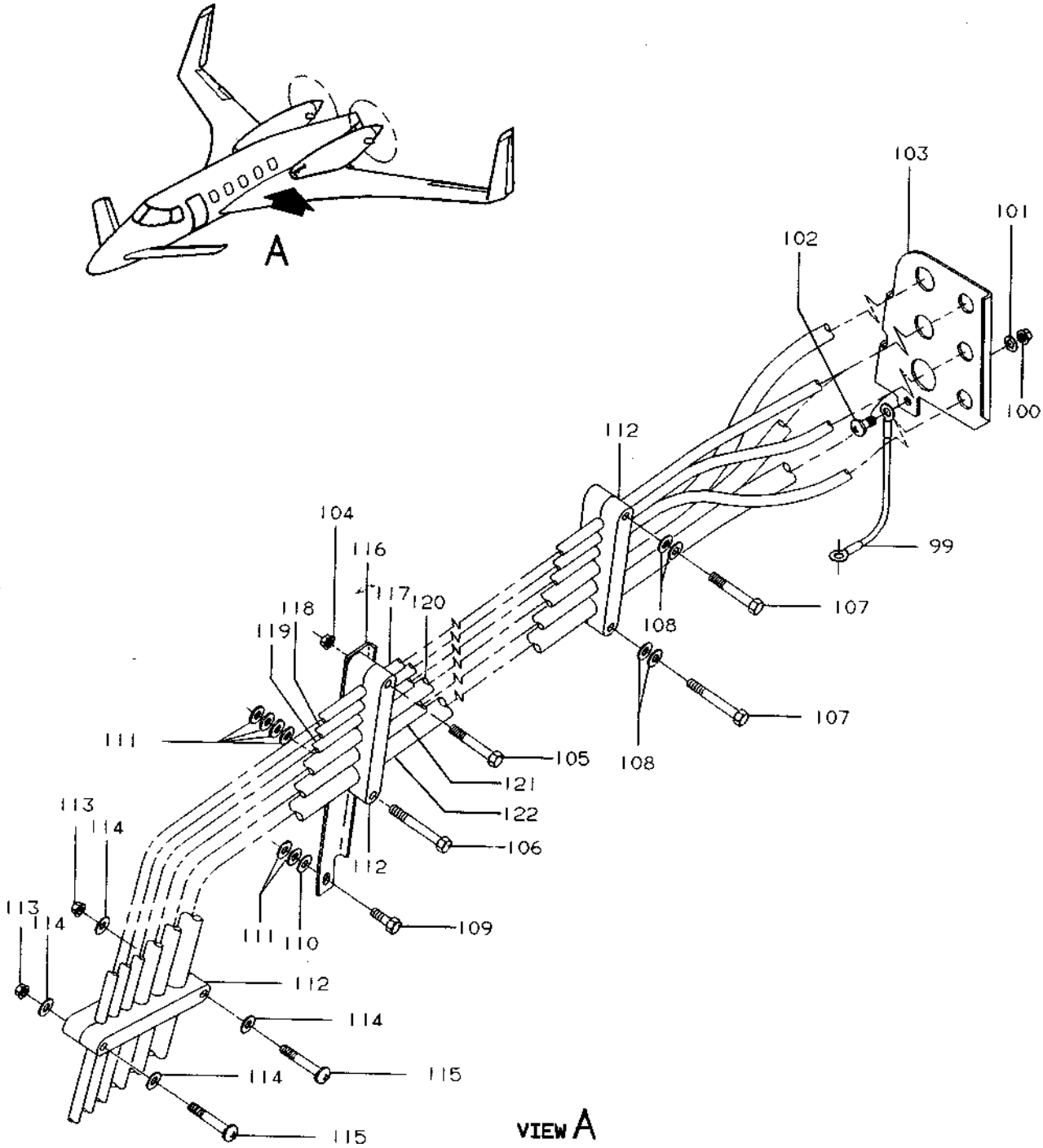
**FIGURE 30-00 . NACELLE HYDRAULIC PLUMBING  
/SHEET 3 OF 4 SHEETS/**

# Raytheon Aircraft

## BEECH STARSHIP 1 ILLUSTRATED PARTS CATALOG

SUB-SECT		PART NO.	DESCRIPTION	UNITS	USABLE
UNIT & ITEM NO.	1 2 3 4 5 6 7			PER ASSY	
30-00	64	122-580008-1	. TUBE ASSY, CASE DRAIN/-5 INSTL/ .....	1	
	65	AN833-4D	. ELBOW/-5 INSTL/ .....	1	
	66	AN6289D4	. NUT/-5 INSTL/ .....	1	
	67	MS28777-4	. RING, PACKING BACK-UP/-5 INSTL/ .....	1	
	68	MS28778-4	. PACKING, PREFORMED/-5 INSTL/ .....	1	
	69	122-580006-1	. TUBE ASSY, OVERBOARD DRAIN/-5 INSTL/ .....	1	
	70	122-580004-1	. TUBE ASSY, BLEED AIR PRESSURE/-5 INSTL/ .....	1	
	70A	122-580004-5	. TUBE ASSY, BLEED AIR PRESSURE/-5 INSTL/ .....	1	
	70B	JETE1875200D	. RESTRICTOR/-5 INSTL/ .....	1	
	70C	MS28778-4	. PACKING, PREFORMED/-5 INSTL/ .....	2	
	70D	NAS424-4D	. COUPLING/-5 INSTL/ .....	1	
	71	AN815-4D	. UNION/-5 INSTL/ .....	1	
	72	MS28778-4	. PACKING, PREFORMED/-5 INSTL/ .....	1	
	73	122-380007-3	. VALVE ASSY/-5 INSTL/ .....	1	
	74	AN6289D4	. NUT/-5 INSTL/ .....	1	
	75	MS28777-4	. RING, PACKING BACK-UP/-5 INSTL/ .....	1	
	76	MS28778-4	. PACKING, PREFORMED/-5 INSTL/ .....	1	
	77	101-388015-27	. TUBE ASSY, HAND PUMP PRESSURE/-5 INSTL/ .....	1	
	78	101-388015-25	. TUBE ASSY, NLG DOOR OPEN AND CLOSE/-5 INSTL/ .....	2	
	79	MS51525B4	. UNION/-5 INSTL/ .....	3	
	80	MS28778-4	. PACKING, PREFORMED/-5 INSTL/ .....	3	
	81	6565A08J-D08-0*	130 . HOSE ASSY, HAND PUMP SUCTION/-5 INSTL/ .....	1	
	82	AN815-8D	. UNION/-5 INSTL/ .....	1	
	83	MS28778-8	. PACKING, PREFORMED/-5 INSTL/ .....	1	
	84	101-388015-31	. TUBE ASSY, LG EXTEND AND RETRACT/-5 INSTL/ .....	2	
	85	MS51525B6	. UNION/-5 INSTL/ .....	2	
	86	MS28778-6	. PACKING, PREFORMED/-5 INSTL/ .....	2	
	87	122-388001-3	. SENSOR, LOW LIQUID LEVEL/-5 INSTL/ .....	1	
	88	MS28778-8	. PACKING, PREFORMED/-5 INSTL/ .....	1	
	89	122-380014-11	. POWER PACK/-5 INSTL/ .....	1	
			(ATTACHING PARTS)		
		130909B34	. BOLT .....	4	
			----- ★ -----		
	90	AN924-4J	. NUT .....	3	
	91	AN960JD716L	. WASHER .....	3	
	92	AN837-4J	. ELBOW/-5 INSTL/ .....	3	
		AN832-4J	. UNION/-1 & -3 INSTL/ .....	3	
	93	AN924-6J	. NUT .....	2	
	94	AN960JD916L	. WASHER .....	2	
	95	AN832-6J	. UNION/-3 & -5 INSTL/ .....	2	
		AN837-6J	. ELBOW/-1 INSTL/ .....	2	
	96	AN924-8D	. NUT .....	1	
	97	AN960KD1216L	. WASHER .....	1	
	98	AN832-8D	. UNION .....	1	

**Beechcraft**  
**STARSHIP 1**  
**ILLUSTRATED PARTS CATALOG**



C93NC32A0298 C

**Beechcraft**  
**STARSHIP 1**  
**ILLUSTRATED PARTS CATALOG**

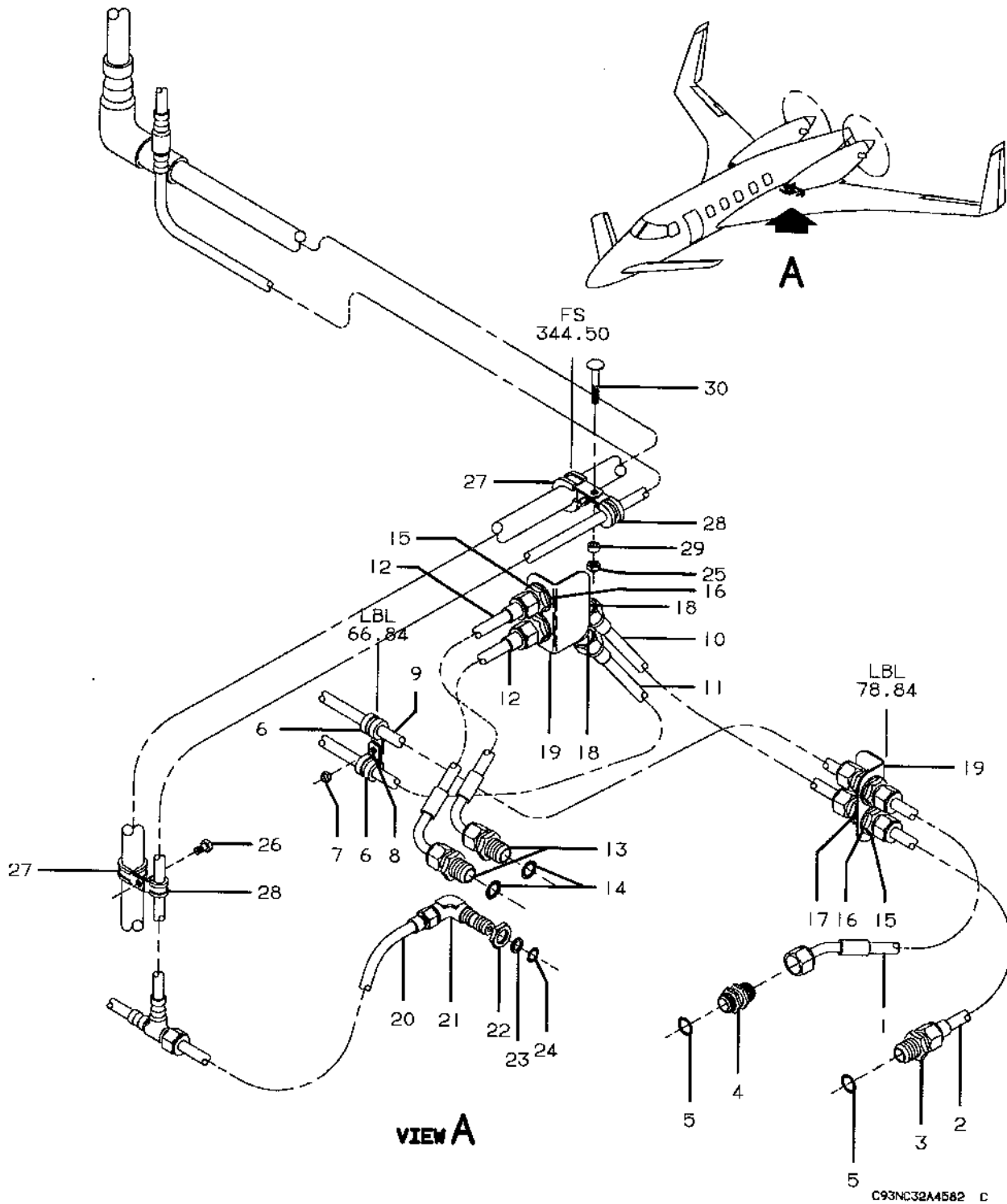
SUB-SEC UNIT & ITEM NO	PART NO.	DESCRIPTION 1 2 3 4 5 6 7	UNITS	USABLE
			PER ASSY	ON CODE
30-00 - 99	MS25083-2BB5	. JUMPER, BONDING .....	1	
		. /ATTACHING PARTS/ .....		
-100	130909N29	. NUT .....	1	
-101	AN960JD10L	. WASHER .....	1	
-102	MS35207-262	. SCREW .....	1	
		-----★-----		
-103	122-580129-9	. BRACKET, TUBE SUPPORT .....	1	
-104	130909N29	. NUT .....	1	
-105	NAS1103-17	. BOLT .....	1	
-106	AN3C14A	. BOLT .....	1	
-107	AN3C13A	. BOLT .....	2	
-108	AN960C10	. WASHER .....	4	
-109	AN3C3A	. BOLT .....	1	
-110	AN960C10L	. WASHER .....	1	
-111	AN960C10	. WASHER .....	8	
-112	122-580036-31	. BLOCK, TUBE SUPPORT .....	6	
-113	130909N29	. NUT .....	2	
-114	AN960KD10L	. WASHER .....	4	
-115	MS27039-1-23	. SCREW .....	2	
-116	122-580122-15	. BRACKET .....	1	
-117	122-580201-1	. TUBE ASSY, HAND PUMP PRESSURE .....	1	
-118	122-580199-1	. TUBE ASSY, NOSE GEAR DOOR CLOSE .....	1	
-119	122-580200-1	. TUBE ASSY, NOSE GEAR DOOR OPEN .....	1	
-120	122-580198-1	. TUBE ASSY, LANDING GEAR RETRACT .....	1	
-121	122-580202-1	. TUBE ASSY, LANDING GEAR EXTEND .....	1	
-122	122-580204-1	. TUBE ASSY, HAND PUMP SUCTION .....	1	

**Beechcraft**  
**STARSHIP 1**  
**ILLUSTRATED PARTS CATALOG**

**32-30-05**  
**AFT FUSELAGE HYDRAULIC PLUMBING**  
**/LANDING GEAR/**



**Beechcraft**  
**STARSHIP 1**  
**ILLUSTRATED PARTS CATALOG**

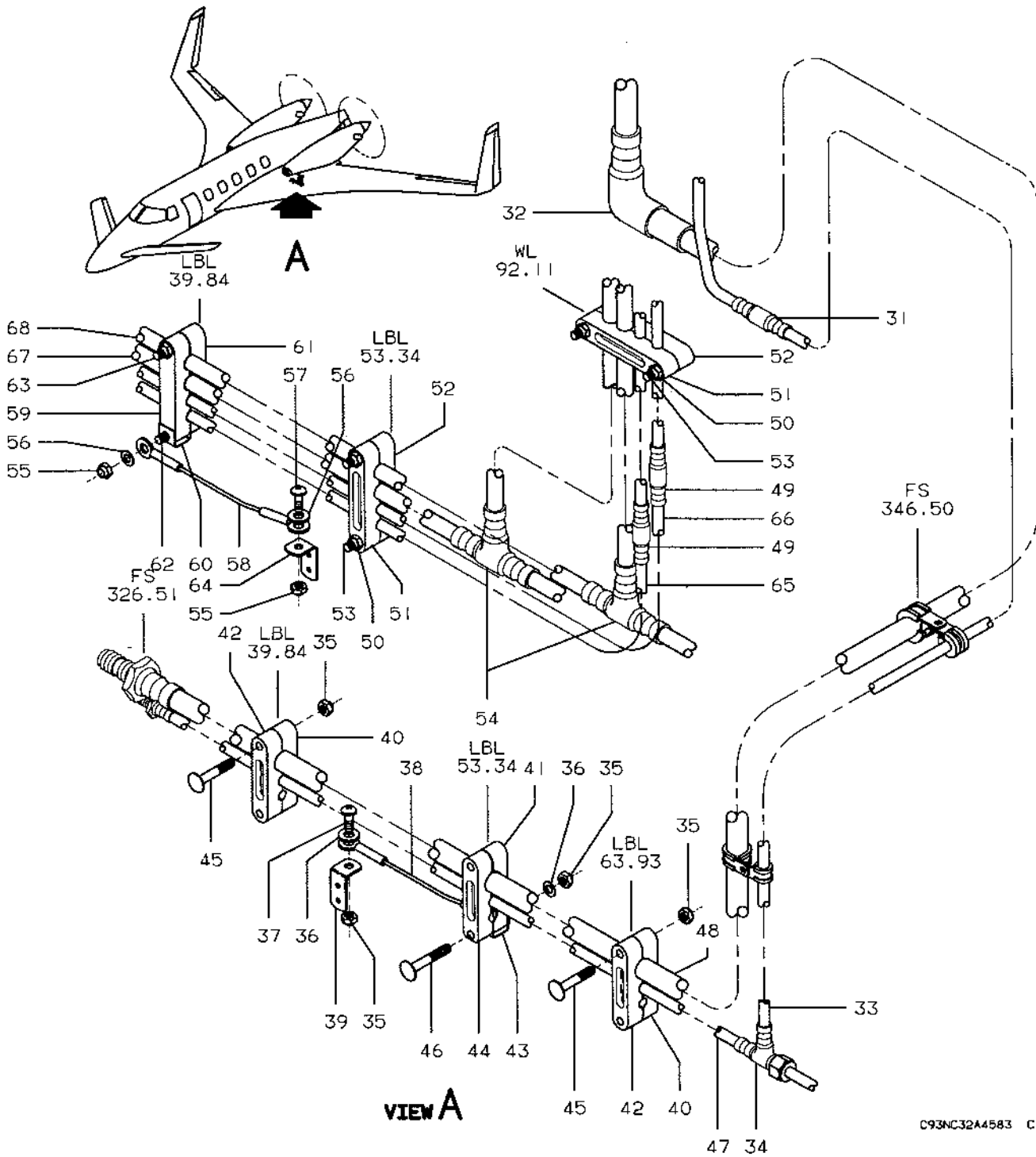


**FIGURE 30-05.AFT FUS. HYDRAULIC PLUMBING**  
**/SHEET 1 OF 7 SHEETS/**

**Beechcraft**  
**STARSHIP 1**  
**ILLUSTRATED PARTS CATALOG**

SUB-SEC UNIT & ITEM NO	PART NO.	DESCRIPTION 1 2 3 4 5 6 7	UNITS	USABLE
			PER ASSY	ON CODE
30-05	122-580000-1	HYDRAULIC SYSTEM INSTL.....	NP	
		<b>NOTE</b> BEECHCRAFT CUSTOMER SUPPORT SHOULD BE CONTACTED PRIOR TO ORDERING REPLACEMENT TUBE ASSEMBLIES AND/OR PERMASWAGE FITTINGS.		
	122-580010-1	HYDRAULIC PLUMBING INSTL, AFT FUSELAGE.....	NP	
- 1	101-388015-7	.. HOSE ASSY, LH MAIN GEAR RETRACT.....	1	
- 2	101-388016-55	.. HOSE ASSY, LH MAIN GEAR EXTEND.....	1	
- 3	AN815-6	.. UNION/GEAR EXTEND HOSE TO ACTUATOR/.....	1	
- 4	FCLX0504600B	.. RESTRICTOR/GEAR RETRACT HOSE TO ACTUATOR/.....	1	
- 5	MS28778-6	.. PACKING, PREFORMED.....	2	
- 6	MS21919WDG6	.. CLAMP.....	2	
		/ATTACHING PARTS/		
- 7	130909N29	.. NUT.....	1	
- 8	132131-3-4	.. STUD.....	1	
		-----*		
- 9	122-580197-1	.. TUBE ASSY, LH MAIN GEAR RETRACT.....	1	
- 10	122-580093-5	.. TUBE ASSY, LH MAIN GEAR EXTEND.....	1	
- 11	122-580195-1	.. TUBE ASSY, LH MAIN GEAR EXTEND.....	1	
- 12	101-388015-7	.. HOSE ASSY, LH MAIN GEAR EXTEND/UPLOCK.....	2	
		ACTUATOR TRANSFER & PRIMARY PORT/		
- 13	AN815-6	.. UNION.....	2	
- 14	MS28778-6	.. PACKING, PREFORMED.....	2	
- 15	AN924-6D	.. NUT.....	4	
- 16	AN960KD916	.. WASHER.....	4	
- 17	AN832-6	.. UNION.....	2	
- 18	AN897-6	.. ELBOW.....	2	
- 19	122-580122-1	.. BRACKET, SUPPORT.....	2	
- 20	101-388015-23	.. HOSE ASSY, LH MAIN GEAR HAND PUMP PRESSURE.....	1	
- 21	AN833-4	.. ELBOW.....	1	
- 22	AN6289D4	.. NUT.....	1	
- 23	MS28777-4	.. RING, PACKING BACK-UP.....	1	
- 24	MS28778-4	.. PACKING, PREFORMED.....	1	
- 25	130909N29	.. NUT.....	1	
- 26	130909B14	.. BOLT.....	1	
- 27	MS21919WDG6	.. CLAMP.....	2	
- 28	MS21919WDG4	.. CLAMP.....	2	
- 29	NAS43DD3-16	.. SPACER.....	1	
- 30	132131-3-6	.. STUD.....	1	

**Beechcraft**  
**STARSHIP 1**  
**ILLUSTRATED PARTS CATALOG**

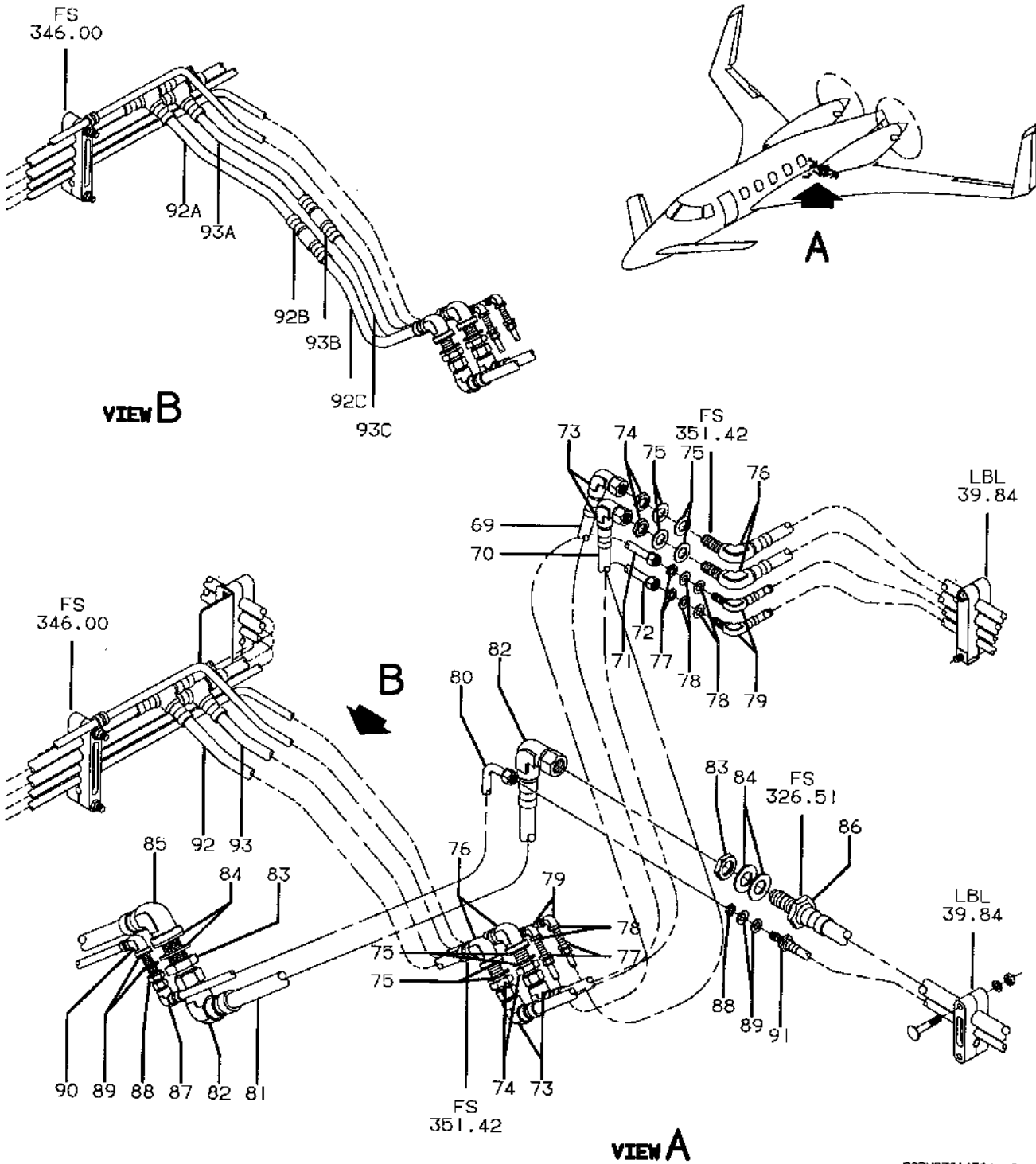


C93NC32A4583 C

**Beechcraft**  
**STARSHIP 1**  
**ILLUSTRATED PARTS CATALOG**

SUB-SEC UNIT & ITEM NO	PART NO.	DESCRIPTION 1 2 3 4 5 6 7	UNITS PER ASSY	USABLE
				ON CODE
30-05 - 31	R D10036-04	.. UNION .....	1	
- 32	D9856D08	.. ELBOW .....	1	
- 33	122-580191-1	.. TUBE, HAND PUMP PRESSURE .....	1	
- 34	D10317-04	.. TEE .....	1	
- 35	130909N29	.. NUT .....	7	
- 36	AN960JD10L	.. WASHER .....	2	
- 37	MS27039-1-07	.. SCREW .....	1	
- 38	MS25083-2BB6	.. JUMPER, BONDING .....	1	
- 39	122-580122-13	.. BRACKET .....	1	
- 40	122-580036-9	.. SUPPORT, TUBE .....	2	
- 41	122-580184-5	.. BLOCK, GROUND .....	1	
- 42	122-580036-23	.. SUPPORT, TUBE .....	2	
- 43	122-580184-13	.. PLATE, GROUND .....	1	
- 44	122-580036-23	.. SUPPORT, TUBE .....	1	
- 45	132131-3-11	.. STUD .....	5	
- 46	132131-3-12	.. STUD .....	1	
- 47	122-580080-5	.. TUBE, HAND PUMP PRESSURE .....	1	
- 48	122-580190-1	.. TUBE, HAND PUMP SUCTION .....	1	3
	122-580190-3	.. TUBE, HAND PUMP SUCTION .....	1	4
- 49	D10036-04	.. UNION .....	2	
- 50	130909N29	.. NUT .....	4	
- 51	122-580036-7	.. SUPPORT, TUBE .....	2	
- 52	122-580036-21	.. SUPPORT, TUBE .....	2	
- 53	132131-3-11	.. STUD .....	4	
- 54	D9855-06	.. TEE .....	2	
- 55	130909N29	.. NUT .....	3	
- 56	AN960JD10L	.. WASHER .....	2	
- 57	MS27039-1-07	.. SCREW .....	1	
- 58	MS25083-2BB6	.. JUMPER, BONDING .....	1	
- 59	122-580184-7	.. BLOCK, GROUND .....	1	
- 60	122-580184-15	.. PLATE, GROUND .....	1	
- 61	122-580036-21	.. SUPPORT, TUBE .....	1	
- 62	132131-3-12	.. STUD .....	1	
- 63	132131-3-11	.. STUD .....	1	
- 64	122-580122-13	.. BRACKET .....	1	
- 65	122-580193-1	.. TUBE, NOSE GEAR DOOR OPEN .....	1	
- 66	122-580194-1	.. TUBE, NOSE GEAR DOOR CLOSE .....	1	
- 67	122-580192-1	.. TUBE, RH MAIN & NOSE GEAR EXTEND .....	1	
- 68	122-580198-1	.. TUBE, RH MAIN & NOSE GEAR RETRACT .....	1	

**Beechcraft**  
**STARSHIP 1**  
**ILLUSTRATED PARTS CATALOG**



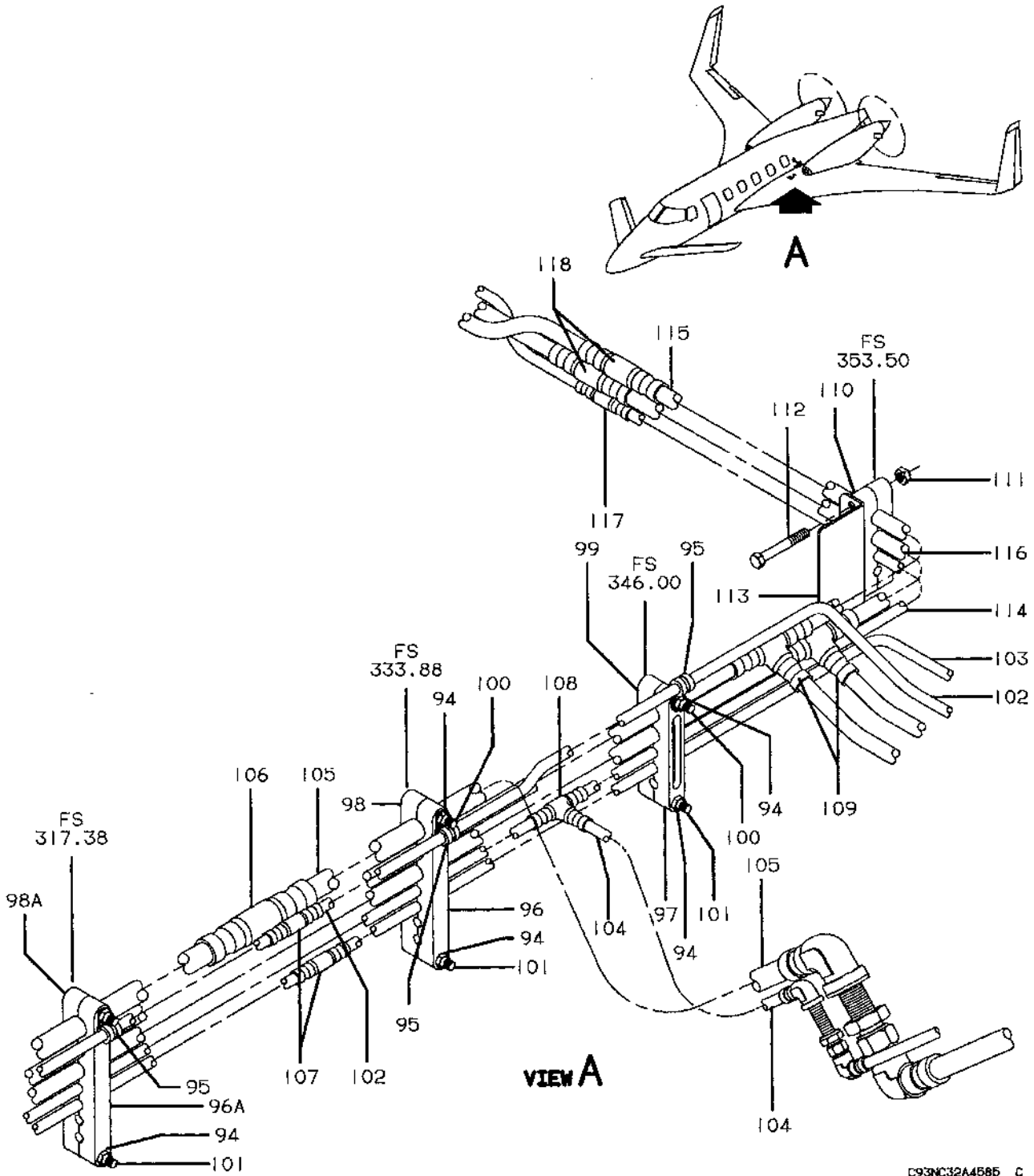
C93NC32A4584 C

**FIGURE 30-05.AFT FUS. HYDRAULIC PLUMBING**  
**/SHEET 3 OF 7 SHEETS/**

**Beechcraft**  
**STARSHIP 1**  
**ILLUSTRATED PARTS CATALOG**

SUB-SEC UNIT & ITEM NO	PART NO.	DESCRIPTION 1 2 3 4 5 6 7	UNITS	USABLE
			PER ASSY	ON CODE
30-05 -69	122-580095-5	.. TUBE, RH MAIN & NOSE GEAR RETRACT .....	1	
-70	122-580029-1	.. TUBE, RH MAIN & NOSE GEAR EXTEND .....	1	
-71	122-580098-5	.. TUBE ASSY, NOSE GEAR DOOR CLOSE .....	1	
-72	122-580048-1	.. TUBE ASSY, NOSE GEAR DOOR OPEN .....	1	
-73	D10027A06	.. ELBOW .....	4	
-74	AN924-6D	.. NUT .....	4	
-75	AN960KD916L	.. WASHER .....	8	
-76	D10313-06	.. ELBOW .....	4	
-77	AN924-4D	.. NUT .....	4	
-78	AN960KD716L	.. WASHER .....	8	
-79	D10313-04	.. ELBOW .....	4	
-80	122-580100-5	.. TUBE ASSY, HAND PUMP PRESSURE .....	1	
-81	122-580045-1	.. TUBE, HAND PUMP SUCTION .....	1	3
	122-580045-3	.. TUBE, HAND PUMP SUCTION .....	1	4
-82	D10027AD08	.. ELBOW .....	2	
-83	AN924-8D	.. NUT .....	2	
-84	AN960KD1216L	.. WASHER .....	4	
-85	D10313D08	.. ELBOW .....	1	
-86	D10312D08	.. UNION .....	1	
-87	D10027A04	.. ELBOW .....	1	
-88	AN924-4D	.. NUT .....	2	
-89	AN960KD716L	.. WASHER .....	4	
-90	D10313-04	.. ELBOW .....	1	
-91	R D10312-04	.. UNION .....	1	6
-92	122-580107-3	.. TUBE, RH MAIN & NOSE GEAR RETRACT .....	1	5
-92A	122-580255-1	.. TUBE, RH MAIN & NOSE GEAR RETRACT .....	1	6
-92B	D10036-06	.. UNION .....	1	6
-92C	122-580254-1	.. TUBE, RH MAIN & NOSE GEAR RETRACT .....	1	6
-93	122-580108-3	.. TUBE, RH MAIN & NOSE GEAR EXTEND .....	1	5
-93A	122-580253-1	.. TUBE, RH MAIN & NOSE GEAR EXTEND .....	1	6
-93B	D10036-06	.. UNION .....	1	6
-93C	122-580252-1	.. TUBE, RH MAIN & NOSE GEAR EXTEND .....	1	6

**Beechcraft**  
**STARSHIP 1**  
**ILLUSTRATED PARTS CATALOG**



C93NC32A4585 C

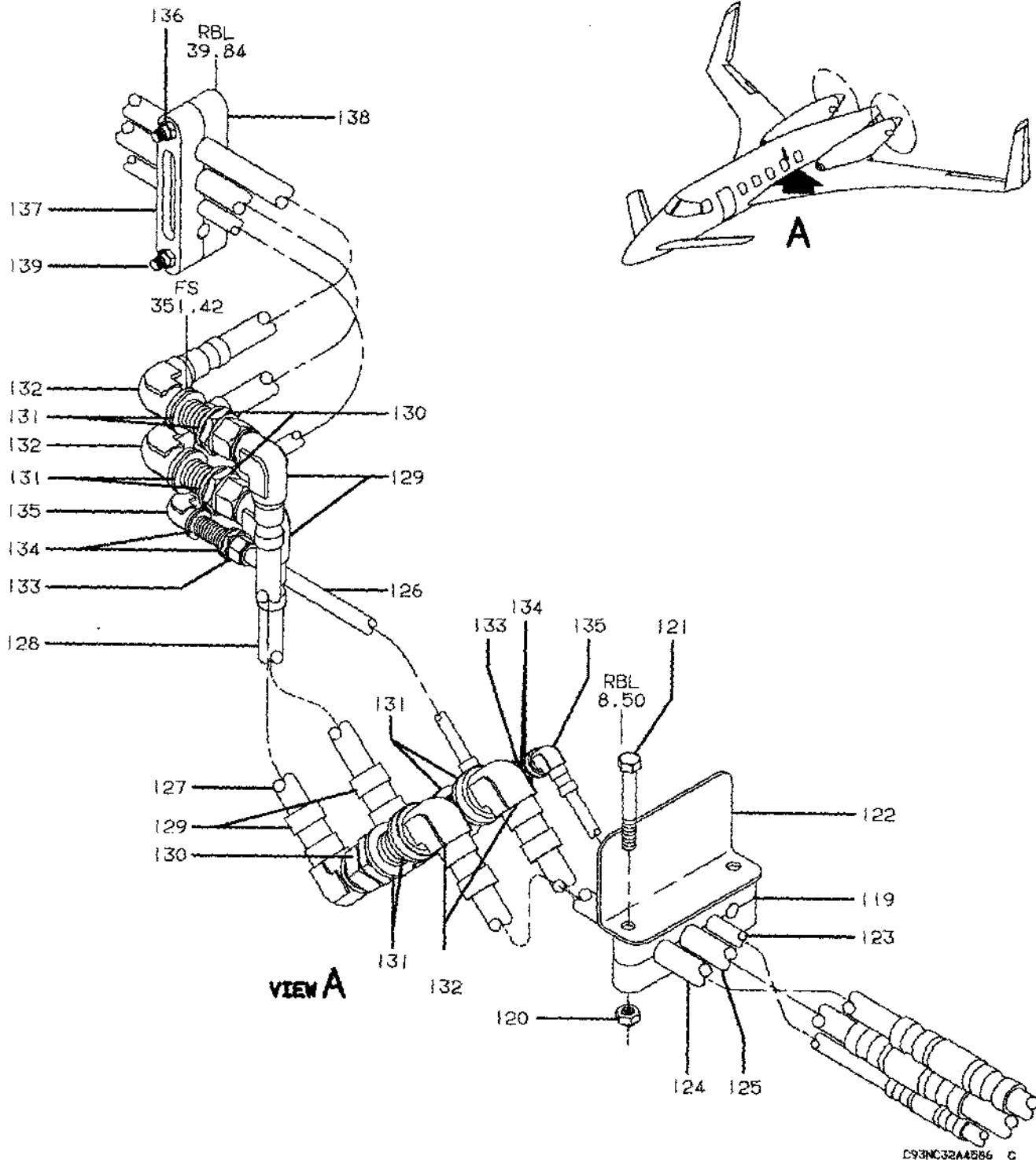
**FIGURE 30-05.AFT FUS. HYDRAULIC PLUMBING**  
**/SHEET 4 OF 7 SHEETS/**

**Beechcraft**  
**STARSHIP 1**  
**ILLUSTRATED PARTS CATALOG**

SUB-SEC UNIT & ITEM NO	PART NO.	DESCRIPTION 1 2 3 4 5 6 7	UNITS	USABLE
			PER ASSY	ON CODE
30-05 -94	130909N29	.. NUT .....	6	
-95	MS21919WDG4	.. CLAMP .....	3	
-96	122-580036-19	.. SUPPORT, TUBE .....	1	
-96A	122-580036-33	.. SUPPORT, TUBE .....	1	
-97	122-580036-15	.. SUPPORT, TUBE .....	1	
-98	122-580036-25	.. SUPPORT, TUBE .....	1	
-98A	122-580036-35	.. SUPPORT, TUBE .....	1	
-99	122-580036-27	.. SUPPORT, TUBE .....	1	
-100	132131-3-11	.. STUD .....	3	
-101	132151-3-11	.. STUD .....	3	
-102	122-580109-3	.. TUBE, NOSE GEAR DOOR CLOSE .....	1	
-103	122-580110-3	.. TUBE, NOSE GEAR DOOR OPEN .....	1	
-104	122-580111-3	.. TUBE, HAND PUMP PRESSURE .....	1	
-105	122-580112-1	.. TUBE, HAND PUMP SUCTION .....	1	
-106	D10036D08	.. UNION .....	1	
-107	D10036-04	.. UNION .....	2	
-108	D9855-04	.. TEE .....	1	
-109	D9855-06	.. TEE .....	2	
-110	122-580036-7	.. SUPPORT, TUBE .....	2	
		.. /ATTACHING PARTS/ .....		
-111	130909N29	.. NUT .....	2	
-112	130909B24	.. BOLT .....	2	
		---*---		
-113	122-580122-5	.. BRACKET, SUPPORT .....	1	1
	122-580122-17	.. BRACKET, SUPPORT .....	1	2
-114	122-580103-3	.. TUBE, HAND PUMP PRESSURE .....	1	
-115	122-580101-3	.. TUBE, RH MAIN GEAR RETRACT .....	1	
-116	R 122-580102-3	.. TUBE, RH MAIN GEAR EXTEND .....	1	
-117	D10036-04	.. UNION .....	1	
-118	D10036-06	.. UNION .....	2	



**Beechcraft**  
**STARSHIP 1**  
**ILLUSTRATED PARTS CATALOG**

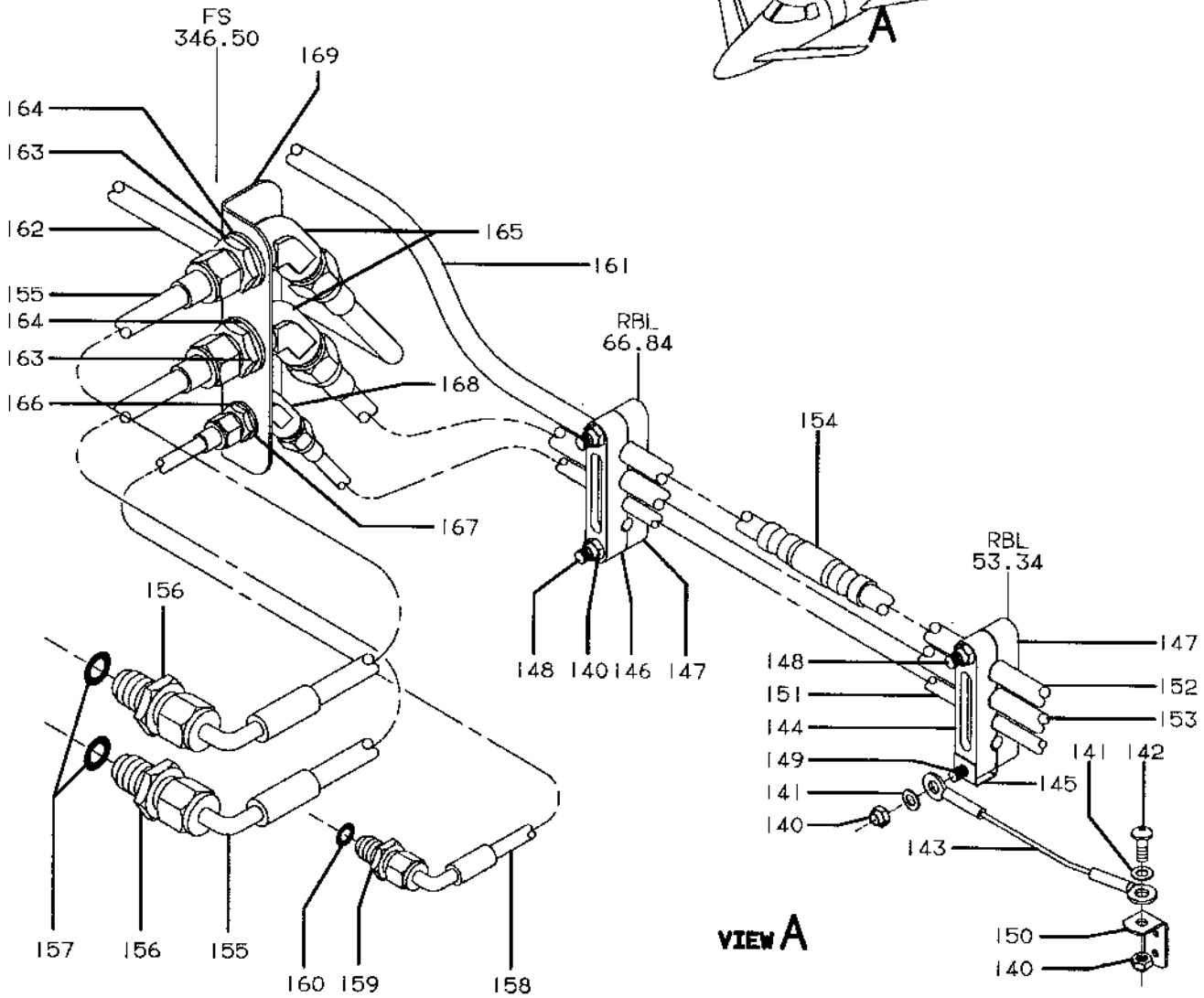
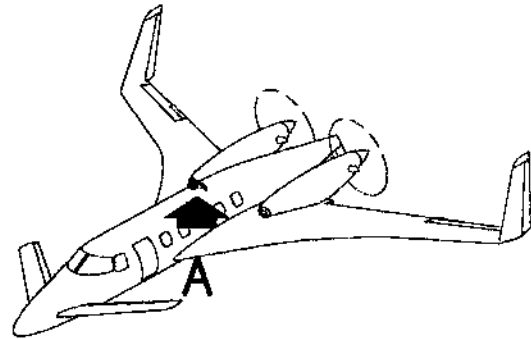


**FIGURE 30-05.AFT FUS. HYDRAULIC PLUMBING**  
**/SHEET 5 OF 7 SHEETS/**

**Beechcraft**  
**STARSHIP 1**  
**ILLUSTRATED PARTS CATALOG**

SUB-SEC UNIT & ITEM NO	PART NO.	DESCRIPTION 1 2 3 4 5 6 7	UNITS PER ASSY	USABLE ON CODE
30-05 -119	122-580036-7	.. SUPPORT, TUBE..... /ATTACHING PARTS/	2	
-120	130909N29	.. NUT .....	2	
-121	130909B24	.. BOLT .....	2	
		---★---		
-122	122-580122-5	.. BRACKET, SUPPORT.....	1	1
	122-580122-17	.. BRACKET, SUPPORT.....	1	2
-123	122-580104-3	.. TUBE, HAND PUMP PRESSURE .....	1	
-124	122-580106-3	.. TUBE, RH MAIN GEAR RETRACT .....	1	
-125	122-580105-3	.. TUBE, RH MAIN GEAR EXTEND.....	1	
-126	122-580140-5	.. TUBE ASSY, HAND PUMP PRESSURE.....	1	
-127	122-580138-5	.. TUBE, RH MAIN GEAR RETRACT .....	1	
-128	122-580044-1	.. TUBE, RH MAIN GEAR EXTEND.....	1	
-129	D10027A08	.. ELBOW.....	4	
-130	AN924-6D	.. NUT .....	4	
-131	AN960KD916L	.. WASHER .....	8	
-132	D10313-06	.. ELBOW.....	4	
-133	AN924-4D	.. NUT .....	2	
-134	AN960KD716L	.. WASHER .....	4	
-135	D10313-04	.. ELBOW.....	2	
-136	130909N29	.. NUT .....	2	
-137	122-580036-7	.. SUPPORT, TUBE.....	1	
-138	122-580036-21	.. SUPPORT, TUBE.....	1	
-139	132131-3-11	.. STUD.....	2	

**Beechcraft**  
**STARSHIP 1**  
**ILLUSTRATED PARTS CATALOG**



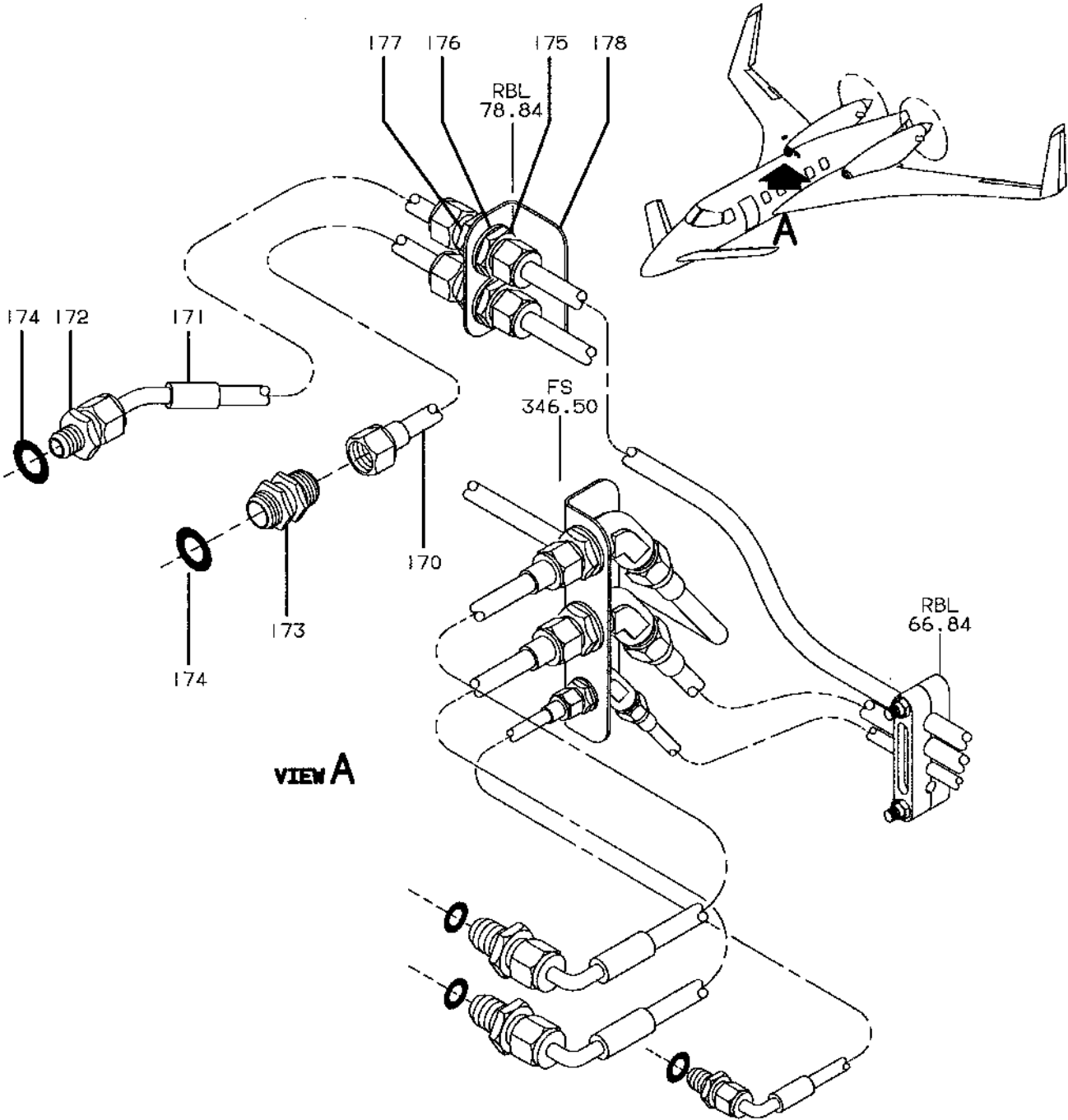
C93NC32A4587 C

**FIGURE 30-05.AFT FUS. HYDRAULIC PLUMBING**  
**/SHEET 6 OF 7 SHEETS/**

**Beechcraft**  
**STARSHIP 1**  
**ILLUSTRATED PARTS CATALOG**

SUB-SEC UNIT & ITEM NO	PART NO.	DESCRIPTION 1 2 3 4 5 6 7	UNITS	USABLE
			PER ASSY	ON CODE
30-05 -140	130909N29	.. NUT .....	5	
-141	AN960JD10L	.. WASHER .....	2	
-142	MS27039-1-07	.. SCREW .....	1	
-143	MS25083-2BB6	.. JUMPER, BONDING .....	1	
-144	122-580184-7	.. BLOCK, GROUND .....	1	
-145	122-580184-15	.. PLATE, GROUND .....	1	
-146	122-580036-7	.. SUPPORT, TUBE .....	1	
-147	122-580036-21	.. SUPPORT, TUBE .....	2	
-148	132131-3-11	.. STUD .....	3	
-149	132131-3-12	.. STUD .....	1	
-150	122-580122-13	.. BRACKET, SUPPORT .....	1	
-151	122-580092-5	.. TUBE ASSY, HAND PUMP PRESSURE .....	1	
-152	122-580009-3	.. TUBE ASSY, RH MAIN GEAR RETRACT .....	1	
-153	122-580091-5	.. TUBE ASSY, RH MAIN GEAR EXTEND .....	1	
-154	D10036-06	.. UNION .....	1	
-155	101-388015-7	.. HOSE ASSY, RH MAIN GEAR EXTEND/UPLOCK .....	2	
		ACTUATOR TRANSFER & PRIMARY PORT/		
-156	AN815-6	.. UNION .....	2	
-157	MS28778-6	.. PACKING, PREFORMED .....	2	
-158	101-388015-25	.. HOSE ASSY, HAND PUMP PRESSURE .....	1	
-159	AN815-4	.. UNION .....	1	
-160	MS28778-4	.. PACKING, PREFORMED .....	1	
-161	122-580090-5	.. TUBE ASSY, RH MAIN GEAR RETRACT .....	1	
-162	122-580094-5	.. TUBE ASSY, RH MAIN GEAR EXTEND .....	1	
-163	AN924-6D	.. NUT .....	2	
-164	AN960KD916L	.. WASHER .....	2	
-165	AN837-6	.. ELBOW .....	2	
-166	AN924-4D	.. NUT .....	1	
-167	AN960KD716L	.. WASHER .....	1	
-168	AN837-4	.. ELBOW .....	1	
-169	122-580122-3	.. BRACKET, SUPPORT .....	1	

**Beechcraft**  
**STARSHIP 1**  
**ILLUSTRATED PARTS CATALOG**



C93NC32A4588 C

**FIGURE 30-05.AFT FUS. HYDRAULIC PLUMBING**  
**/SHEET 7 OF 7 SHEETS/**

**Beechcraft**  
**STARSHIP 1**  
**ILLUSTRATED PARTS CATALOG**

SUB-SEC UNIT & ITEM NO	PART NO.	DESCRIPTION 1 2 3 4 5 6 7	UNITS	USABLE
			PER ASSY	ON CODE
30-05 -170	101-388016-7	.. HOSE ASSY, RH MAIN GEAR RETRACT .....	1	
-171	101-388016-55	.. HOSE ASSY, RH MAIN GEAR EXTEND .....	1	
-172	AN815-6	.. UNION/GEAR EXTEND HOSE TO ACTUATOR/ .....	1	
-173	FCLX0504600B	.. RESTRICTOR/GEAR RETRACT HOSE TO ACTUATOR/ .....	1	
-174	MS28778-6	.. PACKING, PREFORMED .....	2	
-175	AN924-6D	.. NUT .....	2	
-176 R	AN960KD916	.. WASHER .....	2	
-177	AN832-6	.. UNION .....	2	
-178	122-580122-1	.. BRACKET, SUPPORT .....	1	

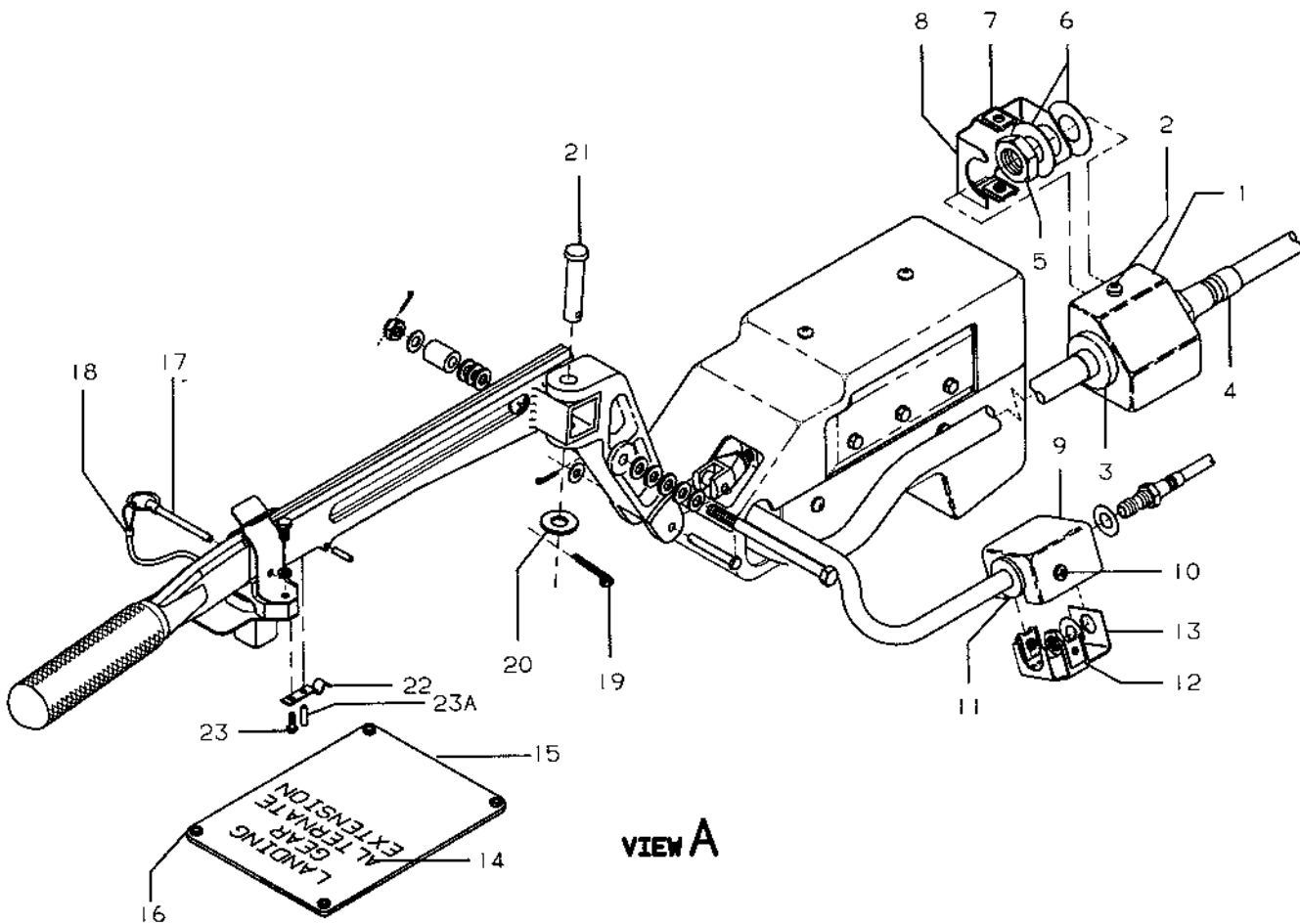
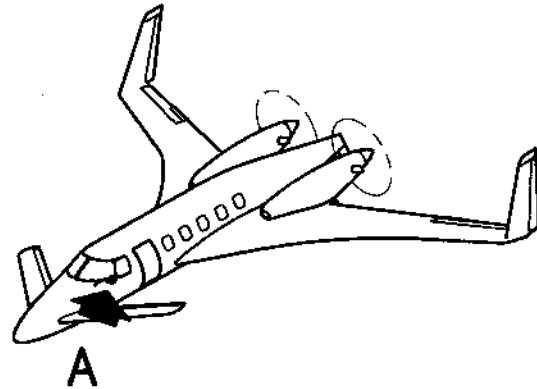
**CODES OF EFFECTIVITY**

1	NC-4 THRU NC-11	2	NC-12 AND AFTER
3	NC-4 THRU NC-30	4	NC-31 AND AFTER
5	NC-4 THRU NC-40	6	NC-41 AND AFTER

**Beechcraft**  
**STARSHIP 1**  
**ILLUSTRATED PARTS CATALOG**

**32-30-10**  
**HYDRAULIC HAND PUMP**

Beechcraft  
 STARSHIP 1  
 ILLUSTRATED PARTS CATALOG



C93NC32A4489 C

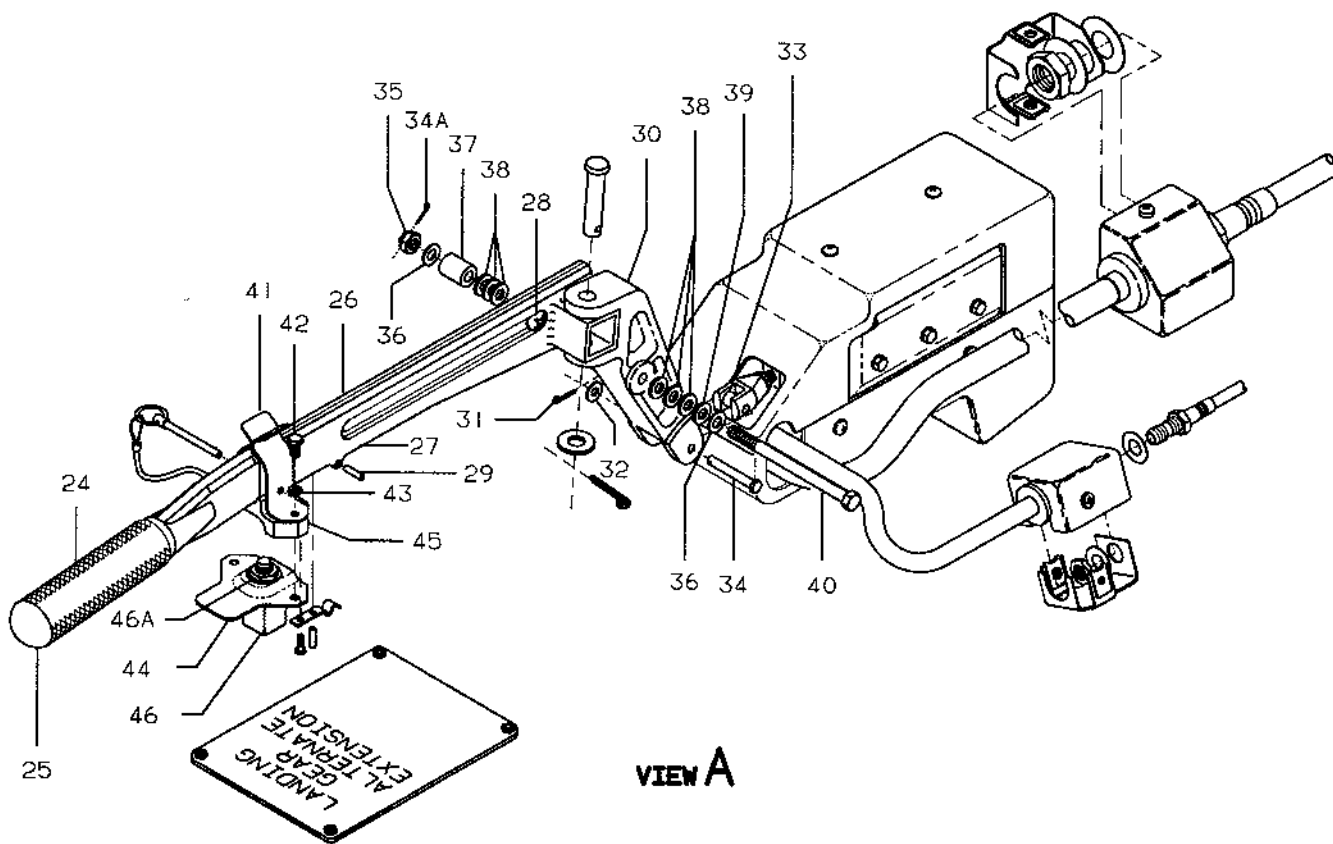
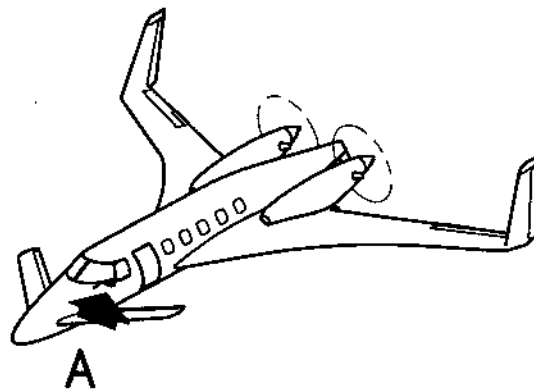
FIGURE 30-10. HYDRAULIC HAND PUMP  
 /SHEET 1 OF 4 SHEETS/



**Beechcraft**  
**STARSHIP 1**  
**ILLUSTRATED PARTS CATALOG**

SUB-SEC UNIT & ITEM NO	PART NO.	DESCRIPTION 1 2 3 4 5 6 7	UNITS PER ASSY	USABLE ON CODE
30-10	122-580017-1	HAND PUMP INSTL, HYDRAULIC.....	NP	
- 1	122-580181-3	. SHIELD, HAND PUMP SUCTION TUBE.....	1	
		/ATTACHING PARTS/		
- 2	MS51861-34	. SCREW.....	2	
		---★---		
- 3	MS35489-77S	. GROMMET.....	1	
- 4	D10046D08	. ADAPTER.....	1	
- 5	AN924-8D	. NUT.....	1	
- 6	AN960KD1216L	. WASHER.....	2	
	122-580180-5	. BRACKET ASSY, SHIELD SUPPORT.....	1	1
	122-580180-13	. BRACKET ASSY, SHIELD SUPPORT.....	1	2
- 7	NAS395-16-1	. NUT, SPRING CLIP.....	2	
- 8	122-580180-7	. BRACKET.....	1	1
	122-580180-15	. BRACKET.....	1	2
- 9	122-580181-1	. SHIELD, HAND PUMP PRESSURE.....	1	
		/ATTACHING PARTS/		
-10	MS51861-34	. SCREW.....	2	
		---★---		
-11	MS35489-71S	. GROMMET.....	1	
	122-580180-1	. BRACKET ASSY, SHIELD SUPPORT.....	1	1
	122-580180-9	. BRACKET ASSY, SHIELD SUPPORT.....	1	2
-12	NAS395-16-1	. NUT, SPRING CLIP.....	2	
-13	122-580180-3	. BRACKET.....	1	1
	122-580180-11	. BRACKET.....	1	2
-14	122-580207-1	. PLACARD, LANDING GEAR ALTERNATE EXTENSION.....	1	
-15	101-810056-7	. PLATE, SCUFF.....	1	
		/ATTACHING PARTS/		
-16	1/4 BINDER NUT	. NUT, BINDER.....	4	
		---★---		
-17	BLDC3-11	. PIN.....	1	
-18	R LT1504C6L6	. LANYARD ASSY.....	1	
	122-580206-1	. HANDLE ASSY.....	1	
		/ATTACHING PARTS/		
-19	MS24665-285	. PIN, COTTER.....	1	
-20	AN960KD616	. WASHER.....	1	
-21	MS20392-5C55	. PIN.....	1	
		---★---		
-22	122-580206-15	. CLIP.....	2	
		/ATTACHING PARTS/		
-23	R MS35265-26	. SCREW.....	1	
-23A	R MS171524	. PIN.....	1	
		---★---		

Beechcraft  
 STARSHIP 1  
 ILLUSTRATED PARTS CATALOG

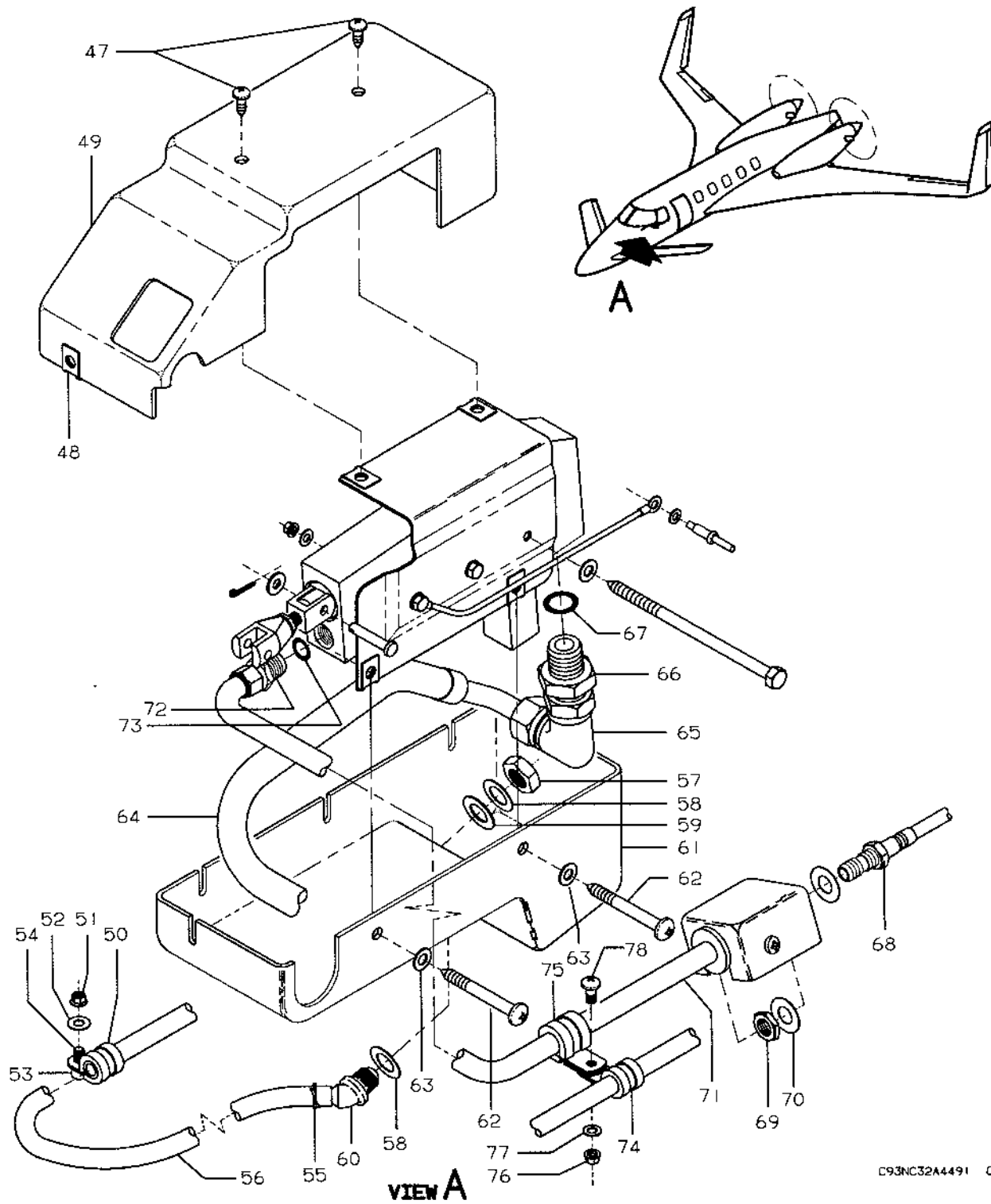


C93NC32A4490 C

**Beechcraft**  
**STARSHIP 1**  
**ILLUSTRATED PARTS CATALOG**

SUB-SEC UNIT & ITEM NO	PART NO.	DESCRIPTION 1 2 3 4 5 6 7	UNITS	USABLE
			PER ASSY	ON CODE
30-10 -24	101A073-4	. . CAP, END .....	1	
-25	HS51248	. . PLUG, BUTTON .....	1	
-26	122-580206-7	. . HANDLE/HALF/ .....	1	
-27	122-580206-3	. . HANDLE/HALF/ .....	1	
-28	NAS623-4-2	. . SCREW .....	2	
-29	NAS561-4-8	. . PIN .....	1	
-30	50-810276-3	. FITTING, HANDLE .....	1	3
	50-810276-7	. FITTING, HANDLE .....	1	4
		/ATTACHING PARTS/		
-31	MS24665-132	. PIN, COTTER .....	1	
-32	AN960-10L	. WASHER .....	1	
-33	NAS43DD3-20	. SPACER .....	1	
-34	MS20392-2C37	. PIN .....	1	
-34A	MS24665-132	. PIN, COTTER .....	1	
-35	130909N7	. NUT .....	1	
-36	R AN960KD416	. WASHER/ALTERNATE FOR AN960KD416L/MINIMUM OF .....	AR	
	R AN960KD416L	. WASHER/ALTERNATE FOR AN960KD416/MINIMUM OF .....	AR	
		ONE UNDER BOLT HEAD AND ONE UNDER NUT/		
		ONE UNDER BOLT HEAD AND ONE UNDER NUT/		
-37	NAS43DD4-38	. SPACER .....	1	
-38	AN960KD416	. WASHER .....	6	
-39	AN960KD416L	. WASHER .....	1	
-40	AN4C35	. BOLT .....	1	
		-----★-----		
-41	122-580182-9	. CLIP .....	2	
		/ATTACHING PARTS/		
-42	130909B19	. BOLT .....	1	
-43	AN960-10L	. WASHER .....	1	
		-----★-----		
-44	122-580182-3	. BASE .....	1	
-45	122-580182-7	. SEAT .....	1	
-46	10-332001	. SWITCH/FOR SPARES ORDER BZ2RQ1T04/ .....	NP	5
	BZ2RQ1T04	. SWITCH/JAM NUT FURNISHED WITH SWITCH/ .....	1	6
-46A	MS35333-44	. WASHER/INSTALL BETWEEN BRACKET AND JAM NUT/ .....	1	

Beechcraft  
 STARSHIP 1  
 ILLUSTRATED PARTS CATALOG



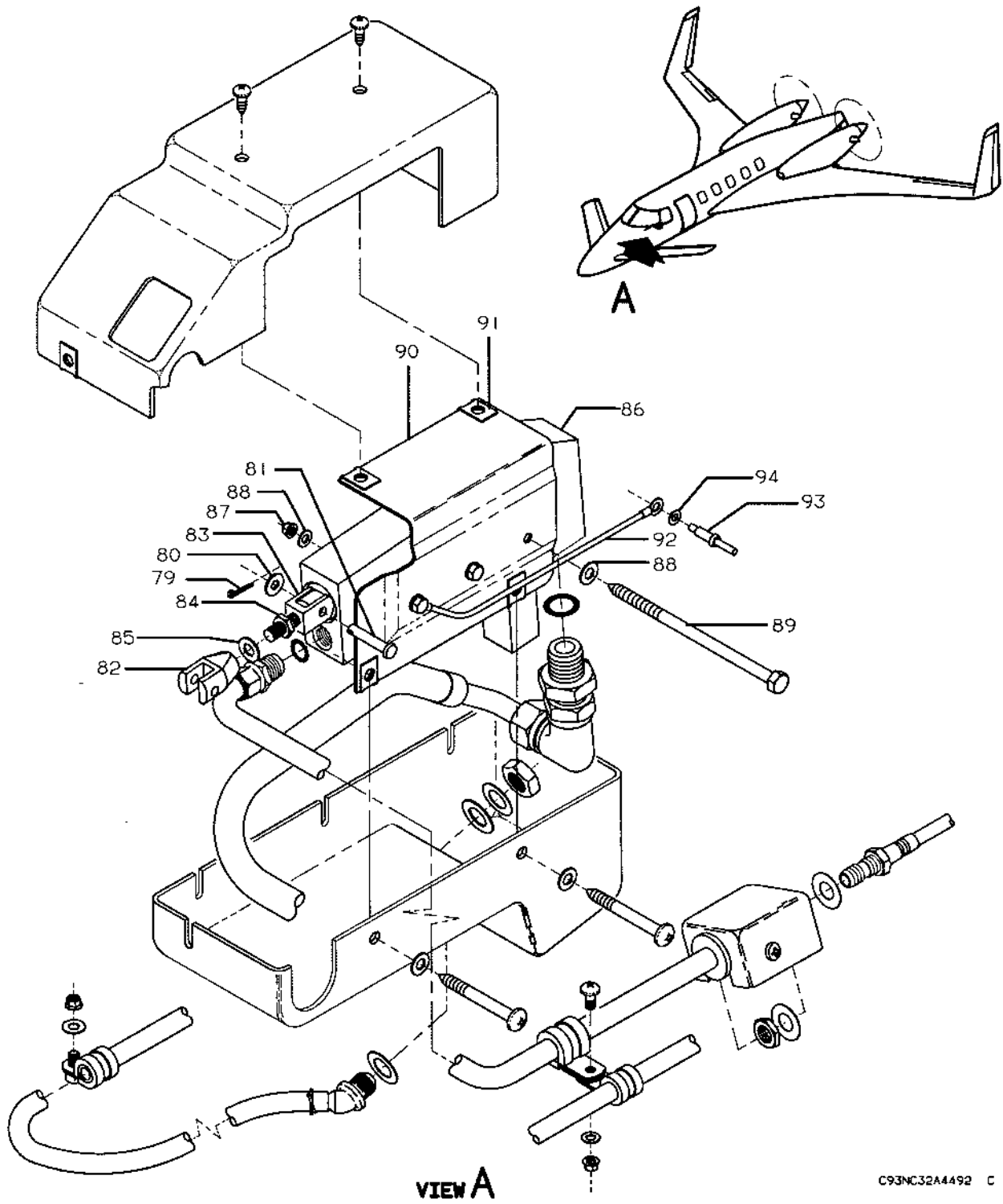
C93NC32A4491 C

FIGURE 30-10. HYDRAULIC HAND PUMP  
 /SHEET 3 OF 4 SHEETS/

**Beechcraft**  
**STARSHIP 1**  
**ILLUSTRATED PARTS CATALOG**

SUB-SEC UNIT & ITEM NO	PART NO.	DESCRIPTION 1 2 3 4 5 6 7	UNITS	USABLE
			PER ASSY	ON CODE
30-10	122-580023-1	. SHIELD ASSY .....	1	
		/ATTACHING PARTS/		
- 47	MS51861-34	. SCREW.....	7	
		-----★-----		
- 48	NAS395-13-1	. . NUT, SPRING CLIP.....	5	
- 49	122-580023-3	. . SHIELD.....	1	
- 50	MS21919WDG6	. CLAMP, DRAIN TUBE .....	1	
		/ATTACHING PARTS/		
- 51	130909N29	. NUT .....	1	
- 52	AN960KD10L	. WASHER .....	1	
- 53	NAS43DD3-16	. SPACER .....	1	
- 54	132131-3-5	. STUD.....	1	
		-----★-----		
- 55	130292A6	. CLAMP, DRAIN HOSE .....	1	
- 56	131066-2-0120	. HOSE, DRAIN .....	1	
- 57	AN924-4D	. NUT .....	1	
- 58	AN960KD716L	. WASHER .....	2	
- 59	100951NB050WX	. WASHER .....	1	
- 60	122-580157-1	. DRAIN.....	1	
- 61	122-580022-1	. SHIELD.....	1	
		/ATTACHING PARTS/		
- 62	MS51861-40	. SCREW.....	2	
- 63	AN960C8L	. WASHER .....	2	
		-----★-----		
- 64	6565A08J-D08-0 *	240 . HOSE ASSY, HAND PUMP SUCTION .....	1	
- 65	MS51521B8	. ELBOW.....	1	
- 66	AN815-8	. UNION.....	1	
- 67	MS28778-8	. PACKING, PREFORMED.....	1	
- 68	D10046-04	. ADAPTER.....	1	
- 69	AN924-4	. NUT .....	1	
- 70	AN960KD716L	. WASHER .....	2	
- 71	6564A04F-D04-0 *	110 . HOSE ASSY, HAND PUMP PRESSURE .....	1	
		/ALTERNATE FOR 122-388003-5/		
	122-388003-5	. HOSE ASSY, HAND PUMP PRESSURE .....	1	
		/ALTERNATE FOR 6564A04F-D04-0110/		
- 72	AN815-4	. UNION .....	1	
- 73	MS28778-4	. PACKING, PREFORMED.....	1	
- 74	MS21919WDG6	. CLAMP .....	1	
- 75	MS21919WDG7	. CLAMP .....	1	
		/ATTACHING PARTS/		
- 76	130909N29	. NUT .....	1	
- 77	AN960KD10L	. WASHER .....	1	
- 78	MS35207-262	. SCREW.....	1	
		-----★-----		

Beechcraft  
STARSHIP 1  
ILLUSTRATED PARTS CATALOG



VIEW A

C93NC32A4492 C

FIGURE 30-10. HYDRAULIC HAND PUMP  
/SHEET 4 OF 4 SHEETS/

**Beechcraft**  
**STARSHIP 1**  
**ILLUSTRATED PARTS CATALOG**

SUB-SEC UNIT & ITEM NO	PART NO.	DESCRIPTION 1 2 3 4 5 6 7	UNITS	USABLE
			PER ASSY	ON CODE
30-10	114-580228-1	. LINK ASSY .....	1	
		/ATTACHING PARTS/		
- 79	MS24665-132	. PIN, COTTER .....	1	
- 80	AN960-10L	. WASHER .....	1	
- 81	MS20392-2C19	. PIN .....	1	
		-----★-----		
- 82	114-580228-3	.. CLEVIS .....	1	
- 83	114-580228-5	.. CLEVIS .....	1	
- 84	AN316-4R	.. NUT, CHECK .....	1	
- 85	NAS513-4	.. WASHER .....	1	
- 86	122-382067-3	. HAND PUMP, HYDRAULIC .....	1	
		/ATTACHING PARTS/		
- 87	130909N29	. NUT .....	3	
- 88	AN960JD10L	. WASHER .....	6	
- 89	AN3C25A	. BOLT .....	3	
		-----★-----		
- 90	122-580020-1	. SUPPORT ASSY .....	1	
- 91	NAS395-16-1	.. NUT, SPRING CLIP .....	4	
- 92	MS25083-2AB6	. JUMPER, BONDING .....	1	
		/ATTACHING PARTS/		
- 93	M7885/8-4-3	. RIVET .....	1	
- 94	AN960JD10L	. WASHER .....	1	
		-----★-----		

**CODES OF EFFECTIVITY**

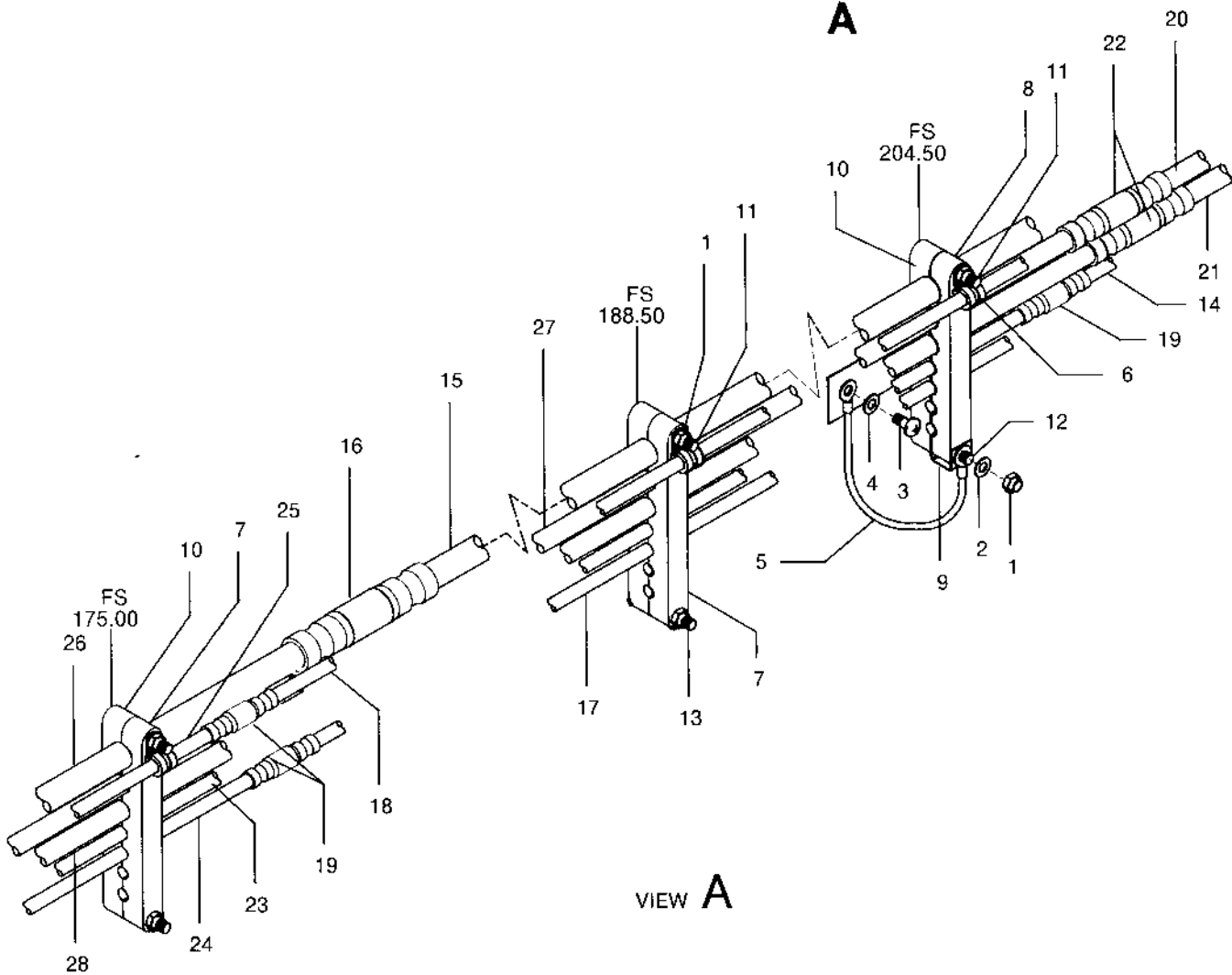
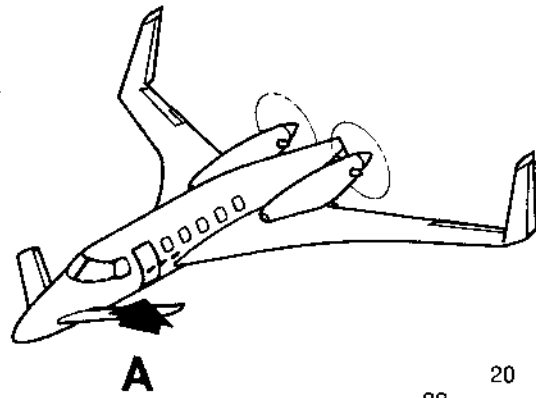
1	NC-4 THRU NC-11	2	NC-12 AND AFTER
3	NC-4 THRU NC-20	4	NC-21 AND AFTER
5	NC-4 THRU NC-26	6	NC-27 AND AFTER

**Beechcraft**  
**STARSHIP 1**  
**ILLUSTRATED PARTS CATALOG**

**32-30-15**  
**FORWARD FUSELAGE AND NOSE HYDRAULIC PLUMBING**  
**/LANDING GEAR/**



Beechcraft  
 STARSHIP 1  
 ILLUSTRATED PARTS CATALOG



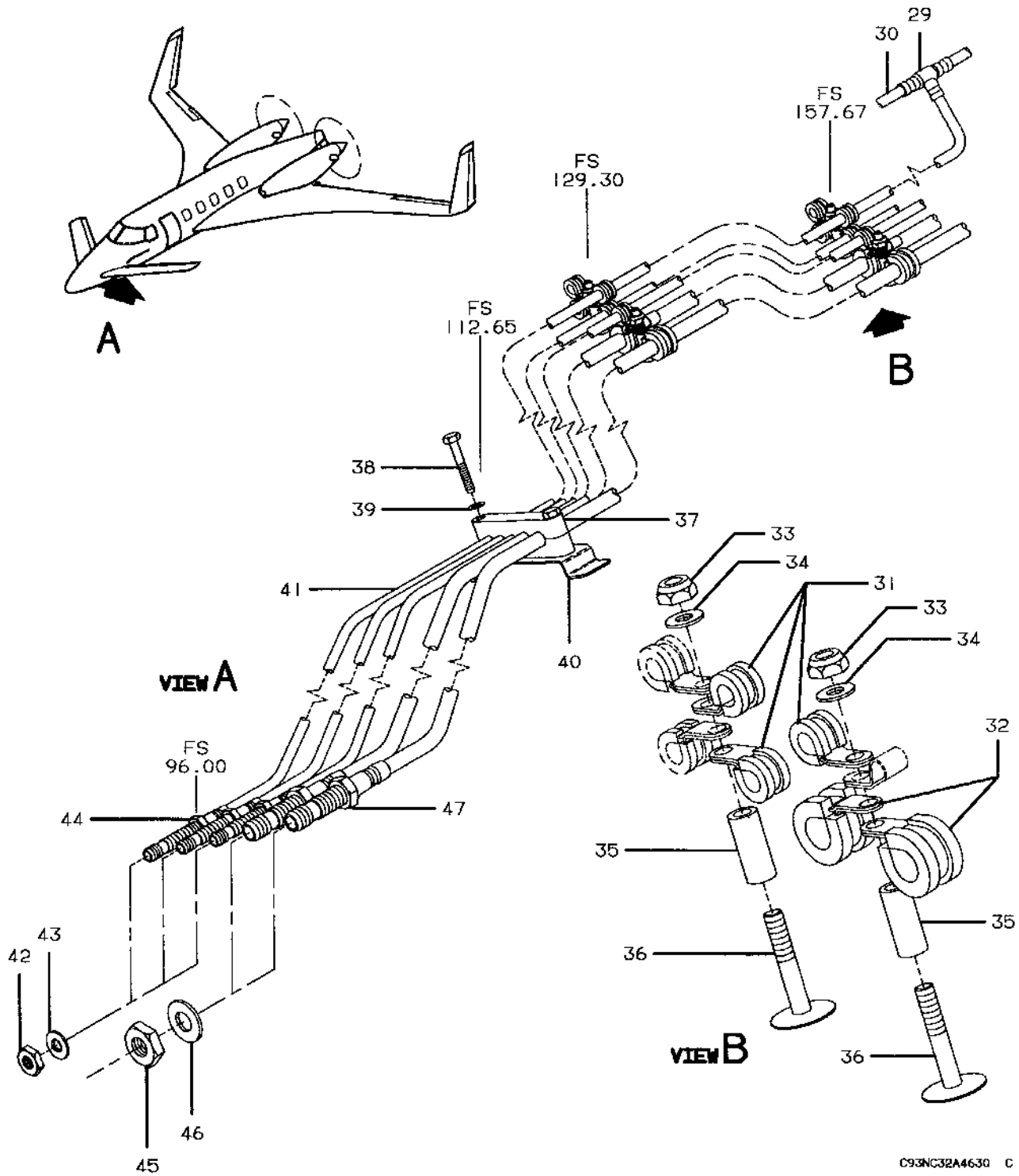
2000-231-01

FIGURE 30-15.FWD FUS. & NOSE HYDRAULIC PLBG  
 /SHEET 1 OF 4 SHEETS/

**Beechcraft**  
**STARSHIP 1**  
**ILLUSTRATED PARTS CATALOG**

SUB-SEC UNIT & ITEM NO	PART NO.	DESCRIPTION 1 2 3 4 5 6 7	UNITS PER ASSY	USABLE ON CODE
30-15	122-580000-1	HYDRAULIC SYSTEM INSTALLATION .....	NP	
		<b>NOTE</b> BEECHCRAFT CUSTOMER SUPPORT SHOULD BE CONTACTED PRIOR TO ORDERING REPLACEMENT TUBE ASSEMBLIES AND/OR PERMASWAGE FITTINGS.		
	122-580014-1	. PLUMBING INSTL, FWD FUSELAGE HYDRAULIC.....	NP	
- 1	130909N29	.. NUT .....	18	
- 2	AN960C10L	.. WASHER .....	2	
- 3	MS35207-263	.. SCREW .....	2	
- 4	AN961-10T	.. WASHER .....	2	
- 5	MS25083-2BB6	.. JUMPER, BONDING/FS 204.50 & 300.75/ .....	2	
- 6	MS21919WDG4	.. CLAMP .....	9	
- 7	122-580036-33	.. SUPPORT, TUBE .....	7	
- 8	122-580184-23	.. BLOCK, GROUND/FS 204.50 & 300.75/ .....	2	
- 9	122-580184-21	.. PLATE, GROUND/FS 204.50 & 300.75/ .....	2	
- 10	122-580036-35	.. SUPPORT, TUBE .....	9	
- 11	132131-3-11	.. STUD .....	9	
- 12	132151-3-12	.. STUD/FS 204.50 & 300.75/ .....	2	
- 13	132151-3-11	.. STUD .....	7	
- 14	122-580114-3	.. TUBE, HAND PUMP PRESSURE .....	1	
- 15	122-580119-1	.. TUBE, HAND PUMP SUCTION .....	1	
- 16	D10036D08	.. UNION, HAND PUMP SUCTION .....	1	
- 17	122-580113-3	.. TUBE, NOSE GEAR DOOR OPEN .....	1	
- 18	122-580115-3	.. TUBE, NOSE GEAR DOOR CLOSE .....	1	
- 19	D10036-04	.. UNION .....	3	
- 20	122-580121-3	.. TUBE, GEAR RETRACT .....	1	
- 21	122-580120-3	.. TUBE, GEAR EXTEND .....	1	
- 22	D10036-06	.. UNION .....	2	
- 23	122-580244-1	.. TUBE, HAND PUMP PRESSURE .....	1	
- 24	122-580156-3	.. TUBE, NOSE GEAR DOOR OPEN .....	1	
- 25	122-580155-3	.. TUBE, NOSE GEAR DOOR CLOSE .....	1	
- 26	122-580152-1	.. TUBE ASSY, HAND PUMP SUCTION .....	1	
- 27	122-580150-3	.. TUBE, GEAR RETRACT .....	1	
- 28	122-580151-3	.. TUBE, GEAR EXTEND .....	1	

**Beechcraft**  
**STARSHIP 1**  
**ILLUSTRATED PARTS CATALOG**



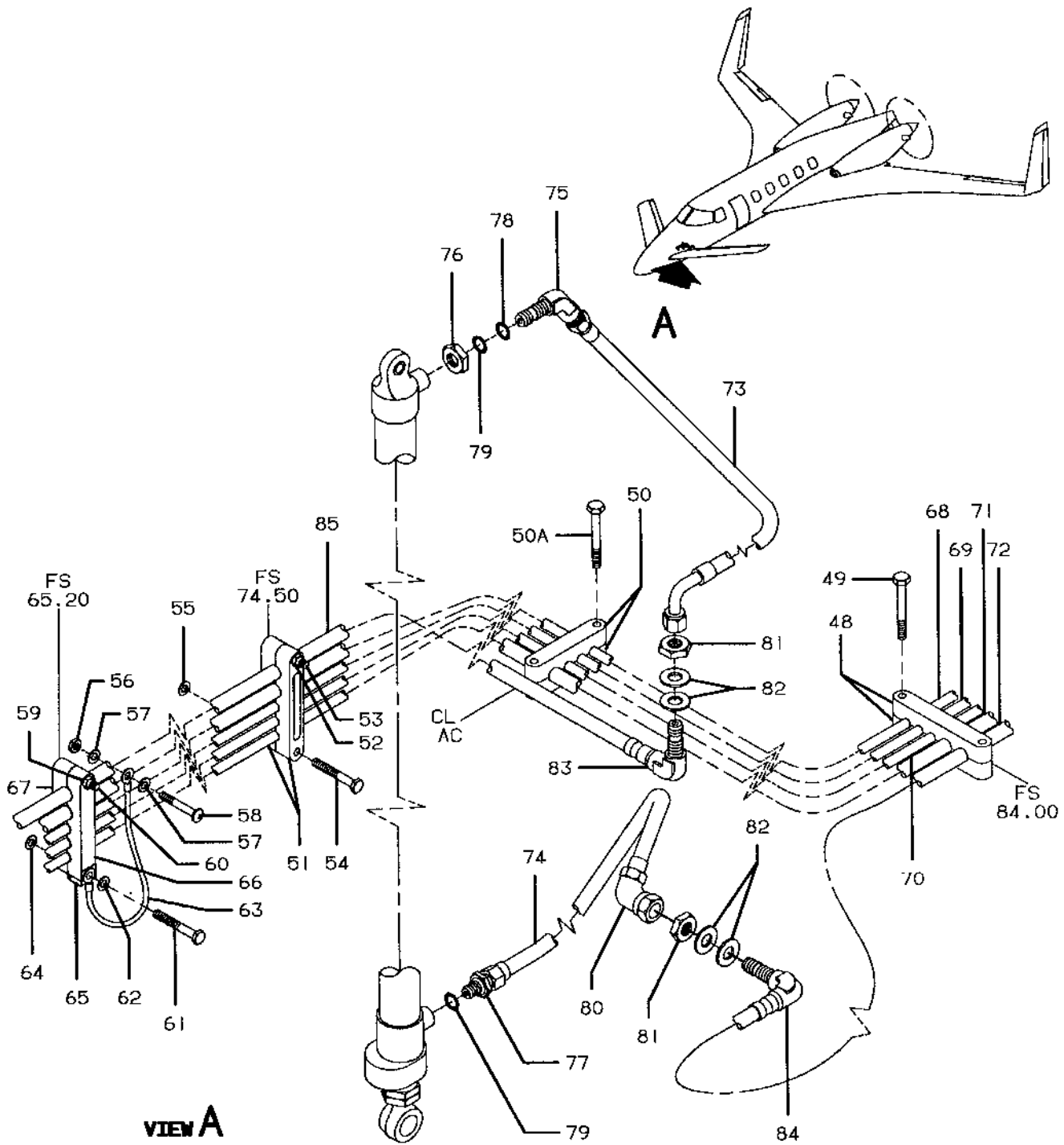
C93NC32A4630 C

**FIGURE 30-15.FWD FUS. & NOSE HYDRAULIC PLBG**  
**/SHEET 2 OF 4 SHEETS/**

  
**STARSHIP 1**  
**ILLUSTRATED PARTS CATALOG**

SUB-SEC UNIT & ITEM NO	PART NO.	DESCRIPTION 1 2 3 4 5 6 7	UNITS PER ASSY	USABLE ON CODE
30-15 -29	D9855-04	.. TEE .....	1	
-30	122-580245-1	.. TUBE, HAND PUMP PRESSURE .....	1	
-31	MS21919WDG4	.. CLAMP .....	6	
-32	MS21919WDG6	.. CLAMP .....	4	
		.. /ATTACHING PARTS/ .....		
-33	130909N29	.. NUT .....	1	
-34	AN960KD10L	.. WASHER .....	1	
-35	NAS43DD3-48	.. SPACER .....	1	
-36	132131-3-11	.. STUD .....	1	
		-----★-----		
-37	122-380036-15	.. SUPPORT, TUBE .....	2	
		.. /ATTACHING PARTS/ .....		
-38	130909B24	.. BOLT .....	2	
-39	AN960KD10L	.. WASHER .....	2	
		-----★-----		
-40	122-580018-1	.. BRACKET ASSY .....	1	1
	122-580018-5	.. BRACKET ASSY .....	1	2
	MS21051L3	.. NUTPLATE .....	2	
-41	122-580246-1	.. TUBE, HAND PUMP PRESSURE .....	1	
-42	AN924-4J	.. NUT .....	3	
-43	AN960JD716L	.. WASHER .....	6	
-44	D10318-04	.. UNION .....	3	
-45	AN924-6J	.. NUT .....	2	
-46	AN960JD916L	.. WASHER .....	4	
-47	D10318-06	.. UNION .....	2	

**Beechcraft**  
**STARSHIP 1**  
**ILLUSTRATED PARTS CATALOG**



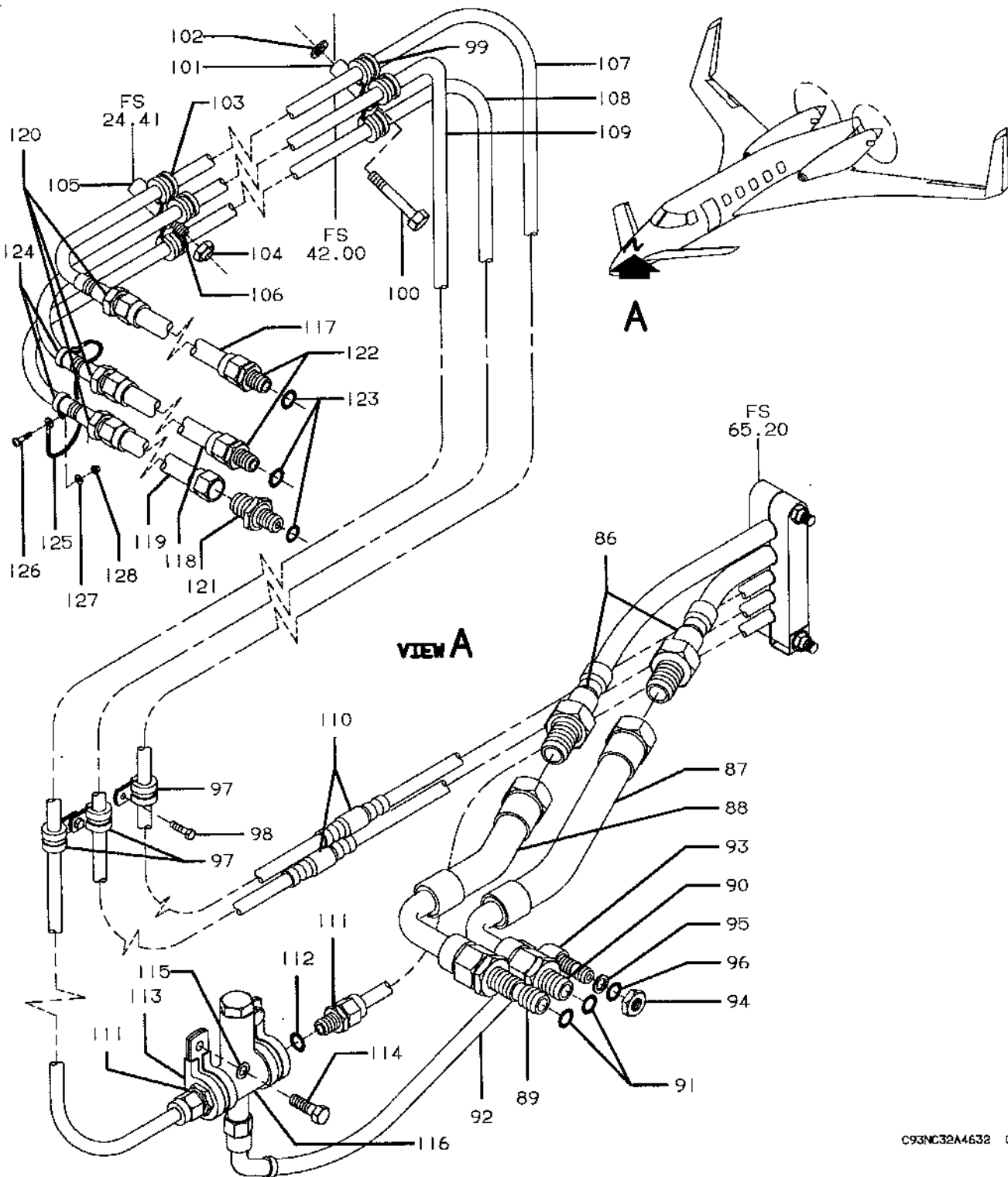
C93NC32A4631 C

**FIGURE 30-15.FWD FUS. & NOSE HYDRAULIC PLBG**  
**/SHEET 3 OF 4 SHEETS/**

**Beechcraft**  
**STARSHIP 1**  
**ILLUSTRATED PARTS CATALOG**

SUB-SEC UNIT & ITEM NO	PART NO.	DESCRIPTION 1 2 3 4 5 6 7	UNITS	USABLE
			PER ASSY	ON CODE
30-15	122-580015-1	. PLUMBING INSTL, NOSE HYDRAULIC.....	NP	
- 48	122-580036-15	.. SUPPORT, TUBE.....	2	
		.. /ATTACHING PARTS/.....		
- 49	130909B24	.. BOLT.....	2	4
	AN3H13A	.. BOLT.....	2	3
		---★---		
- 50	122-580036-5	.. SUPPORT, TUBE.....	2	
		.. /ATTACHING PARTS/.....		
- 50A	130909B24	.. BOLT.....	2	4
	AN3H13A	.. BOLT.....	2	3
		---★---		
- 51	122-580036-15	.. SUPPORT, TUBE.....	2	
		.. /ATTACHING PARTS/.....		
- 52	130909N29	.. NUT.....	1	4
	NAS509-3	.. NUT.....	1	3
- 53	132131-3-11	.. STUD.....	1	
- 54	130909B24	.. BOLT.....	1	4
	AN3H13A	.. BOLT.....	1	3
- 55	AN960-416	.. WASHER.....	1	
		---★---		
- 56	MS25082S12	.. NUT.....	1	
- 57	AN960JD10L	.. WASHER.....	2	
- 58	32938	.. SCREW.....	1	
- 59	130909N29	.. NUT.....	1	4
	NAS509-3	.. NUT.....	1	3
- 60	132131-3-11	.. STUD.....	1	
- 61	AN3-14A	.. BOLT.....	1	4
	AN3H14A	.. BOLT.....	1	3
- 62	AN960JD10L	.. WASHER.....	1	
- 63	MS25083-2BB6	.. JUMPER, BONDING.....	1	
- 64	AN960-416	.. WASHER.....	1	
- 65	122-580184-9	.. PLATE, GROUND.....	1	
- 66	122-580184-1	.. SUPPORT, TUBE.....	1	
- 67	122-580036-15	.. SUPPORT, TUBE.....	1	
- 68	122-580144-5	.. TUBE ASSY, HAND PUMP PRESSURE.....	1	
- 69	122-580145-5	.. TUBE ASSY, NOSE GEAR DOOR OPEN.....	1	
- 70	122-580146-5	.. TUBE ASSY, NOSE GEAR DOOR CLOSE.....	1	
- 71	122-580142-5	.. TUBE ASSY, NOSE GEAR EXTEND.....	1	
- 72	122-580242-1	.. TUBE ASSY, NOSE GEAR RETRACT.....	1	
- 73	101-388015-7	.. HOSE ASSY, NOSE GEAR EXTEND.....	1	
- 74	101-388015-37	.. HOSE ASSY, NOSE GEAR RETRACT.....	1	
- 75	AN837-8	.. ELBOW.....	1	
- 76	AN6289D6	.. NUT.....	1	
- 77	FCLX0504650B	.. RESTRICTOR.....	1	
- 78	MS28777-6	.. RING, PACKING BACK-UP.....	1	
- 79	MS28778-6	.. PACKING, PREFORMED.....	2	
- 80	MS51521B6	.. ELBOW.....	1	
- 81	AN924-6D	.. NUT.....	2	
- 82	AN960KD916L	.. WASHER.....	4	
- 83	D10313-06	.. ELBOW.....	1	
- 84	D10319-06	.. ELBOW.....	1	
- 85	122-580189-1	.. TUBE, NOSE GEAR EXTEND.....	1	

**Beechcraft**  
**STARSHIP 1**  
**ILLUSTRATED PARTS CATALOG**



C93NC32A4632 C

**FIGURE 30-15.FWD FUS. & NOSE HYDRAULIC PLBG**  
**/SHEET 4 OF 4 SHEETS/**

**Beechcraft**  
**STARSHIP 1**  
**ILLUSTRATED PARTS CATALOG**

SUB-SEC UNIT & ITEM NO	PART NO.	DESCRIPTION 1 2 3 4 5 6 7	UNITS PER ASSY	USABLE ON CODE
30-15 - 88	D10011-06	.. UNION .....	2	
- 87	101-388015-33	.. HOSE ASSY, UPLOCK ACTUATOR NOSE GR EXTEND .....	1	
- 88	101-388015-29	.. HOSE ASSY, UPLOCK ACTUATOR NOSE GR EXTEND .....	1	
- 89	AN832-6	.. UNION .....	1	
- 90	AN815-6	.. UNION .....	1	
- 91	MS28778-6	.. PACKING, PREFORMED .....	2	
- 92	101-388015-25	.. HOSE ASSY, HAND PUMP PRESSURE NOSE DOOR .....	1	
		ACTUATOR		
- 93	AN837-4	.. ELBOW .....	1	
- 94	AN6289D4	.. NUT .....	1	
- 95	MS28777-4	.. RING, PACKING BACK-UP .....	1	
- 96	MS28778-4	.. PACKING, PREFORMED .....	1	
- 97	MS21919WDG4	.. CLAMP .....	3	
		/ATTACHING PARTS/		
- 98	130909B14	.. BOLT .....	1	4
	AN3H4A	.. BOLT .....	1	3
		-----★-----		
- 99	MS21919WDG4	.. CLAMP .....	3	
		/ATTACHING PARTS/		
-100	130909B21	.. BOLT .....	1	
-101	NAS43DD3-32	.. SPACER .....	1	
-102	AN960-416	.. WASHER .....	1	
	MS35338-138	.. WASHER, LOCK/LOCATED UNDER BOLT HEAD/ .....	1	3
		-----★-----		
-103	MS21919WDG4	.. CLAMP .....	3	
		/ATTACHING PARTS/		
-104	130909N29	.. NUT .....	1	
-105	NAS43DD3-32	.. SPACER .....	1	
-106	132131-3-8	.. STUD .....	1	
		-----★-----		
-107	122-580148-3	.. TUBE, NOSE GEAR DOOR CLOSE .....	1	
-108	122-580147-3	.. TUBE, NOSE GEAR DOOR OPEN .....	1	
-109	122-580149-5	.. TUBE ASSY, HAND PUMP PRESSURE .....	1	
-110	D10036-04	.. UNION .....	2	
-111	AN815-4D	.. UNION .....	2	
-112	MS28778-4	.. PACKING, PREFORMED .....	2	
-113	MS21919WDG12	.. CLAMP .....	2	
		/ATTACHING PARTS/		
-114	130909B14	.. BOLT .....	1	4
	AN3H4A	.. BOLT .....	1	3
-115	AN960-10	.. WASHER .....	1	
		-----★-----		
-116	122-388004-1	.. VALVE, PRIORITY .....	1	
-117	101-388016-49	.. HOSE ASSY, NOSE GEAR DOOR CLOSE .....	1	
-118	101-388016-51	.. HOSE ASSY, HAND PUMP PRESSURE .....	1	
-119	101-388016-53	.. HOSE ASSY, NOSE GEAR DOOR OPEN .....	1	
-120	D10011-04	.. UNION .....	3	
-121	JETB1872220D	.. RESTRICTOR .....	1	
-122	AN815-4	.. UNION .....	2	
-123	MS28778-4	.. PACKING, PREFORMED .....	3	
-124	AN735-4	.. CLAMP .....	2	5
-125	MS25083-2BB2	.. JUMPER, BONDING .....	1	5
-126	MS35207-263	.. SCREW .....	2	5
-127	AN960-10L	.. WASHER .....	2	5
-128	130909N29	.. NUT .....	2	5

**CODES OF EFFECTIVITY**

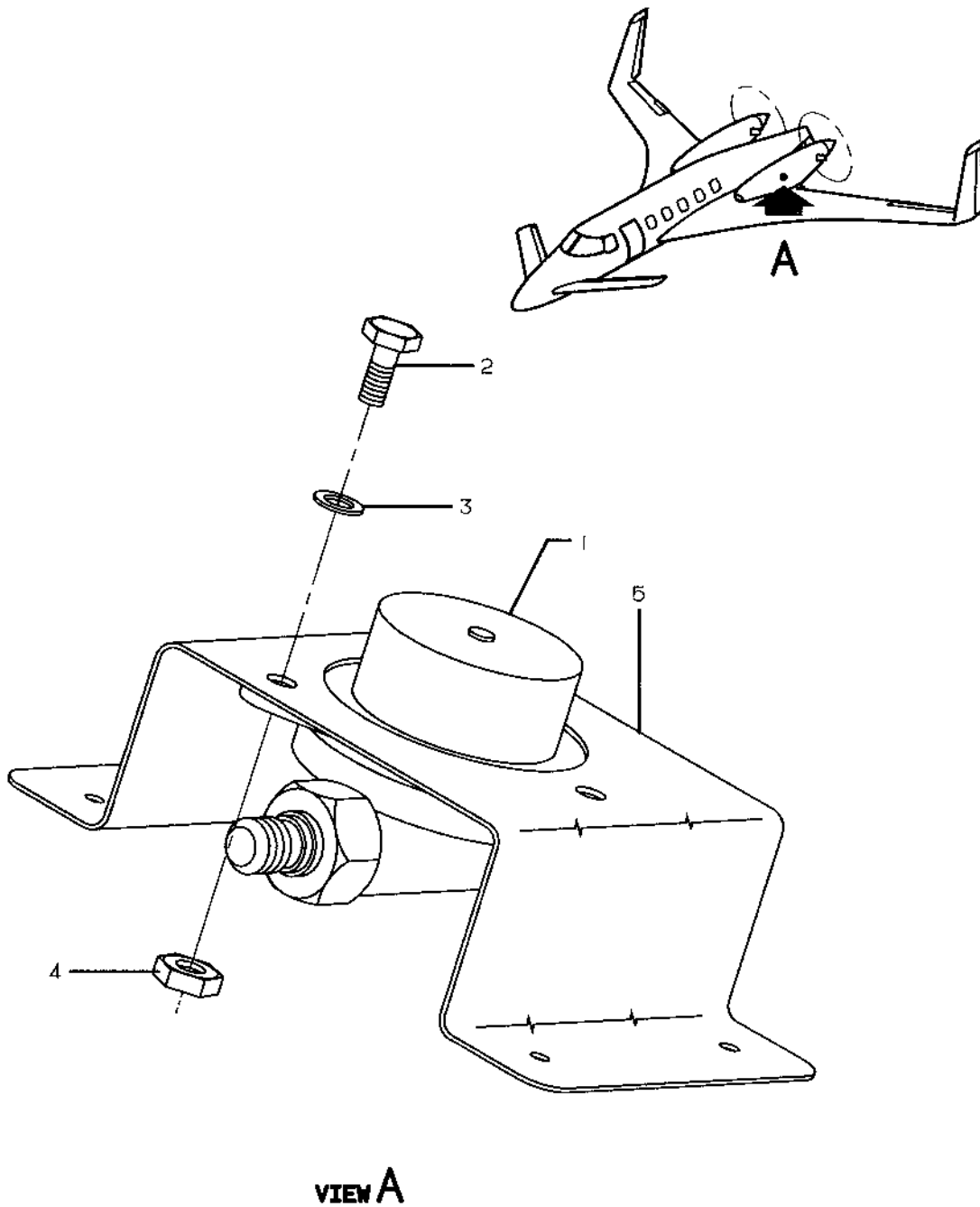
1	NC-4 THRU NC-11	2	NC-12 AND AFTER
3	NC-4 THRU NC-27	4	NC-28 AND AFTER
5	NC-54 AND AFTER		



**Beechcraft**  
**STARSHIP 1**  
**ILLUSTRATED PARTS CATALOG**

**32-30-20**  
**POWER PACK PRESSURE REGULATOR**

Beechcraft  
STARSHIP 1  
ILLUSTRATED PARTS CATALOG



C93NC32A4320 C

FIGURE 30-20.POWER PACK PRESSURE REGULATOR

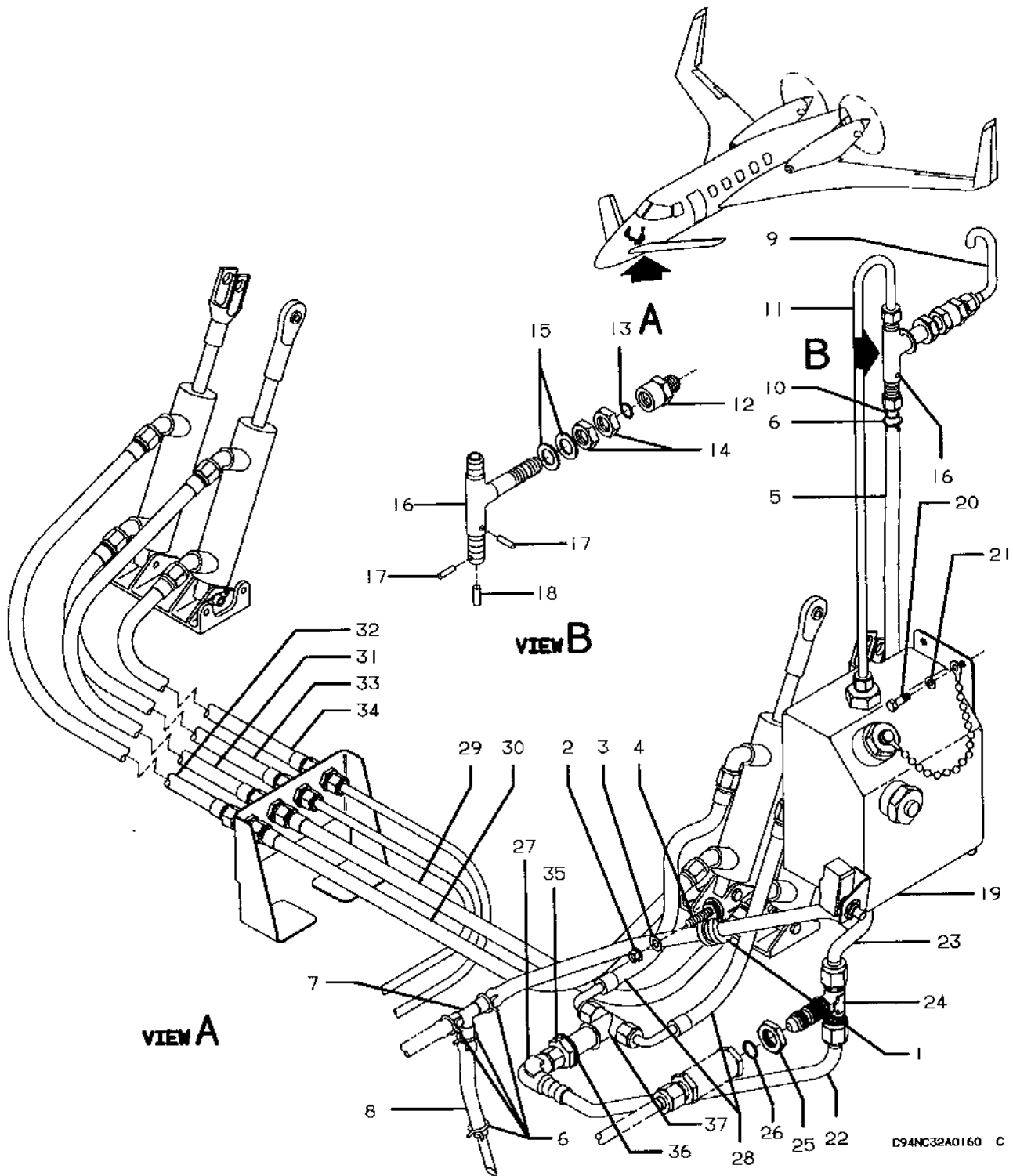
**Beechcraft**  
**STARSHIP 1**  
**ILLUSTRATED PARTS CATALOG**

SUB-SEC UNIT & ITEM NO	PART NO.	DESCRIPTION 1 2 3 4 5 6 7	UNITS PER ASSY	USABLE ON CODE
30-20	122-550087-3	REGULATOR INSTL, POWER PACK PRESSURE.....	NP	
- 1	2702-5	. REGULATOR, POWER PACK PRESSURE.....	1	
		/ATTACHING PARTS/		
- 2	AN3DD4A	. BOLT .....	3	
- 3	AN960JD10L	. WASHER .....	6	
- 4	MS21083D3	. NUT .....	3	
		-----★-----		
- 5	122-550141-1	BRACKET, PRESSURE REGULATOR MTG.....	1	

**Beechcraft**  
**STARSHIP 1**  
**ILLUSTRATED PARTS CATALOG**

**32-40-00**  
**BRAKE PLUMBING**

**Beechcraft**  
**STARSHIP 1**  
**ILLUSTRATED PARTS CATALOG**



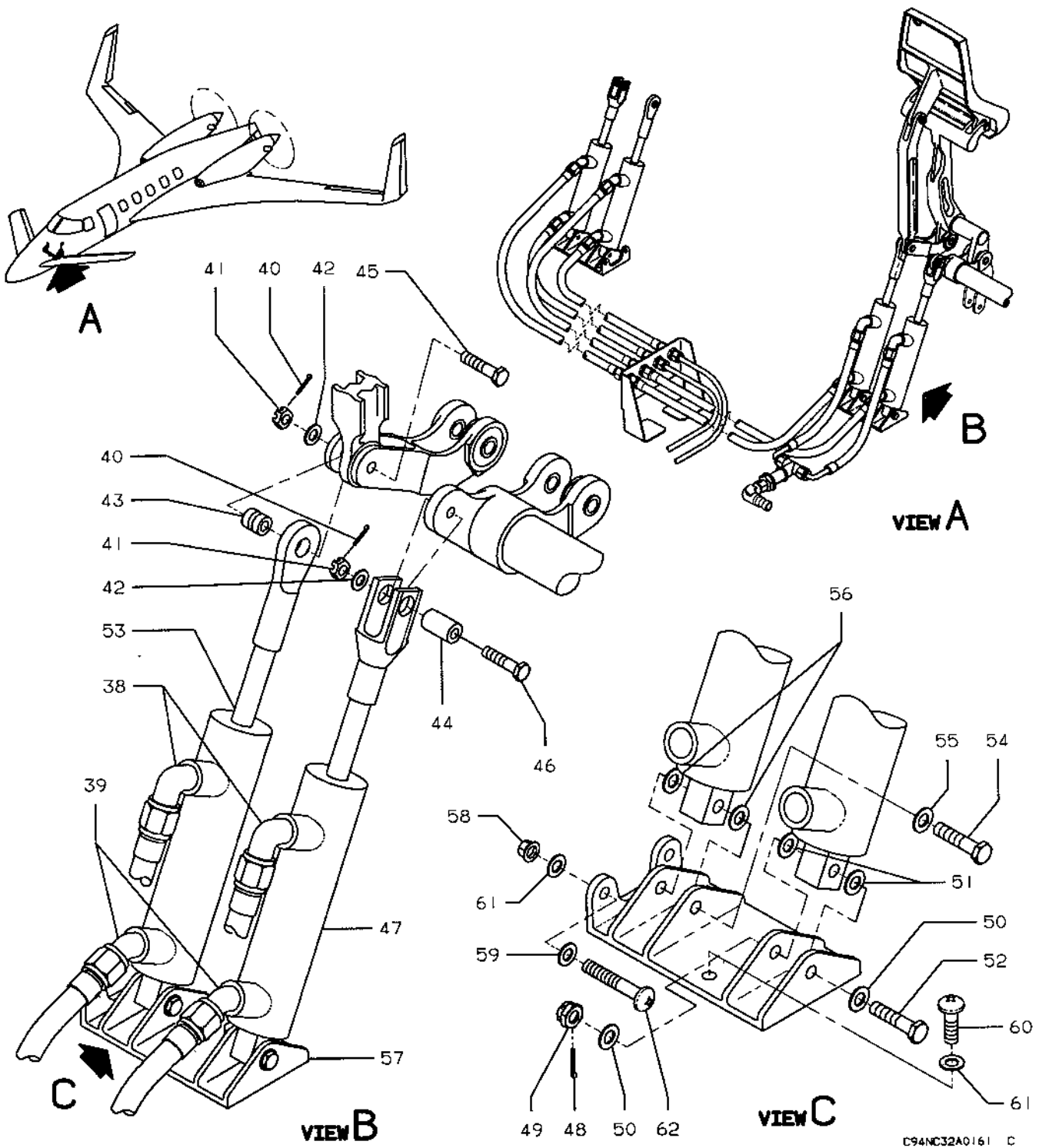
D94NC32A0160 C

**FIGURE 40-00. BRAKE PLUMBING**  
**/SHEET 1 OF 7 SHEETS/**

**Beechcraft**  
**STARSHIP 1**  
**ILLUSTRATED PARTS CATALOG**

SUB-SEC UNIT & ITEM NO	PART NO.	DESCRIPTION 1 2 3 4 5 6 7	UNITS	USABLE
			PER ASSY	ON CODE
40-00	122-580208-1	PLUMBING INSTL, HYDRAULIC BRAKE .....	NP	
	122-580161-3	. PALLET INSTL, ANTI SKID BRAKE/SEE CHAPTER .....	NP	
		32-40-20/		
	122-580209-1	. PLUMBING INSTL, FWD FUSELAGE BRAKE .....	NP	
<b>NOTE</b> BEECHCRAFT CUSTOMER SUPPORT SHOULD BE CONTACTED PRIOR TO ORDERING REPLACEMENT TUBE ASSEMBLIES AND/OR PERMASWAGE FITTINGS.				
- 1	MS21919WDG6	.. CLAMP .....	1	
		/ATTACHING PARTS/		
- 2	130909N29	.. NUT .....	1	
- 3	AN960KD10L	.. WASHER .....	1	
- 4	132131-3-4	.. STUD .....	1	
---★---				
- 5	131066-2-0400	.. TUBE, FLEX .....	1	
- 6	130292A6	.. CLAMP .....	5	
- 7	64032	.. TEE .....	1	
- 8	131066-2-0030	.. TUBE, FLEX .....	1	
- 9	122-580180-1	.. TUBE ASSY, BRAKE RESERVOIR VENT .....	1	
- 10	R 122-580177-1	.. TUBE ASSY .....	1	3
	R 122-580269-1	.. TUBE ASSY .....	1	4
	R 122-580268-1	.. TUBE ASSY .....	1	4
- 11	R 122-580227-1	.. TUBE ASSY .....	1	3
	R 122-580267-1	.. TUBE ASSY .....	1	4
- 12	114-388001-1	.. FILTER .....	1	
- 13	MS28778-4	.. PACKING, PREFORMED .....	1	
- 14	AN924-4D	.. NUT .....	2	
- 15	AN960KD716L	.. WASHER .....	2	
- 16	122-580033-1	.. ORIFICE ASSY, RESERVOIR DRAIN .....	1	3
	122-580033-11	.. ORIFICE ASSY, RESERVOIR DRAIN .....	1	4
	R 131948-60A04D20	.. ELBOW, BULKHEAD .....	1	4
- 17	MS9048-004	.. PIN .....	2	
- 18	50-580041-1	.. PIN .....	1	
- 19	R 122-580031-29	.. RESERVOIR ASSY, BRAKE FLUID/SEE CHAPTER .....	NP	3
		32-40-10/ORDER 122-580031-5 FOR SPARES/ 32-40-10/		
	122-580031-35	.. RESERVOIR ASSY, BRAKE FLUID/SEE CHAPTER .....	1	4
		/ATTACHING PARTS/		
- 20	NAS464P3A3	.. BOLT .....	3	
- 21	AN960KD10L	.. WASHER .....	3	
---★---				
- 22	R 122-580263-1	.. TUBE ASSY .....	1	1
	R 122-580263-5	.. TUBE ASSY .....	1	7
	122-580266-1	.. TUBE ASSY .....	1	6
- 23	122-580262-1	.. TUBE ASSY .....	1	
- 24	AN834-6D	.. TEE .....	1	5
	R AN804D6	.. TEE .....	1	6
- 25	R AN6289D6	.. NUT .....	1	
- 26	MS28778-8	.. PACKING, PREFORMED .....	1	
- 27	D10027AD06	.. ELBOW .....	1	
- 28	122-388003-3	.. HOSE ASSY .....	2	
- 29	122-388002-5	.. HOSE ASSY .....	1	
- 30	122-388002-1	.. HOSE ASSY .....	1	
- 31	122-388002-3	.. HOSE ASSY .....	1	
- 32	122-388002-7	.. HOSE ASSY .....	1	
- 33	122-388002-5	.. HOSE ASSY .....	1	
- 34	122-388002-1	.. HOSE ASSY .....	1	
- 35	AN924-6D	.. NUT .....	1	
- 36	AN960KD916L	.. WASHER .....	1	
- 37	122-580021-1	.. TEE .....	1	

**Beechcraft**  
**STARSHIP 1**  
**ILLUSTRATED PARTS CATALOG**



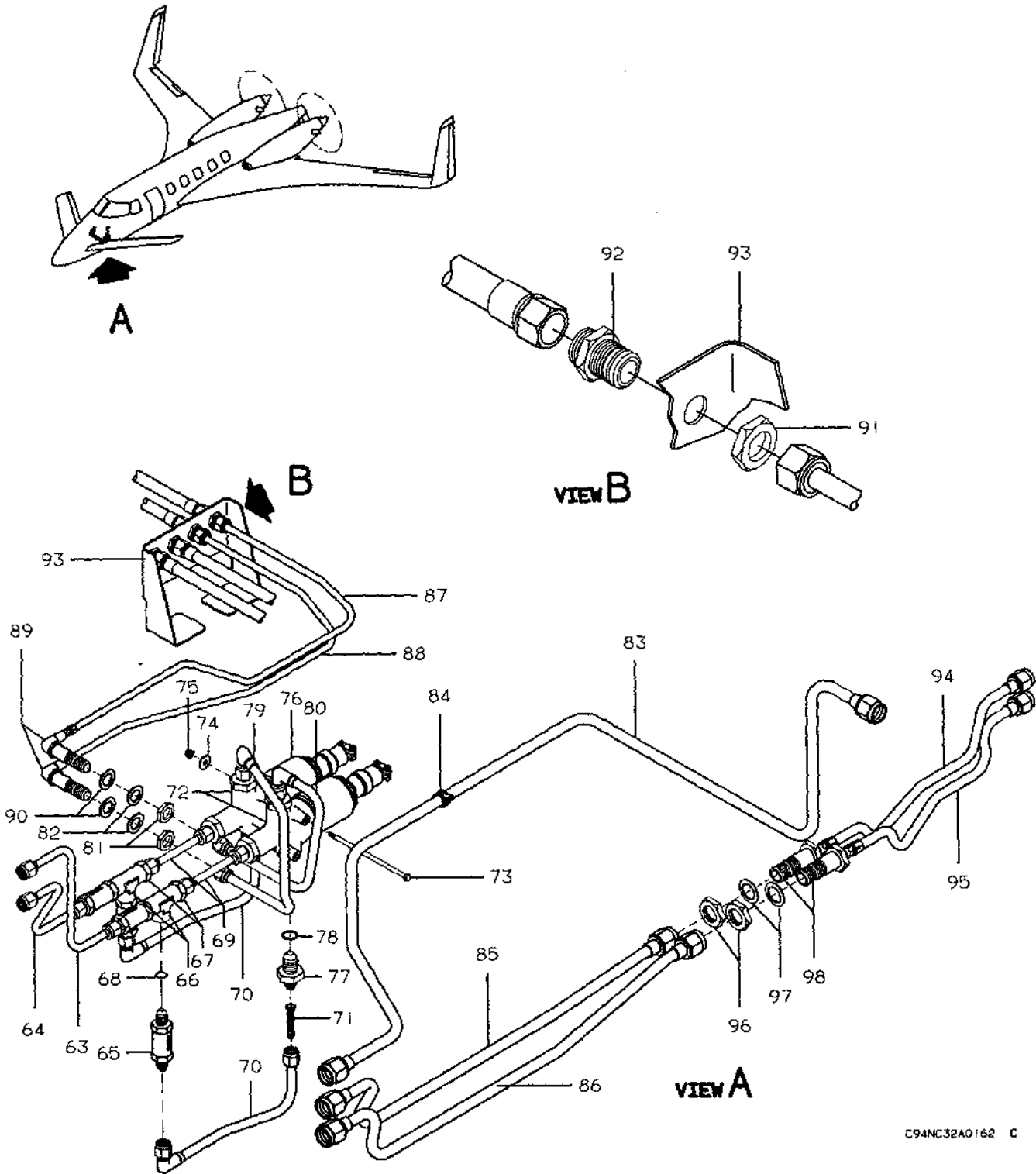
**FIGURE 40-00.BRAKE PLUMBING**  
**/SHEET 2 OF 7 SHEETS/**

**Beechcraft**  
**STARSHIP 1**  
**ILLUSTRATED PARTS CATALOG**

SUB-SEC UNIT & ITEM NO	PART NO.	DESCRIPTION 1 2 3 4 5 6 7	UNITS	USABLE
			PER ASSY	ON CODE
40-00 -38	R MS20822-4D	.. ELBOW, 90 DEGREE/PILOT/ .....	2	
	R MS20823-4D	.. ELBOW, 45 DEGREE/COPILOT/ .....	2	
-39	R MS20823-4D	.. ELBOW, 45 DEGREE .....	4	
-40	R MS24665-132	.. PIN, COTTER .....	4	
-41	R 130909N45	.. NUT .....	4	
-42	R AN960KD10	.. WASHER .....	4	
-43	R NAS72-3E004	.. BUSHING .....	2	
-44	R NAS72-3E006	.. BUSHING .....	2	
-45	R NAS6203-13D	.. BOLT .....	2	
-46	R NAS6203-11D	.. BOLT .....	2	
-47	R C100080-1	.. MASTER CYLINDER, OUTBD BRAKE .....	2	
		/ATTACHING PARTS/		
-48	R MS24665-132	.. PIN, COTTER .....	1	
-49	R MS17825-3	.. NUT .....	1	
-50	R AN960KD10L	.. WASHER/ONE EACH UNDER NUT AND BOLT HEAD/ .....	2	
-51	R AN960KD10	.. WASHER/BETWEEN CYLINDER BASE AND BRACKET/ .....	2	
-52	R NAS6203-15D	.. BOLT .....	1	
		-----*		
-53	R C100080-3	.. MASTER CYLINDER, INBD BRAKE .....	2	
		/ATTACHING PARTS/		
-54	R NAS6203-13H	.. BOLT .....	1	
-55	R AN960KD10L	.. WASHER/UNDER BOLT HEAD/ .....	1	
-56	R AN960KD10	.. WASHER/BETWEEN CYLINDER BASE AND BRACKET/ .....	2	
		-----*		
-57	R 122-524060-1	.. PLATE ASSY, MASTER CYLINDER ATTACH .....	2	
		/ATTACHING PARTS/		
-58	R 130909N29	.. NUT .....	2	
-59	R AN960C10	.. WASHER/UNDER SCREW HEAD/ .....	2	
-60	R MS27039-1-09	.. SCREW .....	2	
-61	R AN960KD10	.. WASHER .....	4	
-62	R MS27039C1-22	.. SCREW .....	2	
		-----*		
	R MS21047-3	.. NUTPLATE .....	1	



**Beechcraft**  
**STARSHIP 1**  
**ILLUSTRATED PARTS CATALOG**

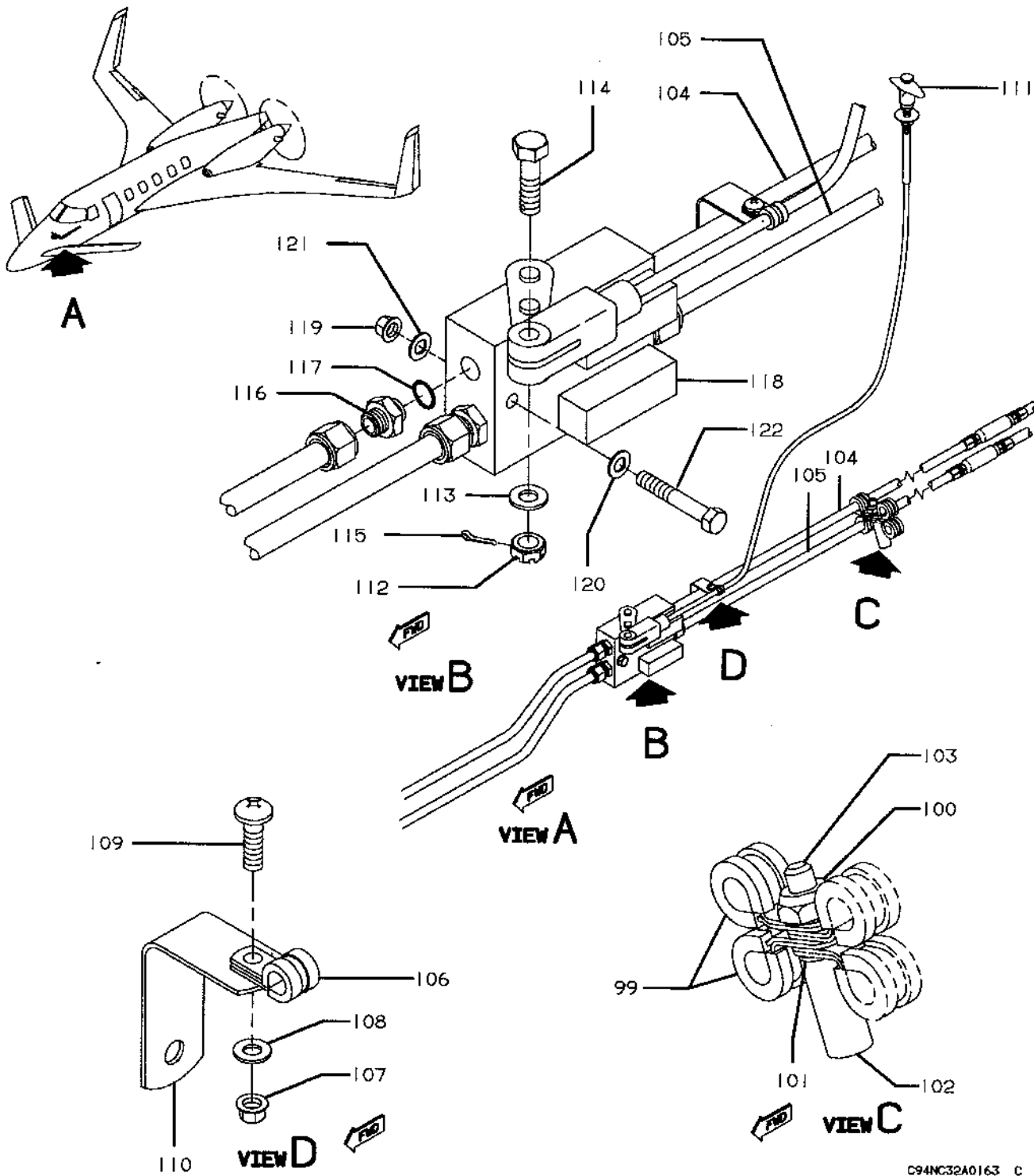


C94NC32A0162 C

**Beechcraft**  
**STARSHIP 1**  
**ILLUSTRATED PARTS CATALOG**

SUB-SEC UNIT & ITEM NO	PART NO.	DESCRIPTION 1 2 3 4 5 6 7	UNITS PER ASSY	USABLE ON CODE
<b>NOTE</b> USE MS25083- BONDING JUMPER WITH SHORTEST LEAD POSSIBLE. SECURE AN735- CLAMP WITH MS35207-262 SCREW, AN960-10L WASHER AND 130909N29 NUT.				
-63	R 122-580209-51	.. TUBE ASSY, LH BRAKE.....	1	
-64	R 122-580209-55	.. TUBE ASSY, RH BRAKE.....	1	
-65	R 122-580264-1	.. RESTRICTOR.....	2	
-66	R AN938D4	.. TEE.....	2	
-67	R AN815-4D	.. UNION.....	2	
-68	R MS28778-4	.. PACKING, PREFORMED.....	3	
-69	R 122-580209-47	.. TUBE ASSY.....	2	
-70	R 122-580209-59	.. TUBE ASSY.....	2	
-71	R 20666-4-10	.. FILTER.....	2	
-72	122-580209-41	.. RESTRICTOR ASSY..... /ATTACHING PARTS/	2	
-73	AN3-46A	.. BOLT.....	2	
-74	AN970-3	.. WASHER.....	2	
-75	MS21044N3	.. NUT.....	2	
★-----				
-76	114-388011-1	.. VALVE.....	1	
-77	AN919-8D	.. REDUCER.....	3	
-78	MS28778-6	.. PACKING, PREFORMED.....	3	
-79	122-580209-43	.. TUBE ASSY.....	1	
-80	122-580209-63	.. TUBE ASSY.....	1	
-81	AN924-4D	.. NUT.....	2	
-82	AN960KD716L	.. WASHER.....	2	
-83	122-580226-1	.. TUBE ASSY.....	1	
-84	MS21919WDG6	.. CLAMP.....	1	
-85	122-580218-1	.. TUBE ASSY, LH BRAKE.....	1	
-86	122-580223-1	.. TUBE ASSY, RH BRAKE.....	1	
-87	122-580219-1	.. TUBE ASSY, LH BRAKE.....	1	
-88	122-580224-1	.. TUBE ASSY, RH BRAKE.....	1	
-89	D10313D04	.. ELBOW.....	2	
-90	AN960KD716L	.. WASHER.....	2	
-91	AN924-4D	.. NUT.....	4	
-92	AN832-4D	.. UNION.....	4	
-93	122-580176-1	.. BRACKET.....	1	
-94	122-580217-1	.. TUBE ASSY, LH BRAKE.....	1	
-95	122-580222-1	.. TUBE ASSY, RH BRAKE.....	1	
-96	AN924-8D	.. NUT.....	2	
-97	AN960KD916L	.. WASHER.....	2	
-98	D10318-06	.. UNION.....	2	
	50-380048-1	.. RELAY, ANTI-SKID BRAKES..... /ATTACHING PARTS/	1	2
	MS35206-230	.. SCREW.....	2	
★-----				

**Beechcraft**  
**STARSHIP 1**  
**ILLUSTRATED PARTS CATALOG**

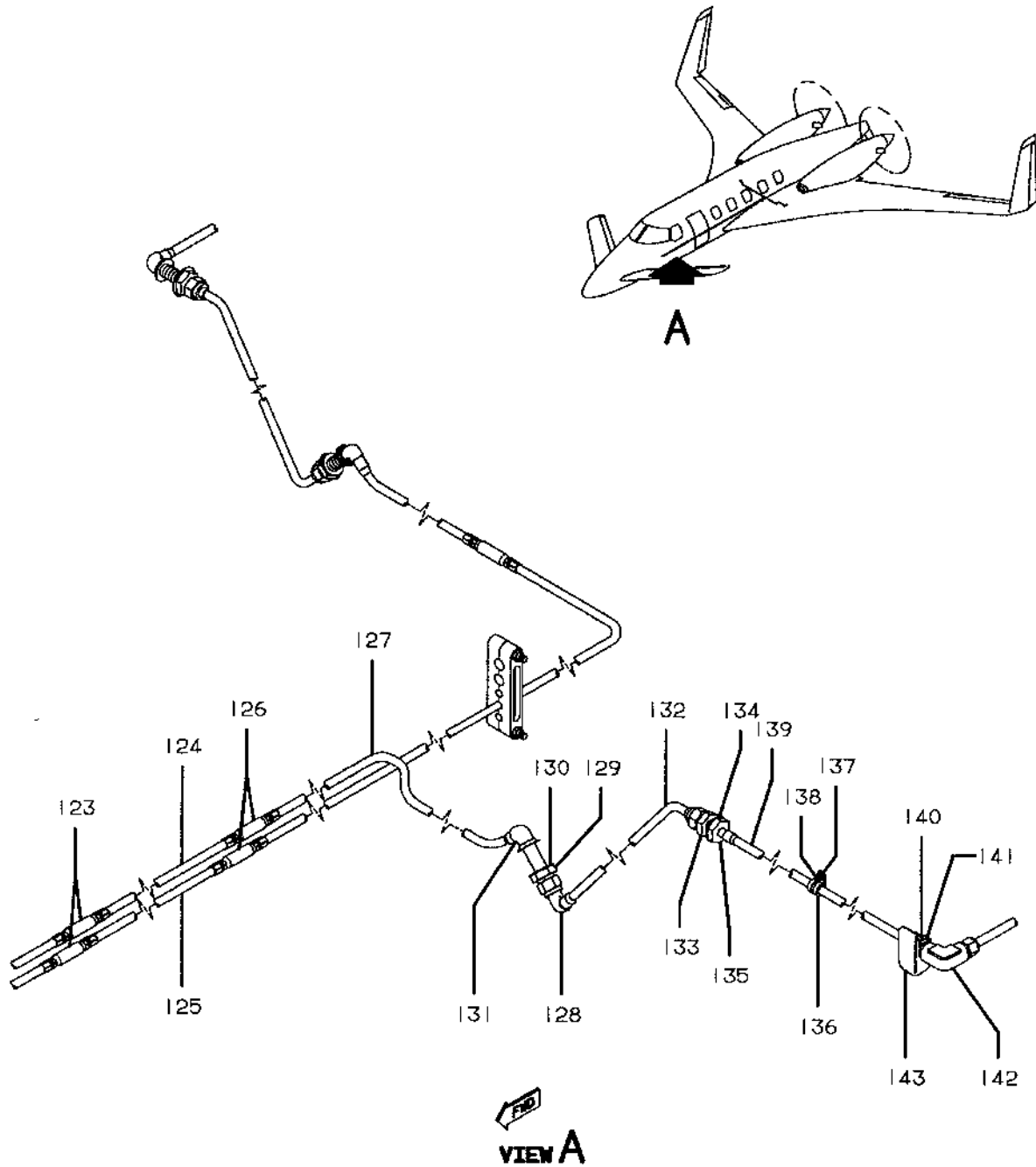


C94NC32A0163 C

**Beechcraft**  
**STARSHIP 1**  
**ILLUSTRATED PARTS CATALOG**

SUB-SEC UNIT & ITEM NO	PART NO.	DESCRIPTION 1 2 3 4 5 6 7	UNITS	USABLE
			PER ASSY	ON CODE
40-00 -99	MS21919WDG6	.. CLAMP .....	6	
		.. /ATTACHING PARTS/ .....		
-100	130909N29	.. NUT .....	1	
-101	AN960PD10L	.. WASHER .....	1	
-102	NAS43DD3-48	.. SPACER .....	1	
-103 R	132131-3-11	.. STUD .....	1	
		-----*		
-104	122-580216-1	.. TUBE ASSY, LEFT BRAKE .....	1	
-105	122-580221-1	.. TUBE ASSY, RIGHT BRAKE .....	1	
-106	MS21919WDG4	.. CLAMP .....	1	
		.. /ATTACHING PARTS/ .....		
-107	130909N29	.. NUT .....	1	
-108	AN960KD10L	.. WASHER .....	1	
-109	MS35207-261	.. SCREW .....	1	
		-----*		
-110	122-580176-3	.. BRACKET .....	1	
-111	122-384071-3	.. CABLE ASSY, PARKING BRAKE CONTROL .....	1	
		.. /ATTACHING PARTS/ .....		
-112	130909N45	.. NUT .....	1	
-113	AN960-10L	.. WASHER .....	1	
-114	130909B16	.. BOLT .....	1	
-115	MS24665-132	.. PIN, COTTER .....	1	
		-----*		
-116	MS24399D7	.. REDUCER .....	4	
-117	MS28778-4	.. PACKING, PREFORMED .....	4	
-118	122-382060-1	.. VALVE ASSY, PARKING BRAKE .....	1	
		.. /ATTACHING PARTS/ .....		
-119	130909N29	.. NUT .....	2	
-120	AN960KD10L	.. WASHER .....	4	
-121	AN960C10	.. WASHER/BETWEEN VALVE AND KEEL/ .....	4	
-122	AN3C16A	.. BOLT .....	2	
		-----*		

Beechcraft  
STARSHIP 1  
ILLUSTRATED PARTS CATALOG



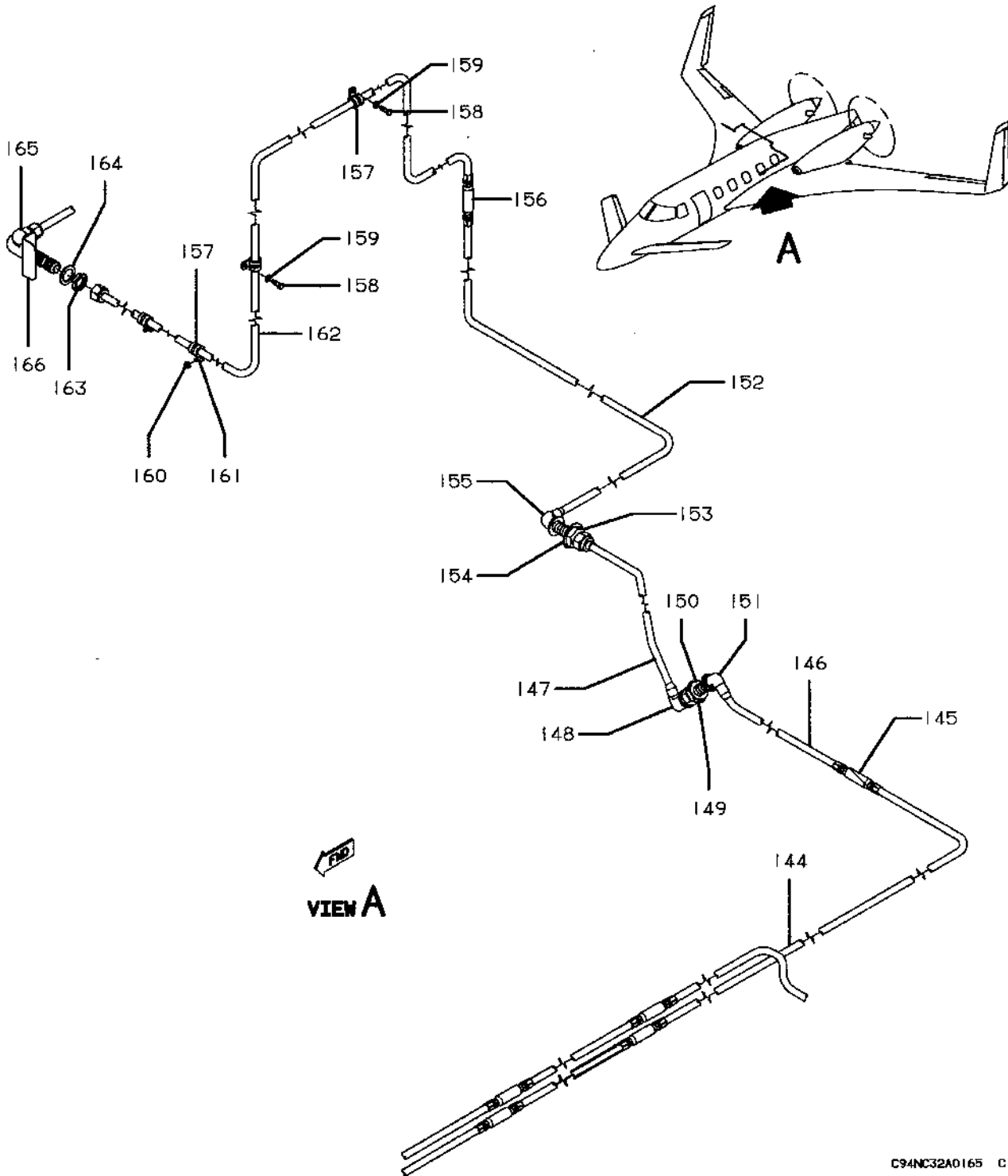
C94NC32A0164 C

FIGURE 40-00.BRAKE PLUMBING  
/SHEET 5 OF 7 SHEETS/

**Beechcraft**  
**STARSHIP 1**  
**ILLUSTRATED PARTS CATALOG**

SUB-SEC UNIT & ITEM NO	PART NO.	DESCRIPTION 1 2 3 4 5 6 7	UNITS	USABLE
			PER ASSY	ON CODE
40-00	122-580210-1	. PLUMBING INSTL, AFT FUSELAGE BRAKE.....	NP	
-123	D10036D06	. . UNION .....	2	
-124	122-580212-1	. . TUBE, LEFT BRAKE .....	1	
-125	122-580211-1	. . TUBE, RIGHT BRAKE.....	1	
-126	D10045D0604	. . UNION .....	2	
-127	122-580167-1	. . TUBE, LEFT BRAKE .....	1	
-128	D10027AD04	. . ELBOW .....	1	
-129	R AN924-4D	. . NUT .....	1	
-130	AN960KD716L	. . WASHER .....	2	
-131	D10313D04	. . ELBOW .....	1	
-132	122-580168-1	. . TUBE ASSY, LEFT BRAKE.....	1	
-133	R AN924-4D	. . NUT .....	1	
-134	AN960KD716L	. . WASHER .....	2	
-135	D10312D04	. . UNION .....	1	
-136	MS21919WDG4	. . CLAMP .....	2	
		/ATTACHING PARTS/		
-137	130909N29	. . NUT .....	1	
-138	132131-3-4	. . STUD .....	1	
		-----*		
-139	122-580165-1	. . TUBE ASSY, LEFT BRAKE.....	1	
-140	R AN924-4D	. . NUT .....	1	
-141	AN960KD716L	. . WASHER .....	1	
-142	AN833-4D	. . ELBOW .....	1	
-143	122-580122-9	. . BRACKET, SUPPORT.....	1	

Beechcraft  
STARSHIP 1  
ILLUSTRATED PARTS CATALOG



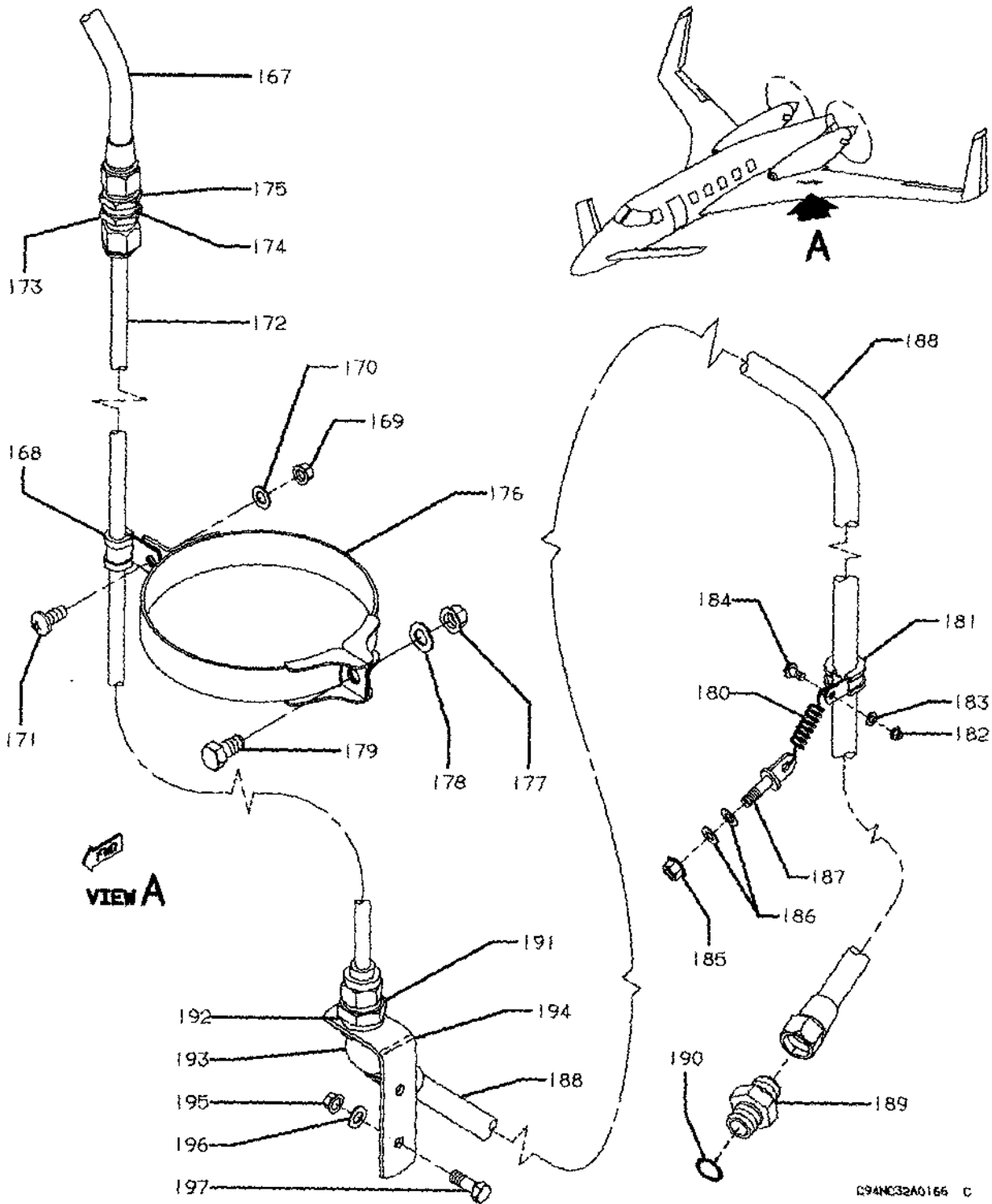
C94NC32A0165 C

**Beechcraft**  
**STARSHIP 1**  
**ILLUSTRATED PARTS CATALOG**

SUB-SEC UNIT & ITEM NO	PART NO.	DESCRIPTION 1 2 3 4 5 6 7	UNITS	USABLE
			PER ASSY	ON CODE
40-00 -144	122-580166-1	.. TUBE, RIGHT BRAKE.....	1	
-145	D10036D04	.. UNION.....	1	
-148	122-580163-1	.. TUBE, RIGHT BRAKE.....	1	
-147	122-580049-1	.. TUBE ASSY, RIGHT BRAKE.....	1	
-148	D10027AD04	.. ELBOW.....	1	
-149	AN924-4D	.. NUT.....	1	
-150	AN960KD716L	.. WASHER.....	2	
-151	D10313D04	.. ELBOW.....	1	
-152	122-580162-1	.. TUBE, RIGHT BRAKE.....	1	
-153 R	AN924-4D	.. NUT.....	1	
-154	AN960KD716L	.. WASHER.....	2	
-155	D10313D04	.. ELBOW.....	1	
-156 R	D10036D04	.. UNION.....	1	
-157	MS21919WDG4	.. CLAMP.....	4	
		/ATTACHING PARTS/		
-158	130909B14	.. BOLT.....	1	
-159	AN960-10L	.. WASHER.....	1	
-160	130909N29	.. NUT.....	1	
-161	132131-3-4	.. STUD.....	1	
		-----*		
-162	122-580164-1	.. TUBE ASSY, RIGHT BRAKE.....	1	
-163 R	AN924-4D	.. NUT.....	1	
-164	AN960KD716L	.. WASHER.....	1	
-165	AN833-4D	.. ELBOW.....	1	
-166	122-580122-9	.. BRACKET, SUPPORT.....	1	



**Beechcraft**  
**STARSHIP 1**  
**ILLUSTRATED PARTS CATALOG**



**FIGURE 40-00.BRAKE PLUMBING**  
**/SHEET 7 OF 7 SHEETS/**

**Beechcraft**  
**STARSHIP 1**  
**ILLUSTRATED PARTS CATALOG**

SUB-SEC UNIT & ITEM NO	PART NO.	DESCRIPTION 1 2 3 4 5 6 7	UNITS PER ASSY	USABLE ON CODE
40-00 -167	122-388002-9	.. HOSE ASSY .....	2	
-168	MS21919WDG4	.. CLAMP .....	2	
		/ATTACHING PARTS/		
-169	130909N29	.. NUT .....	1	
-170	AN960-10L	.. WASHER .....	1	
-171	MS35207-261	.. SCREW .....	1	
		-----*		
-172	122-580170-1	.. TUBE ASSY, LEFT BRAKE .....	1	
	122-580171-1	.. TUBE ASSY, RIGHT BRAKE .....	1	
-173	AN924-4D	.. NUT .....	2	
-174	AN960KD716L	.. WASHER .....	2	
-175	AN832-4D	.. UNION .....	2	
-176	122-580037-1	.. BRACKET ASSY .....	2	
		/ATTACHING PARTS/		
-177	130909N32	.. NUT .....	1	
-178	AN960-416	.. WASHER .....	1	
-179	130909B45	.. BOLT .....	1	
		-----*		
	AN743-13	.. BRACKET .....	2	
	50-810226	.. FITTING, END .....	2	
	122-580037-3	.. STRAP .....	1	
-180	100942N0028-14	.. SPRING .....	2	
-181	758-8	.. CLIP, SUPPORT .....	2	
		/ATTACHING PARTS/		
-182	130909N29	.. NUT .....	1	
-183	AN960-10L	.. WASHER .....	1	
-184	MS35207-263	.. SCREW .....	1	
		-----*		
-185	130909N29	.. NUT .....	2	
-186	AN960-10	.. WASHER .....	4	
-187	AN42B5A	.. BOLT .....	2	
-188	122-388002-11	.. HOSE ASSY .....	2	
-189	MS24392D4	.. UNION .....	2	2
	122-388006-3	.. VALVE, RESTRICTOR .....	2	1
-190	MS28778-4	.. PACKING, PREFORMED .....	2	
-191	AN924-4D	.. NUT .....	2	
-192	AN960KD716L	.. WASHER .....	2	
-193	MS24396D4	.. ELBOW .....	2	
-194	122-580122-11	.. BRACKET .....	2	
		/ATTACHING PARTS/		
-195 R	130909N29	.. NUT .....	2	
-196 R	AN960-10	.. WASHER .....	2	
-197 R	130909B15	.. BOLT .....	2	
		-----*		

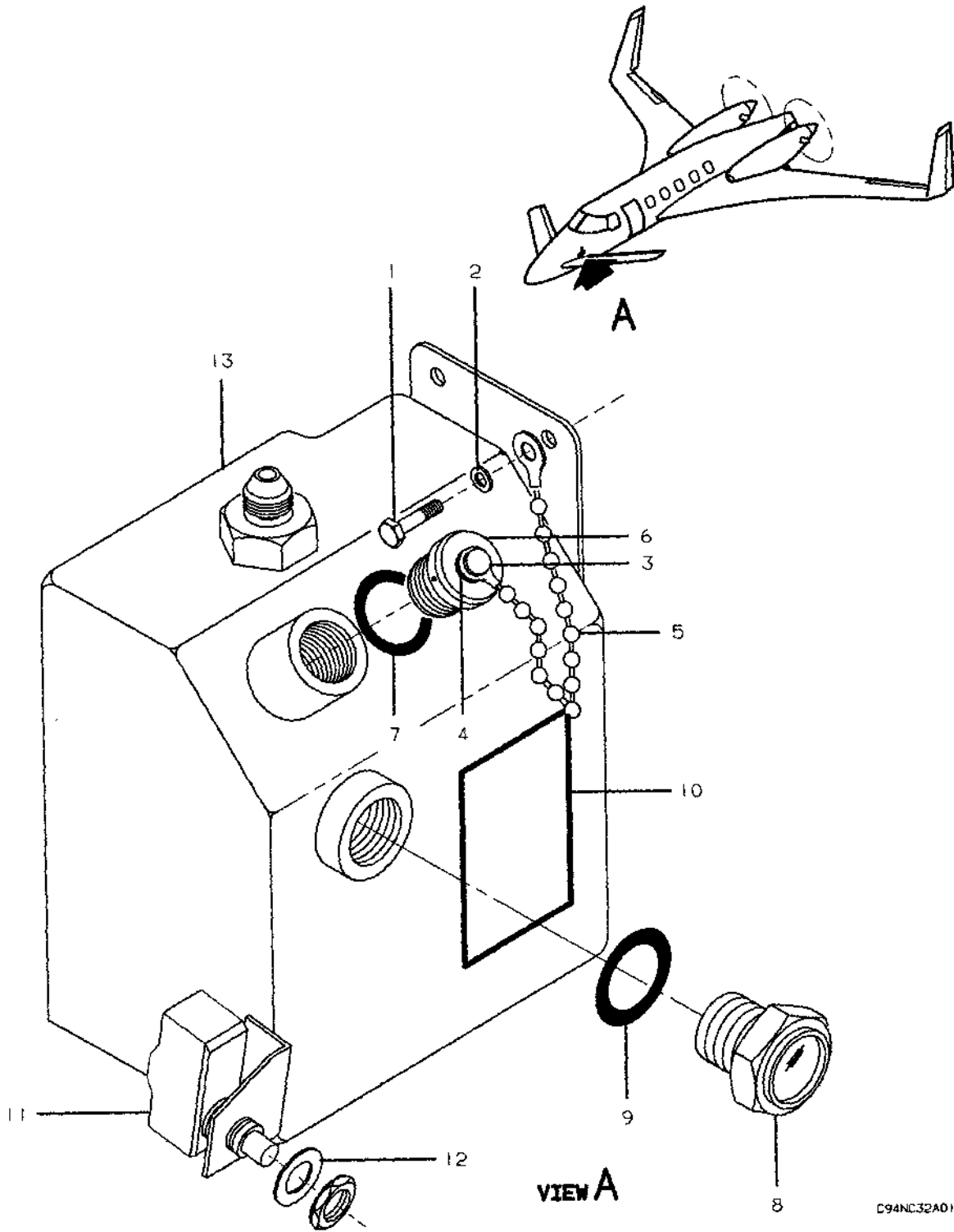
**CODES OF EFFECTIVITY**

1	NC-4 ONLY	2	NC-5 AND AFTER
3	NC-4 THRU NC-53	4	NC-54 AND AFTER
5	NC-4 THRU NC-21	6	NC-22 AND AFTER
7	NC-5 THRU NC-21		

**Beechcraft**  
**STARSHIP 1**  
**ILLUSTRATED PARTS CATALOG**

**32-40-10**  
**BRAKE FLUID RESERVOIR**

Beechcraft  
STARSHIP 1  
ILLUSTRATED PARTS CATALOG



C94NC32A0199 C

FIGURE 40-10. BRAKE FLUID RESERVOIR

**Beechcraft**  
**STARSHIP 1**  
**ILLUSTRATED PARTS CATALOG**

SUB-SEC UNIT & ITEM NO	PART NO.	DESCRIPTION 1 2 3 4 5 6 7	UNITS	USABLE
			PER ASSY	ON CODE
40-10	R 122-580031-29	RESERVOIR ASSY, BRAKE FLUID.....	NP	1
	122-580031-35	RESERVOIR ASSY, BRAKE FLUID..... /ATTACHING PARTS/	1	2
- 1	NAS464P3A3	BOLT.....	3	
- 2	AN960KD10L	WASHER.....	3	
		*-----*		
- 3	MS21918-15	. SCREW.....	1	
- 4	AN960-3L	. WASHER.....	1	
- 5	NAS1201C10A14B	. CHAIN.....	1	
- 6	122-580031-27	. PLUG, FILL.....	1	
- 7	MS28778-10	. PACKING, PREFORMED.....	1	
- 8	S53HA	. PLUG, SIGHT.....	1	
- 9	MS28778-8	. PACKING, PREFORMED.....	1	
- 10	122-580251-1	. PLACARD, INSTRUCTION.....	1	
- 11	10-3320010	. SWITCH/ORDER BZ2RQ1T04 FOR SPARES/.....	NP	3
	W102L5	. SWITCH/ORDER BZ2RQ1T04 FOR SPARES/.....	NP	4
	BZ2RQ1T04	. SWITCH/JAM NUT FURNISHED WITH SWITCH/.....	1	2
- 12	MS35333-44	. WASHER/INSTALL BETWEEN BRACKET AND JAM NUT/.....	1	
- 13	122-580031-31	. RESERVOIR.....	1	1
	122-580031-37	. RESERVOIR.....	1	2

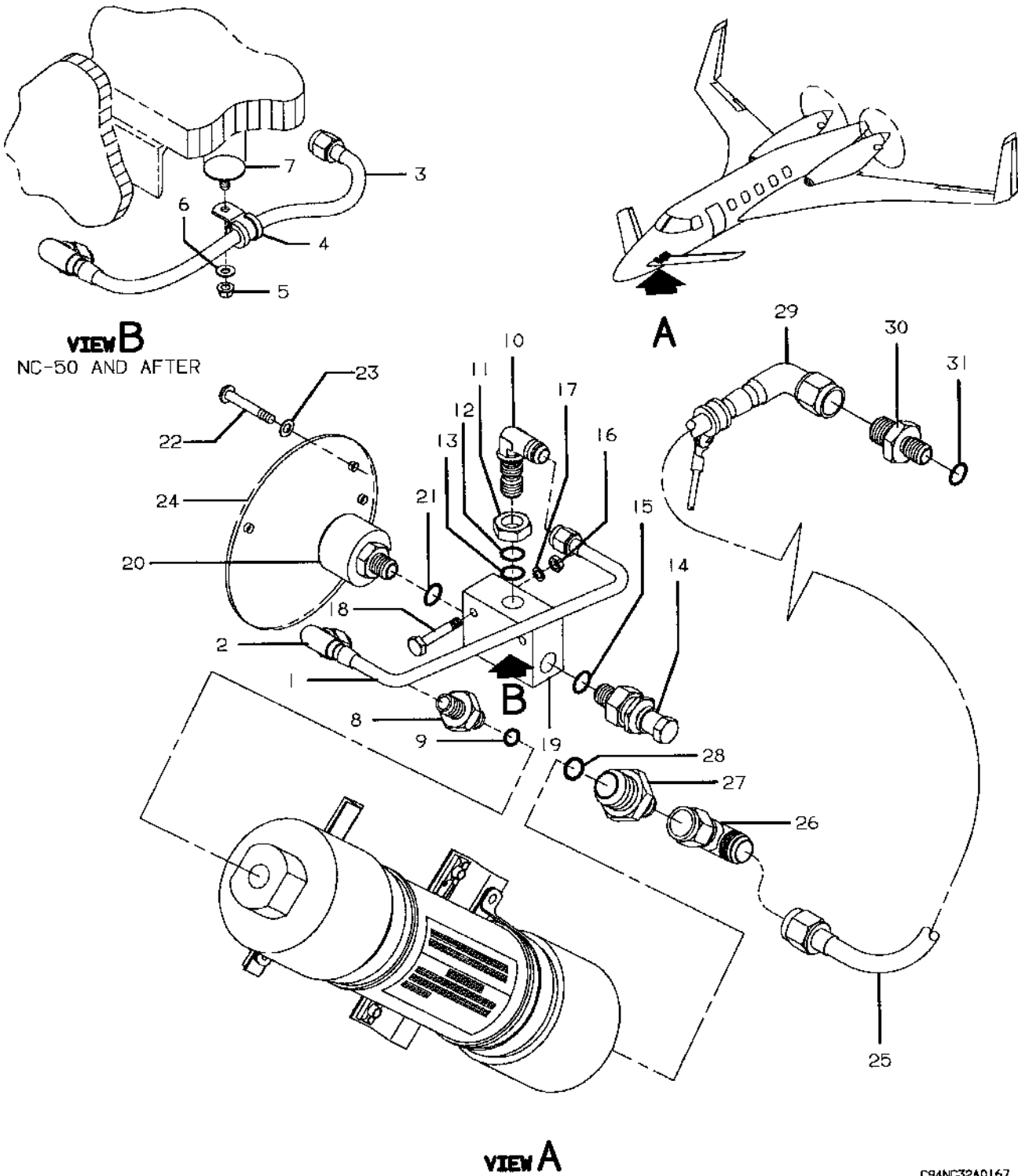
**CODES OF EFFECTIVITY**

- |                   |                    |
|-------------------|--------------------|
| 1 NC-4 THRU NC-53 | 2 NC-54 AND AFTER  |
| 3 NC-4 THRU NC-26 | 4 NC-27 THRU NC-53 |

**Deechcraft**  
**STARSHIP 1**  
**ILLUSTRATED PARTS CATALOG**

**32-40-20**  
**BRAKE ANTI SKID PALLET**

**Beechcraft**  
**STARSHIP 1**  
**ILLUSTRATED PARTS CATALOG**



C94NC32A0167 C

**Beechcraft**  
**STARSHIP 1**  
**ILLUSTRATED PARTS CATALOG**

SUB-SEC UNIT & ITEM NO	PART NO.	DESCRIPTION 1 2 3 4 5 6 7	UNITS	USABLE
			PER ASSY	ON CODE
40-20	122-580208-1	BRAKE ANTI SKID SYSTEM INSTL.....	NP	
	122-580161-3	. PALLET INSTL, BRAKE ANTI SKID .....	NP	
- 1	122-580241-1	. . TUBE ASSY/ACCUMULATOR TO HYDRAULIC FITTING/.....	1	1
- 2	D10027AD04	. . ELBOW .....	1	1
- 3	101-388015-5	. . HOSE ASSY/CAN BE USED FOR SPARES SEE NOTE/ .....	1	2
<b>NOTE</b> USE MS21919WDG9, 132131-3-8 AND AN960-10L WHEN 101-388015-5 HOSE ASSY IS ORDERED AS SPARES FOR 122-580241-1.				
- 4	MS21919WDG9	. . CLAMP .....	1	2
		/ATTACHING PARTS/		
- 5	130909N29	. . NUT .....	1	2
- 6	AN960-10L	. . WASHER .....	1	2
- 7	132131-3-8	. . STUD .....	1	2
---★---				
- 8	AN919-3D	. . REDUCER .....	1	
- 9	MS28778-5	. . PACKING, PREFORMED .....	1	
-10	AN833-4D	. . ELBOW .....	1	
-11	AN6289D4	. . NUT .....	1	
-12	MS28777-4	. . RING .....	1	
-13	R MS28778-4	. . PACKING, PREFORMED .....	1	
-14	MS28889-2	. . VALVE, CHARGING .....	1	
-15	MS28778-4	. . PACKING, PREFORMED .....	1	
-16	130909N29	. . NUT .....	2	
-17	AN960KD10L	. . WASHER .....	2	
-18	130909B23	. . BOLT .....	2	
-19	122-580214-1	. . FITTING .....	1	
-20	114-380050-5	. . GAGE, HYDRAULIC ACCUMULATOR PRESSURE .....	1	
-21	R MS28778-4	. . PACKING, PREFORMED .....	1	
-22	MS27039C1-21	. . SCREW .....	2	
-23	AN960-10L	. . WASHER .....	2	
-24	122-580213-19	. . COVER .....	1	
	122-580213-27	. . SEAL, COVER .....	1	
-25	122-580258-1	. . TUBE ASSY .....	1	
-26	MS5152386	. . TEE, SWIVEL .....	1	
-27	AN919-12D	. . REDUCER .....	1	
-28	MS28778-8	. . PACKING, PREFORMED .....	1	
-29	D10027AD06	. . ELBOW .....	1	
-30	AN815-6D	. . UNION .....	1	
-31	MS28778-6	. . PACKING, PREFORMED .....	1	



Beechcraft  
 STARSHIP 1  
 ILLUSTRATED PARTS CATALOG

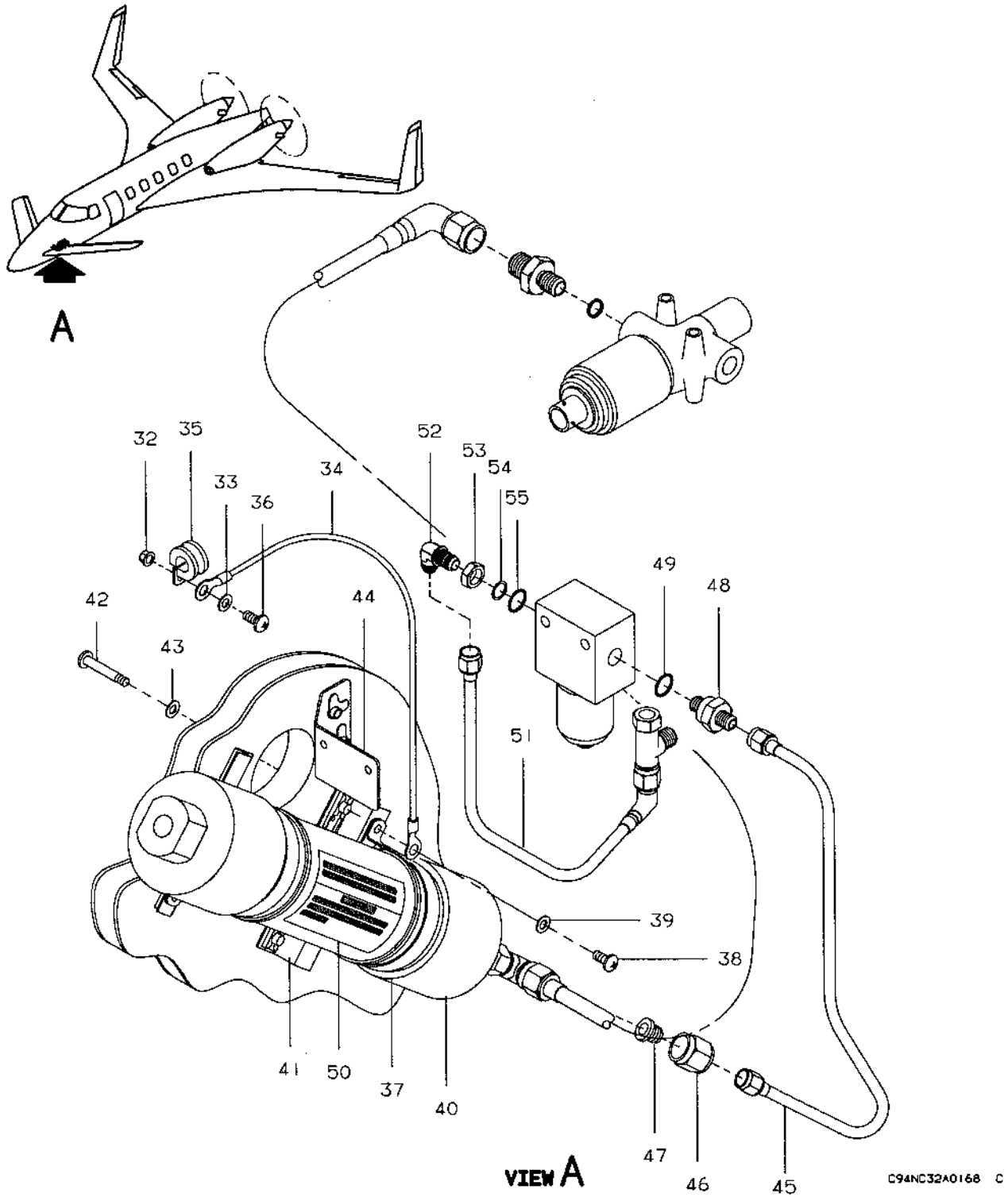


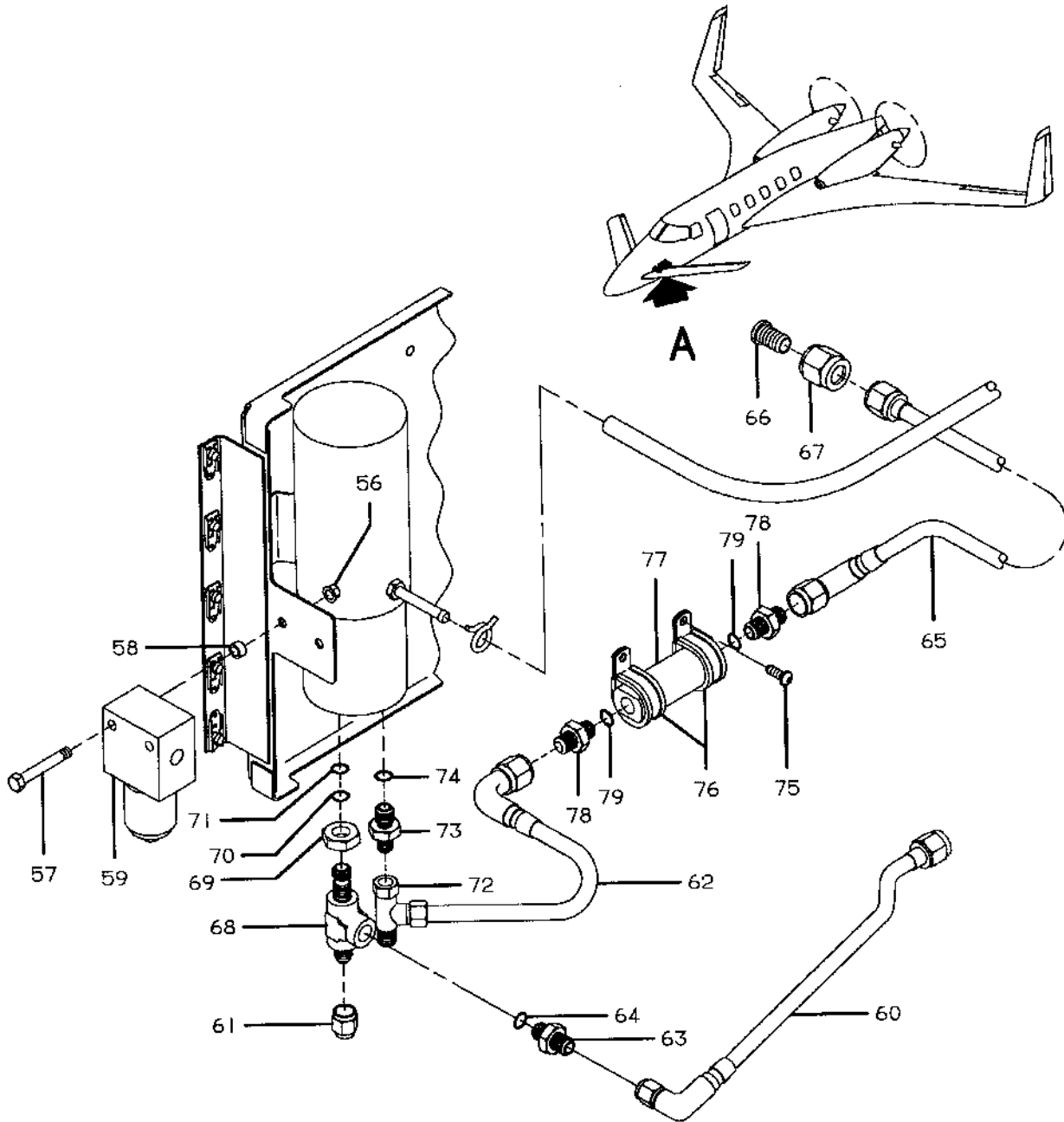
FIGURE 40-20. BRAKE ANTI SKID PALLET  
 /SHEET 2 OF 6 SHEETS/

**Beechcraft**  
**STARSHIP 1**  
**ILLUSTRATED PARTS CATALOG**

SUB-SEC UNIT & ITEM NO	PART NO.	DESCRIPTION 1 2 3 4 5 6 7	UNITS	USABLE
			PER ASSY	ON CODE
40-20 -32	130909N29	.. NUT .....	1	
-33	R AN960-10L	.. WASHER .....	2	
-34	MS25083-2BB8	.. JUMPER, BONDING .....	1	
-35	AN735D4	.. CLAMP .....	1	
-36	MS35207-262	.. SCREW .....	1	
-37	AN742-36	.. CLAMP .....	2	
		/ATTACHING PARTS/		
-38	R MS27039-1-09	.. SCREW .....	1	
-39	R AN960-10L	.. WASHER .....	1	
		-----*		
-40	MS28700-1	.. ACCUMULATOR .....	1	
-41	R 122-580213-13	.. BRACKET ASSY .....	2	
		/ATTACHING PARTS/		
-42	R MS27039C1-21	.. SCREW .....	2	
-43	R AN960C10	.. WASHER .....	2	
		-----*		
	R MS21051L3	.. NUTPLATE .....	1	
	R MS21061L3	.. NUTPLATE .....	2	
-44	122-580213-9	.. BRACKET ASSY .....	1	
	MS21055L3	.. NUTPLATE .....	2	
-45	122-580257-1	.. TUBE ASSY/ACCUMULATOR TO FILTER/ .....	1	
-46	AN818-6D	.. NUT .....	1	
-47	NAS1564-6-4	.. REDUCER .....	1	
-48	114-388010-1	.. VALVE, CHECK .....	1	
-49	R MS28778-4	.. PACKING, PREFORMED .....	1	
-50	R 122-580243-3	.. PLACARD, ACCUMULATOR INSTRUCTION .....	1	
-51	122-580250-1	.. TUBE ASSY/MOTOR AND PUMP ASSY TO FILTER/ .....	1	
-52	AN833-4D	.. ELBOW .....	1	
-53	AN6289-4D	.. NUT .....	1	
-54	MS28777-4	.. RING .....	1	
-55	R MS28778-4	.. PACKING, PREFORMED .....	1	

**NOTE** USE MS25083- BONDING JUMPER  
WITH SHORTEST LEAD POSSIBLE.  
SECURE AN735- CLAMP WITH  
MS35207-262 SCREW, AN960-10L  
WASHER AND 130909N29 NUT.

Beechcraft  
STARSHIP 1  
ILLUSTRATED PARTS CATALOG



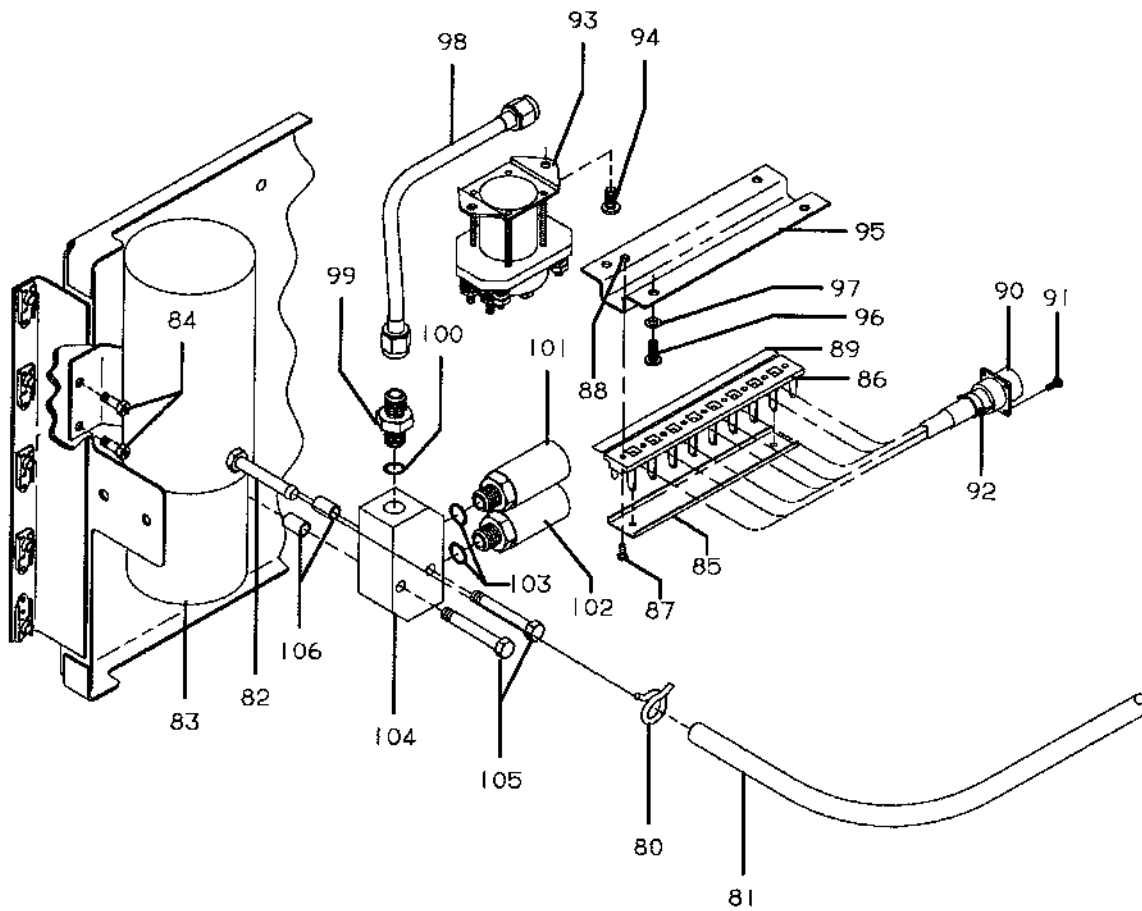
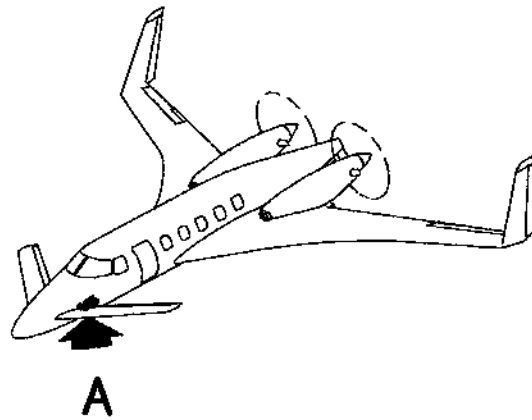
VIEW A

C94NC32A0169 C

**Beechcraft**  
**STARSHIP 1**  
**ILLUSTRATED PARTS CATALOG**

SUB-SEC UNIT & ITEM NO	PART NO.	DESCRIPTION 1 2 3 4 5 6 7	UNITS	USABLE
			PER ASSY	ON CODE
40-20 -56	130909N32	.. NUT .....	2	
-57	AN4-20A	.. BOLT .....	2	
-58	NAS43DD4-13	.. SPACER/BETWEEN FILTER AND PALLET/.....	2	
-59	R MS28720-4	.. FILTER ASSY .....	1	
	R AN8235-1A	.. ELEMENT, FILTER.....	1	
-60	122-580247-1	.. TUBE ASSY/MOTOR AND PUMP ASSY TO RESERVOIR..... AND SOLENOID VALVE/	1	
-61	AN929-4	.. CAP ASSY .....	1	
-62	122-580258-1	.. TUBE ASSY .....	1	
-63	AN919-6D	.. REDUCER .....	1	
-64	R MS28778-4	.. PACKING, PREFORMED .....	1	
-65	122-580261-1	.. TUBE ASSY .....	1	
-66	NAS1564-6-4	.. REDUCER .....	1	
-67	AN818-6D	.. NUT .....	1	
-68	122-580215-5	.. TEE .....	1	
-69	AN6289D4	.. NUT .....	1	
-70	MS28777-4	.. RING .....	1	
-71	MS28778-4	.. PACKING, PREFORMED .....	1	
-72	MS51523B4	.. TEE .....	1	
-73	122-580215-3	.. REDUCER .....	1	
-74	MS28778-2	.. PACKING, PREFORMED .....	1	
-75	MS35207-264	.. SCREW .....	2	
-76	MS21919WDG16	.. CLAMP .....	2	
-77	114-388017-3	.. VALVE, RELIEF .....	1	
-78	AN815-4D	.. UNION .....	2	
-79	MS28778-4	.. PACKING, PREFORMED .....	2	

Beechcraft  
STARSHIP 1  
ILLUSTRATED PARTS CATALOG



VIEW A

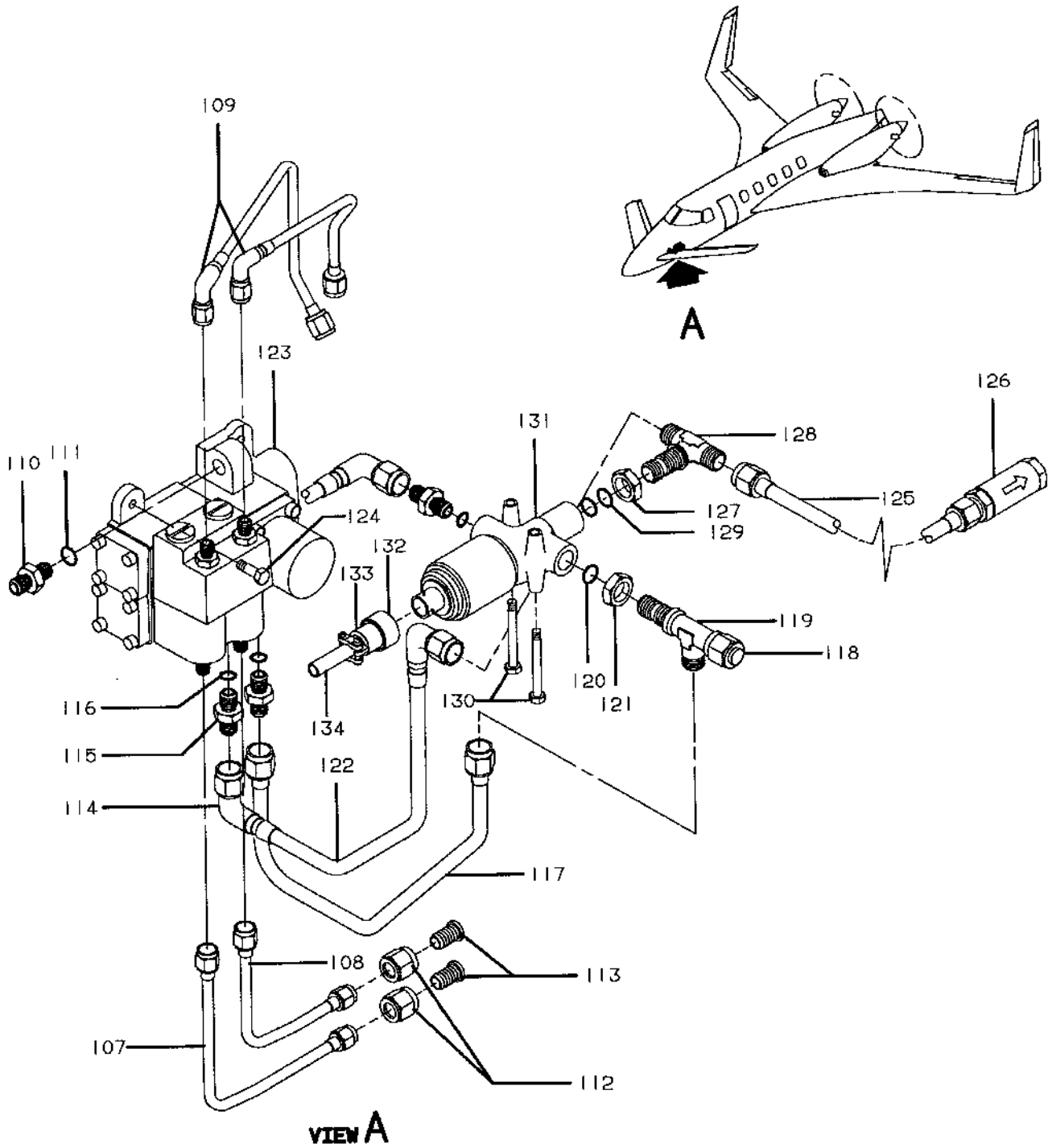
C94NC32A0170 C

FIGURE 40-20. BRAKE ANTI SKID PALLET  
/SHEET 4 OF 6 SHEETS/

**Beechcraft**  
**STARSHIP 1**  
**ILLUSTRATED PARTS CATALOG**

SUB-SEC UNIT & ITEM NO	PART NO.	DESCRIPTION 1 2 3 4 5 6 7	UNITS	USABLE ON CODE
			PER ASSY	
40-20 -80	130292A6	.. CLAMP .....	1	
-81	131066-2-0300	.. TUBE .....	1	
-82	122-580215-1	.. ADAPTER .....	1	
-83	122-388007-1	.. MOTOR AND PUMP ASSY, ANTI SKID, /ATTACHING PARTS/ .....	1	
-84	NAS1096-3-8	.. SCREW .....	4	
		---★---		
-85 R	MS18028-1S9	.. COVER .....	1	
-86	MS27212-1-9	.. BOARD, TERMINAL /ATTACHING PARTS/ .....	1	
-87	MS35206-215	.. SCREW .....	3	
-88	MS21042L04	.. NUT .....	3	
		---★---		
	1N4007	.. DIODE .....	1	
	MS25036-102	.. TERMINAL .....	1	
	MS25181-1	.. SPLICE .....	1	
	B130-20	.. SLEEVING .....	AR	
-89	114675A1-9	.. STRIP, TERMINAL BOARD IDENTIFICATION .....	1	
-90	MS3470L14-12P	.. CONNECTOR /ATTACHING PARTS/ .....	1	
-91	MS35206-214	.. SCREW .....	4	
	MS21042L04	.. NUT .....	4	
		---★---		
-92	MS3417-14N	.. CLAMP .....	1	
-93	109-381002-1	.. CONTACTOR /ATTACHING PARTS/ .....	1	
-94	MS35207-264	.. SCREW .....	2	
		---★---		
-95	122-580213-21	.. BRACKET /ATTACHING PARTS/ .....	1	
-96 R	MS35207-261	.. SCREW .....	4	
-97	AN960KD10L	.. WASHER .....	4	
		---★---		
-98	122-580238-1	.. TUBE ASSY/POWER BRAKE VALVE TO FITTING/ .....	1	
-99	AN815-4D	.. UNION .....	1	
-100	MS28775-4	.. PACKING, PREFORMED .....	1	
-101	114-388006-5	.. SWITCH, PUMP OUTPUT CONTROL .....	1	
-102	114-388006-3	.. SWITCH, LOW PRESSURE WARNING .....	1	
-103 R	MS28778-4	.. PACKING, PREFORMED .....	2	
-104	114-810065-1	.. FITTING, HYDRAULIC /ATTACHING PARTS/ .....	1	
-105	AN3-15A	.. BOLT .....	2	
		---★---		
-106	NAS43DD3-16	.. SPACER/INSTALL BETWEEN FITTING AND PALLET/ .....	2	

Beechcraft  
STARSHIP 1  
ILLUSTRATED PARTS CATALOG



C94NC32A0171 C

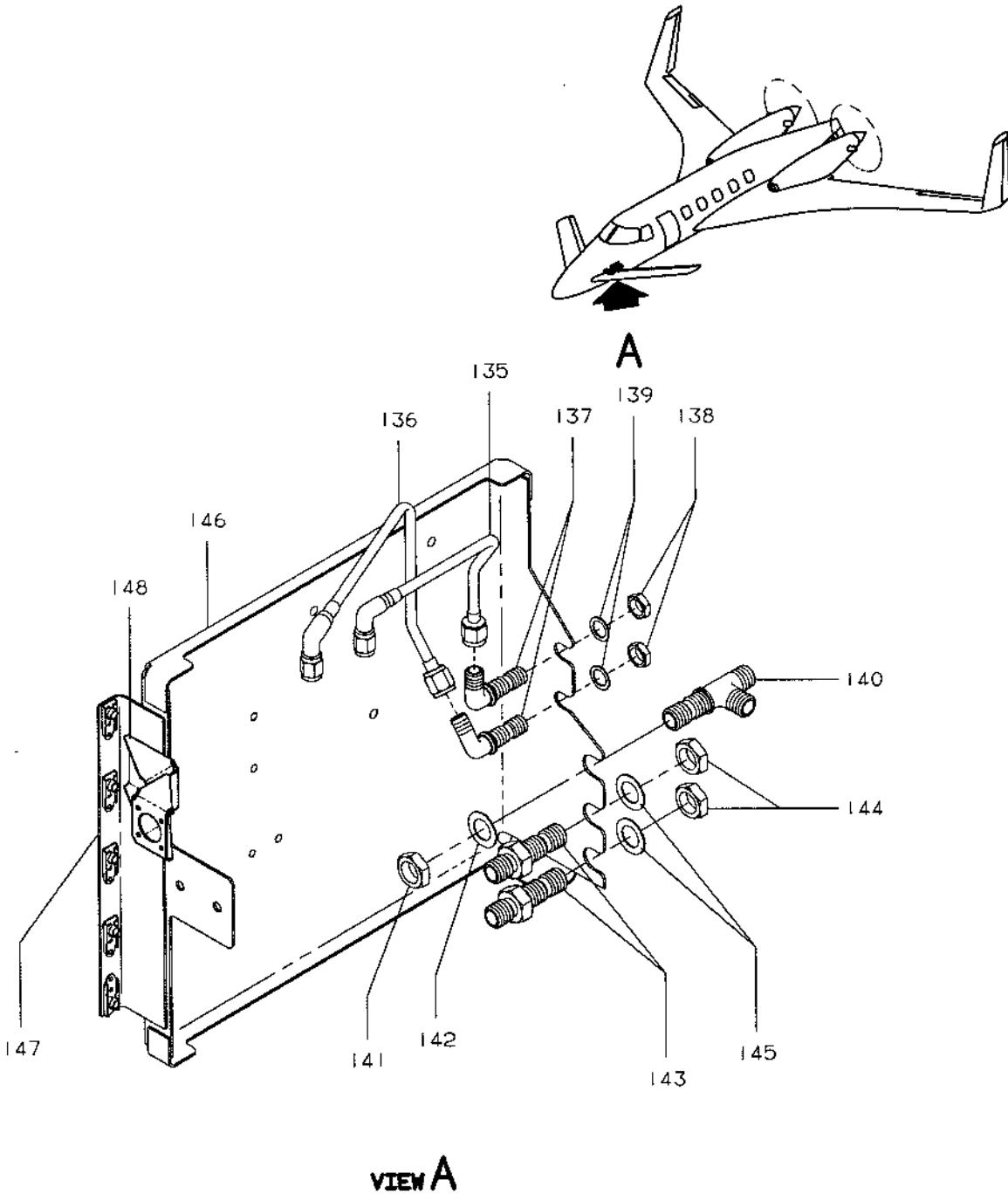
FIGURE 40-20. BRAKE ANTI SKID PALLET  
/SHEET 5 OF 6 SHEETS/

**Beechcraft**  
**STARSHIP 1**  
**ILLUSTRATED PARTS CATALOG**

SUB-SEC UNIT & ITEM NO	PART NO.	DESCRIPTION 1 2 3 4 5 6 7	UNITS	USABLE
			PER ASSY	ON CODE
40-20 -107	122-580229-1	.. TUBE ASSY/POWER BRAKE VALVE TO RH BRAKE .....	1	
		.. TUBE ASSY/		
-108	122-580230-1	.. TUBE ASSY/POWER BRAKE VALVE TO LH BRAKE .....	1	
		.. TUBE ASSY/		
-109	D10027AD04	.. ELBOW .....	2	
-110	AN815-4D	.. UNION .....	2	
-111	MS28775-4	.. PACKING, PREFORMED .....	1	
-112	AN818-6D	.. NUT .....	2	
-113	NAS1564-6-4	.. REDUCER .....	2	
-114	D10027AD06	.. ELBOW .....	1	
-115	AN815-6D	.. UNION .....	1	
-116	MS28778-6	.. PACKING, PREFORMED .....	1	
-117	122-580260-1	.. TUBE ASSY/POWER BRAKE VALVE TO SOLENOID .....	1	
		.. VALVE/		
-118	AN929-6	.. CAP .....	1	
-119	AN804-6D	.. TEE .....	1	
-120	R MS28778-6	.. PACKING, PREFORMED .....	1	
-121	AN924-6D	.. NUT .....	1	
-122	122-580233-1	.. TUBE ASSY/POWER BRAKE VALVE TO SOLENOID .....	1	
		.. VALVE/		
-123	38-755-2	.. VALVE, POWER BRAKE .....	1	
		.. /ATTACHING PARTS/		
-124	130909B34	.. BOLT .....	3	
		---*---		
-125	122-580259-1	.. TUBE ASSY/SOLENOID VALVE TO MOTOR AND .....	1	
		.. PUMP ASSY/		
-126	122-388009-1	.. VALVE, CHECK .....	1	
-127	AN6289D6	.. NUT .....	1	
-128	AN834-6D	.. TEE .....	1	
-129	MS28777-6	.. RING .....	1	
	MS28778-6	.. PACKING, PREFORMED .....	1	
-130	AN3-22A	.. BOLT .....	2	
-131	114-388011-1	.. VALVE, SOLENOID .....	1	
-132	MS3456L10SL4S	.. CONNECTOR .....	1	
-133	MS3417-10N	.. CLAMP, STRAIN RELIEF .....	1	
-134	MS3420-4D	.. BUSHING .....	1	



Beechcraft  
STARSHIP 1  
ILLUSTRATED PARTS CATALOG



C94NC32A0172 C

FIGURE 40-20. BRAKE ANTI SKID PALLET  
/SHEET 6 OF 6 SHEETS/

**Beechcraft**  
**STARSHIP 1**  
**ILLUSTRATED PARTS CATALOG**

SUB-SEC UNIT & ITEM NO	PART NO.	DESCRIPTION 1 2 3 4 5 6 7	UNITS PER ASSY	USABLE ON CODE
40-20 -135	122-580236-1	.. TUBE ASSY/POWER BRAKE VALVE TO LH BRAKE.....	1	
		.. TUBE ASSY/		
-136	122-580237-1	.. TUBE ASSY/POWER BRAKE VALVE TO RH BRAKE .....	1	
		.. TUBE ASSY/		
-137	AN833-4D	.. ELBOW .....	2	
-138	AN924-4D	.. NUT .....	2	
-139	AN960KD716	.. WASHER .....	2	
-140	R AN804D6	.. TEE .....	1	
-141	AN924-6D	.. NUT .....	1	
-142	AN960KD916	.. WASHER .....	1	
-143	AN832-6D	.. UNION .....	2	
-144	AN924-6D	.. NUT .....	2	
-145	AN960KD916	.. WASHER .....	2	
-146	R 122-580213-1	.. PALLET ASSY, BRAKE ANTI SKID .....	1	
	R MS21059L06	.. NUTPLATE .....	2	
	R MS21069L3	.. NUTPLATE .....	8	
	MS21069L4	.. NUTPLATE .....	3	
-147	122-580213-5	.. SUPPORT ASSY .....	2	
	R MS21061L3	.. NUTPLATE .....	5	
-148	R 122-580213-23	.. BRACKET ASSY .....	1	

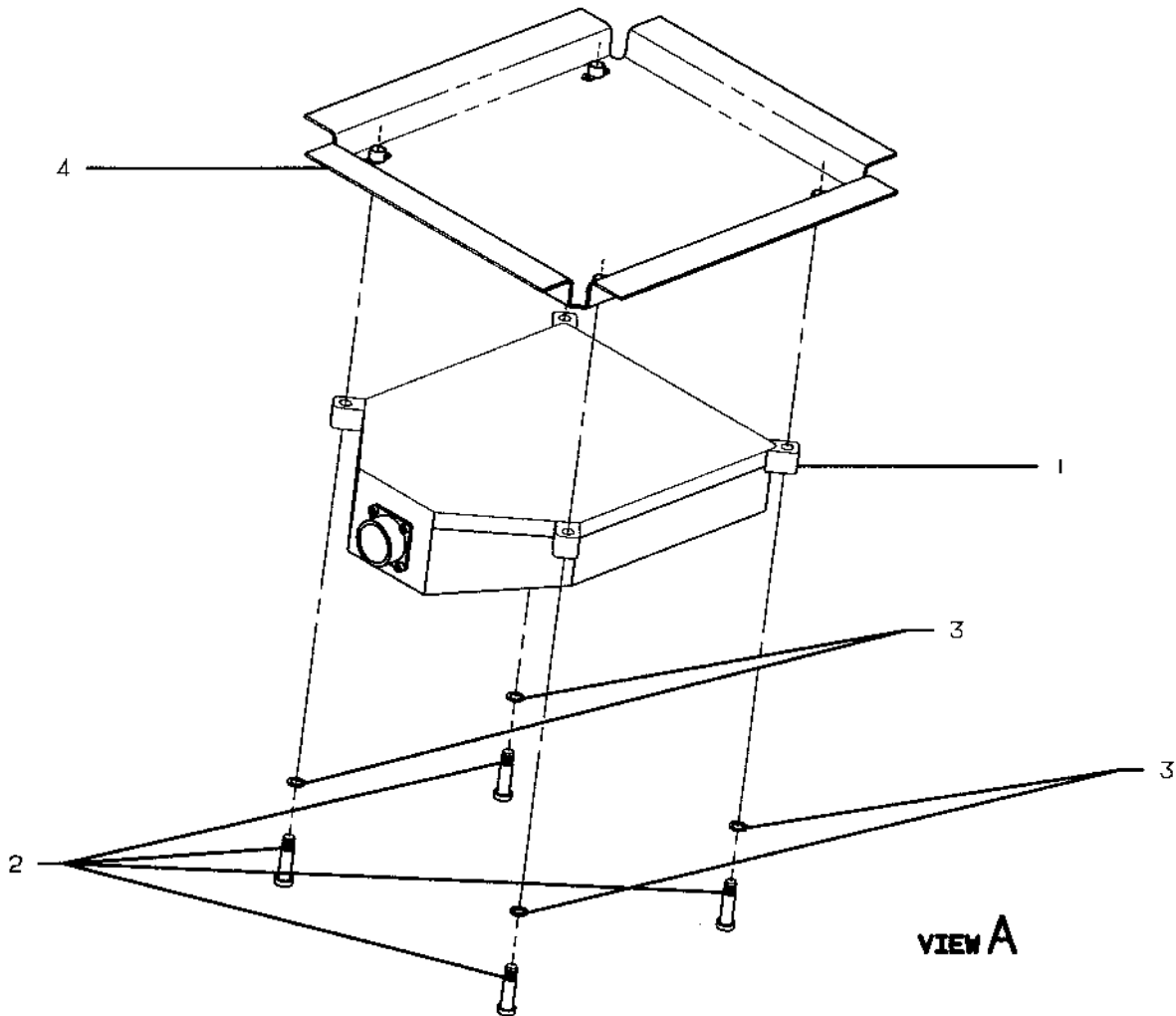
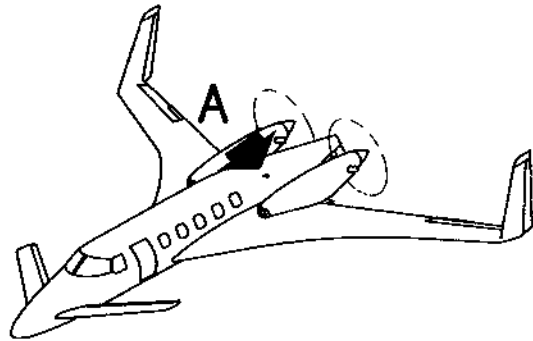
**CODES OF EFFECTIVITY**

1 NC-4 THRU NC-49                      2 NC-50 AND AFTER

**Beechcraft**  
**STARSHIP 1**  
**ILLUSTRATED PARTS CATALOG**

**32-40-30**  
**BRAKE ANTI SKID CONTROL BOX**

Beechcraft  
STARSHIP 1  
ILLUSTRATED PARTS CATALOG



C93NC32A4322

FIGURE 40-30. BRAKE ANTI SKID CONTROL BOX

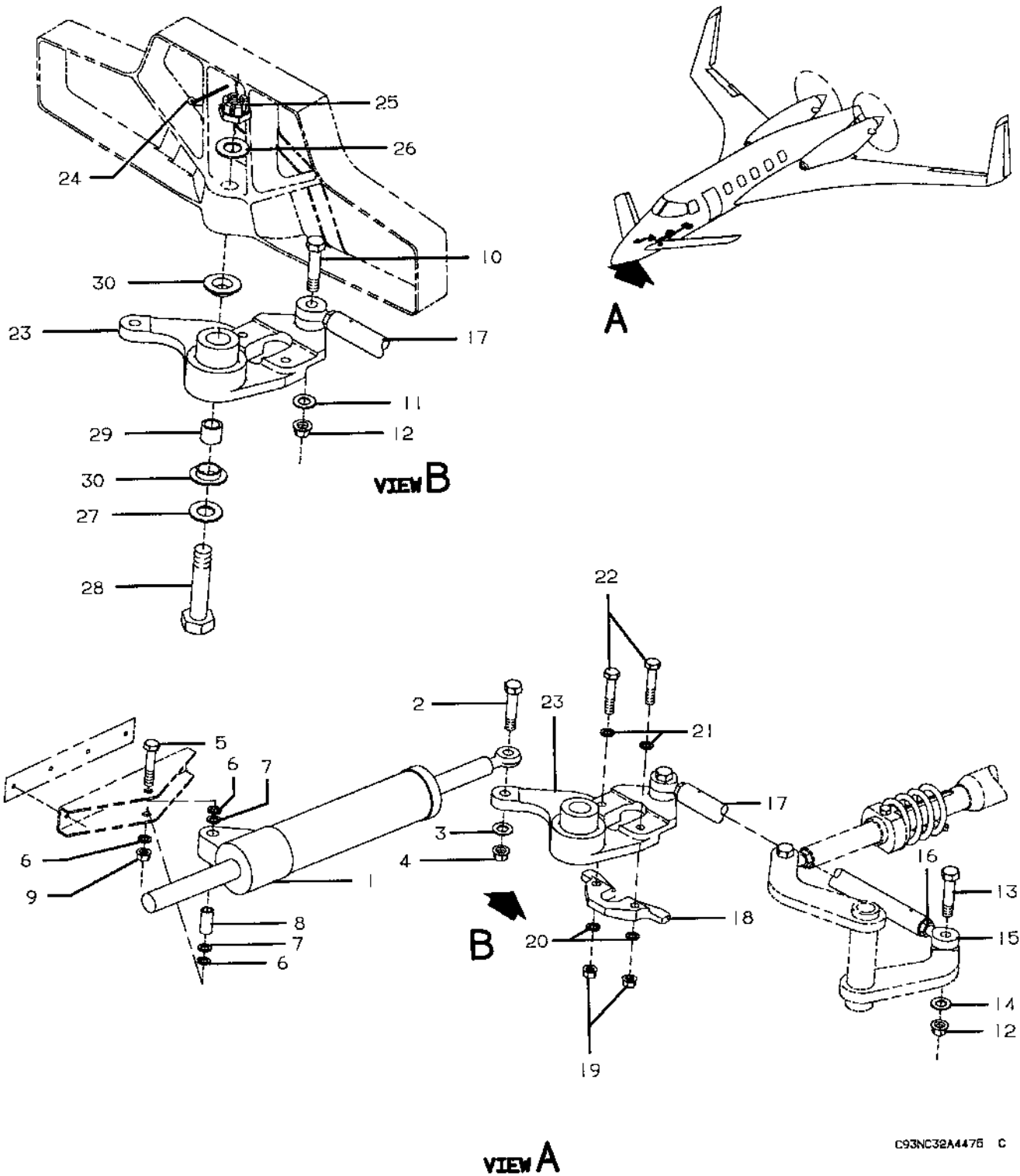
**Beechcraft**  
**STARSHIP 1**  
**ILLUSTRATED PARTS CATALOG**

SUB-SEC UNIT & ITEM NO	PART NO.	DESCRIPTION 1 2 3 4 5 6 7	UNITS PER ASSY	USABLE ON CODE
40-30	122-580208-1	BRAKE ANTI SKID SYSTEM INSTL.....	NP	
- 1	42-871-1	. BOX, BRAKE ANTI SKID CONTROL .....	1	
		/ATTACHING PARTS/		
- 2	NAS1096-3-15	. SCREW.....	4	
- 3	AN960-10L	. WASHER.....	4	
		*-----		
- 4	122-580176-5	. BRACKET ASSY, BRAKE ANTI SKID CONTROL BOX .....	1	
	MS21059L3	. . NUTPLATE.....	4	

**Beechcraft**  
**STARSHIP 1**  
**ILLUSTRATED PARTS CATALOG**

**32-50-00**  
**NOSE GEAR STEERING**

**Beechcraft**  
**STARSHIP 1**  
**ILLUSTRATED PARTS CATALOG**



C93NC32A4475 C

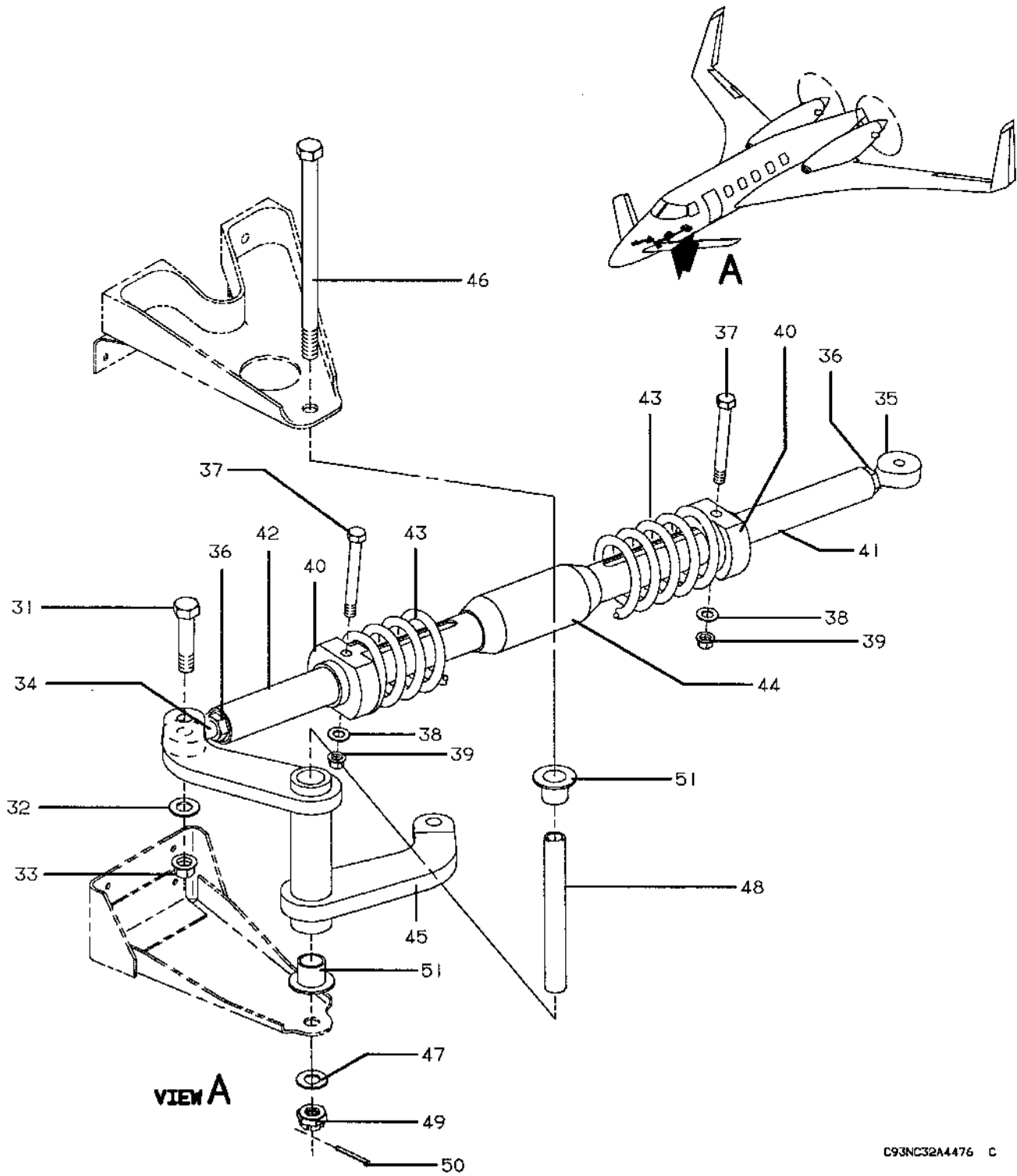
**FIGURE 50-00.NOSE GEAR STEERING**  
**/SHEET 1 OF 4 SHEETS/**

**Beechcraft**  
**STARSHIP 1**  
**ILLUSTRATED PARTS CATALOG**

SUB-SEC UNIT & ITEM NO	PART NO.	DESCRIPTION 1 2 3 4 5 6 7	UNITS	USABLE
			PER ASSY	ON CODE
50-00	122-820000-9	NOSE LANDING GEAR INSTALLATION .....	NP	
- 1	114-820052-7	. DAMPER ASSY, SHIMMY/SEE CHAPTER 32-50-10/ .....	1	
		/ATTACHING PARTS/		
- 2	NAS6206-15D	. BOLT .....	1	
- 3	AN960-816	. WASHER .....	1	
- 4	MS17826-6	. NUT .....	1	
	MS24665-285	. PIN, COTTER .....	1	
- 5	130909B155	. BOLT .....	1	
- 6	AN560-516L	. WASHER .....	3	
- 7	AN560-516	. WASHER .....	2	
- 8	105739X-YL0932	. BUSHING, GRIP .....	1	
- 9	MS17826-5	. NUT .....	1	
	MS24665-136	. PIN, COTTER .....	1	
		---★---		
	122-820004-1	. PUSHROD ASSY, NOSE GEAR STEERING/ORDER .....	NP	1
		122-820004-9 FOR SPARES/		
	122-820004-9	. PUSHROD ASSY, NOSE GEAR STEERING .....	1	2
		/ATTACHING PARTS/		
- 10	NAS6206-20D	. BOLT/STEERING BELLCRANK END/ .....	1	
- 11	AN960-816	. WASHER .....	1	
- 12	MS17826-6	. NUT .....	2	
	MS24665-285	. PIN, COTTER .....	2	
- 13	NAS6206-15D	. BOLT/IDLER BELLCRANK END/ .....	1	
- 14	R AN960-816	. WASHER .....	1	
		---★---		
- 15	131553-6M	. . ROD END .....	2	
- 16	AN316-8R	. . NUT, JAM .....	2	
- 17	122-820004-7	. . WELD ASSY/ORDER 122-820004-13 FOR SPARES/ .....	NP	1
	122-820004-13	. . WELD ASSY .....	1	2
- 18	122-820041-1	. CAM, STEERING .....	1	
		/ATTACHING PARTS/		
	MS24665-136	. PIN, COTTER .....	2	
- 19	MS17826-5	. NUT .....	2	
- 20	AN960-516	. WASHER/UNDER NUT/ .....	2	
- 21	AN960-516L	. WASHER/UNDER BOLT HEAD/ .....	2	
- 22	130909B198	. BOLT .....	2	
		---★---		
- 23	122-820042-5	. BELLCRANK ASSY, STEERING .....	1	
		/ATTACHING PARTS/		
- 24	MS24665-285	. PIN, COTTER .....	1	
- 25	130909N2	. NUT .....	1	
- 26	R AN960-816	. WASHER/UNDER NUT/ .....	1	
- 27	R AN960-816L	. WASHER/UNDER BOLT HEAD/ .....	1	
- 28	NAS1308-50D	. BOLT .....	1	
- 29	122-820093-7	. BUSHING .....	1	
		---★---		
- 30	R M81934/2-10A012	. . BEARING .....	2	



Beechcraft  
 STARSHIP 1  
 ILLUSTRATED PARTS CATALOG



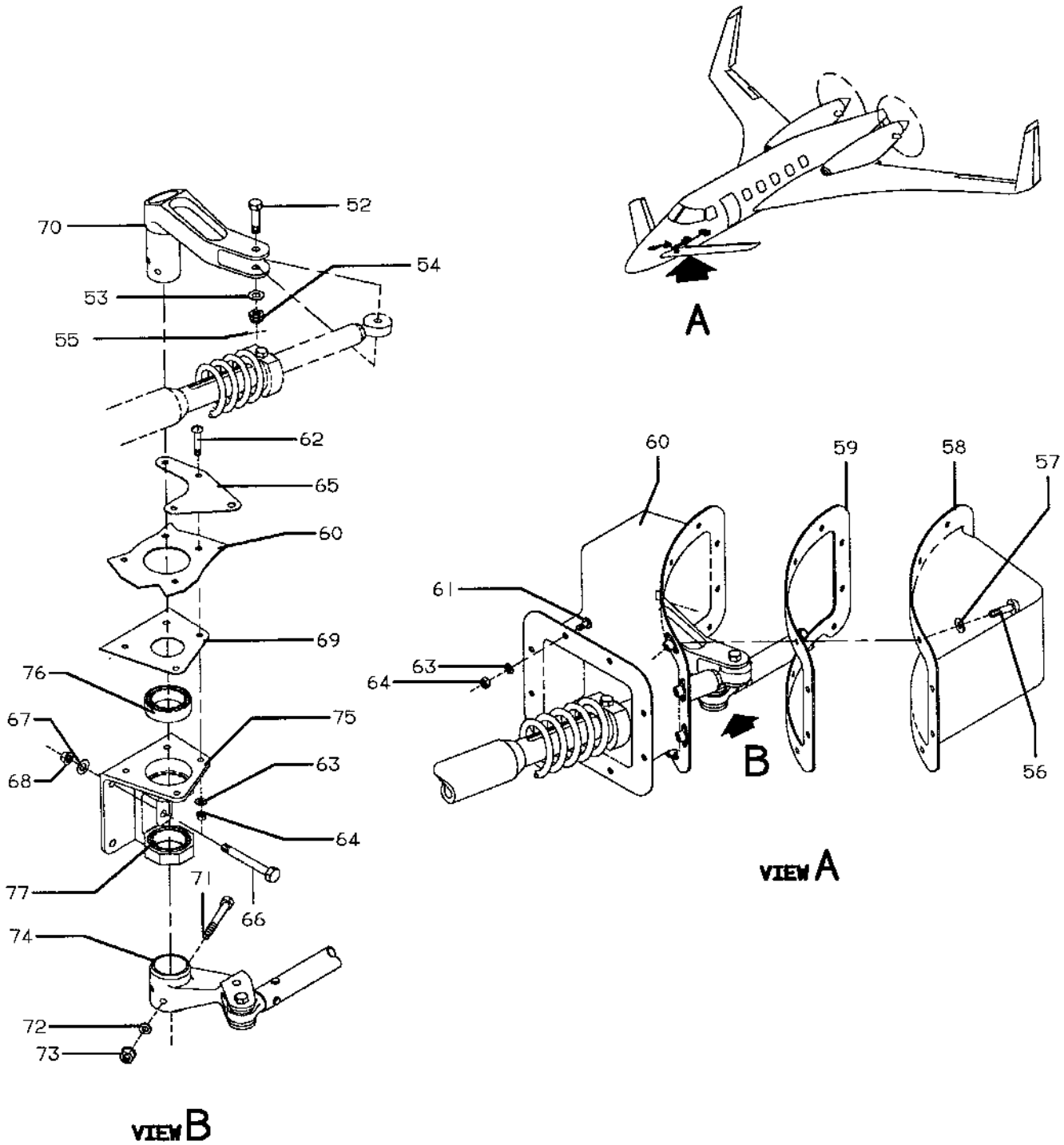
C93NC32A4476 C

FIGURE 50-00.NOSE GEAR STEERING  
 /SHEET 2 OF 4 SHEETS/

**Beechcraft**  
**STARSHIP 1**  
**ILLUSTRATED PARTS CATALOG**

SUB-SEC UNIT & ITEM NO	PART NO.	DESCRIPTION 1 2 3 4 5 6 7	UNITS	USABLE
			PER ASSY	ON CODE
50-00	122-820031-31	. LINK ASSY, SPRING..... /ATTACHING PARTS/	1	
-31	NAS6205-15D	. BOLT.....	1	
-32	R AN960-616	. WASHER.....	1	
-33	MS17826-6	. NUT.....	1	
	MS24665-285	. PIN, COTTER.....	1	
		-----*		
-34	131553-8M	. . ROD END, FWD.....	1	
-35	MS21151-8	. . ROD END, AFT.....	1	
-36	AN318-6R	. . NUT, JAM.....	2	
-37	NAS6205-22	. . BOLT.....	2	
-38	AN960-516L	. . WASHER.....	2	
-39	130909N24	. . NUT.....	2	
-40	122-820031-23	. . COLLAR.....	2	
-41	122-820031-25	. . TUBE ASSY, AFT.....	1	
-42	122-820031-21	. . TUBE ASSY, FWD.....	1	
-43	122-381009-5	. . SPRING.....	1	
-44	122-820031-17	. . TUBE.....	1	
-45	122-820040-17	. BELLCRANK ASSY, IDLER..... /ATTACHING PARTS/	1	
-46	AN6-51	. BOLT.....	1	
-47	R AN960-616	. WASHER/MAXIMUM 3 UNDER NUT/.....	AR	
-48	105739X-YT4325	. BUSHING, GRIP.....	1	
-49	MS17825-6	. NUT.....	1	
-50	MS24665-285	. PIN, COTTER.....	1	
		-----*		
-51	M1934/2-09A018	. . BEARING.....	2	

Beechcraft  
 STARSHIP 1  
 ILLUSTRATED PARTS CATALOG



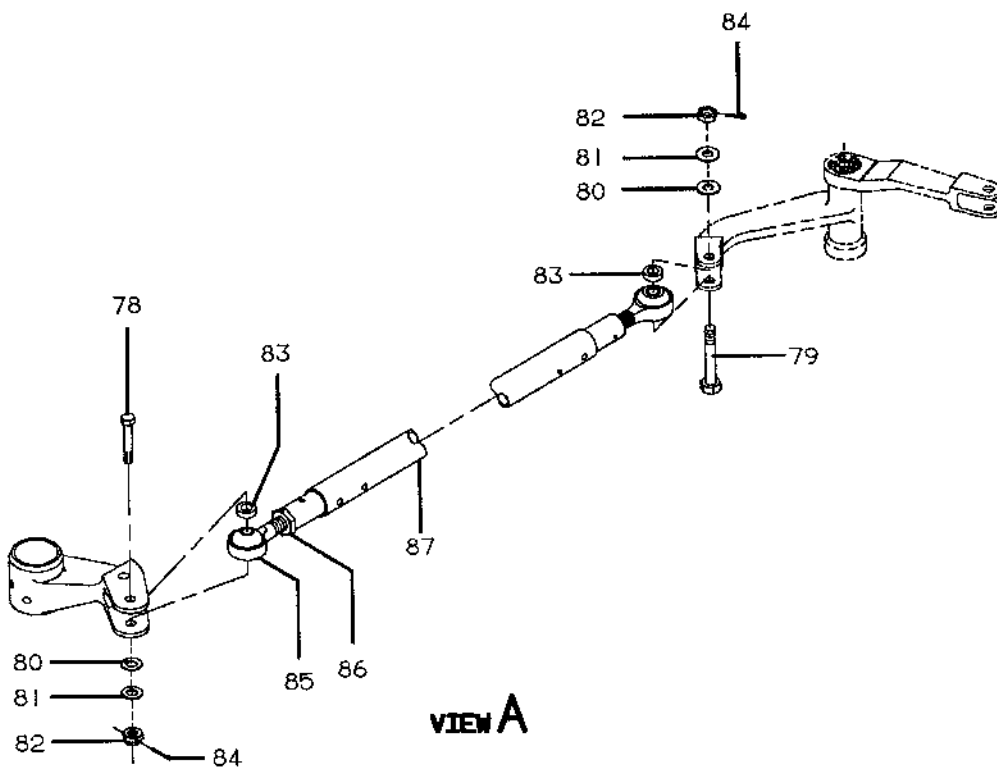
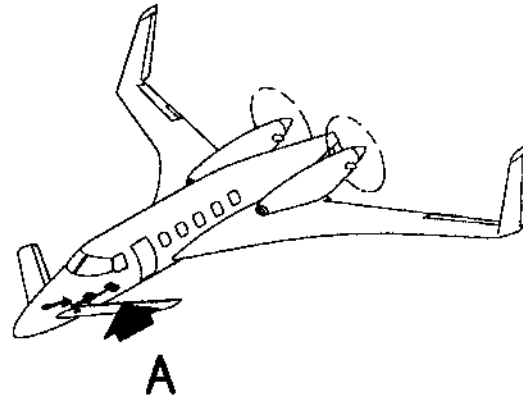
C93NC32A4477 C

FIGURE 32-50. NOSE GEAR STEERING  
 /SHEET 3 OF 4 SHEETS/

**Beechcraft**  
**STARSHIP 1**  
**ILLUSTRATED PARTS CATALOG**

SUB-SEC UNIT & ITEM NO	PART NO.	DESCRIPTION 1 2 3 4 5 6 7	UNITS	USABLE
			PER ASSY	ON CODE
50-00	122-524000-1	FLIGHT CONTROL INSTL, FUSELAGE .....	NP	
- 52	NAS6204-13D	. BOLT .....	1	
- 53	AN960-416L	. WASHER .....	1	
- 54	MS17826-4	. NUT .....	1	
- 55	MS24665-134	. PIN, COTTER .....	1	
	122-524034-1	. SEAL INSTL .....	NP	
	122-524061-1	.. COVER ASSY .....	1	
		.. /ATTACHING PARTS/		
- 56	MS27039C1-10	.. SCREW .....	12	3
	AN3C5A	.. BOLT .....	12	4
- 57	AN960C10	.. WASHER .....	12	
		---★---		
- 58	122-524061-5	... COVER ASSY .....	1	
- 59	122-524061-7	... GASKET .....	1	
- 60	122-524061-3	.. BOX ASSY/FOR SPARES ORDER 122-524061-21 .....	NP	5
		AND 122-524061-23/		
	122-524061-21	.. BOX ASSY .....	1	6
	122-524061-11	.. FLANGE/FOR SPARES ORDER 122-524061-23/ .....	NP	7
	122-524061-23	.. FLANGE .....	1	8
		.. /ATTACHING PARTS/		
- 61	AN3C13A	.. BOLT/BOX TO BULKHEAD/ .....	8	
- 62	MS27039C1-10	.. SCREW/BOX TO BELLCRANK HOUSING/ .....	4	
- 63	AN960C10	.. WASHER .....	12	
- 64	MS21043-3	.. NUT .....	12	
		---★---		
	130909N33	... NUTPLATE .....	10	
	MS21051L3	... NUTPLATE .....	2	
- 65	122-524081-3	.. PLATE (RIG) .....	1	
	122-524038-9	.. BELLCRANK ASSY .....	1	
		.. /ATTACHING PARTS/		
- 66	AN4C13A	.. BOLT .....	4	
- 67	AN960C416	.. WASHER .....	4	
- 68	MS21043-4	.. NUT .....	4	
		---★---		
- 69	122-524061-5	... PLATE (KEEPER) .....	1	
- 70	122-524038-15	... BELLCRANK .....	1	
- 71	AN174-16A	... BOLT .....	3	
- 72	AN960-416	... WASHER .....	3	
- 73	130909N32	... NUT .....	3	
- 74	122-524038-17	... BELLCRANK .....	1	
- 75	122-524038-11	... HOUSING ASSY .....	1	
- 76	MS21428-41	... BEARING .....	2	
- 77	MS21428-40	... BEARING .....	1	

Beechcraft  
STARSHIP 1  
ILLUSTRATED PARTS CATALOG



C93NC32A447B C

**Beechcraft**  
**STARSHIP 1**  
**ILLUSTRATED PARTS CATALOG**

SUB-SEC UNIT & ITEM NO	PART NO.	DESCRIPTION 1 2 3 4 5 6 7	UNITS	USABLE
			PER ASSY	ON CODE
50-00	122-526037-63	. TUBE ASSY..... /ATTACHING PARTS/	1	
-78	NAS6204-13D	. BOLT.....	1	
-79	122-524000-7	. BOLT.....	1	
-80	AN960-416L	. WASHER.....	2	
-81	AN960-416	. WASHER.....	2	
-82	MS17826-4	. NUT.....	2	
-83	NAS42DD8-7	. SPACER/INSERT UPPER SURFACE ROD END/.....	2	
-84	MS24665-134	. PIN, COTTER..... *-----*	2	
-85	131765-3M	. . ROD END.....	2	
-86	AN316-6R	. . NUT.....	1	
-87	122-526037-65	. . WELD ASSY.....	1	
	AN535-2-3	. . SCREW, DRIVE.....	2	

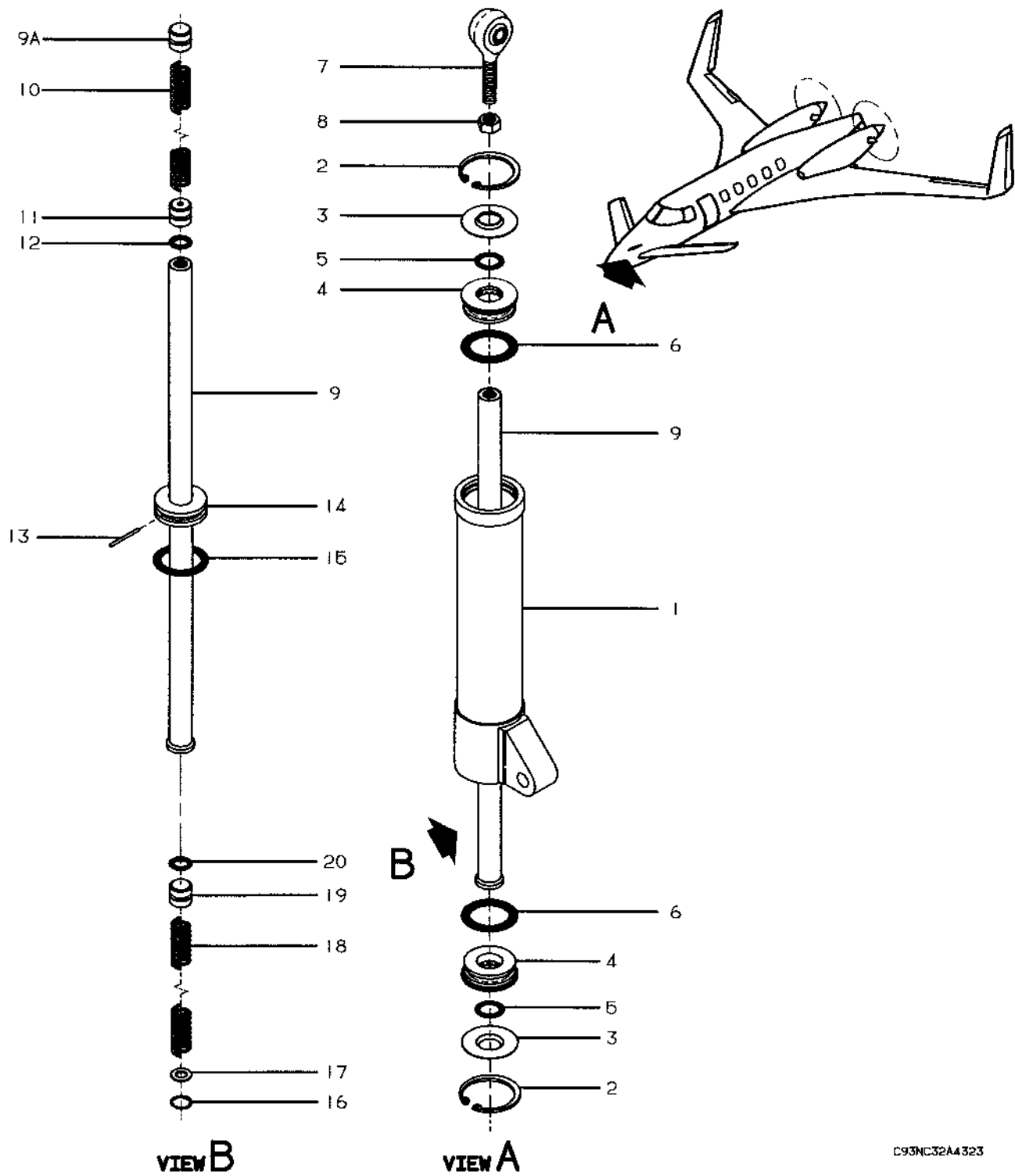
**CODES OF EFFECTIVITY**

1	NC-4 THRU NC-19	2	NC-20 AND AFTER
3	NC-4 THRU NC-40	4	NC-41 AND AFTER
5	NC-4 THRU NC-16	6	NC-17 AND AFTER
7	NC-17 THRU NC-53	8	NC-54 AND AFTER

**Beechcraft**  
**STARSHIP 1**  
**ILLUSTRATED PARTS CATALOG**

**32-50-10**  
**NOSE GEAR SHIMMY DAMPER**

**Beechcraft**  
**STARSHIP 1**  
**ILLUSTRATED PARTS CATALOG**



C93NC32A4323

**FIGURE 50-10.NOSE GEAR SHIMMY DAMPER**



**Beechcraft**  
**STARSHIP 1**  
**ILLUSTRATED PARTS CATALOG**

SUB-SEC UNIT & ITEM NO	PART NO.	DESCRIPTION 1 2 3 4 5 6 7	UNITS	USABLE
			PER ASSY	ON CODE
50-10	114-820052-7	NOSE GEAR SHIMMY DAMPER.....	1	
- 1	114-820053-1	. BARREL ASSY, SHIMMY DAMPER.....	1	
- 2	MS16625-1162	. RING, SNAP.....	2	
- 3	111190-22	. RING, SCRAPER.....	2	
- 4	114-820055-1	. BEARING.....	2	
- 5	MS28775-116	. PACKING, PREFORMED.....	2	
- 6	MS28775-218	. PACKING, PREFORMED.....	2	
- 7	DREM6	. BEARING, ROD END.....	1	
- 8	AN316-6R	. NUT.....	1	
	114-820054-23	. PISTON ASSY, NOSE GEAR SHIMMY DAMPER.....	1	
- 9	114-820054-15	. TUBE ASSY.....	1	
- 9A	114-820054-7	. PLUG.....	1	
- 10	111504WA0800-5 5	. SPRING.....	1	
- 11	114-820111-1	. PLUG.....	1	
- 12	MS28775-111	. PACKING, PREFORMED.....	1	
- 13	102809-125-107	. PIN.....	1	
- 14	114-820054-21	. PISTON.....	1	
- 15	AN6227-22	. PACKING, PREFORMED.....	1	
- 16	MS16625-1062	. RING.....	1	
- 17	R 100951DD032-002*	-019. WASHER.....	1	
- 18	111504WA0800-5 5	. SPRING.....	1	
- 19	114-820111-1	. PLUG.....	1	
- 20	MS28775-111	. PACKING, PREFORMED.....	1	