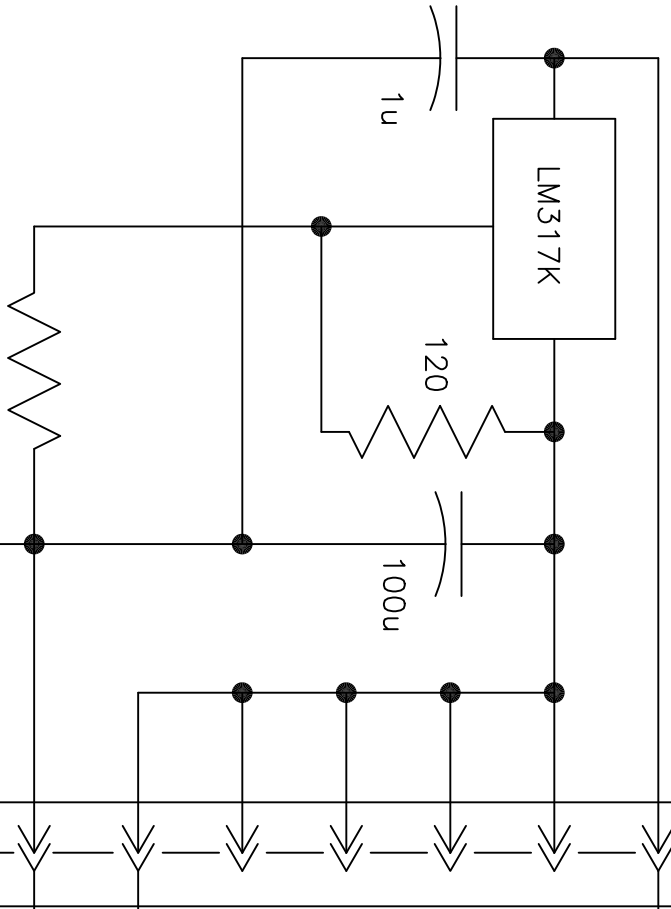


ACCESSORY

22AWG

NOTE:
LM317 SHOULD BE HEAT SINKED TO PREVENT EXCESSIVE TEMPERATURE RISE.



- 180 OHMS = 3V OUT
- 330 OHMS = 4.5V OUT
- 470 OHMS = 6V OUT
- 620 OHMS = 7.5V OUT
- 750 OHMS = 9V OUT

(+) PWR TO ACCESSORY
 (-) PWR TO ACCESSORY

