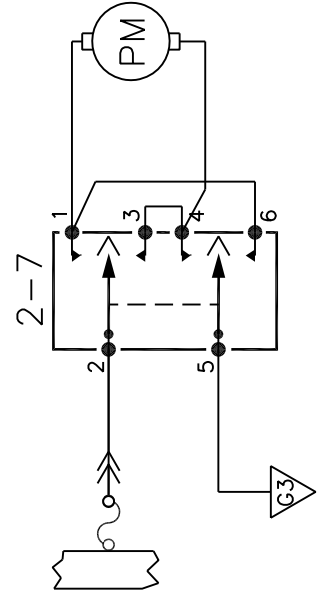


PM MOTOR CONTROL WITH DYNAMIC BRAKING



PM MOTOR CONTROL NO DYNAMIC BRAKING

