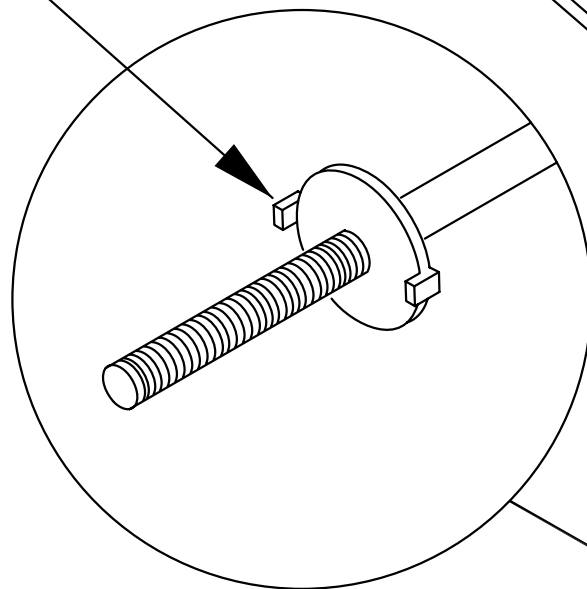


ANTI-ROTATION LUGS  
ON WASHER MATCH  
WITH CLOSE FITTING  
HOLES ON INSULATOR  
BRAZED TO ANTENNA  
ROD AND OUTBOARD  
NUT



MACHINED BLOCK  
OF DELRIN OR  
CLOTH FILLED  
PHENOLIC

