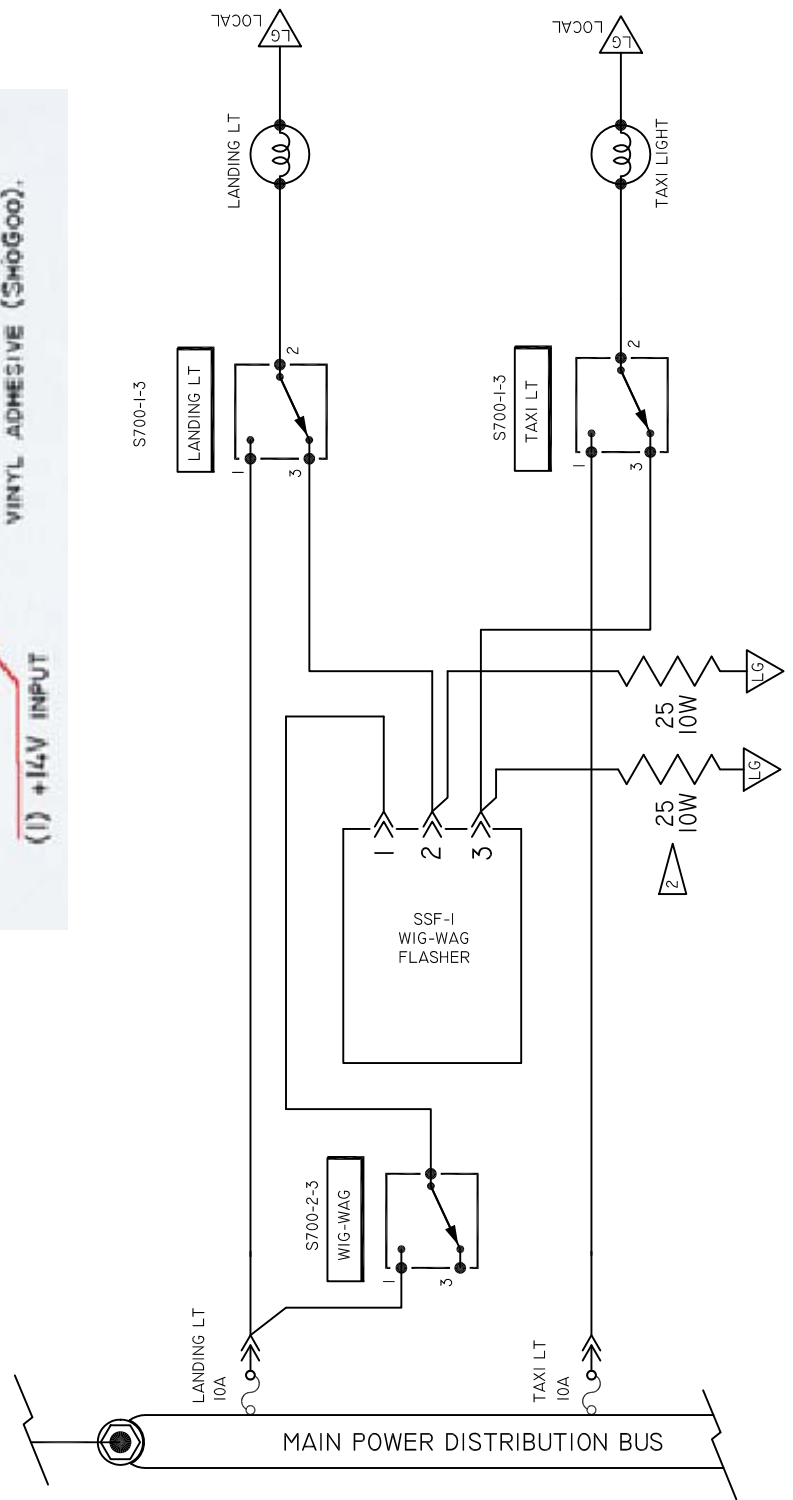
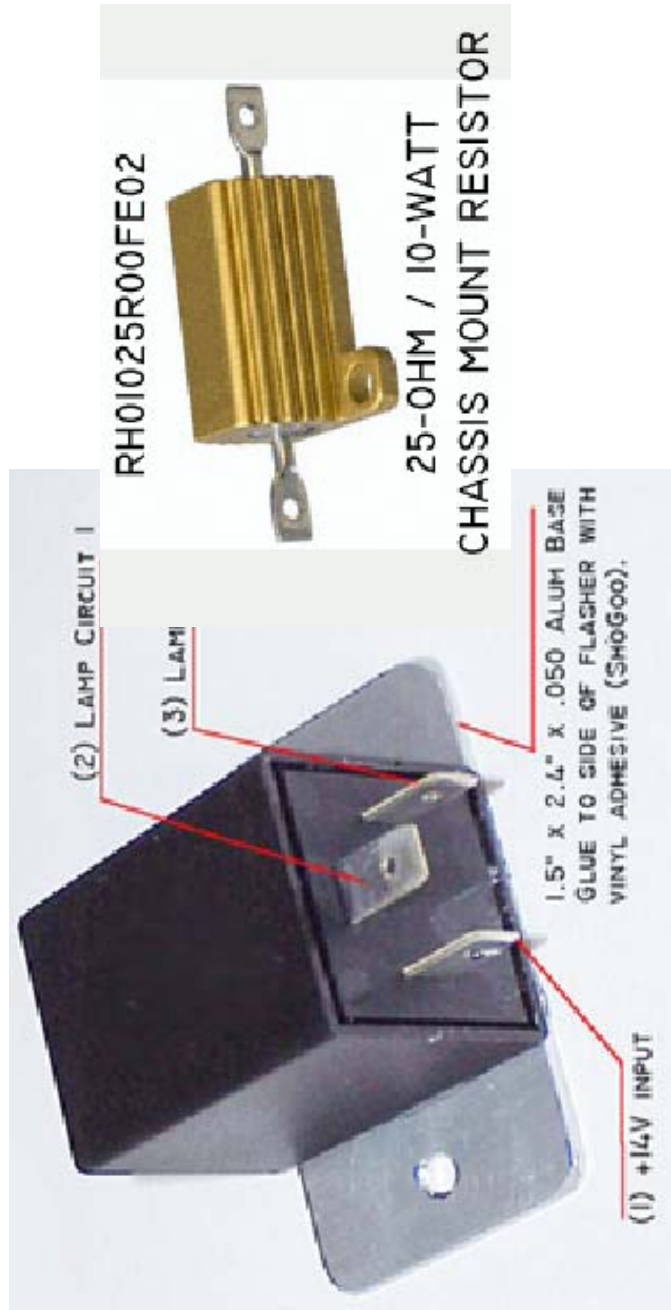
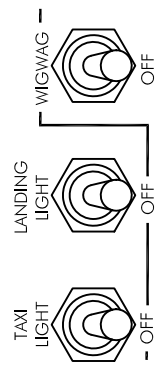


NOTES:  
 1. ALL WIRES 16 AWG FOR LAMPS UP TO AND INCLUDING 100 WATTS. THE FLASHER WILL HANDLE LAMPS UP TO 150 WATTS. FOR LAMPS LARGER THAN 100W, INCREASE WIRE SIZE TO 14 AWG AND FUSES TO 15 AMPS.

2. WIG-WAG OF LED (OR HID LIGHTS SUITABLE FOR FLASHING) REQUIRES 25 OHM / 10 WATT RESISTORS BE ADDED FROM EACH FLASHER OUTPUT TO GROUND. AN EXEMPLAR PART IS RH01025R00FE02. THESE RESISTORS SHOULD BE MOUNTED TO A METAL SURFACE FOR HEAT SINKING.

3. OPERATION:  
 (A) WIG-WAG SWITCH OFF: EACH LIGHT IS CONTROLLED INDEPENDENTLY WITH ITS OWN SWITCH.  
 (B) WIG-WAG SWITCH ON: BOTH LIGHT SWITCHES MUST BE IN THE OFF POSITION FOR THE WIG-WAG FUNCTION TO WORK.



TITLE		REVISION -D-	12/15/11
WIGWAG WITH B&C SSF-I FLASHER		PAGE	3.0