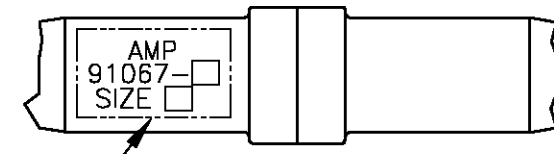
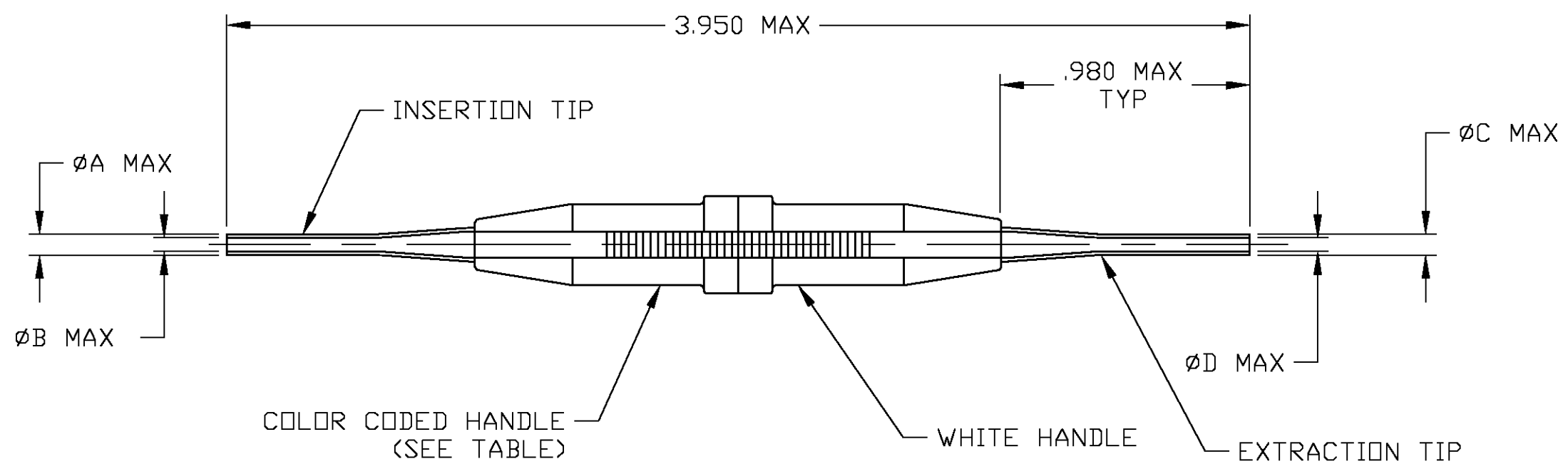


THIS DRAWING IS UNPUBLISHED. RELEASED FOR PUBLICATION N/A ,N/A .  
 © COPYRIGHT N/A BY TYCO ELECTRONICS CORPORATION. ALL RIGHTS RESERVED.

LOC	DIST	REVISIONS					
DF	A0	P	LTR	DESCRIPTION	DATE	DWN	APVD
			D	REV PER 0G3D-0629-02	4-03	CT	SG



MARKING IN APPROX. AREA AS SHOWN

1. FOR CORRECT TOOL USAGE SEE INSTRUCTION SHEET: I. S. 408-7508

M81969/1-02	.072	.087	.072	.085	RED	20	91067-2
M81969/1-04	.053	.065	.056	.065	GREEN	22	91067-1
MILITARY PART NO. REF	DIM D	DIM C	DIM B	DIM A	COLOR CODE	SIZE	PART NUMBER

THIS DRAWING IS A CONTROLLED DOCUMENT.

DIMENSIONS: INCHES	TOLERANCES UNLESS OTHERWISE SPECIFIED:
	0 PLC ± -
	1 PLC ± -
	2 PLC ± -
	3 PLC ± -
	4 PLC ± -
	ANGLES ± -
MATERIAL: PLASTIC & STEEL	FINISH: NICKEL PLATED

DWN: C.C.THOMAS 08AUG2002	<b>tyco Electronics</b>	Tyco Electronics Corporation	
CHK: S.GLATFELTER 8-12-02		Harrisburg, PA 17105	
APVD: S.GLATFELTER 8-12-02		NAME	
PRODUCT SPEC: -	INSERTION/EXTRACTION TOOL		
APPLICATION SPEC: -	SIZE: A3	CAGE CODE: 00779	DRAWING NO: 91067
WEIGHT: -	CUSTOMER DRAWING		RESTRICTED TO: -
SCALE: 2:1		SHEET: 1 OF 1	REV: D