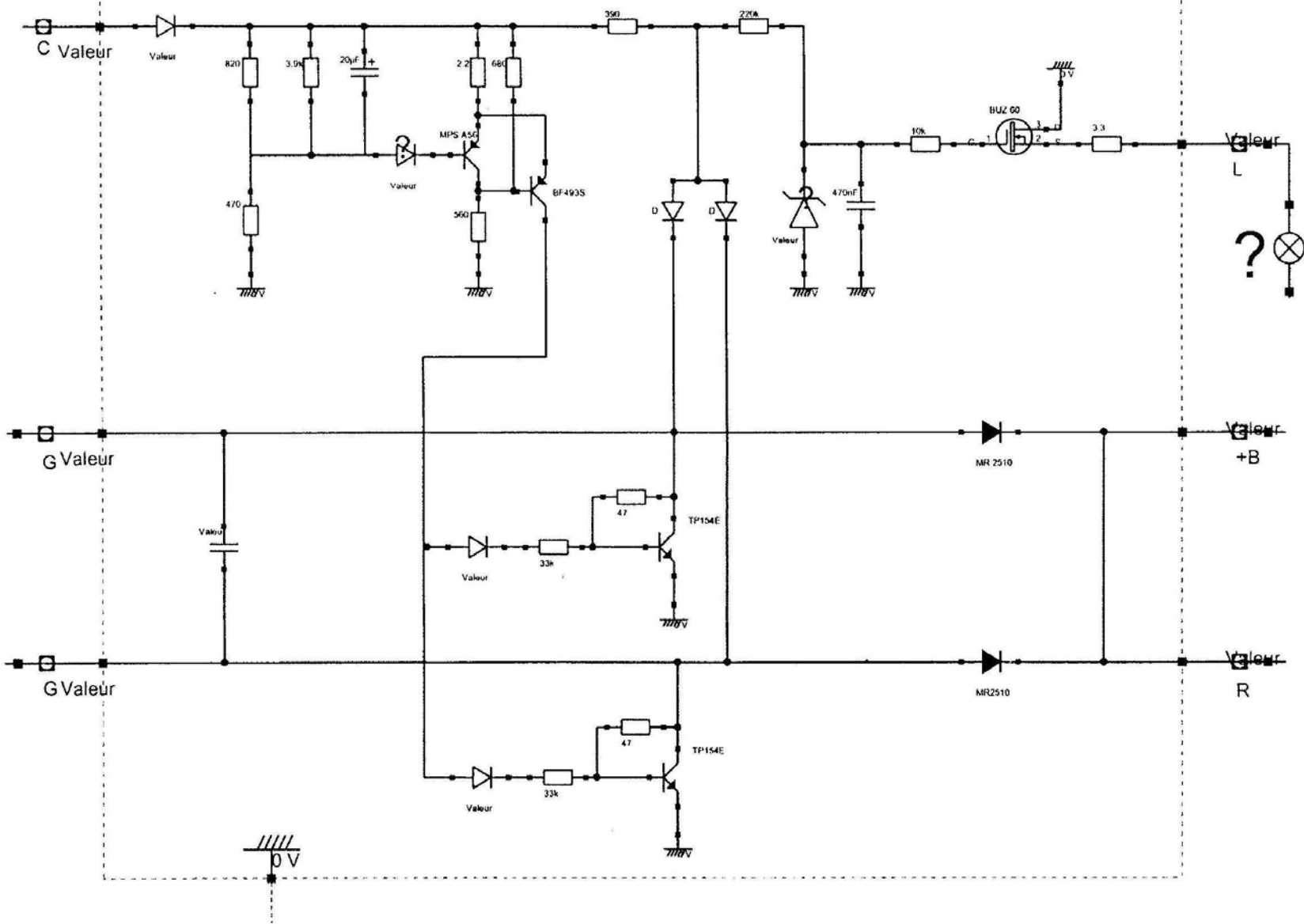
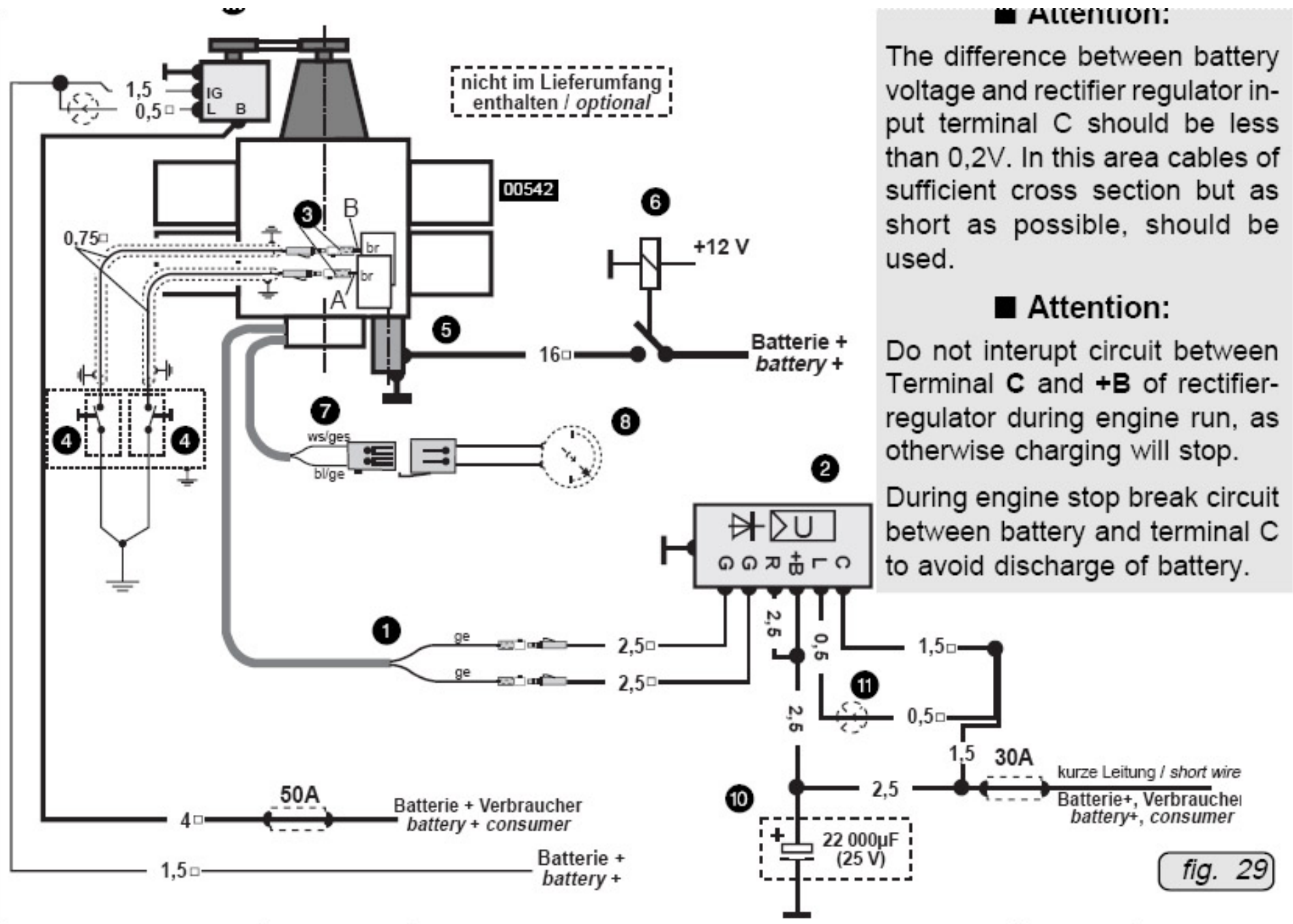


Régulateur DUCATI energia 9905 12VDC

Générateur intégré



Voyant charge



■ Attention:

The difference between battery voltage and rectifier regulator input terminal C should be less than 0,2V. In this area cables of sufficient cross section but as short as possible, should be used.

■ Attention:

Do not interrupt circuit between Terminal C and +B of rectifier-regulator during engine run, as otherwise charging will stop.

During engine stop break circuit between battery and terminal C to avoid discharge of battery.

fig. 29