

**Features:** • No Grommets • Cable clamp assembly features living hinges, which snap easily onto and hold the cable  
 • Housing rated UL 94V-0 against flammability • Panel connector shell features a positioning keyway to prevent misalignments • 2-8 pins • Exceeds Coast Guard specifications for water tightness (CFR 46 Part 110.20) • Optional cap covers the panel housing assembly when not in use • Contact terminal: Solder cup contacts • Choose cord plug, in-line or panel mount

**Applications:** • Process control communications • Marine electronics transportation • Medical instrumentation general industrial electronics • Geothermal instrumentation harsh environments

**Specifications:** **Mechanical:** • Shock: Mil-Std 202 Method 213B condition K • Vibration: Mil-Std 202 Method 201 • Life: 600 insertion/withdrawal cycles (minimum) **Electrical:** • Voltage Rating (sea level): Tested at 600 VRMS • Insulation Resistance: 100MΩ (minimum) at 77°F (25°C) • Contact Resistance: 5mΩ (maximum) • Current Rating: 7.5 Amps (#20 contact) **Environmental:** • Temperature Limits: -40°C ~ 65°C (non-operating) • Moisture Resistance: Mil-Std 202 Method 106F • Insulation Resistance: Mil-Std 202 Method 302 condition B • Thermal Shock: Mil-Std 202 Method 107G • Salt Spray: Mil-Std 202 Method 101D condition B

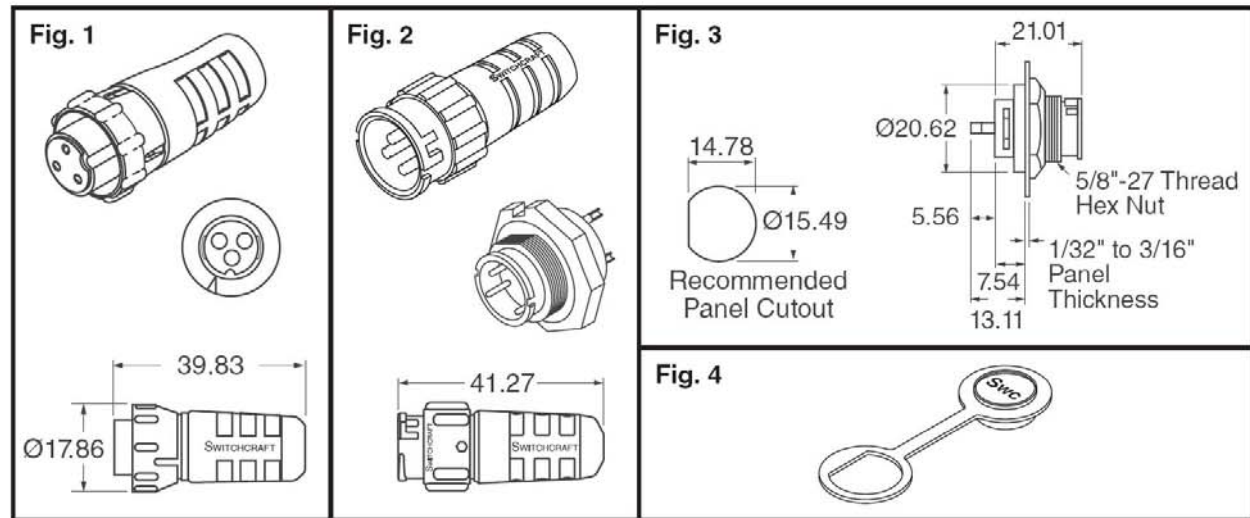


Fig.	No. of Positions	Description	Digi-Key Part No.	Price Each			Switchcraft Part No.
				1	10	25	
<b>Plugs</b>							
1	3	Female	SC1156-ND	6.68	5.01	4.60	EN3C3F
		Male	SC1157-ND	4.79	3.60	3.30	EN3C3M
	4	Female	SC1158-ND	7.86	5.90	5.42	EN3C4F
		Male	SC1159-ND	5.49	4.12	3.78	EN3C4M
	5	Female	SC1160-ND	9.14	6.86	6.29	EN3C5F
		Male	SC1161-ND	6.27	4.71	4.32	EN3C5M
6	Female	SC1162-ND	10.48	7.86	7.21	EN3C6F	
	Male	SC1163-ND	6.96	5.22	4.79	EN3C6M	
8	Female	SC1164-ND	13.15	9.87	9.05	EN3C8F	
<b>In-Line Receptacles</b>							
2	3	Female	SC1175-ND	6.46	4.85	4.44	EN3L3F
		Male	SC1176-ND	4.71	3.54	3.24	EN3L3M
	4	Female	SC1177-ND	7.73	5.80	5.32	EN3L4F
		Male	SC1178-ND	5.33	4.00	3.67	EN3L4M
	5	Female	SC1179-ND	8.93	6.70	6.15	EN3L5F
		Male	SC1180-ND	6.14	4.61	4.22	EN3L5M
6	Female	SC1181-ND	10.16	7.62	6.99	EN3L6F	
	Male	SC1182-ND	6.80	5.10	4.68	EN3L6M	
8	Male	SC1183-ND	8.36	6.27	5.75	EN3L8M	
<b>Panel-Mount Receptacles</b>							
3	3	Female	SC1165-ND	5.94	4.46	4.08	EN3P3F
		Male	SC1166-ND	4.26	3.20	2.94	EN3P3M
	4	Female	SC1167-ND	7.04	5.28	4.85	EN3P4F
		Male	SC1168-ND	4.96	3.72	3.41	EN3P4M
	5	Female	SC1169-ND	8.36	6.27	5.75	EN3P5F
		Male	SC1170-ND	5.73	4.30	3.94	EN3P5M
6	Female	SC1171-ND	9.59	7.20	6.60	EN3P6F	
	Male	SC1172-ND	6.46	4.85	4.44	EN3P6M	
8	Male	SC1173-ND	7.86	5.90	5.42	EN3P8M	
4	—	Dust Cap	SC1174-ND	1.36	1.02	.94	EN3CAP

