

FEATURES AND SPECIFICATIONS

Features and Benefits

- Solder loop version available
- Anti-fishhooking feature prevents terminals from snagging
- Wire barrier prevents stripped wire from entering the contact area
- Coined outside edges prevent excess scoring of the solder pad surfaces
- Patented bifurcated contact area
- Anti-overstress feature

Reference Information

Packaging: Bag or reel
 Use With: [4338](#)
 Designed In: Inches

Electrical

Voltage: 250V
 Current: 5.0A
 Contact Resistance: 20mΩ max.
 Dielectric Withstanding Voltage: 1500V
 Insulation Resistance: 50,000 MΩ min.

Mechanical

Contact Retention to Housing: 8 lb min.
 Wire Pull-Out Force: 20 lb for 18 AWG
 (less for smaller wire)

Physical

Contact: Brass
 Plating: See Table
 Operating Temperature: 0 to +75°C



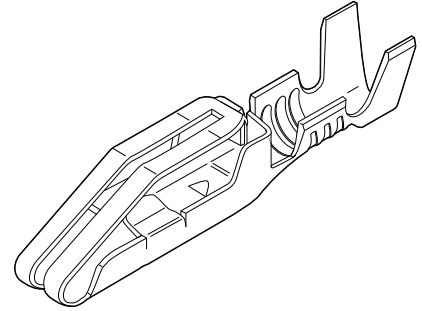
**3.96mm (.156") Pitch
 Double-Sided Edge**

KK®

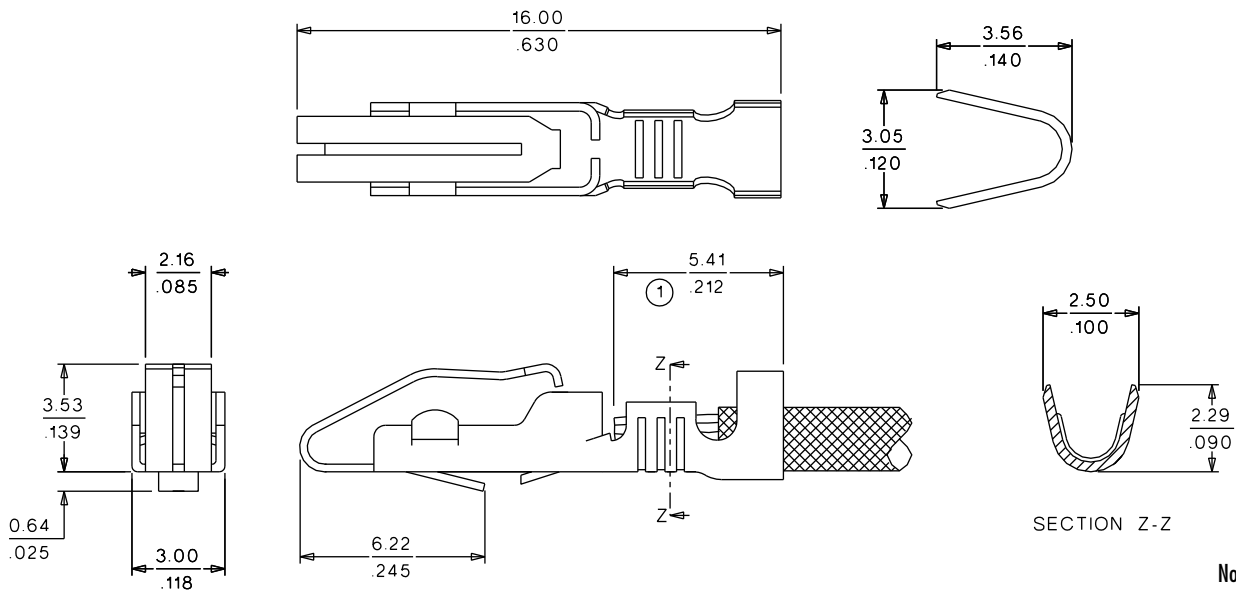
Connector Terminals

4366/4573/4574

PC Crimp and Solder Eyelet



CATALOG DRAWING (FOR REFERENCE ONLY)



ORDERING INFORMATION AND DIMENSIONS

Crimp Wire Size	Maximum Insulation Diameter	Engineering No.	Order No.		Plating
			Reel Form	Bag Form	
18-20	2.79 (.110)	4366	• 08-03-0303	• 08-03-0304	Tin
		4366*	• 08-05-0301	• 08-05-0302	Gold
22-26	1.65 (.065)	4573	• 08-03-0305	• 08-03-0306	Tin
		4573*	• 08-05-0303	• 08-05-0304	Gold
PC Tail Solder Loop		4574 [†]	08-01-0201	• 08-01-0202	Tin

• US Standard Product, available through Molex franchised distributors

* 0.00038mm (.000015") min. selective Gold plating over overall Nickel plate

[†] Tab loop will accommodate a maximum of two 16 AWG solid wires or two 18 AWG stranded wires

For optimum crimp condition, stranded, prefused or Tin-coated wires are recommended