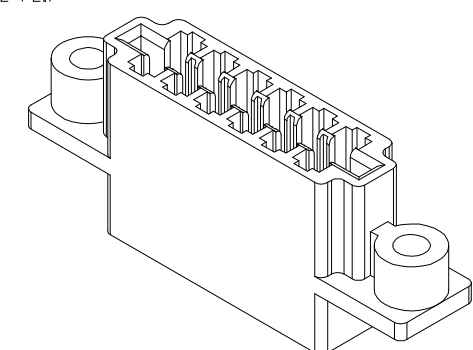
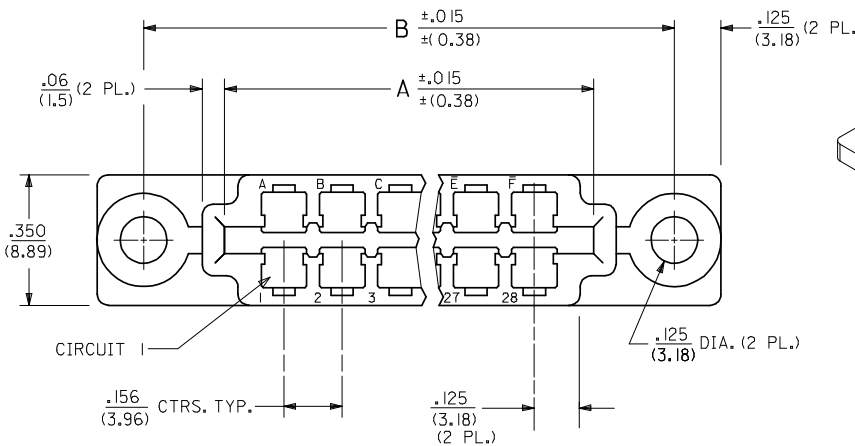


A	B	C	D	E	F	H	J	K	L	M	N	P	R	S	T	U	V	W	X	Y	Z	Ā	Ē	Ĉ	Ď	Ē	Ĕ	Ė
I	2	3	4	5	6	7	8	9	10	11	12	13	14	15	16	17	18	19	20	21	22	23	24	25	26	27	28	

CIRCUIT IDENTIFICATION
ON TOP SURFACE

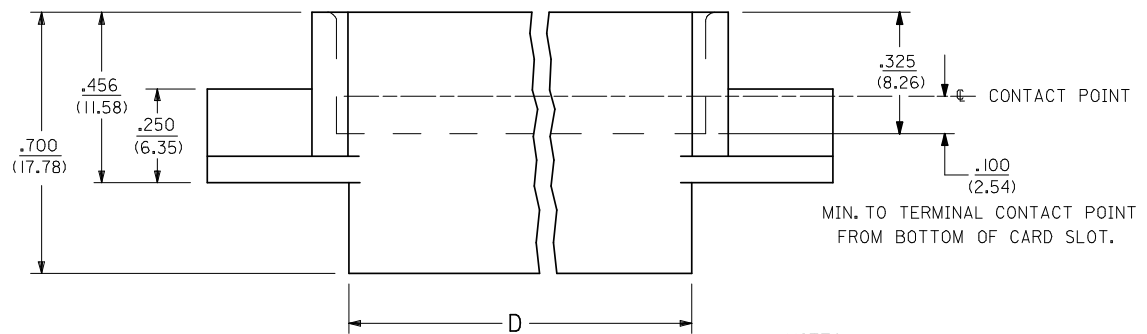
CKTS	DIM. "A"	DIM. "B" (W./FLANGES)	DIM. "C"	DIM. "D"
6	1.105 (28.07)	1.531 (38.89)	1.085 (27.56)	1.02 26.0
8	1.415 (35.94)	1.767 (44.88)	1.395 (35.43)	1.34 33.9
10	1.729 (43.92)	2.156 (54.76)	1.709 (43.41)	1.65 41.9
12	2.041 (51.84)	2.465 (62.61)	2.021 (51.33)	1.96 49.8
15	2.510 (63.75)	2.938 (74.63)	2.490 (63.25)	2.43 61.7
18	2.955 (75.06)	3.406 (86.51)	2.935 (74.55)	2.90 73.6
22	3.610 (91.69)	4.039 (102.59)	3.590 (91.19)	3.52 89.4
24	3.922 (99.62)	4.350 (110.49)	3.902 (99.11)	3.83 97.3
25	4.078 (103.58)	4.503 (114.38)	4.058 (103.07)	3.99 101.3
28	4.549 (115.54)	4.969 (126.21)	4.529 (115.04)	4.46 113.2



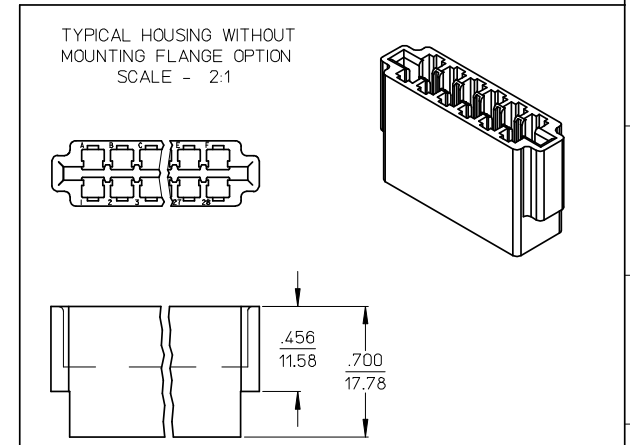
LEGEND
4338-***

CIRCUIT SIZE
I=W.O./FLANGES
BLANK=W./FLANGES

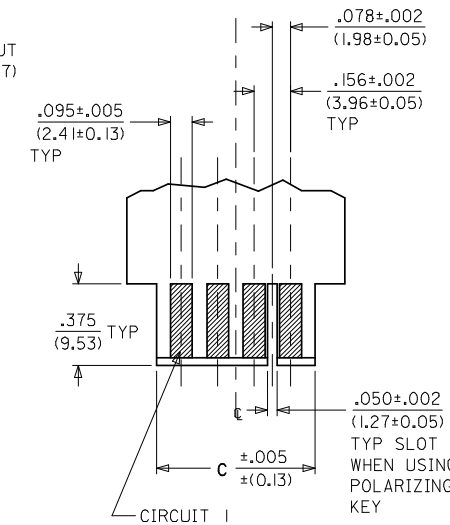
R=W./POLARIZATION RIB (SEE SHEET 2)
BLANK= W.O./POLARIZATION RIB



- NOTES:
1. MATERIAL: GLASS FILLED POLYESTER, UL94V-0, MOLDED BLACK.
 2. FINISH: N/A
 3. THIS PRODUCT CONFORMS TO PRODUCT SPECIFICATION PS-09-50.
 4. PARTS ARE BULK PACKAGED.
 5. THIS HOUSING ACCEPTS THE FOLLOWING TERMINALS:
CRIMP TERMINAL NUMBER: 4366 AND 4573
SOLDER LUG TERMINAL NUMBER: 4574



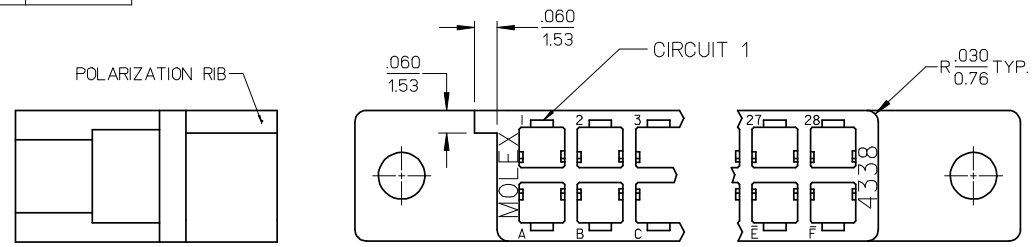
RECOMMENDED PCB LAYOUT
PCB THICKNESS: .062/(1.57)



2	D
I	D
SH.	REV.

ADD POL. RIB OPTION EC NO: UCP2008-2736 DRAWN: KIPPER 2008/05/27 CHKD: SSOUSEK 2008/05/27 APPR: FSMITH 2008/05/28	QUALITY SYMBOLS	GENERAL TOLERANCES (UNLESS SPECIFIED)	DIMENSION STYLE IN/MM	SCALE 4:1	DESIGN UNITS INCH	THIRD ANGLE PROJECTION	
	$\nabla=0$ $\nabla=0$	4 PLACES ± --- ± --- 3 PLACES ± --- ± .010 2 PLACES ± .025 ± .014 1 PLACE ± 0.35 ± --- ANGULAR ± 1/2°	DRAWN BY ROBERTS CHECKED BY DATE APPROVED BY LENZ DATE 1991/09/09	DATE 1991/09/09	TITLE HOUSING, DOUBLE ROW CONNECTOR		
	MATERIAL NO. SEE CHART	DOCUMENT NO. SD-4338			SHEET NO. 1 OF 2		
	DRAFT WHERE APPLICABLE MUST REMAIN WITHIN DIMENSIONS						

	13	12	11	10	9	8	7	6	5	4	3	2	1
J	PART NO.	ENG. NO.		PART NO.	ENG. NO.								
	09-50-6065	4338-6											
	09-50-5065	4338-6I											
	09-50-6085	4338-8											
	09-50-7085	4338-8R											
	09-50-5085	4338-8I											
I	09-50-6105	4338-10											
	09-50-5105	4338-10I											
	09-50-6125	4338-12											
	09-50-5125	4338-12I											
	09-50-6155	4338-15											
	09-50-5155	4338-15I											
	09-50-6185	4338-18											
H	09-50-5185	4338-18I											
	09-50-6225	4338-22											
	09-50-5225	4338-22I											
	09-50-6245	4338-24											
	09-50-5245	4338-24I											
	09-50-6255	4338-25											
G	09-50-5255	4338-25I											
	09-50-6285	4338-28											
	09-50-5285	4338-28I											
F													
E													
D													
C													
B													
A													



SHOWN WITH OPTIONAL POLARIZATION RIB

ADD POL. RIB OPTION EC NO: UCP2008-2736 DRAWN: KKI/PPER 2008/05/27 CHKD: SSO/SEK 2008/05/27 APPR: FSM/LH 2008/05/28	QUALITY SYMBOLS ▽=0 ▽=0	GENERAL TOLERANCES (UNLESS SPECIFIED)		DIMENSION STYLE IN/MM		SCALE ---	DESIGN UNITS INCH	THIRD ANGLE PROJECTION	
			mm	INCH	DRAWN BY ROBERTS	DATE 1991/09/16	TITLE HOUSING, DOUBLE ROW CONNECTOR		
		4 PLACES	±---	±---	CHECKED BY PATEL	DATE 1991/09/16			
		3 PLACES	±---	±.010	APPROVED BY LENZ		DATE 1991/09/16	MATERIAL NO. SEE CHART	
2 PLACES	±0.25	±.014	DOCUMENT NO. SD-4338		SHEET NO. 2 OF 2				
1 PLACE	±0.35	±---	DRAFT WHERE APPLICABLE MUST REMAIN WITHIN DIMENSIONS		THIS DRAWING CONTAINS INFORMATION THAT IS PROPRIETARY TO MOLEX INCORPORATED AND SHOULD NOT BE USED WITHOUT WRITTEN PERMISSION				
ANGULAR ±1/2°									