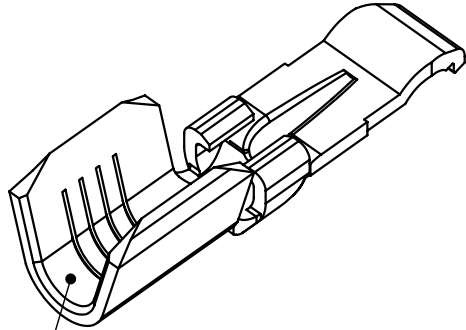
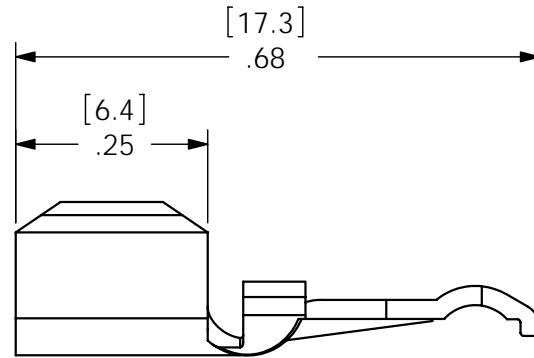
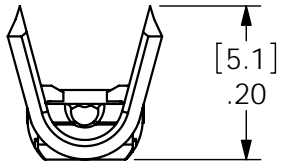
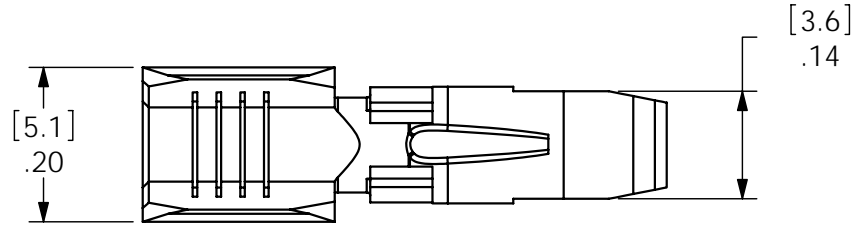


THE INFORMATION CONTAINED IN THIS DRAWING IS THE SOLE PROPERTY OF ANDERSON POWER PRODUCTS. ANY REPRODUCTION IN PART OR WHOLE WITHOUT THE WRITTEN PERMISSION OF ANDERSON POWER PRODUCTS IS PROHIBITED.

| REV | DESCRIPTION OF CHANGES | BY: | DATE    |
|-----|------------------------|-----|---------|
| 2   | ECRN: 13212 - REDRAWN  | CMS | 6/15/99 |
| 3   | ECRN: 14110 - REDRAWN  | AMS | 2/28/07 |



BARREL FOR  
#10-14 AWG WIRE



| ITEM NO.  | PART OR IDENTIFYING NO. | NOMENCLATURE OR DESCRIPTION                      | MATERIAL SPECIFICATION | QTY RECD  |
|---|-------------------------|--|------------------------|---|
| COPYRIGHT 1999 ANDERSON POWER PRODUCTS. ALL RIGHTS RESERVED. UNAUTHORIZED REPRODUCTION HEREBY PROHIBITED. |                         |  |                        |   |
| DIMENSIONS ARE IN INCHES<br>DIMENSIONS IN PARENTHESES<br>[ ] ARE IN MILLIMETERS                           |                         | CAD GENERATED DRAWING,<br>DO NOT MANUALLY UPDATE |                        | ANDERSON POWER PRODUCTS   |
| TOLERANCES ARE:<br>2PL- ±.02 [±.5]  |                         | APPROVALS  | DATE                   | <b>CATALOG #261G2</b><br><b>30-45 AMP CONTACT FOR</b><br><b>REEL TYPE "F" CRIMP</b> |
| MATERIALS:<br><i>COPPER</i>   |                         | DRAWN AC   | 3/11/94                |   |
| FINISH<br><i>HOT TIN DIP</i>  |                         | CHECKED DJD                                      | 3/11/94                |   |
| NEXT ASSY USED ON   |                         | RESP ENG UFN                                     | 3/11/94                |   |
| APPLICATION   |                         | MFG ENG CHB                                      | 3/11/94                | SIZE A SPECIFICATION: 112718S4  |
|   |                         | QUAL ENG HN                                      | 3/11/94                | REV. 3  |
|   |                         | SCALE NONE                                       | FILE: CADFILES/01037   | SHEET 1 OF 1  |