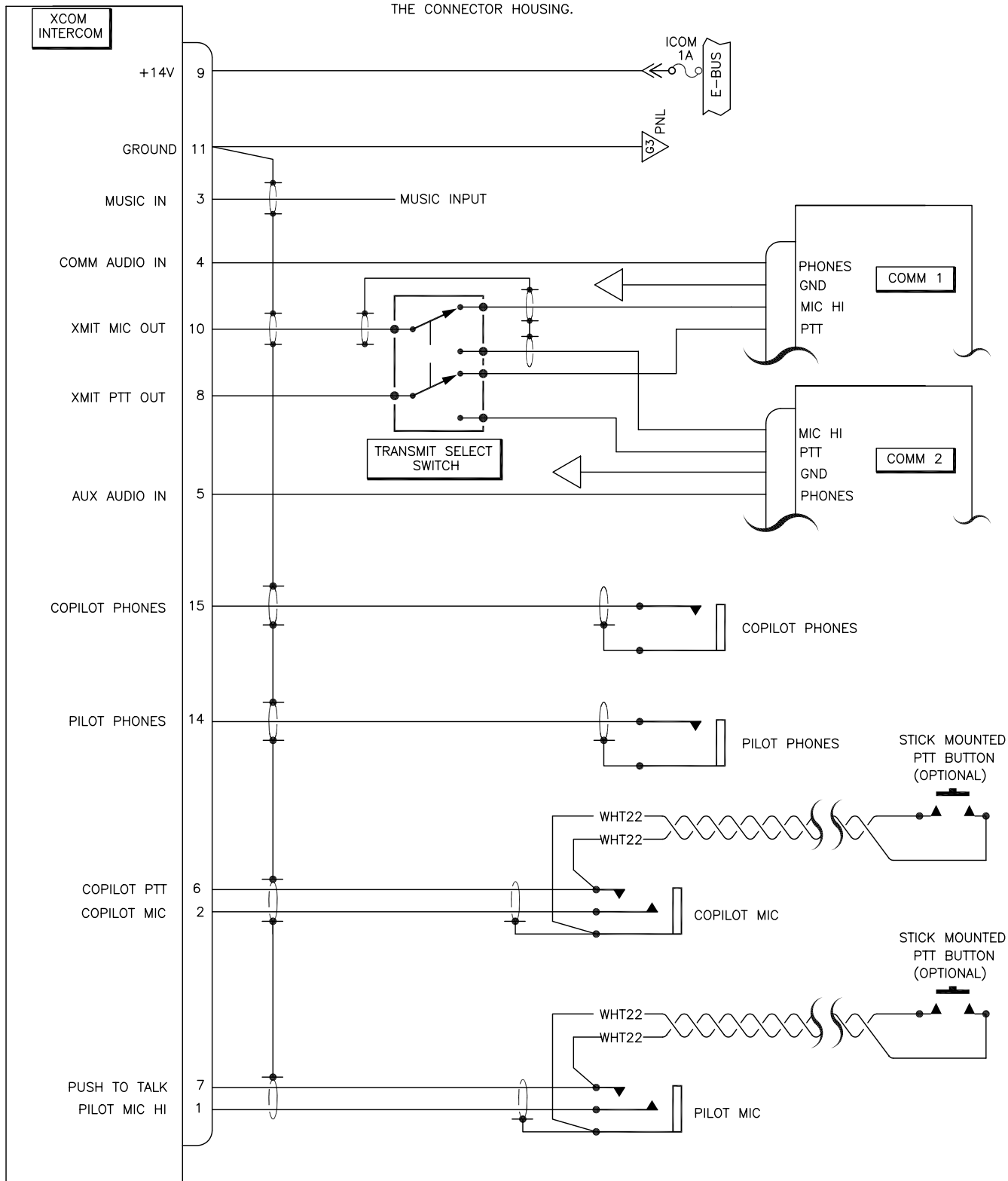


WIRE SIDE VIEW OF HARNESS (FEMALE) CONNECTOR  
 THIS IS HOW THE PIN LOCATIONS ARE NUMBERED  
 WHILE SOLDERING OR INSERTING CRIMPED PINS INTO  
 THE CONNECTOR HOUSING.



ALL WIRES 22AWG

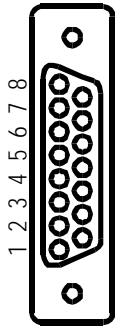
REV -A- 03-15-04

**AeroElectric Connection**  
 6936 Bainbridge Road, Wichita, KS

TITLE	PAGE
XCOM WITH TWO COMM	

# XCOM Intercom DIY Wiring Diagram

DB 15 plug viewed from the BACK



## DB 15 Pinouts

- Pin 1 Pilot Microphone
- Pin 2 Co Pilot Microphone
- Pin 3 Music audio input
- Pin 4 COM 1 Audio Input
- Pin 5 AUX Audio Input
- Pin 6 PTT Co Pilot
- Pin 7 PTT Pilot
- Pin 8 PTT COM 1 Output
- Pin 9 Power In + 12 Volts
- Pin 10 COM 1 Mike Out
- Pin 11 Ground
- Pin 12 PAX Mike In
- Pin 13 PAX Headphones Out
- Pin 14 Pilot Headphones Out
- Pin 15 Co Pilot Headphones Out

**NOTES:** Don't cheat on your plane & Equipment. ONLY use TEFZEL Aircraft quality wire for all harnesses it may cost more than ordinary wire but the results are well worth the extra expense.

- Power Pins 9 & 11**  
Pin No. 9 is the positive in, connect to a battery or to your positive wires in the aircraft, it MUST have a 500 ma fuse fitted.  
Pin No. 11 must be connected to a good ground, a lot of radio / intercom problems come back to a poor ground, ground to radio chassis also.
- Radio Connection Pins 8, 10 & 4**  
Pin No. 8 is the COM 1 PTT out pin, this makes the radio transmit  
Pin No. 10 is COM 1 Mike out allows your voice to be broadcast via the intercom to the radio  
Pin No. 4 is the COM 1 audio input, this allows you to hear the radio broadcasts
- Music IN Pin 3**  
Pin No. 3 is the music input which allows you to listen to radio, CD, MP3 or other devices
- Aux IN Pin 5**  
Pin No. 5 is the Auxiliary IN, this can be used for a second COM, landing gear warnings, stall warnings etc... where you want to hear the sound through your headphones
- Pin 12 & 13**  
Pins No. 12 and 13 are used in the 4 place intercom for wiring the position 3 and 4 headsets into the XCOM Intercom

