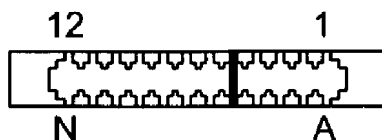


COMM

NARCO

COM 810/811

Connector



Circuit	Pin #	Notes
A/C GROUND	10	
A/C GROUND	L	
A+ POWER INPUT	9	
A+ POWER INPUT	K	
AUX AUDIO IN.....	3	
AUX AUDIO IN.....	4	
AUX AUDIO IN.....	C	
AUX AUDIO IN.....	D	
GROUND RETURN	7	
INTERCOM.....	2	
KEEP ALIVE	8	Note 1
KEY INSTALLED	5	
KEY INSTALLED	E	
LOW LEVEL AUDIO	6	
LOW LEVEL AUDIO	F	
LOW LEVEL PHONE	A	
MIC AUDIO	B	
MIC KEY	1	
REMOTE TRANSFER.....	H	
SPKR AMP INPUT	J	
SPKR OUTPUT.....	N	

(Continued)

For familiarization only. Consult the manufacturers current data.

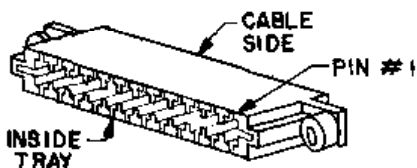
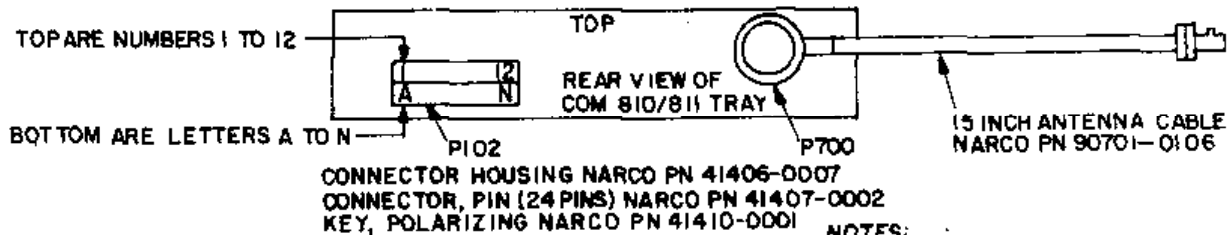
(COM 810/811 Continued)

SWITCHED A+ OUT 11
SWITCHED A+ OUT M
UP SCAN CONTROL..... 12

Notes

1. <u>Connected to</u>	<u>Active Freq</u>	<u>Stby Freq</u>
Battery	Last active	Last stby
Gnd	121.5	121.9
Open	Random	Random

For familiarization only. Consult the manufacturers current data.



NOTES:

- | KA PIN B TERMINATION | ACTIVE FREQ DISPLAYED | STBY FREQ DISPLAYED |
|----------------------|-----------------------|---------------------|
| BATTERY | LAST ACTIVE FREQ USED | LAST STBY FREQ USED |
| GROUND | 121.5 MHZ | 121.9 MHZ |
| OPEN CIRCUIT | RANDOM SELECTION | RANDOM SELECTION |
- | UNIT | CIRCUIT BREAKER | FUSE |
|---------|-----------------|--------|
| COM 810 | 4.0AMP | 7.5AMP |
| COM 811 | 2.0AMP | 3.5AMP |

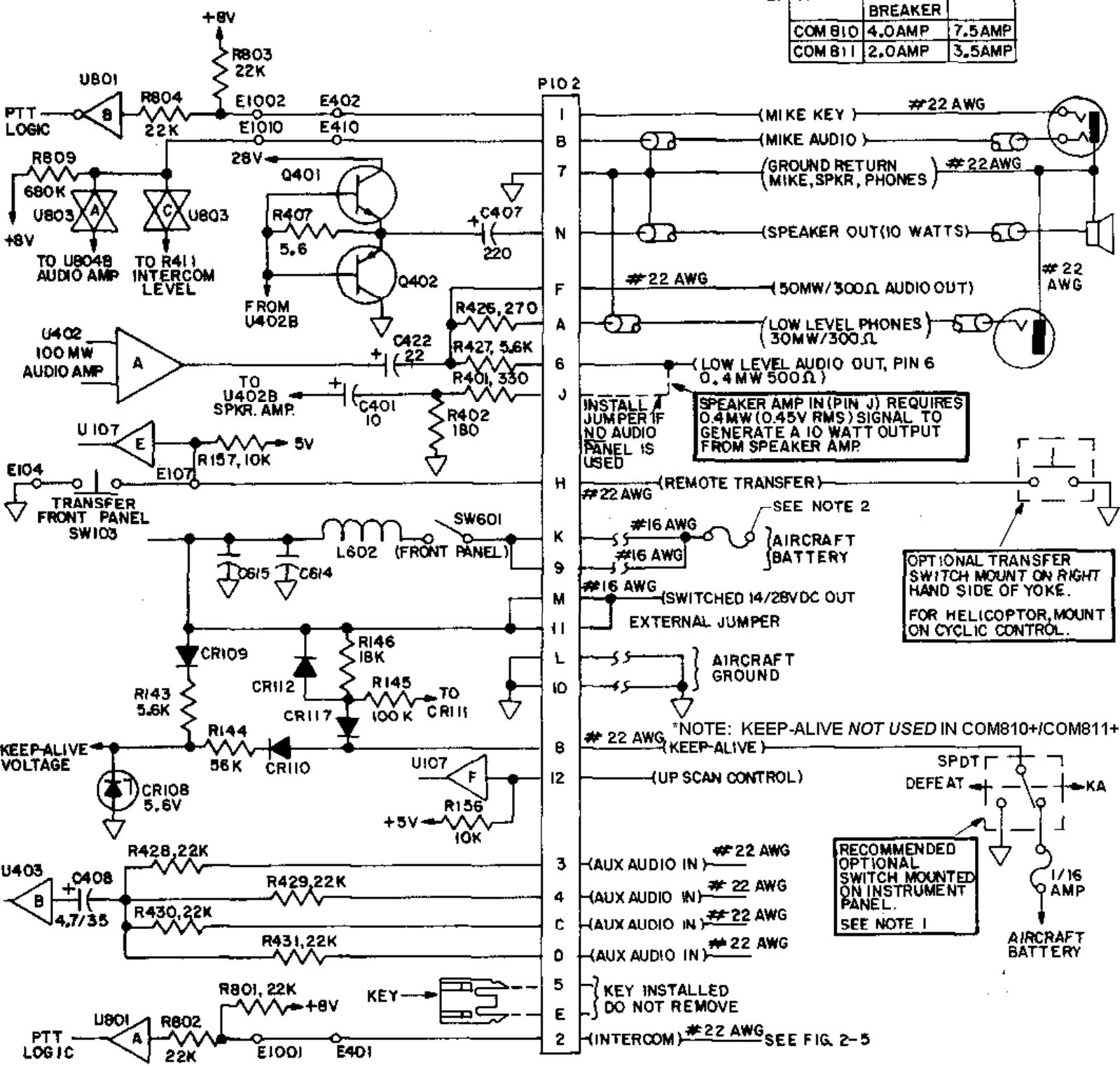


FIGURE 2-4. COM 810/811 EXTERNAL INTERCONNECT DIAGRAM