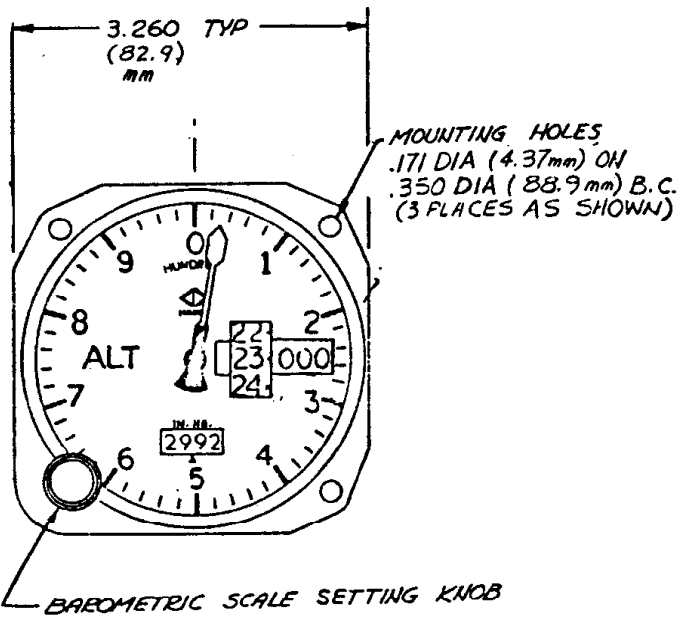
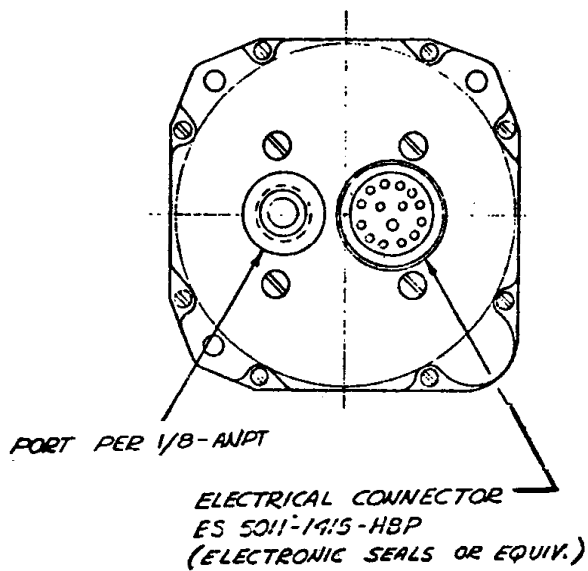


ELECTRICAL SCHEMATIC



AR-800 INSTALLATION DRAWING