

INSTALLATION AND OPERATION  
AR 4201 - ( )

C. Speaker connection

A 4 to 8 Ohm speaker can be connected to audio output P1- 1AF-asym.

**CAUTION :** The magnetic field of a speaker influences the magnetic compass. When choosing the mounting point, a minimum distance of 1.3 m must be maintained between the speaker and the magnetic compass.

D. Headphone connection

Up to two headphones with an impedance of 600 Ohm can be connected to the audio output P1 - 2,3 AF-HI/LO.

E. Intercom mode "IC connection".

The intercom mode is designed for aircraft with a high noise level and assumes operation using headsets. Additional wiring on the equipment connector with an IC switch is necessary (refer to Fig. 2-4 - 2-6). The normal R/T communication takes place with the IC switch in the OFF position. When the IC switch is set to ON, R/T communication can be carried on as before but intercommunication is also possible between two crew members. The IC is switched off during transmission.

F. Panel lighting

The VHF transceiver is fitted with panel lighting. It is to be connected to the aircraft external power supply via the aircraft wiring at terminal P1 23(+)/10(-) or to a dimmer control (refer to the following illustration). For aircraft without an external power supply, the lighting power should be supplied via a separate lighting switch to save power.

**CAUTION :** The lighting is not switched off when the unit is switched off (ON/OFF switch).

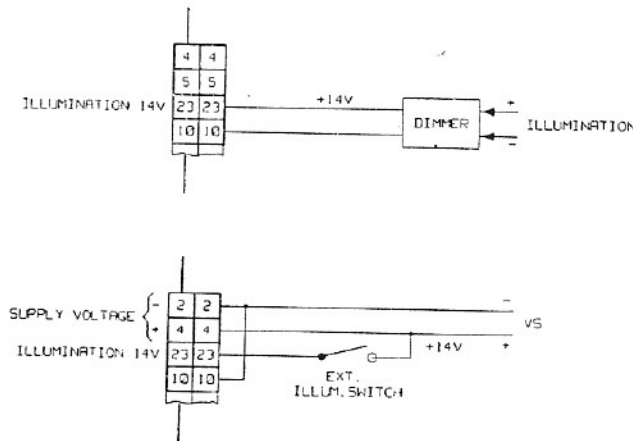


Fig. 2-1 Interwiring panel lighting

INSTALLATION AND OPERATION

AR 4201 - ( )

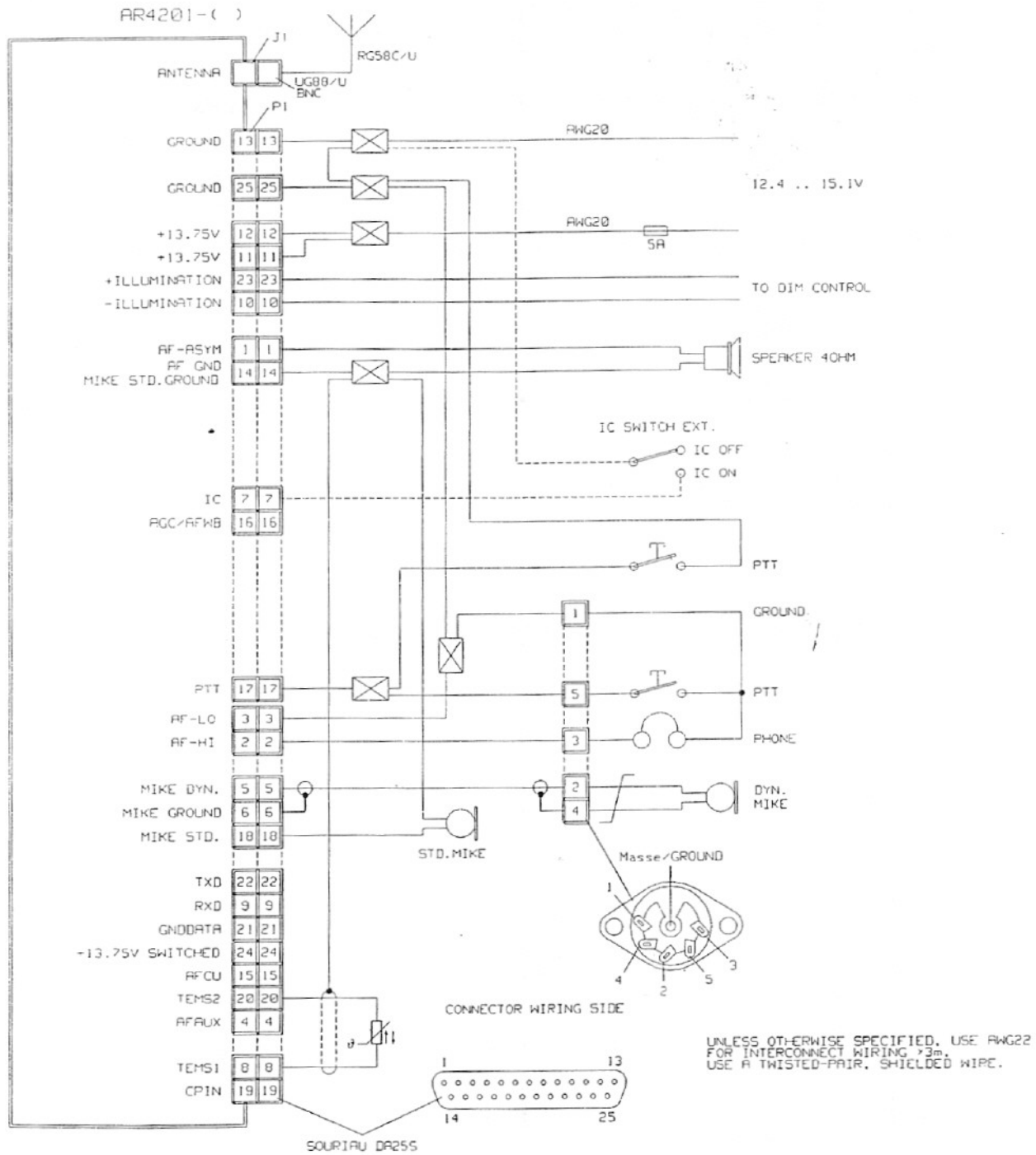


Fig. 2-4 Interwiring of the VHF transceiver with dynamic mike

**BECKER**  
**AVIONIC SYSTEMS**  
**INSTALLATION AND OPERATION**  
**AR 4201 - ( )**

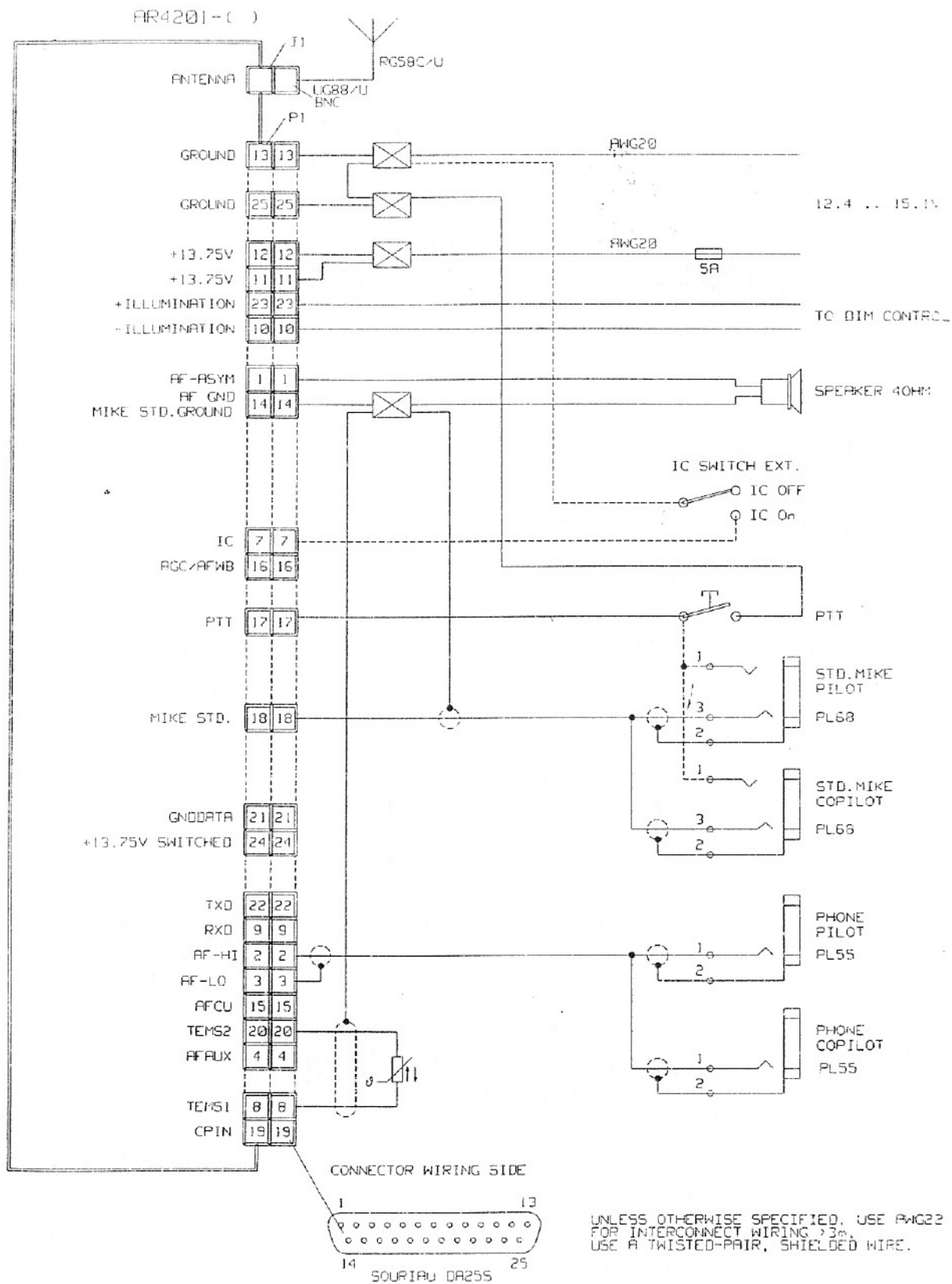


Fig. 2-5 Interwiring of the VHF transceiver with standard mike

INSTALLATION AND OPERATION

AR 4201 - ( )

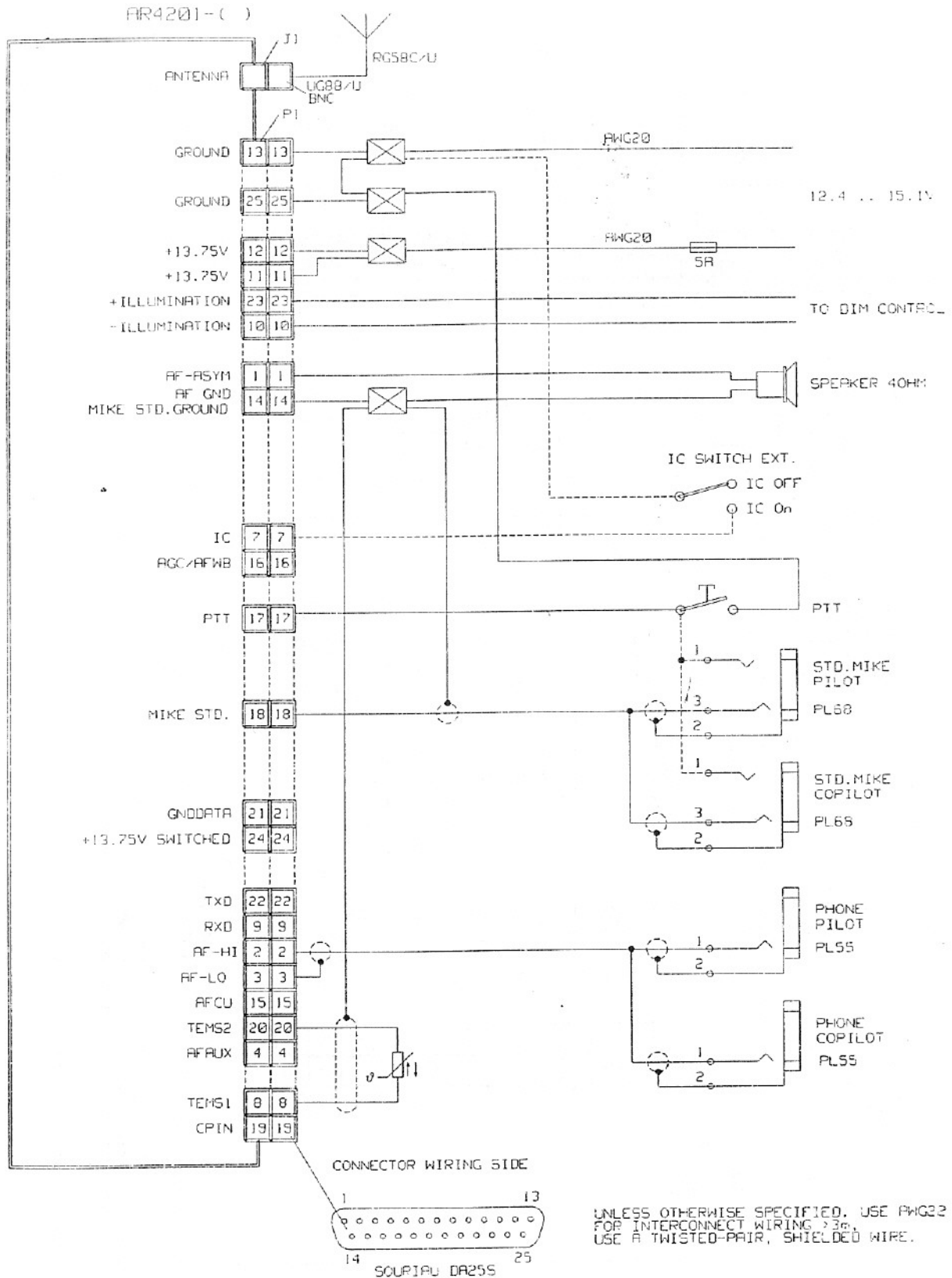


Fig. 2-5 Interwiring of the VHF transceiver with standard mike

**BECKER**  
**AVIONIC SYSTEMS**  
**INSTALLATION AND OPERATION**  
**AR 4201 - ( )**

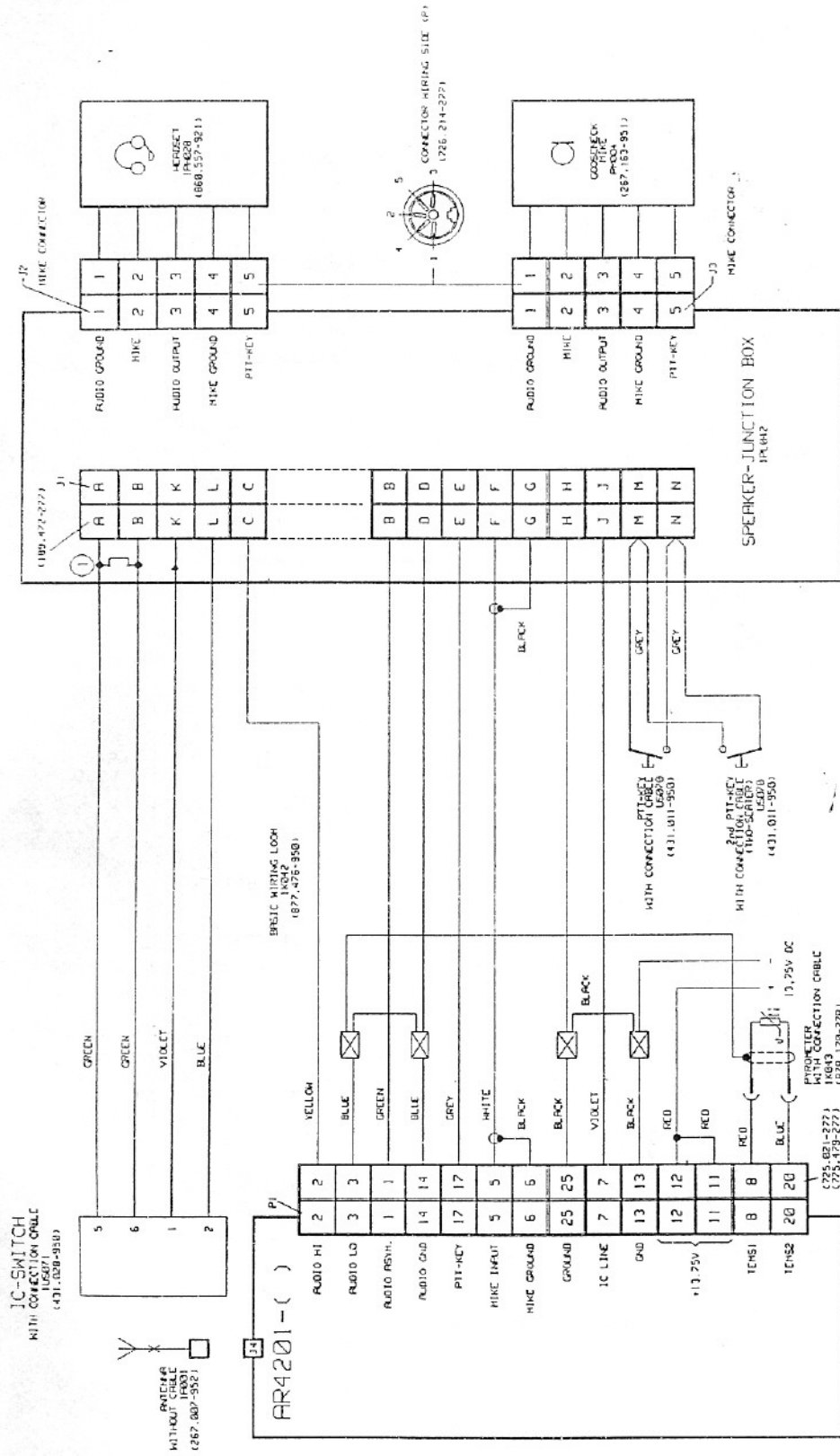


Fig. 2-6 Interwiring AR 4201 - ( ) with speaker junction

CAUTION: THE MAGNETIC FIELD OF THE SPEAKER WILL EFFECT THE COMPASS. THEREFORE MINIMUM SPACE BETWEEN SPEAKER AND COMPASS MUST BE 1.3 m WHEN SELECTING SPEAKER LOCATION.

NOTE

① NUMBER IF NO IC-SWITCH IS USED, NO CONNECTION AT K AND L.

( ) STOCK NO.

WIRING DIAGRAM AR4201 with BASIC WIRING LOOM and SPEAKER-JUNCTION BOX