

UNLESS OTHERWISE SPECIFIED
 DIMENSIONS ARE IN INCHES
 TOLERANCES ARE:
 DECIMAL 0.XX = ±0.03
 DECIMAL 0.XXX = ±0.005
 ANGLES = ±2 DEGREES

NAME	DATE
DRAWN	8-28-5
CHECK	
PROJECT	
APPROVED	

AeroElectric Connection
 6936 Bainbridge Road, Wichita KS 67226-1008

TITLE
BATTERY SWITCH

DRAWING NO.
 9042-100

SCALE FULL

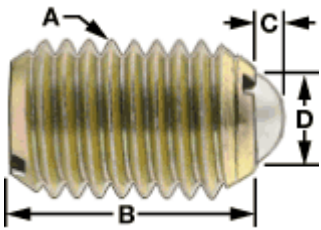
JOB NO.

REVISION

DATE

PAGE 1 OF 1

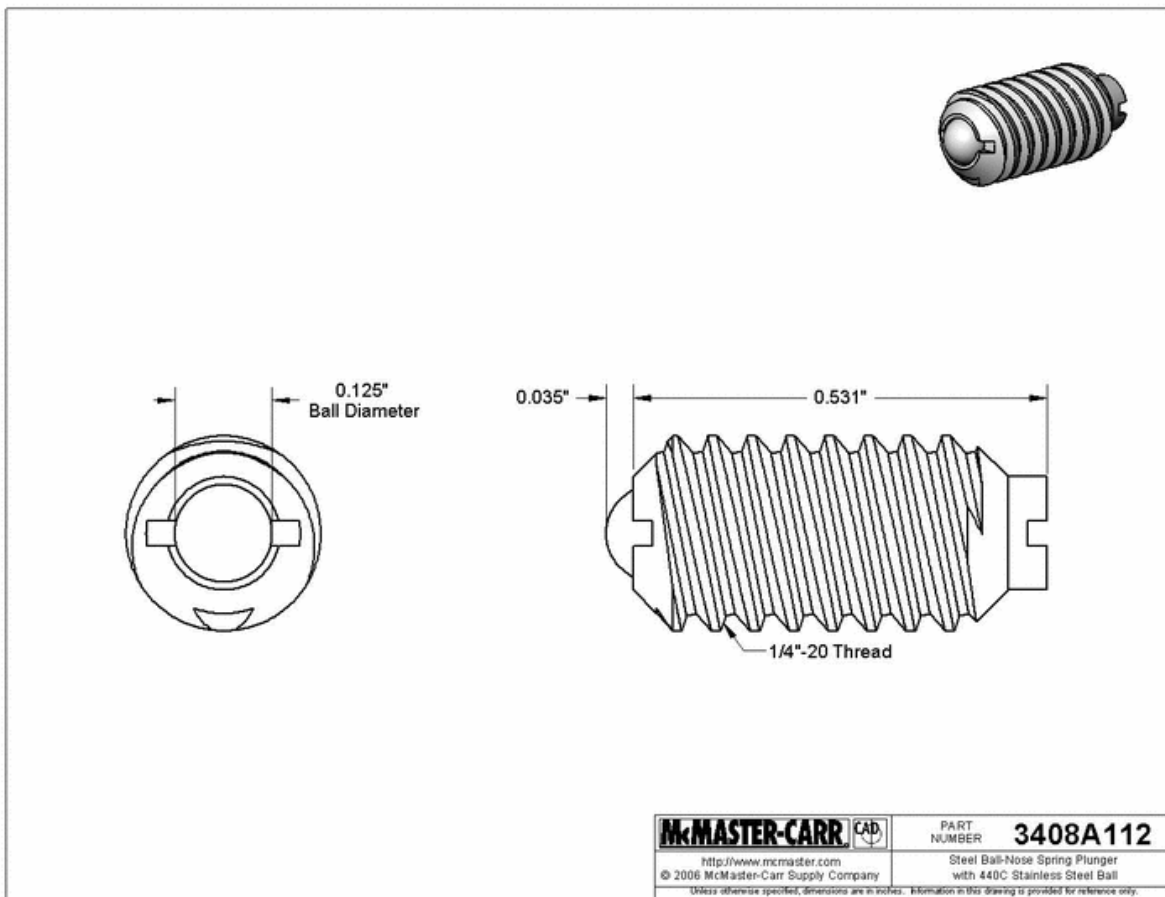
Spring Plungers



Part Number: **3408A112**

\$2.65 Each

Type	Ball-Nose
Spring Plunger Type	Spring Plunger
Drive	Slotted
Thread Class	2A
Body Material	Steel
Body Finish	Plain
Nose/Ball Material	440C Stainless Steel
Nose/Ball Finish	Plain
Inch Thread Size	1/4"-20
End Force Initial/Final	4 lbs. / 12 lbs.
Body Length (B)	.531"
Nose/Ball Projection (C)	.035"
Nose/Ball Diameter (D)	.125"
Locking Element	Without Nylon Thread-Locking Element
Maximum Temperature	250° F
Optional Plunger Wrench	Order 3382A14 for installation and removal. Works better than a screwdriver because the center hole lets the nose pass through to avoid damaging or overloading the spring.



McMASTER-CARR CAD	PART NUMBER 3408A112
http://www.mcmaster.com © 2006 McMaster-Carr Supply Company	Steel Ball-Nose Spring Plunger with 440C Stainless Steel Ball
<small>Unless otherwise specified, dimensions are in inches. Information in this drawing is provided for reference only.</small>	