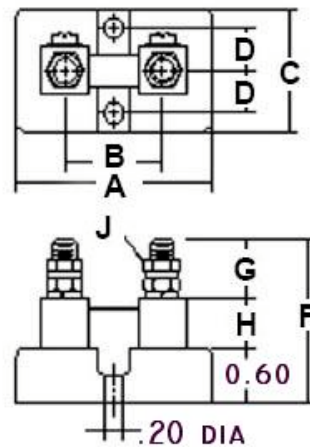
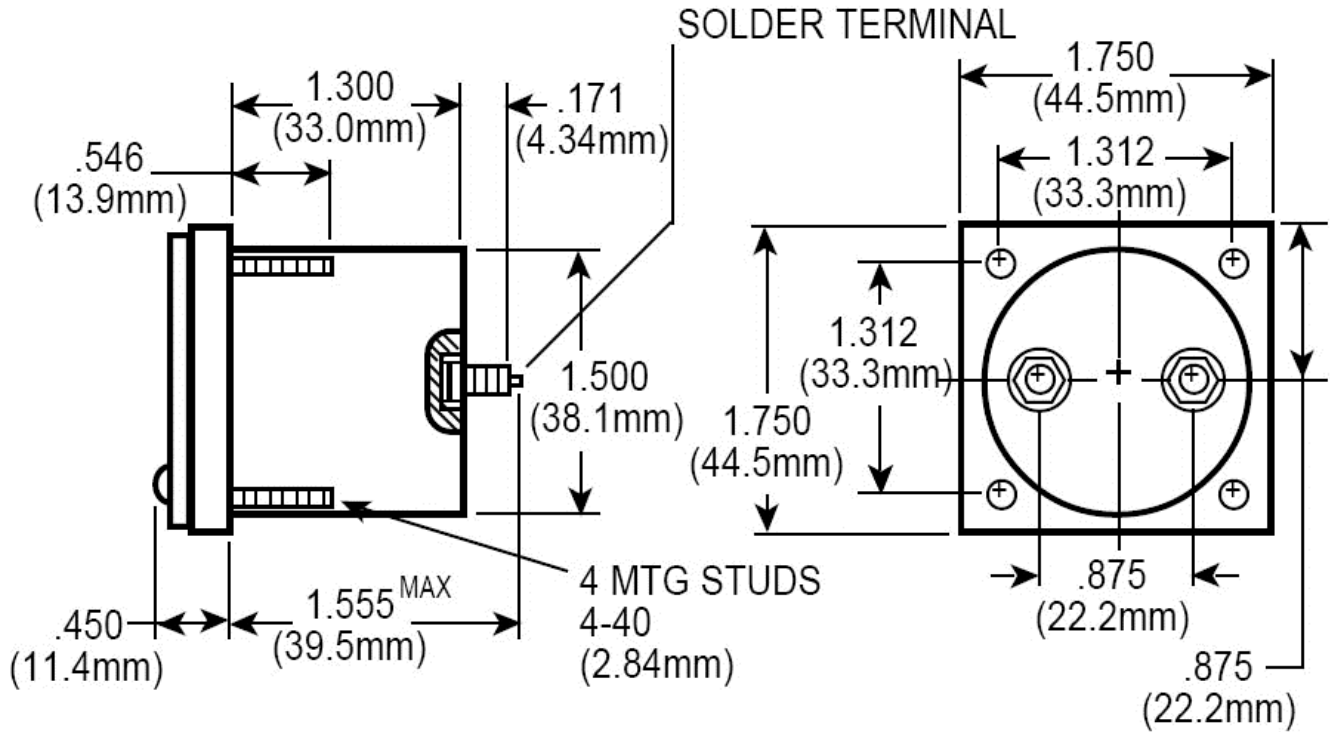


# AEC9007 Series Loadmeter and Shunts

## Principal Dimensions



A	B	C	D	F	G	H	J
2.00	1.00	1.25	.437	1.688	.625	.500	1/4-28

